

# Aspire 7535/7235 Series

## Quick Guide

Copyright © 2009. Acer Incorporated.  
All Rights Reserved.

Aspire 7535/7235 Series Quick Guide  
Original Issue: 03/2009

Changes may be made periodically to the information in this publication without obligation to notify any person of such revisions or changes. Such changes will be incorporated in new editions of this manual or supplementary documents and publications.

Record the model number, serial number, purchase date and place of purchase information in the space provided below. The serial number and model number are recorded on the label affixed to your computer. All correspondence concerning your unit should include the serial number, model number and purchase information.

This booklet has been reviewed for accuracy. Although Acer makes all reasonable attempts for this booklet to be printed in an accurate manner, Acer takes no responsibility for any inadvertent errors or misprints. Acer's liability with respect to this booklet is subject to any limitation of liability set out in the applicable product warranty.

No part of this publication may be reproduced, stored in a retrieval system, or transmitted, in any form or by any means, electronically, mechanically, by photocopy, recording or otherwise, without the prior written permission of Acer Incorporated.

Aspire 7535/7235 Series Notebook PC

Model number: \_\_\_\_\_

Serial number: \_\_\_\_\_

Date of purchase: \_\_\_\_\_

Place of purchase: \_\_\_\_\_

Acer and the Acer logo are registered trademarks of Acer Incorporated. Other companies' product names or trademarks are used herein for identification purposes only and belong to their respective companies.

# First things first

We would like to thank you for making an Acer notebook your choice for meeting your mobile computing needs.


## Your guides

To help you use your Acer notebook, we have designed a set of guides:

First off, the **Just for Starters...** poster helps you get started with setting up your computer.

The **Aspire Series Generic User Guide** contains useful information applying to all models in the Aspire product series. It covers basic topics such as using the keyboard and audio, etc. Please understand that due to its nature, the **Generic User Guide** as well as the **AcerSystem User Guide** mentioned below will occasionally refer to functions or features which are only contained in certain models of the series, but not necessarily in the model you purchased. Such instances are marked in the text with language such as "only for certain models".

The **Quick Guide** introduces you to the basic features and functions of your new computer. For more on how your computer can help you to be more productive, please refer to the **AcerSystem User Guide**. This guide contains detailed information on such subjects as system utilities, data recovery, expansion options and troubleshooting. In addition it contains warranty information and the general regulations and safety notices for your notebook. It is available in Portable Document Format (PDF) and comes preloaded on your notebook. Follow these steps to access it:

- 1 Click on  **Start, All Programs, AcerSystem.**
- 2 Click on **AcerSystem User Guide.**



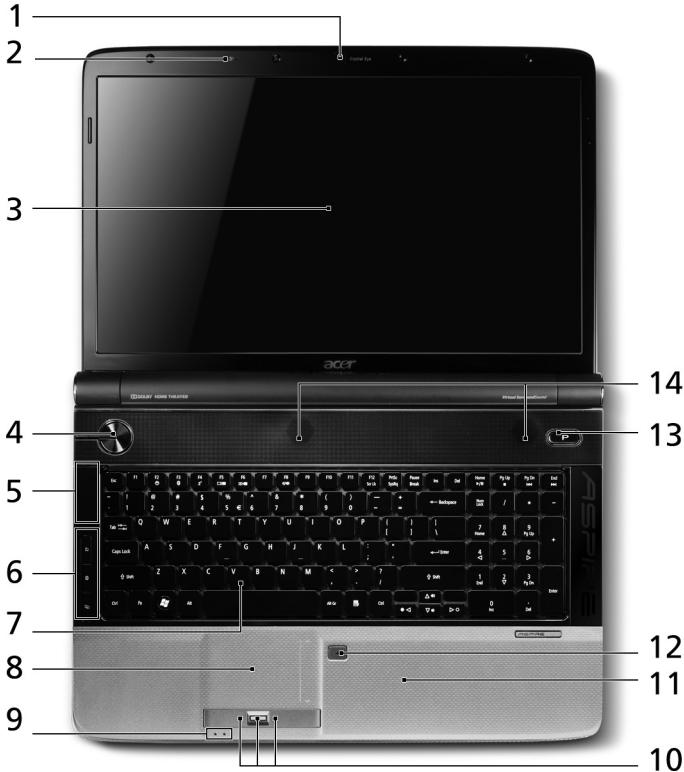
.....


**Note:** Viewing the file requires Adobe Reader. If Adobe Reader is not installed on your computer, clicking on **AcerSystem User Guide** will run the Adobe Reader setup program first. Follow the instructions on the screen to complete the installation. For instructions on how to use Adobe Reader, access the **Help and Support** menu.












# Your Acer notebook tour

After setting up your computer as illustrated in the **Just for Starters...** poster, let us show you around your new Acer notebook.

## Top view



#	Icon	Item	Description
1		Acer Crystal Eye webcam	Web camera for video communication. (only for certain models)
2		Microphone	Internal microphone for sound recording.
3		Display screen	Also called Liquid-Crystal Display (LCD), displays computer output (Configuration may vary by models).











#	Icon	Item	Description
4		Power button	Turns the computer on and off.
5		HDD	Indicates when the hard disk drive is active.
		Num Lock	Lights up when Num Lock is activated.
		Caps Lock	Lights up when Caps Lock is activated.
6		Wireless LAN communication button/indicator	Enables/disables the wireless LAN function. Indicates the status of wireless LAN communication.
		Bluetooth communication button/indicator	Enables/disables the Bluetooth function. Indicates the status of Bluetooth communication. (only for certain models)
		Backup key	Launches Acer Backup Management for three-step data backup.
7		Keyboard	For entering data into your computer.
8		Touchpad	Touch-sensitive pointing device which functions like a computer mouse.
9		Power <sup>1</sup>	Indicates the computer's power status.
		Battery <sup>1</sup>	Indicates the computer's battery status. <b>1. Charging:</b> The light shows amber when the battery is charging. <b>2. Fully charged:</b> The light shows blue when in AC mode.
10		Click buttons (left, center* and right)	The left and right buttons function like the left and right mouse buttons. *The center button serves as Acer Bio-Protection fingerprint reader supporting Acer FingerNav 4-way control function (only for certain models).
11		Palmrest	Comfortable support area for your hands when you use the computer.
12		Touchpad toggle	Turns the internal touchpad on and off.
13		Programmable key	User-programmable.
14		Speakers	Left and right speakers deliver stereo audio output.

1. The front panel indicators are visible even when the computer cover is closed up.

## Hotkeys


The computer employs hotkeys or key combinations to access most of the computer's controls like screen brightness and volume output.

To activate hotkeys, press and hold the **<Fn>** key before pressing the other key in the hotkey combination.

Hotkey	Icon	Function	Description
<b>&lt;Fn&gt; + &lt;F2&gt;</b>		System property	Starts System Property for displaying system information.
<b>&lt;Fn&gt; + &lt;F3&gt;</b>		Bluetooth	Enables/disables the Bluetooth function. (only for certain models)
<b>&lt;Fn&gt; + &lt;F4&gt;</b>		Sleep	Puts the computer in Sleep mode.
<b>&lt;Fn&gt; + &lt;F5&gt;</b>		Display toggle	Switches display output between the display screen, external monitor (if connected) and both.
<b>&lt;Fn&gt; + &lt;F6&gt;</b>		Screen blank	Turns the display screen backlight off to save power. Press any key to return.
<b>&lt;Fn&gt; + &lt;F8&gt;</b>		Speaker toggle	Turns the speakers on and off.
<b>&lt;Fn&gt; + &lt;D&gt;</b>		Brightness up	Increases the screen brightness.
<b>&lt;Fn&gt; + &lt;C&gt;</b>		Brightness down	Decreases the screen brightness.
<b>&lt;Fn&gt; + &lt;A&gt;</b>		Volume up	Increases the sound volume.
<b>&lt;Fn&gt; + &lt;V&gt;</b>		Volume down	Decreases the sound volume.

## Closed front view



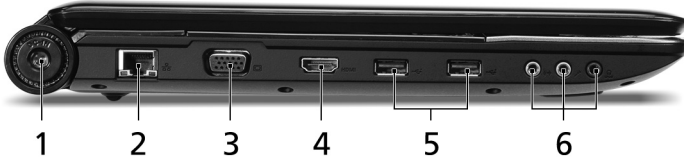
#	Icon	Item	Description
1		5-in-1 card reader	Accepts Secure Digital (SD), MultiMediaCard (MMC), Memory Stick (MS), Memory Stick PRO (MS PRO), xD-Picture Card (xD). <b>Note:</b> Push to remove/install the card. Only one card can operate at any given time.








## Rear view



#	Item	Description
1	Ventilation slots	Enable the computer to stay cool, even after prolonged use.

## Left view






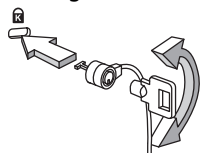
#	Icon	Item	Description
1		DC-in jack	Connects to an AC adapter.
2		Ethernet (RJ-45) port	Connects to an Ethernet 10/100/1000-based network.
3		External display (VGA) port	Connects to a display device (e.g., external monitor, LCD projector).
4	HDMI	HDMI port	Supports high definition digital video connections.
5		USB 2.0 port	Connect to USB 2.0 devices (e.g., USB mouse, USB camera).
6		Line-in jack	Accepts audio line-in devices (e.g., audio CD player, stereo walkman, mp3 player)
		Microphone-in jack	Accepts inputs from external microphones.
		Headphones/speaker/line-out jack with S/PDIF support	Connects to audio line-out devices (e.g., speakers, headphones).



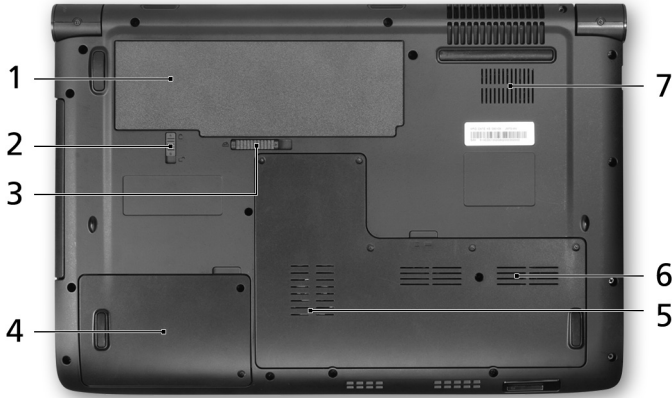
## Right view









#	Icon	Item	Description
1		USB 2.0 port	Connects to USB 2.0 devices (e.g., USB mouse, USB camera).
2		Optical drive	Internal optical drive; accepts CDs or DVDs.
3		Optical disk access indicator	Lights up when the optical drive is active.
4		Optical drive eject button	Ejects the optical disk from the drive.
5		Emergency eject hole	Ejects the optical drive tray when the computer is turned off. <b>Note:</b> Insert a paper clip to the emergency eject hole to eject the optical drive tray when the computer is off.
6		Modem (RJ-11) port	Connects to a phone line.
7		Kensington lock slot	Connects to a Kensington-compatible computer security lock. <b>Note:</b> Wrap the computer security lock cable around an immovable object such as a table or handle of a locked drawer. Insert the lock into the notch and turn the key to secure the lock. Some keyless models are also available.



## Base view



#	Icon	Item	Description
1		Battery bay	Houses the computer's battery pack.
2		Battery release latch	Releases the battery for removal.
3		Battery lock	Locks the battery in position.
4		Hard disk bay- Secondary	Houses the computer's hard disk (secured with screws) (only for certain models).
5		Hard disk bay-Main	Houses the computer's hard disk (secured with screws).
6		Memory compartment	Houses the computer's main memory.
7		Ventilation slots and cooling fan	Enable the computer to stay cool, even after prolonged use. <b>Note:</b> Do not cover or obstruct the opening of the fan.

# Specifications

Operating system	<ul style="list-style-type: none"> <li>Genuine Windows Vista®</li> </ul>
Platform	<ul style="list-style-type: none"> <li>AMD Better By Design Program, featuring:           <ul style="list-style-type: none"> <li>AMD Turion™ X2 dual-core processor*</li> <li>AMD Athlon™ 64 X2 dual-core processor*</li> <li>Mobile AMD Sempron™ processor*</li> <li>AMD M780G Chipset</li> <li>Acer InviLink™ Nplify™ 802.11b/g/Draft-N*</li> <li>Acer InviLink™ 802.11b/g*</li> </ul> </li> </ul>
System memory	<ul style="list-style-type: none"> <li>Dual-Channel SDRAM support</li> <li>Up to 2 GB of DDR2 667 MHz memory, upgradeable to 4 GB using two soDIMM modules</li> </ul>
Display	<ul style="list-style-type: none"> <li>16:9 aspect ratio</li> <li>17.3" HD+ 1600 x 900</li> </ul>
Graphics	<ul style="list-style-type: none"> <li>ATI Radeon™ HD 3200 Graphics*</li> <li>ATI Mobility Radeon™ HD 4570*</li> </ul>
Audio	<ul style="list-style-type: none"> <li>Dolby®-optimized surround sound system with two built-in stereo speakers</li> <li>True5.1-channel surround sound output</li> <li>High-definition audio support</li> <li>S/PDIF (Sony/Philips Digital Interface) support for digital speakers</li> <li>MS-Sound compatible</li> <li>Acer PureZone technology with two built-in stereo microphones</li> </ul>
Storage subsystem	<ul style="list-style-type: none"> <li>2.5" hard disk drive</li> <li>Optical drive options:           <ul style="list-style-type: none"> <li>Blu-ray Disc™/DVD-Super Multi double-layer drive*</li> <li>DVD-Super Multi double-layer drive*</li> </ul> </li> <li>5-in-1 card reader</li> </ul>
Communication	<ul style="list-style-type: none"> <li>Integrated Acer Crystal Eye webcam*</li> <li>WLAN:           <ul style="list-style-type: none"> <li>Acer InviLink™ Nplify™ 802.11b/g/Draft-N*</li> <li>Acer InviLink™ 802.11b/g*</li> </ul> </li> <li>WPAN: Bluetooth® 2.0+Enhanced Data Rate (EDR)*</li> <li>LAN: Gigabit Ethernet; Wake-on-LAN ready</li> <li>Modem: 56K ITU V.92; Wake-on-Ring ready</li> </ul>

Privacy control	<ul style="list-style-type: none"> <li>• BIOS user, supervisor, HDD passwords</li> <li>• Kensington lock slot</li> </ul>
Dimensions and weight	<ul style="list-style-type: none"> <li>• 410 (W) x 286 (D) x 35/41.5 (H) mm (16.14 x 11.25 x 1.37/1.63 inches)</li> <li>• 3.36 kg (7.4 lbs.) with one HDD and 8-cell battery pack</li> <li>• 3.25 kg (7.1 lbs.) with one HDD and 6-cell battery pack</li> </ul>
Power subsystem	<ul style="list-style-type: none"> <li>• ACPI 3.0</li> <li>• 71 W 4800 mAh*</li> <li>• 48.8 W 4400 mAh*</li> <li>• 3-pin 65 W AC adapter*</li> <li>• 3-pin 90 W AC adapter*</li> <li>• ENERGY STAR®*</li> </ul>
Special keys and controls	<ul style="list-style-type: none"> <li>• 103-/104-/107-key keyboard</li> <li>• Touchpad pointing device</li> </ul>
I/O interface	<ul style="list-style-type: none"> <li>• 5-in-1 card reader (SD/MMC/MS/MS PRO/xD)</li> <li>• Acer Bio-Protection fingerprint reader*</li> <li>• USB 2.0 port</li> <li>• HDMI™ port with HDCP support</li> <li>• External display (VGA) port</li> <li>• Headphones/speaker/line-out jack with S/PDIF support</li> <li>• Microphone-in jack</li> <li>• Line-in jack</li> <li>• Ethernet (RJ-45) port</li> <li>• Modem (RJ-11) port</li> <li>• DC-in jack for AC adapter</li> </ul>
Environment	<ul style="list-style-type: none"> <li>• Temperature: <ul style="list-style-type: none"> <li>• Operating: 5 °C to 35 °C</li> <li>• Non-operating: -20 °C to 65 °C</li> </ul> </li> <li>• Humidity (non-condensing): <ul style="list-style-type: none"> <li>• Operating: 20% to 80%</li> <li>• Non-operating: 20% to 80%</li> </ul> </li> </ul>



**Note:** \* Only for certain models



**Note:** The specifications listed above are for reference only. The exact configuration of your PC depends on the model purchased.

## Free Manuals Download Website

<http://myh66.com>

<http://usermanuals.us>

<http://www.somanuals.com>

<http://www.4manuals.cc>

<http://www.manual-lib.com>

<http://www.404manual.com>

<http://www.luxmanual.com>

<http://aubethermostatmanual.com>

Golf course search by state

<http://golfingnear.com>

Email search by domain

<http://emailbydomain.com>

Auto manuals search

<http://auto.somanuals.com>

TV manuals search

<http://tv.somanuals.com>