

# Predator X34

Quick Guide



# Acer LCD Monitor Quick Start Guide (QSG)

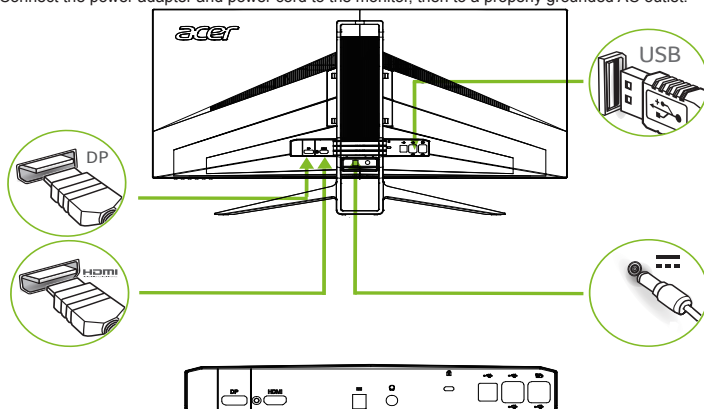
## Important safety instructions

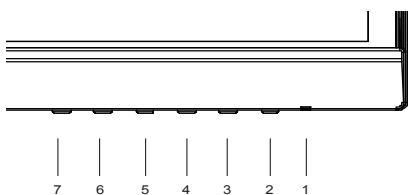
Please read the following instructions carefully.

- To clean the LCD monitor screen:
  - Turn off the LCD monitor and unplug the power cord.
  - Spray a non-solvent cleaning solution onto a rag and clean the screen gently.
- Do not place the LCD monitor near a window. Exposing the monitor to rain, moisture or sunlight can severely damage it.
- Do not apply pressure to the LCD screen. Excessive pressure may cause permanent damage to the display.
- Do not remove the cover or attempt to service this unit yourself. An authorized technician should perform servicing of any nature.
- Store the LCD monitor in a room with a temperature of -20° to 60° C (-4° to 140° F). Storing the LCD monitor outside this range may result in permanent damage.
- Immediately unplug your monitor and call an authorized technician if any of the following circumstances occur:
  - Monitor-to-PC signal cable is frayed or damaged.
  - Liquid spills onto the LCD monitor or the monitor is exposed to rain.
  - The LCD monitor or case is damaged.
- In order to prevent damage to the LCD panel, do not place the monitor face down on a surface.






## Connecting your monitor to a computer

- Turn off your computer and unplug your computer's power cord.
- Connect the signal cable to the HDMI 1.4 (optional) and /or DP (optional) input socket of the monitor, and the HDMI 1.4 (optional) and /or DP (optional) output socket of the graphics card on the computer. Then tighten the thumbscrews on the signal cable connector.
- Connect the USB Cable(Optional)  
Connect the USB 3.0 cable to port for fast charge.  
Connect the USB 3.0 cable to port.
- Insert the monitor power cable into the power port at the back of the monitor.
- Connect the power adapter and power cord to the monitor, then to a properly grounded AC outlet.





## External controls

1&2	Power button	Turns the monitor on/off. Blue indicates power on. Amber indicates standby/ power saving mode.
3	Function key 	<ol style="list-style-type: none"> <li>Press to view Main page. Press again to enter next function in the Function Menu.</li> <li>When the Function Menu is active, press this key selected or move to the next function.</li> </ol>
4	Function key 	<ol style="list-style-type: none"> <li>Press to view Main page. Press again to enter Input select function.</li> <li>When the Function Menu is active, press this button selected or move to the previous function.</li> </ol>
5	Function key 	<ol style="list-style-type: none"> <li>Press to view Main page. Press again to enter Volume adjustment function.</li> <li>When the Function Menu is active, this button will enter a selection in the OSD.</li> </ol>
6	Function key 	<ol style="list-style-type: none"> <li>Press to view Function Menu. Press again to activate the Brightness adjust function.</li> <li>When the OSD menu is active, this button will act as the exit key (exit OSD menu).</li> </ol>
7	Function key 	<ol style="list-style-type: none"> <li>Press to select scenario mode or game mode.</li> </ol>

## G-SYNC (DP only):

3440x1440@60Hz:

G-SYNC requires an NVIDIA GeForce GTX650Ti BOOST GPU or higher. For more information, visit the nVidia® website: <http://www.nvidia.com/page/home.html>

3440x1440@100Hz:

G-SYNC requires an NVIDIA GeForce GTX960 BOOST GPU or higher. For more information, visit the nVidia® website: <http://www.nvidia.com/page/home.html>

## DTS Sound:



For DTS patents, see <http://patents.dts.com>. Manufactured under license from DTS Licensing Limited. DTS, the Symbol, & DTS and the Symbol together are registered trademarks, and DTS Sound is a trademark of DTS, Inc. © DTS, Inc. All Rights Reserved.

# Regulations and safety notices

## FCC notices

This device has been tested and found to comply with the limits for a Class B digital device pursuant to Part 15 of the FCC rules. These limits are designed to provide reasonable protection against harmful interference in a residential installation. This device generates, uses, and can radiate radio frequency energy and, if not installed and used in accordance with the instructions, may cause harmful interference to radio communications. However, there is no guarantee that interference will not occur in a particular installation. If this device does cause harmful interference to radio or television reception, which can be determined by turning the device off and on, the user is encouraged to try to correct the interference by one or more of the following measures:

- Reorient or relocate the receiving antenna.
- Increase the separation between the device and receiver.
- Connect the device into an outlet on a circuit different from that to which the receiver is connected.
- Consult the dealer or an experienced radio/television technician for help.

## CE declaration of conformity

Hereby, Acer Inc., declares that this LCD monitor is in compliance with the essential requirements and other relevant provisions of EMC Directive 2014/30/EU, Low Voltage Directive 2014/35/EU, and RoHS Directive 2011/65/EU and Directive 2009/125/EC with regard to establishing a framework for the setting of ecodesign requirements for energy-related product.

### Notice: Shielded cables

All connections to other computing devices must be made using shielded cables to maintain compliance with EMC regulations.

### Notice: Peripheral devices

Only peripherals (input/output devices, terminals, printers, etc.) certified to comply with the Class B limits may be attached to this equipment. Operation with non-certified peripherals is likely to result in interference to radio and TV reception.

### Caution

Changes or modifications not expressly approved by the manufacturer could void the user authority, which is granted by the Federal Communications Commission, to operate this product. In order to prevent damage to the monitor, do not lift the monitor by its base.

### Operation conditions

This device complies with Part 15 of the FCC Rules. Operation is subject to the following two conditions: (1) this device may not cause harmful interference, and (2) this device must accept any interference received, including interference that may cause undesired operation.

### Notice: Canadian users

CAN ICES-3(B)/NMB-3(B)

### Restriction on Hazardous Substances statement (India)

This product complies with the "India E-waste Rule 2016" and prohibits use of lead, mercury, hexavalent chromium, polybrominated biphenyls or polybrominated diphenyl ethers in concentrations exceeding 0.1 weight % and 0.01 weight % for cadmium, except for the exemptions set in Schedule 2 of the Rule.

### Disposal of waste equipment by user in private household in the European Union



This symbol on the product or on its packaging indicates that this product must not be disposed of with your other household waste. Instead, it is your responsibility to dispose of your waste equipment by handing it over to a designated collection point for the recycling of waste electrical and electronic equipment. The separate collection and recycling of your waste equipment at the time of disposal will help to conserve natural resources and ensure that it is recycled in a manner that protects human health and the environment. For more information about where you can drop off your waste equipment for recycling, please contact your local city office, your household waste disposal service or the shop where you purchased the product.

Acer monitor is purposed for video and visual display of information obtained from electronic devices.

# SPECIFICATION

LCD Panel	Driving system	TFT Color LCD	
	Size	34 "W (87cm)	
	Pixel pitch	0.233mm(H) x 0.233mm(V)	
	Brightness	300cd/m <sup>2</sup> (Typical)	
	Contrast	100,000,000:1Max. (ACM)	
	Viewable angle (Typical)	172° (H) 178° (V) (CR≥10)	
	Response time	4ms (GTG,Typical)	
	Panel Type	In-Plane Switching	
	Video	Digital Interface	
	H-Frequency	88KHz~88KHz (3440x1440@60Hz) 150KHz~150KHz (3440x1440@100Hz)	
	V-Frequency	30Hz~60Hz (3440x1440@60Hz) 30Hz~100Hz (3440x1440@100Hz)	
Display Colors	1.07B Colors		
Dot Clock	313MHz (3440x1440@60Hz) 540MHz (3440x1440@100Hz)		
Max. Resolution	Normal mode: 3440x1440@60Hz Overclocking mode: 3440x1440@100Hz		
Plug & Play	VESA DDCCI/DDC2B		
Energy Efficiency Class	C		
*Annual Energy Consumption(Typical)	93 (kWh) (for HDMI 1.4-input Model)		
Power consumption @200cd/m <sup>2</sup>	ON Mode	54W(typ.)	
	Sleep Mode	0.5W(typ.)	
	Off Mode	0.4W(typ.)	
Input Connector	DP (Only DP Model) HDMI 1.4 (Only HDMI 1.4 Model) USB Hub / USB3.0 x 4 (Only USB Hub Model)		
Input Video Signal	DP signal(Only DP-Input Model) HDMI 1.4 signal(Only HDMI 1.4-Input Model)		
Speakers(Typical)	7W x 2		
Maximum Screen Size	Horizontal:799.8mm Vertical:334.8mm		
Power Source	100-240V~, 50/60Hz		
Environmental Considerations	Operating Temp: 5° to 35°C Storage Temp: -20° to 60°C Operating Humidity: 10% to 85%		
Dimensions	825.1 (W) x 455.9~585.9(H) x 309(D)mm		
Weight (N. W.)	10.1kg Unit (net)		
Mechanism spec	Tilt: -5° to +35° Swivel: -30° to +30° Height adjustment: 130mm Pivot: No Detachable foot stand: Yes		
External Controls:	Functions	Brightness Contrast Blue Light Dark boost Adaptive Contrast Gamma Color Temp Saturation 6-axis color Volume DTS Over Drive Over Clock Aim point Language OSD Timeout Transparency Refresh rate num Input Ambient Light Hotkey Assignment Wide Mode Deep Sleep Power-off USB charge Reset	

\* All specifications are subject to change without notice.

Find manuals and other documents for your Acer product on the official Acer support website.

\*Annual energy consumption is calculated using the typical power consumption 4 hours per day, 365 days per year.



**Acer Incorporated**  
8F, 88, Sec. 1, Xintai 5th Rd., Xizhi  
New Taipei City 221, Taiwan

## Declaration of Conformity

We,

**Acer Incorporated**

8F, 88, Sec. 1, Xintai 5th Rd., Xizhi, New Taipei City 221, Taiwan

And,

**Acer Italy s.r.l.**

Via Lepetit, 40, 20020 Lainate (MI) Italy

Tel: +39-02-939-921 ,Fax: +39-02 9399-2913

www.acer.it

<b>Product:</b>	<b>LCD Monitor</b>
<b>Trade Name:</b>	<b>ACER</b>
<b>Model Number:</b>	<b>X34</b>
<b>SKU Number:</b>	<b>X34 xxxxxx ("x" = 0~9, a ~ z, A ~ Z, or blank)</b>

We, Acer Incorporated, hereby declare under our sole responsibility that the product described above is in conformity with the relevant Union harmonization legislations as below Directive and following harmonized standards and/or other relevant standards have been applied:

**EMC Directive: 2014/30/EU**

EN55032:2012/AC:2013 Class B

EN 55024:2010

EN61000-3-2:2014 Class D

EN61000-3-3:2013

**LVD Directive: 2014/35/EU**

EN 60950-1:2006/A11:2009/A1:2010/A12:2011/A2:2013

**RoHS Directive: 2011/65/EU**

EN 50581:2012

**ErP Directive: 2009/125/EC**

Regulation (EU) No. 617/ 2013

Regulation (EC) No. 278/2009; EN 50563:2011

Regulation (EC) No. 1275/ 2008; EN 50564:2011

Year to begin affixing CE marking: 2017.

**RU Jan / Sr. Manager**  
**Acer Incorporated (Taipei, Taiwan)**

**Oct. 12, 2017**  
Date



Acer Incorporated  
8F, 88, Sec. 1, Xintai 5th Rd., Xizhi,  
New Taipei City 221, Taiwan

## Declaração de Conformidade

Nós,

**Acer Incorporated**

8F, 88, Sec. 1, Xintai 5th Rd., Xizhi, New Taipei City 221, Taiwan

E,

**Acer Italy s.r.l.**

Via Lepetit, 40, 20020 Lainate (MI) Italy

Tel: +39-02-939-921, Fax: +39-02 9399-2913

www.acer.it

<b>Produto:</b>	<b>Monitor LCD</b>
<b>Designação comercial:</b>	<b>Acer</b>
<b>Número do modelo:</b>	<b>X34</b>
<b>Número SKU:</b>	<b>X34 xxxxxx ("x" = 0-9, a-z, A-Z, ou espaço em branco)</b>

Nós, Acer Incorporated, declaramos sob nossa exclusiva responsabilidade que o produto acima descrito está em conformidade com a legislação de harmonização da União e que foram aplicadas as Diretivas e normas indicadas abaixo e/ou outras normas relevantes:

**Diretiva CEM: 2014/30/UE**

EN 55032:2012/AC:2013 Classe B

EN 55024:2010

EN 61000-3-2:2014 Classe D

EN 61000-3-3:2013

**Diretiva LVD: 2014/35/UE**

EN 60950-1:2006/A11:2009/A1:2010/A12:2011/A2:2013

**Diretiva RSP: 2011/65/UE**

EN 50581:2012

**Diretiva ErP: 2009/125/CE**

Regulamentação (CE) N°. 617/ 2013

Regulamentação (CE) N°. 278/2009; EN 50563:2011

Regulamentação (CE) N°. 1275/ 2008; EN 50564:2011

Ano para iniciar a utilização da marca CE: 2017.

**RU Jan / Administrador**  
**Acer Incorporated (Taipé, Taiwan)**

**Oct.12,2017**

**Data**





**Acer Incorporated**  
8F, 88, Sec. 1, Xintai 5th Rd., Xizhi  
New Taipei City 221, Taiwan

## Déclaration de conformité

Nous,

**Acer Incorporated**

8F, 88, Sec. 1, Xintai 5th Rd., Xizhi, New Taipei City 221, Taiwan

Et,

**Acer Italy s.r.l.**

Via Lepetit, 40, 20020 Lainate (MI) Italy

Tél : +39-02-939-921, Fax : +39-02 9399-2913

www.acer.it

<b>Produit :</b>	<b>Moniteur LCD</b>
<b>Nom commercial :</b>	<b>Acer</b>
<b>Numéro de modèle :</b>	<b>X34</b>
<b>Numéro SKU :</b>	<b>X34 xxxxxx ( "x" = 0~9, a ~ z, A ~ Z, ou blanc)</b>

Nous, Acer Incorporated, déclarons par la présente, sous notre seule responsabilité, que le produit décrit ci-dessus est conforme aux législations d'harmonisation pertinentes de l'Union comme la directive ci-dessous, et que les normes harmonisées suivantes et / ou d'autres normes pertinentes ont été appliquées :

**Directive CEM : 2014/30/UE**

EN 55032:2012/AC:2013 Classe B

EN 55024:2010

EN 61000-3-2:2014 Classe D

EN 61000-3-3:2013

**Directive LVD : 2014/35/UE**

EN 60950-1:2006/A11:2009/A1:2010/A12:2011/A2:2013

**Directive RoHS : 2011/65/UE**

EN 50581:2012

**Directive ErP : 2009/125/CE**

Règlementation (CE) n° 617/2013

Règlementation (CE) n° 278/2009; EN 50563:2011

Règlementation (CE) n° 1275/2008; EN 50564:2011

Année de début concernant l'apposition du marquage CE : 2017.

**RU Jan / Dirigeant**  
**Acer Incorporated (Taipei, Taiwan)**

**Oct.12,2017**

**Date**



**Acer Incorporated**  
8F, 88, Sec. 1, Xintai 5th Rd., Xizhi  
New Taipei City 221, Taiwan

## Dichiarazione di conformità

Con la presente,

**Acer Incorporated**

8F, 88, Sec. 1, Xintai 5th Rd., Xizhi, New Taipei City 221, Taiwan

E,

**Acer Italy s.r.l.**

Via Lepetit, 40, 20020 Lainate (MI) Italy

Tel: +39-02-939-921, Fax: +39-02 9399-2913

www.acer.it

**Prodotto:** Monitor LCD  
**Denominazione commerciale:** Acer  
**Numero modello:** X34  
**Numero articolo (SKU):** X34 xxxxxx ( "x" = 0~9, a ~ z, A ~ Z, o spazio)

Acer Incorporated, dichiara sotto la propria responsabilità che il prodotto sopra descritto è conforme alle pertinenti normative di armonizzazione dell'Unione, come le Direttive che seguono, e che sono state applicate le seguenti norme armonizzate e/o altre norme pertinenti:

**Direttiva EMC: 2014/30/UE**

EN 55032:2012/AC:2013 Classe B

EN 55024:2010

EN 61000-3-2:2014 Classe D

EN 61000-3-3:2013

**Direttiva LVD: 2014/35/EU**

EN 60950-1:2006 / A11:2009 / A1:2010 / A12:2011 / A2:2013

**Direttiva RoHS: 2011/65/UE**

EN 50581:2012

**Direttiva ErP: 2009/125/CE**

Regolamento (CE) numero 617/ 2013

Regolamento (CE) numero 278/2009; EN 50563:2011

Regolamento (CE) numero 1275/ 2008; EN 50564:2011

Anno per iniziare l'apposizione della marcatura CE: 2017.

**RU Jan / Senior Manager**  
**Acer Incorporated (Taipei, Taiwan)**

**Oct.12,2017**  
**Data**



Acer Incorporated  
8F, 88, Sec. 1, Xintai 5th Rd., Xizhi  
New Taipei City 221, Taiwan

## Conformiteitverklaring

Wij,

**Acer Incorporated**  
8F, 88, Sec. 1, Xintai 5th Rd., Xizhi, New Taipei City 221, Taiwan

En,

**Acer Italy s.r.l.**  
Via Lepetit, 40, 20020 Lainate (MI) Italy  
Tel: +39-02-939-921, Fax: +39-02-9399-2913  
www.acer.it

**Product:** LCD-monitor  
**Handelsnaam:** Acer  
**Modelnummer:** X34  
**SKU-nummer:** X34 xxxxxx ( "x" = 0~9, a~z, A~Z, of leeg)

Wij, Acer Incorporated, verklaren hierbij onder exclusieve verantwoordelijkheid dat het hierboven beschreven product voldoet aan de relevante wetten op harmonisering in de Unie zoals in de onderstaande Richtlijn en dat de geharmoniseerde normen en/of andere relevante standaarden werden toegepast:

**EMC-richtlijn: 2014/30/EU**

<input checked="" type="checkbox"/> EN 55032:2012/AC:2013 Klasse B	<input checked="" type="checkbox"/> EN 55024:2010
<input checked="" type="checkbox"/> EN 61000-3-2:2014 Klasse D	<input checked="" type="checkbox"/> EN 61000-3-3:2013

**LVD-richtlijn: 2014/35/EU**

<input checked="" type="checkbox"/> EN 60950-1:2006/A11:2009/A1:2010/A12:2011/A2:2013
---

**RoHS-richtlijn: 2011/65/EU**

<input checked="" type="checkbox"/> EN 50581:2012
---

**ErP-richtlijn: 2009/125/EG**

<input checked="" type="checkbox"/> Verordening (EU) nr. 617/2013	<input checked="" type="checkbox"/> Verordening (EG) nr. 278/2009; EN 50563:2011
<input type="checkbox"/> Verordening (EG) nr. 1275/2008; EN 50564:2011	

Jaar om de CE-markering te beginnen aanbrengen: 2017.

**RU Jan / Sr. Manager**  
**Acer Incorporated (Taipei, Taiwan)**

**Oct.12,2017**  
**Date**



**Acer Incorporated**  
8F, 88, Sec. 1, Xintai 5th Rd., Xizhi  
New Taipei City 221, Taiwán

## Declaración de conformidad

Nosotros,

**Acer Incorporated**  
8F, 88, Sec. 1, Xintai 5th Rd., Xizhi, New Taipei City 221, Taiwán

Y,

**Acer Italy, S.R.L.**  
Via Lepetit, 40, 20020 Lainate (MI) Italy  
Tel: +39-02-939-921, Fax: +39-02 9399-2913  
www.acer.it

**Producto:** Monitor LCD  
**Nombre comercial:** Acer  
**Número de modelo:** X34  
**Número de Referencia (SKU):** X34 xxxxxx ( "x" = 0~9, a ~ z, A ~ Z, o en blanco)

Nosotros, Acer Incorporated, por la presente declaramos bajo nuestra exclusiva responsabilidad que el producto descrito anteriormente cumple con la normativa de armonización correspondiente en la Unión Europea, la Directiva a continuación y las siguientes normas armonizadas y/o se han aplicado otras normas pertinentes:

**Directiva CEM: 2014/30/UE**

<input checked="" type="checkbox"/> EN 55032:2012/AC:2013 Clase B	<input checked="" type="checkbox"/> EN 55024:2010
<input checked="" type="checkbox"/> EN 61000-3-2:2014 Clase D	<input checked="" type="checkbox"/> EN 61000-3-3:2013

**Directiva de baja tensión: 2014/35/UE**

<input checked="" type="checkbox"/> EN 60950-1:2006/A11:2009/A1:2010/A12:2011/A2:2013
---

**Directiva RoHS: 2011/65/UE**

<input checked="" type="checkbox"/> EN 50581:2012
---

**Directiva ErP: 2009/125/CE**

<input checked="" type="checkbox"/> Reglamento (CE) N° 617/2013	<input checked="" type="checkbox"/> Reglamento (CE) N° 278/2009; EN 50563:2011
<input type="checkbox"/> Reglamento (CE) N° 1275/2008; EN 50564:2011	

Año para empezar a aplicar el marcado CE: 2017.

**RU Jan / Administrador Superior**  
**Acer Incorporated (Taipei, Taiwán)**

**Oct.12.2017**  
**Fecha**



**Acer Incorporated**  
8F, 88, Sec. 1, Xintai 5th Rd., Xizhi  
New Taipei City 221, Taiwan

## Konformitätserklärung

Wir,

**Acer Incorporated**

8F, 88, Sec. 1, Xintai 5th Rd., Xizhi, New Taipei City 221, Taiwan,

Und

**Acer Italy s.r.l.**

Via Lepetit, 40, 20020 Lainate (MI) Italy

Tel.: +39-02-939-921, Fax: +39-02 9399-2913

www.acer.it

<b>Produkt:</b>	<b>LCD-Monitor</b>
<b>Handelsbezeichnung:</b>	<b>Acer</b>
<b>Modellnummer:</b>	<b>X34</b>
<b>Artikelnummer:</b>	<b>X34 xxxxxx („x“ = 0 bis 9, a bis z, A bis Z oder Leerzeichen)</b>

Wir, Acer Incorporated, erklären hiermit in alleiniger Verantwortung, dass das oben beschriebene Produkt mit den relevanten Angleichungsrechtsvorschriften der Union entsprechend der nachstehenden Richtlinie übereinstimmt und folgende harmonisierte Standards und/oder anderen relevanten Standards angewandt wurden:

**EMV-Richtlinie: 2014/30/EU**

<input checked="" type="checkbox"/> EN 55032:2012/AC:2013 Klasse B	<input checked="" type="checkbox"/> EN 55024:2010
<input checked="" type="checkbox"/> EN 61000-3-2:2014 Klasse D	<input checked="" type="checkbox"/> EN 61000-3-3:2013

**LVD-Richtlinie: 2014/35/EU**

<input checked="" type="checkbox"/> EN 60950-1:2006/A11:2009/A1:2010/A12:2011/A2:2013
---

**RoHS-Richtlinie: 2011/65/EU**

<input checked="" type="checkbox"/> EN 50581:2012
---

**Ökodesign-Richtlinie (ErP): 2009/125/EG**

<input checked="" type="checkbox"/> Verordnung (EG) Nr. 617/ 2013	<input checked="" type="checkbox"/> Verordnung (EG) Nr. 278/2009; EN 50563:2011
<input type="checkbox"/> Verordnung (EG) Nr. 1275/ 2008; EN 50564:2011	

Jahr, in dem mit der Anbringung der CE-Kennzeichnung begonnen wird: 2017.

*RU Jan*

**RU Jan / leitender Manager**  
**Acer Incorporated (Taipeh, Taiwan)**

**Oct.12,2017**

**Datum**



**Acer America Corporation**  
333 West San Carlos St., San Jose  
Suite 1500  
CA 95110, U. S. A.  
Tel : 254-298-4000  
Fax : 254-298-4147  
[www.acer.com](http://www.acer.com)



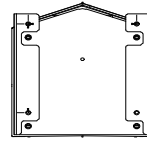
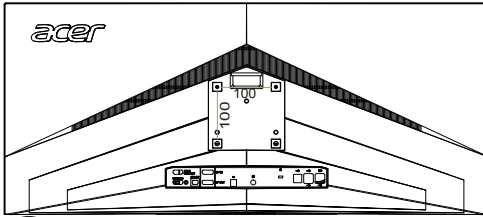
## Federal Communications Commission Declaration of Conformity

This device complies with Part 15 of the FCC Rules. Operation is subject to the following two conditions: (1) this device may not cause harmful interference, and (2) this device must accept any interference received, including interference that may cause undesired operation.

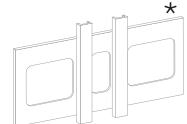
The following local Manufacturer /Importer is responsible for this declaration:

<b>Product:</b>	<b>LCD Monitor</b>
<b>Model Number:</b>	<b>X34</b>
<b>SKU Number:</b>	<b>X34 xxxxxx</b> <b>("x" = 0~9, a ~ z, or A ~ Z)</b>
<b>Name of Responsible Party:</b>	<b>Acer America Corporation</b>
<b>Address of Responsible Party:</b>	<b>333 West San Carlos St.</b> <b>Suite 1500</b> <b>San Jose, CA 95110</b> <b>U. S. A.</b>
<b>Contact Person:</b>	<b>Acer Representative</b>
<b>Phone No.:</b>	<b>254-298-4000</b>
<b>Fax No.:</b>	<b>254-298-4147</b>

# Mounting the monitor



Wall mount BKT

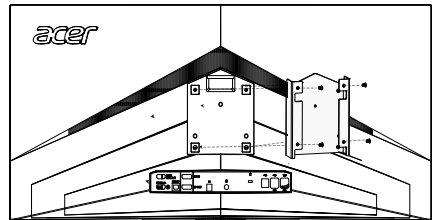
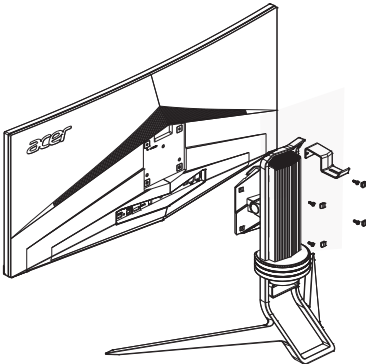


\*Purchased separately



## Note:

- The LCD monitor shall only be used with an approved arm (e.g. GS mark).
- To meet the safety requirements, the monitor must be mounted to an arm that supports the weight of the monitor.
- This monitor supports the VESA industry standard 100 mm mounting holes.



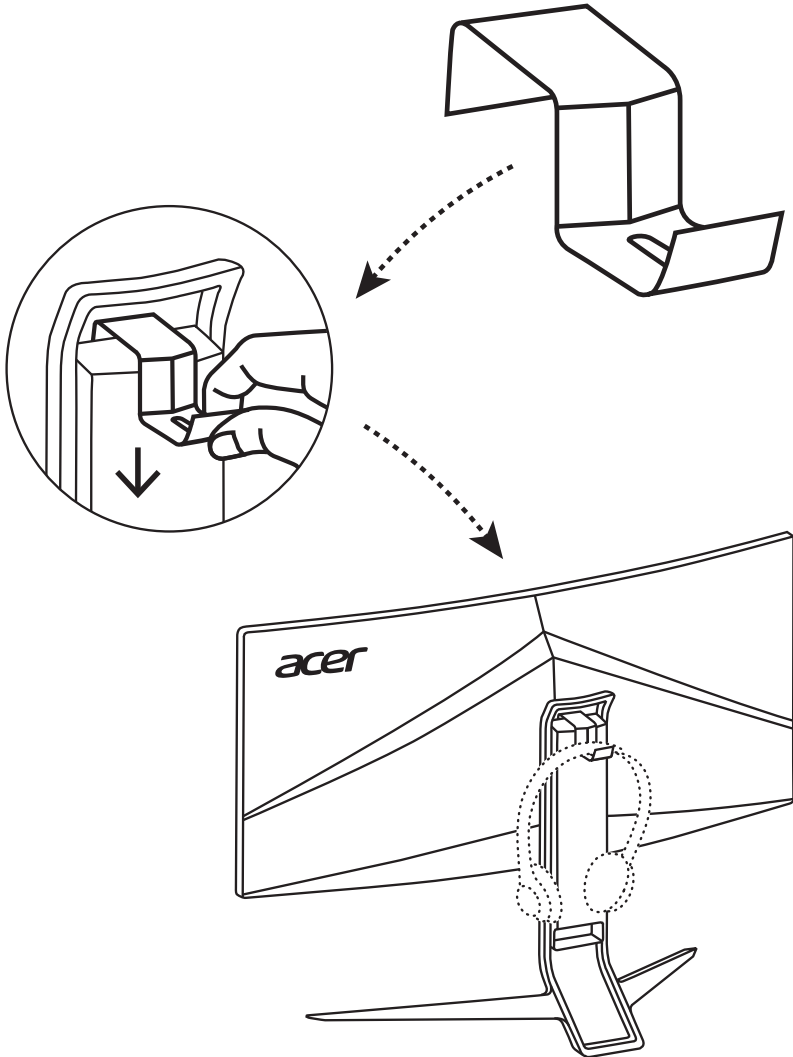
## Note:

The monitor could be mounted to the wall through mounting bracket, the steps as below,

1. Remove the stand from the monitor, keep the four screws(M4\*10.0mm).
2. To attach the monitor to a mounting bracket (purchased separately)
  - 2.1. Attach the wall mount BKT with four M4\*8.0mm screws, tighten it to the back of the monitor;
  - 2.2. Attach the mounting bracket with four M4\*10.0mm screws, tighten it to the wall mount BKT.

# Acer Headset hook assembly Instructions

---



Illustrations are for reference only.

---



Regulatory Compliance



TÜV SÜD  
Technische  
Überwachung  
und  
Zertifizierung



UA.TR.060







*acer*



F41G34M1786-4D----



MU.T3M00.015



Recyclable Paper



## Free Manuals Download Website

<http://myh66.com>

<http://usermanuals.us>

<http://www.somanuals.com>

<http://www.4manuals.cc>

<http://www.manual-lib.com>

<http://www.404manual.com>

<http://www.luxmanual.com>

<http://aubethermostatmanual.com>

Golf course search by state

<http://golfingnear.com>

Email search by domain

<http://emailbydomain.com>

Auto manuals search

<http://auto.somanuals.com>

TV manuals search

<http://tv.somanuals.com>