



**User Manual**

# **IDK-2112 Series**

**12.1" SVGA (LED Backlight)**

**ADVANTECH**

*Enabling an Intelligent Planet*

---

## Copyright

The documentation and the software included with this product are copyrighted 2015 by Advantech Co., Ltd. All rights are reserved. Advantech Co., Ltd. reserves the right to make improvements in the products described in this manual at any time without notice. No part of this manual may be reproduced, copied, translated or transmitted in any form or by any means without the prior written permission of Advantech Co., Ltd. Information provided in this manual is intended to be accurate and reliable. However, Advantech Co., Ltd. assumes no responsibility for its use, nor for any infringements of the rights of third parties, which may result from its use.

## Acknowledgements

AMI is a trademark of American Megatrends Inc.

IBM and PC are trademarks of International Business Machines Corporation.

Intel® Core 2 Quad, Pentium Dual Core and Celeron are trademarks of Intel Corporation.

WinBond is a trademark of Winbond Corporation.

All other product names or trademarks are properties of their respective owners.

# A Message to the Customer

## Advantech Customer Services

Each and every Advantech product is built to the most exacting specifications to ensure reliable performance in the harsh and demanding conditions typical of industrial environments. Whether your new Advantech equipment is destined for the laboratory or the factory floor, you can be assured that your product will provide the reliability and ease of operation for which the name Advantech has come to be known.

Your satisfaction is our primary concern. Here is a guide to Advantech's customer services. To ensure you get the full benefit of our services, please follow the instructions below carefully.

## Technical Support

We want you to get the maximum performance from your products. So if you run into technical difficulties, we are here to help. For the most frequently asked questions, you can easily find answers in your product documentation. These answers are normally a lot more detailed than the ones we can give over the phone.

So please consult this manual first. If you still cannot find the answer, gather all the information or questions that apply to your problem, and with the product close at hand, call your dealer. Our dealers are well trained and ready to give you the support you need to get the most from your Advantech products. In fact, most problems reported are minor and are able to be easily solved over the phone.

In addition, free technical support is available from Advantech engineers every business day. We are always ready to give advice on application requirements or specific information on the installation and operation of any of our products.

---

## Product Warranty (2 years)

Advantech warrants to you, the original purchaser, that each of its products will be free from defects in materials and workmanship for two years from the date of purchase.

This warranty does not apply to any products which have been repaired or altered by persons other than repair personnel authorized by Advantech, or which have been subject to misuse, abuse, accident or improper installation. Advantech assumes no liability under the terms of this warranty as a consequence of such events.

Because of Advantech's high quality-control standards and rigorous testing, most of our customers never need to use our repair service. If an Advantech product is defective, it will be repaired or replaced at no charge during the warranty period. For out-of-warranty repairs, you will be billed according to the cost of replacement materials, service time and freight. Please consult your dealer for more details.

If you think you have a defective product, follow these steps:

1. Collect all the information about the problem encountered. (For example, CPU speed, Advantech products used, other hardware and software used, etc.) Note anything abnormal and list any onscreen messages you get when the problem occurs.
2. Call your dealer and describe the problem. Please have your manual, product, and any helpful information readily available.
3. If your product is diagnosed as defective, obtain an RMA (return merchandise authorization) number from your dealer. This allows us to process your return more quickly.
4. Carefully pack the defective product, a fully-completed Repair and Replacement Order Card and a photocopy proof of purchase date (such as your sales receipt) in a shippable container. A product returned without proof of the purchase date is not eligible for warranty service.
5. Write the RMA number visibly on the outside of the package and ship it prepaid to your dealer.

# Contents

<b>Chapter 1</b>	<b>Overview.....</b>	<b>1</b>
1.1	General Description .....	2
1.2	Specifications .....	2
1.2.1	LCD Panel.....	2
1.2.2	LED Driver Board.....	2
1.2.3	Touch Screen (R series).....	2
1.2.4	Environment.....	2
1.3	Mechanical Characteristics .....	3
1.4	Functional Block Diagram .....	5
	Figure 1.1 Function block diagram .....	5
1.5	Absolute Maximum Ratings .....	5
1.5.1	Absolute Ratings of TFT LCD Module .....	5
1.5.2	Absolute Ratings of Backlight Unit.....	5
1.5.3	Absolute Ratings of Environment.....	5
<b>Chapter 2</b>	<b>Electrical Characteristics.....</b>	<b>7</b>
2.1	Power Specification.....	8
	Table 2.1: Power specification.....	8
2.1.1	Signal Electrical Characteristics.....	8
	Table 2.2: Signal electrical characteristics .....	8
2.2	Backlight Driving Conditions .....	9
	Table 2.3: Backlight driving conditions .....	9
<b>Chapter 3</b>	<b>Signal Characteristics.....</b>	<b>11</b>
3.1	Pixel Format Image .....	12
3.2	Signal Description .....	12
	Table 3.1: Symbol Description.....	12
3.3	The Input Data Format .....	13
3.3.1	SEL68 .....	13
3.4	Interface Timing .....	14
3.4.1	Timing Characteristics .....	14
	Table 3.2: Timing Characteristics .....	14
3.4.2	Input Timing Diagram.....	15
3.5	Power ON/OFF Sequence .....	15
<b>Chapter 4</b>	<b>Connector &amp; Pin Assignment.....</b>	<b>17</b>
4.1	TFT LCD Module.....	18
4.1.1	Connector .....	18
	Table 4.1: Connector .....	18
4.1.2	Pin Assignment.....	18
	Table 4.2: Pin Assignment.....	18
4.2	Backlight Unit .....	18
4.2.1	Signal for LED light bar connector .....	18
4.2.2	LED Driver Board.....	19
	Table 4.3: Specification .....	19
	Table 4.4: Input Connector Pin Definition (CN1) .....	19
	Table 4.5: Output Connector Pin Definition (CN4) .....	20
	Table 4.6: Light Sensor Connector Pin Definition (CN2).....	20
	Table 4.7: Variable Resistor Connector Pin Definition (CN3)....	21

Figure 4.1 Brightness Control Signal Flow Chart .....	21
Figure 4.2 Dimensions.....	22

## **Chapter 5 Touch Screen & Touch Controller... 23**

5.1 Touch Screen (Optional: for IDK-2112R only) .....	24
5.1.1 Touch Characteristics .....	24
5.1.2 Optical Characteristics.....	24
5.1.3 Environment Characteristics.....	24
5.1.4 Mechanical Characteristics.....	24
5.1.5 Electronic Characteristics .....	24
5.1.6 General specification .....	25
5.2 Touch controller (Optional: for IDK-2112R only).....	25
5.2.1 Touch Controller Characteristics .....	25
5.2.2 Pin Assignment and Description.....	26
Figure 5.1 Board mounted header.....	27
5.2.3 Physical dimension .....	28

## **Appendix A Optical Characteristics..... 29**

A.1 Test Conditions .....	30
A.2 Optical Specifications.....	30

## **Appendix B Handling Precautions ..... 33**

B.1 Handling Precautions.....	34
-------------------------------	----

# Chapter 1

Overview

---

## 1.1 General Description

IDK-2112N/R-K2SVA2E is a Color Active Matrix Liquid Crystal Display composed of a TFT-LCD panel, a driver circuit, and backlight system. The screen format is intended to support an SVGA (800(H) x 600(V)) screen and 16.2M/262k colors (RGB). All input signals are LVDS interface compatible. A driver board for the backlight is included.

## 1.2 Specifications

### 1.2.1 LCD Panel

- **Display Size:** 12.1" LED backlight panel
- **Resolution:** 800 x 600
- **Viewing Angle (U/D/L/R):** 65°/75°/80°/80°
- **Brightness:** 1200 cd/m<sup>2</sup>
- **Contrast Ratio:** 700:1
- **Response Time (ms):** 35ms
- **Colors:** 262K/16.2M
- **Voltage:** 3.3V
- **Power Consumption:** 8.924W
- **Signal Interface:** 1 channel LVDS
- **Weight:** R series: 980 +/-10 (Typ.)  
N series: 600 +/-10 (Typ.)
- **Dimensions (W x H x D):** R series:279.0(H) x 209.0(V) x (11.3)(D) (Typ.)  
N series:279.0(H) x 209.0(V) x (9.0)(D) (Typ.)

### 1.2.2 LED Driver Board

- **Efficiency:** 90%
- **Output Current & Voltage:** 400mA/18V
- **Dimensions (W x H x D):** 62 x 16 x 6 mm

### 1.2.3 Touch Screen (R series)

- **Touch Screen:** 5-Wire Resistive
- **Light Transmission:** 80% ± 3%
- **Durability:** 10 million times

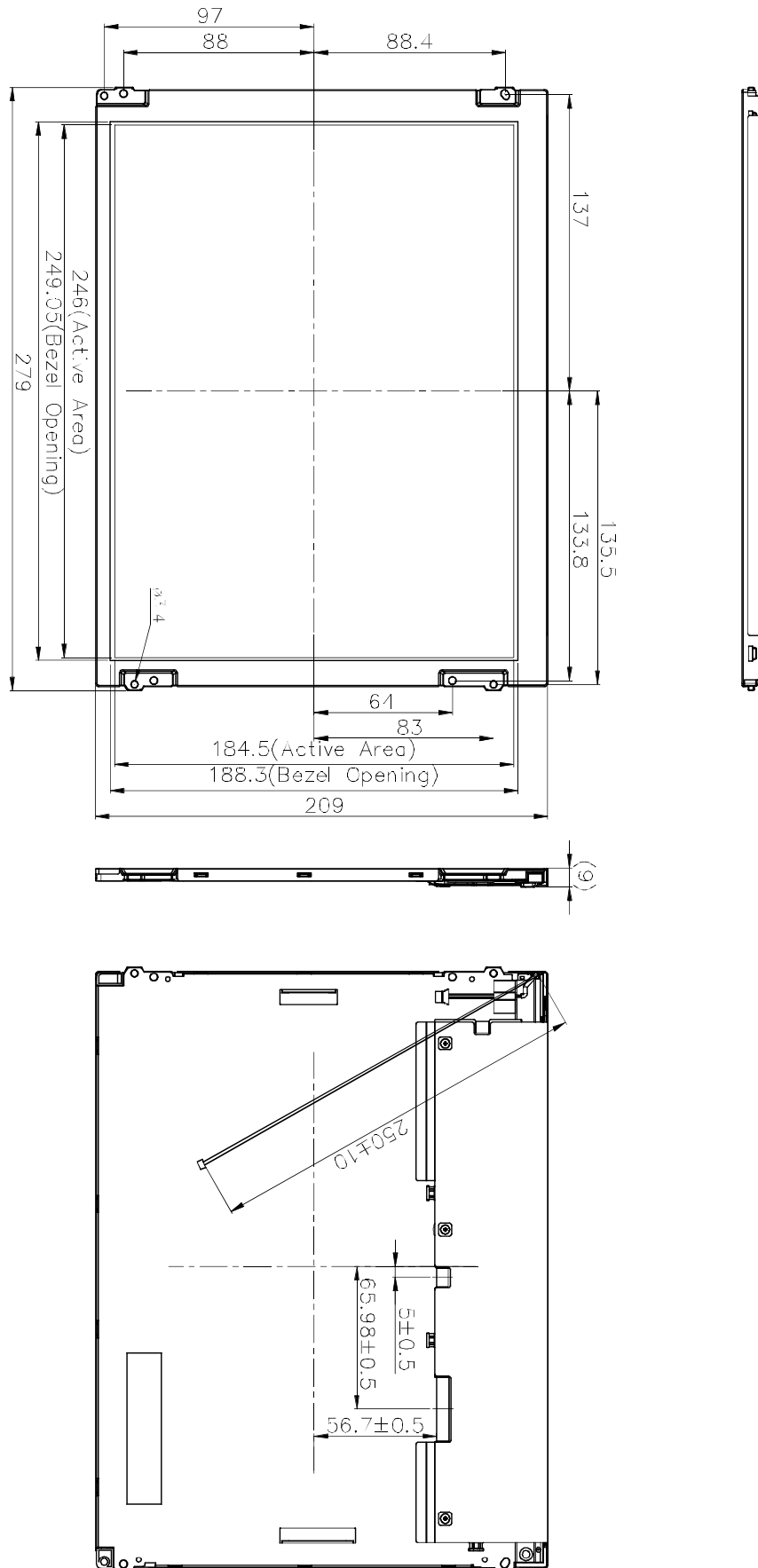
### 1.2.4 Environment

- **Operating Temperature:** -30~85°C (IDK-2112N-K2SVA2E) / -20~70°C (IDK-2112N/R-K2SVA2E)
- **Storage Temperature:** -30~85°C (IDK-2112N-K2SVA2E) / -25~80°C (IDK-2112N/R-K2SVA2E)
- **Humidity:** 95% @ 39°C, non-condensing

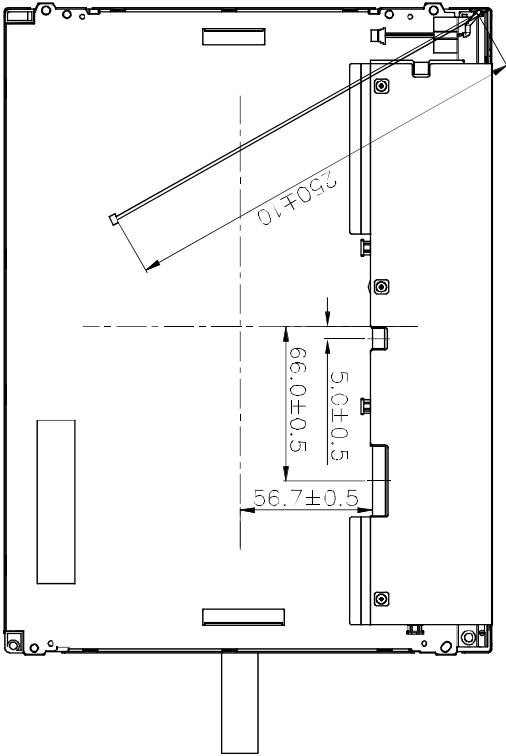
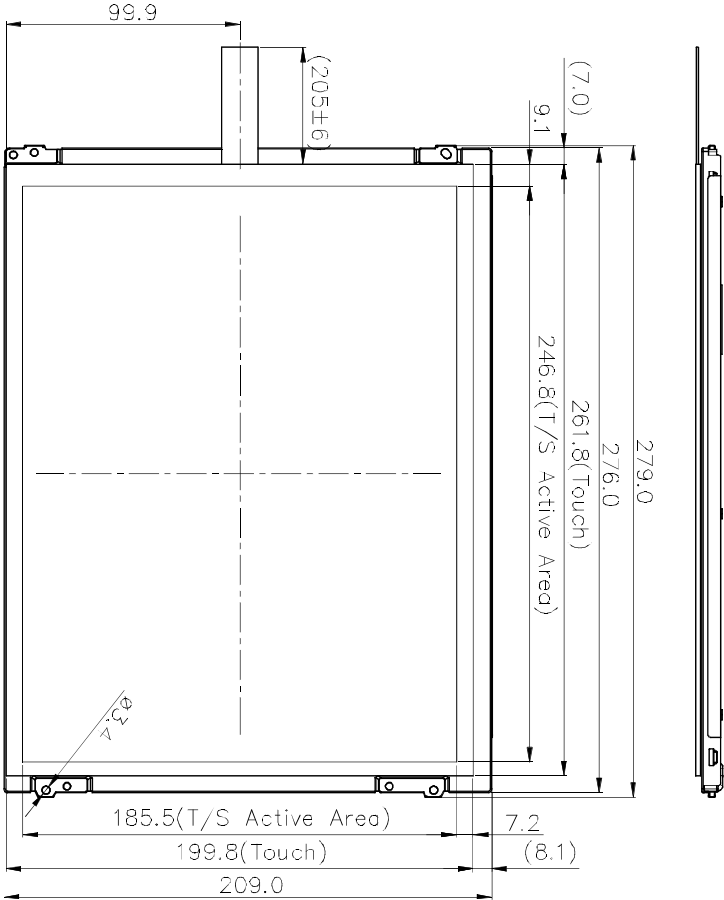


# 1.3 Mechanical Characteristics

## IDK-2112N Series



IDK-2112R Series



## 1.4 Functional Block Diagram

The following diagram shows the functional block of the 12.1 inches Color TFT-LCD Module:

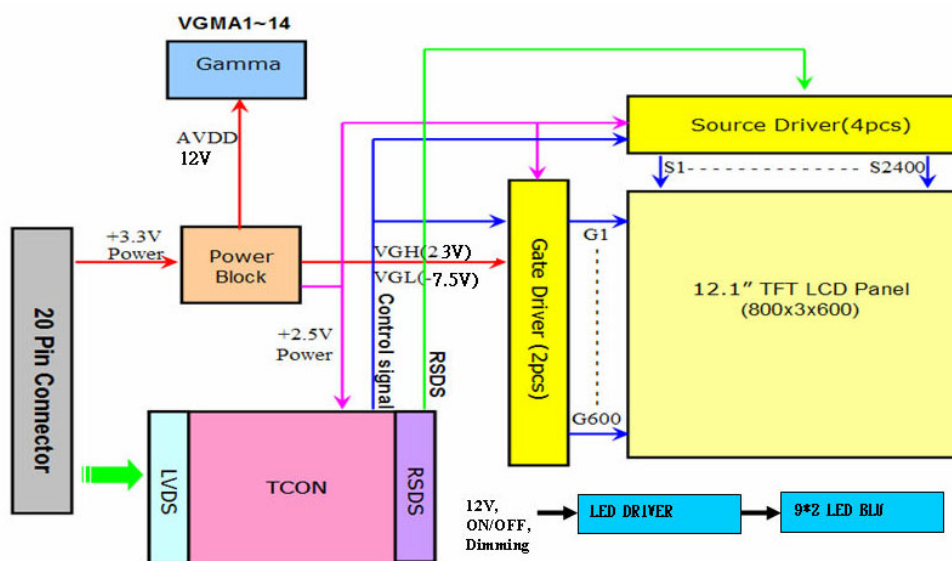


Figure 1.1 Function block diagram

## 1.5 Absolute Maximum Ratings

Absolute maximum ratings of the module are as follows:

### 1.5.1 Absolute Ratings of TFT LCD Module

Item	Symbol	Min.	Max.	Unit	Conditions
Logic/LCD Drive Voltage	Vin	0.3	+3.6	[Volt]	Note 1, 2

### 1.5.2 Absolute Ratings of Backlight Unit

Item	Symbol	Min.	Max.	Unit	Conditions
LED Light Bar Current	ILed		800	[mA]	Note 1, 2

### 1.5.3 Absolute Ratings of Environment

Item	Symbol	Min.	Max.	Unit	Conditions
Operating Temperature	TOP	-30	+85	[°C]	for IDK-2112N-K2SVA2E only
		-20	+70	[°C]	
Operation Humidity	HOP		95	[%RH]	Note 1
Storage Temperature	TST	-30	+85	[°C]	For IDK-2112N-K2SVA2E only
		-25	+80	[°C]	
Storage Humidity	HST		95	[%RH]	Note 1

---

**Note1:** With in  $T_a = 39^{\circ}\text{C}$

**Note2:** Permanent damage to the device may occur if you exceed maximum values

# Chapter 2

Electrical  
Characteristics

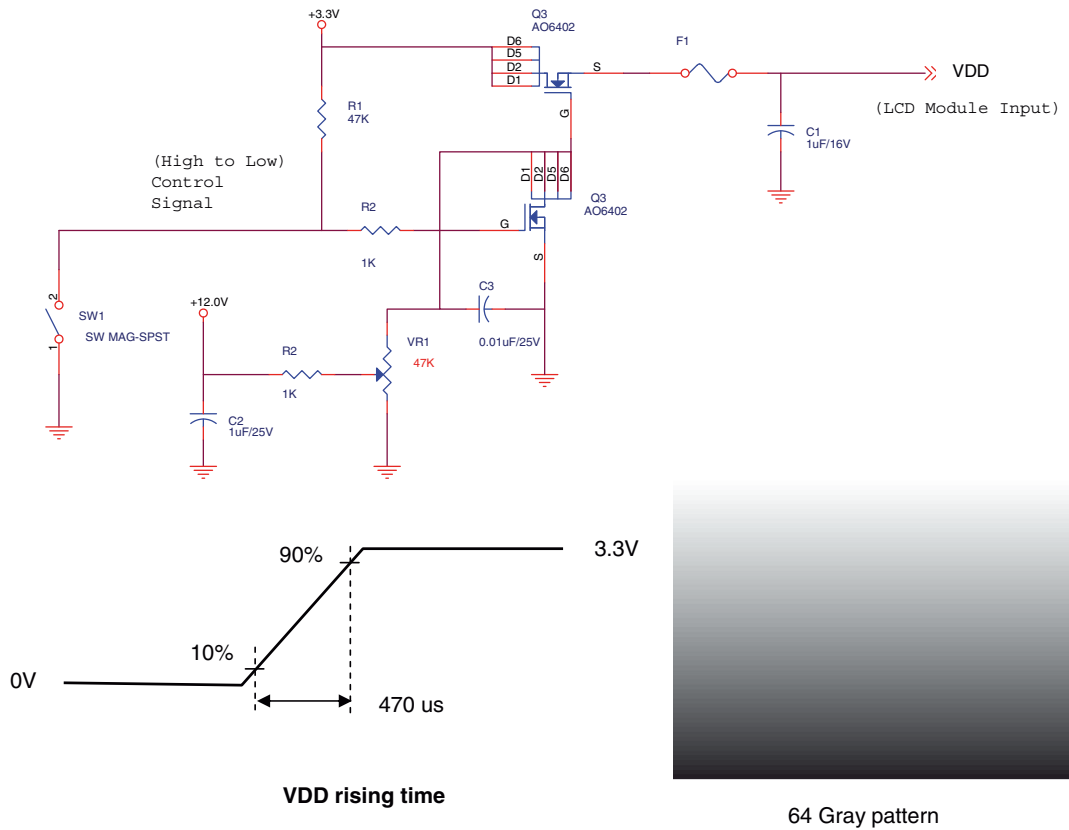
## 2.1 Power Specification

Input power specifications are as follows:

**Table 2.1: Power specification**

Symbol	Parameter	Min.	Typ.	Max.	Unit	Condition
VDD	Logic/LCD Drive Voltage	3.0	3.3	3.6	[Volt]	10%
IDD	Input Current	-	280		[mA]	64 Gray Bar Pattern (VDD=3.3V, at 60Hz)
PDD	VDD Power	-	0.924		[Watt]	64 Gray Bar Pattern (VDD=3.3V, at 60Hz)
IRush	Inrush Current	-	-	1.5	[A]	Note 1

**Note1** Measurement condition:



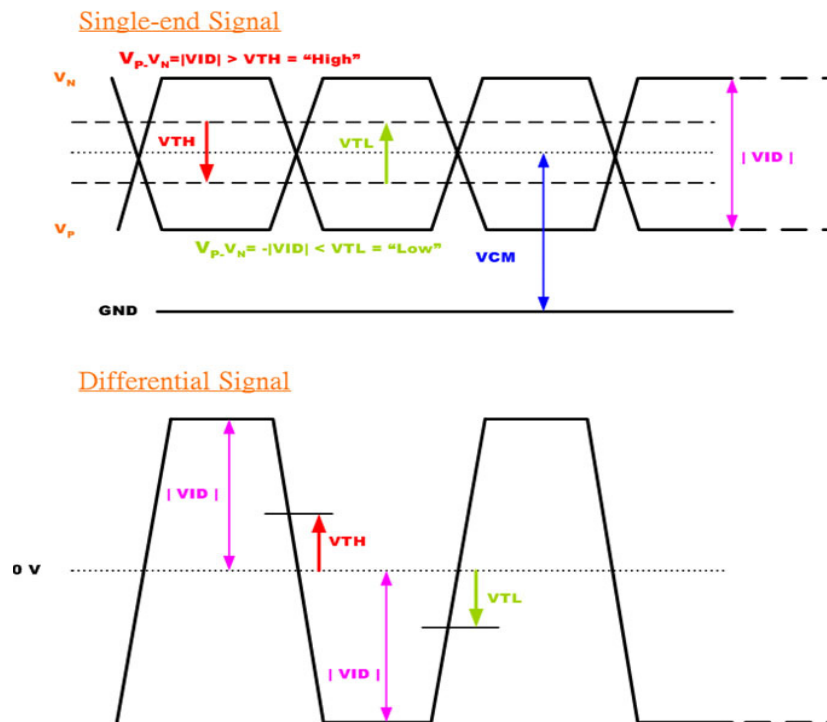
### 2.1.1 Signal Electrical Characteristics

Input signals shall be low or Hi-Z state when VDD is off.

**Table 2.2: Signal electrical characteristics**

Symbol	Parameter	Min.	Typ.	Max.	Unit	Condition
VTH	Differential Input High Threshold	-	-	100	[mV]	VCM=1.2V
VTL	Differential Input Low Threshold	100	-	-	[mV]	VCM=1.2V
VID	Input Differential Voltage	100	400	600	[mV]	
VICM	Differential Input Common Mode Voltage	1.1	-	1.45	[V]	VTH / VTL = ±100mV

**Note** LVDS Signal Waveform.



## 2.2 Backlight Driving Conditions

Parameter guideline for LED Light Bar Driver under stable conditions at 25°C (Room Temperature):

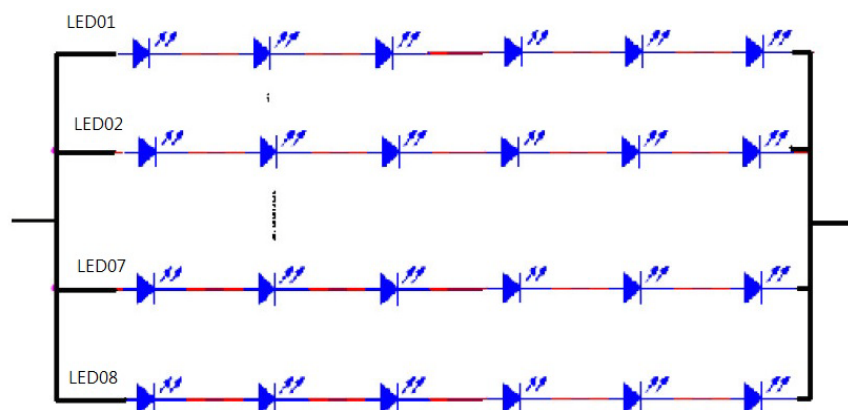
**Table 2.3: Backlight driving conditions**

Item	Symbol	Values			Unit	Condition
		Min.	Typ.	Max.		
LED Voltage	VL		18		V	Note 2, 3
LED Current	IL			400	mA	Note 2
LED life time	-	50,000	-	-	Hr	Note 1

**Note 1.** The "LED life time" is defined as the module brightness decrease to 50% original brightness so that the ambient temperature is 25°C and typical LED Current at 400mA.

**Note 2.** The LED driving condition is defined for each LED module (6 LED serial).

**Note 3.** The variance of LED Light Bar power consumption is 10%. To calculate a value use this for reference ( $IL \times VL = P_{LED}$ ).





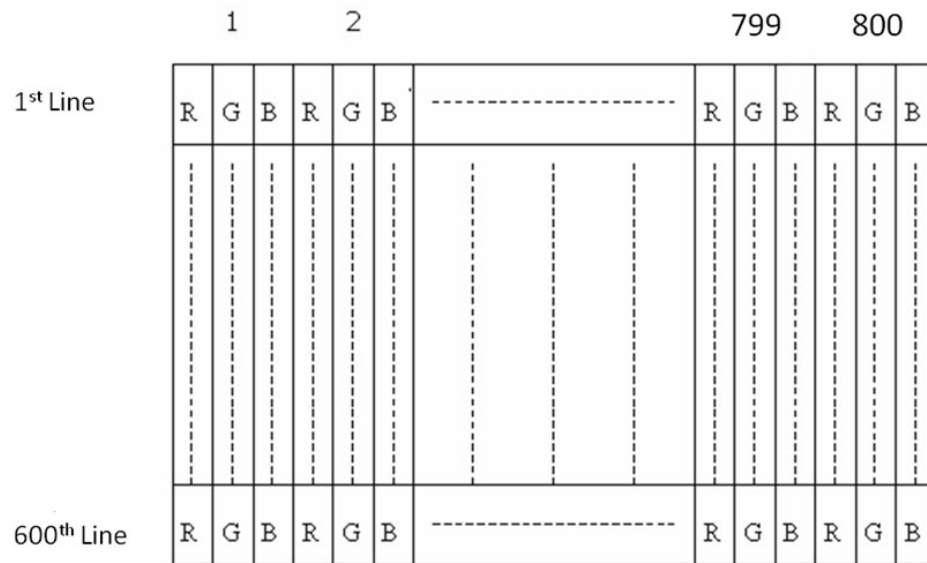


# Chapter 3

## Signal Characteristics

## 3.1 Pixel Format Image

The following figure shows the relationship between input signal and LCD pixel format.



## 3.2 Signal Description

**Table 3.1: Symbol Description**

Pin No.	Symbol	Description
1	VDD	Power Supply, 3.3V (typical)
2	VDD	Power Supply, 3.3V (typical)
3	GND	Ground
4	SEL68	6/ 8bits LVDS data input selection [H: 8bits L/NC: 6bit]
5	RIN0-	LVDS receiver signal channel 0
6	RIN0+	LVDS Differential Data Input (R0, R1, R2, R3, R4, R5, G0)
7	GND	Ground
8	RIN1-	LVDS receiver signal channel 1
9	RIN1+	LVDS Differential Data Input (G1, G2, G3, G4, G5, B0, B1)
10	GND	Ground
11	RIN2-	LVDS receiver signal channel 2
12	RIN2+	LVDS Differential Data Input (B2, B3, B4, B5, HS, VS, DE)
13	GND	Ground
14	CLKIN-	LVDS receiver signal clock
15	CLKIN+	
16	GND	Ground
17	RIN3-	LVDS receiver signal channel 3, NC for 6 bit LVDS Input
18	RIN3+	LVDS Differential Data Input (R6, R7, G6, G7, B6, B7, RSV)
19	RSV	Reverse Scan Function [H: Enable; L/NC: Disable]
20	NC/GND	Reserved for AUO internal test. Please treat it as NC.

**Note1** Input Signals shall be in low status when VDD is off.

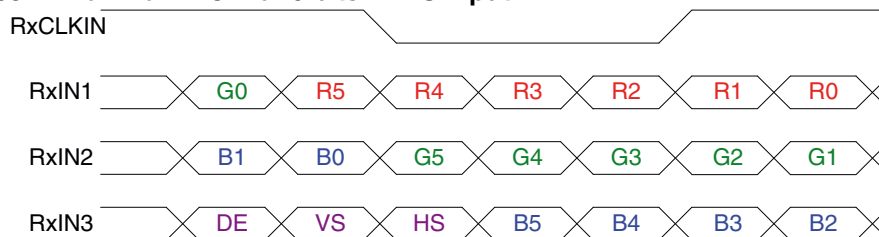
**Note2** High stands for “3.3V”, Low stands for “0V”, NC stands for “No Connection”.

**Note3** RSV stands for “Reserved”.

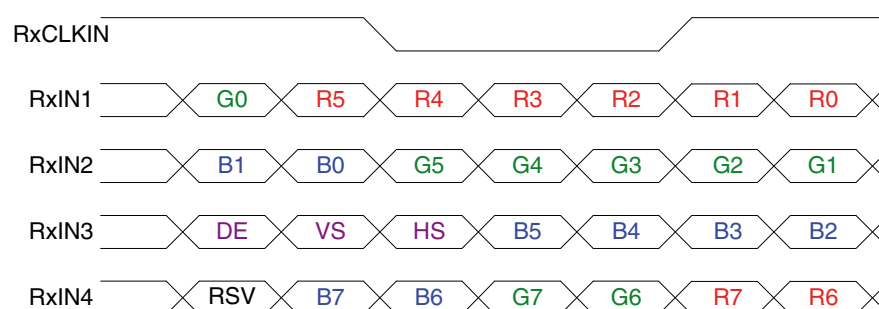
## 3.3 The Input Data Format

### 3.3.1 SEL68

#### SEL68 = "Low" or "NC" for 6 bits LVDS Input



#### SEL68 = "High" for 8 bits LVDS Input



**Note1:** Please follow PSWG.

**Note2:** R/G/B data 7:MSB, R/G/B data 0:LSB

Signal Name	Description	Remark
+RED5(R5)	Red Data 5 (MSB)	
+RED4(R4)	Red Data 4	
+RED3(R3)	Red Data 3	Red-pixel Data
+RED2(R2)	Red Data 2	Each red pixel's brightness data consists of these 6 bits pixel data.
+RED1(R1)	Red Data 1	
+RED0(R0)	Red Data 0 (LSB)	
	Red-pixel Data	
+GREEN5(G5)	Green Data 5 (MSB)	
+GREEN4(G4)	Green Data 4	
+GREEN3(G3)	Green Data 3	Green-pixel Data
+GREEN2(G2)	Green Data 2	Each green pixel's brightness data consists of these 6 bits pixel data.
+GREEN1(G1)	Green Data 1	
+GREEN0(G0)	Green Data 0 (LSB)	
	Green-pixel Data	

+BLUE5(B5)	Blue Data 5 (MSB)	
+BLUE4(B4)	Blue Data 4	
+BLUE3(B3)	Blue Data 3	Blue-pixel Data
+BLUE2(B2)	Blue Data 2	Each blue pixel's brightness data consists of these 6 bits pixel data.
+BLUE1(B1)	Blue Data 1	
+BLUE0(B0)	Blue Data 0 (LSB)	
	Blue-pixel Data	
CLK	Data Clock	The typical frequency is 40MHz. The signal is used to strobe the pixel data and DE signals. All pixel data shall be valid at the falling edge when the DE signal is high.
DE	Display Timing	This signal is strobed at the falling edge of CLK. When the signal is high, the pixel data shall be valid to be displayed.

**Note:** Output signals from any system shall be low or Hi-Z state when VDD is off.

## 3.4 Interface Timing

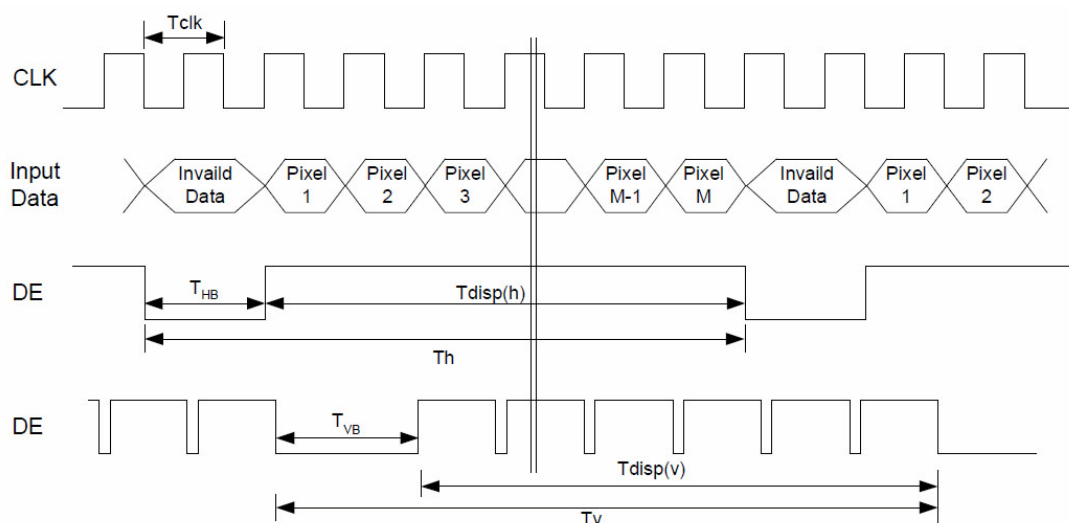
### 3.4.1 Timing Characteristics

Table 3.2: Timing Characteristics						
Signal		Symbol	Min.	Typ.	Max.	Unit
Clock frequency		$1/T_{\text{Clock}}$	34	40	48.3	MHz
Vertical Section	Period	$T_V$	608	628	1024	$T_{\text{Line}}$
	Active	$T_{VD}$	-	600	-	
	Blanking	$T_{VB}$	8	28	423	
Horizontal Section	Period	$T_H$	960	1056	1060	$T_{\text{Clock}}$
	Active	$T_{HD}$	-	800	-	
	Blanking	$T_{HB}$	220	256	440	

**Note1** Frame rate is 60 Hz.

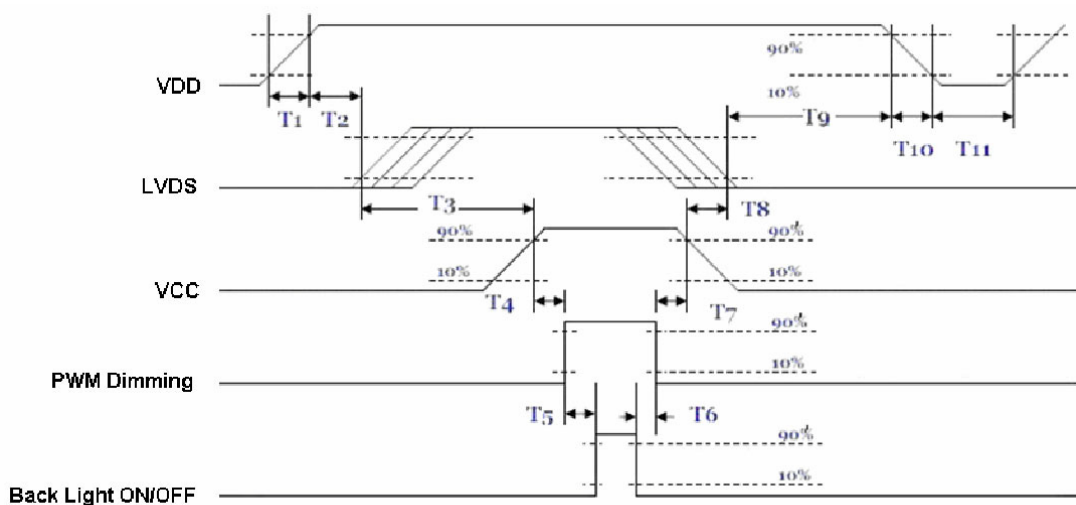
**Note2** DE mode.

### 3.4.2 Input Timing Diagram



### 3.5 Power ON/OFF Sequence

VDD power and lamp on/off sequence is as follows. Interface signals are also shown in the chart. Signals from any system shall be Hi-Z state or low level when VDD is off.



#### Power Sequence Timing

Parameter	Value			Unit
	Min.	Typ.	Max.	
T1	0.5	-	10	[ms]
T2	30	40	50	[ms]
T3	200	-	-	[ms]
T4	10	-	-	[ms]
T5	10	-	-	[ms]
T6	0	-	-	[ms]
T7	10	-	-	[ms]
T8	100	-	-	[ms]

---

T9	0	16	50	[ms]
T10	-	-	10	[ms]
T11	1000	-	-	[ms]

The above on/off sequence should be applied to avoid abnormal functioning in the display. Please make sure to turn off the power when you plug the cable into the input connector or pull the cable out of the connector.

# Chapter 4

Connector & Pin  
Assignment

## 4.1 TFT LCD Module

The physical interface connectors are capable of accommodating the following signals and components.

### 4.1.1 Connector

**Table 4.1: Connector**

Connector Name / Description	Signal Connector
Manufacture	STM
Connector Model Number	MSB240420-E
Adaptable Plug	P240420 or compatible

### 4.1.2 Pin Assignment

**Table 4.2: Pin Assignment**

Pin No.	Signal Name	Pin No.	Signal Name
1	VDD	2	VDD
3	GND	4	SEL68
5	RIN0-	6	RIN0+
7	GND	8	RIN1-
9	RIN1+	10	GND
11	RIN2-	12	RxIN2+
13	GND	14	CLKIN-
15	CLKIN+	16	GND
17	RIN3-	18	RIN3+
19	RSV	20	NC/GND

## 4.2 Backlight Unit

These connectors are capable of accommodating the following signals and components.

Connector Name / Designation	LED Light Bar Connector / Backlight lamp
Manufacturer	JST or compatible
Type Part Number	WF-SMT90 1.5mm Wire to board Heater

### 4.2.1 Signal for LED light bar connector

Connector No.	Pin No.	Input	Color	Function
Lower CN2	1	HI 2	Red	Power supply for backlight unit
	2	GND 2	Black	Ground for backlight unit

Cable Length : 250mm+/-10mm

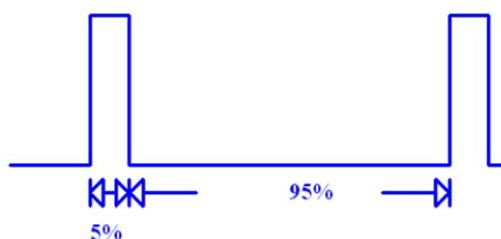


## 4.2.2 LED Driver Board

### 4.2.2.1 Specification:

**Table 4.3: Specification**

Symbol	Characteristics	Condition	Min.	Typ.	Max.	Unit
Input	Voltage		11.2	12	13.2	V
	Efficiency			90		%
Output	Voltage		17	18	19	V
	Current		380	400	420	mA
	Current Accuracy			±5		%
	Protection	OVP, UVLO				
Environment	Operating Temperature		-30		85	°C
	Storage Temperature		-40		105	°C
	Dimmer range (Note. 1)		5		100	%
PWM Dim-mer	Dimmer VH			5		V
	Dimmer VL			0		V
	Dimmer Frequency		0.5		40	KHz
ON/OFF	Von		3		5	V
	off		0		0.8	V

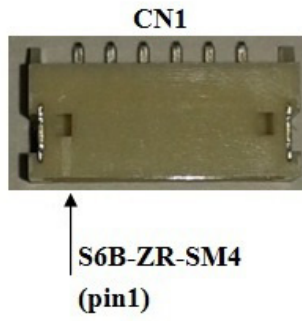


**Note1:** When the input uses a PWM signal, the high-level digital output must be greater than the total output level of only 5% out.

### 4.2.2.2 Input Connector Pin Definition

**Table 4.4: Input Connector Pin Definition (CN1)**

Pin No.	Pin Definition
1	Vin(+12V)
2	Vin(+12V)
3	GND
4	GND
5	ON/OFF(ON:+3~5V, OFF=0~0.8V)
6	Dimming (PWM)



#### 4.2.2.3 Output Connector Pin Definition

**Table 4.5: Output Connector Pin Definition (CN4)**

Pin No.	Pin Definition
1	VLED+
2	VLED-



#### 4.2.2.4 Light Sensor Connector Pin Definition

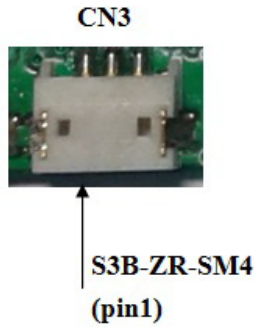
**Table 4.6: Light Sensor Connector Pin Definition (CN2)**

Pin No.	Pin Definition
1	Sensor High Voltage
2	Sensor Low Voltage

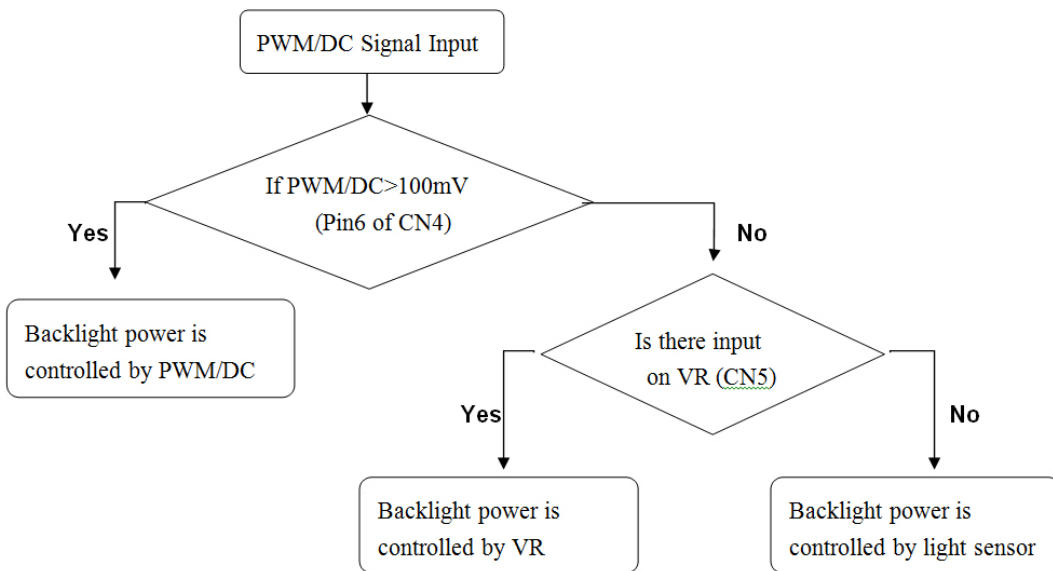


#### 4.2.2.5 Variable Resistor Connector Pin Definition

Table 4.7: Variable Resistor Connector Pin Definition (CN3)	
Pin No.	Pin Definition
1	VR High Voltage
2	VR
3	VR Low Voltage



#### 4.2.2.6 Brightness Control Signal Flow Chart



**Figure 4.1 Brightness Control Signal Flow Chart**

#### 4.2.2.7 Dimensions

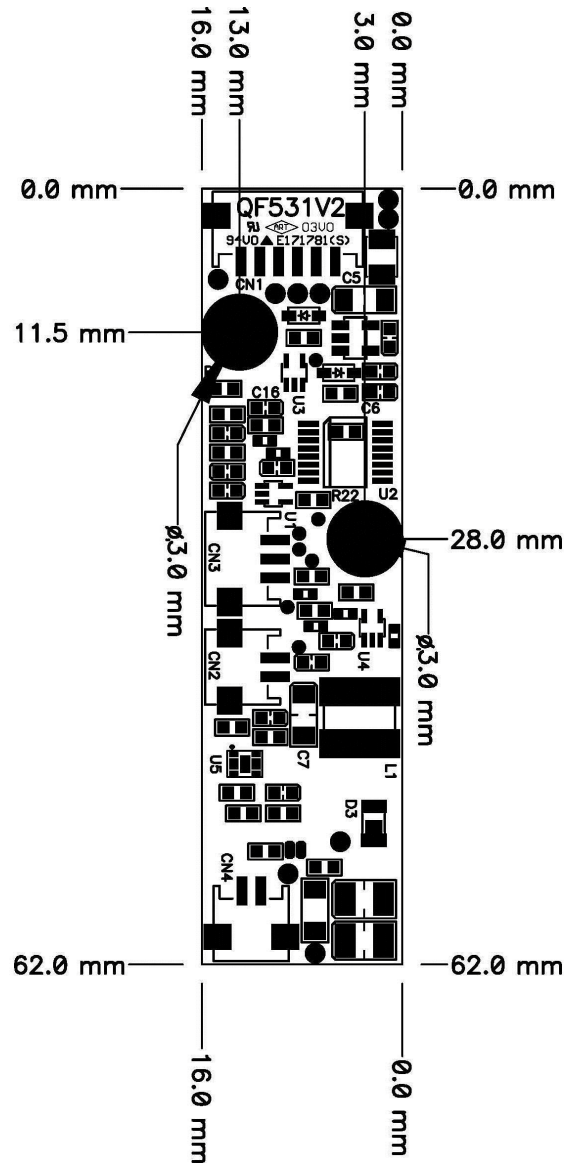


Figure 4.2 Dimensions

# Chapter 5

Touch Screen & Touch  
Controller

## 5.1 Touch Screen (Optional: for IDK-2112R only)

### 5.1.1 Touch Characteristics

The touch panel is a resistance type that customers use with flat displays like LCDs. Once an operator touches it, the circuit will send coordinate points to the PC from the voltage changes at the contact points.

### 5.1.2 Optical Characteristics

	Item	Specification	Remarks
1	TRANSPARENCY	80% ± 3%	BYK-Gardner
2	HAZE	8.0% ± 3%	BYK-Gardner

### 5.1.3 Environment Characteristics

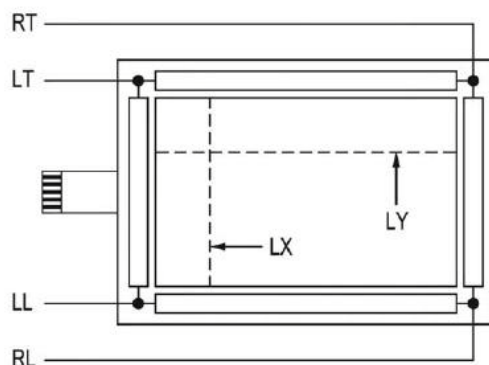
	Item	Specification	Remarks
1	Operation temperature	-20°C ~ 70°C	Note: All terms under 1 atmosphere
2	Storage temperature	-40°C ~ 80°C	
3	Operation Humidity	20% ~ 80%RH	
4	Storage temperature	20% ~ 90%RH	

### 5.1.4 Mechanical Characteristics

	Item	Specification	Remarks
1	Hardness of surface	Pencil hardness 3H.	JIS K-5600-5-4 150gf, 45 degree
2	FPC peeling strength	1) 5N (5N Min.) 2) 19.6N (19.6N Min.)	1) Peeling upward by 90° 2) Peeling downward by 90°
3	Operation force	Pen 0.05N~1.96N Finger (5~200gf)	Dot-Spacer Within “guaranteed active area”, but not on the edge and Dot-Spacer.

### 5.1.5 Electronic Characteristics

	Item	Specification	Remarks
1	Rated Voltage	DC 7V max.	
2	Resistance	X axis: 200Ω ~ 500Ω (Figure as below) Y axis: 200Ω ~ 800Ω (Figure as below)	FPC connector
3	Linearity	X ≤1.5% (Figure as below) Y ≤1.5% (Figure as below)	Reference: 250gf
4	Chattering	≤ 15ms Max	
5	Insulation Resistance	≥ 20MΩ min (DC 25V)	

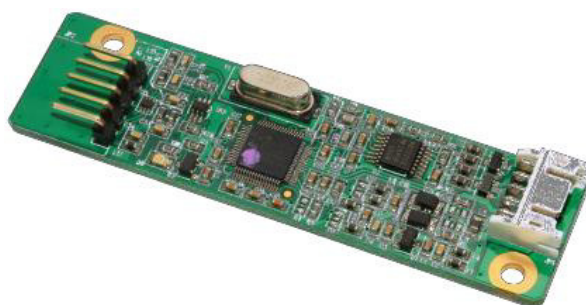


### 5.1.6 General specification

Item	Specification
1	Frame size 261.80±0.30 X 199.80±0.30 mm
2	View Area 249.80±0.30 X 188.50±0.20 mm
3	Active Area 246.80±0.30 X 185.50±0.20 mm
4	Total Thickness 2.20±0.20 mm
5	Tail length 205.00±6.00 mm

## 5.2 Touch controller (Optional: for IDK-2112R only)

Advantech ETM-RES04C Touch Control Board is the ultimate combo board. This touch panel controller provides optimum performance for your analog resistive touch panels for 5-wire models. Communication with the PC is directly through USB and RS-232 connector. The touch panel driver emulates mouse left and right button functions.



### 5.2.1 Touch Controller Characteristics

#### 5.2.1.1 Specifications

##### Electrical Features

- +5 Vdc/ 100 mA typical, 50mV peak to peak maximum ripple and noise.
- Bi-directional RS-232 serial communication and USB 1.1 full speed
- Report rate of RS-232 is 180 points/sec (max.), USB is 200 points/sec (max.)
- Unaffected by environmental EMI
- Panel resistance of 5-wire resistive model is from 50 to 200 ohm (Pin to pin on same layer)
- Touch resistance under 3K ohm

### Serial Interface

- EIA 232E (Serial RS-232)
- No parity, 8 data bits, 1 stop bit, 9600 baud (N, 8, 1, 9600)
- Support Windows 2000/ Vista/ XP/ 7, Windows CE 5.0/ 6.0/ 7.0, Windows NT4, Linux, DOS, QNX

### USB Interface

- Conforms to USB Revision 1.1 full speed.
- If the USB is connected to the controller, the controller will communicate over the USB, and will not communicate over the serial port.
- Supports Windows 2000/ Vista/ XP/ 7, Windows CE 5.0/ 6.0/ 7.0, Linux, QNX

### Touch Resolution

- 2,048 x 2,048 resolution

### Response Time

- Max. 20 ms

#### 5.2.1.2 Environmental Feature

##### Reliability

- MTBF is 200,000 hours

##### Temperature Ranges

- Operating : -25°C ~ 85°C
- Storage : -25°C ~ 85°C

##### Relative Humidity

- 95% at 60°C, RH Non-condensing

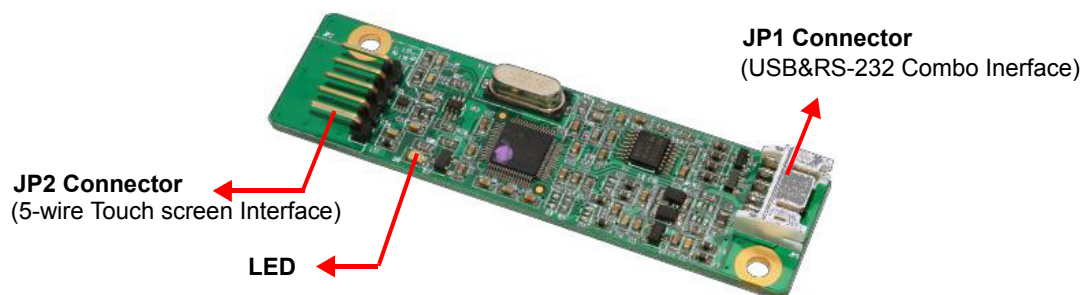
##### Acquired RoHS certificate

##### Regulatory FCC-B, CE approvals

Dimension: 75 mm x 20 mm x 10 mm

## 5.2.2 Pin Assignment and Description

### 5.2.2.1 Connector and LED Location



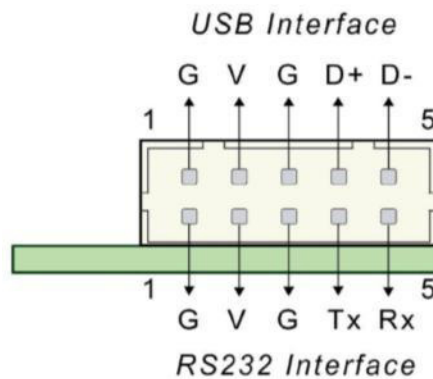


**5.2.2.2 Combo Interface Connector, JP1, Pins and signal descriptions**

The combo interface connector, USB and RS-232, is a box 2.0mm 10-pins 90 degree, Male type with lock connector, intended to be used with single wired pins in 5+5 pins header. The pins are numbered as shown in the table below.

USB Pin #	Signal Name	Signal Function	RS-232 Pin #	Signal Name	Signal Function
1	G	Ground	1	G	Ground
2	V	USB Power	2	V	Power
3	G	Ground	3	G	Ground
4	D+	USB D+	4	TxD	Serial Port
5	D-	USB D-	5	RxD	Serial Port

Signal Name	DB-9 pin #	RS-232 pin #	Sourced by	Signal Description
RxD	2	5	ctrl	serial data from controller to host
TxD	3	4	host	serial data from host to controller

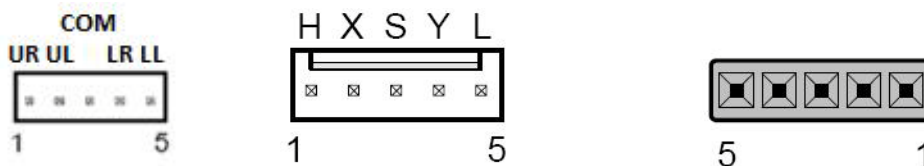


**Figure 5.1 Board mounted header**

**5.2.2.3 Touch Screen Connector, JP2, Pins and signal descriptions**

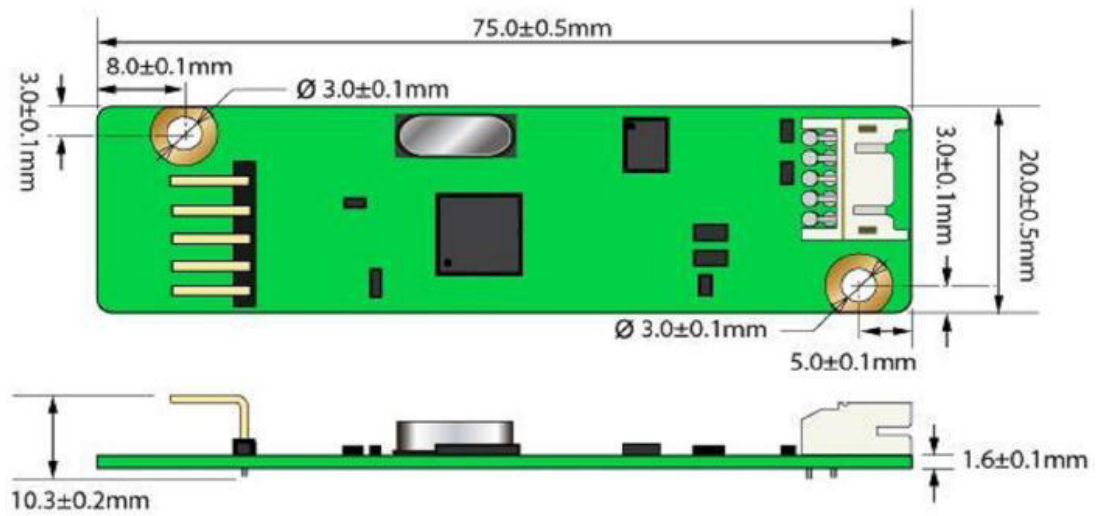
The Touch Screen connector, JP2, is a single row by 2.54mm 5-pins 90 degree, Male type connector. The pins are numbered as shown in the table below.

JP2 Pin #	Signal Name	Signal Description
1	H / UR	Drive signal attached to the touchscreen substrate upper right corner when viewed from a user's perspective.
2	Y / UL	Drive signal attached to the substrate upper left corner.
3	COM	-
4	X / LR	Drive signal attached to the substrate lower right corner.
5	L / LL	Drive signal attached to the substrate lower left corner.



### 5.2.3 Physical dimension

ETM-RES04C-EEH4EE Touch Control Board (Unit: mm)



# Appendix **A**

## Optical Characteristics

## A.1 Test Conditions

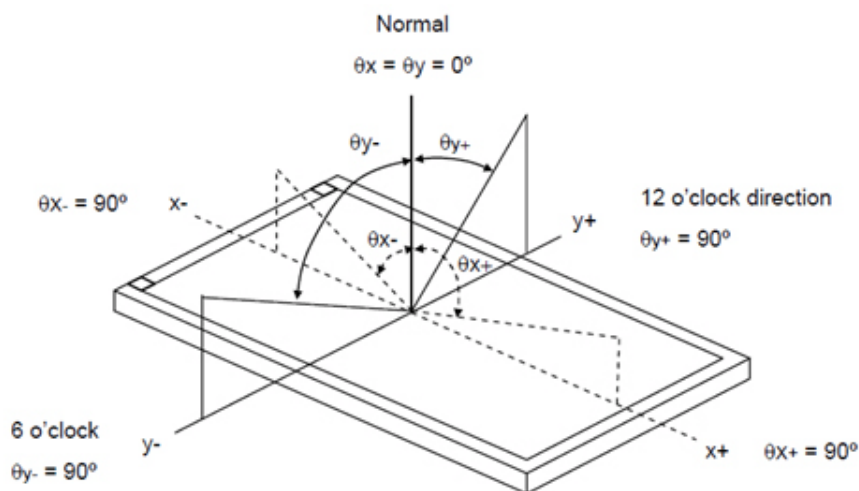
Item	Symbol	Value	Unit
Ambient Temperature	Ta	25±2	°C
Ambient Humidity	Ha	50±10	%RH
Supply Voltage	V <sub>CC</sub>	3.3	V
Input Signal	According to typical value in "3. ELECTRICAL CHARACTERISTICS"		
Converter Voltage	V <sub>i</sub>	12	V
Converter Duty		100%	

## A.2 Optical Specifications

The relative measurement methods of optical characteristics are shown below. The following items should be measured under the test conditions and stable environment shown in Note 5.

Item	Conditions	Min.	Typ.	Max.	Unit	Remarks
White Luminance	I <sub>F</sub> = 800mA/1 LED Line (center point)	-	1200	-	[cd/m <sup>2</sup> ]	Note 4
Uniformity	5 Points	80	-	-	%	Note 5, 6
Contrast Ratio		500	700	-		Note 2
Response Time	Rising	-	25	35	[msec]	Note 3
	Falling	-	10	20	[msec]	
	Raising + Falling	-	35	55	[msec]	
Viewing Angle	Horizontal(Right)	70	80	-	[degree]	Note 1
	CR = 10 (Left)	70	80	-	[degree]	
	Vertical(Upper)	55	65	-	[degree]	
	CR = 10 (Lower)	65	75	-	[degree]	
Color / Chromaticity Coordinates (CIE 1931)	Red x	0.556	0.606	0.656		
	Red y	0.300	0.350	0.405		
	Green x	0.254	0.304	0.354		
	Green y	0.527	0.577	0.627		
	Blue x	0.099	0.149	0.199		
	Blue y	0.077	0.127	0.177		
	White x	0.263	0.313	0.363		
	White y	0.279	0.329	0.379		
Color Gamut			55	-	%	

**Note 1** Definition of Viewing Angle ( $\theta_x$ ,  $\theta_y$ )



**Note 2** Definition of Contrast Ratio (CR):

The contrast ratio can be calculated by the following expression.

$$\text{Contrast Ratio (CR)} = L_{255} / L_0$$

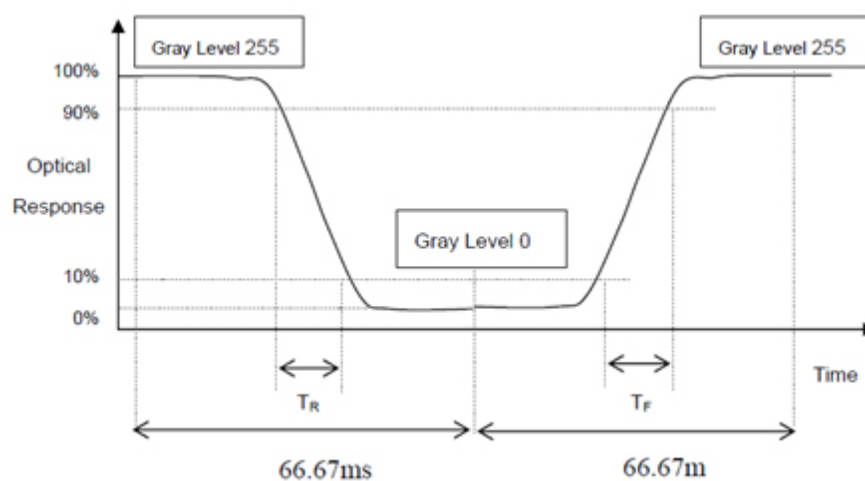
$L_{255}$ : Luminance of gray level 255

$L_0$ : Luminance of gray level 0

$$\text{CR} = \text{CR} (5)$$

CR (X) is corresponding to the Contrast Ratio of the point X at Figure in Note 6.

**Note 3** Definition of Response Time ( $T_R$ ,  $T_F$ ):



**Note 4** Definition of Luminance of White (LC):

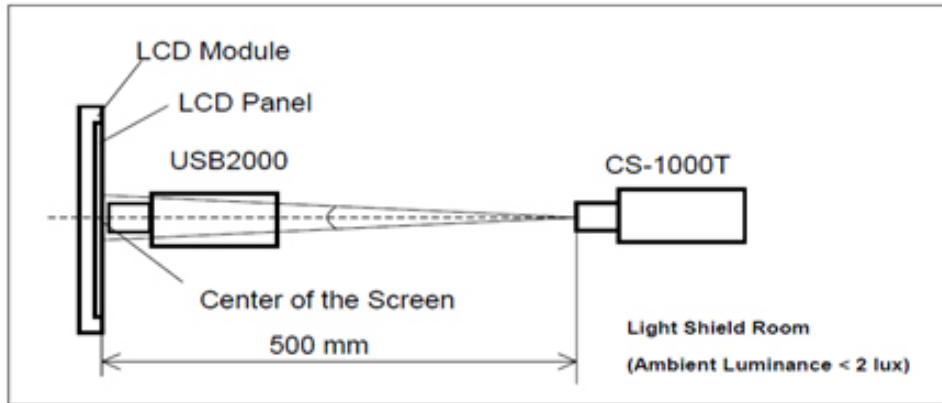
Measure the luminance of gray level 255 at center point

$$\text{LC} = L (5)$$

$L(x)$  is corresponding to the luminance of the point X at Figure in Note (6).

**Note 5** Measurement Setup:

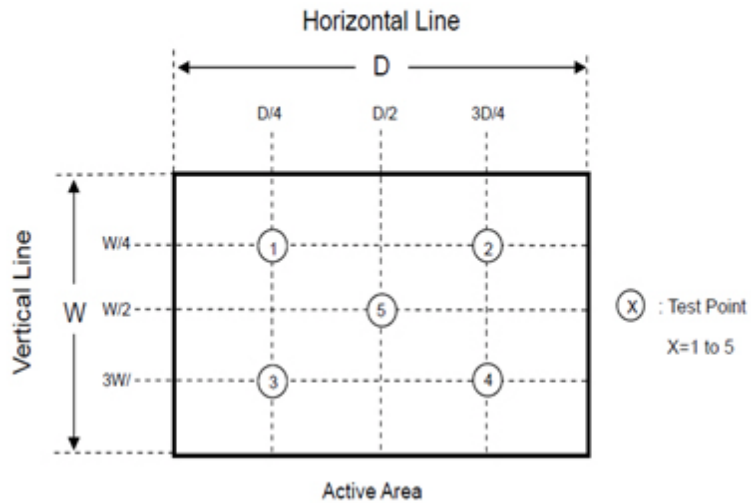
The LCD module should be stabilized at given temperature for 20 minutes to avoid abrupt temperature change during measuring. In order to stabilize the luminance, the measurement should be executed after the Backlight has been on for 20 minutes in a windless room.



**Note 6** Definition of White Variation ( $\delta W$ ):

Measure the luminance of gray level 255 at 5 points

$$\delta W = \frac{\text{Maximum [L (1), L (2), L (3), L (4), L (5)]}}{\text{Minimum [L (1), L (2), L (3), L (4), L (5)]}}$$



# Appendix **B**

## Handling Precautions

---

## B.1 Handling Precautions

The optical characteristics are measured under stable conditions at 25°C (Room Temperature)

1. Since the front polarizer is easily damaged, pay attention not to scratch it.
2. Be sure to turn off power supply when inserting or disconnecting from the input connector.
3. Wipe off water drops immediately. Long contact with water may cause discoloration or spots.
4. When the panel surface is soiled, wipe it with absorbent cotton or other soft cloth.
5. Since the panel is made of glass, it may break or crack if dropped or bumped on hard surface.
6. Since CMOS LSI is used in this module, take care of static electricity and insure human earth when handling.
7. Do not open or modify the module assembly.
8. Do not press the reflector sheet at the back of the module in any directions.
9. In case a module has to be put back into the packing container slot after it was taken out from the container, please press the far ends of the LED light bar reflector edge softly. Otherwise the TFT Module may be damaged.
10. At the insertion or removal of the Signal Interface Connector, be sure not to rotate nor tilt the Interface Connector of the TFT Module.
11. After installation of the TFT module into an enclosure, do not twist nor bend the TFT module even momentary. At designing the enclosure, it should be taken into consideration that no bending/twisting forces are applied to the TFT module from outside. Otherwise the TFT module may be damaged.
12. Small amount of materials having no flammability grades are used in the LCD module. The LCD module should be supplied with power complying with requirements of Limited Power Source (IEC60950 or UL1950), or have applied for exemption.



**ADVANTECH**

*Enabling an Intelligent Planet*

**[www.advantech.com](http://www.advantech.com)**

Please verify specifications before quoting. This guide is intended for reference purposes only.

All product specifications are subject to change without notice.

No part of this publication may be reproduced in any form or by any means, electronic, photocopying, recording or otherwise, without prior written permission of the publisher.

All brand and product names are trademarks or registered trademarks of their respective companies.

© Advantech Co., Ltd. 2015

## Free Manuals Download Website

<http://myh66.com>

<http://usermanuals.us>

<http://www.somanuals.com>

<http://www.4manuals.cc>

<http://www.manual-lib.com>

<http://www.404manual.com>

<http://www.luxmanual.com>

<http://aubethermostatmanual.com>

Golf course search by state

<http://golfingnear.com>

Email search by domain

<http://emailbydomain.com>

Auto manuals search

<http://auto.somanuals.com>

TV manuals search

<http://tv.somanuals.com>