



User Manual

IDK-2115 Series

**15" XGA Ultra High Brightness
Display Kit with LED Backlight**

ADVANTECH

Enabling an Intelligent Planet

Copyright

The documentation and the software included with this product are copyrighted 2012 by Advantech Co., Ltd. All rights are reserved. Advantech Co., Ltd. reserves the right to make improvements in the products described in this manual at any time without notice. No part of this manual may be reproduced, copied, translated or transmitted in any form or by any means without the prior written permission of Advantech Co., Ltd. Information provided in this manual is intended to be accurate and reliable. However, Advantech Co., Ltd. assumes no responsibility for its use, nor for any infringements of the rights of third parties, which may result from its use.

Acknowledgements

AMI is a trademark of American Megatrends Inc.

IBM and PC are trademarks of International Business Machines Corporation.

Intel® Core 2 Quad, Pentium Dual Core and Celeron are trademarks of Intel Corporation.

WinBond is a trademark of Winbond Corporation.

All other product names or trademarks are properties of their respective owners.

A Message to the Customer

Advantech Customer Services

Each and every Advantech product is built to the most exacting specifications to ensure reliable performance in the harsh and demanding conditions typical of industrial environments. Whether your new Advantech equipment is destined for the laboratory or the factory floor, you can be assured that your product will provide the reliability and ease of operation for which the name Advantech has come to be known.

Your satisfaction is our primary concern. Here is a guide to Advantech's customer services. To ensure you get the full benefit of our services, please follow the instructions below carefully.

Technical Support

We want you to get the maximum performance from your products. So if you run into technical difficulties, we are here to help. For the most frequently asked questions, you can easily find answers in your product documentation. These answers are normally a lot more detailed than the ones we can give over the phone.

So please consult this manual first. If you still cannot find the answer, gather all the information or questions that apply to your problem, and with the product close at hand, call your dealer. Our dealers are well trained and ready to give you the support you need to get the most from your Advantech products. In fact, most problems reported are minor and are able to be easily solved over the phone.

In addition, free technical support is available from Advantech engineers every business day. We are always ready to give advice on application requirements or specific information on the installation and operation of any of our products.

Product Warranty (2 years)

Advantech warrants you, the original purchaser, that each of its products will be free from defects in materials and workmanship for two years from the date of purchase.

This warranty does not apply to any products which have been repaired or altered by persons other than repair personnel authorized by Advantech, or which have been subject to misuse, abuse, accident or improper installation. Advantech assumes no liability under the terms of this warranty as a consequence of such events.

Because of Advantech's high quality-control standards and rigorous testing, most of our customers never need to use our repair service. If an Advantech product is defective, it will be repaired or replaced at no charge during the warranty period. For out-of-warranty repairs, you will be billed according to the cost of replacement materials, service time and freight. Please consult your dealer for more details.

If you think you have a defective product, follow these steps:

1. Collect all the information about the problem encountered. (For example, CPU speed, Advantech products used, other hardware and software used, etc.) Note anything abnormal and list any onscreen messages you get when the problem occurs.
2. Call your dealer and describe the problem. Please have your manual, product, and any helpful information readily available.
3. If your product is diagnosed as defective, obtain an RMA (return merchandise authorization) number from your dealer. This allows us to process your return more quickly.
4. Carefully pack the defective product, a fully-completed Repair and Replacement Order Card and a photocopy proof of purchase date (such as your sales receipt) in a shippable container. A product returned without proof of the purchase date is not eligible for warranty service.
5. Write the RMA number visibly on the outside of the package and ship it prepaid to your dealer.

Contents

Chapter 1	Overview.....	1
1.1	General Description	2
1.2	Specifications	2
1.2.1	LCD Panel.....	2
1.2.2	LED Driver Board.....	2
1.2.3	Touchscreen (R Series).....	2
1.2.4	Environment.....	2
1.3	Mechanical Characteristics	3
1.4	Functional Block Diagram	5
	Figure 1.1 Function Block Diagram	5
1.5	Touchscreen Driver.....	5
1.6	Absolute Maximum Ratings	5
1.6.1	Absolute Ratings of TFT LCD Module	5
1.6.2	Absolute Ratings of Backlight Unit.....	5
1.6.3	Absolute Ratings of Environment.....	5
Chapter 2	Electrical Characteristics.....	7
2.1	Power Specifications.....	8
	Table 2.1: Power Specifications	8
2.2	Backlight Driver Conditions	9
	Table 2.2: Backlight Driver Conditions	9
Chapter 3	Signal Characteristics.....	11
3.1	Pixel Format Image	12
3.2	Pin Description	12
	Table 3.1: Pin Description	12
3.3	The Input Data Format	13
3.3.1	SEL68	13
3.4	Interface Timing	14
3.4.1	Timing Characteristics	14
	Table 3.2: Timing Characteristics	14
3.4.2	Input Timing Diagram.....	15
3.5	Power ON/OFF Sequence	15
Chapter 4	Connector & Pin Assignment.....	17
4.1	TFT LCD Module.....	18
4.1.1	Connector	18
	Table 4.1: Connector	18
4.2	Backlight Unit	18
4.2.1	Signal for LED Light Bar Connector.....	18
4.2.2	LED Driver Board.....	18
	Table 4.2: Specifications	18
	Table 4.3: Input Connector Pin Definition.....	19
	Table 4.4: Output Connector Pin Definition.....	19
	Figure 4.1 Dimensions.....	20
Chapter 5	Touchscreen & Touch Controller.....	21

5.1	Touchscreen (Optional: for IDK-2115R Only).....	22
5.1.1	Touch Characteristics	22
5.1.2	Optical Characteristics.....	22
5.1.3	Environment Characteristics.....	22
5.1.4	Mechanical Characteristics.....	22
5.1.5	Electronic Characteristics	22
5.1.6	General Specifications.....	23
5.2	Touch Controller (Optional: - for IDK-2115R Only).....	23
5.2.1	Touch Controller Characteristics	23
5.2.2	Pin Assignment and Description.....	24
	Figure 5.1 Board mounted header.....	25
5.2.3	Physical Dimensions.....	26

Appendix A **Optical Characteristics..... 27**

A.1	Optical Characteristics	28
	Table A.1: Optical Characteristics	28

Appendix B **Handling Precautions 31**

B.1	Optical Characteristics	32
-----	-------------------------------	----

Chapter 1

Overview

1.1 General Description

The Advantech IDK-2115 series comes with a 15" 1200 cd/m² industrial grade LCD display, and an LED driving board. The series is also available with flexible options for touchscreens and enhanced treatments such as an AR surface treatment and an optical bonding solution. IDK-2115 series supports 1200 cd/m² high brightness with low power consumption at a maximum consumption of 16 W. Equipped with a high level of brightness and wide operating temperature range, IDK-2115 provides superior sunlight readability and is perfect for applications whether in semi-outdoor or outdoor environments.

1.2 Specifications

1.2.1 LCD Panel

- **Display Size:** 15" LED backlight panel
- **Resolution:** 1024 x 768
- **Viewing Angle (U/D/L/R):** 70°/70°/80°/80°
- **Brightness:** 1200 cd/m²
- **Contrast Ratio:** 700:1
- **Response Time (ms):** 25 ms
- **Colors:** 262K/16.2M
- **Voltage:** 3.3V
- **Power Consumption:** 16W
- **Signal Interface:** 1 channel LVDS
- **Weight:** R series:1600g
N series:1350g
- **Dimensions (W x H x D):** R series: 326.5 x 253.5 x 14.4 mm
N series: 326.5 x 253.5 x 11.5 mm

1.2.2 LED Driver Board

- **Efficiency:** 85%
- **Output Current & Voltage:** 800mA/17.7V
- **Dimensions (W x H x D):** 80 x 50 x 7 mm

1.2.3 Touchscreen (R Series)

- **Touchscreen:** 5-Wire Resistive
- **Light Transmission:** 80 ± 3%
- **Durability:** 10 millions times

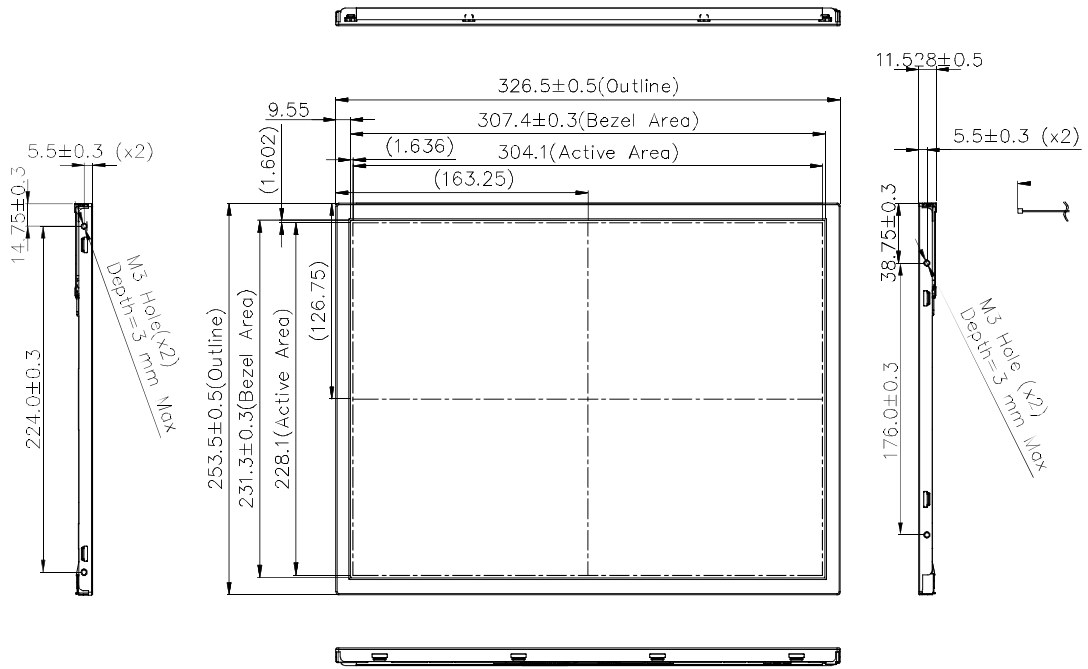
1.2.4 Environment

- **Operating Temperature:** -20~70 °C (IDK-2115R), -20~70 °C (IDK-2115N)
- **Storage Temperature:** -30 ~ 80°C (IDK-2115R)
-40~80 C (IDK-2115N)
- **Humidity:** 8 ~ 90% @39°C, non-condensing

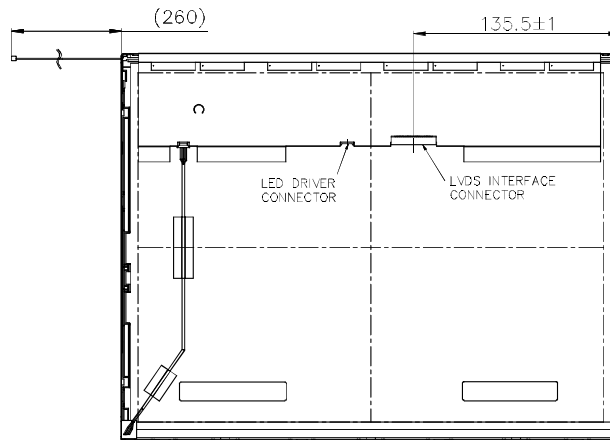
1.3 Mechanical Characteristics

IDK-2115N Series

Front View



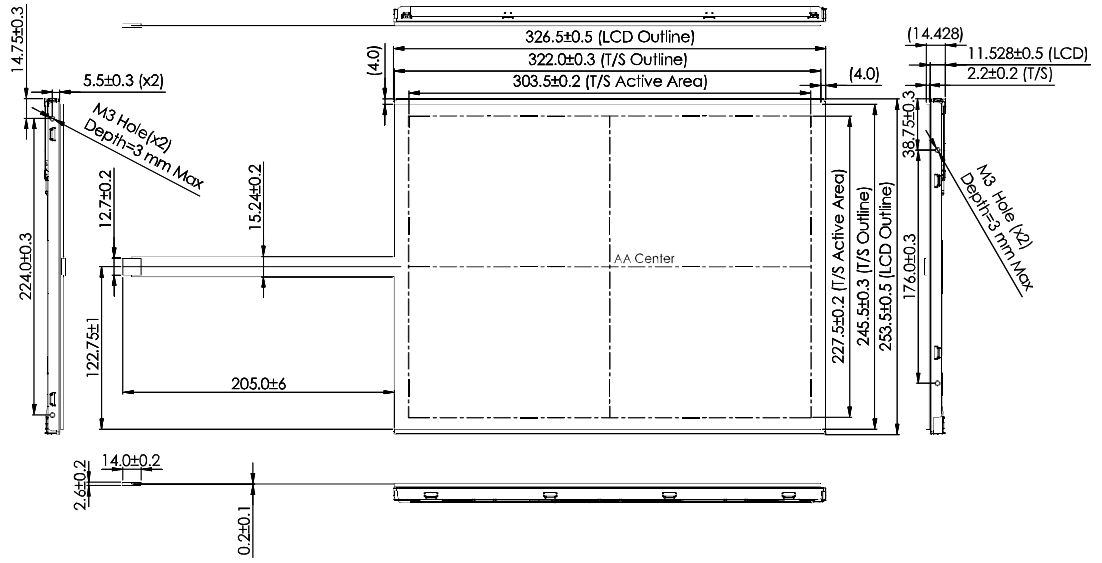
Rear View



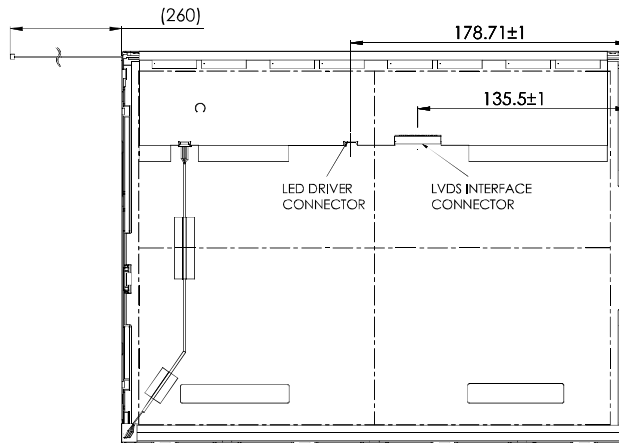
Unit:mm

IDK-2115R Series

Front View



Rear View



Unit:mm

1.4 Functional Block Diagram

The following diagram shows the functional block of the 15 inches Color TFT-LCD Module:

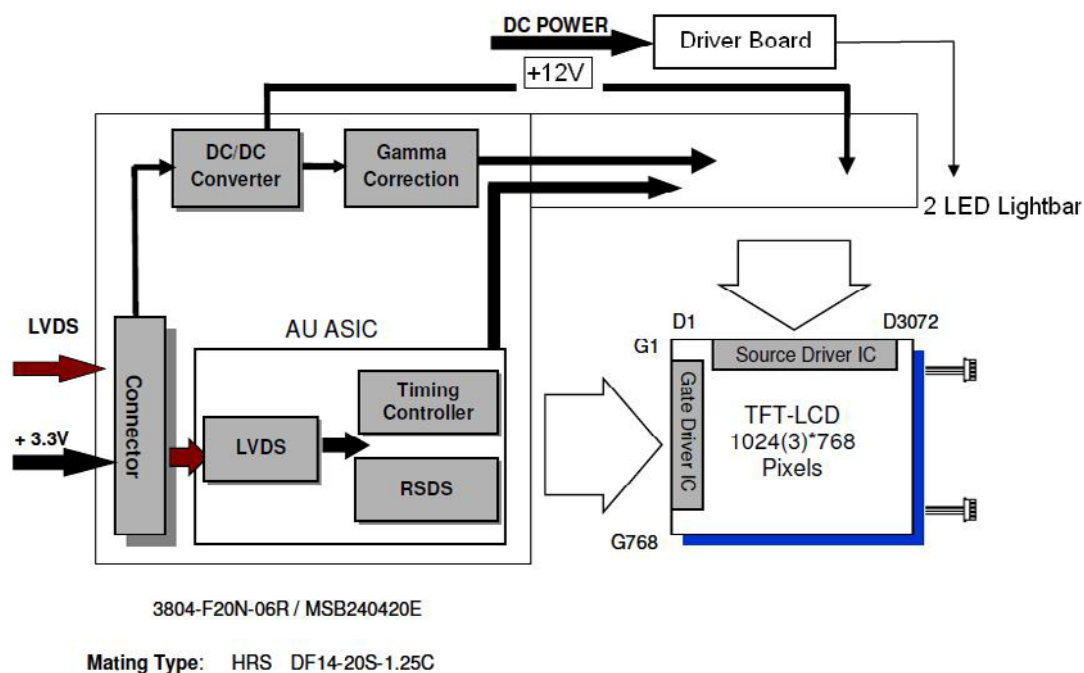


Figure 1.1 Function Block Diagram

1.5 Touchscreen Driver

The touchscreen driver CD-ROM is in the accessories box with the product.

1.6 Absolute Maximum Ratings

Absolute maximum ratings of the module is as following:

1.6.1 Absolute Ratings of TFT LCD Module

Item	Symbol	Min.	Max.	Unit	Conditions
Logic/LCD Drive Voltage	Vin	0.3	4.0	[Volt]	Note 1, 2

1.6.2 Absolute Ratings of Backlight Unit

Item	Symbol	Min.	Max.	Unit	Conditions
LED Light Bar Current	ILed	390*2	400*2	[mA]	Note 1, 2

1.6.3 Absolute Environmental Ratings

Item	Symbol	Min.	Max.	Unit	Conditions
Operating Temperature	TOP	-20	+70	[°C]	Note 3
Operation Humidity	HOP	8	90	[%RH]	
Storage Temperature	TST	-30	+80	[°C]	
Storage Humidity	HST	8	90	[%RH]	

Note1: *With in Ta= 25°C*

Note2: *Permanent damage to the device may occur if exceeding maximum values*

Chapter 2

Electrical
Characteristics

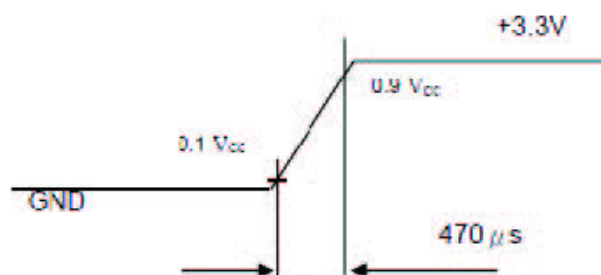
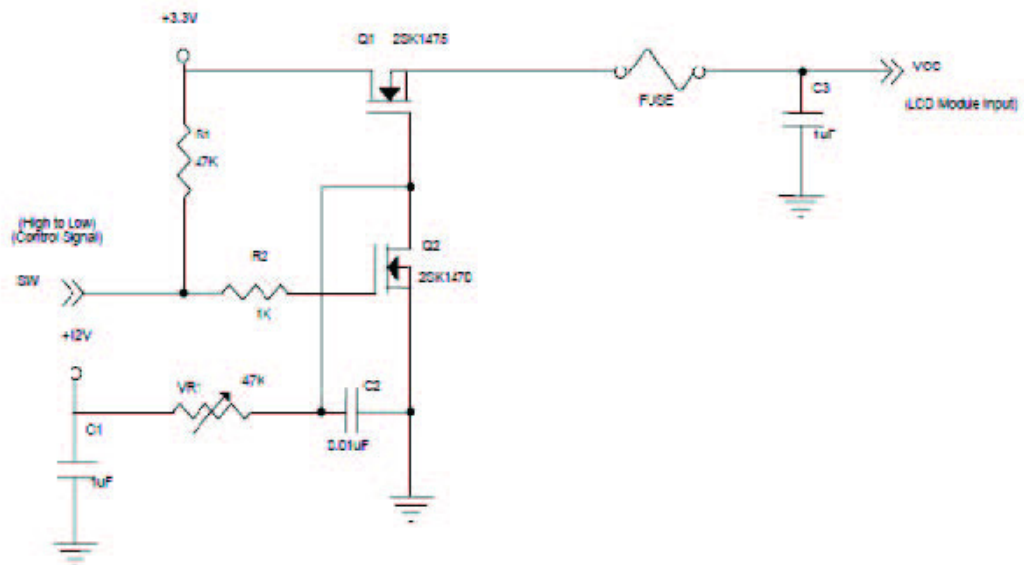
2.1 Power Specifications

Input power specifications are as follows:

Table 2.1: Power Specifications

Parameter	Symbol	Value			Unit	Note	
		Min.	Typ.	Max.			
Power Supply Voltage	V_{CC}	3.0	3.3	3.6	V	-	
Ripple Voltage	V_{RP}	-	-	100	mVp-p		
Rush Current	I_{RUSH}	-	-	2.0	A	(2)	
Power Supply Current	White	I_{CC}	-	410	510	mA	(3)a
	Black		-	590	690	mA	(3)b
Differential Input Voltage for LVDS Receiver Threshold	"H" Level	V_{IH}	-	-	100	mV	-
	"L" Level	V_{IL}	-100	-	-	mV	-
Terminating Resistor	R_T		100	-	Ohm	-	

Note1: Measurement condition:



2.2 Backlight Driver Conditions

Parameter guidelines for LED Light Bar Driver is operation under stable conditions at 25°C (Room Temperature):

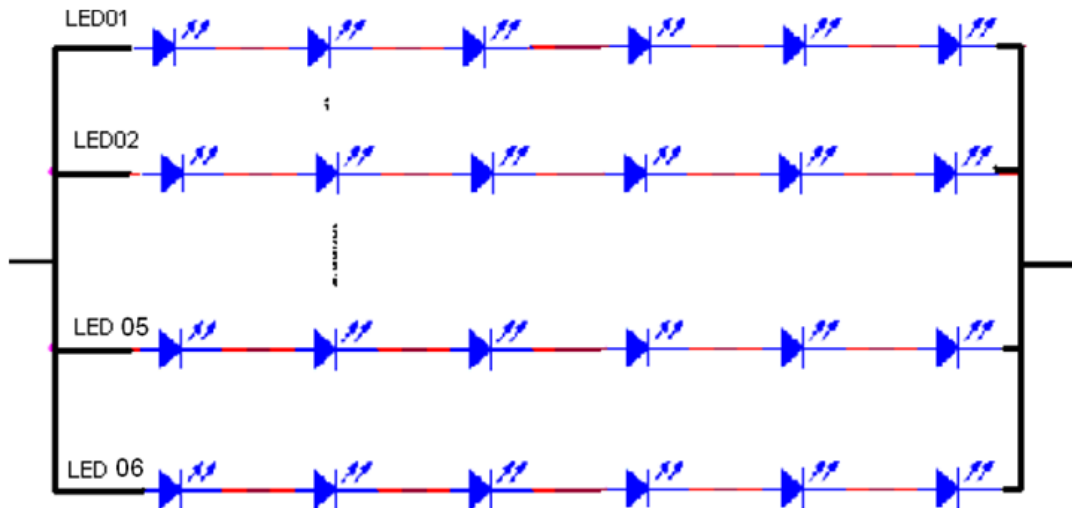
Table 2.2: Backlight Driver Conditions

Item	Symbol	Values			Unit	Condition
		Min.	Typ.	Max.		
LED Voltage	VL	17.7		17.7	V	Note 2, 3
LED Current	IL	390		400	mA	Note 2
LED Life Time	-	50,000	-	-	Hr	Note 1

Note1 "LED Life Time" is defined for module brightness decrease to 50% original brightness with an ambient temperature of 25°C and typical LED Current at 400mA.

Note2 "LED Driver" condition is defined for each LED module (6 LED serial).

Note3 The variance of LED Light Bar power consumption is 10%. Calculator value for reference ($IL \times VL \times 2 = P_{LED}$)

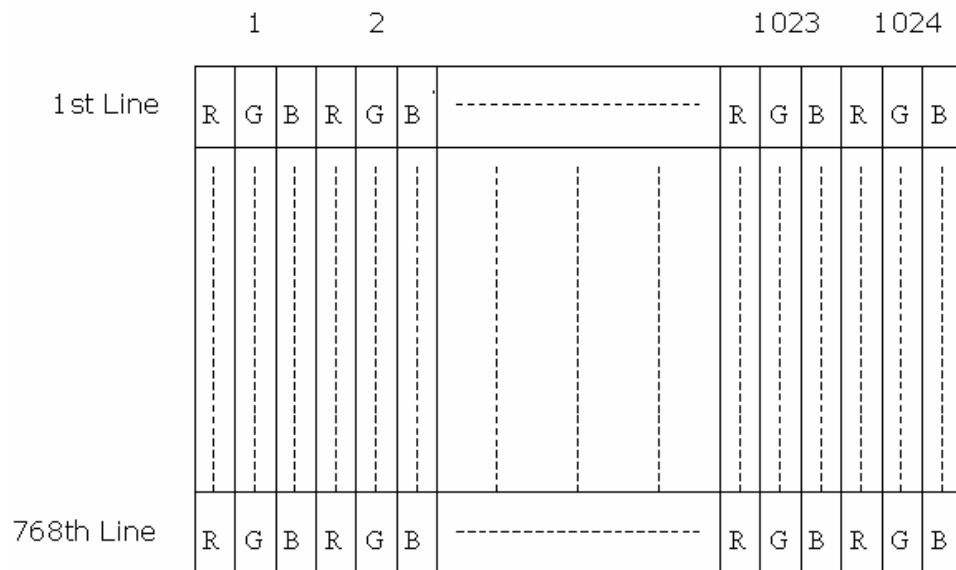


Chapter 3

Signal Characteristics

3.1 Pixel Format Image

Following figure shows the relationship between input signal and LCD pixel format.



3.2 Pin Description

Table 3.1: Pin Description

Pin No.	Symbol	Function	Polarity	Note
1	VCC	Power Supply +3.3V(typical)		
2	VCC	Power Supply +3.3V(typical)		
3	GND	Ground		
4	NC	No Connection		
5	RX0-	LVDS Differential Data Input	Negative	
6	RX0+	LVDS Differential Data Input	Positive	
7	GND	Ground		
8	RX1-	LVDS Differential Data Input	Negative	
9	RX1+	LVDS Differential Data Input	Positive	
10	GND	Ground		
11	RX2-	LVDS Differential Data Input	Negative	
12	RX2+	LVDS Differential Data Input	Positive	
13	GND	Ground		
14	RXCLK-	LVDS Differential Data Input	Negative	
15	RXCLK+	LVDS Differential Data Input	Positive	
16	GND	Ground		
17	RX3-	LVDS Differential Data Input	Negative	
18	RX3+	LVDS Differential Data Input	Positive	
19	GND	Ground		
20	SEL68	LVDS 6/8 bit select function control, High -> 6bit Input Mode Low or NC -> 8bit Input Mode		Note (3)

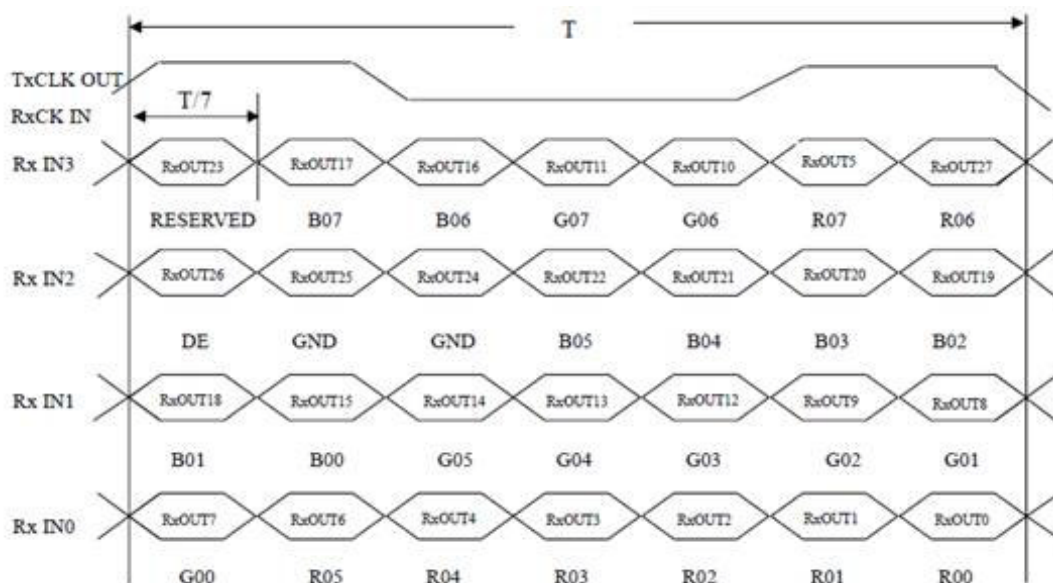
Note1: Connector Part No.: STM MSB240420G, Entry 3804K-F20N-10L or equivalent.

Note2: User's connector Part No.: STM P240420, Entry H204K-D20N-02B or equivalent.

Note3: "Low" stands for 0V. "High" stands for 3.3V. "NC" stands for "No Connection".

3.3 The Input Data Format

3.3.1 SEL68



Note1: Please follow PSWG.

Note2: R/G/B data 7:MSB, R/G/B data 0:LSB

Signal Name	Description	Remark
R7	Red Data 7	
R6	Red Data 6	
R5	Red Data 5	
R4	Red Data 4	Red-pixel Data, For 8 bits LVDS input, MSB: R7; LSB:R0
R3	Red Data 3	
R2	Red Data 2	
R1	Red Data 1	
R0	Red Data 0	
G7	Green Data 7	
G6	Green Data 6	
G5	Green Data 5	
G4	Green Data 4	Green-pixel Data, For 8 bits LVDS input, MSB: G7; LSB:G0
G3	Green Data 3	
G2	Green Data 2	
G1	Green Data 1	
G0	Green Data 0	

B7	Blue Data 7	
B6	Blue Data 6	
B5	Blue Data 5	
B4	Blue Data 4	Blue-pixel Data, For 8 bits LVDS input, MSB: B7; LSB:B0
B3	Blue Data 3	
B2	Blue Data 2	
B1	Blue Data 1	
B0	Blue Data 0	
RxCLKIN	LVDS Data Clock	
DE	Data Enable Signal	When the signal is high, the pixel data is valid to be displayed.

Note: Output signals from any system should be low or Hi-Z state when VDD is off.

3.4 Interface Timing

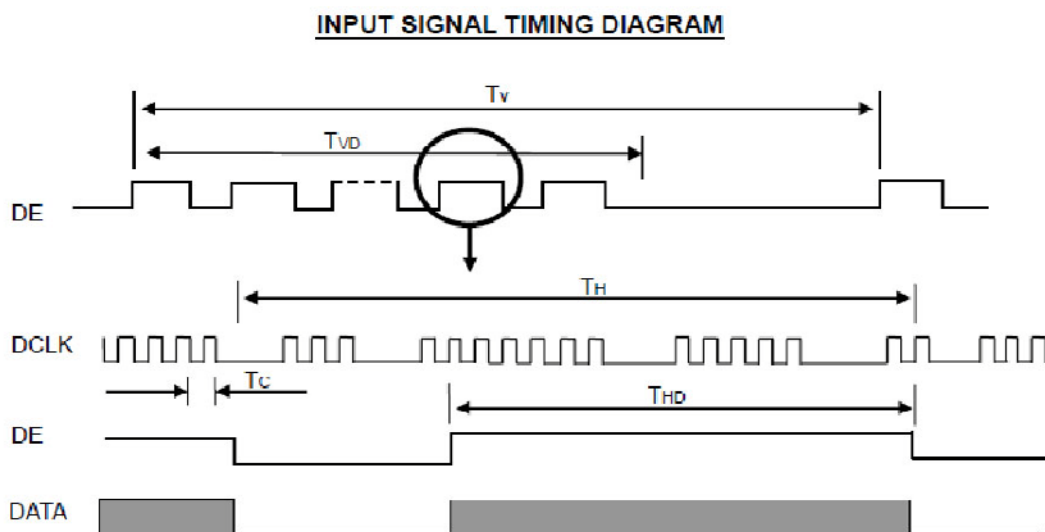
3.4.1 Timing Characteristics

The input signal timing specifications are shown as the following table and timing diagram.

Table 3.2: Timing Characteristics							
Signal	Item	Symbol	Min.	Typ.	Max.	Unit	Note
DCLK	Pixel Clock	$1/T_C$	-	65	80	MHz	-
	Vertical Total Time	T_V	780	806	1200	T_H	-
DE	Vertical Address Time	T_{VD}	768	768	768	T_H	-
	Horizontal Total Time	T_H	1140	1344	1600	T_C	-
	Horizontal Address Time	T_{HD}	1024	1024	1024	T_C	-

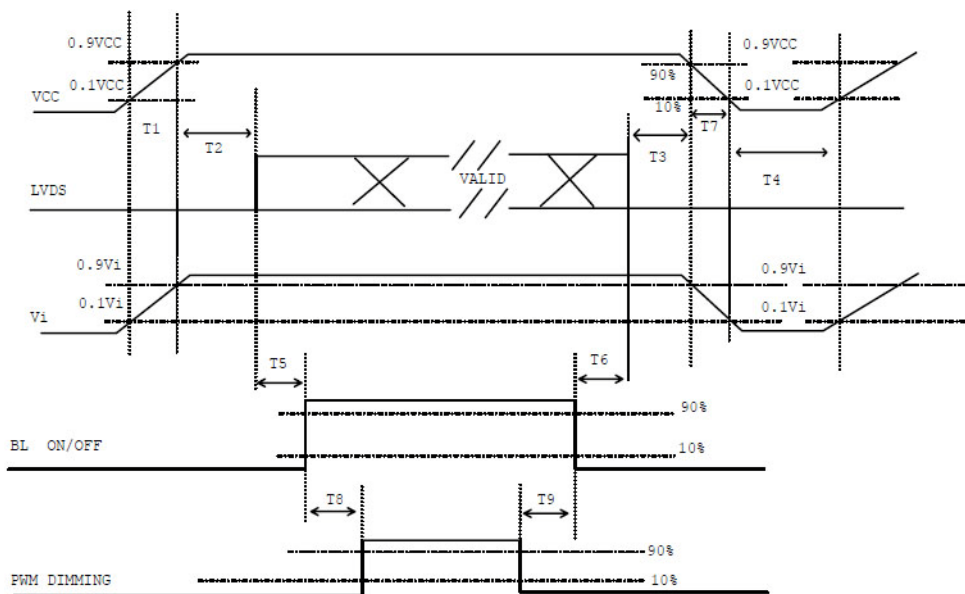
Note: Because this module is operated by DE only mode, Hsync and Vsync input signals should be set to low logic level or ground. Otherwise, this module would operate abnormally

3.4.2 Input Timing Diagram



3.5 Power ON/OFF Sequence

To prevent a latch-up or DC operation of LCD assembly, the power on/off sequence should be as the diagram below.



Power ON/OFF sequence

Power Sequence Timing

Parameter	Value			Unit
	Min.	Typ.	Max.	
T1	0.5	-	10	[ms]
T2	0	-	50	[ms]

T3	0	-	50	[ms]
T4	500	-	-	[ms]
T5	200	-	-	[ms]
T6	200	-	-	[ms]
T7	5	-	300	[ms]
T8	10	-	-	[ms]
T9	10	-	-	[ms]

The above on/off sequence should be applied to avoid abnormal function in the display. Please make sure to turn off the power when you plug the cable into the input connector or pull the cable out of the connector.

Chapter 4

Connector & Pin
Assignments

4.1 TFT LCD Module

These connectors are capable of accommodating the following signals and consist of the following components.

4.1.1 Connector

Table 4.1: Connector

Connector Name / Description	Signal Connector
Manufacture	STM MSB240420G, Entry 3804K-F20N-10L
Connector Model Number	STM P240420, Entry H204K-D20N-02B or equivalent

Mating LVDS transmitter: THC63LVDM83A or equivalent device

4.2 Backlight Unit

These connectors are capable of accommodating the following signals and consist of the following components.

Connector Name / Designation	LED Light Bar Connector (CN1)
Manufacturer	SPEEDCON
Type Part Number	WF-SMT90 2.0mm Wire to board Heater

4.2.1 Signal for LED Light Bar Connector

	Connector No.	Pin No.	Input	Color	Function
Upper	CN1-U	1	HI 1	Red	Power supply for backlight unit
		2	GND 1	Black	Ground for backlight unit
Lower	CN1-L	1	HI 2	Red	Power supply for backlight unit
		2	GND 2	Black	Ground for backlight unit

Cable Length : 250mm+/-10mm

4.2.2 LED Driver Board

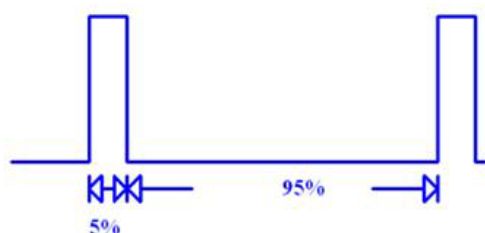
4.2.2.1 Specifications:

Table 4.2: Specifications

Symbol	Characteristics	Condition	Min.	Typ.	Max.	Unit
Input	Voltage		10	12	15	V
	Efficiency	Vin=12V, Iout=800mA, Vout=17.7V		85		%
	Power		3		30	W
Output	Voltage		17.7	18	24	V
	Current		150		800	mA
	Current Accuracy	150mA≤Iout≤800mA		±5	±10	%
	Protection			OVP		

Table 4.2: Specifications

Environment	Thermal Shutdown	165		°C
	Operating Junction Temperature		125	°C
	Operating Temperature	-20	+70	°C
	Storage Temperature	-40	+85	°C
PWM Dimmer	Dimmer Range (Note. 1)	5	100	V
	Dimmer VH	2	5	V
	Dimmer VL	0	1.5	V
	Dimmer Frequency	0.25	0.5	1
ON/OFF	Von	3.5	5.5	V
	off	0	2	V



Note: When the input ≤ 1 KHz, the high-level digital output must be greater than the total output level of only 5%.

4.2.2.2 Input Connector Pin Definition

Table 4.3: Input Connector Pin Definition

Pin No.	Pin Definition
1	Vin(+12V)
2	Vin(+12V)
3	GND
4	GND
5	ON/OFF(0V: Off ; +5V: On)
6	Dimming (PWM)

4.2.2.3 Output Connector Pin Definition

Table 4.4: Output Connector Pin Definition

Pin No.	Pin Define
1	VLED-
2	VLED+

4.2.2.4 Dimensions

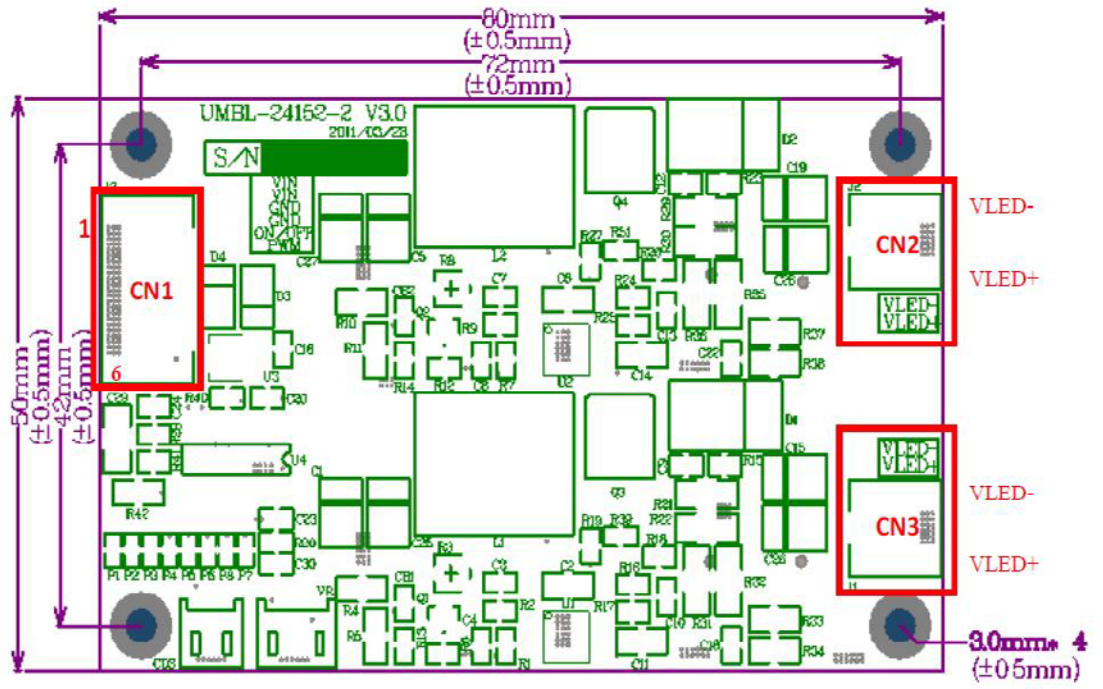


Figure 4.1 Dimensions

Chapter 5

Touchscreen & Touch
Controller

5.1 Touchscreen (Optional: for IDK-2115R Only)

5.1.1 Touch Characteristics

The touch panel is a resistance type that a customer uses with flat displays like an LCD. Once the operator touches it with a stylus or a finger, the circuit for the touch panel sends coordinate points to a PC from the voltages at the contact points.

5.1.2 Optical Characteristics

	Item	Specifications	Remarks
1	TRANSPARENCY	80% ± 3%	BYK-Gardner
2	HAZE	8.0% ± 3%	BYK-Gardner

5.1.3 Environment Characteristics

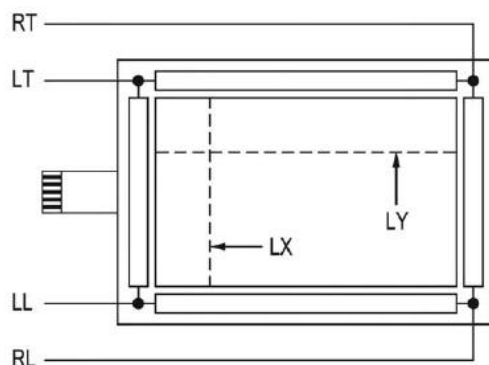
	Item	Specifications	Remarks
1	Operation temperature	-20°C ~ 70°C	Note: All terms under 1 atmosphere
2	Storage temperature	-40°C ~ 80°C	
3	Operation Humidity	20% ~ 80%RH	
4	Storage temperature	20% ~ 90%RH	

5.1.4 Mechanical Characteristics

	Item	Specifications	Remarks
1	Hardness of surface	Pencil hardness 3H.	JIS K-5600-5-4 150gf, 45 degree
2	FPC peeling strength	1) 5N (5N Min.) 2) 19.6N (19.6N Min.)	1) Peeling upward by 90° 2) Peeling downward by 90°
3	Operation force	Pen 0.05N~1.96N Finger (5~200gf)	Dot-Spacer Within "guaranteed active area", but not on the age and Dot-Spacer.

5.1.5 Electronic Characteristics

	Item	Specification	Remarks
1	Rated Voltage	DC 7V max.	
2	Resistance	X axis: 200Ω ~ 1000Ω(Figure as bellow) Y axis: 200Ω ~ 800Ω(Figure as bellow)	FPC connector
3	Linearity	X ≤1.5% (Figure as bellow) Y ≤1.5% (Figure as bellow)	Reference: 250gf
4	Chattering	≤ 20ms Max	
5	Insulation Resistance	≥ 20MΩ min (DC 25V)	

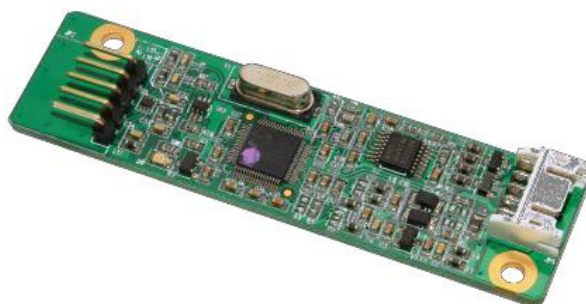


5.1.6 General Specifications

Item	Specifications
1	Frame size 322.00±0.30 X 245.50±0.30 mm
2	View Area 309.00±0.30 X 233.50±0.20 mm
3	Active Area 303.00±0.30 X 227.50±0.20 mm
4	Total Thickness 2.20±0.20 mm
5	Tail length 205.00±6.00 mm

5.2 Touch Controller (Optional: - for IDK-2115R Only)

Advantech's ETM-RES04C Touch Control Board is the ultimate combo board. This touch panel controller provides optimal performance for 5-wire analog resistive touch panels. It communicates with a PC system directly through USB and RS-232 connectors. The superior design is sensitive, accurate and is friendly to operate. The touch panel driver emulates mouse left and right button functions.



5.2.1 Touch Controller Characteristics

5.2.1.1 Specifications

Electrical Features

- +5 Vdc/ 100 mA typical, 50mV peak to peak maximum ripple and noise.
- Bi-directional RS-232 serial communication and USB 1.1 full speed
- Report rate of RS-232 is 180 points/sec (max.). And, USB is 200 points/sec (max.)
- Unaffected by environmental EMI

- Panel resistance of 5-wire resistive model is from 50 to 200 ohm (Pin to pin on same layer)
- Touch resistance under 3K ohm

Serial Interface

- EIA 232E (Serial RS-232)
- No parity, 8 data bits, 1 stop bit, 9600 baud (N, 8, 1, 9600)
- Support Windows 2000/ Vista/ XP/ 7, Windows CE 5.0/ 6.0/ 7.0, Windows NT4, Linux, DOS, QNX

USB Interface

- Conforms to USB Revision 1.1 full speed.
- If the USB is connected to the controller, the controller will communicate over the USB, and will not communicate over the serial port.
- Supports Windows 2000/ Vista/ XP/ 7, Windows CE 5.0/ 6.0/ 7.0, Linux, QNX

Touch Resolution

- 2,048 x 2,048 resolution

Response Time

- Max. 20 ms

5.2.1.2 Environmental Feature

Reliability

- MTBF is 200,000 hours

Temperature Ranges

- Operating : -25°C ~ 85°C
- Storage : -25°C ~ 85°C

Relative Humidity

- 95% at 60°C, RH Non-condensing

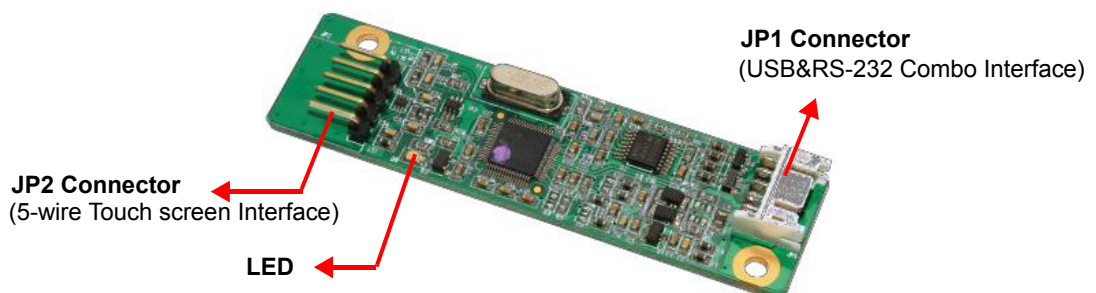
Acquired RoHS Certificate

Regulatory FCC-B, CE Approvals

Dimension: 75 mm x 20 mm x 10 mm

5.2.2 Pin Assignment and Description

5.2.2.1 Connector and LED Location



5.2.2.2 Combo Interface Connector, JP1, Pins and Signal Descriptions

The combo interface connector for USB and RS-232 is a 2.0mm, 10-pin, 90 degree box; male type with lock connector. It is intended to be used with single wired pins in 5+5 pins header. The pins are numbered as shown in the table below.

USB Pin #	Signal Name	Signal Function	RS-232 Pin #	Signal Name	Signal Function
1	G	Ground	1	G	Ground
2	V	USB Power	2	V	Power
3	G	Ground	3	G	Ground
4	D+	USB D+	4	TxD	Serial Port
5	D-	USB D-	5	RxD	Serial Port

Signal Name	DB-9 pin #	RS-232 pin #	Sourced by	Signal Description
RxD	2	5	ctrl	serial data from controller to host
TxD	3	4	host	serial data from host to controller

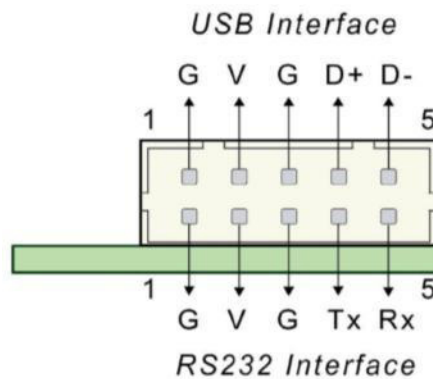
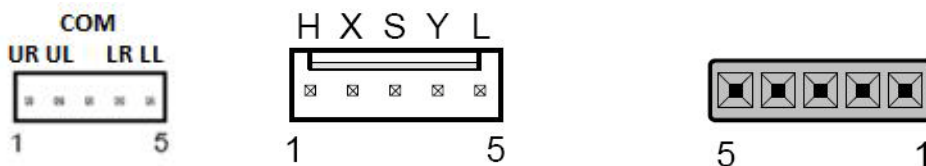


Figure 5.1 Board mounted header

5.2.2.3 Touch Screen Connector, JP2, Pins and Signal Descriptions

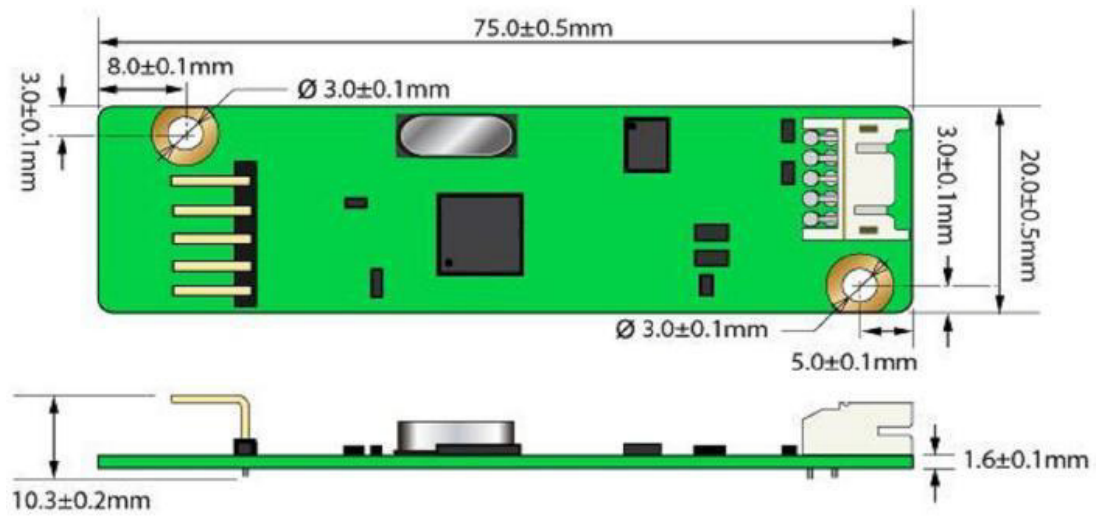
The touchscreen connector, JP2, is a single row, 2.54mm, 5-pins, 90 degrees; male type connector. The pins are numbered as shown in the table below.

JP2 Pin #	Signal Name	Signal Description
1	H / UR	Drive signal attached to the touchscreen substrate upper right corner when viewed from a user's perspective.
2	Y / UL	Drive signal attached to the substrate upper left corner.
3	COM	-
4	X / LR	Drive signal attached to the substrate lower right corner.
5	L / LL	Drive signal attached to the substrate lower left corner.



5.2.3 Physical Dimensions

ETM-RES04C-EEH4EE Touch Control Board (Unit: mm)



Appendix **A**

Optical Characteristics

A.1 Optical Characteristics

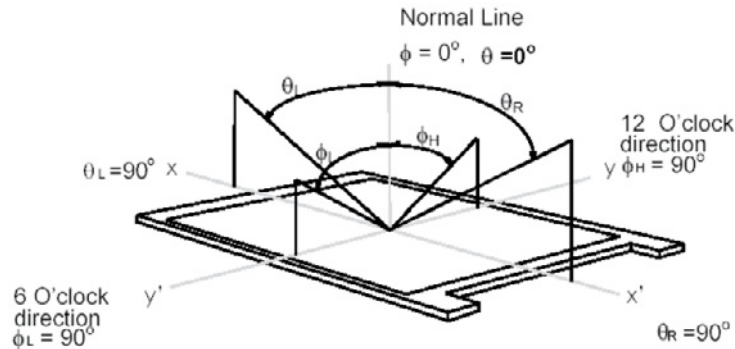
The optical characteristics are measured under stable conditions at 25°C (Room Temperature):

Table A.1: Optical Characteristics						
Item	Unit	Conditions	Min.	Typ.	Max.	Note
Viewing Angle	[degree]	Horizontal (Right)	70	80	-	1
		CR = 10 (Left)	70	80	-	
		Vertical (Upper)	60	70	-	
		CR = 10 (Lower)	60	70	-	
Luminance Uniformity	[%]	9 Points	80	85	-	2, 3
Optical Response Time	[msec]	Rising	-	8	13	
		Falling	-	17	22	5
		Rising + Falling	-	25	-	
Color/Chromaticity Coordinates (CIE 1931)		White x	-	0.301	-	4
		White y	-	0.305	-	
Color Temp.	K		-	7500		
White Luminance	[cd/m ²]		1100	1200	-	4
Contrast Ratio			-	700	-	4

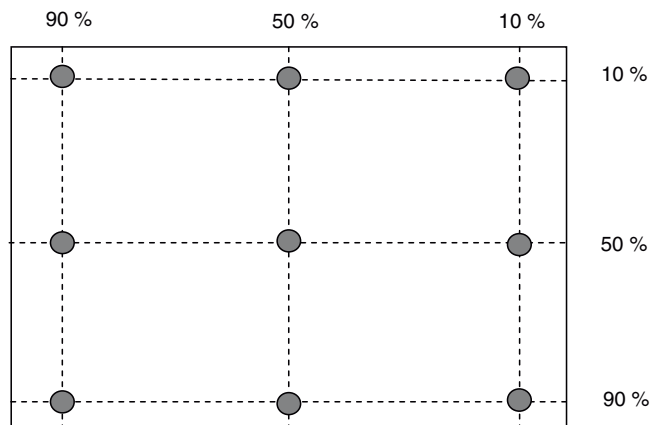
Note1: Optical Equipment: BM-7, DT-101, or equivalent

Note2: Definition of viewing angle

Viewing angle is the measurement of contrast ratio R10, at the screen center, over a 180° horizontal and 180° vertical range (off-normal viewing angles). The 180° viewing angle range is broken down as: 90° (θ) horizontal left and right, and 90° (Φ) vertical high (up) and low (down). The measurement direction is typically perpendicular to the display surface with the screen rotated to its center to develop the desired measurement viewing angle.



Note2: 9-point position

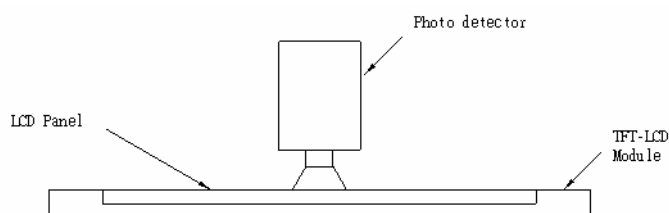


Note3: 9-point luminance uniformity is defined by dividing the maximum luminance values by the minimum test point luminance

$$\delta_{w9} = \frac{\text{Minimum Brightness of nine points}}{\text{Maximum Brightness of nine points}}$$

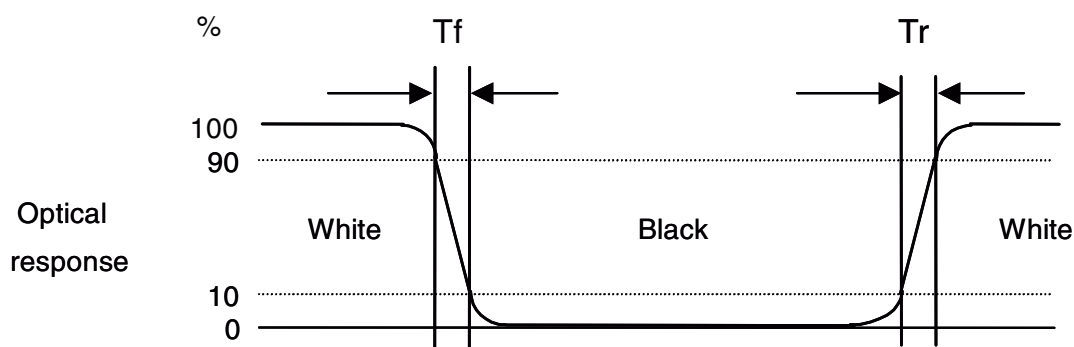
Note4: Measurement method

The LCD module should be stabilized at given temperature for 30 minutes to avoid abrupt temperature change during measuring. In order to stabilize the luminance, the measurement should be executed after lighting Backlight for 30 minutes in a stable, windless and dark room. Optical Equipment: DT-100, or equivalent



Note5: Definition of response time

The output signals of the photo detector are measured when the input signals are changed from "Full Black" to "Full White" (rising time), and from "Full White" to "Full Black" (falling time), respectively. The response time is an interval between 10% and 90% of amplitudes. Please refer to the figure below.



Appendix **B**

Handling Precautions

B.1 Optical Characteristics

The optical characteristics are measured under stable conditions at 25°C (room temperature).

1. Since front polarizer is easily damaged, pay attention not to scratch it.
2. Be sure to turn off power supply when inserting or disconnecting from input connector.
3. Wipe off water drops immediately. Lengthy contact with water may cause discoloration or spots.
4. When the panel surface is soiled, wipe it with absorbent cotton or other soft cloth.
5. Since the panel is made of glass, it may break or crack if dropped or bumped on hard surface.
6. Since a CMOS LSI is used in this module, be aware of static electricity and insure equipment and personnel are properly grounded when handling.
7. Do not open or modify the Module Assembly.
8. Do not press the reflector sheet at the back of the module in any direction.
9. If a module has to be put back into the packing container slot after having been taken out, please press the far ends of the LED light bar reflector edge softly. Otherwise the TFT Module may be damaged.
10. During insertion or removal of the Signal Interface Connector, be sure not to rotate or tilt the Interface Connector of the TFT Module.
11. After installation of the TFT Module into an enclosure, do not twist nor bend the TFT Module even momentarily. When designing the enclosure, care should be taken not to bend/twist the TFT Module from outside. Otherwise the module may be damaged.
12. Small amounts of inflammable materials are used in the LCD module. The LCD module should be supplied by power that complies to requirements for a Limited Power Source (IEC60950 or UL1950) or an exemption should be applied for.

ADVANTECH

Enabling an Intelligent Planet

www.advantech.com

Please verify specifications before quoting. This guide is intended for reference purposes only.

All product specifications are subject to change without notice.

No part of this publication may be reproduced in any form or by any means, electronic, photocopying, recording or otherwise, without prior written permission of the publisher.

All brand and product names are trademarks or registered trademarks of their respective companies.

© Advantech Co., Ltd. 2012

Free Manuals Download Website

<http://myh66.com>

<http://usermanuals.us>

<http://www.somanuals.com>

<http://www.4manuals.cc>

<http://www.manual-lib.com>

<http://www.404manual.com>

<http://www.luxmanual.com>

<http://aubethermostatmanual.com>

Golf course search by state

<http://golfingnear.com>

Email search by domain

<http://emailbydomain.com>

Auto manuals search

<http://auto.somanuals.com>

TV manuals search

<http://tv.somanuals.com>