

20" SNOW BLOWER



OWNER'S MANUAL

ITEM

AGT1420



YEAR

LIMITED
WARRANTY



WARNING! To Reduce The Risk Of Injury, User
Must Read And Understand Instruction Manual.

CONTENTS

1/PRODUCT INFORMATION	7
2/OWNER'S INFORMATION	7
3/INTERNATIONAL PICTORIALS	8
4/ASSEMBLY	12
5/OPERATION	14
6/MAINTENANCE	17
7/MAINTENANCE CHART	17
8/TROUBLE SHOOTING CHART	

Figure 1

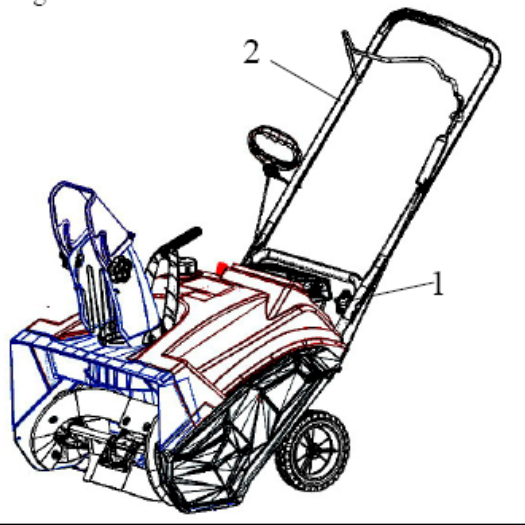


Figure 2

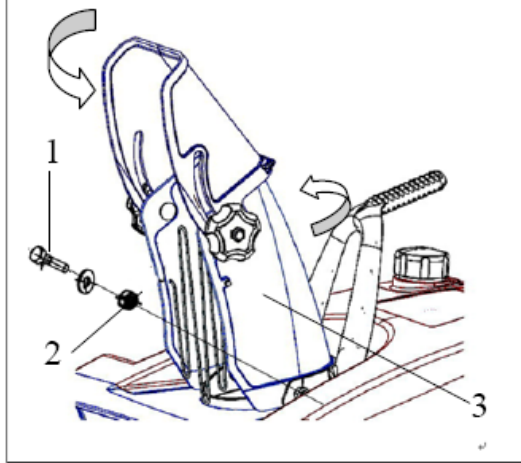


Figure 3

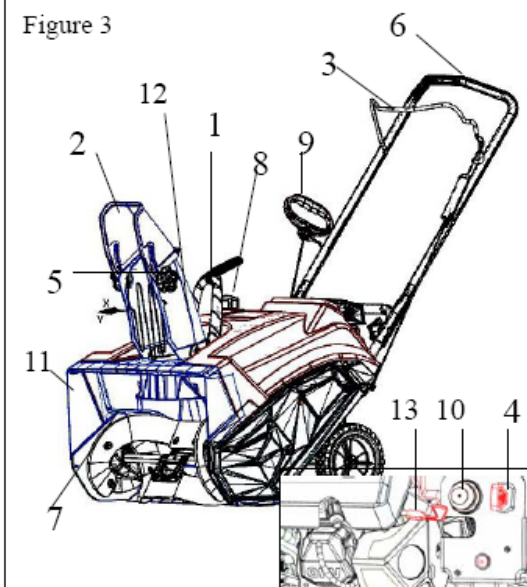


Figure 4

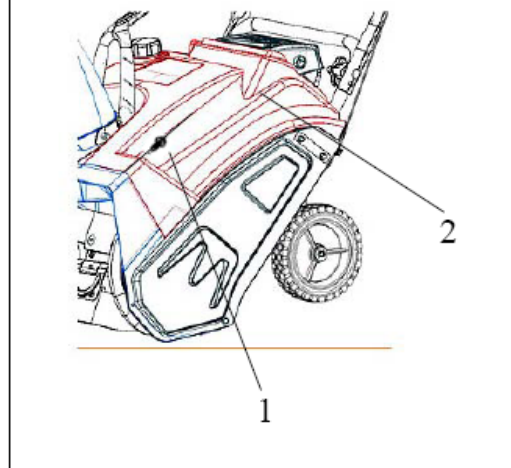


Figure 5

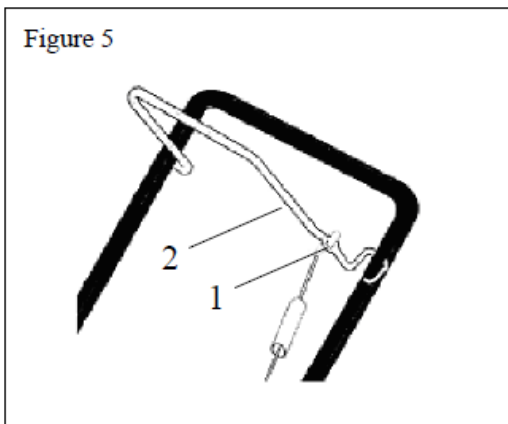


Figure 6

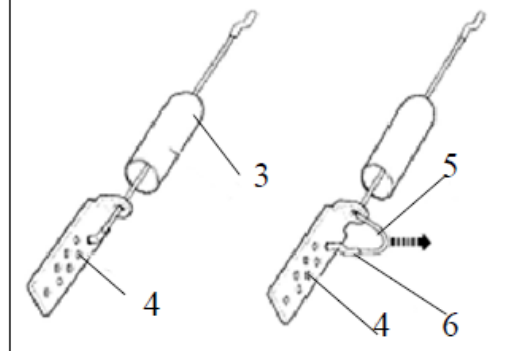


Figure 7

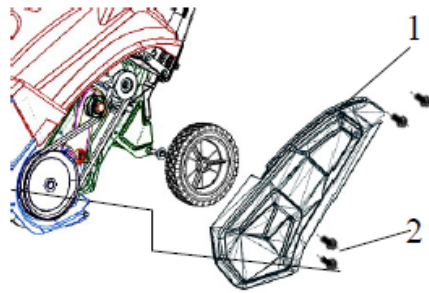


Figure 8

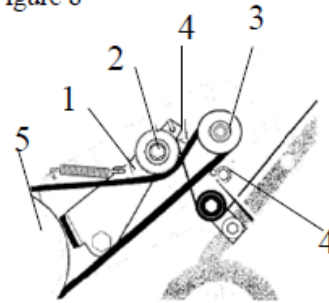


Figure 9

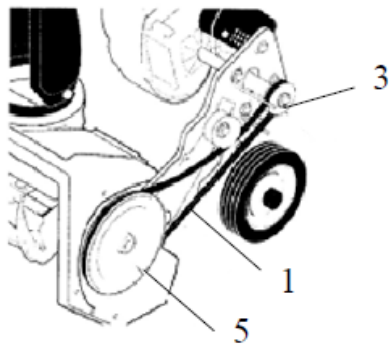


Figure 10

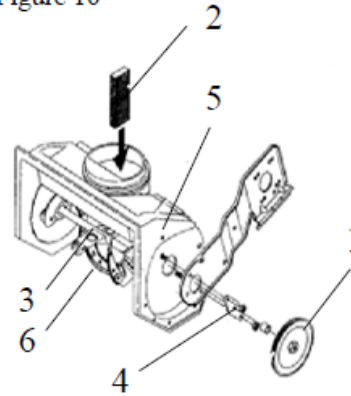
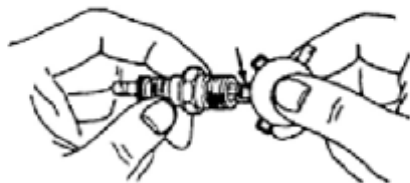


Figure 11



1/PRODUCT INFORMATION

The owner must be certain that all the product information is included with the unit. This information includes the INSTRUCTION BOOKS, the REPLACEMENT PARTS and the WARRANTIES. This information must be included to make sure state laws and other laws are followed.

2/OWNER'S INFORMATION

This manual is written for a person with some mechanical ability. Like most service books, not all the steps are described. Steps on how to loosen or tighten fasteners are steps anyone can follow with some mechanical ability. Read and follow these instructions before you use the unit.

Know your product: If you understand the unit and how the unit operates, you will get the best performance. As you read this manual, compare the illustrations to the unit. Learn the location and the function of the controls. To help prevent an accident, follow the operating instructions and the safety rules. Keep this manual for future reference.

IMPORTANT: Many units are not assembled and are sold in cartons. It is the responsibility of the owner to make sure the assembly instructions in this manual are exactly followed. Other units are purchased in an assembled condition. On assembled units, it is the responsibility of the owner to make sure the unit is correctly assembled. The owner must carefully check the unit according to the instructions in this manual before it is first used.



WARNING: Look for this symbol to indicate important safety precautions. This symbol indicates: “Attention! Become Alert! Your Safety Is At Risk.”

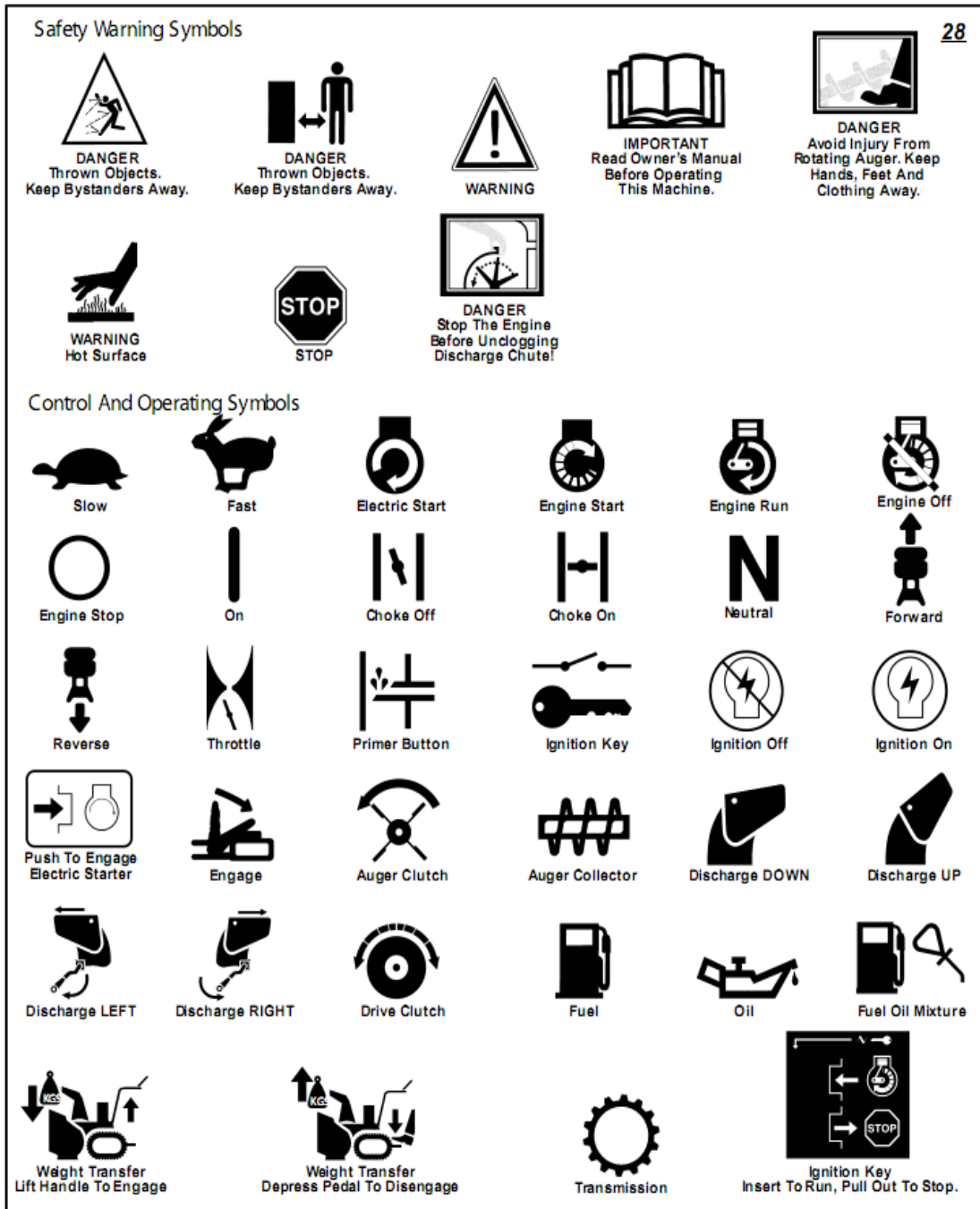
Responsibility Of The Owner. The responsibility of the owner is to follow the instructions below.

1. Carefully read and follow the rules for safe operation.
2. Follow all the assembly and preparation instructions.
3. Inspect the unit.
4. Make sure that the operator of the unit knows how to correctly use all standard and accessory equipment.
5. Operate the unit only with guards, shields, and other safety items in place and working correctly.
6. Correctly adjust the unit.
7. Service the unit only with authorized or approved replacement parts.
8. Complete all maintenance on the unit.

Environmental Awareness

- ▮ Do not fill the engine’s fuel tank completely full.
- ▮ Drain fuel for off-season storage.
- ▮ Use only unleaded gasoline.
- ▮ Service the air cleaner regularly.
- ▮ Change oil regularly. Use 5W-30 oil.
- ▮ Tune-up the engine regularly.
- ▮ Keep equipment in efficient operating condition.
- ▮ Dispose of used engine oil properly.

3/INTERNATIONAL PICTORIALS/IMPORTANT:The following pictorials are located on your unit or on the literature supplied with the product. Before you operate the unit, learn and understand the purpose for each pictorial.



Safe Operation Practices for Snow Throwers

As Recommended By: American National Standards Institute.

IMPORTANT: Safety standards require operator presence controls to minimize the risk of injury. Your snow thrower is equipped with such controls. Do not attempt to defeat these functions under any circumstances.

Training

1. Read the operating and service instruction manual carefully. Be thoroughly familiar with the

controls and the proper use of the equipment. Know how to stop the unit and disengage the controls quickly.

2. Never allow children to operate the equipment. Never allow adults to operate the equipment without proper instruction.
3. Keep the area of operation clear of all persons, particularly small children and pets.
4. Exercise caution to avoid slipping or falling especially when operating in reverse.

Preparation

1. Thoroughly inspect the area where the equipment is to be used and remove all doormats, sleds, boards, wires, and other foreign objects.
2. Disengage all clutches before starting the engine.
3. Do not operate the equipment without wearing adequate winter outer garments. Wear footwear that will improve footing on slippery surfaces.
4. Handle fuel with care; it is highly flammable.
 - a. Use an approved fuel container.
 - b. Never remove fuel tank cap or add fuel to a running engine or hot engine.
 - c. Fill fuel tank outdoors with extreme care. Never fill fuel tank indoors.
 - d. Replace fuel cap securely and wipe up spilled fuel.
 - e. Never store fuel or snow thrower with fuel in the tank inside of a building where fumes may reach an open flame or spark.
 - f. Check fuel supply before each use, allowing space for expansion as the heat of the engine and/or sun can cause fuel to expand.
5. For all units with electric starting motors use electric starting extension cords certified CSA/UL. Use only with a receptacle that has been installed in accordance with local inspection authorities.
6. Adjust the snow thrower height to clear gravel or crushed rock surface.
7. Never attempt to make any adjustments while the engine is running (except when specifically recommended by manufacturer).
8. Let engine and snow thrower adjust to outdoor temperatures before starting to clear snow.
9. Always wear safety glasses or eye shields during operation or while performing an adjustment or repair to protect eyes from foreign objects that may be thrown from the snow thrower.

Operation

1. Do not operate this machine if you are taking drugs or other medication which can cause drowsiness or affect your ability to operate this machine.
2. Do not use this machine if you are mentally or physically unable to operate this machine safely.
3. Do not put hands or feet near or under rotating parts. Keep clear of the discharge opening at all times.
4. Exercise extreme caution when operating on or crossing gravel drives, walks or roads. Stay alert for hidden hazards or traffic.
5. After striking a foreign object, stop the engine, remove the wire from the spark plug, thoroughly inspect snow thrower for any damage, and repair the damage before re-starting and operating the snow thrower.
6. If the unit should start to vibrate abnormally, stop the engine and check immediately for the cause. Vibration is generally a warning of trouble.
7. Stop the engine whenever you leave the operating position, before unclogging the auger/impeller housing or discharge chute and when making any repairs, adjustments, or

inspections.

8. When cleaning, repairing, or inspecting, make certain the auger/impeller and all moving parts have stopped and all controls are disengaged. Disconnect the spark plug wire and keep the wire away from the spark plug to prevent accidental starting.
9. Take all possible precautions when leaving the snow thrower unattended. Disengage the auger/impeller, stop engine, and remove key.
10. Do not run the engine indoors, except when starting the engine and for transporting the snow thrower in or out of the building. Open the outside doors; exhaust fumes are dangerous (containing CARBON MONOXIDE, an ODORLESS and DEADLY GAS).
11. Do not clear snow across the face of slopes. Exercise extreme caution when changing direction on slopes. Do not attempt to clear steep slopes.
12. Never operate the snow thrower without proper guards, plates or other safety protective devices in place.
13. Never operate the snow thrower near enclosures, automobiles, window wells, drop-offs, and the like without proper adjustment of the snow discharge angle. Keep children and pets away.
14. Do not overload the machine capacity by attempting to clear snow at too fast a rate.
15. Never operate the machine at high transport speeds on slippery surfaces. Look behind and use care when backing up.
16. Never direct discharge at bystanders or allow anyone in front of the unit.
17. Disengage power to the collector/impeller when snow thrower is transported or not in use.
18. Use only attachments and accessories approved by the manufacturer of the snow thrower (such as tire chains, electric start kits, ect.).
19. Never operate the snow thrower without good visibility or light. Always be sure of your footing and keep a firm hold on the handles. Walk, never run.
20. Do not over-reach. Keep proper footing and balance at all times.
21. Exercise caution if operating on steep sloping surfaces.
22. This snow thrower is for use on sidewalks, driveways and other ground level surfaces.
23. Do not use the snow thrower on surfaces above ground level such as roofs of residences, garages, porches or other such structures or buildings.

Maintenance And Storage

1. Check shear bolts and other bolts at frequent intervals for proper tightness to be sure the equipment is in safe working condition.
2. Never store the snow thrower with fuel in the tank inside a building where ignition sources are present such as hot water and space heaters, clothes dryers, and the like. Allow the engine to cool before storing in any enclosure.
3. Always refer to operator's guide instructions for important details if the snow thrower is to be stored for an extended period.
4. Maintain or replace safety and instruction labels, as necessary.
5. Run the snow thrower a few minutes after throwing snow to prevent freeze up of the auger/impeller.

4/ASSEMBLY

Read and follow the assembly and adjustment instructions for your snow thrower. All fasteners are in the parts bag. Do not discard any parts or material until the unit is assembled.



WARNING: Before doing any assembly or maintenance to the snow thrower, remove the wire from the spark plug.

NOTE: In this instruction book, left and right describe the location of a part from the operator's position behind the unit.

NOTE: Torque is measured in foot pounds (metric N.m). This measurement describes how tight a nut or bolt must be. The torque is measured with a torque wrench.

NOTE: Illustrations begin on page 3.

Tools Required

1 Knife

1 Pliers

How To Remove The Snow Thrower From The Carton

1. Locate all parts that are packed separately and remove from the carton.
2. Remove and discard the packing material from around the snow thrower.
3. Cut down all four corners of the carton and lay the side panels flat.
4. Hold onto the lower handle and pull the snow thrower off the carton.

CAUTION: DO NOT back over cables

5. Remove the packing material from handle assembly

How To Assemble The Handle

1. Remove the packing material from the upper and lower handles.
2. (Figure 1) loosen the knobs (1) on each side of the handle (2).
3. Raise the upper handle (2) to the operating position. Hold the upper handle (2) apart to prevent scratching the lower handle.

NOTE: Make sure the cables are not caught between the upper and lower handle.

4. Tighten the knobs (1).

How To Assemble The Lower Chute (Figure 2)

For shipping purpose, some models are shipped with the rear nut and bolt removed from the lower chute . If the lower chute is not attached, assemble as follows. .

1. Use the bolt (1) and nut (2) to attach the lower chute (3).
2. Tip the lower chute (3) backward until the hole in the chute ring is aligned with the hole in the lower chute (3).
3. Attach the lower chute (3) with bolt (1) and nut (2). Make sure the nut (1) is tight.

How To Prepare The Engine



WARNING: Follow the engine manufacturer's instructions for the type of fuel and oil to use. Always use a safety fuel container. Do not smoke when adding gasoline to the engine. When inside an enclosure, do not fill with gasoline. Before you add fuel, stop the engine. Let the engine cool for several minutes.

See the engine manufacturer's instructions for the type of fuel and oil to use. Before you use the unit, read the information on safety, operation, maintenance, and storage.

NOTE: Engine horsepower rating may vary by engine adjustments, manufacturing variances, altitude, atmospheric conditions, fuel and maintenance.

The 4-cycle engine used in this snow thrower requires 4-cycle motor oil in the crank case. Use a quality synthetic 5e-30 or 10w-30 oil.

o

Before You Operate

Before you operate your new snow thrower please review the following checklist.

- Make sure all assembly instructions have been completed..o
- Make sure the discharge chute rotates freely.
- Make sure that no loose parts remain in the carton.

As you learn how to properly use the snow thrower, pay extra attention to the following important items.

- Make sure the engine crank case is filled with the correct amount and type of motor oil.
- Become familiar with the location of all controls and understand their function.
- Before starting the engine, make sure all control operate correctly.

5/OPERATION

Know Your Snow Thrower (Figure 3)

Read this Instruction Book and safety rules before operation the snow thrower. Compare the illustration with your snow thrower to familiarize yourself with the location of various controls and adjustments.

Crank Assembly (1) - Changes the direction of the discharge chute.

Chute Deflector (2)-Changes the distance the snow is thrown.

Auger Drive Lever (3) - Starts and stops the auger which propels the snow thrower.

Ignition Key (4) - Must be inserted to start the engine, to stop the engine pull out of the key

Recoil Starter Handle (9) - Use to manually start the engine.

How To Control The Discharge Of The Snow



WARNING: Never direct the discharge of snow toward bystanders.



WARNING: Always stop the engine before unclogging the discharge chute or the auger housing and before leaving the snow thrower.

1. (Figure 3) Turn the crank assembly (1) to change the discharge direction of the snow.
2. (Figure 3) Loosen the knob (5) on the chute deflector (2).
3. Move the chute deflector (2) up for more distance or down for less distance.
4. Tighten the knob (5).

How To Throw Snow (Figure 3)

1. Engage the auger drive lever (3).
2. To stop throwing snow, release the auger drive lever (3).



WARNING: The operation of any snow thrower can result in foreign objects being thrown into the eyes, which can result in severe eye damage. Always wear safety glasses or eye

shields while operating the snow thrower. We recommend standard safety glasses or use a wide vision safety mask over your glasses.

How To Stop The Discharging Snow (Figure 3)

1. To stop discharging snow, release the auger drive lever (3).
2. To stop the engine, pull out of the key (4).

How To Move Forward (Figure 3)

1. Hold the auger drive lever (3) against the handle (6). The auger will begin rotating.
2. To go forward, raise the handle (6) to allow the rubber auger blades (7) to contact the ground. Maintain a firm hold on the handle (6) as the snow thrower starts to move forward. Guide the snow thrower by moving the handle (6) either left or right. Do not attempt to push the snow thrower with excessive force.
3. To stop, release the auger drive lever (3)

NOTE: If the auger continues to rotate, see "How To Adjust The Auger Control Cable" in the service and adjustments section.

Before Starting The Engine

1. Before you service or start the engine, familiarize yourself with the snow thrower. Be sure you understand the function and location of all controls.
2. Make sure that all fasteners are tight.
3. Make sure the fuel tank is filled with the correct gasoline.
4. Make sure the engine crank case is filled the correct amount and type of motor oil.
5. Become familiar with the location of all controls and understand their function.
6. Before starting the engine, make sure all controls operate correctly.

Add The Fuel Mixture



WARNING: Follow the engine manufacturer's instructions for the type of fuel and oil to use. Always use a safety fuel container. Do not smoke when adding fuel to the engine. When inside an enclosure, do not fill the fuel tank. Before you add fuel, stop the engine. Let the engine cool for several minutes.

(Figure 3) Fill the fuel tank (8) to the full position with fresh, clean fuel.

How To Stop The Engine (Figure 3)

To stop the engine, Take out the key (4) from the key hole. Keep the ignition key (4) in a safe place. The engine will not start without the ignition key (4).

How To Start A Cold Engine (Figure 3)

1. Fill the fuel tank with a fresh, clean fuel
2. Make sure the auger drive lever (3) is in the disengaged (released) position.
4. insert the ignition key (4)
3. (recoil start) Rapidly pull the recoil starter handle (9). Do not allow the recoil starter handle (9) to snap back. Slowly return the recoil starter handle (9).
4. If the engine does not start in 5 or 6 tries, see the "Trouble Shooting Chart" instructions.
5. When the engine runs smoothly move the choke control (13) to the RUN position.

NOTE: In temperatures below 0 ° F, allow the engine to warm up for several minutes before blowing snow.



WARNING: Never run the engine indoors or in enclosed, poorly ventilated areas. Engine exhaust contains carbon monoxide, an odorless and deadly gas. Keep hands, feet, hair and loose clothing away from any moving parts located on the engine or the snow thrower. The temperature of muffler and nearby areas may exceed 150°F. Avoid these areas.

How To Start A Warm Engine (Figure 3)

If an engine has been running and is still warm, leave the choke control (10) in the RUN position. If the engine fails to start, follow the instructions “How To Start A Cold Engine”.

How To Remove Snow or Debris From The Auger Housing (Figure 3)



WARNING: Do not attempt to remove snow or debris that may become lodged in auger housing without taking the following precautions.

1. Release the auger drive lever (3).
2. Remove (do not turn) the ignition key (4).
3. Do not place your hands in the auger housing (11) or the discharge chute (12). Use a pry bar to remove any snow or debris.

Snow Throwing Tips

1. This snow thrower will propel itself forward when the handle is raised enough to cause the auger blades to contact the ground. The auger should stop when auger control bar is released. If it does not stop, see “How To Adjust The Auger Control Cable” in the adjustment section.
2. Most efficient snow throwing is accomplished when the snow is removed immediately after it falls.
3. For complete snow removal, slightly overlap each previous path.
4. Whenever possible, discharge the snow down wind.
5. The distance the snow will be discharged can be adjusted by moving the discharge chute deflector. Raise the deflector for more distance or lower the deflector for less distance.
6. In windy conditions, lower the chute deflector to direct the discharged snow close to the ground where it is less likely to blow into unwanted areas.
7. For safety and to prevent damage to the snow thrower, keep the area to be cleared free of stones, toys and other foreign objects.
8. Do not use the auger propelling feature when clearing gravel or crushed rock driveways. Move the handle down to slightly raise the auger.
9. The forward speed of the snow thrower is dependent on the depth and weight of the snow. Experience will establish the most effective method of using the snow thrower under different conditions.
10. After each snow throwing job, allow the engine to idle for a few minutes. The snow and accumulated ice will melt off the engine.
11. Clean the snow thrower after each use.
12. Remove ice, snow and debris from the entire snow thrower. Flush with water to remove all salt or other chemicals. Wipe snow thrower dry.

Dry And Average Snow

1. Snow up to eight inches deep can be removed rapidly and easily by walking at a moderate rate.

For snow or drifts of a great depth, slow your pace to allow the discharged chute to dispose of the snow as rapidly as the auger receives the snow.

- Plan to have the snow discharged in the direction the wind is blowing.

Wet Packed Snow

Move slowly into wet, packed snow. If the wet, packed snow causes the auger to slow down or the discharge chute begins to clog, back off and begin a series of short back and forth jabs into the snow. These short back and forth jabs, four to six inches, will “belch” the snow from the chute.

Snow Banks And Drifts

In snow of greater depth than the unit, use the same “jabbing” technique described above. Turn the discharge chute away from the snow bank. More time will be required to remove snow of this type than level snow.

6/MAINTENANCE CHART

CUSTOMER RESPONSIBILITIES

SERVICE RECORDS Fill in dates as you Complete regular service	Before Each Use	First 2 Hours	Every 5 Hours	Every 10 Hours	Every 25 Hours	Each Season	Before Storage	SERVICE DATE
Check and tighten all screws and nuts	✓					✓		
Check spark plug						✓		
Check drive belt		✓				✓		
Check fuel	✓							
Drain fuel							✓	
Lubricate chute control flange							✓	

7/MAINTENANCE

NOTE: Illustrations begin on page 3.

Use the following maintenance section to keep your unit in good operating condition. All the maintenance information for the engine is in the engine manufacturer’s instructions. Before you start the engine, read this book.



WARNING: Before you make an inspection, adjustment (except carburetor), or repair, disconnect the wire from the spark plug.

General Recommendations

The warranty on this snow thrower does not cover items that have been subjected to operator abuse or negligence. To receive full value from the warranty, the operator must maintain the snow thrower as instructed in this manual. Some adjustments must be made periodically to properly

maintain the snow thrower.

After Each Use

- γ Check for any loose or damaged parts.
- γ Tighten any loose fasteners.
- γ Check and maintain the auger.
- γ Check controls to make sure they are functioning properly.
- γ If any parts are worn or damaged, replace immediately.

All adjustments in the Maintenance section of this manual should be checked at least once each season.

How To Remove The Top Cover (Figure 4)

1. Remove the four screws (1) from the top cover (2).
2. Remove the top cover (2).
3. To install the top cover (2), reverse the above steps.

How To Adjust The Chute Crank

If the chute crank will not rotate fully to the left or right, adjust as follows.

1. (Figure 3) Rotate the chute with the handle (1)

How To Adjust The Auger Control Cable

The auger control cable is adjusted at the factory. During normal use, the auger control cable can become stretched and the auger drive lever will not properly engage or disengage the auger.

1. (Figure 5) Remove the “Z” hook (1) from the **auger drive lever** (2).
2. (Figure 6) Slide the cable boot (3) off the cable adjustment bracket (4).
3. Push the bottom of the auger control cable (5) through the cable adjustment bracket (4) until the “Z” hook (6) can be removed.
4. Remove the “Z” hook (6) from the cable adjustment bracket (4). Move the “Z” hook (6) down to the next adjustment hole.
5. Pull the auger control cable (5) up through the cable adjustment bracket (4).
6. Put the cable boot (3) over the cable adjustment bracket (4).
7. (Figure 5) Install the “Z” hook (1) to the auger driver lever (2).
8. To check the adjustment, start the snow thrower. Make sure the auger does not rotate when the auger drive lever is released.

How To Remove The Belt Cover (Figure 7)

1. The belt cover (1) is fastened with five screws (2). Remove all five screws
2. Remove the belt cover (1).
3. To install the belt cover (1), reverse the above steps.

How To Replace The Drive Belt

The drive belt is of special construction and must be replaced with original factory replacement belt available from your nearest authorize service center.

1. Remove the belt cove. See “ How To Remove The Belt Cover”.
2. (Figure 9) Remove the drive belt (1) from the idler pulley (2).
3. Remove the drive belt (1) from the engine pulley (3). Be careful, not to bend the belt guides(4)
4. Remove the drive belt (1) from the auger pulley (5).
5. Remove the old drive belt (1).
6. To install the new drive belt (1), reverse the above steps.

7. Make sure the drive belt (1) is seated properly on the pulleys.
NOTE: when the auger control lever engaged, the belt guides (4) must be 1/16 inch from the drive belt (1).
8. Install belt cover. See “How To Remove The Belt Cover”.

How To Remove The Auger (Figure 10)

1. Remove the belt cover. See “How To Remove The Belt Cover”.
2. Remove the drive belt. See “How To Replace The Drive Belt”.
3. Remove the auger pulley (1) from the auger shaft (threads are left hand; turn clockwise remove).
4. To keep the auger (6) from rotating, set a 2”x4” piece of wood (2) on the center paddle (3) to secure auger (6).
5. Remove the fasteners from the bearing assembly (4). Remove the bearing assembly (4) from the auger housing (5).
6. Slide the auger (6) out of the bearing assembly on the right side of the snow thrower.
7. Tip the auger (6) enough to allow the auger (6) to slide out of the auger housing (5).
8. To install auger (6), reverse the above steps.

How To Replace The Spark Plug

1. The spark plug and wire is visible on the engine at the rear of the snow thrower.
2. Remove the spark plug wire.
3. Clean the area around the spark plug base to prevent dirt from entering the engine when the spark plug is removed.
4. Remove the spark plug.
5. Check the spark plug. If the spark plug is cracked, fouled and dirty, it must be replaced.
6. (Figure 11) Set the gap between the electrodes of the new spark plug at 0.030 inches. Next install the spark plug in the cylinder head and firmly tighten. Recommended torque is 18 to 20 foot pounds.

How To Prepare The Snow Thrower For Storage



WARNING: Do not remove gasoline while inside a building, near a fire, or while you smoke. Gasoline fumes can cause an explosion or a fire.

1. Drain the fuel tank.
2. Let the engine run until it is out of gasoline.
3. Remove the spark plug from the cylinder. Pour one ounce of oil into the cylinder. Slowly pull the recoil-start grip so that the oil will protect the cylinder. Install a new spark plug in the cylinder
4. Thoroughly clean the snow thrower.
5. Lubricate all lubrication points. See the Maintenance section.
6. Be sure that all nuts, bolts and screws are securely fastened. Inspect all visible moving parts for damage, breakage and wear. Replace if necessary.
7. Cover the bare metal parts of the blower housing, auger, and the impeller with spray rust preventative lubricant.
8. Put the unit in a building that has good ventilation.
9. If the machine must be stored outdoors, block up the snow thrower to be sure the entire machine is off the ground.

10. Cover the snow thrower with a suitable protective cover that does not retain moisture. Do not use plastic..

How To Order Replacement Parts

The replacement parts are shown either on the back page of this instruction book or in a separate parts List Book.

Use only manufacturer's authorized or approved replacement parts. Do not use attachments or accessories not specifically recommended for this unit. In order to obtain proper replacement parts you must supply the model number (see name plate)

Replacement parts, except for the engine, transmission, transaxle or differential, are available from the store where the product was purchased, a service shop recommended by the store.

8/TROUBLE SHOOTING CHART

TROUBLE	CAUSE	CORRECTION
Difficult starting	Defective spark plug.	Replace spark plug.
	Water or dirt in fuel system.	Use carburetor bowl drain to flush and refill with fresh fuel.
Engine runs erratic	Blocked fuel line, empty gas tank, or stale gasoline	Clean fuel line; check fuel supply; add fresh gasoline
Engine stalls	Unit running on CHOKE.	Set choke lever to RUN position.
Engine runs erratic; Loss of power	Water or dirt in fuel system.	Use carburetor bowl drain to flush and refill with fresh fuel.
Excessive vibration	Loose parts: damaged impeller	Stop engine immediately and disconnect spark plug wire. Tighten all bolts and make all necessary repairs. If vibration continues, have the unit serviced by a competent repairman.
Unit fails to propel itself	Drive belt loose or damaged.	Replace drive belt.
Unit fails to discharge snow	Auger drive belt loose or damaged.	Adjust auger drive belt; replace if damaged.
	Auger control cable not adjusted correctly.	Adjust auger control cable.
	Discharge chute clogged.	Stop engine immediately and disconnect spark plug wire. Clean discharge chute and inside of auger housing.
	Foreign object lodged in auger	Stop engine immediately and disconnect spark plug wire. Remove object from auger.

Free Manuals Download Website

<http://myh66.com>

<http://usermanuals.us>

<http://www.somanuals.com>

<http://www.4manuals.cc>

<http://www.manual-lib.com>

<http://www.404manual.com>

<http://www.luxmanual.com>

<http://aubethermostatmanual.com>

Golf course search by state

<http://golfingnear.com>

Email search by domain

<http://emailbydomain.com>

Auto manuals search

<http://auto.somanuals.com>

TV manuals search

<http://tv.somanuals.com>