



Zoneline® Vertical AIR CONDITIONER

SAFETY INFORMATION3

USING THE ZONELINE

Temperature Control.....6

About your Unit6

Quick Heat Recovery.....6

Auxiliary Control Features7

CARE AND CLEANING

Air Filters.....8

Drain.....8

Indoor/Outdoor Coils9

Base Pan9

INSTALLATION INSTRUCTIONS

Installation Overview.....10

Installation Preparation.....15

Installing the Zoneline.....18

Servicing 24

Setting the Auxiliary Controls25

TROUBLESHOOTING TIPS

Normal Operating Sounds28

Troubleshooting Tips..... 29

CONSUMER SUPPORT

Product Registration.....31

Limited Warranty33

Consumer Support..... 34

OWNER'S MANUAL AND INSTALLATION INSTRUCTIONS

Heat/Cool
AZ95E
Heat Pump
AZ95H

Write the model and serial numbers here:

Model # _____

Serial # _____

You can find them on a label on the top panel.

ESPAÑOL

Para consultar una version en español de este manual de instrucciones, visite nuestro sitio de internet **Zoneline.com.**

FRANÇAIS

Pour une version français de ce manuel d'utilisation, veuillez visiter notre site web à l'adresse **Zoneline.com.**

THANK YOU FOR MAKING GE APPLIANCES A PART OF YOUR HOME.

Whether you grew up with GE Appliances, or this is your first, we're happy to have you in the family.

We take pride in the craftsmanship, innovation and design that goes into every GE Appliances product, and we think you will too. Among other things, registration of your appliance ensures that we can deliver important product information and warranty details when you need them.

Register your GE appliance now online. Helpful websites and phone numbers are available in the Consumer Support section of this Owner's Manual. You may also mail in the pre-printed registration card included in the back of this manual.



GE APPLIANCES

IMPORTANT SAFETY INFORMATION

READ ALL INSTRUCTIONS BEFORE USING THE APPLIANCE

▲ WARNING

For your safety, the information in this manual must be followed to minimize the risk of fire, explosion, electric shock, property damage, personal injury, or loss of life.

SAFETY PRECAUTIONS

- This Zoneline must be properly installed in accordance with the Installation Instructions before it is used. Zoneline Vertical units shall not be accessible to the room guest. See the Installation Instructions in the back of this manual.

NOTE: GEA strongly recommends that any servicing be performed by a qualified person.

- All air conditioners contain refrigerants, which under federal law must be removed prior to product disposal. If you are getting rid of an old product with refrigerants, check with the company handling disposal about what to do.
- These R410A air conditioning systems require contractors and technicians to use tools, equipment and safety standards approved for use with this refrigerant. **DO NOT use equipment certified for R22 refrigerant only.**
- This unit is certified for installations up to 13,000 (3962m) feet above sea level.
- This unit is not to be installed in a laundry room.
- Children should be supervised to ensure that they do not play with the appliance.

This appliance is not intended for use by persons (including children) with reduced physical, sensory or mental capabilities, or lack of experience and knowledge, unless they have been given supervision or instruction concerning use of the appliance by a person responsible for their safety.

READ AND SAVE THESE INSTRUCTIONS

INFORMACIÓN IMPORTANTE DE SEGURIDAD LEA TODAS LAS INSTRUCCIONES ANTES DE USAR

⚠ WARNING

Para su seguridad, siga la información de este manual a fin de minimizar riesgos de incendio, explosión, descargas eléctricas, daños en su propiedad, lesiones personales o la pérdida de la vida.

PRECAUCIONES DE SEGURIDAD

- Este Zoneline debe ser instalado de forma apropiada de acuerdo con las Instrucciones de Instalación antes de ser usado. Las unidades de Zoneline Vertical no serán accesibles en la sala de huéspedes. Consulte las Instrucciones de Instalación que figuran en el reverso de este manual.

NOTA: GEA recomienda enfáticamente que cualquier reparación sea realizada por un individuo calificado.

- Todos los acondicionadores de aire contienen refrigerantes, los cuales de acuerdo con la ley federal deben ser retirados antes de deshacerse del producto. Si se deshará de un producto antiguo con refrigerantes, consulte a la compañía a cargo sobre cómo deshacerse del mismo.
- Estos sistemas de acondicionadores de aire R410A requieren que los contratistas y técnicos usen herramientas, equipos y estándares de seguridad aprobados para su uso con este refrigerante. NO use equipamiento certificado sólo para el refrigerante R22.
- Esta unidad cuenta con certificación para instalaciones de hasta 13,000 (3962m) pies sobre el nivel del mar.
- Esta unidad no se deberá instalar en un lavadero.
- Se deberá supervisar a los niños a fin de asegurar que no se juegue con el electrodoméstico.

Este electrodoméstico no deberá ser usado por personas (incluyendo niños) con capacidades físicas, sensoriales o mentales reducidas o con falta de experiencia y conocimiento, a menos que cuenten con supervisión o instrucción con relación al uso de este electrodoméstico por parte de una persona responsable de su seguridad.

LEA Y GUARDE ESTAS INSTRUCCIONES

CONSIGNES DE SÉCURITÉ IMPORTANTES

LISEZ TOUTES LES INSTRUCTIONS AVANT D'UTILISER L'APPAREIL

⚠ WARNING

Pour votre sécurité, veuillez observer les consignes de ce manuel afin de réduire le risque d'incendie, d'explosion, de choc électrique, de dommages à la propriété ou de blessures graves ou fatales.

MESURES DE SÉCURITÉ

- Avant son utilisation, ce climatiseur Zoneline doit être installé correctement en conformité avec les instructions d'installation. Les invités ne doivent pas avoir accès aux unités du climatiseur Zoneline Vertical. Consultez les instructions d'installation au dos de ce manuel.

REMARQUE : GEA recommande vivement que toute réparation soit effectuée par une personne qualifiée en la matière.

- Tous les climatiseurs contiennent un frigorigène qu'il faut retirer avant de disposer du produit en vertu de la loi fédérale. Si vous vous débarrassez d'un produit qui contient un frigorigène, informez-vous auprès de l'organisme responsable d'en disposer.
- Ces systèmes de climatisation R410A exigent que les entrepreneurs et les techniciens utilisent des outils, des équipements et des normes de sécurité approuvés pour ce type de frigorigène. N'utilisez PAS un équipement certifié uniquement pour le frigorigène R22.
- Cet appareil est certifié pour une installation pouvant s'élever jusqu'à 13 000 pieds (3 962 m) au-dessus du niveau de la mer.
- Cet appareil ne doit pas être installé dans une salle de lavage.
- Les enfants doivent être surveillés afin de s'assurer qu'ils ne jouent pas avec l'appareil.

Cet appareil n'est pas destiné à être utilisé par des personnes (y compris les enfants) dont les capacités physiques, sensorielles ou mentales sont réduites ou l'expérience et les connaissances sont insuffisantes, sauf si une personne responsable de leur sécurité les surveille étroitement ou les familiarise avec l'utilisation de l'appareil.

LISEZ ET CONSERVEZ CES INSTRUCTIONS

Features

Temperature Control

This unit must be controlled by a Class 2 remote control wall mounted heating and cooling thermostat. Refer to

the operating instructions of the thermostat being used on how to control the unit.

About Your Heat Pump (AZ95H Only)

Heat pumps can save money by removing heat from the outside air—even when the outside temperature is below freezing—and releasing that heat indoors.

To get the best energy performance from your heat pump, don't change the room thermostat by more than one degree at one time. Raising the heat setting 2–3 degrees may cause the Zoneline to use its electric heating elements in order to reach the new temperature setting quickly.

The electric heating elements use more electricity than heat pumps and cost more to operate.

There is a 3-minute minimum compressor run time at any setting to prevent short cycling.

The fans start before the compressor and stop after the compressor cycles off.

When the outdoor temperature is determined to be too cold, heat is provided by the electric heater instead of by the heat pump.

Do Not Operate the Air Conditioner (cool mode) in Freezing Outdoor Conditions

Air conditioners are not designed for use when freezing outdoor conditions exist. They must not be used in freezing outdoor conditions.

Quick Heat Recovery

Activates each time the thermostat is switched from **OFF** or **COOL** mode to **HEAT** mode. Electric heaters are energized until the thermostat set point is reached. On heat pump models, the heat pump operation will resume at the next call for heat.

Features

Auxiliary Control Features

The unit is factory preset to operate to what most customers prefer. The auxiliary controls allow the owner to modify how the unit operates and performs in their particular installation.

The auxiliary controls allow customization of up to nine different parameters to be modified to meet specific needs.

Modes of the Auxiliary Control

Mode 1 – Not Applicable

Mode 2 – Not Applicable

Mode 3 – Freeze Sentinel/Heat Sentinel

Mode 4 – Constant ON Fan

Mode 5 – Not Applicable

Mode 6 – Not Applicable

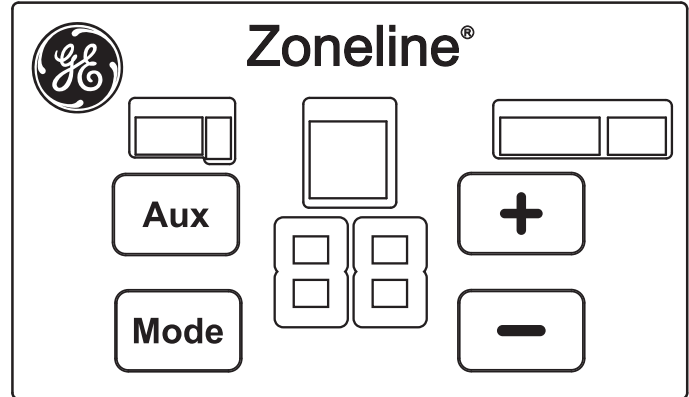
Mode 7 – Fan Boost Mode

Mode 8 – Electric Heat Only (AZ95H only)

Mode 9 – Heat Boost (AZ95H only)

To learn more about the auxiliary controls and how to set them go to the **Auxiliary Controls Setting** section of this manual.

If the owner modifies the auxiliary controls, it is then the owner's responsibility for ensuring the auxiliary controls are set to the desired function. To change operating or set up parameters see the **Setting the Auxiliary Control** section of this manual.



Auxiliary Control Panel

Located behind the front case panel.

Additional Control Features

Central Desk Control (Field Supplied) – The central desk control is a feature that allows the unit to be made operable /inoperable from a remote location.

To learn more about field installed features and how to connect the devices to the unit see the **Auxiliary Control Termination/Connection** section of this manual

Care and Cleaning

Turn off the Zonline and disconnect the power supply before cleaning.

Air Filters

NOTICE: Do not operate the Zonline without the filter in place. If a filter becomes torn or damaged, it should be replaced immediately.

Operating without the filter in place or with a damaged filter will allow dirt and dust to reach the indoor coil and reduce the cooling/heating, performance, airflow, and efficiency of the unit.

The most important thing you can do to maintain the Zonline is to change the filter at least every 30 days. Dirty filters reduce cooling, heating performance and air flow.

Changing the filter will: Decrease cost of operation, save energy, prevent clogged heat exchanger coils, and reduce the risk of premature component failure.

Replacement filters should be purchased from your local retailer where air conditioner and furnace accessories are sold.

Filter size for front of unit is 18" x 20" x 1".

Filter sizes for RAVRG4 is 24" x 20".

Filter sizes for RAVRG2B is 20" x 20".

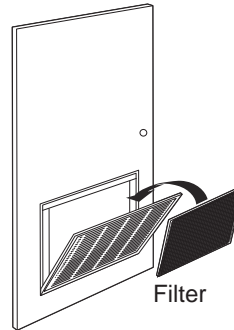
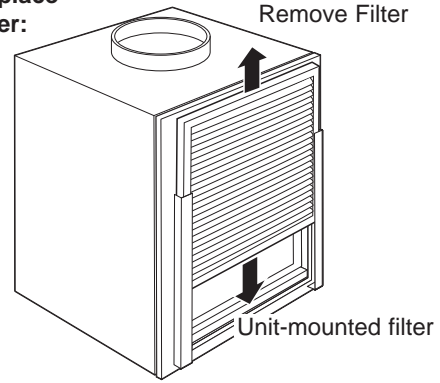
NOTE: Use only one filter in the installation.

To replace the filter (unit mounted return air filter):

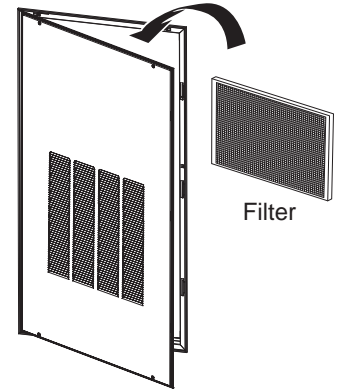
1. Slide the filter up to clear the filter holders.
2. Remove the filter.
3. Install new disposable filter.

To maintain optimum performance, change the filter at least every 30 days.

To remove and replace the filter:



Return air grille



Access-panel with return air grille

Drain

Clean the drain system regularly to prevent clogging.

The condensate drain must be routed to a suitable drainage area. Check the unit condensate drain periodically. Keep it free of anything that may block or impeded the flow of condensate water. If there is any accumulation of foreign matter in the drainpipe, it should be removed and cleaned. The entire drain line must be protected from freezing.

Care and Cleaning

Turn off the Zonline and disconnect the power supply before cleaning.

Indoor/Outdoor Coils

The Indoor/Outdoor coils on the Zonline should be cleaned and checked regularly.

NOTE: When cleaning the coils do not use acid-based coil cleaners. Care must be taken to avoid bending the aluminum fins on the coils.

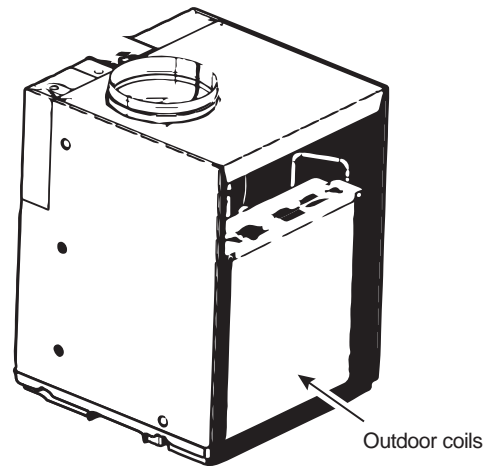
Indoor-Air Coil

Minor amounts of lint and dirt may pass through the filter and collect on the indoor-air coil. These minor accumulations can be carefully vacuumed away with a brush attachment on a vacuum cleaner or professionally cleaned.

Outdoor-Air Coil

The unit's outdoor-air intake and outdoor-air exhaust paths must remain clear. Check the outdoor-air exhaust frequently. Keep it free of all debris, snow, or ice. The outdoor-air intake should also be kept free of obstructions. Blocking the outdoor-air exhaust or outdoor-air intake opening will reduce the efficiency of your unit and could cause premature compressor failure.

Inspection and cleaning of the outdoor-air coils may require the unit to be removed from the case and closet. See servicing section of this manual for instructions on how to remove the unit. Professional cleaning is recommended for the inside surface of the outdoor coil.



Have the coils cleaned regularly.

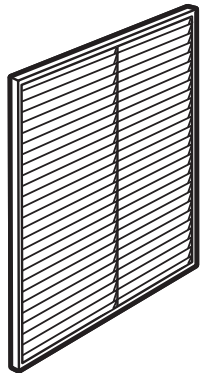
Base Pan

In some installations, dirt or other debris may be blown into the unit from the outside and settle in the base pan (the bottom of the unit).

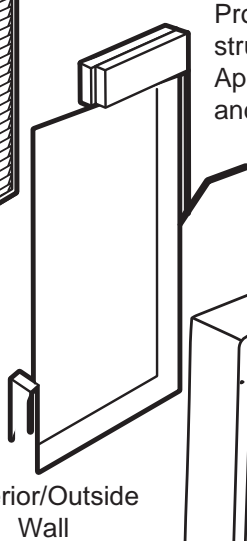
In some areas of the United States, a "gel-like" substance may be present in the base pan. Check it periodically and clean, if necessary.

Installation Overview

ZONELINE COMPONENTS

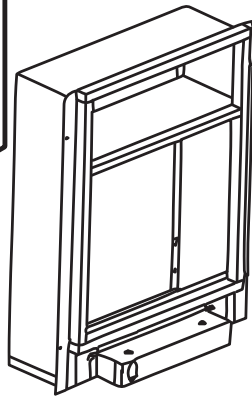


Architectural Louver RAVAL3



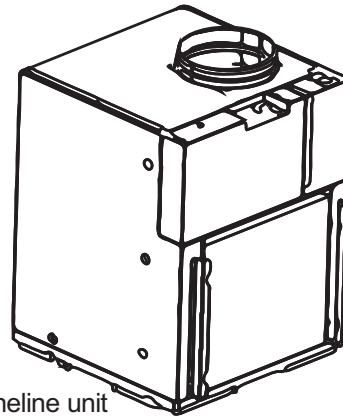
Exterior/Outside Wall

Proper header for structural support. Apply proper caulking and flashing.

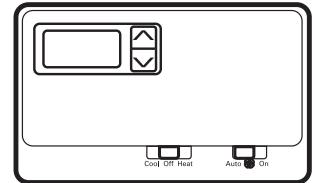


Wall Plenum (telescoping) RAVWP15 – 8"-15"D x 23¾"W x 31¼"H

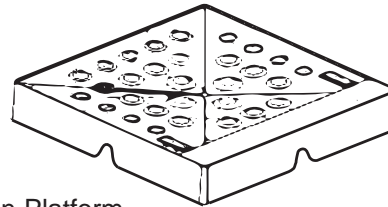
Properly square and level plenum.



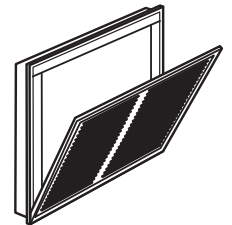
Zonline unit



Wall Thermostat



Drain Platform RAVDPLAT



Return Air Grille RAVRG2B

- Install the wall plenum through the exterior wall in accordance with the Installation Instructions provided with the plenum.

IMPORTANT: The wall plenum is not designed to carry structural loads. Proper wall header construction is required. The plenum requires proper flashing, shim, and caulk for a weather resistant installation.

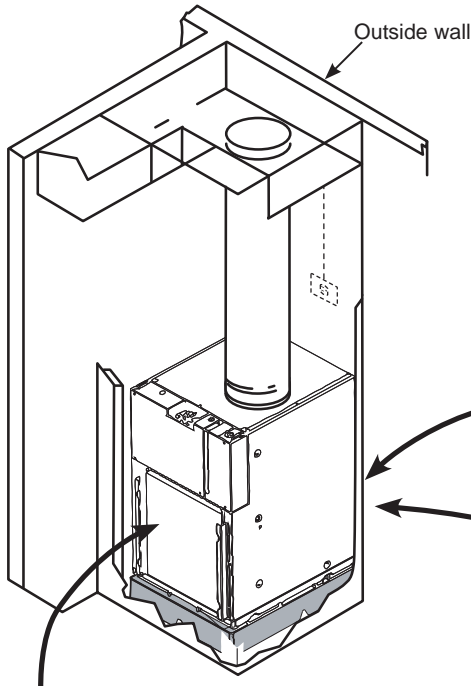
Installation Overview

RETURN AIR GRILLE INSTALLATION OPTIONS

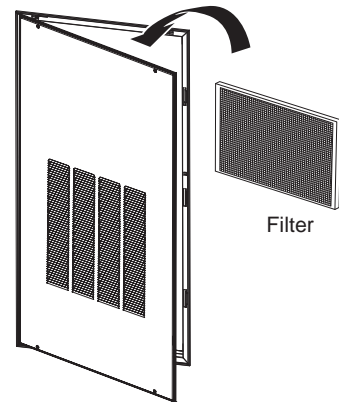
The room return air grille may be installed toward the front or either side of the unit. Improper return air arrangements will cause performance problems.

There are three indoor return air grille installation options. Choose the option that best suits your installation requirements. Follow the Installation Instructions provided with the return air grille accessory for installation details.

NOTE: Use only one filter in the installation. The filter may be installed on the unit or in the access panel/door.

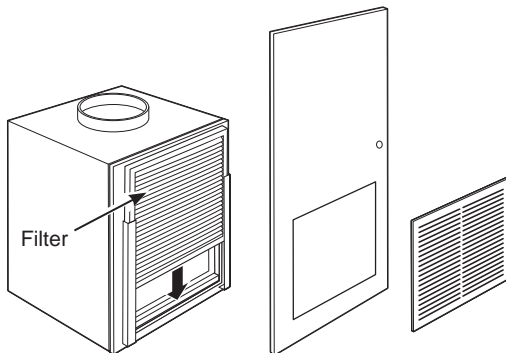


RAVRG4 – Access panel with return air grille



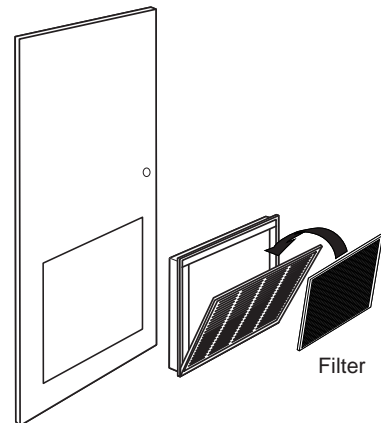
Option 1

Unit-mounted filter with a field-supplied return air grille and access door/panel



Option 3

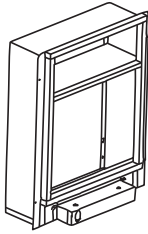
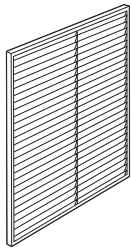
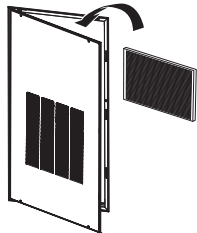
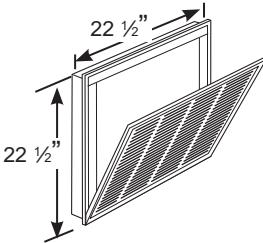
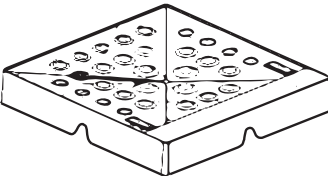
RAVRG2B – Return air grille



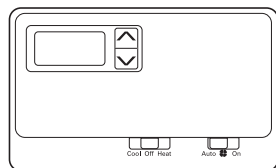
Option 2

Installation Overview

ACCESSORIES for NEW Installation

Accessory and model number	Appearance	Cutout Dimensions
Plenum (telescoping) RAVWPT15 8"-15"D x 23 ³ / ₄ "W x 31 ³ / ₄ "H *excluding flange		<div style="border: 1px solid black; padding: 10px; width: fit-content; margin: auto;"> Cutout Dimensions: 24"W x 32"H </div>
Architectural Louver RAVAL3		Architectural Louver designed to fit the following Plenums: RAVWP15 8"-15"D x 23 ³ / ₄ "W x 31 ³ / ₄ "H
Access Panel with Return Air Grille RAVRG4		<div style="border: 1px solid black; padding: 10px; width: fit-content; margin: auto;"> Cutout Dimensions: 28¹/₈"W x 55⁷/₈"H </div>
Return Air Grille RAVRG2B		<div style="border: 1px solid black; padding: 10px; width: fit-content; margin: auto;"> Cutout Dimensions: 20³/₈"W x 20³/₈"H </div>
Drain Platform RAVDPLAT		Not Applicable

Wall Thermostat

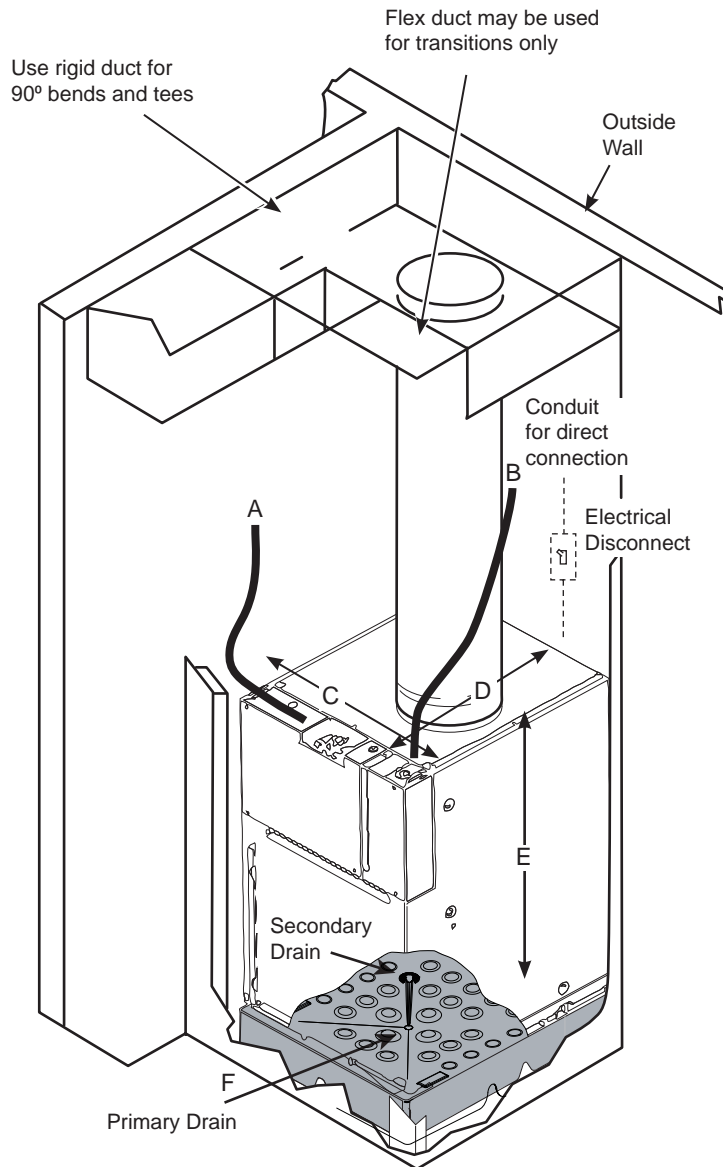


Model Type	Wiring	Thermostat Type	Fan Speed(s)	Kit Number
Electric Resistance Models	5-wire	5-wire	1	RAK149P2
Electric Resistance Models	6-wire	6-wire	2	RAK149F2
Heat Pump Models	6-wire	6-wire	1	RAK149P2
Heat Pump Models	7-wire	7-wire	2	RAK149F2
All Models	*	*	2	RAK180W1

*0 wires if powered by a battery, 2 wires if powered by the unit

UTILITY CLOSET CONNECTION LOCATIONS

IMPORTANT: Plan and locate plenum, drains and thermostat cable carefully to avoid interference. Hard-to-reach locations will make installation and service difficult!



Reference Dimensions

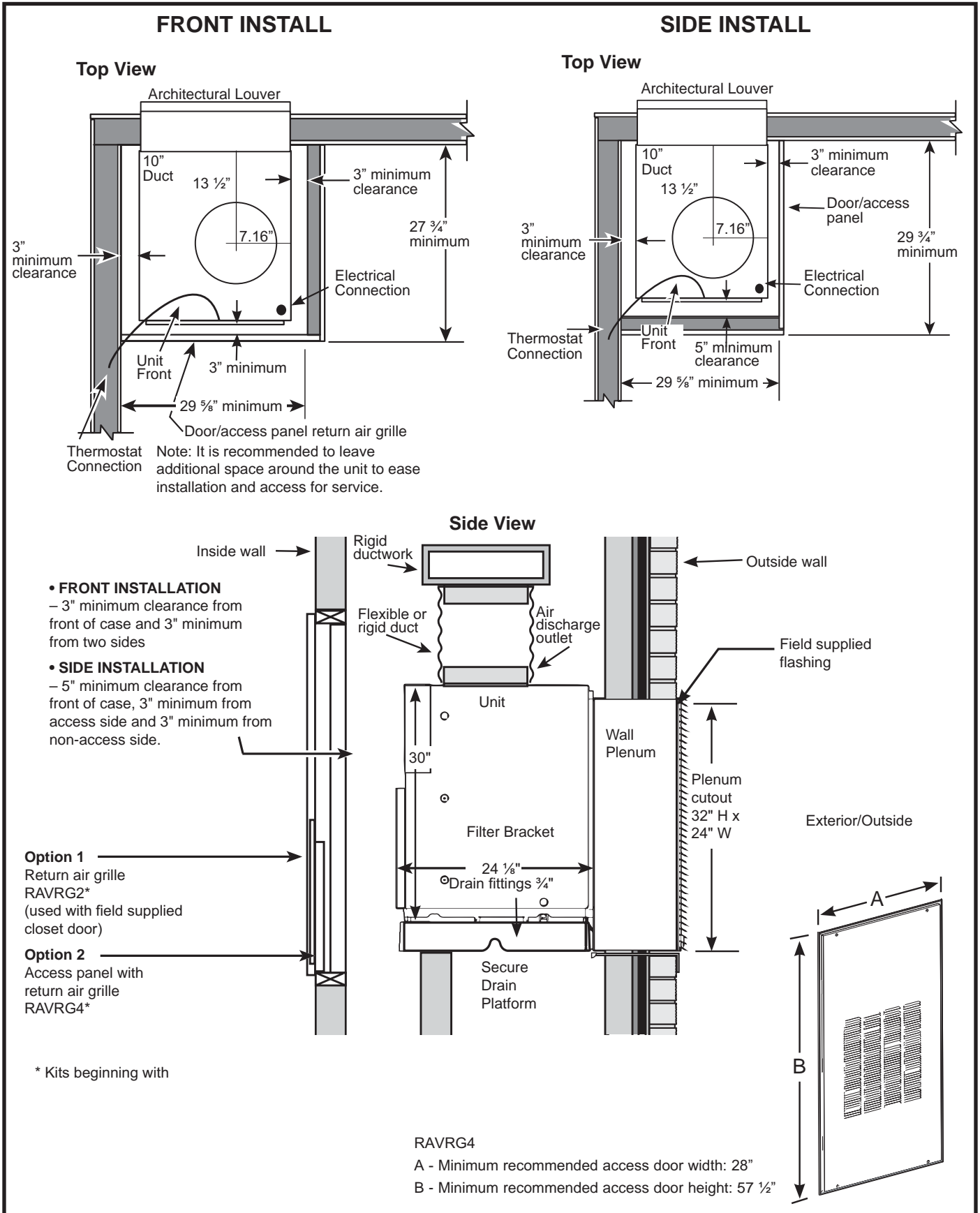
- A. Thermostat cable
- B. Electrical connections -
Direct connections using conduit
- C. Case width: 23 $\frac{5}{8}$ "
- D. Case depth: 24 $\frac{1}{8}$ "
- E. Case height: 30"
- F. Condensate drains: $\frac{3}{4}$ " connector
 - Primary Drain – The centerline is approximately 11 $\frac{3}{4}$ " from left case wall and 11 $\frac{3}{4}$ " from back case wall.
 - Secondary Drain – The centerline is 6 $\frac{1}{8}$ " from centerline of drain platform and 6 $\frac{3}{16}$ " from back case wall.

Clearance Requirements:

- **Front Installation**–
– 3" minimum clearance from front of case and 3" minimum from two sides.
- **Side Installation**–
– 5" minimum clearance from front of case, 3" minimum from access side and 3" minimum from non-access side.

Installation Overview

TYPICAL UTILITY CLOSET AND DIMENSIONS (For Reference Only)



Installation Preparation

TYPE OF ELECTRIC CONNECTIONS

A power supply kit must be used to supply power to the Zoneline unit.

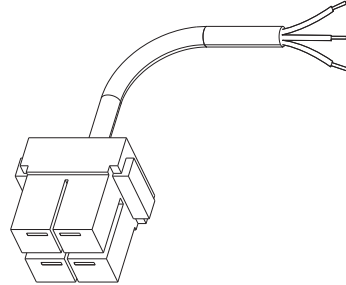
Models must be installed using the appropriate GE Appliances power supply kit for the branch circuit amperage and the electrical resistance heater wattage desired. See the POWER CONNECTION CHART to select the appropriate kit.

It is the responsibility of the installer to ensure the connection of components is done in accordance with electrical codes.

External Disconnect

There shall be disconnecting means from the electrical supply located within line of sight of the closet door opening or access panel opening. The disconnecting means shall be readily accessible while the air conditioner is installed in the closet. The disconnect shall not obscure the rating plate or be located on the access panel or closet door. A properly rated field supplied switch is a common means for electrical disconnection.

Power Supply Kit Direct Connect 208/230/265 Volt Applications



Power Supply Kit - Direct Connect

IMPORTANT: Connection to a branch circuit **MUST** be done by direct connection in accordance with the National Electrical Code. Plugging this unit into a building mounted exposed receptacle is not permitted by code.

POWER CONNECTION CHART

Direct Connections

Power Supply Kits 230 / 208 Volts	Configuration Direct Connection	Heater Wattage @ 230 / 208 Volts	Circuit Protective Device 9k/12k/18k
RAK315D	Hard Wired	2.45 / 2.00 KW	15/15/NA-Amp Time Delay-Fuse or Breaker
RAK320D	Hard Wired	3.45 / 2.82 KW	20-Amp Time Delay-Fuse or Breaker
RAK330D	Hard Wired	5.00 / 4.09 KW	30-Amp Time Delay-Fuse or Breaker
Power Supply Kits 265 Volts*	Configuration Direct Connection	Heater Wattage @ 265 Volts	Circuit Protective Device 9k/12k/18k
RAK515D	Hard Wired	2.45 KW	15/15/NA-Amp Time Delay-Fuse or Breaker
RAK520D	Hard Wired	3.45 KW	20-Amp Time Delay-Fuse or Breaker
RAK530D	Hard Wired	5.00 KW	30-Amp Time Delay-Fuse or Breaker

*See NEC for 265 Volts applications

Installation Preparation

Indoor Air Flow Data

Indoor air flow may be determined by measuring the external static pressure (ESP) of the duct system and then using the chart below to determine the actual airflow. **Under no circumstances should the Zoneline unit be operated to an ESP in excess of .3" W.C..**

Operation of the Zoneline under this condition will result in inadequate air flow thus leading to poor performance and/or premature component failure.

Airflow – CFM @ 230 Volts and @ 265 Volts

ESP (in. water)		Indoor Fan CFM			
		Fan Boost Mode			
		ON		OFF	
		High CFM	Medium CFM	Medium CFM	Low CFM
AZ95(H/E)09	0.1	468	408	408	305
	0.15	435	371	371	272
	0.2	409	351	351	198
	0.25	392	306	306	*
	0.3	352	239	239	*
AZ95E12	0.1	468	408	408	356
	0.15	435	371	371	328
	0.2	409	351	351	288
	0.25	392	306	306	220
	0.3	352	239	239	*
AZ95H12	0.1	468	417	417	376
	0.15	435	380	380	345
	0.2	409	359	359	314
	0.25	392	318	318	250
	0.3	352	253	253	*
AZ95(H/E)18	0.1	543	468	468	408
	0.15	514	435	435	371
	0.2	481	409	409	351
	0.25	458	392	392	306
	0.3	442	352	352	239

* Do not operate unit in these conditions

NOTE: Values taken at 70-75°F ambient temperature

Your airflow should be balanced based on many factors, such as available ESP, room CFM, and ductwork. Consult an HVAC engineer for proper applications. External static pressure (ESP) can be measured with a manometer or pitot tube. Once this ESP is established, you can calculate the CFM using the above chart.

Indoor Air Flow Data (cont)

CFM Recommendations											
AZ95(H/E)09			AZ95E12			AZ95H12			AZ95(H/E)18		
305	408	468	356	408	468	376	417	468	408	468	543
•			•			•				•	

• = Recommended Mid Range

Higher CFMs tend to increase Sensible capacity, enhance room circulation and increase duct noise, while lower CFMs tend to increase Latent capacity and reduce noise.

Ductwork

Prepare the closet ductwork for later connection to the case.

The duct system should be designed for a maximum friction rate of .30" water column taking into consideration all fittings, registers and/or diffusers.

DO NOT operate unit without a supply duct attached.

The return air to the Zoneline unit **MUST NOT** be ducted, and all units **MUST** have a free return air configuration to perform properly.

The total flow rate (CFM) and external static pressure (ESP) available can be estimated from the charts on this page. Use these charts to select your fan speed setting.

The collar on top of the unit accepts standard 10" duct. Pull all duct tight. Extra duct slack can greatly increase static pressure.

NOTICE: Flex duct can collapse and cause airflow restrictions. Do not use flex duct for 90° bends or unsupported runs of 5 ft. or more.

Installation Preparation

Questions? Call 844-GE4-PTAC (or 844-434-7822) or Visit our Website at: GEAppliances.com

BEFORE YOU BEGIN

Read these instructions completely and carefully.

- **IMPORTANT** – Save these instructions for local inspector’s use.
- **IMPORTANT** – Observe all governing codes and ordinances.
- **Note to Installer** – Be sure to leave these instructions with the owner.
- **Note to Owner** – Keep these instructions for future reference.
- Proper installation is the responsibility of the installer. Completed installation of the Zoneline shall not be accessible to the general public.
- Product failure due to improper installation is not covered under the Warranty.
- Team lift is recommended when moving unit.
- You **MUST** use all supplied parts and use proper installation procedures as described in these instructions when installing this air conditioner.

IMPORTANT ELECTRICAL SAFETY—READ CAREFULLY

⚠ WARNING

RISK OF ELECTRIC SHOCK.

- All electrical connections and wiring **MUST** be installed by a qualified electrician.
- Follow the National Electrical Code (NEC) and/or local codes and ordinances.
- For personal safety, this Zoneline unit and case must be properly grounded.
- Protective devices (fuses or circuit breakers) acceptable for Zoneline installations are specified on the nameplate of each unit.
- Do not use an extension cord with this unit.
- Aluminum building wiring may present special problems—consult a qualified electrician.
- When the unit is not running there is still voltage to the electrical controls.
- Disconnect the power to the unit before servicing by:
 1. Removing the branch circuit fuses or turning the circuit breakers off at the panel.
 2. Disconnect the power cord from the unit.

ELECTRICAL REQUIREMENTS

Wire Size	Use ONLY wire size recommended for single outlet branch circuit
Fuse/Circuit Breaker	Use ONLY type and size fuse or HVACR circuit breaker indicated on units rating plate. Proper over current protection to the units is the responsibility of the owner.
Grounding	Unit MUST be grounded from branch circuit to unit, or through separate ground wire provided on permanently connected units. Be sure that branch circuit is grounded.
Wire Sizing	Use recommended wire size given in tables and install a single branch circuit. All wiring must comply with local and national codes. NOTE: Use copper conductors only.

NOTE: All field wiring must comply with NEC and local codes. It is the responsibility of the installer to ensure that the electrical codes are met.

- Use **ONLY** the wiring size recommended for single outlet branch circuit.
- Proper current protection is the responsibility of the owner.

Recommended Branch Circuit Wire Sizes*	
Nameplate Maximum Circuit Breaker Size	AWG Wire Size**
15A <small>(9k & 12k products only)</small>	14
20A	12
30A	10

AWG - American Wire Gauge
 * Single circuit breaker from main box
 ** Based on copper wire, single insulated conductor at 60°C

NOTE: Use copper conductors only.

⚠ WARNING

RISK OF ELECTRIC SHOCK.

Can cause injury or death. This appliance must be properly grounded.

Installing the Zoneline

INSTALLATION SUMMARY

- | | |
|--|--|
| 1. Plan for proper electrical supply, drains and ductwork locations. | 10. Make electrical connections to unit. |
| 2. Install the wall plenum and louver. | 11. Install front panel with filter. |
| 3. Install and level the drain platform. | 12. Install air return grille or access cover. |
| 4. Complete condensate drain connections. | 13. Review the final installation checklist. |
| 5. Install unit drain platform. | 14. Turn power on. |
| 6. Level and secure drain platform. | 15. Program auxiliary control settings, if required. |
| 7. Connect the top ductwork. | 16. Check operation of the unit. |
| 8. Connect the remote thermostat. | |
| 9. Connect auxiliary features, if required. | |

INSTALLATION INSTRUCTIONS

1. Plan for proper electrical supply, drains and ductwork locations.

2. Install the Wall Plenum and Louver

1. Install the wall plenum.
Refer to instructions included in the wall plenum kit **RAVWPT15** for proper installation procedures.
2. Install the louver.
Refer to instructions included in the louver kit **RAVAL3** for proper installation procedures.

3. Install the Zoneline Drain Platform

1. Refer to instructions included with Drain Platform kit **RAVDPLAT** for proper installation procedure.
2. Place the platform in the utility closet with the following clearance between it and the interior surface of the walls/door/panel:
 - Front Installation–
– 3” minimum clearance from front of case and 3” minimum from two sides
 - Side Installation–
– 5” minimum clearance from front of case, 3” minimum from access side and 3” minimum from two sides.
3. Complete rough in plumbing for primary and secondary condensation drains.

Condensate Disposal System

The Condensate Disposal System increases energy efficiency utilizing a factory installed fan that slings the condensate onto the hot outdoor coil.

When high outdoor humidity prevents the slinger from disposing of all condensate, the excess condensate overflows into the condensate drain pan and out the 3/4” internal drain connections.

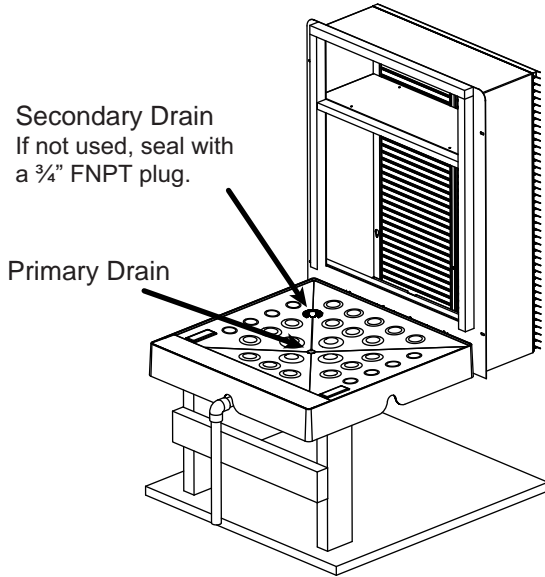
NOTE: If the condensate disposal system fails to remove all of the condensate from the unit, any excess condensate will overflow from the drain pan into the secondary drain (if connected), and drain outside the building. This is your indication that the chassis or drain requires servicing.

Installing the Zoneline

4. Complete Condensate Drain Connections

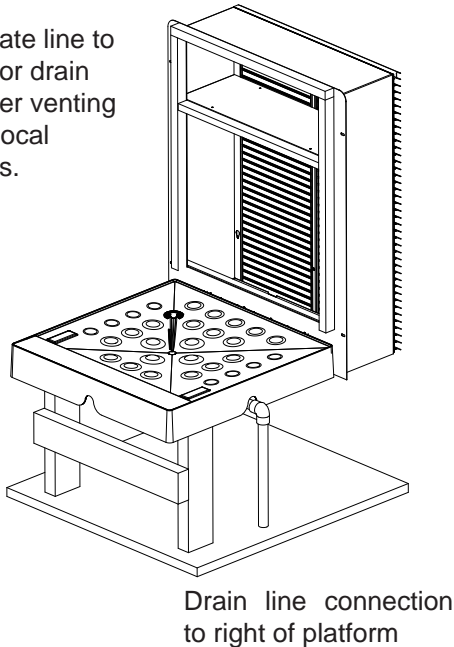
An external or an internal drain must be attached to the primary drain connector. A secondary drain is supplied if required by state and local codes. Refer to the local codes for proper installation of the drains. If the secondary drain is not used, seal its drain port with a 3/4" FNPT plug.

Drain Overview



Internal Drain (Primary)

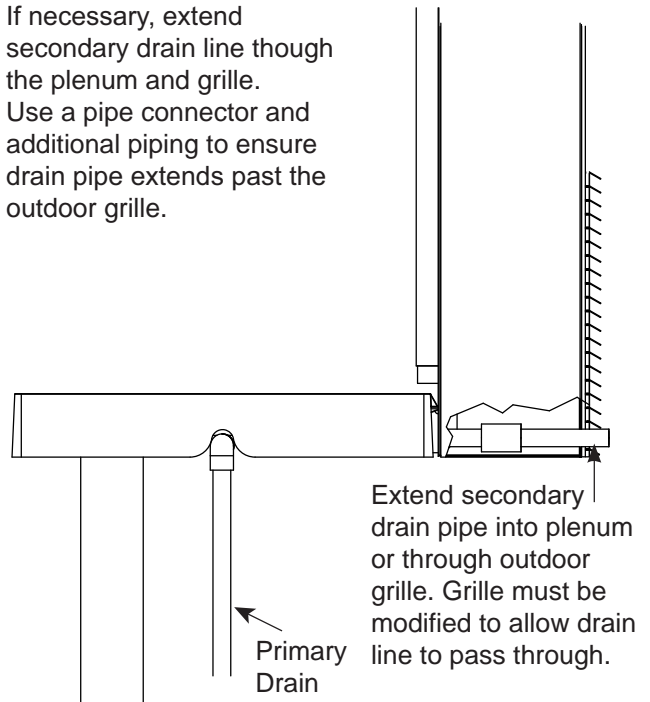
Run condensate line to building interior drain line with proper venting according to local building codes.



4. Complete Condensate Drain Connections (cont)

External Drain (Secondary)

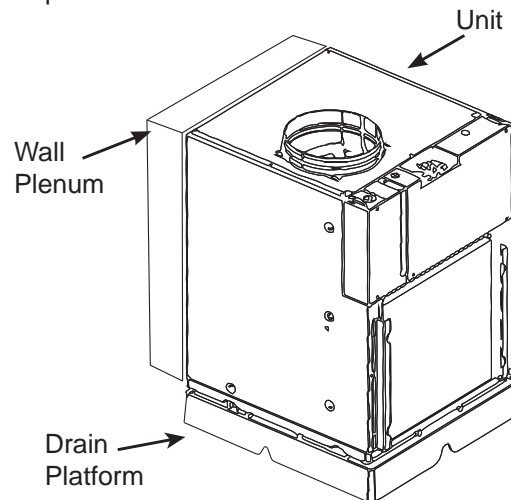
If necessary, extend secondary drain line through the plenum and grille. Use a pipe connector and additional piping to ensure drain pipe extends past the outdoor grille.



Refer to drain platform instruction manual for drain installation

5. Install Unit to Plenum

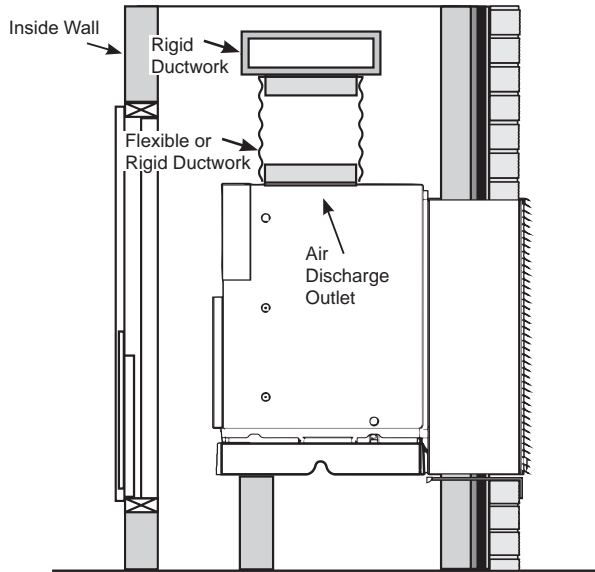
Align the unit with plenum opening and slide unit toward plenum to ensure it is seated properly with the drain platform.



Installing the Zoneline

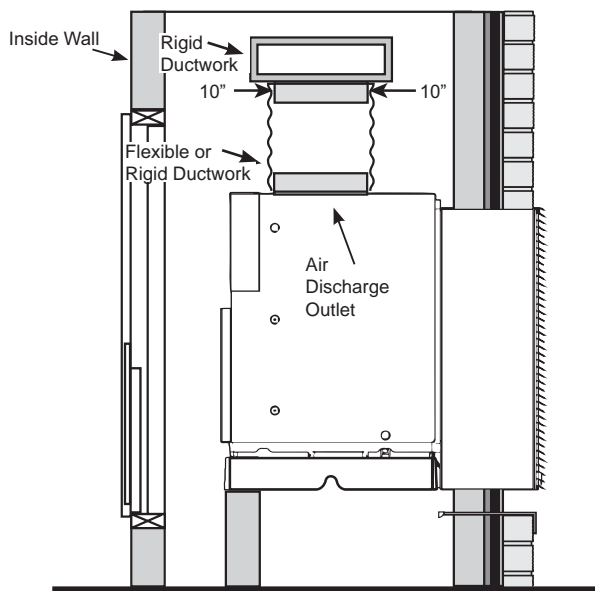
6. Level and Secure Drain Platform

1. When installing drain platform, ensure that it is level in all directions.



7. Connect the Top Ductwork

1. Use a field supplied clamp to clamp the flexible 10" duct to the rigid ductwork above the unit.
2. Install the other end of the duct onto the air discharge outlet. Use a field supplied clamp to secure the duct to the air discharge outlet.

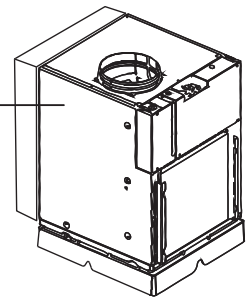
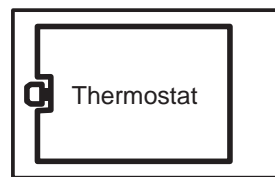


8. Connect the Remote Thermostat

The unit will be controlled by a remote thermostat.

IMPORTANT: The Zoneline thermostat connections provide 24V AC only. If using a digital/electronic wall thermostat, you must set it to the 24V AC setting. See the Installation Instructions for the wall thermostat. **NOTICE:** Damage to a wall thermostat or to the Zoneline electronics can result from improper connections. Exercise extra attention when connecting blue and black wires. No line voltage connections should be made to any circuit in the thermostat. Isolate all wires in building from line voltage.

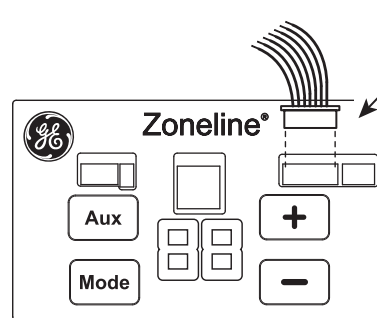
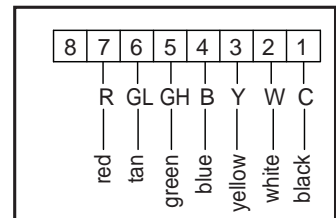
1. Thermostat electrical connector is included with the unit. Follow the instructions included with the thermostat to connect the thermostat to the unit.



Maximum Wiring Length for Thermostat Connection to the Unit

- 66 ft. for AWG 18
 - 60 ft. for AWG 20
 - 40 ft. for AWG 24
- AWG – American Wire Gauge
Use only Class 2 wiring

Thermostat Connector



2. Plug the thermostat connector into the control board.

Installing the Zoneline

9. Connect Auxiliary Features, if required

Auxiliary Controls - Terminal Connections

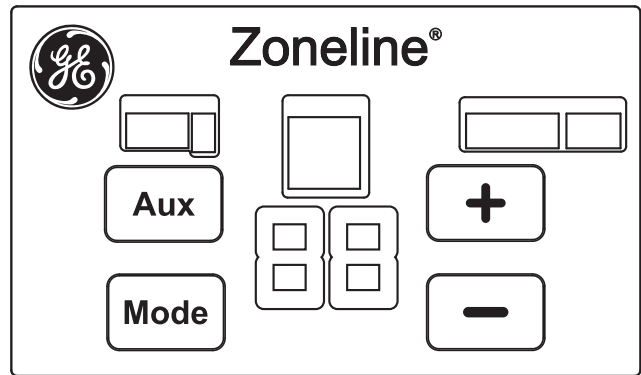
NOTE: Connector Kit RAKCDC is required to make CDC electrical connections.
(See wiring diagrams for RAKCDC below.)

The auxiliary control terminal connects are located on the front of the unit.

1. To connect auxiliary devices to the unit, connect the wires from the RAKCDC Kit to the wires from the auxiliary devices. Then insert the RAKCDC connector into the mating control board connector next to the thermostat connector.
2. After all desired connections have been made, replace the front case panel.

The owner is responsible for making all connections and setting the appropriate **AUX SET** mode.

NOTICE: Improper wiring may damage the Zoneline electronics. No common busing is permitted. Damage or erratic operation may result. A separate wire pair must be run from each separate controlling switch to each individual Zoneline.



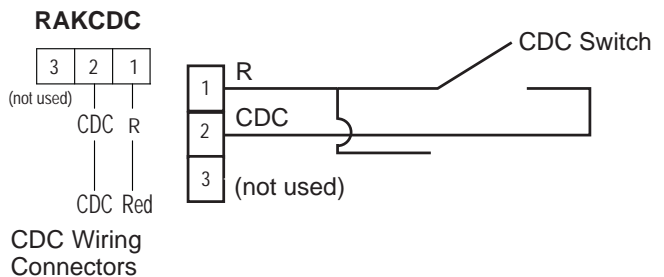
Central Desk Control (Field Supplied)

The Central Desk Control is a feature that allows the unit to be made operable/inoperable from a remote location. Operation of the feature requires that an **ON-OFF** switch at the remote location be wired to the two CDC terminals on the control panel of the Zoneline. When the remote switch is **CLOSED**, the unit cannot be operated in the Fan, Cool, or Heat modes by the control. The Freeze Sentinel and the Heat Sentinel features remain operable. When the remote switch is Open, the unit is fully operable by control.

The RAKCDC accessory must be used with a central desk control system. No "Common Busing" is permitted.

NOTICE: Improper CDC wiring may damage the Zoneline electronics or cause erratic Zoneline operation. No common busing is permitted. A separate wire pair must be run from each separate controlling switch to each individual Zoneline.

Use only Class 2 wiring.



Installing the Zoneline

10. Make electrical connections to unit

ELECTRICAL CONNECTIONS - DIRECT CONNECT APPLICATIONS

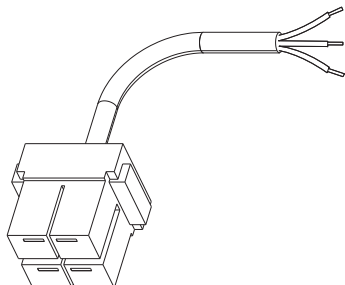
⚠ WARNING Electric Shock Hazard

Before servicing, disconnect power to the Zoneline at the fuse box or circuit breaker and pull out electrical disconnect on front of the chassis.

Failure to do so can result in personal injury and/or death.

208/230/265 Volt Electrical Supply

A power supply kit must be used to supply power to the Zoneline unit. The appropriate kit is determined by the voltage, the means of electrical connection and the amperage of the branch circuit. See the **POWER CONNECTION CHART** to select the appropriate kit.



Power Supply Kit - Direct Connect

FOR 265 VOLT DIRECT CONNECT APPLICATIONS ONLY

IMPORTANT: Connection of a 265V AC product to a branch circuit **MUST** be done by direct connection in accordance with the National Electrical Code. Plugging this unit into a building mounted exposed receptacle is not permitted by code.

These models must be installed using the appropriate GE Appliances power supply kit for the branch circuit amperage and the electrical resistance heater wattage desired. See the **POWER CONNECTION CHART** to select the appropriate kit.

It is the responsibility of the installer to ensure the connection of components is done in accordance with electrical codes.

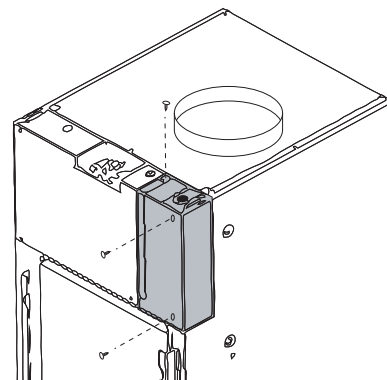
Direct connection to branch circuit wiring inside the provided junction box must be made by connecting as follows in steps 1–3.

EXTERNAL DISCONNECT

There shall be disconnecting means from the electrical supply located within line of sight of the closet door opening or access panel opening. The disconnecting means shall be readily accessible while the air conditioner is installed in the closet. The disconnect shall not obscure the rating plate or be located on the access panel or closet door. A properly rated switch is a common means for electrical disconnection.

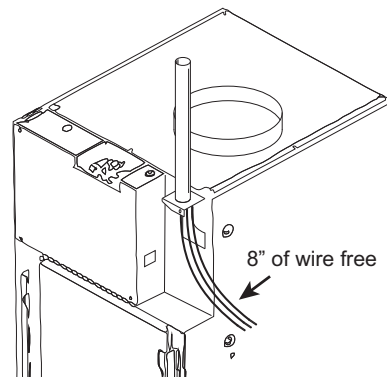
1. Remove Junction Box Cover

Remove the junction box cover by taking out the three screws.



2. Attach Conduit

Use the round knockout hole at the top of the junction box to install conduit coming from the branch circuit. Install and clamp the conduit through the conduit clamp and bring wire leads into the junction box. Leave 8" of wire free from the end of the conduit.



Installing the Zoneline

10. Make electrical connections to unit (cont)

ELECTRICAL CONNECTIONS - DIRECT CONNECT APPLICATIONS

3. Make Wire Lead Connections Inside the Junction Box

1. Make all wire connections by using appropriate UL-listed electrical connectors and techniques.
2. Select the applicable wiring situation and follow the instructions accordingly:
 - **1-Phase 220-240 VAC**
When connecting the Zoneline to a single-phase circuit for 230V applications:
Connect the white and black leads of the Zoneline power supply kit to the branch circuit L1 and L2 leads. (The white lead of the power supply kit should be identified by the installer using electrical tape with some color other than green or white.) Connect the green lead of the power supply kit to the power supply and branch circuit ground.

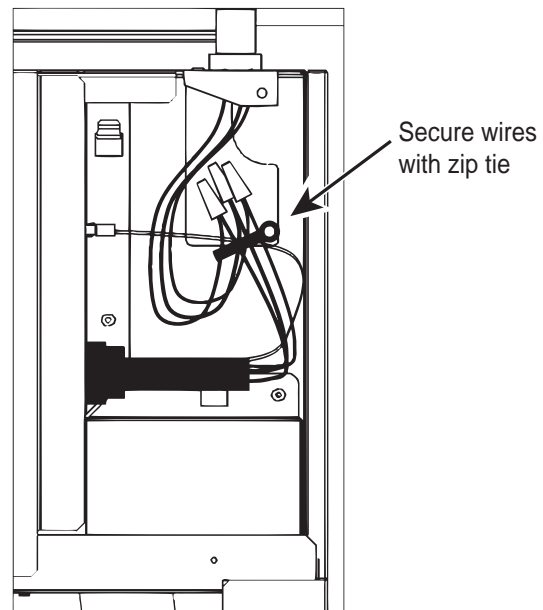
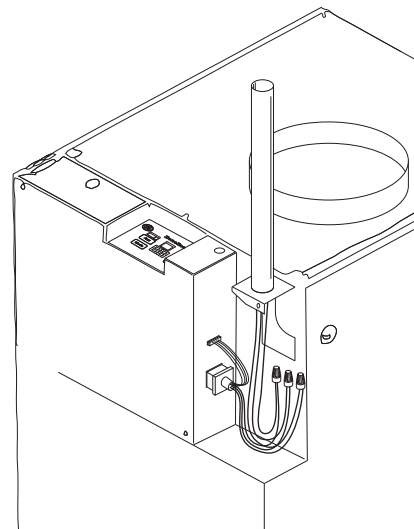
- **3-Phase 208 VAC**

When connecting the Zoneline to a three-phase circuit for 208V applications:
Connect the white and black leads of the Zoneline power supply kit to the branch circuit L1 and L2 leads. (The white lead of the power supply kit should be identified by the installer using electrical tape with some color other than green or white.) Connect the green lead of the power supply kit to the power supply and branch circuit ground.

- **3-Phase 253-277 VAC**

When connecting the Zoneline to a three-phase circuit for 265V applications:
Connect the white and black leads of the Zoneline power supply kit to the branch circuit Neutral and L1 leads. (The white lead of the power supply kit should be connected to neutral.) Connect the green lead of the power supply kit to the power supply and branch circuit ground.

3. Be sure that all wire leads are inside the junction box and not pinched between the box and the unit. The green insulated ground wire from the Zoneline **MUST** be connected to the branch circuit ground wire.
4. For 20A and 30A power supply kits, plug in personality jumper for heater selection.
5. Plug the 4-pin connector into the 4-pin receptacle in the junction box.
6. Replace the junction box cover by replacing the three screws removed earlier.



NOTICE: Wire junction box to match figure on the right. Building supply wires and supply cord wires must both be secured with zip tie and oriented vertically.

Installing the Zoneline

11. Install Unit-Mounted Filter

Note: Use only one filter in the installation

- For installs that will use a unit-mounted filter, slide it down between the provided filter brackets on the front of the unit, ensuring that any airflow direction arrows on the filter are pointing toward the unit.
- For installs that will employ a filter withing the return air grille RAVRG4 or RAVRG2B, do not install a unit mounted filter. Go to Step 12 and refer to instructions included in the RAVRG4 or RAVRG2B return air grille kit for proper filter installation.

12. Install Air Return Grille or Access Cover

Install the air return grille or access cover per the instructions that came with the selected kit.

RAVRG4 - Access panel with return air grille

RAVRG2B - Return air grille

13. FINAL INSTALLATION CHECKLIST

- Ensure that all installation instructions concerning clearances around the unit have been adhered to
- Inspect and ensure that all components and accessories have been installed properly and that they have not been damaged during the installation process.
- Wall plenum flashing is installed, plenum level and calked.
- Unit is level. No tilt allowed.
- Check to ensure that the unit air filter, indoor coil, and outdoor coil are free from any obstructions.
- Check to make sure only one air filter is installed in the system.
- Check the condensate water drain(s) to ensure that they are connected and adequate for the removal of condensate water and that they meet approval of the end user.
- Ductwork is connected and secured to air discharge outlet.
- Secure all access panels (e.g. mainboard cover and junction box cover).
- Wall thermostat is wired correctly.
- Unit is wired correctly.

13. FINAL INSTALLATION CHECKLIST (cont)

- Ensure that the circuit breaker(s) /fuse(s) and supply circuit wire size have been sized correctly.
- Ensure the unit has correct line voltage to it, is on a single circuit and is properly grounded.
- Ensure that the entire installation is in compliance with all applicable national and local codes and ordinances having jurisdiction.

14. Connect Power

1. If all of the items on the final checklist have been checked and are correct, turn the power **ON** to the unit at the main service panel.
2. Turn the thermostat **ON** and check the unit to make sure it is functioning as intended.

15. Auxiliary Control Setting, if required

See the Auxiliary Control Setting section for instructions on how to program the controls.

Prior to programming the controls, review the final installation checklist before applying power to the unit.

SERVICING

▲ WARNING Risk of Electric Shock, can cause injury or death. Before servicing, switch power **OFF** at the service panel and lock the area to prevent power from being switched on accidentally. When the area cannot be locked, securely fasten a prominent warning device, such as a tag, to the service panel.

NOTE: We strongly recommend that any servicing be performed by a qualified individual.

To remove the unit from the closet.

1. Switch the thermostat to **OFF**.
2. Turn **OFF** unit at electrical disconnect.
3. Unplug 4 pin connector from unit.
4. Remove cable connector bracket attached to direct connect kit from unit.
5. Disconnect the wall thermostat wiring from the unit.

Setting the auxiliary control

Auxiliary Controls – Aux Set Button

The electronic control for the unit comes preset from the factory to control the unit how “**most**” customers would prefer the unit to operate. The presets (called modes or functions) can be modified to accommodate for differences in installation parameters or personal preferences on how the unit should operate and perform.

If the owner modifies the auxiliary controls, it is then the owner that is responsible for ensuring the auxiliary controls are set to the desired function. There are 5 different modes (functions) that can be set using the auxiliary set button.

Modes of the Auxiliary Control

Mode 1 – Not Applicable

Mode 2 – Not Applicable

Mode 3 – Freeze Sentinel/Heat Sentinel

Mode 4 – Constant **ON** Fan

Mode 5 – Not Applicable

Mode 6 – Not Applicable

Mode 7 – Fan Boost Mode

Mode 8 – Electric Heat Only (AZ95H only)

Mode 9 – Heat Boost (AZ95H only)

To change operating or set up parameters the control must be in AUX Mode. With power applied to the unit, press the AUX SET button until the “**AU**” appears on the display.

The display will look like this when entering the **AUX** Mode :



While in **AUX** Mode, press the **MODE** button to scroll through the eight different modes. Continue the press the **MODE** button until the number corresponding to the mode to be modified is showing in the first digit of the display. Once the correct number is displayed, use the **+/-** buttons to change the second digit of the display for that mode to either “**Π**” for **On** OR “**⏏**” for **Off** depending on the desired function.

When the selection for a given mode is complete, press the **MODE** button to continue setting other auxiliary control functions OR press the **AUX SET** button to confirm the selection and exit **AUX SET** mode.

Setting the auxiliary control

Mode 3 Freeze Sentinel / Heat Sentinel

With power to the unit and **Freeze Sentinel** activated, the unit automatically provides heat without user interface. This prevents potential plumbing damage by turning the heater and indoor fan **ON** at 41°F and then **OFF** once the closet temperature reaches 46°F.

When **Heat Sentinel** is activated, the unit automatically provides cooling without user interface. This prevents an excessively hot room by turning the air conditioner **ON** at 85°F and then **OFF** once the room temperature reaches 80°F.

Press **MODE** until a **3** appears in the first digit of the display for **Freeze Sentinel** mode. Press the - pad for **OFF** " **U** " or the + pad for **ON** " **Π** ". This is shown in the second digit of the display. Press **MODE** again to access the **Heat Sentinel** settings. Press the - pad for **OFF** " **U** " or the + pad for **ON** " **Π** ". Press **AUX SET** to lock in your selection and exit **AUX SET** mode, or press **MODE** to continue setting other functions.

In the default setting for Mode 3, **Heat Sentinel** is off, **Freeze Sentinel** is on.

NOTE: These functions are active whenever the unit is plugged in, even if the unit is turned off.



Freeze Sentinel OFF



Freeze Sentinel ON



Heat Sentinel OFF



Heat Sentinel ON

Mode 4 Constant ON Fan

Press **MODE** until a **4** appears in the first digit of the display to set the fan to run continuously at high speed - **even if the unit is turned off**.

Press the - pad for **OFF** " **U** " or the + pad for **ON** " **Π** " This is shown in the second digit of the display.

Press **AUX SET** to lock in your selection and exit **AUX SET** mode or press **MODE** to continue setting other functions.

The default setting for Mode 4 is **OFF**.



Constant Fan OFF



Constant Fan ON

Setting the auxiliary control

Mode 7 Fan Boost Mode

This setting is used when the unit is installed with more restrictive ductwork where additional airflow is needed. See airflow table on page 14. This increases the fan speed to ensure proper circulation.

Press **MODE** until a **7** appears in the first digit of the display. Press the **-** pad for **OFF** " **U** " or the **+** pad for **ON** " **Π** " This is shown in the second digit of the display. Press **AUX SET** to lock in your selection and exit **AUX SET** mode.

The default setting for Mode 7 is **OFF**.



Fan Boost
Mode OFF



Fan Boost
Mode ON

Mode 8 All-Electric Heat (AZ95H only)

This electric heat option functions only on the **AZ95H** model. When this option is ON " **Π**," heat pump operation is locked out, causing the unit to provide only electric resistance heat.

To set **All-Electric Heat** option, press **MODE** until an **8** appears in the first digit of the display. Press the **-** pad for **OFF** " **U** " or the **+** pad for **ON** " **Π** " This is shown in the second digit of the display.

The default setting for Mode 8 is **OFF**.



All-
Electric
Heat OFF



All-
Electric
Heat ON

Mode 9 Heat Boost (AZ95H only)

When **Heat Boost is ON**, supplementary electric heat is added to the heat pump operation to help maintain a consistent, comfortable room temperature.

To set Heat Boost, press **MODE** until a **9** appears in the first digit of the display. Press the **-** pad for **OFF** " **U** " or the **+** pad for **ON** " **Π** " This is shown in the second digit of the display. Press **AUX SET** to lock in your selection and exit **AUX SET** mode.

The default setting for Mode 9 is **OFF**.



Heat Boost OFF



Heat Boost ON

Mode P Engineering Revision Setup

This setting is used to configure the unit when the circuit board is replaced.

The first time the unit is powered after a service board is installed, the unit will automatically enter this mode. The UI will read **P1**. Press the **+** pad until the number matches the engineering revision as shown. The engineering revision is the last number in the model number. Press **Aux** to save and exit.

The engineering revision may be adjusted after the first power cycle using **AUX SET**. Press **MODE** until **P** appears in the first digit, and follow the steps described above.

Nomenclature Example
AZ95E09DACK2

Engineering Revision



Things that are normal

Normal Operating Sounds



You may hear a pinging noise caused by water being picked up and thrown against the condenser on rainy days or when the humidity is high. This design feature helps remove moisture and improve efficiency.

“CLICK”

You may hear relays click when the controls cycle on and off or are adjusted to change the room temperature.



Water will collect in the base pan during high humidity or on rainy days. The water may overflow and drip from the outdoor side of the unit.



The indoor fan runs continuously when the unit is operating in the cooling mode, unless the Smart Fan Auxiliary Control is set to cycle. This will cause the fan to cycle on and off with the compressor. You may also hear a fan noise stop and start.

There are times when the fan on the unit will run even when the unit is not heating or cooling. If the system is set up to be in continuous fan the indoor fan will run regardless if the unit may be cooling or heating. Other times the fan will run longer than the heating/cooling cycle or kick on occasionally. This is normal and is done to improve room comfort and balance.

If the unit is equipped with a make-up air ventilation system, fans will run continuously.

Digital makeup air unit will perform a system check upon power up, power cycle, and once every 7 days if the unit is in occupancy mode. The system check lasts approximately 45 seconds. During this time the fans will speed up, slow down and then go to the set point.



You may notice a few minutes delay in starting if you try to restart the Zoneline too soon after turning it off or if you adjust the thermostat right after the compressor has shut off. This is due to a built-in restart protector for the compressor that causes a 3-minute delay.

SILENCE

During the defrost cycle, both indoor and outdoor fans stop and the compressor will operate in the cooling mode to remove frost from the outdoor coil. After defrost, the unit will restart in electric heat to quickly warm the room to the desired comfort level.

COMPRESSOR PROTECTION

To protect the compressor and prevent short cycling, the unit is designed to run for a minimum of 3 minutes after the compressor starts at any thermostat setting.

Troubleshooting Tips... Before you call for service

Save time and money! Review the charts on the following pages first and you may not need to call for service.

Problem	Possible Cause	What To Do
Zoneline does not start.	The direct connect kit is not firmly attached.	Remove the junction box cover and make sure that the black connector on the end of the power cord is firmly engaged.
	The fuse is blown/circuit breaker is tripped.	Check the house fuse/circuit breaker box and replace the fuse or reset the breaker.
	The unit is waiting for the compressor overload protector to reset.	This is normal. The Zoneline will start again after it resets.
	Power Failure.	There is a protective time delay (up to 3 minutes) to prevent tripping of the compressor overload. For this reason, the unit may not start normal heating or cooling for 3 minutes after it is turned back on.
Zoneline does not cool or heat as it should.	Indoor airflow is restricted.	Make sure there are no curtains, blinds or furniture blocking the air discharge grille or the return air grille.
	Outdoor airflow is restricted or recirculated.	Make sure the rear grille is not restricted. This can cause the unit to cycle off due to the compressor overload protector. Outdoor louvers must have a minimum of 65% free area. Non-GE Appliances louvers may be too restrictive for proper performance. Consult your salesperson for assistance.
	The thermostat control may not be set properly.	Turn the thermostat to the lower or higher setting. NOTE: The temperature limiter may be limiting the temperature range.
	The air filter is dirty.	Change the filter at least every 30 days. See the Care and Cleaning section
	The room may have been hot or cold.	When the Zoneline is first turned on you need to allow time for the room to cool down or warm up.
Burning odor at the start of heating operation.	Dust on the surface of the heating elements.	This can cause a "burning" odor at the beginning of the heating operation. This should quickly fade.
The air is not always cool or hot during operation.	The heat pump is not producing hot air.	This is normal. The heat pump will produce warm air but not as hot as air produced when the higher-cost electric heat is used.
	The Zoneline unit's fan is continuously running, even during the OFF cycle.	This causes the fan to blow room temperature air even when the compressor or heater cycles off. The continuous air movement provides better overall temperature control in the cool mode. If airflow is desired only when the Zoneline is actively heating or cooling the room, set the external wall thermostat's fan setting to "auto". -OR- Aux Mode 4 is set to "on", which always keeps the indoor fan on. To turn this feature off, set Aux Mode 4 to off
The air does not feel warm enough during heating operation	The heat pump alone produces air that feels cooler than desired.	Use the Boost Heat option (Aux Mode 9) or All Electric Heat option (Aux Mode 8). Both options will provide electric heat but only the All Electric Heat option (Aux Mode 8) will turn off heat pump operation. NOTE: Use of this option will result in increased energy consumption.
The unit is not blowing out air	The external wall thermostat's "fan" setting may be set to "auto"	If airflow is desired even when the Zoneline is not actively heating or cooling the room, set the external wall thermostat's fan setting to "on".
The electric heating and fan features do not work	The personality jumper is not firmly attached.	Remove the junction box cover and make sure that the black connector on the end of the power cord is firmly engaged.

Troubleshooting Tips... Before you call for service

Save time and money! Review the charts on the following pages first and you may not need to call for service.

Problem	Possible Cause	What To Do
The unit does not function after installing Remote Wall Thermostat	Unit thermostat connections are incorrect.	Verify wiring from Remote Wall Thermostat is correct to unit thermostat connector.
	Transformer resets or opens with short.	Wait 5 minutes to see if power resets.
Heat pump operates with electric heat only during heating.	Outdoor ambient temperature is too cold.	Heat pump operation will not function if the outdoor ambient temperature is too cold. Heat pump will resume once the outdoor temperature has sufficiently warmed up
	Aux Mode 8 not set properly.	See "Setting the auxiliary control" section of this manual. Check Aux Mode 8 to be sure the mode is set to OFF "U" for heat pump operation.

FAULT CODES - Press and hold MODE, then press AUX

This shows all current fault codes, and cycles through them. If there are no current faults, the display shows "--". Pressing AUX clears the faults. Any other key exits and preserves the faults.

Fault Code Numbers	Fault Meaning	Effective on system operation while fault is active
1	Inside fan fault. Fan motor not moving at commanded speed after 90 seconds of drive. Fault clears after 10 minutes.	No resistance heating, fan, heating pump or cooling available.
2	Outside fan fault. Fan motor not moving at command speed after 90 seconds of drive. Fault clears after 10 minutes.	No heat pump or cooling available. Resistance heating and fan only.
3	External thermostat wiring. Applied signal is not valid and has been constant for 30 seconds.	No external control of fans, heat and cooling internal control operation only.
4	Inside thermistor fault. One of the inside thermistors is not reading valid temperatures.	No cooling or heat pump operation available. Resistance heating and fan only.
5	Outside thermistor fault. One of the outside thermistors is not reading valid temperatures.	No cooling or heat pump operation available. Resistance heating and fan only.
6	Compressor fault. No temperature change has been detected after 1 minute of running.	No effect.
7	Reverse valve fault. Temperature change not happening as expected after 1 minute of running.	No cooling or heat pump operation available. Resistance heating and fan only.
8	Software fault. Stack overflow.	No effect.
9	Indoor coil freeze fault. The temperature of the inside coil has fallen below the freeze threshold (34°F).	The compressor is shut down until the coil temperature recovers.
10	Heat pump overload fault. The inside coil temperature is over the overload threshold (131°F).	The compressor is shut down while the coil temperature recovers.
11	Overheat fault. The incoming air is too hot to run the heater.	Heat pump and resistance heating are shut down and restarted when the indoor ambient temperature cools sufficiently.
12	UI board disconnected/failed.	No effect.
13	Heater airflow fault.	No resistance heating available.
16	N/A	N/A
17	Outlet thermistor failure. Fault clears when thermistor reads value other than short circuit or open circuit.	No resistance heating available.
18	Outlet temperature overheat. The outgoing air is too hot. Fault clears when air temperature drops below threshold.	No resistance heating available.
19	Outlet temperature overheat. The outgoing air is too hot.	No resistance heating available.
23	N/A	N/A
24	N/A	N/A
25	Abnormal Defrost Fault (heat pump models only). Set when 5 consecutive defrost cycles failed to warm outdoor coil above 68°F. Will self clear after 4.5 days.	Locks out heat pump, locks out defrost.
26	Air Conditioning Lockout Fault. Sets when outdoor ambient temperature drops below 35°F. Will self clear after Outdoor Ambient temperature rises above 40°F.	Locks out compressor cooling operation.

Product Registration

Follow these three steps to protect your new appliance investment: For Canada, see page 30.

1 Complete and mail your Consumer Production Registration today. Have the peace of mind of knowing we can contact you in the unlikely event of a safety modification.

2 After mailing the registration below, store this document in a safe place. It contains information you will need should you require service. Our service number is 844-GE4-PTAC (or 844-434-7822).

3 Read your Owner's Manual carefully. It will help you operate your new appliance properly.

✂ cut here

CONSUMER PRODUCT OWNERSHIP REGISTRATION

Three ways to register your appliance:



SCAN
this code with your smart-phone app

GO ONLINE
geappliances.com/register

COMPLETE & MAIL
this registration card

Product:

Model:

Serial:

Mr. Mrs. Ms.

First Name Last Name

Street Address Apt.#

Email Address

We'll use your email address to send you information about your product, as well as discounts and other offers from GE Appliances

City State ZIP Code

Month Day Year Phone Number ()

Date appliance was installed or placed in use

GE Appliances takes your privacy seriously. All information you provide shall be held in strict accordance with the GE Appliances Privacy Policy. Read the full policy at www.geappliances.com/privacy/privacy_policy.htm.

geappliances.com/register

Revised 6/15
245D1499P001

Please place in envelope and mail to:

PRODUCT REGISTRATION DEPARTMENT
PO BOX 34980
LOUISVILLE KY 40232-4980

Product Registration

✂ cut here

FOR CANADIAN CONSUMERS / POUR LES CONSOMMATEURS CANADIENS

OWNERSHIP REGISTRATION CERTIFICATE		FICHE D'INSCRIPTION DU PROPRIÉTAIRE	
MODEL/MODÈLE	SERIAL/SÉRIE	P.O. BOX/C.P. 1780 MISSISSAUGA, ONT. L4V 4G1	
		INSTALLATION DATE Y/A M DATE D'INSTALLATION	
<p>PLEASE COMPLETE AND RETURN THIS CARD IMMEDIATELY TO ENABLE US TO CONTACT YOU IN THE REMOTE EVENT A SAFETY NOTIFICATION IS ISSUED FOR THIS PRODUCT.</p>		<p>VEUILLEZ REMPLIR ET RETOURNER LA PRÉSENTE FICHE SANS TARDER AFIN DE NOUS PERMETTRE DE COMMUNIQUER AVEC VOUS SI JAMAIS UN AVIS DE SÉCURITÉ CONCERNANT CE PRODUIT ÉTAIT ÉMIS.</p>	
CHECK ONE COCHÉZ	MR. <input type="checkbox"/> MRS. <input type="checkbox"/> MISS <input type="checkbox"/> Mlle <input type="checkbox"/>	MRS. <input type="checkbox"/> MME <input type="checkbox"/> MS <input type="checkbox"/>	FIRST NAME/PRÉNOM LAST NAME/NOM APT.NO./APP./RR#
STREET NO. N° RUE		STREET NAME/RUE	
CITY/VILLE		PROVINCE	POSTAL CODE/POSTAL
AREA CODE IND. REG.	TELEPHONE	NAME OF SELLING DEALER/NOM DU MARCHAND	

Canada consumers, visit geappliances.ca/register/index.jsp

CORRESPONDENCE
CORRESPONDANCE



FRENCH
FRANÇAIS

ENGLISH
ANGLAIS

245D1499P002
Revised 06/14

Please place in envelope and mail to:
Veillez mettre dans une enveloppe et envoyez à :

OWNER REGISTRATION
PO BOX 1780
MISSISSAUGA, ONTARIO
L4Y 4G1

GE Appliances Vertical Zonline Limited Warranty

LIMITED WARRANTY

All warranty service provided by our Factory Service Centers or an authorized Customer Care® technician. To schedule service, on-line, visit us at GEAppliances.com, or call 844-GE4-PTAC (or 844-434-7822). For service in Canada, contact Gordon Williams Corp. at 1.888.209.0999. Please have serial number and model number available when calling for service.

For The Period Of:	GE Appliances Will Replace:
One Year <i>From the date of the original purchase</i>	Any part of the air conditioner which fails due to a defect in materials or workmanship. During this limited one-year warranty , GE Appliances will provide, free of charge , all labor and related service cost to replace the defective part.
Five Year <i>From the date of the original purchase</i>	Sealed Refrigerating System, if any part of the sealed refrigerating system (the compressor, condenser, evaporator and all connecting tubing including the make up air system) should fail due to a defect in materials or workmanship. During this limited five-year warranty , GE Appliances will provide, free of charge , all labor and related service cost to replace the defective part.
Second through Fifth Year <i>From the date of the original purchase</i>	For the second through the fifth year from the date of original purchase, GE Appliances will replace certain parts that fail due to a defect in materials or workmanship. Parts covered are fan motors, switches, thermostats, electric resistance heater, electric resistance heater protectors, compressor overload, solenoids, circuit boards, auxiliary controls, thermistors, frost controls, ICR pump, capacitors, varistors and indoor blower bearing. During this four-year limited additional warranty , you will be responsible for any labor or on-site service costs.

What GE Appliances Will Not Cover:

- Service trips to your site to teach you how to use the product.
- Improper installation, delivery or maintenance.
If you have an installation problem, or if the air conditioner is of improper cooling capacity for the intended use, contact your dealer or installer. You are responsible for providing adequate electrical connecting facilities.
- In commercial locations, labor necessary to move the unit to a location where it is accessible for service by an individual technician.
- Failure or damage resulting from corrosion due to installation in an environment containing corrosive chemicals.
- Replacement of fuses or resetting of circuit breakers.
- Failure of the product resulting from modifications to the product or due to unreasonable use, including failure to provide reasonable and necessary maintenance.
- Failure or damage resulting from corrosion due to installation in a coastal environment, except for models treated with special factory-applied anti-corrosion protection as designated in the model number.
- Damage to product caused by improper power supply voltage, accident, fire, floods or acts of God.
- Incidental or consequential damage to personal property caused by possible defects with this air conditioner.
- Damage caused after delivery.
- Product not accessible to provide required service.

EXCLUSION OF IMPLIED WARRANTIES—Your sole and exclusive remedy is product repair as provided in this Limited Warranty. Any implied warranties, including the implied warranties of merchantability or fitness for a particular purpose, are limited to one year or the shortest period allowed by law.

This limited warranty is extended to the original purchaser and any succeeding owner for products purchased for use within the USA and Canada. If the product is located in an area where service by a GE Appliances Authorized Servicer is not available, you may be responsible for a trip charge or you may be required to bring the product to an Authorized GE Appliances Service location for service. In Alaska, the limited warranty excludes the cost of shipping or service calls to your site.

Some states or provinces do not allow the exclusion or limitation of incidental or consequential damages. This limited warranty gives you specific legal rights, and you may also have other rights which vary from state to state or province to province. To know what your legal rights are, consult your local, state or provincial consumer affairs office or your state's Attorney General.

Warrantor: GE Appliances, a Haier company

Louisville, KY 40225

Staple your receipt here. Proof of the original purchase date is needed to obtain service under the warranty.

Consumer Support

GE Appliances Website

Have a question or need assistance with your appliance? Try the GE Appliances Website 24 hours a day, any day of the year! You can also shop for more great GE Appliances products and take advantage of all our on-line support services designed for your convenience. In the US: **GEAppliances.com**

Register Your Appliance

Register your new appliance on-line at your convenience! Timely product registration will allow for enhanced communication and prompt service under the terms of your warranty, should the need arise. You may also mail in the pre-printed registration card included in the packing material. In the US: **GEAppliances.com/register**

Schedule Service

Expert GE Appliances repair service is only one step away from your door. Get on-line and schedule your service at your convenience any day of the year. In the US: **GEAppliances.com/service** or call 844.434.7822 during normal business hours. For service in Canada, contact your distributor.

Parts and Accessories

Individuals qualified to service their own appliances can have parts or accessories sent directly to their homes (VISA, MasterCard and Discover cards are accepted). Order on-line today 24 hours every day. In the US: **GEApplianceparts.com** or by phone at 877.959.8688 during normal business hours.

Instructions contained in this manual cover procedures to be performed by any user. Other servicing generally should be referred to qualified service personnel. Caution must be exercised, since improper servicing may cause unsafe operation.

Contact Us

If you are not satisfied with the service you receive from GE Appliances, contact us on our Website with all the details including your phone number, or write to:

In the US: General Manager, Customer Relations | GE Appliances, Appliance Park | Louisville, KY 40225
GEAppliances.com/contact

THIS PAGE INTENTIONALLY LEFT BLANK

THIS PAGE INTENTIONALLY LEFT BLANK

THIS PAGE INTENTIONALLY LEFT BLANK

THIS PAGE INTENTIONALLY LEFT BLANK

THIS PAGE INTENTIONALLY LEFT BLANK

THIS PAGE INTENTIONALLY LEFT BLANK



Zoneline® Vertical CLIMATISEUR

CONSIGNES DE SÉCURITÉ3

UTILISATION DU ZONELINE

Commande de la température4
 À propos de votre climatiseur4
 Récupération rapide de chaleur4
 Fonctions de commande auxiliaires5

ENTRETIEN ET NETTOYAGE

Filtres à air6
 Système de vidange6
 Serpentins intérieur/extérieur7
 Plateau de base7

INSTRUCTIONS D'INSTALLATION

Aperçu de l'installation8
 Préparation de l'installation13
 Installation du Zoneline16
 Maintenance et réparation22
 Réglage des commandes auxiliaires23

DES CONSEILS DE DÉPANNAGE

Des Conseils De Dépannage27
 Sons de fonctionnement normaux28

SOUTIEN AUX CONSOMMATEURS

Product Registration 29
 Garantie 31
 Soutien Aux Consommateurs32

MANUEL D'UTILISATION ET INSTRUCTIONS D'INSTALLATION

Heat/Cool
 AZ95E
 Heat Pump
 AZ95H

Inscrivez ici les numéros de modèle
 et de série :

de modèle _____

de Série _____

Vous trouverez ces numéros sur l'étiquette
 apposée sur le côté du climatiseur.

NOUS VOUS REMERCIONS D'INTÉGRER GE APPLIANCES À VOTRE DEMEURE.

Que vous ayez grandi avec des électroménagers GE Appliances ou qu'il s'agisse de votre première acquisition, nous sommes heureux de vous accueillir dans notre famille.

Nous sommes fiers du savoir-faire, de l'innovation et du design qui constituent chaque électroménager GE, et nous pensons que vous le serez aussi. Nous vous rappelons que l'enregistrement de votre électroménager vous assure de recevoir des renseignements importants sur le produit et la garantie lorsque vous en avez besoin.

Enregistrez votre électroménager GE en ligne dès maintenant. Des sites Web et des numéros de téléphone utiles figurent dans la section Soutien au consommateur de ce manuel d'utilisation. Vous pouvez également envoyer par courrier la carte d'enregistrement pré-imprimée qui se trouve dans l'emballage de votre appareil.



GE APPLIANCES

CONSIGNES DE SÉCURITÉ IMPORTANTES

LISEZ TOUTES LES INSTRUCTIONS AVANT D'UTILISER L'APPAREIL

⚠ WARNING

Pour votre sécurité, veuillez observer les consignes de ce manuel afin de réduire le risque d'incendie, d'explosion, de choc électrique, de dommages à la propriété ou de blessures graves ou fatales.

MESURES DE SÉCURITÉ

- Avant son utilisation, ce climatiseur Zoneline doit être installé correctement en conformité avec les instructions d'installation. Les invités ne doivent pas avoir accès aux unités du climatiseur Zoneline Vertical. Consultez les instructions d'installation au dos de ce manuel.

REMARQUE : GEA recommande vivement que toute réparation soit effectuée par une personne qualifiée en la matière.

- Tous les climatiseurs contiennent un frigorigène qu'il faut retirer avant de disposer du produit en vertu de la loi fédérale. Si vous vous débarrassez d'un produit qui contient un frigorigène, informez-vous auprès de l'organisme responsable d'en disposer.
- Ces systèmes de climatisation R410A exigent que les entrepreneurs et les techniciens utilisent des outils, des équipements et des normes de sécurité approuvés pour ce type de frigorigène. N'utilisez PAS un équipement certifié uniquement pour le frigorigène R22.
- Cet appareil est certifié pour une installation pouvant s'élever jusqu'à 13 000 pieds (3 962 m) au-dessus du niveau de la mer.
- Cet appareil ne doit pas être installé dans une salle de lavage.
- Les enfants doivent être surveillés afin de s'assurer qu'ils ne jouent pas avec l'appareil.

Cet appareil n'est pas destiné à être utilisé par des personnes (y compris les enfants) dont les capacités physiques, sensorielles ou mentales sont réduites ou l'expérience et les connaissances sont insuffisantes, sauf si une personne responsable de leur sécurité les surveille étroitement ou les familiarise avec l'utilisation de l'appareil.

LISEZ ET CONSERVEZ CES INSTRUCTIONS

Fonctions

Commande de la température

Ce climatiseur doit être contrôlé en chauffage et refroidissement par un thermostat mural de Classe 2 avec

télécommande. Reportez-vous au mode d'emploi du thermostat utilisé pour savoir comment contrôler le climatiseur.

À propos de votre thermopompe (AZ95H seulement)

Les thermopompes peuvent faire économiser en capturant la chaleur de l'air extérieur pour la relâcher à l'intérieur, même lorsque la température extérieure est sous le point de congélation.

Pour obtenir le meilleur rendement énergétique de votre thermopompe, ne réglez pas le thermostat de la pièce de plus d'un degré en une seule fois. Si vous réglez le chauffage de 2 à 3 degrés, le Zoneline peut utiliser les éléments chauffants pour atteindre la nouvelle température rapidement.

Les éléments chauffants électriques utilisent plus d'électricité que les thermopompes et leur utilisation est plus coûteuse.

Quel que soit le réglage, le compresseur poursuivra son fonctionnement durant 3 minutes au minimum afin de prévenir

les cycles courts.

Les ventilateurs démarrent avant et s'arrêtent après le compresseur.

Lorsque la température extérieure est considérée trop froide, la chaleur provient des éléments chauffants plutôt que de la thermopompe.

Ne faites pas fonctionner le climatiseur (en mode refroidissement) dans des conditions extérieures de gel

Les climatiseurs ne sont pas conçus pour de telles conditions de gel. Il ne faut pas les utiliser dans des conditions extérieures de gel.

Récupération rapide de chaleur

Cette fonction s'active chaque fois que le thermostat passe de la position OFF (arrêt) ou COOL (refroidissement) à HEAT (chauffage). Les éléments chauffants sont allumés jusqu'à ce que le point de réglage du thermostat soit atteint. Sur les modèles à thermopompe, le fonctionnement de celle-ci reprendra au prochain appel de chauffage.

Fonctions de commande auxiliaires

Le climatiseur est préréglé à l'usine selon les préférences de la plupart des consommateurs. Les fonctions de commande auxiliaires permettent au propriétaire de modifier la façon dont le climatiseur fonctionne et performe dans son installation particulière.

Ces fonctions auxiliaires permettent aussi de personnaliser jusqu'à neuf paramètres différents selon des besoins particuliers.

Modes de commande auxiliaires

Mode 1 – Sans objet

Mode 2 – Sans objet

Mode 3 – Sentinelles de gel/sentinelles de chaleur)

Mode 4 – Ventilateur constamment en marche (ON)

Mode 5 – Sans objet

Mode 6 – Sans objet

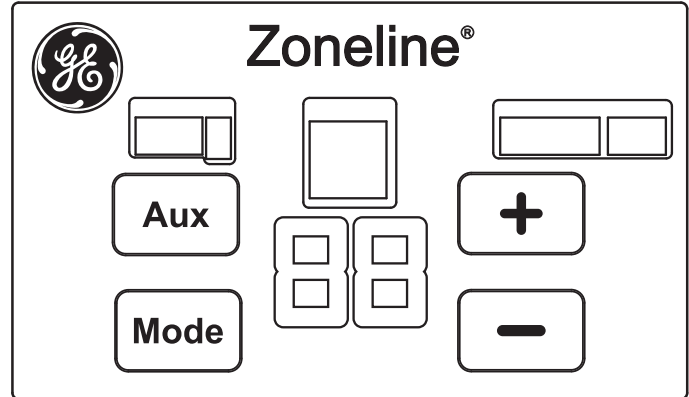
Mode 7 – Mode de surpuissance du ventilateur

Mode 8 – Chauffage électrique seulement (AZ95H seulement)

Mode 9 – Surpuissance chauffage (AZ95H seulement)

Pour en savoir davantage sur les fonctions de commande auxiliaires, voyez la section Réglage des commandes auxiliaires de ce manuel.

Si le propriétaire modifie les commandes auxiliaires, il est responsable de s'assurer que celles-ci sont réglées selon la fonction désirée. Pour changer les paramètres de fonctionnement ou de réglage, voyez la section Réglage des commandes auxiliaires de ce manuel.



Panneau des commandes auxiliaires

Situé derrière le panneau frontal de la carrosserie

Fonctions de commande supplémentaires

Dispositif de commande centralisé (acheté localement)

– Le dispositif de commande centralisé est une fonction qui permet de faire fonctionner le climatiseur depuis un lieu éloigné.

Pour en savoir davantage sur les dispositifs achetés localement et la façon de les connecter au climatiseur, voyez la section Connexions des commandes auxiliaires de ce manuel.

Entretien et nettoyage

Éteignez le Zoneline et coupez le courant avant le nettoyage.

Filtre à Air

AVIS : Ne faites pas fonctionner le Zoneline sans que le filtre ne soit en place. Remplacez le filtre immédiatement s'il subit une déchirure ou un autre dommage.

Faire fonctionner le climatiseur sans un filtre ou avec un filtre endommagé permettra à la saleté et la poussière d'atteindre le serpentin intérieur et réduira l'efficacité du refroidissement, du chauffage, de la circulation d'air et de l'appareil.

L'action la plus importante que vous pouvez faire pour entretenir le Zoneline est de changer le filtre au moins tous les 30 jours. Des filtres sales réduisent l'efficacité du refroidissement, du chauffage et de la circulation d'air.

Changer le filtre permettra de diminuer les coûts de fonctionnement, d'économiser l'énergie, d'empêcher l'obstruction des serpentins d'échange de chaleur et de réduire le risque de défaillance prématurée d'un composant.

Vous devez vous procurer des filtres de rechange auprès du revendeur local d'accessoires pour climatiseurs et appareils de chauffage.

Les dimensions du filtre sur le devant du climatiseur sont 18 x 20 x 1 po.

Les dimensions du filtre pour le modèle RAVRG4 sont 24 x 20 po.

Les dimensions du filtre pour le modèle RAVRG2B sont 20 x 20 po.

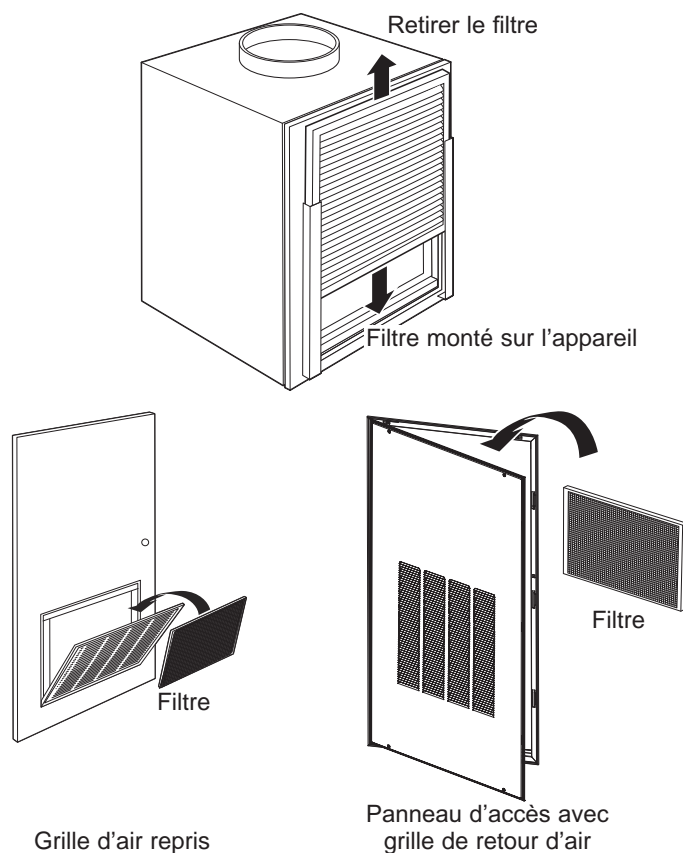
REMARQUE : Utilisez un seul filtre dans l'installation

Pour remplacer le filtre (filtre de retour d'air monté sur l'appareil) :

1. Glissez le filtre vers le haut pour le dégager des supports de filtre.
2. Retirez le filtre.
3. Installez un nouveau filtre jetable.

Pour maintenir un rendement optimal, changez le filtre au moins tous les 30 jours.

Pour retirer et remplacer le filtre :



Vidange

Nettoyez le système de vidange régulièrement afin de prévenir son obstruction.

La vidange du condensat doit être évacuée vers un drain approprié. Vérifiez le drain de vidange du condensat régulièrement. Gardez-le libre de particules qui pourraient obstruer ou diminuer la circulation de l'eau de condensation. Il importe de retirer et nettoyer toute accumulation de matière étrangère dans le tuyau de vidange. La totalité de la ligne de vidange doit être protégée du gel.

Entretien et nettoyage

Éteignez le Zoneline et coupez le courant avant le nettoyage.

Serpentins intérieur/extérieur

Vous devez vérifier et nettoyer les serpentins intérieur/extérieur du Zoneline régulièrement.

REMARQUE : N'utilisez pas de nettoyeurs à base d'acide pour nettoyer les serpentins. Veillez à ne pas déformer les ailettes en aluminium des serpentins.

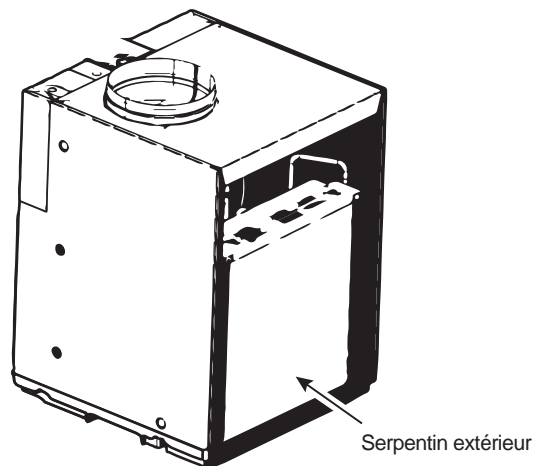
Serpentin d'air intérieur

De petites quantités de peluches et de saleté peuvent passer à travers le filtre et s'accumuler dans le serpentin d'air intérieur. Vous pouvez retirer ces petites accumulations en passant avec soin l'aspirateur muni d'une brosse, ou demander à un professionnel de le faire.

Serpentin d'air extérieur

Les voies d'entrée et de sortie d'air extérieur de l'appareil doivent demeurer propres. Vérifiez la sortie d'air extérieur fréquemment. Gardez-la exempte de particules, de neige et de glace. L'entrée d'air extérieur doit aussi être exempte d'obstructions. L'obstruction des orifices d'entrée ou de sortie d'air extérieur réduira l'efficacité du climatiseur et peut occasionner la défaillance prématurée du compresseur.

L'inspection et le nettoyage du serpentin d'air extérieur peut nécessiter le retrait de l'appareil de son enceinte ou armoire. Voyez la section de ce manuel sur la réparation et l'entretien du climatiseur pour des instructions sur la façon de le retirer. Un nettoyage professionnel est recommandé pour la surface intérieure du serpentin extérieur.



Faites nettoyer le serpentin régulièrement.

Plateau de base

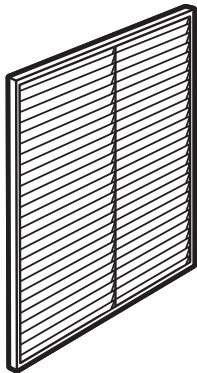
Dans certaines installations, la saleté et d'autres particules peuvent être soufflées depuis l'extérieur et se déposer dans le plateau de base (dans le bas de l'appareil).

Dans certaines régions du pays, une substance gélatineuse peut se retrouver dans le plateau de base.

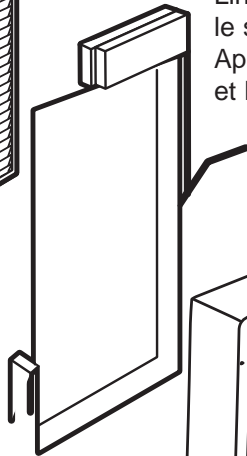
Vérifiez et nettoyez le plateau régulièrement.

Aperçu de l'installation

COMPOSANTS DU ZONELINE

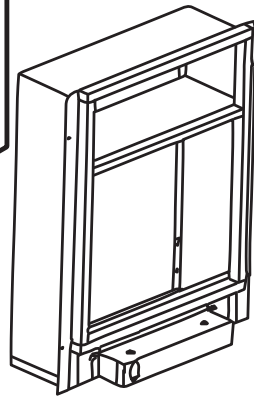


Évent à lames architectural RAVAL3



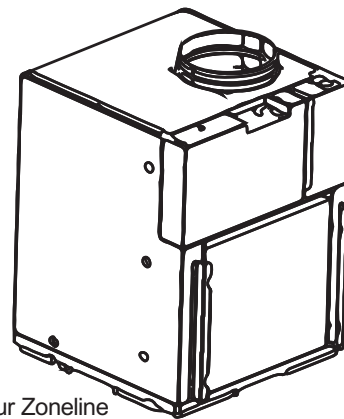
Mur extérieur

Linéau approprié pour le support structural. Appliquer le calfeutrage et le solin appropriés.

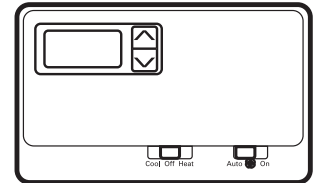


Plénum mural (télescopique) RAVWP15 – 8"-15"P x 23 3/4"L x 31 3/4"H

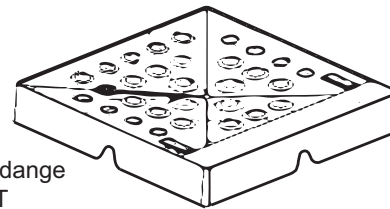
Mette le plénum de niveau et au carré



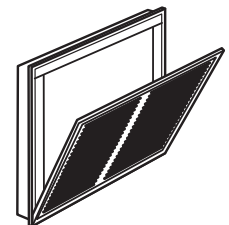
Climatiseur Zoneline



Thermostat mural



Plateforme de vidange RAVDPLAT



Grille de retour d'air RAVRG2B

- Installez le plénum mural à travers le mur extérieur en conformité avec les instructions d'installation du plénum.

IMPORTANT: Le plénum mural n'est pas conçu pour supporter des charges structurales. La construction d'un linéau mural approprié est requise. Le plénum nécessite la pose d'un solin, de cales et d'un calfeutrage appropriés pour rendre l'installation à l'épreuve des intempéries.

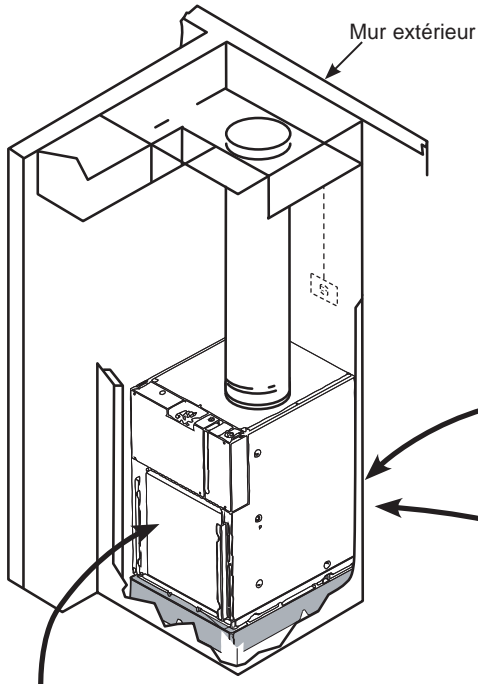
Aperçu de l'installation

OPTIONS D'INSTALLATION DE LA GRILLE DE RETOUR D'AIR

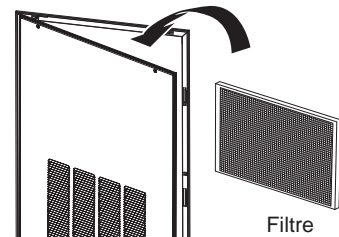
La grille de retour d'air de la pièce peut être installée sur le devant ou l'un des côtés de l'appareil. Une disposition inappropriée du retour d'air peut causer des diminutions d'efficacité.

Il existe trois options d'installation de la grille de retour d'air intérieure. Choisissez l'option qui répond le mieux à la condition de votre installation. Suivez les instructions d'installation fournies avec la grille de retour d'air en accessoire pour les détails.

REMARQUE : Utilisez un seul filtre dans l'installation. Vous pouvez installer le filtre sur le climatiseur ou dans une porte ou panneau d'accès.

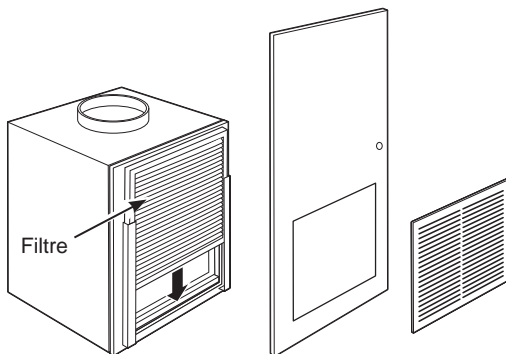


RAVRG4 – Panneau d'accès avec grille de retour d'air



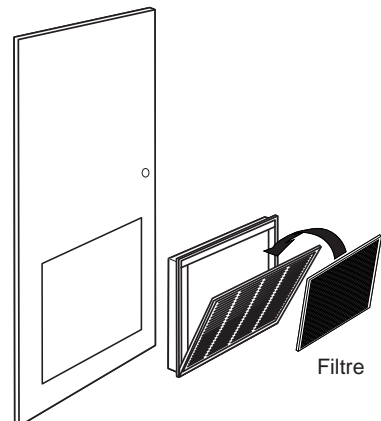
Option 1

Unit-mounted filter with a field-supplied return air grille and access door/panel



Option 3

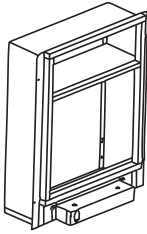
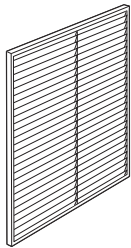
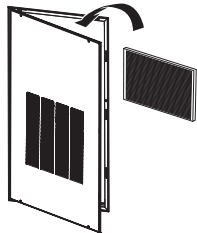
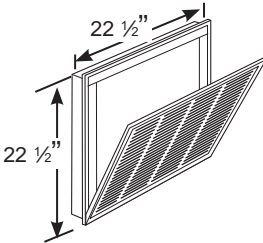
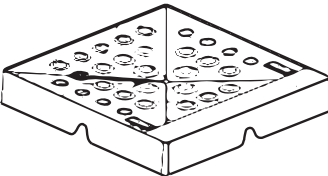
RAVRG2B – Grille de retour d'air



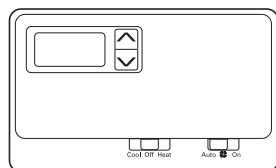
Option 2

Aperçu de l'installation

ACCESSOIRES pour une NOUVELLE installation

Accessoire et no de modèle	Aspect	Dimensions d'ouverture
Dimensions d'ouverture RAVWPT15 8"-15"P x 23 ³ / ₄ "W x 31 ³ / ₄ "H *En excluant le rebord		Dimensions d'ouverture : 24"W x 32"H
Évent à lames architectural RAVAL3		Évent à lames architectural conçu pour convenir aux plenums suivants : RAVWP15 8"-15"P x 23 ³ / ₄ "W x 31 ³ / ₄ "H
Panneau d'accès avec grille de retour d'air RAVRG4		Dimensions d'ouverture : 28 ¹ / ₈ "W x 55 ⁷ / ₈ "H
Grille de retour d'air RAVRG2B		Dimensions d'ouverture : 20 ³ / ₈ "W x 20 ³ / ₈ "H
Plateforme de vidange RAVDPLAT		Sans objet

Thermostat mural



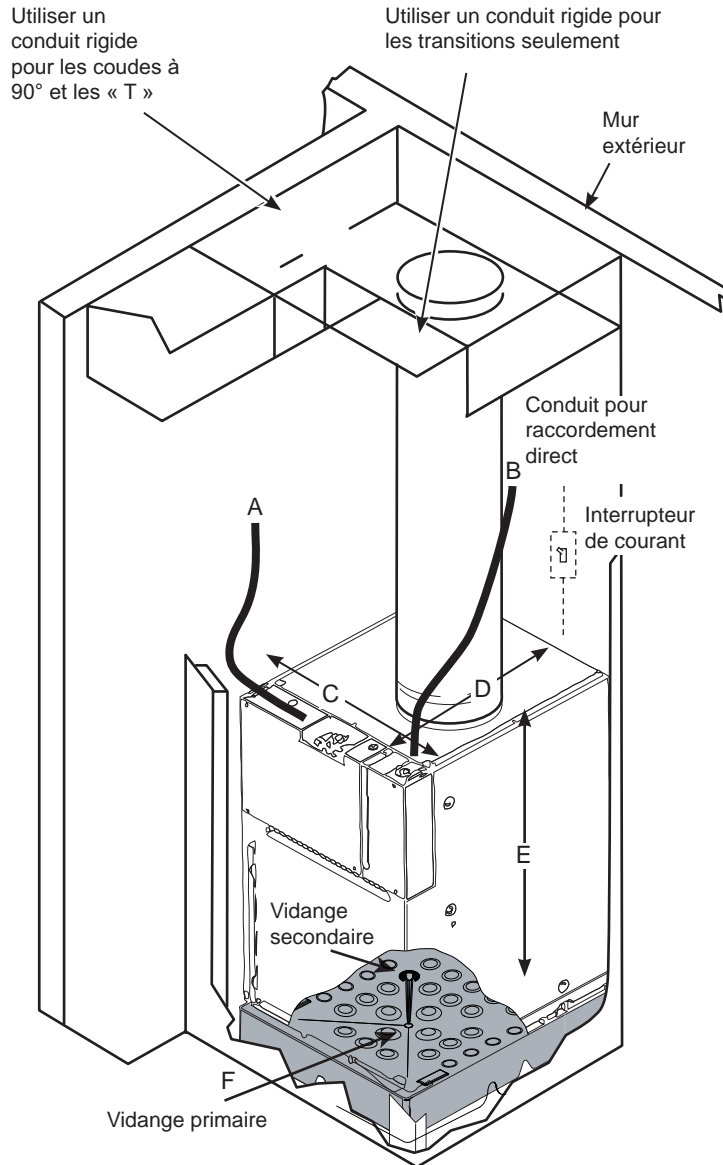
Type de modèle	Câblage	Type de thermostat	Vitesse du ventilateur	No trousse
Modèles à résistance électrique	5 fils	5 fils	1	RAK149P2
Modèles à résistance électrique	6 fils	6 fils	2	RAK149F2
Modèles à thermopompe	6 fils	6 fils	1	RAK149P2
Modèles à thermopompe	7 fils	7 fils	2	RAK149F2
Tous les modèles	*	*	2	RAK180W1

*0 fil si alimenté par piles, 2 fils si alimenté par le climatiseur

Aperçu de l'installation

EMPLACEMENT DES CONNEXIONS DANS UNE ENCEINTE

IMPORTANT: Planifiez et situez le plénum, la vidange du condensat et le câble du thermostat avec soin afin de prévenir le brouillage. Les endroits difficiles d'accès vont rendre l'installation et le service fastidieux!



Dimensions de référence :

- A. Câble du thermostat
- B. Connexions électriques - Raccordements directs avec conduit
- C. Largeur de la carrosserie : 23 5/8 po
- D. Profondeur de la carrosserie : 24 1/8 po
- E. Hauteur de la carrosserie : 30 po
- F. Drains du condensat : Connecteur 3/4 po
 - **Vidange primaire** – La ligne de centre est à environ 11 3/4 po de la paroi de carrosserie gauche et à 11 3/4 po de la paroi de carrosserie arrière
 - **Vidange secondaire** – La ligne de centre est à 6 1/8 po de la ligne de centre de la plateforme de vidange et à 6 3/16 po de la paroi de carrosserie arrière.

Dégagements requis :

- **Installation frontale** –
 - Dégagement minimal de 3 po depuis le devant de la carrosserie et de 3 po sur les deux côtés.
- **Installation latérale** –
 - Dégagement minimal de 5 po depuis le devant de carrosserie, 3 po depuis le côté de l'accès et 3 po de l'autre côté.

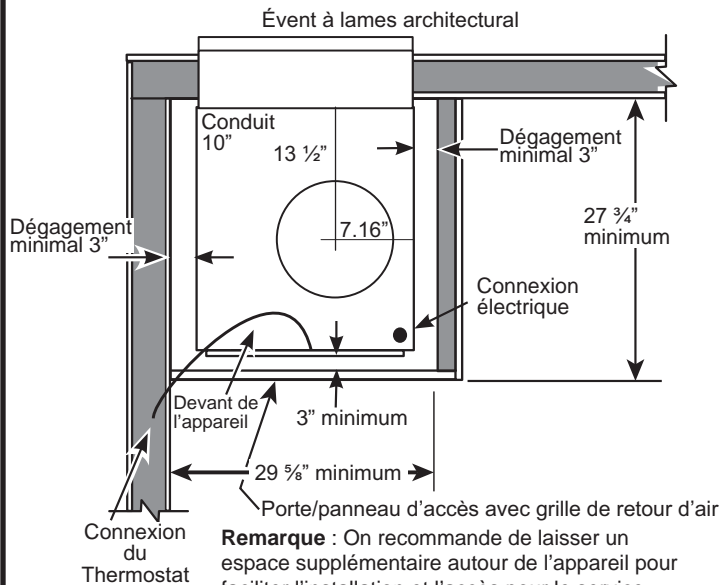
Aperçu de l'installation

ENCEINTE ET DIMENSIONS TYPIQUES

(pour référence seulement)

INSTALLATION FRONTALE

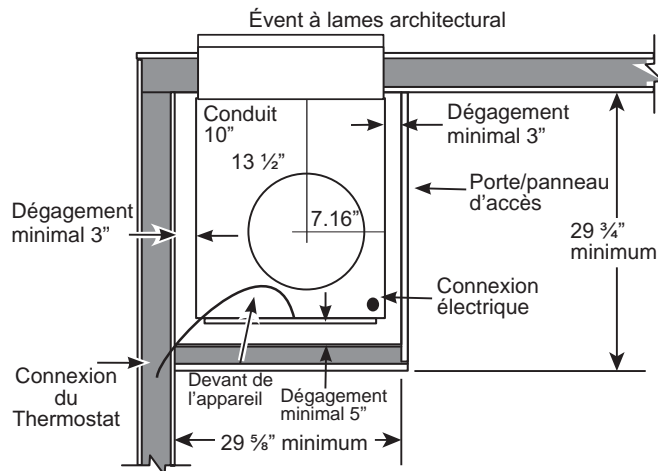
Vue de dessus



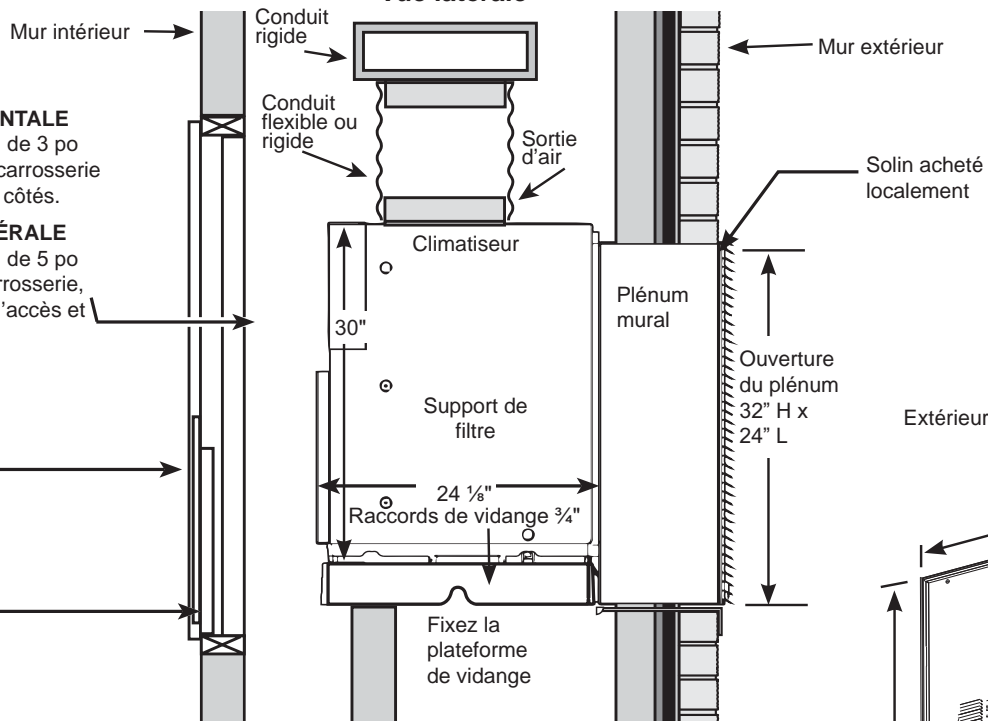
Remarque : On recommande de laisser un espace supplémentaire autour de l'appareil pour faciliter l'installation et l'accès pour le service.

INSTALLATION LATÉRALE

Vue de dessus



Vue latérale



• **INSTALLATION FRONTALE**
– Dégagement minimal de 3 po depuis le devant de la carrosserie et de 3 po sur les deux côtés.

• **INSTALLATION LATÉRALE**
– Dégagement minimal de 5 po depuis le devant de carrosserie, 3 po depuis le côté de l'accès et 3 po de l'autre côté.

Option 1
Grille de retour d'air RAVRG2* (utilisée avec porte d'enceinte achetée localement)

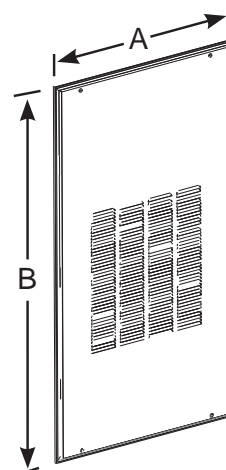
Option 2
Panneau d'accès avec grille de retour d'air RAVRG4*

*Trousse commençant par

RAVRG4

A - Largeur minimale de porte d'accès recommandée : 28 po

B - Hauteur minimale de porte d'accès recommandée : 57 1/2 po



TYPE DE CONNEXIONS ÉLECTRIQUES

Il faut utiliser une trousse d'alimentation électrique pour alimenter le Zoneline.

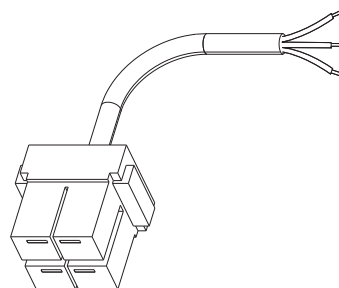
Les modèles doivent être installés avec la trousse d'alimentation électrique GE Appliances qui correspond à l'intensité du circuit de dérivation et à la puissance des éléments chauffants. Voyez le TABLEAU DES CONNEXIONS ÉLECTRIQUES pour sélectionner la trousse appropriée.

Votre installateur a la responsabilité de réaliser les connexions des composants en conformité avec les codes de l'électricité.

Interrupteur de courant externe

Un interrupteur de courant doit se trouver dans l'axe visuel de l'ouverture de la porte d'enceinte ou de l'ouverture du panneau d'accès. Cet interrupteur doit être facilement accessible lors de l'installation du climatiseur dans l'enceinte. L'interrupteur de courant ne doit pas cacher la plaque signalétique ni se situer sur le panneau d'accès ou la porte d'enceinte. Un interrupteur acheté localement et correctement calibré est un moyen souvent utilisé pour couper le courant.

Trousse d'alimentation électrique à raccordement direct Installations à 208/230/265 volts



Trousse d'alimentation électrique à raccordement direct

IMPORTANT: Le raccordement à un circuit de dérivation DOIT être réalisé par raccordement direct afin d'être conforme au Code national de l'électricité. Ce code n'autorise pas le branchement de ce climatiseur dans une prise murale exposée, montée sur le bâtiment.

TABLEAU DES CONNEXIONS ÉLECTRIQUES

Raccordements directs

Trousses alim. électr. 230/208 volts	Configuration - Raccordement direct	Puiss. élém. chauffants @230 / 208 volts	Dispositif de protection du circuit 9k/12k/18k
RAK315D	Câblée	2.45 / 2.00 KW	Fusible temporisé 15/15/NA amp. ou disjoncteur
RAK320D	Câblée	3.45 / 2.82 KW	Fusible temporisé 20 amp. ou disjoncteur
RAK330D	Câblée	5.00 / 4.09 KW	Fusible temporisé 30 amp. ou disjoncteur
Trousses alim. électr. 265 volts*	Configuration - Raccordement direct	Puiss. élém. chauffants @ 265 volts	Dispositif de protection du circuit 9k/12k/18k
RAK515D	Câblée	2.45 KW	Fusible temporisé 15/15/NA amp. ou disjoncteur
RAK520D	Câblée	3.45 KW	Fusible temporisé 20 amp. ou disjoncteur
RAK530D	Câblée	5.00 KW	Fusible temporisé 30 amp. ou disjoncteur



*Voyez Code électricité pour applications 265 volts

Préparation de l'installation

Données sur le débit d'air intérieur

On peut déterminer le débit d'air intérieur en mesurant la pression statique extérieure (PSE) du système de conduits et en utilisant le tableau ci-dessous pour déterminer le débit d'air réel. En aucun cas le Zoneline ne doit fonctionner à une PSE au-delà de 0,3 po C.E. Le fonctionnement du Zoneline dans cette condition produira un débit d'air inadéquat menant à un rendement faible et/ou une défaillance de composant prématurée.

Débit d'air - pi.cu/m @ 230 volts et @265 volts

ESP (in. water)		Ventilateur intérieur pi.cu./m			
		Mode surpuissance du ventilateur			
		ON 		OFF 	
		High CFM	Medium CFM	Medium CFM	Low CFM
AZ95(H/E)09	0.1	468	408	408	305
	0.15	435	371	371	272
	0.2	409	351	351	198
	0.25	392	306	306	*
	0.3	352	239	239	*
AZ95E12	0.1	468	408	408	356
	0.15	435	371	371	328
	0.2	409	351	351	288
	0.25	392	306	306	220
	0.3	352	239	239	*
AZ95H12	0.1	468	417	417	376
	0.15	435	380	380	345
	0.2	409	359	359	314
	0.25	392	318	318	250
	0.3	352	253	253	*
AZ95(H/E)18	0.1	543	468	468	408
	0.15	514	435	435	371
	0.2	481	409	409	351
	0.25	458	392	392	306
	0.3	442	352	352	239

* Ne faites pas fonctionner l'appareil dans ces conditions.

REMARQUE : Valeurs mesurées à temp. ambiante de 70-75°F

Votre débit d'air doit être équilibré selon plusieurs facteurs, tels la PSE disponible, le débit dans la pièce et le système de conduits. Consultez un ingénieur en chauffage-climatisation pour une application adéquate. On peut mesurer la pression statique extérieure (PSE) avec un manomètre ou un tube de Pitot. Une fois que la PSE est établie, vous pouvez calculer le débit à l'aide du tableau ci-dessus.

Données sur le débit d'air intérieur (suite)

Recommandations (pi.cu./m)											
AZ95(H/E)09			AZ95E12			AZ95H12			AZ95(H/E)18		
305	408	468	356	408	468	376	417	468	408	468	543
•			•			•				•	

* = Valeur médiane recommandée

Des débits plus élevés tendent à augmenter la capacité sensible, la circulation dans la pièce et le bruit des conduits, tandis que des débits moins élevés tendent à diminuer la capacité latente et le bruit.

Système de conduits

Préparez les conduits dans l'enceinte pour le raccordement ultérieur à la carrosserie.

Le système de conduits doit être conçu pour un taux de friction maximal de 0,30 po C.E. en considérant tous les raccords, les registres et/ou les diffuseurs.

NE faites PAS fonctionner l'appareil sans qu'un conduit d'alimentation d'air n'y soit raccordé.

Le retour d'air au climatiseur Zoneline NE DOIT PAS être canalisé dans un conduit et toutes les unités doivent avoir une configuration de retour d'air libre pour fonctionner correctement.

Le débit total (pi.cu./m) et la pression statique extérieure (PSE) disponibles peuvent être estimés d'après les tableaux de cette page. Utilisez ces tableaux pour sélectionner votre réglage de vitesse de ventilateur.

Le collet dans le haut de l'appareil accepte un conduit standard de 10 po. Tirez les conduits pour ne pas laisser de mou. Du mou dans les conduits peut augmenter considérablement la pression statique.

AVIS : Les conduits flexibles peuvent s'affaisser et causer des restrictions du débit d'air. N'utilisez pas de conduit flexible pour les coudes à 90° ou les sections non supportées de 5 pieds ou plus.

Préparation de l'installation

Des questions? Composez le 844-GE4-PTAC (ou 844-434-7822) ou visitez notre site Web : GEAppliances.com

AVANT DE COMMENCER

Veuillez lire toutes ces instructions attentivement.

- **IMPORTANT** — Conservez ces instructions à l'usage de l'inspecteur local.
- **IMPORTANT** — Observez tous les codes et règlements en vigueur.
- **Note à l'installateur** — Assurez-vous de laisser ces instructions au propriétaire.
- **Note au propriétaire** — Conservez ces instructions pour référence ultérieure.
- L'exactitude de l'installation est la responsabilité de l'installateur. L'installation terminée du Zoneline ne doit pas être accessible au grand public.
- La garantie ne couvre pas les défauts du produit causés par une installation inadéquate.
- Nous recommandons que le soulèvement et le déplacement de l'appareil s'effectue en équipe.
- Vous DEVEZ utiliser toutes les pièces fournies et les procédures d'installation appropriées qui sont décrites dans ce manuel lors de l'installation de ce climatiseur.

CONSIGNES DE SÉCURITÉ ÉLECTRIQUE IMPORTANTES — LIRE ATTENTIVEMENT

⚠ WARNING

RISQUE DE CHOC ÉLECTRIQUE.

- Tout le câblage et toutes les connexions électriques doivent être réalisés par un électricien agréé.
- Respectez les codes d'électricité national et local.
- Pour votre sécurité, le Zoneline et sa carrosserie doivent être correctement mis à la terre.
- Les dispositifs de protection (fusibles ou disjoncteurs) admissibles pour les installations du Zoneline sont spécifiés sur la plaque signalétique de chaque appareil.
- N'utilisez pas un cordon de rallonge avec cet appareil.
- Le câblage de bâtiment en aluminium peut présenter des problèmes particuliers, veuillez consulter un électricien agréé.
- Du courant subsiste aux commandes électriques même lorsque l'appareil ne fonctionne pas.
- Avant l'entretien ou une réparation, coupez le courant à l'appareil comme suit :
 1. Retirez les fusibles du circuit de dérivation ou déclenchez le(s) disjoncteur(s) au panneau.
 2. Débranchez le cordon électrique de l'appareil.

EXIGENCES ÉLECTRIQUES

Calibre de câble	Utilisez SEULEMENT un calibre de câble recommandé pour un circuit de dérivation à prise unique.
Fusible/ Disjoncteur	Utilisez SEULEMENT un fusible (type et calibre) ou un disjoncteur spécifié sur la plaque signalétique de l'appareil. La protection du climatiseur contre les surintensités est la responsabilité du propriétaire.
Mise à la terre	La mise à la terre DOIT s'effectuer depuis le circuit de dérivation jusqu'à l'appareil, ou au moyen d'un fil de terre distinct fourni sur les appareils connectés en permanence. Assurez-vous que le circuit de dérivation est mis à la terre.
Calibre de câble	Utilisez un calibre de câble recommandé dans les tableaux et installez un circuit de dérivation exclusif. Tout le câblage doit satisfaire les codes national et local. REMARQUE : Utilisez des conducteurs en cuivre uniquement.

REMARQUE : Tout le câblage acheté localement doit satisfaire les codes national et local. L'installateur a la responsabilité de s'assurer que les codes de l'électricité sont observés.

- Utilisez SEULEMENT un calibre de câble recommandé pour un circuit de dérivation à prise unique.
- La protection adéquate contre les surintensités est la responsabilité du propriétaire.

Calibres de câble recommandés pour le circuit de dérivation*

Calibre de disjoncteur maximal sur plaque signalétique	Calibre de câble AWG**
15A (Produits 9k et 12k seul.)	14
20A	12
30A	10

AWG - American Wire Gauge (calibre américain des fils)
* Disjoncteur unique de la boîte principale
** Sur la base d'un conducteur isolé en cuivre unique à 60°C

REMARQUE : Utilisez des conducteurs en cuivre uniquement.

⚠ WARNING

RISQUE DE CHOC ÉLECTRIQUE.

Peut causer une blessure ou la mort. Ce climatiseur doit être correctement mis à la terre.

Installation du Zoneline

INSTALLATION SUMMARY

- | | |
|---|--|
| 1. Planifiez des emplacements adéquats pour l'alimentation électrique, la vidange du condensat et les conduits d'air. | 7. Connectez les conduits supérieurs. |
| 2. Installez le plénum mural et l'évent à lames. | 8. Connectez le thermostat distant. |
| 3. Installez et mettez de niveau la plateforme de vidange du condensat. | 9. Connectez les fonctions auxiliaires, si nécessaire. |
| 4. Complétez les raccordements du système de vidange du condensat. | 10. Effectuez les connexions électriques à l'appareil. |
| 5. Mettez la plateforme de vidange en place. | 11. Installez le panneau frontal avec le filtre. |
| 6. Mettez la plateforme de niveau et fixez-la. | 12. Installez la grille de retour d'air ou le couvercle d'accès. |
| | 13. Révissez la liste de vérification finale de l'installation. |
| | 14. Mettez le climatiseur sous tension (ON). |
| | 15. Configurez les commandes auxiliaires, si nécessaire. |
| | 16. Vérifiez le fonctionnement de l'appareil. |

INSTRUCTIONS D'INSTALLATION

1. Planifiez des emplacements adéquats pour l'alimentation électrique, la vidange du condensat et les conduits d'air.

2. Installez le plénum mural et l'évent à lames

1. Installez le plénum mural. Reportez-vous aux instructions incluses dans la trousse de plénum mural RAVWPT15 pour la procédure d'installation adéquate.
2. Installez l'évent à lames. Reportez-vous aux instructions incluses dans la trousse d'évent à lames RAVAL3 pour la procédure d'installation adéquate.

3. Installez la plateforme de vidange du condensat Zoneline

1. Reportez-vous aux instructions incluses dans la trousse de plateforme de vidange du condensat RAVDPLAT pour la procédure d'installation adéquate.
2. Placez la plateforme dans l'enceinte avec les dégagements suivants entre la plateforme et la surface intérieure des murs/porte/panneau :
 - Installation frontale – Dégagement minimal de 3 po depuis le devant de la carrosserie et de 3 po sur les deux côtés.
 - Installation latérale – Dégagement minimal de 5 po depuis le devant de carrosserie, 3 po depuis le côté de l'accès et 3 po de l'autre côté.
3. Effectuez le travail brut de la plomberie pour la vidange primaire et secondaire du condensat.

Système de projection du condensat

Le système de projection du condensat augmente l'efficacité énergétique au moyen d'un ventilateur installé en usine qui projette le condensat sur le serpentin extérieur chaud.

Lorsque l'humidité extérieure élevée empêche le système d'éliminer tout le condensat, la quantité excédentaire déborde dans le plateau de condensat puis s'évacue par les raccords 3/4 po.

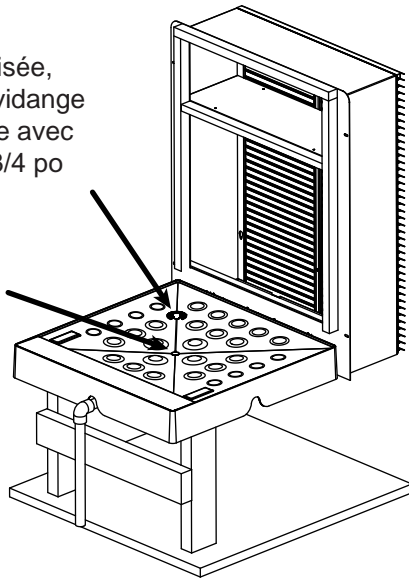
REMARQUE : Si le système de projection du condensat échoue à éliminer tout le condensat de l'appareil, toute quantité excédentaire débordera du plateau de condensat pour s'écouler dans la vidange secondaire (si connecté) puis dans le drain à l'extérieur du bâtiment. Cela est une indication que le châssis ou la vidange nécessite une visite de service.

4. Complétez les raccordements de vidange du condensat

Une vidange extérieure ou intérieure doit être attachée au raccord de vidange primaire. Une vidange secondaire est fournie si elle est requise par les codes national et local. Reportez-vous aux codes locaux pour l'installation adéquate des vidanges. Si la vidange secondaire n'est pas utilisée, scellez son orifice avec un bouchon 3/4 po FNPT.

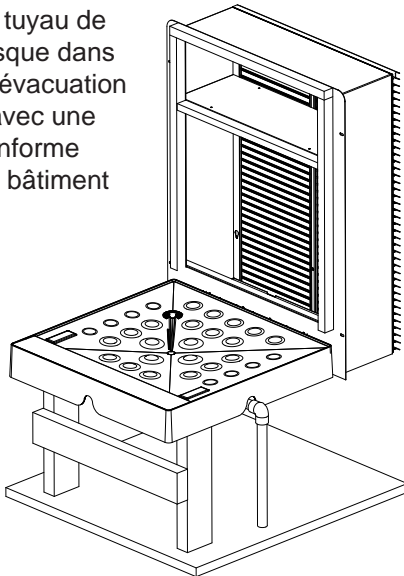
Si non utilisée, sceller la vidange secondaire avec bouchon 3/4 po FNPT

Vidange primaire



Vue d'ensemble des vidanges
Vidange intérieure (primaire)

Acheminer le tuyau de condensat jusque dans la conduite d'évacuation du bâtiment avec une ventilation conforme aux codes du bâtiment locaux.

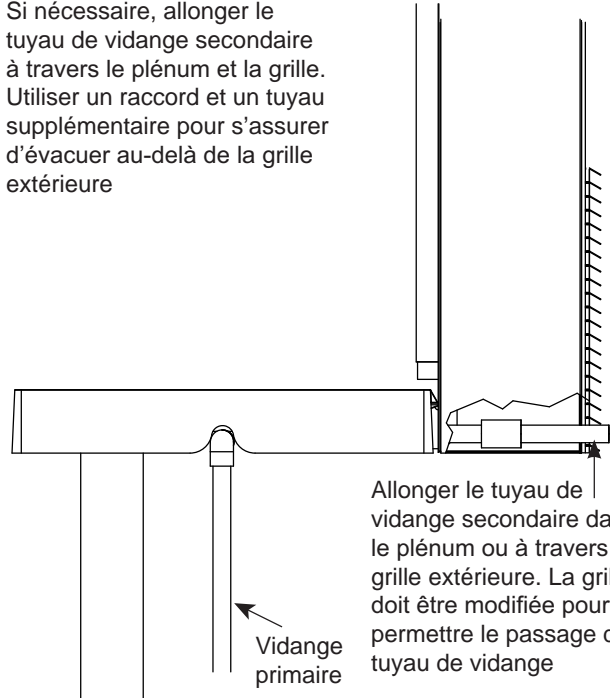


Tuyau de vidange à droite de la plateforme

4. Complétez les raccordements de vidange du condensat (suite)

Vidange extérieure (secondaire)

Si nécessaire, allonger le tuyau de vidange secondaire à travers le plénum et la grille. Utiliser un raccord et un tuyau supplémentaire pour s'assurer d'évacuer au-delà de la grille extérieure

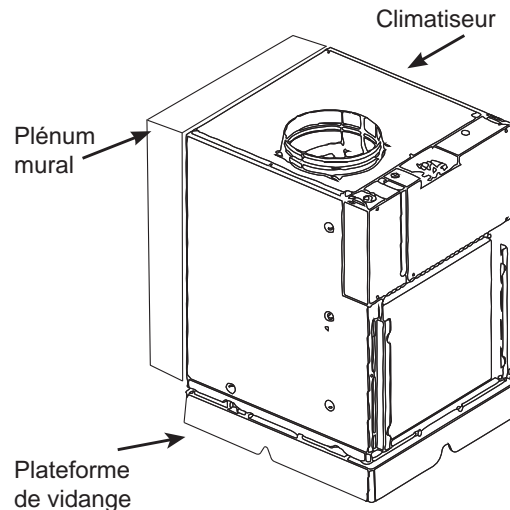


Allonger le tuyau de vidange secondaire dans le plénum ou à travers la grille extérieure. La grille doit être modifiée pour permettre le passage du tuyau de vidange

Se reporter au manuel d'instructions de la plateforme pour l'installation de la vidange

5. Installez l'appareil sur le plénum

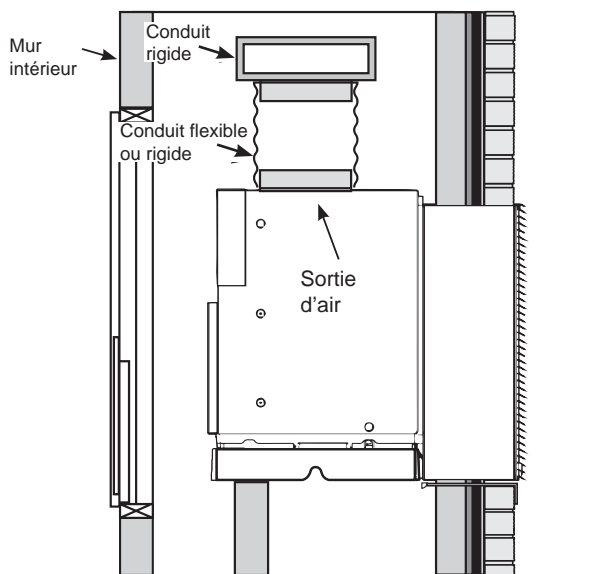
Alignez le climatiseur sur l'ouverture du plénum et glissez-le vers le plénum pour s'assurer qu'il repose correctement sur la plateforme de vidange.



Installation du Zoneline

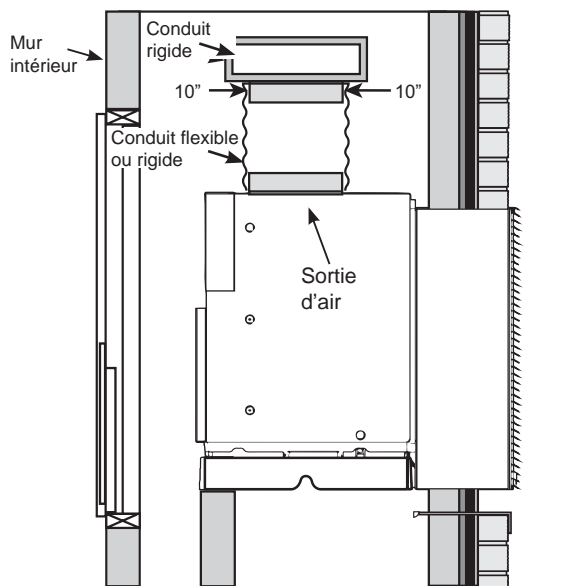
6. Mettez la plateforme de niveau et fixez-la

1. Assurez-vous que la plateforme est de niveau dans toutes les directions.



7. Connectez les conduits supérieurs

1. Utilisez une bride achetée localement pour raccorder le conduit flexible 10 po au conduit rigide au-dessus de l'appareil.
2. Installez l'autre extrémité du conduit sur la sortie d'air. Utilisez une bride achetée localement pour raccorder le conduit à la sortie d'air.

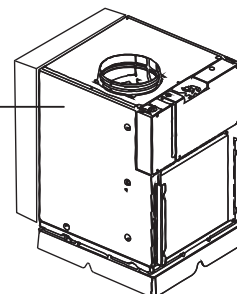
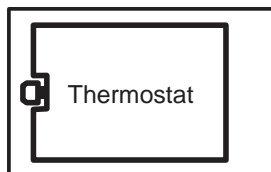


8. Connectez le thermostat distant

Le climatiseur sera contrôlé par un thermostat distant.

IMPORTANT : Les connexions du thermostat Zoneline sont compatibles avec une alimentation 24 VCA seulement. Si vous utilisez un thermostat mural numérique/électronique, vous devez le régler à la tension 24 VCA. Consultez les instructions d'installation du thermostat mural. AVIS : Les dommages à un thermostat mural ou à l'électronique du Zoneline peuvent entraîner des connexions inadéquates. Portez une attention particulière à la connexion des fils bleu et noir. Aucune connexion de tension de secteur ne doit être effectuée à un circuit quelconque du thermostat. Isolez tous les fils/câbles dans le bâtiment contre la tension de secteur.

1. Le connecteur électrique du thermostat est inclus avec le climatiseur. Suivez les instructions incluses avec le thermostat pour connecter celui-ci au climatiseur.

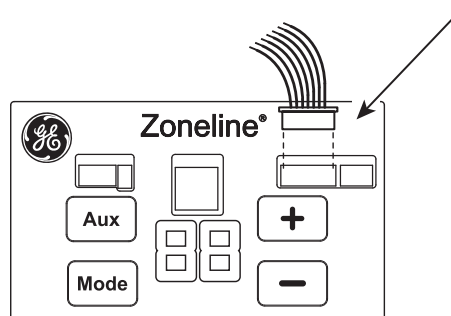


Longueur de câblage maximale pour la connexion du thermostat au climatiseur

- 66 pi pour AWG 18
 - 60 pi pour AWG 20
 - 40 pi pour AWG 24
- AWG – American Wire Gauge (calibre américain des fils)
Utiliser un câblage/filage de Classe 2 seulement

Connecteur du thermostat

8	7	6	5	4	3	2	1
R	GL	GH	B	Y	W	C	
red	tan	green	blue	yellow	white	black	



2. Branchez le connecteur du thermostat sur la carte de commande.

9. Connectez les fonctions auxiliaires, si nécessaire

Commandes auxiliaires - Connexions aux bornes

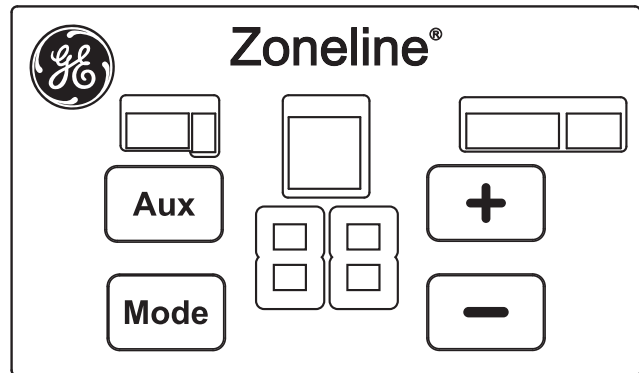
REMARQUE : La trousse de connecteur RAKCDC est nécessaire pour effectuer les connexions électriques CDC. (Voir les schémas de câblage pour le RAKCDC ci-dessous.)

Les connexions des commandes auxiliaires aux bornes se situent sur le devant de l'appareil.

1. Pour brancher les dispositifs auxiliaires sur le climatiseur, connectez les fils de la trousse RAKCDC aux fils des dispositifs auxiliaires. Insérez ensuite le connecteur RAKCDC sur le connecteur correspondant de la carte de commande près du connecteur du thermostat.
2. Lorsque toutes les connexions désirées sont terminées, remplacez le panneau frontal de la carrosserie.

Le propriétaire est responsable d'effectuer toutes les connexions et de configurer le mode AUX SET approprié.

AVIS: Un câblage incorrect peut endommager l'électronique du Zoneline. L'interconnexion par bus n'est pas permise. Des dommages ou un fonctionnement erratique pourraient en résulter. Une paire de fils distincte doit relier chaque commutateur de commande à chaque unité Zoneline.



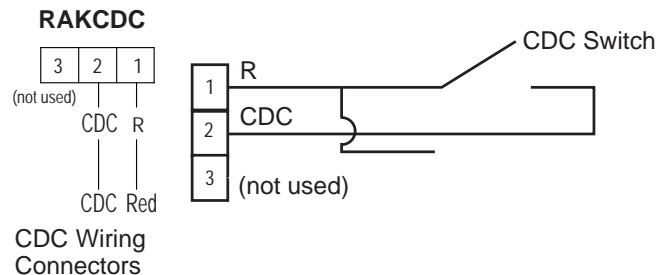
Dispositif de commande centralisé (acheté localement)

Le dispositif de commande centralisé est une fonction qui permet de faire fonctionner le climatiseur depuis un lieu éloigné. Cette fonction nécessite qu'un interrupteur marche/arrêt (ON/OFF) à l'emplacement éloigné soit relié à deux bornes CDC du panneau de commande du Zoneline. Lorsque l'interrupteur éloigné est FERMÉ, le climatiseur ne peut pas fonctionner dans les modes Fan, Cool ou Heat via le panneau de commande. Les fonctions de sentinelles de gel et de chauffage demeurent opérationnelles. Lorsque l'interrupteur éloigné est OUVERT, le panneau de commande peut totalement contrôler le climatiseur.

Un dispositif de commande centralisé nécessite d'utiliser l'accessoire RAKCDC. L'interconnexion par bus n'est pas permise.

AVIS : Un câblage CDC inadéquat peut endommager l'électronique du Zoneline ou causer un fonctionnement erratique. L'interconnexion par bus n'est pas permise. Une paire de fils distincte doit relier chaque commutateur de commande à chaque unité Zoneline.

Utilisez un câblage de Classe 2 seulement.



Installation du Zonline

10. Effectuez les connexions électriques à l'appareil

CONNEXIONS ÉLECTRIQUES - APPLICATIONS À RACCORDEMENT DIRECT

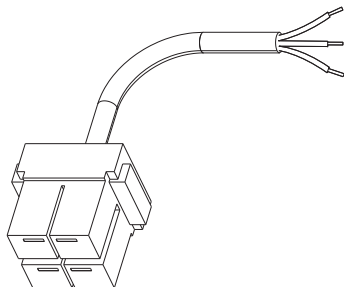
⚠ WARNING Risque de choc électrique

Avant une intervention de service, coupez le courant au Zonline à la boîte des fusibles ou au disjoncteur et tirez l'interrupteur de courant sur le devant du châssis.

L'omission de prendre ces mesures peut occasionner une blessure ou la mort.

Alimentation électrique 208/230/265 volts

Il faut utiliser une trousse d'alimentation électrique pour alimenter le Zonline. La trousse appropriée est déterminée par la tension (volts), la façon d'exécuter les connexions électriques et l'intensité (ampères) du circuit de dérivation. Voyez la section TABLEAU DES CONNEXIONS ÉLECTRIQUES pour sélectionner la trousse appropriée.



Trousse d'alimentation électrique à connexion directe

POUR APPLICATIONS À RACCORDEMENT DIRECT DE 265 VOLTS SEULEMENT

IMPORTANT: Le raccordement d'un produit alimenté par un courant de 265 VCA à un circuit de dérivation DOIT être réalisé par raccordement direct afin d'être conforme au Code national de l'électricité. Ce code n'autorise pas le branchement de ce climatiseur dans une prise murale exposée, montée sur le bâtiment.

Les modèles doivent être installés avec la trousse d'alimentation électrique GE Appliances qui correspond à l'intensité du circuit de dérivation et à la puissance des éléments chauffants. Voyez la section TABLEAU DES CONNEXIONS ÉLECTRIQUES pour sélectionner la trousse appropriée.

Votre installateur a la responsabilité de réaliser les connexions des composants en conformité avec les codes de l'électricité.

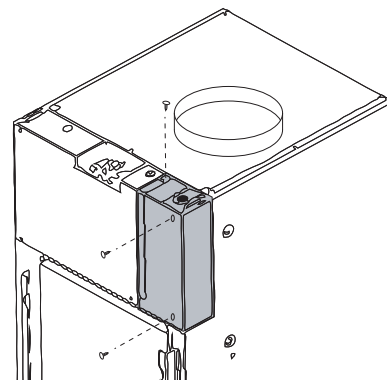
Le raccordement direct à un câblage de circuit de dérivation à l'intérieur de la boîte de jonction fournie doit être réalisé selon les étapes 1 à 3 suivantes.

INTERRUPTEUR DE COURANT EXTERNE

Un interrupteur de courant doit se trouver dans l'axe visuel de l'ouverture de la porte d'enceinte ou de l'ouverture du panneau d'accès. Cet interrupteur doit être facilement accessible lors de l'installation du climatiseur dans l'enceinte. L'interrupteur de courant ne doit pas cacher la plaque signalétique ni se situer sur le panneau d'accès ou la porte d'enceinte. Un interrupteur acheté localement et correctement calibré est un moyen souvent utilisé pour couper le courant.

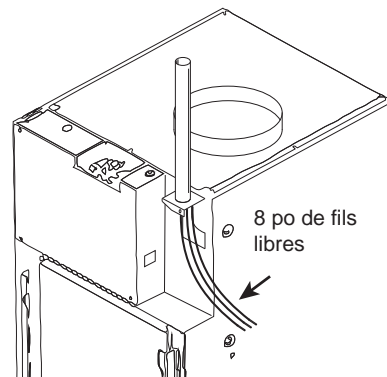
1. Retirez le couvercle de la boîte de jonction

Enlevez le couvercle de la boîte de jonction en retirant les trois vis.



2. Attachez le conduit de câbles

Utilisez la débouchure ronde dans le haut de la boîte de jonction pour installer le conduit de câbles provenant du circuit de dérivation. Installez et attachez le conduit à travers la bride et acheminez les fils conducteurs dans la boîte de jonction. Laissez un segment de fils de 8 po libre à l'extrémité du conduit.



10. Effectuez les connexions électriques à l'appareil (suite)

CONNEXIONS ÉLECTRIQUES - APPLICATIONS À RACCORDEMENT DIRECT

3. Effectuez les connexions des fils conducteurs à l'intérieur de la boîte de jonction

1. Effectuez toutes les connexions des câbles en utilisant les connecteurs et les techniques appropriés, homologués UL.
2. Sélectionnez la situation de votre câblage et suivez les instructions qui s'y rapportent :

- **220-240 VCA monophasé**

Lorsque vous raccordez le Zonline à un circuit monophasé pour des applications à 230 volts :

Connectez les fils conducteurs blanc et noir de la trousse d'alimentation électrique Zonline aux fils conducteurs L1 et L2 du circuit de dérivation. (Le fil conducteur blanc de la trousse d'alimentation électrique doit être identifié par l'installateur à l'aide de ruban électrique d'une couleur autre que vert ou blanc.) Connectez le fil conducteur vert de la trousse d'alimentation électrique à l'alimentation électrique et à la terre du circuit de dérivation.

- **208 VCA triphasé**

Lorsque vous raccordez le Zonline à un circuit triphasé pour des applications à 208 volts :

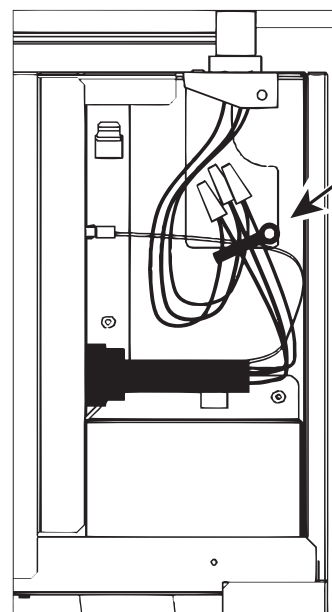
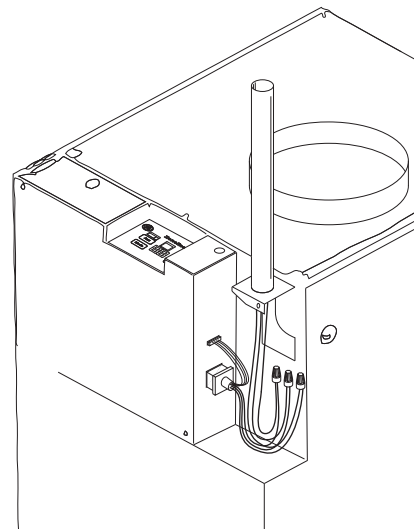
Connectez les fils conducteurs blanc et noir de la trousse d'alimentation électrique Zonline aux fils conducteurs L1 et L2 du circuit de dérivation. (Le fil conducteur blanc de la trousse d'alimentation électrique doit être identifié par l'installateur à l'aide de ruban électrique d'une couleur autre que vert ou blanc.) Connectez le fil conducteur vert de la trousse d'alimentation électrique à l'alimentation électrique et à la terre du circuit de dérivation.

- **253-277 VCA triphasé**

Lorsque vous raccordez le Zonline à un circuit triphasé pour des applications à 265 volts :

Connectez les fils conducteurs blanc et noir de la trousse d'alimentation électrique Zonline au fil Neutre et au conducteur L1 du circuit de dérivation. (Le fil conducteur blanc de la trousse d'alimentation électrique doit être connecté au neutre.) Connectez le fil conducteur vert de la trousse d'alimentation électrique à l'alimentation électrique et à la terre du circuit de dérivation.

3. Assurez-vous que tous les fils conducteurs se trouvent à l'intérieur de la boîte de jonction et qu'ils ne sont pas coincés entre la boîte et l'appareil. Le fil de terre isolé vert du Zonline DOIT être connecté au fil de terre du circuit de dérivation.
4. Pour les trousse d'alimentation électrique 20A et 30A, branchez le cavalier Personality pour la sélection des éléments chauffants.
5. Branchez le connecteur à 4 broches dans la prise à 4 voies dans la boîte de jonction.
6. Remplacez le couvercle de la boîte de jonction et réinstallez les trois vis retirées plus tôt.



AVIS: La disposition des fils doit correspondre à l'illustration à droite. Les fils d'alimentation du bâtiment et les fils du cordon d'alimentation doivent tous être orientés verticalement et attachés avec une attache mono-usage.

Installation du Zoneline

11. Installation du filtre monté sur l'appareil

Remarque : Utilisez un seul filtre dans l'installation.

- Pour les installations qui utilisent un filtre monté sur l'appareil, glissez celui-ci vers le bas entre les supports de filtre fournis sur le devant de l'appareil, en vous assurant que toutes les flèches directionnelles de circulation d'air sur le filtre sont orientées vers l'appareil.
- Pour les installations qui utilisent un filtre à l'intérieur de la grille de retour d'air RAVRG4 ou RAVRG2B, n'installez pas un filtre monté sur l'appareil. Allez à l'étape 12 et reportez-vous aux instructions incluses avec la trousse de grille de retour d'air RAVRG4 ou RAVRG2B pour une installation adéquate.

12. Installez la grille de retour d'air ou le couvercle d'accès

Installez la grille de retour d'air ou le couvercle d'accès selon les instructions qui accompagnent la trousse choisie.

RAVRG4 - Panneau d'accès avec grille de retour d'air

RAVRG2B - Grille de retour d'air

13. Liste de vérification finale de l'installation

- Assurez-vous que toutes les instructions d'installation concernant les dégagements autour de l'appareil ont été suivies.
- Inspectez tous les composants et les accessoires et assurez-vous qu'ils ont été installés correctement sans être endommagés pendant l'installation.
- Le solin du plénum mural est installé, le plénum est de niveau et calfeutré.
- L'appareil est de niveau. Aucune inclinaison n'est permise.
- Assurez-vous que le filtre à air, le serpentin intérieur et le serpentin extérieur sont libres de toute obstruction.
- Assurez-vous qu'un seul filtre à air est installé dans le système.
- Assurez-vous que toutes les parties du circuit de vidange du condensat sont bien raccordées, qu'elles évacuent le condensat correctement et que l'approbation de l'utilisateur final a été reçue.
- Les conduits d'air sont raccordés et la terminaison bien fixée à la sortie d'air.
- Tous les panneaux d'accès sont bien fixés (p.ex. le couvercle de la carte principale et le couvercle de la boîte de jonction).
- Le thermostat mural est câblé correctement.
- L'appareil est câblé correctement.

13. Liste de vérification finale de l'installation (suite)

- Assurez-vous que les caractéristiques électriques du/des disjoncteur(s) ou du/des fusible(s) ainsi que le calibre des câbles d'alimentation du circuit d'alimentation ont été déterminés correctement
- Assurez-vous que l'alimentation électrique est acheminée à l'appareil par un seul circuit doté d'une tension secteur et d'une mise à la terre adéquates.
- Assurez-vous que l'ensemble de l'installation est conforme à tous les codes nationaux et locaux en vigueur.

14. Branchez l'alimentation électrique

1. Une fois que tous les éléments de la liste de vérification finale ont été vérifiés et validés, mettez l'appareil sous tension (ON) au panneau de service principal.
2. Mettez le thermostat sous tension (ON) et vérifiez que l'appareil fonctionne tel que prévu.

15. Configurez les commandes auxiliaires, si nécessaire

Voyez la section Réglage des commandes auxiliaires pour des instructions sur la programmation des commandes.

Avant de programmer les commandes, réviser la liste de vérification finale de l'installation avant de mettre l'appareil sous tension.

MAINTENANCE ET RÉPARATION

⚠ WARNING Risque de choc électrique pouvant causer une blessure ou la mort.

Avant de procéder à une réparation ou un entretien, coupez le courant (OFF) au panneau de service et verrouillez la zone afin de prévenir le rétablissement accidentel du courant.

Si la zone ne peut pas être verrouillée, attachez solidement un avertissement bien visible, comme une étiquette, sur le panneau de service.

REMARQUE : Nous recommandons vivement que les réparations soient effectuées par une personne qualifiée en la matière.

Pour retirer l'appareil de l'enceinte.

1. Mettez le thermostat hors tension (OFF).
2. Mettez l'appareil hors tension (OFF) à l'interrupteur de courant.
3. Débranchez le connecteur à 4 broches de l'appareil.
4. Retirez le support de connecteur de câble attaché à la trousse de raccordement direct de l'appareil.
5. Déconnectez le câblage du thermostat mural de l'unité.

Réglage des commandes auxiliaires

Commandes auxiliaires – Bouton Aux Set

La carte de commande de l'appareil est préconfigurée à l'usine à partir d'une évaluation des préférences d'utilisation de la « plupart » des consommateurs. Les préréglages (modes ou fonctions) peuvent être modifiés pour s'adapter aux conditions d'installation ou aux préférences personnelles relatives au fonctionnement de l'appareil.

Si le propriétaire modifie les commandes auxiliaires, il est responsable de s'assurer que celles-ci sont réglées selon la fonction désirée. Il est possible de régler 5 modes (fonctions) différents à l'aide du bouton AUX SET.

Modes de commande auxiliaires

Mode 1 – Sans objet

Mode 2 – Sans objet

Mode 3 – Sentinelles de gel/sentinelles de chaleur

Mode 4 – Ventilateur constamment en marche (ON)

Mode 5 – Sans objet

Mode 6 – Sans objet

Mode 7 – Mode de surpuissance du ventilateur

Mode 8 – Chauffage électrique seulement (AZ95H seulement)

Mode 9 – Surpuissance chauffage (AZ95H seulement)

Pour modifier les paramètres de fonctionnement ou de réglage, la carte de commande doit être dans le mode AUX. Avec l'appareil sous tension, pressez le bouton **AUX SET** jusqu'à voir apparaître « AU » sur l'écran.

L'affichage ressemble à ceci lorsque vous entrez dans le mode **AUX** :



Mode de réglage auxiliaire

En mode **AUX**, pressez le bouton **MODE** pour défiler parmi les huit modes différents. Continuez de presser le bouton **MODE** jusqu'à ce que le chiffre correspondant au mode à modifier devienne le premier caractère de l'affichage. Une fois le bon chiffre affiché, utilisez les boutons +/- pour changer le deuxième caractère de l'affichage de ce mode à « Π » pour **On** OU « U » pour **Off** selon la fonction désirée.

Une fois la sélection du mode terminée, pressez le bouton **MODE** pour continuer à régler d'autres fonctions auxiliaires OU pressez le bouton **AUX SET** pour valider la sélection et quitter le mode **AUX SET**.

Réglage des commandes auxiliaires

Mode 3 Freeze Sentinel / Heat Sentinel (sentinelle de gel / sentinelle de chaleur)

Lorsque l'appareil est sous tension (**ON**) et que le mode Freeze Sentinel est activé, le climatiseur génère de la chaleur sans interface utilisateur. Cela prévient de possibles dommages à la plomberie car le système met les éléments chauffants et le ventilateur intérieur à **ON** à 41 °F, puis à **OFF** une fois que la température de l'enceinte atteint 46 °F.



Freeze Sentinel OFF

Lorsque le mode Heat Sentinel est activé, l'appareil génère un refroidissement sans interface utilisateur. Cela prévient la chaleur excessive dans la pièce car le système met le climatiseur (froid) à **ON** à 85 °F, puis à **OFF** une fois que la température ambiante atteint 80 °F.



Freeze Sentinel ON

Pressez **MODE** jusqu'à ce que « 3 » devienne le premier caractère de l'affichage du mode Freeze Sentinel. Pressez la touche « - » pour **OFF** « **U** » ou la touche « + » pour **ON** « **Π** ». Ce symbole deviendra le deuxième caractère de l'affichage. Pressez **MODE** de nouveau pour accéder au réglage du mode Heat Sentinel. Pressez la touche « - » pour **OFF** « **U** » ou la touche « + » pour **ON** « **Π** ». Pressez **AUX SET** pour valider votre sélection et quitter le mode **AUX SET**, ou pressez **MODE** pour régler d'autres fonctions.



Heat Sentinel OFF

Dans le réglage par défaut du Mode 3, Heat Sentinel est Off et Freeze Sentinel est On.



Heat Sentinel ON

REMARQUE : Ces fonctions sont actives dès que l'appareil est branché, même si le climatiseur est tourné à OFF.

Mode 4 Constant ON Fan (ventilateur constamment en marche/ON)

Pressez **MODE** jusqu'à ce que « 4 » devienne le premier caractère de l'affichage pour que le ventilateur fonctionne constamment à haute vitesse, même si le climatiseur est tourné à **OFF**.



Constant Fan OFF



Constant Fan ON

Pressez la touche « - » pour **OFF** « **Π** » ou la touche « + » pour **ON** « **Π** ». Ce symbole deviendra le deuxième caractère de l'affichage.

Pressez **AUX SET** pour valider votre sélection et quitter le mode **AUX SET**, ou pressez **MODE** pour régler d'autres fonctions.

Le réglage par défaut du Mode 4 est **OFF**.

Réglage des commandes auxiliaires

Mode 7 Fan Boost Mode (Mode surpuissance du ventilateur)

Ce réglage est utilisé lorsque l'appareil est installé dans un système de conduits plus restrictif où un débit d'air supplémentaire est requis. Voyez le tableau des débits d'air à la page 14. Ce réglage augmente la ventilateur pour assurer une circulation d'air adéquate.

Pressez **MODE** jusqu'à ce que « 7 » devienne le premier caractère de l'affichage. Pressez la touche « - » pour **OFF** « **⏏** » ou la touche « + » pour **ON** « **⏏** ». Ce symbole deviendra le deuxième caractère de l'affichage. Pressez **AUX SET** pour valider votre sélection et quitter le mode **AUX SET**.

Le réglage par défaut du Mode 7 est **OFF**.



Fan Boost
Mode OFF



Fan Boost
Mode ON

Mode 8 All-Electric Heat (chauffage tout électrique - AZ95H seulement)

Cette option de chauffage tout électrique est disponible seulement sur le modèle **AZ95H**. Lorsque cette option est à **ON** « **⏏** », le fonctionnement de la thermopompe est verrouillé et l'appareil ne peut alors produire que du chauffage par résistance électrique.

Pour régler l'option All-Electric Heat, pressez **MODE** jusqu'à ce que « 8 » devienne le premier caractère de l'affichage. Pressez la touche « - » pour **OFF** « **⏏** » ou la touche « + » pour **ON** « **⏏** ». Ce symbole deviendra le deuxième caractère de l'affichage.

Le réglage par défaut du Mode 8 est **OFF**.



All-
Electric
Heat OFF



All-
Electric
Heat ON

Mode 9 Heat Boost (surpuissance chauffage - AZ95H seulement)

Lorsque **Heat Boost** est à **ON**, une chaleur électrique supplémentaire s'ajoute à celle générée par la thermopompe afin de maintenir une température ambiante constante confortable.

Pour régler le mode Heat Boost, pressez **MODE** jusqu'à ce que « 9 » devienne le premier caractère de l'affichage. Pressez la touche « - » pour **OFF** « **⏏** » ou la touche « + » pour **ON** « **⏏** ». Ce symbole deviendra le deuxième caractère de l'affichage. Pressez **AUX SET** pour valider votre sélection et quitter le mode **AUX SET**.

Le réglage par défaut du Mode 9 est **OFF**.



Heat Boost OFF



Heat Boost ON

Mode P Engineering Revision (révision technique)

Ce réglage est utilisé pour configurer l'appareil lors du remplacement d'une carte de circuit.

L'appareil entre dans ce mode lors de sa première mise sous tension suivant le remplacement d'une carte. L'interface utilisateur affichera **P1**. Pressez la touche « + » jusqu'à ce que le chiffre corresponde à la révision technique tel qu'illustré. La révision technique correspond au dernier chiffre du numéro de modèle. Pressez **Aux** pour valider et quitter.

La révision technique peut être modifiée après le premier cycle de mise sous tension à l'aide de la fonction **AUX SET**. Pressez **MODE** jusqu'à ce que « P » devienne le premier caractère et suivez les étapes décrites ci-dessus.

Exemple d'affichage
AZ95E09DACK2



Révision technique

Ces phénomènes sont normaux

Bruits de fonctionnement normaux



Il est possible que vous entendiez un tintement causé par les gouttes recueillies et projetées contre le condensateur par temps pluvieux ou d'humidité élevée. Cette conception améliore la déshumidification et l'efficacité de l'appareil.

"CLIC"

Le déclic des relais peut se faire entendre lorsque les commandes fonctionnent de façon cyclique ou lorsque vous les réglez pour modifier la température ambiante.

GOUTTES



Par temps pluvieux ou d'humidité élevée, de l'eau est recueillie dans le plateau de l'appareil. Celui-ci peut déborder et de l'eau peut s'écouler du côté extérieur de l'appareil.

BRUISSEMENT



Le ventilateur intérieur fonctionne continuellement lorsque l'appareil est en mode de refroidissement, sauf si la commande auxiliaire Smart Fan (Ventilateur intelligent) est réglée pour fonctionner en cycles. Dans ce dernier cas, le ventilateur s'allumera et s'arrêtera en parallèle avec le compresseur et un bruissement pourra se faire entendre.

À certains moments, le ventilateur fonctionnera même si l'appareil n'est pas en mode chauffage ou refroidissement. Si le ventilateur intérieur est réglé en continu, il fonctionnera peu importe qu'il n'y ait ni chauffage ni refroidissement. À d'autres moments, le ventilateur fonctionnera plus longtemps que le cycle chauffage-refroidissement ou il démarrera à l'occasion. Cela est normal et vise à améliorer le confort et l'équilibre ambiant.

Si l'appareil est doté d'une ventilation en air d'appoint, les ventilateurs fonctionneront continuellement.

L'appareil avec appoint numérique d'air effectue une vérification du système au démarrage, lors des cycles marche-arrêt et une fois à tous les 7 jours si l'appareil est en mode d'occupation. La vérification du système dure environ 45 secondes. Pendant ce temps, les ventilateurs accélèrent, ralentissent, puis atteignent le point de réglage.

Délai de 3 minutes



Vous remarquerez peut-être un délai de quelques minutes au démarrage si vous tentez de redémarrer le Zoneline trop tôt après l'avoir éteint, ou si vous réglez le thermostat immédiatement après l'arrêt du compresseur. Ce délai de 3 minutes est attribuable à un dispositif de protection intégré du compresseur.

SILENCE

Pendant le cycle de dégivrage, les ventilateurs intérieur et extérieur s'arrêtent et le compresseur fonctionne en mode de refroidissement afin d'éliminer le givre sur les serpentins extérieurs. Après le dégivrage, l'appareil redémarre en mode chauffage pour réchauffer rapidement la pièce au niveau de confort désiré.

PROTECTION DU COMPRESSEUR

Pour protéger le compresseur et prévenir les cycles courts, l'appareil est conçu pour fonctionner pendant un minimum de 3 minutes après le démarrage du compresseur à n'importe quel réglage du thermostat.

Conseils de dépannage... Avant de faire un appel de service

Gagnez du temps et économisez de l'argent! Examinez d'abord les tableaux des pages suivantes, vous pourriez vous éviter un appel de service.

Problème	Causas possibles	Qué hacer
Le Zoneline ne démarre pas	La trousse de raccordement direct n'est pas attachée solidement	Retirez le couvercle de la boîte de jonction et assurez-vous que le connecteur noir à l'extrémité du cordon d'alimentation est inséré solidement.
	Le fusible est grillé ou le disjoncteur est déclenché	Vérifiez le fusible ou le disjoncteur et remplacez le fusible ou réenclenchez le disjoncteur
	L'appareil attend que le limiteur de surcharge du compresseur soit réinitialisé	Ce phénomène est normal. Le Zoneline va redémarrer après la réinitialisation
	Panne de courant	Un délai de protection (jusqu'à 3 minutes) prévient le déclenchement de la surcharge du compresseur. Pour cette raison, l'appareil ne lancera pas le chauffage ou le refroidissement avant 3 minutes après sa remise sous tension
Le Zoneline ne refroidit pas ou ne chauffe pas comme il devrait	La circulation d'air intérieure est restreinte ou recirculée	Assurez-vous qu'aucun rideau, store ou meuble ne bloque la grille d'évacuation d'air ou la grille de reprise d'air
	La circulation d'air extérieur est restreint ou recirculé	Assurez-vous que la grille arrière n'est pas obstruée. Cela peut déclencher le limiteur de surcharge du compresseur et ainsi arrêter l'appareil plus fréquemment. L'évent à lames extérieur doit présenter une surface libre de 65 % au minimum. Les événements à lames qui ne sont pas de marque GE Appliances peuvent s'avérer trop restrictifs pour un rendement adéquat. Consultez votre revendeur pour des conseils.
	Le thermostat n'est peut-être pas réglé correctement	Mettez le thermostat au réglage le plus bas ou le plus haut. REMARQUE : Il se peut que l'éventail des températures soit restreint par le limiteur de température.
	Le filtre à air est sale	Changez le filtre au moins tous les 30 jours. Consultez la section Entretien et nettoyage
	La pièce a peut-être été très chaude ou très froide	Après le démarrage du Zoneline, laissez un peu de temps au réchauffement ou refroidissement de la pièce.
Une odeur de brûlé au démarrage du chauffage	De la poussière sur la surface des éléments chauffants	Cela peut dégager une odeur de « brûlé » au début du chauffage. Cette odeur devrait s'amenuiser rapidement
L'air n'est pas toujours frais ou chaud pendant le fonctionnement	La thermopompe ne génère pas d'air chaud	Ce phénomène est normal. La thermopompe génère un air tiède qui n'est pas aussi chaud que celui produit par un chauffage avec éléments électriques plus coûteux
	Le ventilateur du Zoneline fonctionne continuellement, même lorsque l'appareil est en arrêt	Le ventilateur souffle de l'air à température ambiante même lorsque le compresseur ou les éléments chauffants sont en arrêt. Le mouvement continu de l'air procure un meilleur contrôle de la température globale dans le mode refroidissement. Si vous souhaitez que l'air circule seulement lorsque le Zoneline chauffe ou refroidit activement la pièce, réglez le thermostat mural à l'option « auto ». -OU- Le mode 4 auxiliaire est réglé à « on », ce qui maintiendra le ventilateur intérieur en marche. Pour désactiver cette fonction, réglez le mode 4 auxiliaire à « off »
L'air ne semble pas suffisamment chaud en chauffage	La thermopompe seule souffle un air plus frais que souhaité	Utilisez l'option Boost Heat (surpuissance chauffage - Mode 9 AUX) ou l'option All Electric Heat (chauffage tout électrique - Mode 8 AUX). Ces deux options vont générer du chauffage électrique mais seule l'option All Electric Heat (Mode 8 Aux) arrêtera le fonctionnement de la thermopompe. REMARQUE : L'utilisation de cette option augmentera la consommation d'énergie.
L'appareil ne souffle pas d'air	Le réglage « fan » (ventilateur) du thermostat mural est peut-être réglé à « auto »	Si vous souhaitez que l'air circule même lorsque le Zoneline ne chauffe/refroidit pas activement la pièce, réglez le thermostat mural à l'option « on »
Les fonctions de chauffage électrique et de ventilateur ne fonctionnent pas	Le cavalier Personality n'est pas branché solidement	Retirez le couvercle de la boîte de jonction et assurez-vous que le connecteur noir à l'extrémité du cordon d'alimentation est inséré solidement

Conseils de dépannage... Avant de faire un appel de service

Problème	Causas possibles	Qué hacer
L'appareil ne fonctionne pas après l'installation du thermostat mural distant	Les connexions du thermostat à l'appareil sont incorrectes	Assurez-vous que le câblage du thermostat mural distant se raccorde correctement sur le connecteur du thermostat de l'appareil
	Le transformateur se réinitialise ou s'ouvre avec un court-circuit	Attendez 5 minutes pour voir si le courant se rétablit
La thermopompe fonctionne seulement avec les éléments électriques lors du chauffage	La température extérieure est trop froide	La thermopompe ne fonctionnera pas si la température extérieure est trop froide. La thermopompe va redémarrer une fois que la température extérieure s'est suffisamment réchauffée
	Le mode 8 AUX n'est pas réglé correctement	Voyez la section Réglage des commandes auxiliaires de ce manuel. Vérifiez si le mode 8 auxiliaire est réglé à OFF « U » pour le fonctionnement avec thermopompe

CODES D'ANOMALIE - maintenez une pression sur MODE, puis pressez AUX

Cela affiche tous les codes d'anomalie actuels et les fait défiler. S'il n'y a pas d'anomalies actuelles, l'affichage indiquera « -- ».

Pressez AUX pour effacer les anomalies. Toute autre touche sauvegarde les anomalies et quitte la fenêtre.

Codes d'anomalie	Signification	Effet sur le système lorsque l'anomalie est active
1	Anomalie de ventilateur intérieur. Le moteur du ventilateur ne fonctionne pas à la vitesse commandée après 90 secondes de marche. L'anomalie s'efface au bout de 10 minutes	Aucune disponibilité du chauffage par élément, du ventilateur, de la thermopompe ou du refroidissement
2	Anomalie de ventilateur extérieur. Le moteur du ventilateur ne fonctionne pas à la vitesse commandée après 90 secondes de marche. L'anomalie s'efface au bout de 10 minutes	Aucune disponibilité de la thermopompe ni du refroidissement. Chauffage par résistance et ventilateur seulement
3	Câblage du thermostat externe. Le signal appliqué n'est pas valide et a été constant durant 30 secondes	Aucun contrôle externe des ventilateurs; fonctionnement du contrôle interne du chauffage et du refroidissement seulement
4	Anomalie de thermistance intérieure. Une des thermistances intérieures ne lit pas des températures valides	Aucune disponibilité du refroidissement ou du chauffage. Chauffage par élément chauffant et ventilateur seulement
5	Anomalie de thermistance extérieure. Une des thermistances extérieures ne lit pas des températures valides	Aucune disponibilité du refroidissement ou du chauffage. Chauffage par élément chauffant et ventilateur seulement
6	Anomalie de compresseur. Aucun changement de température n'a été détecté après 1 minute de fonctionnement	Aucun effet
7	Anomalie de robinet inverseur. Le changement de température ne survient pas comme prévu après 1 minute de fonctionnement.	Aucune disponibilité du refroidissement ou du chauffage. Chauffage par élément chauffant et ventilateur seulement
8	Anomalie de logiciel. Débordement de piles	Aucun effet
9	Anomalie de gel du serpentin intérieur. La température du serpentin intérieur a chuté au-dessous du seuil de congélation (34 °F)	Le compresseur est mis en arrêt jusqu'au rétablissement de la température du serpentin
10	Anomalie de surcharge de la thermopompe. La température du serpentin intérieur est au-dessus du seuil de surcharge (131 °F)	Le compresseur est mis en arrêt jusqu'au rétablissement de la température du serpentin
11	Anomalie de surchauffe. L'air entrant est trop chaud pour faire fonctionner les éléments chauffants	La thermopompe et le chauffage par élément sont mis en arrêt et pourront redémarrer lorsque la température ambiante intérieure aura refroidi suffisamment
12	Carte IU déconnectée ou défectueuse	Aucun effet
13	Anomalie de circulation d'air aux éléments chauffants	Aucune disponibilité du chauffage par résistance
16	S/O	S/O
17	Défaillance de thermistance de la sortie. L'anomalie s'efface lorsque la thermistance lit une valeur autre qu'un court-circuit ou un circuit ouvert	Aucune disponibilité du chauffage par résistance
18	Surchauffe de la température de la sortie. L'air qui s'échappe à l'extérieur est trop chaud. L'anomalie s'efface lorsque la température de l'air chute au-dessous du seuil	Aucune disponibilité du chauffage par résistance
19	Surchauffe de la température de la sortie. L'air qui s'échappe à l'extérieur est trop chaud	Aucune disponibilité du chauffage par résistance
23	S/O	S/O
24	S/O	S/O
25	Anomalie de gel anormal (modèles à thermopompe seulement). Survient lorsque 5 cycles de dégivrage consécutifs échouent à réchauffer le serpentin extérieur au-dessus de 68 °F. L'anomalie s'effacera au bout de 4,5 jours.	Verrouille la thermopompe, verrouille le dégivrage
26	Anomalie de verrouillage du climatiseur. S'affiche lorsque la température ambiante extérieure chute au-dessous de 35 °F. L'anomalie s'effacera lorsque la température ambiante extérieure s'élèvera au-dessus de 40 °F	Verrouille le processus de refroidissement du compresseur

Enregistrement du produit

Suivez ces trois étapes afin de protéger l'investissement que représente votre nouvel électroménager : Pour le Canada, voyez la page 30.

1 Remplissez et postez votre fiche d'enregistrement de produit dès aujourd'hui. Vous aurez l'esprit en paix en sachant que nous pourrions communiquer avec vous en cas de modification aux consignes de sécurité.

2 Une fois la fiche d'enregistrement ci-dessous mise à la poste, conservez le présent document en lieu sûr. Il contient des renseignements dont vous aurez besoin dans l'éventualité d'un appel de service. Notre numéro de service est le 844-GE4-PTAC (ou 844-434-7822).

3 Lisez le manuel d'utilisation attentivement. Cela vous permettra de faire fonctionner votre nouvel électroménager correctement.

✂ cut here

CONSUMER PRODUCT OWNERSHIP REGISTRATION

Three ways to register your appliance:



SCAN
this code with your smart-phone app

GO ONLINE
geappliances.com/register

COMPLETE & MAIL
this registration card

Product:

Model:

Serial:

Mr. Mrs. Ms.

First Name Last Name

Street Address Apt.#

Email Address

We'll use your email address to send you information about your product, as well as discounts and other offers from GE Appliances

City State ZIP Code

Month Day Year Phone Number ()

Date appliance was installed or placed in use

GE Appliances takes your privacy seriously. All information you provide shall be held in strict accordance with the GE Appliances Privacy Policy. Read the full policy at www.geappliances.com/privacy/privacy_policy.htm.

geappliances.com/register

Revised 6/15
245D1499P001

Please place in envelope and mail to:

PRODUCT REGISTRATION DEPARTMENT
PO BOX 34980
LOUISVILLE KY 40232-4980

Enregistrement du produit

✂ cut here

FOR CANADIAN CONSUMERS / POUR LES CONSOMMATEURS CANADIENS

OWNERSHIP REGISTRATION CERTIFICATE FICHE D'INSCRIPTION DU PROPRIETAIRE

MODEL/MODÈLE

SERIAL/SÉRIE

P.O. BOX/C.P. 1780
MISSISSAUGA, ONT. L4V 4G1

INSTALLATION DATE Y/A M
DATE D'INSTALLATION

PLEASE COMPLETE AND RETURN THIS CARD IMMEDIATELY TO ENABLE US TO CONTACT YOU IN THE REMOTE EVENT A SAFETY NOTIFICATION IS ISSUED FOR THIS PRODUCT.

VEUILLEZ REMPLIR ET RETOURNER LA PRÉSENTE FICHE SANS TARDER AFIN DE NOUS PERMETTRE DE COMMUNIQUER AVEC VOUS SI JAMAIS UN AVIS DE SÉCURITÉ CONCERNANT CE PRODUIT ÉTAIT ÉMIS.

CHECK ONE COCHEZ	MR. <input type="checkbox"/> MISS <input type="checkbox"/>	MRS. <input type="checkbox"/> MME <input type="checkbox"/>	FIRST NAME/PRÉNOM	LAST NAME/NOM
STREET NO. N° RUE		STREET NAME/RUE		APT.NO./APP/RR#
CITY/VILLE		PROVINCE	POSTAL CODE/POSTAL	
AREA CODE IND. REG.	TELEPHONE	NAME OF SELLING DEALER/NOM DU MARCHAND		

Canada consumers, visit geappliances.ca/register/index.jsp

CORRESPONDENCE
CORRESPONDANCE

FRENCH
FRANÇAIS

ENGLISH
ANGLAIS

245D1499P002
Revised 06/14

Please place in envelope and mail to:
Veillez mettre dans une enveloppe et envoyez à :

OWNER REGISTRATION
PO BOX 1780
MISSISSAUGA, ONTARIO
L4Y 4G1

Garantie limitée du Zoneline vertical de GE Appliances

GARANTIE LIMITÉE

Toute réparation sous garantie doit être réalisée par nos Centres de service en usine ou un technicien Customer Care® autorisé. Pour programmer une visite de service, visitez-nous sur GEApliances.com, ou composez le 844-GE4-PTAC (ou 844-434-7822). Pour le service au Canada, contactez Gordon Williams Corp. au 1.888.209.0999. Veuillez garder les numéros de série et de modèle à portée de la main au moment d'effectuer un appel de service.

Durant une période de	GE Appliances remplacera :
Un an À partir de la date d'achat initial	Toute pièce du climatiseur défectueuse en raison d'un vice de matière ou de main-d'œuvre. Au cours de cette période de garantie limitée de un (1) an, GE Appliances fournira, sans frais, toute la main-d'œuvre et le service afférent pour remplacer la pièce défectueuse.
Cinq ans À partir de la date d'achat initial	Le système de réfrigération scellé si un composant de ce système (le compresseur, le condenseur, l'évaporateur et toute la tuyauterie de raccordement y compris le système d'air d'appoint) s'avère défectueux en raison d'un vice de matière ou de main-d'œuvre. Au cours de cette période de garantie limitée de cinq (5) an, GE Appliances fournira, sans frais, toute la main-d'œuvre et le service afférent pour remplacer la pièce défectueuse.
De la deuxième à la cinquième année À partir de la date d'achat initial	Durant la période s'étendant de la deuxième à la cinquième année à partir de la date d'achat initial, GE Appliances remplacera certaines pièces défectueuses en raison d'un vice de matière ou de main-d'œuvre. Les pièces sous garantie sont les moteurs de ventilateur, les interrupteurs, les thermostats, les éléments chauffants, les dispositifs de protection des éléments chauffants, la surcharge du compresseur, les solénoïdes, les cartes de circuit, les commandes auxiliaires, les thermistances, les commandes de dégivrage, la pompe ICR, les condensateurs, les varistances et le roulement du ventilateur intérieur. Au cours de cette période de garantie limitée supplémentaire de quatre ans, vous devrez assumer les frais de main-d'œuvre ou de réparation à domicile

Ce que GE Appliances ne garantit pas :

- Les déplacements à votre site pour vous apprendre à utiliser le produit.
- Une installation, une livraison ou un entretien inadéquats.
- Pour tout problème d'installation, ou si le climatiseur n'a pas la capacité de refroidissement prévue, communiquez avec votre détaillant ou votre installateur. Vous avez la responsabilité de fournir une installation électrique de raccordement adéquate.
- Dans les établissements commerciaux, la main-d'œuvre nécessaire pour transporter l'appareil à un endroit où il pourra être accessible aux fins de réparation par un technicien.
- Une défectuosité ou un dommage résultant de la corrosion causée par une installation située dans un environnement qui contient des produits chimiques corrosifs.
- Le remplacement des fusibles ou le réenclenchement des disjoncteurs.
- Une défectuosité du produit résultant d'une modification du produit ou d'une utilisation déraisonnable, y compris de l'omission d'effectuer un entretien raisonnable et nécessaire.
- Une défectuosité ou un dommage résultant de la corrosion causée par une installation située dans une zone côtière, à l'exception des modèles traités en usine avec une protection contre la corrosion spéciale, désignée dans le numéro de modèle.
- Tout dommage occasionné par une tension d'alimentation électrique inappropriée, un accident, un incendie, une inondation ou d'autres catastrophes naturelles.
- Les dommages accessoires ou indirects à la propriété causés par d'éventuelles défectuosités de ce climatiseur.
- Les dommages survenus après la livraison.
- Un produit non accessible pour fournir le service requis.

EXCLUSION DES GARANTIES IMPLICITES — Votre seul et unique recours consiste dans la réparation du produit tel que stipulé dans la présente Garantie limitée. Toute garantie implicite, y compris les garanties implicites relatives à la qualité marchande ou à l'adéquation à un usage particulier, se limitera à une période de un an ou à la période la plus courte prescrite par la loi.

Cette garantie limitée couvre l'acheteur initial et tout propriétaire subséquent du produit acheté aux États-Unis ou au Canada. Si le produit est situé dans une localité où un réparateur autorisé GE Appliances n'est pas disponible, vous pourriez encourir des frais de déplacement ou devoir acheminer le produit à un réparateur autorisé GE Appliances pour faire réparer l'appareil. En Alaska, cette garantie limitée exclut les frais d'expédition et les visites de service à votre site.

Certaines États ou provinces ne permettent pas l'exclusion ou la restriction des dommages accessoires ou indirects. Cette garantie limitée vous confère des droits particuliers reconnus par la loi et il se peut que vous jouissiez d'autres droits variant d'un État ou province à l'autre. Pour connaître la nature exacte de vos droits, consultez l'organisme de protection du consommateur de votre région, ou encore le bureau du procureur général de l'État.

Garant : GE Appliances, a Haier company

Louisville, KY 40225

Brochez votre reçu ici. Pour obtenir le service sous garantie, vous devez fournir la preuve de l'achat original.

Soutien au consommateur

Site Web de GE Appliances

Vous avez une question ou vous avez besoin d'aide pour votre appareil électroménager? Visitez le site Web de GE Appliances 24 heures par jour, tous les jours de l'année! Vous pouvez aussi y trouver d'autres formidables produits GE Appliances et tirer avantage de tous nos services d'assistance en ligne. Aux États-Unis : **GEAppliances.com**
Au Canada : **GEAppliances.ca**

Enregistrez votre électroménager

Enregistrez votre nouvel appareil en ligne au moment qui vous convient le mieux! L'enregistrement de votre produit dans les délais prescrits permet une meilleure communication et un service rapide, selon les modalités de votre garantie, si besoin est. Vous pouvez également envoyer par courrier la carte d'enregistrement pré-imprimée qui se trouve dans l'emballage de votre appareil.

Aux États-Unis : **GEAppliances.com/register**

Au Canada : **Prodsupport.mabe.ca/crm/Products/ProductRegistration.aspx**

Service de réparation

Un service de réparation expert GE Appliances se trouve à quelques pas de chez vous. Rendez-vous sur notre site et programmez, à votre convenance, une visite de réparation à n'importe quel jour de l'année.

Aux États-Unis : **GEAppliances.com/service** ou composez le 800.432.2737 durant les heures normales de bureau.

Au Canada : **GEAppliances.ca/en/support/service-request** ou composez le 800.561.3344

Pièces et accessoires

Les personnes ayant les compétences requises pour réparer elles-mêmes leurs appareils peuvent recevoir directement à la maison des pièces ou accessoires (les cartes VISA, MasterCard et Discover sont acceptées). Commandez en ligne 24 heures par jour.

Aux États-Unis : **GEApplianceparts.com** ou par téléphone au 877.959.8688 durant les heures normales de bureau.

Les instructions contenues dans le présent manuel comportent des procédures que tout utilisateur peut effectuer. Les autres types de réparation doivent généralement être confiés à un technicien qualifié. Utilisez de prudence : une réparation ou un entretien mal effectués peuvent rendre l'utilisation de l'appareil dangereuse.

Les consommateurs au Canada doivent consulter les pages jaunes pour connaître le centre de service Mabe le plus proche, visiter notre site Web au **GEAppliances.ca/en/products/parts-filters-accessories** ou composer le 1.800.661.1616.

Communiquez avec nous

Si vous n'êtes pas satisfait du service après-vente de GE Appliances, communiquez avec nous depuis notre site Web en fournissant tous les détails dont votre numéro de téléphone, ou écrivez à :

Aux États-Unis : General Manager, Customer Relations | GE Appliances, Appliance Park | Louisville, KY 40225

GEAppliances.com/contact

Au Canada : Director, Consumer Relations, Mabe Canada Inc. | Suite 310, 1 Factory Lane | Moncton, N.B. E1C 9M3

GEAppliances.ca/en/contact-us



Zoneline® Vertical ACCONDICIONADORES DE AIRE

INFORMACIÓN IMPORTANTE DE SEGURIDAD.....3

USO DEL ZONELINE

Control de Temperatura4

Acerca de la Unidad4

Recuperación Rápida de Calor4

Funciones de Control Auxiliar5

CUIDADO Y LIMPIEZA

Filtros de Aire.....6

Drenaje.....6

Bobinas Internas/ Externas7

Bandeja de la Base.....7

INSTRUCCIONES DE INSTALACIÓN

Información General de la Instalación8

Preparación de la Instalación.....13

Instalación del Zoneline16

Servicio Técnico21

Configuración de los Controles Auxiliares.....22

SOLUCIONAR PROBLEMAS

Sonidos de Funcionamiento Normal.... 26

Solucionar Problemas27

SOPORTE AL CLIENTE

Registro del Producto 29

Garantía Limitada.....31

SopORTE Al Cliente32

MANUAL DEL PROPIETARIO Y INSTRUCCIONES DE INSTALACIÓN

Heat/Cool
AZ95E
Heat Pump
AZ95H

Escriba los números de modelo y serie aquí:

de Modelo _____

de Serie _____

Los encontrará en una etiqueta en el panel frontal.

GRACIAS POR HACER QUE GE APPLIANCES SEA PARTE DE SU HOGAR.

Ya sea que haya crecido usando GE Appliances, o que ésta es su primera vez, nos complace tenerlo en la familia.

Sentimos orgullo por el nivel de arte, innovación y diseño de cada uno de los electrodomésticos de GE Appliances, y creemos que usted también. Entre otras cosas, el registro de su electrodoméstico asegura que podamos entregarle información importante del producto y detalles de la garantía cuando los necesite.

Registre su electrodoméstico GE ahora a través de Internet. Sitios Web y números telefónicos útiles están disponibles en la sección de Soporte para el Consumidor de este Manual del Propietario. También puede enviar una carta en la tarjeta de inscripción preimpresa que se incluye con el material embalado.



GE APPLIANCES

INFORMACIÓN IMPORTANTE DE SEGURIDAD

LEA TODAS LAS INSTRUCCIONES ANTES DE USAR

⚠ WARNING

Para su seguridad, siga la información de este manual a fin de minimizar riesgos de incendio, explosión, descargas eléctricas, daños en su propiedad, lesiones personales o la pérdida de la vida.

PRECAUCIONES DE SEGURIDAD

■ Este Zoneline debe ser instalado de forma apropiada de acuerdo con las Instrucciones de Instalación antes de ser usado. Las unidades de Zoneline Vertical no serán accesibles en la sala de huéspedes. Consulte las Instrucciones de Instalación que figuran en el reverso de este manual.

NOTA: GEA recomienda enfáticamente que cualquier reparación sea realizada por un individuo calificado.

- Todos los acondicionadores de aire contienen refrigerantes, los cuales de acuerdo con la ley federal deben ser retirados antes de deshacerse del producto. Si se deshará de un producto antiguo con refrigerantes, consulte a la compañía a cargo sobre cómo deshacerse del mismo.
- Estos sistemas de acondicionadores de aire R410A requieren que los contratistas y técnicos usen herramientas, equipos y estándares de seguridad aprobados para su uso con este refrigerante. NO use equipamiento certificado sólo para el refrigerante R22.
- Esta unidad cuenta con certificación para instalaciones de hasta 13,000 (3962m) pies sobre el nivel del mar.
- Esta unidad no se deberá instalar en un lavadero.
- Se deberá supervisar a los niños a fin de asegurar que no se juegue con el electrodoméstico.

Este electrodoméstico no deberá ser usado por personas (incluyendo niños) con capacidades físicas, sensoriales o mentales reducidas o con falta de experiencia y conocimiento, a menos que cuenten con supervisión o instrucción con relación al uso de este electrodoméstico por parte de una persona responsable de su seguridad.

LEA Y GUARDE ESTAS INSTRUCCIONES

Funciones

Control de Temperatura

La unidad se deberá controlar a través de un termostato de refrigeración y calefacción montado en la pared con control remoto Clase 2. Para conocer sobre cómo

controlar la unidad, consulte las instrucciones de funcionamiento del termostato usado.

Acerca de su Bomba de Calor (AZ95H Únicamente)

Las bombas de calor pueden ayudar a reducir costos al eliminar el calor del aire exterior – incluso cuando la temperatura exterior esté por debajo del punto de congelación – y liberando ese calor hacia la parte interior.

Para obtener el mejor rendimiento energético de su bomba de calor, no cambie la temperatura del termostato de la sala más de un grado a la vez. Elevar la configuración de calor en 2 o 3 grados hará que el Zoneline use sus elementos de calefacción eléctrica, a fin de alcanzar la nueva configuración de temperatura rápidamente.

Los elementos de calefacción eléctrica utilizan más electricidad que las bombas de calor y su funcionamiento es más costoso.

Hay un tiempo de funcionamiento mínimo del compresor de 3 minutos en cualquiera de las configuraciones, para evitar los ciclos cortos.

Los ventiladores se inician antes que el compresor y se detienen luego de que el compresor deja de realizar ciclos.

Cuando se determine que la temperatura exterior es demasiado fría, el calor será provisto por el calefactor eléctrico en lugar de la bomba de calor.

No Utilice el Acondicionador de Aire (modo frío) en Condiciones Exteriores de Congelamiento

Los acondicionadores de aire no fueron diseñados para uso con condiciones exteriores de congelamiento

existentes. No se deberán usar con condiciones exteriores de congelamiento.

Recuperación Rápida de Calor

Se activa cada vez que el termostato es alternado desde el modo OFF (Apagado) o COOL (Frío) a HEAT (Calor). Los calefactores eléctricos son alimentados hasta alcanzar el punto de configuración del termostato. En los

modelos con bomba de calor, el funcionamiento de la bomba de calor se reiniciará en la próxima activación del modo calor.

Funciones

Funciones del Control Auxiliar

La unidad está preconfigurada de fábrica para funcionar del modo en que la mayoría de los clientes lo prefieren. Los controles auxiliares le permiten al propietario modificar el funcionamiento y rendimiento de la unidad en su lugar de instalación específico.

Los controles auxiliares permiten la personalización de hasta nueve parámetros diferentes de modificación, a fin de cubrir necesidades específicas.

Modos del Control Auxiliar

Modo 1 – No Aplicable

Modo 2 – No Aplicable

Modo 3 – Centinela de Refrigeración/ Centinela de Calefacción

Modo 4 – Ventilador en ON (Encendido) Constante

Modo 5 – No Aplicable

Modo 6 – No Aplicable

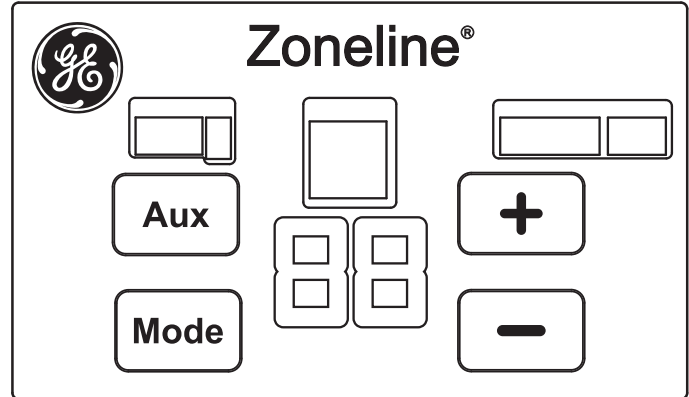
Modo 7 – Modo de Ventilación Aumentada

Modo 8 – Sólo Calor Eléctrico (AZ95H únicamente)

Modo 9 – Calor Aumentado (AZ95H únicamente)

Para conocer más sobre los controles auxiliares y cómo configurarlos, consulte la sección de Configuración de Controles Auxiliares de este manual.

Si el propietario modifica los controles auxiliares, es entonces responsabilidad del propietario asegurar que los mismos se encuentren configurados en la función deseada. Para cambiar el funcionamiento o configurar parámetros, consulte la sección de Configuración del Control Auxiliar de este manual.



Panel del Control Auxiliar

Ubicado detrás del panel del gabinete frontal

Funciones de Control Adicionales

Control de la Recepción Central (Suministrado) –

The central desk control is a feature that allows the unit El control de la recepción central es una función que permite que la unidad se encuentre operable/ inoperable desde una ubicación remota.

Para conocer más sobre las funciones instaladas de fábrica y sobre cómo conectar dispositivos a la unidad, consulte la sección de **Terminación/ Conexión del Control Auxiliar** de este manual.

Cuidado y Limpieza

Apague el Zoneline y desconecte el suministro de corriente antes de realizar la limpieza

Filtros de Aire

AVISO: No utilice el Zoneline sin el filtro en su posición. Si un filtro se desgasta o daña, deberá ser reemplazado de inmediato.

El uso sin el filtro en su posición o con un filtro dañado permitirá que la suciedad y el polvo lleguen a la bobina interna y reduzcan el rendimiento de la refrigeración/ calefacción, el flujo de aire y la eficiencia de la unidad.

Lo más importante que puede hacer en relación al mantenimiento del Zoneline es cambiar el filtro cada 30 días. Los filtros sucios reducen el rendimiento de la refrigeración/ calefacción y del flujo de aire.

Cambio del filtro: reducirá el costo del funcionamiento, ahorrará energía, evitará que la bobinas de intercambio de calor queden atascadas y que se reduzca el riesgo de fallas prematuras de los componentes.

Los filtros de reemplazo deberán ser adquiridos a través de su vendedor minorista local, donde se vendan acondicionadores de aire y hornos.

El tamaño del filtro para el frente de la unidad es de 18" x 20" x 1".

Los tamaños de los filtros para el RAVRG4 son de 24" x 20".

Los tamaños de los filtros para el RAVRG2B son de 20" x 20".

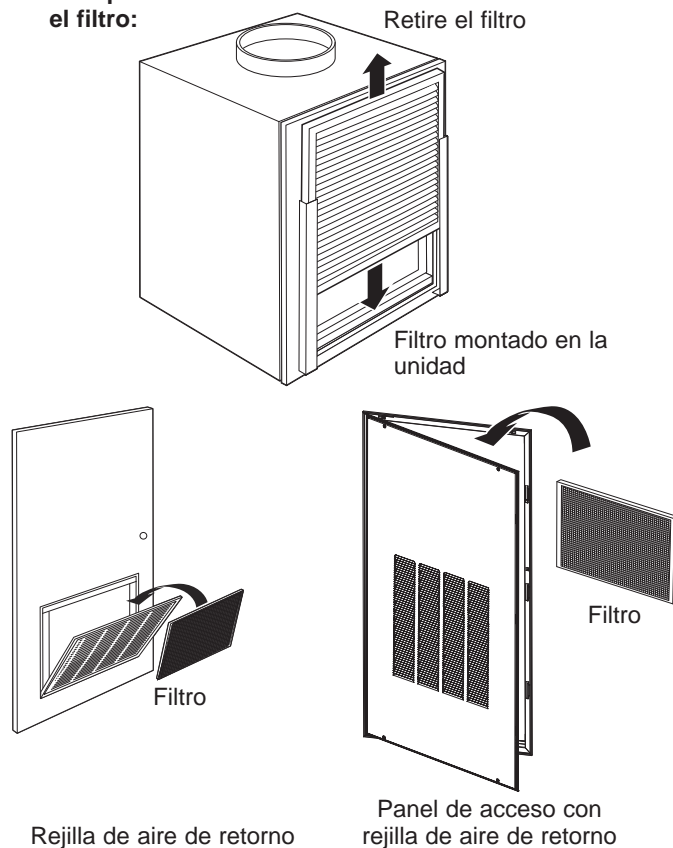
NOTA: Use sólo un filtro en la instalación.

Para reemplazar el filtro (filtro de retorno de aire montado en la unidad):

1. Deslice el filtro hacia arriba para retirar los sensores del filtro.
2. Retire el filtro.
3. Instale un filtro descartable nuevo.

Para mantener un rendimiento óptimo, cambie el filtro por lo menos cada 30 días.

Para retirar y reemplazar el filtro:



Drenaje

Limpie el sistema de drenaje de forma regular para evitar atascamientos.

El drenaje de condensación deberá ser dirigido a un área de drenaje adecuada. Controle el drenaje de condensación de la unidad de forma periódica. Mantenga el mismo libre de cualquier cosa que pueda bloquearlo o que impida el flujo de agua condensada. Si hay una acumulación de material externa en la tubería de drenaje, deberá ser retirada y limpiada. Toda la tubería de drenaje deberá estar protegida contra el congelamiento.

Cuidado y Limpieza

Turn off the Zonline and disconnect the power supply before cleaning.

Bobinas Internas/ Externas

Las bobinas Internas/ Externas del Zonline se deberán limpiar y controlar de forma regular.

NOTA: Al limpiar las bobinas, no use limpiadores de bobinas a base de ácido. Se deberá tener cuidado a fin de evitar doblar las aletas de aluminio de las bobinas.

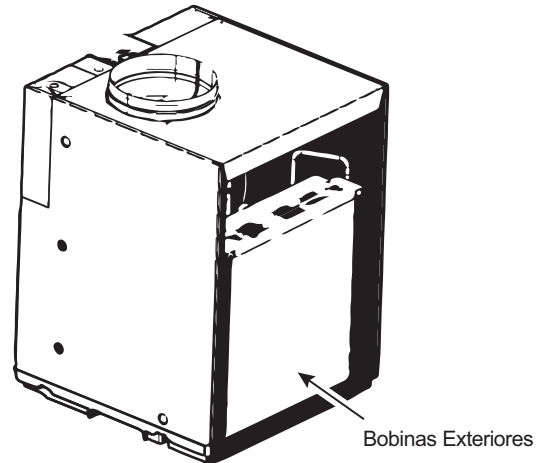
Bobina de Aire Interno

Cantidades pequeñas de pelusa y suciedad podrán pasar a través del filtro y recolectarse en la bobina de aire interno. Estas pequeñas acumulaciones podrán ser aspiradas cuidadosamente con la adhesión de un cepillo a la aspiradora o ser limpiadas de forma profesional.

Bobina de Aire Externo

Las vías de entrada de aire externo y de escape de aire externo de la unidad deberán permanecer despejadas. Controle el escape de aire externo de forma frecuente. Manténgalo libre de escombros, nieve o hielo. La entrada de aire externo también se deberá mantener libre de obstrucciones. Bloquear la salida de aire exterior o la abertura de entrada de aire exterior reducirá la eficiencia de la unidad y podrá generar fallas prematuras del compresor.

La inspección y limpieza de las bobinas de aire exterior podrán requerir que la unidad sea retirada de la carcasa y del armario. Para acceder a instrucciones sobre cómo retirar la unidad, consulte la sección de servicio técnico de este manual. Se recomienda una limpieza profesional de la superficie interior de la bobina exterior.



Solicite la limpieza regular de las bobinas

Bandeja de la Base

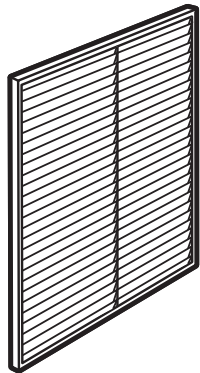
En algunas instalaciones, podrá ingresar polvo u otros escombros a la unidad desde afuera y ubicarse en la bandeja de la base (la parte inferior de la unidad).

En algunas zonas de Estados Unidos, una sustancia "similar al gel" podrá estar presente en la bandeja de la base.

Controle la misma periódicamente y límpiela de ser necesario.

Información General de la Instalación

COMPONENTES DEL ZONELINE

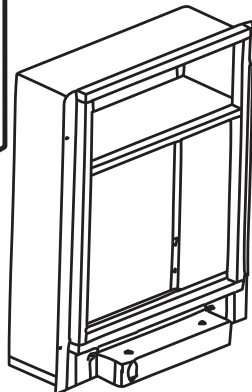


Persiana Arquitectónica RAVAL3

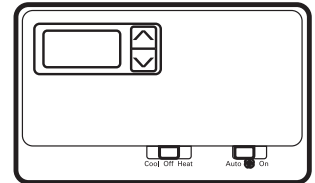


Viga apropiada para el soporte de la estructura. Aplique la masilla y tapajuntas adecuados.

Exterior/ Pared Exterior

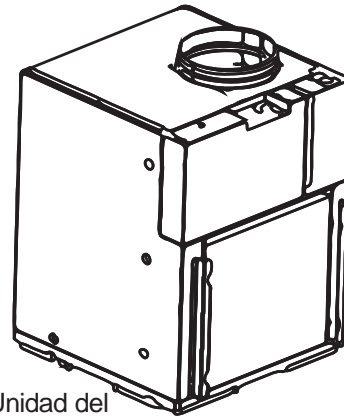


Encadre y nivele el plenum correctamente.

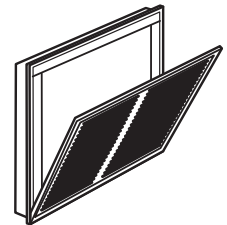


Termostato de Pared

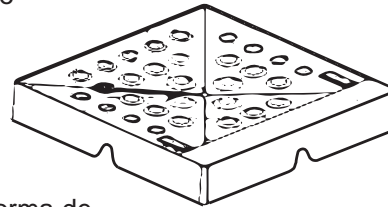
Plenum de Pared (telescopico) RAVWP15 – 8"-15"Diám x 233/4" de Ancho x 313/4" de Alto



Unidad del Zoneline



Rejilla de Aire de Retorno RAVRG2B



Plataforma de Desagüe RAVDPLAT

- Instale el plenum de pared a través de la pared exterior, de acuerdo con las Instrucciones de Instalación provistas con el plenum.

IMPORTANTE: El plenum de pared no fue diseñado para transportar cargas estructurales. Se requiere una correcta construcción con viga. El plenum requiere un tapajuntas, cuñas y sellador apropiados para una instalación resistente al clima.

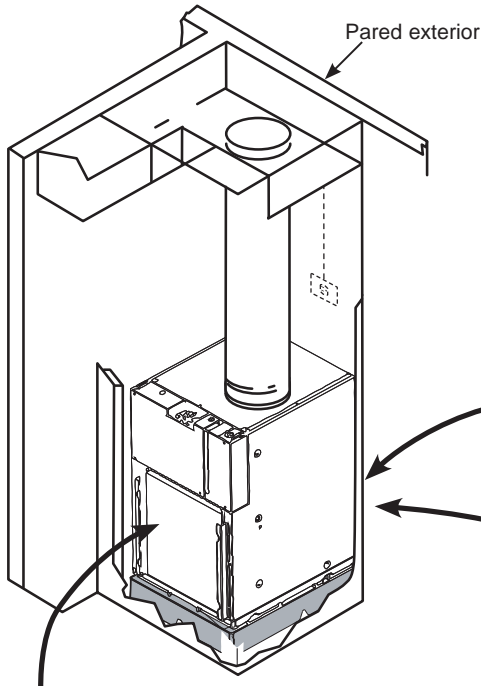
Información General de la Instalación

OPCIONES DE INSTALACIÓN DE LA REJILLA CON RETORNO DE AIRE

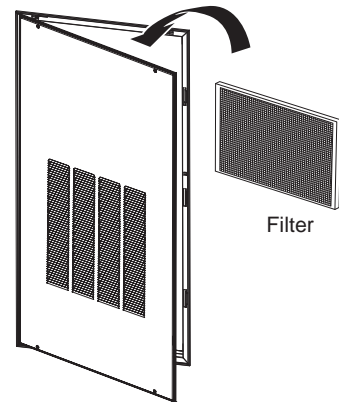
La rejilla con retorno de aire para sala puede ser instalada hacia el frente o cualquiera de los costados de la unidad. Cualquier arreglo del retorno de aire que sea inadecuado ocasionará problemas de funcionamiento.

Hay tres opciones de instalación de la rejilla de retorno de aire interna. Elija la opción que mejor se adapte a sus requisitos de instalación. Para acceder a detalles de instalación, siga las Instrucciones de Instalación provistas con el accesorio de la rejilla de retorno de aire.

NOTA: Use sólo un filtro en la instalación. El filtro podrá ser instalado en la unidad o en el panel/ puerta de acceso.

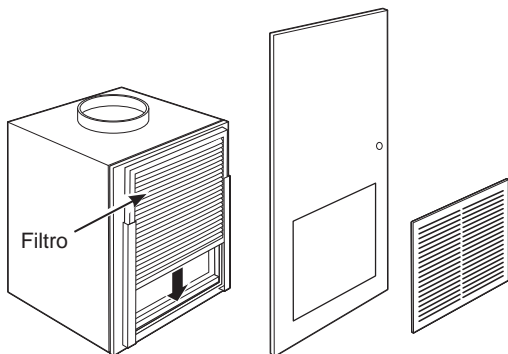


RAVRG4 – Panel de acceso con rejilla de retorno de aire



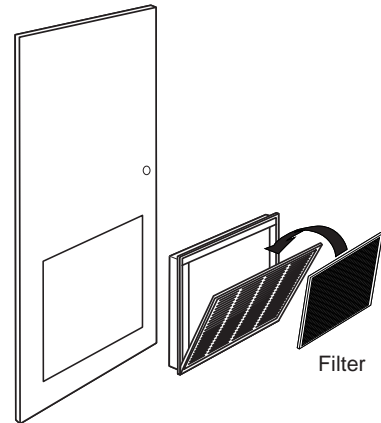
Opción 1

Filtro montado en la unidad con rejilla de retorno de aire suministrada y panel/ puerta de acceso



Opción 3

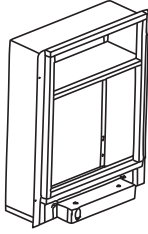
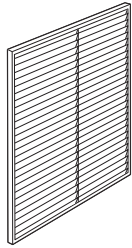
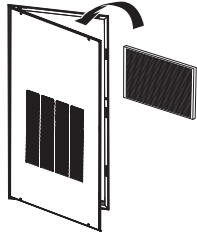
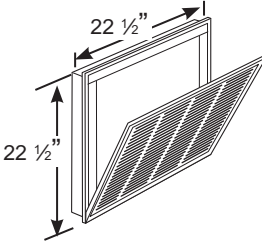
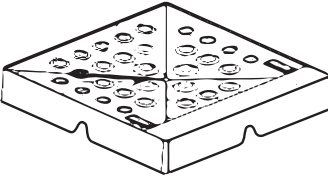
RAVRG2B – Rejilla de retorno de aire

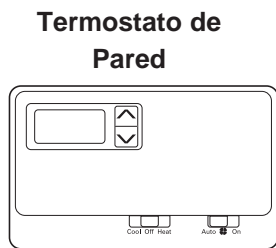


Opción 2

Información General de la Instalación

ACCESORIOS para una NUEVA Instalación

Accesorio y número de modelo	Aspecto	Dimensiones de las Aberturas
Plénium (telescópico) RAVWPT15 8"-15" de Diam. x 23 ¾" de Ancho x 31 ¾" de Alto *excluyendo la brida		Dimensiones de la Abertura: 24" de Ancho x 32" de Alto
Persiana Arquitectónica RAVAL3		Persiana Arquitectónica diseñada para los siguientes Pléniums: RAVWP15 8"-15" de Diám. x 23 ¾" de Ancho x 31 ¾" de Alto
Panel de Acceso con Rejilla de Retorno de Aire RAVRG4		Dimensiones de la Abertura: 28 ⅞" de Ancho x 55 ⅞" de Alto
Rejilla de Retorno de Aire RAVRG2B		Dimensiones de la Abertura: 20 ⅜" de Ancho x 20 ⅜" de Alto
Plataforma de Drenaje RAVDPLAT		No Aplicable



Tipo de Modelo	Cableado	Tipo de Termostato	Velocidad(es) del Ventilador	Número del Kit
Modelos con Resistencia Eléctrica	5-cables	5-cables	1	RAK149P2
Modelos con Resistencia Eléctrica	6-cables	6-cables	2	RAK149F2
Modelos con Bomba de Calor	6-cables	6-cables	1	RAK149P2
Modelos con Bomba de Calor	7-cables	7-cables	2	RAK149F2
Todos los Modelos	*	*	2	RAK180W1

*0 cables si se alimenta con una batería; 2 cables si la alimentación proviene de la unidad.

Información General de la Instalación

UBICACIÓN DE LAS CONEXIONES EN ARMARIOS UTILITARIOS

IMPORTANTE: Planifique cuidadosamente la ubicación del plénum, los drenajes y el cable del termostato para evitar interferencias. ¡Las ubicaciones difíciles de alcanzar dificultarán la instalación y las reparaciones!

Use un conducto rígido para conexiones curvas de 90° y en T

Los conductos flexibles se podrán usar para las transiciones únicamente

Pared Exterior

Conducto para conexión directa

Desconexión Eléctrica

A

C

B

D

E

F

Drenaje Secundario
Drenaje Principal

Dimensiones de Referencia :

- A. Cable del termostato
- B. Conexiones eléctricas – Conexiones directas usando el conducto
- C. Ancho de la carcasa: 23 5/8"
- D. Profundidad de la carcasa: 24 1/8"
- E. Altura de la carcasa: 30"
- F. Drenajes de condensación: Conector de 3/4"

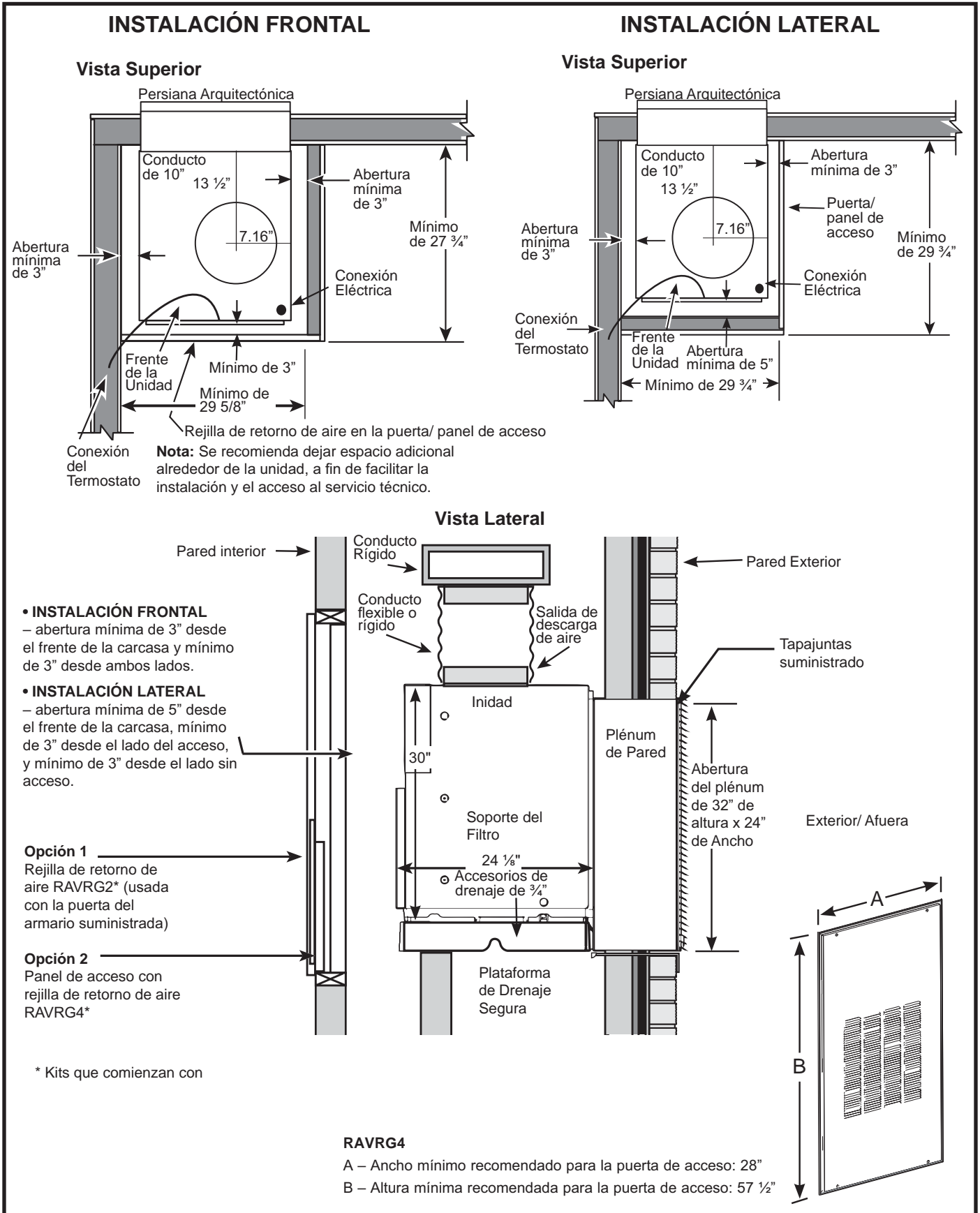
- Drenaje Principal – La línea central es de aproximadamente 11 3/4" desde la pared de la carcasa izquierda y 11 3/4" desde la pared de la carcasa trasera.
- Drenaje Secundario – La línea central es de 6 1/8" desde la línea central de la plataforma de drenaje y 6 3/16" desde la pared de la carcasa trasera.

Requisitos de Abertura :

- **Instalación Frontal** –
 - abertura mínima de 3" desde el frente de la carcasa y mínimo de 3" desde ambos lados.
- **Instalación Lateral**–
 - abertura mínima de 5" desde el frente de la carcasa, mínimo de 3" desde el lado del acceso, y mínimo de 3" desde el lado sin acceso.

Información General de la Instalación

ARMARIO UTILITARIO TÍPICO Y DIMENSIONES (Sólo como Referencia)



Preparación de la Instalación

TIPOS DE CONEXIONES ELÉCTRICAS

Se deberá usar un kit de suministro de electricidad para alimentar la unidad el Zonline.

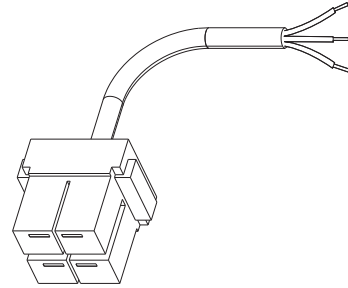
Los modelos se deberán instalar usando el kit de suministro de electricidad apropiado de GE Appliances, de acuerdo con el amperaje del circuito de empalmes y del voltaje de la resistencia eléctrica del calefactor deseados. Consulte el CUADRO DE CONEXIÓN DE LA ELECTRICIDAD para seleccionar el kit correspondiente.

Es responsabilidad del instalador asegurar que la conexión de los componentes sea realizada en cumplimiento con los códigos de electricidad.

Desconexión Eléctrica

Se deberá contar con medios de desconexión desde el suministro eléctrico ubicado dentro de la tubería visible desde la abertura de la puerta del closet o desde la abertura del panel de acceso. Los medios de desconexión deberán estar directamente accesibles mientras se instala el acondicionador de aire en el armario. La desconexión no deberá ocultar la placa de especificaciones técnicas ubicada en el panel de acceso o en la puerta del armario. Un interruptor suministrado con la calificación apropiada es un medio común para la desconexión eléctrica.

Kit de Suministro de Electricidad para Aplicaciones de Conexión Directa de 208/230/265 Voltios



Kit de Suministro de Electricidad – Conexión Directa

IMPORTANTE: La conexión a un circuito de empalmes se **DEBERÁ** realizar a través de una conexión directa, de acuerdo con el Código Nacional de Electricidad (National Electrical Code, NEC). El código prohíbe enchufar esta unidad en un receptáculo que se encuentre expuesto, luego de ser montado sobre la edificación.

CUADRO DE CONEXIÓN DE CORRIENTE

Conexiones Directas

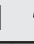

Kits de Suministro de Electricidad de 230 / 208 Voltios	Configuración para la Conexión Directa	Voltaje del Calefactor en 230 / 208 voltios	Dispositivo de Protección del Circuito de 9k/12k/18k
RAK315D	Conexión Directa	2.45 / 2.00 KW	Fusible de Retraso de o Disyuntor de 15/15/NA - Amperes
RAK320D	Conexión Directa	3.45 / 2.82 KW	Fusible de Retraso de o Disyuntor de 20 Amperes
RAK330D	Conexión Directa	5.00 / 4.09 KW	Fusible de Retraso de o Disyuntor de 30 Amperes
Kits de Suministro de Electricidad de 265 Voltios*	Configuración para la Conexión Directa	Voltaje del Calefactor en 265 voltios	Dispositivo de Protección del Circuito de 9k/12k/18k
RAK515D	Conexión Directa	2.45 KW	Fusible de Retraso de o Disyuntor de 15/15/NA - Amperes
RAK520D	Conexión Directa	3.45 KW	Fusible de Retraso de o Disyuntor de 20 Amperes
RAK530D	Conexión Directa	5.00 KW	Fusible de Retraso de o Disyuntor de 30 Amperes

*Consulte el Código Nacional de Electricidad (National Electrical Code, NEC) para aplicaciones de 265 Voltios

Preparación de la Instalación

Datos del Flujo de Aire Interior

El flujo de aire interior se podrá determinar midiendo la presión estática exterior (ESP) del sistema de conductos y luego usando el siguiente cuadro para determinar el flujo de aire real. Bajo ninguna circunstancia se deberá operar la unidad del Zoneline con una presión estática exterior (ESP) superior a 0.3" W.C. (Columnas de Agua). El funcionamiento del Zoneline bajo estas condiciones resultará en un flujo de aire inadecuado, conduciendo a un rendimiento bajo y/o a la falla prematura de los componentes.

Flujo de Aire – Pies cúbicos por minuto (CFM) en 230 Voltios y en 265 Voltios					
		Pies cúbicos por minuto (CFM) del Ventilador Interior			
		Modo de Ventilación Aumentada			
		ON 		OFF 	
ESP (in. water)		High CFM	Medium CFM	Medium CFM	Low CFM
AZ95(H/E)09	0.1	468	408	408	305
	0.15	435	371	371	272
	0.2	409	351	351	198
	0.25	392	306	306	*
	0.3	352	239	239	*
AZ95E12	0.1	468	408	408	356
	0.15	435	371	371	328
	0.2	409	351	351	288
	0.25	392	306	306	220
	0.3	352	239	239	*
AZ95H12	0.1	468	417	417	376
	0.15	435	380	380	345
	0.2	409	359	359	314
	0.25	392	318	318	250
	0.3	352	253	253	*
AZ95(H/E)18	0.1	543	468	468	408
	0.15	514	435	435	371
	0.2	481	409	409	351
	0.25	458	392	392	306
	0.3	442	352	352	239

* No utilice la unidad en estas condiciones

NOTA: Valores tomados en temperatura ambiente de 70-75°F

Datos del Flujo de Aire Interior (cont.)

El flujo de aire deberá ser balanceado en base a muchos factores, tales como la presión estática exterior (ESP) disponible, pies cúbicos por minuto (CFM) de la sala, y el conducto. Para una aplicación apropiada, consulte a un ingeniero de HVAC. La presión estática externa (ESP) se podrá medir con un manómetro o un tubo piloto. Una vez establecida esta presión estática externa (ESP), se podrán calcular los pies cúbicos por minuto (CFM) usando el siguiente cuadro.

Recomendaciones de pies cúbicos por minuto (CFM)											
AZ95(H/E)09			AZ95E12			AZ95H12			AZ95(H/E)18		
305	408	468	356	408	468	376	417	468	408	468	543
•			•			•				•	

• = Rango Medio Recomendado

Una mayor cantidad de pies cúbicos por minuto (CFM) tiende a incrementar la capacidad Sensible, mejorar la circulación en la sala e incrementar el ruido del conducto, mientras que una menor cantidad de pies cúbicos por minuto (CFM) tiende a incrementar la capacidad Latente y reducir el ruido

Conducto

Prepare el conducto del armario para una conexión posterior de la carcasa.

El sistema del conducto deberá estar diseñado para un promedio de fricción máximo de una columna de agua de .30", teniendo en cuenta todas las uniones, rejillas de conductos y/o difusores.

NO utilice la unidad sin un conducto de suministro adherido.

El retorno de aire a la unidad del Zoneline NO DEBERÁ estar conectado por conductos, y todas las unidades DEBERÁN contar con una configuración de retorno de aire libre para funcionar correctamente.

El promedio de circulación total de pies cúbicos por minuto (CFM) y la presión estática externa (ESP) disponibles pueden ser estimadas a través de los cuadros que se encuentran en esta página. Use estos cuadros para seleccionar su configuración de velocidad del ventilador.

El cuello que se encuentra en la parte superior de la unidad acepta un conducto estándar de 10". Ajuste bien todos los conductos. Un conducto excesivamente flojo puede generar un gran incremento de la presión estática.

AVISO: El conducto flexible puede colapsar y ocasionar restricciones en el flujo de aire. No use un conducto flexible para curvas de 90° o recorridos de 5 pies o más.

Preparación de la Instalación

Questions? Call 844-GE4-PTAC (or 844-434-7822) or Visit our Website at: GEAppliances.com

ANTES DE INICIAR

Lea estas instrucciones completa y cuidadosamente.

- **IMPORTANTE** – Guarde estas instrucciones para uso del inspector local.
- **IMPORTANTE** – Observe todos los códigos y órdenes de ley.
- **Nota al instalador** – Asegúrese de dejar estas instrucciones con el consumidor.
- **Nota al consumidor** – Conserve estas instrucciones para referencia futura.
- La instalación apropiada es la responsabilidad del instalador. La instalación completa del Zoneline no estará accesible al público general.
- La falla del producto debido a una instalación inadecuada no está cubierta por la garantía.
- La instalación apropiada es la responsabilidad del instalador.
- Cuando instale este acondicionador de aire, DEBE usar todas las piezas suministradas y usar procedimientos adecuados de instalación.

SEGURIDAD ELÉCTRICA IMPORTANTE - LEA CUIDADOSAMENTE

⚠ WARNING

RIESGO DE DESCARGA ELÉCTRICA.

- Todas las conexiones y cableados eléctricos DEBERÁN ser realizados por un electricista calificado.
- Cumpla con el Código Nacional de Electricidad (National Electrical Code, NEC) y/o los códigos y ordenanzas locales.
- Para cuidar la seguridad personal, esta unidad del Zoneline deberá estar correctamente conectada a tierra.
- Los dispositivos de protección (fusibles o disyuntores) aceptables para instalaciones del Zoneline aparecen especificados en la etiqueta de especificaciones técnicas de cada unidad.
- No use cables prolongadores con esta unidad.
- Los cableados de aluminio para construcciones pueden presentar problemas especiales – consulte a un electricista calificado.
- Cuando la unidad no esté funcionando, aún habrá voltaje en los controles eléctricos.
- Desconecte la corriente a la unidad antes de realizar el servicio técnico:
 1. Retirando los fusibles del circuito de empalmes o apagando los disyuntores desde el panel.
 2. Desenchufando el cable de corriente de la unidad.

REQUISITOS ELÉCTRICOS

Tamaño del Cable	Use SOLO el tamaño de cable recomendado para un circuito de empalmes con una sola salida.
Fusible/ Disyuntor	Use SOLO el tipo y tamaño de fusible o disyuntor HVACR indicado en la etiqueta de especificaciones técnicas de la unidad. La protección adecuada contra excesos de tensión hacia las unidades es responsabilidad del propietario.
Conexión a Tierra	La unidad DEBERÁ ser conectada a tierra desde un circuito de empalmes a la unidad, o a través de un cable a tierra aparte provisto en unidades con conexión permanente. Asegúrese de que el circuito de empalmes esté conectado a tierra.
Tamaño del Cable	Use el tamaño de cable recomendado en la tablas provistas e instale un circuito de empalmes simple. Todo el cableado deberá cumplir con los códigos locales y nacionales. NOTA: Use conductores de cobre únicamente.

NOTA: Todo el cableado deberá cumplir con el Código Nacional de Electricidad (National Electrical Code, NEC) y con los códigos locales. Es responsabilidad del instalador asegurar que se cumplan los códigos de electricidad.

- Use SOLO el tamaño de cable recomendado para un circuito de empalmes con una sola salida.
- La correcta protección contra la electricidad es responsabilidad del propietario.

Tamaños de Cables Recomendados para el Circuito de Empalmes*	
Tamaño Máximo del Disyuntor en la Placa de Especificaciones Técnicas	Tamaño del cable AWG**
15A (productos de 9k & 12k únicamente)	14
20A	12
30A	10

AWG—American Wire Gauge (Calibre Estadounidense de Cables)
 * Disyuntor simple desde la caja principal
 ** Basado en un conductor con cable de cobre y aislación simple a 60°C.

NOTA: Use conductores de cobre únicamente.

⚠ WARNING

RIESGO DE DESCARGA ELÉCTRICA
 Puede ocasionar lesiones o la muerte. Este electrodoméstico deberá estar conectado a tierra de forma adecuada.

Instalación del Zoneline

RESUMEN DE LA INSTALACIÓN

- | | |
|--|---|
| 1. Planifique la ubicación apropiada del suministro eléctrico, los drenajes y el conducto. | 10. Realice las conexiones eléctricas a la unidad. |
| 2. Instale el plénium de pared y la persiana. | 11. Instale el panel frontal con el filtro. |
| 3. Instale y nivele la plataforma de drenaje. | 12. Instale la rejilla de retorno de aire o la tapa de acceso. |
| 4. Complete las conexiones del drenaje de condensados. | 13. Revise la lista de control final de la instalación. |
| 5. Instale la plataforma de drenaje de la unidad. | 14. Encienda la corriente. |
| 6. Nivele y asegure la plataforma de drenaje. | 15. Programe las configuraciones de control auxiliares, si se requiere. |
| 7. Conecte el conducto superior. | 16. Controle el funcionamiento de la unidad. |
| 8. Conecte el termostato remoto. | |
| 9. Conecte las funciones auxiliares, si se requiere. | |

INSTRUCCIONES DE INSTALACIÓN

1. Planifique la ubicación apropiada del suministro eléctrico, los drenajes y el conducto.

2. Instale el Plénium de Pared y la Persiana

1. Instale el plénium de pared. Consulte las instrucciones incluidas en el kit del plénium de pared RAVWPT15 para acceder a los procedimientos adecuados de instalación.
2. Instale la persiana. Para acceder a los procedimientos de instalación adecuados, consulte las instrucciones incluidas en el kit de persiana RAVAL3.

3. Instale la Plataforma de Drenaje del Zoneline

1. Para acceder a los procedimientos de instalación adecuados, consulte las instrucciones incluidas en el kit de Plataforma de Drenaje RAVDPLAT.
2. Coloque la plataforma en el armario utilitario con la siguiente abertura entre ésta y la superficie interior de las paredes/ puerta/ panel.
 - Instalación Frontal – – abertura mínima de 3" desde el frente de la carcasa y mínimo de 3" desde dos lados.
 - Instalación Lateral – – abertura mínima de 5" desde el frente de la carcasa, mínimo de 3" desde el lado del acceso, y mínimo de 3" desde dos lados.
3. Bosquejo completo de la plomería para los drenajes de condensación principal y secundario.

Sistema de Eliminación de Condensados

El Sistema de Eliminación de Condensados incrementa la eficiencia energética, utilizando un ventilador instalado de fábrica que arroja el material condensado a la bobina caliente externa.

Cuando la alta humedad externa impida que el dispensador descarte todo el material condensado, el exceso de condensados se desbordará sobre la bandeja de drenaje de condensados y afuera de las conexiones del drenaje interno de 3/4".

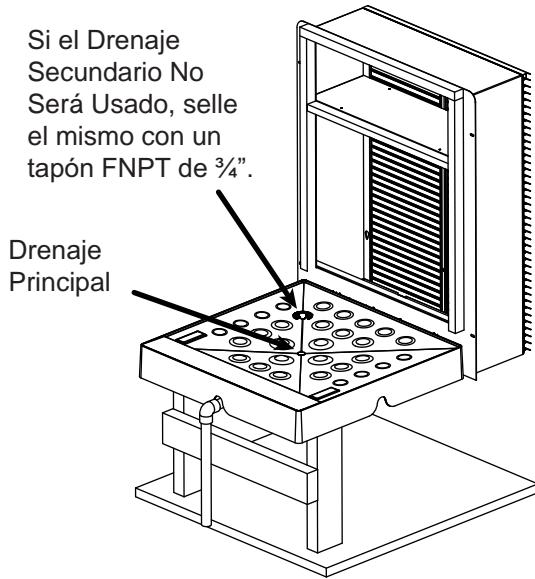
NOTA: Si el sistema de descarte de condensados no elimina todos los condensados de la unidad, cualquier exceso de condensados se desbordará de la bandeja de drenaje hacia el drenaje secundario (si se encuentra conectado) y será drenado hacia afuera de la edificación. Esto es un indicador de que el chasis o el drenaje requieren del servicio técnico.

4. Conexiones Completas del Drenaje de Condensados

Se deberá adherir un drenaje exterior o uno interior a la conexión del drenaje principal. Se suministra un drenaje secundario en caso de que sea requerido por los códigos estatales y locales. Para una correcta instalación del drenaje, consulte los códigos locales. Si el drenaje secundario no será usado, selle su puerto de drenaje con un tapón FNPT de $\frac{3}{4}$ ".

Información General de Drenaje

Si el Drenaje Secundario No Será Usado, selle el mismo con un tapón FNPT de $\frac{3}{4}$ ".



Drenaje Interior (Principal)

Conduzca la tubería de condensados hasta la tubería de desagüe del interior de la edificación con la ventilación adecuada, de acuerdo con los códigos de construcción locales.

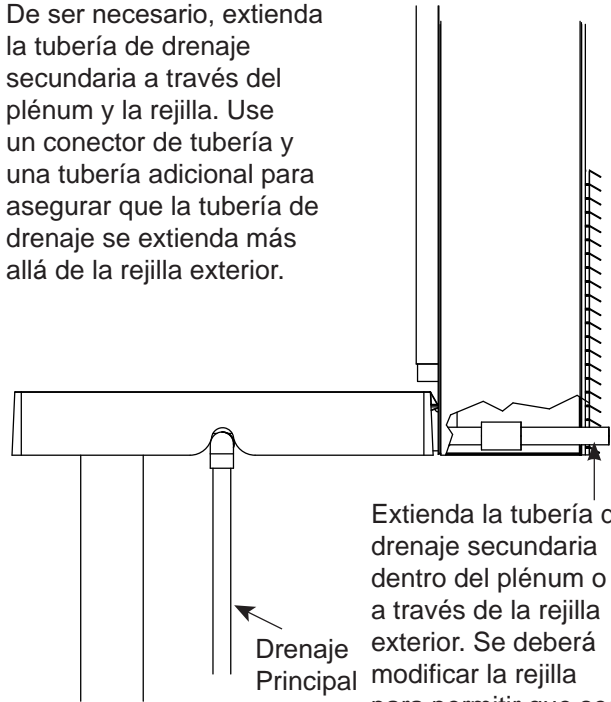


Conexión de la tubería de desagüe hacia la derecha de la plataforma

4. Conexiones Completas del Drenaje de Condensados (cont)

Drenaje Exterior (Secundario)

De ser necesario, extienda la tubería de drenaje secundaria a través del plénum y la rejilla. Use un conector de tubería y una tubería adicional para asegurar que la tubería de drenaje se extienda más allá de la rejilla exterior.

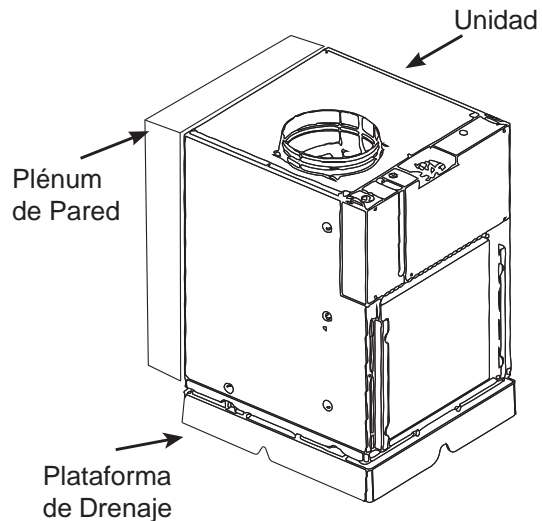


Extienda la tubería de drenaje secundaria dentro del plénum o a través de la rejilla exterior. Se deberá modificar la rejilla para permitir que sea atravesada por la tubería de drenaje.

Para realizar la instalación del drenaje, consulte el manual de instrucciones de la plataforma de drenaje.

5. Instale la Unidad al Plénum

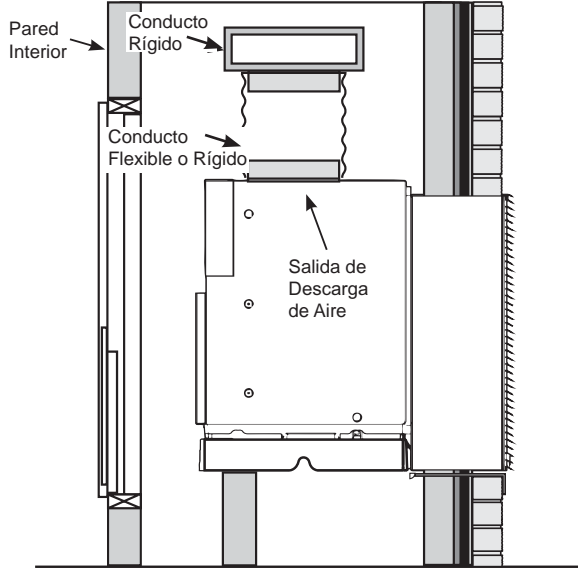
Alinee la unidad con la abertura del plénum y deslice la misma hacia este último, a fin de asegurar que quede correctamente apoyada con la plataforma de drenaje.



Instalación del Zoneline

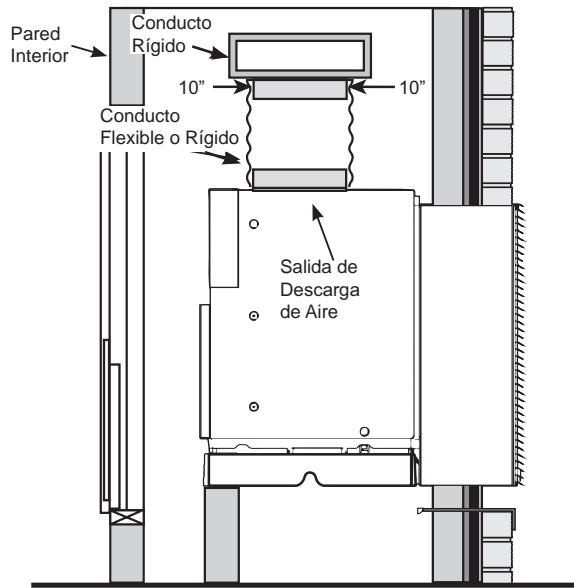
6. Nivele y Asegure la Plataforma de Drenaje

1. Al instalar la plataforma de drenaje, asegúrese de que se encuentre nivelada en todas las direcciones.



7. Conecte el Conducto Superior

1. Use la abrazadera suministrada para sujetar el conducto flexible de 10" al conducto rígido por encima de la unidad.
2. Instale el otro extremo del conducto a la salida de descarga de aire. Use una abrazadera suministrada para asegurar el conducto a la salida de descarga de aire.

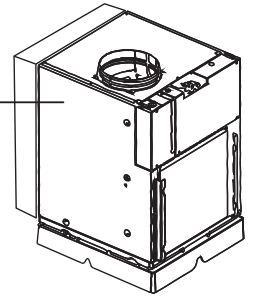


8. Conecte el Termostato Remoto

La unidad será controlada por un termostato remoto.

IMPORTANTE: Las conexiones del termostato Zoneline brindan 24V de CA únicamente. Si usará un termostato de pared digital/ electrónico, deberá usar el mismo en la configuración de 24V de CA. Para acceder al termostato de pared, consulte las Instrucciones de Instalación. **AVISO:** Se podrán producir daños sobre un termostato de pared o sobre la parte electrónica del Zoneline como resultado de conexiones inadecuadas. Preste atención adicional al conectar los cables negros y azules. No se deberá realizar ninguna conexión de voltaje a ningún circuito del termostato. Aísle todos los cables del edificio desde la conexión de voltaje.

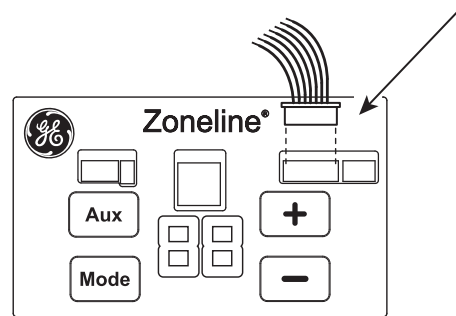
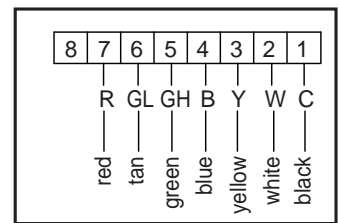
1. El conector eléctrico del termostato se incluye con la unidad. Siga las instrucciones incluidas con el termostato para conectar éste a la unidad.



Longitud Máxima del Cableado para la Conexión del Termostato a la Unidad

66 pies para AWG 18
 60 pies para AWG 20
 40 pies para AWG 24
 AWG – Calibre
 Estadounidense de Cables
 (American Wire Gauge)
 Use sólo un cableado Clase 2

Conector del Termostato



2. Enchufe el conector del termostato en el tablero de control.

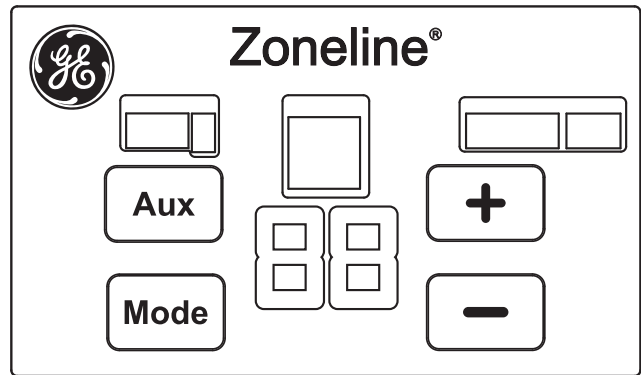
9. Conecte las Funciones Auxiliares, si se requiere

Controles Auxiliares – Conexiones Terminales

NOTA: Se requiere el Kit del Conector RAKCDC para realizar las conexiones eléctricas del CDC. (consulte los diagramas de cableados para el RAKCDC a continuación).

Las conexiones de la terminal de control auxiliar se encuentran ubicadas en el frente de la unidad.

1. Para conectar dispositivos auxiliares a la unidad, conecte los cables del Kit RAKCDC a los cables de los dispositivos auxiliares. Luego inserte el conector RAKCDC en el conector de acoplamiento del tablero de control, junto al conector del termostato.
2. Una vez realizadas todas las conexiones deseadas, reemplace el panel de la carcasa frontal.

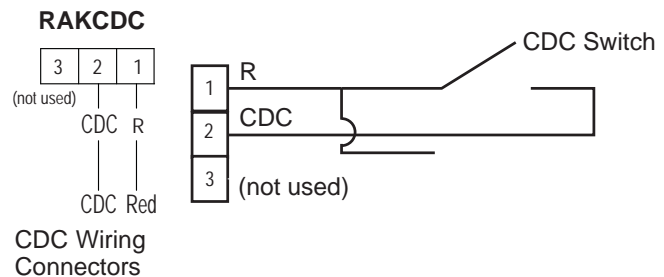


El dueño es responsable de realizar todas las conexiones y de configurar el modo correcto de AUX SET (Configuración Auxiliar).

AVISO: Un cableado incorrecto podrá dañar la parte electrónica del Zoneline. No se permite un recorrido común. Se podrán producir daños o un funcionamiento errático. Un par de cables separados deberá ser dirigido desde cada interruptor de control separado a cada Zoneline individual.

Control de la Recepción Central (Suministrado)

El Control de la Recepción Central (Suministrado) es una función que permite que la unidad se encuentre operable/ inoperable desde una ubicación remota. El funcionamiento de esta función requiere que el interruptor **ON-OFF** (Encendido-Apagado) en la ubicación remota se encuentre cableado a las dos terminales del CDC del panel de control del Zoneline. Cuando el interruptor remoto se encuentre APAGADO, la unidad no se podrá usar en los modos Fan (Ventilador), Cool (Frío) o Heat (Calor) a través del control. Las funciones Freeze Sentinel (Centinela de Refrigeración) y Heat Sentinel (Centinela de Calefacción) permanecerán en funcionamiento. Cuando el interruptor remoto esté Encendido, se podrá acceder al funcionamiento completo de la unidad a través del control.



El accesorio RAKCDC se deberá usar con un sistema de control de recepción central. No se permite un "Recorrido Común".

AVISO: Un cableado CDC inadecuado podrá hacer que la parte electrónica del Zoneline sufra daños u ocasionar un funcionamiento errático del mismo. No se permite un recorrido común. Un par de cables separados deberá ser dirigido desde cada interruptor de control separado a cada Zoneline individual.

Use sólo un cableado Clase 2.

Instalación del Zoneline

10. Realice las conexiones eléctricas a la unidad.

CONEXIONES ELÉCTRICAS – APLICACIONES DE CONEXIÓN DIRECTA

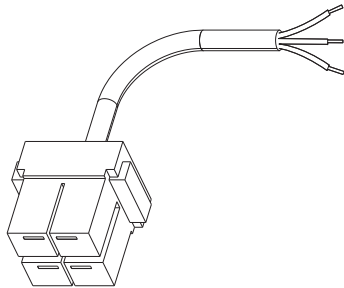
⚠ WARNING Riesgo de Descarga Eléctrica

Antes de realizar el servicio técnico, desconecte la corriente del Zoneline desde la caja de fusibles o disyuntor y retire el dispositivo de desconexión eléctrica ubicado en el frente del chasis.

Si esto no se cumple, se podrán sufrir lesiones personales o la muerte.

Suministro Eléctrico de 208/230/265 Voltios

Se deberá usar un kit de suministro de electricidad para alimentar la unidad el Zoneline. El kit adecuado está determinado por el voltaje, los medios de conexión eléctrica y el amperaje del circuito de empalmes. Consulte el CUADRO DE CONEXIÓN ELÉCTRICA para seleccionar el kit correspondiente.



Kit de Suministro de Electricidad – Conexión Directa

PARA APLICACIONES DE CONEXIÓN DIRECTA DE 265 VOLTIOS ÚNICAMENTE

IMPORTANTE: La conexión de un producto de 265 Voltios de CA a un circuito de empalmes se DEBERÁ realizar a través de una conexión directa que cumpla con el Código Nacional de Electricidad (National Electrical Code, NEC). El código prohíbe enchufar esta unidad en un receptáculo que se encuentre expuesto, luego de ser montado sobre la edificación.

Estos modelos se deberán instalar usando el kit de suministro de electricidad apropiado de GE Appliances, de acuerdo con el amperaje del circuito de empalmes y el voltaje de la resistencia eléctrica del calefactor deseados. Consulte el **CUADRO DE CONEXIÓN ELÉCTRICA** para seleccionar el kit correspondiente.

Es responsabilidad del instalador asegurar que la conexión de los componentes sea realizada en cumplimiento con los códigos de electricidad.

La conexión directa al cableado del circuito de empalmes dentro de la caja de empalmes provista se

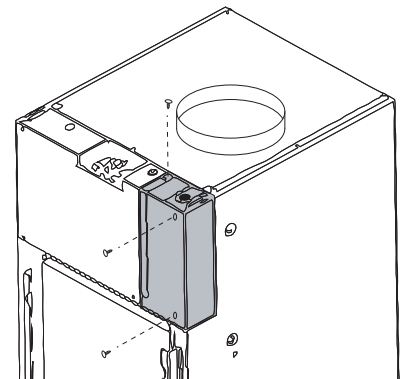
deberá realizar como se detalla a continuación en los pasos 1 a 3.

DESCONEXIÓN EXTERIOR

Se deberá contar con medios de desconexión desde el suministro eléctrico ubicado dentro de la conexión visible desde la abertura de la puerta del closet o desde la abertura del panel de acceso. Los medios de desconexión deberán estar directamente accesibles mientras se instala el acondicionador de aire en el armario. La desconexión no deberá ocultar la placa de especificaciones técnicas ubicada en el panel de acceso o en la puerta del armario. Un interruptor suministrado con la calificación apropiada es un medio común para la desconexión eléctrica.

1. Retire la Tapa de la Caja de Empalmes

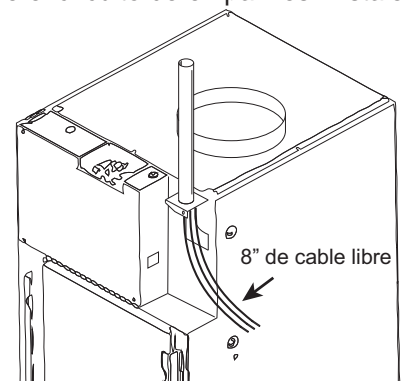
Retire la tapa de la caja de empalmes retirando los tres tornillos.



2. Adhiera el Conducto

Use el agujero ciego redondo en la parte superior de la caja de empalmes para instalar el conducto que ingresa desde el circuito de empalmes. Instale y sujete con abrazaderas el conducto a través de la abrazadera del conducto,

y conecte los cables en la caja de empalmes. Deje 8" de cable libre desde el extremo del conducto.



10. Realice las conexiones eléctricas a la unidad.

CONEXIONES ELÉCTRICAS – APLICACIONES DE CONEXIÓN DIRECTA

3. Realice las Conexiones de los Cables Principales Dentro de la Caja de Empalmes

1. Realice todas las conexiones de cables usando los conectores eléctricos y las técnicas apropiadas que figuran en la lista de UL.
2. Seleccione la situación de cableado correspondiente y siga las instrucciones de forma consistente:

• 220-240 Voltios de CA de 1 Fase

Al conectar el Zoneline a un circuito de fase simple para aplicaciones de 230 voltios: conecte los cables blanco y negro del kit de suministro de electricidad del Zoneline a los cables del circuito de empalmes L1 y L2. (El cable blanco del kit del suministro de electricidad deberá ser identificado por el instalador usando cinta eléctrica con algún color que no sea verde o blanco). Conecte el cable verde del kit de suministro de electricidad a la conexión a tierra del suministro de electricidad y del circuito de empalmes.

• 208 Voltios de CA de 3 Fases

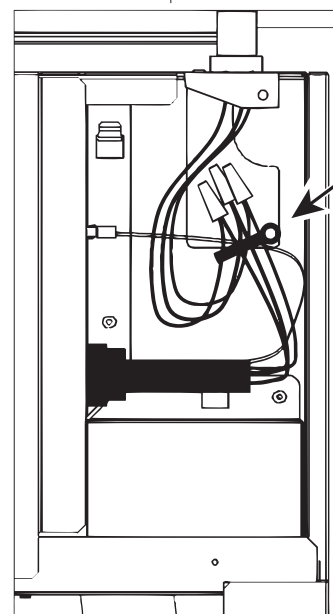
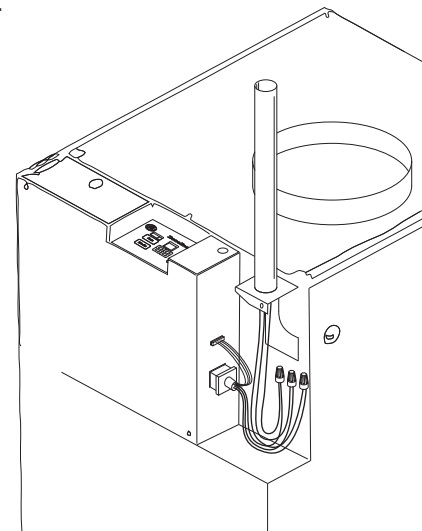
Al conectar el Zoneline a un circuito de tres fases para aplicaciones de 208 voltios: conecte los cables blanco y negro del kit de suministro de electricidad del Zoneline a los cables del circuito de empalmes L1 y L2. (El cable blanco del kit del suministro de corriente deberá ser identificado por el instalador usando cinta eléctrica con algún color que no sea verde o blanco). Conecte el cable verde del kit de suministro de electricidad a la conexión a tierra del suministro de electricidad y del circuito de empalmes.

• 253-277 Voltios de CA de 3 Fases

Al conectar el Zoneline a un circuito de tres fases para aplicaciones de 256 voltios: conecte los cables blanco y negro del kit de suministro de electricidad del Zoneline a los cables del circuito de empalmes Neutro y L1. (El cable blanco del kit de suministro de electricidad se deberá conectar al neutro). Conecte el cable verde del kit de suministro de electricidad a la conexión a tierra del suministro de electricidad y del circuito de empalmes.

AVISO: La caja de empalmes del cableado deberá coincidir con la figura de la derecha. Los cables de suministro de la edificación y los cables de suministro deberán estar ambos asegurados con precintos y con orientación vertical.

3. Asegúrese de que todos los cables estén dentro de la caja de empalmes y que no sean pellizcados entre el panel y la unidad. El cable a tierra aislado verde del Zoneline DEBERÁ estar conectado al cable a tierra del circuito de empalmes.
4. Para los kits de suministro de electricidad de 20A y 30A, enchufe el puente para la sección del calefactor.
5. Enchufe un conector de 4 clavijas en el receptáculo de 4 clavijas de la caja de empalmes.
6. Reemplace la tapa de la caja de empalmes reemplazando los tres tornillos retirados anteriormente.



Asegure los cables con un precinto.

Instalación del Zoneline

11. Instale el Filtro Montado en la Unidad

Nota: Use sólo un filtro en la instalación

- Para instalaciones que usarán un filtro montado en la unidad, deslice el mismo hacia abajo entre los soportes del filtro provisto en el frente de la unidad, asegurando que cualquier flecha de dirección de circulación de aire sobre el filtro apunte hacia la unidad.
- Para instalaciones donde se empleará un filtro amarrado a la rejilla de retorno de aire RAVRG4 o RAVRG2B, no instale un filtro de montaje en la unidad. Para la correcta instalación del filtro, vaya al Paso 12 y consulte las instrucciones incluidas en el kit de rejilla de retorno de aire RAVRG4 o RAVRG2B.

12. Instale la Rejilla de Retorno de Aire o la Tapa de Acceso

Instale la rejilla de retorno de aire o la tapa de acceso siguiendo las instrucciones incluidas con el kit seleccionado.

RAVRG4 - Panel de acceso con rejilla de retorno de aire

RAVRG2B - Rejilla de retorno de aire

13. Lista de Control Final de la Instalación

- Asegúrese de que todas las instrucciones de instalación relacionadas con aberturas alrededor de la unidad hayan sido cumplidas.
- Inspeccione y asegure que todos los componentes y accesorios hayan sido instalados de forma apropiada y que no hayan sido dañados durante el proceso de instalación.
- El tapajuntas del plenum de pared fue instalado, nivelado y sellado.
- La unidad está nivelada. No se admiten inclinaciones.
- Asegúrese de que el filtro de aire de la unidad, la bobina interior, y la bobina exterior estén libres de cualquier obstrucción.
- Asegúrese de que sólo un filtro de aire sea instalado en el sistema.
- Controle el drenaje(s) de agua condensada a fin de asegurar que esté conectado de forma adecuada para la eliminación de agua condensada, y que cumpla con la aprobación del usuario final.
- El conducto está conectado de forma segura a la salida de descarga de aire.
- Asegure todos los paneles de acceso (es decir: tapa frontal y/o tapa de la caja de empalmes).
- El termostato de pared fue cableado de forma correcta.
- La unidad fue cableada correctamente.

13. Lista de Control Final de la Instalación (cont)

- Asegúrese de que el tamaño de los cables del disyuntor(es)/ del fusible(s) y del cable del circuito de suministro sean los correctos.
- Asegúrese de que la unidad esté recibiendo el voltaje correcto, que esté en un circuito simple y que esté correctamente conectada a tierra.
- Asegúrese de que toda la instalación cumpla con todos los códigos y ordenanzas nacionales y locales aplicables que posean jurisdicción.

14. Conecte la Corriente

1. Si todos los ítems de la lista de control final fueron controlados y son correctos, configure la unidad en ON (Encendido) desde el panel de servicio principal.
2. Pase el termostato a ON (Encendido) y controle la unidad para asegurar que esté funcionando como se espera.

15. Configuración de los Controles Auxiliares, si se requiere

Consulte la sección de Configuración de los Controles Auxiliares para acceder a instrucciones sobre cómo programar los controles.

Antes de programar los controles, revise la lista de control final de la instalación antes de suministrarle electricidad a la unidad.

Servicio Técnico

⚠ WARNING Existe riesgo de descargas eléctricas que pueden ocasionar lesiones o la muerte.

Antes de comenzar con la reparación, apague el interruptor desde el panel del servicio y bloquee el área, a fin de evitar que la corriente se active de forma accidental.

Cuando el área no pueda ser bloqueada, ajuste de forma segura un dispositivo de advertencia, tal como una etiqueta, al panel del servicio.

NOTA: Recomendamos enfáticamente que cualquier reparación sea realizada por un individuo calificado.

Para retirar la unidad del armario.

1. Presione el interruptor del termostato a OFF (Apagado).
2. Apague la unidad desde la desconexión eléctrica.
3. Desenchufe el conector de 4 clavijas desde la unidad.
4. Retire el soporte del conector de cables adherido al kit de conexión directa desde la unidad.
5. Desconecte de la unidad los cables del termostato de pared.

Configuración del control auxiliar

Controles Auxiliares – Botón Aux Set (Configuración Auxiliar)

El control electrónico de la unidad fue preconfigurado de fábrica para controlar la unidad del modo en que la "mayoría" de los clientes preferiría que la unidad funcione. Las preconfiguraciones (llamadas modos o funciones) se podrán modificar a fin de acomodarse a las diferencias en los parámetros de instalación o a las preferencias personales sobre cómo la unidad debería funcionar y rendir.

Si el propietario modifica los controles auxiliares, es entonces responsabilidad del propietario asegurar que los mismos se encuentran configurados en relación al funcionamiento deseado. Existen 5 modos diferentes (funciones) que se pueden configurar usando el botón de configuración auxiliar.

Modos del Control Auxiliar

Modo 1 – No Aplicable

Modo 2 – No Aplicable

Modo 3 – Centinela de Refrigeración/ Centinela de Calefacción

Modo 4 – Ventilador en **ON** (Encendido) Constante

Modo 5 – No Aplicable

Modo 6 – No Aplicable

Modo 7 – Modo Boost (Aumentado) del Ventilador

Modo 8 – Sólo Calor Eléctrico (AZ95H únicamente)

Modo 9 – Calor Aumentado (AZ95H únicamente)

Para modificar el funcionamiento o configurar los parámetros del control se deberá estar en el Modo **AUX** (Auxiliar). Con la unidad conectada a la corriente, presione el botón **AUX SET** (Configuración Auxiliar) hasta que se visualice " **AU** " en la pantalla.

La pantalla se verá así al ingresar al Modo **AUX** (Auxiliar):



Modo de Configuración Auxiliar

Mientras se esté en el Modo **AUX** (Auxiliar), presione el botón **MODE** (Modo) para pasar a través de los ocho modos diferentes. Continúe presionando el botón **MODE** (Modo) hasta que el número correspondiente al modo que será modificado se muestre en el primer dígito de la pantalla. Una vez exhibido el número correcto, use los botones +/- para modificar el segundo dígito de la pantalla para dicho modo, ya sea " **Π** " para **On** (Encendido) o " **U** " para **OFF** (Apagado) dependiendo de la función deseada.

Una vez completada la sección para un modo específico, presione el botón **MODE** (Modo) para continuar configurando las funciones del control auxiliar O presione el botón **AUX SET** (Configuración Auxiliar) para confirmar la sección y salir del modo **AUX SET** (Configuración Auxiliar).

Configuración del control auxiliar

Modo 3 Centinela de Refrigeración / Centinela de Calefacción

Con la unidad enchufada y **Freeze Sentinel** (Centinela de Refrigeración) activado, la unidad brindará calefacción de forma automática sin la interfaz de usuario. Esto evita posibles daños de plomería al pasar la calefacción y el ventilador interior a **ON** (Encender) en 41°F y luego a **OFF** (Apagado) una vez que la temperatura del armario alcance los 46°F.



Freeze Sentinel OFF

Cuando **Heat Sentinel** (Centinela de Calefacción) sea activado, la unidad brindará refrigeración de forma automática sin la interfaz de usuario. Esto evitará que la sala esté excesivamente caliente cuando se configure el acondicionador de aire en **ON** (Encendido) en 85°F y luego en **OFF** (Apagado) cuando la temperatura ambiente alcance los 80°F



Freeze Sentinel ON

Presione la tecla **MODE** (Modo) hasta que aparezca el 3 en el primer dígito de la pantalla para activar el modo **Freeze Sentinel** (Centinela de Refrigeración). Presione la tecla – para **OFF** (Apagado) “ **U** ” o la tecla + para **ON** (Encendido) “ **Π** ”. Esto se muestra en el segundo dígito de la pantalla. Presione **MODE** (Modo) nuevamente para acceder a las configuraciones de **Heat Sentinel** (Centinela de Calefacción). Presione la tecla – para **OFF** (Apagado) “ **U** ” o la tecla + para **ON** (Encendido) “ **Π** ”. Presione **AUX SET** (Configuración Auxiliar) para bloquear su selección y salga del modo **AUX SET** (Configuración Auxiliar), o presione **MODE** (Modo) para continuar configurando otras funciones.



Heat Sentinel OFF



Heat Sentinel ON

En la configuración por omisión para el **Modo 3**, **Heat Sentinel** (Centinela de Calefacción) está apagado y **Freeze Sentinel** (Centinela de Refrigeración) está encendido.

NOTA: Estas funciones están activas cuando la unidad está enchufada, incluso aunque la unidad se encuentre apagada.

Modo 4 Ventilador en ON (Encendido) constante

Presione **MODE** (Modo) hasta que aparezca 4 en el primer dígito de la pantalla, a fin de configurar el ventilador para que funcione de forma continua en velocidad alta, incluso aunque la unidad se encuentre apagada.



Constant Fan OFF



Constant Fan ON

Presione la tecla – para **OFF** (Apagado) “ **U** ” o la tecla + para **ON** (Encendido) “ **Π** ”. Esto se muestra en el segundo dígito de la pantalla.

Presione **AUX SET** (Configuración Auxiliar) para bloquear su selección y salga del modo **AUX SET** (Configuración Auxiliar), o presione **MODE** (Modo) para continuar configurando otras funciones.

La configuración por omisión para el **Modo 4** está en **OFF** (Apagado).

Configuración del control auxiliar

Modo 7 Modo de Ventilación Aumentada

Esta configuración se usa cuando la unidad se encuentra instalada con un conducto más restrictivo, donde es necesaria una circulación de aire adicional. Consulte sobre circulación de aire en la página 14. Esto incrementa la velocidad del ventilador para asegurar una circulación apropiada.

Presione **MODE** (Modo) hasta que aparezca 7 en el primer dígito de la pantalla. Presione la tecla – para **OFF** (Apagado) “ **U** ” o la tecla + para **ON** (Encendido) “ **Π** ” Esto se muestra en el segundo dígito de la pantalla. Presione **AUX SET** (Configuración Auxiliar) para bloquear su selección y salir del

modo **AUX SET** (Configuración Auxiliar).

La configuración por omisión para el **Modo 7** está en **OFF** (Apagado).



Fan Boost
Mode OFF



Fan Boost
Mode ON

Modo 8 Sólo Calor Eléctrico (AZ95H únicamente)

Esta opción de calor eléctrico funciona sólo en el modelo AZ95H. Cuando esta opción se encuentra en **ON** (Encendido) “ **Π**,” el funcionamiento de la bomba de calor está bloqueado, haciendo que la unidad brinde sólo calor a través de la resistencia eléctrica.

Para configurar la opción de Sólo Calor Eléctrico, presione la tecla **MODE** (Modo) hasta que aparezca una 8 en el primer dígito de la pantalla. Presione la tecla – para **OFF** (Apagado) “ **U** ” o la tecla + para **ON** (Encendido) “ **Π** ” Esto se muestra en el segundo dígito de la pantalla.

La configuración por omisión para el Modo 8 está en **OFF** (Apagado).



All-
Electric
Heat OFF



All-
Electric
Heat ON

Modo 9 Calor Aumentado (AZ95H únicamente)

Cuando **Heat Boost** (Calor Aumentado) esté en **ON** (Encendido), se agregará calor eléctrico adicional al funcionamiento de la bomba de calor, a fin de mantener una temperatura ambiente consistente y confortable.

Para configurar la opción **Heat Boost** (Calor Aumentado), presione la tecla **MODE** (Modo) hasta que aparezca una 9 en el primer dígito de la pantalla. Presione la tecla – para **OFF** (Apagado) “ **U** ” o la tecla + para **ON** (Encendido) “ **Π** ”. Esto se muestra en el segundo dígito de la pantalla. Presione **AUX SET** (Configuración Auxiliar) para bloquear su selección y salir del modo **AUX SET** (Configuración Auxiliar).

La configuración por omisión para el Modo 9 está en **OFF** (Apagado).



Heat Boost OFF



Heat Boost ON

Modo P Configuración de Revisión de la Ingeniería

Esta configuración es utilizada para ajustar la unidad cuando el tablero del circuito sea reemplazado.

Cuando la unidad se encienda por primera vez luego de la instalación del tablero de servicios, la misma ingresará de forma automática en este modo. En la Interfaz de Usuario se leerá “P1”. Presione la tecla + hasta que el número coincida con la revisión de ingeniería, como se muestra. La revisión de ingeniería es el último número en el número de modelo. Presione **AUX** (Auxiliar) para guardar y salir.

La revisión de ingeniería se podrá ajustar luego del primer ciclo de energía donde se use **AUX SET** (Configuración Auxiliar). Presione **MODE** (Modo) hasta que aparezca P en el primer dígito, y siga los pasos descritos más arriba.

Ejemplo de Nomenclatura
AZ95E09DACK2

Revisión de
Ingeniería



Cosas que son normales

Sonidos de Funcionamiento Normal

¡Ping! ¡Pop!



Es posible que escuche un sonido de ¡ping! ocasionado por el agua recogida y arrojada contra el condensador en días lluviosos o cuando el nivel de humedad sea alto. Esta función ayuda a eliminar la humedad y mejorar el nivel de eficiencia.

“CLICK”

Es posible que escuche sonidos de clic del relé cuando se realice el ciclo de encendido y apagado de los controles o cuando sean ajustados para cambiar la temperatura del ambiente.

GOTEO



Se acumulará agua en la bandeja de la base cuando el nivel de humedad sea alto o en días lluviosos. Es posible que el agua se desborde y gotee desde el lado externo de la unidad.

WHIR!



El ventilador interno funciona de forma continua cuando la unidad está operando el modo para refrescar, a menos que el Control Auxiliar del Smart Fan (Ventilador Inteligente) esté configurado en la función de ciclos. Esto hará que el ventilador se encienda y apague con el compresor. También podrá escuchar el ruido de detención o inicio de un ventilador.

Hay momentos en que el ventilador de la unidad funcionará de forma pareja cuando la unidad no esté calentando ni refrescando. Si el sistema es configurado para funcionar con ventilador continuo, el ventilador interno funcionará sin importar que la unidad esté regrescando o calefaccionando. Otras veces, el ventilador funcionará por más tiempo que el ciclo de calefacción/ refrigeración o se iniciará ocasionalmente. Esto es normal y es realizado para mejorar el confort y balance del ambiente.

Si la unidad está equipada con un sistema de ventilación de aire de reposición, los ventiladores funcionarán de manera continua.

La unidad de aire de reposición digital realizará un control del sistema sobre el encendido, sobre el ciclo de corriente, y una vez cada 7 días si la unidad se encuentra en el modo de ocupación. El control del sistema dura aproximadamente 45 segundos. Durante este tiempo, los ventiladores se acelerarán, reducirán su velocidad, y luego irán al punto de configuración.

Retraso de
3 Minutos



Es posible que note algunos minutos de retraso en el inicio, si intenta reiniciar el Zoneline demasiado pronto luego de apagarlo o si ajusta el termostato junto después de apagar el compresor. Esto se debe a que un protector de reinicio incorporado para el compresor genera un retraso de 3 minutos.

SILENCIO

Durante el ciclo de descongelación, tanto el ventilador interno como el externo se detendrán y el compresor funcionará en el modo de refrigeración para eliminar escarcha de la bobina externa. Luego de la descongelación, la unidad se reiniciará en el modo de calefacción eléctrica para calentar de forma rápida la habitación en el nivel de confort deseado.

PROTECCIÓN DEL COMPRESOR

Para proteger el compresor y evitar ciclos cortos, la unidad fue diseñada para funcionar durante un mínimo de 3 minutos luego de que el compresor se inicie en cualquier configuración del termostato.

Solucionar problemas... Before you call for service

¡Ahorre tiempo y dinero! Primero revise los cuadros que aparecen en las siguientes páginas y es posible que no necesite solicitar reparaciones.

Problema	Causas posibles	Qué hacer
El Zoneline no se inicia.	El kit de conexión directa no está adherido de manera firme	Retire la tapa de la caja de empalmes y asegúrese de que el conector negro del extremo del cable de corriente esté enchufado de manera firme.
	Se quemó el fusible/ el disyuntor está activado	Controle la caja de fusibles/ disyuntor de su hogar y reemplace el fusible o reinicie el disyuntor.
	La unidad está esperando a que el protector de sobrecarga del compresor se reinicie	Esto es normal. El Zoneline se volverá a activar luego de ser reiniciado.
	Corte de corriente	Hay un retraso de tiempo por protección (de hasta 3 minutos) a fin de evitar la sobrecarga del compresor. Por esta razón, es posible que la unidad no comience a generar la calefacción o refrigeración normal por 3 minutos, luego de haber sido conectada nuevamente.
El Zoneline no refrigera ni calefacciona como debería	El flujo de aire interior está restringido	Asegúrese de que no haya cortinas, persianas o muebles que bloqueen la rejilla de descarga de aire o la rejilla de aire de retorno.
	El flujo de aire exterior se encuentra restringido o es recirculado	Asegúrese de que la persiana trasera no esté restringida. Esto podrá hacer que la unidad deje de realizar su ciclo debido al protector de sobrecarga del compresor. Las rejillas exteriores deberán tener libre como mínimo el 65% de su área. Las rejillas de los electrodomésticos que no sean de GE Appliances podrán ser demasiado restrictivas para un funcionamiento adecuado. Para solicitar ayuda, consulte a su vendedor.
	Es posible que el control del termostato no esté correctamente configurado	Gire el termostato hasta la configuración más baja o más alta. NOTA: El limitador de temperatura podrá estar limitando el rango de temperatura.
	El filtro de aire está sucio	Cambie el filtro por lo menos cada 30 días. Lea la sección de Cuidado y Limpieza
	Es posible que la sala haya estado caliente o fría	Cuando el Zoneline se encienda por primera vez, se deberá dejar transcurrir un período de tiempo hasta que el ambiente se refrigere o calefaccione.
Olor a quemado en el comienzo de la función de calefacción	Polvo sobre la superficie de los elementos de calefacción	Esto puede ocasionar olor a "quemado" en el comienzo de la función de calefacción. Esto se debería disipar rápidamente
El aire no está siempre frío o caliente durante el funcionamiento	La bomba de calor no está produciendo aire caliente	Esto es normal. La bomba de calor producirá aire caliente pero no tan caliente como el aire producido cuando se use calor eléctrico de un costo más alto.
	El ventilador de la unidad del Zoneline está funcionando continuamente, incluso durante el ciclo OFF (Apagado)	Esto hace que el ventilador produzca aire a temperatura ambiente, incluso cuando el compresor o el calefactor dejen de realizar su ciclo. El movimiento continuo de aire brinda un mejor control general de la temperatura en el modo de refrigeración. Si sólo se desea que haya circulación de aire cuando el Zoneline está calefaccionando o refrigerando activamente la sala, configure el ventilador del termostato de pared exterior en "automático". -O- Aux Mode 4 (Modo Auxiliar 4) está configurado en "encendido", lo cual siempre mantiene el ventilador interior encendido. Para apagar esta función, configure Aux Mode 4 (Modo Auxiliar 4) en apagado.
El aire no se siente lo suficientemente caliente durante el funcionamiento de la calefacción	La bomba de calor sola produce aire que se siente más frío que lo deseado	Use la opción Boost Heat (Calor Aumentado) (Modo Auxiliar 9) o la opción All Electric Heat (Sólo Calor Eléctrico) (Modo Auxiliar 8). Ambas opciones brindarán calor eléctrico pero sólo la opción All Electric Heat (Sólo Calor Eléctrico) (Modo Auxiliar 8) detendrá el funcionamiento de la bomba de calor. NOTA: El uso de esta opción resultará en un incremento en el consumo de energía.
La unidad no está emitiendo aire	Es posible que la configuración del "ventilador" del termostato de pared exterior se encuentre en "automático"	Si se desea que haya circulación de aire incluso cuando el Zoneline no está calefaccionando o refrigerando activamente la sala, configure el ventilador del termostato de pared exterior en "encendido".
Las funciones de calefacción eléctrica y ventilador no funcionan	El puente no está adherido de manera firme.	Retire la tapa de la caja de empalmes y asegúrese de que el conector negro del extremo del cable de corriente esté enchufado de manera firme.

Solucionar problemas

Problema	Causas posibles	Qué hacer
La unidad no funciona luego de la instalación del Termostato de Pared Remoto	Las conexiones del termostato de la unidad son incorrectas	Verifique que el cableado del Termostato de Pared Remoto sea el correcto hacia el conector del termostato de la unidad
	El transformador se reinicia o inicia en corto	Espere 5 minutos para comprobar si se reinicia la corriente
La bomba de calor funciona con calor electrónico sólo durante la calefacción	La temperatura ambiente exterior es demasiado fría	La bomba de calor no funcionará si la temperatura ambiente exterior es demasiado fría. La bomba de calor se reiniciará una vez que la temperatura ambiente se haya calefaccionado lo suficiente
	El Modo Auxiliar 8 no está correctamente configurado	Consulte la sección de Configuración del Control Auxiliar de este manual. Controle Aux Mode 8 (Modo Auxiliar 8) para asegurar que el modo se encuentre configurado en OFF (Apagado) "U" para el funcionamiento de la bomba de calor.

CÓDIGOS DE FALLA – Mantenga presionada la tecla MODE (Modo) y luego presione AUX (Auxiliar)

Esto muestra todos los códigos de falla actuales, y realiza ciclos a través de estos. Si no hay fallas de electricidad, la pantalla mostrará "—". Presionar AUX (Auxiliar) borra las fallas. Cualquier otra tecla sale de las fallas y las preserva.

Número de Códigos de Falla	Significado Erróneo	Efectivo en el funcionamiento del sistema mientras la falla está activa
1	Falla del ventilador interior. El motor del ventilador no se mueve a la velocidad indicada luego de 90 segundos de funcionamiento. La falla se borra luego de 10 minutos.	Ni el calor de la resistencia, el ventilador, la bomba de calor o la refrigeración están disponibles
2	Falla del ventilador exterior. El motor del ventilador no se mueve a la velocidad indicada luego de 90 segundos de funcionamiento. La falla se borra luego de 10 minutos.	Ni la bomba de calor ni la refrigeración están disponibles. Calefacción de la resistencia y ventilador únicamente.
3	Cableado del termostato exterior. La señal aplicada no es válida y fue constante durante 30 segundos.	Sin control externo de ventiladores, y funcionamiento del control interior de la calefacción y refrigeración únicamente.
4	Falla del termistor interior. Uno de los termistores interiores no está leyendo temperaturas válidas	Ni la refrigeración ni la bomba de calor están disponibles. Calefacción de la resistencia y ventilador únicamente.
5	Falla del termistor exterior. Uno de los termistores exteriores no está leyendo temperaturas válidas.	Ni la refrigeración ni la bomba de calor están disponibles. Calefacción de la resistencia y ventilador únicamente.
6	Falla del compresor. No se detectó un cambio de temperatura luego de 1 minuto de funcionamiento	Sin efecto.
7	Falla de la válvula de inversión. El cambio de temperatura no sucede como se espera luego de 1 minuto de funcionamiento.	Ni la refrigeración ni la bomba de calor están disponibles. Calefacción de la resistencia y ventilador únicamente
8	Falla de software. Sobrecarga por atascamiento.	Sin efecto.
9	Falla por congelación de la bobina interior. La temperatura de la bobina interior superó el límite de congelación (34°F)	El compresor se mantiene apagado hasta haber recuperado la temperatura de la bobina
10	Falla por sobrecarga de la bomba de calor. La temperatura de la bobina interior es superior al límite de sobrecarga (131°F)	El compresor se mantiene apagado mientras la temperatura de la bobina se recupera
11	Falla por sobrecalentamiento. El aire entrante es demasiado caliente para que el calefactor pueda funcionar	La bomba de calor y la calefacción de la resistencia se apagan y se reinician cuando la temperatura ambiente se enfría lo suficiente
12	Tablero de la Interfaz de Usuario (UI) desconectado/ falló	Sin efecto.
13	Falla de la circulación de aire del calefactor	La calefacción de la resistencia no está disponible
16	No Disponible	No Disponible
17	Falla del termistor de salida. La falla se borra cuando el termistor lee un valor que no sea un cortocircuito o un circuito abierto	La calefacción de la resistencia no está disponible
18	Sobrecalentamiento de la temperatura de salida. El aire saliente es demasiado caliente. La falla se borra cuando la temperatura del aire cae por debajo del límite	La calefacción de la resistencia no está disponible
19	Sobrecalentamiento de la temperatura de salida. El aire saliente es demasiado caliente	La calefacción de la resistencia no está disponible
23	No Disponible	No Disponible
24	No Disponible	No Disponible
25	Falla de Congelación Atípica (modelos con bomba de calor únicamente). Realice esta configuración cuando 5 ciclos de descongelación consecutivos no calienten la bobina exterior por encima de los 68°F. Realizará una limpieza automática luego de 4.5 días.	Bloquea la bomba de calor, bloquea la descongelación
26	Falla de Bloqueo del Acondicionador de Aire. Se configura cuando la temperatura ambiente desciende por debajo de los 35°F. Realizará una limpieza automática una vez que la temperatura Ambiente Exterior supere los 40°F.	Bloquea el funcionamiento de la refrigeración del compresor.

Registro del Producto

Siga estos tres pasos para proteger la inversión de su nuevo electrodoméstico: Para Canadá, consulte la página 30.

1

Complete y envíe por correo su Registro de Producción del Consumidor hoy. Puede estar tranquilo sabiendo que lo podremos contactar en el improbable caso de que surja una modificación de seguridad.

2

Luego de enviar por correo el siguiente registro, guarde este documento en un lugar seguro. El mismo contiene información que necesitará en caso de requerir el servicio técnico. Nuestro número del servicio técnico es 844-GE4-PTAC (or 844-434-7822)

3

Lea su Manual del Propietario atentamente. Le ayudará a utilizar su nuevo electrodoméstico de forma apropiada.

✂ cut here

CONSUMER PRODUCT OWNERSHIP REGISTRATION

Three ways to register your appliance:



SCAN
this code with your smart-phone app

GO ONLINE
geappliances.com/register

COMPLETE & MAIL
this registration card

Product:

Model:

Serial:

Mr. Mrs. Ms.

First Name

Last Name

Street Address

Apt.#

Email Address

We'll use your email address to send you information about your product, as well as discounts and other offers from GE Appliances

City

State

ZIP Code

Month

Day

Year

Phone Number

Date appliance was installed or placed in use

GE Appliances takes your privacy seriously. All information you provide shall be held in strict accordance with the GE Appliances Privacy Policy. Read the full policy at www.geappliances.com/privacy/privacy_policy.htm.

geappliances.com/register

Revised 6/15
245D1499P001

Please place in envelope and mail to:

PRODUCT REGISTRATION DEPARTMENT
PO BOX 34980
LOUISVILLE KY 40232-4980

Registro del Producto

✂ cut here

FOR CANADIAN CONSUMERS / POUR LES CONSOMMATEURS CANADIENS

OWNERSHIP REGISTRATION CERTIFICATE		FICHE D'INSCRIPTION DU PROPRIÉTAIRE	
MODEL/MODÈLE	SERIAL/SÉRIE	P.O. BOX/C.P. 1780 MISSISSAUGA, ONT. L4V 4G1	
		INSTALLATION DATE Y/A M DATE D'INSTALLATION	
<p>PLEASE COMPLETE AND RETURN THIS CARD IMMEDIATELY TO ENABLE US TO CONTACT YOU IN THE REMOTE EVENT A SAFETY NOTIFICATION IS ISSUED FOR THIS PRODUCT.</p>		<p>VEUILLEZ REMPLIR ET RETOURNER LA PRÉSENTE FICHE SANS TARDER AFIN DE NOUS PERMETTRE DE COMMUNIQUER AVEC VOUS SI JAMAIS UN AVIS DE SÉCURITÉ CONCERNANT CE PRODUIT ÉTAIT ÉMIS.</p>	
CHECK ONE COCHÉZ	<input type="checkbox"/> MR. <input type="checkbox"/> MISS <input type="checkbox"/> MRS. <input type="checkbox"/> MME <input type="checkbox"/> MLLLE <input type="checkbox"/> MS	FIRST NAME/PRÉNOM	LAST NAME/NOM
STREET NO. N° RUE		STREET NAME/RUE	
CITY/VILLE		PROVINCE	APT.NO./APP./RR#
AREA CODE IND. REG.		TELEPHONE	POSTAL CODE/POSTAL
NAME OF SELLING DEALER/NOM DU MARCHAND			

Canada consumers, visit geappliances.ca/register/index.jsp

CORRESPONDENCE
CORRESPONDANCE

FRENCH
FRANÇAIS

ENGLISH
ANGLAIS

245D1499P002
Revised 06/14

Please place in envelope and mail to:
Veillez mettre dans une enveloppe et envoyez à :

OWNER REGISTRATION
PO BOX 1780
MISSISSAUGA, ONTARIO
L4Y 4G1

Garantía Limitada del Zoneline Vertical de GE Appliances

GARANTÍA LIMITADA

Todo el servicio de garantía es provisto por nuestros Centros de Servicio de Fabricación, o un técnico autorizado de Servicio al Cliente (Customer Care®). Para programar una visita del servicio técnico a través de Internet, visítenos en GEAppliances.com, o llámenos al 844-GE4-PTAC (o 844-434-7822). Para solicitar el servicio técnico en Canadá, comuníquese con Gordon Williams Corp. at 1.888.209.0999. Cuando llame para solicitar el servicio, tenga los números de serie y modelo disponibles.

Por el Período de:	Reemplazaremos
Un Año Desde la fecha de la compra original	Cualquier parte del acondicionador de aire que falle debido a un defecto en los materiales o la fabricación. Durante esta garantía limitada de un año, GE Appliances proveerá, sin costo, todo el trabajo y el costo de servicio relacionado con el reemplazo de la pieza que presente defectos.
Five Year <i>From the date of the original purchase</i>	Cualquier parte del sistema de refrigeración sellado, si alguna pieza del mismo (el compresor, condensador, evaporador y todas las cañerías de conexión incluyendo el sistema de reposición de aire) falla debido a un defecto en los materiales o la fabricación. Durante esta garantía limitada de cinco años, GE Appliances proveerá, sin costo, todo el trabajo y el costo de servicio relacionado con el reemplazo de la pieza que presente defectos.
Second through Fifth Year <i>From the date of the original purchase</i>	Del segundo al quinto año desde la fecha de compra original, GE Appliances reemplazará ciertas piezas que fallen debido a un defecto en los materiales o la fabricación. Las piezas cubiertas son los motores del ventilador, interruptores, termostatos, calefactor con resistencia eléctrica, protectores de calefactores con resistencia eléctrica, sobrecarga del compresor, solenoides, tableros de circuitos, controles auxiliares, termistores, controles de descongelación, bomba ICR, capacitores, varistores y cojinete del calefactor interno. Durante esta garantía limitada adicional de cuatro años, usted será responsable por cualquier trabajo o costos relacionados con el servicio técnico en el hogar.

Qué No Será Cubierto:

- Viajes del técnico del servicio a su hogar para enseñarle sobre cómo usar el producto.
- Instalación inadecuada. Si tiene un problema de instalación o el acondicionador de aire no posee la capacidad adecuada, contacte a su vendedor minorista o instalador. Usted es responsable de brindar instalaciones de conexión eléctrica adecuadas.
- En ubicaciones comerciales, el trabajo necesario para trasladar la unidad a una ubicación donde esté accesible para que un técnico pueda brindarle el servicio.
- Reemplazo de fusibles o reinicio de disyuntores.
- Falla del producto como resultado de modificaciones sobre el mismo o debido a un uso irrazonable, incluyendo la falta de mantenimiento razonable o necesario.
- Fallas o daños como resultado de la corrosión debido a la instalación en un ambiente costero, excepto aquellos modelos tratados con protección anticorrosiva especial aplicada en fábrica, según lo designado en el número de modelo.
- Daños ocasionados sobre el producto por nivel de suministro de voltaje inadecuado, accidente, incendio, inundaciones o catástrofes naturales.
- Daños consecuentes o incidentales causados por posibles defectos del acondicionador de aire.
- Daño causado después de la entrega..
- Producto no accesible para brindar el servicio requerido.

EXCLUSIÓN DE GARANTÍAS IMPLÍCITAS—Su única y exclusiva alternativa es la reparación del producto, como se indica en la Garantía Limitada. Las garantías implícitas, incluyendo garantías implícitas de comerciabilidad o conveniencia sobre un propósito particular, se limitan a un año o al período más corto permitido por la ley.

Para Clientes de EE.UU: Esta garantía limitada se extiende al comprador original y a cualquier dueño subsiguiente de productos comprados para uso hogareño dentro de EE.UU. Si el producto está en un área donde no se encuentra disponible un Proveedor Autorizado del Servicio Técnico de GE Appliances, usted será responsable por el costo de un viaje o se podrá requerir que traiga el producto a una ubicación del Servicio Técnico de GE Appliances Autorizado para recibir el servicio. En Alaska, la garantía limitada excluye el costo de envío o llamadas del servicio técnico a su hogar.

Algunos estados no permiten la exclusión o limitación de daños fortuitos o consecuentes. Esta garantía limitada le da derechos legales específicos y es posible que tenga otros derechos legales que varían entre un estado y otro. Para conocer cuáles son sus derechos legales, consulte a la oficina de asuntos del consumidor local o estatal o al Fiscal de su estado.

Garante en EE.UU:
GE Appliances, a Haier company
Louisville, KY 40225

Abroche su recibo aquí. Para acceder al servicio técnico de acuerdo con la garantía deberá contar con la prueba de la fecha original de compra.

Soporte al Cliente

GE Appliances Sitio Web

¿Desea realizar una consulta o necesita ayuda con su electrodoméstico? ¡Intente a través del Sitio Web de Electrodomésticos de GE Appliances las 24 horas del día, cualquier día del año! Usted también puede comprar más grandiosos productos de GE Appliances y sacar ventaja de todos nuestros servicios a través de Internet diseñados para su conveniencia.
En EE.UU.: GEAppliances.com

Registre su Electrodoméstico

¡Registre su electrodoméstico nuevo a través de Internet, según su conveniencia! Un registro puntual de su producto permitirá una mejor comunicación y un servicio más puntual de acuerdo con los términos de su garantía, en caso de surgir la necesidad. También puede enviar una carta en la tarjeta de inscripción pre-impresa que se incluye con el material embalado.
En EE.UU.: GEAppliances.com/register

Servicio Programado

El servicio de reparación de expertos de GE Appliances está a sólo un paso de su puerta. ¡Conéctese a través de Internet y programe su servicio a su conveniencia cualquier día del año! En EE.UU.: GEAppliances.com/service o llame al 800.432.2737 durante el horario comercial habitual.

Piezas y Accesorios

Individuos calificados para realizar el servicio técnico de sus propios electrodomésticos podrán solicitar el envío de piezas o accesorios directamente a sus hogares (se aceptan las tarjetas VISA, MasterCard y Discover). Ordene a través de Internet hoy durante las 24 horas del día. En EE.UU.: GEApplianceparts.com o por teléfono al 877.959.8688 durante el horario comercial habitual.

Las instrucciones que figuran en este manual cubren los procedimientos que serán realizados por cualquier usuario. Otros servicios técnicos generalmente deberían ser derivados a personal calificado del servicio. Se deberá tener cuidado, ya que una reparación indebida podrá ocasionar que el funcionamiento no sea seguro.

Contáctenos

Si no se encuentra satisfecho con el servicio que recibió de GE Appliances, comuníquese con nosotros a través de nuestro sitio Web con todos los detalles, incluyendo su número telefónico, o escriba a:

En EE.UU.: General Manager, Customer Relations | GE Appliances, Appliance Park | Louisville, KY 40225
GEAppliances.com/contact

Free Manuals Download Website

<http://myh66.com>

<http://usermanuals.us>

<http://www.somanuals.com>

<http://www.4manuals.cc>

<http://www.manual-lib.com>

<http://www.404manual.com>

<http://www.luxmanual.com>

<http://aubethermostatmanual.com>

Golf course search by state

<http://golfingnear.com>

Email search by domain

<http://emailbydomain.com>

Auto manuals search

<http://auto.somanuals.com>

TV manuals search

<http://tv.somanuals.com>