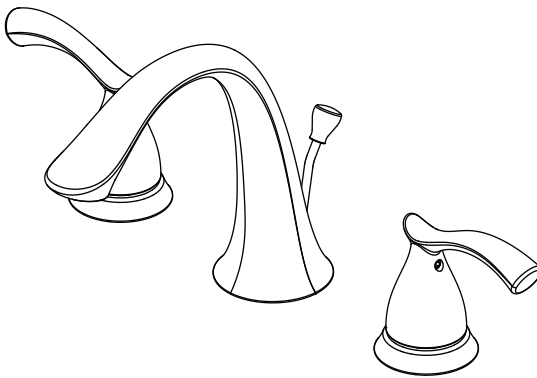


INSTALLATION AND CARE GUIDE

TWO-HANDLE LAVATORY FAUCET



Questions, problems, missing parts?

Before returning to the store, call Glacier Bay Customer Service

8 a.m. - 7 p.m., EST, Monday - Friday

9 a.m. - 6 p.m., EST, Saturday

1-855-HD-GLACIER (1-855-434-5224)

HOMEDEPOT.COM/GLACIERBAY

THANK YOU

We appreciate the trust and confidence you have placed in Glacier Bay through the purchase of this lavatory faucet. We strive to continually create quality products designed to enhance your home. Visit us online to see our full line of products available for your home improvement needs. Thank you for choosing Glacier Bay!

Table of Contents

Important Information	2	Installation	4
Warranty	2	Operation	8
Pre-Installation	2	Care and Cleaning	9
Planning Installation	2	Troubleshooting	9
Tools and Hardware Required	2	Service Parts	10
Package Contents	3		

Important Information

- Observe all local plumbing and building codes.
- Cover the sink drain to avoid losing any parts.
- Review the care and cleaning section included in this guide.

Warranty

LIMITED LIFETIME WARRANTY

Glacier Bay products are manufactured with superior quality standards and workmanship and are backed by our limited lifetime warranty. Glacier Bay products are warranted to the original consumer purchaser to be free of defects in materials or workmanship. We will replace FREE OF CHARGE any product or parts that proves defective. Simply, return the product / part to any of The Home Depot retail locations or call 1-855-HD-GLACIER (1-855-434-5224) to receive the replacement item. Proof of purchase (original sales receipt) from the original consumer purchaser must be made available for all Glacier Bay warranty claims.

This warranty excludes incidental/inconsequential damages and failures due to misuse, abuse or normal wear and tear. This warranty excludes all industrial, commercial & business usage, whose purchasers are hereby, extended a five year limited warranty from the date of purchase, with all other terms of this warranty applying except the duration of warranty.

Some states and provinces do not allow the exclusion or limitation of incidental or consequential damages, so the above limitations may not apply to you. This warranty gives you specific legal rights and you may also have other rights that vary from state to state and province to province. Please see a store or contact 1-855-HD-GLACIER for more details.

Pre-Installation

PLANNING INSTALLATION

Before beginning the installation of this product, ensure all parts are present. Compare parts with the Package Contents list. If any part is missing or damaged, do not attempt to install the product. Contact customer service for replacement parts.

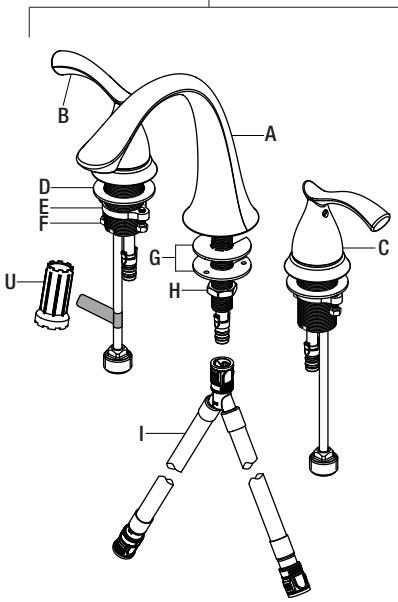
TOOLS AND HARDWARE REQUIRED



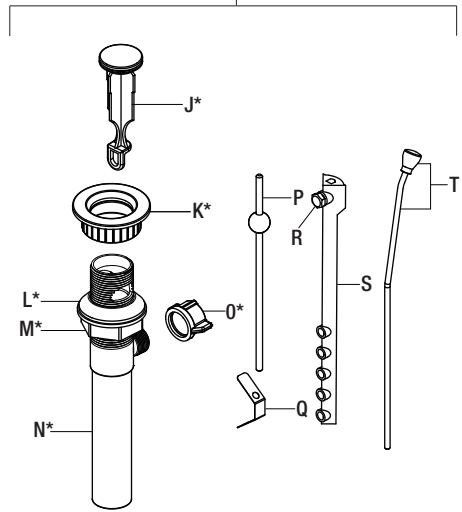
Pre-Installation (continued)

PACKAGE CONTENTS

Faucet Assembly



Drain Assembly



NOTE: *Items J - O come pre-assembled.

Part	Description	Quantity
A	Faucet body	1
B	Handle assembly - Hot	1
C	Handle assembly - Cold	1
D	Washer	2
E	Nut	2
F	Screw	4
G	Washer	1
H	Lock nut	1
I	Quick connecting hose	1

Part	Description	Quantity
J	Pop up stopper	1
K	Drain flange	1
L	Rubber washer	1
M	Lock nut	1
N	Drain body	1
O	Ball nut	1
P	Ball rod	1
Q	Spring clip	1
R	Thumb screw	1
S	Lift rod strap	1
T	Lift rod	1
U	Plastic wrench	1

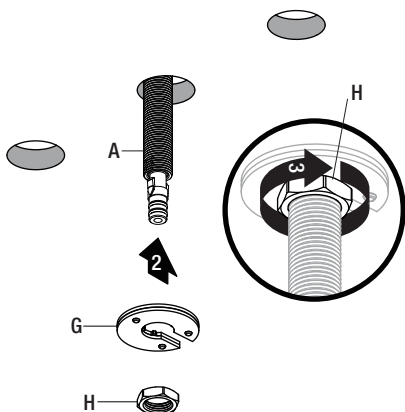
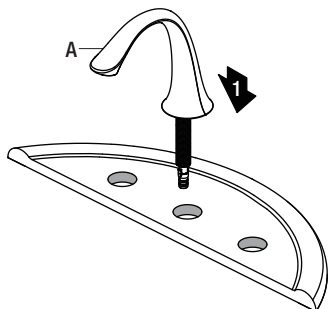
Installation

1 Installing the faucet assembly



CAUTION: Always turn off the water supply before removing an existing faucet or replacing any part of a faucet. Open the faucet handle to relieve water pressure and ensure that the water is completely shut off.

- Shut off the water supply. Remove the old faucet.
- Clean the mounting surface.
- Remove the preassembled lock nut (H) and washers (G) from the new faucet (A).
- Place the faucet (A) through the mounting holes in the sink.
- Ensure the slot openings of the washer (G) face toward the rear of the sink.
- Secure the faucet (A) to the sink using the lock nut (H) provided.

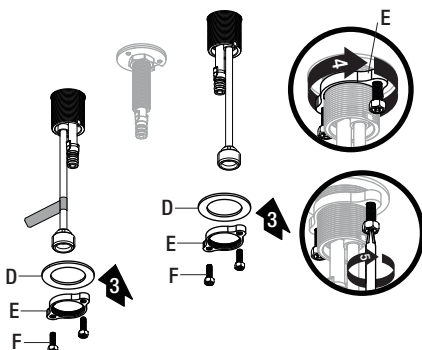
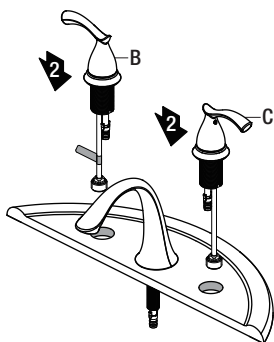
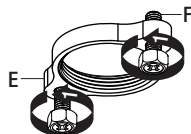


2 Installing the faucet handles



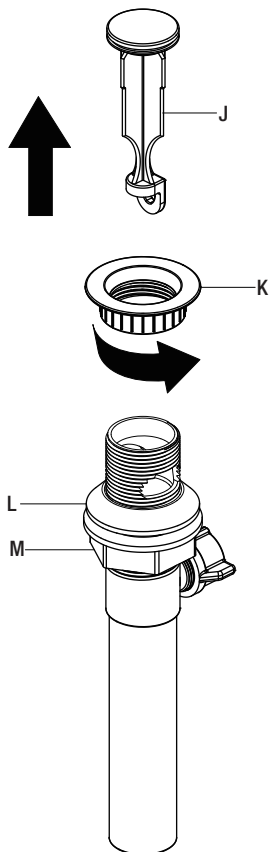
NOTE: The hot water valve is identified with a label.

- Remove the preassembled nuts (E) and washers (D) from the hot and cold faucet handles (B and C).
- Loosen the screws (F) on the nuts (E) until the ends of the screws (F) are flush with the face of the nuts (E).
- Insert the hot faucet handle (B) to the left of the spout and cold faucet handle (C) to the right of the spout.
- Attach the faucet handles (B and C) underneath the sink using the washers (D) and nuts (E). Securely tighten the screws (F) on the nuts (E).



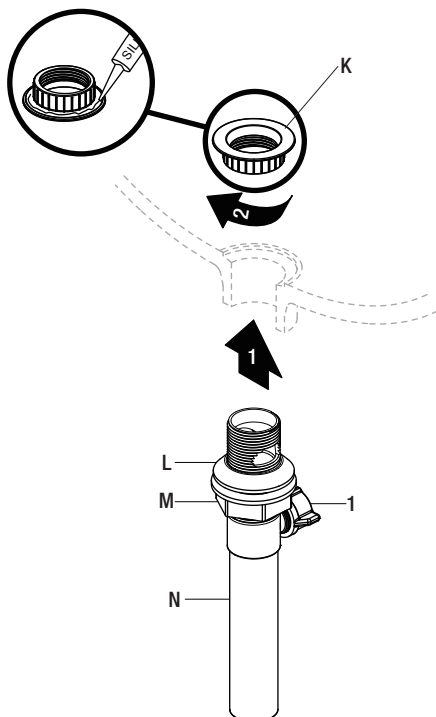
3 Preparing the pop-up assembly

- Remove the pop up stopper (J) and drain flange (K) from the drain body.
- Screw the lock nut (M) all the way down, and push the rubber washer (L) down.



4 Installing the drain body

- Apply silicone sealant (not included) under the drain flange (K) and place the drain flange (K) into the drain hole of the sink.
- From underneath the sink, screw the drain body (N) onto the drain flange (K). Ensure that the opening (1) for the ball rod on the drain body (N) faces towards the rear of the sink.
- Tighten the rubber washer (L) and lock nut (M) on the drain body (N). Do not overtighten.

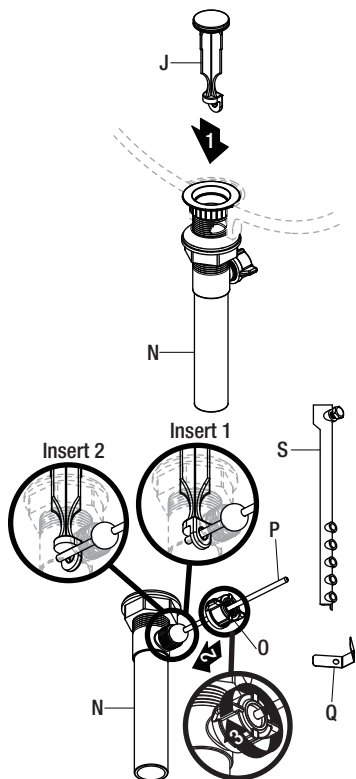


5 Installing the stopper and ball rod



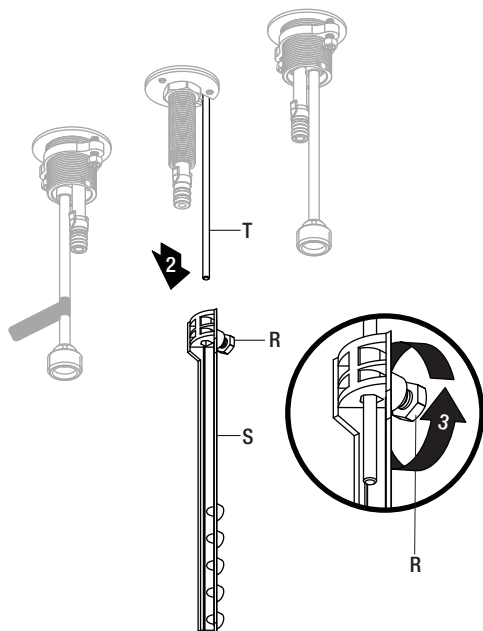
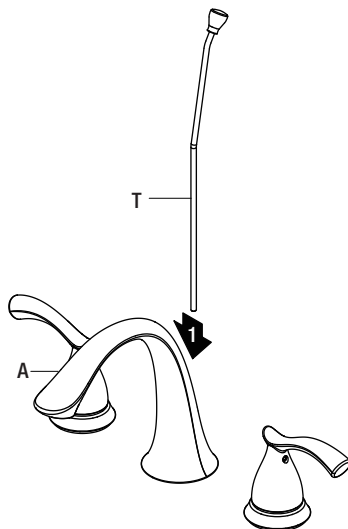
NOTE: In shallow cabinet installations, the ball rod (P) may need to be shortened. Use a hack saw to cut the end of the rod, away from the ball, to the desired length.

- Insert the stopper (J) into the drain hole in the sink.
- Remove the lift rod strap (S) and spring clip (Q) from the ball rod (P).
- Remove the ball nut (O). Insert the ball rod (P) into the drain body (N) and through the hole of the stopper (J). See insert 1.
- For easier removal and cleaning, rotate the stopper (J) 90 degrees so that the ball rod (P) does not go through the hole in the stopper (J). See insert 2.
- Secure the ball nut (O) against the hole in the drain body (N) and tighten the ball nut (O) onto the threaded end. Do not overtighten.



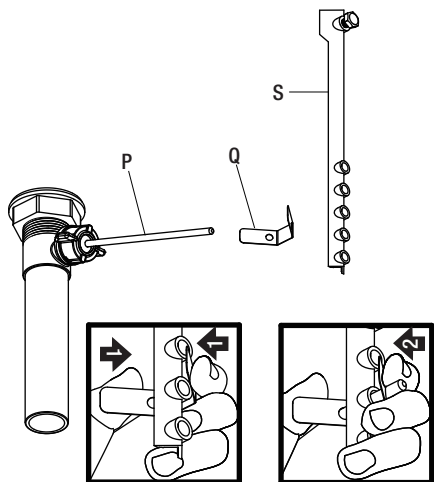
6 Installing the lift rod

- Insert the lift rod (T) through the faucet (A) and down into the lift rod strap (S). Tighten the thumb screw (R).



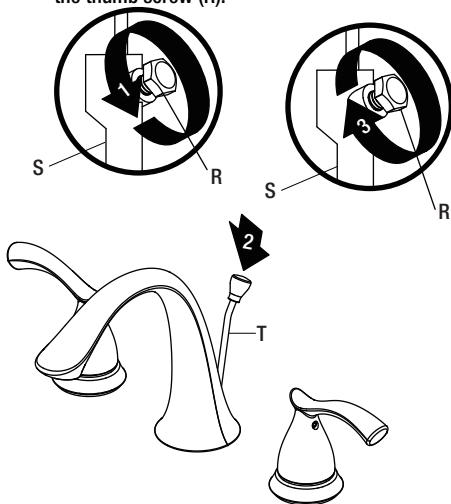
7 Attaching the ball rod and strap

- Attach the ball rod (P) to the lift rod strap (S) using the spring clip (Q).



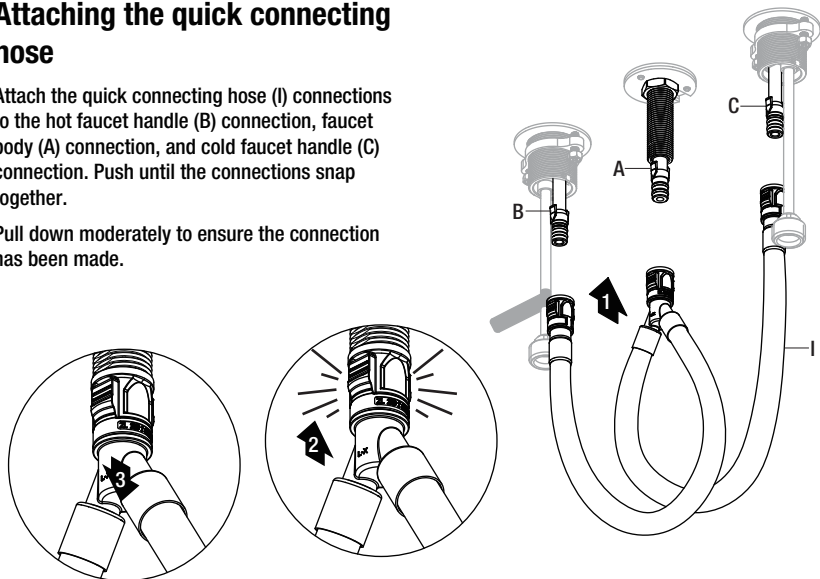
8 Adjusting the lift rod

- Loosen the thumb screw (R) on the lift rod strap (S).
- Push down on the lift rod (T) until the drain stopper is in the open position. Retighten the thumb screw (R).



9 Attaching the quick connecting hose

- Attach the quick connecting hose (I) connections to the hot faucet handle (B) connection, faucet body (A) connection, and cold faucet handle (C) connection. Push until the connections snap together.
- Pull down moderately to ensure the connection has been made.



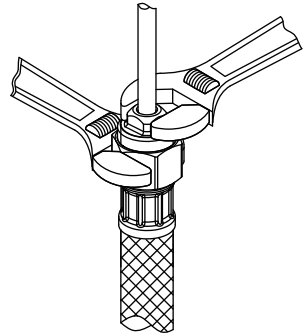
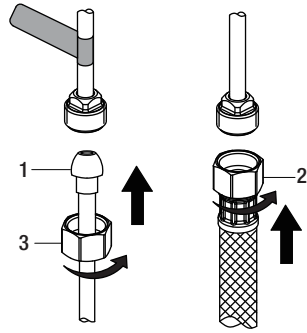
Installation (continued)

10 Making the water supply connections

- Use 1/2 in. I.P.S. faucet connections (2), or use supply line coupling nuts (3) (not included) with a 3/8 in. O.D. ball-nose riser (1).



NOTE: Before tightening the faucet connector to the water supply, apply a second wrench to the supply tube fitting. This will prevent the supply tube from moving or twisting when tightening the faucet connector. Do not overtighten.



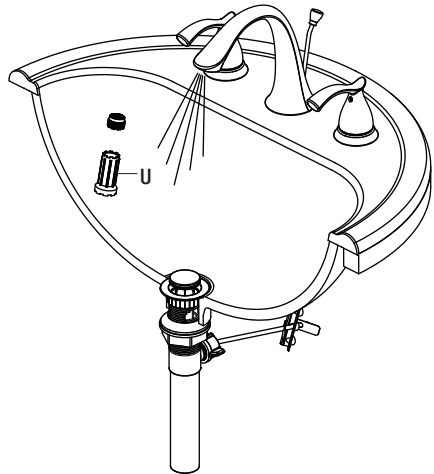
Operation

1 Flushing and checking for leaks



IMPORTANT: After installation is complete, remove the aerator with the plastic wrench (U) to flush the water lines.

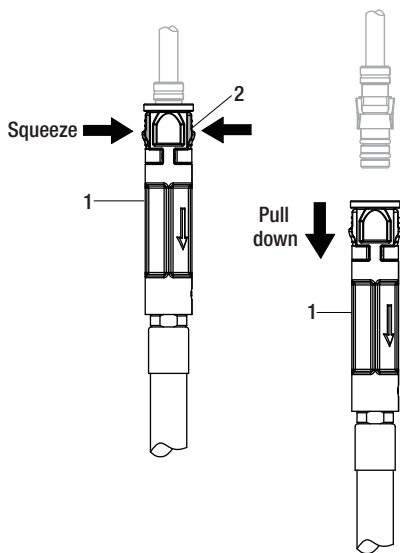
- Ensuring the handles are in the off position, turn on the water supply and check for leaks. If you discover any leaks, check your connections to ensure they are installed properly.
- Remove the aerator and housing (if applicable). Turn on the hot and cold handles to allow the water to run for at least one minute. This flushes away any debris that could cause damage to internal parts.
- Turn off the water and reinstall the aerator and housing (if applicable).



Operation (continued)

2 Removing the quick connector

- If it is necessary to remove the quick connector (1), squeeze the tabs (2) on the quick connector and then pull down to disconnect.



Care and Cleaning

- To clean, wipe down with a damp cloth and towel dry.
- Do not use abrasive cleaners, steel wool, or harsh chemicals when cleaning this faucet, or the warranty will be voided.

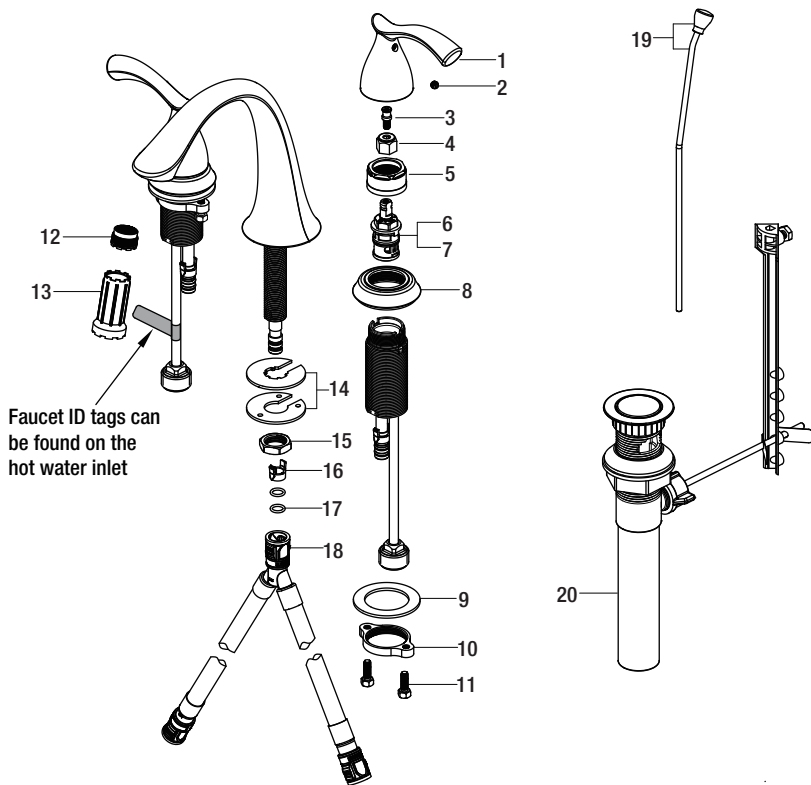
Troubleshooting



NOTE: Refer to the service parts section in this manual for a detailed drawing showing the location of the parts listed below.

Problem	Possible Cause	Solution
There are leaks from the handle.	The bonnet nut has come loose and/or the washer is dirty or damaged.	<ul style="list-style-type: none"> □ Tighten the bonnet nut. □ Clean or replace the washer.
The aerator has an irregular or reduced water flow.	The aerator is dirty or mis-fitted.	<ul style="list-style-type: none"> □ This faucet features an easy clean aerator. Gently rub your fingers against the face of the aerator to break away any debris or build up.
The water will not shut off completely.	The cartridge is dirty or broken.	<ul style="list-style-type: none"> □ Remove the handle to check the cartridge. □ Clean or replace.
Leaking from sink drain at the base of the sink.	Rough or irregular surface on sink.	<ul style="list-style-type: none"> □ Apply additional silicone sealant to the beveled side of the drain flange. □ Retighten and test for leaks.

Service Parts



Part	Description	Part Number
1	Handle	RP13149*
2	Set screw	RP50002
3	Connector	RP50003
4	Inverter	RP64044
5	Bonnet nut	RP70193
6	Cartridge (H)	RP20013
7	Cartridge (C)	RP20014
8	Flange	RP80296*
9	Washer	RP64147
10	Nut	RP56059
11	Screw	RP50004

Part	Description	Part Number
12	Aerator	RP30123
13	Plastic wrench	RP30040
14	Washer	RP64193
15	Nut	RP56062
16	Block	RP70421
17	O-ring	RP60002
18	Quick connecting hose	RP70430
19	Lift rod & lift rod knob	RP40102*
20	Pop-up assembly less lift rod	RP40027*

*Specify Finish

Many replacement cartridges, aerators, and drain assemblies can be purchased at your local The Home Depot store or online at HOMEDEPOT.COM



Questions, problems, missing parts?

Before returning to the store, call Glacier Bay Customer Service

8 a.m. - 7 p.m., EST, Monday - Friday

9 a.m. - 6 p.m., EST, Saturday

1-855-HD-GLACIER (1-855-434-5224)

[HOMEDEPOT.COM/GLACIERBAY](https://www.homedepot.com/glacierbay)

Retain this manual for future use.

Free Manuals Download Website

<http://myh66.com>

<http://usermanuals.us>

<http://www.somanuals.com>

<http://www.4manuals.cc>

<http://www.manual-lib.com>

<http://www.404manual.com>

<http://www.luxmanual.com>

<http://aubethermostatmanual.com>

Golf course search by state

<http://golfingnear.com>

Email search by domain

<http://emailbydomain.com>

Auto manuals search

<http://auto.somanuals.com>

TV manuals search

<http://tv.somanuals.com>