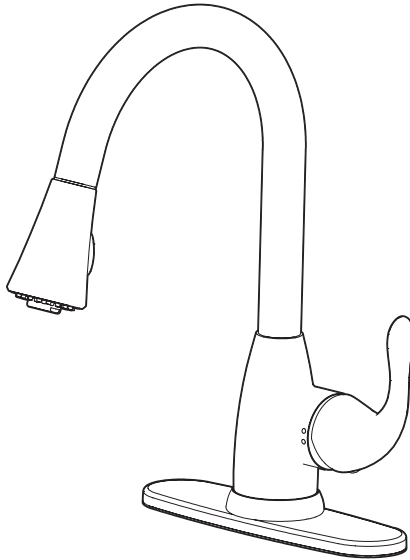


INSTALLATION AND CARE GUIDE

KITCHEN FAUCET WITH PULL-DOWN SPRAY HEAD



Questions, problems, missing parts?

Before returning to the store, call Glacier Bay Customer Service
8 a.m. - 7 p.m., EST, Monday - Friday
9 a.m. - 6 p.m., EST, Saturday

1-855-HD-GLACIER (1-855-434-5224)

HOMEDEPOT.COM/GLACIERBAY

THANK YOU

We appreciate the trust and confidence you have placed in Glacier Bay through the purchase of this kitchen faucet. We strive to continually create quality products designed to enhance your home. Visit us online to see our full line of products available for your home improvement needs. Thank you for choosing Glacier Bay!

Table of Contents

Important Information	2	Installation	4
Warranty	2	Operation	5
Pre-Installation	2	Care and Cleaning	7
Planning Installation	2	Troubleshooting	7
Tools and Hardware Required	2	Service Parts	8
Package Contents	3		

Important Information

- Observe all local plumbing and building codes.
- Cover the sink drain to avoid losing any parts.
- Review the care and cleaning section included in this guide.

Warranty

LIMITED LIFETIME WARRANTY

Glacier Bay products are manufactured with superior quality standards and workmanship and are backed by our limited lifetime warranty. Glacier Bay products are warranted to the original consumer purchaser to be free of defects in materials or workmanship. We will replace FREE OF CHARGE any product or parts that proves defective. Simply, return the product / part to any of The Home Depot retail locations or call 1-855-HD-GLACIER (1-855-434-5224) to receive the replacement item. Proof of purchase (original sales receipt) from the original consumer purchaser must be made available for all Glacier Bay warranty claims.

This warranty excludes incidental/inconsequential damages and failures due to misuse, abuse or normal wear and tear. This warranty excludes all industrial, commercial & business usage, whose purchasers are hereby, extended a five year limited warranty from the date of purchase, with all other terms of this warranty applying except the duration of warranty.

Some states and provinces do not allow the exclusion or limitation of incidental or consequential damages, so the above limitations may not apply to you. This warranty gives you specific legal rights and you may also have other rights that vary from state to state and province to province. Please see a store or contact 1-855-HD-GLACIER for more details.

Pre-Installation

PLANNING INSTALLATION

Before beginning the installation of this product, ensure all parts are present. Compare parts with the Package Contents list. If any part is missing or damaged, do not attempt to install the product. Contact customer service for replacement parts.

TOOLS AND HARDWARE REQUIRED



Adjustable wrench



Safety goggles



Flathead screwdriver



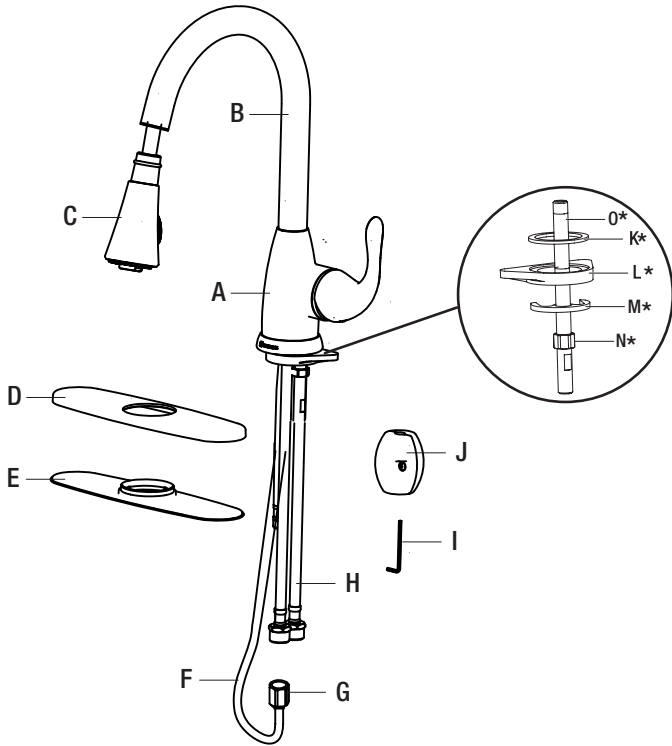
Silicone sealant



Channel lock pliers

Pre-Installation (continued)

PACKAGE CONTENTS



*Items K - O come pre-assembled.

Part	Description	Quantity
A	Faucet body	1
B	Spout	1
C	Spray head	1
D	Deck plate	1
E	Gasket	1
F	Pull-down hose	1
G	Adapter	1

Part	Description	Quantity
H	Inlet hose	2
I	Wrench	1
J	Weight	1
K	Washer	1
L	Mounting brace	1
M	U-shaped washer	1
N	Lock nut	1
O	Tube	1

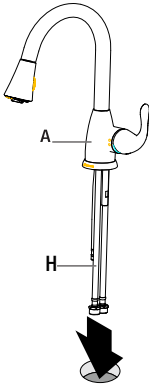
Installation

1 Installing the faucet assembly

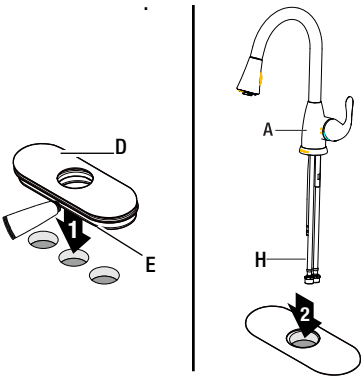


CAUTION: Always turn off the water supply before removing an existing faucet or replacing any part of a faucet. Open the faucet handle to relieve water pressure and ensure that the water is completely shut off.

- Shut off the water supply. Remove the old faucet.
- Clean the mounting surface.
- Remove the lock nut (N), U-shaped washer(M), mounting brace (L), washer (K) from the faucet.
- **WITHOUT DECK PLATE:** Insert the inlet hoses (H) through the mounting hole in the sink until faucet body (A) sets on top of the sink.



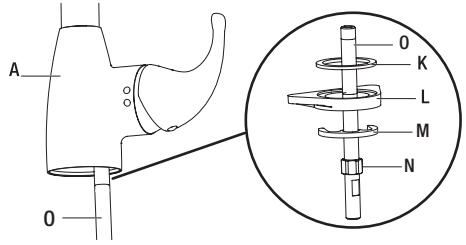
- **WITH DECK PLATE:** Align the hole in the gasket (E) and deck plate (D) with the mounting hole in the sink. Insert the inlet hoses (H) through the deck plate (D) and mounting hole in the sink until faucet (A) sets on top of deck plate(D).



NOTE: If the sink is uneven, use silicone under the gasket (E).

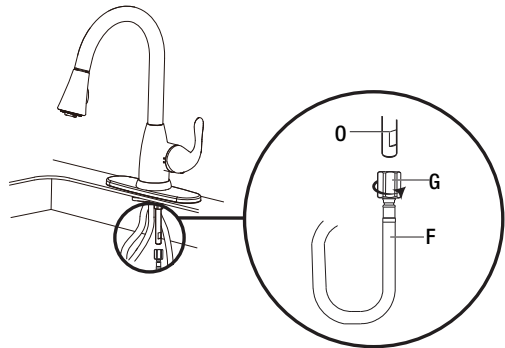
2 Securing the faucet

- From underneath the sink, secure the faucet body (A) to the sink by threading the washer (K), mounting brace(L), and U-shaped washer (M) onto the threaded tube (O). Tighten the lock nut (N) securely.



3 Connecting the pull-out hose

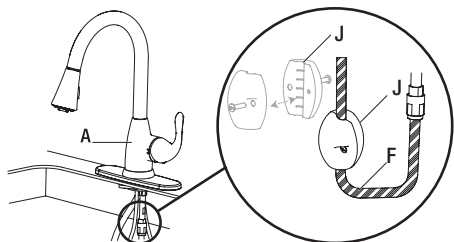
- Attach the pull-down hose (F) to the outlet tube (O) and screw on the adapter(G), and tighten firmly in place.



Installation (continued)

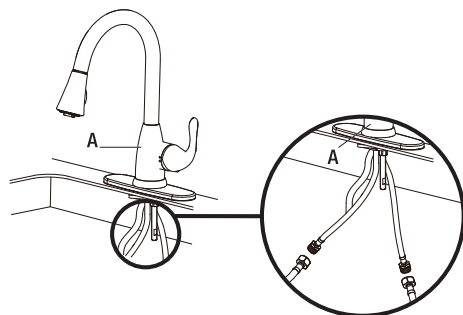
4 Connecting the weight

- Tighten the two halves of the weight (J) to the pull-down hose (F) approximately 30 cm (1 ft.) below the connection of the water outlet tube.
- Check the function of the weight and hose by pulling the pull-down hose (F) and checking that its movement path underneath the sink is free from obstruction.



5 Connecting the inlet hoses

- Connect the water inlet hoses of the faucet (A) to the sink water supply lines.
- Ensure that the faucet inlet hose with the red marking is attached to the hot water supply line and the blue faucet inlet hose is attached to the cold water supply line.

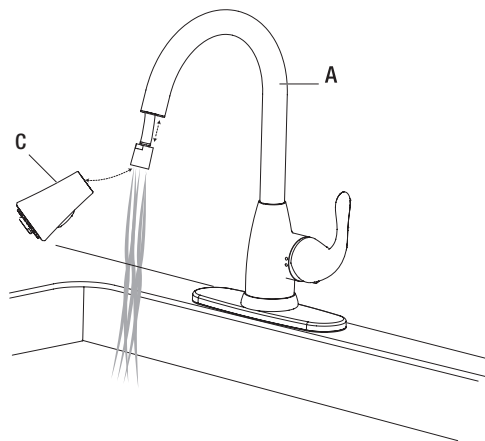


Operation

1 Flushing and checking for leaks

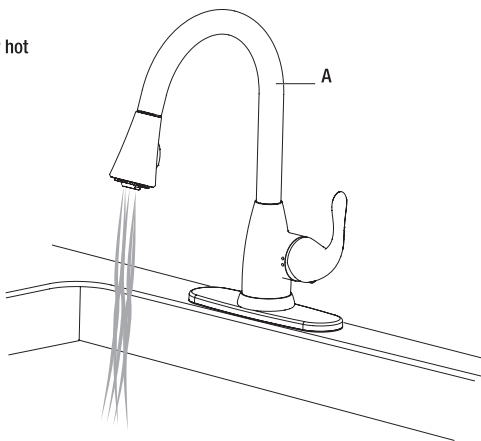
IMPORTANT: After installation is completed, remove the spray head to flush the water lines. Do not lose the gasket in the spray head.

- Ensuring the handle is in the off position, turn on the water supply and check for leaks.
- If you discover any leaks, check the connections to ensure they are installed properly.
- Remove the spray head (C) from the faucet body (A). Be sure to hold the end of the hose down into the sink and turn the faucet on. Run the water for approximately 1 minute to flush the lines.
- Re-attach the spray head (C).



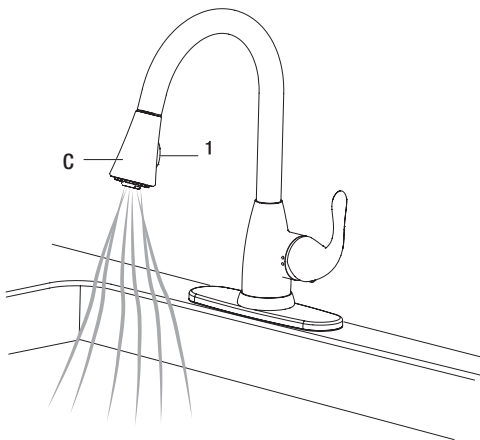
2 Controlling water flow and temperature

- Pull the faucet handle away from the faucet body (A) to turn the water on. Push the faucet handle back towards the faucet body (A) to turn the water off.
- For cold water, pull the faucet handle towards you. For hot water push the faucet handle away from you.



3 Using the spray function

- The spray head (C) works in two modes: aerator and spray. To switch between these modes, press the top and bottom points on the spray head button(1).



Care and Cleaning

- To clean, wipe down with a damp cloth and towel dry.
- Do not use abrasive cleaners, steel wool, or harsh chemicals when cleaning this faucet, or the warranty will be voided.

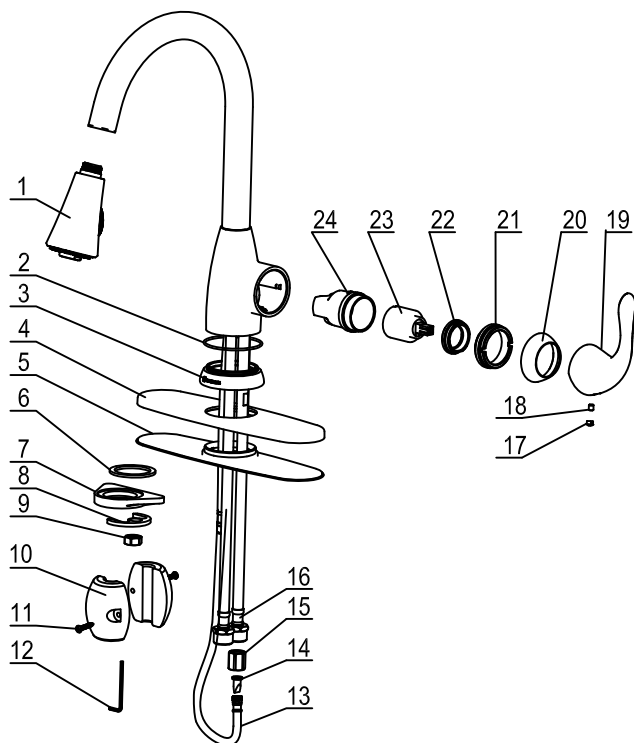
Troubleshooting



NOTE: Refer to the service parts section in this manual for a detailed drawing showing the location of the parts listed below.

Problem	Possible Cause	Solution
There are leaks underneath the handle.	The bonnet nut has come loose and the O-ring on the cartridge is dirty or damaged.	<ul style="list-style-type: none"> <input type="checkbox"/> Tighten the bonnet nut. Clean or replace the O-ring.
The aerator leaks or has an inconsistent water flow pattern.	<p>The aerator is dirty or mis-fitted.</p> <p>The cartridge may be clogged.</p>	<ul style="list-style-type: none"> <input type="checkbox"/> Remove the aerator and check for debris in the aerator screens. <input type="checkbox"/> Remove the cartridge and check for debris. <input type="checkbox"/> Ensure the aerator is properly installed.
There are leaks from the hose underneath the deck.	The hose and discharge tube connection may be loose.	<ul style="list-style-type: none"> <input type="checkbox"/> Tighten the connection between the discharge tube and hose.
The hose does not retract.	The weight is not installed in the appropriate position	<ul style="list-style-type: none"> <input type="checkbox"/> Reinstall or readjust the weight.
The water pressure is low.	<p>The connector underneath the deck is clogged with debris.</p> <p>The aerator is clogged.</p>	<ul style="list-style-type: none"> <input type="checkbox"/> Turn off the water supply and disconnect the connector/aerator. <input type="checkbox"/> Unscrew the connector/aerator and clean under running water. <input type="checkbox"/> Screw the connector/aerator back. <input type="checkbox"/> Test water flow. If water pressure is still low then replace the connector/aerator.
There is no hot or cold water.	The water inlet hose was accidentally kinked during installation and is limiting the water flow through.	<ul style="list-style-type: none"> <input type="checkbox"/> Reinstall the water inlet hose.

Service Parts



Part	Description	Part Number
1	Spray head	RP551177N*
2	O-ring	RP027280
3	Base	RP032223-90*
4	Deck plate	RP061095*
5	Gasket	RP024279
6	Washer	RP024198
7	Mounting brace	RP024197
8	U-shaped washer	RP024196
9	Lock nut	RP058194
10	Weight	RP098000
11	Weight screw	RP020180
12	Wrench	RP026000NI

Part	Description	Part Number
13	Pull-down hose	RP300094N
14	Check valve	RP031300N
15	Connector	RP045105
16	Inlet hose (hot)	RP300097NH
	Inlet hose (cold)	RP300097NC
17	Index	RP232010
18	Faucet screw	RP020005
19	Faucet handle	RP038337*
20	Cap	RP063336*
21	Hold nut	RP058438
22	Bonnet nut	RP058434
23	Cartridge	RP530046
24	Cartridge base	RP048067N

*Specify Finish

Many replacement cartridges, aerators, and drain assemblies can be purchased at your local The Home Depot store or online at HOMEDEPOT.COM



Questions, problems, missing parts?

Before returning to the store, call Glacier Bay Customer Service

8 a.m. - 7 p.m., EST, Monday - Friday

9 a.m. - 6 p.m., EST, Saturday

1-855-HD-GLACIER (1-855-434-5224)

[HOMEDEPOT.COM/GLACIERBAY](https://www.homedepot.com/glacierbay)

Retain this manual for future use.

Free Manuals Download Website

<http://myh66.com>

<http://usermanuals.us>

<http://www.somanuals.com>

<http://www.4manuals.cc>

<http://www.manual-lib.com>

<http://www.404manual.com>

<http://www.luxmanual.com>

<http://aubethermostatmanual.com>

Golf course search by state

<http://golfingnear.com>

Email search by domain

<http://emailbydomain.com>

Auto manuals search

<http://auto.somanuals.com>

TV manuals search

<http://tv.somanuals.com>