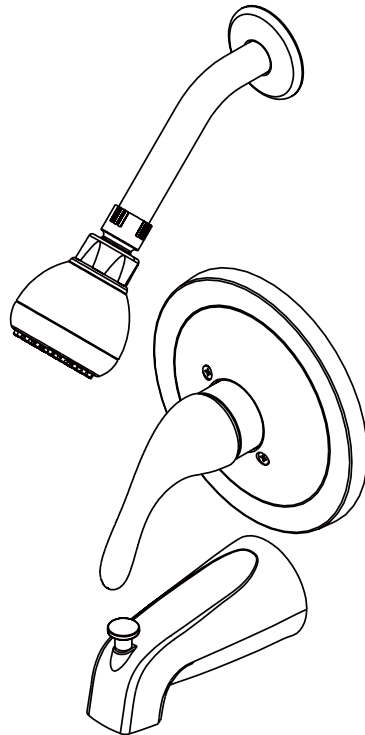


INSTALLATION AND CARE GUIDE

TUB AND SHOWER SET



Questions, problems, missing parts?

Before returning to the store, call Glacier Bay Customer Service
8 a.m. - 7 p.m., EST, Monday - Friday
9 a.m. - 6 p.m., EST, Saturday

1-855-HD-GLACIER (1-855-434-5224)

HOMEDEPOT.COM/GLACIERBAY

THANK YOU

We appreciate the trust and confidence you have placed in Glacier Bay through the purchase of this tub and shower set. We strive to continually create quality products designed to enhance your home. Visit us online to see our full line of products available for your home improvement needs. Thank you for choosing Glacier Bay!

Table of Contents

Important Information.....	2	Installation.....	6
Warranty.....	2	Back to Back Installation.....	10
Pre-installation.....	3	Clean the Screen Washer.....	11
Planning Installation.....	3	Care and Cleaning.....	12
Helpful Tools.....	3	Troubleshooting.....	12
Package Contents.....	5	Service Parts.....	13

Important Information

1. Do not install this product until you read and understand the instructions in this manual. If you are installing this product for someone else, leave this manual for the owner's/user's reference.
2. Inlet ports are designed to allow for 1/2 in. COPPER connection or 1/2 in. IPS threaded connection. For threaded connection wrap thread seal tape around male threads on valve before connection fittings. If soldering connections, cartridge and integral stops must be removed to avoid heat damage and reinstalled when connections are completed and cooled. If you are unsure how to remove these parts please call us at 1-800-HD-Glacier (1-800-494-5884).
3. Protect your eyes with safety glasses when cutting or soldering water supply lines.
4. **NOISE AND WATER HAMMER IN PEX SYSTEMS:** Due to the inherent flexibility of PEX compared with metallic plumbing materials, water hammer and noise can sometimes occur from the pressure surges. It is important to ensure the tubing is not in contact with wallboard, forced air ducts or other high-resonance materials. Clamping or strapping can help prevent these noises. **DO NOT USE PEX tubing from the valve to the tub spout.**

Warranty

LIMITED LIFETIME WARRANTY

Glacier Bay products are manufactured with superior quality standards and workmanship and are backed by our limited lifetime warranty. Glacier Bay products are warranted to the original consumer purchaser to be free of defects in materials or workmanship. We will replace **FREE OF CHARGE** any product or parts that proves defective. Simply, return the product / part to any of The Home Depot retail locations or call 1-855-HD Glacier (1-855-434-5224) to receive the replacement item. Proof of purchase (original sales receipt) from the original consumer purchaser must be made available for all Glacier Bay warranty claims.

This warranty excludes incidental / inconsequential damages and failures due to misuse, abuse, or normal wear and tear. This warranty excludes all industrial, commercial, and business usage, whose purchasers are hereby extended a five year limited warranty from the date of purchase, with all other terms of this warranty applying except the duration of warranty.

Some states and provinces do not allow the exclusion or limitation of incidental or consequential damages, so the above limitations may not apply to you. This warranty gives you specific legal rights and you may also have other rights that vary from state to state and province to province. Please see a store or contact 1-855-HD Glacier for more details.

Pre-installation

PLANNING INSTALLATION

Before you begin to install this product, ensure that all parts are present. Compare parts with the package contents list. If any part is missing or damaged, do not attempt to install the product. Contact customer service for replacement parts.

All installations can vary depending on how your previous faucet was installed. Not all supplies for faucet installation are included; however, they are available wherever plumbing supplies are sold. When choosing your installation supplies, make sure they are UPC and/or CSA approved products.

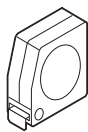
HELPFUL TOOLS

If you are replacing your plumbing valve, please review the four common plumbing methods illustrated below: COPPER, IPS, PEX and CPVC. Remove the existing handle and valve trim before replacing your valve. Please follow all local building and plumbing codes.

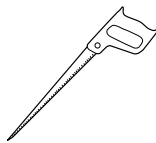
These are some common tools.



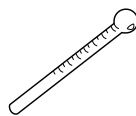
Safety Glasses



Measuring Tape



Key Hole Saw



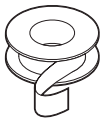
Thermometer



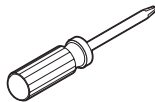
Crescent Wrench



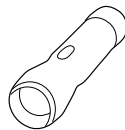
Pipe Joint Compound



Thread Seal Tape

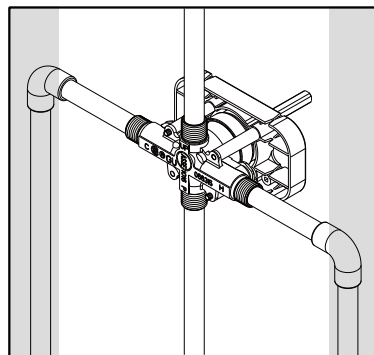
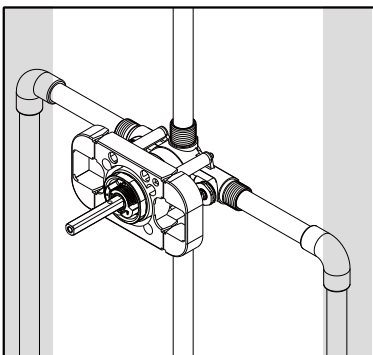


Phillips Screwdriver



Flashlight

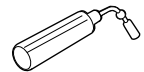
A. COPPER



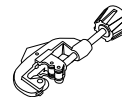
Leadfree Solder Kit



Sharpe fittings



Torch



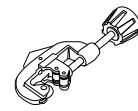
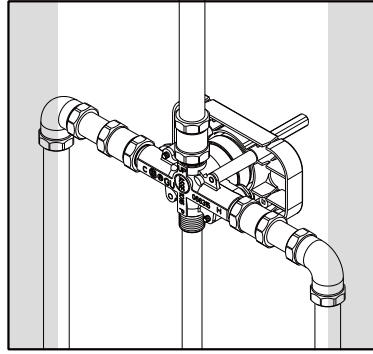
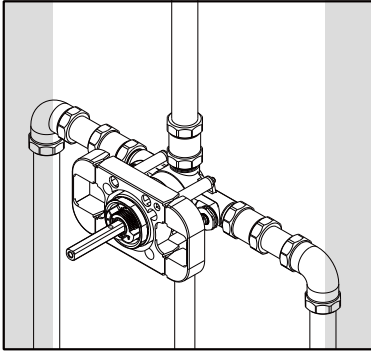
Tube Cutter



Wire Brush

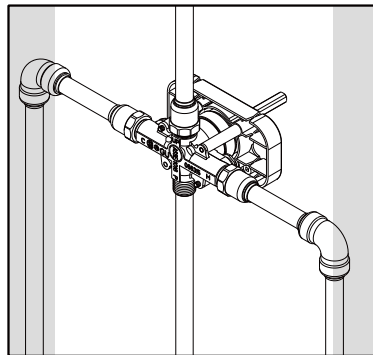
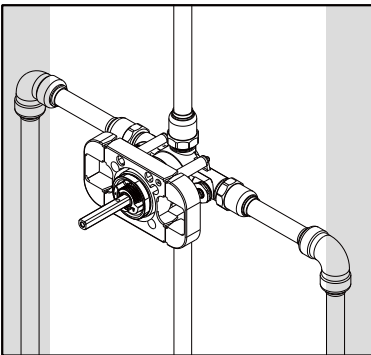
Pre-installation (continued)

B. IPS

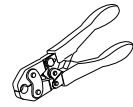


Tube
Cutter

C. PEX



PEX
fitg

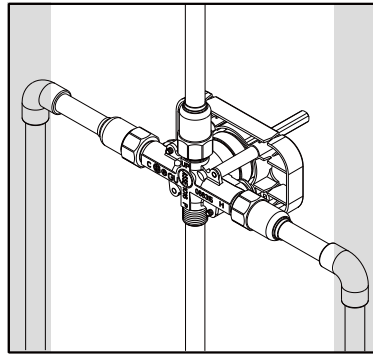
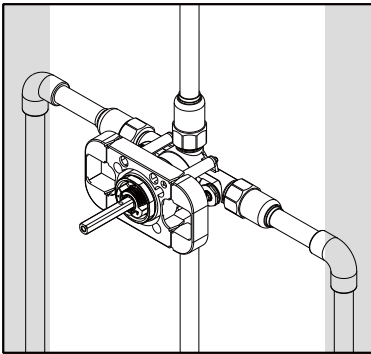


PEX
Crimper



Tube
Cutter

D. CPVC



CPVC
Clear



CPVC
fitg



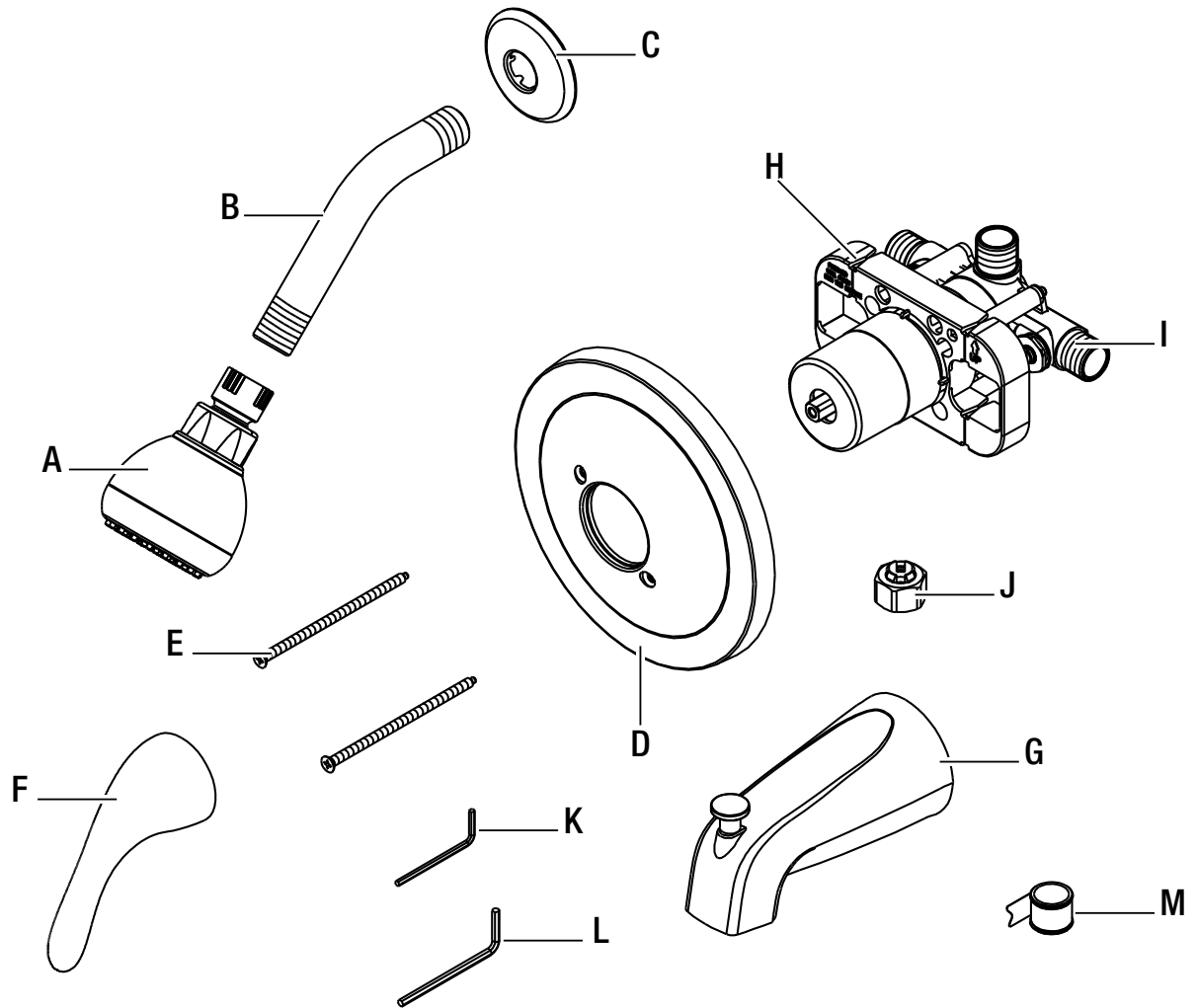
CPVC
Ceath



Tube
Cutter

Pre-installation (continued)

PACKAGE CONTENTS

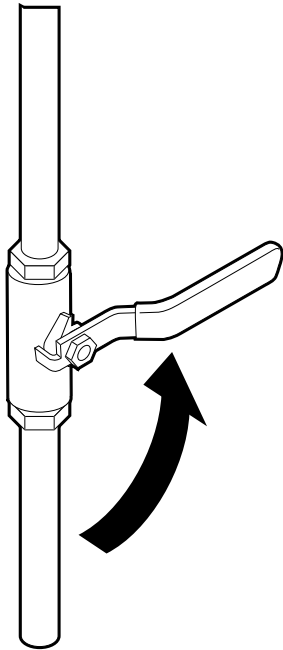


Part	Description	Quantity
A	Shower head	1
B	Shower arm	1
C	Shower arm flange	1
D	Escutcheon	1
E	Escutcheon screw	2
F	Handle	1
G	Spout	1
H	Plaster guard	1
I	Valve body	1
J	Plug	1
K	Allen wrench (H 2.5 * 19 mm L * 53 mm L)	1
L	Allen wrench (H 3.18 * 20 mm L * 90 mm L)	1
M	Sealant tape	1

Installation

1 Turning off water supplies

- Shut off the main water supply before installation.
- Turn on the faucet nearby to relieve water pressure and ensure the water supply has been completely shut off.

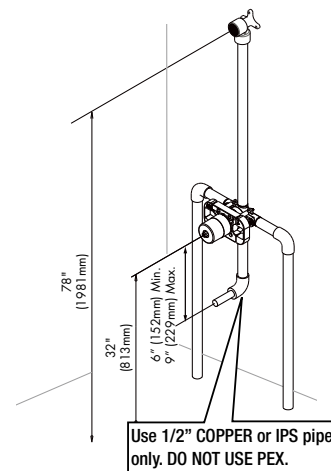


2 Measuring for ideal tub and shower performance

- Note the recommended installation measurements in positioning the valve body for tub and shower. Do not use PEX, CPVC or SHARK BITE fittings for supplying tub spout.
- Recommended installation of the shower arm is to a flanged elbow fitting (not included) attached to a wood brace.



CAUTION: Installation of this product at non-recommended measurements may lead to issues such as water discharge from the showerhead during tub fill mode.



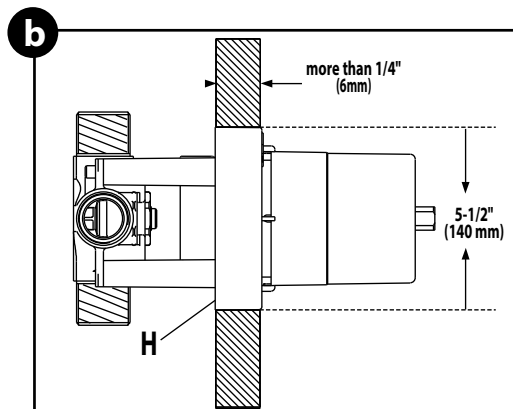
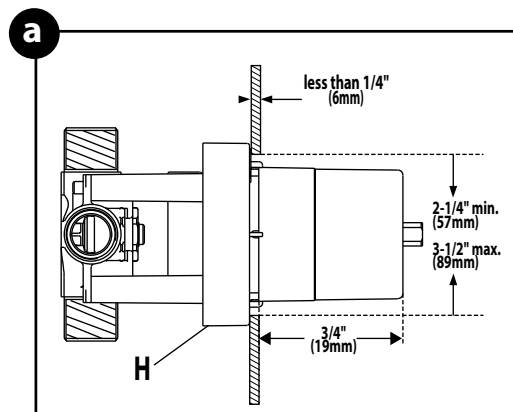
3 Installing your valve

a Thin Wall Installation For Walls Thinner Than 1/4 inch

- The "Thin Wall" installation method is used when the shower wall is less than 1/4 inches thick (such as fiberglass tub surround) and will be the main source of support for the valve. The plaster guard (H) remains attached to the valve.

b Thick Wall Installation For Walls Thicker Than 1/4 inch

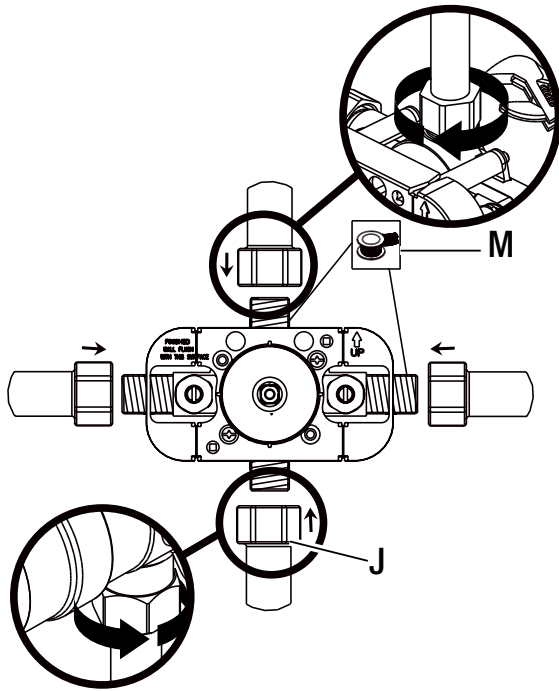
- The "Thick Wall" installation method is used when the shower wall is greater than 1/4 inches thick. "Thick Walls" are usually built up with materials such as cement board, drywall, tile, etc. The valve is secured by straps (not included) holding the water inlet lines to the framing members (2X4's). The plaster guard (H) is positioned so that it is flush with the finished wall. This ensures that the valve will be at the correct position to accept the trim.



Installation (continued)

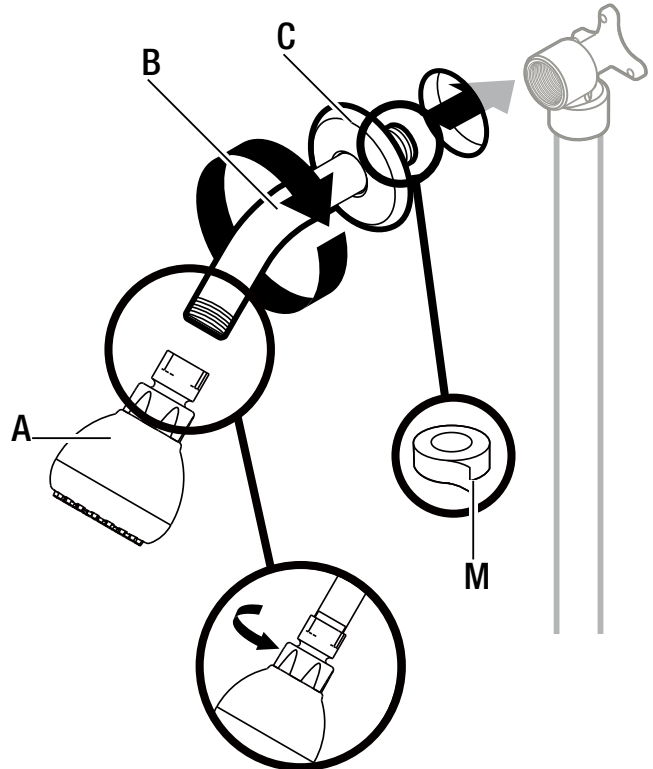
4 Connecting the pipes

- Connect water supply pipes to the valve body.
- For shower only installation, install the plug (J) onto the bottom unused port.
- Apply threaded pipe tape to where threading connection will be made.



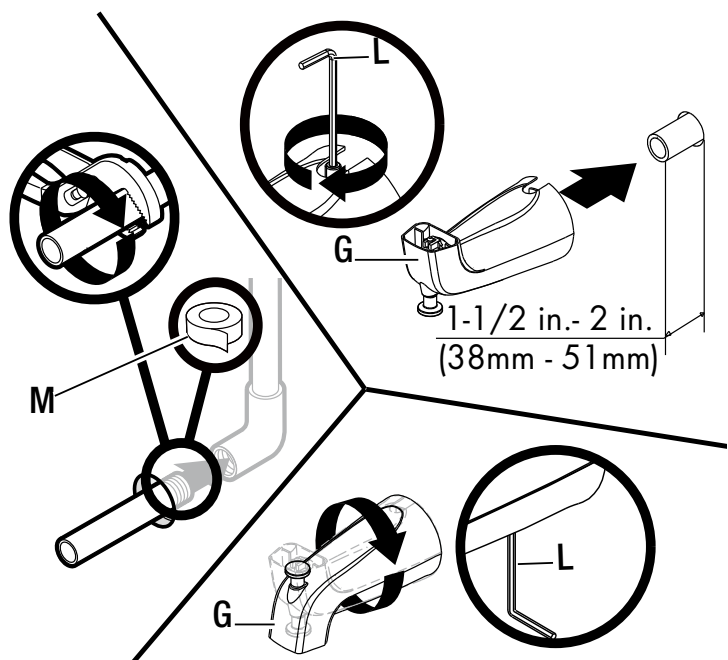
5 Installing the shower

- Wrap the threads on the shower arm (B) with sealant tape (M).
- Thread the shower pipe arm (B) through the shower arm flange (C), and screw the shower pipe arm (B) onto the vertical shower pipe elbow.
- Screw the shower head (A) on to the shower arm (B).



6 Installing the tub spout

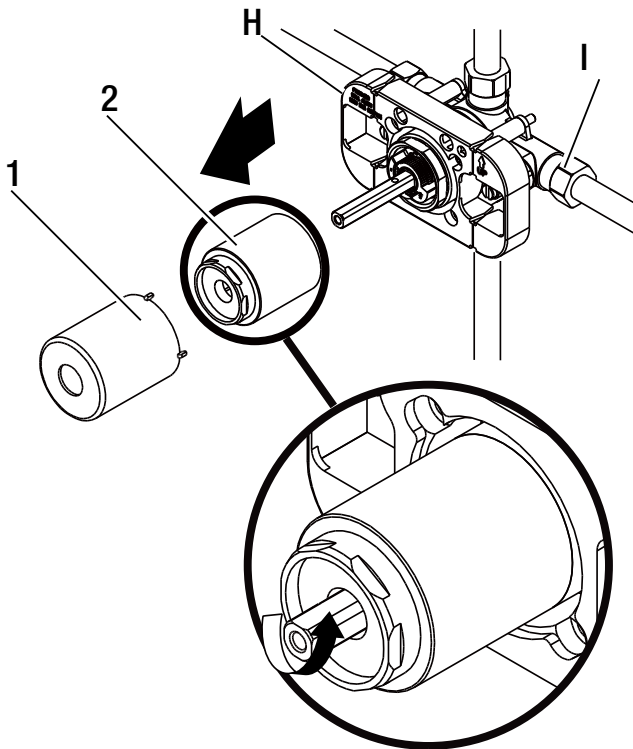
- Apply sealant tape (M) on all threads.
- Install a stub-out pipe (not included) for the spout by using an adjustable wrench to tighten.
- The proper length of stub-out pipe will extend 1-1/2 in. to 2 in. beyond the finished wall.
- Slip the tub spout (G) onto the stub-out pipe pointing up and use an allen wrench (L) to slightly tighten the set screw.
- Rotate the tub spout (G) to final position and use an allen wrench (L) to fully tighten the set screw and secure the spout to the stub-out pipe.



Installation (continued)

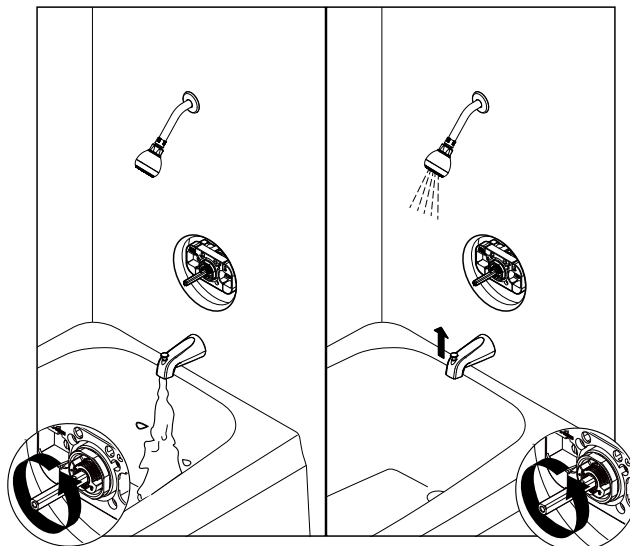
7 Removing the plastic cap

- Twist and break off the plastic cover (1) from the plaster guard (H) and discard.
- Remove the valve cap (2) from the valve body (I).



8 Flushing and checking for leaks

- Turn on the water supply, and then turn on the valve to check all connections for leaks.

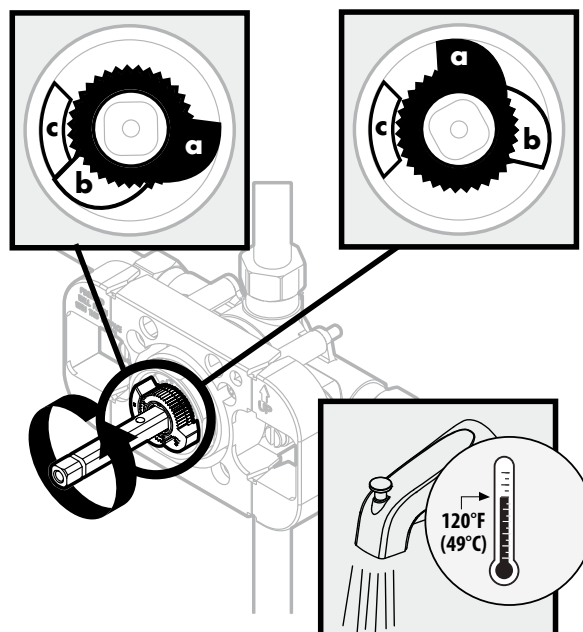


9 Adjusting the temperature limiting device

- Turn the valve counterclockwise to the full position. After several minutes, check the temperature using the thermometer.
- Slowly turn the valve clockwise to adjust the maximum water temperature to the desired temperature.



CAUTION: The maximum water temperature should never be set above 120°F (49°C).

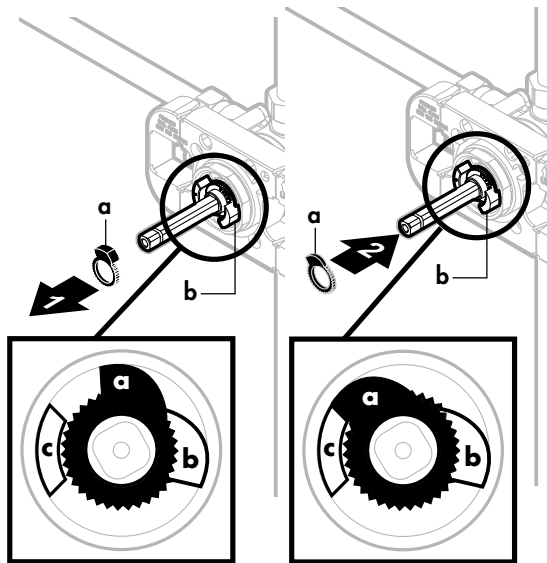


10 Adjusting the temperature limiting device

- Remove the red stop (a) and replace it against the stationary stop (c) to prevent the valve stem from turning further.
- Turn the lever to the off position once the temperature is set.

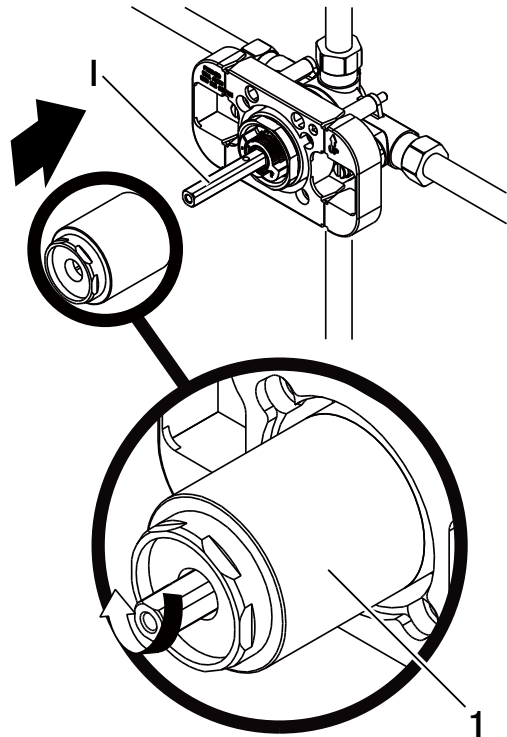


NOTE: Seasonal maintenance of the maximum outlet temperature may be required due to changes in groundwater temperature.



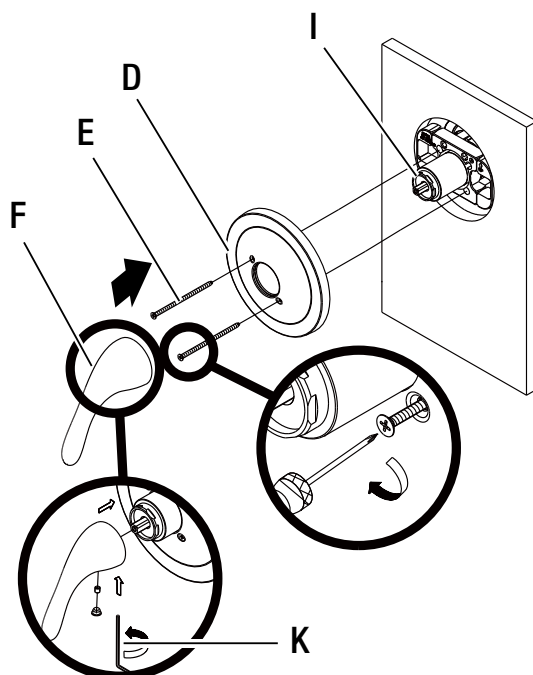
11 Replacing the valve cap

- Replace the valve cap (1) onto the valve body (I).



12 Installing the handle

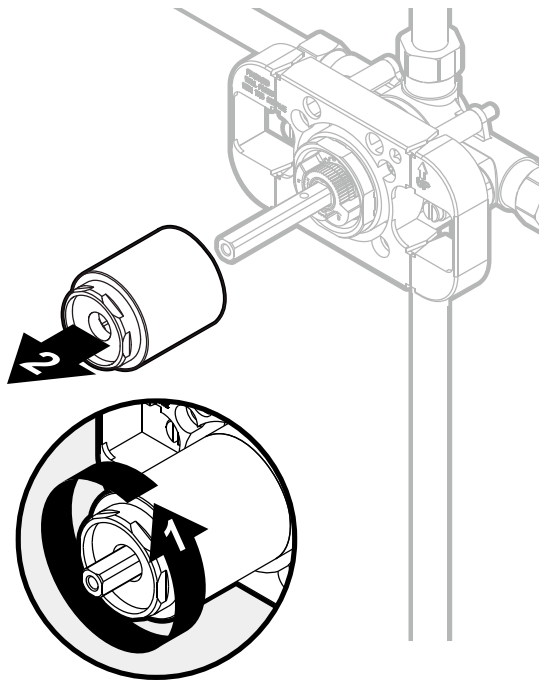
- Secure the escutcheon (D) onto the valve body (I) with the escutcheon screws (E).
- Install the handle (F) using the set screw. Tighten in place using the allen wrench (K).



Back to Back Installation

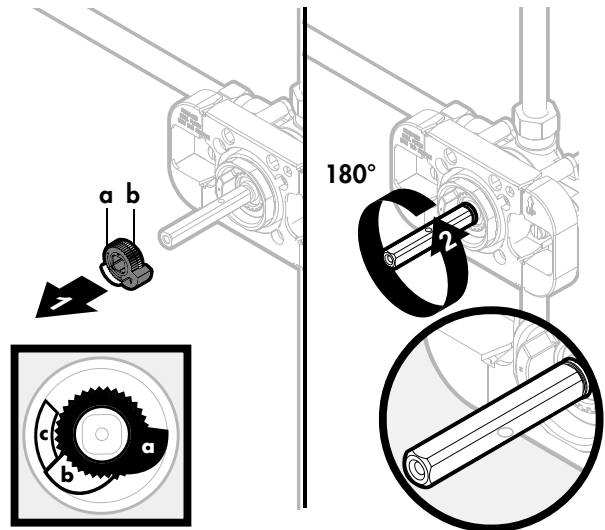
1 Removing the valve cap

- Remove the valve cap from the valve stem.



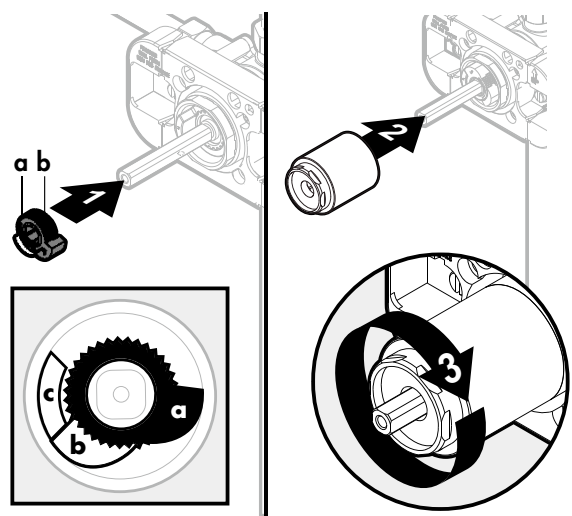
2 Rotating the valve

- Remove the red stop (a) and the blue stop (b) and rotate the valve 180°.



3 Replacing the valve cap

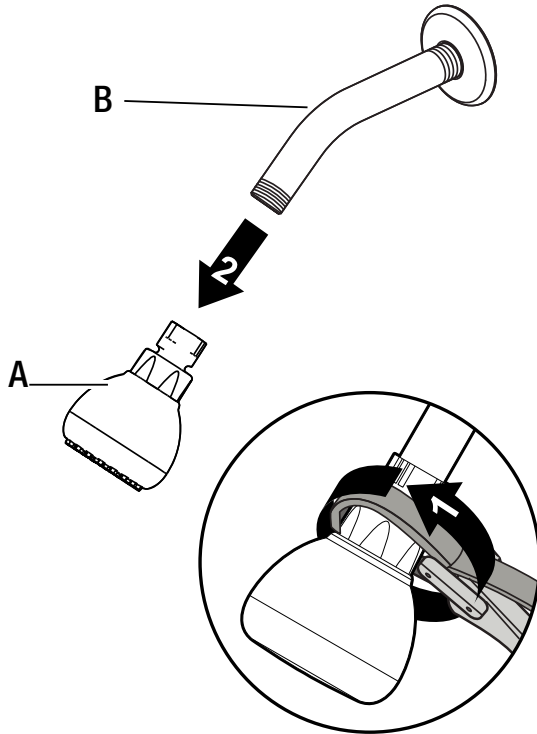
- Replace the red stop (a) and the blue stop (b).
- Replace the valve cap on to the valve stem.



Clean the Screen Washer

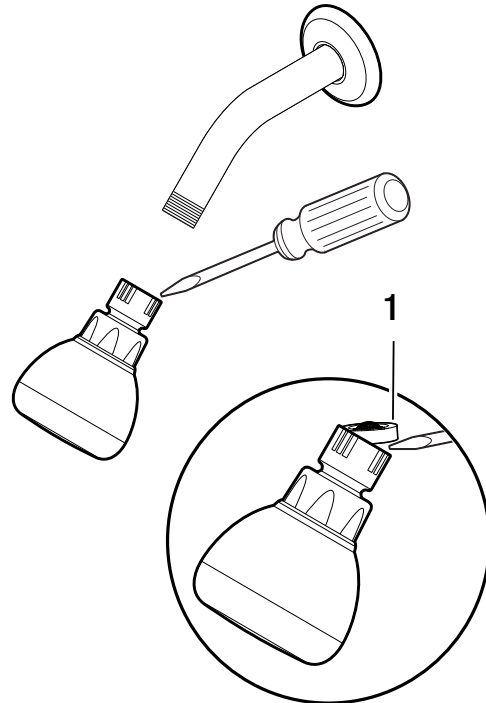
1 Removing the showerhead

- Use a clean strap wrench to remove the showerhead (A) from the shower arm (B).



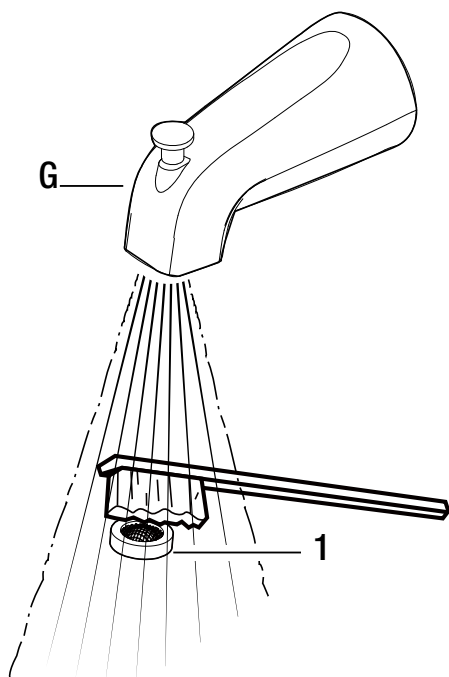
2 Removing the screen washer

- Use a flathead screwdriver (not included) to carefully remove the screen washer (1).



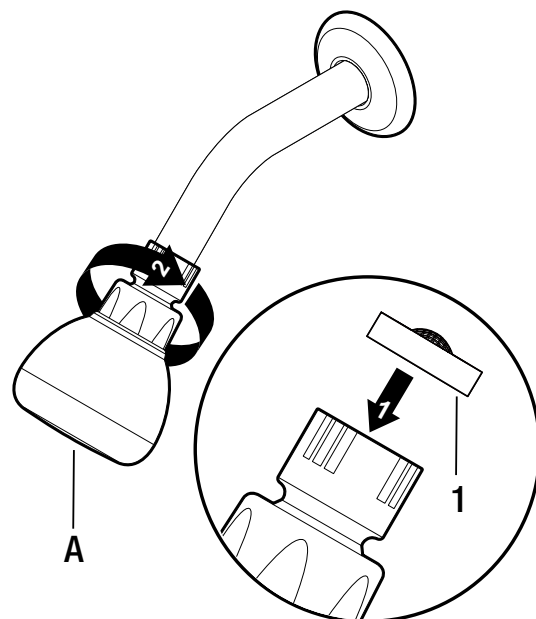
3 Cleaning the screen washer

- Gently clean the screen washer (1) with a toothbrush (not included).



4 Replacing the showerhead

- Reinstall the screen washer (1).
- Reinstall the showerhead (A).



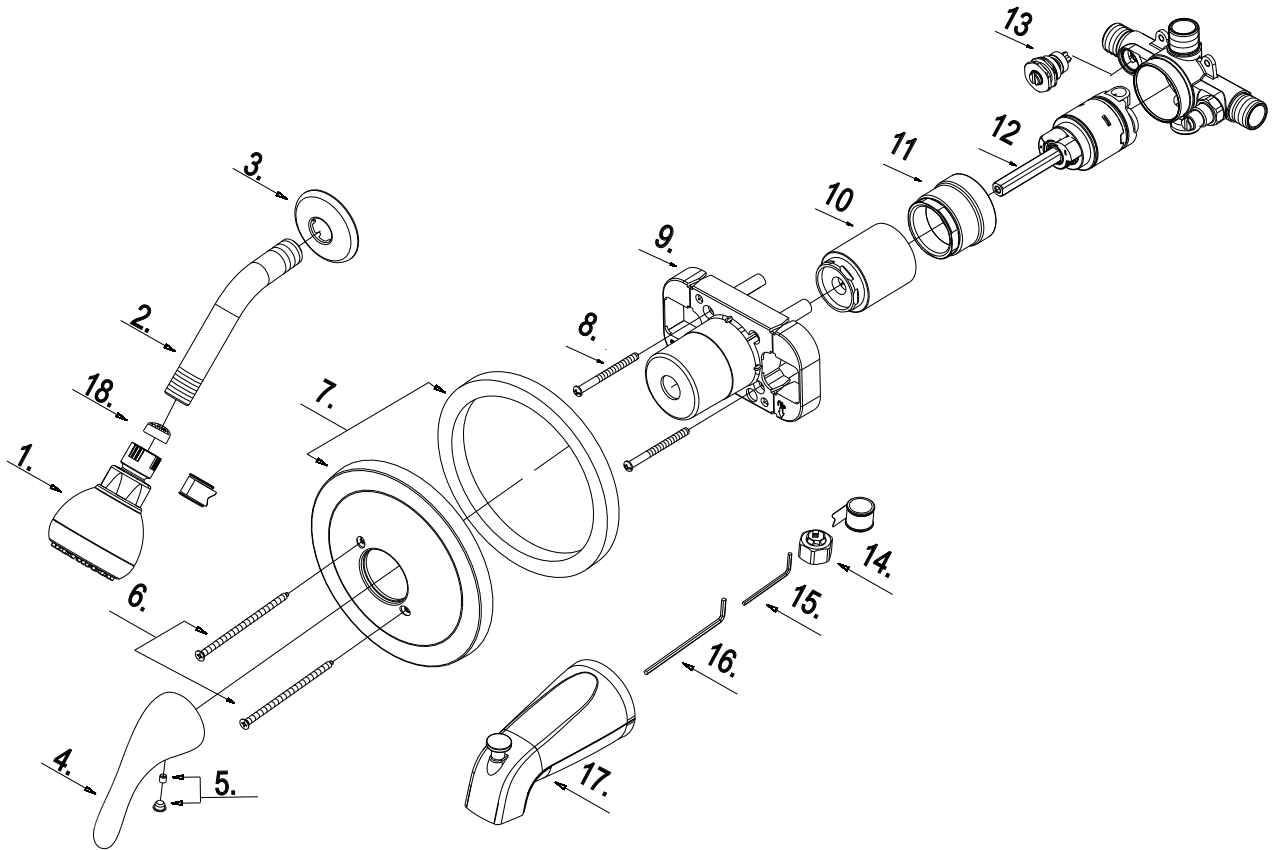
Care and Cleaning

- To clean, wipe down with a damp cloth and towel dry.
- Do not use abrasive cleaners, steel wool, or harsh chemicals when cleaning this faucet, or the warranty will be voided.

Troubleshooting

Problem	Possible Cause	Solution
Hot and cold are reversed.	Lines reversed or cartridge installed upside down.	Rotate the cartridge stem 180° so that the notch is facing down towards the drain.
There is no or a low water flow.	One or both water supplies are not turned on.	Turn both water supply valves counterclockwise to the on position.
There is leaking or dripping from the spout.	Grommets not sealing properly.	Replace the cartridge.
There is only hot water or only cold water from the spouts.	Balancing spool stuck.	Replace the cartridge.
Water comes out of the showerhead during tub fill mode.	<p>The pipe used between the valve and tub spout is not the 1/2 in. IPS nor COPPER pipe is incorrect.</p> <p>The distance between the valve and the showerhead is less than 46 inches.</p> <p>There are too many elbows or something else that is restricting the flow of water exiting the valve.</p> <p>There is a restriction between the valve and the tub spout.</p> <p>The valve is installed upside down.</p>	<p>Change the pipe to IPS or COPPER.</p> <p>The distance from the showerhead and valve moved to at least 46 inches.</p> <p>Change or remove anything restrictive.</p> <p>Remove the tub spout and flush out debris and/or replace the undersized line or fittings.</p> <p>Remove the valve and reinstall it using the correct orientation.</p>
The temperature range is restricted.	<p>The handle (more common in knob models) is installed upside down.</p> <p>Temperature limit stop is out of position.</p>	<p>Remove the handle, rotate it 180° and re-install.</p> <p>Reposition the temperature limit stop to the desired temperature position.</p>
Unable to install the handle or the handle rubs against the escutcheon.	The valve is installed too far back from the finished wall.	Order extension kit (206416676 or 206416670) on Homedepot.com.
The handle is hard to turn.	The cartridge stem is difficult to rotate.	Replace or lubricate the cartridge.

Service Parts



Part	Description	Part No.
1	Shower Head	S1214306*
2	Shower Arm	A020002-S*
3	Shower Arm Flange	A019001-S*
4	Metal Handle	A069752*
5	Handle Cap	A66D814
6	Screw	A608563
6	Screw (for 1000 029 968)	A608564
7	Escutcheon Assembly	A667103*
7	Escutcheon Assembly (for 1000 029 968)	A66F601*
8	Screw	A608519
9	Plaster Guard	A127223KP

Part	Description	Part No.
10	Sleeve	A103322*
11	Bonnet Nut	A103310-Z*
12	Pressure Balance Cartridge	A507190
13	Integral Stop	A507040
14	Plug	A028452
15	Allen Wrench (H 2.5 * 19 mm * 53 mm)	A031000NI
16	Allen Wrench (H 3.18 * 20 mm * 90 mm)	A031017NI
17	Spout W/Diverter	A118011*
18	Screen Washer	A010199

*Specify Finish

Many replacement cartridges can be purchased at your local The Home Depot store or online at HOMEDEPOT.COM



Questions, problems, missing parts?

Before returning to the store, call Glacier Bay Customer Service
8 a.m.-7 p.m., EST, Monday-Friday
9 a.m.-6 p.m., EST, Saturday

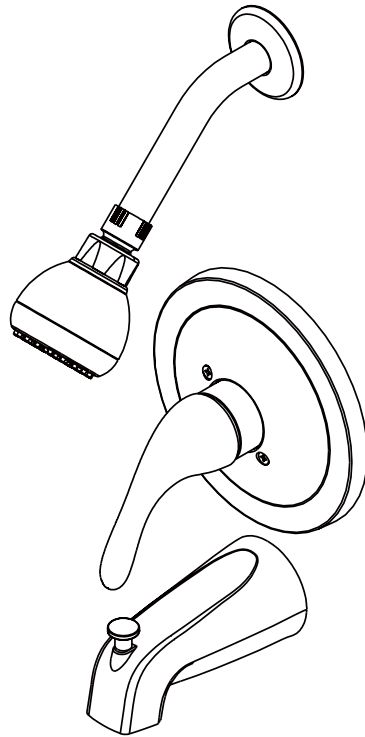
1-855-HD-GLACIER (1-855-434-5224)

HOMEDEPOT.COM/GLACIERBAY

Retain this manual for future use.

GUÍA DE INSTALACIÓN Y CUIDADO

BAÑERA Y DUCHA CONJUNTO



¿Tiene preguntas, problemas, o faltan piezas?

Antes de regresar a la tienda, llame a Servicio al Cliente de Glacier Bay de lunes a viernes de 8 a.m. a 7 p.m., hora local del Este de lunes a viernes de 9 a.m. a 6 p.m., sábado

1-855-HD-GLACIER (1-855-434-5224)

HOMEDEPOT.COM/GLACIERBAY

GRACIAS

Apreciamos la confianza que ha depositado en Glacier Bay por la compra de este para bañera y ducha. Nos esforzamos por crear continuamente productos de calidad diseñados para mejorar su hogar. Visítenos en internet para ver nuestra línea completa de productos disponibles para sus necesidades de mejorar su hogar. ¡Gracias por elegir a Glacier Bay!

Tabla of Contenido

Información Importante.....	2	Instalación.....	6
Garantía.....	2	Instalación Adosada.....	10
Pre-instalación.....	3	Limpie con la arandela con filtro.....	11
Planificación de la Instalación.....	3	Cuidado y Limpieza.....	12
Herramientas Requeridas.....	3	Solución de Problemas.....	12
Contenido del Paquete.....	5	Piezas de Repuesto.....	13

Información Importante

1. No instale este producto hasta que haya leído y comprendido las instrucciones de este manual. Si instala el producto para otra persona, deje este manual para que el propietario o usuario lo consulte.
2. Las tomas de agua han sido pensadas para conexiones de COBRE de ½ pulg. o conexiones roscadas IPS de ½ pulg. Para la conexión roscada, ponga cinta selladora para rosca en las roscas macho de la válvula antes de conectar los empalmes. Si se sueldan las conexiones, hay que retirar el cartucho y los toques integrados para evitar que el calor los dañe y volver a instalarlos cuando se haya terminado y enfriado la conexión. Si no sabe cómo retirar estas piezas, llámenos al 1-800-HD-Glacier.
3. Al cortar o soldar tuberías de agua, protéjase los ojos con lentes protectoras.
4. RUIDO Y GOLPE DE ARIETE EN LOS SISTEMAS PEX: dada la flexibilidad inherente de los sistemas PEX con respecto al material metálico de plomería, a veces pueden producirse ruidos y golpes de ariete con la subida de la presión. Es importante que las tuberías no estén en contacto con el panel mural, con conductos de aire forzado ni con otros materiales de alta resonancia. El uso de abrazaderas y correas puede ayudar a evitar estos ruidos.

Garantía

GARANTÍA DE POR VIDA LIMITADA

Los productos de Glacier Bay están fabricados con normas y mano de obra de calidad superior y están respaldados por nuestra garantía de por vida limitada. Los productos de Glacier Bay están garantizados al comprador consumidor original de estar libres de defectos en materiales o mano de obra. Reemplazaremos LIBRE DE CARGOS cualquier producto o pieza que se demuestre está defectuosa. Simplemente, devuelva el producto a cualquiera de las ubicaciones de venta al detalle de The Home Depot o llame al 1-855-HD Glacier (1-855-434-5224) para recibir el artículo de reemplazo. La prueba de compra (recibo de venta original) del comprador consumidor original debe estar disponible para todos los reclamos de garantía de Glacier Bay.

Esta garantía excluye daños y fallos incidentales/consecuenciales debido al mal uso, abuso o desgaste normal por el uso. Esta garantía excluye todos los usos industriales, comerciales y de negocios, a cuyos compradores por la presente, se les ha ampliado una garantía limitada de cinco años a partir de la fecha de compra, con todos los otros artículos de esta garantía que aplican excepto la duración de la garantía.

Algunos estados y provincias no permiten la exclusión o la limitación de los daños incidentales o consecuenciales, por lo tanto, las limitaciones y exclusiones anteriores podrían no aplicar a usted. Esta garantía le otorga derechos legales específicos y también puede tener otros derechos que varían de un estado a otro. Por favor, vaya a una tienda o llame al 1-855-HD Glacier para más detalles.

Pre-instalación

PLANIFICACIÓN DE LA INSTALACIÓN

Antes de comenzar a instalar este producto, asegúrese de que todas las partes estén presentes. Compare las partes con la lista de contenido del paquete. Si hace falta alguna parte o se encuentra dañada, no intente instalar el producto. Póngase en contacto con servicio al cliente para las partes de reemplazo.

Todas las instalaciones pueden variar dependiendo de cómo instaló su grifo anterior. No todas las herramientas necesarias para la instalación del grifo están incluidas. No obstante, puede obtenerlas en cualquier establecimiento donde vendan artículos de plomería. Al seleccionar sus herramientas para la instalación, asegúrese de que sean productos aprobados por IAPMO y/o CSA.

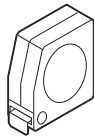
HERRAMIENTAS REQUERIDAS

Si va a reemplazar su válvula plomería, consulte los cuatro métodos de plomería comunes se describen a continuación: CPVC, PEX, IPS, y cobre. Retire la manija existente y los componentes exteriores de la válvula antes de reemplazar su válvula. Siga todos los códigos locales de construcción y de plomería.

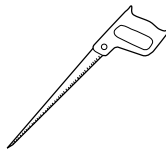
Estas son algunas herramientas habituales.



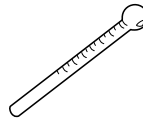
Gafas de seguridad



Medición cinta



Serrucho para tablaroca



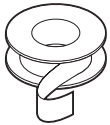
Termómetro



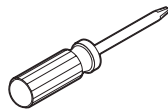
Llave ajustable



Pasta selladora para uniones de tubería



Cinta para sellar roscas

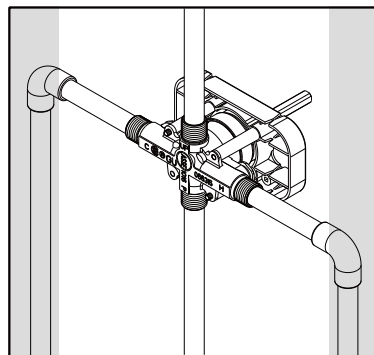
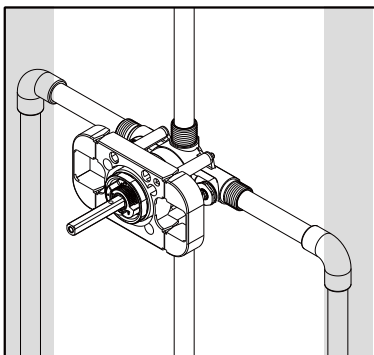


Destornillador phillips



Linterna

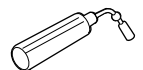
A. COPPER



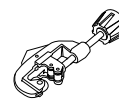
Juego de soldar sin plomo



Accesorios de tubería SharkBite



Soplete



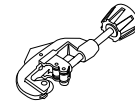
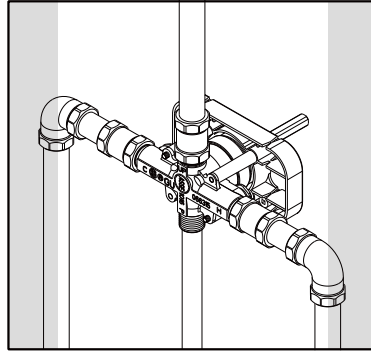
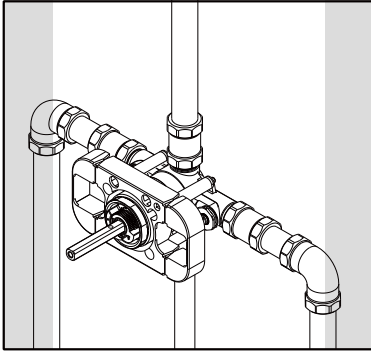
Cortatubos



Cepillo de alambre

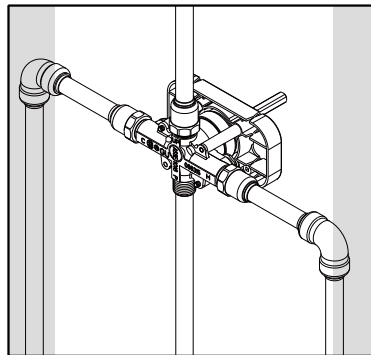
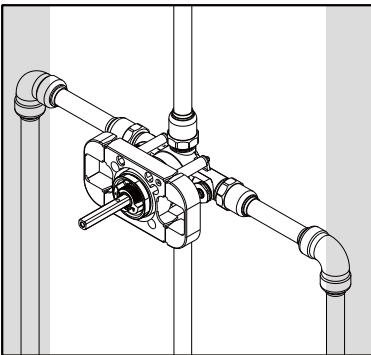
Pre-installation (continued)

B. IPS

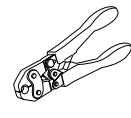


Cortatubos

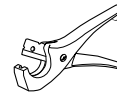
C. PEX



Accesorios de tubería SharkBite

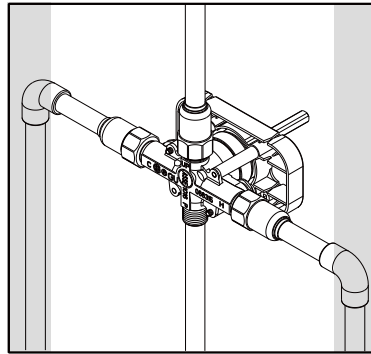
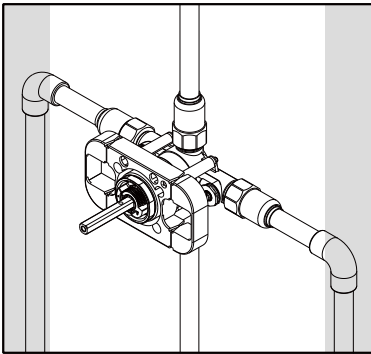


Herramienta de compresión de círculo completo



Cortador de tubos

D. CPVC



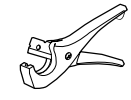
Pasta selladora para uniones de tubería



Accesorios de tubería SharkBite



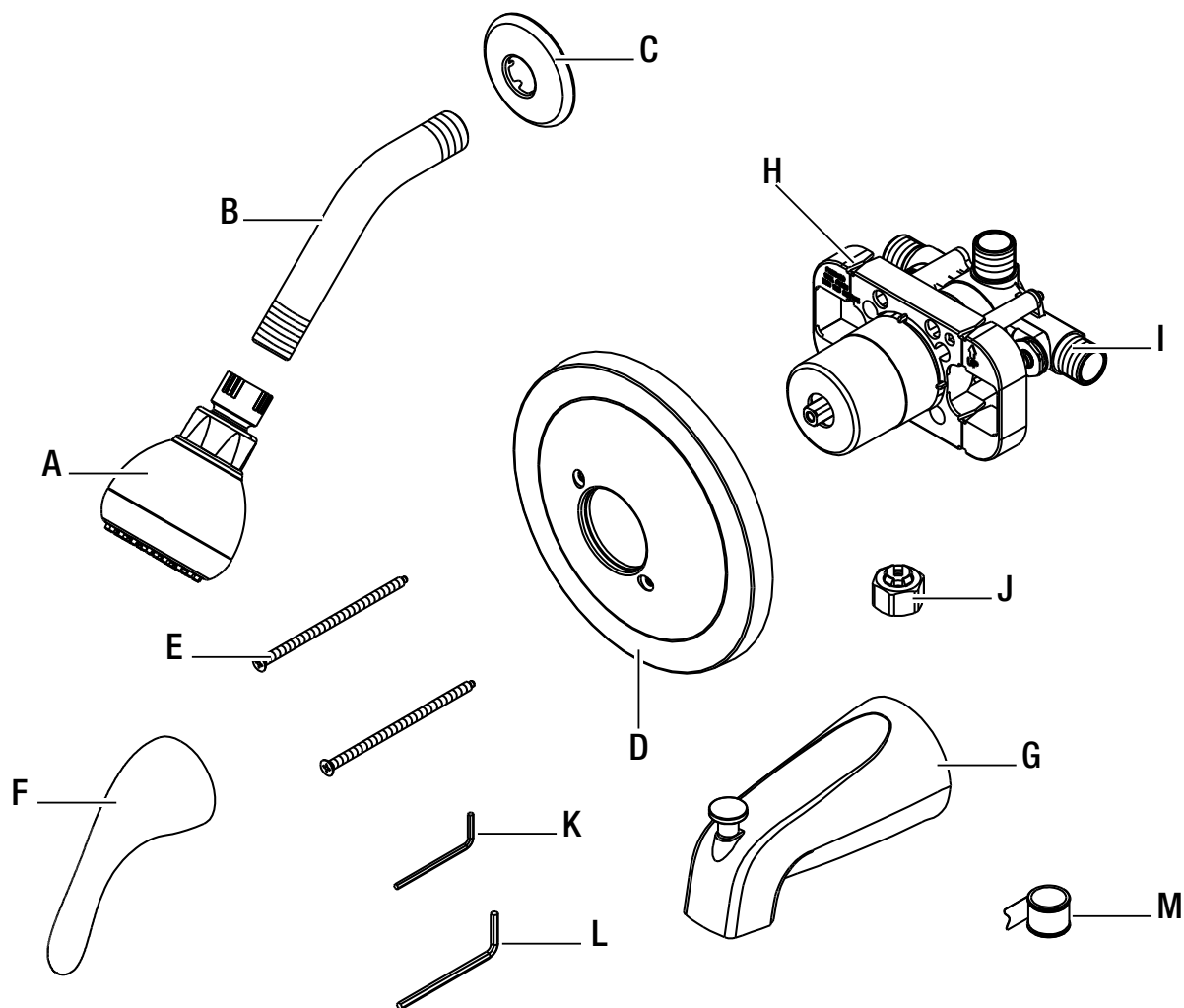
Cemento CPVC



Cortador de tubos

Pre-instalación (continuación)

CONTENIDO DEL PAQUETE

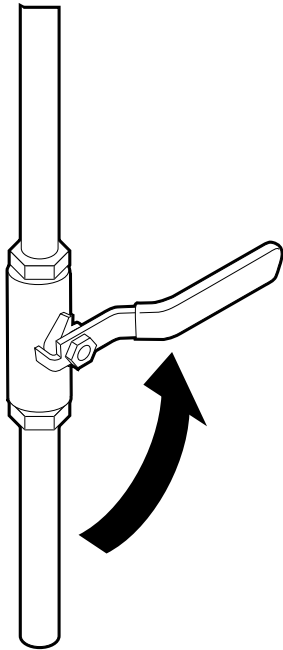


Pieza	Descripción	Cantidad
A	Cabeza de ducha	1
B	Brazo de ducha	1
C	Brida del brazo de ducha	1
D	Escudo	1
E	Tornillos del escudo	2
F	Manija	1
G	Vertedor	1
H	Placa para pared	1
I	Cuerpo de válvula	1
J	Tapón	1
K	Llave allen (H 2.5 * 19 mm L * 53 mm L)	1
L	Llave allen (H 3.18 * 20 mm L * 90 mm L)	1
M	Cinta sellante	1

Instalación

1 Cierre del suministro de agua

- Cierre el suministro de agua antes de instalar.
- Abra el grifo cercano para disminuir la presión del agua y compruebe que la alimentación de agua esté totalmente cerrada.

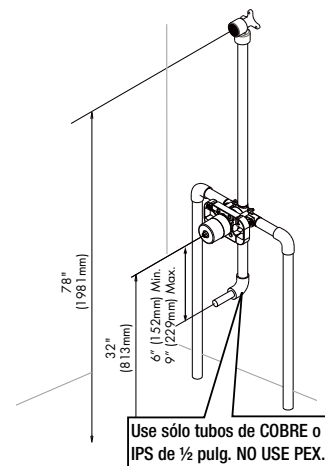


2 Medición para un rendimiento ideal de bañera y ducha

- Fijese en las medidas de instalación aconsejadas para colocar el cuerpo de la válvula para bañera y ducha. No utilice conexiones PEX, CPVC o SHARK BITE para alimentar el vertedor de la bañera.
- La instalación recomendada del brazo de la regadera es con un codo de brida (no se incluye) y unido a un refuerzo de madera.



PRECAUCIÓN: La instalación de este producto en medidas no recomendadas puede dar lugar a problemas como la descarga de agua del cabezal de la regadera en el modo de llenado de la tina.



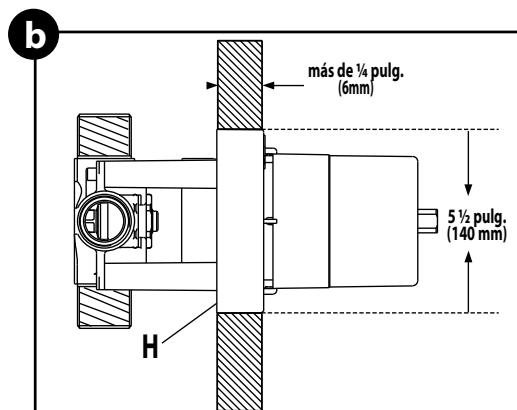
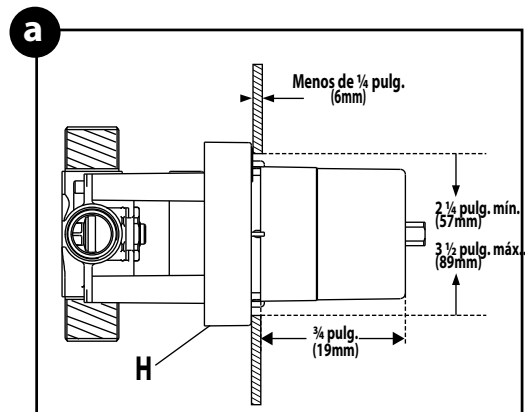
3 Instalación de la válvula

a Instalación en pared delgada: para paredes de menos de ¼ pulg

- El método de instalación para pared delgada se usa cuando la pared de la ducha tiene un grosor de menos de ¼ de pulgada (como una pared de fibra de vidrio para bañera) que será el principal apoyo de la válvula. La placa para pared (H) permanece sujeta a la válvula.

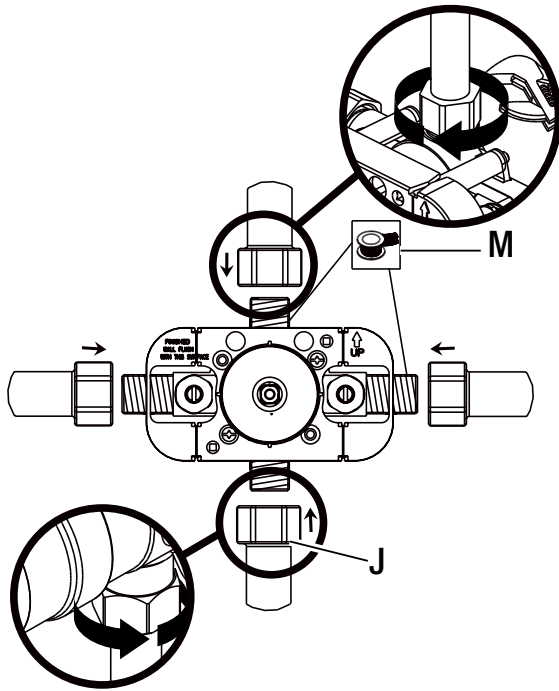
b Instalación para pared gruesa: para paredes de más de ¼ pulg

- El método de instalación para pared gruesa se usa cuando la pared de la ducha tiene un grosor de más de ¼ de pulgada. Las paredes gruesas habitualmente están hechas de materiales tales como paneles de cemento, paneles de yeso, azulejos, etc. La válvula se sujeta con correas (no incluidas) que amarran la toma de agua a los postes de la armazón (2x4). La placa para pared (H) se coloca de manera que esté a nivel con la pared terminada. Esto permite que la válvula tenga una posición adecuada para poner la pieza exterior.



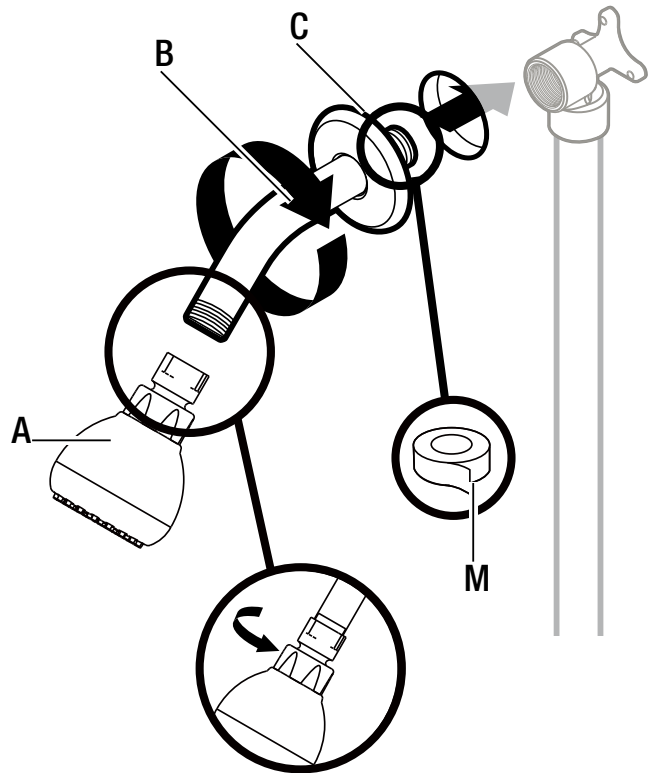
4 Conexión de las tuberías

- Conecte los tubos de alimentación de agua al cuerpo de la válvula.
- Si sólo se instala la ducha, ponga el tapón (J) incluido en la conexión de la base no utilizada.
- Ponga cinta selladora para rosca en el lugar donde vaya a hacer la conexión roscada.



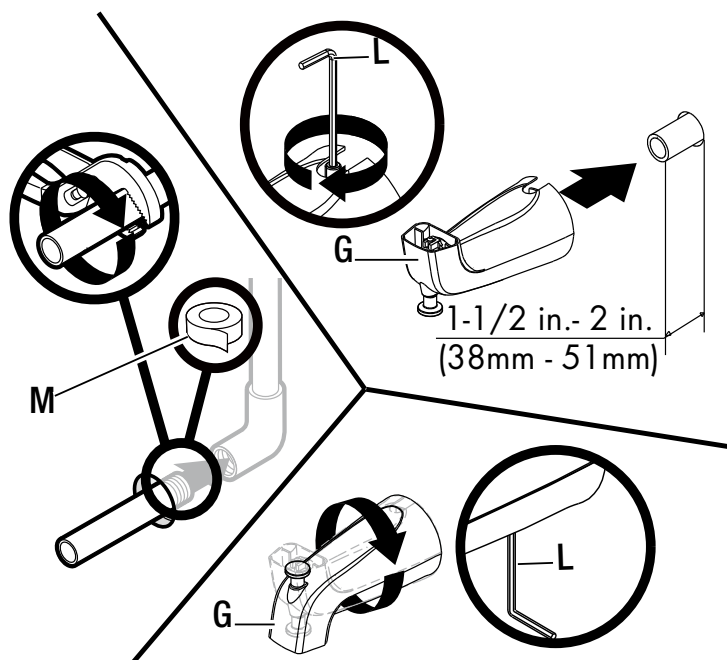
5 Instalación de la ducha

- Aplique cinta sellante (B) a las roscas de brazo de la ducha (M).
- Enrosque el brazo de la ducha (B) a través de la brida del brazo de ducha (C) y atornilla del brazo de la ducha (B) al codo del tubo vertical de la ducha.
- Atornilla la cabeza de la ducha (A) en el brazo de la ducha (B).



6 Instalación del vertedor de la bañera

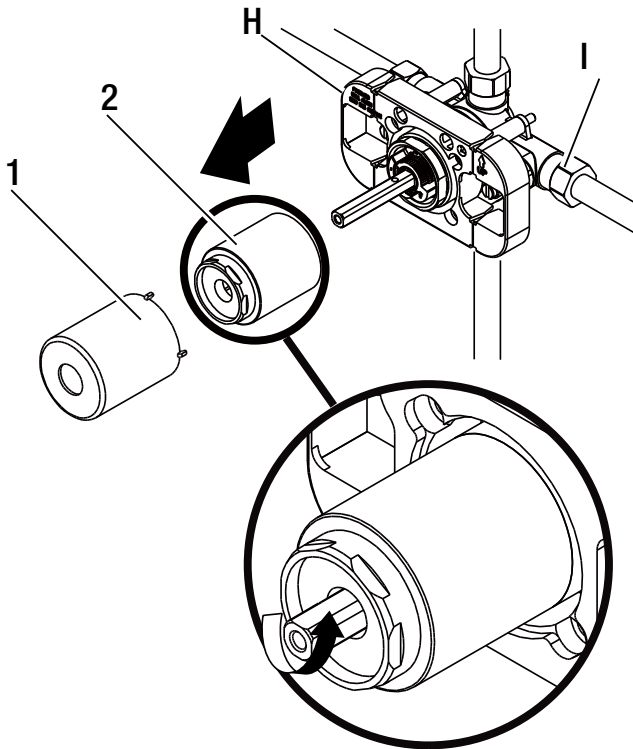
- Aplique cinta sellante (M) a todas las roscas.
- Instale una tubería saliente (no se incluye) para el surtidor utilizando una llave ajustable para apretar.
- La longitud adecuada de tubería saliente se extenderá 1.5 "a 2" de la pared acabada.
- Introduzca el vertedor de la bañera (G) en el tubo de empalme dirigiéndolo hacia arriba y use una llave allen (L) para apretar ligeramente el tornillo de presión.
- Gire el vertedor (G) hasta colocarlo en su posición final y use la llave allen (L) para apretar bien el tornillo de presión y sujetar el vertedor al tubo de empalme.



Instalación (continuación)

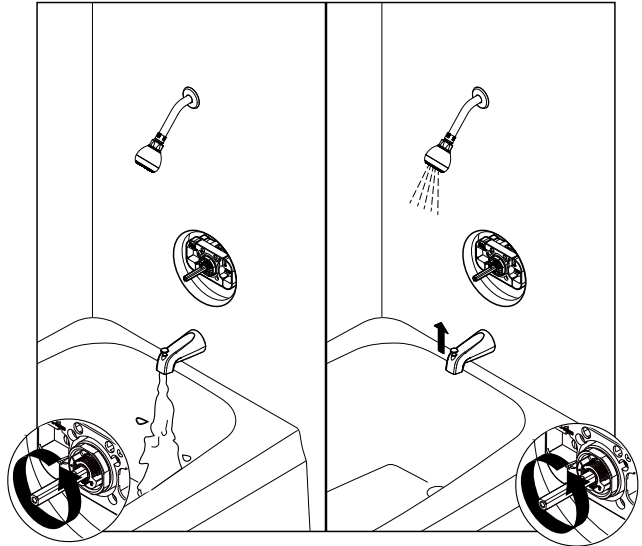
7 Desmontaje del capuchón de plástico

- Retuerza y rompa la tapa de plástico (1) de la placa para pared (H) y deséchela.
- Retire el capuchón de la válvula (2) del cuerpo de la válvula (I).



8 Enjuague y verificación de fugas

- Abra la alimentación de agua y la válvula para verificar si hay fugas en las conexiones.

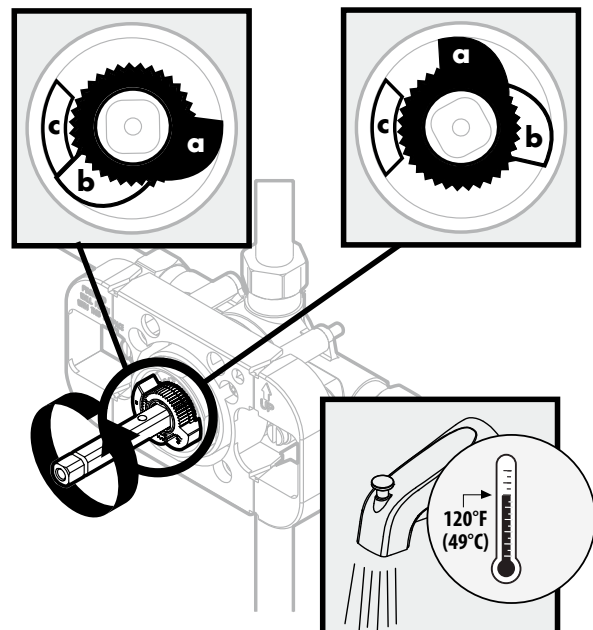


9 Ajuste del temperatura limitar dispositivo

- Gire la válvula hacia la izquierda hasta la posición completamente. Después de varios minutos, comprobar la temperatura con el termómetro.
- Gire lentamente la válvula de las agujas del reloj para ajustar la temperatura máxima del agua a la temperatura deseada.



PRECAUCIÓN: La temperatura máxima del agua nunca debe ajustarse a más de 120° F (49° C).

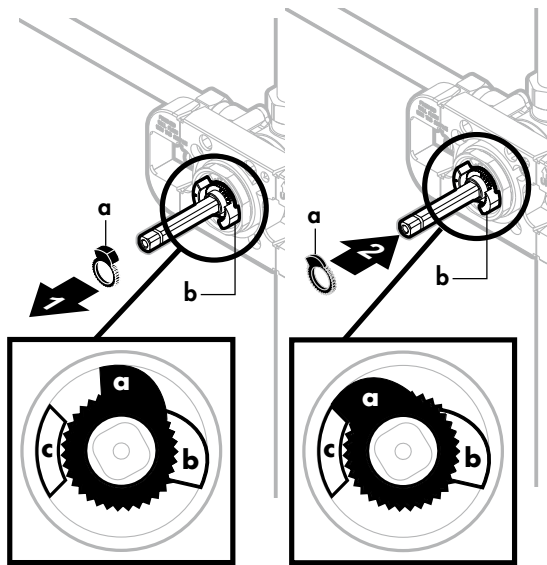


10 Ajuste del temperatura limitar dispositivo

- Retire el tope rojo (a) y reemplazarlo con el tope fijo (c) para evitar que el vástago de la válvula giren más.
- Gire la palanca a la posición de apagado una vez que se fijar la temperatura.

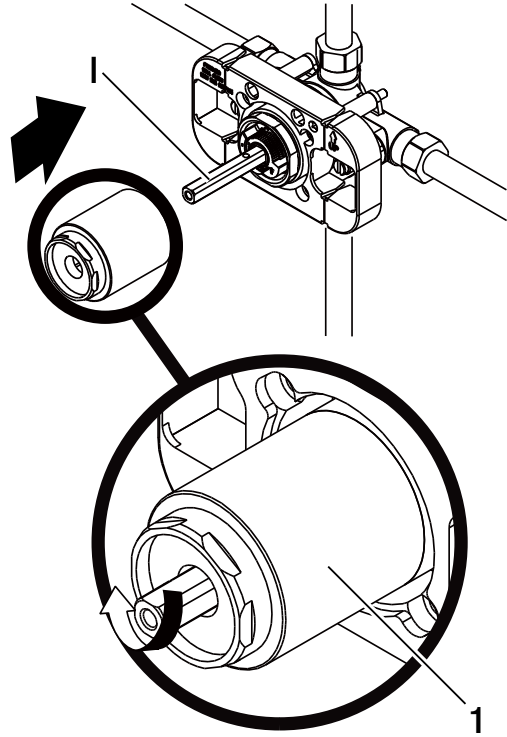


NOTA: El mantenimiento estacional de la temperatura máxima de salida puede ser necesaria debido a los cambios en la temperatura de las aguas subterráneas.



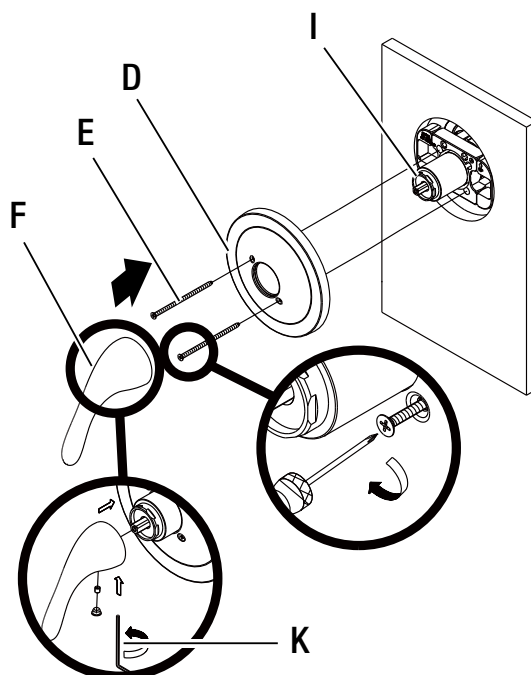
11 Reinstalación del capuchón de la válvula

- Reinstale el capuchón de la válvula (1) en el cuerpo de la válvula (I).



12 Instalación de la manija

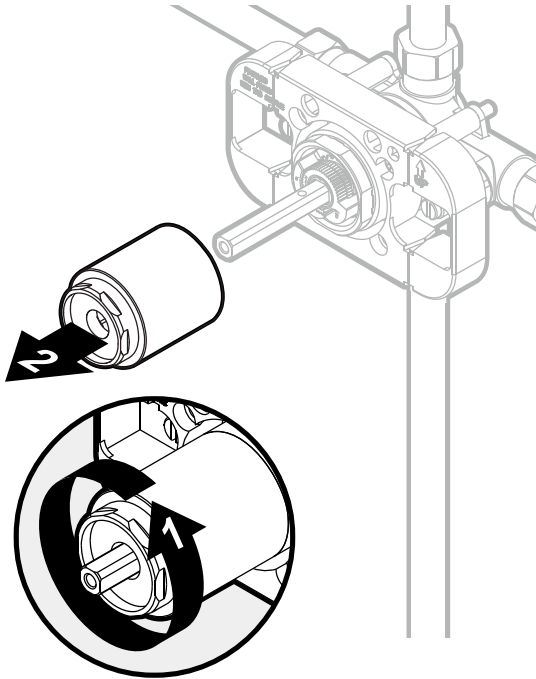
- Sujete el escudo (D) a cuerpo de la válvula (I) con los tornillos del escudo (E).
- Instale la manija (F) utilizando la llave allen (K) para apretar el tornillo de presión.



Instalación Adosada

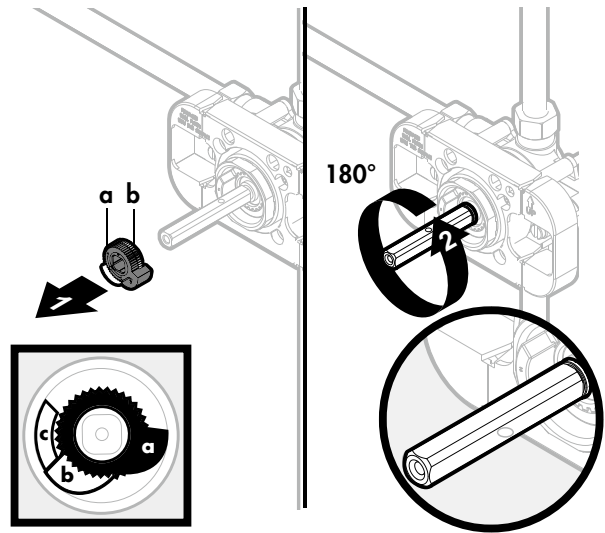
1 Desmontaje del capuchón de la válvula

- Retire el capuchón de la válvula del vástago de la válvula.



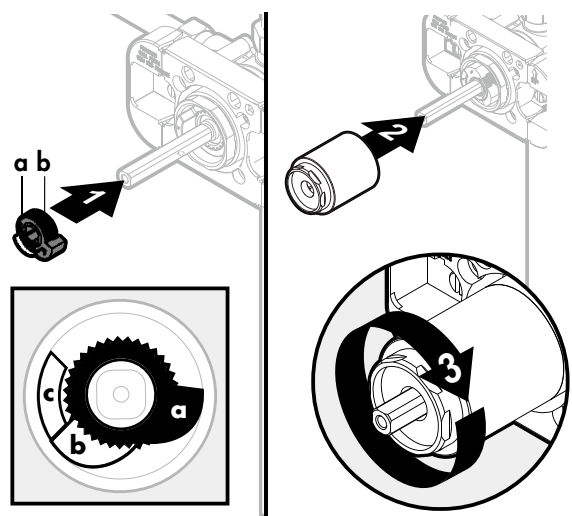
2 Girar la válvula

- Retire el tope rojo (a) y el tope azul (b) y gire la válvula de 180°.



3 Reinstalación del capuchón de la válvula

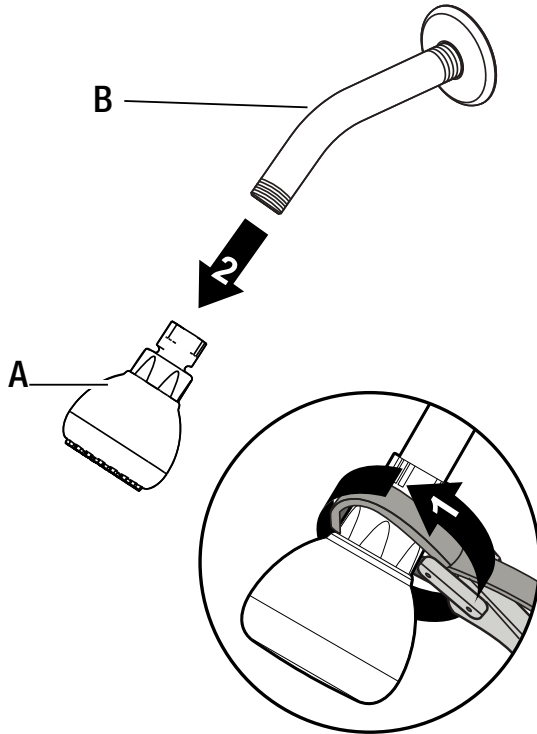
- Reinstale el tope rojo (a) y el tope azul (b).
- Reinstale el capuchón de la válvula del vástago de la válvula.



Limpe con la arandela con filtro

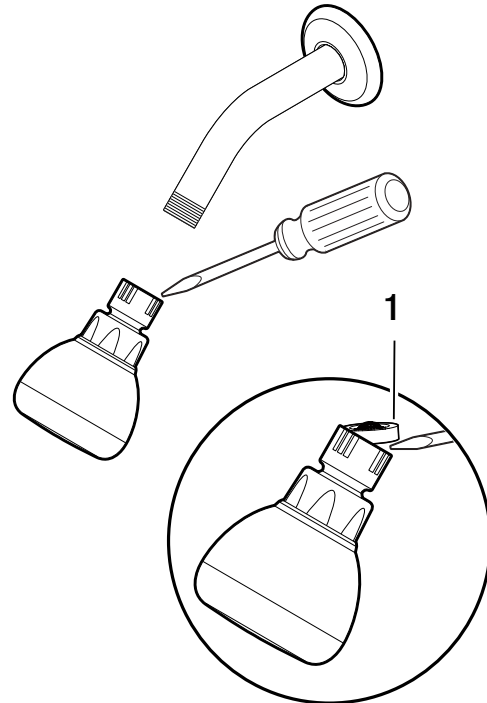
1 Retirar el cabezal de ducha

- Use una llave de correa limpia para retirar el cabezal de ducha (A) del brazo de la ducha (B).



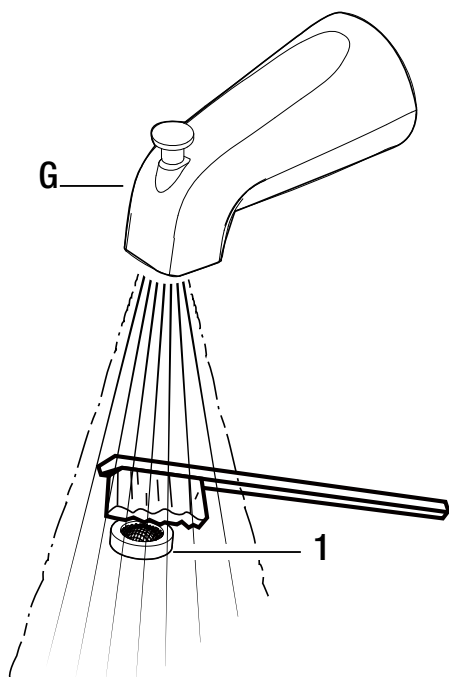
2 Retirar la arandela con filtro

- Use un destornillador de cabeza plana (no se incluye) para retirar con cuidado la arandela con filtro (1).



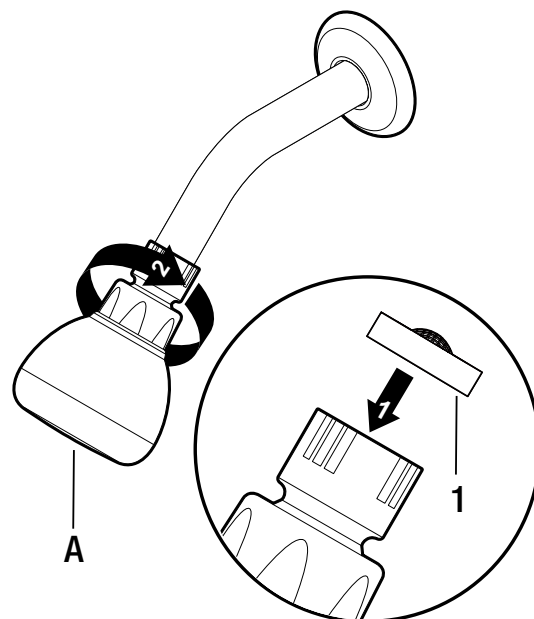
3 Limpe con la arandela con filtro

- Limpe con cuidado la arandela con filtro (1) con un cepillo de dientes (no se incluye).



4 Remettez la pomme de douche

- Remettez la rondelle à grille (1).
- Remettez la pomme de douche (C) en place.



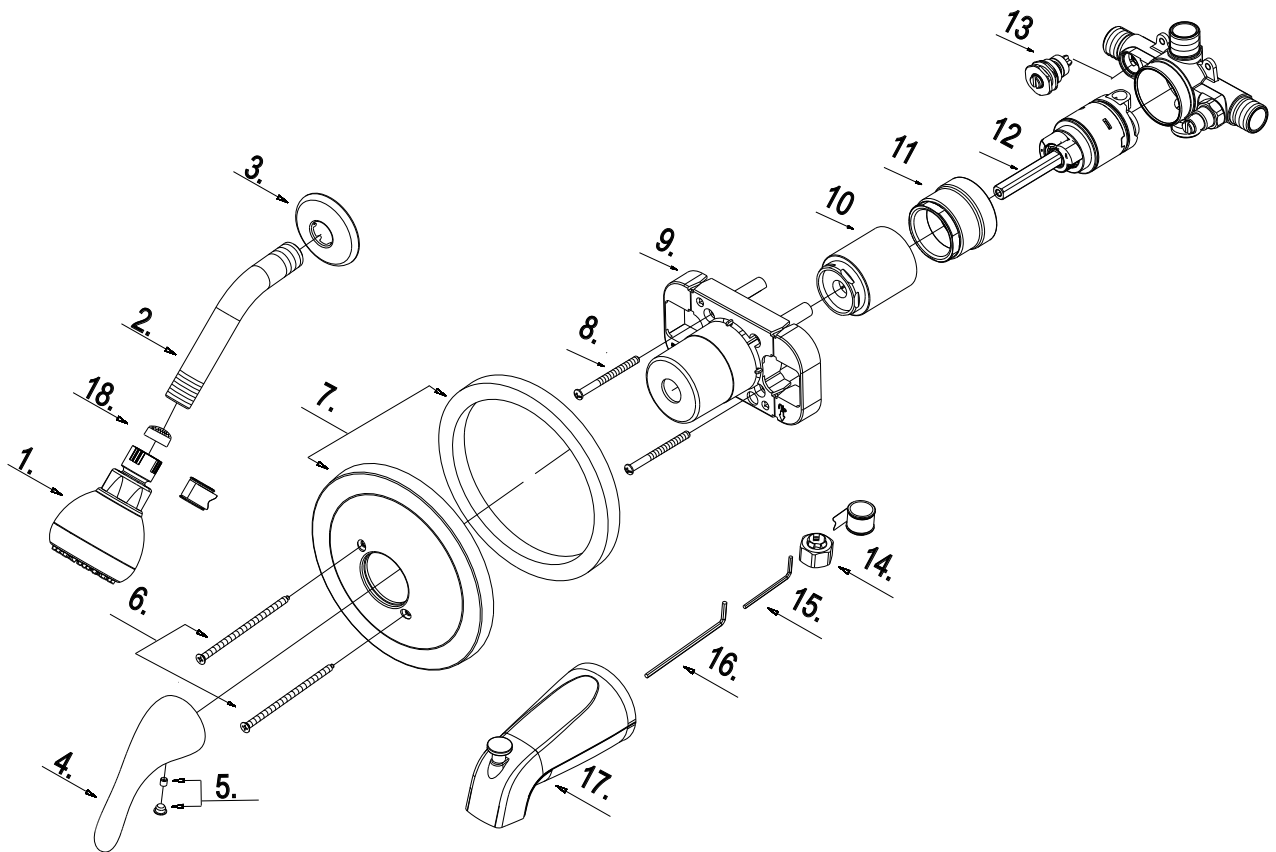
Cuidado y Limpieza

- Limpie con un trapo húmedo y seque con un paño.
- No use limpiadores abrasivos, lana metálica ni productos químicos fuertes para limpiar el grifo o la garantía podría anularse.

Solución de Problemas

Problema	Posible Causa	Solución
Caliente y frío están invertidos.	Líneas invertidas o cartucho instalado cabeza abajo.	Gire el vástago del cartucho 180°, de modo que la muesca esté hacia abajo hacia el desagüe.
No hay agua o flujo bajo.	Uno o los dos suministros de agua no están encendidos.	Gire los dos válvulas de suministro de agua en sentido contrario a la posición de encendido.
Hay una fuga o goteo en el vertedor.	Las arandelas no sellan debidamente.	Reemplace el cartucho.
Sólo agua caliente o no fría sólo agua fría o no caliente.	Carrete de equilibrio pegado.	Reemplace el cartucho.
Apilamiento (agua sale de la ducha durante el modo de bañera de relleno).	Elección de la tubería. Distancia entre la válvula y cabezal de ducha de menos de 46". Múltiples codos o nada restringir el flujo de agua que sale de la válvula. Flow restriction between valve and el vertedor de la bañera. Válvula instalada demasiado lejos de la pared acabada.	Cambie la tubería a IPS o cobre. Ajustar la distancia entre el cabezal de ducha y de la válvula para ser por lo menos 46". Cambie o retire cualquier restricción. Retire el vertedor de la tina y enjuague los residuos o reemplace el tubo o las juntas de tamaño reducido. Retire la válvula y vuelva a instalar en la orientación correcta.
Rango de temperatura restringido.	La manija (más común en los modelos de perilla) está instalada al revés. Tope del límite de temperatura está fuera de posición.	Retire la manija, girarla 180 ° y vuelva a instalar. Coloque el tope del límite de temperatura en la posición deseada de temperatura.
No se puede instalar la manija o la manija hace fricción contra el escudete.	Válvula instalada demasiado lejos de la pared acabada.	Kit de extensión (206416676 or 206416670) de un pedido en Homedepot.com .
Es difícil girar la manija.	El vástago del cartucho es difícil de girar.	Cambie el cartucho o lubrique.

Piezas de Servicio



Pieza	Descripción	Pieza No.
1	Cabeza de ducha	S1214306*
2	Brazo de ducha	A020002-S*
3	Brida de ducha	A019001-S*
4	Manija metálicas	A069752*
5	Tapón de manija	A66D814
6	Tornillo	A608563
6	Tornillo (para 1000 029 968)	A608564
7	Ensamblaje del escudo	A667103*
7	Ensamblaje del escudo (para 1000 029 968)	A66F601*
8	Tornillo	A608519
9	Placa para pared	A127223KP

Pieza	Descripción	Pieza No.
10	Manga	A103322*
11	Tuerca tapa	A103310-Z*
12	Cartucho de presión balanceada	A507190
13	Tapón integrado	A507040
14	Tapón	A028452
15	Llave allen (H 2.5 * 19 mm * 53 mm)	A031000NI
16	Llave allen (H 3.18 * 20 mm * 90 mm)	A031017NI
17	Vertedor con cambiador de flujo	A118011*
18	Aran dela con filtro	A010199

*Especifique el Acabado

Muchos cartuchos, aireadores y conjuntos de desagüe de repuesto se pueden adquirir en la tienda Home Depot más próxima o en línea en HOMEDEPOT.COM.



Questions, problèmes, pièces manquantes?

**Avant de retourner au magasin, appelez le service à la clientèle de Glacier Bay
de 8h à 7h, heure normale de l'Est, du lundi au vendredi
de 9h à 6h, heure normale de l'Est, samedi**

1-855-HD-GLACIER (1-855-434-5224)

HOMEDEPOT.COM/GLACIERBAY

Conserve este manual para uso futuro.

Free Manuals Download Website

<http://myh66.com>

<http://usermanuals.us>

<http://www.somanuals.com>

<http://www.4manuals.cc>

<http://www.manual-lib.com>

<http://www.404manual.com>

<http://www.luxmanual.com>

<http://aubethermostatmanual.com>

Golf course search by state

<http://golfingnear.com>

Email search by domain

<http://emailbydomain.com>

Auto manuals search

<http://auto.somanuals.com>

TV manuals search

<http://tv.somanuals.com>