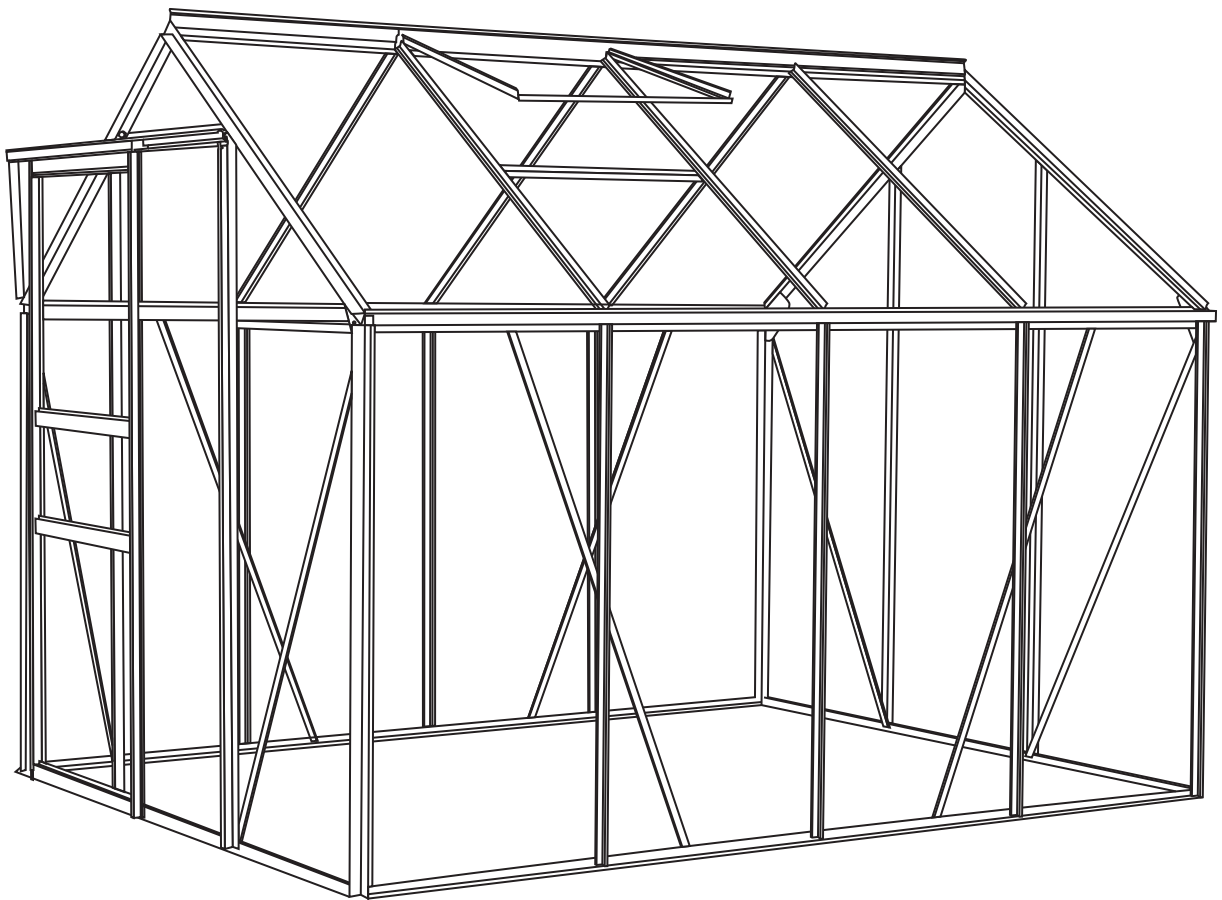




Greenhouse Owner's Manual



Model - OGAL-866



Call us first

CUSTOMER SERVICE NUMBER

1.855.354.GROW (4769)



Email us at

support@ogrow.com



Check our website

www.ogrow.com

THANK YOU FOR PURCHASING THE OGROW™ GREENHOUSE

Simply follow the assembly and safety instructions in this manual

Should you have any questions, please call our Customer Service Department

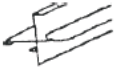


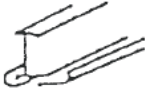






Toll-free number: **1.855.354.GROW (4769)**












MONDAY - THURSDAY 9:30 A.M. - 5:00 P.M. Eastern Time.	FRIDAY 9:00 A.M. - 12:00 P.M. Eastern Time.
--	--












TABLE OF CONTENTS












	Page
Parts List	3-4
Safety Information	5
Specifications	6
Foundation	6-8
Assembling the Base	9
Assembling the Sides	10
Assembling the Roof	11-13
Assembling the Crown Base	14-15
Assembling the Side & Roof Frames	16-20
Assembling the Front Frame	21-24
Assembling the Door	25-27
Assembling the Window	28-31
Assembling the Panels	32-34
Panel Clips Installation	35
Use and Maintenance	36

PARTS LIST

Part	Description		Qty.
1	Corner Stud		4
2	Front Rt. Crown beam		1
3	Front Lt. Crown beam		1
4	Rear Rt. Crown Beam		1
5	Rear Lt. Crown Beam		1
6	Right Doorway Stud		
7	Left Doorway Stud	1	
8	Left Rear Stud		1
9	Right Rear Stud		1
10	Side Stud		6
11	Roof Stud		6
12	Top Doorway Beam		1
13	Corner Bracket		4
14	Door Rail		1
15	Window Support Beam		2

Part	Description		Qty.
16	Rear Floor Plate		1
17	Front Floor Plate		1
18	Window Stop		4
19	Door Slide Support		1
20	Left Door Frame		1
28	Right Door Frame		1
21	Rear Ceiling Plate		1
22	Side Diagonal Brace		4
23	Front Ceiling Plate		2
24	Top Door Frame		1
25	Front Diagonal Brace		2
26	Center Door Frame		2

27	Bottom Door Frame		1
30	Side Window Frame		4
31	Door Slider (including rollers)		1
32	Bottom Window Frame		2
33	Top Window Frame		2
34	Side Floor Plate		2
35	Crown		1
36	Side Ceiling Plate		2
38	Long Door Support Bolt		1
39	Door Support Spacer		1
41	Spanner Wrench		2

42	Rubber Seal		2
43	Bolt		105
44	Door Screw		16
45	Window Screw		12
46	Panel Clip		144
47	End Cap		8
48	Gutter End Cap		4
49	Right Rail End Cap		1
50	Left Rail End Cap		1
51	Window Brace		2
52	Nut		106

IMPORTANT SAFETY INFORMATION

The warnings, precautions, and instructions discussed in this manual cannot cover all possible conditions and situations that may occur. The operator must understand that common sense and caution are factors, which cannot be built into this product, but must be supplied by the operator.



SAVE THESE INSTRUCTIONS

Assembly / Installation Precautions

1. Assemble only according to these instructions. Improper assembly can create hazards.
2. Wear ANSI-approved safety goggles and heavy-duty work gloves during assembly.
3. This unit contains pieces with sharp edges. The machined edges of the aluminum parts and the ends of the panel clips may be sharp. Handle all parts carefully.
4. Keep assembly area clean and well lit.
5. Keep bystanders out of the area during assembly.
6. Do not assemble when tired or when under the influence of alcohol, drugs or medication.
7. Product capabilities apply to properly and completely assembled product only.
8. Locate the Greenhouse on a flat, level, surface. A concrete foundation is recommended for a high-quality installation.
9. **WARNING:** The brass bushings inside the Rollers of this product contain lead, a chemical known to the State of California to cause birth defects (or other reproductive harm). (California Health & Safety Code § 25249.5, *et seq.*)

Use / Service Precautions

1. **This product is not a toy. Do not allow children to play in or climb on this product.** Although this greenhouse does include some caps, there are still some exposed sharp edges. In addition, protective covers may fall off in time. Children must be supervised if allowed near the greenhouse.
2. **SNOW/DEBRIS ACCUMULATION HAZARD.** The heavy weight of accumulated snow or other debris can cause parts of this greenhouse to buckle suddenly. Do not allow debris to accumulate on top of the greenhouse. If snowfall is expected, place additional supports (not provided) underneath the Crown (35). **NEVER enter a greenhouse with accumulated debris on top.**
3. Use as intended only.
4. Inspect periodically; replace damaged parts immediately and do not enter greenhouse if parts are loose or damaged.
5. For your safety, service and maintenance should be performed regularly by a qualified technician.

SPECIFICATIONS

Overall Dimensions	98-1/2" Lx75-7/8" W x 77" H
Window Dimensions	23" L x 20" W
Door Dimensions	64" H x 24" W x 1 - 1/4" Thick
Materials	Aluminum Frame Transparent Polycarbonate Sheets
Aluminum Thickness	0.038"
Polycarbonate Sheet Thickness	0.165"

SECTION 1

FOUNDATION INSTALLATION



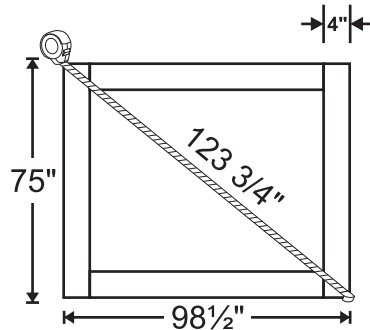
Read the **ENTIRE IMPORTANT SAFETY INFORMATION** section at the beginning of this document including all text under subheadings therein before set up or use of this product.

IMPORTANT—READ THE FOLLOWING CAREFULLY BEFORE PROCEEDING

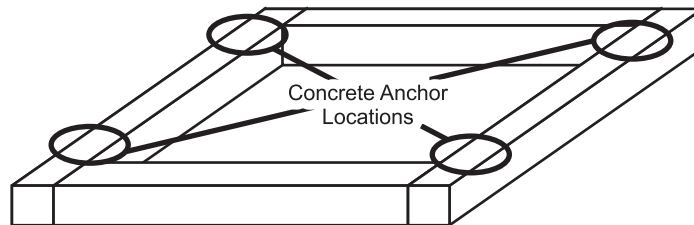
- Prior to assembly, a proper foundation must be laid. The greenhouse must be properly supported to help prevent property damage and injury in the event of strong winds or inclement weather. Wind and ground conditions may vary from site to site, and may affect the practicality and effectiveness of anchoring methods substantially. If you have any doubt regarding the stability of the foundation you are to use, consult a professional.
- It is always your responsibility to ensure that the greenhouse is properly anchored. Harbor Freight Tools cannot be held responsible for personal injury, damage to the greenhouse, or other property damage that occurs as a result of improperly anchoring the greenhouse.
- Be certain to check with local authorities to obtain all required building permits and to familiarize yourself with any building codes that may apply.
- Decide on a location for the greenhouse. The location should optimally be a level, well-lit area that is sheltered from the wind. The door of the greenhouse should not open towards the prevailing wind, if possible.

CONCRETE ANCHOR FOUNDATION

1. To assemble this foundation we recommend using 4 x 4 treated lumber, hardware, and prefabricated concrete anchors (none provided).
2. Cut the wood to size with a standard hand or power saw and then assemble these 4 x 4 pieces in the dimensions as shown below. Make sure that the diagonal dimensions, from outside corner to outside corner, should be 123 3/4" each.



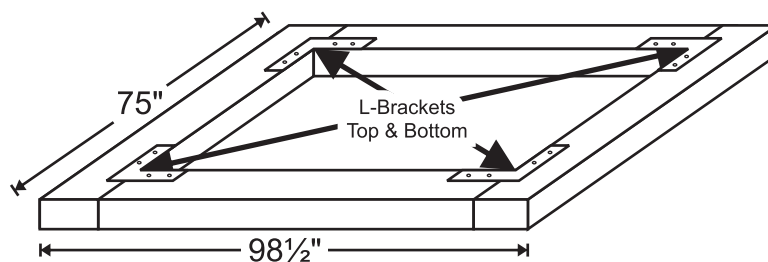
3. Securely assemble the frame together using proper hardware.
4. Dig a hole for each of the concrete anchors in the position shown. The hole should be slightly oversized and should be deep enough so that the frame will rest almost on the ground when installed.



5. Carefully place the anchors in the holes, and place the frame on the anchors. Use a level on the frame to make sure that the anchors are sunk to the proper depth. If any anchors need to be raised, partially fill the hole under the anchor with sand or gravel.
6. Once the frame is level, secure it to the anchors. Fill up the holes the rest of the way with the earth you removed previously.
7. Optional : For convenience you may fill the frame at this point with a proper fill material, such as gravel (not included).

TREATED WOOD BASE FOUNDATION

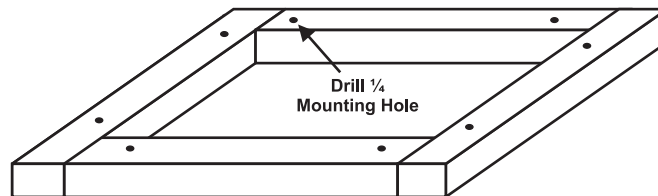
1. The wood base will be assembled out of 4 x 6 and 2 x 12 treated lumber, hardware (including galvanized lag bolts/deck screws), and fill material, such as gravel (none provided).
2. Assemble the 2 x 12 pieces in the dimensions shown in the diagram below. The wood will need to be trimmed to fit. Make certain that the assembly is square and level. The diagonal dimensions, from outside corner to outside corner, should be 123 3/4" each. Also use a level to ensure that the base is even. If needed, fill under sections of the base to make sure it is level.



3. Assemble the 4 x 6 pieces on top of the base you just assembled. Fill the base with the fill material up to the top of the 4 x 6's.

CONCRETE SLAB FOUNDATION

1. The greenhouse must be attached to a wood sill, and not directly to a concrete slab. Use four 4" wide by 2" thick wooden boards (not provided) to construct a sill.
2. Cut the four boards to the proper dimensions shown.
3. Place the four boards to form a rectangle on a level floor surface.
4. Exact dimensions may vary slightly. Lay the base components out together, square them, then take actual measurements. Both diagonal measurements, from outer corner to outer corner, should be 123 3/4" each.
5. Secure the boards together at the corners using wood screws (not provided).



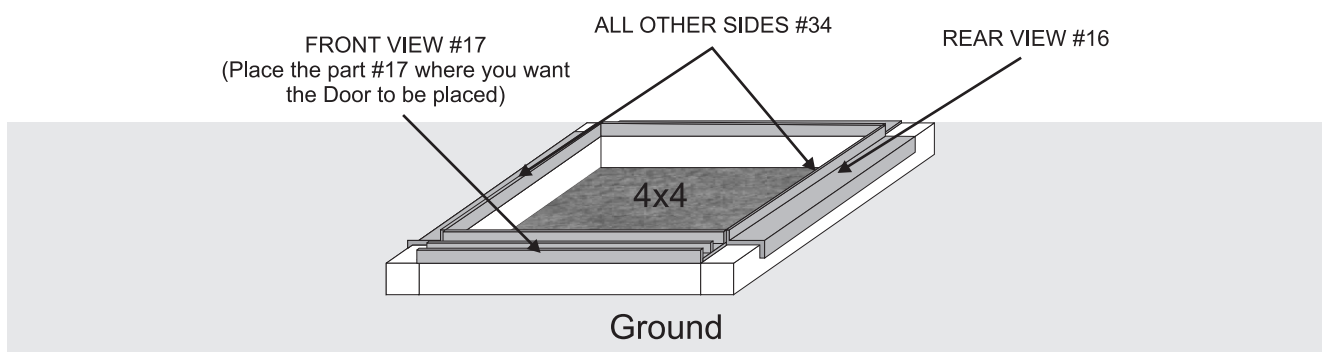
Attaching the Sill to the Concrete Slab

1. A concrete slab foundation upon which the Greenhouse will be positioned will help to ensure stability. The slab can be slightly oversize.
2. Drill two 1/4" holes through each of the four boards.
3. Next, use the two predrilled holes in each board as a template to mark the points where eight anchor holes will be drilled in the concrete floor. Then, temporarily remove the sill.
4. Where previously marked on the concrete floor, drill all eight 1/4" diameter, minimum 4" deep, anchor holes. Blow the concrete dust out from the drilled holes.
5. Move the four boards back to the concrete floor surface, and align all eight predrilled holes in the four boards with the eight previously drilled anchor holes. If necessary, level the boards by inserting stainless steel shims (sold separately) between the boards and the concrete floor. Do not exceed 1/2" shim thickness.
6. Secure the four boards to the concrete floor, using eight 1/4" diameter anchor bolts of appropriate length, eight washers, and eight nuts (not provided).

POSITIONING THE FLOOR PLATE

1. There are four Floor Plates to position on the foundation; the Front Floor Plate Part #17, the Rear Floor Plate Part #16, and two Side Floor Plates Part #34.
2. Match the length of each of the four Floor Plates (Part #16, #17, #34) with the appropriate length of each edge of the base.
Place the Front Floor Plate Part #17 on the side that the door will face.

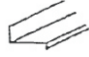


Note : Position the four Floor Plates Part #16, #17, #34) with their outer edges overhanging the outer edges of the frame, as shown below. Do not secure the Floor Plates to the Frame at this time.



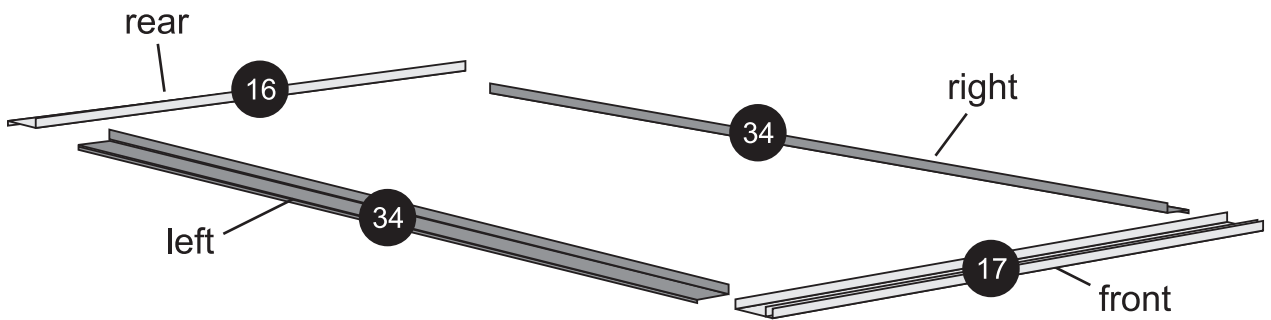
SECTION 2

ASSEMBLING THE BASE

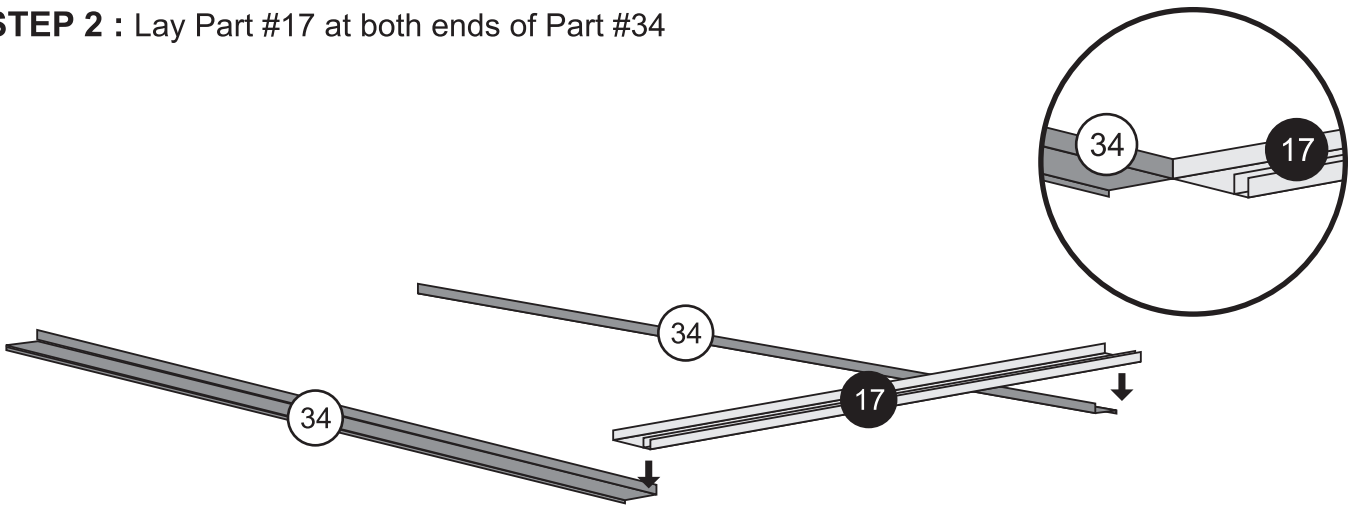
PARTS NEEDED FOR THIS STEP

Part	Description	Qty.
16	Rear Floor Plate 	1
17	Front Floor Plate 	1
34	Side Floor Plate 	2

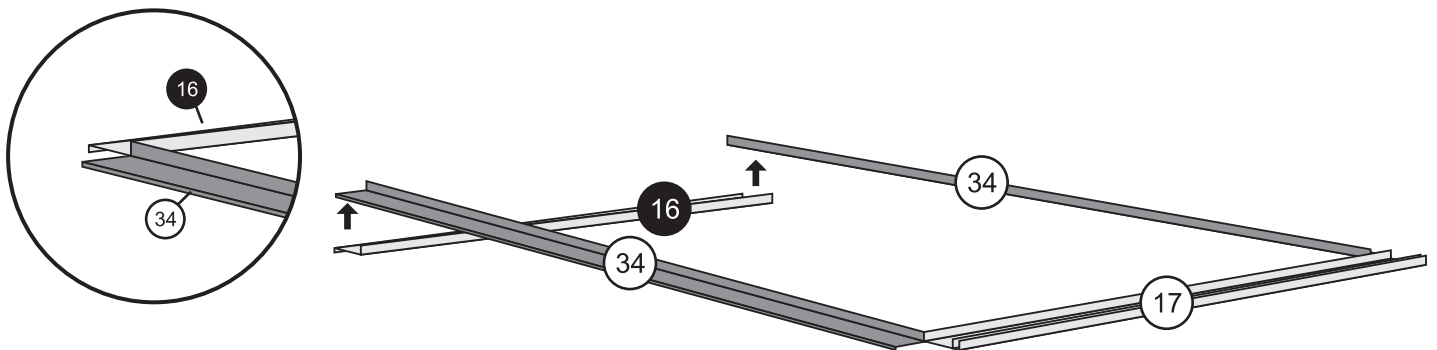
STEP 1 : Lay the Parts #16, #17 and #34 on the ground as shown in fig.



STEP 2 : Lay Part #17 at both ends of Part #34






STEP 3 : Lay Part #16 at both ends of Part #34. See figure.



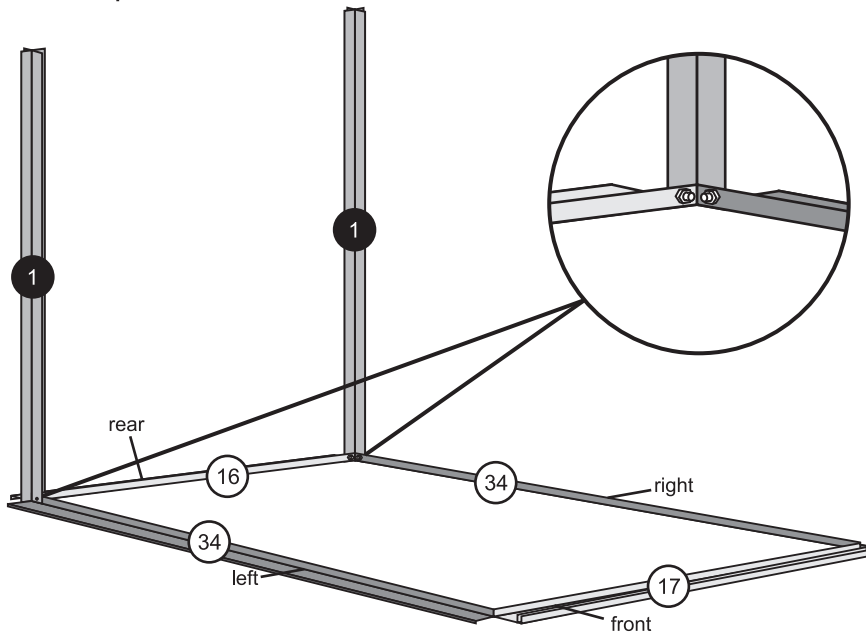
SECTION 3

ASSEMBLING THE SIDES

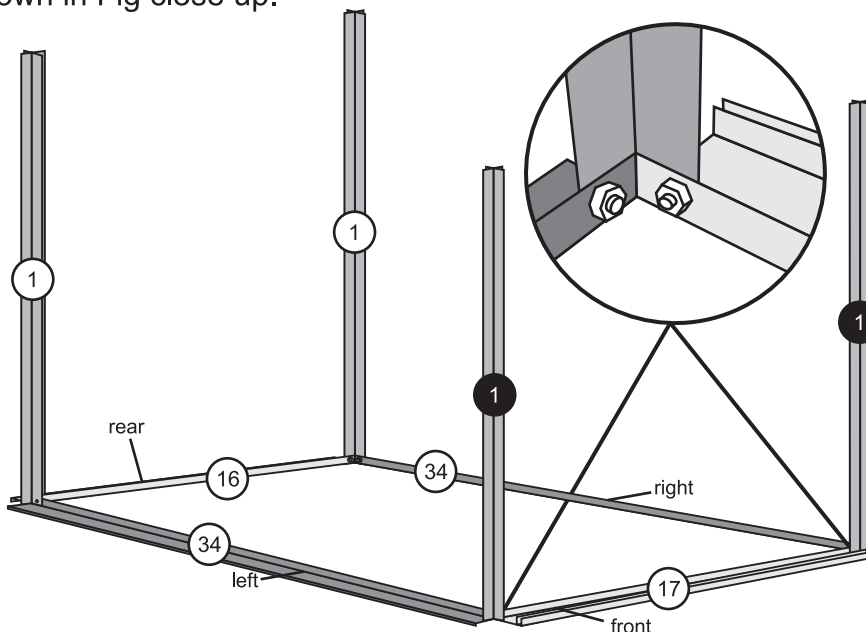
PARTS NEEDED FOR THIS STEP

Part	Description	Qty.
1	Corner Stud 	4
43	Bolt 	8
52	Nut 	8

STEP 4 : Screw 2 Corner Studs, Part #1 to the back corners and tighten with Bolts and Nuts as shown in Fig close up.









STEP 5 : Screw the other 2 Corner Studs, Part #1 to the front corners and tighten with Bolts and Nuts as shown in Fig close up.



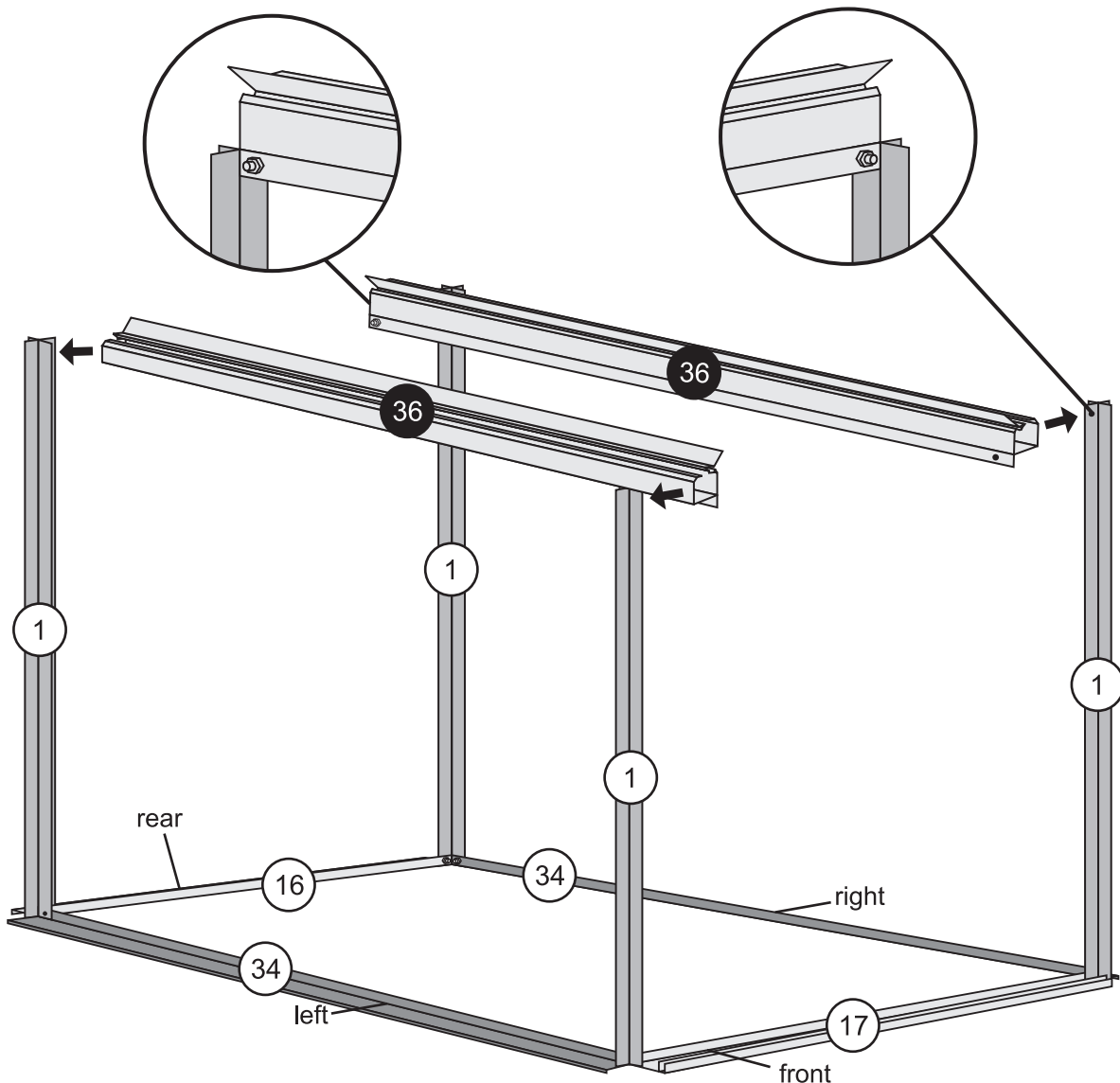
SECTION 4

ASSEMBLING THE ROOF

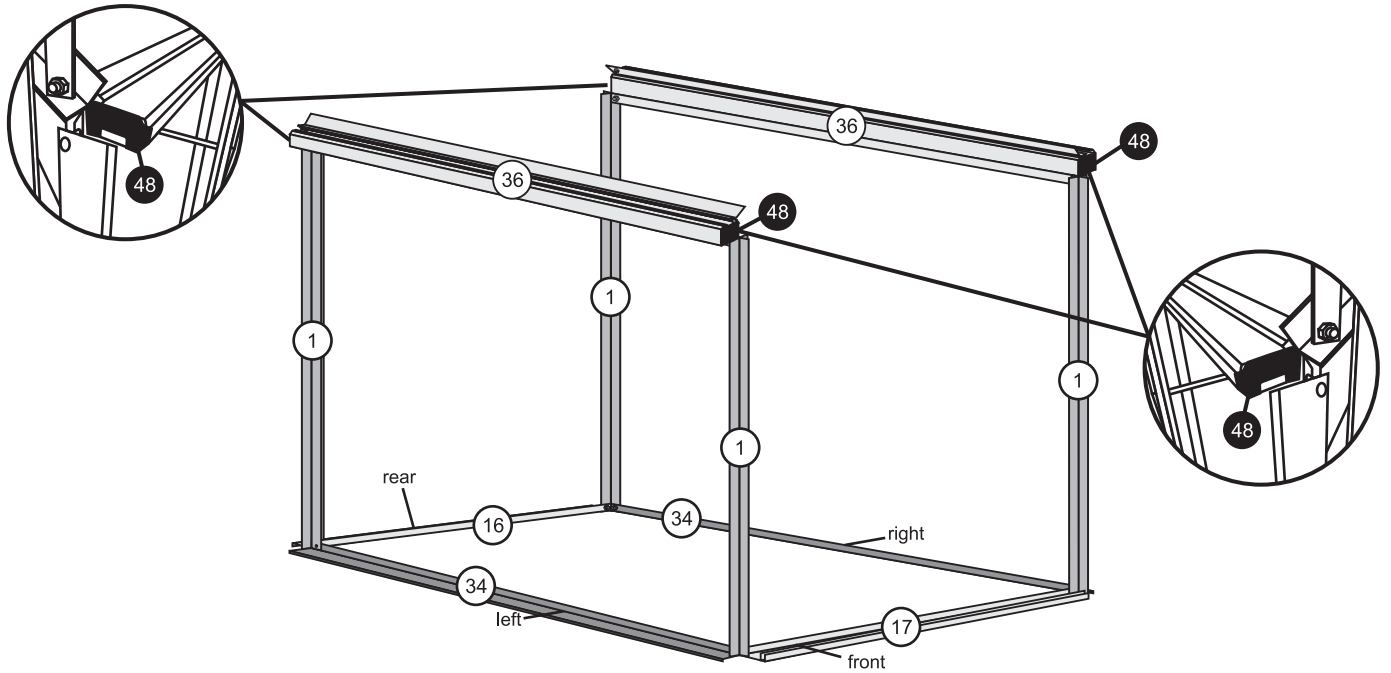
PARTS NEEDED FOR THIS STEP

Part	Description	Qty.
36	Side Ceiling Plate 	2
43	Bolt 	10
48	Gutter End Cap 	4
52	Nut 	10
13	Corner Bracket 	4
21	Rear Ceiling Plate 	1

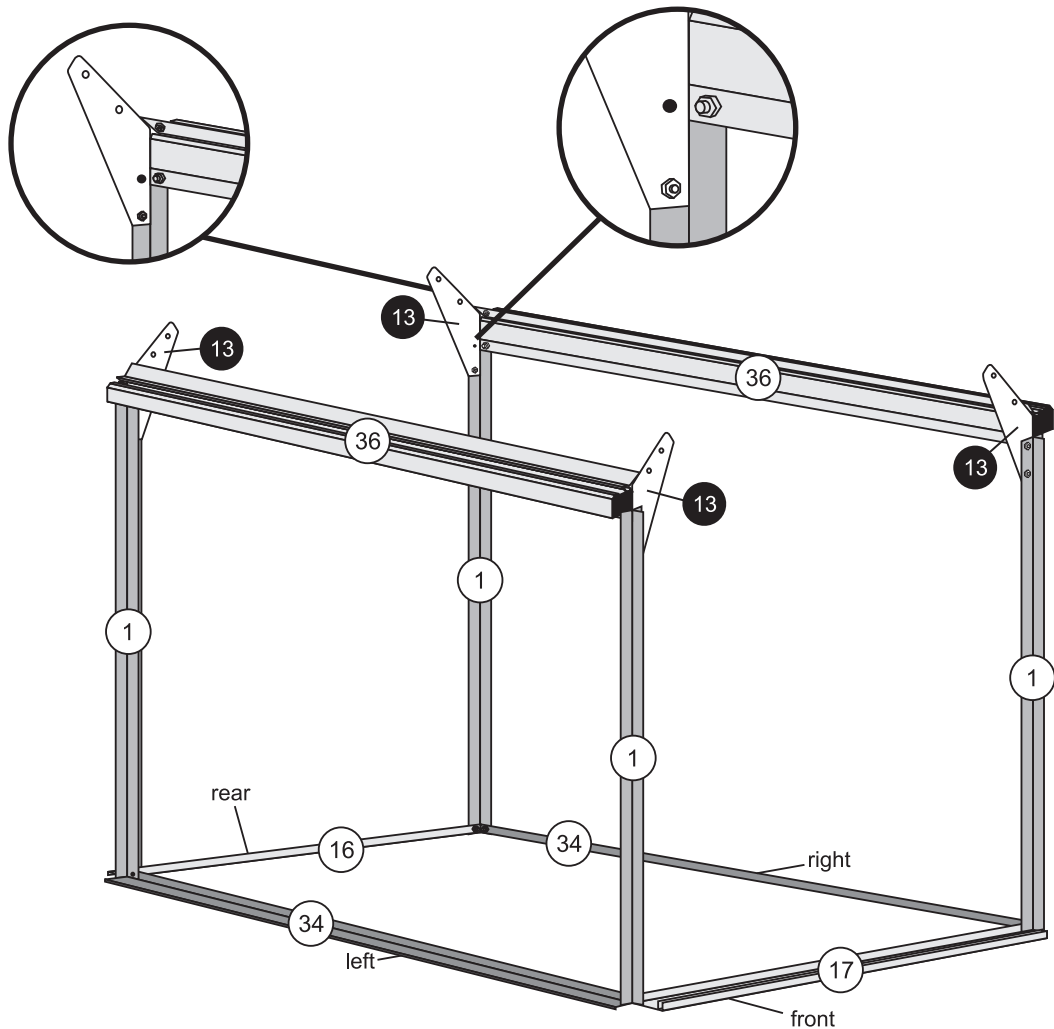
STEP 6 : Attach the Side Ceiling Part #36 to the top of Corner Studs Part #1 facing the inside of the greenhouse. Tighten with Bolts and Nuts. Repeat for both sides.



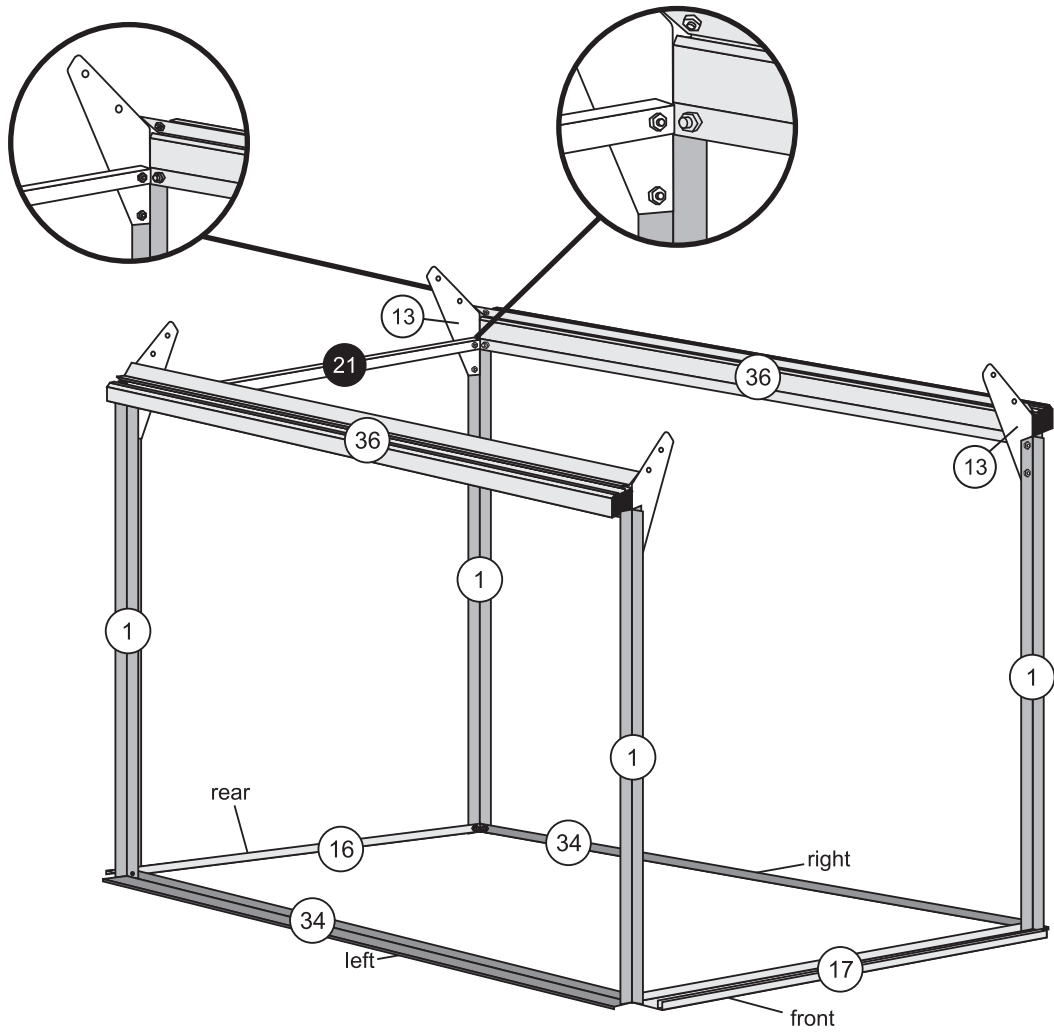
STEP 7 : Attach the Gutter End Caps Part #48 to all 4 corners of the Side Ceiling Plates Part #36.



STEP 8 : Connect The Corner Brackets Part #13 to all 4 corners of the corner Studs Part #1, with the bottom hole.










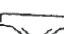
STEP 9 : Attach the Rear Ceiling Plate Part #21 to the Rear Corner Studs Part #1, on top of the bracket #13, as shown in Fig close up.



SECTION 5

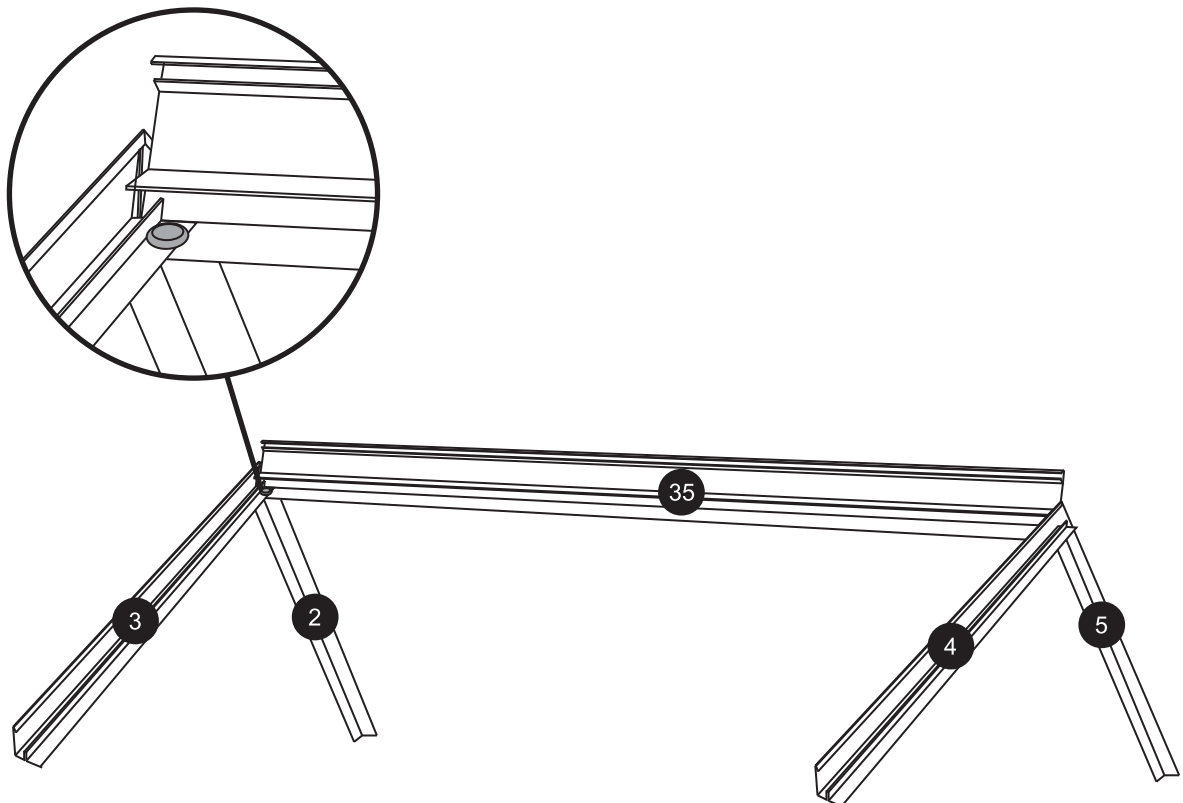
ASSEMBLE THE CROWN BASE

PARTS NEEDED FOR THIS STEP

Part	Description	Qty.
2	Front Rt. Crown Beam 	1
3	Front Lt. Crown Beam 	1
4	Rear Rt. Crown Beam 	1
5	Rear Lt. Crown Beam 	1
35	Crown 	1
43	Bolt 	16
52	Nut 	16
47	End Cap 	4

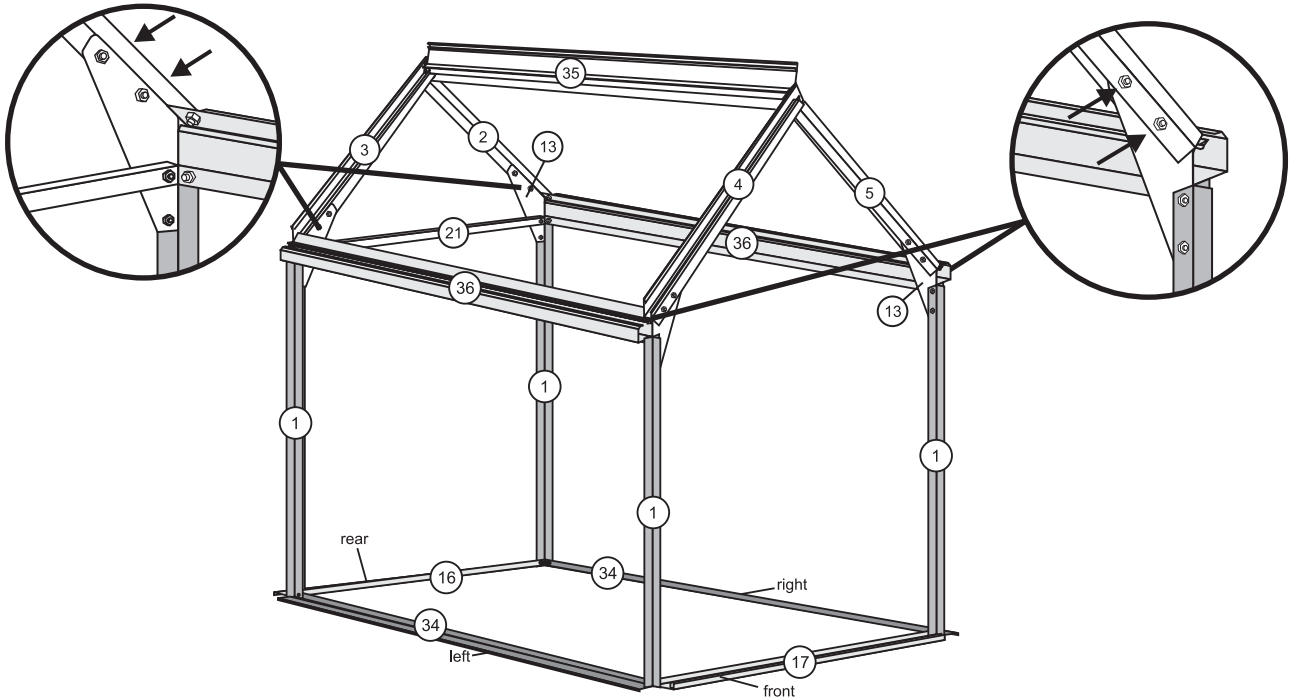
NOTE: This step should be assembled outside of the greenhouse

STEP 10 : Assemble the top frame outside of the greenhouse. Connect Part #2 and Part #3 to the outside of Part #35. Then continue attaching Parts #4, #5 to outside of the other side of #35. Attach an End Cap (47) onto the outer end of each Crown Beam (2,3 and 4,5).

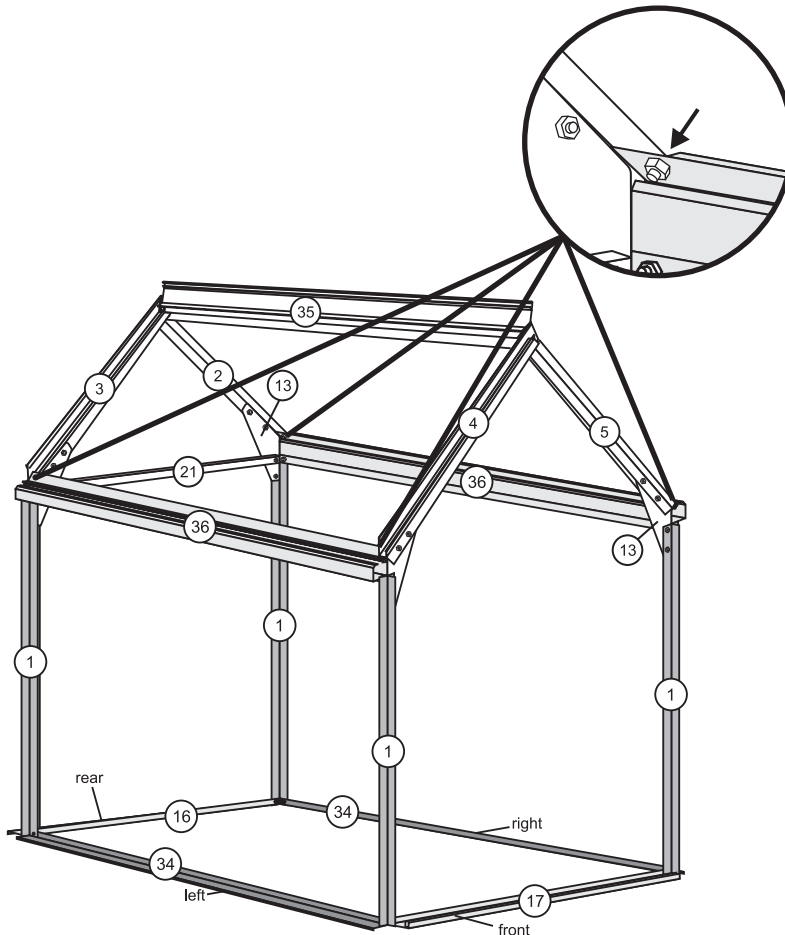


NOTE: You will need 2 people for this step

STEP 11 : Take the entire Roof Top assembled in previous step, and attach it to the top of the greenhouse. Face Parts #2, #3, to the rear, and Parts #4, #5 to front, and connect it to the top 2 holes of the brackets Part #13.









Attach More screws to all 4 corners to attach the crown base to part #36 see figure.



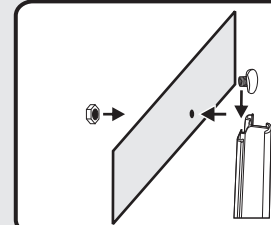
SECTION 6

ASSEMBLING THE SIDE & ROOF FRAMES

PARTS NEEDED FOR THIS STEP

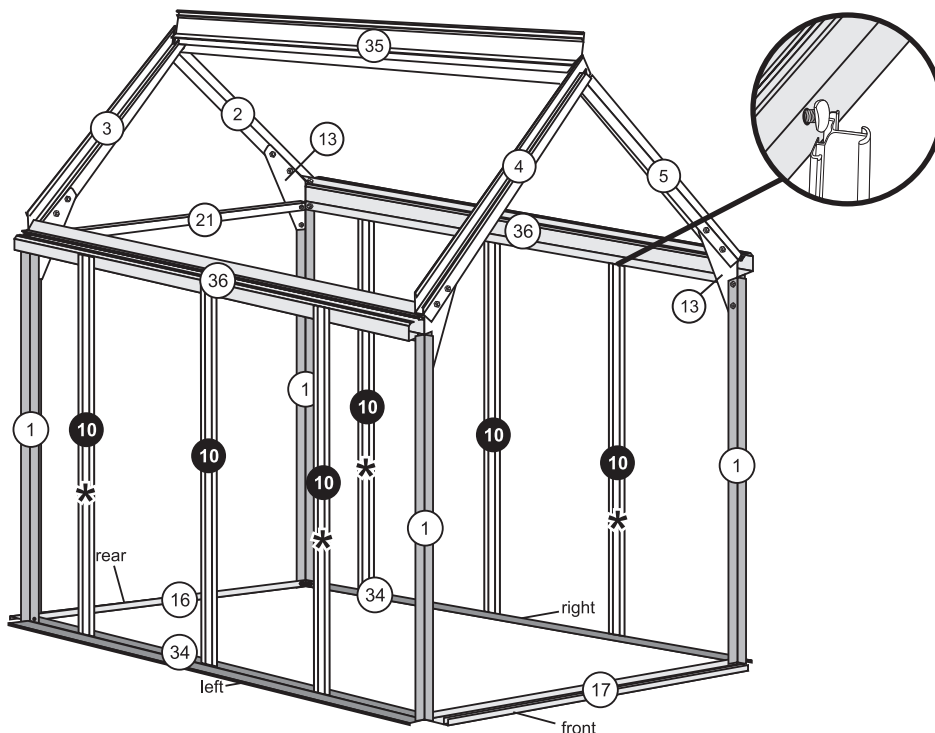
Part	Description	Qty.
10	Side Stud 	6
22	Side Diagonal Brace 	4
43	Bolt 	30
52	Nut 	30
8	Left Rear Stud 	1
9	Right Rear Stud 	1

NOTE: The way to connect the following pieces is by sliding the screw in the stud as figure, and then connect it to the part needed with a nut from other side.

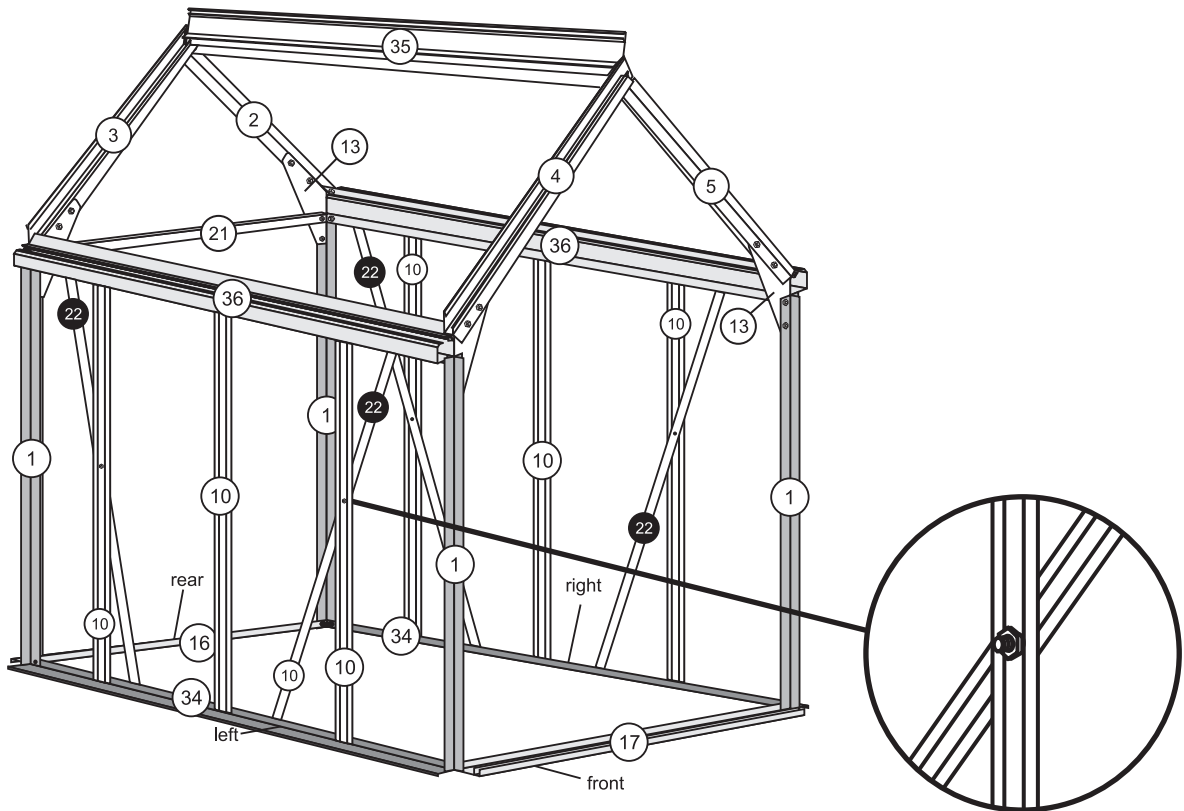


STEP 12 : Connect all Side poles Part #10 to top Part #36 and bottom Part #34 by sliding a screw inside pole Part #10, connecting the pole to the part needed.

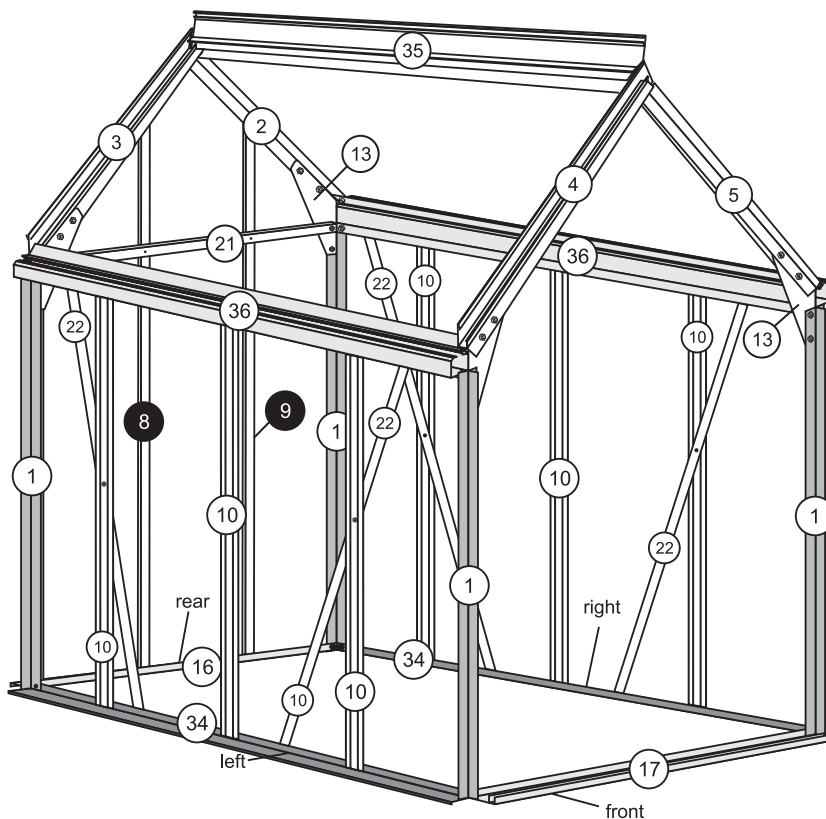
NOTE: Screw 1 extra screw in 4 Parts of Part #10, one on each side before you connect it. See the star symbol * to indicate which stud you need to use.








STEP 13 : Attach the Side Diagonal Braces Part #22 - with screws and nuts - to the top Part #36 and bottom Part #34 slanted towards the inside of the middle of pole Part #10. The extra screw you inserted in the pervious step should be connected to the middle of the Diagonals Part #22.



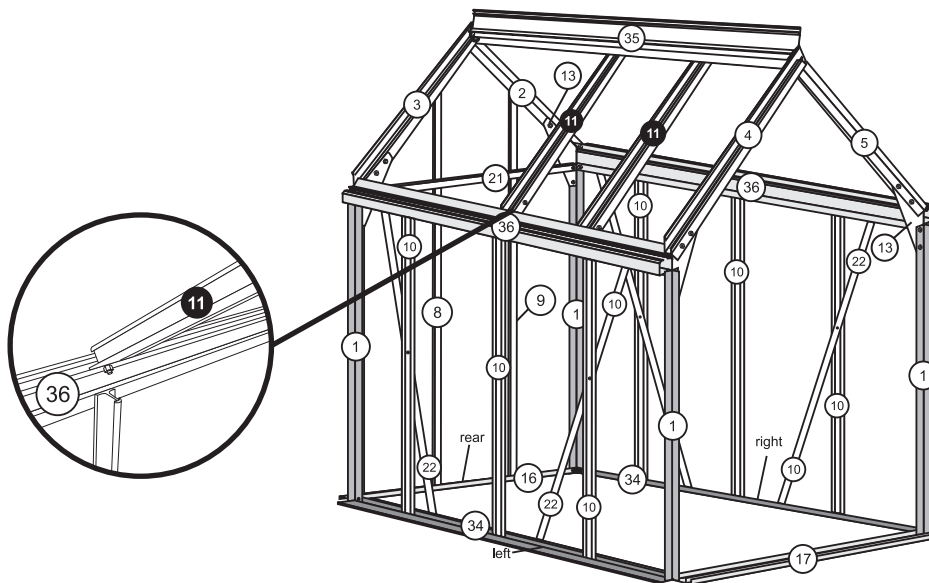
STEP 14 : Attach the Left Rear Stud Part #8 with screws and nuts to the top Part #3 and bottom Part #16 and Right Rear Stud Part #9 to the top Part #2 and bottom Part #16 on the outside of Part #21. Insert 1 extra screw in the studs and connect it to Part #21.



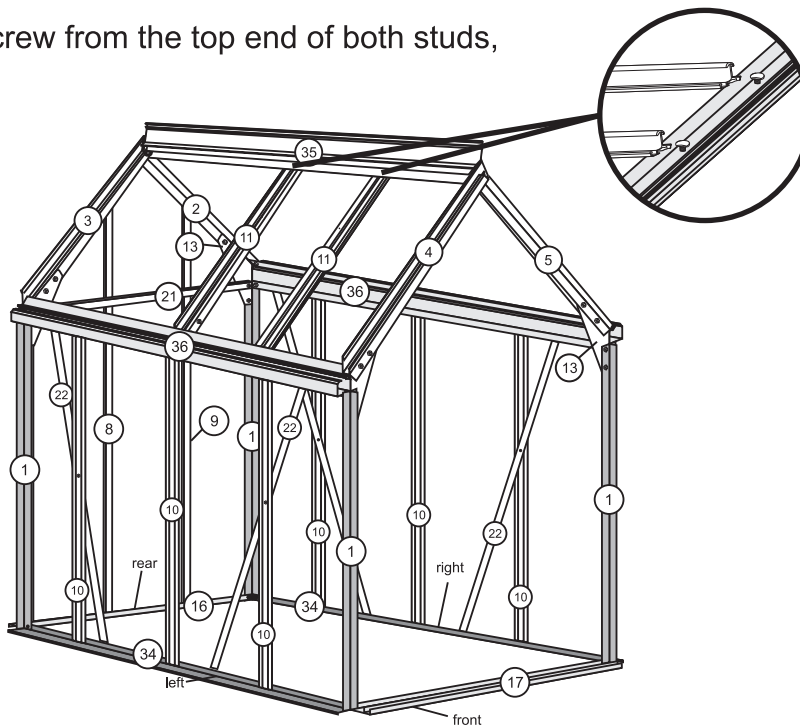
PARTS NEEDED FOR THIS STEP

Part	Description	Qty.
11	Roof Stud 	6
15	Window Support Beam 	2
18	Window Stop 	4
43	Bolt 	16
52	Nut 	16

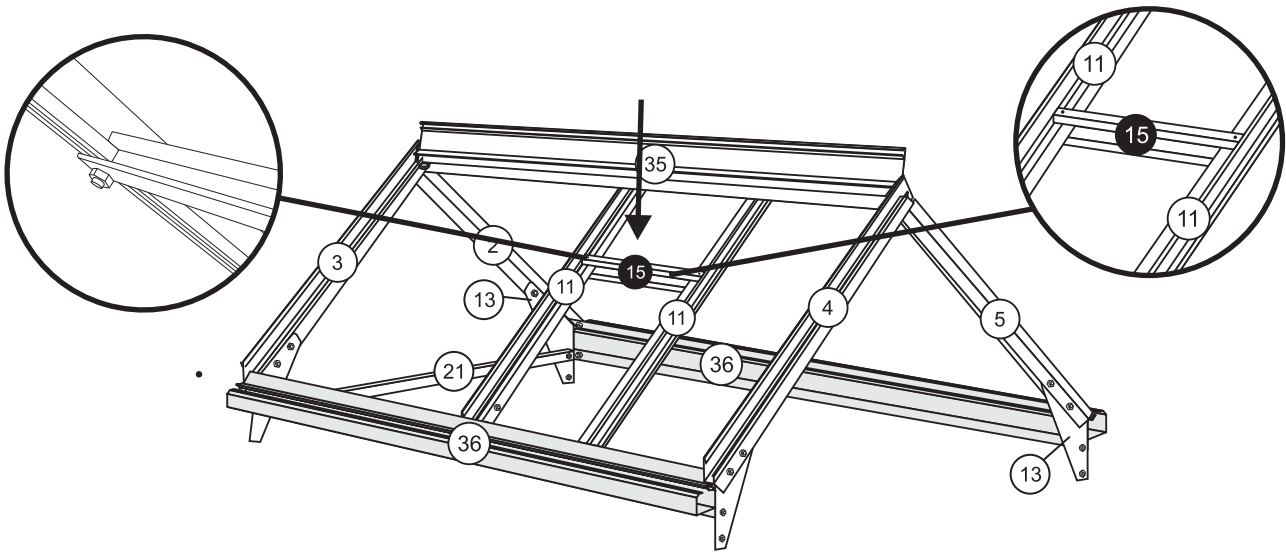
STEP 15 : Attach 2 Right Roof Studs Part #11 towards the front of the greenhouse. First connect the bottom part of the studs to Part # 36.



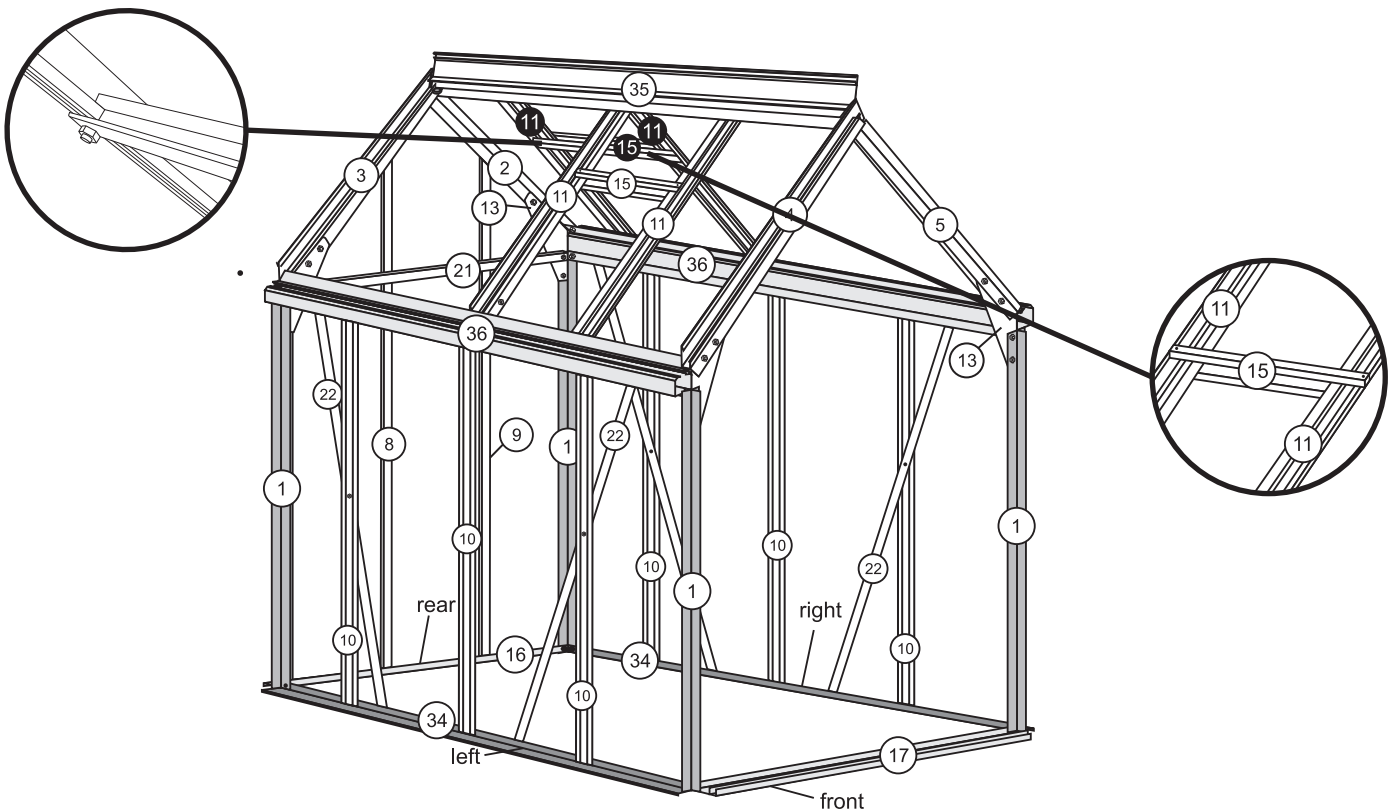
Insert 1 extra screw from the top end of both studs,



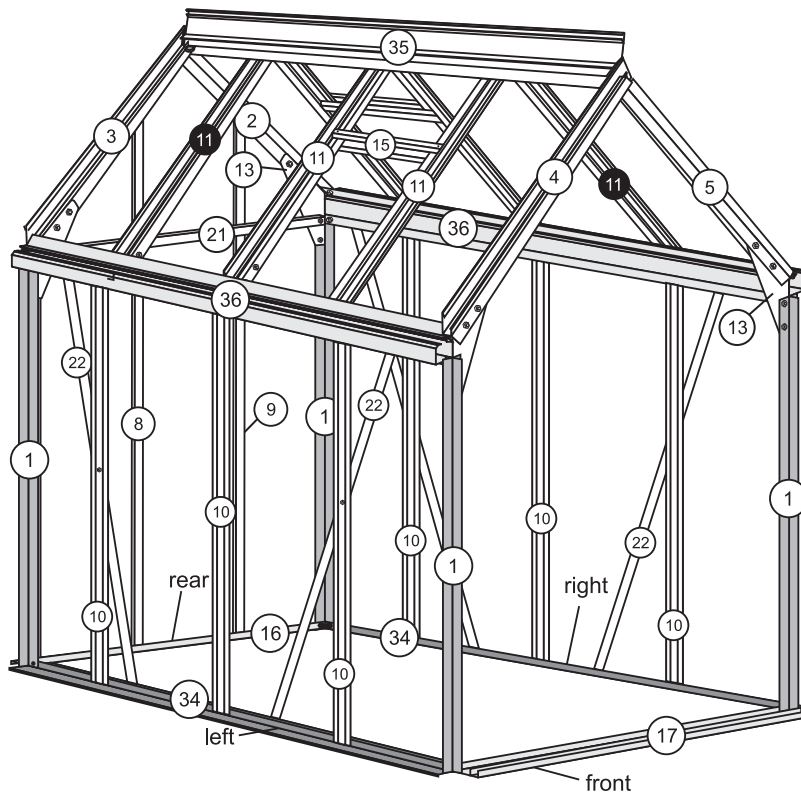
From the top, slide in Part #15 and screw it to the middle of Parts # 11. This part will be adjusted later so you do not need to tighten now. Screw the top Part #11 to the top of greenhouse Part #35.



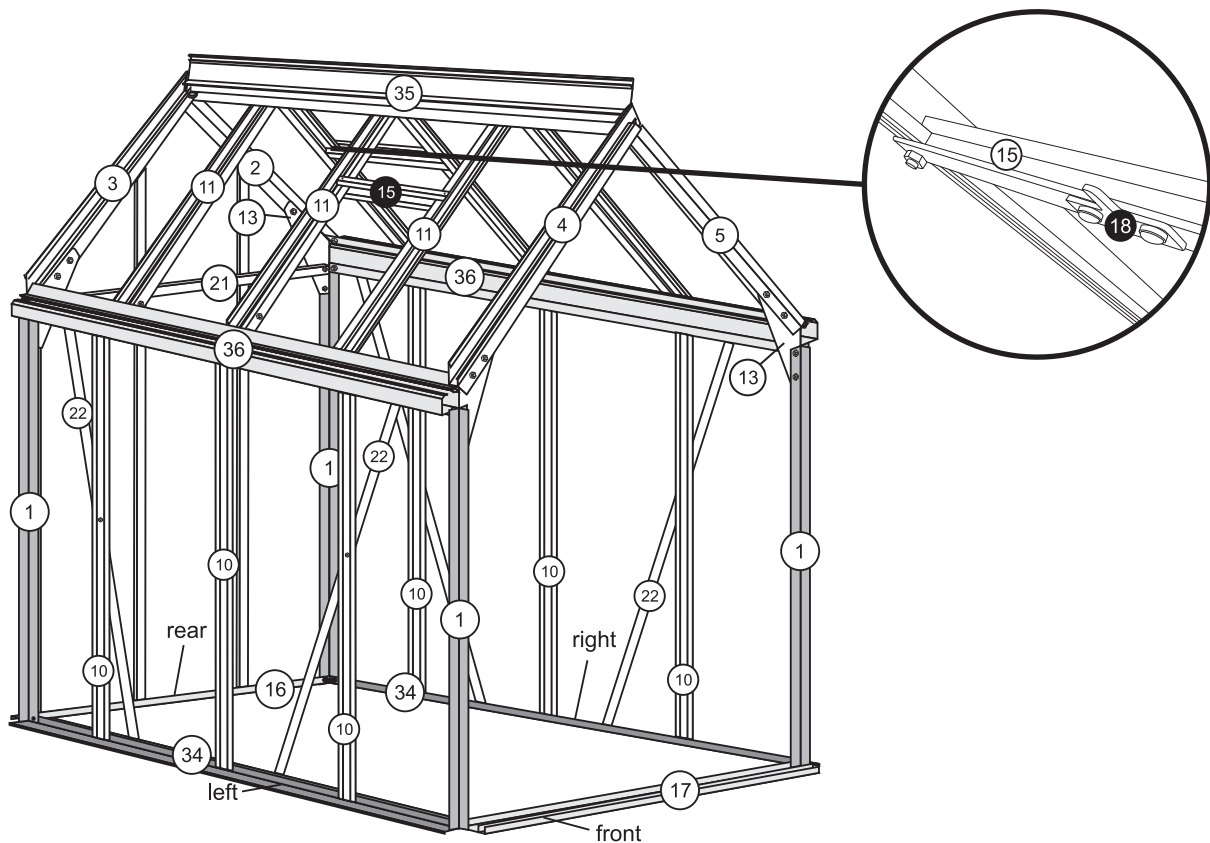
STEP 16 : Continue doing the same to the other 2 right studs Part #11 from the other side of the greenhouse - connect the bottom, insert an extra screw from the top - insert Part #15 from the top and screw the top to Part #35.



Connect the other 2 studs Part #11 to top Part #35 and bottom to Part #36 without inserting the extra screws.














STEP 17 : Attach 2 window stoppers Part #18 to Part #15 with the screws Part #45 see figure.



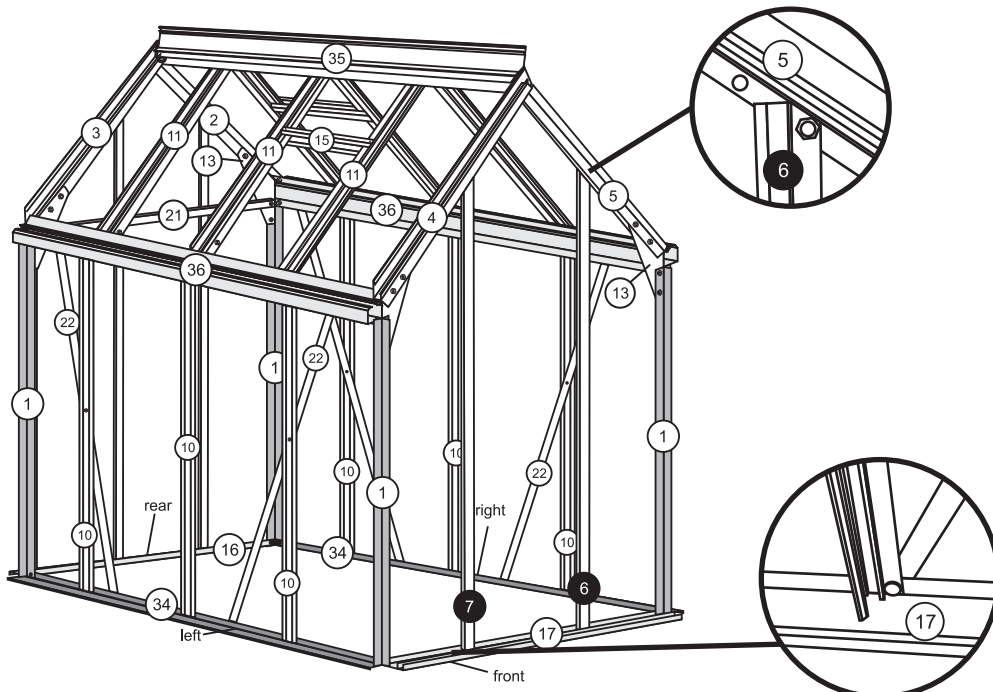
SECTION 7

ASSEMBLING THE FRONT FRAME

PARTS NEEDED FOR THIS STEP

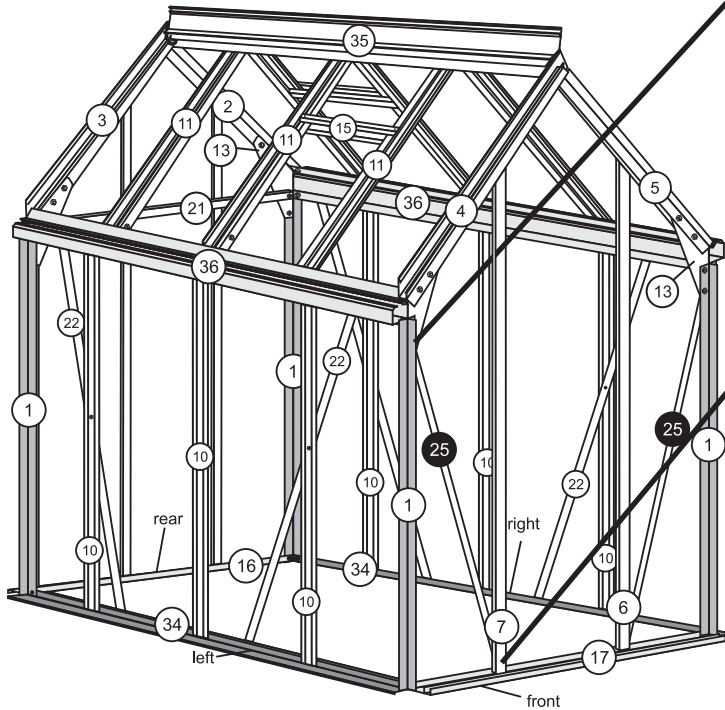
Part	Description	Qty.
7	Left Doorway Stud 	1
6	Right Doorway Stud 	1
25	Front Diagonal Brace 	2
23	Front Ceiling Plate 	2
12	Top Doorway Beam 	1
14	Door Rail 	1
19	Door Slide Support 	1
38	Long Door Support Bolt 	1
39	Door Support Spacer 	1
43	Bolt 	13
52	Nut 	13

STEP 18 : Attach the 2 Door Side Studs Part #6 and #7 to the front of the greenhouse, the top should be connected to Part #4 and #5 see figure. (Connect the bottom after the next step).

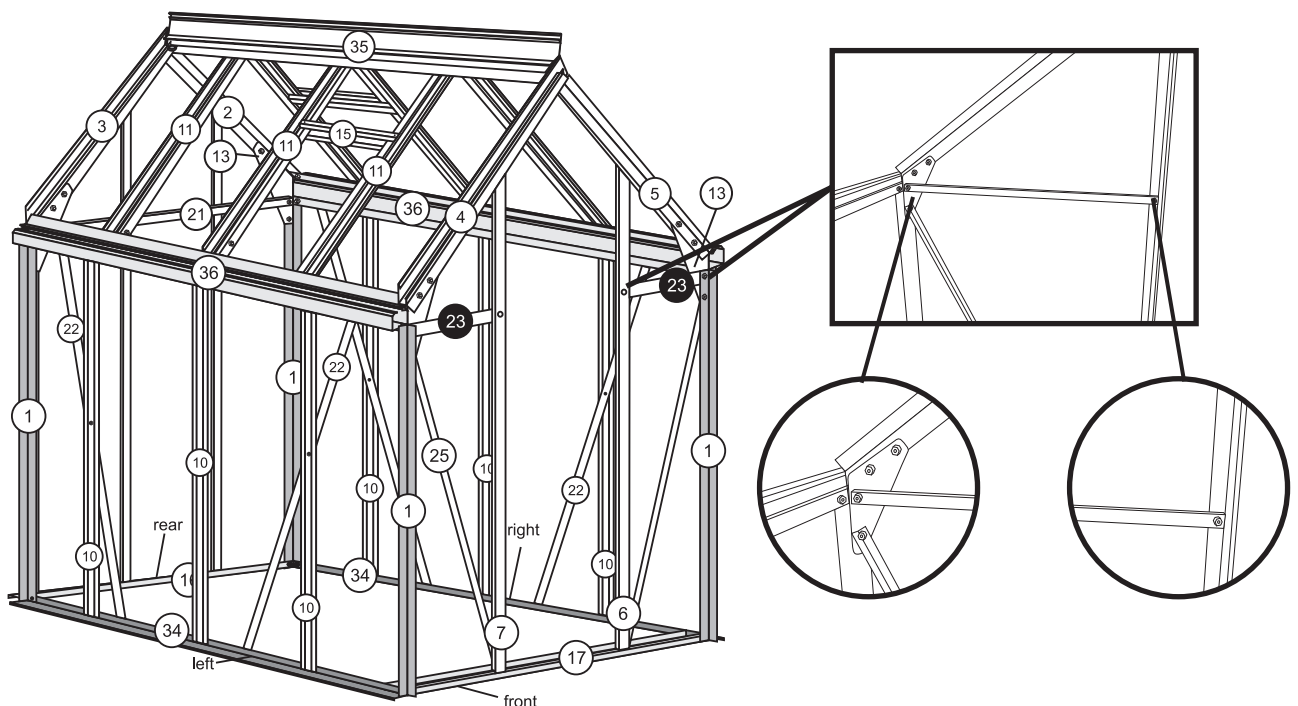


STEP 19 : Attach the Front Diagonal Brace Part #25 to the front of the greenhouse. Attach it to the inside of the greenhouse. Top should be connected to the lower hole on Bracket Part #13.

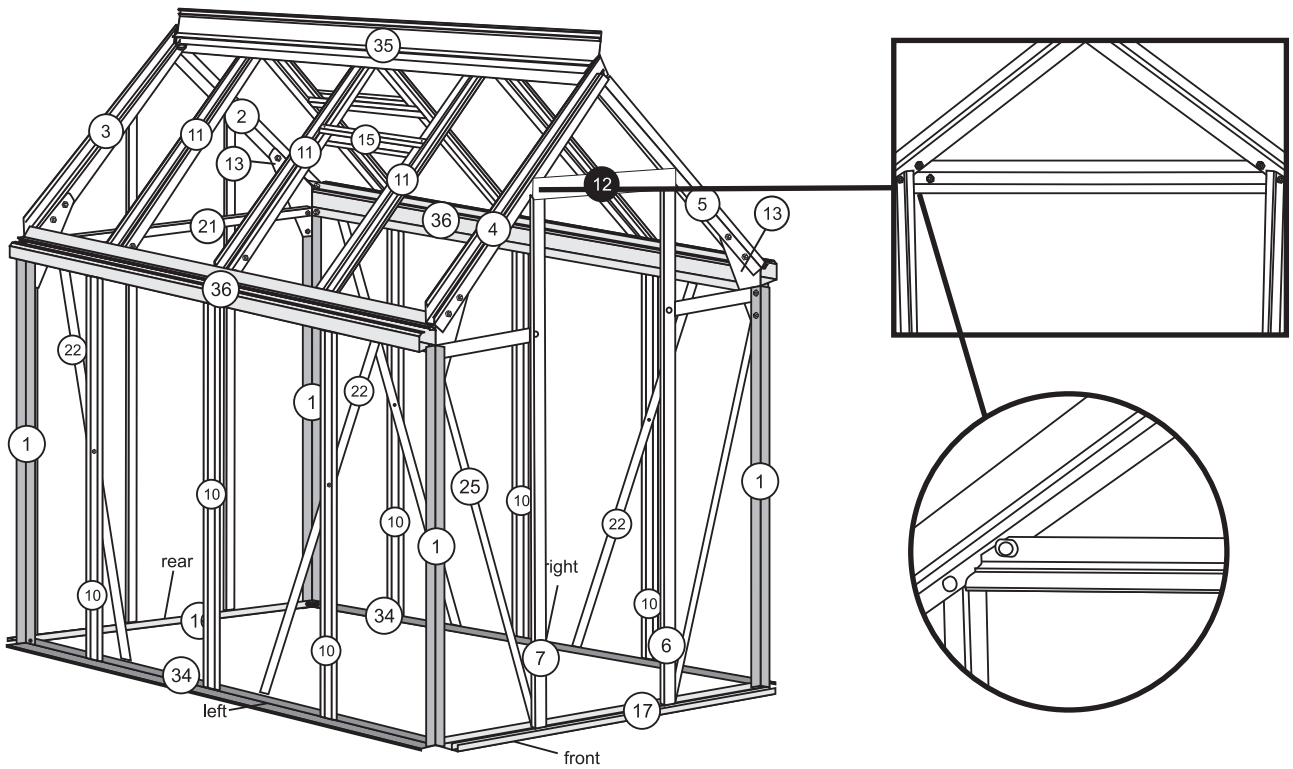
and the bottom of Diagonal Stud, Part #25 attach together with the bottom of doorway stud Part #7 to the floor plate Part #17. (Flange should face the inside of the greenhouse). Continue to do the same to the other Part #25 to the other side, attach the top to the lower hole on bracket Part #13 and the bottom of diagonal stud Part #25 with the bottom of doorway stud #6 and to the floor plate Part #17.



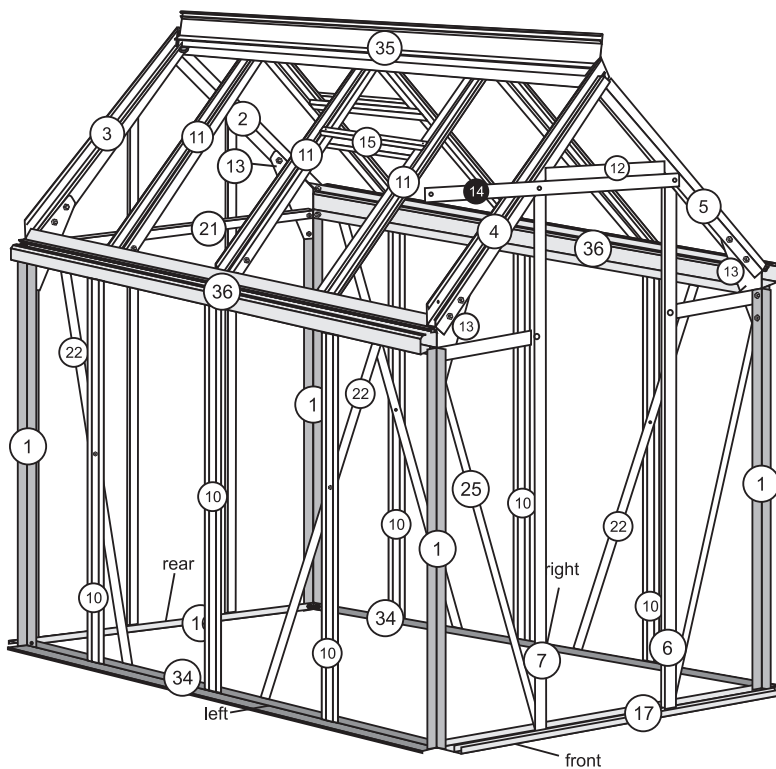
STEP 20 : Attach the Front Ceiling Plate Part #23 to the inside of the greenhouse, 1 side to bracket Part #13 second hole, and other to Doorway Stud Part #7, Continue the same to the other side.



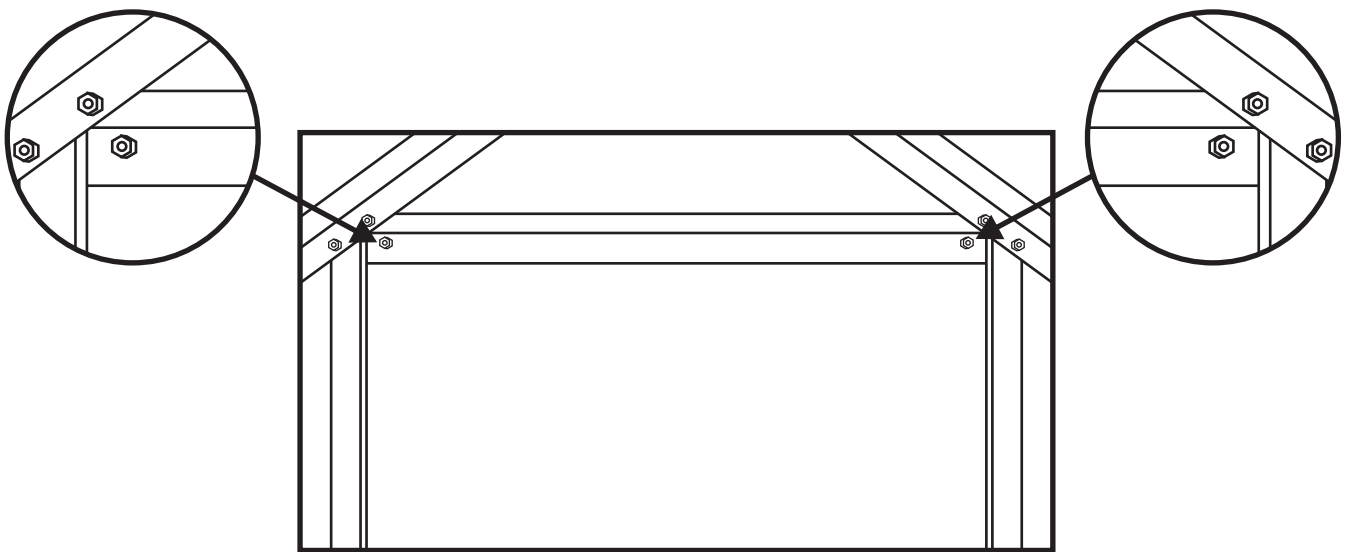
STEP 21 : Attach the Top Doorway Beam Part #12 to the Left and right Crown Beams Part #4 and #5, to the outside of greenhouse.



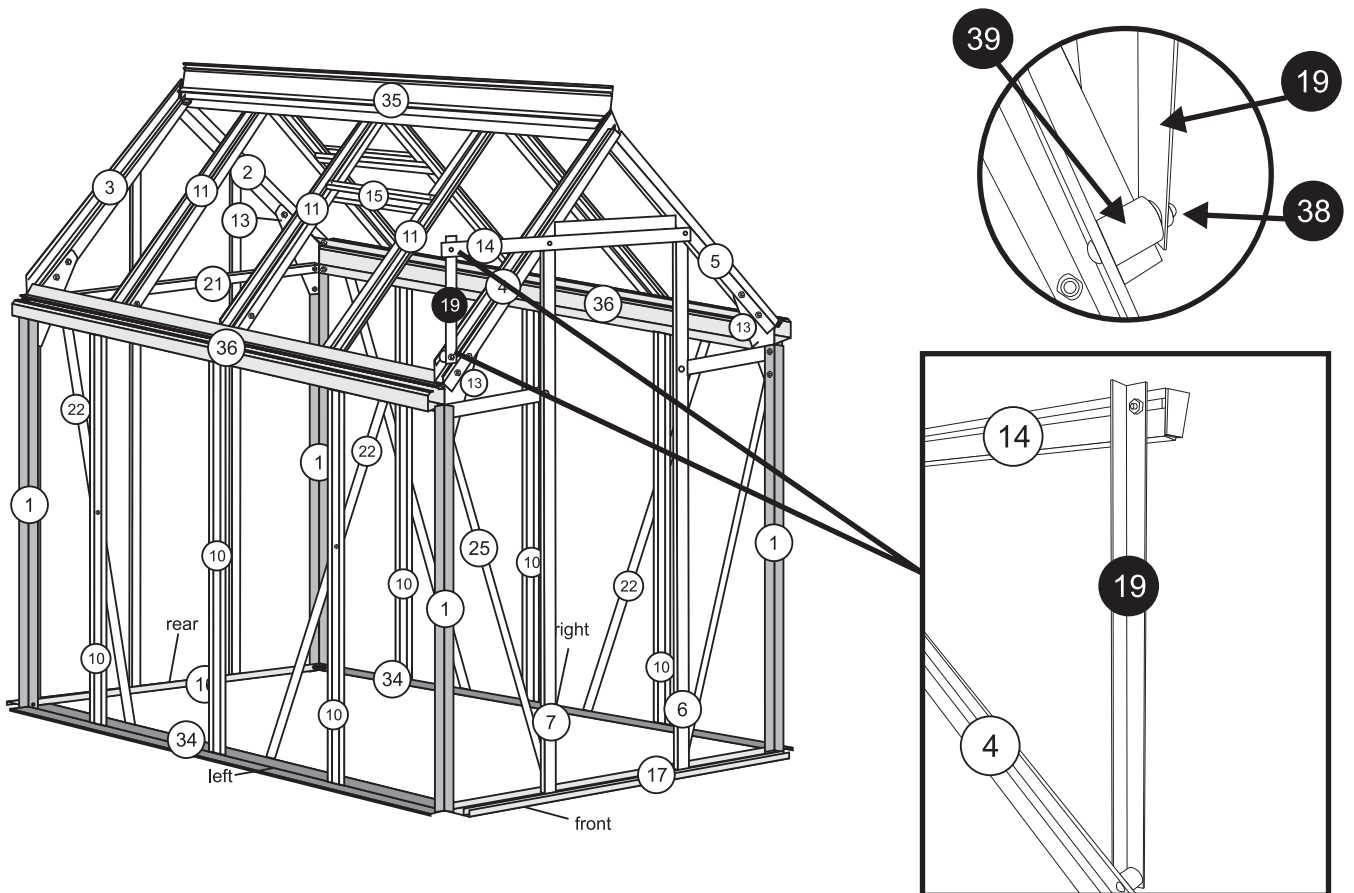
STEP 22 : Attach the Door Rail Part #14 to the Doorway Beam Part #12, by inserting 2 screws Part #43 to the back of Part #14 and connect the 2 screw to the back of the Part #12.



Tighten it from the inside of the greenhouse with the nuts Part #52. See close up Fig.











STEP 23 : Attach the Vertical Extender Part #19, to the top of Part #14 with screw and Nut, and bottom to Part #4 with Long Door Support Screw Part #38. Insert the Door Support Spacer Part #39, between the Extender Part #19 and Left Crown Beam Part #4.



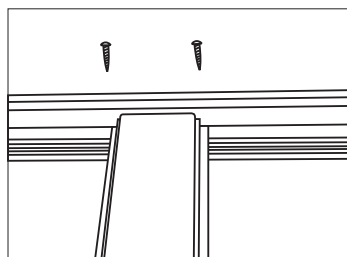
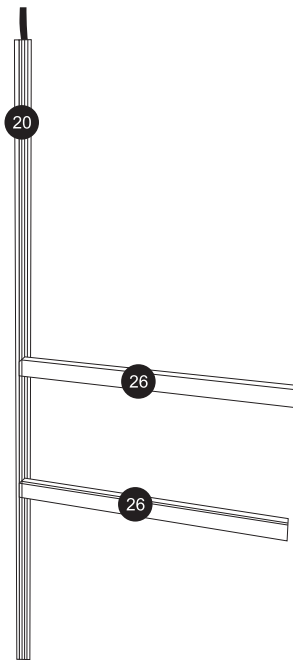
SECTION 8

ASSEMBLING THE DOOR

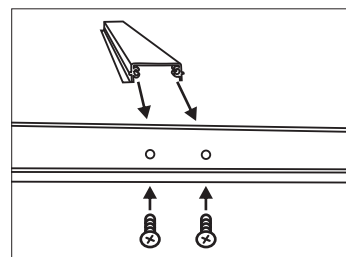
PARTS NEEDED FOR THIS STEP

Part	Description	Qty.
20	Left Door Frame 	1
26	Center Door Frame 	2
28	Right Door Frame 	1
31	Door Slider (including roller) 	1
24	Top Door Frame 	1
49	Right Rail End Cap 	1
50	Left Rail End cap 	1
27	Bottom Door Frame 	1

STEP 24 : Lay down Part #20 with the rubber facing the floor and connect the two Parts #26 round part facing down - to the middle of Part #20.

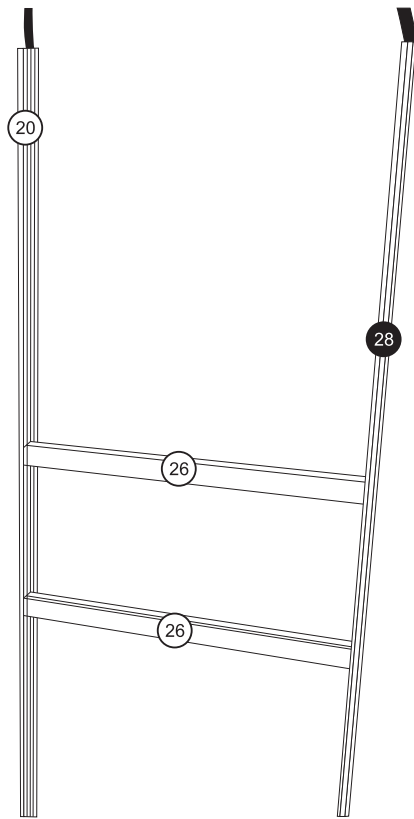


Inside View

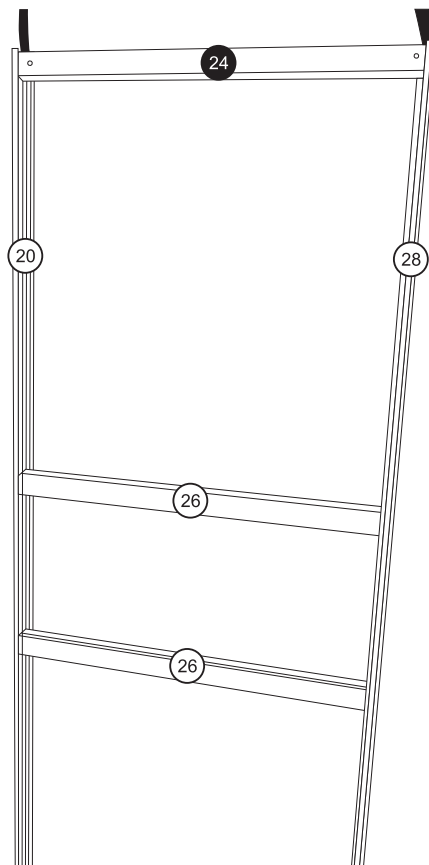


Outside View

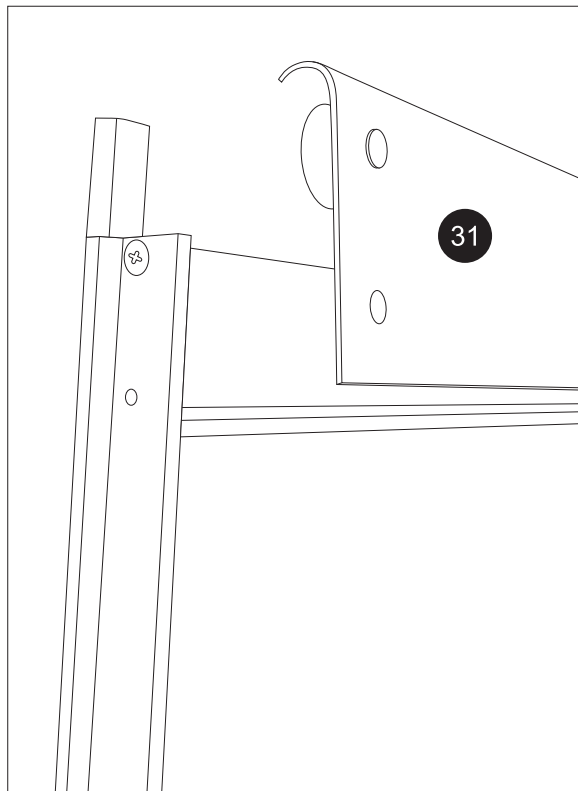
STEP 25 : Connect the other side of the door Part #28 to the other side of the 2 Part #26 you just installed.



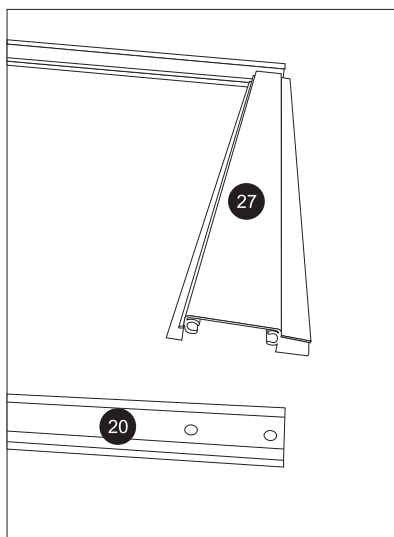
STEP 26 : Connect the Part # 24 to the top of the Door to both sides Parts (#20 - #28) round part facing the floor.



STEP 27 : Connect the Door Slider Part #31 to the top of the door. The round part should be on top towards the inside see fig.






STEP 28 : Install the Bottom Door Frame Part #27 to the door, round part facing down. Make sure that the double edges are coming up towards the floor.



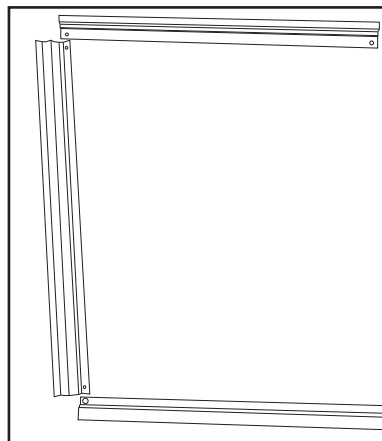
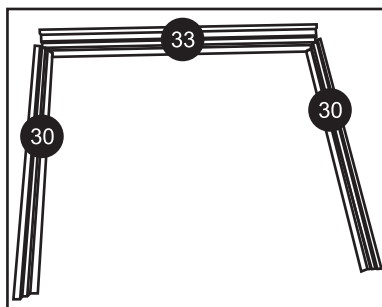
SECTION 9

ASSEMBLING THE WINDOW

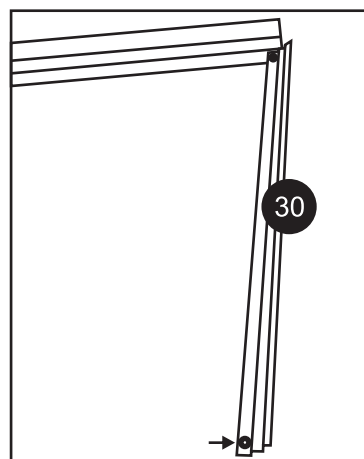
PARTS NEEDED FOR THIS STEP

Part	Description	Qty.
30	Side Window Frame 	2
32	Bottom Window Frame 	1
33	Top Window Frame 	1

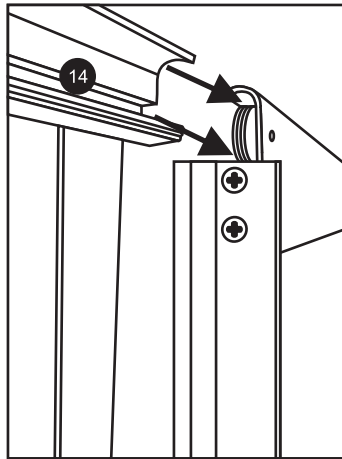
STEP 31 : Assemble the windows by taking top window Part #33 and attach 2 Part #30 on both sides with screw and nut.



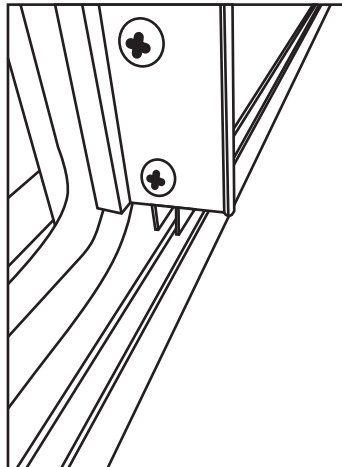
STEP 32 : Insert screws to the bottom of the Part #30



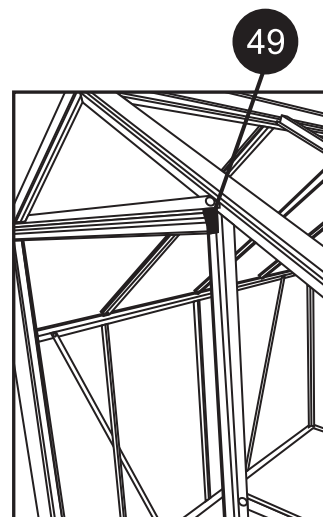
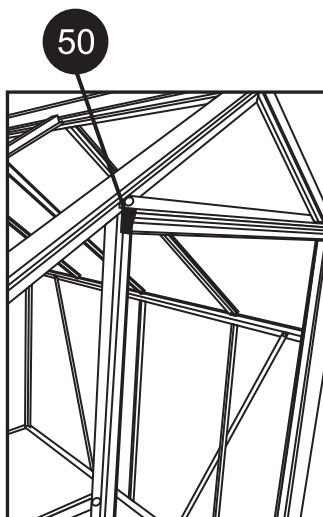
STEP 29 : Take the assembled door and start installing it to the top Door Rail Part #14. Start by inserting the Door Slider to Part #14. see Fig.



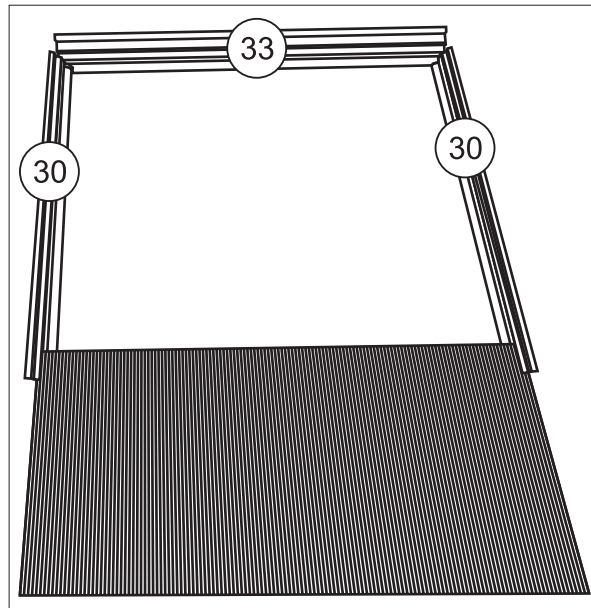
STEP 30 : Align the bottom of the door to floor Part #17. See Fig. Continue to slide in the door towards the inside.



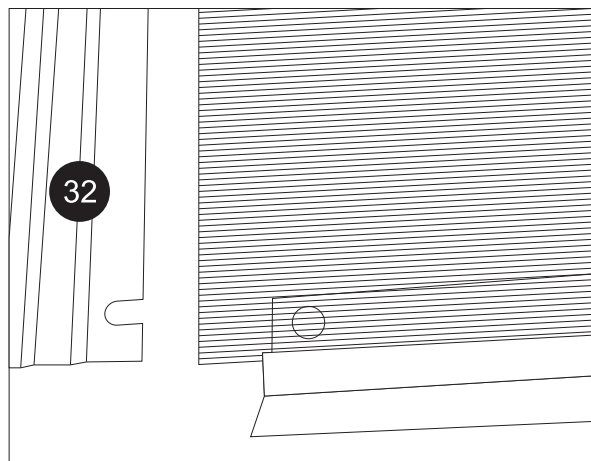
STEP 31 : Connect the 2 rail End Caps Part #49 and #50 to right and left sides.



STEP 33 : Take Part #5A remove the plastic and start inserting it between the 3 sided window frame see figure

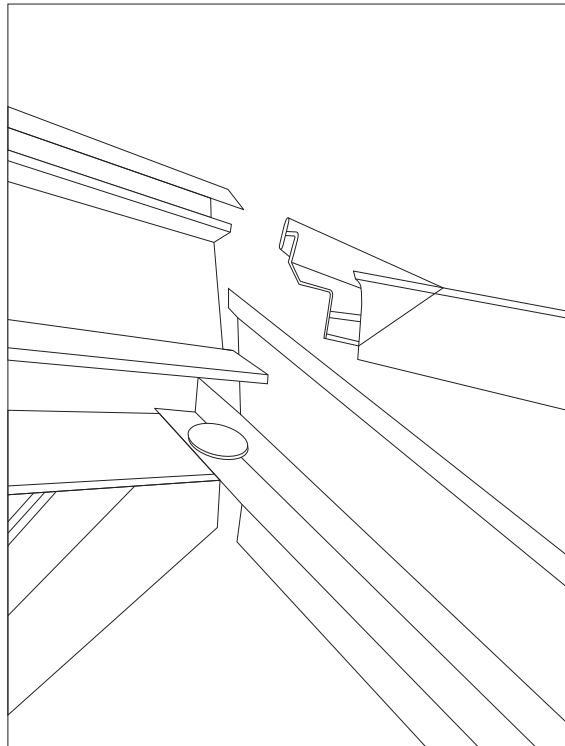


STEP 34 : Attach the bottom of the frame Part #32 to the screw from both Parts #30's and secure with nuts. If necessary, put pressure on the plastic above to hold back the screw from spinning.



STEP 35 : Attach Part #51 to bottom Part #32 with window screw Part #45.

STEP 36 : Start inserting the window into the top part of the greenhouse Part #35 see fig.



STEP 37 : When it reaches the Window support, adjust the window support Part #15 to align with the window and tighten.

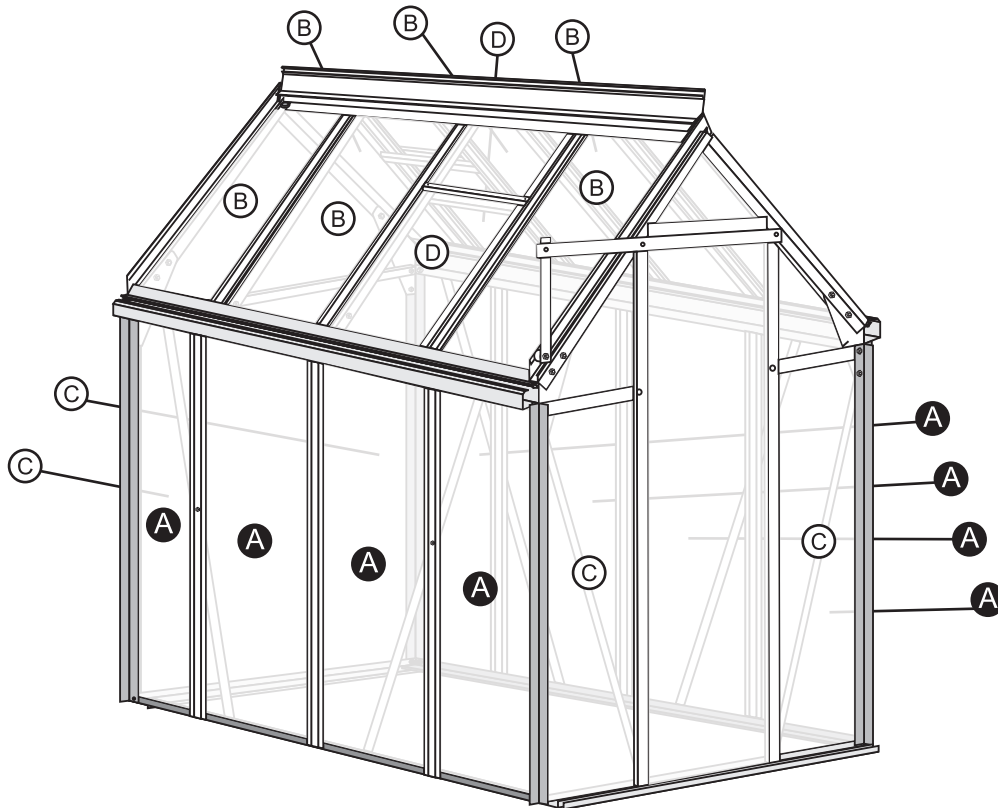
STEP 38 : Continue doing the same to the window on the other side.

SECTION 10

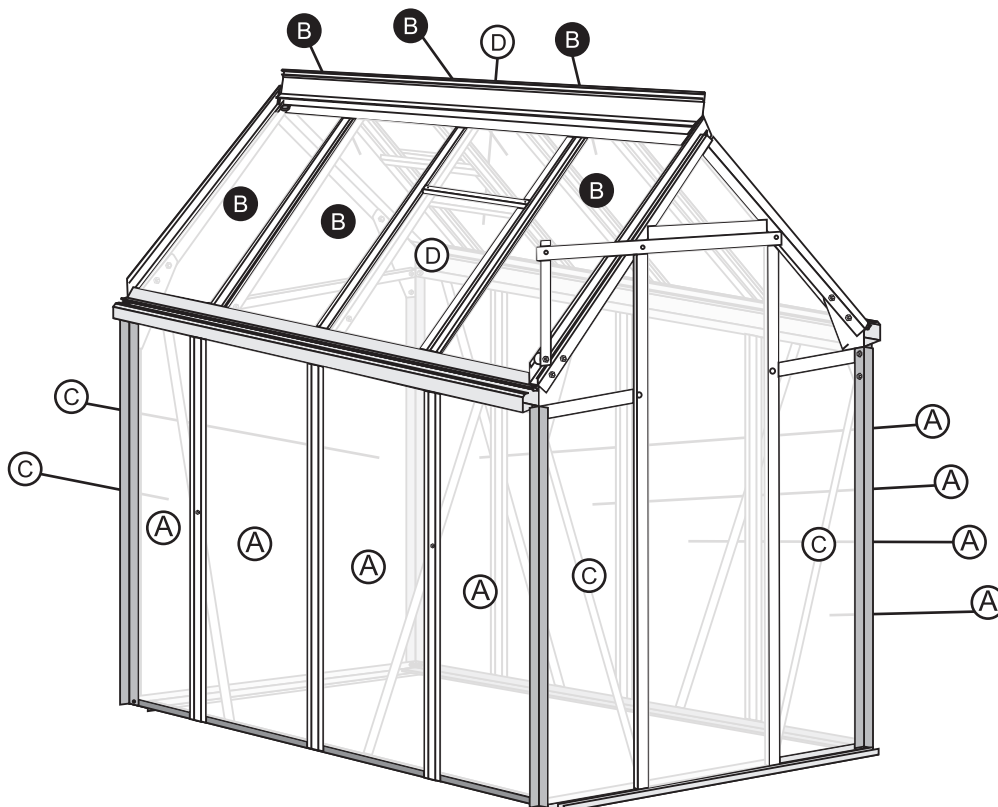
ASSEMBLING THE PANELS

Start attaching all plastic panels to the entire greenhouse. Remove the plastic from it.

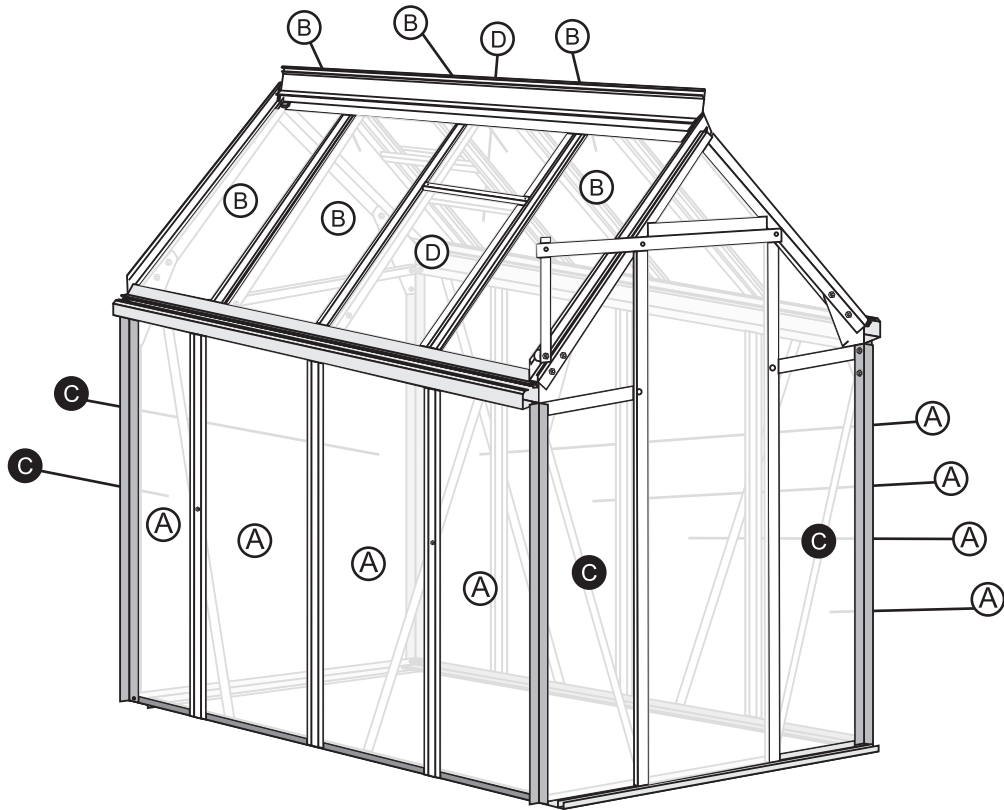
STEP 39 : Start inserting the panels. First insert #A to sides. See fig.



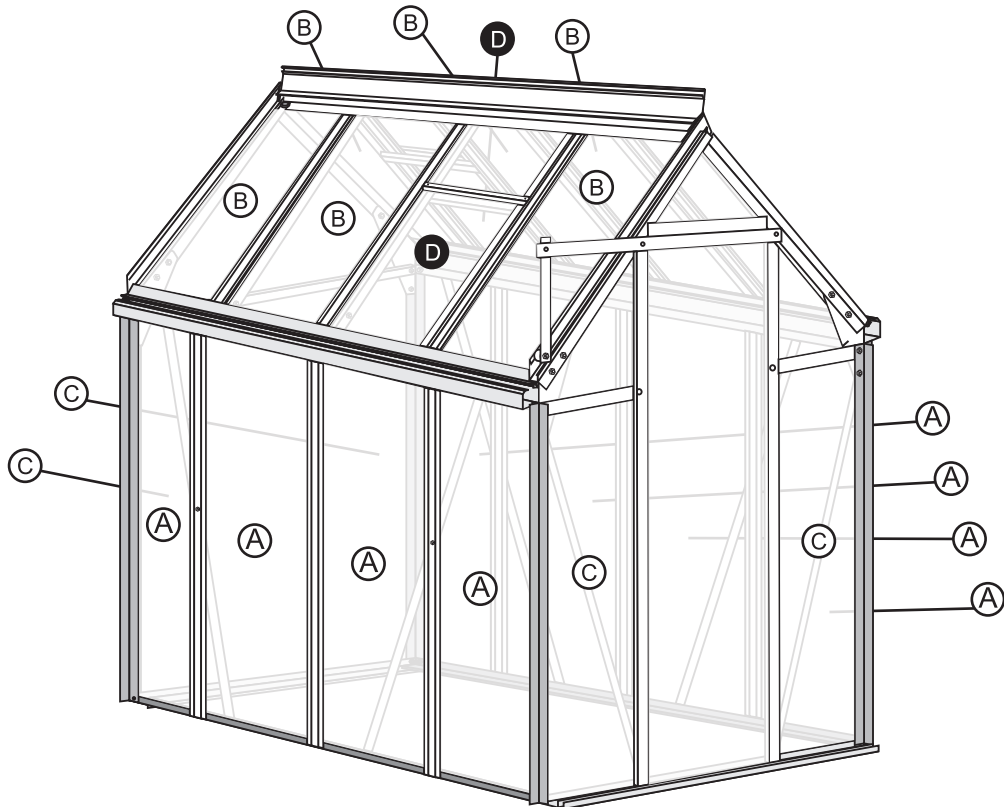
STEP 40 : Attach panel #B See fig.



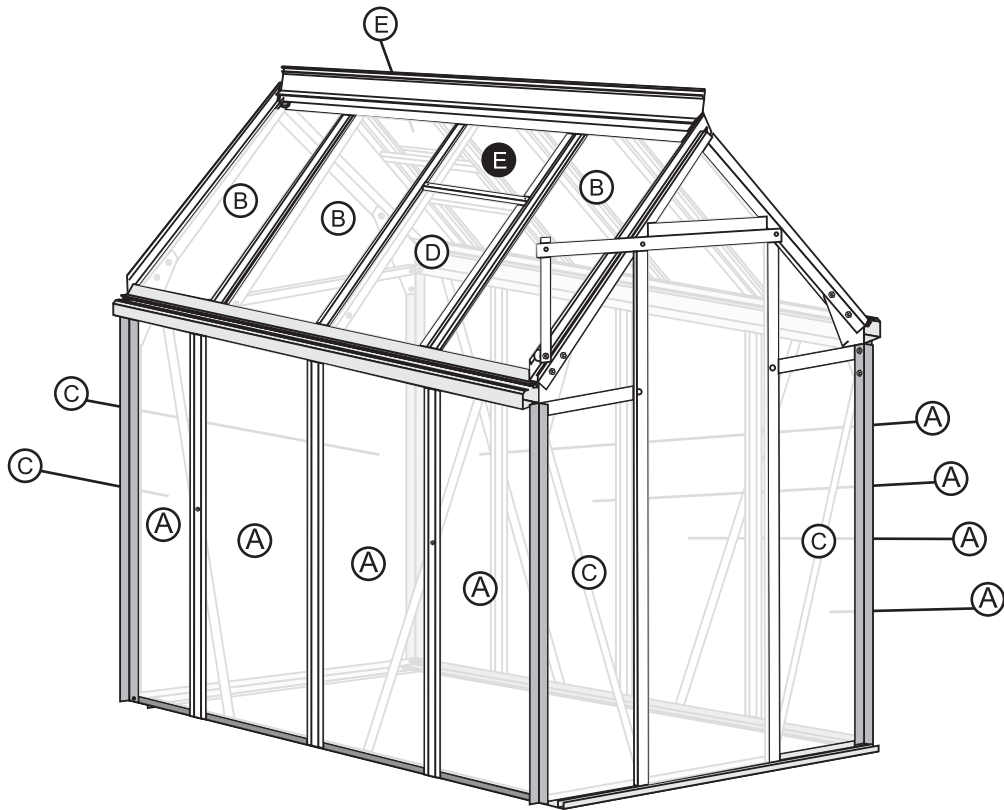
STEP 41 : Attach panel #C See fig.



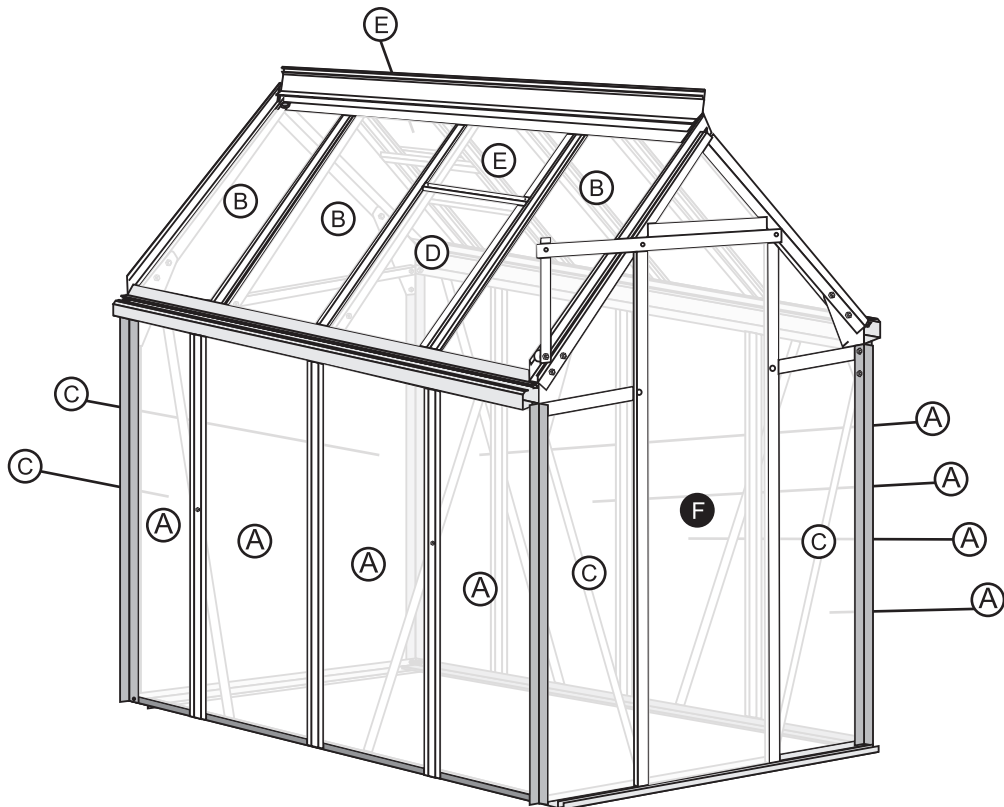
STEP 42 : Attach panel #D See fig.



STEP 43 : Attach panel #E See fig.

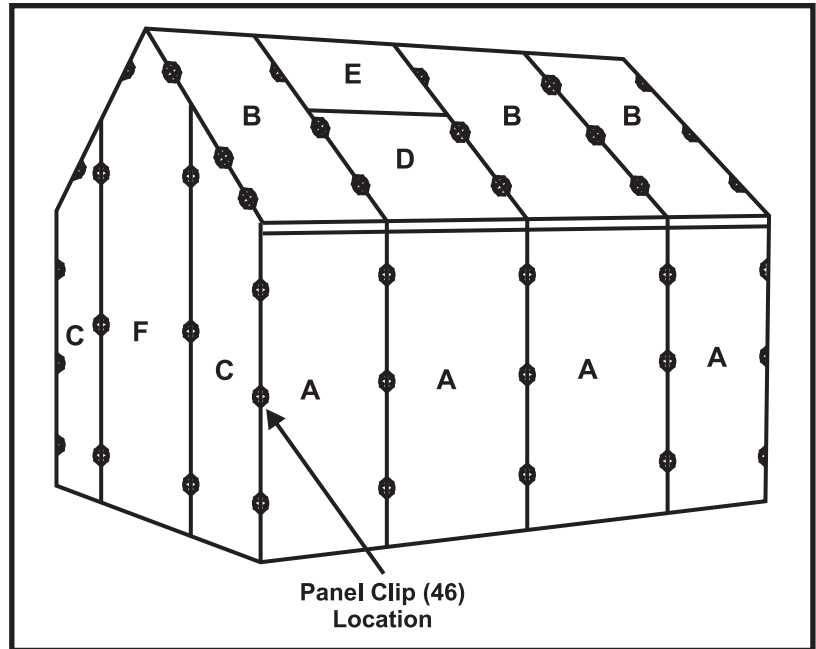
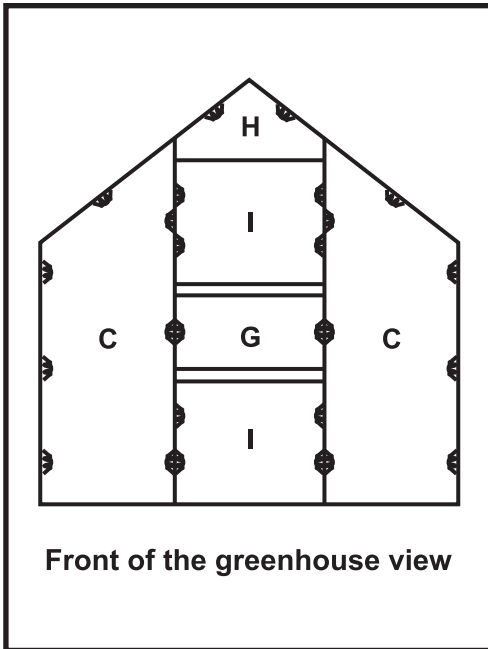


STEP 44 : Attach panel #F See fig.



Panel Clips Installation

1. Install All the Clips to Panels to the locations shown in this figure.



1. Panel Clips #46 are used to secure the Transparent Panels in place on the Greenhouse.

(See Parts List A.)

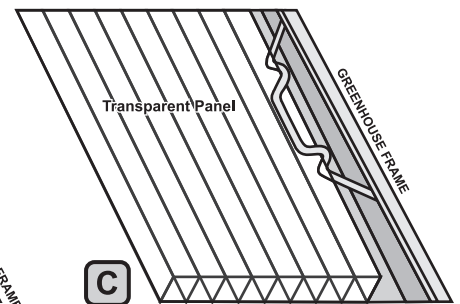
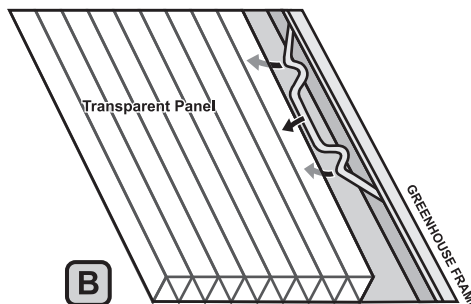
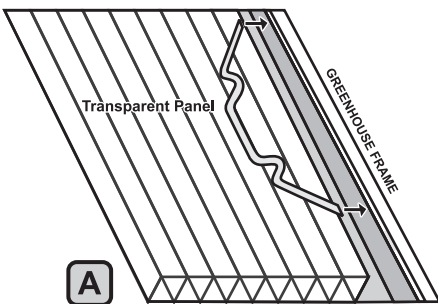
Note: Remove the protective film from both sides of all panels as they are installed. After removing the protective film from the Door Center Panel #F, stick the warning label to it. Install the Door Center Panel so that the warning label is easily readable from outside the greenhouse.

- The Roof Panels #B, #D and the Roof Window Panel #E will need to be placed as shown in the illustrations below. The bottom edges of these panels need to align above the gutter to direct rain off the greenhouse. The top edges of these panels need to be placed up under the edge of the Crown #35 or the Window Support Beam #15.
- One at a time, place each Transparent Panel (#A through #I) in its proper location on the Ceiling and Frame of the Greenhouse. Then, use Panel Clips (#46) in the quantity and location of shown in Parts List A to secure the Transparent Panel in place.
- To attach Panel Clips, see illustration and instructions below:

A) Place the two loose ends of the Clip into the groove in the frame

B) Swing the center portion of the Clip up against the Panel

C) Two edges of the Clip swing under the edge of the panel and the center edge holds the panel in place.



Be careful, Panel Clip (46) ends may be sharp and may spring back!

USE AND MAINTENANCE

1. Before Each Use, inspect the general condition of the Greenhouse. Check for loose screws, misalignment or binding of moving parts, cracked or broken parts, and any other condition that may affect the safe operation of the Greenhouse. If a problem occurs with the Greenhouse, have it corrected before further use.

Do not use damaged equipment.

2. To clean : Wipe with a damp cloth, using a mild detergent.

Do not use cleaners that are combustible, corrosive, or not compatible with aluminum.

3. When storing : keep the Greenhouse in a box and in a clean, dry location..

Limited 90 Day Warranty

OGROW makes every effort to assure that its products meet high quality and durability standards, and warrants to the original purchaser that this product is free from defects in materials and workmanship for the period of 90 days from the date of purchase. This warranty does not apply to damage due directly or indirectly, to misuse, abuse, negligence or accidents, repairs or alterations outside our facilities, criminal activity, improper installation, normal wear and tear, or to lack of maintenance. We shall in no event be liable for death, injuries to persons or property, or for incidental, contingent, special or consequential damages arising from the use of our product. Some states do not allow the exclusion or limitation of incidental or consequential damages, so the above limitation of exclusion may not apply to you. THIS WARRANTY IS EXPRESSLY IN LIEU OF ALL OTHER WARRANTIES, EXPRESS OR IMPLIED, INCLUDING THE WARRANTIES OF MERCHANTABILITY AND FITNESS.

To take advantage of this warranty, the product or part must be returned to us with transportation charges prepaid. Proof of purchase date and an explanation of the complaint must accompany the merchandise. If our inspection verifies the defect, we will either repair or replace the product at our election or we may elect to refund the purchase price if we cannot readily and quickly provide you with a replacement. We will return repaired products at our expense, but if we determine there is no defect, or that the defect resulted from causes not within the scope of our warranty, then you must bear the cost of returning the product.

This warranty gives you specific legal rights and you may also have other rights which vary from state to state.

Free Manuals Download Website

<http://myh66.com>

<http://usermanuals.us>

<http://www.somanuals.com>

<http://www.4manuals.cc>

<http://www.manual-lib.com>

<http://www.404manual.com>

<http://www.luxmanual.com>

<http://aubethermostatmanual.com>

Golf course search by state

<http://golfingnear.com>

Email search by domain

<http://emailbydomain.com>

Auto manuals search

<http://auto.somanuals.com>

TV manuals search

<http://tv.somanuals.com>