

Installation instructions

Built-in ovens

HWO90 models

NZ AU

Haier

Important!

SAVE THESE INSTRUCTIONS

The models shown in this document may not be available in all markets and are subject to change at any time. For current details about model and specification availability in your country, please visit our local website listed at the end of this document or contact your local Haier dealer.

1 SAFETY AND WARNINGS

⚠ WARNING!	<p>Electrical hazard</p> <p>Always disconnect the oven from the mains electricity supply before carrying out any maintenance operations or repairs.</p> <p>Failure to do so may result in electrical shock or death.</p>
⚠ WARNING!	<p>Very Heavy</p> <p>Do not attempt to lift this product unassisted.</p> <p>Lifting unassisted may cause serious injury.</p>
⚠ WARNING!	
⚠ WARNING!	<p>Cut hazard</p> <p>Take care - panel edges are sharp.</p> <p>Failure to use caution could result in injury or cuts.</p>

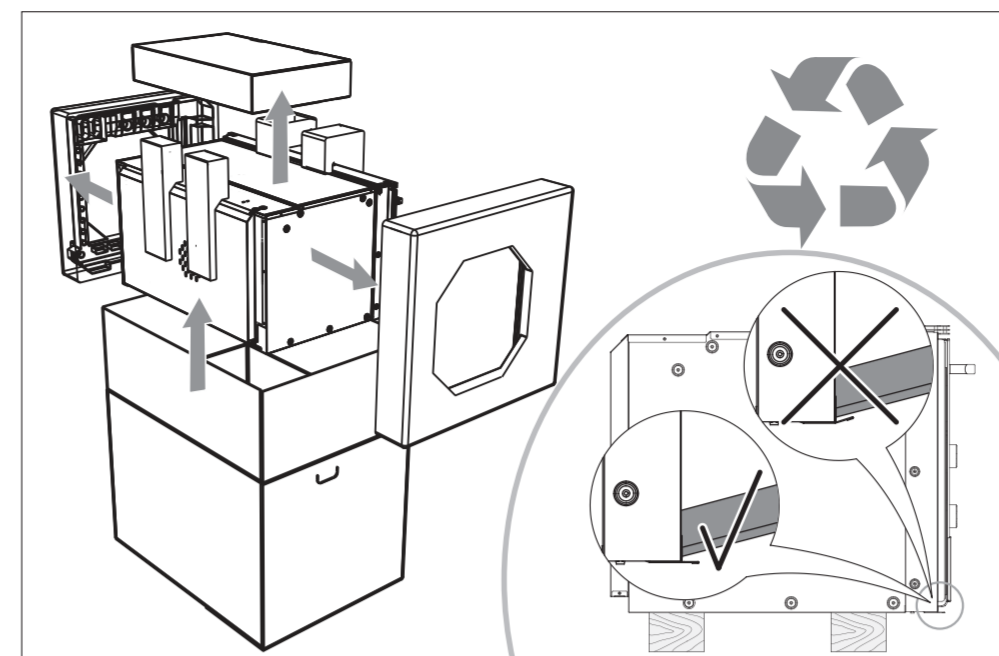
Important safety instructions!

- To avoid hazard, follow these instructions carefully before installing or using this product.
- Please make this information available to the person installing the product as it could reduce your installation costs.
- This oven is to be installed and connected to the electricity supply only by an authorised person.
- If the installation requires alterations to the domestic electrical system, call a qualified electrician. The electrician should also check that the power supply cable section is suitable for the electricity drawn by the oven.
- The oven must be earthed.
- Do not use adapters, reducers or branching devices to connect the oven to the mains electricity supply, as they can cause overheating and burning.
- Installation must comply with your local building and electricity regulations.
- Failure to install the oven correctly could invalidate any warranty or liability claims.

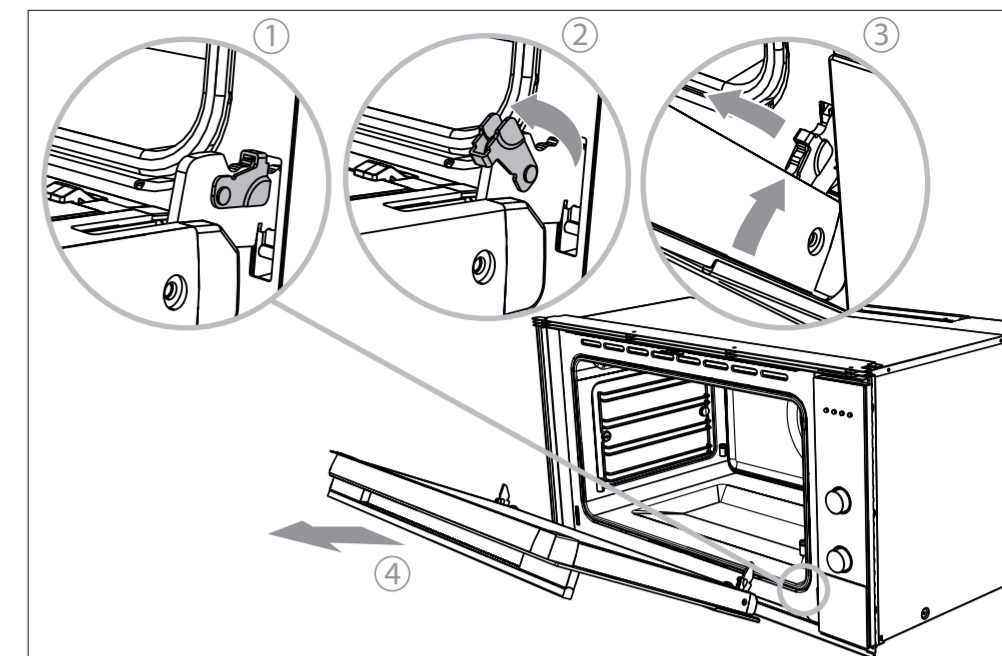
- Before you install the oven, please make sure that
- it will be lifted by two people.
 - the oven will rest on a flat surface that can support its weight.
 - the benchtop and oven cavity are square and level, and are the required dimensions.
 - the height from the floor suits the customer.
 - the oven door can open fully without obstruction.
 - a suitable isolating switch providing full disconnection from the mains power supply (under overvoltage category III conditions) is incorporated in the permanent wiring, mounted and positioned to comply with the local wiring rules and regulations. The isolating switch must be of an approved type and provide a 3 mm air gap contact separation in all poles (or in all active [phase] conductors if the local wiring rules allow for this variation of the requirements).
 - the electrician provides sufficient free length of power supply cable to reach from the bottom rear of the cavity to at least 1.5 metres in front of the bottom edge of the opening. The cable may enter the cavity from the side, top or bottom, but top entry must be at the rear of the cavity.

- When you install the oven
- Do not seal the oven into the cabinetry with silicone or glue. This makes future servicing difficult. Haier will not cover the costs of removing the oven, or of damage caused by this removal.
 - Use the supplied screws to secure the oven to the cabinetry. Do not over-tighten the screws.
 - Make sure that the power supply cable will not touch any hot metal parts.
 - Make sure that the isolating switch will be easily accessible by the customer.
 - Do not stand on the door, or place heavy objects on it.
 - Do not lift the oven by the door handle.
 - Take extra care not to damage the lower trim of the oven. We suggest you place the unpacked oven onto wooden blocks or similar supports.
 - Use easy-to-clean finishes for the wall surfaces surrounding the oven, so that cooking fume staining resulting from using the oven is easy to remove.

4 UNPACK THE OVEN



5 REMOVE THE DOOR



6 ELECTRICAL CONNECTION

⚠ HWO90 - NZ AU
220-240 V 3050 W (13.3 A)

Rating plate

Important!

- This oven must be connected to the mains power supply only by a suitably qualified person.
- This oven must be earthed.

Before connecting the oven to the mains power supply, check that

- the domestic wiring system is suitable for the power drawn by the oven (as specified on the rating plate)
- the voltage corresponds to the value given on the rating plate.

We recommend that the outlet for the power supply cable is located in the right rear corner of the cabinet cavity. This allows the power supply cable to sit inside the right rear of the oven and prevents it being jammed between the cabinet wall and the rear of the oven.

7 HARD WIRING THE OVEN

Important!

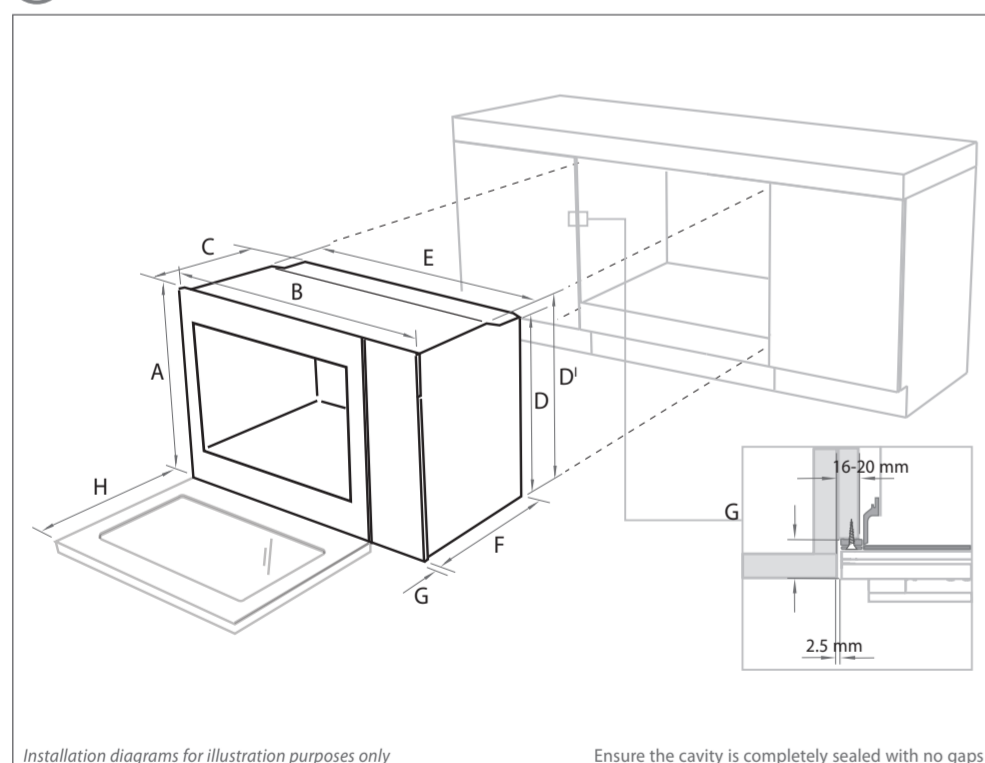
To connect the power supply cable DO NOT unscrew the screws fixing the cover plate behind the terminal block.

220-240 V ac

L
N
PE

Unhook to open cover

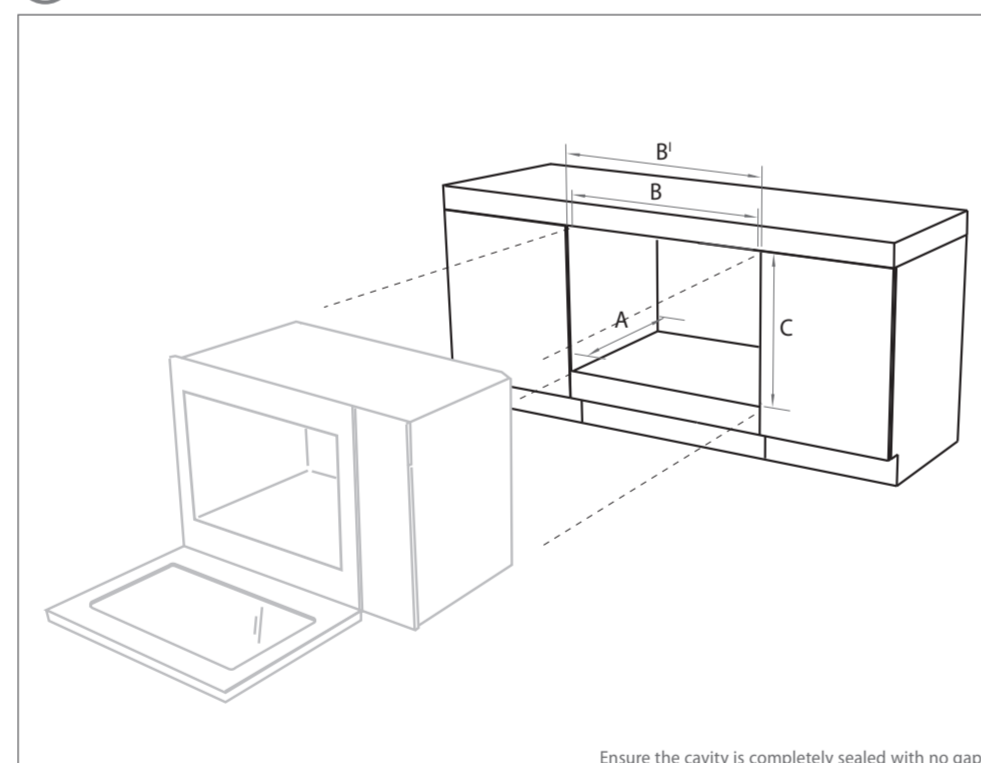
2 PRODUCT DIMENSIONS



Product dimensions (mm)	HWO90 models
A overall height of product (including upper and lower vents)	478
B overall width of product	896
C overall depth of product (without handle and knobs)	566
D height of chassis at the rear	462
D' overall height of chassis	467
E maximum width of chassis	853
F depth of chassis	544
G depth of oven frame and control panel (excl. knobs)	22
H depth of oven door (open) (measured from front of control panel)	415

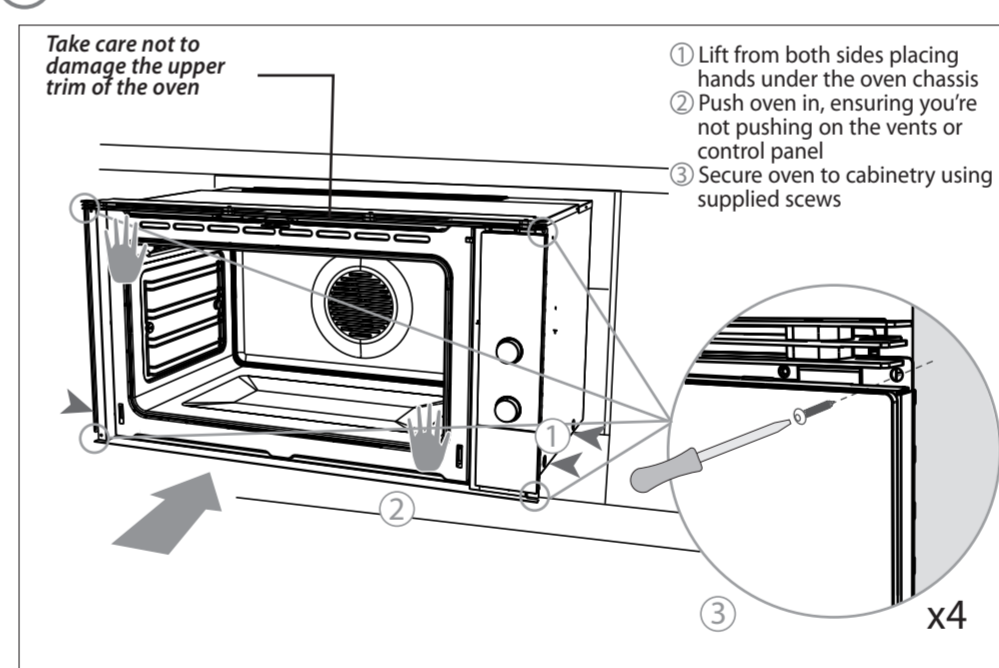
Note: If installing a cooktop above the oven, ensure adequate clearance is provided for the cooktop as per the cooktop manufacturer's instructions.

3 CABINERY DIMENSIONS



Cabinetry dimensions (mm)	HWO90 models
A minimum inside depth of cavity	550
B minimum inside width of cavity	860
B' overall width of cabinetry	900
C height of cavity	480

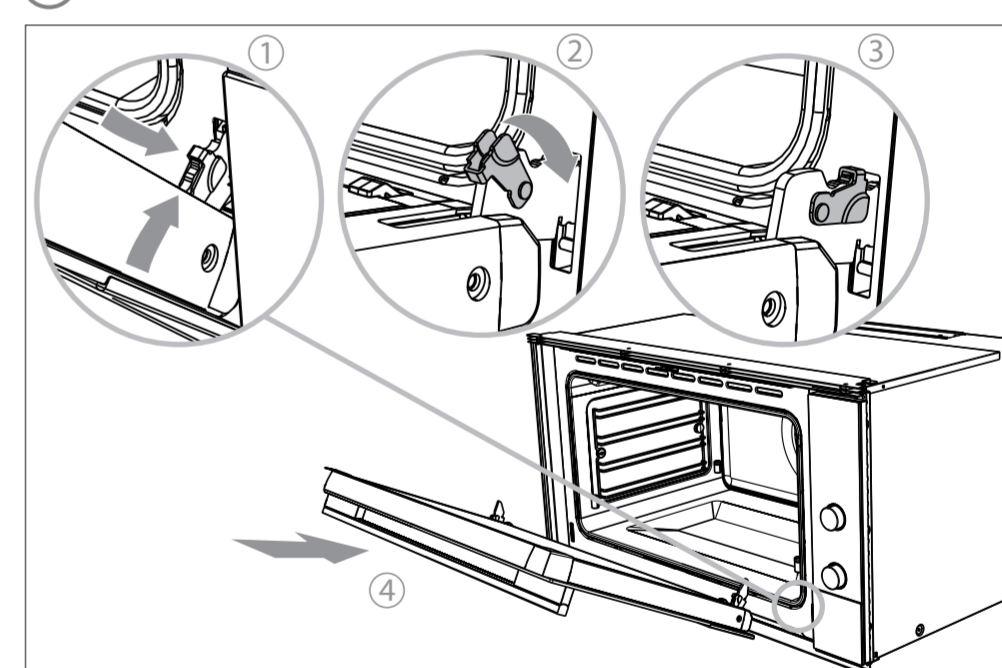
8 SECURE THE OVEN TO THE CABINETY



10 FINAL CHECKLIST

- Make sure the appliance is level and securely fitted to the cabinetry and the oven door opens and closes freely.
 - Make sure all the internal packaging has been removed from the oven cavity.
 - Make sure all oven vents and openings are clear and are free of any obstruction/damage.
- Important!**
- Failure to make sure all oven vents are unobstructed may result in poor product performance.
- Make sure that the isolating switch is accessible by the customer.
 - Turn the power to the oven on. The display should light up and show 0:00 and A flashing. Press the and buttons together, then use the - and + buttons to set the clock.
 - Turn the function knob to Fan Bake and the temperature knob to 200°C. Air should blow out of the vent at the top of the oven. Inside the oven cavity, both oven lights should come on. After five minutes, open the oven door: the air inside should feel warm.
 - Turn the function and temperature knobs back to O (off).

9 REFIT THE DOOR



11 TROUBLESHOOTING

If the appliance is not functioning correctly after installation, check the following:

- Check that the circuit breaker has not tripped or the fuse blown.
- Make sure that the electrical connections have been correctly made.
- Make sure that power is being supplied to the oven.
- Make sure the voltage is correct across all phases.
- If a problem occurs, consult the Troubleshooting section of the User Guide.
- If after checking these points you still need assistance or parts, please refer to the Service & Warranty book for warranty details and your nearest Authorised Repairer, or contact us through our local website, listed below.

Free Manuals Download Website

<http://myh66.com>

<http://usermanuals.us>

<http://www.somanuals.com>

<http://www.4manuals.cc>

<http://www.manual-lib.com>

<http://www.404manual.com>

<http://www.luxmanual.com>

<http://aubethermostatmanual.com>

Golf course search by state

<http://golfingnear.com>

Email search by domain

<http://emailbydomain.com>

Auto manuals search

<http://auto.somanuals.com>

TV manuals search

<http://tv.somanuals.com>