

FUEL CONVERSION MANUAL

For Big Maxx Heaters using
Honeywell VR8205M valves.



Model #
HSU50
HSU80
HSU125

READ INSTRUCTIONS CAREFULLY: YOUR SAFETY IS IMPORTANT TO YOU AND TO OTHERS. Read and follow all instructions. Place instructions in a safe place for future reference. Do not allow anyone who has not read these instructions to assemble, light, adjust or operate the heater.



Model #
MHU50
MHU80
MHU125

COMPACT UNIT HEATER FOR COMMERCIAL APPLICATIONS
COMPACT UTILITY HEATER FOR RESIDENTIAL APPLICATIONS



WARNING:
Instructions are for
Honeywell VR8205M
valves.

WARNING: Improper installation, adjustment, alteration, service or maintenance can cause injury or property damage. Refer to this manual. For assistance or additional information consult a qualified installer, service agency or the gas supplier.

- WHAT TO DO IF YOU SMELL GAS
 - o Open Windows
 - o **DO NOT** try to light appliance.
 - o **DO NOT** touch any electrical switch
 - o **DO NOT** use any telephone in your house. Immediately call your local gas supplier from a neighbor's telephone. Follow the gas supplier's instructions.
 - o **DO NOT** touch any electrical switch; do not use any phone in your building.
 - o If you cannot reach your gas supplier, call the Fire Department.
- Installation and service must be performed by a qualified installer, service agency or the gas supplier.

FOR YOUR SAFETY:

Do not store or use gasoline or other flammable vapors and liquids in the vicinity of this or any other appliance.

WARNING: If the information in these instructions are not followed exactly, a fire or explosion may result causing property damage, personal injury or loss of life.

⚠ WARNING: YOUR SAFETY IS IMPORTANT TO YOU AND TO OTHERS, SO PLEASE READ THESE INSTRUCTIONS BEFORE YOU OPERATE THIS HEATER.

GENERAL HAZARD WARNING:

- ⚠ FAILURE TO COMPLY WITH THE PRECAUTIONS AND INSTRUCTIONS PROVIDED WITH THIS HEATER CAN RESULT IN DEATH, SERIOUS BODILY INJURY AND PROPERTY LOSS OR DAMAGE FROM HAZARDS OF FIRE, EXPLOSION, BURN, ASPHYXIATION, CARBON MONOXIDE POISONING, AND/OR ELECTRICAL SHOCK.
- ⚠ ONLY PERSONS WHO CAN UNDERSTAND AND FOLLOW THE INSTRUCTIONS SHOULD USE OR SERVICE THIS HEATER.
- ⚠ IF YOU NEED ASSISTANCE OR HEATER INFORMATION SUCH AS AN INSTRUCTIONS MANUAL, LABELS, ETC. CONTACT THE MANUFACTURER.

⚠ WARNING: THIS PRODUCT CAN EXPOSE YOU TO CHEMICALS INCLUDING LEAD AND LEAD COMPOUNDS, WHICH ARE KNOWN TO THE STATE OF CALIFORNIA TO CAUSE CANCER AND BIRTH DEFECTS OR OTHER REPRODUCTIVE HARM. FOR MORE INFORMATION VISIT WWW.P65WARNINGS.CA.GOV

⚠ WARNING: Fuels used in liquefied propane gas appliances, and the products of combustion of such fuel, can expose you to chemicals including benzene, which is known to the state of California to cause cancer and cause birth defects or other reproductive harm, for more information go to www.P65Warnings.ca.gov

⚠ WARNING: FIRE, BURN, INHALATION, AND EXPLOSION HAZARD. KEEP SOLID COMBUSTIBLES, SUCH AS BUILDING MATERIALS, PAPER, OR CARDBOARD, A SAFE DISTANCE AWAY FROM THE HEATER. AS RECOMMENDED BY THE INSTRUCTIONS NEVER USE THE HEATER IN SPACES WHICH DO OR MAY CONTAIN VOLATILE OR AIRBORNE COMBUSTIBLES, OR PRODUCTS SUCH AS GASOLINE, SOLVENTS, PAINT THINNER, DUST PARTICLES OR UNKNOWN CHEMICALS.

⚠ WARNING: THIS CONVERSION KIT SHALL BE INSTALLED BY A QUALIFIED SERVICE AGENCY IN ACCORDANCE WITH THE MANUFACTURER'S INSTRUCTIONS AND ALL APPLICABLE CODES AND REQUIREMENTS OF THE AUTHORITY HAVING JURISDICTION. IF THE INFORMATION IN THESE INSTRUCTIONS IS NOT FOLLOWED EXACTLY, A FIRE, EXPLOSION OR PRODUCTION OF CARBON MONOXIDE MAY RESULT CAUSING PROPERTY DAMAGE, PERSONAL INJURY, OR LOSS OF LIFE. THE QUALIFIED SERVICE AGENCY PERFORMING THIS WORK ASSUMES RESPONSIBILITY FOR THE PROPER CONVERSION OF THIS APPLIANCE WITH THIS KIT.

CONTENTS

Fuel Conversion Kits.....	E3
Fuel Conversion Instructions	E4
Rating Tag Conversion.....	E6
Warranty	E8

LANGUAGES

ENGLISH.....	E1 - E8
SPANISH.....	S1 - S8
FRENCH	F1 - F8

GENERAL INFORMATION

RETAIN THIS MANUAL FOR FUTURE REFERENCE. FOR QUESTIONS, PROBLEMS, MISSING PARTS BEFORE RETURNING TO RETAILER PLEASE CALL WITH MODEL NUMBER AND SERIAL NUMBER OF HEATER:

1 - (800) - 251 - 0001


MONDAY-FRIDAY 8-5 EASTERN TIME

OR E-MAIL USING THE ENERCO WEBSITE:

WWW.ENERCO.COM/

In order to provide the best service possible Enerco is now giving you more ways to get in touch with us:

 YouTube: youtube.com/mrheaterTV

 Facebook: www.facebook.com/mrheaterproducts/

 Twitter: <https://twitter.com/MrHeater>

FUEL CONVERSION INSTRUCTIONS

FUEL CONVERSION Section 1: FUEL CONVERSION KITS

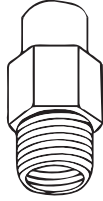
For Converting from Natural Gas to L.P. Gas

Model/Numéro: _____ This appliance was converted on _____ (D/M/Y) to _____ Gas
 (MODÈLE N°) _____ avec le N° _____ par _____
 Serial Number: _____ (Name and address of organization making this conversion), which accepts the responsibility
 Numéro de série: _____ that this conversion has been properly made.
 Model/Pression: _____
 Pression d'Admission: _____
 Date: _____ Cet appareil a été converti le _____ (jour-mois-année) pour
 fonctionner au gaz _____ à l'aide de la traçure n° _____
 Conversion Gas: _____
 Conversion au gaz: _____ (nom et adresse de l'organisme qui effectue la conversion), qui accepte l'entière responsabilité de
 la conversion.
 Inter. par. (Prescription de l'installation en gaz) _____
 Date: _____ 13575

Gas Conversion Labels

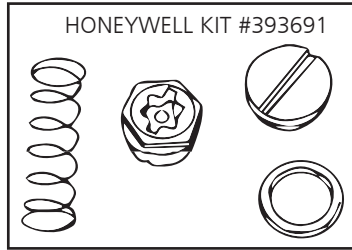
This control valve has been converted for use with _____ (L.P.)
 Cette commande a été convertie pour fonctionner au gaz _____

Control Conversion Labels



Orifice

(See P/N Table Below)



Fuel Conversion Part Numbers		
Model #	BTU/HR	Natural - To - LP F260163
HSU50/MHU50	50,000	
HSU80/MHU80	80,000	
HSU125/HSU125	125,000	

Part Number	Description	50	80	125
13575	Gas conversion label	1	1	1
60232	Converted Rating tag	1		
60233	Converted Rating tag		1	
60234	Converted Rating tag			1
11727	Spring - gas valve (label inc.)	1	1	1
60156	L.P. Orifice	3	5	8
13576	Control Conversion Label	1	1	1

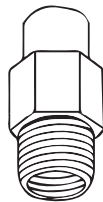
For Converting from L.P. Gas to Natural Gas

Model/Numéro: _____ This appliance was converted on _____ (D/M/Y) to _____ Gas
 (MODÈLE N°) _____ avec le N° _____ par _____
 Serial Number: _____ (Name and address of organization making this conversion), which accepts the responsibility
 Numéro de série: _____ that this conversion has been properly made.
 Model/Pression: _____
 Pression d'Admission: _____
 Date: _____ Cet appareil a été converti le _____ (jour-mois-année) pour
 fonctionner au gaz _____ à l'aide de la traçure n° _____
 Conversion Gas: _____
 Conversion au gaz: _____ (nom et adresse de l'organisme qui effectue la conversion), qui accepte l'entière responsabilité de
 la conversion.
 Inter. par. (Prescription de l'installation en gaz) _____
 Date: _____ 13575

Gas Conversion Labels

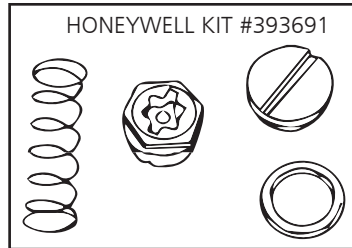
This control valve has been converted for use with _____ (L.P.)
 Cette commande a été convertie pour fonctionner au gaz _____

Control Conversion Labels



Orifice

(See P/N Table Below)



Fuel Conversion Part Numbers		
Model #	BTU/HR	LP - To - Natural F260164
HSU50/MHU50	50,000	
HSU80/MHU80	80,000	
HSU125/HSU125	125,000	

Part Number	Description	50	80	125
13575	Gas conversion label	1	1	1
60235	Converted Rating tag	1		
60236	Converted Rating tag		1	
60237	Converted Rating tag			1
11727	Spring - gas valve (label inc.)	1	1	1
60049	L.P. Orifice	3	5	8
13576	Control Conversion Label	1	1	1

FUEL CONVERSION Section 2: FUEL CONVERSION INSTRUCTIONS

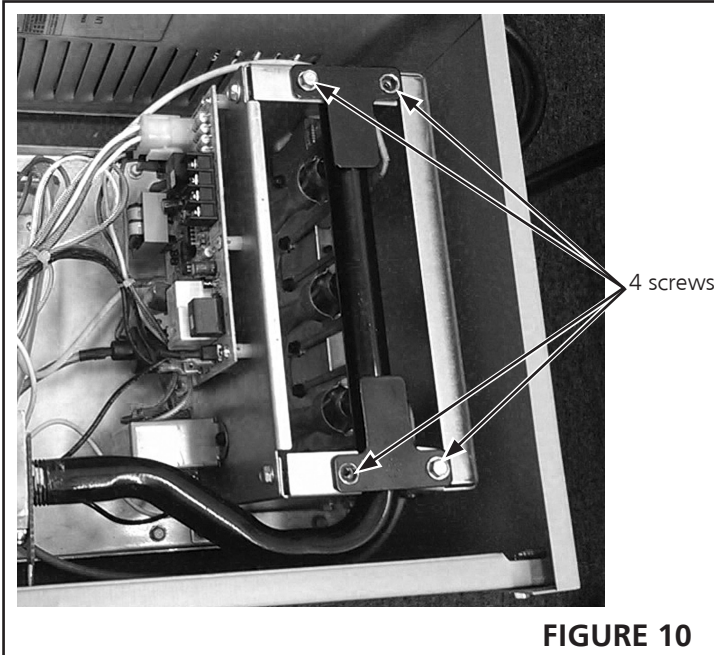


FIGURE 10

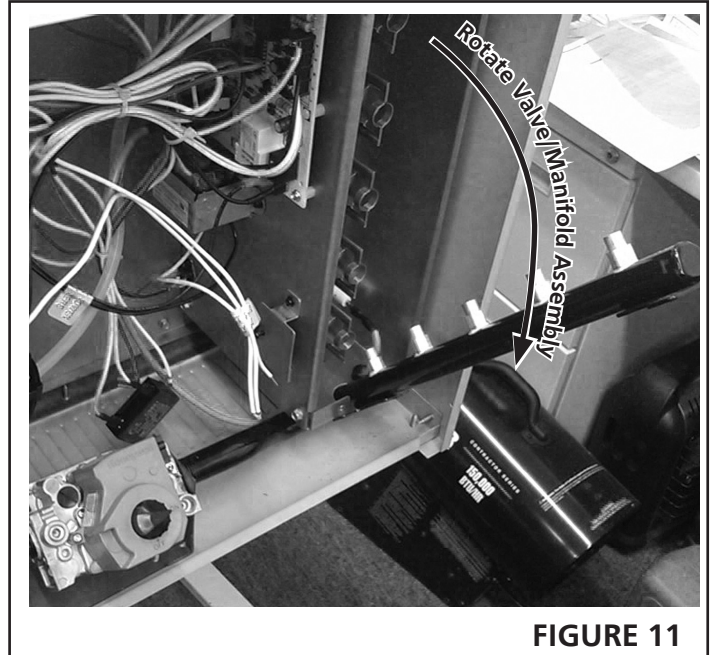


FIGURE 11

⚠ WARNING: Explosion Hazard



Turn off the gas supply to the heater before performing any service or maintenance.

Failure to follow these instructions will result in death, injury or property damage.

⚠ WARNING: Electrical Shock Hazard



Unplug the electrical cord from the outlet before performing any service maintenance.

Failure to follow these instructions will result in death, injury or property damage.

The electrode and sensor are not adjustable. DO NOT change location or position as part of this conversion kit.

WARNING

This conversion kit shall be installed by a qualified service agency in accordance with the manufacturer's instructions and all applicable codes and requirements of the authority having jurisdiction. If the information in these instructions is not followed exactly, a fire, explosion or production of carbon monoxide may result causing property damage, personal injury or loss of life. The qualified service agency performing this work assumes responsibility for the proper conversion of this appliance with this kit.

Step 1

CAUTION THE UNIT MUST NOT BE CONNECTED TO EITHER THE GAS SUPPLY OR THE ELECTRICAL POWER SUPPLY, BEFORE PROCEEDING WITH CONVERSION.

Step 2

Remove and retain the four screws holding the manifold on to the burner box (Figure 10). Rotate the valve/ manifold assembly, away from the burners (Figure 11). The valve/manifold assembly holds the orifices (3 orifices on unit HSU50/MHU50, 5 orifices on unit HSU80/MHU80, 8 orifices on unit HSU125/MHU125). This will allow access to the orifices on the manifold, and also the adjustment spring in the valve/regulator.

Step 3

Remove and discard the adjustment spring cap from gas valve/ regulator with a flat blade screw driver by turning the screw counter-clockwise. Remove and discard the regulator adjustment screw found under the cap. Remove and discard the spring that is located under the adjustment screw. Take the spring kit from the conversion kit, and compare the part number of the kit to the parts list on page 3. If it does not match, immediately contact Heatstar, Inc. for the correct kit. After confirming the spring kit is correct for the heater model you are converting, install the new spring and adjustment screw. Turn spring adjustment screw clockwise (in) until the screw stops, then turn it counter-clockwise (back) 1 ½ turns. Place conversion label supplied with the spring kit on the valve near the adjustment screw cover opening.

Step 4

Remove and discard the orifices (3 orifices on unit HSU50/MHU50, 5 orifices on unit HSU80/MHU80, 8 orifices on unit HSU125/MHU125) from the manifold with using a ½ " open end wrench. Turn them counter-clockwise to remove. Take the new orifices from the conversion kit and before installing, confirm that the number stamped on the side of the orifice matches the number for the kit being installed. If it does not, immediately contact Heatstar, Inc. for the correct kit. If they are the correct orifices, install them in the manifold using caution not to cross thread.

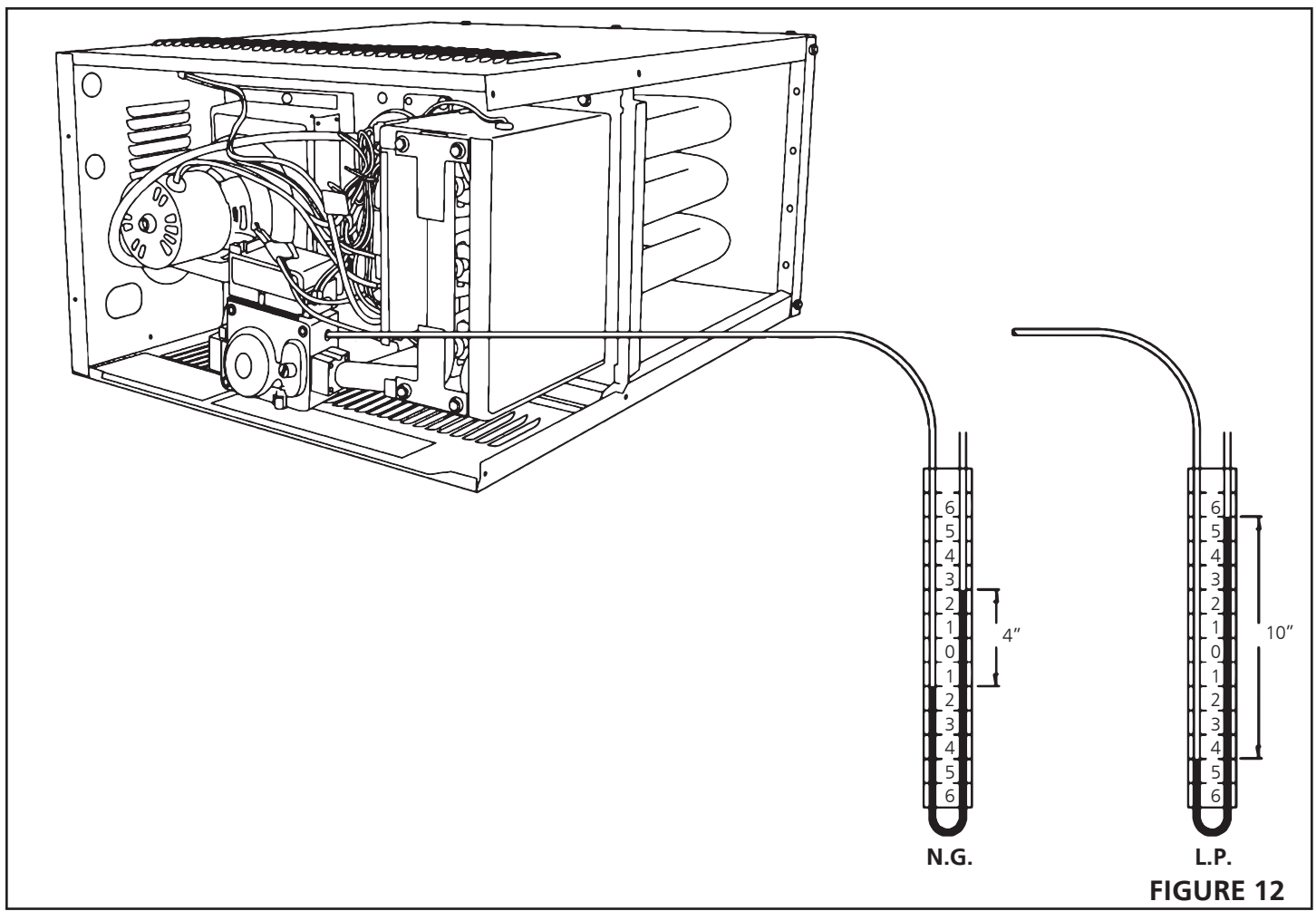


FIGURE 12

Step 5

Rotate the valve/ manifold assembly back up into the burner box, making sure that all the orifices are indexed into the burners and are not caught on the locating ring on the back of each burner. Secure the manifold to the burner box with the four screws removed in step 2.

Step 6

Following the instructions in the unit heaters operations manual mount the heater and connect the gas supply (making sure to leak check all connections with soapy water).

Step 7

Remove valve pressure test plug and retain for later use. Connect a water-filled U-tube manometer to the test port. See Figure 12. Use a manometer because test gauges are not reliable and may give a false reading.

Step 8

Connect main electrical power supply, and turn main gas supply on.

Step 9

Turn up the thermostat to call for heat, thereby starting the ignition sequence for the heater.

Step 10

When the burners light, set the manifold gas pressure by turning the adjustment screw to the regulator spring that was replaced in step 6. Once the pressure has been adjusted, replace the adjustment screw cover with a new one from the conversion kit.



**Decrease Pressure
Counter-Clockwise**



**Increase Pressure
Clockwise**

Refer to Table 6 for inlet pressure requirements, and set manifold pressures according to gas type and altitude(See Table 4 and Table 5). The manometer illustration (See Figure 12) shows each of the pressure readings.

Step 11

Turn down the thermostat and allow the heater to complete a cool down cycle. Then disconnect main electrical power, and turn the main gas supply off to appliance.

Step 12

Disconnect the manometer from appliance and replace the test plug on valve removed in step 6.

FUEL CONVERSION Section 3: RATE TAG CONVERSION INSTRUCTIONS

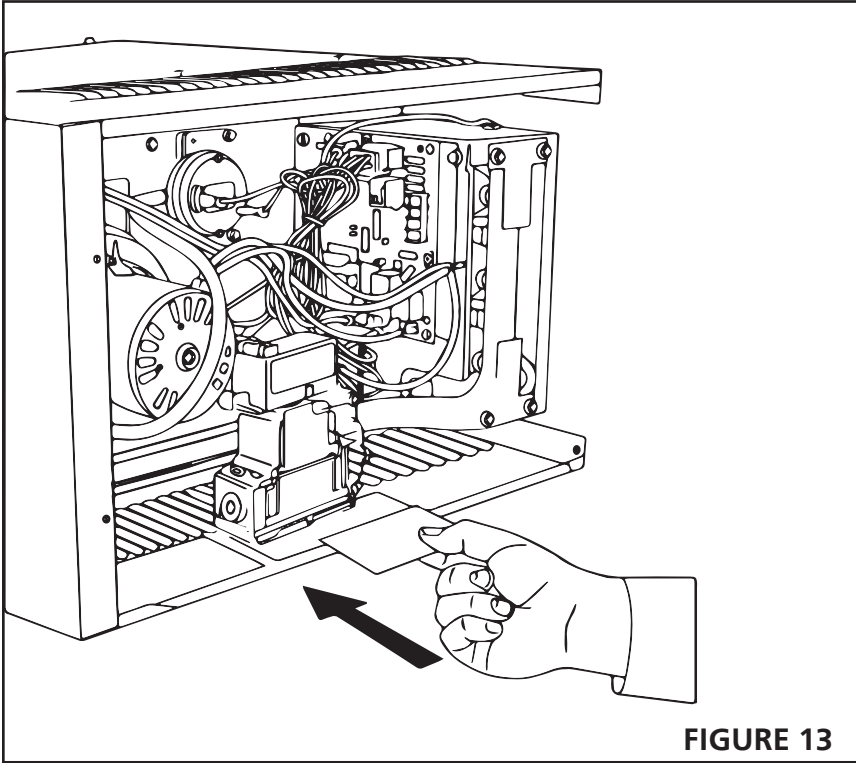


FIGURE 13

Step 13

Connect main electrical power, and turn main gas supply back on. Turn up thermostat to call for heat. When the main burners light using soapy water check all connections thoroughly for gas leaks. Remembering to also check the pressure test plug replaced in step 12. Allow the heater to operate for at least 5 minutes, then observe the main burner flame. A hard blue flame extending into the tube is normal. Slight yellow tipping is acceptable. There is no air adjustment to the burner.

Step 14

See figure 13. Remove the data tag for their respective gases. Remove label and place over the existing portion of the tag. This tag is preprinted with all the correct information for the converted heater.

Step 15

Remove the converted information tag from the kit and fill in the information. Then place this tag below the updated rating tag on the unit.

Step 16

Replace any panels and operate heater following all warnings/cautions and instructions in the operator's manual and labels.

Table 4		
NATURAL GAS MANIFOLD PRESSURES - IN. W.C.. (KPA)		
MHU50/80/125	ALTITUDE FT. (M)	
HSU50/80/125	0-2000 (0-610)	2000-4500 (610-1370)
50/80/125	4.0"WC (0.99 KPA)*	3.6"WC (0.89 KPA)
*NO ADJUSTMENT REQUIRED		

Table 5		
LP/PROPANE GAS MANIFOLD PRESSURES - IN.W.C.. (KPA)		
MHU50/80/125	ALTITUDE FT. (M)	
HSU50/80/125	0-2000 (0-610)	2000-4500 (610-1370)
50/80/125	10"WC (2.49 KPA)*	8.5"WC (2.12KPA)
*NO ADJUSTMENT REQUIRED		

Table 6	
INLET PRESSURES:	
Natural Gas	MAX - 14" WC (3.49 kPa) MIN - 5"WC (1.25 kPa)
Propane	MAX - 14" WC (3.49 kPa) MIN - 11"WC (2.74 kPa)

**THIS PAGE INTENTIONALLY LEFT BLANK
ESTA PÁGINA SE DEJÓ INTENCIONALMENTE EN BLANCO
CETTE PAGE A ÉTÉ INTENTIONNELLEMENT LAISSÉE VIERGE**

FUEL CONVERSION MANUAL

For Big Maxx Heaters using Honeywell VR8205M valves.



READ INSTRUCTIONS CAREFULLY: YOUR SAFETY IS IMPORTANT TO YOU AND TO OTHERS. Read and follow all instructions. Place instructions in a safe place for future reference. Do not allow anyone who has not read these instructions to assemble, light, adjust or operate the heater.



Model #
HSU50
HSU80
HSU125

Model #
MHU50
MHU80
MHU125



WARNING:

USE ONLY MANUFACTURER'S REPLACEMENT PARTS. USE OF ANY OTHER PARTS COULD CAUSE INJURY OR DEATH. REPLACEMENT PARTS ARE ONLY AVAILABLE DIRECT FROM THE FACTORY AND MUST BE INSTALLED BY A QUALIFIED SERVICE AGENCY.

PARTS ORDERING INFORMATION:

PURCHASING: ACCESSORIES MAY BE PURCHASED AT ANY HEATSTAR LOCAL DEALER, Mr. HEATER LOCAL DEALER, OR DIRECT FROM THE FACTORY

FOR INFORMATION REGARDING SERVICE:

Please call Toll-Free 1 - (800) - 251 - 0001

Our office hours are 8:00 AM – 5:00 PM, EST, Monday through Friday.

Or contact us using an enerco website:

www.enerco.com • www.heatstarbyenerco.com • www.mrheater.com

Please include the model number, date of purchase, and description of problem in all communication.

LIMITED WARRANTY:

The company warrants this product to be free from imperfections in material or workmanship, under normal and proper use in accordance with instructions of The Company, for a period of one year from the date of delivery to the buyer. The Company, at its option, will repair or replace products returned by the buyer to the factory, transportation prepaid within said one year period and found by the Company to have imperfections in material or workmanship.

If a part is damaged or missing, call our Technical Support Department at 1-888-849-1899.

Address any Warranty Claims to the Service Department, Enerco Group, Inc., 4560 W. 160TH ST., CLEVELAND, OHIO 44135. Include your name, address and telephone number and include details concerning the claim. Also, supply us with the purchase date and the name and address of the dealer from whom you purchased our product.

The Foregoing is the full extent of the responsibility of the Company. There are no other warranties, express or implied. Specifically there is no warranty of fitness for a particular purpose and there is no warranty of merchantability. In no event shall the Company be liable for delay caused by imperfections, for consequential damages, or for any charges of the expense of any nature incurred without its written consent. The cost of repair or replacement shall be the exclusive remedy for any breach of warranty. There is no warranty against infringement of the like and no implied warranty arising from course of dealing or usage of trade. This warranty will not apply to any product which has been repaired or altered outside of the factory in any respect which in our judgment affects its condition or operation.

Some states do not allow the exclusion or limitation of incidental or consequential damages, so the above limitation or exclusion may not apply to you. This Warranty gives you specific legal rights, and you may have other rights which vary from state to state.

Enerco Group, Inc. reserves the right to make changes at any time, without notice or obligation, in colors, specifications, accessories, materials and models.

Enerco Group, Inc., 4560 W. 160TH ST., CLEVELAND, OHIO 44135 • 1 - (800) - 251 - 0001

Heatstar is a registered trademark of Enerco, Inc.

Mr. Heater is a registered trademark of Enerco, Inc.

© 2018, Enerco. All rights reserved



MANUAL DE CONVERSIÓN DE COMBUSTIBLE

Para calentadores Big Maxx que usan válvulas
Honeywell VR8205M



**LEA CUIDADOSAMENTE LAS INSTRUCCIONES:
SU SEGURIDAD ES IMPORTANTE PARA USTED Y
PARA LOS DEMÁS.** Lea y siga todas las instrucciones.



**Model #
HSU50
HSU80
HSU125**

Conserve estas instrucciones en un lugar seguro para futura referencia. No permita que nadie que no haya leído estas instrucciones arme, encienda, ajuste o use el calefactor.

**Model #
MHU50
MHU80
MHU125**

CALEFACTOR COMPACTO PARA USO RESIDENCIAL/COMERCIAL



ADVERTENCIA:
Las instrucciones
corresponden a las
válvulas Honeywell
VR8205M.

ADVERTENCIA: La instalación, ajuste, alteración, reparación o mantenimiento inadecuados pueden causar lesiones o daños materiales. Consulte este manual. Por asistencia o información adicional, consulte con un instalador calificado, agencia de servicio o la compañía de gas.

- QUÉ HACER SI DETECTA OLOR A GAS
 - o Abra las ventanas
 - o **NO** intentar encender ningún artefacto.
 - o **NO** utilice interruptores eléctricos.
 - o **NO** utilice los teléfonos de su hogar. Llame de inmediato al suministrador de gas desde el teléfono de un vecino. Siga las instrucciones del suministrador de gas.
 - o **NO** toque ningún interruptor eléctrico ni use ningún teléfono del edificio.
 - o Si no se puede comunicar con la compañía de gas, llame a los bomberos.
- La instalación y el mantenimiento deben ser realizados por un instalador calificado, una agencia de reparación calificada o el suministrador de gas.

POR SU SEGURIDAD:

No almacene ni utilice gasolina ni ningún otro vapor ni líquido inflamable cerca de este ni de ningún otro artefacto

ADVERTENCIA:

Si no se siguen estas instrucciones al pie de la letra, podría producirse un incendio o una explosión que provocaría daños materiales, lesiones o muertes.

⚠️ ADVERTENCIA:

SU SEGURIDAD ES IMPORTANTE PARA USTED Y PARA LOS DEMÁS, ASÍ QUE POR FAVOR LEA ESTAS INSTRUCCIONES ANTES DE UTILIZAR EL CALEFACTOR.

GENERAL HAZARD WARNING:

- ⚠️ NO CUMPLIR CON LAS PRECAUCIONES O INSTRUCCIONES QUE SE INCLUYEN CON EL CALENTADOR PUEDE OCASIONAR LA MUERTE, GRAVES LESIONES FÍSICAS Y DAÑO O PÉRDIDA DE BIENES COMO CONSECUENCIA DE UN INCENDIO, UNA EXPLOSIÓN, QUEMADURAS, ASFIXIA, ENVENAMAMIENTO POR MONÓXIDO DE CARBONO O DESCARGA ELÉCTRICA.
- ⚠️ EL CALENTADOR DEBERÁ SER USADO Y REVISADO SÓLO POR PERSONAS QUE COMPRENDAN Y PUEDAN SEGUIR LAS INSTRUCCIONES.
- ⚠️ SI NECESITARA ASESORAMIENTO O INFORMACIÓN SOBRE EL CALENTADOR, COMO UN MANUAL DE INSTRUCCIONES, ETIQUETAS, ETC., COMUNÍQUESE CON EL FABRICANTE.

⚠️ ADVERTENCIA: UNA DE LAS SUSTANCIAS QUE SE DESPRENDE EN LA COMBUSTIÓN AL USAR ESTE EQUIPO ES EL MONÓXIDO DE CARBONO, UN PRODUCTO QUÍMICO QUE DE ACUERDO CON EL ESTADO DE CALIFORNIA PRODUCE CÁNCER Y DEFECTOS DE NACIMIENTO (U OTROS DAÑOS REPRODUCTIVOS). PARA MÁS INFORMACIÓN, VISITE WWW.P65WARNINGS.CA.GOV

⚠️ ADVERTENCIA: LOS COMBUSTIBLES USADOS EN EQUIPOS PARA LICUAR GAS PROPANO, ASÍ COMO LOS PRODUCTOS DE SU COMBUSTIÓN, PUEDEN EXPONERTE A SUSTANCIAS QUÍMICAS, ENTRE ELLAS EL BENCENO, QUE EL ESTADO DE CALIFORNIA RECONOCE COMO CAUSA DE CÁNCER Y DE MALFORMACIONES CONGÉNITAS Y OTROS DAÑOS AL SISTEMA REPRODUCTOR. PARA MÁS INFORMACIÓN, WWW.P65WARNINGS.CA.GOV

⚠️ ADVERTENCIA:

PELIGRO DE INCENDIO, QUEMADURAS, INHALACIÓN Y EXPLOSIÓN. MANTENGA LOS COMBUSTIBLES SÓLIDOS, TALES COMO MATERIALES DE CONSTRUCCIÓN, PAPEL O CARTÓN, A UNA DISTANCIA SEGURA DEL CALEFACTOR COMO SE RECOMIENDA EN LAS INSTRUCCIONES, NUNCA USE EL CALEFACTOR EN ESPACIOS QUE CONTENGAN O PODRÍAN CONTENER COMBUSTIBLES VOLÁTILES O GASEOSOS, NI PRODUCTOS COMO GASOLINA, SOLVENTES, DILUYENTES DE PINTURA, PARTÍCULAS DE POLVO O PRODUCTOS QUÍMICOS DESCONOCIDOS.

⚠️ ADVERTENCIA: A INSTALACIÓN DE ESTE JUEGO DE CONVERSIÓN DEBE ESTAR A CARGO DE UNA AGENCIA DE REPARACIÓN CALIFICADA DE ACUERDO CON LAS INSTRUCCIONES DEL FABRICANTE Y CON TODOS LOS CÓDIGOS Y REQUISITOS QUE ESTABLEZCA LA AUTORIDAD QUE POSEA JURISDICCIÓN. SI NO SE SIGUE CON EXACTITUD LA INFORMACIÓN DE ESTAS INSTRUCCIONES, PUEDE PRODUCIRSE UN INCENDIO, UNA EXPLOSIÓN O LA EMANACIÓN DE MONÓXIDO DE CARBONO, LO QUE PODRÍA OCASIONAR DAÑO A LA PROPIEDAD, LESIONES PERSONALES O LA MUERTE. LA AGENCIA DE REPARACIÓN CALIFICADA QUE REALICE ESTE TRABAJO ASUME LA RESPONSABILIDAD DE LA CONVERSIÓN CORRECTA DE ESTE ARTEFACTO CON ESTE JUEGO.

CONTENIDO

Juegos de conversión de combustible	S-3
Instrucciones de conversión de combustible.....	S-4
Conversión de etiquetas de clasificación	S-6
Garantía	S-8

IDIOMAS

INGLÉS	E1 - E8
ESPAÑOL.....	S1 - S8
FRANCÉS	F1 - F8

INFORMACIÓN GENERAL

GUARDE ESTE MANUAL PARA FUTURA REFERENCIA. POR PREGUNTAS, PROBLEMAS O PARTES FALTANTES, ANTES DE RETORNAR EL PRODUCTO A LA TIENDA LLÁMENOS CON EL NÚMERO DE MODELO Y EL NÚMERO DE SERIE DEL CALEFACTOR:

1-1 - (800) - 251 - 0001

DE LUNES A VIERNES DE 8 A 5 PM HORA DEL ESTE O ENVÍENOS UN MENSAJE A TRAVÉS DEL SITIO WEB DE ENERCO WWW.ENERCO.COM/

Con el fin de brindar el mejor servicio posible, Enerco ahora le brinda más formas de comunicarse con nosotros:

 YouTube: youtube.com/mrheaterTV

 Facebook: www.facebook.com/mrheaterproducts/

 Twitter: <https://twitter.com/MrHeater>

Sección 2 INSTRUCCIONES DE CONVERSIÓN DE COMBUSTIBLE

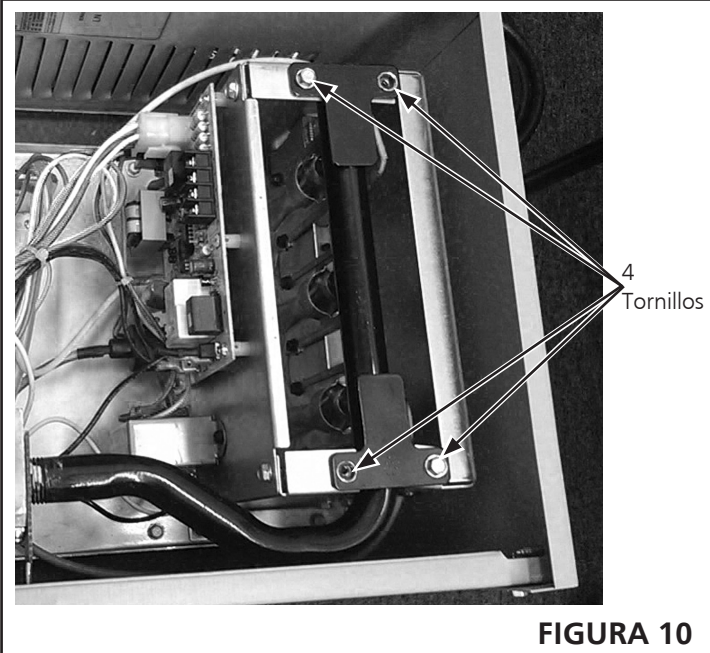


FIGURA 10

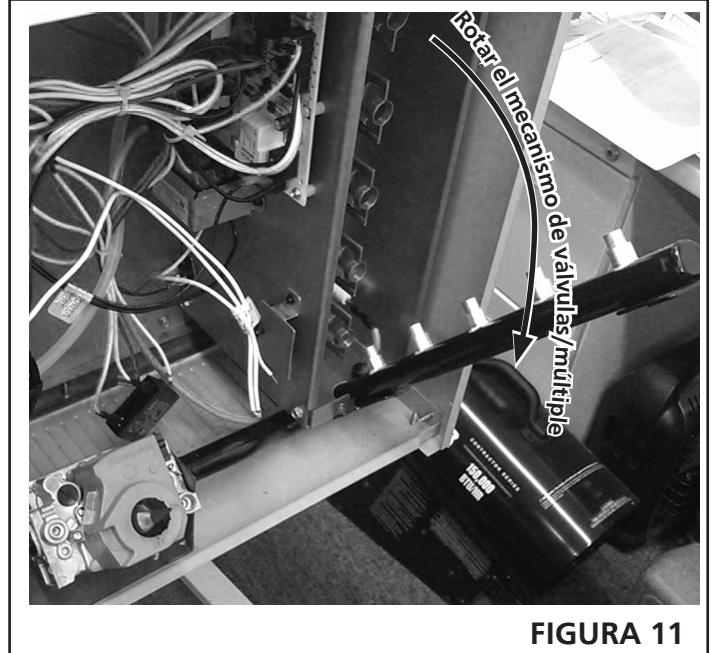


FIGURA 11

⚠ ADVERTENCIA: Peligro de explosión



Cierre el suministro de gas del calefactor antes de realizar cualquier reparación o mantenimiento.

El no seguir estas instrucciones causará la muerte, heridas graves o daños materiales..

⚠ ADVERTENCIA: Peligro de electrocución



Desenchufe el cable de alimentación del tomacorriente antes de realizar cualquier reparación o mantenimiento.

El no seguir estas instrucciones causará la muerte, heridas graves o daños materiales..

El electrodo y el sensor no se pueden ajustar. NO cambie la ubicación ni la posición como parte de este juego de conversión.

ADVERTENCIA

Este juego de conversión debe ser instalado por una agencia de servicio calificada, de acuerdo con las instrucciones del fabricante y todos los códigos y requisitos aplicables de la autoridad que tenga jurisdicción. Si no se siguen estas instrucciones al pie de la letra, podría producirse un incendio, una explosión o la generación de monóxido de carbono que provocaría daños materiales, lesiones personales o muertes. La agencia de servicio calificada que realice este trabajo asume la responsabilidad de la conversión adecuada de este artefacto con este juego.

Paso 1

CUIDADO. LA UNIDAD DEBE ESTAR DESCONECTADA DEL SUMINISTRO DE GAS Y DE ELECTRICIDAD ANTES DE REALIZAR LA CONVERSIÓN.

Paso 2

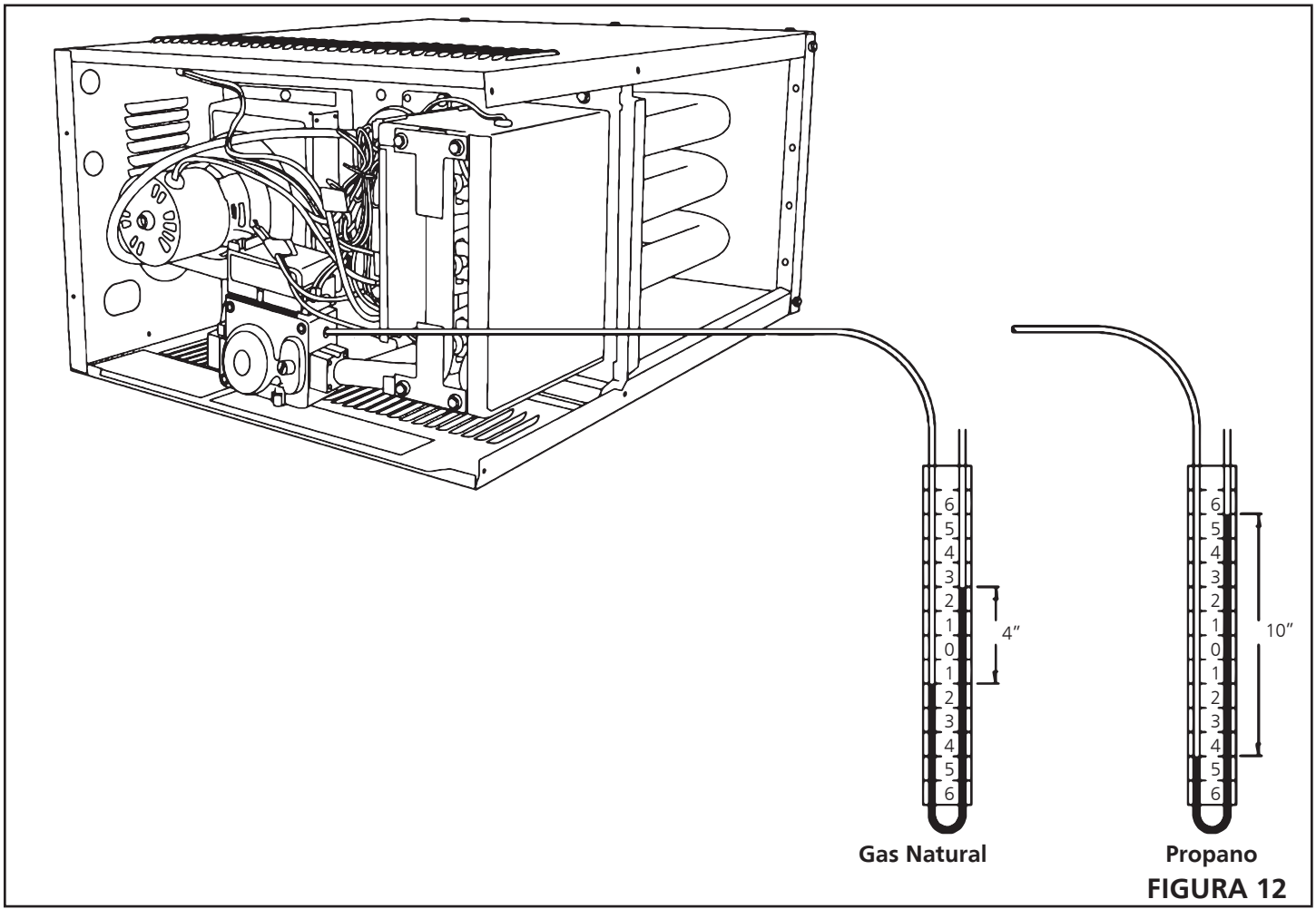
Saque y guarde los cuatro tornillos que fijan el múltiple a la caja de combustión (Figura 10). Rote el mecanismo de válvulas/múltiple, alejándolo de los quemadores (Figura 11). El mecanismo de válvulas/múltiple sostiene los orificios (3-HSU50/MHU50, 5-HSU80/MHU80, 8-HSU125/MHU125). Esto permitirá acceder a los orificios del múltiple y al resorte de ajuste de la válvula/regulador.

Paso 3

Saque y deseche la tapa del resorte de ajuste de la válvula/regulador de gas con un destornillador plano, girando el tornillo en sentido contra horario. Saque y deseche el tornillo de ajuste del regulador que está debajo de la tapa. Saque y deseche el resorte que está ubicado debajo del tornillo de ajuste. Tome el resorte del juego de conversión y compare el número de parte del juego con la lista de partes de la página 3. Si no coinciden, llame inmediatamente a Heatstar, Inc. para que le envíen el juego correcto. Luego de confirmar que el juego de conversión es el correcto para el modelo de calefactor que está convirtiendo, instale el nuevo resorte y el nuevo tornillo de ajuste. Gire el tornillo de ajuste en sentido horario (hacia adentro) hasta que se detenga, luego gírelo en sentido contra horario (hacia atrás) 1 vuelta y media. Coloque la etiqueta de conversión que viene con el juego del resorte en la válvula, cerca de la abertura de la tapa del tornillo de ajuste.

Paso 4

Saque y deseche los orificios (3-HSU50/MHU50, 5-HSU80/MHU80, 8-HSU125/MHU125) del múltiple con una llave abierta de 1/2". Gírelos en sentido contra horario para removerlos. Tome los nuevos orificios del juego de conversión y antes de instalarlos, confirme que el número estampado en el costado de los mismos coincida con el número del juego que está instalando. Si no coincide, llame inmediatamente a Heatstar, Inc. para que le envíen el juego correcto. Si son los orificios correctos, instáloslos en el múltiple teniendo cuidado para enroscarlos correctamente.



Paso 5

Gire el mecanismo de válvulas/múltiple nuevamente dentro de la caja de combustión, verificando que todos los orificios queden dentro de los quemadores y que no queden atrapados en el anillo de fijación de la parte de atrás de cada quemador. Fije el múltiple a la caja de combustión con los cuatro tornillos removidos en el paso 2.

Paso 6

Siga las instrucciones del manual de operación del calefactor para montar el calefactor y conectarle el suministro de gas (revisando con agua jabonosa que ninguna de las conexiones tenga fugas).

Paso 7

Remueva el tapón de la válvula de prueba de presión y guárdelo para usarlo después. Conecte un manómetro de tubo en U lleno de agua al puerto de prueba. Vea la Figura 12. Utilice un manómetro porque los medidores de prueba no son confiables y pueden suministrar lecturas falsas.

Paso 8

Vuelva a conectar el suministro de energía y abra la llave de paso del gas.

Paso 9

Suba el termostato para que pida calefacción, lo cual iniciará la secuencia de encendido del calefactor.

Paso 10

Cuando se encienda el quemador, ajuste la presión de gas del múltiple girando el tornillo de ajuste del resorte del regulador que reemplazó en el paso 6. Una vez que haya ajustado la presión, reemplace la cubierta del tornillo de ajuste con una nueva del juego de conversión.



**Disminuir la presión
Contra horario**



**Aumentar la
presión Horario**

Consulte la Tabla 6 para conocer los requisitos de presión de entrada y ajuste las presiones del colector según el tipo de gas y la altitud. (Ver Tabla 4 y Tabla 5). Las ilustraciones del manómetro (ver la Figura 12) muestran cada una de las mediciones de presión.

Paso 11

Baje el termostato y espere a que el calefactor termine el ciclo de enfriamiento. Luego desconecte la alimentación eléctrica y cierre la llave general de gas al artefacto.

Paso 12

Desconecte el manómetro del artefacto y vuelva a colocar el tapón que removió en el paso 6 en el puerto de prueba.

Sección 3 INSTRUCCIONES DE CONVERSIÓN DE ETIQUETA DE VELOCIDAD

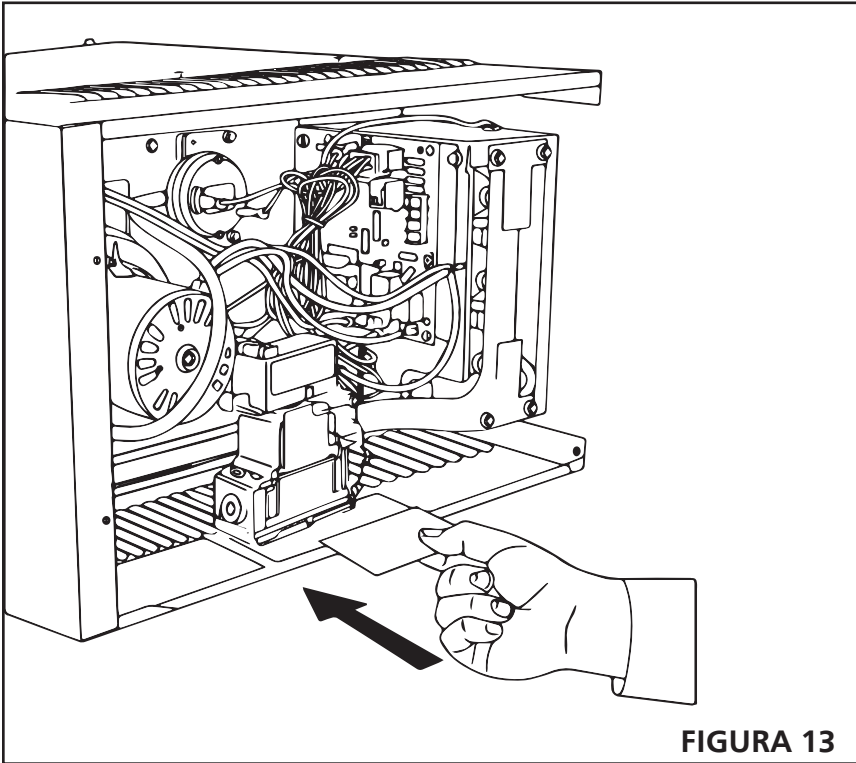


FIGURA 13

Paso 13

Vuelva a conectar el suministro de energía y abra la llave de paso del gas. Suba el termostato para que empiece a calentar. Una vez que se haya encendido el quemador principal, use agua jabonosa para verificar que ninguna conexión tenga fugas de gas. También recuerde verificar el tapón del puerto de prueba reemplazado en el paso 12. Deje que el calefactor funcione por lo menos durante 5 minutos, luego observe las llamas del quemador principal. Lo normal es una llama azul fuerte que se extienda dentro del tubo. Es aceptable que las puntas sean un poco amarillentas. No existe un ajuste de aire hacia el quemador.

Paso 14

Ver la figura 13. Remueva la placa de clasificación según el tipo de gas. Remueva la etiqueta y colóquela sobre la porción existente de la placa. La placa ya viene impresa con toda la información correcta para el calefactor convertido.

Paso 15

Saque la placa de clasificación convertida del juego y complete la información. Luego coloque esta placa debajo de la placa actualizada en la unidad.

Paso 16

Vuelva a colocar todos los paneles y haga funcionar el calefactor siguiendo todas las advertencias/precauciones e instrucciones del manual de funcionamiento y de las etiquetas.

Tabla 4
PRESIONES DEL MÚLTIPLE PARA GAS NATURAL - PULG. COL. AGUA (kPa)

HSU 50/80/125 MHU50/80/125	ALTITUD PIES (M)	
		0-2000 (0-610)
50/80/125	4,0" CA (0,99 KPA)*	3,6" CA (0,89 KPA)

*NO REQUIERE AJUSTE

Tabla 5
PRESIONES DEL MÚLTIPLE PARA GAS LP/PROPANO - PULG. COL. AGUA (KPA)

HSU 50/80/125 MHU50/80/125	ALTITUD PIES (M)	
		0-2000 (0-610)
50/80/125	10" CA (2,49 KPA)*	8,5" CA (2,12 KPA)

*NO REQUIERE AJUSTE

Tabla 6
PRESIONES DE ENTRADA:*

Gas Natural MAX - 14" C.A. (3,49 kPa) MIN - 5"C.A. (1,25 kPa)
Propano MAX - 14" C.A. (3,49 kPa) MIN - 11"C.A. (2,74 kPa)

**THIS PAGE INTENTIONALLY LEFT BLANK
ESTA PÁGINA SE DEJÓ INTENCIONALMENTE EN BLANCO
CETTE PAGE A ÉTÉ INTENTIONNELLEMENT LAISSÉE VIERGE**

MANUAL DE CONVERSIÓN DE COMBUSTIBLE

Para calentadores Big Maxx que usan válvulas Honeywell VR8205M



LEA CUIDADOSAMENTE LAS INSTRUCCIONES: SU SEGURIDAD ES IMPORTANTE PARA USTED Y PARA LOS DEMÁS. Lea y siga todas las instrucciones. Conserve estas instrucciones en un lugar seguro para futura referencia. No permita que nadie que no haya leído estas instrucciones arme, encienda, ajuste o use el calefactor.



Model #
HSU50
HSU80
HSU125

Model #
MHU50
MHU80
MHU125



ADVERTENCIA:

USE SOLAMENTE PARTES DE REPUESTO DEL FABRICANTE. EL USO DE CUALQUIER OTRA PARTE PODRÍA CAUSAR HERIDAS O LA MUERTE. LAS PARTES DE REPUESTO ESTÁN DISPONIBLES ÚNICAMENTE EN LA FÁBRICA Y DEBEN SER INSTALADAS POR UNA AGENCIA DE SERVICIO CALIFICADA.

INFORMACIÓN PARA ORDENAR PARTES:

COMPRAS: PUEDE COMPRAR ACCESORIOS EN CUALQUIER DISTRIBUIDOR LOCAL DE HEATSTAR, MR. HEATER LOCAL DISTRIBUIDOR, O DIRECTAMENTE DE LA FÁBRICA.

POR INFORMACIÓN ACERCA DE REPARACIONES:

Llame sin cargo al 1 - (800) - 251 - 0001

Nuestro horario de trabajo es de 08:00 a.m. AM a 5:00 PM, de lunes a viernes, hora del este.

O contáctenos usando un sitio web de Enerco:

www.enerco.com • www.heatstarbyenerco.com • www.mrheater.com

Por favor, incluya el número de modelo, la fecha de compra y la descripción del problema en todas sus comunicaciones.

GARANTÍA LIMITADA:

La compañía garantiza que este producto estará libre de imperfecciones materiales y de fabricación, bajo condiciones de uso normales y adecuadas de acuerdo con las instrucciones de la Compañía, por un período de un año a partir de la fecha de entrega al comprador. La Compañía, según decida, reparará o reemplazará los productos que el comprador devuelva a la fábrica, con el costo de envío previamente pagado dentro del mencionado período de un año y que la Compañía determine que presentan imperfecciones materiales o de fabricación.

Si alguna de las partes está dañada o si le falta alguna, llame a nuestro Departamento de Asistencia Técnica al 1 - (800) - 251 - 0001.

Dirija sus reclamos de garantía a Service Department, Enerco Group, Inc., 4560 W. 160TH ST., CLEVELAND, OHIO 44135. Incluya su nombre, dirección y número telefónico en su comunicación e incluya los detalles relacionados con el reclamo. Además, infórmenos la fecha de la compra y el nombre y dirección del proveedor de quien adquirió nuestro producto.

Lo anterior describe las responsabilidades de la Compañía en toda su extensión. No hay otras garantías, ni explícitas ni implícitas. Específicamente, no hay garantías acerca de la adecuación para un propósito particular y no hay garantías de comerciabilidad. En ningún caso la Compañía será responsable por demoras causadas por imperfecciones, por daños consecuentes, ni por ningún otro cargo de gastos de ninguna naturaleza realizado sin su consentimiento escrito. El costo de reparación o reemplazo será la única compensación por cualquier incumplimiento de la garantía. No hay garantía ni se derivará garantía implícita alguna del proceso de comercialización ni de las prácticas comerciales comunes. Esta garantía no será válida para productos que hayan sido reparados o alterados fuera de la fábrica en cualquier sentido que a nuestro criterio afecte su estado o funcionamiento.

Algunos estados no permiten la exclusión o limitación de daños incidentales ni consecuentes, así que la limitación o exclusión anterior puede no tener validez en su caso. Esta Garantía le otorga derechos legales específicos, y usted puede tener otros derechos que varían de un estado a otro.

Enerco Group, Inc. se reserva el derecho de hacer cambios en cualquier momento, sin previo aviso, en los colores, especificaciones, accesorios, materiales y modelos.

Enerco Group, Inc., 4560 W. 160TH ST., CLEVELAND, OHIO 44135 • 1 - (800) - 251 - 0001

Heatstar es una marca registrada de Enerco, Inc.

Mr. Heater es una marca registrada de Enerco, Inc.

© 2018, Enerco. Todos los derechos reservados



MANUEL DE CONVERSION DU COMBUSTIBLE

Pour les gros appareils de chauffage Big Maxx, utilisez les robinets Honeywell VR8205M



Model #
HSU50
HSU80
HSU125

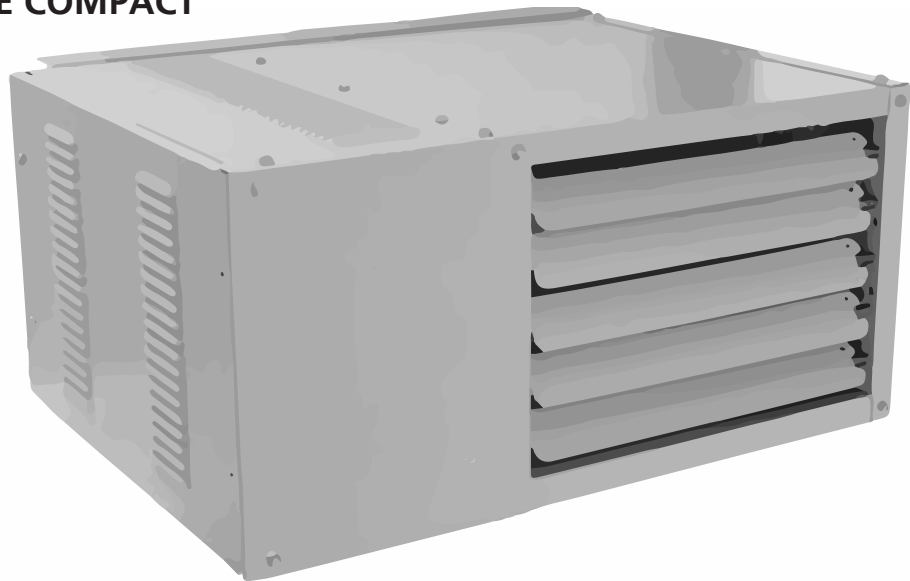
LISEZ SOIGNEUSEMENT LES INSTRUCTIONS: VOTRE SÉCURITÉ EST IMPORTANTE POUR VOUS ET POUR LES AUTRES. Lisez et observez toutes les instructions.

Conservez les instructions pour vous y référer ultérieurement. Interdisez à quiconque n'ayant pas lu les présentes instructions d'assembler, d'allumer, de régler ou de faire fonctionner cet appareil de chauffage.



Model #
MHU50
MHU80
MHU125

APPAREIL DE CHAUFFAGE COMPACT



MISE EN GARDE :
Les instructions sont
pour les robinets
Honeywell VR8205M

AVERTISSEMENT : une installation, un réglage, une modification, une réparation ou un entretien inappropriés peuvent causer des blessures ou des dommages matériels. Veuillez consulter ce guide d'utilisation. Pour obtenir de l'aide ou des renseignements complémentaires, consultez un installateur qualifié, un fournisseur de services d'entretien ou la compagnie de gaz.

- EN PRÉSENCE D'UNE ODEUR DE GAZ
 - o Ouvrez les fenêtres.
 - o **NE TENTEZ PAS** d'allumer un quelconque appareil.
 - o **NE TENTEZ PAS** les interrupteurs électriques.
 - o **N'UTILISEZ AUCUN** téléphone de la maison. Appelez immédiatement votre compagnie de gaz à partir du téléphone d'un voisin. Suivez les instructions de la compagnie de gaz.
 - o NE Touchez à aucun interrupteur électrique ; n'utilisez aucun téléphone dans l'immeuble.
 - o Si vous n'arrivez pas à joindre votre compagnie de gaz, appelez le service des incendies.
- L'installation et les réparations doivent être effectuées par un installateur qualifié, un professionnel qualifié ou la compagnie de gaz.

POUR VOTRE SÉCURITÉ:

N'entreposez et n'utilisez pas d'essence ou d'autre liquide ou produit dégageant des vapeurs inflammables à proximité de cet appareil ou de tout autre appareil.

AVERTISSEMENT: tout manquement à ces instructions est susceptible d'entraîner une explosion ou un incendie pouvant causer des dommages matériels, des blessures graves ou la mort.

⚠️ AVERTISSEMENT:

VOTRE SÉCURITÉ EST IMPORTANTE POUR VOUS ET POUR LES AUTRES, PAR CONSÉQUENT VEUILLEZ LIRE CES DIRECTIVES AVANT DE FAIRE FONCTIONNER CE RADIATEUR.

GENERAL HAZARD WARNING:

- ⚠️ LE NON-RESPECT DES MESURES DE PRÉVENTION ET INSTRUCTIONS FOURNIES AVEC CET APPAREIL DE CHAUFFAGE RISQUE D'ENTRAÎNER LA MORT, DES BLESSURES GRAVES ET DES DOMMAGES OU DES PERTES MATÉRIELLES À CAUSE DES DANGERS D'INCENDIE, D'EXPLOSION, DE BRÛLURE, D'ASPHYXIE, D'INTOXICATION AU MONOXYDE DE CARBONE ET/OU D'ELECTROCUTION.
- ⚠️ SEULES LES PERSONNES APTES À COMPRENDRE ET À RESPECTER LES INSTRUCTIONS DOIVENT UTILISER OU ASSURER LA MAINTENANCE DE CET APPAREIL.
- ⚠️ SI VOUS AVEZ BESOIN D'AIDE OU D'INFORMATION AU SUJET DE L'APPAREIL DE CHAUFFAGE (MANUEL D'INSTRUCTIONS, ÉTIQUETTES, ETC.), VEUILLEZ COMMUNIQUER AVEC LE FABRICANT.

⚠️ AVERTISSEMENT: LES SOUS-PRODUITS DE COMBUSTION ÉMIS LORS DE L'UTILISATION DE CET APPAREIL CONTIENNENT DU MONOXYDE DE CARBONE, UN PRODUIT CHIMIQUE RECONNU PAR L'ÉTAT DE CALIFORNIE COMME POUVANT CAUSER LE CANCER ET DES MALFORMATIONS CONGÉNITALES (OU AUTRES DOMMAGES AU SYSTÈME REPRODUCTEUR). POUR PLUS D'INFORMATIONS, VISITEZ WWW.P65WARNINGS.CA.GOV

⚠️ AVERTISSEMENT: Les carburants utilisés dans les appareils à des produits chimiques, notamment le benzène, connu en Californie pour causer le cancer et causer des malformations congénitales ou d'autres problèmes de reproduction. www.P65Warnings.ca.gov

AVERTISSEMENT:

⚠️ DANGER D'INCENDIE, DE BRÛLURE, D'INHALATION ET D'EXPLOSION. GARDER LES COMBUSTIBLES SOLIDES, COMME LES MATÉRIAUX DE CONSTRUCTION, LE PAPIER OU LE CARTON, À UNE DISTANCE SÉCURITAIRE DU RADIATEUR, TELLE QUE RECOMMANDÉE PAR LES DIRECTIVES. NE JAMAIS UTILISER LE RADIATEUR DANS UN ESPACE QUI CONTIENT OU QUI RISQUE DE CONTENIR DES COMBUSTIBLES VOLATILES OU EN SUSPENSION DANS L'AIR, OU DES PRODUITS TELS QUE DE L'ESSENCE, DES SOLVANTS, DU DILUANT À PEINTURE, DES PARTICULES DE POUSSIÈRE OU DES PRODUITS CHIMIQUES INCONNUS.

⚠️ AVERTISSEMENT: CETTE TROUSSE DE CONVERSION NE DOIT ÊTRE INSTALLÉE QUE PAR LE REPRÉSENTANT D'UN ORGANISME QUALIFIÉ ET CONFORMÉMENT AUX INSTRUCTIONS DU FABRICANT ET À TOUS LES CODES ET EXIGENCES PERTINENTES DE L'AUTORITÉ COMPÉTENTE. QUICONQUE NE RESPECTE PAS À LA LETTRE LES INSTRUCTIONS DU PRÉSENT GUIDE RISQUE DE PROVOQUER UN INCENDIE, UNE EXPLOSION OU DES FUITES DE MONOXYDE DE CARBONE ENTRAÎNANT DES COMMAGES MATÉRIELS, DES LÉSIONS CORPORELLES OU LA PERTE DE VIES HUMAINES. L'ORGANISME QUALIFIÉ QUI EFFECTUE LES TRAVAUX EST RESPONSABLE DE LA CONVERSION CORRECTE DE CET APPAREIL À L'AIDE DE CETTE TROUSSE.

LANGUES

ANGLAIS E1 - E8
ESPAGNOL S1 - S8
FRANÇAIS F1 - F8

INFORMATION GÉNÉRALE

CONSERVER CE MANUEL POUR RÉFÉRENCE FUTURE.

POUR TOUTE QUESTION OU PROBLÈME, PIÈCE MANQUANTE OU AUTRE, AVANT DE RETOURNER L'APPAREIL CHEZ LE DÉTAILLANT, VEUILLEZ AVOIR EN MAIN LE NUMÉRO DE MODÈLE ET DE SÉRIE, ET NOUS APPELER AU 1-1 - (800) - 251 - 0001 DU LUNDI AU VENDREDI ENTRE 8H00 ET 17H00, HEURE DE L'EST, OU NOUS ENVOYER UN COURRIEL SUR LE SITE DE Enerco: WWW.ENERCO.COM/

Afin d'offrir le meilleur service possible, Enerco vous offre dorénavant plus de moyen pour nous contacter:




-  YouTube: youtube.com/mrheaterTV
-  Facebook: www.facebook.com/mrheaterproducts/
-  Twitter: <https://twitter.com/MrHeater>

TABLE DES MATIÈRES

DIMENSIONS DE L'APPAREIL F3
EXPÉDITION F4
INSTALLATION DE L'APPAREIL DE CHAUFFAGE F6
AIR DE COMBUSTION ET DE VENTILATION F8

INSTRUCTIONS POUR LA CONVERSION DE CARBURANT

Section 1 ENSEMBLES DE CONVERSION DE CARBURANT

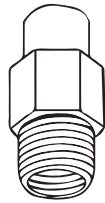
Pour la conversion de gaz naturel à GPL

Model Number _____ This appliance was converted on _____ (D/M/Y) to _____ Gas
 (MODEL N°) _____ with the _____ BTU _____
 Serial Number _____ (Name and address of organization making this conversion, which accepts the responsibility
 Numéro de série _____ that this conversion has been properly made.
 Model Part Number _____
 Référence de pièce _____
 Date _____ Cet appareil a été converti le _____ (jour-mois-année) pour
 Étiquette de gaz _____ fonctionner au gaz _____ à l'aide de la trousser n° _____
 Conversion Gas _____ par _____
 Conversion au gaz _____ (Nom et adresse de l'organisme qui effectue la conversion, qui accepte l'entière responsabilité de
 cette conversion.)
 Note: Voir le Prescripteur de l'alimentation en gaz.
 13575

Étiquette de conversion de gaz

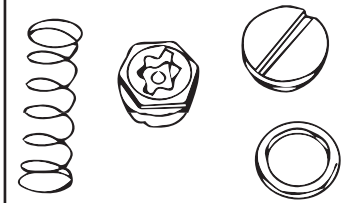
This control valve has been converted for use with _____ 13576
 Cette commande a été convertie pour fonctionner au gaz _____

Étiquette de contrôle de conversion



N° de pièce de l'orifice
 (Voir le tableau ci-dessous)

ENSEMBLE HONEYWELL N° 393691



Numéros de pièce pour la conversion de carburant		
N° de modèle	BTU/HR	Naturel - à - GPL F260163
HSU50/MHU50	50,000	
HSU80/MHU80	80,000	
HSU125/HSU125	125,000	

Part Number	Description	50	80	125
13575	Étiquette de conversion de gaz	1	1	1
60232	Étiquette de classification	1		
60233	Étiquette de classification		1	
60234	Étiquette de classification			1
11727	Ressort - robinet de gaz (étiquette incluse)	1	1	1
60156	Orifice pour GPL	3	5	8
13576	Étiquette de contrôle de conversion	1	1	1

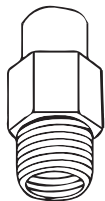
Pour la conversion de GPL à gaz naturel

Model Number _____ This appliance was converted on _____ (D/M/Y) to _____ Gas
 (MODEL N°) _____ with the _____ BTU _____
 Serial Number _____ (Name and address of organization making this conversion, which accepts the responsibility
 Numéro de série _____ that this conversion has been properly made.
 Model Part Number _____
 Référence de pièce _____
 Date _____ Cet appareil a été converti le _____ (jour-mois-année) pour
 Étiquette de gaz _____ fonctionner au gaz _____ à l'aide de la trousser n° _____
 Conversion Gas _____ par _____
 Conversion au gaz _____ (Nom et adresse de l'organisme qui effectue la conversion, qui accepte l'entière responsabilité de
 cette conversion.)
 Note: Voir le Prescripteur de l'alimentation en gaz.
 13575

Gas Conversion Labels

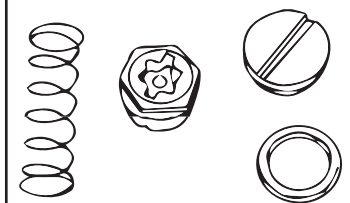
This control valve has been converted for use with _____ 13576
 Cette commande a été convertie pour fonctionner au gaz _____

Control Conversion Labels



N° de pièce de l'orifice
 (Voir le tableau ci-dessous)

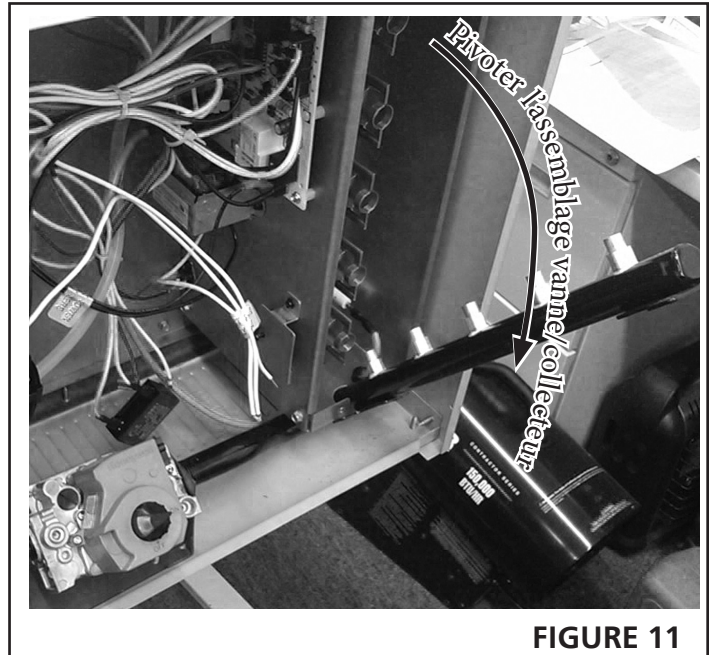
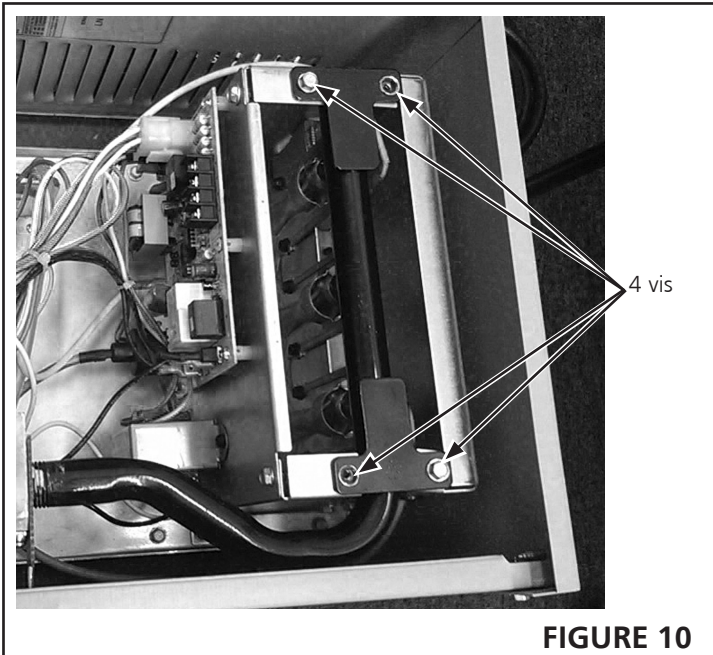
ENSEMBLE HONEYWELL N° 393691



Numéros de pièce pour la conversion de carburant		
Model #	BTU/HR	GPL - à - Naturel F260164
HSU50/MHU50	50,000	
HSU80/MHU80	80,000	
HSU125/HSU125	125,000	

Part Number	Description	50	80	125
13575	Étiquette de conversion de gaz	1	1	1
60235	Étiquette de classification	1		
60236	Étiquette de classification		1	
60237	Étiquette de classification			1
11727	Ressort - robinet de gaz (étiquette incluse)	1	1	1
60049	Orifice pour GPL	3	5	8
13576	Étiquette de contrôle de conversion	1	1	1

Section 2 INSTRUCTIONS POUR LA CONVERSION DE CARBURANT



⚠ AVERTISSEMENT : Danger d'explosion



Couper l'alimentation en gaz vers le radiateur, avant d'effectuer un service ou un entretien. Un manquement à suivre ces instructions peut entraîner la mort, des blessures ou des dommages à la propriété.

⚠ AVERTISSEMENT : Risque de choc électrique



Débrancher le cordon d'alimentation électrique de la prise de courant avant d'effectuer un entretien ou un service. Un manquement à suivre ces instructions peut entraîner la mort, des blessures ou des dommages à la propriété.

L'électrode et le capteur ne sont pas ajustables. NE PAS changer l'emplacement ou la position comme une partie de cet ensemble de conversion.

AVERTISSEMENT

Cet ensemble de conversion doit être installé par un employé qualifié d'un organisme de services en suivant les directives du fabricant et tous les codes et les exigences établis par l'autorité compétente. Si les renseignements contenus dans ces directives ne sont pas respectés à la lettre, il pourrait se produire un incendie, une explosion ou une production de monoxyde de carbone qui pourraient endommager les biens, entraîner des dommages corporels ou même la mort. L'employé qualifié de l'organisme de services qui effectue cette tâche est entièrement responsable de la qualité de conversion qui sera réalisée à l'aide de cet ensemble.

Étape 1

MISE EN GARDE : L'APPAREIL NE DOIT PAS ÊTRE RACCORDÉ SOIT À L'ALIMENTATION EN GAZ OU À L'ALIMENTATION ÉLECTRIQUE, AVANT DE PROCÉDER À CETTE CONVERSION.

Étape 2

Retirer et garder les quatre vis retenant le collecteur sur le cabinet du brûleur (Figure 10). Pivoter l'assemblage vanne/collecteur, loin des brûleurs (Figure 11). L'assemblage vanne/collecteur tient les orifices (3-HSU50/MHU50, 5-HSU80/MHU80, 8-HSU125/MHU125). Cela permet l'accès aux orifices sur le collecteur, et aussi au ressort d'ajustement du régulateur/vanne.

Étape 3

Retirer et jeter le couvercle du ressort d'ajustement du robinet de gaz/ régulateur, avec un tournevis plat, en tournant la vis en sens antihoraire. Retirer et jeter la vis d'ajustement du régulateur, qui se trouve sous le couvercle. Retirer et jeter le ressort qui est localisé sous la vis d'ajustement. Prendre le jeu de ressort dans l'ensemble de conversion, et comparer le numéro de pièce du jeu avec la liste des pièces en page 3. S'il ne correspond pas, communiquer immédiatement avec Heatstar, Inc. pour obtenir le bon jeu. Après avoir confirmé que le jeu de ressort est correct pour le modèle de radiateur à convertir, installer le nouveau ressort et la vis d'ajustement. Tourner la vis d'ajustement du ressort en sens horaire (vers l'intérieur) jusqu'à ce que la vis s'arrête, puis, la tourner en sens antihoraire (vers l'arrière) de 1 tour. Apposer l'étiquette de conversion fournie avec le jeu de ressort sur la vanne près de l'ouverture du couvercle de la vis d'ajustement.

Étape 4

Retirer et jeter les orifices (3-HSU50/MHU50, 5-HSU80/MHU80, 8-HSU125/MHU125) du collecteur avec une clé de 1/2 po. Les tourner en sens antihoraire pour les retirer. Prendre les nouveaux orifices de l'ensemble de conversion et avant l'installation, confirmer que le numéro étampé sur le côté de l'orifice correspond au numéro sur le jeu à installer. S'il ne correspond pas, communiquer immédiatement avec Heatstar, Inc. pour obtenir le bon jeu. S'il s'agit des bons orifices, les installer dans le collecteur, en prenant soin de ne pas fausser le filetage.

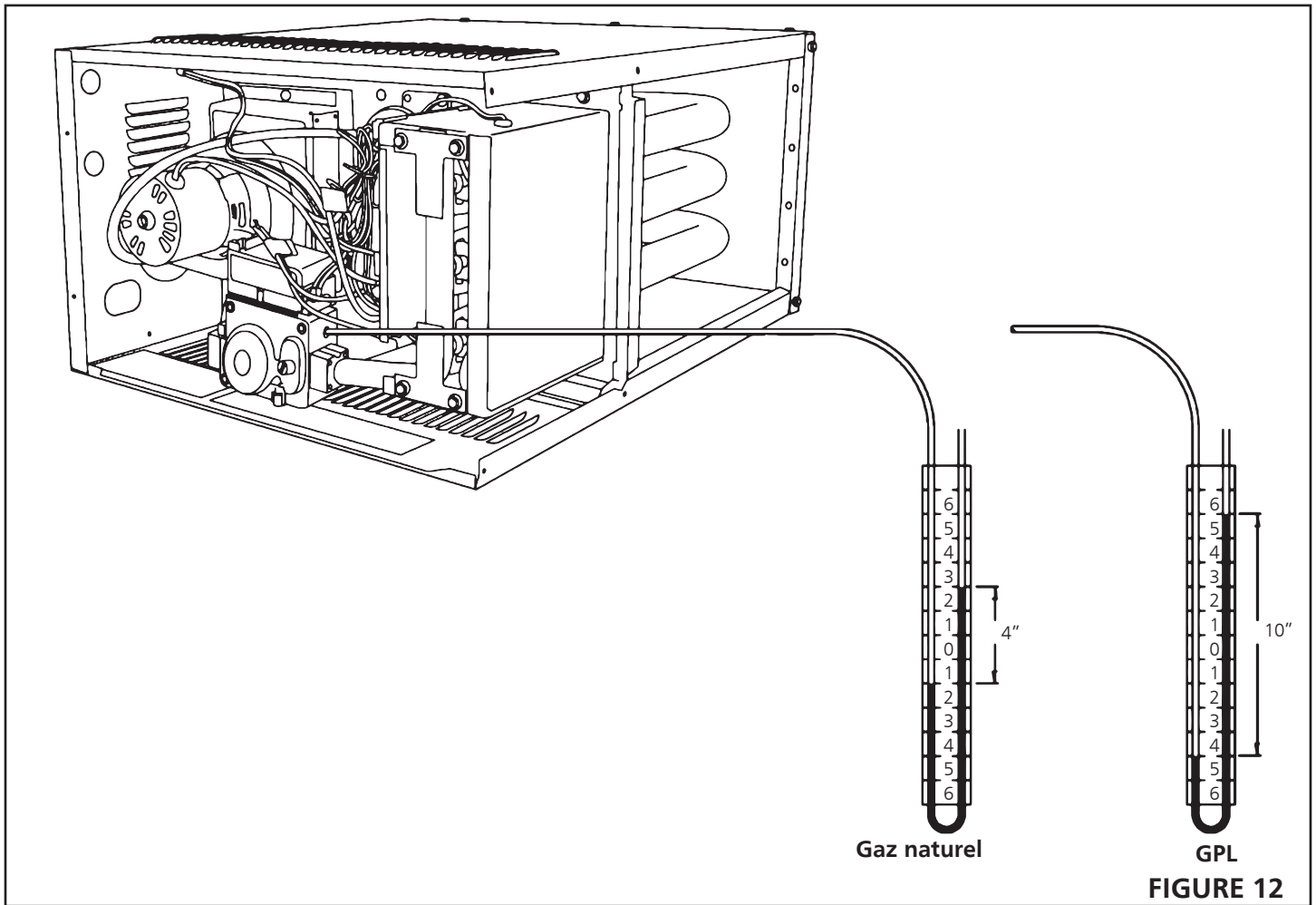


FIGURE 12

Étape 5

Gire el mecanismo de válvulas/múltiple nuevamente dentro de la caja de combustión, verificando que todos los orificios queden dentro de los quemadores y que no queden atrapados en el anillo de fijación de la parte de atrás de cada quemador. Fije el múltiple a la caja de combustión con los cuatro tornillos removidos en el paso 2.

Étape 6

En suivant les instructions dans le mode d'emploi du radiateur, monter le radiateur et raccorder l'alimentation en gaz (en s'assurant de vérifier toutes les connexions pour la présence de fuite, avec une solution d'eau savonneuse).

Étape 7

Retirer le bouchon de test de pression de la vanne et le conserver pour usage ultérieur. Raccorder un tube manométrique en U rempli d'eau, pour tester le port. Voir la figure 12. Utiliser un manomètre puisque les jauges de test ne sont pas fiables, et qu'elles peuvent donner une fausse lecture.

Étape 8

Brancher l'alimentation électrique principale, et ouvrir l'alimentation principale en gaz.

Étape 9

Tourner le thermostat pour une demande de chauffage, ce qui va lancer la séquence d'ignition du radiateur.

Étape 10

Lorsque les brûleurs s'allument, régler la pression du gaz au collecteur, en tournant la vis d'ajustement sur le ressort du régulateur qui a été remplacé à l'étape 6. Après l'avoir ajusté, remplacer le couvercle de la vis d'ajustement par un nouveau, provenant de l'ensemble de conversion.



**Diminuer la pression -
sens antihoraire**



**Augmenter la
pression - sens horaire**

Consultez le Tableau 6 pour connaître les exigences relatives à la pression d'entrée et pour régler les pressions d'admission selon le type de gaz et l'altitude (voir Tableaux 4 et 5). L'illustration du manomètre (voir la figure 12) indique chacune des lectures de pression.

Étape 11

Abaisser le réglage du thermostat et laisser le radiateur compléter un cycle de refroidissement. Puis, déconnecter l'alimentation électrique principale, et ouvrir la principale alimentation en gaz vers l'appareil.

Étape 12

Déconnecter le manomètre de l'appareil, et replacer le bouchon de test sur la vanne, (retiré à l'étape 6).

Section 3 CONVERSION DE L'ÉTIQUETTE DE CLASSIFICATION

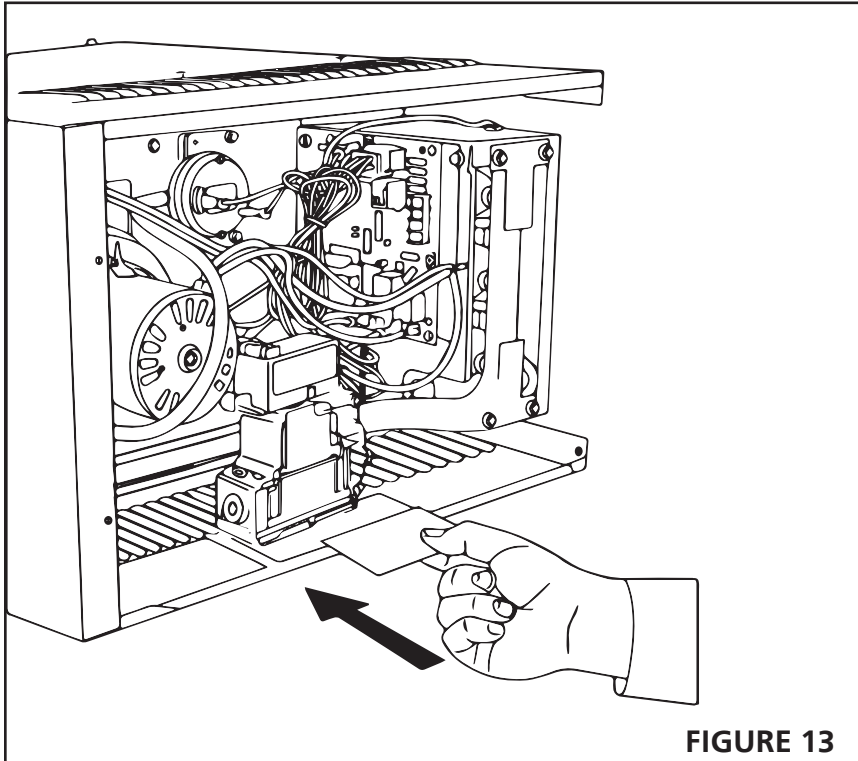


FIGURE 13

Étape 13

Brancher l'alimentation électrique principale, et remettre l'alimentation principale en gaz. Monter le réglage du thermostat pour une demande de chauffage. Quand les brûleurs principaux s'allumeront, vérifier minutieusement toutes les connexions pour détecter la présence de fuite de gaz avec une solution d'eau savonneuse. Se rappeler de vérifier aussi le bouchon de test de pression, remplacé à l'étape 12. Laisser fonctionner le radiateur pendant au moins 5 minutes, puis observer la flamme du brûleur principal. Une flamme solide bleue s'étendant dans le tube est une flamme normale. Des pointes légèrement jaunes sont aussi acceptables. Il n'y a aucun ajustement pour l'air vers le brûleur.

Étape 14

Voir la figure 13. Retirer la plaque signalétique pour leurs gaz respectif. Retirer l'étiquette et la placer sur la portion d'étiquette existante. Cette étiquette est pré-imprimée avec toutes les informations correctes pour le radiateur converti.

Étape 15

Sortir l'étiquette d'information de conversion du jeu, et remplir les informations. Puis, placer cette étiquette sous l'étiquette de classification mise à jour sur l'appareil.

Étape 16

Replacer tout panneau et faire fonctionner le radiateur, en respectant toutes les mises en garde/avertissements et les instructions dans le mode d'emploi et sur les étiquettes.

Tableau 4 PRESSION DE GAZ NATUREL AUX COLLECTEURS - POUCES DE COLONNE D'EAU (KPA)

HSU 50/80/125 MHU 50/80/125	ALTITUDE EN PIEDS (M)	
		0 à 2 000 (0-610)
50/80/125	colonne d'eau de 4,0 po (0,99 KPA)*	colonne d'eau de 3,6 po (0,89 KPA)

*AUCUN AJUSTEMENT REQUIS

TABLEAU 5 PRESSION DE GAZ PROPANE AUX COLLECTEURS - POUCES DE COLONNE D'EAU (KPA)

HSU 50/80/125 MHU 50/80/125	ALTITUDE EN PIEDS (M)	
		0 à 2 000 (0-610)
50/80/125	colonne d'eau de 10 po (2,49 KPA)*	colonne d'eau de 8,5 po (2,12 KPA)

*AUCUN AJUSTEMENT REQUIS

Tableau 6

PRESSIONS D'ENTRÉE:

Gaz naturel

MAX - 3,49 kPa (colonne d'eau de 14 po)

MIN - 1,25 kPa (5 po de colonne d'eau)

Propane

MAX - 3,49 kPa (colonne d'eau de 14 po)

MIN - 2,74 kPa (colonne d'eau de 11 po)

**THIS PAGE INTENTIONALLY LEFT BLANK
ESTA PÁGINA SE DEJÓ INTENCIONALMENTE EN BLANCO
CETTE PAGE A ÉTÉ INTENTIONNELLEMENT LAISSÉE VIERGE**

MANUEL DE CONVERSION DU COMBUSTIBLE

Pour les gros appareils de chauffage Big Maxx, utilisez les robinets Honeywell VR8205M



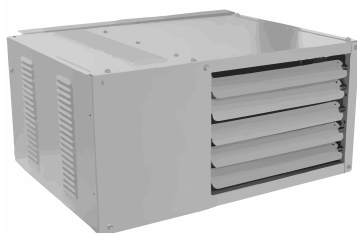
Model #
HSU50
HSU80
HSU125

LISEZ SOIGNEUSEMENT LES INSTRUCTIONS: VOTRE SÉCURITÉ EST IMPORTANTE POUR VOUS ET POUR LES AUTRES. Lisez et observez toutes les instructions.

Conservez les instructions pour vous y référer ultérieurement. Interdisez à quiconque n'ayant pas lu les présentes instructions d'assembler, d'allumer, de régler ou de faire fonctionner cet appareil de chauffage.



Model #
MHU50
MHU80
MHU125



AVERTISSEMENT:

UTILISER UNIQUEMENT DES PIÈCES DE RECHANGE D'ORIGINE DU FABRICANT. L'UTILISATION D'AUTRES PIÈCES DE RECHANGE PEUT ENTRAÎNER DES BLESSURES OU UN DÉCÈS. LES PIÈCES DE RECHANGE SONT SEULEMENT DISPONIBLES DIRECTEMENT AUPRÈS DU FABRICANT, ET ELLES DOIVENT ÊTRE INSTALLÉES PAR UNE AGENCE DE SERVICE QUALIFIÉE

INFORMATION POUR LA COMMANDE DE PIÈCES:

APPROVISIONNEMENT: IL EST POSSIBLE D'ACHETER DES ACCESSOIRES AUPRÈS D'UN DÉTAILLANT LOCAL DES PRODUITS HEATSTAR, LOCAL REVENDEUR MR. HEATER, OU DIRECTEMENT DU FABRICANT.

POUR DES INFORMATIONS CONCERNANT LE SERVICE:

S'il vous plaît appelez sans frais 1 - (800) - 251 - 0001

Nos heures d'ouverture de bureau sont de 8h00 à 17h00, HNE, du lundi au vendredi.

Ou contactez-nous en utilisant un site enerco:

www.enerco.com • www.heatstarbyenerco.com • www.mrheater.com

Veuillez inclure le numéro de modèle, la date d'achat et une description du problème, dans toutes vos communications.

GARANTIE LIMITÉE:

La compagnie garantit ce produit pour être libre de toute imperfection de matériau et de main-d'oeuvre, sous des conditions d'utilisation normale et de bon usage, en conformité avec les instructions de la compagnie, pour une période d'un an à compter de la date de livraison à l'acheteur. La compagnie, à son unique discrétion, va réparer ou remplacer les produits retournés à l'usine par l'acheteur, frais de transport prépayés, pendant la dite période d'un an et si déterminé par la compagnie comme ayant des imperfections de matériau ou de main-d'oeuvre.

Si une pièce est endommagée ou manquante, appeler notre département de soutien technique au 1-888-849-1899.

Adresser toute réclamation sous garantie à : Service Department, Enerco Group, Inc., 4560 W. 160TH ST., CLEVELAND, OHIO 44135. Inclure votre nom, adresse et numéro de téléphone, et inclure les détails concernant votre réclamation. Veuillez nous fournir aussi la date d'achat ainsi que le nom et l'adresse du détaillant duquel vous avez acheté notre produit.

Ce qui précède décrit la pleine mesure des responsabilités de la compagnie. Aucune autre garantie n'est offerte, qu'il s'agisse d'une garantie expresse ou tacite. Spécifiquement, il n'y a aucune garantie d'adaptation à un usage particulier, et il n'y a aucune garantie de qualité marchande. En aucun cas la compagnie ne peut être tenue responsable d'un délai causé par une imperfection, d'un dommage consécutif, ni pour de tout autre frais ou dépense de quelque nature, encourue sans son consentement par écrit. Le coût du remplacement ou de réparation est le recours exclusif pour toute brèche de garantie. Aucune garantie n'est offerte pour toute transgression aux présentes, ni aucune garantie tacite survenant du cours d'une conduite habituelle ou d'usage du commerce. Cette garantie ne s'applique pas à un produit qui aurait été altéré ou réparé à l'extérieur de l'usine en respect de quoi, selon notre unique discrétion, cela affecte sa condition ou son fonctionnement.

Certains états/provinces ne permettent pas de limitation de durée des garanties implicites ou tacites, aussi, la limitation ou les exclusions ci-dessus peuvent ne pas s'appliquer à vous. Bien que cette garantie vous confère des droits légaux spécifiques, vous pourriez avoir d'autres droits qui varient d'un état/province à l'autre.

Enerco Group, Inc., se réserve le droit de faire des changements en tout temps, sans préavis ni obligation, dans les couleurs, les spécifications, les accessoires, les matériaux et les modèles

Enerco Group, Inc., 4560 W. 160TH ST., CLEVELAND, OHIO 44135 • 1 - (800) - 251 - 0001

Heatstar est une marque déposée de Enerco, Inc.

Mr. Heater est une marque déposée de Enerco, Inc.

©2018, Enerco. Tous droits réservés.



Free Manuals Download Website

<http://myh66.com>

<http://usermanuals.us>

<http://www.somanuals.com>

<http://www.4manuals.cc>

<http://www.manual-lib.com>

<http://www.404manual.com>

<http://www.luxmanual.com>

<http://aubethermostatmanual.com>

Golf course search by state

<http://golfingnear.com>

Email search by domain

<http://emailbydomain.com>

Auto manuals search

<http://auto.somanuals.com>

TV manuals search

<http://tv.somanuals.com>