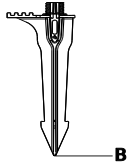
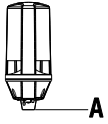




Item #1003 317 016
Model #B0029RA-2

PACKAGE CONTENTS

Use and Care Guide LOW VOLTAGE OUTDOOR SPEAKER



A - Speaker Body x1 B - Ground Stake (6.693 in.) x1 C - Wire Connector (with 36 in. wire attached to speaker body) x1 D- Post x1 E - M sticker x1 F - S sticker x1

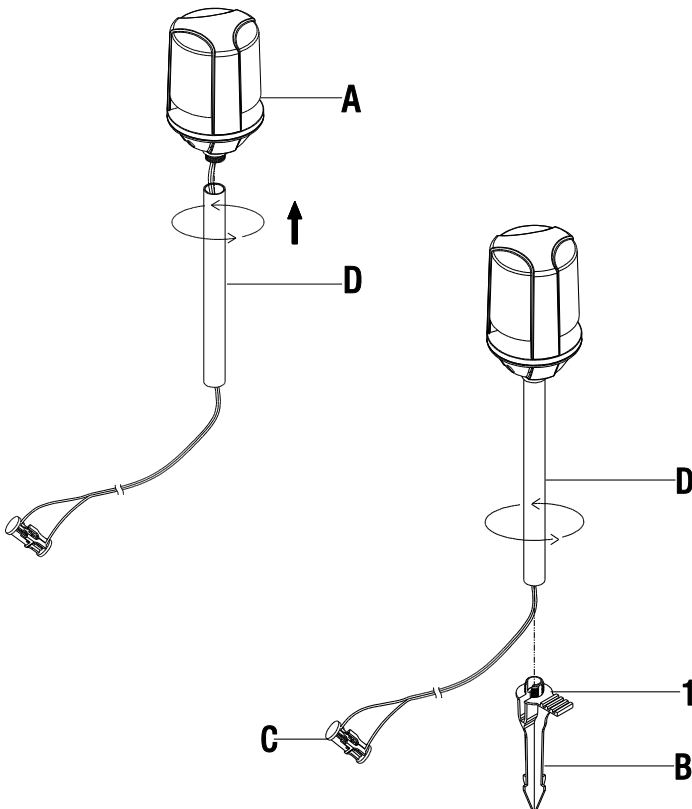
Assembly and Installation

1 Attaching and installing the speaker

NOTE: Be sure to read the entire guide before installing the speaker.

WARNING: Never use a hammer to insert the ground stake (B) into the ground.

- Screw the post (D) onto the speaker body (A).
- Insert the wire on the wire connector (C) into the groove located on the top of the ground stake (B).
- Screw the ground stake (B) onto the post (D). Ensure the wire on the wire connector (C) stays in the center of the groove of the ground stake (B) to avoid damage to the wire.
- Prepare a hole in the installation location. Use a tool such as a screwdriver (not included) to prepare the installation hole to ensure that the hole is not larger than the ground stake (B).
- Install the speaker in the ground by pushing on the foot step (1) on the ground stake (B). Do not push on the speaker body (A).



2 Connecting the wires

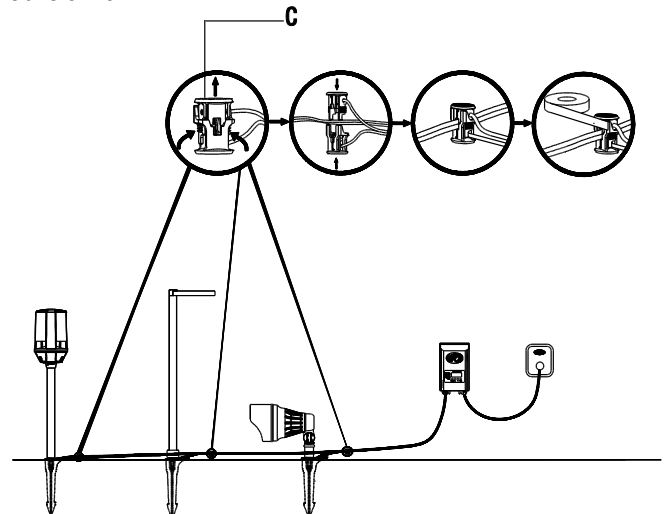
CAUTION: The speaker is designed to connect to a low voltage cable and a transformer, and NOT directly to AC line voltage.

WARNING: The wire connector (C) contacts have sharp edges for piercing the main low voltage cable. To avoid injury, do not touch the metal contacts.

CAUTION: The wire from the low voltage power unit should be 12-16 AWG type underground Low Energy Circuit Cable.

IMPORTANT:

- Protect the wiring by routing it in close proximity to the speaker fitting, or next to a building structure such as a house or a deck.
- The landscape wire and connector can also be hidden under stone or buried under grass at a maximum depth of 6 in. (15.24 cm).
- Do not install the speaker within 10 ft. of a pool, spa, or fountain, or any location that may collect water.
- Do not submerge the speaker in water.
- Place the wire connector (C) on opposite sides of the low voltage cable (not included) from the transformer (not included) where the speaker will be located.
- Align and fit the main low voltage cable vertically to the slot of the wire connector (C).
- Press the wire connector (C) together until it is locked around the main low voltage cable. The pre-set prongs will pierce the cable insulation and establish contact with the electrical wire inside.
- Once the wire connector (C) is in place, it is recommended to wrap it with electrical tape (not included).
- Low voltage lights can also be connected on the same main low voltage cable from the transformer.
- After the speaker (and any low voltage lights) are installed, turn on the transformer.



Technical Specifications

- Normal volume playing time: up to 6 hours on rechargeable battery; continuously if receiving LV current from the transformer.
- Bluetooth version: Bluetooth 4.1
- Power supply: AC 12V
- Speaker power: 8W
- Nominal impedance: 4 ohms
- Non-removable battery: 3.7V 2200mA
- Omni-directional sound
- Speaker size: 2.5 inch
- Frequency response: 130~18KHZ
- Sensitivity: 83±3 dB
- Bluetooth mode: Support A2DP

General Operating Information

- Every speaker is preset as the Main Speaker (the toggle S-M switch is preset to M). The speaker can be set as the Main Speaker or a Satellite Speaker by toggling the S-M switch.
- This low voltage landscape speaker can be used with your existing low voltage landscape lighting.
- If operating only one speaker, place the speaker in its permanent location in your yard.
- To operate multiple speakers, we recommend temporarily having all the speakers close to each other. It is easier to pair the speakers when they are close and you can see the color of the indicator lights on each speaker. Once the speakers are paired, then you can place them in their permanent locations in your yard.
- Connect the speaker(s) to the low voltage cable and the transformer (as instructed on page 1). Once the transformer is ON and sending power to the speaker(s), look for the Charging Indicator Light:
 - If the Charging Indicator Light is illuminated red, then the speaker is receiving power from the transformer and charging.
 - If the Charging Indicator Light is illuminated green, then the speaker is fully charged. It takes about 4 hours to fully charge the speaker. The Charging Indicator Light will remain green so long as the speaker receives power from the transformer.
 - If the Charging Indicator Light is not illuminated red or green, then confirm the wire connector (C) is connected to the low voltage cable from the transformer, and the transformer is turned ON and sending power to the speaker.
- To stop playing music, turn the music off on your personal music device. You do not need to turn the speaker(s) OFF.
- The speaker will stay charged if the transformer provides power to the speaker every day. This will ensure the speaker's battery has power to play music.
- Do not place the speaker close to a heavy electromagnetic emission device or equipment. This may cause signal interference.
- If a speaker will not play music or react, simultaneously press the PAIR and the ON/OFF button for 3 seconds to force it to shut off. This will work for either the Main or Satellite speaker. This will clear out any malfunction and at the same time force the speaker to turn off. To turn the speaker back on, press the ON/OFF button for approximately 2 seconds until the speaker makes a "Do-Re-Mi" sound (for the main speaker) or a "Di" sound (for a satellite speaker), and then immediately release the ON/OFF button. Force closing the speaker will not lose the pairing memory between the Main speaker and a Satellite speaker.

Setting Up and Operating One Speaker

Setting up only one speaker:

- Toggle the S-M switch to "M". Add the "M" sticker (E) to the underside of the speaker.
- To turn the speaker on, press the ON/OFF button for approximately 2 seconds until it makes an ascending "Do-Re-Mi" sound, and then immediately release the ON/OFF button. The ON/OFF button will flash blue, and the speaker is now in discovery mode and is discoverable by your personal music device.
- Follow the instructions on your personal music device to set it to discovery mode. Connect it to the Bluetooth name "LV speaker". When the speaker is paired with your personal music device, the blue light will stop flashing and be a solid blue light. The ON/OFF button will remain solid blue so long as it is connected to your personal music device.
- Once the speaker and your personal music device are paired, the speaker will play music from your personal music device.
- NOTE: The Bluetooth maximum pairing distance is 30 ft., so keep the speaker within 30 ft. of your personal music device.

Operating one speaker:

- The speaker will automatically turn off after 30 minutes if there is no Bluetooth signal detected.
- To listen to music again, push the ON/OFF button for approximately 2 seconds until the speaker makes an ascending "Do-Re-Mi" sound, and then immediately release the ON/OFF button. Then, repeat the above steps to reconnect your personal music device to the speaker.

General Notes:

- Place the speaker at a location where it easy to spot and reach the speaker to turn the speaker on for the next use.
- In case the speaker does not turn on after pushing the ON/OFF button for approximately 2 seconds, the battery power may be completely drained. In this case, turn the transformer ON and ensure power is supplied to the speaker. If the speaker's Charging Indicator Light is red, then the speaker is charging. After about 5 minutes of receiving power, you will be about to turn the speaker on.

Setting Up and Operating Multiple Speakers

What to know before set up:

- Determine which speaker will be the Main Speaker and which speaker will be the Satellite Speaker.
- Make sure all speakers are turned OFF.
- For the Main Speaker, toggle the S-M switch to "M". For the Satellite Speaker, toggle the S-M switch to "S". (There can only be 1 Main Speaker. There can be up to 7 Satellite Speakers.)

Setting up the Main Speaker:

- Follow the directions in "Setting Up and Operating One Speaker" to set up the Main Speaker.
- Add the "M" sticker (E) to the underside of the speaker.
- Press the ON/OFF button for approximately 3 seconds until the speaker makes a "Do-Re-Mi" sound, and then immediately release the ON/OFF button. The ON/OFF button will flash blue.

Setting up the Satellite Speaker:

- Toggle the S-M switch to "S".
- Add the "S" sticker (F) to the underside of the speaker.
- Press the ON/OFF button for approximately 2 seconds until the speaker makes a "Di" sound, and then immediately release the ON/OFF button. The ON/OFF button will flash green.

Pairing the Main Speaker to the Satellite Speaker:

- First press the PAIR button on the Satellite Speaker for 2-3 seconds until the speaker emits a "Di" sound and the PAIR button flashes green. (To simultaneously pair more than 1 Satellite Speaker, first press the PAIR buttons on all the Satellite Speakers for 2-3 seconds until they emit a "Di" sound and the PAIR buttons flash green.)
- Then on the Main Speaker, press the PAIR button for 2-3 seconds. The PAIR button will flash green.
- Within 30 seconds, the speakers will pair. After the speakers are paired, the Main Speaker's PAIR button will be a solid green light. The Satellite Speaker's PAIR button will also be a solid green light and the speaker will emit a "Di" sound. The PAIR button light will remain green so long as the Satellite Speaker is paired with the Main Speaker.
- If the pairing does not occur within 30 seconds, repeat the above three steps.
- After pairing, place the Satellite Speaker within 60 ft. of the Main Speaker. The maximum distance between the Main Speaker and a Satellite Speaker is 60 ft.

Operating speakers:

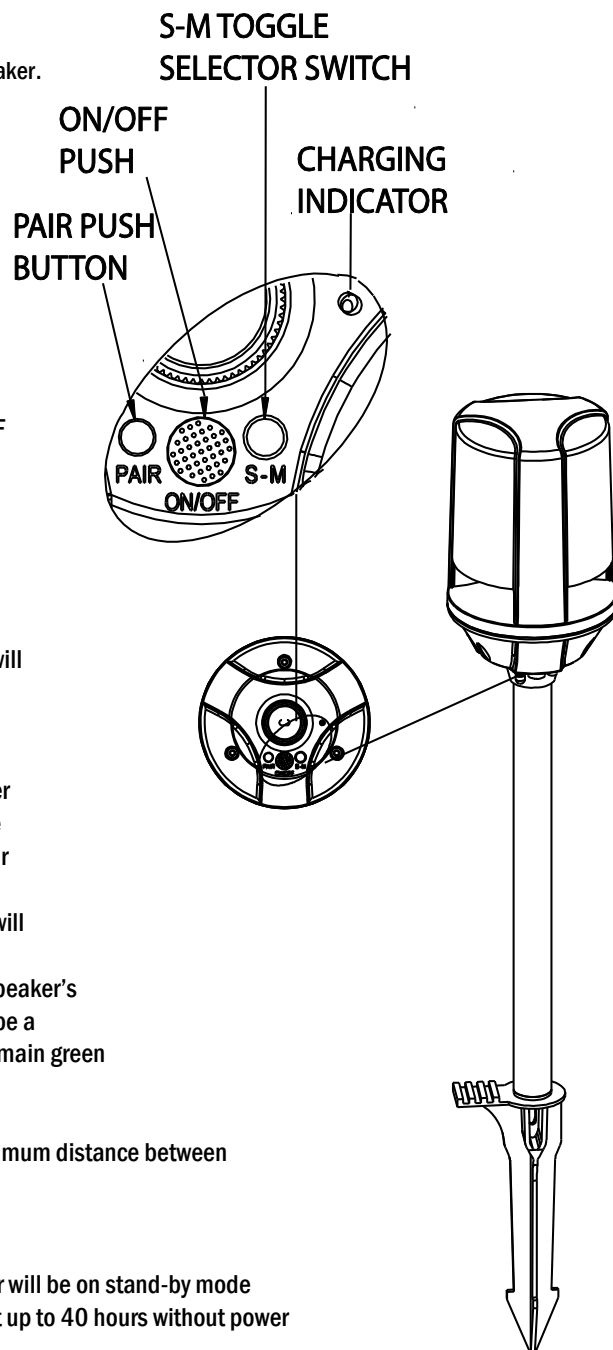
- If the music from your personal music device is turned off, then the Satellite Speaker will be on stand-by mode continuously waiting for a signal from the Main Speaker. The stand-by mode will last up to 40 hours without power from the transformer.
- After about 40 hours without power, the battery will be drained and the Satellite Speaker will have to be recharged. In this case, turn the transformer ON and ensure power is supplied to the Satellite Speaker. (If the speaker's Charging Indicator Light is red, then the speaker is charging.) After about 5 minutes of receiving power, the Satellite Speaker will automatically turn on and re-pair to the Main Speaker if the Main Speaker also is turned ON and has power or a charged battery; no manual re-pairing is needed.
- The speaker's battery is affected by the volume and type of music played. If the speaker's battery appears to be discharged and you would still like to listen to music, please turn ON the transformer. This will send continuous power to the speaker and recharge the battery.

General Notes:

- Play music during the pairing process for easy identification and to ensure the connection is successful.
- The Satellite Speaker ON/OFF button has 2 sounds. To turn on the speaker, press the ON/OFF button for approximately 2 seconds until the speaker emits a "Di" sound, and then immediately release the ON/OFF button. If you need to turn off the speaker, press the ON/OFF button for 3 seconds until the speaker emits a "Di-Di" sound.



NOTE: We DO NOT recommend turning off the Satellite Speaker, as the Satellite Speaker could be unpaired from the Main Speaker. To stop hearing music, turn the music off on your personal music device.



Care and Cleaning

- Clean the speaker with a soft dry cloth.
- Do not use any cleaners with chemicals, solvents or harsh abrasives.



NOTE: In order to preserve battery life, we recommend bringing the speaker inside your home during the winter if you live in a climate where you will not be using the speaker during the winter. Temperatures below 0° Fahrenheit (-20° Celsius) will harm the battery life.

Warranty

WHAT IS COVERED

The manufacturer warrants this lighting fixture to be free from defects in materials and workmanship for a period of one (1) year from date of purchase. This warranty applies only to the original consumer and only to products used in normal use and service. If this product is found to be defective, the manufacturer's only obligation, and your exclusive remedy, is the repair or replacement of the product at the manufacturer's discretion, provided that the product has not been damaged through misuse, abuse, accident, modifications, alterations, neglect or mishandling.

WHAT IS NOT COVERED

This warranty shall not apply to any product that is found to have been improperly installed, set-up, or used in any way not in accordance with the instructions supplied with the product. This warranty shall not apply to a failure of the product as a result of an accident, misuse, abuse, negligence, alteration, or faulty installation, or any other failure not relating to faulty material or workmanship. This warranty shall not apply to the finish on any portion of the product, such as surface and/or weathering, as this is considered normal wear and tear.

The manufacturer does not warrant and specifically disclaims any warranty, whether express or implied, of fitness for a particular purpose, other than the warranty contained herein. The manufacturer specifically disclaims any liability and shall not be liable for any consequential or incidental loss or damage, including but not limited to any labor / expense costs involved in the replacement or repair of said product.

Contact the Customer Service Team at 1-855-HD-HAMPTON or visit HAMPTONBAY.COM.

Cable Selection

12 VOLT TAP	Cable Length		
	0-50 feet	51-100 feet	101-150 feet
Total Fixture Wattage			
0-60 Watts	16 AWG	16 AWG	14 AWG
61-120 Watts	16 AWG	14 AWG	12 AWG
121-180 Watts	14 AWG	12 AWG	Not recommended
181-240 Watts	14 AWG	12 AWG	Not recommended
241-300 Watts	12 AWG	Not Recommended	Not recommended
600W Transformer = (2x300) Watts	12 AWG	Not Recommended	Not recommended
900W Transformer = (3x300) Watts	12 AWG	Not Recommended	Not recommended

15 VOLT TAP	Cable Length		
	0-50 feet	51-100 feet	101-150 feet
Total Fixture Wattage			
0-60 Watts	16 AWG*	16 AWG	16 AWG
61-120 Watts	16 AWG*	16 AWG	12 AWG
121-180 Watts	14 AWG*	14 AWG	12 AWG
181-240 Watts	14 AWG*	14 AWG	12 AWG
241-300 Watts	12 AWG*	12 AWG	Not recommended
600W Transformer = (2x300) Watts	12 AWG*	12 AWG	Not recommended
900W Transformer = (3x300) Watts	12 AWG*	12 AWG	Not recommended

* NOT RECOMMENDED FOR HALOGEN LANDSCAPE LIGHTS

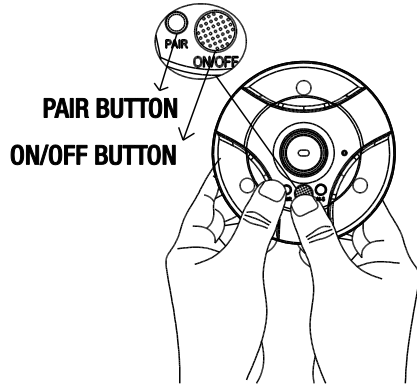
This data is provided as a general guideline. Actual performance will depend on the installation layout, the fixtures, and the condition of the cable.



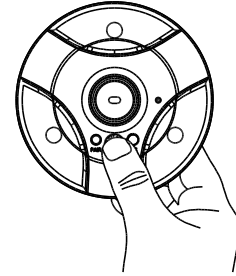
NOTE: Most LED landscape lighting fixtures can operate with full illumination from 9V down to as little as 6V. It is possible to have extended length runs with LED fixtures that go beyond the specifications shown in the guidelines above.

NOTE: If the speaker does not turn on after pressing the ON/OFF button for 2 seconds (as outlined in the Use and Care Guide), then please refer to the below steps to reboot the speaker.

- 1** Press the ON/OFF button and the PAIR button at the same time for 3 seconds until the green light on the PAIR button is illuminated.



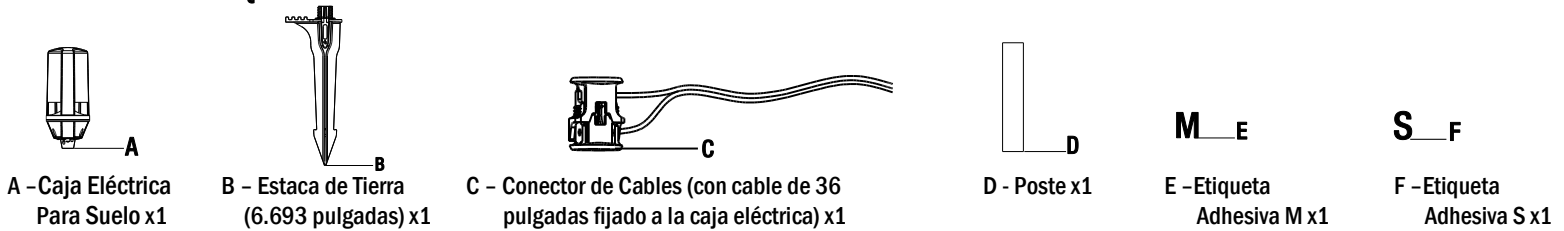
- 2** Press the ON/OFF button for 2 seconds to turn on the speaker.





GUÍA DE USO Y MANTENIMIENTO ALTAVOZ AL AIRE LIBRE DE BAJO VOLTAJE

CONTENIDO DEL PAQUETE



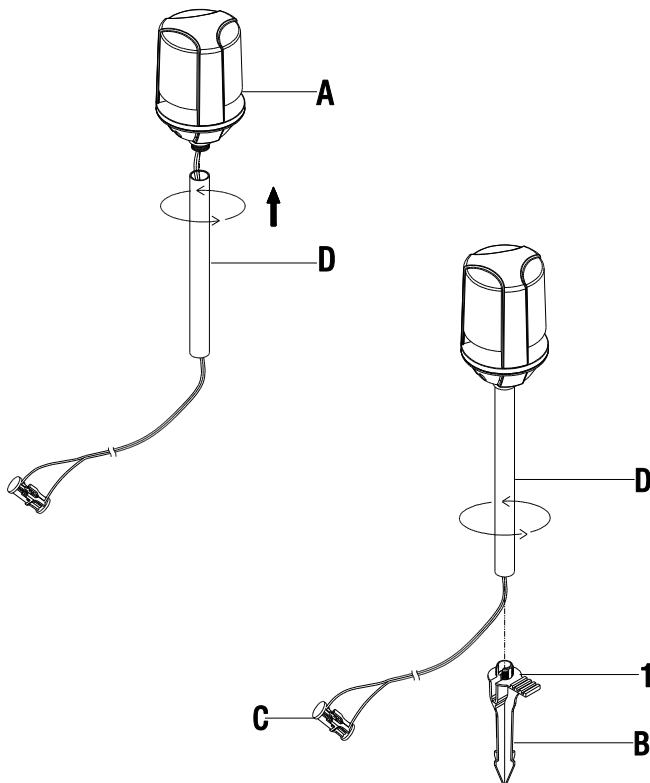
Montaje e Instalación

1 Ajustando e instalando la caja eléctrica para suelo

NOTA: Asegúrese de leer toda la guía antes de instalar el altavoz.

ADVERTENCIA: Nunca utilice un martillo para insertar la estaca de tierra (B) en el suelo.

- Gire el poste (D) sobre la caja eléctrica para suelo (A).
- Inserte el cable en el conector del cable (C) en la ranura situada en la parte superior de la estaca de tierra (B).
- Coloque la estaca de tierra (B) sobre el poste (D). Asegúrese de que el cable del cable conector (C) permanece en el centro de la estaca de tierra (B) para evitar daños en el cable.
- Prepare un orificio en la ubicación de la instalación. Utilice una herramienta como un destornillador (no incluido) para preparar el orificio de instalación para que este no sea mayor que la estaca de tierra (B).
- Instale el altavoz en el suelo empujando el paso del pie (1) en la estaca de tierra (B). No presione la caja eléctrica para suelo (A).



2 Conexión de los cables

ADVERTENCIA: El altavoz está diseñado para conectarse a un cable de bajo voltaje o a un transformador, y NO directamente a la tensión de línea de CA.

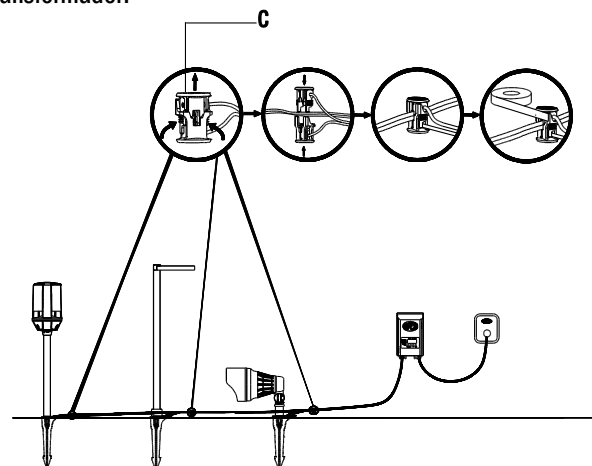
ADVERTENCIA: Los contactos del cable conector (C) tienen bordes filosos para atravesar el cable principal de bajo voltaje. No toque los contactos de metal para evitar lesiones.

PRECAUCIÓN: El cable de la unidad de bajo voltaje debe ser un cable subterráneo de circuito de baja corriente tipo 12-16 AWG.

IMPORTANTE:

- Proteja el cableado colocándolo bien cerca del altavoz, o siguiendo la estructura de una casa o plataforma.
- El cable externo y el conector pueden quedar escondidos bajo una piedra o enterrados bajo el césped a una profundidad máxima de 6 pulgadas (15.24 cm).
- No instale el altavoz a menos de 10 pies de una alberca, spa, o fuente de agua.
- No sumergir el altavoz en agua.

- Coloque el cable conector (C) en el lado opuesto al del cable de bajo voltaje (no incluido) del transformador (no incluido) donde el altavoz será ubicado.
- Alinee y ajuste el cable principal de bajo voltaje verticalmente al espacio del cable conector (C).
- Presione el conector del cable (C) hasta que este asegurado al cable principal de bajo voltaje. Las clavijas atravesarán el aislamiento del cable y establecerán contacto con el cable eléctrico de adentro.
- Una vez que el conector del cable (C) esté en su lugar, se recomienda aislarlo cubriéndolo con cinta aisladora (no incluida).
- Las luces de baja tensión también se pueden conectar en la misma tensión principal baja del cable del transformador.
- Después de instalar el altavoz (y las luces de bajo voltaje), encienda el transformador.



Especificaciones Técnicas

- Tiempo normal de reproducción de volumen: 6 horas con batería recargable; de forma continuada si recibe corriente de BT desde el transformador.
- Versión de Bluetooth: Bluetooth 4.1
- Fuente de alimentación: AC 12V
- Potencia del altavoz: 8W
- Impedancia nominal: 4 ohmios
- Batería no extraíble: 3.7V 2200mA
- Sonido omnidireccional
- Tamaño del altavoz: 2.5 pulgadas
- Respuesta de frecuencia: 130~18KHZ
- Sensibilidad: 83±3 dB
- Perfil Bluetooth: Support A2DP

Información General de Funcionamiento

- Cada altavoz está preestablecido como Altavoz Principal (el conmutador S-M de conmutación está preajustado en M). El altavoz se puede configurar como Altavoz Principal o Altavoz Satélite activando el interruptor S-M.
- Este altavoz de baja tensión se puede utilizar con su iluminación de paisaje de baja tensión.
- Si solo utiliza un altavoz, coloque el altavoz en su ubicación permanente en su patio.
- Para utilizar varios altavoces, recomendamos conectar temporalmente todos los altavoces uno al lado del otro. Es más fácil emparejar los altavoces cuando están cerca y puede ver el color de las varias luces de indicadores en cada altavoz. Una vez que los altavoces estén emparejados, puede colocarlos en sus lugares permanentes en su patio.
- Conecte el (los) altavoz (ces) al cable de baja tensión y al transformador (como se indica en la página 1). Una vez que el transformador esté encendido y enviando energía a los altavoces, busque la Luz Indicadora de Carga:
 - Si la Luz Indicadora de Carga se ilumina en rojo, el altavoz recibe energía del transformador y se carga.
 - Si la Luz Indicadora de Carga está iluminada en verde, el altavoz está completamente cargado. Se tarda aproximadamente 4 horas en cargar completamente el altavoz. La luz indicadora de carga permanecerá verde siempre y cuando el altavoz reciba energía del transformador.
 - Si la Luz Indicadora de Carga no se ilumina en rojo ni en verde, confirme que el conector del cable (C) está conectado al cable de baja tensión del transformador y el transformador está encendido y envía energía al altavoz.
- Para detener la reproducción de música, apague la música en su dispositivo de música personal. No es necesario apagar los altavoces.
- El altavoz permanecerá cargado si el transformador suministra energía al altavoz todos los días. Esto asegurará que la batería del altavoz tenga potencia para reproducir música.
- No coloque el altavoz cerca de un dispositivo o equipo de emisión electromagnética pesada. Esto puede causar interferencia de señal.
- Si un altavoz no reproduce música o no reacciona, presione simultáneamente el botón de PAIR y el botón de encendido / apagado (ON / OFF) durante 3 segundos para que se apague. Esto funcionará tanto para el altavoz principal como para el satélite. Esto eliminará cualquier mal funcionamiento y, al mismo tiempo, forzará al altavoz a apagarse. Para volver a encender el altavoz, presione el botón de encendido / apagado (ON / OFF) durante aproximadamente 2 segundos hasta que el altavoz haga un sonido "Do-Re-Mi" (para el altavoz principal) o un sonido "Di" (para el altavoz satélite) y luego suelte inmediatamente el botón de encendido / apagado (ON / OFF). La fuerza de cierre del altavoz no perderá la memoria de emparejamiento entre el altavoz principal y el altavoz satélite.

Configuración y Funcionamiento de un Altavoz

Configuración de un solo altavoz:

- Coloque el interruptor S-M en "M". Añada la etiqueta adhesiva "M" (E) a la parte inferior del altavoz.
- Para encender el altavoz, presione el botón de encendido/apagado (ON/OFF) durante aproximadamente 2 segundos hasta que emita un sonido "Do-Re-Mi" ascendente y luego suelte inmediatamente el botón de encendido/apagado (ON/OFF). El botón de encendido/apagado (ON/OFF) parpadeará en azul y el altavoz estará en el modo de descubrimiento y podrá ser detectado por su dispositivo de música personal.
- Siga las instrucciones en su dispositivo de música personal para establecerlo en el modo de descubrimiento. Conéctelo al Bluetooth "Altavoz LV". Cuando el altavoz esté emparejado con su dispositivo de música personal, la luz azul dejará de parpadear y será una luz azul continua. El botón de encendido / apagado (ON / OFF) permanecerá en azul continuo siempre y cuando esté conectado a su dispositivo de música personal.
- Una vez que el altavoz y su dispositivo de música personal estén emparejados, el altavoz reproducirá música desde su dispositivo de música personal.
- NOTA: La distancia de emparejamiento de Bluetooth es de 30 pies, así que mantenga el altavoz a menos de 30 pies de su dispositivo de música personal.

Funcionamiento de un altavoz:

- El altavoz se apagará automáticamente después de 30 minutos si no detecta ninguna señal de Bluetooth.
- Para escuchar música de nuevo, presione el botón de encendido/apagado (ON/OFF) durante aproximadamente 2 segundos hasta que el altavoz emita un sonido "Do-Re-Mi" ascendente y luego suelte inmediatamente el botón de encendido/apagado (ON/OFF). A continuación, repita los pasos anteriores para volver a conectar el dispositivo de música personal al altavoz.

Notas generales:

- Coloque el altavoz en un lugar donde sea fácil de detectar y alcanzar para encender el altavoz para los próximos nosotros.
- En caso de que el altavoz no se encienda después de presionar el botón de encendido/apagado (ON/OFF) durante aproximadamente 2 segundos, la energía de la batería puede estar completamente drenada. En este caso, encienda el transformador y asegúrese de que se suministra energía al altavoz. Si la Luz Indicadora de Carga del altavoz está en rojo, el altavoz se está cargando. Después de aproximadamente 5 minutos de recibir energía, estará a punto de encender el altavoz.

Configuración y Funcionamiento de Varios Altavoces

Aspectos a tener en cuenta antes de la configuración:

- Determine qué altavoz será el Altavoz Principal y qué altavoz será el Altavoz Secundario.
- Asegúrese de que todos los altavoces estén apagados OFF.
- Para el Altavoz Principal, cambie el interruptor S-M a "M". Para el Altavoz Secundario, cambie el interruptor S-M a "S". (Sólo puede haber 1 Altavoz Principal y hasta 7 Altavoces Secundarios).

Configuración del Altavoz Principal:

- Siga las instrucciones en "Configuración y Funcionamiento de un Altavoz" para configurar el Altavoz Principal.
- Añada la etiqueta adhesiva "M" (E) a la parte inferior del altavoz.
- Presione el botón de encendido / apagado (ON / OFF) durante aproximadamente 3 segundos hasta que el altavoz emita un sonido "Do-Re-Mi" y luego suelte inmediatamente el botón de encendido / apagado (ON / OFF). El botón de encendido / apagado (ON / OFF) parpadeará en azul.

Configuración del Altavoz Secundario:

- Cambie el interruptor S-M a "S".
- Añada la etiqueta adhesiva "S" (F) a la parte inferior del altavoz.
- Presione el botón de encendido/apagado (ON/OFF) durante aproximadamente 2 segundos hasta que el altavoz haga un "Di" y, a continuación, suelte inmediatamente el botón de encendido/apagado (ON/OFF). El botón de encendido/apagado (ON/OFF) parpadeará en verde.

Emparejando el Altavoz Principal y el Altavoz Secundario:

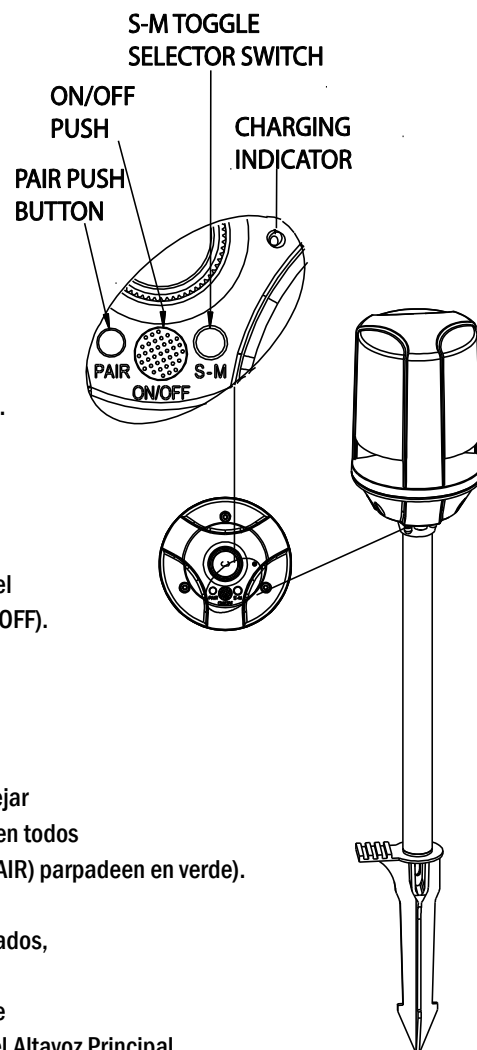
- Primero presione el botón de emparejado (PAIR) en el Altavoz Secundario durante 2-3 segundos hasta que el altavoz emita un sonido "Di" y el botón de emparejado (PAIR) parpadee en verde. (Para emparejar simultáneamente más de un Altavoz Secundario, presione primero los botones de emparejado (PAIR) en todos los altavoces durante 2-3 segundos hasta que emitan un sonido "Di" y los botones de emparejado (PAIR) parpadeen en verde).
- Luego, en el Altavoz Principal, presione el botón de emparejado (PAIR) durante 2-3 segundos.
- En menos de 30 segundos, los altavoces se emparejarán. Después de que los altavoces estén emparejados, el botón de emparejado (PAIR) será una luz verde continua. El botón de emparejado (PAIR) del altavoz secundario también será una luz verde continua y el altavoz emitirá un sonido "Di". La luz del botón de emparejado (PAIR) permanecerá verde siempre y cuando el Altavoz Secundario esté emparejado con el Altavoz Principal.
- Si el emparejamiento no se produce en menos de 30 segundos, repita los tres pasos anteriores.
- Después del emparejamiento, coloque el Altavoz Secundario a menos de 60 pies del Altavoz Principal. La distancia máxima entre el Altavoz Principal y el Altavoz Secundario es de 60 pies.

Funcionamiento de los altavoces:

- Si la música de su dispositivo de música personal está desactivada, el Altavoz Secundario estará en modo de espera esperando una señal del Altavoz Principal. El modo de espera durará hasta 40 horas sin alimentación desde el transformador.
- Después de 40 horas sin alimentación, la batería se descargará y el Altavoz Secundario deberá recargarse. En este caso, encienda el transformador y asegúrese de que se suministra energía al Altavoz Secundario. (Si la Luz Indicadora de Carga del altavoz está en rojo, el altavoz se está cargando). Después de aproximadamente 5 minutos de recibir alimentación, el Altavoz Secundario se encenderá automáticamente y volverá a emparejarse con el Altavoz Principal si el Altavoz Principal también está encendido y tiene alimentación o la batería cargada; no es necesario un re-emparejamiento manual.
- La batería del altavoz puede verse afectada por el volumen y el tipo de música reproducida. Si la batería del altavoz parece estar descargada y todavía le gustaría escuchar música, active el transformador. Esto enviará energía de forma continua al altavoz y recargará la batería.

Notas Generales:

- Reproduzca música durante el proceso de emparejamiento para facilitar la identificación y para asegurar que la conexión tenga éxito.
- El botón de encendido/apagado (ON/OFF) del Altavoz Secundario tiene 2 sonidos. Para encender el altavoz, presione el botón de encendido/apagado (ON/OFF) durante 2 segundos hasta que el altavoz emita un sonido "Di" y luego suelte inmediatamente el botón de encendido/apagado (ON/OFF). Para apagar el altavoz, presione el botón de encendido/apagado (ON/OFF) durante 3 segundos hasta que el altavoz emita un sonido "Di-Di".



NOTA: No recomendamos apagar el altavoz satélite, ya que el altavoz satélite podría desacoplarse del altavoz principal. Para detener la audición de música, apague la música en su dispositivo de música personal.

Mantenimiento y Limpieza

- Limpie el altavoz con un paño suave y seco.
- No uses limpiadores con químicos, solvents, o productos abrasivos.



NOTA: Para preservar la duración de la batería, recomendamos colocar el altavoz dentro de su casa durante el invierno si vive en un clima donde no va a utilizar el altavoz durante el invierno. Las temperaturas por debajo de 0° Fahrenheit (-20° Celsius) dañarán la vida de la batería.

Garantía

LO QUE ESTA CUBIERTO

El fabricante garantiza que esta lámpara no presentará defectos materiales o de fabricación por un período de uno (1) año a partir de la fecha de compra. Esta garantía es válida sólo para el comprador original y sólo cubre los productos en uso y funciones normales. Si se descubre algún defecto en este producto, la única obligación y solución exclusiva del fabricante, a criterio del mismo, será reparar o reemplazar el producto siempre y cuando el defecto no sea resultado de un mal uso, abuso, accidente, modificaciones, alteraciones, negligencia o manejo indebido.

LO QUE (NO) ESTA CUBIERTO

Esta garantía no cubre ningún producto instalado, configurado o usado incorrectamente sin seguir las instrucciones adjuntas al producto. Esta garantía no cubre fallas del producto a consecuencia de un accidente, mal uso, abuso, negligencia, modificaciones o instalaciones defectuosas, o cualquier otra falla no relacionada con defectos materiales o de fabricación. Esta garantía no se aplica al acabado de ninguna parte del producto, como por ejemplo el de la superficie, ni al deterioro por condiciones ambientales, ya que eso se considera un desgaste normal.

El fabricante no garantiza y rechaza especialmente cualquier garantía, expresa o implícita, de idoneidad para un propósito en particular, distinta de la garantía indicada aquí. El fabricante se exime específicamente de cualquier obligación y no es responsable por daños o pérdidas directas o indirectas, lo que incluye cualquier costo de mano de obra o gastos relacionados con el reemplazo o reparación de dicho producto.

Comunícate con el Equipo de Servicio al Cliente al 1-855-HD-HAMPTON o visita HAMPTONBAY.COM.

Selección por Cable

GRIFO 12 VOLTIOS	Longitud del Cable		
	0-50 pies	51-100 pies	101-150 pies
Total Fixture Potencia			
0-60 Watts	16 AWG	16 AWG	14 AWG
61-120 Watts	16 AWG	14 AWG	12 AWG
121-180 Watts	14 AWG	12 AWG	No Recomendado
181-240 Watts	14 AWG	12 AWG	No Recomendado
241-300 Watts	12 AWG	No Recomendado	No Recomendado
600W transformador = (2x300) Watts	12 AWG	No Recomendado	No Recomendado
900W transformador = (3x300) Watts	12 AWG	No Recomendado	No Recomendado

GRIFO 15 VOLTIOS	Longitud del Cable		
	0-50 pies	51-100 pies	101-150 pies
Total Fixture Potencia			
0-60 Watts	16 AWG*	16 AWG	16 AWG
61-120 Watts	16 AWG*	16 AWG	12 AWG
121-180 Watts	14 AWG*	14 AWG	12 AWG
181-240 Watts	14 AWG*	14 AWG	12 AWG
241-300 Watts	12 AWG*	12 AWG	No Recomendado
600W transformador = (2x300) Watts	12 AWG*	12 AWG	No Recomendado
900W transformador = (3x300) Watts	12 AWG*	12 AWG	No Recomendado

* NO RECOMENDABLE PARA LUCES EXTERIORES DE HALOGEN

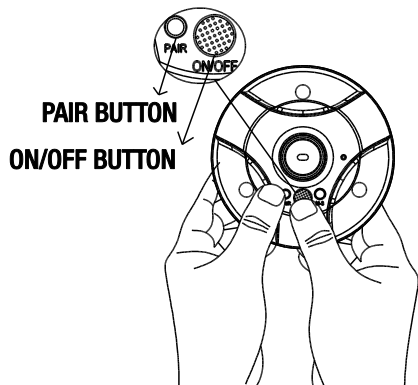
Estos datos se proveen como una guía general. El rendimiento concreto dependerá del diseño de instalación, los accesorios, y la condición de los cables.



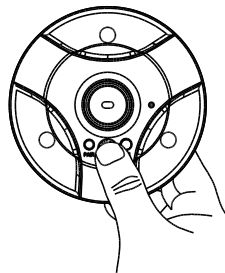
NOTA: La mayoría de los accesorios de iluminación LED de exterior pueden funcionar a plena iluminación usando 9V y hasta incluso 6V. Es posible conseguir largos más extensos con accesorios LED que van más allá de las especificaciones mostradas en la guía de arriba.

NOTA: Si la caja eléctrica para suelo no se enciende después de pulsar el botón de encendido/apagado (ON/OFF) durante 2 segundos (tal y como se indica en la Guía de Uso y Cuidado), consulte los siguientes pasos para restaurarla.

- 1** Pulse el botón de encendido/apagado (ON/OFF) y el botón PAIR a la vez durante 3 segundos hasta que se ilumine la luz verde del botón PAIR.



- 2** Pulse el botón encendido/apagado (ON/OFF) durante 2 segundos para encender la caja eléctrica para suelo.



FCC Warning

Caution: The user is cautioned that changes or modifications not expressly approved by the party responsible for compliance could void the user's authority to operate the equipment.

This device complies with Part 15 of the FCC Rules. Operation is subject to the following two conditions: (1) this device may not cause harmful interference, and (2) this device must accept any interference received, including interference that may cause undesired operation.

NOTE: This equipment has been tested and found to comply with the limits for a Class B digital device, pursuant to Part 15 of the FCC Rules. These limits are designed to provide reasonable protection against harmful interference in a residential installation. This equipment generates, uses and can radiate radio frequency energy and, if not installed and used in accordance with the instructions, may cause harmful interference to radio communications. However, there is no guarantee that interference will not occur in a particular installation.

If this equipment does cause harmful interference to radio or television reception, which can be determined by turning the equipment off and on, the user is encouraged to try to correct the interference by one or more of the following measures:

- Reorient or relocate the receiving antenna.
- Increase the separation between the equipment and receiver.
- Connect the equipment into an outlet on a circuit different from that to which the receiver is connected.
- Consult the dealer or an experienced radio/TV technician for help.

FCC Radiation Exposure Statement:

This equipment complies with FCC radiation exposure limits set forth for an uncontrolled environment. This equipment should be installed and operated with a minimum distance of 20cm between the radiator and your body.

This transmitter must not be co-located or operating in conjunction with any other antenna or transmitter.

Advertencia de la FCC

ADVERTENCIA: se advierte al usuario que los cambios o modificaciones no aprobados expresamente por la parte responsable del cumplimiento pueden anular la autoridad del usuario para operar el equipo.

Este dispositivo cumple con la Parte 15 de las Reglas de la FCC. El funcionamiento está sujeto a las dos condiciones siguientes: (1) este dispositivo no puede causar interferencia perjudicial, y (2) este dispositivo debe aceptar cualquier interferencia recibida, incluidas las interferencias que puedan causar un funcionamiento no deseado.

NOTA: este equipo ha sido probado y cumple con los límites para un dispositivo digital de Clase B, de acuerdo con la Parte 15 de las Reglas de la FCC. Estos límites están diseñados para proporcionar una protección razonable contra interferencias dañinas en una instalación residencial. Este equipo genera, utiliza y puede irradiar energía de radiofrecuencia y, si no se instala y utiliza de acuerdo con las instrucciones, puede causar interferencia perjudicial a las comunicaciones de radio. Sin embargo, no hay garantía de que no se produzcan interferencias en una instalación en particular.

Si este equipo causa interferencias perjudiciales a la recepción de radio o televisión, lo que puede determinarse encendiendo y apagando el equipo, se recomienda al usuario que intente corregir la interferencia mediante una o más de las siguientes medidas:

- Reorientar o reubicar la antena receptora.
- Aumente la separación entre el equipo y el receptor.
- Conecte el equipo a una toma de un circuito distinto de aquel al que está conectado el receptor.
- Consulte al distribuidor o a un técnico de radio / televisión para obtener ayuda.

Declaración de Exposición a la Radiación de la FCC:

Este equipo cumple con los límites de exposición a la radiación de la FCC establecidos para un entorno no controlado. Este equipo debe ser instalado y operado con una distancia mínima de 20 cm entre el radiador y su cuerpo.

Este transmisor no debe colocarse ni funcionar en conjunto con ninguna otra antena o transmisor.

Free Manuals Download Website

<http://myh66.com>

<http://usermanuals.us>

<http://www.somanuals.com>

<http://www.4manuals.cc>

<http://www.manual-lib.com>

<http://www.404manual.com>

<http://www.luxmanual.com>

<http://aubethermostatmanual.com>

Golf course search by state

<http://golfingnear.com>

Email search by domain

<http://emailbydomain.com>

Auto manuals search

<http://auto.somanuals.com>

TV manuals search

<http://tv.somanuals.com>