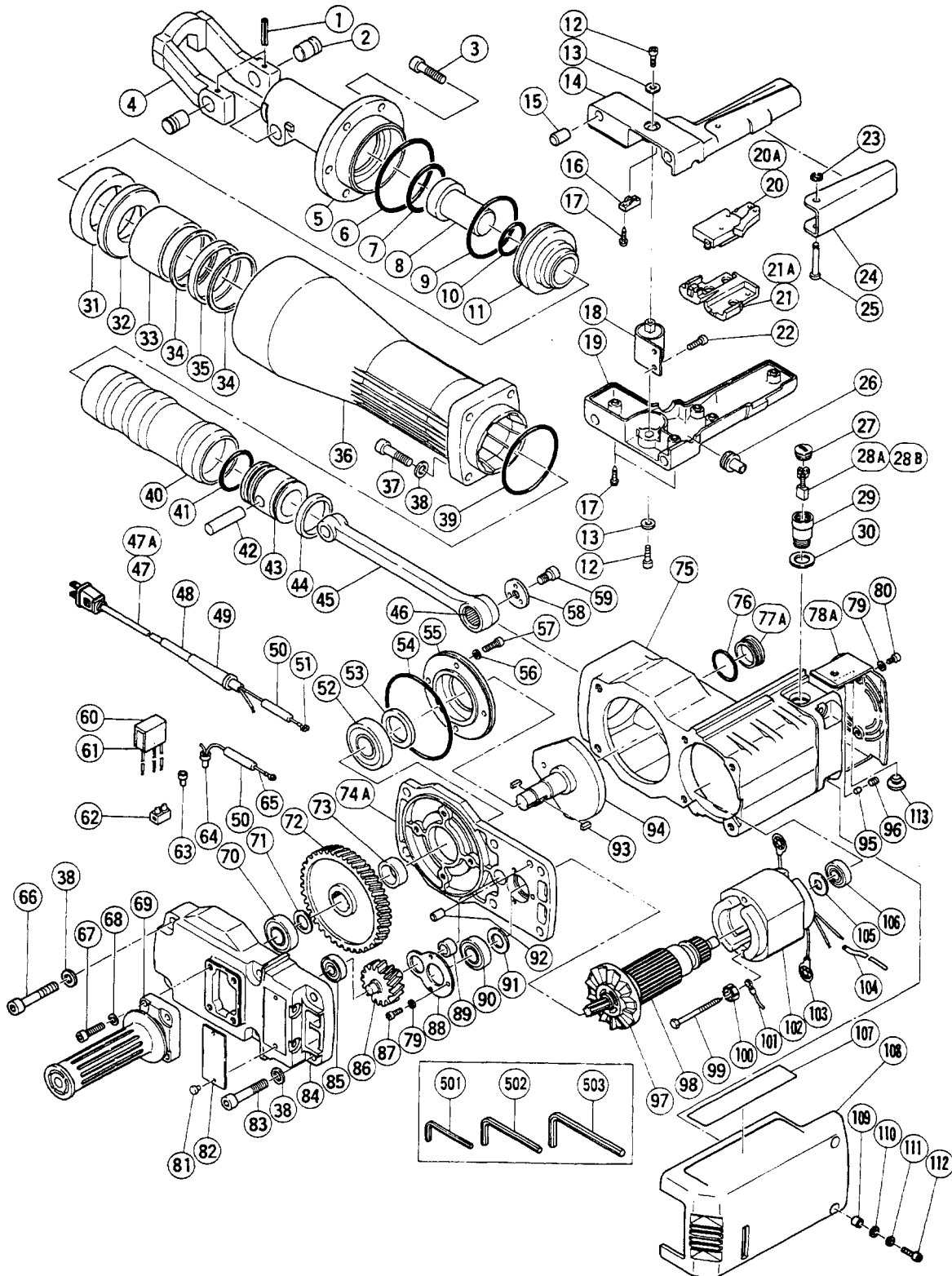


ELECTRIC TOOL PARTS LIST

■HAMMER
Model H 90SB

1993 · 10 · 1
(E3)



PARTS

H 90SB

ITEM NO.	CODE NO.	DESCRIPTION	NO. USED	REMARKS
1	949-874	ROLL PIN D6X38 (10 PCS.)	2	
2	985-224	LEVER PIN	2	
3	992-889	SEAL LOCK BOLT M12X40	6	
4	985-225	RETAINER	1	
5	996-434	FRONT COVER	1	
6	877-316	O - RING (S - 90)	1	
7	993-188	O - RING	1	
8	992-878	SECOND HAMMER	1	
9	992-865	O - RING (D)	1	
10	956-503	O - RING (A)	1	
11	992-860	HAMMER HOLDER	1	
12	990-935	SEAL LOCK HEX. SOCKET HD. BOLT M8X16	2	
13	982-001Z	STOPPER WASHER	2	
14	993-190	HANDLE (A)	1	
15	993-191	RUBBER LEG	4	
16	960-266	CORD CLIP	1	
17	982-095	TAPPING SCREW (W/WASHER) D4X20	6	
18	993-192	HANDLE RUBBER	1	
19	993-194	HANDLE (B)	1	
*	20	981-533Z	SWITCH (2P PILLAR TYPE) W/O LOCK	1 FOR AUS
*	20A	992-891	SWITCH (A) (1P SCREW TYPE) W/O LOCK	1
*	21	981-869	SUPPORT	1 TILL 7.1988
*	21	981-986Z	SUPPORT (A)	1 FOR AUS
*	21A	990-082	SUPPORT (E)	1 SINCE 8.1988
22	993-199	SEAL LOCK HEX. SOCKET HD. BOLT M6X16	2	
23	968-643	RETAINING RING (E - TYPE) FOR D4 SHAFT	1	
24	992-869	SWITCH LEVER	1	
25	992-870	PIN	1	
26	993-193	INTERNAL WIRE HOLDER	1	
27	937-949	BRUSH CAP	2	
*	28A	999-086	CARBON BRUSH (AUTO STOP TYPE) (1 PAIR)	2
*	28B	937-943Z	CARBON BRUSH (AUTO STOP TYPE) (1 PAIR)	2 FOR USA
29	993-742	BRUSH HOLDER	2	
30	956-683	STOP PLATE	2	
31	992-859	DAMPER	1	
32	992-858	DAMPER PLATE	1	
33	992-857	MOUTH	1	
34	992-855	MOUTH WASHER	2	
35	992-856	URETHANE RING	1	
36	992-890	CYLINDER CASE	1	
37	993-198	SEAL LOCK BOLT M10X45	4	
38	949-445	WASHER M10 (10 PCS.)	10	
39	993-195	O - RING	1	
40	993-187	STRIKER	1	
41	992-853	O - RING (B)	1	
42	956-491	PISTON PIN	1	
43	992-852	PISTON	1	
44	992-877	OIL SEAL (A)	1	
45	956-484	CONNECTING ROD ASS'Y	1	INCLUD.46
46	956-485	NEEDLE BEARING (NSK RLM2220)	1	
*	47	500-214Z	CORD	1 (CORD ARMOR D12.3)

*: ALTERNATIVE PARTS

PARTS

H 90SB

ITEM NO.	CODE NO.	DESCRIPTION	NO. USED	REMARKS
* 47	500-223Z	CORD	1	(CORD ARMOR D12.3) FOR SIN
* 47	500-226Z	CORD	1	(CORD ARMOR D12.3) FOR NZL
* 47	500-235Z	CORD	1	(CORD ARMOR D12.3) FOR INA
* 47	500-237Z	CORD	1	(CORD ARMOR D12.3) FOR SAF
* 47	500-408Z	CORD	1	(CORD ARMOR D12.3) FOR AUS
* 47A	500-437Z	CORD	1	(CORD ARMOR D12.3) FOR USA,CAN
48	992-866	TUBE (D)	1	
49	930-217	CORD ARMOR D12.3	1	
50	996-438	VINYL TUBE (A) I.D.7XT0.5X50	2	
* 51	930-804	TERMINAL M4.0 (10 PCS.)	1	FOR CORD
52	630-5VV	BALL BEARING 6305VVCMP2S	1	
53	992-846	OIL SEAL	1	
54	992-847	O - RING (A)	1	
55	992-845	BEARING BOSS	1	
56	949-455	SPRING WASHER M6 (10 PCS.)	4	
57	992-803	SEAL LOCK HEX. SOCKET HD. BOLT M6X20	4	
58	956-486	CRANK WASHER	1	
59	992-850	SEAL LOCK HEX. SOCKET HD. BOLT M10X16	1	
* 60	930-153	SUPPORT (B)	1	FOR NOISE SUPPRESSOR
* 61	971-828	NOISE SUPPRESSOR	1	FOR NZL,SAF
* 62	938-307Z	PILLAR TERMINAL	1	FOR USA
* 63	959-140	CONNECTOR 50091 (10 PCS.)	1	FOR NZL,SAF
* 64	959-141	CONNECTOR 50092 (10 PCS.)	2	
* 65	981-874Z	INTERNAL WIRE	1	FOR NZL,SAF
66	992-851	SEAL LOCK HEX. SOCKET HD. BOLT M10X60	4	
67	988-894	SEAL LOCK HEX. SOCKET HD. BOLT M8X30	4	
68	949-457	SPRING WASHER M8 (10 PCS.)	4	
69	956-527	SIDE HANDLE	1	
70	620-4VV	BALL BEARING 6204VVCMP2S	1	
71	956-482	DISTANCE WASHER	1	
72	992-848	FINAL GEAR	1	
73	956-480	DISTANCE RING (B)	1	
74A	992-872	INNER COVER	1	
75	996-430	HOUSING ASS'Y	1	INCLUD.29,95,96
76	980-717	O - RING (S - 38)	1	
77A	990-945	OIL CAP ASS'Y	1	INCLUD.76
78A	992-893	TAIL COVER ASS'Y	1	INCLUD.113
79	949-454	SPRING WASHER M5 (10 PCS.)	5	
80	877-839	SEAL LOCK HEX. SOCKET HD. BOLT M5X10	2	
81	949-510	RIVET D2.5X4.8 (10 PCS.)	2	
82		NAME PLATE	1	
83	996-433	SEAL LOCK HEX. SOCKET HD. BOLT M10X55	2	
84	996-432	GEAR COVER	1	
85	620-1VV	BALL BEARING 6201VVCMP2S	1	
86	992-843	COUNTER GEAR	1	
87	984-509	SEAL LOCK HEX. SOCKET HD. BOLT M5X14	3	
88	992-842	BEARING COVER (A)	1	
89	992-844	NEEDLE BEARING (BK1312V1)	1	
90	620-3VV	BALL BEARING 6203VVCMP2S	1	
91	992-841	BEARING WASHER	1	
92	949-480	PIN D8X14 (10 PCS.)	1	

*: ALTERNATIVE PARTS

STANDARD ACCESSORIES

H 90SB

ITEM NO.	CODE NO.	DESCRIPTION	NO. USED	REMARKS
501	944-458	HEX. BAR WRENCH 4MM	1	
502	872-422	HEX. BAR WRENCH 6MM	1	
503	993-740	HEX. BAR WRENCH 10MM	1	

OPTIONAL ACCESSORIES

ITEM NO.	CODE NO.	DESCRIPTION	NO. USED	REMARKS
601	985-230	BULL POINT 520MM (HEX. TYPE)	1	
602	985-231	COLD CHISEL 520MM (HEX. TYPE)	1	
603	985-232	CUTTER W75X520MM (HEX. TYPE)	1	
604	985-233	SCOOP 548MM (HEX. TYPE)	1	
605	936-728	WRENCH	1	
608	980-927	GREASE FOR HAMMER.HAMMER DRILL (500G)	1	
607	937-943Z	CARBON BRUSH (AUTO STOP TYPE) (1 PAIR)	2	
* 608	996-440	SERVICE KIT (H 90SB)	1	INCLUD.3.6.7.9.10.28B.35.39.41.44.76 FOR USA

* : ALTERNATIVE PARTS

Free Manuals Download Website

<http://myh66.com>

<http://usermanuals.us>

<http://www.somanuals.com>

<http://www.4manuals.cc>

<http://www.manual-lib.com>

<http://www.404manual.com>

<http://www.luxmanual.com>

<http://aubethermostatmanual.com>

Golf course search by state

<http://golfingnear.com>

Email search by domain

<http://emailbydomain.com>

Auto manuals search

<http://auto.somanuals.com>

TV manuals search

<http://tv.somanuals.com>