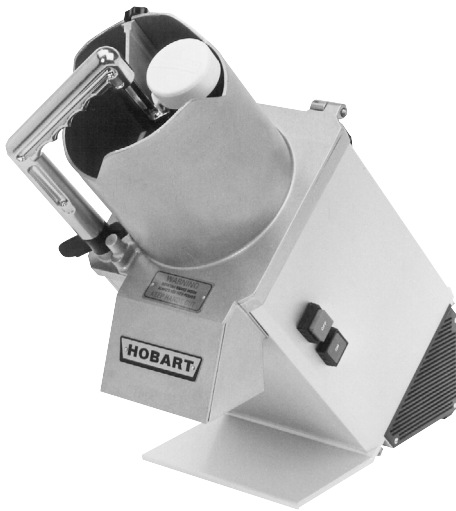




CATALOG OF REPLACEMENT PARTS

MODEL FP150 FOOD PROCESSOR

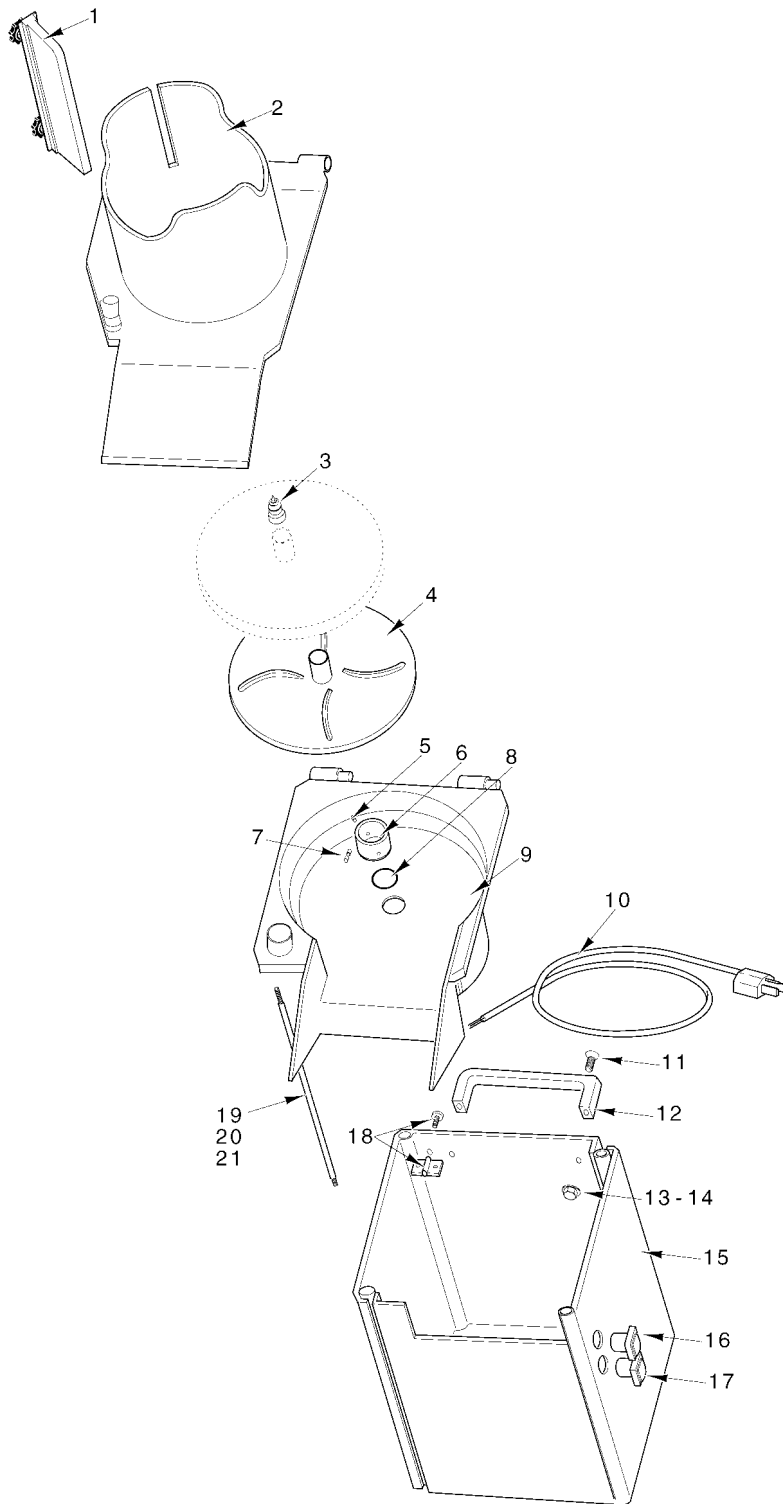


FP150
FP150C

ML-104600
ML-134180

Table of Contents

| | |
|----|-----------------------|
| 5 | HOUSING UNIT |
| 7 | MOTOR AND BASE UNIT |
| 9 | ACCESSORIES |
| 13 | PUSH FEED HANDLE UNIT |

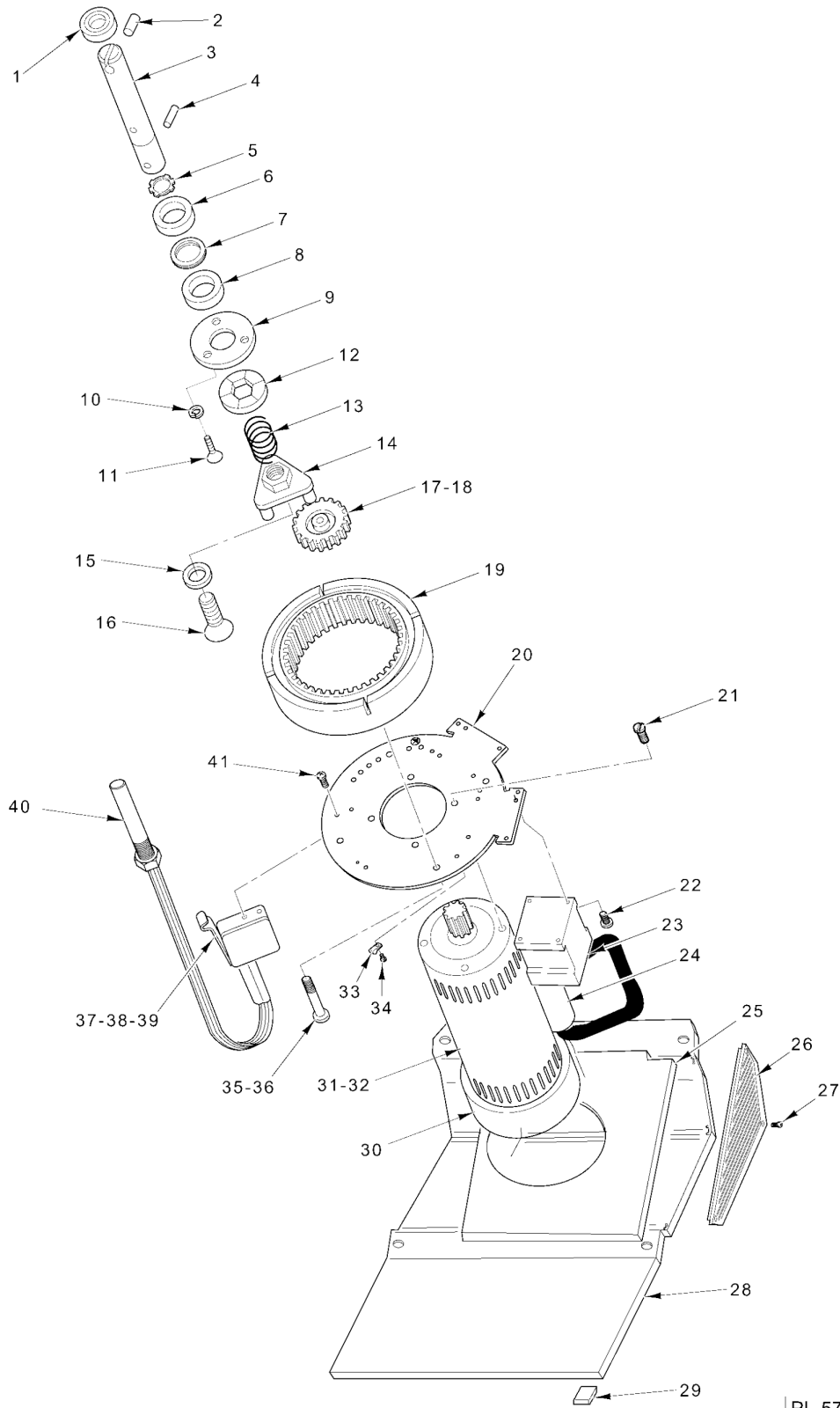


PL-57703

HOUSING UNIT

HOUSING UNIT

| ILLUS. | PART NO. | NAME OF PART | AMT. |
|----------|-----------|--|------|
| PL-57703 | | | |
| 1 | 00-436466 | Partition - Removable (With Knobs)..... | 1 |
| 2 | 00-436467 | Feed Head Assy..... | 1 |
| 3 | 00-436420 | Screw - Locking..... | 1 |
| 4 | 00-436422 | Ejector..... | 1 |
| 5 | 00-274323 | Pin..... | 2 |
| 6 | 00-436418 | Sleeve - Thrust..... | 1 |
| 7 | 00-436419 | Pin - Carrier..... | 1 |
| 8 | 00-274321 | Seal - Washer..... | 1 |
| 9 | 00-436483 | Housing - Knife..... | 1 |
| 10 | 00-274319 | Cord & Plug (110/120 V.)..... | 1 |
| 11 | SC-120-90 | Mach. Screw M8 x 20mm Cheese Hd..... | 2 |
| 12 | 00-274328 | Handle Assy. (Incls Items 11, 13, & 14)..... | 1 |
| 13 | WL-019-74 | Lockwasher 8.2mm Helical..... | 2 |
| 14 | NS-047-36 | Nut M8..... | 2 |
| 15 | 00-274330 | Housing Assy..... | 1 |
| 16 | 00-875522 | Stop Button Assy..... | 1 |
| 17 | 00-875523 | Start Button Assy..... | 1 |
| 18 | FE-025-33 | Strain Relief (Power Cord)..... | 1 |
| 19 | 00-274327 | Pin Screw Assy. (Incls. Items 20 & 21)..... | 4 |
| 20 | WL-019-75 | Lockwasher 5.1mm Helical..... | 4 |
| 21 | NS-047-91 | Crown Nut M5 x 0.8..... | 4 |



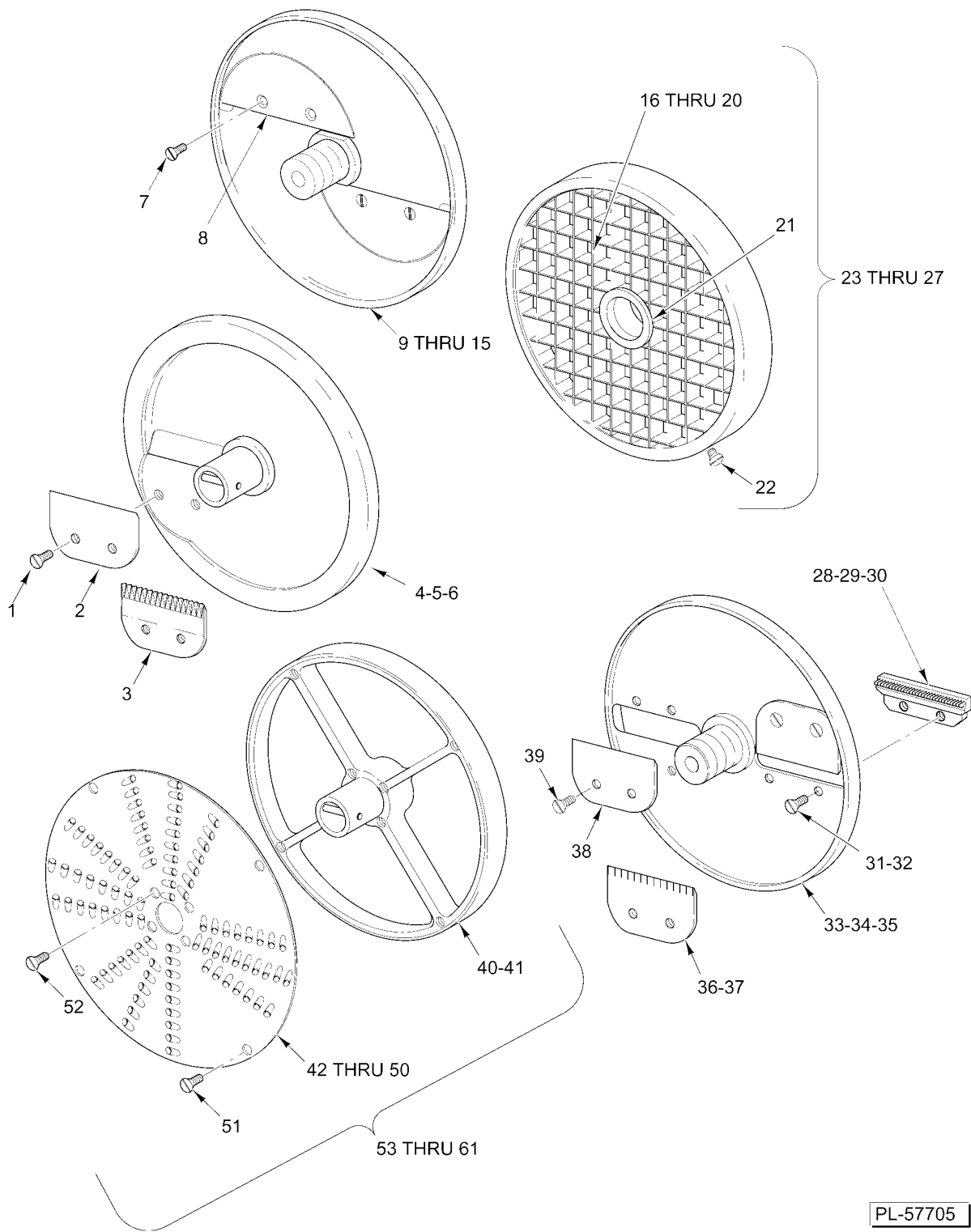
PL-57704

MOTOR AND BASE UNIT

MOTOR AND BASE UNIT

| ILLUS. | PART NO. | NAME OF PART | AMT. |
|----------|-----------------|--|------|
| PL-57704 | | | |
| 1 | 00-274333 | Seal - Rubber Washer 18 x 30mm..... | 1 |
| 2 | SC-121-48 | Set Screw M8 x 12mm Slotted Hdl., Cup Pt. (SST)..... | 1 |
| 3 | 00-436416 | Shaft - Knife..... | 1 |
| 4 | RP-006-24 | Roll Pin 6mm x 28mm (SST)..... | 1 |
| 5 | 00-274400 | Clip - Bearing..... | 1 |
| 6 | BB-017-09 | Ball Bearing MRC 203S-01-ST-E-92-C..... | 1 |
| 7 | 00-274399 | Spacer - Bearing..... | 1 |
| 8 | BB-017-09 | Ball Bearing MRC 203S-01-ST-E-92-C..... | 1 |
| 9 | 00-274403 | Shim - Brake..... | 1 |
| 10 | WL-019-75 | Lockwasher 5.1mm Helical..... | 3 |
| 11 | SC-120-92 | Mach. Screw M5 x 0.8 x 12mm Slotted Cheese Hd. (SST)..... | 3 |
| 12 | 00-274336 | Disc - Brake..... | 1 |
| 13 | 00-274394 | Spring - Pressure..... | 1 |
| 14 | 00-274393 | Planet Carrier..... | 1 |
| 15 | 00-274376 | Washer - Spring..... | 1 |
| 16 | SC-120-93 | Mach. Screw M5 x 0.8 x 10mm Hex Flat Hd. (SST)..... | 1 |
| 17 | 00-274402 | Wheel - Planetary..... | 3 |
| 18 | 00-274398 | Washer - Planetary..... | 3 |
| 19 | 00-274397 | Ring - Planetary..... | 1 |
| 20 | 00-478132 | Motor Plate Assy..... | 1 |
| 21 | SC-120-94 | Mach. Screw M5 x 0.8 x 10mm Slotted Cheese Hd. (SST)..... | 4 |
| 22 | SD-037-41 | Self-Tapping Screw 3.5 x 13mm Phil. Oval Hd., Type AB..... | 4 |
| *23 | 00-087713-089-1 | Contacto (110/120 V., 60 Hz.)..... | 1 |
| 24 | 00-274344 | Circuit RC (110 V.)..... | 1 |
| 25 | 00-436465 | Plate - Fan..... | 1 |
| 26 | 00-274351 | Louver RH & LH (Incls. Item 27)..... | 2 |
| 27 | SD-037-40 | Self-Tapping Screw 3.5 x 9.5mm Slotted Oval Hd., Type AB..... | 6 |
| 28 | 00-274352 | Base Assy. (Incls. Item 34) (Give Serial Number)..... | 1 |
| 29 | 00-274353 | Foot - Rubber..... | 4 |
| 30 | 00-274387 | Cover - Fan..... | 1 |
| 31 | 00-436469 | Capacitor - Motor (110/120 V., 60 Hz.) (Not Shown)..... | 1 |
| 32 | 00-436470 | Motor & Gear (110/120 V., 60 Hz.) (Incls. Items 30 & 31)..... | 1 |
| 33 | 00-274405 | Clamp - Cable..... | 1 |
| 34 | SD-037-42 | Self-Tapping Screw 3.5 x 9.5mm Phil. Oval Hd., Type AB..... | 1 |
| 35 | SC-120-91 | Mach. Screw M5 x 0.8 x 40mm Slotted Cheese Hd. (SST)..... | 4 |
| 36 | WL-019-75 | Lockwasher 5.1mm Helical..... | 4 |
| 37 | SC-120-95 | Mach. Screw M3 x 16mm Phil. Oval Hd. (SST)..... | 2 |
| 38 | 00-439302 | Plate - Insulating..... | 1 |
| 39 | 00-439300 | Micro-Switch Assy..... | 1 |
| 40 | 00-439663 | Switch - Reed (110/120 V.)..... | 1 |
| 41 | SD-037-42 | Self-Tapping Screw 3.5 x 9.5mm Phil. Oval Hd., Type AB..... | 2 |
| | SC-118-28 | Screw M4 x 0.7 x 12mm Slotted Pan Hd. (Grounding Hardware, Included W/Item 20) | AR |
| | WL-200-03 | Lockwasher 4.1mm Helical (Grounding Hardware, Included With Item 20)..... | AR |
| | NS-047-36 | Nut M8 x 1.25 Hex (SST) (Grounding Hardware, Included With Item 20)..... | AR |

* For Service on Machines Built Prior to SN 76-1009459, Order 00-478132.



PL-57705

ACCESSORIES

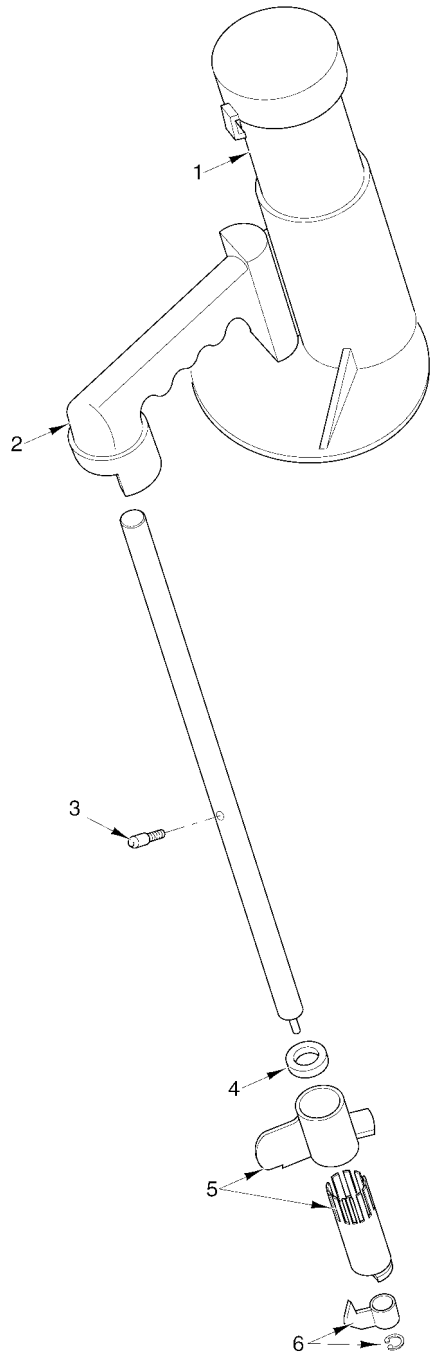
ACCESSORIES

| ILLUS. PL-57705 | PART NO. | NAME OF PART | AMT. |
|--------------------|-----------------|--|------|
| 1 | SC-120-82 | Mach. Screw M5 x 0.8 x 0.6mm Slotted Flat Hd. (SST)..... | AR |
| 2 | 00-274317 | Knife - Standard Cut Slicer..... | AR |
| 3 | 00-435128 | Knife - Crimping Slicer..... | 1 |
| 4 | 00-436458 | Plate - Standard Cut Slicer 3/8 In. (1 Knife) (Incls. Items 1 & 2)..... | 1 |
| 5 | 00-436460 | Plate - Crimping Slicer 3/16 In. (1-Knife) (Incls. Items 1 & 3)..... | 1 |
| 6 | 00-914164 | Plate - Slicer 1/2 In. (2 Knife) (Incls. Items 1 & 2)..... | 1 |
| 7 | SC-120-82 | Mach. Screw M5 x 0.8 x 0.6mm Slotted Flat Hd. (SST)..... | AR |
| 8 | 00-274318 | Knife - Fine Cut Slicer..... | AR |
| 9 | 00-477570 | Plate - Fine Cut Slicer 1/8 In. (1-Knife) (Incls. Items 7 & 8)..... | 1 |
| 10 | 00-436411-00001 | Plate - Fine Cut Slicer 1/16 In. (2-Knife) (Incls. Items 7 & 8)..... | 1 |
| 11 | 00-436412-00005 | Plate - Fine Cut Slicer 5/8 In. (1-Knife) (Incls. Items 7 & 8)..... | 1 |
| 12 | 00-478228 | Plate - Fine Cut Slicer 3/32 In. (2-Knife) (Incls. Items 7 & 8)..... | 1 |
| 13 | 00-436412-00001 | Plate - Fine Cut Slicer 5/32 In. (1-Knife) (Incls. Items 7 & 8)..... | 1 |
| 14 | 00-436412-00002 | Plate - Fine Cut Slicer 7/32 In. (1-Knife) (Incls. Items 7 & 8)..... | 1 |
| 15 | 00-436412-00003 | Plate - Fine Cut Slicer 3/8 In. (1-Knife) (Incls. Items 7 & 8)..... | 1 |
| 16 | 00-477782 | Kit - Dicing Grid Knife 9/32 In..... | 1 |
| 17 | 00-477783 | Kit - Dicing Grid Knife 3/8 In..... | 1 |
| 18 | 00-477784 | Kit - Dicing Grid Knife 5/8 In..... | 1 |
| 19 | 00-477785 | Kit - Dicing Grid Knife 3/4 In..... | 1 |
| 20 | 00-435116 | Kit - French Fry Knife..... | 1 |
| 21 | 00-477716 | Ring - Center Grid..... | 1 |
| 22 | SC-120-83 | Mach. Screw M4 x 0.7 x 0.6mm Slotted Flat Hd. (SST)..... | 8 |
| 23 | 00-477712 | Plate - Dicer 9/32 In. (Incls. Items 16, 21, & 22)..... | 1 |
| 24 | 00-477713 | Plate - Dicer 3/8 In. (Incls. Items 17, 21, & 22)..... | 1 |
| 25 | 00-477714 | Plate - Dicer 5/8 In. (Incls. Items 18, 21, & 22)..... | 1 |
| 26 | 00-477715 | Plate - Dicer 3/4 In. (Incls. Items 19, 21, & 22)..... | 1 |
| 27 | 00-914165 | Plate - Dicer 1/2 In. (Not Shown)..... | 1 |
| 28 | 00-437549 | Knife - Balk 3/32 In. (Use With Item 38)..... | 2 |
| 29 | 00-437550 | Knife - Balk 3/16 In. (Use With Item 36)..... | 1 |
| 30 | 00-437552 | Knife - Balk 5/16 In. (Use With Item 37)..... | 1 |
| 31 | SC-118-26 | Mach. Screw M4 x 0.7 x 10mm Slotted Flat Hd. (SST)..... | AR |
| 32 | SC-120-83 | Mach. Screw M4 x 0.7 x 0.6mm Slotted Flat Hd. (SST)..... | AR |
| 33 | 00-437252 | Plate - Julienne 3/32 In. (2-Knife) (Incls. Items 28, 31, 38, & 39)..... | 1 |
| 34 | 00-436423-00001 | Plate - Julienne 3/16 In. (1-Knife) (Incls. Items 29, 32, 36, & 39)..... | 1 |
| 35 | 00-437254 | Plate - Julienne 5/16 In. (1-Knife) (Incls. Items 30, 32, 37, & 39)..... | 1 |
| 36 | 00-294968 | Knife - Julienne 3/16 In. (Use with Item 29)..... | 1 |
| 37 | 00-294968-00003 | Knife - Julienne 5/16 In. (Use with Item 30)..... | 1 |
| 38 | 00-274317 | Knife - Standard Cut Slicer (Use with Item 28 for 3/32 Julienne)..... | 2 |
| 39 | SC-120-82 | Mach. Screw M5 x 0.8 x 0.6mm Slotted Flat Hd. (SST)..... | AR |
| 40 | 00-436415 | Frame (For 1/16 In., 1/8 In., 3/32 In. & Fine Grater Inserts)..... | 1 |
| 41 | 00-436414 | Frame (For 3/16 In., 5/16 In., 7/32 In., 3/8 In. Inserts)..... | 1 |
| 42 | 00-435734 | Insert - Shredder Plate 1/16 In..... | 1 |
| 43 | 00-274409 | Insert - Shredder Plate 1/8 In..... | 1 |
| 44 | 00-274320 | Insert - Shredder Plate 3/32 In..... | 1 |
| 45 | 00-274343 | Insert - Shredder Plate 3/16 In..... | 1 |
| 46 | 00-435735 | Insert - Shredder Plate 7/32 In..... | 1 |
| 47 | 00-274410 | Insert - Shredder Plate 5/16 In..... | 1 |
| 48 | 00-875322 | Insert - Shredder Plate 3/8 In..... | 1 |
| 49 | 00-914232 | Insert - Extra Fine Grater Plate..... | 1 |
| 50 | 00-436462 | Insert - Fine Grater Plate..... | 1 |
| 51 | SD-037-39 | Self-Tapping Screw 2.9mm x 13mm Slotted Flat Hd., Type AB (SST)..... | AR |
| 52 | SD-038-39 | Self-Tapping Screw 3.5mm x 13mm Slotted Oval Hd., Type AB (SST)..... | AR |
| 53 | 00-914225 | Plate - Extra Fine Grater (Incls. Item 49)..... | 1 |
| 54 | 00-436484 | Plate - Fine Grater (Incls. Items 40, 50, & 52)..... | 1 |
| 55 | 00-436407-00001 | Plate - Shredder 1/16 In. (Incls. Items 40, 42, & 51)..... | 1 |

ACCESSORIES

| ILLUS. | PART NO. | NAME OF PART | AMT. |
|-----------------|-----------------|--|------|
| PL-57705 | | | |
| 56 | 00-436407-00002 | Plate - Shredder 3/32 In. (Incls. Items 40, 44, & 51)..... | 1 |
| 57 | 00-436407-00003 | Plate - Shredder 1/8 In. (Incls. Items 41, 44, & 52)..... | 1 |
| 58 | 00-436407-00004 | Plate - Shredder 3/16 In. (Incls. Items 41, 45, 51, & 52)..... | 1 |
| 59 | 00-436407-00005 | Plate - Shredder 5/16 In. (Incls. Items 41, 46, 51, & 52)..... | 1 |
| 60 | 00-436407-00006 | Plate - Shredder 7/32 In. (Incls. Items 41, 47, 51, & 52)..... | 1 |
| 61 | 00-436407-00007 | Plate - Shredder 3/8 In. (Incls. Items 41, 48, 51, & 52)..... | 1 |
| | 00-274372 | Rack - Wall (Incls. Label)..... | 1 |
| | 00-274329 | Brush - Cleaning..... | 1 |
| | 00-436421 | Wrench - Locking Screw..... | 1 |

NOTES



PL-57706

PUSH FEED HANDLE UNIT

PUSH FEED HANDLE UNIT

| ILLUS. | PART NO. | NAME OF PART | AMT. |
|----------|-----------|---|------|
| PL-57706 | | | |
| 1 | 00-274312 | Plunger - Pestle..... | 1 |
| 2 | 00-436463 | Handle - Push (Feed) (Order With Item 3)..... | 1 |
| 3 | 00-274323 | Pin..... | 2 |
| 4 | 00-274324 | Seal - Rubber Washer..... | 1 |
| 5 | 00-274325 | Lock - Push Handle..... | 1 |
| 6 | 00-437304 | Activator & Clip..... | 1 |

Free Manuals Download Website

<http://myh66.com>

<http://usermanuals.us>

<http://www.somanuals.com>

<http://www.4manuals.cc>

<http://www.manual-lib.com>

<http://www.404manual.com>

<http://www.luxmanual.com>

<http://aubethermostatmanual.com>

Golf course search by state

<http://golfingnear.com>

Email search by domain

<http://emailbydomain.com>

Auto manuals search

<http://auto.somanuals.com>

TV manuals search

<http://tv.somanuals.com>