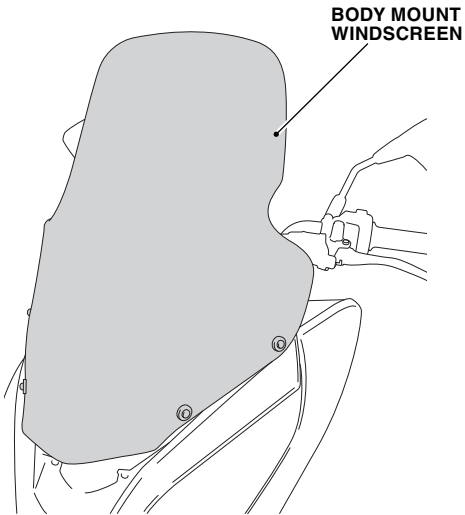
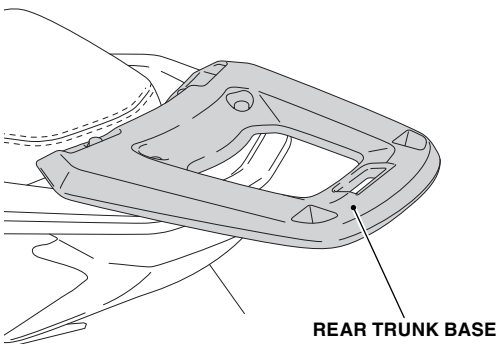


**BODY MOUNT WINDSCREEN**

- Reduce speed when running in strong wind.
- Replace this windscreen with a new one if it is damaged or becomes excessively discolored.
- When this accessory becomes dirty, rinse it thoroughly with cool water to remove loose dirt, then wipe with a clean cloth or sponge.  
Do not use a brush to clean this accessory as it may scratch the surface.
- Never use organic solvents such as gasoline, thinner, or benzine to clean this accessory. Also do not use acid or alkaline cleaners to clean this accessory.  
Wipe up spilled brake fluid at once as it may damage the surface.
- Handle this accessory with care.  
It can be damaged when it is bent excessively or is subject to strong shock or impact.
- Select a firm, level surface when you park the scooter.  
Also bear in mind that strong wind can cause the scooter to topple to the ground.

**MEMO****REAR TRUNK BASE**

- The weight of the cargo must not exceed the following maximum weight capacity (with Rear trunk):  
**6.6 lb (3.0 kg)**

## Free Manuals Download Website

<http://myh66.com>

<http://usermanuals.us>

<http://www.somanuals.com>

<http://www.4manuals.cc>

<http://www.manual-lib.com>

<http://www.404manual.com>

<http://www.luxmanual.com>

<http://aubethermostatmanual.com>

Golf course search by state

<http://golfingnear.com>

Email search by domain

<http://emailbydomain.com>

Auto manuals search

<http://auto.somanuals.com>

TV manuals search

<http://tv.somanuals.com>