

N56XX and 5X80

Imaging Scan Engine Development Kit

Quick Start Guide



ISEDevKit-QS Rev A
6/11

This Development Kit may be used with either the N56XX or 5X80 Series imaging scan engines.

N56XX engine



5X80 engine



ESD Precautions

Image engines are susceptible to ESD damage. Use care when handling an engine outside its ESD safe packaging. Grounding wrist straps and properly grounded work areas must be used.

Connect the Development Engine to a PC

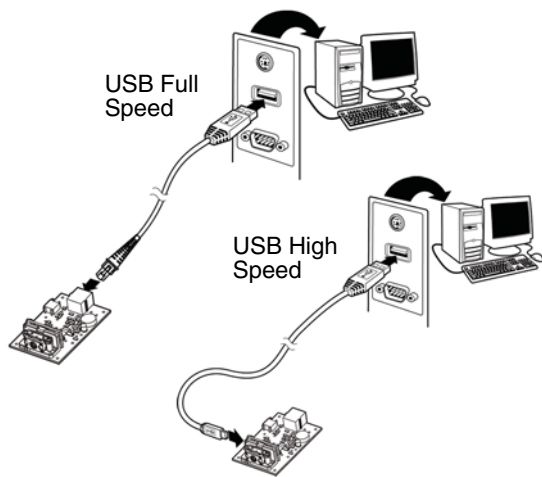
The image engine can connect to a PC for evaluation.

Note: The development board and the kit components are not intended for integration and should ONLY be used for evaluation of the image engine.

USB Connection

1. Download and install the appropriate USB driver from www.honeywellaidc.com.
2. Turn off power to the PC.

3. Connect the interface cable included in the kit to the engine and to the matching USB port on the back of the computer.



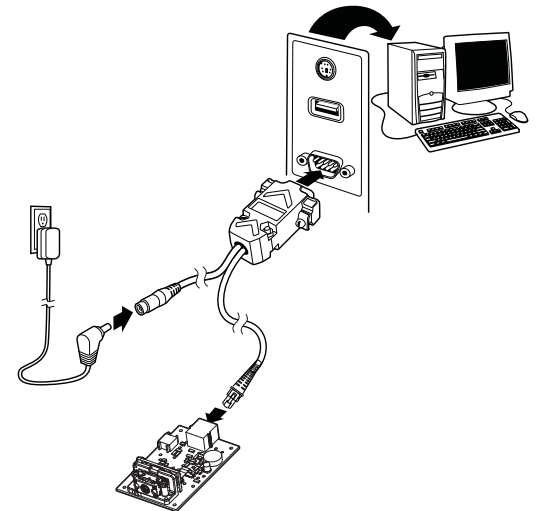
Warning for N56XXX-XXX-XX5 engine only: Connecting power to both the micro-B connector and the 10 pin RJ45 connector simultaneously could damage the PC and/or the engine.

4. Turn the PC back on. The engine beeps.

RS232 Connection

1. Turn off power to the PC.
2. Connect the serial interface cable to the development board and to the matching port on the back of the PC.

3. Connect the power supply connector to the serial interface cable. Plug in the power supply.



4. Turn the PC back on. The engine beeps.

5. Scan the RS 232 interface bar code below. This programs the development engine for an RS 232 interface at 115,200 baud, parity–none, 8 data bits, 1 stop bit, and adds a CR LF suffix.



PAP232.

RS-232 Interface

User Documentation

Refer to www.honeywellaidc.com for detailed user documentation about installing and configuring image engines.

Technical Assistance

Contact information for technical support, product service, and repair can be found at www.honeywellaidc.com.

Patents

For patent information, please refer to www.honeywellaidc.com/patents.

Limited Warranty

Refer to www.honeywellaidc.com/warranty_information for your product's warranty information.

Disclaimer

Honeywell International Inc. ("HII") reserves the right to make changes in specifications and other information contained in this document without prior notice, and the reader should in all cases consult HII to determine whether any such changes have been made. The information in this publication does not represent a commitment on the part of HII.

HII shall not be liable for technical or editorial errors or omissions contained herein; nor for incidental or consequential damages resulting from the furnishing, performance, or use of this material.

This document contains proprietary information that is protected by copyright. All rights are reserved. No part of this document may be photocopied, reproduced, or translated into another language without the prior written consent of HII.

Web Address: www.honeywellaidc.com

©2011 Honeywell International Inc. All rights reserved.

Free Manuals Download Website

<http://myh66.com>

<http://usermanuals.us>

<http://www.somanuals.com>

<http://www.4manuals.cc>

<http://www.manual-lib.com>

<http://www.404manual.com>

<http://www.luxmanual.com>

<http://aubethermostatmanual.com>

Golf course search by state

<http://golfingnear.com>

Email search by domain

<http://emailbydomain.com>

Auto manuals search

<http://auto.somanuals.com>

TV manuals search

<http://tv.somanuals.com>