



# Charge-Only Base COB02

---

## Installation Guide



COB02-INST

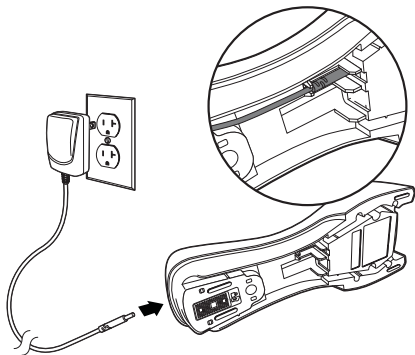
Rev B  
9/15

## ***Introduction***

Honeywell's Charge-Only Base can fully charge an industrial wireless area-imaging scanner in 5 hours, maximizing uptime in any application.

*Note: When a scanner is placed into the Charge-Only Base, the battery will charge. Please note that the Charge-Only Base will not facilitate communication with the host system or other scanners.*

## ***Installation***



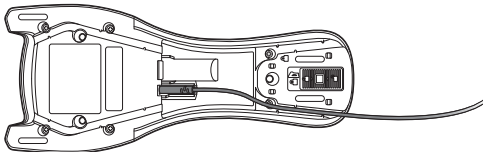
Connect the power adapter to the Charge-Only Base, then plug the power supply into an AC power outlet. Make sure the AC power outlet voltage is the same as the power supply.

***Use only a Listed Limited Power Source (LPS) or Class 2 type power supply with output rated 5 to 5.2Vdc, 1A. We recommend use of Honeywell power adapters. Use of any non-Honeywell power adapters may cause damage not covered by the warranty.***

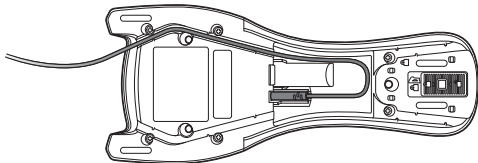
## ***Mounting a COB02 Base***

The COB02 Base can be mounted on either a horizontal or vertical surface. The cable can be routed through either the top or the bottom of the base.

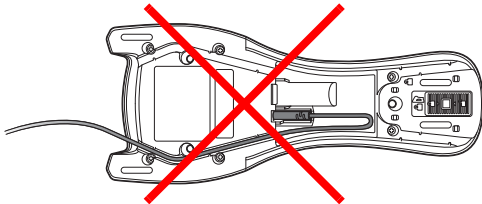
The cable can be routed down through the bottom of the base, securing the cable in the wireway.



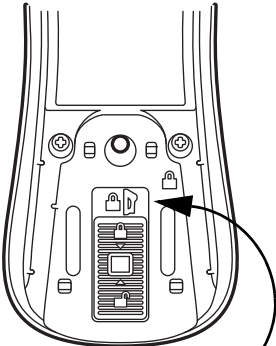
The cable can also be routed up through the top of the base, but must be crossed over and secured in the wireway.



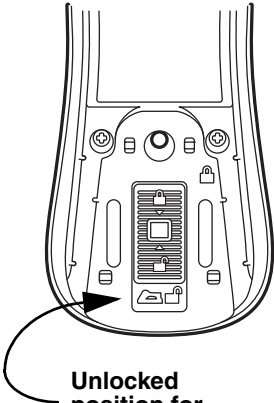
When routing the cable up through the top of the base, be sure to cross the cable over before placing in the wireway. If not, too much strain is placed on the cable connector.



When mounted on a vertical surface, a locking system is used to secure the scanner when it is in the stand. When mounted on a horizontal surface, the locking mechanism should be set to unlocked (pushed up). When mounted on a vertical surface, the locking mechanism should be set to locked (pushed down).

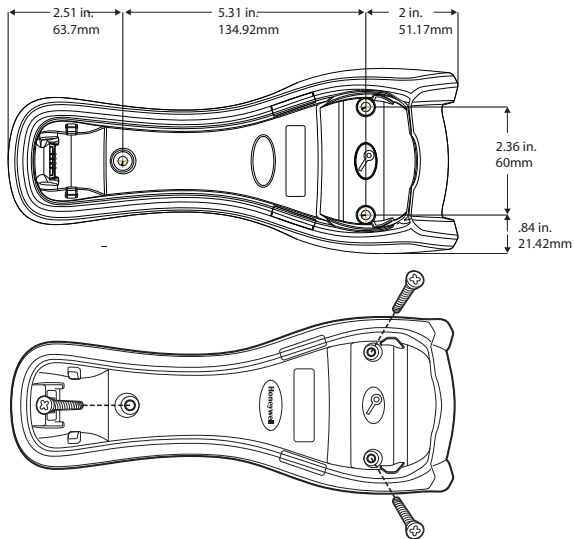


**Locked  
position for  
vertical  
mount**



**Unlocked  
position for  
horizontal  
mount**

Use 30mm screws, appropriate for the mounting surface material, to mount the base securely.



## ***Operation and Indicators***

1. Place a scanner into the cradle to charge.
2. When a scanner is inserted, the green LED flashes according to the chart below. If the Green LED does not appear, check to make sure the scanner is seated completely in the charger with the battery contacts touching the contacts on the charger.

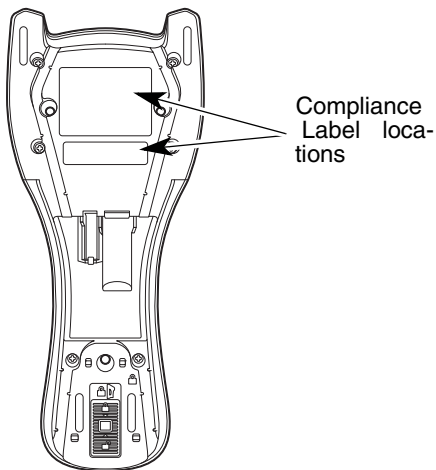
3. When the battery is completely charged, the green charging indicator stops flashing and stays illuminated.

<b>LED Indicators</b>	
<b>Red</b>	
On	Power is on
<b>Green</b>	
Off	Battery not detected
Slow flash	Pre-charge and charge
On	Charge completed
Fast flash	Charge suspended due to a fault condition

## ***COB02 Product Specifications***

Dimensions (Typical):	
Height	2.6 in. (6.6cm)
Length	9.8 in. (24.98mm)
Width	4.05 in. (10.28cm)
Weight	10.05 oz. (285g)
Voltage	4.5 to 5.5 volts
Current	1A
Charge Time	5 hours
Charge Temperature	41° F to +104° F (5° C to +40° C)
Humidity	Up to 95% non-condensing
Mechanical Drop	Operational after 50 drops from 3.94 feet (1.2m) to concrete within the temperature range of -4° F (-20° C) to 122° F (50° C).
Vibration	Complies with MIL-STD-810G, Method 514.6, Annex C
ESD Immunity	Up to 20kV direct air Up to 8 kV indirect coupling plane
IP Rating	IP51, immunity of foreign particles and dripping water

## ***Required Safety Labels***



## ***Cleaning the Charge-Only Base***

Unplug the Charge-Only Base from the power supply before cleaning.

Clean the housing of the Charge-Only Base with a soft cloth or tissue dampened with water (or a mild detergent- water solution). If a detergent solution is used, rinse with a clean tissue dampened with water only.



***Never use solvents (e.g., alcohol or acetone) on the housing – solvents may damage the finish.***



## ***Technical Assistance***

Contact information for technical support, product service, and repair can be found at [www.honeywellaidc.com](http://www.honeywellaidc.com).

## ***Limited Warranty***

Refer to [www.honeywellaidc.com/warranty\\_information](http://www.honeywellaidc.com/warranty_information) for your product's warranty information.

## ***Patents***

For patent information, please refer to [www.honeywellaidc.com/patents](http://www.honeywellaidc.com/patents).

## ***Disclaimer***

Honeywell International Inc. ("HII") reserves the right to make changes in specifications and other information contained in this document without prior notice, and the reader should in all cases consult HII to determine whether any such changes have been made. The information in this publication does not represent a commitment on the part of HII.

HII shall not be liable for technical or editorial errors or omissions contained herein; nor for incidental or consequential damages resulting from the furnishing, performance, or use of this material. HII disclaims all responsibility for the selection and use of software and/or hardware to achieve intended results.

This document contains proprietary information that is protected by copyright. All rights are reserved. No part of this document may be photocopied, reproduced, or translated into another language without the prior written consent of HII.

© 2012-2015 Honeywell International Inc. All rights reserved.

Web Address: [www.honeywellaidc.com](http://www.honeywellaidc.com)

## Free Manuals Download Website

<http://myh66.com>

<http://usermanuals.us>

<http://www.somanuals.com>

<http://www.4manuals.cc>

<http://www.manual-lib.com>

<http://www.404manual.com>

<http://www.luxmanual.com>

<http://aubethermostatmanual.com>

Golf course search by state

<http://golfingnear.com>

Email search by domain

<http://emailbydomain.com>

Auto manuals search

<http://auto.somanuals.com>

TV manuals search

<http://tv.somanuals.com>