



## **Hometronic Manager**

**HCM 200  
HCM 200D**

**Mounting and  
Configuration**

---

# Content

Information on these instructions	2
Scope of supply	2
<b>Power supply</b>	<b>3</b>
Cable types	3
Voltage supply	4
Connection diagram	4
<b>Boiler control</b>	<b>5</b>
Boiler demand	5
Frost protection	5
Boiler regression	6
<b>Mounting</b>	<b>7</b>
Dismantling the Hometronic Manager	7
Selecting the mounting site	8
Wiring the plug-in connection	9
Flush mounting	9
Surface mounting	10
Fastening the operating unit	12
Activating the power supply	12
Inserting batteries	13
<b>Assigning modules and rooms</b>	<b>14</b>
Changing to the "Installation" submenu	14
Assigning a module or room	16
De-installing the module or room	20
Saving and getting system settings	21
Restoring the works settings	21
<b>Appendix</b>	<b>23</b>
Information for the fitter	23
Technical data	24
Help with problems	26
Glossary	28

## Information on these instructions

- Technical terms are identified by an \* and are explained in the glossary (from Page 28).
- Help for problems can be found from Page 26 on.

### Symbols used



Warning

**Caution!**



Important information



Hint



For your information

## Scope of supply

The Hometronic Manager is supplied in four parts:

- 1 Mounting panel
- 1 Operating unit
- 1 Screw
- 1 Plug-in connection

3 Micro batteries each 1.5 V (type LR03) are additionally required.

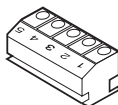


Do not insert the batteries until the device is connected to the voltage supply.

# POWER SUPPLY

## Cable types

- i** Only use the plug-in connection supplied.



All the cables to be connected must reach at least 15 cm out of the wall.

The maximum length of the various cable types is specified in the table below.

<b>Cable type</b>	<b>Maximum length voltage supply</b>	<b>Maximum length boiler regression</b>
JE-Y(St)Y 2×2×0.8	40 m	100 m
JE-LiYCY 2×2×0.8	40 m	100 m
NYM 1.5 mm <sup>2</sup>	120 m	150 m

## Voltage supply

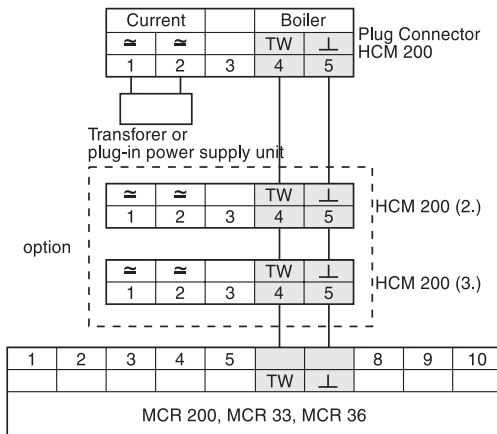
- The Hometronic Manager can be supplied with voltage by means of a plug-in power supply unit or a transformer.
- Use the Honeywell transformer HTU 10, HTS 10 or the plug-in power supply unit HN 10.
- The device of an external supplier has to fulfill the following requirements:

Input voltage	Open-circuit voltage <sup>1</sup>	Output voltage	Current
230 V AC	16 V AC or 17 V DC	12 V AC or DC	350 mA

<sup>1</sup>Transformer voltage at 300 mA

## Connection diagram

The following connection diagram shows the wiring of a Hometronic Manager for the boiler regression\* as well as the connection of a second or third Hometronic Manager (optional).



---

# BOILER CONTROL

## Boiler demand

If the boiler control is carried out with external controllers, the boiler demand\* function can be activated with the HS 30 device switch.



For information on how to assign the HS 30 device switch for the boiler demand function please refer to Page 17.



For information on how to adapt the threshold value for the boiler demand function, please refer to the operating instructions of the Hometronic Manager in the chapter "Adapting basic system settings\* (parameters\*)".

## Frost protection

- i** The frost protection HK 10 consists of the device switch HS 30 and the room temperature sensor HCF 22.

A boiler demand function as described above has to be ensured for the frost protection. Together with the room temperature sensor HCF 22 the Hometronic Manager triggers a boiler demand function as soon as the value drops below the lower threshold for frost protection.



For information on how to assign the room temperature sensor HCF 22 as a frost protection sensor please refer to Page 18.

## Boiler regression

The Hometronic Manager can be connected to a Honeywell heating controller (MCR 35, MCR 36, MCR 40 or MCR 200) and thus control the boiler directly.

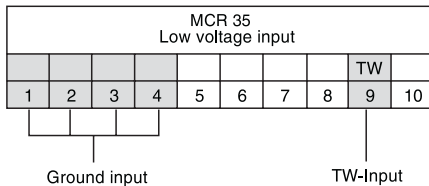
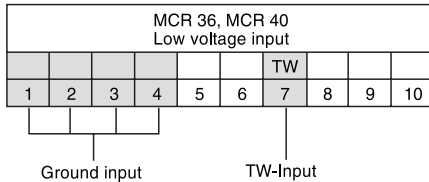
- ▶ Prepare the cables in accordance with the table on Page 3.
- ▶ Lay the cable between the heating control and the Hometronic Manager.
- ▶ Wire the plug-in connection of the Hometronic Manager to the heating controller in accordance with the following figure.

If you connect several Hometronic Managers to a heating controller:

- ▶ Loop the connections through in accordance with the connection diagram on Page 4.

At the MCR 200 controller the temperature selection and ground input lie at different terminals, depending on the respective design.

At the controllers MCR 35, MCR 36 and MCR 40 the temperature selection and ground input lie at the following terminals:



# MOUNTING



**Danger!**

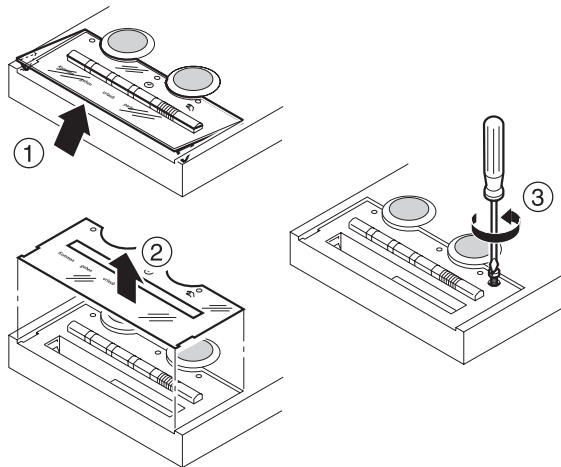
## **Danger to life through electric shock!**

When transformers are cabled live contacts may lie free. Touching a live contact causes critical injuries.

- ▶ All work may only be carried out by authorized specialized personnel.
- ▶ De-energize power supply.

## Dismantling the Hometronic Manager

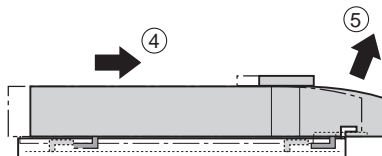
- ▶ Lift the Plexiglas cover up at the edges with your fingers and lift off the cover (1).
- ▶ Remove the inserted Lifestyle label (2).
- ▶ Unscrew the screw (3).





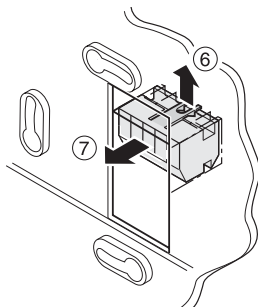
### Separating the operating unit from the mounting panel

- ▶ Slide the unit upwards against the mounting panel (4).
- ▶ Lift the operating unit obliquely upwards (5).



### Removing the plug-in connection

- ▶ Press the tongue of the retainer basket upwards (6):
- ▶ Remove the plug-in connection from the retainer basket (7).



### Selecting the mounting site

The Hometronic Manager communicates by radio with the Hometronic components. When selecting the operation site ensure that there is sufficient distance to metallic objects such as metal cabinets and doors, concrete ceilings with iron lattices and radio devices such as radio headphones, etc. Select a central site which is easily accessible.

The Hometronic Manager can be mounted:

- Via a flush-mounted box with the transformer HTU 10 (flush mounting) or
- At a suitable point on the wall with the transformer HTS 10 for switching cabinet mounting or with the plug-in power supply unit HN 10 (surface mounting).



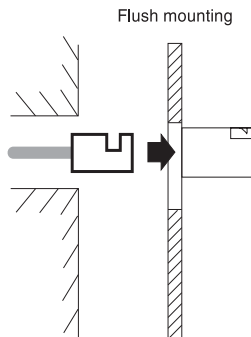
For dimensions of the Honeywell transformers, please refer to the appendix from Page 23 on.

## Wiring the plug-in connection

- ▶ Lay the cable from the plug-in power supply unit or transformer to the mounting site.
- ▶ Wire the plug-in connection.

## Flush mounting

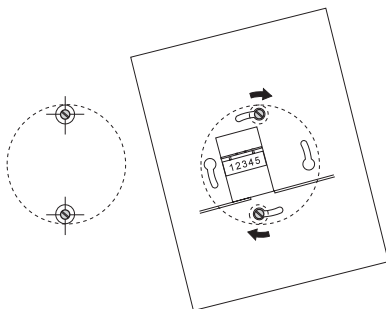
- ▶ Lay the cable directly from the flush-mounted box to the retainer basket of the mounting panel.
- ▶ Hold the plug-in connection as shown in the adjacent figure (the numbers 1 to 5 stand on their head).
- ▶ Latch the plug-in connection into the retainer basket.



## Mounting

### Surface mounting

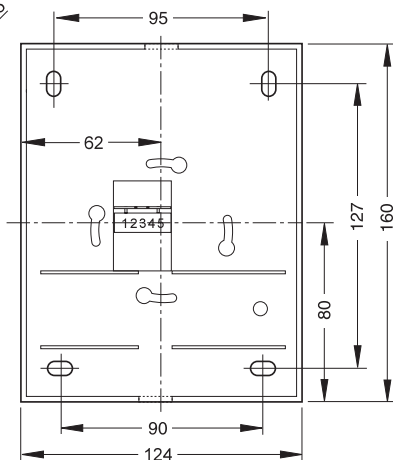
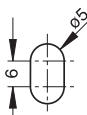
- ▶ Turn two screws half into the flush-mounted box (do not tighten yet).
- ▶ Place the mounting panel on the screws and align it vertically.
- ▶ Tighten the screws.



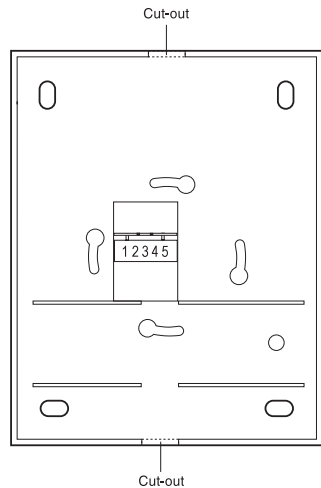
For further information read "Fastening the operating unit".

## Surface mounting

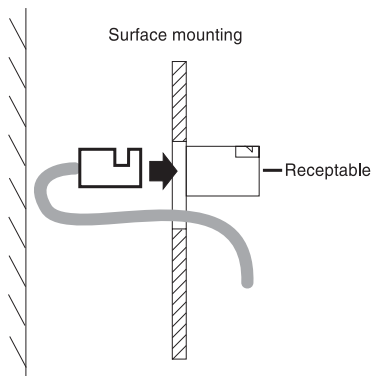
- ▶ Mark the drilling holes.
- ▶ Drill the holes and insert the dowel.



- ▶ Break the recess out of the mounting panel at one of the two points marked in the adjacent drawing.

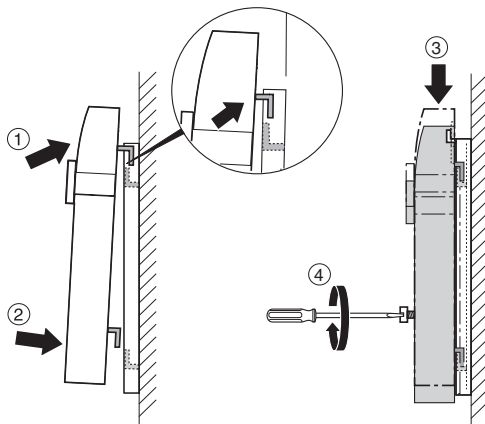


- ▶ Lay the cable under the retainer basket of the mounting panel.
- ▶ Hold the plug-in connection as shown in the adjacent figure (the numbers 1 to 5 stand on their head).
- ▶ Latch the plug-in connection into the retainer basket.
- ▶ Place the mounting panel on the screws and align it vertically.
- ▶ Tighten the screws.



## Fastening the operating unit

- ▶ Place the operating unit slightly obliquely against the mounting panel (1).
- ▶ Slide the operating unit upwards until the fastening hooks touch the top.
- ▶ Press the operating unit flush against the mounting panel (2).
- ▶ Slide the operating unit down until its bottom projects over the mounting panel (3).
- ▶ Insert and tighten the screw (4). If the screw does not find any hold, slide the operating unit further downwards.



The operating unit is connected firmly to the mounting panel.

## Activating the power supply

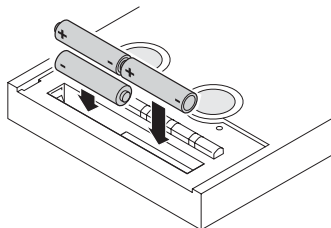
Depending on whether a plug-in power supply unit or a transformer is used:

- ▶ Plug in the plug-in power supply unit or
- ▶ Activate the fuse.

## Inserting batteries

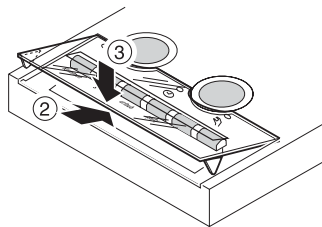
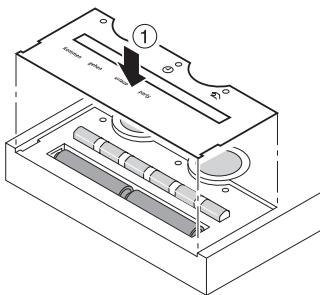
Only use the following micro batteries\*:

- Alkali manganese LR03 (durability approx. 2 years) or
- 1.5 V rechargeable: LR03 (durability approx. 3/4 year)
- ▶ If necessary, use a small screwdriver to remove the old batteries.
- ▶ Insert the batteries. Ensure that the polarity is correct.
- ▶ When changing the battery: Always replace all 3 batteries simultaneously.



## Inserting the Lifestyle label

- ▶ Insert the Lifestyle label (1).
- ▶ Place the plastic cover obliquely against the operating unit (2).
- ▶ Press the side latches of the plastic cover into the recesses in the operating unit (3).



- ▶ Re-apply the Lifestyle foil and the plastic cover.

Mounting has been completed.

# ASSIGNING MODULES AND ROOMS



First familiarize yourself with the operation of the Hometronic Manager.

## Changing to the "Installation" submenu

- i** The rooms and modules\* are assigned by means of the "Installation" submenu\*.

*The display shows the standard display\*, for example:*

Hometronic
WE 29.10.1999 11:15
No lifestyle active
LIVING 20.0 C

- ▶ Press the Dial button.

*The cursor flashes in the lowest line, the following text is displayed:*

MENU
SET DATE/TIME
ACTIVATE LIFESTYLE
LIVING 20.0 C

- ▶ Turn the Dial button to the right until the cursor flashes in the highest line.

MENU
SET DATE/TIME
ACTIVATE LIFESTYLE
LIVING 20.0 C

- ▶ Press the Dial button.

*The following text is displayed:*

LIFESTYLES
TIME PROGRAMS
DISPLAY
SETTINGS

- ▶ Turn the Dial button to the left until "Settings" is selected.

LIFESTYLES
TIME PROGRAMS
DISPLAY
SETTINGS

- ▶ Press the Dial button.  
*The following text is displayed:*

INSTALLATION  
DE-INSTALLATION  
FUNCTION EXPANSION  
SENSOR FUNCTION

- ▶ Press the dial button again.  
*The following text is displayed:*

HEATING  
SHUTTERS  
DEVICES/LIGHTS  
SENSOR

- ▶ Turn the Dial button to the left until further areas\* are displayed for which an assignment is possible:

SENSOR  
BOILER DEMAND  
LIFESTYLE  
TELE INTERFACE

**i** Use the "Lifestyle" menu item to assign Lifestyles\* to the HRD 20 remote control.

Use the "Tele interface" menu item to establish a remote connection to the Hometronic Manager, e.g. via phone or the Internet. You require the software upgrade HCM200t to this purpose.

For further information please contact your Hometronic Partner.

## Works settings of the menu items

Heating		Shutters	DEVICES/LIGHTS
LIVING	HALL	MODULE-1	MODULE-1
DINING	STUDY	MODULE-2	MODULE-2
KITCHEN	HOBBY	MODULE-3	MODULE-3
BEDROOM	PARTY	...	...
BATH	LIVING2	MODULE-32	MODULE-32
WC	BEDROOM2		
CHILD	CHILD3		
CHILD2	BATH2		



Sensor	Lifestyles	Boiler demand
SENSOR-1	WAKE UP	Switching module
SENSOR-2	ARRIVING	Frost protec. sensor
SENSOR-3	LEAVING	
...	EVENING	
SENSOR-16	PARTY	
	HOLIDAY	
	LIFESTYLE -7	
	...	
	LIFESTYLE -16	



For information on changing the module or room name please refer to the operating instructions of the Hometronic Manager in the section "Changing names".

## Assigning a module or room

### Example: Assigning a shutter module.

- ▶ Activate the teach-in at the shutter module as described in the mounting instructions of the module.
- ▶ Change to the "Installation" submenu at the Hometronic Manager as described on Page 14.

*The following text is displayed:*

HEATING  
SHUTTERS  
DEVICES/LIGHTS  
SENSOR

- ▶ Turn the Dial button until "Shutters" is selected.

HEATING  
SHUTTERS  
DEVICES/LIGHTS  
SENSOR

- ▶ Press the Dial button.

*The following text is displayed, for example:*

MODULE-2           \*  
MODULE-3  
MODULE-4  
MODULE-5



An \* is displayed next to the modules already assigned.

- ▶ Turn the Dial button until the desired module is selected, e.g.

MODULE-2	*
MODULE-3	
MODULE-4	
MODULE-5	

- ▶ Press the Dial button.

*An \* is displayed next to the selected module.*

MODULE-2	*
MODULE-3	*
MODULE-4	
MODULE-5	

The module is assigned.

## Assigning an HS 30 device switch for the boiler demand

- ▶ Wire the device switch to the boiler demand as described from Page 3 on.
- ▶ Activate the teach-in at the device switch as described in the mounting instructions of the module.
- ▶ Change to the "Installation" submenu at the Hometronic Manager as described on Page 14.

*The following text is displayed:*

HEATING
SHUTTERS
DEVICES/LIGHTS
SENSOR

- ▶ Turn the Dial button until "Boiler demand" is selected.

SHUTTERS
DEVICES/LIGHTS
SENSOR
BOILER DEMAND

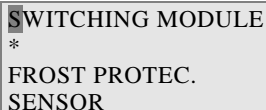
- ▶ Press the Dial button.

*The following text is displayed:*

SWITCHING MODULE
FROST PROTEC.
SENSOR

### Assigning a module or room

- ▶ Press the Dial button again  
*An asterisk is displayed next to "Switching module".*



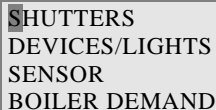
SWITCHING MODULE  
\*  
FROST PROTEC.  
SENSOR

The HS 30 device switch is assigned to the Hometronic Manager for the boiler demand.

### Assigning the room temperature sensor HCF 22 for the frost protection

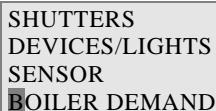
- ▶ Wire the room temperature sensor to the boiler demand as described from Page 3 on.
- ▶ Change to the "Installation" submenu at the Hometronic Manager as described on Page 14.

*The following text is displayed:*



SHUTTERS  
DEVICES/LIGHTS  
SENSOR  
BOILER DEMAND

- ▶ Turn the Dial button until "Boiler demand" is selected.



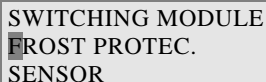
SHUTTERS  
DEVICES/LIGHTS  
SENSOR  
BOILER DEMAND

- ▶ Press the Dial button.  
*The following text is displayed:*



SWITCHING MODULE  
FROST PROTEC.  
SENSOR

- ▶ Turn the Dial button until "Frost protec. sensor" is selected.



SWITCHING MODULE  
FROST PROTEC.  
SENSOR

- ▶ Press the Dial button again.  
*The cursor flashes next to the "Frost protec. sensor".*

The Hometronic Manager is ready for data transfer.

- ▶ Activate the teach-in at the room temperature sensor as described in the mounting instructions of the room temperature sensor.

An \* is displayed next to "Frost protec. sensor" after a successful teach-in. The room temperature sensor HCF 22 is assigned for frost protection.



For information on how to adapt the threshold value for frost protection, please refer to the operating instructions of the Hometronic Manager in the chapter "Adapt system basic settings (parameters)".

## De-installing the module or room

- i** The "De-installation" submenu has the same menu structure as the "Installation" submenu.

**Example: De-installing a shutter module.**

- ▶ Follow the steps described on Page 14.

*The following text is displayed:*

INSTALLATION DE-INSTALLATION FUNCTION EXPANSION SENSOR FUNCTION
--

- ▶ Turn the Dial button until "De-Installation" is selected.

INSTALLATION DE-INSTALLATION FUNCTION EXPANSION SENSOR FUNCTION
--

- ▶ Press the Dial button.

*The following text is displayed:*

HEATING SHUTTERS DEVICES/LIGHTS SENSOR
---

- ▶ Turn the Dial button until "Shutters" is selected.

HEATING SHUTTERS DEVICES/LIGHTS SENSOR
---

- ▶ Press the Dial button.

*The following text is displayed, for example:*

MODULE-2           * MODULE-3           *
--

- i** Only those modules are displayed which have been assigned beforehand (\* next to the module designation).

- ▶ Turn the Dial button until the module to be de-installed is selected, for example:

MODULE-2           * MODULE-3           *
--

- ▶ Press the Dial button.  
*The module is removed from the list.*

MODULE-2 \*

The shutter module is de-installed.

## Saving and getting system settings

Why save settings?

- i** Always save your settings after you have carried out changes. This ensures that settings are not lost, even when power fails or when batteries are flat.



For information on how to save and get the system settings please refer to the operating instructions of Hometronic Manager in the "Adapting" chapter.

## Restoring the works settings

- i** If you restore the works settings\*, all the current adjustments and assignments such as module names, time programs and Life-styles\* are lost.

In order to use the current configuration later again you have to save the settings beforehand.

- ▶ Change to the "Settings" submenu as described in the operating instructions of the Hometronic Manager.
- ▶ Select "Configuration".
- ▶ " Select "Factory setup".  
*The following text is displayed:*

Factory Setup  
Actual configuration will  
be deleted!  
NO YES

- ▶ Press the Dial button.

### Restoring the works settings



The appendix of the operating instructions contains a table with the works settings of the modules, time programs and Lifestyles.

The works settings are restored.

# APPENDIX

## Information for the fitter

After mounting carry out the following checks:

- Hometronic Manager wired correctly?
- Date and time set correctly?
- Version Number noted (refer to operating instructions)?
- All components assigned correctly?
- Do modules, rooms and Lifestyles have speaking names?

After mounting and configuration have been completed it is advisable to familiarize the customer with the basic functions of the Hometronic Manager.

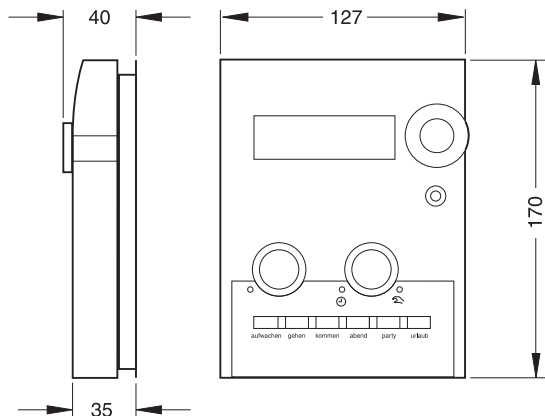
- Please refer to the "Description" chapter of the operating instructions of the Hometronic Manager for further information.
- Explain the various operating modes of the Hometronic Manager.
- Explain to the customer the advantages of automatic operating modes, such as:
  - Presence simulation
  - Shading and wind function
  - Partial automatic mode
- Explain the possibilities offered by manual operation directly at the device, e.g. at the heating controller.
- If appropriate, point out the possibilities offered by extending the respective installation of the Hometronic System.



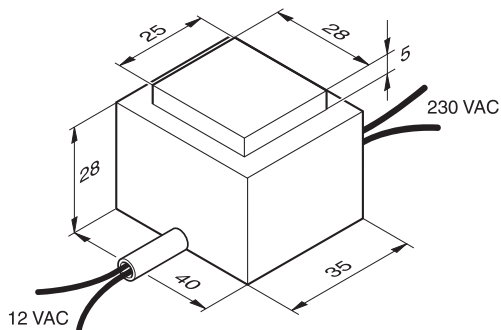
## Technical data

<b>Type designation</b>	HCM 200
<b>Electrical connection</b>	12 V AC/DC, max. 350 mA
<b>Wattage</b>	4 VA
<b>Degree of protection</b>	IP 30
<b>Protection class</b>	2
<b>Radio interference suppression</b>	CE-conform, R&TTE
<b>Device dimensions</b>	127 x 170 x 40 mm (W x H x D)
<b>Operating temperature</b>	0 °C ... 40 °C

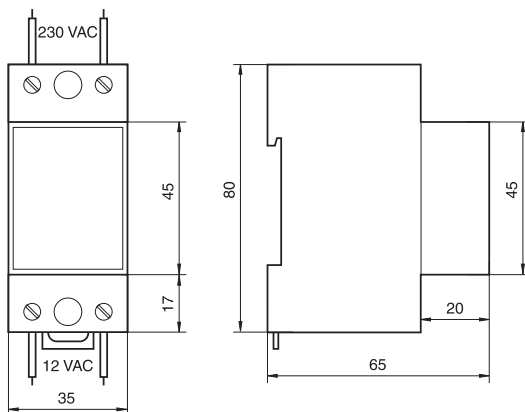
### Device dimensions HCM 200



### Device dimensions transformer HTU





### Device dimensions transformer HTS 10



## Help with problems

### Error messages in display

Error message	Cause / Remedy
	<ul style="list-style-type: none"> <li>▶ Check at which Hometronic module the batteries are weak.</li> <li>▶ Insert new batteries (see section on Page 13).</li> </ul>
Please check the clock	<ul style="list-style-type: none"> <li>▶ Set the date and time as described in the operating instructions of the Hometronic Manager.</li> </ul>
Factory reset	<p>The Hometronic Manager is started with the works settings if the data in the Hometronic Manager were faulty or were lost and no settings were saved.</p> <ul style="list-style-type: none"> <li>▶ Install the modules and rooms again or call our service.</li> </ul>
Cold start	<p>The Hometronic Manager carries out a cold start if the data in the Hometronic Manager were faulty or were lost, but settings had been saved beforehand. The saved settings are used. Any changes which were carried out after the last saving process are lost.</p> <ul style="list-style-type: none"> <li>▶ Carry out the last changes again.</li> </ul>
Device No. lost	<ul style="list-style-type: none"> <li>▶ Remove the batteries and insert them again.</li> <li>▶ If the message is still displayed, call the Service Department.</li> </ul>
	<p>The Hometronic Manager is disabled.</p> <ul style="list-style-type: none"> <li>▶ Enable the disabling function as described in the operating instructions of the Hometronic Manager.</li> </ul>
<p><b>CAUTION!</b> Automatic function not possible in Manual mode!</p>	<p>Automatic functions can only be activated in Automatic mode.</p> <ul style="list-style-type: none"> <li>▶ Activate the Automatic mode.</li> </ul>

<b>Error message</b>	<b>Cause / Remedy</b>
LIVING No entries exist. In- sert? NO            YES	In this example the "LIVING" module does not have any entries. ▶ Confirm correspondingly.
!	Faulty signal of an external sensor. ▶ Check where the signal comes from as described in the operating instructions of the sensor. ▶ Check the batteries. ▶ Improve the transfer conditions as described in the operating instructions of the sensor.
WIND or CAUTION! Wind function is active!	The wind protection is active. The setpoint cannot be changed at the respective modules. The function is de-activated automatically when the wind force has not exceeded the threshold for 20 minutes.

## Faults

<b>Fault</b>	<b>Cause / Remedy</b>
The temperature in a room is controlled incorrectly	The radio connection in the Hometronic system may be faulty. ▶ Check the fault display at the storey controller and at the HR 50.
No display at the display	The power supply is interrupted. ▶ Check the power supply.
Functioning of the Hometronic Manager is not possible or only to a limited extent	▶ Call the Service Department or bring the device to the After-Sales. Inform the After-Sales of the software version number which you noted in the operating instructions.

# Glossary

**Areas**

Those menu items in the "Installation" submenu at which an assignment is possible: Heating (H), lamps/devices (L) shutters (S), sensors, Lifestyles, boiler demand and telecom.

**Basic system settings**

Refer to the parameters.

**Boiler demand**

Hometronic controls the heating boiler via a setpoint.

**Boiler regression**

Controlling of the heating boiler with an analog control device of Honeywell.

**Lifestyle**

Autonomous control of the Hometronic Manager by a combination of setpoints.

**Micro battery**

Battery with the designation LR 03.

**Module**

Components of the Hometronic system, device of Honeywell.

**Parameters**

Basic system settings which can be used when no other values are entered (name, setpoints, offsets etc.).

**Standard display**

Basic display in the display of the Hometronic Manager. Is displayed after the Back button has been pressed (possibly several times).

**Submenu**

All the menus with the exception of the standard display and the main menu.

**Works settings**

Certain modules, Lifestyles and time programs are set by Honeywell ex works (refer to the table in the operating instructions).

---

**Great Britain****Honeywell**

Honeywell House  
Arlington Business Park  
Bracknell  
Berkshire RG12 1EB

**Germany****Honeywell GmbH**

71101 Schönaich  
Böblinger Straße 17  
Telephone (+49) (0) 7031 637-01  
www.hometronic.de

The right is reserved to make  
modifications

This company is certificated to **DIN EN ISO**  
**9001/14001**

Honeywell Inc. hereby declares that this device complies with the basic requirements and other relevant regulations of guideline 1999/5/EC. The declaration of conformity of the product can be requested from the manufacturer.

Note to non-EU countries: This product may only be used if operation in the 433 MHz and 868 MHz frequency band is permissible.



## Free Manuals Download Website

<http://myh66.com>

<http://usermanuals.us>

<http://www.somanuals.com>

<http://www.4manuals.cc>

<http://www.manual-lib.com>

<http://www.404manual.com>

<http://www.luxmanual.com>

<http://aubethermostatmanual.com>

Golf course search by state

<http://golfingnear.com>

Email search by domain

<http://emailbydomain.com>

Auto manuals search

<http://auto.somanuals.com>

TV manuals search

<http://tv.somanuals.com>