

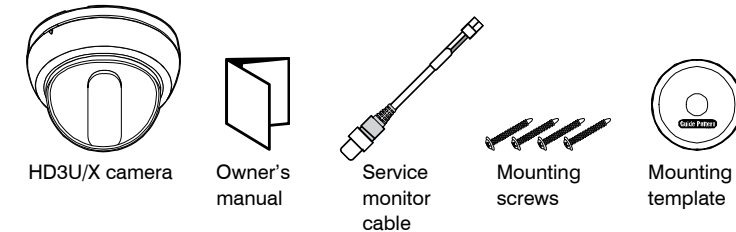
## Day/Night Ultra Wide Dynamic Fixed Dome Camera Quick Install Guide

Document 800-05023 – Rev D – 02/10

Thank you for purchasing a Honeywell Day/Night Ultra Wide Dynamic Fixed Dome Camera. Before installing the camera, please verify your model and read this guide carefully:

Model	Signal format	Lens
HD3U	NTSC	2.8 to 10.5 mm Vari-focal Auto Iris lens
HD3UX	PAL	2.8 to 10.5 mm Vari-focal Auto Iris lens

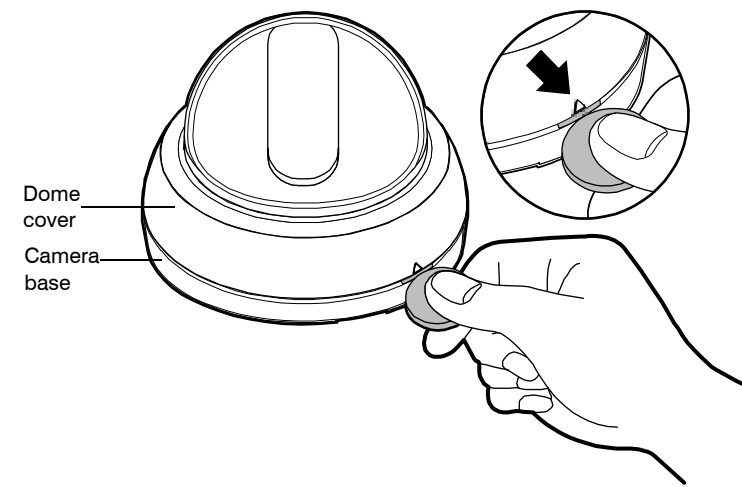
### Unpack Everything



You will also require a Phillips screwdriver and side-cutters.

## 1 Remove the Dome Cover

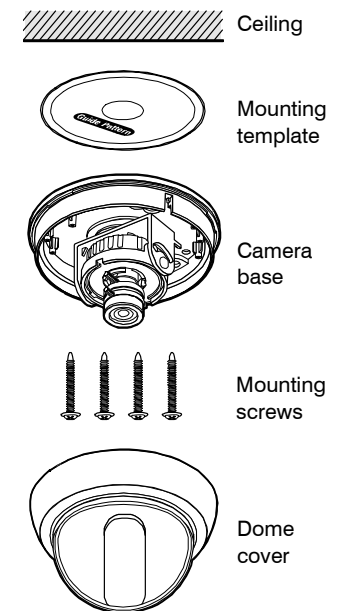
Before you can mount or adjust your HD3U/X, you must remove the dome cover. Insert a coin or screwdriver in the slot on the dome cover, then twist to pry the dome cover from the camera base.



## 2 Mount the Camera

The HD3U/X camera is designed to be surface mounted on a wall or ceiling.

1. Attach the mounting template to the wall or ceiling.
2. Drill four holes according to the mounting template, then insert anchors (not supplied) into the drilled holes.
3. Pull power and video cables through to the connectors. See "Connect the Wiring" (see below).
4. Use the four screws (supplied) to attach the camera to the wall or ceiling.



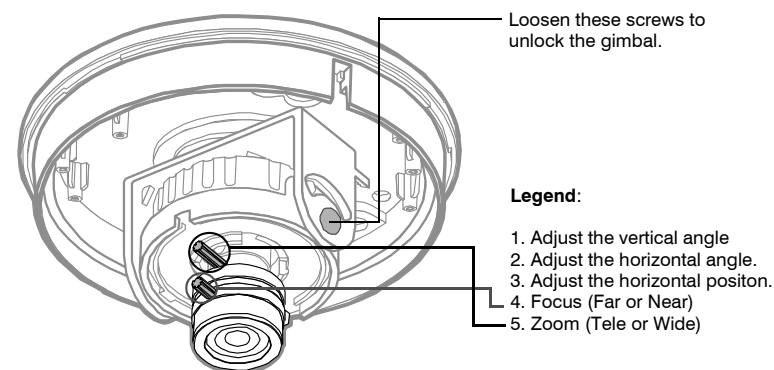
**Note** Leave the dome cover off until you have adjusted the camera.

## 3 Adjust the Camera

To adjust the HD3U/X Camera:

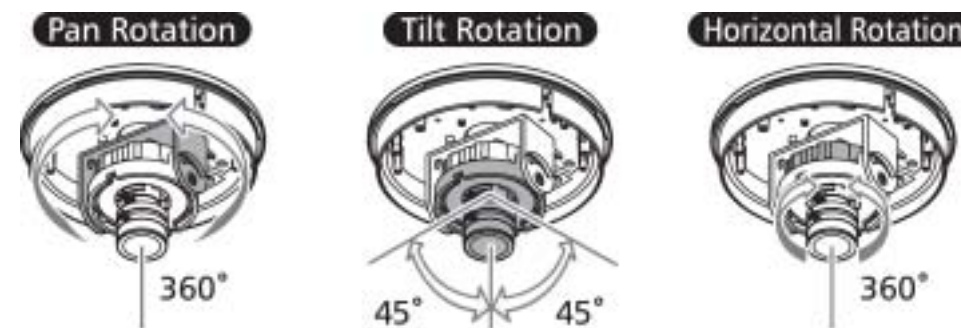
1. Apply 12 VDC or 24 VAC power to the camera and monitor the video signal.
2. Loosen the screws that lock the gimbal assembly in place (see below).
3. Adjust the camera gimbal to the desired view.
4. Tighten the screws to lock the gimbal assembly in place.

**Note** Orient the camera as shown in "Adjusting the Lens Focus" to maintain the correct picture orientation.

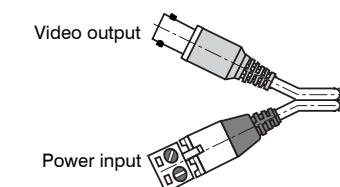


### Adjusting the Lens Focus

Lenses are pre-focused at the factory. In the unlikely event that the optical effect of the dome cover causes a slight defocusing of the lens, hold the dome cover over the lens to make a final adjustment.



### Connect the Wiring



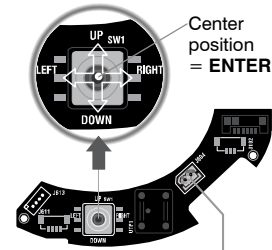
Function	Terminal Color	Remarks
Video output	Yellow	1.0 Vp-p
Power input	Green	24 VAC (20V~28V) or 12 VDC (10V~15V), Max 3.8 W, 310 mA

The power connections are not polarity sensitive.  
Use a 24 VAC ~ power source or a 12 VDC = power source.

# 4

## Operate Your Camera

### Camera Functions



#### Joystick (5 way) control

- Press down on the joystick in the center position and hold two seconds to access the MAIN MENU.
- Press down again on the center position to select ENTER and to enter a screen or to select a menu option.

- ◀, ▶ Move horizontally to and between menus and options
- ▲, ▼ Move vertically to and between menus and options
- ".." indicates submenus



Local video out connection

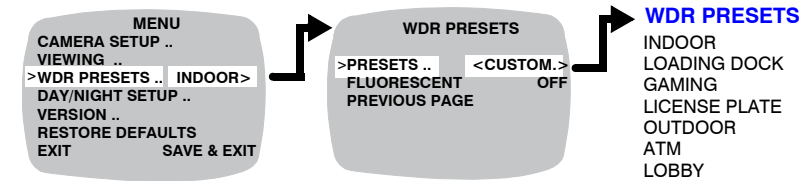
Select a menu, then press ENTER to enter the submenu.

Move the joystick ◀ or ▶ to change the status.

To save your changes, select **SAVE & EXIT**, and then **ENTER**. Your settings remain in effect when power is turned off, then on again.

# 5

## Select the WDR Preset For Your Scene

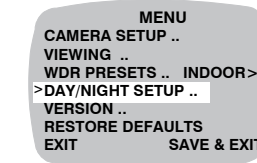


The Wide Dynamic (WDR) presets and the scenes for which they are optimized.

WDR Preset	Area of Interest	WDR	Exposure
INDOOR	Full scene	Wide	Highlights
LOADING DOCK	Center scene	Ultrawide	Highlights
GAMING	Full scene spot glare	Medium	Highlights
LICENSE PLATE	Full scene spot glare	Medium	Shadows
OUTDOOR	Full scene	Ultrawide	Highlights
ATM	Center scene	Ultrawide	Shadows
LOBBY	Center scene	Wide	Shadows

# 6

## Set the Day/Night Function



**Note** This setting is dependent on the AGC setting.

- On the DAY/NIGHT SETUP menu, select:
- **DAY/NIGHT SETUP**, then select either:
    - **AUTO** (default) depending on the light level, the camera automatically switches from color to black and white, OR
    - **OFF** the camera stays in color mode regardless of the light level, OR
    - **B/W** the camera stays in black and white mode regardless of the light level
  - **\*CLR BURST** (color burst), then select either:
    - **ON** (default) = B/W with color burst, OR
    - **OFF** = B/W without color burst

**Note** Certain video recorders require color carrier/burst to operate.

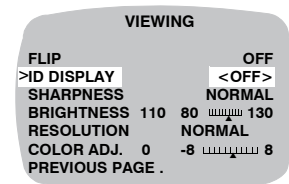
# 7

## Set the AGC

The Automatic Gain Control is set by the chosen WDR preset. You can refine the AGC setting in the AGC menu (**MAIN MENU** ► **CAMERA SETUP** ► **AGC**). This setting affects the day/night threshold. A higher AGC value results in the camera switching from day to night mode at lower light levels. Adjust the level of gain applied to the video signal in low light conditions.

# 8

## Set the Camera Image Properties

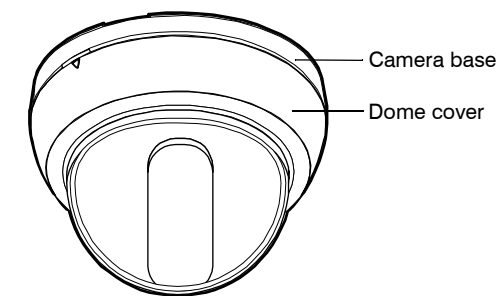


The VIEWING menu has the following controls:

- **FLIP** reverses the image horizontally on the video monitor.
- **ID DISPLAY** opens the CAMERA ID SETUP screen where you can add a CAMERA ID (title) of up to 8 characters. You can also select the position of the CAMERA ID on the video monitor.
- **SHARPNESS** and **RESOLUTION** affect the sharpness of the image.
- **BRIGHTNESS** adjusts the brightness of the image.
- **COLOR** adjusts the color saturation.

# 9

## Install the Enclosure Cover



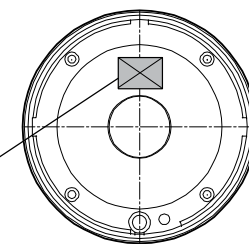
To install the dome cover, align the dome cover with the camera base and push until it securely snaps into place.

## Important Safety Instructions



1. Read these instructions.
2. Keep these instructions.
3. Heed all warnings.
4. Follow all instructions.
5. Do not use this apparatus near water.
6. Clean only with a dry cloth.
7. Install in accordance with the manufacturer's instructions.
8. Do not install near any heat sources such as radiators, heat registers, stoves, or other apparatus (including amplifiers) that produce heat.

9. Only use attachments/accessories specified by the manufacturer.
10. Unplug this apparatus during lightning storms or when unused for long periods of time.
11. Refer all servicing to qualified personnel. Servicing is required when the apparatus has been damaged in any way, such as power-supply cord or plug is damaged, liquid has been spilled or objects have fallen into the apparatus, the apparatus has been exposed to rain or moisture, does not operate normally, or has been dropped.



This product is CLASS 2 only.  
The UL listing label is located on the back of the camera.

**Honeywell Security Group (Head Office)**  
2700 Blankenbaker Pkwy, Suite 150  
Louisville, KY 40299, USA  
[www.honeywellvideo.com](http://www.honeywellvideo.com)  
☎ +1.800.796.2288

**Honeywell Security Group Europe/South Africa**  
Aston Fields Road, Whitehouse Industrial Estate  
Runcorn, Cheshire, WA7 3DL, UK  
[www.honeywell.com/security/uk](http://www.honeywell.com/security/uk)  
☎ +44.01928.754028

**Honeywell Security Group Caribbean/Latin America**  
9315 NW 112th Ave.  
Miami, FL 33178, USA  
[www.honeywellvideo.com](http://www.honeywellvideo.com)  
☎ +1.305.805.8188

**Honeywell Security Group Pacific**  
Level 3, 2 Richardson Place  
North Ryde, NSW 2113, Australia  
[www.honeywellsecurity.com.au](http://www.honeywellsecurity.com.au)  
☎ +61.2.9353.7000

**Honeywell Security Group Asia**  
35F Tower A, City Center, 100 Zun Yi Road  
Shanghai 200051, China  
[www.asia.security.honeywell.com](http://www.asia.security.honeywell.com)  
☎ +86 21.5257.4568

**Honeywell Security Group Middle East/N. Africa**  
Post Office Box 18530  
LOB Building 08, Office 199  
Jebel Ali, Dubai, United Arab Emirates  
[www.honeywell.com/security/me](http://www.honeywell.com/security/me)  
☎ +971.04.881.5506

**Honeywell Security Group Northern Europe**  
Ampèrestraat 41  
1446 TR Purmerend, The Netherlands  
[www.honeywell.com/security/nl](http://www.honeywell.com/security/nl)  
☎ +31.299.410.200

**Honeywell Security Group Deutschland**  
Johannes-Maue-Straße 14  
D-72458 Albstadt, Germany  
[www.honeywell.com/security/de](http://www.honeywell.com/security/de)  
☎ +49.74 31.8 01.0

**Honeywell Security Group France**  
Immeuble Lavoisier  
Parc de Haute Technologie  
3-7 rue Georges Besse  
92160 Antony, France  
[www.honeywell.com/security/fr](http://www.honeywell.com/security/fr)  
☎ +33.(0).1.40.96.20.50

**Honeywell Security Group Italia SpA**  
Via della Resistenza 53/59  
20090 Buccinasco  
Milan, Italy  
[www.honeywell.com/security/it](http://www.honeywell.com/security/it)  
☎ +39.02.4888.051

**Honeywell Security Group España**  
Mijancas 1. 3a planta  
P.Ind. Las Mercedes  
28022 Madrid, Spain  
[www.honeywell.com/security/es](http://www.honeywell.com/security/es)  
☎ +34.902.667.800

**Honeywell**

[www.honeywellvideo.com](http://www.honeywellvideo.com)  
+1.800.796.CCTV (North America only)  
HVSsupport@honeywell.com

Document 800-05023 – Rev D – 02/10

## Free Manuals Download Website

<http://myh66.com>

<http://usermanuals.us>

<http://www.somanuals.com>

<http://www.4manuals.cc>

<http://www.manual-lib.com>

<http://www.404manual.com>

<http://www.luxmanual.com>

<http://aubethermostatmanual.com>

Golf course search by state

<http://golfingnear.com>

Email search by domain

<http://emailbydomain.com>

Auto manuals search

<http://auto.somanuals.com>

TV manuals search

<http://tv.somanuals.com>