

HM700A1000

ELECTRODE STEAM HUMIDIFIER

INSTALLATION INSTRUCTIONS



Tools Needed

- Screwdriver
- Wrench
- Pliers
- Shut-off water valve
- Water line (LDPE or Copper)

Humidifier Configuration

The HM700 is configured at the factory to operate under most conditions without the need to change its configuration.

NOTE: Because the humidifier is factory configured for optimal performance, Honeywell strongly discourages changes to the jumpers or the potentiometer; doing so will void the warranty and could damage the humidifier. Contact Honeywell Customer Care for further information.

INTRODUCTION

The HM700 is the most advanced residential steam humidifier available and provides steady and reliable humidification for a home. The humidifier is designed for connection to a steam distributor installed in a supply air duct for humidity on demand.

IMPORTANT

Read and save these instructions. This guide should be kept by the installer, and the Homeowner's Guide should be left with the equipment owner.

Included in the Box

- Steam Humidifier (HM700)
- Distribution Remote Mount Kit (HM700ADISTKIT)
- HumidiPRO Humidistat (H6062A1000)
- Steam Cylinder (one HM700ACYL2 included)
- Rubber drain hose
- Installation Instructions, Homeowner's Guide and Quick Start Guide

Before Installation

1. Ensure that available voltage and phase corresponds with humidifier voltage and phase as indicated on humidifier's specification label.
2. Ensure that the dedicated external fuse disconnect is of sufficient size to handle the rated amps as indicated on the specification label. Refer to local codes.
3. Ensure sufficient clearances will be available as described in the Location section on page 5.
4. Ensure steam lines can be routed to duct distributor as described in Steam Lines and Condensate Return Instructions on page 8.

Table 1. Specifications.

Part Number	Volts	Steam Output GPD	KW	Amps	Phase	Max Ext Fuse	Standard Cylinder	Net/Full Weight lbs. (kg)	Dimensions in inches (L x W x H)
HM700A1000	110/120	11	1.4	12.0	1	15 A	CYL2	15 / 20 (7.0 / 9.5)	11.5 x 6.75 x 21.5
	220/240	22	2.8						



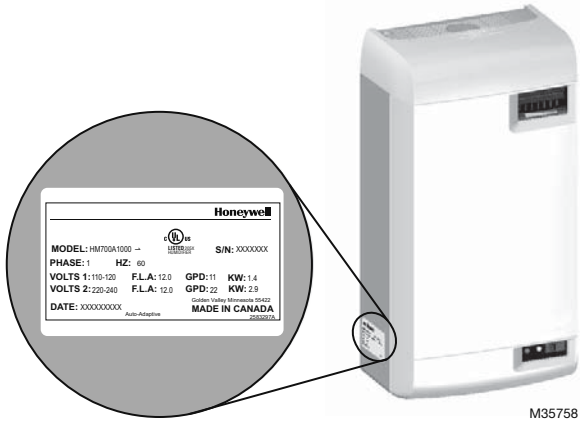


Fig. 1. Specification label location.

! CAUTION
Servicing

Disconnect main power before any servicing. The plumbing and electrical compartments contain high voltage components and wiring. Access should be limited to authorized personnel only. During and following operation of the humidifier, the steam and components in contact with the steam such as the steam lines, steam distributors, and condensate lines can become hot and can burn if touched. Honeywell does not accept any liability for installations of humidity equipment installed by unqualified personnel or the use of parts/components/equipment that are not authorized or approved by Honeywell. To maintain warranty, only Honeywell approved parts and cylinders may be used in the operation of the product.

! CAUTION
Electrical

All electrical work should be done according to local and national electrical code. Electrical connection to be performed by a licensed electrician. Unit must be powered by a dedicated GFI circuit.

! CAUTION
Plumbing

Plumbing to be performed by a licensed plumber. Drain water from humidifier can be very hot. Do not drain to public sink. All plumbing work should be done according to local plumbing code.

! CAUTION
Installation

Do not mount on hot surfaces. Do not mount in area where freezing can occur. Do not mount on vibrating surface. Do not mount on floor. The HM700 produces steam at atmospheric pressure. No devices which could block steam output should be connected to the steam outlet. Steam lines must be installed so that no restriction can produce backpressure in the humidifier.

! CAUTION
Water quality

The Honeywell HM700 requires a cold water connection from your home's main water supply between 30-100 PSIG. A throttle valve may be necessary, and a water shut-off valve is recommended for safety. Reverse Osmosis (RO) and Deionized (DI) water **must not** be used. Water conductivity is important to ensure the electrode humidifier operates effectively. Honeywell recommends 150-1200 µS (microsiemens).

Parts and Accessories

The following parts and accessories are available and may have been included with your HM700 humidifier. The cylinder is the only item that will need periodic replacement to maintain proper humidifier operation.

Table 2. Parts and accessories.

Part/Accessory	Part Number
Replacement Cylinder	HM700ACYL2
HumidiPRO Humidistat	H6062A1000
Stainless Steel Distribution Remote Mount Kit	HM700ADISTKIT
Replacement Drain Valve	HM700ADVALVE
Replacement Fill Valve	HM700AFVALVE
Replacement Transformer	HM700ATX
Replacement PC Board	HM700APCB
15 ft. Insulated Steam and Condensate Line Hose Kit	HM700AHOSEKIT
Differential Pressure Switch for Air Proving	50027910-001

How the Humidifier Works

The HM700 is an atmospheric steam generator that uses heat generated by electrical current flowing between submerged electrodes to generate steam. The HM700 is designed for on-demand air humidification via a steam distributor.

STEAM GENERATION

- Once the unit receives a demand signal and the safety loop between terminal 1 and 2 is closed, the humidifier closes the contactor and measures the electrical current.
- If the demand is lower than the actual output the inlet valve is kept closed and output is reduced by letting the water level in the cylinder decrease by evaporation.
- If demand is higher than the actual output, after a brief delay the fill valve is activated and water flows into the fill cup. Water from the fill cup flows into the bottom of the cylinder through a hose connected to the drain valve housing.

NOTE: The cylinder is gravity fed from the fill cup. If backpressure from the steam line is too high it will cause water to back up in the fill cup and flow down the overflow line to the drain.

- As soon as the water in the cylinder comes in contact with the energized electrodes, current flows through the water. The resistance of the water to the electrical charge generates heat and in turn steam. The electrical current (and steam output) increases as the level of water increases, as more of the electrode becomes submerged. The unit continues to fill until the current matches demand or the high water sensor detects a high water level.
- The HM700 repeats the fill and boil down cycle repeatedly to match output to demand.
- Over time minerals in the water will adhere to the cylinder electrodes. The humidifier will automatically fill to a higher water level to maintain full capacity during the life of the cylinder. Eventually because of scale formation it will no longer be possible for the humidifier to reach its full

capacity. The HM700 software monitors this condition and, when detected, will stop operating and flash the yellow LED in a repeating sequence of 4 flashes.

DRAINS

- As steam is produced, minerals are left behind, increasing the conductivity of the water. The HM700 patented auto adaptive cycle will monitor the water conductivity and perform drains to maintain the water at optimal conductivity for peak performance.
- The auto adaptive cycle ensures cylinder life is maximized. It does this by keeping the tightest control and most efficient use of water during the entire cylinder life.

STEAM DISTRIBUTION

Steam generated by the humidifier may be introduced into the air in several different ways. The most common method for adding the steam into the air is to mount a steam distributor tube in a supply air duct.

STEAM LINE

The steam line between the cylinder steam outlet and the distributor serves two purposes: it is used as a conduit to transfer the atmospheric steam from the humidifier to the distributor, as well as providing a means to remove condensate. See "Steam Lines and Condensate Return Instructions" on page 8 for information on selecting steam lines.

CONDENSATE RETURN

Whenever steam is distributed condensate is formed in the distribution system. Insulating steam lines is one important way to reduce the amount of condensate formed. Steam lines are sloped so that condensate does not collect in the lines and create a restriction to steam flow. The condensate must be collected and removed from the system so that it does not build up and leak into the duct. Condensate can be returned to the HM700 fill cup to reduce water waste or can be fed to drain.

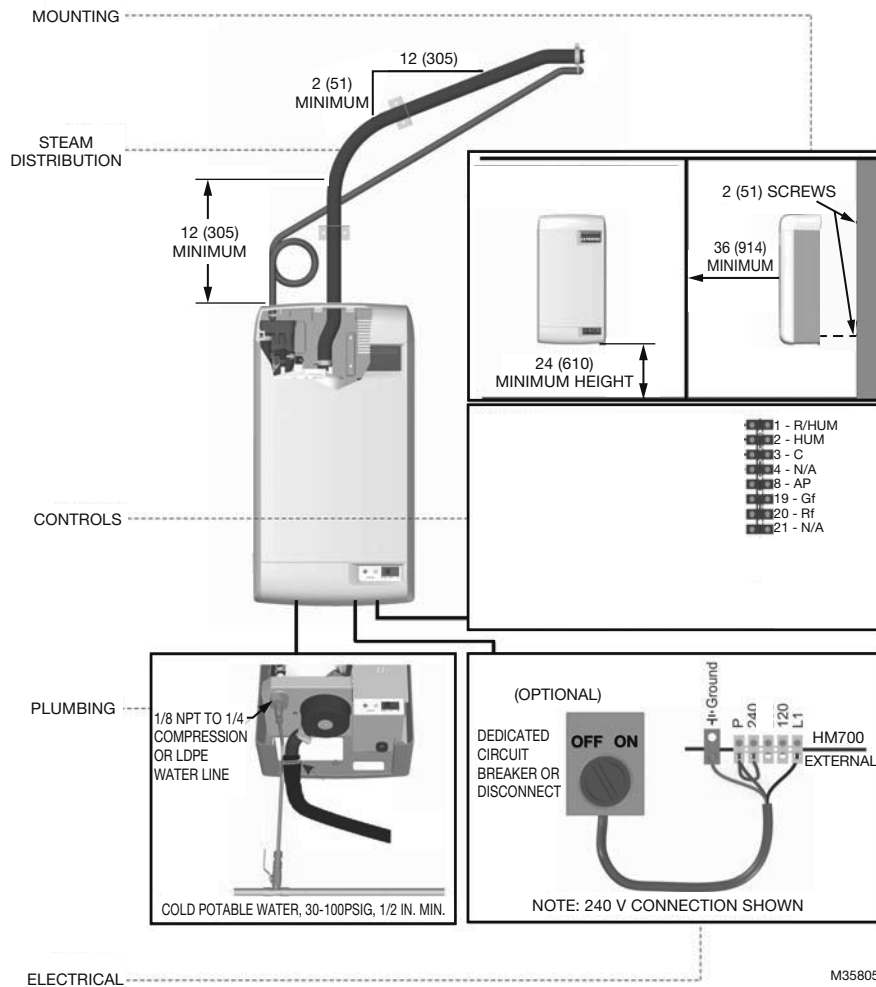


Fig. 2. Typical HM700 Installation. Measurements in inches (mm).

SIZING

IMPORTANT

The HM700 should only be installed if it has been sized properly. **Do not use square feet when sizing a humidifier installation.** Instead, cubic feet must be used, since the humidity is filling a volume of space (width x length x height). Also, take into consideration the “tightness” of a home’s construction.

The HM700 produces 11 gallons per day (GPD) when run on 120 V and 22 GPD when run on 240 V. See Figure 16 for details on configuring the HM700 to run on a different voltage.

Table 3 contains AHRI recommendations for humidity requirements and Table 4 shows what humidifiers and output configuration will satisfy the humidification requirements.

Table 3. AHRI Recommended Humidity (in gallons per day).

Construction Type	8,000 ft ³	12,000 ft ³	16,000 ft ³	20,000 ft ³	24,000 ft ³	28,000 ft ³	32,000 ft ³
Tight	3.3	4.3	5.4	7.5	9.6	11.7	16
Average	7.6	9.6	11.8	16	20.3	24.4	33
Loose	11.7	14.9	18.1	24.5	30.8	37.1	50

Table 4. Steam humidifier(s) necessary for application.^a

Construction Type	8,000 ft ³	12,000 ft ³	16,000 ft ³	20,000 ft ³	24,000 ft ³	28,000 ft ³	32,000 ft ³
Tight	11 GPD	11 GPD	11 GPD	11 GPD	11 GPD	11 GPD (x2) or 22 GPD (x1)	11 GPD (x2) or 22 GPD (x1)
Average	11 GPD	11 GPD	22 GPD	22 GPD	22 GPD	11 GPD (x3) or 22 GPD (x2)	11 GPD (x3) or 22 GPD (x2)
Loose	22 GPD	22 GPD	22 GPD	11 GPD (x3) or 22 GPD (x2)	11 GPD (x3) or 22 GPD (x2)	11 GPD (x4) or 22 GPD (x2)	11 GPD (x5) or 22 GPD (x3)

^a In the table above, **11 GPD** indicates a steam humidifier configured to run on 120 V and **22 GPD** indicates a steam humidifier configured to run on 240 V.

LOCATION

Mount on a suitable wall or vertical surface. Do not sit the unit on the floor. Allow clearances required for plumbing and electrical connections. Clearance dimensions shown are for reference only and are the minimum required for maintenance of the humidifier. Consult local and national codes before final location and installation. Honeywell does not accept responsibility for installation code violations.

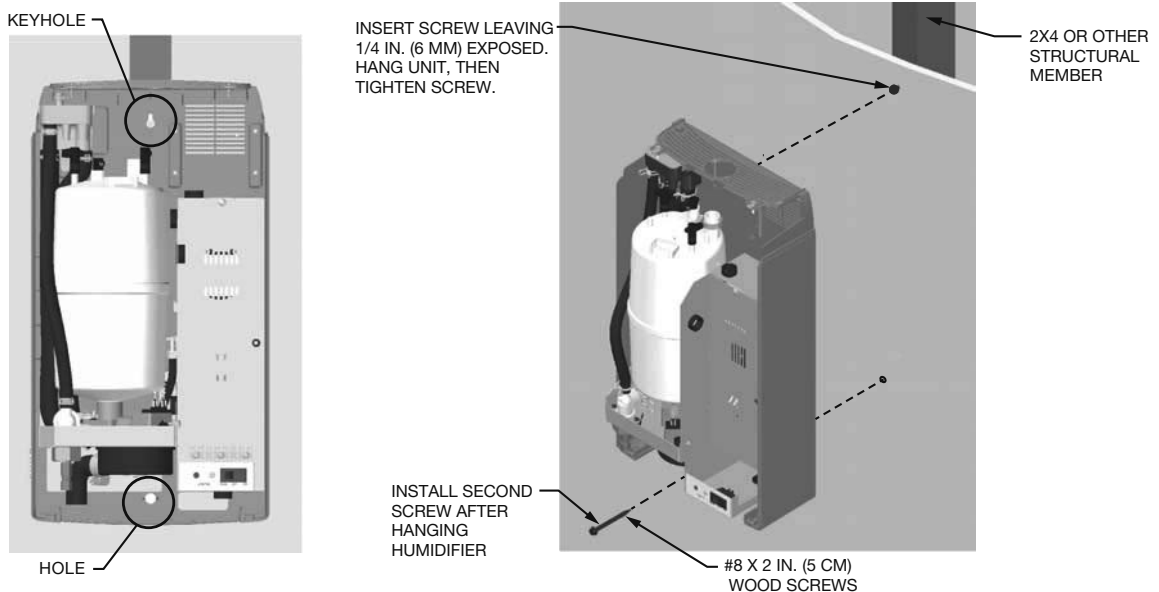
- Install only in areas with ambient temperature 41 to 104 °F (5 to 40 °C) and relative humidity 5 to 95 %.
- When possible install below the steam distributor. Take care to provide proper steam line routing and proper condensate traps.
- DO NOT locate the humidifier any further than absolutely necessary from the steam distributor location as net output will be reduced as a result of heat loss through the steam line.
- When possible, mount the HM700 humidifier at a height convenient for servicing.

NOTE: Do not mount on hot surfaces, where freezing can occur, vibrating surface, or floor.

Mounting with Keyholes

1. The HM700 humidifier is wall mounted using a keyhole located on the back of the unit cabinetry.
2. Use #8 x 2 in. (5 cm) screws mounted into 2x4 studs or better. 2 screws are needed, one for hanging the unit and one for securing so it will not lift off the keyhole.
3. Install the top screw so that 1/4 in. (6 mm) is exposed. Raise the unit and place the screw head through the keyhole.
4. Make sure the unit is level and then insert and tighten the second screw through the bottom hole. Tighten the top screw. See Fig. 3.

NOTE: Use screws longer than 2 in. (5 cm) if drywall or other spacer is present.



M35759

Fig. 3. Mounting with keyholes.

PLUMBING

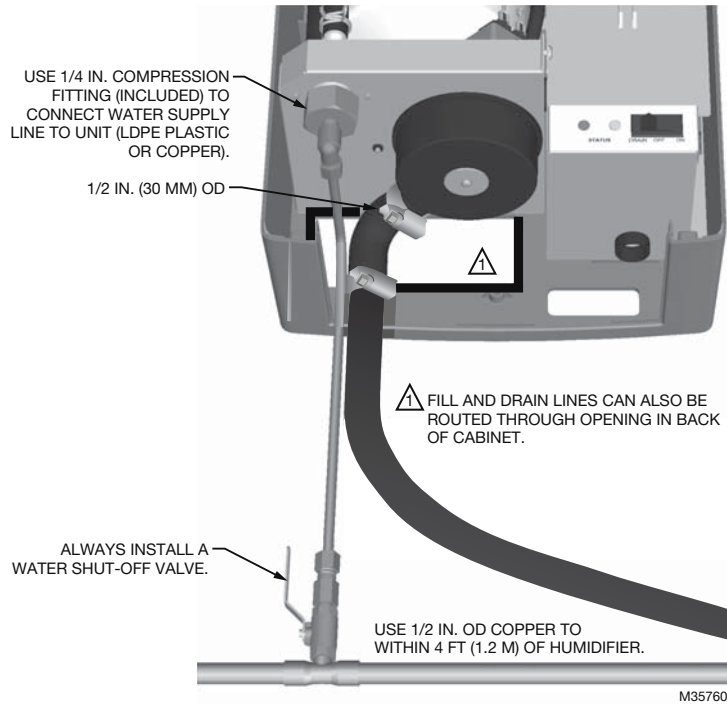


Fig. 4. Water supply and drain connection.

IMPORTANT

- All water supply and drain line connections should be installed in accordance with local plumbing codes.
- Drain water is automatically cooled to 140 °F (60 °C) when HM700 cycles a drain. When the manual drain switch is used, temperature may be higher. The drain material (tube and drain) must be rated for 200 °F (93 °C).
- Supply water should be between 30 to 100 PSIG. A throttle valve may be used if necessary.
- Do not use reverse osmosis or de-ionized water. Supply water should be between 150-1200 µS (microsiemens) for optimal conductivity.

- Supply water should be cold, 34 to 68 °F (1 to 20 °C).
- Install water shut off valve before humidifier to facilitate servicing.
- The drain line should not end in a sink used frequently by personnel, or where plumbing codes prohibit it. Route to a floor drain or equivalent for safety reasons.
- Drain line should be routed to allow free flow of water. Ensure adequate slope, no traps, and no kinks. A restricted drain can cause cylinder water to over concentrate and result in poor operation.
- If a drain is not located near the humidifier use a condensate pump rated for hot drain water.

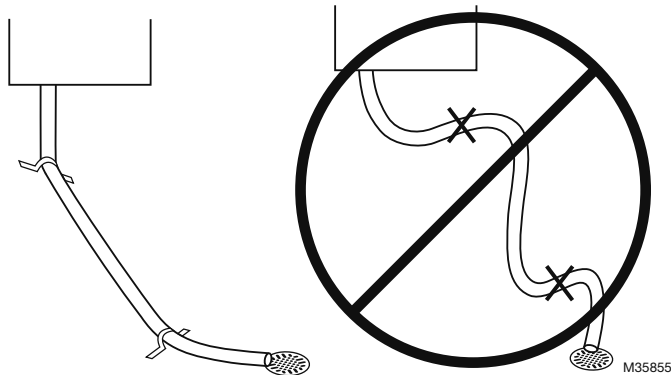


Fig. 5.

Steam Distributor

The HM700 requires a steam distributor installed in the supply-side of ductwork. The HM700 can distribute steam into a ventilation duct using the distributor shown in Table 5.

The steam distributor should be installed as close as possible to the humidifier. Short steam distribution lines minimize condensate loss and the possibility of generating backpressure in the steam distribution line.

Table 5. Steam distributor.

Part Number	Description	Notes
HM700ADISTKIT	Stainless Steel Distribution Remote Mount Kit	Includes a steam distributor, 5 ft. insulated steam hose, condensate hose, and installation hardware.

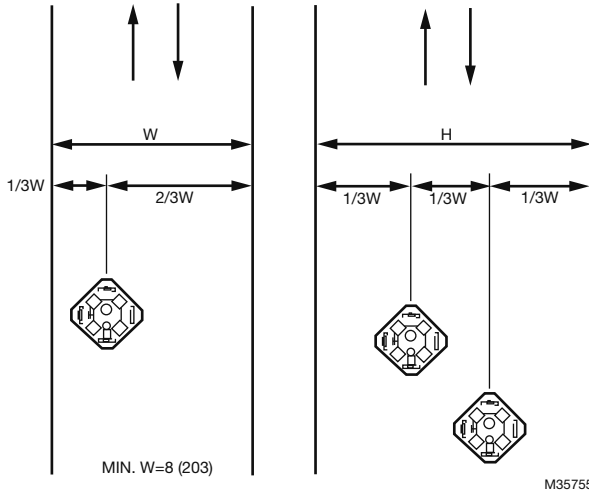


Fig. 6.

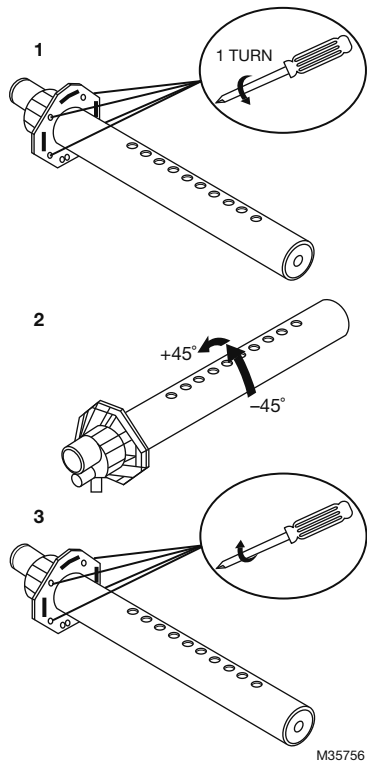


Fig. 7.

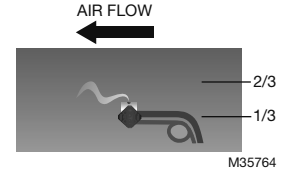


Fig. 8. Distributor installed horizontally in a horizontal duct.

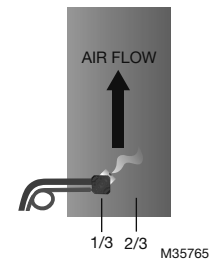


Fig. 9. Distributor installed horizontally in a vertical duct. Rotate the distributor 45° so that steam is discharged toward the center of duct, in the direction of the air flow.

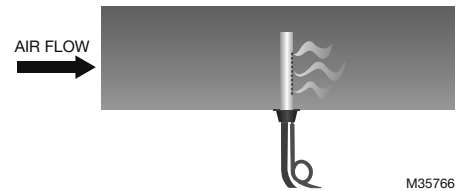


Fig. 10. Distributor installed vertically in a horizontal duct. This configuration is not recommended.

Steam Lines and Condensate Return Instructions

The following instructions must be followed for installation of steam lines for the HM700. Failure to use recommended material and exceeding maximum recommended length in Table 6, or failure to follow any other steam line installation instructions will result in improper operation and could void the warranty.

Table 6. Recommended Steam Line Material for HM700 Duct.

Voltage	Steam Output		Material*			Maximum Steam Line Length		Possible Losses		Minimum Airflow CFM	Max Static Pressure
	lbs/hr	(kg/hr)	Steam Hose	MED-L Copper Tube	Stainless Steel Tube	ft	(m)	lbs/hr	(kg/hr)		
110/120V	3.85	(1.75)	7/8 in.	3/4 in.	0.875 x 0.049W	7	(2)	0.5	(0.2)	115	3.0 in. w.c.
220/240V	7.7	(3.5)				12	(3.5)	1.5	(0.7)	230	

* The use of steam line other than copper, stainless steel tube or Honeywell supplied steam line will void the warranty and may adversely affect the operation of the humidifier.

* When using copper or stainless steel tubing (other than the supplied tubing), insulation is recommended due to high temperature safety as well as reduced condensate.

To return condensate for HM700, insert copper tube (supplied with equipment) half way into the condensate opening of the fill cup along with the spring clamp (supplied with equipment).

Insert the condensate hose into the condensate return hole at the top of the HM700, and over the copper tube. Fasten in place with the spring clamp.

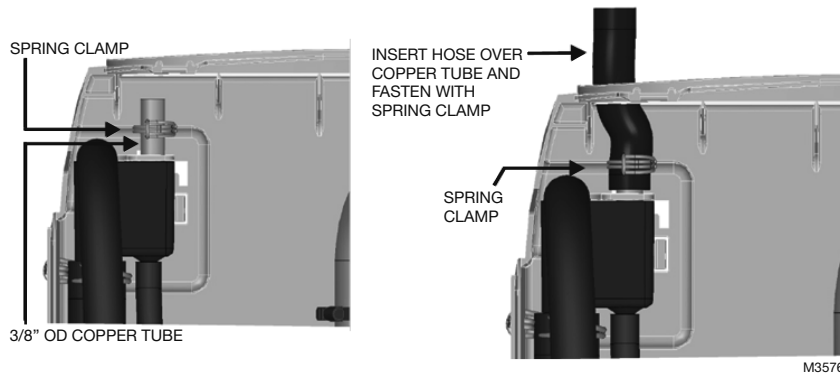


Fig. 11. Condensate return.

MAIN RULES FOR ATMOSPHERIC STEAM LINES

- Steam lines must not have any restrictions which could result in back pressure.
- Follow recommended materials, size and length, see tables.
- Install steam line in a vertical (upwards) fashion from the HM700 to the distribution nozzle. Consult Figures 12-14 for other installation options.
- Insulate with 1.0 in. (2.5 cm) pipe insulation.
- Trap condensate (Use full size 'T' for Traps)
- Do not over tighten hose clamp at cylinder steam outlet. The maximum torque is 12 in-lbs.
- Support steam line so weight is not on cylinder.
- Condensate traps must be a minimum of 6 in. (15 cm) in height or duct static pressure +2 in. (5 cm), whichever is greater.
- Trapping by P-trap or pigtail. **Support line as necessary to ensure it remains free of kinks.**

Steam Line Installation Examples

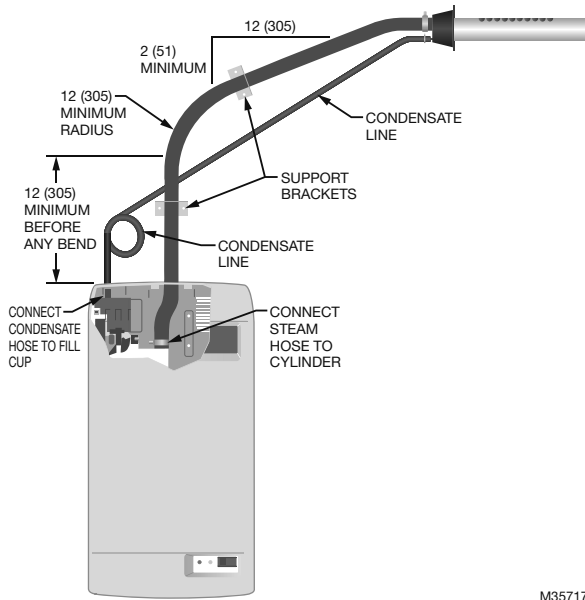


Fig. 12. Steam distributor above humidifier (hose). Measurements in inches (mm).

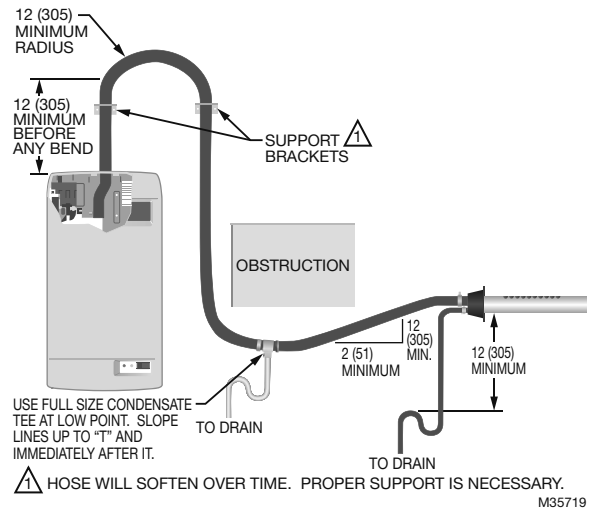


Fig. 14. Steam distributor below humidifier with obstruction (hose). Measurements in inches (mm).

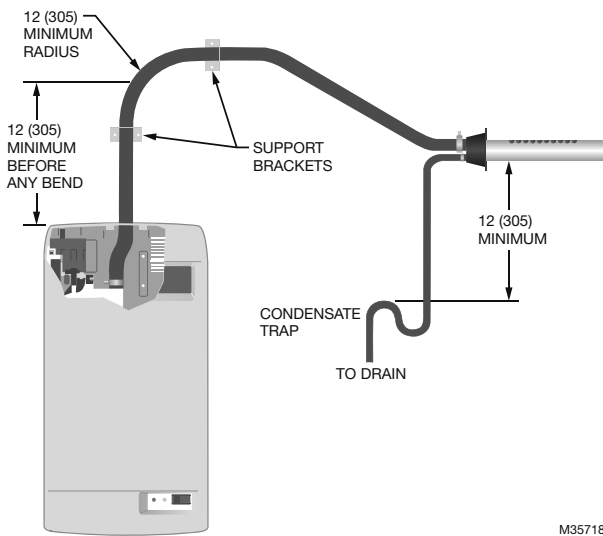


Fig. 13. Steam distributor below humidifier (hose). Measurements in inches (mm).

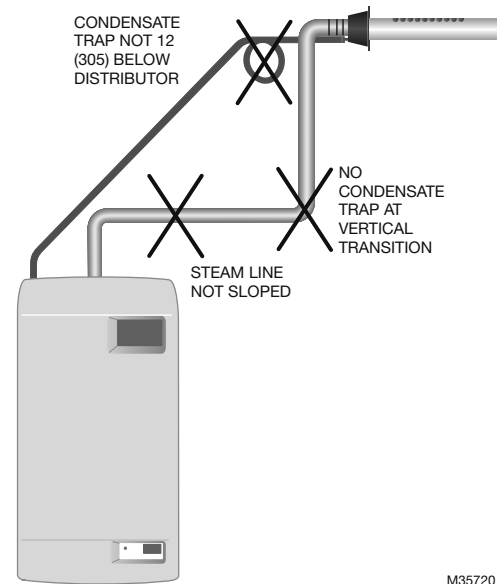


Fig. 15. Common steam line installation errors. Measurements in inches (mm).

ELECTRICAL

! CAUTION

Wiring to be performed by a licensed electrician. This unit must be installed on a GFI Circuit.

! CAUTION

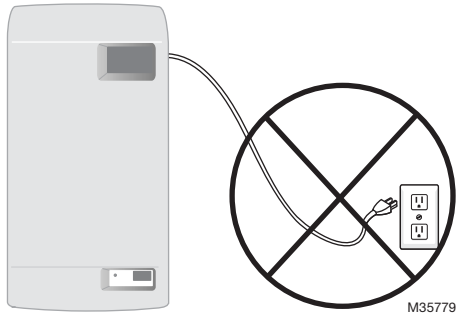
Equipment Damage Hazard

Failure to wire the humidifier in accordance with the wiring instructions could cause permanent damage. Such errors will void the warranty.

! WARNING

HM700A Humidifier must be installed using a dedicated 15 amp circuit breaker and hardwired directly to comply with UL product listing. All wiring must be done per governing electrical codes.

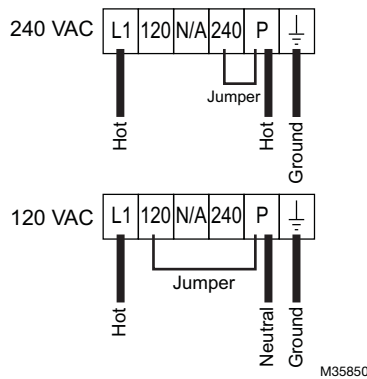
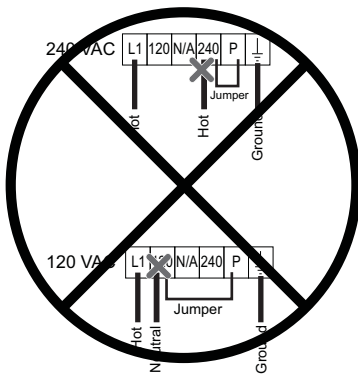
Electrical line cord plugs can overheat and result in risk of damage to property and/or personal injury. Note: Product warranty will be voided if these instructions are not followed.



! CAUTION

JUMPER WIRE INSTALLATION

- DO NOT install mains voltage wire (hot or neutral) into 120 or 240 terminal.
- DO install mains wires into L1 terminal (hot) and P terminal (hot/neutral).
- DO install jumper from P to 120 or 240 terminal (according to mains voltage).



Installation Steps

1. Unit requires a dedicated circuit with GFI protection. Bring circuit to a disconnect near the device to protect from electrical shock when servicing.
2. Hard wire humidifier to disconnect according as shown at right.
3. Install factory-supplied jumper between the P terminal and the terminal that corresponds to supply voltage.
4. Remove green wire attached to case body and drain valve (remove canister for access).
5. Clip ground wire as close to drain valve as possible and remove excess.

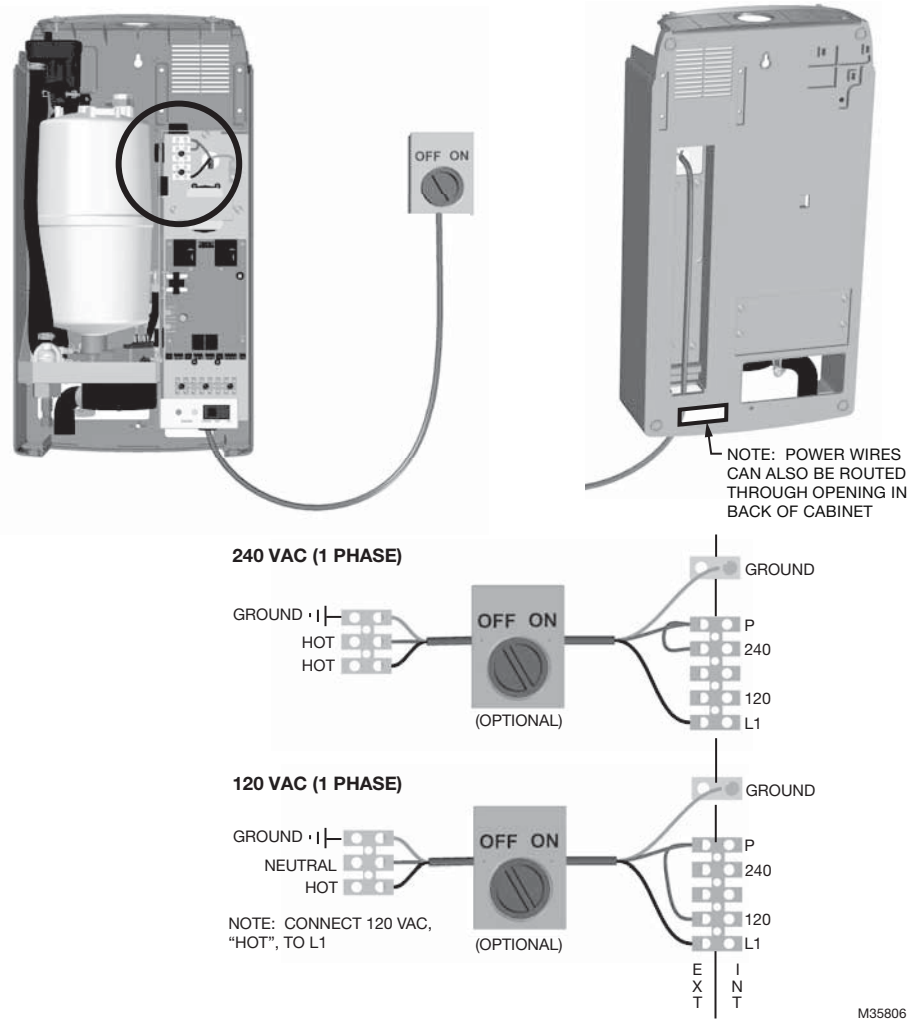


Fig. 16. Primary power connection.

NOTES:

- Honeywell requires the use of a GFI circuit on this device to protect the homeowner from electrical shock.
- When installed correctly, the green wire should be removed from the drain valve. The green wire comes pre-installed from the factory to protect the homeowner in case of an improper installation or when it is not possible to retrofit a GFI circuit. See Fig. 24 for the location of green wire on the drain valve.
- Ensure that adequate power is available to carry full humidifier amp draw as indicated on the specification label.
- Do not use neutral wire as a ground; connect a dedicated ground to ground termination.
- All wiring to be in accordance with national and local electrical codes.

EXTERNAL CONTROLS

Fan Interlock Wiring with HumidiPRO

When distributing steam into a duct, there could be a call for humidity when there is no air flow. The HM700 with HumidiPRO control or some other thermostat (such as the Honeywell Prestige of VisionPRO®) can be used to enable a fan on a call for humidity. If using another thermostat, consult that control's manual for wiring instructions to enable the fan with a powered humidification device.

NOTE: Humidifier will not start producing steam until fan security loop is closed.

This information is relevant to all controls, factory supplied or otherwise. For wiring use minimum 18 AWG solid wire and keep as short as possible.

Humidity Control

- Can be located either in return air duct (preferred) or in room being humidified.
- Avoid placing near discharge diffuser of humidified air.
- Mount in area representative of room humidity (drafts, doorways, sunlight, or an overhang such as a shelf can affect reading).

Optional Outdoor Temperature Sensor (not shown; included with HumidPRO)

- Mount outside in area representing air temperature.

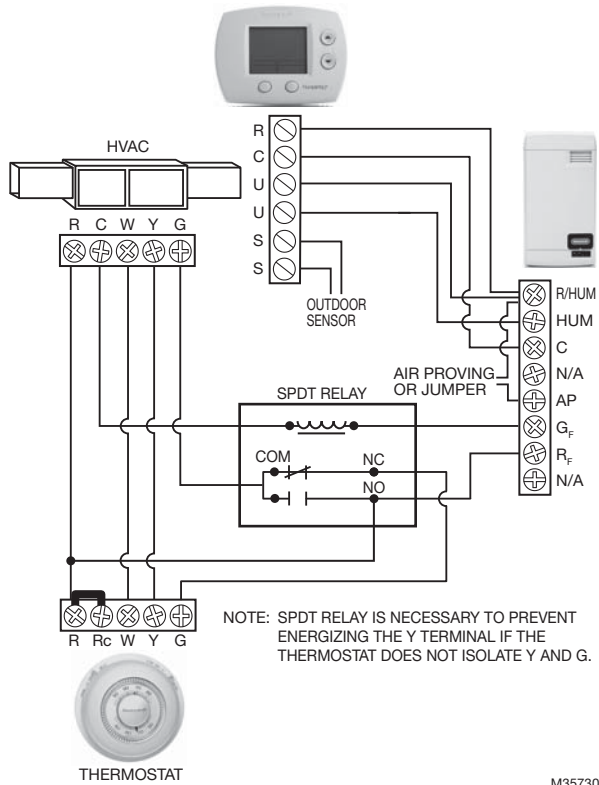
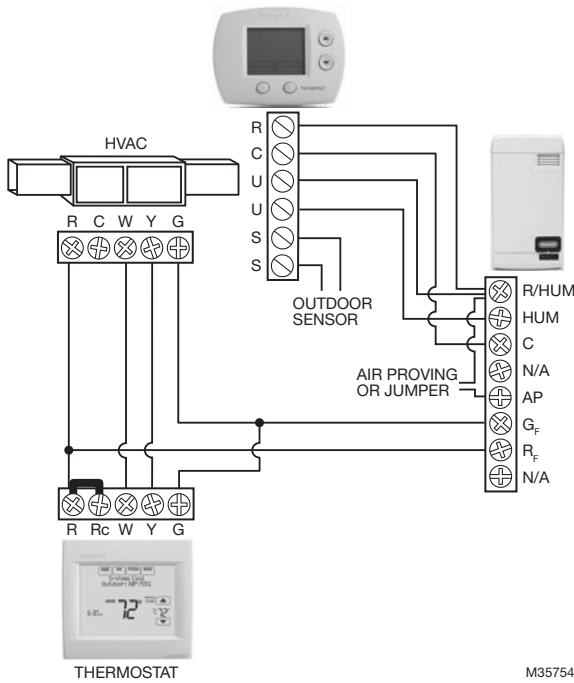


Fig. 17. Wiring the steam humidifier with a digital thermostat.

Fig. 18. Wiring the steam humidifier with a mechanical thermostat.

NOTE: If a Prestige, VisionPRO, Lyric (or similar) are used to control humidity, wire the two HUM contacts to terminals 1 and 2 on the HM700. With the jumper in place between terminals 1 and 8 on the HM700, only these two wires are necessary to control humidity. Be sure to configure the control to force fan on with a call for humidity, or run on a heat cycle if the fan enable wiring is not used.

START UP

Installation Check

Before turning on power to the HM700, inspect the installation to ensure that it was carried out correctly.

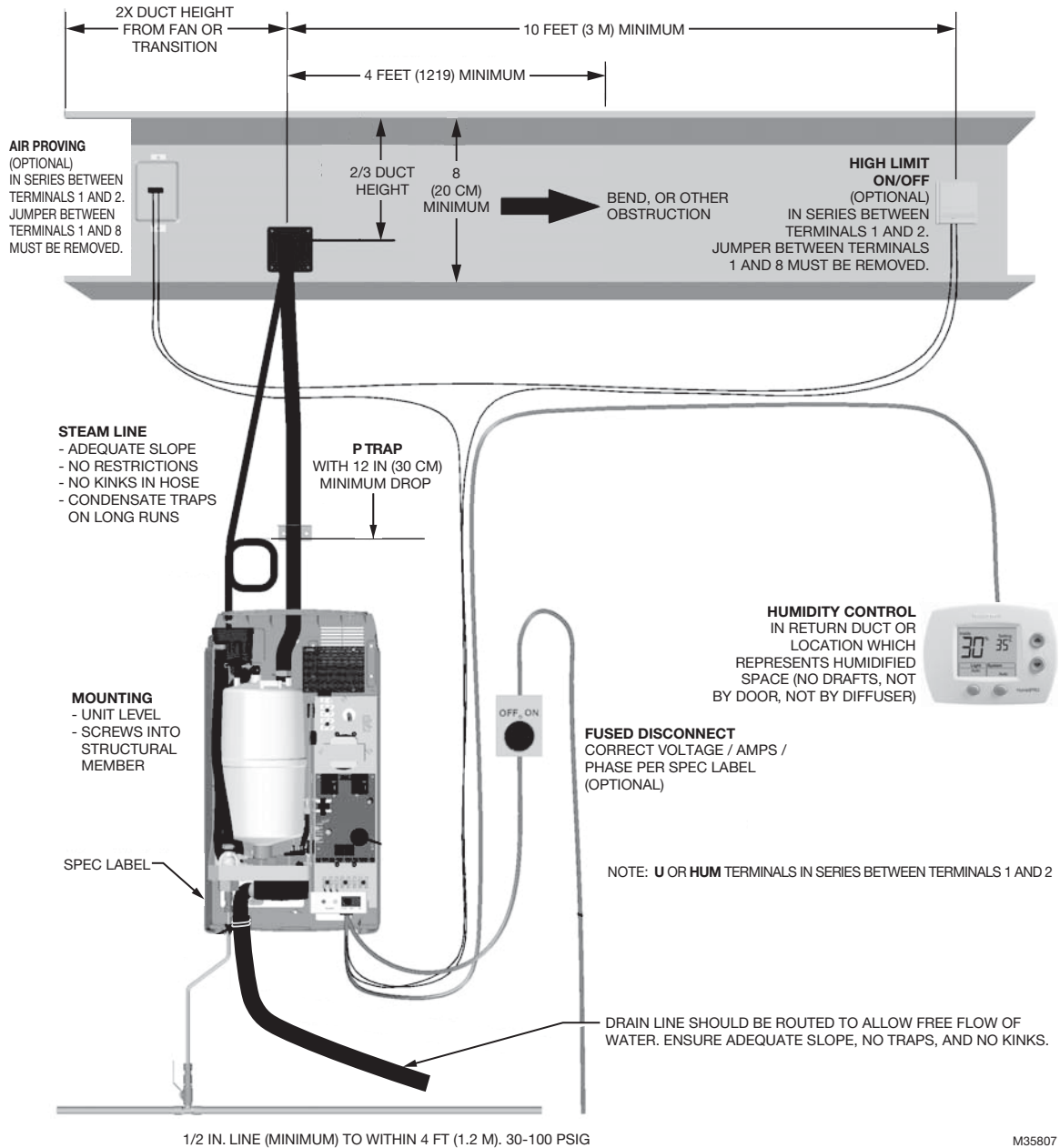


Fig. 19. Installation check.



CAUTION

Equipment Damage Hazard

Do not leave the On/Off/Drain switch in the drain position for more than one complete drain cycle. The drain valve solenoid may heat up and result in damage to the valve and its wiring. Do not attempt to drain with no water in system.

On/Off

The HM700 is factory-configured to operate as an On/Off humidifier. It will run when 24 VAC from terminal 1 is fed back into terminal 2 through an On/Off humidistat and other security devices in series.

Start Up Procedure

1. Examine the humidifier and installation for damage and/or improper installation.
2. Ensure the cylinder is properly seated in the drain valve and that the electrode plugs are pushed all the way down on the cylinder pins.
3. Ensure that the front cover is in place and secured with its retaining screws.
4. Open the supply water shut off valve.
5. Turn on the main power using the installed disconnect.
7. Check and adjust the control setpoint on the control and high limit humidistat.
8. When the external humidistat generates a demand for humidity and the security loop is closed the green humidifying LED on the front of the humidifier will light up, the power relay on the control board will engage, the fill valve will activate (after a delay) and the cylinder will slowly fill with water.



WARNING

Personal Injury Hazard.

Damaged or improperly installed units must not be operated. Damaged or improperly installed units may present a danger to persons and property.

6. Turn the On/Off switch on the front of the humidifier to On.
 - The humidifier will perform a self-diagnostic sequence during which the LED's and internal components will be momentarily activated. See "LED Status Lights" on page 15 for an explanation of the LEDs and sequences.
 - If an error is detected during the self-diagnostic sequence the humidifier will not start. The yellow status LED will flash in sequence to indicate the detected fault. See Tables 7 and 8 for information on diagnosing and correcting faults.
 - After the system test the humidifier is in normal operation mode.
9. If a fan enable relay is used, the green LED will continue to flash until the air proving closes. Once the air closes, the flashing green LED will become solid and the humidifier will start steam production as described in step 8.
10. It can take 5 – 10 minutes for the water to be heated up by the submerged electrodes and for steam to be produced.

NOTE: While the cylinder is filling with water there should be no water flowing down the drain. If water is flowing down the drain it can indicate excessive backpressure or a leaking drain valve. See Troubleshooting.

NOTE: If operated on low conductivity water it may take several hours for the HM700 to reach full output capacity. This is normal. During this time the humidifier will not perform any drains and the conductivity of the water in the cylinder will increase. To expedite this process, add a 1/4 teaspoon of salt to the cylinder. This will immediately increase water conductivity and initiate heating.

OPERATION

LED Status Lights

The HM700 user interface includes 2 LEDs that provide information about the humidifier status.

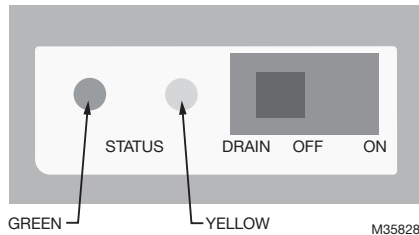


Fig. 20. LED status indicator lights.

Yellow and Green LED Flashing

Indicates there is no request for humidity.

Yellow LED Flashing

Fault detected, humidifier has stopped operating. Count the number of flashes and see Table 8 for info.

Green LED Flashing

Indicates the humidifier is powered, but there is not a request for humidity. Security loop (1-2) is open.

Yellow LED On

Indicates that water level is high.

When the yellow LED is steady on (not flashing) it indicates that the high water sensor has interrupted filling of

the cylinder. The LED is on for information only and unless it persists for an extended period of time, it does not require any action.

Green LED On

Indicates steam is being produced.

Selecting a Relative Humidity Setpoint

The optimum humidity setpoint depends on the reasons that a space is being humidified. The “ASHRAE Handbook HVAC Applications” recommends specific design relative humidity for specific applications.

Health and Comfort – The benefit of humidity is most pronounced for health and comfort in the 40-60% range. A humidity setting of 45-50% is recommended for this purpose to prevent over humidifying.

Temperature Setback – In cold climates it is often necessary to reduce the humidity level in a conditioned environment to prevent build-up of condensation on the inside of exterior walls, windows, and trim. It is highly recommended that the humidity setback function of the HumidiPRO control be used under these conditions to prevent damage from condensation. The digital control with an outdoor temperature sensor installed will automatically setback the humidity setpoint to correspond with outdoor temperature.

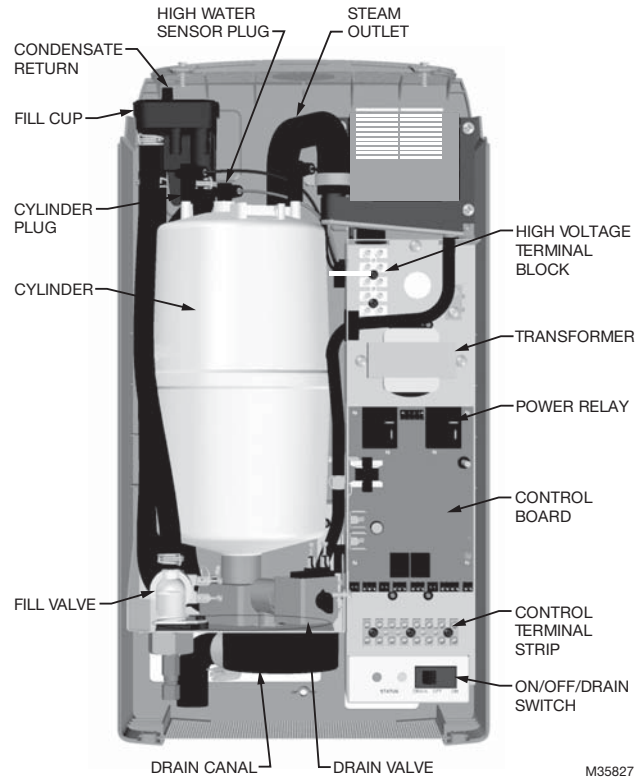


Fig. 21. Humidifier components.

Component	Function
Condensate Return	Provides a connection to return condensate to humidifier.
Control Terminal Strip	Terminal strip for connecting external controls to humidifier and interfacing with other equipment.
Cylinder Plug	Power connectors to electrodes in cylinder.
Cylinder	Holds electrodes in water. Current between electrodes generates heat used to generate steam.
Drain Canal	Combines cylinder drain water and fill cup overflow into a single drain outlet.
Drain Valve	Drains water from humidifier.
Control Board	Controls all functions of the humidifier operation and provides input and output connections to humidifier components.
Fill Cup	Provides an air gap for backflow prevention.
Fill Valve	Controls flow of water into humidifier.
High Voltage Terminal Block	Primary power connection from remote disconnect to humidifier.
High Water sensor Plug	Used to detect max water level in cylinder.
On/Off/Drain Switch	Turns power on/off to humidifier controller and drains the cylinder for servicing. Note: Turn off humidifier disconnect to shut off primary power to the humidifier.
Power Relay	Turns on/off power to cylinder electrodes based on a signal from the humidifier's controller (mounted on control board).
Steam Outlet	Connect to steam line with steam hose.
Transformer	Steps primary voltage down to 24 VAC for the controller and internal components such as the fill valve and drain valve.

MAINTENANCE AND SERVICING

Required Maintenance

The HM700 humidifier has been designed to require very little maintenance. Regular maintenance consists of checking the humidifier to ensure it is in good condition, replacing the cylinder when the software advises that the cylinder is spent and cleaning out the drain valve whenever the cylinder is replaced.

CYLINDER SPENT FAULT

When the cylinder is spent the HM700 will stop operating and the yellow LED will flash in a repeating pattern of 4 flashes. See Table 8 on page 22 for more information on other flash sequences. At this time the cylinder must be replaced.

The steam cylinder is disposable and must be replaced at end of cylinder life. Cylinder life is dependent on water supply conditions and humidifier usage.



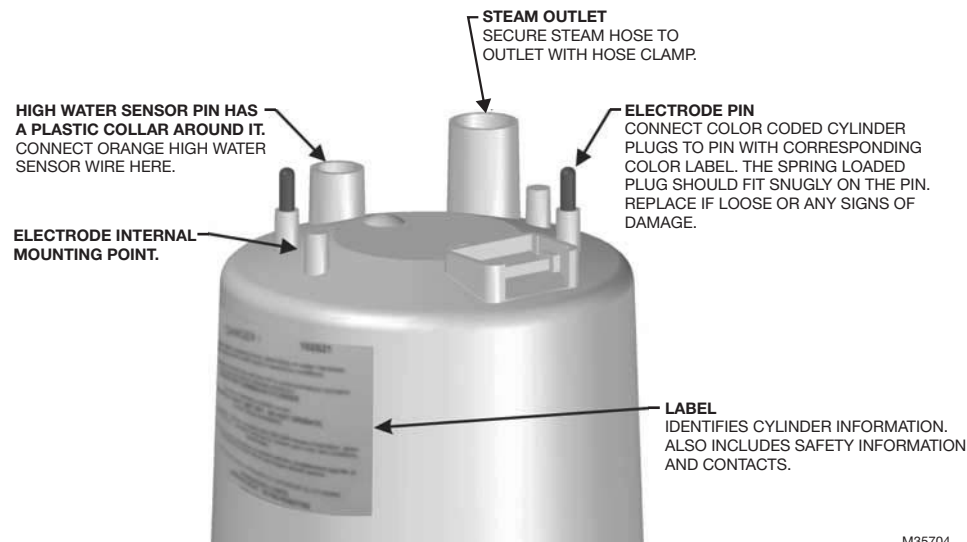
CAUTION

Failure to replace the cylinder at the end of cylinder life will result in improper operation and may result in damage to the humidifier. Honeywell is not responsible for any damages resulting from, or attributed to, the failure to replace a spent cylinder (see Manufacturer's Warranty).

NOTE: Honeywell recommends keeping a replacement cylinder in stock throughout the humidification season. This will prevent possible downtime when the humidifier reports cylinder end of life.

REPLACEMENT CYLINDER

The label on the existing cylinder identifies the cylinder type in its top left corner. When ordering a cylinder always quote the three or five digit model number on the label, the humidifier's serial number and the humidifier's voltage. Serial number and voltage are located on the specification label on the left side of the humidifier.



M35704

Fig. 22. HM700 cylinder (HM700ACYL2).

Removing the Cylinder

⚠ WARNING

Disconnect main power at the external disconnect before any servicing.

The inside of the humidifier cabinet contains high voltage components and wiring. Access should be limited to authorized personnel.

1. Drain the existing cylinder by switching the On/Off/Drain switch to the Drain position. Let the humidifier drain until no more water is flowing out to drain (usually not more than 10 minutes).
2. Turn the humidifier On/Off/Drain switch to off.

3. Close supply water shut off valve.
4. Turn off power to the humidifier with the external disconnect.
5. Remove the two screws securing the front cover.
6. Remove the cylinder plugs from the cylinder pins by pulling vertically.
7. Using a flat screwdriver loosen the hose clamp where the hose is connected to the cylinder.
8. Tip the top of the cylinder forward to pivot it out of the steam hose. When free of steam hose lift the cylinder out.

NOTE: The HM700 has a re-usable tie strap to secure the cylinder for transit as well as home installation. This must be removed or loosened to remove the cylinder. Secure when new cylinder is installed.

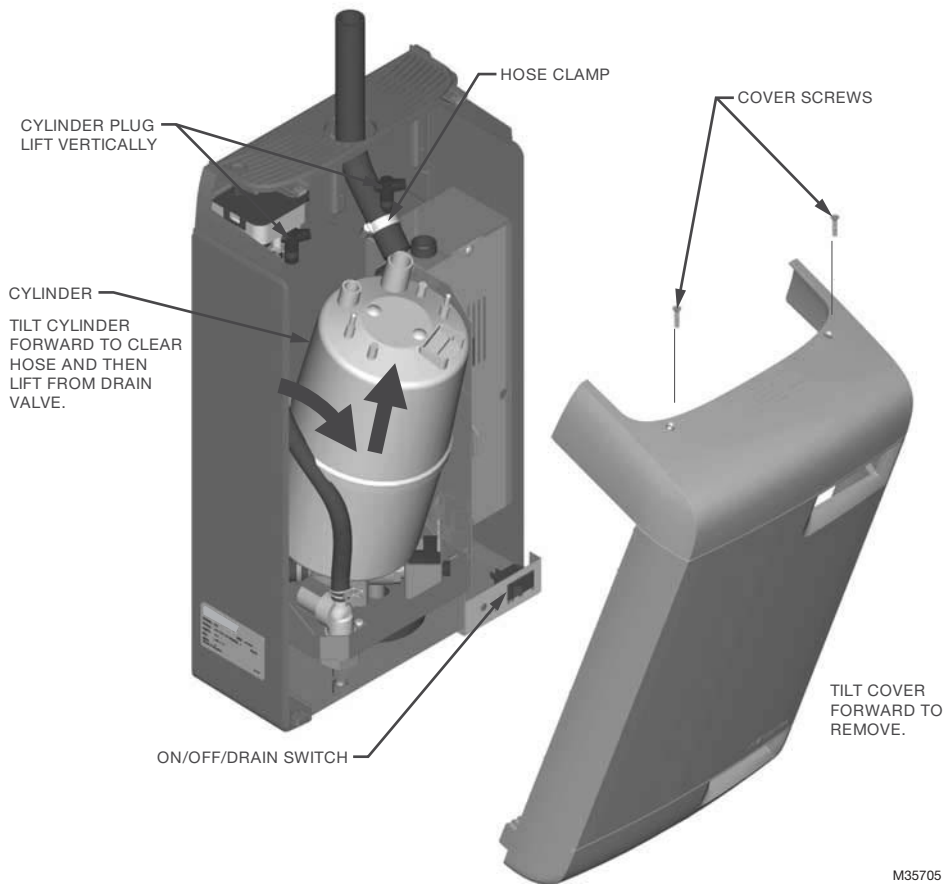


Fig. 23. Cylinder removal.

Drain Valve Cleaning

Always clean the drain valve before installing a new cylinder. Scale from the spent cylinder may have fallen into the drain valve and could prevent its proper operation. To properly clean the drain valve it must be removed and disassembled.

1. Disconnect spade terminals from the drain valve.
2. Remove the two screws holding the valve to the drain pan.
3. Squeeze the tabs of the spring clamp holding the hose to the drain valve and slide it up the hose. Pull hose from drain valve. Lift the drain valve from the drain pan.
4. Unsnap red coil cap on solenoid and remove the solenoid from the valve.
5. Loosen brass nut holding actuator to plastic housing with a wrench and disassemble actuator.
6. Clean actuator components and valve housing (inlet port, outlet port, and cylinder port). Put new o-ring that was supplied with new cylinder into valve.
7. Reassemble actuator making sure tapered end of spring is oriented as shown in Fig. 25. Tighten brass nut 1/4 turn past hand tight.
8. Clean out end of hose and reattach to valve. Slide hose clamp back in place and place valve into drain pan.
9. Secure valve with 2 screws to drain pan.

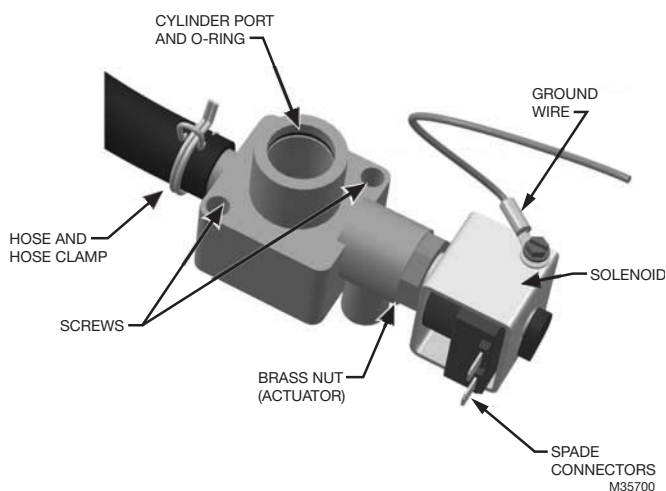


Fig. 24. Drain valve.

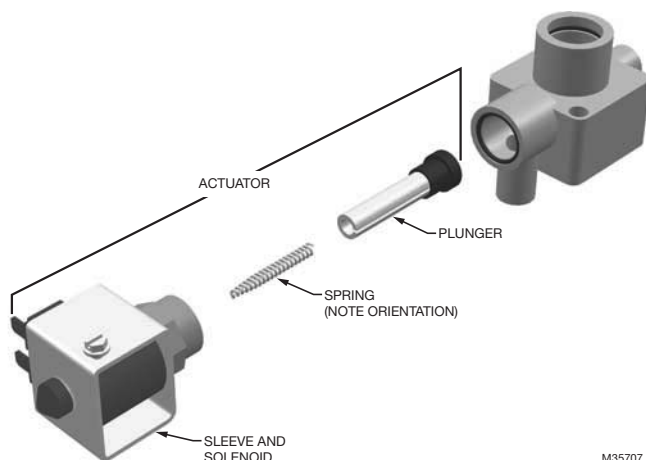


Fig. 25. Drain valve actuator assembly.

Installing the New Cylinder



CAUTION

Make sure the new cylinder is a HM700ACYL2. Use of any other model or remanufactured cylinders will void the HM700 warranty.

1. Insert cylinder into drain valve. Tilt cylinder forward and fit end of steam hose to steam outlet. Tip cylinder back into place.
2. Tighten hose clamp being careful not to over tighten and crush the plastic cylinder steam outlet.
3. Attach color-coded cylinder plugs to the corresponding color-coded cylinder pin. Push down completely. Connect high water sensor plug. Spring-loaded plugs should fit snugly onto the cylinder pin. Replace if they are loose or damaged.
4. Re-fasten tie strap.
5. Replace the humidifier cover and secure with two screws.
6. Turn on power to humidifier with the external disconnect.
7. Open supply water shut off valve.
8. Turn the humidifier On/Off /Drain switch to On.

Extended Shutdown

Should it be required to disconnect power to the humidifier for a period of extended shut-down, always drain the cylinder first.

1. Switch the On/Off/Drain Switch to the Drain position.
2. Wait until the humidifier is completely drained (usually takes less than 10 minutes).
3. Turn the On/Off /Drain switch to the off position.
4. Shut off power to the humidifier with the external disconnect.
5. Close the supply water shut-off valve.

NOTE: As long as the HM700 is powered, it will automatically drain the cylinder when there has not been a call for humidity for an extended period of time. This feature will reduce or prevent the possibility of corrosion of the electrodes and the accumulation of algae and bacteria growing in the cylinder. The cylinder will remain empty until there is a call for humidity at which time the fill valve will open and refill the cylinder. The unit will go through its normal process for optimum operation.

STARTING AFTER EXTENDED SHUTDOWN

1. Check to see the humidifier has not been damaged and the installation has not been altered. See "Start Up Procedure" on page 14.
2. Turn on the power to the humidifier with the external disconnect.
3. Turn the On/Off/ Drain switch to the Drain position.
4. Wait until there is no water flowing to drain. It usually takes less than 10 minutes.
5. Follow the start up procedure on page 14.

TROUBLESHOOTING

CAUTION

High Voltage Hazard.

Be aware, when troubleshooting, that the humidifier is powered by high voltage and familiarity with both good practices and wiring of the humidifier is recommended. Any troubleshooting that requires opening the cabinet should be done by qualified personnel.

CAUTION

Burn and Scalding Hazard.

Hot water or steam with a temperature above 120 °F (49 °C) can cause burns from scalding.

NOTE: Most humidifier faults are not caused by faulty equipment but rather by improper installation. A complete fault diagnosis always involves a thorough examination of the entire system. Often, the steam hose connection has not been properly executed, or the fault lies with the humidity control system.

TROUBLESHOOTING REQUIREMENTS

- Ensure the installation meets the installation requirements outlined in the Installation Chapter of this manual.
- Familiarize yourself with the operation of the humidifier by reading the Operation Chapter of this manual.
- Wiring diagram for specific for your humidifier is installed on the inside of the humidifier door. A generic copy of the HM700 wiring diagram is also included at the end of this chapter for reference purposes.
- When contacting your local representative or Honeywell for troubleshooting assistance, please ensure the serial number has been obtained for reference purposes.

The following section provides general guidelines for troubleshooting the HM700 humidifier and auxiliary components. For detailed troubleshooting information refer to the manuals that were provided with the auxiliary equipment and to Table 8, "Troubleshooting HM700 Faults," on page 22.

Table 7. General troubleshooting.

Symptom	Cause	Corrective Action(s)
Nothing happens when On/Off switch is turned on.	Fuse blown	Check inline fuse between transformer and control board.
	Incorrect Voltage	Check voltage against spec label and correct.
	Step Down Transformer not outputting 24VAC	Replace the transformer.
	Incorrect primary power jumper	Check that jumper on high voltage terminal block is connected between P and terminal corresponding to supply voltage. See Fig. 16.
Humidifier will not humidify or not reaching HM700 setpoint	Safety loop open	Check if there is 24 VAC at terminal 2. Check wiring and operation of On/Off devices connected to terminal 1 and 2. Check jumper is installed in air proving safety loop, terminal 1 and 8.
	No demand signal	Check voltage between terminal 3 and 4. For demand configuration 35% of full-scale signal must be present for humidifier to start.
	Capacity has been manually limited	Check Manual Capacity adjustment potentiometer. Clockwise increases capacity.
	Low conductivity water	Check if yellow LED is on. If operated on low conductivity water it may take several hours for the HM700 to reach full output capacity. This is normal. During this time the humidifier will not perform any drains and the conductivity of the water in the cylinder will increase. Conductivity can be increased more quickly by adding 1/4 teaspoon of salt.
	No airflow in duct	Check that humidifier fan enable (terminals 19-20) are properly wired to furnace. Check air proving wired to terminal 8.
Humidifier has faulted and yellow LED is flashing	Software has detected an abnormal condition	Refer to Table 8 on page 22.

Table 7. General troubleshooting. (Continued)

Symptom	Cause	Corrective Action(s)
Distributor spitting out water	Distributor not level	Use support at end of distributor to ensure it is level.
	“P” Trap too close to distributor	“P” Trap must be a minimum of 12 in (30 cm) below the distributor to ensure flow. Relocate if required.
	Condensate line not sloped sufficiently	Sufficient slope to ensure flow is required. Reinstall if required.
	Trap blocked	Check that water flows through trap. Clear out if blocked.
	Steam line not insulated	If steam line is long, condensate build up could overload distributor condensate port. Insulate line to improve efficiency and install additional condensate traps as required.
	Incorrect steam line installation	Check that steam line has been installed with condensate traps and slope. See “Steam Lines and Condensate Return Instructions” on page 8.
Condensation in duct	Installation clearances not observed	Refer to distributor installation manual for required clearances. Relocate distributor if required.
	Design conditions changed	Check supply air temperature and humidity to determine if conditions have changed.
	High limit not functioning	Check setting and operation of high limit. Replace if defective.
Humidifier is tripping the GFI.	Humidifier is wired to a GFI circuit. Drain valve ground wire is not disconnected.	Review the Electrical Installation Steps and Notes on page 10 for GFI guidelines and ground wire removal information.

HM700 Faults

The self-diagnostic system built into the HM700 is continually monitoring the operation of the humidifier. When an abnormal condition occurs that cannot be self-corrected by the software the HM700 will turn off power to the cylinder, drain the cylinder, and announce the fault using the yellow status LED.

LED Flash Sequence

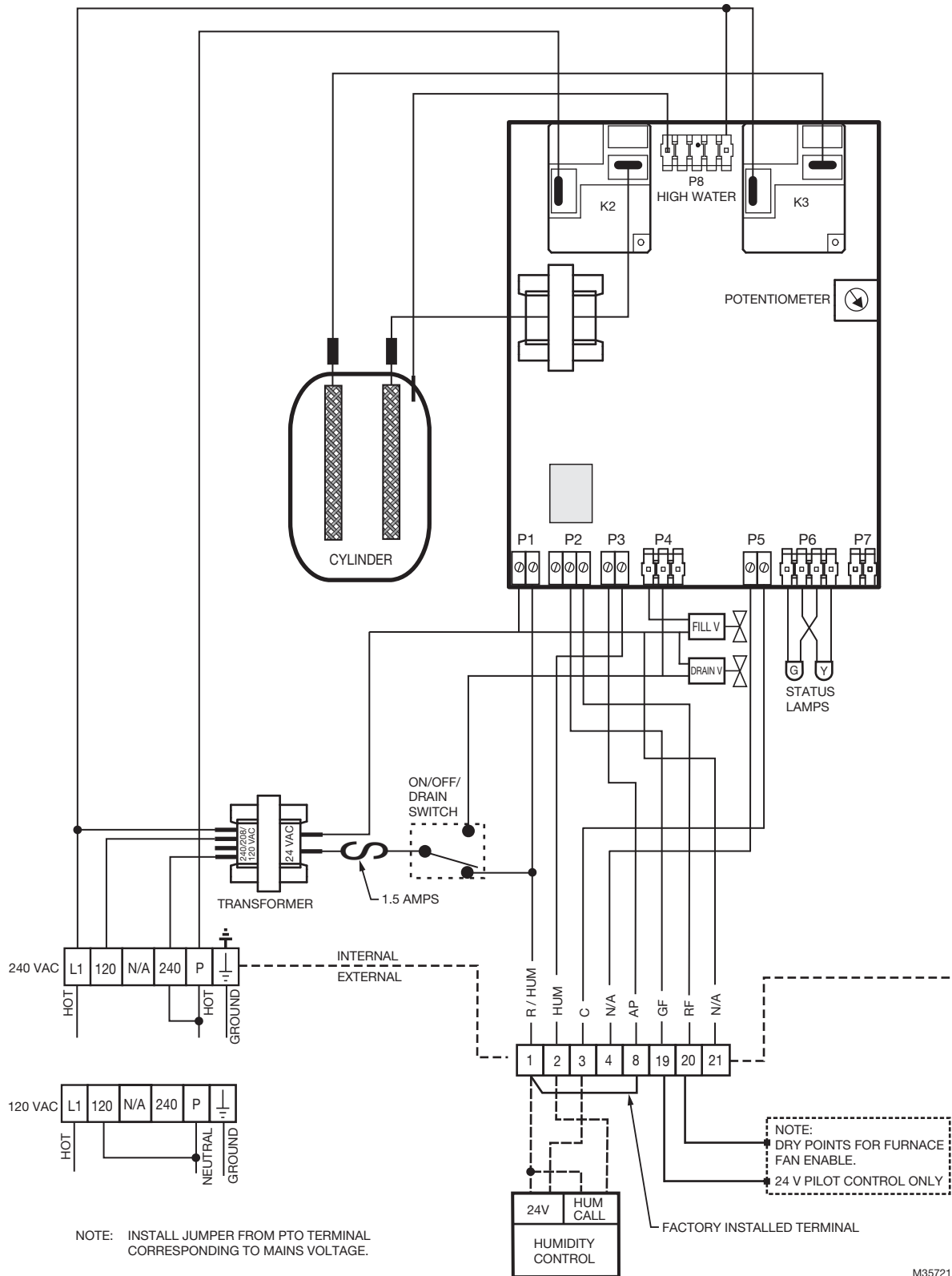
To differentiate between different fault conditions the yellow LED is flashed in different sequences. Table 8 lists the fault sequences that can be displayed, their meaning, possible cause and suggested corrective actions.

Clearing a Fault

- Check the flash sequence against the list of fault messages and take any necessary actions to correct the cause(s) as outlined in Table 8 on page 22.
- Power cycle the humidifier with the On/Off switch waiting 10 seconds between turning it off and on.

Table 8. Troubleshooting HM700 Faults.

Yellow LED	Symptom	Cause	Corrective Action(s)
1 flash	Excess Current Current has exceeded 130% of max	Drain blocked water over concentrated	Clean the drain line
		Drain solenoid not energized, water over concentrated	Check and correct wiring to drain valve.
		Filling too fast, fill valve damaged and leaking	Replace the fill valve
		Filling too fast, wrong fill valve	Fill valve may be defective - replace if necessary
		Water supply too conductive	a) Change the water supply b) Contact Honeywell representative for recommendation
		Humidifier short cycling	a) Check if high limit or other On/Off control is cycling On/Off in less than 5 minutes. Check location and setting of high limit. b) Reduce the output by turning down the potentiometer
		Wrong cylinder installed	Install correct cylinder model
		Cylinder Spent but not detected by software	Replace the cylinder (see maintenance chapter)
		Condensate from other source	Remove condensate returns other than from steam line.
		Back pressure	Eliminate back pressure
2 flashes	No Current Fill valve activated for long time but high water level not reached. Fill should be faster than 1" per minute.	Drain valve leaking or stuck open	Clean drain valve or replace (see maintenance chapter)
		Water shut off valve closed	Open shut off valve
		Fill Valve strainer blocked	Clean out strainer on fill valve inlet.
		High system back pressure	a) Check for kinked hose b) Check for proper condensate removal (see installation)
		High water sensor not connected	Check that cylinder plug with white marker is connected to short electrode with a plastic well around it and to control board.
		Low water conductivity	a) Check if potable water supplied to unit, not treated water (RO or DI). b) Check conductivity of water. If less than 150 μ S, add 1/4 teaspoon of salt to fill cup and restart unit.
3 flashes	No Current, High Water Water level at top of cylinder with no current	Primary wire not looped through current transformer.	Rewire primary wire through current transformer.
		High water sensor plug is on an electrode pin.	Install high water sensor plug on cylinder pin with shroud around it.
		Cylinder plugs installed incorrectly	Check that cylinder plugs colors match markers next to electrodes on cylinder and that white marked cylinder plug is connected to short electrode located in plastic well.
4 flashes	Cylinder Spent Electrodes covered with scale.	Cylinder electrodes are covered with scale and humidifier cannot meet demand	Replace cylinder with same model number (see maintenance chapter).



M35721

Fig. 26. Wiring diagram.

5 YEAR WARRANTY

Honeywell warrants this product to be free from defects in the workmanship or materials, under normal use and service, for a period of five (5) years from the date of purchase by the consumer. If at any time during the warranty period the product is determined to be defective or malfunctions, Honeywell shall repair or replace it (at Honeywell's option).

If the product is defective,

(i) return it, with a bill of sale or other dated proof of purchase, to the place from which you purchased it; or
(ii) call Honeywell Customer Care at 1-800-468-1502. Customer Care will make the determination whether the product should be returned to the following address:

Honeywell Return Goods, Dock 4 MN10-3860, 1985 Douglas Dr. N., Golden Valley, MN 55422,
or whether a replacement product can be sent to you.

This warranty does not cover removal or reinstallation costs. This warranty shall not apply if it is shown by Honeywell that the defect was caused by damage which occurred while the product was in the possession of a consumer.

Honeywell's sole responsibility shall be to repair or replace the product within the terms stated above. HONEYWELL SHALL NOT BE LIABLE FOR ANY LOSS OR DAMAGE OF ANY KIND, INCLUDING ANY INCIDENTAL OR CONSEQUENTIAL DAMAGES RESULTING, DIRECTLY OR INDIRECTLY, FROM ANY BREACH OF ANY WARRANTY, EXPRESS OR IMPLIED, OR ANY OTHER FAILURE OF THIS PRODUCT. Some states do not allow the exclusion or limitation of incidental or consequential damages, so this limitation may not apply to you.

THIS WARRANTY IS THE ONLY EXPRESS WARRANTY HONEYWELL MAKES ON THIS PRODUCT. THE DURATION OF ANY IMPLIED WARRANTIES, INCLUDING THE WARRANTIES OF MERCHANTABILITY AND FITNESS FOR A PARTICULAR PURPOSE, IS HEREBY LIMITED TO THE FIVE-YEAR DURATION OF THIS WARRANTY.

Some states do not allow limitations on how long an implied warranty lasts, so the above limitation may not apply to you. This warranty gives you specific legal rights, and you may have other rights which vary from state to state.

If you have any questions concerning this warranty, please write Honeywell Customer Care, 1985 Douglas Dr, Golden Valley, MN 55422 or call 1-800-468-1502.

IMPORTANT

To maintain warranty, only Honeywell approved parts and cylinders may be used in the operation of the product.

Automation and Control Solutions

Honeywell International Inc.
1985 Douglas Drive North
Golden Valley, MN 55422
customer.honeywell.com

© U.S. Registered Trademark
© 2016 Honeywell International Inc.
33-00118EFS—01 M.S. 03-16
Printed in United States

Honeywell

HM700A1000

HUMIDIFICATEUR ELECTRODE STEAM

NOTICE D'INSTALLATION



- Tuyau de vidange en caoutchouc
- Notice d'installation, Guide du propriétaire et Guide de démarrage rapide

Outils requis

- Tournevis
- Clé
- Pincés
- Robinet de coupure d'eau
- Conduite d'eau (PEbd ou cuivre)

Configuration de l'humidificateur

Le modèle HM700 est configuré en usine pour fonctionner dans la plupart des conditions sans avoir à modifier sa configuration.

REMARQUE : L'humidificateur étant configuré en usine pour produire des performances optimales, Honeywell décourage vivement de modifier les cavaliers ou le potentiomètre; cela pourrait annuler la garantie et endommager l'humidificateur. Contactez le service clientèle de Honeywell pour de plus amples informations.

INTRODUCTION

Le modèle HM700 est l'humidificateur à vapeur résidentiel le plus sophistiqué du marché et fournit une humidification résidentielle constante et fiable. L'humidificateur est conçu pour être raccordé à un distributeur de vapeur installé dans un conduit d'alimentation en air pour assurer une humidité à la demande.

IMPORTANT

Lire et conserver ces instructions. Ce guide doit être conservé par l'installateur, et le Guide du propriétaire doit être laissé avec le propriétaire de l'équipement.

Inclus dans la boîte

- Humidificateur à vapeur (HM700)
- Nécessaire de distribution à montage à distance (HM700ADISTKIT)
- Humidistat HumidiPRO (H6062A1000)
- Bouteille de vapeur (une bouteille HM700ACYL2 incluse)

Avant l'installation

1. Assurez-vous que la tension et la phase disponibles correspondent à la tension et à la phase de l'humidificateur indiquées sur l'étiquette des spécifications de l'humidificateur.
2. Assurez-vous que le sectionneur à fusible externe dédié est de taille suffisante pour gérer l'intensité nominale indiquée sur l'étiquette des spécifications. Consultez les codes locaux.
3. Assurez-vous qu'il y a suffisamment d'espace, tel que décrit dans la section Emplacement à la page 5.
4. Assurez-vous que les conduites de vapeur peuvent être acheminées vers distributeur, tel que décrit dans les Instructions relatives aux conduites de vapeur et au retour du condensat à la page 8.

Tableau 1. Spécifications.

Référence de pièce	Volts	Débit de vapeur en gal./jour	KW	Ampères	Phase	Fusible ext. max.	Bouteille standard	Poids net/intégral en lb (kg)	Dimensions en pouces (L x l x H)
HM700A1000	110/120	11	1,4	12,0	1	15 A	CYL2	15 / 20 (7,0 / 9,5)	11,5 x 6,75 x 21,5
	220/240	22	2,8						



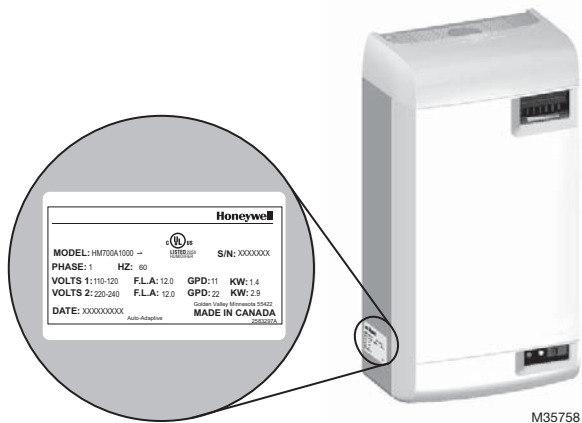


Fig. 1. Emplacement de l'étiquette des spécifications.

! MISE EN GARDE

Entretien

Débranchez l'alimentation principale avant l'entretien. Les compartiments de plomberie et d'électricité contiennent des composants et des câbles haute tension. L'accès doit être réservé au personnel autorisé.

Pendant et après le fonctionnement de l'humidificateur, la vapeur et les composants en contact avec la vapeur tels que les conduites de vapeur, les distributeurs de vapeur et les conduites de condensats peuvent devenir brûlants et causer des brûlures en cas de contact.

Honeywell n'accepte aucune responsabilité lorsque les humidificateurs sont installés par un personnel non qualifié ou lorsque des pièces/composants/équipements non autorisés ou approuvés par Honeywell sont utilisés.

Pour conserver la garantie, utilisez uniquement des pièces et des bouteilles approuvées par Honeywell.

! MISE EN GARDE

Électricité

Tous les travaux électriques doivent être effectués conformément au code électrique local et national.

Les connexions électriques ne doivent être réalisées que par un électricien qualifié.

L'unité doit être alimentée par un circuit muni d'un disjoncteur de fuite à la terre dédié.

! MISE EN GARDE

Plomberie

Les travaux de plomberie ne doivent être réalisés que par un plombier qualifié.

L'eau qui sort de l'humidificateur peut être brûlante. Ne la vidangez pas dans un évier public.

Tous les travaux de plomberie doivent être effectués conformément au code de plomberie local.

! MISE EN GARDE

Installation

Ne montez pas l'équipement sur des surfaces chaudes.

Ne montez pas l'équipement dans des zones soumises au gel.

Ne montez pas l'équipement sur des surfaces qui vibrent.

Ne montez pas l'équipement sur le sol.

Le modèle HM700 produit de la vapeur à la pression atmosphérique. Aucun appareil pouvant bloquer le débit de vapeur ne doit être connecté à la sortie de vapeur.

Les conduites de vapeur doivent être installées de manière à ce qu'aucune restriction ne puisse produire une contre-pression dans l'humidificateur.

! MISE EN GARDE

Qualité de l'eau

Le modèle HM700 de Honeywell nécessite un raccordement à l'eau froide provenant de l'approvisionnement en eau principal du domicile entre 30-100 psig. Une vanne d'étranglement peut être nécessaire, et un robinet de coupure de l'eau est recommandé pour la sécurité. **N'utilisez pas** d'eau à osmose inverse ou déionisée. La conductivité de l'eau est importante pour que l'humidificateur à électrodes fonctionne efficacement. Honeywell recommande 150-1200 μS (microsiemens).

Pièces et accessoires

Les pièces et accessoires suivants sont nécessaires et sont peut-être inclus avec l'humidificateur HM700. La bouteille est le seul élément nécessitant un remplacement périodique pour maintenir le bon fonctionnement de l'humidificateur.

Tableau 2. Pièces et accessoires.

Pièce/accessoire	Référence de pièce
Bouteille de recharge	HM700ACYL2
Humidistat HumidiPRO	H6062A1000
Nécessaire de distribution à montage à distance en acier inoxydable	HM700ADISTKIT
Vanne de vidange de recharge	HM700ADVALVE
Vanne de remplissage de recharge	HM700AFVALVE
Transformateur de recharge	HM700ATX
Carte PC de recharge	HM700APCB
Nécessaire de tuyau de conduite de condensat et de vapeur isolé de 15 pieds	HM700AHOSEKIT
Contacteur de pression différentielle pour vérification de la présence d'air	50027910-001

Fonctionnement de l'humidificateur

Le modèle HM700 est un générateur de vapeur atmosphérique qui utilise la chaleur générée par le courant électrique circulant entre les électrodes immergées pour produire de la vapeur. Le modèle HM700 est conçu pour l'humidification de l'air à la demande via un distributeur de vapeur.

PRODUCTION DE VAPEUR

- Lorsque l'appareil reçoit un signal de demande et que la boucle de sécurité entre les bornes 1 et 2 est fermée, l'humidificateur ferme le contacteur et mesure le courant électrique.
- Si la demande est inférieure à la production réelle, la vanne d'admission est maintenue fermée et la production est réduite en laissant le niveau d'eau dans la bouteille diminuer par évaporation.
- Si la demande est supérieure à la production réelle, la vanne de remplissage est activée après un bref délai et l'eau pénètre dans la cuvette de remplissage. L'eau de la cuvette de remplissage s'écoule dans le bas de la bouteille par un tuyau connecté au carter de la vanne de vidange.

REMARQUE : La bouteille est alimentée par gravité depuis la cuvette de remplissage. Si la contre-pression de la conduite de vapeur est trop élevée, l'eau est renvoyée dans la cuvette de remplissage et s'écoule par la conduite de trop-plein jusqu'au drain.

- Dès que l'eau dans la bouteille entre en contact avec les électrodes activées, le courant circule à travers l'eau. La résistance de l'eau à la charge électrique génère de la chaleur puis de la vapeur. Le courant électrique (et la production de vapeur) augmente au fur et à mesure que le niveau de l'eau augmente, au fur et à mesure de l'immersion de l'électrode. L'unité continue de se remplir jusqu'à ce que le courant corresponde à la demande ou que le capteur de niveau d'eau élevé détecte un haut niveau d'eau.
- Le modèle HM700 recommence le cycle de remplissage et de condensation jusqu'à ce que la production corresponde à la demande.
- Au fil du temps, les minéraux dans l'eau adhèrent aux électrodes de la bouteille. L'humidificateur se remplit automatiquement à un niveau d'eau supérieur pour maintenir la pleine capacité pendant la durée de vie de la

bouteille. À la longue, la formation de tartre empêchera l'humidificateur d'atteindre sa pleine capacité. Le logiciel HM700 surveille cet état et une fois détecté, le fonctionnement s'arrête et le voyant jaune clignote à une séquence répétitive de 4 clignotements.

VIDANGES

- La vapeur produit des minéraux qui augmentent la conductivité de l'eau. Le cycle auto-adaptatif breveté du système HM700 surveille la conductivité de l'eau et effectue des vidanges pour maintenir l'eau à un niveau de conductivité optimal et assurer une performance de pointe.
- Le cycle auto-adaptatif garantit que la durée de vie de la bouteille est maximisée. Il procède en maintenant un strict contrôle et une utilisation optimale de l'eau pendant toute la durée de vie de la bouteille.

DISTRIBUTION DE VAPEUR

La vapeur produite par l'humidificateur peut être introduite dans l'air de plusieurs manières. La méthode d'ajout de vapeur dans l'air la plus courante consiste à monter un tube distributeur de vapeur dans un conduit d'arrivée d'air.

CONDUITE DE VAPEUR

La conduite de vapeur entre la sortie de vapeur de la bouteille et le distributeur remplit deux fonctions : elle est utilisée comme conduit pour transférer la vapeur atmosphérique de l'humidificateur au distributeur, ainsi que pour fournir un moyen d'éliminer le condensat. Voir « Instructions relatives aux conduites de vapeur et au retour du condensat » à la page 8 pour plus d'informations sur la sélection de conduites de vapeur.

RETOUR DU CONDENSAT

Lorsque de la vapeur est distribuée, un condensat se forme dans le système de distribution. L'isolation des conduites de vapeur est une méthode efficace permettant de réduire la formation de condensat. Les conduites de vapeur sont inclinées pour que le condensat ne se recueille pas dans les conduites et ne restreigne pas le débit de vapeur. Le condensat doit être recueilli et éliminé du système afin qu'il ne s'accumule pas pour passer dans le conduit. Le condensat peut être retourné à la cuvette de remplissage du système HM700 pour réduire le gaspillage de l'eau, ou il peut être vidangé.

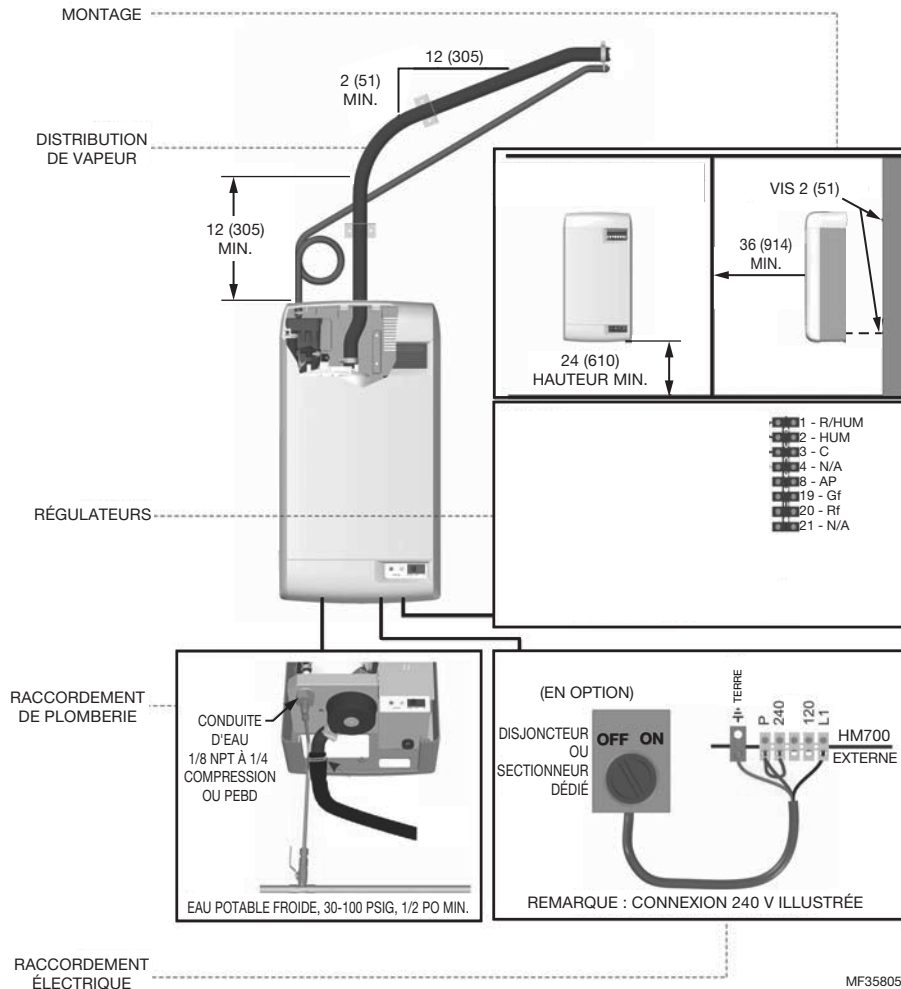


Fig. 2. Installation typique du modèle HM700.
Mesures en po (mm).

DIMENSIONNEMENT

IMPORTANT

Le modèle HM700 ne doit être installé que s'il a été correctement dimensionné. **N'utilisez pas une mesure en pieds carrés pour dimensionner une installation avec humidificateur.** Utilisez une mesure en pieds cubes, car l'humidité remplit un volume d'espace (largeur x longueur x hauteur). Considérez également l'étanchéité de la construction de l'habitation.

Le modèle HM700 produit 11 gallons par jour (gal./jour) lorsqu'il fonctionne sur 120 V et 22 gallons par jour lorsqu'il fonctionne sur 240 V. Voir la Figure 16 pour plus de détails sur la configuration du modèle HM700 pour une tension différente.

Le Tableau 3 contient des recommandations de l'AHRI (Institut de climatisation, chauffage et réfrigération) en matière d'humidité et le Tableau 4 montre les humidificateurs et la configuration de sortie qui satisfont aux exigences d'humidification.

Tableau 3. Humidité recommandée par l'AHRI (Institut de climatisation, chauffage et réfrigération) (en gallons/jour).

Type de construction	8000 pi ³	12 000 pi ³	16 000 pi ³	20 000 pi ³	24 000 pi ³	28 000 pi ³	32 000 pi ³
Étanchéité supérieure	3,3	4,3	5,4	7,5	9,6	11,7	16
Étanchéité moyenne	7,6	9,6	11,8	16	20,3	24,4	33
Étanchéité inférieure	11,7	14,9	18,1	24,5	30,8	37,1	50

Tableau 4. Humidificateur(s) à vapeur nécessaire(s) à l'application.^a

Type de construction	8000 pi ³	12 000 pi ³	16 000 pi ³	20 000 pi ³	24 000 pi ³	28 000 pi ³	32 000 pi ³
Étanchéité supérieure	11 gallons/jour	11 gallons/jour	11 gallons/jour	11 gallons/jour	11 gallons/jour	11 gallons/jour (x2) ou 22 gallons/jour (x1)	11 gallons/jour (x2) ou 22 gallons/jour (x1)
Étanchéité moyenne	11 gallons/jour	11 gallons/jour	22 gallons/jour	22 gallons/jour	22 gallons/jour	11 gallons/jour (x3) ou 22 gallons/jour (x2)	11 gallons/jour (x3) ou 22 gallons/jour (x2)
Étanchéité inférieure	22 gallons/jour	22 gallons/jour	22 gallons/jour	11 gallons/jour (x3) ou 22 gallons/jour (x2)	11 gallons/jour (x3) ou 22 gallons/jour (x2)	11 gallons/jour (x4) ou 22 gallons/jour (x2)	11 gallons/jour (x5) ou 22 gallons/jour (x3)

^a Dans le tableau ci-dessus, **11 gallons/jour** indique un humidificateur à vapeur configuré pour fonctionner sur 120 V et **22 gallons/jour** indique un humidificateur à vapeur configuré pour fonctionner sur 240 V.

EMPLACEMENT

Montez sur une surface horizontale ou verticale adaptée. Ne posez pas l'unité sur le sol. Allouez les dégagements requis pour les raccordements de plomberie et électriques. Les dimensions des dégagements sont indiquées à titre de référence uniquement et constituent le minimum requis pour l'entretien de l'humidificateur. Consultez les codes locaux et nationaux avant de déterminer l'emplacement final et de procéder à l'installation. Honeywell n'accepte aucune responsabilité en cas de violations du code d'installation.

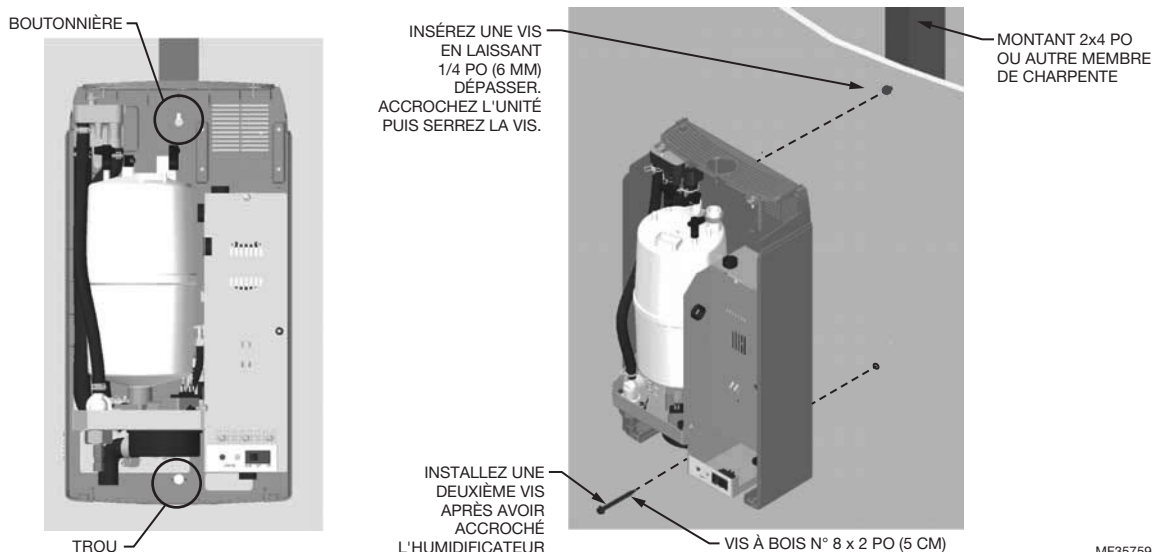
- Installez uniquement dans des zones à température ambiante de 41 à 104 °F (5 à 40 °C) et humidité relative de 5 à 95 %.
- Dans la mesure du possible, installez sous le distributeur de vapeur. Prenez soin de bien acheminer la conduite de vapeur et d'utiliser des purgeurs de condensat adéquats.
- Placez l'humidificateur LE PLUS PRÈS POSSIBLE du distributeur de vapeur. Plus l'humidificateur est éloigné, plus la production sera réduite en raison de la perte thermique qui a lieu dans la conduite de vapeur.
- Lorsque c'est possible, montez l'humidificateur HM700 à une hauteur qui facilitera l'entretien.

REMARQUE : Ne montez pas l'appareil sur des surfaces chaudes ou soumises au gel ou à des vibrations, ni sur le sol.

Montage avec boutonnières

1. L'humidificateur HM700 peut être monté sur un mur en utilisant la boutonnière située à l'arrière de l'armoire de l'appareil.
2. Utilisez des vis n°8 x 2 po (5 cm) installées dans des montants de 2x4 po ou plus. Deux vis sont requises, une pour suspendre l'unité, et l'autre pour la fixer de manière à ce qu'elle ne se relève pas dans la boutonnière.
3. Installez la vis supérieure de manière à en exposer 1/4 po (6 mm). Relevez l'unité et placez la tête de vis dans la boutonnière.
4. Assurez-vous que l'unité est à niveau puis insérez et serrez la deuxième vis dans la boutonnière. Serrez la vis supérieure. Voir la Fig. 3.

REMARQUE : Utilisez des vis d'une longueur supérieure à 2 po (5 cm) si une cloison sèche ou une autre entretoise est présente.



MF35759

Fig. 3. Montage avec boutonnières.

PLOMBERIE

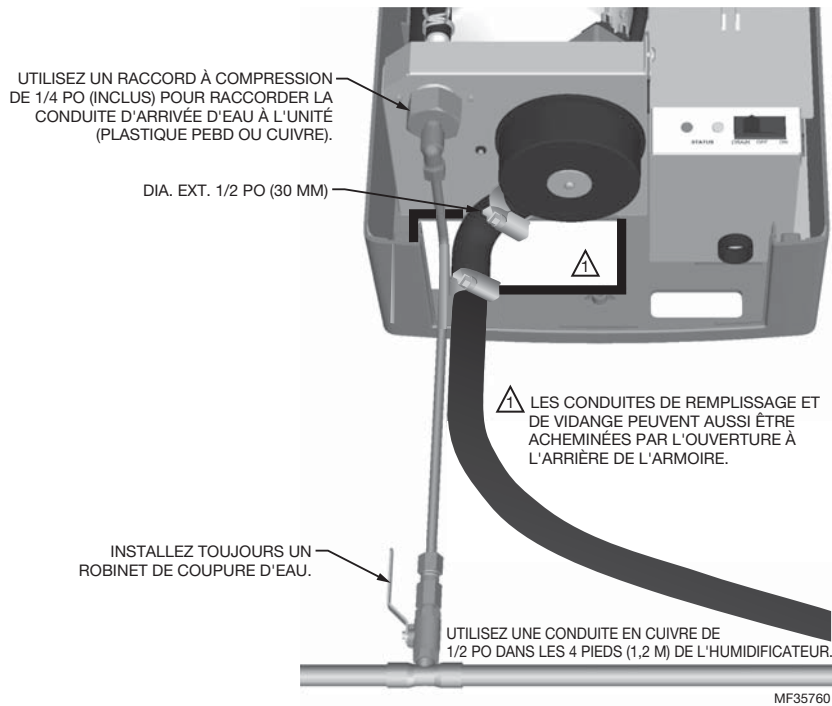


Fig. 4. Raccords d'arrivée et de vidange d'eau.

IMPORTANT

- Tous les raccords des conduites d'arrivée et de vidange d'eau doivent être installés conformément aux codes de plomberie locaux.
- L'eau de vidange est automatiquement refroidie à 140 °F (60 °C) lorsque l'humidificateur HM700 est en mode de vidange. Lorsque la commande de vidange manuelle est utilisée, la température peut être supérieure. Le matériau du tube et du drain doit être compatible avec une température de 200 °F (93 °C).
- L'eau de distribution doit être entre 30 et 100 PSIG. Une vanne d'étranglement peut être utilisée si nécessaire.
- N'utilisez pas d'eau à osmose inverse ou déionisée. L'eau fournie doit être entre 150-1200 µS (microsiemens) pour une conductivité optimale.

- L'eau fournie doit être froide, de 34 à 68 °F (1 à 20 °C).
- Installez le robinet de coupure d'eau avant l'humidificateur pour faciliter l'entretien.
- La conduite de vidange ne doit pas se terminer dans un évier fréquemment utilisé ou non autorisé par les codes de plomberie. Acheminez une conduite de vidange au sol ou un équivalent pour des raisons de sécurité.
- Pour permettre l'eau de circuler librement, s'assurer que la conduite de vidange ait une pente suffisante, n'emprisonne pas l'eau, et ne fasse pas de nœuds. Un écoulement limité peut causer une concentration d'eau excessive et un fonctionnement inadéquat.
- Si un système de drainage n'est pas situé près de l'humidificateur, utilisez une pompe de condensat compatible avec l'eau de vidange chaude.

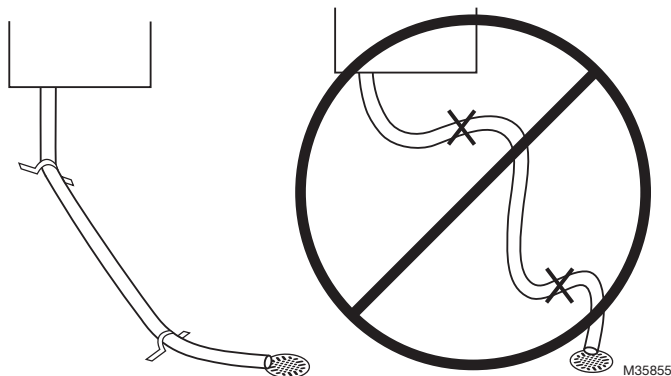


Fig. 5.

Distribution de vapeur

Le modèle HM700 nécessite un distributeur de vapeur installé du côté approvisionnement de la tuyauterie. L'humidificateur HM700 peut distribuer de la vapeur dans une gaine de ventilation en utilisant le distributeur indiqué dans le Tableau 5.

Le distributeur de vapeur doit être installé aussi près que possible de l'humidificateur. Les conduites de distribution de vapeur courtes réduisent la perte de condensat et le risque de contre-pression dans la conduite de distribution de vapeur.

Tableau 5. Distributeur de vapeur.

Référence de pièce	Description	Remarques
HM700ADISTKIT	Nécessaire de distribution à montage à distance en acier inoxydable	Inclut un distributeur de vapeur, une conduite de vapeur isolée de 5 pieds, une conduite de condensat et la visserie d'installation.

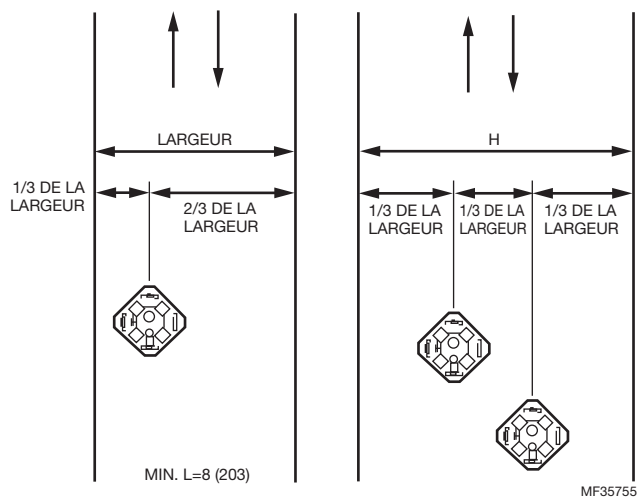


Fig. 6.

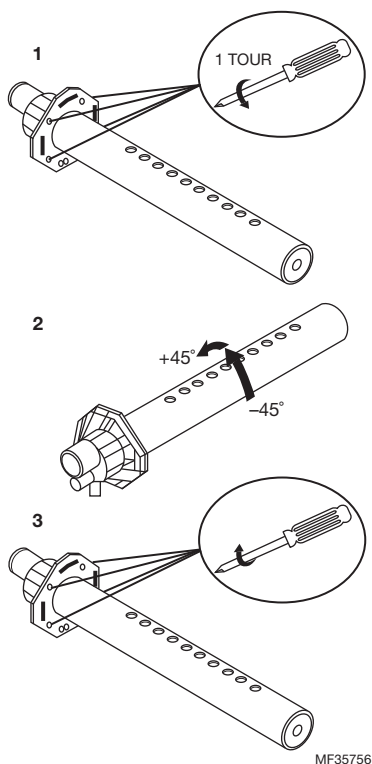


Fig. 7.

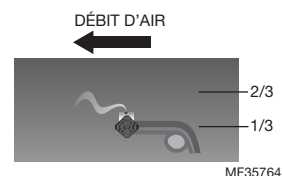


Fig. 8. Distributeur installé horizontalement dans un conduit horizontal.



Fig. 9. Distributeur installé horizontalement dans un conduit vertical. Faites tourner le distributeur de 45° pour que la vapeur soit déchargée vers le centre de la gaine, en direction du débit d'air.

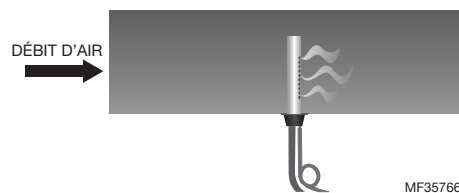


Fig. 10. Distributeur installé verticalement dans un conduit horizontal. Cette configuration n'est pas recommandée.

Instructions pour les conduites de vapeur et le retour de condensat

Les instructions suivantes doivent être suivies lors de l'installation des conduites de vapeur de l'humidificateur HM700. Si le matériel recommandé n'est pas utilisé, si la longueur maximum recommandée dans le Tableau 6 est dépassée, ou si les autres instructions d'installation des conduites de vapeur ne sont pas suivies, l'humidificateur pourrait mal fonctionner et la garantie pourrait être annulée.

Tableau 6. Recommandations relatives aux conduites de vapeur pour le conduit de l'humidificateur HM700.

Tension	Débit de vapeur		Matériel*			Longueur maximum de la conduite de vapeur		Pertes possibles		Débit d'air minimum (pi ³ /m)	Pression statique max.
	lb/h	(kg/h)	Tuyau de vapeur	Tube en cuivre MED-L	Tube en acier inoxydable	pieds	(m)	lb/h	(kg/hr)		
110/120V	3,85	(1,75)	7/8 po	3/4 po	0,875 x 0,049 de large	7	(2)	0,5	(0,2)	115	3,0 po c.e
220/240V	7,7	(3,5)				12	(3,5)	1,5	(0,7)	230	

* L'utilisation d'une conduite de vapeur autre qu'un tube en cuivre, en acier inoxydable ou fourni par Honeywell pourrait annuler la garantie et compromettre le fonctionnement de l'humidificateur.

* Si un tube en cuivre ou acier inoxydable (autre que le tube fourni) est utilisé, il est recommandé de l'isoler pour assurer la sécurité à haute température et réduire le condensat.

Pour assurer le retour du condensat, insérez un tube en cuivre (fourni avec l'équipement) à mi-chemin dans l'ouverture de condensat de la cuvette de remplissage avec la bride à ressort (fournie avec l'équipement).

Insérez le tuyau de condensat dans l'orifice de retour du condensat en haut de l'humidificateur HM700 et sur le tube en cuivre. Fixez en position avec la bride à ressort.

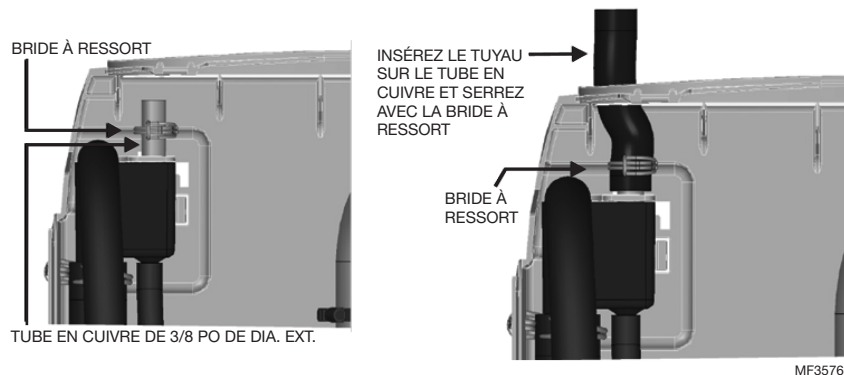


Fig. 11. Retour du condensat.

RÈGLES PRINCIPALES POUR LES CONDUITES DE VAPEUR ATMOSPHÉRIQUES

- Les conduites de vapeur ne doivent comporter aucune obstruction pouvant créer une contre-pression.
- Respectez les matériaux, les dimensions et les longueurs recommandés. Consultez les tableaux.
- Installez la conduite de vapeur verticalement (vers le haut) de l'humidificateur HM700 à la buse de distribution. Consultez les Figures 12-14 pour les autres options d'installation.
- Isolez avec 1,0 po (2,5 cm) d'isolant pour tuyau.
- Purgez le condensat (utilisez un T de taille intégrale pour les purgeurs)
- Ne serrez pas trop la bride du tuyau au niveau de la sortie de vapeur de la bouteille. Le couple maximum est 12 po-lb.
- Soutenez la conduite de vapeur pour que le poids ne soit pas sur la bouteille.
- Les purgeurs de condensat doivent avoir une hauteur minimum de 6 po (15 cm) ou une pression statique de conduit de +2 po (5 cm), minimum, la valeur supérieure devant être retenue.
- Purge par purgeur P ou queue de cochon. **Soutenez la conduite selon le besoin pour qu'elle soit exempte de pliures.**

Exemples d'installation de conduite de vapeur

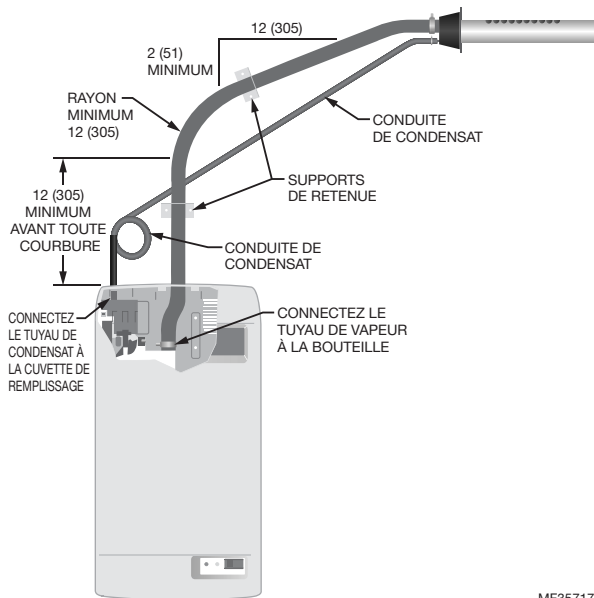


Fig. 12. Distributeur à vapeur au-dessus de l'humidificateur (tuyau). Mesures en po (mm).

MF35717

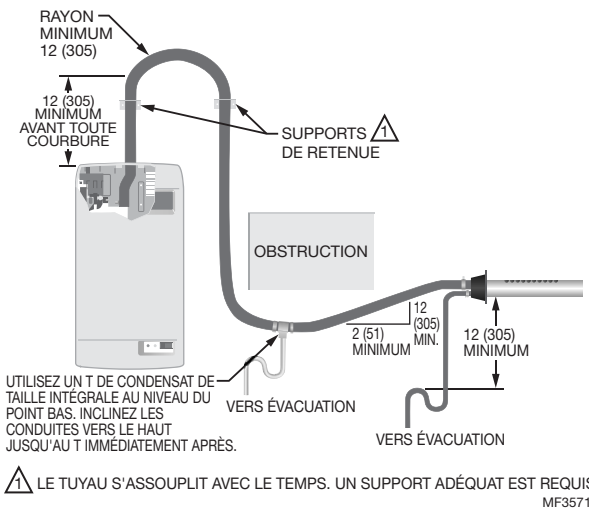


Fig. 14. Distributeur à vapeur en dessous de l'humidificateur avec obstruction (tuyau). Mesures en po (mm).

MF35719

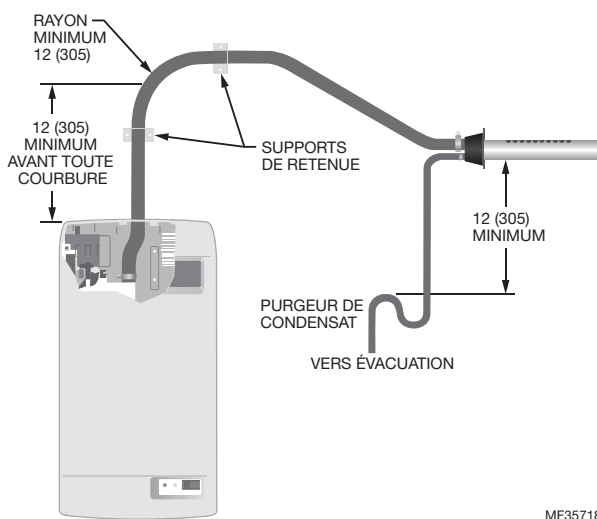


Fig. 13. Distributeur à vapeur en dessous de l'humidificateur (tuyau). Mesures en po (mm).

MF35718

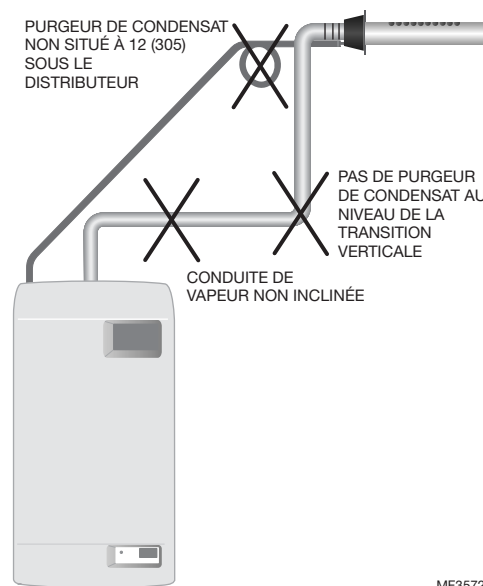


Fig. 15. Erreurs courantes lors de l'installation de la conduite de vapeur. Mesures en po (mm).

MF35720

INSTALLATION ÉLECTRIQUE

! MISE EN GARDE

Le câblage doit être réalisé par un électricien qualifié. L'unité doit être installée sur un circuit muni d'un disjoncteur de fuite à la terre.

! MISE EN GARDE

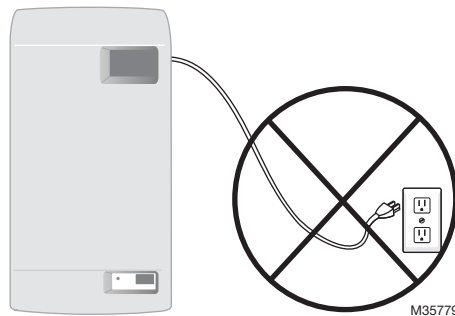
Risque de dégât matériel

Un câblage non conforme aux instructions de câblage peut causer des dégâts permanents. De telles erreurs pourraient annuler la garantie.

! AVERTISSEMENT

L'humidificateur HM700A doit être relié à un disjoncteur de 15 A qui lui est réservé et auquel il est directement câblé pour que l'installation soit conforme à l'homologation UL du produit. Tout le raccordement électrique doit être fait conformément aux codes de l'électricité.

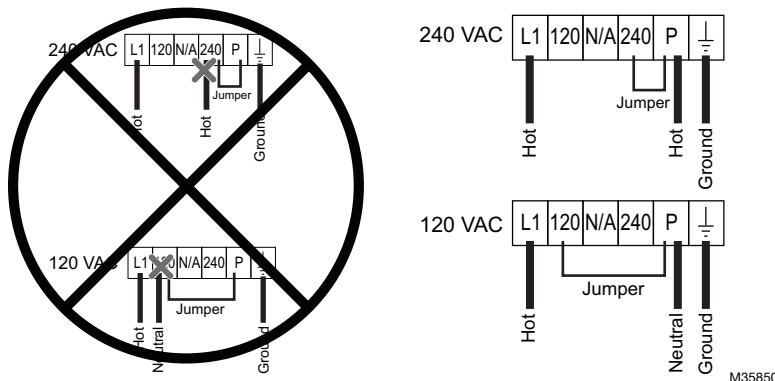
Les cordons d'alimentation électrique peuvent surchauffer et provoquer des dégâts matériels ou des blessures. Remarque : En cas de non-respect des présentes directives, la garantie sera nulle.



! MISE EN GARDE

INSTALLATION DU FIL DE RACCORDEMENT

- NE PAS installer les fils d'alimentation (vivant et neutre) dans les bornes 120 et 240.
- Installer les fils d'alimentation dans les bornes L1 (vivant) et P (vivant/neutre).
- Installer un fil de raccordement (pontage) entre la borne P et la borne 120 ou 240 (selon la tension d'alimentation).



Étapes de l'installation

1. L'unité nécessite un circuit dédié protégé par un disjoncteur de fuite à la terre. Un sectionneur doit être installé à proximité du circuit pour assurer une protection contre les chocs électriques durant l'entretien.
2. Câblez l'humidificateur sur le sectionneur comme illustré à droite.
3. Installez un cavalier fourni par l'usine entre la borne P et la borne correspondant à la tension d'alimentation.
4. Retirez le fil vert attaché au corps du boîtier et à la vanne de vidange (retirez la cartouche pour faciliter l'accès).
5. Accrochez le fil de terre aussi près que possible de la vanne de vidange et coupez l'excédent.

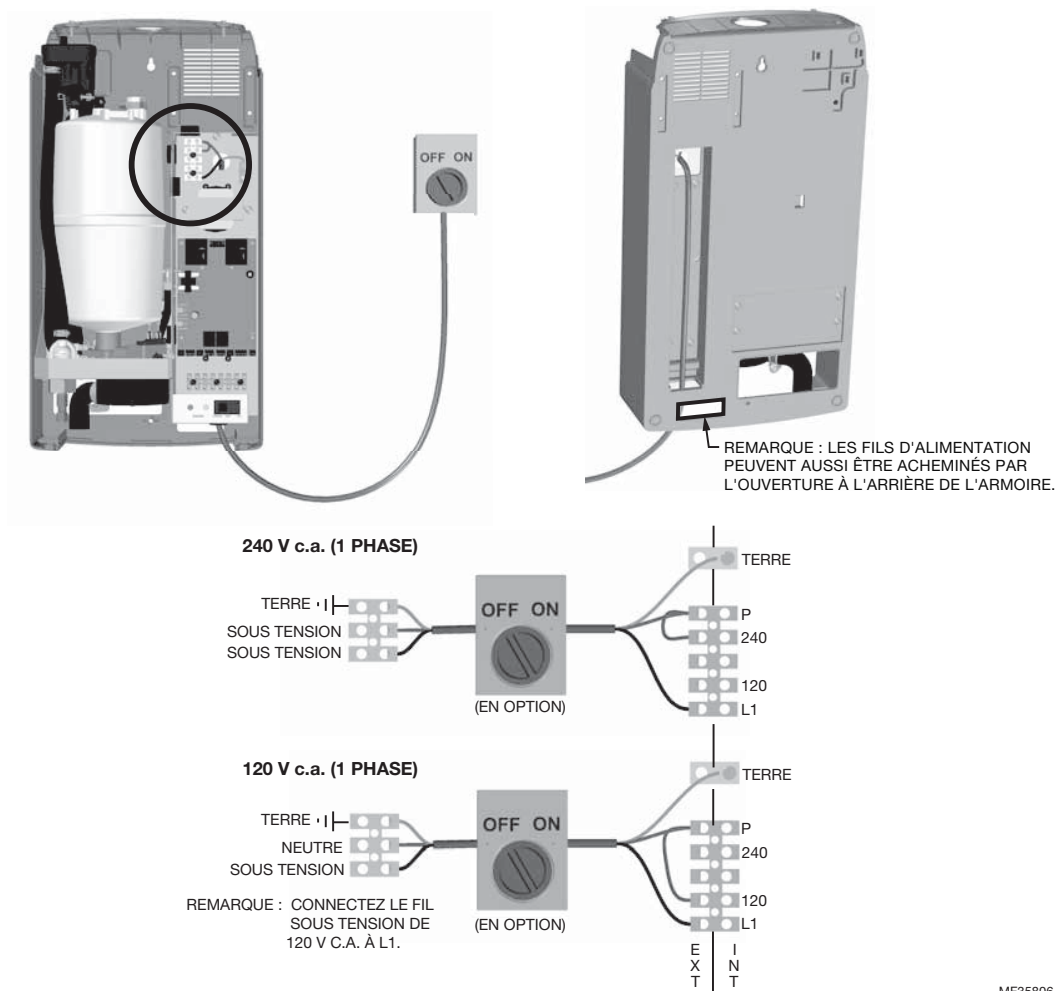


Fig. 16. Connexion d'alimentation principale.

REMARQUES :

- Honeywell requiert l'utilisation d'un circuit muni d'un disjoncteur de fuite à la terre sur cet appareil pour protéger le propriétaire des chocs électriques.
- Lorsque l'installation est correcte, le fil vert doit être retiré de la vanne de vidange. Le fil vert est préinstallé en usine pour protéger le propriétaire en cas d'installation incorrecte ou lorsqu'il n'est pas possible d'installer après coup un circuit avec disjoncteur de fuite à la terre. Voir la Fig. 24 pour l'emplacement du fil vert sur la vanne de vidange.
- Assurez-vous qu'une alimentation adéquate est disponible pour supporter l'ampérage maximum de l'humidificateur indiqué sur l'étiquette des spécifications.
- N'utilisez pas le fil neutre comme fil de terre. Branchez un fil de terre dédié sur la borne de terre.
- Tout le câblage doit être réalisé conformément aux codes électriques nationaux et locaux.

RÉGULATEURS EXTERNES

Câblage de verrouillage du ventilateur avec HumidiPRO

Lorsque la vapeur est distribuée dans un conduit, il doit y avoir une demande d'humidité en l'absence de débit d'air. L'humidificateur HM700 avec régulateur HumidiPRO ou un autre thermostat (tel que Prestige ou VisionPRO® de Honeywell) peut être utilisé pour actionner un ventilateur en cas de demande d'humidité. Si un autre thermostat est utilisé, consultez le manuel correspondant pour connaître les instructions de câblage permettant d'actionner le ventilateur avec un humidificateur électrique.

REMARQUE : L'humidificateur ne commence pas la production de vapeur tant que la boucle de sécurité du ventilateur n'est pas fermée.

Ces informations s'appliquent à tous les régulateurs, qu'ils soient fournis par l'usine ou non. Pour le câblage, utilisez un fil massif de calibre 18 AWG minimum et aussi court que possible.

Régulateur d'humidité

- Peut être situé dans le conduit d'air de retour (recommandé) ou dans la pièce humidifiée.
- Évitez de le placer près du diffuseur de rejet ou de l'air humidifié.
- Montez le régulateur dans une zone représentant adéquatement l'humidité de la pièce (les courants d'air, les portes d'entrée, les rayons solaires et les surplombs comme une étagère peuvent affecter les mesures).

Capteur de température extérieur en option (non illustré; fourni avec l'HumidiPRO)

- Montez à l'extérieur de la zone représentant la température de l'air.

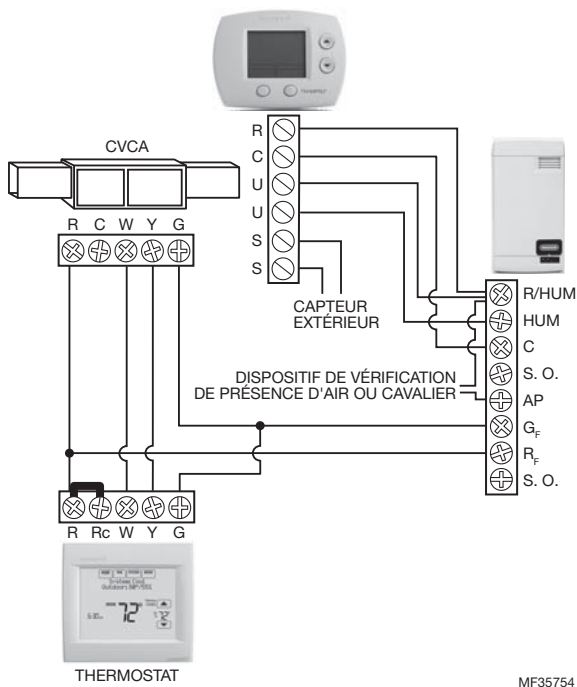


Fig. 17. Câblage de l'humidificateur à vapeur avec un thermostat numérique.

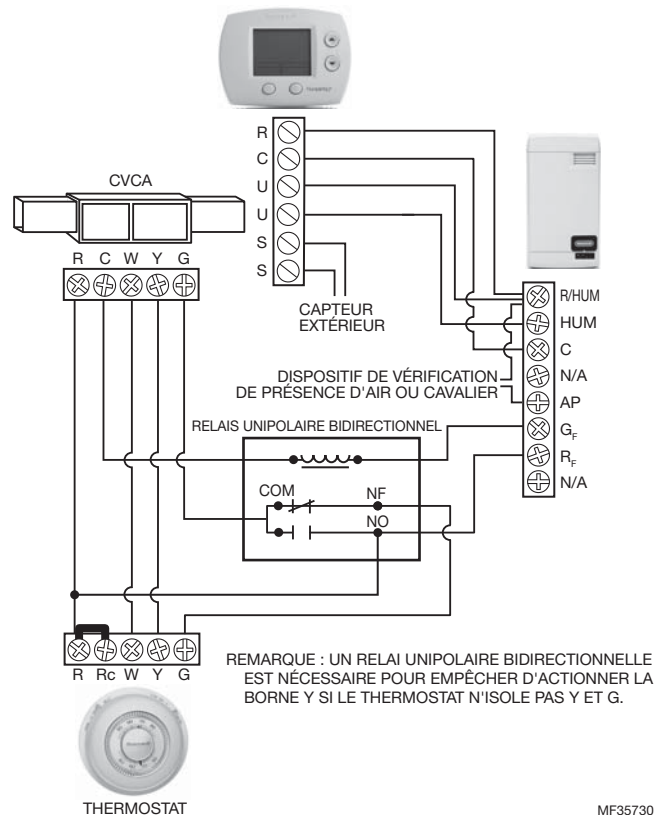


Fig. 18. Câblage de l'humidificateur à vapeur avec un thermostat mécanique.

REMARQUE : Si un thermostat Prestige, VisionPRO, Lyric (ou similaire) est utilisé pour réguler l'humidité, câblez les deux contacts HUM aux bornes 1 et 2 de l'humidificateur HM700. Avec le cavalier en place entre les bornes 1 et 8 sur l'humidificateur HM700, seuls ces deux fils sont nécessaires pour réguler l'humidité. Veillez à configurer le thermostat pour forcer le ventilateur avec une demande d'humidité ou un cycle de chauffage si le câblage d'activation du ventilateur n'est pas utilisé.

DÉMARRAGE

Vérification de l'installation

Avant de mettre l'humidificateur HM700 sous tension, inspectez l'installation pour vous assurer qu'elle est bien réalisée.

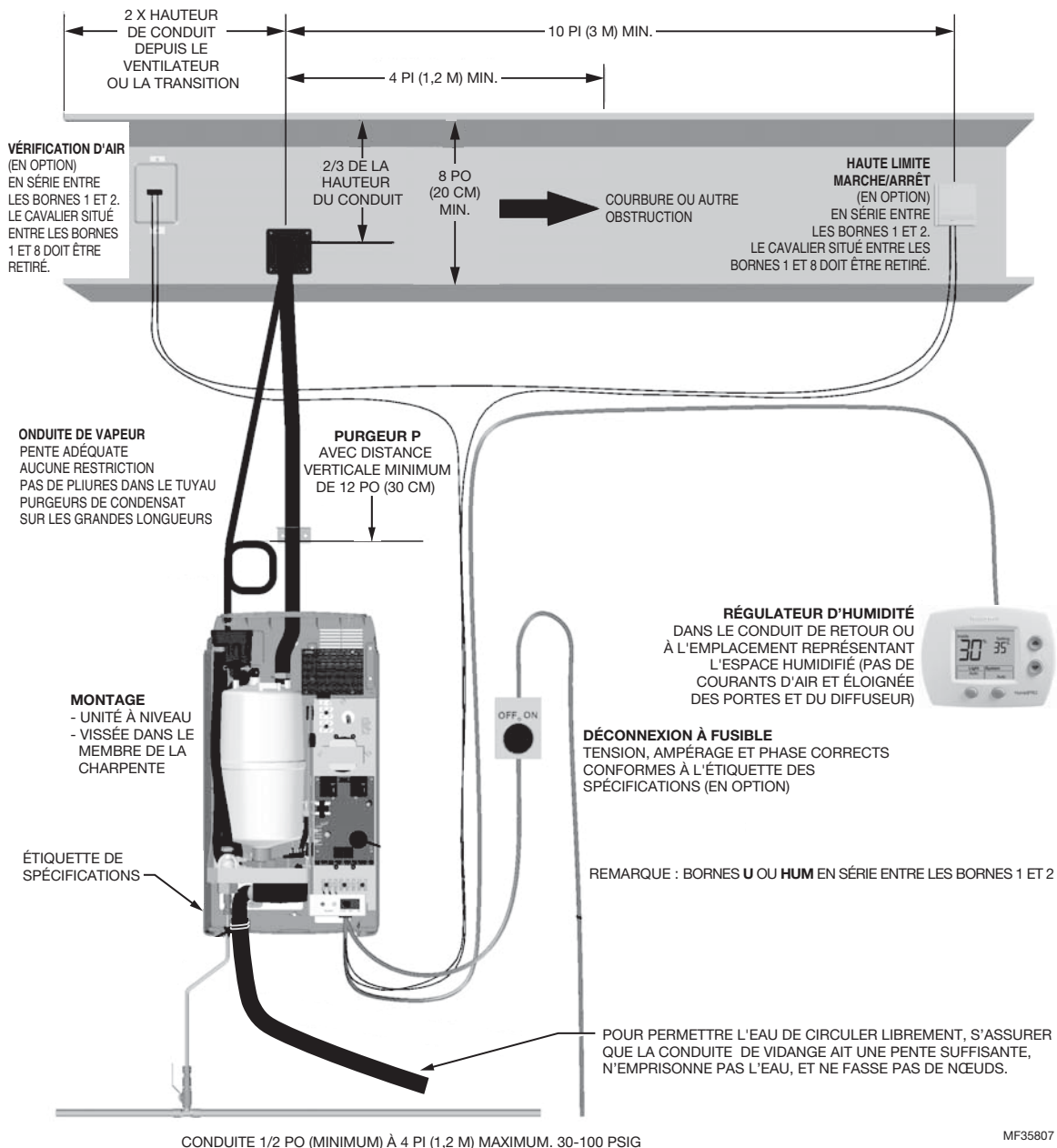


Fig. 19. Vérification de l'installation.



MISE EN GARDE

Risque de dégât matériel

Ne laissez pas le commutateur marche/arrêt/vidange en position de vidange pendant plus d'un cycle de vidange complet. Le solénoïde de la vanne de vidange peut chauffer et causer des dommages à la vanne et au câblage. Ne tentez pas de procéder à une vidange lorsqu'il n'y a pas d'eau dans le système.

Marche/arrêt

L'humidificateur HM700 est configuré en usine pour fonctionner comme un humidificateur marche/arrêt. Il est en marche lorsque 24 V c.a. provenant de la borne 1 est transmis à la borne 2 par un humidistat marche/arrêt ou d'autres dispositifs de sécurité en série.

Procédure de démarrage

1. Examinez l'humidificateur et l'installation pour détecter tout dommage ou installation incorrecte.
2. Assurez-vous que la bouteille est bien installée dans la vanne de vidange et que les connecteurs de l'électrode sont entièrement enfoncés dans les broches de la bouteille.
3. Assurez-vous que le couvercle avant est installé et attaché avec ses vis de fixation.
4. Ouvrez le robinet de coupure d'eau.
5. Établissez l'alimentation principale en utilisant le sectionneur installé.
7. Contrôlez et ajustez le point de consigne du régulateur et l'humidistat haute limite.
8. Lorsque l'humidistat externe génère une demande d'humidité et que la boucle de sécurité est fermée, le voyant vert d'humidification à l'avant de l'humidificateur s'allume, le relais d'alimentation sur le tableau de commande s'active, la vanne de remplissage est actionnée (après un délai) et la bouteille se remplit lentement d'eau.



AVERTISSEMENT

Risque de blessures.

Les unités endommagées ou mal installées ne doivent pas être utilisées. Les unités endommagées ou mal installées peuvent constituer un danger pour les personnes et les biens.

6. Mettez l'interrupteur marche/arrêt à l'avant de l'humidificateur sur marche.
 - L'humidificateur effectue une séquence d'autodiagnostic durant laquelle les voyants et les composants internes s'activent momentanément. Voir « Voyants d'état » à la page 15 pour obtenir des informations sur les voyants et les séquences.
 - Si une erreur est détectée durant la séquence d'autodiagnostic, l'humidificateur ne se met pas en marche. Le voyant d'état jaune clignote en séquence pour indiquer qu'une erreur a été détectée. Voir les Tableaux 7 et 8 pour obtenir des informations sur le diagnostic et la correction des erreurs.
 - Après le test du système, l'humidificateur est en mode de fonctionnement normal.
9. Si un relais d'activation de ventilateur est utilisé, le voyant vert continue de clignoter jusqu'à ce que le dispositif de vérification de présence d'air se ferme. Une fois fermé, le voyant vert s'allume en continu et l'humidificateur commence à produire de la vapeur, tel que décrit à l'étape 8.
10. Cinq à dix minutes peuvent être nécessaires pour que les électrodes immergées chauffent l'eau et pour produire de la vapeur.

REMARQUE : Lorsque la bouteille se remplit d'eau, aucun écoulement d'eau dans le drain ne doit se produire. Si de l'eau s'écoule dans le drain, cela peut indiquer une contre-pression excessive ou une fuite de la vanne de vidange. Voir la section Dépannage.

REMARQUE : Si de l'eau à faible conductivité est utilisée, plusieurs heures peuvent être requises pour que l'humidificateur HM700 atteigne sa capacité de production maximum. Ceci est normal. Pendant ce temps, l'humidificateur ne procède à aucune vidange et la conductivité de l'eau dans la bouteille augmente. Pour accélérer ce processus, ajoutez 1/4 de cuillère à thé de sel dans la bouteille. Ceci augmente immédiatement la conductivité de l'eau et initie le réchauffement.

FONCTIONNEMENT

Voyants d'état

L'interface utilisateur HM700 comprend 2 voyants qui fournissent des informations sur l'état de l'humidificateur.

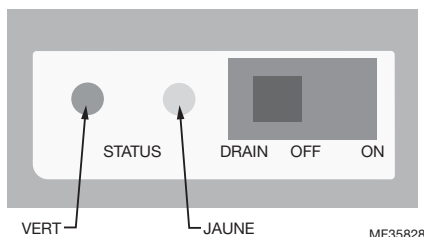


Fig. 20. Voyants d'état.

Les voyants jaune et vert clignotent

Indique qu'il n'y a aucune demande d'humidité.

Le voyant jaune clignote

Panne détectée, l'humidificateur a cessé de fonctionner. Comptez le nombre de clignotements et consultez le Tableau 8 pour plus d'informations.

Le voyant vert clignote

Indique que l'humidificateur est alimenté mais qu'il n'y a pas de demande d'humidité. La boucle de sécurité (1-2) est ouverte.

Le voyant jaune est allumé

Indique que le niveau d'eau est élevé. Lorsque le voyant jaune est allumé en continu (non clignotant), il indique que le capteur de niveau d'eau

élevé a interrompu le remplissage de la bouteille. Le voyant est uniquement destiné à signaler le problème, et à moins qu'il ne reste allumé pendant une période de temps prolongée, aucune action n'est requise.

Le voyant vert est allumé

Indique que de la vapeur est produite.

Sélection d'un point de consigne d'humidité relative

Le point de consigne d'humidité optimal dépend des raisons pour lesquelles un espace est humidifié. Les recommandations des « Applications de CVCA du guide de l'ASHRAE » fournissent les humidités relatives pour différentes applications spécifiques.

Santé et confort – Une plage d'humidité de 40 à 60 % est particulièrement bénéfique pour la santé et le confort. Un réglage d'humidité de 45 à 50 % est recommandé à ces fins pour éviter une humidité excessive.

Réduction de la température – Par climat froid, il est souvent nécessaire de réduire le niveau d'humidité dans un environnement climatisé pour empêcher l'accumulation de condensation à l'intérieur des murs extérieurs, des fenêtres et des boiseries. Il est vivement recommandé d'utiliser la fonction de réduction de l'humidité sur le régulateur HumidiPRO dans ces conditions pour éviter les dommages causés par la condensation. Le régulateur numérique avec capteur de température extérieure installé réduira automatiquement le point de consigne d'humidité en fonction de la température extérieure.

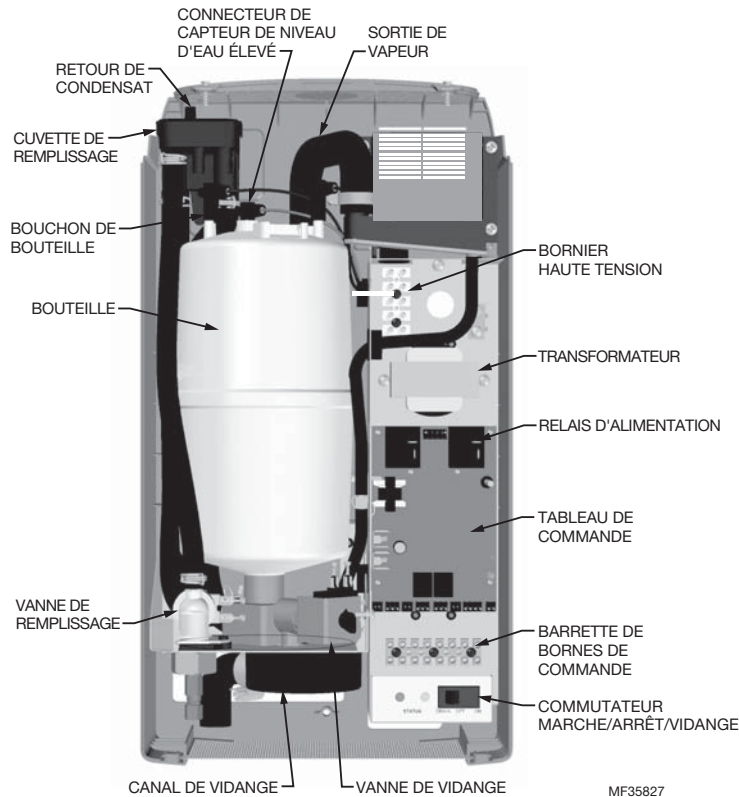


Fig. 21. Composants de l'humidificateur.

Composant	Fonction
Retour de condensat	Fournit une connexion pour retourner le condensat vers l'humidificateur.
Barrette de bornes de commande	Barrette de bornes pour la connexion des régulateurs externes à l'humidificateur et l'interface vers d'autres équipements.
Bouchon de bouteille	Connecteurs d'alimentation vers électrodes dans la bouteille.
Bouteille	Maintient les électrodes dans l'eau. Le courant entre les électrodes génère la chaleur utilisée pour chauffer la vapeur.
Canal de vidange	Combine l'eau de vidange de la bouteille et l'excédent de la cuvette de remplissage en une sortie de vidange unique.
Vanne de vidange	Vide l'eau de l'humidificateur.
Tableau de commande	Contrôle toutes les fonctions de l'humidificateur et fournit des connexions d'entrée et de sortie aux composants de l'humidificateur.
Cuvette de remplissage	Fournit un intervalle d'air pour empêcher le débit de retour.
Vanne de remplissage	Contrôle le débit d'eau dans l'humidificateur.
Bornier haute tension	Connexion d'alimentation principale du sectionneur à distance à l'humidificateur.
Connecteur de capteur de niveau d'eau élevé	Utilisée pour détecter le niveau d'eau maximum dans la bouteille.
Commutateur marche/arrêt/vidange	Active et désactive le contrôleur de l'humidificateur et vide la bouteille. Remarque : Désactivez le sectionneur de l'humidificateur pour couper l'alimentation principale vers l'humidificateur.
Relais d'alimentation	Établit/coupe l'alimentation vers les électrodes de bouteille sur signal du contrôleur de l'humidificateur (monté sur le tableau de commande).
Sortie de vapeur	Connectez à la conduite de vapeur avec le tuyau de vapeur.
Transformateur	Réduit la tension principale à 24 V c.a. pour le contrôleur et les composants internes tels que la vanne de remplissage et la vanne de vidange.

ENTRETIEN ET MAINTENANCE

Maintenance requise

L'humidificateur HM700 a été conçu pour nécessiter un entretien minime. L'entretien régulier consiste à vérifier que l'humidificateur est en bon état, à remplacer la bouteille lorsque le logiciel l'indique et à nettoyer la vanne de vidange lorsque la bouteille est remplacée.

ERREUR DE FIN DE VIE DE BOUTEILLE

Lorsque la bouteille atteint sa fin de vie, l'humidificateur HM700 arrête de fonctionner et le voyant jaune clignote en séquences de 4 clignotements. Voir le Tableau 8 à la page page 23 pour plus d'informations sur les autres séquences de clignotement. La bouteille doit être remplacée.

La bouteille de vapeur est jetable et doit être jetée en fin de vie. La durée de vie de la bouteille dépend des conditions de l'eau et de l'utilisation de l'humidificateur.

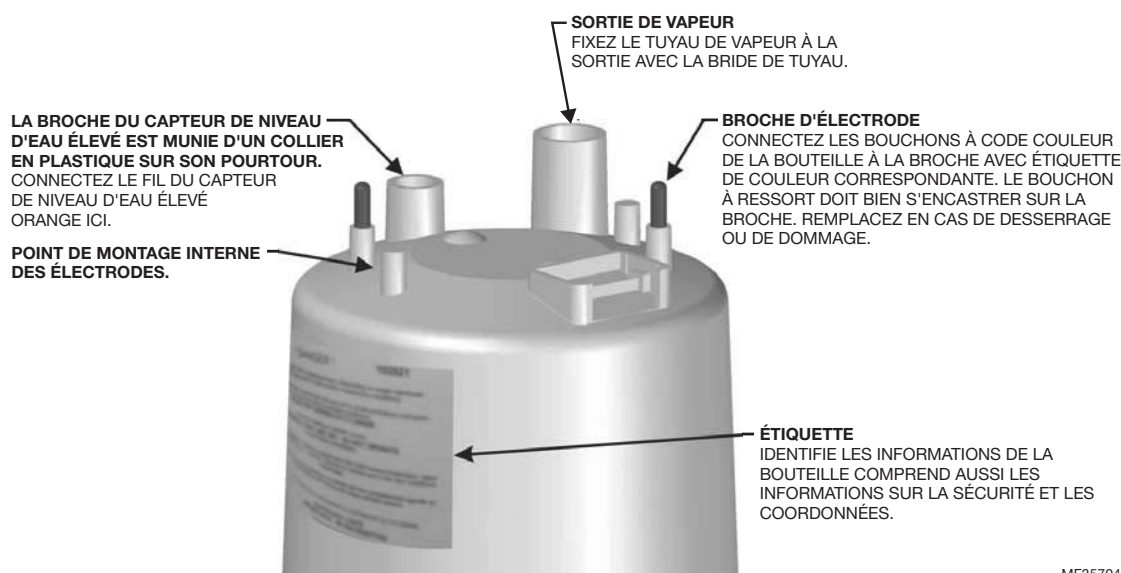
! MISE EN GARDE

Si la bouteille n'est pas remplacée en fin de vie, son fonctionnement sera compromis et l'humidificateur pourrait être endommagé. Honeywell n'est pas responsable des dommages causés ou attribués au non-remplacement d'une bouteille usagée (voir la garantie du fabricant).

REMARQUE : Honeywell recommande d'avoir une bouteille de rechange en stock durant toute la saison d'humidification. Ceci permet d'éliminer les temps d'arrêt lorsque l'humidificateur indique que la bouteille est en fin de vie.

BOUTEILLE DE RECHANGE

L'étiquette sur la bouteille existante identifie le type de bouteille en haut à gauche. Lors de la commande d'une bouteille, indiquez toujours le numéro de modèle à trois ou cinq chiffres indiqué sur l'étiquette, ainsi que le numéro de série et la tension de l'humidificateur. Le numéro de série et la tension sont situés sur l'étiquette des spécifications sur la gauche de l'humidificateur.



MF35704

Fig. 22. Bouteille HM700 (HM700ACYL2).

Retrait de la bouteille

AVERTISSEMENT

Débranchez l'alimentation principale au niveau du sectionneur externe avant tout entretien.

L'intérieur de l'armoire de l'humidificateur contient des éléments haute tension et le câblage. L'accès doit être réservé au personnel autorisé.

1. Videz la bouteille en mettant le commutateur marche/arrêt/vidange en position de vidange. Laissez l'humidificateur se vider jusqu'à l'eau arrête de s'écouler du drain (généralement pas plus de 10 minutes).
2. Mettez le commutateur marche/arrêt/vidange sur arrêt.
3. Fermez le robinet de coupure d'eau.

4. Mettez l'humidificateur hors tension à l'aide du sectionneur externe.
5. Retirez les deux vis fixant le couvercle avant.
6. Retirez les bouchons de la bouteille des broches de la bouteille en tirant verticalement.
7. À l'aide d'un tournevis plat, desserrez la bride du tuyau à l'endroit où le tuyau est connecté à la bouteille.
8. Inclinez le haut de la bouteille pour la dégager du tuyau de vapeur. Lorsque la bouteille est dégagée du tuyau de vapeur, sortez-la.

REMARQUE : L'humidificateur HM700 a une bride de fixation réutilisable pour sécuriser la bouteille lors du transport ainsi que pour l'installation à domicile. Elle doit être desserrée ou retirée pour retirer la bouteille. Serrez-la lorsque la bouteille neuve est installée.

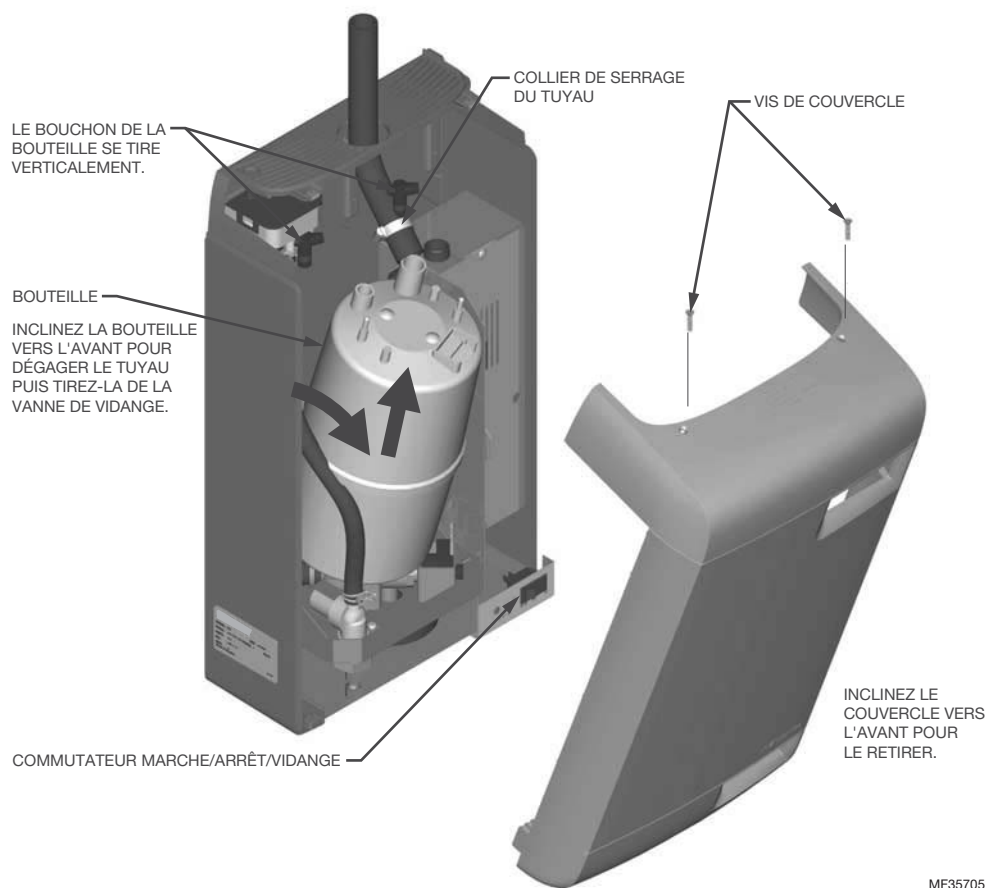


Fig. 23. Retrait de la bouteille.

Nettoyage de la vanne de vidange

Nettoyez toujours la vanne de vidange avant d'installer une bouteille neuve. Le tartre provenant de la bouteille usagée peut être tombé dans la vanne de vidange, ce qui compromettrait son fonctionnement. Pour bien nettoyer la vanne de vidange, elle doit être enlevée et démontée.

1. Débranchez les cosses ouvertes de la vanne de vidange.
2. Retirez les deux vis fixant la vanne au bac de vidange.
3. Serrez les languettes de la bride à ressort maintenant le tuyau à la vanne de vidange et faites glisser la bride vers le haut du tuyau. Tirez le tuyau de la vanne de vidange. Soulevez la vanne de vidange du bac de vidange.
4. Détachez le capuchon rouge du solénoïde et retirez le solénoïde de la vanne.
5. Desserrez l'écrou en laiton maintenant l'actionneur sur le boîtier plastique avec une clé et démontez l'actionneur.
6. Nettoyez les composants de l'actionneur et le boîtier de la vanne (ports d'entrée et de sortie et orifice de bouteille). Placez le joint torique neuf fourni avec la bouteille neuve dans la vanne.
7. Remontez l'actionneur en veillant à ce que l'extrémité conique du ressort soit orientée comme illustré sur la Fig. 25. Serrez l'écrou en laiton à la main puis de 1/4 de tour supplémentaire.
8. Nettoyez l'extrémité du tuyau et réinstallez-le sur la vanne. Faites glisser la bride du tuyau en place et placez la vanne dans le bac de vidange.
9. Fixez la vanne sur le bac de vidange avec deux vis.

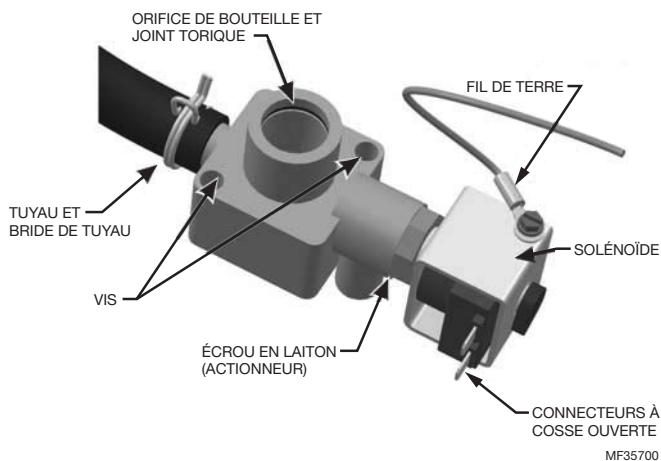


Fig. 24. Vanne de vidange.

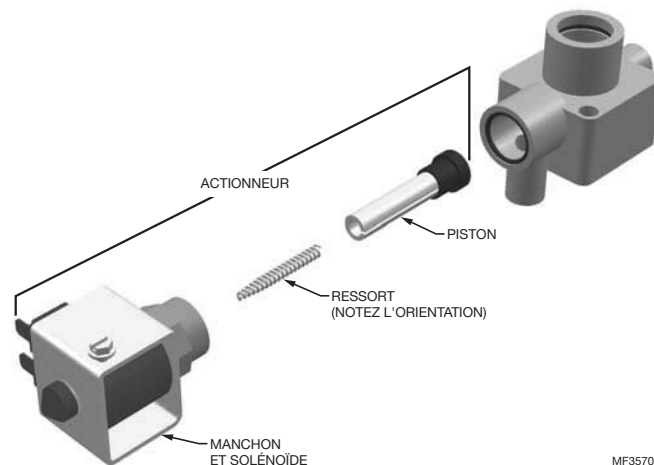


Fig. 25. Actionneur de vanne de vidange.

Installation de la bouteille neuve

⚠ MISE EN GARDE

Assurez-vous que le modèle de la bouteille neuve est HM700ACYL2. L'utilisation de tout autre modèle ou d'une bouteille réusinée annulera la garantie de l'humidificateur HM700.

1. Insérez la bouteille dans la vanne de vidange. Inclinez la bouteille vers l'avant et insérez le tuyau de vapeur dans la sortie de vapeur. Inclinez la bouteille en arrière pour la remettre en place.
2. Serrez la bride du tuyau en veillant à ne pas trop serrer et à ne pas écraser la sortie de vapeur en plastique de la bouteille.
3. Attachez les bouchons à code couleur de la bouteille sur la broche de couleur correspondante de la bouteille. Enfoncez bien. Connectez le capteur de niveau d'eau élevé. Les bouchons à ressort doivent bien s'encaster sur la broche de la bouteille. Remplacez-les s'ils sont lâches ou endommagés.
4. Rattachez la bride de fixation.
5. Remplacez le couvercle de l'humidificateur et fixez-le avec deux vis.
6. Mettez l'humidificateur sous tension à l'aide du sectionneur externe.
7. Ouvrez le robinet de coupure d'eau.
8. Mettez le commutateur marche/arrêt/vidange sur marche.

Arrêt prolongé

S'il s'avère nécessaire de débrancher l'alimentation vers l'humidificateur pour une période prolongée, videz toujours la bouteille avant.

1. Mettez le commutateur marche/arrêt/vidange sur vidange.
2. Patientez jusqu'à ce que l'humidificateur soit complètement vidé (prend généralement moins de 10 minutes).
3. Mettez le commutateur marche/arrêt/vidange sur vidange.
4. Mettez l'humidificateur hors tension à l'aide du sectionneur externe.
5. Fermez le robinet de coupure d'eau.

REMARQUE : Tant que l'humidificateur HM700 est alimenté, il vide automatiquement la bouteille lorsqu'il n'y a pas eu de demande d'humidité pour une période de temps prolongée. Cette fonctionnalité permet de réduire ou d'éviter la corrosion des électrodes et l'accumulation d'algues et de bactéries dans la bouteille. La bouteille reste vide jusqu'à ce qu'une demande d'humidité ait lieu, causant l'ouverture de la vanne et le remplissage de la bouteille. L'appareil suit le processus normal pour un fonctionnement optimal.

DÉMARRAGE APRÈS ARRÊT PROLONGÉ

1. Vérifiez que l'humidificateur n'a pas été endommagé et que l'installation n'a pas été modifiée. Voir « Procédure de démarrage typique » à la page 14.
2. Mettez l'humidificateur hors tension à l'aide du sectionneur externe.
3. Mettez le commutateur marche/arrêt/vidange sur vidange.
4. Patientez jusqu'à ce que l'eau ne s'écoule plus dans le drain. Ceci prend généralement moins de 10 minutes.
5. Suivez la procédure de démarrage typique indiquée à la page 14.

DÉPANNAGE



MISE EN GARDE

Danger - Haute tension.

Soyez conscient, lors du dépannage, que l'humidificateur est sous haute tension, et qu'il est important de posséder de bonnes connaissances en matière de bonnes pratiques et de câblage. Tout dépannage nécessitant l'ouverture de l'armoire doit être réalisé par un personnel qualifié.



MISE EN GARDE

Risque de brûlure et d'ébouillement.

Une température de l'eau ou de la vapeur supérieure à 49 °C (120 °F) peut causer des brûlures par ébouillement.

REMARQUE : La plupart des défaillances de l'humidificateur ne sont pas causées par un équipement défaillant mais par une installation incorrecte. Un diagnostic complet des défaillances implique toujours un examen approfondi de l'ensemble du système. Souvent, la connexion du tuyau

de vapeur n'a pas été correctement réalisée, ou la faute incombe au système de régulation de l'humidité.

EXIGENCES EN MATIÈRE DE DÉPANNAGE

- Assurez-vous que l'installation répond aux exigences d'installation décrites dans le chapitre Installation de ce manuel.
- Familiarisez-vous avec le fonctionnement de l'humidificateur en lisant le chapitre Fonctionnement de ce manuel.
- Le schéma de câblage spécifique de votre humidificateur est installé à l'intérieur de la porte de l'humidificateur. Une copie générique du schéma de câblage de l'humidificateur HM700 est également inclus à la fin de ce chapitre à titre de référence.
- Lorsque vous communiquez avec votre représentant local ou le représentant Honeywell pour obtenir de l'aide pour le dépannage, veuillez disposer du numéro de série pour référence.

La section suivante fournit des directives générales pour le dépannage de l'humidificateur HM700 et des composants auxiliaires. Pour obtenir des informations de dépannage détaillées, reportez-vous aux manuels fournis avec l'équipement auxiliaire et au Tableau 8 intitulé « Dépannage des erreurs de l'humidificateur HM700 » à la page 23.

Tableau 7. Dépannage général.

Symptôme	Cause	Action(s) corrective(s)
Rien ne se passe lorsque commutateur marche/arrêt est actionné.	Fusible grillé	Vérifiez le fusible en ligne entre le transformateur et le tableau de commande.
	Tension incorrecte	Vérifiez que la tension est conforme à l'étiquette des spécifications et corrigez-la si nécessaire.
	Le transformateur abaisseur ne produit pas 24 V c.a.	Remplacez le transformateur.
	Cavalier d'alimentation principale incorrect	Vérifiez que le cavalier sur le bornier haute tension est connecté entre P et la borne correspondant à la tension d'alimentation. Voir la Fig. 16.

Tableau 7. Dépannage général. (suite)

Symptôme	Cause	Action(s) corrective(s)
L'humidificateur n'humidifie pas ou n'atteint pas son point de consigne	Boucle de sécurité ouverte	Vérifiez qu'il y a 24 V c.a. à la borne 2. Vérifiez le câblage et le fonctionnement des dispositifs marche/arrêt connectés aux bornes 1 et 2. Vérifiez qu'un cavalier est installé dans la boucle de sécurité du dispositif de vérification de présence d'air, bornes 1 et 8.
	Pas de signal de demande	Vérifiez la tension entre les bornes 3 et 4. Pour la configuration de la demande, 35 % du signal à pleine échelle doit être présent pour que l'humidificateur se mette en marche.
	La capacité a été manuellement limitée	Contrôlez le potentiomètre de réglage de la capacité manuelle. Le sens horaire augmente la capacité.
	Faible conductivité de l'eau	Notez si le voyant jaune est allumé. Si de l'eau à faible conductivité est utilisée, plusieurs heures peuvent être requises pour que l'humidificateur HM700 atteigne sa capacité de production maximum. Ceci est normal. Pendant ce temps, l'humidificateur ne procède à aucune vidange et la conductivité de l'eau dans la bouteille augmente. La conductivité peut être augmentée plus rapidement en ajoutant 1/4 de cuillère à thé de sel.
	Aucune circulation d'air dans le conduit	Vérifiez que les bornes d'activation du ventilateur de l'humidificateur (bornes 19-20) sont correctement câblées à la chaudière. Vérifiez que le dispositif de vérification de présence d'air est câblé à la borne 8.
L'humidificateur a rencontré une erreur et le voyant jaune clignote	Le logiciel a détecté une condition anormale	Voir le Tableau 8 à la page 23.
Le distributeur crache de l'eau	Le distributeur n'est pas à niveau	Utilisez le support à l'extrémité du distributeur pour vous assurer qu'il est à niveau.
	Le purgeur P est trop près du distributeur	Le purgeur P doit être à 12 po (30 cm) au-dessous du distributeur pour garantir le débit. Modifiez son emplacement si nécessaire.
	La conduite de condensat n'est pas suffisamment inclinée	Une pente suffisante pour garantir le débit est requise. Réinstallez-le si nécessaire.
	Purgeur bloqué	Vérifiez que de l'eau s'écoule par le purgeur. Dégagez l'obstruction le cas échéant.
	Conduite de vapeur non isolée	Si la conduite de vapeur est longue, l'accumulation de condensat peut surcharger le port de condensat du distributeur. Isolez la conduite pour améliorer l'efficacité et installez des purgeurs de condensat supplémentaire si nécessaire.
	Installation incorrecte de la conduite de vapeur	Vérifiez que la conduite de vapeur a été installée avec des purgeurs de condensat et qu'elle est inclinée. Voir « Instructions relatives aux conduites de vapeur et au retour de condensat » à la page 8.
Condensation dans le conduit	Les dégagements requis pour l'installation n'ont pas été respectés	Consultez le manuel d'installation du distributeur pour les dégagements requis. Relocalisez le distributeur si nécessaire.
	Les exigences de conception ont changé	Contrôlez la température et l'humidité de l'air d'arrivée pour déterminer si les conditions ont changé.
	La limite haute ne fonctionne pas	Contrôlez le réglage et le fonctionnement de la limite haute. Remplacez-la si elle est défectueuse.
L'humidificateur déclenche le disjoncteur de fuite à la terre.	L'humidificateur est câblé à un circuit muni d'un disjoncteur de fuite à la terre. Le fil de terre de la vanne de vidange n'est pas débranché	Consultez les étapes de l'installation électrique et les remarques à la page 10 pour les instructions relatives au disjoncteur de fuite à la terre et au retrait du fil de terre.

Erreur de l'humidificateur HM700

Le système d'autodiagnostic intégré dans l'humidificateur HM700 surveille continuellement le fonctionnement de l'humidificateur. Lorsqu'une condition anormale ne pouvant pas être corrigée par le logiciel se produit, l'humidificateur HM700 coupe l'alimentation vers la bouteille et la vide, et signale l'erreur à l'aide du voyant jaune.

Séquence de clignotement du voyant

Pour signaler la différence entre les erreurs, le voyant jaune clignote selon différentes séquences. Le Tableau 8 indique les séquences d'erreur pouvant s'afficher, leur signification, la cause possible et les actions correctives suggérées.

Effacement d'une erreur

- Contrôlez la séquence de clignotement en utilisant la liste des messages d'erreur, et prenez toutes les actions correctives pour corriger la ou les causes, tel que décrit dans le Tableau 8 à la page 23.
- Mettez l'humidificateur hors tension et sous tension à l'aide de l'interrupteur marche/arrêt en attendant 10 secondes avant de le remettre en marche.

Tableau 8. Dépannage des erreurs de l'humidificateur HM700.

Voyant jaune	Symptôme	Cause	Action(s) corrective(s)
1 clignotement	Courant excessif Le courant a dépassé 130 % du maximum	Drain obstrué, concentration d'eau excessive	Nettoyez la conduite de vidange
		Solénoïde de vidange non activé, concentration d'eau excessive	Contrôlez et corrigez le câblage vers la vanne de vidange.
		Remplissage trop rapide, vanne de remplissage endommagée ou présentant une fuite	Remplacez la vanne de remplissage
		Remplissage trop rapide, vanne de remplissage incorrecte	La vanne de remplissage est peut-être défectueuse. Remplacez-la si nécessaire
		Eau fournie trop conductrice	a) Modifiez l'approvisionnement en eau b) Contactez le représentant de Honeywell pour obtenir de l'aide
		Cycle court de l'humidificateur	a) Vérifiez que le cycle marche/arrêt de la limite haute ou des autres commandes marche/arrêt se produit en moins de cinq minutes. Contrôlez l'emplacement et le réglage de la limite haute. b) Réduisez la sortie en diminuant le potentiomètre
		Bouteille incorrecte installée	Installez une bouteille de modèle correct
		Bouteille usagée mais non détectée par le logiciel	Remplacez la bouteille (consultez le chapitre sur l'entretien)
		Condensat d'une autre source	Retirez les retours de condensat ailleurs que sur la conduite de vapeur.
	Contre-pression	Éliminez la contre-pression	
2 clignotements	Pas de courant La vanne de remplissage est activée depuis longtemps mais le niveau d'eau élevé n'est pas atteint. Le remplissage doit avoir lieu à plus de 1 po par minute.	Fuite de la vanne de vidange ou vanne de vidange coincée en position ouverte	Nettoyez ou remplacez la vanne de vidange (consultez le chapitre sur l'entretien)
		Robinet de coupure d'eau fermé	Ouvrez le robinet de coupure d'eau
		Filtre de la vanne de remplissage obstrué	Nettoyez le filtre sur l'entrée de la vanne de remplissage.
		Contre-pression élevée du système	a) Vérifiez que le tuyau n'est pas plié b) Vérifiez que le condensat est bien retiré (consultez le chapitre sur l'installation).
		Capteur de niveau d'eau élevé non connecté	Vérifiez que le bouchon de bouteille marqué en blanc est connecté à l'électrode courte avec un puits en plastique sur son pourtour et au tableau de commande.
		Faible conductivité de l'eau	a) Vérifiez que de l'eau potable est fournie et non pas de l'eau traitée (à osmose inverse ou déionisée). b) Vérifiez la conductivité de l'eau. Si elle est inférieure à 150 µS, ajoutez 1/4 de cuillère à thé de sel dans la cuvette de remplissage et relancez l'unité.

Tableau 8. Dépannage des erreurs de l'humidificateur HM700. (suite)

Voyant jaune	Symptôme	Cause	Action(s) corrective(s)
3 clignotements	Pas de courant, niveau d'eau élevé L'eau a atteint le haut de la bouteille sans courant	Le fil principal n'est pas bouclé dans le transformateur de courant.	Recâblez le fil principal par le transformateur de courant.
		Le connecteur du capteur de niveau d'eau élevée est sur une broche d'électrode.	Installez le connecteur du capteur de niveau d'eau élevée sur la broche de la bouteille enveloppée.
		Les bouchons de la bouteille sont mal installés	Vérifiez que les couleurs des bouchons de bouteille correspondent aux repères près des électrodes sur la bouteille et que le bouchon de bouteille marqué en blanc est connecté à l'électrode courte située dans le puits en plastique.
4 clignotements	Bouteille usagée Les électrodes sont couvertes de tartre.	Les électrodes de bouteille sont couvertes de tartre et l'humidificateur ne peut pas répondre à la demande	Remplacez la bouteille par le même numéro de modèle (consultez le chapitre sur l'entretien).

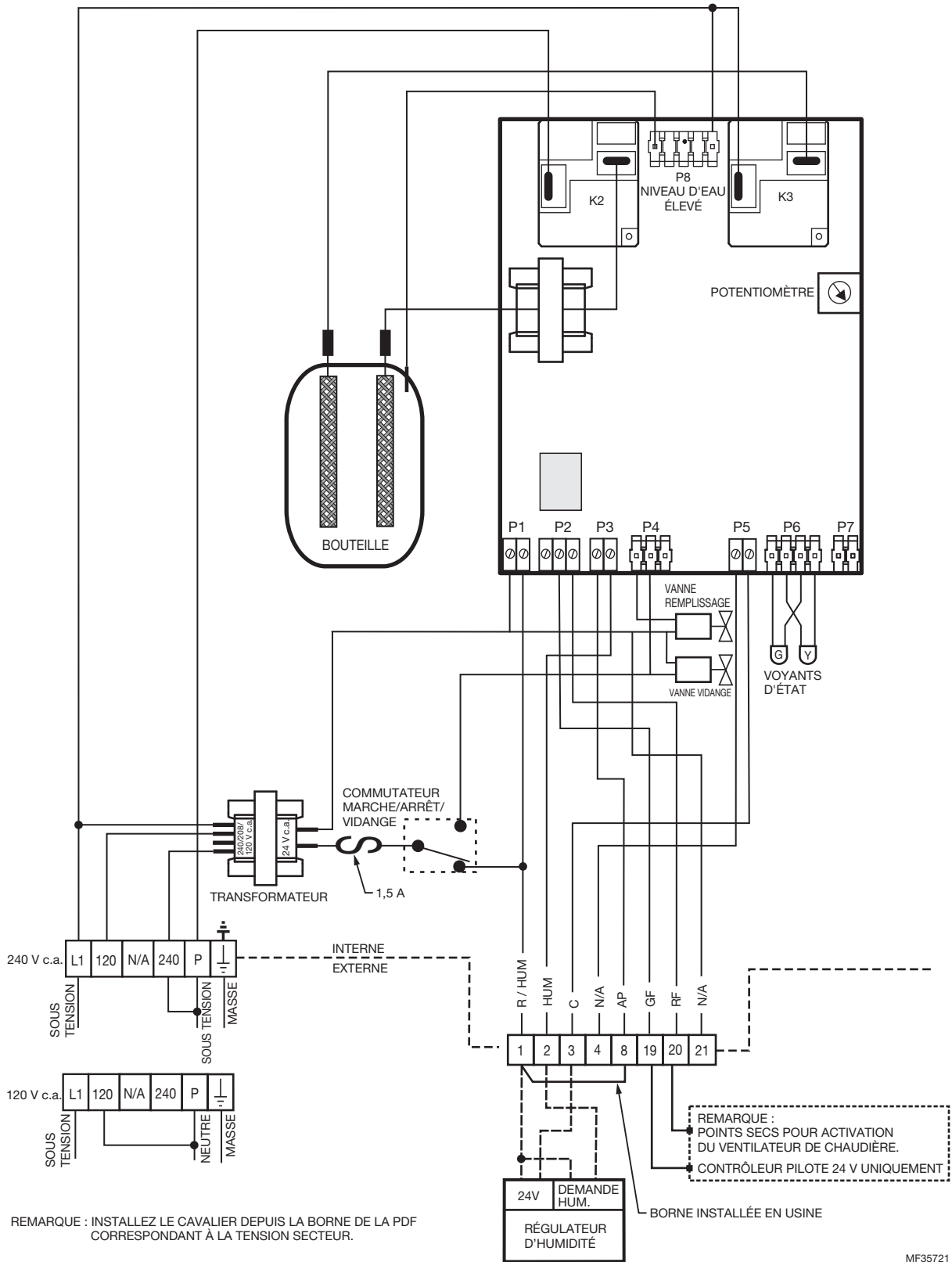


Fig. 26. Schéma de câblage.

MF35721

GARANTIE DE 5 ANS

Honeywell garantit ce produit contre tout vice de fabrication ou de matériau dans la mesure où il en est fait une utilisation et un entretien convenables, et ce, pour cinq (5) ans à partir de la date d'achat par le consommateur. En cas de défaillance ou de mauvais fonctionnement pendant la période de garantie, Honeywell remplacera ou réparera le produit (à sa discrétion).

Si le produit est défectueux,

(i) le renvoyer avec la facture ou une autre preuve d'achat date au lieu d'achat; ou

(ii) appeler le service à la clientèle de Honeywell en composant le 1-800-468-1502. Le service à la clientèle déterminera si le produit doit être retourné à l'adresse suivante :

Honeywell Return Goods, Dock 4MN10-3860, 1985 Douglas Dr. N., Golden Valley, MN 55422, ou si un produit de remplacement peut vous être expédié.

La présente garantie ne couvre pas les frais de retrait ou de réinstallation. La présente garantie ne s'appliquera pas s'il est démontré par Honeywell que la défaillance est due à un endommagement du produit qui s'est produit lorsque le consommateur l'avait en sa possession.

La responsabilité exclusive de Honeywell se limite à réparer ou à remplacer le produit conformément aux modalités susmentionnées. HONEYWELL N'EST EN AUCUN CAS RESPONSABLE DES PERTES OU DOMMAGES, Y COMPRIS LES DOMMAGES INDIRECTS OU ACCESSOIRES DÉCOULANT DIRECTEMENT OU INDIRECTEMENT D'UNE VIOLATION QUELCONQUE D'UNE GARANTIE, EXPRESSE OU TACITE, APPLICABLE AU PRÉSENT PRODUIT, OU TOUTE AUTRE DÉFAILLANCE DU PRÉSENT PRODUIT. Certaines provinces ne permettent pas l'exclusion ou la restriction des dommages indirects ou accessoires et, par conséquent, la présente restriction peut ne pas s'appliquer à votre cas.

CETTE GARANTIE EST LA SEULE GARANTIE EXPRESSE FAITE PAR HONEYWELL POUR CE PRODUIT. LA DURÉE DE TOUTE GARANTIE IMPLICITE, INCLUANT LES GARANTIES DE QUALITÉ MARCHANDE OU D'ADAPTATION À UNE UTILISATION PARTICULIÈRE, EST LIMITÉE PAR LES PRÉSENTES À LA PÉRIODE DE CINQ ANS DE LA PRÉSENTE GARANTIE.

Certaines provinces ne permettent pas de limiter la durée des garanties tacites et, par conséquent, la présente limitation peut ne pas s'appliquer. La présente garantie donne au consommateur des droits spécifiques et certains autres droits qui peuvent varier d'une province à l'autre.

Pour toute question concernant la présente garantie, prière d'écrire aux Services à la clientèle de Honeywell à l'adresse suivante : Honeywell Customer Relations, 1985 Douglas Dr, Golden Valley, MN 55422, ou de composer le 1-800-468-1502.

IMPORTANT

Pour conserver la garantie, utilisez uniquement des pièces et des bouteilles approuvées par Honeywell.

Solutions de régulation et d'automatisation

Honeywell International Inc.

1985 Douglas Drive North

Golden Valley, MN 55422

customer.honeywell.com

© Marque de commerce déposée aux États-Unis
© 2016 Honeywell International Inc.
33-00118EFS—01 M.S. 03-16
Imprimé aux États-Unis

Honeywell

HM700A1000

HUMIDIFICADOR ELECTRODE STEAM

INSTRUCCIONES PARA LA INSTALACIÓN



INTRODUCCIÓN

El HM700 es el humidificador de vapor doméstico más avanzado del mercado, y brinda humidificación confiable y continua para el hogar. El humidificador está diseñado para conectarse a un distribuidor de vapor instalado en un conducto de suministro de aire y satisfacer la demanda de humedad.

IMPORTANTE

Lea y guarde estas instrucciones. Esta guía debe ser conservada por el instalador, mientras que la Guía para el usuario debe permanecer en poder del propietario del equipo.

Artículos incluidos en la caja

- Humidificador de vapor (HM700)
- Kit de distribución con montaje a distancia (HM700ADISTKIT)
- Higrostat HumidiPRO (H6062A1000)
- Cilindro de vapor (se incluye un HM700ACYL2)
- Manguera de desagüe de goma
- Instrucciones de instalación, Guía para el usuario y Guía de inicio rápido

Herramientas necesarias

- Destornillador
- Llave inglesa
- Pinzas
- Válvula de cierre de agua
- Línea de agua (de polietileno de baja densidad o de cobre)

Configuración del humidificador

El HM700 viene configurado de fábrica para funcionar en la mayoría de las condiciones sin la necesidad de cambiar los parámetros.

NOTA: Como el humidificador viene configurado de fábrica para funcionar de manera óptima, Honeywell no recomienda cambiar los puentes de conexión o el potenciómetro, ya que esto anularía la garantía y podría dañar el humidificador. Para obtener más información, póngase en contacto con el Servicio de atención al cliente de Honeywell.

Antes de la instalación

1. Asegúrese de que la tensión y la fase disponibles coincidan con la tensión y la fase del humidificador; estas aparecen indicadas en la etiqueta de especificaciones del humidificador.
2. Asegúrese de que el interruptor de desconexión externo con fusibles especializado presente el tamaño adecuado para poder soportar el amperaje indicado en la etiqueta de especificaciones. Consulte los códigos locales.
3. Asegúrese de contar con suficiente espacio, tal como se describe en la sección Ubicación en la página 6.
4. Asegúrese de que las líneas de vapor puedan encaminarse hacia el conducto distribuidor, tal como se describe en la sección Instrucciones de retorno del condensado y líneas de vapor en la página 9.

Tabla 1. Especificaciones.

Número de pieza	Voltios	Salida de vapor (GPD)	KW	Amperios	Fase	Potencia máxima del fusible externo	Cilindro estándar	Peso total/neto en lb (kg)	Dimensiones en pulgadas (L x W x H)
HM700A1000	110/120	11	1.4	12.0	1	15 A	CYL2	15/20 (7.0/9.5)	11.5 x 6.75 x 21.5
	220/240	22	2.8						

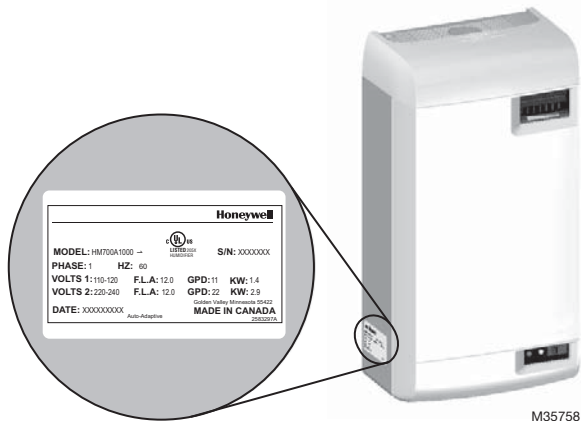


Fig. 1. Ubicación de la etiqueta de especificaciones.

! PRECAUCIÓN

Mantenimiento

- Antes de realizar cualquier tarea de mantenimiento, desconecte la fuente de alimentación principal.
- Tanto los compartimientos eléctricos como los compartimientos de las tuberías contienen cables y componentes de alta tensión. El acceso debe limitarse solo al personal autorizado.
- Durante y después del funcionamiento del humidificador, tanto el vapor como los componentes en contacto con el vapor, como las líneas de vapor, los distribuidores de vapor y las líneas de condensado, pueden calentarse y provocar quemaduras al contacto.
- Honeywell no acepta ninguna responsabilidad por las instalaciones del equipo de humidificación realizadas por personal no calificado ni por el uso de piezas, componentes o equipos no autorizados o aprobados por Honeywell.
- Para mantener la garantía, solo deben utilizarse piezas y cilindros aprobados por Honeywell en el producto.

! PRECAUCIÓN

Eléctrico

- Todos los trabajos de electricidad deben realizarse conforme a los códigos eléctricos locales y nacionales.
- Las conexiones eléctricas deberán ser realizadas por un electricista profesional.
- Las unidades deben ser alimentadas por un circuito de interruptor diferencial (ID) especializado.

! PRECAUCIÓN

Plomería

- Los trabajos de plomería deberán ser realizados por un plomero profesional.
- El agua de desagüe que sale del humidificador puede estar muy caliente. No vierta el agua por un fregadero público.
- Todos los trabajos de plomería deben realizarse conforme a los códigos de plomería locales y nacionales.

! PRECAUCIÓN

Instalación

- No coloque la unidad sobre superficies calientes.
- No coloque la unidad en un área donde pueda ocurrir congelamiento.
- No coloque la unidad sobre superficies que vibren.
- No coloque la unidad en el piso.
- El HM700 produce vapor a presión atmosférica. No conecte dispositivos que puedan bloquear la salida de vapor al extremo de salida de vapor.
- Las líneas de vapor deben instalarse de modo que ninguna obstrucción pueda generar una contrapresión en el humidificador.

! PRECAUCIÓN

Calidad del agua

- El HM700 de Honeywell requiere una conexión de agua fría desde el suministro principal de agua de su hogar, de entre 30 y 100 PSIG. Es posible que se necesite una válvula de estrangulación; por razones de seguridad, se recomienda utilizar una válvula de cierre de agua. **No se debe** utilizar agua depurada por ósmosis inversa (OI) ni agua desionizada (DI). La conductividad del agua es importante para garantizar que el humidificador por electrodos funcione de manera eficaz. Honeywell recomienda un conductividad de 150 a 1200 μ S (microsiemens).

Piezas y accesorios

Se encuentran disponibles las siguientes piezas y accesorios; además, es posible que vengan incluidos con su humidificador HM700. El cilindro es el único artículo que deberá reemplazar periódicamente, a fin de mantener el funcionamiento correcto del humidificador.

Tabla 2. Piezas y accesorios.

Pieza/accesorio	Número de pieza
Cilindro de reemplazo	HM700ACYL2
Higrostat HumidiPRO	H6062A1000
Kit de distribución de acero inoxidable, con montaje a distancia	HM700ADISTKIT
Válvula de desagüe de reemplazo	HM700ADVALVE
Válvula de llenado de reemplazo	HM700AFVALVE
Transformador de reemplazo	HM700ATX
Tablero de control de parámetros (PC) de reemplazo	HM700APCB
Kit de manguera aislada para la línea de condensado y la línea de vapor de 15 ft (4.5 m)	HM700AHOSEKIT
Interruptor de presión diferencial para la prueba de aire	50027910-001

Cómo trabaja el humidificador

El HM700 es un generador de vapor atmosférico que utiliza el calor generado por la corriente eléctrica que fluye entre los electrodos sumergidos para generar vapor. El HM700 está diseñado para satisfacer una demanda de humidificación del aire a través de un distribuidor de vapor.

GENERACIÓN DE VAPOR

- Luego de que la unidad recibe una señal de demanda y se cierra el bucle de seguridad entre los terminales 1 y 2, el humidificador cierra el contactor y mide la corriente eléctrica.
- Si la demanda es menor que la producción real, la válvula de entrada se mantiene cerrada y la salida se reduce mediante la disminución por evaporación del nivel de agua en el cilindro.
- Si la demanda es mayor que la producción real, la válvula de llenado se activa luego de una breve demora y el agua fluye hacia el recipiente de llenado. El agua fluye desde el recipiente de llenado hacia la parte inferior del cilindro por una manguera conectada a la cubierta de la válvula de desagüe.

NOTA: El cilindro es alimentado por gravedad desde el recipiente de llenado. Si la contrapresión de la línea de vapor es demasiado alta, provocará que el agua regrese desde el recipiente de llenado y fluya por la línea de rebose hacia el desagüe.

- Cuando el agua en el cilindro entra en contacto con los electrodos energizados, la corriente fluye por el agua. La resistencia del agua a la carga eléctrica genera calor y, a su vez, vapor. La corriente eléctrica (y la generación de vapor) aumenta a medida que se incrementa el nivel de agua, puesto que una mayor parte del electrodo se encuentra sumergido. La unidad continúa llenándose hasta que la corriente se corresponde con la demanda, o bien el sensor de exceso de agua detecta un nivel de agua alto.
- El HM700 repite el ciclo de llenado y evaporación varias veces hasta que la generación de vapor se corresponde con la demanda.
- Con el tiempo, los minerales presentes en el agua se adherirán a los electrodos del cilindro. El humidificador se llenará automáticamente con un nivel superior de agua, a fin de mantener la capacidad completa durante la vida útil del cilindro. Eventualmente, debido a la formación de

incrustaciones, el humidificador no podrá alcanzar su plena capacidad. El software del HM700 supervisa esta condición; cuando la detecte, el humidificador dejará de funcionar y se encenderá una luz LED amarilla en una secuencia repetitiva de 4 parpadeos.

DESAGÜES

- Mientras se genera vapor, los minerales son excluidos, lo que aumenta la conductividad del agua. El ciclo autoadaptable patentado del HM700 monitorizará la conductividad del agua y efectuará desagües para mantener la conductividad óptima del agua y garantizar el máximo rendimiento.
- El ciclo autoadaptable asegura que se maximice la vida útil del cilindro. Para ello, proporciona un control estricto y un uso óptimo del agua durante toda la vida útil del cilindro.

DISTRIBUCIÓN DE VAPOR

Es posible introducir el vapor generado por el humidificador en el aire de diferentes maneras. El método más común para añadir el vapor en el aire es mediante la instalación de un tubo distribuidor de vapor en un conducto de suministro de aire.

LÍNEA DE VAPOR

La línea de vapor que se extiende desde la salida de vapor del cilindro y el distribuidor cumple dos funciones: se utiliza como un conducto de transferencia del vapor atmosférico desde el humidificador hacia el distribuidor, y como un medio para eliminar el condensado. Para obtener información sobre la selección de líneas de vapor, consulte la sección "Instrucciones de retorno del condensado y líneas de vapor" en la página 9.

RETORNO DEL CONDENSADO

Cada vez que se distribuye vapor, se forma condensado en el sistema de distribución. Aislar las líneas de vapor es una manera de reducir la cantidad de condensado generado. Las líneas de vapor se encuentran inclinadas, a fin de que el condensado no permanezca en las líneas y obstruya el flujo de vapor. Es importante recolectar y eliminar el condensado del sistema, a fin de que no se acumule ni se filtre en el conducto. El condensado puede ser devuelto al recipiente de llenado del HM700 para reducir el desperdicio de agua, o bien puede verterse en el desagüe.

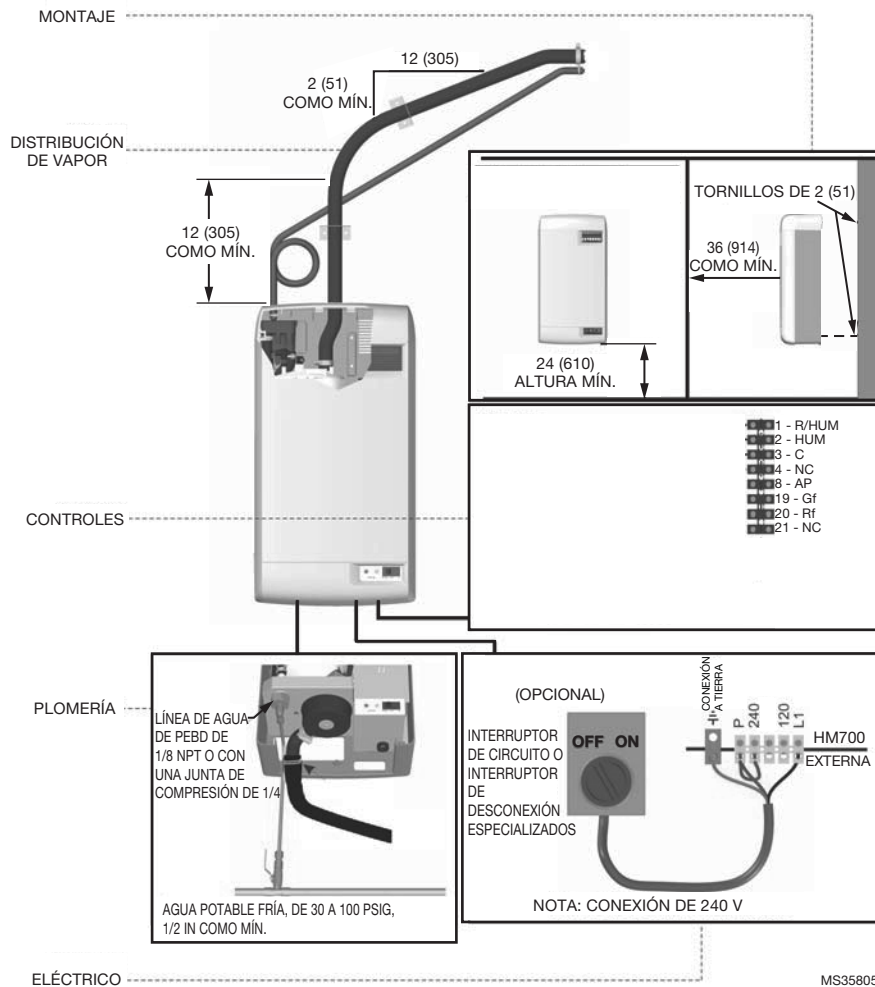


Fig. 2. Instalación típica de un HM700. Dimensiones en pulgadas (mm).

CALIBRACIÓN

IMPORTANTE

El HM700 debe instalarse únicamente después de haberse calibrado adecuadamente. **No use pies cuadrados para calibrar la instalación de un humidificador.** En cambio, se deben utilizar pies cúbicos, puesto que la humedad llena un volumen de espacio (ancho x largo x alto). Además, tenga en cuenta la "hermeticidad" de la construcción de un hogar.

El HM700 produce 11 galones por día (GPD) cuando funciona a 120 V, y produce 22 GPD cuando funciona a 240 V. Para obtener detalles sobre la configuración del HM700 para que funcione con una tensión diferente, consulte la Figura 16.

La Tabla 3 incluye las recomendaciones del Instituto de Aire Acondicionado, Calefacción y Refrigeración (AHRI) con respecto a los requisitos de humedad; la Tabla 4 incluye los humidificadores y las configuraciones de producción que cumplirán con los requisitos de humidificación.

Tabla 3. Humedad recomendada por el AHRI (en galones por día).

Tipo de construcción	8,000 ft ³	12,000 ft ³	16,000 ft ³	20,000 ft ³	24,000 ft ³	28,000 ft ³	32,000 ft ³
Hermética	3.3	4.3	5.4	7.5	9.6	11.7	16
Promedio	7.6	9.6	11.8	16	20.3	24.4	33
No hermética	11.7	14.9	18.1	24.5	30.8	37.1	50

Tabla 4. Humidificador(es) de vapor necesario(s) para la aplicación.^a

Tipo de construcción	8,000 ft ³	12,000 ft ³	16,000 ft ³	20,000 ft ³	24,000 ft ³	28,000 ft ³	32,000 ft ³
Hermética	11 GPD	11 GPD	11 GPD	11 GPD	11 GPD	11 GPD (x2) o 22 GPD (x1)	11 GPD (x2) o 22 GPD (x1)
Promedio	11 GPD	11 GPD	22 GPD	22 GPD	22 GPD	11 GPD (x3) o 22 GPD (x2)	11 GPD (x3) o 22 GPD (x2)
No hermética	22 GPD	22 GPD	22 GPD	11 GPD (x3) o 22 GPD (x2)	11 GPD (x3) o 22 GPD (x2)	11 GPD (x4) o 22 GPD (x2)	11 GPD (x5) o 22 GPD (x3)

^a En la tabla presentada anteriormente, **11 GPD** se refiere a un humidificador de vapor configurado para funcionar a 120 V, mientras que **22 GPD** se refiere a un humidificador de vapor configurado para funcionar a 240 V.

UBICACIÓN

Monte el equipo en una pared o una superficie vertical apta. No coloque la unidad en el piso. Deje los espacios requeridos para realizar las conexiones eléctricas y de tuberías. Las dimensiones de los espacios mostradas son solo de referencia; representan las separaciones mínimas requeridas para poder realizar el mantenimiento del humidificador. Antes de la ubicación e instalación final de la unidad consulte los códigos locales y nacionales. Honeywell no se hace responsable por los incumplimientos a los códigos de instalación.

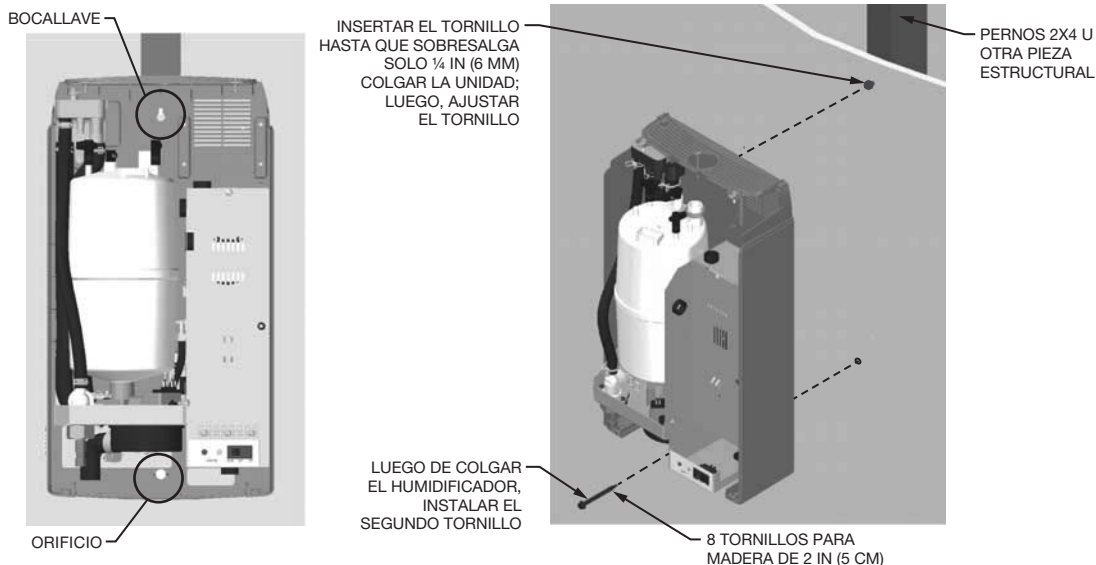
- Instale la unidad únicamente en áreas con una temperatura ambiente de 41 a 104 °F (de 5 a 40 °C) y una humedad relativa de 5 a 95 %.
- Cuando sea posible, instálela debajo del distribuidor de vapor. Asegúrese de encaminar la línea de vapor adecuadamente y proporcionar los sifones de condensado correctos.
- NO ubique el humidificador más lejos de lo absolutamente necesario del distribuidor de vapor, puesto que la producción neta se reducirá como resultado de la pérdida de calor a lo largo de la línea de vapor.
- Cuando sea posible, instale el humidificador HM700 a una altura conveniente para realizar el mantenimiento.

NOTA: No coloque la unidad sobre superficies calientes, en áreas donde pueda ocurrir congelamiento, sobre superficies que vibran ni en el suelo.

Montaje con bocallaves

1. El humidificador HM700 se monta en la pared a través de una bocallave ubicada en la parte posterior de la ebanistería de la unidad.
2. Use 8 tornillos de 2 in (5 cm) montados en pernos 2x4 o más largos. Se necesitan 2 tornillos, uno para colgar la unidad y otro para asegurarla, de modo que no se despegue de la bocallave.
3. Coloque el tornillo superior hasta que sobresalgan solo ¼ in (6 mm). Eleve la unidad y coloque la cabeza del tornillo en la bocallave.
4. Asegúrese de que la unidad se encuentre nivelada; luego, inserte y ajuste el segundo tornillo por el orificio inferior. Ajuste el tornillo superior. Consulte la Fig. 3.

NOTA: Si observa cartón yeso u otro espaciador, use tornillos más largos.



MS35759

Fig. 3. Montaje con bocallave.

PLOMERÍA

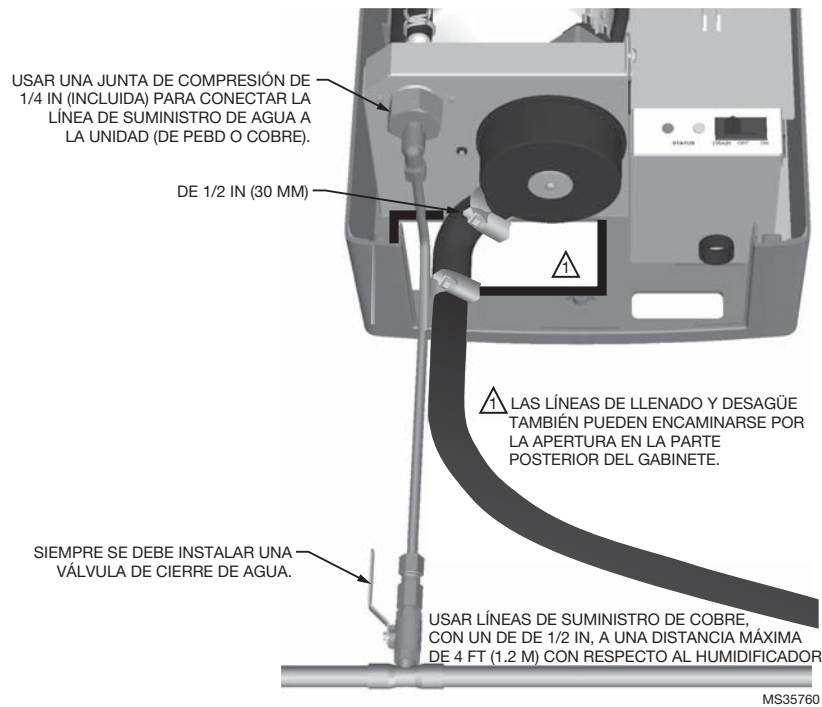


Fig. 4. Suministro de agua y conexiones de desagüe.

IMPORTANTE

- Todas las conexiones de las líneas de desagüe y suministro deben instalarse conforme a los códigos locales de plomería.
- Cuando el HMW700 realiza un desagüe, el agua de desagüe se refrigera automáticamente a 140 °F (60 °C). Si se utiliza el interruptor de desagüe manual, la temperatura puede ser superior. El material de desagüe (tubo y desagüe) debe ser capaz de soportar una temperatura de 200 °F (93 °C).
- El suministro de agua debe presentar una presión de 30 a 100 psig. En caso de ser necesario, se puede utilizar una válvula de estrangulamiento.
- No utilice agua depurada por ósmosis inversa ni agua desionizada. La conductividad óptima del agua de suministro debe ser de entre 150 y 1200 µS (microsiemens).
- El agua de suministro debe estar fría, a una temperatura de 34 a 68 °F (de 1 a 20 °C).
- Para facilitar el mantenimiento, instale la válvula de cierre de agua antes que el humidificador.
- La línea de desagüe no debe finalizar en un fregadero utilizado frecuentemente por el personal, o en un lugar prohibido por los códigos de plomería. Por motivos de seguridad, encamine la línea hacia un desagüe en el piso o un área similar.
- La tubería de desagüe debe dirigirse de forma que permita el flujo libre del agua. Conserve la pendiente adecuada, sin retenedores y sin torceduras. Un desagüe obstruido puede causar la acumulación del agua del cilindro y resultar en una operación deficiente.
- Si no cuenta con un desagüe cerca del humidificador, use una bomba de condensación que pueda ser utilizada con agua de desagüe caliente.

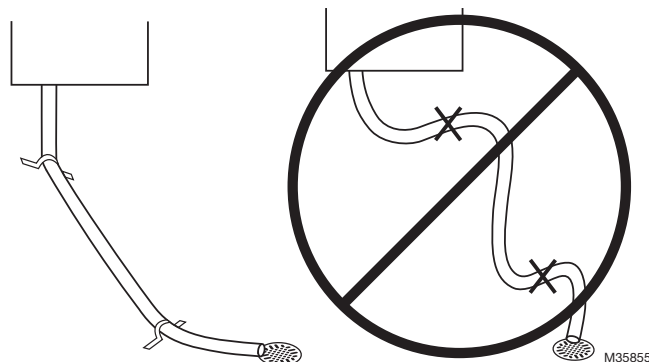


Fig. 5.

Distribuidor de vapor

El HM700 requiere la instalación de un distribuidor de vapor en el extremo de entrada de los conductos. El HM700 puede distribuir vapor a un conducto de ventilación a través del distribuidor que se muestra en la Tabla 5.

El distribuidor de vapor debe instalarse lo más cerca posible del humidificador. Unas líneas de distribución de vapor cortas minimizan la pérdida de condensación y la posibilidad de que se genere una contrapresión en ellas.

Tabla 5. Distribuidor de vapor.

Número de pieza	Descripción	Notas
HM700ADISTKIT	Kit de montaje remoto de distribución de acero inoxidable	Incluye un distribuidor de vapor, una manguera de vapor aislada de 5 ft, una manguera de condensado y un equipo de instalación.

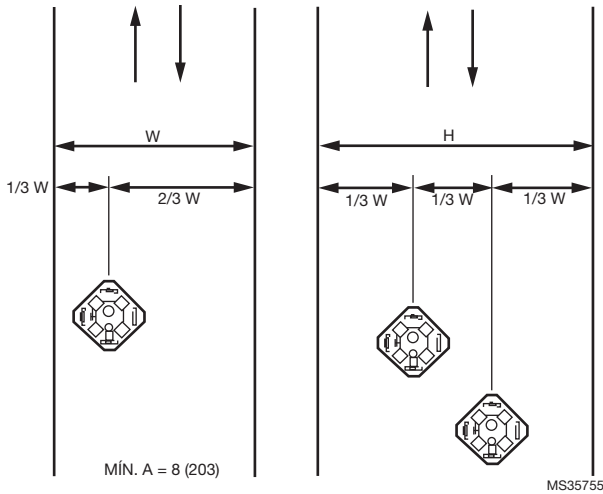


Fig. 6.

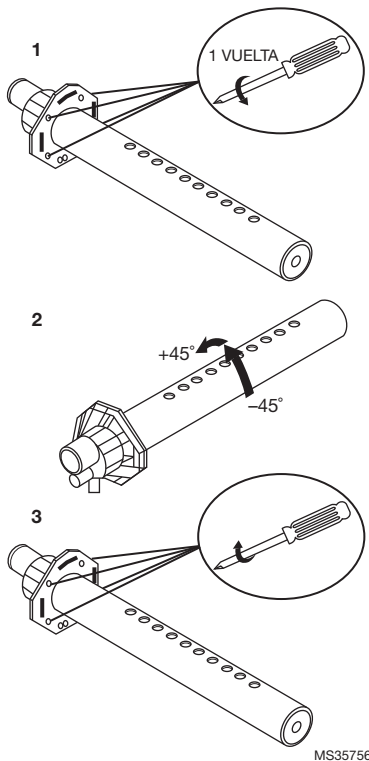


Fig. 7.

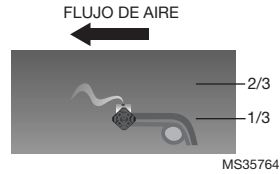


Fig. 8. Distribuidor instalado horizontalmente en un conducto horizontal.

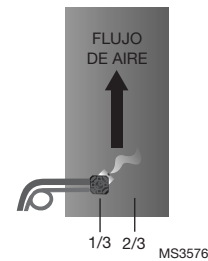


Fig. 9. Distribuidor instalado horizontalmente en un conducto vertical.

Gire el distribuidor 45° para que el vapor se descargue hacia el centro del conducto, en la dirección del flujo de aire.

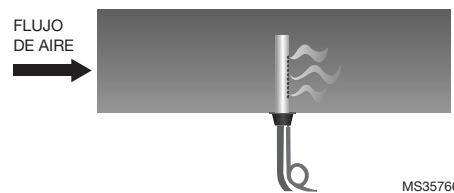


Fig. 10. Distribuidor instalado verticalmente en un conducto horizontal. Esta configuración no se recomienda.

Instrucciones de retorno del condensado y líneas de vapor

Para instalar las líneas de vapor del HM700, se deben seguir las siguientes instrucciones. El hecho de no utilizar el material recomendado o superar el largo máximo recomendado en la Tabla 6, así como de no seguir las instrucciones de instalación de las líneas de vapor, resultará en un funcionamiento deficiente y podría anular la garantía.

Tabla 6. Material recomendado para las líneas de vapor del HM700.

Voltaje	Producción de vapor		Material*			Longitud máxima de la línea de vapor		Pérdidas potenciales		Flujo de aire mínimo (cfm)	Presión estática máxima
	lb/h	(kg/h)	Manguera de vapor	Tubo de cobre MED-L	Tubo de acero inoxidable	ft	(m)	lb/h	(kg/h)		
110/120V	3.85	(1.75)	7/8 in.	3/4 in.	0.875 x 0.049 A	7	(2)	0.5	(0.2)	115	3.0 in. w.c.
220/240V	7.7	(3.5)				12	(3.5)	1.5	(0.7)	230	

* El uso de líneas de vapor que no sean de tubería de cobre, de acero inoxidable o provistas por Honeywell anulará la garantía y puede afectar el funcionamiento del humidificador de manera negativa.

* Si se utilizan tuberías de cobre o acero inoxidable (que no sean las tuberías suministradas), se recomienda aislarlas debido a motivos de seguridad relacionados con las altas temperaturas y a fin de reducir el condensado.

Para devolver el condensado al HM700, inserte un tubo de cobre (que se suministró con el equipo) hasta la mitad de la apertura de condensado del recipiente de llenado, junto con la abrazadera de resorte (que se suministró con el equipo).

Inserte la manguera de condensado en el orificio de retorno del condensado, que se encuentra en la parte superior del HM700, y sobre el tubo de cobre. Fíjela con la abrazadera de resorte.

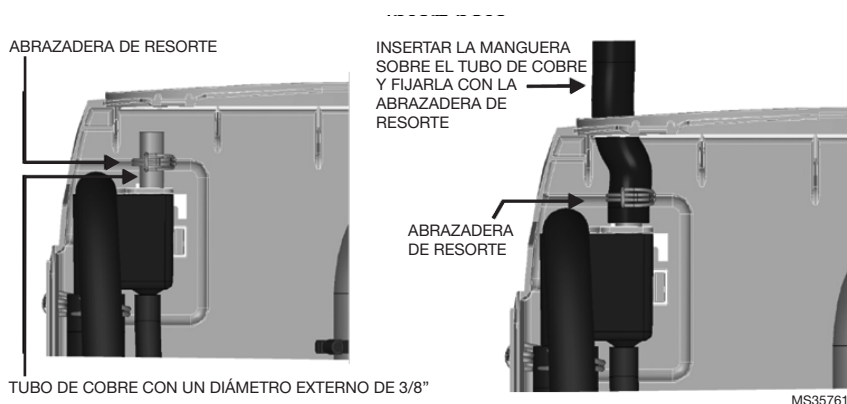
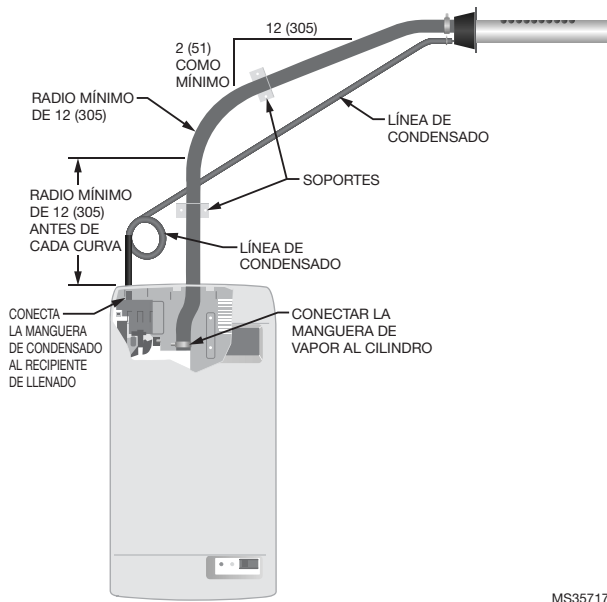


Fig. 11. Retorno del condensado.

REGLAS FUNDAMENTALES PARA LAS LÍNEAS DE VAPOR ATMOSFÉRICO

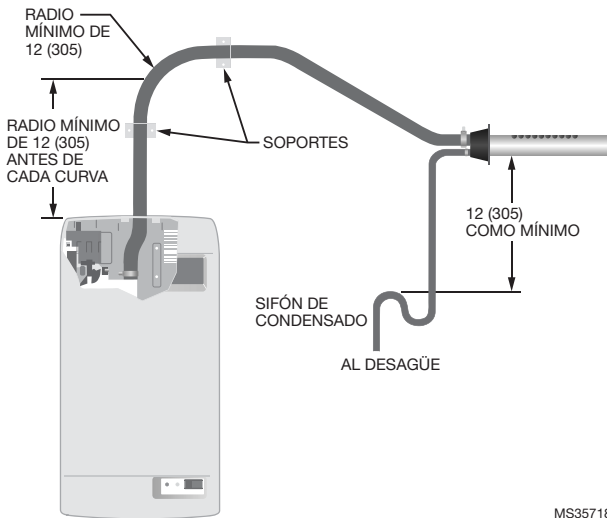
- Las líneas de vapor no deben presentar obstrucciones que puedan generar una contrapresión.
- Tenga en cuenta los materiales, las dimensiones y las longitudes recomendadas; consulte las tablas.
- Instale una línea de vapor de forma vertical (hacia arriba) desde el HM700 a la boquilla de distribución. Consulte las Figuras 12 a 14 para obtener información sobre otras opciones de instalación.
- Aíslela con material aislante de tuberías de 1.0 in (2.5 cm).
- Instale un sifón de condensado (utilice una "T" de tamaño completo para los sifones).
- No ajuste la abrazadera de la manguera en demasía en la salida de vapor del cilindro. El par de torsión máximo es de 12 in/lb.
- Apoye la línea de vapor para que el peso no recaiga sobre el cilindro.
- Los sifones de condensado deben ubicarse a una altura mínima de 6 in (15 cm) o a una presión estática de + 2 in (5 cm), lo que sea mayor.
- Utilice sifones en forma de "P" o de terminación en espiral. **Utilice todos los soportes necesarios para asegurar que la línea no se doble.**

Ejemplos de instalación de la línea de vapor



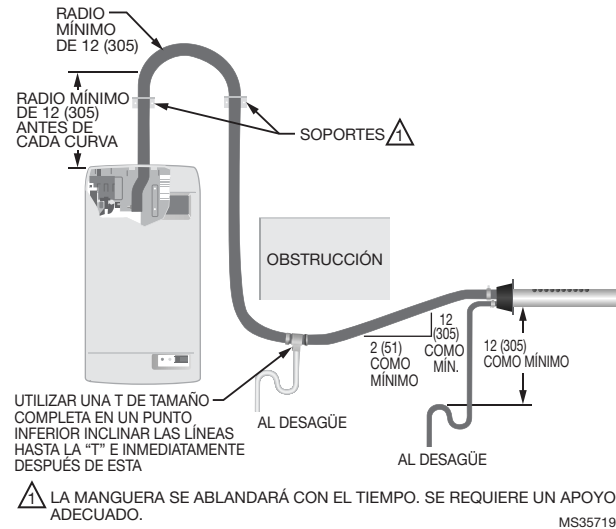
MS35717

Fig. 12. Distribuidor de vapor sobre el humidificador (manguera). Dimensiones en pulgadas (mm).



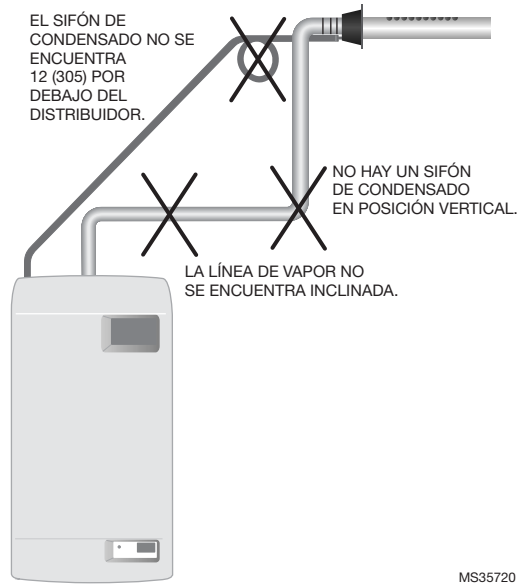
MS35718

Fig. 13. Distribuidor de vapor debajo del humidificador (manguera). Dimensiones en pulgadas (mm).



MS35719

Fig. 14. Distribuido de vapor debajo del humidificador con una obstrucción (manguera). Dimensiones en pulgadas (mm).



MS35720

Fig. 15. Errores comunes durante la instalación de la línea de vapor. Dimensiones en pulgadas (mm).

ELECTRICIDAD



PRECAUCIÓN

Las conexiones eléctricas deberán ser realizadas por un electricista profesional. Esta unidad debe instalarse en un circuito de interruptor diferencial (ID).



PRECAUCIÓN

Riesgo de daño en el equipo
El hecho de no realizar el cableado del humidificador conforme a las instrucciones de cableado puede causar daños permanentes. Estos errores anularán la garantía.

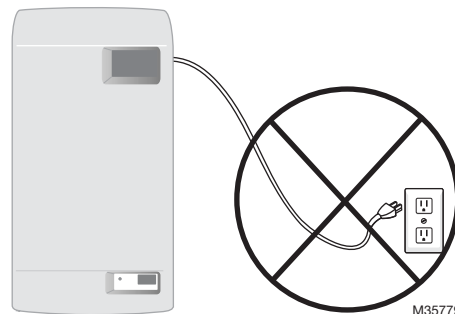


ADVERTENCIA

El humidificador HM700A se debe instalar utilizando un interruptor de circuito dedicado de 15 amp y cableado directamente para que cumpla con el listado de productos de UL. Todo el cableado se debe realizar de acuerdo con los códigos eléctricos locales.

Los enchufes de cables eléctricos se pueden recalentar y ocasionar riesgo de daños a la propiedad y/o lesiones personales.

Nota: La garantía del producto se anulará si no se cumplen estas instrucciones.



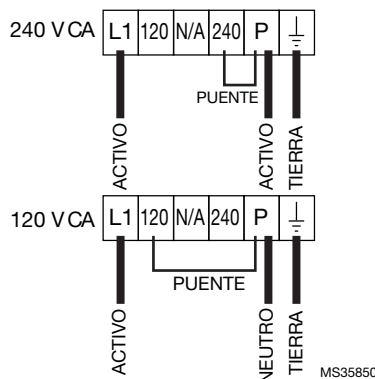
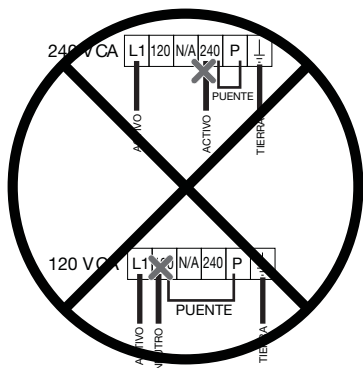
M35779



PRECAUCIÓN

INSTALACIÓN DEL CABLE DE PUENTE

- NO instale el cable de voltaje de la red eléctrica (activo o neutro) en el terminal de 120 o 240.
- INSTALE los cables de la red eléctrica en el terminal L1 (activo) y en el terminal P (activo/neutro).
- INSTALE el puente de P al terminal de 120 o 240 (de acuerdo con el voltaje de la red eléctrica).



MS35850

Pasos para la instalación

1. La unidad requiere un circuito especializado protegido por un interruptor diferencial (ID). Conecte el circuito a un interruptor de desconexión que se encuentre cerca del dispositivo, a fin de brindar una protección contra descargas eléctricas durante el mantenimiento.
2. Conecte el humidificador al interruptor de desconexión, tal como se indica a la derecha.
3. Instale el puente de conexión suministrado de fábrica entre el terminal P y el terminal que corresponde a la tensión de alimentación.
4. Quite el cable verde que se encuentra conectado al cuerpo de la carcasa y a la válvula de desagüe (quite el bidón para permitir el acceso).
5. Sujete el cable a tierra lo más cerca posible de la válvula de desagüe y elimine el exceso.

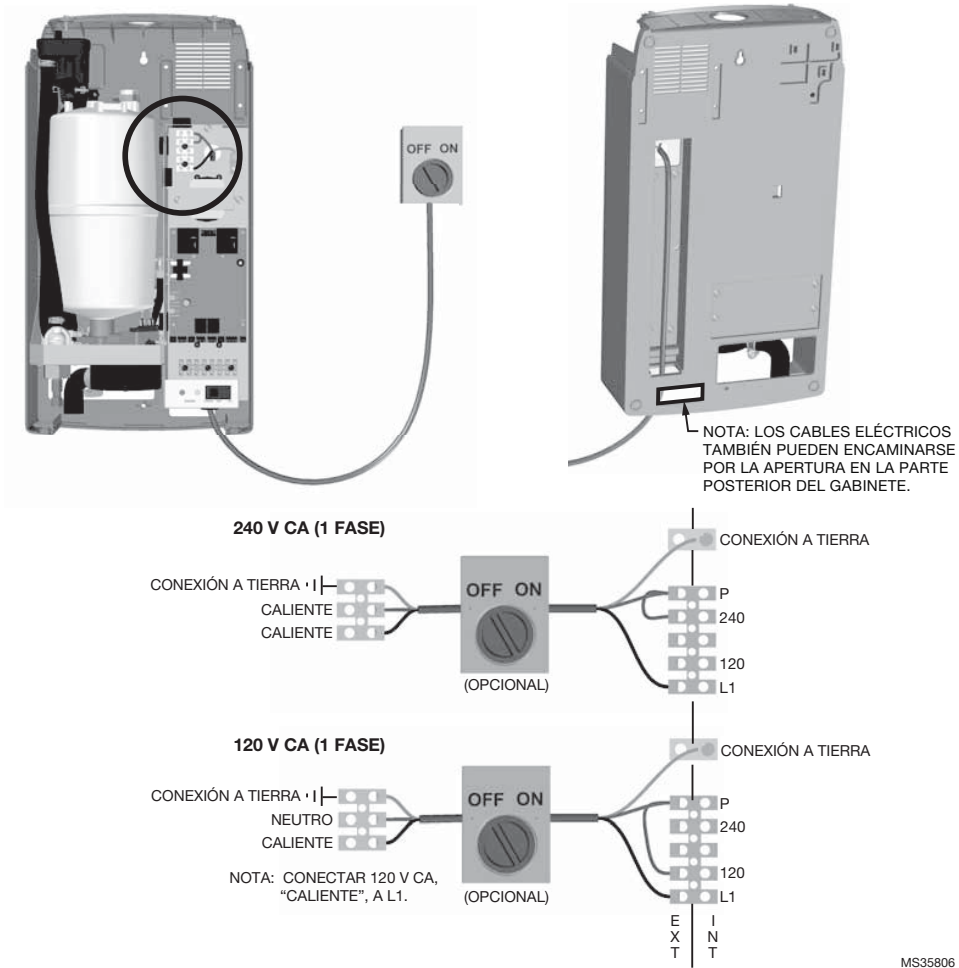


Fig. 16. Conexión eléctrica principal.

NOTAS:

- Honeywell requiere el uso de un circuito de interruptor diferencial (ID) en este dispositivo, a fin de proteger al usuario de las descargas eléctricas.
- Luego de instalarlo correctamente, quite el cable verde de la válvula de desagüe. El cable verde viene preinstalado de fábrica para proteger al usuario en caso de una instalación deficiente o cuando no es posible instalar un circuito de interruptor diferencial. Consulte la Fig. 24 para ver la ubicación del cable verde en la válvula de desagüe.
- Asegúrese de contar con la alimentación adecuada que proporcione el amperaje completo para el humidificador, tal como se indica en la etiqueta de especificaciones.
- No use un cable neutro como un cable a tierra; conecte una terminación especializada de tierra a tierra.
- Todo el cableado debe cumplir con los códigos eléctricos nacionales y locales.

CONTROLES EXTERNOS

Cableado de conexión entre el ventilador y el HumidiPRO

Cuando se distribuye vapor en un conducto, es posible que haya una demanda de humedad si no existe un flujo de aire. Se puede utilizar el HM700 con control de humedad HumidiPRO u otro tipo de termostato (como el termostato Prestige de VisionPRO® de Honeywell) para permitir la activación de un ventilador durante una demanda de humedad. Si se utiliza otro termostato, consulte el manual de dicho control para obtener las instrucciones sobre el cableado necesario para activar el ventilador con un dispositivo de humidificación encendido.

NOTA: El humidificador no comenzará a producir vapor hasta que se cierre el bucle de seguridad del ventilador.

Esta información se aplica a todos los controles, ya sean suministrados de fábrica o no. Para realizar el cableado, utilice un cable sólido de 18 AWG como mínimo y manténgalo lo más corto posible.

Control de humedad

- Se puede ubicar en un conducto de aire de retorno (recomendado) o en la habitación humidificada.
- Evite colocarlo cerca de un difusor de descarga de aire humidificado.
- Instálelo en un área representativa de la humedad de la habitación (las corrientes, las puertas, la luz del sol o los voladizos, como los estantes, pueden afectar la lectura).

Sensor de temperatura exterior opcional (no se muestra; se incluye con el HumidiPRO)

- Instálelo en un área representativa de la temperatura del aire.

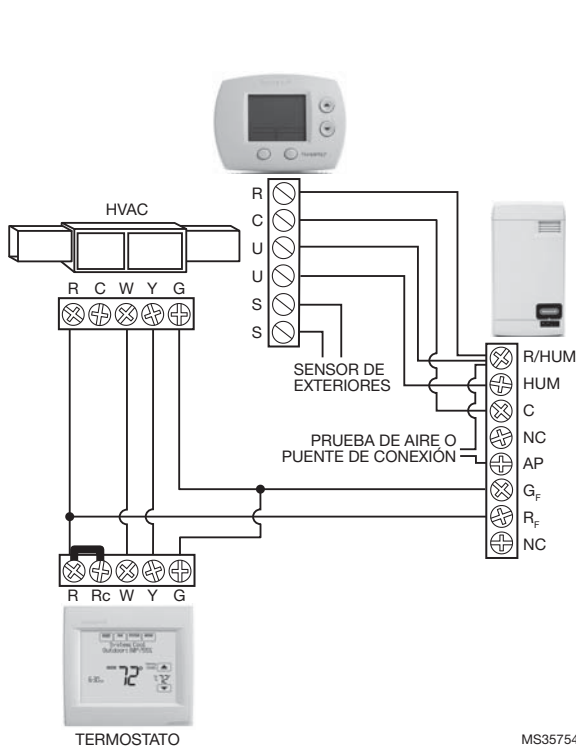


Fig. 17. Conecte el humidificador de vapor a un termostato digital.

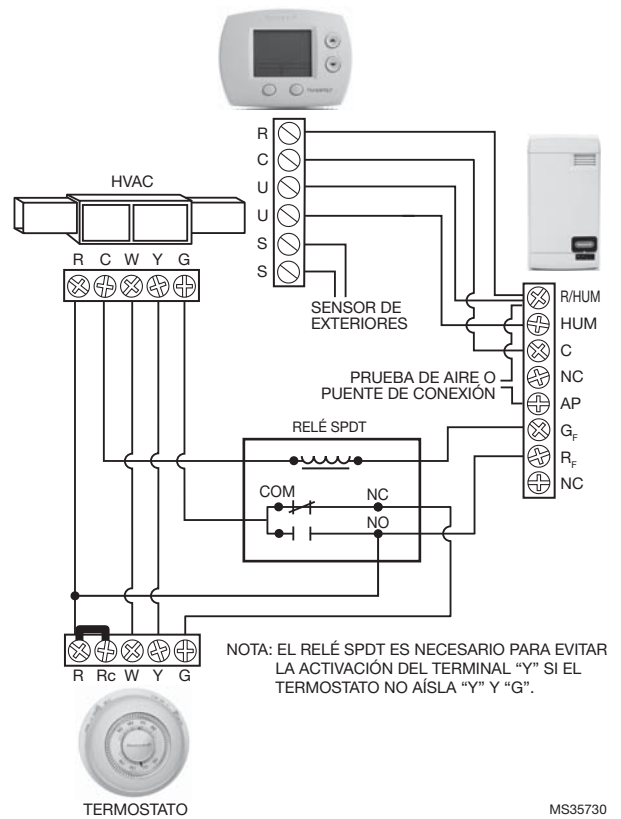


Fig. 18. Conecte el humidificador de vapor a un termostato mecánico.

NOTA: Si se utiliza un termostato Prestige, VisionPRO o Lyric (o similar) para controlar la humedad, conecte los dos contactos HUM a los terminales 1 y 2 del HM700. Con el puente de conexión en su lugar, entre los terminales 1 y 8 en el HM700, solo se necesitan estos dos cables para controlar la humedad. Asegúrese de configurar el control para forzar al ventilador a que se active con una demanda de humedad, o durante un ciclo de calor si no se utiliza el cableado de activación del ventilador.

PUESTA EN MARCHA

Verificación de la instalación

Antes de encender el HM700, inspeccione la instalación para asegurarse de que se realizó correctamente.

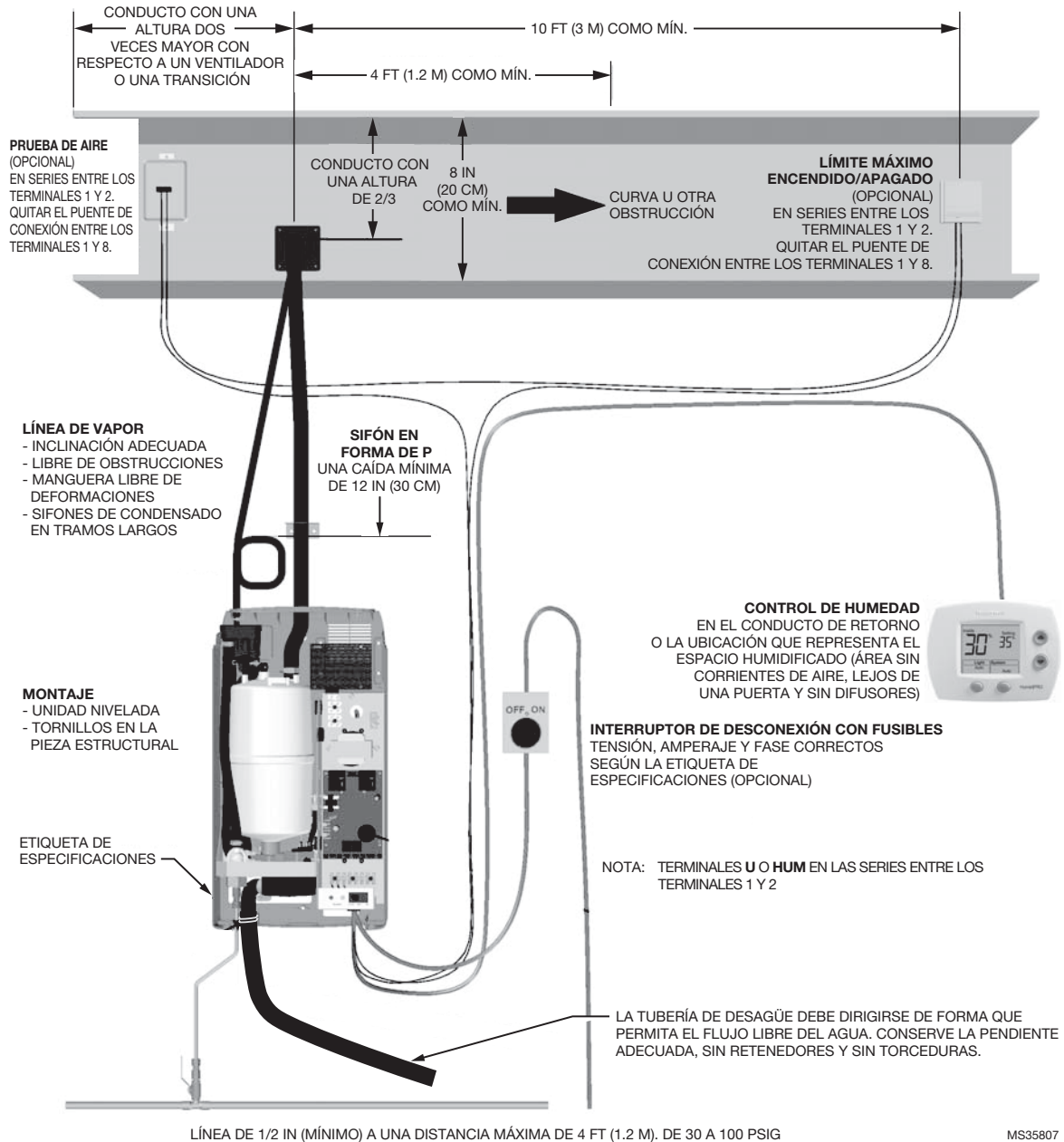


Fig. 19. Verificación de la instalación.

PRECAUCIÓN

Riesgo de daño en el equipo

No deje el interruptor de encendido/apagado/desagüe en la posición de desagüe por más de un ciclo completo de desagüe. El solenoide de la válvula de desagüe puede calentarse y dañar la válvula o los cables. No intente drenar la unidad si no hay agua en

el sistema.

Encendido/apagado

El HM700 viene configurado de fábrica para funcionar como un humidificador de encendido/apagado. Funcionará cuando se suministre una corriente de 24 V CA desde el terminal 1 al terminal 2 mediante un higrostat de encendido/apagado y otros dispositivos de seguridad en serie.

Procedimiento de puesta en marcha

1. Examine el humidificador para asegurarse de que no presenta daños y compruebe que la instalación se haya realizado correctamente.
2. Asegúrese de que el cilindro se encuentre debidamente conectado a la válvula de desagüe y que los enchufes de los electrodos estén insertados en las clavijas del cilindro.
3. Asegúrese de que la cubierta frontal se encuentre ubicada y asegurada con los tornillos de sujeción.
4. Abra la válvula de cierre de suministro de agua.
5. Conecte la alimentación principal mediante el interruptor de desconexión instalado.
 - Después de la prueba del sistema, el humidificador se encuentra en modo de funcionamiento normal.
7. Controle y ajuste el punto de referencia de control en el control y en el higróstato de límite alto.
8. Cuando el higróstato externo genera una demanda de humedad y el bucle de seguridad se encuentra cerrado, la luz LED verde ubicada en la parte frontal del humidificador se encenderá, el relé de tensión del bloque de control se activará, la válvula de llenado comenzará a funcionar (después del relé) y el cilindro se llenará con agua lentamente.



ADVERTENCIA

Riesgo de lesiones personales.

No se deben utilizar unidades dañadas o instaladas incorrectamente. Las unidades dañadas o instaladas incorrectamente pueden representar un riesgo tanto para las personas como para la propiedad.

6. Coloque el interruptor de encendido/apagado en la parte frontal del humidificador en la posición de encendido.
 - El humidificador realizará una secuencia de autodiagnóstico; durante esta secuencia, los LED y los componentes internos se activarán momentáneamente. Consulte “Luces LED indicadoras de estado” en la página 16 para obtener información sobre las luces LED y sus secuencias.
 - Si se detecta un error durante la secuencia de autodiagnóstico, el humidificador no se iniciará. El LED amarillo parpadeará en una secuencia repetitiva para indicar que se detectó una falla. Consulte las Tablas 7 y 8 para obtener información sobre el diagnóstico y la corrección de fallas.
9. Si se utiliza un relé de habilitación del ventilador, la luz LED verde continuará parpadear hasta que se cierre la prueba de aire. Luego de que se cierra la prueba de aire, la luz LED verde dejará de parpadear y quedará encendida de manera estática, y el humidificador comenzará a generar vapor, tal como se describe en el paso 8.
10. Tanto el calentamiento del agua por parte de los electrodos sumergidos como la producción de vapor tardarán de 5 a 10 minutos.

NOTA: Mientras el cilindro se llena con agua, no debe fluir agua por el desagüe. Si fluye agua por el desagüe, esto indica que existe una contrapresión excesiva o que la válvula de desagüe presenta fugas. Consulte la sección **Localización y solución de problemas**.

NOTA: Si la conductividad del agua es baja, es posible que el HM700 necesite varias horas para alcanzar su plena capacidad de producción. Esto es normal. Durante este tiempo, el humidificador no realizará ningún desagüe y la conductividad del agua en el cilindro aumentará. Para acelerar este proceso, agregue ¼ de cucharadita de sal al cilindro. Esto aumentará la conductividad del agua de inmediato e iniciará el calentamiento.

FUNCIONAMIENTO

Luces LED indicadoras de estado

La interfaz de usuario del HM700 incluye 2 luces LED que brindan información sobre el estado del humidificador.

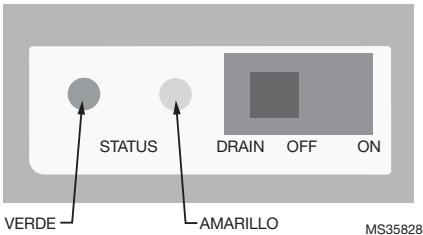


Fig. 20. Luces LED indicadoras de estado.

Parpadeo de las luces LED amarilla y verde

Indica que no hay una demanda de humedad.

Parpadeo de la luz LED amarilla

Indica que se detectó una falla y que el humidificador dejó de funcionar. Cuente la cantidad de parpadeos y consulte la Tabla 8 para obtener información.

Parpadeo de la luz LED verde

Indica que el humidificador se encuentra encendido, pero que no hay demanda de humedad. El bucle de seguridad (1-2) se encuentra abierto.

Luz LED amarilla encendida

Indica que el nivel de agua es alto.

Cuando la luz LED amarilla se encuentra encendida (no parpadeando), indica que el sensor de exceso de agua interrumpió el llenado del cilindro. La luz LED es solo

informativa; a menos que se mantenga encendida por un período de tiempo prolongado, no requiere ninguna acción.

Luz LED verde encendida

Indica que se está produciendo vapor.

Cómo seleccionar un punto de referencia de humedad relativa

El punto de referencia óptimo de la humedad depende de los motivos por los cuales un espacio necesita ser humidificado. El "ASHRAE Handbook HVAC Applications" (Manual de aplicaciones de climatización de la Sociedad Americana de Ingenieros sobre Calefacción, Ventilación y Aire Acondicionado) recomienda una humedad relativa de diseño específica para aplicaciones particulares.

Salud y confort: El beneficio de la humedad se relaciona principalmente con la salud y el confort, en un rango de 40 a 60 %. Se recomienda una configuración de humedad de 45 a 50 %, a fin de evitar la humidificación excesiva.

Disminución de la temperatura: Por lo general, en climas fríos es necesario reducir el nivel de humedad en un ambiente acondicionado a fin de evitar la acumulación de condensación en el interior de paredes, ventanas y molduras exteriores. En estas condiciones, se recomienda utilizar la función de disminución de humedad del control HumidiPRO para evitar los daños producidos por la condensación. El control digital, que incluye un sensor de temperatura exterior, disminuirá el punto de referencia de la humedad de manera automática, a fin de que se corresponda con la temperatura exterior.

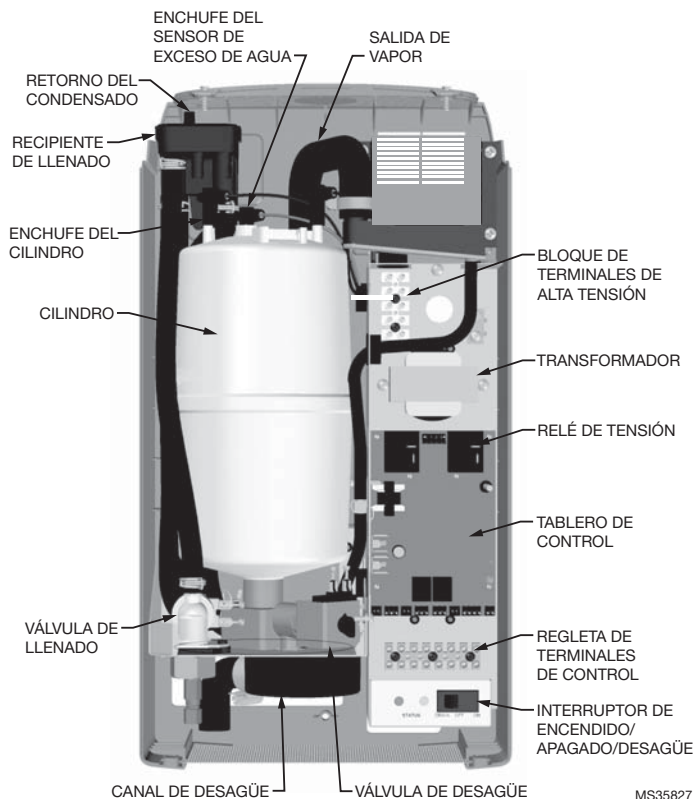


Fig. 21. Componentes del humidificador.

Componente	Función
Retorno del condensado	Proporciona una conexión para devolver el condensado al humidificador.
Regleta de terminales de control	Banda terminal para la conexión entre los controles externos y el humidificador, y permite la interacción con otros equipos.
Enchufe del cilindro	Alimenta los conectores de los electrodos en el cilindro.
Cilindro	Mantiene los electrodos en el agua. La corriente entre los electrodos genera calor que se utiliza para producir vapor.
Canal de desagüe	Combina el agua de desagüe del cilindro y el rebose del recipiente de llenado en una única salida de desagüe.
Válvula de desagüe	Desagota el agua del humidificador.
Tablero de control	Controla todas las funciones del humidificador y brinda conexiones de entrada y salida a los componentes del humidificador.
Recipiente de llenado	Brinda un espacio de aire para evitar el reflujo.
Válvula de llenado	Controla el flujo de agua en el humidificador.
Bloque de terminales de alta tensión	Es la conexión de alimentación principal que va desde el interruptor de desconexión externo al humidificador.
Enchufe del sensor de exceso de agua	Se utiliza para detectar un nivel alto de agua en el cilindro.
Interruptor de encendido/apagado/desagüe	Enciende o interrumpe la alimentación al controlador del humidificador y vacía el cilindro. Nota: Interrumpe la alimentación hacia el humidificador, apaga el interruptor de desconexión.
Relé de tensión	Enciende o interrumpe la alimentación a los electrodos del cilindro, conforme a la señal que recibe del controlador del humidificador (instalado en el bloque de control).
Salida de vapor	Conecta la línea de vapor a la manguera de vapor.
Transformador	Disminuye la tensión principal a 24 V CA para que sea compatible con el controlador y los componentes internos, como la válvula de llenado y de desagüe.

MANTENIMIENTO Y REPARACIONES

Mantenimiento requerido

El humidificador HM700 ha sido diseñado para requerir muy poco mantenimiento. El mantenimiento regular consiste en la supervisión del humidificador para garantizar que se encuentra en buenas condiciones, el reemplazo del cilindro cuando el software indica que está desgastado y la limpieza de la válvula de desagüe cada vez que se reemplaza el cilindro.

DESGASTE DEL CILINDRO

Cuando el cilindro se encuentra desgastado, el HM700 dejará de funcionar y la luz LED amarilla parpadeará en una secuencia repetitiva de 4 parpadeos. Consulte la Tabla 8 de la página 24 para obtener información sobre otras secuencias de parpadeo. En este momento, se debe reemplazar el cilindro.

El cilindro de vapor es desechable y debe ser reemplazado cuando finalice su vida útil. La vida útil del cilindro depende de las condiciones del suministro de agua y del uso del humidificador.



PRECAUCIÓN

El hecho de no reemplazar el cilindro cuando finaliza su vida útil resultará en un funcionamiento inadecuado, así como en daños al humidificador. Honeywell no se hace responsable por los daños ocasionados como resultado de, o atribuidos a, la falta de reemplazo de un cilindro desgastado (consultar la sección “Garantía del fabricante”).

NOTA: El HM700 cuenta con un zuncho reutilizable que asegura el cilindro durante el traslado y la instalación doméstica. Este zuncho puede retirarse o aflojarse para quitar el cilindro. Asegúrelo luego de instalar el nuevo cilindro.

CILINDRO DE REEMPLAZO

La etiqueta del cilindro existente incluye el tipo de cilindro en la esquina superior izquierda. Cuando solicite un cilindro, siempre mencione el número de modelo de tres o cinco dígitos que aparece en la etiqueta, el número de serie del humidificador y la tensión del humidificador. El número de serie y la tensión se encuentran en la etiqueta de especificaciones que aparece en el lado izquierdo del humidificador.



MS35704

Fig. 22. Cilindro del HM700 (HM700ACYL2).

Cómo quitar el cilindro

⚠️ ADVERTENCIA

Antes de realizar cualquier tarea de mantenimiento, desconecte la fuente de alimentación principal del interruptor de desconexión externo.

El interior del gabinete del humidificador contiene componentes y cables de alta tensión. El acceso debe limitarse solo al personal autorizado.

1. Para drenar el cilindro existente, coloque el interruptor de encendido/apagado/desagüe en la posición de desagüe. Deje drenar el humidificador hasta que no salga más agua (por lo general tarda 10 minutos máximo).
2. Coloque el interruptor de encendido/apagado/desagüe en la posición de apagado.

3. Cierre la válvula de cierre de suministro de agua.
4. Interrumpa la alimentación al humidificador a través del interruptor de desconexión externo.
5. Quite los dos tornillos que fijan la cubierta frontal.
6. Para quitar los enchufes del cilindro de las clavijas, jale de forma vertical.
7. Con un destornillador plano, afloje la abrazadera de la manguera donde la manguera se conecta al cilindro.
8. Incline la parte superior del cilindro hacia adelante para retirarlo de la manguera de vapor. Luego de desconectarlo de la manguera de vapor, levante el cilindro.

NOTA: The HM700 has a re-usable tie strap to secure the cylinder for transit as well as home installation. This must be removed or loosened to remove the cylinder. Secure when new cylinder is installed.

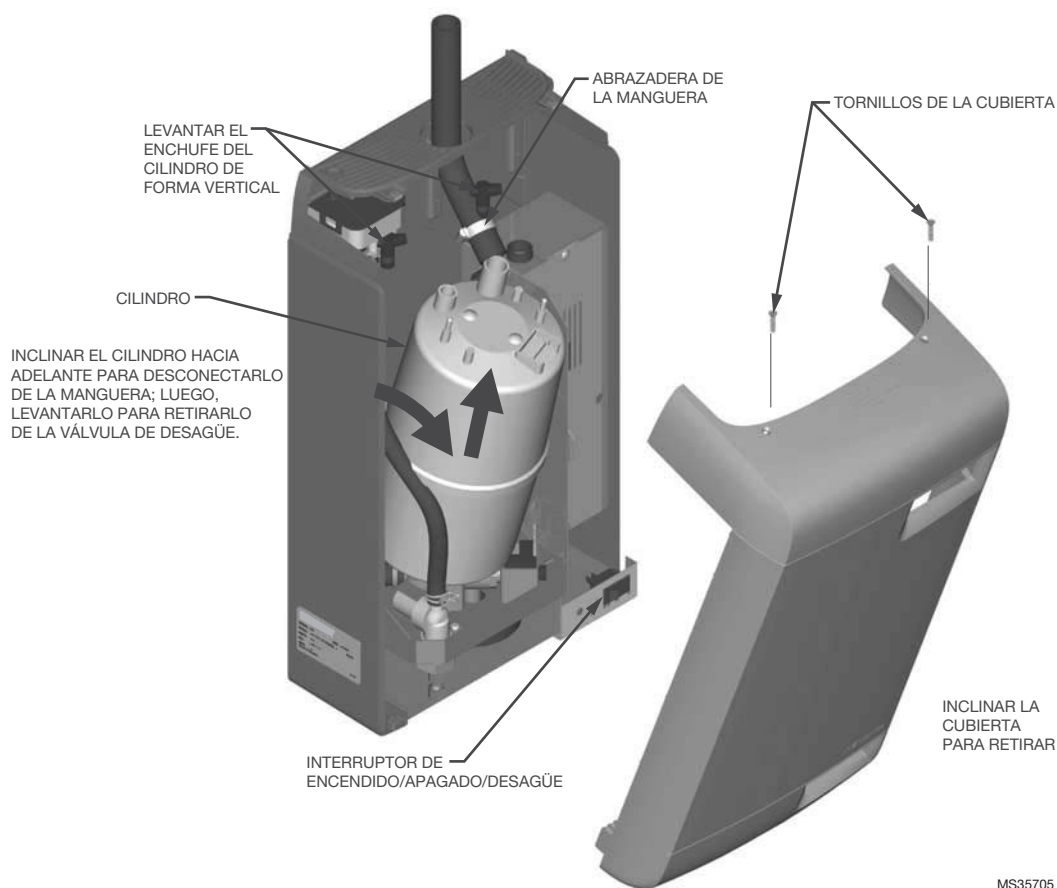


Fig. 23. Cómo quitar el cilindro.

Limpieza de la válvula de desagüe

Antes de instalar un cilindro nuevo, siempre limpie la válvula de desagüe. Es posible que caigan incrustaciones desde el cilindro desgastado a la válvula de desagüe e impidan el funcionamiento correcto. Para limpiar la válvula de desagüe correctamente, quítela y desármela.

1. Desconecte los terminales de horquilla de la válvula de desagüe.
2. Quite los dos tornillos que fijan la válvula a la bandeja de desagüe.
3. Escurra las aletas de la abrazadera de resorte que fija la manguera a la válvula de desagüe y deslícela por la manguera. Quite la manguera de la válvula de desagüe. Levante la válvula de desagüe de la bandeja de desagüe.
4. Abra la tapa roja de la bobina del solenoide y quite el solenoide de la válvula.
5. Con una llave inglesa, afloje la tuerca de latón que fija el actuador a la cubierta plástica y desarme el actuador.
6. Limpie los componentes del actuador y la cubierta de la válvula (puerto de entrada, puerto de salida y puerto del cilindro). Coloque la junta tórica nueva, que se proporcionó, con el nuevo cilindro en la válvula.
7. Vuelva a armar el actuador y asegúrese de orientar el extremo cerrado del resorte tal como se muestra en la Fig. 25. Ajuste la tuerca de latón 1/4 después de apretarla con la mano.
8. Limpie el extremo de la manguera y conéctela a la válvula. Deslice la abrazadera de la manguera hasta colocarla en su lugar y ubique la válvula en la bandeja de desagüe.
9. Fije la válvula a la bandeja de desagüe con 2 tornillos.

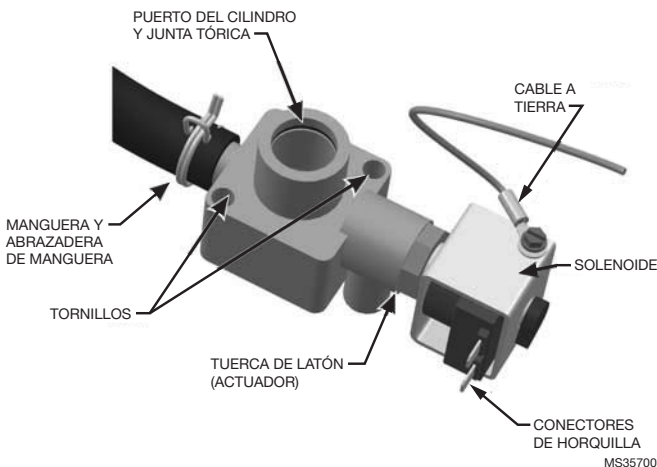


Fig. 24. Válvula de desagüe.

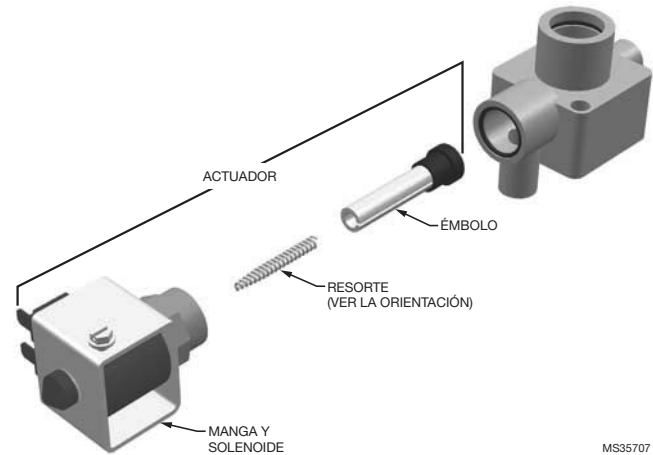


Fig. 25. Ensamble del actuador de la válvula de desagüe.

Cómo instalar el nuevo cilindro



PRECAUCIÓN

Asegúrese de que el nuevo cilindro sea un HM700ACYL2. El uso de cilindros restaurados o de otro modelo anulará la garantía del HM700.

1. Conecte el cilindro en la válvula de desagüe. Incline el cilindro hacia adelante y conecte el extremo de la manguera de vapor a la salida de vapor. Coloque el cilindro nuevamente en su lugar.
2. Ajuste la abrazadera de la manguera; tenga cuidado de no ajustarla demasiado porque puede romper la salida de vapor plástica del cilindro.
3. Conecte los enchufes codificados por color a las clavijas codificadas por color correspondientes. Presione completamente. Conecte el enchufe del sensor de exceso de agua. Los enchufes de resorte deben ajustarse perfectamente en las clavijas del cilindro. Si quedan flojos o presentan daños, reemplácelos.
4. Vuelva a atar los zunchos.
5. Vuelva a colocar la cubierta del humidificador y asegúrela con dos tornillos.
6. Conecte la alimentación al humidificador a través del interruptor de desconexión externo.
7. Abra la válvula de cierre de suministro de agua.
8. Coloque el interruptor de encendido/apagado/desagüe en la posición de encendido.

Periodo de inactividad prolongado

Si es necesario desconectar la alimentación del humidificador por un periodo de inactividad prolongado, siempre asegúrese de drenar el cilindro.

1. Coloque el interruptor de encendido/apagado/desagüe en la posición de desagüe.
2. Espere hasta que el humidificador esté completamente vacío (por lo general se vacía en menos de 10 minutos).
3. Coloque el interruptor de encendido/apagado/desagüe en la posición de apagado.
4. Interrumpa la alimentación al humidificador a través del interruptor de desconexión externo.
5. Cierre la válvula de cierre de suministro de agua.

NOTA: Si no hay una demanda de humedad por un periodo de tiempo prolongado, el HM700 drenará el cilindro automáticamente mientras esté encendido. Esta función reducirá o evitará la formación de corrosión en los electrodos y la acumulación de algas y bacterias en el cilindro. El cilindro permanecerá vacío hasta que se registre una demanda de humedad; en ese momento, la válvula de llenado se abrirá y llenará el cilindro. La unidad realizará su proceso normal y funcionará de manera óptima.

CÓMO PONER LA UNIDAD EN MARCHA LUEGO DE UN PERIODO DE INACTIVIDAD PROLONGADO

1. Compruebe que el humidificador no se encuentre dañado y que la instalación no haya sido modificada. Consulte "Procedimiento de puesta en marcha" en la página 15.
2. Conecte la alimentación al humidificador a través del interruptor de desconexión externo.
3. Coloque el interruptor de encendido/apagado/desagüe en la posición de desagüe.
4. Espere hasta que no fluya agua por el desagüe. Por lo general, esto tarda menos de 10 minutos.
5. Siga el procedimiento de puesta en marcha que se indica en la página 15.

LOCALIZACIÓN Y SOLUCIÓN DE PROBLEMAS



PRECAUCIÓN

Peligro de alta tensión.

Recuerde que, durante la localización y solución de problemas, el humidificador se encuentra alimentado por una tensión alta; se recomienda familiarizarse tanto con las buenas prácticas como con el cableado del humidificador. Cualquier tarea de localización y solución de problemas que requiera la apertura del gabinete debe ser realizada por un profesional autorizado.



PRECAUCIÓN

Riesgo de quemaduras y escaldaduras.

Cuando la temperatura del agua o el vapor superan los 120 °F (49 °C) puede producir quemaduras y escaldaduras.

NOTA: La mayoría de las fallas del humidificador se deben a una instalación deficiente, y no a fallas del equipo. Un diagnóstico completo de fallas siempre incluye un análisis detallado de todo el

sistema. A menudo, la falla está relacionada con una conexión de la manguera defectuosa o con el sistema de control de la humedad.

REQUISITOS DE LOCALIZACIÓN Y SOLUCIÓN DE PROBLEMAS

- Asegúrese de que la instalación cumpla con los requisitos de instalación mencionados en el capítulo sobre instalación de este manual.
- Lea el capítulo sobre funcionamiento de este manual para familiarizarse con el funcionamiento del humidificador.
- Encuentre el diagrama de cableado específico de su humidificador en el interior de la puerta del humidificador. Además, se incluye una copia genérica del diagrama de cableado de HM700 al final de este capítulo para fines de consulta.
- Si contacta a su representante local o a Honeywell para obtener ayuda, asegúrese de conocer el número de serie.

La siguiente sección brinda pautas generales para la localización y solución de problemas del humidificador HM700 y los componentes auxiliares. Para obtener información detallada sobre la localización y solución de problemas, consulte los manuales suministrados con el equipo auxiliar y la Tabla 8, “Localización y solución de problemas del HM700”, en la página 24.

Tabla 7. Localización y solución de problemas generales.

Problema	Causa	Medidas correctivas
No hay actividad cuando se enciende el interruptor de encendido/apagado.	El fusible está quemado.	Controle el fusible en línea ubicado entre el transformador y el bloque de control.
	La tensión es incorrecta.	Compruebe la tensión que aparece en la etiqueta de especificaciones y corríjala.
	El transformador reductor no genera una tensión de 24 V CA.	Reemplace el transformador.
	El puente de conexión de la alimentación principal es incorrecto.	Compruebe que el puente de conexión ubicado en el bloque de terminales de alta tensión se encuentre conectado entre el terminal P y el terminal correspondiente a la tensión de alimentación. Consulte la Fig. 16.
El humidificador no humidifica o no alcanza el punto de referencia del HM700.	El bucle de seguridad está abierto.	Compruebe que haya una tensión de 24 V CA en el terminal 2. Compruebe el cableado y el funcionamiento de los dispositivos de encendido/apagado conectados a los terminales 1 y 2. Compruebe que el puente de conexión se encuentre instalado en el bucle de seguridad de la prueba de aire, entre los terminales 1 y 8.
	No hay una señal de demanda.	Verifique la tensión entre los terminales 3 y 4. Con respecto a la configuración de la demanda, debe existir una señal a escala completa del 35 % para que el humidificador comience a funcionar.
	La capacidad se limitó manualmente.	Verifique el potenciómetro con ajuste manual de la capacidad. Gírelo hacia la derecha para aumentar la capacidad.
	La conductividad del agua es baja.	Compruebe si la luz LED amarilla se encuentra encendida. Si la conductividad del agua es baja, es posible que el HM700 necesite varias horas para alcanzar su plena capacidad de producción. Esto es normal. Durante este tiempo, el humidificador no realizará ningún desagüe y la conductividad del agua en el cilindro aumentará. Si desea aumentar la conductividad más rápido, agregue 1/4 de cucharadita de sal al cilindro.
	No hay flujo de aire en el conducto.	Compruebe que los terminales de habilitación del ventilador del humidificador (terminales 19 y 20) se encuentren debidamente conectados al sistema de calefacción. Verifique que la prueba de aire se encuentre conectada al terminal 8.

Tabla 7. Localización y solución de problemas generales. (Continuación)

Problema	Causa	Medidas correctivas
El humidificador falló y la luz LED amarilla parpadea.	El software detectó una condición anormal.	Consulte la Tabla 8 en la página 24.
Sale agua del distribuidor.	El distribuidor no se encuentra nivelado.	Use un soporte al final de distribuidor para nivelarlo.
	El sifón en forma de "P" se encuentra muy cerca del distribuidor.	El sifón en forma de "P" debe ubicarse 12 in (30 cm) por debajo del distribuidor para garantizar el flujo. Si es necesario, vuelva a ubicarlo.
	La línea de condensado no está lo suficientemente inclinada.	Es necesario que presente la inclinación adecuada. Si es necesario, vuelva a instalarla.
	El sifón está obstruido.	Compruebe el flujo de agua por el sifón. Si está bloqueado, límpielo.
	La línea de vapor no está aislada.	Si la línea de vapor es larga, es posible que la acumulación de condensado haya sobrecargado el puerto de condensado del distribuidor. Aísle la línea para mejorar la eficiencia e instale sifones de condensado adicionales, tal como se requiere.
	La línea de vapor está instalada incorrectamente.	Verifique que la línea de vapor se haya instalado con sifones de condensado y presente la inclinación adecuada. Consulte "Instrucciones de retorno del condensado y las líneas de vapor" en la página 9.
El conducto presenta condensado.	No se dejaron los espacios recomendados para la instalación.	Consulte el manual de instalación del distribuidor para obtener información sobre los espacios requeridos. Si es necesario, vuelva a ubicar el distribuidor.
	Las condiciones de diseño se modificaron.	Compruebe la temperatura y la humedad del aire de suministro para determinar si las condiciones han cambiado.
	El higrostató de límite alto no funciona.	Verifique la configuración y el funcionamiento del higrostató de límite alto. Si está dañado, reemplácelo.
El humidificador activa el interruptor diferencial.	El humidificador se encuentra conectado a un circuito de interruptor diferencial. El cable a tierra de la válvula de desagüe no se encuentra conectado	Para obtener información sobre el interruptor diferencial y el desmontaje del cable a tierra, revise los pasos para la instalación eléctrica y las notas que aparecen en la página 11.

Fallas del HM700

El sistema de autodiagnóstico incorporado del HM700 realice está continuamente monitorizando el funcionamiento del humidificador. Si se produce una condición anormal que el software no puede corregir, el HM700 interrumpirá la alimentación del cilindro, lo desagotará e indicará la falla mediante la luz LED amarilla.

Secuencia de parpadeo de la luz LED

Para diferenciar las varias condiciones de falla, la luz LED amarilla parpadea en distintas secuencias. La Tabla 8 enumera las secuencias de falla, sus significados, las causas posibles y las medidas correctivas recomendadas.

Cómo resolver una falla

- Compruebe el significado de la secuencia de parpadeo en la lista de mensajes de falla y realice todas las medidas necesarias para corregir la causa, tal como se detalla en la Tabla 8 de la página 24.
- Utilice el interruptor de encendido/apagado para desconectar y volver a conectar la alimentación del humidificador luego de 10 segundos.

Tabla 8. Localización y solución de problemas del HM700.

Luz LED amarilla	Problema	Causa	Medidas correctivas
1 parpadeo	Corriente excesiva La corriente superó el máximo de 130 %.	El desagüe está bloqueado y se produjo una acumulación de agua.	Limpie la línea de desagüe.
		El solenoide de desagüe no está energizado y se produjo una acumulación de agua.	Controle y corrija el cableado de la válvula de desagüe.
		El llenado se produjo muy rápido; la válvula de llenado está dañada y presenta fugas.	Reemplace la válvula de llenado.
		El llenado se produjo muy rápido; la válvula de llenado no es correcta.	La válvula de llenado puede presentar fallas; reemplácela si es necesario.
		La conductividad del agua de suministro es muy alta.	a) Cambie el suministro de agua. b) Contacte a un representante de Honeywell para obtener recomendaciones.
		El ciclo de humidificador es corto.	a) Verifique si el higróstico de límite alto u otro control de encendido/apagado se apaga y se enciende en menos de 5 minutos. Verifique la ubicación y la configuración del higróstico de límite alto. b) Para disminuir la producción, reduzca el potenciómetro.
		El cilindro instalado es incorrecto.	Instale el modelo correcto de cilindro.
		El cilindro está desgastado, pero el software no detectó esta condición.	Reemplace el cilindro (consulte el capítulo sobre mantenimiento).
		Hay condensado de otra fuente.	Quite el condensado que no se encuentre en la línea de vapor.
	Hay contrapresión.	Elimine la contrapresión.	
2 parpadeos	Sin corriente La válvula de llenado estuvo activada por mucho tiempo, pero no se alcanzó un nivel alto de agua. El llenado debe ser superior a 1" por minuto.	La válvula de desagüe presenta fugas o está atascada en posición abierta.	Limpie o reemplace la válvula de desagüe (consulte el capítulo sobre mantenimiento).
		La válvula de cierre de agua está cerrada.	Abra la válvula de cierre.
		El filtro de la válvula de llenado está bloqueado.	Limpie el filtro ubicado en la entrada de la válvula de llenado.
		El sistema presenta una contrapresión alta.	a) Compruebe que la manguera no esté doblada. b) Compruebe que se haya eliminado todo el condensado (consulte la sección sobre instalación).
		El sensor de exceso de agua no está conectado.	Compruebe que el enchufe del cilindro de color blanco esté conectado al electrodo corto, que se encuentra dentro de un recipiente plástico, y al bloque de control.
		La conductividad del agua es baja.	a) Verifique que se suministre agua potable a la unidad, y no agua tratada (depurada por ósmosis inversa o desionizada). b) Compruebe la conductividad del agua. Si es menor que 150 μ S, agregue 1/4 de cucharadita de sal al recipiente de llenado y reinicie la unidad.

Luz LED amarilla	Problema	Causa	Medidas correctivas
3 parpadeos	Sin corriente, nivel de agua alto El nivel de agua alcanzó la parte superior del cilindro, pero no hay corriente.	El cable primario no se encuentra conectado al transformador de corriente.	Vuelva a conectar el cable primario al transformador de corriente.
		El enchufe del sensor de exceso de agua está conectado a la clavija de un electrodo.	Instale el enchufe del sensor de exceso de agua en la clavija del cilindro que presenta un anillo alrededor.
		El enchufe del cilindro no está instalado correctamente.	Verifique que los colores de los enchufes del cilindro coincidan con los indicadores que se encuentran junto a los electrodos en el cilindro; además, compruebe que el enchufe del cilindro de color blanco se encuentre conectado al electrodo corto ubicado en un recipiente plástico.
4 parpadeos	Cilindro desgastado Los electrodos están cubiertos de incrustaciones.	Los electrodos del cilindro están cubiertos con incrustaciones y el humidificador no puede satisfacer la demanda de humedad.	Reemplace el cilindro por un cilindro con el mismo número de modelo (consulte el capítulo sobre mantenimiento).

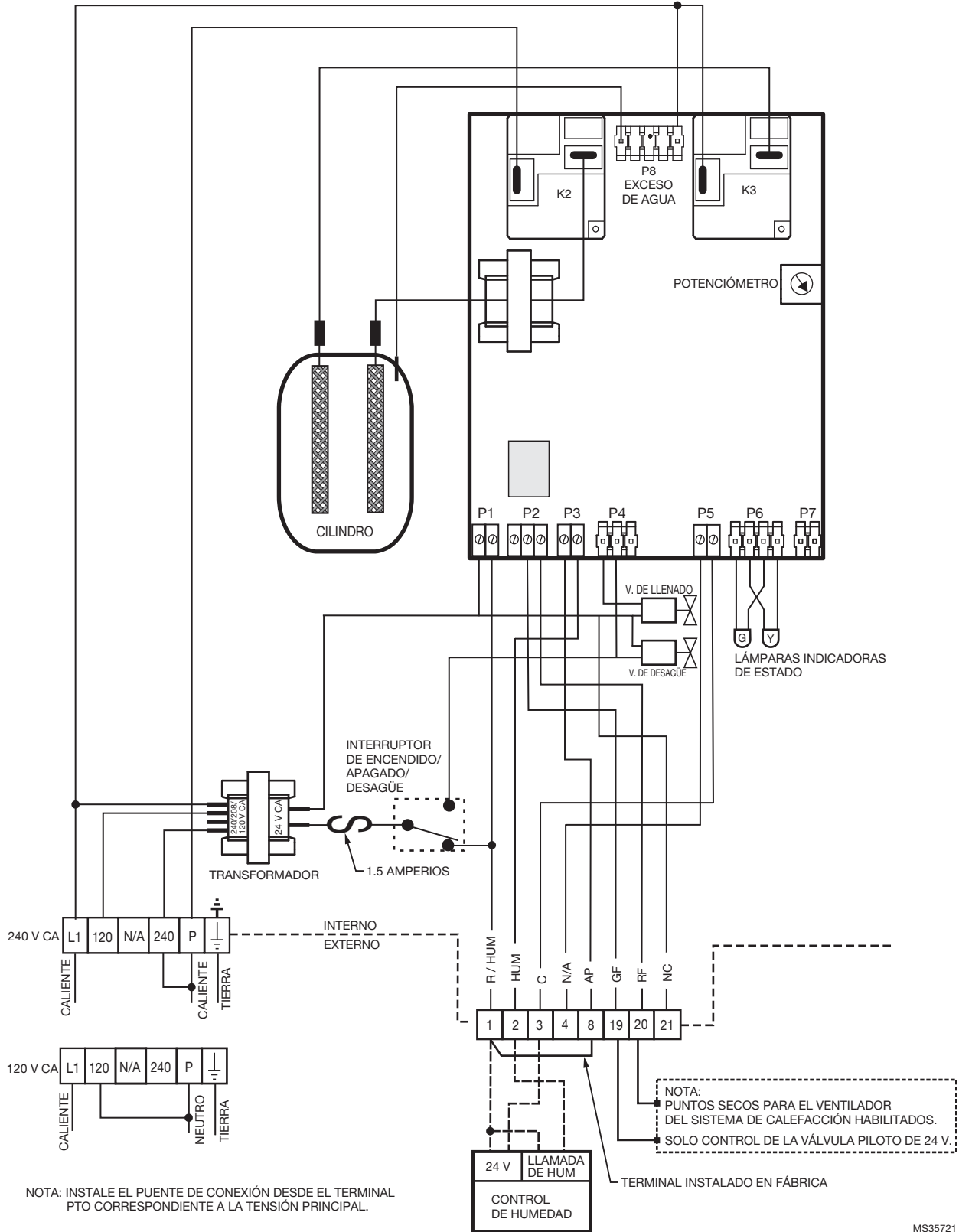


Fig. 26. Diagrama de cableado.

MS35721

GARANTÍA DE 5 AÑOS

Honeywell garantiza que este producto no tiene defectos de mano de obra ni en los materiales bajo condiciones de uso y servicio normales durante un período de cinco (5) años desde la fecha de compra por parte del consumidor. Si en cualquier momento, durante el período de vigencia de la garantía, se determina que el producto está defectuoso o no funciona adecuadamente, Honeywell lo reparará o lo reemplazará (a elección de Honeywell).

Si el producto está defectuoso,

- (i) llévelo al lugar donde lo compró, junto con la factura de compra u otra prueba de compra que incluya la fecha en la que compró el producto; o
- (ii) comuníquese con el Servicio de atención al cliente de Honeywell, llamando al 1-800-468-1502. En el Servicio de atención al cliente determinarán si el producto debe ser devuelto a la siguiente dirección:
Honeywell Return Goods, Dock 4 MN10-3860, 1985 Douglas Dr. N., Golden Valley, MN 55422, o si se le puede enviar un producto de reemplazo.

Esta garantía no cubre los gastos de remoción ni de reinstalación. Esta garantía no se aplicará si Honeywell demuestra que el defecto fue causado por daños que se produjeron mientras el producto estuvo en posesión de un consumidor.

La única responsabilidad de Honeywell será la de reparar o reemplazar el producto dentro de los términos mencionados anteriormente. HONEYWELL NO SERÁ RESPONSABLE POR LA PÉRDIDA NI EL DAÑO DE NINGÚN TIPO, QUE INCLUYE CUALQUIER DAÑO INCIDENTAL O CONSECUENTE QUE RESULTE, DIRECTA O INDIRECTAMENTE, DE CUALQUIER INCUMPLIMIENTO DE CUALQUIER GARANTÍA, EXPRESA O IMPLÍCITA, O DE CUALQUIER OTRA FALLA DE ESTE PRODUCTO. Algunos estados no permiten la exclusión o limitación de los daños fortuitos o resultantes, por lo que esta limitación podría no aplicarse en su caso.

ESTA GARANTÍA ES LA ÚNICA GARANTÍA EXPRESA QUE HONEYWELL REALIZA SOBRE ESTE PRODUCTO. LA DURACIÓN DE CUALQUIERA DE LAS GARANTÍAS IMPLÍCITAS, INCLUYENDO LAS GARANTÍAS DE COMERCIALIZACIÓN O DE APTITUD PARA UN FIN DETERMINADO, ESTÁN LIMITADAS A LOS CINCO AÑOS DE DURACIÓN DE ESTA GARANTÍA.

Algunos estados no permiten limitaciones en relación a la duración de una garantía implícita, de manera tal que la limitación anterior puede no aplicarse en su caso. Esta garantía le otorga derechos legales específicos, pero es posible que usted goce de otros derechos que varían de un estado a otro.

Si tiene preguntas acerca de esta garantía, escriba a Honeywell Customer Relations, 1985 Douglas Dr. Golden Valley, MN 55422 o llame al 1-800-468-1502.

IMPORTANTE

Para mantener la garantía, solo deben utilizarse piezas y cilindros aprobados por Honeywell en el producto.

HM700A1000

Automatización y control desenlace

Honeywell International Inc.
1985 Douglas Drive North
Golden Valley, MN 55422
customer.honeywell.com

© Marca Registrada en los Estados Unidos
© 2016 Honeywell International Inc. todos
33-00118EFS—01 M.S. 03-16
Impreso en Estados Unidos

Honeywell

Free Manuals Download Website

<http://myh66.com>

<http://usermanuals.us>

<http://www.somanuals.com>

<http://www.4manuals.cc>

<http://www.manual-lib.com>

<http://www.404manual.com>

<http://www.luxmanual.com>

<http://aubethermostatmanual.com>

Golf course search by state

<http://golfingnear.com>

Email search by domain

<http://emailbydomain.com>

Auto manuals search

<http://auto.somanuals.com>

TV manuals search

<http://tv.somanuals.com>