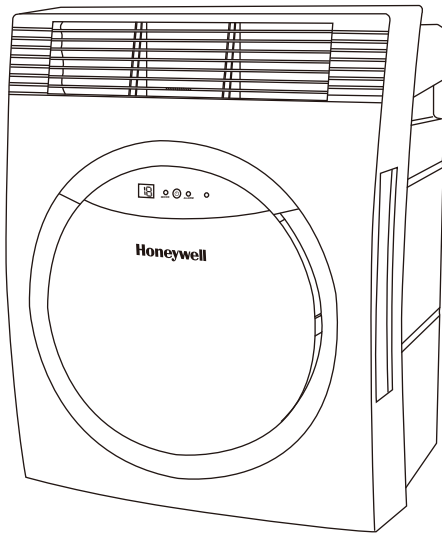


Honeywell

Portable Air Conditioner

OWNER'S MANUAL

Read these instructions before use



Model: MF08CESWW

Voltage rating: 115V~60Hz

Power rating : 800W

Customer Support : 1-800-474-2147

For product inquiries or support : www.honeywellportableac.com

Made in China

Read all instructions carefully before setting up and operating the unit. Keep this instruction manual for future reference. This manual is designed to provide important information needed to setup, operate, maintain and troubleshoot your portable air conditioner. Failure to follow these instructions may void the warranty.

SECTION	PAGE
1. INDEX	1
2. THANK YOU.....	2
3. USER TIPS.....	3
4. SAFETY	4
5. PARTS DESCRIPTION.....	6
6. INSTALLATION.....	7
7. USE & OPERATION.....	10
8. CLEANING & MAINTENANCE.....	13
9. WATER CONDENSATION DRAINAGE.....	14
10. TROUBLESHOOTING GUIDE.....	15
11. TECHNICAL SPECIFICATIONS.....	16
12. SERVICE AND WARRANTY	17

Congratulations on your purchase of this versatile Honeywell Portable Air Conditioner.

Honeywell Portable Air Conditioners are ideal for spot cooling. The compressor, condenser and evaporator are housed in a compact unit. The air is filtered, dehumidified and cooled while a flexible air outlet hose sends heat outside. The air conditioner includes a window venting kit. No permanent installation is needed. The unit is easy to move from room to room and offers a truly flexible air conditioning solution.

Auto Evaporation System - The unit automatically evaporates the condensate through the air outlet hose. There is no need to empty the drainage tank except in very high humidity conditions.

Read and follow the instructions carefully.

USER TIPS

To ensure optimal efficiency of the product, keep doors and windows closed when it is used as an air conditioner or dehumidifier.

If the product is being used with the fan function only, an open window could improve air circulation.



Cooling and Dehumidifying Operation



Fan Operation

Important : Before installing the unit, place it UPRIGHT for 20 minutes before use to allow the refrigerant to stabilize.

- Follow installation instructions to set up the unit.
- Plug the unit into a properly grounded circuit.

READ AND SAVE THESE INSTRUCTIONS

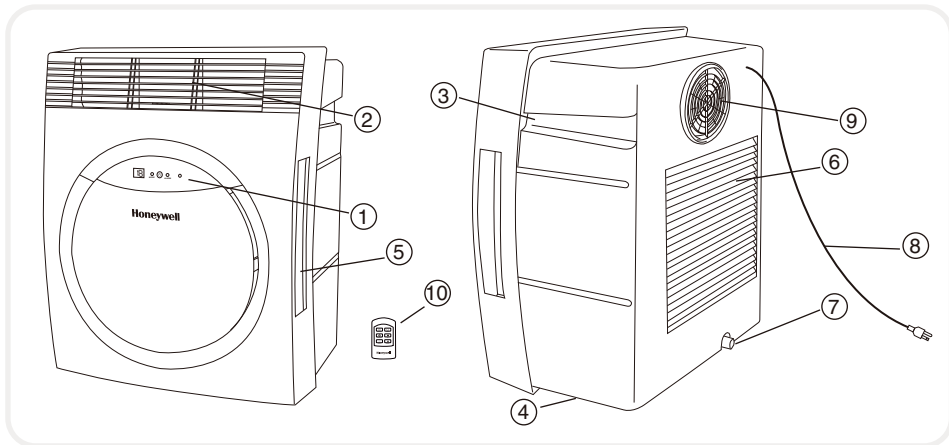
Improper handling can cause serious damage to the appliance.

**WARNING**

1. DO NOT operate the unit with a damaged plug or loose wall outlet. If the power cord is damaged, it must be replaced by the manufacturer or an authorized service agent.
2. DO NOT cover the air intake and exhaust when in use.
3. This appliance is not intended for use by children. Children should be supervised and should not play on or around the appliance.
4. DO NOT place objects on or sit on the unit.
5. Always turn off and unplug the unit when cleaning or servicing.
6. If service is needed contact an authorized service agent.
7. Unplug the unit when stored or not in use.

SAFETY

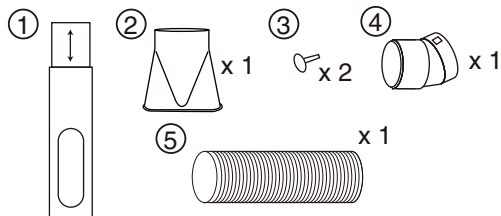
8. DO NOT run the power cord under carpeting and rugs.
9. Use caution to prevent tripping on cord.
10. DO NOT use in areas where gasoline, paint or other flammable goods are stored.
11. Basic safety precautions should always be followed when using electrical appliances.



- | | |
|---|---------------------------|
| 1. Control Panel (Incl. Signal Receptor) | 6. Back Grill |
| 2. Air Outlet | 7. Water Drain Cap |
| 3. Handle | 8. Power Supply Cord |
| 4. Casters | 9. Exhaust Hose Connector |
| 5. Air Filter | 10. Remote Control |

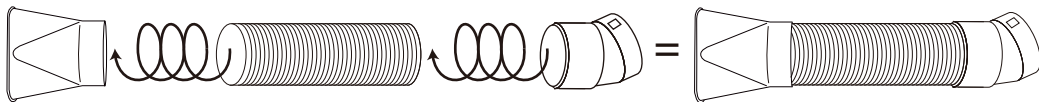
Installation Kit :

- | | |
|--------------------------------------|----------|
| 1. Window Bracket Kit..... | 1 Set |
| 2. Window Bracket Panel Adapter..... | 1 Piece |
| 3. Plastic Pin..... | 2 Pieces |
| 4. Hose Connector..... | 1 Piece |
| 5. Plastic Hose..... | 1 Piece |

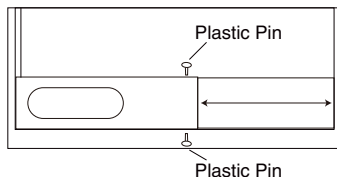


INSTALLATION

- ① Install the plastic hose with window bracket adapter and hose connector on both sides. Ensure proper fit on both ends.

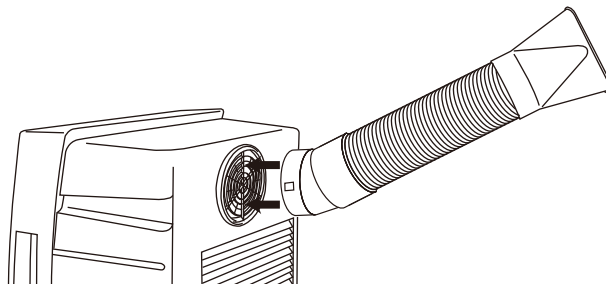


- ② Adjust the window bracket as per width or height of your window and insert the plastic pins to fix at the desired position.

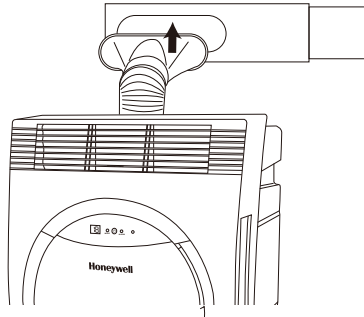


Note : Do not install the window bracket to your window. This step is required only to adjust it to the size of your window. The bracket should be removed from the window after the size is adjusted.

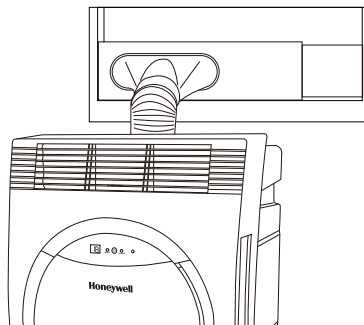
- ③ Connect the plastic hose to the hose connector on back of the unit. Push-in then rotate clockwise.



- ④ Connect the window bracket to the opposite end of the plastic hose. Ensure that all connections are tight and installed properly.



- ⑤ Connect the window bracket to the window.

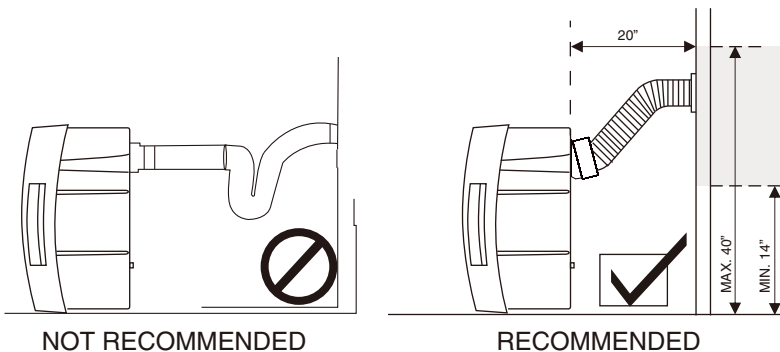


- ⑥ The Portable Air Conditioner is now ready to use.

INSTALLATION

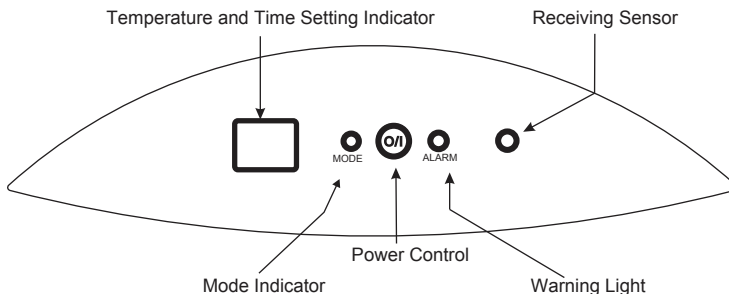
Note:

1. The supplied exhaust hose can be extended from 12 inches (1 foot) to 47 inches (3.9 feet).
2. Do not bend (to the extent shown below) the exhaust hose.
A bent hose will block exhaust air and cause the unit to malfunction or shut-off.



Warning:

- The length of the exhaust hose is determined by the product specifications. Do not replace or lengthen it as this could cause the unit to malfunction.
- Make sure the back of the unit is at least 20 inches away from a wall.
Do not place the unit in front of curtains or drapes as this could obstruct the airflow.



Power Control

The Power Control turns the unit on and off. When switched on the unit will start on Auto mode.

Warning Light

Condensed water may accumulate in the unit. If the internal tank becomes full, the Warning Light will shine red and the unit will not operate until the unit has been drained.

LED Operating Mode Indicator

Cooling Mode - Blue
 Dehumidifying Mode - Orange
 Fan Mode - Green

Temperature and Timer Setting Indicator Display

The indicator displays:

- Current temperature.
- Thermostat setting while changing the temperature.
- Hours while setting the timer.

When ambient temperature is higher than 122°F, the indicator shows "HI".

When ambient temperature is lower than 32°F, the indicator shows "LO".

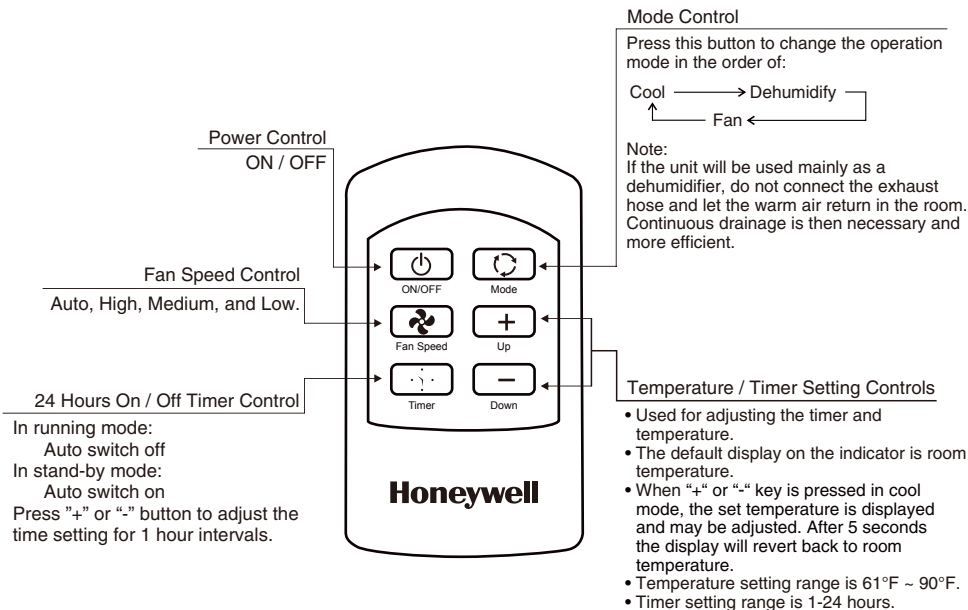
Note:

- Once thermostat or timer has been set the indicator will continue to display ambient temperature after 5 seconds.
- When setting the thermostat or timer the indicator will be flashing.

After switching the air conditioner off, wait 3 minutes before switching it back on again.

Remote Control

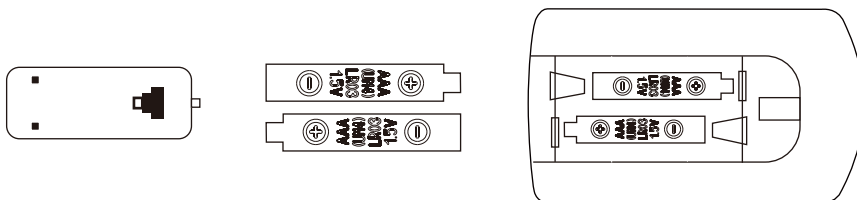
All functions can be accessed only from the remote control.



Note :

- Do not place the remote control in direct sunlight.

Battery Installation: Remove the cover on the back of the remote control and insert two AAA batteries with “+” and “-” pointing in the proper direction.



Caution 

- Use only two AAA or IEC R03 1.5V batteries.
- Remove the batteries if the remote control is not in use for a month or longer.
- All batteries should be replaced at the same time, do not mix with old batteries.
- Properly dispose of used batteries.

Appliance Maintenance:

1. Turn off the appliance before disconnecting the power supply.
2. Always clean the appliance with a soft dry cloth.

Air Filter Maintenance:

The air filter should be cleaned every two weeks.

Clean it as follows:

1. Turn off the appliance and remove the air filter. (refer page 6, #5)
2. Rinse it in lukewarm water. After cleaning, dry in a shaded and cool place, then reinstall.

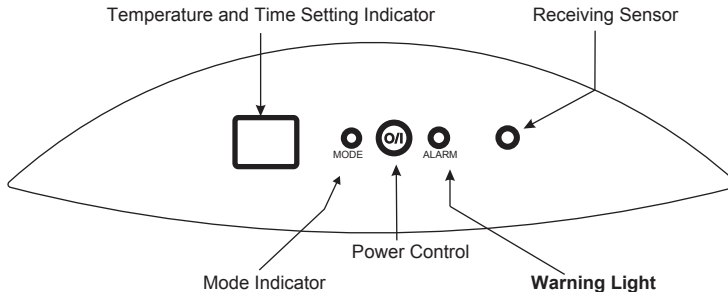
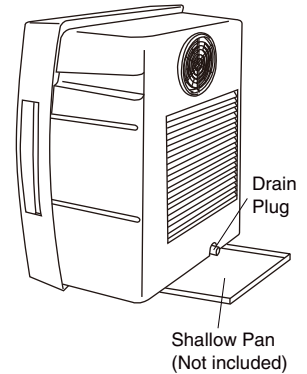
Maintenance After Use:

1. If the appliance will not be used for a long time, be sure to drain the left-over water condensation.
2. Remove the water drain cap (refer page 14) and use a shallow pan to collect the water.
3. To dry excess moisture, run the unit in fan mode for 30 minutes before storing.
4. Clean and reinstall air filter.
5. Remove air hose and window bracket and store with the portable air conditioner.

Water Condensation Drainage

When there is excess water condensation inside the unit, the air conditioner stops running and shows a warning light (refer diagram below). This indicates that the water condensation needs to be drained using the following procedure:

- Unplug the unit from power source.
- Remove the drain plug and place a shallow pan under the drain plug. See diagram.
- Water will drain out and collect in the tray.
- After the water is drained, replace the cap firmly.
- You can now turn on the unit.



TROUBLESHOOTING GUIDE

The following troubleshooting guide addresses the most common problems. If problems persist, call customer service. Unplug and disconnect the appliance from the power source before attempting to troubleshoot.

Problem	Possible Cause	Solution
The air conditioning unit does not start	<ul style="list-style-type: none"> • No electricity. • Batteries in the remote control need to be replaced. • The power cord is not properly plugged in. • The safety GFI plug has tripped. 	<ul style="list-style-type: none"> • Check for power. • Change remote control batteries. • Remove and reconnect the power cord. • Reset the safety GFI plug, if problem persists contact our customer support.
Runs a short while only	<ul style="list-style-type: none"> • The thermostat temperature setting is too close to room temperature. • Air outlet is blocked. • There are tight bends in the air exhaust hose. 	<ul style="list-style-type: none"> • Lower the set temperature. • Make sure the exhaust hose is properly connected. • Connect exhaust hose as per instructions on page 9.
Runs but no cooling	<ul style="list-style-type: none"> • A door or window is open. • The air filter is dirty. • The exhaust hose is detached. • Temperature setting is too high. • Air outlet or intake is blocked. 	<ul style="list-style-type: none"> • Make sure the window or door is closed. • Clean the air filter • Reinstall exhaust hose properly (Refer to page 9, Installation) • Reduce temperature setting on control panel. • Remove blockage.
Will not run and water full indicator light is ON	<ul style="list-style-type: none"> • Excess water condensation inside the tank. 	<ul style="list-style-type: none"> • Drain the water through the drain plug (Refer to page 14, Water Condensation Drainage).

Description of Product	Portable Air Conditioner
Model	MF08CESWW
Voltage/Frequency	115 V~ 60 Hz
Power Consumption	800W
Cooling capacity	8000 BTU
Dehumidifying capacity	50.7 pints/24 hours
Refrigerant Type	R-410A
Timer	24 hour (ON / OFF)
Dimensions (W) x (D) x (H) (inches)	19.5 X 14.2 X 24.4 inches
Weight (Kg)	52 lbs (23.6 Kg)

Electrical products should be properly disposed.
 Please recycle where facilities exist. Check with your local authority
 or retailer for recycling.



SERVICE AND WARRANTY

5-YEAR LIMITED WARRANTY

1 year parts and labor, 5 years on all parts of the sealed system, consisting of the compressor, evaporator, condenser and factory connected refrigerant tubing.

- A. This warranty does not apply to any damage resulting from abusive, unreasonable use or damage. Defects that are the result of normal wear and tear will not be considered manufacturing defects under this warranty.

JMA NORTH AMERICA LLC. IS NOT LIABLE FOR INCIDENTAL OR CONSEQUENTIAL DAMAGES OF ANY NATURE. ANY IMPLIED WARRANTY OF MERCHANTABILITY OR FITNESS FOR A PARTICULAR PURPOSE ON THIS PRODUCT IS LIMITED IN DURATION TO THE DURATION OF THIS WARRANTY.

Some jurisdictions do not allow the exclusion or limitation of incidental or consequential damages or limitations on how long an applied warranty lasts, so the above limitations or exclusions may not apply to you. This warranty gives you specific legal rights, and you also may have other rights which vary from jurisdiction to jurisdiction. This warranty applies only to the original purchaser of this product from the original date of purchase.

- B. At its option, JMA NORTH AMERICA LLC. will repair or replace this product if it is found to be defective in material or workmanship.
- C. This warranty does not cover damage resulting from any unauthorized attempts to repair or from any use not in accordance with the instruction manual.

D. Please read the Instruction Manual carefully before setting up or using this product. If you believe this product to be suffering from a manufacturing fault, or if you have inquiries about this product, please contact our Customer Support:

CUSTOMER SUPPORT.
JMA North America LLC.
Ramsey, New Jersey 07446
Phone : 1-800-474-2147
Email : info@jmana.us

When contacting our Customer Support, please have the information below along with the proof of purchase. All warranty requests must be accompanied by a proof of purchase, which is a copy of the original receipt.

Model :
Date of purchase :
Purchased from :

JMA North America LLC.
Ramsey, New Jersey 07446
Customer Support: 1-800-474-2147
E-mail: info@jmana.us
www.honeywellportableac.com

MF08CESWW_IM_Eng_USA_3
December 2012
© 2012 AirTek Int'l Corp. Ltd.
(JMATEK Int'l Group of Companies)
Manufactured by Airtak International Corporation Limited.
The Honeywell Trademark is used under license from
Honeywell International Inc.
Honeywell International Inc. makes no representation or
warranties with respect to this product.

Honeywell

Free Manuals Download Website

<http://myh66.com>

<http://usermanuals.us>

<http://www.somanuals.com>

<http://www.4manuals.cc>

<http://www.manual-lib.com>

<http://www.404manual.com>

<http://www.luxmanual.com>

<http://aubethermostatmanual.com>

Golf course search by state

<http://golfingnear.com>

Email search by domain

<http://emailbydomain.com>

Auto manuals search

<http://auto.somanuals.com>

TV manuals search

<http://tv.somanuals.com>