

TrueSTEAM™

PROFESSIONAL INSTALLATION GUIDE

INCLUDED IN THIS HUMIDIFIER BOX



Tools needed to install TrueSTEAM

- ▶ Wire cutter/stripper
- ▶ 1-3/4-in. diameter hole saw
- ▶ 1/8-in. drill bit
- ▶ Standard screwdriver
- ▶ 18-gauge wire (up to 5 conductor)
- ▶ Torx driver T-20 and T-30

Other Requirements

- ▶ TrueSTEAM flushes water at or above 140°F (60°C). Refer to local codes for proper draining practices for hot water.
- ▶ Condensate pump rating of 212°F (100°C) if used.
- ▶ Drip pan with water sensor shut-off required underneath TrueSTEAM if installed in or above finished space.

- A** TrueSTEAM
 - B** Mounting bracket and hardware
 - C** Water filter and backflow preventer
 - D** Saddle valve
 - E** Water supply hose
 - F** Drain hose (10 feet)
 - G** Duct nozzle and gasket
 - H** Owner's manual
 - I** Service label
 - J₁** Prestige HD color control*
 - J₂** TrueIAQ control*
 - J₃** Humidity control*
 - J₄** VisionPRO IAQ control*
- * Control based on model ordered.



Remote installation requires separate purchase of the Honeywell Remote Mounting Kit (#50024917)



TABLE OF CONTENTS

Setting Homeowner Expectations.....	1
Mounting.....	3
Plumbing.....	5
Wiring.....	7
Maintenance.....	15
Troubleshooting.....	18
Parts List.....	22
Appendix A - Remote Installation.....	23
Appendix B - Advanced Wiring.....	25
Appendix C - Remote Draining.....	27

Need Help?

For assistance with this product please visit <http://yourhome.honeywell.com>
or call Honeywell Customer Care toll-free at **1-800-468-1502**

Read and save these instructions.

® U.S. Registered Trademark.
Patents pending.

Copyright © 2009 Honeywell International Inc. All rights reserved.

WHAT TO EXPECT

- It may take up to a week of continuous operation to achieve the humidity set point, depending on weather, size of home, furnishings in the home, insulation, etc.
- 35% relative humidity in a typical winter humidifier market is considered ideal by industry experts. Homeowner can adjust to their own comfort or until there is condensation on the windows. Lower the setpoint if there is condensation.
- If TrueSTEAM is not humidifying but the humidity is below the setpoint, it is likely the humidity control has a frost protection setting, or TrueSTEAM is in a drain cycle mode.
- Excessive ventilation will exhaust humidified air outside and replace it with dry air, making it difficult to maintain humidity set point under certain conditions. If installing a ventilator, a solution that retains moisture, such as an Energy Recovery Ventilator (ERV), is preferable for maintaining indoor humidity set points.
- If the home can't achieve the setpoint, the unit may be under-sized for the home. This can be due to insulation, windows, arid climate, etc. or the outdoor temperature may be too low to maintain adequate humidity levels. Honeywell recommends waiting for the outdoor temperature to moderate closer to 20°F (-6°C). If the selected humidity levels are not achieved, then a larger capacity model may be needed.
- At startup, it is normal to experience a slight plastic odor in the home, depending on the amount of ventilation. If the remote hose is used, there may be a slight rubber odor. These odors will dissipate within days of installation.
- If the PRESS EMPTY light is blinking, clean TrueSTEAM per the steps found in the maintenance section. TrueSTEAM will continue to humidify as normal while PRESS EMPTY is blinking.
- The home's water hardness will determine how often TrueSTEAM needs to be cleaned and how often the included water filter needs to be replaced.
- Data shows there may be a slight increase in the homeowner's energy consumption when operating any humidifier. However, TrueSTEAM will make the home feel warmer, allowing the homeowner to lower the temperature setting on the thermostat. Every degree lower on the thermostat can save up to 3% on heating costs.

CONTRACTORS: IMPORTANT INSTALLATION REQUIREMENTS

Failure to comply will result in voided warranty, improper installation, and service callbacks.

- Do not direct the steam nozzle at people.
- Water inside tank can be very hot. Explain this to homeowner and emphasize the warning label on TrueSTEAM.
- Do not cut into any air conditioning or electrical line
- Wear safety glasses while installing TrueSTEAM.
- Mount the humidifier in a level position to avoid water damage or heating element failure.
- Install TrueSTEAM on the supply duct. Remotely mount TrueSTEAM to the supply duct if direct mount is not possible.
- Do not install the steam nozzle into supply duct with static pressure exceeding 0.5 in. w.c.
- If remotely mounting TrueSTEAM, refer to the remote mount guide (69-2317) for further instructions.
- Do not install the humidifier where the ambient temperature is lower than 32°F (0°C) or higher than 104°F (40°C).
- Condensate pump must be rated at 212°F (100°C).
- Consult local plumbing codes for drain size, material, and maximum temperature allowed.
- If TrueSTEAM location is in or above finished space, install a drip pan with a wet switch under TrueSTEAM, the water filter, and backflow preventer.
- Do not install the humidifier nozzle through wooden sidewalls (e.g., floor joist).
- The mounting area must be strong enough to support the humidifier's weight when it is full of water (up to 15 lbs.).
- If the ducting has exposed insulated materials on the interior, ensure the nozzle extends beyond the insulation by clearing away excess insulation at the insertion point, or replace a section of insulated duct (approximately 6 in. x 6 in.) with rigid, non-insulated sheet metal.
- Allow at least 4 inches of clearance between the TrueSTEAM nozzle outlet and any interior duct to avoid condensation forming.
- Mount TrueSTEAM where the nozzle outlet has a minimum of 24 inches of downstream open air space.
- Do not install in completely enclosed spaces, such as a cabinet or unventilated closet. Choose a location that is well ventilated.
- Allow at least 1 foot clearance to ventilation holes in humidifier's cover. Do not cover these holes. Covering them can increase the internal operating temperature of the humidifier and shorten the humidifier's life.
- Do not mount directly to duct board. Remote mount nozzle attachment allowed only with a Honeywell duct board adapter kit.
- If used near a pool or spa, ensure the TrueSTEAM can not fall into the water or be splashed. Also, ensure the TrueSTEAM is plugged into a GFI ground fault interrupt outlet.

SAFETY PRECAUTIONS



CAUTION: Voltage Hazard.

Can cause electrical shock or equipment damage.

Disconnect HVAC equipment before beginning installation.

Warning: Electrocution, Heavy Equipment, and Water Hazard.

Can cause death, blindness, water damage to home and heating element failure.

Warning: Steam Condensation, Fire, and Freezing Water Hazard.

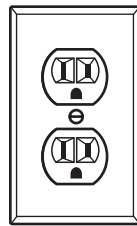
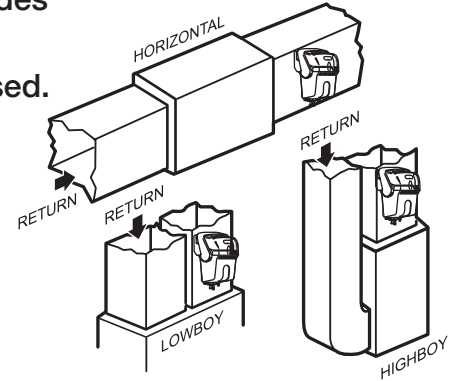
Can cause failure of fan or limit control or result in water damage to home.

DUCT MOUNT INSTALLATION



Choose a location that has access to a:

- Drain with a high-temperature water rating. Refer to local plumbing codes to ensure proper draining.
- Cold water supply line must be used.
- Electrical circuit rated to your humidifier.
- Vertical surface with adequate clearances.



Model

HM506

HM509

HM512

Required Minimum Circuit Capacity

7 Amps

10 Amps

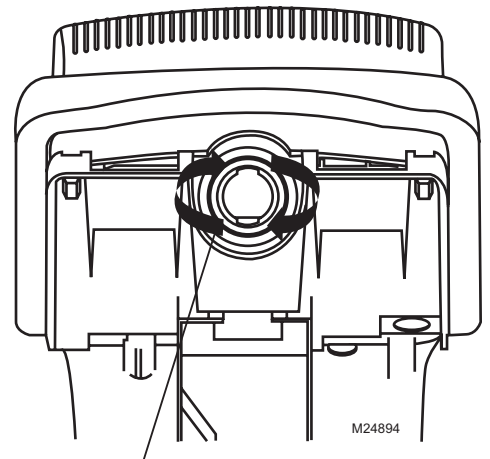
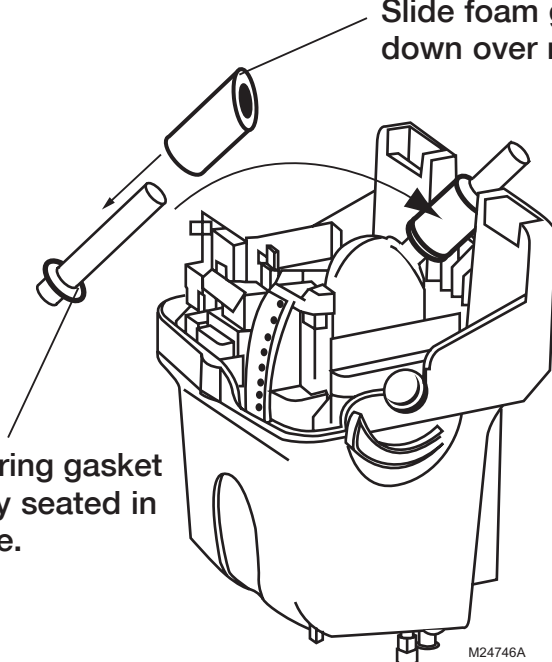
12 Amps

2

Install duct nozzle.

Slide foam gasket
down over nozzle.

Ensure o-ring gasket
is properly seated in
the groove.

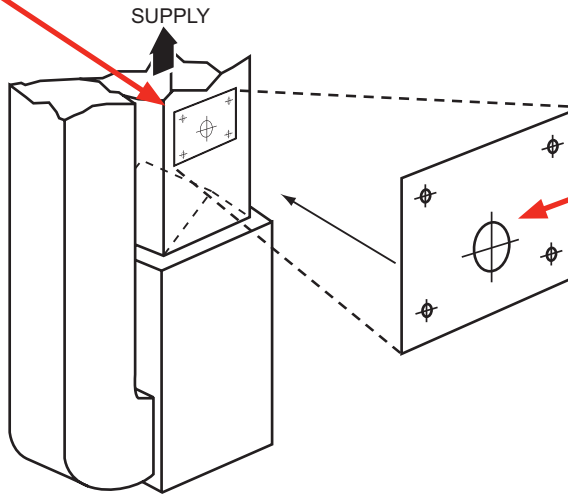


Insert nozzle and twist clock-
wise to ensure tight seal of
nozzle to TrueSTEAM.

DUCT MOUNT INSTALLATION

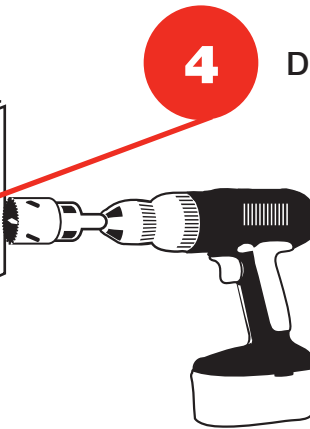
3

Position template on supply duct.
Ensure proper clearances from A-coil.



4

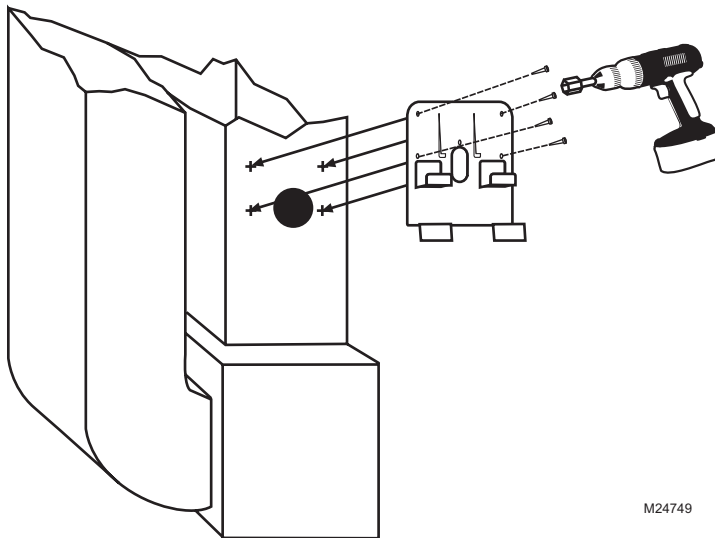
Drill 1-3/4-in. hole.



M24748A

5

Secure bracket to duct using
provided self-drilling sheet metal
screws (4).



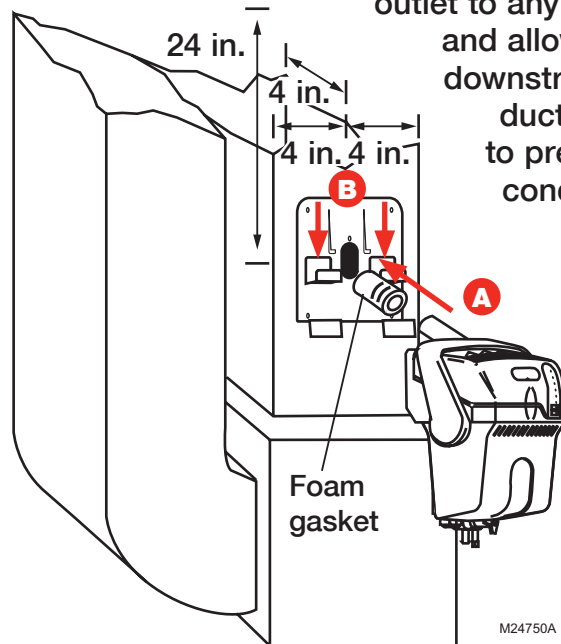
M24749

6

A) Ensure foam gasket is positioned
correctly over nozzle and insert the
nozzle into duct hole.

B) Push down to secure humidifier to
bracket arms. Ensure gasket forms
tight seal in duct hole.

Allow 4 in. clearance from nozzle
outlet to any duct wall,
and allow 24 in. of
downstream open
duct air space
to prevent duct
condensation.



M24750A

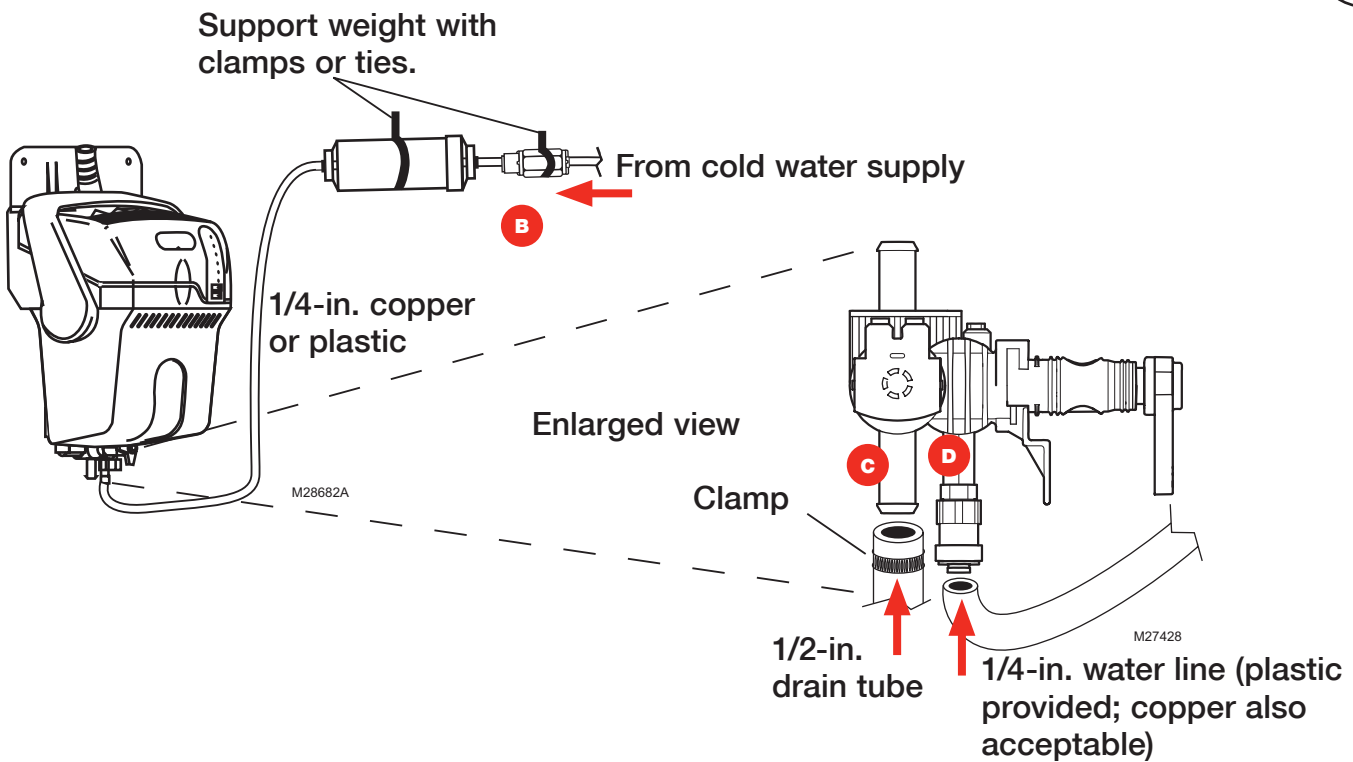
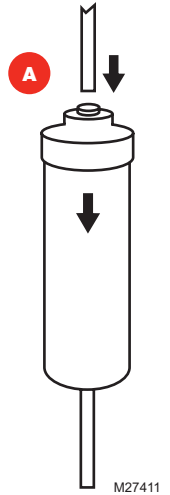
**FOR REMOTE INSTALLATION, REFER TO APPENDIX A OR
DOCUMENT 69-2317, INCLUDED WITH REMOTE MOUNT KIT.**

WATER SUPPLY CONNECTION

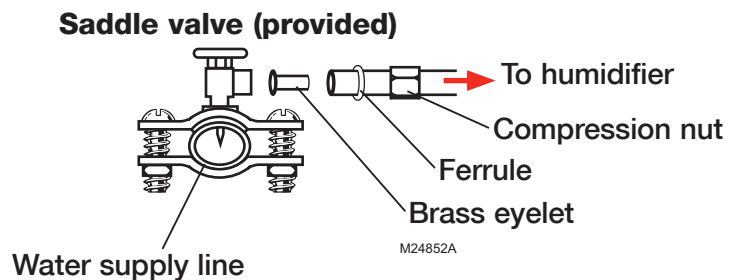
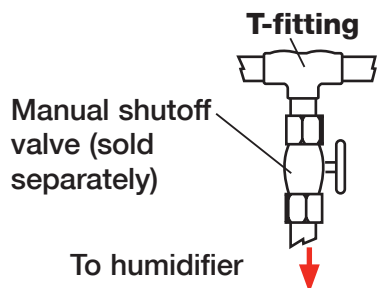
7

Use only cold water. Do not use hot water supply.

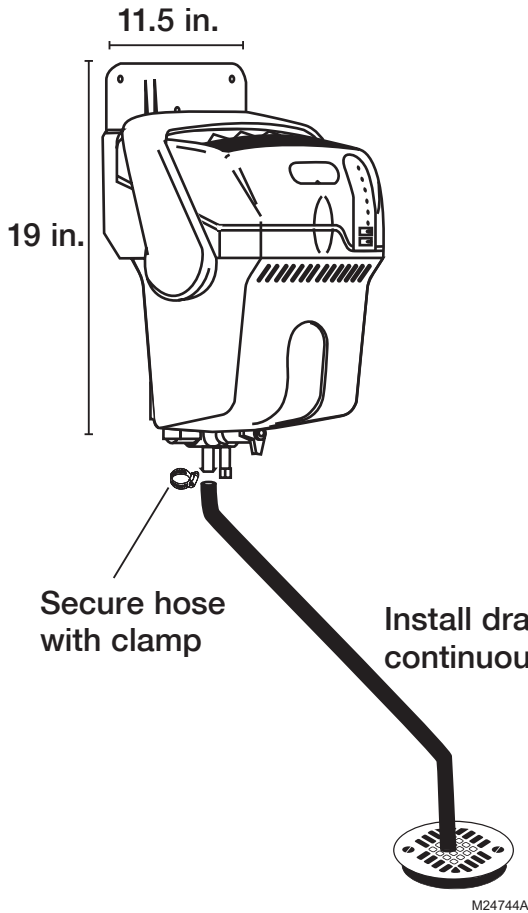
- A **Water Filter.** Insert 1/4-in. copper or plastic water line. Apply modest pull to ensure a tight fit.
- B **Back-flow preventer valve.** Insert 1/4-in. copper or plastic water line. Apply modest pull to ensure a tight fit.
- C **Connect 1/2-in. drain tube.** Secure drain tube to barbed fitting with hose clamp.
- D **Shut off the water supply.** Secure 1/4-in. copper or plastic water feed tube.



Water line tapping options: Refer to selected valve's literature and to local plumbing codes for proper technique for the selected option.



DRAIN CONNECTION



8

Consult local plumbing codes before installing drain.

Ideal installation is direct to main floor drain using the provided rubber hose.

If direct floor drain access is not available, refer to Appendix C.



CAUTION

Hot water may exit drain and can cause burns from scalding.

Draining water may be hot. Direct and secure the hose outlet into the floor drain to reduce risk of hot water pooling or splashing. Consult and follow local plumbing codes for drain pipe size and maximum temperature requirement.

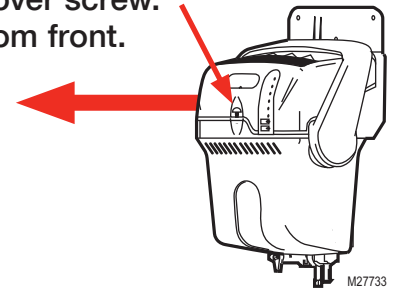
WIRING-GETTING STARTED



CAUTION: Voltage Hazard. Before wiring to HVAC terminals, disconnect HVAC equipment power. Ensure humidifier is not plugged in.



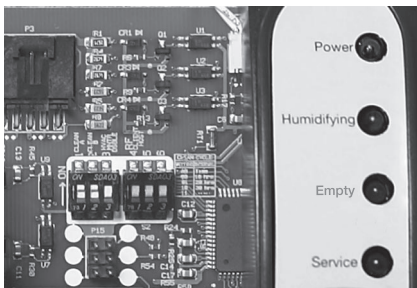
Loosen captive cover screw. Slide cover out from front.



BEFORE YOU GET STARTED

TrueSTEAM wiring is different from evaporative pad humidifier wiring. TrueSTEAM is able to monitor system power, and regulate system fan operation, in addition to solenoid water valve actuation. These wiring features are configured by DIP settings.

DIP Settings for TrueSTEAM Humidification



M28712

With the TrueSTEAM cover removed, you will see six DIP switches to the left of the interface panel. This manual refers to DIPs 1-6 from left to right. DIP 3, 4 and 5 offer different wiring configurations for how to humidify. (DIPs 1-2 are associated with maintenance. Details for DIPs 1-2 are found in the maintenance section.) DIP 6 is not used at this time.



M28683

DIP 3 = Wireless operation (applicable only on wireless models)
If DOWN (default) wireless terminal is disabled.
If UP, wireless terminal is enabled.

DIP 4 = Power monitoring.
If DOWN (default), TrueSTEAM looks for R input before allowing humidity.
If UP, TrueSTEAM does not look for R input before allowing humidity. Power is still allowed to pass through if R is wired.

DIP 5 = Back-up air proving.
If DOWN (default), TrueSTEAM does not look for air movement (via air proving device) before allowing humidity.
If UP, TrueSTEAM looks for air movement (via air proving device) before allowing humidity. Wire an air proving device between TrueSTEAM C and System C.

Note: Setting DIP 5 up requires DIP 4 to be down. If DIP 4 is up, DIP 5 position will not be used.

WIRING-GETTING STARTED

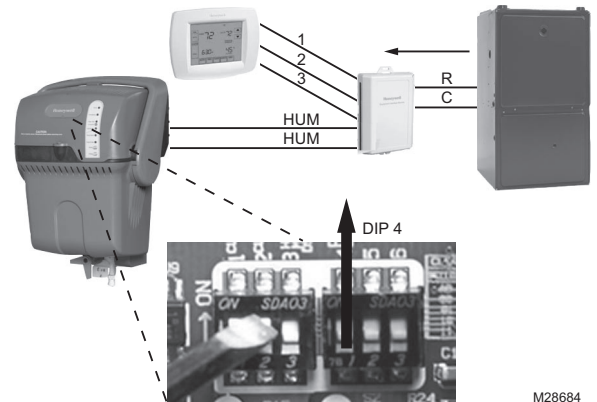
Power Monitoring is a configuration that allows TrueSTEAM to only allow humidity to enter the duct when it receives confirmation that the HVAC system transformer has power.

There are two ways power monitoring can be configured, depending on what humidity control is used.

Note: This image is not a complete wiring diagram. It only depicts power monitoring.

1. Using a thermostat with integrated humidity control, such as VisionPRO IAQ or Prestige.

- A thermostat is powered by the system transformer, so if it does not have power, the humidifier will not be able to produce steam.
- Because the thermostat knows when the system transformer has power, set TrueSTEAM DIP 4 to UP, so that it is not also looking for an R input from the system R.



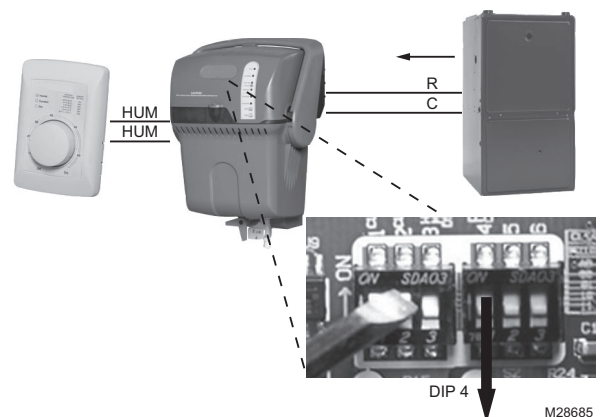
Ideal for Contractors Who

- Want simplified accessory wiring (TrueSTEAM only needs to be connected to the HUM terminals from the control).
- Provide integrated system and accessory controls in the living space to their customers.

Note: This image is not a complete wiring diagram. It only depicts power monitoring.

2. Using a humidistat SEPARATE from the thermostat, such as H8908 or TrueIAQ.

- TrueSTEAM generally supplies power to a humidistat. It is important that TrueSTEAM monitor HVAC system power to determine if humidity is allowed.
- Leave DIP 4 in the DOWN position (factory setting), and wire the HVAC system R and C to the TrueSTEAM R and C. TrueSTEAM will verify power is present before allowing steam production.



Ideal for Contractors Who

- Use a humidity control separate from the thermostat system control.

WIRING-GETTING STARTED

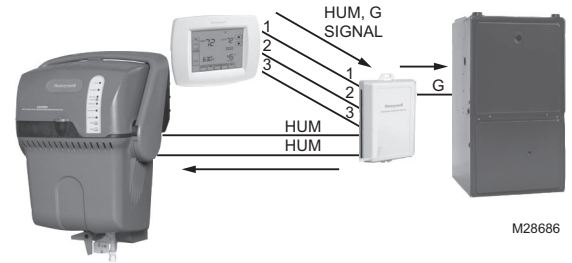
System Fan Regulation is a configuration that allows TrueSTEAM to monitor the HVAC system's fan operation, and ensure that the fan is on if humidity is needed. Airflow is needed to distribute humidity into the living space, and prevent condensation from forming in the duct.

There are two ways system fan operation can be configured, depending on what humidity control is used.

Note: This image is not a complete wiring diagram. It only depicts fan regulation.

1. Using a thermostat with integrated humidity control, such as VisionPRO IAQ or Prestige.

- A thermostat controls the fan and humidifier, so the control will not allow steam production without turning the system fan on.
- Wire thermostat G to the HVAC system G as normal. Wire TrueSTEAM HUM terminals to the system HUM terminals.



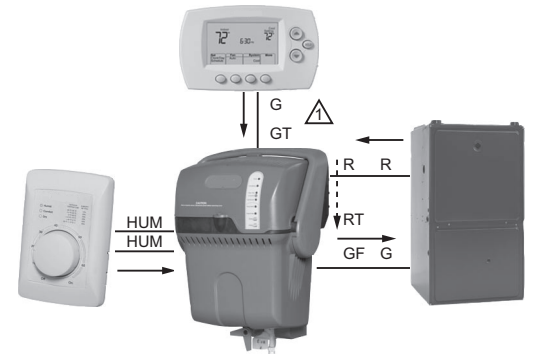
Ideal for Contractors Who

- Want integrated control of the humidifier and HVAC system in the living space.
- Want the system fan to turn on immediately upon a call for humidity.

Note: This image is not a complete wiring diagram. It only depicts fan regulation.

2. Using a humidistat SEPARATE from the thermostat, such as H8908 or TrueIAQ.

- External humidity controls do not monitor or control the system fan, so it is critical that TrueSTEAM ensures the fan has power before allowing humidity.
- Break the thermostat G to HVAC system G connection. Wire thermostat G to TrueSTEAM GT. Wire TrueSTEAM GF to HVAC system G.



⚠ IF THERMOSTAT G SIGNAL IS NOT PRESENT, THEN THE TrueSTEAM GF TERMINAL WILL ENERGIZE THE HVAC G TERMINAL TO TURN ON FAN.

1 Thermostat G calls will pass through TrueSTEAM unhindered. If this signal is not present, and humidity is needed, TrueSTEAM will relay power from its RT terminal to GF and out to HVAC system G to ensure the fan has power for humidity calls

Ideal for Contractors Who

- Use a humidity control separate from the thermostat.
- Wish to avoid excessive air circulation in the home. TrueSTEAM fan calls will not be sent out of GF until the water temperature reaches 170°F (just before boiling).

Note: This feature can be used with VisionPRO IAQ as well. See page 13.

WIRING-GETTING STARTED

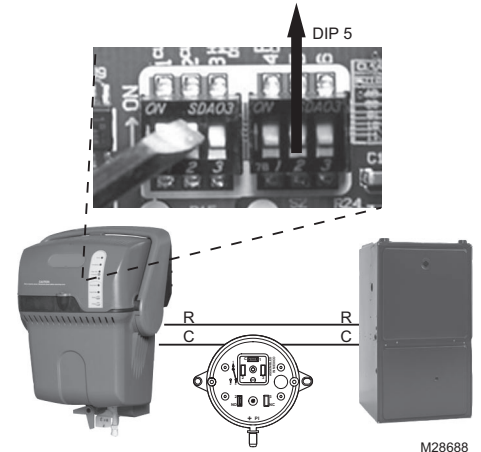
Optional Add-On Air Proving is a configuration that allows TrueSTEAM to double-check physical air movement.

Air proving is configured through DIP 5 on TrueSTEAM. Set DIP 5 up with DIP 4 down to enable air proving.

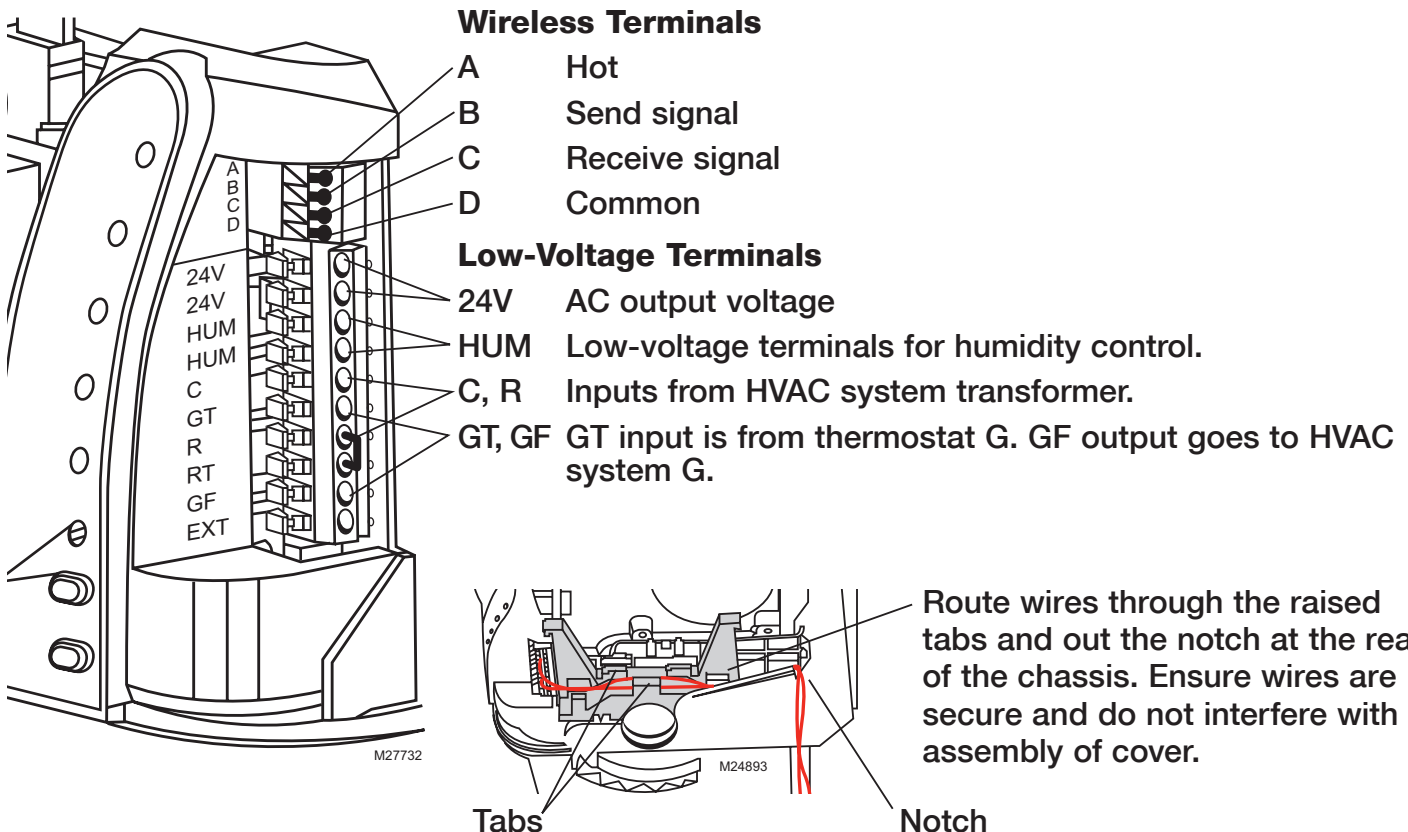
Note: This image is not a complete wiring diagram. It only depicts air proving.

1. In addition to monitoring system power and fan operation, TrueSTEAM can monitor physical air movement via an external air proving device.

- Wire TrueSTEAM R and C to HVAC system R and C with an air proving device in-line on C.
- Set DIP 5 up and keep DIP 4 down.
- TrueSTEAM will look for physical air movement through its C connection prior to steam entering the duct.



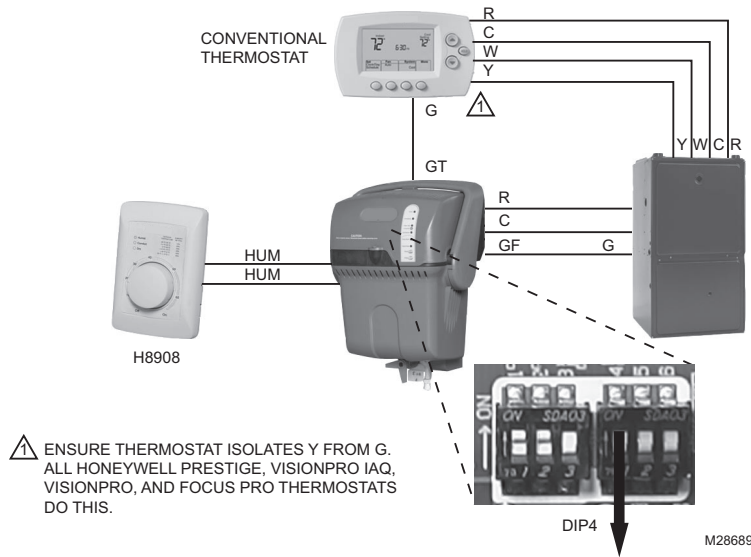
WIRING



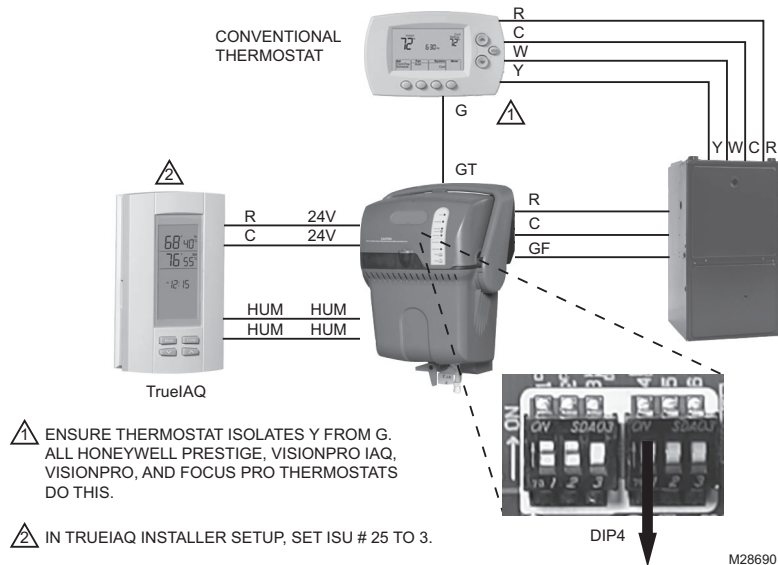
BASIC WIRING

10 Wire the TrueSTEAM according to the diagram that applies to your humidity control.

Dry-contact mechanical humidistat wiring.



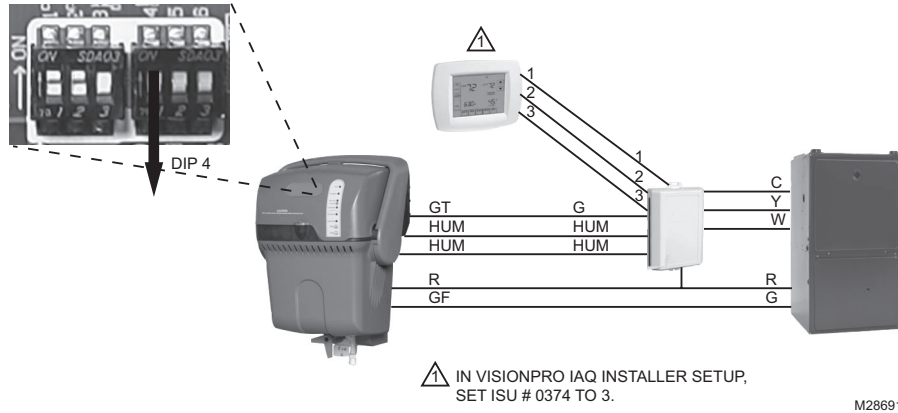
TrueIAQ wiring.



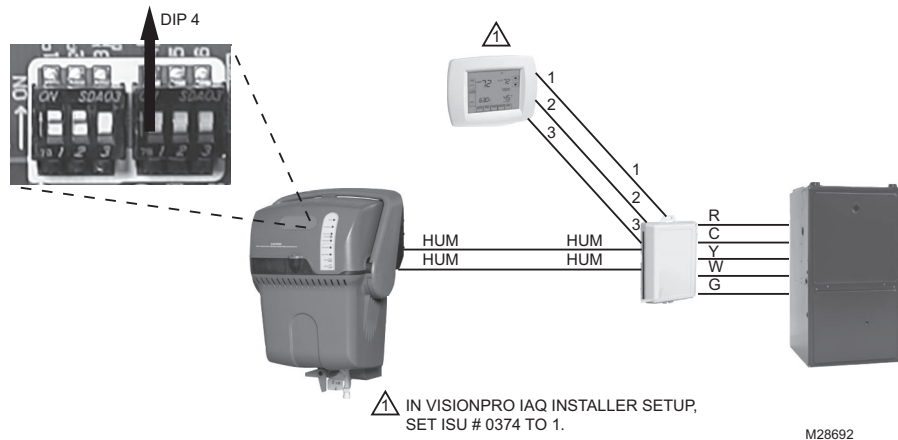
BASIC WIRING

VisionPRO IAQ™ Wiring

Follow this diagram if using VisionPRO IAQ™ with TrueSTEAM's fan-delay feature. The system fan will turn on when the tank's water temperature is 170°F.

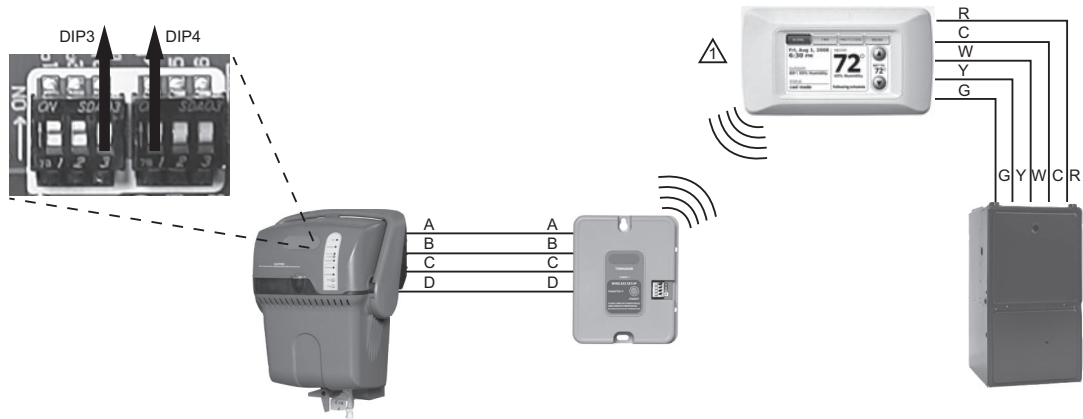


Follow this diagram if using VisionPRO IAQ™ to turn system fan on immediately with humidity call.



WIRELESS INSTALLATION

RedLINK Prestige HD connection.



⚠ "1" IN PRESTIGE INSTALLER SETUP, PROGRAM HUMIDITY CALLS TO "HUMIDIFY FORCES FAN ON."

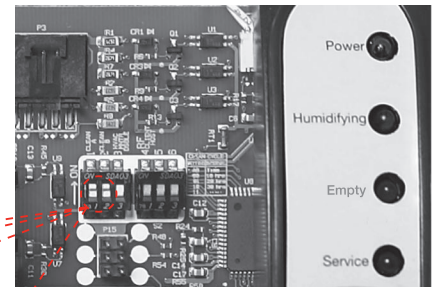
M28694

CONFIGURING FLUSH CYCLES

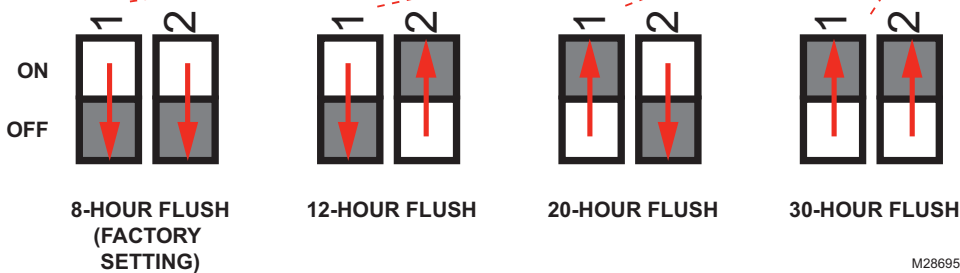
11

DIP 1 and DIP 2 configure how frequently TrueSTEAM will automatically flush minerals from its tank.

Note: Flush timing is based on hours of active heating element time, not real time.



M28712

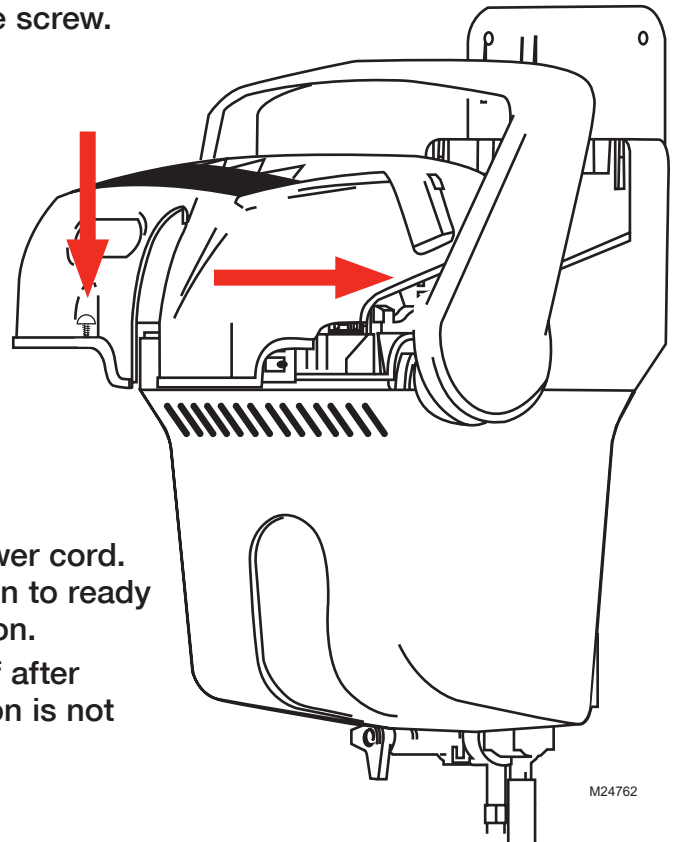


M28695

STARTUP AND CHECKOUT

12

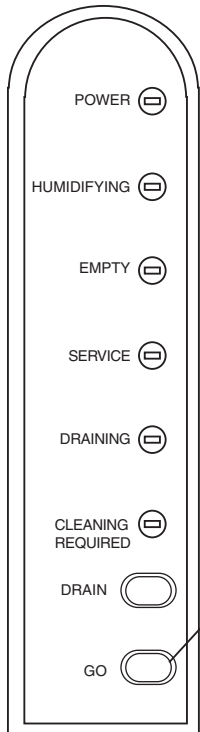
Slide the cover back into place and secure screw.
Turn on the water supply.



13

Plug in the TrueSTEAM power cord.
Press/release the GO button to ready the TrueSTEAM for operation.

TrueSTEAM will ready itself after five minutes if the GO button is not pushed.



M24763A

14

Turn the humidity control to the “Test” position. If the “Test” position is unavailable, turn the control to a high setpoint (60% +). Be sure to return the setpoint to the desired level when testing is complete. “Off” will turn TrueSTEAM off.



15

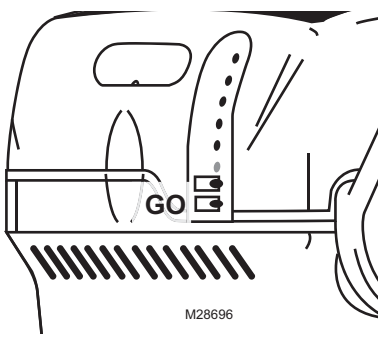
Confirm that the furnace blower turns on to circulate air. This will take 10–15 minutes after the call for humidity if TrueSTEAM is controlling the fan.

Allow TrueSTEAM to produce steam, then check all water line connections to ensure there are no leaks before leaving the job site.

MAINTENANCE

TrueSTEAM will automatically flush itself during the humidification season. It is recommended that TrueSTEAM be manually cleaned at least once every 5 months (hard water may require more frequent cleaning).

The ‘Cleaning Required’ Light



TrueSTEAM’s ‘Cleaning Required’ light will turn on to indicate the tank needs manual cleaning. TrueSTEAM will still operate as normal with the ‘Cleaning Required’ light on. Follow steps 1-10 below to clean TrueSTEAM.

Note: The ‘Cleaning Required’ light will turn on if the tank drains too slowly during its automatic cleaning cycle, likely due to tank sediment. TrueSTEAM will still operate as normal, and if during the next automatic cleaning cycle the tank drains normally, the ‘Cleaning Required’ light will turn off.



Warning: Scalding hazard.

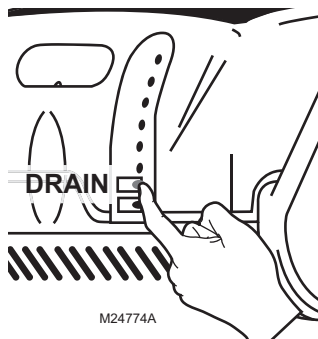
Do not attempt to remove the humidifier from the mounting bracket during operation, or when the humidifier’s water tank is full of water. The heating element could be hot when tank is removed. Failure to comply could result in severe scalding.

Drain Operation

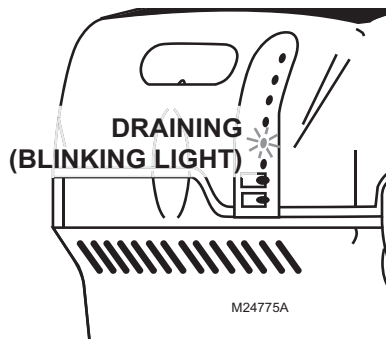
During auto flushing, cold water will enter the tank to lower water temperature below 140°F (60°C) before draining.

Flush Override Caution: A standard flush takes up to 45 minutes. If you press/hold the DRAIN and GO buttons after the “Draining” light is already blinking, the tank will empty immediately, regardless of water temperature. Make sure the drain can handle up to 212°F if you do this.

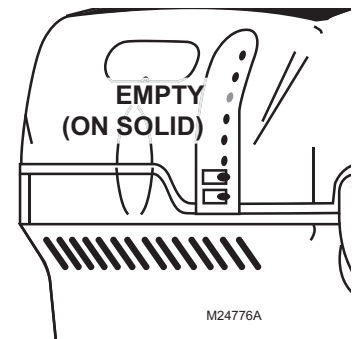
1. To manually clean TrueSTEAM:



**PRESS AND HOLD
DRAIN BUTTON**



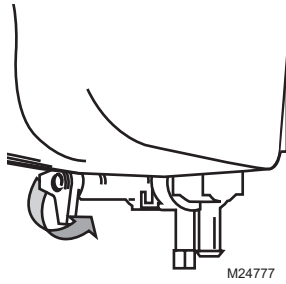
TANK FLUSHING
Pressing DRAIN and GO buttons after Draining light is blinking will empty the tank regardless of water temperature. Use caution.



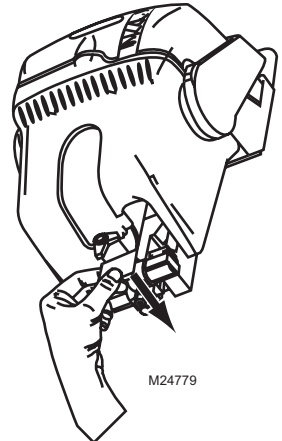
TANK EMPTY
Proceed to steps 2-4.

MAINTENANCE

2. When tank is empty, turn the manual shut-off valve at the bottom of the tank to “Unlock”.

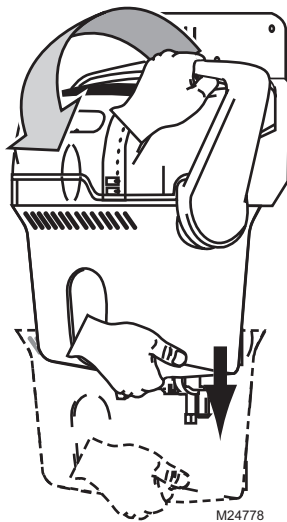


3. Grip the white water valve arm and push it back to disengage from the tank's black spool.



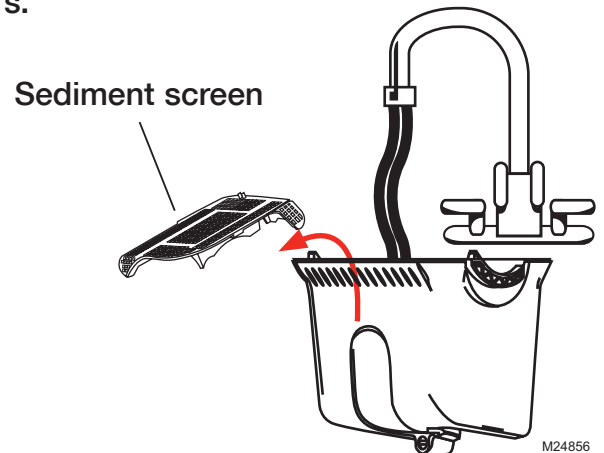
4. Firmly grip the tank bottom. Push down the cover's safety button and pull the latch forward to release the tank.

Note: Latch does not come off humidifier with tank.



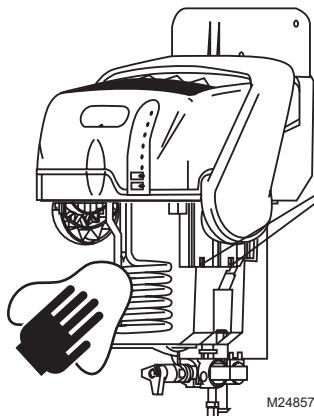
5. Use tap water to flush loose minerals from the tank. Sediment screen at tank's bottom is removable. For a more thorough cleaning, soak tank in warm, soapy water, then rinse clean. Tank is also dishwasher-safe.

Note: Do not use hydrocarbon oil-based cleaners.

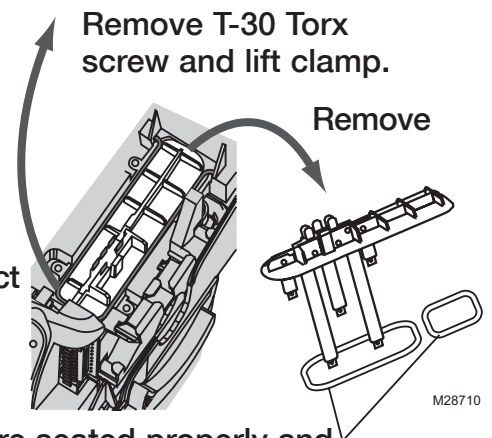


Caution
For steps 6-7, unplug TrueSTEAM.

6. Carefully rub minerals off of the heating element and tank walls. Clear sensor compartment holes of debris if present.



7. Remove TrueSTEAM cover. Inspect water level sensor. If debris build-up is present, replace.

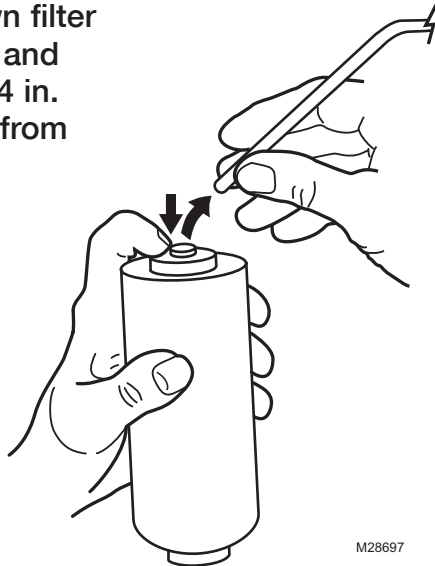


Ensure sensor gaskets are seated properly and are in good condition (no cracks).

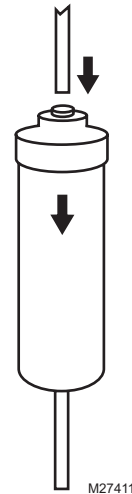
MAINTENANCE

8. Replace inline filter at least once per season. Turn water supply off before replacing.

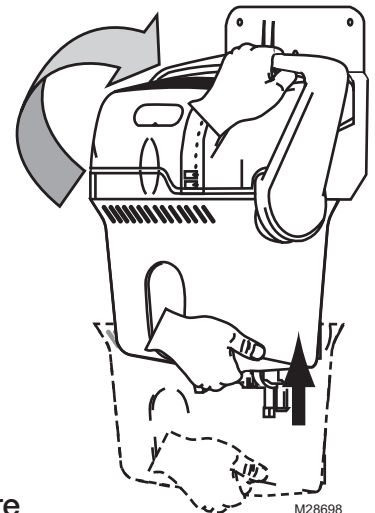
Press down filter collar ring and pull out 1/4 in. water line from each side.



Insert 1/4 in. lines into new filter. Apply modest pull to ensure a tight fit.



9. Once clean, reattach tank by securing the latch. Engage the white water valve to the tank's black spool, and "Lock" the shut-off valve. The "Press Reset" light will blink at start-up. Push the RESET button to ready the humidifier.



- 10.
- Clear any dust from the ventilation holes in the humidifier's cover.
 - Clear any debris from the water drain tube.
 - Make sure the water tank gasket seal is seated properly in the humidifier base, and is in good condition (no cracks or tears) before reattaching the humidifier water tank.
 - Check that the humidifier is still mounted level.

Automatic End of Season Shutdown

TrueSTEAM has the intelligence to empty the tank when humidity is not needed for an extended period. After 48 hours of inactivity, TrueSTEAM will drain and remain empty until humidity is needed again. This prevents water from stagnating within the tank. The tank will refill with water upon next humidity call.

Extended Vacation

It is recommended you turn off the humidifier's water supply and turn off the humidity control for extended leaves. When you return, turn on the humidifier water supply and reset the humidity control to a comfortable position.

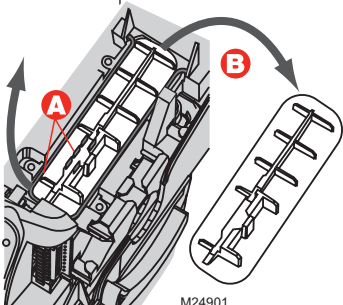
TROUBLESHOOTING

TrueSTEAM has internal system diagnostics that monitor system operation, maintenance schedules, and faults. If a system fault is detected, the system will attempt to recover itself up to five times in a 24 hour period. If unable to recover in that time, the red Service light will activate.

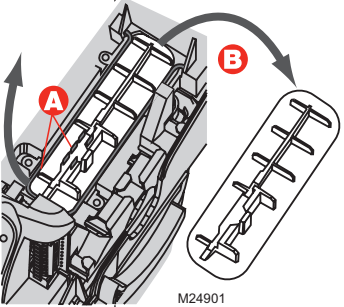
If the TrueSTEAM Service light is blinking, a system fault has occurred from which the humidifier can not recover by itself. The table below shows the possible faults, along with steps to fix TrueSTEAM.

If the red Service light is on, count the number of blinks between pauses. Refer to the table below for the fault signified by the number of blinks that occur. To clear the fault, press and hold the GO button for 5 seconds.

Press/hold the GO button to clear the Service Timer light (i.e. the Cleaning Required light).

No. of Red Light Blinks	Fault Description	Auto-Recoverable?	Steps to Fix Performed Only by Professional HVAC Technician
1	Water/Heater temperature sensor failed.	Yes, TrueSTEAM will reset if fault no longer exists in 1 hour.	<ul style="list-style-type: none"> • Unplug TrueSTEAM and plug back in. • Press the GO button. • If fault returns, replace TrueSTEAM.
2	Water sensors failed. 	Yes, TrueSTEAM will reset if fault no longer exists in 1 hour. Will attempt to reset itself 5 times in 24 hours.	<ul style="list-style-type: none"> • Unplug TrueSTEAM and remove cover. • A Disconnect water level sensor wiring, remove screen and lift snap-hinge clamp. • B Remove water sensor assembly. • Replace water sensor (#50027998-001). • Reassemble the sensor assembly in the unit, replace snap-hinge, and reattach and secure cover. • Plug unit back in and press the GO button.
3	Failure to fill tank with water.	Yes, system will return to “Ready” if fault no longer exists in 3 hours.	<ul style="list-style-type: none"> • Ensure inlet water is on. • Check for leaks around the tank seal and solenoid. • Turn off water supply and replace in-line water filter. • Press/hold GO button until the red Service light turns off. • If tank still fails to fill, press the DRAIN button (if unit fails to drain, unplug unit and make sure water in tank is cool). • Follow this guide’s cleaning steps in the Maintenance section. Ensure you have a firm grip of the tank prior to releasing the tank, especially if water is present. • Clear any excess debris from the tank’s bottom orifice to the solenoid. • Reassemble tank and plug unit back in. Press the GO button. • If water still fails to fill into the tank, replace the solenoid valve (# 50027997-001).

TROUBLESHOOTING

No. of Red Light Blinks	Fault Description	Auto-Recoverable?	Steps to Fix Performed Only by Professional HVAC Technician
4	Heating element overheated.	No	<ul style="list-style-type: none"> Follow tank cleaning steps (pages 15–17). Reassemble tank and press the GO button. If fault returns, replace TrueSTEAM.
5	Input voltage insufficient.	Yes, system will return to “Ready” if fault no longer exists in 1 hour.	<ul style="list-style-type: none"> Verify the power circuit is not overloaded. Unplug and replug the unit in to see if the fault returns. If fault returns, unplug unit and remove cover. Ensure wiring connections are secure and attached. If fault returns, replace the TrueSTEAM with a new one (field service is not recommended in the event line voltage is lost).
6	Water overflow sensed. 	Yes, system will return to “Ready” if fault no longer exists in 1 hour.	<ul style="list-style-type: none"> Ensure drain hose is not kinked or submerged in water at the drain. Check functionality of condensate pump if used. Check for water coming out of drain/overflow line. If continuous water flow is present, follow the cleaning steps on pages 15–17. Press and hold DRAIN button to drain tank. Set humidistat RH setpoint to Test mode. If fault returns, unplug TrueSTEAM. Loosen cover screw and remove cover. A Disconnect water level sensor wiring, remove screen and lift snap-hinge clamp. B Remove water sensor assembly. Replace water sensor (#50027998-001). Reassemble the sensor assembly in the unit, replace snap-hinge, and reattach and secure cover. Plug unit in, and press GO button.
7	HVAC power not present (monitor this fault only when DIP 4 and 5 are OFF).	Yes, system will return to “Ready” if fault no longer exists in 1 hour.	<ul style="list-style-type: none"> Unplug and replug the unit in to see if power returns. If not, ensure HVAC equipment has power. Check circuit breaker and replace fuse if circuit is tripped. Unplug TrueSTEAM and remove cover. Check DIP 4 position and verify correct wiring based on DIP 4 position. See Power Monitoring for more information. Plug unit in. If fault reappears, ensure the circuit being used has the rating to support the unit. Unplug any additional equipment plugged into this circuit. If fault disappears, the circuit capacity is not properly sized to your unit. If fault returns, replace unit.
8–9	The weld monitor input is active when the heater relay is off.	No	<ul style="list-style-type: none"> Press/hold GO to clear service fault. Initiate a humidity call. If fault returns, replace TrueSTEAM.
10–11	The heater relay failed to turn on.	No	<ul style="list-style-type: none"> Press/hold GO to clear service fault. Initiate a humidity call. If fault returns, replace TrueSTEAM.

TROUBLESHOOTING

No. of Red Light Blinks	Fault Description	Auto-Recoverable?	Steps to Fix Performed Only by Professional HVAC Technician
12	Temperature of the electronic circuit board is too high.	Yes, system will return to “Ready” if fault no longer exists in 1 hour.	<ul style="list-style-type: none"> • Ensure ventilation holes in the cover are clear of obstruction, and that 1 foot of clearance is maintained around the cover’s vent holes. • Ensure the TrueSTEAM is installed in a location with conditioned air 32°F (0°C) to 104°F (40°C). • Turn humidistat off and allow time for electronic board to cool. This could take up to 2 hours. • Turn humidistat on and press GO button. • Confirm humidity call starts by HUMIDIFYING light turning on. • Allow unit to run and check for steam leaks around tank and ventilation holes. • If fault returns, replace TrueSTEAM.
13	Tank failed to drain.	No	<ul style="list-style-type: none"> • Water in tank may be hot (>140°F [60°C]). • Press and hold the DRAIN button. • If unit fails to drain, wait for water in tank to cool. Ensure tank water is cool before proceeding. • Once cool, follow tank cleaning steps (pages 15–17). • Reassemble tank and press the GO button. • If fault persists, replace the solenoid valve (#50027997-001).
14	Heater failed to boil water.	Yes, system will return to “Ready” if fault no longer exists in 1 hour.	<ul style="list-style-type: none"> • Follow tank cleaning steps (pages 15–17). • Reassemble tank and press the GO button. • If fault returns, replace TrueSTEAM.
15	No Airflow.	Yes, system will return to “Ready” if fault no longer exists in 1 hour.	<ul style="list-style-type: none"> • Ensure Differential Pressure Switch is installed and wired correctly. See the Wiring section for proper wiring. • Unplug TrueSTEAM and remove cover. • Ensure DIP switches are set correctly. (DIP 4 down, DIP 5 up.) • If fault persists, replace the air proving accessory being used.
17	Power to the wireless adapter overloaded	Yes, system will return to “Ready” if fault no longer exists in 1 hour.	<ul style="list-style-type: none"> • Unplug TrueSTEAM and remove cover. • Verify wiring between TrueSTEAM and the wireless adapter. • Ensure DIP switches are set correctly. (DIP 3 up. Also DIP 4 up if TrueSTEAM R and C aren’t wired.) • If fault persists, replace wireless adapter.
18	Wireless communication from wireless adapter failed.	Yes, system will return to “Ready” after 1 minute.	<ul style="list-style-type: none"> • Unplug TrueSTEAM and remove cover. • Verify wiring between TrueSTEAM and the wireless adapter. • Verify Prestige is operating correctly. • If fault persists, replace wireless adapter and re-enroll connection to Prestige.
Cleaning Required on	Tank was slow to drain during last automatic cleaning cycle.	N/A	<ul style="list-style-type: none"> • Follow the cleaning steps in the Maintenance section of this manual.

SPECIFICATIONS

Capacity:

HM512: 12 gallons per day (gpd) (45 liters per day [lpd])

HM509: 9 gpd (34 lpd)

HM506: 6 gpd (23 lpd)

Humidified Area:

Model	Cubic Feet Range
HM512	12000–24000
HM509	8000–18400
HM506	4000–14400

Note: Higher volumes require more TrueSTEAM run time.

Weight:

Model	Empty	Filled with Water
HM512	9 lbs.	15 lbs.
HM509	9 lbs.	15 lbs.
HM506	8 lbs.	12 lbs.

- Dimensions: 11-1/4 in. W x 19 in. H x 9 in. D
- Humidifier Operating Temperature Range: 34°F–104°F (1.1°C–40°C)
- Remote Hose/Nozzle Operating Temperature Range: -50°F–250°F (-46°C–121°C)
- Operating Humidity Range: 0–95% RH, non-condensing

Drain Operation

- Auto flushing is configurable to 8, 12, 20 or 30 hours of operational time (heating element active).
- During auto flushing, cold water will enter the tank to lower water temperature below 140°F (60°C) before draining.
- During manual flush (performed by pressing the DRAIN button) initial water temperature may be above 140°F (60°C). Ensure drain outlet is not exposed and use caution when pressing the DRAIN button, and do NOT attempt to remove the tank with water in it.



CAUTION

Hot water temperature above 140°F (60°C) can cause burns from scalding.

Standards & Approval Body Requirements

Underwriters Laboratories: UL998, File no. E185662.

Federal Communications Commission: Class B compliance, File no. YU555.

Intended to be used in accordance with the National Electrical Code (NEC), ANSI/NFPA 70, and the rules of the Canadian Electrical Code (CEC), Part 1, C22.1.

- Flush cycle takes approximately 45 minutes to empty the tank completely.
- Draining Temperature Range: 34°F–212°F (1.1°C–100°C)

Electrical Ratings and Tolerances

Input Ratings

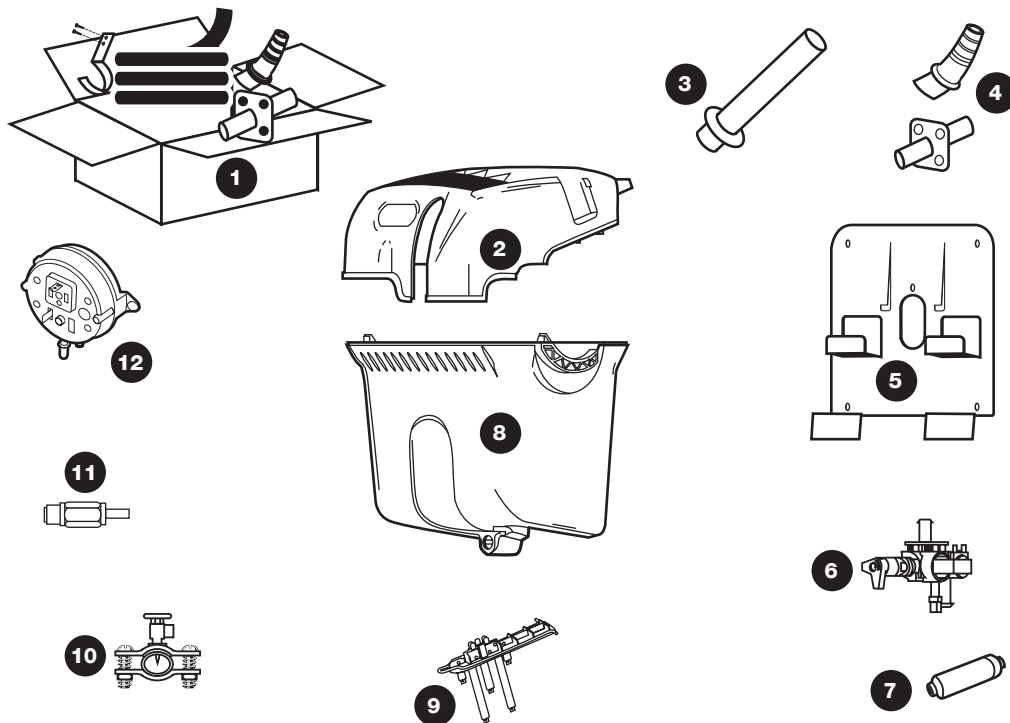
- Power Supply: 120VAC +10/ -15%, 60Hz
 - HM512: 1440W at 120VAC at full load
 - HM509: 1200W at 120VAC at full load
 - HM506: 840W at 120VAC at full load
- HM512: 12A, 120VAC
- HM509: 10A, 120VAC
- HM506: 7A, 120VAC
- 15A, 120VAC interlock switch
- Thermostat/HVAC power monitor (R to C): 10mA resistive at 24VAC
- Field wiring terminals: 18–22 ga. solid
- HVAC power/airflow monitor: 10 mA resistive at 24 VAC

Output Ratings

- Relay output contacts:
 - Fan: 1.5A full load, 7.5A locked rotor at 24VAC
 - Heat and Backup: 15A resistive at 120VAC
- Fill Solenoid: 0.1A at 120VAC, 0.5 PF
- Drain Solenoid: 0.1A at 120VAC, 0.5PF
- Humidistat output contacts: 10mA resistive at 24VAC
- Humidistat power supply: 100mA at 24VAC

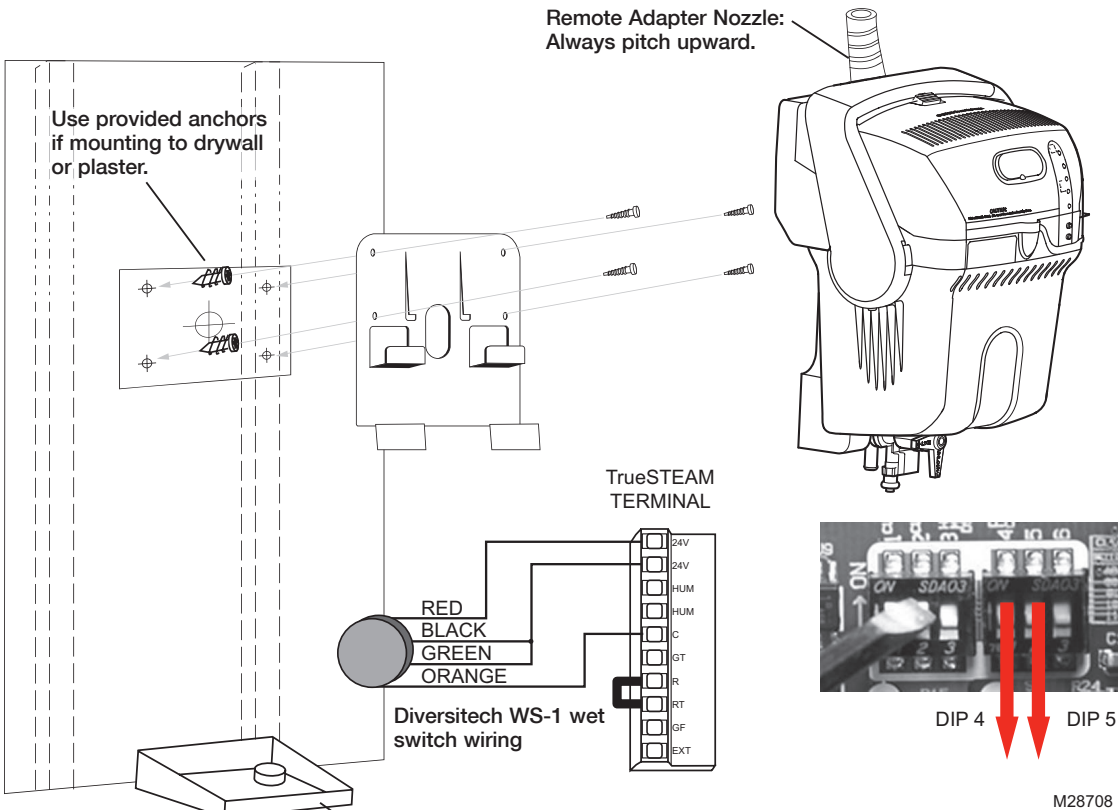
PARTS LIST

Part	Part Number	Fig. Reference
10-foot Remote Hose and Nozzle Kit	50024917-001	1
20-foot Remote Hose and Nozzle Kit	50024917-002	1
Cover	50028004-001	2
Duct Nozzle	50028003-001	3
Remote Nozzles	50028001-001	4
Mounting Bracket	50020012-001	5
Solenoid Valve	50027997-001	6
In-Line Water Filter	50028044-001	7
HM512/HM509 Water Tank	50033181-001	8
Water Level Sensor Assembly	50027998-001	9
Saddle Valve	32001616-001	10
Back-flow Water Valve	50030142-001	11
Differential Pressure Switch for Air Proving	50027910-001	12
Bundled water filter and water level sensor assembly	50042822-001	-
Sail Switch for Air Proving	S866A1007	-
Prestige HD Control	THX9321R5000	-
RedLink Wireless Adapter	THM4000R1000	-
RedLink Wireless Outdoor Sensor	C7089R1013	-
VisionPRO IAQ	YTH9421C1010	-
TrueIAQ	DG115EZIAQ	-
Manual Humidistat	H8908ASPST	-
Ductboard Adapter Kit	32005530-001	-



M27735

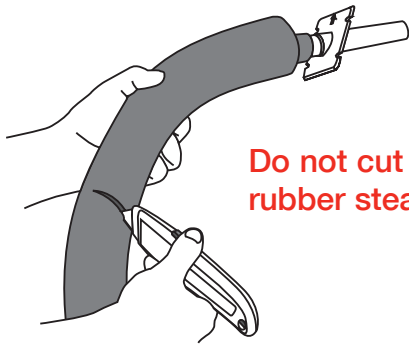
APPENDIX A: REMOTE INSTALLATION



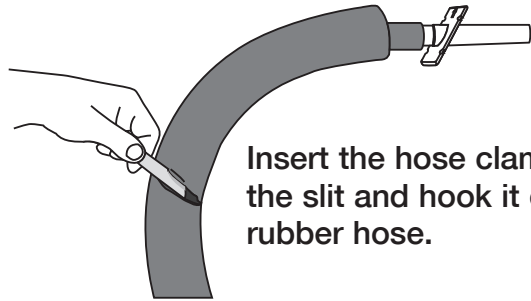
If humidifier is in finished space, always install a drip pan with wet switch. Honeywell recommends Diversitech WS-1 (wiring shown here).

APPENDIX A: REMOTE INSTALLATION

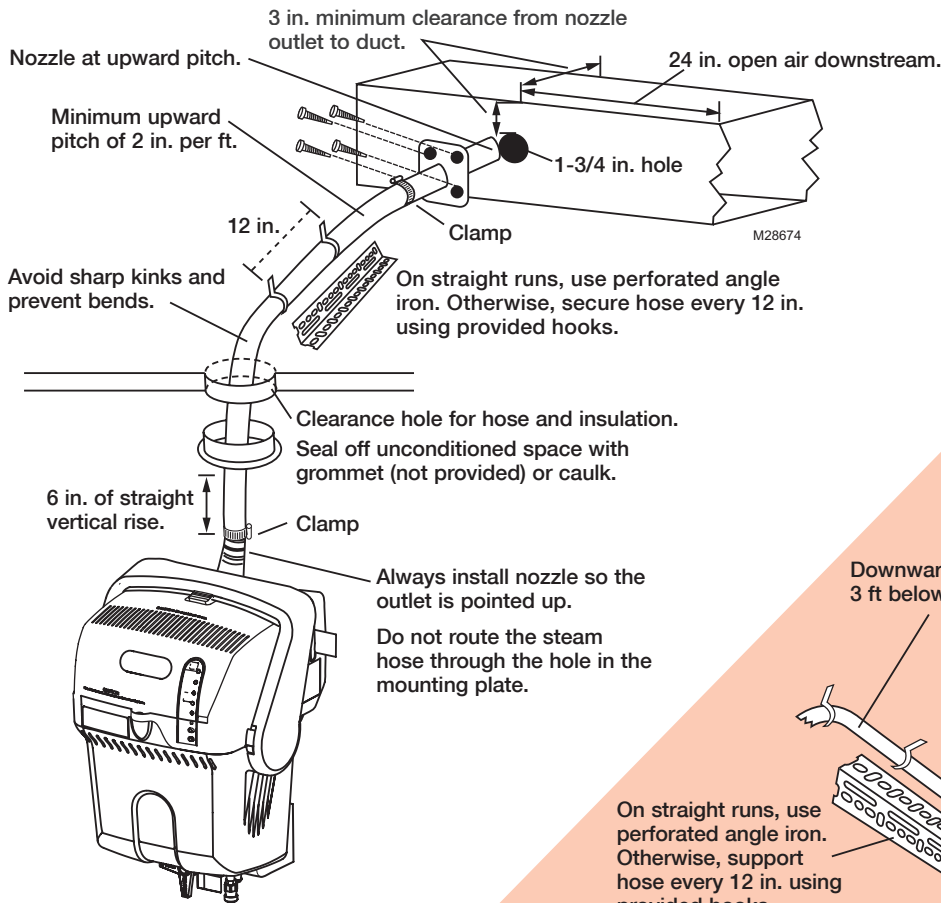
Cut a slit in the insulation half way around the hose.



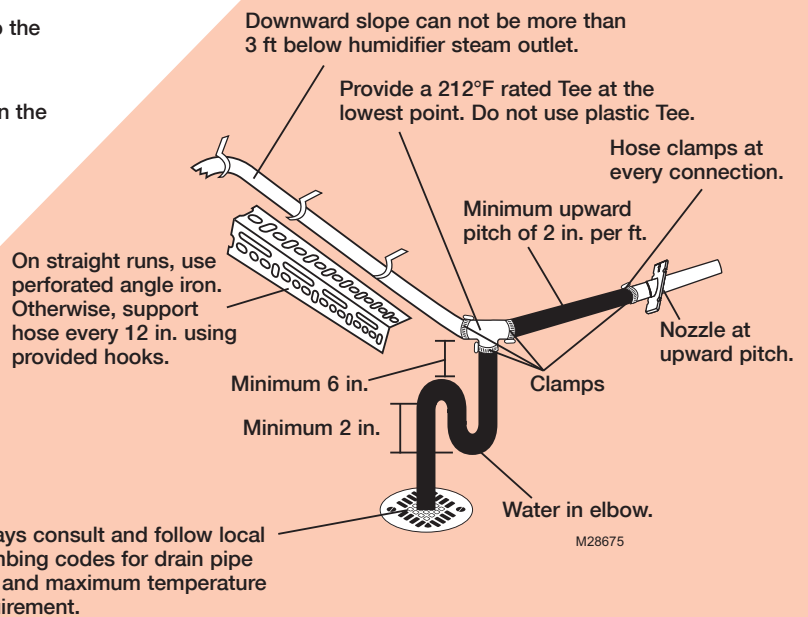
Do not cut into the rubber steam hose.



Insert the hose clamp into the slit and hook it onto the rubber hose.



If hose slopes downhill...

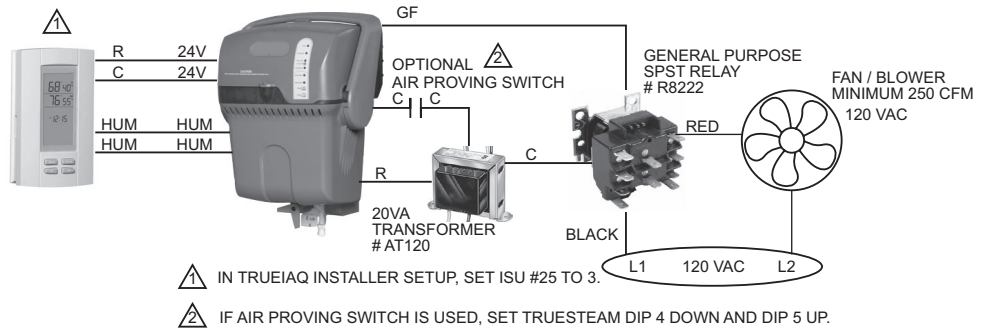


APPENDIX B: ADVANCED WIRING

TrueSTEAM wired to a dedicated fan/blower.

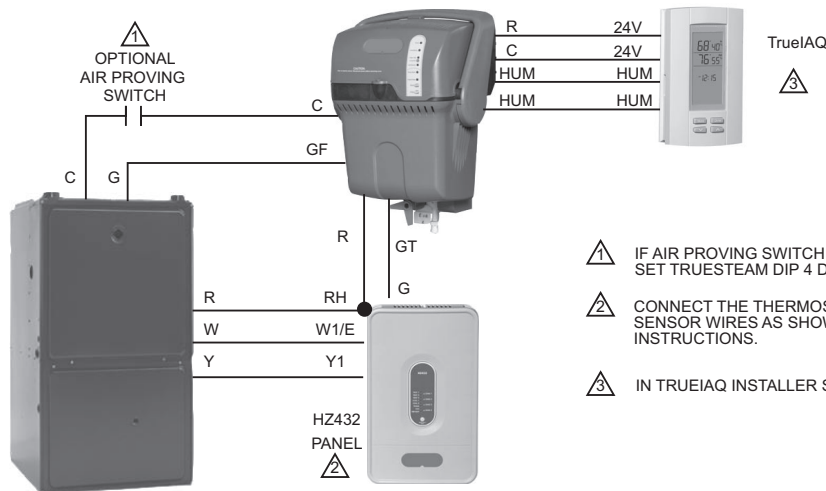
TrueSTEAM nozzle must be injected into a dedicated duct box. Do not leave nozzle exposed.

- Required 4 in. clearance from nozzle to any duct surface.
- Required 24 in. open air space downstream from nozzle.
- Install fan/blower on upstream end of duct box.
- Install a grille on downstream end of duct box.



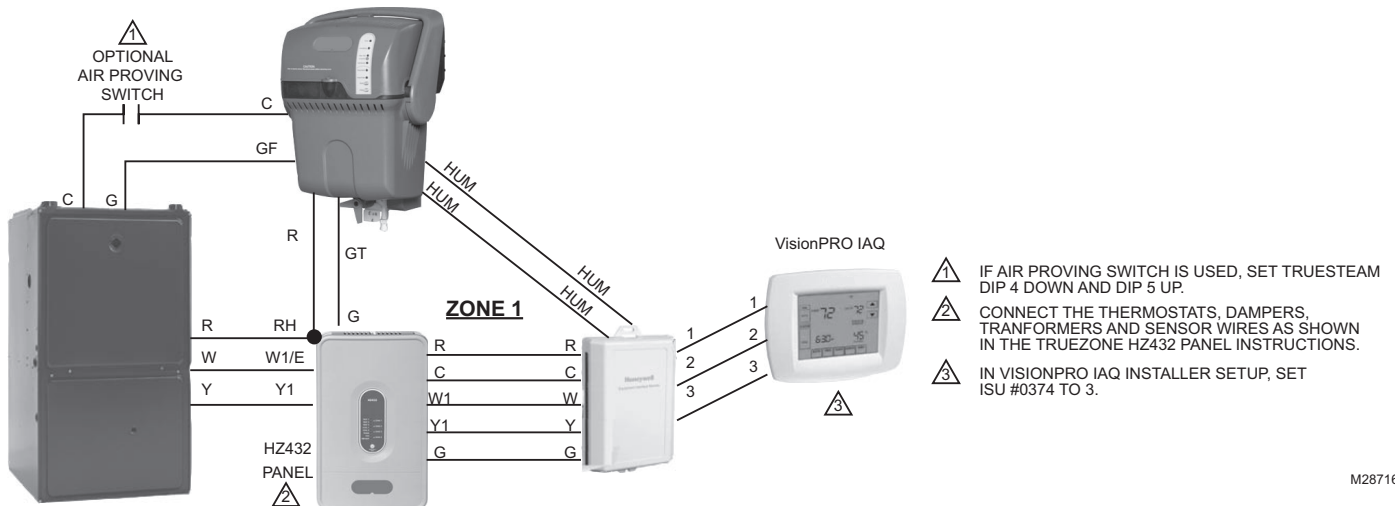
M28714

TrueSTEAM wired to a humidistat in a zoned application.



M28715

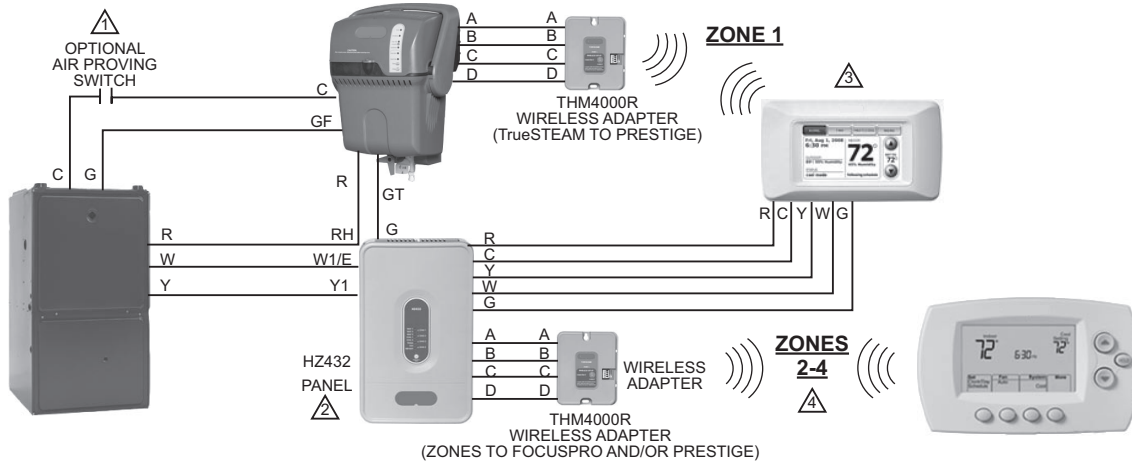
TrueSTEAM wired to a thermostat in a zoned application.



M28716

APPENDIX B: ADVANCED WIRING

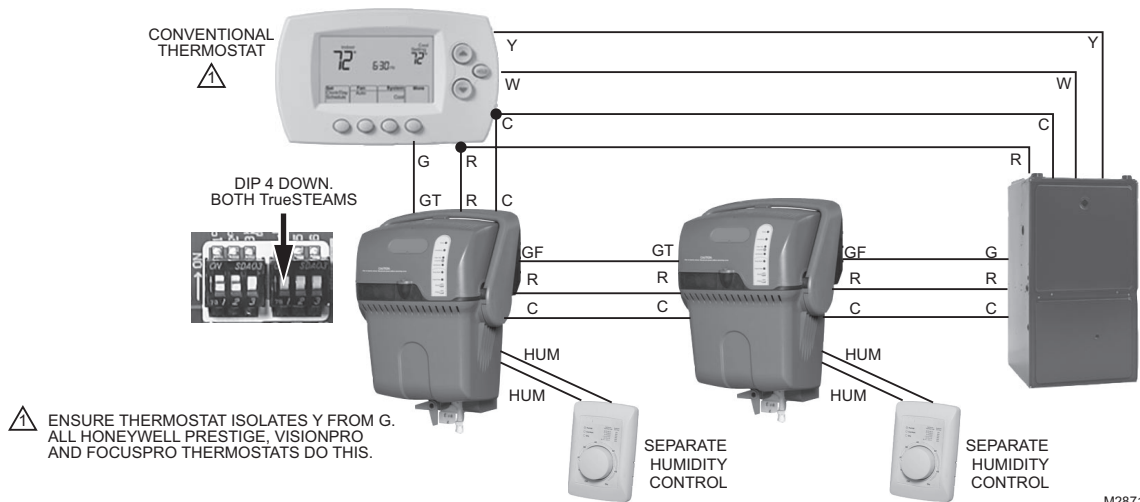
TrueSTEAM RedLINK connection in a zoned application.



- ⚠ IF AIR PROVING SWITCH IS USED, SET TRUESTEAM DIP 4 DOWN AND DIP 5 UP.
- ⚠ CONNECT THE THERMOSTATS, DAMPERS, TRANSFORMERS AND SENSOR WIRES AS SHOWN IN THE TRUEZONE HZ432 PANEL INSTRUCTIONS.
- ⚠ IN PRESTIGE INSTALLER SETUP, PROGRAM HUMIDITY CALLS TO "HUMIDIFY INDEPENDENT OF FAN."
- ⚠ ONE TRUEZONE HZ432 PANEL WITH A REDLINK ADAPTER WILL WIRELESSLY COMMUNICATE WITH 3 ADDITIONAL ZONES WITH REDLINK THERMOSTATS.

M28717

Wiring multiple TrueSTEAMs to one HVAC system.



- ⚠ ENSURE THERMOSTAT ISOLATES Y FROM G. ALL HONEYWELL PRESTIGE, VISIONPRO AND FOCUSPRO THERMOSTATS DO THIS.

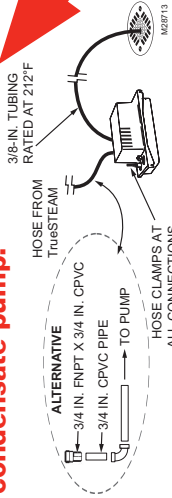
M28718

APPENDIX C: ADVANCED DRAINING

FOR ALL OPTIONS SHOWN:

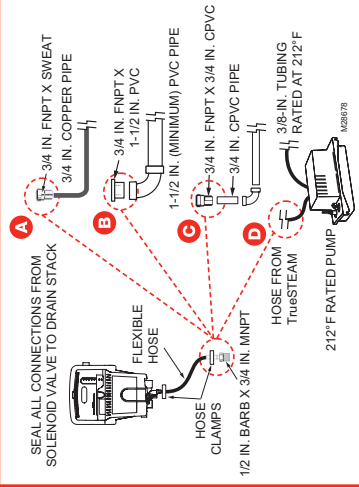
- Support rubber hose every 6 in.
- PVC must be schedule 40 or higher rating.
- All plastic pipe joints are welded.
- Drain into a P-trap that will remain wetted at all times.

Option 1: Plumbing to drain with condensate pump.

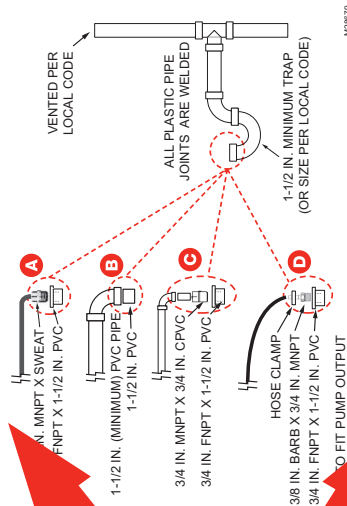


- Use Hartell A3X-115 condensate pump or equivalent (212°F temperature rating, > 1 GPM pump flow rate).
- Pump must be powered when TrueSTEAM is operating.
- Use a pump with a built-in overflow sensor or install the pump in a drip pan with wet switch wired to turn off TrueSTEAM.

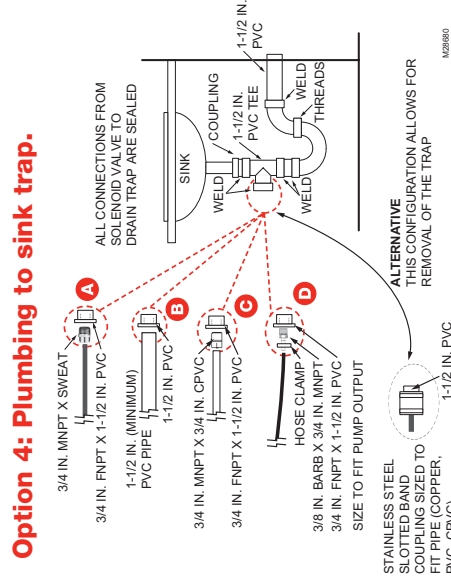
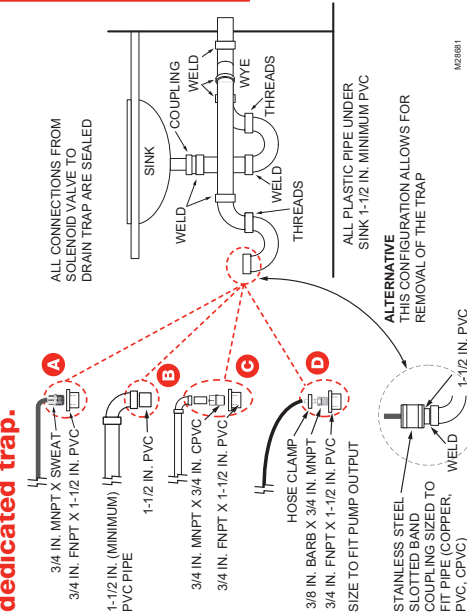
Connect to TrueSTEAM. Common to all plumbing options.



Option 2: Plumbing to a dedicated trap.



Option 3: Plumbing to sink with a dedicated trap.



Automation and Control Solutions

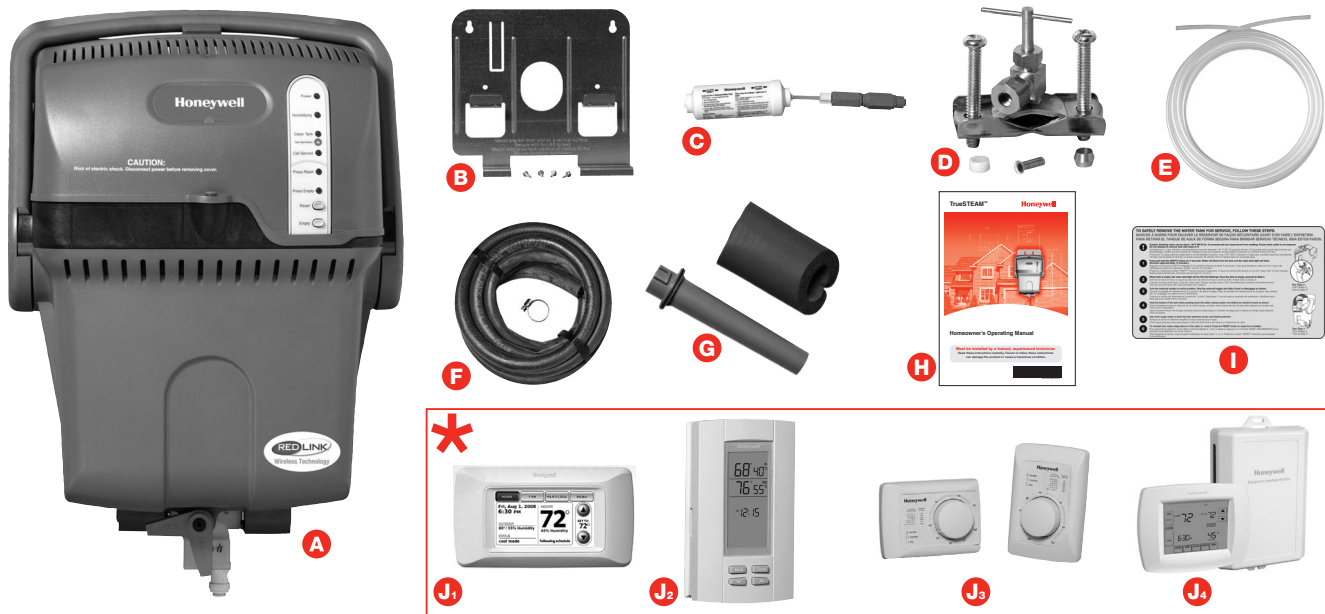
Honeywell International Inc.	Honeywell Limited-Honeywell Limitée
1985 Douglas Drive North	35 Dynamic Drive
Golden Valley, MN 55422	Toronto, Ontario M1V 4Z9
http://yourhome.honeywell.com	



Honeywell

GUIDE D'INSTALLATION PROFESSIONNELLE

MATÉRIEL COMPRIS DANS L'EMBALLAGE



Outils nécessaires pour installer le TrueSTEAM

- ▶ Pince à dénuder et à couper les fils
- ▶ Scie-cloche de 44 mm (1 3/4 po)
- ▶ Foret de 3 mm (1/8 po)
- ▶ Tournevis à lame plate
- ▶ Fil de calibre 18 (jusqu'à 5 conducteurs)
- ▶ Tournevis Torx T-20 et T-30

Matériel requis

- ▶ Tuyau de vidange d'eau à 60 °C (140 °F) ou plus. Consulter le code de plomberie local pour connaître la façon adéquate de vidanger de l'eau chaude.
- ▶ Pompe à condensats à 100 °C (212 °F), s'il y a lieu
- ▶ Plateau d'égouttement avec interrupteur à capteur d'humidité à installer en dessous du TrueSTEAM si celui-ci est installé dans ou au dessus d'un espace aménagé.

- A** TrueSTEAM
 - B** Support de montage et quincaillerie
 - C** Filtre à eau et clapet anti-retour
 - D** Robinet-vanne à étrier
 - E** Tuyau d'alimentation en eau
 - F** Tuyau de vidange, 3 m (10 pi)
 - G** Buse de gaine et joint
 - H** Manuel du propriétaire
 - I** Fiche d'entretien
 - J₁** Régulateur couleur Prestige HD*
 - J₂** Régulateur TrueIAQ*
 - J₃** Régulateur d'humidité*
 - J₄** Régulateur VisionPRO IAQ*
- * Régulateur en fonction du modèle commandé



Pour une installation à distance, il faut utiliser l'ensemble d'installation à distance Honeywell (n° 50024917)

TABLE DES MATIÈRES

Renseignements à l'intention du consommateur	1
Installation.....	3
Plomberie.....	5
Câblage.....	7
Maintenance	15
Dépannage.....	18
Nomenclature des pièces	22
Annexe A – Installation à distance	23
Annexe B – Câblage complexe	25
Annexe C – Vidange à distance.....	27

Besoin d'aide?

Pour toute assistance concernant ce produit, visitez le site <http://yourhome.honeywell.com> ou communiquez avec les Services à la clientèle au numéro sans frais **1 800 468-1502**

Veillez lire les présentes instructions et les garder à portée de main.

® Marque de commerce enregistrée aux États-Unis.
Brevets en instance.

Copyright © 2009 Honeywell International Inc. Tous droits réservés.

RENSEIGNEMENTS À L'INTENTION DES CONSOMMATEURS

- Parfois, le degré d'humidité voulu n'est atteint qu'au bout d'une semaine de fonctionnement en continu. Plusieurs facteurs peuvent être en cause : la température, la superficie de la maison, le mobilier, l'isolation, etc.
- Un taux d'humidité relative de 35 % dans des conditions d'hiver normales est considéré comme le taux idéal par les spécialistes en conditionnement de l'air. Certains propriétaires préfèrent régler le degré d'humidité en fonction de leur propre confort ou augmenter le point de consigne jusqu'à ce que de la condensation se forme dans les fenêtres. S'il y a de la condensation, il faut abaisser le point de consigne.
- Si le TrueSTEAM ne produit pas d'humidité même si le taux d'humidité est inférieur au point de consigne, il est possible que le régulateur soit configuré pour assurer la protection contre le gel ou que le TrueSTEAM soit en mode de vidange.
- Une trop grande ventilation peut expulser l'air humidifié à l'extérieur et le remplacer par de l'air sec. Il devient alors difficile de maintenir le degré d'humidité approprié dans la maison. Au lieu d'installer un simple ventilateur, il est préférable d'installer un dispositif qui retient l'humidité, par exemple un ventilateur à récupération d'énergie.
- Si l'humidificateur a une capacité insuffisante pour la maison, le taux d'humidité souhaité peut difficilement être atteint. L'isolation, la fenestration et le climat sont quelques-uns des facteurs déterminants. De même, si la température à l'extérieur est trop basse, il est difficile de maintenir un taux d'humidité adéquat. Honeywell recommande d'attendre que la température à l'extérieur descende aux environs de -6 °C (20 °F). S'il n'est pas possible de maintenir le taux d'humidité voulu, il faudra peut-être remplacer l'humidificateur par un appareil de plus grande capacité.
- Lorsque l'humidificateur fonctionne pour la première fois, il est normal de sentir dans la maison une odeur de plastique plus ou moins forte selon le degré de ventilation. Dans le cas d'une installation à distance, il peut également y avoir une légère odeur de caoutchouc. Ces odeurs disparaissent au bout de quelques jours d'utilisation.
- Si le voyant PRESS EMPTY (APPUYER SUR VIDANGE) clignote, effectuer le nettoyage du TrueSTEAM en suivant les instructions données dans la section sur la maintenance. Le TrueSTEAM continuera de fonctionner normalement même si le voyant PRESS EMPTY clignote.
- La dureté de l'eau domestique détermine la fréquence de nettoyage du TrueSTEAM et celle du changement du filtre à eau fourni.
- Selon les données, il peut y avoir une légère augmentation de la consommation d'énergie quand un humidificateur est utilisé dans une maison. Par contre comme l'air humidifié grâce au TrueSTEAM semble plus chaud, il est possible d'abaisser le point de consigne du chauffage. Chaque degré d'abaissement du thermostat peut permettre de réduire les coûts de chauffage jusqu'à 3 %.

À L'INTENTION DES ENTREPRENEURS : POINTS IMPORTANTS À SUIVRE LORS DE L'INSTALLATION

Le non-respect de ces instructions peut rendre la garantie nulle, être la cause d'une installation inadéquate et entraîner des appels de dépannage.

- Ne jamais diriger la buse de vapeur vers des personnes.
- L'eau dans le réservoir peut être très chaude. Bien le préciser au propriétaire et attirer son attention sur l'autocollant d'avertissement apposé sur le TrueSTEAM.
- Prendre garde de ne pas couper un tuyau de climatisation ou un fil électrique.
- Porter des lunettes de sécurité lors de l'installation du TrueSTEAM.
- Installer l'humidificateur de niveau de manière à prévenir les dégâts d'eau et les pannes de l'élément chauffant.
- Installer le TrueSTEAM sur la gaine d'alimentation. Si ce n'est pas possible, installer l'appareil à distance et le raccorder sur la gaine d'alimentation.
- Ne pas installer la buse de vapeur dans une gaine d'alimentation où la pression statique excède 0,5 po c.e.
- Pour installer le TrueSTEAM à distance, consulter le guide d'installation à distance (69-2317).
- Ne pas installer l'humidificateur dans un endroit où la température ambiante est inférieure à 0 °C (32 °F) ou supérieure à 40 °C (104 °F).
- La pompe à condensats doit convenir à une température de 100 °C (212 °F).
- Vérifier dans les codes de plomberie locaux les exigences relatives à la taille, au matériau et à la température maximale du tuyau d'évacuation.
- Si le TrueSTEAM est installé dans un espace aménagé ou au dessus d'un espace aménagé, placer un plateau d'égouttement avec interrupteur à capteur d'humidité en dessous du TrueSTEAM, du filtre à eau et du clapet anti-retour.
- Ne pas faire passer la buse de l'humidificateur à travers une paroi de gaine en bois, par ex. une solive.
- La surface de montage doit pouvoir supporter le poids de l'humidificateur plein d'eau, c'est-à-dire plus de 7 kg (15 lb).
- Si la paroi à l'intérieur de la gaine est recouverte de matériau isolant, s'assurer que la buse est bien dégagée de l'isolant. S'il y a lieu, enlever le surplus d'isolant au point d'insertion ou remplacer une section de paroi isolée d'environ 15 cm sur 15 cm (6 po x 6 po) par une pièce de tôle rigide non isolée.
- Laisser un dégagement d'au moins 10 cm (4 po) entre la sortie de la buse du TrueSTEAM et toute partie intérieure de la gaine pour empêcher la formation de condensation.
- Installer le TrueSTEAM dans un endroit avec espace dégagé de 60 cm (24 po) en aval de la sortie de la buse.
- Ne pas installer l'appareil dans un endroit complètement fermé comme une armoire ou un placard non ventilé.
- Laisser un dégagement minimum de 30 cm (12 po) autour des trous de ventilation dans le couvercle de l'humidificateur. Ne pas recouvrir ces trous car la température de fonctionnement pourrait augmenter à l'intérieur de l'humidificateur, ce qui réduirait sa durée de vie.
- Ne pas installer directement sur une gaine en panneau. Pour monter la buse à distance, il faut utiliser l'ensemble Honeywell de montage sur gaine en panneau.
- Si le TrueSTEAM est installé près d'une piscine ou d'un spa, s'assurer qu'il ne peut tomber dans l'eau et qu'il est à l'abri des éclaboussures. S'assurer également qu'il est branché dans une prise de courant avec détection de fuite à la terre.

CONSIGNES DE SÉCURITÉ



Mise en garde : Risque de choc électrique

Peut donner un choc électrique ou endommager l'équipement. Couper l'alimentation électrique du matériel de CVCA avant de commencer l'installation.

Avertissement : Dangers liés à l'électricité, à l'équipement lourd et à l'eau.

Peut causer la mort ou la cécité, des dégâts d'eau à la propriété et une panne de l'élément de chauffage.

Avertissement : Dangers liés à la condensation de vapeur, au feu et au gel de l'eau.

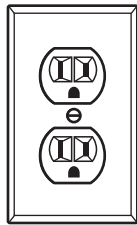
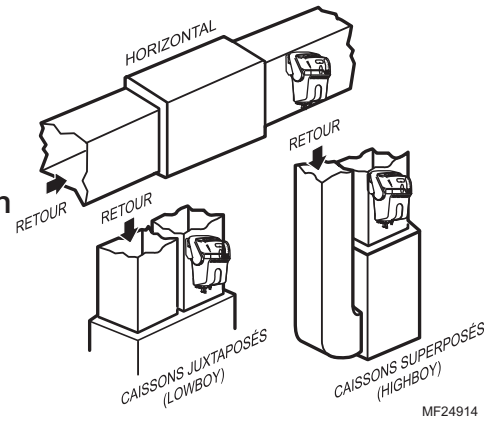
Peut causer une panne du ventilateur ou du limiteur ou des dégâts d'eau à la propriété.

INSTALLATION SUR GAINÉ



Choisir un emplacement qui donne accès à :

- Utiliser un tuyau de vidange conçu pour les températures élevées. Vérifier les exigences du code local de plomberie afin d'employer un tuyau adéquat.
- Utiliser une source d'alimentation en eau froide.
- un circuit électrique de capacité suffisante;
- une surface verticale offrant un dégagement suffisant.



Modèle

HM506

HM509

HM512

Capacité minimale du circuit électrique

7 ampères

10 ampères

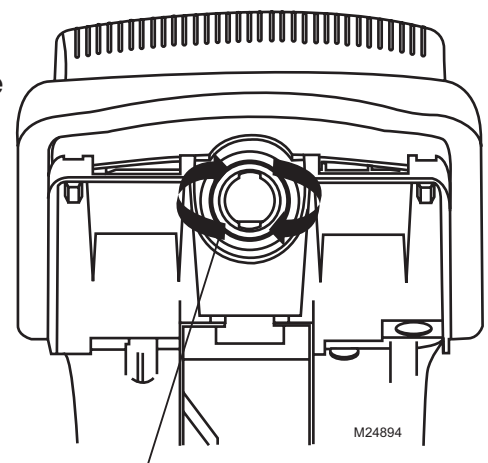
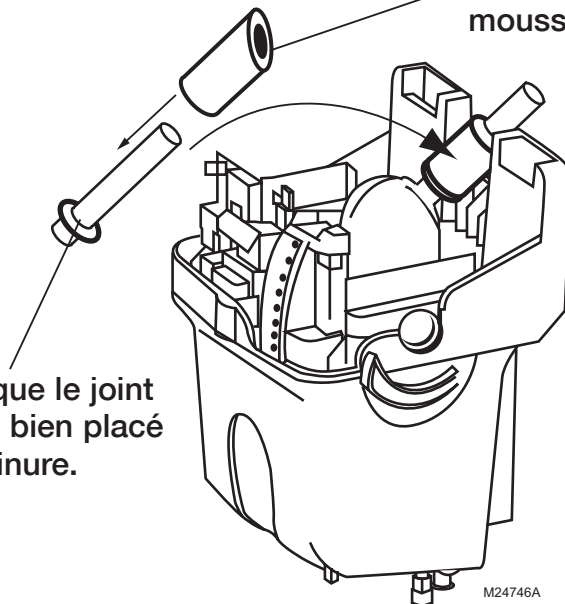
12 ampères

2

Installer la buse de gainé.

Glisser le joint en mousse sur la buse

S'assurer que le joint torique est bien placé dans sa rainure.

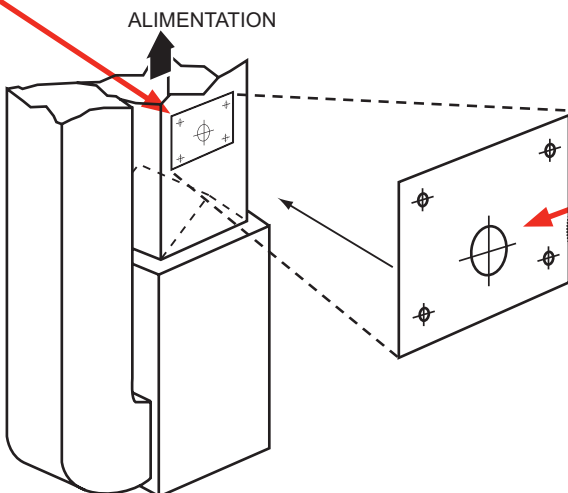


Insérer la buse et la tourner dans le sens horaire pour que le joint entre la buse et le TrueSTEAM soit étanche.

INSTALLATION SUR GAINÉ

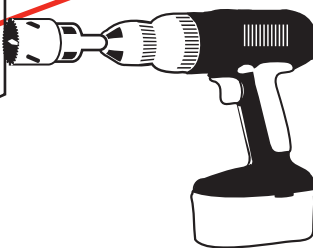
3

Placer le gabarit sur la gaine d'alimentation.
Assurer un dégagement suffisant par rapport au serpentin en A.



4

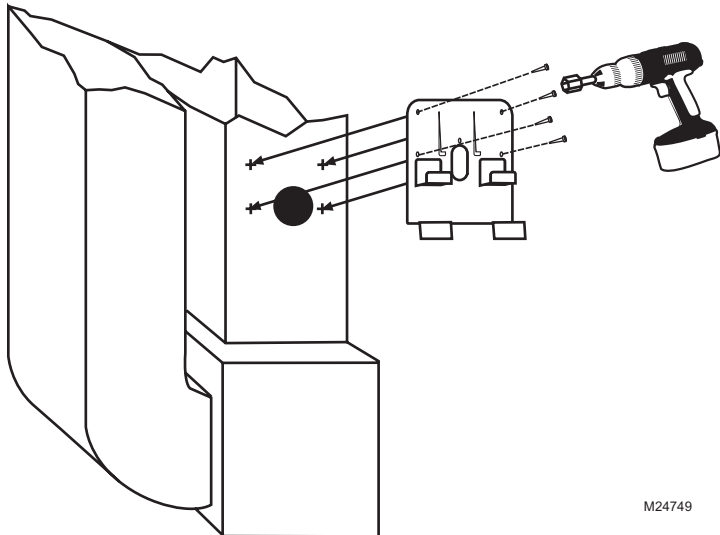
Percer un trou de 4,5 cm
(1 3/4 po).



MF24748A

5

Fixer le support à la gaine
avec les 4 vis à métal
autotaraudeuses fournies.



M24749

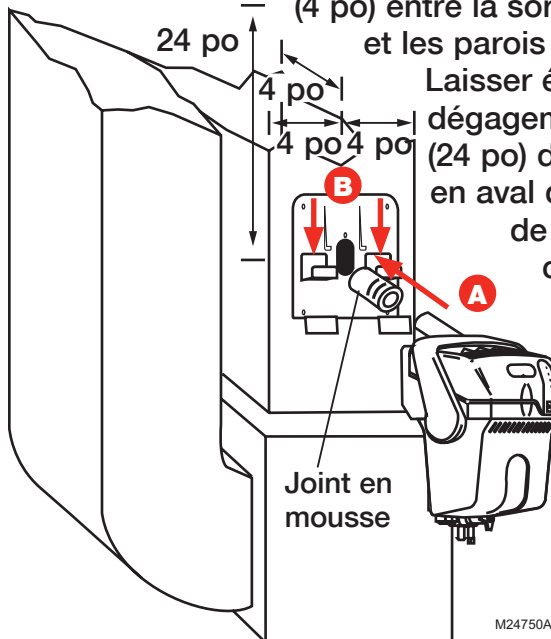
6

A) Placer soigneusement le joint en
mousse par-dessus la buse et insérer
la buse dans l'orifice de la gaine.

B) Pousser l'humidificateur vers le bas de
manière à bien le fixer sur le support.
S'assurer que le joint en mousse dans
l'orifice de la gaine est bien étanche.

Laisser un dégagement de 10 cm
(4 po) entre la sortie de la buse
et les parois de la gaine.

Laisser également un
dégagement de 60 cm
(24 po) dans la gaine
en aval de la buse, afin
de prévenir la
condensation.



M24750A

POUR EFFECTUER UNE INSTALLATION À DISTANCE, CONSULTER L'ANNEXE A OU LE DOCUMENT 69-2317, FOURNI AVEC L'ENSEMBLE D'INSTALLATION À DISTANCE.

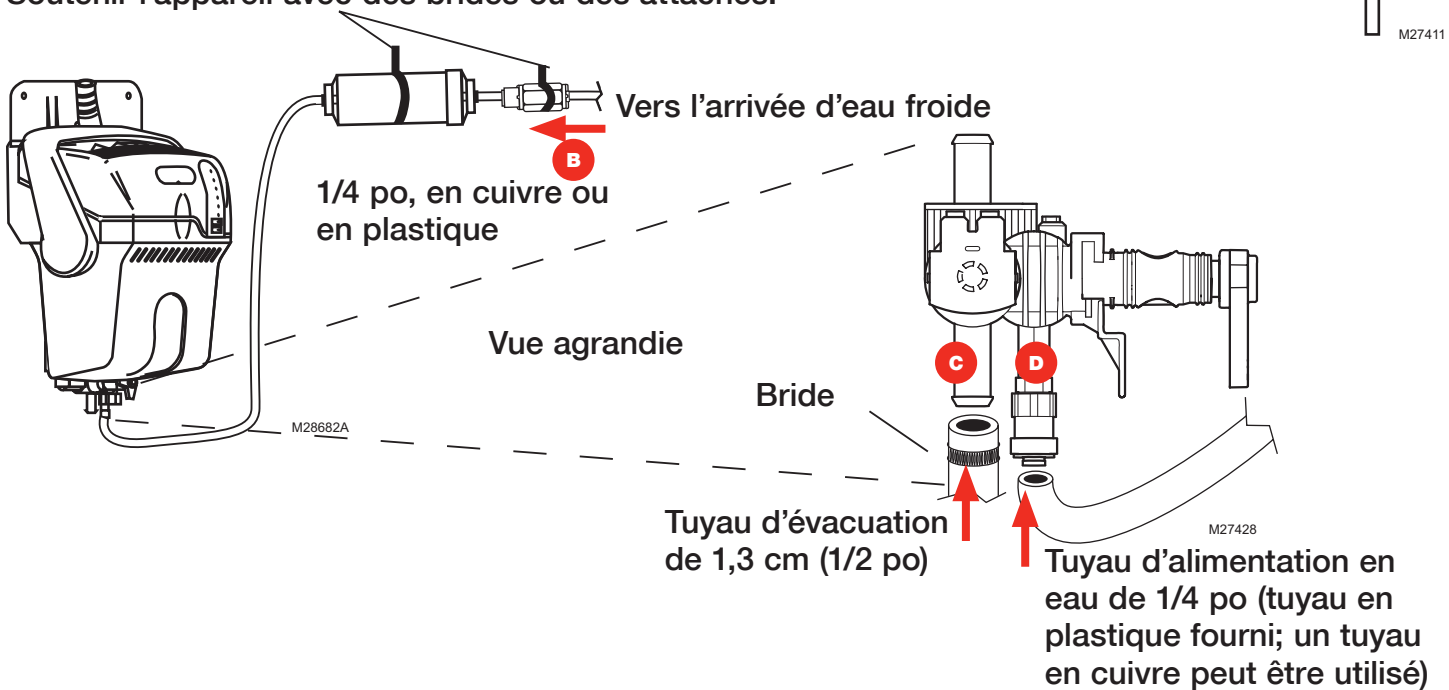
RACCORDEMENT DE L'ALIMENTATION EN EAU

7

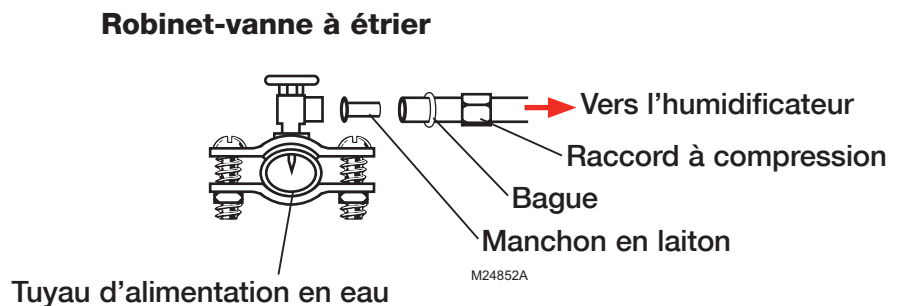
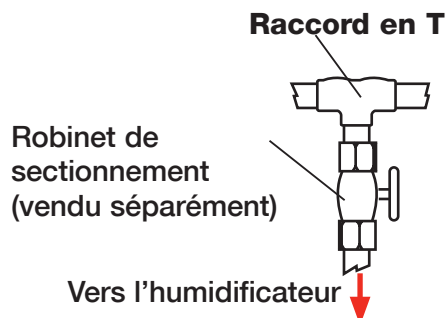
Utiliser seulement une source d'eau froide. Ne pas utiliser d'eau chaude.

- A** Filtre à eau. Insérer un tuyau d'alimentation en eau de 1/4 po, en cuivre ou en plastique. Appliquer une pression légère afin que le joint soit bien étanche.
- B** Clapet anti-retour d'eau. Insérer un tuyau d'alimentation en eau de 1/4 po, en cuivre ou en plastique. Appliquer une pression légère afin que le joint soit bien étanche.
- C** Raccorder un tuyau d'évacuation de 1,3 cm (1/2 po). Fixer le tuyau d'évacuation au raccord cannelé avec un collier à tuyau.
- D** Couper l'alimentation en eau. Installer un tuyau d'alimentation en eau en cuivre ou en plastique de 0,64 cm (1/4 po).

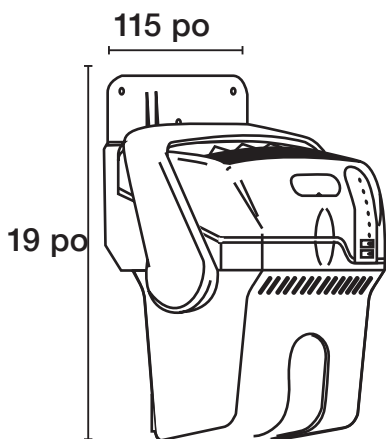
Soutenir l'appareil avec des brides ou des attaches.



Raccordement à la source d'alimentation en eau : consulter la documentation sur le raccord choisi et le code de plomberie local.



RACCORDEMENT DU TUYAU DE VIDANGE



Fixer le tuyau avec une bride

Installer le tuyau de vidange de manière à avoir une pente descendante continue.



M24744

8

Consulter le code de plomberie local avant d'installer le tuyau de vidange.

Il est préférable d'effectuer le raccordement directement dans le drain principal de plancher en utilisant le tuyau de caoutchouc fourni.

S'il est impossible d'effectuer le raccordement dans le drain de plancher, se reporter à l'annexe C.



AVERTISSEMENT

L'eau chaude peut jaillir du drain et causer des brûlures.

L'eau de vidange peut être très chaude. Insérer le bout du tuyau dans le drain de plancher pour diminuer les risques d'éclaboussures d'eau chaude. Suivre les exigences relatives à la dimension du tuyau de drainage et à la température admissible stipulées dans le code de plomberie local.

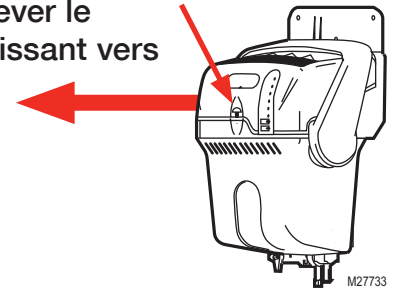
ÉTAPES À SUIVRE POUR LE CÂBLAGE



MISE EN GARDE : Risque de chocs électriques.
Avant d'effectuer le raccordement aux bornes de l'appareil CVCA, débrancher l'appareil. S'assurer que l'humidificateur est débranché.



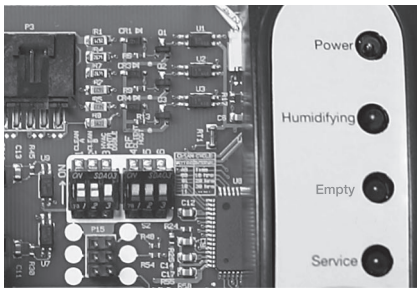
Desserrer la vis imperdable du couvercle. Enlever le couvercle en le glissant vers l'avant.



AVANT DE COMMENCER

Le câblage du TrueSTEAM est différent de celui d'un humidificateur à tampon. En plus d'actionner l'électrovanne d'alimentation en eau, le TrueSTEAM peut surveiller l'alimentation du système et commander le fonctionnement du ventilateur du système. Ces caractéristiques sont configurées au moyen de commutateurs DIP.

Réglage des commutateurs DIP de l'humidificateur TrueSTEAM.



M28712

Enlever le couvercle du TrueSTEAM pour avoir accès aux commutateurs DIP qui sont situés à la gauche du panneau d'interface. Les commutateurs DIP sont numérotés de 1 à 6, de la gauche vers la droite. Les commutateurs 3, 4 et 5 servent à configurer la façon de produire l'humidité. Les commutateurs 1 et 2 servent à configurer les fonctions de maintenance (voir la section sur la maintenance). Le commutateur 6 n'a aucune fonction pour l'instant.

DIP 3 = Fonctionnement sans fil (à utiliser seulement sur les modèles sans fil)
BAS (par défaut) : la fonction sans fil est désactivée.
HAUT : la fonction sans fil est activée.

DIP 4 = Surveillance de l'alimentation en électricité
BAS (par défaut) : le TrueSTEAM vérifie la présence d'un signal sur la borne R avant d'actionner la production d'humidité.
HAUT : le TrueSTEAM ne vérifie pas la présence d'un signal sur la borne R avant d'actionner la production d'humidité. L'alimentation peut être activée même si la borne R est raccordée.



M28683

DIP 5 = Détection du débit d'air
BAS (par défaut) : le TrueSTEAM ne détecte pas la présence de mouvement d'air (avec un appareil de détection d'air) avant d'actionner l'humidification.
HAUT : le TrueSTEAM détecte la présence de mouvement d'air (avec un appareil de détection d'air) avant d'actionner l'humidification. Brancher un appareil de détection d'air entre le TrueSTEAM C et le système C.

Remarque : pour que le réglage du DIP 5 soit activé, il faut que le DIP 4 soit réglé à BAS. S'il est réglé à HAUT, la position du DIP 5 est ignorée.

ÉTAPES À SUIVRE POUR LE CÂBLAGE

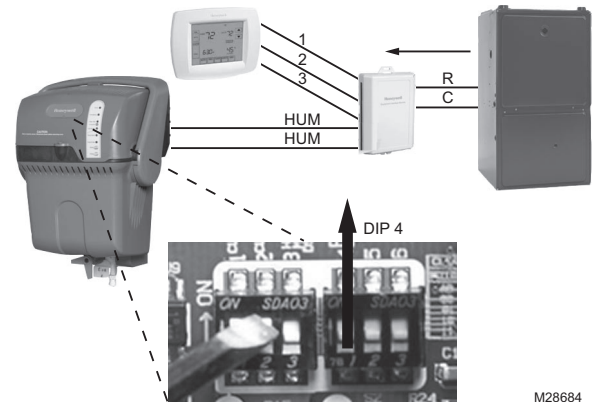
Avec la **surveillance de l'alimentation**, l'injection de vapeur dans la gaine n'est possible que lorsque le TrueSTEAM reçoit une confirmation que le système de CVCA fonctionne.

Selon le régulateur d'humidité utilisé, il y a deux moyens de configurer la surveillance de l'alimentation.

Remarque : Ce schéma n'est pas un diagramme complet de raccordement. Il montre seulement la surveillance de l'alimentation

1. Utilisation d'un thermostat avec régulateur d'humidité intégré, comme le VisionPRO IAQ ou le Prestige.

- Le thermostat est alimenté par le transformateur du système. Par conséquent, s'il n'est pas alimenté, l'humidificateur ne peut produire de la vapeur.
- Puisque le thermostat sait si le système est alimenté ou non, régler le commutateur DIP 4 du TrueSTEAM à HAUT. Ainsi, le DIP 4 n'aura pas à vérifier la présence d'un signal d'alimentation sur la borne R en provenance de la borne R du système.



M28684

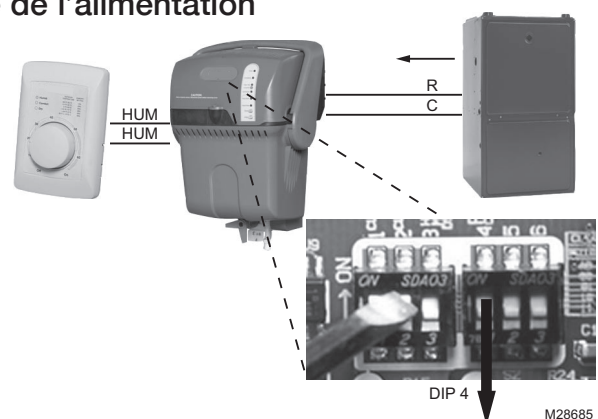
Configuration choisie par les entrepreneurs afin de :

- Simplifier l'installation du câblage : il suffit de raccorder le TrueSTEAM aux bornes HUM du régulateur.
- Offrir aux consommateurs la régulation intégrée du système et des accessoires.

Remarque : Ce schéma n'est pas un diagramme complet de raccordement. Il montre seulement la surveillance de l'alimentation

2. Utilisation d'un humidistat distinct du thermostat, comme le H8908 ou le TrueIAQ.

- C'est généralement le TrueSTEAM qui fournit l'alimentation à l'humidistat. Il est alors important que le TrueSTEAM surveille l'alimentation du système de CVCA avant de produire de l'humidité.
- Laisser alors le commutateur DIP 4 du système à BAS (réglage par défaut) et raccorder les bornes R et C du système de CVCA aux bornes R et C du TrueSTEAM. Ainsi, le TrueSTEAM vérifiera la présence de l'alimentation avant de produire de l'humidité.



M28685

Configuration choisie par les entrepreneurs afin de :

- Utiliser un régulateur d'humidité distinct du thermostat.

ÉTAPES À SUIVRE POUR LE CÂBLAGE

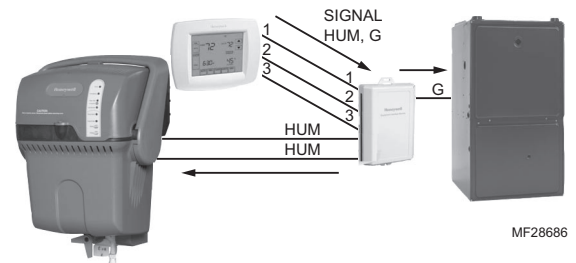
Avec la **régulation du ventilateur du système**, le TrueSTEAM surveille le fonctionnement du ventilateur du système de CVCA et l'injection de vapeur n'est possible que si le ventilateur du système fonctionne. Un flux d'air est en effet nécessaire pour que l'humidité soit distribuée dans les espaces aménagés et qu'il n'y ait pas de condensation dans les gaines.

Selon le régulateur d'humidité utilisé, il y a deux moyens de configurer la surveillance de l'alimentation.

Remarque : Ce schéma n'est pas un diagramme complet de raccordement. Il montre seulement la régulation du ventilateur.

1. Utilisation d'un thermostat avec régulateur d'humidité intégré, comme le VisionPRO IAQ ou le Prestige.

- Le thermostat commande le ventilateur et l'humidificateur. De cette façon, la production de vapeur n'est pas possible que si le ventilateur est en marche.
- Effectuer le raccordement normal de la borne G du thermostat à la borne G du système de CVCA. Raccorder les bornes HUM du TrueSTEAM aux bornes G du système.



MF28686

Configuration choisie par les entrepreneurs afin de :

- Offrir aux consommateurs un moyen régulation intégré du système et des accessoires.
- Configurer un système pour que le ventilateur démarre aussitôt que se produit une demande d'humidité.

Remarque : Ce schéma n'est pas un diagramme complet de raccordement. Il montre seulement la régulation du ventilateur.

2. Utilisation d'un humidistat distinct du thermostat, comme le H8908 ou le TrueIAQ.

- Le régulateur externe d'humidité ne commande pas le ventilateur du système et n'en fait pas la surveillance. Il est donc important dans ce cas que le TrueSTEAM vérifie si le ventilateur du système fonctionne avant de produire de l'humidité.
- Débrancher la connexion entre la borne G du thermostat et la borne G du système de CVCA. Raccorder la borne G du thermostat au TrueSTEAM. Raccorder la borne GF du TrueSTEAM à la borne G du système de CVCA.

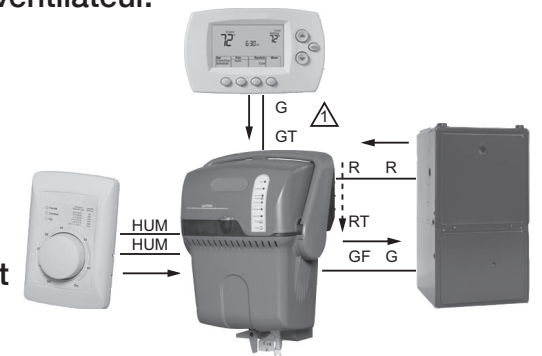


Les demandes transmises par la borne G du thermostat passent par le TrueSTEAM sans être modifiées. Si ce signal n'est pas présent lors d'une demande d'humidification, le TrueSTEAM relaie l'alimentation à partir de sa borne RT à sa borne GF, puis à la borne G du système de CVCA de façon à faire fonctionner le ventilateur.

Configuration choisie par les entrepreneurs afin de :

- Utiliser un régulateur d'humidité distinct du thermostat.
- Empêcher une trop grande circulation d'air dans la maison. Les demandes de ventilation ne sont pas envoyées par le TrueSTEAM tant que la température de l'eau n'a pas atteint 77 °C (170 °F), soit juste avant le point d'ébullition.

Remarque : Cette caractéristique peut également être configurée avec le VisionPRO IAQ (voir page 13).



⚠ S'IL N'Y A PAS DE SIGNAL À LA BORNE G DU THERMOSTAT, LA BORNE GF DU TRUESTEAM ALIMENTERA LA BORNE G DU SYSTÈME DE CVCA POUR FAIRE FONCTIONNER LE VENTILATEUR.

MF28687

ÉTAPES À SUIVRE POUR LE CÂBLAGE

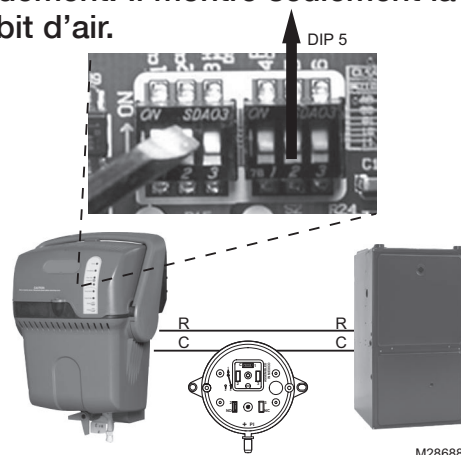
Un détecteur de débit d'air est un appareil complémentaire facultatif qui permet au TrueSTEAM de vérifier la présence d'un mouvement d'air avant de se déclencher.

La vérification de débit d'air est configurée au moyen du DIP 5 sur le TrueSTEAM. Ce commutateur doit être réglé à HAUT et le DIP 4, à BAS pour que la détection de débit d'air soit activée.

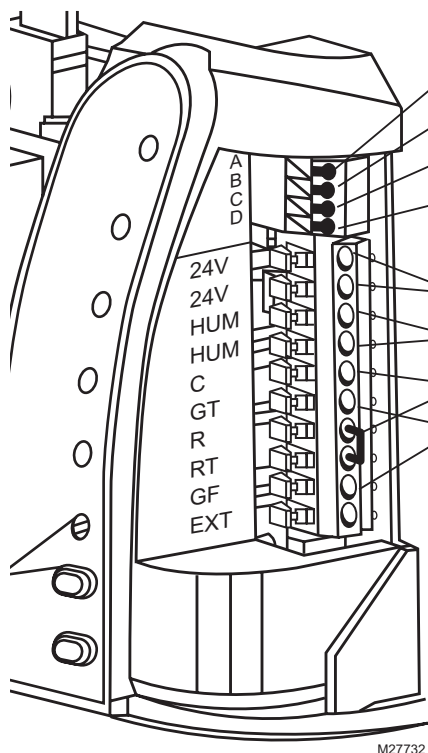
Remarque : Ce schéma n'est pas un diagramme complet de raccordement. Il montre seulement la surveillance du débit d'air.

1. En plus de surveiller l'alimentation du système et le fonctionnement du ventilateur, le TrueSTEAM peut surveiller le mouvement physique de l'air au moyen d'un dispositif externe de détection de débit d'air.

- Raccorder les bornes R et C du TrueSTEAM aux bornes R et C du système de CVC et raccorder le détecteur de débit d'air en ligne sur C.
- Régler le DIP 5 à HAUT et le DIP 4 à BAS.
- Le TrueSTEAM vérifie alors la présence d'un mouvement physique de l'air avant d'injecter de la vapeur dans la gaine.



CÂBLAGE

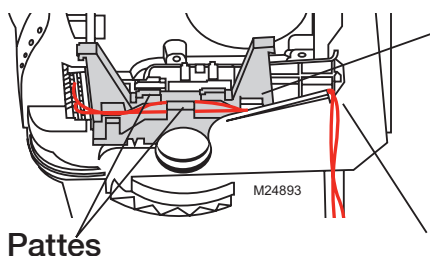


Bornes sans fil

- A 24 V
- B Envoi du signal
- C Réception du signal
- D Commun

Bornes basse tension

- 24V Sortie c.a.
- HUM Bornes à basse tension pour la régulation de l'humidité
- C, R Entrées du transformateur du système de CVCA
- GT, GF GT reçoit le signal de la borne G du thermostat. GF envoie le signal à la borne G du système de CVCA



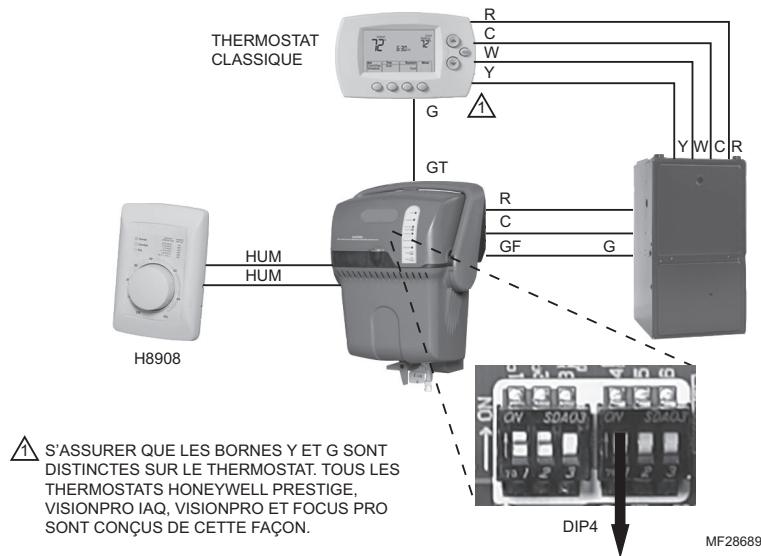
Faire passer les fils entre les pattes ouvertes de l'attache-fil et dans l'encoche à l'arrière du boîtier. S'assurer que les fils sont bien fixés et ne nuisent pas au montage du couvercle.

CÂBLAGE DE BASE

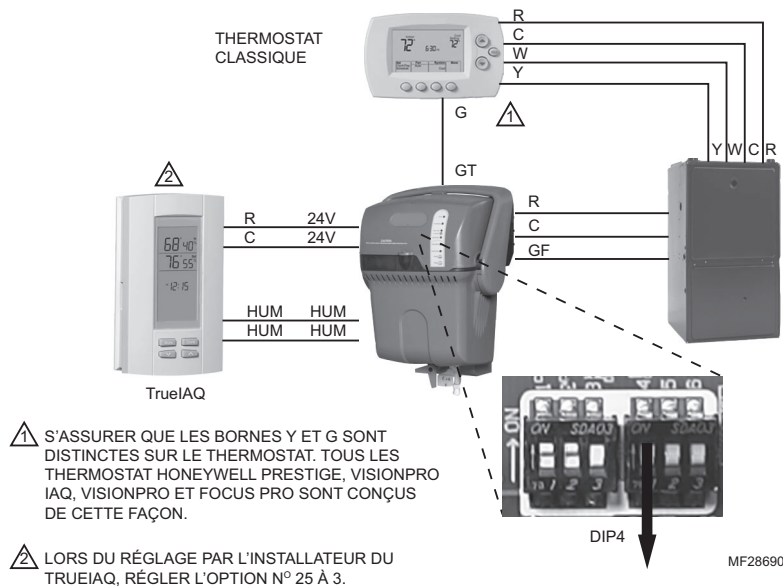
10

Consulter le diagramme qui correspond au régulateur d'humidité utilisé pour effectuer le câblage du TrueSTEAM.

Câblage d'un humidistat mécanique à contact sec



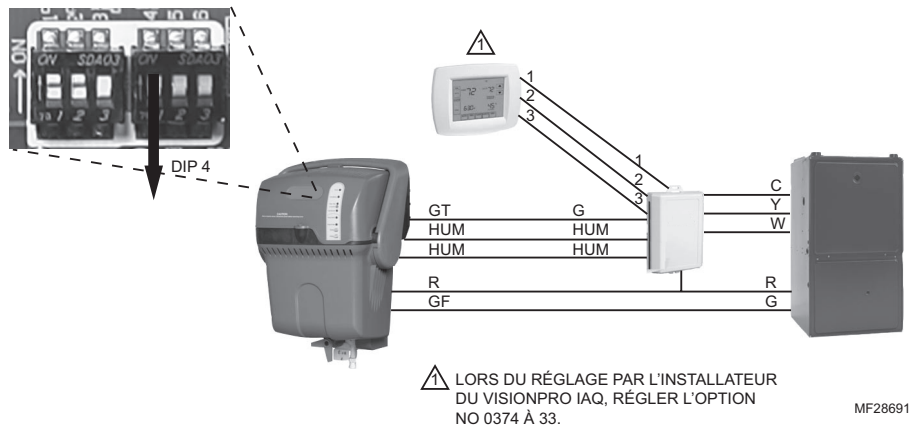
Câblage d'un TrueIAQ



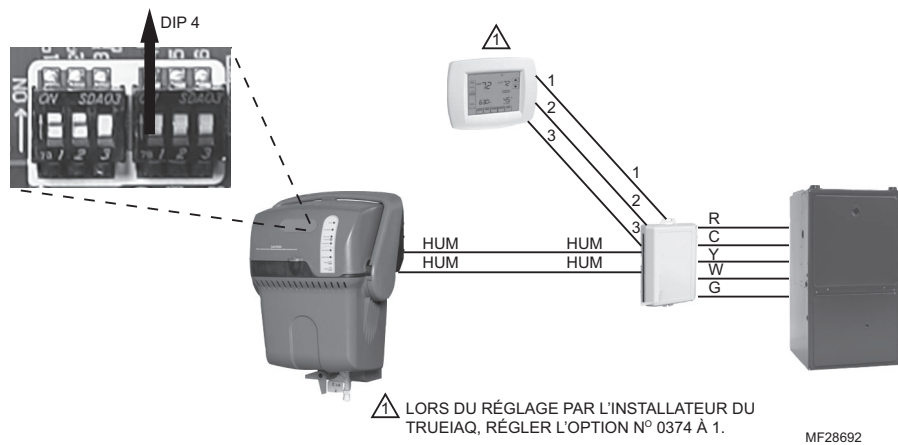
CÂBLAGE DE BASE

Câblage du VisionPRO IAQ^{MC}

Suivre ce diagramme pour le câblage d'un VisionPRO IAQ^{MC} avec fonction de temporisation du ventilateur. Le ventilateur du système démarre quand la température de l'eau atteint 77 °C (170 °F).

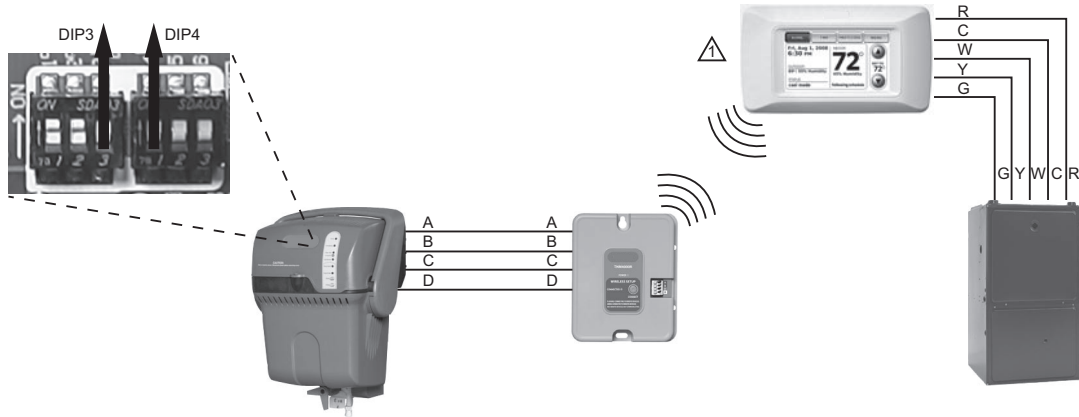


Suivre ce diagramme dans le cas où un VisionPRO IAQ^{MC} sert à mettre le ventilateur en marche dès que se survient une demande d'humidification.



INSTALLATION SANS FIL

Raccordement du RedLINK Prestige HD



⚠️ LORS DU RÉGLAGE PAR L'INSTALLATEUR DU PRESTIGE, CONFIGURER LES DEMANDES D'HUMIDIFICATION POUR OBLIGER LA MISE EN MARCHÉ DU VENTILATEUR.

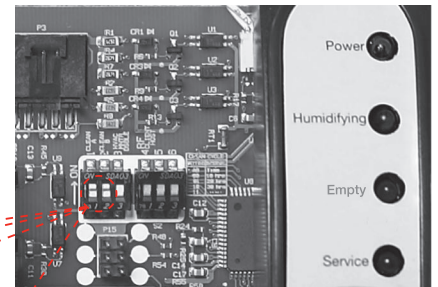
MF28694

CONFIGURATION DES CYCLES DE VIDANGE

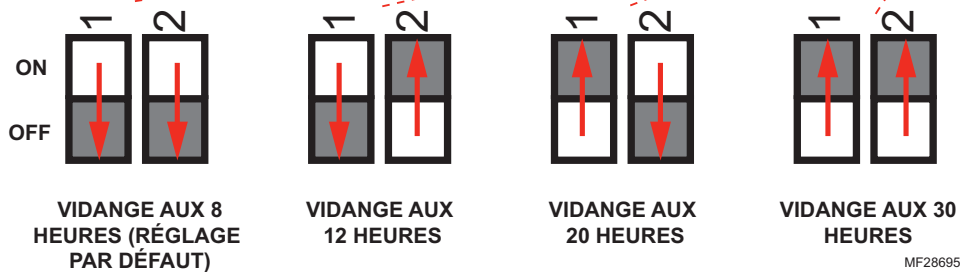
11

Les commutateurs DIP 1 et DIP 2 permettent de configurer la fréquence de vidange du réservoir du TrueSTEAM pour éliminer les sédiments minéraux.

Remarque : La minuterie de vidange est basée sur le nombre d'heures de génération de chaleur.



M28712

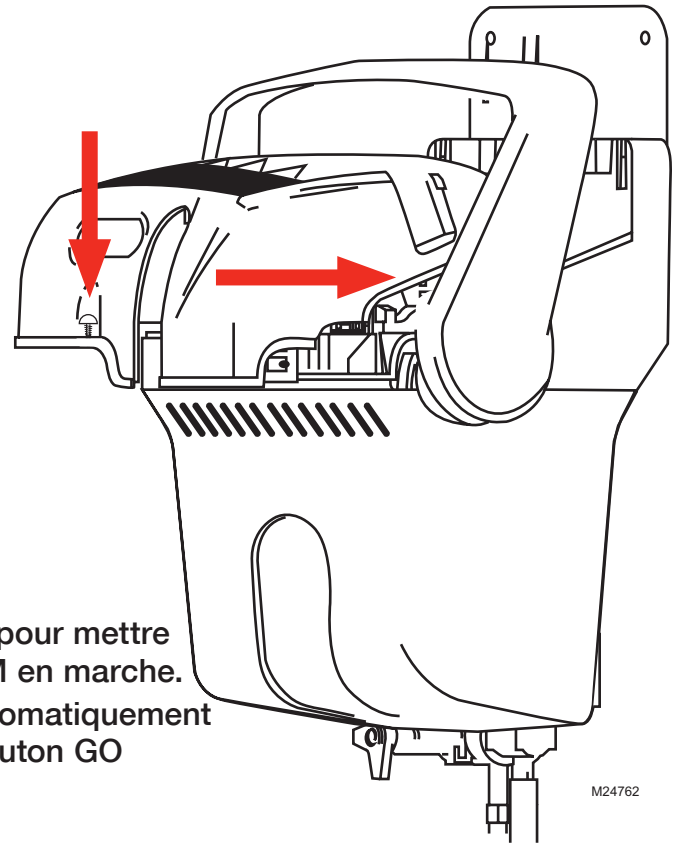


MF28695

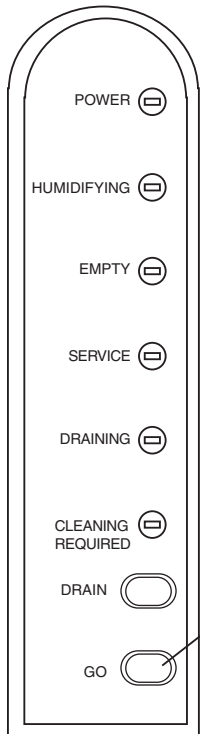
DÉMARRAGE ET VÉRIFICATION

12

Glisser le couvercle en place et le fixer avec la vis imperdable.
Ouvrir l'alimentation en eau.



M24762



M24763A

13

Brancher le TrueSTEAM.
Appuyer sur le bouton GO pour mettre l'humidificateur TrueSTEAM en marche. TrueSTEAM se prépare automatiquement après cinq minutes si le bouton GO (Marche) n'est pas appuyé.

14

Régler le régulateur d'humidité à la position « Test ». Si cette position n'existe pas, le régler à un point de consigne élevé (plus de 60 %). Ne pas oublier d'abaisser le point de consigne ou d'arrêter le régulateur à la fin de l'essai. La position OFF met l'humidificateur TrueSTEAM hors fonction.



15

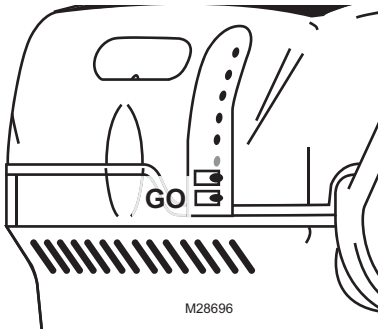
Vérifier que le ventilateur de l'appareil de chauffage est en marche de manière à faire circuler l'air. Le ventilateur se met en marche 10 à 15 minutes après la demande d'humidification s'il est commandé par le TrueSTEAM.

Attendre que le TrueSTEAM produise de la vapeur puis vérifier l'étanchéité de tous les raccords des tuyaux d'eau avant de quitter les lieux.

MAINTENANCE

Le TrueSTEAM se vidange automatiquement au cours de la saison d'humidification. Il est recommandé d'en effectuer le nettoyage manuel au moins une fois par cinq mois de fonctionnement. Un nettoyage plus fréquent est habituellement nécessaire si l'eau utilisée est dure.

Le voyant « Cleaning Required »



Le voyant « Cleaning Required » (Nettoyage requis) s'allume pour indiquer que le réservoir nécessite un nettoyage manuel. TrueSTEAM continue de fonctionner normalement lorsque le voyant « Cleaning Required » (Nettoyage requis) est allumé. Suivre les étapes 1 à 10 ci-dessous pour nettoyer le TrueSTEAM.

Remarque : Le voyant « Cleaning Required » (Nettoyage requis) s'allume si le réservoir se vide trop lentement durant le cycle de nettoyage automatique, probablement en raison des sédiments présents dans le réservoir. Le TrueSTEAM continue de fonctionner normalement, et si le réservoir se vide normalement durant le cycle de nettoyage automatique suivant, le voyant « Cleaning Required » (Nettoyage requis) s'éteint.



Mise en garde : risque de brûlure

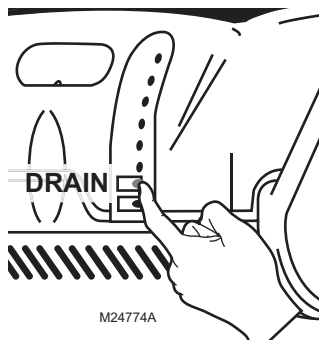
Ne pas tenter de retirer l'humidificateur de son support de montage lorsqu'il fonctionne ou lorsque le réservoir est rempli d'eau. Même si le réservoir enlevé, l'élément de chauffage peut rester chaud. Les risques de brûlures graves sont élevés.

Fonctionnement de la vidange

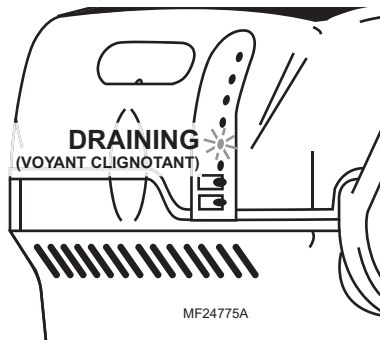
Au début de la vidange automatique, de l'eau froide est injectée dans le réservoir afin de le refroidir à 60 °C (140 °F).

Danger lié à la dérogation de vidange : Une vidange normale prend environ 45 minutes. Si le boutons EMPTY et GO est maintenu appuyé quand le voyant DRAINING a commencé à clignoter, le réservoir se met à se vider immédiatement peu importe la température de l'eau. S'assurer avant de le faire que l'installation de vidange peut recevoir de l'eau à 100 °C (212 °F).

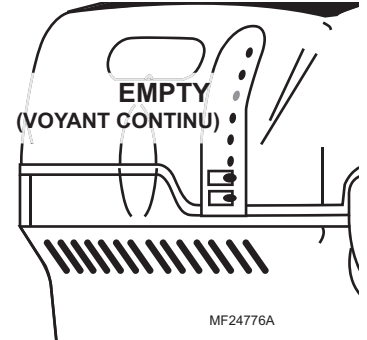
1. Pour nettoyer manuellement le TrueSTEAM :



**APPUYER ET
MAINTENIR ENFONCÉ**



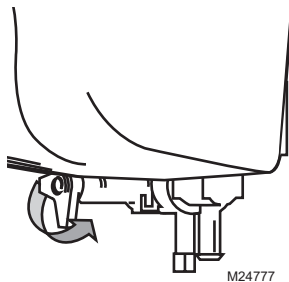
VIDANGE DU RÉSERVOIR
Le fait d'appuyer sur les boutons EMPTY et GO tandis que le voyant Draining clignote a pour résultat de vider le réservoir, indépendamment de la température de l'eau. Faire attention.



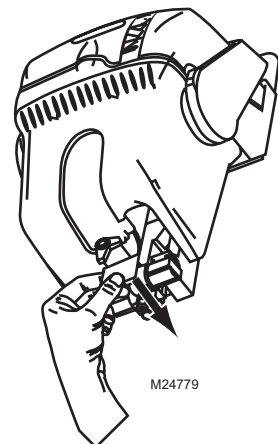
RÉSERVOIR VIDE
Suivre les étapes 2 à 4.

MAINTENANCE

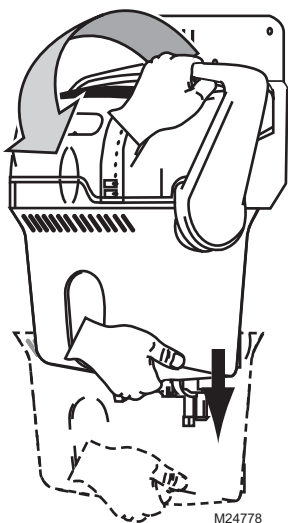
2. Une fois le réservoir vide, tourner le robinet d'arrêt au bas du réservoir à la position UNLOCK (DÉVERROUILLÉ).



3. Saisir la manette blanche du robinet et la glisser vers l'arrière entre les supports afin de la dégager du réservoir.



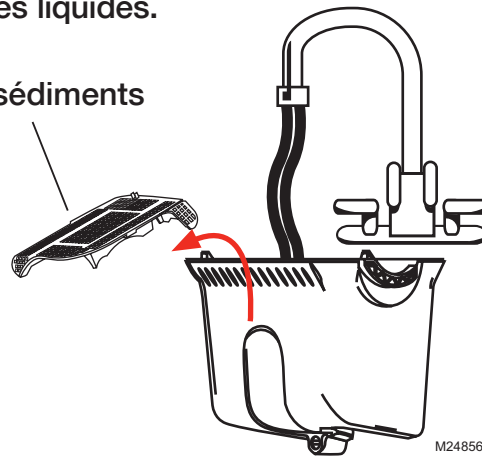
4. Saisir fermement le bas du réservoir. Pousser vers le bas le bouton de sécurité du couvercle du réservoir. Tirer la poignée de verrouillage vers l'avant pour dégager le réservoir.



5. Utiliser l'eau du robinet pour enlever les dépôts minéraux qui se détachent du réservoir. Le tamis au bas du réservoir est amovible. Pour un bon nettoyage, faire tremper le réservoir dans de l'eau chaude savonneuse, puis bien le rincer. Le réservoir se nettoie aussi au lave-vaisselle.

Remarque : Ne pas utiliser de nettoyeurs à base d'hydrocarbures liquides.

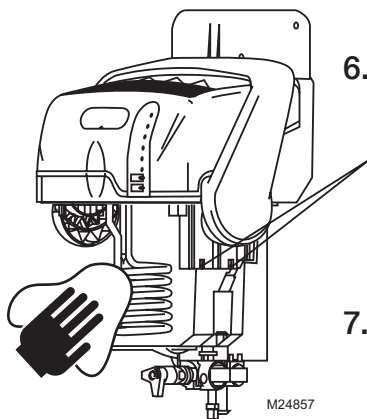
Tamis à sédiments



Remarque : La poignée de verrouillage n'est pas fixée au réservoir.



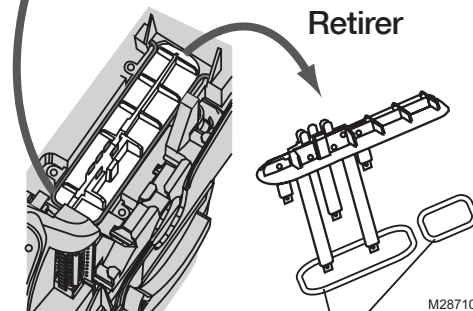
Mise en garde
Débrancher le TrueSTEAM avant de passer aux étapes 6 et 7.



6. Enlever soigneusement les dépôts minéraux qui recouvrent l'élément de chauffage et les parois du réservoir. Retirer tous les débris accumulés dans les trous du logement du capteur.

7. Retirer le couvercle du TrueSTEAM. Vérifier le capteur de niveau d'eau. S'il y a accumulation de sédiments, remplacer le capteur.

Enlever la vis Torx T-30 et soulever la bride.



S'assurer que les joints du capteur sont bien placés et en bon état (sans fissures).

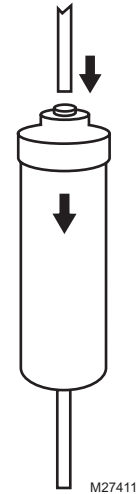
MAINTENANCE

8. Remplacer le filtre du tuyau d'eau au moins une fois par saison. Fermer l'alimentation en eau avant de le remplacer.

Appuyer sur le collet du filtre et retirer le tuyau d'eau de 6 mm (1/4 po) de chaque côté.



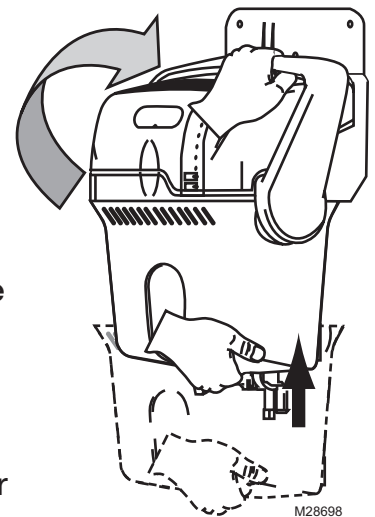
Insérer le tuyau de 6 mm (1/4 po) dans le nouveau filtre. Appliquer une pression légère afin que le joint soit bien étanche.



9. Une fois le nettoyage terminé, remettre le réservoir en place et le fixer avec la poignée. Fixer le robinet d'eau de couleur blanche dans le mandrin noir sur le réservoir et tourner le robinet d'arrêt en position « Lock » (Verrouillé). Le voyant PRESS RESET (APPUYER SUR RÉARMEMENT) clignote au démarrage. Appuyer sur le bouton RESET (RÉARMEMENT) pour mettre l'humidificateur en mode PRÊT.

10.

- Nettoyer la poussière dans les trous de ventilation du couvercle de l'humidificateur.
- Éliminer les débris dans le tuyau de vidange.
- S'assurer que les joints d'étanchéité du réservoir d'eau sont bien placés dans la base de l'humidificateur et qu'ils sont en bon état (sans fissures ni déchirures) avant de remettre en place le réservoir d'eau.
- S'assurer que l'humidificateur est toujours fixé de niveau.

**Arrêt automatique à la fin de la saison**

L'humidificateur TrueSTEAM est doté d'un système « intelligent » qui lui permet à l'appareil de s'arrêter complètement si la demande d'humidité cesse pendant une période prolongée. Après 48 heures d'inactivité, l'humidificateur commande la vidange du réservoir d'eau, qui demeure vide jusqu'au moment d'une nouvelle demande d'humidité. L'eau ne peut donc stagner dans le réservoir. Le réservoir se remplira lors de la prochaine demande d'humidité.

Absence prolongée

Avant de quitter pour une longue période, il est recommandé de couper l'alimentation en eau de l'humidificateur et de fermer le régulateur d'humidité. Au retour, ouvrir l'alimentation en eau et régler le régulateur d'humidité à un degré de confort.

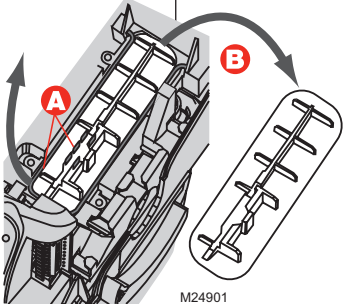
DÉPANNAGE

L'humidificateur TrueSTEAM est doté d'un système de diagnostic qui surveille le fonctionnement du système, ait fonctionner les minuteries d'entretien et indique les problèmes en cours. Si le système détecte un problème de fonctionnement, il essaie de rétablir lui-même le fonctionnement dans les 24 heures. S'il en est incapable, le voyant rouge SERVICE s'allume.

Si le voyant TrueSTEAM SERVICE clignote, une panne de système a eu lieu et l'humidificateur ne peut pas résoudre le problème de lui-même. Le tableau ci-dessous décrit les problèmes possibles et la procédure de dépannage.

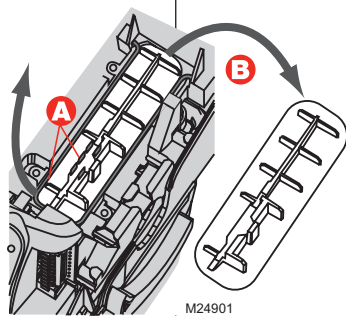
Si le voyant rouge SERVICE est allumé, compter le nombre de clignotements entre les pauses. Consulter le tableau ci-dessous pour identifier le problème qui correspond au nombre de clignotements. Pour corriger le problème, appuyer sur le bouton RESET (RÉARMEMENT) pendant 5 secondes.

Maintenir le bouton RESET (RÉARMEMENT) enfoncé pour éteindre un voyant de minuterie de service (par xemple le voyant CLEANING REQUIRED).

Nombre de clignotements du voyant rouge	Description du problème	Rétablissement possible par le système?	Marche à suivre par le technicien qualifié en CVCA pour régler le problème
1	Problème de température de l'eau ou au niveau de l'élément chauffant.	Oui. Le TrueSTEAM revient en mode PRÊT si le problème a disparu au bout d'une heure.	<ul style="list-style-type: none"> • Débrancher le TrueSTEAM puis le rebrancher. • Appuyer sur le bouton GO. • Si le problème réapparaît, remplacer le TrueSTEAM.
2	Problème de niveau d'eau.	Oui. Le TrueSTEAM revient en mode PRÊT si le problème a disparu au bout d'une heure. Tentative de reprise 5 fois en 24 heures.	 <ul style="list-style-type: none"> • Débrancher l'humidificateur et enlever le couvercle. • A Débrancher le fil du capteur de niveau d'eau, retirer le tamis et soulever l'attache à charnière à pression. • B Enlever l'ensemble capteur de niveau d'eau. • Remplacer le capteur de niveau d'eau (n° 50027998-001). • Remettre l'ensemble capteur dans l'appareil; remonter le couvercle et l'assujettir. • Rebrancher l'appareil et appuyer sur le bouton GO.
3	Problème de remplissage du réservoir d'eau.	Oui. Le TrueSTEAM revient en mode PRÊT si le problème a disparu au bout de trois heures.	<ul style="list-style-type: none"> • S'assurer qu'il y a de l'alimentation en eau. • Vérifier s'il y a des fuites dans le joint du réservoir ou l'électrovanne. • Fermer l'alimentation en eau et remplacer le filtre du tuyau. • Appuyer sur le bouton GO jusqu'à ce que le voyant SERVICE s'éteigne. • Si le réservoir ne se remplit toujours pas, appuyer sur le bouton DRAIN. Si le réservoir ne se vide pas, débrancher l'appareil et s'assurer que l'eau dans le réservoir est froide. • Suivre les instructions de nettoyage décrites dans la section sur la maintenance. S'assurer de bien tenir le réservoir avant de le dégager, surtout s'il est rempli d'eau. • Enlever tous les débris accumulés au bas du réservoir dans l'orifice de l'électrovanne. • Réinstaller le réservoir et brancher l'humidificateur. Appuyer sur le bouton GO. • Si le réservoir ne se remplit toujours pas, remplacer l'électrovanne (n° 50027997-001).

DÉPANNAGE

Nombre de clignotements du voyant rouge	Description du problème	Rétablissement possible par le système?	Marche à suivre par le technicien qualifié en CVCA pour régler le problème
4	Surchauffe de l'élément chauffant	Non.	<ul style="list-style-type: none"> • Suivre les instructions de nettoyage décrites aux pages 15–17. • Réinstaller le réservoir et appuyer sur le bouton GO. • Si le problème réapparaît, remplacer TrueSTEAM.
5	Tension d'entrée insuffisante	Oui. Le système revient en mode READY (PRÊT) si le problème est disparu au bout d'une heure.	<ul style="list-style-type: none"> • S'assurer que le circuit d'alimentation n'est pas surchargé. • Débrancher l'appareil, puis le rebrancher, et vérifier si l'alimentation est rétablie. • Si le problème réapparaît, débrancher l'appareil et enlever le couvercle. • Vérifier si tous les fils de raccordement sont en bon état et bien fixés. • Si le problème réapparaît, remplacer l'humidificateur TrueSTEAM. Il n'est pas recommandé de réparer l'appareil en cas de perte de la tension secteur.
6	Trop-plein d'eau	Oui. Le système revient en mode READY (PRÊT) si le problème est disparu au bout d'une heure.	<ul style="list-style-type: none"> • S'assurer que le tuyau d'évacuation n'est pas pincé ni submergé dans le drain. Vérifier le bon fonctionnement de la pompe à condensats, s'il y en a une. • Vérifier si de l'eau sort du tuyau d'évacuation. Si le débit est continu, suivre les instructions de nettoyage décrites aux pages 15–17. • Appuyer sans relâcher sur le bouton DRAIN pour vider le réservoir. • Régler l'humidistat à la position « Test ». • Si le problème réapparaît, débrancher le TrueSTEAM. • Desserrer la vis du couvercle et enlever le couvercle. • A Débrancher le fil du capteur de niveau d'eau, retirer le tamis et soulever l'attache à charnière à pression. • B Enlever l'ensemble capteur de niveau d'eau. • Remplacer le capteur de niveau d'eau (n° 50027998-001). • Installer l'ensemble capteur dans l'appareil. • Remettre en place l'attache à charnière à pression. Remettre le couvercle et l'assujettir. • Rebrancher l'appareil et appuyer sur le bouton GO.
7	Système CVCA non alimenté (détection du problème seulement si DIP 4 et DIP 5 = OFF).	Oui. Le système revient en mode READY (PRÊT) si le problème est disparu au bout d'une heure.	<ul style="list-style-type: none"> • Débrancher l'appareil, puis le rebrancher, et vérifier si l'alimentation est rétablie. • Si non, vérifier l'alimentation du système CVCA. Vérifier le coupe-circuit et remplacer le fusible s'il est grillé. • Débrancher le TrueSTEAM et enlever le couvercle. • Vérifier la position du commutateur DIP 4 et s'assurer que les raccordements sont effectués en conséquence. Consulter la section sur la surveillance de l'alimentation. • Si le problème réapparaît, s'assurer que le circuit électrique a les caractéristiques requises pour faire fonctionner l'appareil. Débrancher les appareils supplémentaires alimentés par le même circuit. Si le problème disparaît, cela indique que le circuit n'est pas assez puissant pour faire fonctionner l'appareil. • Si le problème réapparaît, remplacer l'appareil.
8–9	L'entrée du moniteur de protection de soudage de contact est activée mais le relais de protection de l'élément chauffant ne l'est pas.	Non	<ul style="list-style-type: none"> • Appuyer de façon continue sur le bouton GO pour annuler la situation de panne. • Lancer une demande d'humidification. • Si le problème réapparaît, remplacer le TrueSTEAM.
10–11	Le relais de chauffage ne s'allume pas.	Non	<ul style="list-style-type: none"> • Appuyer de façon continue sur le bouton GO pour annuler la situation de panne. • Lancer une demande d'humidification. • Si le problème réapparaît, remplacer le TrueSTEAM.



DÉPANNAGE

Nombre de clignotements du voyant rouge	Description du problème	Rétablissement possible par le système?	Marche à suivre par le technicien qualifié en CVCA pour régler le problème
12	Température du circuit électronique trop élevée.	Oui. Le système revient en mode READY (PRÊT) si le problème est disparu au bout d'une heure.	<ul style="list-style-type: none"> S'assurer que les orifices de ventilation dans le couvercle ne sont pas obstrués et que le dégagement est d'au moins 30 cm (1pi). S'assurer que l'humidificateur est installé à un endroit où l'air se maintient entre 0 °C (32 °F) et 40 °C (104 °F). Arrêter l'humidistat et laisser le temps au circuit électronique de refroidir. Cela peut prendre jusqu'à deux heures. Mettre l'humidistat en marche et appuyer sur le bouton GO. La demande d'humidification est indiquée par le voyant rouge HUMIDIFYING (HUMIDIFICATION) qui s'allume. Laisser le temps à l'appareil de produire de la vapeur, puis vérifier les fuites de vapeur près du réservoir et des orifices de ventilation. Si le problème réapparaît, remplacer l'humidificateur TrueSTEAM.
13	Le réservoir n'est pas vide pas.	Non	<ul style="list-style-type: none"> L'eau du réservoir pourrait être chaude (>140 °F [60 °C]). Appuyer sans relâcher sur le bouton DRAIN. Si l'appareil ne se vide pas, attendre que l'eau du réservoir refroidisse. S'assurer que l'eau est froide avant de poursuivre. Une fois l'eau refroidie, nettoyer le réservoir en suivant les instructions décrites aux pages 15–17. Réinstaller le réservoir et appuyer sur le bouton GO. Si le problème réapparaît, remplacer l'électrovanne (N° 50027997-001).
14	L'élément chauffant ne réussit pas à faire bouillir l'eau.	Oui. Le système revient en mode READY (PRÊT) si le problème est disparu au bout d'une heure.	<ul style="list-style-type: none"> Suivre les étapes de nettoyage du réservoir (pages 15–17). Réinstaller le réservoir et appuyer sur le bouton GO. Si le problème réapparaît, remplacer l'humidificateur TrueSTEAM.
15	Absence de débit d'air.	Oui. Le système revient en mode READY (PRÊT) si le problème est disparu au bout d'une heure.	<ul style="list-style-type: none"> Vérifier si l'interrupteur à pression différentielle est installé et raccordé correctement. Consulter la section Raccordement et s'assurer que l'appareil et le capteur sont bien raccordés. Débrancher le TrueSTEAM et enlever le couvercle. S'assurer que les commutateurs DIP sont bien réglés. (DIP 4 à BAS, DIP 5 à HAUT.) Si le problème continue, remplacer le dispositif de détection de débit d'air.
17	Surcharge à l'adaptateur sans fil	Oui. Le TrueSTEAM revient en mode PRÊT si le problème a disparu au bout d'une heure	<ul style="list-style-type: none"> Débrancher le TrueSTEAM et enlever le couvercle. Vérifier le raccordement entre le TrueSTEAM et l'adaptateur sans fil. S'assurer que les commutateurs DIP sont réglés correctement (le DIP 3 à HAUT. Le DIP 4 également à HAUT si les bornes R et C du TrueSTEAM ne sont pas raccordées). Si le problème continue, remplacer l'adaptateur sans fil .
18	Panne de communication de l'adaptateur sans fil.	Oui. Le TrueSTEAM revient en mode PRÊT si le problème a disparu au bout d'une minute.	<ul style="list-style-type: none"> Débrancher le TrueSTEAM et enlever le couvercle. Vérifier le raccordement entre le TrueSTEAM et l'adaptateur sans fil. Vérifier le fonctionnement du Prestige. Si le problème continue, remplacer l'adaptateur sans fil et rétablir la communication avec le Prestige.
Voyant « Cleaning Required » allumé	Le réservoir s'est vidé très lentement lors du dernier cycle automatique de nettoyage.	S.O.	<ul style="list-style-type: none"> Suivre la procédure de nettoyage décrite dans la section sur la maintenance.

CARACTÉRISTIQUES TECHNIQUES

Capacité :

HM512 : 45 litres par jour [l/j] (12 gallons par jour [g/j])

HM509 : 34 l/j (9 g/j)

HM506 : 23 l/j (6 g/j)

Aire humidifiée :

Modèle	Volume de la maison en pieds cubes
HM512	12000–24000
HM509	8000–18400
HM506	4000–14400

Remarque : plus le volume est grand, plus le TrueSTEAM doit fonctionner longtemps.

Poids :

Modèle	Vide	Rempli d'eau
HM512	4,1 kg (9 lb)	6,8 kg (15 lb)
HM509	4,1 kg (9 lb)	6,8 kg (15 lb)
HM506	3,6 kg (8 lb)	5,4 kg (12 lb)

- Dimensions : Larg. 29,8 cm (11 1/4 po); haut. 48,3 cm (19 po); prof. 22,9 cm (9 po)
- Gamme de température de fonctionnement de l'humidificateur : 1,1 °C à 40 °C (34 °F à 104 °F)
- Gamme de température du tuyau de raccordement à distance et de la buse : -46° C à 121 °C (-50 °F à 250 °F)
- Gamme de fonctionnement de l'humidité : 0 % à 95 %, sans condensation

Fonctionnement du drain

- Il est possible de régler un cycle de vidange automatique toutes les 8, 12, 20 ou 30 heures de temps de fonctionnement (élément chauffant actif).
- Pendant la vidange automatique, de l'eau froide sera ajoutée au réservoir afin de réduire la température à moins de 140 °F (60 °C) avant que la vidange n'ait lieu.
- Aux premières secondes de la vidange manuelle (que l'on effectue en appuyant sur le bouton DRAIN), la température de l'eau atteint parfois plus de 140 °F (60 °C). S'assurer que la sortie du drain n'est pas exposée et procéder avec précautions avant d'appuyer sur le bouton EMPTY. Ne PAS retirer le réservoir s'il contient encore de l'eau.



AVERTISSEMENT

L'eau chaude à une température qui dépasse 140 °F (60 °C) peut causer des brûlures par ébullition.

Conformité – Normes et organismes d'homologation

Underwriters Laboratories : UL998, dossier numéro E185662.

Federal Communications Commission : conformité aux spécifications de classe B, dossier numéro YU555.

Conçu pour être conforme au National Electrical Code (NEC), aux normes ANSI/NFPA 70 et au Code canadien de l'électricité, première partie, C22.1.

- Le nettoyage du réservoir peut prendre 45 minutes environ.
- Gamme de température d'évacuation : 1,1 °C à 100 °C (34 °F à 212 °F)

Caractéristiques électriques nominales et tolérances

Entrées

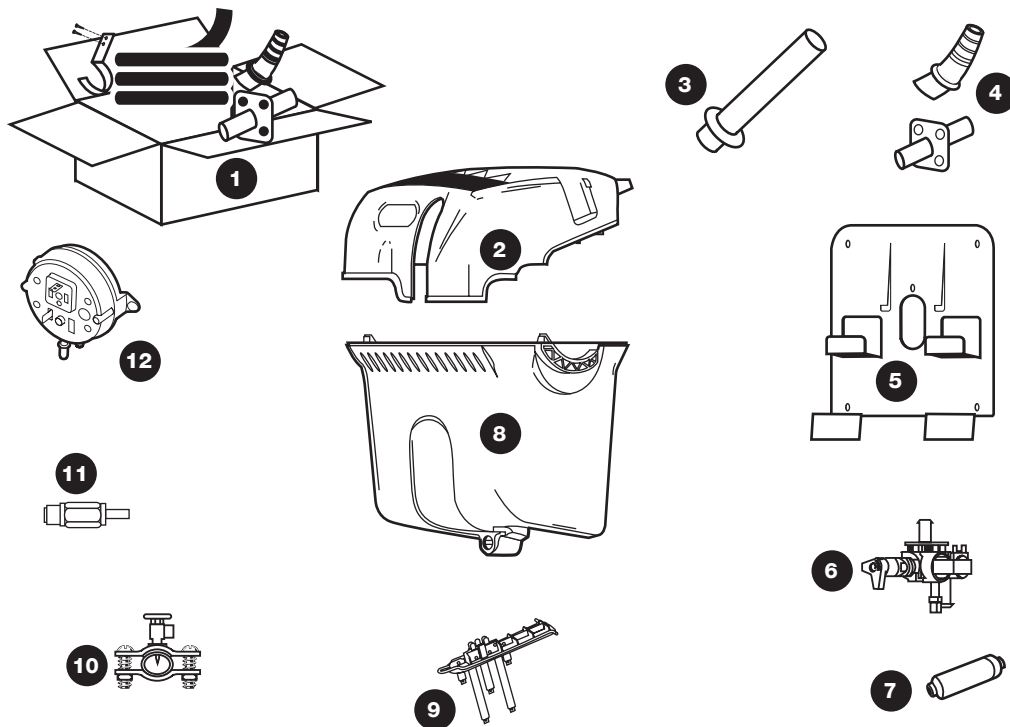
- Alimentation : 120 V c.a. +10 %, -15 %, 60 Hz
 - HM512 : 1440 W sous 120 V c.a., pleine charge
 - HM509 : 1200 W sous 120 V c.a., pleine charge
 - HM506 : 840 W sous 120 V c.a., pleine charge
- HM512 : 12 A, 120 V c.a.
- HM509 : 10 A, 120 V c.a.
- HM506 : 7 A, 120 V c.a.
- Interrupteur d'asservissement : 15 A, 120 V c.a.
- Moniteur de la tension du thermostat ou du système CVCA (R à C) : 10 mA, résistif, sous 24 V c.a.
- Bornes de raccordement sur place : pleines, de calibre 18 à 22
- Détecteur d'alimentation de l'appareil CVCA et du débit d'air : 10 mA, résistif, sous 24 V c.a.

Sorties

- Contacts de sortie à relais
 - Ventilateur : 1,5 A pleine charge, 7,5 A avec rotor bloqué, sous 24 V c.a.
 - Chauffage et chauffage d'appoint : 15 A, résistif, sous 120 V c.a.
- Électrovanne de remplissage : 0,1 A sous 120 V c.a., 0,5 pF
- Électrovanne de vidange : 0,1 A sous 120 V c.a., 0,5 pF
- Charge de l'humidistat (borne de contact) : 10 mA, résistif, sous 24 V c.a.
- Alimentation de l'humidistat : 100 mA sous 24 V c.a.

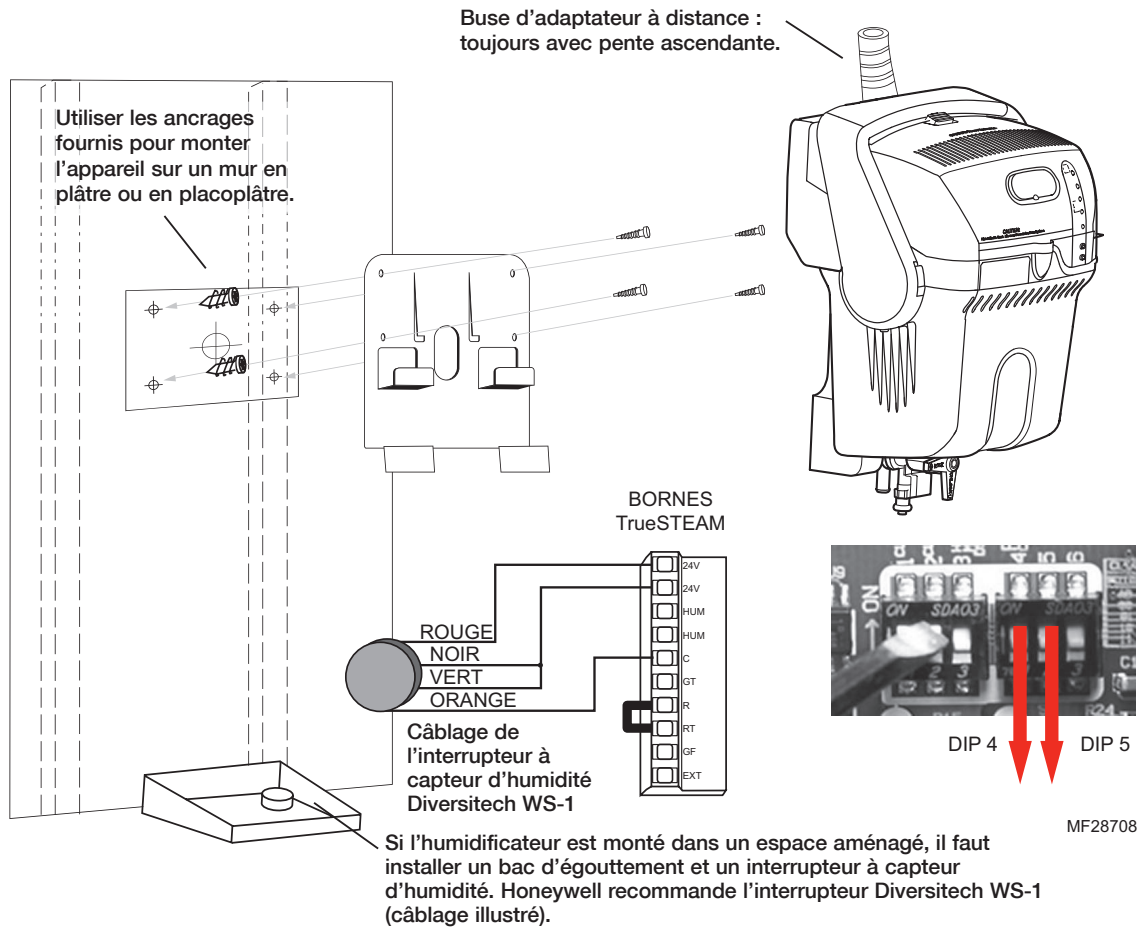
NOMENCLATURE DES PIÈCES

Pièce	Numéro	Référence dans la figure
Ensemble tuyau de raccordement de 3 m (10 pi) et buse	50024917-001	1
Ensemble tuyau de raccordement de 6 m (20 pi) et buse	50024917-002	1
Couvercle	50028004-001	2
Buse d'injection de l'humidificateur dans la gaine	50028003-001	3
Buses à distance	50028001-001	4
Support de montage	50020012-001	5
Électrovanne	50027997-001	6
Filtre de tuyau à eau	50028044-001	7
Réservoir à eau pour les modèles HM512 et HM509	50033181-001	8
Ensemble capteur de niveau d'eau	50027998-001	9
Robinet-vanne à étrier	32001616-001	10
Vanne à eau anti-refoulement	50030142-001	11
Pressostat pour la détection du débit d'air	50027910-001	12
Ensemble filtre à eau et capteur de niveau d'eau	50042822-001	-
Interrupteur à ailette pour la détection du débit d'air	S866A1007	-
Régulateur Prestige HD	THX9321R5000	-
Adaptateur sans fil RedLINK	THM4000R1000	-
Capteur extérieur RedLINK sans fil	C7089R1013	-
VisionPRO IAQ	YTH9421C1010	-
TrueIAQ	DG115EZIAQ	-
Humidistat manuel	H8908ASPST	-
Ensemble d'adaptation de gaine	32005530-001	-



M27735

ANNEXE A : INSTALLATION À DISTANCE

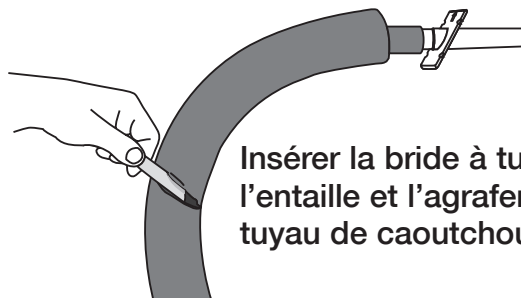


ANNEXE A : INSTALLATION À DISTANCE

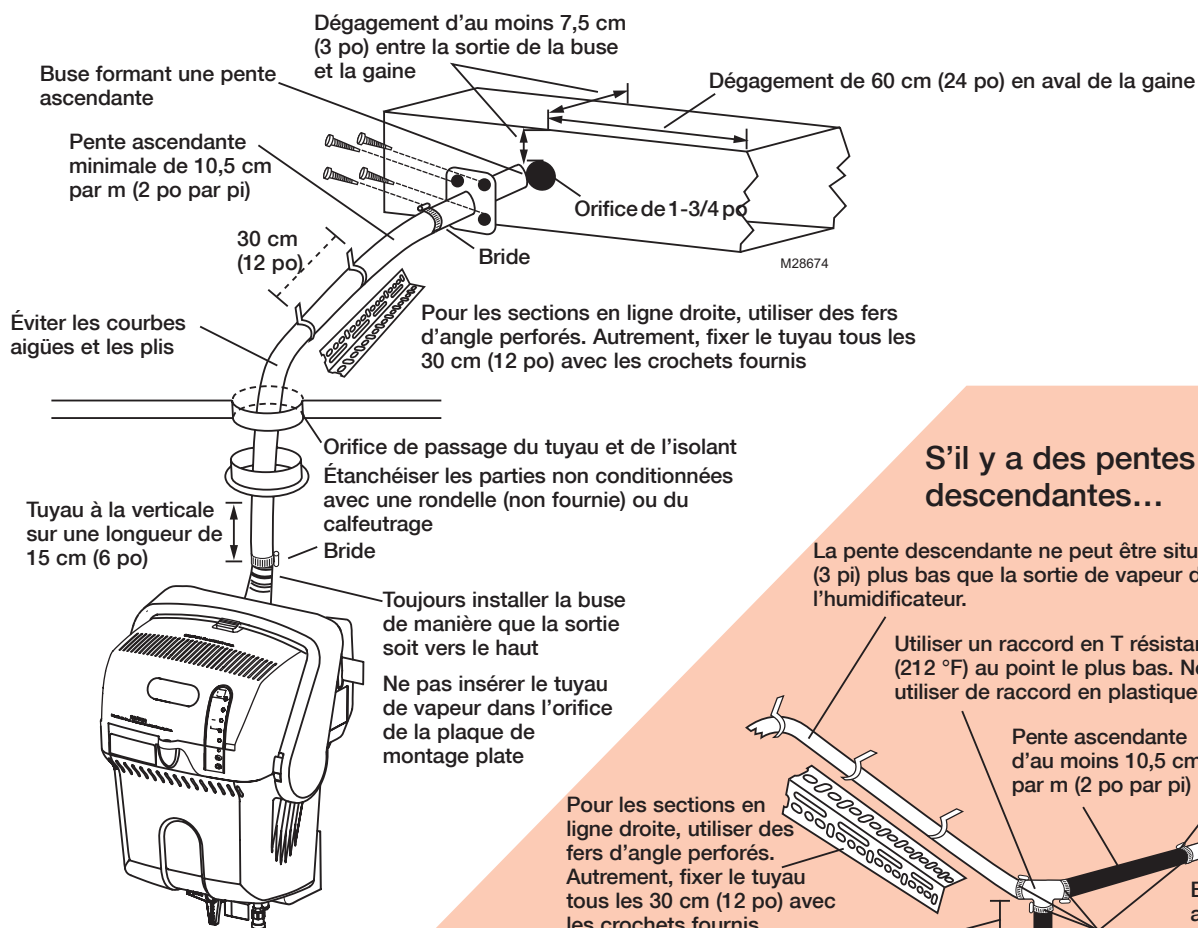
Faire une entaille dans l'isolant sur la moitié du pourtour du tuyau



Ne pas couper le tuyau de vapeur en caoutchouc



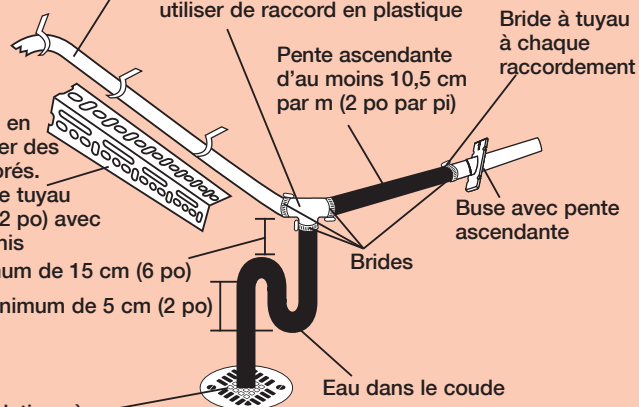
Insérer la bride à tuyau dans l'entaille et l'agrafer sur le tuyau de caoutchouc



S'il y a des pentes descendantes...

La pente descendante ne peut être située 0,9 m (3 pi) plus bas que la sortie de vapeur de l'humidificateur.

Utiliser un raccord en T résistant à 100 °C (212 °F) au point le plus bas. Ne pas utiliser de raccord en plastique



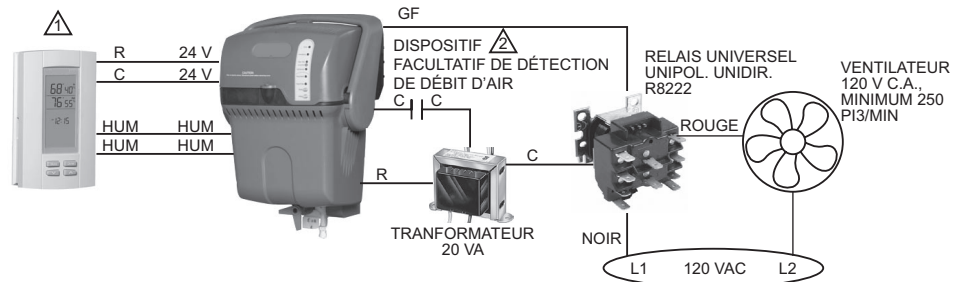
Toujours suivre les exigences relatives à la dimension du tuyau de drainage et la température admissible stipulées dans les codes de plomberie locaux

ANNEXE B : TECHNIQUES DE CÂBLAGE PARTICULIÈRES

TrueSTEAM raccordé à un ventilateur dédié

La buse du TrueSTEAM doit injecter la vapeur dans un conduit spécifique. La buse ne doit pas être exposée.

- Laisser un dégagement de 10 cm (4 po) entre la sortie de la buse et les parois de la gaine.
- Laisser un dégagement de 60 cm (24 po) dans la gaine en aval de la buse.
- Monter le ventilateur à l'extrémité amont de la gaine.
- Poser un grillage à l'extrémité aval de la gaine.

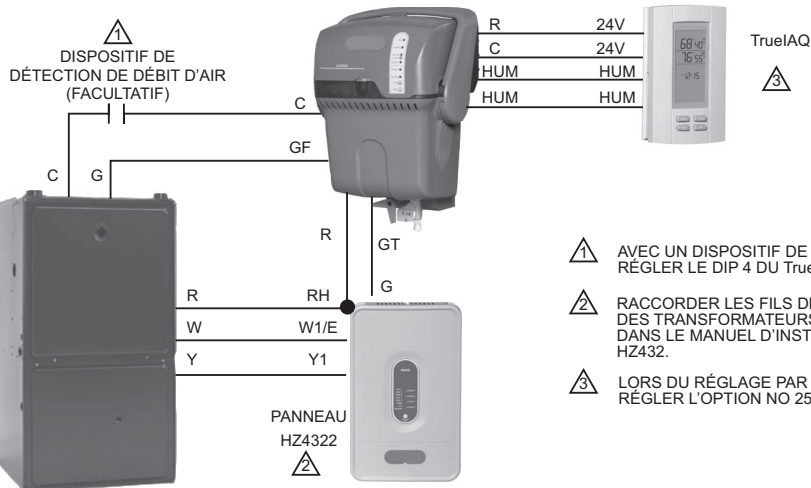


⚠️ LORS DU RÉGLAGE PAR L'INSTALLATEUR DU TRUEIAQ, RÉGLER L'OPTION N° 25 À 3.

⚠️ AVEC UN DISPOSITIF DE DÉTECTION DE DÉBIT D'AIR, RÉGLER LE DIP 4 DU TrueSTEAM À BAS ET LE DIP 5, À HAUT.

MF28714

TrueSTEAM raccordé à un humidistat dans une application avec zones



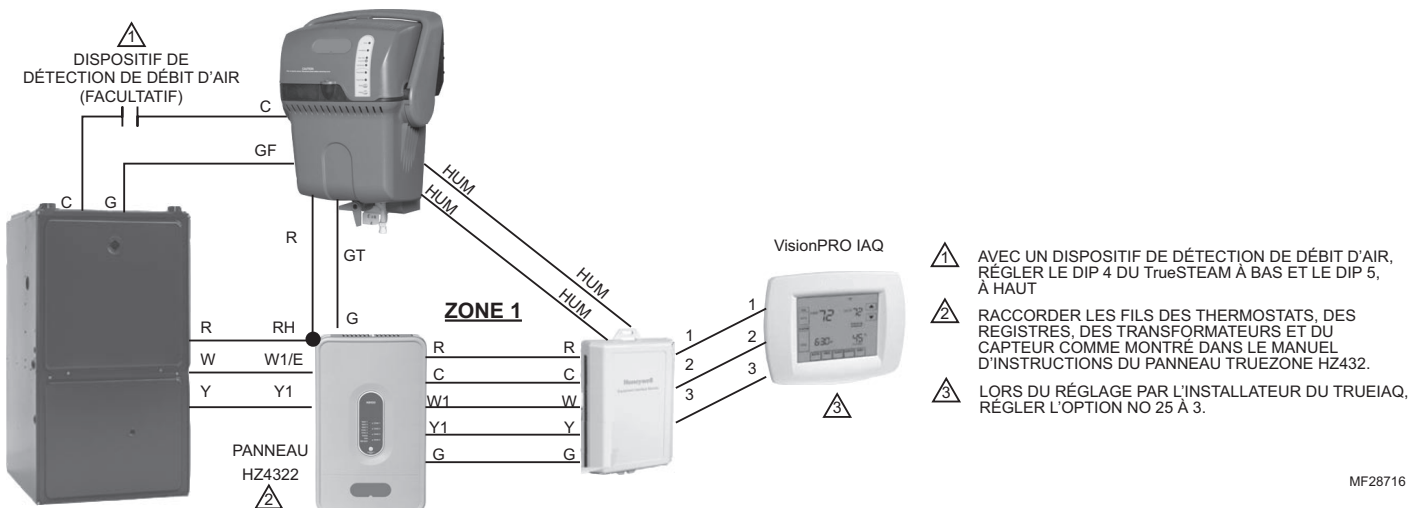
⚠️ AVEC UN DISPOSITIF DE DÉTECTION DE DÉBIT D'AIR, RÉGLER LE DIP 4 DU TrueSTEAM À BAS ET LE DIP 5, À HAUT

⚠️ RACCORDER LES FILS DES THERMOSTATS, DES REGISTRES, DES TRANSFORMATEURS ET DU CAPTEUR COMME MONTRÉ DANS LE MANUEL D'INSTRUCTIONS DU PANNEAU TRUEZONE HZ432.

⚠️ LORS DU RÉGLAGE PAR L'INSTALLATEUR DU TRUEIAQ, RÉGLER L'OPTION NO 25 À 3.

MF28715

TrueSTEAM raccordé à un thermostat dans une application avec zones



⚠️ AVEC UN DISPOSITIF DE DÉTECTION DE DÉBIT D'AIR, RÉGLER LE DIP 4 DU TrueSTEAM À BAS ET LE DIP 5, À HAUT

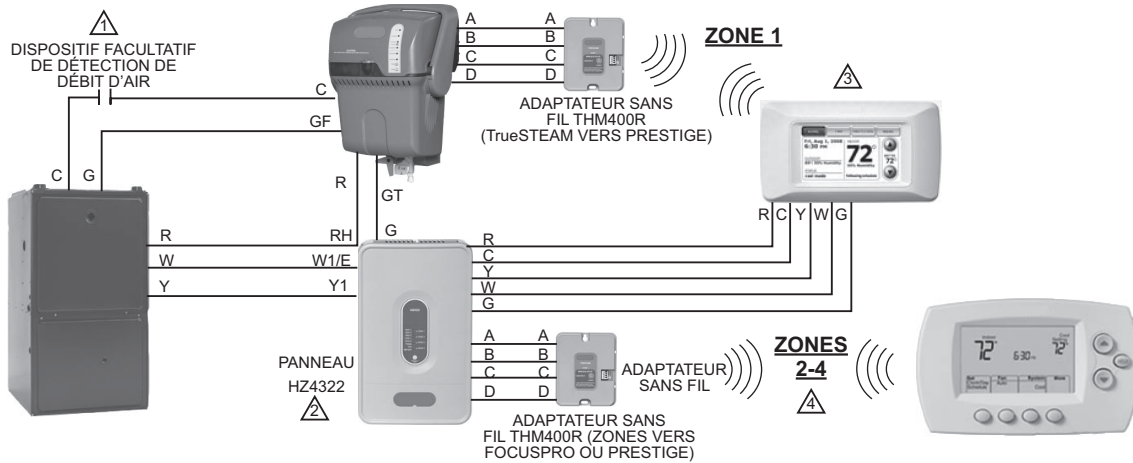
⚠️ RACCORDER LES FILS DES THERMOSTATS, DES REGISTRES, DES TRANSFORMATEURS ET DU CAPTEUR COMME MONTRÉ DANS LE MANUEL D'INSTRUCTIONS DU PANNEAU TRUEZONE HZ432.

⚠️ LORS DU RÉGLAGE PAR L'INSTALLATEUR DU TRUEIAQ, RÉGLER L'OPTION NO 25 À 3.

MF28716

ANNEXE B : TECHNIQUES DE CÂBLAGE PARTICULIÈRES

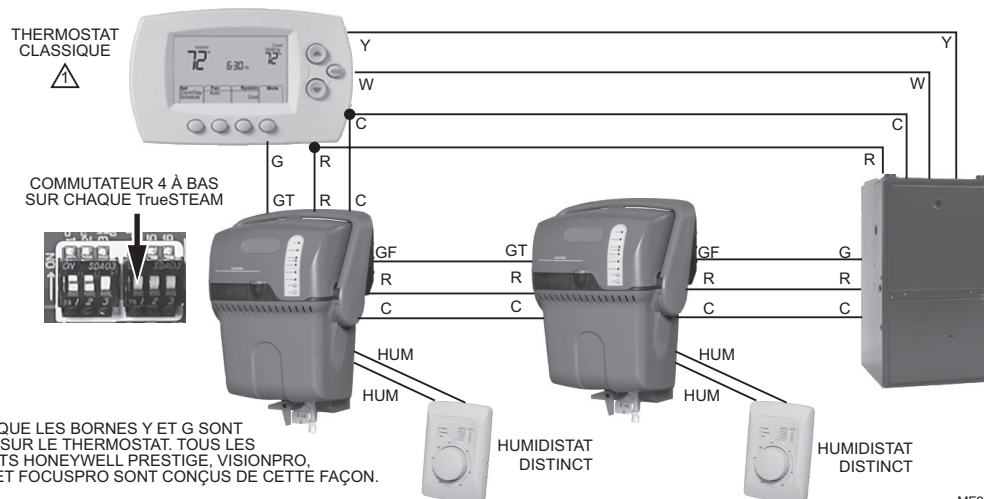
TrueSTEAM raccordé à des adaptateurs sans fil RedLINK dans une application avec zones



- ⚠ AVEC UN DISPOSITIF DE DÉTECTION DE DÉBIT D'AIR, RÉGLER LE DIP 4 DU TrueSTEAM À BAS ET LE DIP 5, À HAUT.
- ⚠ RACCORDER LES FILS DES THERMOSTATS, DES REGISTRES, DES TRANSFORMATEURS ET DU CAPTEUR COMME MONTRÉ DANS LE MANUEL D'INSTRUCTIONS DU PANNEAU TRUEZONE HZ432.
- ⚠ LORS DU RÉGLAGE PAR L'INSTALLATEUR, PROGRAMMER LES DEMANDES D'HUMIDITÉ COMME «INDÉPENDANTES DU VENTILATEUR».
- ⚠ UN PANNEAU UNIQUE TRUEZONE HZ432 AVEC UN ADAPTATEUR REDLINK PEUT ÉTABLIR UNE COMMUNICATION SANS FIL AVEC TROIS THERMOSTATS DE ZONE REDLINK SUPPLÉMENTAIRES.

MF28717

Raccordement de plusieurs TrueSTEAM à un système de CVC unique

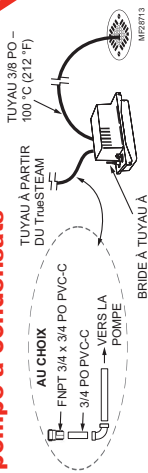


- ⚠ S'ASSURER QUE LES BORNES Y ET G SONT DISTINCTES SUR LE THERMOSTAT. TOUS LES THERMOSTATS HONEYWELL PRESTIGE, VISIONPRO, VISIONPRO ET FOCUSPRO SONT CONÇUS DE CETTE FAÇON.

MF28718

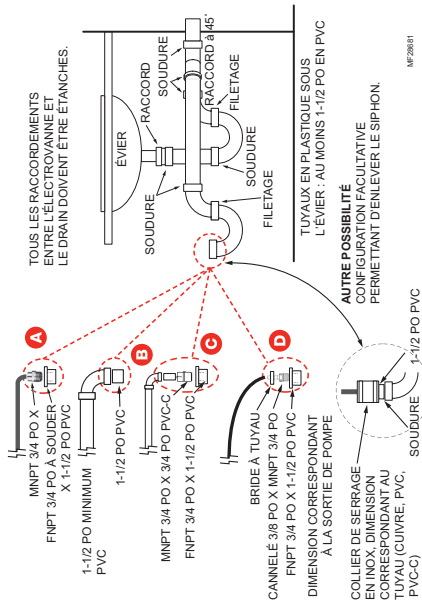
ANNEXE C : VIDANGE AVANCÉ

Choix 1 : Raccordement au drain avec pompe à condensats



- Choisir une pompe à condensats Hartell ASX-115 ou modèle équivalent (temp. nom. 100 °C/212 °F; débit > 1 GPM)
- La pompe doit être en marche lorsque le TrueSTEAM fonctionne
- Utiliser une pompe avec capteur de trop-plein intégré ou installer la pompe dans un plateau d'égouttement avec un interrupteur à capteur d'humidité raccordé de manière à arrêter le TrueSTEAM

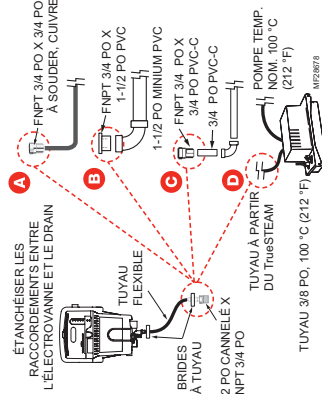
Choix 3 : Raccordement à l'évier avec siphon spécifique



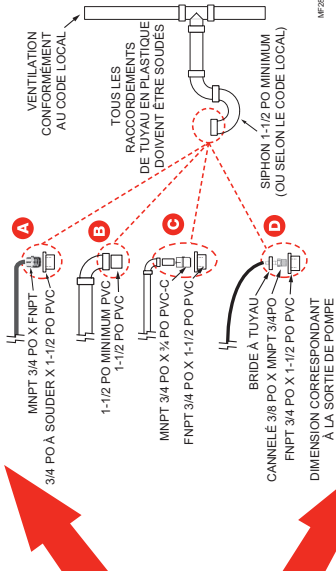
TOUS LES CHOIX DE RACCORDEMENTS ILLUSTRÉS :

- Soutenir le tuyau en caoutchouc tous les 15 cm (6 po).
- Utiliser un tuyau en PVC 40 ou supérieur.
- Souder tous les joints des tuyaux de plastique.
- Insérer le tuyau de vidange dans un siphon qui doit toujours contenir de l'eau.

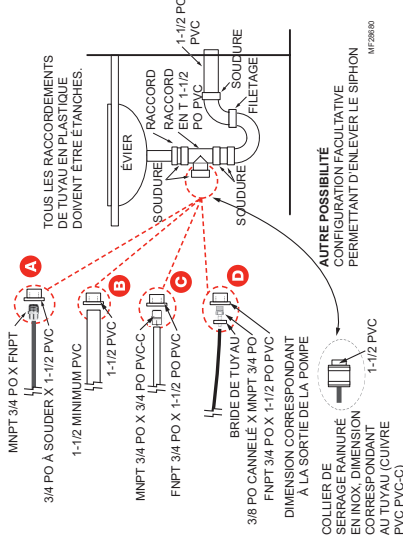
Raccordement au TrueSTEAM. Options communes à toutes les installations



Choix 2 : Raccordement à un siphon spécifique



Choix 4 : Raccordement au siphon de l'évier



Solutions de régulation et d'automatisation

Honeywell International Inc.	Honeywell Limited-Honeywell Limitée
1985 Douglas Drive North	35 Dynamic Drive
Golden Valley, MN 55422	Toronto, Ontario M1V 4Z9
http://yourhome.honeywell.com	

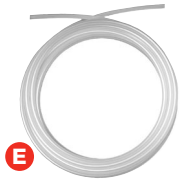
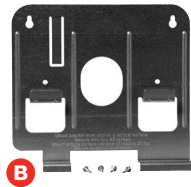
Honeywell



GUÍA DE INSTALACIÓN PROFESIONAL



INCLUIDA EN ESTA CAJA DEL HUMIDIFICADOR



Herramientas necesarias para instalar el TrueSTEAM

- ▶ Alicates/cortadores de cables
- ▶ Sierra corta-círculos de 4,4 cm (1-3/4 pulgadas) de diámetro
- ▶ Broca para taladro de 0,3 cm (1/8 pulgadas)
- ▶ Destornillador estándar
- ▶ Cable calibre 18 (hasta 5 conductores)
- ▶ Destornillador Torx T-20 y T-30

Otros requisitos

- ▶ El TrueSTEAM descarga agua a 60 °C (140 °F) o más. Consulte los códigos locales para conocer los procedimientos adecuados para el drenaje de agua caliente.
- ▶ El rango de la bomba de condensado, si se utiliza, es de 100 °C (212 °F).
- ▶ Se necesita una bandeja de goteo con un sensor de cierre de agua debajo del TrueSTEAM si lo instala en un espacio acabado o encima de este.

- A** TrueSTEAM
- B** Soporte y herrajes de montaje
- C** Filtro de agua y protección para evitar el reflujo
- D** Válvula de montura
- E** Manguera de suministro de agua
- F** Manguera de desagüe de 3 m (10 pies)
- G** Boquilla del conducto y junta
- H** Manual del usuario
- I** Etiqueta de servicio
- J₁** Control a color del Prestige HD*
- J₂** Control del TruelAQ*
- J₃** Control de humedad*
- J₄** Control del VisionPRO IAQ*

* El control se basa en el modelo solicitado.



La instalación remota requiere la compra por separado del kit de instalación remota

ÍNDICE

Configuración de las expectativas del propietario.....	1
Montaje	3
Plomería	5
Cableado.....	7
Mantenimiento	15
Solución de problemas	18
Lista de piezas.....	22
Apéndice A: Instalación remota.....	23
Apéndice B: Cableado avanzado	25
Apéndice C: Drenaje remoto.....	27

¿Necesita ayuda?

Para obtener ayuda sobre este producto, visite <http://yourhome.honeywell.com> o llame de manera gratuita al Servicio al cliente de Honeywell al **1-800-468-1502**

Lea y guarde estas instrucciones.

® Marca registrada de los EE. UU.
Patentes en trámite.

Copyright © 2009 Honeywell International Inc. Todos los derechos reservados.

QUÉ ESPERAR

- Es posible que tome hasta una semana de funcionamiento continuo para lograr el punto de referencia de humedad, según el clima, el tamaño de la vivienda, el mobiliario, el aislante, etc.
- Los expertos de la industria consideran que un 35% de humedad relativa en un invierno común es lo ideal. El propietario puede ajustarlo a su propio nivel de confort o hasta que se produzca condensación en las ventanas. Reduzca el punto de referencia si se produce condensación.
- Si el TrueSTEAM no humidifica pero la humedad se encuentra por debajo del punto de referencia, es probable que el control de humedad tenga una configuración de protección contra el congelamiento o que el TrueSTEAM esté en modalidad de ciclo de drenaje.
- La ventilación excesiva hace que el aire humidificado se escape hacia el exterior y lo reemplaza con aire seco, lo que dificulta mantener el punto de referencia de humedad en ciertas condiciones. Si instala un ventilador, es preferible usar una solución que mantenga la humedad, como el ventilador de recuperación de energía (ERV), para mantener los puntos de referencia de la humedad interior.
- Si no se puede alcanzar el punto de referencia en la vivienda, es posible que el tamaño de la unidad sea menor que el requerido. Esto puede deberse al aislante, las ventanas, el clima árido, etc. o la temperatura exterior puede estar demasiado baja para mantener los niveles de humedad adecuados. Honeywell recomienda esperar hasta que la temperatura exterior modere cercana a los $-6\text{ }^{\circ}\text{C}$ ($20\text{ }^{\circ}\text{F}$). Si los niveles de humedad elegidos no se logran, es posible que se necesite un modelo con mayor capacidad.
- Al inicio, es normal experimentar un ligero olor a plástico en la vivienda, según la cantidad de ventilación que haya. Si se utiliza la manguera remota, puede que exista un ligero olor a caucho. Estos olores se disiparán a los pocos días de la instalación.
- Si la luz de PRESS EMPTY (presionar vaciar) brilla intermitentemente, limpie el TrueSTEAM según los pasos detallados en la sección de mantenimiento. El TrueSTEAM seguirá humidificando normalmente mientras la luz de PRESS EMPTY (presionar vaciar) brille intermitentemente.
- La dureza del agua en la vivienda del propietario determinará la frecuencia con la que hay que limpiar el TrueSTEAM y con la que se debe cambiar el filtro de agua que viene incluido.
- Los datos indican que puede haber un ligero aumento en el consumo de energía del propietario cuando se utiliza cualquier tipo de humidificador. Sin embargo, el TrueSTEAM hará que la vivienda se sienta más cálida, lo que le permite al propietario disminuir la temperatura del termostato. Cada grado que disminuya en el termostato puede ahorrar hasta 3% de los costos de calefacción.

CONTRATISTAS: REQUISITOS IMPORTANTES PARA LA INSTALACIÓN

El incumplimiento puede ocasionar la anulación de la garantía, una instalación incorrecta y llamadas al servicio técnico.

- No coloque la boquilla de vapor en dirección a las personas.
- El agua que contiene el tanque puede estar muy caliente. Explique esto al propietario y ponga énfasis en la etiqueta de advertencia del TrueSTEAM.
- No toque ninguna tubería del aire acondicionado ni línea eléctrica.
- Utilice gafas de seguridad cuando instale el TrueSTEAM.
- Monte el humidificador en una posición nivelada para evitar daños ocasionados por el agua o fallas en los elementos de calor.
- Instale el TrueSTEAM en el conducto de suministro. Monte de forma remota el TrueSTEAM en el conducto de suministro si el montaje directo no es posible.
- No instale la boquilla de vapor en el conducto de suministro con una presión estática que supere los 1,3 cm (0,5 pulgadas) de c.a.
- Si se realiza el montaje remoto del TrueSTEAM, consulte la guía de montaje remoto (69-2317) para obtener instrucciones adicionales.
- No instale el humidificador donde la temperatura ambiente sea menor a 0 °C (32 °F) o mayor a 40 °C (104 °F).
- La bomba de condensado debe tener un rango de temperatura de 100 °C (212 °F).
- Consulte los códigos de plomería locales para conocer el tamaño de las tuberías de desagüe, el material y la temperatura máxima permitida.
- Si el TrueSTEAM se coloca en o encima de un espacio acabado, instale una bandeja de goteo con un interruptor de humedad debajo del TrueSTEAM, el filtro de agua y la protección para evitar el reflujos.
- No instale la boquilla del humidificador a través de paredes laterales de madera (por ejemplo, viguetas para piso).
- El área de montaje debe ser lo suficientemente resistente como para soportar el peso del humidificador cuando esté lleno de agua (hasta 6,8 kg [15 libras]).
- Si los conductos tienen materiales aislados expuestos en su interior, asegúrese de que la boquilla se extienda más allá del aislamiento. Para ello, retire el exceso de aislamiento en el punto de inserción o reemplace una parte del conducto aislado (aproximadamente, 15,2 x 15,2 cm [6 x 6 pulgadas]) con láminas rígidas de metal sin aislamiento.
- Mantenga una separación de, al menos, 10,2 cm (4 pulgadas) entre la salida de la boquilla del TrueSTEAM y cualquier conducto interior para evitar la formación de condensación.
- Realice el montaje del TrueSTEAM donde la salida de la boquilla tenga un espacio mínimo de corriente de aire descendente de 61 cm (24 pulgadas).
- No instale en espacios completamente cerrados como un gabinete o un armario sin ventilación. Elija una ubicación que esté bien ventilada.
- Deje, al menos, 30,5 cm (1 pie) de distancia para los orificios de ventilación de la cubierta del humidificador. No cubra estos orificios. Si lo hace, puede aumentar la temperatura de funcionamiento interior del humidificador y acortar su vida útil.
- No realice el montaje directamente en el panel del conducto. Se permite únicamente el montaje remoto del accesorio con boquilla cuando se utiliza un kit adaptador del panel del conducto Honeywell.
- Si se utiliza cerca de una piscina o bañera de hidromasaje, asegúrese de que el TrueSTEAM no pueda caer dentro del agua ni reciba salpicaduras. También asegúrese de que el TrueSTEAM esté conectado a un tomacorriente con interruptor de falla a tierra (IFT).

PRECAUCIONES DE SEGURIDAD



PRECAUCIÓN: peligro de voltaje. Puede causar descargas eléctricas o daños al equipo. Desconecte el equipo de calefacción, ventilación y aire acondicionado (HVAC) antes de comenzar la instalación.

Advertencia: riesgos de electrocución, equipo pesado y riesgos relacionados con el agua. Puede causar muerte, ceguera, daños al hogar ocasionados por el agua y fallas en los elementos de calefacción.

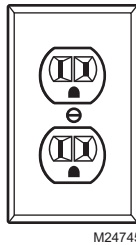
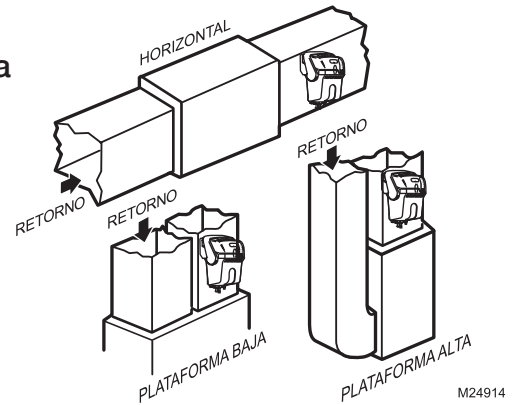
Advertencia: riesgos de condensación de vapor, incendio y congelamiento de agua. Puede causar fallas del ventilador o control de límites o puede provocar daños al hogar ocasionados por el agua.

INSTRUCCIONES PARA EL MONTAJE DEL CONDUCTO

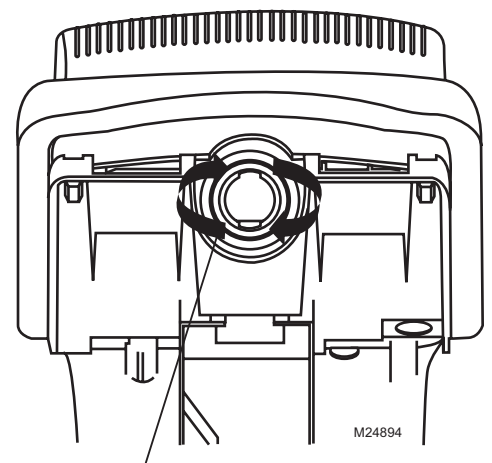
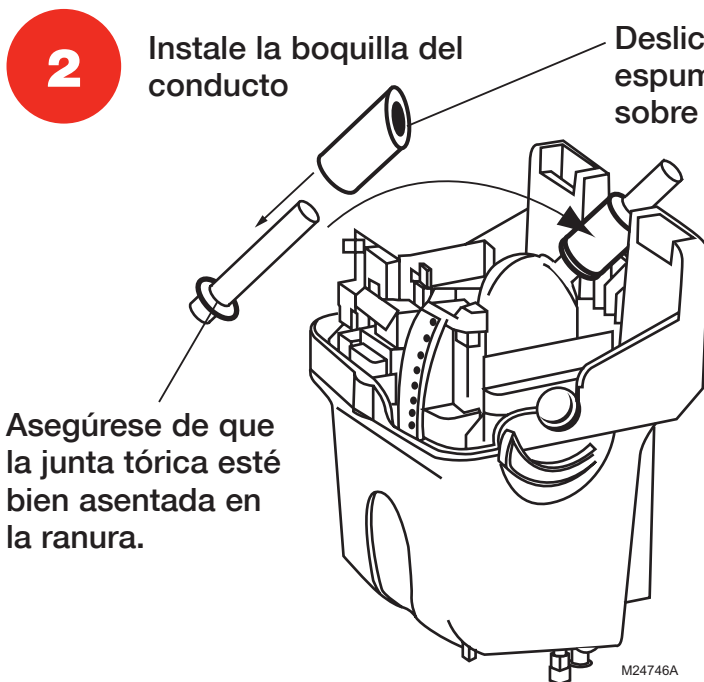


Elija una ubicación que tenga acceso a:

- Realice el drenaje con un rango alto de temperatura del agua. Consulte los códigos de plomería locales para garantizar el correcto drenaje.
- Se debe utilizar una tubería de suministro de agua fría.
- Un circuito eléctrico calificado para su humidificador.
- Una superficie vertical con las distancias adecuadas.



Modelo	Capacidad mínima requerida del circuito
HM506	7 Amp
HM509	10 Amp
HM512	12 Amp

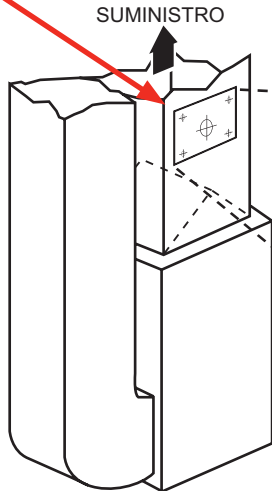


Introduzca la boquilla y gire en sentido horario para asegurar un sellado hermético de la boquilla con el TrueSTREAM.

INSTRUCCIONES PARA EL MONTAJE DEL CONDUCTO

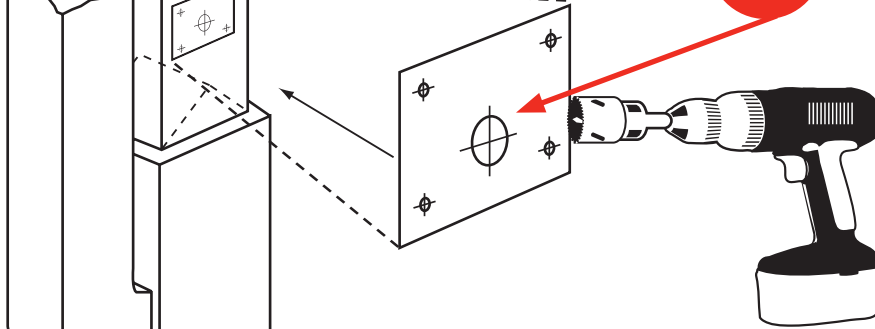
3

Coloque la plantilla sobre el conducto de suministro. Asegúrese de tener las distancias adecuadas desde el serpentín A.



4

Taladre un orificio de 1-3/4 pulgadas (4,4 cm).



MS24748A

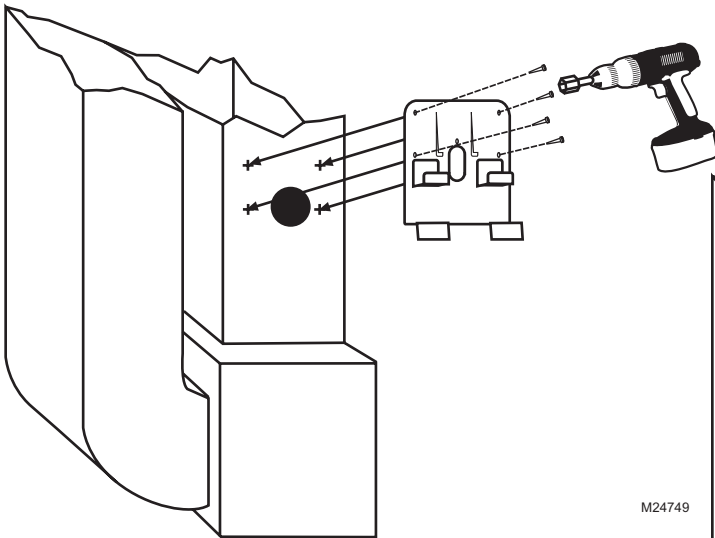
5

Asegure el soporte al conducto con los tornillos autotaladrantes para lámina de metal (4) que se suministran.

6

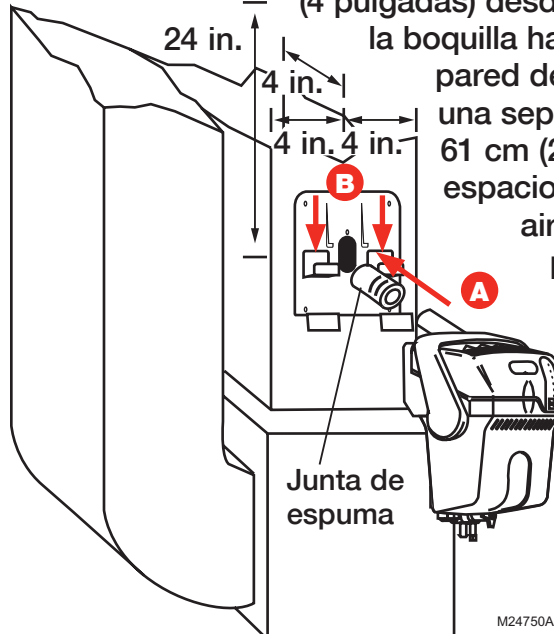
A) Asegúrese de que la junta de espuma esté correctamente colocada sobre la boquilla e insértela en el orificio del conducto.

B) Empuje hacia abajo para fijar el humidificador a los brazos de soporte. Asegúrese de que la junta forme un sellado hermético en el orificio del conducto.



M24749

Deje una separación de 10,2 cm (4 pulgadas) desde la salida de la boquilla hasta cualquier pared del conducto, y una separación de 61 cm (24 pulgadas) de espacio de corriente de aire descendente para evitar la condensación en el conducto.



M24750A

PARA LA INSTALACIÓN REMOTA, CONSULTE EL APÉNDICE A O EL DOCUMENTO 69-2317, INCLUIDO CON EL KIT DE INSTALACIÓN REMOTA.

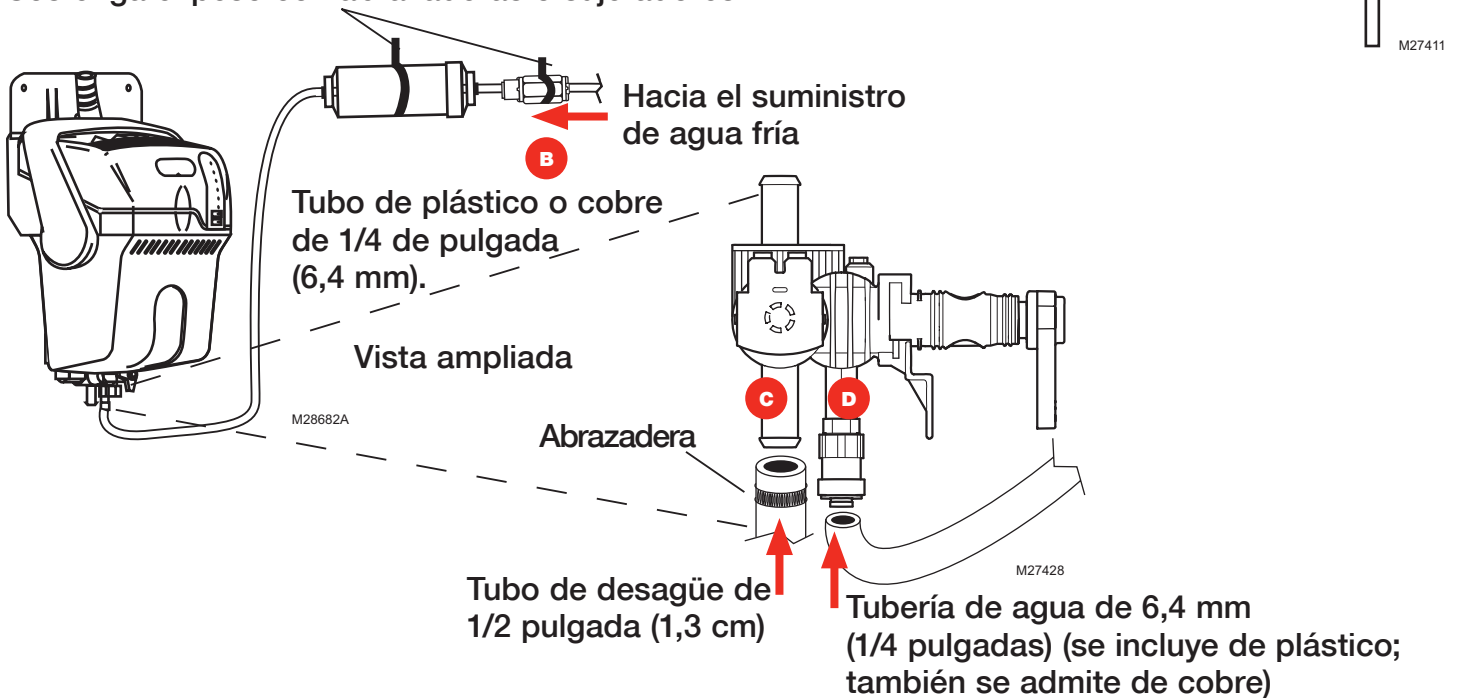
CONEXIÓN DEL SUMINISTRO DE AGUA

7

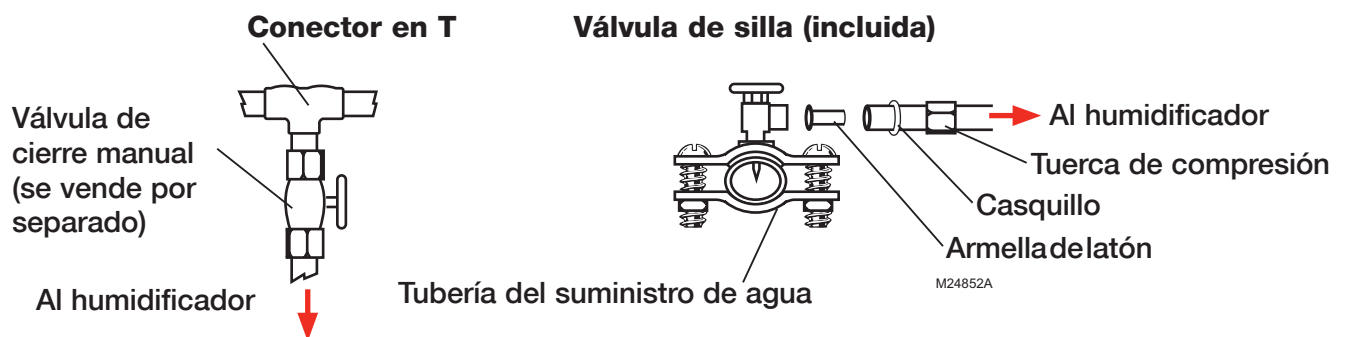
Utilice agua fría únicamente. No utilice el suministro de agua caliente.

- A** Filtro de agua. Inserte una tubería de agua de plástico o cobre de 6,4 mm (1/4 pulgadas). Aplique una fuerza moderada para lograr un ajuste ceñido.
- B** Válvula para evitar el reflujo. Inserte una tubería de agua de plástico o cobre de 6,4 mm (1/4 pulgadas). Aplique una fuerza moderada para lograr un ajuste ceñido.
- C** Conecte un tubo de desagüe de 1/2 pulgada (1,3 cm). Asegure el tubo de desagüe al accesorio dentado con la abrazadera de la manguera.
- D** Cierre el suministro de agua. Asegure el tubo de alimentación de agua de plástico o cobre de 1/4 de pulgada (6,4 mm).

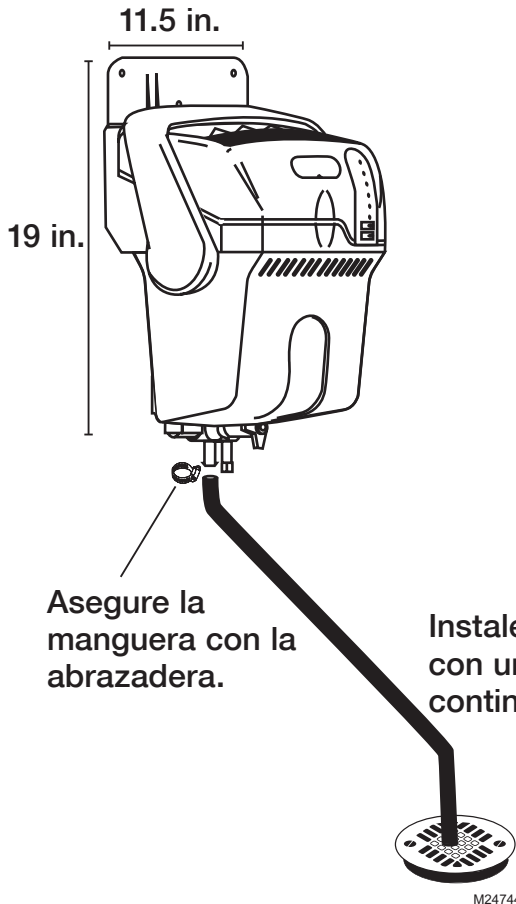
Sostenga el peso con abrazaderas o sujetadores.



Opciones de toma de la tubería de agua: consulte la documentación de la válvula seleccionada y los códigos de plomería locales para conocer la técnica adecuada para la opción elegida.



CONEXIÓN DEL DESAGÜE



8

Consulte los códigos de plomería locales antes de instalar el desagüe.

La instalación ideal se realiza directamente al desagüe principal del piso y se utiliza la manguera de goma que viene incluida.

Si no está disponible el acceso directo al desagüe de piso, consulte el Apéndice C.



PRECAUCIÓN

El agua caliente puede salir por el desagüe y producir quemaduras.

El agua que drena podría estar caliente. Dirija y asegure la salida de la manguera en el desagüe de piso para reducir el riesgo de que el agua caliente se acumule o salpique. Consulte y siga los códigos de plomería locales para conocer el tamaño de las tuberías de desagüe y los requisitos de temperatura máxima.

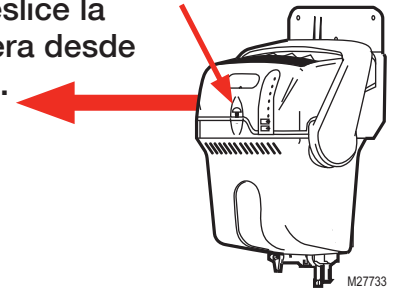
CABLEADO: COMIENZO



PRECAUCIÓN: peligro de voltaje.
Antes de realizar el cableado hacia las terminales del equipo de HVAC, corte la energía del equipo. Asegúrese de que el humidificador no esté enchufado.



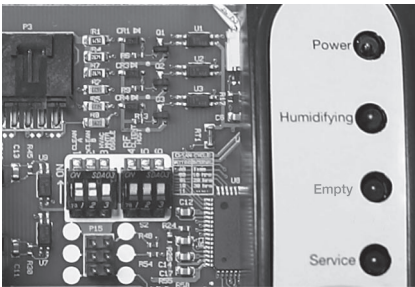
Afloje el tornillo imperdible de la cubierta. Deslice la cubierta hacia fuera desde la parte delantera.



ANTES DE COMENZAR

El cableado del TrueSTEAM es distinto del cableado de un humidificador con almohadilla de evaporación. El TrueSTEAM puede controlar la energía del sistema y regular el funcionamiento del ventilador del sistema, además del accionamiento de la válvula solenoide para agua. Estas características del cableado están configuradas por las configuraciones de los interruptores DIP.

Configuraciones de los interruptores DIP para la humidificación TrueSTEAM



M28712

Cuando retire la cubierta del TrueSTEAM, verá seis interruptores DIP a la izquierda del panel de interfaz. Este manual hace referencia a los interruptores DIP del 1 al 6, de izquierda a derecha. Los interruptores DIP 3, 4 y 5 ofrecen distintas configuraciones de cableado para la humidificación. (Los DIP 1 y 2 están relacionados con el mantenimiento. Los detalles para los DIP 1 y 2 se incluyen en la sección de mantenimiento). El DIP 6 no se utiliza en este momento.



M28683

DIP 3 = funcionamiento inalámbrico (se aplica a modelos inalámbricos únicamente)

Si está HACIA ABAJO (predeterminado), el terminal inalámbrico está desactivado.

Si está HACIA ARRIBA, el terminal inalámbrico está activado.

DIP 4 = monitoreo de la energía.

Si está HACIA ABAJO (predeterminado), el TrueSTEAM busca la entrada R antes de permitir que se produzca humedad.

Si está HACIA ARRIBA, el TrueSTEAM no busca la entrada R antes de permitir que se produzca humedad.

DIP 5 = comprobación de aire auxiliar.

Si está HACIA ABAJO (predeterminado), El TrueSTEAM no busca el movimiento de aire (a través de un dispositivo de comprobación de aire) antes de permitir que se produzca humedad.

Si está HACIA ARRIBA, El TrueSTEAM busca el movimiento de aire (a través de un dispositivo de comprobación de aire) antes de permitir que se produzca humedad. Conecte un dispositivo de comprobación de aire entre la conexión C del TrueSTEAM y la conexión C del sistema.

Nota: la configuración del interruptor DIP 5 requiere que el interruptor DIP 4 esté hacia abajo. Si el DIP 4 está hacia arriba, no se utilizará la posición del DIP 5.

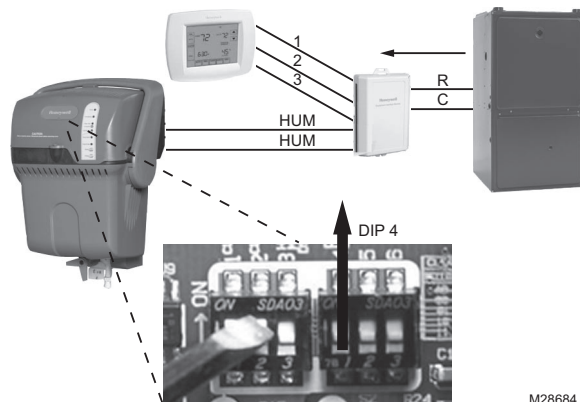
CABLEADO: COMIENZO

El **monitoreo de la energía** es una configuración que hace que el TrueSTEAM únicamente permita el ingreso de humedad en el conducto cuando recibe la confirmación de que el transformador del sistema de HVAC tiene energía.

Nota: esta imagen no es un diagrama de cableado completo. Solamente muestra el monitoreo de la energía.

1. Cuando se utiliza un termostato con control de humedad incorporado, como VisionPRO IAQ o Prestige.

- Un termostato recibe suministro eléctrico desde el transformador del sistema, así que el humidificador no puede producir vapor si no tiene energía.
- Dado que el termostato sabe cuando el transformador del sistema tiene energía, configure el interruptor DIP 4 del TrueSTEAM HACIA ARRIBA para que no busque además una entrada R desde el R del sistema.



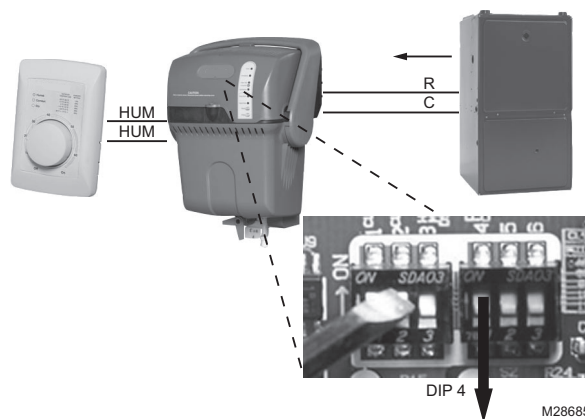
Es ideal para contratistas que:

- Desean un cableado accesorio simplificado (el TrueSTEAM únicamente debe conectarse a los terminales HUM del control).
- Ofrecen un sistema integrado y controles accesorios para el espacio habitable de sus clientes.

Nota: esta imagen no es un diagrama de cableado completo. Solamente muestra el monitoreo de la energía.

2. Cuando se utiliza un humidistato SEPARADO del termostato, como H8908 o TrueIAQ.

- El TrueSTEAM generalmente le suministra energía al humidistato. Es importante que el TrueSTEAM controle la energía del sistema de HVAC para determinar si se permite humedad.
- Deje al interruptor DIP 4 HACIA ABAJO (configuración de fábrica) y conecte el R y C del sistema de HVAC al R y C del TrueSTEAM. El TrueSTEAM verificará si hay energía antes de permitir la producción de vapor.



Es ideal para contratistas que:

- Use a humidity control separate from the thermostat system control.

CABLEADO: COMIENZO

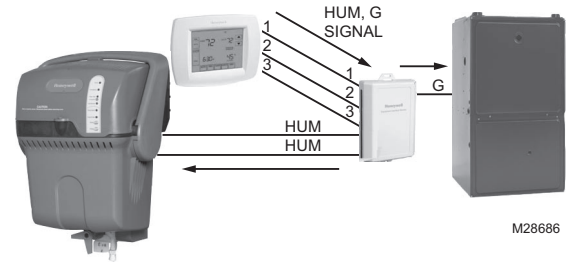
La **regulación del ventilador del sistema** es una configuración que permite que el TrueSTEAM controle el funcionamiento del ventilador del sistema de HVAC y garantiza que el ventilador se encienda cuando haga falta humedad. El flujo de aire es necesario para distribuir la humedad dentro del espacio habitable y evitar la formación de condensación en el conducto.

Existen dos maneras de configurar el funcionamiento del ventilador del sistema, según el control de humedad que se utiliza.

Nota: esta imagen no es un diagrama de cableado completo. Solamente muestra el monitoreo de la energía.

1. Cuando se utiliza un termostato con control de humedad incorporado, como VisionPROIAQ o Prestige.

- Un termostato controla el ventilador y el humidificador, de manera que el control no permite la producción de vapor sin encender el ventilador del sistema.
- Conecte el G del termostato al G del sistema de HVAC como de costumbre. Conecte los terminales HUM del TrueSTEAM a los terminales HUM del sistema.



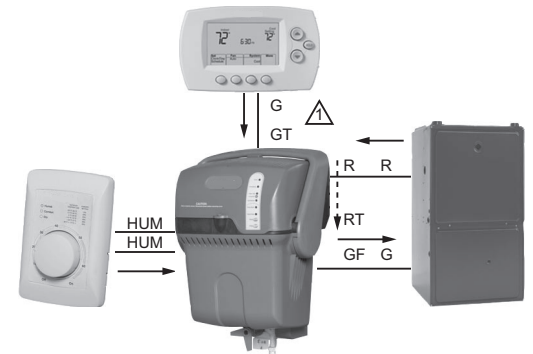
Es ideal para contratistas que:

- Desean un control integrado del humidificador y del sistema de HVAC en el espacio habitable.
- Desean que el ventilador del sistema se encienda inmediatamente cuando se genera una demanda de humedad.

Nota: esta imagen no es un diagrama de cableado completo. Solamente muestra el monitoreo de la energía.

2. Cuando se utiliza un humidistato SEPARADO del termostato, como H8908 o TrueIAQ.

- Los controles de humedad externos no monitorean ni controlan el ventilador del sistema, de manera que es crucial que el TrueSTEAM garantice que el ventilador tenga energía antes de permitir la producción de humedad.
- Interrumpa la conexión del G del termostato al G del sistema de HVAC. Conecte el G del termostato al GT del TrueSTEAM. Conecte el GF del TrueSTEAM al G del sistema de HVAC.



⚠ SI LA SEÑAL G DEL TERMOSTATO NO ESTÁ PRESENTE, ENTONCES EL TERMINAL GF DEL TrueSTEAM SUMINISTRARÁ ENERGÍA AL TERMINAL G DEL HVAC PARA QUE SE ENCIENDA EL VENTILADOR.

- 1 Los avisos del G del termostato pasan a través del TrueSTEAM sin obstáculos. Si está señal no está presente y se necesita humedad, el TrueSTEAM suministrará energía desde el terminal RT al GF y al G del sistema de HVAC para garantizar que el ventilador tenga energía para las demandas de humedad.

Es ideal para contratistas que:

- Usan un control de humedad separado del termostato.
- Desean evitar la circulación excesiva de aire en la vivienda. Los avisos para hacer funcionar el ventilador del TrueSTEAM no saldrán del GF hasta que la temperatura del agua alcance los 76 °C (170 °F) (justo antes de hervir).

Nota: esta función también se puede utilizar con el VisionPRO IAQ. Vea la página 13.

CABLEADO: COMIENZO

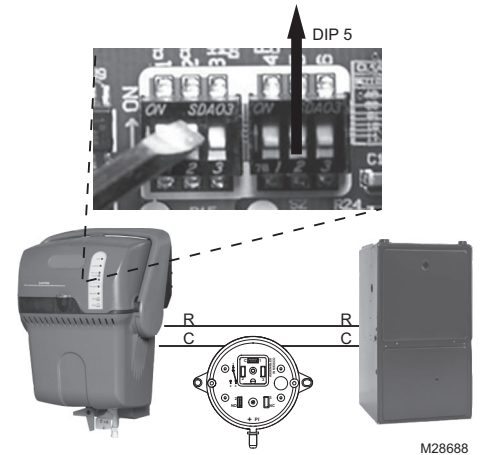
La comprobación de aire complementaria opcional es una configuración que permite que el TrueSTEAM verifique dos veces el movimiento de aire.

La comprobación de aire se configura mediante el interruptor DIP 5 del TrueSTEAM. Configure el DIP 5 hacia arriba y el DIP 4 hacia abajo para permitir la comprobación de aire.

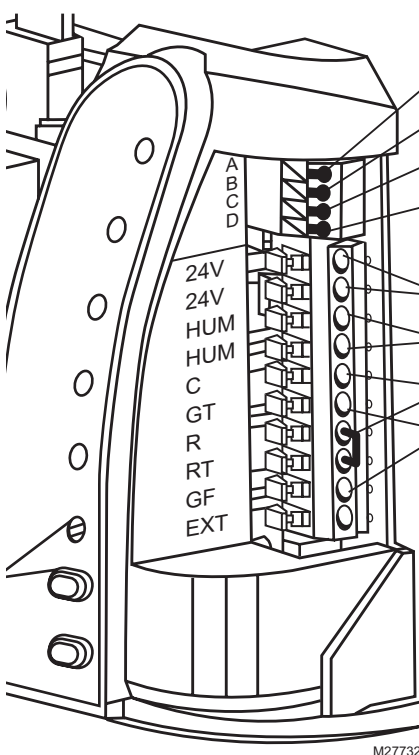
Nota: esta imagen no es un diagrama de cableado completo. Solamente muestra la comprobación de aire.

1. Además de controlar la energía del sistema y el funcionamiento del ventilador, el TrueSTEAM puede controlar el movimiento de aire a través de un dispositivo externo de comprobación de aire.

- Conecte el R y C del TrueSTEAM al R y C del sistema de HVAC con un dispositivo de comprobación de aire en línea en el C.
- Configure el DIP 5 hacia arriba y mantenga el DIP 4 hacia abajo.
- El TrueSTEAM buscará el movimiento de aire a través de la conexión C antes de que ingrese vapor al conducto.



CABLEADO

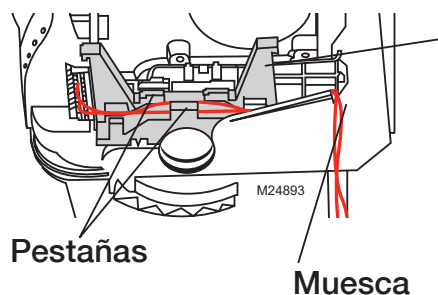


Wireless Terminals

- A 24 V
- B Enviar señal
- C Recibir señal
- D Común

Terminales de bajo voltaje

- 24V Voltaje de salida de CA
- HUM Terminales de bajo voltaje para control de humedad.
- C, R Entradas del transformador del sistema de HVAC.
- GT, GF La entrada GT es del G del termostato. La salida GF va hacia el G del sistema de HVAC.



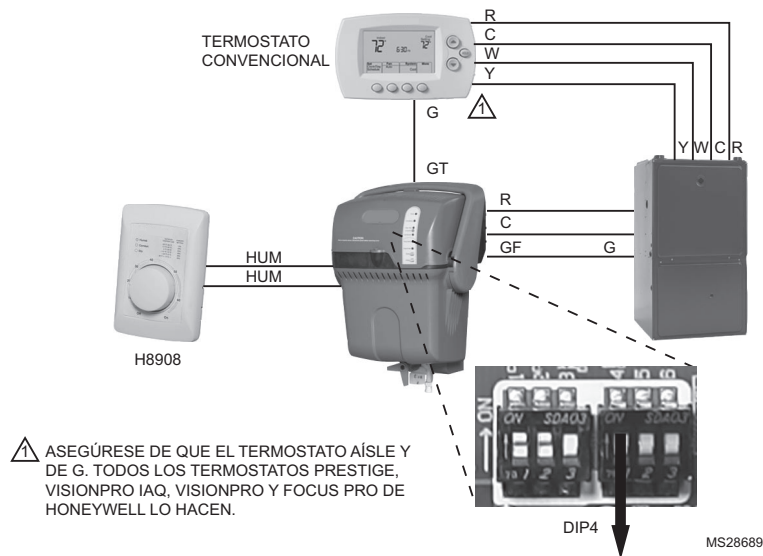
Dirija los cables a través de las pestañas elevadas y hacia afuera de la muesca que se encuentra en la parte posterior del chasis. Asegúrese de que los cables estén seguros y que no interfieran con el ensamble de la cubierta.

CABLEADO BÁSICO

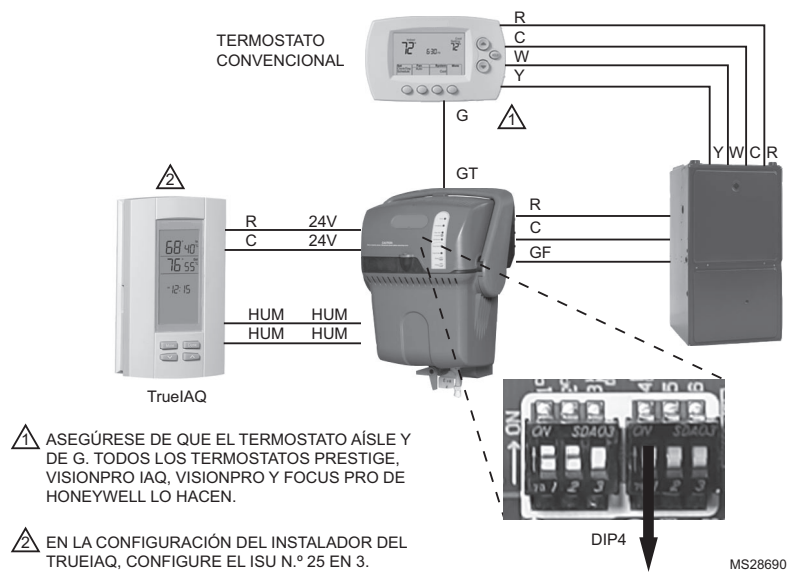
10

Conecte el TrueSTEAM según el diagrama que corresponda a su control de humedad.

Cableado del humidistato automático de contacto seco.



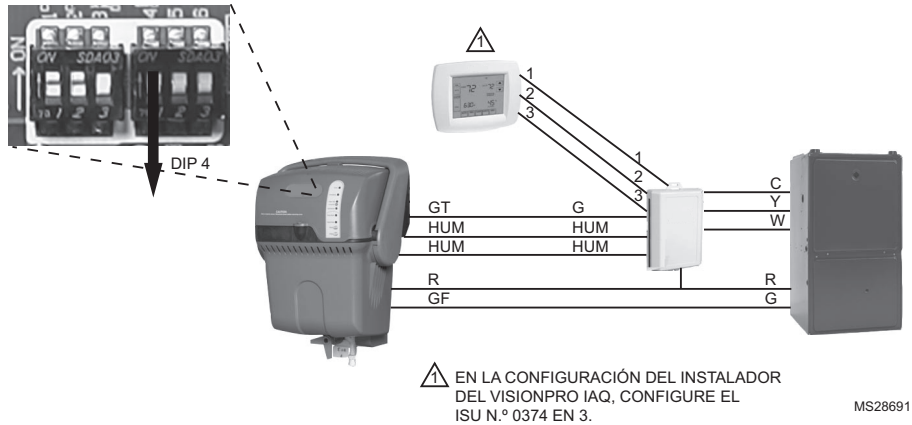
TrueIAQ wiring.



CABLEADO BÁSICO

Cableado del VisionPRO IAQ™

Siga este diagrama si utiliza un VisionPRO IAQ con la función de retardo de encendido del ventilador del TrueSTEAM. El ventilador del sistema se encenderá cuando la temperatura del agua del tanque llegue a 76 °C (170 °F).

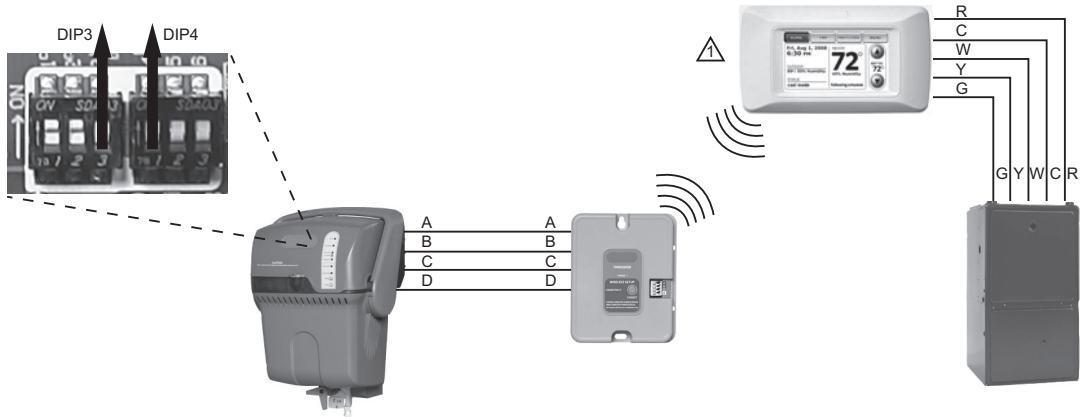


Siga este diagrama si utiliza el VisionPRO IAQ™ para encender el ventilador del sistema de inmediato cuando se produzca una demanda de humedad.



INSTALACIÓN INALÁMBRICA

Conexión del Prestige HD con RedLINK



⚠ El "1" EN LA CONFIGURACIÓN DEL INSTALADOR DEL PRESTIGE PROGRAMA LAS DEMANDAS DE HUMEDAD EN "HUMIDIFICAR ACTIVA EL VENTILADOR".

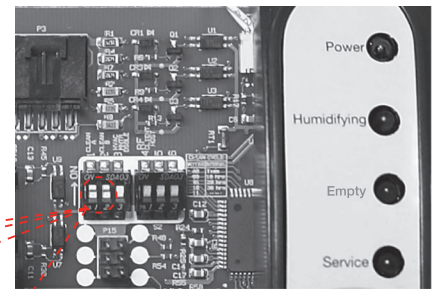
MS28694

CONFIGURACIÓN DE CICLOS DE DESCARGA

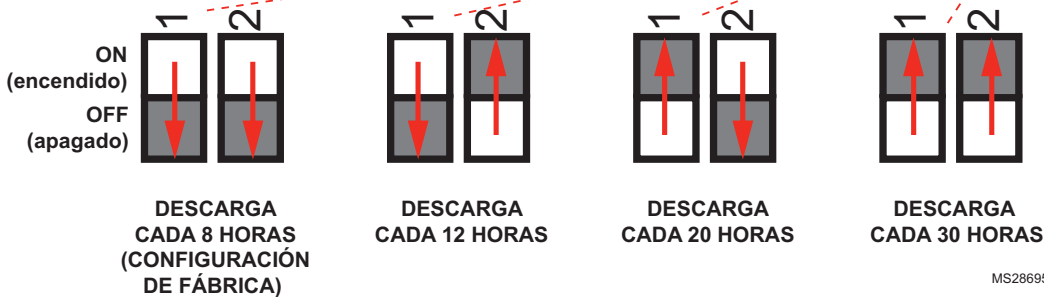
11

Los interruptores DIP 1 y DIP 2 configuran la frecuencia con la que el TrueSTEAM descarga automáticamente los minerales del tanque.

Nota: el tiempo de descarga se basa en la cantidad de horas de actividad de los elementos de calor, no en el tiempo real.



M28712

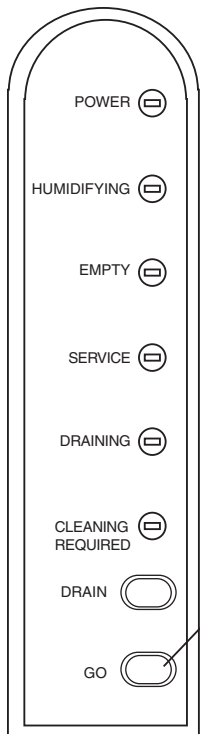


MS28695

INICIO Y VERIFICACIÓN

12

Deslice la cubierta, ubíquela en su lugar y asegure el tornillo. Abra el suministro de agua.



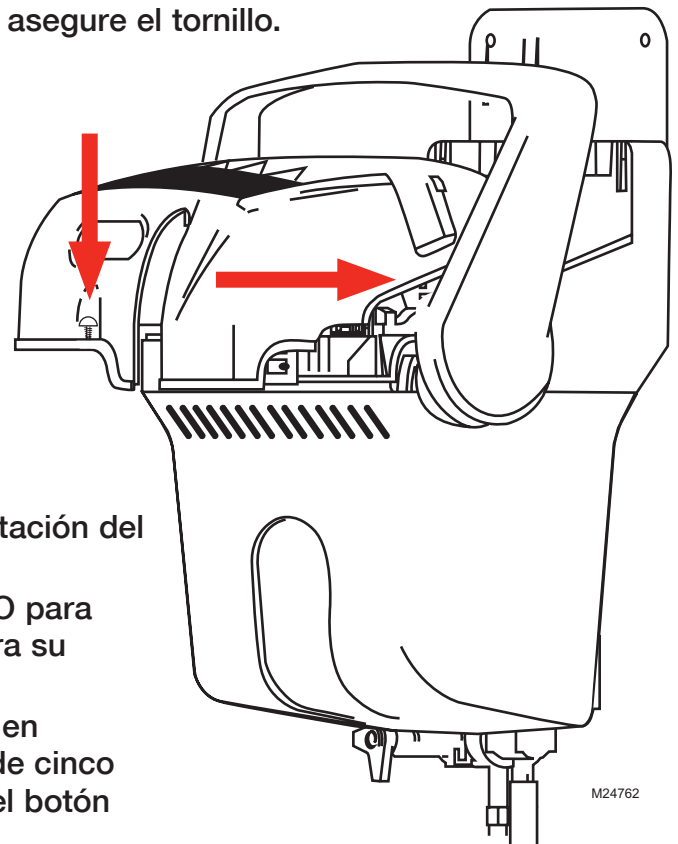
M24763A

13

Enchufe el cable de alimentación del TrueSTEAM.

Presione/suelte el botón GO para preparar el TrueSTEAM para su funcionamiento.

El TrueSTEAM se colocará en posición de listo después de cinco minutos si no se presiona el botón GO (comenzar).



M24762

14

Coloque el control de humedad en la posición "Test" (prueba). Si la posición "Test" (prueba) no está habilitada, coloque el control en un punto de referencia alto (60% +). Asegúrese de volver a colocar el punto de referencia en el nivel deseado una vez que se haya completado la prueba. "Off" (apagado) apagará el TrueSTEAM.



15

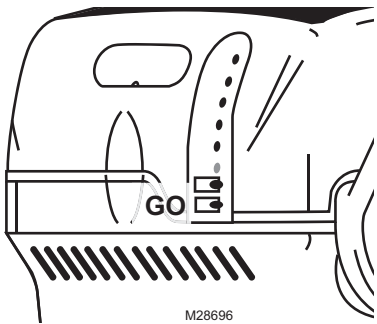
Verifique que el soplador de calefacción se encienda para hacer circular el aire. Esto demora de 10 a 15 minutos luego de la demanda de humedad si el TrueSTEAM está controlando el ventilador.

Permita que el TrueSTEAM produzca vapor y luego revise todas las conexiones de la tubería de agua para comprobar que no existan filtraciones antes de dejar el lugar de trabajo.

MANTENIMIENTO

El TrueSTEAM se descarga automáticamente durante la temporada de humidificación. Se recomienda limpiar a mano el TrueSTEAM, al menos, una vez cada 5 meses (el agua dura puede requerir una limpieza más frecuente).

La luz de “Cleaning Required”



M28696

La luz de “Cleaning Required” (se necesita limpieza) del TrueSTEAM se encenderá para indicar que el tanque necesita una limpieza manual. El TrueSTEAM seguirá funcionando normalmente cuando se encienda la luz de “Cleaning Required” (se necesita limpieza). Siga los pasos 1 a 10 detallados a continuación para limpiar el TrueSTEAM.

Nota: la luz de “Cleaning Required” (se necesita limpieza) se encenderá si el tanque se vacía de manera demasiado lenta durante el ciclo de limpieza automática, posiblemente a causa de sedimentos en el tanque. El TrueSTEAM seguirá funcionando normalmente y si, durante el siguiente ciclo de limpieza automática, el tanque se vacía normalmente, la luz de “Cleaning Required” (se necesita limpieza) se apagará.



Advertencia: peligro de quemaduras.

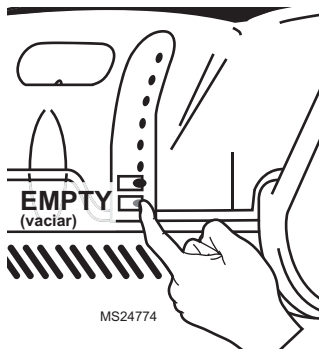
No intente retirar el humidificador del soporte de montaje mientras esté en funcionamiento ni cuando el tanque de agua del humidificador esté lleno. El elemento de calefacción puede estar caliente cuando retire el tanque. Si no tiene esto en cuenta, corre peligro de sufrir quemaduras graves.

Operación de drenaje

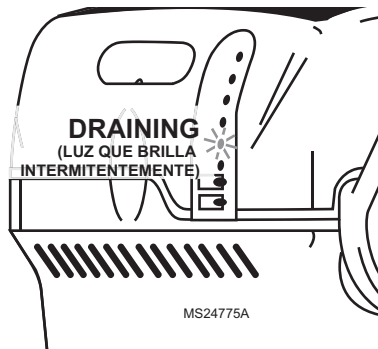
Durante la autodescarga, entrará agua fría en el tanque para bajar la temperatura del agua a menos de 60 °C (140 °F) antes de que drene.

Aviso de anulación de la descarga: una descarga estándar demora hasta 45 minutos. Si presiona el botóns EMPTY y GO y lo mantiene presionado después de que la luz de “Draining” ya esté brillando intermitentemente, el tanque se vaciará de inmediato, independientemente de la temperatura del agua. Si hace eso, asegúrese de que el desagüe pueda soportar hasta 100 °C (212 °F).

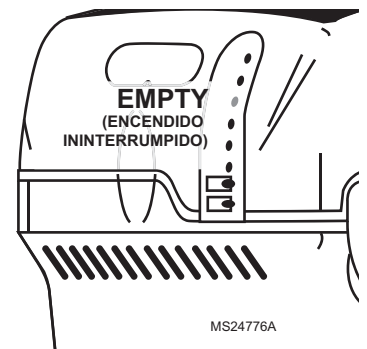
1. Para limpiar el TrueSTEAM de forma manual:



MS24774



MS24775A



MS24776A

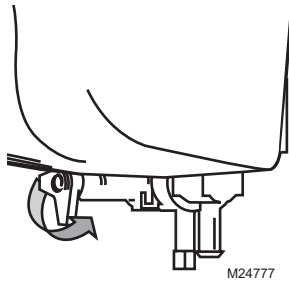
PRESIONE Y MANTENGA PRESIONADO EL BOTÓN EMPTY (vaciar)

DESCARGA DEL TANQUE
Si presiona los botones EMPTY y GO después de que la luz de Draining comience a brillar intermitentemente, el tanque se vaciará, independientemente de la temperatura del agua. Tenga cuidado.

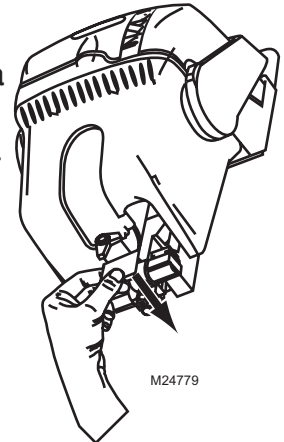
TANQUE VACÍO
Continúe con los pasos 2 al 4.

MANTENIMIENTO

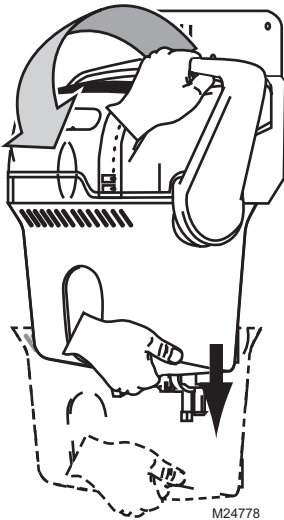
2. Cuando el tanque esté vacío, coloque la válvula de cierre manual que se encuentra en la parte inferior del tanque en la posición "Unlock" (destrabar).



3. Tome el brazo de la válvula de agua limpia y empújelo para que se suelte de la bobina negra del tanque.



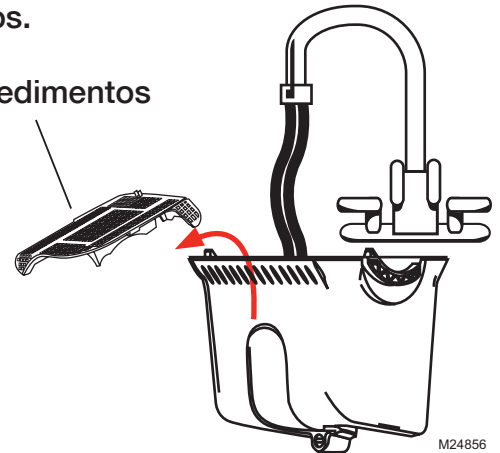
4. Sujete firmemente el fondo del tanque. Presione hacia abajo el botón de seguridad de la cubierta y empuje el cerrojo hacia adelante para soltar el tanque.



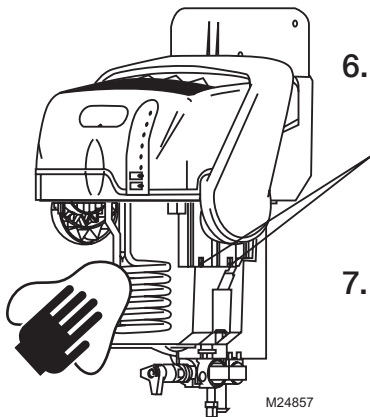
5. Utilice agua corriente para quitar los minerales sueltos del tanque. El filtro de sedimentos que se encuentra en la parte inferior del tanque se desmonta. Para una limpieza más profunda, humedezca el taque con agua jabonosa tibia, luego, enjuague bien. El tanque también es apto para lavaplatos.

Nota: No utilice limpiadores a base de aceites de hidrocarburos.

Filtro de sedimentos



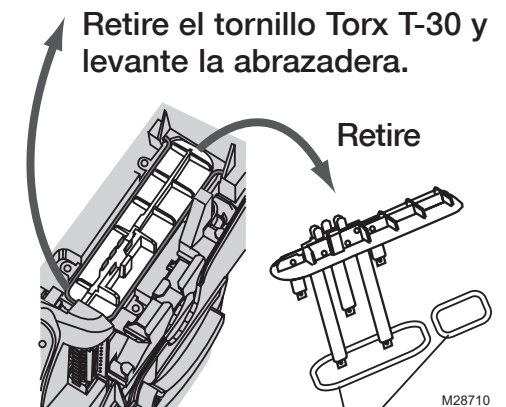
Precaución
Para los pasos 6 y 7, desenchufe el TrueSTEAM.



6. Frote cuidadosamente para quitar los minerales del elemento de calor y de las paredes del tanque.

Limpie los orificios del compartimiento del sensor si tiene residuos.

7. Retire la cubierta del TrueSTEAM. Inspeccione el sensor de nivel de agua. Cámbielo si tiene acumulación de residuos.



Asegúrese que las juntas del sensor estén bien asentadas y en buenas condiciones (sin grietas).

MANTENIMIENTO

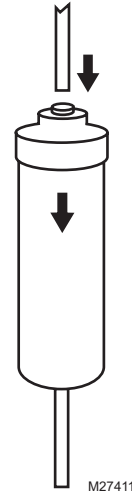
8. Cambie el filtro de la tubería, al menos, una vez por temporada. Cierre el suministro de agua antes de cambiarlo.

Presione hacia abajo el anillo del filtro y saque la tubería de agua 1/4 in. en cada lado.



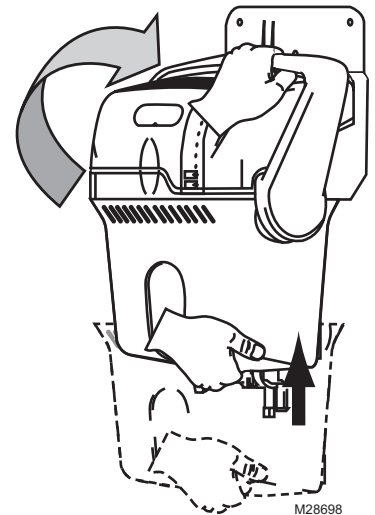
M28697

Inserte tuberías de 6,4 mm (1/4 pulgadas) en el nuevo filtro. Aplique una fuerza moderada para lograr un ajuste ceñido.



M27411

9. Una vez limpio, vuelva a colocar el tanque y asegure el cerrojo. Enganche la válvula de agua limpia a la bobina negra del tanque y “trabe” la válvula de cierre. La luz de “Press Reset” (presionar reiniciar) brillará intermitentemente en el inicio. Presione el botón RESET (reiniciar) para preparar el humidificador.



M28698

- 10.
- Limpie el polvo de los orificios de ventilación de la cubierta del humidificador.
 - Retire cualquier residuo del tubo de desagüe de agua.
 - Asegúrese de que la junta de sellado del tanque de agua esté bien asentada en la base del humidificador y que esté en buenas condiciones (sin grietas ni roturas) antes de volver a colocar el tanque de agua del humidificador.
 - Verifique que el humidificador aún esté nivelado.

Apagado automático de fin de temporada

El TrueSTEAM cuenta con inteligencia para vaciar el tanque cuando no se necesita humedad por un período de tiempo prolongado. Luego de 48 horas de inactividad, el TrueSTEAM drenará el agua y permanecerá vacío hasta que vuelva a necesitar la humedad. Esto evita que el agua se estanque en el tanque. El tanque se rellenará con agua cuando ocurra la próxima demanda de humedad.

Vacaciones largas

Se recomienda que cierre el suministro de agua y el control de humedad del humidificador cuando se tome vacaciones largas. Cuando regrese, abra el suministro de agua del humidificador y reinicie el control de humedad en una posición cómoda.

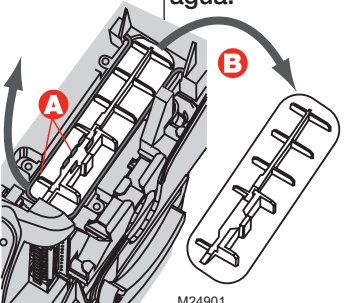
SOLUCIÓN DE PROBLEMAS

El TrueSTEAM cuenta con un diagnóstico de sistema interno que controla el funcionamiento del sistema, los cronogramas de mantenimiento y las fallas. Si se detecta una falla en el sistema, este intentará auto recuperarse hasta cinco veces en un período de 24 horas. Si no puede recuperarse en ese tiempo, se activará la luz roja de Service (servicio técnico).

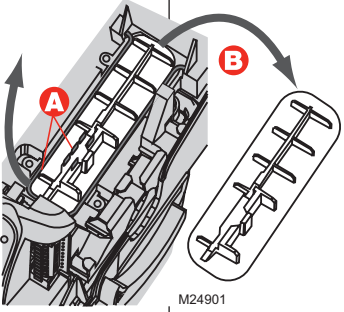
Si la luz de Service (servicio técnico) del TrueSTEAM brilla intermitentemente, se produjo una falla en el sistema de la cual el humidificador no se puede recuperar por sí mismo. La tabla que se encuentra a continuación muestra las fallas posibles junto con pasos a seguir para reparar el TrueSTEAM.

Si la luz roja de Service (servicio técnico) está encendida, cuente la cantidad de parpadeos entre las pausas. Consulte la siguiente tabla para ver la falla expresada por la cantidad de parpadeos que se produzcan. Para borrar la falla, presione y sostenga el botón GO durante 5 segundos.

Presione/mantenga presionado el botón GO para eliminar la luz del marcador de servicio técnico (es decir, el botón “Cleaning Required”).

Cantidad de parpadeos de la luz roja	Descripción de falla	¿Auto recuperable?	Pasos para la reparación Para que los realice solamente un técnico profesional en equipos de HVAC
1	Falla en el sensor de temperatura del calentador/de agua.	Sí, el TrueSTEAM se reiniciará si la falla desaparece luego de 1 hora.	<ul style="list-style-type: none"> • Desenchufe el TrueSTEAM y vuelva a enchufarlo. • Presione el botón GO. • Si se vuelve a producir la falla, reemplace el TrueSTEAM.
2	Falla en los sensores de agua. 	Sí, el TrueSTEAM se reiniciará si la falla desaparece luego de 1 hora. Intentará reiniciarse 5 veces en 24 horas.	<ul style="list-style-type: none"> • Desenchufe el TrueSTEAM y retire la cubierta. • A Desconecte el cableado del sensor del nivel del agua, quite la pantalla y levante la abrazadera con bisagra a presión. • B Quite el ensamble del sensor de agua. • Reemplace el sensor de agua (N.º 50027998-001). • Vuelva a armar el ensamble del sensor en la unidad, reemplace la bisagra a presión, colóquelo nuevamente y asegure la cubierta. • Enchufe nuevamente la unidad y presione el botón GO.
3	El tanque no se llenó con agua.	Sí, el TrueSTEAM se reiniciará si la falla desaparece luego de 3 horas.	<ul style="list-style-type: none"> • Asegúrese de que la entrada de agua esté habilitada. • Verifique que no haya pérdidas alrededor del sello del tanque y del solenoide. • Cierre el suministro de agua y reemplace el filtro de agua en línea. • Presione/mantenga presionado el botón GO hasta que se apague la luz roja de “Service”. • Si el tanque sigue sin llenarse, presione el botón DRAIN (si la unidad no drena, desenchúfela y asegúrese de que el agua del tanque esté fría). • Siga los pasos para la limpieza detallados en la sección Mantenimiento de esta guía. Asegúrese de sujetar firmemente el tanque antes de soltarlo, especialmente si contiene agua. • Quite cualquier excedente de residuos desde el orificio inferior del tanque hasta el solenoide. • Vuelva a ensamblar el tanque y enchufe la unidad nuevamente. Presione el botón GO. • Si el agua sigue sin rellenar el tanque, reemplace la válvula solenoide (N.º 50027997-001).

SOLUCIÓN DE PROBLEMAS

Cantidad de parpadeos de la luz roja	Descripción de falla	¿Auto recuperable?	Pasos para la reparación Para que los realice solamente un técnico profesional en equipos de HVAC
4	Elemento de calor sobrecalentado.	No	<ul style="list-style-type: none"> • Siga los pasos para la limpieza del tanque (páginas 15–17). • Coloque el tanque nuevamente y presione el botón GO. • Si se vuelve a producir la falla, reemplace TrueSTEAM.
5	Voltaje de entrada insuficiente.	Sí, el sistema volverá a “Ready” (listo) si la falla desaparece luego de 1 hora.	<ul style="list-style-type: none"> • Verifique que el circuito de alimentación no esté sobrecargado. • Enchufe y desenchufe la unidad para verificar si la falla vuelve a producirse. • Si se vuelve a producir la falla, desenchufe la unidad y quite la cubierta. • Verifique que las conexiones de cableado estén seguras y conectadas. • Si se vuelve a producir la falla, reemplace el TrueSTEAM por uno nuevo (no se recomienda realizar el servicio técnico en el lugar de trabajo si se pierde el voltaje de la línea).
6	Detección de rebose de agua. 	Sí, el sistema volverá a “Ready” (listo) si la falla desaparece luego de 1 hora.	<ul style="list-style-type: none"> • Asegúrese de que la manguera de drenaje no se enrosque ni se sumerja en el agua en el desagüe. Verifique la funcionalidad de la bomba de condensado, si se utiliza. • Verifique si sale agua de la tubería de desagüe/rebose. Si hay un flujo de agua continuo, siga los pasos de limpieza de las páginas 15–17. • Presione y mantenga presionado el botón DRAIN para vaciar el tanque. • Coloque el punto de ajuste de RH del humidistato en el modo “Test” (prueba). • Si se vuelve a producir la falla, desenchufe el TrueSTEAM. • Afloje el tornillo de la cubierta y quítela. • A Desconecte el cableado del sensor del nivel del agua, quite la pantalla y levante la abrazadera con bisagra a presión. • B Quite el ensamblaje del sensor de agua. • Reemplace water sensor (#50027998-001). • Vuelva a armar el ensamblaje del sensor en la unidad, reemplace la bisagra a presión, colóquelo nuevamente y asegure la cubierta. • Enchufe la unidad y presione el botón GO.
7	Equipo de HVAC sin energía (controle esta falla sólo cuando los DIP 4 y 5 estén “OFF” [apagados]).	Sí, el sistema volverá a “Ready” (listo) si la falla desaparece luego de 1 hora.	<ul style="list-style-type: none"> • Enchufe y desenchufe la unidad para verificar si regresa la energía. • Si no, asegúrese de que el equipo de HVAC tenga energía. Verifique el interruptor de circuito y reemplace el fusible si el circuito se disparó. • Desenchufe el TrueSTEAM y retire la cubierta. • Revise la posición del interruptor DIP 4 y verifique el cableado correcto en base a la posición del DIP 4. Consulte la sección Monitoreo de la energía para obtener más información. • Enchufe la unidad. • Si se repite la falla, asegúrese de que el circuito que está usando tenga los valores nominales como para soportar la unidad. Desenchufe cualquier equipo adicional que esté conectado al circuito. Si la falla desaparece, la capacidad del circuito no se ajusta correctamente a su unidad. • Si se vuelve a producir la falla, reemplace la unidad.
8–9	La entrada del monitor de soldadura está activa cuando el relé de calor está apagado.	No	<ul style="list-style-type: none"> • Presione/mantenga presionado el botón GO para eliminar la falla de servicio. • Active la demanda de humedad. • Si se vuelve a producir la falla, reemplace el TrueSTEAM.
10–11	El relé de calor no se pudo encender.	No	<ul style="list-style-type: none"> • Presione/mantenga presionado el botón GO para eliminar la falla de servicio. • Active la demanda de humedad. • Si se vuelve a producir la falla, reemplace el TrueSTEAM.

SOLUCIÓN DE PROBLEMAS

Cantidad de parpadeos de la luz roja	Descripción de falla	¿Auto recuperable?	Pasos para la reparación Para que los realice solamente un técnico profesional en equipos de HVAC
12	La temperatura de la placa del circuito electrónico es muy alta.	Sí, el sistema volverá a "Ready" (listo) si la falla desaparece luego de 1 hora.	<ul style="list-style-type: none"> • Asegúrese de que los orificios de ventilación de la cubierta no estén obstruidos y de que haya un pie (30 cm) de distancia alrededor de los orificios de ventilación de la cubierta. • Asegúrese de instalar el TrueSTEAM en un lugar con aire acondicionado de 32°F (0°C) a 104°F (40°C). • Apague el humidistato y deje que el panel electrónico se enfríe. Esto podría demorar hasta 2 horas. • Encienda el humidistato y presione el botón GO. • Confirme que se inicie la demanda de humedad cuando se enciende la luz de "HUMIDIFYING" (humidificación). • Deje que la unidad funcione y verifique si hay escapes de vapor alrededor del tanque y de los orificios de ventilación. • Si se vuelve a producir la falla, reemplace el TrueSTEAM.
13	El tanque no drena.	No	<ul style="list-style-type: none"> • El agua del tanque puede estar caliente (>140°F [60°C]). • Presione y mantenga presionado el botón DRAIN. • Si la unidad no drena, espere que el agua del tanque se enfríe. Asegúrese de que el agua del tanque esté fría antes de continuar. • Una vez que esté fría, siga los pasos para la limpieza del tanque (páginas 15–17). • Coloque el tanque nuevamente y presione el botón GO. • Si persiste la falla, reemplace la válvula solenoide (#50027997-001).
14	El calentador no hierve el agua.	Sí, el sistema volverá a "Ready" (listo) si la falla desaparece luego de 1 hora.	<ul style="list-style-type: none"> • Siga los pasos para la limpieza del tanque (páginas 15–17). • Coloque el tanque nuevamente y presione el botón GO. • Si se vuelve a producir la falla, reemplace el TrueSTEAM.
15	Ausencia de flujo de aire.	Sí, el sistema volverá a "Ready" (listo) si la falla desaparece luego de 1 hora.	<ul style="list-style-type: none"> • Compruebe que el interruptor de presión diferencial esté instalado y cableado adecuadamente. Consulte la sección "Cableado" para el cableado correcto. • Desenchufe el TrueSTEAM y retire la cubierta. • Asegúrese de que los interruptores DIP estén colocados correctamente. (DIP 4 hacia abajo, DIP 5 hacia arriba). • Si persiste la falla, reemplace el accesorio utilizado para la comprobación de aire.
17	Sobrecarga de energía al adaptador inalámbrico.	Sí, el sistema volverá al modo "Ready" (listo) si la falla desaparece luego de 1 hora.	<ul style="list-style-type: none"> • Desenchufe el TrueSTEAM y retire la cubierta. • Verifique el cableado entre el TrueSTEAM y el adaptador inalámbrico. • Asegúrese de que los interruptores DIP estén colocados correctamente. (DIP 3 hacia arriba. DIP 4 también hacia arriba si el R y el C del TrueSTEAM no están conectados). • Si persiste la falla, reemplace el adaptador inalámbrico.
18	Falla en la comunicación inalámbrica del adaptador inalámbrico.	Sí, el sistema volverá al modo "Ready" (listo) después de 1 minuto.	<ul style="list-style-type: none"> • Desenchufe el TrueSTEAM y retire la cubierta. • Verifique el cableado entre el TrueSTEAM y el adaptador inalámbrico. • Verifique que el Prestige esté funcionando correctamente. • Si persiste la falla, reemplace el adaptador inalámbrico.
Luz de "Cleaning Required" encendida	El tanque se vació lentamente durante el último ciclo de limpieza automática.	N/D	<ul style="list-style-type: none"> • Siga los pasos de limpieza detallados en la sección Mantenimiento de este manual.

ESPECIFICACIONES

Capacidad

HM512: 12 galones por día (gpd) (45 litros por día [lpd]).

HM509: 9 gpd (34 lpd)

HM506: 6 gpd (23 lpd)

Área humidificada:

Modelo	Rango en pies cúbicos
HM512	12000–24000
HM509	8000–18400
HM506	4000–14400

Nota: los volúmenes más altos requieren más tiempo de funcionamiento del TrueSTEAM.

Peso:

Modelo	Vacío	Lleno de agua
HM512	9 libras (4,1 kg)	15 libras (6,8 kg)
HM509	9 libras (4,1 kg)	15 libras (6,8 kg)
HM506	8 libras (3,6 kg)	12 libras (5,4 kg)

- Dimensiones: 11-1/4 pulgadas (28,6 cm) W x 19 pulgadas (48,3 cm) H x 9 pulgadas (22,9 cm) D.
- Rango de temperatura de funcionamiento del humidificador: 34°F–104°F (1,1°C–40°C)
- Rango de temperatura de funcionamiento de la manguera/boquilla remota: -50°F–250°F (-46°C–121°C)
- Rango de humedad de funcionamiento: 0–95% RH, sin condensación

Operación de drenaje

- La autodescarga puede configurarse a 8, 12, 20 o 30 horas de tiempo operativo (elemento calorífico activo).
- Durante la autodescarga entrará agua fría en el tanque para bajar la temperatura del agua a menos de 140°F (60°C) antes de que drene.
- Durante la descarga manual (que se ejecuta presionando el botón DRAIN) la temperatura inicial del agua podría ser superior a 140°F (60°C). Verifique que la salida de drenaje no quede expuesta, tenga precaución cuando presione el botón DRAIN y NO intente retirar el tanque si todavía contiene agua.



PRECAUCIÓN

Cuando la temperatura del agua excede de 140°F (60°C) puede producir quemaduras.

Estándares y requisitos del órgano encargado de aprobación

Underwriters Laboratories: UL998, Archivo No. E185662.

Comisión Federal de Comunicaciones (Federal Communications Commission, FCC): Cumplimiento de las normas Clase B, Archivo No. YU555.

Para ser utilizado de acuerdo con el Código Nacional de Electricidad (NEC, por sus siglas en inglés), ANSI/NFPA 70 y las normas del Código Canadiense de Electricidad (CEC, por sus siglas en inglés), Parte 1, C22.1.

- El ciclo de descarga toma aproximadamente 45 minutos para vaciar el tanque completamente.
- Rango de temperatura de funcionamiento de drenaje: 34°F–212°F (1,1°C–100°C)

Calificaciones y tolerancias eléctricas:

Calificaciones de entrada

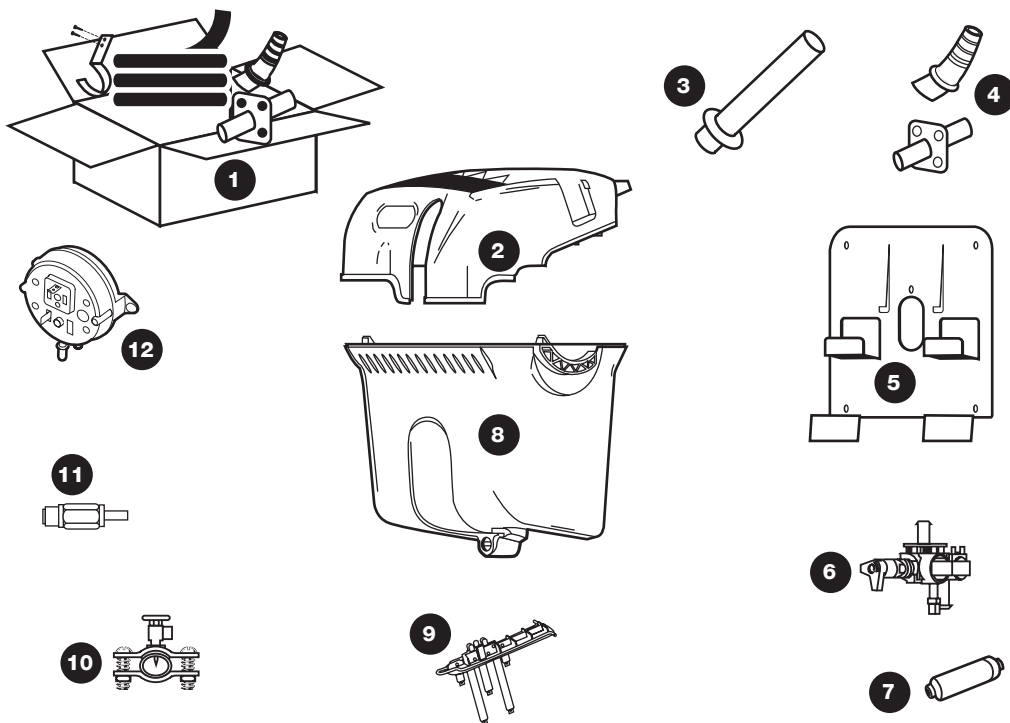
- Suministro de energía: 120 VCA +10/ -15%, 60 Hz
 - HM512: 1440 vatios en 120 VCA en carga completa
 - HM509: 1200 vatios en 120 VCA en carga completa
 - HM506: 840 vatios en 120 VCA en carga completa
- HM512: 12 A, 120 VCA
- HM509: 10 A, 120 VCA
- HM506: 7 A, 120 VCA
- 15 A, interruptor corta corriente de 120 VCA
- Monitor de energía del termostato/equipo de HVAC (R a C): 10 mA resistente a 24 VCA
- Terminales para cableado de campo: 18–22 ga. sólido
- Monitor de energía del equipo de HVAC / flujo de aire: 10 mA resistente a 24 VCA

Calificaciones de salida

- Contactos de salida del relé:
 - Ventilador: 1,5 A de carga completa, rotor bloqueado de 7,5 A en 24 VCA
 - Calor y reserva: 15 A resistente a 24 VCA
- Solenoide de llenado: 0,1 A en 120 VCA, 0,5 PF
- Solenoide de drenaje: 0,1 A en 120 VCA, 0,5 PF
- Contactos de salida del humidistato: 10 mA resistente a 24 VCA
- Suministro de energía del humidistato: 100 mA en 24 VCA

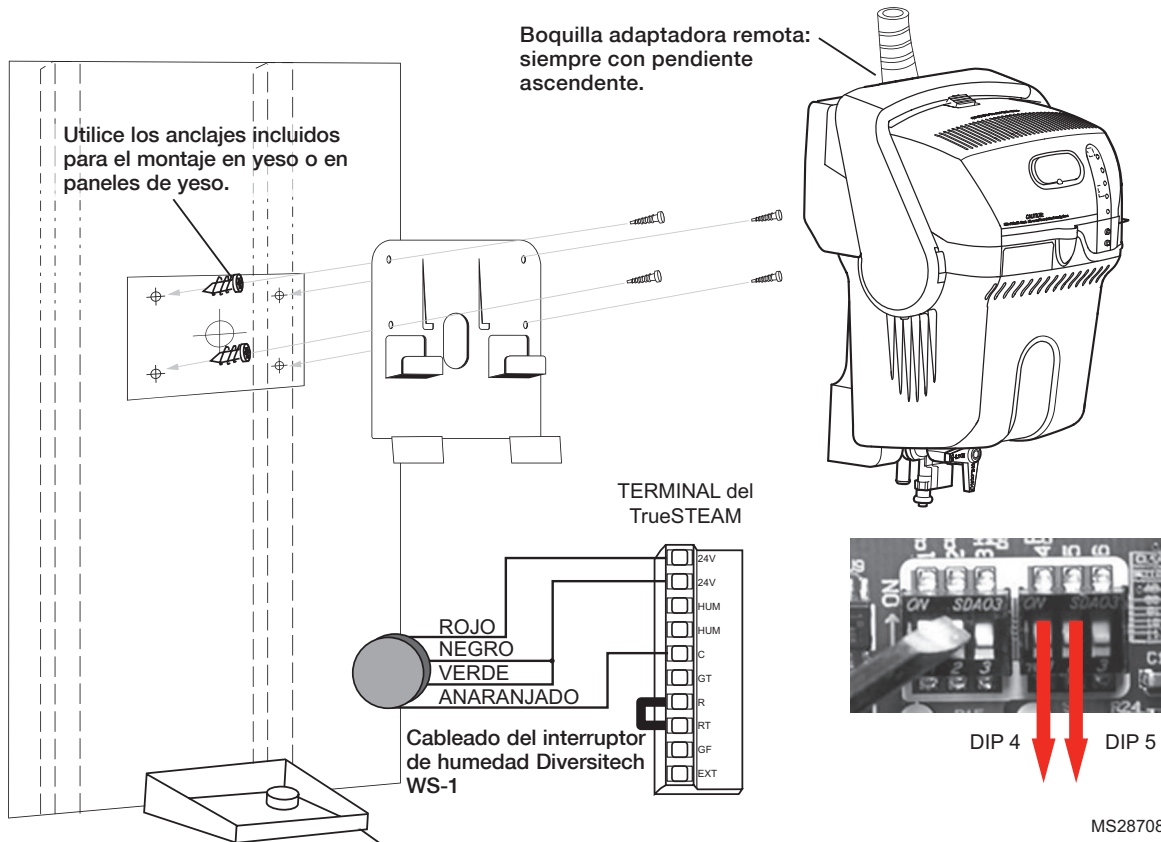
LISTA DE PIEZAS

Pieza	Número de pieza	Referencia de las figuras
Juego de manguera de 10 pies (3 m) y boquillas	50024917-001	1
Juego de manguera de 20 pies (6 m) y boquillas	50024917-002	1
Cubierta	50028004-001	2
Boquilla de inyección de conductos para humidificador	50028003-001	3
Boquillas remotas	50028001-001	4
Soporte de montaje	50020012-001	5
Válvula solenoide	50027997-001	6
Filtro de agua en línea	50028044-001	7
Tanque de agua HM512/HM509	50033181-001	8
Ensamble del sensor de nivel de agua	50027998-001	9
Válvula de silla	32001616-001	10
Válvula para reflujos de agua	50030142-001	11
Interruptor de presión diferencial para la comprobación de aire	50027910-001	12
Paquete de filtro de agua y ensamble del sensor de nivel de agua	50042822-001	-
Interruptor con aleta para la comprobación de aire	S866A1007	-
Control del Prestige HD	THX9321R5000	-
Adaptador inalámbrico RedLINK	THM4000R1000	-
Sensor inalámbrico de exteriores RedLink	C7089R1013	-
VisionPRO IAQ	YTH9421C1010	-
TruelAQ	DG115EZIAQ	-
Humidistato manual	H8908ASPST	-
Kit adaptador del panel del conducto	32005530-001	-



M27735

APÉNDICE A: INSTALACIÓN REMOTA



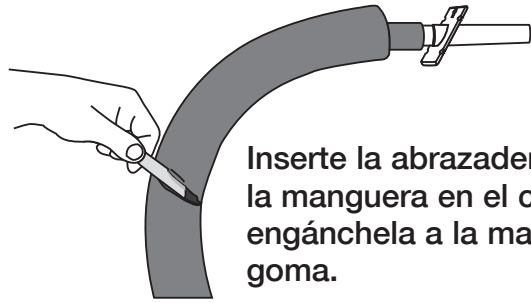
Si el humidificador se encuentra en un espacio acabado, siempre instale una bandeja de goteo con interruptor de humedad. Honeywell recomienda el Diversitech WS-1 (con el cableado que se muestra aquí).

APÉNDICE A: INSTALACIÓN REMOTA

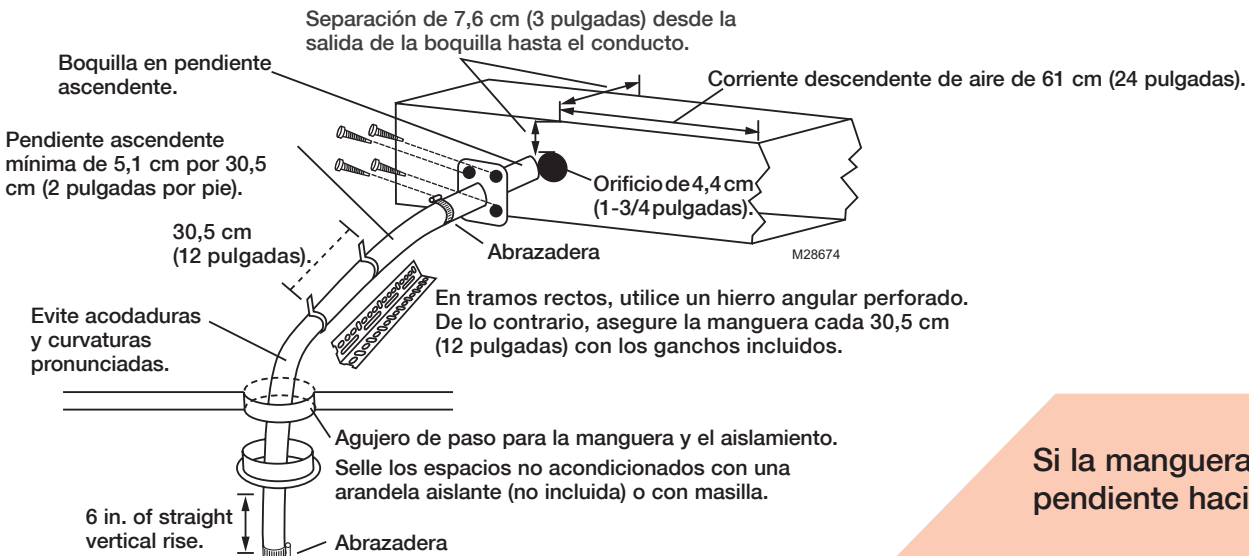
Realice un corte longitudinal en el material aislante en la mitad de la manguera.



No corte la manguera de vapor de goma.



Inserte la abrazadera de la manguera en el corte y engánchela a la manguera de goma.



En tramos rectos, utilice un hierro angular perforado. De lo contrario, asegure la manguera cada 30,5 cm (12 pulgadas) con los ganchos incluidos.

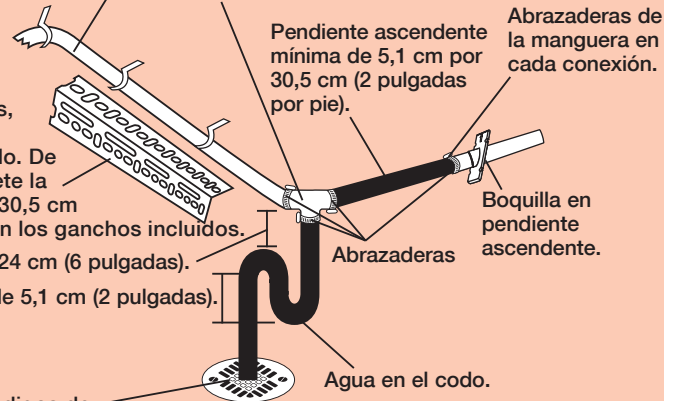
Instale siempre la boquilla de manera que la salida esté orientada hacia arriba.

No tienda la manguera de vapor a través del orificio en la placa de montaje.

Si la manguera tiene una pendiente hacia abajo...

La pendiente hacia abajo no debe ser mayor de 91,4 cm (3 pies) por debajo de la salida de vapor del humidificador.

Coloque un conector en T clasificado para 100 °C (212 °F) en su punto más bajo. No utilice un conector en T de plástico.



En tramos rectos, utilice un hierro angular perforado. De lo contrario, sujete la manguera cada 30,5 cm (12 pulgadas) con los ganchos incluidos.

Mínimo de 15,24 cm (6 pulgadas).

Mínimo de 5,1 cm (2 pulgadas).

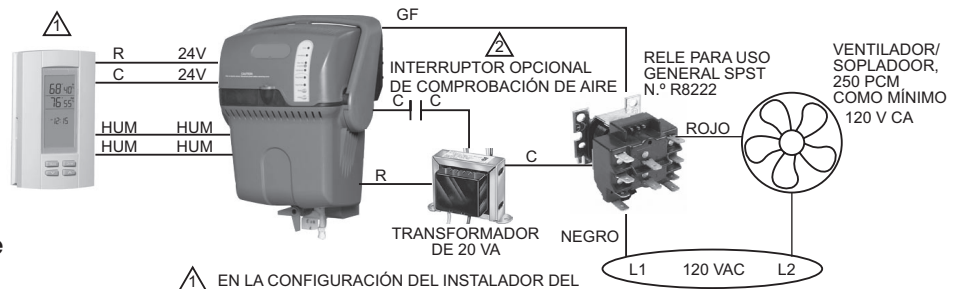
Siempre consulte y siga los códigos de plomería locales para conocer el tamaño de las tuberías de desagüe y los requisitos de temperatura máxima.

APÉNDICE B: CABLEADO AVANZADO

TrueSTEAM conectado a un ventilador/soplador dedicado.

La boquilla del TrueSTEAM debe inyectarse en una caja del conducto dedicado. No deje la boquilla expuesta.

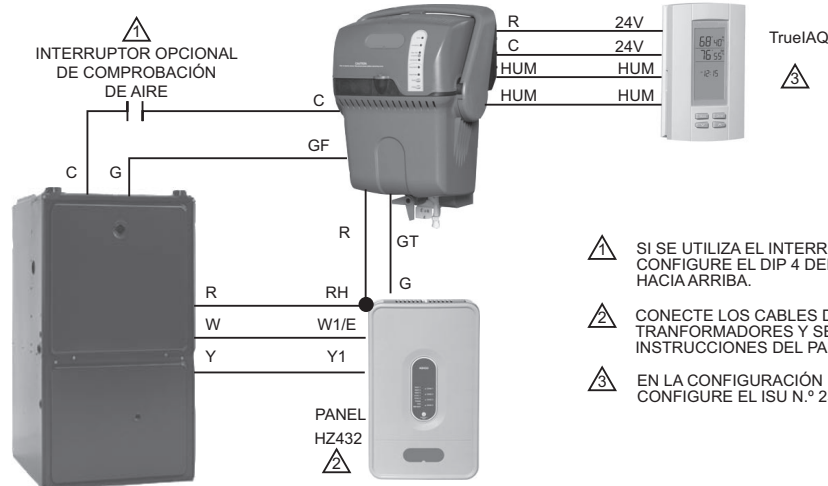
- Se requiere una distancia de 10,2 cm (4 pulgadas) desde la boquilla hasta cualquier superficie de un conducto.
- Se requiere una separación de 61 cm (24 pulgadas) de espacio de corriente de aire descendente desde la boquilla.
- Instale el ventilador/soplador en el extremo ascendente de la caja del conducto.
- Instale una rejilla en el extremo descendente de la caja del conducto.



- 1 EN LA CONFIGURACIÓN DEL INSTALADOR DEL TRUEIAQ, CONFIGURE EL ISU N.º 25 EN 3.
- 2 SI SE UTILIZA EL INTERRUPTOR DE COMPROBACIÓN DE AIRE, CONFIGURE EL DIP 4 DEL TRUESTEAM HACIA ABAJO Y EL DIP 5 HACIA ARRIBA.

MS28714

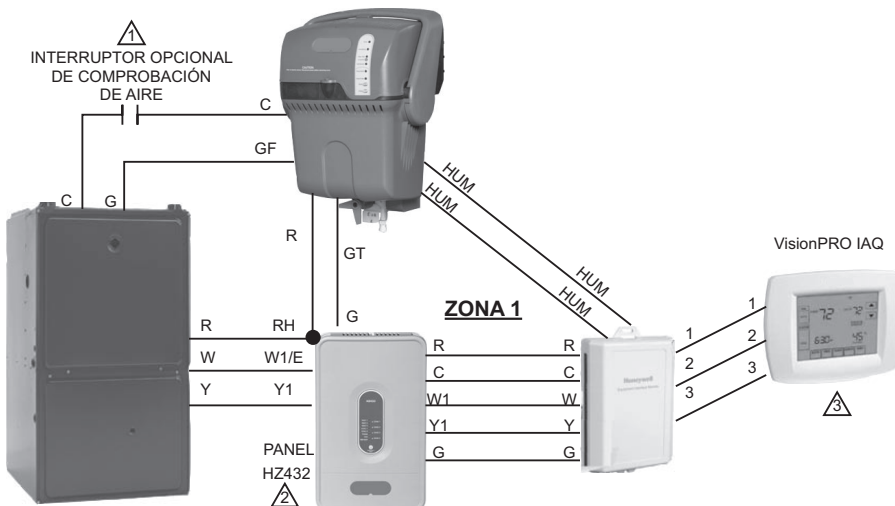
TrueSTEAM conectado a un humidistato en una aplicación zonificada.



- 1 SI SE UTILIZA EL INTERRUPTOR DE COMPROBACIÓN DE AIRE, CONFIGURE EL DIP 4 DEL TRUESTEAM HACIA ABAJO Y EL DIP 5 HACIA ARRIBA.
- 2 CONECTE LOS CABLES DE LOS TERMOSTATOS, REGULADORES, TRANSFORMADORES Y SENSORES COMO SE MUESTRA EN LAS INSTRUCCIONES DEL PANEL TRUEZONE HZ432.
- 3 EN LA CONFIGURACIÓN DEL INSTALADOR DEL TRUEIAQ, CONFIGURE EL ISU N.º 25 EN 3.

MS28715

TrueSTEAM conectado a un termostato en una aplicación zonificada.

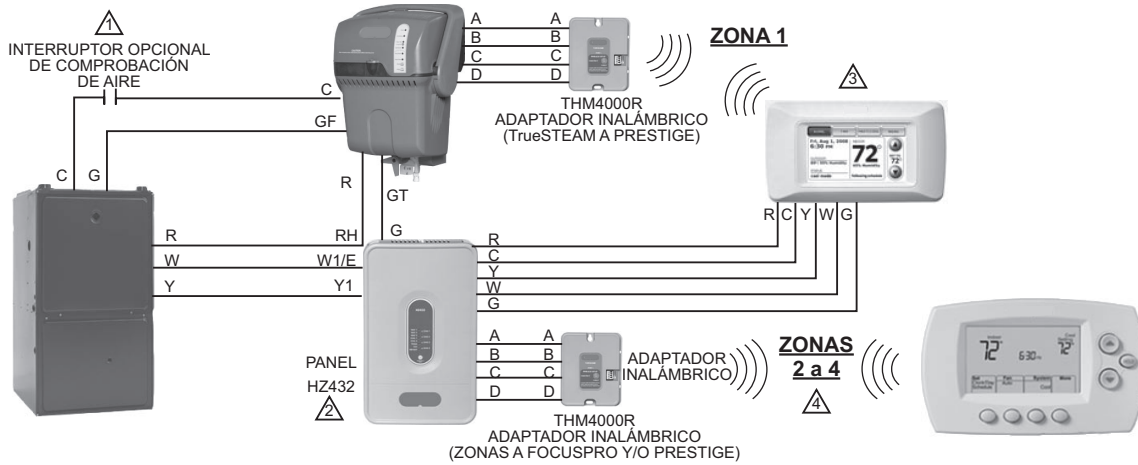


- 1 SI SE UTILIZA EL INTERRUPTOR DE COMPROBACIÓN DE AIRE, CONFIGURE EL DIP 4 DEL TRUESTEAM HACIA ABAJO Y EL DIP 5 HACIA ARRIBA.
- 2 CONECTE LOS CABLES DE LOS TERMOSTATOS, REGULADORES, TRANSFORMADORES Y SENSORES COMO SE MUESTRA EN LAS INSTRUCCIONES DEL PANEL TRUEZONE HZ432.
- 3 EN LA CONFIGURACIÓN DEL INSTALADOR DEL VISIONPRO IAQ, CONFIGURE EL ISU N.º 0374 EN 3.

MS28716

APÉNDICE B: CABLEADO AVANZADO

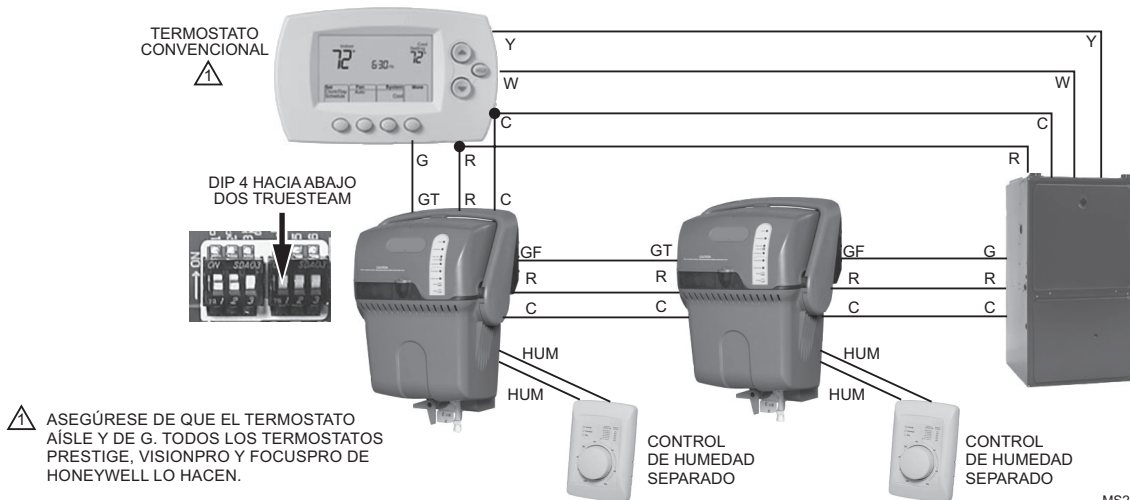
Conexión RedLINK del TrueSTEAM en una aplicación zonificada.



- ⚠ 1. SI SE UTILIZA EL INTERRUPTOR DE COMPROBACIÓN DE AIRE, CONFIGURE EL DIP 4 DEL TRUESTEAM HACIA ABAJO Y EL DIP 5 HACIA ARRIBA
- ⚠ 2. CONECTE LOS CABLES DE LOS TERMOSTATOS, REGULADORES, TRANSFORMADORES Y SENSORES COMO SE MUESTRA EN LAS INSTRUCCIONES DEL PANEL TRUEZONE HZ432.
- ⚠ 3. EN LA CONFIGURACIÓN DEL INSTALADOR DEL PRESTIGE, programe las demandas de humedad en "HUMIDIFICAR INDEPENDIENTEMENTE DEL VENTILADOR".
- ⚠ 4. UN PANEL TRUEZONE HZ432 CON UN ADAPTADOR REDLINK SE COMUNICARÁ DE FORMA INALÁMBRICA CON 3 ZONAS ADICIONALES CON TERMOSTATOS REDLINK

MS28717

Cableado de varios TrueSTEAM a un sistema de HVAC.

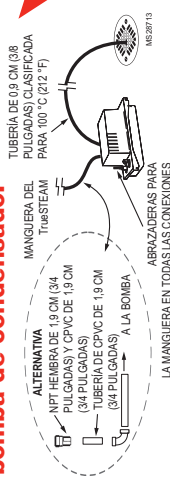


- ⚠ ASEGÚRESE DE QUE EL TERMOSTATO AISLE Y DE G. TODOS LOS TERMOSTATOS PRESTIGE, VISIONPRO Y FOCUSPRO DE HONEYWELL LO HACEN.

MS28718

APÉNDICE C: DRENAJE AVANZADO

Opción 1: plomería para desagüe con bomba de condensado.

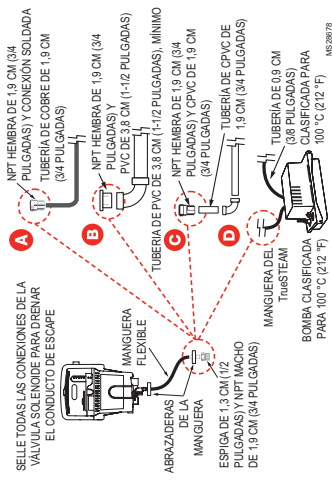


- Utilice una bomba de condensado Hartell A3X-115 o equivalente (rango de temperatura de 100 °C [212 °F], caudal de la bomba de > 1 GPM).
- La bomba debe encenderse cuando el TrueSTEAM esté en funcionamiento.
- Utilice una bomba con un sensor de desborde incorporado o instale la bomba en una bandeja de goteo con un interruptor de humedad conectado para apagar el TrueSTEAM.

PARA TODAS LAS OPCIONES MOSTRADAS:

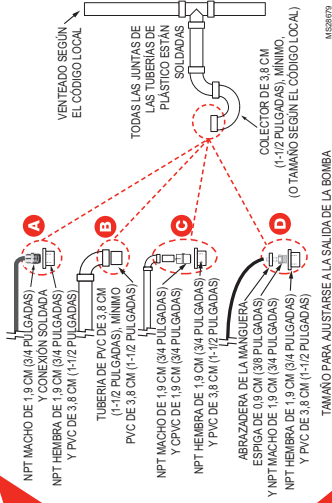
- Sujete la manguera de goma cada 15,2 cm (6 pulgadas).
- El PVC debe tener una clasificación 40 o superior.
- Todas las juntas de las tuberías de plástico están soldadas.
- Vacíe en un colector en P que permanecerá húmedo en todo momento.

Conexión al TrueSTEAM. Común para todas las opciones de plomería.



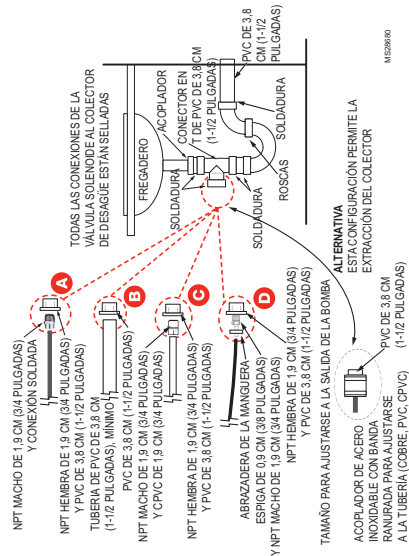
- A NPT HEMBRA DE 1,9 CM (3/4 PULGADAS) Y CONEXIÓN SELLADA
- B NPT HEMBRA DE 1,9 CM (3/4 PULGADAS) Y PVC DE 3,8 CM (1-1/2 PULGADAS)
- C TUBERÍA DE PVC DE 3,8 CM (1-1/2 PULGADAS), MÍNIMO
- D NPT HEMBRA DE 1,9 CM (3/4 PULGADAS) Y CPVC DE 1,9 CM (3/4 PULGADAS)
- E TUBERÍA DE 1,9 CM (3/4 PULGADAS) Y NPT MACHO DE 1,9 CM (3/4 PULGADAS)
- F TUBERÍA DE 1,9 CM (3/4 PULGADAS) Y NPT MACHO DE 1,9 CM (3/4 PULGADAS)

Opción 2: plomería para un colector dedicado.



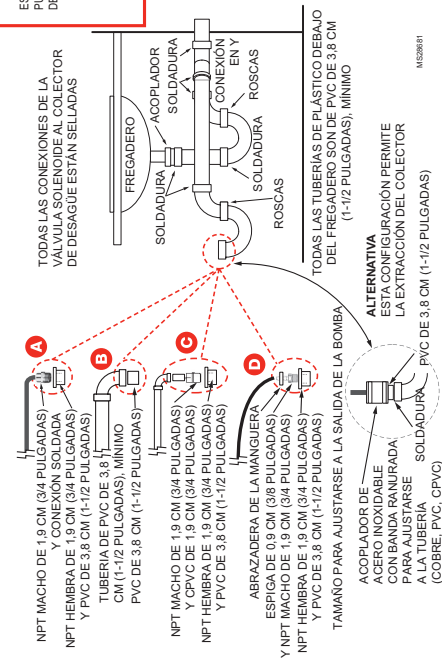
- A NPT MACHO DE 1,9 CM (3/4 PULGADAS) Y CONEXIÓN SELLADA
- B NPT HEMBRA DE 1,9 CM (3/4 PULGADAS) Y PVC DE 3,8 CM (1-1/2 PULGADAS)
- C TUBERÍA DE PVC DE 3,8 CM (1-1/2 PULGADAS), MÍNIMO
- D NPT HEMBRA DE 1,9 CM (3/4 PULGADAS) Y CPVC DE 1,9 CM (3/4 PULGADAS)

Opción 3: plomería para fregadero con un colector dedicado.



- A NPT MACHO DE 1,9 CM (3/4 PULGADAS) Y CONEXIÓN SELLADA
- B NPT HEMBRA DE 1,9 CM (3/4 PULGADAS) Y PVC DE 3,8 CM (1-1/2 PULGADAS)
- C TUBERÍA DE PVC DE 3,8 CM (1-1/2 PULGADAS), MÍNIMO
- D NPT MACHO DE 1,9 CM (3/4 PULGADAS) Y CPVC DE 1,9 CM (3/4 PULGADAS)

Opción 4: plomería para fregadero con un colector dedicado.



- A NPT MACHO DE 1,9 CM (3/4 PULGADAS) Y CONEXIÓN SELLADA
- B NPT HEMBRA DE 1,9 CM (3/4 PULGADAS) Y PVC DE 3,8 CM (1-1/2 PULGADAS)
- C TUBERÍA DE PVC DE 3,8 CM (1-1/2 PULGADAS), MÍNIMO
- D NPT HEMBRA DE 1,9 CM (3/4 PULGADAS) Y CPVC DE 1,9 CM (3/4 PULGADAS)

Soluciones de control y automatización

Honeywell International Inc.

1985 Douglas Drive North

Golden Valley, MN 55422

<http://yourhome.honeywell.com>

Honeywell Limited-Honeywell Limitée

35 Dynamic Drive

Toronto, Ontario M1V 4Z9

Honeywell



Free Manuals Download Website

<http://myh66.com>

<http://usermanuals.us>

<http://www.somanuals.com>

<http://www.4manuals.cc>

<http://www.manual-lib.com>

<http://www.404manual.com>

<http://www.luxmanual.com>

<http://aubethermostatmanual.com>

Golf course search by state

<http://golfingnear.com>

Email search by domain

<http://emailbydomain.com>

Auto manuals search

<http://auto.somanuals.com>

TV manuals search

<http://tv.somanuals.com>