

## W8525A,B Control Module for Echelon

### INSTALLATION INSTRUCTIONS

#### APPLICATION

The W8525A,B Control Module is used with the T7525A/T7526A Touchpad Thermostats. The Control Module contains the HVAC control relays, a microcontroller, and associated circuitry. It communicates with the Utility Gateway and Load Relay Module via power line carrier (PLC). It also powers and communicates with the T7525A/T7526A Touchpad Thermostats via a dedicated four-wire connection over the thermostat wires. It acts as a messaging gateway between the T7525A/T7526A Touchpad Thermostats and the Utility Gateway.

#### IMPORTANT

*The specifications given in this publication do not include normal manufacturing tolerances. Therefore, an individual unit may not exactly match the listed specifications. Also, this product is tested and calibrated under closely controlled conditions and some minor differences in performance can be expected when those conditions are changed.*

#### Models:

- W8525A1009: Control Module (conventional HVAC systems).
- W8525B1007: Control Module (heat pump systems).

#### Electrical Ratings:

Input Voltage: 120 Vac.

#### Environmental:

Operating Ambient Temperature: -4 to 150°F (-20 to 66°C).  
Operating Relative Humidity: 5 to 90% rh, noncondensing.  
Storage Temperature: -20 to 175°F (-29 to 80°C).

#### Terminals:

Terminal strip for connection to T7525A Touchpad Thermostat.

#### Line Voltage Connections:

Three pigtail leads for line voltage wiring.

#### Mounting:

On 4 x 4 in. electrical box.

#### Dimensions:

See Fig. 1.

#### Weight:

2 lb (0.907 kg).

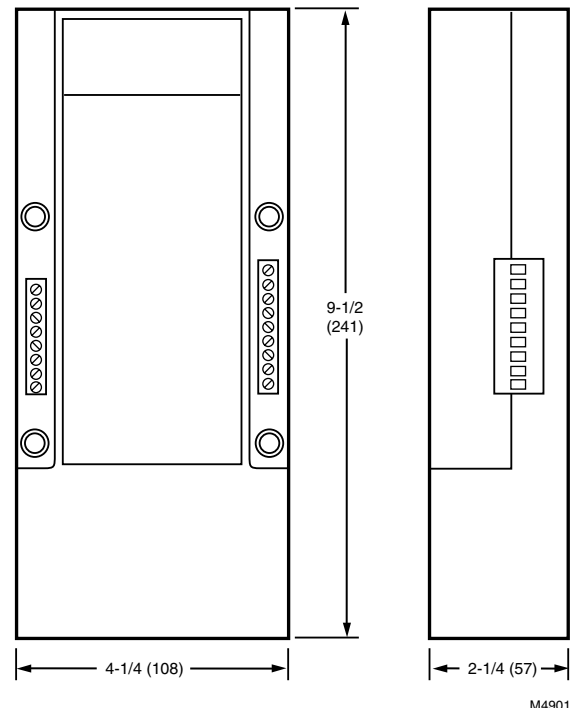


Fig. 1. W8525A,B Control Module approximate dimensions in in. (mm).

#### INSTALLATION

##### When Installing this Product...

1. Read these instructions carefully. Failure to follow them could damage the product or cause a hazardous condition.
2. Check the ratings and description given on the product to make sure the product is suitable for your application.
3. Installer must comply with all local building codes and ordinances when installing this product.
4. Installer must be a trained, experienced service technician.



#### CAUTION

Disconnect power before installation to prevent electrical shock or equipment damage.



## Location

Mount the W8525A,B Control Module on a 4 x 4 in. electrical box near the air handling equipment or other location where it can be connected to the R, W, Y, and G wires for conventional HVAC systems or R, W1/Y, G, and W2 wires for heat pump HVAC systems with a common W1/Y wire.

## Mounting (Fig. 2)

- A Remove the W8525A,B Control Module from its package. Set aside any mounting materials (screws, plastic screw anchors, etc.) until later in the mounting procedure.
- B Make sure that the location chosen is clear of studs and other possible obstructions behind the drywall.
- C Place the electrical box on the wall at the selected location and use it as a stencil to outline the portion of the drywall to be cut away.
- D Cut the opening for the electrical box.
- E Mount the electrical box in the cutout.
- F Run the line voltage wiring into the electrical box, leaving a minimum of 3 in. (76 mm) of wire exposed in the electrical box for connection to the Control Module.
- G Connect the line voltage wires to the Control Module pigtail leads using wire nuts.
- H Mount the Control Module on the electrical box using the screws supplied.
- I Connect the four wires from the Touchpad Thermostat and the wires from the HVAC equipment to be controlled to the two terminal strips as shown in Figs. 3 and 4.

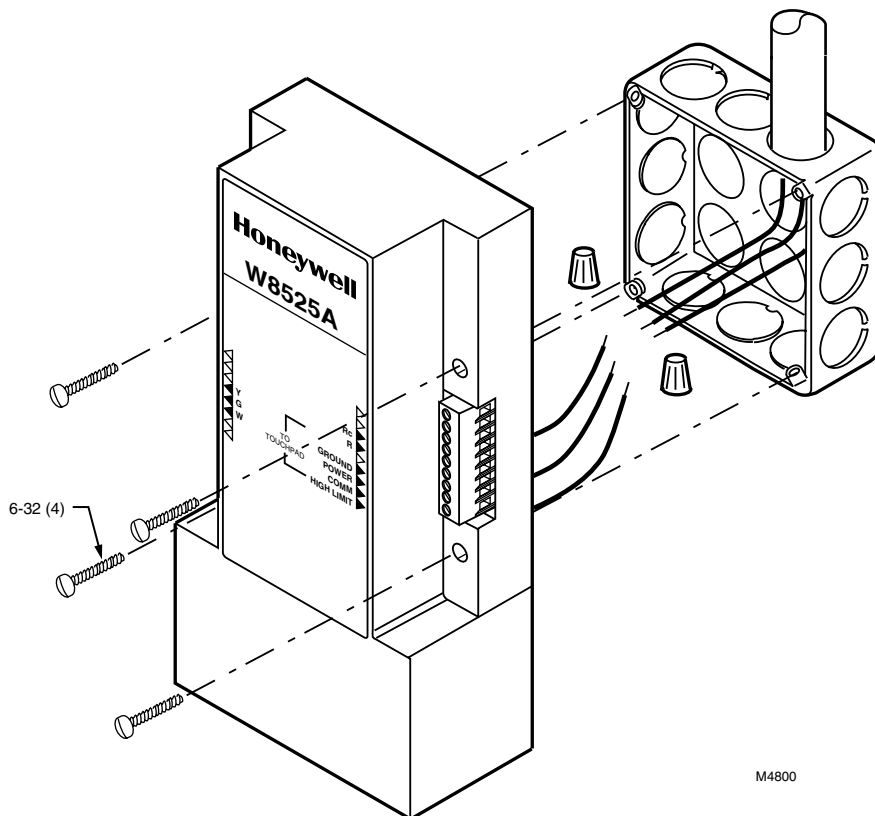


Fig. 2. W8525A,B Control Module mounting on 4 x 4 in. electrical box.

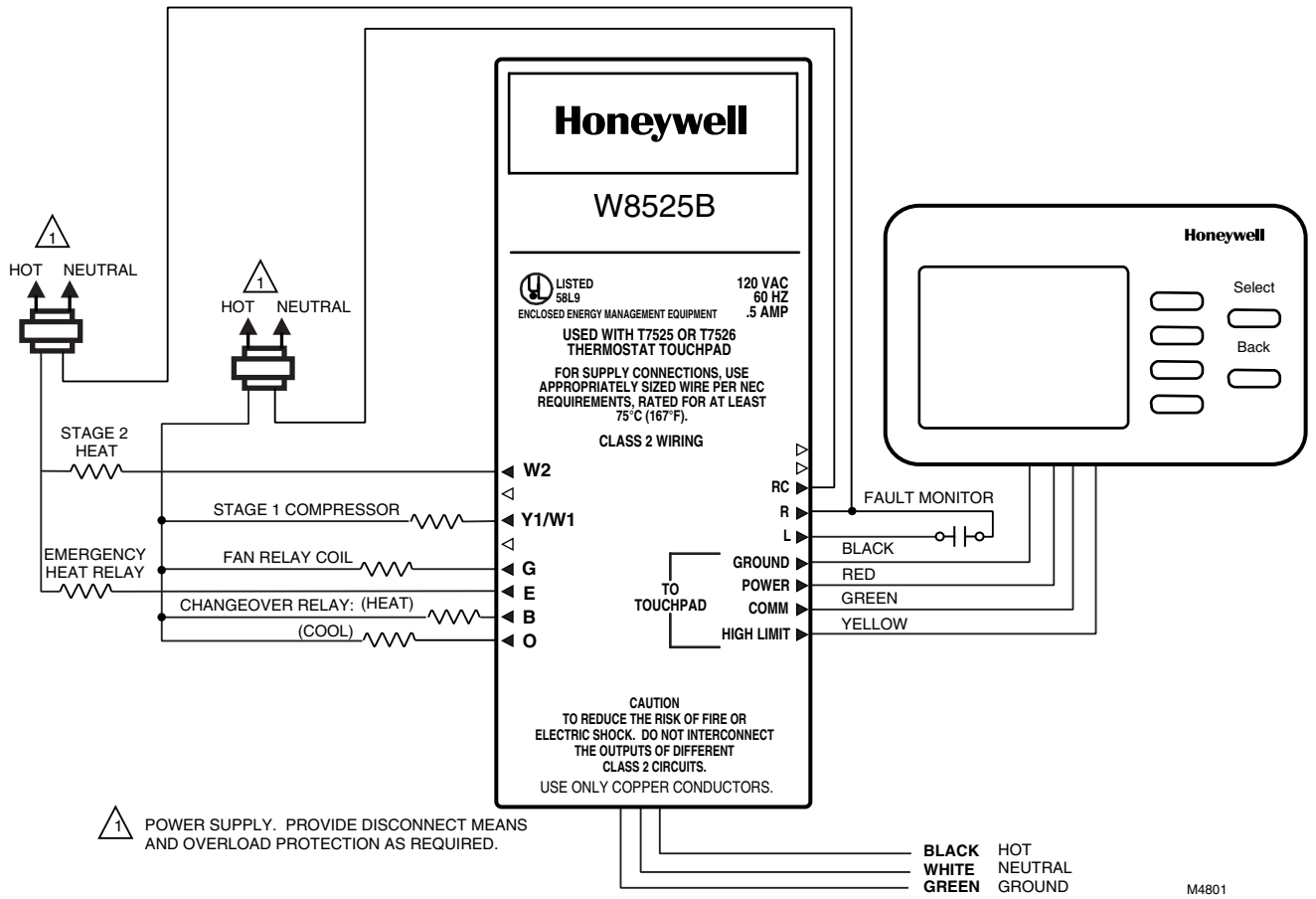


Fig. 3. W8525A,B Control Module heat pump HVAC wiring.

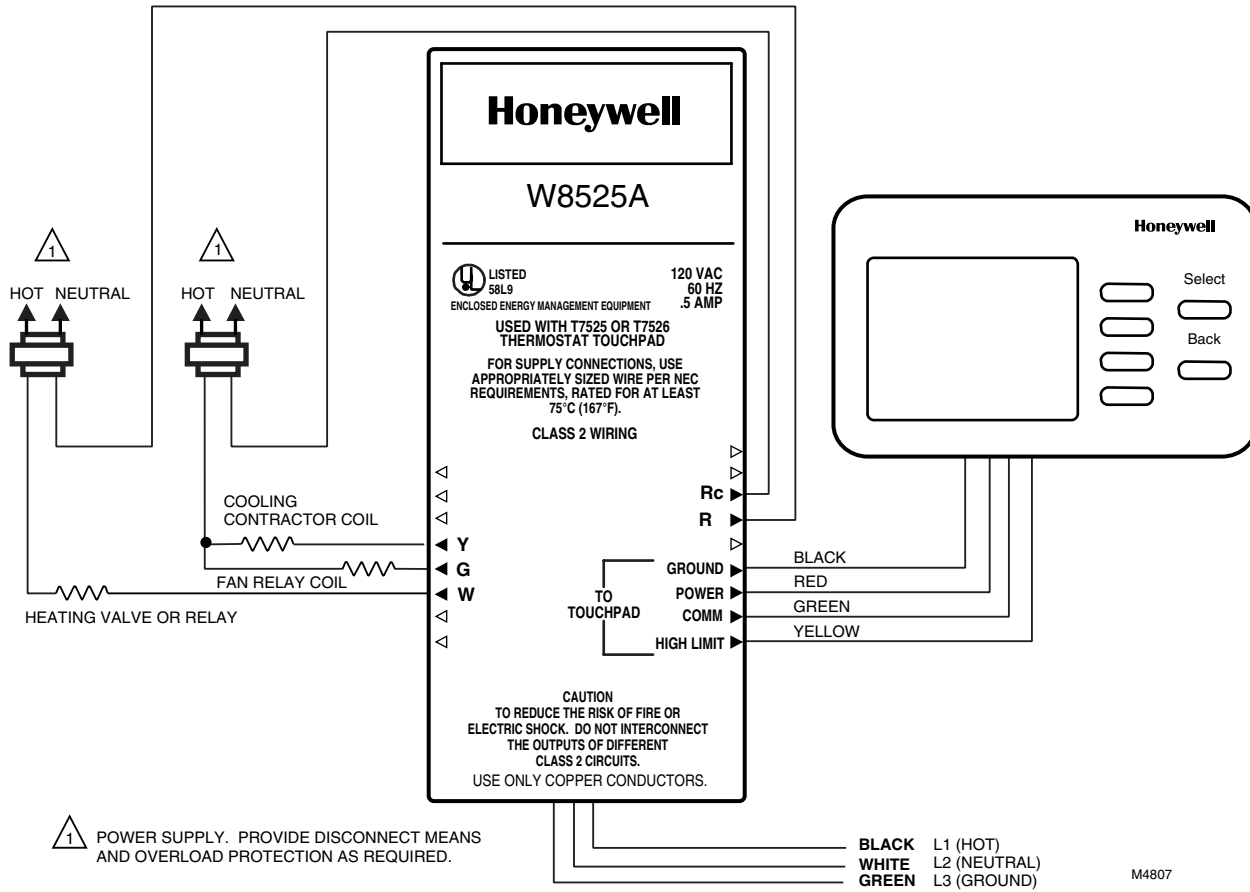


Fig. 4. W8525A,B Control Module conventional HVAC wiring.

**Honeywell**

**Home and Building Control**  
 Honeywell Inc.  
 1985 Douglas Drive North  
 Golden Valley, MN 55422

**Home and Building Control**  
 Honeywell Limited-Honeywell Limitée  
 155 Gordon Baker Road  
 North York, Ontario  
 M2H 2C9

*Helping You Control Your World*

## Free Manuals Download Website

<http://myh66.com>

<http://usermanuals.us>

<http://www.somanuals.com>

<http://www.4manuals.cc>

<http://www.manual-lib.com>

<http://www.404manual.com>

<http://www.luxmanual.com>

<http://aubethermostatmanual.com>

Golf course search by state

<http://golfingnear.com>

Email search by domain

<http://emailbydomain.com>

Auto manuals search

<http://auto.somanuals.com>

TV manuals search

<http://tv.somanuals.com>