



Hardware Reference Guide

HP ProOne 400 G1 All-in-One

© Copyright 2014 Hewlett-Packard Development Company, L.P. The information contained herein is subject to change without notice.

Windows is either a trademark or registered trademark of Microsoft Corporation in the United States and/or other countries.

Intel and Core are trademarks of Intel Corporation in the U.S. and other countries.

Bluetooth is a trademark owned by its proprietor and used by Hewlett-Packard Company under license.

The only warranties for HP products and services are set forth in the express warranty statements accompanying such products and services. Nothing herein should be construed as constituting an additional warranty. HP shall not be liable for technical or editorial errors or omissions contained herein.


This document contains proprietary information that is protected by copyright. No part of this document may be photocopied, reproduced, or translated to another language without the prior written consent of Hewlett-Packard Company.


First Edition (January 2014)

Document part number: 764394-001

About This Book

This guide provides basic information for upgrading this computer model.

 **WARNING!** Text set off in this manner indicates that failure to follow directions could result in bodily harm or loss of life.

 **CAUTION:** Text set off in this manner indicates that failure to follow directions could result in damage to equipment or loss of information.

 **NOTE:** Text set off in this manner provides important supplemental information.

Table of contents

1 Product features	1
Overview	1
Front components	3
Side components	4
Rear components	5
Keyboard features	6
Adjusting the stand	7
Waking the computer	8
Serial number location	9
2 Display options	10
Adjusting the audio signal	10
Adjusting display brightness	10
3 Hardware repair and upgrade	12
Warnings and cautions	12
Additional information	13
Connecting and disconnecting power	13
Connecting power	13
Disconnecting power	13
Installing a cable lock	14
Installing an access panel security screw	15
Synchronizing the optional wireless keyboard and mouse	16
Removing batteries from the optional wireless keyboard or mouse	17
Attaching the computer to a mounting fixture	18
Connecting a second display	20
Locating internal components	22
Removing and installing memory	23
SODIMMs	23
DDR3-SDRAM SODIMMs	23
Populating SODIMM sockets	24

Installing SODIMMs	24
Replacing the battery	29
Replacing drives	33
Replacing a hard drive	33
Removing a hard drive	33
Removing a 3.5-inch hard drive	33
Removing a 2.5-inch solid state drive (SSD), self-encrypting drive (SED), or solid state hybrid drive (SSHD)	36
Installing a hard drive	40
Installing a 3.5-inch hard drive	40
Installing a 2.5-inch solid state drive (SSD), self-encrypting drive (SED), or solid state hybrid drive (SSHD)	42
Replacing the optical disc drive	44
Appendix A Electrostatic discharge	49
Preventing electrostatic damage	49
Grounding methods	49
Appendix B Computer operating guidelines, routine care, and shipping preparation	50
Computer operating guidelines and routine care	50
Optical disc drive precautions	51
Shipping preparation	51
Index	52

1 Product features

Overview

Figure 1-1 HP ProOne 400 G1 All-in-One



The HP ProOne 400 G1 All-in-One offers the following features:

- Integrated All-in-One form factor
- 58.4-cm (23-inch) diagonal widescreen WLED backlit anti-glare LCD (1920 x 1080)
- Adjustable tilt
- Removable panel on the back of the computer allows users or technicians to easily and efficiently service the PC
- VESA mounting holes (100 mm x 100 mm)
- 4th generation Intel® Core™ processors
- Up to 2 TB Hard Drive, 180 GB Solid State Drive, 256 GB Self-encrypting Solid State Drive, 500 GB Self-encrypting Drive, or 1 TB Solid State Hard Drive
- Optional Tray-load HP SuperMulti DVD+/-RW SATA Optical Disc Drive, DVD-ROM Disc Drive, or Slim BDXL Blu-ray Writer
- Intel H81 Express chipset
- Two SODIMM slots with up to 16 GB of DDR3 SDRAM memory and dual channel memory support

- Intel integrated graphics
- DisplayPort video out (with audio) for second display support
- Serial port
- DP audio, DP to VGA/DVI/HDMI dongle support
- Integrated Realtek RTL8151GH-CG GbE Ethernet Controller
- Wireless connectivity (optional):
 - Intel Dual Band Wireless-N 7260, 802.11 a/b/g/n
 - WLAN and Bluetooth Combo Card, 802.11 a/b/g/n Bluetooth® 4.0
- Optional integrated webcam and dual microphone array
- Premium stereo speakers
- Optional 5-in-1 media card reader
- 6 USB ports: 1 USB 3.0, 1 USB 3.0 (fast-charging), 4 USB 2.0
- Choice of wired or wireless keyboard and mouse
 - Wired USB keyboard and mouse
 - HP USB–PS/2 washable keyboard and mouse
 - Wireless keyboard and mouse
- Windows® 7 Professional 32-bit or 64-bit or Windows® 8.1 Professional 64-bit operating system
- Up to 89-percent energy-efficient external power supply
- ENERGY STAR® qualified, EPEAT® Gold registered

For more information, go to <http://www.hp.com/go/productbulletin> and search for your specific computer model to find the model-specific *QuickSpecs*.

Front components

Figure 1-2 Front components

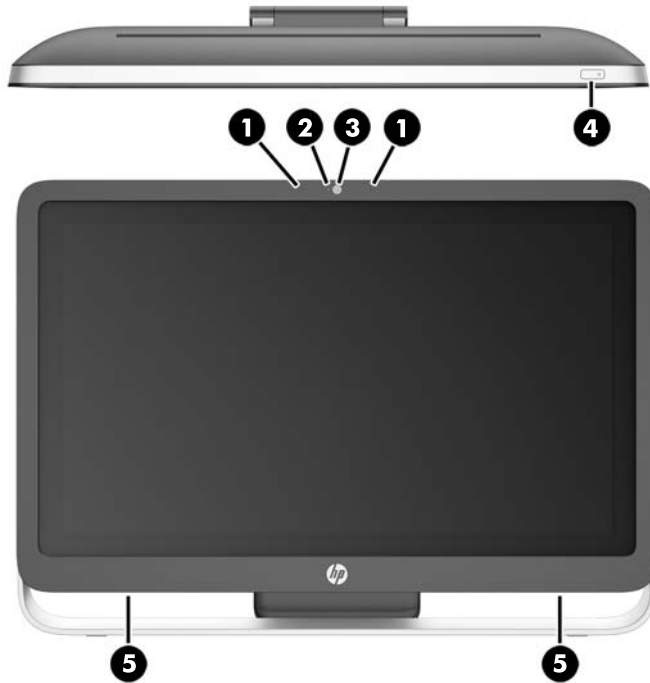


Table 1-1 Front Components

Component	Component
1 Dual microphone array (optional)	4 Power button
2 Webcam activity LED (with optional webcam)	5 High-performance stereo speakers
3 Webcam (optional)	

Side components

Figure 1-3 Side components

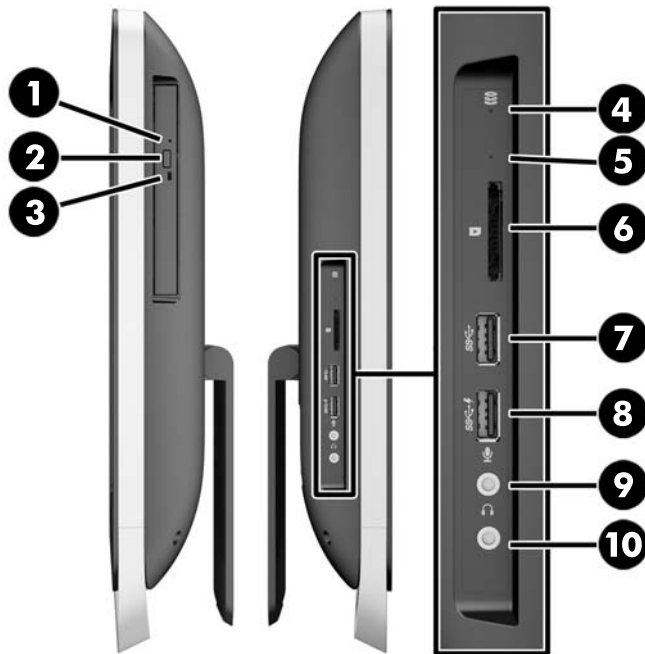


Table 1-2 Side components

Component		Component	
1	Tray-load optical disc drive	6	HP 5-in-1 media card reader (optional)
2	Optical disc drive eject button	7	USB 3.0 port
3	Optical disc drive activity LED	8	USB 3.0 port, fast-charging
4	Hard disc drive activity LED	9	Microphone jack
5	HP 5-in-1 medial card reader (optional) LED	10	Headphone jack

Rear components

Figure 1-4 Rear components

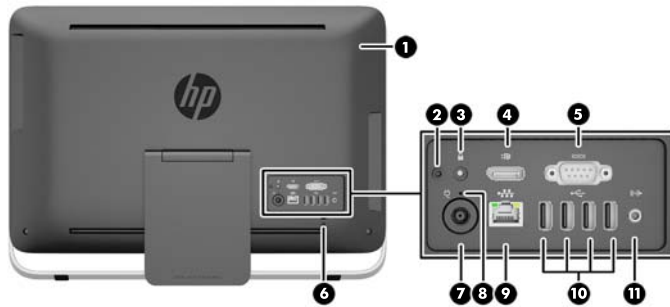


Table 1-3 Rear components

Component	Component
1 Access panel	7 Power supply connector
2 Access panel security screw (storage position)	8 Power supply DC-in activity LED
3 Security screw hole (locking position)	9 RJ-45 Gigabit Ethernet port
4 DisplayPort port	10 (4) USB 2.0 ports
5 Serial port	11 Stereo audio line out
6 Cable lock slot	

Keyboard features

Figure 1-5 Keyboard features

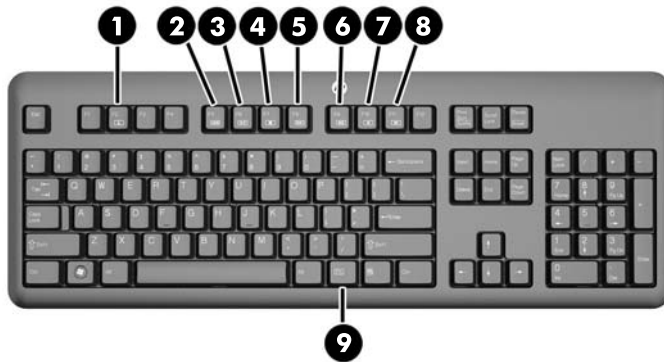


Table 1-4 Keyboard features

Component		Component	
1	Sleep	6	Mute Volume
2	Fast Reverse	7	Decrease Volume
3	Play/Pause	8	Increase Volume
4	Stop	9	Function
5	Fast Forward		

Adjusting the stand

This stand allows you to tilt the computer backward from 10 degrees to 25 degrees to set it to a comfortable angle.

Figure 1-6 Adjusting tilt



Waking the computer

To wake the HP ProOne 400 G1 All-in-One:

- ▲ To wake the computer from hibernation, press and release the power button.

This affects the HP ProOne 400 G1 All-in-One equipped with one of the following operating systems:

- Windows 8 (all editions, 64-bit)
- Windows 7 (all editions, 32-bit and 64-bit)

Serial number location

The computer has a unique serial number and a product ID number that are located on the exterior of the computer. Keep these numbers available for use when contacting customer service for assistance.

Figure 1-7 Locating the serial number



2 Display options

Adjusting the audio signal

- There is no hardware volume control button on the HP ProOne 400 G1 AiO. (However, some keyboards do have volume function buttons.)
- Volume can be adjusted with the operating system (OS) master control or the software (SW) audio player control.
- The OS master control and SW audio player control are independent. However, they are both simultaneously active and affect the overall volume of the audio signal.
- If the audio signal is not audible, check the OS master control and SW audio player control to be sure that neither is set too low.

Adjusting display brightness

The HP ProOne 400 G1 AiO backlight brightness settings control the overall brightness of the internal display panel only.

Windows 7 and Windows 8 each offer two methods for controlling the backlight brightness of the internal display panel. These two options adjust the backlight brightness from 100% down to 30% of the full backlight brightness.

Windows 7

1. Select **Control Panel > Power Options**.
2. Move the screen brightness slider at the bottom of the window to make adjustments.

– or –

1. Click **Start > Programs > Productivity and Tools > HP My Display**.
2. Select **Adjust**.
3. Move the slider to make adjustments.
4. At the bottom of the window, click **Apply** or **OK** to save the changes.

Windows 8

1. Point to the upper-right of the Start screen to display the Charms menu.
2. Click **Settings**.

3. In the lower corner of the right panel, click **Brightness**.
4. Move the slider to make adjustments.

– or –

1. From the desktop window, point to the task bar at the lower edge of the screen.
2. Click the **Show hidden icons** arrow then click the **HP My Display** icon.
3. Select **Adjust**.
4. Move the slider to make adjustments.
5. At the bottom of the window, click **Apply** or **OK** to save the changes.

3 Hardware repair and upgrade

Warnings and cautions

Before performing upgrades be sure to carefully read all of the applicable instructions, cautions, and warnings in this guide.

⚠ WARNING! To reduce the risk of personal injury from electrical shock, hot surfaces, or fire:

Disconnect the power cord from the wall outlet and allow the internal system components to cool before touching.

Do not plug telecommunications or telephone connectors into the network interface controller (NIC) receptacles.

Do not disable the power cord grounding plug. The grounding plug is an important safety feature.

Plug the power cord in a grounded (earthed) outlet that is easily accessible at all times.

For your safety, do not place anything on power cords or cables. Arrange them so that no one may accidentally step on or trip over them. Do not pull on a cord or cable. When unplugging from the electrical outlet, grasp the cord by the plug.

To reduce the risk of serious injury, read the *Safety & Comfort Guide*. It describes proper workstation, setup, posture, and health and work habits for computer users, and provides important electrical and mechanical safety information. This guide is located on the Web at <http://www.hp.com/ergo>.

⚠ WARNING! Computers that are inappropriately situated on dressers, bookcases, shelves, desks, speakers, chests, or carts may fall over and cause personal injury.

Care should be taken to route all cords and cables connected to the computer so that they can not be pulled, grabbed, or tripped over.

⚠ WARNING! Energized and moving parts inside.

Disconnect power to the equipment before removing the access panel.

Replace and secure the access panel before reenergizing the equipment.

⚠ CAUTION: Static electricity can damage the electrical components of the computer or optional equipment. Before beginning these procedures, be sure that you are discharged of static electricity by briefly touching a grounded metal object. See [Electrostatic discharge on page 49](#) for more information.

When the computer is plugged into an AC power source, voltage is always applied to the system board. You must disconnect the power cord from the power source before opening the computer to prevent damage to internal components.

Additional information

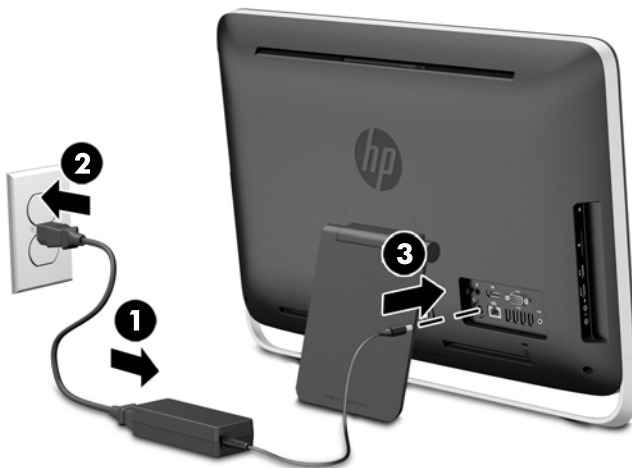
For more information on removing and replacing hardware components, the Computer Setup utility, and troubleshooting, refer to the *Maintenance and Service Guide* (available in English only) for your computer model at <http://www.hp.com>.

Connecting and disconnecting power

Connecting power

1. Connect the peripheral cables to the appropriate ports.
2. Plug the female end of the power cord into the power supply brick (1).
3. Connect the other end of the power cord to an electrical outlet (2).
4. Connect the round end of the power supply cord to the power supply connector on the rear of the computer (3).

Figure 3-1 Connecting power



5. Press the power button on the top of the computer to turn it on.

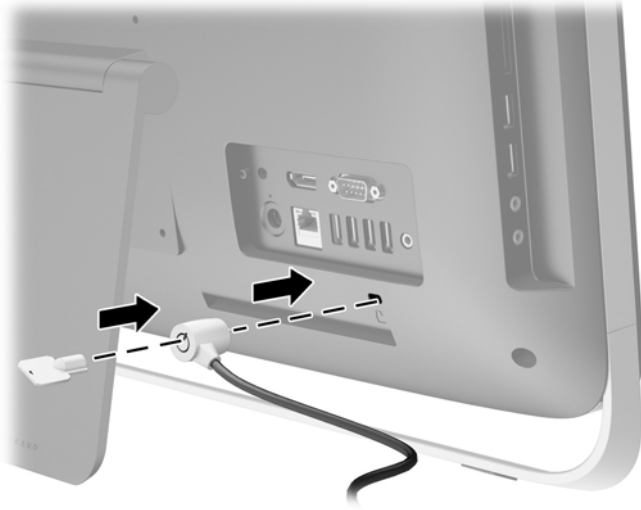
Disconnecting power

1. Remove all removable media, such as optical discs or USB flash drives, from the computer.
2. Turn off the computer properly through the operating system, then turn off any external devices.
3. Remove the cable lock, if one is installed on the rear of the computer.
4. Disconnect the power cord from the power supply connector on the rear of the computer.

Installing a cable lock

The cable lock slot enables you to secure your computer. A cable lock is a key lock device that has a wire cable attached. You attach one end of the cable to your desk (or other stationary object) and the other end of the cable to the cable lock slot on back of the computer. Secure the cable lock with the key.

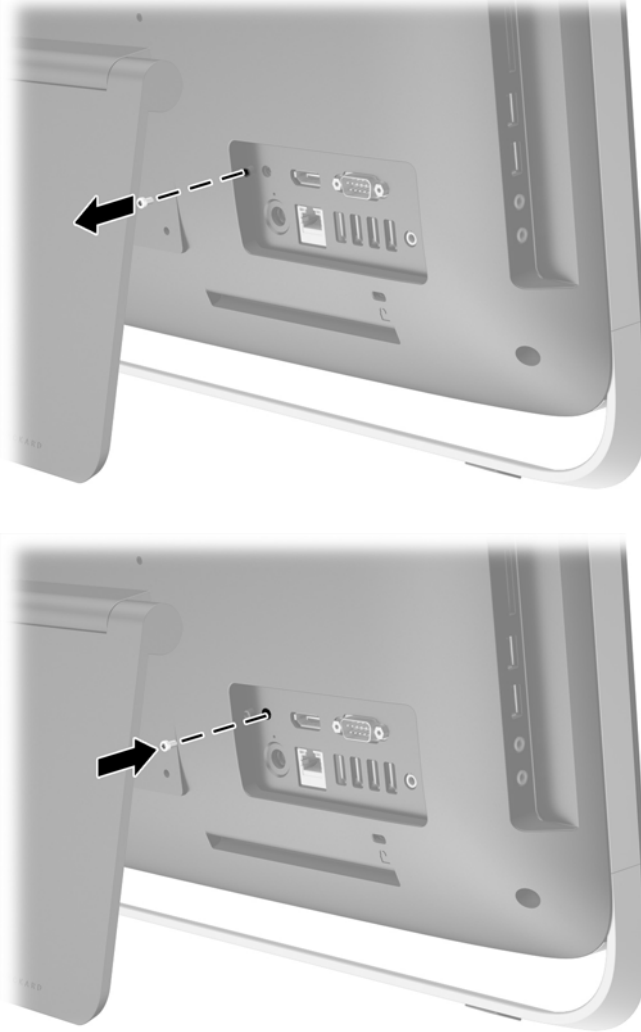
Figure 3-2 Installing a cable lock



Installing an access panel security screw


You may prevent access to internal components by securing the access panel. Remove the T15 tamper-resistant Torx security screw from the storage position in the rear of the computer and screw it into the security screw hole (locking position) to prevent removal of the access panel.

Figure 3-3 Securing the access panel



Synchronizing the optional wireless keyboard and mouse

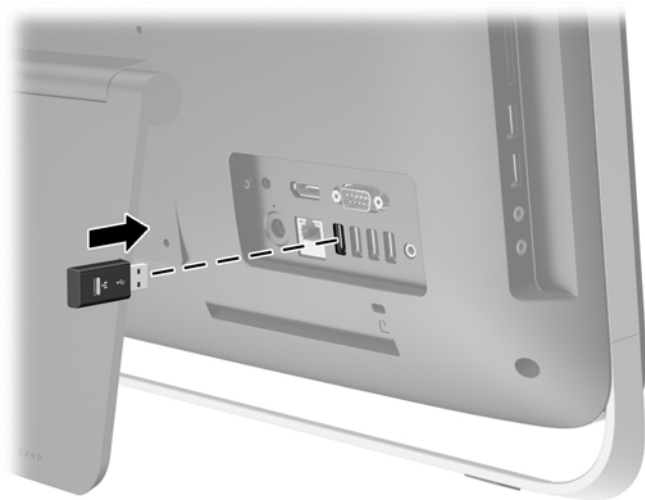
The optional wireless keyboard and mouse are easy to set up. Just remove the battery tabs on both the keyboard and the mouse to activate the preinstalled batteries.

 **NOTE:** For better mouse battery life and performance, avoid using your mouse on a dark or high-gloss surface, and turn mouse power off when not in use.


To synchronize the wireless keyboard and mouse:

1. Make sure the keyboard and mouse are next to the computer, within 30 cm (1 foot) and away from interference from other devices.
2. Turn on the computer.
3. Make sure the Power switch on the bottom of the mouse is in the On position.
4. Insert the wireless receiver into a USB port on the computer.


Figure 3-4 Installing the wireless receiver




5. Press and hold the Connect button on the wireless receiver for five seconds until the blue activity LED begins blinking.


 **NOTE:** When the blue activity LED begins blinking, you have 30 seconds to synchronize the mouse with the wireless receiver.

6. Press and release the Connect button on the bottom of the mouse. The blue activity LED from the wireless receiver turns off when synchronization is complete.

 **NOTE:** If the Connect button on the bottom of the mouse is pressed again, the synchronization of the wireless receiver and the mouse will be broken. Turn the mouse off, then on again to restore the synchronization.

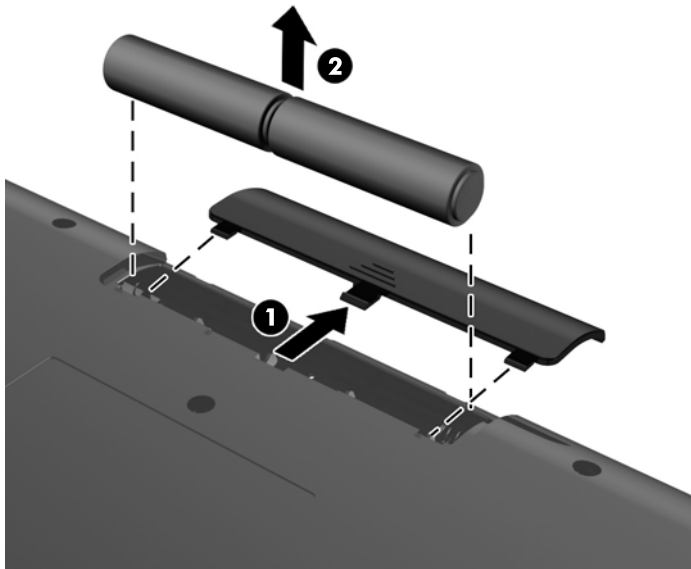
 **NOTE:** If the procedure does not work, remove and then reinsert the wireless keyboard and mouse receiver from the back of the computer and then synchronize the keyboard and mouse again. If synchronization still does not work, remove and replace the batteries.

Removing batteries from the optional wireless keyboard or mouse

 **NOTE:** The wireless keyboard and mouse are optional components.

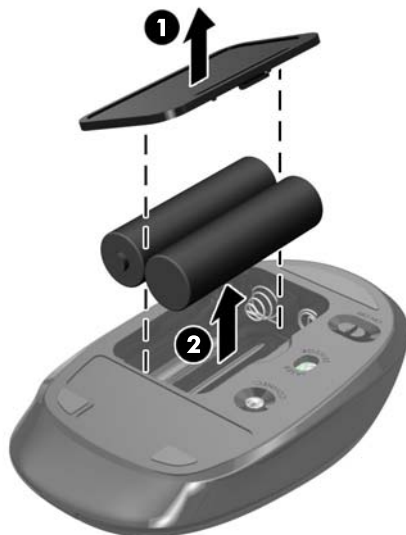
To remove batteries from the wireless keyboard, remove the battery door on the underside of the keyboard (1) and lift the batteries out of the battery compartment (2).

Figure 3-5 Removing batteries from the wireless keyboard



To remove batteries from the wireless mouse, remove the battery door on the underside of the mouse (1) and lift the batteries out of the battery compartment (2).

Figure 3-6 Removing batteries from the wireless mouse



Attaching the computer to a mounting fixture


The computer stand is secured to a VESA mount inside the computer chassis. You can remove the stand and install the computer on a wall, monitor arm, or other mounting fixture.

Table 3-1 Computer dimensions (without stand)

Computer dimensions (without stand)		
Height	362.9 mm	14.3 in
Width	557.9 mm	22.0 in
Depth	56.6 mm	2.2 in
Computer weight (without stand)		
Minimum configuration	7.09 kg	15.6 lb
With Options	7.24 kg	16.0 lb
VESA standard hole patterns		
height x width	100 mm x 100 mm	3.94 in x 3.94 in

To remove the stand:

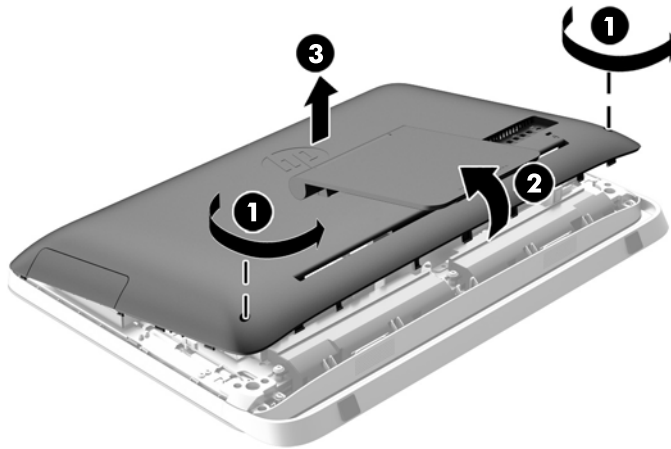
1. Remove all removable media, such as optical discs or USB flash drives, from the computer.
2. Turn off the computer properly through the operating system, then turn off any external devices.
3. Disconnect the power cord from the power outlet and disconnect any external devices.

 **CAUTION:** Regardless of the power-on state, voltage is always present on the system board as long as the system is plugged into an active AC outlet. You must disconnect the power cord to avoid damage to the internal components of the computer.

4. Remove/disengage any security devices that prohibit opening the computer.
5. Place the computer face down on a soft flat surface. HP recommends that you set down a blanket, towel, or other soft cloth to protect the bezel and screen surface from scratches or other damage.
6. Loosen the two captive screws at the bottom of the computer (1) to release the bottom edge of the access panel.

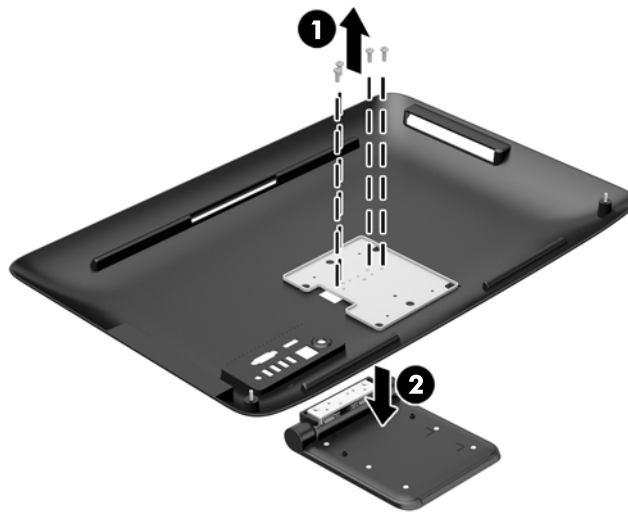
7. Rotate the bottom edge of the access panel up (2), and then lift the access panel off of the computer (3).


Figure 3-7 Removing the access panel



8. Place the access panel down on a flat surface with the inside of the panel facing up.
9. Remove the three screws (1) securing the stand to the access panel, and then remove the stand (2).

Figure 3-8 Removing the stand

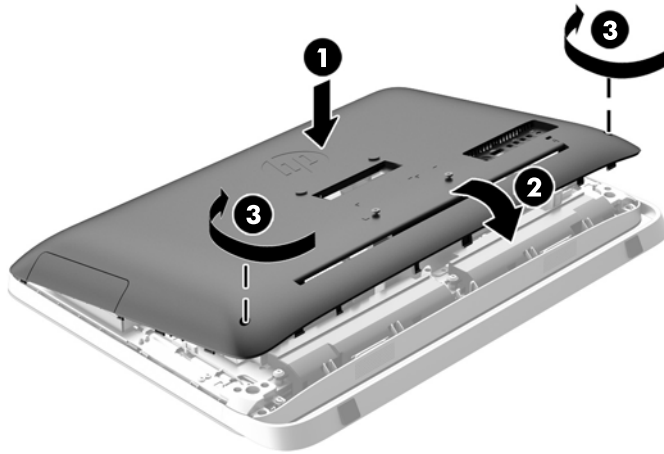


 **NOTE:** Save the screws together with the stand in case they are needed in the future.

10. Set the top edge of the access panel down on the top edge of the computer chassis (1). Be sure to align the hooks on the underside of the top edge of the access panel with the top edge of the computer.
11. Rotate the bottom edge of the access panel down (2) and press it firmly onto the chassis until it locks into place.

12. Tighten the captive screws (3) to secure the access panel in place.

Figure 3-9 Replacing the access panel



The computer is now ready to be mounted to a wall, monitor arm, or other mounting fixture.

Connecting a second display

The DisplayPort connector on the rear of the computer allows you to connect a second display to the computer.

If you are adding a second display that has a DisplayPort connector, then no DisplayPort video adapter is required. If you are adding a second display that does not have a DisplayPort connector, you can purchase a DisplayPort video adaptor from HP for your configuration.

DisplayPort adapters and video cables are purchased separately. HP offers the following adapters:

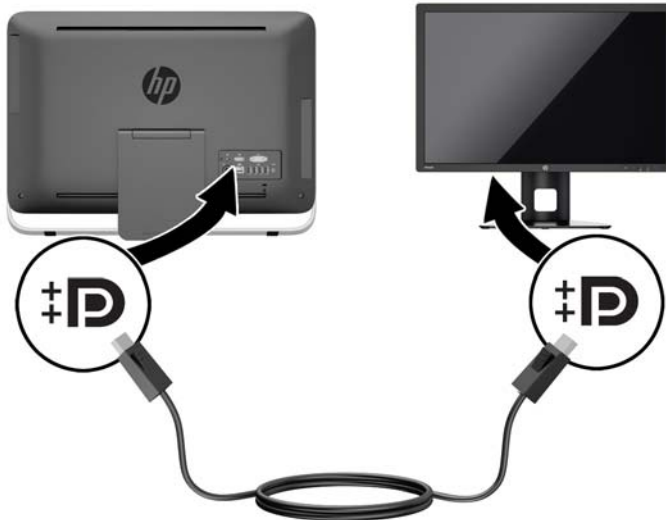
- DisplayPort to VGA adapter
- DisplayPort to DVI adapter
- DisplayPort to HDMI adapter

To connect a second display:

1. Turn off power to the computer and the second display that you are connecting to the computer.

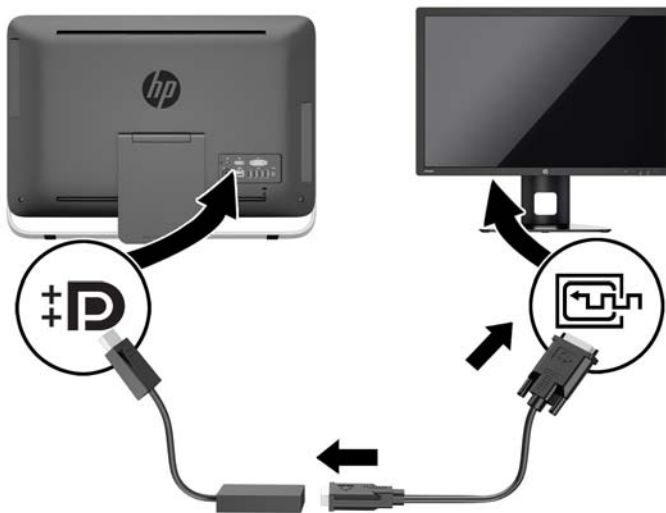
2. If your second display has a DisplayPort connector, connect a DisplayPort cable directly between the DisplayPort connector on the rear of the computer and the DisplayPort connector on the second display.

Figure 3-10 Connecting a second display using a DisplayPort cable




3. If your second display does not have a DisplayPort connector, connect a DisplayPort video adapter to the DisplayPort connector of the computer. Then connect a cable (VGA, DVI, or HDMI, depending on your application) between the adapter and the second display.

Figure 3-11 Connecting a second display using a DisplayPort adapter



4. Turn on power to the computer and the second display.

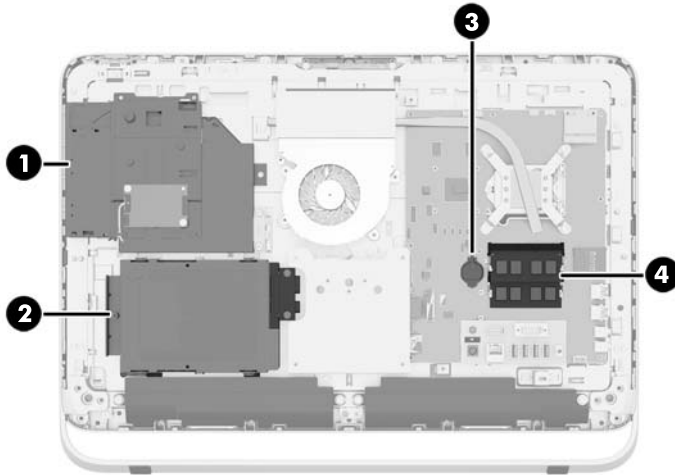
 **NOTE:** Use the graphics card software or the Windows Display Settings to configure the second display as a mirrored image of the primary display or an extension of the primary display.

Locating internal components

The following sections contain procedures for removing and replacing these internal components:

- Optical disc drive
- Hard disc drive, solid state drive, or self-encrypting drive
- Battery
- Memory

Figure 3-12 Locating internal components



Component		Component	
1	Optical disc drive	3	Battery
2	Hard disc drive	4	Memory

Removing and installing memory

The computer comes with double data rate 3 synchronous dynamic random access memory (DDR3-SDRAM) small outline dual inline memory modules (SODIMMs).

SODIMMs

The memory sockets on the system board can be populated with up to two industry-standard SODIMMs. These memory sockets are populated with at least one preinstalled SODIMM. To achieve the maximum memory support, you can populate the system board with up to 16 GB of memory.

DDR3-SDRAM SODIMMs

For proper system operation, the SODIMMs must be:

- industry-standard 204-pin
- unbuffered non-ECC PC3-10600 DDR3-1600 MHz-compliant
- 1.5 volt DDR3-SDRAM SODIMMs

The DDR3-SDRAM SODIMMs must also:

- support CAS latency 11 DDR3 1600 MHz (11-11-11 timing)
- contain the mandatory Joint Electronic Device Engineering Council (JEDEC) specification

In addition, the computer supports:

- 1-Gbit, 2-Gbit, and 4-Gbit non-ECC memory technologies
- single-sided and double-sided SODIMMS
- SODIMMs constructed with x8 and x16 SDRAMs; SODIMMs constructed with x4 SDRAMs are not supported



NOTE: The system will not operate properly if you install unsupported SODIMM memory.

HP offers upgrade memory for this computer and advises that the consumer purchase it to avoid compatibility issues with unsupported third-party memory.

Populating SODIMM sockets

The system will automatically operate in single channel mode, dual channel mode, or flex mode, depending on how the SODIMMs are installed. Refer to the following table to identify the SODIMM channel locations.

Table 3-2 Identifying SODIMM locations


Location	System board label	Channel
Lower Socket	SODIMM1	Channel A
Upper Socket	SODIMM3	Channel B

- The system will operate in single channel mode if the SODIMM sockets are populated in one channel only.
- The system will operate in flex mode if the memory capacity of the SODIMM in Channel A is not equal to the memory capacity of the SODIMM in Channel B. In flex mode, the channel populated with the least amount of memory describes the total amount of memory assigned to dual channel and the remainder is assigned to single channel. If one channel will have more memory than the other, the larger amount should be assigned to channel A.
- The system will operate in a higher-performing dual channel mode if the memory capacity of the SODIMM in Channel A is equal to the memory capacity of the SODIMM in Channel B.
- In any mode, the maximum operational speed is determined by the slowest SODIMM in the system.

Installing SODIMMs

There are two memory sockets on the system board. To remove or install memory modules:

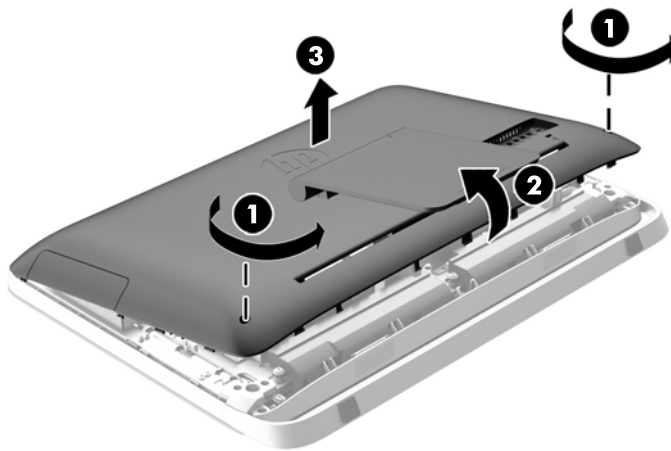
1. Remove all removable media, such as optical discs or USB flash drives, from the computer.
2. Turn off the computer properly through the operating system, then turn off any external devices.
3. Disconnect the power cord from the power outlet and disconnect any external devices.

 **CAUTION:** You must disconnect the power cord and wait approximately 30 seconds for the power to drain before adding or removing memory modules. Regardless of the power-on state, voltage is always supplied to the memory modules as long as the computer is plugged into an active AC outlet. Adding or removing memory modules while voltage is present may cause irreparable damage to the memory modules or system board.

4. Remove/disengage any security devices that prohibit opening the computer.
5. Place the computer face down on a soft flat surface. HP recommends that you set down a blanket, towel, or other soft cloth to protect the bezel and screen surface from scratches or other damage.
6. Loosen the two captive screws at the bottom of the computer (1) to release the bottom edge of the access panel.

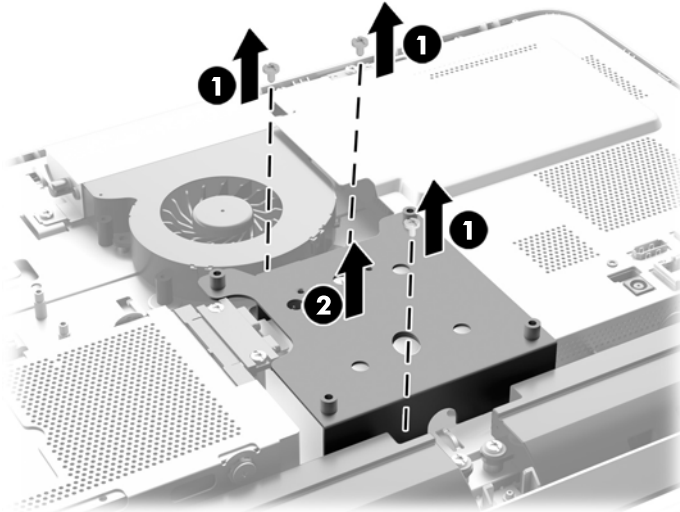
7. Rotate the bottom edge of the access panel up (2), and then lift the access panel off of the computer (3).

Figure 3-13 Removing the access panel



8. Remove the three screws securing the VESA panel to the chassis (1), and then lift the panel out of the chassis (2).

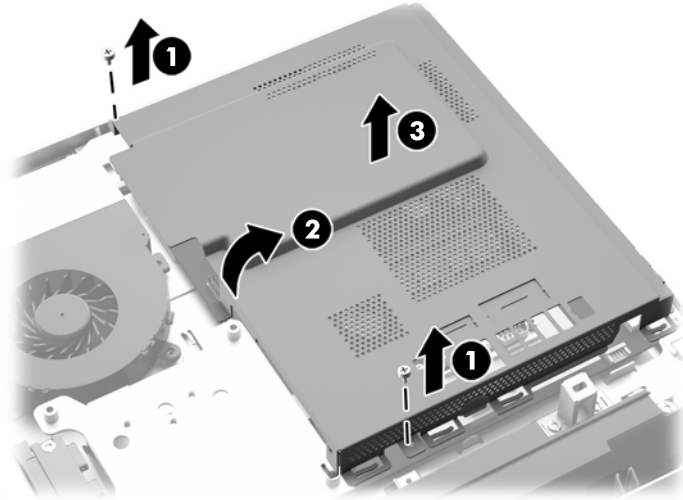
Figure 3-14 Removing the VESA panel



9. Remove the two screws securing the fire enclosure shield to the chassis (1).

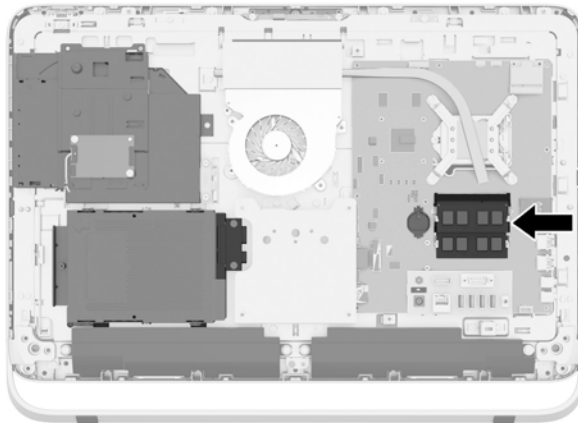
10. Rotate the shield to the right (2), and then lift it off the chassis (3).

Figure 3-15 Removing the fire enclosure shield



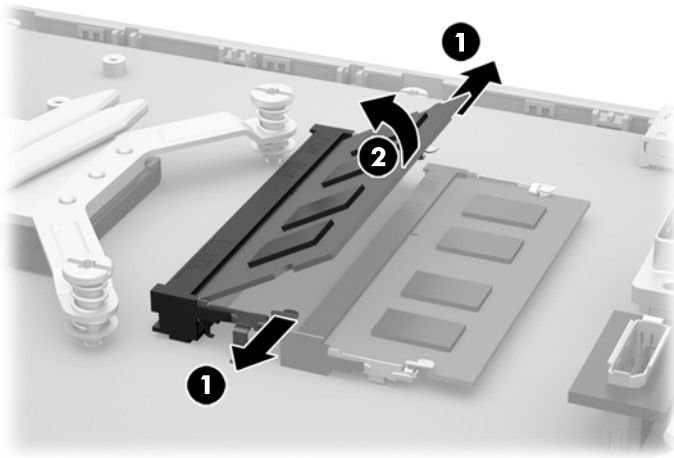
The memory modules can now be seen in the right side of the chassis.

Figure 3-16 Locating the memory modules



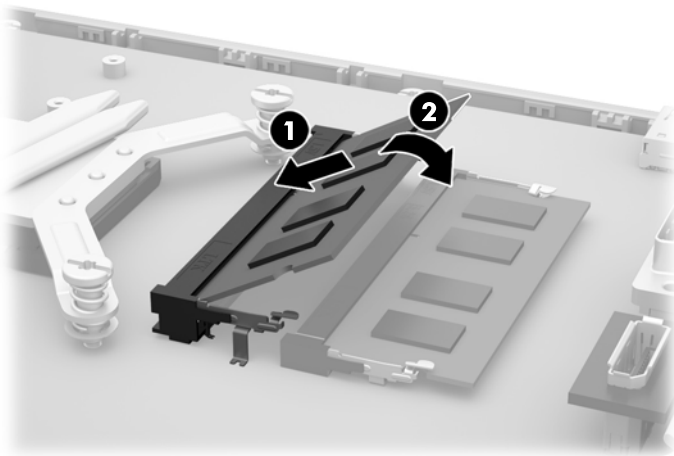
11. To remove a memory module, press outward on the two latches on each side of the SODIMM (1), then pull the SODIMM out of the socket (2).


Figure 3-17 Removing a memory module



12. To install a memory module, slide the SODIMM into the socket at approximately a 30° angle (1), then press the SODIMM down (2) so that the latches lock it in place.

Figure 3-18 Installing a memory module

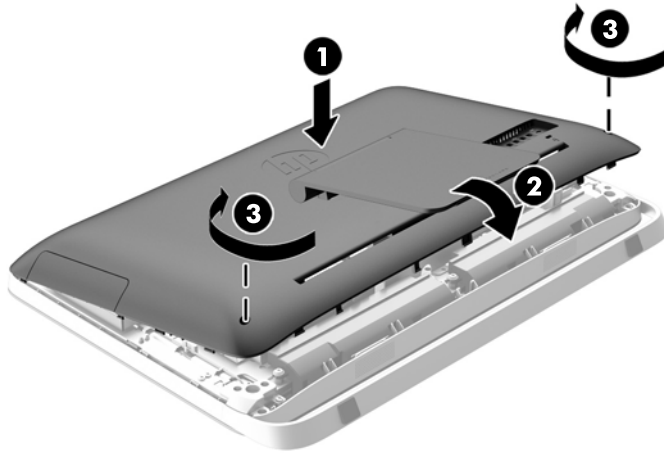


 **NOTE:** A memory module can be installed in only one way. Match the notch on the module with the tab on the memory socket.

13. Engage the three tabs on the right edge of the fire enclosure shield with the matching slots on the right side of the chassis and rotate the fire enclosure shield down onto the chassis.
14. Fasten the two screws to secure the fire enclosure shield to the chassis.
15. Place the VESA panel onto the chassis and fasten the three screws to secure the VESA panel to the chassis.
16. Set the top edge of the access panel down on the top edge of the computer chassis (1). Be sure to align the hooks on the underside of the top edge of the access panel with the top edge of the computer.

17. Rotate the bottom edge of the access panel down (2) and press it firmly onto the chassis until it locks into place.
18. Tighten the captive screws (3) to secure the access panel in place.


Figure 3-19 Replacing the access panel



19. Place the computer in the upright position.
20. Reconnect the power cord and external devices.
21. Lock any security devices that were disengaged when the access panel was removed.
22. Turn on the computer. The computer automatically recognizes the additional memory when you turn on the computer.

Replacing the battery

The battery is located on the system board on the left side of the memory modules. The battery that comes with the computer provides power to the real-time clock. When replacing the battery, use a battery equivalent to the battery originally installed in the computer. The computer comes with a 3-volt lithium coin cell battery.


 **WARNING!** The computer contains an internal lithium manganese dioxide battery. There is a risk of fire and burns if the battery is not handled properly. To reduce the risk of personal injury:

Do not attempt to recharge the battery.


Do not expose to temperatures higher than 60 °C (140 °F).

Do not disassemble, crush, puncture, short external contacts, or dispose of in fire or water.

Replace the battery only with the HP spare designated for this product.


 **CAUTION:** Before replacing the battery, it is important to back up the computer CMOS settings. When the battery is removed or replaced, the CMOS settings will be cleared.

Static electricity can damage the electronic components of the computer or optional equipment. Before beginning these procedures, be sure that you are discharged of static electricity by briefly touching a grounded metal object.

 **NOTE:** The lifetime of the lithium battery can be extended by plugging the computer into a live AC wall socket. The lithium battery is only used when the computer is NOT connected to AC power.

HP encourages customers to recycle used electronic hardware, HP original print cartridges, and rechargeable batteries. For more information about recycling programs, go to <http://www.hp.com/recycle>.

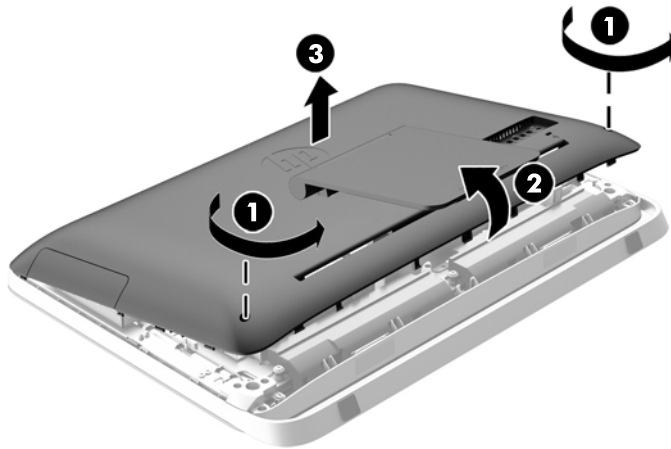
1. Remove all removable media, such as optical discs or USB flash drives, from the computer.
2. Turn off the computer properly through the operating system, then turn off any external devices.
3. Disconnect the power cord from the power outlet and disconnect any external devices.

 **CAUTION:** Regardless of the power-on state, voltage is always present on the system board as long as the system is plugged into an active AC outlet. You must disconnect the power cord to avoid damage to the internal components of the computer.

4. Remove/disengage any security devices that prohibit opening the computer.
5. Place the computer face down on a soft flat surface. HP recommends that you set down a blanket, towel, or other soft cloth to protect the bezel and screen surface from scratches or other damage.
6. Loosen the two captive screws at the bottom of the computer (1) to release the bottom edge of the access panel.

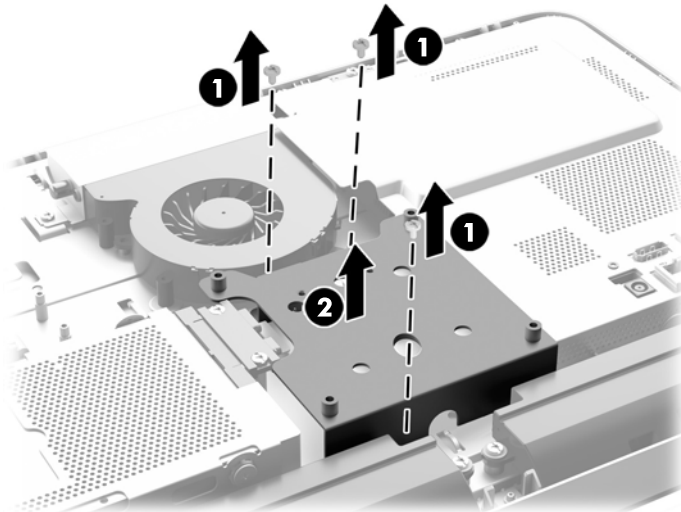
7. Rotate the bottom edge of the access panel up (2), and then lift the access panel off of the computer (3).

Figure 3-20 Removing the access panel



8. Remove the three screws securing the VESA panel to the chassis (1), and then lift the panel out of the chassis (2).

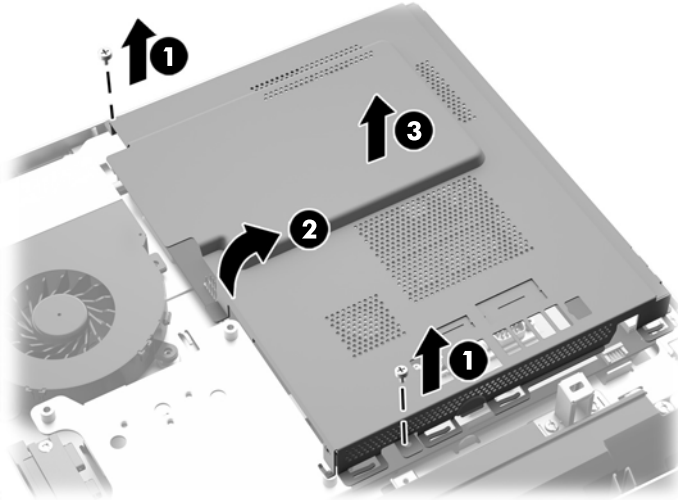
Figure 3-21 Removing the VESA panel



9. Remove the two screws securing the fire enclosure shield to the chassis (1).

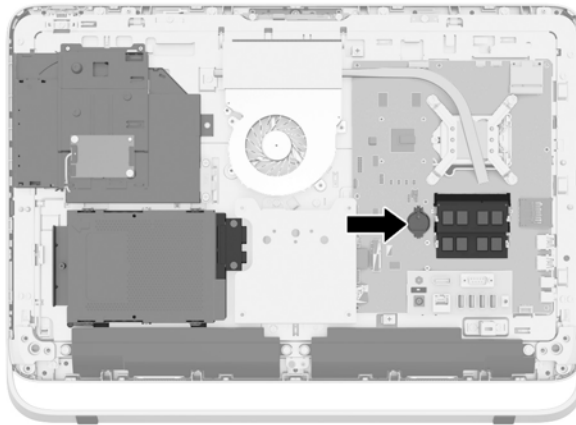
10. Rotate the shield to the right (2), and then lift it off the chassis (3).

Figure 3-22 Removing the fire enclosure shield



The battery can now be seen on the left side of the memory modules.

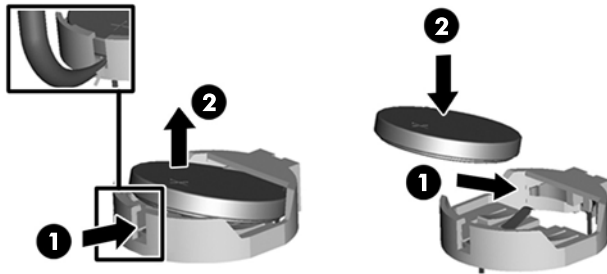
Figure 3-23 Locating the battery



11. To release the battery from its holder, insert a thin metal instrument into the slot on the side of the holder below the battery (1) and pry the battery up and out of the holder (2).

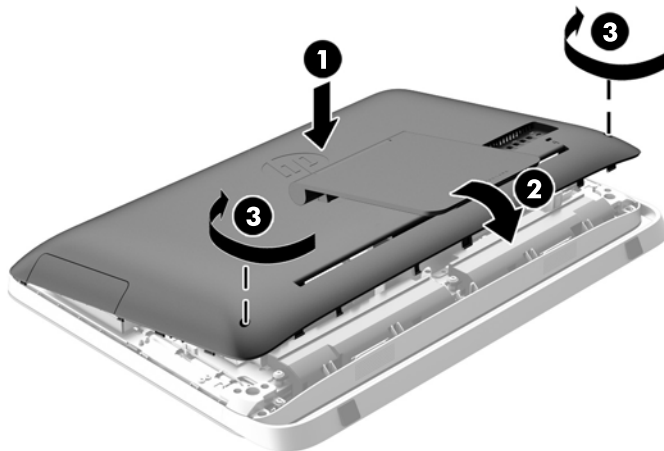
12. To insert the new battery, slide one edge of the replacement battery under the holder's lip with the positive side up (1) and press the other edge down into the holder so that it snaps in place (2).

Figure 3-24 Removing and Replacing a Coin Cell Battery (Type 1)



13. Engage the three tabs on the right edge of the fire enclosure shield with the matching slots on the right side of the chassis and rotate the fire enclosure shield down onto the chassis.
14. Fasten the two screws to secure the fire enclosure shield to the chassis.
15. Place the VESA panel onto the chassis and fasten the three screws to secure the VESA panel to the chassis.
16. Set the top edge of the access panel down on the top edge of the computer chassis (1). Be sure to align the hooks on the underside of the top edge of the access panel with the top edge of the computer.
17. Rotate the bottom edge of the access panel down (2) and press it firmly onto the chassis until it locks into place.
18. Tighten the captive screws (3) to secure the access panel in place.

Figure 3-25 Replacing the access panel



19. Place the computer in the upright position.
20. Reconnect the power cord and external devices.
21. Lock any security devices that were disengaged when the access panel was removed.

22. Turn on the computer.
23. Reset the date and time, your passwords, and any special system setups using Computer Setup.

Replacing drives

Replacing a hard drive

The hard drive is located behind the access panel on the lower left side of the computer (when viewed from behind). The drive is housed in a removable cage.

Any one of the following may be installed in the computer:

- One 3.5-inch hard drive
- One 2.5-inch solid state drive (SSD), self-encrypting drive (SED), or solid state hybrid drive (SSHD)



NOTE: The 2.5-inch drive option kit from HP also contains the adapter required to install this drive.

- [Removing a hard drive](#)
- [Installing a hard drive](#)

Removing a hard drive

- [Removing a 3.5-inch hard drive](#)
- [Removing a 2.5-inch solid state drive \(SSD\), self-encrypting drive \(SED\), or solid state hybrid drive \(SSHD\)](#)

Removing a 3.5-inch hard drive

1. Remove all removable media, such as optical discs or USB flash drives, from the computer.
2. Turn off the computer properly through the operating system, then turn off any external devices.
3. Disconnect the power cord from the power outlet and disconnect any external devices.

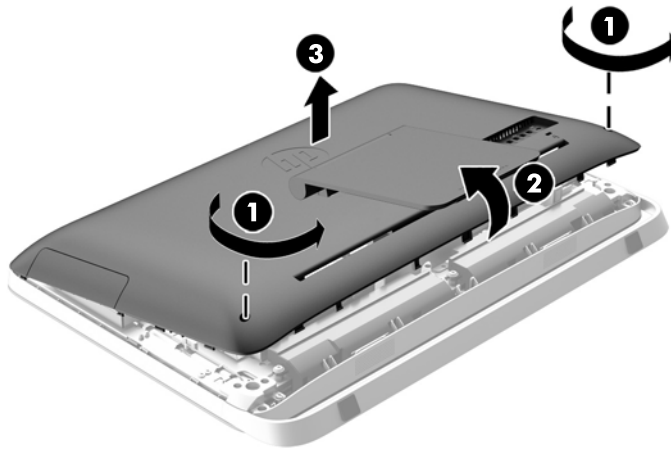


CAUTION: Regardless of the power-on state, voltage is always present on the system board as long as the system is plugged into an active AC outlet. You must disconnect the power cord to avoid damage to the internal components of the computer.

4. Remove/disengage any security devices that prohibit opening the computer.
5. Place the computer face down on a soft flat surface. HP recommends that you set down a blanket, towel, or other soft cloth to protect the bezel and screen surface from scratches or other damage.
6. Loosen the two captive screws at the bottom of the computer (1) to release the bottom edge of the access panel.

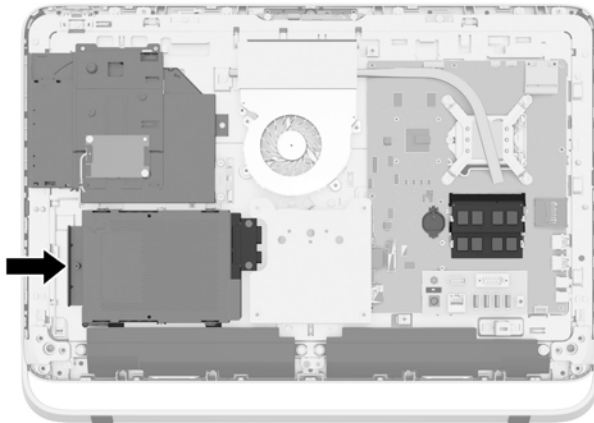
7. Rotate the bottom edge of the access panel up (2), and then lift the access panel off of the computer (3).

Figure 3-26 Removing the access panel



The hard drive cage can now be seen in the lower left side of the chassis.

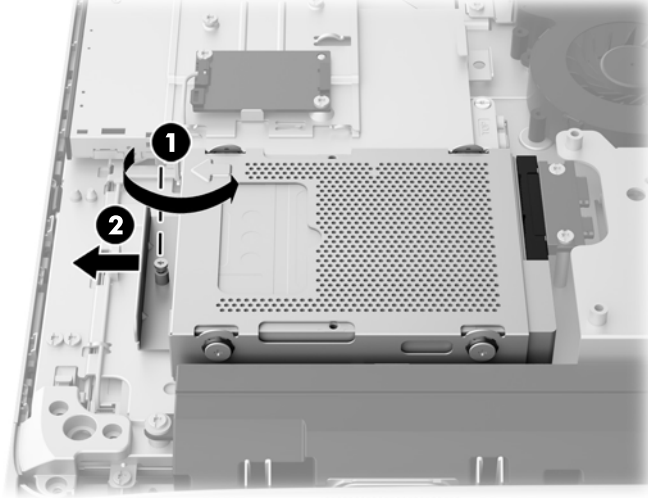
Figure 3-27 Locating the hard drive cage



8. Loosen the captive screw securing the hard drive cage in the chassis (1).

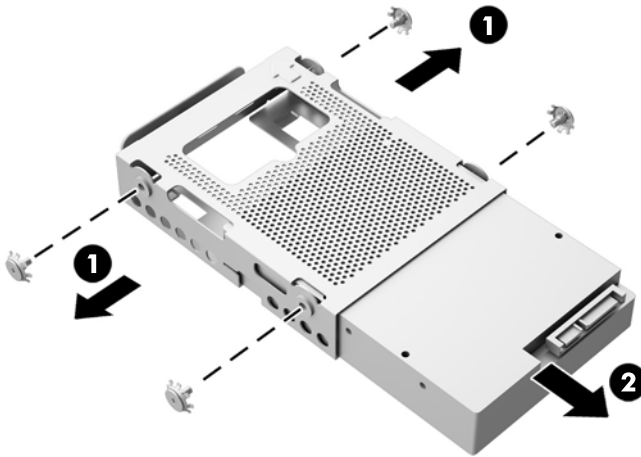
9. Slide the hard drive cage left, and then lift it out of the chassis (2).

Figure 3-28 Removing the hard drive cage



10. Remove the four mounting screws (1) securing the 3.5-inch hard drive in the hard drive cage. Be sure to keep the screws together with the blue rubber grommets to use to install a replacement drive.
11. Slide the 3.5-inch hard drive out of the hard drive cage (2).


Figure 3-29 Removing the mounting screws



For instructions on installing a hard drive, see [Installing a hard drive on page 40](#).

Removing a 2.5-inch solid state drive (SSD), self-encrypting drive (SED), or solid state hybrid drive (SSHD)

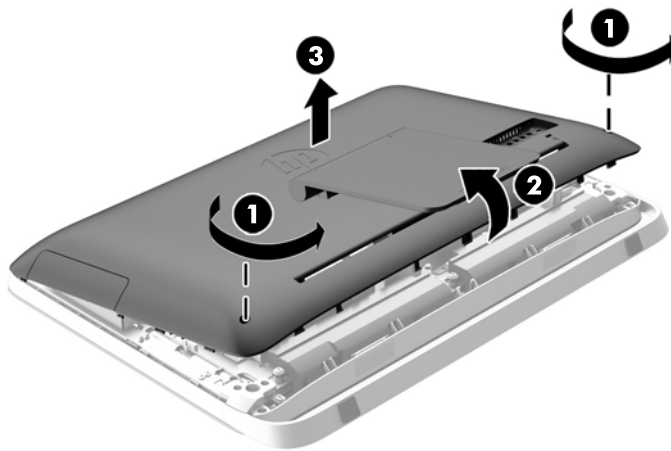
1. Remove all removable media, such as optical discs or USB flash drives, from the computer.
2. Turn off the computer properly through the operating system, then turn off any external devices.
3. Disconnect the power cord from the power outlet and disconnect any external devices.

 **CAUTION:** Regardless of the power-on state, voltage is always present on the system board as long as the system is plugged into an active AC outlet. You must disconnect the power cord to avoid damage to the internal components of the computer.

4. Remove/disengage any security devices that prohibit opening the computer.
5. Place the computer face down on a soft flat surface. HP recommends that you set down a blanket, towel, or other soft cloth to protect the bezel and screen surface from scratches or other damage.
6. Loosen the two captive screws at the bottom of the computer (1) to release the bottom edge of the access panel.

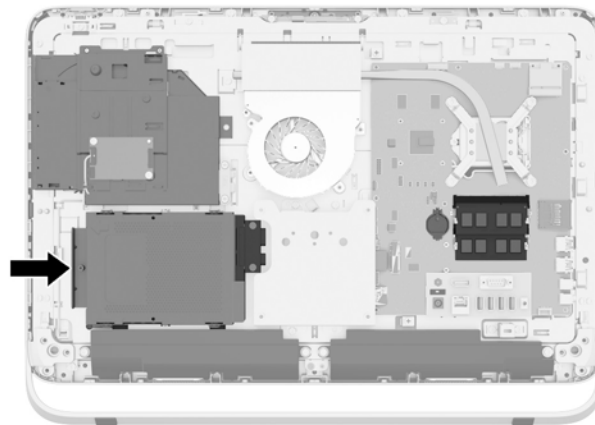
7. Rotate the bottom edge of the access panel up (2), and then lift the access panel off of the computer (3).

Figure 3-30 Removing the access panel



The hard drive cage can now be seen in the lower left side of the chassis.

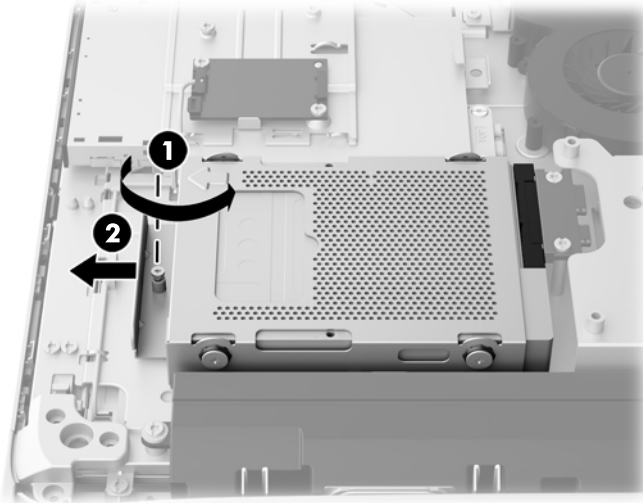
Figure 3-31 Locating the hard drive cage



8. Loosen the captive screw securing the hard drive cage in the chassis (1).

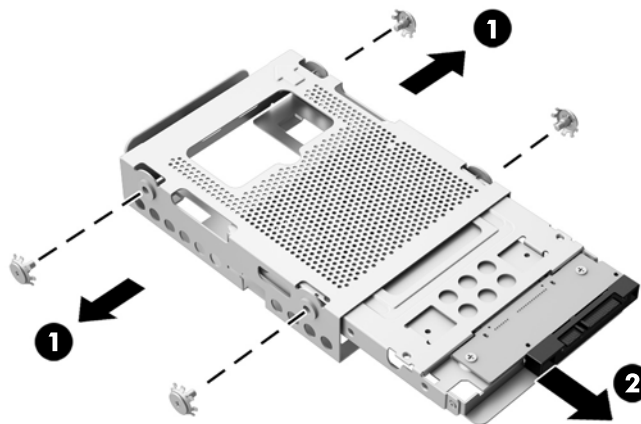
9. Slide the hard drive cage left, and then lift it out of the chassis (2).

Figure 3-32 Removing the hard drive cage



10. Remove the four mounting screws (1) securing the 2.5-inch drive adapter in the hard drive cage. Be sure to keep the screws together with the blue rubber grommets to use to install a replacement drive.
11. Slide the 2.5-inch drive adapter out of the hard drive cage (2).

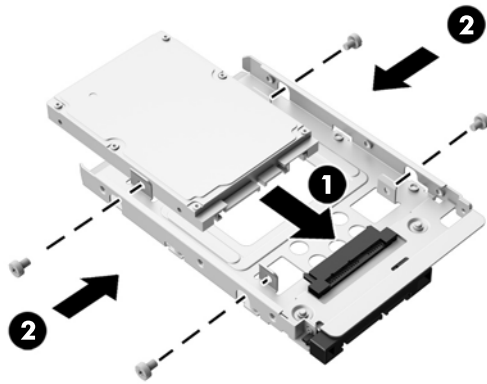
Figure 3-33 Removing the drive cage



12. Remove the four screws (1) securing the 2.5-inch drive in the drive adapter. Be sure to keep the screws to use to install a replacement drive.

13. Slide the 2.5-inch hard drive out of the drive adapter (2).

Figure 3-34 Removing the 2.5-inch drive adapter from the drive cage



For instructions on installing a hard drive, see [Installing a hard drive on page 40](#).

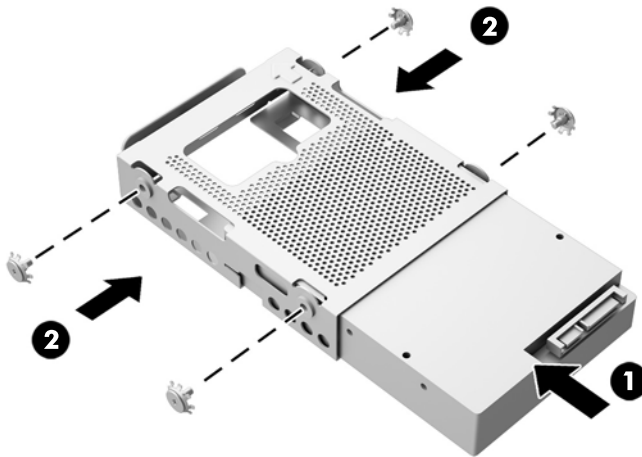
Installing a hard drive

- [Installing a 3.5-inch hard drive](#)
- [Installing a 2.5-inch solid state drive \(SSD\), self-encrypting drive \(SED\), or solid state hybrid drive \(SSHD\)](#)

Installing a 3.5-inch hard drive

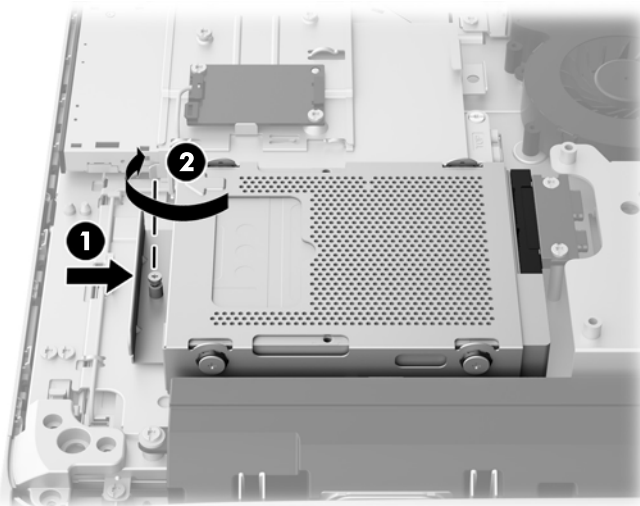
1. Slide the new 3.5-inch hard drive into the hard drive cage (1). Be sure that the hard drive connector is facing up at the open end of the drive.
2. Screw the four mounting screws through the sides of the hard drive cage into the 3.5-inch hard drive (2). Be sure to keep the blue rubber grommets behind each screw.

Figure 3-35 Installing the 3.5-inch hard drive in the hard drive cage



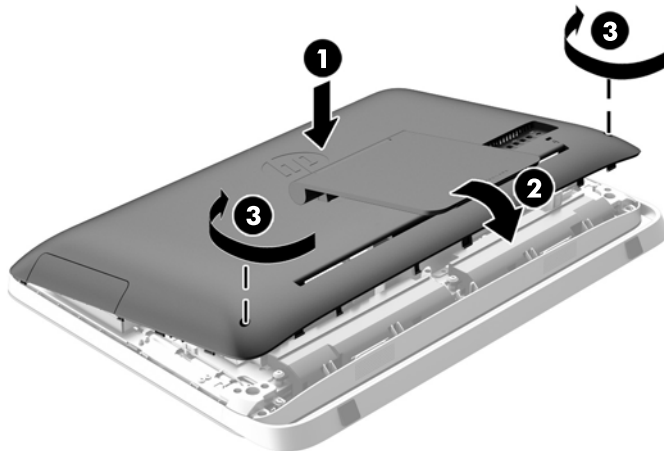
3. With the 3.5-inch hard drive connector facing toward the center of the chassis, place the hard drive cage into the chassis and slide it toward the center until it snaps into place (1).
4. Tighten the captive screw (2) to secure the hard drive cage in the chassis.

Figure 3-36 Installing the hard drive cage



5. Set the top edge of the access panel down on the top edge of the computer chassis (1). Be sure to align the hooks on the underside of the top edge of the access panel with the top edge of the computer.
6. Rotate the bottom edge of the access panel down (2) and press it firmly onto the chassis until it locks into place.
7. Tighten the captive screws (3) to secure the access panel in place.

Figure 3-37 Replacing the access panel

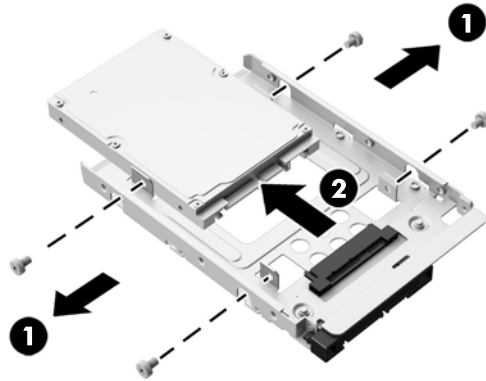


8. Place the computer in the upright position.
9. Reconnect the power cord and external devices.
10. Lock any security devices that were disengaged when the access panel was removed.
11. Turn on the computer.

Installing a 2.5-inch solid state drive (SSD), self-encrypting drive (SED), or solid state hybrid drive (SSHD)

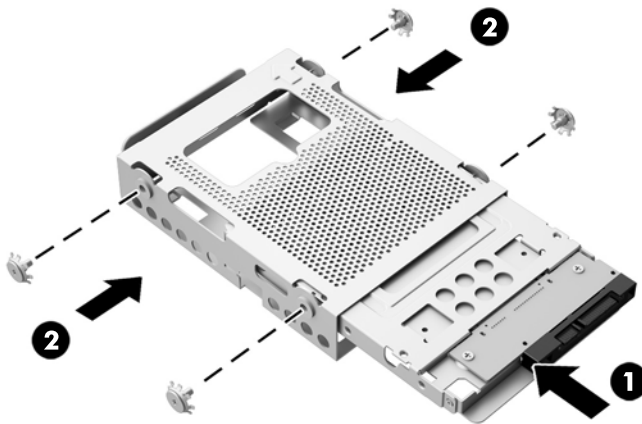
1. Insert the 2.5-inch solid state drive (SSD), self-encrypting drive (SED), or solid state hybrid drive (SSHD) into the 2.5-inch drive adapter (1). Be sure that the connector is at the opening of the adapter.
2. Fasten the four screws (2) to secure the 2.5-inch solid state drive (SSD), self-encrypting drive (SED), or solid state hybrid drive (SSHD) in the 2.5-inch drive adapter.

Figure 3-38 Securing the 2.5-inch hard drive in the adapter



3. Slide the 2.5-inch drive adapter into the hard drive cage (1).
4. Screw the four mounting screws with grommets through the sides of the hard drive cage into the 2.5-inch drive adapter (2). Be sure to keep the blue rubber grommets behind each screw.

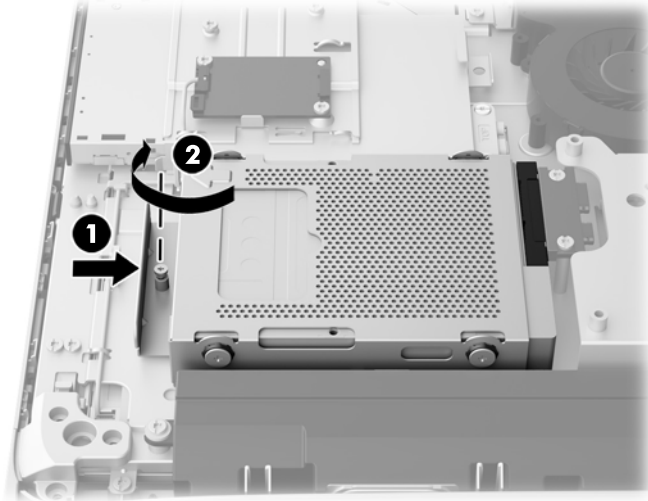
Figure 3-39 Installing the 2.5-inch drive adapter in the hard drive cage



5. With the 2.5-inch drive connector facing toward the center of the chassis, place the drive cage into the chassis and slide it toward the center until it snaps into place (1).

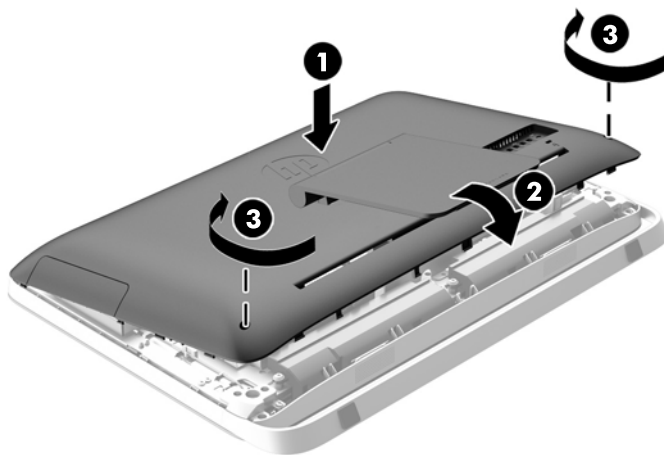
6. Tighten the captive screw (2) to secure the hard drive cage in the chassis.

Figure 3-40 Installing the hard drive cage



7. Set the top edge of the access panel down on the top edge of the computer chassis (1). Be sure to align the hooks on the underside of the top edge of the access panel with the top edge of the computer.
8. Rotate the bottom edge of the access panel down (2) and press it firmly onto the chassis until it locks into place.
9. Tighten the captive screws (3) to secure the access panel in place.

Figure 3-41 Replacing the access panel




10. Place the computer in the upright position.
11. Reconnect the power cord and external devices.
12. Lock any security devices that were disengaged when the access panel was removed.
13. Turn on the computer.

Replacing the optical disc drive

The optical disc drive is located above the hard drive on the left side of the computer (when viewed from behind).

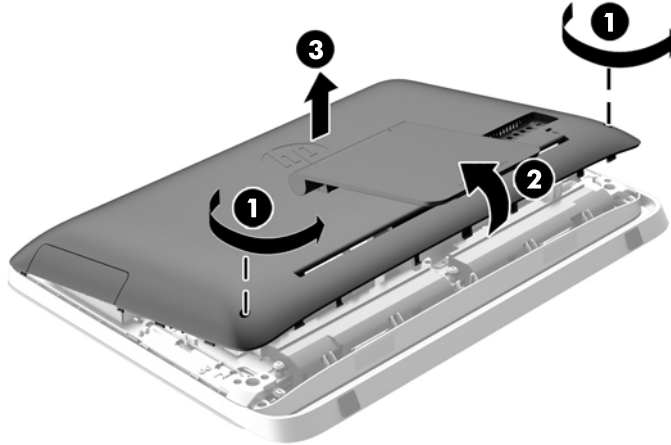
1. Remove all removable media, such as optical discs or USB flash drives, from the computer.
2. Turn off the computer properly through the operating system, then turn off any external devices.
3. Disconnect the power cord from the power outlet and disconnect any external devices.

 **CAUTION:** Regardless of the power-on state, voltage is always present on the system board as long as the system is plugged into an active AC outlet. You must disconnect the power cord to avoid damage to the internal components of the computer.

4. Remove/disengage any security devices that prohibit opening the computer.
5. Place the computer face down on a soft flat surface. HP recommends that you set down a blanket, towel, or other soft cloth to protect the bezel and screen surface from scratches or other damage.
6. Loosen the two captive screws at the bottom of the computer (1) to release the bottom edge of the access panel.

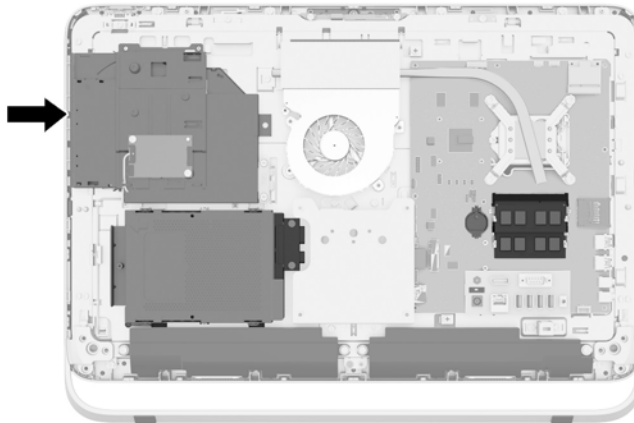
7. Rotate the bottom edge of the access panel up (2), and then lift the access panel off of the computer (3).

Figure 3-42 Removing the access panel



The optical disc drive can now be seen in the upper left side of the chassis.

Figure 3-43 Locating the optical disc drive

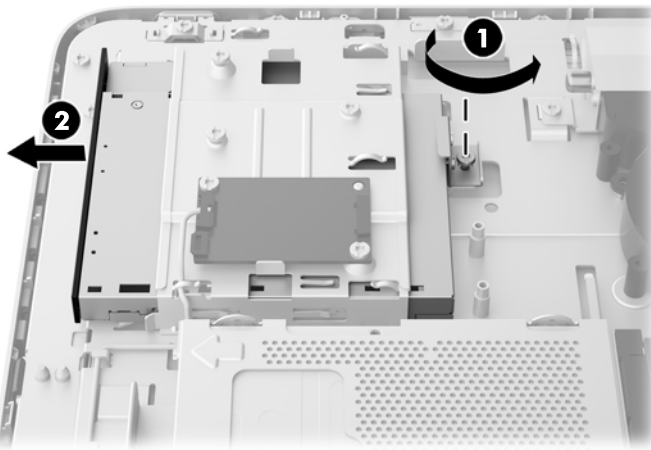


8. Loosen the captive screw (1) through the optical disc drive bracket that secures the optical disc drive to the chassis.

NOTE: The optical disc drive bracket is installed on the chassis if the model does not have an optical disc drive. Remove the bracket from the chassis and follow the remaining steps using two screws from the option kit to mount the bracket to the optical disc drive.

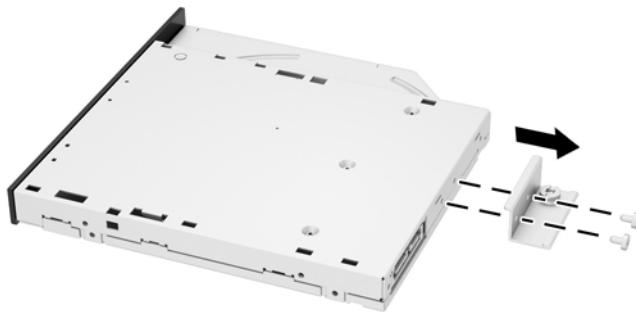
9. Slide the optical disc drive left (2) to remove it from the chassis.

Figure 3-44 Removing the optical disc drive



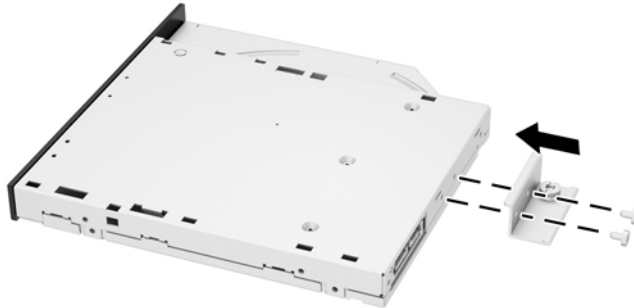
10. Remove the two screws attaching the optical disc drive bracket to the optical disc drive.

Figure 3-45 Removing the optical disc drive bracket




11. Attach the optical disc drive bracket to the new optical disc drive by screwing the two screws through the bracket into the new drive.

Figure 3-46 Installing the optical disc drive bracket

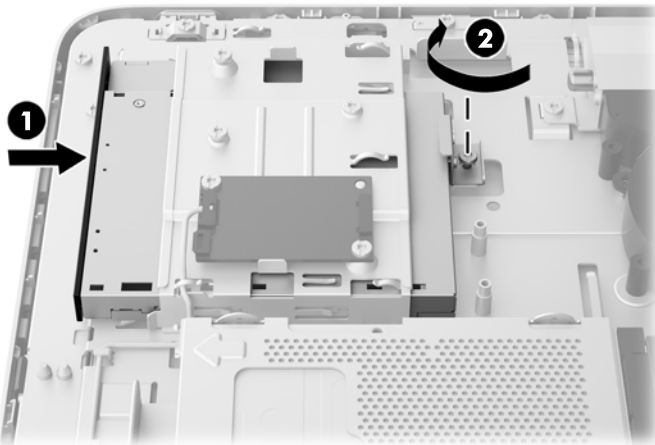


12. Place the new optical disc drive into the chassis and push the drive in firmly until it snaps into place (1).

 **NOTE:** The optical disc drive can be installed in only one way.

13. Tighten the captive screw (2) through the optical disc drive bracket to secure the drive to the chassis.

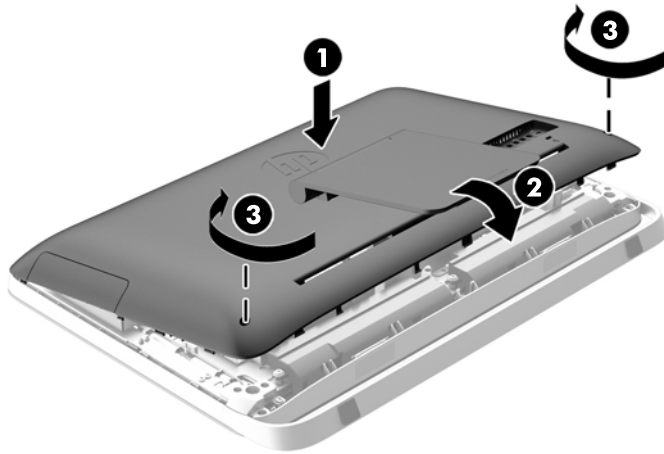
Figure 3-47 Installing the optical disc drive



14. Set the top edge of the access panel down on the top edge of the computer chassis (1). Be sure to align the hooks on the underside of the top edge of the access panel with the top edge of the computer.
15. Rotate the bottom edge of the access panel down (2) and press it firmly onto the chassis until it locks into place.

16. Tighten the captive screws (3) to secure the access panel in place.

Figure 3-48 Replacing the access panel



17. Place the computer in the upright position.
18. Reconnect the power cord and external devices.
19. Lock any security devices that were disengaged when the access panel was removed.
20. Turn on the computer.

A Electrostatic discharge

A discharge of static electricity from a finger or other conductor may damage system boards or other static-sensitive devices. This type of damage may reduce the life expectancy of the device.

Preventing electrostatic damage

To prevent electrostatic damage, observe the following precautions:

- Avoid hand contact by transporting and storing products in static-safe containers.
- Keep electrostatic-sensitive parts in their containers until they arrive at static-free workstations.
- Place parts on a grounded surface before removing them from their containers.
- Avoid touching pins, leads, or circuitry.
- Always be properly grounded when touching a static-sensitive component or assembly.

Grounding methods

There are several methods for grounding. Use one or more of the following methods when handling or installing electrostatic-sensitive parts:

- Use a wrist strap connected by a ground cord to a grounded workstation or computer chassis. Wrist straps are flexible straps with a minimum of 1 megohm +/- 10 percent resistance in the ground cords. To provide proper ground, wear the strap snug against the skin.
- Use heelstraps, toestraps, or bootstraps at standing workstations. Wear the straps on both feet when standing on conductive floors or dissipating floor mats.
- Use conductive field service tools.
- Use a portable field service kit with a folding static-dissipating work mat.

If you do not have any of the suggested equipment for proper grounding, contact an HP authorized dealer, reseller, or service provider.



NOTE: For more information on static electricity, contact an HP authorized dealer, reseller, or service provider.

B Computer operating guidelines, routine care, and shipping preparation

Computer operating guidelines and routine care

Follow these guidelines to properly set up and care for the computer:

- Keep the computer away from excessive moisture, direct sunlight, and extremes of heat and cold.
- Operate the computer on a sturdy, level surface. Leave a 10.2-cm (4-inch) clearance on all vented sides of the computer to permit the required airflow.
- Never restrict the airflow into the computer by blocking any vents or air intakes.
- Never operate the computer with any of the access panels removed.
- Do not place computers so near each other that they are subject to each other's recirculated or preheated air.
- If the computer is to be operated within a separate enclosure, intake and exhaust ventilation must be provided on the enclosure, and the same operating guidelines listed above will still apply.
- Keep liquids away from the computer and keyboard.
- Never cover the ventilation slots with any type of material.
- Install or enable power management functions of the operating system or other software, including sleep states.
- When cleaning the computer turn off power to the computer and unplug the power cord before you do any of the following:
 - Wipe the exterior of the computer with a soft, damp cloth as needed. Using cleaning products may discolor or damage the finish.
 - Do not use cleaners that contain any petroleum based materials such as benzene, thinner, or any volatile substance to clean the screen or cabinet. These chemicals may damage the computer.
 - Wipe the screen with a soft, clean antistatic cloth. For more difficult cleaning situations, use a 50/50 mix of water and Isopropyl alcohol. Spray the cleaner onto a cloth and use the


damp cloth to gently wipe the screen surface. Never spray the cleaner directly on the screen surface. It may run behind the bezel and damage the electronics.

- Occasionally clean the air vents on all vented sides of the computer. Lint, dust, and other foreign matter can block the vents and limit the airflow.

Optical disc drive precautions

Be sure to observe the following guidelines while operating or cleaning the optical disc drive.

- Do not move the drive during operation. This may cause it to malfunction during reading.
- Avoid exposing the drive to sudden changes in temperature, as condensation may form inside the unit. If the temperature suddenly changes while the drive is on, wait at least one hour before you turn off the power. If you operate the unit immediately, it may malfunction while reading.
- Avoid placing the drive in a location that is subject to high humidity, extreme temperatures, mechanical vibration, or direct sunlight.

 **CAUTION:** If any object or liquid falls into the drive, immediately unplug the computer and have it checked by an authorized HP service provider.

Shipping preparation

Follow these suggestions when preparing to ship the computer:

1. Back up the hard drive files on optical media or external USB drives. Be sure that the backup media is not exposed to electrical or magnetic impulses while stored or in transit.



NOTE: The hard drive locks automatically when the system power is turned off.

2. Remove and store all removable media.
3. Turn off the computer and external devices.
4. Disconnect the power cord from the electrical outlet, then from the computer.
5. Disconnect the system components and external devices from their power sources, then from the computer.



NOTE: Be sure that all boards are seated properly and secured in the board slots before shipping the computer.

6. Pack the system components and external devices in their original packing boxes or similar packaging with sufficient packing material to protect them.

Index

- A**
 - additional information 13
 - adjusting
 - audio 10
 - brightness 10
 - audio, adjusting 10
- B**
 - battery, replacing 29
 - brightness, adjusting 10
- C**
 - components
 - front 3
 - internal 22
 - rear 5
 - side 4
 - computer operating guidelines 50
- D**
 - display
 - adjusting audio 10
 - adjusting brightness 10
 - DisplayPort video adapter, connecting 20
 - drive
 - 2.5-inch, installing 42
 - 2.5-inch, removing 36
 - 3.5-inch, installing 40
 - 3.5-inch, removing 33
 - types 33
- E**
 - electrostatic discharge, preventing damage 49
- F**
 - features
 - keyboard 6
 - overview 1
- front components 3
- G**
 - grounding methods 49
- H**
 - hard drive
 - 2.5-inch 33
 - 2.5-inch, installing 42
 - 2.5-inch, removing 36
 - 3.5-inch 33
 - 3.5-inch, installing 40
 - 3.5-inch, removing 33
 - replacing 33
 - self-encrypting drive (SED) 33
 - solid state drive (SSD) 33
 - solid state hybrid drive (SSHD) 33
 - types 33
- I**
 - installation guidelines 12
 - installing
 - 2.5-inch hard drive 42
 - 2.5-inch self-encrypting drive (SED) 42
 - 2.5-inch solid state drive (SSD) 42
 - 2.5-inch solid state hybrid drive (SSHD) 42
 - 3.5-inch hard drive 40
 - access panel security screw 15
 - battery 29
 - cable lock 14
 - memory 24
 - optical disc drive 44
 - second display 20
 - internal components 22
- K**
 - keyboard
 - features 6
 - removing batteries 17
 - synchronizing wireless 16
- M**
 - memory
 - installing 24
 - removing 24
 - SODIMMs specifications 23
 - specifications 23
 - mounting the computer 18
 - mouse
 - removing batteries 17
 - synchronizing wireless 16
- O**
 - optical disc drive
 - precautions 51
 - replacing 44
- P**
 - power
 - connecting 13
 - disconnecting 13
 - product ID locations 9
- R**
 - rear components 5
 - removing
 - 2.5-inch hard drive 36
 - 2.5-inch self-encrypting drive (SED) 36
 - 2.5-inch solid state drive (SSD) 36
 - 2.5-inch solid state hybrid drive (SSHD) 36
 - 3.5-inch hard drive 33

- battery 29
- stand 18

S

- second display connection 20
- security
 - access panel security screw location 15
 - cable lock slot location 14
- self-encrypting drive (SED)
 - 2.5-inch, installing 42
 - 2.5-inch, removing 36
- serial number locations 9
- shipping preparation 51
- side components 4
- SODIMM
 - identification 24
 - location 24
 - specifications 23
- solid state drive (SSD)
 - 2.5-inch, installing 42
 - 2.5-inch, removing 36
- solid state hybrid drive (SSHD)
 - 2.5-inch, installing 42
 - 2.5-inch, removing 36
- specifications, memory 23
- stand, removing 18
- swivel adjustment 7
- synchronizing wireless keyboard and mouse 16

T

- tilt adjustment 7

V

- ventilation guidelines 50
- VESA mounting holes 18

W

- waking the computer 8
- warnings and cautions 12

Free Manuals Download Website

<http://myh66.com>

<http://usermanuals.us>

<http://www.somanuals.com>

<http://www.4manuals.cc>

<http://www.manual-lib.com>

<http://www.404manual.com>

<http://www.luxmanual.com>

<http://aubethermostatmanual.com>

Golf course search by state

<http://golfingnear.com>

Email search by domain

<http://emailbydomain.com>

Auto manuals search

<http://auto.somanuals.com>

TV manuals search

<http://tv.somanuals.com>