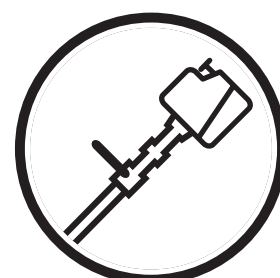


Operator's manual (EPA II, CARB II)

**227R 227RD 232R
232RD 235R**

Please read these instructions carefully and make
sure you understand them before using the machine.



English

SYMBOL EXPLANATION

Symbols



WARNING! Clearing saws, brushcutters and trimmers can be dangerous! Careless or incorrect use can result in serious or fatal injury to the operator or others.



Read through the Operator's Manual carefully and understand the content before using the machine.



Always use

- A protective helmet where there is a risk of falling objects
- Ear protection
- Approved eye protection



Max. speed of output axle, rpm



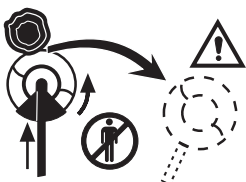
This product is in accordance with applicable CE directives.



Beware of thrown objects and ricochets.



The operator of the machine shall ensure, while working, that no persons or animals come closer than 15 metres.



Machines fitted with clearing or grass blades can be thrown violently to the side when the blade comes into contact with a fixed object. The blade can cause the amputation of arms and legs. Always keep people and animals at least 15 metres from the machine.



Arrows which show limits for handle mounting.



Always wear approved protective gloves.

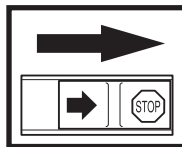


Use anti-slip and stable boots.

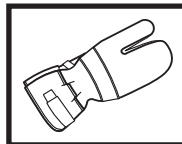


Only use non-metallic, flexible cutting elements, that is trimmer head with trimmer cord.

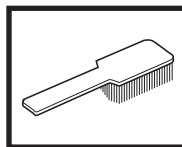
Other symbols/decals on the machine refer to special certification requirements for certain markets.



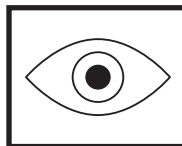
Checks and/or maintenance should be carried out with the engine switched off, with the stop switch in the STOP position.



Always wear approved protective gloves.



Regular cleaning required.



Ocular control.



Approved eye protection must always be used.

SAFETY INSTRUCTIONS

Personal protective equipment

IMPORTANT INFORMATION

- **Incorrect or careless use of a clearing saw, brushcutter or trimmer can turn it into a dangerous tool that can cause serious or even fatal injury to the operator or others. It is extremely important that you read and understand the content of this manual.**
- **When using a clearing saw, brushcutter or trimmer, protective equipment approved by the appropriate authorities must be used. Personal protective equipment does not eliminate the risk of accidents, however, it can reduce the effects of an injury in the event of an accident. Ask your dealer for help when choosing protective equipment.**



WARNING!
Remove your hearing protection as soon as you stop the engine, so that you can hear any noises or warning signals.

HELMET

A helmet should be worn if trees to be cleared are higher than 2 metres.

EAR PROTECTION

Ear protection offering sufficient dampening effect should be used.

EYE PROTECTION

Blows from branches or objects thrown by the rotating cutting equipment can damage the eyes.

GLOVES

Gloves should be worn when necessary, e.g., when assembling cutting equipment.

BOOTS

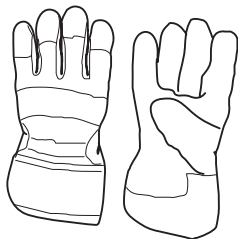
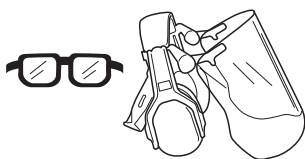
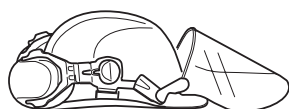
Use anti-slip and stable boots.

CLOTHING

Wear clothes made of a strong fabric and avoid loose clothing that can catch on shrubs and branches. Always wear heavy-duty long pants. Do not wear jewellery, shorts, sandals or go barefoot. Secure hair so it is above shoulder level.

FIRST AID KIT

A first aid kit should be carried by operators of clearing saws, brushcutters or trimmers.



The machine's safety equipment

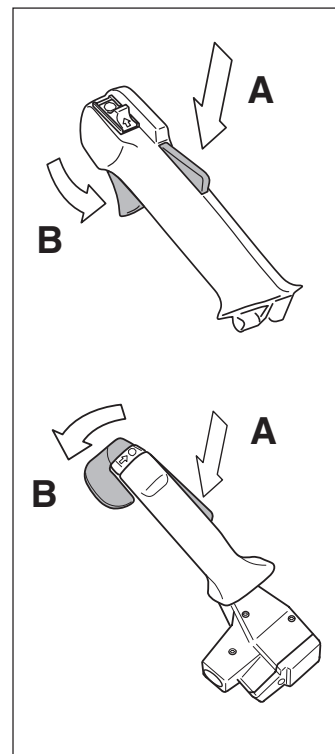
This section describes the machine's safety equipment, its function and how checks and maintenance are carried out to ensure that it operates correctly. (See the chapter "What is what" to locate where this equipment is positioned on your machine.)



WARNING!
Never use a machine with defective safety equipment. Follow the control, maintenance and service instructions described in this section.

1. Throttle trigger lock

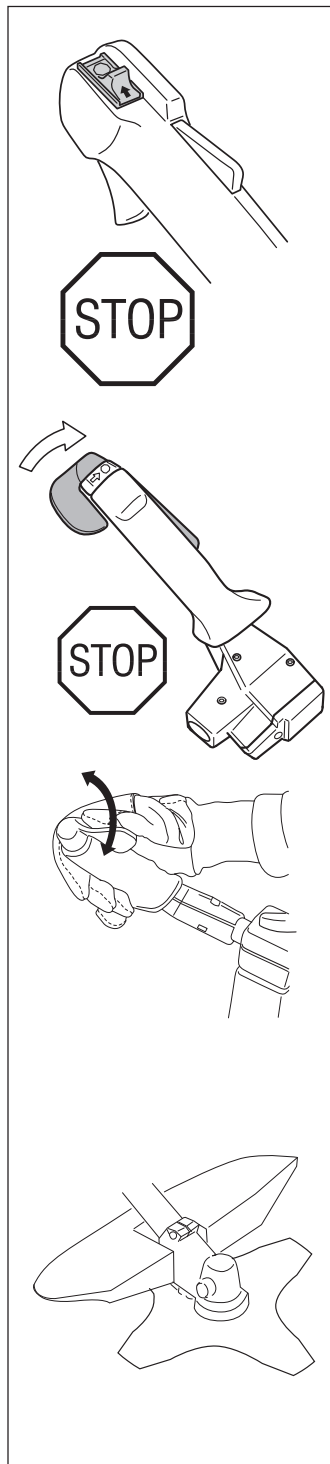
The throttle trigger lock is designed to prevent the throttle from accidentally being engaged. When the trigger lock (A) is pressed into the handle (= when you hold the handle) the throttle (B) is released. When the grip on the handle is released the throttle and the throttle trigger lock return to their original positions. This takes place via two independent return spring systems. This means that the throttle is automatically locked in its "idling" position.



SAFETY INSTRUCTIONS

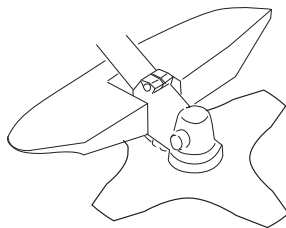
2. Stop switch

The stop switch should be used to stop the engine.



3. Cutting attachment guard

This guard is intended to prevent objects from being thrown towards the operator and to protect the operator from unintentional contact with the cutting attachment.



WARNING! Do not attach any blade to the unit without proper installation of all required parts. Failure to use the proper parts can cause the blade to fly off and seriously injure the operator and/or bystanders.

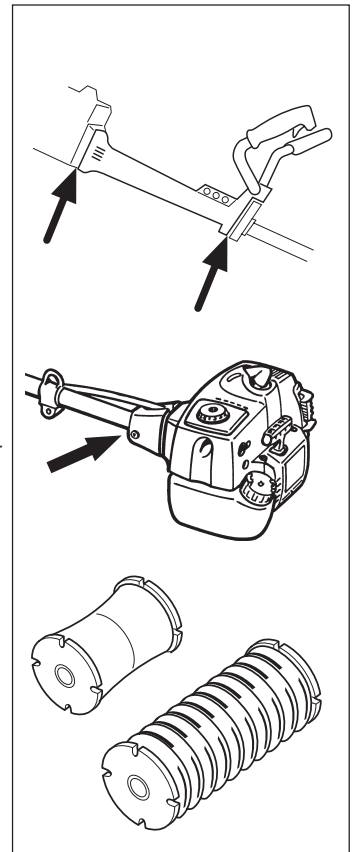
Under no circumstances may the cutting equipment be used without an approved guard fitted. See the chapter "Technical data". If the wrong guard or a defective guard is fitted this can cause serious personal injury.

4. Anti-vibration system

Your machine is equipped with an anti-vibration system that has been designed to give as vibration-free and comfortable usage as possible.

The use of incorrectly wound cord or blunt, incorrect cutting equipment (incorrect type or incorrectly sharpened, see section "Filing the blade") increases the level of vibration.

The machine's vibration damping system reduces the transfer of vibrations between the engine unit/cutting equipment and the machine's handle unit.

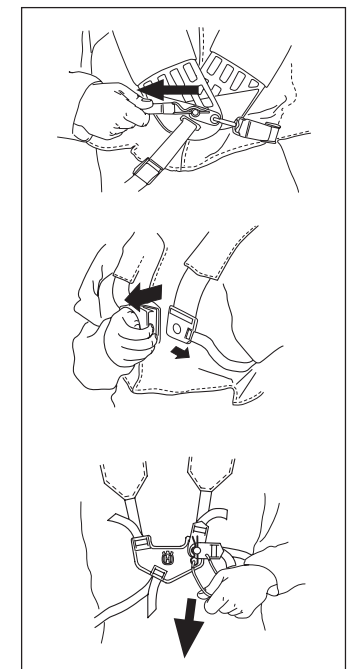


WARNING!

Over exposure to vibrations can result in blood-vessel or nerve injury to persons suffering with blood circulation problems. Seek medical attention if you experience physical symptoms that can be related to over exposure to vibrations. Examples of such symptoms are "numbness", lack of feeling, "tickling", "pricking", "pain", lack of or a reduction in normal strength, changes in the colour of the skin or its surfaces. These symptoms normally appear in the fingers, hands or wrists.

5. Quick-release

There is an easily accessible, quick-release catch fitted to the chest as a safety precaution in the event of a fire in the engine or for any other situation that requires you to free yourself from the machine and harness. See the section "Adjusting the harness and clearing saw".



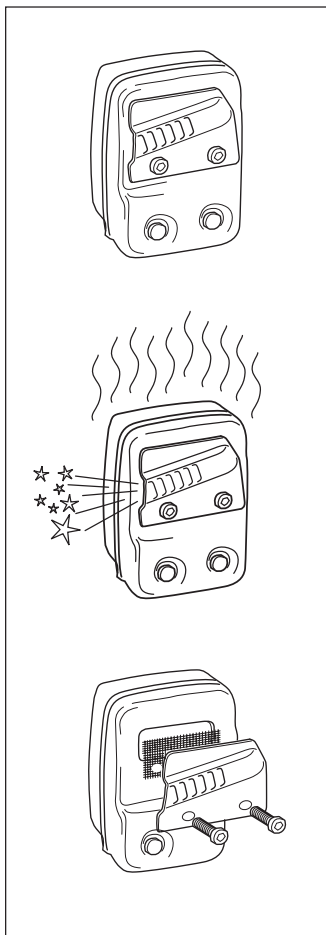
SAFETY INSTRUCTIONS

6. Muffler

The muffler is designed to give the lowest possible noise level and to direct the engine's exhaust fumes away from the operator. Muffler fitted with catalytic converter is also designed to reduce harmful exhaust components.

In countries that have a warm and dry climate the risk of fire is obvious. We have therefore fitted certain mufflers with a spark arrest screen. Make sure that your muffler is fitted with this kind of screen.

It is extremely important that the instructions for checking, maintaining and servicing the muffler are followed. (See the section "Control, maintenance and service of the machine's safety equipment".)



WARNING!

Mufflers fitted with catalytic converters become extremely hot during use and after stopping. This also applies at idling speeds. Contact can result in burns to the skin. Be observant to the risk of fire!



WARNING!

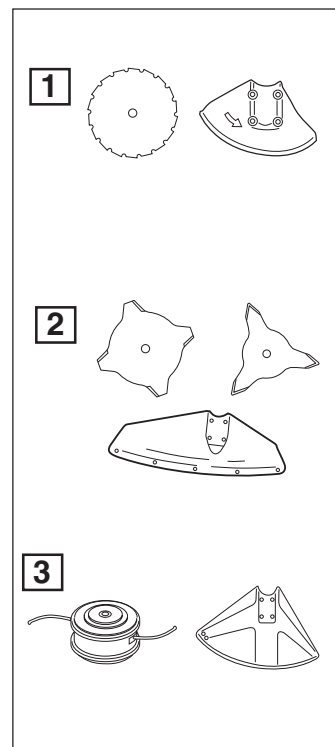
- Bear in mind that exhaust fumes:
- contain carbon monoxide, which can cause carbon monoxide poisoning. Therefore never start or run the machine indoors.
 - are hot and can contain sparks that can cause fires. Never start the machine indoors or close to inflammable material.

7. Cutting equipment

1) Clearing blades are intended for cutting wood.

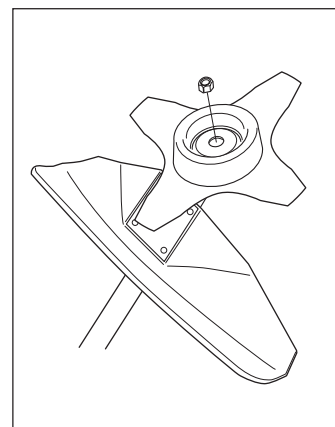
2) Grass blades are intended for brush cutting.

3) The trimmer head is intended for trimming grass.



8. Locking nut

A locking nut is used to secure some types of cutting equipment on the output shaft.



SAFETY INSTRUCTIONS

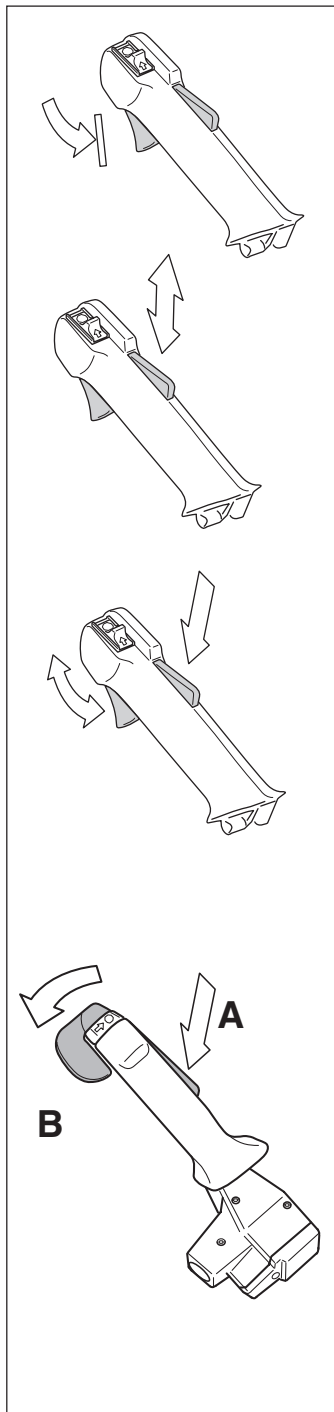
Control, maintenance and service of the machine's safety equipment

IMPORTANT INFORMATION

- All service and repairs to the machine require special training.
- This applies especially to the machine's safety equipment. If the machine does not meet any of the controls listed below you should contact your service workshop.
- The purchase of one of our products guarantees that professional repair and servicing will be carried out on it. If the point of purchase is not one of our servicing dealers, please ask for details of the closest service workshop.

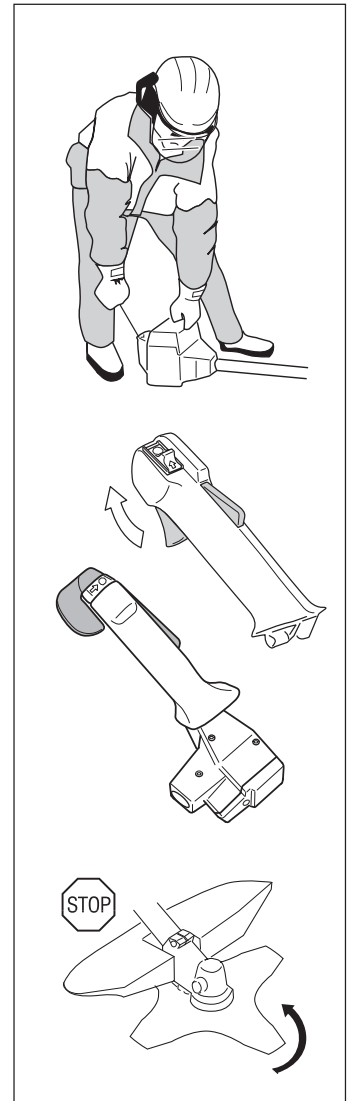
1. Throttle trigger lock

- Check that the throttle is locked in the "idling position" when the throttle trigger lock is in its original position.
- Press in the throttle trigger lock and make sure it returns to its original position when released.
- Ensure that the throttle and throttle trigger lock move easily and that their return spring systems function.



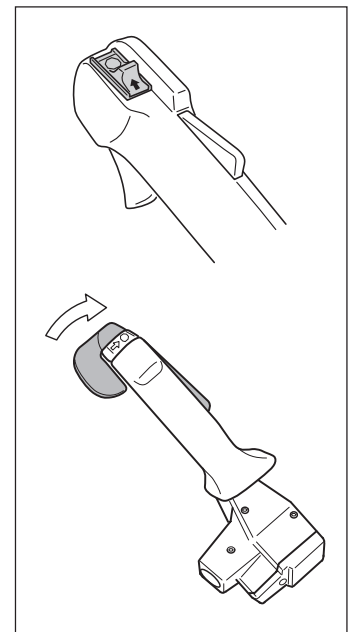
The throttle trigger lock is designed to prevent the throttle from accidentally being engaged. When the trigger lock (A) is pressed into the handle (= when you hold the handle) the throttle (B) is released. When the grip on the handle is released the throttle and the throttle trigger lock return to their original positions. This takes place via two independent return spring systems. This means that the throttle is automatically locked in its "idling" position.

- See section "Start". Start the machine and apply full throttle. Release the throttle and check that the cutting equipment stops and remains at a standstill. If the cutting equipment rotates with the throttle in the idling position then the carburettor's idling setting must be checked. See chapter "Maintenance".



2. Stop switch

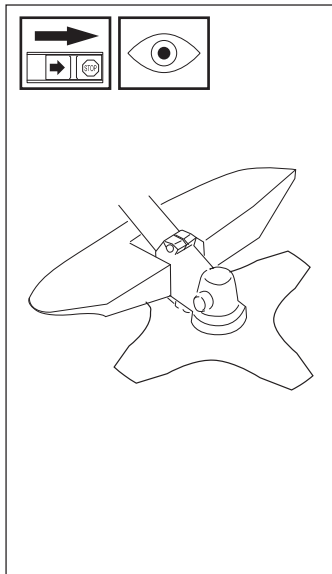
- Start the engine and make sure that the engine stops when the stop switch is moved to the stop position.



SAFETY INSTRUCTIONS

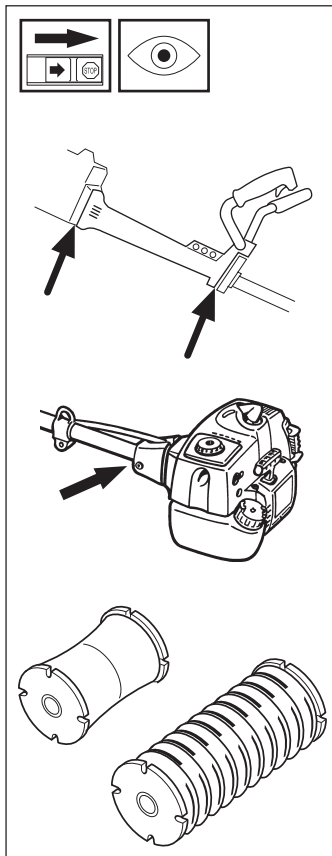
3. Cutting attachment guard

- Check that the guard is undamaged and not cracked.
- Replace the guard if it has been exposed to impact or is cracked.
- Always use the prescribed blade and guard combination, see chapter "Technical data".



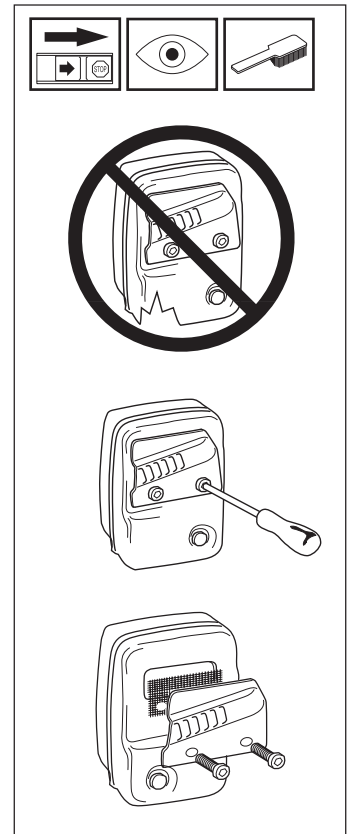
4. Vibration damping system

- Check the vibration damping element regularly for material cracks and distortion.
- Check that the vibration damping element is undamaged and securely attached.



5. Muffler

1. Never use a machine that has a defective muffler.
2. Check regularly that the muffler is secure.
3. If your muffler is fitted with a spark arrest screen then it should be cleaned regularly. A blocked screen leads to the engine overheating with serious damage as a result. Never use a muffler with a defective spark arrest screen.



SAFETY INSTRUCTIONS

Cutting equipment

IMPORTANT INFORMATION

The section describes how through correct maintenance and through using the right type of cutting equipment you can reduce the machine's tendency to kickback, obtain maximum clearing capacity and increase the service life of the cutting equipment.

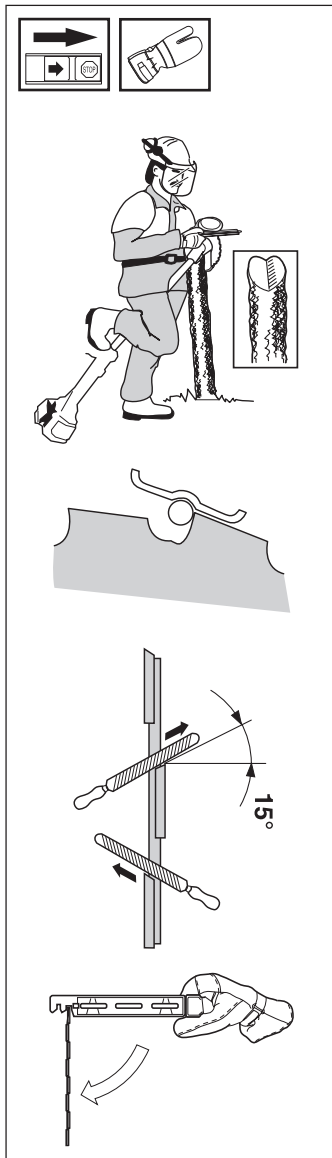
- Only use the cutting and guard equipment we recommend! See chapter "Technical data".
- Refer to the instructions for the cutting equipment for the correct winding of cord and for the selection of the right cord diameter.
- Keep the blade's teeth well and correctly sharpened! Follow our recommendations. Also refer to the instructions on the blade packaging.
- Maintain the correct setting. Follow our instructions and use the recommended filing gauge.



WARNING!
Incorrect cutting equipment or an incorrectly sharpened blade increases the risk of kickback.

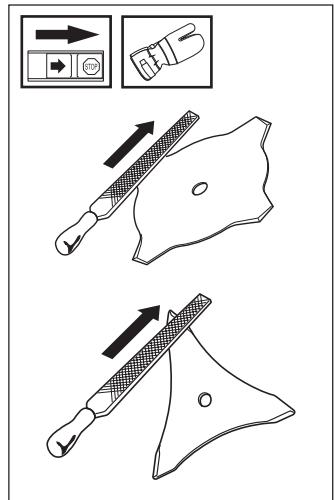
Sharpening the clearing blade

- See the cutting equipment's packaging for correct filing instructions.
- A correctly sharpened blade is a prerequisite for working efficiently and to avoid unnecessary wear to the blade and clearing saw.
- Make sure that the blade is well supported when you use the file. Use a 5,5 mm round file with a file holder.
- The sharpening angle is 15°. Every other tooth is sharpened to the right and the intermediate tooth to the left. When the blade has been heavily pitted by stones the upper side of the teeth can, in exceptional cases, need to be dressed using a flat file. In such cases this takes place before sharpening with the round file. Dressing the top side must be carried out equally for all teeth.
- Adjust the setting. This should be 1 mm.



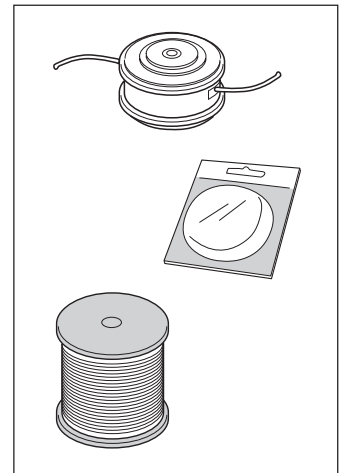
Sharpening the grass blade

- See the cutting equipment's packaging for correct filing instructions.
- The blades are sharpened using a single cut flat file.
- Sharpen all edges equally to maintain the balance of the blade.



Trimmer head

- Only use a trimmer head and trimmer cord that is recommended. These have been tested by the manufacturer to suit a particular engine size. This is especially important when a fully automatic trimmer head is used. Only use the cutting equipment we recommend! See chapter "Technical data".
- Generally smaller machines require a small trimmer head and vice versa. This is because when clearing using a cord the engine must throw out the cord radially from the trimmer head and also meet resistance from the grass being cleared.
- The length of the cord is also important. A longer cord requires greater engine power than a shorter cord of the same diameter.
- Make sure the knife positioned on the trimmer guard is intact. This is used to cut the cord to the correct length.
- To increase the life of the cord it can be soaked in water for a few days. This will make the line tougher and it will keep longer.



IMPORTANT INFORMATION

Always ensure the trimmer cord is wound tightly and evenly around the drum, otherwise harmful vibrations will occur.



WARNING!
Always stop the engine before starting work on any part of the cutting equipment. This continues to rotate even after the throttle has been released. Ensure that the cutting equipment has stopped completely and remove the cable from the spark plug before you start to work on it.

SAFETY INSTRUCTIONS

General safety instructions

IMPORTANT INFORMATION

- The machine is only designed for trimming grass, brush cutting and/or forestry clearing.
- The only accessories to be used with the engine unit as a drive source are the cutting units we recommend in the chapter “*Technical data*”.
- Never use the machine if you are tired, if you have consumed alcohol, or if you are taking medicines that can affect your sight, your judgement or the control of your body.
- Use personal protective equipment. See the section “*Personal protective equipment*”.
- Never use a machine that has been modified so that it no longer corresponds with the original design.
- Never use a machine that is faulty. Follow the maintenance, control and service instructions in this Operator’s Manual. Some maintenance and service actions should be carried out by trained and qualified specialists. See the chapter “*Maintenance*”.
- All covers and guards must be fitted before starting the machine. Check that the spark plug cap and HT lead are not damaged, otherwise you could get an electric shock.
- The machine operator shall ensure, while working, that no persons or animals come closer than 15 metres (50 feet). When several operators are working in the same area the safety distance should be at least double tree length, however, at least 15 metres (50 feet).



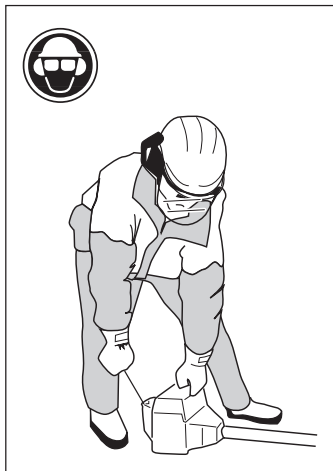
WARNING!
Faulty cutting equipment or an incorrectly sharpened blade increases the risk of accidents.

Start



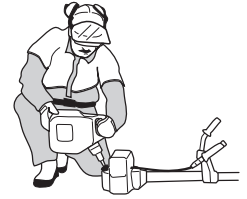
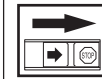
WARNING!
When the engine starts with the choke lever in the choke or starter throttle position the cutting equipment starts to rotate immediately.

- The complete clutch cover with shaft must be fitted before the machine is started, otherwise the clutch can become loose and cause personal injury.
- Never start the machine indoors. Bear in mind the dangers of inhaling the engine’s exhaust fumes.
- Observe your surroundings and make sure that there is no risk of people or animals coming into contact with the cutting equipment.
- Place the machine on the ground, ensure the cutting equipment runs free of twigs and stones. Push the machine body towards the ground using your left hand. (NOTE! Not with your foot). Grip the starter handle with your right hand and pull the starter cord.

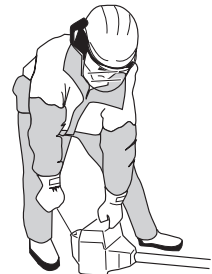


Fuel safety

- Always use a fuel container with an anti-spill valve.
- Never fill the machine while the engine is running. Always stop the engine and let it cool for a few minutes before refuelling.
- Provide good ventilation when filling or mixing fuel (petrol and 2-stroke oil).
- Move the machine at least 3 m from the filling position before starting.
- Never start the machine:
 - a) If you have spilt fuel on it. Wipe up all spillage.
 - b) If you have spilt fuel on yourself or your clothes. Change your clothes.
 - c) If there is a fuel leak. Make regular checks for leakage from the fuel cap and the fuel supply pipes.



Min. 3 m
(10 ft)



Transport and storage

- Store and transport the machine and fuel so that any leakage or fumes do not risk coming into contact with sparks or naked flames. For example, electric machines, electric motors, electrical switches/power switches, heaters or the like.
- When storing and transporting fuel approved containers intended for this purpose must be used.
- When storing the machine for long periods the fuel tank must be emptied. Contact your local petrol station to find out how to dispose of excess fuel.
- Always keep the transport guard attached when transporting and storing the machine.



WARNING!
Exercise great care when handling fuel. Bear in mind the risk of fire, explosions and inhaling fumes.

SAFETY INSTRUCTIONS

General working instructions

IMPORTANT INFORMATION

- This section takes up the basic safety precautions for working with the clearing saw and trimmer.
- If you encounter a situation where you are uncertain how to proceed you should ask an expert. Contact your dealer or your service workshop.
- Avoid all usage which you consider to be beyond your capability.
- You must understand the difference between clearing, brush cutting and grass trimming before using the machine.

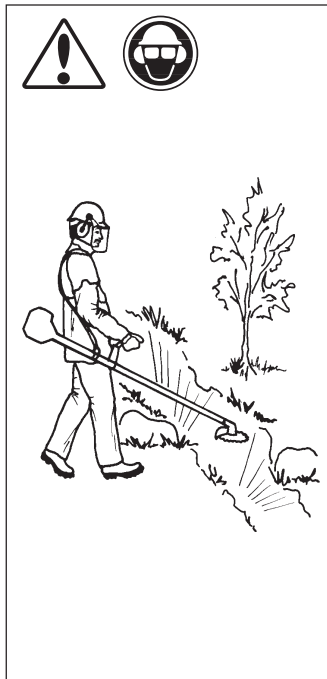
Basic safety precautions

1. Observe your surroundings:

- To ensure that people, animals or other things cannot affect your control of the machine.
- To ensure that the above mentioned do not come into contact with the cutting equipment or objects that can be thrown by the cutting equipment.
- **NOTE!** Never use a machine without the possibility of calling for help in the event of an accident.

2. Avoid usage in unfavourable weather conditions. For example, thick fog, heavy rain, strong winds or extreme cold, etc. To work in bad weather conditions is tiring and can create dangerous circumstances, e.g. slippery surfaces, affect a tree's direction of fall, etc.

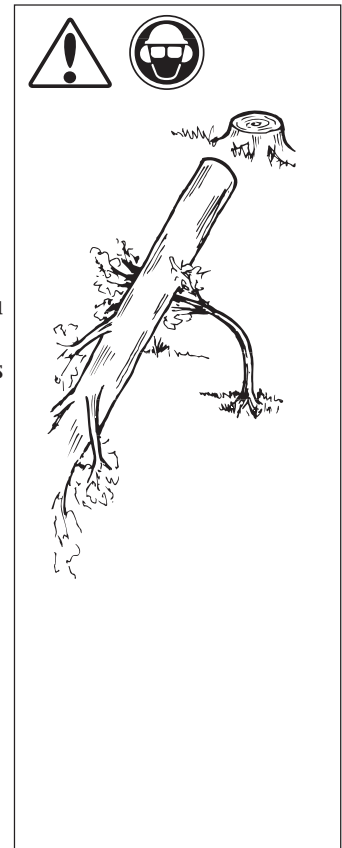
3. Make sure you can walk and stand safely. Look out for any obstacles with unexpected movement (roots, stones, branches, pits, ditches, etc.). Take great care when working on sloping ground.



4. Take great care when cutting a tree that is subject to tension. A tree that is under tension can spring back to its original position both before and after being cut. Incorrect positioning on your behalf or when positioning the cut can result in the tree hitting you or the machine so that you lose control. Both situations can cause serious personal injury.

5. The engine should be switched off before moving. When moving over longer distances and transporting the transport guard should be used.

6. Never put the machine down with the engine running unless you have good sight of it.



SAFETY INSTRUCTIONS

Adjusting the harness and clearing saw

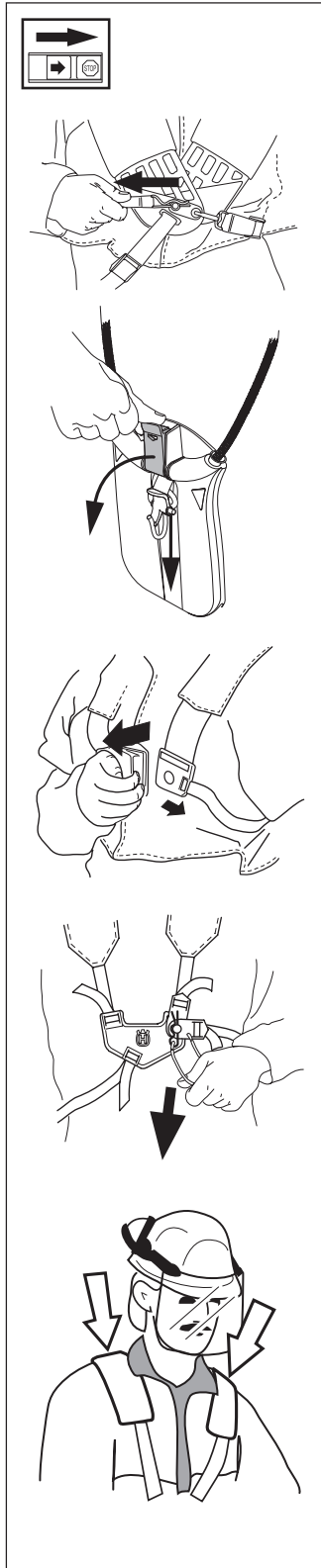


WARNING!
When working with the clearing saw it should always be hooked in the harness. If this is not done, you cannot control the clearing saw safely and this can result in injury to yourself or someone else. Never use a harness with a defective quick release catch.

Safety release

On the front is an easily accessible, quick release catch. Use this if the engine should catch fire or in any other emergency situation when you quickly need to take off the harness and machine.

Certain harnesses also have a quick release fitted to the support hook. Push down the red release lever to release the machine from the harness.



Even load on the shoulders

A well-adjusted harness and clearing saw significantly facilitates working. Adjust the harness for the best working position. Tension the side straps so that the weight is evenly distributed across the shoulders.

Correct height

- 1) Forestry clearing
Adjust the carrier strap so that the suspension hook comes approximately 10 cm under the hip. The blade should be angled forward a little.
- 2) Grass clearing
The suspension hook should hang approximately 20 cm under the hip so that the blade is parallel to the ground.

Correct balance

- 1) Forestry clearing
Move the suspension eye forwards or backwards. If the blade is balanced a 10-20 cm above the ground it is easier to avoid stones.
- 2) Grass clearing
Let the blade balance at a comfortable clearing height, i.e. close to the ground.

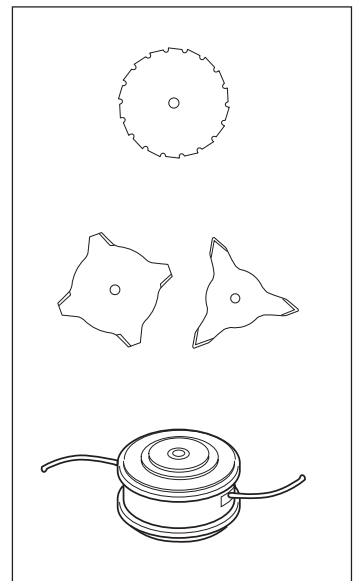


Basic clearing techniques

- Always drop to idling speed after each working operation. Longer periods running at full throttle without loading the engine (that is without resistance, which the engine feels from the cutting equipment when trimming) can lead to serious engine damage.

Designations

- Forestry clearing is a general term for cutting small trees where each stem is cut individually. A saw blade is used.
- Brush cutting is a general term for clearing grass. Grass blades are used for this purpose.
- Grass trimming is a general term for light clearing, e.g. around edges or around trees. A trimmer head or plastic blade is used.



WARNING!
Sometimes branches, grass or wood can get caught between the guard and cutting equipment. Always stop the engine when cleaning.

SAFETY INSTRUCTIONS

Clearing's ABC

- A. Always use the correct equipment.
- B. Always have well adjusted equipment.
- C. Follow the safety instructions.
- D. Organise the work well.
- E. Always use full throttle when applying the blade.
- F. Always use a sharp blade.
- G. Avoid stones.
- H. Guide the direction of fall (use the wind).



WARNING!
Avoid cutting in the cutting region between 12 and 3 o'clock on the blade. Kickback can occur due to the blade's rotation speed in this area of the blade when applied on thick stems.

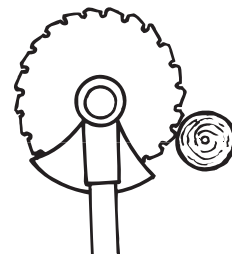
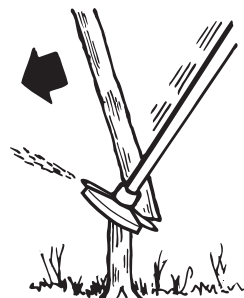
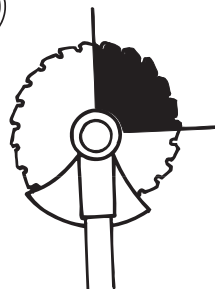
Working methods

- Before you start clearing, check the clearing area, its condition, slopes, if there are stones, pits, etc.
- Thereafter start at the end which is easiest, and make a good start to the clearing.
- Work systematically to and from and across the area. Each stroke should encompass a working area of 4-5 metres. This then utilises the full working area of the machine in both directions and provides the operator with an easy and variable working area to work through.
- The length of the pathway should be approx. 75 m. Move the fuelling station as work progresses.
- On sloping ground the pathway should run parallel to the slope. It is far easier to work along a slope then up and down a slope.
- The pathway should be planned so that you avoid going over ditches or other obstacles. Also adapt the pathway to the wind conditions so that the cleared stems fall on the part of the stand that has been cleared.

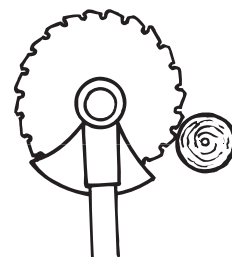
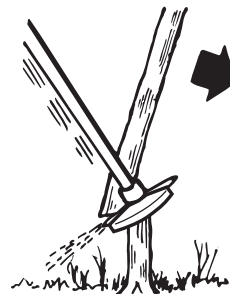


Forestry clearing using a saw blade

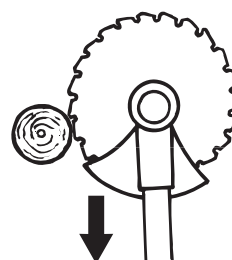
- When applying the blade to heavier stems the risk of kickback increases. You should therefore avoid applying the blade on the cutting area between 12 and 3 o'clock.
- To fell to the left, the lower section of the tree should carry to the right. Angle the blade and move it with a resolute movement diagonally down to the right. At the same time press against the stem using the blade guard. Apply the blade on the area between 3-5 o'clock. Use full throttle when applying the blade.



- To fell to the right, the lower section of the tree should carry to the left. Angle the blade and move it with a resolute movement diagonally up to the left. Apply the blade on the area between 3 and 5 o'clock so that the blade's direction of rotation carries the lower section of the tree to the left.



- To fell a tree forwards the lower section of the tree should be drawn backwards. Draw the blade backwards with a quick and resolute movement.

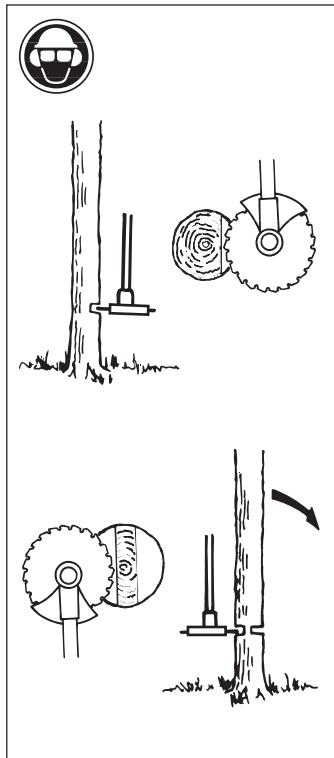


SAFETY INSTRUCTIONS

- Large stems must be cut from two sides.

Determine in which direction the stem should fall. First apply the saw to the felling side. Then cut from the other side to fell the stem. The feed pressure should be applied with regard to the size of the stem's hardness. Small stems require more pressure, while large stems require less pressure.

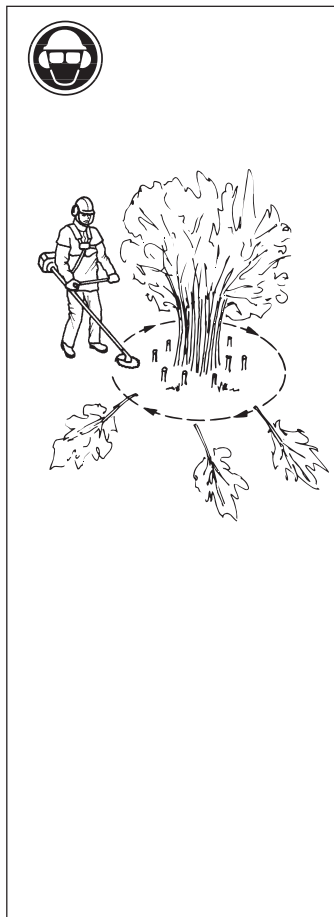
- If the stems are tightly packed adapt the through-speed with this in mind.



- If the blade should jam in the stem, never jerk the machine free. If you do this the blade, angle gear, shaft or the handlebars can be damaged. Release the handlebars and grip the shaft with both hands and slowly pull the machine free.

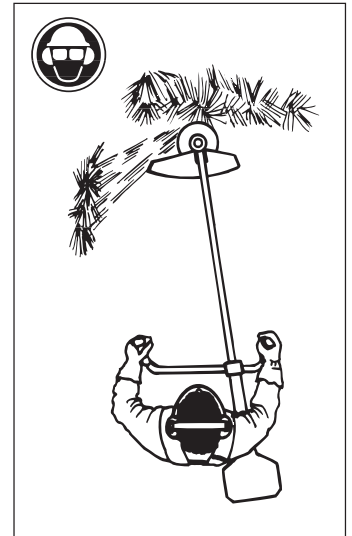
Brush cutting using the saw blade

- Thin stems and brush are mown down. Work by swinging the machine sideways.
- Try to cut several stems in one movement.
- With groups of hardwood stems, first clear around the group. Cut high on the stems around the outside of the group to avoid jamming. Now cut the stumps to the required height. Now try to come in with the blade and cut from the centre of the group. If it is still difficult to gain access, cut long stumps and let the stems fall down. This will reduce the risk of jamming.



Brush cutting using a grass blade

- A blade is used for all types of high or thick grass.
- The grass is cut down with a sideways, swinging movement, where the movement from right-to-left is the clearing stroke and the movement from left-to-right is the return stroke. Let the blade work on the left-hand side (between 8 and 12 o'clock).



- If the blade is angled to the left when clearing the grass will collect in a line, which makes collection easier, e.g. when raking.
- Try to work rhythmically. Stand firmly with your feet apart. Move forward after the return stroke and stand firmly again.
- Let the support cup rest lightly against the ground. It is used to protect the blade from hitting the ground.
- Reduce the risk of material wrapping around the blade by following these instructions:
 - a) Always work at full throttle.
 - b) Avoid the previously cut material during the return stroke.
- Stop the engine and remove the brushcutter from the harness before you start to gather the cut material.



WARNING!

Neither the user of the tool or anyone else may attempt to remove the cut material while the engine is running or with the blade rotating as this can result in serious injury. Stop the engine and blade before you remove material that has wound around the blade as otherwise there is a risk of injury. The bevel gear unit can get hot during use and may remain so for a while afterwards. There is a risk of slight burns if you touch it.



WARNING!

Beware of thrown objects. Always wear eye protection. Never lean over the guard. Stones, rubbish etc. can be thrown up into the eyes resulting in blindness or other serious injury. Keep unauthorised persons at a distance. Children, animals, onlookers and helpers should be outside the safety zone of 15 meters (50 feet). Stop the machine immediately if anyone approaches.

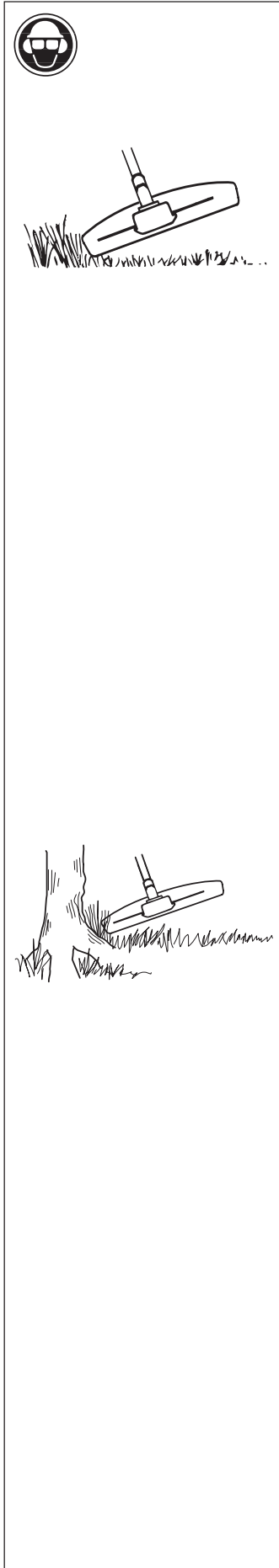
SAFETY INSTRUCTIONS

Grass clearing using the trimmer head and plastic knives

- Hold the trimmer head just above the ground at an angle. It is the end of the cord that carries out the work. Let the cord work at its own pace. Do not press the cord into the area to be cut.
- The cord can easily remove grass and weeds up against walls, fences, trees and borders, however, it can also damage sensitive bark on trees and bushes and damage fence posts.
- Reduce the risk of damaging plants by shortening the cord to 10-12 cm and reducing the engine speed.

Clearing

- The clearing technique removes all unwanted vegetation. Keep the trimmer head just above the ground and tilt it. Let the end of the cord strike the ground around trees, posts, statues and the like. **NOTE!** This technique increases the wear on the cord.
- The cord wears quicker and must be fed forward more often when working against stones, brick, concrete, metal fences, etc. than when coming into contact with trees and wooden fences.
- When trimming and clearing you should use less than full throttle so that the cord lasts longer and to reduce the wear on the trimmer head.

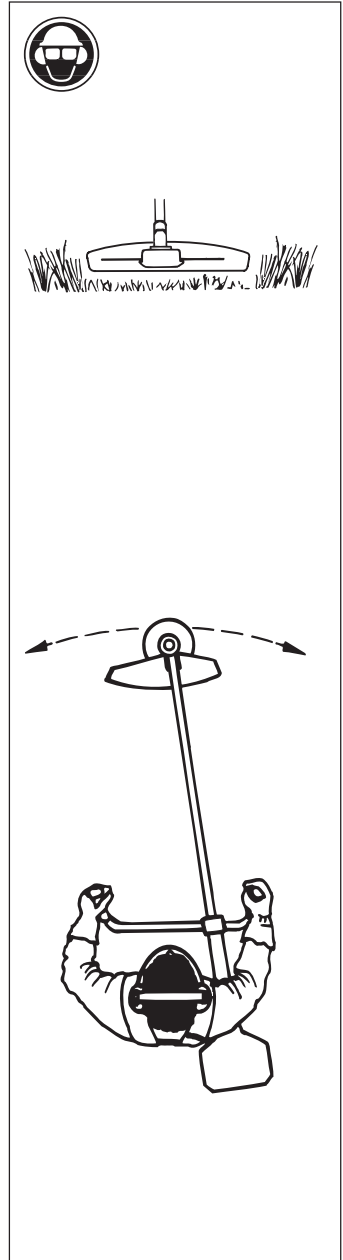


Trimming

- The trimmer is ideal to cut grass that is difficult to reach using a normal lawn mower. Keep the cord parallel to the ground when cutting. Avoid pressing the trimmer head against the ground as this can ruin the lawn and damage the tool.
- Do not allow the trimmer head to constantly come into contact with the ground during normal cutting procedures. Constant contact can cause damage and wear to the trimmer head.

Sweeping

- The rotating cord's fanning effect can be used for quick and easy cleaning. Hold the cord parallel to and above the area to be swept and move the trimmer from side to side.
- When cutting and sweeping you should use full throttle to obtain the best results.

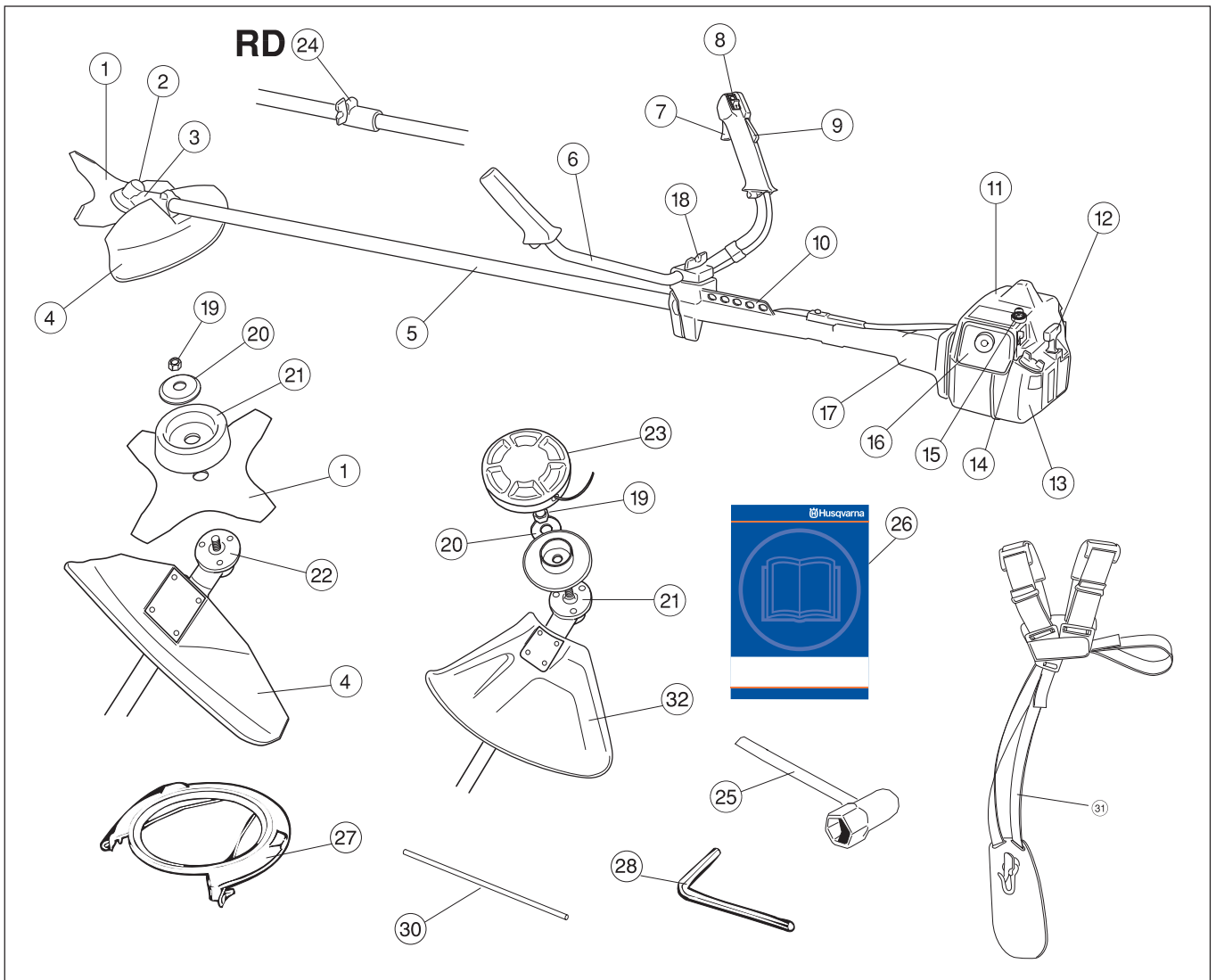


WARNING!

Beware of thrown objects. Always wear eye protection. Never lean over the guard. Stones, rubbish etc. can be thrown up into the eyes resulting in blindness or other serious injury.

Keep unauthorised persons at a distance. Children, animals, onlookers and helpers should be outside the safety zone of 15 meters (50 feet). Stop the machine immediately if anyone approaches.

WHAT IS WHAT?



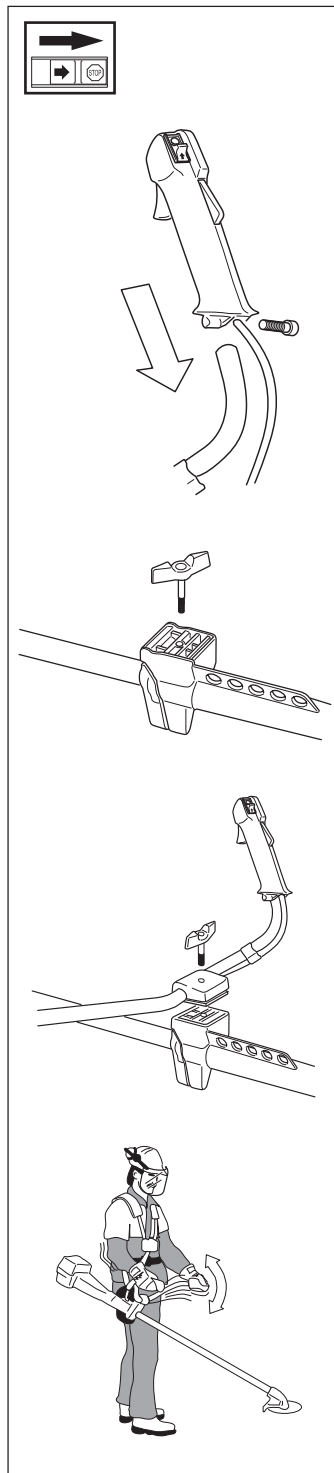
What is what on the brushcutter?

- | | |
|---------------------------------|--------------------------|
| 1. Blade | 17. Clutch cover |
| 2. Grease filler cap | 18. Handlebar adjustment |
| 3. Angle gear | 19. Locking nut |
| 4. Blade guard | 20. Support flange |
| 5. Shaft | 21. Support cup |
| 6. Handlebars | 22. Drive disc |
| 7. Throttle | 23. Trimmer head |
| 8. Stop switch | 24. Shaft coupling |
| 9. Throttle trigger lock | 25. Socket spanner |
| 10. Suspension for clearing saw | 26. Operator's Manual |
| 11. Cylinder cover | 27. Transport guard |
| 12. Starter handle | 28. Allen key |
| 13. Fuel tank | 30. Locking pin |
| 14. Choke | 31. Harness |
| 15. Air purge | 32. Spray guard |
| 16. Air filter cover | |

ASSEMBLY

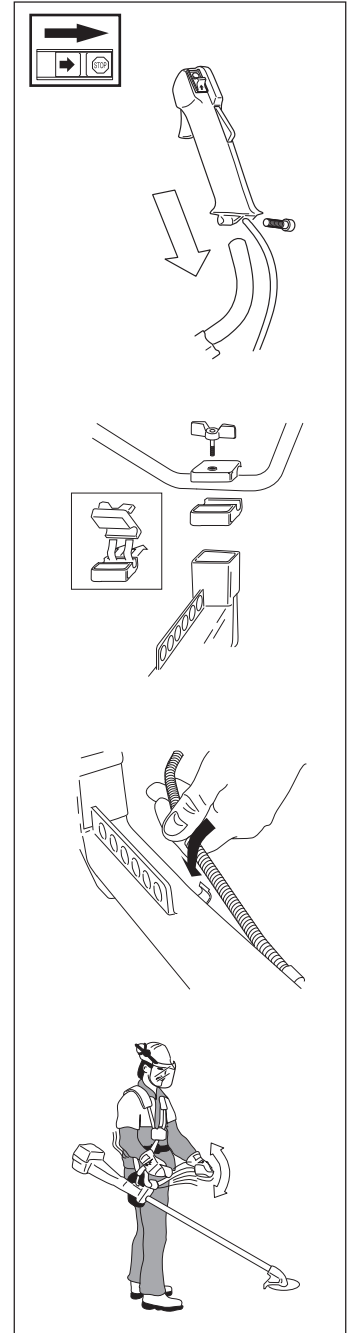
Assembling the handlebars (227R/RD, 232R/RD)

- Remove the screw at the rear of the throttle handle.
- Slide on the throttle handle on the right-hand side of the handlebars, (see the diagram).
- Align the hole in the throttle handle for the fixing screw with the hole on the handlebars.
- Refit the screw in the rear of the throttle handle.
- Fit the screw through the throttle handle and the handlebars and tighten.
- Unscrew the handle from the handlebar bracket.
- Position the handlebars as shown. Fit the bracket components and tighten the handle lightly.
- Put on the harness and hang the machine in the suspension hook. Now finely adjust so that the machine gives a comfortable working position when it's attached to the harness. Tighten the handle.



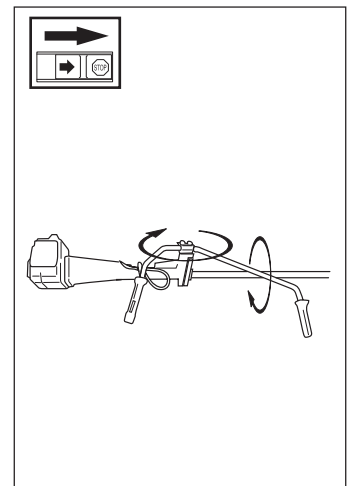
Assembling the handlebars (235R)

- Remove the screw at the rear of the throttle handle.
- Slide on the throttle handle on the right-hand side of the handlebars, (see the diagram).
- Align the hole in the throttle handle for the fixing screw with the hole on the handlebars.
- Refit the screw in the rear of the throttle handle.
- Fit the screw through the throttle handle and the handlebars and tighten.
- Unscrew the bracket components from the handlebar bracket.
- Position the handlebars as shown. Fit the bracket components and tighten the handle lightly.
- Fit the cabling as shown.
- Put on the harness and hang the machine in the suspension hook. Now finely adjust so that the machine gives a comfortable working position when it's attached to the harness. Tighten the handle.



Transport position, handlebars

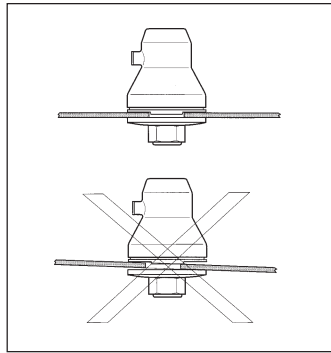
- The handlebars can easily be turned to fit along the shaft for easy transportation and storage.
- Loosen the knob. Turn the handles clockwise so that the throttle comes against the engine.
- Thereafter fold the handlebars around the shaft. Tighten the handle.
- Attach the transport guard.



ASSEMBLY

Assembly of the blade and trimmer head

It is extremely important that the disc drive's/support flange's guide engages correctly in the cutting equipment's centre hole when assembling the cutting equipment. Cutting equipment assembled incorrectly can result in serious and/or fatal personal injury.



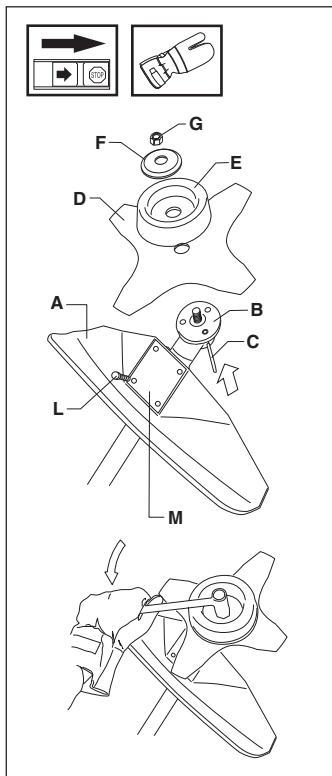
WARNING!
Do not attach any blade to the unit without proper installation of all required parts. Failure to use the proper parts can cause the blade to fly off and seriously injure the operator and/or bystanders. Under no circumstances may the cutting equipment be used without an approved guard fitted. See the chapter "Technical data". If the wrong guard or a defective guard is fitted this can cause serious personal injury.

IMPORTANT INFORMATION

The machine must be equipped with the correct handlebars, blade guard and harness if either a clearing blade or grass blade are to be used.

Assembling the blade guard and grass blade

- The guard (A) is fitted using 4 screws (L) and the support plate (M) as set out in the diagram. NOTE! Use the recommended blade guard.
- Fit the drive disc (B) on the output axle.
- Turn the blade axle until one of the holes in the drive disc aligns with the hole in the gear housing.
- Insert the locking pin (C) in the hole so that the axle is locked.
- Place the blade (D), support cup (E) and support flange (F) on the output axle.
- Fit the nut (G). The tightening torque of the nut is 35-50 Nm (3,5 - 5 kpm). Use the socket spanner in the tool kit. Hold the handle of the spanner as close to the blade guard as possible. The nut is tightened when the spanner is turned against the direction of rotation (left-hand thread).



Assembling the blade guard and clearing blade

- Fasten the bracket (H) using the four screws (I).

- The guard (A) is fitted using 4 screws (L) as set out in the diagram. NOTE! Use the recommended blade guard.

- Fit the drive disc (B) on the output axle.

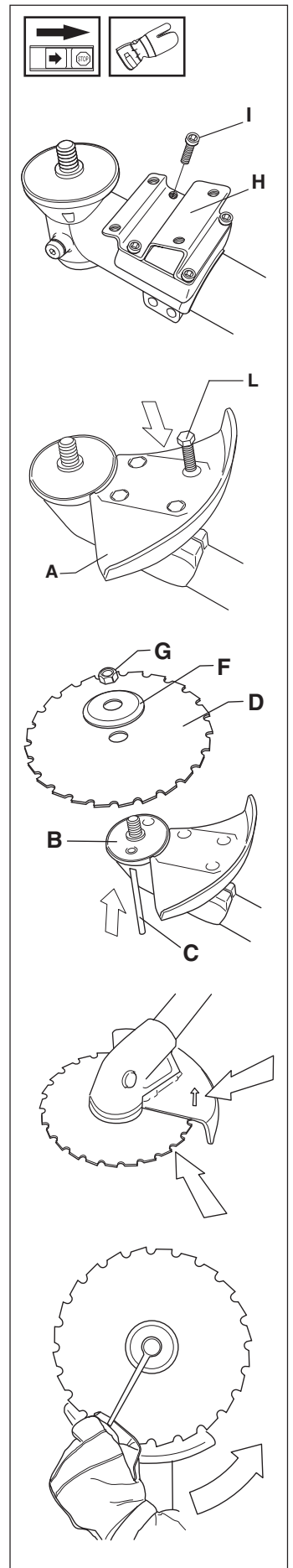
- Turn the blade axle until one of the holes in the drive disc aligns with the hole in the gear housing.

- Insert the locking pin (C) in the hole so that the axle is locked.

- Place the blade (D) and support flange (F) on the output axle.

- Fit the nut (G). The tightening torque of the nut is 35-50 Nm (3.5 - 5 kpm). Use the socket spanner in the tool kit. Hold the handle of the spanner as close to the blade guard as possible. The nut is tightened when the spanner is turned against the direction of rotation (left-hand thread).

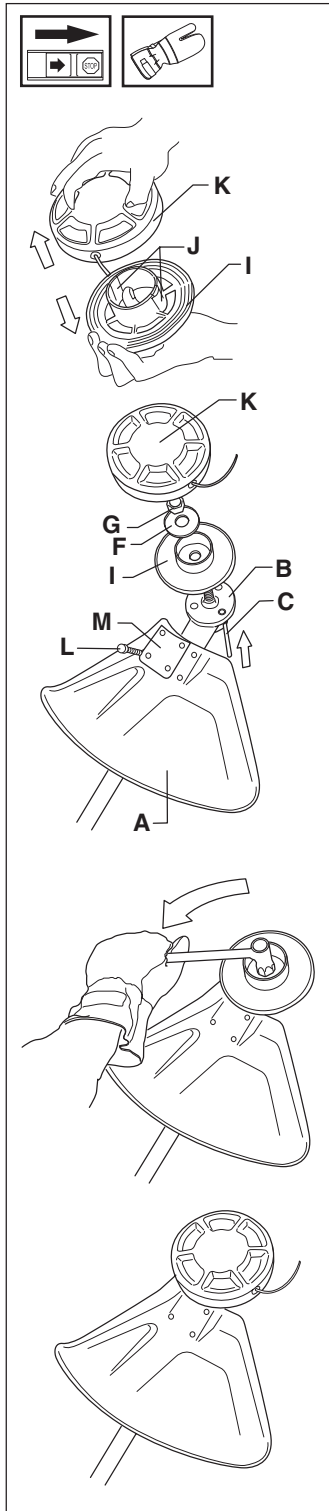
- When slacking off and tightening the saw blade nut, the hands may be injured by the blade teeth. Always hold your hand protected by the blade guard. This is facilitated by the use of a long box spanner. The illustration shows the area in which you should keep the box spanner.



ASSEMBLY

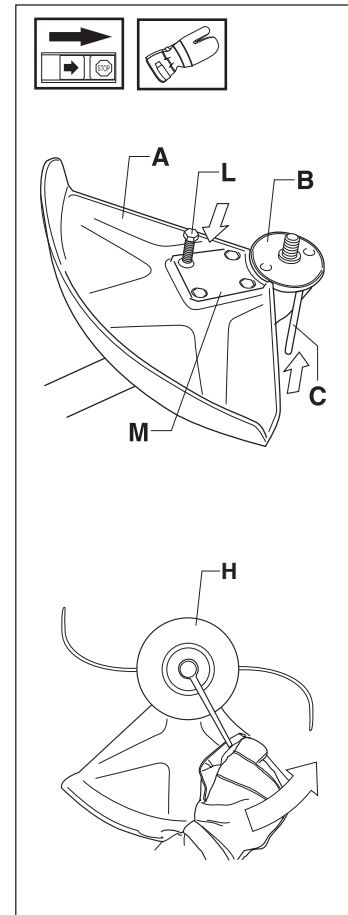
Assembling the spray guard and trimmer head Superauto II (227R/RD, 232R/RD)

- Fit the guard (A) intended for use with the trimmer head. Secure using the 4 bolts (L) and the support plate (M) as set out in the diagram.
- Fit the drive disc (B) on the output axle.
- Turn the blade axle until one of the holes in the drive disc aligns with the hole in the gear housing.
- Insert the locking pin (C) in the hole so that the axle is locked.
- The trimmer head must be split to be fitted (see the diagram). Proceed as follows:
 - Insert your finger into the centre hole of the cover (I) at the same time as you hold the cover with your other fingers. Press the two catches (J) that extend from the cut-out on the bottom section (K) using the thumb and index finger of your other hand. Press apart the trimmer head using the fingers on the cover.
- Place the cover (I) and the support flange (F) on the output axle.
- Fit the nut (G). The tightening torque of the nut is 35-50 Nm (3,5-5 kpm). Use the socket spanner in the tool kit. Hold the handle of the spanner as close to the trimmer guard as possible. The nut is tightened when the spanner is turned against the direction of rotation (left-hand thread).
- Fit the trimmer head's bottom section (K) on the cover (I) by pressing the two sections together with the cut-outs on the bottom section aligned with the catches on the cover.
- To dismantle follow the instructions in the reverse order.



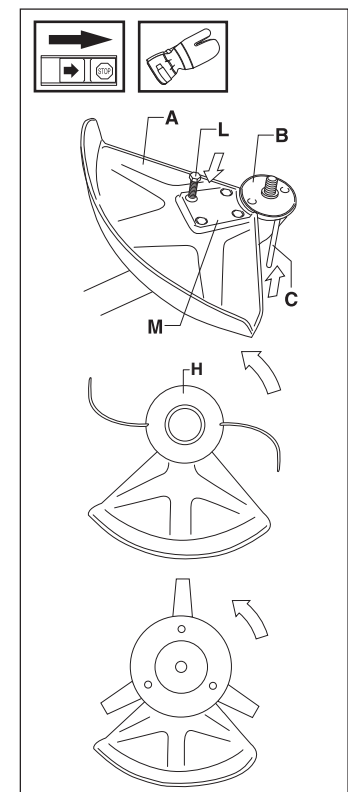
Assembling the spray guard and trimmer head Trimmy SII (235R)

- Fit the guard (A) intended for use with the trimmer head. Secure using four bolts (L) and the support plate (M) as shown in the diagram.
- Fit the driver plate (B) on the drive shaft.
- Rotate the drive shaft so that one of the holes in the driver plate lines up with the corresponding hole in the gear housing.
- Insert the locking pin (C) into the hole to lock the shaft.
- Screw on the trimmer head (H) in the opposite direction to the normal direction of rotation.
- Tighten the trimmer head to a torque of 35-50 Nm (3.5-5 kpm).
- To remove the trimmer head just reverse the sequence.



Assembling other guards and cutting equipment

- Fit the guard (A) intended for use with the trimmer head. Secure using four bolts (L) and the support plate (M) as shown in the diagram.
- Fit the disc drive (B) on the output axle.
- Turn the blade axle until one of the disc drive's holes aligns with the corresponding hole in the gear housing.
- Insert the locking pin (C) into the hole to lock the axle.
- Screw on the trimmer head (H) in the direction of rotation.
- Dismantling takes place in the reverse order.

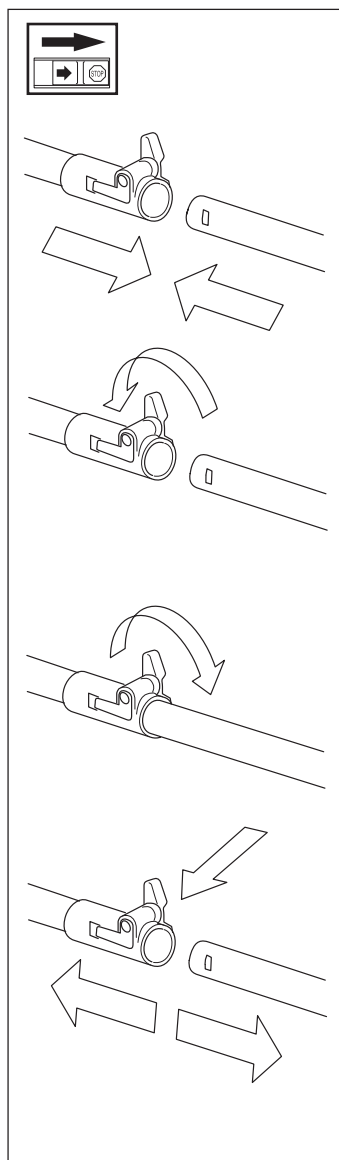


ASSEMBLY

Assembling and dismantling the two-part shaft (227RD, 232RD)

Assembling:

- Make sure the handle is loose.
- Guide the cut-out on the lower section of the shaft into the coupling's locking plate on the upper section of the shaft. The sections are then locked together.
- Tighten the handle.



Dismantling

- Undo the handle (at least three turns).
- Press the handle towards the coupling.
- Carefully twist the lower section out of the lock.
- Hold both parts of the shaft and pull out the lower section from the coupling.

Adjusting the harness and clearing saw

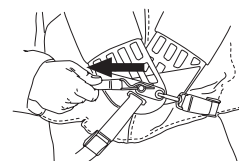


WARNING!

When working with the clearing saw it should always be hooked in the harness. If this is not done, you cannot control the clearing saw safely and this can result in injury to yourself or someone else. Never use a harness with a defective quick release catch.

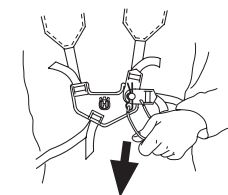
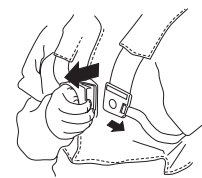
Quick release

On the front is an easily accessible, quick release catch. Use this if the engine should catch fire or in any other emergency situation when you quickly need to take off the harness and machine.



Even load on the shoulders

A well-adjusted harness and clearing saw significantly facilitates working. Adjust the harness for the best working position. Tension the side straps so that the weight is evenly distributed across the shoulders.



Correct height

1) Forestry clearing

Adjust the carrier strap so that the suspension hook comes approximately 10 cm under the hip. The blade should be angled forward a little.



2) Grass clearing

The suspension hook should hang approximately 20 cm under the hip so that the blade is parallel to the ground.



Correct balance

1) Forestry clearing

Move the suspension eye forwards or backwards. If the blade is balanced a 10-20 cm above the ground it is easier to avoid stones.



2) Grass clearing

Let the blade balance at a comfortable clearing height, i.e. close to the ground.

FUEL HANDLING

Fuel mixture

NOTE!

The machine is fitted with a two-stroke engine and must always be run on a mixture of gasoline and two-stroke oil. It is important to measure the quantity of oil accurately, to ensure the correct mixture ratio. Small discrepancies in the amount of oil have a great bearing on the proportions of the fuel mixture when mixing small amounts of fuel.



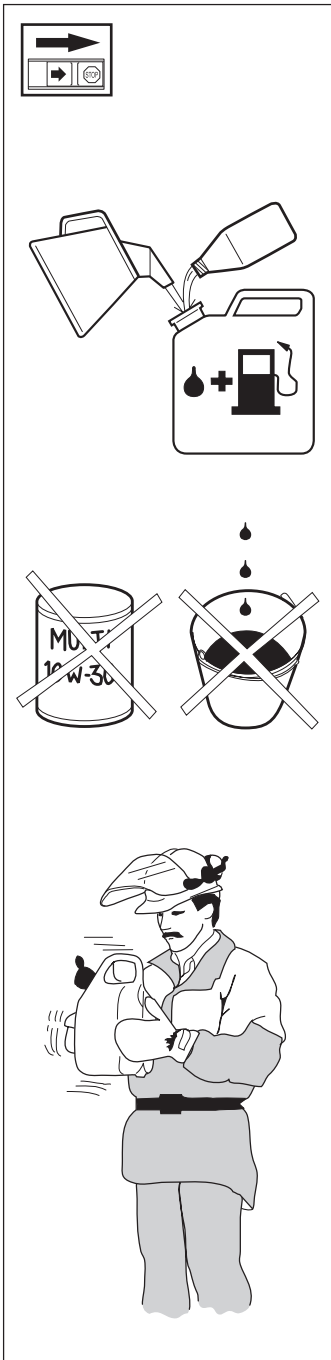
WARNING!
Always provide good ventilation when handling fuel.

Gasoline

NOTE!

Always use an oil-mixed quality gasoline (at least 87 octane). If your machine is equipped with a catalytic converter, (see "technical data") an unleaded, oil mixed quality gasoline should always be used. A leaded gasoline will destroy the catalytic converter.

- This engine is certified to operate on unleaded gasoline.
- The lowest recommended octane rating is 87. If you run the engine on lower octane rating than 87 so-called "knocking" can occur. This leads to an increased engine temperature, which can result in a serious engine breakdown.
- When working at continuous high revs a higher octane rating is recommended.



Two-stroke oil

- For the best results use HUSQVARNA two-stroke oil, which has been specially developed for clearing saws and chain saws. Mixing ratio 1:50 (2%).
- Never use two-stroke oil intended for water cooled outboard motors, so-called outboard motor oil.
- Never use oil intended of four-stroke engines.

Mixture

- Always mix gasoline and oil in a clean container intended for fuel.
- Always start by filling half the quantity of gasoline required. Then add the entire oil quantity. Mix (shake) the fuel mixture. Fill the remaining quantity of gasoline.
- Mix (shake) the fuel mixture carefully before filling in the machine's fuel tank.
- Do not mix more than max. one month's supply of fuel.
- If the machine is not used for a long period of time, the fuel tank should be emptied and cleaned.
- This engine is certified to operate on unleaded gasoline.



WARNING!
The catalytic converter muffler gets very hot during and after use. This also applies during idling. Be aware of the fire hazard, especially when handling the saw near flammable substances or vapours.

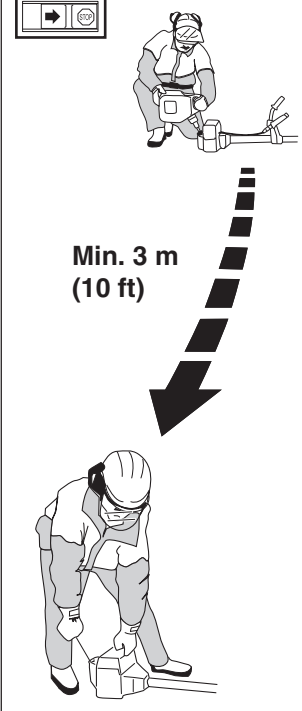
Fuelling



WARNING!
The following precautions reduce the risk of fire:
Do not smoke or place any sources of heat in the vicinity of the fuel. Never refuel when the engine is running. Always stop the engine and let it cool for a few minutes before refuelling. Open the fuel cap slowly when fuelling so that any over pressure is released slowly. Tighten the fuel cap carefully after refuelling. Always move the machine from the fuelling place before starting.

- Clean around the fuel cap. Contamination in the tank can disrupt operations.
- Ensure that the fuel is well mixed by shaking the container before filling the tank.

Gasoline	Oil 2%(1:50)
Lit.	Lit.
5	0,10
10	0,20
15	0,30
20	0,40
US gallon	US fl. oz.
1	2 1/2
2 1/2	6 1/2
5	12 7/8

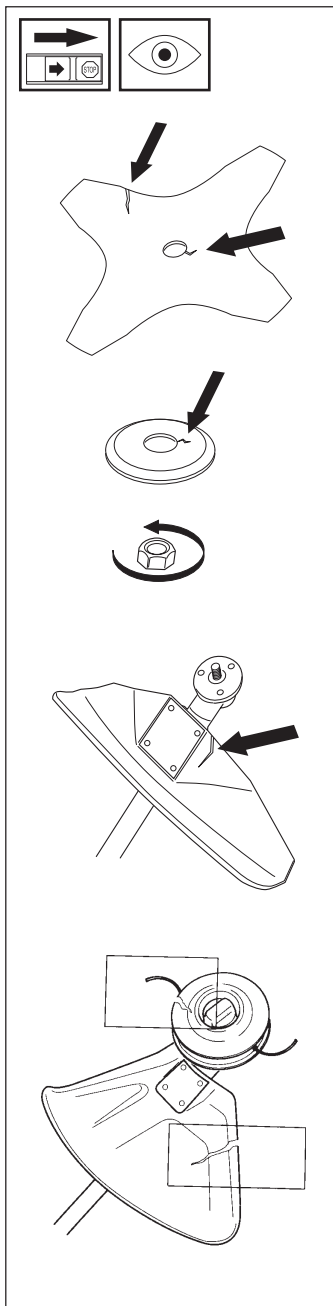


START AND STOP

Control before starting

For reasons of safety follow these recommendations!

- Check the blade to ensure that no cracks have formed at the bottom of the teeth or by the centre hole. The most common reason why cracks are formed is that sharp corners have been formed at the bottom of the teeth while sharpening or that the blade has been used with dull teeth. Discard a blade if cracks are found.
- Check that the support flange is not cracked due to fatigue or due to being tightened too much. Discard the support flange if it is cracked.
- Ensure the locking nut has not lost its captive force. The nut lock should have a locking force of at least 1.5 Nm. The tightening torque of the locking nut should be 35-50 Nm.
- Check that the guard is not damaged or cracked. Replace the guard if it is exposed to impact or is cracked.
- Check that the trimmer head and spray guard are not damaged or cracked. Replace the trimmer head or spray guard if they are exposed to impact or are cracked.
- Never use the machine without a guard or spray guard nor with a defective guard.



Start and stop



WARNING!
The complete clutch cover with shaft must be fitted before the machine is started, otherwise the clutch can become loose and cause personal injury. Always move the machine from the filling area before starting. Place the machine on a flat surface. Ensure the cutting equipment cannot come into contact with any object. Make sure no unauthorised persons are in the working area, otherwise there is a risk of serious personal injury. The safety distance is 15 metres.

Cold engine

IGNITION: Set the stop switch to the start position.

CHOKE: Set the choke control in the choke position.

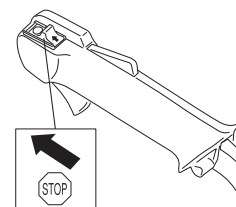
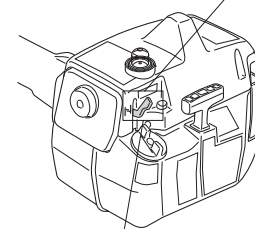
AIR PURGE: Press the air purge diaphragm repeatedly until fuel begins to fill the diaphragm. The diaphragm need not be completely filled.

Warm engine

Use the same starting procedure as for the cold engine, but do not set the choke control in the choke position. The start throttle position is obtained by setting the choke control in the choke position and then returning it to its original position.

Stop

The engine is stopped by switching off the ignition.



WARNING!
When the engine is started with the choke in the choke or start position the cutting equipment starts to rotate immediately.

Start

Press the machine body against the ground using your left hand (NOTE! Not your foot). Grip the starter handle, slowly pull out the cord with your right hand until you feel some resistance (the starter pawls grip), now quickly and powerfully pull the cord.

Reset the choke control as soon as the engine fires and repeat until the engine starts. When the engine starts quickly apply full throttle and the start throttle will automatically disengage.

NOTE! Do not pull the starter cord out completely and do not release the starter cord from the fully extended position. This can damage the machine.



MAINTENANCE

Carburetor

Your Husqvarna product has been designed and manufactured to specifications that reduce harmful emissions.

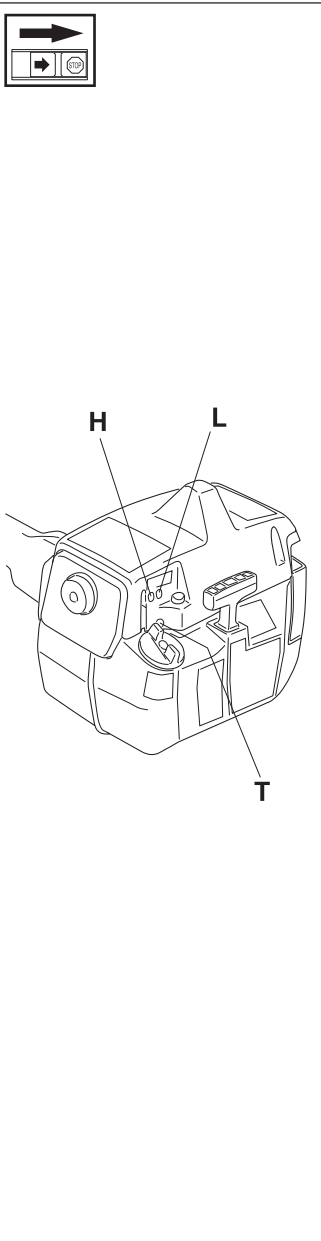
After your unit has been run 8-10 tanks of fuel the engine has broken in. To ensure that your unit is at peak performance and producing the least amount of harmful emissions after break in, have your authorized servicing dealer, who has a revolution counter at his disposal, to adjust your carburetor for optimum operating conditions.



WARNING!
The complete clutch cover with shaft must be fitted before the machine is started, otherwise the clutch can become loose and cause personal injury.

Functioning

- The carburetor governs the engine speed via the throttle trigger. In the carburetor, air/fuel is mixed. This air/fuel mixture is adjustable. If you want to take advantage of the maximum output of the engine, the setting must be correct.
- The setting of the carburetor means that the engine is adjusted to local conditions, for example climate, altitude, gasoline and type of two-stroke oil.
- The carburetor has three adjustment possibilities:
L= Low speed needle
H= High speed adjustment screw
T= Idle speed adjustment screw
- The fuel quantity required in proportion to the airflow the throttle trigger level allows is adjusted by means of the L- and H-needles. Turning the needles clockwise gives a leaner fuel mixture (less fuel), turning them counter-clockwise gives a richer fuel mixture (more fuel). A lean mixture gives higher rpms and a rich one lower rpms.
- The idling speed screw T regulates the position of the throttle lever in the idling speed position. Turn the idling speed screw clockwise gives a higher idling speed, turn it counter-clockwise a lower idling speed.



Basic setting

- The carburetor is set to its basic setting when test run at the factory. The basic setting should be kept during the machine's first working hours. Thereafter the carburetor should be finely adjusted. Fine adjustment should be carried out by a skilled technician.

NOTE! If the cutting attachment rotates/moves in the idling position, turn the idling speed screw counter-clockwise until the blade stops.

Rec. idling speed 2 700 rpm.

Recommended max. speed: See "technical data".



WARNING!
Contact your servicing dealer, if the idle speed setting cannot be adjusted so that the cutting attachment stops. Do not use the machine until it has been properly adjusted or repaired.

Fine adjustment

- When the machine has been "run-in" the carburetor should be finely adjusted. The fine adjustment should be carried out by qualified person. First adjust the L-jet, then the idling screw T and then the H-jet.

Conditions

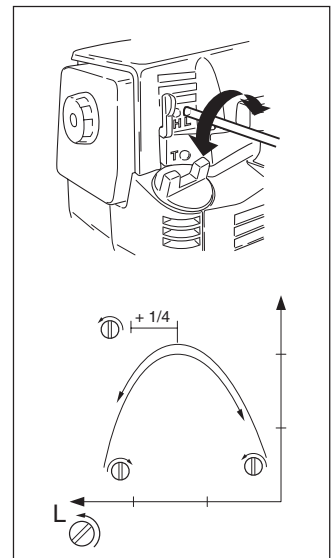
- Before any adjustments are made the airfilter should be clean and the airfilter cover fitted. Adjusting the carburetor while a dirty airfilter is in use will result in a leaner mixture when the filter is finally cleaned. This can give rise to serious engine damage.
- Carefully turn the L and H needle to the mid point between fully turned in and fully turned out.
- Do not attempt to adjust the needles beyond the stops as damage can occur.
- Now start the machine according to the starting instructions and run it warm for 10 minutes.

NOTE! If the cutting attachment rotates/moves the T screw should be turned anti-clockwise until the cutting attachment stops.

Low speed needle L

Try to find the highest idling speed, turning the low speed needle L clockwise respectively counter-clockwise. When the highest speed has been found, turn the low speed needle L 1/4 turn counter-clockwise.

NOTE! If the cutting attachment rotates/moves in the idling position, turn the idling speed screw T counter-clockwise until the cutting attachment stops.

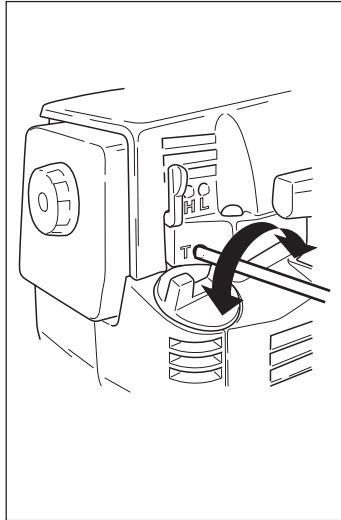


MAINTENANCE

Final setting of the idling speed T

Adjust the idling speed with the screw T. If it is necessary to readjust. First turn the idle speed adjusting screw T clockwise until the cutting attachment starts to rotate/move.

Then turn, counter-clockwise until the cutting attachment stops. A correctly adjusted idle speed setting occurs when the engine runs smoothly in every position. It should also be good margin to the rpm when the cutting attachment starts to rotate/move.



CAUTION! Contact your servicing dealer, if the idle speed setting cannot be adjusted so that the cutting attachment stops. Do not use the machine until it has been properly adjusted or repaired.

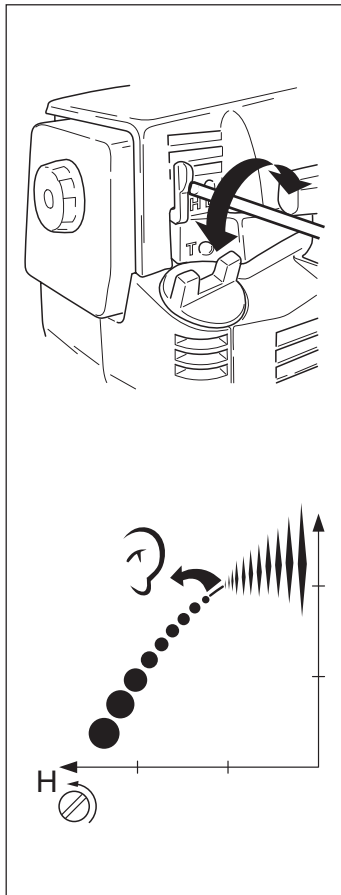
High speed needle H

The high speed needle affects the machine's power, speed, temperature and fuel consumption. A too lean adjustment on the high speed needle H (the high speed needle H is screwed in too much) gives a too high speed resulting in engine damage. Do not allow the engine to run at full speed for more than 10 seconds.

Apply full throttle and turn the high speed needle H slowly anticlockwise until the engine runs unevenly. The high speed needle H is then turned slowly clockwise a little until the engine runs smoothly.

Note the engine should be run unloaded when adjusting the high speed needle. Therefore dismantle the cutting equipment, nut, support flange and disc drive

before adjusting the high speed needle. The high speed needle is adjusted correctly when the machine 'splatters' a little. If the machine smokes heavily at the same time as it 'splatters' heavily the adjustment is too rich.



Correctly adjusted carburetor

A correctly adjusted carburetor means that the machine accelerates without hesitation and the machine 4-cycles a little at max speed. Furthermore, the cutting attachment must not rotate/move at idling. A too lean adjusted low speed needle L may cause starting difficulties and bad acceleration.

A too lean adjusted high speed needle H gives lower power = less capacity, bad acceleration and/or damage to the engine.

A too rich adjustment of the two speed needles L and H gives acceleration problems or too low working speed.

NOTE! For optimum setting of the carburetor, contact a qualified servicing dealer who has a revolution counter at his disposal.

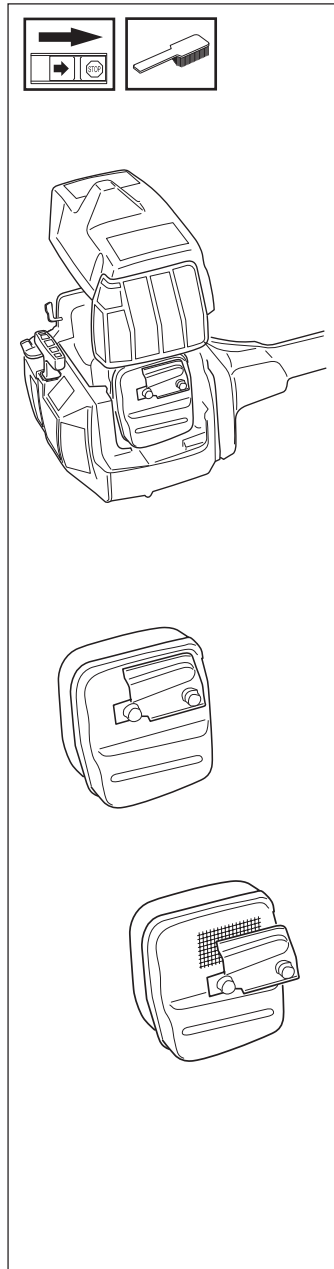
MAINTENANCE

Muffler

NOTE!

Some mufflers are fitted with a catalytic converter. See "Technical data" to see whether your clearing saw is fitted with a catalytic converter.

The muffler is designed to dampen the noise level and to direct the exhaust fumes away from the user. The exhaust fumes are hot and can contain sparks, which can result in fire if the exhaust fumes are directed towards a dry and inflammable material. Some mufflers are equipped with a special spark arrest screen. If your machine is fitted with this type of screen it should be cleaned regularly. This is done using a wire brush. On mufflers without a catalytic converter the screen should be cleaned weekly, or replaced if necessary. On mufflers fitted with a catalytic converter the screen should be checked and cleaned monthly. **If the screen is damaged it should be replaced.** If the screen is frequently blocked, this can be a sign that the function of the catalytic converter is impaired. Contact your dealer to inspect the muffler. A blocked screen will cause the engine to overheat resulting in damage to the cylinder and piston. Also see under "Maintenance".



NOTE!

Never use a machine with a defective muffler.



WARNING!
Mufflers fitted with catalytic converters become extremely hot during use and after stopping. This also applies at idling speeds. Contact can result in burns to the skin. Be observant to the risk of fire!

Cooling system

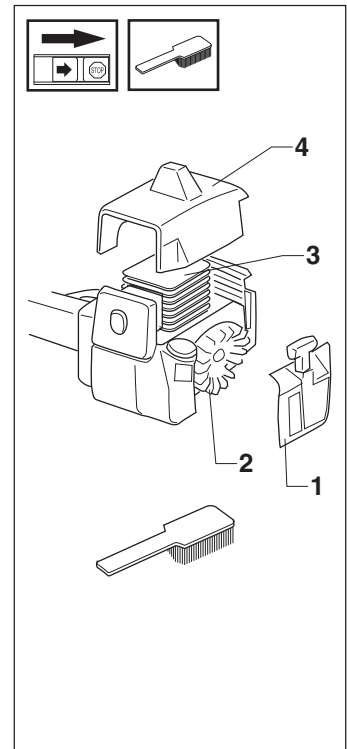
To maintain as low operating temperature as possible the engine is equipped with a cooling system.

The cooling system consists of:

1. An air intake on the starter unit.
2. Cooling fins on the flywheel.
3. Cooling fins on the cylinder
4. Cylinder cover (leads cold air onto the cylinder).

Clean the cooling system using a brush at least once a week, in difficult conditions more often.

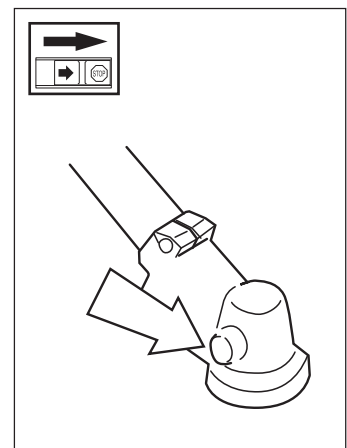
A dirty or blocked cooling system leads to the engine overheating resulting in damage to the cylinder and piston.



Angle gear

The angle gear is filled with a sufficient quantity of grease at the factory. However, before using the machine you should check that the angle gear is filled to 3/4 with grease. Use HUSQVARNA special grease.

Normally, the grease does not need to be changed except when the angle gear is repaired.



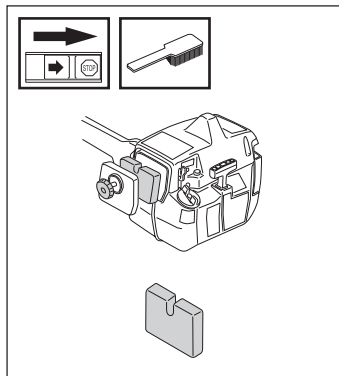
MAINTENANCE

Air filter

The air filter should be cleaned regularly removing dust and dirt to avoid:

- carburetor malfunction
- starting problems
- reduced engine power
- unnecessary wear to engine parts
- abnormal fuel consumption

Clean the filter after every 25 hours or more regularly if operating conditions are exceptionally dusty.



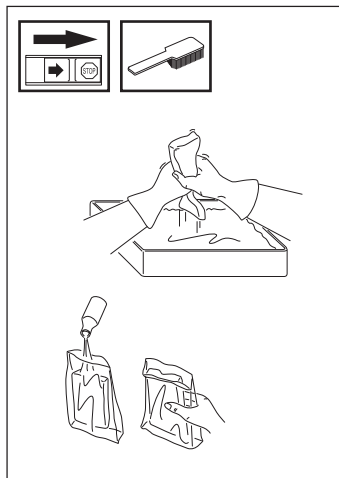
Cleaning the air filter

Dismantle the air filter cover and remove the air filter. Wash in clean, warm soapy water. Ensure that the filter is dry before refitting. An air filter used for a long period of time can never be cleaned completely. Therefore it is necessary to replace the filter from time to time with a new filter. A damaged air filter must always be replaced.

If the machine is used in dusty conditions the air filter should be soaked in oil, see the section on “Oiling the air filter”.

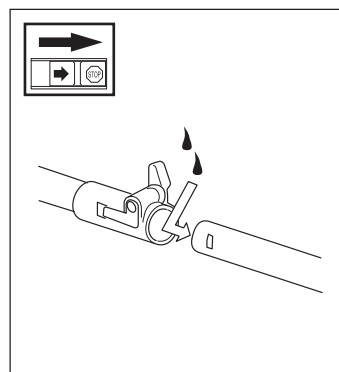
Oiling the air filter

Always use HUSQVARNA filter oil, order no. 503 47 73-01. The filter oil contains a solvent to make it spread evenly through the filter. You should therefore avoid skin contact. Put the filter in a plastic bag and the pour the filter oil over it. Knead the plastic bag to distribute the oil. Squeeze the excess oil out of the filter inside the plastic bag and pour off the excess before fitting the filter on the machine. Never use common engine oil. This would drain through the filter quite quickly and collect in the bottom.



Two-part shaft

The end of the drive axle in the lower shaft should be lubricated with grease every 30 hours. There is a risk that the drive axle ends (splined coupling) on two-part shafts jam if they are not lubricated regularly.



Spark plug

The condition of the spark plug is affected by:

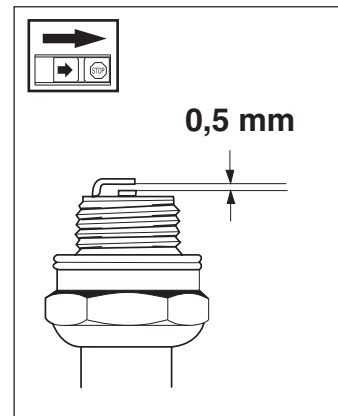
- An incorrect carburetor setting.
- An incorrect fuel mixture (too much or faulty oil).
- A dirty air filter.

These factors cause deposits on the spark plug electrode that may result in malfunction or starting difficulties.

If the machine is low on power, difficult to start or runs poorly while idling always check the spark plug first.

If the spark plug is dirty, clean it and at the same time check that the electrode gap is 0.5 mm. The spark plug should be changed after about one month of operation or earlier if necessary.

NOTE! Always use the recommended type of spark plug. An incorrect spark plug can damage the cylinder/piston.



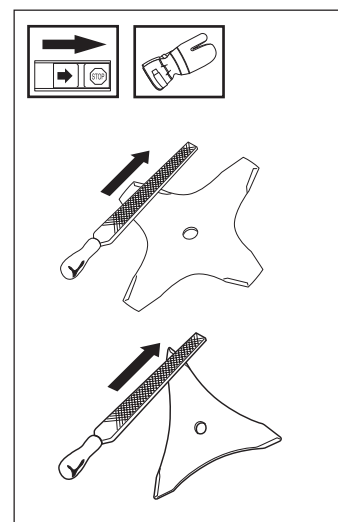
Filing the grass blade



WARNING!

Always stop the engine before starting work on any part of the cutting equipment. This continues to rotate even after the throttle has been released. Ensure that the cutting equipment has stopped completely and remove the cable from the spark plug before you start to work on it.

- See the cutting equipment's packaging for correct filing instructions.
- The blades are sharpened using a single cut flat file.
- Sharpen all edges equally to maintain the balance of the blade.



WARNING!

Always discard a blade that is bent, twisted, cracked, shattered or damaged in any other way. Never attempt to straighten a twisted blade for use again. Only use original blades of the prescribed type.

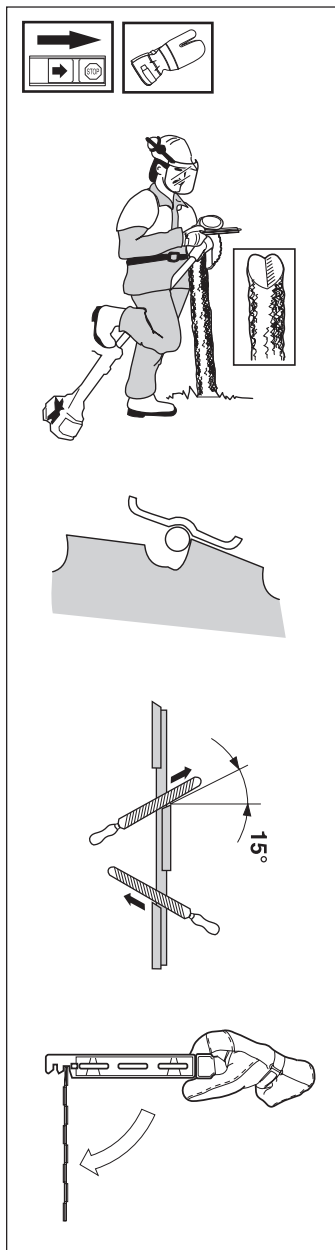
MAINTENANCE

Sharpening the clearing blade



WARNING!
Incorrect cutting equipment or an incorrectly sharpened blade increases the risk of kickback.

- See the cutting equipment's packaging for correct filing instructions.
- A correctly sharpened blade is a prerequisite for working efficiently and to avoid unnecessary wear to the blade and clearing saw.
- Make sure that the blade is well supported when you use the file. Use a 5.5 mm round file with a file holder.
- The sharpening angle is 15°. Every other tooth is sharpened to the right and the intermediate tooth to the left. When the blade has been heavily pitted by stones the upper side of the teeth can, in exceptional cases, need to be dressed using a flat file. In such cases this takes place before sharpening with the round file. Dressing the top side must be carried out equally for all teeth.
- Adjust the setting. This should be 1 mm.



NOTE: Use only HUSQVARNA replacement parts. Use of other brands of replacement parts can cause damage to your unit or injury to the operator or others. Your warranty does not cover damage or liability caused by the use of accessories and/or attachments not specifically recommended by HUSQVARNA.

Maintenance schedule

Below you will find some general maintenance instructions.

Daily maintenance

- Check throttle trigger and throttle trigger lockout function.
- Check stop switch function.
- Check that blade/trimmer head does not rotate at idling.
- Clean the exterior of the machine.
- Check that the harness is undamaged.
- Check the blade guard for damage or cracks.
- Change the guard in case of impacts or cracks.
- Check that the blade is properly centred, sharp, and without cracks.
- Check the trimmer head for cracks and chips or damage. Replace if necessary.
- A non-balanced blade/trimmer head induces heavy vibrations that may damage the machine.
- Check that the blade nut is sufficiently tightened.
- Make sure that the blade transport guard is undamaged and that it can be securely fitted.
- Check that nuts and screws are sufficiently tightened.

Weekly maintenance

- Check the starter, especially cord and return spring.
- Clean the carburetor area.
- Clean the exterior of the spark plug.
- Remove it and check the electrode gap.
- Adjust it to 0,5 mm (.020"), or change the spark plug.
- Clean the cooling fins on the cylinder and check that the air intake at the starter is not clogged.
- Check that the angle gear is filled with grease up to 3/4. Use special grease.
- Clean the air filter.
- Clean or replace the muffler's spark arrest screen (not on mufflers with a catalytic converter).

Monthly maintenance

- Clean the fuel tank.
- Clean the exterior of the carburetor and the space around it.
- Clean the fan and the space around it.
- Check fuel hose for cracks or other damage. Change if necessary.
- Change fuel filter in fuel tank.
- Check clutch, clutch spring and clutch drum for wear. Change if necessary.
- Check electrical wires and connections.
- Change the spark plug.
- Change the airfilter.
- Check and clean the muffler's spark arrest screen if necessary (only mufflers with a catalytic converter).

TECHNICAL DATA

Technical data	227R/RD	232R/RD	235R
Engine			
Cylinder capacity, cu. in/cm ³	1,64/26,9	1,88/30,8	2,21/36,3
Cylinder bore, inch/mm	1,38/35	1,38/35	1,50/38
Stroke length, inch/mm	1,10/28	1,26/32	1,26/32
Idling speed, rpm	2 700	2 700	2 700
Recommended max. speed, rpm	11 000-11 700	11 000-11 700	11 000-11 700
Speed of output axle, rpm	10 000	10 000	10 000
Max. engine output, acc. to ISO 8893.			
kW/rpm	1,0/ 9 000	1,1/ 8 400	1,3/ 9 000
Catalytic converter muffler	Yes	Yes	Yes
Speed-regulated ignition system	Yes	Yes	Yes
Ignition system			
Manufacturer/type of ignition system	Walbro CD	Walbro CD	Walbro CD
Spark plug	Champion RCJ 7Y NGK BPMR7A	Champion RCJ 7Y NGK BPMR7A	Champion RCJ 7Y NGK BPMR7A
Electrode gap, inch/mm	0,02/0,5	0,02/0,5	0,02/0,5
Fuel lubrication system			
Manufacturer/type of carburetor	Walbro WT	Walbro WT	Walbro WT
Fuel tank capacity, US pint/litres	1,06/0,5	1,06/0,5	1,06/0,5
Weight			
Weight without fuel, cutting tool and guard, Lbs/kg	13,7/6,2 (R) 14,1/6,4 (RD)	14,3/6,5 (R) 14,8/6,7 (RD)	16,1/7,3
Sound levels			
(See note 1)			
Equivalent sound pressure level at the user's ear, measured according to ANSI B175.3-1997 dB(A), min/max:	93/99	90/100	92/101
Vibration levels			
Vibration levels on the handles, measured according to ANSI B175.3-1997, m/s			
When idling, left/right handles, min:	1,6/2,2	2,5/2,5	2,2/2,7
When idling, left/right handles, max:	1,8/3,0	3,0/3,5	2,7/4,3
At max. speed, left/right handles, min:	2,0/2,7	2,0/2,0	3,5/5,0
At max. speed, left/right handles, max:	3,1/6,0	5,1/4,9	4,5/6,2

Note 1: Equivalent sound pressure level is calculated as the time-weighted energy total for sound pressure levels under various working conditions with the following time distribution: 1/2 idle and 1/2 max. speed.

NOTE! Sound pressure at the user's ear and vibration on the handles are measured with all the machine's approved cutting equipment fitted. The table indicates the highest and lowest values.

TECHNICAL DATA

Approved accessories 227R/RD

Centre hole in blades Ø 20 mm

Threaded blade axle M10

Grass blade

Saw blade

Plastic knives

Trimmer head

Edger (RD)

Support cup

Type

Grass 255-4 (Ø 255 4-teeth)
Grass 255-8 (Ø 255 8-teeth)
Multi 255-3 (Ø 255 3-teeth)
Maxi X 200-26 (Ø 200 26-teeth)
Tricut Ø 300
Trimmy H II
Trimmy Hit
Trimmy Hit Pro
Trimmy Fix
Superauto II
Edger attachment Ø 200
Fixed

Cutting attachment guard Art No.

503 74 40-01
503 74 40-01
503 74 40-01
503 77 39-01
503 74 50-01
503 74 50-04
503 74 50-04
503 74 50-04
503 74 50-04
503 74 50-04
-
-

Approved accessories 232R/RD

Centre hole in blades Ø 20 mm

Threaded blade axle M10

Grass blade

Saw blade

Plastic knives

Trimmer head

Edger (RD)

Support cup

Type

Grass 255-4 (Ø 255 4-teeth)
Grass 255-8 (Ø 255 8-teeth)
Multi 255-3 (Ø 255 3-teeth)
Multi 275-4 (Ø 275 4-teeth)
Maxi X 200-26 (Ø 200 26-teeth)
Tricut Ø 300
Trimmy H II
Trimmy Hit
Trimmy Hit Pro
Trimmy Fix
Superauto II
Edger attachment Ø 200
Fixed

Cutting attachment guard Ref No.

503 74 40-01
503 74 40-01
503 74 40-01
503 74 40-01
503 77 39-01
503 74 40-01
503 74 50-04
503 74 50-04
503 74 50-04
503 74 50-04
503 74 50-04
-
-

Approved accessories 235R

Centre hole in blades Ø 20 mm

Threaded blade axle M12

Grass blade

Saw blade

Plastic knives

Trimmer head

Support cup

Type

Multi 255-3 (Ø 255 3-teeth)
Multi 275-4 (Ø 275 4-teeth)
Multi 300 (Ø 300 3-teeth)
Maxi X 200-26 (Ø 200 26-teeth)
Tricut Ø 300
Trimmy SII
Trimmy S
Fixed
With bearing

Cutting attachment guard Ref No.

502 26 34-01
502 26 34-01
502 26 34-01
502 27 22-01
502 26 34-01, 503 74 50-04
503 74 50-04
503 74 50-04
-
-

EMISSION CONTROL WARRANTY STATEMENT

YOUR WARRANTY RIGHTS AND OBLIGATIONS

The EPA (The US Environmental Protection Agency), Environment Canada and Husqvarna Forest & Garden are pleased to explain the emissions control system warranty on your 2001 and later small nonroad engine. In U.S. and Canada, new small nonroad engines must be designed, built and equipped to meet the federal stringent anti-smog standards. Husqvarna Forest & Garden must warrant the emission control system on your small nonroad engine for the periods of time listed below provided there has been no abuse, neglect or improper maintenance of your unit. Your emission control system includes Parts such as the carburetor and the ignition system.

Where a warrantable condition exists, Husqvarna Forest & Garden will repair your small nonroad engine at no cost to you. Expenses covered under warranty include diagnosis, parts and labor.

MANUFACTURER'S WARRANTY COVERAGE

The 2001 and later small nonroad engines are warranted for two years. If any emission related part on your engine (as listed above) is defective, the part will be repaired or replaced by Husqvarna Forest & Garden.

OWNER'S WARRANTY RESPONSIBILITIES

As the small nonroad engine owner, you are responsible for the performance of the required maintenance listed in your Operator's Manual. Husqvarna Forest & Garden recommends that you retain all receipts covering maintenance on your small nonroad engine, but Husqvarna Forest & Garden cannot deny warranty solely for the lack of receipts or for your failure to ensure the performance of all scheduled maintenance.

As the small nonroad engine owner, you should, however, be aware that Husqvarna Forest & Garden may deny you warranty coverage if your small nonroad engine or a part of it has failed due to abuse, neglect, improper maintenance, unapproved modifications or the use of parts not made or approved by the original equipment manufacturer.

You are responsible for presenting your small nonroad engine to a Husqvarna Forest & Garden authorized servicing dealer as soon as a problem exists. The warranty repairs should be completed in a reasonable amount of time, not to exceed 30 days.

If you have any questions regarding your warranty rights and responsibilities, you should contact your nearest authorized servicing dealer or call Husqvarna Forest & Garden at **1-800-487-5963**.

WARRANTY COMMENCEMENT DATE

The warranty period begins on the date small nonroad engine is delivered.

LENGTH OF COVERAGE

Husqvarna Forest & Garden warrants to the initial owner and each subsequent purchaser that the engine is free from defects in materials and workmanship which cause the failure of a warranted part for a period of two years.

WHAT IS COVERED

REPAIR OR REPLACEMENT OF PARTS

Repair or replacement of any warranted part will be performed at no charge to the owner at an approved Husqvarna Forest & Garden servicing dealer. If you have any questions regarding your warranty rights and responsibilities, you should contact your nearest authorized servicing dealer or call Husqvarna Forest & Garden at **1-800-487-5963**.

WARRANTY PERIOD

Any warranted part which is not scheduled for replacement as required maintenance, or which is scheduled only for regular inspection to the effect of "repair or replace as necessary" shall be warranted for 2 years. Any warranted part which is scheduled for replacement as required maintenance shall be warranted for the period of time up to the first scheduled replacement point for that part.

DIAGNOSIS

The owner shall not be charged for diagnostic labor which leads to the determination that a warranted part is defective, if the diagnostic work is performed at an approved Husqvarna Forest & Garden servicing dealer.

CONSEQUENTIAL DAMAGES

Husqvarna Forest & Garden may be liable for damages to other engine components caused by the failure of a warranted part still under warranty.

WHAT IS NOT COVERED

All failures caused by abuse, neglect or improper maintenance are not covered.

ADD-ON OR MODIFIED PARTS

The use of add-on or modified parts can be grounds for disallowing a warranty claim. Husqvarna Forest & Garden is not liable to cover failures of warranted parts caused by the use of add-on or modified parts.

HOW TO FILE A CLAIM

If you have any questions regarding your warranty rights and responsibilities, you should contact your nearest authorized servicing dealer or call Husqvarna Forest & Garden at **1-800-487-5963**.

WHERE TO GET WARRANTY SERVICE

Warranty services or repairs shall be provided at all Husqvarna Forest & Garden authorized servicing dealers.

MAINTENANCE, REPLACEMENT AND REPAIR OF EMISSION-RELATED PARTS

Any Husqvarna Forest & Garden approved replacement part used in the performance of any warranty maintenance or repairs on emission-related parts, will be provided without charge to the owner if the part is under warranty.

EMISSION CONTROL WARRANTY PARTS LIST

1. Carburetor and internal parts
2. Intake pipe, airfilter holder and carburetor bolts.
3. Airfilter and fuelfilter covered up to maintenance schedule.
4. Ignition System
 - a) Spark Plug, covered up to maintenance schedule
 - b) Ignition Module
5. Muffler with catalytic converter.

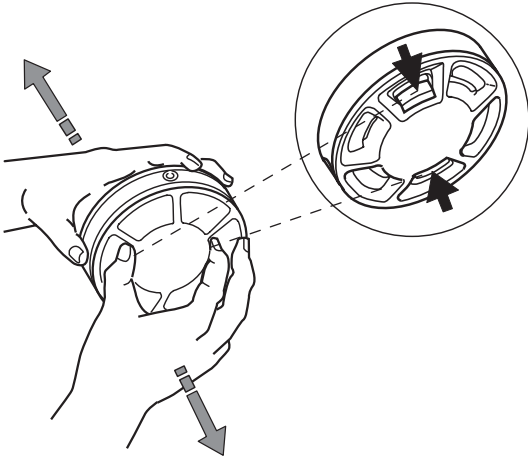
MAINTENANCE STATEMENT

The owner is responsible for the performance of all required maintenance, as defined in the operator's manual.

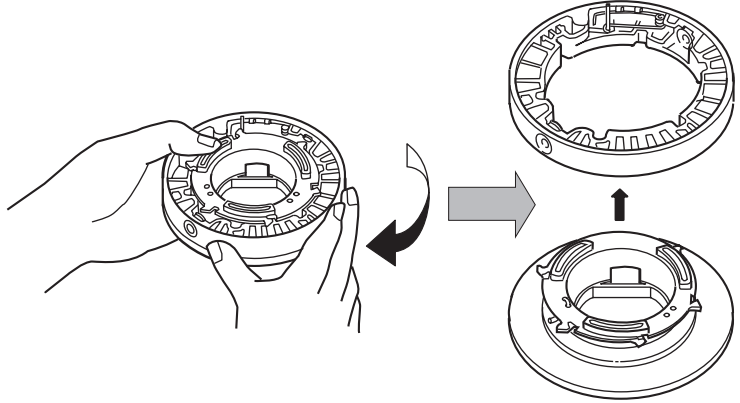
Super Auto II Super Auto II 1"



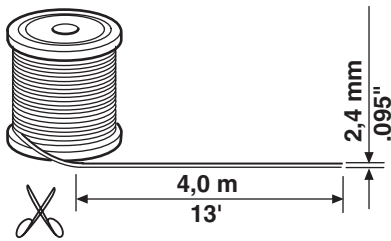
1



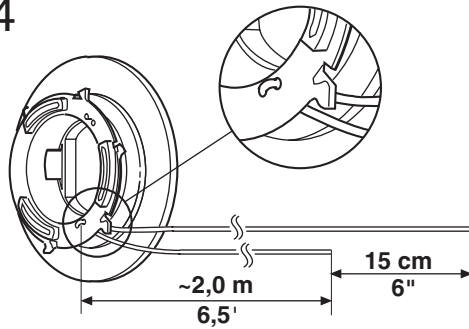
2



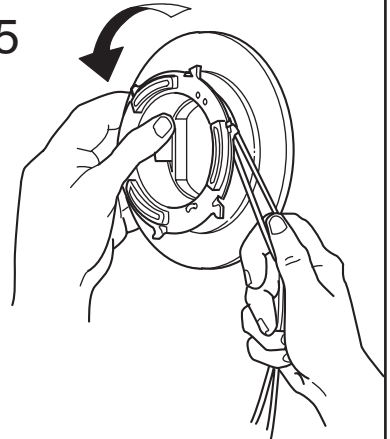
3



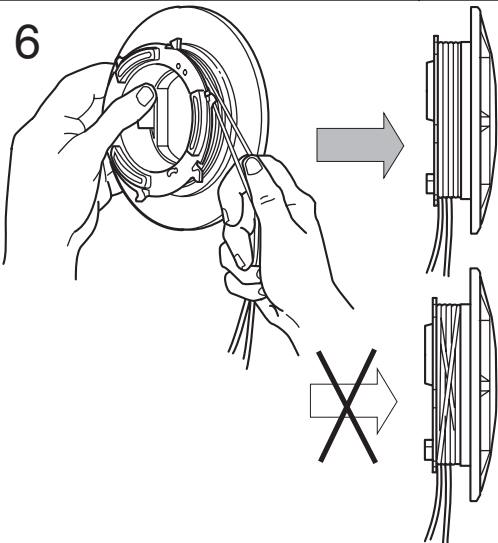
4



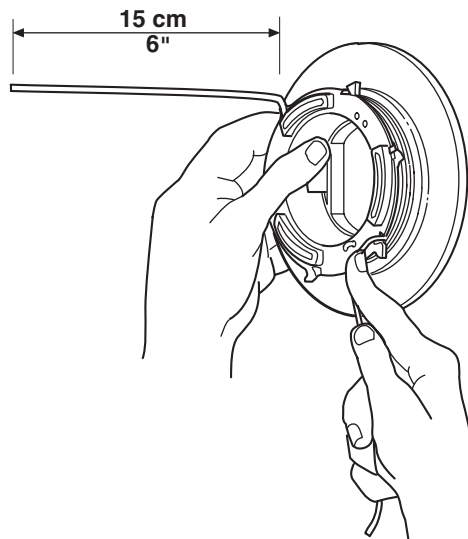
5



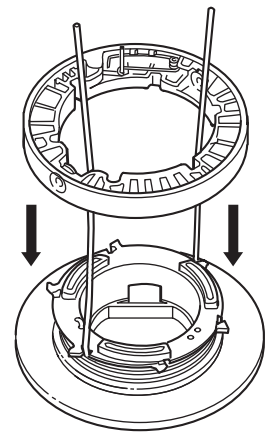
6



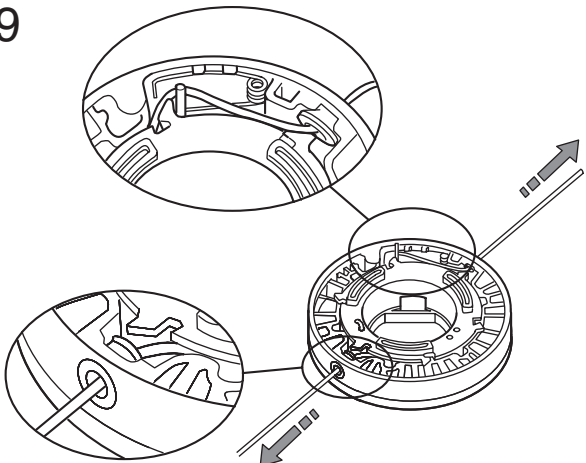
7



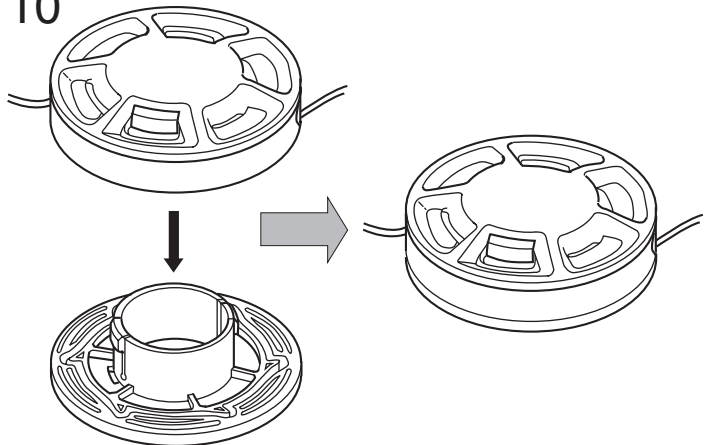
8



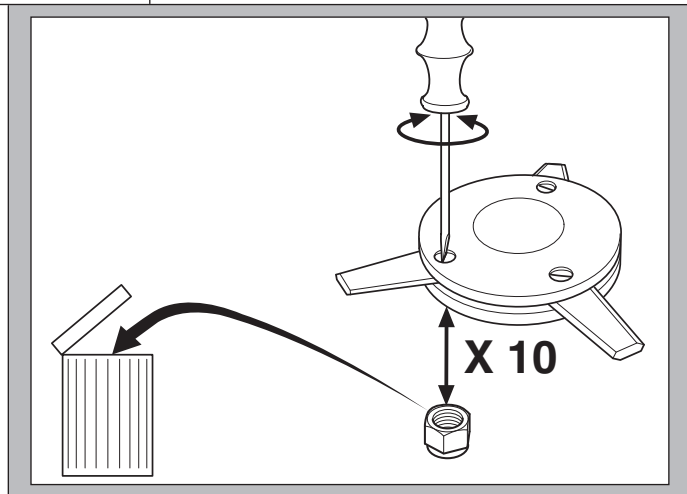
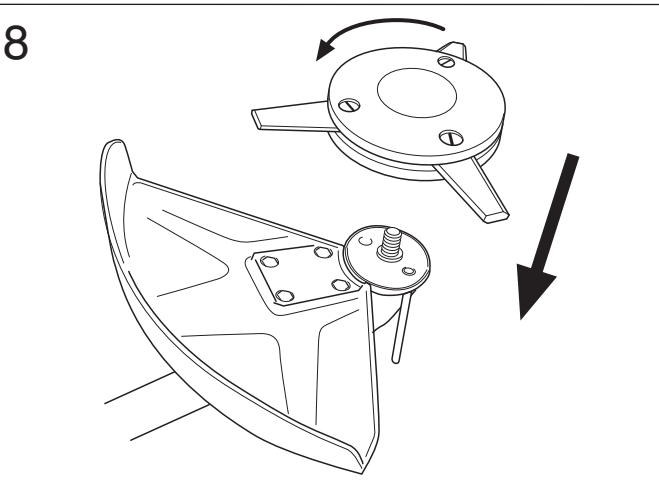
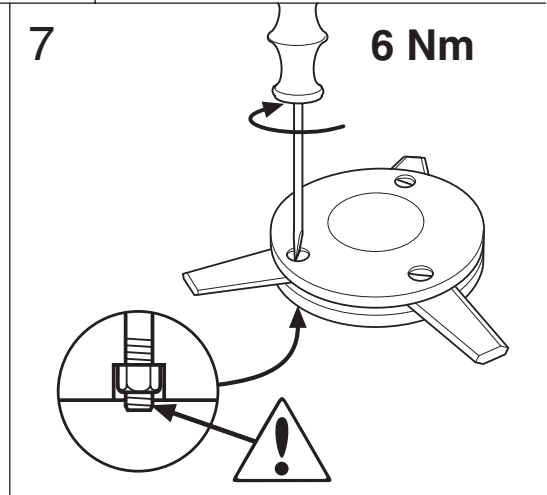
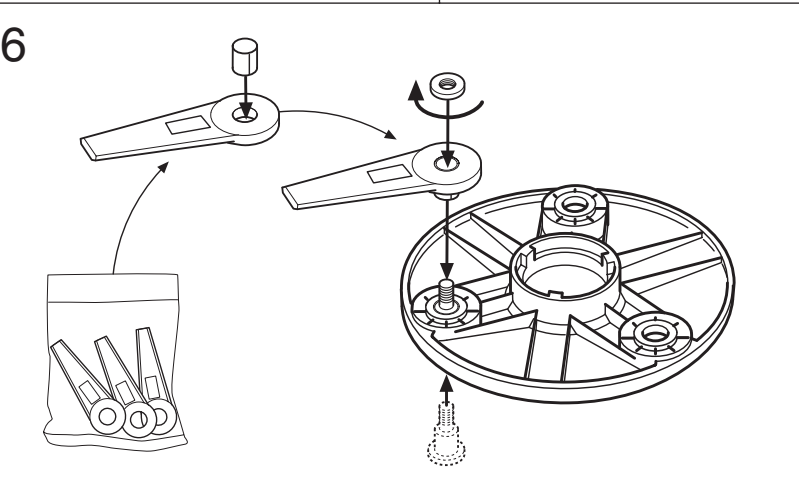
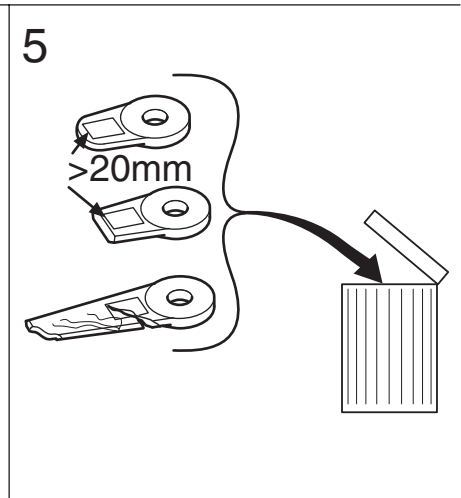
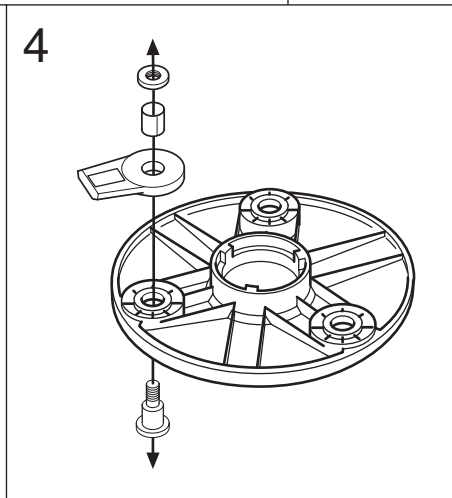
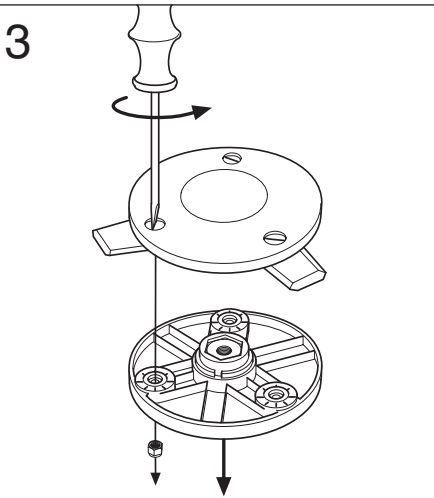
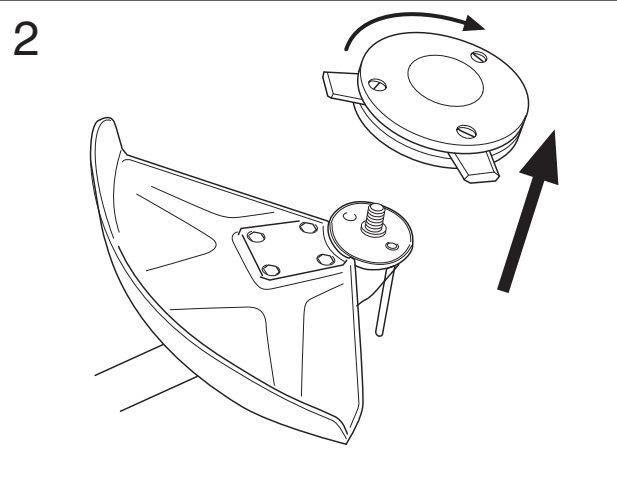
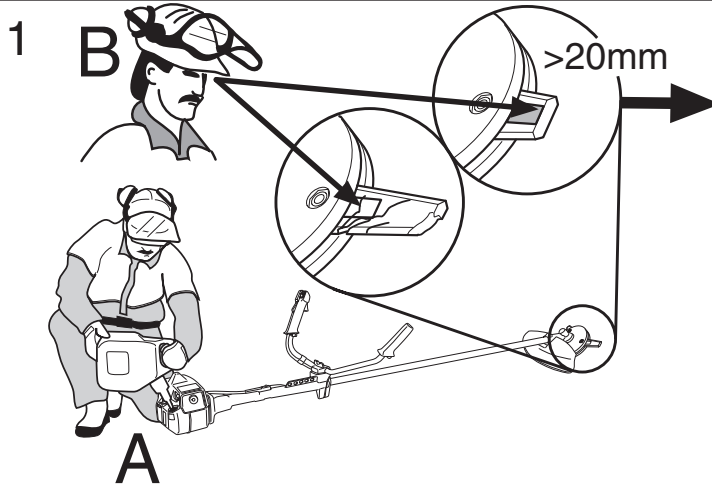
9



10



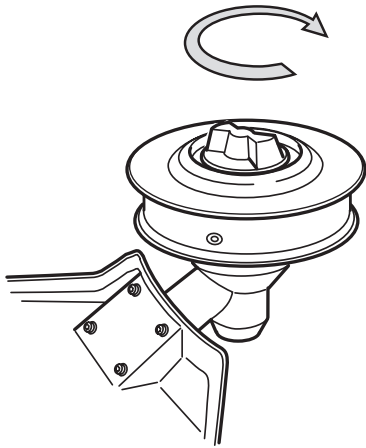
Tri Cut



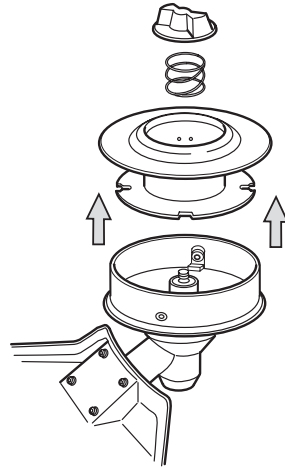
Trimmy H II



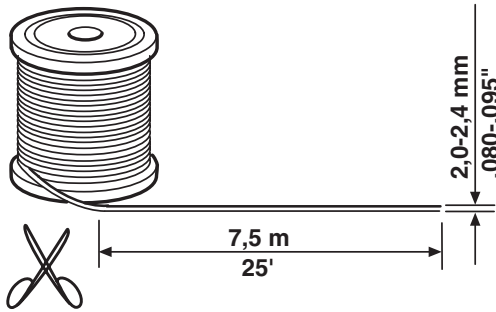
1



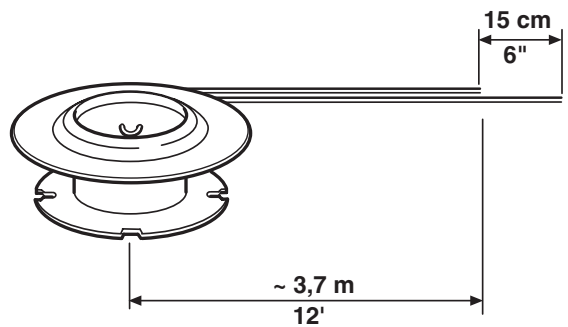
2



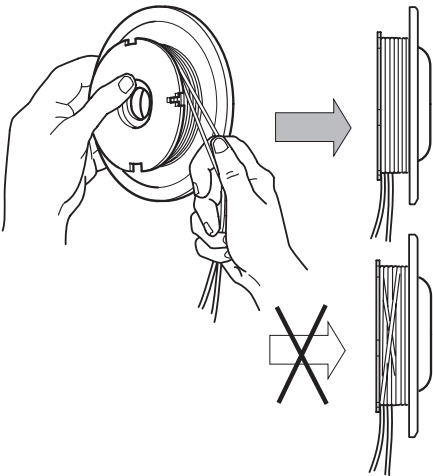
3



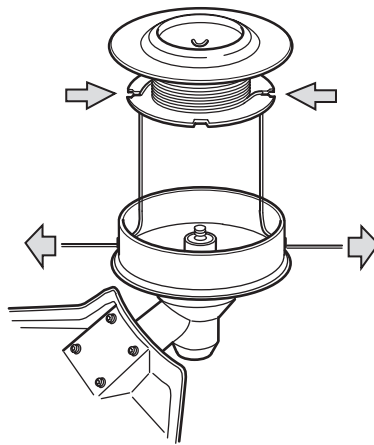
4



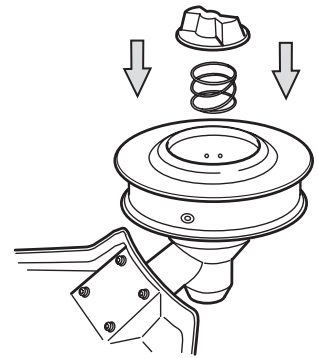
5



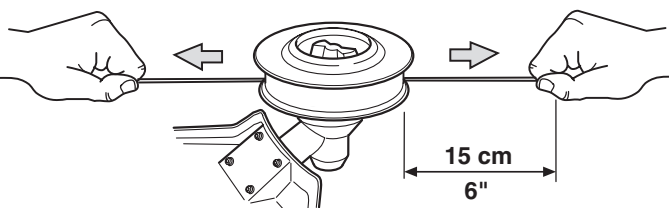
6



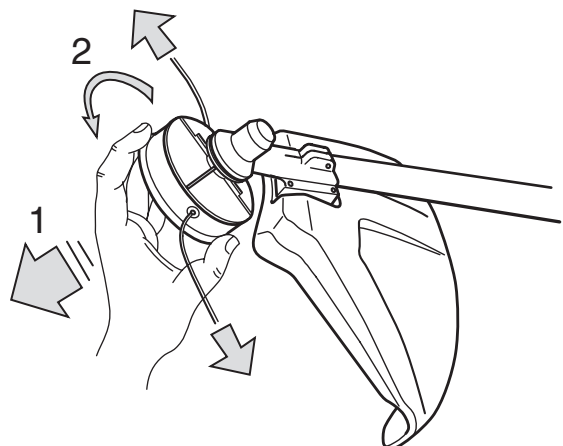
7



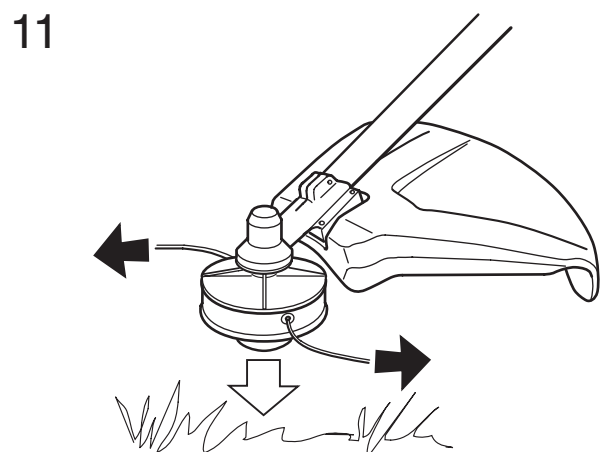
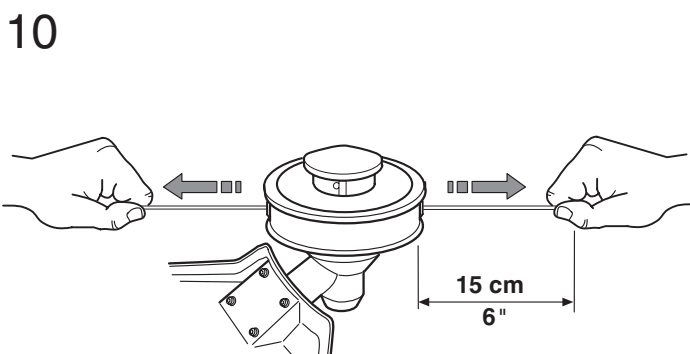
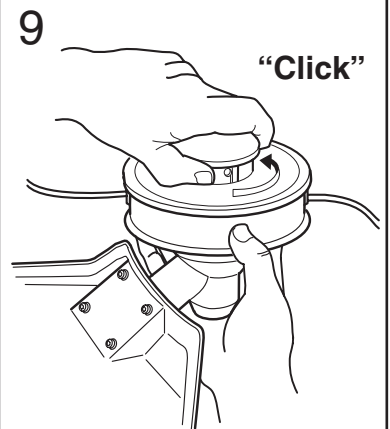
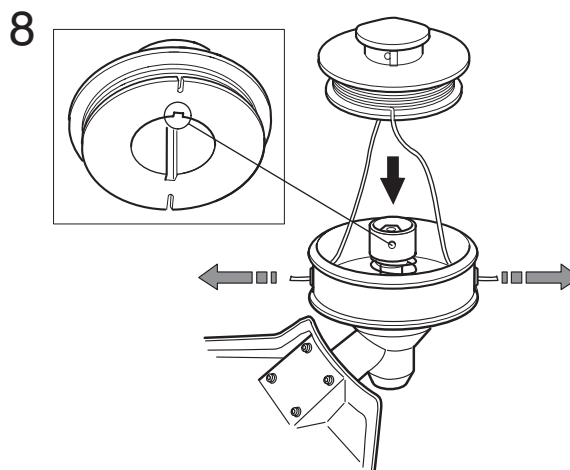
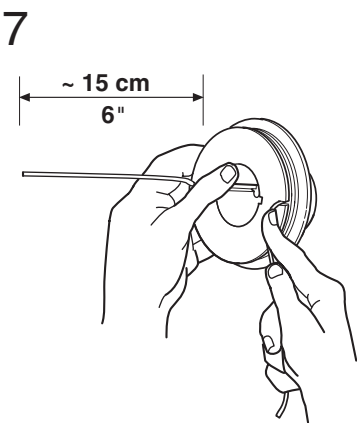
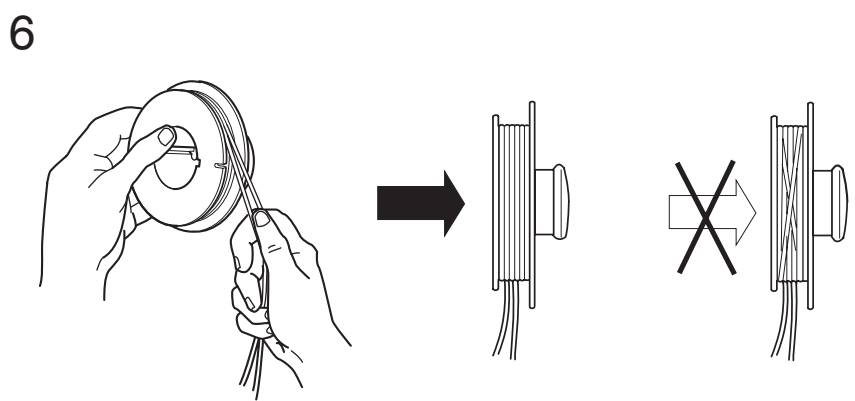
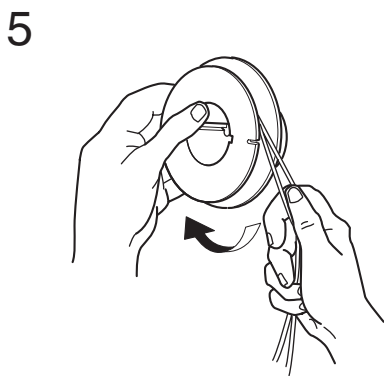
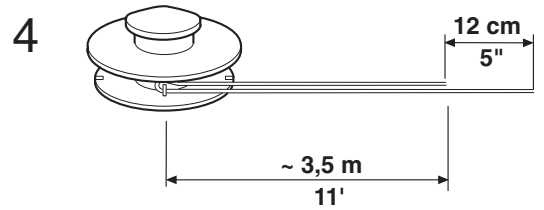
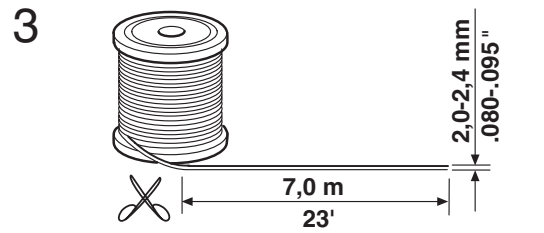
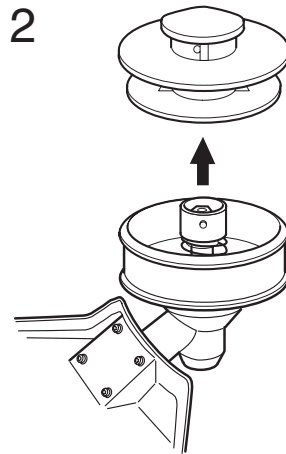
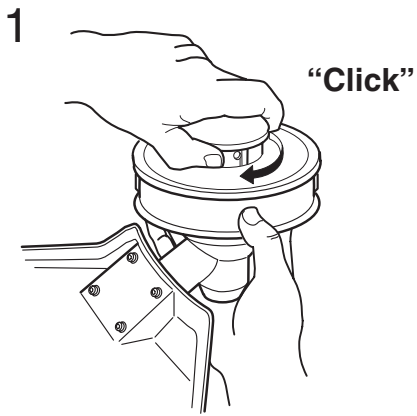
8



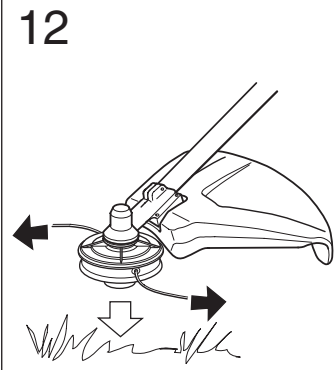
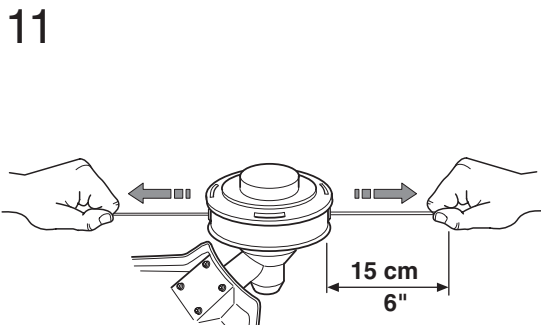
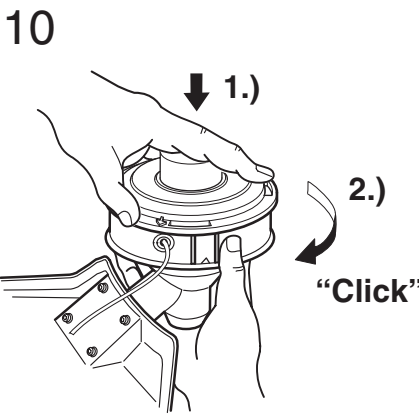
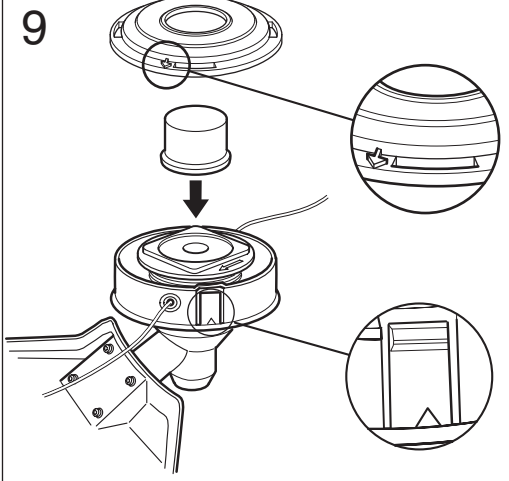
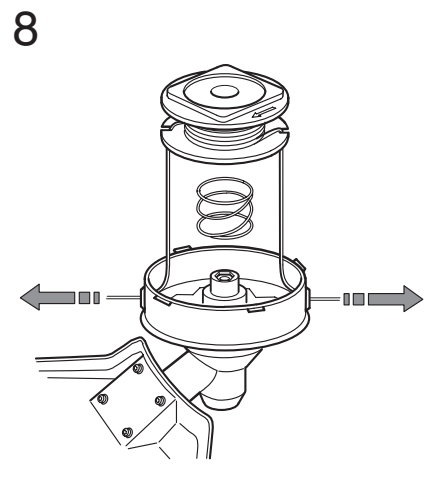
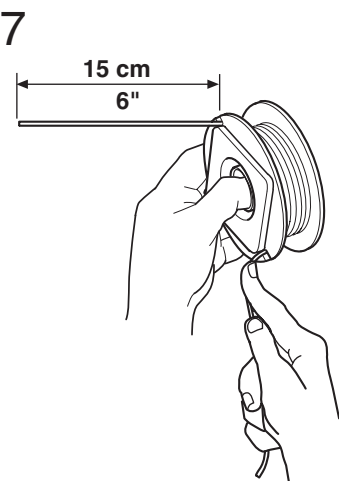
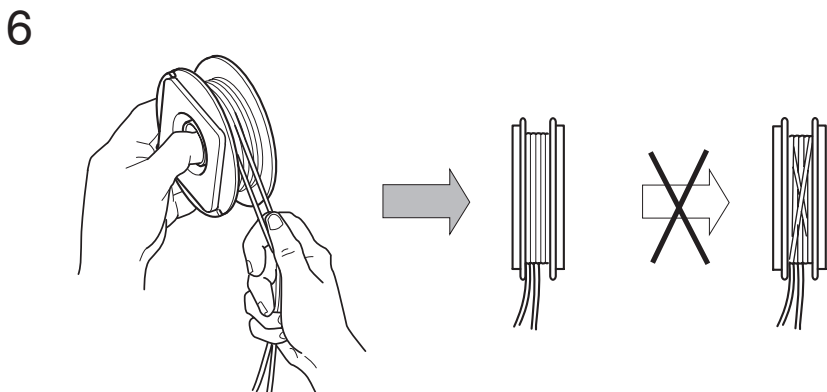
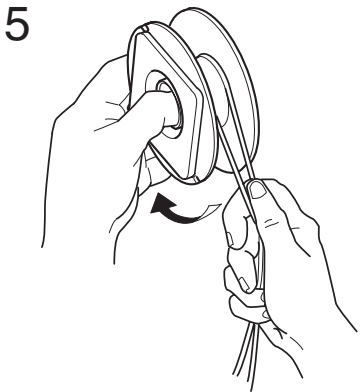
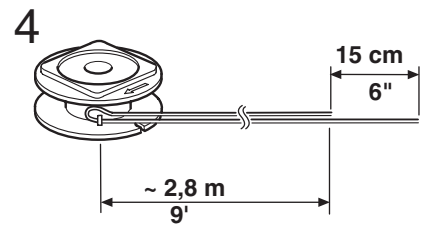
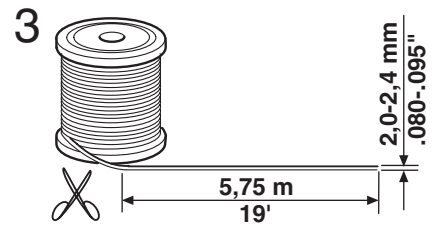
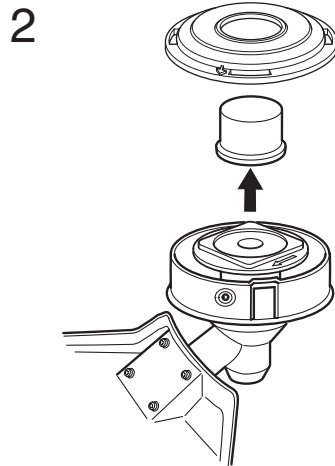
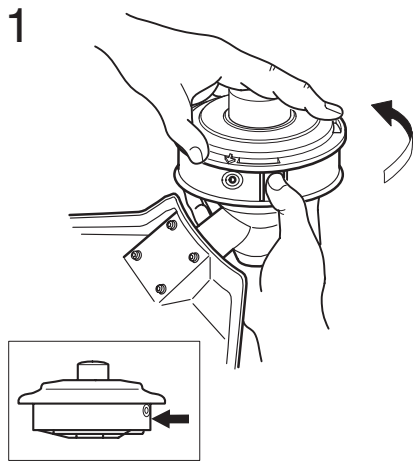
9



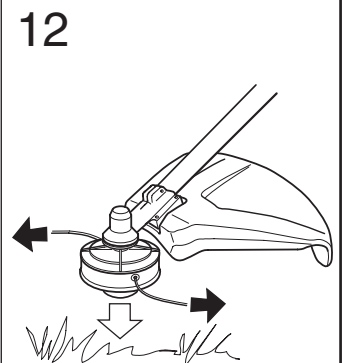
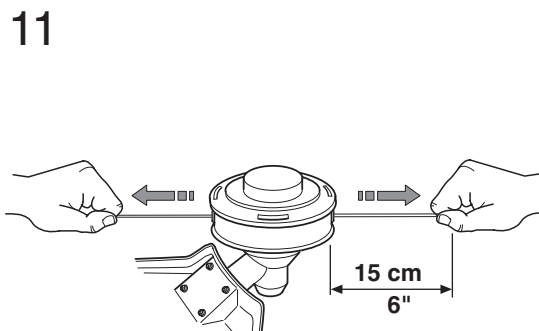
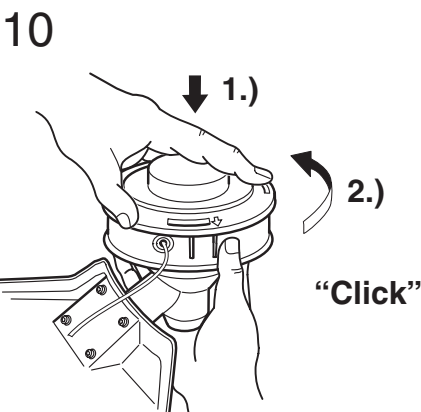
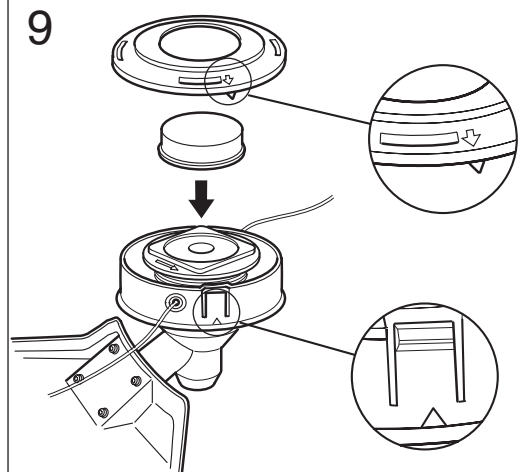
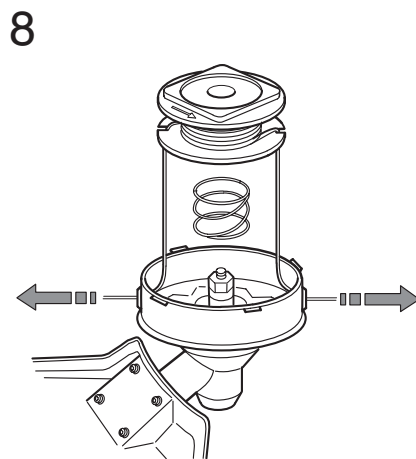
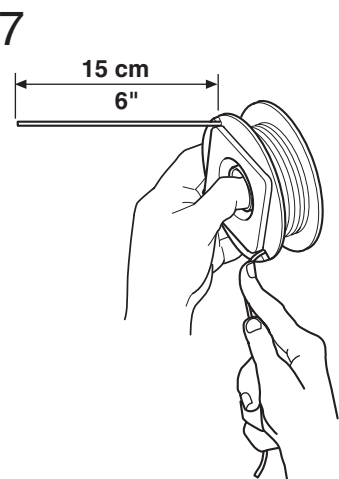
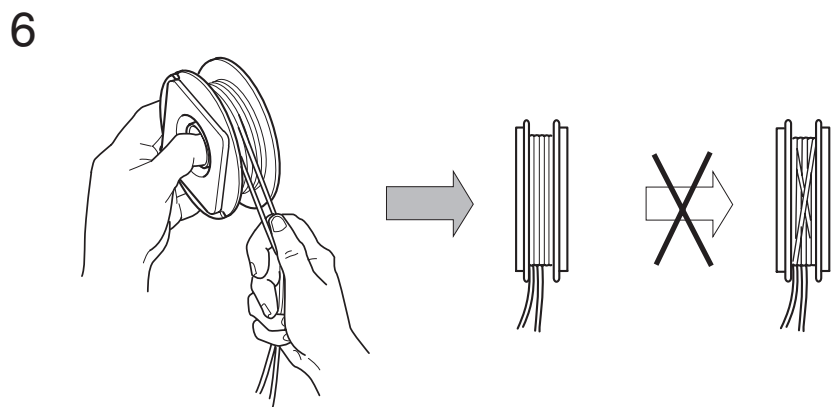
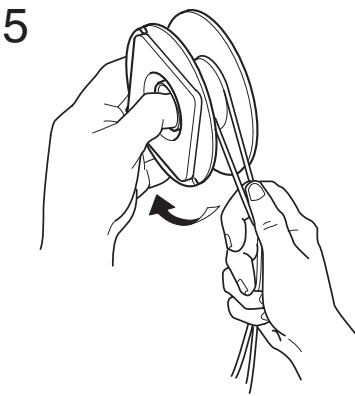
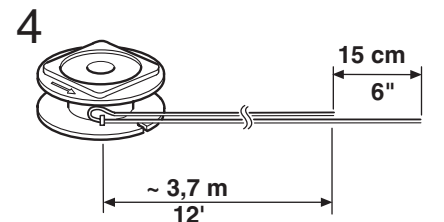
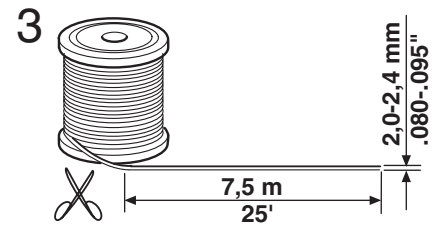
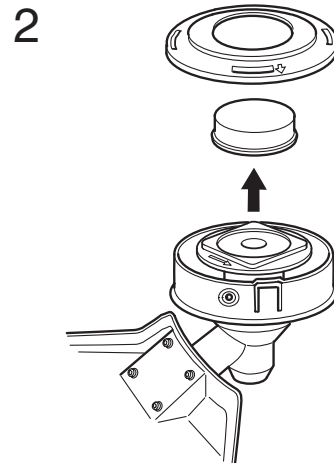
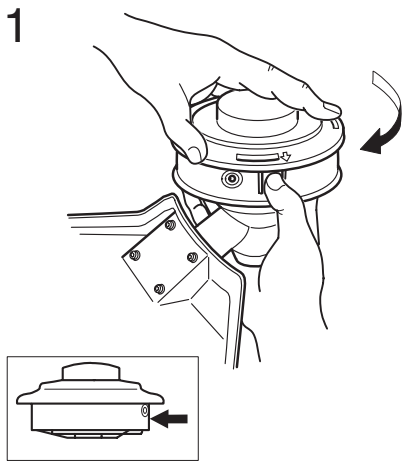
Trimmy Hit



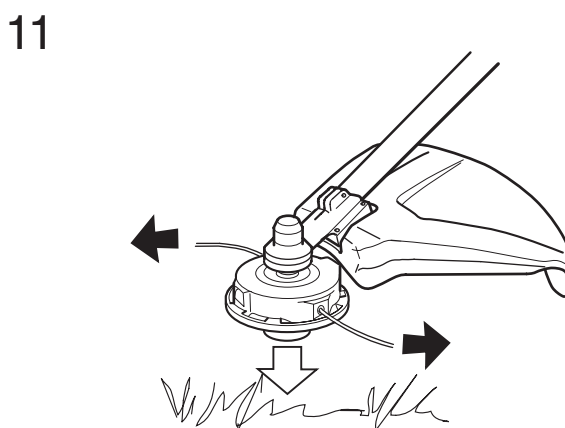
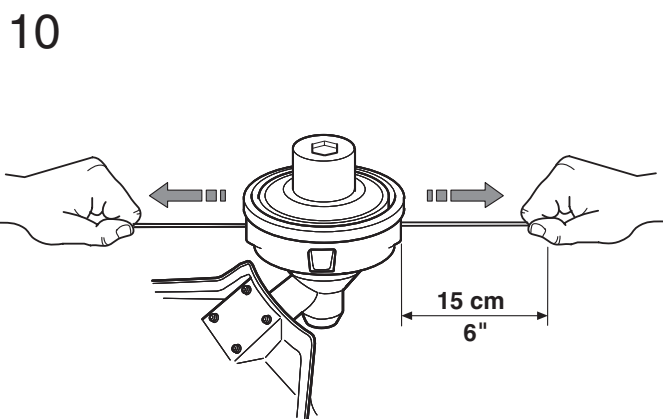
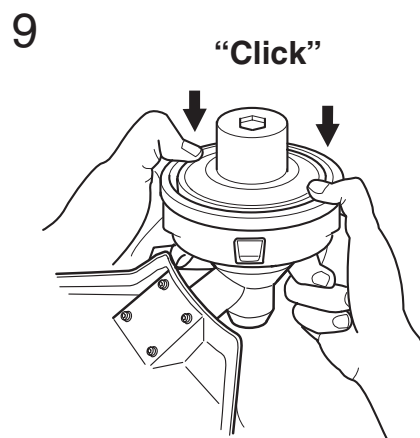
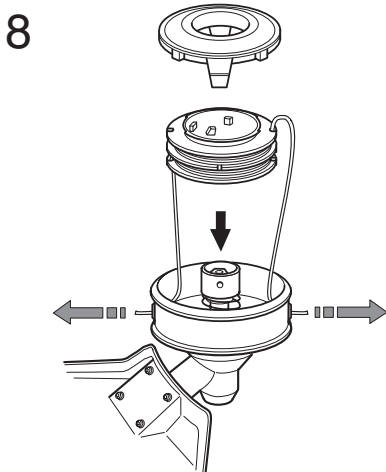
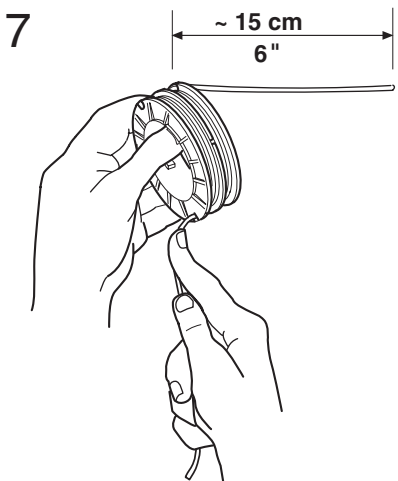
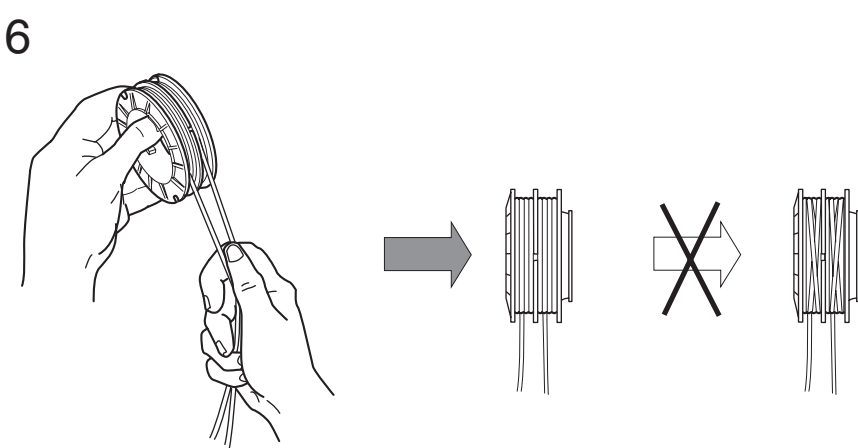
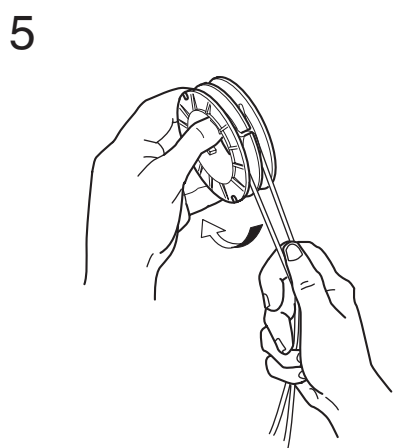
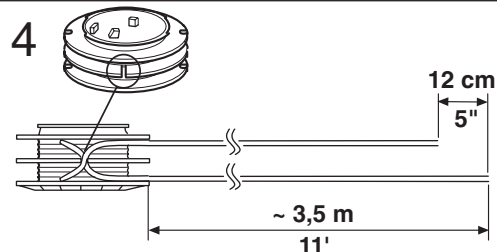
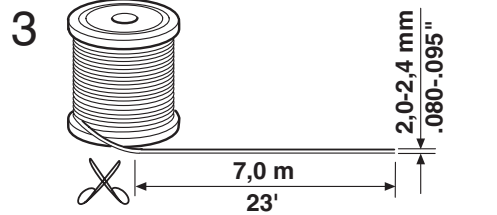
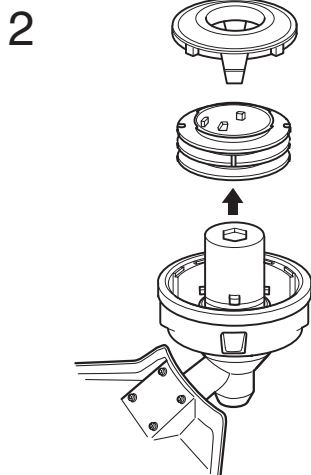
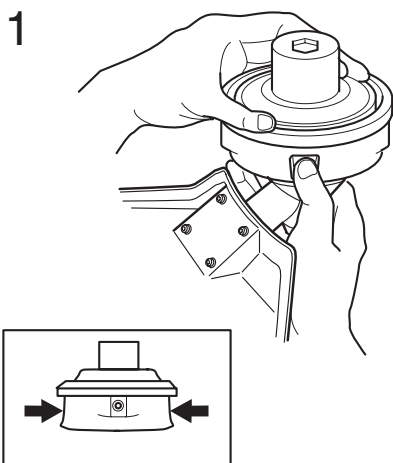
Trimmy Hit Junior



Trimmy Hit Pro



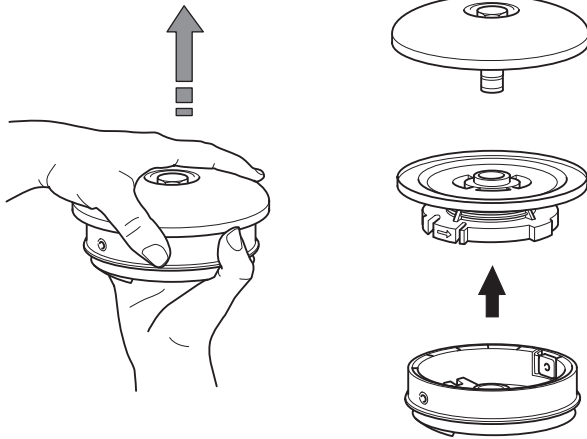
Trimmy Hit VI



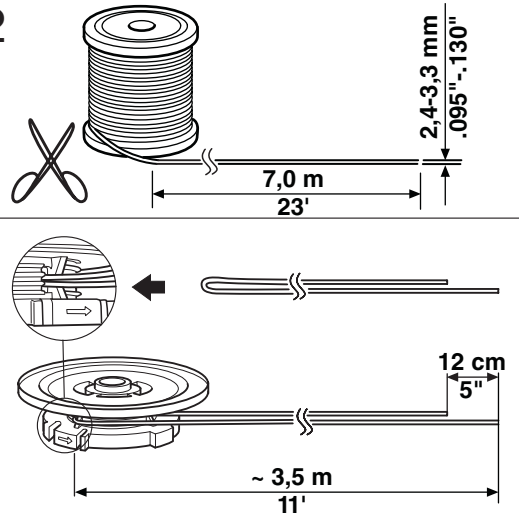
Trimmy SII



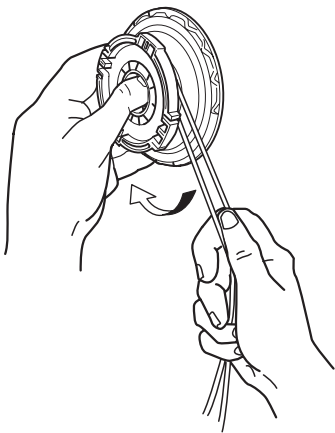
1



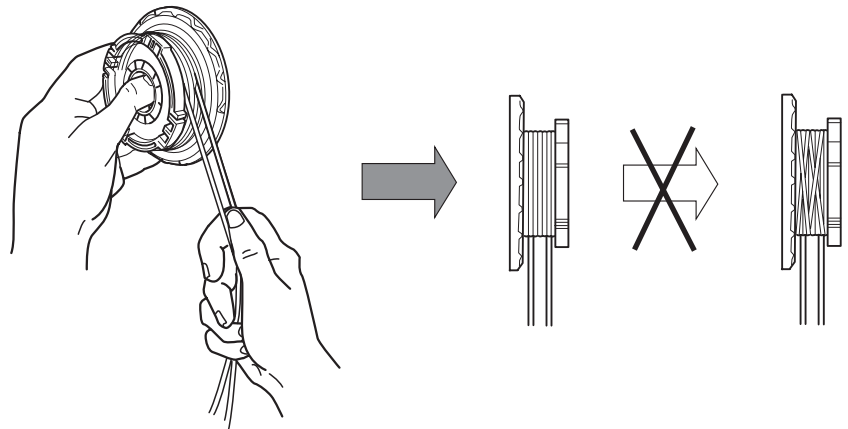
2



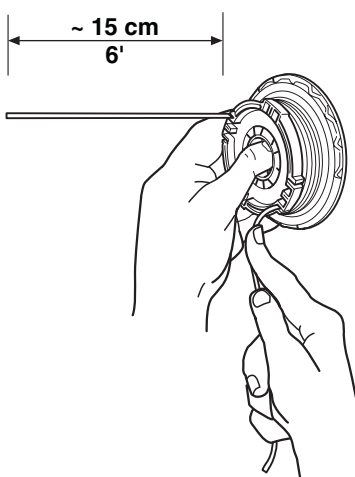
3



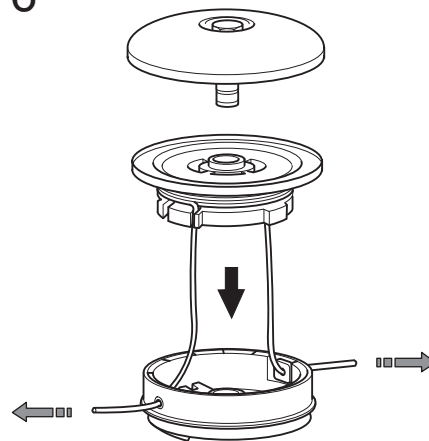
4



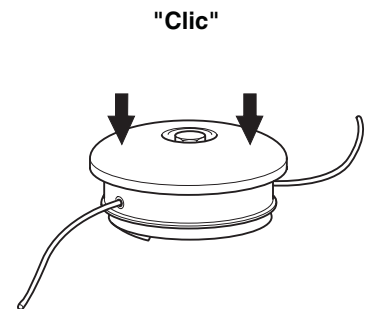
5



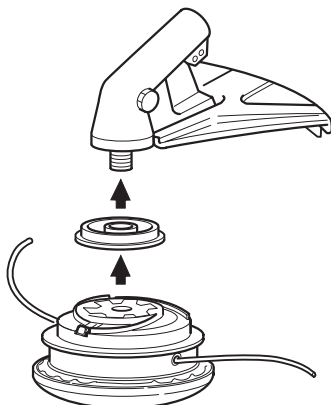
6



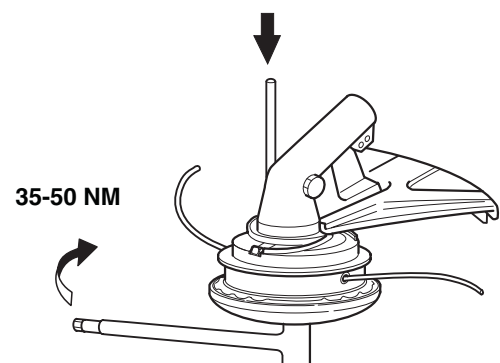
7



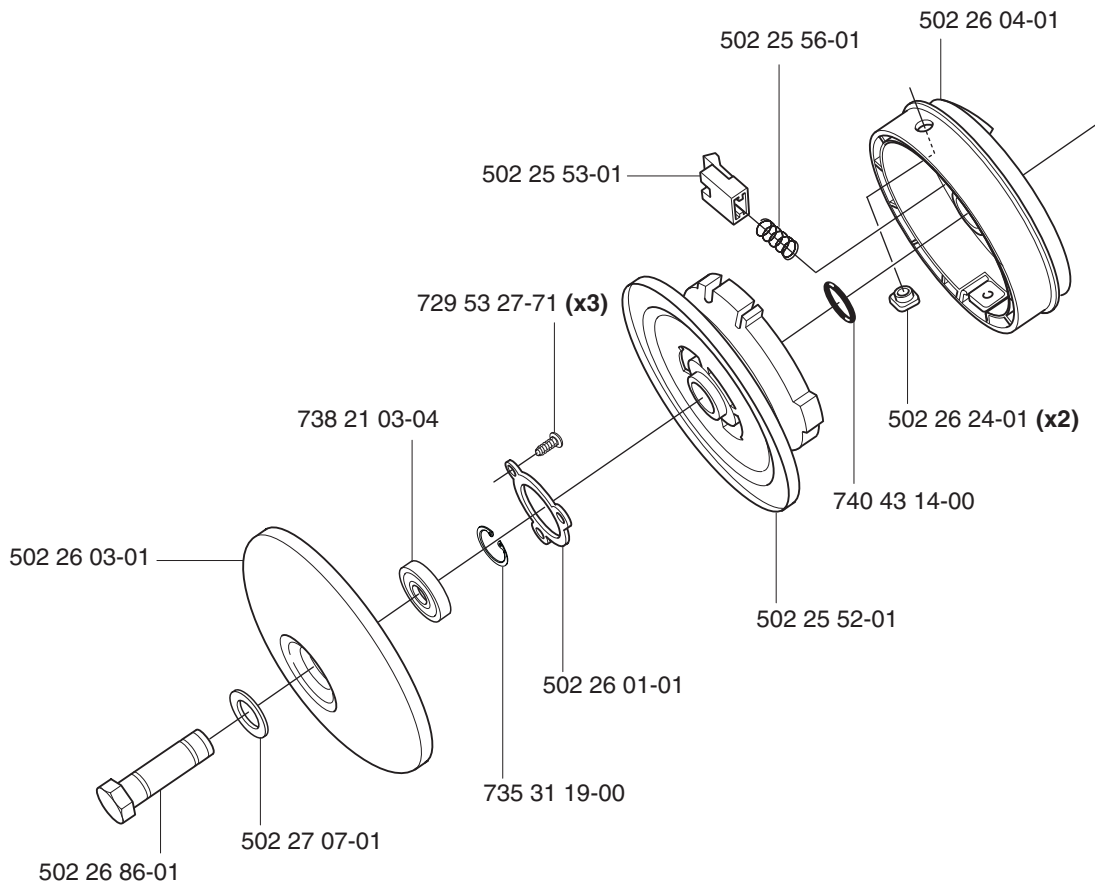
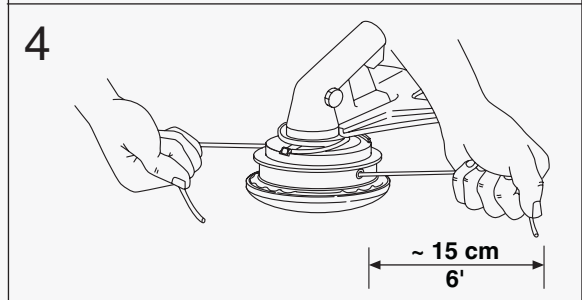
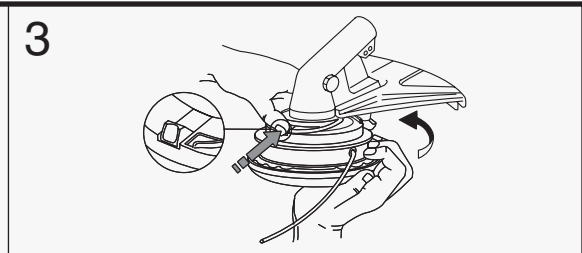
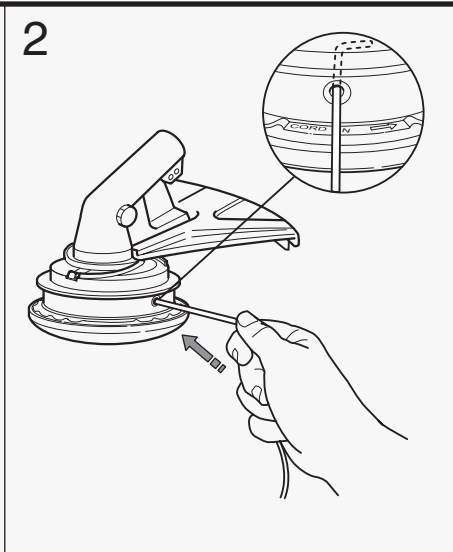
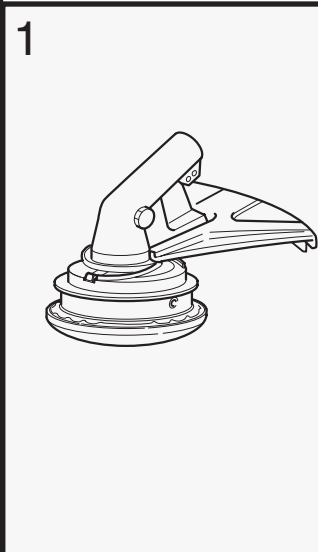
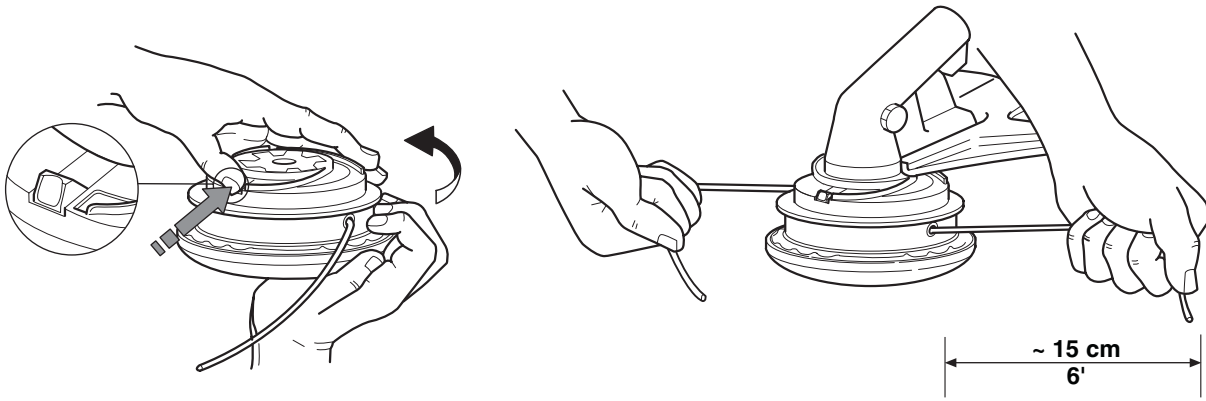
8



9



Trimmy SII





114 00 72-95



2002W07

Free Manuals Download Website

<http://myh66.com>

<http://usermanuals.us>

<http://www.somanuals.com>

<http://www.4manuals.cc>

<http://www.manual-lib.com>

<http://www.404manual.com>

<http://www.luxmanual.com>

<http://aubethermostatmanual.com>

Golf course search by state

<http://golfingnear.com>

Email search by domain

<http://emailbydomain.com>

Auto manuals search

<http://auto.somanuals.com>

TV manuals search

<http://tv.somanuals.com>