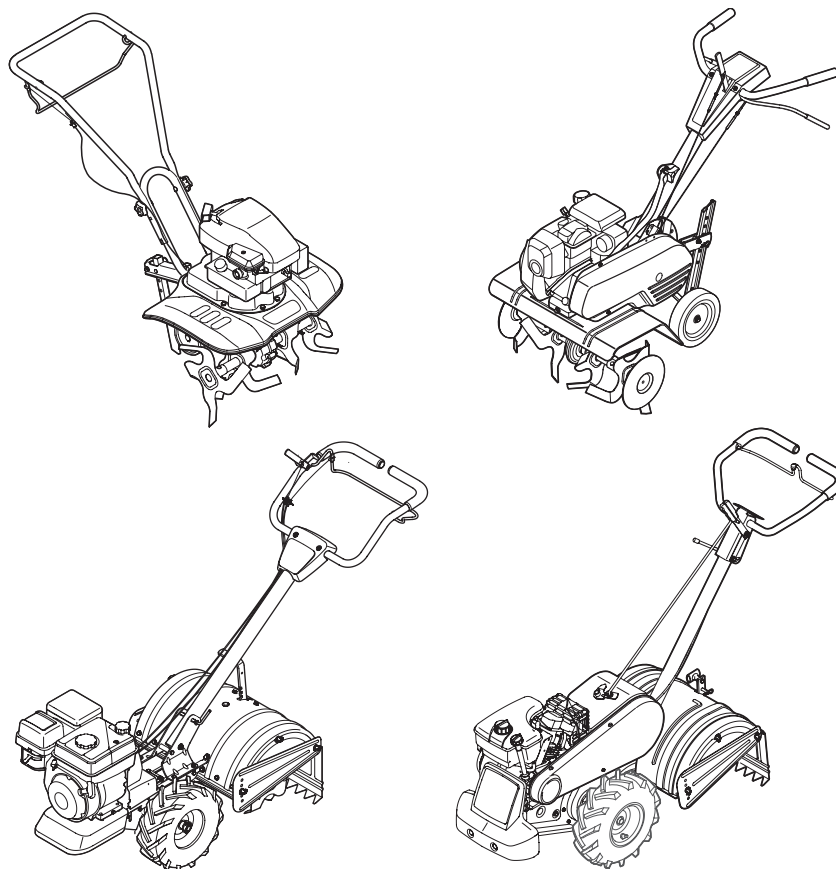

ILLUSTRATED PARTS MANUAL



Tillers / Cultivators

MTD LLC, P.O. BOX 361131 CLEVELAND, OHIO 44136-0019

To The Owner

Thank You

Thank you for purchasing an MTD Tiller/Cultivator. It was carefully engineered to provide excellent performance when properly operated and maintained.

All information in this manual is relative to the most recent product information available at the time of printing. Please be aware that this Illustrated Part's Manual may cover a range of product specifications for various models.

Components listed and/or illustrated in this manual may not be applicable to all models. We reserve the right to change product specifications, designs and equipment without notice and without incurring obligation.

Throughout this manual, all references to *right* (RH) and *left* (LH) are observed from the operating position.

Table of Contents

| | |
|--|--------------------|
| Model Series 200 | 4 |
| Model Series 300 | 6 |
| Model Series 400 | 10 |
| Model Series 450 | 16 |
| Engine Model 170-AU..... | 22 |
| Engine Model 1X65TU..... | 32 |
| Engine Model 170-AUA | 42 |

Record Product Information

To ease in ordering replacement parts, please locate the model plate on the equipment and record the information in the provided area to the right. You can locate the model plate by looking beneath the seat.

MODEL NUMBER

| | | | | | | | | | | | |
|--|--|--|--|--|--|--|--|--|--|--|--|
| | | | | | | | | | | | |
|--|--|--|--|--|--|--|--|--|--|--|--|

SERIAL NUMBER

| | | | | | | | | | | | |
|--|--|--|--|--|--|--|--|--|--|--|--|
| | | | | | | | | | | | |
|--|--|--|--|--|--|--|--|--|--|--|--|

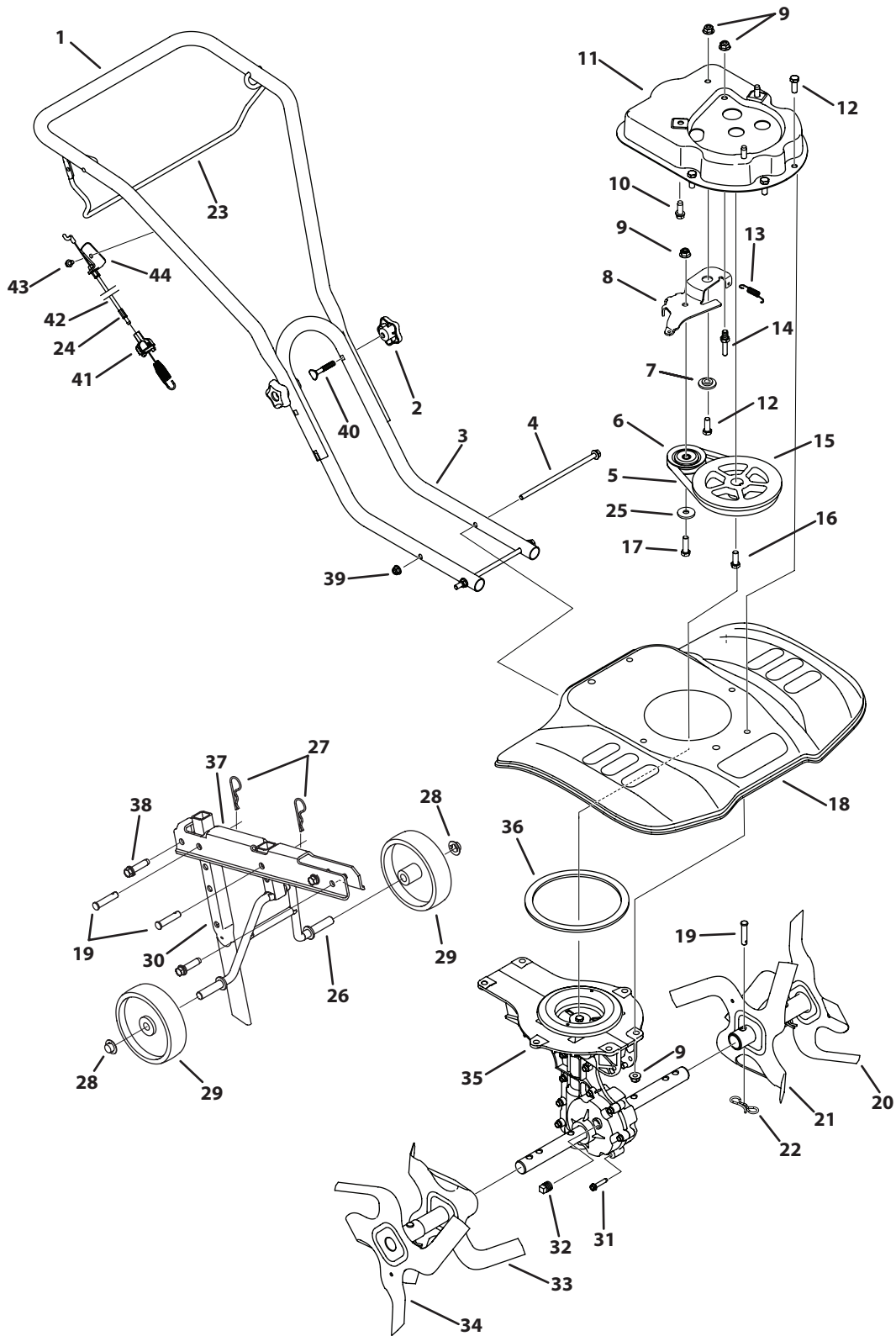
Painted Parts

When ordering painted service parts, a four digit color suffix must be added to the part number (e.g. 783-XXXXX-0637). Please refer to the table below for current color codes:

| | | | |
|------|---|-------|------------------------------|
| 0637 | Black | 0674 | Yellow (Yard-Man) |
| 0709 | Dark Green (Bolens, Yard-Man) | 0650 | Metallic Red (White Outdoor) |
| 0662 | Oyster Gray (MTD Gold) | 0629 | Silver Flake (MTD Platinum) |
| 0638 | Red (Yard Machines, Huskee, Troy-Bilt, MTD) | 04038 | Day Orange (Daedong) |
| 0691 | Black Jack (MTD Gold, MasterCut) | 04033 | Flint Mica (Troy-Bilt XP) |

Page Left Blank Intentionally

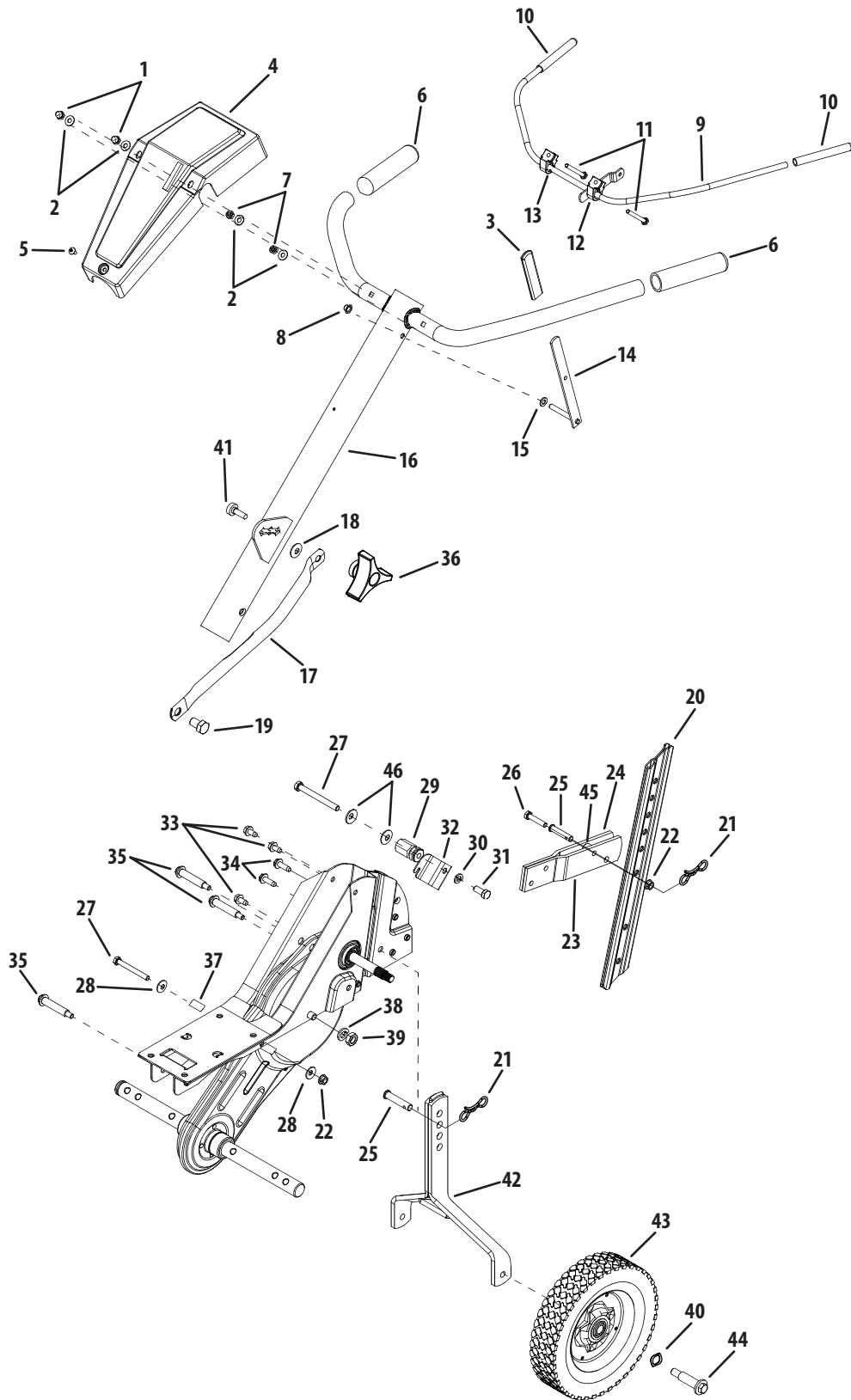
Model Series 200



| Ref. | Part Number | Description |
|------|-------------|-------------------------------|
| 1 | 749-04282 | Upper Handle |
| 2 | 720-04072A | Star Handle Knob |
| 3 | 749-04281 | Lower Handle |
| 4 | 710-04398 | Flange Screw: 5/16-18:7.5:GR5 |
| 5 | 954-04123 | V-Belt |
| 6 | 756-04163 | Idler Pulley |
| 7 | 748-04125 | Shoulder Spacer |
| 8 | 686-04080 | Idler Bracket |
| 9 | 712-04065 | Flange Lock Nut: 3/8-16 |
| 10 | 710-0654A | TT Screw: 3/8-16:1.00 |
| 11 | 786-04303 | Belt Cover |
| 12 | 710-0514 | Hex Cap Screw: 3/8-16:1.00 |
| 13 | 732-0418 | Extension Spring |
| 14 | 738-04139 | Stud: 33 x 1.5: 3/8-16 |
| 15 | 756-04217 | Flywheel Pulley |
| 16 | 710-0591 | Hex Cap Screw: 3/8-24:1.00 |
| 17 | 710-0520 | Hex Cap Screw: 3/8-16:1.55 |
| 18 | 786-04256 | Tine Shield 61 cm |
| 19 | 911-0415 | Clevis Pin |
| 20 | 642-0005 | Outer Tine Assembly LH |
| 21 | 642-0003 | Inner Tine Assembly LH |
| 22 | 714-04043 | Cotter Pin, Bow Tie |

| Ref. | Part Number | Description |
|------|-------------|---------------------------------|
| 23 | 747-04508 | Clutch Bail |
| 24 | 716-0208 | Retaining Ring |
| 25 | 936-0300 | Flat Washer, .406 x .875 x .059 |
| 26 | 686-04130 | Rear Wheel Tube Assembly |
| 27 | 714-3020 | Cotter Pin |
| 28 | 726-0299 | Push Cap |
| 29 | 734-0973 | Wheel 5 x 1.38 |
| 30 | 749-04265 | Depth Stake Tube |
| 31 | 710-0809 | TT Screw: 1/4-20:1.25 |
| 32 | 737-04202 | Pipe Plug: 3/8 NPT |
| 33 | 642-0002 | Inner Tine Assembly RH |
| 34 | 642-0004 | Outer Tine Assembly RH |
| 35 | 918-04276B | Case Assembly |
| 36 | 721-04157 | Gasket |
| 37 | 786-04296 | Wheel Bracket |
| 38 | 710-1007 | TT Screw: 3/8-16:1.50 |
| 39 | 712-04063 | Flange Lock Nut: 5/16-18 |
| 40 | 710-0487 | Carriage Bolt |
| 41 | 946-04626 | Clutch Cable Fitting |
| 42 | 946-04626 | Clutch Cable |
| 43 | 710-0599 | TT Screw: 1/4-20:.50 |
| 44 | 786-04307 | Cable Mount Bracket |

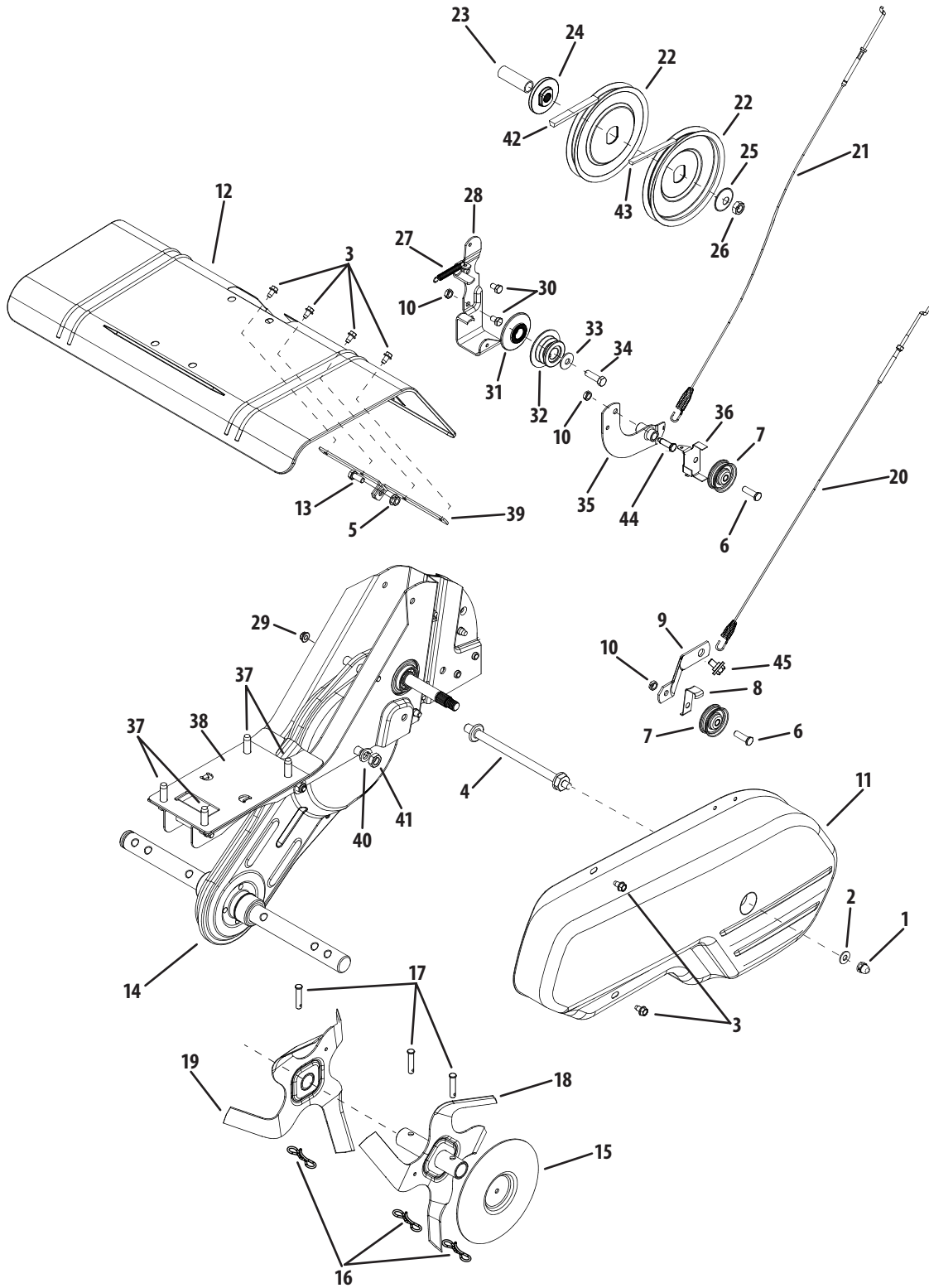
Model Series 300



| Ref. | Part Number | Description |
|------|-------------|---------------------------------|
| 1. | 912-0442 | Acorn Lock Nut, 1/4-20 |
| 2. | 936-3020 | Flat Washer, .271" x .630" |
| 3. | 720-0270A | Reverse Handle Grip |
| 4. | 731-1600 | Handle Cover w/o throttle |
| 5. | 710-0779A | Truss Machine Screw, #10 x 1/2" |
| 6. | 720-0274 | Handle Grip |
| 7. | 712-3006 | Hex Nut, 1/4-20 |
| 8. | 726-0135 | Cap Speed Nut |
| 9. | 686-0083 | Clutch Handle Assembly |
| 10. | 720-0269 | Clutch Grip |
| 11. | 710-0641 | Hex Bolt, 1/4-20 x 2.25" |
| 12. | 931-1645B | Clutch Handle Holder |
| 13. | 936-0300 | Flat Washer, .406 x .875 x .059 |
| 14. | 686-0014C | Reverse Handle Assembly |
| 15. | 936-0264 | Flat Washer, .344" x .62" |
| 16. | 649-04040 | Handle Assembly Complete |
| 17. | 749-1401A | Handle Brace |
| 18. | 736-0242 | Bell Washer, .34" |
| 19. | 710-06053 | Hex Bolt, 1/2-20 |
| 20. | 786-0005 | Depth Bar |
| 21. | 714-04043 | Cotter Pin, Bow Tie |
| 22. | 712-04063 | Hex Flange L-Nut, 5/16-18 |
| 23. | 786-0003 | Tail Piece Bracket, Left |

| Ref. | Part Number | Description |
|------|-------------|--------------------------------|
| 24. | 786-0004 | Tail Piece Bracket, Right |
| 25. | 911-0415 | Clevis Pin |
| 26. | 710-0805A | Hex Bolt, 5/16-18 x 1.5" |
| 27. | 710-0189 | Hex Bolt, 5/16-18 x 3" |
| 28. | 736-0242 | Bell Washer, .340" x .872" |
| 29. | 711-1036A | Hex Nut |
| 30. | 936-0119 | L-Washer, 5/16" |
| 31. | 710-3008 | Hex Bolt, 5/16-18 |
| 32. | 786-0129 | Cable Guide Bracket |
| 33. | 710-04484 | Screw, :5/16-18 x 0.75 |
| 34. | 710-0602 | Hex Washer TT-Tap Screw |
| 35. | 738-0934A | Shoulder Bolt, 5/16-18 |
| 36. | 720-0195 | Hand Knob |
| 37. | 750-0470 | Spacer |
| 38. | 936-0171 | Lock Washer, 7/16 |
| 39. | 912-0240 | Jam Nut, 7/16-20 |
| 40. | 936-0232 | Wave Washer .531 x .781 x .013 |
| 41. | 710-1236 | Carriage Bolt, 5/16-18 x 1 |
| 42. | 686-0081A | Wheel Hanger Bracket Assembly |
| 43. | 734-1268 | Wheel, 8 x 1.75 |
| 44. | 738-0929 | Shoulder Screw, .496 x 1.445 |
| 45. | 750-0890 | Spacer |
| 46. | 736-0242 | Bell Washer, .340" x .872" |

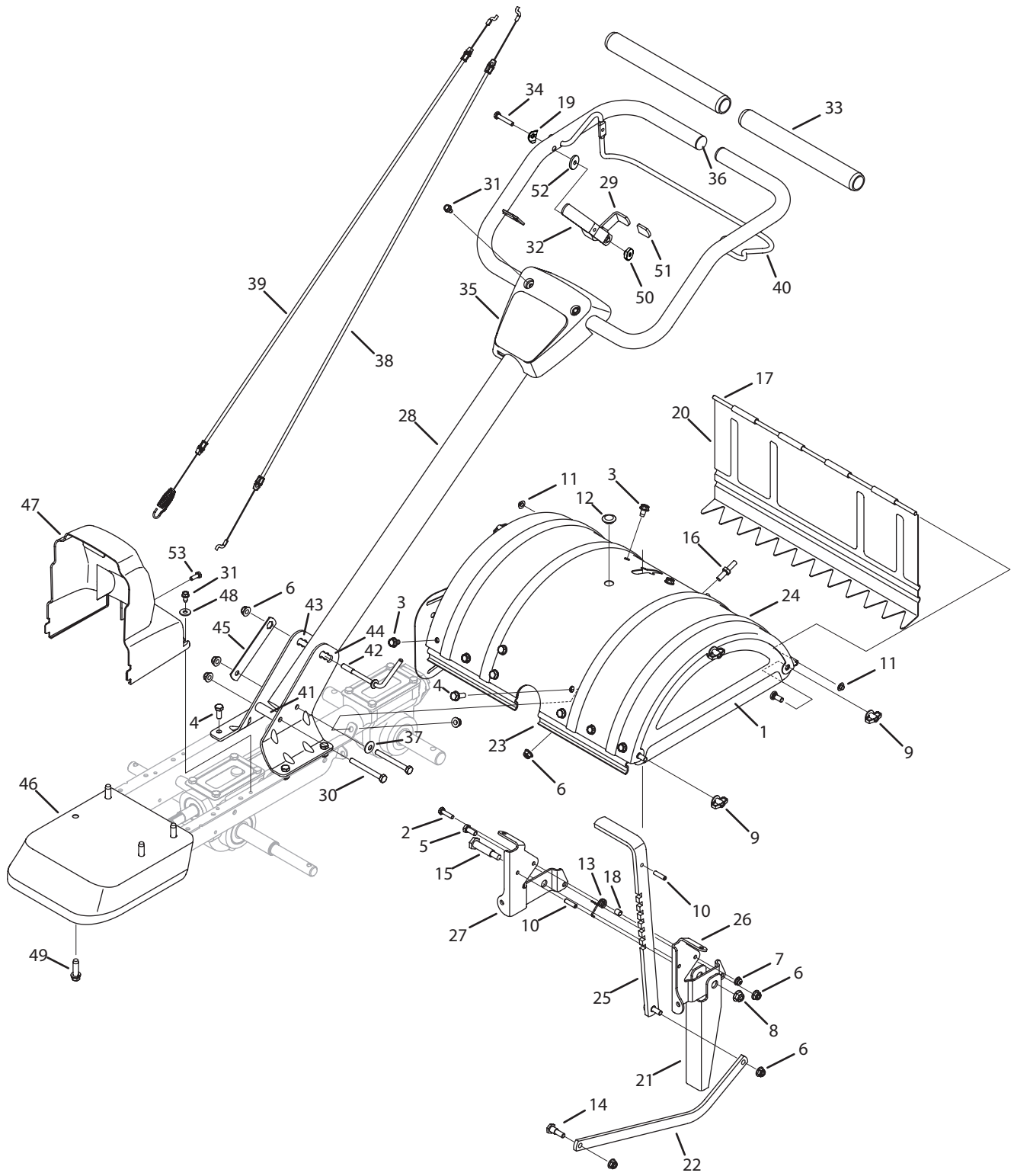
Model Series 300



| Ref. | Part Number | Description |
|------|-------------|---------------------------------------|
| 1. | 912-0442 | Cap Lock Nut, 1/4-20 |
| 2. | 936-3020 | Flat Washer, 266" x .625" |
| 3. | 710-0599 | Hex Washer TT-Tap Screw, 1/4-20 x .5" |
| 4. | 711-0920 | Belt Cover Bolt |
| 5. | 712-04063 | Hex Flange Top L-Nut, 5/16-18 |
| 6. | 710-3005 | Hex Head Screw, 3/8-16 x 1.25" |
| 7. | 756-0313 | Flat Idler Pulley, 2.12" |
| 8. | 786-0149 | Idler Belt Keeper |
| 9. | 786-0144 | Idler Bracket |
| 10. | 712-0266A | Hex Center Jam Nut, 3/8-16 |
| 11. | 786-0057 | Belt Cover |
| 12. | 786-0043A | Tine Shield |
| 13. | 710-3008 | Hex Head Cap Screw, 5/16-18 x .75" |
| 14. | 986-0091B | Chain Case Assembly Complete |
| 15. | 686-0106 | Outer Disc Plate Assembly |
| 16. | 714-04043 | Cotter Pin, Bow Tie |
| 17. | 911-0415 | Clevis Pin |
| 18. | 642-0023 | Outer Tine Assembly, Left |
| — | 642-0024 | Outer Tine Assembly, Right |
| 19. | 642-0003 | Inner Tine Assembly, Left |
| — | 642-0002 | Inner Tine Assembly, Right |
| 20. | 946-0918 | Forward Clutch Cable |
| 21. | 946-0953 | Reverse Clutch Cable |
| 22. | 756-0585 | Flat Pulley, 6" |

| Ref. | Part Number | Description |
|------|-------------|-------------------------------------|
| 23. | 950-0892 | Spacer, .64" x 2.4" |
| 24. | 948-0350 | Pulley Mounting Adapter |
| 25. | 736-0112 | Bell Washer, 525" x 1.5" |
| 26. | 712-3029 | Hex Jam Nut, 1/2-20 |
| 27. | 732-0697 | Return Spring |
| 28. | 786-0040B | Reverse Bracket |
| 29. | 712-3004A | Flangelock Nut, 5/16 - 18 |
| 30. | 710-0170 | Hex Bolt, 5/16-24 x .625" |
| 31. | 756-0971 | Engine Inner Pulley |
| 32. | 756-0600 | Reverse Engine Pulley |
| 33. | 936-0452 | Bell Washer, .396" x 1/14" |
| 34. | 710-1039 | Hex Bolt, 3/8-24 x 1.00" |
| 35. | 686-0013 | Reverse Arm Assembly |
| 36. | 786-0041 | Reverse Belt Keeper |
| 37. | 710-0502A | Hex L-Washer TT-Tap, 3/8-16 x 1.25" |
| 38. | 786-0145A | Engine Plate |
| 39. | 786-0053 | Tine Shield Bracket |
| 40. | 936-0171 | L-Washer, 7/16" |
| 41. | 912-0240 | Hex Nut, 7/16-20 |
| 42. | 954-0428 | Forward Drive Belt, 1/2 x 41.9" |
| 43. | 954-0429 | Reverse Drive Belt, 3/8 x 45.68" |
| 44. | 938-0102 | Shoulder Screw, .498 x 1.445 |
| 45. | 738-0930 | Shoulder Screw, .560 x.165 |

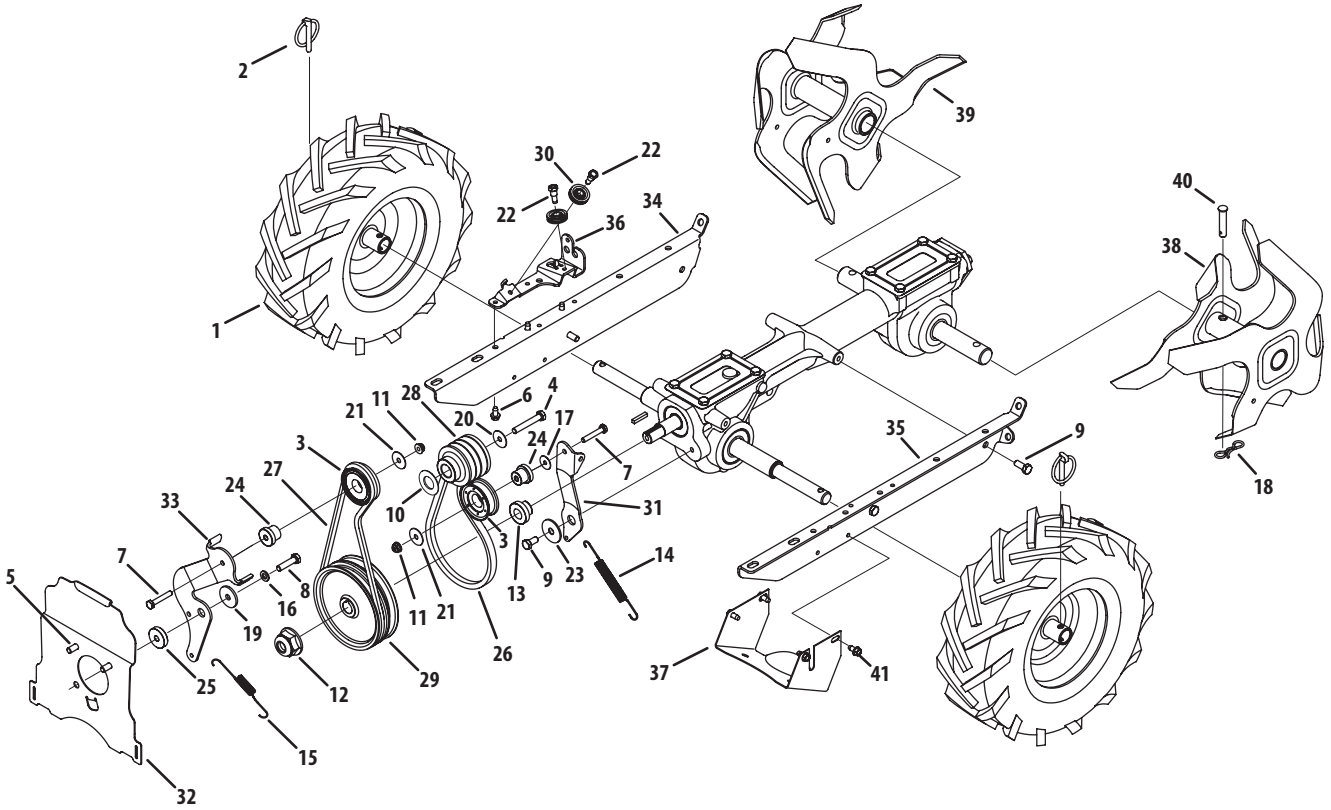
Model Series 400



| Ref. | Part Number | Description |
|------|-------------|-------------------------------------|
| 1. | 686-0044B | End Cover Assembly |
| 2. | 710-0597 | Hex Head Screw, 1/4-20 x 1 |
| 3. | 710-0604A | Hex Head Screw, 5/16-18 x .625 |
| 4. | 710-1238 | Hex Head Screw, 5/16-18 x .875 |
| 5. | 710-3008 | Hex Head Screw, 5/16-18 x .75 |
| 6. | 712-04063 | Hex Flange Top L-Nut, 5/16-18 |
| 7. | 712-04064 | Nylon Hex Lock Nut, 1/4-20 |
| 8. | 712-04065 | Flange Lock Nut, 3/8-16 |
| 9. | 712-0421 | Wing Nut, 5/16-18 |
| 10. | 715-0108 | Spirol Pin |
| 11. | 926-0106 | Cap Nut, 1/4 Rod |
| 12. | 731-05512 | Hole Plug |
| 13. | 732-04320 | Torsion Spring |
| 14. | 738-04320 | Shoulder Screw, .405 x .435 5/16-18 |
| 15. | 938-0533 | Shoulder Screw, .498 x 1.635 |
| 16. | 938-0849 | Stop Screw |
| 17. | 747-0432 | Tiller Flap Rod |
| 18. | 750-05349 | Spacer |
| 19.. | 936-0451 | Saddle Washer, .320 x .930 x .060 |
| 20. | 786-0113A | Rear Tine Shield |
| 21. | 786-04092 | Reverse Stop Arm |
| 22. | 786-04104 | Drag Bar |
| 23. | 786-04352A | Tine Shield Mounting Bracket |
| 24. | 786-04355A | Tine Shield |
| 25. | 786-04356A | Adjustable Depth Bar |
| 26. | 786-04363 | Tail Bracket, LH |
| 27. | 786-04364 | Tail Bracket, RH |

| Ref. | Part Number | Description |
|------|-------------|-----------------------------------|
| 28. | 649-04098A | Upper Handle Assembly |
| 29. | 686-04135 | Reverse Handle Assembly |
| 30. | 710-0189 | Hex Head Screw, 5/16-18 x 3.00 |
| 31. | 710-0599 | Self-Tapping Screw, 1/4-20 x 1/2 |
| 32. | 731-04735 | Handle Select |
| 33. | 720-0278A | Foam Handle Grip |
| 34. | 710-3288 | Hex Head Screw, 1/4-20 x 1.62 |
| 35. | 731-06253A | Handle Cover |
| 36. | 735-04105 | Plug End |
| 37. | 736-0242 | Bell Washer, .340 x .872 x .060 |
| 38. | 946-04504 | Reverse Cable |
| 39. | 946-04506 | Forward Cable |
| 40. | 747-04789A | Clutch Bail |
| 41. | 750-0885A | Spacer, .322 x .625 x 2.00 |
| 42. | 786-0340B | Handle Crank |
| 43. | 786-04344 | Handle Bracket, RH |
| 44. | 786-04345 | Handle Bracket, LH |
| 45. | 786-04358 | Retainer Nut Bracket |
| 46. | 786-04360 | Front Bumper |
| 47. | 631-05252 | Belt Cover |
| 48. | 736-0173 | Flat Washer, .28 x .74 x .063 |
| 49. | 710-0502A | SEMS Screw, 3/8-16 |
| 50. | 738-0440 | Spacer, .375 x .165 |
| 51. | 920-04173 | Reverse Handle Grip |
| 52. | 936-0176 | Flat Washer, .265 x .938 x .120 |
| 53. | 710-0896 | Self Tapping Screw, 1/4-14 x .625 |

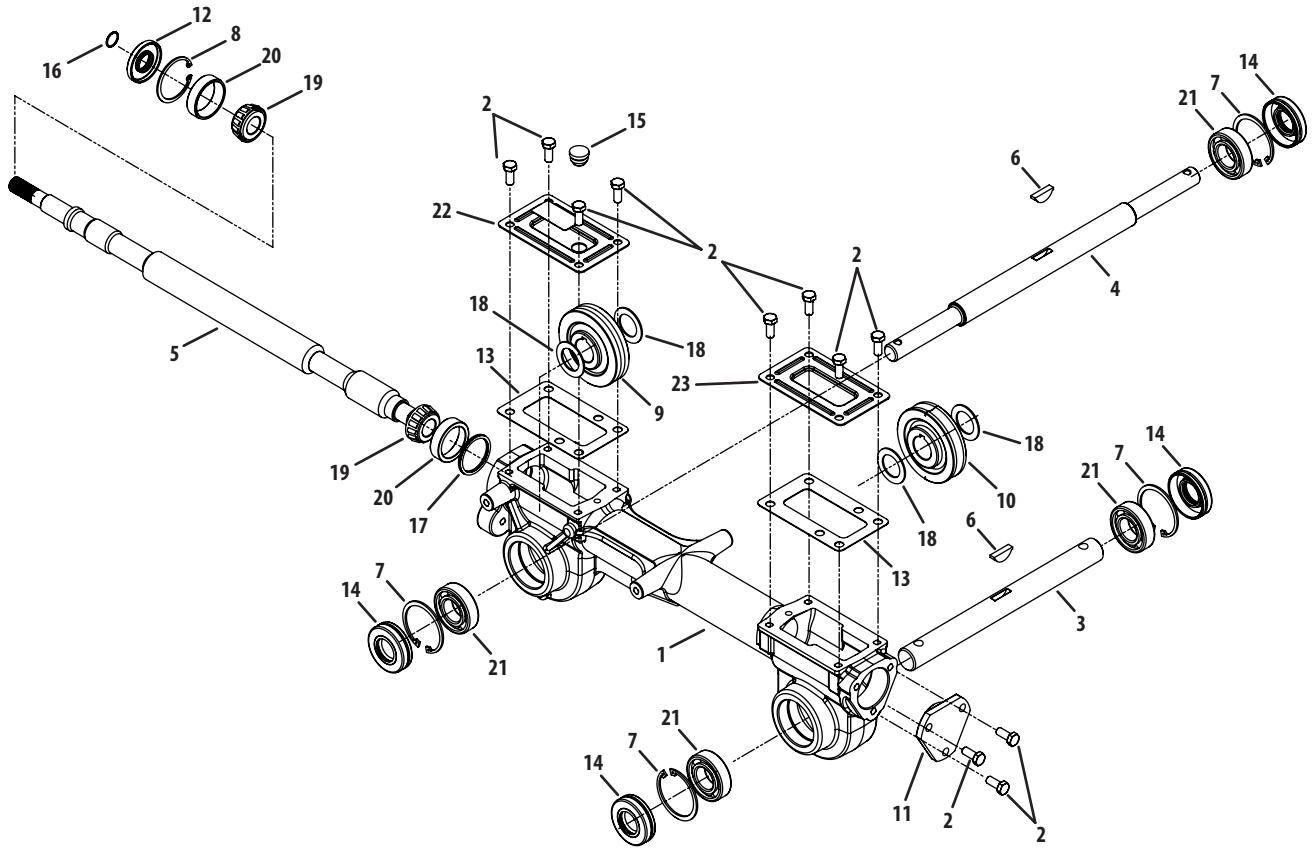
Model Series 400



| Ref. | Part Number | Description |
|------|-------------|---------------------------------------|
| 1. | 934-04232 | Complete Whl. Ass., 13 x 5 x 6 (B, C) |
| 2. | 714-0143A | Klik Pin |
| 3. | 684-04168 | Idler Pulley Assembly |
| 4. | 710-0331 | Hex Head Screw, 3/8-24 x 2.25 |
| 5. | 710-0170 | Hex Head Screw, 5/16-24 x .625 |
| 6. | 710-0599 | Self Tapping Screw, 1/4-20 x .500 |
| 7. | 710-0606 | Hex Head Screw, 1/4-20 x 1.50 |
| 8. | 710-0672 | Hex Head Screw, 5/16-18 x 1.25 |
| 9. | 710-1880 | Hex Head Screw, 5/16-18 x .75, Patch |
| 10. | 736-0315 | Washer, Flat, .760 x 1.50 x .120 |
| 11. | 712-04064 | Nylon Hex Lock Nut, 1/4-20 |
| 12. | 712-0700 | Nut, 9/16-18, Flange Lock |
| 13. | 718-04407 | Hub, 5/8 Spline |
| 14. | 732-04085 | Extension Spring, .480 OD X 5.00 LG |
| 15. | 732-04276A | Extension Spring, LT5 PTO |
| 16. | 936-0119 | Lock Washer, 5/16 |
| 17. | 736-0173 | Washer, .28 x .74 x .063 |
| 18. | 714-04043 | Cotter Pin, Bow Tie |
| 19. | 736-0343 | Flat Washer, .330 X 1.25 X .120 |
| 20. | 936-0452 | Bell Washer, .396 x 1.140 x .095 |
| 21. | 736-3092 | Flat Washer, .265 x 1.0 x .030 |

| Ref. | Part Number | Description |
|------|-------------|-------------------------------------|
| 22. | 738-04425 | Shoulder Screw, .342 x .335 1/4-28 |
| 23. | 748-04087A | Pivot Idler Spacer |
| 24. | 750-04571 | Shoulder Spacer, .260 x .785 x .538 |
| 25. | 750-04907 | Pivot Idler Spacer |
| 26. | 954-04090 | V-Belt, 4L x 25.375 Long |
| 27. | 954-04091 | V-Belt, 3L x 29.125 Long |
| 28. | 756-04198A | Engine Pulley |
| 29. | 756-04355 | Transmission Pulley |
| 30. | 756-0625 | Cable Roller |
| 31. | 786-04312 | Idler Bracket, Forward |
| 32. | 786-04343 | Cover Plate |
| 33. | 786-04346 | Idler Bracket, Reverse |
| 34. | 786-04416A | Mounting Frame, RH |
| 35. | 786-04415B | Mounting Frame, LH |
| 36. | 786-04357 | Pulley Bracket |
| 37. | 786-04371 | Pulley Shield |
| 38. | 642-04071 | Tine Assembly, LH |
| 39. | 642-04072 | Tine Assembly, RH |
| 40. | 911-0415 | Clevis Pin, .375 x 1.75 |
| 41. | 710-0896 | Self Tapping Screw, 1/4-14 x .625 |

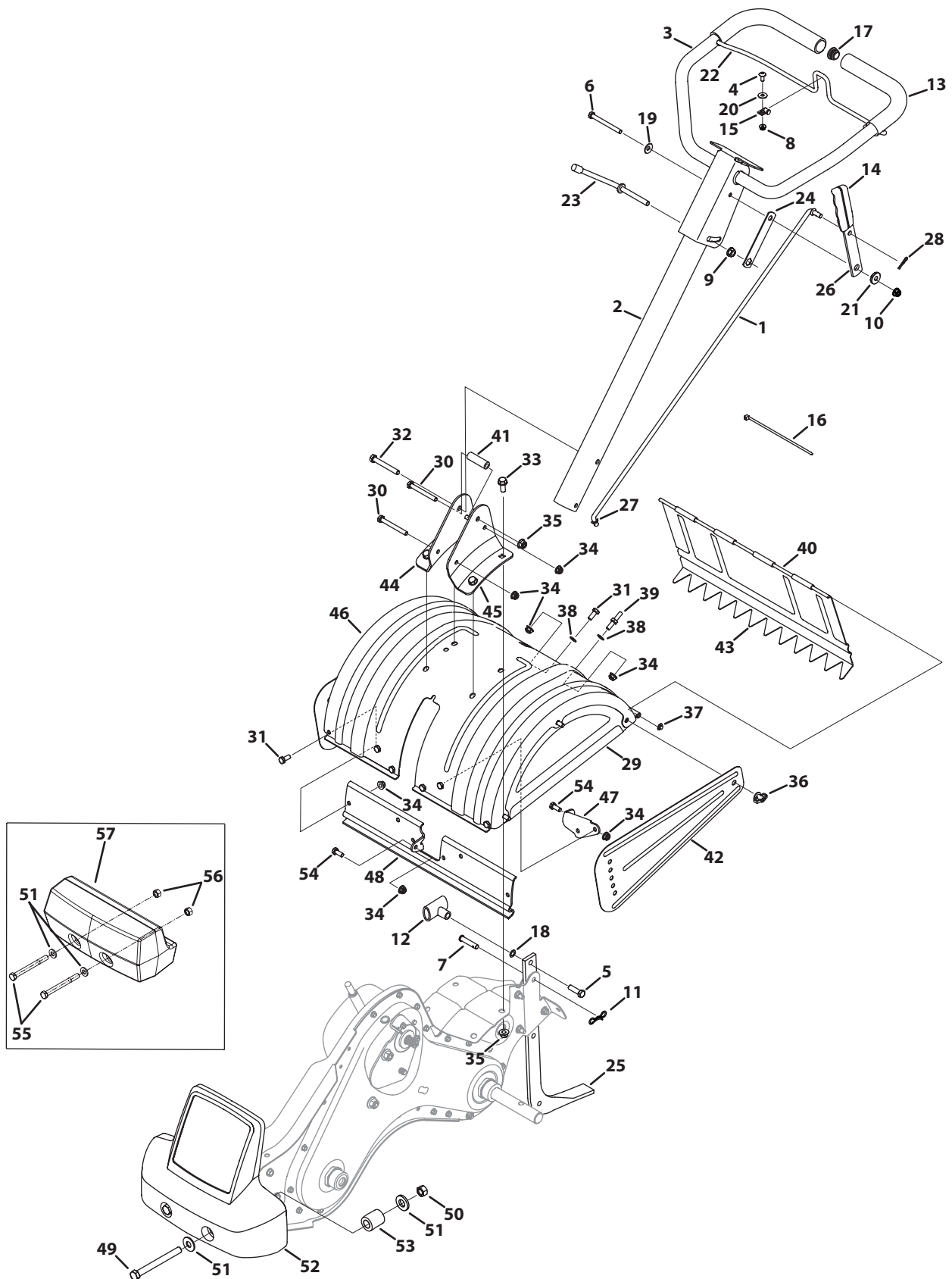
Model Series 400



| Ref. | Part Number | Description |
|------|-------------|------------------------------------|
| | 918-04815A | Transmission Assembly |
| 1. | 919-04184A | Housing, Transmission |
| 2. | 710-3008 | Hex Screw, 5/16-18, .75, Gr5 |
| 3. | 911-04844 | Shaft, Tiller |
| 4. | 911-04854 | Shaft, Wheel |
| 5. | 911-05028 | Shaft, Worm |
| 6. | 714-04059 | Key, Hi Pro .25 x 1.062 |
| 7. | 716-0204 | Retaining Ring |
| 8. | 716-04102 | Retaining Ring, Int |
| 9. | 917-04380 | Worm Gear, 61t, RH |
| 10. | 917-04381 | Worm Gear, 30t, LH |
| 11. | 918-04435 | Bearing Cover |
| 12. | 921-04030 | Seal, Oil, .750 Shaft x 1.783 Bore |
| 13. | 921-04229 | Gasket, Gear Housing |
| 14. | 721-04232 | Seal, Oil, 1.00 Shaft x 2.00 Bore |
| 15. | 721-04271 | Rubber Plug, Oil |
| 16. | 732-0614 | Wire Ring |
| 17. | 736-04305 | Washer, Flat, 1.50 x 1.75 x .062 |
| — | 736-04306 | Washer, Flat, 1.50 x 1.75 x .005 |
| — | 736-04307 | Washer, Flat, 1.50 x 1.75 x .03 |
| — | 736-04308 | Washer, Flat, 1.50 x 1.75 x .010 |
| 18. | 736-0745 | Washer, Flat, 1.010 x 1.56 x .060 |
| 19. | 941-04298 | Cone Bearing |
| 20. | 941-04299 | Bearing Cup |
| 21. | 741-3114 | Ball Bearing |
| 22. | 786-04366 | Cover, Transmission |
| 23. | 786-04392 | Cover, Transmission |

* — The flat washers listed are used as required to obtain .005 to .015 in allowable end play on the drive shaft.

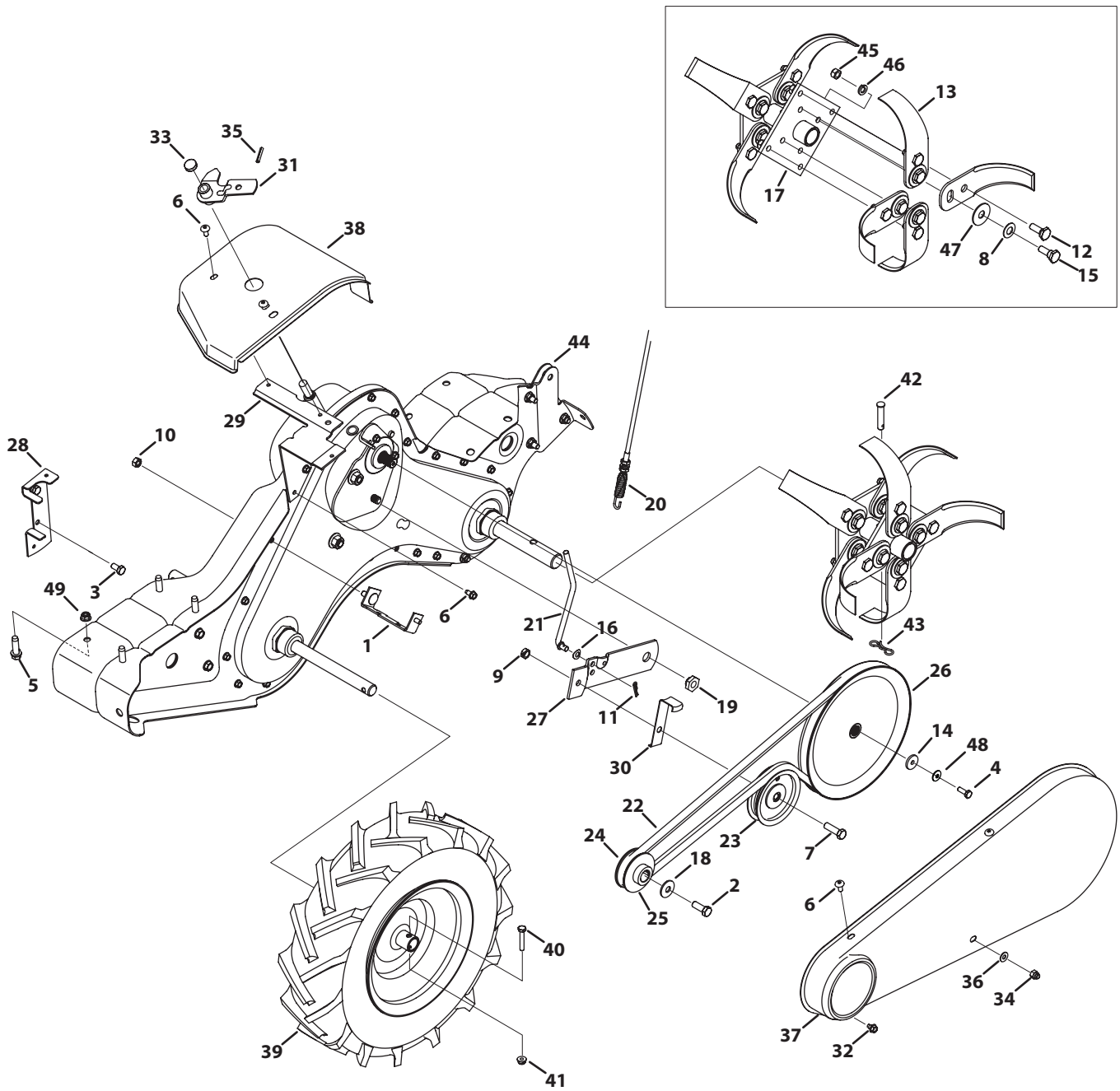
Model Series 450



| Ref. | Part Number | Description | Ref. | Part Number | Description |
|------|-------------|--|------|-------------|----------------------------------|
| 1 | 747-1152 | Shaft Rod | 30 | 710-0176 | Hex Head Screw, 5/16-18 x 2.75 |
| 2 | 649-0034 | Lower Handle Tube Assembly | 31 | 710-3008 | Hex Head Screw, 5/16-18 x .75 |
| 3 | 649-0041A | Upper Handle Assembly | 32 | 710-3022 | Hex Head Screw, 3/8-16 x 2.75 |
| 4 | 710-0946 | Screw, 1/4-20 x 0.625 | 33 | 710-04482 | Hex Head Flange, 3/8-16 x .875 |
| 5 | 710-3005 | Hex Head Screw, 3/8-16:1.25 | 34 | 712-04063 | Flangelock Nut, 5/16-18 |
| 6 | 710-3056 | Hex Head Screw, 5/16-18 x 3.25 | 35 | 712-04065 | Flangelock Nut, 3/8-16 |
| 7 | 911-0415 | Clevis Pin, .375 X 1.75 | 36 | 712-0421 | Wing Nut, 5/16-18 W/ Bell Washer |
| 8 | 712-04064 | Nylon Hex Lock Nut, 1/4-20 | 37 | 926-0106 | Speed Nut Cap, 1/4 ROD |
| 9 | 712-0379 | Flangelock Nut, 3/8-24 | 38 | 736-0204 | Washer, Flat, .344 x .62 x .033 |
| 10 | 712-04063 | Hex Flange Top L-Nut, 5/16-18 | 39 | 938-0849 | Screw, Hex, 5/16-18 x .75 |
| 11 | 714-04043 | Internal Cotter Pin | 40 | 747-0432 | Tiller Flap Rod |
| 12 | 720-0210A | Small Tee Knob | 41 | 750-0885A | Spacer, .322 x .625 x 2.00 |
| 13 | 720-0278A | Foam Grip, .970 x 11.0 | 42 | 786-0090A | Side Shield |
| 14 | 720-0313 | Grip, .1875 x 1.00 | 43 | 786-0113A | Rear Tine Shield |
| 15 | 726-0273 | Battery Clamp, 5/16 | 44 | 786-0176 | RH Handle Mount Bracket |
| 16 | 726-0317 | Cable Tie, 8.5 LG | 45 | 786-0177 | LH Handle Mount Bracket |
| 17 | 735-0246A | End Plug | 46 | 786-0178A | Tine Shield |
| 18 | 936-0117 | Washer, Flat, .385 x .620 x .033 | 47 | 786-0179 | FRT Tine Shield Bracket |
| 19 | 736-0242 | Washer, Bell, .340 x .872 x .060 | 48 | 786-0180 | FRT Tine Shield Spacer Bracket |
| 20 | 736-3090 | Washer, Flat, .260 x .720 x .060 | 49 | 710-0506 | Hex Head Screw, 1/2-13 x 5.50 |
| 21 | 938-0958 | Spacer, Shoulder, .50 x .190 x .360 LG | 50 | 912-3058 | Hex Nut, 1/2-20 |
| 22 | 747-1219A | Clutch Bail | 51 | 936-0326 | Washer, 1/2 x 1.25 x .10 |
| 23 | 784-0190 | Handle Adjustment Crank | 52 | 731-1595 | Counterweight |
| 24 | 784-0191 | Hex Nut Retainer Bracket | 53 | 750-0194 | Hub, .636 ID x 1.00 OD x .94 |
| 25 | 786-0120 | Tiller Depth Control | 54 | 710-0376 | Hex Head Screw, 5/16-18 x 1.00 |
| 26 | 786-0181 | Shaft Rod Lever | 55 | 710-0382 | Hex Bolt, 1/2-13 x 5.0 |
| 27 | 735-0127 | Washer, Rubber, .33 ID x .87 OD x .125 | 56 | 712-04150 | Flange Lock Nut, 1/2-13 |
| 28 | 914-0104 | Cotter Pin, .072 x 1.12 LG | 57 | 723-0381† | Counterweight, 40 lbs. |
| 29 | 686-0044B | End Cover Assembly | | | |

† If Equipped

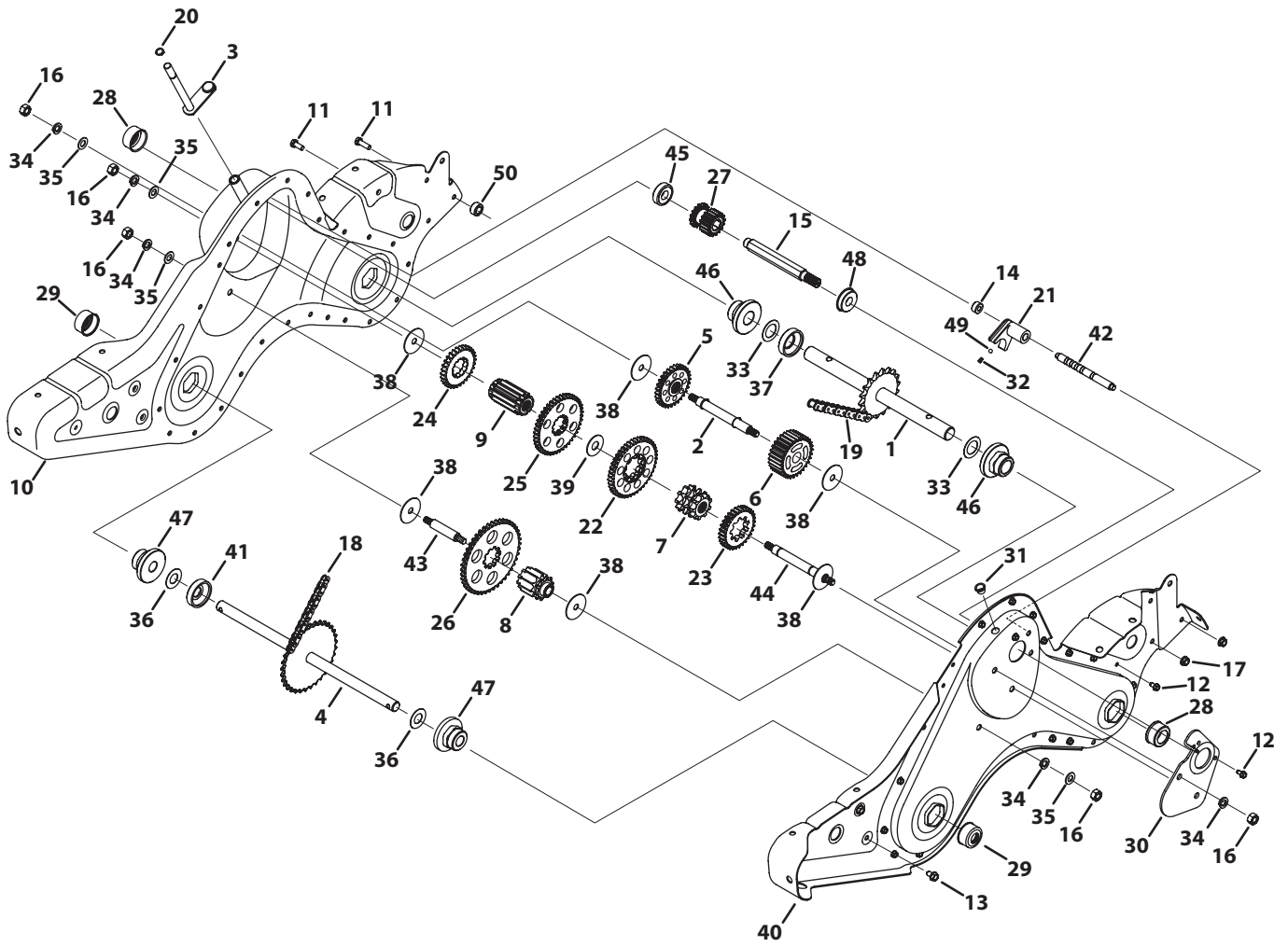
Model Series 450



| Ref. | Part Number | Description |
|------|-------------|---|
| 1 | 686-0111 | Belt Cover Bracket Assembly |
| 2 | 710-1039 | Hex Head Screw, 3/8-24 x 1.00 |
| 3 | 710-0170 | Hex Bolt, 5/16-24 x .625 |
| 4 | 710-0513A | Hex Bolt, 1/4-28 x .75" |
| 5 | 710-0502A | Screw, 3/8-16 x 1.250 |
| — | 710-0520 | Hex Screw, 3/8-16 x 1.50" (Honda) |
| 6 | 710-1652 | Hex Washer Screw |
| 7 | 710-3005 | Hex Head Screw, 3/8-16 x 1.25 |
| 8 | 936-0253 | Washer, Bell, .525 x 1.00 x .050 |
| 9 | 712-0266A | Jamlock Nut, 3/8-16 |
| 10 | 712-04063 | Flangelock Nut, 5/16-18 |
| 11 | 914-0104 | Cotter Pin, .072 DIA. x 1.13 LG |
| 12 | 938-0689 | Screw, Shoulder, 3/8-24 x 1/2 x .180 |
| 13 | 742-0305A | Articulating Tine |
| 14 | 936-0176 | Washer, Flat, .265 x .938 x .120 |
| 15 | 938-0688 | Screw, Shoulder, 3/8-24 x 1/2 x .325 |
| 16 | 936-0271 | Washer, Spring, .317 x .625 x .020 |
| 17 | 784-0160 | Tine Adaptor Assembly |
| 18 | 936-0452 | Washer, Bell, .396 x 1.140 x .095 |
| 19 | 738-0876A | Shoulder Nut, 7/16-20 |
| 20 | 946-1117 | Clutch Cable |
| 21 | 747-1159 | Idler Pulley Rod |
| 22 | 954-0434 | Belt, 4L x 58.16 LG |
| 23 | 756-0405 | Flat Idler Pulley w/ Flanges, 3.75 O.D. |
| 24 | 756-0971 | Engine Pulley, Inner Half |

| Ref. | Part Number | Description |
|------|-------------|---------------------------------|
| 25 | 756-0972 | Engine Pulley, Outer Half |
| 26 | 756-1162 | Input Pulley, 4L x 8.594 |
| 27 | 786-0064A | Idler Pulley Bracket |
| 28 | 786-0185A | Belt Keeper Bracket, B&S 6.5 HP |
| 29 | 786-0187 | Shift Cover Bracket |
| 30 | 786-0193 | Idler Belt Keeper |
| 31 | 686-0109A | Shift Crank Assembly |
| 32 | 710-0653 | Screw, 1/4-20:0.375 |
| 33 | 731-07556 | Cap |
| 34 | 712-0392 | Lock Nut, Cap, 1/4-28 |
| 35 | 715-0120 | Spiral Pin, 3/16 x 1.00 |
| 36 | 936-3020 | Washer, Flat, .271x .630 x .065 |
| 37 | 784-0158B | Belt Cover |
| 38 | 784-0208D | Shift Cover |
| 39 | 934-04231 | Wheel, 16 x 4.6 x 8 |
| 40 | 710-05289 | Hex Head Screw, 1/4-20 x 1.50 |
| 41 | 712-04064 | Flangelock Nut, 1/4-20 |
| 42 | 911-0415 | Clevis Pin, .375 x 1.75 |
| 43 | 714-04043 | Cotter Pin, Bow-Tie |
| 44 | 986-04074B | Complete Gear Case Assembly |
| 45 | 712-3054 | Hexlock Nut, 3/8-24 |
| 46 | 936-0169 | Washer, Lock, 3/8 |
| 47 | 936-0208 | Washer, Flat, .51 x 1.5 x 0.07 |
| 48 | 736-0270 | Bell Washer, .265 x .750 x .060 |
| 49 | 712-04065 | Flangelock Nut, 3/8-16 (Honda) |

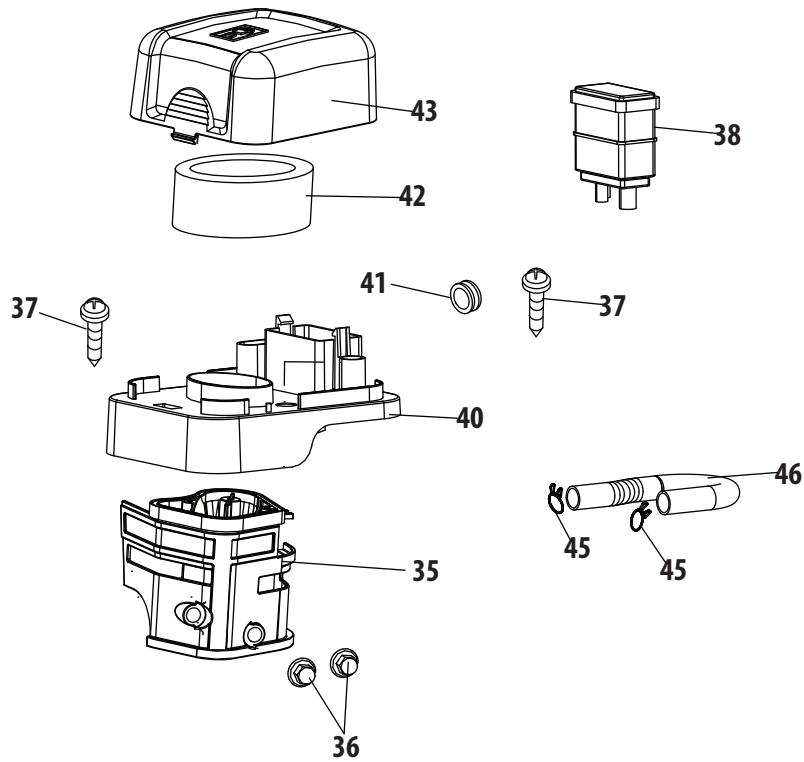
Model Series 450



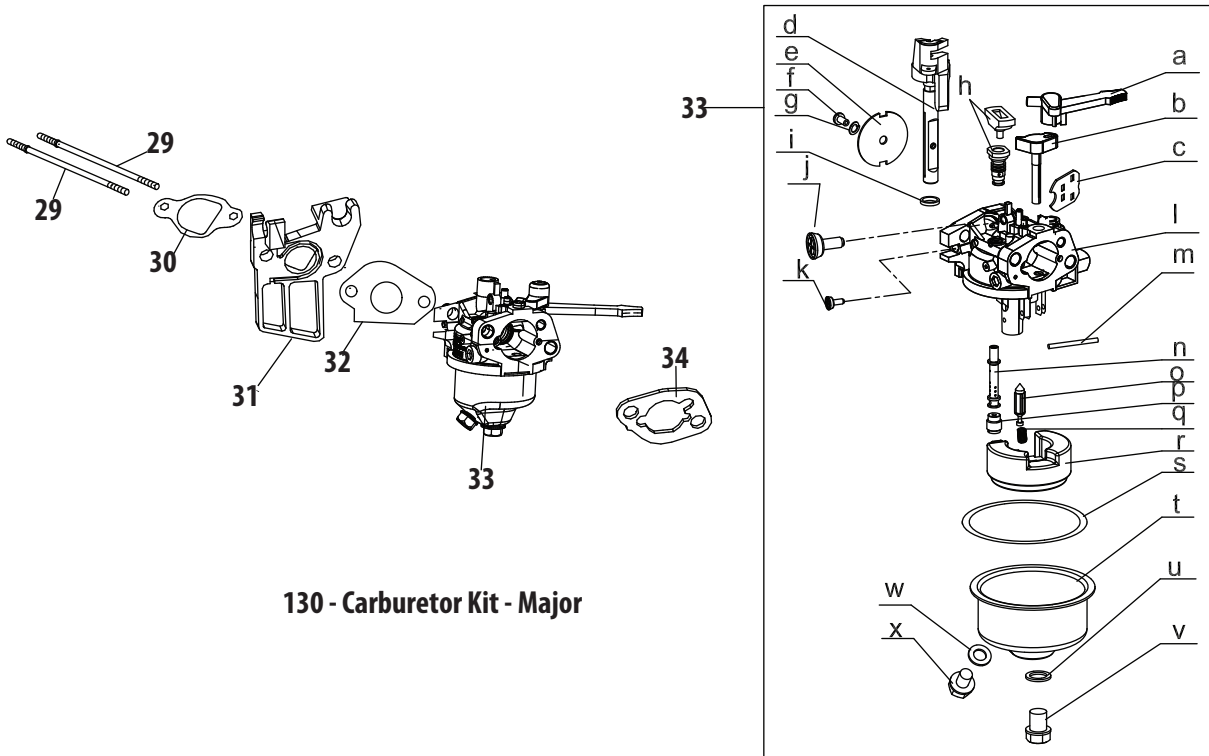
| Ref. | Part Number | Description |
|------|-------------|----------------------------------|
| 1. | 611-0021 | Shaft Assembly, Tine, 18T |
| 2. | 611-0128 | Shaft Assembly, Jack |
| 3. | 611-0129 | Shaft Assembly, Shift Input |
| 4. | 611-04074A | Shaft Assembly, Wheel, 33T |
| 5. | 617-0058 | Gear Assembly, 30T Reverse Idler |
| 6. | 617-0059 | Gear Assembly, 30T Tine Idler |
| 7. | 617-0060 | Sprocket Assembly, 9T Tine Input |
| 8. | 617-0061 | Sprocket Assembly, 10T Whl Input |
| 9. | 617-0062 | Gear Assembly, 11T |
| 10. | 686-0108A | RH Chain Case Housing Assembly |
| 11. | 710-0376 | Hex Head Screw, 5/16-18 x 1.00 |
| 12. | 710-1652 | Screw, 1/4-20 x 0.625 |
| 13. | 710-04484 | Screw, :5/16-18 x 0.75 |
| 14. | 750-0664 | Spacer, .505 ID x .88 OD x .440 |
| 15. | 711-1349A | Input Shaft, .75 |
| 16. | 712-0378 | Nut, Hex, 7/16-20 |
| 17. | 712-04063 | Nut, Flangelock, 5/16-18 |
| 18. | 913-0367 | Endless Chain, #420 x 50 Links |
| 19. | 913-0484 | Endless Chain, #50 x 54 Links |
| 20. | 716-0865 | Snap Ring, .500 |
| 21. | 717-0853A | Clutch Collar |
| 22. | 717-1582A | Gear Spur, 44T |
| 23. | 717-1583 | Gear Spur, 30T |
| 24. | 717-1584 | Gear Spur, 30T |
| 25. | 717-1585 | Gear Spur, 44T |
| 26. | 717-1587 | Gear Spur, 44T |

| Ref. | Part Number | Description |
|------|-------------|------------------------------------|
| 27. | 717-1594 | Gear Spur, 16T |
| 28. | 921-0378 | Shaft Seal, 1.0 |
| 29. | 721-0379 | Shaft Seal, .75 |
| 30. | 786-0238A | Positioner Gear Bracket |
| 31. | 726-0277 | Tapered Cap Plug |
| 32. | 732-04778 | Compression Spring, .230 OD |
| 33. | 936-0163 | Washer, Flat, 1.03 x 1.62 x .03 |
| 34. | 936-0171 | Washer, Lock, 7/16 |
| 35. | 936-0226 | Washer, Flat, .474 x .879 x .064 |
| 36. | 936-0493 | Washer, Flat, .760 ID x 1.50 OD |
| 37. | 950-0570 | Spacer, 1.0 ID x 2.0 OD x .5 LG |
| 38. | 736-05030 | Washer, Thrust, .445 x 1.92 x .040 |
| 39. | 736-3088 | Washer, Flat, 1.595 x .635 x .062 |
| 40. | 686-04129 | LH Chain Case Housing |
| 41. | 950-0671 | Spacer, .75 x 2.0 x .50 |
| 42. | 738-0645 | Shaft Detent, .5 DIA |
| 43. | 738-0648 | Shaft, Jack, .625 x 2.385 |
| 44. | 738-04424A | Shaft, Jack, .6250 x 5.0050 |
| 45. | 941-0600 | Ball Bearing, 17 x 40 x 12:6203 |
| 46. | 941-0420 | Flange Bearing, 1.0 x 2.5 x 1.38 |
| 47. | 741-0421 | Flange Bearing, .75 x 2.5 x 1.38 |
| 48. | 941-0563 | Ball Bearing, 17 x 40 x 12:6203 |
| 49. | 741-0862 | Ball, Detent, .250 |
| 50. | 750-0258 | Spacer, .315 x .750 x .375 LG |
| — | 986-04074B | Gear Case Assembly Complete |

Engine Model 170-AU Air Cleaner



| Ref. | Part Number | Description |
|------|-------------|--------------------------|
| 35 | 951-14315 | Air Cleaner Housing |
| 36 | 712-04213 | Nut |
| 37 | 951-14068 | Self-Tapping Bolt 4.2x16 |
| 38 | 951-14069 | Carbon Canister |
| 40 | 951-14070 | Silencer Plate |
| 41 | 750-05314 | Bushing |
| 42 | 951-14262 | Air Filter |
| 43 | 951-12136 | Air Cleaner Cover |
| 45 | 951-14073 | Piping Hose |
| 46 | 951-14074 | Exhaust Piping |

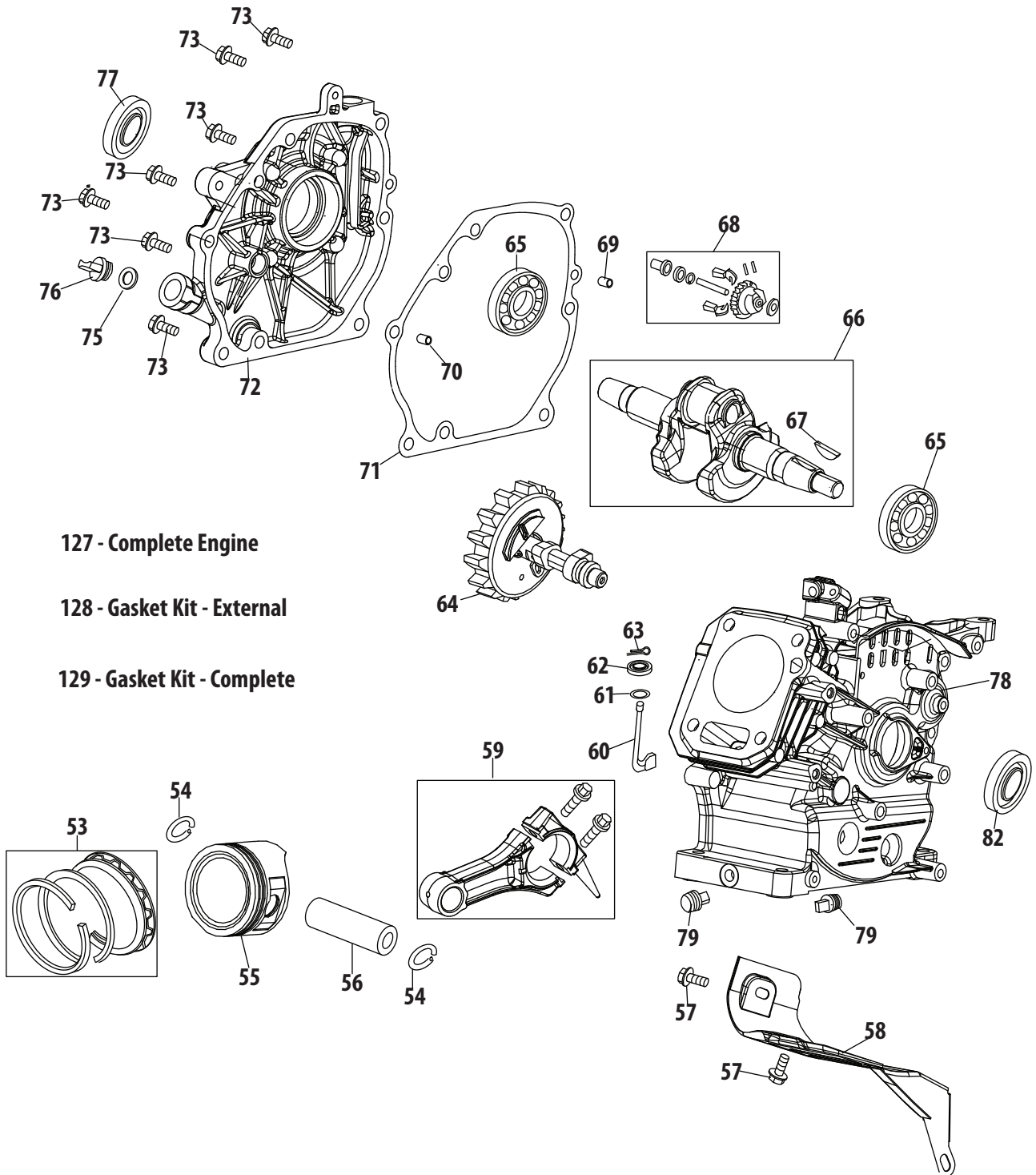


130 - Carburetor Kit - Major

| Ref. | Part Number | Description |
|------|-------------|-----------------------------|
| 29 | 710-05101 | Carburetor Stud Bolt M6×110 |
| 30 | 951-11567 | Carburetor Insulator Gasket |
| 31 | 951-11568 | Carburetor Insulator |
| 32 | 951-11569A | Carburetor Gasket |
| 33 | 951-05021 | Carburetor Assembly |
| 34 | 951-11571 | Carburetor Gasket Plate |
| 130 | 951-05034 | Carburetor Repair Kit |

| Ref. | Part Number | Description |
|------|-------------|-------------------------------|
| a | 951-11177 | Control Lever,Choke |
| b | n/a | Choke Shaft |
| c | n/a | Choke Plate |
| d | n/a | Throttle Shaft |
| e | n/a | Throttle Plate |
| f | n/a | Fuel Shutoff Lever Screw M3×6 |
| g | 736-04638 | Lock Washer |
| h | n/a | Idle Jet Assembly |
| i | n/a | Gasket, Throttle Plate |
| j | n/a | Idle Speed Adjusting Screw |
| k | n/a | Mixture Screw |
| l | n/a | Carburetor Body |
| m | n/a | Float Pin |
| n | n/a | Emulsion Tube |
| o | 951-12875 | Float Needle Valve |
| p | n/a | Main Jet |
| q | n/a | Needle Valve Spring |
| r | n/a | Float |
| s | 951-11589 | Fuel Bowl Gasket |
| t | n/a | Fuel Bowl |
| u | 951-11348 | Fuel Bowl Gasket |
| v | 710-04945 | Fuel Bowl Mounting Bolt |
| w | 951-11349 | Fuel Drain Plug Gasket |
| x | 710-04938 | Fuel Drain Plug |

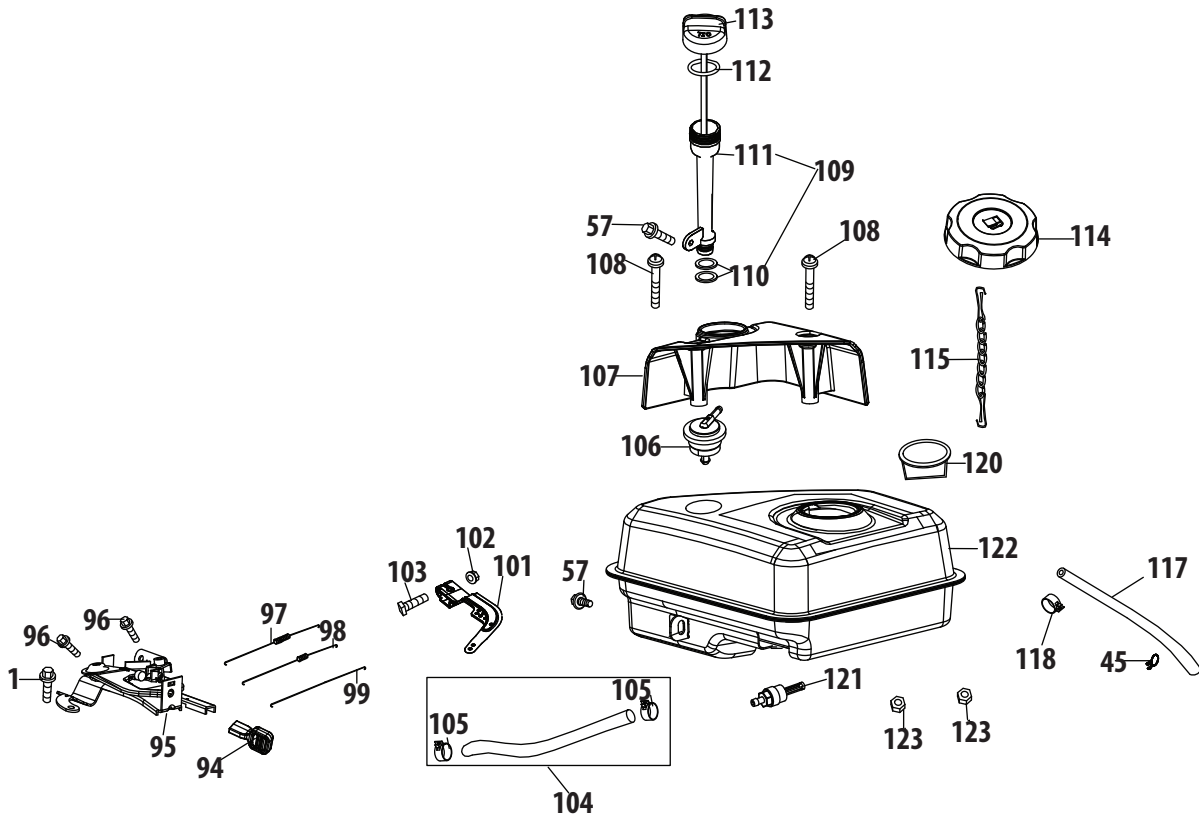
170-AU Crankcase



170-AU Crankcase

| Ref. | Part Number | Description | Ref. | Part Number | Description |
|------|-------------|---|------|-------------|---|
| 53 | 951-14317 | Piston Ring Set | 72 | 951-12125 | Crankcase Cover |
| 54 | 951-11632 | Piston Pin Snap Ring | | 751-14142 | Crankcase Cover Service Kit (Incl. 65,71-73,75-77) |
| 55 | 951-14318 | Piston | 73 | 710-04932 | Bolt M8x32 |
| 56 | 951-11633 | Piston Pin | 75 | 951-11577 | O-Ring 15.8 X 2.5 |
| 57 | 710-04915 | Bolt M6x12 | 76 | 951-12394 | Oil Plug |
| 58 | 951-11113 | Air Shield | 77 | 951-11578 | Oil Seal, 25x41.25x6 |
| 59 | 951-11573 | Connecting Rod Assembly | 78 | 751-14144 | Crankcase Service Kit (Incl. 62,65,77-79,82) |
| 60 | 951-14053 | Governor Shaft | | 951-05031 | Shortblock Assembly (Incl. 6,22,30-32,47,49,50, 53-56,59-79,82) |
| 61 | 736-04461 | Washer - 5.2 X 1.9 | 79 | 951-12514 | Oil Drain Plug |
| 62 | 951-11902 | Governor Seal | 82 | 951-12126 | Oil Seal |
| 63 | 714-04078 | Cotter Pin | 127 | 952Z170-AU | Complete Engine |
| 64 | 951-11575 | Camshaft Assembly | 128 | 951-12026A | Gasket Kit - External (Incl. 6,22,30-32,34) |
| 65 | 951-11369 | Radial Ball Bearing, 6205 | 129 | 951-05032 | Gasket Kit - Complete (Incl. 6,22,30-32,34,47,61,62,71,77,82) |
| 66 | 751-14143 | Crankshaft Service Kit (Incl. 65-67,77,82) | | | |
| 67 | 951-10307 | Woodruff Key | | | |
| 68 | 951-11576 | Governor Gear/Shaft Assembly | | | |
| 69 | 715-04092 | Dowel Pin 7x14 | | | |
| 70 | 715-04096 | Dowel Pin 9x14 | | | |
| 71 | 951-11371 | Crankcase Cover Gasket | | | |

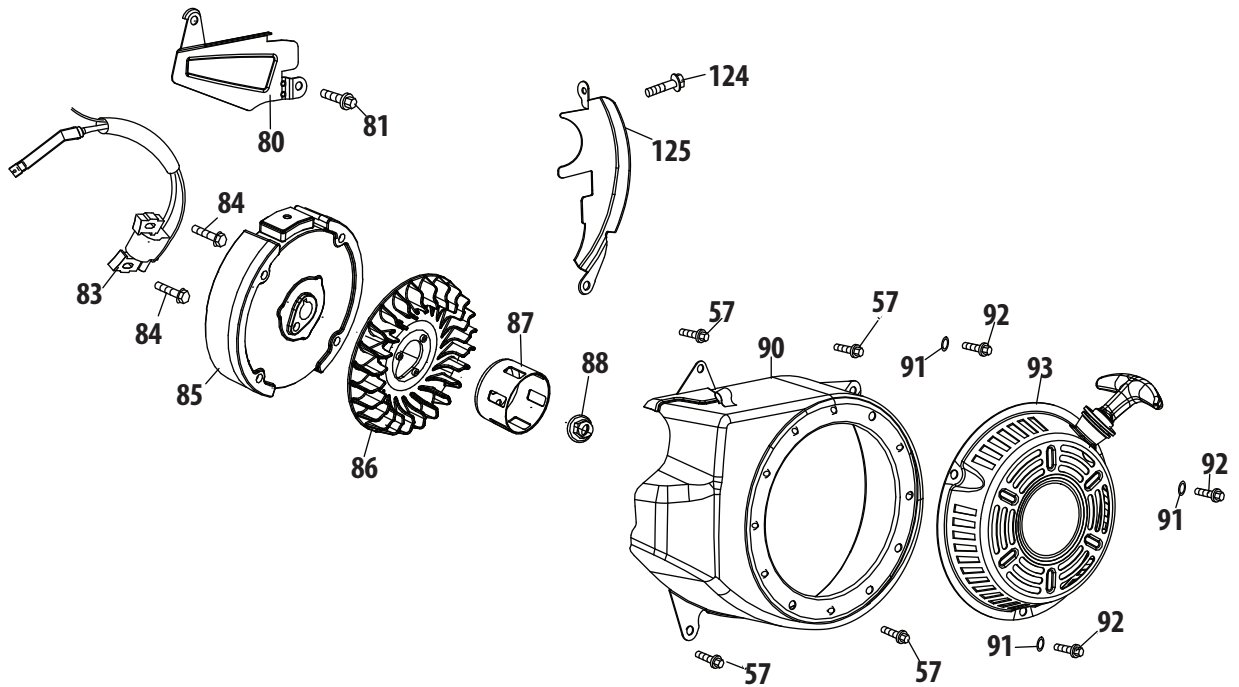
170-AU Fuel Tank & Mounting



| Ref. | Part Number | Description |
|------|-------------|-------------------------|
| 1 | 710-04968 | Bolt M6x16 |
| 57 | 710-04915 | Bolt M6x12 |
| 94 | 951-11067 | Throttle Control Knob |
| 95 | 951-12131 | Primer Bracket |
| 96 | 710-05103 | Bolt M6x12 |
| 97 | 951-11585 | Governor Spring |
| 98 | 951-10664 | Throttle Linkage Spring |
| 99 | 951-10665 | Governor Rod |
| 101 | 951-11106 | Governor Arm Bracket |
| 102 | 712-04212 | Nut M6 |
| 103 | 710-04908 | Governor Arm Bolt |
| 104 | 751-10650 | Fuel Line Kit |
| 105 | 951-11700 | Fuel Hose Clamp |
| 106 | 951-14075 | Valve, Roller Over |

| Ref. | Part Number | Description |
|------|-------------|------------------------|
| 107 | 951-11914 | Engine Dipstick Cover |
| 108 | 710-04905 | Bolt |
| 109 | 951-11913 | Oil Fill Tube Assembly |
| 110 | 951-11904 | Dipstick O-Ring |
| 111 | 951-10656 | Dipstick Tube |
| 112 | 951-11381 | O-Ring |
| 113 | 951-12482 | Dipstick Assembly |
| 114 | 951-12535 | Fuel Cap |
| 115 | 951-14076 | Fuel Cap Chain |
| 116 | 951-14133 | Primer Hose Assembly |
| 120 | 951-11933 | Fuel Level Indicator |
| 121 | 951-10651 | Fuel Tank Nipple |
| 122 | 951-14332 | Fuel Tank |
| 123 | 712-05015 | Nut M6 |

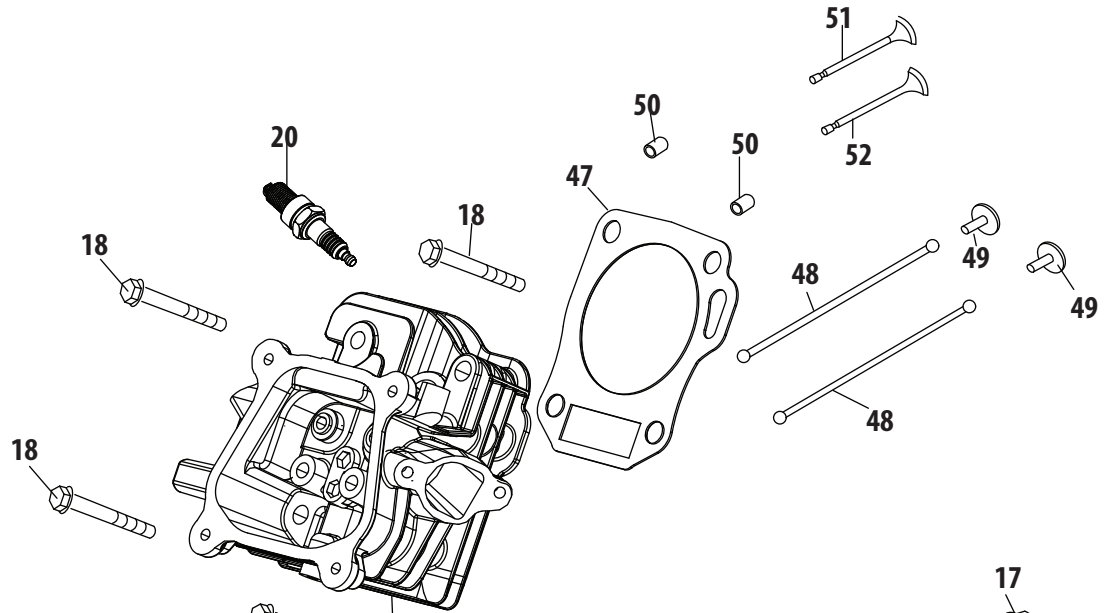
170-AU Flywheel & Blower Housing



| Ref. | Part Number | Description |
|------|-------------|-------------------|
| 57 | 710-04915 | Bolt M6x12 |
| 80 | 951-11110 | Air Flow Shield |
| 81 | 710-04940 | Bolt M6x10 |
| 83 | 951-10792 | Ignition Coil |
| 84 | 710-04919 | Flange Bolt M6X25 |
| 85 | 951-14320 | Flywheel |
| 86 | 951-10934 | Cooling Fan |
| 87 | 951-10911 | Starter Cup |

| Ref. | Part Number | Description |
|------|-------------|-------------------------|
| 88 | 712-04209 | Flywheel Nut, M14 X 1.5 |
| 90 | 951-11583 | Blower Housing |
| 91 | 736-04455 | Flat Washer |
| 92 | 710-04974 | Bolt M6x10 |
| 93 | 951-12418 | Recoil Starter Assembly |
| 124 | 710-04918 | Bolt:Flange M6X20 |
| 125 | 951-14138 | Blower Housing Shield |

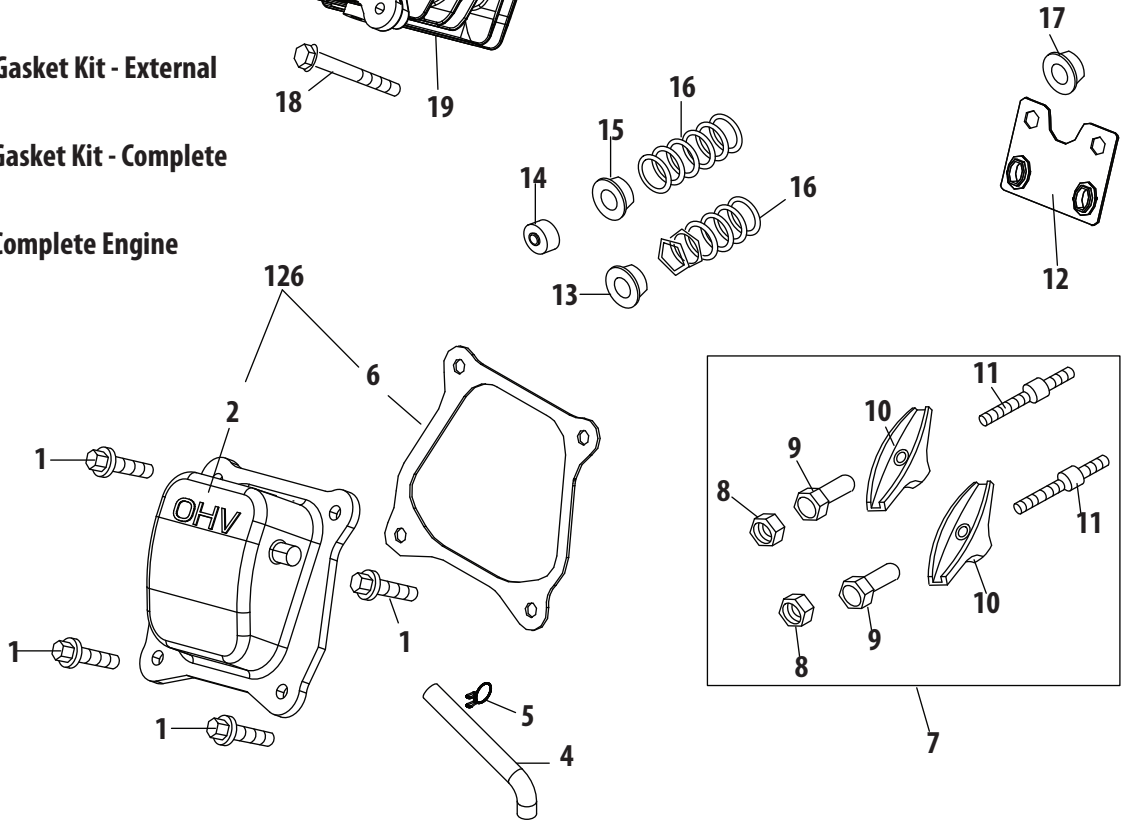
170-AU Cylinder Head



128 - Gasket Kit - External

129 - Gasket Kit - Complete

127 - Complete Engine

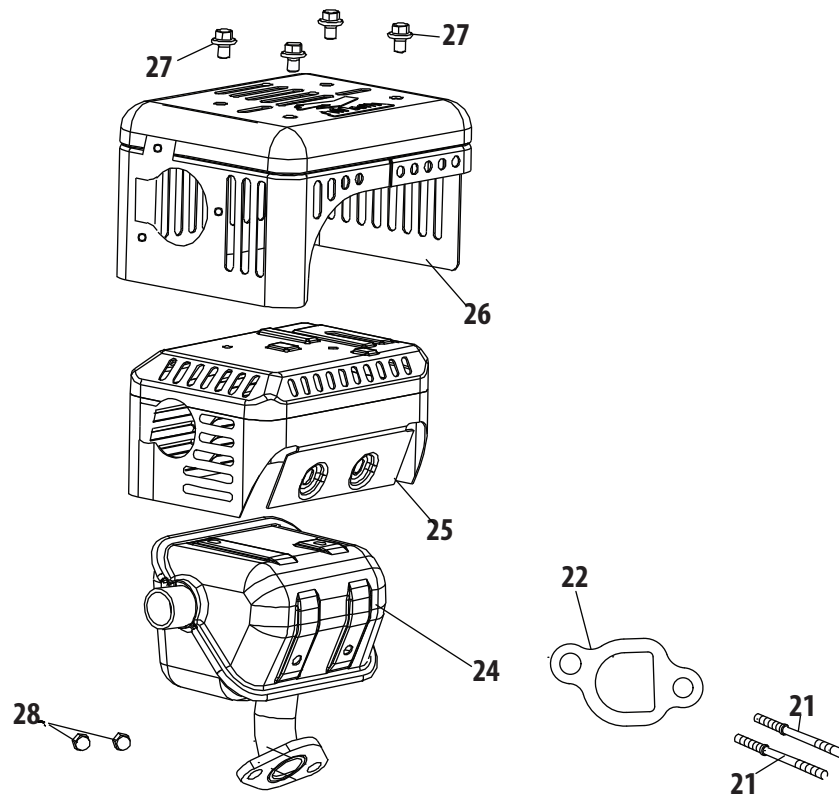


170-AU Cylinder Head

| Ref. | Part Number | Description |
|------|-------------|---------------------------------|
| 1 | 710-04968 | Bolt M6×16 |
| 2 | 951-11054B | Valve Cover |
| 4 | 731-07059 | Breather Hose |
| 5 | 726-04101 | Breather Hose Clamp |
| 6 | 951-11565 | Valve Cover Gasket |
| 7 | 951-11892 | Rocker Arm Assembly |
| 8 | 751-11124 | Nut, Pivot Locking |
| 9 | 751-11123 | Adjusting Nut ,Valve |
| 10 | 951-11893 | Rocker Arm |
| 11 | 710-04902 | Bolt, Pivot |
| 12 | 951-11895 | Push Rod Guide |
| 13 | 951-12000 | Valve Spring Retainer (Intake) |
| 14 | 951-12002 | Exhaust Valve Adjuster |
| 15 | 951-12003 | Valve Spring Retainer (Exhaust) |
| 16 | 951-12004 | Valve Spring |
| 17 | 951-11894 | Valve Seal (Intake) |

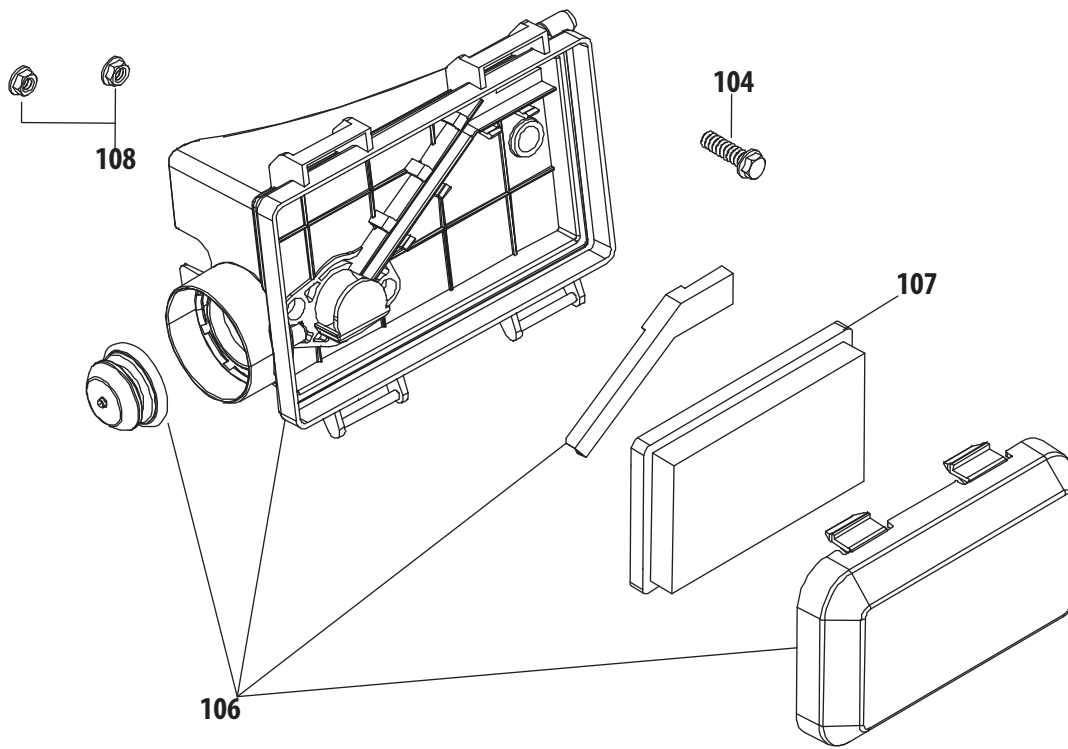
| Ref. | Part Number | Description |
|------|-------------|--|
| 18 | 710-06080 | Bolt M8×55 |
| 19 | 951-05029 | Cylinder Head Assembly (Incl. 6,8-17,19,22,30-32,47,51,52) |
| 20 | 951-10292 | Spark Plug/F6Rtc |
| 47 | 951-14316 | Gasket, Cylinder Head |
| 48 | 751-10648 | Push Rod Kit |
| 49 | 951-11899 | Tappet |
| 50 | 715-04108 | Dowel Pin 10X16 |
| 51 | 751-10647A | Valve Kit |
| 52 | 751-10647A | Valve Kit |
| 126 | 951-05033 | Valve Cover Kit |
| 127 | 952Z170-AU | Complete Engine |
| 128 | 951-12026A | Gasket Kit - External (Incl. 6,22,30-32,34) |
| 129 | 951-05032 | Gasket Kit - Complete (Incl. 6,22,30-32,34,47,61,62,71,77,82) |

170-AU Muffler

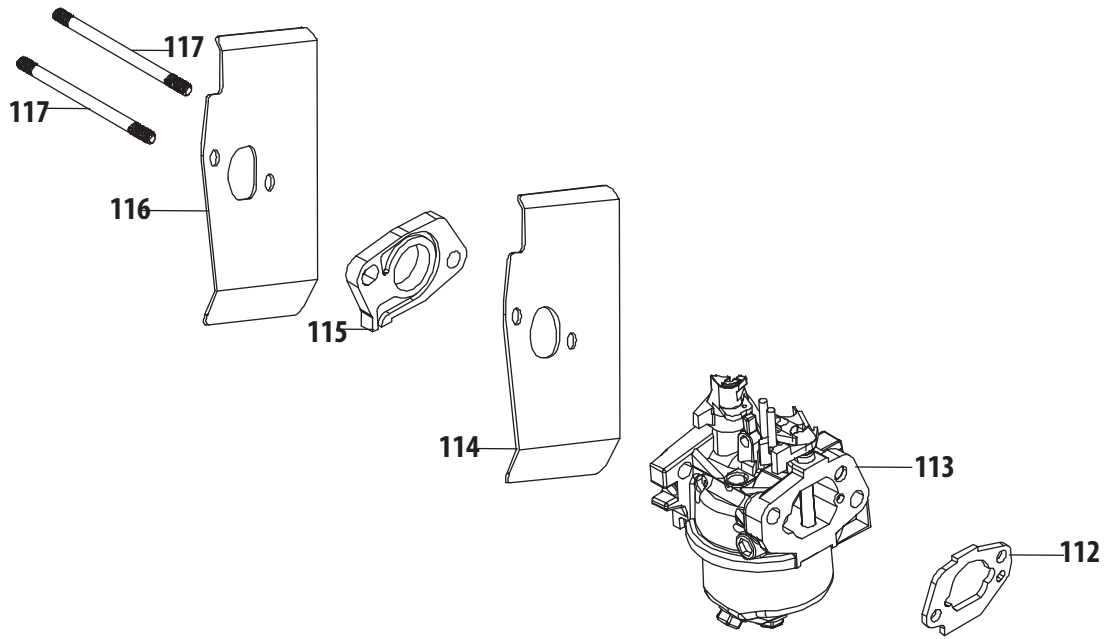


| Ref. | Part Number | Description |
|------|-------------|---------------------|
| 21 | 710-04911 | Muffler Stud M8×34 |
| 21 | 751-10657 | Muffle Stud Kit |
| 22 | 951-11289 | Exhaust Pipe Gasket |
| 24 | 951-14267 | Muffler Body |
| 25 | 751-14311 | Muffler Shield |
| 26 | 951-14310 | Muffler Guard |
| 27 | 710-06073 | Bolt M5×8 |
| 28 | 712-04214 | Nut, M8 |

Engine Model 1X65TU Air Cleaner

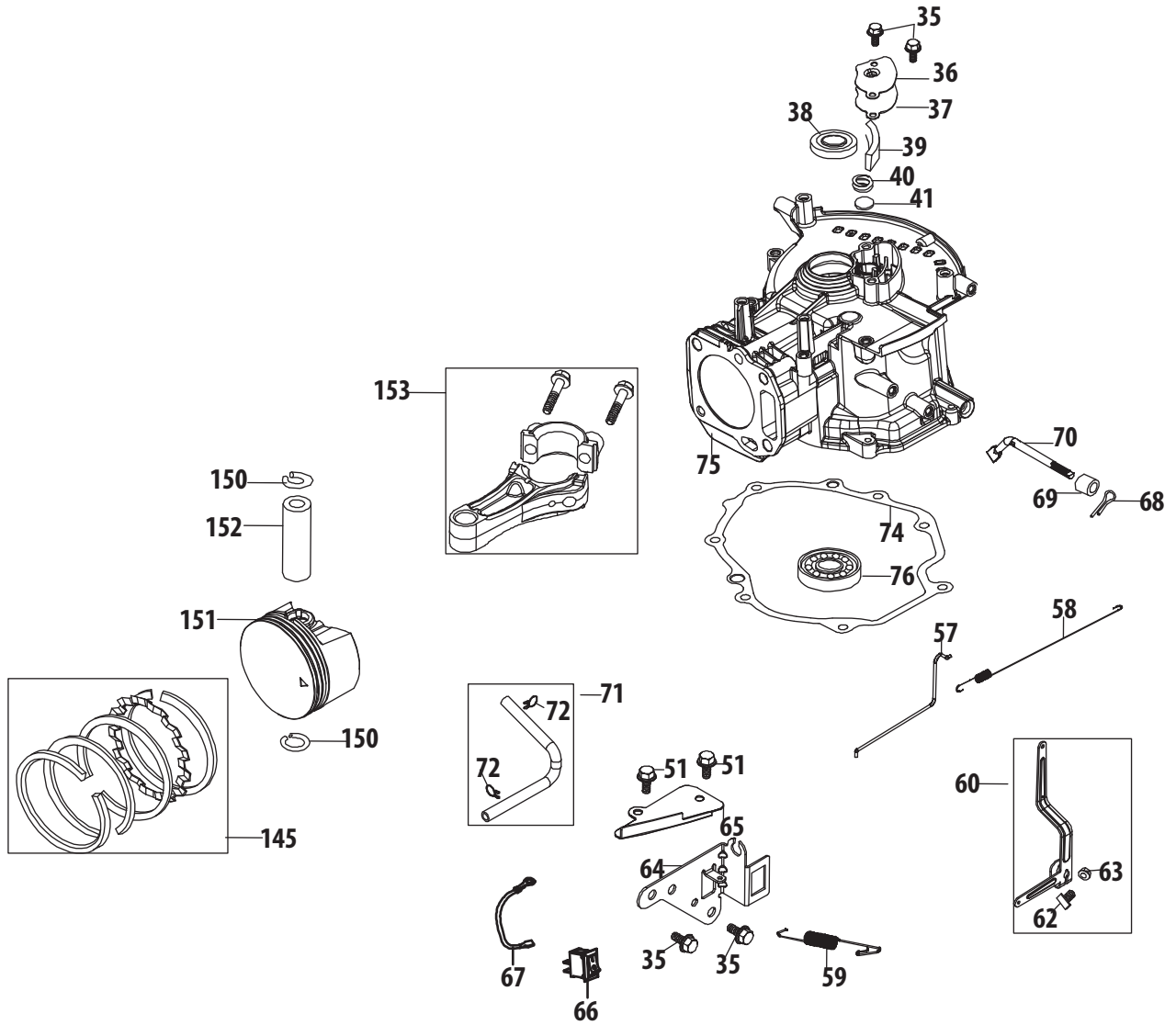


| Ref. | Part Number | Description |
|------|-------------|-----------------------------------|
| 104 | 710-04969 | Bolt M6X30 Af Base/Coil/E-Starter |
| 106 | 751-14439 | Air Filter Cover |
| 107 | 951-14632 | Air Filter Element, Paper |
| 108 | 712-05015 | Nut M6X10Mm Starter/Carb/Muff |



| Ref. | Part Number | Description |
|------|-------------|------------------------|
| 112 | 951-14419 | Air Filter Base Gasket |
| 113 | 651-05220 | Carburetor Assembly |
| 113 | 751-14815 | Carburetor Rebuild Kit |
| 114 | 951-14424 | Carburetor Gasket |
| 115 | 951-11738 | Carburetor Insulator |
| 116 | 751-14827 | Carburetor Gasket |
| 117 | 751-14826 | Carb Stud M6×87 |

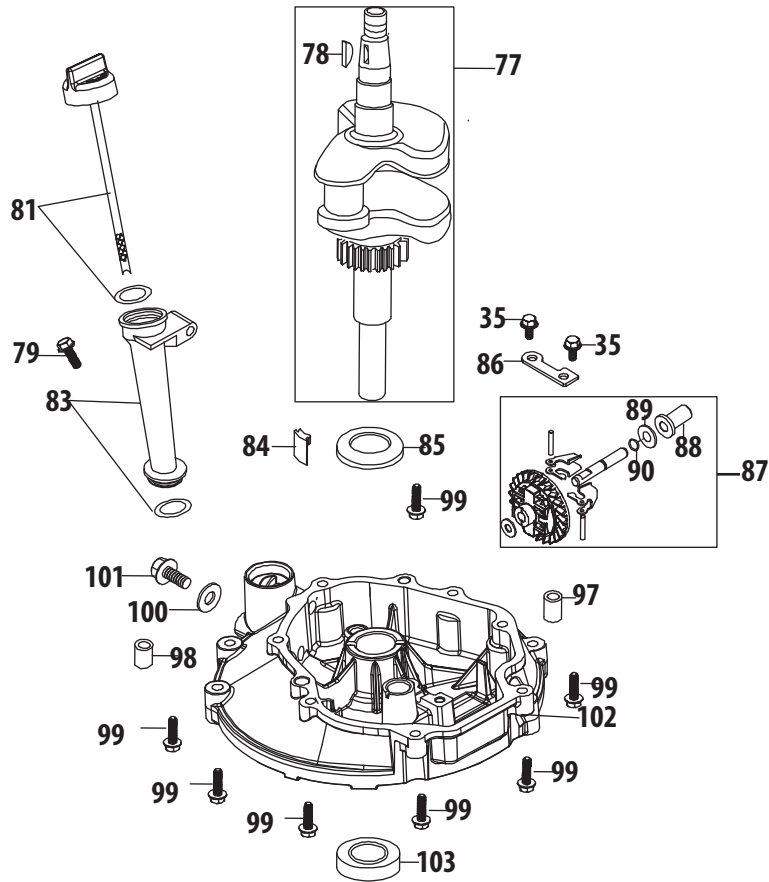
1X65TU Crankcase



1X65TU Crankcase

| Ref. | Part Number | Description | Ref. | Part Number | Description |
|------|-------------|--------------------------|------|-------------|-------------------------------|
| 35 | 710-04916 | Bolt M6X14 Multi-Purpose | 66 | 725-06174 | Ignition Switch |
| 36 | 951-14404 | Breather Cover Plate | 67 | 725-06175 | Ignition Switch Ground Wire |
| 37 | 951-14405 | Breather Gasket | 68 | 714-04078 | Governor Arm Shaft Cotter Pin |
| 38 | 951-11596 | Upper Crankshaft Seal | 69 | 951-11574 | Governor Seal |
| 39 | 951-11730 | Breather Screen | 70 | 951-14416 | Governor Arm Shaft |
| 40 | 732-04718 | Breather Valve Spring | 71 | 951-11520 | Breather Hose Assembly |
| 41 | 951-11614 | Breather Valve | 72 | 726-04101 | Breather Hose Clamp |
| 51 | 710-04915 | Bolt M6X12 Multi-Purpose | 74 | 951-14415 | Crankcase Cover Gasket |
| 57 | 951-14410 | Throttle Linkage | 75 | 751-14635 | Crankcase |
| 58 | 951-14409 | Throttle Linkage Spring | 76 | 951-11369 | Main Bearing |
| 59 | 951-14411 | Governor Spring | 145 | 951-14433 | Piston Ring Set |
| 60 | 951-14412 | Governor Arm Assembly | 150 | 951-11603 | Piston Pin Snap Ring |
| 62 | 710-04908 | Governor Arm Bolt | 151 | 951-14434 | Piston |
| 63 | 712-05015 | Governor Arm Nut M6 | 152 | 951-14435 | Piston Pin |
| 64 | 951-14413 | Component Bracket | 153 | 951-14436 | Connecting Rod Assembly |
| 65 | 951-14605 | Air Vane Cover Plate | | | |

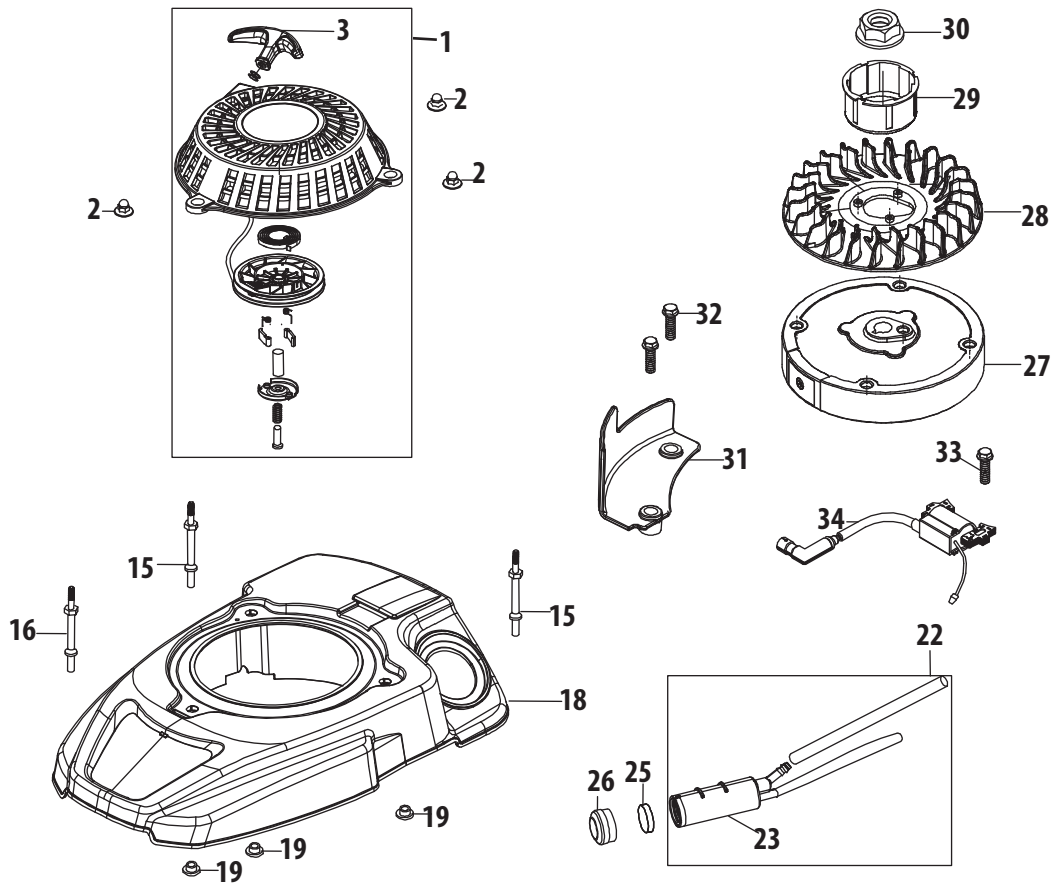
1X65TU Crankshaft & Cover



| Ref. | Part Number | Description |
|------|-------------|-----------------------------------|
| 35 | 710-04916 | Bolt M6X14 Multi-Purpose |
| 77 | 951-14607 | Crankshaft Assembly |
| 78 | 951-10307 | Flywheel Key |
| 79 | 710-04980 | Bolt M6X35 Af Base/Brake/Dipstick |
| 81 | 751-14440 | Dipstick |
| 83 | 751-14441 | Oil Fill Tube |
| 84 | 951-11733 | Oil Return Seal |
| 85 | 736-04491 | Crankshaft Thrust Washer |
| 86 | 951-11609 | Governor Gear Mounting Plate |
| 87 | 951-11549 | Governor Gear/Shaft Assembly |

| Ref. | Part Number | Description |
|------|-------------|--|
| 88 | 931-09595 | Governor Slide Cap |
| 89 | 936-05038 | Governor Slide Cap Washer |
| 90 | 916-05003 | Governor Shaft Stop Ring |
| 97 | 715-04092 | Crankcase Cover Dowel Pin $\Phi 7 \times 14$ |
| 98 | 715-04096 | Crankcase Cover Dowel Pin $\Phi 9 \times 14$ |
| 99 | 710-04943 | Bolt M6X28 T/X/P Multi-Purpose |
| 100 | 736-04440 | Oil Drain Plug Washer |
| 101 | 710-04906 | Oil Drain Plug |
| 102 | 951-14418 | Crankcase Cover |
| 103 | 951-11545 | Lower Crankshaft Seal |

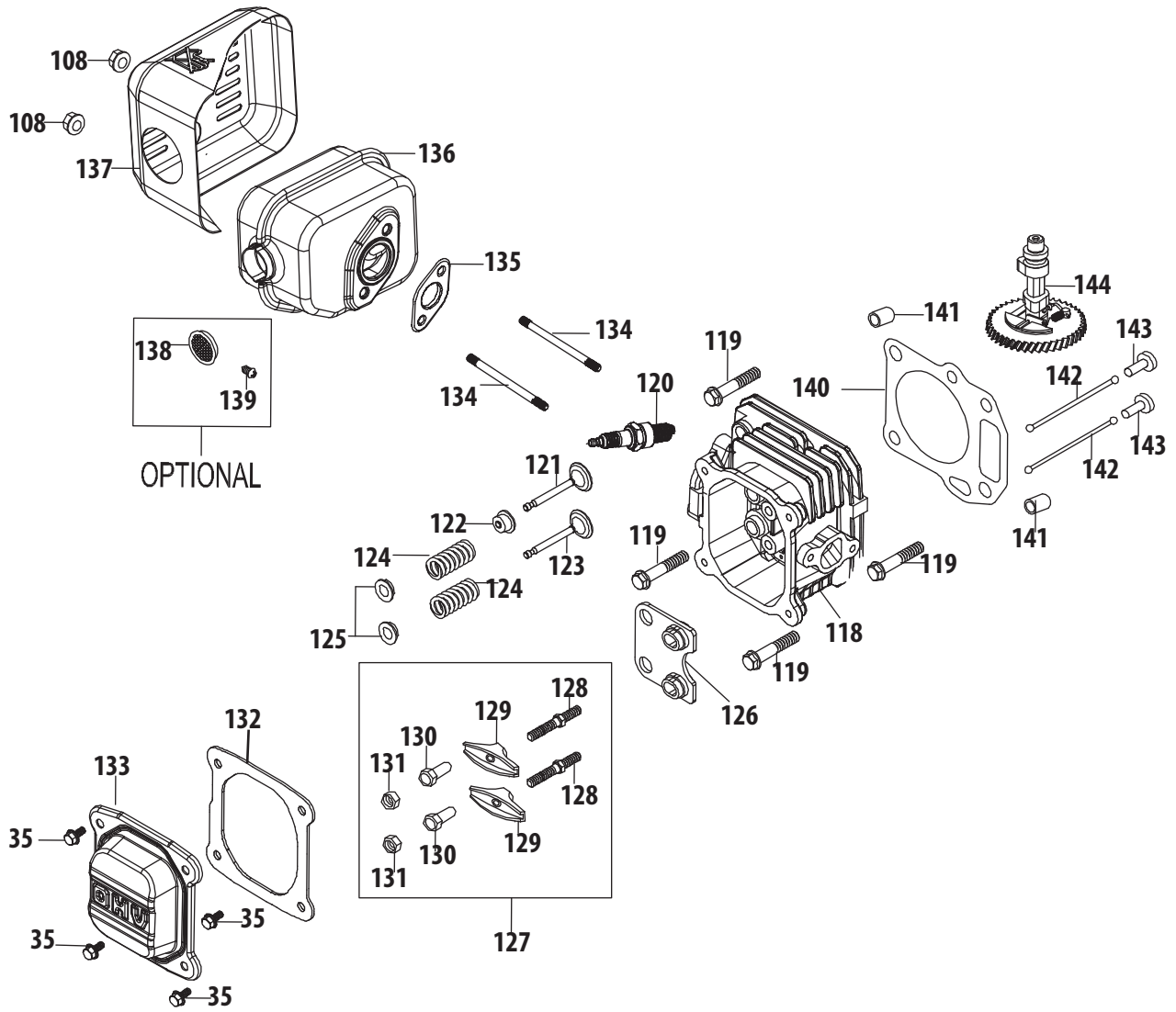
1X65TU Flywheel & Shroud



| Ref. | Part Number | Description |
|------|-------------|----------------------------------|
| 1 | 951-14396 | Starter Recoil Assembly |
| 2 | 712-04276 | Starter Acorn Nut |
| 3 | 731-07925 | Starter Handle |
| 15 | 951-14397 | Starter/Shroud Rear Stud M6×78.5 |
| 16 | 951-14398 | Starter/Shroud Front Stud M6×74 |
| 18 | 951-14399 | Engine Shroud |
| 19 | 750-05320 | Engine Shroud Spacer |
| 22 | 751-14442 | Carbon Canister Assembly |
| 23 | 951-14126 | Carbon Canister |
| 25 | 951-14400 | Carbon Canister Filter |

| Ref. | Part Number | Description |
|------|-------------|------------------------------|
| 26 | 951-14127 | Carbon Canister Filter Cap |
| 27 | 951-14596 | Flywheel |
| 28 | 951-10934 | Cooling Fan |
| 29 | 951-12161 | Starter Cup |
| 30 | 712-04287 | Flywheel Nut M14 |
| 31 | 951-14597 | Engine Brake Cover Plate |
| 31 | 951-05152 | (Mtd Srvc Kit) Short Block |
| 32 | 710-04919 | Bolt M6×25 Ign/Brake/Cvr Plt |
| 33 | 710-04918 | Bolt M6×20 Ignition Coil |
| 34 | 725-06269 | Ignition Coil Assembly |

1X65TU Cylinder Head

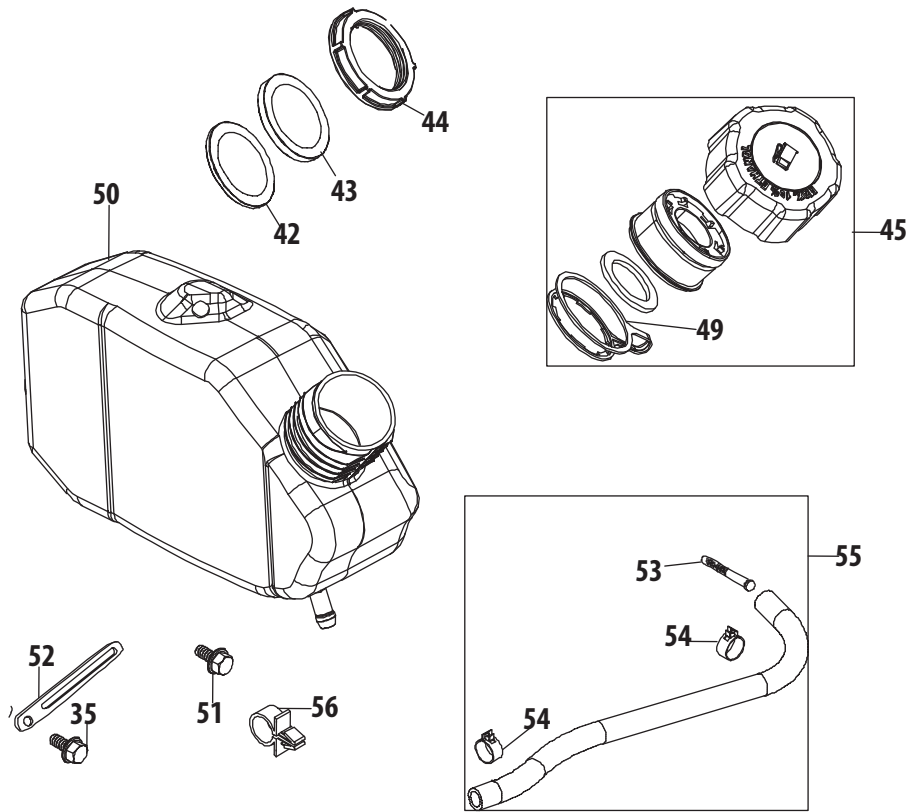


1X65TU Cylinder Head

| Ref. | Part Number | Description |
|------|-------------|-----------------------------------|
| 35 | 710-04916 | Bolt M6X14 Multi-Purpose |
| 106 | 751-14439 | Air Filter Cover |
| 118 | 951-05151 | (Mtd Srvc Kit) Cylinder Head Assy |
| 118 | 751-14639 | Cylinder Head |
| 119 | 710-06185 | Bolt M8X54 Cylinder Head |
| 120 | 951-14437 | Spark Plug/F5Rtc |
| 121 | 951-14640 | Intake Valve |
| 122 | 721-04237 | Intake Valve Seal |
| 123 | 951-14641 | Exhaust Valve |
| 124 | 951-12004 | Valve Spring |
| 125 | 708-04094 | Valve Spring Retainer |
| 126 | 951-11687 | Push Rod Guide |
| 127 | 951-11606 | Rocker Arm Assembly |
| 128 | 710-04902 | Rocker Arm Stud |
| 129 | 951-12001 | Rocker Arm |

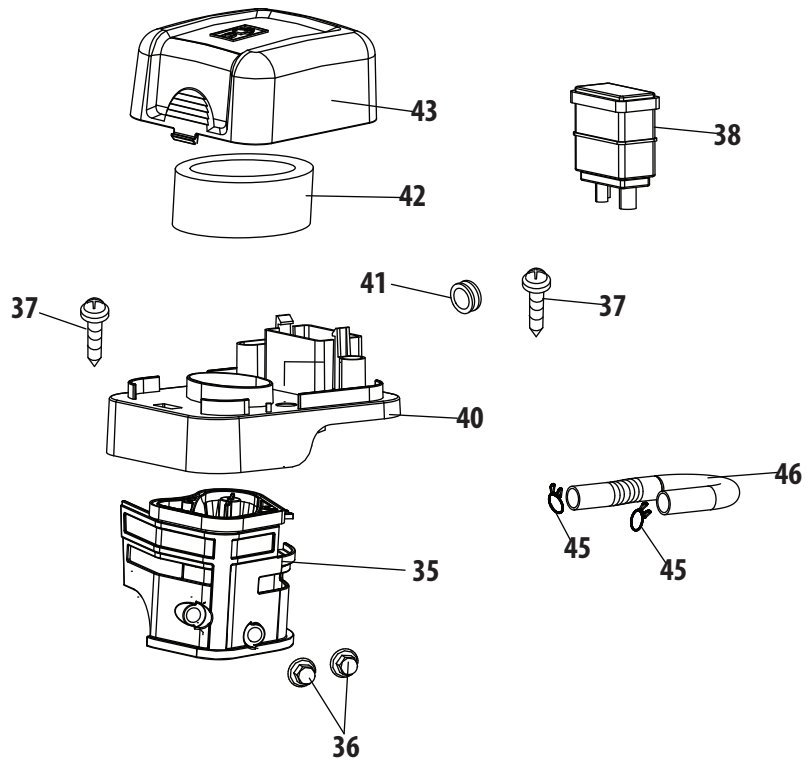
| Ref. | Part Number | Description |
|------|-------------|--------------------------------------|
| 130 | 751-11123 | Fulcrum Nut |
| 131 | 751-11124 | Jam Nut |
| 132 | 951-11551 | Valve Cover Gasket |
| 133 | 951-14609 | Valve Cover |
| 134 | 710-05094 | Muffler Stud M6X95 |
| 135 | 951-14427 | Muffler Gasket |
| 136 | 951-10403 | Muffler Assembly |
| 137 | 951-14430 | Muffler Shield |
| 138 | 951-10351 | Spark Arrestor |
| 139 | 710-04983 | Spark Arrestor Screw |
| 140 | 951-14431 | Cylinder Head Gasket |
| 141 | 715-04108 | Cylinder Head Dowel Pin Φ 10x16 |
| 142 | 747-04862 | Push Rod |
| 143 | 951-14432 | Tappet |
| 144 | 951-11741 | Camshaft Assembly |

1X65TU Fuel Tank

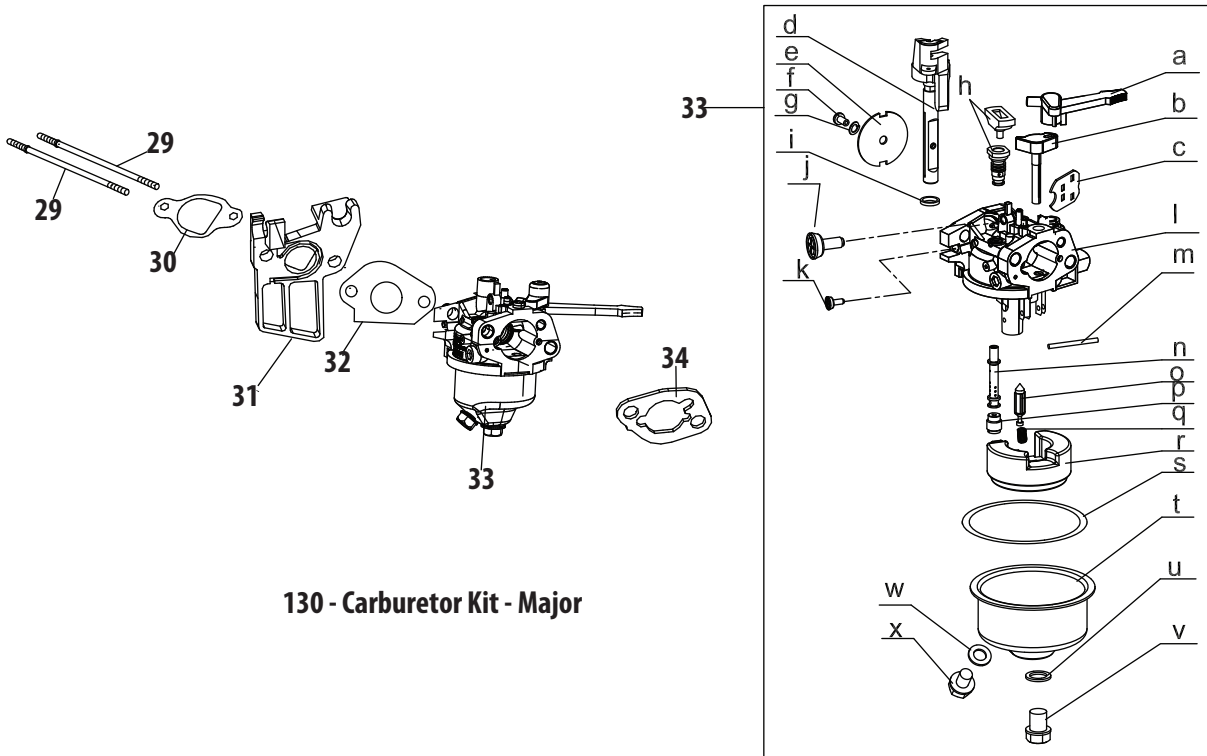


| Ref. | Part Number | Description |
|------|-------------|---------------------------|
| 35 | 710-04916 | Bolt M6X14 Multi-Purpose |
| 42 | 731-08133 | Fuel Tank Lower Grommet |
| 43 | 951-14406 | Fuel Tank Upper Grommet |
| 44 | 731-08104 | Fuel Tank Nut |
| 45 | 951-14407 | Fuel Cap Assembly |
| 49 | 951-14695 | Fuel Cap Tether |
| 50 | 931-04629 | Fuel Tank |
| 51 | 710-04915 | Bolt M6X12 Multi-Purpose |
| 52 | 951-11680 | Flexible Clamp, Vent Hose |
| 53 | 951-10358A | Fuel Filter |
| 54 | 951-11700 | Fuel Hose Clamp |
| 55 | 751-14438 | Fuel Hose |
| 56 | 723-04071 | Plastic Support Clamp |

Engine Model 170-AUA Air Cleaner



| Ref. | Part Number | Description |
|------|-------------|-------------------------|
| 35 | 951-14315 | Air Cleaner Housing |
| 36 | 712-04213 | Nut |
| 37 | 951-14068 | Self-Tapping Bolt4.2x16 |
| 38 | 951-14069 | Carbon Canister |
| 40 | 951-14070 | Silencer Plate |
| 41 | 750-05314 | Bushing |
| 42 | 951-14262 | Air Filter |
| 43 | 951-14071 | Air Cleaner Cover |
| 45 | 951-14073 | Piping Hose |
| 46 | 951-14074 | Exhaust Piping |

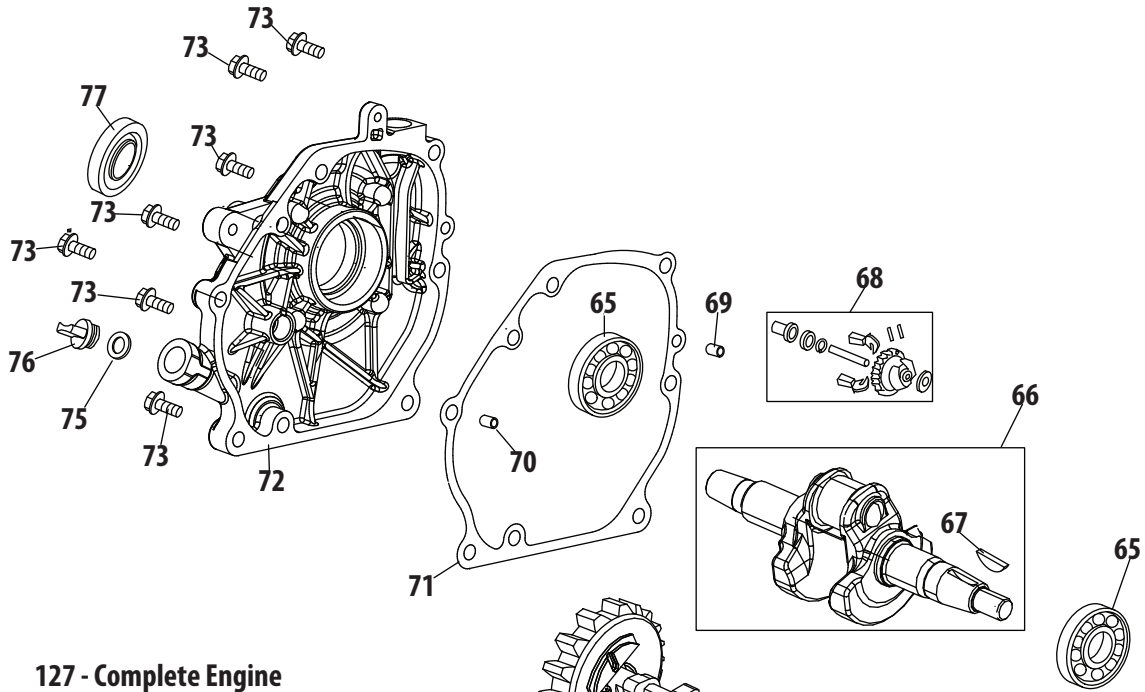


130 - Carburetor Kit - Major

| Ref. | Part Number | Description |
|------|-------------|-----------------------------|
| 29 | 710-05101 | Carburetor Stud Bolt M6×110 |
| 30 | 951-11567 | Carburetor Insulator Gasket |
| 31 | 951-11568 | Carburetor Insulator |
| 32 | 951-11569A | Carburetor Gasket |
| 33 | 951-05021 | Carburetor Assembly |
| 34 | 951-11571 | Carburetor Gasket Plate |
| 130 | 951-05034 | Carburetor Repair Kit |

| Ref. | Part Number | Description |
|------|-------------|-------------------------------|
| a | 951-11177 | Control Lever,Choke |
| b | n/a | Choke Shaft |
| c | n/a | Choke Plate |
| d | n/a | Throttle Shaft |
| e | n/a | Throttle Plate |
| f | n/a | Fuel Shutoff Lever Screw M3×6 |
| g | 736-04638 | Lock Washer |
| h | n/a | Idle Jet Assembly |
| i | n/a | Gasket, Throttle Plate |
| j | n/a | Idle Speed Adjusting Screw |
| k | n/a | Mixture Screw |
| l | n/a | Carburetor Body |
| m | n/a | Float Pin |
| n | n/a | Emulsion Tube |
| o | 951-12875 | Float Needle Valve |
| p | n/a | Main Jet |
| q | n/a | Needle Valve Spring |
| r | n/a | Float |
| s | 951-11589 | Fuel Bowl Gasket |
| t | n/a | Fuel Bowl |
| u | 951-11348 | Fuel Bowl Gasket |
| v | 710-04945 | Fuel Bowl Mounting Bolt |
| w | 951-11349 | Fuel Drain Plug Gasket |
| x | 710-04938 | Fuel Drain Plug |

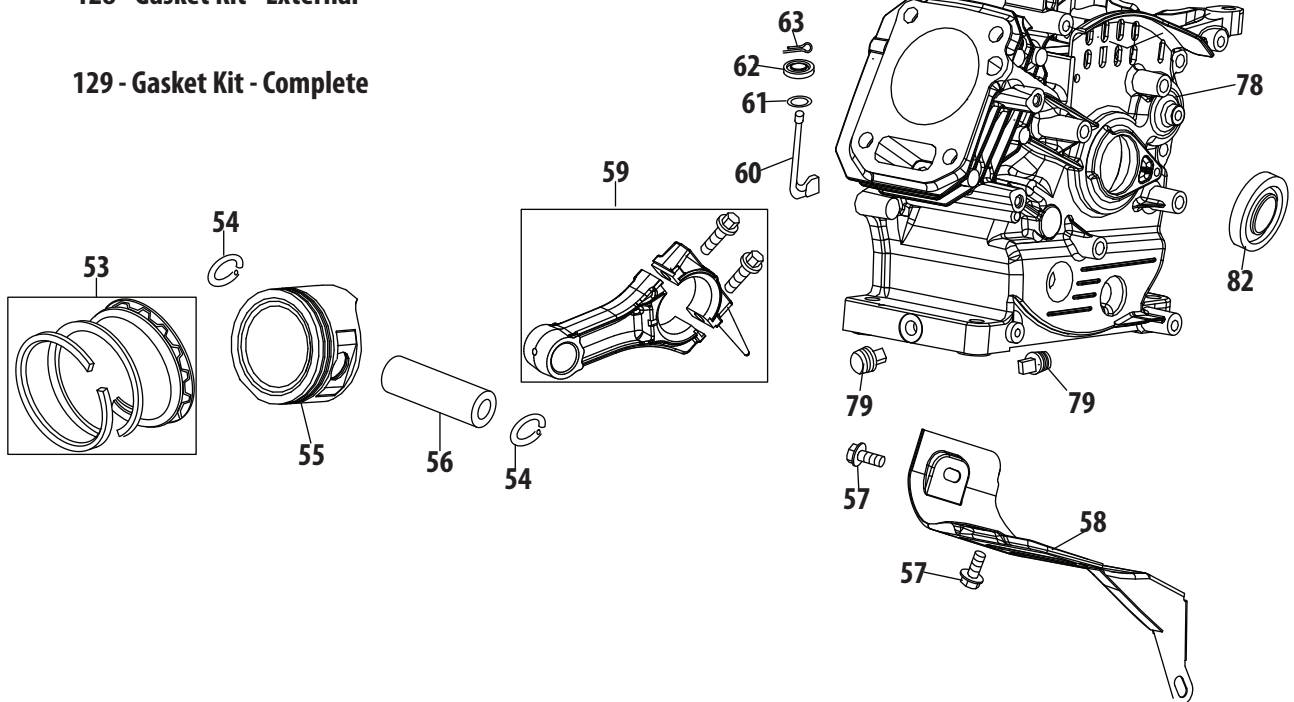
170-AUA Crankcase



127 - Complete Engine

128 - Gasket Kit - External

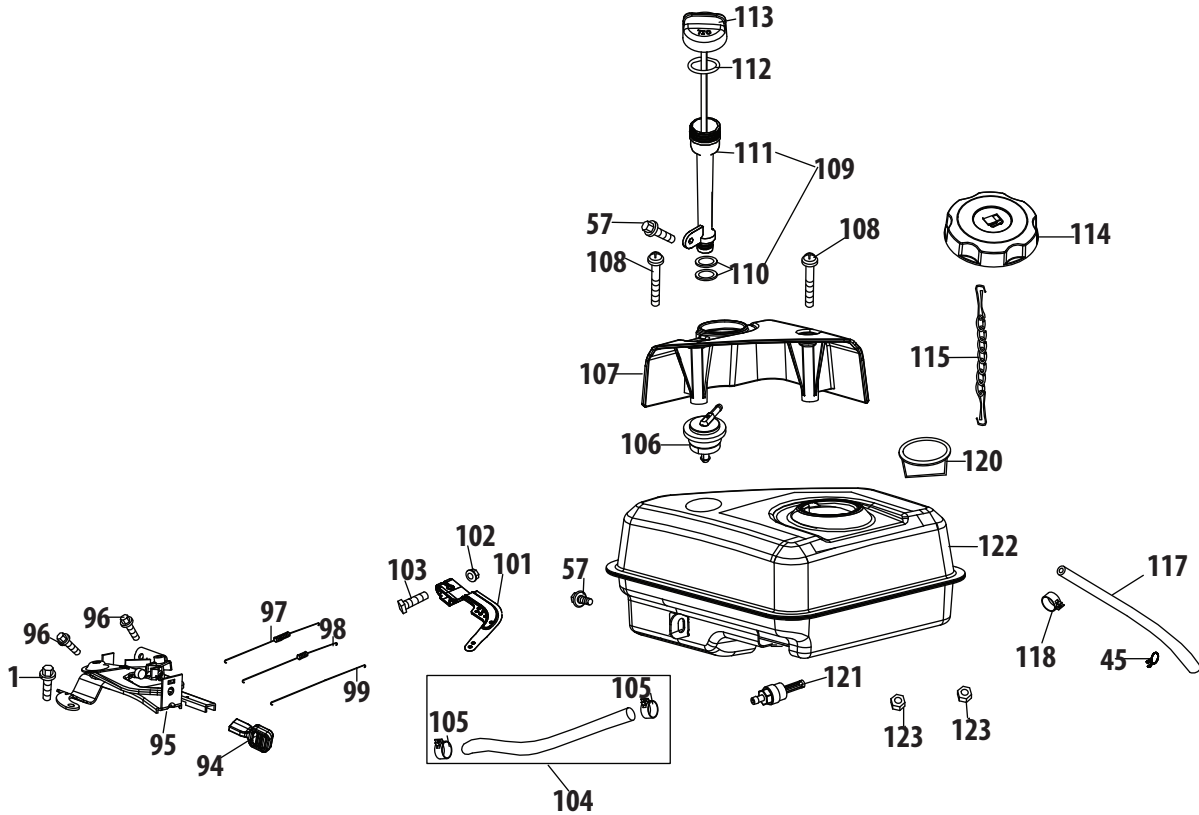
129 - Gasket Kit - Complete



170-AUA Crankcase

| Ref. | Part Number | Description | Ref. | Part Number | Description |
|------|-------------|---|------|-------------|---|
| 53 | 951-14317 | Piston Ring Set | 72 | 951-12125 | Crankcase Cover |
| 54 | 951-11632 | Piston Pin Snap Ring | | 751-14142 | Crankcase Cover Service Kit (Incl. 65,71-73,75-77) |
| 55 | 951-14318 | Piston | 73 | 710-04932 | Bolt M8×32 |
| 56 | 951-11633 | Piston Pin | 75 | 951-11577 | O-Ring 15.8 X 2.5 |
| 57 | 710-04915 | Bolt M6×12 | 76 | 951-12394 | Oil Plug |
| 58 | 951-11113 | Air Shield | 77 | 951-11578 | Oil Seal, 25×41.25×6 |
| 59 | 951-11573 | Connecting Rod Assembly | 78 | 751-14144 | Crankcase Service Kit (Incl. 62,65,77-79,82) |
| 60 | 951-14053 | Governor Shaft | | 951-05031 | Shortblock Assembly (Incl. 6,22,30-32,47,49,50, 53-56,59-79,82) |
| 61 | 736-04461 | Washer - 5.2 X 1.9 | 79 | 951-12514 | Oil Drain Plug |
| 62 | 951-11902 | Governor Seal | 82 | 951-12126 | Oil Seal |
| 63 | 714-04078 | Cotter Pin | 127 | 952Z170-AUA | Complete Engine |
| 64 | 951-11575 | Camshaft Assembly | 128 | 951-12026A | Gasket Kit - External (Incl. 6,22,30-32,34) |
| 65 | 951-11369 | Radial Ball Bearing, 6205 | 129 | 951-05032 | Gasket Kit - Complete (Incl. 6,22,30-32,34,47,61,62,71,77,82) |
| 66 | 751-14143 | Crankshaft Service Kit (Incl. 65-67,77,82) | | | |
| 67 | 951-10307 | Woodruff Key | | | |
| 68 | 951-11576 | Governor Gear/Shaft Assembly | | | |
| 69 | 715-04092 | Dowel Pin 7×14 | | | |
| 70 | 715-04096 | Dowel Pin 9×14 | | | |
| 71 | 951-11371 | Crankcase Cover Gasket | | | |

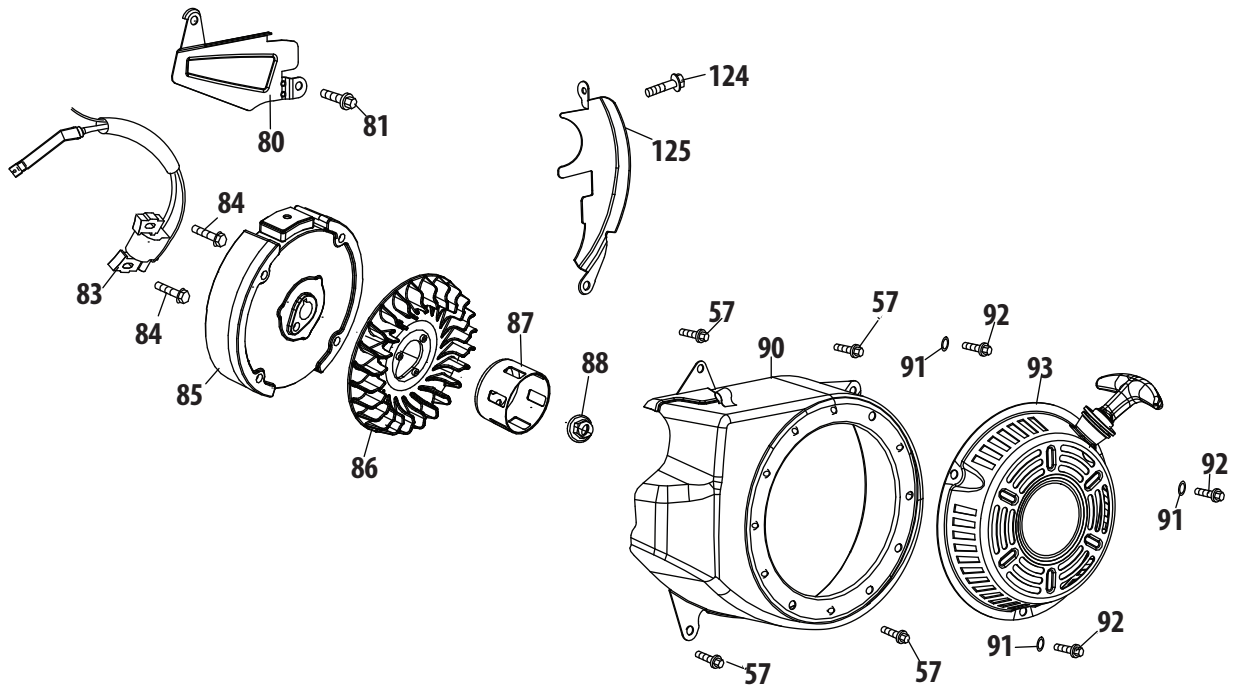
170-AUA Fuel Tank & Mounting



| Ref. | Part Number | Description |
|------|-------------|-------------------------|
| 1 | 710-04968 | Bolt M6x16 |
| 57 | 710-04915 | Bolt M6x12 |
| 94 | 951-11067 | Throttle Control Knob |
| 95 | 951-12131 | Primer Bracket |
| 96 | 710-05103 | Bolt M6x12 |
| 97 | 951-11585 | Governor Spring |
| 98 | 951-10664 | Throttle Linkage Spring |
| 99 | 951-10665 | Governor Rod |
| 101 | 951-11106 | Governor Arm Bracket |
| 102 | 712-04212 | Nut M6 |
| 103 | 710-04908 | Governor Arm Bolt |
| 104 | 751-10650 | Fuel Line Kit |
| 105 | 951-11700 | Fuel Hose Clamp |
| 106 | 951-14075 | Valve, Roller Over |

| Ref. | Part Number | Description |
|------|-------------|------------------------|
| 107 | 951-11914 | Engine Dipstick Cover |
| 108 | 710-04905 | Bolt |
| 109 | 951-11913 | Oil Fill Tube Assembly |
| 110 | 951-11904 | Dipstick O-Ring |
| 111 | 951-10656 | Dipstick Tube |
| 112 | 951-11381 | O-Ring |
| 113 | 951-12482 | Dipstick Assembly |
| 114 | 951-12535 | Fuel Cap |
| 115 | 951-14076 | Fuel Cap Chain |
| 116 | 951-14133 | Primer Hose Assembly |
| 120 | 951-11933 | Fuel Level Indicator |
| 121 | 951-10651 | Fuel Tank Nipple |
| 122 | 951-14332 | Fuel Tank |
| 123 | 712-05015 | Nut M6 |

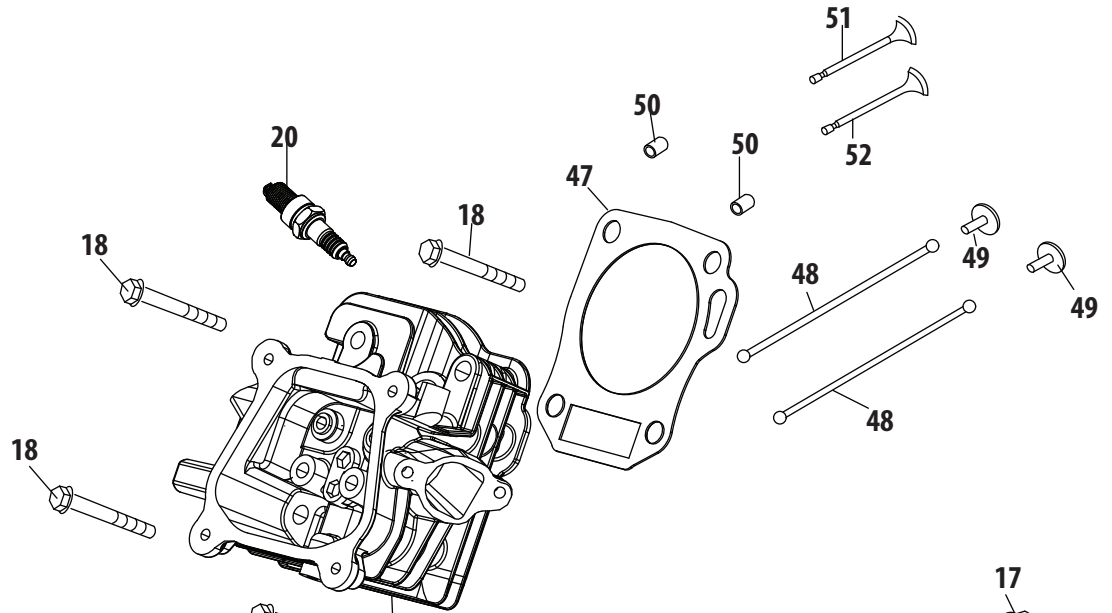
170-AUA Flywheel & Blower Housing



| Ref. | Part Number | Description |
|------|-------------|-------------------|
| 57 | 710-04915 | Bolt M6x12 |
| 80 | 951-11110 | Air Flow Shield |
| 81 | 710-04940 | Bolt M6x10 |
| 83 | 951-11637 | Ignition Coil |
| 84 | 710-04919 | Flange Bolt M6X25 |
| 85 | 951-14320 | Flywheel |
| 86 | 951-10934 | Cooling Fan |
| 87 | 951-10911 | Starter Cup |

| Ref. | Part Number | Description |
|------|-------------|-------------------------|
| 88 | 712-04209 | Flywheel Nut, M14 X 1.5 |
| 90 | 951-11583 | Blower Housing |
| 91 | 736-04455 | Flat Washer |
| 92 | 710-04974 | Bolt M6x10 |
| 93 | 951-12418 | Recoil Starter Assembly |
| 124 | 710-04918 | Bolt:Flange M6X20 |
| 125 | 951-14138 | Blower Housing Shield |

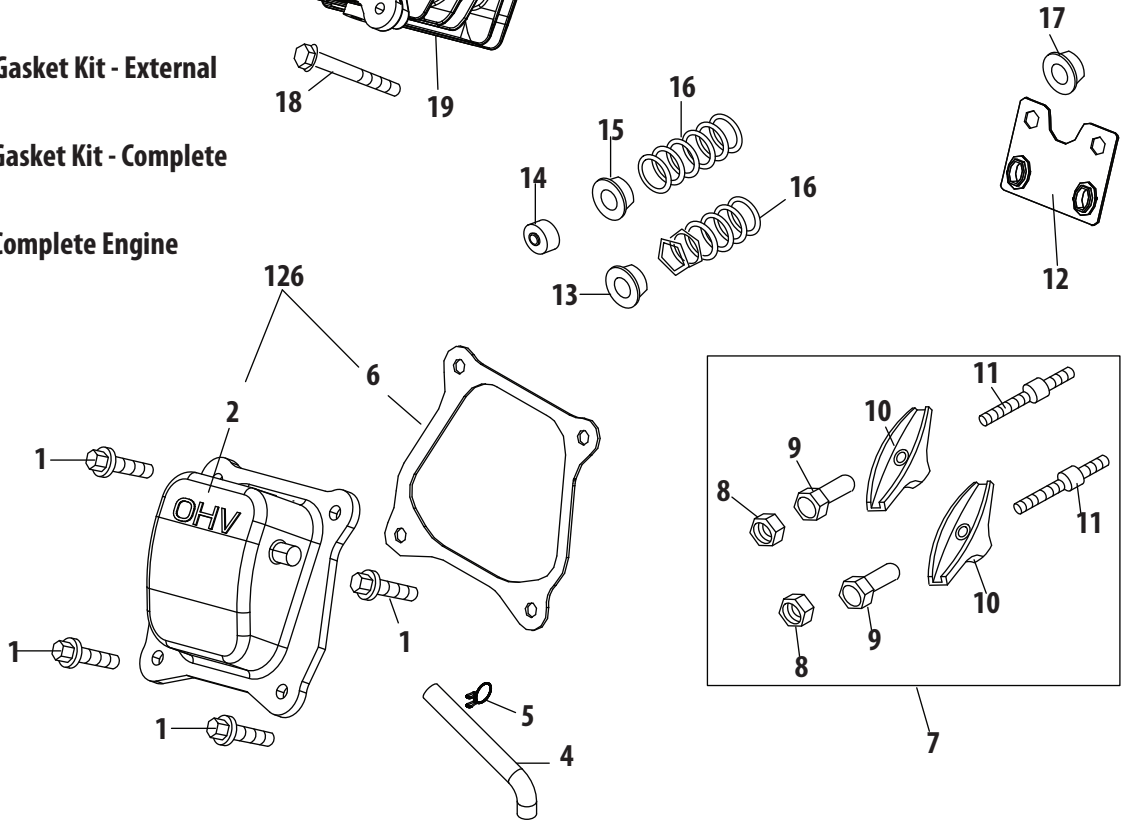
170-AUA Cylinder Head



128 - Gasket Kit - External

129 - Gasket Kit - Complete

127 - Complete Engine

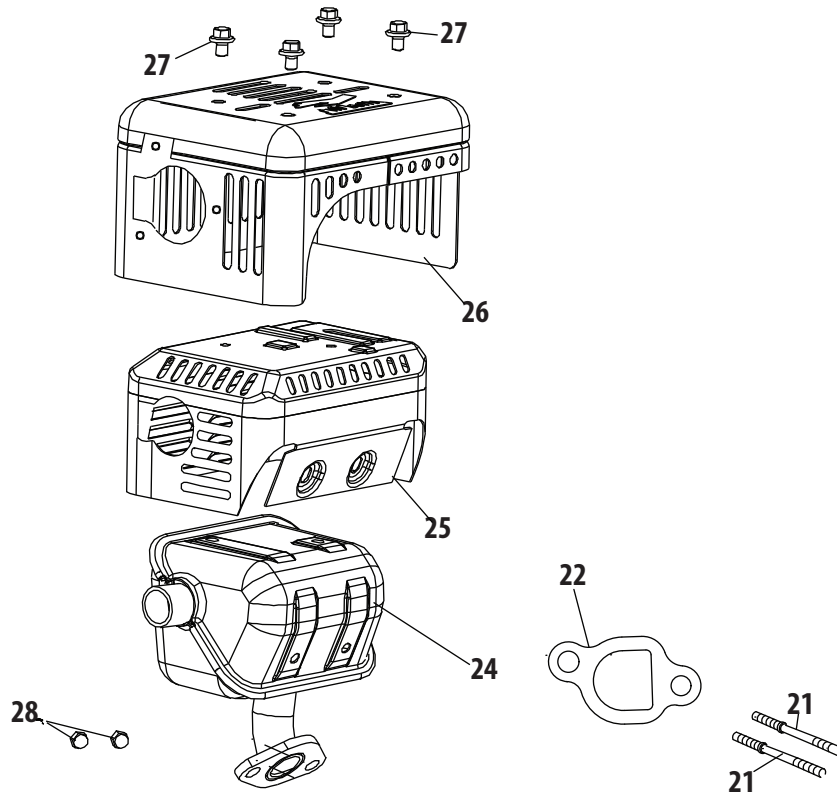


170-AUA Cylinder Head

| Ref. | Part Number | Description |
|------|-------------|---------------------------------|
| 1 | 710-04968 | Bolt M6×16 |
| 2 | 951-11054B | Valve Cover |
| 4 | 731-07059 | Breather Hose |
| 5 | 726-04101 | Breather Hose Clamp |
| 6 | 951-11565 | Valve Cover Gasket |
| 7 | 951-11892 | Rocker Arm Assembly |
| 8 | 751-11124 | Nut, Pivot Locking |
| 9 | 751-11123 | Adjusting Nut ,Valve |
| 10 | 951-11893 | Rocker Arm |
| 11 | 710-04902 | Bolt, Pivot |
| 12 | 951-11895 | Push Rod Guide |
| 13 | 951-12000 | Valve Spring Retainer (Intake) |
| 14 | 951-12002 | Exhaust Valve Adjuster |
| 15 | 951-12003 | Valve Spring Retainer (Exhaust) |
| 16 | 951-12004 | Valve Spring |
| 17 | 951-11894 | Valve Seal (Intake) |

| Ref. | Part Number | Description |
|------|-------------|--|
| 18 | 710-06080 | Bolt M8×55 |
| 19 | 951-05029 | Cylinder Head Assembly (Incl. 6,8-17,19,22,30-32,47,51,52) |
| 20 | 951-10292 | Spark Plug/F6Rtc |
| 47 | 951-14316 | Gasket, Cylinder Head |
| 48 | 751-10648 | Push Rod Kit |
| 49 | 951-11899 | Tappet |
| 50 | 715-04108 | Dowel Pin 10X16 |
| 51 | 751-10647A | Valve Kit |
| 52 | 751-10647A | Valve Kit |
| 126 | 951-05033 | Valve Cover Kit |
| 127 | 952Z170-AUA | Complete Engine |
| 128 | 951-12026A | Gasket Kit - External (Incl. 6,22,30-32,34) |
| 129 | 951-05032 | Gasket Kit - Complete (Incl. 6,22,30-32,34,47,61,62,71,77,82) |

170-AUA Muffler



| Ref. | Part Number | Description |
|------|-------------|---------------------|
| 21 | 710-04911 | Muffler Stud M8×34 |
| 21 | 751-10657 | Muffle Stud Kit |
| 22 | 951-11289 | Exhaust Pipe Gasket |
| 24 | 951-14593 | Muffler Body |
| 25 | 751-14311 | Muffler Shield |
| 26 | 951-14310 | Muffler Guard |
| 27 | 710-06073 | Bolt M5×8 |
| 28 | 712-04214 | Nut, M8 |

Notes



To order replacement parts or locate your nearest service dealer call a Customer Support at (800) 800-7310.
or visit www.mtdproducts.com to find the nearest authorized dealer in your area.

MTD LLC, P.O. BOX 361131 CLEVELAND, OHIO 44136-0019

Free Manuals Download Website

<http://myh66.com>

<http://usermanuals.us>

<http://www.somanuals.com>

<http://www.4manuals.cc>

<http://www.manual-lib.com>

<http://www.404manual.com>

<http://www.luxmanual.com>

<http://aubethermostatmanual.com>

Golf course search by state

<http://golfingnear.com>

Email search by domain

<http://emailbydomain.com>

Auto manuals search

<http://auto.somanuals.com>

TV manuals search

<http://tv.somanuals.com>