



Item #1001 863 383  
Model #K40067

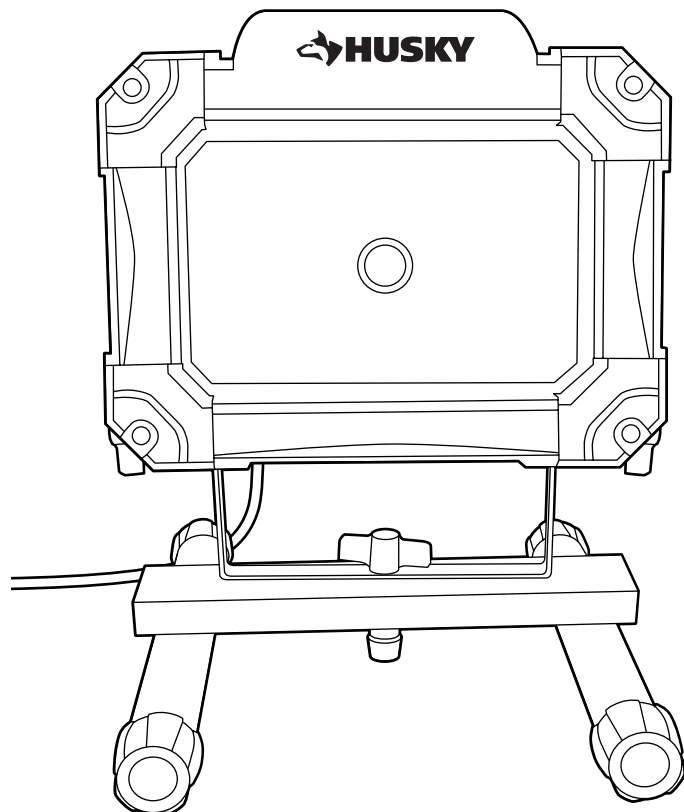
## USE AND CARE GUIDE

### 1500 LUMEN RECHARGEABLE LED PORTABLE WORKLIGHT

Questions, problems, missing parts?  
Before returning to the store, call  
Husky Customer Service  
8 a.m. - 7 p.m., EST, Monday - Friday  
9 a.m. - 6 p.m., EST, Saturday

1-888-HD-HUSKY

HUSKYTOOLS.COM



---

#### THANK YOU

*We appreciate the trust and confidence you have placed in Husky through the purchase of this rechargeable worklight. We strive to continually create quality products designed to enhance your home. Visit us online to see our full line of products available for your home improvement needs. Thank you for choosing Husky!*

# Table of Contents

Table of Contents ..... 2  
Safety Information ..... 2  
Warranty ..... 3  
Pre-Assembly ..... 3

Assembly ..... 4  
Operation ..... 5  
Care and Cleaning ..... 6  
Maintenance ..... 6

# Safety Information

Read and understand all Safety and Operating instructions in this manual before using this product.

 **DANGER:** BE EXTREMELY CAREFUL WHEN USING THIS DEVICE. Improper use of this worklight can result in injury or death.


 **WARNING:** Failure to observe the following safety rules may result in FIRE, ELECTRICAL SHOCK, OR INJURY.

Follow all safe guards stated in this manual, in addition to normal safety precautions in working with electrical devices. When using outdoor-use Portable Lamp Stand / Tripod Worklights, always follow basic safety precautions to reduce the risk of fire, electric shock and personal injury.

1. Use only 3-wire UL listed outdoor extension cords that have 3-prong grounded plugs and grounded receptacles that accept the worklight's plug.
2. Ground Fault Circuit Interrupter (GFCI) protection should be provided on the circuit(s) or outlet(s) to be used for wet location tripod worklights. Receptacles are available having the built-in GFCI protection and are able to be used for this measure of safety.
3. Use only with an extension cord for outdoor use, such as an extension cord of cord type SEW, SEOW, SE00W, SOW, S00W, STW, STOW, ST00W, SJEW, SJEOW, SJE00W, SJW, SJOW, SJO0W, SJTW, SJTOW, or SJT00W.
4. Never use around heavy volatile fluids such as gasoline.
5. Do not use with an extension cord near water, or in areas where water may accumulate. Keep the worklight at least 16 ft. from pools or spas. Keep plugs dry. Only use this worklight with GFCI-protected outlets when in wet locations.

SAVE THESE INSTRUCTIONS.

## FCC STATEMENT

 **WARNING:** Changes or modifications to this unit not expressly approved by the party responsible for compliance could void the user's authority to operate the equipment.

**NOTICE:** This equipment has been tested and found to comply with the limits for a Class B digital device, pursuant to Part 15 of the FCC Rules. These limits are designed to provide reasonable protection against harmful interference in a residential installation. This equipment generates, uses and can radiate radio frequency energy and, if not installed and used in accordance with the instructions, may cause harmful interference to radio communications. However, there is no guarantee that interference will not occur in a particular installation. If this equipment does cause harmful interference to radio or television reception, which can be determined by turning the equipment off and on, the user is encouraged to try to correct the interference by one or more of the following measures:

- Reorient or relocate the receiving antenna.
- Increase the separation between the equipment and receiver.
- Connect the equipment into an outlet on a circuit different from that to which the receiver is connected.
- Consult the dealer or an experienced radio/TV technician for help.

## Warranty

The manufacturer warrants the products to be free from defects in materials and workmanship for a period of three (3) years from date of purchase. We take pride in the design and construction of each of our products and work to maintain the quality of our materials and craftsmanship to assure your satisfaction.

If any problems appear, the purchaser may return the item, freight prepaid, together with a copy of your original purchase receipt to place of purchase and it will be replaced with the same or comparable model free of charge. This warranty does not cover fixtures that have been altered in any way; it is void if damage or defect has resulted from accident, abuse, misuse or faulty repair.

In no event will the manufacturer be liable for any incidental or consequential damages. No charge will be acceptable for unauthorized repairs, parts or service. Some states do not allow the exclusion or limitation of incidental or consequential damages, so the above exclusion or limitation of incidental or consequential damages may not apply to you. Legal warranty rights will vary from state to state and you may have other rights.

Contact the Customer Service Team at 1-888-HD-HUSKY or visit [www.HUSKYTOOLS.com](http://www.HUSKYTOOLS.com).

## Pre-Assembly

### SPECIFICATIONS

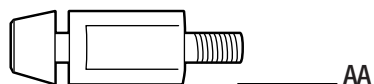
Product Weight	4.37 lbs
Product Width	7.52 in.
Product Depth	6.69 in.
Product Height	9.37 in.
Rated Voltage	120V, 60Hz

Rated Current	0.24A
Rated Power	28W
Output	750 lm and 1500 lm
Battery Output Times	2.5 hours at 1500 lm/5 hours at 750 lm
Recharge Times	- Light off - 5 hours - Light on - 10 hours

### HARDWARE INCLUDED



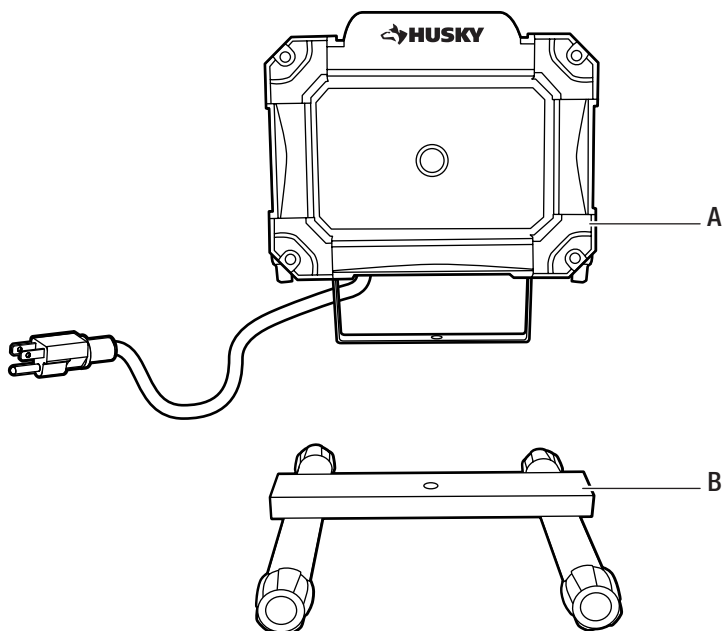
NOTE: Hardware shown to actual size.



Part	Description	Quantity
AA	Screw	1
BB	Screw cap	1

## Pre-Assembly (continued)

### PACKAGE CONTENTS

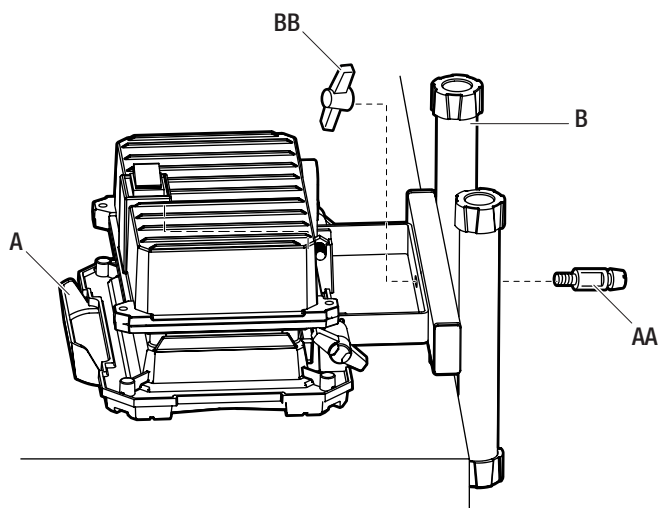


Part	Description	Quantity
A	Lamp head	1
B	Stand	1

## Assembly

### 1 Attaching the lamp head to the stand

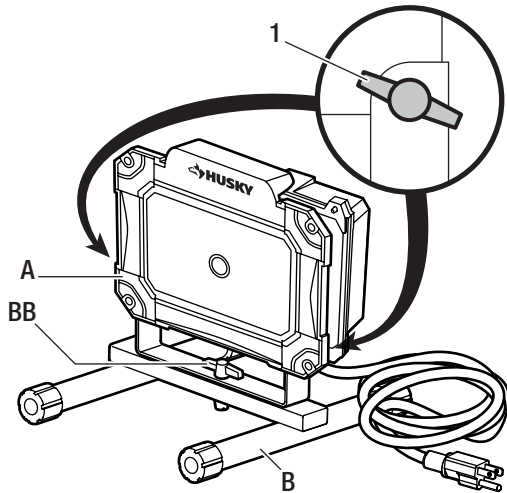
- Lay the lamp head (A) face down and position the stand (B) against the U-shaped bracket on the lamp head (A).
- Attach the lamp head (A) to the stand (B) by inserting the screw (AA) into the bottom of the stand (B) and through the hole in the rectangular bracket on the lamp head (A).
- Secure the screw (AA) with the screw cap (BB).



## Operation

### 1 Adjusting the light direction

- To adjust the lamp head (A), loosen the twist knobs (1) on each side of the lamp head (A). Then hold the top of the lamp head (A) and move forward or backward to the desired position. Retighten the twist knobs (1).
- To swivel the lamp head (A), loosen the screw cap (BB) that attaches the lamp head (A) to the stand (B) and swivel the lamp head (A) to the desired position. Re-tighten the screw cap (BB).

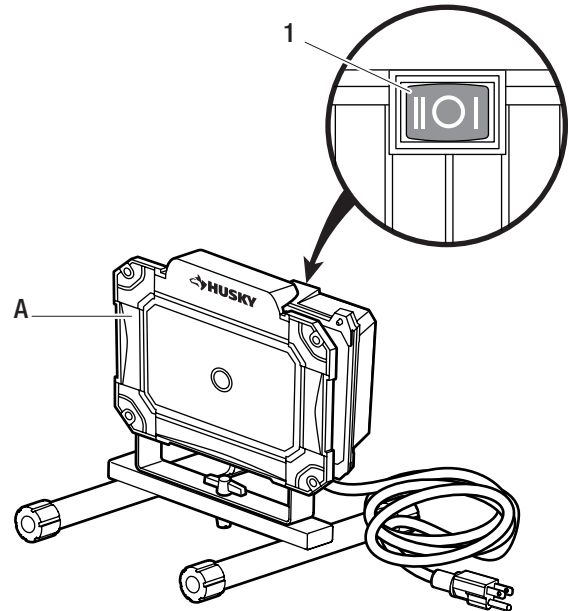


### 2 Turning the lamp head on



**NOTE:** Plug the worklight into a 120V outlet before you turn it on.

- Press the three degree power switch (1) on the lamp (A). Press I for the brightest light (1500 lm), 0 for off, and II for medium brightness (750 lm).

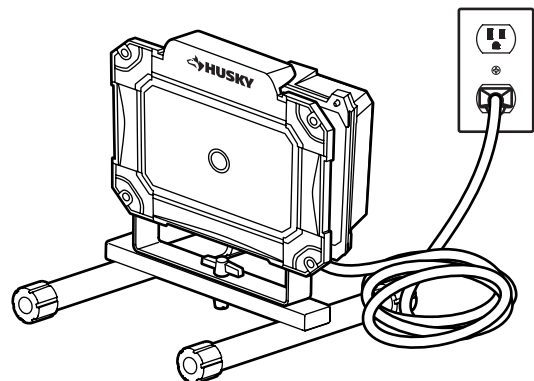


### 3 Recharging the battery



**IMPORTANT:** Use only 3-wire UL listed outdoor extension cords that have 3-prong grounded plugs and grounded receptacles that accept the worklight's plug to recharge the worklight.

- Plug the lamp into a standard 3-prong extension cord. The light will immediately begin to charge. When the light is off, the light will be charged in 5 hours. If you are using the light while charging, it will be fully charged in 10 hours.



## Care and Cleaning

---



**WARNING:** Always make sure that the worklight is unplugged and cooled down before attempting to clean it.

- Clean the lamp head, lens cover, lamp stand and tripod regularly with a non-abrasive cleaner.
- Allow the worklight to cool down completely before storing.
- Store in a safe place, out of the reach of children.

## Maintenance

---

If the light does not work, check the following:

- Ensure the fixture is properly plugged into the power source.
- Ensure the switch is in the ON position.
- The battery may be depleted. Allow the worklight to charge for at least 5 hours.



Questions, problems, missing parts? Before returning to the store,  
call Husky Customer Service  
8 a.m. - 7 p.m., EST, Monday-Friday  
9 a.m. - 6 p.m., EST, Saturday

**1-888-HD-HUSKY**

**HUSKYTOOLS.COM**

Retain this manual for future use.

## Free Manuals Download Website

<http://myh66.com>

<http://usermanuals.us>

<http://www.somanuals.com>

<http://www.4manuals.cc>

<http://www.manual-lib.com>

<http://www.404manual.com>

<http://www.luxmanual.com>

<http://aubethermostatmanual.com>

Golf course search by state

<http://golfingnear.com>

Email search by domain

<http://emailbydomain.com>

Auto manuals search

<http://auto.somanuals.com>

TV manuals search

<http://tv.somanuals.com>