



Fan Speed Controller



MODEL: ILG8SFSC
(PF-4C929A)

OWNER'S MANUAL
PLEASE READ AND SAVE
THESE INSTRUCTIONS

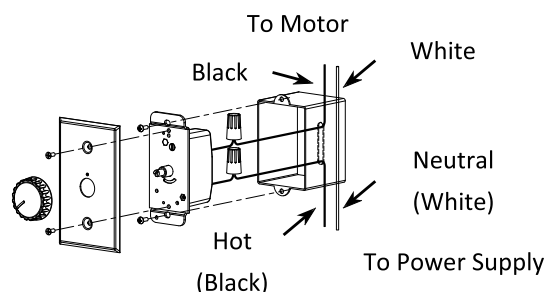
IMPORTANT INSTRUCTIONS

1. Disconnect power supply before wiring connections are made to prevent possible electric shock and/or damage to equipment.
2. Read and follow instructions carefully. Failure to comply with instructions could result in fire, electric shock, injury to persons, and/or damage to equipment.
3. To reduce the risk of overheating and possible damage to other equipment, this speed controller is only intended for use with the iLIVING Variable Speed Shutter Exhaust Fans (ILG8SF10V, ILG8SF12V, ILG8SF16V, ILG8SF18V, ILG8SF20V, and ILG8SF24V). Do not install this speed controller on any other fan or appliance.
4. All wiring should conform to the United States National Electrical Code and all applicable local/state regulations.
5. Do not mount the controller in an area which will likely expose the controller to moisture.
6. Make certain the entire installation is grounded as a precaution against possible electrical shock.
7. Do not exceed maximum amperage rating of the controller as overloading can result in damage to the shutter exhaust fan and controller.
8. When wiring an electrical appliance or device follow all electrical and safety codes, as well as the most recent United States National Electrical Code (NEC) and the Occupational Safety and Health Act (OSHA).
9. Install controller in a well-ventilated area.

CAUTION: TO REDUCE THE RISK OF FIRE OR ELECTRIC SHOCK, DO NOT USE THIS CONTROLLER IN AN INSULATED WALL

Installation

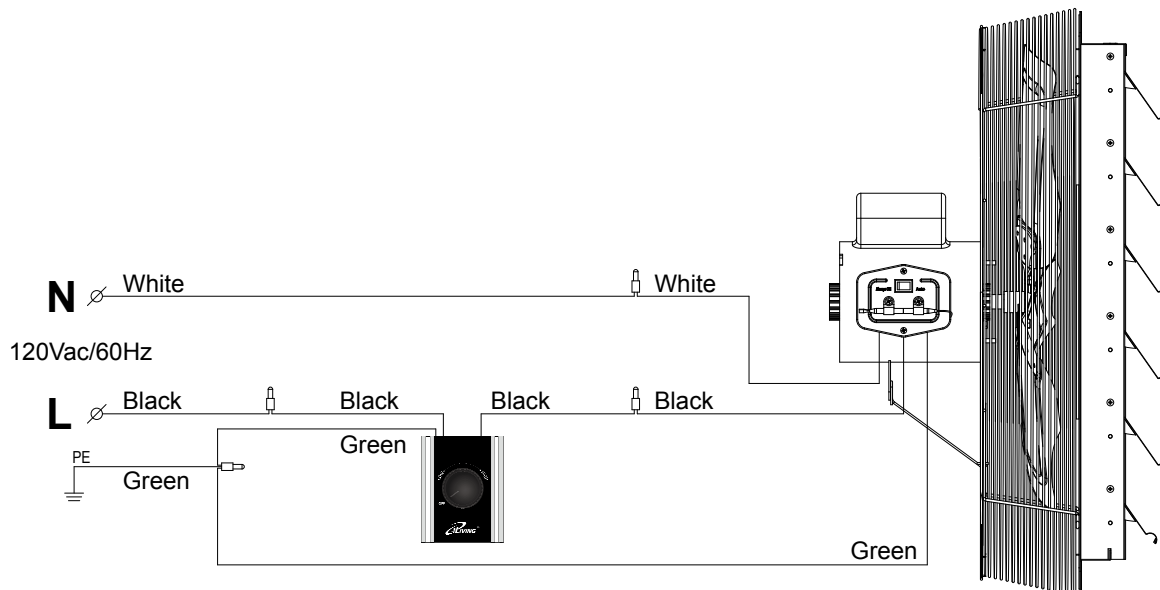
1. Turn power off at circuit breaker panel or fuse box.
2. Mount controller to standard single gang wall box.
3. Run conduit between the wall box, power source, and the fan units being controlled. Leave approximately 4 inches of wire in the box for connections.



4. Make wiring connections as shown. Connect the black wire from the supply line to one of the black wires of the controller. Connect the second black wire of the controller to the black wire from the fan motor. Connect the white wire from the supply line to the white wire of the fan motor. Make sure that the wire strands are straight and secure the wire

leads of the control to the circuit wires by twisting them together. Twist a wire nut onto each connection.

5. Alignment - arrow mark pointing upward for upright position. Cover dent on cover plate shows upward position.



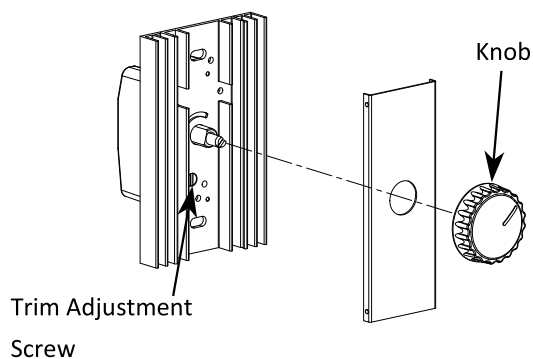
"One black wire from the speed controller connects to the power supply, the other black wire from the speed controller connects to the fan. The black wires on the right and left side of the speed controller can be used interchangeably."

6. When any solid state speed controller is used, a humming noise will be present in the fan on low speed. This hum in no way affects the operation of the fan and is acceptable in most commercial/industrial installations.

Operation

NOTE: Factory preset low speed setting is normally acceptable in most installations. In the event a slower speed is desired, read the following additional instructions:

1. To change the minimum speed setting, set the controller on low setting and remove the knob and black cover plate.
2. Adjust the trim setting through the access opening in the front of the control using a small insulated flat tipped screwdriver. With fans running on low speed setting, trim the adjustment screw slightly counterclockwise to further reduce speed.
3. Allow time for fans to slow (approximately one minute) before proceeding with further adjustment.
4. After final setting, replace black cover plate and knob.



Warranty Information

This product comes with a 1-YEAR LIMITED COMPONENT WARRANTY. If your unit does not appear to be working properly, please contact our service center by calling 1-800-317-1688. Prior to your call, we encourage you to visit our service related website www.ilivingusa.com for troubleshooting tips and service instructions if needed.

Register your product at our website:



Or visit iLivingUSA.com/register-product

Feedback

Love it? Help us make the product more for you.



Let us know with a customer review.

Please visit: <https://www.amazon.com/review/review-your-purchases#>

At iLiving USA, we are committed to bringing top quality products to our customers.

iLIVING USA
9293 Beatty Dr,
Sacramento, CA 95826
Tel: 1-800-317-1688
Email: service@ilivingusa.com

Free Manuals Download Website

<http://myh66.com>

<http://usermanuals.us>

<http://www.somanuals.com>

<http://www.4manuals.cc>

<http://www.manual-lib.com>

<http://www.404manual.com>

<http://www.luxmanual.com>

<http://aubethermostatmanual.com>

Golf course search by state

<http://golfingnear.com>

Email search by domain

<http://emailbydomain.com>

Auto manuals search

<http://auto.somanuals.com>

TV manuals search

<http://tv.somanuals.com>