

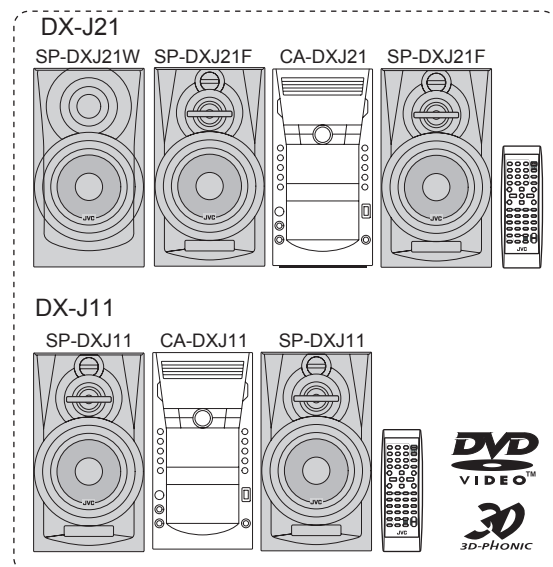
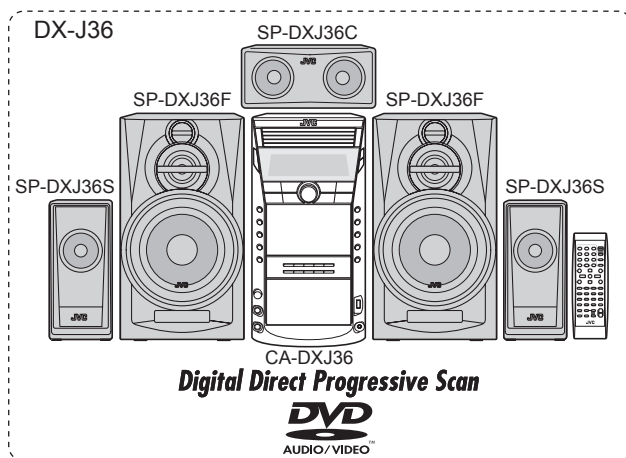
JVC

SCHEMATIC DIAGRAMS

COMPACT COMPONENT SYSTEM

DX-J36UN,DX-J36EE,DX-J36UX,DX-J36UG
DX-J21UN,DX-J21J,DX-J21EE,DX-J21A
DX-J21UW,DX-J21UX,DX-J21UG
DX-J11UN,DX-J11EE,DX-J11UW
DX-J11UX,DX-J11UG,DX-J11UH

DVD-ROM No.SML2008Q1



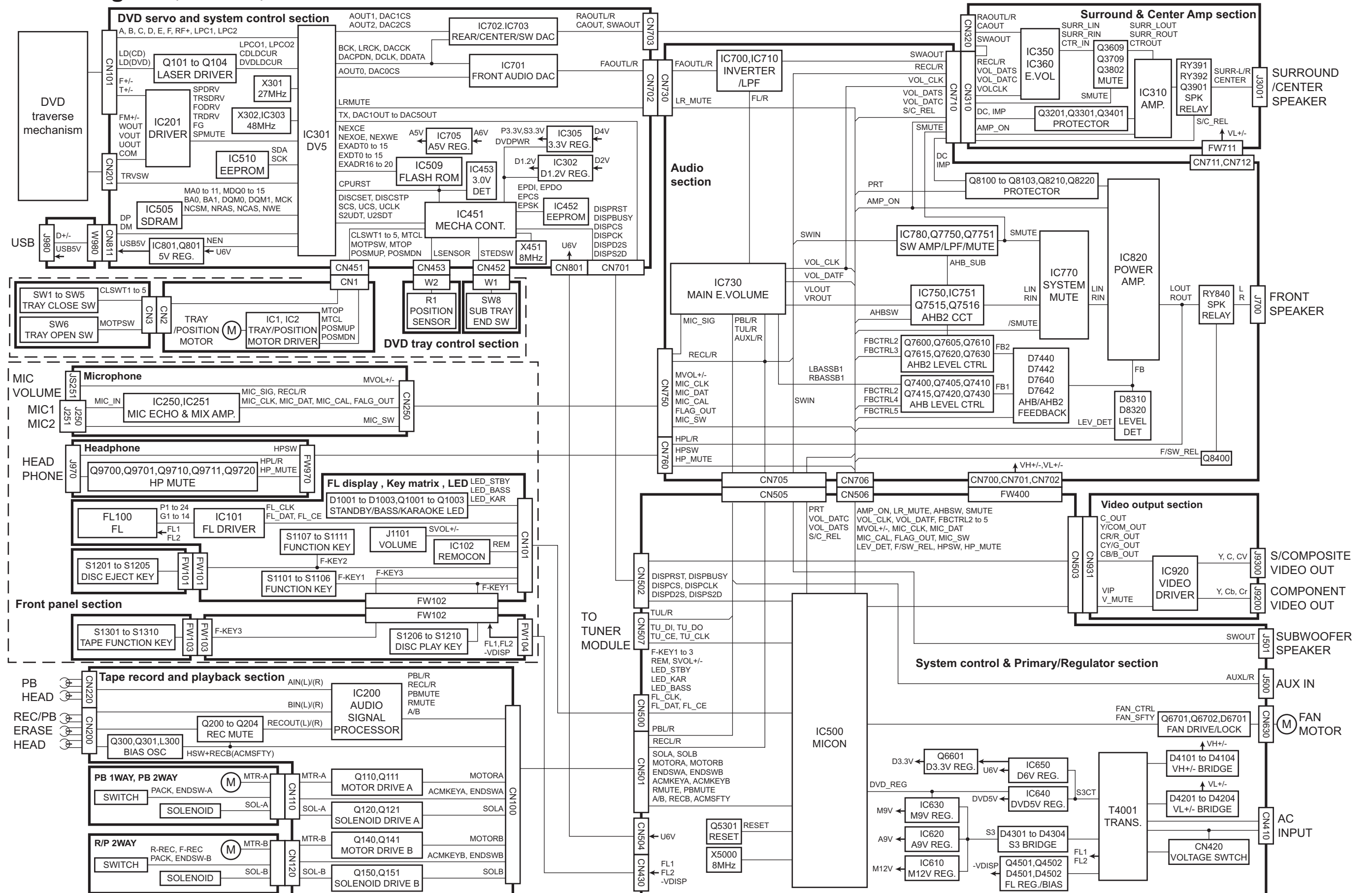
Lead free solder used in the board (material : Sn-Ag-Cu, melting point : 219 Centigrade)
Lead free solder used in the board (material : Sn-Cu, melting point : 230 Centigrade)

Contents

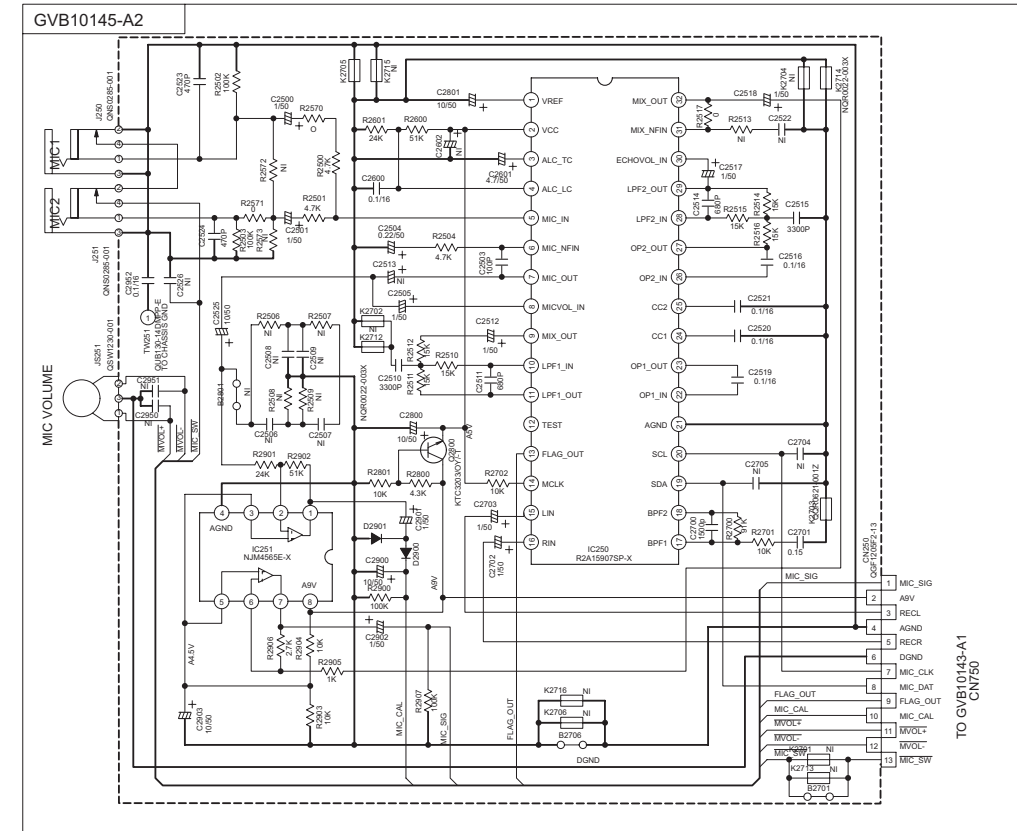
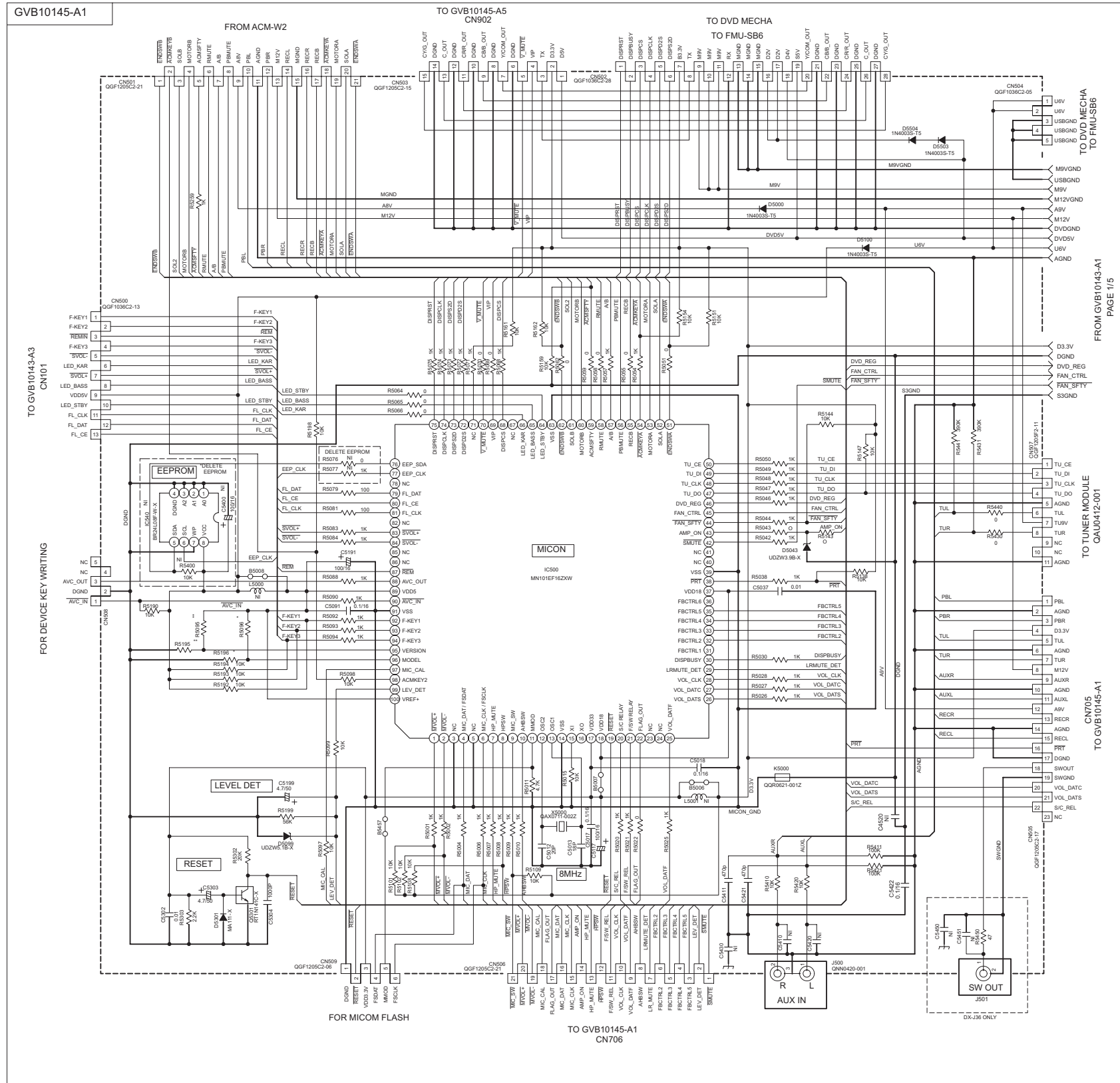
Block diagrams	2-1
Standard schematic diagrams	2-2
Printed circuit boards	2-20 to 22

In regard with component parts appearing on the silk-screen printed side (parts side) of the PWB diagrams, the parts that are printed over with black such as the resistor (■), diode (▣) and ICP (●) or identified by the "▲" mark nearby are critical for safety.

Block diagram (For DX-J36)



■ Micom section (DX-J36)



NOTES

- VOLTAGES ARE DC-MEASURED WITH A DIGITAL VOLTMETER OR OSCILLOSCOPE WITHOUT INPUT SIGNAL. CONDITION — DVD STOP MODE.
- UNLESS OTHERWISE SPECIFIED, ALL RESISTORS ARE 1/16W ±5% CARBON FILM RESISTOR OR 0.625W ±5% THICK FILM CHIP RESISTOR. ALL CAPACITORS ARE CERAMIC CAPACITOR OR MYLAR CAPACITOR. ALL RESISTANCE VALUES ARE IN OHM (Ω). ALL CAPACITANCE VALUES ARE IN pF (pF). ALL CAPACITANCES ARE SHOWN IN THE FORM OF CAPACITANCE (μF) RATED VOLTAGE (V). ALL INDUCTANCE VALUES ARE IN μH (μH). ALL FERRITE BEADS ARE QOR0621-0012. NI = NON INSERT.

DIGITAL TRANSISTOR CONSTRUCTION

Q#	MODEL	R1	R2	PART NO.
Q1	RT1N144C-X	4.7K	-	RT1N144C-X
Q2	RT1N430C-X	10K	47K	RT1N430C-X
Q3	RT1P430C-X	4.7K	-	RT1P430C-X
Q4	RT1P141C-X	10K	10K	RT1P141C-X

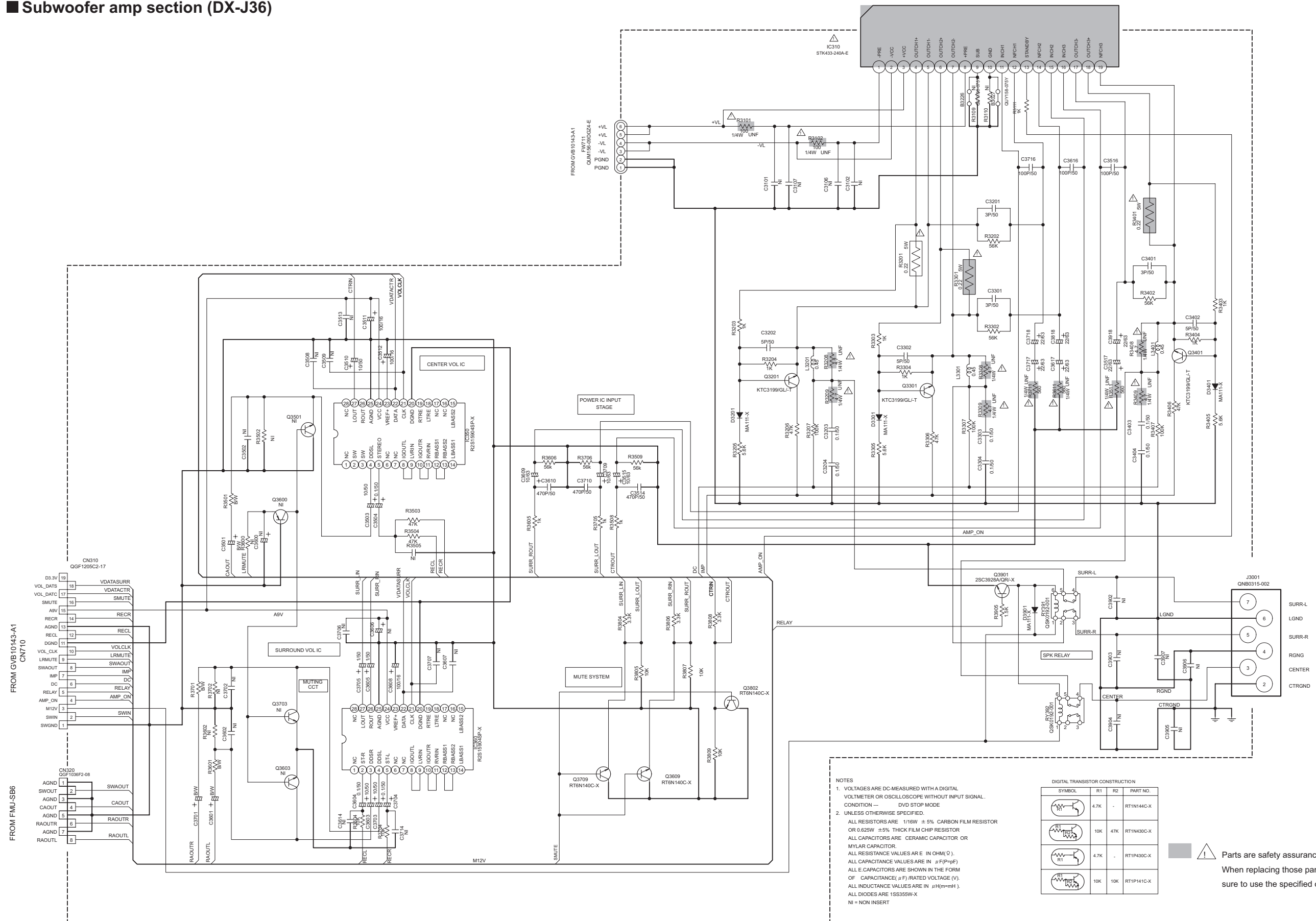
MODEL INDICATION

	J11	J21	J36
R5096	10K	10K	10K
R5196	NIL	NIL	15K

VERSION INDICATION

	R5096	R5196
US/UN/UA	10K	NIL
LW/LY	10K	15K
UX/UG	10K	5.6K
EE	NIL	10K

■ Subwoofer amp section (DX-J36)



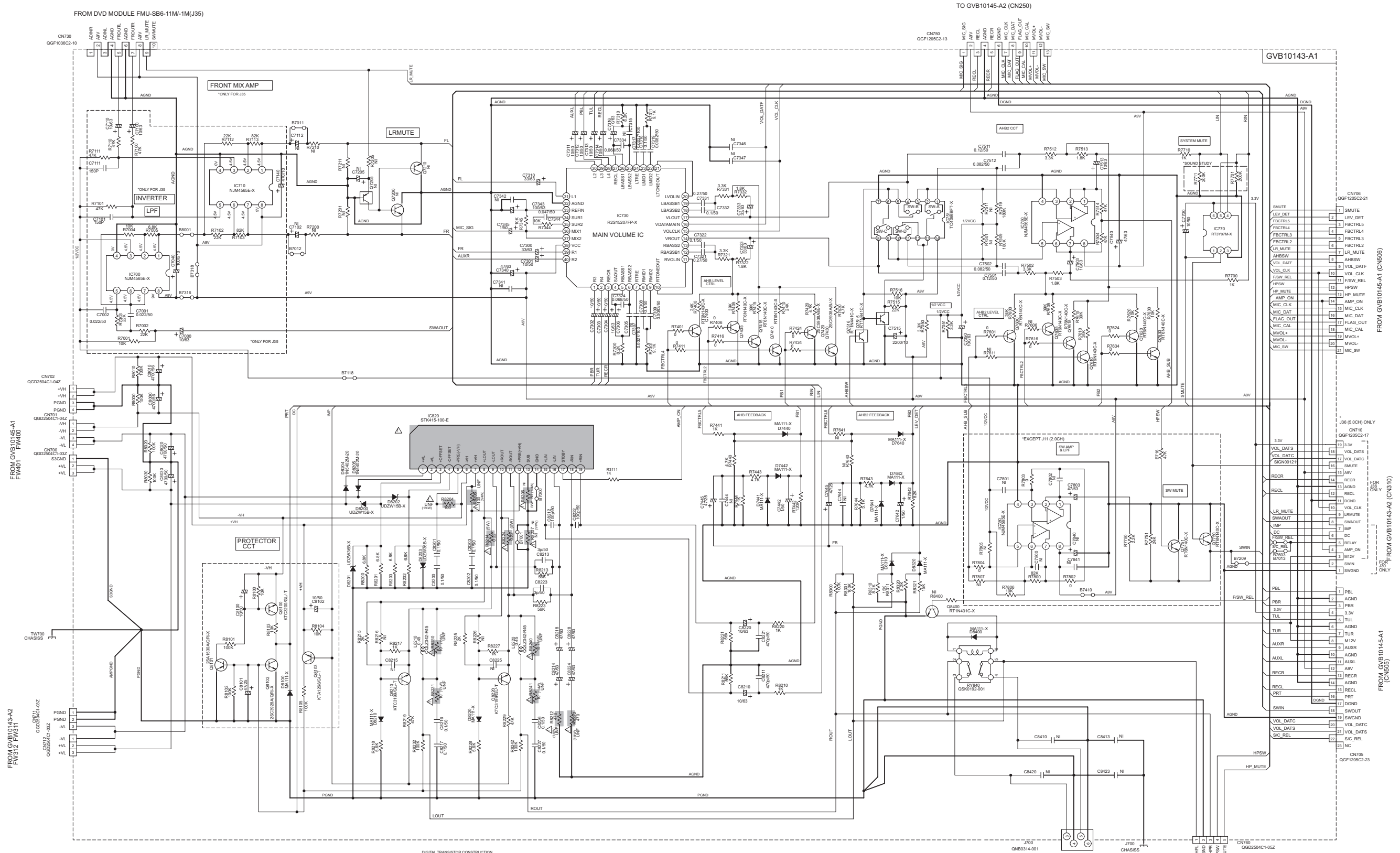
NOTES
 1. VOLTAGES ARE DC-MEASURED WITH A DIGITAL VOLTMETER OR OSCILLOSCOPE WITHOUT INPUT SIGNAL. CONDITION — DVD STOP MODE
 2. UNLESS OTHERWISE SPECIFIED.
 ALL RESISTORS ARE 1/16W ± 5% CARBON FILM RESISTOR OR 0.625W ± 5% THICK FILM CHIP RESISTOR
 ALL CAPACITORS ARE CERAMIC CAPACITOR OR NYLAR CAPACITOR.
 ALL RESISTANCE VALUES ARE IN OHM(Ω).
 ALL CAPACITANCE VALUES ARE IN μ(F)=P(F)
 ALL E. CAPACITORS ARE SHOWN IN THE FORM OF CAPACITANCE(μ F)/RATED VOLTAGE (V).
 ALL INDUCTANCE VALUES ARE IN μH(m=mH).
 ALL DIODES ARE 1SS355W-X.
 NI = NON INSERT

DIGITAL TRANSISTOR CONSTRUCTION

SYMBOL	R1	R2	PART NO.
	4.7K	-	RT1N144C-X
	10K	47K	RT1N430C-X
	4.7K	-	RT1P430C-X
	10K	10K	RT1P141C-X

⚠ Parts are safety assurance parts.
 When replacing those parts make sure to use the specified one.

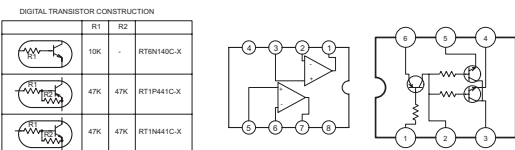
Audio section (DX-J36)



NOTES

- VOLTAGES ARE DC-MEASURED WITH A DIGITAL VOLT METER OR OSCILLOSCOPE WITHOUT INPUT SIGNAL. CONDITION - DVD STOP MODE.
- UNLESS OTHERWISE SPECIFIED, ALL RESISTORS ARE 1/16W ± 5% CARBON FILM RESISTOR OR 0.625W ± 5% THICK FILM CHIP RESISTOR. ALL CAPACITORS ARE CERAMIC CAPACITOR OR MYLAR CAPACITOR.

ALL RESISTANCE VALUES ARE IN OHM (Ω). ALL CAPACITANCE VALUES ARE IN μF (PpF). ALL ELECTROLYTIC CAPACITORS ARE SHOWN IN THE FORM OF CAPACITANCE (μF) / RATED VOLTAGE (V). ALL INDUCTANCE VALUES ARE IN μH (mH). ALL DIODES ARE MA111-X. N = NON INSERT.

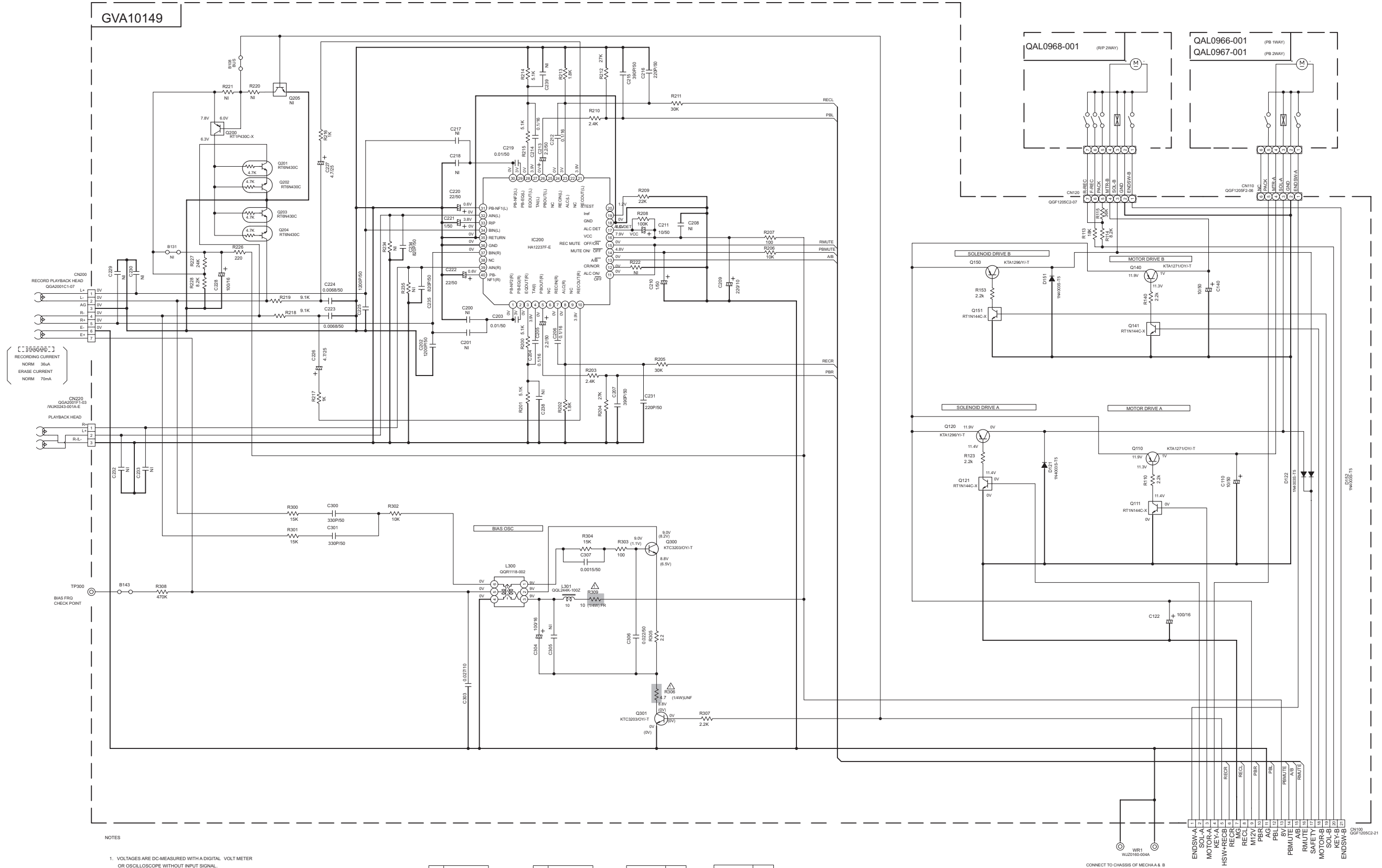


SOUND STUDY

Part	J11	J21	J36
R7701	62K	220K	200K
R7711	62K	220K	200K
R7731	62K	100K	24K
C8200	0.0000156	0.0000156	0.0000156
C8210	0.0000156	0.0000156	0.0000156

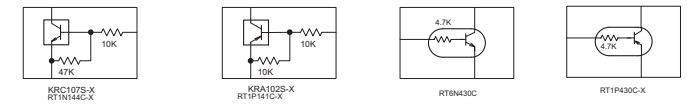
Parts are safety assurance parts. When replacing those parts make sure to use the specified one.

■ Cassette control section (DX-J36)



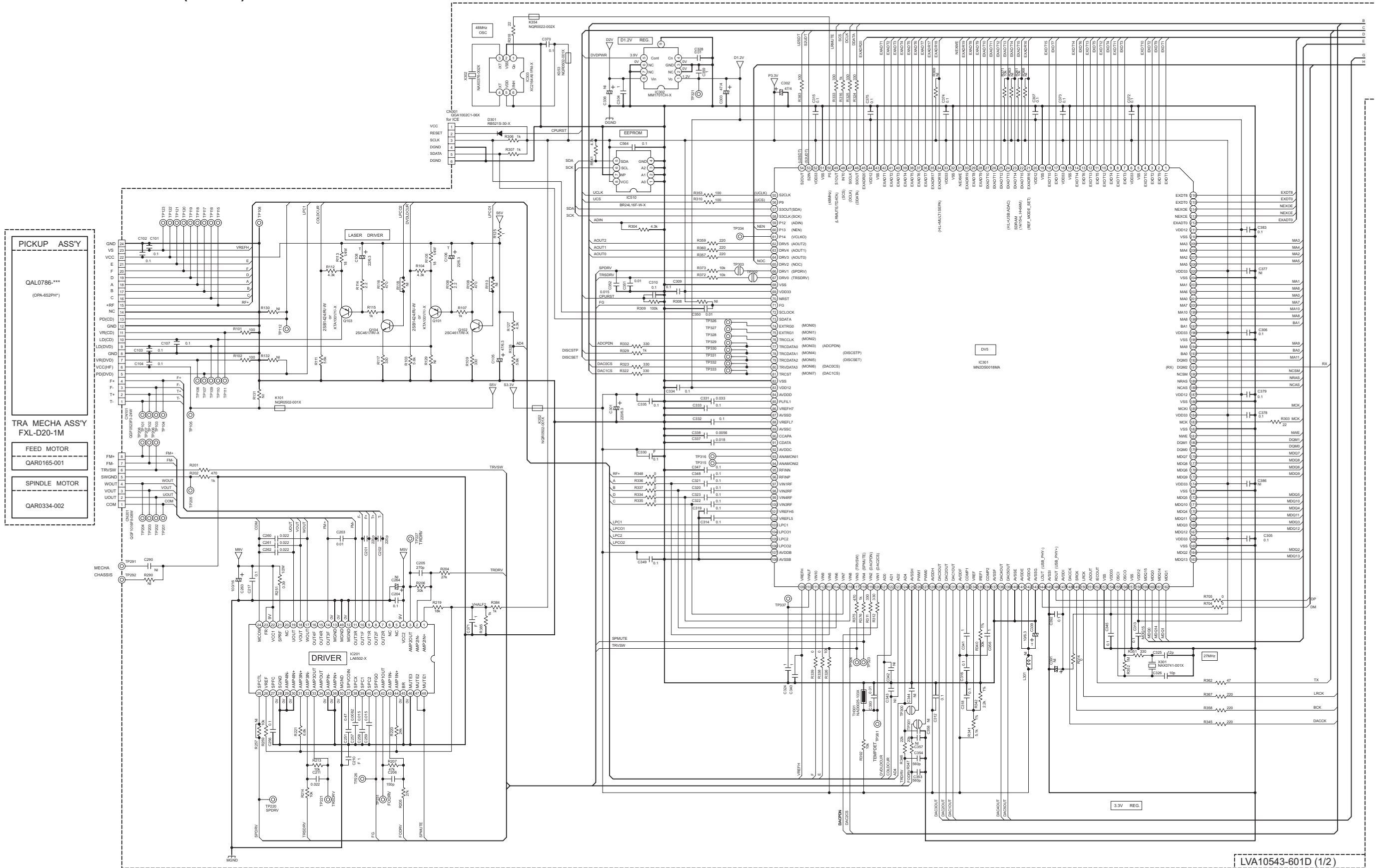
NOTES

- VOLTAGES ARE DC-MEASURED WITH A DIGITAL VOLT METER OR OSCILLOSCOPE WITHOUT INPUT SIGNAL. CONDITION : MECHA STOP MODE
- UNLESS OTHERWISE SPECIFIED, RESISTORS ARE 1/10W ±5% METAL GLAZE RESISTOR. ALL RESISTANCE VALUES ARE IN OHM (Ω). ALL CAPACITORS ARE CERAMIC CAPACITOR OR MYLAR CAPACITOR. ALL CAPACITANCE VALUES ARE IN μF(μF). ALL INDUCTANCE VALUES ARE IN μH(μH). ALL CAPACITORS ARE SHOWN IN THE FORM OF CAPACITANCE (μF) RATED VOLTAGE (V). POLYPROPYLENE CAPACITOR



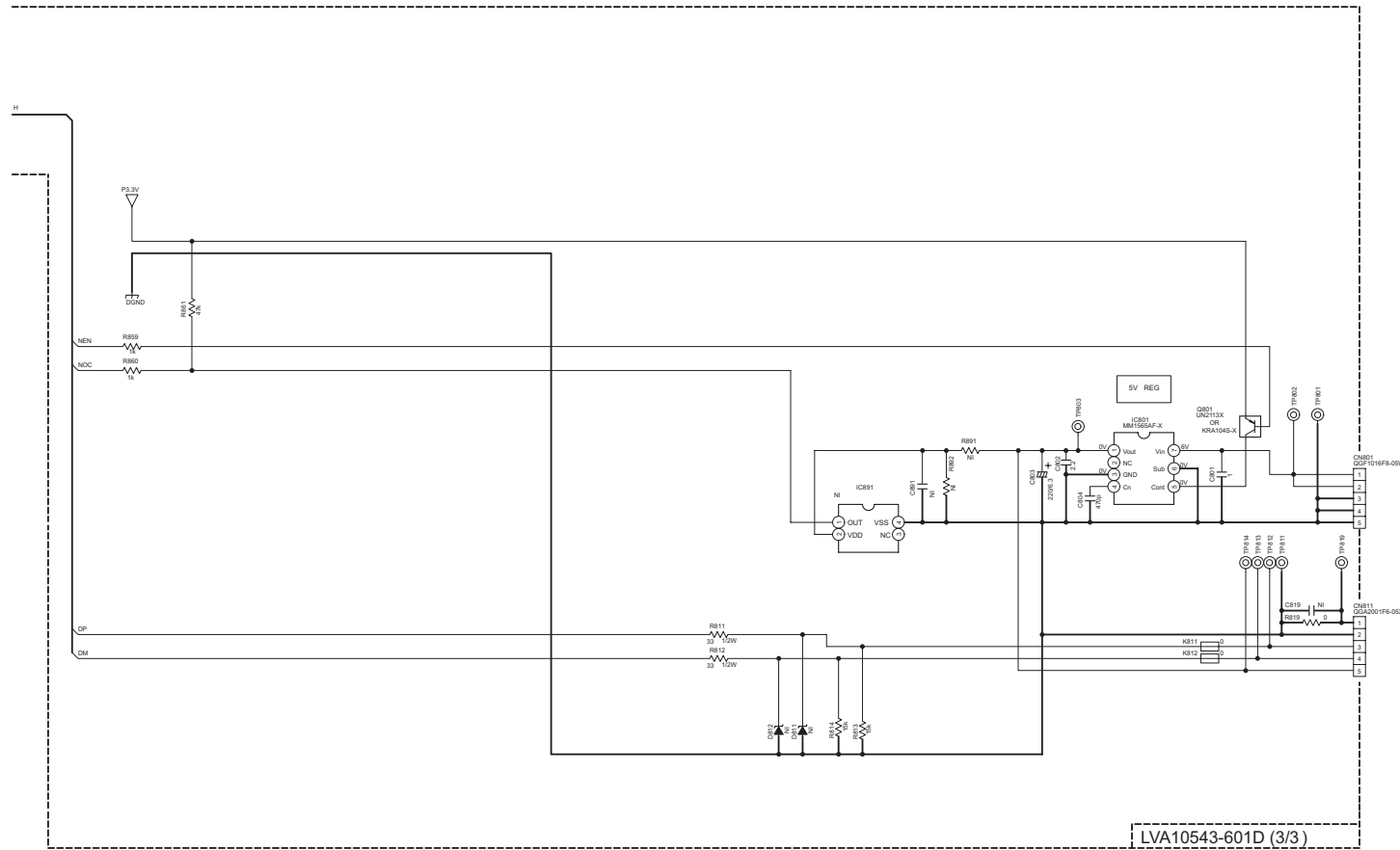
Parts are safety assurance parts. When replacing those parts make sure to use the specified one.

■ Front end section 1 (DX-J36)



LVA10543-601D (1/2)

Front end section 3 (DX-J36)



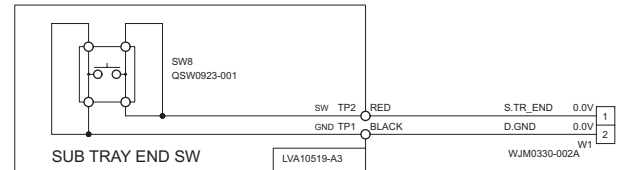
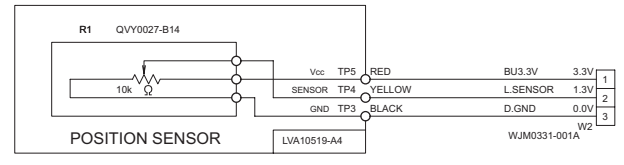
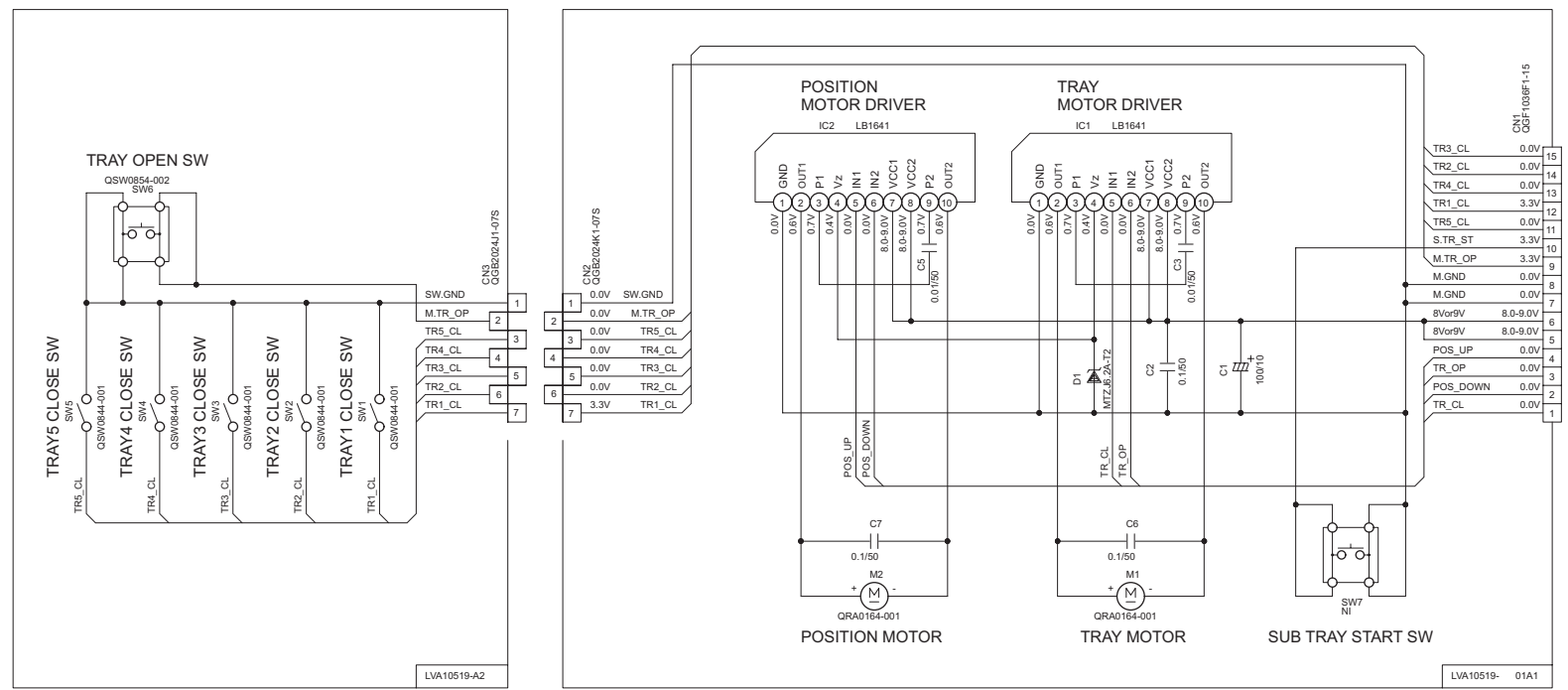
LVA10543-601D (3/3)

NOTES

- VOLTAGES ARE DC-MEASURED WITH A DIGITAL VOLT METER WITHOUT INPUT SIGNAL. CONDITION - A DVD disc in the Tray 1, and STOP mode.
- UNLESS OTHERWISE SPECIFIED:
ALL RESISTORS ARE 1/16W ±5% METAL GLAZE RESISTOR OR 0.5% METAL GLAZE RESISTOR.
ALL CAPACITORS ARE 50V, 25V, 16V, 10V or 6.3V CERAMIC CAPACITOR.
ALL RESISTANCE VALUES ARE IN OHM (Ω).
ALL CAPACITANCE VALUES ARE IN nF (pF).
ALL CAPACITORS ARE SHOWN IN THE FORM OF CAPACITANCE (μF)/RATED VOLTAGE (V).
ALL INDUCTANCE VALUES ARE IN nH (nH).
- NI STANDS FOR NOT INSERTED PARTS.
- DIGITAL TRANSISTOR



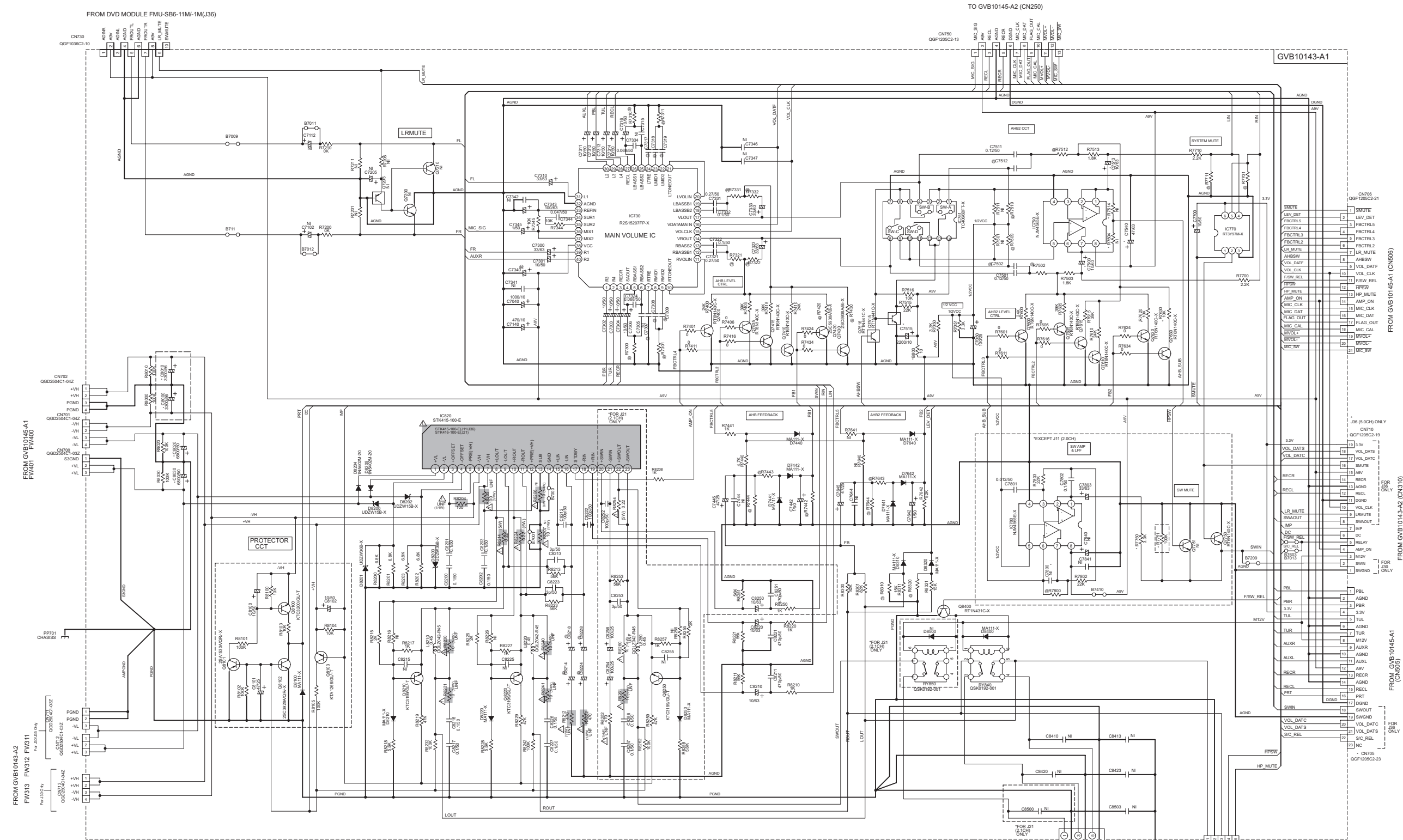
Loader section (DX-J36)



NOTES

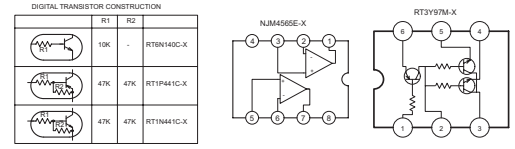
- VOLTAGES ARE DC-MEASURED WITH A DIGITAL VOLT METER. CONDITION: DISC1 STOP
- UNLESS OTHERWISE SPECIFIED.
ALL CAPACITORS ARE SHOWN IN THE FORM OF CAPACITANCE (μF)/RATED VOLTAGE (V).
- NI STANDS FOR NOT INSERTED PARTS.

Audio section (DX-J21,DX-J11)



NOTES
 1. VOLTAGES ARE DC-MEASURED WITH A DIGITAL VOLT METER OR OSCILLOSCOPE WITHOUT INPUT SIGNAL CONDITION - DVD STOP MODE
 2. UNLESS OTHERWISE SPECIFIED, ALL RESISTORS ARE 1% 5W ±5% CARBON FILM RESISTOR OR 0.5W ±5% THICK FILM CHIP RESISTOR
 ALL CAPACITORS ARE CERAMIC CAPACITOR OR MYLAR CAPACITOR

ALL RESISTANCE VALUES ARE IN OHM (Ω)
 ALL CAPACITANCE VALUES ARE IN PPF(PPF)
 ALL CAPACITORS ARE SHOWN IN THE FORM OF CAPACITANCE (μF) RATED VOLTAGE (V)
 ALL INDUCTANCE VALUES ARE IN μH(μH)
 ALL DIODES ARE MATH11-X
 NI = NON INSERT



REF. NO.	J11	J21
R700	8.2K	8.2K
R701	8.2K	8.2K
R702	3.3K	2.7K
R703	1.8K	2.2K
R704	4.7K	6.2K
R705	4.7K	6.2K
R706	120K	120K
R707	4.7K	4.7K
R708	5.1K	5.1K
R709	3.3K	3.9K
R710	1.8K	2.2K
R711	180K	120K
R712	4.7K	4.7K
R713	5.1K	5.1K
R714	NI	18K
R715	3.3K	2.2K
R716	62K	22K
R717	8.2K	8.2K

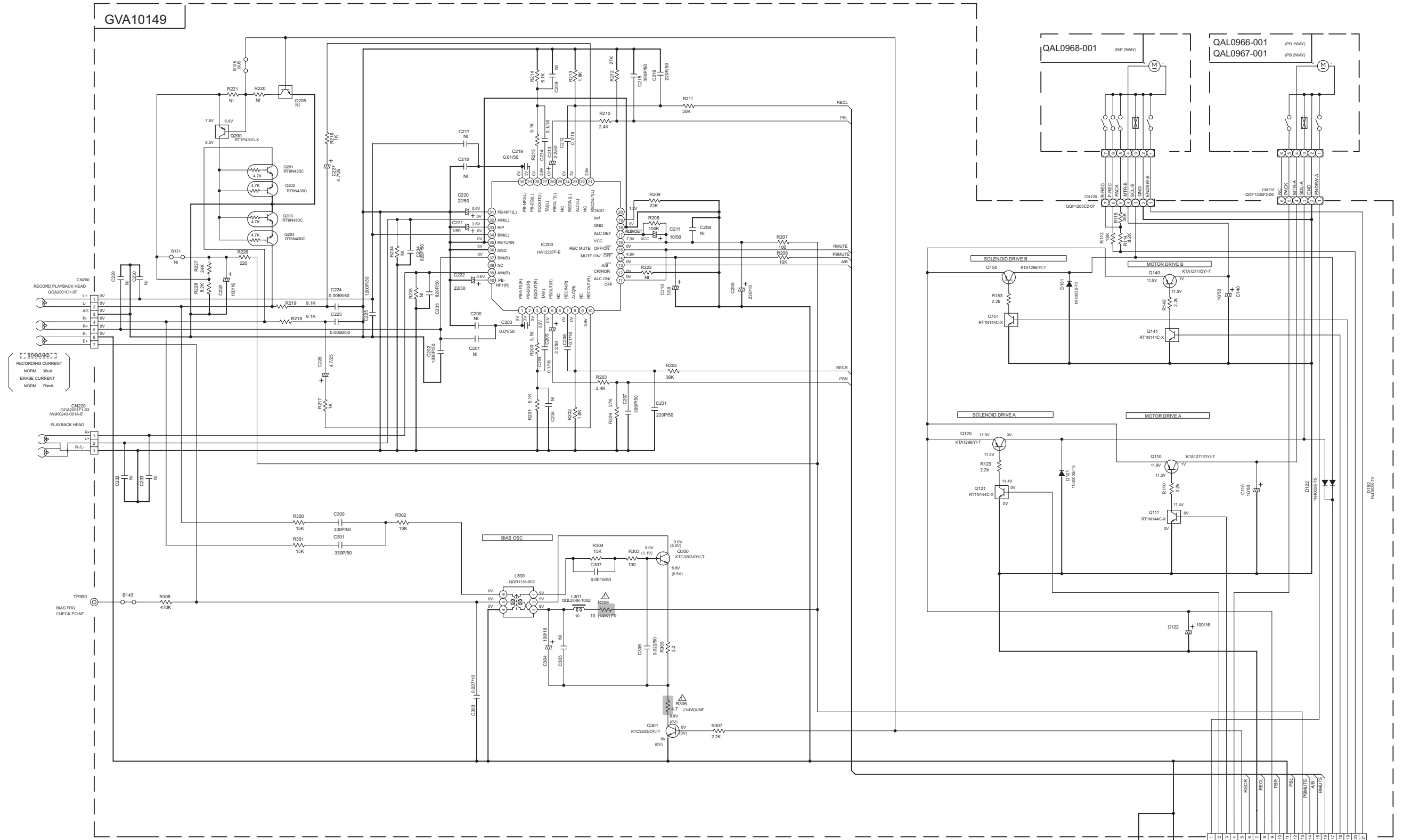
REF. NO.	J11	J21
C700	10000	10000
C701	10000	10000
C702	10000	10000
C703	10000	10000
C704	10000	10000
C705	10000	10000
C706	10000	10000
C707	10000	10000
C708	10000	10000
C709	10000	10000
C710	10000	10000
C711	10000	10000
C712	10000	10000
C713	10000	10000
C714	10000	10000
C715	10000	10000
C716	10000	10000
C717	10000	10000
C718	10000	10000
C719	10000	10000
C720	10000	10000
C721	10000	10000
C722	10000	10000
C723	10000	10000
C724	10000	10000
C725	10000	10000
C726	10000	10000
C727	10000	10000
C728	10000	10000
C729	10000	10000
C730	10000	10000
C731	10000	10000
C732	10000	10000
C733	10000	10000
C734	10000	10000
C735	10000	10000
C736	10000	10000
C737	10000	10000
C738	10000	10000
C739	10000	10000
C740	10000	10000
C741	10000	10000
C742	10000	10000
C743	10000	10000
C744	10000	10000
C745	10000	10000
C746	10000	10000
C747	10000	10000
C748	10000	10000
C749	10000	10000
C750	10000	10000
C751	10000	10000
C752	10000	10000
C753	10000	10000
C754	10000	10000
C755	10000	10000
C756	10000	10000
C757	10000	10000
C758	10000	10000
C759	10000	10000
C760	10000	10000
C761	10000	10000
C762	10000	10000
C763	10000	10000
C764	10000	10000
C765	10000	10000
C766	10000	10000
C767	10000	10000
C768	10000	10000
C769	10000	10000
C770	10000	10000
C771	10000	10000
C772	10000	10000
C773	10000	10000
C774	10000	10000
C775	10000	10000
C776	10000	10000
C777	10000	10000
C778	10000	10000
C779	10000	10000
C780	10000	10000
C781	10000	10000
C782	10000	10000
C783	10000	10000
C784	10000	10000
C785	10000	10000
C786	10000	10000
C787	10000	10000
C788	10000	10000
C789	10000	10000
C790	10000	10000
C791	10000	10000
C792	10000	10000
C793	10000	10000
C794	10000	10000
C795	10000	10000
C796	10000	10000
C797	10000	10000
C798	10000	10000
C799	10000	10000
C800	10000	10000
C801	10000	10000
C802	10000	10000
C803	10000	10000
C804	10000	10000
C805	10000	10000
C806	10000	10000
C807	10000	10000
C808	10000	10000
C809	10000	10000
C810	10000	10000

SOUND STUDY

REF. NO.	J11	J21	J26
R7701	45K	220K	200K
R7711	62K	220K	200K
R7751	100K	100K	100K
C8000	100000	100000	100000
C8010	100000	100000	100000

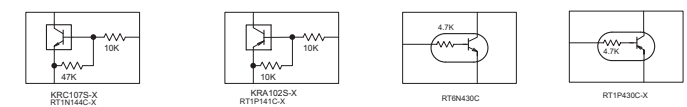
Parts are safety assurance parts.
 When replacing those parts make sure to use the specified one.

■ Cassette control section (DX-J21,DX-J11)



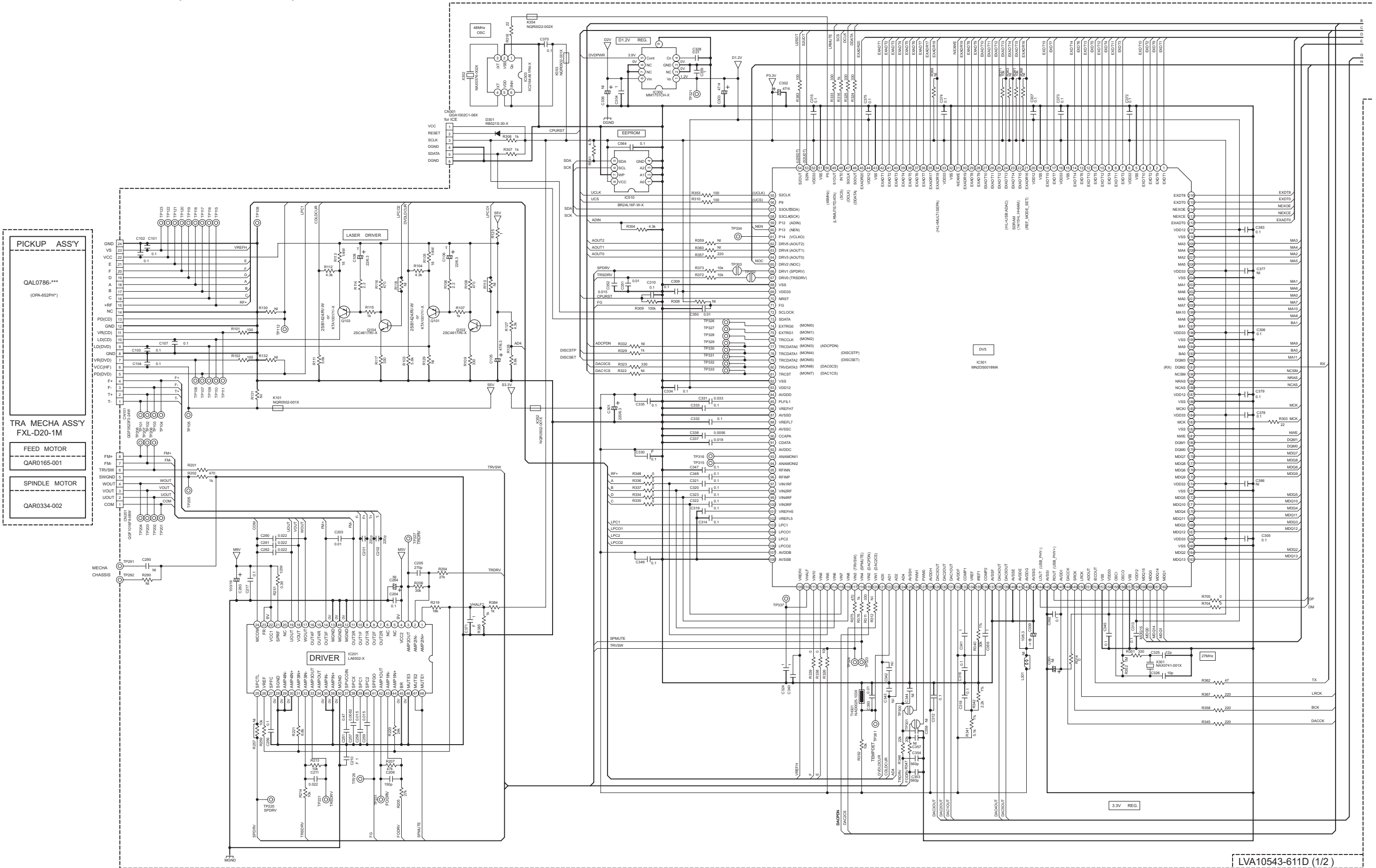
NOTES

1. VOLTAGES ARE DC-MEASURED WITH A DIGITAL VOLT METER OR OSCILLOSCOPE WITHOUT INPUT SIGNAL. CONDITION : MECHA STOP MODE
2. UNLESS OTHERWISE SPECIFIED, RESISTORS ARE 1/10W ±5% METAL GLAZE RESISTOR. ALL RESISTANCE VALUES ARE IN OHM (Ω). ALL CAPACITORS ARE CERAMIC CAPACITOR OR MYLAR CAPACITOR. ALL CAPACITANCE VALUES ARE IN μF (μF±pF). ALL INDUCTANCE VALUES ARE IN μH (μH±mH). ALL E-CAPACITORS ARE SHOWN IN THE FORM OF CAPACITANCE (μF) RATED VOLTAGE (V). POLYPROPYLENE CAPACITOR



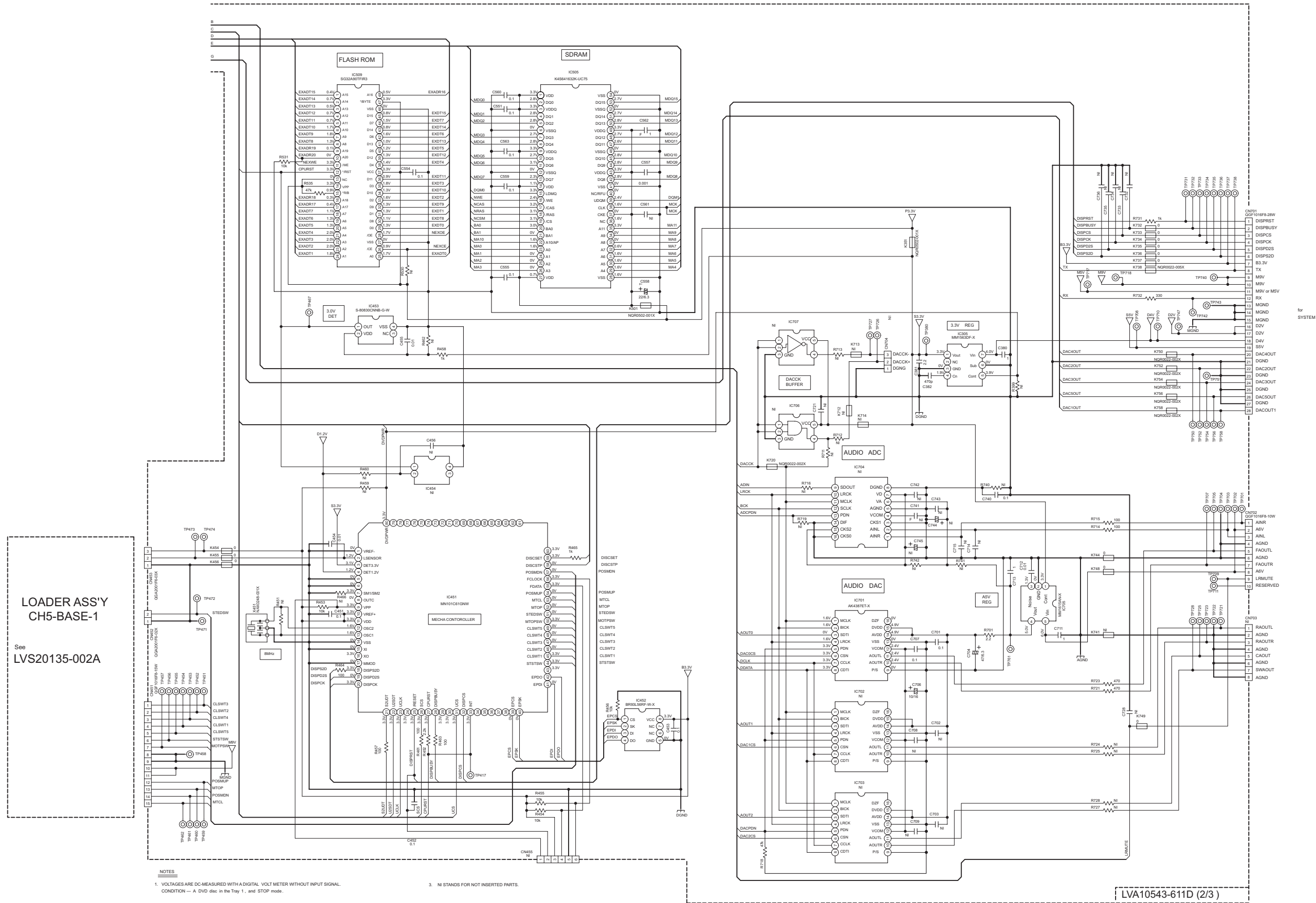
⚠ Parts are safety assurance parts. When replacing those parts make sure to use the specified one.

■ Front end section 1 (DX-J21,DX-J11)

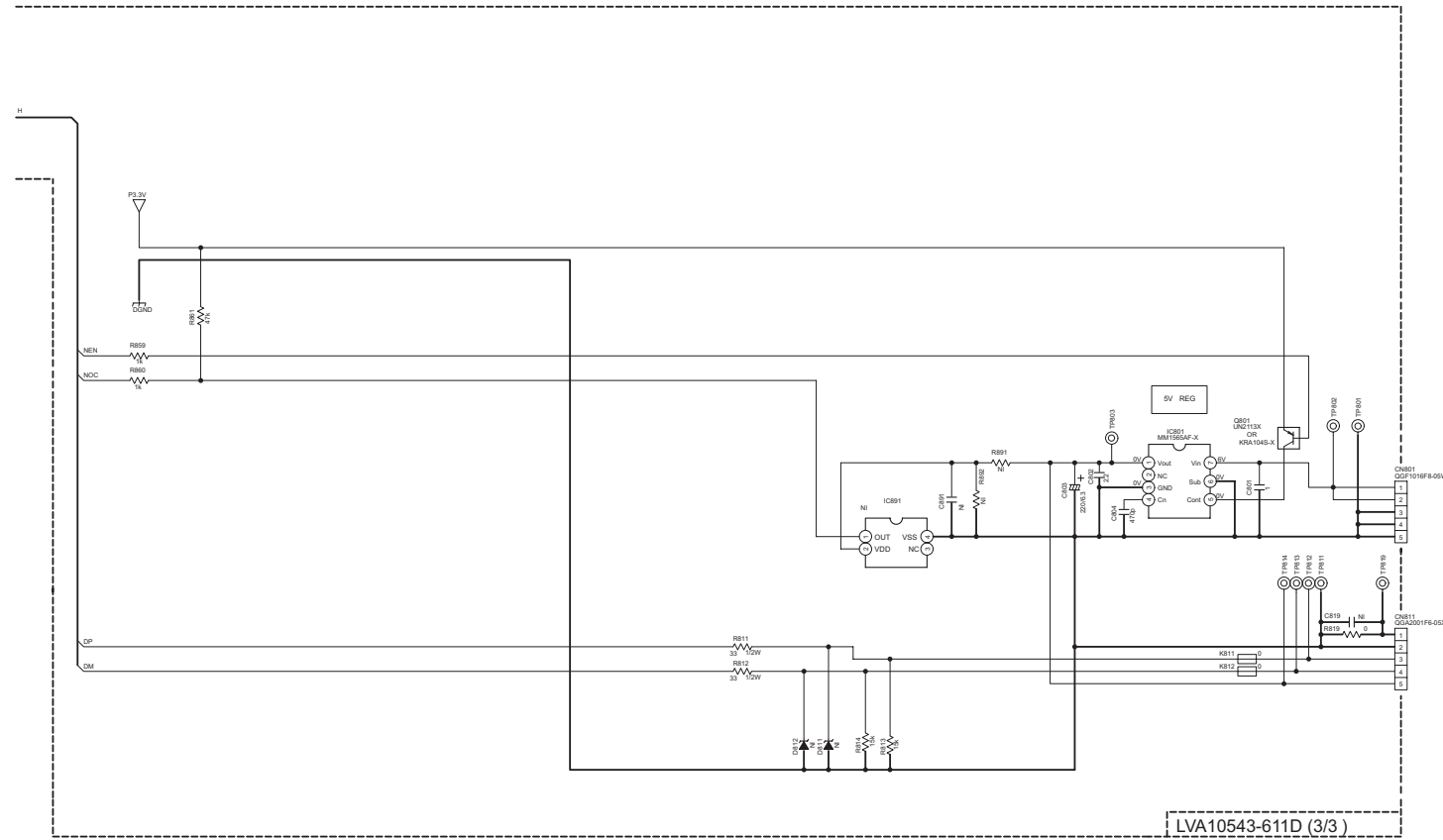


LVA10543-611D (1/2)

■ Front end section 2 (DX-J21,DX-J11)



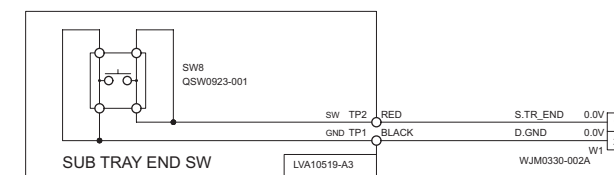
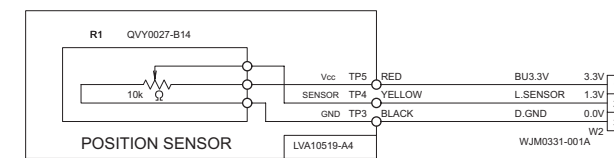
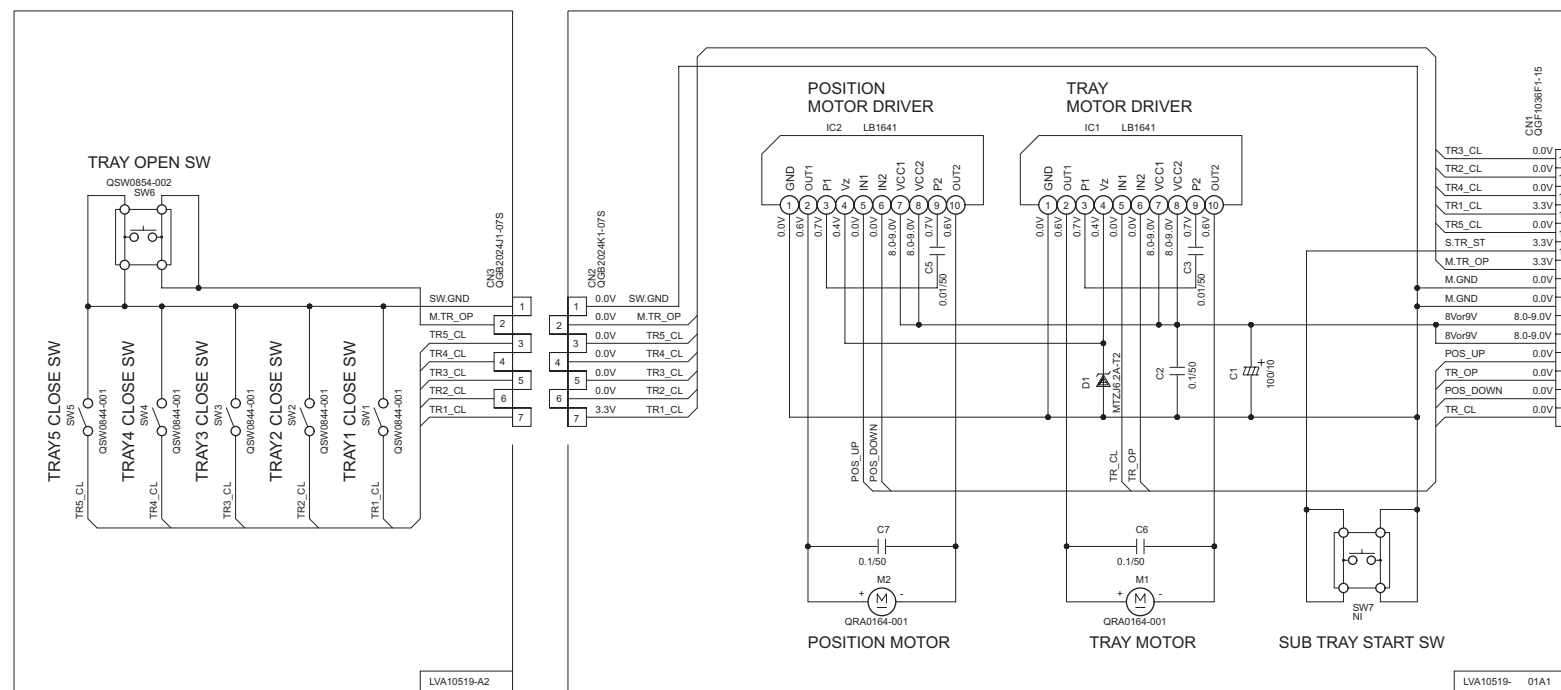
Front end section 3 (DX-J21,DX-J11)



NOTES

- VOLTAGES ARE DC-MEASURED WITH A DIGITAL VOLT METER. WITHOUT INPUT SIGNAL. CONDITION -- A DVD disc in the Tray 1, and STOP mode.
- UNLESS OTHERWISE SPECIFIED:
ALL RESISTORS ARE 1/16W ± 5% METAL GLAZE RESISTOR. OR 0.5% METAL GLAZE RESISTOR.
ALL CAPACITORS ARE 50V, 25V, 16V, 10V or 6.3V CERAMIC CAPACITOR.
ALL RESISTANCE VALUES ARE IN OHM (Ω).
ALL CAPACITANCE VALUES ARE IN PICO(F) (pF).
ALL E-CAPACITORS ARE SHOWN IN THE FORM OF CAPACITANCE(μF)/RATED VOLTAGE(V).
ALL INDUCTANCE VALUES ARE IN HENRY (mH).
- NI STANDS FOR NOT INSERTED PARTS.
- DIGITAL TRANSISTOR
UN2113-X = 47k
47k

Loader section (DX-J21,DX-J11)



NOTES

- VOLTAGES ARE DC-MEASURED WITH A DIGITAL VOLT METER. CONDITION: DISC1 STOP
- UNLESS OTHERWISE SPECIFIED.
ALL CAPACITORS ARE SHOWN IN THE FORM OF CAPACITANCE(μF)/RATED VOLTAGE(V).
- NI STANDS FOR NOT INSERTED PARTS.

< MEMO >



Victor Company of Japan, Limited

Audio/Video Systems Category 10-1,1chome,Ohwatari-machi,Maebashi-city,371-8543,Japan

(No.MB666SCH<Rev.002>)

Printed in Japan
VPT

Free Manuals Download Website

<http://myh66.com>

<http://usermanuals.us>

<http://www.somanuals.com>

<http://www.4manuals.cc>

<http://www.manual-lib.com>

<http://www.404manual.com>

<http://www.luxmanual.com>

<http://aubethermostatmanual.com>

Golf course search by state

<http://golfingnear.com>

Email search by domain

<http://emailbydomain.com>

Auto manuals search

<http://auto.somanuals.com>

TV manuals search

<http://tv.somanuals.com>