

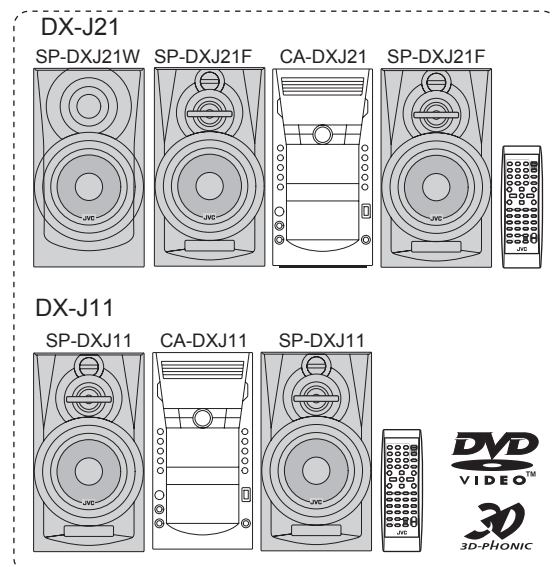
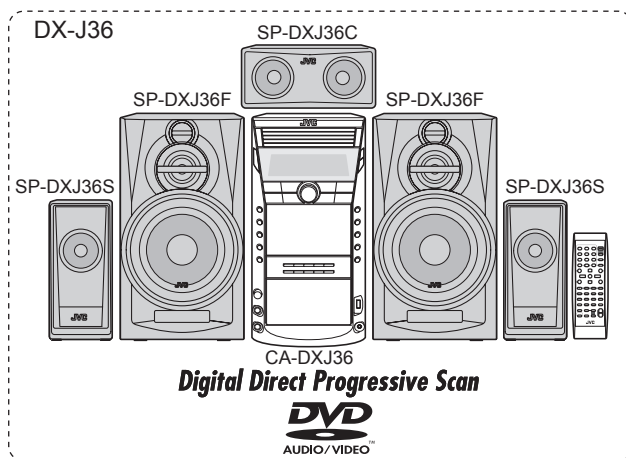
JVC

SCHEMATIC DIAGRAMS

COMPACT COMPONENT SYSTEM

DX-J36UN,DX-J36EE,DX-J36UX,DX-J36UG
DX-J21UN,DX-J21J,DX-J21EE,DX-J21A
DX-J21UW,DX-J21UX,DX-J21UG
DX-J11UN,DX-J11EE,DX-J11UW
DX-J11UX,DX-J11UG,DX-J11UH

DVD-ROM No.SML2008Q1



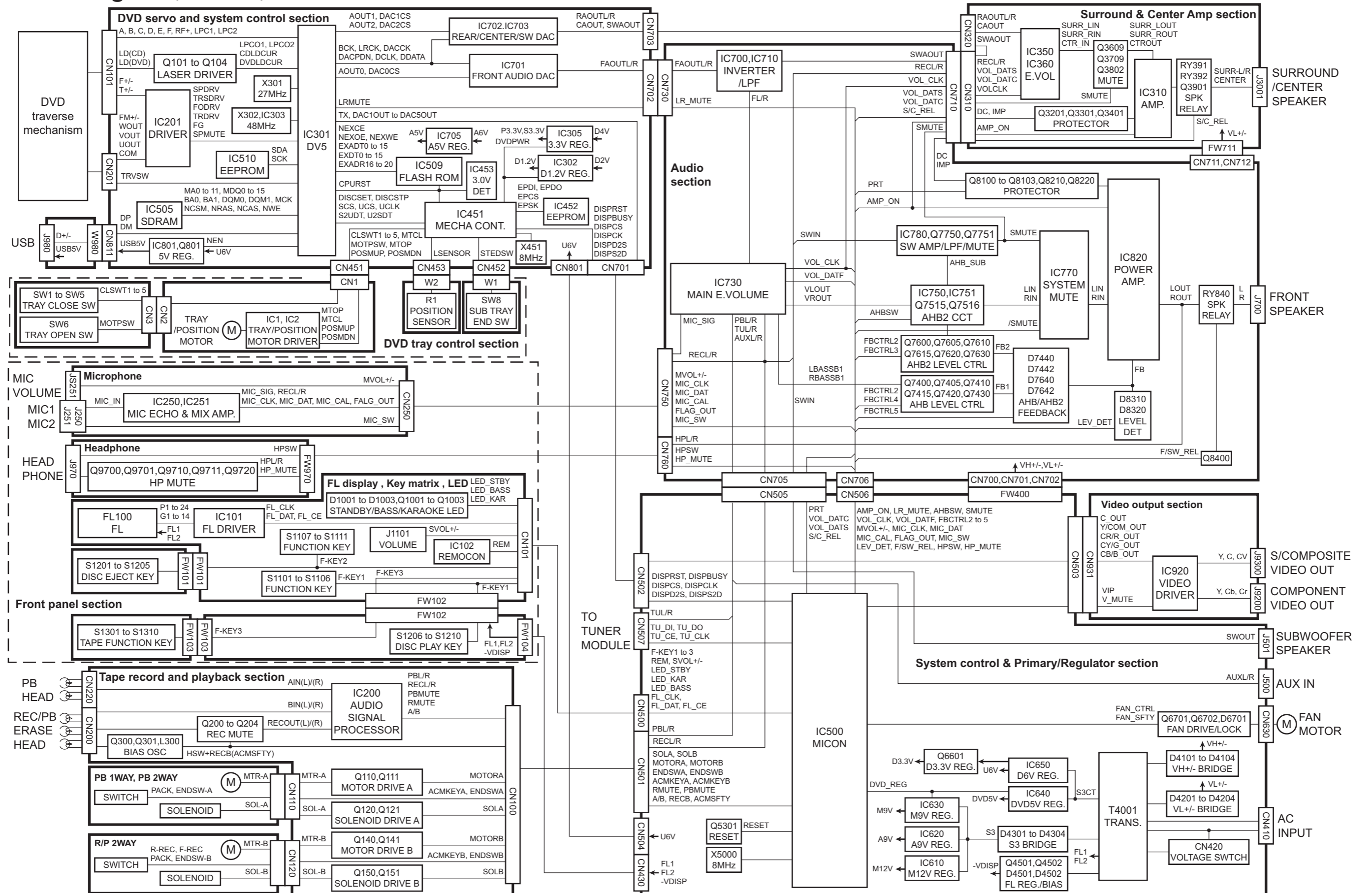
Lead free solder used in the board (material : Sn-Ag-Cu, melting point : 219 Centigrade)
Lead free solder used in the board (material : Sn-Cu, melting point : 230 Centigrade)

Contents

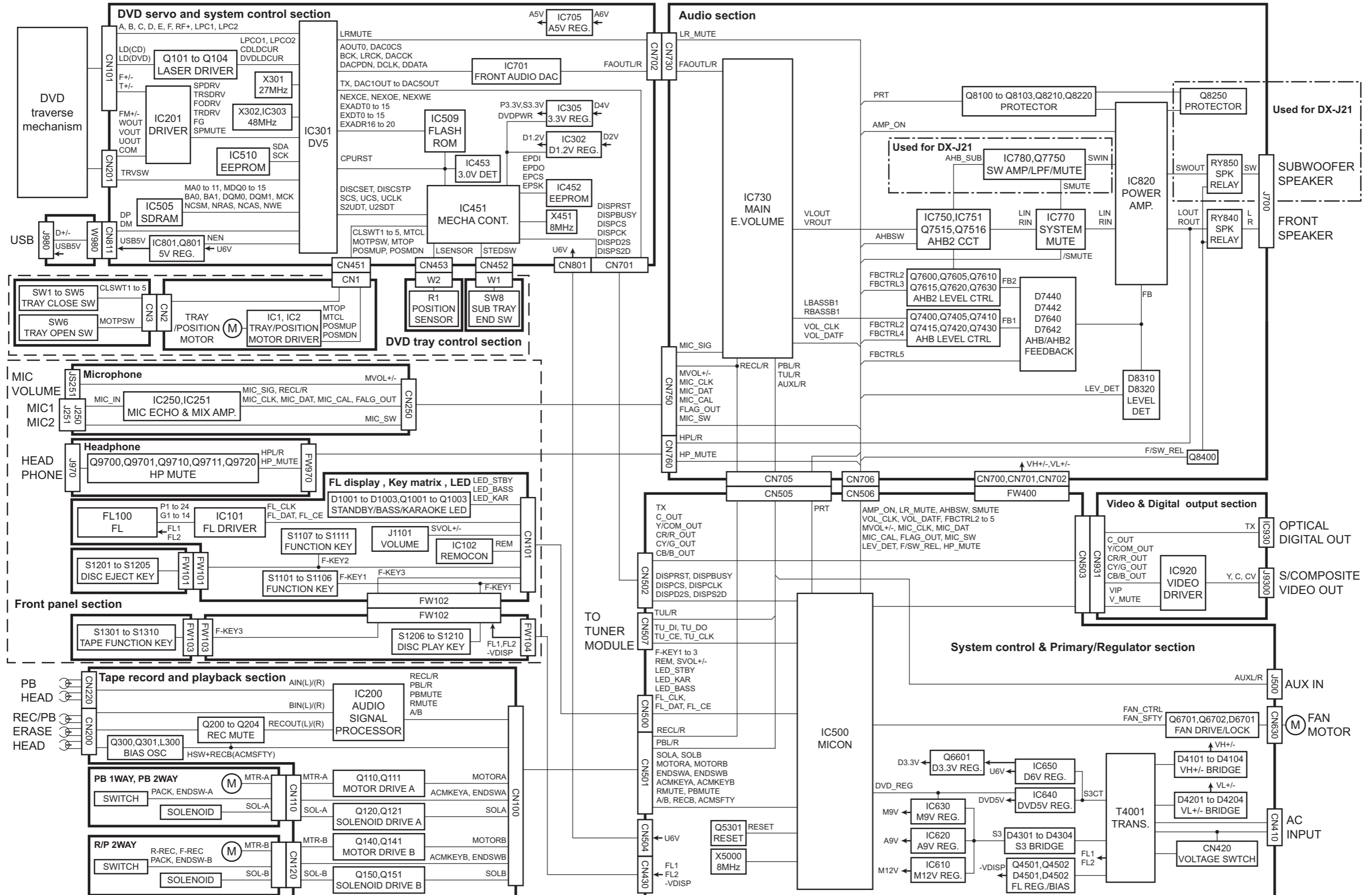
Block diagrams	2-1
Standard schematic diagrams	2-2
Printed circuit boards	2-20 to 22

In regard with component parts appearing on the silk-screen printed side (parts side) of the PWB diagrams, the parts that are printed over with black such as the resistor (■), diode (▣) and ICP (●) or identified by the "▲" mark nearby are critical for safety.

Block diagram (For DX-J36)

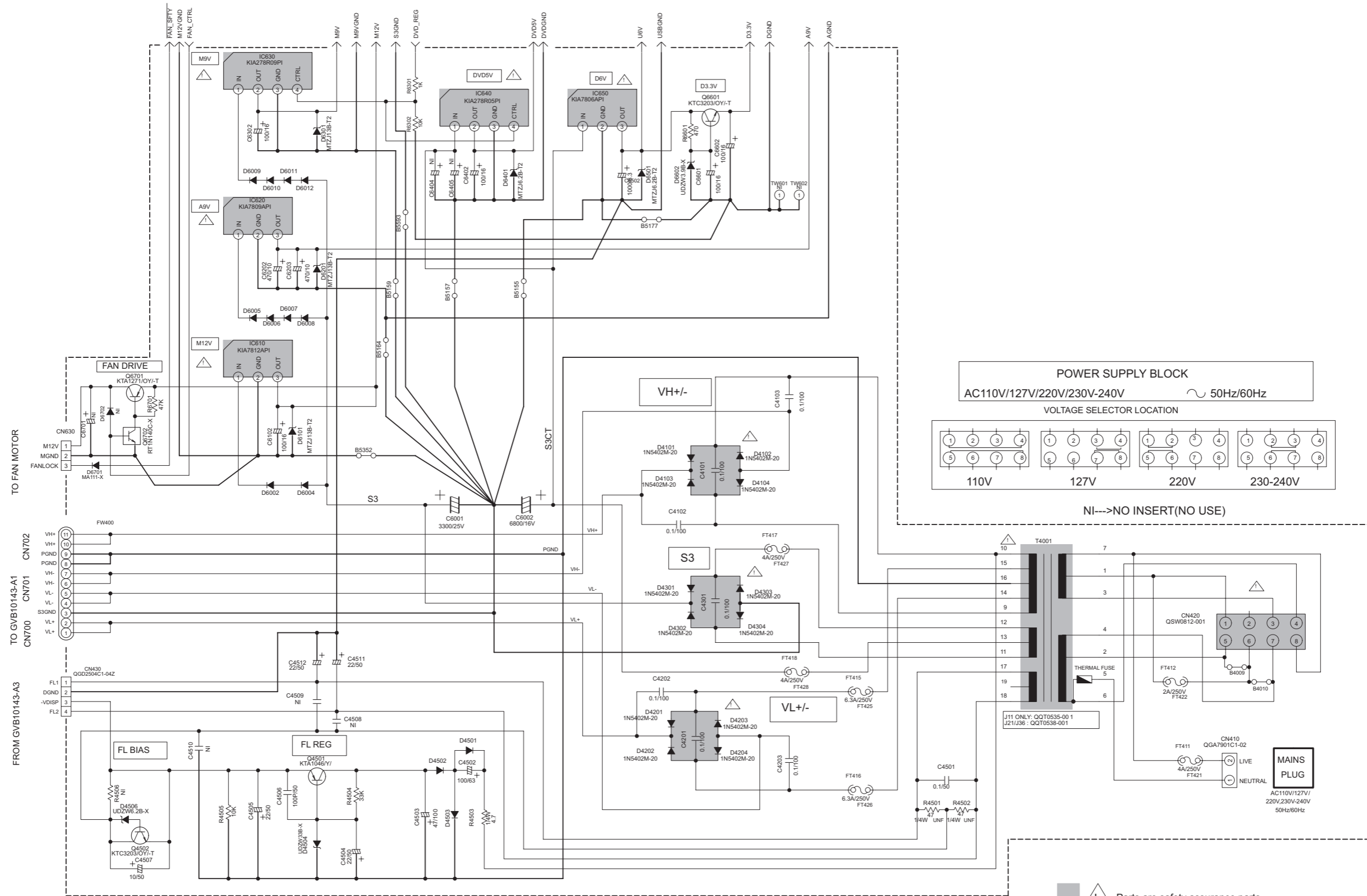


Block diagram (For DX-J11 and DX-J21)



Standard schematic diagrams

Primary section (DX-J36)

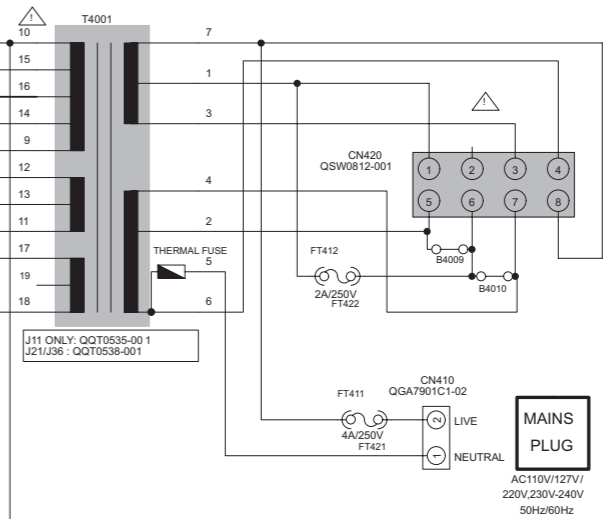
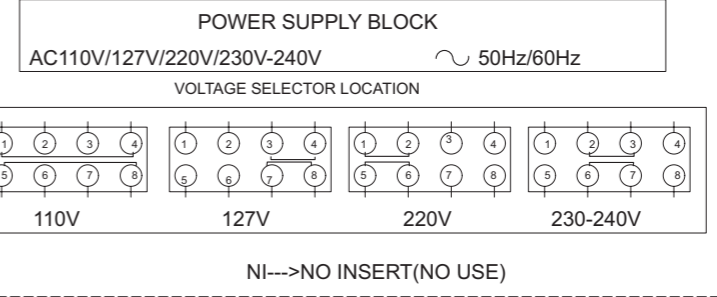


NOTES

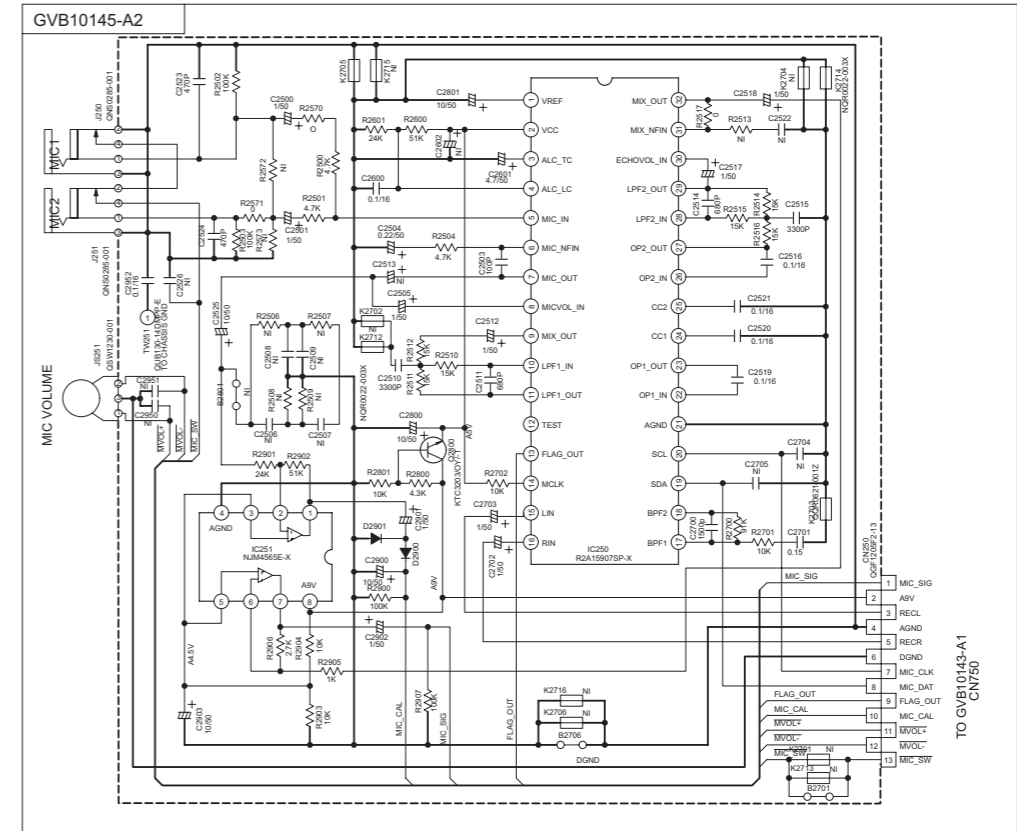
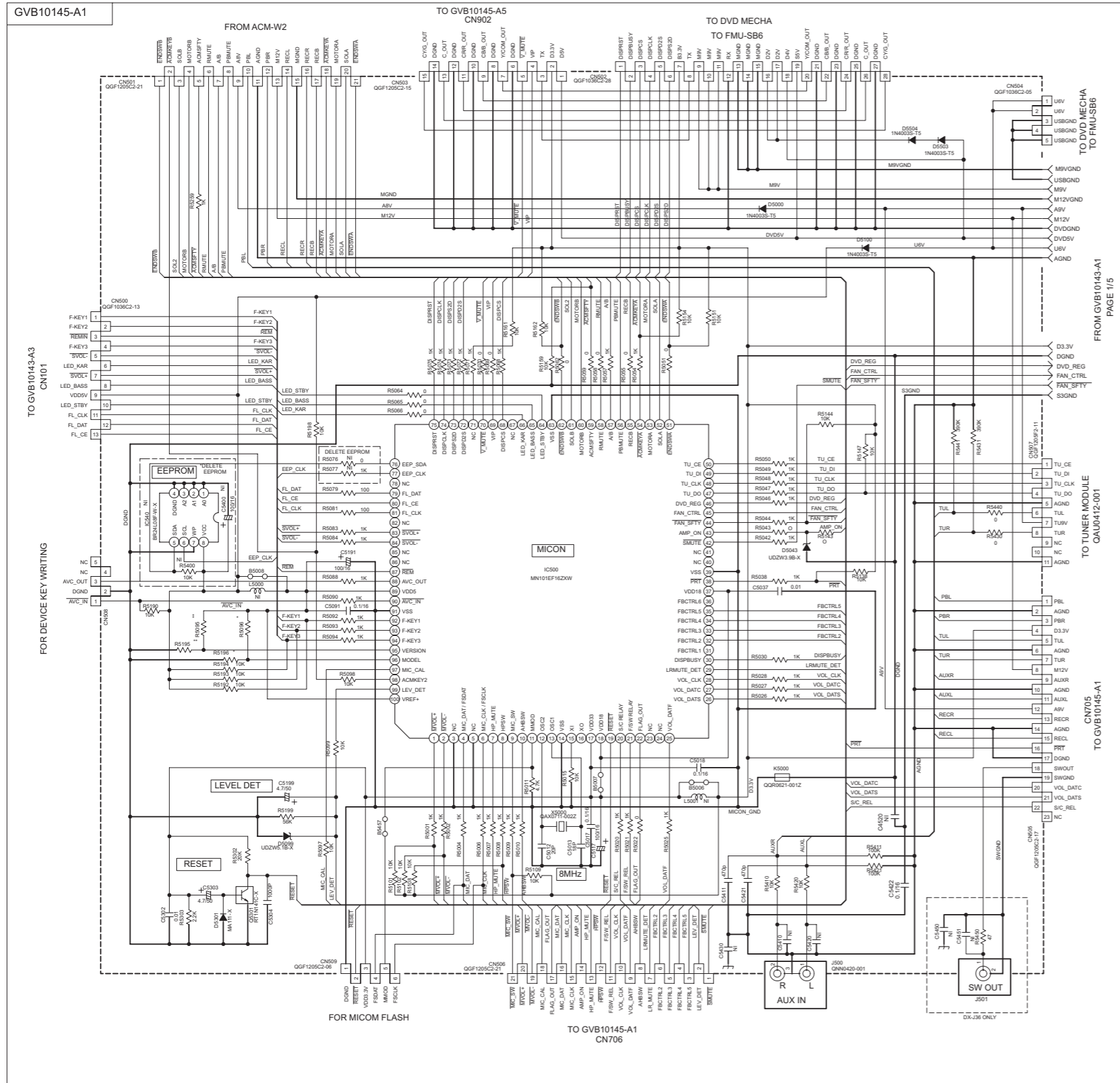
- VOLTAGES ARE DC-MEASURED WITH A DIGITAL VOLTMETER OR OSCILLOSCOPE WITHOUT INPUT SIGNAL. CONDITION --- DVD STOP MODE
- UNLESS OTHERWISE SPECIFIED.
 - ALL RESISTORS ARE 1/16W ±5% CARBON FILM RESISTOR OR 0.625W ±5% THICK FILM CHIP RESISTOR.
 - ALL CAPACITORS ARE CERAMIC CAPACITOR OR MYLAR CAPACITOR.
 - ALL RESISTANCE VALUES ARE IN OHM(Ω).
- ALL CAPACITANCE VALUES ARE IN μF(P=PF). ALL E-CAPACITORS ARE SHOWN IN THE FORM OF CAPACITANCE(μF) /RATED VOLTAGE(V). ALL INDUCTANCE VALUES ARE IN μH(m=mH). ALL DIODES ARE 1N4003S-T5. NI = NON INSERT

VERSION	CN420	B4009	B4010
A/EE	NI	NI	INSERT
UY	NI	INSERT	NI
OTHERS	INSERT	NI	NI

Parts are safety assurance parts. When replacing those parts make sure to use the specified one.



■ Micom section (DX-J36)



NOTES

- VOLTAGES ARE DC-MEASURED WITH A DIGITAL VOLTMETER OR OSCILLOSCOPE WITHOUT INPUT SIGNAL CONDITION — DVD STOP MODE.
- UNLESS OTHERWISE SPECIFIED, ALL RESISTORS ARE 1/16W ±5% CARBON FILM RESISTOR OR 0.625W ±5% THICK FILM CHIP RESISTOR. ALL CAPACITORS ARE CERAMIC CAPACITOR OR MYLAR CAPACITOR. ALL RESISTANCE VALUES ARE IN OHM (Ω). ALL CAPACITANCE VALUES ARE IN pF (pF). ALL CAPACITANCE VALUES ARE SHOWN IN THE FORM OF CAPACITANCE (μF) RATED VOLTAGE (V). ALL INDUCTANCE VALUES ARE IN μH (μH). ALL FERRITE BEADS ARE QOR0621-0012. NI = NON INSERT.

DIGITAL TRANSISTOR CONSTRUCTION

Q#	MODEL	R1	R2	PART NO.
Q1	RT1N144C-X	4.7K	-	RT1N144C-X
Q2	RT1N430C-X	10K	47K	RT1N430C-X
Q3	RT1P430C-X	4.7K	-	RT1P430C-X
Q4	RT1P141C-X	10K	10K	RT1P141C-X

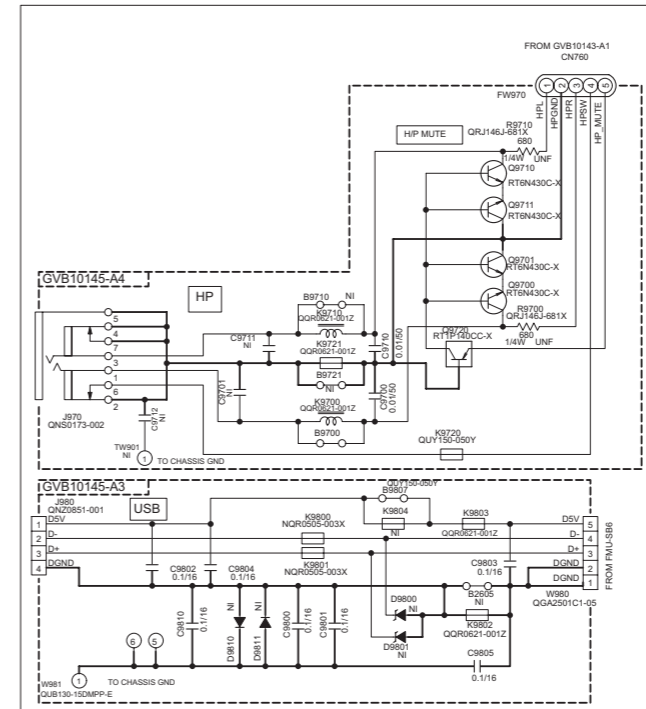
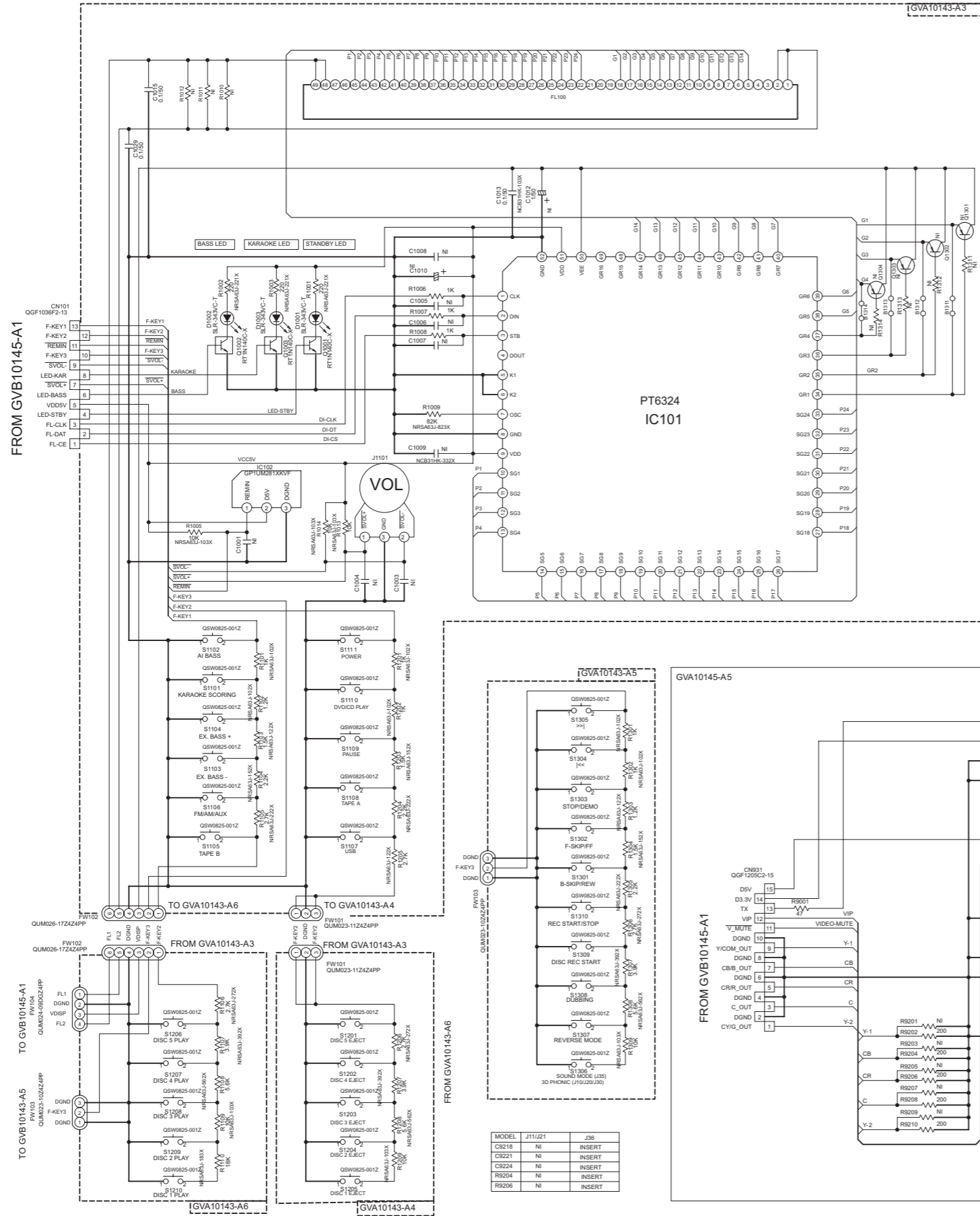
MODEL INDICATION

	J11	J21	J36
R5096	10K	10K	10K
R5196	NIL	NIL	15K

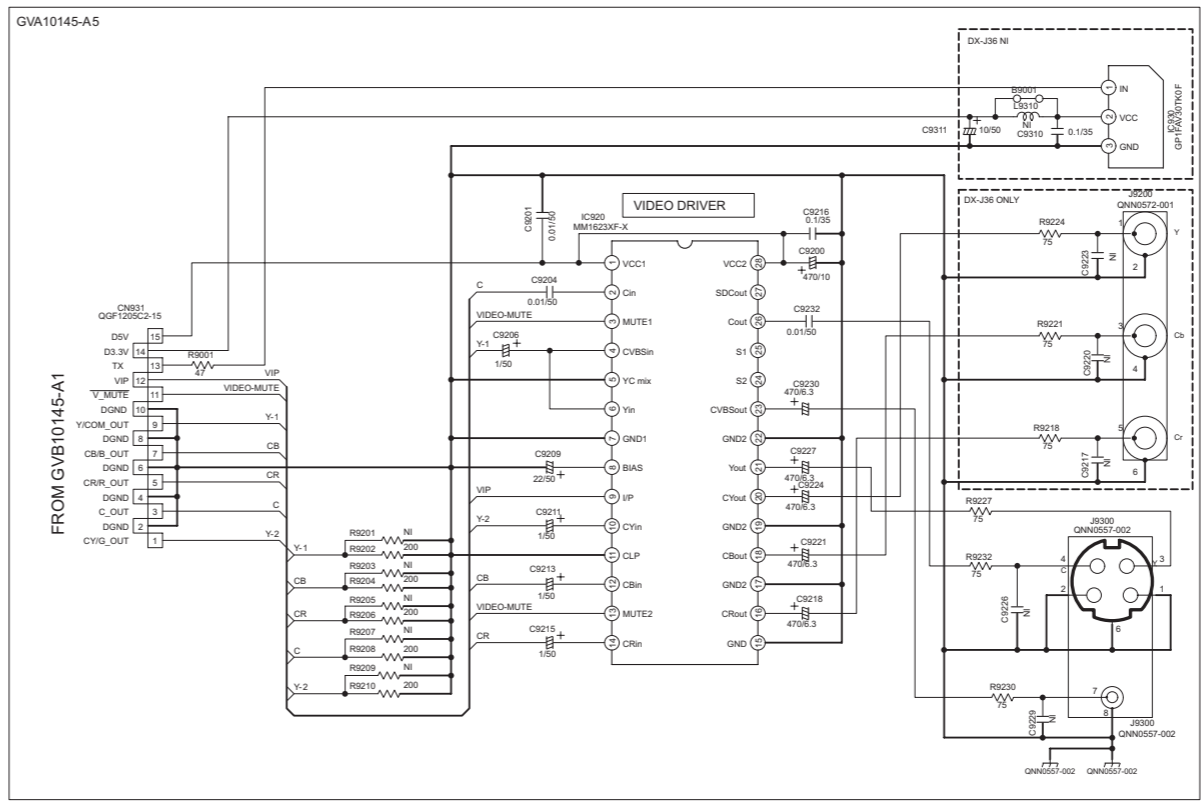
VERSION INDICATION

	R5096	R5196
US/UN/HA	10K	NIL
LW/LY	10K	15K
UX/UG	10K	5.6K
EE	NIL	10K

■ Front section (DX-J36)

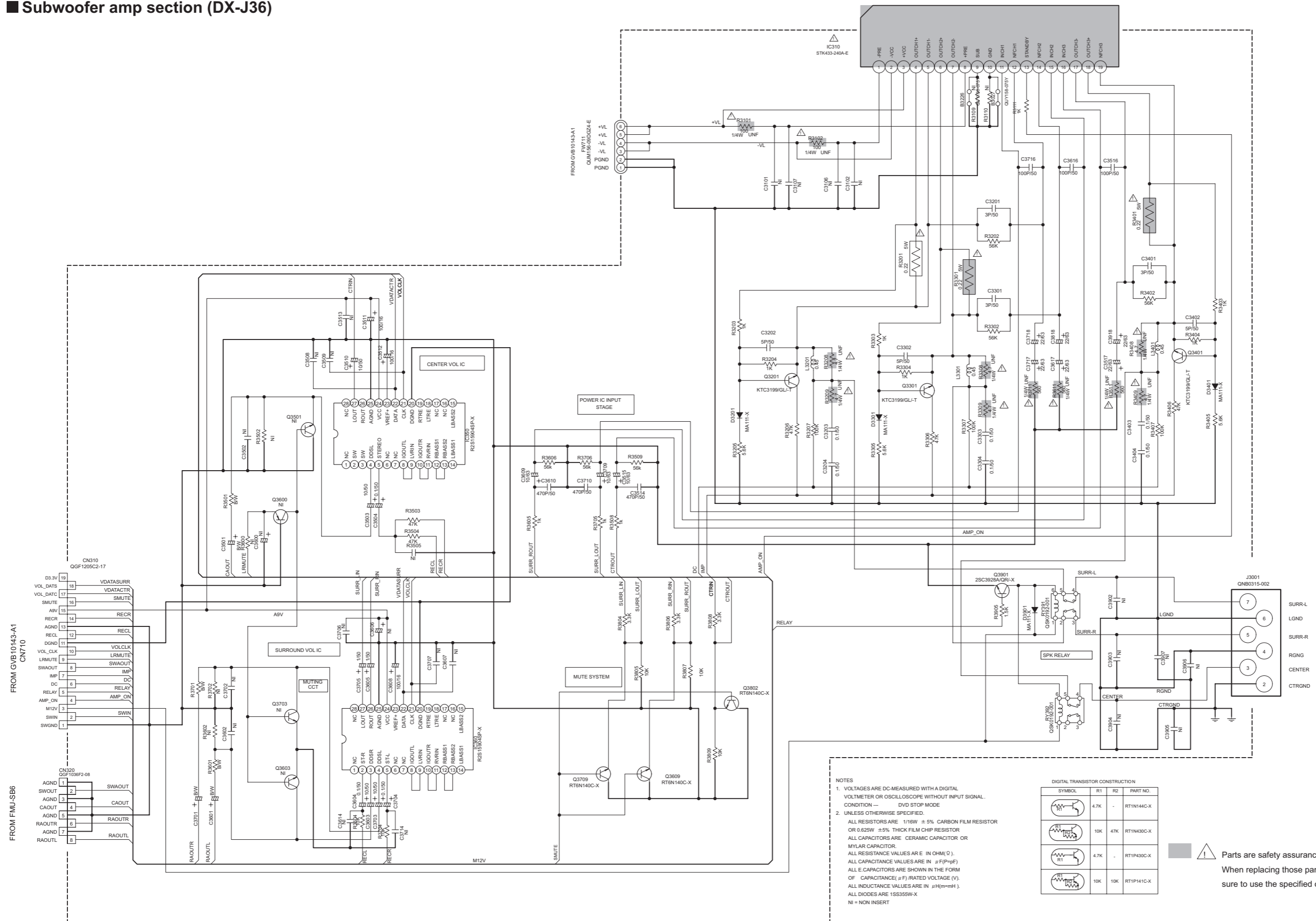


- DIGITAL TRANSISTOR CONSTRUCTION**
- | SYMBOL | R1 | R2 | PART NO. |
|--------|------|-----|------------|
| | 4.7K | - | RT1N144C-X |
| | 10K | 47K | RT1N430C-X |
| | 4.7K | - | RT1P430C-X |
| | 10K | 10K | RT1P141C-X |
- NOTES**
- VOLTAGES ARE DC-MEASURED WITH A DIGITAL VOLT-METER OR OSCILLOSCOPE WITHOUT INPUT SIGNAL. CONDITION — DVD STOP MODE.
 - UNLESS OTHERWISE SPECIFIED, ALL RESISTORS ARE 1/16W ±5% CARBON FILM RESISTOR OR 0.625W ±5% THICK FILM CHIP RESISTOR. ALL CAPACITORS ARE CERAMIC CAPACITOR OR MYLAR CAPACITOR. ALL RESISTANCE VALUES ARE IN Ω (M, K, M). ALL CAPACITANCE VALUES ARE IN μF (P, N, F). ALL CAPACITORS ARE SHOWN IN THE FORM OF CAPACITANCE (μF) RATED VOLTAGE (V). ALL INDUCTANCE VALUES ARE IN μH (m, H). ALL DIODES ARE MA111-X. NI = NON INSERT.



MODEL	J11J21	J36
C9216	NI	INSERT
C9221	NI	INSERT
C9224	NI	INSERT
R9204	NI	INSERT
R9206	NI	INSERT

■ Subwoofer amp section (DX-J36)



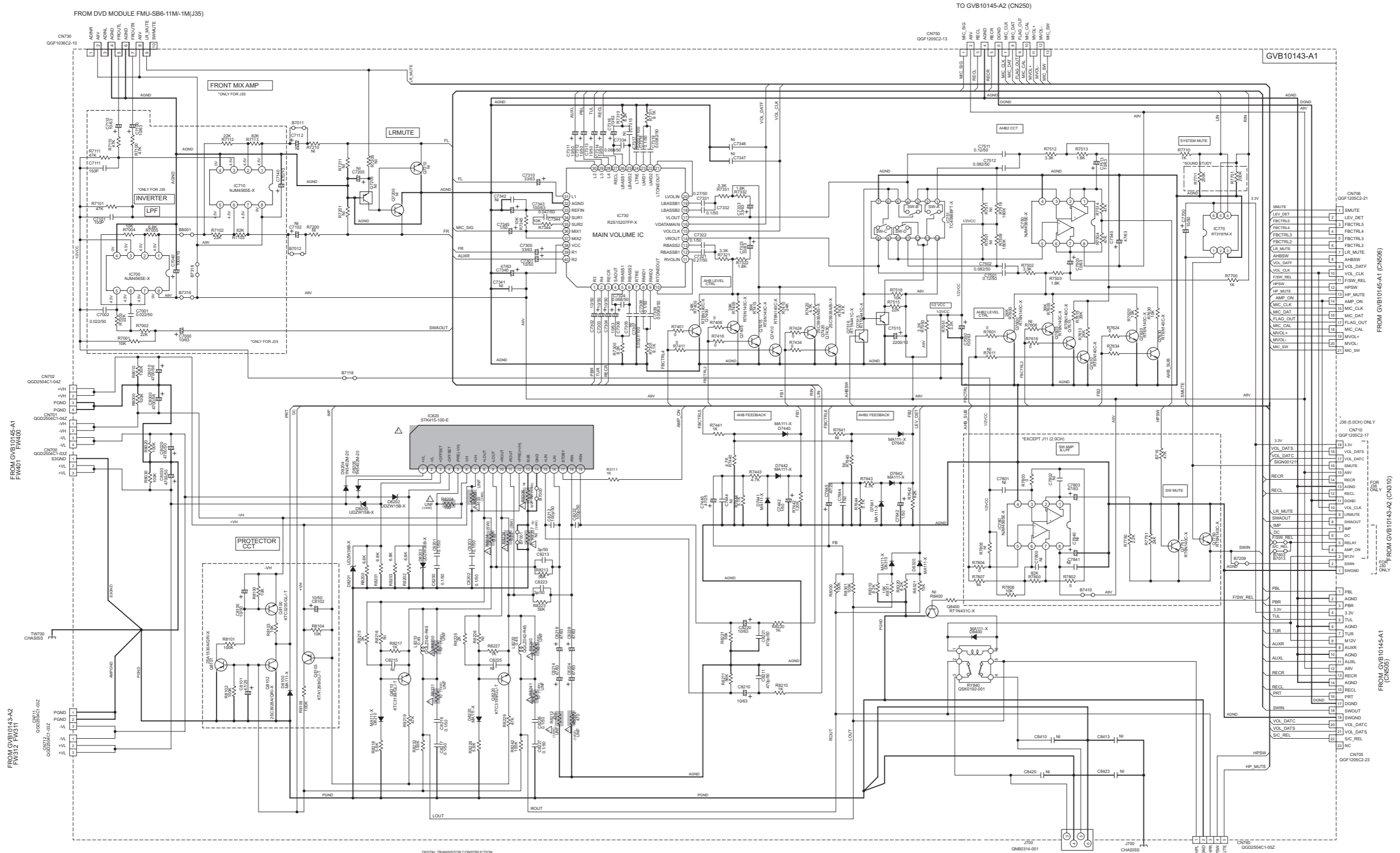
NOTES
 1. VOLTAGES ARE DC-MEASURED WITH A DIGITAL VOLTMETER OR OSCILLOSCOPE WITHOUT INPUT SIGNAL. CONDITION — DVD STOP MODE
 2. UNLESS OTHERWISE SPECIFIED.
 ALL RESISTORS ARE 1/16W ± 5% CARBON FILM RESISTOR OR 0.625W ± 5% THICK FILM CHIP RESISTOR
 ALL CAPACITORS ARE CERAMIC CAPACITOR OR MYLAR CAPACITOR.
 ALL RESISTANCE VALUES ARE IN OHM(Ω).
 ALL CAPACITANCE VALUES ARE IN μ(F)=P(F)
 ALL E. CAPACITORS ARE SHOWN IN THE FORM OF CAPACITANCE(μ F)/RATED VOLTAGE (V).
 ALL INDUCTANCE VALUES ARE IN μH(m=mH).
 ALL DIODES ARE 1SS355W-X.
 NI = NON INSERT

DIGITAL TRANSISTOR CONSTRUCTION

SYMBOL	R1	R2	PART NO.
	4.7K	-	RT1N144C-X
	10K	47K	RT1N430C-X
	4.7K	-	RT1P430C-X
	10K	10K	RT1P141C-X

△ Parts are safety assurance parts.
 When replacing those parts make sure to use the specified one.

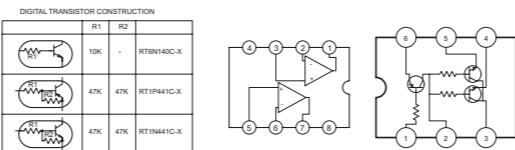
Audio section (DX-J36)



NOTES

- VOLTAGES ARE DC-MEASURED WITH A DIGITAL VOLT METER OR OSCILLOSCOPE WITHOUT INPUT SIGNAL. CONDITION - DVD STOP MODE.
- UNLESS OTHERWISE SPECIFIED, ALL RESISTORS ARE 1/16W ± 5% CARBON FILM RESISTOR OR 0.625W ± 5% THICK FILM CHIP RESISTOR. ALL CAPACITORS ARE CERAMIC CAPACITOR OR MYLAR CAPACITOR.

ALL RESISTANCE VALUES ARE IN OHM (Ω). ALL CAPACITANCE VALUES ARE IN μF (μF) UNLESS OTHERWISE SPECIFIED. ALL INDUCTANCE VALUES ARE IN μH (μH) UNLESS OTHERWISE SPECIFIED. ALL DIODES ARE MA111-X. N = NON INSERT.

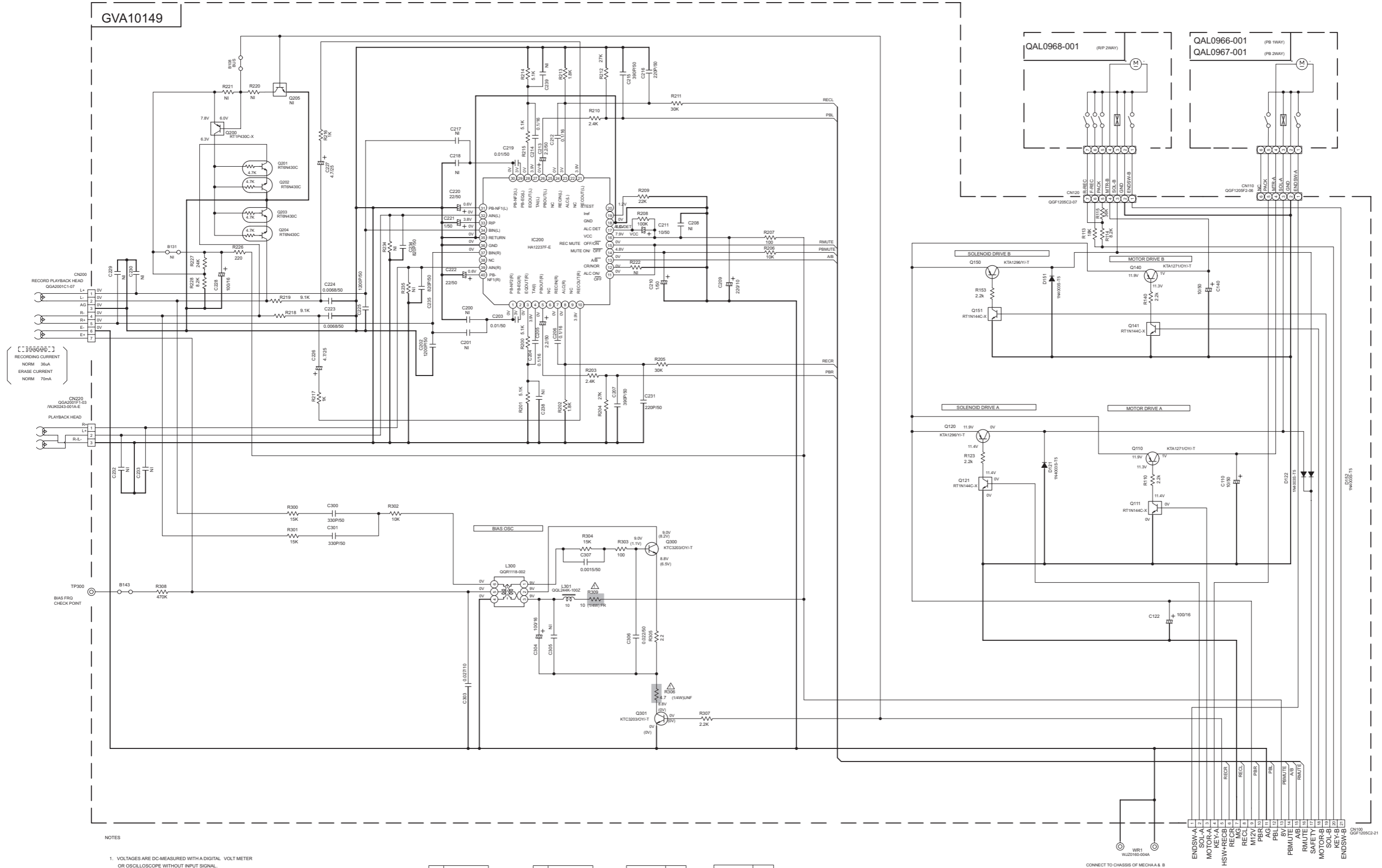


SOUND STUDY

IC	J11	J21	J36
R7701	62K	220K	200K
R7711	62K	220K	200K
R7731	62K	100K	24K
C820	C02005050	C02005050	C02005050
C810	C02005050	C02005050	C02005050

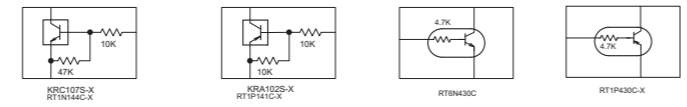
Parts are safety assurance parts. When replacing those parts make sure to use the specified one.

■ Cassette control section (DX-J36)



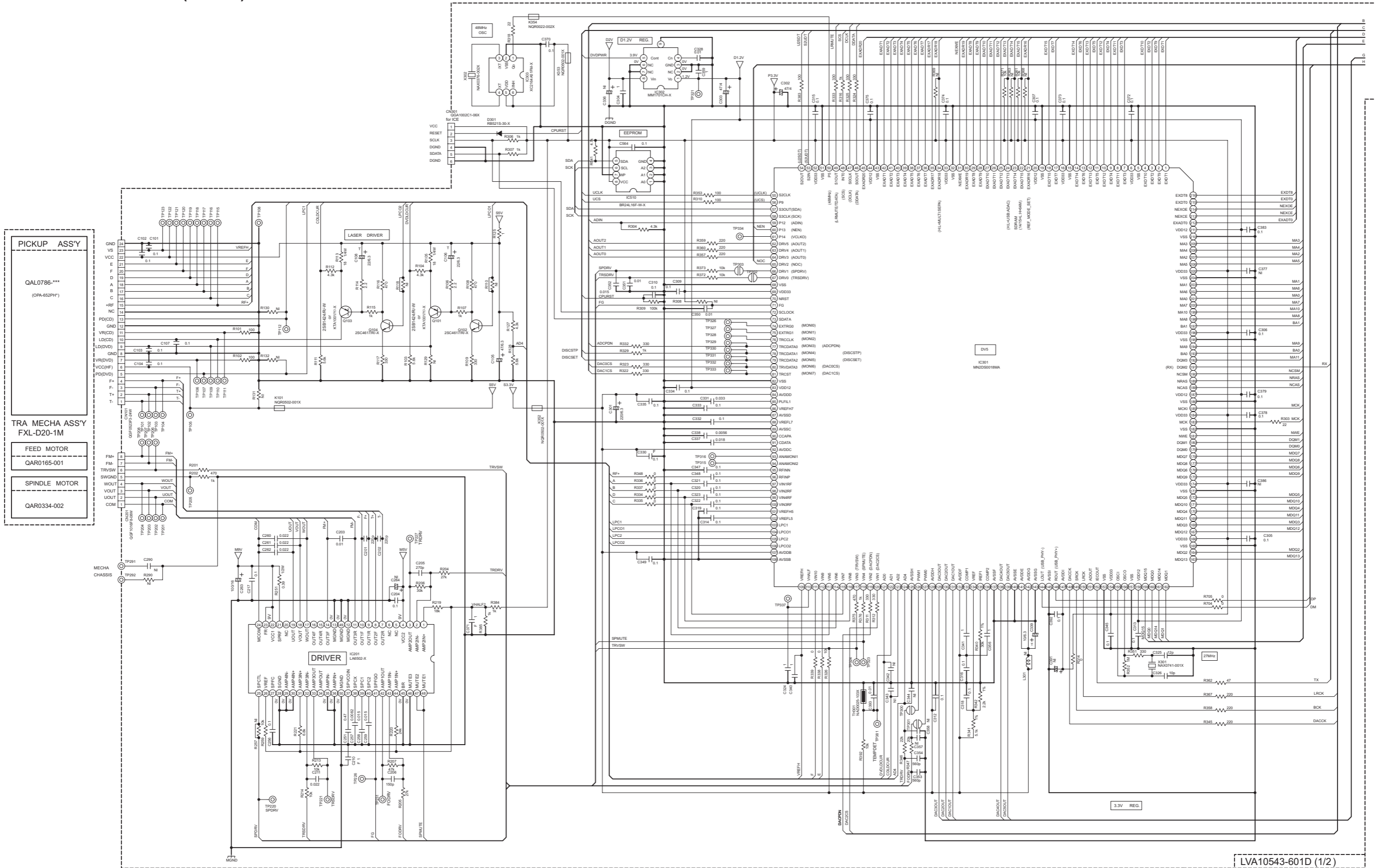
NOTES

- VOLTAGES ARE DC-MEASURED WITH A DIGITAL VOLT METER OR OSCILLOSCOPE WITHOUT INPUT SIGNAL. CONDITION : MECHA STOP MODE
- UNLESS OTHERWISE SPECIFIED, RESISTORS ARE 1/10W ±5% METAL GLAZE RESISTOR. ALL RESISTANCE VALUES ARE IN OHM (Ω). ALL CAPACITORS ARE CERAMIC CAPACITOR OR MYLAR CAPACITOR. ALL CAPACITANCE VALUES ARE IN μF(μF). ALL INDUCTANCE VALUES ARE IN μH(μH). ALL CAPACITORS ARE SHOWN IN THE FORM OF CAPACITANCE (μF) RATED VOLTAGE (V). POLYPROPYLENE CAPACITOR



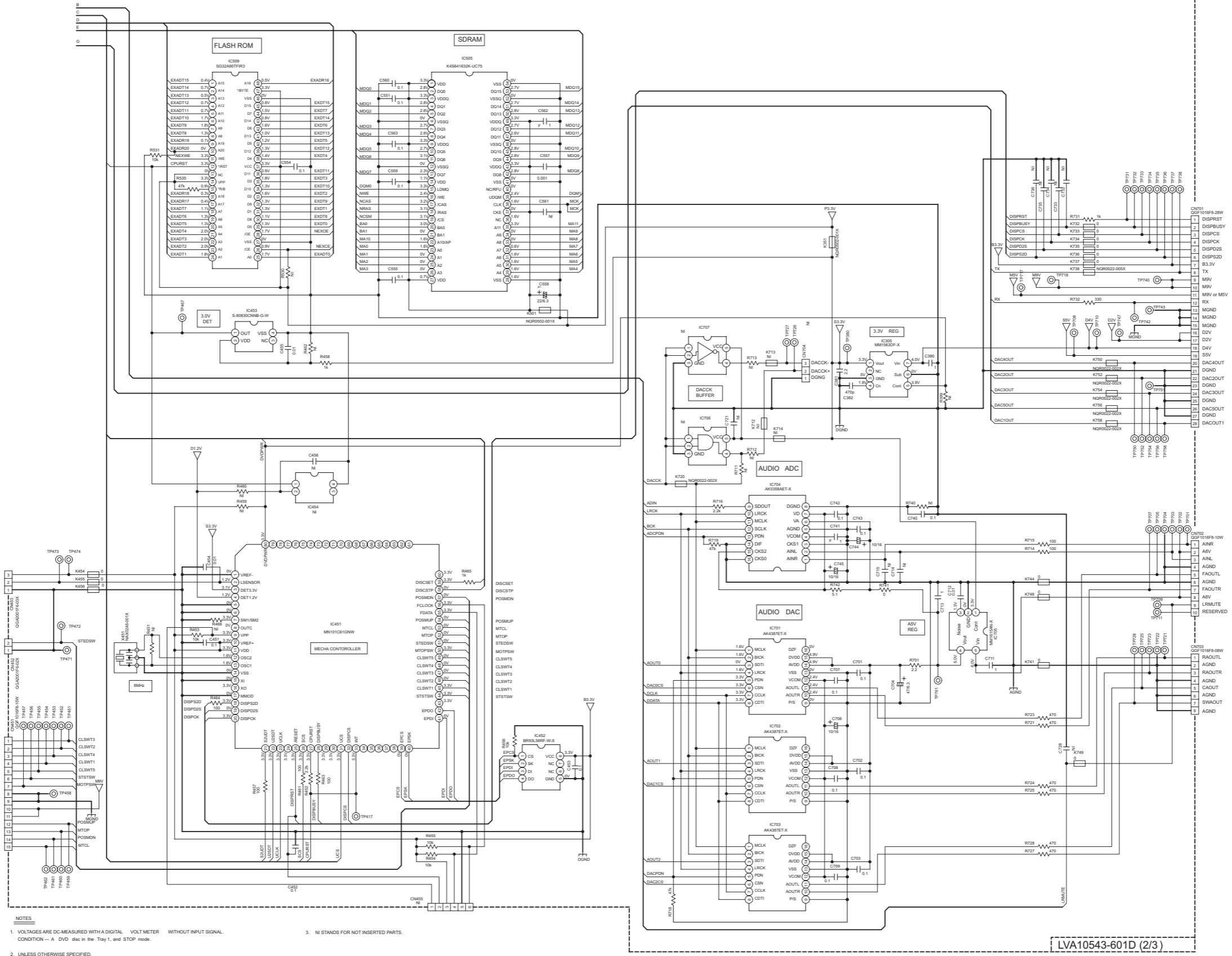
Parts are safety assurance parts. When replacing those parts make sure to use the specified one.

■ Front end section 1 (DX-J36)



LVA10543-601D (1/2)

■ Front end section 2 (DX-J36)



LOADER ASS'Y
CH5-BASE-1

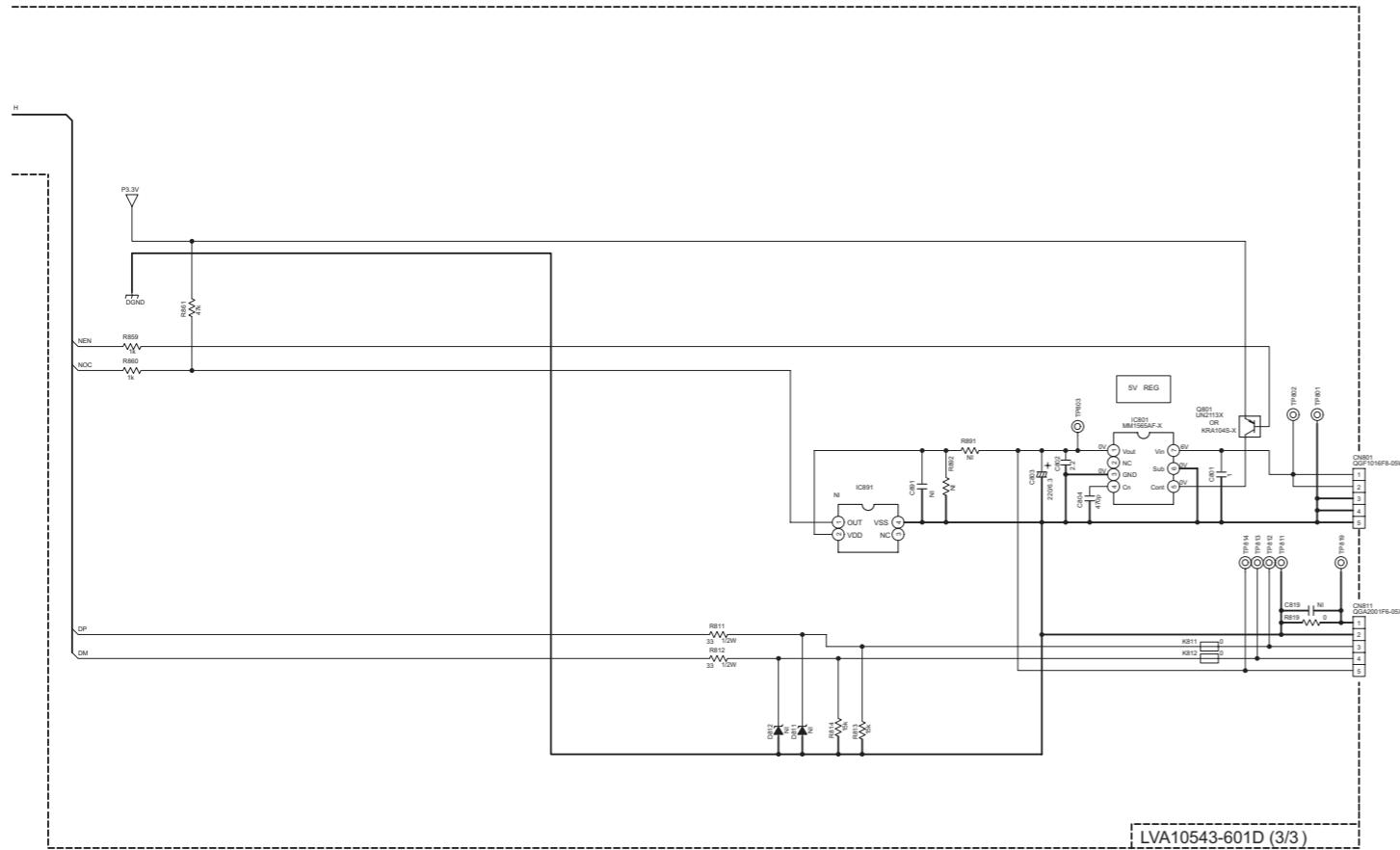
See
LVS20135-002A

NOTES

- VOLTAGES ARE DC-MEASURED WITH A DIGITAL VOLT-METER WITHOUT INPUT SIGNAL.
CONDITION — A DVD disc in the Tray 1, and STOP mode.
- UNLESS OTHERWISE SPECIFIED:
ALL RESISTORS ARE 1/16W ± 5% METAL GLAZE RESISTOR. OR 0.5% METAL GLAZE RESISTOR.
ALL CAPACITORS ARE 50V, 25V, 16V, 10V or 6.3V CERAMIC CAPACITOR.
ALL RESISTANCE VALUES ARE IN OHM (Ω).
ALL CAPACITANCE VALUES ARE IN PICO-FARAD (pF).
ALL CAPACITORS ARE SHOWN IN THE FORM OF CAPACITANCE (#F)/RATED VOLTAGE (V).
ALL INDUCTANCE VALUES ARE IN MICROHENRY (μH).
- N STANDS FOR NOT INSERTED PARTS.

LVA10543-601D (2/3)

Front end section 3 (DX-J36)



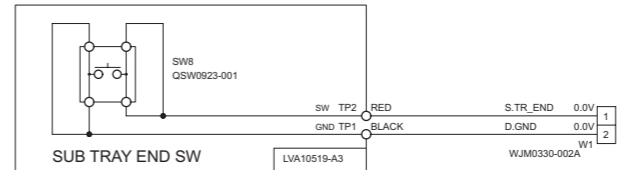
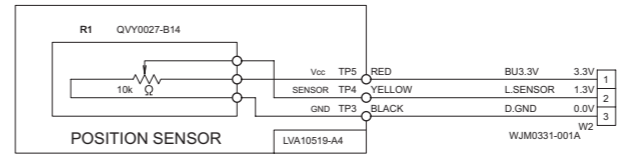
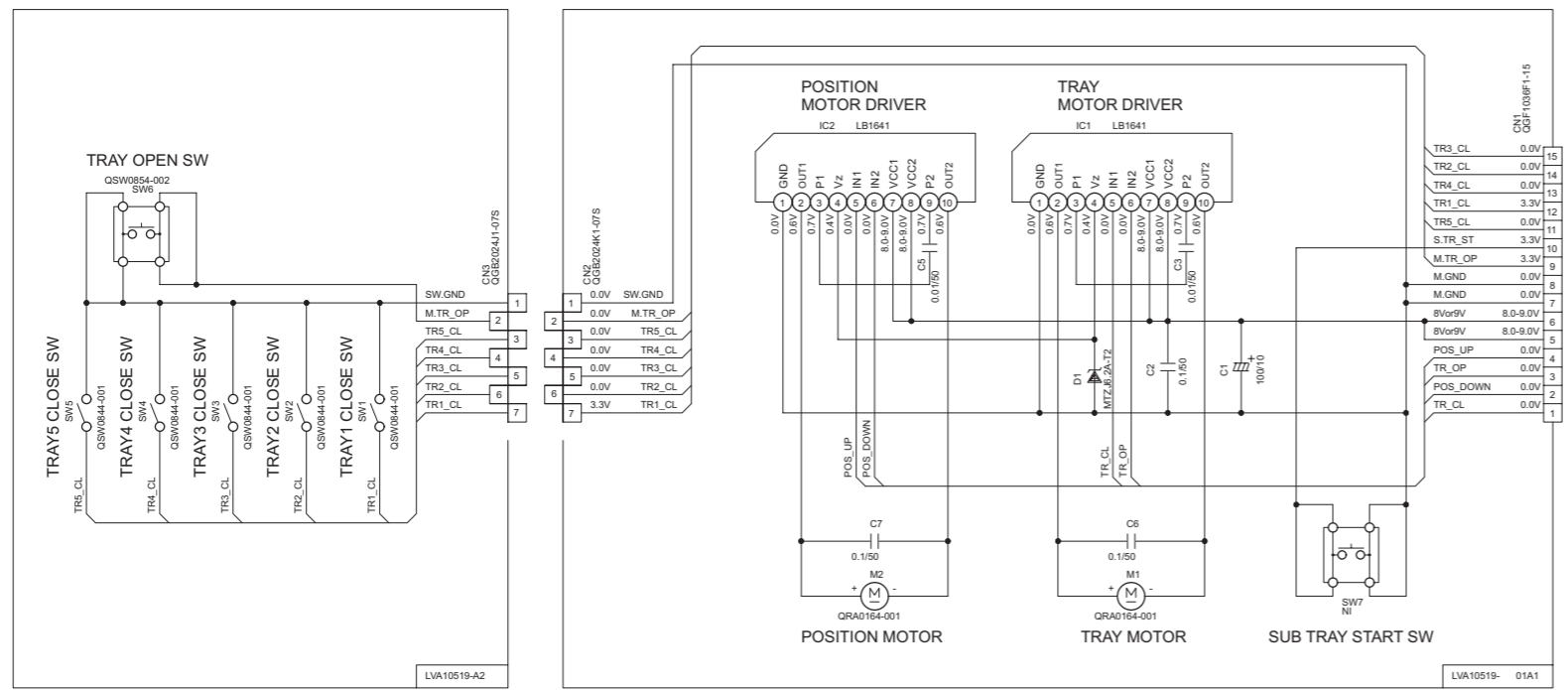
LVA10543-601D (3/3)

NOTES

- VOLTAGES ARE DC-MEASURED WITH A DIGITAL VOLT METER WITHOUT INPUT SIGNAL. CONDITION - A DVD disc in the Tray 1, and STOP mode.
- UNLESS OTHERWISE SPECIFIED:
ALL RESISTORS ARE 1/16W ±5% METAL GLAZE RESISTOR OR 0.5% METAL GLAZE RESISTOR.
ALL CAPACITORS ARE 50V, 25V, 16V, 10V or 6.3V CERAMIC CAPACITOR.
ALL RESISTANCE VALUES ARE IN OHM (Ω).
ALL CAPACITANCE VALUES ARE IN nF (pF).
ALL CAPACITORS ARE SHOWN IN THE FORM OF CAPACITANCE (μF)/RATED VOLTAGE (V).
ALL INDUCTANCE VALUES ARE IN nH (nH).
- NI STANDS FOR NOT INSERTED PARTS.
- DIGITAL TRANSISTOR



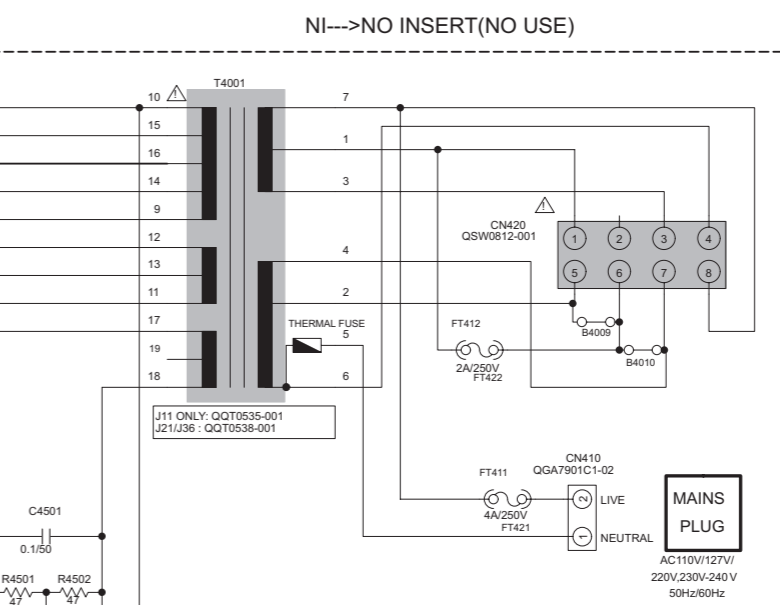
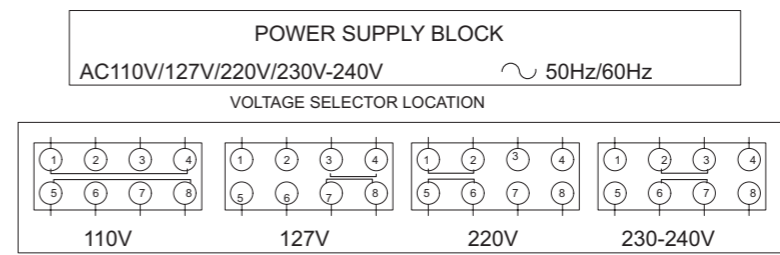
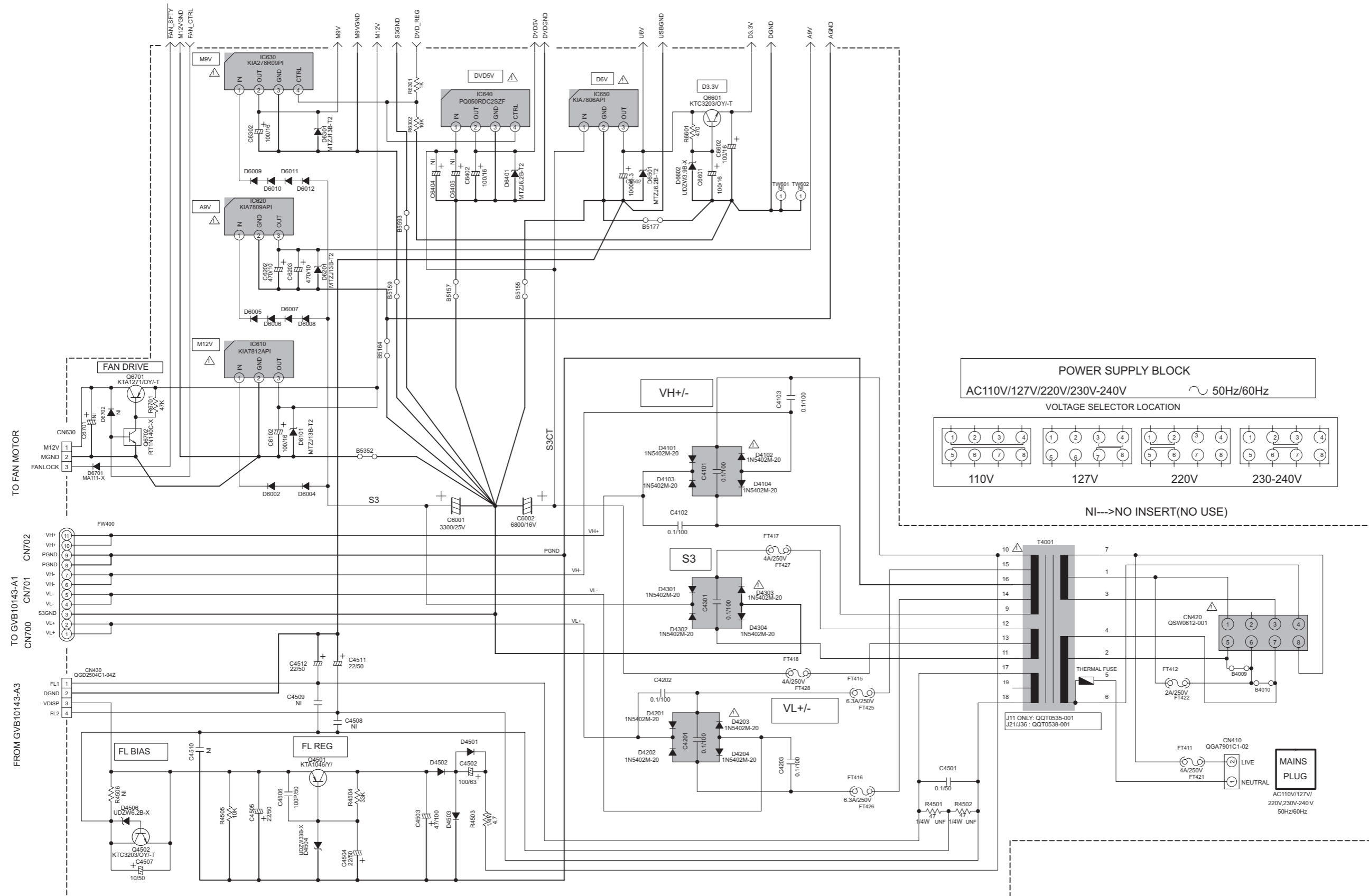
Loader section (DX-J36)



NOTES

- VOLTAGES ARE DC-MEASURED WITH A DIGITAL VOLT METER. CONDITION: DISC1 STOP
- UNLESS OTHERWISE SPECIFIED.
ALL CAPACITORS ARE SHOWN IN THE FORM OF CAPACITANCE (μF)/RATED VOLTAGE (V).
- NI STANDS FOR NOT INSERTED PARTS.

■ Primary section (DX-J21,DX-J11)



NOTES

1. VOLTAGES ARE DC-MEASURED WITH A DIGITAL VOLTMETER OR OSCILLOSCOPE WITHOUT INPUT SIGNAL. CONDITION --- DVD STOP MODE

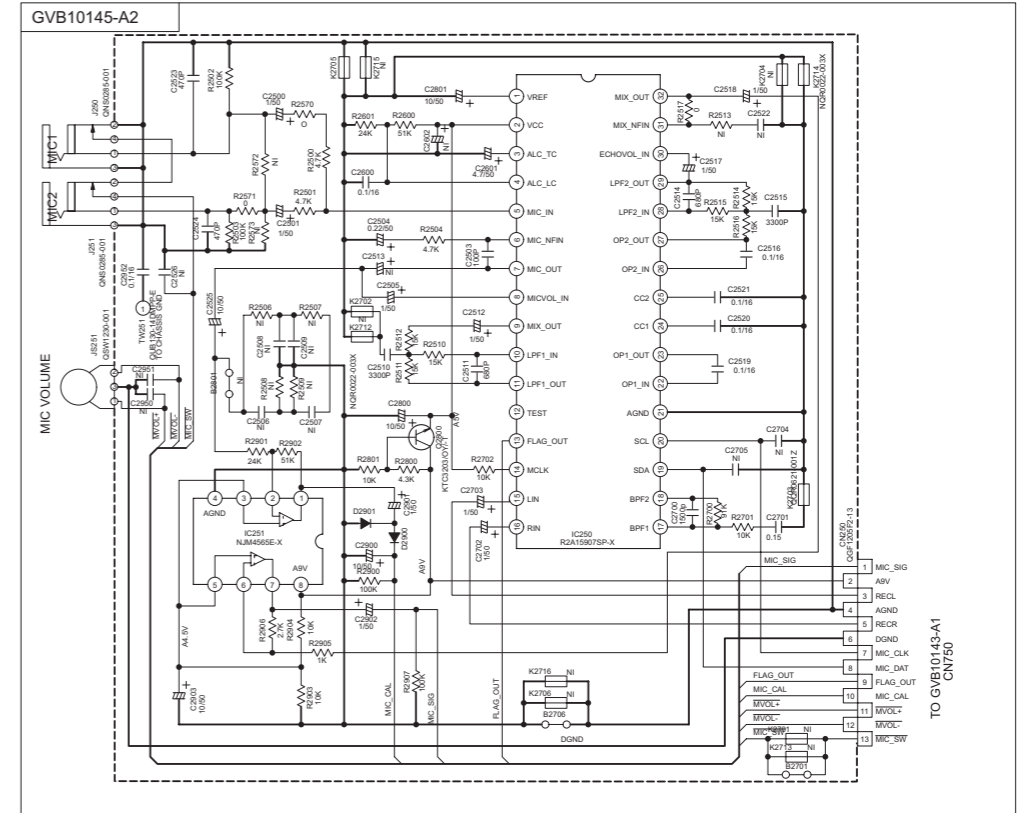
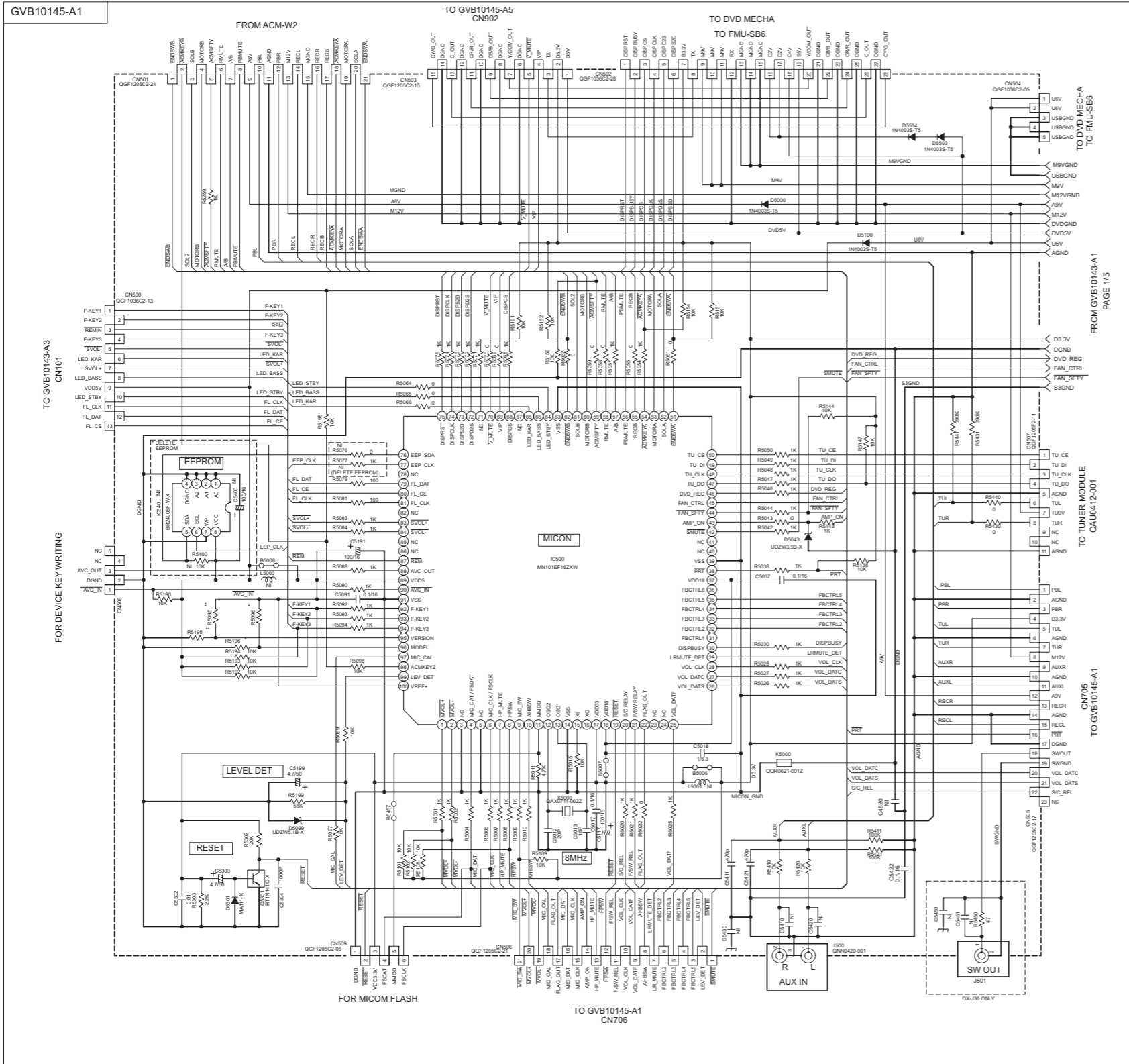
2. UNLESS OTHERWISE SPECIFIED. ALL RESISTORS ARE 1/16W ±5% CARBON FILM RESISTOR OR 0.625W ±5% THICK FILM CHIP RESISTOR. ALL CAPACITORS ARE E CERAMIC CAPACITOR OR MYLAR CAPACITOR. ALL RESISTANCE VALUES ARE IN OHM(Ω).

ALL CAPACITANCE VALUES ARE IN μF(P=pF). ALL E-CAPACITORS ARE SHOWN IN THE FORM OF CAPACITANCE(μF)/RATED VOLTAGE (V). ALL INDUCTANCE VALUES ARE IN μH(m=mH). ALL DIODES ARE 1N4003S-T5. NI = NON INSERT

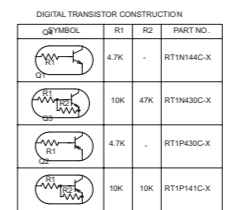
VERSION	CN420	B4009	B4010
A/EE	NI	NI	INSERT
UY	NI	INSERT	NI
OTHERS	INSERT	NI	NI

Parts are safety assurance parts. When replacing those parts make sure to use the specified one.

■ Micom section (DX-J21,DX-J11)



- NOTES
1. VOLTAGES ARE DC-MEASURED WITH A DIGITAL VOLTMETER OR OSCILLOSCOPE WITHOUT INPUT SIGNAL.
 2. CONDITION - DVD STOP MODE.
 3. UNLESS OTHERWISE SPECIFIED:
 - ALL RESISTORS ARE 1/16W ±5% CARBON FILM RESISTOR OR 0.625W ±5% THICK FILM CHIP RESISTOR.
 - ALL CAPACITORS ARE CERAMIC CAPACITOR OR MYLAR CAPACITOR.
 - ALL RESISTANCE VALUES ARE IN OHM (Ω).
 - ALL CAPACITANCE VALUES ARE IN μF(μFP).
 - ALL CAPACITORS ARE SHOWN IN THE FORM OF CAPACITANCE(μF)/RATED VOLTAGE(V).
 - ALL INDUCTANCE VALUES ARE IN μH(μHH).
 - ALL FERRITE BEADS ARE OQR021-001Z.
 - NI = NON INSERT



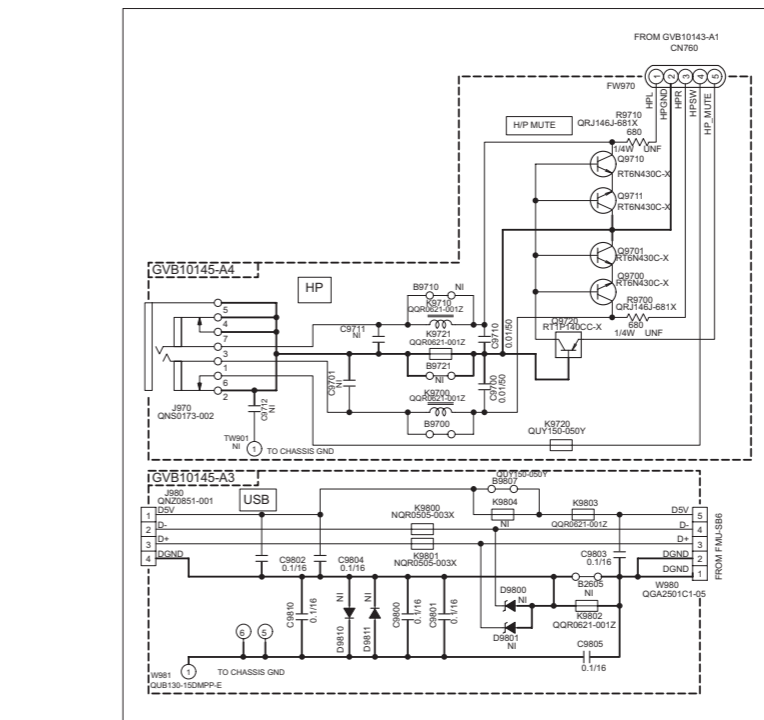
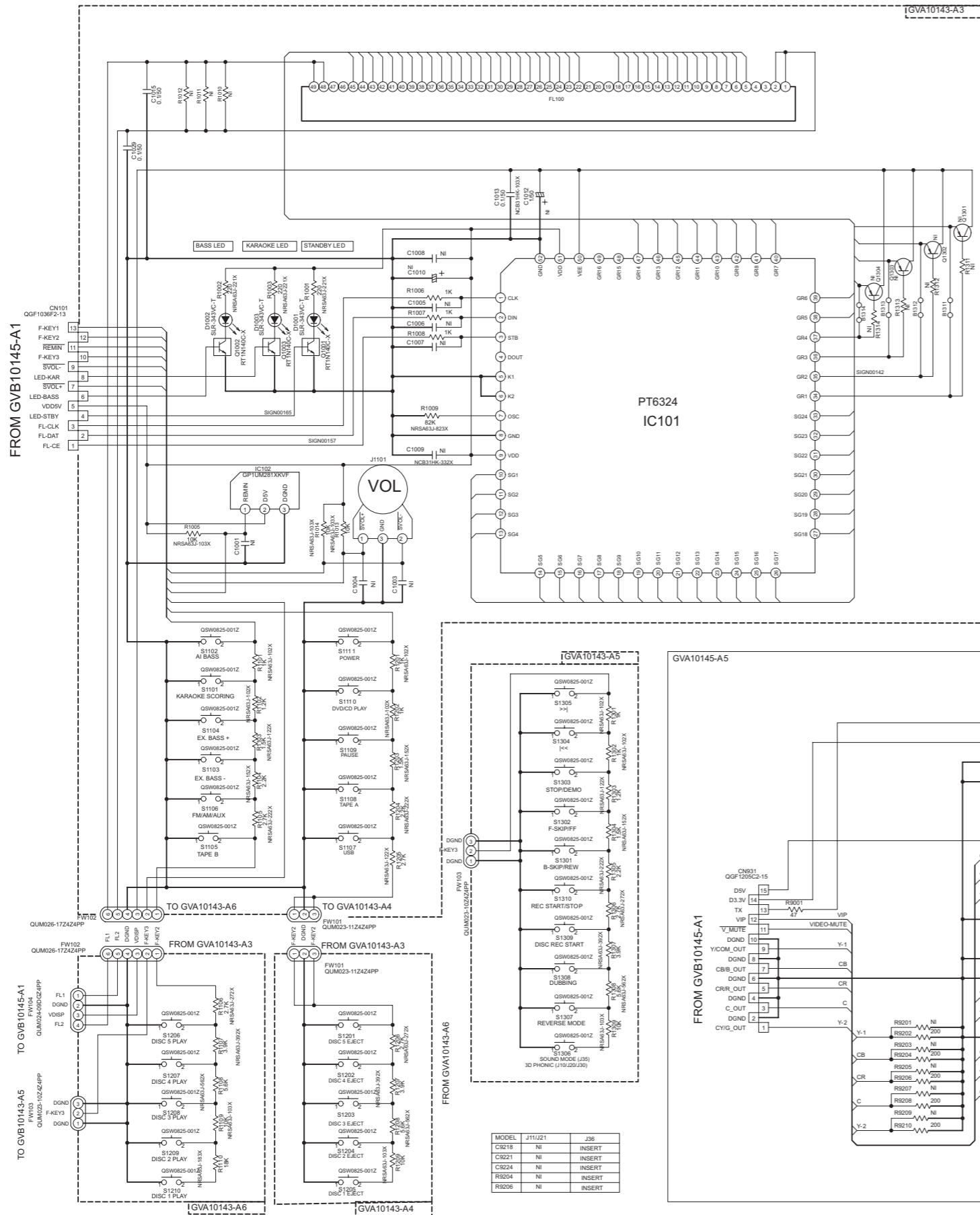
* MODEL INDICATION

	J11	J21	J36
R5086	10K	10K	10K
R5196	NIL	NIL	15K

** VERSION INDICATION

	R5085	R5195
LSUN4UH4	10K	NIL
LUWUY	10K	18K
UXUG	10K	5.6K
EE	NIL	10K

■ Front section (DX-J21,DX-J11)

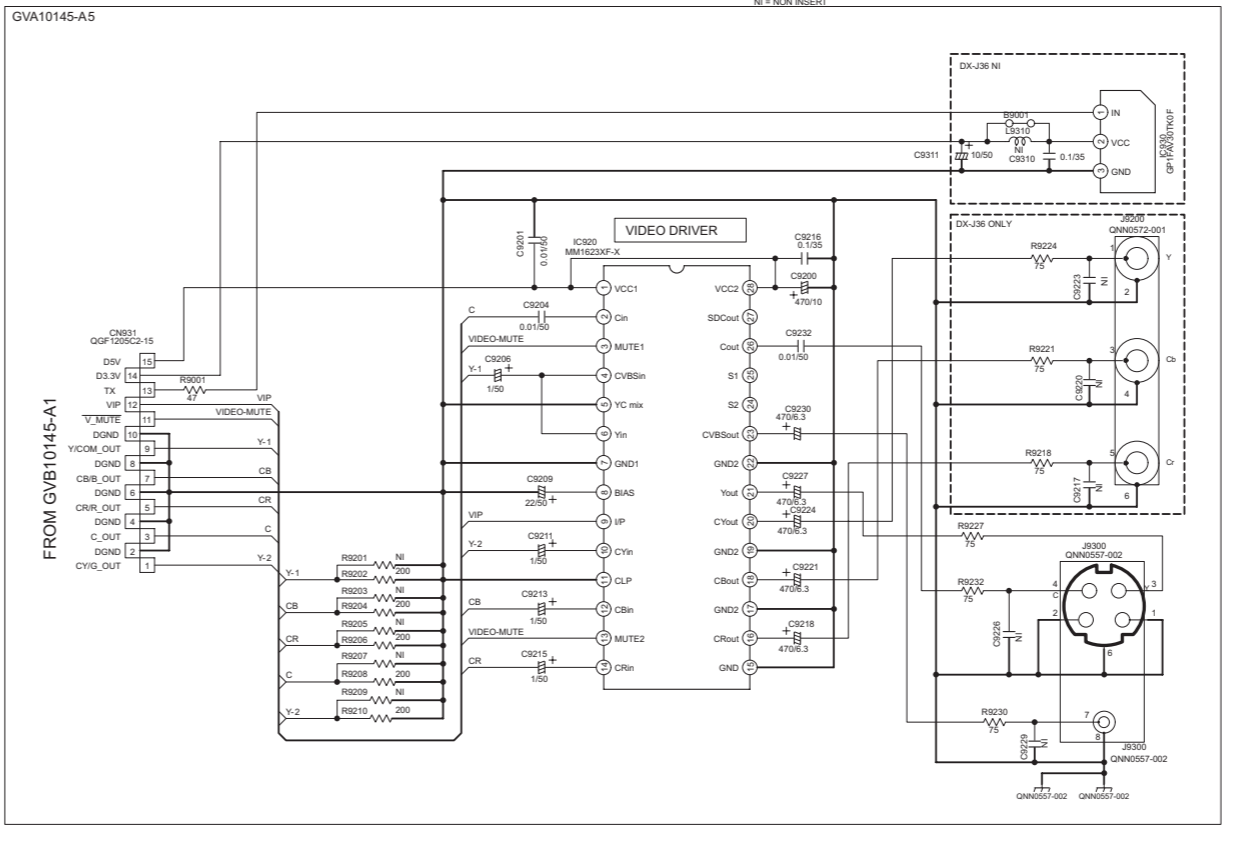


DIGITAL TRANSISTOR CONSTRUCTION

SYMBOL	R1	R2	PART NO.
	4.7K	-	RT1N144C-X
	10K	47K	RT1N430C-X
	4.7K	-	RT1P430C-X
	10K	10K	RT1P141C-X

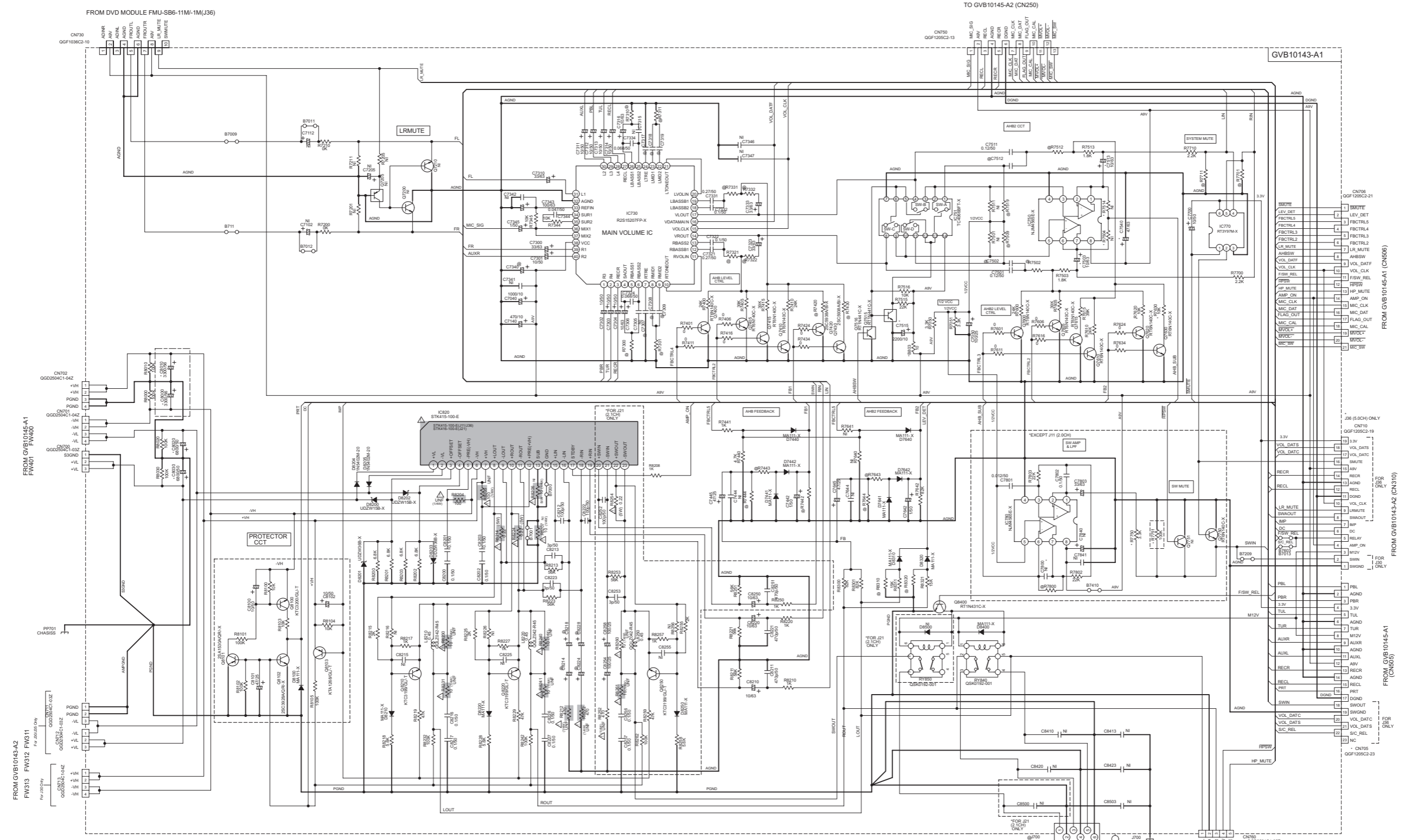
NOTES

- VOLTAGES ARE DC-MEASURED WITH A DIGITAL VOLTMETER OR OSCILLOSCOPE WITHOUT INPUT SIGNAL. CONDITION - DVD STOP MODE.
- UNLESS OTHERWISE SPECIFIED:
 ALL RESISTORS ARE: 1/16W ± 5% CARBON FILM RESISTOR OR 0.625W ± 5% THICK FILM CHIP RESISTOR.
 ALL CAPACITORS ARE CERAMIC CAPACITOR OR MYLAR CAPACITOR.
 ALL RESISTANCE VALUES ARE IN OHM (Ω).
 ALL CAPACITANCE VALUES ARE IN μF (μF) OR pF (pF).
 ALL CAPACITORS ARE SHOWN IN THE FORM OF CAPACITANCE (μF), RATED VOLTAGE (V).
 ALL INDUCTANCE VALUES ARE IN mH (mH).
 ALL DIODES ARE MA111-X.
 NI = NON INSERT.



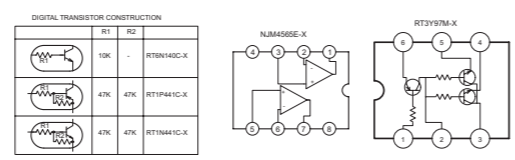
MODEL	J11/J21	J36
C9218	NI	INSERT
C9221	NI	INSERT
C9224	NI	INSERT
R9204	NI	INSERT
R9206	NI	INSERT

Audio section (DX-J21,DX-J11)



NOTES
 1. VOLTAGES ARE DC-MEASURED WITH A DIGITAL VOLT METER OR OSCILLOSCOPE WITHOUT INPUT SIGNAL. CONDITION — DVD STOP MODE.
 2. UNLESS OTHERWISE SPECIFIED.
 ALL RESISTORS ARE 1% 5W ± 5% CARBON FILM RESISTOR OR 0.5W ± 5% THICK FILM CHIP RESISTOR.
 ALL CAPACITORS ARE CERAMIC CAPACITOR OR MYLAR CAPACITOR.

ALL RESISTANCE VALUES ARE IN OHM (Ω).
 ALL CAPACITANCE VALUES ARE IN PPF (pF).
 ALL CAPACITORS ARE SHOWN IN THE FORM OF CAPACITANCE (μF) RATED VOLTAGE (V).
 ALL INDUCTANCE VALUES ARE IN μH (μH).
 ALL DIODES ARE MATH11-X.
 NI = NON INSERT



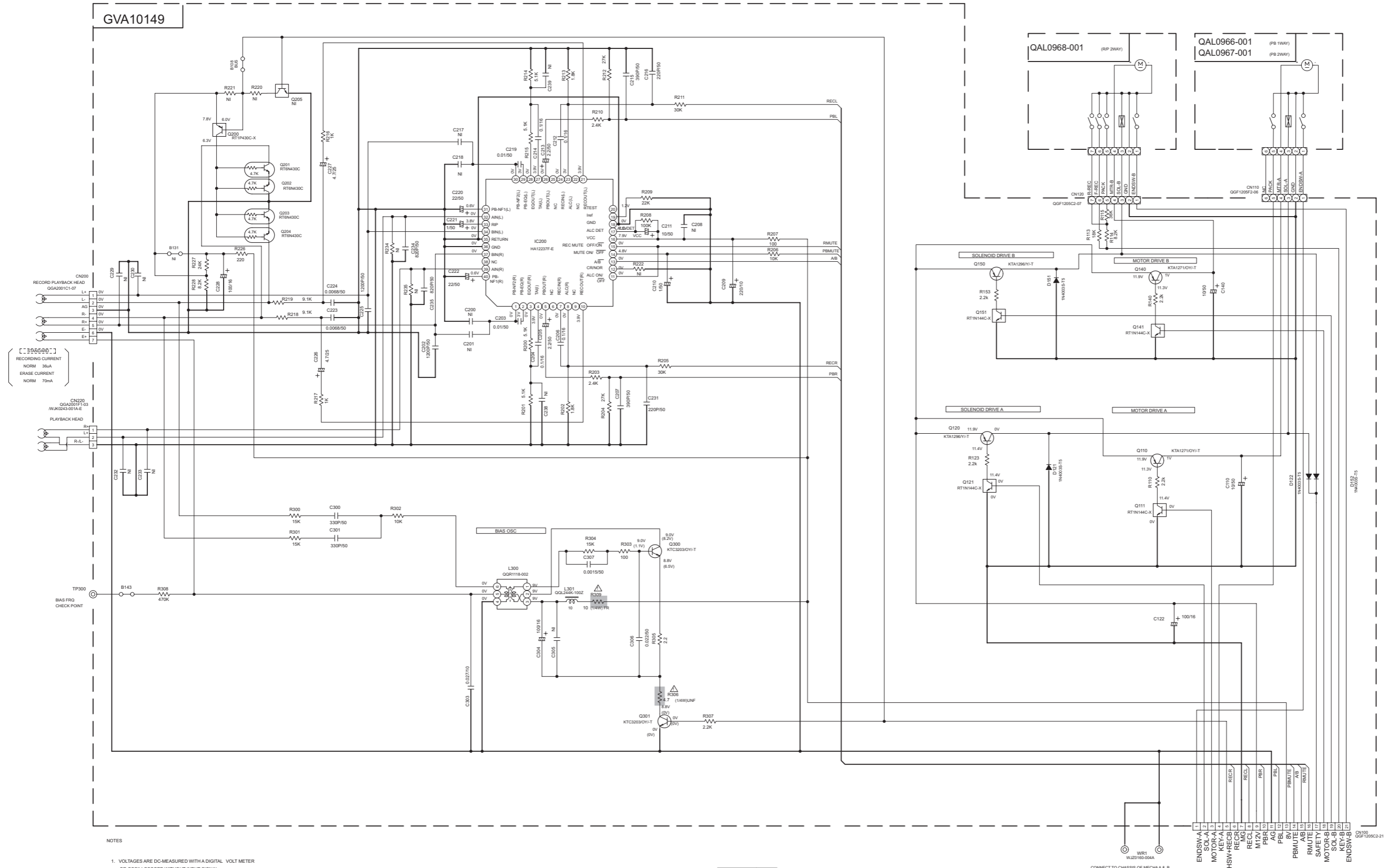
REF. NO.	J11	J21
R700	8.2K	8.2K
R701	8.2K	8.2K
R702	3.3K	2.7K
R703	1.8K	2.2K
R704	4.7K	6.2K
R705	4.7K	6.2K
R706	120K	120K
R707	4.7K	4.7K
R708	5.1K	5.1K
R709	3.3K	3.9K
R710	1.8K	2.2K
R711	180K	120K
R712	4.7K	4.7K
R713	5.1K	5.1K
R714	NI	18K
R715	3.3K	2.2K
R716	62K	22K
R717	8.2K	8.2K

SOUND STUDY

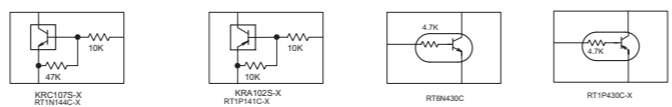
REF. NO.	J11	J21	J26
R718	62K	22K	200K
R719	62K	22K	200K
R720	NI	100K	NI
R721	NI	100K	NI
R722	NI	100K	NI
R723	NI	100K	NI

Parts are safety assurance parts. When replacing those parts make sure to use the specified one.

■ Cassette control section (DX-J21,DX-J11)

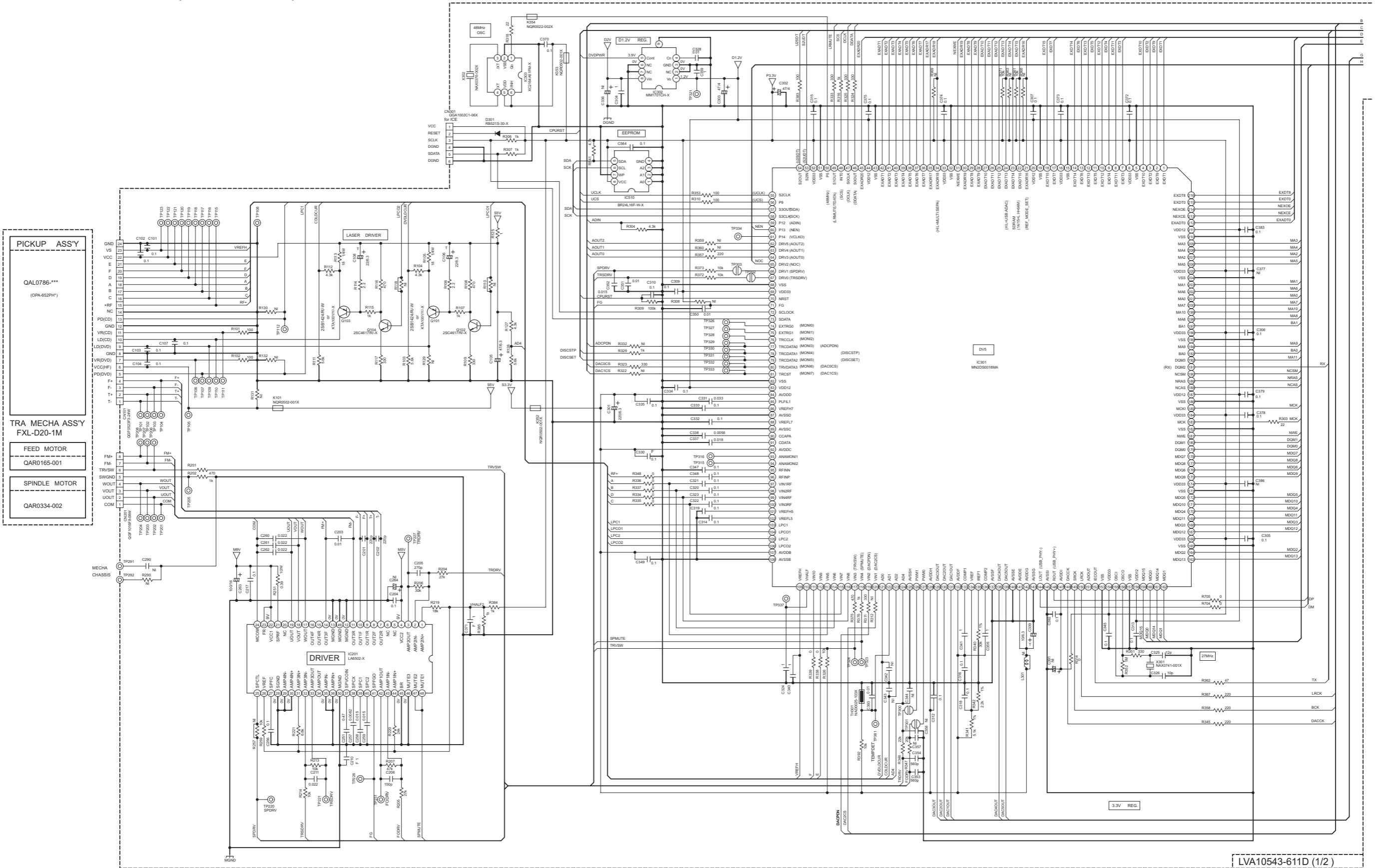


- NOTES
1. VOLTAGES ARE DC-MEASURED WITH A DIGITAL VOLT METER OR OSCILLOSCOPE WITHOUT INPUT SIGNAL. CONDITION : MECHA STOP MODE
 2. UNLESS OTHERWISE SPECIFIED, RESISTORS ARE 1/10W ±5% METAL GLAZE RESISTOR. ALL RESISTANCE VALUES ARE IN OHM (Ω). ALL CAPACITORS ARE CERAMIC CAPACITOR OR MYLAR CAPACITOR. ALL CAPACITANCE VALUES ARE IN μF (μF±pF). ALL INDUCTANCE VALUES ARE IN μH (μH±mH). ALL E-CAPACITORS ARE SHOWN IN THE FORM OF CAPACITANCE (μF) RATED VOLTAGE (V). POLYPROPYLENE CAPACITOR



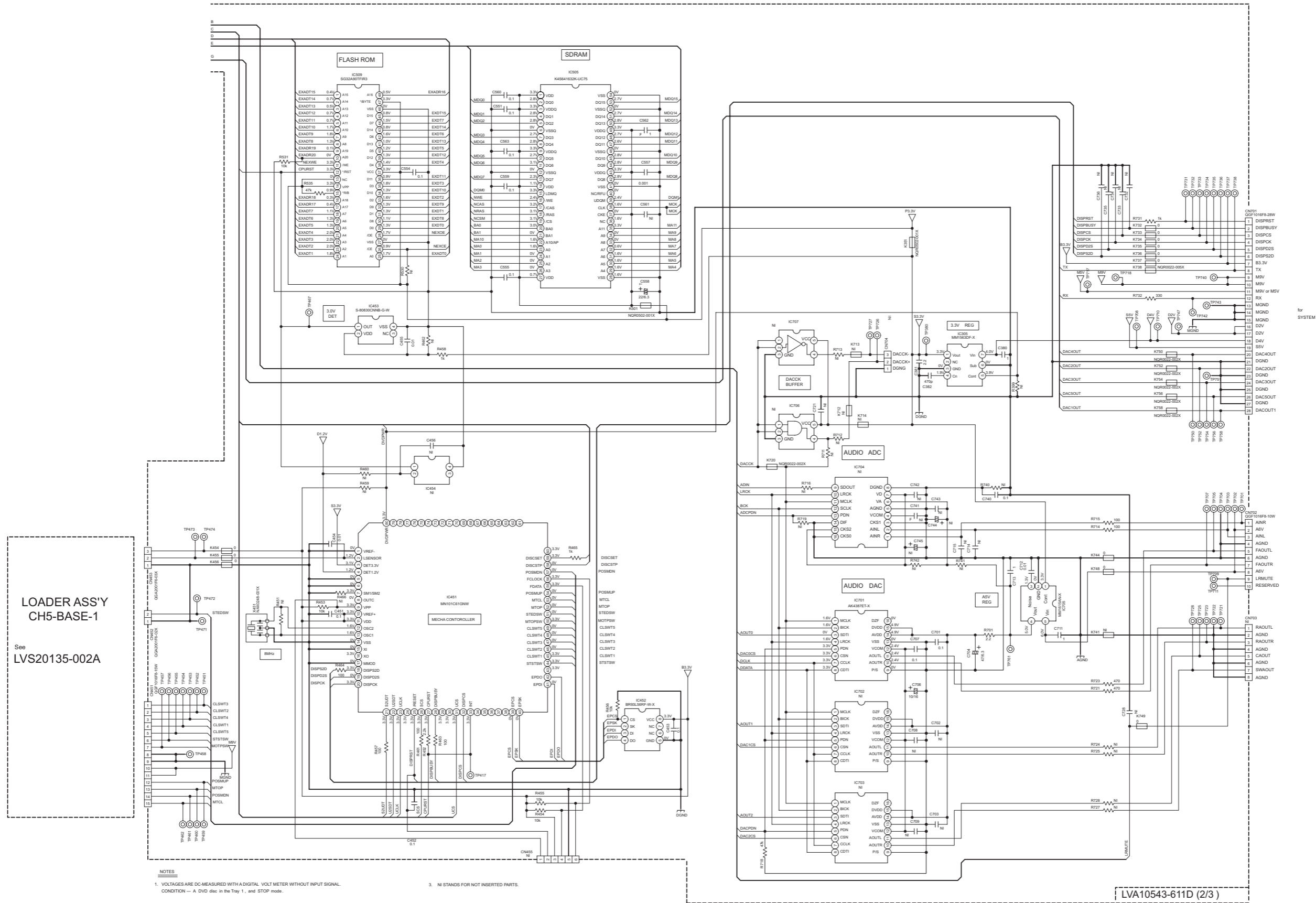
Parts are safety assurance parts. When replacing those parts make sure to use the specified one.

■ Front end section 1 (DX-J21,DX-J11)



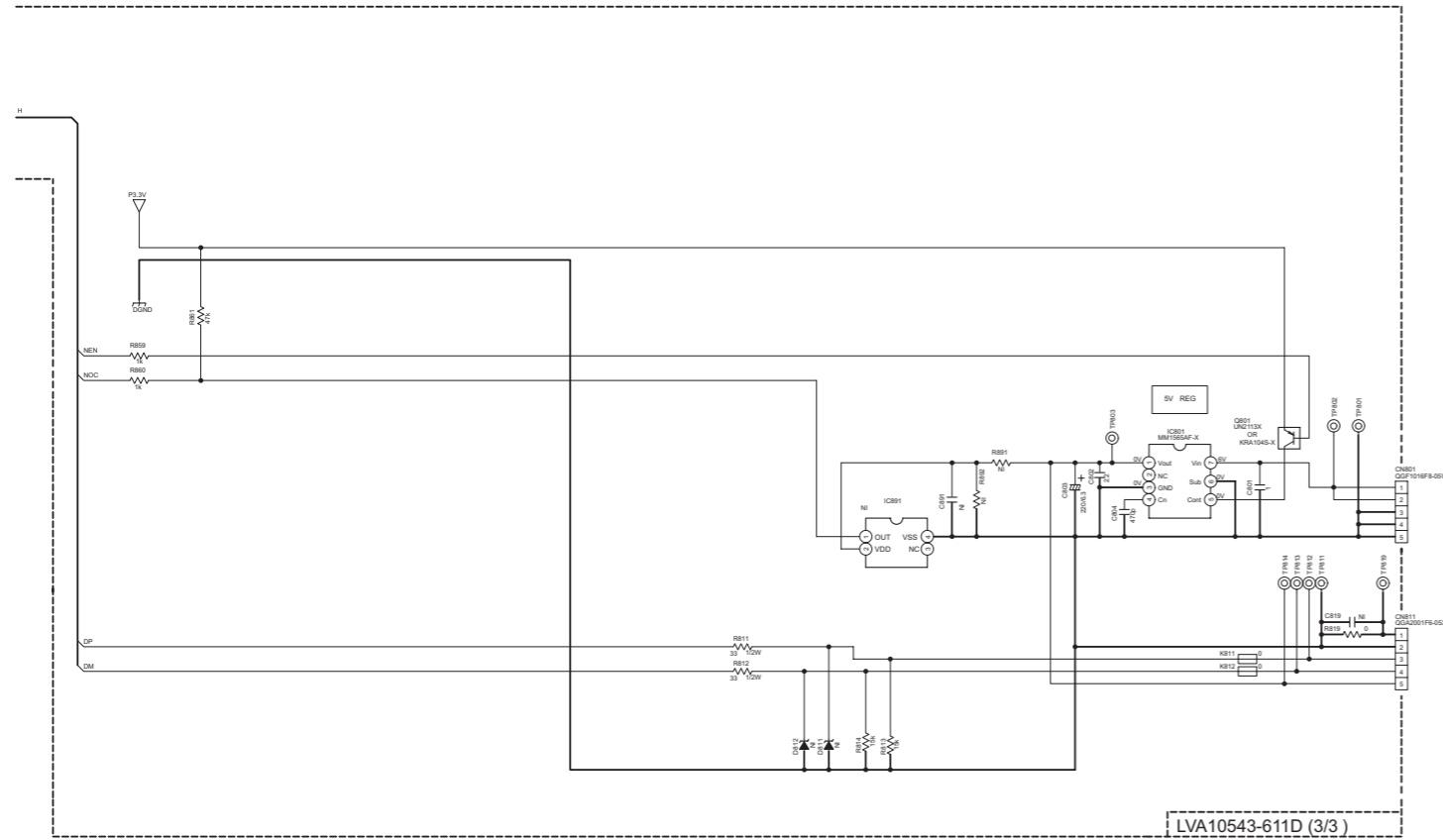
LVA10543-611D (1/2)

■ Front end section 2 (DX-J21,DX-J11)



- NOTES**
- VOLTAGES ARE DC-MEASURED WITH A DIGITAL VOLT METER WITHOUT INPUT SIGNAL.
CONDITION — A DVD disc in the Tray 1, and STOP mode.
 - UNLESS OTHERWISE SPECIFIED.
ALL RESISTORS ARE 1% 10W ±5% METAL GLAZE RESISTOR. OR 0.5% METAL GLAZE RESISTOR.
ALL CAPACITORS ARE 50V, 25V, 16V, 10V or 6.3V CERAMIC CAPACITOR.
ALL RESISTANCE VALUES ARE IN OHM(Ω).
ALL CAPACITANCE VALUES ARE IN μF(μF).
ALL E-CAPACITORS ARE SHOWN IN THE FORM OF CAPACITANCE(μF) RATED VOLTAGE (V).
ALL INDUCTANCE VALUES ARE IN μH(μH).
 - NI STANDS FOR NOT INSERTED PARTS.

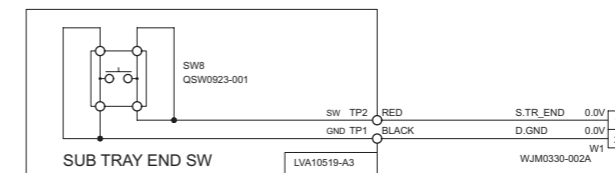
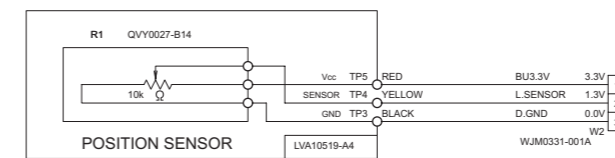
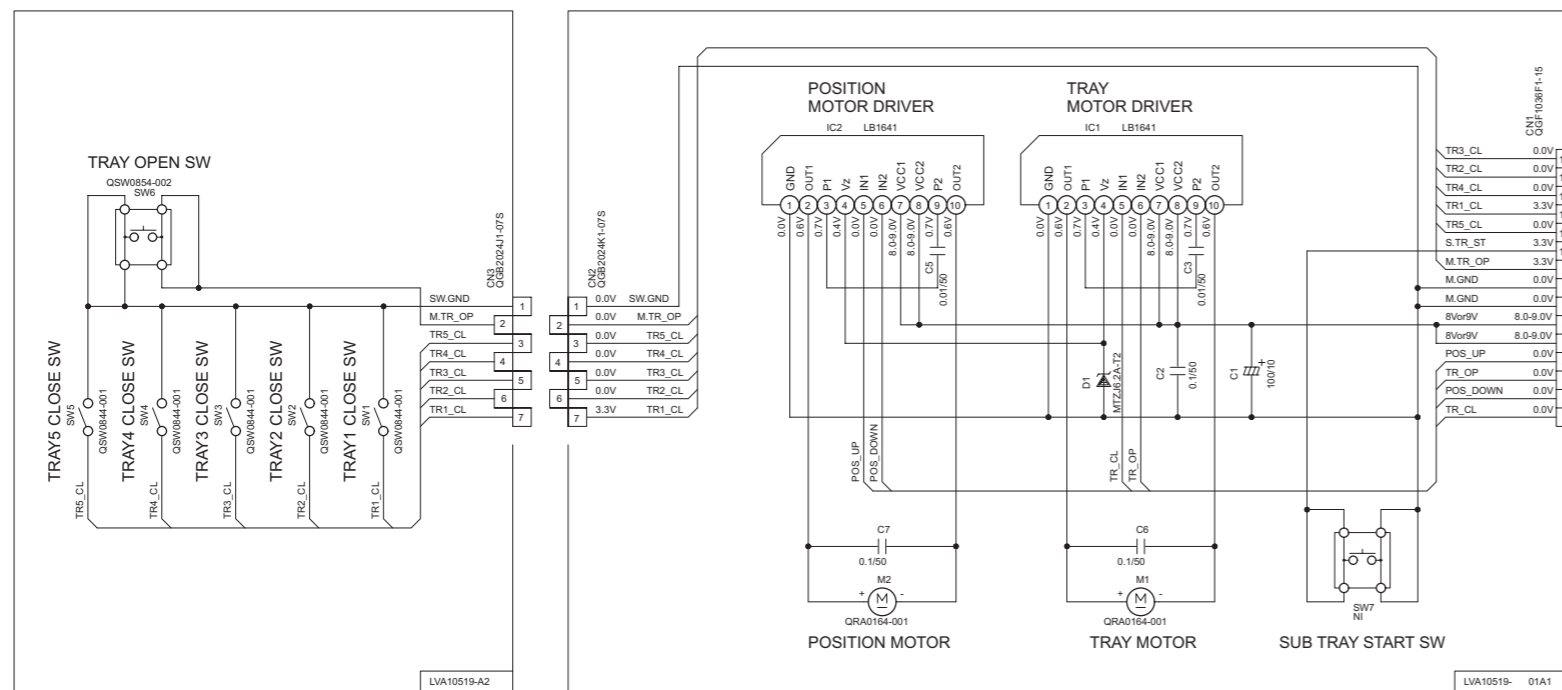
Front end section 3 (DX-J21,DX-J11)



NOTES

- VOLTAGES ARE DC-MEASURED WITH A DIGITAL VOLT METER. WITHOUT INPUT SIGNAL. CONDITION -- A DVD disc in the Tray 1, and STOP mode.
- UNLESS OTHERWISE SPECIFIED:
ALL RESISTORS ARE 1/16W ± 5% METAL GLAZE RESISTOR. OR 0.5% METAL GLAZE RESISTOR.
ALL CAPACITORS ARE 50V, 25V, 16V, 10V or 6.3V CERAMIC CAPACITOR.
ALL RESISTANCE VALUES ARE IN OHM (Ω).
ALL CAPACITANCE VALUES ARE IN PICO(F) (pF).
ALL E-CAPACITORS ARE SHOWN IN THE FORM OF CAPACITANCE (μF)/RATED VOLTAGE (V).
ALL INDUCTANCE VALUES ARE IN HENRY (mH).
- NI STANDS FOR NOT INSERTED PARTS.
- DIGITAL TRANSISTOR
UN2113-X = 47k
47k

Loader section (DX-J21,DX-J11)



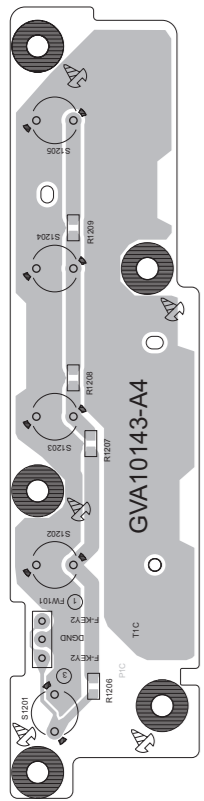
NOTES

- VOLTAGES ARE DC-MEASURED WITH A DIGITAL VOLT METER. CONDITION: DISC1 STOP
- UNLESS OTHERWISE SPECIFIED.
ALL CAPACITORS ARE SHOWN IN THE FORM OF CAPACITANCE (μF)/RATED VOLTAGE(V).
- NI STANDS FOR NOT INSERTED PARTS.

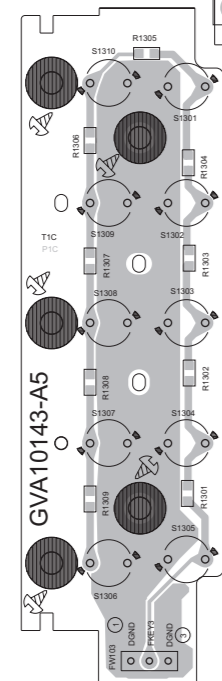
Printed circuit board

- Main board
Lead free solder used in the board (material : Sn-Ag-Cu, melting point : 219 Centigrade)
Lead free solder used in the board (material : Sn-Cu, melting point : 230 Centigrade)

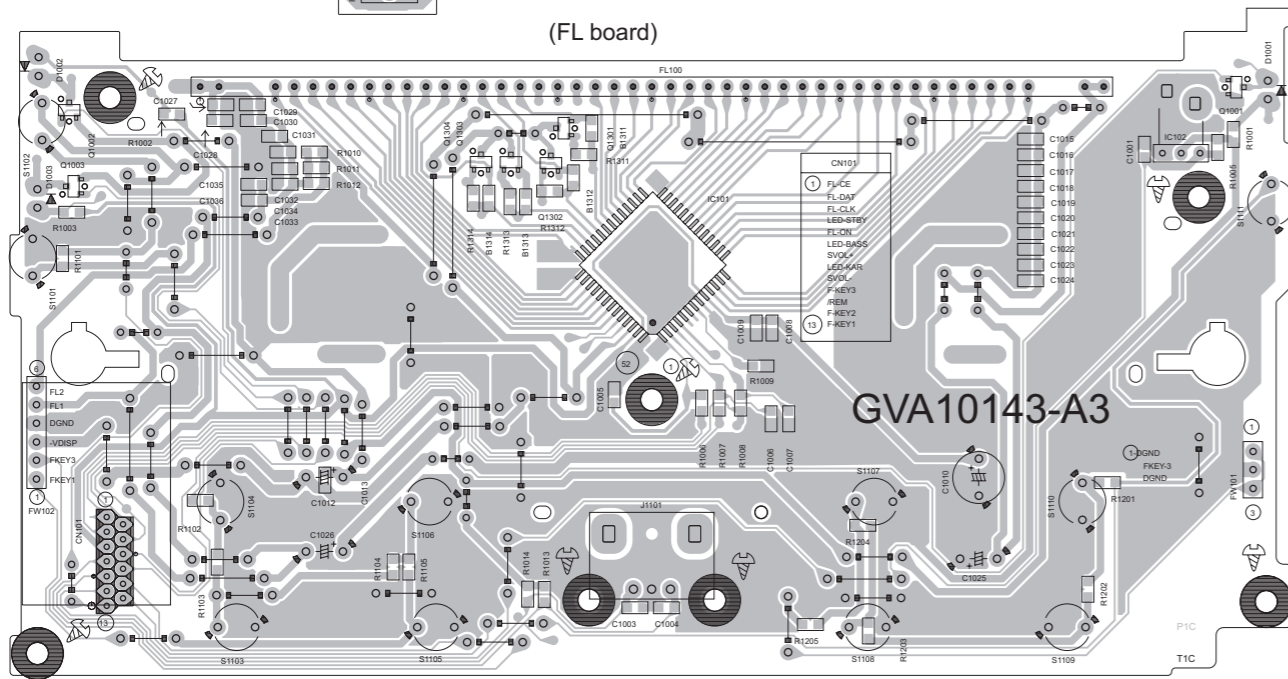
(Eject board)



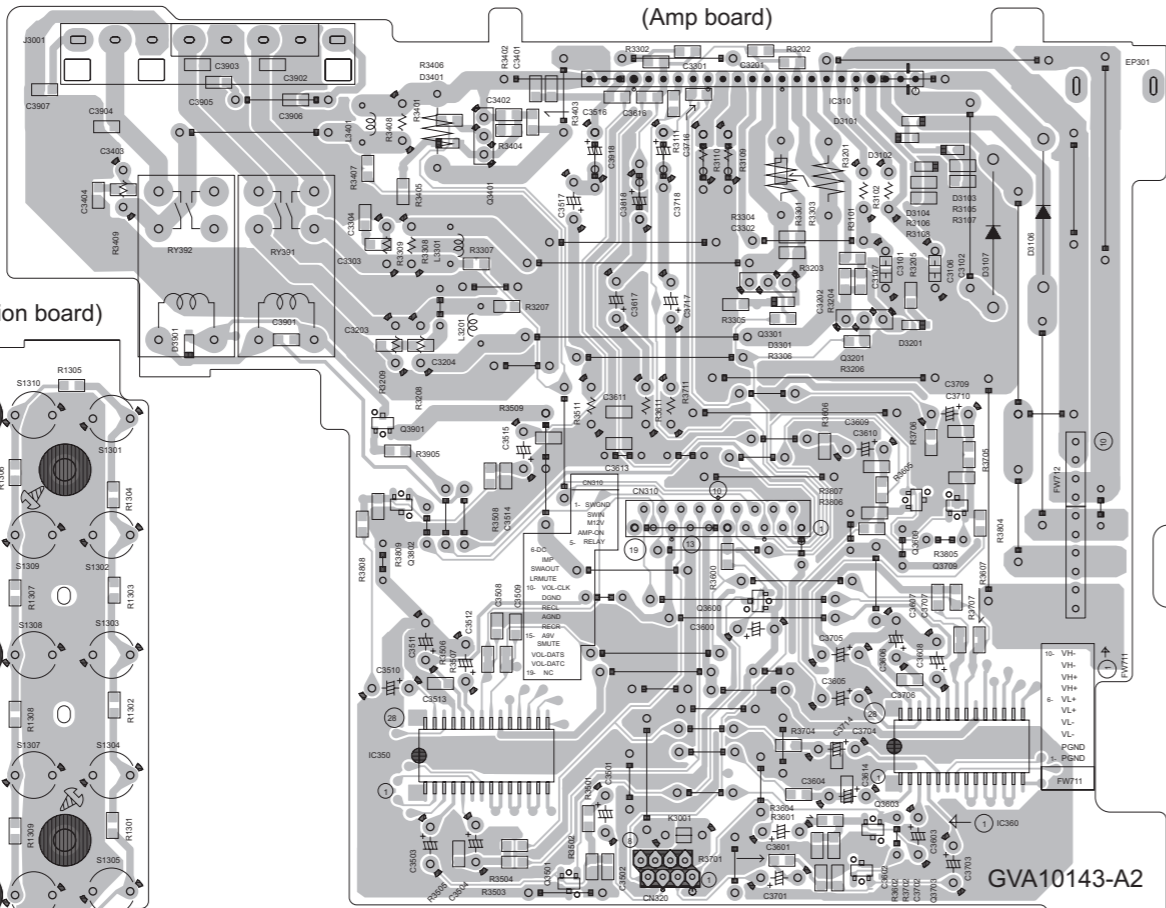
(Function board)



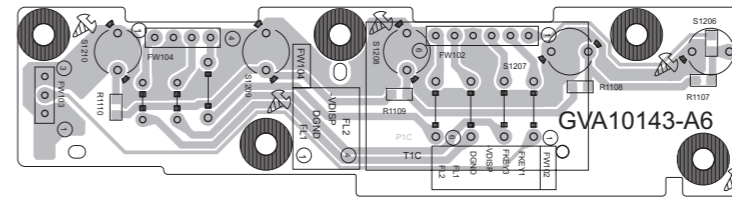
(FL board)



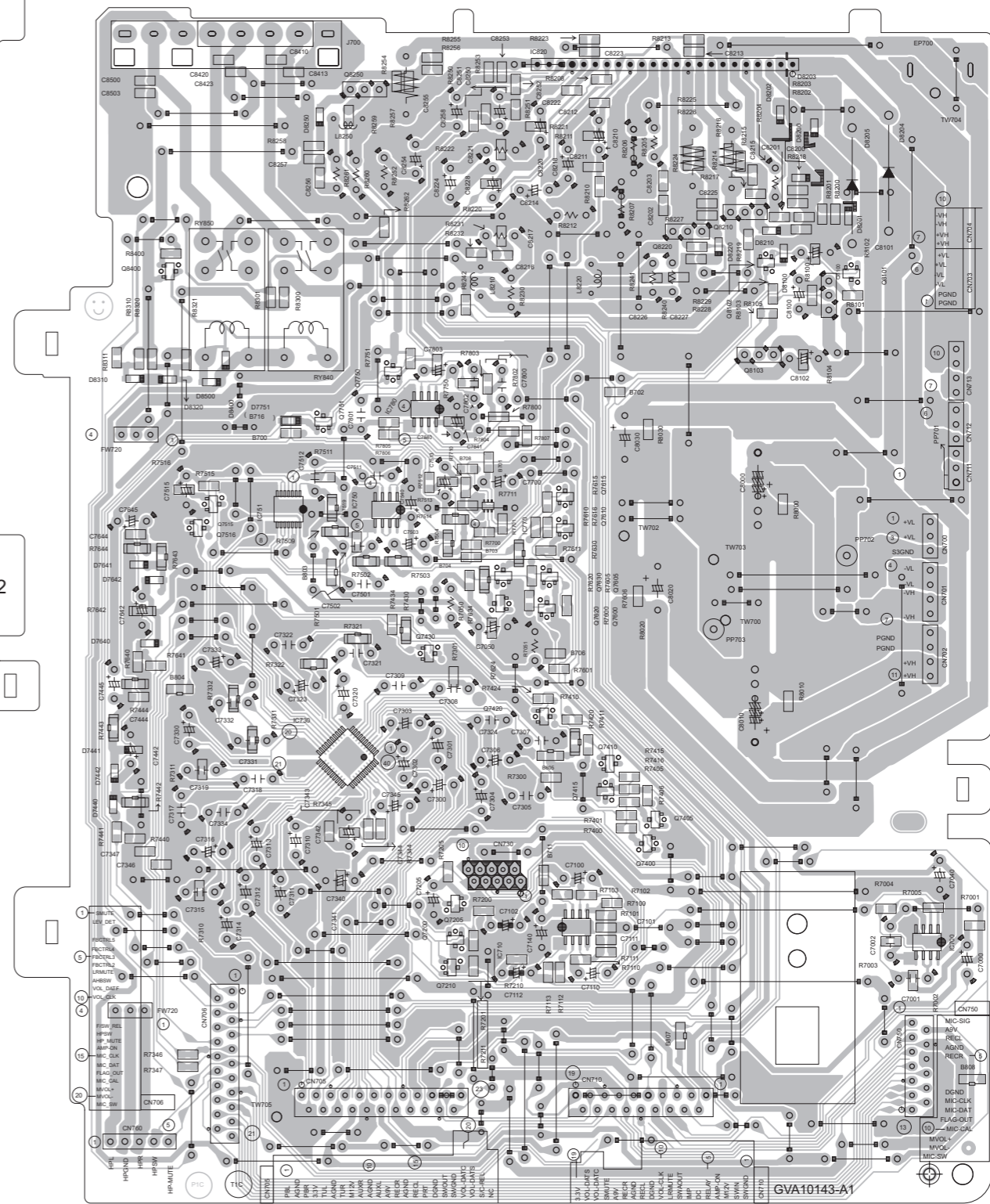
(Amp board)



(Play board)



(Main board)

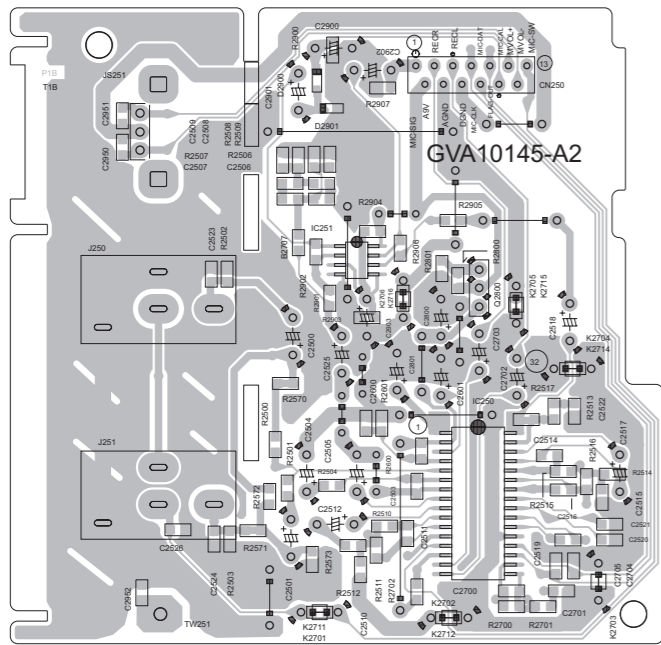


■ Micom board Lead free solder used in the board (material : Sn-Ag-Cu, melting point : 219 Centigrade)

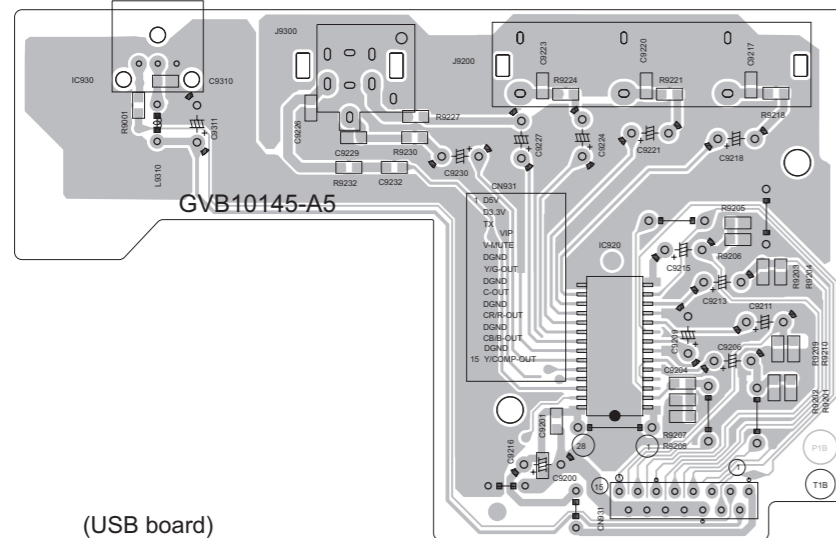
Lead free solder used in the board (material : Sn-Cu, melting point : 230 Centigrade)

(Micom board)

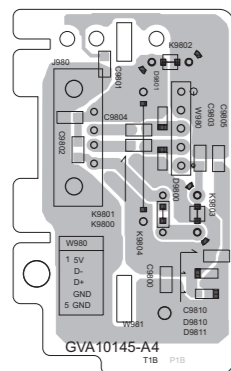
(Mic board)



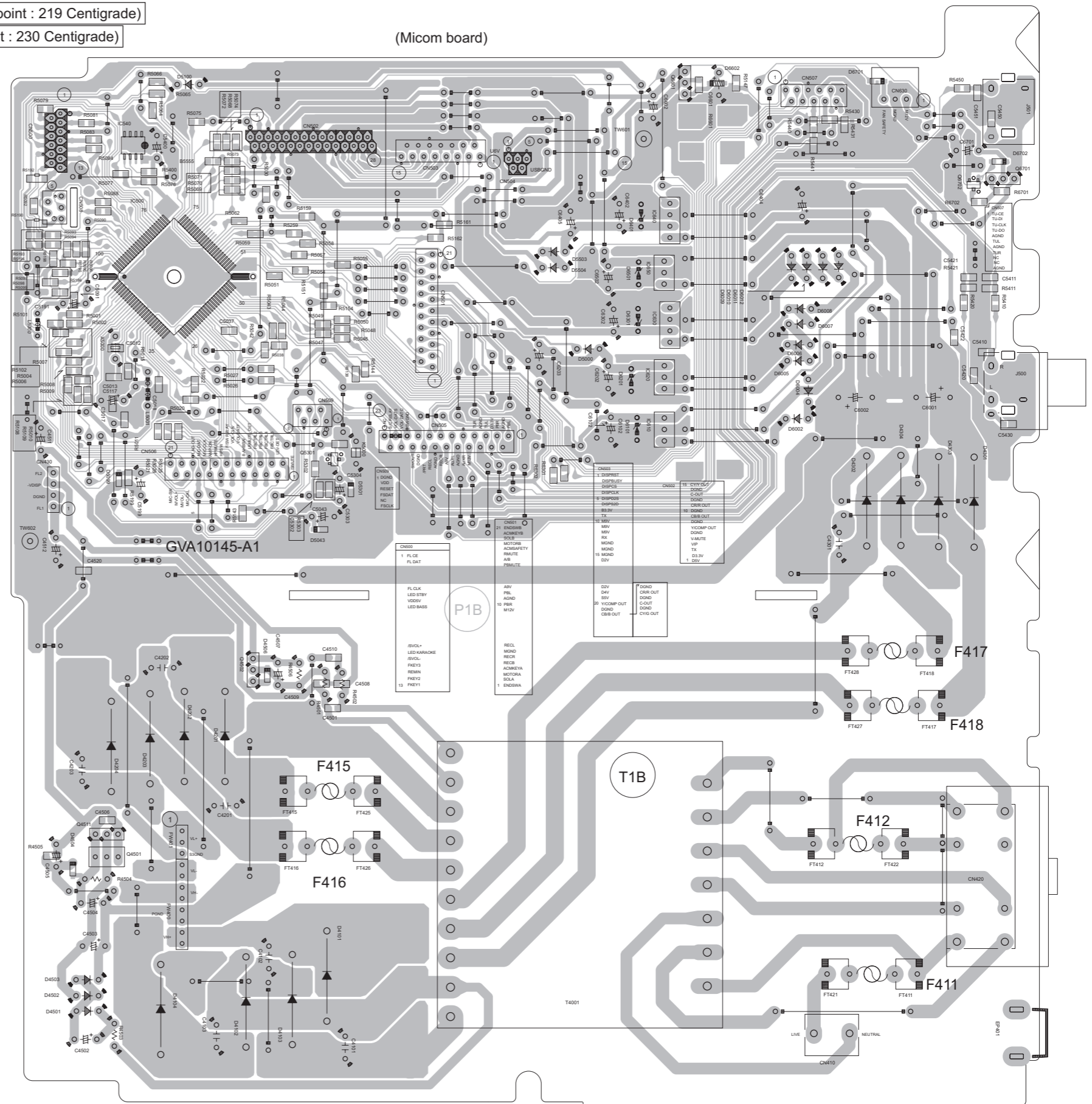
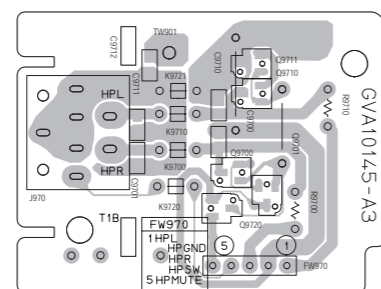
(Video board)



(USB board)



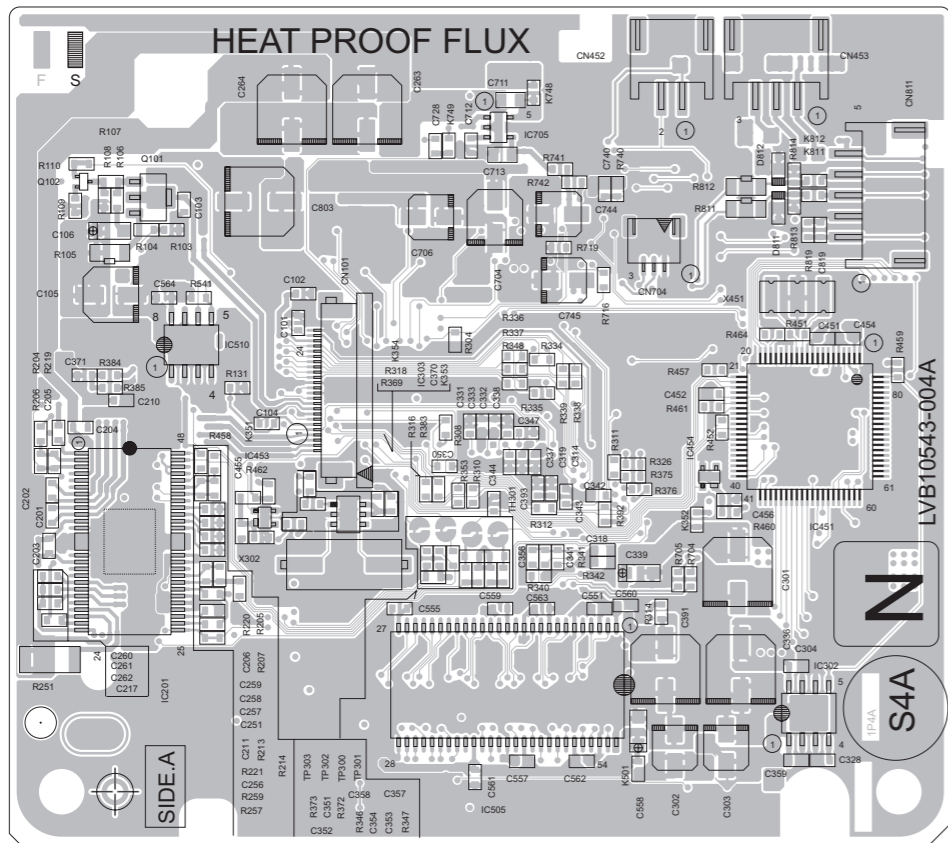
(Headphone board)



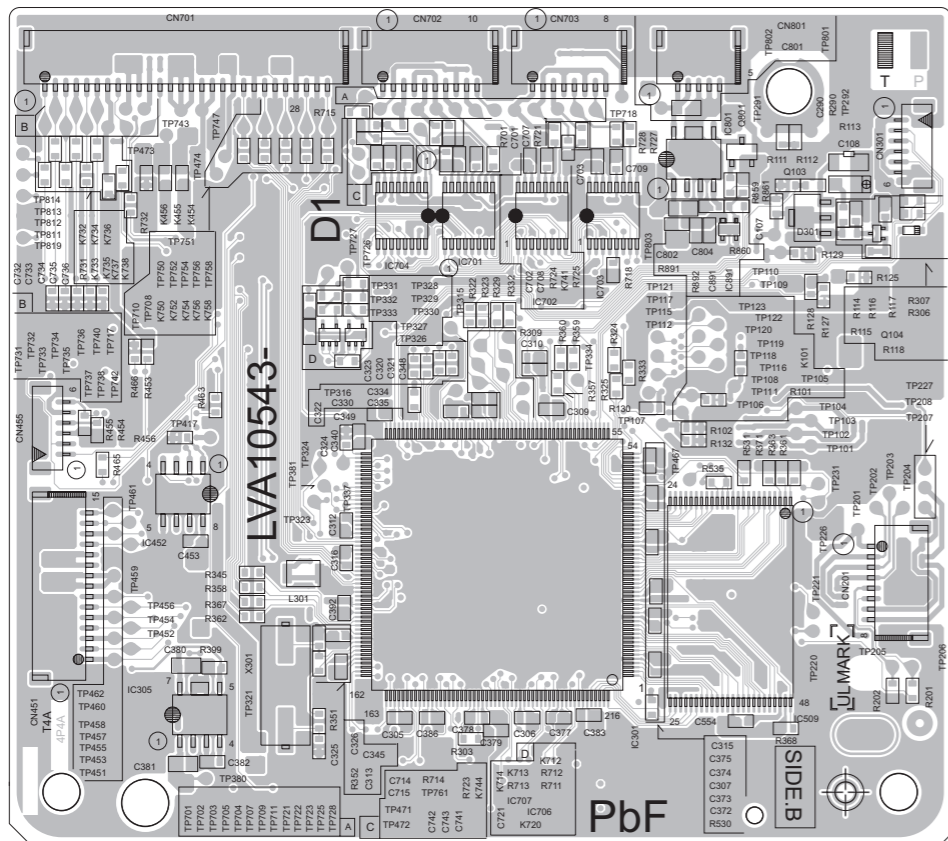
■ **Front end board** Lead free solder used in the board (material : Sn-Ag-Cu, melting point : 219 Centigrade)

forward side

Lead free solder used in the board (material : Sn-Cu, melting point : 230 Centigrade)

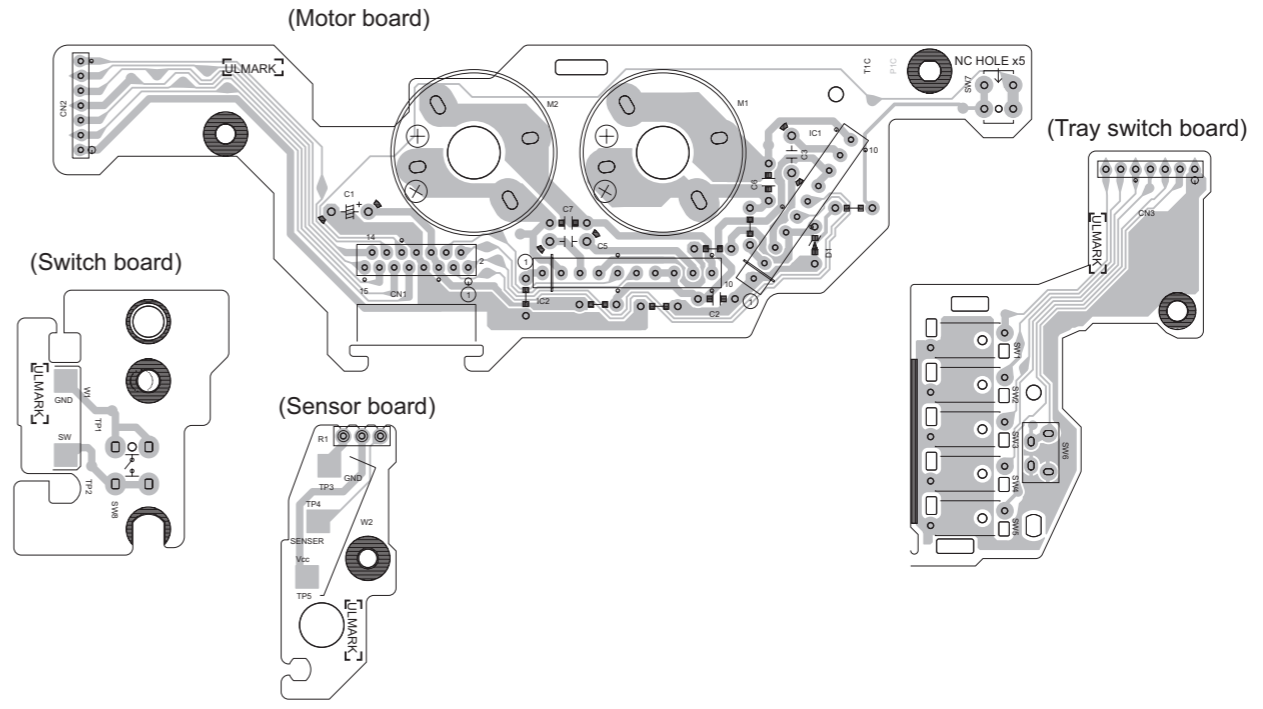


reverse side



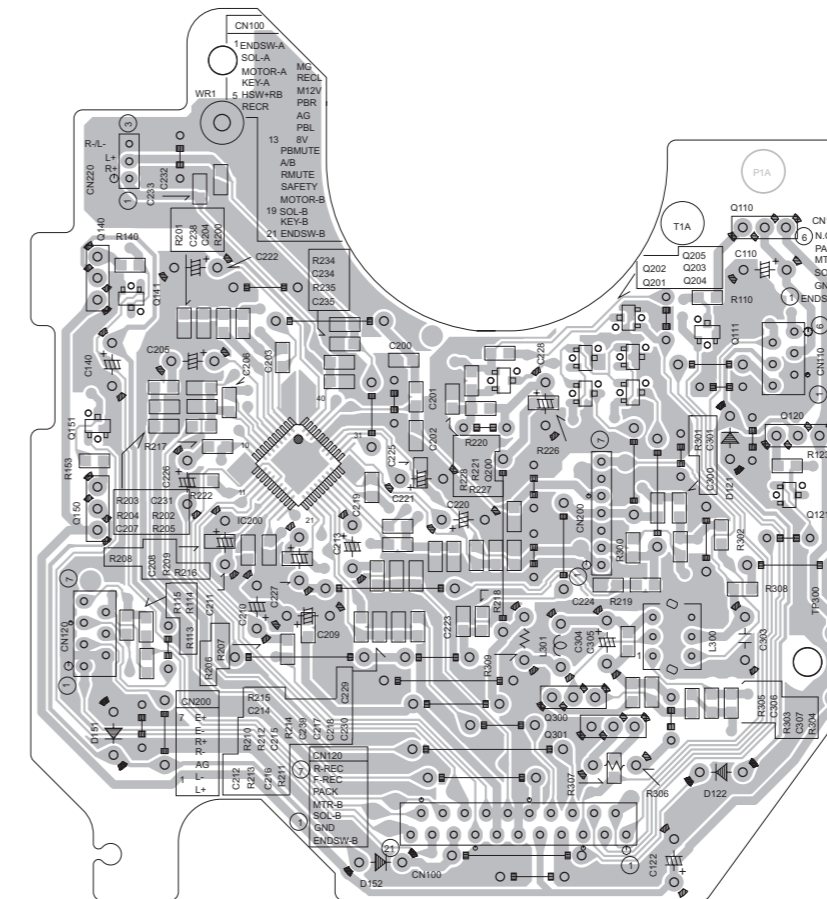
■ **Loader board** Lead free solder used in the board (material : Sn-Ag-Cu, melting point : 219 Centigrade)

Lead free solder used in the board (material : Sn-Cu, melting point : 230 Centigrade)



■ **Cassette board** Lead free solder used in the board (material : Sn-Ag-Cu, melting point : 219 Centigrade)

Lead free solder used in the board (material : Sn-Cu, melting point : 230 Centigrade)



< MEMO >



Victor Company of Japan, Limited

Audio/Video Systems Category 10-1,1chome,Ohwatari-machi,Maebashi-city,371-8543,Japan

Free Manuals Download Website

<http://myh66.com>

<http://usermanuals.us>

<http://www.somanuals.com>

<http://www.4manuals.cc>

<http://www.manual-lib.com>

<http://www.404manual.com>

<http://www.luxmanual.com>

<http://aubethermostatmanual.com>

Golf course search by state

<http://golfingnear.com>

Email search by domain

<http://emailbydomain.com>

Auto manuals search

<http://auto.somanuals.com>

TV manuals search

<http://tv.somanuals.com>