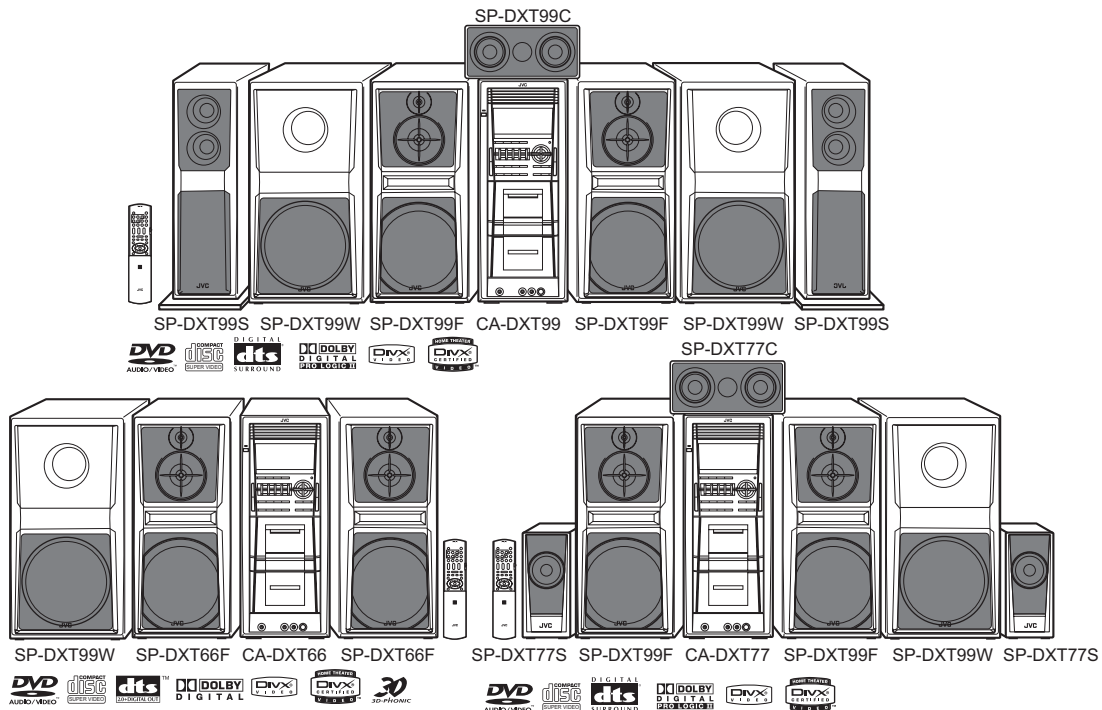


JVC

SERVICE MANUAL

COMPACT COMPONENT SYSTEM

DX-T99A,DX-T99EE,DX-T99US,DX-T99UW,
 DX-T99UX,DX-T99UG,DX-T99UN,
 DX-T77EE,DX-T77US,DX-T77UW,DX-T77UX,
 DX-T77UY,DX-T77UG,DX-T77UN,
 DX-T66EE,DX-T66US,DX-T66UW,DX-T66UX,
 DX-T66UY,DX-T66UG,DX-T66UN



Lead free solder used in the board (material : Sn-Ag-Cu, melting point : 219 Centigrade)

TABLE OF CONTENTS

1	PRECAUTION.....	1-6
2	SPECIFIC SERVICE INSTRUCTIONS.....	1-9
3	DISASSEMBLY.....	1-10
4	ADJUSTMENT.....	1-62
5	TROUBLESHOOTING.....	1-65

SPECIFICATION

DX-T99

Amplifier section	Output Power	FRONT SPEAKERS	150 W per channel, min. RMS, driven into 4 Ω at 1 kHz with no more than 10% total harmonic distortion.
		CENTER SPEAKER	140 W per channel, min. RMS, driven into 6 Ω at 1 kHz with no more than 10% total harmonic distortion.
		SURROUND SPEAKERS	130 W per channel, min. RMS, driven into 6 Ω at 1 kHz with no more than 10% total harmonic distortion. (for austraria and russia) 140 W per channel, min. RMS, driven into 6 Ω at 1 kHz with no more than 10% total harmonic distortion. (for asia)
		SUBWOOFERS	150 W per channel, min. RMS, driven into 4 Ω at 63 Hz with no more than 10% total harmonic distortion. (for austraria and russia) 150 W per channel, min. RMS, driven into 4 Ω at 1 kHz with no more than 10% total harmonic distortion. (for asia)
	Digital output	OPTICAL DIGITAL OUTPUT	-21 dBm to -15 dBm (660 nm \pm 30 nm)
	Audio input sensitivity/ Impedance*	AUX	300 mV/47 k Ω
		MIC 1/2	3.0 mV/50 k Ω
	VIDEO OUT	Color system	NTSC/PAL selectable
	VIDEO (composite)		1 V(p-p)/75 Ω
	S-VIDEO	Y (luminance)	1 V(p-p)/75 Ω
		C (chrominance, burst)	NTSC : 0.286 V(p-p)/75 Ω PAL : 0.3 V(p-p)/75 Ω
	COMPONENT (Interlace/Progressive)	(Y)	1 V(p-p)/75 Ω
		(PB/PR)	0.7 V(p-p)/75 Ω
Speaker Terminals		4 Ω - 16 Ω (front speakers/subwoofers) 6 Ω - 16 Ω (surround/center speakers)	
Tuner section	FM tuning range	87.50 MHz - 108.00 MHz	
	AM (MW) tuning range	531 kHz - 1 710 kHz (for austraria) 531 kHz - 1 710 kHz (at 9 kHz) (for asia) 530 kHz - 1 710 kHz (at 10 kHz) (for asia) 522 kHz - 1 629 kHz (for russia)	
Disc player section	Playable disc	DVD Video/DVD Audio/CD/VCD/SVCD CD-R/CD-RW (recorded in Audio CD/Video CD/Super Video CD formats and MP3/WMA/JPEG/MPEG-1/MPEG-2/ASF/DivX files) DVD-R (recorded in DVD Video format) DVD-RW (recorded in DVD Video format or DVD-VR format)	
	Dynamic range	80 dB	
	Horizontal resolution	500 lines	
	Wow and flutter	Immeasurable	
Cassette deck section	Frequency response Normal (type I)	50 Hz - 14 000 Hz	
	Wow and flutter	0.15% (WRMS)	
General	Power requirement	AC 110 V / AC 127 V / AC 220 V / AC 230 V - AC 240 V , (adjustable with the voltage selector), 50 Hz / 60 Hz	
	Power consumption	335 W (at operation) 29 W (on standby)	
	Dimensions (W/H/D) (approx.)	185 mm \times 460 mm \times 361 mm	
	Mass (approx.)	11.4 kg	

DX-T77

Amplifier section	Output Power	FRONT SPEAKERS	150 W per channel, min. RMS, driven into 4 Ω at 1 kHz with no more than 10% total harmonic distortion.
		CENTER SPEAKER	50 W per channel, min. RMS, driven into 6 Ω at 1 kHz with no more than 10% total harmonic distortion.
		SURROUND SPEAKERS	50 W per channel, min. RMS, driven into 6 Ω at 1 kHz with no more than 10% total harmonic distortion.
		SUBWOOFERS	150 W per channel, min. RMS, driven into 4 Ω at 1kHz with no more than 10% total harmonic distortion. (for asia) 150 W per channel, min. RMS, driven into 4 Ω at 63 Hz with no more than 10% total harmonic distortion. (for russia)
	Digital output	OPTICAL DIGITAL OUTPUT	-21 dBm to -15 dBm (660 nm ±30 nm)
	Audio input sensitivity/ Impedance*	AUX	300 mV/47 kΩ
		MIC 1/2	3.0 mV/50 kΩ
	VIDEO OUT	Color system	NTSC/PAL selectable
	VIDEO (composite)		1 V(p-p)/75 Ω
	S-VIDEO	Y (luminance)	1 V(p-p)/75 Ω
		C (chrominance, burst)	NTSC : 0.286 V(p-p)/75 Ω PAL : 0.3 V(p-p)/75 Ω
	COMPONENT (Interlace/Progressive)	(Y)	1 V(p-p)/75 Ω
		(PB/PR)	0.7 V(p-p)/75 Ω
Speaker Terminals		4 Ω - 16 Ω (front speakers/subwoofers) 6 Ω - 16 Ω (surround/center speakers)	
Tuner section	FM tuning range		87.50 MHz - 108.00 MHz
	AM (MW) tuning range		531 kHz - 1 710 kHz (at 9 kHz) (for asia) 530 kHz - 1 710 kHz (at 10 kHz) (for asia) 522 kHz - 1 629 kHz (for russia)
Disc player section	Playable disc		DVD Video/DVD Audio/CD/VCD/SVCD CD-R/CD-RW (recorded in Audio CD/Video CD/Super Video CD formats and MP3/WMA/JPEG/MPEG-1/MPEG-2/ASF/DivX files) DVD-R (recorded in DVD Video format) DVD-RW (recorded in DVD Video format or DVD-VR format)
	Dynamic range		80 dB
	Horizontal resolution		500 lines
	Wow and flutter		Immeasurable
Cassette deck section	Frequency response Normal (type I)		50 Hz - 14 000 Hz
	Wow and flutter		0.15% (WRMS)
General	Power requirement		AC 110 V / AC 127 V / AC 220 V / AC 230 V - AC 240 V , (adjustable with the voltage selector), 50 Hz / 60 Hz
	Power consumption		270 W (at operation) 25 W (on standby)
	Dimensions (W/H/D) (approx.)		185 mm × 460 mm × 361 mm
	Mass (approx.)		11.4 kg

DX-T66

Amplifier section	Output Power	FRONT SPEAKERS	150 W per channel, min. RMS, driven into 4 Ω at 1 kHz with no more than 10% total harmonic distortion.
		SUBWOOFERS	150 W per channel, min. RMS, driven into 4 Ω at 1kHz with no more than 10% total harmonic distortion. (for asia) 150 W per channel, min. RMS, driven into 4 Ω at 63 Hz with no more than 10% total harmonic distortion. (for russia)
	Digital output	OPTICAL DIGITAL OUTPUT	-21 dBm to -15 dBm (660 nm \pm 30 nm)
	Audio input sensitivity/ Impedance*	AUX	300 mV/47 k Ω
		MIC 1/2	3.0 mV/50 k Ω
	VIDEO OUT	Color system	NTSC/PAL selectable
	VIDEO (composite)		1 V(p-p)/75 Ω
	S-VIDEO	Y (luminance)	1 V(p-p)/75 Ω
		C (chrominance, burst)	NTSC : 0.286 V(p-p)/75 Ω PAL : 0.3 V(p-p)/75 Ω
	COMPONENT (Interlace/Progressive)	(Y)	1 V(p-p)/75 Ω
(PB/PR)		0.7 V(p-p)/75 Ω	
Speaker Terminals			4 Ω - 16 Ω (front speakers/subwoofers) 6 Ω - 16 Ω (surround/center speakers)
Tuner section	FM tuning range		87.50 MHz - 108.00 MHz
	AM (MW) tuning range		531 kHz - 1 710 kHz (at 9 kHz) (for asia) 530 kHz - 1 710 kHz (at 10 kHz) (for asia) 522 kHz - 1 629 kHz (for russia)
Disc player section	Playable disc		DVD Video/DVD Audio/CD/VCD/SVCD CD-R/CD-RW (recorded in Audio CD/Video CD/Super Video CD formats and MP3/WMA/JPEG/MPEG-1/MPEG-2/ASF/DivX files) DVD-R (recorded in DVD Video format) DVD-RW (recorded in DVD Video format or DVD-VR format)
	Dynamic range		80 dB
	Horizontal resolution		500 lines
	Wow and flutter		Immeasurable
Cassette deck section	Frequency response Normal (type I)		50 Hz - 14 000 Hz
	Wow and flutter		0.15% (WRMS)
General	Power requirement		AC 110 V / AC 127 V / AC 220 V / AC 230 V - AC 240 V , (adjustable with the voltage selector), 50 Hz / 60 Hz
	Power consumption		205 W (at operation) 23 W (on standby)
	Dimensions (W/H/D) (approx.)		185 mm \times 460 mm \times 361 mm
	Mass (approx.)		10.8 kg

Speaker section

Main Speakers	Type	3-Way 3-Speaker Bass Reflex (Magnetically-Shielded Type)	
	Speaker systems	Woofer	18 cm cone × 1
		Mid	6.5 cm cone × 1
		Tweeter	2 cm dome × 1
	Power handling capacity	150 W	
	Impedance	4 Ω	
	Frequency range	35 Hz - 25 000 Hz	
	Sound pressure level	85 dB/W·m	
	Dimensions (W/H/D) (approx.)	204 mm × 460 mm × 273 mm	
Mass (approx.)	5.2 kg each		
Subwoofer	Type	1-Way Bass-Reflex (Magnetically-Shielded Type)	
	Speaker systems	20 cm cone × 1	
	Power handling capacity	150 W	
	Impedance	4 Ω	
	Frequency range	35 Hz - 5 000 Hz	
	Sound pressure level	88 dB/W·m	
	Dimensions (W/H/D) (approx.)	238 mm × 460 mm × 273 mm	
	Mass (approx.)	7.1 kg	

* Measured at 1 kHz, with tape recording signal 300 mV

Design and specifications are subject to change without notice.

SECTION 1 PRECAUTION

1.1 Safety Precautions

- (1) This design of this product contains special hardware and many circuits and components specially for safety purposes. For continued protection, no changes should be made to the original design unless authorized in writing by the manufacturer. Replacement parts must be identical to those used in the original circuits. Services should be performed by qualified personnel only.
- (2) Alterations of the design or circuitry of the product should not be made. Any design alterations of the product should not be made. Any design alterations or additions will void the manufacturer's warranty and will further relieve the manufacturer of responsibility for personal injury or property damage resulting therefrom.
- (3) Many electrical and mechanical parts in the products have special safety-related characteristics. These characteristics are often not evident from visual inspection nor can the protection afforded by them necessarily be obtained by using replacement components rated for higher voltage, wattage, etc. Replacement parts which have these special safety characteristics are identified in the Parts List of Service Manual. Electrical components having such features are identified by shading on the schematics and by (Δ) on the Parts List in the Service Manual. The use of a substitute replacement which does not have the same safety characteristics as the recommended replacement parts shown in the Parts List of Service Manual may create shock, fire, or other hazards.
- (4) The leads in the products are routed and dressed with ties, clamps, tubings, barriers and the like to be separated from live parts, high temperature parts, moving parts and/or sharp edges for the prevention of electric shock and fire hazard. When service is required, the original lead routing and dress should be observed, and it should be confirmed that they have been returned to normal, after reassembling.

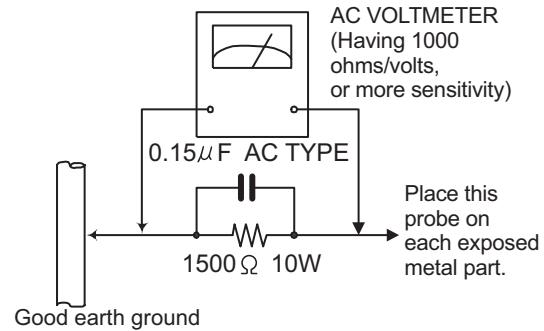
(5) Leakage shock hazard testing

After reassembling the product, always perform an isolation check on the exposed metal parts of the product (antenna terminals, knobs, metal cabinet, screw heads, headphone jack, control shafts, etc.) to be sure the product is safe to operate without danger of electrical shock. Do not use a line isolation transformer during this check.

- Plug the AC line cord directly into the AC outlet. Using a "Leakage Current Tester", measure the leakage current from each exposed metal part of the cabinet, particularly any exposed metal part having a return path to the chassis, to a known good earth ground. Any leakage current must not exceed 0.5mA AC (r.m.s.).
- Alternate check method
Plug the AC line cord directly into the AC outlet. Use an AC voltmeter having, 1,000 Ω per volt or more sensitivity in the following manner. Connect a 1,500 Ω 10W resistor paralleled by a 0.15 μ F AC-type capacitor between an exposed metal part and a known good earth ground. Measure the AC voltage across the resistor with the AC

voltmeter.

Move the resistor connection to each exposed metal part, particularly any exposed metal part having a return path to the chassis, and measure the AC voltage across the resistor. Now, reverse the plug in the AC outlet and repeat each measurement. Voltage measured any must not exceed 0.75 V AC (r.m.s.). This corresponds to 0.5 mA AC (r.m.s.).



1.2 Warning

- (1) This equipment has been designed and manufactured to meet international safety standards.
- (2) It is the legal responsibility of the repairer to ensure that these safety standards are maintained.
- (3) Repairs must be made in accordance with the relevant safety standards.
- (4) It is essential that safety critical components are replaced by approved parts.
- (5) If mains voltage selector is provided, check setting for local voltage.

1.3 Caution

Burrs formed during molding may be left over on some parts of the chassis.

Therefore, pay attention to such burrs in the case of pre-forming repair of this system.

1.4 Critical parts for safety

In regard with component parts appearing on the silk-screen printed side (parts side) of the PWB diagrams, the parts that are printed over with black such as the resistor (■), diode (■) and ICP (●) or identified by the " Δ " mark nearby are critical for safety. When replacing them, be sure to use the parts of the same type and rating as specified by the manufacturer.
(This regulation does not Except the J and C version)

1.5 Preventing static electricity

Electrostatic discharge (ESD), which occurs when static electricity stored in the body, fabric, etc. is discharged, can destroy the laser diode in the traverse unit (optical pickup). Take care to prevent this when performing repairs.

1.5.1 Grounding to prevent damage by static electricity

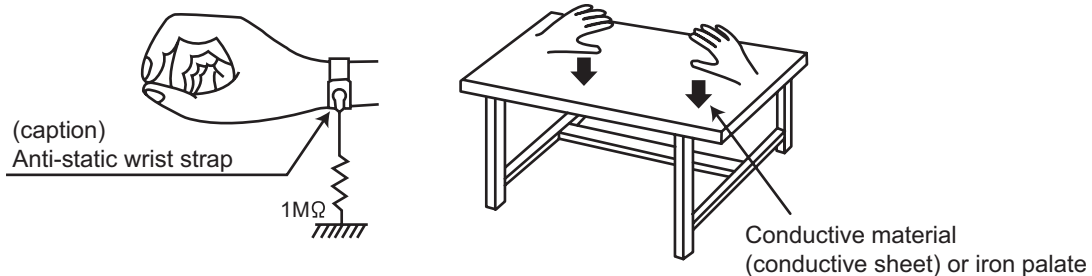
Static electricity in the work area can destroy the optical pickup (laser diode) in devices such as laser products. Be careful to use proper grounding in the area where repairs are being performed.

(1) Ground the workbench

Ground the workbench by laying conductive material (such as a conductive sheet) or an iron plate over it before placing the traverse unit (optical pickup) on it.

(2) Ground yourself

Use an anti-static wrist strap to release any static electricity built up in your body.



(3) Handling the optical pickup

- In order to maintain quality during transport and before installation, both sides of the laser diode on the replacement optical pickup are shorted. After replacement, return the shorted parts to their original condition. (Refer to the text.)
- Do not use a tester to check the condition of the laser diode in the optical pickup. The tester's internal power source can easily destroy the laser diode.

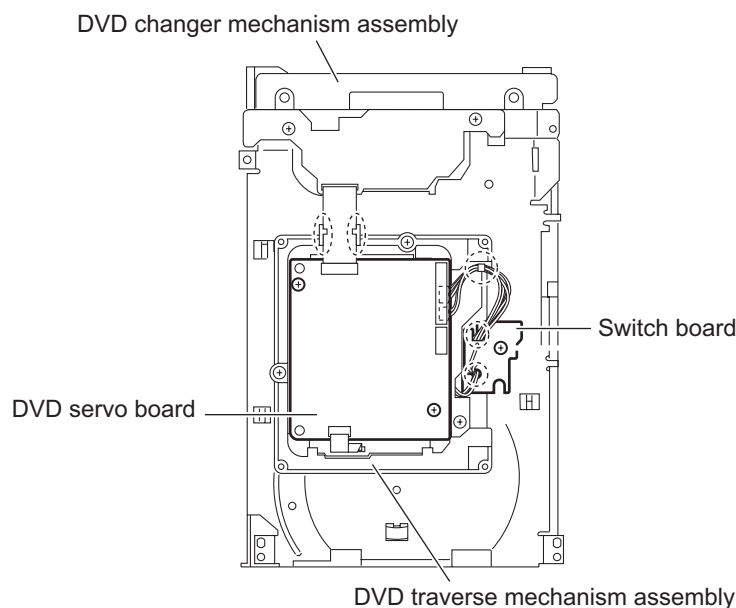
1.6 Handling the traverse unit (optical pickup)

- (1) Do not subject the traverse unit (optical pickup) to strong shocks, as it is a sensitive, complex unit.
- (2) Cut off the shorted part of the flexible cable using nippers, etc. after replacing the optical pickup. For specific details, refer to the replacement procedure in the text. Remove the anti-static pin when replacing the traverse unit. Be careful not to take too long a time when attaching it to the connector.
- (3) Handle the flexible cable carefully as it may break when subjected to strong force.
- (4) It is not possible to adjust the semi-fixed resistor that adjusts the laser power. Do not turn it.

1.7 Attention when traverse unit is decomposed

***Please refer to "Disassembly method" in the text for the pickup unit.**

- Apply solder to the short land sections before the card wire is disconnected from the connector on the servo board. (If the card wire is disconnected without applying solder, the pickup may be destroyed by static electricity.)
- In the assembly, be sure to remove solder from the short land sections after connecting the card wire.



1.8 Important for laser products

1.CLASS 1 LASER PRODUCT

2.CAUTION :

(For U.S.A.) Visible and/or invisible class II laser radiation when open. Do not stare into beam.

(Others) Visible and/or invisible class 1M laser radiation when open. Do not view directly with optical instruments.

3.CAUTION : Visible and/or invisible laser radiation when open and inter lock failed or defeated. Avoid direct exposure to beam.

4.CAUTION : This laser product uses visible and/or invisible laser radiation and is equipped with safety switches which prevent emission of radiation when the drawer is open and the safety interlocks have failed or are defeated. It is dangerous to defeat the safety switches.

(For U.S.A.)

CAUTION : Visible and/or invisible class II laser radiation when open. Do not stare into beam.

(Others)

CAUTION : Visible and/or invisible class 1M laser radiation when open. Do not view directly with optical instruments

ACHTUNG: Sichtbare und/oder unsichtbare Laserstrahlung der Klasse 1M bei offenen Abdeckungen. Nicht direkt mit optischen Instrumenten betrachten.

ATTENTION: Rayonnement laser visible et/ou invisible de classe 1M une fois ouvert. Ne pas regarder directement avec des instruments optiques.

VOORZICHTIG: Zichtbare en/of onzichtbare klasse 1M laserstralen indien geopend. Bekijk niet direct met optische instrumenten.

ATTENZIONE: Radiazione laser in classe 1M visibile e/o invisibile quando aperto. Non osservare direttamente con strumenti ottici.

WARNING: Synlig och/eller osynlig laserstrålning, klass 1M, när denna del är öppnad. Betrakta ej strålen med optiska instrument.

VARO! Avattaessa olet alttiina nakyyvalle ja/tai näkymättömälle luokan 1M lasersateilylle. Älä tarkastele sitä optisen laitteen läpi.

ADVASEL: Synlig og/eller usynlig klasse 1M-laserstråling ved åbning. Se ikke direkte med optiske instrumenter.

AVISO: Radiación láser de clase 1M visible y/o invisible cuando está abierto. No mirar directamente con instrumental óptico.

PRECAUÇÃO: Radiação laser de classe 1M visível e/ou invisível quando aberto. Não olhe diretamente com instrumentos ópticos.

5.CAUTION : If safety switches malfunction, the laser is able to function.

6.CAUTION : Use of controls, adjustments or performance of procedures other than those specified here in may result in hazardous radiation exposure.



CAUTION Please use enough caution not to see the beam directly or touch it in case of an adjustment or operation check.

PRECAUÇÃO: Radiação laser de classe 1M visível e/ou invisível quando aberto. Não olhe diretamente com instrumentos ópticos.

ПРЕДУПРЕЖДЕНИЕ: В открытом состоянии происходит видимое и/или невидимое излучение лазера класса 1M. Не смотрите непосредственно в оптические инструменты.

UWAGA: Otwarcie spowoduje narażenie na widzialne i/lub niewidzialne promieniowanie lasera klasy 1M. Nie patrzeć bezpośrednio w przyrządy optyczne.

UPOZORNĚNÍ: Při otevření vydává viditelné popř. neviditelné laserové ozáření třídy 1M. Nedívejte se do otvoru přímo s optickými nástroji.

FIGYELMEZTETÉS: Látható és/vagy láthatatlan 1M osztályú sugárzás nyitott állapotban. Ne nézze közvetlenül optikai műszerekkel.

注意：打開蓋板可能會產生可見或不可見的 1M 級鐳射。不要使用光學儀器直接進行窺視。

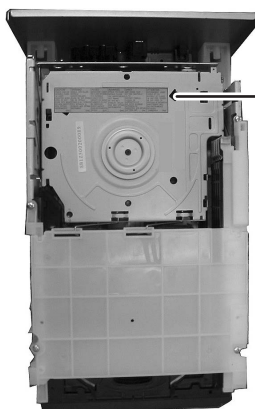
注意：打开盖板可能会产生可见或不可见的 1M 级辐射。不要使用光学仪器直接进行窥视。

تنبيه: يوجد إشعاع ليزري مرئي و/أو غير مرئي من الفئة 1M عندما يكون الجهاز مفتوحاً. تجنب النظر مباشرة داخل الجهاز باستخدام أدوات بصرية.

احتياط: هنگامی که باز گردد، تشعشع مرئی و یا نامرئی کلاس 1M لیزر وجود دارد. با لوازم چشمی مستقیماً به آن نگاه نکنید.

주의: 개방하면 가지 및/또는 비가지 클래스 1M 레이저 방사선이 나옵니다. 광학 기구로 직접 들여다보지 마십시오.

REPRODUCTION AND POSITION OF LABELS and PRINT WARNING LABEL and PRINT



CAUTION VISIBLE AND/OR INVISIBLE CLASS 1M LASER RADIATION WHEN OPEN. DO NOT VIEW DIRECTLY WITH OPTICAL INSTRUMENTS. IEC80825-1:2001 (ENG)	ATTENTION RAYONNEMENT LASER VISIBLE ET/OU INVISIBLE DE CLASSE 1M UNE FOIS OUVERT. NE PAS REGARDER DIRECTEMENT AVEC DES INSTRUMENTS OPTIQUES. (FRA)	AVISO RADIACIÓN LÁSER DE CLASE 1M VISIBLE Y/O INVISIBLE CUANDO ESTA ABIERTO. NO MIRAR DIRECTAMENTE CON INSTRUMENTAL ÓPTICO. (ESP)	WARNING SYNLIG OCH/ELLER OSYNLIG LASERSTRÅLNING, KLASS 1M, NÄR DENNA DEL ÄR ÖPPNAD. BETRAKTA EJ STRÅLEN MED OPTISKA INSTRUMENT. (SWE)	注意 この製品は可視 及び/または不可視 のクラス 1M レーザー放射が 出ます。 光学顕微鏡で直接 見ないでください。 (JPN)	CAUTION VISIBLE AND/OR INVISIBLE CLASS II LASER RADIATION WHEN OPEN. DO NOT STARE INTO BEAM. FDA 21 CFR (ENG) LV44603-003A
--	--	---	---	---	---

CAUTION VISIBLE AND/OR INVISIBLE CLASS 1M LASER RADIATION WHEN OPEN. DO NOT VIEW DIRECTLY WITH OPTICAL INSTRUMENTS. IEC80825-1:2001 (ENG)

ATTENTION RAYONNEMENT LASER VISIBLE ET/OU INVISIBLE DE CLASSE 1M UNE FOIS OUVERT. NE PAS REGARDER DIRECTEMENT AVEC DES INSTRUMENTS OPTIQUES. (FRA)

AVISO RADIACIÓN LÁSER DE CLASE 1M VISIBLE Y/O INVISIBLE CUANDO ESTA ABIERTO. NO MIRAR DIRECTAMENTE CON INSTRUMENTAL ÓPTICO. (ESP)

WARNING SYNLIG OCH/ELLER OSYNLIG LASERSTRÅLNING, KLASS 1M, NÄR DENNA DEL ÄR ÖPPNAD. BETRAKTA EJ STRÅLEN MED OPTISKA INSTRUMENT. (SWE)
注意 この製品は可視及び/または不可視のクラス 1M レーザー放射が出ます。光学顕微鏡で直接見ないでください。 (JPN)

CAUTION VISIBLE AND/OR INVISIBLE CLASS II LASER RADIATION WHEN OPEN. DO NOT STARE INTO BEAM. (ENG)
FDA 21 CFR LV44603-004A

SECTION 2
SPECIFIC SERVICE INSTRUCTIONS

This service manual does not describe SPECIFIC SERVICE INSTRUCTIONS.

SECTION 3 DISASSEMBLY

3.1 Main body section

3.1.1 Removing the metal cover

(See Fig.1, 2)

- (1) From the both sides of the main body, remove the six screws **A** attaching the metal cover. (See Fig.1)
- (2) From the back side of the main body, remove the eight screws **B** attaching the metal cover. (See Fig.2)
- (3) Remove the metal cover from the main body while lifting the rear section of the metal cover in the direction of the arrow. (See Fig.1)

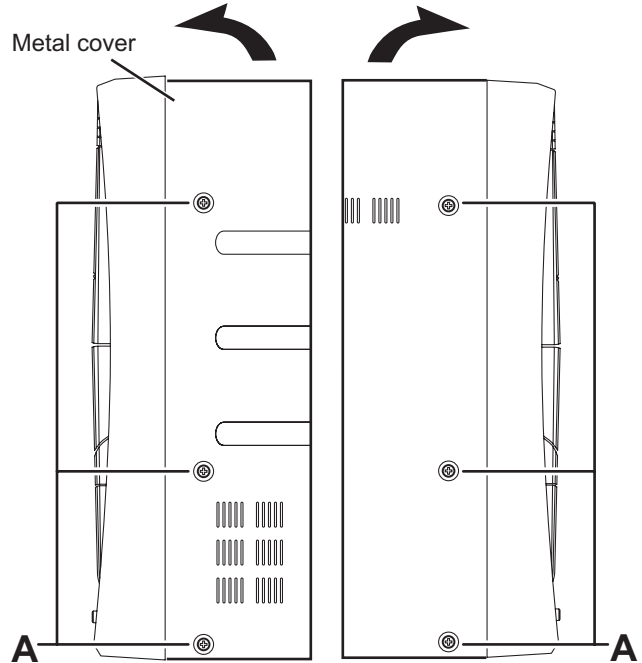


Fig.1

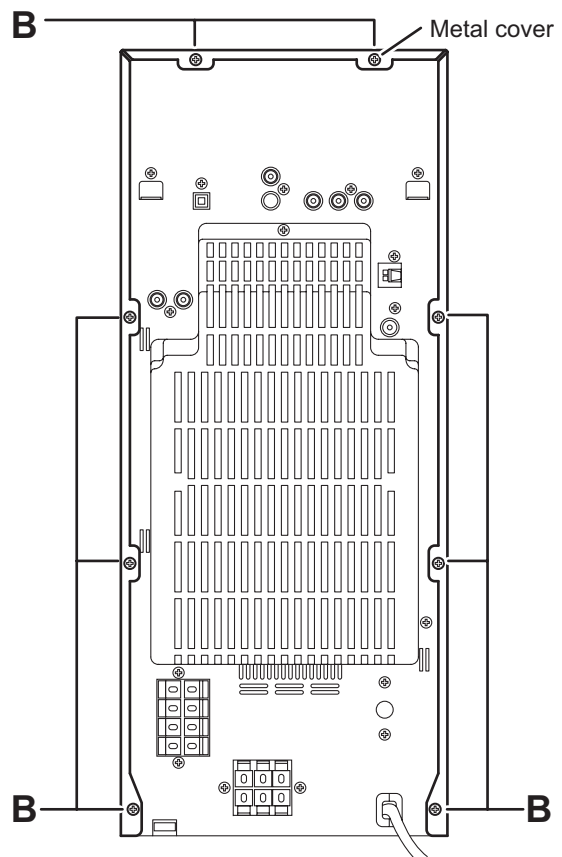
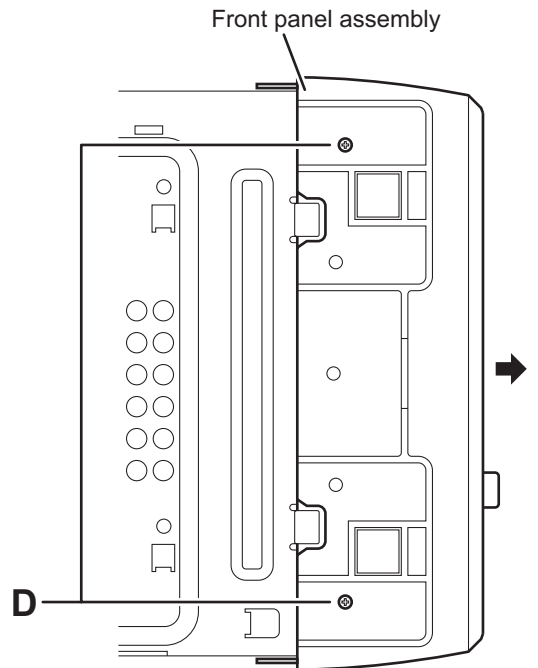
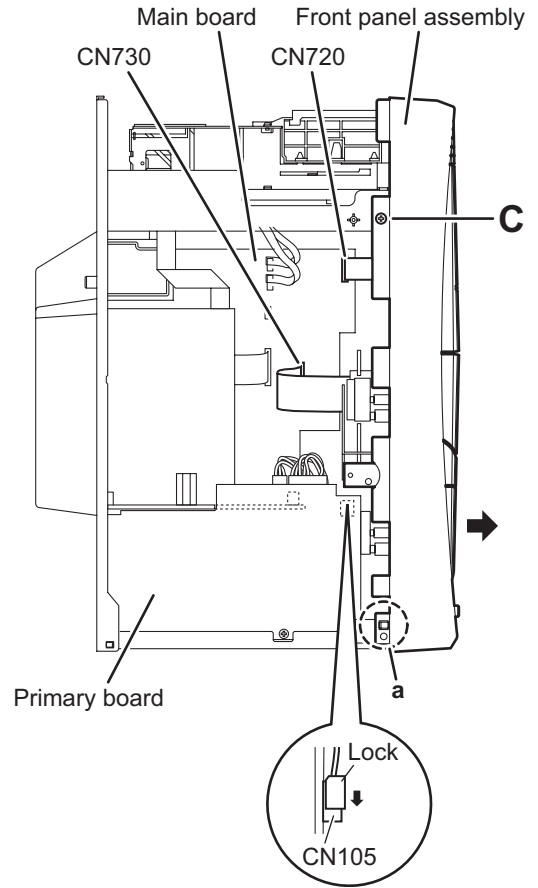
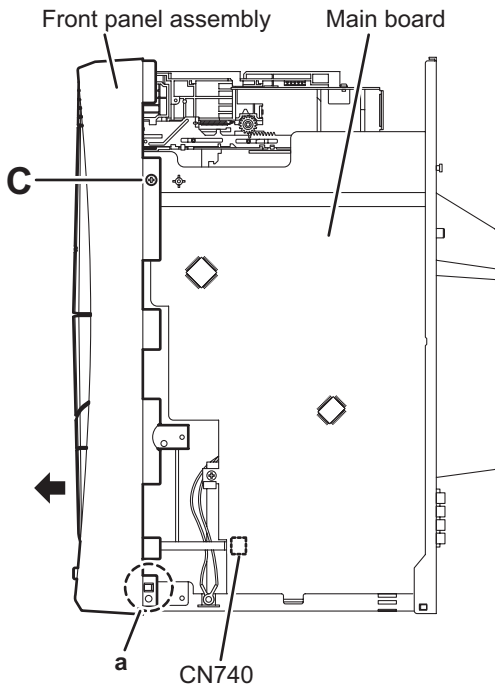


Fig.2

3.1.2 Removing the front panel assembly (See Fig.3 to 5)

- Remove the metal cover.
 - (1) From the right side of the main body, disconnect the card wire from the connectors [CN740](#) on the reverse side of the main board. (See Fig.3)
 - (2) From the left side of main body, disconnect the card wires from the connectors ([CN720](#), [CN730](#)) on the forward side of the main board. (See Fig.4)
 - (3) Disconnect the parallel wire while releasing the lock of the connector [CN105](#) on the primary board in the direction of the arrow. (See Fig.4)
 - (4) From the both side of the main body, remove the two screws **C** attaching the front panel assembly to the main body. (See Fig.3, 4)
 - (5) From the bottom side of the main body, remove the two screws **D** attaching the front panel assembly. (See Fig.5)
 - (6) From the both side of main body, release the claws **a** and remove the front panel assembly from the main body in the direction of the arrow. (See Fig.3, 4)



3.1.3 Removing the tuner (See Fig.6)

- Remove the metal cover.
 - From the back side of the main body, remove the two screws **E** attaching the tuner to the rear panel.
 - Take out the tuner from the main body and disconnect the card wire from the connector **CN1** on the tuner.

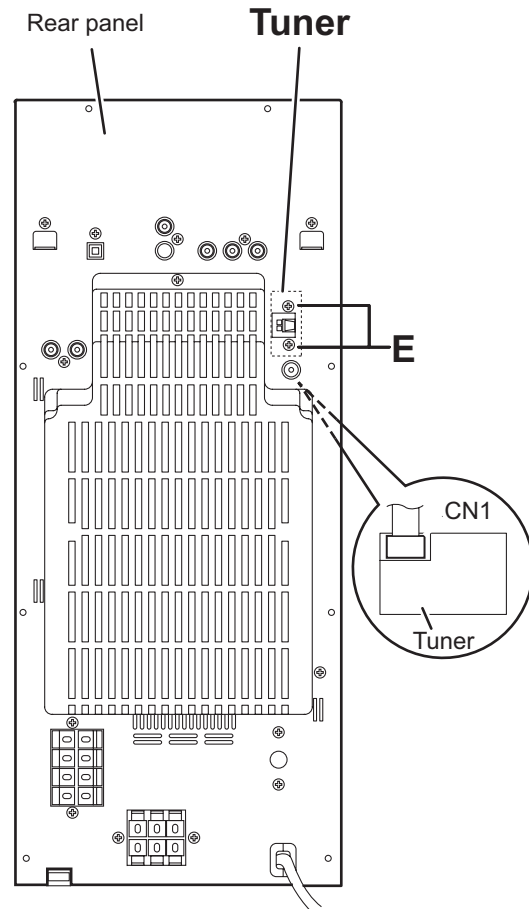


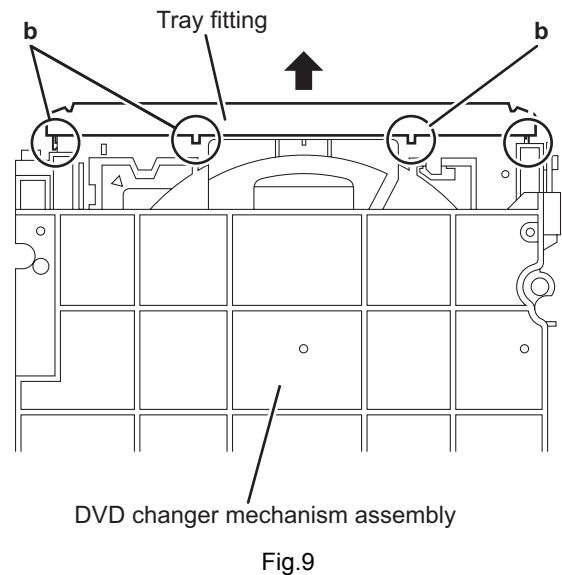
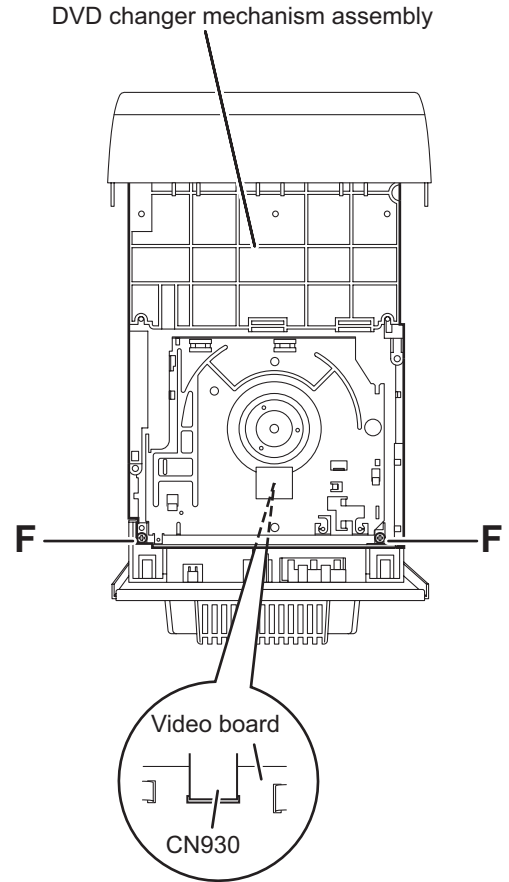
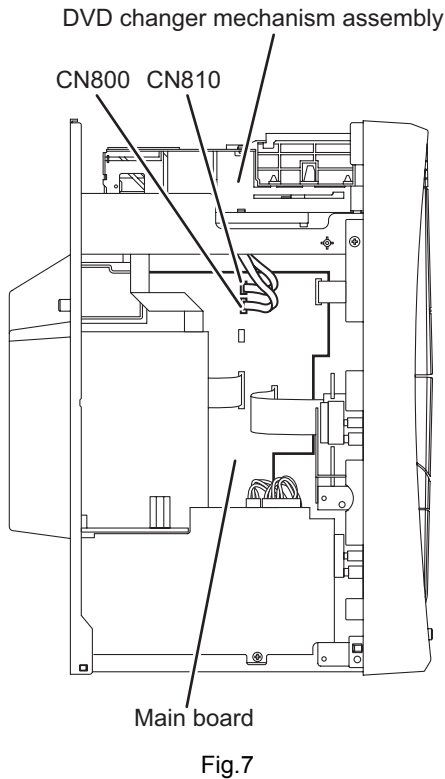
Fig.6

3.1.4 Removing the DVD changer mechanism assembly (See Fig.7 to 9)

- Remove the metal cover.
 - (1) From the left side of the main body, disconnect the card wires from the connectors (CN800, CN810) on the main board. (See Fig.7) **[For DX-T99, DX-T77]**
 - (2) From the left side of the main body, disconnect the card wires from the connector on the CN800 on the main board. (See Fig.7) **[For DX-T66]**
 - (3) From the top side of the main body, remove the two screws **F** attaching the DVD changer mechanism assembly on the mecha chassis. (See Fig.8)
 - (4) Take out the DVD changer mechanism assembly from the main body and disconnect the card wire from the connector CN930 on the video board. (See Fig.8)

Reference:

When the resolution of the DVD changer mechanism assembly is done sequentially, release the claws **b** of the tray fitting and remove the five tray fitting from the DVD changer mechanism assembly. (See Fig.9)



3.1.5 Removing the DVD changer mechanism assembly (See Fig.10, 11)

- Remove the metal cover and DVD changer mechanism assembly.
 - From the back side of the metal body, remove the three screws **G** attaching the video board to the rear panel. (See Fig.10)
 - From the top side of the main body, disconnect the card wires from the connectors ([CN920](#), [CN931](#)) on the video board. (See Fig.11)
 - Take out the video board in the direction of the arrow while removing it from the sections **c** of the mecha chassis. (See Fig.11)

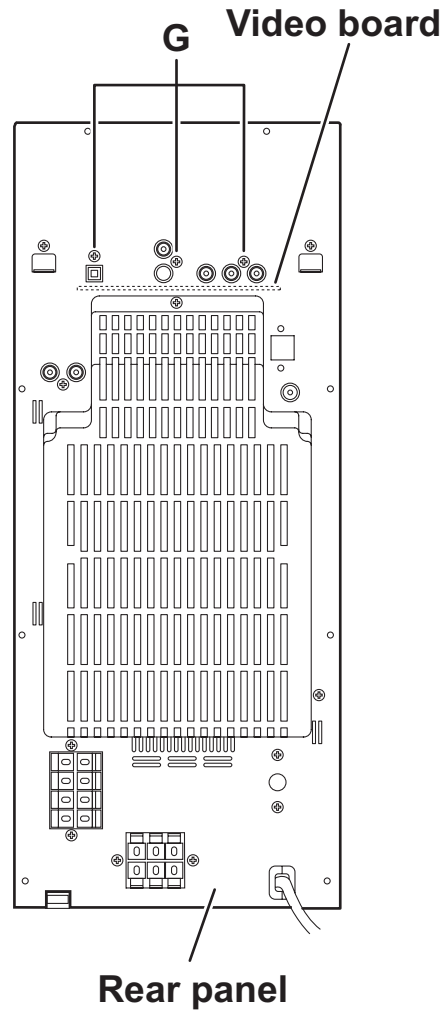


Fig.10

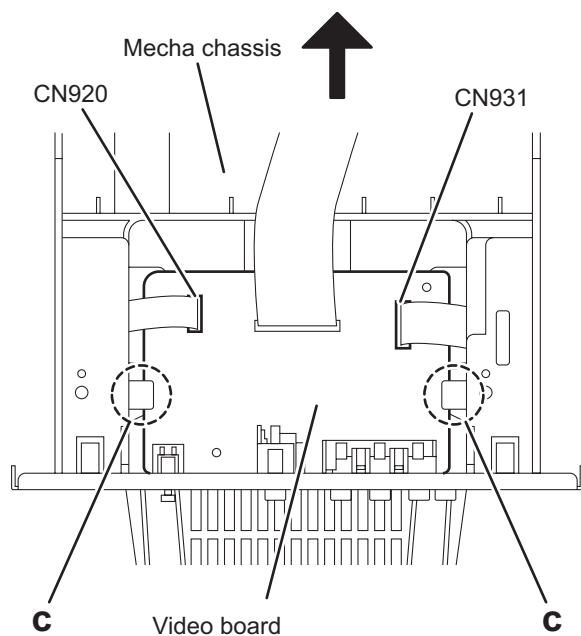


Fig.11

3.1.6 Removing the fan (See Fig.12, 13)

- Remove the metal cover.
 - (1) From the back side of the main body, remove the screw **H** attaching the rear cover to the rear panel. (See Fig.12)
 - (2) Remove the joints **d** and remove the rear cover. (See Fig.12) From the left side of the main body, disconnect the wire from the connector **CN304** on the amplifier 2 board. (See Fig.13) **[DX-T99]**
 - (3) Remove the joints **d** and remove the rear cover. (See Fig.12) From the left side of the main body, disconnect the wire from the connector **CN604** on the amplifier 2 board. (See Fig.13) **[For DX-T66, DX-T77]**
 - (4) Release the two joints **e** of the fan bracket in the direction of the arrow and take out the fan with the fan bracket. (See Fig.13)

Reference:

Remove the fan from the fan bracket as required.

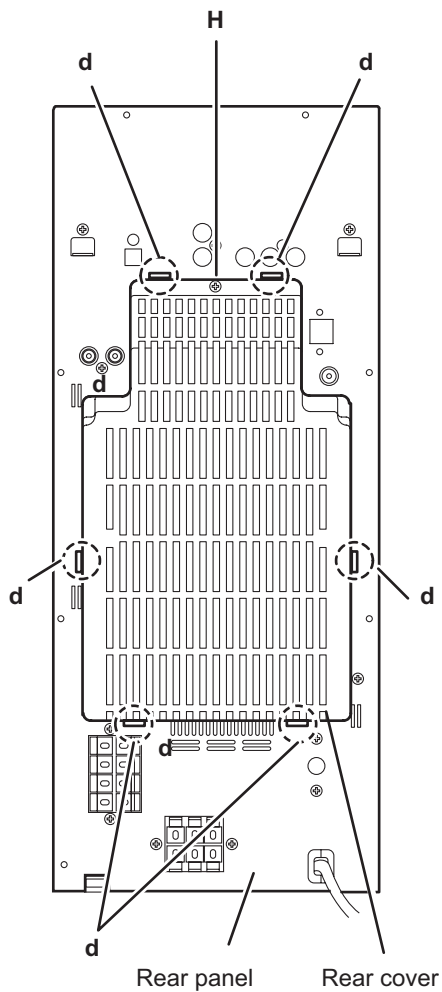


Fig.12

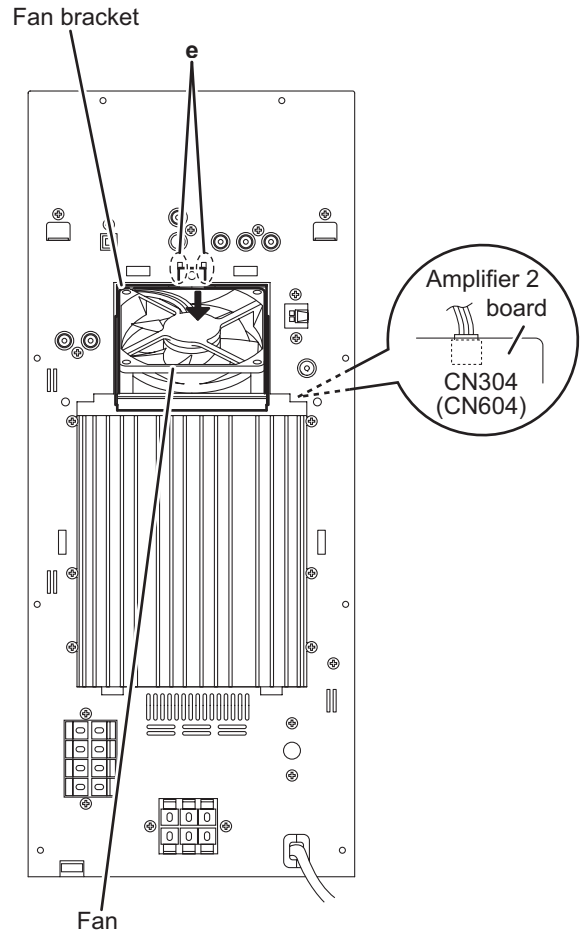


Fig.13

3.1.7 Removing the rear panel
(See Fig.14)

- Remove the metal cover and fan.
 - (1) Remove the two screws **J** and eleven screws **K** attaching the rear panel. **[For DX-T99, DX-T77]**
 - (2) Remove the two screws **J** and ten screws **K** attaching the rear panel. **[For DX-T66]**
 - (3) Release the section **f** of the rear panel and remove the joints **g** of the mecha chassis in the direction of the arrow.
 - (4) Remove the rear panel from the main body.

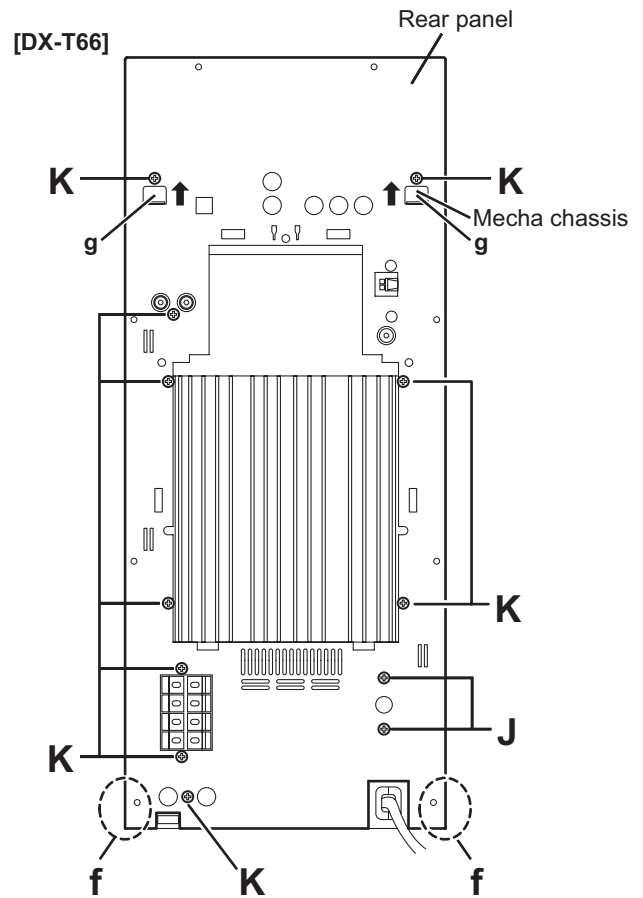
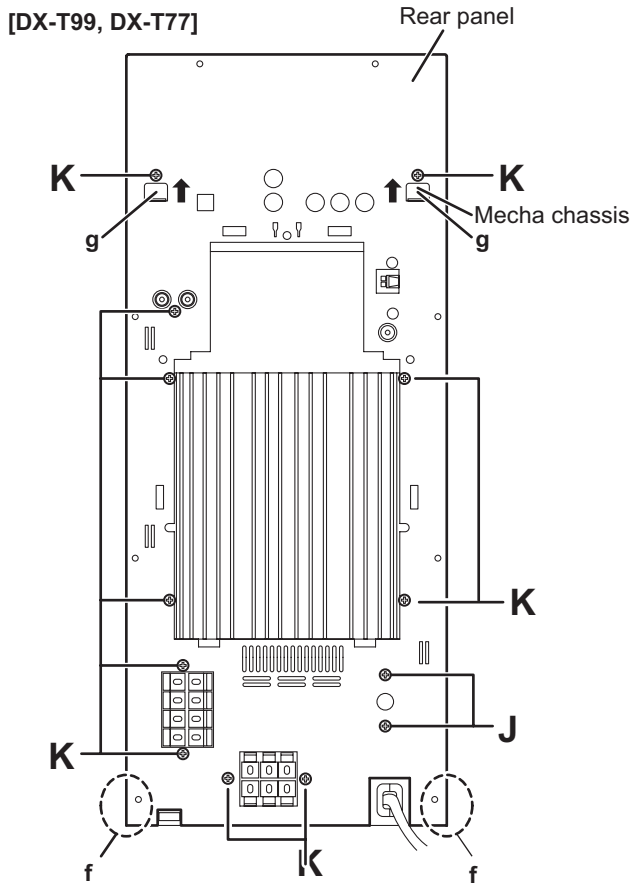


Fig.14

3.1.8 Removing the main board (See Fig.15)

- Remove the metal cover, tuner, fan and rear panel.
 - From the right side of the main body, remove the screw **L** and screw **M** attaching the main board.
 - From the inside of the main body, disconnect the card wires from the connectors ([CN820](#), [CN830](#)) on the forward side of the main board.
 - Disconnect the main board from the bridge board toward this side while releasing the claw **h** of the connector [CN850](#) on the main board.
 - Disconnect the main board from the surround terminal board in the direction of the arrow of the arrow while releasing the claw **I** of the connector [CN860](#) on the surround terminal board.

[For DX-T99, DX-T77]

Note:

When releasing the claws (**h**, **j**) take care not to break them.

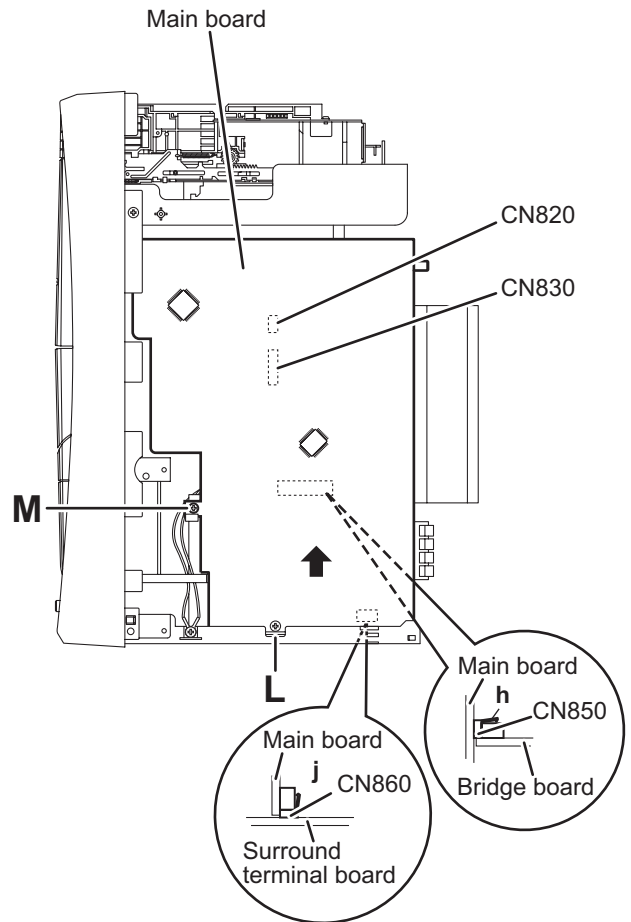


Fig.15

3.1.9 Removing the amplifier 1 and amplifier 2 boards (See Fig.16 to 18) [For DX-T99]

- Remove the metal cover, tuner, fan, rear panel and main board.

(1) From the right side of the main body, remove the screw **N** attaching the earth wires to the bottom chassis. (See Fig.16)

Reference:

After reassembling, fix the earth wires with the spacer as before. (See Fig.16)

- (2) Disconnect the amplifier 2 board from the bridge board in the direction of the arrow while releasing the claw **k** of the connector **CN200** on the bridge board. (See Fig.16)
- (3) Disconnect the amplifier 1 board from the bridge board in the direction of the arrow while releasing the claw **k** of the connector **CN201** on the bridge board. (See Fig.17)

Note:

When releasing the claws (**k**, **l**), take care not to break them. (See Fig.17, 18)

- (4) Take out the amplifier 1 board and amplifier 2 board together from the main body.
- (5) Remove the two screws **P** and remove the leaf spring. (See Fig.18)
- (6) Remove the two screws **P** and remove the amplifier 1 board from the heat sink. (See Fig.18)
- (7) Remove the four screws **P** and remove the amplifier 2 board from the heat sink. (See Fig.18)

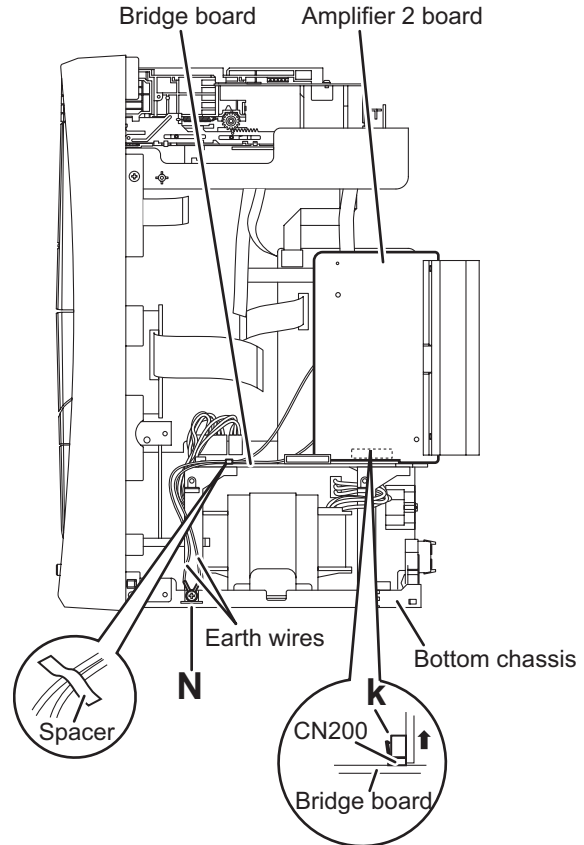


Fig.16

3.1.10 Removing the amplifier 1 and amplifier 2 boards (See Fig.16 to 18) [For DX-T77, DX-T66]

- Remove the metal cover, tuner, fan, rear panel and main board.

(1) From the right side of the main body, remove the screw **N** attaching the earth wires to the bottom chassis. (See Fig.16)

Reference:

After reassembling, fix the earth wires with the spacer as before. (See Fig.16)

- (2) Disconnect the amplifier 2 board from the bridge board in the direction of the arrow while releasing the claw **k** of the connector **CN200** on the bridge board. (See Fig.16)
- (3) Disconnect the amplifier 1 board from the bridge board in the direction of the arrow while releasing the claw **l** of the connector **CN201** on the bridge board. (See Fig.17)

Note:

When releasing the claws (**k**, **l**), take care not to break them. (See Fig.16, 17)

- (4) Take out the amplifier 1 board and amplifier 2 board together from the main board.
- (5) Remove the two screws **P** and remove the leaf spring. (See Fig.18)
- (6) Remove the two screws **P** and remove the amplifier 1 board from the heat sink. (See Fig. 18) [For DX-T77]
- (7) Remove the three screws **P** and remove the amplifier 2 board from the heat sink. (See Fig.18)

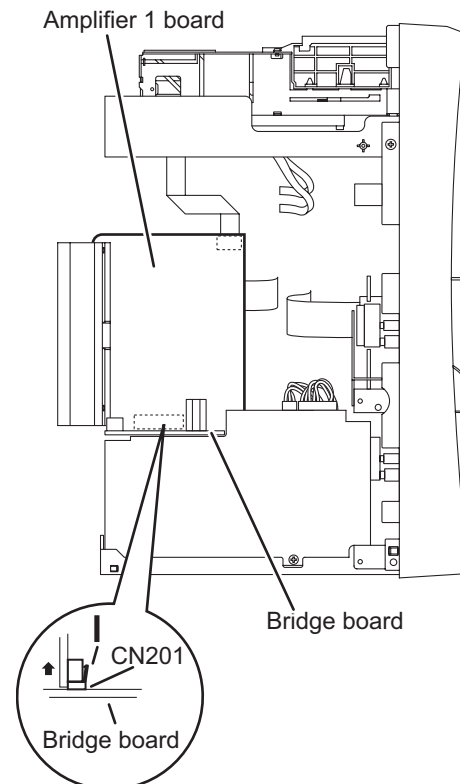
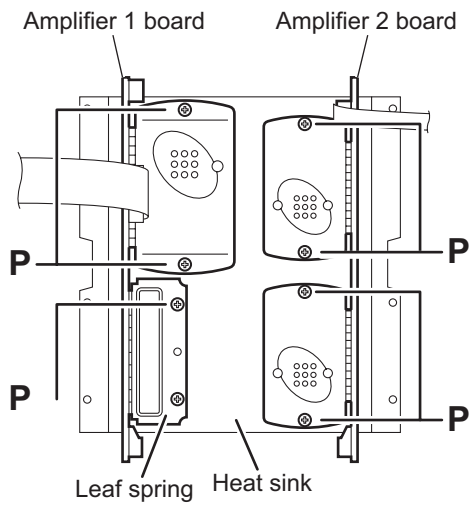
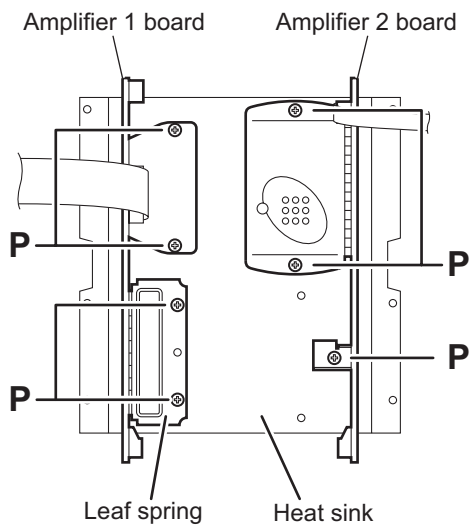


Fig.17

[DX-T99]



[DX-T77]



[DX-T66]

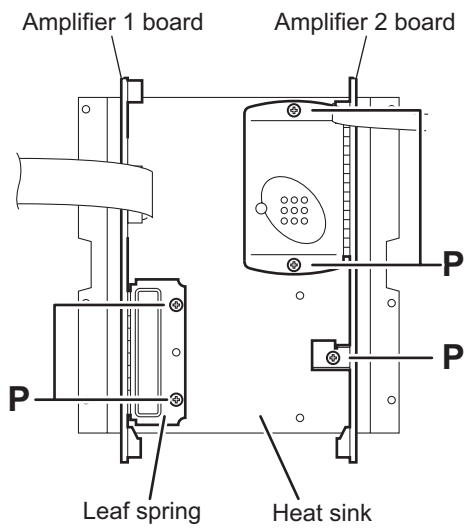


Fig.18

3.1.11 Removing the primary board (See Fig.19)

- Remove the metal cover, tuner, fan, rear panel, main board, amplifier 1 board and amplifier 2 board.
 - From the left side of the main body, remove the screw **Q** attaching the primary board.
 - Disconnect the wires from the connectors (CN103, CN106) on the primary board.
 - Release the claw **m** of the connector CN104 on the primary board.

Note:

When releasing the claw **m**, take care not to break it.

- Disconnect the wires from connectors (CN101, CN102) on the forward side of the primary board.
- Disconnect the power cord from the connector CN100 on the primary board.
- Take out the primary board from the main body.

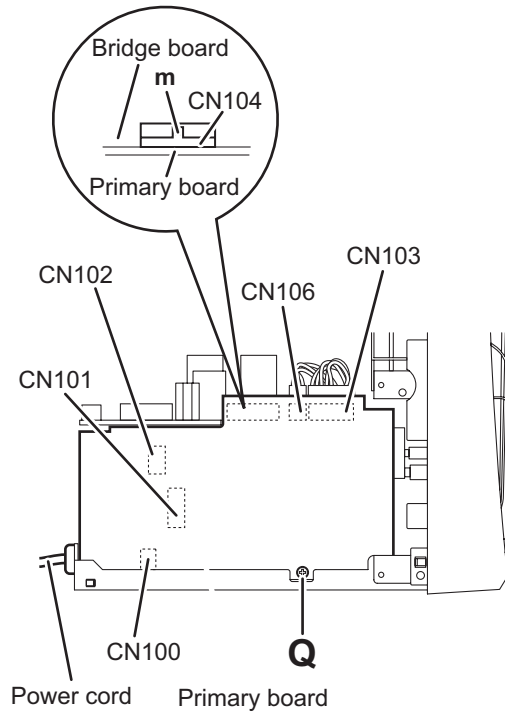


Fig.19

3.1.12 Removing the primary board (See Fig.20)

- Remove the metal cover, tuner, fan, rear panel, main board, amplifier 1 board, amplifier 2 board and primary board.
 - Remove the wire holders bundling the wires.

References:

After reassembling, bundle the wires with the wire holders as before.

- Remove the screw **R** attaching the bridge board.
- Take out the bridge board from the main body.

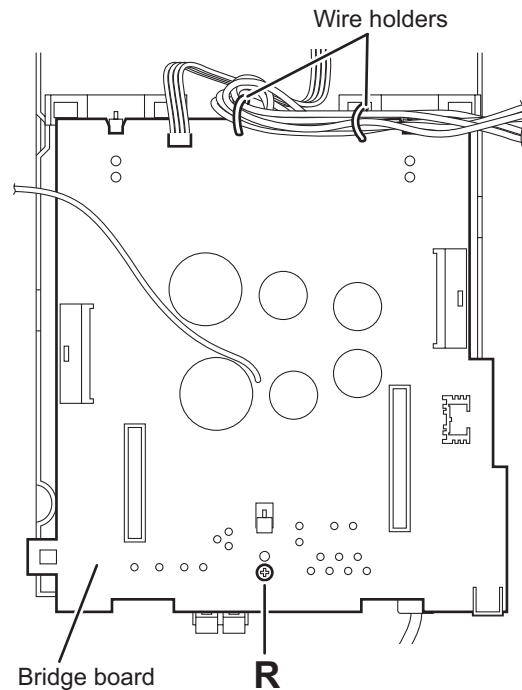


Fig.20

3.1.13 Removing the surround terminal board
(See Fig.21) [For DX-T99, DX-T77]

- Remove the metal cover, tuner, fan, rear panel, main board, amplifier 1 board, amplifier 2 board, primary board and bridge board.
 - Remove the screw **S** attaching the surround terminal board on the bottom chassis.
 - Remove the surround terminal board from the section (**p**, **q**) of the bottom chassis.
 - Take out the surround terminal board from the main body.

3.1.14 Removing the power transformer
(See Fig.21)

- Remove the metal cover, tuner, fan, rear panel, main board, amplifier 1 board, amplifier 2 board, primary board and bridge board.
 - Remove the four screws **T** attaching the power transformer.
 - Take out the power transformer from the main body.

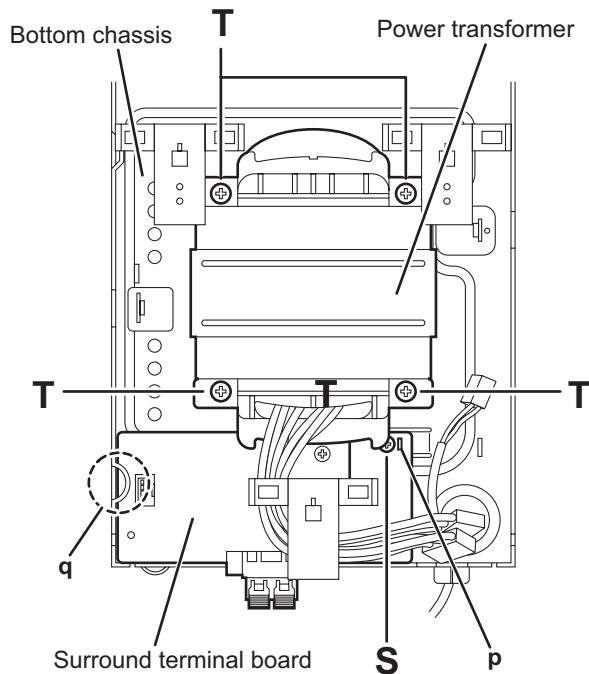


Fig.21

3.1.15 Removing the FL board
(See Fig.22)

- Remove the metal cover and front panel assembly.
 - From the inside of the front panel assembly, remove the parallel wire from the wire holder.
 - Remove the eleven screws **U** and take out the FL board.

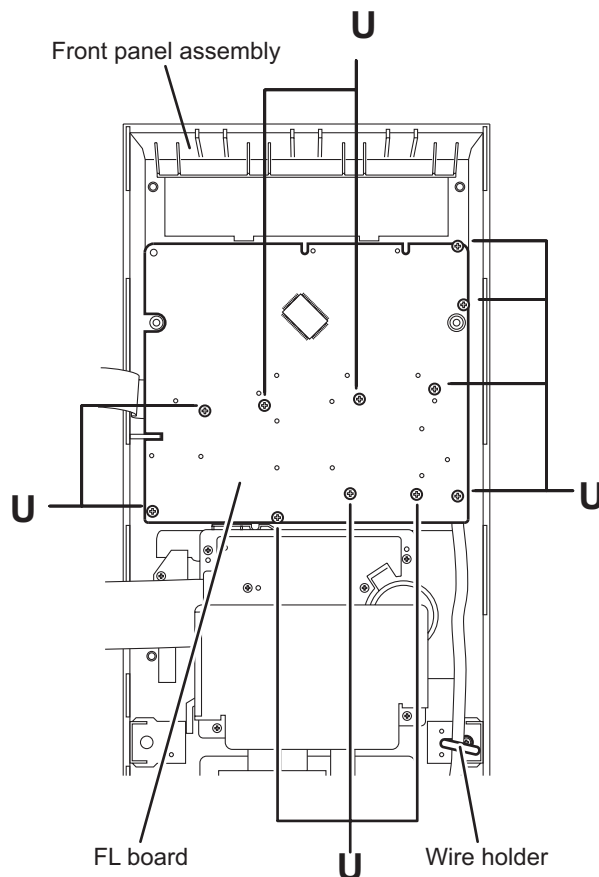


Fig.22

3.1.16 Removing the cassette A mechanism assembly (See Fig.23)

- Remove the metal cover and front panel assembly.
 - From the inside of the front panel assembly, remove the four screws **V** and **W** attaching the cassette A mechanism assembly.
 - Disconnect the card wires from the connectors (CN46, CN47) on the cassette A mechanism assembly.
 - Take out the cassette A mechanism assembly from the front panel assembly.

Reference:

Remove the trans shield as required.

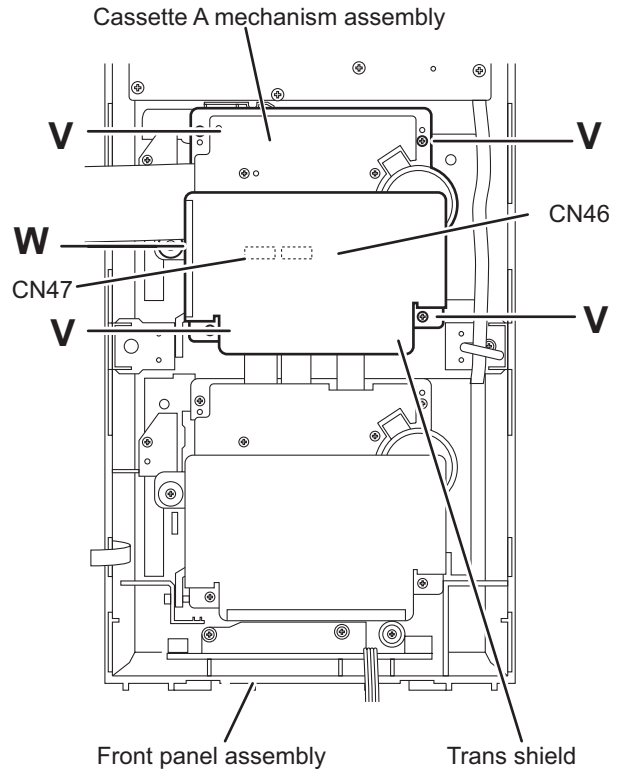


Fig.23

3.1.17 Removing the cassette B mechanism assembly (See Fig.24)

- Remove the metal cover and front panel assembly.
 - From the inside of the front panel assembly, remove the four screws **V** and screw **W** attaching the cassette B mechanism assembly.
 - Take out the cassette B mechanism assembly from the front panel assembly.

Reference:

Remove the trans shield as required.

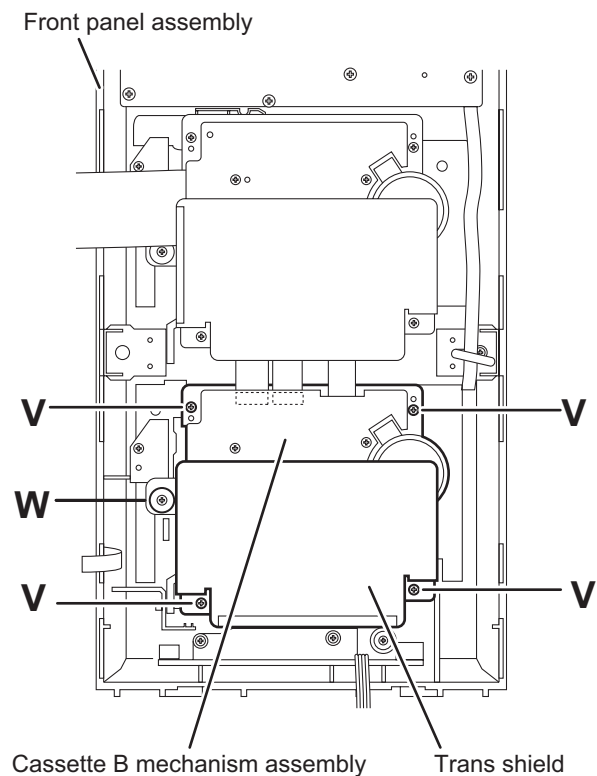


Fig.24

3.1.18 Removing the microphone amplifier board (See Fig.25, 26)

- Remove the metal cover, front panel assembly and cassette B mechanism assembly.
 - (1) From the front side of the front panel assembly, pull out the microphone volume knob. (See Fig.25)
 - (2) From the inside of the front panel assembly, remove the two screws **X** and remove the support 1 board. (See Fig.26)
 - (3) Remove the screw **Y** and remove the support 2 board. (See Fig.26)
 - (4) Take out the microphone amplifier board from the front panel assembly.

References:

After attaching the microphone amplifier board, fix the card wire the spacer as before.

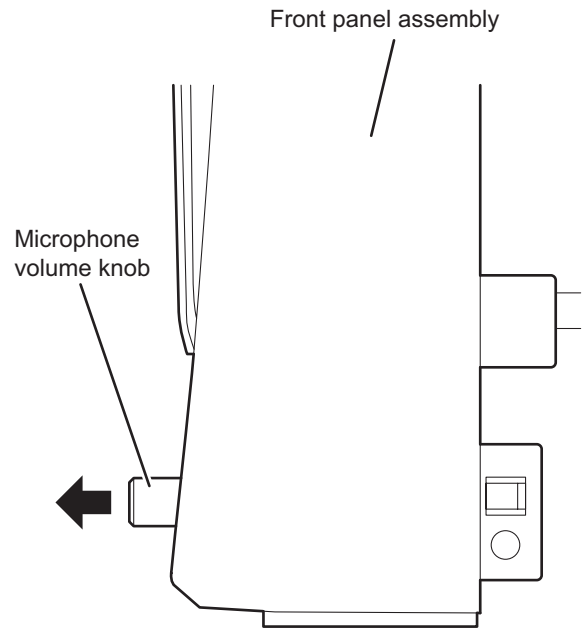


Fig.25

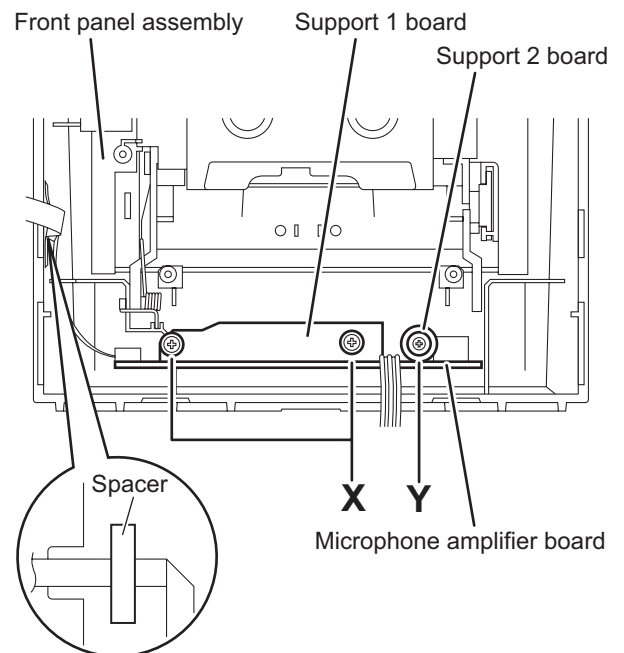


Fig.26

3.2 DVD changer mechanism assembly section (For DX-T99, DX-T77)

Remove the DVD changer mechanism assembly from the main body. (See "Removing the DVD changer mechanism assembly".)

3.2.1 Removing the tray assemblies

(See Figs.1 to 5)

- (1) From the top side of the main body, remove the two screws **A** from the top cover and release the two joints **a** on the both sides of the DVD changer mechanism assembly. (See Figs.1 and 2.)
- (2) Remove the two rods from the top cover and remove the top cover from the lifter assembly. (See Figs.1 and 2.)
- (3) Remove the open det. lever on the left side of the DVD changer mechanism assembly. (See Fig.3.)
- (4) From the right side of the DVD changer mechanism assembly, draw out the tray assemblies toward the front while pushing the part **b** of the side (R) assembly. (See Figs.4 and 5.)

Note:

The tray can be locked if all tray assemblies are attached.

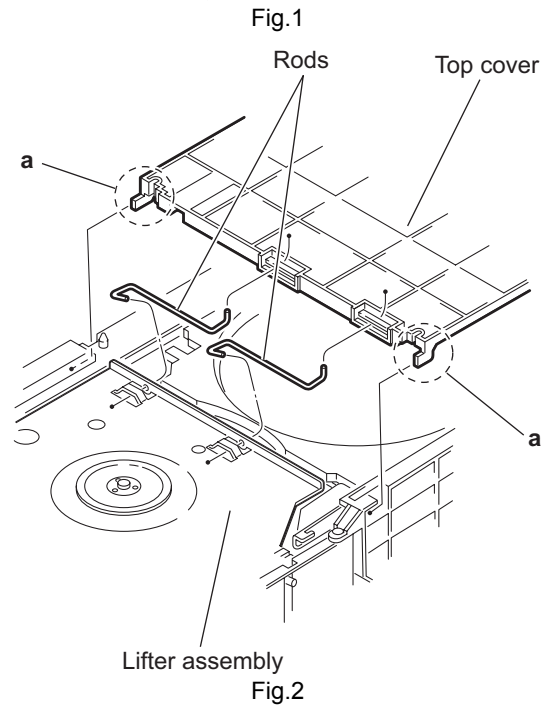
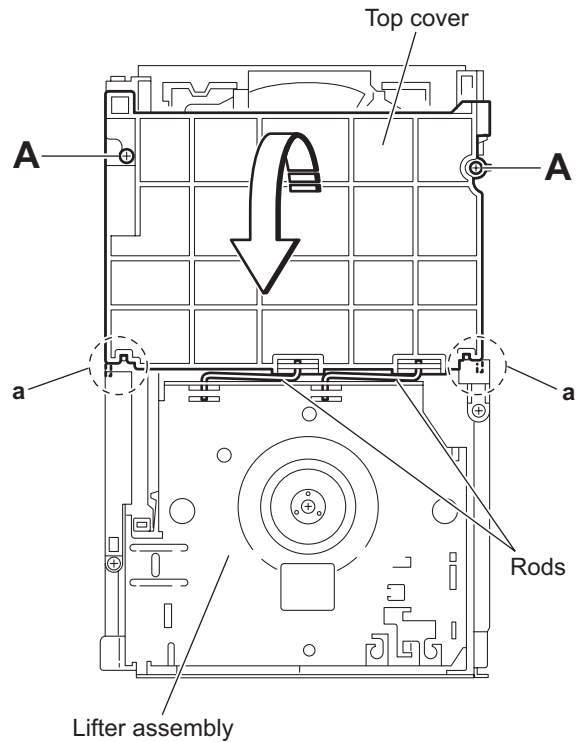
- (5) From the topside of the DVD changer mechanism assembly, move the stopper tabs **c** in the direction of the arrow and release them. Pull out the tray assemblies from the DVD changer mechanism assembly. (See Fig. 5.)

Note:

Remove the tray assembly from top tray 5 in order.

Reference:

When reattaching the tray assembly, or when removing the disc remaining inside, refer to another section "3.3.15 Taking out the disc in the play mode".



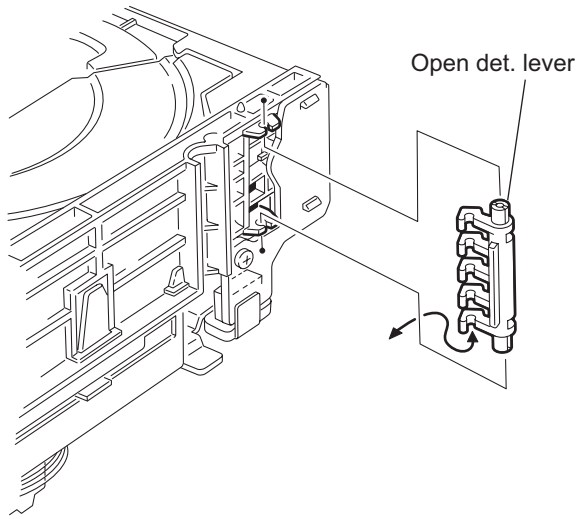


Fig.3

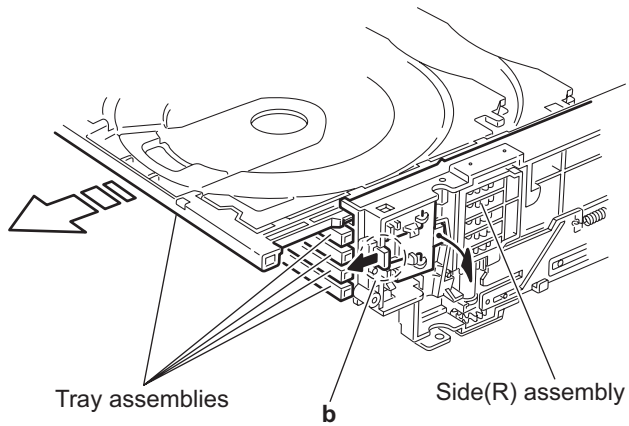


Fig.4

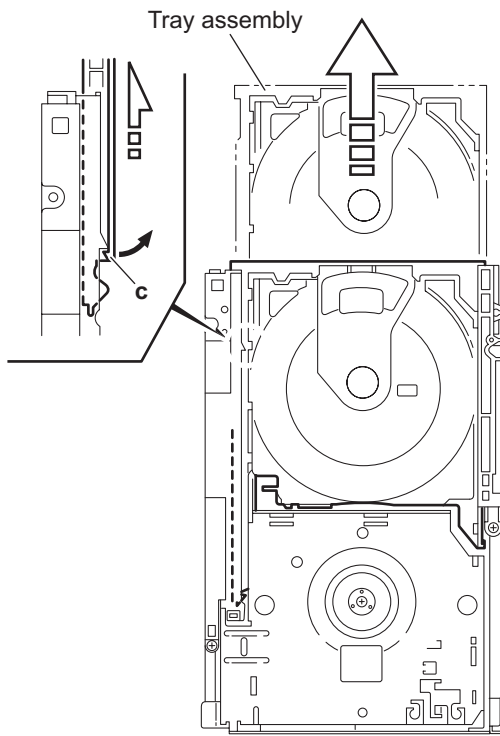


Fig.5

3.2.2 Removing the DVD servo board (See Figs.6 to 8)

Caution:

Solder the short land sections **d** on the DVD pickup before disconnecting the card wire extending from the DVD pickup. If you do not follow this instruction, the DVD pickup may be damaged.

- (1) From the topside of the DVD changer mechanism assembly, solder the short land sections **d** on the DVD pick up. (See Fig.6.)
- (2) From the bottom side of the DVD changer mechanism assembly, disconnect the card wire from the connectors (CN201, CN451) on the DVD servo board. (See Fig.7.)

Reference:

When connecting the card wire to the connector CN451, pass it through the sections **e** on the DVD traverse mechanism assembly. (See Fig.7.)

- (3) Disconnect the wires from the connectors (CN452, CN453) on the DVD servo board. (See Fig.7.)
- (4) Remove the two screws **B** attaching the DVD servo board. (See Fig.7.)
- (5) From the reverse side of the DVD servo board, release the lock of the connector CN101 in the direction of the arrow and disconnect the card wire. (See Fig.8.)

Caution:

Unsolder the solders from the short land sections **d** after reassembling. (See Fig.6.)

3.2.3 Removing the switch board (See Fig.7)

- (1) From the bottom side of the DVD changer mechanism assembly, remove the screw **C** attaching the switch board on the DVD changer mechanism assembly.
- (2) Disconnect the wires from the connectors (CN452, CN453) on the DVD servo board.
- (3) Release the wires from the section **f** and remove the switch board.
- (4) Release the wires from the sections **g** and remove the switch board.

Reference:

When reassembling, pass the wires through the sections (**f**, **g**) as before.

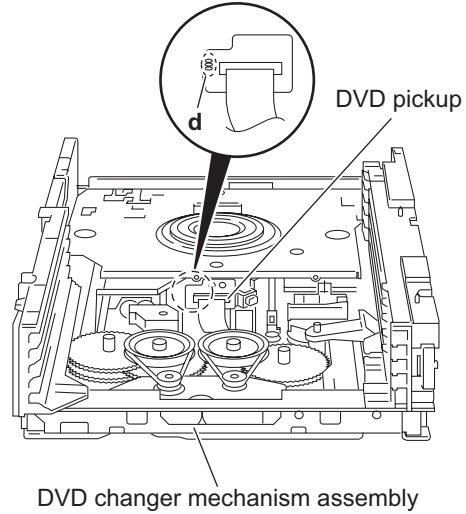


Fig.6

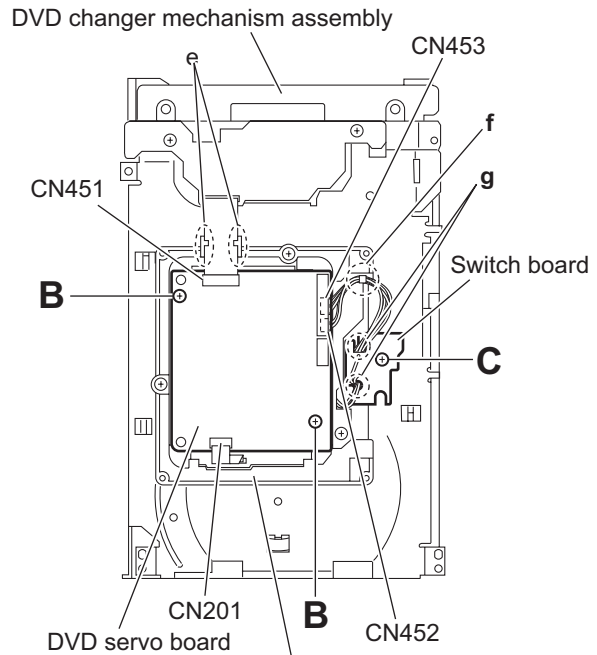


Fig.7

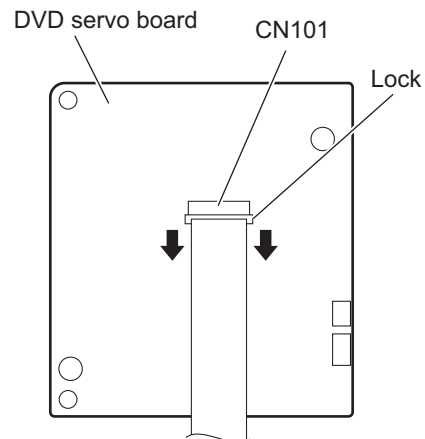


Fig.8

3.2.4 Removing the motor board (See Figs.9 and 10)

- (1) From the top side of the DVD changer mechanism assembly, remove the two belts from the motor pulleys. (See Fig.9.)

Note:

Take care not to attach grease on the belt.

- (2) Remove the two screws **D** attaching the motors to the loader assembly. (See Fig.9.)
- (3) From the bottom side of the DVD changer mechanism assembly, remove the two screws **E**. (See Fig.10.)
- (4) Disconnect the connector **CN2** on the motor board from the tray switch board and remove the motor board. (See Fig.10.)
- (5) Disconnect the card wire from the connector **CN1** on the forward side of the motor board. (See Fig.10.)

Note:

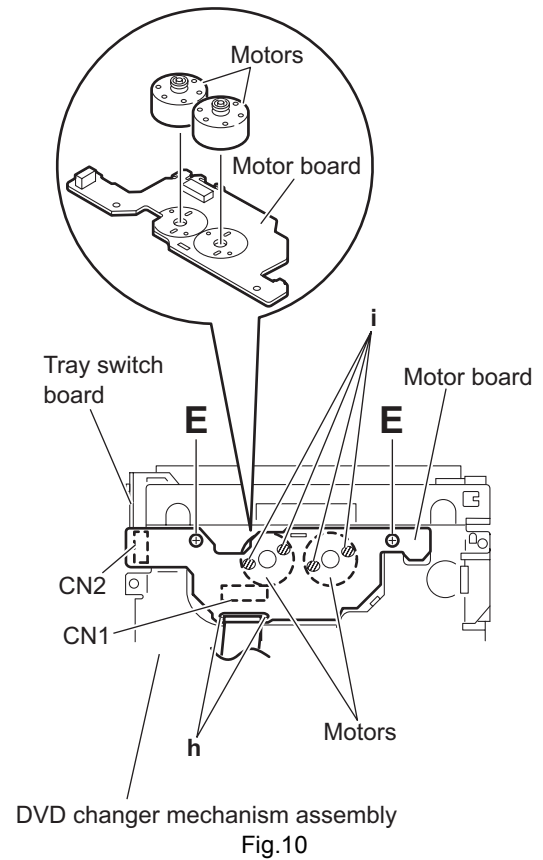
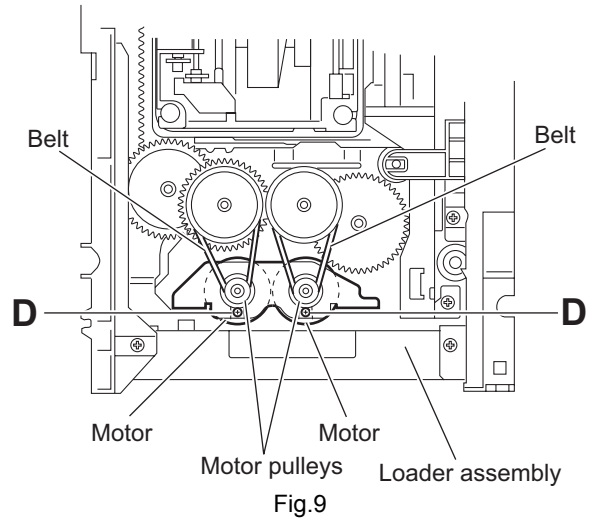
When connecting the card wire, let the card wire through the slots **h** of the motor board. (See Fig.10.)

Reference:

You need not to remove the tray assemblies, and in such case, move it.

3.2.5 Removing the motor (See Fig. 10)

- Remove the motor board.
 - (1) From the reverse side of the motor board, unsolder the four soldered sections **i** on the motor board.
 - (2) From the forward side of the motor board, remove the motors.



3.2.6 Removing the DVD traverse mechanism assembly (See Fig.11)

- Remove the tray assemblies and DVD servo board.
 - From the bottom side of the DVD changer mechanism assembly, remove the three screws **F** attaching the DVD traverse mechanism assembly.
 - Remove the wires from the section **j**.
 - Take out the DVD traverse mechanism assembly from the DVD changer mechanism assembly.

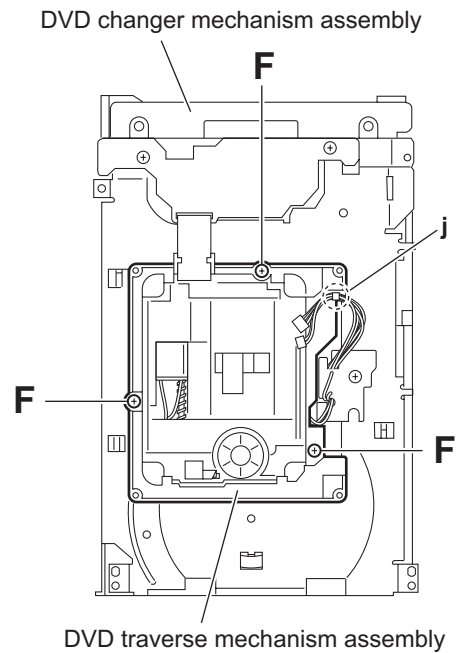


Fig.11

3.2.7 Removing the DVD pickup (See Figs.12 to 14)

- Remove the tray assemblies, DVD servo board and DVD traverse mechanism assembly.
 - (1) From the top side of the DVD traverse mechanism assembly, release the lock of the connector on the DVD pickup and disconnect the card wire in the direction of the arrow. (See Fig.12.)
 - (2) Turn the screw shaft gear in the direction of the arrow 1 to move the DVD pickup in the direction of the arrow 2. (See Fig.12.)
 - (3) Remove the screw **G** attaching the feed bracket and remove the feed bracket from the sections **k**. (See Fig.12.)
 - (4) Release the claw **m** of the thrust spring in the direction of the arrow and remove the thrust spring. (See Fig.12.)
 - (5) Remove the guide shaft from the sections (**n**, **p**) on the C.TM chassis. (See Fig.13.)
 - (6) Remove the section **q** of the DVD pickup. (See Fig.13.)
 - (7) Remove the two screws **H** attaching the rack arm spring and rack arm. (See Fig.14.)
 - (8) Pull the guide shaft from the DVD pickup in the direction of the arrow. (See Fig.14.)

3.2.8 Attaching the DVD pickup (See Figs.12 to 14)

- (1) Attach the guide shaft to the DVD pickup and attach the rack arm spring and rack arm with the screws **H**. (See Fig.14.)
- (2) Attach the section **q** of the DVD pickup to the C.TM chassis first and attach the guide shaft to the sections (**n**, **p**). (See Fig.13.)

Reference:

- When attaching the guide shaft to the section **p**, attach it under the rod spring. (See Fig.13.)
- (3) Attach the thrust spring and feed bracket with the screw **G**. (See Fig.12.)
- (4) Turn the screw shaft gear in the direction of the arrow 1 to move the DVD pickup in the direction of the arrow 2. (See Fig.15.)
- (5) Connect the card wire to the connector on the DVD pickup. (See Fig.15.)

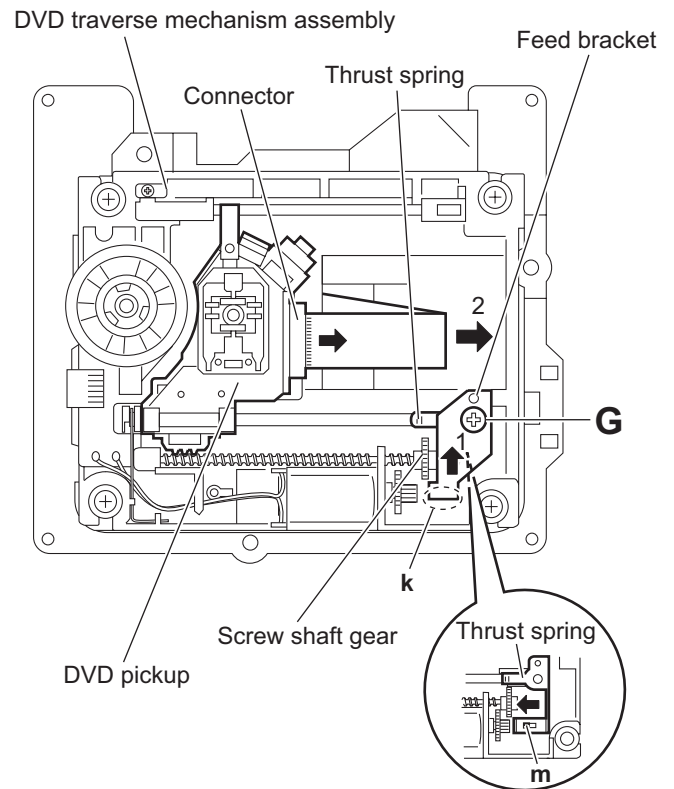


Fig.12

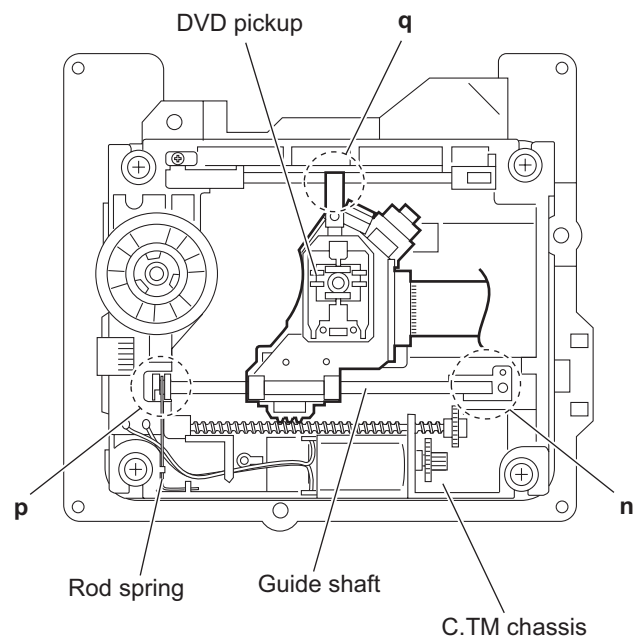


Fig.13

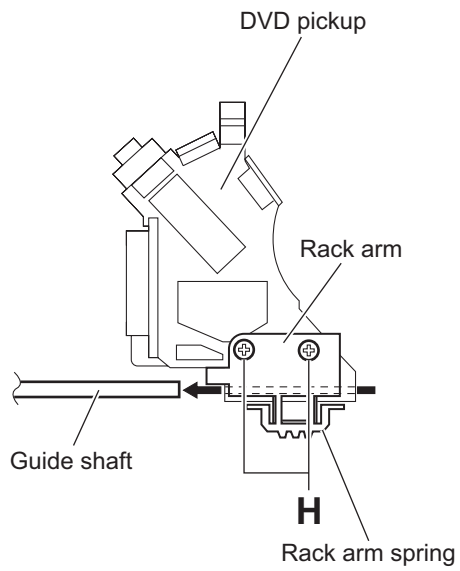


Fig. 14

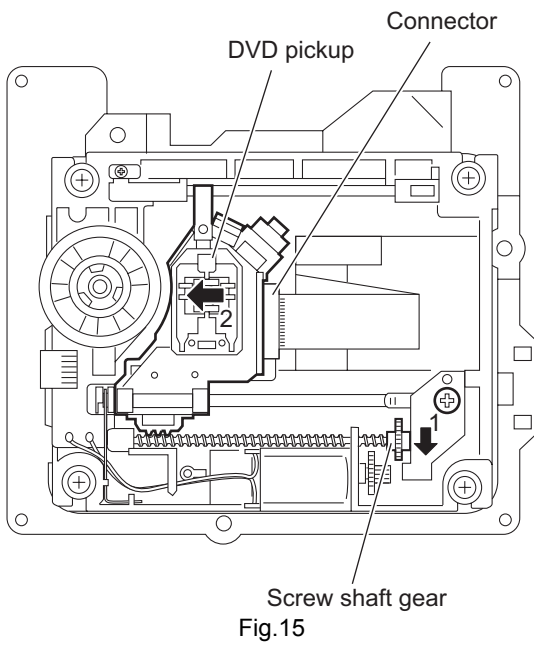


Fig. 15

3.2.9 Removing the spindle motor board (See Figs.16 and 17)

- Remove the tray assemblies, DVD servo board and DVD traverse mechanism assembly.
 - From the top side of the DVD traverse mechanism assembly, remove the wires from the soldered sections **r** on the spindle motor board. (See Fig.16.)
 - From the bottom side of the DVD traverse mechanism assembly, remove the three screws **J** attaching the spindle motor board. (See Fig.17.)

Reference:

When attaching the spindle motor board, let the card wire through the hole **s** on the C.TM chassis. (See Fig.17.)

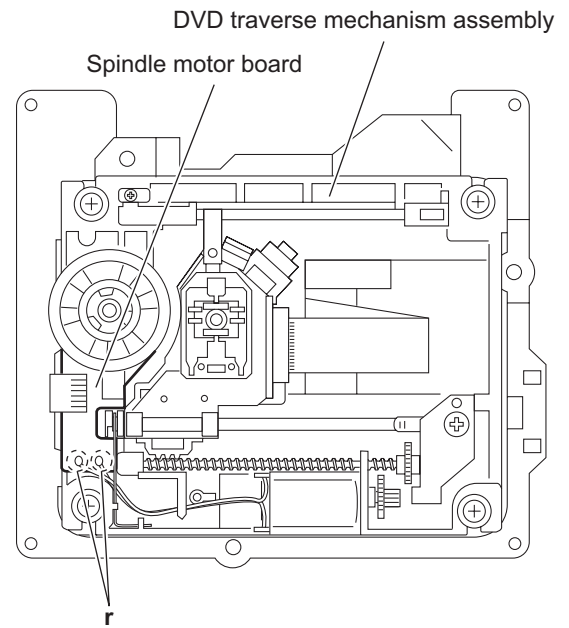


Fig.16

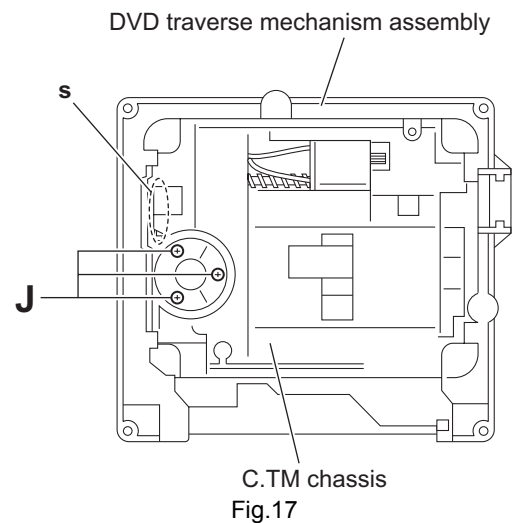


Fig.17

3.2.10 Removing the feed motor
(See Figs.18 and 19)

- Remove the tray assemblies and DVD traverse mechanism assembly.
 - (1) From the top side of the DVD traverse mechanism assembly, remove the screw **K** attaching the feed bracket and remove the feed bracket from the sections **t**. (See Fig.18.)
 - (2) Release the claw **u** of the thrust spring in the direction of the arrow and remove the thrust spring. (See Fig.18.)
 - (3) Remove the screw shaft from the section **v** and remove it in the direction of the arrow. (See Fig.19.)
 - (4) Remove the middle gear. (See Fig.19.)
 - (5) Remove the screw **L** attaching the feed motor to the C.TM chassis. (See Fig.19.)
 - (6) Remove the wires from the soldered sections **w** on the spindle motor board. (See Fig.19.)
 - (7) Take out the feed motor from the motor base.

Reference:

After attaching the feed motor, pass the wires through the sections **x** on the C.TM chassis as before. (See Fig.19.)

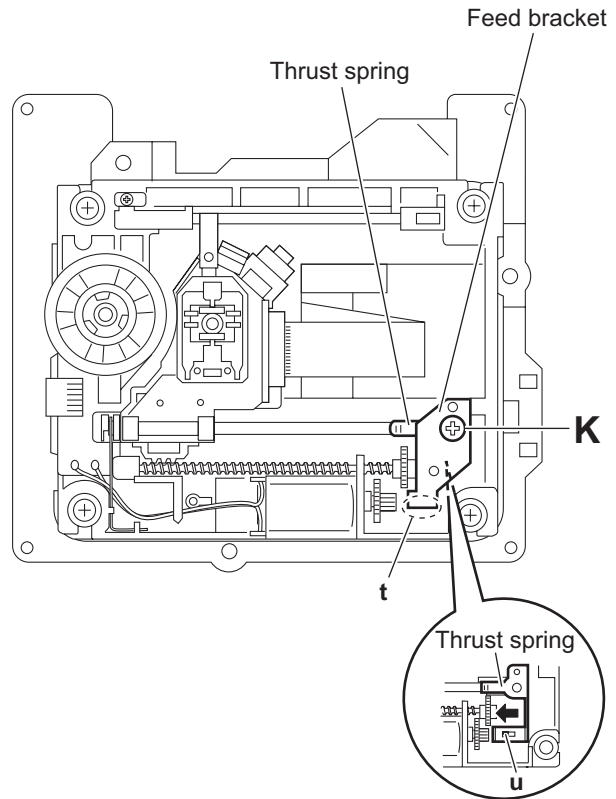


Fig.18

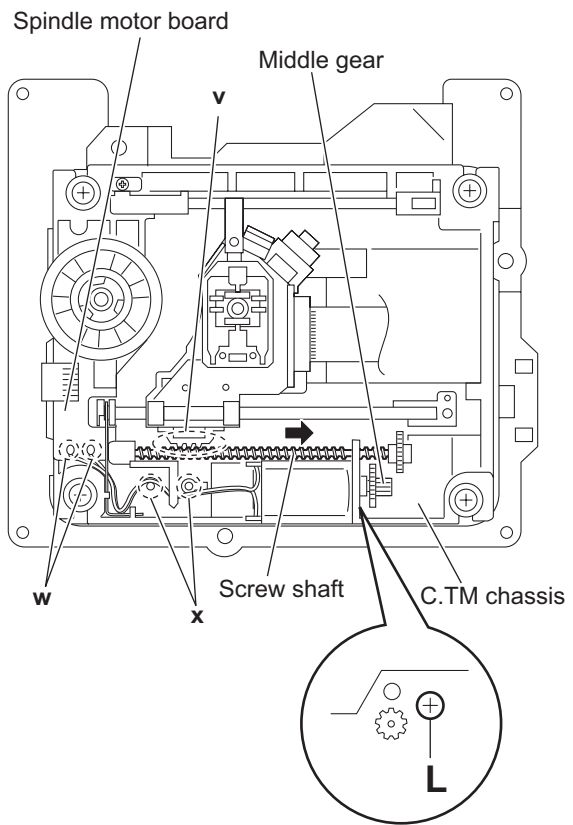
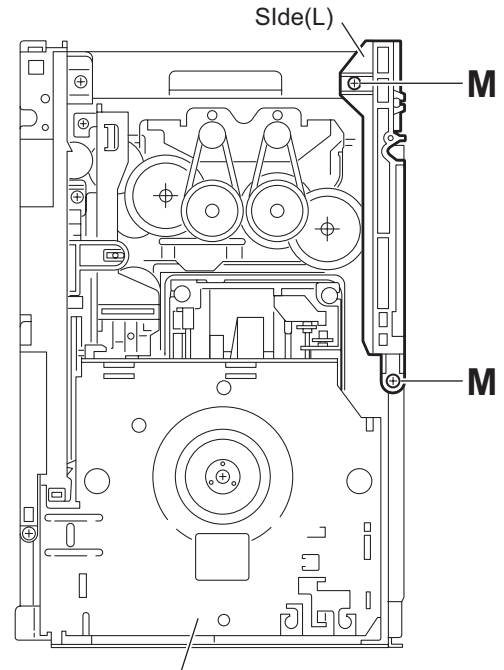


Fig.19

3.2.11 Removing the side (L) and tray switch board (See Figs.20 to 22)

- Remove the tray assemblies.
 - From the topside of the DVD changer mechanism assembly, remove the two screws **M** attaching the side (L). (See Fig.20.)
 - From the left side of the DVD changer mechanism assembly, disconnect the connector **CN3** on the tray switch board from the motor board and detach the side (L) in an upward direction. (See Fig.21.)
 - Remove the screw **N** attaching the tray switch board to the side (L). (See Fig.22.)
 - Release the joint tab **y** of the side (L) in the direction of the arrow 1 and release the joint tab **z** while removing the tray switch board in the direction of the arrow 2. (See Fig.22.)



DVD changer mechanism assembly
Fig.20

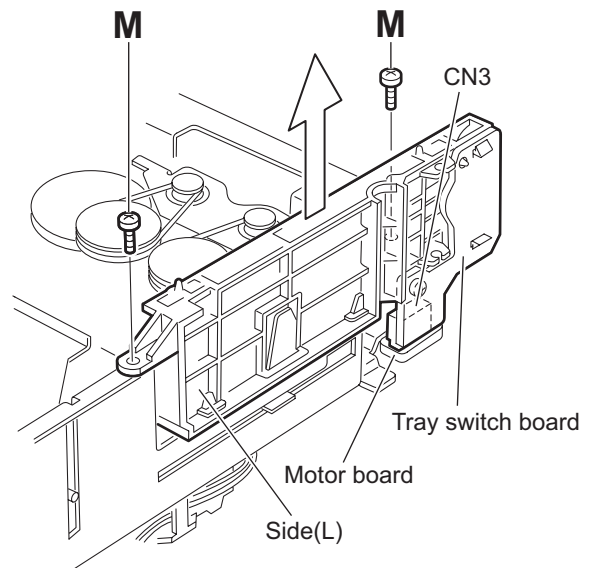


Fig.21

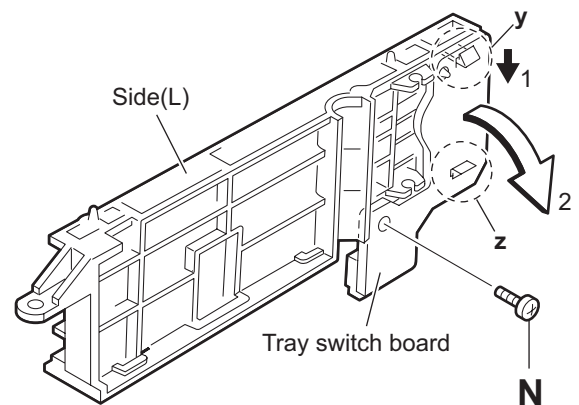


Fig.22

3.2.12 Removing the side (R) assembly (See Fig.23 to 27)

- Remove the tray assemblies and DVD servo board.
 - From the inside of the side (R) assembly, release the two tabs **aa** of the gear cover and remove the gear cover outward. (See Figs.23 and 24.)
 - From the right side of the DVD changer mechanism assembly, remove the elevator spring attached to the hook **ab** of the loader assembly. (See Figs.24 and 25.)
 - From the top side of the DVD changer mechanism assembly, turn the gear 1 clockwise to move the elevator cam rearward. (See Fig.25.)
 - Move the two slots **ac** and joint **ad** of the elevator cam and remove the elevator cam outward. (See Fig.25.)
 - Remove the three screws **P** and detach the side (R) assembly upward. (See Figs.26 and 27.)

Note:

When reattaching the side (R) assembly, make sure to fit the shaft (part **ae**) into the slot of the select lever. (See Fig.26.)

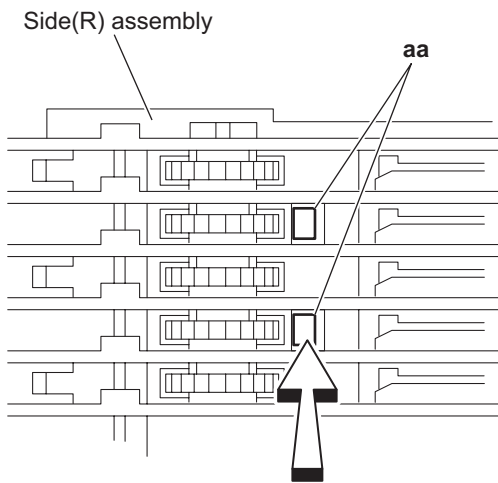
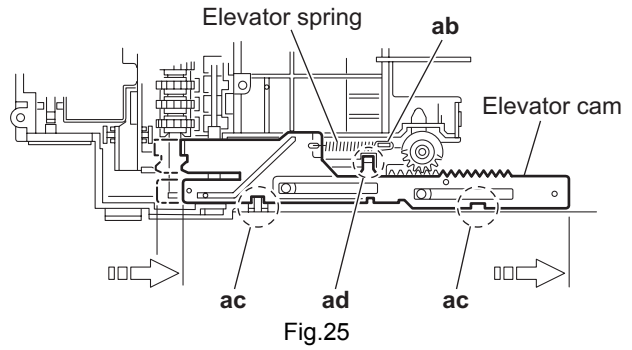


Fig.23

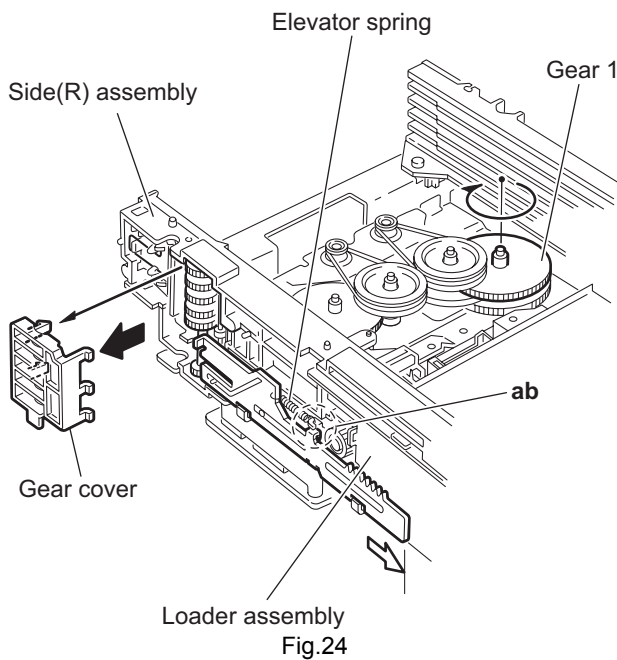


Fig.24

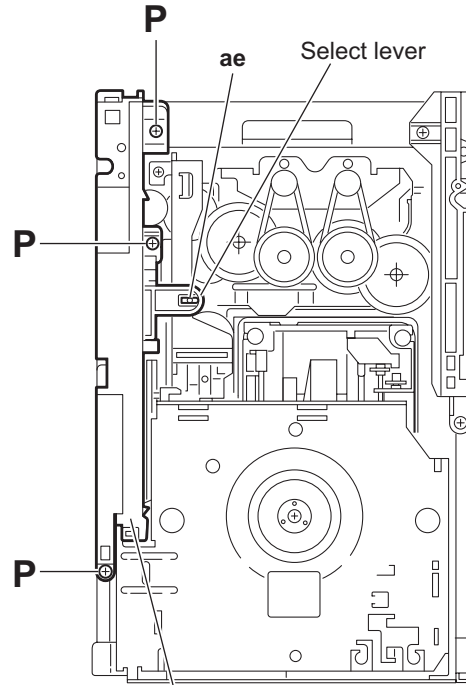


Fig.26

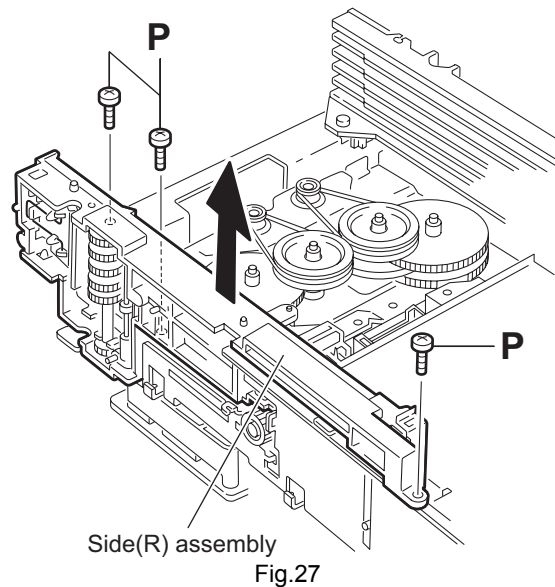


Fig.27

3.2.13 Removing the lifter assembly (See Figs.28 to 32)

- Remove the tray assemblies, DVD servo board, side (L) and side (R) assembly.

- From the top side of the DVD changer mechanism assembly, turn the gear 1 clockwise to move the lifter assembly upward. (See Figs.28 and 29.)
- Turn the gear 2 clockwise to move the hook toward the front until it stops. (See Figs.28 and 29.)
- Move the hook stopper in the direction of the arrow 2 while pushing the tab **af** of the hook stopper to unlock it in the direction of the arrow 1 and release four joints **ag** to detach from the rack holder. (See Fig.30.)
- Release the rod (L) from part **ah**. (See Fig.30.)
- Turn the gear 1 clockwise again to move the lifter assembly upward. (See Fig.31.)
- Remove the lifter assembly from the DVD changer mechanism assembly upward at the positions **ai** where the four pins on the both sides of the lifter assembly fit to the notches of the loader assembly. (See Fig.31.)
- Move the lifter assembly in the direction of the arrow and release it from the hook. (See Fig.32.)

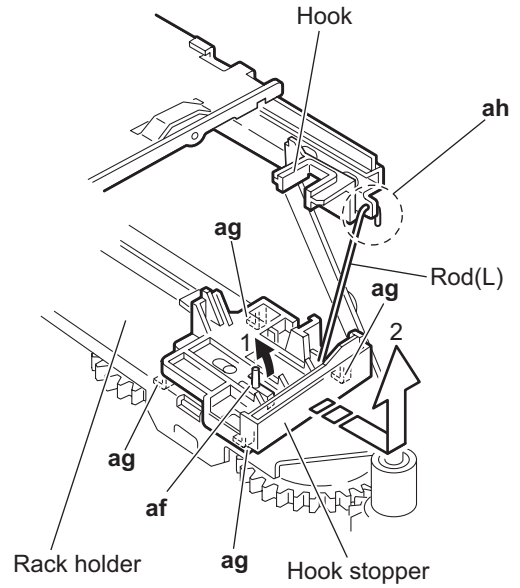
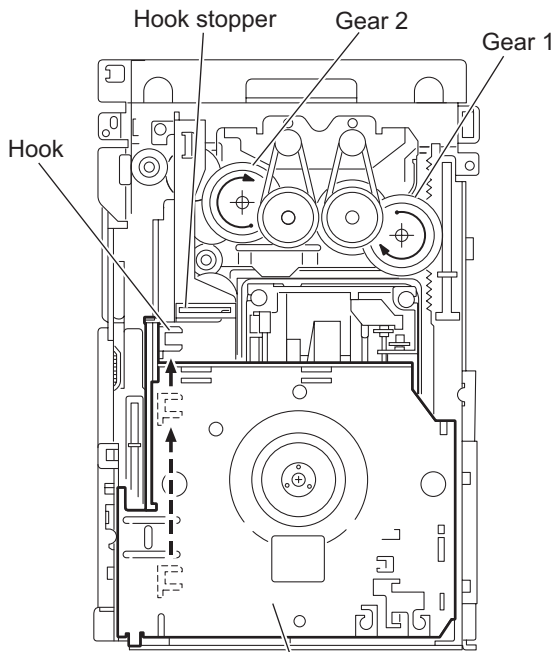


Fig.30



Lifter assembly
Fig.28

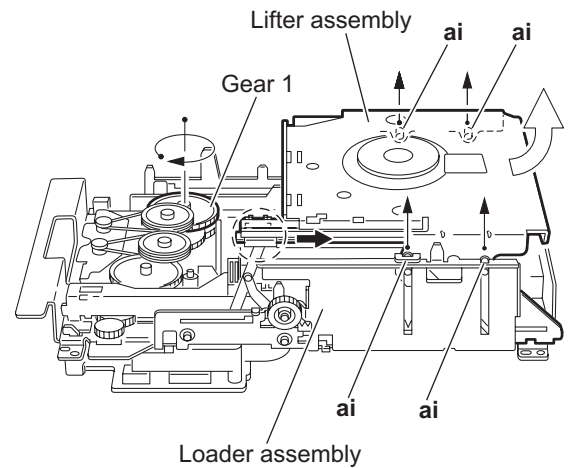


Fig.31

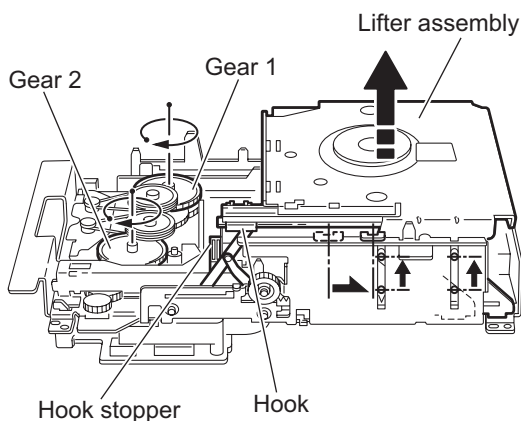


Fig.29

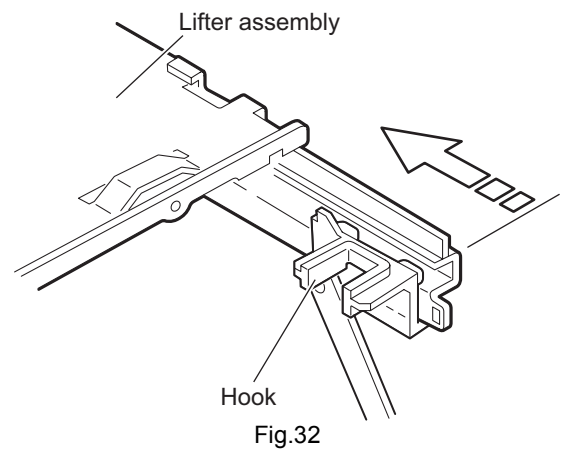


Fig.32

3.2.14 Removing the sensor board and SV resistor (See Fig.33)

- Remove the tray assemblies, side (L), side (R) assembly and lifter assembly.
 - Remove the solders from the soldered sections **aj** on the sensor board and remove the wires.
 - Remove the two screws **Q** and take out the sensor board with the SV resistor.

Reference:

- Remove the soldered section **ap** on the sensor board as required.
- When reassembling, pass the wires through the slot **ak** of the sensor board as before.

Note:

When reattaching the SV resistor, fit the projection **am** on the bottom of the SV resistor into slot **an** of the sensor slider.

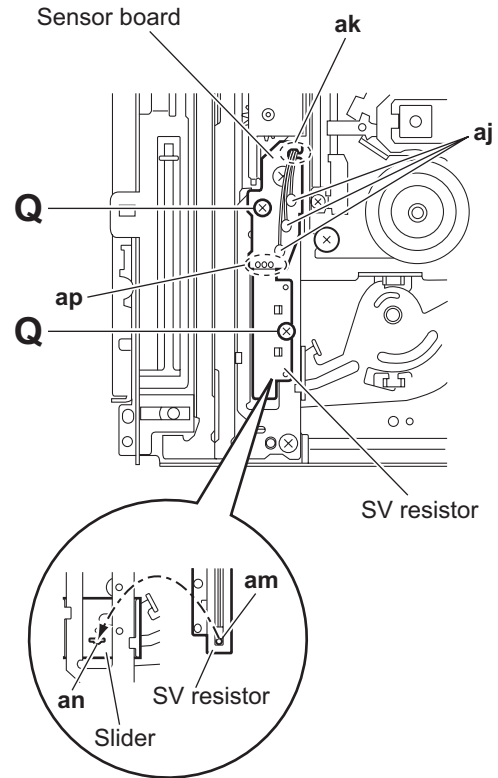


Fig.33

3.2.15 Taking out the disc in the play mode (See Fig.34 to 37)

Reference:

Refer to "3.3.1 Removing the tray assemblies".

- (1) From the top side of the DVD changer mechanism assembly, remove the top cover.
- (2) Unlock the tray assemblies and draw out the tray assemblies toward the front.
- (3) From the top side of the DVD changer mechanism assembly, turn the gear 1 clockwise to move the lifter assembly upward. (See Fig.34.)
- (4) Turn the gear 2 clockwise to move the sub tray remaining inside the lifter assembly toward the front, then pull out.
- (5) Take out the disc on the sub tray. (See Fig.35.)
- (6) After clearing away the disc, insert the sub tray into the main tray. (See Fig.36.)

Note:

When reattaching the sub tray, move the tray stopper on the bottom of the main tray in the direction of the arrow to lock the sub tray certainly. (See Figs.36 and 37.)

- (7) Push the tray assembly toward the DVD changer mechanism assembly and reattach.

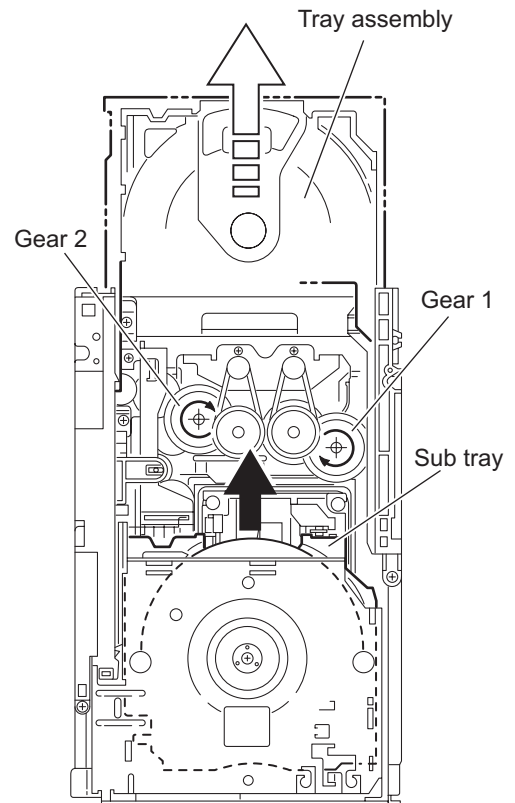


Fig.34

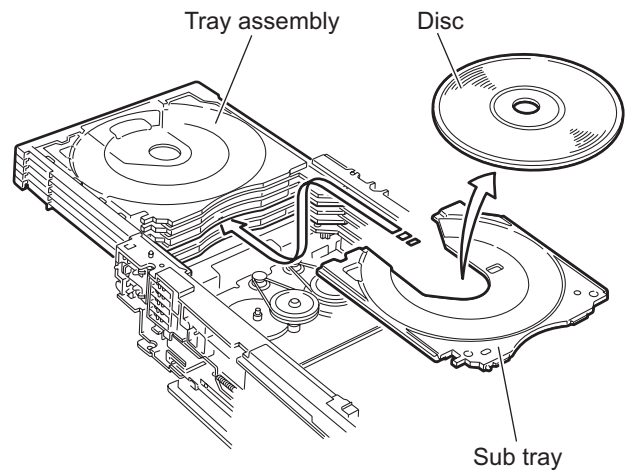


Fig.35

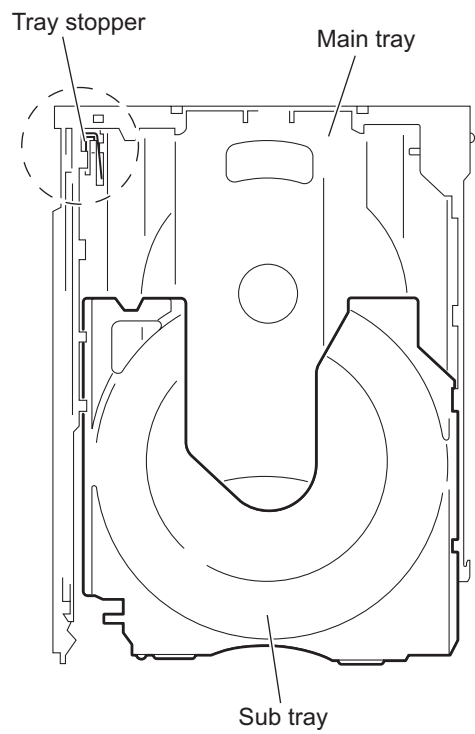


Fig.36

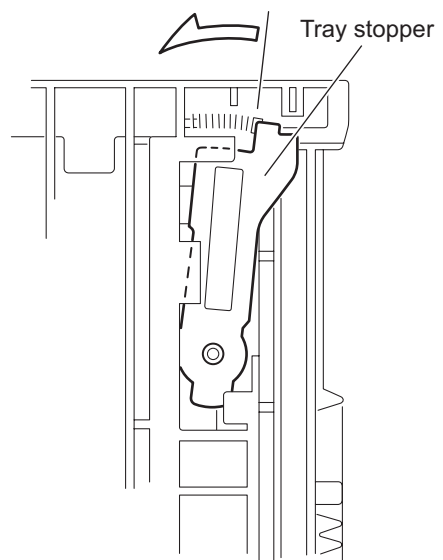


Fig.37

3.3 DVD changer mechanism assembly section (For DX-T66)

Remove the DVD changer mechanism assembly from the main body. (See "Removing the DVD changer mechanism assembly".)

3.3.1 Removing the tray assemblies

(See Figs.1 to 5)

- (1) From the top side of the main body, remove the two screws **A** from the top cover and release the two joints **a** on the both sides of the DVD changer mechanism assembly. (See Figs.1 and 2.)
- (2) Remove the two rods from the top cover and remove the top cover from the lifter assembly. (See Figs.1 and 2.)
- (3) Remove the open det. lever on the left side of the DVD changer mechanism assembly. (See Fig.3.)
- (4) From the right side of the DVD changer mechanism assembly, draw out the tray assemblies toward the front while pushing the part **b** of the side (R) assembly. (See Figs.4 and 5.)

Note:

The tray can be locked if all tray assemblies are attached.

- (5) From the topside of the DVD changer mechanism assembly, move the stopper tabs **c** in the direction of the arrow and release them. Pull out the tray assemblies from the DVD changer mechanism assembly. (See Fig. 5.)

Note:

Remove the tray assembly from top tray 5 in order.

Reference:

When reattaching the tray assembly, or when removing the disc remaining inside, refer to another section "3.3.15 Taking out the disc in the play mode".

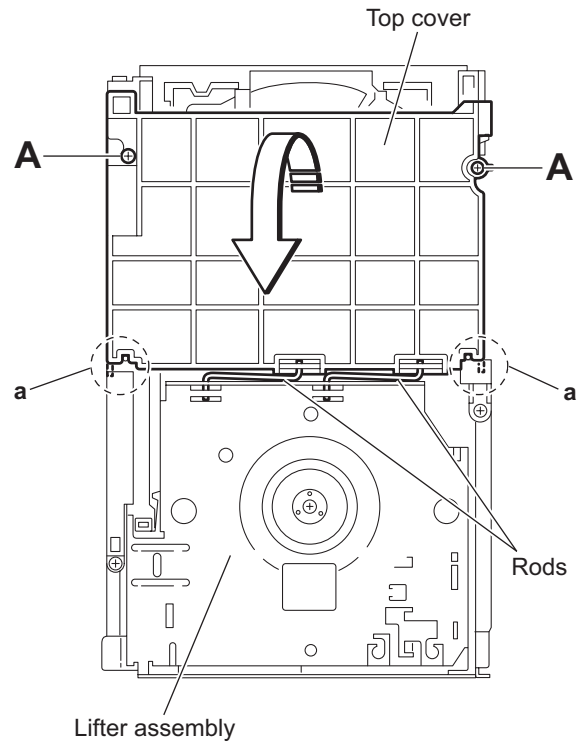


Fig.1

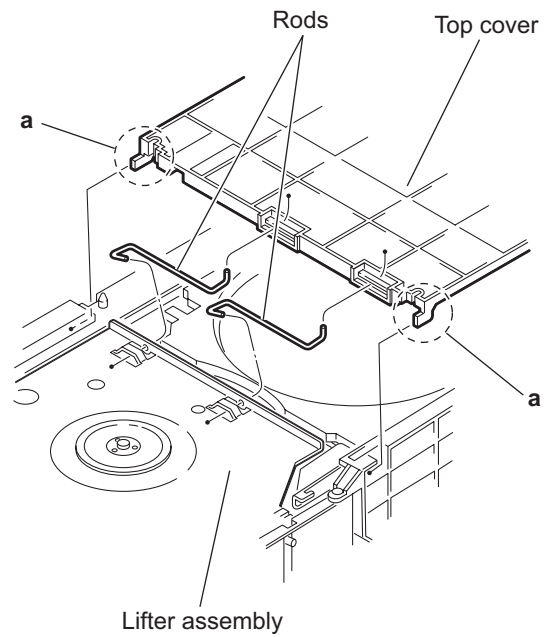


Fig.2

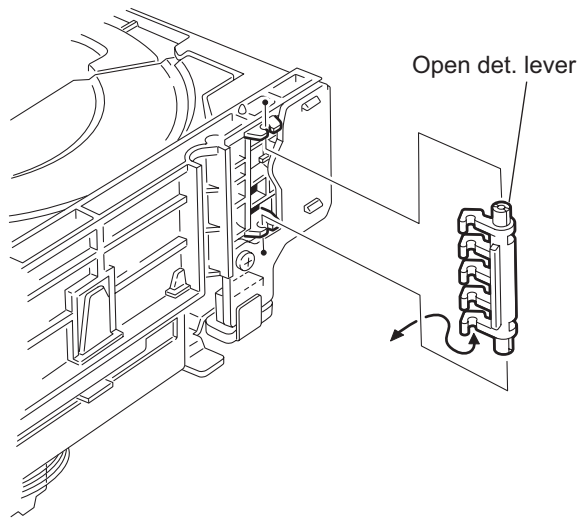


Fig.3

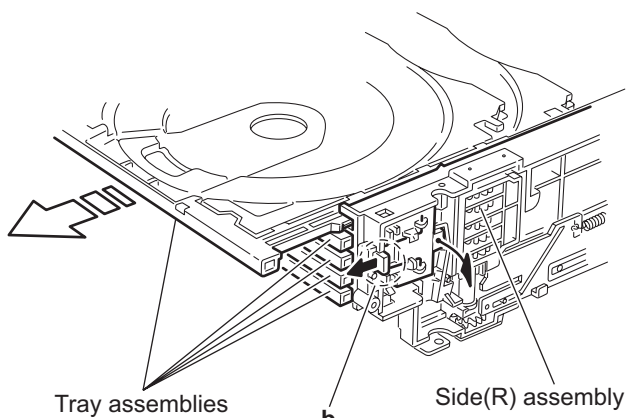


Fig.4

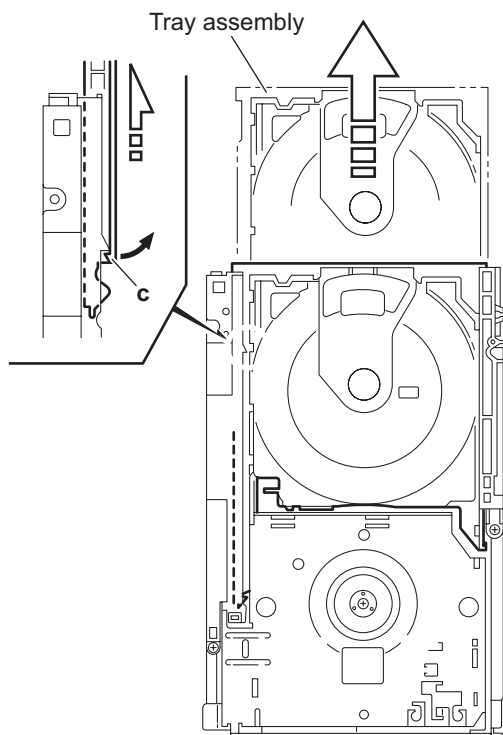


Fig.5

3.3.2 Removing the DVD servo board (See Figs.6 to 8)

Caution:

Solder the short land sections **d** on the DVD pickup before disconnecting the card wire extending from the DVD pickup. If you do not follow this instruction, the DVD pickup may be damaged.

- (1) From the topside of the DVD changer mechanism assembly, solder the short land sections **d** on the DVD pick up. (See Fig.6.)
- (2) From the bottom side of the DVD changer mechanism assembly, disconnect the card wire from the connectors (CN201, CN451) on the DVD servo board. (See Fig.7.)

Reference:

When connecting the card wire to the connector CN451, pass it through the sections **e** on the DVD traverse mechanism assembly. (See Fig.7.)

- (3) Disconnect the wires from the connectors (CN452, CN453) on the DVD servo board. (See Fig.7.)
- (4) Remove the two screws **B** attaching the DVD servo board. (See Fig.7.)
- (5) From the reverse side of the DVD servo board, release the lock of the connector CN101 in the direction of the arrow and disconnect the card wire. (See Fig.8.)

Caution:

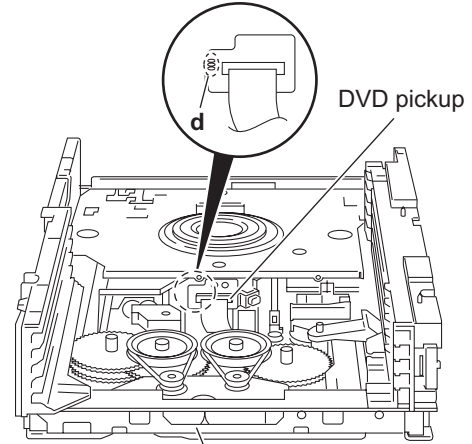
Unsolder the solders from the short land sections **d** after reassembling. (See Fig.6.)

3.3.3 Removing the switch board (See Fig.7)

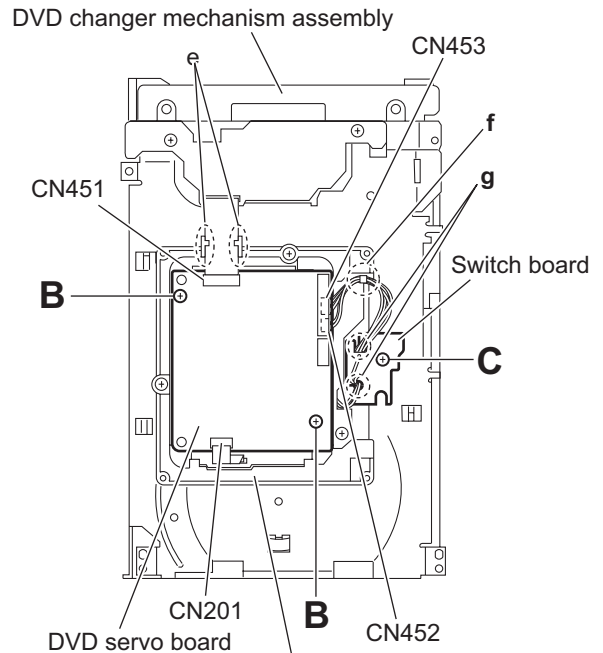
- (1) From the bottom side of the DVD changer mechanism assembly, remove the screw **C** attaching the switch board on the DVD changer mechanism assembly.
- (2) Disconnect the wires from the connectors (CN452, CN453) on the DVD servo board.
- (3) Release the wires from the section **f** and remove the switch board.
- (4) Release the wires from the sections **g** and remove the switch board.

Reference:

When reassembling, pass the wires through the sections (f, g) as before.



DVD changer mechanism assembly
Fig.6



DVD servo board
DVD traverse mechanism assembly
Fig.7

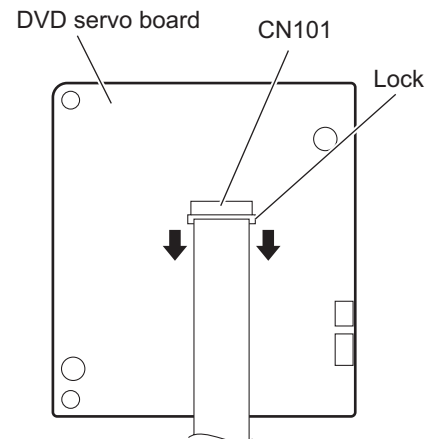


Fig.8

3.3.4 Removing the motor board (See Figs.9 and 10)

- (1) From the top side of the DVD changer mechanism assembly, remove the two belts from the motor pulleys. (See Fig.9.)

Note:

Take care not to attach grease on the belt.

- (2) Remove the two screws **D** attaching the motors to the loader assembly. (See Fig.9.)
- (3) From the bottom side of the DVD changer mechanism assembly, remove the two screws **E**. (See Fig.10.)
- (4) Disconnect the connector **CN2** on the motor board from the tray switch board and remove the motor board. (See Fig.10.)
- (5) Disconnect the card wire from the connector **CN1** on the forward side of the motor board. (See Fig.10.)

Note:

When connecting the card wire, let the card wire through the slots **h** of the motor board. (See Fig.10.)

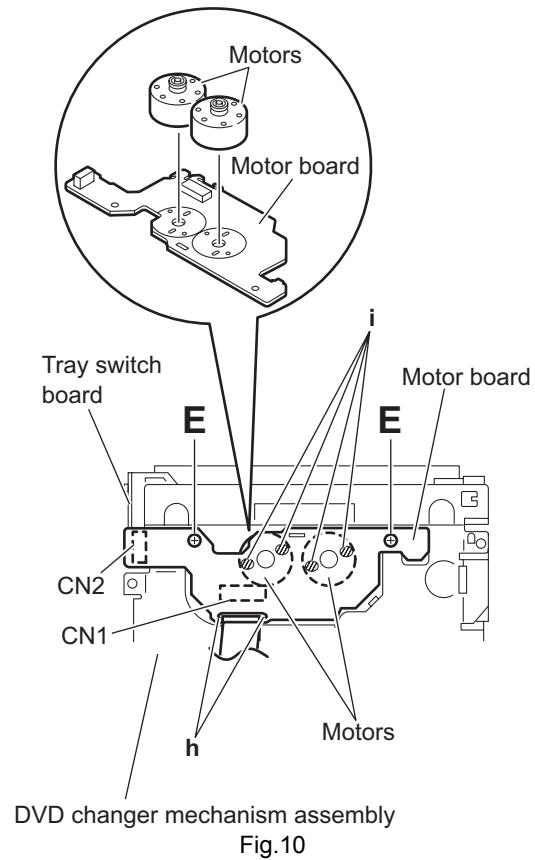
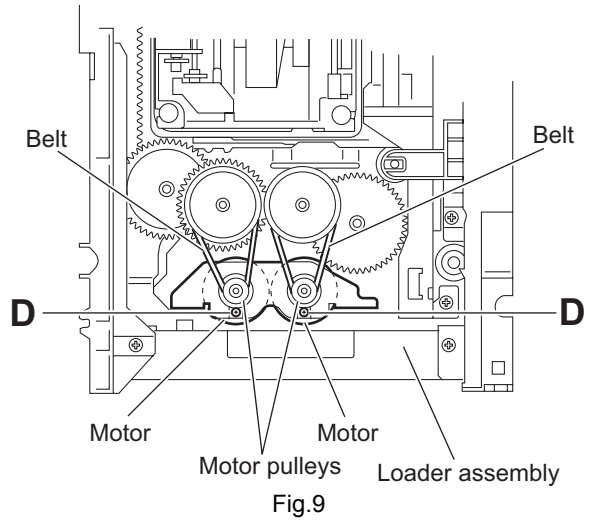
Reference:

You need not to remove the tray assemblies, and in such case, move it.

3.3.5 Removing the motor (See Fig. 10)

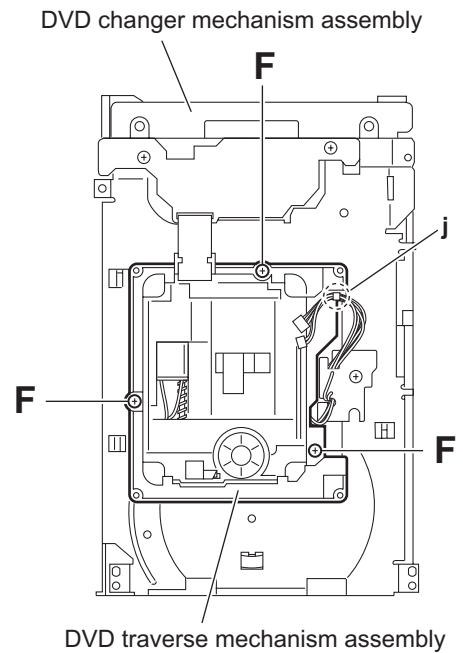
- Remove the motor board.

- (1) From the reverse side of the motor board, unsolder the four soldered sections **i** on the motor board.
- (2) From the forward side of the motor board, remove the motors.



3.3.6 Removing the DVD traverse mechanism assembly (See Fig.11)

- Remove the tray assemblies and DVD servo board.
 - (1) From the bottom side of the DVD changer mechanism assembly, remove the three screws **F** attaching the DVD traverse mechanism assembly.
 - (2) Remove the wires from the section **j**.
 - (3) Take out the DVD traverse mechanism assembly from the DVD changer mechanism assembly.



DVD traverse mechanism assembly
Fig.11

3.3.7 Removing the DVD pickup (See Figs.12 to 14)

- Remove the tray assemblies, DVD servo board and DVD traverse mechanism assembly.
 - (1) From the top side of the DVD traverse mechanism assembly, release the lock of the connector on the DVD pickup and disconnect the card wire in the direction of the arrow. (See Fig.12.)
 - (2) Turn the screw shaft gear in the direction of the arrow 1 to move the DVD pickup in the direction of the arrow 2. (See Fig.12.)
 - (3) Remove the screw **G** attaching the feed bracket and remove the feed bracket from the sections **k**. (See Fig.12.)
 - (4) Release the claw **m** of the thrust spring in the direction of the arrow and remove the thrust spring. (See Fig.12.)
 - (5) Remove the guide shaft from the sections (**n**, **p**) on the C.TM chassis. (See Fig.13.)
 - (6) Remove the section **q** of the DVD pickup. (See Fig.13.)
 - (7) Remove the two screws **H** attaching the rack arm spring and rack arm. (See Fig.14.)
 - (8) Pull the guide shaft from the DVD pickup in the direction of the arrow. (See Fig.14.)

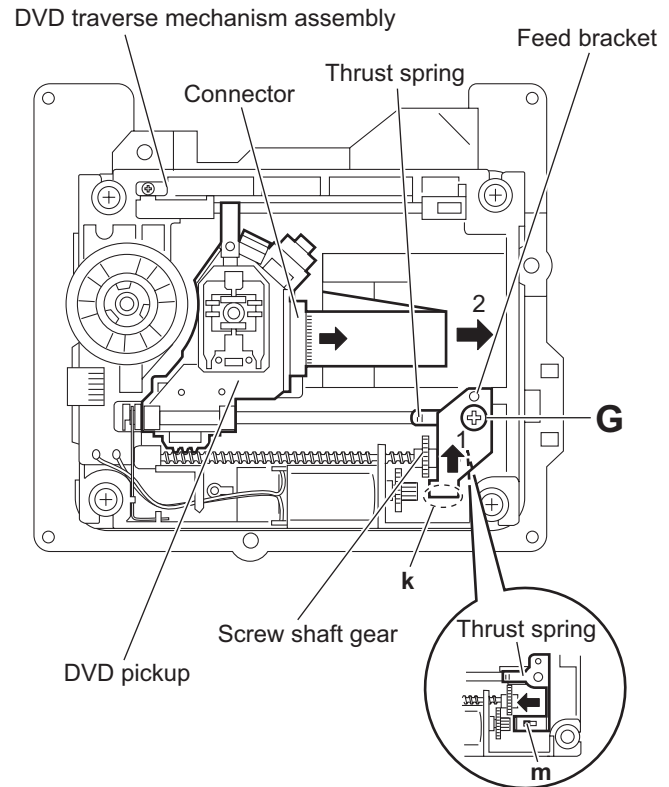


Fig.12

3.3.8 Attaching the DVD pickup (See Figs.12 to 14)

- (1) Attach the guide shaft to the DVD pickup and attach the rack arm spring and rack arm with the screws **H**. (See Fig.14.)
- (2) Attach the section **q** of the DVD pickup to the C.TM chassis first and attach the guide shaft to the sections (**n**, **p**). (See Fig.13.)

Reference:

When attaching the guide shaft to the section **p**, attach it under the rod spring. (See Fig.13.)

- (3) Attach the thrust spring and feed bracket with the screw **G**. (See Fig.12.)
- (4) Turn the screw shaft gear in the direction of the arrow 1 to move the DVD pickup in the direction of the arrow 2. (See Fig.15.)
- (5) Connect the card wire to the connector on the DVD pickup. (See Fig.15.)

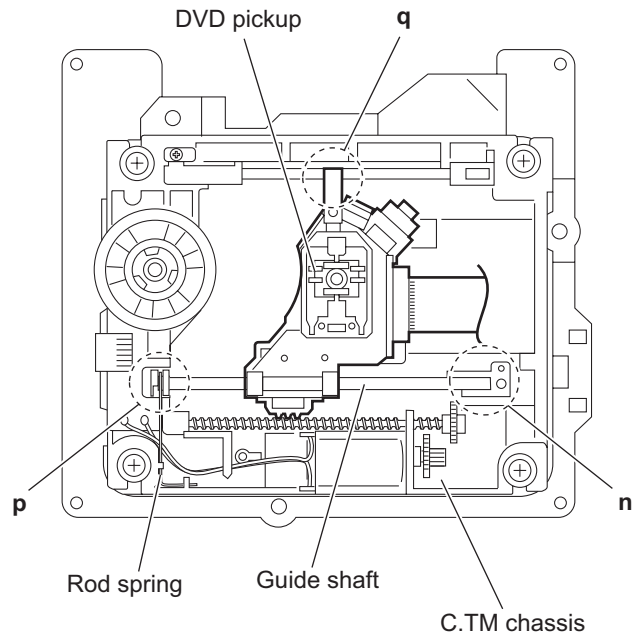


Fig.13

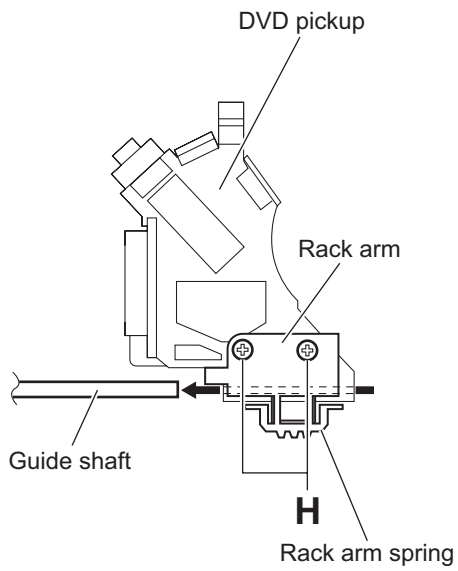


Fig.14

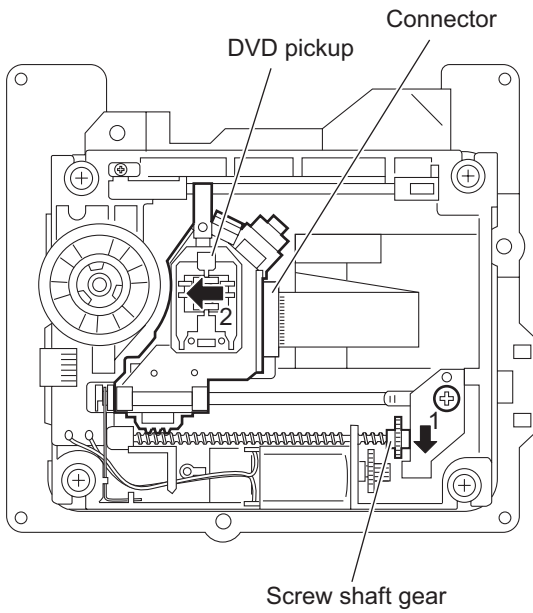


Fig.15

3.3.9 Removing the spindle motor board (See Figs.16 and 17)

- Remove the tray assemblies, DVD servo board and DVD traverse mechanism assembly.
 - From the top side of the DVD traverse mechanism assembly, remove the wires from the soldered sections **r** on the spindle motor board. (See Fig.16.)
 - From the bottom side of the DVD traverse mechanism assembly, remove the three screws **J** attaching the spindle motor board. (See Fig.17.)

Reference:

When attaching the spindle motor board, let the card wire through the hole **s** on the C.TM chassis. (See Fig.17.)

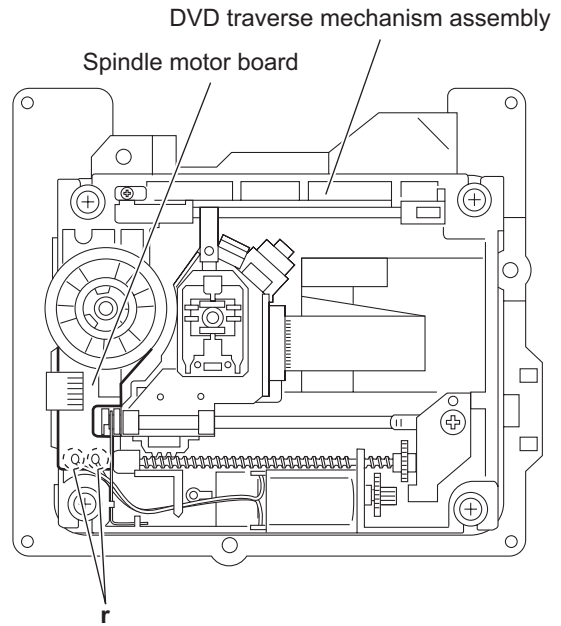


Fig.16

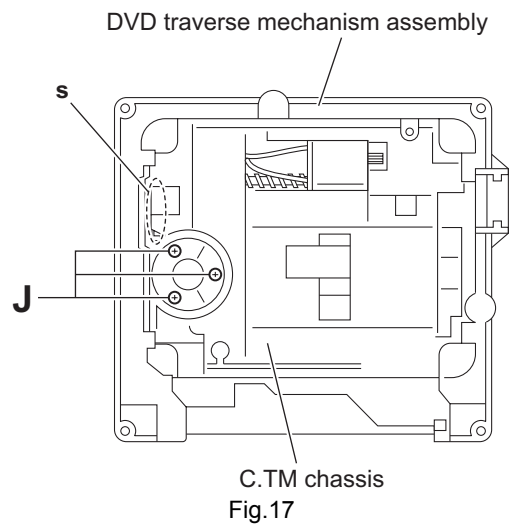


Fig.17

3.3.10 Removing the feed motor (See Figs.18 and 19)

- Remove the tray assemblies and DVD traverse mechanism assembly.
 - (1) From the top side of the DVD traverse mechanism assembly, remove the screw **K** attaching the feed bracket and remove the feed bracket from the sections **t**. (See Fig.18.)
 - (2) Release the claw **u** of the thrust spring in the direction of the arrow and remove the thrust spring. (See Fig.18.)
 - (3) Remove the screw shaft from the section **v** and remove it in the direction of the arrow. (See Fig.19.)
 - (4) Remove the middle gear. (See Fig.19.)
 - (5) Remove the screw **L** attaching the feed motor to the C.TM chassis. (See Fig.19.)
 - (6) Remove the wires from the soldered sections **w** on the spindle motor board. (See Fig.19.)
 - (7) Take out the feed motor from the motor base.

Reference:

After attaching the feed motor, pass the wires through the sections **x** on the C.TM chassis as before. (See Fig.19.)

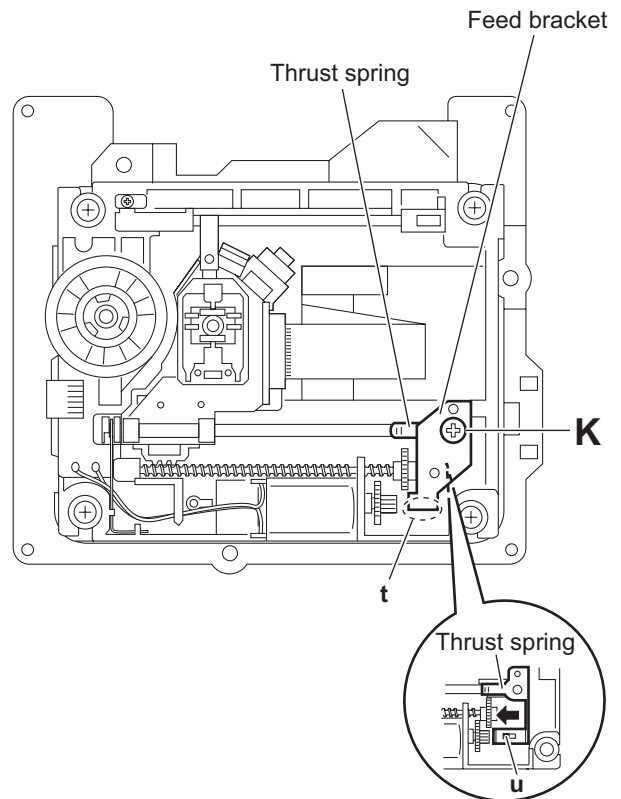


Fig.18

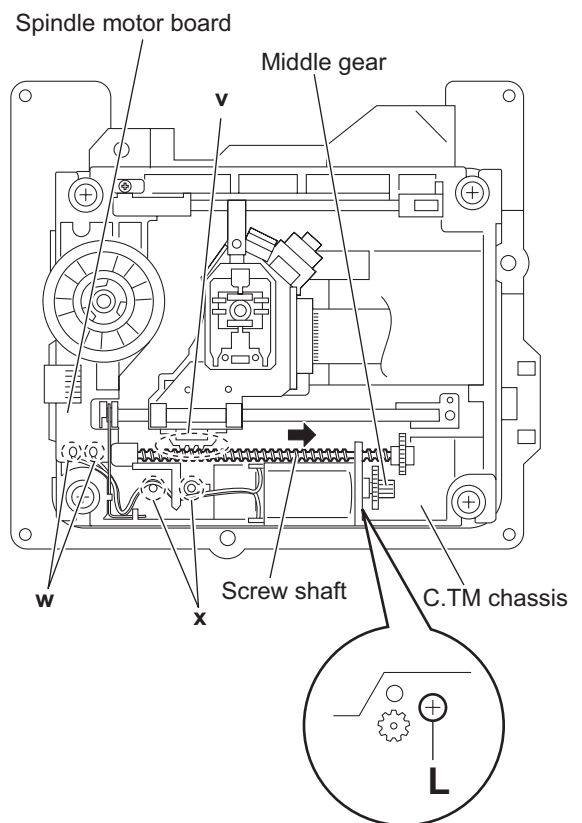
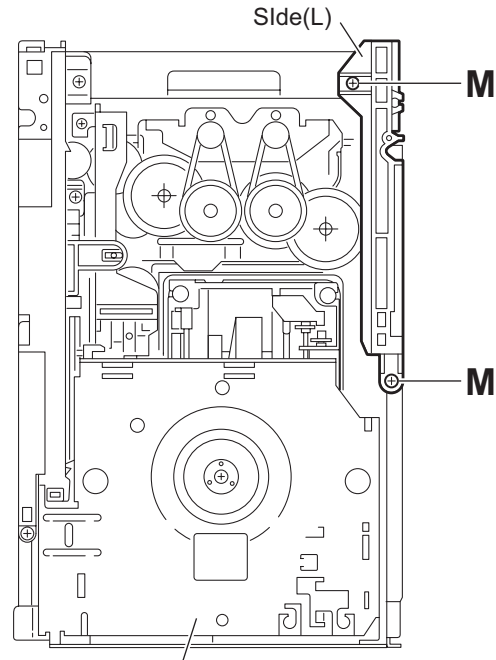


Fig.19

3.3.11 Removing the side (L) and tray switch board (See Figs.20 to 22)

- Remove the tray assemblies.

- (1) From the topside of the DVD changer mechanism assembly, remove the two screws **M** attaching the side (L). (See Fig.20.)
- (2) From the left side of the DVD changer mechanism assembly, disconnect the connector **CN3** on the tray switch board from the motor board and detach the side (L) in an upward direction. (See Fig.21.)
- (3) Remove the screw **N** attaching the tray switch board to the side (L). (See Fig.22.)
- (4) Release the joint tab **y** of the side (L) in the direction of the arrow 1 and release the joint tab **z** while removing the tray switch board in the direction of the arrow 2. (See Fig.22.)



DVD changer mechanism assembly
Fig.20

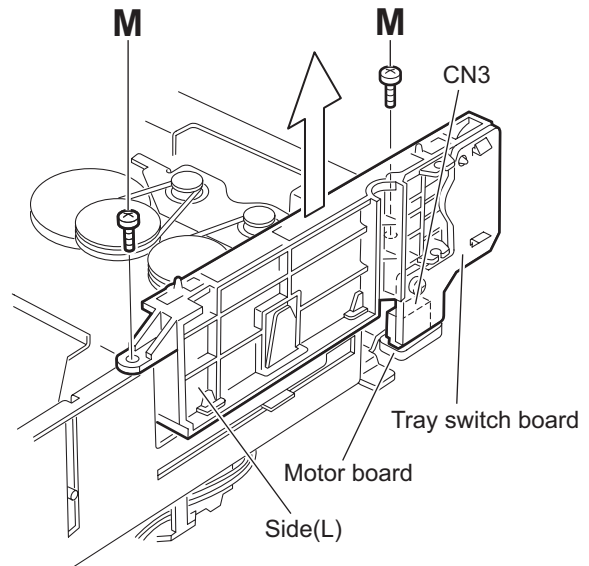


Fig.21

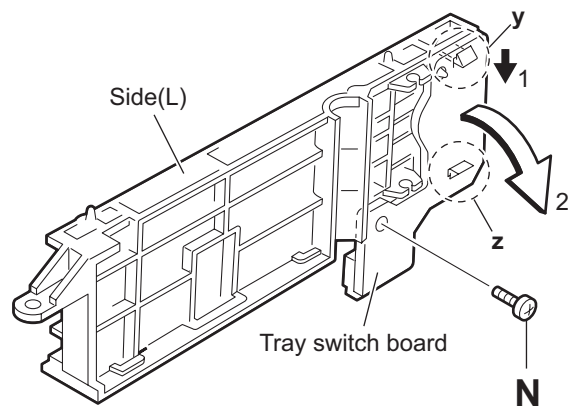


Fig.22

3.3.12 Removing the side (R) assembly (See Fig.23 to 27)

- Remove the tray assemblies and DVD servo board.
 - From the inside of the side (R) assembly, release the two tabs **aa** of the gear cover and remove the gear cover outward. (See Figs.23 and 24.)
 - From the right side of the DVD changer mechanism assembly, remove the elevator spring attached to the hook **ab** of the loader assembly. (See Figs.24 and 25.)
 - From the top side of the DVD changer mechanism assembly, turn the gear 1 clockwise to move the elevator cam rearward. (See Fig.25.)
 - Move the two slots **ac** and joint **ad** of the elevator cam and remove the elevator cam outward. (See Fig.25.)
 - Remove the three screws **P** and detaches the side (R) assembly upward. (See Figs.26 and 27.)

Note:

When reattaching the side (R) assembly, make sure to fit the shaft (part **ae**) into the slot of the select lever. (See Fig.26.)

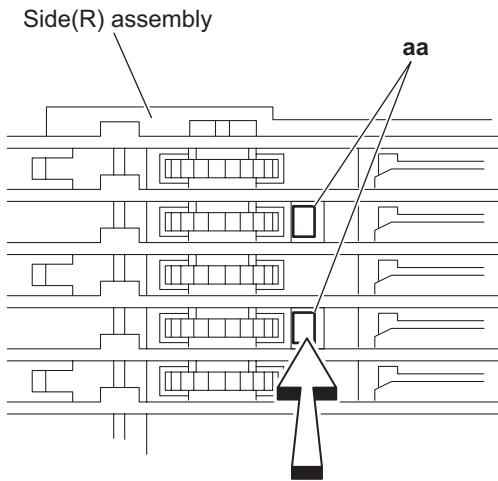
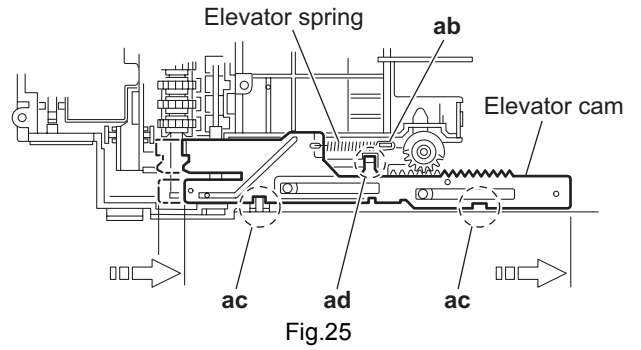


Fig.23

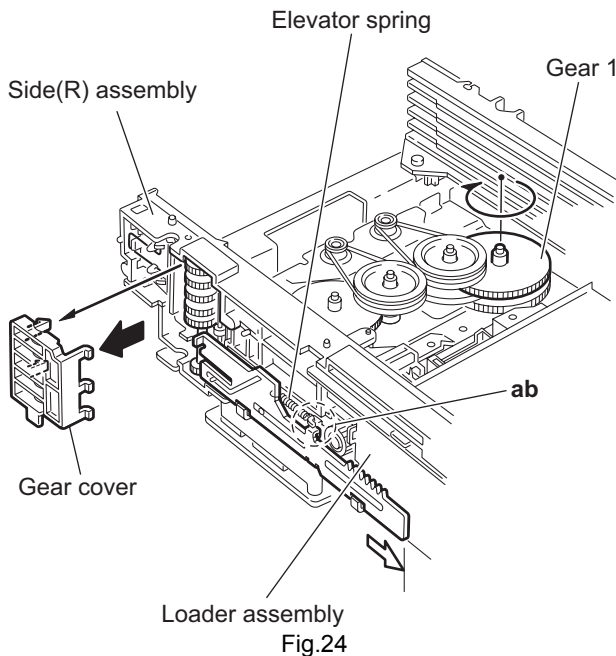


Fig.24

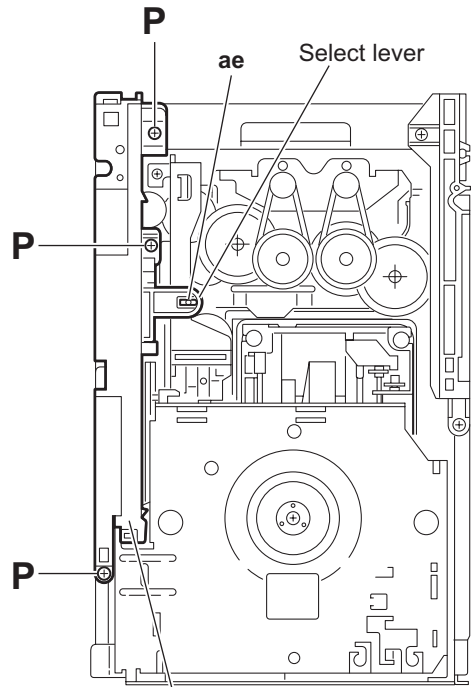


Fig.26

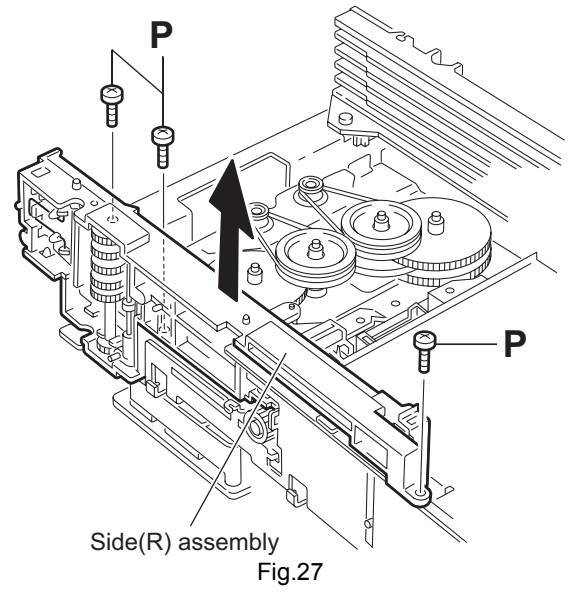


Fig.27

3.3.13 Removing the lifter assembly (See Figs.28 to 32)

- Remove the tray assemblies, DVD servo board, side (L) and side (R) assembly.
- (1) (1) From the top side of the DVD changer mechanism assembly, turn the gear 1 clockwise to move the lifter assembly upward. (See Figs.28 and 29.)
- (2) Turn the gear 2 clockwise to move the hook toward the front until it stops. (See Figs.28 and 29.)
- (3) Move the hook stopper in the direction of the arrow 2 while pushing the tab **af** of the hook stopper to unlock it in the direction of the arrow 1 and release four joints **ag** to detach from the rack holder. (See Fig.30.)
- (4) Release the rod (L) from part **ah**. (See Fig.30.)
- (5) Turn the gear 1 clockwise again to move the lifter assembly upward. (See Fig.31.)
- (6) Remove the lifter assembly from the DVD changer mechanism assembly upward at the positions **ai** where the four pins on the both sides of the lifter assembly fit to the notches of the loader assembly. (See Fig.31.)
- (7) Move the lifter assembly in the direction of the arrow and release it from the hook. (See Fig.32.)

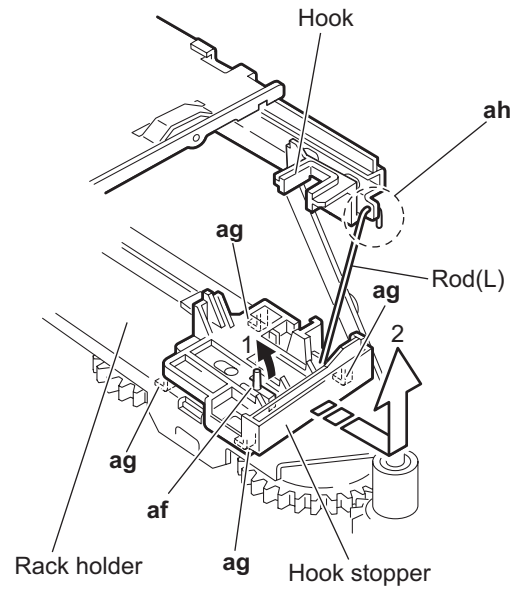
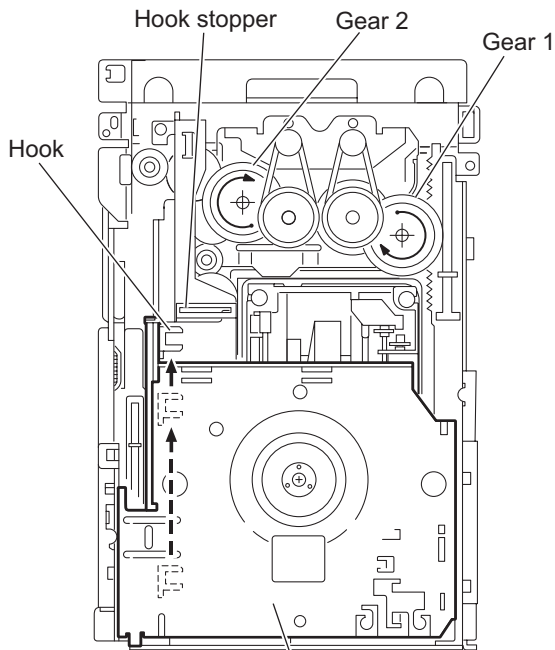
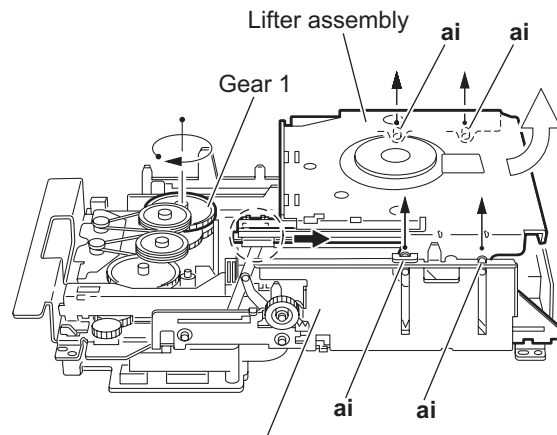


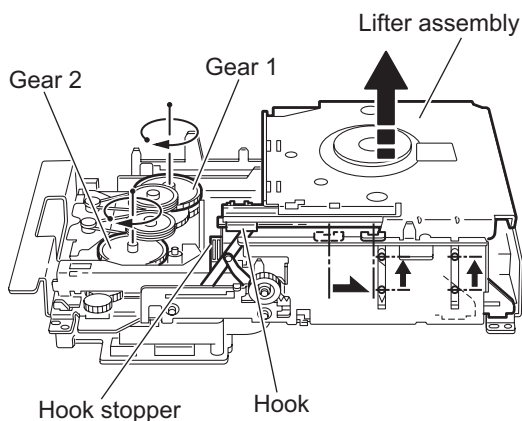
Fig.30



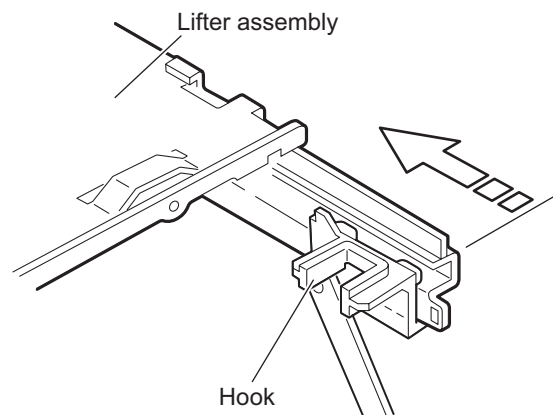
Lifter assembly
Fig.28



Lifter assembly
Loader assembly
Fig.31



Lifter assembly
Hook stopper
Hook
Fig.29



Lifter assembly
Hook
Fig.32

3.3.14 Removing the sensor board and SV resistor (See Fig.33)

- Remove the tray assemblies, side (L), side (R) assembly and lifter assembly.
 - Remove the solders from the soldered sections **aj** on the sensor board and remove the wires.
 - Remove the two screws **Q** and take out the sensor board with the SV resistor.

Reference:

- Remove the soldered section **ap** on the sensor board as required.
- When reassembling, pass the wires through the slot **ak** of the sensor board as before.

Note:

When reattaching the SV. resistor, fit the projection **am** on the bottom of the SV. resistor into slot **an** of the sensor slider.

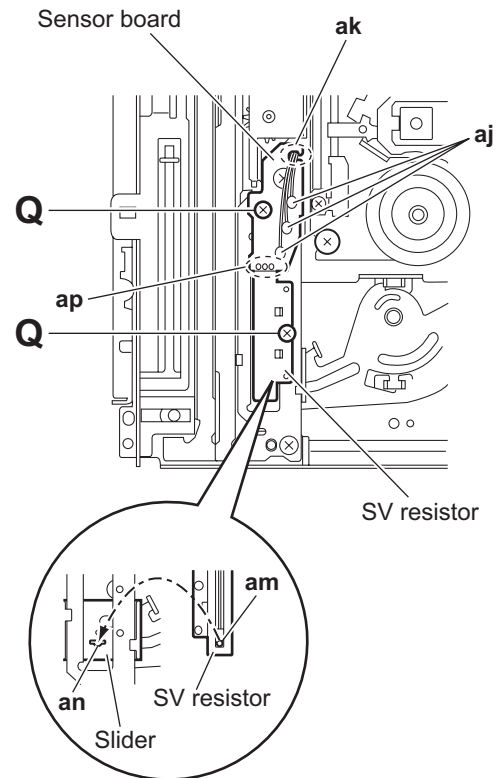


Fig.33

3.3.15 Taking out the disc in the play mode (See Fig.34 to 37)

Reference:

Refer to "3.3.1 Removing the tray assemblies".

- (1) From the top side of the DVD changer mechanism assembly, remove the top cover.
- (2) Unlock the tray assemblies and draw out the tray assemblies toward the front.
- (3) From the top side of the DVD changer mechanism assembly, turn the gear 1 clockwise to move the lifter assembly upward. (See Fig.34.)
- (4) Turn the gear 2 clockwise to move the sub tray remaining inside the lifter assembly toward the front, then pull out.
- (5) Take out the disc on the sub tray. (See Fig.35.)
- (6) After clearing away the disc, insert the sub tray into the main tray. (See Fig.36.)

Note:

When reattaching the sub tray, move the tray stopper on the bottom of the main tray in the direction of the arrow to lock the sub tray certainly. (See Figs.36 and 37.)

- (7) Push the tray assembly toward the DVD changer mechanism assembly and reattach.

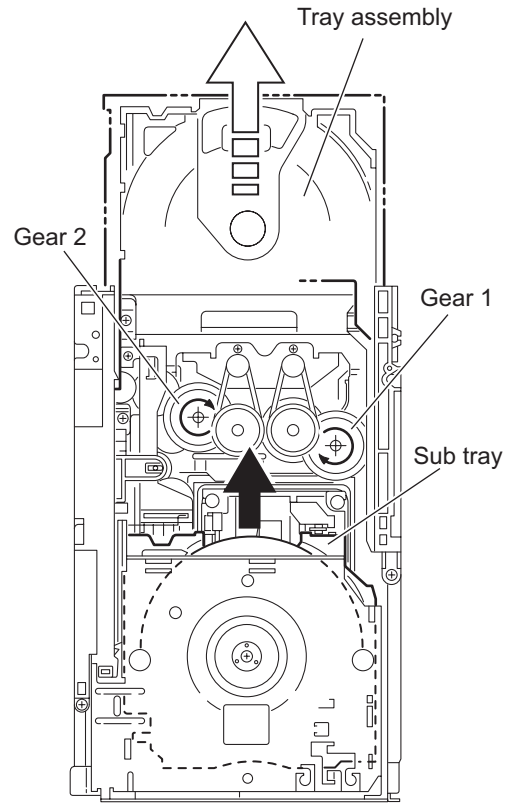


Fig.34

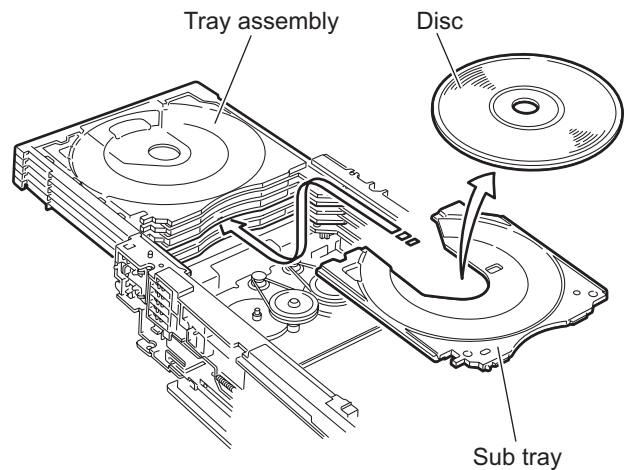


Fig.35

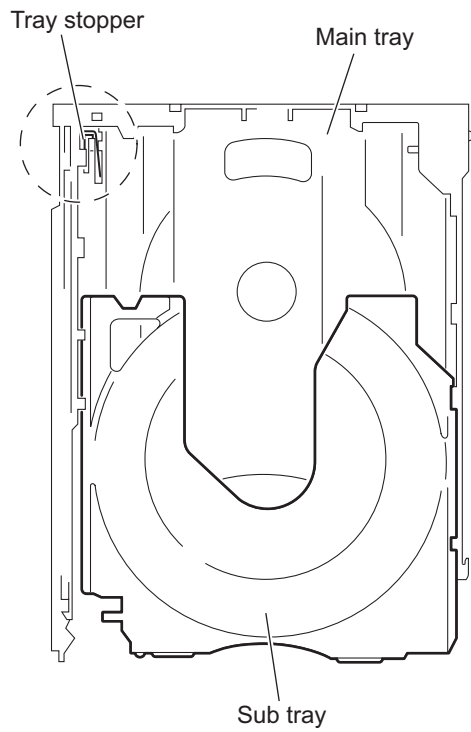


Fig.36

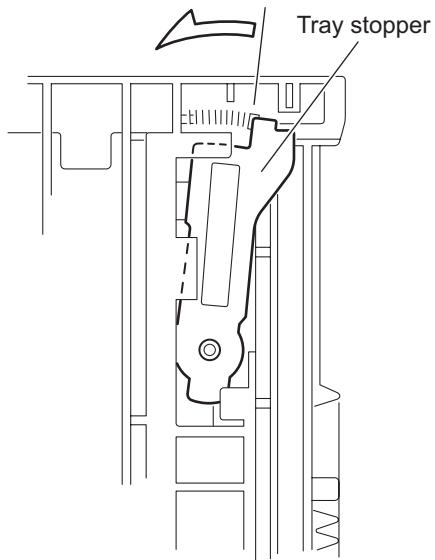


Fig.37

3.4 Cassette mechanism assembly (For cassette A)

3.4.1 Removing the Play head

(See Fig.1 to 3)

- (1) While moving the trigger arm on the right side of the head mount in the direction of the arrow, turn the flywheel R counterclockwise until the head mount comes ahead and clicks.
- (2) The head turns counterclockwise as you turn the flywheel R counterclockwise (See Fig.2 and 3).
- (3) Disconnect the flexible wire from connector [CN48](#) on the head amplifier board.
- (4) Remove the spring from the back of the head.
- (5) Loosen the azimuth screw for reversing attaching the head.
- (6) Remove the head on the front side of the head mount.

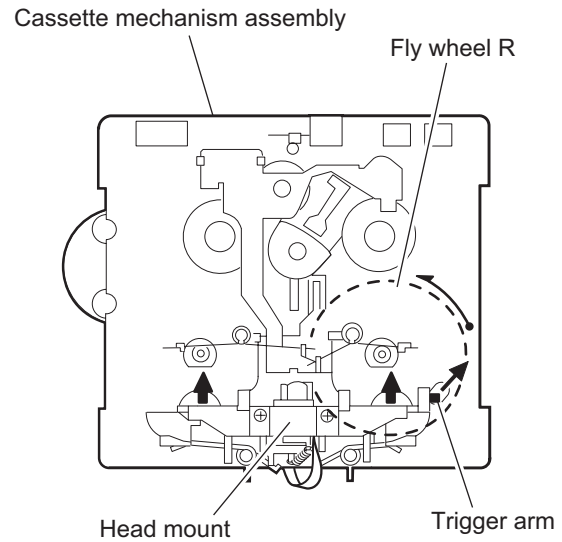


Fig.1

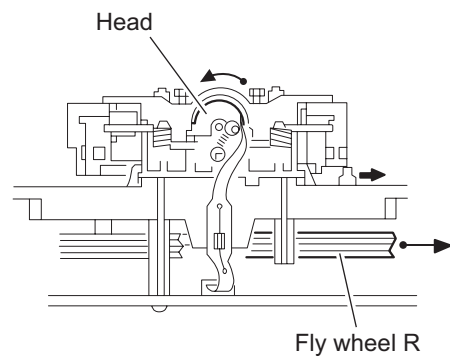


Fig.2

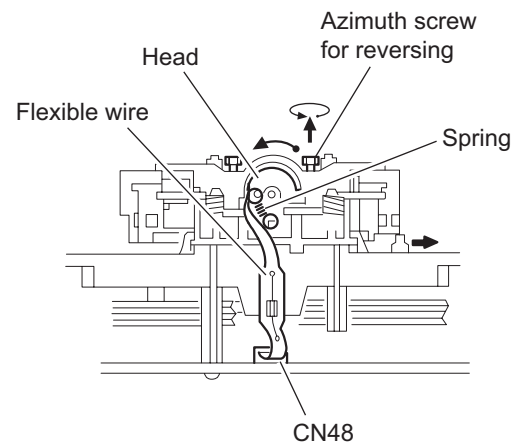


Fig.3

3.4.2 Removing the head amplifier board

(See Fig.4)

- (1) Turn over the cassette mechanism assembly and remove the three screws **A** attaching the head amplifier board.
- (2) Disconnect the flexible wire from connector **CN8** on the head amplifier board.
- (3) Disconnect connector **CN41** of the head amplifier board from connector **CN1** on the cassette switch board.

Reference:

If necessary, unsolder the 4-pin wire soldered to the main motor.

3.4.3 Removing the main motor

(See Fig.4 to 7)

- (1) Remove the two screws **B**.
- (2) Half raise the motor and remove the capstan belt from the motor pulley.

Attention:

Be careful to keep the capstan belt from grease. When reassembling, refer to Fig.6 and 7 for attaching the capstan belt.

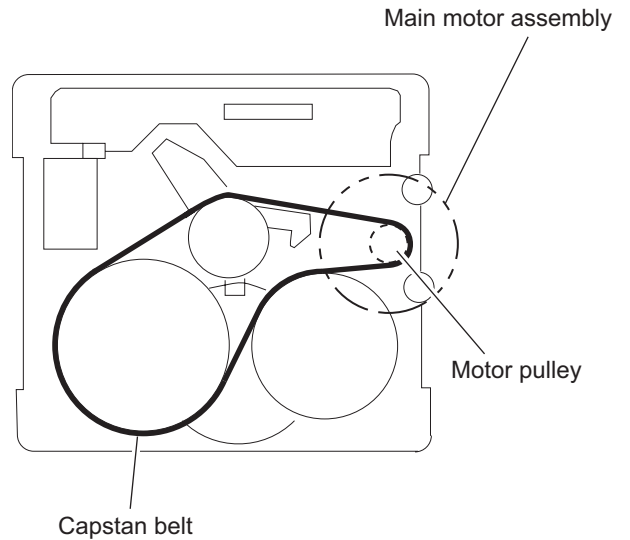


Fig.6

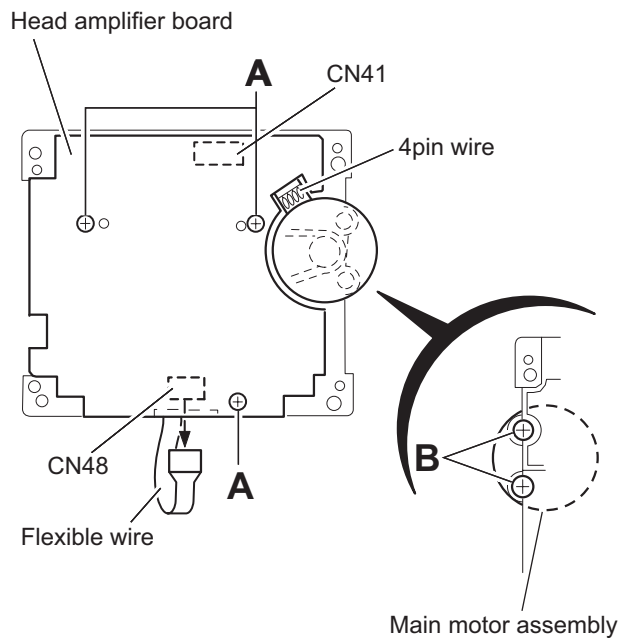


Fig.4

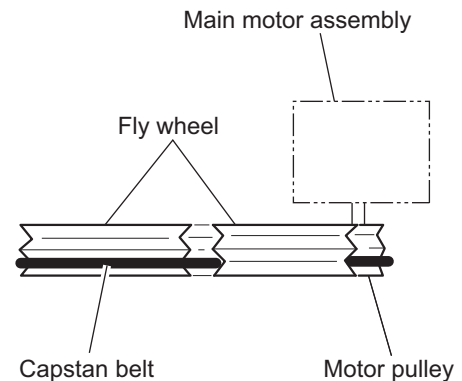


Fig.7

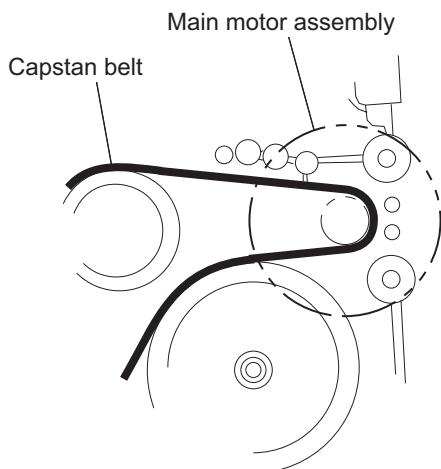


Fig.5

3.4.4 Removing the flywheel (See Fig.8, 9)

- Prior to performing the following procedure, remove the head amplifier board and the main motor assembly.
 - (1) From the front side of the cassette mechanism, remove the slit washers attaching the capstan shaft L and R.
 - (2) Pull out the flywheels backward.

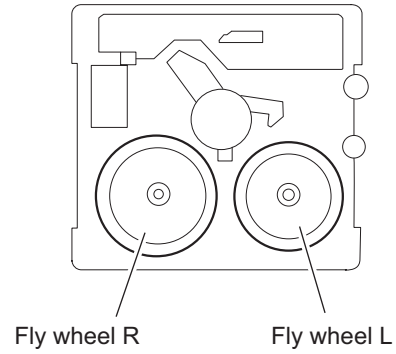


Fig.8

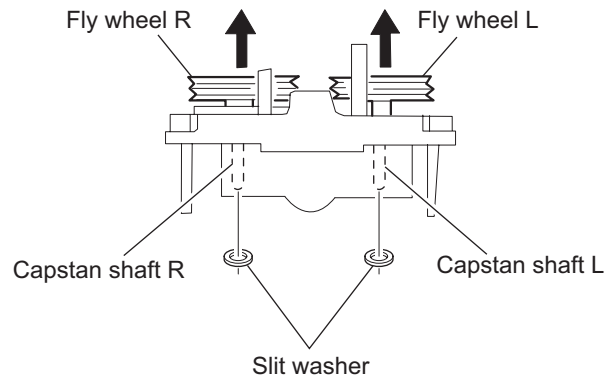


Fig.9

3.4.5 Removing the cassette switch board and solenoid (See Fig.10)

- Prior to performing the following procedure, remove the head amplifier board.
 - (1) Remove the screw **C**.
 - (2) Release the tab **a**, **b**, **c**, **d** and **e** retaining the cassette switch board.
 - (3) Release the tab **f** and **g** attaching the solenoid on the cassette switch board.
 - (4) The cassette switch board and solenoid come off.

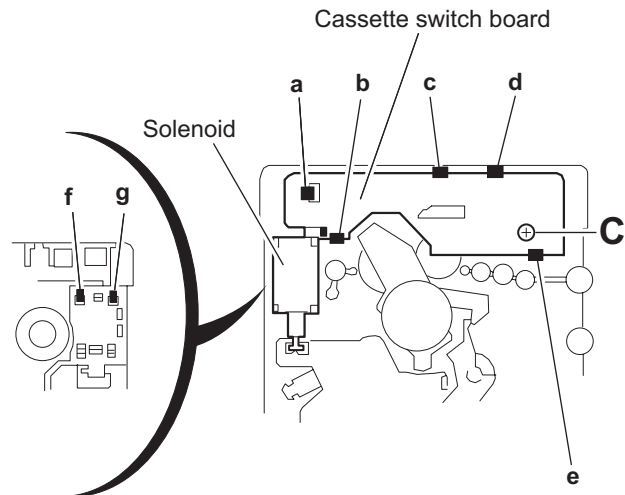


Fig.10

3.4.6 Reattaching the Play head
(See Fig.11 to 13)

- (1) Reattaching the head mount assembly.
 - a) Change front of the direction cover of the head mount assembly to the left (Turn the head forward).
 - b) Fit the bosses **O'**, **P'**, **Q'**, **U'** and **V'** on the head mount assembly to the holes **P** and **V**, the slots **O**, **U** and **Q** of the mechanism sub assembly (See Fig.11 to 13).
- (2) Tighten the azimuth screw for reversing.
- (3) Reattach the spring from the back of the Play head.
- (4) Connect the flexible wire to connector **CN48** on the head amplifier board.

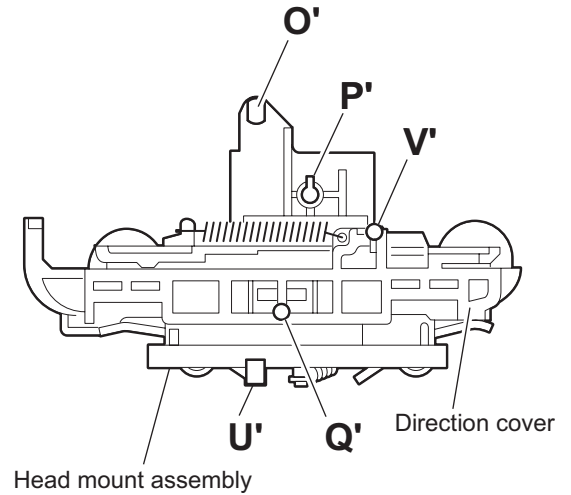


Fig.11

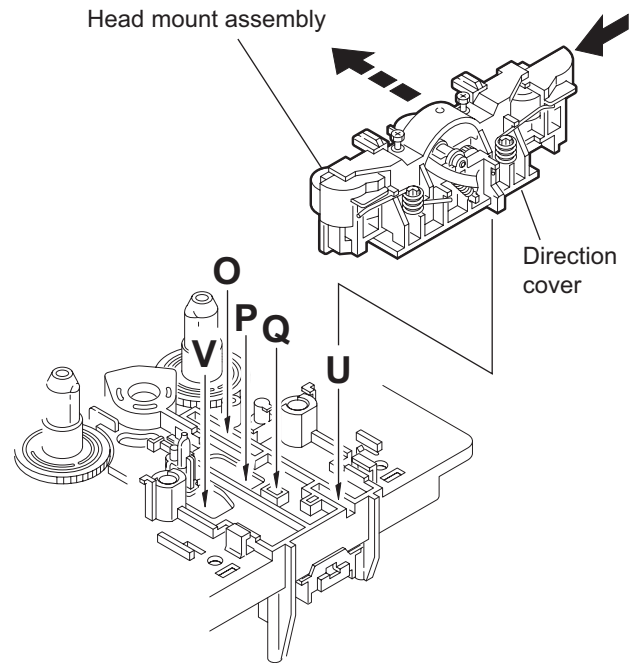


Fig.12

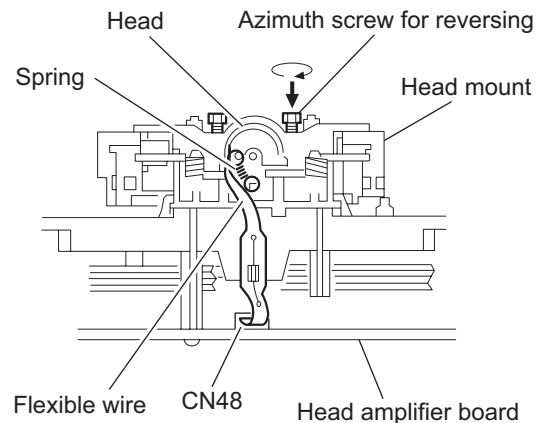


Fig.13

3.5 Cassette mechanism assembly (For cassette B)

3.5.1 Removing the Play/Record & Clear head (See Fig.1~3)

- (1) While moving the trigger arm on the right side of the head mount in the direction of the arrow, turn the flywheel R counterclockwise until the head mount comes ahead and clicks.
- (2) The head turns counterclockwise as you turn the flywheel R counterclockwise (See Fig.2 and 3).
- (3) Disconnect the flexible wire from connector [CN31](#) on the head amplifier & mechanism control board.
- (4) Remove the spring from the back of the head.
- (5) Loosen the azimuth screw for reversing attaching the head.
- (6) Remove the head on the front side of the head mount.

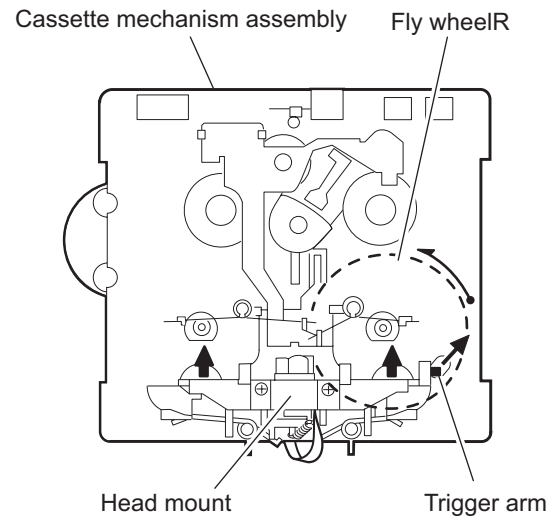


Fig.1

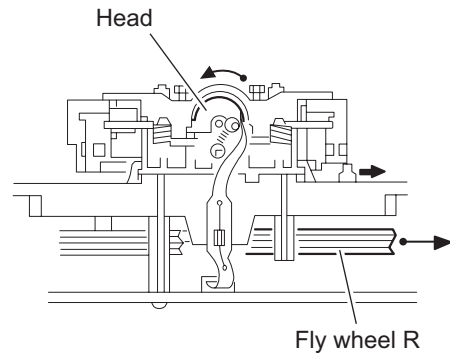


Fig.2

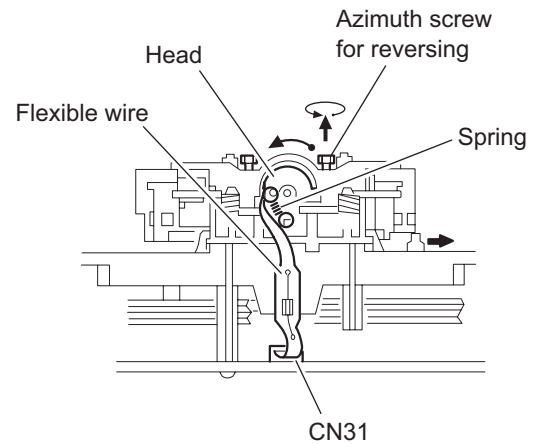


Fig.3

3.5.2 Removing the head amplifier & mechanism control board (See Fig.4)

- (1) Turn over the cassette mechanism assembly and remove the three screws **A** attaching the head amplifier & mechanism control board.
- (2) Disconnect the flexible wire from connector **CN31** on the head amplifier & mechanism control board.
- (3) Disconnect connector **CN32** of the head amplifier & mechanism control board from connector **CN1** on the reel pulse board. REFERENCE: If necessary, unsolder the 4-pin wire soldered to the main motor.

3.5.3 Removing the main motor (See Fig.4~7)

- (1) Remove the two screws **B**.
- (2) Half raise the motor and remove the capstan belt from the motor pulley.

ATTENTION:

Be careful to keep the capstan belt from grease. When reassembling, refer to Fig.6 and 7 for attaching the capstan belt.

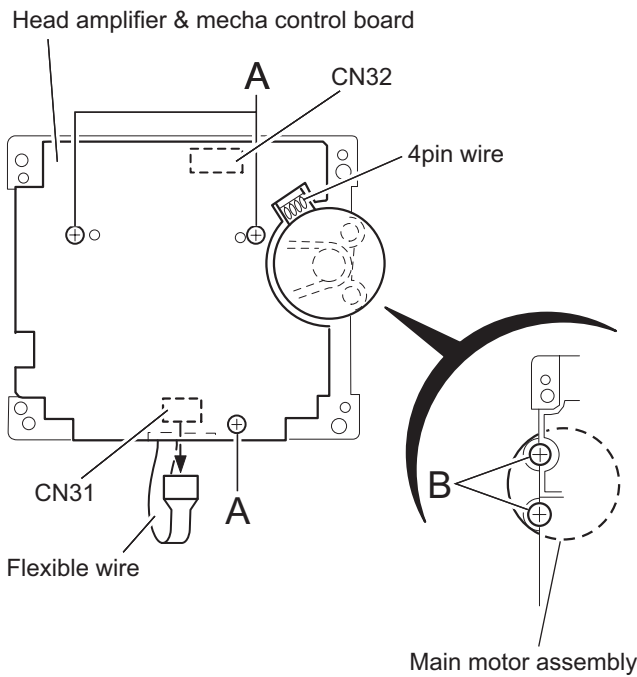


Fig.4

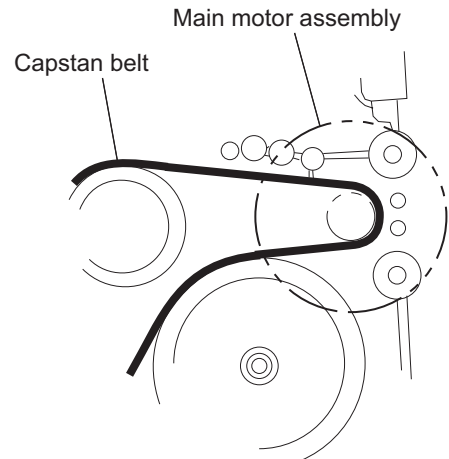


Fig.5

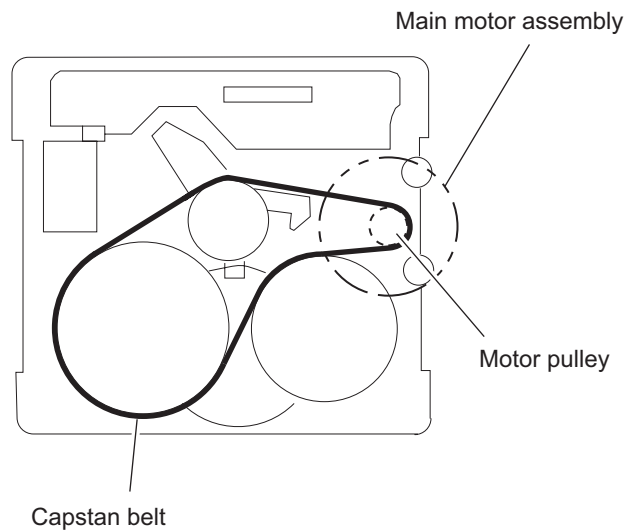


Fig.6

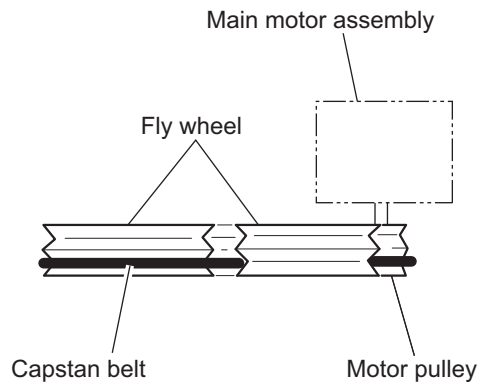


Fig.7

3.5.4 Removing the flywheel (See Fig.8, 9)

- Prior to performing the following procedure, remove the head amplifier & mechanism control board and the main motor assembly.
 - (1) From the front side of the cassette mechanism, remove the slit washers attaching the capstan shaft **L** and **R**. Pull out the flywheels backward.

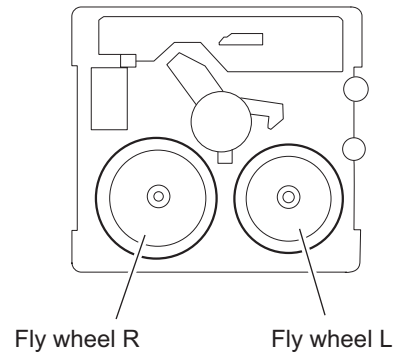


Fig.8

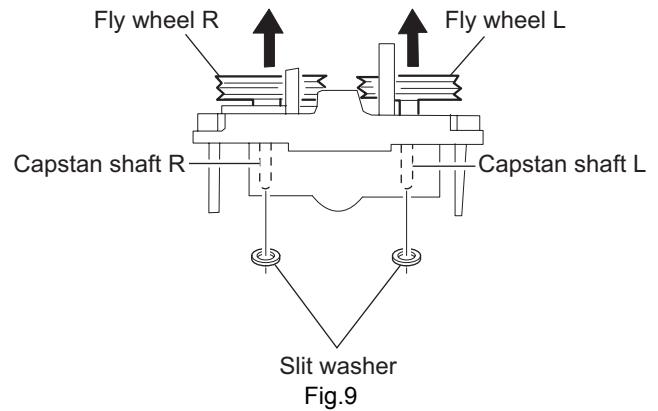


Fig.9

3.5.5 Removing the reel pulse board and solenoid (See Fig.10)

- Prior to performing the following procedure, remove the head amplifier & mechanism control board.
 - (1) Remove the screw **C**.
 - (2) Release the tab **a**, **b**, **c**, **d** and **e** retaining the reel pulse board.
 - (3) Release the tab **f** and **g** attaching the solenoid on the reel pulse board.
 - (4) The reel pulse board and the solenoid come off.

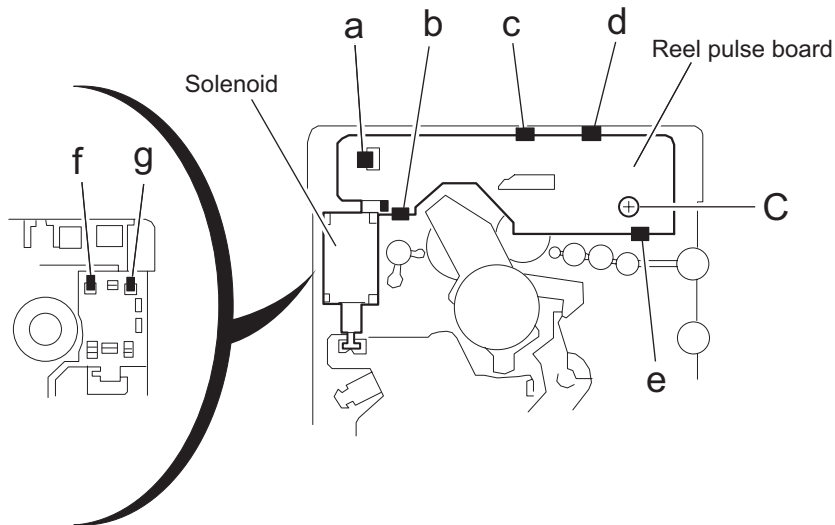


Fig.10

3.5.6 Reattaching the Play/ Record & Clear head (See Fig.11~13)

- (1) Reattaching the head mount assembly.
 - a) Change front of the direction cover of the head mount assembly to the left (Turn the head forward).
 - b) Fit the bosses **O'**, **P'**, **Q'**, **U'** and **V'** on the head mount assembly to the holes **P** and **V**, the slots **O**, **U** and **Q** of the mechanism sub assembly (See Fig.11 to 13).

CAUTION:

To remove the head mount assembly, turn the direction cover to the left to disengage the gear. If the gear can not be disengaged easily, push up the boss **Q'** slightly and raise the rear side of the head mounts slightly to return the direction lever to the reversing side.

- (2) Tighten the azimuth screw for reversing.
- (3) Reattach the spring from the back of the Play/ Record & Clear head.
- (4) Connect the flexible wire to connector **CN31** on the head amplifier & mechanism control board.

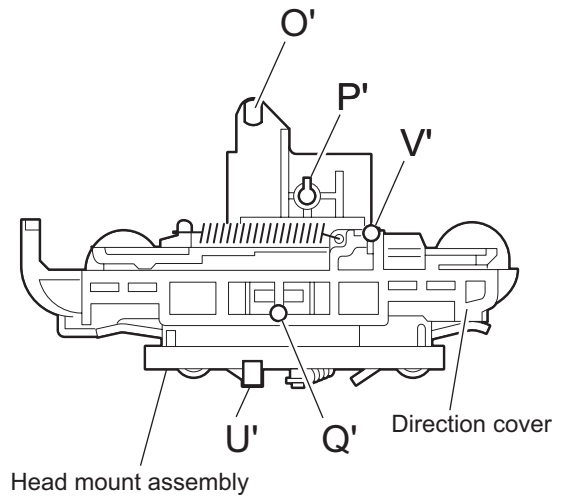


Fig.11

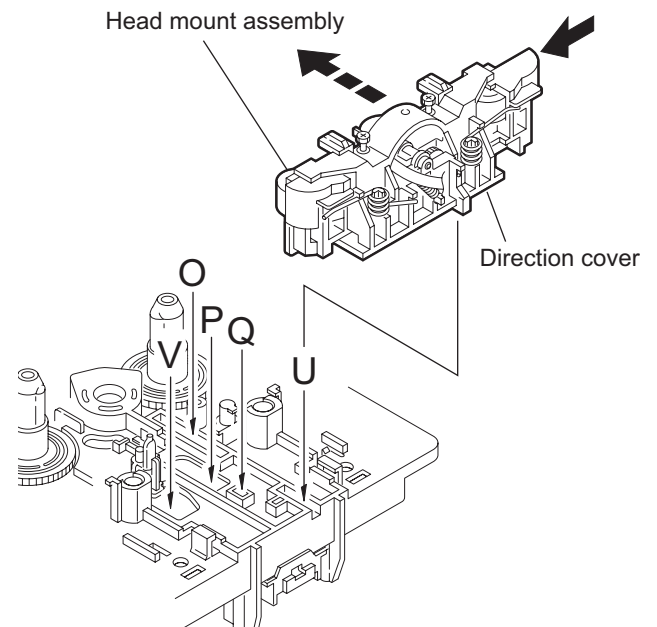


Fig.12

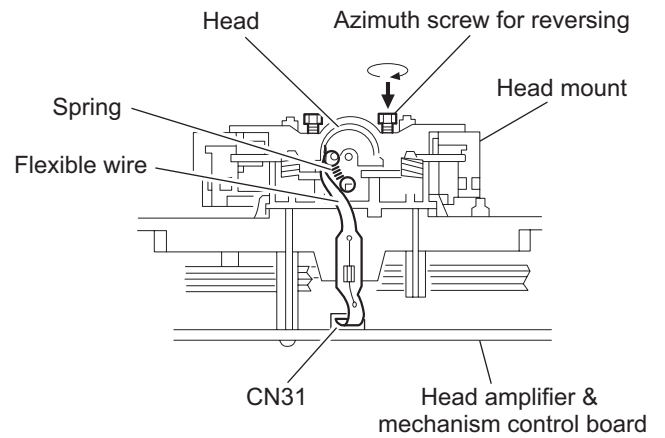


Fig.13

SECTION 4 ADJUSTMENT

4.1 ATTENTION IN SERVICE OF DVD SECTION

- (1) When pickup, Flash ROM, DVD module board were changed, initialize EEPROM by all means.
 (2) When full initialization was executed, execute learning with a DVD test disc by all means.
 Test disc : VT-501, VT-502
 Learning method : It is adjusted automatically by normal playback of a DVD disc.

4.2 TEST MODE

ITEM	OPERATION	MANAGEMENT
TUNER AM switch to 9kHz step	(During STANDBY MODE) STOP [key] + ◀◀ (Only source TUNER)	AM frequency change to 9kHz at U-version.
TUNER AM switch to 10kHz step	(During STANDBY MODE) STOP [key] + ▶▶ (Only source TUNER)	AM frequency change to 10kHz at U-version.
Tray lock	STOP [key] + DISC 1 EJECT (Only during Standby mode)	Loader-mecha is locked. EJECT processing isn't done by pushing EJECT key at tray lock on state. Then display to LOCKED / UNLOCKED. EJECT 1 is pushed, pushing STOP again, tray lock is off. Back up to tray locked ON/OFF.
Cold start	[Remocon Key] STANDBY/ON + ENTER + 0	Cold start processing. After cold start is activated, LCD 8 Segment temporary display COLD' for 2 seconds. Then return to previous display. To activate cold start AC OFF system, then AC ON again.
CLOCK FAST FORWARDING	[Remocon Key] STANDBY/ON + ENTER + 2	Fast Forward clock (Increase clock counter speed) Can only be activated after SYSTEM clock is set to exit this TEST mode, AC OFF the system, then AC ON again.
FAN ON/OFF setting	STOP [key] + DISC 2 EJECT (During STANDBY MODE)	Toggle between FAN switch ON and OFF. (FAN-CTL : L -> H TOGGLE) This test mode is only effective during STANDBY MODE. Test mode exit when system STANDBY -> P.ON
VOLUME LARGE STEP CHANGE	[Remocon key] STANDBY/ON + ENTER + 3	VOLUME change Volume step MAX (31) -> Volume step CENTER (15) toggle Normal operation TEST mode. System returns to normal operation after performing VOLUME CHANGE.
MICON VERSION DISPLAY	[Remocon key] STANDBY/ON + ENTER + SET	TEMPORARY DISPLAY FOR MICON VERSION (5SEC) After 5 seconds, return to previous display. Each key press will toggle temporary display for the following: SYSCON VERSION -> DVD LSI (BE) VERSION) -> DVD MECHA VERSION * DVD LSI (BE & FE) version can only been display during system power on in DVD mode (When DVD LSI P.ON) * IF there is no information feedback, sys-con will display "WAIT" blinking 0.5sec ON & OFF
LCD ALL SEGMENT BLINKING	[Remocon key] STANDBY/ON + ENTER + 10	LCD all segment blinking (0.5sec : ON/0.5sec : OFF) Each key press will toggle this TEST mode ON/OFF.

ITEM	OPERATION	MANAGEMENT
TUNER version Test key code	[Remocon key] STANDBY/ON + ENTER +1	Each key pressed will display the current Sys-con Tuner Version for 5 second and then changed back to previous display. U1 - 9KHz Display " 0 V U S N E 9 K " U1 - 10KHz Display " 0 V U S N E 1 0 K " U2 - 9KHz Display " 1 V U W 9 K " U2 - 10KHz Display " 1 V U W 1 0 K " U3 - 9KHz Display " 2 V U X 9 K " U3 - 10KHz Display " 2 V U X 1 0 K " U4 - 9KHz Display " 3 V E E 9 K " U5 - 10KHz Display " 4 V J C 1 0 K "
DVD test mode	STOP [key] + DISC 5 EJECT (Hold during AC In)	Enters DVD-TEST mode. DVD-TEST mode specification based on DVD-MODULE spec. To exit DVD-TEST mode, AC OFF the system, then AC ON again. For region rewrite and DVD-AUDIO device key writing, refer to region rewrite and device key writing section below for exit procedure.
DVD initialize	PAUSE [key] during DVD test mode	DVD module initialized. Display will return to DVD test mode area display (" T xxy vw ") Press Power key to exit this TEST mode.
DVD region confirm mode	STOP + EJECT4 [key]	Into the DVD region confirm mode. * DVD region check can only been display during system power on in DVD mode (when DVD LSI P.ON) Temporary display region code on LCD for 5 seconds. * If there is no information feedback, sys-con will display "WAIT" blinking 0.5SEC ON & OFF. * LCD will display "AREA xxRY" where "AREAxx" is the DESTINATION INFO & R is the REGION INFO. After 5 seconds, return to previous display.

4.3 Other test mode's operation

4.3.1 To enter DVD TEST mode

- AC power off.
- Press and hold STOP + DVD5 EJECT/CLOSE keys.
- AC power On while holding STOP + DVD5 EJECT/CLOSE keys.
- DVD mecha will start in TEST MODE, LCD will display:

T	x	x	y	v	w
---	---	---	---	---	---

xx is the received DESTINATION information. Display as follows;

xx = JC/1U/D/E/2U/3U/UB/UT/4U/UY/EE/UF

y = region number

v = study state information from MECHA-CON (Display Byte3 when Byte7 is "0x09)

w = initialization state from MECHA-CON (Display Byte4 when Byte7 is "0x09". Display blank when Byte4 is "0xFF".)

4.3.2 To exit DVD TEST mode

- During TEST MODE (except for Device key write & DVD Region Re-write), press POWER key and wait until "POFF OK" is displayed for 5sec, then system goes into Standby Mode & Backlight LED is off.
This means that System now successfully exit the DVD Test Mode & back to normal mode.

4.3.3 EEPROM initialization

(1) Normal initialization

- During DVD TEST MODE, press 3D PHONIC key on remote control to start NORMAL EEPROM INITIALIZATION.
- Mecha will feedback the following information after finish INITIALIZATION;
Status: Byte 0 = 0x00 (NORMAL), Byte 7 = 0x09, Byte 4 = initialization state
- When received status, LCD will display;

T	x	x	y	v	w
---	---	---	---	---	---

w = initialization state from MECHA-CON (Display Byte4 when Byte7 is "0x09. Display blank when Byte4 is "0xFF".)

(2) Full initialization

- During DVD TEST MODE, press >>| key on set 2 seconds control to start FULL INITIALIZATION.
- Mecha will feedback the following information after finish INITIALIZATION;
Status: Byte 0 = 0x00 (NORMAL), Byte 7 = 0x09, Byte 4 = initialization state
- When received status, LCD will display;

T	x	x	y	v	w
---	---	---	---	---	---

w = initialization state from MECHA-CON (Display Byte4 when Byte7 is "0x09. Display blank when Byte4 is "0xFF".)

4.3.4 DVD check modes

<p>Press MENU key again to enter CHECK MODE. (TEST MODE, MODE STATE, CHECK MODE)</p> <p>LCD display</p> <p>C H E C K</p>
<p>Press "1" key on remote control to start playback.</p> <p>LCD display</p> <p>P L A Y B A C K</p>
<p>Press "2" key on remote control to perform SEARCH TNO+1</p> <p>LCD display</p> <p>W O B B L E (2 seconds)</p> <p>Status: 00 (NORMAL) XX XX cc cc jj jj</p> <p>c c c c j j j j (Static) cccc: Byte 0 = 0x00, Byte 7 = 0x00, Byte 3,4 -> DISPLAY jjjj: Byte 0 = 0x00, Byte 7 = 0x00, Byte 5,6 -> DISPLAY</p>
<p>Press "3" key on remote control to perform SEARCH TNO+1</p> <p>LCD display</p> <p>C H E C K</p>
<p>Press "4" key on remote control to light up CD_LD and display laser current.</p> <p>LCD display</p> <p>C D L D L S R (2 seconds)</p> <p>Status: 00 (NORMAL) XX XX cc cc jj jj</p> <p>c c c c j j j j (Static) cccc: Byte 0 = 0x00, Byte 7 = 0x00, Byte 3,4 -> DISPLAY jjjj: Byte 0 = 0x00, Byte 7 = 0x00, Byte 5,6 -> DISPLAY</p>
<p>Press "5" key on remote control to light up DVD_LD and display laser current.</p> <p>LCD display</p> <p>D V D L D L S R (2 seconds)</p> <p>Status: 00 (NORMAL) XX XX cc cc jj jj</p> <p>c c c c j j j j (Static) cccc: Byte 0 = 0x00, Byte 7 = 0x00, Byte 3,4 -> DISPLAY jjjj: Byte 0 = 0x00, Byte 7 = 0x00, Byte 5,6 -> DISPLAY</p>
<p>Press "6" key on remote control to enter DVD x 2 jitter measurement mode</p> <p>LCD display</p> <p>J I T X 1 (2 seconds)</p> <p>Status: 00 (NORMAL) XX XX cc cc jj jj</p> <p>c c c c j j j j (Static) cccc: Byte 0 = 0x00, Byte 7 = 0x00, Byte 3,4 -> DISPLAY jjjj: Byte 0 = 0x00, Byte 7 = 0x00, Byte 5,6 -> DISPLAY</p>
<p>Press "9" key on remote control to perform SEARCH DVD_SL DESIGNATED POSITION and JITTER MEASUREMENT</p> <p>LCD display</p> <p>D V D S L (2 seconds)</p> <p>Status: 00 (NORMAL) XX XX cc cc jj jj</p> <p>c c c c j j j j (Static) cccc: Byte 0 = 0x00, Byte 7 = 0x00, Byte 3,4 -> DISPLAY jjjj: Byte 0 = 0x00, Byte 7 = 0x00, Byte 5,6 -> DISPLAY</p>
<p>Press "+10" key to INITIALIZE EEPROM (MECHA)</p> <p>LCD display</p> <p>I N I T</p>
<p>Press PLAY key on remote control to start PLAYING and obtain LASER CURRENT and JITTER value.</p> <p>LCD display</p> <p>L S R J I T (2 seconds)</p> <p>Status: 00 (NORMAL) XX XX cc cc jj jj</p> <p>c c c c j j j j (Static) cccc: Byte 0 = 0x00, Byte 7 = 0x00, Byte 3,4 -> DISPLAY jjjj: Byte 0 = 0x00, Byte 7 = 0x00, Byte 5,6 -> DISPLAY</p>
<p>Press STOP key on remote control to stop JITTER measurement.</p> <p>LCD display</p> <p>C H E C K (Static)</p>

During CHECK mode, at any time press MENU key to exit CHECK mode and return to starting screen of DVD TEST MODE.

* During TEST mode, at press POWER key send POWER OFF command to MECHA-CON and if power off permit flag is 1, display "POFF OK"

P O F F O K

SECTION 5 TROUBLESHOOTING

This service manual does not describe TROUBLESHOOTING.



JVC

Victor Company of Japan, Limited
Audio/Video Systems Category 10-1, 1chome, Ohwatari-machi, Maebashi-city, 371-8543, Japan

(No.MB531)

PARTS LIST

DX-T99A,DX-T99EE,DX-T99US,DX-T99UW
DX-T99UX,DX-T99UG,DX-T99UN
DX-T77EE,DX-T77US,DX-T77UW,DX-T77UX
DX-T77UY,DX-T77UG,DX-T77UN
DX-T66EE,DX-T66US,DX-T66UW,DX-T66UX
DX-T66UY,DX-T66UG,DX-T66UN

* All printed circuit boards and its assemblies are not available as service parts.

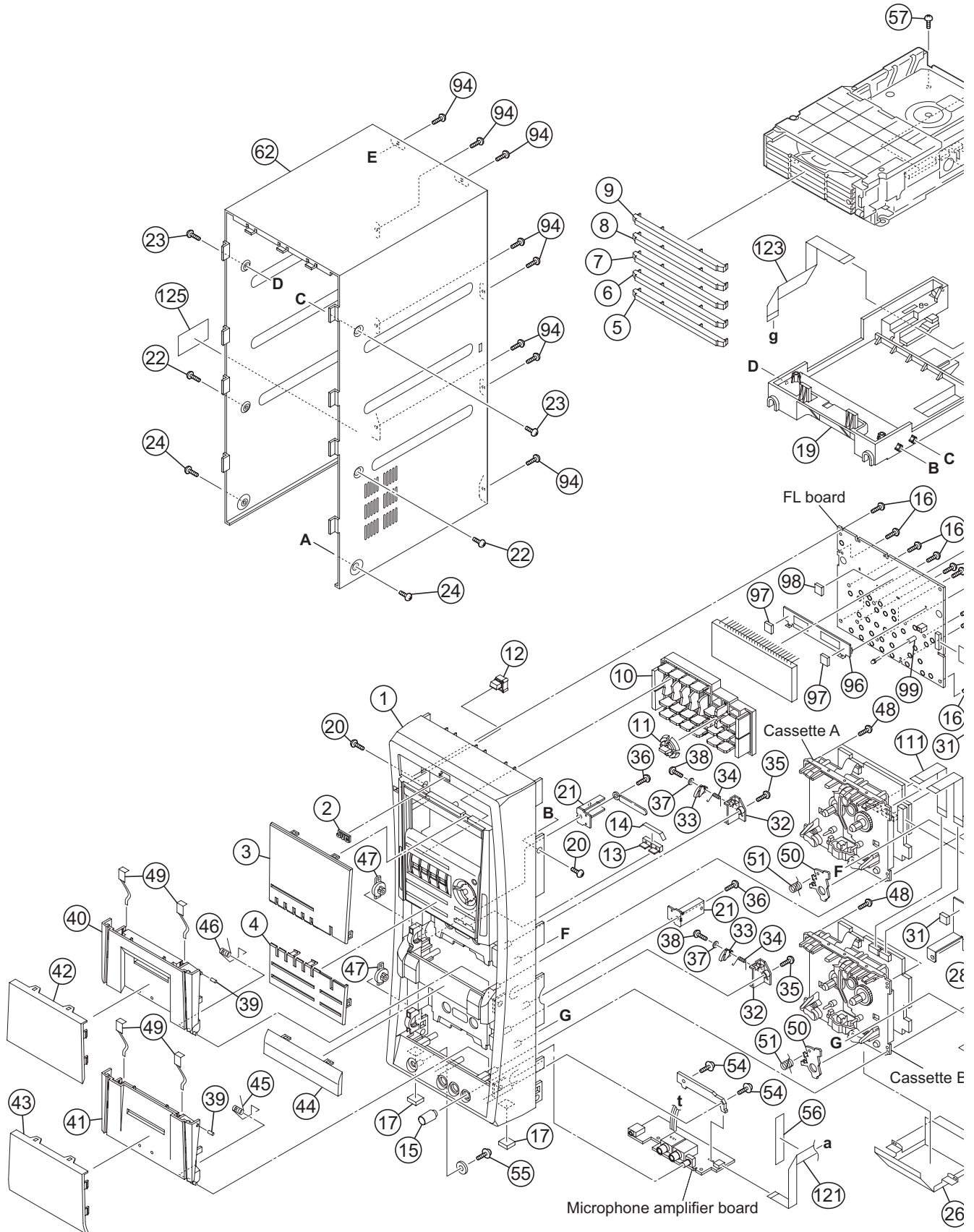
- Contents -

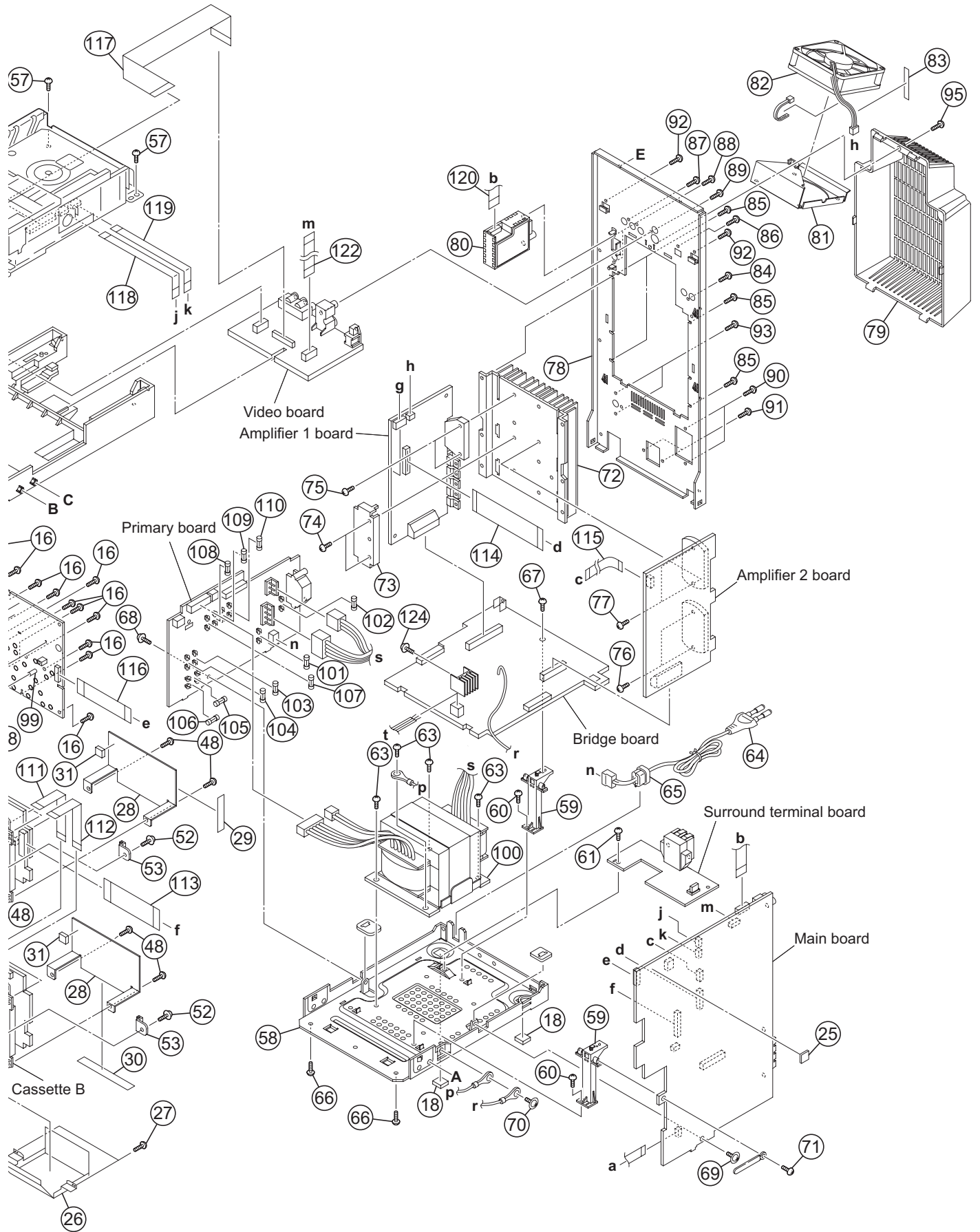
Exploded view of general assembly and parts list (Block No.M1) (DX-T99)	3- 2
Exploded view of general assembly and parts list (Block No.M2) (DX-T77)	3- 6
Exploded view of general assembly and parts list (Block No.M3) (DX-T66)	3-10
DVD mechanism assembly and parts list (Block No.MJ) (Common)	3-14
DVD changer mechanism assembly and parts list (Block No.MK) (FMU-SB4-1M) (DX-T99,DX-T77)	3-16
DVD changer mechanism assembly and parts list (Block No.MS) (FMU-SB4-11M) (DX-T66)	3-18
Cassette mechanism assembly and parts list (Block No.MP) (SLC-S401M) (Cassette A) (Common)	3-20
Cassette mechanism assembly and parts list (Block No.MQ) (SLC-S304M) (Cassette B) (Common)	3-22
Electrical parts list (Block No.01~15)	3-24
Packing materials and accessories parts list (Block No.M4) (DX-T99)	3-52
Packing materials and accessories parts list (Block No.M5) (DX-T77)	3-54
Packing materials and accessories parts list (Block No.M6) (DX-T66)	3-56

Exploded view of general assembly and parts list

(DX-T99)

Block No. **M 1 M M**





General Assembly (DX-T99)

Block No. [M][1][M][M]

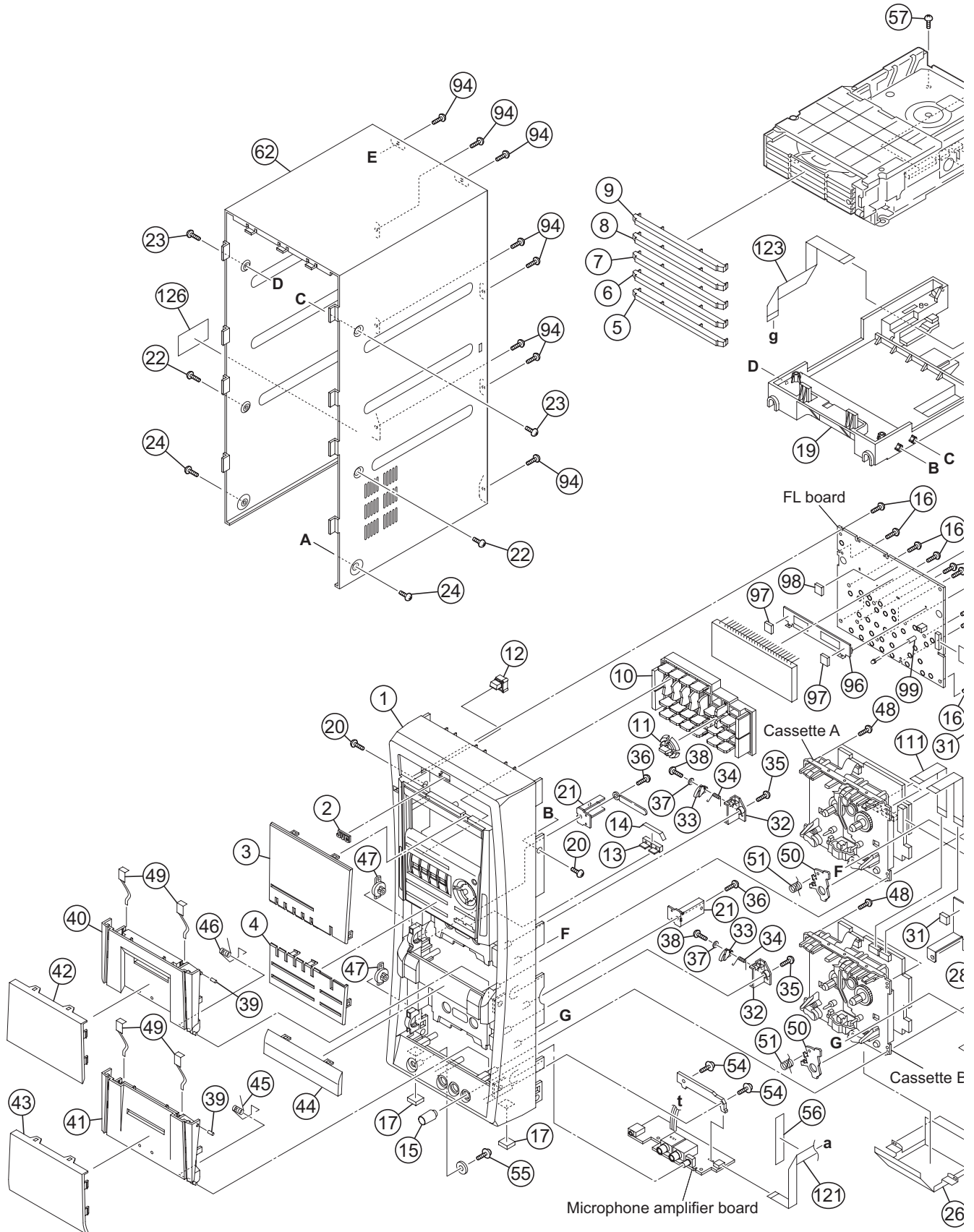
△	Symbol No.	Part No.	Part Name	Description	Local
	1	GV10276-018A	FRONT PANEL ASY		
	2	GV40077-002A	JVC BADGE		
	3	GV30697-016A	FL LENS		
	4	GV30698-004A	BUTTON LENS		
	5	GV30699-006A	TRAY FITTING 1		
	6	GV30700-006A	TRAY FITTING 2		
	7	GV30701-006A	TRAY FITTING 3		
	8	GV30702-006A	TRAY FITTING 4		
	9	GV30703-006A	TRAY FITTING 5		
	10	GV10273-001A	CENTER BUTTON		
	11	GV40586-003A	V.ILLUMINATION		
	12	GV40587-001A	POWER INDICATOR		
	13	GV40588-001A	RHYTM.INDICATOR		
	14	GV40628-001A	SPACER		
	15	GV40608-002A	MIC.VOL KNOB		
	16	QYSDSF2608ZA	TAP SCREW	M2.6 x 8mm(x11)	
	17	GV40313-001A	FELT SPACER	(x2)	
	18	GV40313-002A	FELT SPACER	(x2)	
	19	GV10355-001A	MECHA CHASSIS		
	20	QYSSSF3010ZA	TAP SCREW	M3 x 10mm(x2)	
	21	GV40584-001A	METAL COVER BKT	(x2)	
	22	QYSDSG3008NA	TAP SCREW	M3 x 8mm(x2)	
	23	QYSDSG3008NA	TAP SCREW	M3 x 8mm(x2)	
	24	QYSDSG3008NA	TAP SCREW	M3 x 8mm(x2)	
	25	GV30349-065A	SPACER		
	26	GV30071-001A	HEAD SHIELD		
	27	QYSDSF2608ZA	TAP SCREW	M2.6 x 8mm(x2)	
	28	GV30124-001A	TRANS SHIELD	(x2)	
	29	GV30349-046A	SPACER		
	30	GV30349-064A	SPACER		
	31	GV30349-049A	SPACER	(x2)	
	32	GV40589-002A	SWING CAM BKT	(x2)	
	33	GV40501-002A	SWING CAM	(x2)	
	34	GV40502-002A	SPRING	(x2)	
	35	QYSBSF3008ZA	TAP SCREW	M3 x 8mm(x2)	
	36	QYSBSF3010ZA	TAP SCREW	M3 x 10mm(x2)	
	37	GV40503-001A	WASHER	(x2)	
	38	GV40504-002A	SCREW	(x2)	
	39	GV40515-001A	METAL PIN	(x2)	
	40	GV10262-002A	CASS.HOLDER(A)		
	41	GV10261-003A	CASS.HOLDER(B)		
	42	GV20344-001A	CASS.LENS (A)		
	43	GV20343-001A	CASS.LENS (B)		
	44	GV30705-001A	LENS ORNAMENT		
	45	GV40596-001A	DOOR SPRING(B)		
	46	GV40619-001A	DOOR SPRING(A)		
	47	GV40034-001A	DAMPER ASSY.	(x2)	
	48	QYSBSF3010ZA	TAP SCREW	M3 x 10mm(x8)	
	49	VKY4180-401	CASSETTE SPRING	(x4)	
	50	VKL7850-002	EJECT SAFETY(R)	(x2)	
	51	VKW5258-003	TORSION SPRING	(x2)	
	52	QYSBSF3008ZA	TAP SCREW	M3 x 8mm(x2)	
	53	GV40618-001A	SLC BRACKET	(x2)	
	54	QYSBSF3008ZA	TAP SCREW	M3 x 8mm(x2)	
	55	QYSDSF2608ZA	TAP SCREW	M2.6 x 8mm	
	56	GV30349-050A	SPACER		
	57	QYSBSF3008ZA	TAP SCREW	M3 x 8mm(x2)	
	58	GV10253-004A	BOTTOM CHASSIS		
	59	GV30706-001A	SUPPORT BKT.	(x2)	
	60	QYSBSG3006ZA	TAP SCREW	M3 x 6mm(x2)	
	61	QYSBSG3006ZA	TAP SCREW	M3 x 6mm	
	62	GV10254-005A/S/	METAL COVER		
	63	QYSDSTL4008EA	TAP SCREW	M4 x 8mm(x4)	
△	64	QMPG150-244-JC	POWER CORD(AST)	2.44m BLACK	T99A
△	64	QMPK200-200-JD	POWER CORD(EU)	2m BLACK	T99EE,T99US,T99UW,T99UG,T99UN
△	64	QMPN240-200-JD	POWER CORD(EU)	2m BLACK	T99UX
△	65	QZW0033-001	STRAIN RELIEF		
	66	QYSST3008ZA	TAP SCREW	M3 x 8mm(x2)	
	67	QYSBSF3008ZA	TAP SCREW	M3 x 8mm	
	68	QYSBSG3008ZA	TAP SCREW	M3 x 8mm	
	69	QYSBSG3008ZA	TAP SCREW	M3 x 8mm	
	70	QYSBSGG3008EA	TAP SCREW	M3 x 8mm	
	71	QYSBSF3008ZA	TAP SCREW	M3 x 8mm	
	72	GV30694-004A	HEAT SINK		

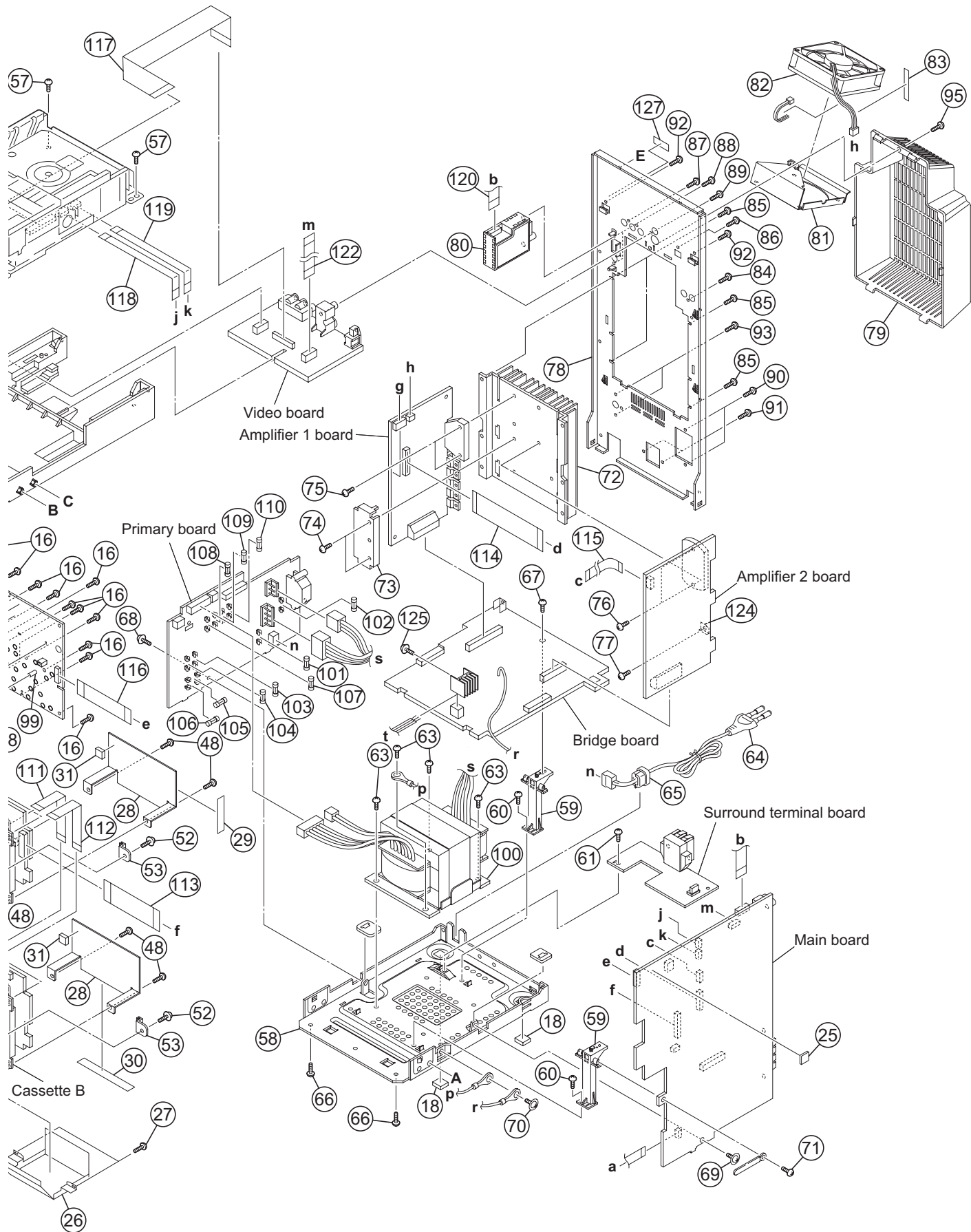
△	Symbol No.	Part No.	Part Name	Description	Local
	73	GV40488-001A	LEAF SPRING		
	74	QYSBSG3016EA	TAP SCREW	M3 x 16mm(x2)	
	75	QYSBSG3016EA	TAP SCREW	M3 x 16mm(x2)	
	76	QYSBSG3016EA	TAP SCREW	M3 x 16mm(x2)	
	77	QYSBSG3016EA	TAP SCREW	M3 x 16mm(x2)	
	78	GV10255-057A	REAR PANEL		T99A
	78	GV10255-054A	REAR PANEL		T99EE
	78	GV10255-055A	REAR PANEL		T99US,T99UN
	78	GV10255-053A	REAR PANEL		T99UW
	78	GV10255-056A	REAR PANEL		T99UX,T99UG
	79	GV10263-002A	REAR COVER		
	80	QAU0412-001	TUNER		
	81	GV30686-002A	FAN BKT.		
	82	QAR0405-001	FAN		
	83	GV30349-026A	SPACER		
	84	QYSBSGY3008EA	TAP SCREW	M3 x 8mm	
	85	QYSBSGY3008EA	TAP SCREW	M3 x 8mm(x4)	
	86	QYSBSGY3008EA	TAP SCREW	M3 x 8mm	
	87	QYSBSGY3008EA	TAP SCREW	M3 x 8mm	
	88	QYSBSGY3008EA	TAP SCREW	M3 x 8mm(x2)	
	89	QYSBSGY3008EA	TAP SCREW	M3 x 8mm	
	90	QYSBSGY3008EA	TAP SCREW	M3 x 8mm(x2)	
	91	QYSBSGY3008EA	TAP SCREW	M3 x 8mm(x2)	
	92	QYSBSGY3008EA	TAP SCREW	M3 x 8mm(x2)	
	93	QYSBSF3012EA	TAP SCREW	M3 x 12mm(x2)	
	94	QYSBSGY3008EA	TAP SCREW	M3 x 8mm(x8)	
	95	QYSBSGY3008EA	TAP SCREW	M3 x 8mm	
	96	GV30687-002A	FL HOLDER		
	97	GV30349-021A	SPACER	(x2)	
	98	GV30349-049A	SPACER		
	99	GV40531-002A	LED HOLDER		
△	100	QQT0477-003	POWER TRANSF	T1001	
△	101	QMFZ051-8R0-J8	FUSE	F1001 8A	
△	102	QMF51W2-6R3-J8	FUSE	F1002 6.3A AC250V	
△	103	QMF51W2-6R3-J8	FUSE	F1003 6.3A AC250V	
△	104	QMF51W2-6R3-J8	FUSE	F1004 6.3A AC250V	
△	105	QMF51W2-1R25-J8	FUSE	F1005 1.25A AC250V	
△	106	QMF51W2-3R15-J8	FUSE	F1006 3.15A AC250V	
△	107	QMF51W2-5R0-J8	FUSE	F1007 5A AC250V	
△	108	QMF51W2-5R0-J8	FUSE	F1008 5A AC250V	
△	109	QMF51W2-5R0-J8	FUSE	F1009 5A AC250V	
△	110	QMF51W2-5R0-J8	FUSE	F1010 5A AC250V	
	111	QUQU12-0910BJ-E	FFC WIRE	9pin 10cm	
	112	QUQU12-1010BJ-E	FFC WIRE	10pin 10cm	
	113	QUQU12-2512AJ-E	FFC WIRE	25pin 12cm	
	114	QUQU12-1916AJ-E	FFC WIRE	19pin 16cm	
	115	QUQU12-0808AJ-E	FFC WIRE	8pin 8cm	
	116	QUR110-1910AJ-E	FFC WIRE	19pin 10cm	
	117	QUR110-2823AJ-E	FFC WIRE	28pin 23cm	
	118	QUR110-1016AJ-E	FFC WIRE	10pin 16cm	
	119	QUR110-0814AJ-E	FFC WIRE	8pin 14cm	
	120	QUQU12-1118AJ-E	FFC WIRE	11pin 18cm	
	121	QUQU12-0516BJ-E	FFC WIRE	5pin 16cm	
	122	QUQU12-0813AJ-E	FFC WIRE	8pin 13cm	
	123	QUQU12-1118AJ-E	FFC WIRE	11pin 18cm	
	124	QYSBSG3010ZA	TAP SCREW	M3 x 10mm	
	125	GV40642-001A	CAUTION LABEL		T99UW

Exploded view of general assembly and parts list

(DX-T77)

Block No. M 2 M M





General Assembly (DX-T77)

Block No. [M][2][M][M]

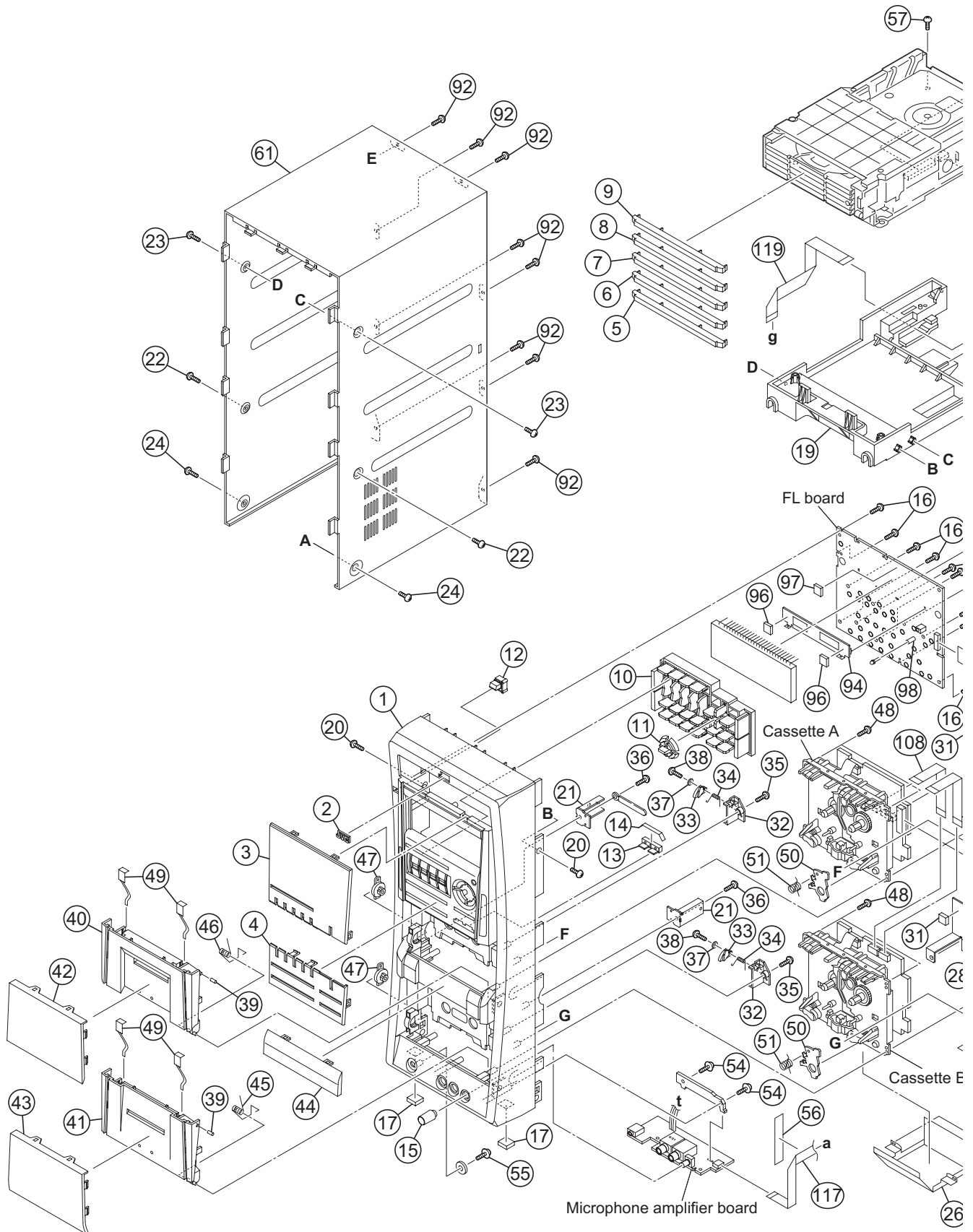
△	Symbol No.	Part No.	Part Name	Description	Local
	1	GV10276-018A	FRONT PANEL ASY		
	2	GV40077-002A	JVC BADGE		
	3	GV30697-015A	FL LENS		
	4	GV30698-004A	BUTTON LENS		
	5	GV30699-005A	TRAY FITTING 1		
	6	GV30700-005A	TRAY FITTING 2		
	7	GV30701-005A	TRAY FITTING 3		
	8	GV30702-005A	TRAY FITTING 4		
	9	GV30703-005A	TRAY FITTING 5		
	10	GV10273-001A	CENTER BUTTON		
	11	GV40586-003A	V.ILLUMINATION		
	12	GV40587-001A	POWER INDICATOR		
	13	GV40588-001A	RHYTM.INDICATOR		
	14	GV40628-001A	SPACER		
	15	GV40608-002A	MIC.VOL KNOB		
	16	QYSDSF2608ZA	TAP SCREW	M2.6 x 8mm(x11)	
	17	GV40313-001A	FELT SPACER	(x2)	
	18	GV40313-002A	FELT SPACER	(x2)	
	19	GV10355-001A	MECHA CHASSIS		
	20	QYSSSF3010ZA	TAP SCREW	M3 x 10mm(x2)	
	21	GV40584-001A	METAL COVER BKT	(x2)	
	22	QYSDSG3008NA	TAP SCREW	M3 x 8mm(x2)	
	23	QYSDSG3008NA	TAP SCREW	M3 x 8mm(x2)	
	24	QYSDSG3008NA	TAP SCREW	M3 x 8mm(x2)	
	25	GV30349-065A	SPACER		
	26	GV30071-001A	HEAD SHIELD		
	27	QYSDSF2608ZA	TAP SCREW	M2.6 x 8mm(x2)	
	28	GV30124-001A	TRANS SHIELD	(x2)	
	29	GV30349-046A	SPACER		
	30	GV30349-064A	SPACER		
	31	GV30349-049A	SPACER	(x2)	
	32	GV40589-002A	SWING CAM BKT	(x2)	
	33	GV40501-002A	SWING CAM	(x2)	
	34	GV40502-002A	SPRING	(x2)	
	35	QYSBSF3008ZA	TAP SCREW	M3 x 8mm(x2)	
	36	QYSBSF3010ZA	TAP SCREW	M3 x 10mm(x2)	
	37	GV40503-001A	WASHER	(x2)	
	38	GV40504-002A	SCREW	(x2)	
	39	GV40515-001A	METAL PIN	(x2)	
	40	GV10262-002A	CASS.HOLDER(A)		
	41	GV10261-003A	CASS.HOLDER(B)		
	42	GV20344-001A	CASS.LENS (A)		
	43	GV20343-001A	CASS.LENS (B)		
	44	GV30705-001A	LENS ORNAMENT		
	45	GV40596-001A	DOOR SPRING(B)		
	46	GV40619-001A	DOOR SPRING(A)		
	47	GV40034-001A	DAMPER ASSY.	(x2)	
	48	QYSBSF3010ZA	TAP SCREW	M3 x 10mm(x8)	
	49	VKY4180-401	CASSETTE SPRING	(x4)	
	50	VKL7850-002	EJECT SAFETY(R)	(x2)	
	51	VKW5258-003	TORSION SPRING	(x2)	
	52	QYSBSF3008ZA	TAP SCREW	M3 x 8mm(x2)	
	53	GV40618-001A	SLC BRACKET	(x2)	
	54	QYSBSF3008ZA	TAP SCREW	M3 x 8mm(x2)	
	55	QYSDSF2608ZA	TAP SCREW	M2.6 x 8mm	
	56	GV30349-050A	SPACER		
	57	QYSBSF3008ZA	TAP SCREW	M3 x 8mm(x2)	
	58	GV10253-004A	BOTTOM CHASSIS		
	59	GV30706-001A	SUPPORT BKT.	(x2)	
	60	QYSBSG3006ZA	TAP SCREW	M3 x 6mm(x2)	
	61	QYSBSG3006ZA	TAP SCREW	M3 x 6mm	
	62	GV10254-005A/S/	METAL COVER		
	63	QYSDSTL4008EA	TAP SCREW	M4 x 8mm(x4)	
△	64	QMPK200-200-JD	POWER CORD(EU)	2m BLACK	T77EE,T77US,T77UW,T77UX,T77UG,T77UN
△	64	QMPR300-200-JC	POWER CORD(EU)	2m BLACK	T77UY
△	65	QZW0033-001	STRAIN RELIEF		
	66	QYSSST3008ZA	TAP SCREW	M3 x 8mm(x2)	
	67	QYSBSF3008ZA	TAP SCREW	M3 x 8mm	
	68	QYSBSG3008ZA	TAP SCREW	M3 x 8mm	
	69	QYSBSG3008ZA	TAP SCREW	M3 x 8mm	
	70	QYSBSGG3008EA	TAP SCREW	M3 x 8mm	
	71	QYSBSF3008ZA	TAP SCREW	M3 x 8mm	
	72	GV30694-002A	HEAT SINK		
	73	GV40488-001A	LEAF SPRING		

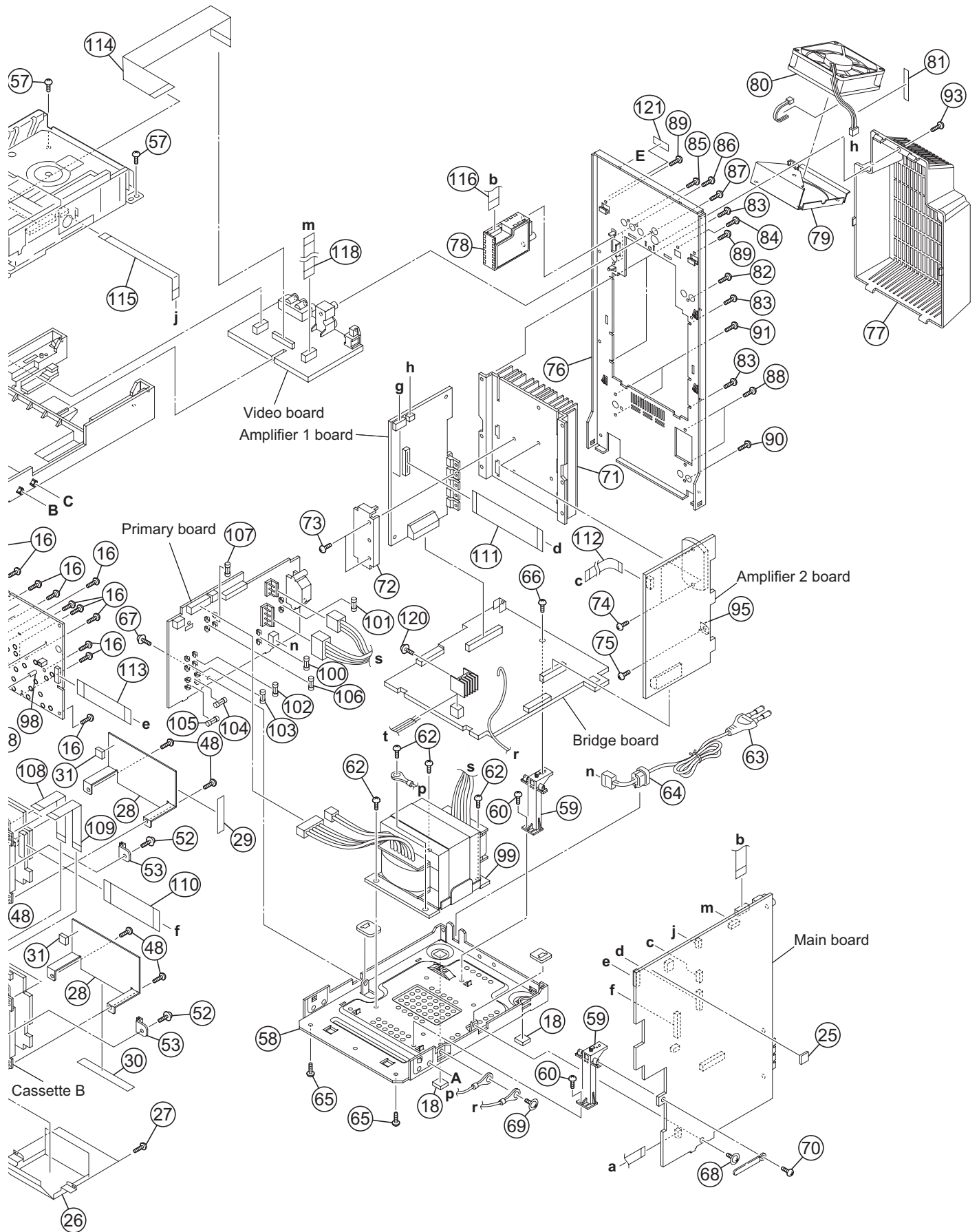
△	Symbol No.	Part No.	Part Name	Description	Local
	74	QYSBSG3016EA	TAP SCREW	M3 x 16mm(x2)	
	75	QYSBSG3016EA	TAP SCREW	M3 x 16mm(x2)	
	76	QYSBSG3016EA	TAP SCREW	M3 x 16mm(x2)	
	77	QYSBSG3016EA	TAP SCREW	M3 x 16mm	
	78	GV10255-050A	REAR PANEL		T77EE
	78	GV10255-051A	REAR PANEL		T77US,T77UN
	78	GV10255-048A	REAR PANEL		T77UW
	78	GV10255-052A	REAR PANEL		T77UX,T77UG
	78	GV10255-049A	REAR PANEL		T77UY
	79	GV10263-002A	REAR COVER		
	80	QAU0412-001	TUNER		
	81	GV30686-002A	FAN BKT.		
	82	QAR0405-001	FAN		
	83	GV30349-026A	SPACER		
	84	QYSBSGY3008EA	TAP SCREW	M3 x 8mm	
	85	QYSBSGY3008EA	TAP SCREW	M3 x 8mm(x4)	
	86	QYSBSGY3008EA	TAP SCREW	M3 x 8mm	
	87	QYSBSGY3008EA	TAP SCREW	M3 x 8mm	
	88	QYSBSGY3008EA	TAP SCREW	M3 x 8mm(x2)	
	89	QYSBSGY3008EA	TAP SCREW	M3 x 8mm	
	90	QYSBSGY3008EA	TAP SCREW	M3 x 8mm(x2)	
	91	QYSBSGY3008EA	TAP SCREW	M3 x 8mm(x2)	
	92	QYSBSGY3008EA	TAP SCREW	M3 x 8mm(x2)	
	93	QYSBSF3012EA	TAP SCREW	M3 x 12mm(x2)	
	94	QYSBSGY3008EA	TAP SCREW	M3 x 8mm(x8)	
	95	QYSBSGY3008EA	TAP SCREW	M3 x 8mm	
	96	GV30687-002A	FL HOLDER		
	97	GV30349-021A	SPACER	(x2)	
	98	GV30349-049A	SPACER		
	99	GV40531-002A	LED HOLDER		
△	100	QQT0476-001	POWER TRANSF	T1001	
△	101	QMF51W2-6R3-J8	FUSE	F1001 6.3A AC250V	
△	102	QMF51W2-5R0-J8	FUSE	F1002 5A AC250V	
△	103	QMF51W2-6R3-J8	FUSE	F1003 6.3A AC250V	
△	104	QMF51W2-6R3-J8	FUSE	F1004 6.3A AC250V	
△	105	QMF51W2-1R25-J8	FUSE	F1005 1.25A AC250V	
△	106	QMF51W2-3R15-J8	FUSE	F1006 3.15A AC250V	
△	107	QMF51W2-4R0-J8	FUSE	F1007 4A AC250V	
△	108	QMF51W2-4R0-J8	FUSE	F1008 4A AC250V	
△	109	QMF51W2-4R0-J8	FUSE	F1009 4A AC250V	
△	110	QMF51W2-4R0-J8	FUSE	F1010 4A AC250V	
	111	QUQU12-0910BJ-E	FFC WIRE	9pin 10cm	
	112	QUQU12-1010BJ-E	FFC WIRE	10pin 10cm	
	113	QUQU12-2512AJ-E	FFC WIRE	25pin 12cm	
	114	QUQU12-1916AJ-E	FFC WIRE	19pin 16cm	
	115	QUQU12-0808AJ-E	FFC WIRE	8pin 8cm	
	116	QUR110-1910AJ-E	FFC WIRE	19pin 10cm	
	117	QUR110-2823AJ-E	FFC WIRE	28pin 23cm	
	118	QUR110-1016AJ-E	FFC WIRE	10pin 16cm	
	119	QUR110-0814AJ-E	FFC WIRE	8pin 14cm	
	120	QUQU12-1118AJ-E	FFC WIRE	11pin 18cm	
	121	QUQU12-0516BJ-E	FFC WIRE	5pin 16cm	
	122	QUQU12-0813AJ-E	FFC WIRE	8pin 13cm	
	123	QUQU12-1118AJ-E	FFC WIRE	11pin 18cm	
	124	GV40327-002A	IC BRD.HOLDER	EP651	
	125	QYSBSG3010ZA	TAP SCREW	M3 x 10mm	
	126	GV40642-001A	CAUTION LABEL		T77UW
	127	LV42938-001A	LABEL		T77UY

Exploded view of general assembly and parts list

(DX-T66)

Block No. M 3 M M





General Assembly (DX-T66)

Block No. [M][3][M][M]

△	Symbol No.	Part No.	Part Name	Description	Local
	1	GV10276-018A	FRONT PANEL ASY		
	2	GV40077-002A	JVC BADGE		
	3	GV30697-014A	FL LENS		
	4	GV30698-003A	BUTTON LENS		
	5	GV30699-005A	TRAY FITTING 1		
	6	GV30700-005A	TRAY FITTING 2		
	7	GV30701-005A	TRAY FITTING 3		
	8	GV30702-005A	TRAY FITTING 4		
	9	GV30703-005A	TRAY FITTING 5		
	10	GV10273-002A	CENTER BUTTON		
	11	GV40586-004A	V.ILLUMINATION		
	12	GV40587-001A	POWER INDICATOR		
	13	GV40588-001A	RHYTM.INDICATOR		
	14	GV40628-001A	SPACER		
	15	GV40608-002A	MIC.VOL KNOB		
	16	QYSDSF2608ZA	TAP SCREW	M2.6 x 8mm(x11)	
	17	GV40313-001A	FELT SPACER	(x2)	
	18	GV40313-002A	FELT SPACER	(x2)	
	19	GV10355-001A	MECHA CHASSIS		
	20	QYSSSF3010ZA	TAP SCREW	M3 x 10mm(x2)	
	21	GV40584-001A	METAL COVER BKT	(x2)	
	22	QYSDSG3008NA	TAP SCREW	M3 x 8mm(x2)	
	23	QYSDSG3008NA	TAP SCREW	M3 x 8mm(x2)	
	24	QYSDSG3008NA	TAP SCREW	M3 x 8mm(x2)	
	25	GV30349-065A	SPACER		
	26	GV30071-001A	HEAD SHIELD		
	27	QYSDSF2608ZA	TAP SCREW	M2.6 x 8mm(x2)	
	28	GV30124-001A	TRANS SHIELD	(x2)	
	29	GV30349-046A	SPACER		
	30	GV30349-064A	SPACER		
	31	GV30349-049A	SPACER	(x2)	
	32	GV40589-002A	SWING CAM BKT	(x2)	
	33	GV40501-002A	SWING CAM	(x2)	
	34	GV40502-002A	SPRING	(x2)	
	35	QYSBSF3008ZA	TAP SCREW	M3 x 8mm(x2)	
	36	QYSBSF3010ZA	TAP SCREW	M3 x 10mm(x2)	
	37	GV40503-001A	WASHER	(x2)	
	38	GV40504-002A	SCREW	(x2)	
	39	GV40515-001A	METAL PIN	(x2)	
	40	GV10262-002A	CASS.HOLDER(A)		
	41	GV10261-003A	CASS.HOLDER(B)		
	42	GV20344-001A	CASS.LENS (A)		
	43	GV20343-001A	CASS.LENS (B)		
	44	GV30705-003A	LENS ORNAMENT		
	45	GV40596-001A	DOOR SPRING(B)		
	46	GV40619-001A	DOOR SPRING(A)		
	47	GV40034-001A	DAMPER ASSY.	(x2)	
	48	QYSBSF3010ZA	TAP SCREW	M3 x 10mm(x8)	
	49	VKY4180-401	CASSETTE SPRING	(x4)	
	50	VKL7850-002	EJECT SAFTY(R)	(x2)	
	51	VKW5258-003	TORSION SPRING	(x2)	
	52	QYSBSF3008ZA	TAP SCREW	M3 x 8mm(x2)	
	53	GV40618-001A	SLC BRACKET	(x2)	
	54	QYSBSF3008ZA	TAP SCREW	M3 x 8mm(x2)	
	55	QYSDSF2608ZA	TAP SCREW	M2.6 x 8mm	
	56	GV30349-050A	SPACER		
	57	QYSBSF3008ZA	TAP SCREW	M3 x 8mm(x2)	
	58	GV10253-004A	BOTTOM CHASSIS		
	59	GV30706-001A	SUPPORT BKT.	(x2)	
	60	QYSBSG3006ZA	TAP SCREW	M3 x 6mm(x2)	
	61	GV10254-005A/S/	METAL COVER		
	62	QYSDSTL4008EA	TAP SCREW	M4 x 8mm(x4)	
	63	QMPK200-200-JD	POWER CORD(EU)	2m BLACK	T66EE,T66US,T66UW,T66UX,T66UG,T66UN
	63	QMPR300-200-JC	POWER CORD(EU)	2m BLACK	T66UY
	64	QZW0033-001	STRAIN RELIEF		
	65	QYSSST3008ZA	TAP SCREW	M3 x 8mm(x2)	
	66	QYSBSF3008ZA	TAP SCREW	M3 x 8mm	
	67	QYSBSG3008ZA	TAP SCREW	M3 x 8mm	
	68	QYSBSG3008ZA	TAP SCREW	M3 x 8mm	
	69	QYSBSGG3008EA	TAP SCREW	M3 x 8mm	
	70	QYSBSF3008ZA	TAP SCREW	M3 x 8mm	
	71	GV30694-001A	HEAT SINK		
	72	GV40488-001A	LEAF SPRING		
	73	QYSBSG3016EA	TAP SCREW	M3 x 16mm(x2)	

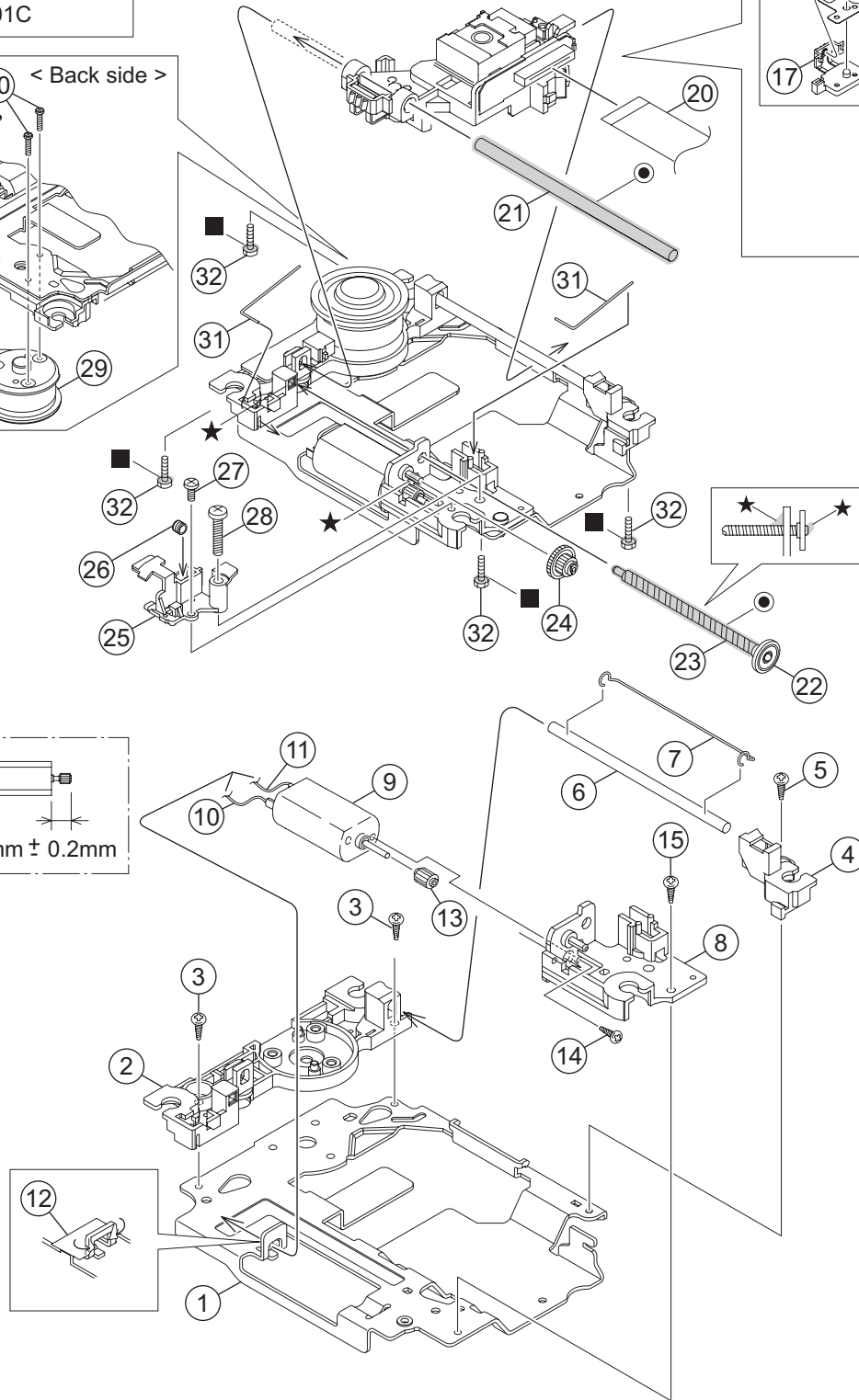
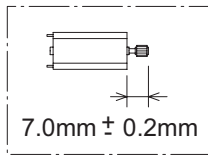
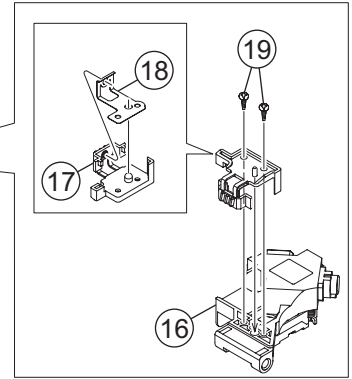
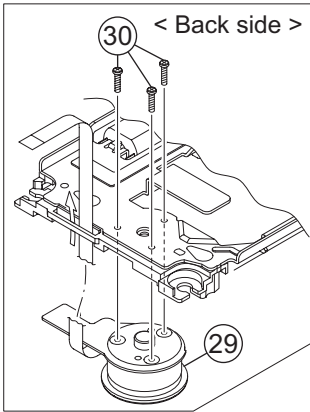
△	Symbol No.	Part No.	Part Name	Description	Local
	74	QYSBSG3016EA	TAP SCREW	M3 x 16mm(x2)	
	75	QYSBSG3016EA	TAP SCREW	M3 x 16mm	
	76	GV10255-045A	REAR PANEL		T66EE
	76	GV10255-046A	REAR PANEL		T66US,T66UN
	76	GV10255-043A	REAR PANEL		T66UW
	76	GV10255-047A	REAR PANEL		T66UX,T66UG
	76	GV10255-044A	REAR PANEL		T66UY
	77	GV10263-002A	REAR COVER		
	78	QAU0412-001	TUNER		
	79	GV30686-002A	FAN BKT.		
	80	QAR0405-001	FAN		
	81	GV30349-026A	SPACER		
	82	QYSBSGY3008EA	TAP SCREW	M3 x 8mm	
	83	QYSBSGY3008EA	TAP SCREW	M3 x 8mm(x4)	
	84	QYSBSGY3008EA	TAP SCREW	M3 x 8mm	
	85	QYSBSGY3008EA	TAP SCREW	M3 x 8mm	
	86	QYSBSGY3008EA	TAP SCREW	M3 x 8mm(x2)	
	87	QYSBSGY3008EA	TAP SCREW	M3 x 8mm	
	88	QYSBSGY3008EA	TAP SCREW	M3 x 8mm(x2)	
	89	QYSBSGY3008EA	TAP SCREW	M3 x 8mm(x2)	
	90	QYSBSGY3008EA	TAP SCREW	M3 x 8mm	
	91	QYSBSF3012EA	TAP SCREW	M3 x 12mm(x2)	
	92	QYSBSGY3008EA	TAP SCREW	M3 x 8mm(x8)	
	93	QYSBSGY3008EA	TAP SCREW	M3 x 8mm	
	94	GV30687-002A	FL HOLDER		
	95	GV40327-002A	IC BRD.HOLDER	EP651	
	96	GV30349-021A	SPACER	(x2)	
	97	GV30349-049A	SPACER		
	98	GV40531-002A	LED HOLDER		
△	99	QQT0516-001	POWER TRANSF	T1001	
△	100	QMF51W2-6R3-J8	FUSE	F1001 6.3A AC250V	
△	101	QMF51W2-3R15-J8	FUSE	F1002 3.15A AC250V	
△	102	QMF51W2-6R3-J8	FUSE	F1003 6.3A AC250V	
△	103	QMF51W2-6R3-J8	FUSE	F1004 6.3A AC250V	
△	104	QMF51W2-1R6-J8	FUSE	F1005 1.6A AC250V	
△	105	QMF51W2-3R15-J8	FUSE	F1006 3.15A AC250V	
△	106	QMFZ051-8R0-J8	FUSE	F1007 8A	
△	107	QMFZ051-8R0-J8	FUSE	F1008 8A	
	108	QUQU12-0910BJ-E	FFC WIRE	9pin 10cm	
	109	QUQU12-1010BJ-E	FFC WIRE	10pin 10cm	
	110	QUQU12-2512AJ-E	FFC WIRE	25pin 12cm	
	111	QUQU12-1316AJ-E	FFC WIRE	13pin 16cm	
	112	QUQU12-0808AJ-E	FFC WIRE	8pin 8cm	
	113	QUR110-1910AJ-E	FFC WIRE	19pin 10cm	
	114	QUR110-2823AJ-E	FFC WIRE	28pin 23cm	
	115	QUR110-1016AJ-E	FFC WIRE	10pin 16cm	
	116	QUQU12-1118AJ-E	FFC WIRE	11pin 18cm	
	117	QUQU12-0516BJ-E	FFC WIRE	5pin 16cm	
	118	QUQU12-0813AJ-E	FFC WIRE	8pin 13cm	
	119	QUQU12-1118AJ-E	FFC WIRE	11pin 18cm	
	120	QYSBSG3010ZA	TAP SCREW	M3 x 10mm	
	121	LV42938-001A	LABEL		T66UY

DVD mechanism assembly and parts list (Common)

Block No. M J M M

Grease
 ★ =JVG-31N
 ● =JVS-1003
 ■ =1401C

FXL-D20-11M



The parts without symbol number are not service.

DVD mechanism (Common)

Block No. [M][J][M][M]

△	Symbol No.	Part No.	Part Name	Description	Local
	1	LV22234-001A	TM.CHASSIS		
	2	LV22294-001A	C.SPINDLE BASE		
	3	QYSDST2005ZA	TAP SCREW	M2 x 5mm(x2)	
	4	LV36791-001A	C.G.S.HOLDER		
	5	QYSDST2005ZA	TAP SCREW	M2 x 5mm	
	6	LV44041-002A	GUIDE SHAFT		
	7	LV44479-001A	BAR SPRING		
	8	LV22236-001A	FEED HOLDER		
	9	QAR0165-001	FEED MOTOR		
	10	QUB549-05A1A1-E	SIN TWIST WIRE		
	11	QUB544-05A1A1-E	SIN TWIST WIRE		
	12	LV30225-0X5A	SPACER		
	13	LV36557-001A	F.M.GEAR		
	14	QYSPSPT2030MA	SCREW	M2 x 3mm	
	15	QYSDST2005ZA	TAP SCREW	M2 x 5mm	
	16	QAL0786-004	P.UP		
	17	LV22237-001A	RACK ARM		
	18	LV36560-001A	RACK ARM SPRING		
	19	QYSPSFU1740ZA	TAP SCREW	M1.7 x 4mm(x2)	
	20	QUQK05-2415AC-E	FFC WIRE	24pin 15cm	
	21	LV44041-002A	GUIDE SHAFT		
	22	LV36559-001A	L.S.GEAR		
	23	LV41517-003A	LEAD SCREW		
	24	LV36558-001A	MIDDLE GEAR		
	25	LV36556-001A	SPRING HOLDER		
	26	LV44623-001A	COMP.SPRING		
	27	QYSDST2005ZA	TAP SCREW	M2 x 5mm	
	28	QYSDST2616MA	TAP SCREW	M2.6 x 16mm	
	29	QAR0334-002	S.MOTOR		
	30	QYSPSPU1775ZA	SCREW	M1.7 x 7.5mm(x3)	
	31	LV44042-001A	ROD SPRING	(x2)	
	32	LE40858-002A	SPECIAL SCREW	(x4)	

DVD changer mechanism assembly and parts list (DX-T99,DX-T77)

FMU-SB4-1M

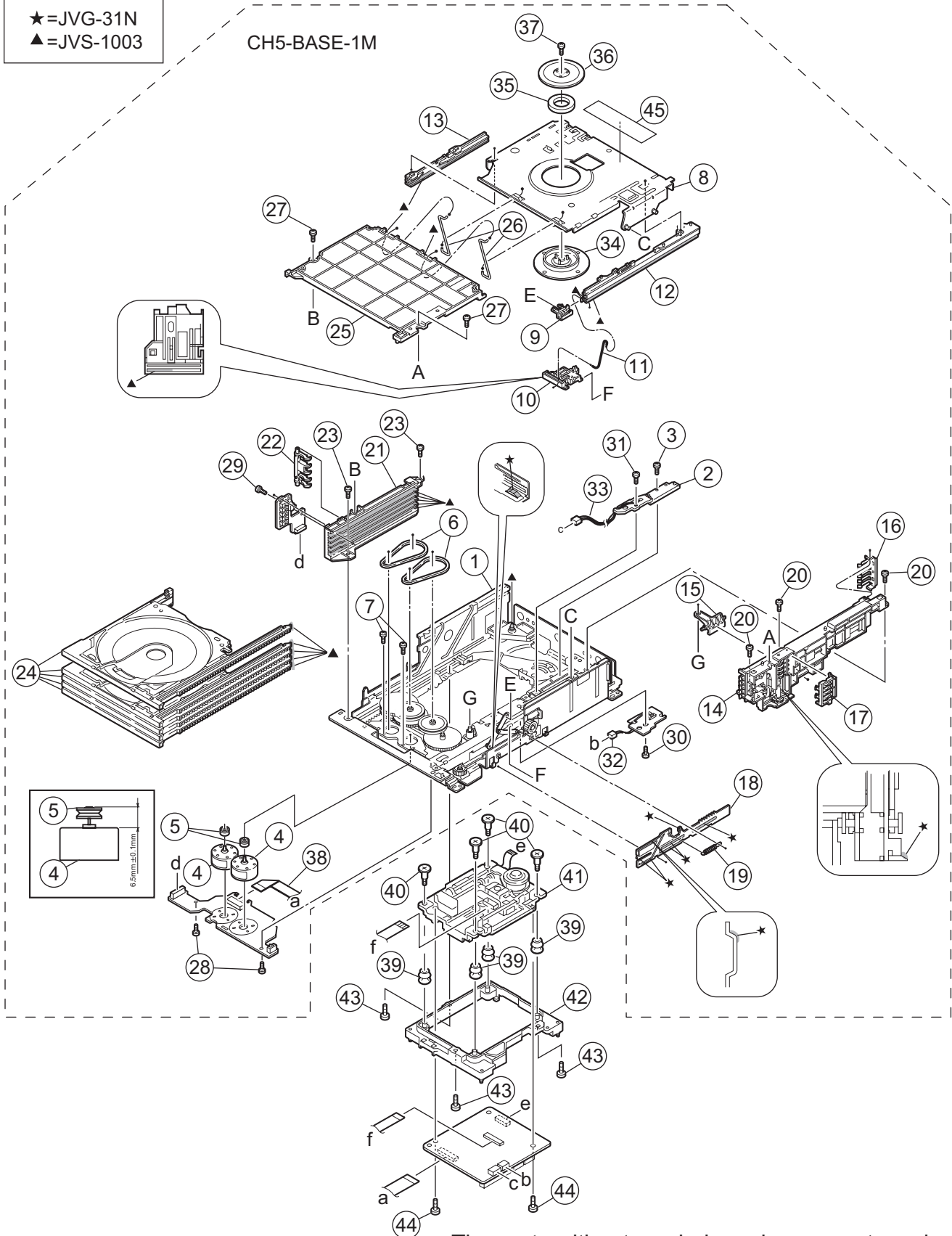
Block No. M K M M

Grease

★=JVG-31N

▲=JVS-1003

CH5-BASE-1M



The parts without symbol number are not service.

DVD changer mechanism(FMU-SB4-1M) (DX-T99,DX-T77)

Block No. [M][K][M][M]

△	Symbol No.	Part No.	Part Name	Description	Local
	1	LV10913-001A	LOADER ASSY		
	2	QVY0027-B14	S V RESISTOR		
	3	QYSDST2004Z	SCREW	2mm x 4mm	
	4	QAR0164-001	MOTOR	(x2)	
	5	LV42340-001A	MOTOR PULLEY	(x2)	
	6	LV41431-002A	BELT	(x2)	
	7	QYSPSPU1725N	SCREW	1.7mm x 2.5mm(x2)	
	8	LV33965-004A	LIFTER ASSY		
	9	LV33963-001A	HOOK		
	10	LV33964-002A	HOOK STOPPER		
	11	LV43285-001A	ROD (L)		
	12	LV21408-002A	RAIL(R)		
	13	LV21409-002A	RAIL(L)		
	14	LV21520-004A	SIDE(R) ASSY		
	15	LV33974-001A	SELECT LEVER		
	16	LV33977-002A	CLICK SPRING		
	17	LV33975-001A	GEAR COVER		
	18	LV33976-001A	ELEVATOR CAM		
	19	LV43287-001A	ELEVATOR SPRING		
	20	QYSDST2605Z	SCREW	2.6mm x 5mm(x3)	
	21	LV10749-002A	SIDE(L)		
	22	LV33980-001A	OPEN DET.LEVER		
	23	QYSDST2605Z	SCREW	2.6mm x 5mm(x2)	
	24	LV10746-003A	TRAY ASSY	(x5)	
	25	LV10750-002A	TOP COVER		
	26	LV43289-002A	ROD	(x2)	
	27	QYSDSF2608Z	SCREW	2.6mm x 8mm(x2)	
	28	QYSDST2605Z	SCREW	2.6mm x 5mm(x2)	
	29	QYSDSF2608Z	SCREW	2.6mm x 8mm	
	30	QYSDST2605Z	SCREW	2.6mm x 5mm	
	31	QYSDST2004Z	SCREW	2mm x 4mm	
	32	WJM0330-002A	E-SI C WIRE C-F		
	33	WJM0331-001A	E-SI C WIRE C-F		
	34	LV32417-001A	CLAMPER		
	35	LV42930-003A	P.C.MAGNET		
	36	LV33992-001A	DVD YOKE		
	37	LV41741-001A	SPECIAL SCREW		
	38	QUQ110-1508BJ	FFC WIRE		
	39	LV44043-001A	INSULATOR	(x4)	
	40	LV44045-001A	SPECIAL SCREW	(x4)	
	41	-----	DVD TRAMECHA		
	42	LV11281-001A	TM CB HOLDER		
	43	QYSDST2605ZA	TAP SCREW	M2.6 x 5mm(x3)	
	44	LV44209-001A	WASHER SCREW	(x2)	
	45	LV44603-001A	LASER CATION		

DVD changer mechanism assembly and parts list (DX-T66)

FMU-SB4-11M

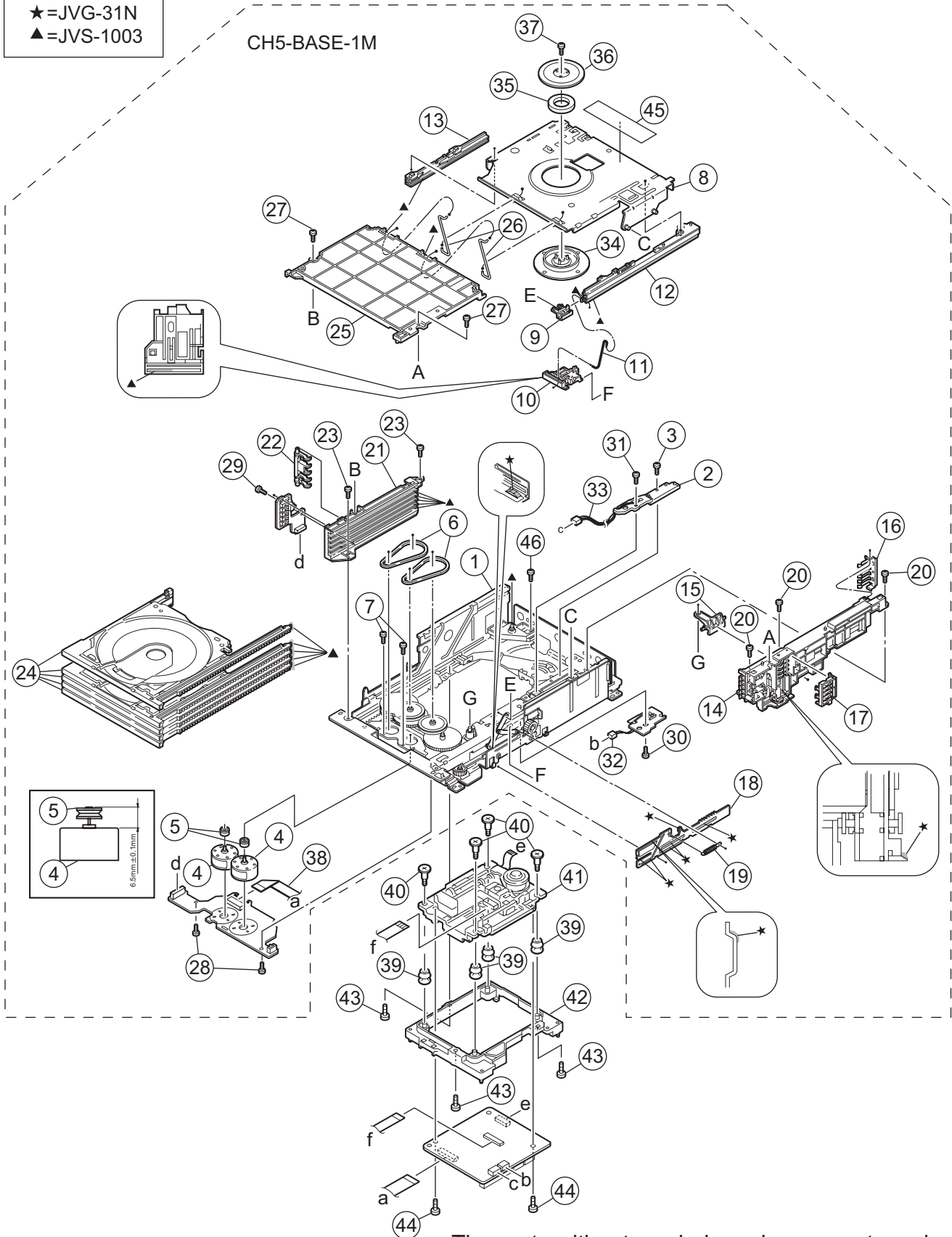
Block No. M S M M

Grease

★=JVG-31N

▲=JVS-1003

CH5-BASE-1M



The parts without symbol number are not service.

DVD changer mechanism(FMU-SB4-11M) (DX-T66)

Block No. [M][S][M][M]

△	Symbol No.	Part No.	Part Name	Description	Local
1		LV10913-008A	LOADER ASSY		
2		QVY0027-B14	S V RESISTOR		
3		QYSDST2004ZA	TAP SCREW	M2 x 4mm	
4		QAR0164-001	MOTOR	(x2)	
5		LV42340-001A	MOTOR PULLEY	(x2)	
6		LV41431-002A	BELT	(x2)	
7		QYSPSPU1725NA	SCREW	M1.7 x 2.5mm(x2)	
8		LV33965-010A	LIFTER ASSY		
9		LV33963-001A	HOOK		
10		LV33964-002A	HOOK STOPPER		
11		LV43285-001A	ROD (L)		
12		LV21408-003A	RAIL (R)		
13		LV21409-002A	RAIL(L)		
14		LV21520-005A	SIDE(R) ASSY		
15		LV33974-002A	SELECT LEVER		
16		LV33977-002A	CLICK SPRING		
17		LV33975-001A	GEAR COVER		
18		LV33976-002A	ELEVATOR CAM		
19		LV43287-001A	ELEVATOR SPRING		
20		QYSDST2605ZA	TAP SCREW	M2.6 x 5mm(x3)	
21		LV10749-003A	SIDE(L)		
22		LV33980-002A	OPEN DET.LEVER		
23		QYSDST2605ZA	TAP SCREW	M2.6 x 5mm(x2)	
24		LV10746-007A	TRAY ASSY	(x5)	
25		LV10750-002A	TOP COVER		
26		LV43289-003A	ROD	(x2)	
27		QYSDSF2608ZA	TAP SCREW	M2.6 x 8mm(x2)	
28		QYSDST2605ZA	TAP SCREW	M2.6 x 5mm(x2)	
29		QYSDSF2608ZA	TAP SCREW	M2.6 x 8mm	
30		QYSDST2605ZA	TAP SCREW	M2.6 x 5mm	
31		QYSDST2004ZA	TAP SCREW	M2 x 4mm	
32		WJM0330-002A-E	E-SI C WIRE C-F		
33		WJM0331-001A-E	E-SI C WIRE C-F		
34		LV32417-001A	CLAMPER		
35		LV42930-003A	P.C.MAGNET		
36		LV33992-001A	DVD YOKE		
37		LE40906-002A	SPECIAL SCREW		
38		QUQW10-1508BJ-E	FFC WIRE	15pin 8cm	
39		LV44043-001A	INSULATOR	(x4)	
40		LV44045-001A	SPECIAL SCREW	(x4)	
41		-----	DVD TRAMECHA		
42		LV11281-001A	TM CB HOLDER		
43		QYSDST2605ZA	TAP SCREW	M2.6 x 5mm(x3)	
44		LV44209-001A	WASHER SCREW	(x2)	
45		LV44603-003A	LASER CAUTION		
46		QYSDST2605ZA	TAP SCREW	M2.6 x 5mm	

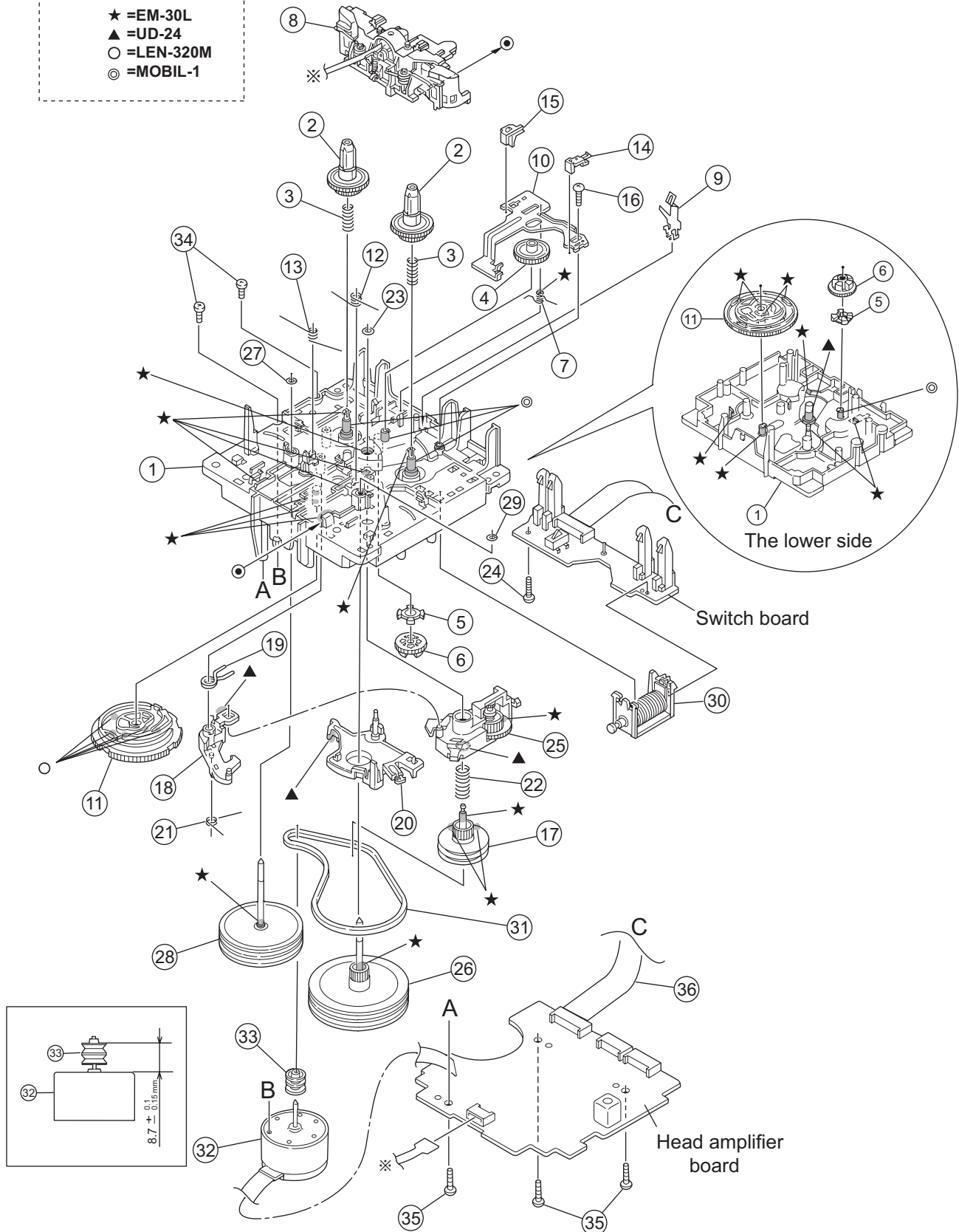
Cassette mechanism assembly and parts list-CassetteA (Common)

Block No. M P M M

SLC-S401M

Grease

- ★ =EM-30L
- ▲ =UD-24
- =LEN-320M
- ◎ =MOBIL-1



The parts without symbol number are not service.

DVD changer mechanism(SLC-S401M)-CassetteA (Common)

Block No. [M][P][M][M]

△	Symbol No.	Part No.	Part Name	Description	Local
	1	VKS1165-00N	CHASSIS B. ASSY		
	2	VKS2274-002	REEL GEAR	(x2)	
	3	VKW5286-002	B.T. SPRING	(x2)	
	4	VKS5559-001	PLAY IDLE GEAR		
	5	VKS5595-002	BLIND		
	6	VKS5560-003	FR IDLE GEAR		
	7	LV42013-001A	EARTH SPRING		
	8	VKS2279-00GSS	HEAD MOUNT ASSY		
	9	VKY3149-002	CASSETTE SP.		
	10	LV31786-004A	PLAY SW LEVER		
	11	VKS1166-003	CONTROL CAM		
	12	VKW5279-002	HEAD BASE SP(R)		
	13	VKW5280-001	HEAD BASE SP(L)		
	14	LV41584-001A	BRAKE(R)		
	15	LV41585-003A	BRAKE(L)		
	16	LV44098-001A	SPECIAL SCREW		
	17	VKS5603-00H	MAIN PULLEY ASS		
	18	VKS3785-001MM	FR ARM		
	19	VKW5284-002	SWING SPRING		
	20	VKS2278-003	TRIGGER ARM		
	21	VKW5301-001	FR SPRING		
	22	VKW5266-001	ELEVATOR SPRING		
	23	WDL214025	WASHER		
	24	QYSBSF2005ZA	TAP SCREW	M2 x 5mm	
	25	VKS3786-00G	CLUTCH ASSY		
	26	VKF3205-00B	F.WHEEL ASSY(R)		
	27	WDL183425	SLIT WASHER		
	28	VKF3207-00C	F.WHEEL ASSY(L)		
	29	WDL173525-6	SLIT WASHER		
	30	VKZ3174-00B	DC SOLENOID		
	31	LV42836-001A	CAPSTAN BELT		
	32	QAR0309-001	D.C.MOTOR		
	33	VKR4761-003	MOTOR PULLEY		
	34	QYSFSP2604ZA	SCREW	M2.6 x 4mm(x2)	
	35	QYSBSF2608ZA	TAP SCREW	M2.6 x 8mm(x3)	
	36	QUQH12-0906BF	FFC WIRE	9pin 6cm	

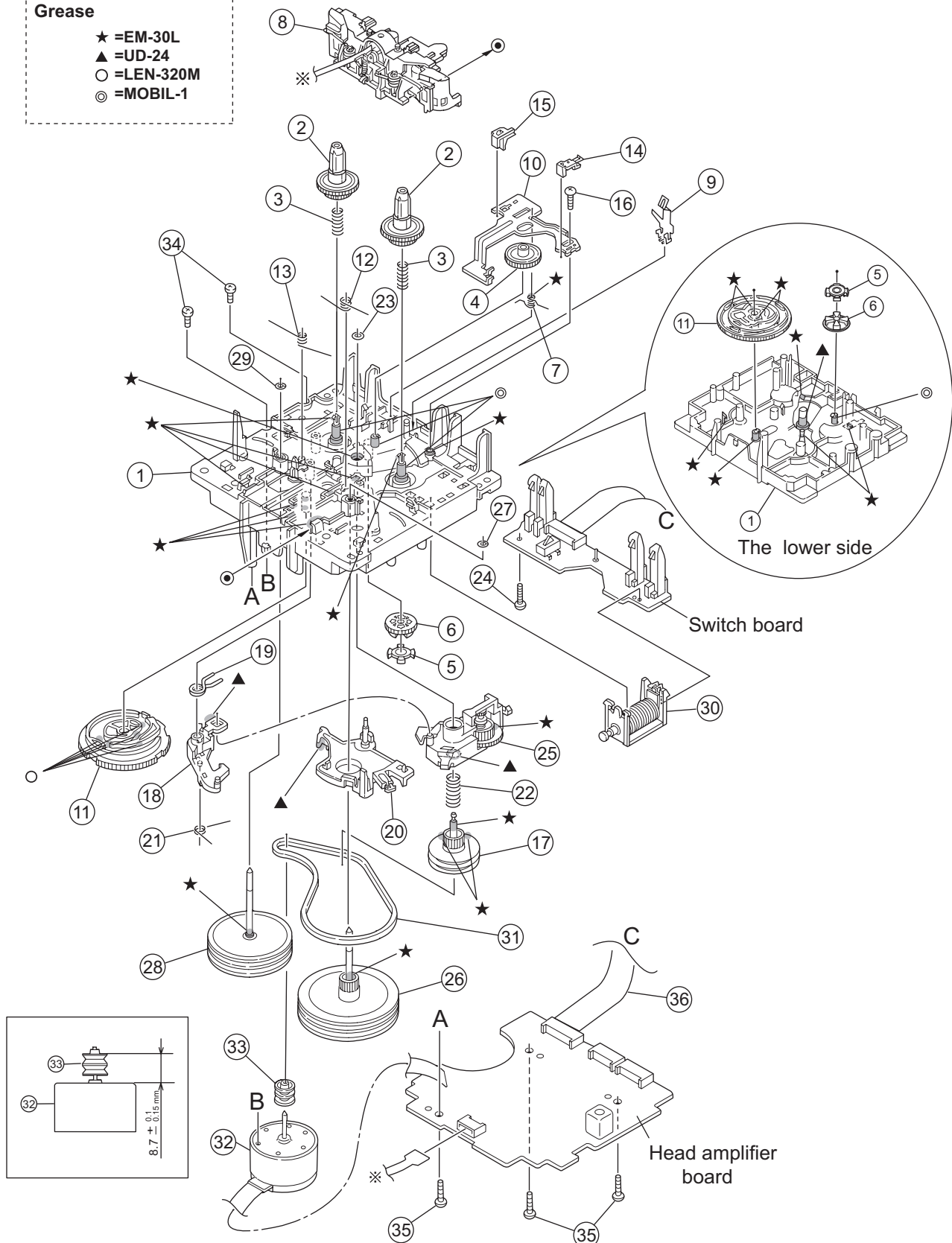
Cassette mechanism assembly and parts list-CassetteB (Common)

Block No. M Q M M

SLC-S304M

Grease

- ★ =EM-30L
- ▲ =UD-24
- =LEN-320M
- ◎ =MOBIL-1



The parts without symbol number are not service.

DVD changer mechanism(SLC-S304M)-CassetteB (Common)

Block No. [M][Q][M][M]

△	Symbol No.	Part No.	Part Name	Description	Local
	1	VKS1165-00N	CHASSIS B. ASSY		
	2	VKS2274-002	REEL GEAR	(x2)	
	3	VKW5286-002	B.T. SPRING	(x2)	
	4	VKS5559-001	PLAY IDLE GEAR		
	5	VKS5595-002	BLIND		
	6	VKS5560-003	FR IDLE GEAR		
	7	LV42013-001A	EARTH SPRING		
	8	SLC-RP4SVM	HEAD MOUNT ASSY		
	9	VKY3149-002	CASSETTE SP.		
	10	LV31786-004A	PLAY SW LEVER		
	11	VKS1166-003	CONTROL CAM		
	12	VKW5279-002	HEAD BASE SP(R)		
	13	VKW5280-001	HEAD BASE SP(L)		
	14	LV41584-001A	BRAKE(R)		
	15	LV41585-003A	BRAKE(L)		
	16	LV44098-001A	SPECIAL SCREW		
	17	VKS5603-00H	MAIN PULLEY ASS		
	18	VKS3785-001MM	FR ARM		
	19	VKW5284-002	SWING SPRING		
	20	VKS2278-003	TRIGGER ARM		
	21	VKW5301-001	FR SPRING		
	22	VKW5266-001	ELEVATOR SPRING		
	23	QYWDL2140352	SLIT WASHER	4mm/2.1mm x 0.35mm	
	24	QYSBSF2005ZA	TAP SCREW	M2 x 5mm	
	25	VKS3786-00G	CLUTCH ASSY		
	26	VKF3205-00B	F.WHEEL ASSY(R)		
	27	QYWDL183425	SLIT WASHER	3.4mm/1.8mm x 0.25mm	
	28	VKF3207-00C	F.WHEEL ASSY(L)		
	29	QYWDL1735256	SLIT WASHER	3.5mm/1.7mm x 0.25mm	
	30	VKZ3174-00B	DC SOLENOID		
	31	LV42836-001A	CAPSTAN BELT		
	32	QAR0309-001	D.C.MOTOR		
	33	VKR4761-003	MOTOR PULLEY		
	34	QYSFSP2604ZA	SCREW	M2.6 x 4mm(x2)	
	35	QYSBSF2608ZA	TAP SCREW	M2.6 x 8mm(x3)	
	36	QUQH12-0906BF-E	FFC WIRE	9pin 6cm	

Electrical parts list

Main board (DX-T99)

Block No. [0][1]

△ Symbol No.	Part No.	Part Name	Description	Local
IC760	SN74AHCT08NS-X	IC		
IC770	MN101C49GFA	MASK MICON		
IC771	BR24L02F-W-X	IC(DIGITAL)		
IC800	RC4558D-X	IC		
IC801	RC4558D-X	IC		
IC810	CD4066BM-X	IC		
IC820	LC75342M-X	IC		
IC830	RC4558D-X	IC		
IC850	M65851FP	IC		
IC860	JCV8011-X	IC		
IC870	LC75342M-X	IC		
IC880	LC75342M-X	IC		
IC881	RC4558D-X	IC		
IC888	RC4558D-X	IC		
IC901	RC4580D-X	IC		
Q7000	KTC3199/GLJ-T	TRANSISTOR		
Q7010	KTC3199/GLJ-T	TRANSISTOR		
Q7080	KRC107S-X	DIGI TRANSISTOR		
Q7081	KRC111S-X	TRANSISTOR		
Q7788	KRA102S-X	DIGI TRANSISTOR		
Q7794	KRA102S-X	DIGI TRANSISTOR		
Q7798	KRA102S-X	DIGI TRANSISTOR		
Q8000	KTC2875-X	CHIP TR.		
Q8030	KTC3875/YG/-X	TRANSISTOR		
Q8031	KTC3875/YG/-X	TRANSISTOR		
Q8032	KTC3875/YG/-X	TRANSISTOR		
Q8040	KTC2875-X	CHIP TR.		
Q8070	KTC2875-X	CHIP TR.		
Q8071	KTC2875-X	CHIP TR.		
Q8080	KTC2875-X	CHIP TR.		
Q8081	KTC2875-X	CHIP TR.		
Q8100	KTC2875-X	CHIP TR.		
Q8130	KTC3875/YG/-X	TRANSISTOR		
Q8131	KTC3875/YG/-X	TRANSISTOR		
Q8132	KTC3875/YG/-X	TRANSISTOR		
Q8140	KTC2875-X	CHIP TR.		
Q8170	KTC2875-X	CHIP TR.		
Q8171	KTC2875-X	CHIP TR.		
Q8180	KTC2875-X	CHIP TR.		
Q8211	KRC104S-X	TRANSISTOR		
Q8212	KRC104S-X	TRANSISTOR		
Q8260	KTC3199/GLJ-T	TRANSISTOR		
Q8401	KRC109S-X	TRANSISTOR		
Q8524	KTC3203/OY/-T	TRANSISTOR		
Q8900	KRA104S-X	DIGI TRANSISTOR		
Q9001	KTC3875/YG/-X	TRANSISTOR		
Q9002	KTC3875/YG/-X	TRANSISTOR		
Q9100	KRA111S-X	D. TRANSISTOR		
Q9101	KTC2875-X	CHIP TR.		
Q9102	KTC2875-X	CHIP TR.		
Q9103	KTC2875-X	CHIP TR.		
Q9104	KTC2875-X	CHIP TR.		
D7000	1SS133-T2	SI DIODE		
D7001	1SS133-T2	SI DIODE		
D7011	1SS133-T2	SI DIODE		
D7012	1SS133-T2	SI DIODE		
D7050	MTZJ5.1B-T2	Z DIODE		
D7080	1SS133-T2	SI DIODE		
D7081	MTZJ4.7B-T2	Z DIODE		
D7082	1SS133-T2	SI DIODE		
D7151	1SS133-T2	SI DIODE		
D7152	1SS133-T2	SI DIODE		
D7153	1SS133-T2	SI DIODE		
D7154	1SS133-T2	SI DIODE		
D7155	1SS133-T2	SI DIODE		
D7156	1SS133-T2	SI DIODE		
D7157	1SS133-T2	SI DIODE		
D7330	1N4003S-T5	SI DIODE		
D7350	1N4003S-T5	SI DIODE		
D7390	1SS133-T2	SI DIODE		

△ Symbol No.	Part No.	Part Name	Description	Local
D7711	1SS133-T2	SI DIODE		
D7713	1N4003S-T5	SI DIODE		
D8230	1SS133-T2	SI DIODE		
D8401	1SS133-T2	SI DIODE		
D8524	MTZJ5.6B-T2	Z DIODE		
D9001	1SS133-T2	SI DIODE		
D9002	1SS133-T2	SI DIODE		
C7050	QETN1HM-475Z	E CAPACITOR	4.7uF 50V M	T99A, T99EE, T99US, T99UX, T99UG, T99UN T99UW
C7050	QETN1CM-107Z	E CAPACITOR	100uF 16V M	
C7080	NCB31HK-102X	C CAPACITOR	1000pF 50V K	
C7082	QETN1HM-475Z	E CAPACITOR	4.7uF 50V M	
C7083	NCB31HK-103X	C CAPACITOR	0.01uF 50V K	
C7085	QETN0JM-108Z	E CAPACITOR	1000uF 6.3V M	
C7710	QCBB1HK-103Y	C CAPACITOR	0.01uF 50V K	
C7711	QETN1CM-107Z	E CAPACITOR	100uF 16V M	
C7712	NCS31HJ-200X	C CAPACITOR	20pF 50V J	
C7713	NCS31HJ-180X	C CAPACITOR	18pF 50V J	
C7788	QETN1HM-106Z	E CAPACITOR	10uF 50V M	
C7794	QETN1HM-106Z	E CAPACITOR	10uF 50V M	
C7798	QETN1CM-107Z	E CAPACITOR	100uF 16V M	
C8000	QTE1V06-106Z	E CAPACITOR	10uF 35V	
C8001	QTE1V06-106Z	E CAPACITOR	10uF 35V	
C8002	QTE1V06-106Z	E CAPACITOR	10uF 35V	
C8003	NCS31HJ-151X	C CAPACITOR	150pF 50V J	
C8020	QETN1HM-475Z	E CAPACITOR	4.7uF 50V M	
C8021	QETN1HM-475Z	E CAPACITOR	4.7uF 50V M	
C8022	QETN1HM-475Z	E CAPACITOR	4.7uF 50V M	
C8023	QETN1HM-475Z	E CAPACITOR	4.7uF 50V M	
C8025	QTE1H28-106Z	E CAPACITOR	10uF 50V	
C8026	QFG32AJ-472Z	PP CAPACITOR	4700pF 100V J	
C8027	QFLC1HJ-104Z	M CAPACITOR	0.1uF 50V J	
C8028	QFLC1HJ-104Z	M CAPACITOR	0.1uF 50V J	
C8030	QFVF1HJ-224Z	MF CAPACITOR	0.22uF 50V J	
C8031	QFLC1HJ-104Z	M CAPACITOR	0.1uF 50V J	
C8032	QTE1H28-106Z	E CAPACITOR	10uF 50V	
C8060	QTE1V06-106Z	E CAPACITOR	10uF 35V	
C8061	QTE1V06-106Z	E CAPACITOR	10uF 35V	
C8062	QTE1V06-106Z	E CAPACITOR	10uF 35V	
C8070	QETN1HM-106Z	E CAPACITOR	10uF 50V M	
C8072	QETN1HM-106Z	E CAPACITOR	10uF 50V M	
C8074	QETN1HM-105Z	E CAPACITOR	1uF 50V M	
C8076	QETN1HM-104Z	E CAPACITOR	0.1uF 50V M	
C8080	QETN1HM-106Z	E CAPACITOR	10uF 50V M	
C8082	QETN1HM-104Z	E CAPACITOR	0.1uF 50V M	
C8083	QETN1HM-104Z	E CAPACITOR	0.1uF 50V M	
C8084	QETN1HM-105Z	E CAPACITOR	1uF 50V M	
C8085	QETN1HM-105Z	E CAPACITOR	1uF 50V M	
C8086	QETN1HM-104Z	E CAPACITOR	0.1uF 50V M	
C8100	QTE1V06-106Z	E CAPACITOR	10uF 35V	
C8101	QTE1V06-106Z	E CAPACITOR	10uF 35V	
C8102	QTE1V06-106Z	E CAPACITOR	10uF 35V	
C8103	NCS31HJ-151X	C CAPACITOR	150pF 50V J	
C8120	QETN1HM-475Z	E CAPACITOR	4.7uF 50V M	
C8121	QETN1HM-475Z	E CAPACITOR	4.7uF 50V M	
C8122	QETN1HM-475Z	E CAPACITOR	4.7uF 50V M	
C8123	QETN1HM-475Z	E CAPACITOR	4.7uF 50V M	
C8125	QTE1H28-106Z	E CAPACITOR	10uF 50V	
C8126	QFG32AJ-472Z	PP CAPACITOR	4700pF 100V J	
C8127	QFLC1HJ-104Z	M CAPACITOR	0.1uF 50V J	
C8128	QFLC1HJ-104Z	M CAPACITOR	0.1uF 50V J	
C8130	QFVF1HJ-224Z	MF CAPACITOR	0.22uF 50V J	
C8131	QFLC1HJ-104Z	M CAPACITOR	0.1uF 50V J	
C8132	QTE1H28-106Z	E CAPACITOR	10uF 50V	
C8160	QTE1V06-106Z	E CAPACITOR	10uF 35V	
C8161	QTE1V06-106Z	E CAPACITOR	10uF 35V	
C8162	QTE1V06-106Z	E CAPACITOR	10uF 35V	
C8170	QETN1HM-106Z	E CAPACITOR	10uF 50V M	
C8172	QETN1HM-106Z	E CAPACITOR	10uF 50V M	
C8173	QETN1HM-104Z	E CAPACITOR	0.1uF 50V M	
C8174	QETN1HM-105Z	E CAPACITOR	1uF 50V M	
C8176	QETN1HM-104Z	E CAPACITOR	0.1uF 50V M	
C8180	QFLC1HJ-123Z	M CAPACITOR	0.012uF 50V J	
C8181	QFLC1HJ-104Z	M CAPACITOR	0.1uF 50V J	

△ Symbol No.	Part No.	Part Name	Description	Local	△ Symbol No.	Part No.	Part Name	Description	Local
C8182	QFLC1HJ-153Z	M CAPACITOR	0.015uF 50V J		C9004	QEKC1HM-474Z	E CAPACITOR	0.47uF 50V M	
C8184	QETN1HM-106Z	E CAPACITOR	10uF 50V M		C9005	QEKC1HM-104Z	E CAPACITOR	0.1uF 50V M	
C8185	QETN1HM-106Z	E CAPACITOR	10uF 50V M		C9006	QETN1HM-105Z	E CAPACITOR	1uF 50V M	
C8202	QETN1HM-106Z	E CAPACITOR	10uF 50V M		C9007	QEKC1HM-104Z	E CAPACITOR	0.1uF 50V M	
C8203	QFLC1HJ-223Z	M CAPACITOR	0.022uF 50V J		C9008	QETN1HM-105Z	E CAPACITOR	1uF 50V M	
C8204	QFLC1HJ-223Z	M CAPACITOR	0.022uF 50V J		C9009	QETN1EM-476Z	E CAPACITOR	47uF 25V M	
C8221	QCBB1HK-103Y	C CAPACITOR	0.01uF 50V K		C9010	QEKC1CM-107Z	E CAPACITOR	100uF 16V M	
C8222	QTE1C06-107Z	E CAPACITOR	100uF 16V		C9021	NCB31HK-102X	C CAPACITOR	1000pF 50V K	
C8230	QETN1EM-476Z	E CAPACITOR	47uF 25V M		C9022	NCB31HK-102X	C CAPACITOR	1000pF 50V K	
C8232	QETN1HM-105Z	E CAPACITOR	1uF 50V M		C9030	NDC31HJ-680X	C CAPACITOR	68pF 50V J	
C8261	QETN1EM-476Z	E CAPACITOR	47uF 25V M		C9031	NDC31HJ-680X	C CAPACITOR	68pF 50V J	
C8262	QFLC1HJ-223Z	M CAPACITOR	0.022uF 50V J		C9032	NDC31HJ-680X	C CAPACITOR	68pF 50V J	
C8263	QETN1HM-225Z	E CAPACITOR	2.2uF 50V M		C9033	NDC31HJ-680X	C CAPACITOR	68pF 50V J	
C8264	QETN1HM-106Z	E CAPACITOR	10uF 50V M		C9034	QEKC1HM-474Z	E CAPACITOR	0.47uF 50V M	
C8265	QETN1HM-106Z	E CAPACITOR	10uF 50V M		C9101	QDGB1HK-102Y	C CAPACITOR	1000pF 50V K	
C8266	QETN1HM-475Z	E CAPACITOR	4.7uF 50V M		C9102	QDGB1HK-102Y	C CAPACITOR	1000pF 50V K	
C8267	QETN1EM-336Z	E CAPACITOR	33uF 25V M		C9103	QDXB1CM-392Y	C CAPACITOR	3900pF 16V M	
C8268	QETN1HM-224Z	E CAPACITOR	0.22uF 50V M		C9104	QDXB1CM-392Y	C CAPACITOR	3900pF 16V M	
C8269	QETN1HM-105Z	E CAPACITOR	1uF 50V M		C9105	QDGB1HK-102Y	C CAPACITOR	1000pF 50V K	
C8272	QETN1CM-107Z	E CAPACITOR	100uF 16V M		R7000	QRE141J-222Y	C RESISTOR	2.2kΩ 1/4W J	
C8282	QETN1CM-107Z	E CAPACITOR	100uF 16V M		R7001	QRL01DJ-101X	OMF RESISTOR	100Ω 1W J	
C8360	QETN1HM-475Z	E CAPACITOR	4.7uF 50V M		R7002	QRL01DJ-101X	OMF RESISTOR	100Ω 1W J	
C8361	QETN1HM-475Z	E CAPACITOR	4.7uF 50V M		R7003	QRL01DJ-101X	OMF RESISTOR	100Ω 1W J	
C8362	QETN1HM-474Z	E CAPACITOR	0.47uF 50V M		R7004	QRL01DJ-101X	OMF RESISTOR	100Ω 1W J	
C8363	QETN1EM-476Z	E CAPACITOR	47uF 25V M		R7005	QRL01DJ-101X	OMF RESISTOR	100Ω 1W J	
C8401	QETN1EM-476Z	E CAPACITOR	47uF 25V M		R7006	QRL01DJ-101X	OMF RESISTOR	100Ω 1W J	
C8403	QETN1HM-106Z	E CAPACITOR	10uF 50V M		R7010	QRE141J-222Y	C RESISTOR	2.2kΩ 1/4W J	
C8430	NCB31HK-222X	C CAPACITOR	2200pF 50V K		R7011	QRL01DJ-101X	OMF RESISTOR	100Ω 1W J	
C8431	NCB31HK-222X	C CAPACITOR	2200pF 50V K		R7012	QRL01DJ-101X	OMF RESISTOR	100Ω 1W J	
C8432	NCB31HK-222X	C CAPACITOR	2200pF 50V K		R7013	QRL01DJ-101X	OMF RESISTOR	100Ω 1W J	
C8433	NCB31HK-222X	C CAPACITOR	2200pF 50V K		R7014	QRL01DJ-101X	OMF RESISTOR	100Ω 1W J	
C8434	QETN1HM-105Z	E CAPACITOR	1uF 50V M		R7015	QRL01DJ-101X	OMF RESISTOR	100Ω 1W J	
C8437	QETN1HM-104Z	E CAPACITOR	0.1uF 50V M		R7016	QRL01DJ-101X	OMF RESISTOR	100Ω 1W J	
C8502	QFLC1HJ-152Z	M CAPACITOR	1500pF 50V J		R7050	QRE141J-563Y	C RESISTOR	56kΩ 1/4W J	
C8504	QFLC1HJ-152Z	M CAPACITOR	1500pF 50V J		R7080	NRSA63J-223X	MG RESISTOR	22kΩ 1/16W J	
C8506	QETN1HM-225Z	E CAPACITOR	2.2uF 50V M		R7081	NRSA63J-103X	MG RESISTOR	10kΩ 1/16W J	
C8508	QFLC1HJ-102Z	M CAPACITOR	1000pF 50V J		R7082	NRSA63J-102X	MG RESISTOR	1kΩ 1/16W J	
C8509	QFLC1HJ-332Z	M CAPACITOR	3300pF 50V J		R7083	NRSA63J-222X	MG RESISTOR	2.2kΩ 1/16W J	
C8512	QETN1HM-225Z	E CAPACITOR	2.2uF 50V M		R7084	NRSA63J-681X	MG RESISTOR	680Ω 1/16W J	
C8513	QETN1HM-225Z	E CAPACITOR	2.2uF 50V M		R7085	NRSA63J-681X	MG RESISTOR	680Ω 1/16W J	
C8514	QFLC1HJ-102Z	M CAPACITOR	1000pF 50V J		R7151	QRE141J-123Y	C RESISTOR	12kΩ 1/4W J	
C8515	QFLC1HJ-472Z	M CAPACITOR	4700pF 50V J		R7152	QRE141J-123Y	C RESISTOR	12kΩ 1/4W J	
C8516	QFLC1HJ-683Z	M CAPACITOR	0.068uF 50V J		R7153	QRE141J-123Y	C RESISTOR	12kΩ 1/4W J	
C8520	QFLC1HJ-683Z	M CAPACITOR	0.068uF 50V J		R7154	QRE141J-123Y	C RESISTOR	12kΩ 1/4W J	
C8522	QETN1EM-476Z	E CAPACITOR	47uF 25V M		R7155	QRE141J-123Y	C RESISTOR	12kΩ 1/4W J	
C8524	QETN1CM-107Z	E CAPACITOR	100uF 16V M		R7156	QRE141J-123Y	C RESISTOR	12kΩ 1/4W J	
C8531	NCB31CK-104X	C CAPACITOR	0.1uF 16V K		R7157	QRE141J-123Y	C RESISTOR	12kΩ 1/4W J	
C8539	QETN1HM-104Z	E CAPACITOR	0.1uF 50V M		R7200	QRE141J-273Y	C RESISTOR	27kΩ 1/4W J	
C8540	QFLC1HJ-102Z	M CAPACITOR	1000pF 50V J		R7251	QRE141J-222Y	C RESISTOR	2.2kΩ 1/4W J	
C8541	QFLC1HJ-472Z	M CAPACITOR	4700pF 50V J		R7252	QRE141J-222Y	C RESISTOR	2.2kΩ 1/4W J	
C8542	QFLC1HJ-683Z	M CAPACITOR	0.068uF 50V J		R7253	QRE141J-222Y	C RESISTOR	2.2kΩ 1/4W J	T99A,T99EE, T99US,T99UJ, T99UG,T99UN
C8546	QFLC1HJ-683Z	M CAPACITOR	0.068uF 50V J		R7254	QRE141J-242Y	C RESISTOR	2.4kΩ 1/4W J	T99UW
C8548	QFLC1HJ-102Z	M CAPACITOR	1000pF 50V J		R7254	QRE141J-272Y	C RESISTOR	2.7kΩ 1/4W J	T99UW
C8550	QFLC1HJ-472Z	M CAPACITOR	4700pF 50V J		R7255	QRE141J-272Y	C RESISTOR	2.7kΩ 1/4W J	T99UW
C8551	QETN1HM-105Z	E CAPACITOR	1uF 50V M		R7256	QRE141J-272Y	C RESISTOR	2.7kΩ 1/4W J	T99UW
C8553	QETN1HM-106Z	E CAPACITOR	10uF 50V M		R7257	QRE141J-222Y	C RESISTOR	2.2kΩ 1/4W J	T99A,T99EE, T99US,T99UJ, T99UG,T99UN
C8555	QETN1CM-107Z	E CAPACITOR	100uF 16V M		R7257	QRE141J-242Y	C RESISTOR	2.4kΩ 1/4W J	T99UW
C8556	NCB31CK-104X	C CAPACITOR	0.1uF 16V K		R7600	QRE141J-103Y	C RESISTOR	10kΩ 1/4W J	
C8572	QFLC1HJ-223Z	M CAPACITOR	0.022uF 50V J		R7702	NRSA63J-222X	MG RESISTOR	2.2kΩ 1/16W J	
C8574	QTE1V06-106Z	E CAPACITOR	10uF 35V		R7703	NRSA63J-102X	MG RESISTOR	1kΩ 1/16W J	
C8575	QTE1V06-106Z	E CAPACITOR	10uF 35V		R7704	NRSA63J-102X	MG RESISTOR	1kΩ 1/16W J	
C8576	QFVF1HJ-154Z	MF CAPACITOR	0.15uF 50V J		R7705	NRSA63J-102X	MG RESISTOR	1kΩ 1/16W J	
C8578	QETN1HM-105Z	E CAPACITOR	1uF 50V M		R7706	NRSA63J-102X	MG RESISTOR	1kΩ 1/16W J	
C8579	QETN1HM-105Z	E CAPACITOR	1uF 50V M		R7707	NRSA63J-222X	MG RESISTOR	2.2kΩ 1/16W J	
C8581	NCB31AK-154X	C CAPACITOR	0.15uF 10V K		R7708	NRSA63J-222X	MG RESISTOR	2.2kΩ 1/16W J	
C8583	NCB31AK-154X	C CAPACITOR	0.15uF 10V K		R7709	NRSA63J-222X	MG RESISTOR	2.2kΩ 1/16W J	
C8590	NCB31CK-104X	C CAPACITOR	0.1uF 16V K		R7715	NRSA63J-103X	MG RESISTOR	10kΩ 1/16W J	
C8591	NCB31CK-104X	C CAPACITOR	0.1uF 16V K		R7717	NRSA63J-103X	MG RESISTOR	10kΩ 1/16W J	
C8593	NCB31CK-104X	C CAPACITOR	0.1uF 16V K		R7718	QRE141J-102Y	C RESISTOR	1kΩ 1/4W J	
C8597	NCB31CK-104X	C CAPACITOR	0.1uF 16V K		R7719	QRE141J-102Y	C RESISTOR	1kΩ 1/4W J	
C8598	NCB31CK-104X	C CAPACITOR	0.1uF 16V K		R7720	QRE141J-102Y	C RESISTOR	1kΩ 1/4W J	
C8810	QETN1CM-107Z	E CAPACITOR	100uF 16V M		R7721	NRSA63J-122X	MG RESISTOR	1.2kΩ 1/16W J	
C8900	QETN1HM-105Z	E CAPACITOR	1uF 50V M		R7722	NRSA63J-122X	MG RESISTOR	1.2kΩ 1/16W J	
C8902	QETN1HM-106Z	E CAPACITOR	10uF 50V M		R7723	NRSA63J-122X	MG RESISTOR	1.2kΩ 1/16W J	
C8903	QETN1HM-106Z	E CAPACITOR	10uF 50V M						
C9000	NCB31HK-222X	C CAPACITOR	2200pF 50V K						
C9001	QETN1HM-104Z	E CAPACITOR	0.1uF 50V M						
C9003	QEKC1EM-106Z	E CAPACITOR	10uF 25V M						

△ Symbol No.	Part No.	Part Name	Description	Local	△ Symbol No.	Part No.	Part Name	Description	Local
R7724	NRSA63J-122X	MG RESISTOR	1.2kΩ 1/16W J		R7875	NRSA63J-104X	MG RESISTOR	100kΩ 1/16W J	
R7725	NRSA63J-122X	MG RESISTOR	1.2kΩ 1/16W J		R7876	NRSA63J-103X	MG RESISTOR	10kΩ 1/16W J	
R7726	NRSA63J-101X	MG RESISTOR	100Ω 1/16W J		R7878	NRSA63J-104X	MG RESISTOR	100kΩ 1/16W J	
R7728	NRSA63J-222X	MG RESISTOR	2.2kΩ 1/16W J		R7879	NRSA63J-103X	MG RESISTOR	10kΩ 1/16W J	
R7731	NRSA63J-222X	MG RESISTOR	2.2kΩ 1/16W J		R7881	QRE141J-103Y	C RESISTOR	10kΩ 1/4W J	
R7732	NRSA63J-103X	MG RESISTOR	10kΩ 1/16W J		R7886	NRSA63J-103X	MG RESISTOR	10kΩ 1/16W J	
R7735	NRSA63J-102X	MG RESISTOR	1kΩ 1/16W J		R7892	NRSA63J-103X	MG RESISTOR	10kΩ 1/16W J	
R7737	NRSA63J-102X	MG RESISTOR	1kΩ 1/16W J		R7897	NRSA63J-103X	MG RESISTOR	10kΩ 1/16W J	
R7738	NRSA63J-102X	MG RESISTOR	1kΩ 1/16W J		R7899	NRSA63J-103X	MG RESISTOR	10kΩ 1/16W J	
R7739	NRSA63J-102X	MG RESISTOR	1kΩ 1/16W J		R8000	NRSA63J-473X	MG RESISTOR	47kΩ 1/16W J	
R7740	NRSA63J-102X	MG RESISTOR	1kΩ 1/16W J		R8001	NRSA63J-473X	MG RESISTOR	47kΩ 1/16W J	
R7742	NRSA63J-102X	MG RESISTOR	1kΩ 1/16W J		R8002	NRSA63J-223X	MG RESISTOR	22kΩ 1/16W J	
R7743	NRSA63J-102X	MG RESISTOR	1kΩ 1/16W J		R8003	NRSA63J-223X	MG RESISTOR	22kΩ 1/16W J	
R7744	NRSA63J-102X	MG RESISTOR	1kΩ 1/16W J		R8004	NRSA63J-152X	MG RESISTOR	1.5kΩ 1/16W J	
R7745	NRSA63J-103X	MG RESISTOR	10kΩ 1/16W J		R8005	NRSA63J-104X	MG RESISTOR	100kΩ 1/16W J	
R7746	NRSA63J-102X	MG RESISTOR	1kΩ 1/16W J		R8006	NRSA63J-103X	MG RESISTOR	10kΩ 1/16W J	
R7747	NRSA63J-0R0X	MG RESISTOR	0Ω 1/16W J		R8007	NRSA63J-223X	MG RESISTOR	22kΩ 1/16W J	
R7748	NRSA63J-102X	MG RESISTOR	1kΩ 1/16W J		R8020	NRSA63J-392X	MG RESISTOR	3.9kΩ 1/16W J	
R7749	NRSA63J-102X	MG RESISTOR	1kΩ 1/16W J		R8021	NRSA63J-104X	MG RESISTOR	100kΩ 1/16W J	
R7751	QRE141J-222Y	C RESISTOR	2.2kΩ 1/4W J		R8030	QRE141J-472Y	C RESISTOR	4.7kΩ 1/4W J	
R7752	QRE141J-222Y	C RESISTOR	2.2kΩ 1/4W J		R8031	QRE141J-362Y	C RESISTOR	3.6kΩ 1/4W J	
R7753	NRSA63J-102X	MG RESISTOR	1kΩ 1/16W J		R8032	QRE141J-123Y	C RESISTOR	12kΩ 1/4W J	
R7754	NRSA63J-222X	MG RESISTOR	2.2kΩ 1/16W J		R8033	QRE141J-154Y	C RESISTOR	150kΩ 1/4W J	
R7755	NRSA63J-222X	MG RESISTOR	2.2kΩ 1/16W J		R8034	QRE141J-473Y	C RESISTOR	47kΩ 1/4W J	
R7756	NRSA63J-222X	MG RESISTOR	2.2kΩ 1/16W J		R8035	NRSA63J-101X	MG RESISTOR	100Ω 1/16W J	
R7759	NRSA63J-103X	MG RESISTOR	10kΩ 1/16W J	T99A,T99US, T99UN	R8036	NRSA63J-101X	MG RESISTOR	100Ω 1/16W J	
R7760	NRSA63J-103X	MG RESISTOR	10kΩ 1/16W J	T99UW	R8042	QRE141J-102Y	C RESISTOR	1kΩ 1/4W J	
R7761	NRSA63J-103X	MG RESISTOR	10kΩ 1/16W J	T99UX,T99UG	R8043	QRE141J-103Y	C RESISTOR	10kΩ 1/4W J	
R7762	NRSA63J-222X	MG RESISTOR	2.2kΩ 1/16W J		R8046	QRE141J-393Y	C RESISTOR	39kΩ 1/4W J	
R7763	QRE141J-102Y	C RESISTOR	1kΩ 1/4W J		R8060	QRE141J-103Y	C RESISTOR	10kΩ 1/4W J	
R7766	NRSA63J-102X	MG RESISTOR	1kΩ 1/16W J		R8061	NRSA63J-103X	MG RESISTOR	10kΩ 1/16W J	
R7767	NRSA63J-222X	MG RESISTOR	2.2kΩ 1/16W J		R8062	NRSA63J-103X	MG RESISTOR	10kΩ 1/16W J	
R7768	NRSA63J-222X	MG RESISTOR	2.2kΩ 1/16W J		R8070	NRSA63J-102X	MG RESISTOR	1kΩ 1/16W J	
R7769	NRSA63J-102X	MG RESISTOR	1kΩ 1/16W J		R8071	NRSA63J-104X	MG RESISTOR	100kΩ 1/16W J	
R7770	NRSA63J-102X	MG RESISTOR	1kΩ 1/16W J		R8072	NRSA63J-103X	MG RESISTOR	10kΩ 1/16W J	
R7771	QRE141J-104Y	C RESISTOR	100kΩ 1/4W J		R8073	NRSA63J-103X	MG RESISTOR	10kΩ 1/16W J	
R7772	QRE141J-222Y	C RESISTOR	2.2kΩ 1/4W J		R8074	NRSA63J-102X	MG RESISTOR	1kΩ 1/16W J	
R7773	QRE141J-222Y	C RESISTOR	2.2kΩ 1/4W J		R8075	NRSA63J-103X	MG RESISTOR	10kΩ 1/16W J	
R7774	QRE141J-102Y	C RESISTOR	1kΩ 1/4W J		R8080	NRSA63J-102X	MG RESISTOR	1kΩ 1/16W J	
R7775	NRSA63J-222X	MG RESISTOR	2.2kΩ 1/16W J		R8081	NRSA63J-104X	MG RESISTOR	100kΩ 1/16W J	
R7776	NRSA63J-222X	MG RESISTOR	2.2kΩ 1/16W J		R8082	NRSA63J-103X	MG RESISTOR	10kΩ 1/16W J	
R7777	NRSA63J-102X	MG RESISTOR	1kΩ 1/16W J		R8083	QRE141J-103Y	C RESISTOR	10kΩ 1/4W J	
R7778	NRSA63J-222X	MG RESISTOR	2.2kΩ 1/16W J		R8084	NRSA63J-102X	MG RESISTOR	1kΩ 1/16W J	
R7779	NRSA63J-222X	MG RESISTOR	2.2kΩ 1/16W J		R8085	NRSA63J-103X	MG RESISTOR	10kΩ 1/16W J	
R7780	NRSA63J-222X	MG RESISTOR	2.2kΩ 1/16W J		R8090	QRE141J-153Y	C RESISTOR	15kΩ 1/4W J	
R7781	NRSA63J-222X	MG RESISTOR	2.2kΩ 1/16W J		R8091	QRE141J-154Y	C RESISTOR	150kΩ 1/4W J	
R7786	NRSA63J-222X	MG RESISTOR	2.2kΩ 1/16W J		R8092	NRSA63J-363X	MG RESISTOR	36kΩ 1/16W J	
R7788	NRSA63J-222X	MG RESISTOR	2.2kΩ 1/16W J		R8093	NRSA63J-470X	MG RESISTOR	47Ω 1/16W J	
R7789	NRSA63J-222X	MG RESISTOR	2.2kΩ 1/16W J		R8094	NRSA63J-133X	MG RESISTOR	13kΩ 1/16W J	
R7790	NRSA63J-102X	MG RESISTOR	1kΩ 1/16W J		R8095	NRSA63J-272X	MG RESISTOR	2.7kΩ 1/16W J	
R7791	NRSA63J-102X	MG RESISTOR	1kΩ 1/16W J		R8096	NRSA63J-103X	MG RESISTOR	10kΩ 1/16W J	
R7792	NRSA63J-102X	MG RESISTOR	1kΩ 1/16W J		R8098	NRSA63J-183X	MG RESISTOR	18kΩ 1/16W J	
R7794	NRSA63J-222X	MG RESISTOR	2.2kΩ 1/16W J		R8099	QRE141J-105Y	C RESISTOR	1MΩ 1/4W J	
R7796	NRSA63J-222X	MG RESISTOR	2.2kΩ 1/16W J		R8100	NRSA63J-473X	MG RESISTOR	47kΩ 1/16W J	
R7797	NRSA63J-102X	MG RESISTOR	1kΩ 1/16W J		R8101	NRSA63J-473X	MG RESISTOR	47kΩ 1/16W J	
R7798	NRSA63J-102X	MG RESISTOR	1kΩ 1/16W J		R8102	NRSA63J-223X	MG RESISTOR	22kΩ 1/16W J	
R7803	NRSA63J-103X	MG RESISTOR	10kΩ 1/16W J		R8103	NRSA63J-223X	MG RESISTOR	22kΩ 1/16W J	
R7804	NRSA63J-103X	MG RESISTOR	10kΩ 1/16W J		R8104	NRSA63J-152X	MG RESISTOR	1.5kΩ 1/16W J	
R7805	NRSA63J-103X	MG RESISTOR	10kΩ 1/16W J		R8105	NRSA63J-104X	MG RESISTOR	100kΩ 1/16W J	
R7806	NRSA63J-103X	MG RESISTOR	10kΩ 1/16W J		R8106	NRSA63J-103X	MG RESISTOR	10kΩ 1/16W J	
R7807	NRSA63J-103X	MG RESISTOR	10kΩ 1/16W J		R8107	NRSA63J-223X	MG RESISTOR	22kΩ 1/16W J	
R7808	NRSA63J-103X	MG RESISTOR	10kΩ 1/16W J		R8120	NRSA63J-392X	MG RESISTOR	3.9kΩ 1/16W J	
R7809	NRSA63J-103X	MG RESISTOR	10kΩ 1/16W J		R8121	QRE141J-104Y	C RESISTOR	100kΩ 1/4W J	
R7821	NRSA63J-222X	MG RESISTOR	2.2kΩ 1/16W J		R8130	QRE141J-472Y	C RESISTOR	4.7kΩ 1/4W J	
R7823	NRSA63J-222X	MG RESISTOR	2.2kΩ 1/16W J		R8131	QRE141J-362Y	C RESISTOR	3.6kΩ 1/4W J	
R7824	NRSA63J-222X	MG RESISTOR	2.2kΩ 1/16W J		R8132	QRE141J-123Y	C RESISTOR	12kΩ 1/4W J	
R7825	NRSA63J-222X	MG RESISTOR	2.2kΩ 1/16W J		R8133	QRE141J-154Y	C RESISTOR	150kΩ 1/4W J	
R7852	NRSA63J-104X	MG RESISTOR	100kΩ 1/16W J		R8134	QRE141J-473Y	C RESISTOR	47kΩ 1/4W J	
R7859	NRSA63J-103X	MG RESISTOR	10kΩ 1/16W J	T99EE,T99UW, T99UX,T99UG	R8135	NRSA63J-101X	MG RESISTOR	100Ω 1/16W J	
R7860	NRSA63J-103X	MG RESISTOR	10kΩ 1/16W J	T99A,T99EE, T99US,T99UX, T99UG,T99UN	R8136	NRSA63J-101X	MG RESISTOR	100Ω 1/16W J	
R7861	NRSA63J-103X	MG RESISTOR	10kΩ 1/16W J	T99A,T99EE, T99US,T99UW, T99UN	R8142	QRE141J-102Y	C RESISTOR	1kΩ 1/4W J	
R7867	NRSA63J-103X	MG RESISTOR	10kΩ 1/16W J		R8143	QRE141J-103Y	C RESISTOR	10kΩ 1/4W J	
R7871	NRSA63J-104X	MG RESISTOR	100kΩ 1/16W J		R8146	QRE141J-393Y	C RESISTOR	39kΩ 1/4W J	
					R8160	QRE141J-103Y	C RESISTOR	10kΩ 1/4W J	
					R8161	NRSA63J-103X	MG RESISTOR	10kΩ 1/16W J	
					R8162	NRSA63J-103X	MG RESISTOR	10kΩ 1/16W J	
					R8170	NRSA63J-102X	MG RESISTOR	1kΩ 1/16W J	
					R8171	NRSA63J-104X	MG RESISTOR	100kΩ 1/16W J	

△ Symbol No.	Part No.	Part Name	Description	Local	△ Symbol No.	Part No.	Part Name	Description	Local
R8172	NRSA63J-103X	MG RESISTOR	10kΩ 1/16W J		R8900	QRE141J-102Y	C RESISTOR	1kΩ 1/4W J	
R8173	NRSA63J-103X	MG RESISTOR	10kΩ 1/16W J		R9000	NRSA63J-103X	MG RESISTOR	10kΩ 1/16W J	
R8174	NRSA63J-102X	MG RESISTOR	1kΩ 1/16W J		R9001	NRSA63J-104X	MG RESISTOR	100kΩ 1/16W J	
R8175	NRSA63J-103X	MG RESISTOR	10kΩ 1/16W J		R9002	NRSA63J-102X	MG RESISTOR	1kΩ 1/16W J	
R8180	QRE141J-223Y	C RESISTOR	22kΩ 1/4W J		R9003	NRSA63J-274X	MG RESISTOR	270kΩ 1/16W J	
R8182	QRE141J-163Y	C RESISTOR	16kΩ 1/4W J		R9004	NRSA63J-562X	MG RESISTOR	5.6kΩ 1/16W J	
R8183	QRE141J-223Y	C RESISTOR	22kΩ 1/4W J		R9005	NRSA63J-102X	MG RESISTOR	1kΩ 1/16W J	
R8186	QRE141J-103Y	C RESISTOR	10kΩ 1/4W J		R9006	NRSA63J-821X	MG RESISTOR	820Ω 1/16W J	
R8187	QRE141J-272Y	C RESISTOR	2.7kΩ 1/4W J		R9007	NRSA63J-474X	MG RESISTOR	470kΩ 1/16W J	
R8189	QRE141J-472Y	C RESISTOR	4.7kΩ 1/4W J		R9010	NRSA63J-0R0X	MG RESISTOR	0Ω 1/16W J	
R8190	QRE141J-153Y	C RESISTOR	15kΩ 1/4W J		R9011	NRSA63J-824X	MG RESISTOR	820kΩ 1/16W J	
R8191	QRE141J-154Y	C RESISTOR	150kΩ 1/4W J		R9012	NRSA63J-163X	MG RESISTOR	160kΩ 1/16W J	
R8192	NRSA63J-363X	MG RESISTOR	36kΩ 1/16W J		R9013	NRSA63J-103X	MG RESISTOR	10kΩ 1/16W J	
R8193	NRSA63J-470X	MG RESISTOR	47kΩ 1/16W J		R9014	NRSA63J-103X	MG RESISTOR	10kΩ 1/16W J	
R8194	NRSA63J-133X	MG RESISTOR	13kΩ 1/16W J		R9015	QRE141J-221Y	C RESISTOR	220Ω 1/4W J	
R8195	NRSA63J-272X	MG RESISTOR	2.7kΩ 1/16W J		R9017	NRSA63J-104X	MG RESISTOR	100kΩ 1/16W J	
R8196	NRSA63J-103X	MG RESISTOR	10kΩ 1/16W J		R9021	NRSA63J-472X	MG RESISTOR	4.7kΩ 1/16W J	
R8198	NRSA63J-183X	MG RESISTOR	18kΩ 1/16W J		R9022	NRSA63J-472X	MG RESISTOR	4.7kΩ 1/16W J	
R8199	QRE141J-105Y	C RESISTOR	1MΩ 1/4W J		R9030	NRSA63J-564X	MG RESISTOR	560kΩ 1/16W J	
R8202	NRSA63J-103X	MG RESISTOR	10kΩ 1/16W J		R9031	NRSA63J-564X	MG RESISTOR	560kΩ 1/16W J	
R8203	NRSA63J-223X	MG RESISTOR	22kΩ 1/16W J		R9032	NRSA63J-564X	MG RESISTOR	560kΩ 1/16W J	
R8204	NRSA63J-223X	MG RESISTOR	22kΩ 1/16W J		R9033	NRSA63J-564X	MG RESISTOR	560kΩ 1/16W J	
R8205	NRSA63J-243X	MG RESISTOR	24kΩ 1/16W J		R9034	NRSA63J-103X	MG RESISTOR	10kΩ 1/16W J	
R8206	NRSA63J-103X	MG RESISTOR	10kΩ 1/16W J		R9035	NRSA63J-393X	MG RESISTOR	39kΩ 1/16W J	
R8211	NRSA63J-223X	MG RESISTOR	22kΩ 1/16W J		R9036	QRE141J-101Y	C RESISTOR	100Ω 1/4W J	
R8212	NRSA63J-103X	MG RESISTOR	10kΩ 1/16W J		R9101	NRSA63J-472X	MG RESISTOR	4.7kΩ 1/16W J	
R8223	NRSA63J-0R0X	MG RESISTOR	0Ω 1/16W J		R9102	NRSA63J-472X	MG RESISTOR	4.7kΩ 1/16W J	
R8224	NRSA63J-0R0X	MG RESISTOR	0Ω 1/16W J		R9103	NRSA63J-472X	MG RESISTOR	4.7kΩ 1/16W J	
R8225	NRSA63J-0R0X	MG RESISTOR	0Ω 1/16W J		R9104	NRSA63J-472X	MG RESISTOR	4.7kΩ 1/16W J	
R8230	QRE141J-103Y	C RESISTOR	10kΩ 1/4W J		VR901	QVQ0342-B24	V RESISTOR		
R8231	QRE141J-472Y	C RESISTOR	4.7kΩ 1/4W J		L9100	QQL231K-2R2Y	COIL	2.2uH K	
R8232	QRE141J-753Y	C RESISTOR	75kΩ 1/4W J		L9101	QQL231K-470Y	COIL	47uH K	
R8235	QRE141J-224Y	C RESISTOR	220kΩ 1/4W J		L9102	QQL231K-470Y	COIL	47uH K	
R8260	NRSA63J-474X	MG RESISTOR	470kΩ 1/16W J		CN720	QGF1036C2-19	CONNECTOR	FFC/FPC (1-19)	
R8261	NRSA63J-474X	MG RESISTOR	470kΩ 1/16W J		CN730	QGF1205C2-25	CONNECTOR	FFC/FPC (1-25)	
R8262	NRSA63J-101X	MG RESISTOR	100Ω 1/16W J		CN740	QGF1205F2-05	CONNECTOR	FFC/FPC (1-5)	
R8263	NRSA63J-475X	MG RESISTOR	4.7MΩ 1/16W J		CN750	QGF1205F2-11	CONNECTOR	FFC/FPC (1-11)	
R8264	NRSA63J-153X	MG RESISTOR	15kΩ 1/16W J		CN760	QGF1205C2-08	CONNECTOR	FFC/FPC (1-8)	
R8265	NRSA63J-562X	MG RESISTOR	5.6kΩ 1/16W J		CN787	QGF1210G1-05	CONNECTOR	FFC/FPC (1-5)	
R8266	NRSA63J-472X	MG RESISTOR	4.7kΩ 1/16W J		CN800	QGF1036C2-10	CONNECTOR	FFC/FPC (1-10)	
R8267	NRSA63J-104X	MG RESISTOR	100kΩ 1/16W J		CN810	QGF1036C2-08	CONNECTOR	FFC/FPC (1-8)	
R8268	NRSA63J-622X	MG RESISTOR	6.2kΩ 1/16W J		CN820	QGF1205C2-08	CONNECTOR	FFC/FPC (1-8)	
R8269	QRE141J-222Y	C RESISTOR	2.2kΩ 1/4W J		CN830	QGF1205C2-19	CONNECTOR	FFC/FPC (1-19)	
R8293	QRE141J-393Y	C RESISTOR	39kΩ 1/4W J		CN850	QGB2510J1-15	CONNECTOR	B-B (1-15)	
R8335	QRE141J-224Y	C RESISTOR	220kΩ 1/4W J		CN860	QGB2510K2-06	CONNECTOR	B-B (1-6)	
R8401	QRE141J-472Y	C RESISTOR	4.7kΩ 1/4W J		CN901	QGF1205F2-05	CONNECTOR	FFC/FPC (1-5)	
R8402	QRE141J-472Y	C RESISTOR	4.7kΩ 1/4W J		FW910	QUM153-21DGZ4-E	FLAT WIRE		
R8403	QRE141J-472Y	C RESISTOR	4.7kΩ 1/4W J		J700	QNB0300-003	SPK TERMINAL		
R8404	QRE141J-683Y	C RESISTOR	68kΩ 1/4W J		J800	QNN0420-001	SURROUND JACK		
R8405	QRE141J-104Y	C RESISTOR	100kΩ 1/4W J		J901	QNS0252-001	MIC JACK		
R8407	NRSA63J-0R0X	MG RESISTOR	0Ω 1/16W J		J902	QNS0252-001	MIC JACK		
R8409	NRSA63J-473X	MG RESISTOR	47kΩ 1/16W J		J910	QNS0266-001	JACK		
R8430	NRSA63J-912X	MG RESISTOR	9.1kΩ 1/16W J		K8000	NRSA63J-0R0X	MG RESISTOR	0Ω 1/16W J	
R8431	NRSA63J-912X	MG RESISTOR	9.1kΩ 1/16W J		K8001	NRSA63J-0R0X	MG RESISTOR	0Ω 1/16W J	
R8432	NRSA63J-912X	MG RESISTOR	9.1kΩ 1/16W J		K9100	QQR0621-001Z	COIL		
R8433	NRSA63J-912X	MG RESISTOR	9.1kΩ 1/16W J		RY712	QSK0109-001	RELAY		
R8434	NRSA63J-824X	MG RESISTOR	820kΩ 1/16W J		RY734	QSK0109-001	RELAY		
R8435	NRSA63J-0R0X	MG RESISTOR	0Ω 1/16W J		RY750	QSK0109-001	RELAY		
R8507	NRSA63J-473X	MG RESISTOR	47kΩ 1/16W J		RY767	QSK0109-001	RELAY		
R8508	NRSA63J-243X	MG RESISTOR	24kΩ 1/16W J		X7700	QAX0711-002Z	CRYSTAL	8.000000MHZ	
R8509	NRSA63J-243X	MG RESISTOR	24kΩ 1/16W J						
R8510	NRSA63J-243X	MG RESISTOR	24kΩ 1/16W J						
R8511	NRSA63J-243X	MG RESISTOR	24kΩ 1/16W J						
R8512	NRSA63J-243X	MG RESISTOR	24kΩ 1/16W J						
R8513	NRSA63J-243X	MG RESISTOR	24kΩ 1/16W J						
R8514	NRSA63J-243X	MG RESISTOR	24kΩ 1/16W J						
R8521	QRE141J-243Y	C RESISTOR	24kΩ 1/4W J						
R8523	QRZ9006-4R7X	FUSI RESISTOR	4.7Ω						
R8524	QRE141J-561Y	C RESISTOR	560Ω 1/4W J						
R8529	NRSA63J-113X	MG RESISTOR	11kΩ 1/16W J						
R8539	QRE141J-822Y	C RESISTOR	8.2kΩ 1/4W J						
R8551	NRSA63J-223X	MG RESISTOR	22kΩ 1/16W J						
R8574	NRSA63J-223X	MG RESISTOR	22kΩ 1/16W J						
R8575	NRSA63J-223X	MG RESISTOR	22kΩ 1/16W J						
R8578	QRE141J-681Y	C RESISTOR	680Ω 1/4W J						
R8579	QRE141J-103Y	C RESISTOR	10kΩ 1/4W J						
R8810	QRE141J-472Y	C RESISTOR	4.7kΩ 1/4W J						
R8811	QRE141J-472Y	C RESISTOR	4.7kΩ 1/4W J						

Amplifier board (DX-T99)

Block No. [0][2]

△ Symbol No.	Part No.	Part Name	Description	Local
△ IC301	STK413-430	IC		
△ IC302	KIA7809API	IC		
△ IC303	KIA7805API	IC		
△ IC304	KIA7810API	IC		
△ IC305	KIA278R05PI	IC		
△ IC306	KIA278R09PI	IC		

△ Symbol No.	Part No.	Part Name	Description	Local	△ Symbol No.	Part No.	Part Name	Description	Local
△ IC307	KIA7808API	IC			C3202	QETN1HM-106Z	E CAPACITOR	10uF 50V M	
△ IC308	KIA7805API	IC			C3203	QDGB1HK-681Y	C CAPACITOR	680pF 50V K	
△ IC401	STK412-430	POWER I.C			C3211	QCBB1HK-221Y	C CAPACITOR	220pF 50V K	
△ IC402	STK412-430	POWER I.C			C3212	QETN1HM-106Z	E CAPACITOR	10uF 50V M	
IC500	PT6305	FL DRIVER			C3213	QDGB1HK-681Y	C CAPACITOR	680pF 50V K	
IC510	GP1UM281XKVF	IR DETECT UNIT			C3221	QCBB1HK-221Y	C CAPACITOR	220pF 50V K	
					C3222	QETN1HM-106Z	E CAPACITOR	10uF 50V M	
Q3101	KTC3200/GLJ-T	TRANSISTOR			C3223	QDGB1HK-681Y	C CAPACITOR	680pF 50V K	
Q3102	KTA1023/OYJ-T	TRANSISTOR			C3402	QCSB1HJ-150Y	C CAPACITOR	15pF 50V J	
Q3103	KTA1268/GLJ-T	TRANSISTOR			C3403	QETN1JM-476Z	E CAPACITOR	47uF 63V M	
Q3104	KTC1027/OYJ-T	TRANSISTOR			C3404	QFLC1HJ-104Z	M CAPACITOR	0.1uF 50V J	
Q3401	KTC3199/GLJ-T	TRANSISTOR			C3405	QFLC1HJ-104Z	M CAPACITOR	0.1uF 50V J	
Q3501	KTC3199/GLJ-T	TRANSISTOR			C3502	QCSB1HJ-150Y	C CAPACITOR	15pF 50V J	
Q3601	KTC3199/GLJ-T	TRANSISTOR			C3503	QETN1JM-476Z	E CAPACITOR	47uF 63V M	
Q3901	KTC3203/OYJ-T	TRANSISTOR			C3504	QFLC1HJ-104Z	M CAPACITOR	0.1uF 50V J	
Q3902	KRC102M-T	DIGI TRANSISTOR			C3505	QFLC1HJ-104Z	M CAPACITOR	0.1uF 50V J	
Q4101	KTC3199/GLJ-T	TRANSISTOR			C3602	QCSB1HJ-150Y	C CAPACITOR	15pF 50V J	
Q4201	KTC3199/GLJ-T	TRANSISTOR			C3603	QETN1JM-476Z	E CAPACITOR	47uF 63V M	
Q4401	KTC3200/GLJ-T	TRANSISTOR			C3604	QFLC1HJ-104Z	M CAPACITOR	0.1uF 50V J	
Q4402	KTA1023/OYJ-T	TRANSISTOR			C3605	QFLC1HJ-104Z	M CAPACITOR	0.1uF 50V J	
Q4403	KTA1268/GLJ-T	TRANSISTOR			C3701	QETN1EM-476Z	E CAPACITOR	47uF 25V M	
Q4404	KTC1027/OYJ-T	TRANSISTOR			C3702	QETN1CM-107Z	E CAPACITOR	100uF 16V M	
Q4601	KTC3199/GLJ-T	TRANSISTOR			C3811	QETN1EM-476Z	E CAPACITOR	47uF 25V M	
Q4701	KTC3199/GLJ-T	TRANSISTOR			C3812	QETN1CM-107Z	E CAPACITOR	100uF 16V M	
Q4901	KTC3200/GLJ-T	TRANSISTOR			C3821	QETN1EM-476Z	E CAPACITOR	47uF 25V M	
Q4902	KTA1268/GLJ-T	TRANSISTOR			C3822	QETN1CM-107Z	E CAPACITOR	100uF 16V M	
Q4903	KTC3199/GLJ-T	TRANSISTOR			C3831	QETN1EM-476Z	E CAPACITOR	47uF 25V M	
Q4904	KTA1268/GLJ-T	TRANSISTOR			C3832	QETN1CM-107Z	E CAPACITOR	100uF 16V M	
Q5004	KRC102M-T	DIGI TRANSISTOR			C3841	QETN1EM-476Z	E CAPACITOR	47uF 25V M	
Q5005	KRC102M-T	DIGI TRANSISTOR			C3842	QETN1CM-107Z	E CAPACITOR	100uF 16V M	
Q5006	KRC102M-T	DIGI TRANSISTOR			C3851	QETN1EM-476Z	E CAPACITOR	47uF 25V M	
Q5007	KRC102M-T	DIGI TRANSISTOR			C3852	QETN1CM-107Z	E CAPACITOR	100uF 16V M	
Q5008	KTA1023/OYJ-T	TRANSISTOR			C4102	QCSB1HJ-150Y	C CAPACITOR	15pF 50V J	
Q5009	KRC102M-T	DIGI TRANSISTOR			C4103	QETN1JM-476Z	E CAPACITOR	47uF 63V M	
Q5010	KRC110M-T	TRANSISTOR			C4104	QFLC1HJ-104Z	M CAPACITOR	0.1uF 50V J	
Q5011	KTC3199/GLJ-T	TRANSISTOR			C4105	QFLC1HJ-104Z	M CAPACITOR	0.1uF 50V J	
					C4202	QCSB1HJ-150Y	C CAPACITOR	15pF 50V J	
D3101	1SS133-T2	SI DIODE			C4203	QETN1JM-476Z	E CAPACITOR	47uF 63V M	
D3301	MTZJ15B-T2	Z DIODE			C4204	QFLC1HJ-104Z	M CAPACITOR	0.1uF 50V J	
D3302	MTZJ15B-T2	Z DIODE			C4205	QFLC1HJ-104Z	M CAPACITOR	0.1uF 50V J	
D3303	MTZJ36A-T2	Z DIODE			C4301	QCBB1HK-221Y	C CAPACITOR	220pF 50V K	
D3304	MTZJ36A-T2	Z DIODE			C4302	QTE1V06-106Z	E CAPACITOR	10uF 35V	
D3401	1SS133-T2	SI DIODE			C4311	QCBB1HK-221Y	C CAPACITOR	220pF 50V K	
D3501	1SS133-T2	SI DIODE			C4312	QTE1V06-106Z	E CAPACITOR	10uF 35V	
D3601	1SS133-T2	SI DIODE			C4313	QCBB1HK-471Y	C CAPACITOR	470pF 50V K	
D3701	MTZJ6.2B-T2	Z DIODE			C4401	QETN1CM-107Z	E CAPACITOR	100uF 16V M	
D3811	MTZJ11B-T2	Z DIODE			C4402	QFZ0212-104Z	M CAPACITOR	0.1uF	
D3821	MTZJ11C-T2	Z DIODE			C4403	QFZ0212-104Z	M CAPACITOR	0.1uF	
D3831	1SS133-T2	SI DIODE			C4404	QETN1HM-105Z	E CAPACITOR	1uF 50V M	
D3832	MTZJ6.2B-T2	Z DIODE			C4405	QETN1HM-105Z	E CAPACITOR	1uF 50V M	
D3841	MTZJ11B-T2	Z DIODE			C4602	QCSB1HJ-220Y	C CAPACITOR	22pF 50V J	
D3901	MTZJ13B-T2	Z DIODE			C4603	QETN1JM-476Z	E CAPACITOR	47uF 63V M	
D3902	1SS133-T2	SI DIODE			C4604	QFLC1HJ-104Z	M CAPACITOR	0.1uF 50V J	
D3903	MTZJ4.3B-T2	Z DIODE			C4605	QFLC1HJ-104Z	M CAPACITOR	0.1uF 50V J	
D4001	MTZJ15B-T2	Z DIODE			C4702	QCSB1HJ-220Y	C CAPACITOR	22pF 50V J	
D4002	MTZJ15B-T2	Z DIODE			C4703	QETN1JM-476Z	E CAPACITOR	47uF 63V M	
D4003	MTZJ36A-T2	Z DIODE			C4704	QFLC1HJ-104Z	M CAPACITOR	0.1uF 50V J	
D4004	MTZJ36A-T2	Z DIODE			C4705	QFLC1HJ-104Z	M CAPACITOR	0.1uF 50V J	
D4101	1SS133-T2	SI DIODE			C4801	QCBB1HK-221Y	C CAPACITOR	220pF 50V K	
D4201	1SS133-T2	SI DIODE			C4802	QTE1V06-106Z	E CAPACITOR	10uF 35V	
D4401	1SS133-T2	SI DIODE			C4803	QCBB1HK-101Y	C CAPACITOR	100pF 50V K	
D4501	MTZJ15B-T2	Z DIODE			C4811	QCBB1HK-221Y	C CAPACITOR	220pF 50V K	
D4502	MTZJ15B-T2	Z DIODE			C4812	QTE1V06-106Z	E CAPACITOR	10uF 35V	
D4503	MTZJ36A-T2	Z DIODE			C4813	QCBB1HK-101Y	C CAPACITOR	100pF 50V K	
D4504	MTZJ36A-T2	Z DIODE			C4901	QETN1HM-106Z	E CAPACITOR	10uF 50V M	
D4601	1SS133-T2	SI DIODE			C4902	QETN1EM-476Z	E CAPACITOR	47uF 25V M	
D4701	1SS133-T2	SI DIODE			C4903	QETN1HM-106Z	E CAPACITOR	10uF 50V M	
D4901	1SS133-T2	SI DIODE			C5000	QETN1HM-226Z	E CAPACITOR	22uF 50V M	
D5004	SLI-343URC-W-T	LED			C5001	QETN1HM-226Z	E CAPACITOR	22uF 50V M	
D5005	SLI-343URC-W-T	LED			C5002	QDGB1HK-102Y	C CAPACITOR	1000pF 50V K	
D5006	SELU2E10C-P	LED			C5003	QKCC1EM-106Z	E CAPACITOR	10uF 25V M	
D5007	SLR-343VC-T	LED			C5004	QCBB1HK-104Y	C CAPACITOR	0.1uF 50V K	
					C5005	QCBB1HK-101Y	C CAPACITOR	100pF 50V K	
C3101	QETN1CM-107Z	E CAPACITOR	100uF 16V M		C5006	QKCC1AM-107Z	E CAPACITOR	100uF 10V M	
C3102	QFZ0212-104Z	M CAPACITOR	0.1uF		C5007	QCBB1HK-104Y	C CAPACITOR	0.1uF 50V K	
C3103	QFZ0212-104Z	M CAPACITOR	0.1uF		C5008	QCBB1HK-103Y	C CAPACITOR	0.01uF 50V K	
C3104	QETN1HM-105Z	E CAPACITOR	1uF 50V M						
C3201	QCBB1HK-221Y	C CAPACITOR	220pF 50V K		R3101	QRE141J-222Y	C RESISTOR	2.2kΩ 1/4W J	

△ Symbol No.	Part No.	Part Name	Description	Local	△ Symbol No.	Part No.	Part Name	Description	Local
R3102	QRE141J-104Y	C RESISTOR	100kΩ 1/4W J		R4204	QRJ146J-100X	UNF C RESISTOR	10Ω 1/4W J	
R3103	QRE141J-103Y	C RESISTOR	10kΩ 1/4W J		R4205	QRE141J-102Y	C RESISTOR	1kΩ 1/4W J	
R3104	QRE141J-103Y	C RESISTOR	10kΩ 1/4W J		R4206	QRE141J-202Y	C RESISTOR	2kΩ 1/4W J	
△ R3105	QRJ146J-470X	UNF C RESISTOR	47Ω 1/4W J		R4207	QRE141J-473Y	C RESISTOR	47kΩ 1/4W J	
R3106	QRE141J-103Y	C RESISTOR	10kΩ 1/4W J		R4208	QRE141J-562Y	C RESISTOR	5.6kΩ 1/4W J	
R3107	QRE141J-103Y	C RESISTOR	10kΩ 1/4W J		R4209	QRJ146J-681X	UNF C RESISTOR	680Ω 1/4W J	
△ R3108	QRJ146J-470X	UNF C RESISTOR	47Ω 1/4W J		R4210	QRE141J-104Y	C RESISTOR	100kΩ 1/4W J	
R3201	QRE141J-102Y	C RESISTOR	1kΩ 1/4W J		R4211	QRE141J-202Y	C RESISTOR	2kΩ 1/4W J	
R3202	QRE141J-102Y	C RESISTOR	1kΩ 1/4W J		R4302	QRE141J-563Y	C RESISTOR	56kΩ 1/4W J	
R3203	QRE141J-102Y	C RESISTOR	1kΩ 1/4W J		R4311	QRE141J-102Y	C RESISTOR	1kΩ 1/4W J	
R3204	QRE141J-563Y	C RESISTOR	56kΩ 1/4W J		R4312	QRE141J-563Y	C RESISTOR	56kΩ 1/4W J	
R3205	QRE141J-563Y	C RESISTOR	56kΩ 1/4W J		R4401	QRE141J-222Y	C RESISTOR	2.2kΩ 1/4W J	
R3206	QRE141J-563Y	C RESISTOR	56kΩ 1/4W J		R4402	QRE141J-104Y	C RESISTOR	100kΩ 1/4W J	
R3301	QRE141J-682Y	C RESISTOR	6.8kΩ 1/4W J		R4403	QRE141J-103Y	C RESISTOR	10kΩ 1/4W J	
R3302	QRE141J-682Y	C RESISTOR	6.8kΩ 1/4W J		R4404	QRE141J-103Y	C RESISTOR	10kΩ 1/4W J	
R3303	QRE141J-682Y	C RESISTOR	6.8kΩ 1/4W J		△ R4405	QRJ146J-470X	UNF C RESISTOR	47Ω 1/4W J	
R3304	QRE141J-682Y	C RESISTOR	6.8kΩ 1/4W J		R4406	QRE141J-103Y	C RESISTOR	10kΩ 1/4W J	
△ R3305	QRJ146J-100X	UNF C RESISTOR	10Ω 1/4W J		R4407	QRE141J-103Y	C RESISTOR	10kΩ 1/4W J	
△ R3306	QRE141J-333Y	C RESISTOR	33kΩ 1/4W J		△ R4408	QRJ146J-470X	UNF C RESISTOR	47Ω 1/4W J	
△ R3401	QRZ0224-R22	EMIT RESISTOR	0.22Ω		R4501	QRE141J-682Y	C RESISTOR	6.8kΩ 1/4W J	
R3402	QRE141J-563Y	C RESISTOR	56kΩ 1/4W J		R4502	QRE141J-682Y	C RESISTOR	6.8kΩ 1/4W J	
△ R3403	QRJ146J-100X	UNF C RESISTOR	10Ω 1/4W J		R4503	QRE141J-682Y	C RESISTOR	6.8kΩ 1/4W J	
R3404	QRJ146J-100X	UNF C RESISTOR	10Ω 1/4W J		R4504	QRE141J-682Y	C RESISTOR	6.8kΩ 1/4W J	
R3405	QRE141J-102Y	C RESISTOR	1kΩ 1/4W J		△ R4505	QRJ146J-100X	UNF C RESISTOR	10Ω 1/4W J	
R3406	QRE141J-202Y	C RESISTOR	2kΩ 1/4W J		R4506	QRE141J-333Y	C RESISTOR	33kΩ 1/4W J	
R3407	QRE141J-473Y	C RESISTOR	47kΩ 1/4W J		△ R4601	QRZ0224-R22	EMIT RESISTOR	0.22Ω	
R3408	QRE141J-562Y	C RESISTOR	5.6kΩ 1/4W J		R4602	QRE141J-563Y	C RESISTOR	56kΩ 1/4W J	
△ R3409	QRJ146J-681X	UNF C RESISTOR	680Ω 1/4W J		△ R4603	QRJ146J-100X	UNF C RESISTOR	10Ω 1/4W J	
R3410	QRE141J-104Y	C RESISTOR	100kΩ 1/4W J		R4604	QRJ146J-100X	UNF C RESISTOR	10Ω 1/4W J	
R3411	QRE141J-202Y	C RESISTOR	2kΩ 1/4W J		R4605	QRE141J-102Y	C RESISTOR	1kΩ 1/4W J	
△ R3501	QRZ0224-R22	EMIT RESISTOR	0.22Ω		R4606	QRE141J-202Y	C RESISTOR	2kΩ 1/4W J	
R3502	QRE141J-563Y	C RESISTOR	56kΩ 1/4W J		R4607	QRE141J-473Y	C RESISTOR	47kΩ 1/4W J	
△ R3503	QRJ146J-100X	UNF C RESISTOR	10Ω 1/4W J		R4608	QRE141J-562Y	C RESISTOR	5.6kΩ 1/4W J	
△ R3504	QRJ146J-100X	UNF C RESISTOR	10Ω 1/4W J		△ R4609	QRJ146J-681X	UNF C RESISTOR	680Ω 1/4W J	
R3505	QRE141J-102Y	C RESISTOR	1kΩ 1/4W J		R4610	QRE141J-104Y	C RESISTOR	100kΩ 1/4W J	
R3506	QRE141J-202Y	C RESISTOR	2kΩ 1/4W J		R4611	QRE141J-202Y	C RESISTOR	2kΩ 1/4W J	
R3507	QRE141J-473Y	C RESISTOR	47kΩ 1/4W J		△ R4701	QRZ0224-R22	EMIT RESISTOR	0.22Ω	
R3508	QRE141J-562Y	C RESISTOR	5.6kΩ 1/4W J		R4702	QRE141J-563Y	C RESISTOR	56kΩ 1/4W J	
△ R3509	QRJ146J-681X	UNF C RESISTOR	680Ω 1/4W J		△ R4703	QRJ146J-100X	UNF C RESISTOR	10Ω 1/4W J	
R3510	QRE141J-104Y	C RESISTOR	100kΩ 1/4W J		△ R4704	QRJ146J-100X	UNF C RESISTOR	10Ω 1/4W J	
R3511	QRE141J-202Y	C RESISTOR	2kΩ 1/4W J		R4705	QRE141J-102Y	C RESISTOR	1kΩ 1/4W J	
△ R3601	QRZ0224-R22	EMIT RESISTOR	0.22Ω		R4706	QRE141J-202Y	C RESISTOR	2kΩ 1/4W J	
R3602	QRE141J-563Y	C RESISTOR	56kΩ 1/4W J		R4707	QRE141J-473Y	C RESISTOR	47kΩ 1/4W J	
△ R3603	QRJ146J-100X	UNF C RESISTOR	10Ω 1/4W J		R4708	QRE141J-562Y	C RESISTOR	5.6kΩ 1/4W J	
R3604	QRJ146J-100X	UNF C RESISTOR	10Ω 1/4W J		△ R4709	QRJ146J-681X	UNF C RESISTOR	680Ω 1/4W J	
R3605	QRE141J-102Y	C RESISTOR	1kΩ 1/4W J		R4710	QRE141J-104Y	C RESISTOR	100kΩ 1/4W J	
R3606	QRE141J-202Y	C RESISTOR	2kΩ 1/4W J		R4711	QRE141J-202Y	C RESISTOR	2kΩ 1/4W J	
R3607	QRE141J-473Y	C RESISTOR	47kΩ 1/4W J		R4801	QRE141J-102Y	C RESISTOR	1kΩ 1/4W J	
R3608	QRE141J-562Y	C RESISTOR	5.6kΩ 1/4W J		R4802	QRE141J-563Y	C RESISTOR	56kΩ 1/4W J	
△ R3609	QRJ146J-681X	UNF C RESISTOR	680Ω 1/4W J		R4811	QRE141J-102Y	C RESISTOR	1kΩ 1/4W J	
R3610	QRE141J-104Y	C RESISTOR	100kΩ 1/4W J		R4812	QRE141J-563Y	C RESISTOR	56kΩ 1/4W J	
R3611	QRE141J-202Y	C RESISTOR	2kΩ 1/4W J		R4901	QRE141J-103Y	C RESISTOR	10kΩ 1/4W J	
R3701	QRE141J-103Y	C RESISTOR	10kΩ 1/4W J		R4902	QRE141J-104Y	C RESISTOR	100kΩ 1/4W J	
R3831	QRE141J-102Y	C RESISTOR	1kΩ 1/4W J		R4903	QRE141J-103Y	C RESISTOR	10kΩ 1/4W J	
R3902	QRE141J-102Y	C RESISTOR	1kΩ 1/4W J		R4904	QRE141J-104Y	C RESISTOR	100kΩ 1/4W J	
R3906	QRE141J-103Y	C RESISTOR	10kΩ 1/4W J		R4905	QRE141J-103Y	C RESISTOR	10kΩ 1/4W J	
R3907	QRE141J-102Y	C RESISTOR	1kΩ 1/4W J		R4906	QRE141J-104Y	C RESISTOR	100kΩ 1/4W J	
R3908	QRE141J-103Y	C RESISTOR	10kΩ 1/4W J		R5000	QRE141J-102Y	C RESISTOR	1kΩ 1/4W J	
R4001	QRE141J-682Y	C RESISTOR	6.8kΩ 1/4W J		R5001	QRE141J-102Y	C RESISTOR	1kΩ 1/4W J	
R4002	QRE141J-682Y	C RESISTOR	6.8kΩ 1/4W J		R5002	QRE141J-122Y	C RESISTOR	1.2kΩ 1/4W J	
R4003	QRE141J-682Y	C RESISTOR	6.8kΩ 1/4W J		R5003	QRE141J-182Y	C RESISTOR	1.8kΩ 1/4W J	
R4004	QRE141J-682Y	C RESISTOR	6.8kΩ 1/4W J		R5004	QRE141J-222Y	C RESISTOR	2.2kΩ 1/4W J	
△ R4005	QRJ146J-100X	UNF C RESISTOR	10Ω 1/4W J		R5005	QRE141J-272Y	C RESISTOR	2.7kΩ 1/4W J	
R4006	QRE141J-333Y	C RESISTOR	33kΩ 1/4W J		R5006	QRE141J-392Y	C RESISTOR	3.9kΩ 1/4W J	
△ R4101	QRZ0224-R22	EMIT RESISTOR	0.22Ω		R5007	QRE141J-562Y	C RESISTOR	5.6kΩ 1/4W J	
R4102	QRE141J-563Y	C RESISTOR	56kΩ 1/4W J		R5008	QRE141J-103Y	C RESISTOR	10kΩ 1/4W J	
△ R4103	QRJ146J-100X	UNF C RESISTOR	10Ω 1/4W J		R5009	QRE141J-102Y	C RESISTOR	1kΩ 1/4W J	
R4104	QRJ146J-100X	UNF C RESISTOR	10Ω 1/4W J		R5010	QRE141J-102Y	C RESISTOR	1kΩ 1/4W J	
R4105	QRE141J-102Y	C RESISTOR	1kΩ 1/4W J		R5011	QRE141J-122Y	C RESISTOR	1.2kΩ 1/4W J	
R4106	QRE141J-202Y	C RESISTOR	2kΩ 1/4W J		R5012	QRE141J-182Y	C RESISTOR	1.8kΩ 1/4W J	
R4107	QRE141J-473Y	C RESISTOR	47kΩ 1/4W J		R5013	QRE141J-222Y	C RESISTOR	2.2kΩ 1/4W J	
R4108	QRE141J-562Y	C RESISTOR	5.6kΩ 1/4W J		R5014	QRE141J-272Y	C RESISTOR	2.7kΩ 1/4W J	
R4109	QRJ146J-681X	UNF C RESISTOR	680Ω 1/4W J		R5015	QRE141J-392Y	C RESISTOR	3.9kΩ 1/4W J	
R4110	QRE141J-104Y	C RESISTOR	100kΩ 1/4W J		R5016	QRE141J-102Y	C RESISTOR	1kΩ 1/4W J	
R4111	QRE141J-202Y	C RESISTOR	2kΩ 1/4W J		R5017	QRE141J-102Y	C RESISTOR	1kΩ 1/4W J	
△ R4201	QRZ0224-R22	EMIT RESISTOR	0.22Ω		R5018	QRE141J-122Y	C RESISTOR	1.2kΩ 1/4W J	
R4202	QRE141J-563Y	C RESISTOR	56kΩ 1/4W J		R5019	QRE141J-182Y	C RESISTOR	1.8kΩ 1/4W J	
△ R4203	QRJ146J-100X	UNF C RESISTOR	10Ω 1/4W J		R5020	QRE141J-222Y	C RESISTOR	2.2kΩ 1/4W J	

△ Symbol No.	Part No.	Part Name	Description	Local
R5021	QRE141J-272Y	C RESISTOR	2.7kΩ 1/4W J	
R5022	QRE141J-392Y	C RESISTOR	3.9kΩ 1/4W J	
R5023	QRE141J-562Y	C RESISTOR	5.6kΩ 1/4W J	
R5024	QRE141J-102Y	C RESISTOR	1kΩ 1/4W J	
R5025	QRE141J-102Y	C RESISTOR	1kΩ 1/4W J	
R5026	QRE141J-122Y	C RESISTOR	1.2kΩ 1/4W J	
R5027	QRE141J-182Y	C RESISTOR	1.8kΩ 1/4W J	
R5028	QRE141J-222Y	C RESISTOR	2.2kΩ 1/4W J	
R5029	QRE141J-272Y	C RESISTOR	2.7kΩ 1/4W J	
R5030	QRE141J-392Y	C RESISTOR	3.9kΩ 1/4W J	
R5035	QRE141J-161Y	C RESISTOR	160Ω 1/4W J	
R5036	QRE141J-161Y	C RESISTOR	160Ω 1/4W J	
R5037	QRE141J-560Y	C RESISTOR	56Ω 1/4W J	
R5038	QRE141J-102Y	C RESISTOR	1kΩ 1/4W J	
R5039	QRE141J-102Y	C RESISTOR	1kΩ 1/4W J	
R5040	QRE141J-102Y	C RESISTOR	1kΩ 1/4W J	
R5041	QRE141J-102Y	C RESISTOR	1kΩ 1/4W J	
R5042	QRE141J-103Y	C RESISTOR	10kΩ 1/4W J	
R5043	QRE141J-271Y	C RESISTOR	270Ω 1/4W J	
R5044	QRE141J-821Y	C RESISTOR	820Ω 1/4W J	
R5045	QRE141J-104Y	C RESISTOR	100kΩ 1/4W J	
R5046	QRE141J-104Y	C RESISTOR	100kΩ 1/4W J	
R5050	QRE141J-103Y	C RESISTOR	10kΩ 1/4W J	
L3401	QQLZ035-R39	COIL	0.39uH	
L3501	QQLZ035-R39	COIL	0.39uH	
L3601	QQLZ035-R39	COIL	0.39uH	
L4101	QQLZ035-R39	COIL	0.39uH	
L4201	QQLZ035-R39	COIL	0.39uH	
L4601	QQLZ035-R39	COIL	0.39uH	
L4701	QQLZ035-R39	COIL	0.39uH	
CN301	QGB2510K2-20	CONNECTOR	B-B (1-20)	
CN302	QGF1205C2-19	CONNECTOR	FFC/FPC (1-19)	
CN303	QGF1205F2-11	CONNECTOR	FFC/FPC (1-11)	
CN304	QGA2501F1-03	CONNECTOR	W-B (1-3)	
CN401	QGB2510K2-16	CONNECTOR	B-B (1-16)	
CN402	QGF1205C2-08	CONNECTOR	FFC/FPC (1-8)	
CN500	QGF1036F2-19	CONNECTOR	FFC/FPC (1-19)	
CN990	QGB2510J1-06	CONNECTOR	B-B (1-6)	
FL500	QLF0150-001	FL TUBE		
FW301	QUM155-16Z4Z4-E	FLAT WIRE		
FW401	QUM154-10Z4Z4-E	FLAT WIRE		
FW500	QUM153-18DGZ4-E	FLAT WIRE		
J990	QNB0263-001	SPK TERMINAL		
S5000	QSW0683-001Z	PUSH SW I.M		
S5001	QSW0683-001Z	PUSH SW I.M		
S5002	QSW0683-001Z	PUSH SW I.M		
S5003	QSW0683-001Z	PUSH SW I.M		
S5004	QSW0683-001Z	PUSH SW I.M		
S5005	QSW0683-001Z	PUSH SW I.M		
S5006	QSW0683-001Z	PUSH SW I.M		
S5007	QSW0683-001Z	PUSH SW I.M		
S5008	QSW0683-001Z	PUSH SW I.M		
S5009	QSW0683-001Z	PUSH SW I.M		
S5010	QSW0683-001Z	PUSH SW I.M		
S5011	QSW0683-001Z	PUSH SW I.M		
S5012	QSW0683-001Z	PUSH SW I.M		
S5013	QSW0683-001Z	PUSH SW I.M		
S5014	QSW0683-001Z	PUSH SW I.M		
S5015	QSW0683-001Z	PUSH SW I.M		
S5016	QSW0683-001Z	PUSH SW I.M		
S5017	QSW0683-001Z	PUSH SW I.M		
S5018	QSW0683-001Z	PUSH SW I.M		
S5019	QSW0683-001Z	PUSH SW I.M		
S5020	QSW0683-001Z	PUSH SW I.M		
S5021	QSW0683-001Z	PUSH SW I.M		
S5022	QSW0683-001Z	PUSH SW I.M		
S5023	QSW0683-001Z	PUSH SW I.M		
S5024	QSW0683-001Z	PUSH SW I.M		
S5025	QSW0683-001Z	PUSH SW I.M		
S5026	QSW0683-001Z	PUSH SW I.M		
S5027	QSW0683-001Z	PUSH SW I.M		
S5028	QSW0683-001Z	PUSH SW I.M		
S5029	QSW0683-001Z	PUSH SW I.M		
S5030	QSW0683-001Z	PUSH SW I.M		
S5031	QSW0683-001Z	PUSH SW I.M		
S5032	QSW0683-001Z	PUSH SW I.M		

△ Symbol No.	Part No.	Part Name	Description	Local
S5033	QSW0683-001Z	PUSH SW I.M		
S5034	QSW0683-001Z	PUSH SW I.M		
SP500	GV40205-004A	IC HOLDER		

Primary board (DX-T99)

Block No. [0][3]

△ Symbol No.	Part No.	Part Name	Description	Local
IC920	BH7868FS-X	IC		
IC930	GP1FAV30TKOF	OPT TRANSMITTER		
Q1000	KTC2026/Y/	TRANSISTOR		
Q1001	KTC3203/OY/-T	TRANSISTOR		
Q2007	KTA1046/Y/	TRANSISTOR		
Q2008	KTC3199/GL/-T	TRANSISTOR		
Q2009	KTC3199/GL/-T	TRANSISTOR		
Q9300	KRA110M-T	TRANSISTOR		
Q9301	KRC110M-T	TRANSISTOR		
Q9303	KTC3199/GL/-T	TRANSISTOR		
△ D1000	1N5402M-20	SI DIODE		
△ D1001	1N5402M-20	SI DIODE		
△ D1002	1N5402M-20	SI DIODE		
△ D1003	1N5402M-20	SI DIODE		
△ D1004	6A10E2	SI DIODE		
△ D1005	6A10E2	SI DIODE		
△ D1006	6A10E2	SI DIODE		
△ D1007	6A10E2	SI DIODE		
△ D1008	6A10E2	SI DIODE		
△ D1009	6A10E2	SI DIODE		
△ D1010	6A10E2	SI DIODE		
△ D1011	6A10E2	SI DIODE		
D1012	MTZJ6.2B-T2	Z DIODE		
D1013	MTZJ18B-T2	Z DIODE		
D1014	MTZJ18B-T2	Z DIODE		
D1015	1N4003S-T5	SI DIODE		
D1016	1N4003S-T5	SI DIODE		
D1017	1N4003S-T5	SI DIODE		
△ D2001	GBU803	BRIDGE DIODE		
D2008	2A02-M	DIODE		
D2009	MTZJ5.1C-T2	Z DIODE		
D2013	1SS133-T2	SI DIODE		
D9300	2A02-M	DIODE		
D9301	MTZJ3.3B-T2	Z DIODE		
D9302	MTZJ2.0A-T2	Z DIODE		
D9303	MTZJ3.9B-T2	Z DIODE		
D9310	MTZJ3.0B-T2	Z DIODE		
D9311	1SS133-T2	SI DIODE		
D9312	1SS133-T2	SI DIODE		
D9313	1SS133-T2	SI DIODE		
C1002	QETN1HM-226Z	E CAPACITOR	22uF 50V M	
C1003	QETN1HM-226Z	E CAPACITOR	22uF 50V M	
C1004	QCB1HK-103Y	C CAPACITOR	0.01uF 50V K	
C1005	QETN1HM-106Z	E CAPACITOR	10uF 50V M	
C1010	QFLC1HJ-104Z	M CAPACITOR	0.1uF 50V J	
C1011	QFLC1HJ-104Z	M CAPACITOR	0.1uF 50V J	
C1012	QFLC1HJ-104Z	M CAPACITOR	0.1uF 50V J	
C1013	QFZ0228-104Z	M CAPACITOR	0.1uF	
C1014	QFZ0228-104Z	M CAPACITOR	0.1uF	
C1015	QFZ0228-104Z	M CAPACITOR	0.1uF	
C1016	QETN2AM-476Z	E CAPACITOR	47uF 100V M	
C1017	QETN1HM-107Z	E CAPACITOR	100uF 50V M	
C2000	QE20581-688	E CAPACITOR	6800uF	
C2004	QE20581-688	E CAPACITOR	6800uF	
C2006	QE20786-688	E CAPACITOR	6800uF	
C2008	QE20786-688	E CAPACITOR	6800uF	
C2009	QFZ0228-104Z	M CAPACITOR	0.1uF	
C2010	QCB1HK-103Y	C CAPACITOR	0.01uF 50V K	
C2011	QCB1HK-221Y	C CAPACITOR	220pF 50V K	
C2012	QETM1CM-478	E CAPACITOR	4700uF 16V M	
C2013	QETM1EM-688	E CAPACITOR	6800uF 25V M	
C9200	QETN1AM-477Z	E CAPACITOR	470uF 10V M	

△ Symbol No.	Part No.	Part Name	Description	Local	△ Symbol No.	Part No.	Part Name	Description	Local
Q9001	KTC3875/YG/-X	TRANSISTOR			C8103	NCS31HJ-151X	C CAPACITOR	150pF 50V J	
Q9002	KTC3875/YG/-X	TRANSISTOR			C8120	QETN1HM-475Z	E CAPACITOR	4.7uF 50V M	
Q9100	KRA111S-X	D. TRANSISTOR			C8121	QETN1HM-475Z	E CAPACITOR	4.7uF 50V M	
Q9101	KTC2875-X	CHIP TR.			C8122	QETN1HM-475Z	E CAPACITOR	4.7uF 50V M	
Q9102	KTC2875-X	CHIP TR.			C8123	QETN1HM-475Z	E CAPACITOR	4.7uF 50V M	
Q9103	KTC2875-X	CHIP TR.			C8125	QTE1H28-106Z	E CAPACITOR	10uF 50V	
Q9104	KTC2875-X	CHIP TR.			C8126	QFG32AJ-272Z	PP CAPACITOR	2700pF 100V J	
D7000	1SS133-T2	SI DIODE			C8127	QFLC1HJ-104Z	M CAPACITOR	0.1uF 50V J	
D7001	1SS133-T2	SI DIODE			C8128	QFLC1HJ-104Z	M CAPACITOR	0.1uF 50V J	
D7010	1SS133-T2	SI DIODE			C8130	QFLC1HJ-104Z	M CAPACITOR	0.1uF 50V J	
D7012	1SS133-T2	SI DIODE			C8131	QFLC1HJ-104Z	M CAPACITOR	0.1uF 50V J	
D7050	MTZJ5.1B-T2	Z DIODE			C8132	QTE1C06-226Z	E CAPACITOR	22uF 16V	
D7080	1SS133-T2	SI DIODE			C8160	QTE1H28-106Z	E CAPACITOR	10uF 50V	
D7081	MTZJ4.7B-T2	Z DIODE			C8161	QTE1H28-106Z	E CAPACITOR	10uF 50V	
D7082	1SS133-T2	SI DIODE			C8162	QTE1V06-106Z	E CAPACITOR	10uF 35V	
D7151	1SS133-T2	SI DIODE			C8170	QETN1HM-106Z	E CAPACITOR	10uF 50V M	
D7152	1SS133-T2	SI DIODE			C8172	QETN1HM-106Z	E CAPACITOR	10uF 50V M	
D7153	1SS133-T2	SI DIODE			C8173	QETN1HM-104Z	E CAPACITOR	0.1uF 50V M	
D7154	1SS133-T2	SI DIODE			C8174	QETN1HM-105Z	E CAPACITOR	1uF 50V M	
D7155	1SS133-T2	SI DIODE			C8176	QETN1HM-104Z	E CAPACITOR	0.1uF 50V M	
D7156	1SS133-T2	SI DIODE			C8180	QFLC1HJ-123Z	M CAPACITOR	0.012uF 50V J	
D7390	1SS133-T2	SI DIODE			C8181	QFLC1HJ-104Z	M CAPACITOR	0.1uF 50V J	
D7711	1SS133-T2	SI DIODE			C8182	QFLC1HJ-153Z	M CAPACITOR	0.015uF 50V J	
D7713	1N4003S-T5	SI DIODE			C8184	QETN1JM-476Z	E CAPACITOR	47uF 63V M	
D8230	1SS133-T2	SI DIODE			C8185	QETN1JM-476Z	E CAPACITOR	47uF 63V M	
D8401	1SS133-T2	SI DIODE			C8202	QETN1HM-106Z	E CAPACITOR	10uF 50V M	
D8524	MTZJ5.6B-T2	Z DIODE			C8203	QFLC1HJ-223Z	M CAPACITOR	0.022uF 50V J	
D9001	1SS133-T2	SI DIODE			C8204	QFLC1HJ-223Z	M CAPACITOR	0.022uF 50V J	
D9002	1SS133-T2	SI DIODE			C8221	QCBB1HK-103Y	C CAPACITOR	0.01uF 50V K	
C7050	QETN1HM-475Z	E CAPACITOR	4.7uF 50V M	T77EE,T77US, T77UX,T77UY, T77UG,T77UN T77UW	C8222	QTE1C06-107Z	E CAPACITOR	100uF 16V	
C7050	QETN1CM-107Z	E CAPACITOR	100uF 16V M		C8230	QETN1EM-476Z	E CAPACITOR	47uF 25V M	
C7080	NCB31HK-102X	C CAPACITOR	1000pF 50V K		C8232	QETN1HM-105Z	E CAPACITOR	1uF 50V M	
C7082	QETN1HM-475Z	E CAPACITOR	4.7uF 50V M		C8261	QETN1EM-476Z	E CAPACITOR	47uF 25V M	
C7083	NCB31HK-103X	C CAPACITOR	0.01uF 50V K		C8262	QFLC1HJ-223Z	M CAPACITOR	0.022uF 50V J	
C7085	QETNOJM-108Z	E CAPACITOR	1000uF 6.3V M		C8263	QETN1HM-225Z	E CAPACITOR	2.2uF 50V M	
C7101	QCBB1HK-101Y	C CAPACITOR	100pF 50V K		C8264	QETN1HM-106Z	E CAPACITOR	10uF 50V M	
C7710	QCBB1HK-103Y	C CAPACITOR	0.01uF 50V K		C8265	QETN1HM-106Z	E CAPACITOR	10uF 50V M	
C7711	QETN1CM-107Z	E CAPACITOR	100uF 16V M		C8266	QETN1HM-475Z	E CAPACITOR	4.7uF 50V M	
C7712	NCS31HJ-200X	C CAPACITOR	20pF 50V J		C8267	QETN1EM-336Z	E CAPACITOR	33uF 25V M	
C7713	NCS31HJ-180X	C CAPACITOR	18pF 50V J		C8268	QETN1HM-224Z	E CAPACITOR	0.22uF 50V M	
C7788	QETN1HM-106Z	E CAPACITOR	10uF 50V M		C8269	QTE1H28-105Z	E CAPACITOR	1uF 50V	
C7794	QETN1HM-106Z	E CAPACITOR	10uF 50V M		C8272	QETN1CM-107Z	E CAPACITOR	100uF 16V M	
C7798	QETN1CM-107Z	E CAPACITOR	100uF 16V M		C8282	QETN1CM-107Z	E CAPACITOR	100uF 16V M	
C8000	QTE1V06-106Z	E CAPACITOR	10uF 35V		C8360	QETN1HM-475Z	E CAPACITOR	4.7uF 50V M	
C8001	QTE1V06-106Z	E CAPACITOR	10uF 35V		C8361	QETN1HM-475Z	E CAPACITOR	4.7uF 50V M	
C8002	QTE1V06-106Z	E CAPACITOR	10uF 35V		C8362	QETN1HM-474Z	E CAPACITOR	0.47uF 50V M	
C8003	NCS31HJ-151X	C CAPACITOR	150pF 50V J		C8363	QETN1EM-476Z	E CAPACITOR	47uF 25V M	
C8020	QETN1HM-475Z	E CAPACITOR	4.7uF 50V M		C8401	QETN1EM-476Z	E CAPACITOR	47uF 25V M	
C8021	QETN1HM-475Z	E CAPACITOR	4.7uF 50V M		C8403	QETN1HM-106Z	E CAPACITOR	10uF 50V M	
C8022	QETN1HM-475Z	E CAPACITOR	4.7uF 50V M		C8430	NCB31HK-222X	C CAPACITOR	2200pF 50V K	
C8023	QETN1HM-475Z	E CAPACITOR	4.7uF 50V M		C8431	NCB31HK-222X	C CAPACITOR	2200pF 50V K	
C8025	QTE1H28-106Z	E CAPACITOR	10uF 50V		C8432	NCB31HK-222X	C CAPACITOR	2200pF 50V K	
C8026	QFG32AJ-272Z	PP CAPACITOR	2700pF 100V J		C8433	NCB31HK-222X	C CAPACITOR	2200pF 50V K	
C8027	QFLC1HJ-104Z	M CAPACITOR	0.1uF 50V J		C8434	QETN1HM-105Z	E CAPACITOR	1uF 50V M	
C8028	QFLC1HJ-104Z	M CAPACITOR	0.1uF 50V J		C8437	QETN1HM-104Z	E CAPACITOR	0.1uF 50V M	
C8030	QFLC1HJ-104Z	M CAPACITOR	0.1uF 50V J		C8502	QFLC1HJ-152Z	M CAPACITOR	1500pF 50V J	
C8031	QFLC1HJ-104Z	M CAPACITOR	0.1uF 50V J		C8504	QFLC1HJ-152Z	M CAPACITOR	1500pF 50V J	
C8032	QTE1C06-226Z	E CAPACITOR	22uF 16V		C8506	QETN1HM-225Z	E CAPACITOR	2.2uF 50V M	
C8060	QTE1H28-106Z	E CAPACITOR	10uF 50V		C8508	QFLC1HJ-102Z	M CAPACITOR	1000pF 50V J	
C8061	QTE1H28-106Z	E CAPACITOR	10uF 50V		C8509	QFLC1HJ-332Z	M CAPACITOR	3300pF 50V J	
C8062	QTE1V06-106Z	E CAPACITOR	10uF 35V		C8512	QETN1HM-225Z	E CAPACITOR	2.2uF 50V M	
C8070	QETN1HM-106Z	E CAPACITOR	10uF 50V M		C8513	QETN1HM-225Z	E CAPACITOR	2.2uF 50V M	
C8072	QETN1HM-106Z	E CAPACITOR	10uF 50V M		C8514	QFLC1HJ-102Z	M CAPACITOR	1000pF 50V J	
C8074	QETN1HM-105Z	E CAPACITOR	1uF 50V M		C8515	QFLC1HJ-472Z	M CAPACITOR	4700pF 50V J	
C8076	QETN1HM-104Z	E CAPACITOR	0.1uF 50V M		C8516	QFLC1HJ-683Z	M CAPACITOR	0.068uF 50V J	
C8080	QETN1HM-106Z	E CAPACITOR	10uF 50V M		C8520	QFLC1HJ-683Z	M CAPACITOR	0.068uF 50V J	
C8082	QETN1HM-104Z	E CAPACITOR	0.1uF 50V M		C8522	QETN1EM-476Z	E CAPACITOR	47uF 25V M	
C8083	QETN1HM-104Z	E CAPACITOR	0.1uF 50V M		C8524	QETN1CM-107Z	E CAPACITOR	100uF 16V M	
C8084	QETN1HM-105Z	E CAPACITOR	1uF 50V M		C8531	NCB31CK-104X	C CAPACITOR	0.1uF 16V K	
C8085	QETN1HM-105Z	E CAPACITOR	1uF 50V M		C8539	QETN1HM-104Z	E CAPACITOR	0.1uF 50V M	
C8086	QETN1HM-104Z	E CAPACITOR	0.1uF 50V M		C8540	QFLC1HJ-102Z	M CAPACITOR	1000pF 50V J	
C8100	QTE1V06-106Z	E CAPACITOR	10uF 35V		C8541	QFLC1HJ-472Z	M CAPACITOR	4700pF 50V J	
C8101	QTE1V06-106Z	E CAPACITOR	10uF 35V		C8542	QFLC1HJ-683Z	M CAPACITOR	0.068uF 50V J	
C8102	QTE1V06-106Z	E CAPACITOR	10uF 35V		C8546	QFLC1HJ-683Z	M CAPACITOR	0.068uF 50V J	
					C8548	QFLC1HJ-102Z	M CAPACITOR	1000pF 50V J	
					C8550	QFLC1HJ-472Z	M CAPACITOR	4700pF 50V J	
					C8551	QETN1HM-105Z	E CAPACITOR	1uF 50V M	
					C8553	QETN1HM-106Z	E CAPACITOR	10uF 50V M	

△ Symbol No.	Part No.	Part Name	Description	Local	△ Symbol No.	Part No.	Part Name	Description	Local
C8555	QETN1CM-107Z	E CAPACITOR	100uF 16V M		R7703	NRSA63J-102X	MG RESISTOR	1kΩ 1/16W J	
C8556	NCB31CK-104X	C CAPACITOR	0.1uF 16V K		R7704	NRSA63J-102X	MG RESISTOR	1kΩ 1/16W J	
C8572	QFLC1HJ-223Z	M CAPACITOR	0.022uF 50V J		R7705	NRSA63J-102X	MG RESISTOR	1kΩ 1/16W J	
C8574	QTE1V06-106Z	E CAPACITOR	10uF 35V		R7706	NRSA63J-102X	MG RESISTOR	1kΩ 1/16W J	
C8575	QTE1V06-106Z	E CAPACITOR	10uF 35V		R7707	NRSA63J-222X	MG RESISTOR	2.2kΩ 1/16W J	
C8576	QFVF1HJ-154Z	MF CAPACITOR	0.15uF 50V J		R7708	NRSA63J-222X	MG RESISTOR	2.2kΩ 1/16W J	
C8578	QETN1HM-105Z	E CAPACITOR	1uF 50V M		R7709	NRSA63J-222X	MG RESISTOR	2.2kΩ 1/16W J	
C8579	QETN1HM-105Z	E CAPACITOR	1uF 50V M		R7715	NRSA63J-103X	MG RESISTOR	10kΩ 1/16W J	
C8581	NCB31AK-154X	C CAPACITOR	0.15uF 10V K		R7717	NRSA63J-103X	MG RESISTOR	10kΩ 1/16W J	
C8583	NCB31AK-154X	C CAPACITOR	0.15uF 10V K		R7718	QRE141J-102Y	C RESISTOR	1kΩ 1/4W J	
C8590	NCB31CK-104X	C CAPACITOR	0.1uF 16V K		R7719	QRE141J-102Y	C RESISTOR	1kΩ 1/4W J	
C8591	NCB31CK-104X	C CAPACITOR	0.1uF 16V K		R7720	QRE141J-102Y	C RESISTOR	1kΩ 1/4W J	
C8593	NCB31CK-104X	C CAPACITOR	0.1uF 16V K		R7721	NRSA63J-122X	MG RESISTOR	1.2kΩ 1/16W J	
C8597	NCB31CK-104X	C CAPACITOR	0.1uF 16V K		R7722	NRSA63J-122X	MG RESISTOR	1.2kΩ 1/16W J	
C8598	NCB31CK-104X	C CAPACITOR	0.1uF 16V K		R7723	NRSA63J-122X	MG RESISTOR	1.2kΩ 1/16W J	
C8810	QETN1CM-107Z	E CAPACITOR	100uF 16V M		R7724	NRSA63J-122X	MG RESISTOR	1.2kΩ 1/16W J	
C8900	QETN1HM-105Z	E CAPACITOR	1uF 50V M		R7725	NRSA63J-122X	MG RESISTOR	1.2kΩ 1/16W J	
C8902	QETN1HM-106Z	E CAPACITOR	10uF 50V M		R7726	NRSA63J-101X	MG RESISTOR	100Ω 1/16W J	
C8903	QETN1HM-106Z	E CAPACITOR	10uF 50V M		R7728	NRSA63J-222X	MG RESISTOR	2.2kΩ 1/16W J	
C9000	NCB31HK-222X	C CAPACITOR	2200pF 50V K		R7731	NRSA63J-222X	MG RESISTOR	2.2kΩ 1/16W J	
C9001	QETN1HM-104Z	E CAPACITOR	0.1uF 50V M		R7732	NRSA63J-103X	MG RESISTOR	10kΩ 1/16W J	
C9003	QEK1EM-106Z	E CAPACITOR	10uF 25V M		R7735	NRSA63J-102X	MG RESISTOR	1kΩ 1/16W J	
C9004	QEK1EM-474Z	E CAPACITOR	0.47uF 50V M		R7737	NRSA63J-102X	MG RESISTOR	1kΩ 1/16W J	
C9005	QEK1EM-104Z	E CAPACITOR	0.1uF 50V M		R7738	NRSA63J-102X	MG RESISTOR	1kΩ 1/16W J	
C9006	QETN1HM-105Z	E CAPACITOR	1uF 50V M		R7739	NRSA63J-102X	MG RESISTOR	1kΩ 1/16W J	
C9007	QEK1EM-104Z	E CAPACITOR	0.1uF 50V M		R7740	NRSA63J-102X	MG RESISTOR	1kΩ 1/16W J	
C9008	QETN1HM-105Z	E CAPACITOR	1uF 50V M		R7742	NRSA63J-102X	MG RESISTOR	1kΩ 1/16W J	
C9009	QETN1EM-476Z	E CAPACITOR	47uF 25V M		R7743	NRSA63J-102X	MG RESISTOR	1kΩ 1/16W J	
C9010	QEK1CM-107Z	E CAPACITOR	100uF 16V M		R7744	NRSA63J-102X	MG RESISTOR	1kΩ 1/16W J	
C9021	NCB31HK-102X	C CAPACITOR	1000pF 50V K		R7745	NRSA63J-103X	MG RESISTOR	10kΩ 1/16W J	
C9022	NCB31HK-102X	C CAPACITOR	1000pF 50V K		R7746	NRSA63J-102X	MG RESISTOR	1kΩ 1/16W J	
C9030	NDC31HJ-680X	C CAPACITOR	68pF 50V J		R7747	NRSA63J-0R0X	MG RESISTOR	0Ω 1/16W J	
C9031	NDC31HJ-680X	C CAPACITOR	68pF 50V J		R7748	NRSA63J-102X	MG RESISTOR	1kΩ 1/16W J	
C9032	NDC31HJ-680X	C CAPACITOR	68pF 50V J		R7749	NRSA63J-102X	MG RESISTOR	1kΩ 1/16W J	
C9033	NDC31HJ-680X	C CAPACITOR	68pF 50V J		R7751	QRE141J-222Y	C RESISTOR	2.2kΩ 1/4W J	
C9034	QEK1EM-474Z	E CAPACITOR	0.47uF 50V M		R7752	QRE141J-222Y	C RESISTOR	2.2kΩ 1/4W J	
C9101	QDGB1HK-102Y	C CAPACITOR	1000pF 50V K		R7753	NRSA63J-102X	MG RESISTOR	1kΩ 1/16W J	
C9102	QDGB1HK-102Y	C CAPACITOR	1000pF 50V K		R7754	NRSA63J-222X	MG RESISTOR	2.2kΩ 1/16W J	
C9103	QDXB1CM-392Y	C CAPACITOR	3900pF 16V M		R7755	NRSA63J-222X	MG RESISTOR	2.2kΩ 1/16W J	
C9104	QDXB1CM-392Y	C CAPACITOR	3900pF 16V M		R7756	NRSA63J-222X	MG RESISTOR	2.2kΩ 1/16W J	
C9105	QDGB1HK-102Y	C CAPACITOR	1000pF 50V K		R7759	NRSA63J-103X	MG RESISTOR	10kΩ 1/16W J	T77US,T77UN
R7000	QRE141J-222Y	C RESISTOR	2.2kΩ 1/4W J		R7760	NRSA63J-103X	MG RESISTOR	10kΩ 1/16W J	T77UW,T77UY
R7001	QRL01DJ-151X	OMF RESISTOR	150Ω 1W J		R7761	NRSA63J-103X	MG RESISTOR	10kΩ 1/16W J	T77UX,T77UG
R7002	QRL01DJ-151X	OMF RESISTOR	150Ω 1W J		R7762	NRSA63J-222X	MG RESISTOR	2.2kΩ 1/16W J	
R7003	QRL01DJ-151X	OMF RESISTOR	150Ω 1W J		R7763	QRE141J-102Y	C RESISTOR	1kΩ 1/4W J	
R7004	QRL01DJ-151X	OMF RESISTOR	150Ω 1W J		R7766	NRSA63J-102X	MG RESISTOR	1kΩ 1/16W J	
R7005	QRL01DJ-151X	OMF RESISTOR	150Ω 1W J		R7767	NRSA63J-222X	MG RESISTOR	2.2kΩ 1/16W J	
R7006	QRL01DJ-151X	OMF RESISTOR	150Ω 1W J		R7768	NRSA63J-222X	MG RESISTOR	2.2kΩ 1/16W J	
R7010	QRE141J-222Y	C RESISTOR	2.2kΩ 1/4W J		R7769	NRSA63J-102X	MG RESISTOR	1kΩ 1/16W J	
R7011	QRL01DJ-151X	OMF RESISTOR	150Ω 1W J		R7770	NRSA63J-102X	MG RESISTOR	1kΩ 1/16W J	
R7012	QRL01DJ-151X	OMF RESISTOR	150Ω 1W J		R7771	QRE141J-104Y	C RESISTOR	100kΩ 1/4W J	
R7013	QRL01DJ-151X	OMF RESISTOR	150Ω 1W J		R7772	QRE141J-222Y	C RESISTOR	2.2kΩ 1/4W J	
R7014	QRL01DJ-151X	OMF RESISTOR	150Ω 1W J		R7773	QRE141J-222Y	C RESISTOR	2.2kΩ 1/4W J	
R7015	QRL01DJ-151X	OMF RESISTOR	150Ω 1W J		R7774	QRE141J-102Y	C RESISTOR	1kΩ 1/4W J	
R7016	QRL01DJ-151X	OMF RESISTOR	150Ω 1W J		R7775	NRSA63J-222X	MG RESISTOR	2.2kΩ 1/16W J	
R7050	QRE141J-563Y	C RESISTOR	56kΩ 1/4W J		R7776	NRSA63J-222X	MG RESISTOR	2.2kΩ 1/16W J	
R7080	NRSA63J-223X	MG RESISTOR	22kΩ 1/16W J		R7777	NRSA63J-102X	MG RESISTOR	1kΩ 1/16W J	
R7081	NRSA63J-103X	MG RESISTOR	10kΩ 1/16W J		R7778	NRSA63J-222X	MG RESISTOR	2.2kΩ 1/16W J	
R7082	NRSA63J-102X	MG RESISTOR	1kΩ 1/16W J		R7779	NRSA63J-222X	MG RESISTOR	2.2kΩ 1/16W J	
R7083	NRSA63J-222X	MG RESISTOR	2.2kΩ 1/16W J		R7781	NRSA63J-222X	MG RESISTOR	2.2kΩ 1/16W J	
R7084	NRSA63J-681X	MG RESISTOR	680Ω 1/16W J		R7786	NRSA63J-222X	MG RESISTOR	2.2kΩ 1/16W J	
R7085	NRSA63J-681X	MG RESISTOR	680Ω 1/16W J		R7788	NRSA63J-222X	MG RESISTOR	2.2kΩ 1/16W J	
R7151	QRE141J-123Y	C RESISTOR	12kΩ 1/4W J		R7789	NRSA63J-222X	MG RESISTOR	2.2kΩ 1/16W J	
R7152	QRE141J-123Y	C RESISTOR	12kΩ 1/4W J		R7790	NRSA63J-102X	MG RESISTOR	1kΩ 1/16W J	
R7153	QRE141J-123Y	C RESISTOR	12kΩ 1/4W J		R7791	NRSA63J-102X	MG RESISTOR	1kΩ 1/16W J	
R7154	QRE141J-123Y	C RESISTOR	12kΩ 1/4W J		R7792	NRSA63J-102X	MG RESISTOR	1kΩ 1/16W J	
R7155	QRE141J-123Y	C RESISTOR	12kΩ 1/4W J		R7794	NRSA63J-222X	MG RESISTOR	2.2kΩ 1/16W J	
R7156	QRE141J-123Y	C RESISTOR	12kΩ 1/4W J		R7796	NRSA63J-222X	MG RESISTOR	2.2kΩ 1/16W J	
R7200	QRE141J-273Y	C RESISTOR	27kΩ 1/4W J		R7797	NRSA63J-102X	MG RESISTOR	1kΩ 1/16W J	
R7251	QRE141J-222Y	C RESISTOR	2.2kΩ 1/4W J		R7798	NRSA63J-102X	MG RESISTOR	1kΩ 1/16W J	
R7252	QRE141J-222Y	C RESISTOR	2.2kΩ 1/4W J		R7803	NRSA63J-103X	MG RESISTOR	10kΩ 1/16W J	
R7253	QRE141J-222Y	C RESISTOR	2.2kΩ 1/4W J		R7804	NRSA63J-103X	MG RESISTOR	10kΩ 1/16W J	
R7254	QRE141J-272Y	C RESISTOR	2.7kΩ 1/4W J		R7805	NRSA63J-103X	MG RESISTOR	10kΩ 1/16W J	
R7255	QRE141J-272Y	C RESISTOR	2.7kΩ 1/4W J		R7806	NRSA63J-103X	MG RESISTOR	10kΩ 1/16W J	
R7256	QRE141J-272Y	C RESISTOR	2.7kΩ 1/4W J		R7807	NRSA63J-103X	MG RESISTOR	10kΩ 1/16W J	
R7600	QRE141J-103Y	C RESISTOR	10kΩ 1/4W J		R7808	NRSA63J-103X	MG RESISTOR	10kΩ 1/16W J	
R7702	NRSA63J-222X	MG RESISTOR	2.2kΩ 1/16W J		R7809	NRSA63J-103X	MG RESISTOR	10kΩ 1/16W J	

△ Symbol No.	Part No.	Part Name	Description	Local	△ Symbol No.	Part No.	Part Name	Description	Local
R7821	NRSA63J-222X	MG RESISTOR	2.2kΩ 1/16W J		R8130	QRE141J-472Y	C RESISTOR	4.7kΩ 1/4W J	
R7823	NRSA63J-222X	MG RESISTOR	2.2kΩ 1/16W J		R8131	QRE141J-332Y	C RESISTOR	3.3kΩ 1/4W J	
R7824	NRSA63J-222X	MG RESISTOR	2.2kΩ 1/16W J		R8132	QRE141J-682Y	C RESISTOR	6.8kΩ 1/4W J	
R7825	NRSA63J-222X	MG RESISTOR	2.2kΩ 1/16W J		R8133	QRE141J-124Y	C RESISTOR	120kΩ 1/4W J	
R7852	NRSA63J-104X	MG RESISTOR	100kΩ 1/16W J		R8134	QRE141J-473Y	C RESISTOR	47kΩ 1/4W J	
R7859	NRSA63J-103X	MG RESISTOR	10kΩ 1/16W J	T77EE,T77UW, T77UX,T77UY, T77UG	R8135	NRSA63J-101X	MG RESISTOR	100Ω 1/16W J	
R7860	NRSA63J-103X	MG RESISTOR	10kΩ 1/16W J	T77EE,T77US, T77UX,T77UG,T 77UN	R8136	NRSA63J-101X	MG RESISTOR	100Ω 1/16W J	
R7861	NRSA63J-103X	MG RESISTOR	10kΩ 1/16W J	T77EE,T77US, T77UW,T77UY, T77UN	R8142	QRE141J-392Y	C RESISTOR	3.9kΩ 1/4W J	
R7867	NRSA63J-103X	MG RESISTOR	10kΩ 1/16W J		R8143	QRE141J-103Y	C RESISTOR	10kΩ 1/4W J	
R7871	NRSA63J-104X	MG RESISTOR	100kΩ 1/16W J		R8146	QRE141J-393Y	C RESISTOR	39kΩ 1/4W J	
R7875	NRSA63J-104X	MG RESISTOR	100kΩ 1/16W J		R8160	QRE141J-912Y	C RESISTOR	9.1kΩ 1/4W J	
R7876	NRSA63J-103X	MG RESISTOR	10kΩ 1/16W J		R8161	NRSA63J-103X	MG RESISTOR	10kΩ 1/16W J	
R7878	NRSA63J-104X	MG RESISTOR	100kΩ 1/16W J		R8162	NRSA63J-103X	MG RESISTOR	10kΩ 1/16W J	
R7879	NRSA63J-103X	MG RESISTOR	10kΩ 1/16W J		R8170	NRSA63J-102X	MG RESISTOR	1kΩ 1/16W J	
R7881	QRE141J-103Y	C RESISTOR	10kΩ 1/4W J		R8171	NRSA63J-104X	MG RESISTOR	100kΩ 1/16W J	
R7886	NRSA63J-103X	MG RESISTOR	10kΩ 1/16W J		R8172	NRSA63J-103X	MG RESISTOR	10kΩ 1/16W J	
R7892	NRSA63J-103X	MG RESISTOR	10kΩ 1/16W J		R8173	NRSA63J-103X	MG RESISTOR	10kΩ 1/16W J	
R7897	NRSA63J-103X	MG RESISTOR	10kΩ 1/16W J		R8174	NRSA63J-102X	MG RESISTOR	1kΩ 1/16W J	
R7899	NRSA63J-103X	MG RESISTOR	10kΩ 1/16W J		R8175	NRSA63J-103X	MG RESISTOR	10kΩ 1/16W J	
R8000	NRSA63J-473X	MG RESISTOR	47kΩ 1/16W J		R8180	QRE141J-223Y	C RESISTOR	22kΩ 1/4W J	
R8001	NRSA63J-473X	MG RESISTOR	47kΩ 1/16W J		R8182	QRE141J-163Y	C RESISTOR	16kΩ 1/4W J	
R8002	NRSA63J-223X	MG RESISTOR	22kΩ 1/16W J		R8183	QRE141J-223Y	C RESISTOR	22kΩ 1/4W J	
R8003	NRSA63J-223X	MG RESISTOR	22kΩ 1/16W J		R8186	QRE141J-103Y	C RESISTOR	10kΩ 1/4W J	
R8004	NRSA63J-152X	MG RESISTOR	1.5kΩ 1/16W J		R8187	QRE141J-272Y	C RESISTOR	2.7kΩ 1/4W J	
R8005	NRSA63J-223X	MG RESISTOR	22kΩ 1/16W J		R8189	QRE141J-472Y	C RESISTOR	4.7kΩ 1/4W J	
R8006	NRSA63J-103X	MG RESISTOR	10kΩ 1/16W J		R8190	QRE141J-153Y	C RESISTOR	15kΩ 1/4W J	
R8007	NRSA63J-223X	MG RESISTOR	22kΩ 1/16W J		R8191	QRE141J-154Y	C RESISTOR	150kΩ 1/4W J	
R8020	NRSA63J-392X	MG RESISTOR	3.9kΩ 1/16W J		R8192	NRSA63J-363X	MG RESISTOR	36kΩ 1/16W J	
R8021	NRSA63J-104X	MG RESISTOR	100kΩ 1/16W J		R8193	NRSA63J-470X	MG RESISTOR	47Ω 1/16W J	
R8030	QRE141J-472Y	C RESISTOR	4.7kΩ 1/4W J		R8194	NRSA63J-133X	MG RESISTOR	13kΩ 1/16W J	
R8031	QRE141J-332Y	C RESISTOR	3.3kΩ 1/4W J		R8195	NRSA63J-242X	MG RESISTOR	2.4kΩ 1/16W J	
R8032	QRE141J-682Y	C RESISTOR	6.8kΩ 1/4W J		R8196	NRSA63J-103X	MG RESISTOR	10kΩ 1/16W J	
R8033	QRE141J-124Y	C RESISTOR	120kΩ 1/4W J		R8198	NRSA63J-223X	MG RESISTOR	22kΩ 1/16W J	
R8034	QRE141J-473Y	C RESISTOR	47kΩ 1/4W J		R8199	QRE141J-105Y	C RESISTOR	1MΩ 1/4W J	
R8035	NRSA63J-101X	MG RESISTOR	100Ω 1/16W J		R8202	NRSA63J-103X	MG RESISTOR	10kΩ 1/16W J	
R8036	NRSA63J-101X	MG RESISTOR	100Ω 1/16W J		R8203	NRSA63J-223X	MG RESISTOR	22kΩ 1/16W J	
R8042	QRE141J-392Y	C RESISTOR	3.9kΩ 1/4W J		R8204	NRSA63J-223X	MG RESISTOR	22kΩ 1/16W J	
R8043	QRE141J-103Y	C RESISTOR	10kΩ 1/4W J		R8205	NRSA63J-243X	MG RESISTOR	24kΩ 1/16W J	
R8046	QRE141J-393Y	C RESISTOR	39kΩ 1/4W J		R8206	NRSA63J-103X	MG RESISTOR	10kΩ 1/16W J	
R8060	QRE141J-912Y	C RESISTOR	9.1kΩ 1/4W J		R8211	NRSA63J-223X	MG RESISTOR	22kΩ 1/16W J	
R8061	NRSA63J-103X	MG RESISTOR	10kΩ 1/16W J		R8212	NRSA63J-103X	MG RESISTOR	10kΩ 1/16W J	
R8062	NRSA63J-103X	MG RESISTOR	10kΩ 1/16W J		R8223	NRSA63J-0R0X	MG RESISTOR	0Ω 1/16W J	
R8070	NRSA63J-102X	MG RESISTOR	1kΩ 1/16W J		R8224	NRSA63J-0R0X	MG RESISTOR	0Ω 1/16W J	
R8071	NRSA63J-104X	MG RESISTOR	100kΩ 1/16W J		R8225	NRSA63J-0R0X	MG RESISTOR	0Ω 1/16W J	
R8072	NRSA63J-103X	MG RESISTOR	10kΩ 1/16W J		R8230	QRE141J-123Y	C RESISTOR	12kΩ 1/4W J	
R8073	NRSA63J-103X	MG RESISTOR	10kΩ 1/16W J		R8231	QRE141J-512Y	C RESISTOR	5.1kΩ 1/4W J	
R8074	NRSA63J-102X	MG RESISTOR	1kΩ 1/16W J		R8232	QRE141J-823Y	C RESISTOR	82kΩ 1/4W J	
R8075	NRSA63J-103X	MG RESISTOR	10kΩ 1/16W J		R8235	QRE141J-224Y	C RESISTOR	220kΩ 1/4W J	
R8080	NRSA63J-102X	MG RESISTOR	1kΩ 1/16W J		R8260	NRSA63J-474X	MG RESISTOR	470kΩ 1/16W J	
R8081	NRSA63J-104X	MG RESISTOR	100kΩ 1/16W J		R8261	NRSA63J-474X	MG RESISTOR	470kΩ 1/16W J	
R8082	NRSA63J-103X	MG RESISTOR	10kΩ 1/16W J		R8262	NRSA63J-101X	MG RESISTOR	100Ω 1/16W J	
R8083	QRE141J-103Y	C RESISTOR	10kΩ 1/4W J		R8263	NRSA63J-475X	MG RESISTOR	4.7MΩ 1/16W J	
R8084	NRSA63J-102X	MG RESISTOR	1kΩ 1/16W J		R8264	NRSA63J-153X	MG RESISTOR	15kΩ 1/16W J	
R8085	NRSA63J-103X	MG RESISTOR	10kΩ 1/16W J		R8265	NRSA63J-562X	MG RESISTOR	5.6kΩ 1/16W J	
R8090	QRE141J-153Y	C RESISTOR	15kΩ 1/4W J		R8266	NRSA63J-472X	MG RESISTOR	4.7kΩ 1/16W J	
R8091	QRE141J-154Y	C RESISTOR	150kΩ 1/4W J		R8267	NRSA63J-104X	MG RESISTOR	100kΩ 1/16W J	
R8092	NRSA63J-363X	MG RESISTOR	36kΩ 1/16W J		R8268	NRSA63J-622X	MG RESISTOR	6.2kΩ 1/16W J	
R8093	NRSA63J-470X	MG RESISTOR	47Ω 1/16W J		R8269	QRE141J-222Y	C RESISTOR	2.2kΩ 1/4W J	
R8094	NRSA63J-133X	MG RESISTOR	13kΩ 1/16W J		R8293	QRE141J-393Y	C RESISTOR	39kΩ 1/4W J	
R8095	NRSA63J-242X	MG RESISTOR	2.4kΩ 1/16W J		R8335	QRE141J-224Y	C RESISTOR	220kΩ 1/4W J	
R8096	NRSA63J-103X	MG RESISTOR	10kΩ 1/16W J		R8401	QRE141J-472Y	C RESISTOR	4.7kΩ 1/4W J	
R8098	NRSA63J-223X	MG RESISTOR	22kΩ 1/16W J		R8402	QRE141J-472Y	C RESISTOR	4.7kΩ 1/4W J	
R8099	QRE141J-105Y	C RESISTOR	1MΩ 1/4W J		R8403	QRE141J-472Y	C RESISTOR	4.7kΩ 1/4W J	
R8100	NRSA63J-473X	MG RESISTOR	47kΩ 1/16W J		R8404	QRE141J-683Y	C RESISTOR	68kΩ 1/4W J	
R8101	NRSA63J-473X	MG RESISTOR	47kΩ 1/16W J		R8405	QRE141J-104Y	C RESISTOR	100kΩ 1/4W J	
R8102	NRSA63J-223X	MG RESISTOR	22kΩ 1/16W J		R8407	NRSA63J-0R0X	MG RESISTOR	0Ω 1/16W J	
R8103	NRSA63J-223X	MG RESISTOR	22kΩ 1/16W J		R8409	NRSA63J-473X	MG RESISTOR	47kΩ 1/16W J	
R8104	NRSA63J-152X	MG RESISTOR	1.5kΩ 1/16W J		R8430	NRSA63J-912X	MG RESISTOR	9.1kΩ 1/16W J	
R8105	NRSA63J-223X	MG RESISTOR	22kΩ 1/16W J		R8431	NRSA63J-912X	MG RESISTOR	9.1kΩ 1/16W J	
R8106	NRSA63J-103X	MG RESISTOR	10kΩ 1/16W J		R8432	NRSA63J-912X	MG RESISTOR	9.1kΩ 1/16W J	
R8107	NRSA63J-223X	MG RESISTOR	22kΩ 1/16W J		R8433	NRSA63J-912X	MG RESISTOR	9.1kΩ 1/16W J	
R8120	NRSA63J-392X	MG RESISTOR	3.9kΩ 1/16W J		R8434	NRSA63J-824X	MG RESISTOR	820kΩ 1/16W J	
R8121	QRE141J-104Y	C RESISTOR	100kΩ 1/4W J		R8435	NRSA63J-0R0X	MG RESISTOR	0Ω 1/16W J	
					R8507	NRSA63J-473X	MG RESISTOR	47kΩ 1/16W J	
					R8508	NRSA63J-243X	MG RESISTOR	24kΩ 1/16W J	
					R8509	NRSA63J-243X	MG RESISTOR	24kΩ 1/16W J	
					R8510	NRSA63J-243X	MG RESISTOR	24kΩ 1/16W J	
					R8511	NRSA63J-243X	MG RESISTOR	24kΩ 1/16W J	

△ Symbol No. Part No. Part Name Description Local

Amplifier board (DX-T77)

Block No. [0][5]

△ Symbol No.	Part No.	Part Name	Description	Local
R8512	NRSA63J-243X	MG RESISTOR	24kΩ 1/16W J	
R8513	NRSA63J-243X	MG RESISTOR	24kΩ 1/16W J	
R8514	NRSA63J-243X	MG RESISTOR	24kΩ 1/16W J	
R8521	QRE141J-243Y	C RESISTOR	24kΩ 1/4W J	
R8523	QRZ9006-4R7X	FUSI RESISTOR	4.7Ω	
R8524	QRE141J-561Y	C RESISTOR	560Ω 1/4W J	
R8529	NRSA63J-113X	MG RESISTOR	11kΩ 1/16W J	
R8539	QRE141J-822Y	C RESISTOR	8.2kΩ 1/4W J	
R8551	NRSA63J-223X	MG RESISTOR	22kΩ 1/16W J	
R8574	NRSA63J-223X	MG RESISTOR	22kΩ 1/16W J	
R8575	NRSA63J-223X	MG RESISTOR	22kΩ 1/16W J	
R8578	QRE141J-681Y	C RESISTOR	680Ω 1/4W J	
R8579	QRE141J-103Y	C RESISTOR	10kΩ 1/4W J	
R8810	QRE141J-472Y	C RESISTOR	4.7kΩ 1/4W J	
R8811	QRE141J-472Y	C RESISTOR	4.7kΩ 1/4W J	
R8900	QRE141J-102Y	C RESISTOR	1kΩ 1/4W J	
R9000	NRSA63J-103X	MG RESISTOR	10kΩ 1/16W J	
R9001	NRSA63J-104X	MG RESISTOR	100kΩ 1/16W J	
R9002	NRSA63J-102X	MG RESISTOR	1kΩ 1/16W J	
R9003	NRSA63J-274X	MG RESISTOR	270kΩ 1/16W J	
R9004	NRSA63J-562X	MG RESISTOR	5.6kΩ 1/16W J	
R9005	NRSA63J-102X	MG RESISTOR	1kΩ 1/16W J	
R9006	NRSA63J-821X	MG RESISTOR	820Ω 1/16W J	
R9007	NRSA63J-474X	MG RESISTOR	470kΩ 1/16W J	
R9010	NRSA63J-0R0X	MG RESISTOR	0Ω 1/16W J	
R9011	NRSA63J-824X	MG RESISTOR	820kΩ 1/16W J	
R9012	NRSA63J-163X	MG RESISTOR	16kΩ 1/16W J	
R9013	NRSA63J-103X	MG RESISTOR	10kΩ 1/16W J	
R9014	NRSA63J-103X	MG RESISTOR	10kΩ 1/16W J	
R9015	QRE141J-221Y	C RESISTOR	220Ω 1/4W J	
R9017	NRSA63J-104X	MG RESISTOR	100kΩ 1/16W J	
R9021	NRSA63J-472X	MG RESISTOR	4.7kΩ 1/16W J	
R9022	NRSA63J-472X	MG RESISTOR	4.7kΩ 1/16W J	
R9030	NRSA63J-564X	MG RESISTOR	560kΩ 1/16W J	
R9031	NRSA63J-564X	MG RESISTOR	560kΩ 1/16W J	
R9032	NRSA63J-564X	MG RESISTOR	560kΩ 1/16W J	
R9033	NRSA63J-564X	MG RESISTOR	560kΩ 1/16W J	
R9034	NRSA63J-103X	MG RESISTOR	10kΩ 1/16W J	
R9035	NRSA63J-393X	MG RESISTOR	39kΩ 1/16W J	
R9036	QRE141J-101Y	C RESISTOR	100Ω 1/4W J	
R9101	NRSA63J-472X	MG RESISTOR	4.7kΩ 1/16W J	
R9102	NRSA63J-472X	MG RESISTOR	4.7kΩ 1/16W J	
R9103	NRSA63J-472X	MG RESISTOR	4.7kΩ 1/16W J	
R9104	NRSA63J-472X	MG RESISTOR	4.7kΩ 1/16W J	
VR901	QVQ0342-B24	V RESISTOR		
L9100	QQL231K-2R2Y	COIL	2.2uH K	
L9101	QQL231K-470Y	COIL	47uH K	
L9102	QQL231K-470Y	COIL	47uH K	
CN720	QGF1036C2-19	CONNECTOR	FFC/FPC (1-19)	
CN730	QGF1205C2-25	CONNECTOR	FFC/FPC (1-25)	
CN740	QGF1205F2-05	CONNECTOR	FFC/FPC (1-5)	
CN750	QGF1205F2-11	CONNECTOR	FFC/FPC (1-11)	
CN760	QGF1205C2-08	CONNECTOR	FFC/FPC (1-8)	
CN787	QGF1210G1-05	CONNECTOR	FFC/FPC (1-5)	
CN800	QGF1036C2-10	CONNECTOR	FFC/FPC (1-10)	
CN810	QGF1036C2-08	CONNECTOR	FFC/FPC (1-8)	
CN820	QGF1205C2-08	CONNECTOR	FFC/FPC (1-8)	
CN830	QGF1205C2-19	CONNECTOR	FFC/FPC (1-19)	
CN850	QGB2510J1-13	CONNECTOR	B-B (1-13)	
CN860	QGB2510K2-04	CONNECTOR	B-B (1-4)	
CN901	QGF1205F2-05	CONNECTOR	FFC/FPC (1-5)	
FW910	QUM153-21DG24-E	FLAT WIRE		
J700	QNB0300-002	SPK TERMINAL		
J800	QNN0420-001	SURROUND JACK		
J901	QNS0252-001	MIC JACK		
J902	QNS0252-001	MIC JACK		
J910	QNS0266-001	JACK		
K8000	NRSA63J-0R0X	MG RESISTOR	0Ω 1/16W J	
K8001	NRSA63J-0R0X	MG RESISTOR	0Ω 1/16W J	
K9100	QQR0621-001Z	COIL		
RY712	QSK0109-001	RELAY		
RY734	QSK0109-001	RELAY		
RY756	QSK0109-001	RELAY		
RY767	QSK0109-001	RELAY		
X7700	QAX0711-002Z	CRYSTAL	8.000000MHz	

△ Symbol No. Part No. Part Name Description Local

△ Symbol No.	Part No.	Part Name	Description	Local
IC500	PT6305	FL DRIVER		
IC510	GP1UM281XKVF	IR DETECT UNIT		
△ IC601	STK402-240	IC		
△ IC602	KIA7809API	IC		
△ IC603	KIA7805API	IC		
△ IC604	KIA7809API	IC		
△ IC605	KIA278R05PI	IC		
△ IC606	KIA278R09PI	IC		
△ IC607	KIA7808API	IC		
△ IC608	KIA7805API	IC		
△ IC650	STK413-430	IC		
Q5004	KRC102M-T	DIGI TRANSISTOR		
Q5005	KRC102M-T	DIGI TRANSISTOR		
Q5006	KRC102M-T	DIGI TRANSISTOR		
Q5007	KRC102M-T	DIGI TRANSISTOR		
Q5008	KTA1023/OY/-T	TRANSISTOR		
Q5009	KRC102M-T	DIGI TRANSISTOR		
Q5010	KRC110M-T	TRANSISTOR		
Q5011	KTC3199/GL/-T	TRANSISTOR		
Q6001	KRC102M-T	DIGI TRANSISTOR		
Q6002	KTA1267/YG/-T	TRANSISTOR		
Q6211	KTC3199/GL/-T	TRANSISTOR		
Q6221	KTC3199/GL/-T	TRANSISTOR		
Q6231	KTC3199/GL/-T	TRANSISTOR		
Q6351	KTC3203/OY/-T	TRANSISTOR		
Q6352	KRC102M-T	DIGI TRANSISTOR		
Q6511	KTC3199/GL/-T	TRANSISTOR		
Q6521	KTC3199/GL/-T	TRANSISTOR		
Q6531	KTC3199/GL/-T	TRANSISTOR		
Q6601	KTC3200/GL/-T	TRANSISTOR		
Q6602	KTA1023/OY/-T	TRANSISTOR		
Q6603	KTA1268/GL/-T	TRANSISTOR		
Q6604	KTC1027/OY/-T	TRANSISTOR		
Q6701	KTC3200/GL/-T	TRANSISTOR		
Q6702	KTA1268/GL/-T	TRANSISTOR		
Q6703	KTC3199/GL/-T	TRANSISTOR		
Q6704	KTA1268/GL/-T	TRANSISTOR		
D5004	SLI-343URC-W-T	LED		
D5005	SLI-343URC-W-T	LED		
D5006	SELU2E10C-P	LED		
D5007	SLR-343VC-T	LED		
D6001	MTZJ9.1B-T2	Z DIODE		
D6002	MTZJ9.1B-T2	Z DIODE		
D6211	1SS133-T2	SI DIODE		
D6221	1SS133-T2	SI DIODE		
D6231	1SS133-T2	SI DIODE		
D6311	MTZJ11B-T2	Z DIODE		
D6321	MTZJ6.2B-T2	Z DIODE		
D6331	MTZJ11B-T2	Z DIODE		
D6341	1SS133-T2	SI DIODE		
D6342	MTZJ6.2B-T2	Z DIODE		
D6351	MTZJ13B-T2	Z DIODE		
D6352	1SS133-T2	SI DIODE		
D6353	MTZJ4.3B-T2	Z DIODE		
D6361	MTZJ11B-T2	Z DIODE		
D6511	1SS133-T2	SI DIODE		
D6521	1SS133-T2	SI DIODE		
D6531	1SS133-T2	SI DIODE		
D6601	1SS133-T2	SI DIODE		
D6701	1SS133-T2	SI DIODE		
D6801	MTZJ15B-T2	Z DIODE		
D6802	MTZJ15B-T2	Z DIODE		
D6803	MTZJ36B-T2	Z DIODE		
D6804	MTZJ36B-T2	Z DIODE		
C5000	QETN1HM-226Z	E CAPACITOR	22uF 50V M	
C5001	QETN1HM-226Z	E CAPACITOR	22uF 50V M	
C5002	QDGB1HK-102Y	C CAPACITOR	1000pF 50V K	
C5003	QEKC1EM-106Z	E CAPACITOR	10uF 25V M	
C5004	QCBB1HK-104Y	C CAPACITOR	0.1uF 50V K	
C5005	QCBB1HK-101Y	C CAPACITOR	100pF 50V K	
C5006	QEKC1AM-107Z	E CAPACITOR	100uF 10V M	

△ Symbol No.	Part No.	Part Name	Description	Local	△ Symbol No.	Part No.	Part Name	Description	Local
C5007	QCBB1HK-104Y	C CAPACITOR	0.1uF 50V K		R5009	QRE141J-102Y	C RESISTOR	1kΩ 1/4W J	
C5008	QCBB1HK-103Y	C CAPACITOR	0.01uF 50V K		R5010	QRE141J-102Y	C RESISTOR	1kΩ 1/4W J	
C6001	QETN1HM-107Z	E CAPACITOR	100uF 50V M		R5011	QRE141J-122Y	C RESISTOR	1.2kΩ 1/4W J	
C6002	QETN1HM-106Z	E CAPACITOR	10uF 50V M		R5012	QRE141J-182Y	C RESISTOR	1.8kΩ 1/4W J	
C6003	QETN1HM-106Z	E CAPACITOR	10uF 50V M		R5013	QRE141J-222Y	C RESISTOR	2.2kΩ 1/4W J	
C6004	QETN1HM-107Z	E CAPACITOR	100uF 50V M		R5014	QRE141J-272Y	C RESISTOR	2.7kΩ 1/4W J	
C6005	QETN1HM-105Z	E CAPACITOR	1uF 50V M		R5015	QRE141J-392Y	C RESISTOR	3.9kΩ 1/4W J	
C6111	QCBB1HK-221Y	C CAPACITOR	220pF 50V K		R5016	QRE141J-102Y	C RESISTOR	1kΩ 1/4W J	
C6112	QETN1HM-106Z	E CAPACITOR	10uF 50V M		R5017	QRE141J-102Y	C RESISTOR	1kΩ 1/4W J	
C6113	QCBB1HK-471Y	C CAPACITOR	470pF 50V K		R5018	QRE141J-122Y	C RESISTOR	1.2kΩ 1/4W J	
C6121	QCBB1HK-221Y	C CAPACITOR	220pF 50V K		R5019	QRE141J-182Y	C RESISTOR	1.8kΩ 1/4W J	
C6122	QETN1HM-106Z	E CAPACITOR	10uF 50V M		R5020	QRE141J-222Y	C RESISTOR	2.2kΩ 1/4W J	
C6123	QCBB1HK-471Y	C CAPACITOR	470pF 50V K		R5021	QRE141J-272Y	C RESISTOR	2.7kΩ 1/4W J	
C6131	QCBB1HK-221Y	C CAPACITOR	220pF 50V K		R5022	QRE141J-392Y	C RESISTOR	3.9kΩ 1/4W J	
C6132	QETN1HM-106Z	E CAPACITOR	10uF 50V M		R5023	QRE141J-562Y	C RESISTOR	5.6kΩ 1/4W J	
C6133	QCBB1HK-471Y	C CAPACITOR	470pF 50V K		R5024	QRE141J-102Y	C RESISTOR	1kΩ 1/4W J	
C6211	QETN1JM-476Z	E CAPACITOR	47uF 63V M		R5025	QRE141J-102Y	C RESISTOR	1kΩ 1/4W J	
C6212	QCSB1HJ-150Y	C CAPACITOR	15pF 50V J		R5026	QRE141J-122Y	C RESISTOR	1.2kΩ 1/4W J	
C6213	QFLC1HJ-104Z	M CAPACITOR	0.1uF 50V J		R5027	QRE141J-182Y	C RESISTOR	1.8kΩ 1/4W J	
C6214	QFLC1HJ-104Z	M CAPACITOR	0.1uF 50V J		R5028	QRE141J-222Y	C RESISTOR	2.2kΩ 1/4W J	
C6221	QETN1JM-476Z	E CAPACITOR	47uF 63V M		R5029	QRE141J-272Y	C RESISTOR	2.7kΩ 1/4W J	
C6222	QCSB1HJ-150Y	C CAPACITOR	15pF 50V J		R5030	QRE141J-392Y	C RESISTOR	3.9kΩ 1/4W J	
C6223	QFLC1HJ-104Z	M CAPACITOR	0.1uF 50V J		R5035	QRE141J-161Y	C RESISTOR	160Ω 1/4W J	
C6224	QFLC1HJ-104Z	M CAPACITOR	0.1uF 50V J		R5036	QRE141J-161Y	C RESISTOR	160Ω 1/4W J	
C6231	QETN1JM-476Z	E CAPACITOR	47uF 63V M		R5037	QRE141J-560Y	C RESISTOR	56Ω 1/4W J	
C6232	QCSB1HJ-150Y	C CAPACITOR	15pF 50V J		R5038	QRE141J-102Y	C RESISTOR	1kΩ 1/4W J	
C6233	QFLC1HJ-104Z	M CAPACITOR	0.1uF 50V J		R5039	QRE141J-102Y	C RESISTOR	1kΩ 1/4W J	
C6234	QFLC1HJ-104Z	M CAPACITOR	0.1uF 50V J		R5040	QRE141J-102Y	C RESISTOR	1kΩ 1/4W J	
C6311	QETN1EM-476Z	E CAPACITOR	47uF 25V M		R5041	QRE141J-102Y	C RESISTOR	1kΩ 1/4W J	
C6312	QETN1CM-107Z	E CAPACITOR	100uF 16V M		R5042	QRE141J-103Y	C RESISTOR	10kΩ 1/4W J	
C6321	QETN1EM-476Z	E CAPACITOR	47uF 25V M		R5043	QRE141J-271Y	C RESISTOR	270Ω 1/4W J	
C6322	QETN1CM-107Z	E CAPACITOR	100uF 16V M		R5044	QRE141J-821Y	C RESISTOR	820Ω 1/4W J	
C6331	QETN1EM-476Z	E CAPACITOR	47uF 25V M		R5045	QRE141J-104Y	C RESISTOR	100kΩ 1/4W J	
C6332	QETN1CM-107Z	E CAPACITOR	100uF 16V M		R5046	QRE141J-104Y	C RESISTOR	100kΩ 1/4W J	
C6341	QETN1EM-476Z	E CAPACITOR	47uF 25V M		R5050	QRE141J-103Y	C RESISTOR	10kΩ 1/4W J	
C6342	QETN1CM-107Z	E CAPACITOR	100uF 16V M		R6001	QRJ146J-101X	UNF C RESISTOR	100Ω 1/4W J	
C6361	QETN1EM-476Z	E CAPACITOR	47uF 25V M		R6002	QRJ146J-101X	UNF C RESISTOR	100Ω 1/4W J	
C6362	QETN1CM-107Z	E CAPACITOR	100uF 16V M		R6003	QRE141J-103Y	C RESISTOR	10kΩ 1/4W J	
C6401	QETN1EM-476Z	E CAPACITOR	47uF 25V M		R6004	QRE141J-103Y	C RESISTOR	10kΩ 1/4W J	
C6402	QETN1CM-107Z	E CAPACITOR	100uF 16V M		R6005	QRE141J-333Y	C RESISTOR	33kΩ 1/4W J	
C6511	QETN1JM-476Z	E CAPACITOR	47uF 63V M		R6006	QRJ146J-100X	UNF C RESISTOR	10Ω 1/4W J	
C6512	QCSB1HJ-220Y	C CAPACITOR	22pF 50V J		R6111	QRE141J-102Y	C RESISTOR	1kΩ 1/4W J	
C6513	QFLC1HJ-104Z	M CAPACITOR	0.1uF 50V J		R6112	QRE141J-563Y	C RESISTOR	56kΩ 1/4W J	
C6514	QFLC1HJ-104Z	M CAPACITOR	0.1uF 50V J		R6121	QRE141J-102Y	C RESISTOR	1kΩ 1/4W J	
C6521	QETN1JM-476Z	E CAPACITOR	47uF 63V M		R6122	QRE141J-563Y	C RESISTOR	56kΩ 1/4W J	
C6522	QCSB1HJ-220Y	C CAPACITOR	22pF 50V J		R6131	QRE141J-102Y	C RESISTOR	1kΩ 1/4W J	
C6523	QFLC1HJ-104Z	M CAPACITOR	0.1uF 50V J		R6132	QRE141J-563Y	C RESISTOR	56kΩ 1/4W J	
C6524	QFLC1HJ-104Z	M CAPACITOR	0.1uF 50V J		△ R6211	QRT01DJ-R22X	MF RESISTOR	0.22Ω 1W J	
C6531	QETN1JM-476Z	E CAPACITOR	47uF 63V M		R6212	QRE141J-563Y	C RESISTOR	56kΩ 1/4W J	
C6532	QCSB1HK-4R7Y	C CAPACITOR	4.7pF 50V K		△ R6213	QRJ146J-100X	UNF C RESISTOR	10Ω 1/4W J	
C6533	QFLC1HJ-104Z	M CAPACITOR	0.1uF 50V J		R6214	QRJ146J-100X	UNF C RESISTOR	10Ω 1/4W J	
C6534	QFLC1HJ-104Z	M CAPACITOR	0.1uF 50V J		R6215	QRE141J-102Y	C RESISTOR	1kΩ 1/4W J	
C6601	QETN1CM-107Z	E CAPACITOR	100uF 16V M		R6216	QRE141J-562Y	C RESISTOR	5.6kΩ 1/4W J	
C6602	QFZ0212-104Z	M CAPACITOR	0.1uF		R6217	QRE141J-473Y	C RESISTOR	47kΩ 1/4W J	
C6603	QFZ0212-104Z	M CAPACITOR	0.1uF		R6218	QRJ146J-821X	UNF C RESISTOR	820Ω 1/4W J	
C6604	QETN1HM-105Z	E CAPACITOR	1uF 50V M		R6219	QRE141J-104Y	C RESISTOR	100kΩ 1/4W J	
C6701	QETN1HM-106Z	E CAPACITOR	10uF 50V M		△ R6221	QRT01DJ-R22X	MF RESISTOR	0.22Ω 1W J	
C6702	QETN1EM-476Z	E CAPACITOR	47uF 25V M		R6222	QRE141J-563Y	C RESISTOR	56kΩ 1/4W J	
C6703	QETN1HM-106Z	E CAPACITOR	10uF 50V M		△ R6223	QRJ146J-100X	UNF C RESISTOR	10Ω 1/4W J	
C6911	QCBB1HK-221Y	C CAPACITOR	220pF 50V K		△ R6224	QRJ146J-100X	UNF C RESISTOR	10Ω 1/4W J	
C6912	QTE1V06-106Z	E CAPACITOR	10uF 35V		R6225	QRE141J-102Y	C RESISTOR	1kΩ 1/4W J	
C6913	QCBB1HK-101Y	C CAPACITOR	100pF 50V K		R6226	QRE141J-562Y	C RESISTOR	5.6kΩ 1/4W J	
C6921	QCBB1HK-221Y	C CAPACITOR	220pF 50V K		R6227	QRE141J-473Y	C RESISTOR	47kΩ 1/4W J	
C6922	QTE1V06-106Z	E CAPACITOR	10uF 35V		R6228	QRJ146J-821X	UNF C RESISTOR	820Ω 1/4W J	
C6923	QCBB1HK-101Y	C CAPACITOR	100pF 50V K		R6229	QRE141J-104Y	C RESISTOR	100kΩ 1/4W J	
C6931	QCBB1HK-221Y	C CAPACITOR	220pF 50V K		△ R6231	QRT01DJ-R22X	MF RESISTOR	0.22Ω 1W J	
C6932	QTE1V06-106Z	E CAPACITOR	10uF 35V		R6232	QRE141J-563Y	C RESISTOR	56kΩ 1/4W J	
C6933	QCBB1HK-471Y	C CAPACITOR	470pF 50V K		△ R6233	QRJ146J-100X	UNF C RESISTOR	10Ω 1/4W J	
					R6234	QRJ146J-100X	UNF C RESISTOR	10Ω 1/4W J	
R5000	QRE141J-102Y	C RESISTOR	1kΩ 1/4W J		R6235	QRE141J-102Y	C RESISTOR	1kΩ 1/4W J	
R5001	QRE141J-102Y	C RESISTOR	1kΩ 1/4W J		R6236	QRE141J-562Y	C RESISTOR	5.6kΩ 1/4W J	
R5002	QRE141J-122Y	C RESISTOR	1.2kΩ 1/4W J		R6237	QRE141J-473Y	C RESISTOR	47kΩ 1/4W J	
R5003	QRE141J-182Y	C RESISTOR	1.8kΩ 1/4W J		△ R6238	QRJ146J-821X	UNF C RESISTOR	820Ω 1/4W J	
R5004	QRE141J-222Y	C RESISTOR	2.2kΩ 1/4W J		R6239	QRE141J-104Y	C RESISTOR	100kΩ 1/4W J	
R5005	QRE141J-272Y	C RESISTOR	2.7kΩ 1/4W J		R6321	QRE141J-103Y	C RESISTOR	10kΩ 1/4W J	
R5006	QRE141J-392Y	C RESISTOR	3.9kΩ 1/4W J		R6342	QRE141J-102Y	C RESISTOR	1kΩ 1/4W J	
R5007	QRE141J-562Y	C RESISTOR	5.6kΩ 1/4W J		R6352	QRE141J-102Y	C RESISTOR	1kΩ 1/4W J	
R5008	QRE141J-103Y	C RESISTOR	10kΩ 1/4W J		R6356	QRE141J-103Y	C RESISTOR	10kΩ 1/4W J	

△ Symbol No.	Part No.	Part Name	Description	Local
△ D2001	GBU803	BRIDGE DIODE		
D2008	2A02-M	DIODE		
D2009	MTZJ5.1C-T2	Z DIODE		
D2013	1SS133-T2	SI DIODE		
D9300	2A02-M	DIODE		
D9301	MTZJ3.3B-T2	Z DIODE		
D9302	MTZJ2.0A-T2	Z DIODE		
D9303	MTZJ3.9B-T2	Z DIODE		
D9310	MTZJ3.0B-T2	Z DIODE		
D9311	1SS133-T2	SI DIODE		
D9312	1SS133-T2	SI DIODE		
D9313	1SS133-T2	SI DIODE		

C1002	QETN1HM-226Z	E CAPACITOR	22uF 50V M	
C1003	QETN1HM-226Z	E CAPACITOR	22uF 50V M	
C1004	QCBB1HK-103Y	C CAPACITOR	0.01uF 50V K	
C1005	QETN1HM-106Z	E CAPACITOR	10uF 50V M	
C1010	QFLC1HJ-104Z	M CAPACITOR	0.1uF 50V J	
C1011	QFLC1HJ-104Z	M CAPACITOR	0.1uF 50V J	
C1012	QFLC1HJ-104Z	M CAPACITOR	0.1uF 50V J	
C1013	QFZ0228-104Z	M CAPACITOR	0.1uF	
C1014	QFZ0228-104Z	M CAPACITOR	0.1uF	
C1015	QFZ0228-104Z	M CAPACITOR	0.1uF	
C1016	QETN2AM-476Z	E CAPACITOR	47uF 100V M	
C1017	QETN1HM-107Z	E CAPACITOR	100uF 50V M	
C2000	QEZO706-478	E CAPACITOR	4700uF	
C2004	QEZO706-478	E CAPACITOR	4700uF	
C2006	QEZO840-338	E CAPACITOR	3300uF	
C2008	QEZO840-338	E CAPACITOR	3300uF	
C2009	QFZ0228-104Z	M CAPACITOR	0.1uF	
C2010	QCBB1HK-103Y	C CAPACITOR	0.01uF 50V K	
C2011	QCBB1HK-221Y	C CAPACITOR	220pF 50V K	
C2012	QETM1CM-478	E CAPACITOR	4700uF 16V M	
C2013	QETM1EM-688	E CAPACITOR	6800uF 25V M	
C9200	QETN1AM-477Z	E CAPACITOR	470uF 10V M	
C9204	QCBB1HK-103Y	C CAPACITOR	0.01uF 50V K	
C9206	QETN1HM-105Z	E CAPACITOR	1uF 50V M	
C9209	QETN1HM-226Z	E CAPACITOR	22uF 50V M	
C9211	QETN1HM-105Z	E CAPACITOR	1uF 50V M	
C9213	QETN1HM-105Z	E CAPACITOR	1uF 50V M	
C9215	QETN1HM-105Z	E CAPACITOR	1uF 50V M	
C9216	QCBB1HK-104Y	C CAPACITOR	0.1uF 50V K	
C9218	QETNOJM-477Z	E CAPACITOR	470uF 6.3V M	
C9221	QETNOJM-477Z	E CAPACITOR	470uF 6.3V M	
C9224	QETNOJM-477Z	E CAPACITOR	470uF 6.3V M	
C9227	QETNOJM-477Z	E CAPACITOR	470uF 6.3V M	
C9230	QETNOJM-477Z	E CAPACITOR	470uF 6.3V M	
C9232	QCBB1HK-103Y	C CAPACITOR	0.01uF 50V K	
C9300	QETN1CM-107Z	E CAPACITOR	100uF 16V M	
C9303	QETN1CM-107Z	E CAPACITOR	100uF 16V M	

△ R1000	QRK126J-470X	UNF C RESISTOR	47Ω 1/2W J	
R1001	QRE141J-753Y	C RESISTOR	75kΩ 1/4W J	
R1002	QRE141J-104Y	C RESISTOR	100kΩ 1/4W J	
R1003	QRE141J-104Y	C RESISTOR	100kΩ 1/4W J	
R1005	QRE141J-753Y	C RESISTOR	75kΩ 1/4W J	
R2000	QRE141J-104Y	C RESISTOR	100kΩ 1/4W J	
R2001	QRE141J-104Y	C RESISTOR	100kΩ 1/4W J	
R2002	QRE141J-104Y	C RESISTOR	100kΩ 1/4W J	
R2003	QRE141J-104Y	C RESISTOR	100kΩ 1/4W J	
R2004	QRE141J-681Y	C RESISTOR	680Ω 1/4W J	
R2005	QRE141J-272Y	C RESISTOR	2.7kΩ 1/4W J	
R2006	QRE141J-681Y	C RESISTOR	680Ω 1/4W J	
R2007	QRE141J-472Y	C RESISTOR	4.7kΩ 1/4W J	
R2008	QRE141J-102Y	C RESISTOR	1kΩ 1/4W J	
R2009	QRE141J-102Y	C RESISTOR	1kΩ 1/4W J	
R2010	QRE141J-102Y	C RESISTOR	1kΩ 1/4W J	
R2011	QRL01DJ-471X	OMF RESISTOR	470Ω 1W J	
R2012	QRL01DJ-471X	OMF RESISTOR	470Ω 1W J	
R2013	QRE141J-273Y	C RESISTOR	27kΩ 1/4W J	
R9201	QRE141J-431Y	C RESISTOR	430Ω 1/4W J	
R9202	QRE141J-391Y	C RESISTOR	390Ω 1/4W J	
R9203	QRE141J-391Y	C RESISTOR	390Ω 1/4W J	
R9204	QRE141J-131Y	C RESISTOR	130Ω 1/4W J	
R9205	QRE141J-391Y	C RESISTOR	390Ω 1/4W J	
R9206	QRE141J-131Y	C RESISTOR	130Ω 1/4W J	
R9207	QRE141J-391Y	C RESISTOR	390Ω 1/4W J	
R9208	QRE141J-431Y	C RESISTOR	430Ω 1/4W J	

△ Symbol No.	Part No.	Part Name	Description	Local
R9209	QRE141J-391Y	C RESISTOR	390Ω 1/4W J	
R9210	QRE141J-431Y	C RESISTOR	430Ω 1/4W J	
R9218	QRE141J-750Y	C RESISTOR	75Ω 1/4W J	
R9221	QRE141J-750Y	C RESISTOR	75Ω 1/4W J	
R9224	QRE141J-750Y	C RESISTOR	75Ω 1/4W J	
R9227	QRE141J-750Y	C RESISTOR	75Ω 1/4W J	
R9230	QRE141J-750Y	C RESISTOR	75Ω 1/4W J	
R9232	QRE141J-750Y	C RESISTOR	75Ω 1/4W J	
R9300	QRT01DJ-2R2X	MF RESISTOR	2.2Ω 1W J	
R9301	QRE141J-681Y	C RESISTOR	680Ω 1/4W J	
R9302	QRZ9006-4R7X	FUSI RESISTOR	4.7Ω	
R9303	QRE141J-271Y	C RESISTOR	270Ω 1/4W J	
R9310	QRE141J-470Y	C RESISTOR	47Ω 1/4W J	

CN100	QGA7901C1-02	CONNECTOR	W-B (1-2)	
CN101	QGA7901C1-04	CONNECTOR	W-B (1-4)	
CN102	QGA7901C1-03	CONNECTOR	W-B (1-3)	
CN103	QGA3901F1-08	CONNECTOR	W-B (1-8)	
CN104	QGB2510J1-13	CONNECTOR	B-B (1-13)	
CN105	QGD2503F1-03	CONNECTOR	(1-3)	
CN106	QGA3901F2-03	CONNECTOR	W-B (1-3)	
CN200	QGB2510J1-16	CONNECTOR	B-B (1-16)	
CN201	QGB2510J1-20	CONNECTOR	B-B (1-20)	
CN202	QGD2504C1-03Z	CONNECTOR	(1-3)	
CN203	QGB2510K2-13	CONNECTOR	B-B (1-13)	
CN204	QGB2510K2-13	CONNECTOR	B-B (1-13)	
CN920	QGF1205C2-08	CONNECTOR	FFC/FPC (1-8)	
CN930	QGF1036C2-28	CONNECTOR	FFC/FPC (1-28)	
CN931	QGF1205C2-11	CONNECTOR	FFC/FPC (1-11)	
H2001	GV40577-001A	HEAT SINK		
HS202	GV40620-003A	HEAT SINK		
IH920	GV40397-004A	IC HOLDER		
J920	QNN0572-001	PIN JACK		
J921	QNN0557-002	PIN JACK		
PP201	QZWO112-001	WIRE CLAMP		
PP202	QZWO112-001	WIRE CLAMP		
△ S1000	QSW0812-001	VOLTAGE SWITCH		
Z1001	QNG0003-001Z	FUSE CLIP		
Z1002	QNG0003-001Z	FUSE CLIP		
Z1003	QNG0003-001Z	FUSE CLIP		
Z1004	QNG0003-001Z	FUSE CLIP		
Z1005	QNG0003-001Z	FUSE CLIP		
Z1006	QNG0003-001Z	FUSE CLIP		
Z1007	QNG0003-001Z	FUSE CLIP		
Z1008	QNG0003-001Z	FUSE CLIP		
Z1009	QNG0003-001Z	FUSE CLIP		
Z1010	QNG0003-001Z	FUSE CLIP		
Z1011	QNG0003-001Z	FUSE CLIP		
Z1012	QNG0003-001Z	FUSE CLIP		
Z1013	QNG0003-001Z	FUSE CLIP		
Z1014	QNG0003-001Z	FUSE CLIP		
Z1015	QNG0003-001Z	FUSE CLIP		
Z1016	QNG0003-001Z	FUSE CLIP		
Z1017	QNG0003-001Z	FUSE CLIP		
Z1018	QNG0003-001Z	FUSE CLIP		
Z1019	QNG0003-001Z	FUSE CLIP		
Z1020	QNG0003-001Z	FUSE CLIP		

Main board (DX-T66)

Block No. [0][7]

△ Symbol No.	Part No.	Part Name	Description	Local
IC760	SN74AHCT08NS-X IC			
IC770	MN101C49GFA	MASK MICON		
IC771	BR24L02F-W-X	IC(DIGITAL)		
IC810	CD4066BM-X	IC		
IC820	LC75342M-X	IC		
IC830	RC4558D-X	IC		
IC850	M65851FP	IC		
IC860	JCV8011-X	IC		
IC881	RC4558D-X	IC		
IC888	RC4558D-X	IC		
IC901	RC4580ID-X	IC		

△ Symbol No.	Part No.	Part Name	Description	Local	△ Symbol No.	Part No.	Part Name	Description	Local
Q7000	KTC3199/GL/-T	TRANSISTOR			C8030	QFLC1HJ-104Z	M CAPACITOR	0.1uF 50V J	
Q7080	KRC107S-X	DIGI TRANSISTOR			C8031	QFLC1HJ-104Z	M CAPACITOR	0.1uF 50V J	
Q7081	KRC111S-X	TRANSISTOR			C8032	QTE1H28-106Z	E CAPACITOR	10uF 50V	
Q7788	KRA102S-X	DIGI TRANSISTOR			C8060	QTE1H28-106Z	E CAPACITOR	10uF 50V	
Q7798	KRA102S-X	DIGI TRANSISTOR			C8061	QTE1H28-106Z	E CAPACITOR	10uF 50V	
Q8000	KTC2875-X	CHIP TR.			C8062	QTE1V06-106Z	E CAPACITOR	10uF 35V	
Q8030	KTC3875/YG/-X	TRANSISTOR			C8101	QTE1V06-106Z	E CAPACITOR	10uF 35V	
Q8031	KTC3875/YG/-X	TRANSISTOR			C8102	QTE1V06-106Z	E CAPACITOR	10uF 35V	
Q8032	KTC3875/YG/-X	TRANSISTOR			C8120	QETN1HM-475Z	E CAPACITOR	4.7uF 50V M	
Q8040	KTC2875-X	CHIP TR.			C8121	QETN1HM-475Z	E CAPACITOR	4.7uF 50V M	
Q8100	KTC2875-X	CHIP TR.			C8122	QETN1HM-475Z	E CAPACITOR	4.7uF 50V M	
Q8130	KTC3875/YG/-X	TRANSISTOR			C8123	QETN1HM-475Z	E CAPACITOR	4.7uF 50V M	
Q8131	KTC3875/YG/-X	TRANSISTOR			C8125	QTE1H28-106Z	E CAPACITOR	10uF 50V	
Q8132	KTC3875/YG/-X	TRANSISTOR			C8126	QFG32AJ-272Z	PP CAPACITOR	2700pF 100V J	
Q8140	KTC2875-X	CHIP TR.			C8127	QFLC1HJ-104Z	M CAPACITOR	0.1uF 50V J	
Q8211	KRC104S-X	TRANSISTOR			C8128	QFLC1HJ-104Z	M CAPACITOR	0.1uF 50V J	
Q8212	KRC104S-X	TRANSISTOR			C8130	QFLC1HJ-104Z	M CAPACITOR	0.1uF 50V J	
Q8260	KTC3199/GL/-T	TRANSISTOR			C8131	QFLC1HJ-104Z	M CAPACITOR	0.1uF 50V J	
Q8401	KRC109S-X	TRANSISTOR			C8132	QTE1H28-106Z	E CAPACITOR	10uF 50V	
Q8403	KTC3875/YG/-X	TRANSISTOR			C8160	QTE1H28-106Z	E CAPACITOR	10uF 50V	
Q8404	KTC3875/YG/-X	TRANSISTOR			C8161	QTE1H28-106Z	E CAPACITOR	10uF 50V	
Q8405	KTC2875-X	CHIP TR.			C8162	QTE1V06-106Z	E CAPACITOR	10uF 35V	
Q8524	KTC3203/OY/-T	TRANSISTOR			C8180	QFLC1HJ-123Z	M CAPACITOR	0.012uF 50V J	
Q8900	KRA104S-X	DIGI TRANSISTOR			C8181	QFLC1HJ-104Z	M CAPACITOR	0.1uF 50V J	
Q9001	KTC3875/YG/-X	TRANSISTOR			C8182	QFLC1HJ-822Z	M CAPACITOR	8200pF 50V J	
Q9002	KTC3875/YG/-X	TRANSISTOR			C8221	QCBB1HK-103Y	C CAPACITOR	0.01uF 50V K	
Q9100	KRA111S-X	D. TRANSISTOR			C8222	QTE1C06-107Z	E CAPACITOR	100uF 16V	
Q9101	KTC2875-X	CHIP TR.			C8230	QETN1EM-476Z	E CAPACITOR	47uF 25V M	
Q9102	KTC2875-X	CHIP TR.			C8232	QETN1HM-105Z	E CAPACITOR	1uF 50V M	
Q9103	KTC2875-X	CHIP TR.			C8261	QETN1EM-476Z	E CAPACITOR	47uF 25V M	
Q9104	KTC2875-X	CHIP TR.			C8262	QFLC1HJ-223Z	M CAPACITOR	0.022uF 50V J	
D7000	1SS133-T2	SI DIODE			C8263	QETN1HM-225Z	E CAPACITOR	2.2uF 50V M	
D7001	1SS133-T2	SI DIODE			C8264	QETN1HM-106Z	E CAPACITOR	10uF 50V M	
D7050	MTZJ5.1B-T2	Z DIODE			C8265	QETN1HM-106Z	E CAPACITOR	10uF 50V M	
D7080	1SS133-T2	SI DIODE			C8266	QETN1HM-475Z	E CAPACITOR	4.7uF 50V M	
D7081	MTZJ4.7B-T2	Z DIODE			C8267	QETN1EM-336Z	E CAPACITOR	33uF 25V M	
D7082	1SS133-T2	SI DIODE			C8268	QETN1HM-224Z	E CAPACITOR	0.22uF 50V M	
D7151	1SS133-T2	SI DIODE			C8269	QTE1H28-105Z	E CAPACITOR	1uF 50V	
D7152	1SS133-T2	SI DIODE			C8360	QETN1HM-475Z	E CAPACITOR	4.7uF 50V M	
D7153	1SS133-T2	SI DIODE			C8361	QETN1HM-475Z	E CAPACITOR	4.7uF 50V M	
D7390	1SS133-T2	SI DIODE			C8362	QETN1HM-474Z	E CAPACITOR	0.47uF 50V M	
D7711	1SS133-T2	SI DIODE			C8363	QETN1EM-476Z	E CAPACITOR	47uF 25V M	
D7713	1N4003S-T5	SI DIODE			C8401	QETN1EM-476Z	E CAPACITOR	47uF 25V M	
D8230	1SS133-T2	SI DIODE			C8403	QETN1HM-106Z	E CAPACITOR	10uF 50V M	
D8401	1SS133-T2	SI DIODE			C8407	QETN1JM-476Z	E CAPACITOR	47uF 63V M	
D8406	MTZJ3.9B-T2	Z DIODE			C8430	NCB31HK-222X	C CAPACITOR	2200pF 50V K	
D8407	MTZJ3.9B-T2	Z DIODE			C8431	NCB31HK-222X	C CAPACITOR	2200pF 50V K	
D8524	MTZJ5.6B-T2	Z DIODE			C8432	NCB31HK-222X	C CAPACITOR	2200pF 50V K	
D9001	1SS133-T2	SI DIODE			C8433	NCB31HK-222X	C CAPACITOR	2200pF 50V K	
D9002	1SS133-T2	SI DIODE			C8434	QETN1HM-105Z	E CAPACITOR	1uF 50V M	
C7050	QETN1HM-475Z	E CAPACITOR	4.7uF 50V M	T66EE,T66US, T66UX,T66UY, T66UG,T66UN T66UW	C8437	QETN1HM-104Z	E CAPACITOR	0.1uF 50V M	
C7050	QETN1CM-107Z	E CAPACITOR	100uF 16V M		C8502	QFLC1HJ-152Z	M CAPACITOR	1500pF 50V J	
C7080	NCB31HK-102X	C CAPACITOR	1000pF 50V K		C8504	QFLC1HJ-152Z	M CAPACITOR	1500pF 50V J	
C7082	QETN1HM-475Z	E CAPACITOR	4.7uF 50V M		C8506	QETN1HM-225Z	E CAPACITOR	2.2uF 50V M	
C7083	NCB31HK-103X	C CAPACITOR	0.01uF 50V K		C8508	QFLC1HJ-102Z	M CAPACITOR	1000pF 50V J	
C7085	QETN0JM-108Z	E CAPACITOR	1000uF 6.3V M		C8509	QFLC1HJ-332Z	M CAPACITOR	3300pF 50V J	
C7101	QCBB1HK-101Y	C CAPACITOR	100pF 50V K		C8512	QETN1HM-225Z	E CAPACITOR	2.2uF 50V M	
C7710	QCBB1HK-103Y	C CAPACITOR	0.01uF 50V K		C8513	QETN1HM-225Z	E CAPACITOR	2.2uF 50V M	
C7711	QETN1CM-107Z	E CAPACITOR	100uF 16V M		C8514	QFLC1HJ-102Z	M CAPACITOR	1000pF 50V J	
C7712	NCS31HJ-200X	C CAPACITOR	20pF 50V J		C8515	QFLC1HJ-472Z	M CAPACITOR	4700pF 50V J	
C7713	NCS31HJ-180X	C CAPACITOR	18pF 50V J		C8516	QFLC1HJ-683Z	M CAPACITOR	0.068uF 50V J	
C7788	QETN1HM-106Z	E CAPACITOR	10uF 50V M		C8520	QFLC1HJ-683Z	M CAPACITOR	0.068uF 50V J	
C7798	QETN1CM-107Z	E CAPACITOR	100uF 16V M		C8522	QETN1EM-476Z	E CAPACITOR	47uF 25V M	
C8001	QTE1V06-106Z	E CAPACITOR	10uF 35V		C8524	QETN1CM-107Z	E CAPACITOR	100uF 16V M	
C8002	QTE1V06-106Z	E CAPACITOR	10uF 35V		C8525	QETN1CM-107Z	E CAPACITOR	100uF 16V M	
C8020	QETN1HM-475Z	E CAPACITOR	4.7uF 50V M		C8531	NCB31CK-104X	C CAPACITOR	0.1uF 16V K	
C8021	QETN1HM-475Z	E CAPACITOR	4.7uF 50V M		C8540	QFLC1HJ-102Z	M CAPACITOR	1000pF 50V J	
C8022	QETN1HM-475Z	E CAPACITOR	4.7uF 50V M		C8541	QFLC1HJ-472Z	M CAPACITOR	4700pF 50V J	
C8023	QETN1HM-475Z	E CAPACITOR	4.7uF 50V M		C8542	QFLC1HJ-683Z	M CAPACITOR	0.068uF 50V J	
C8025	QTE1H28-106Z	E CAPACITOR	10uF 50V		C8546	QFLC1HJ-683Z	M CAPACITOR	0.068uF 50V J	
C8026	QFG32AJ-272Z	PP CAPACITOR	2700pF 100V J		C8548	QFLC1HJ-102Z	M CAPACITOR	1000pF 50V J	
C8027	QFLC1HJ-104Z	M CAPACITOR	0.1uF 50V J		C8550	QFLC1HJ-472Z	M CAPACITOR	4700pF 50V J	
C8028	QFLC1HJ-104Z	M CAPACITOR	0.1uF 50V J		C8552	QFVF1HJ-224Z	MF CAPACITOR	0.22uF 50V J	
					C8555	QETN1CM-107Z	E CAPACITOR	100uF 16V M	
					C8556	NCB31CK-104X	C CAPACITOR	0.1uF 16V K	
					C8574	QTE1V06-106Z	E CAPACITOR	10uF 35V	
					C8575	QTE1V06-106Z	E CAPACITOR	10uF 35V	
					C8576	QFVF1HJ-154Z	MF CAPACITOR	0.15uF 50V J	

△ Symbol No.	Part No.	Part Name	Description	Local	△ Symbol No.	Part No.	Part Name	Description	Local
C8578	QETN1HM-105Z	E CAPACITOR	1uF 50V M		R7737	NRSA63J-102X	MG RESISTOR	1kΩ 1/16W J	
C8579	QETN1HM-105Z	E CAPACITOR	1uF 50V M		R7738	NRSA63J-102X	MG RESISTOR	1kΩ 1/16W J	
C8581	NCB31AK-154X	C CAPACITOR	0.15uF 10V K		R7739	NRSA63J-102X	MG RESISTOR	1kΩ 1/16W J	
C8583	NCB31AK-154X	C CAPACITOR	0.15uF 10V K		R7740	NRSA63J-102X	MG RESISTOR	1kΩ 1/16W J	
C8590	NCB31CK-104X	C CAPACITOR	0.1uF 16V K		R7742	NRSA63J-102X	MG RESISTOR	1kΩ 1/16W J	
C8591	NCB31CK-104X	C CAPACITOR	0.1uF 16V K		R7743	NRSA63J-102X	MG RESISTOR	1kΩ 1/16W J	
C8593	NCB31CK-104X	C CAPACITOR	0.1uF 16V K		R7744	NRSA63J-102X	MG RESISTOR	1kΩ 1/16W J	
C8597	NCB31CK-104X	C CAPACITOR	0.1uF 16V K		R7745	NRSA63J-103X	MG RESISTOR	10kΩ 1/16W J	
C8598	NCB31CK-104X	C CAPACITOR	0.1uF 16V K		R7746	NRSA63J-102X	MG RESISTOR	1kΩ 1/16W J	
C8900	QETN1HM-105Z	E CAPACITOR	1uF 50V M		R7747	NRSA63J-0R0X	MG RESISTOR	0Ω 1/16W J	
C9000	NCB31HK-222X	C CAPACITOR	2200pF 50V K		R7748	NRSA63J-102X	MG RESISTOR	1kΩ 1/16W J	
C9001	QETN1HM-104Z	E CAPACITOR	0.1uF 50V M		R7749	NRSA63J-102X	MG RESISTOR	1kΩ 1/16W J	
C9003	QEKC1EM-106Z	E CAPACITOR	10uF 25V M		R7751	QRE141J-222Y	C RESISTOR	2.2kΩ 1/4W J	
C9004	QEKC1HM-474Z	E CAPACITOR	0.47uF 50V M		R7752	QRE141J-222Y	C RESISTOR	2.2kΩ 1/4W J	
C9005	QEKC1HM-104Z	E CAPACITOR	0.1uF 50V M		R7753	NRSA63J-222X	MG RESISTOR	2.2kΩ 1/16W J	
C9006	QETN1HM-105Z	E CAPACITOR	1uF 50V M		R7754	NRSA63J-222X	MG RESISTOR	2.2kΩ 1/16W J	
C9007	QEKC1HM-104Z	E CAPACITOR	0.1uF 50V M		R7755	NRSA63J-222X	MG RESISTOR	2.2kΩ 1/16W J	
C9008	QETN1HM-105Z	E CAPACITOR	1uF 50V M		R7756	NRSA63J-102X	MG RESISTOR	1kΩ 1/16W J	
C9009	QETN1EM-476Z	E CAPACITOR	47uF 25V M		R7759	NRSA63J-103X	MG RESISTOR	10kΩ 1/16W J	T66US, T66UN
C9010	QEKC1CM-107Z	E CAPACITOR	100uF 16V M		R7760	NRSA63J-103X	MG RESISTOR	10kΩ 1/16W J	T66UW, T66UY
C9021	NCB31HK-102X	C CAPACITOR	1000pF 50V K		R7761	NRSA63J-103X	MG RESISTOR	10kΩ 1/16W J	T66UX, T66UG
C9022	NCB31HK-102X	C CAPACITOR	1000pF 50V K		R7762	NRSA63J-222X	MG RESISTOR	2.2kΩ 1/16W J	
C9030	NDC31HJ-680X	C CAPACITOR	68pF 50V J		R7763	QRE141J-102Y	C RESISTOR	1kΩ 1/4W J	
C9031	NDC31HJ-680X	C CAPACITOR	68pF 50V J		R7766	NRSA63J-102X	MG RESISTOR	1kΩ 1/16W J	
C9032	NDC31HJ-680X	C CAPACITOR	68pF 50V J		R7767	NRSA63J-222X	MG RESISTOR	2.2kΩ 1/16W J	
C9033	NDC31HJ-680X	C CAPACITOR	68pF 50V J		R7768	NRSA63J-222X	MG RESISTOR	2.2kΩ 1/16W J	
C9034	QEKC1HM-474Z	E CAPACITOR	0.47uF 50V M		R7769	NRSA63J-102X	MG RESISTOR	1kΩ 1/16W J	
C9101	QDGB1HK-102Y	C CAPACITOR	1000pF 50V K		R7770	NRSA63J-102X	MG RESISTOR	1kΩ 1/16W J	
C9102	QDGB1HK-102Y	C CAPACITOR	1000pF 50V K		R7771	QRE141J-104Y	C RESISTOR	100kΩ 1/4W J	
C9103	QDXB1CM-392Y	C CAPACITOR	3900pF 16V M		R7772	QRE141J-222Y	C RESISTOR	2.2kΩ 1/4W J	
C9104	QDXB1CM-392Y	C CAPACITOR	3900pF 16V M		R7773	QRE141J-222Y	C RESISTOR	2.2kΩ 1/4W J	
C9105	QDGB1HK-102Y	C CAPACITOR	1000pF 50V K		R7774	QRE141J-102Y	C RESISTOR	1kΩ 1/4W J	
					R7775	NRSA63J-222X	MG RESISTOR	2.2kΩ 1/16W J	
R7000	QRE141J-222Y	C RESISTOR	2.2kΩ 1/4W J		R7776	NRSA63J-222X	MG RESISTOR	2.2kΩ 1/16W J	
R7001	QRL01DJ-151X	OMF RESISTOR	150Ω 1W J		R7777	NRSA63J-102X	MG RESISTOR	1kΩ 1/16W J	
R7002	QRL01DJ-151X	OMF RESISTOR	150Ω 1W J		R7778	NRSA63J-222X	MG RESISTOR	2.2kΩ 1/16W J	
R7003	QRL01DJ-151X	OMF RESISTOR	150Ω 1W J		R7779	NRSA63J-222X	MG RESISTOR	2.2kΩ 1/16W J	
R7004	QRL01DJ-151X	OMF RESISTOR	150Ω 1W J		R7780	NRSA63J-222X	MG RESISTOR	2.2kΩ 1/16W J	
R7005	QRL01DJ-151X	OMF RESISTOR	150Ω 1W J		R7781	NRSA63J-222X	MG RESISTOR	2.2kΩ 1/16W J	
R7006	QRL01DJ-151X	OMF RESISTOR	150Ω 1W J		R7786	NRSA63J-222X	MG RESISTOR	2.2kΩ 1/16W J	
R7050	QRE141J-563Y	C RESISTOR	56kΩ 1/4W J		R7788	NRSA63J-222X	MG RESISTOR	2.2kΩ 1/16W J	
R7080	NRSA63J-223X	MG RESISTOR	22kΩ 1/16W J		R7789	NRSA63J-222X	MG RESISTOR	2.2kΩ 1/16W J	
R7081	NRSA63J-103X	MG RESISTOR	10kΩ 1/16W J		R7790	NRSA63J-102X	MG RESISTOR	1kΩ 1/16W J	
R7082	NRSA63J-102X	MG RESISTOR	1kΩ 1/16W J		R7791	NRSA63J-102X	MG RESISTOR	1kΩ 1/16W J	
R7083	NRSA63J-222X	MG RESISTOR	2.2kΩ 1/16W J		R7792	NRSA63J-102X	MG RESISTOR	1kΩ 1/16W J	
R7084	NRSA63J-681X	MG RESISTOR	680Ω 1/16W J		R7796	NRSA63J-222X	MG RESISTOR	2.2kΩ 1/16W J	
R7085	NRSA63J-681X	MG RESISTOR	680Ω 1/16W J		R7797	NRSA63J-102X	MG RESISTOR	1kΩ 1/16W J	
R7151	QRE141J-123Y	C RESISTOR	12kΩ 1/4W J		R7798	NRSA63J-102X	MG RESISTOR	1kΩ 1/16W J	
R7152	QRE141J-123Y	C RESISTOR	12kΩ 1/4W J		R7799	NRSA63J-103X	MG RESISTOR	10kΩ 1/16W J	
R7153	QRE141J-123Y	C RESISTOR	12kΩ 1/4W J		R7803	NRSA63J-103X	MG RESISTOR	10kΩ 1/16W J	
R7200	QRE141J-273Y	C RESISTOR	27kΩ 1/4W J		R7804	NRSA63J-103X	MG RESISTOR	10kΩ 1/16W J	
R7251	QRE141J-222Y	C RESISTOR	2.2kΩ 1/4W J		R7805	NRSA63J-103X	MG RESISTOR	10kΩ 1/16W J	
R7252	QRE141J-222Y	C RESISTOR	2.2kΩ 1/4W J		R7806	NRSA63J-103X	MG RESISTOR	10kΩ 1/16W J	
R7253	QRE141J-222Y	C RESISTOR	2.2kΩ 1/4W J		R7807	NRSA63J-103X	MG RESISTOR	10kΩ 1/16W J	
R7600	QRE141J-102Y	C RESISTOR	1kΩ 1/4W J		R7808	NRSA63J-103X	MG RESISTOR	10kΩ 1/16W J	
R7702	NRSA63J-222X	MG RESISTOR	2.2kΩ 1/16W J		R7809	NRSA63J-103X	MG RESISTOR	10kΩ 1/16W J	
R7703	NRSA63J-102X	MG RESISTOR	1kΩ 1/16W J		R7821	NRSA63J-222X	MG RESISTOR	2.2kΩ 1/16W J	
R7704	NRSA63J-102X	MG RESISTOR	1kΩ 1/16W J		R7823	NRSA63J-222X	MG RESISTOR	2.2kΩ 1/16W J	
R7705	NRSA63J-102X	MG RESISTOR	1kΩ 1/16W J		R7824	NRSA63J-222X	MG RESISTOR	2.2kΩ 1/16W J	
R7706	NRSA63J-102X	MG RESISTOR	1kΩ 1/16W J		R7825	NRSA63J-222X	MG RESISTOR	2.2kΩ 1/16W J	
R7707	NRSA63J-222X	MG RESISTOR	2.2kΩ 1/16W J		R7852	NRSA63J-104X	MG RESISTOR	100kΩ 1/16W J	
R7708	NRSA63J-222X	MG RESISTOR	2.2kΩ 1/16W J						
R7709	NRSA63J-222X	MG RESISTOR	2.2kΩ 1/16W J		R7859	NRSA63J-103X	MG RESISTOR	10kΩ 1/16W J	T66EE, T66UW, T66UX, T66UY, T66UG
R7715	NRSA63J-103X	MG RESISTOR	10kΩ 1/16W J						T66EE, T66US, T66UX, T66UG, T66UN
R7717	NRSA63J-103X	MG RESISTOR	10kΩ 1/16W J						T66EE, T66US, T66UW, T66UY, T66UN
R7718	QRE141J-102Y	C RESISTOR	1kΩ 1/4W J		R7860	NRSA63J-103X	MG RESISTOR	10kΩ 1/16W J	
R7719	QRE141J-102Y	C RESISTOR	1kΩ 1/4W J						
R7720	QRE141J-102Y	C RESISTOR	1kΩ 1/4W J		R7861	NRSA63J-103X	MG RESISTOR	10kΩ 1/16W J	
R7721	NRSA63J-122X	MG RESISTOR	1.2kΩ 1/16W J						
R7722	NRSA63J-122X	MG RESISTOR	1.2kΩ 1/16W J		R7867	NRSA63J-103X	MG RESISTOR	10kΩ 1/16W J	
R7723	NRSA63J-122X	MG RESISTOR	1.2kΩ 1/16W J		R7871	NRSA63J-104X	MG RESISTOR	100kΩ 1/16W J	
R7724	NRSA63J-122X	MG RESISTOR	1.2kΩ 1/16W J		R7875	NRSA63J-104X	MG RESISTOR	100kΩ 1/16W J	
R7725	NRSA63J-122X	MG RESISTOR	1.2kΩ 1/16W J		R7876	NRSA63J-103X	MG RESISTOR	10kΩ 1/16W J	
R7726	NRSA63J-101X	MG RESISTOR	100Ω 1/16W J		R7878	NRSA63J-104X	MG RESISTOR	100kΩ 1/16W J	
R7728	NRSA63J-222X	MG RESISTOR	2.2kΩ 1/16W J		R7879	NRSA63J-103X	MG RESISTOR	10kΩ 1/16W J	
R7731	NRSA63J-222X	MG RESISTOR	2.2kΩ 1/16W J		R7881	QRE141J-103Y	C RESISTOR	10kΩ 1/4W J	
R7732	NRSA63J-103X	MG RESISTOR	10kΩ 1/16W J		R7886	NRSA63J-103X	MG RESISTOR	10kΩ 1/16W J	
R7735	NRSA63J-102X	MG RESISTOR	1kΩ 1/16W J		R7892	NRSA63J-103X	MG RESISTOR	10kΩ 1/16W J	

△ Symbol No.	Part No.	Part Name	Description	Local	△ Symbol No.	Part No.	Part Name	Description	Local
R7897	NRSA63J-103X	MG RESISTOR	10kΩ 1/16W J		R8267	NRSA63J-104X	MG RESISTOR	100kΩ 1/16W J	
R8004	NRSA63J-113X	MG RESISTOR	11kΩ 1/16W J		R8268	NRSA63J-622X	MG RESISTOR	6.2kΩ 1/16W J	
R8005	NRSA63J-103X	MG RESISTOR	10kΩ 1/16W J		R8269	QRE141J-222Y	C RESISTOR	2.2kΩ 1/4W J	
R8006	NRSA63J-103X	MG RESISTOR	10kΩ 1/16W J		R8293	QRE141J-393Y	C RESISTOR	39kΩ 1/4W J	
R8020	NRSA63J-392X	MG RESISTOR	3.9kΩ 1/16W J		R8335	QRE141J-224Y	C RESISTOR	220kΩ 1/4W J	
R8021	NRSA63J-104X	MG RESISTOR	100kΩ 1/16W J		R8401	QRE141J-472Y	C RESISTOR	4.7kΩ 1/4W J	
R8030	QRE141J-472Y	C RESISTOR	4.7kΩ 1/4W J		R8402	QRE141J-472Y	C RESISTOR	4.7kΩ 1/4W J	
R8031	QRE141J-332Y	C RESISTOR	3.3kΩ 1/4W J		R8403	NRSA63J-472X	MG RESISTOR	4.7kΩ 1/16W J	
R8032	QRE141J-123Y	C RESISTOR	12kΩ 1/4W J		R8404	NRSA63J-683X	MG RESISTOR	68kΩ 1/16W J	
R8033	QRE141J-124Y	C RESISTOR	120kΩ 1/4W J		R8405	NRSA63J-104X	MG RESISTOR	100kΩ 1/16W J	
R8034	QRE141J-473Y	C RESISTOR	47kΩ 1/4W J		R8407	NRSA63J-0R0X	MG RESISTOR	0Ω 1/16W J	
R8035	NRSA63J-101X	MG RESISTOR	100Ω 1/16W J		R8409	NRSA63J-473X	MG RESISTOR	47kΩ 1/16W J	
R8036	NRSA63J-101X	MG RESISTOR	100Ω 1/16W J		R8412	QRE141J-163Y	C RESISTOR	16kΩ 1/4W J	
R8042	QRE141J-392Y	C RESISTOR	3.9kΩ 1/4W J		R8413	NRSA63J-223X	MG RESISTOR	22kΩ 1/16W J	
R8043	NRSA63J-103X	MG RESISTOR	10kΩ 1/16W J		R8414	NRSA63J-163X	MG RESISTOR	16kΩ 1/16W J	
R8046	QRE141J-822Y	C RESISTOR	8.2kΩ 1/4W J		R8415	NRSA63J-223X	MG RESISTOR	22kΩ 1/16W J	
R8060	QRE141J-562Y	C RESISTOR	5.6kΩ 1/4W J		R8416	NRSA63J-682X	MG RESISTOR	6.8kΩ 1/16W J	
R8061	NRSA63J-153X	MG RESISTOR	15kΩ 1/16W J		R8417	NRSA63J-103X	MG RESISTOR	10kΩ 1/16W J	
R8062	NRSA63J-103X	MG RESISTOR	10kΩ 1/16W J		R8418	QRE141J-104Y	C RESISTOR	100kΩ 1/4W J	
R8089	NRSA63J-243X	MG RESISTOR	24kΩ 1/16W J		R8430	NRSA63J-912X	MG RESISTOR	9.1kΩ 1/16W J	
R8090	QRE141J-363Y	C RESISTOR	36kΩ 1/4W J		R8431	NRSA63J-912X	MG RESISTOR	9.1kΩ 1/16W J	
R8091	QRE141J-153Y	C RESISTOR	15kΩ 1/4W J		R8432	NRSA63J-912X	MG RESISTOR	9.1kΩ 1/16W J	
R8092	NRSA63J-333X	MG RESISTOR	33kΩ 1/16W J		R8433	NRSA63J-912X	MG RESISTOR	9.1kΩ 1/16W J	
R8093	NRSA63J-223X	MG RESISTOR	22kΩ 1/16W J		R8434	NRSA63J-824X	MG RESISTOR	820kΩ 1/16W J	
R8094	NRSA63J-363X	MG RESISTOR	36kΩ 1/16W J		R8435	NRSA63J-0R0X	MG RESISTOR	0Ω 1/16W J	
R8095	NRSA63J-152X	MG RESISTOR	1.5kΩ 1/16W J		R8507	NRSA63J-473X	MG RESISTOR	47kΩ 1/16W J	
R8096	NRSA63J-103X	MG RESISTOR	10kΩ 1/16W J		R8508	NRSA63J-243X	MG RESISTOR	24kΩ 1/16W J	
R8097	NRSA63J-183X	MG RESISTOR	18kΩ 1/16W J		R8509	NRSA63J-243X	MG RESISTOR	24kΩ 1/16W J	
R8098	NRSA63J-183X	MG RESISTOR	18kΩ 1/16W J		R8510	NRSA63J-243X	MG RESISTOR	24kΩ 1/16W J	
R8099	QRE141J-105Y	C RESISTOR	1MΩ 1/4W J		R8511	NRSA63J-243X	MG RESISTOR	24kΩ 1/16W J	
R8104	NRSA63J-113X	MG RESISTOR	11kΩ 1/16W J		R8512	NRSA63J-243X	MG RESISTOR	24kΩ 1/16W J	
R8105	NRSA63J-103X	MG RESISTOR	10kΩ 1/16W J		R8513	NRSA63J-243X	MG RESISTOR	24kΩ 1/16W J	
R8106	NRSA63J-103X	MG RESISTOR	10kΩ 1/16W J		R8514	NRSA63J-243X	MG RESISTOR	24kΩ 1/16W J	
R8120	NRSA63J-392X	MG RESISTOR	3.9kΩ 1/16W J		R8521	QRE141J-243Y	C RESISTOR	24kΩ 1/4W J	
R8121	NRSA63J-104X	MG RESISTOR	100kΩ 1/16W J		R8523	QRZ9006-4R7X	FUSI RESISTOR	4.7Ω	
R8130	QRE141J-472Y	C RESISTOR	4.7kΩ 1/4W J		R8524	QRE141J-561Y	C RESISTOR	560Ω 1/4W J	
R8131	QRE141J-332Y	C RESISTOR	3.3kΩ 1/4W J		R8529	NRSA63J-113X	MG RESISTOR	11kΩ 1/16W J	
R8132	QRE141J-123Y	C RESISTOR	12kΩ 1/4W J		R8578	NRSA63J-102X	MG RESISTOR	1kΩ 1/16W J	
R8133	QRE141J-124Y	C RESISTOR	120kΩ 1/4W J		R8579	NRSA63J-273X	MG RESISTOR	27kΩ 1/16W J	
R8134	QRE141J-473Y	C RESISTOR	47kΩ 1/4W J		R8900	NRSA63J-102X	MG RESISTOR	1kΩ 1/16W J	
R8135	NRSA63J-101X	MG RESISTOR	100Ω 1/16W J		R9000	NRSA63J-103X	MG RESISTOR	10kΩ 1/16W J	
R8136	NRSA63J-101X	MG RESISTOR	100Ω 1/16W J		R9001	NRSA63J-104X	MG RESISTOR	100kΩ 1/16W J	
R8142	QRE141J-392Y	C RESISTOR	3.9kΩ 1/4W J		R9002	NRSA63J-102X	MG RESISTOR	1kΩ 1/16W J	
R8143	NRSA63J-103X	MG RESISTOR	10kΩ 1/16W J		R9003	NRSA63J-274X	MG RESISTOR	270kΩ 1/16W J	
R8146	QRE141J-822Y	C RESISTOR	8.2kΩ 1/4W J		R9004	NRSA63J-562X	MG RESISTOR	5.6kΩ 1/16W J	
R8160	QRE141J-562Y	C RESISTOR	5.6kΩ 1/4W J		R9005	NRSA63J-102X	MG RESISTOR	1kΩ 1/16W J	
R8161	NRSA63J-153X	MG RESISTOR	15kΩ 1/16W J		R9006	NRSA63J-821X	MG RESISTOR	820kΩ 1/16W J	
R8162	NRSA63J-103X	MG RESISTOR	10kΩ 1/16W J		R9007	NRSA63J-474X	MG RESISTOR	470kΩ 1/16W J	
R8180	QRE141J-223Y	C RESISTOR	22kΩ 1/4W J		R9010	NRSA63J-0R0X	MG RESISTOR	0Ω 1/16W J	
R8182	QRE141J-333Y	C RESISTOR	33kΩ 1/4W J		R9011	NRSA63J-824X	MG RESISTOR	820kΩ 1/16W J	
R8183	QRE141J-223Y	C RESISTOR	22kΩ 1/4W J		R9012	NRSA63J-163X	MG RESISTOR	16kΩ 1/16W J	
R8189	NRSA63J-243X	MG RESISTOR	24kΩ 1/16W J		R9013	NRSA63J-103X	MG RESISTOR	10kΩ 1/16W J	
R8190	QRE141J-363Y	C RESISTOR	36kΩ 1/4W J		R9014	NRSA63J-103X	MG RESISTOR	10kΩ 1/16W J	
R8191	QRE141J-153Y	C RESISTOR	15kΩ 1/4W J		R9015	QRE141J-221Y	C RESISTOR	220Ω 1/4W J	
R8192	NRSA63J-333X	MG RESISTOR	33kΩ 1/16W J		R9017	NRSA63J-104X	MG RESISTOR	100kΩ 1/16W J	
R8193	NRSA63J-223X	MG RESISTOR	22kΩ 1/16W J		R9021	NRSA63J-472X	MG RESISTOR	4.7kΩ 1/16W J	
R8194	NRSA63J-363X	MG RESISTOR	36kΩ 1/16W J		R9022	NRSA63J-472X	MG RESISTOR	4.7kΩ 1/16W J	
R8195	NRSA63J-152X	MG RESISTOR	1.5kΩ 1/16W J		R9030	NRSA63J-564X	MG RESISTOR	560kΩ 1/16W J	
R8196	NRSA63J-103X	MG RESISTOR	10kΩ 1/16W J		R9031	NRSA63J-564X	MG RESISTOR	560kΩ 1/16W J	
R8197	NRSA63J-183X	MG RESISTOR	18kΩ 1/16W J		R9032	NRSA63J-564X	MG RESISTOR	560kΩ 1/16W J	
R8198	NRSA63J-183X	MG RESISTOR	18kΩ 1/16W J		R9033	NRSA63J-564X	MG RESISTOR	560kΩ 1/16W J	
R8199	QRE141J-105Y	C RESISTOR	1MΩ 1/4W J		R9034	NRSA63J-103X	MG RESISTOR	10kΩ 1/16W J	
R8211	NRSA63J-223X	MG RESISTOR	22kΩ 1/16W J		R9035	NRSA63J-393X	MG RESISTOR	39kΩ 1/16W J	
R8212	NRSA63J-103X	MG RESISTOR	10kΩ 1/16W J		R9036	QRE141J-101Y	C RESISTOR	100Ω 1/4W J	
R8223	NRSA63J-0R0X	MG RESISTOR	0Ω 1/16W J		R9101	NRSA63J-472X	MG RESISTOR	4.7kΩ 1/16W J	
R8224	NRSA63J-0R0X	MG RESISTOR	0Ω 1/16W J		R9102	NRSA63J-472X	MG RESISTOR	4.7kΩ 1/16W J	
R8225	NRSA63J-0R0X	MG RESISTOR	0Ω 1/16W J		R9103	NRSA63J-472X	MG RESISTOR	4.7kΩ 1/16W J	
R8230	QRE141J-103Y	C RESISTOR	10kΩ 1/4W J		R9104	NRSA63J-472X	MG RESISTOR	4.7kΩ 1/16W J	
R8231	QRE141J-512Y	C RESISTOR	5.1kΩ 1/4W J		VR901	QVQ0342-B24	V RESISTOR		
R8232	QRE141J-753Y	C RESISTOR	75kΩ 1/4W J						
R8235	QRE141J-224Y	C RESISTOR	220kΩ 1/4W J		L9100	QQL231K-2R2Y	COIL	2.2uH K	
R8260	NRSA63J-474X	MG RESISTOR	470kΩ 1/16W J		L9101	QQL231K-470Y	COIL	47uH K	
R8261	NRSA63J-474X	MG RESISTOR	470kΩ 1/16W J		L9102	QQL231K-470Y	COIL	47uH K	
R8262	NRSA63J-101X	MG RESISTOR	100Ω 1/16W J						
R8263	NRSA63J-475X	MG RESISTOR	4.7MΩ 1/16W J		CN720	QGF1036C2-19	CONNECTOR	FFC/FPC (1-19)	
R8264	NRSA63J-153X	MG RESISTOR	15kΩ 1/16W J		CN730	QGF1205C2-25	CONNECTOR	FFC/FPC (1-25)	
R8265	NRSA63J-562X	MG RESISTOR	5.6kΩ 1/16W J		CN740	QGF1205F2-05	CONNECTOR	FFC/FPC (1-5)	
R8266	NRSA63J-472X	MG RESISTOR	4.7kΩ 1/16W J		CN750	QGF1205F2-11	CONNECTOR	FFC/FPC (1-11)	

△ Symbol No.	Part No.	Part Name	Description	Local
CN760	QGF1205C2-08	CONNECTOR	FFC/FPC (1-8)	
CN787	QGF1210G1-05	CONNECTOR	FFC/FPC (1-5)	
CN800	QGF1036C2-10	CONNECTOR	FFC/FPC (1-10)	
CN820	QGF1205C2-08	CONNECTOR	FFC/FPC (1-8)	
CN830	QGF1205C2-13	CONNECTOR	FFC/FPC (1-13)	
CN850	QGB2510J1-07	CONNECTOR	B-B (1-7)	
CN901	QGF1205F2-05	CONNECTOR	FFC/FPC (1-5)	
FW910	QUM153-21DGZ4-E	FLAT WIRE		
J700	QNB0288-001	SPK TERMINAL		
J701	QNN0792-001	JACK		
J800	QNN0420-001	SURROUND JACK		
J901	QNS0252-001	MIC JACK		
J902	QNS0252-001	MIC JACK		
J910	QNS0266-001	JACK		
K9100	QQR0621-001Z	COIL		
RY712	QSK0109-001	RELAY		
RY767	QSK0109-001	RELAY		
X7700	QAX0711-002Z	CRYSTAL	8.000000MHz	

△ Symbol No.	Part No.	Part Name	Description	Local
D6601	1SS133-T2	SI DIODE		
D6701	1SS133-T2	SI DIODE		
D6801	MTZJ15B-T2	Z DIODE		
D6802	MTZJ15B-T2	Z DIODE		
D6803	MTZJ36B-T2	Z DIODE		
D6804	MTZJ36B-T2	Z DIODE		

△ Symbol No.	Part No.	Part Name	Description	Local
C5000	QETN1HM-226Z	E CAPACITOR	22uF 50V M	
C5001	QETN1HM-226Z	E CAPACITOR	22uF 50V M	
C5002	QDGB1HK-102Y	C CAPACITOR	1000pF 50V K	
C5003	QKCC1EM-106Z	E CAPACITOR	10uF 25V M	
C5004	QCBB1HK-104Y	C CAPACITOR	0.1uF 50V K	
C5005	QCBB1HK-101Y	C CAPACITOR	100pF 50V K	
C5006	QKCC1AM-107Z	E CAPACITOR	100uF 10V M	
C5007	QCBB1HK-104Y	C CAPACITOR	0.1uF 50V K	
C5008	QCBB1HK-103Y	C CAPACITOR	0.01uF 50V K	
C6311	QETN1EM-476Z	E CAPACITOR	47uF 25V M	
C6312	QETN1CM-107Z	E CAPACITOR	100uF 16V M	
C6321	QETN1EM-476Z	E CAPACITOR	47uF 25V M	
C6322	QETN1CM-107Z	E CAPACITOR	100uF 16V M	
C6331	QETN1EM-476Z	E CAPACITOR	47uF 25V M	
C6332	QETN1CM-107Z	E CAPACITOR	100uF 16V M	
C6341	QETN1EM-476Z	E CAPACITOR	47uF 25V M	
C6342	QETN1CM-107Z	E CAPACITOR	100uF 16V M	
C6361	QETN1EM-476Z	E CAPACITOR	47uF 25V M	
C6362	QETN1CM-107Z	E CAPACITOR	100uF 16V M	
C6401	QETN1EM-476Z	E CAPACITOR	47uF 25V M	
C6402	QETN1CM-107Z	E CAPACITOR	100uF 16V M	
C6511	QETN1JM-476Z	E CAPACITOR	47uF 63V M	
C6512	QCSB1HJ-220Y	C CAPACITOR	22pF 50V J	
C6513	QFLC1HJ-104Z	M CAPACITOR	0.1uF 50V J	
C6514	QFLC1HJ-104Z	M CAPACITOR	0.1uF 50V J	
C6521	QETN1JM-476Z	E CAPACITOR	47uF 63V M	
C6522	QCSB1HJ-220Y	C CAPACITOR	22pF 50V J	
C6523	QFLC1HJ-104Z	M CAPACITOR	0.1uF 50V J	
C6524	QFLC1HJ-104Z	M CAPACITOR	0.1uF 50V J	
C6531	QETN1JM-476Z	E CAPACITOR	47uF 63V M	
C6532	QCSB1HK-4R7Y	C CAPACITOR	4.7pF 50V K	
C6533	QFLC1HJ-104Z	M CAPACITOR	0.1uF 50V J	
C6534	QFLC1HJ-104Z	M CAPACITOR	0.1uF 50V J	
C6601	QETN1CM-107Z	E CAPACITOR	100uF 16V M	
C6602	QFZ0212-104Z	M CAPACITOR	0.1uF	
C6603	QFZ0212-104Z	M CAPACITOR	0.1uF	
C6604	QETN1HM-105Z	E CAPACITOR	1uF 50V M	
C6701	QETN1HM-106Z	E CAPACITOR	10uF 50V M	
C6702	QETN1EM-476Z	E CAPACITOR	47uF 25V M	
C6703	QETN1HM-106Z	E CAPACITOR	10uF 50V M	
C6911	QCBB1HK-221Y	C CAPACITOR	220pF 50V K	
C6912	QTE1V06-106Z	E CAPACITOR	10uF 35V	
C6913	QCBB1HK-101Y	C CAPACITOR	100pF 50V K	
C6921	QCBB1HK-221Y	C CAPACITOR	220pF 50V K	
C6922	QTE1V06-106Z	E CAPACITOR	10uF 35V	
C6923	QCBB1HK-101Y	C CAPACITOR	100pF 50V K	
C6931	QCBB1HK-221Y	C CAPACITOR	220pF 50V K	
C6932	QTE1V06-106Z	E CAPACITOR	10uF 35V	
C6933	QCBB1HK-471Y	C CAPACITOR	470pF 50V K	

Amplifier board (DX-T66)

Block No. [0][8]

△ Symbol No.	Part No.	Part Name	Description	Local
IC500	PT6305	FL DRIVER		
IC510	GP1UM281XKVF	IR DETECT UNIT		
△ IC602	KIA7809API	IC		
△ IC603	KIA7805API	IC		
△ IC604	KIA7809API	IC		
△ IC605	KIA278R05PI	IC		
△ IC606	KIA278R09PI	IC		
△ IC607	KIA7808API	IC		
△ IC608	KIA7805API	IC		
△ IC650	STK413-430	IC		
Q5004	KRC102M-T	DIGI TRANSISTOR		
Q5005	KRC102M-T	DIGI TRANSISTOR		
Q5006	KRC102M-T	DIGI TRANSISTOR		
Q5007	KRC102M-T	DIGI TRANSISTOR		
Q5008	KTA1023/OY/-T	TRANSISTOR		
Q5009	KRC102M-T	DIGI TRANSISTOR		
Q5010	KRC110M-T	TRANSISTOR		
Q5011	KTC3199/GL/-T	TRANSISTOR		
Q6351	KTC3203/OY/-T	TRANSISTOR		
Q6352	KRC102M-T	DIGI TRANSISTOR		
Q6511	KTC3199/GL/-T	TRANSISTOR		
Q6521	KTC3199/GL/-T	TRANSISTOR		
Q6531	KTC3199/GL/-T	TRANSISTOR		
Q6601	KTC3200/GL/-T	TRANSISTOR		
Q6602	KTA1023/OY/-T	TRANSISTOR		
Q6603	KTA1268/GL/-T	TRANSISTOR		
Q6604	KTC1027/OY/-T	TRANSISTOR		
Q6701	KTC3200/GL/-T	TRANSISTOR		
Q6702	KTA1268/GL/-T	TRANSISTOR		
Q6703	KTC3199/GL/-T	TRANSISTOR		
Q6704	KTA1268/GL/-T	TRANSISTOR		
D5004	SLI-343URC-W-T	LED		
D5005	SLI-343URC-W-T	LED		
D5006	SELU2E10C-P	LED		
D5007	SLR-343VC-T	LED		
D6311	MTZJ11B-T2	Z DIODE		
D6321	MTZJ6.2B-T2	Z DIODE		
D6331	MTZJ11B-T2	Z DIODE		
D6341	1SS133-T2	SI DIODE		
D6342	MTZJ6.2B-T2	Z DIODE		
D6351	MTZJ13B-T2	Z DIODE		
D6352	1SS133-T2	SI DIODE		
D6353	MTZJ4.3B-T2	Z DIODE		
D6361	MTZJ11B-T2	Z DIODE		
D6511	1SS133-T2	SI DIODE		
D6521	1SS133-T2	SI DIODE		
D6531	1SS133-T2	SI DIODE		

△ Symbol No.	Part No.	Part Name	Description	Local
R5000	QRE141J-102Y	C RESISTOR	1kΩ 1/4W J	
R5001	QRE141J-102Y	C RESISTOR	1kΩ 1/4W J	
R5002	QRE141J-122Y	C RESISTOR	1.2kΩ 1/4W J	
R5003	QRE141J-182Y	C RESISTOR	1.8kΩ 1/4W J	
R5004	QRE141J-222Y	C RESISTOR	2.2kΩ 1/4W J	
R5005	QRE141J-272Y	C RESISTOR	2.7kΩ 1/4W J	
R5006	QRE141J-392Y	C RESISTOR	3.9kΩ 1/4W J	
R5007	QRE141J-562Y	C RESISTOR	5.6kΩ 1/4W J	
R5008	QRE141J-103Y	C RESISTOR	10kΩ 1/4W J	
R5009	QRE141J-102Y	C RESISTOR	1kΩ 1/4W J	
R5010	QRE141J-102Y	C RESISTOR	1kΩ 1/4W J	
R5011	QRE141J-122Y	C RESISTOR	1.2kΩ 1/4W J	
R5012	QRE141J-182Y	C RESISTOR	1.8kΩ 1/4W J	
R5013	QRE141J-222Y	C RESISTOR	2.2kΩ 1/4W J	
R5014	QRE141J-272Y	C RESISTOR	2.7kΩ 1/4W J	
R5015	QRE141J-392Y	C RESISTOR	3.9kΩ 1/4W J	
R5016	QRE141J-102Y	C RESISTOR	1kΩ 1/4W J	
R5017	QRE141J-102Y	C RESISTOR	1kΩ 1/4W J	
R5018	QRE141J-122Y	C RESISTOR	1.2kΩ 1/4W J	
R5019	QRE141J-182Y	C RESISTOR	1.8kΩ 1/4W J	
R5020	QRE141J-222Y	C RESISTOR	2.2kΩ 1/4W J	

△ Symbol No.	Part No.	Part Name	Description	Local	△ Symbol No.	Part No.	Part Name	Description	Local
R5021	QRE141J-272Y	C RESISTOR	2.7kΩ 1/4W J		R6806	QRE141J-333Y	C RESISTOR	33kΩ 1/4W J	
R5022	QRE141J-392Y	C RESISTOR	3.9kΩ 1/4W J		R6911	QRE141J-102Y	C RESISTOR	1kΩ 1/4W J	
R5023	QRE141J-562Y	C RESISTOR	5.6kΩ 1/4W J		R6912	QRE141J-563Y	C RESISTOR	56kΩ 1/4W J	
R5024	QRE141J-102Y	C RESISTOR	1kΩ 1/4W J		R6921	QRE141J-102Y	C RESISTOR	1kΩ 1/4W J	
R5025	QRE141J-102Y	C RESISTOR	1kΩ 1/4W J		R6922	QRE141J-563Y	C RESISTOR	56kΩ 1/4W J	
R5026	QRE141J-122Y	C RESISTOR	1.2kΩ 1/4W J		R6931	QRE141J-102Y	C RESISTOR	1kΩ 1/4W J	
R5027	QRE141J-182Y	C RESISTOR	1.8kΩ 1/4W J		R6932	QRE141J-563Y	C RESISTOR	56kΩ 1/4W J	
R5028	QRE141J-222Y	C RESISTOR	2.2kΩ 1/4W J		L6511	QLLZ035-R39	COIL	0.39uH	
R5029	QRE141J-272Y	C RESISTOR	2.7kΩ 1/4W J		L6521	QLLZ035-R39	COIL	0.39uH	
R5030	QRE141J-392Y	C RESISTOR	3.9kΩ 1/4W J		L6531	QLLZ035-R39	COIL	0.39uH	
R5035	QRE141J-161Y	C RESISTOR	160Ω 1/4W J		CN500	QGF1036F2-19	CONNECTOR	FFC/FPC (1-19)	
R5036	QRE141J-161Y	C RESISTOR	160Ω 1/4W J		CN601	QGB2510K2-09	CONNECTOR	B-B (1-9)	
R5037	QRE141J-560Y	C RESISTOR	56Ω 1/4W J		CN602	QGF1205C2-13	CONNECTOR	FFC/FPC (1-13)	
R5038	QRE141J-102Y	C RESISTOR	1kΩ 1/4W J		CN603	QGF1205F2-11	CONNECTOR	FFC/FPC (1-11)	
R5039	QRE141J-102Y	C RESISTOR	1kΩ 1/4W J		CN604	QGA2501F1-03	CONNECTOR	W-B (1-3)	
R5040	QRE141J-102Y	C RESISTOR	1kΩ 1/4W J		CN651	QGB2510K2-13	CONNECTOR	B-B (1-13)	
R5041	QRE141J-102Y	C RESISTOR	1kΩ 1/4W J		CN652	QGF1205C2-08	CONNECTOR	FFC/FPC (1-8)	
R5042	QRE141J-103Y	C RESISTOR	10kΩ 1/4W J		FL500	QLF0150-001	FL TUBE		
R5043	QRE141J-271Y	C RESISTOR	270Ω 1/4W J		FW500	QUM153-18DGZ4-E	FLAT WIRE		
R5044	QRE141J-821Y	C RESISTOR	820Ω 1/4W J		S5000	QSW0683-001Z	PUSH SW I.M		
R5045	QRE141J-104Y	C RESISTOR	100kΩ 1/4W J		S5001	QSW0683-001Z	PUSH SW I.M		
R5046	QRE141J-104Y	C RESISTOR	100kΩ 1/4W J		S5002	QSW0683-001Z	PUSH SW I.M		
R5050	QRE141J-103Y	C RESISTOR	10kΩ 1/4W J		S5003	QSW0683-001Z	PUSH SW I.M		
R6321	QRE141J-103Y	C RESISTOR	10kΩ 1/4W J		S5004	QSW0683-001Z	PUSH SW I.M		
R6342	QRE141J-102Y	C RESISTOR	1kΩ 1/4W J		S5005	QSW0683-001Z	PUSH SW I.M		
R6352	QRE141J-102Y	C RESISTOR	1kΩ 1/4W J		S5006	QSW0683-001Z	PUSH SW I.M		
R6356	QRE141J-103Y	C RESISTOR	10kΩ 1/4W J		S5007	QSW0683-001Z	PUSH SW I.M		
R6357	QRE141J-102Y	C RESISTOR	1kΩ 1/4W J		S5008	QSW0683-001Z	PUSH SW I.M		
R6358	QRE141J-103Y	C RESISTOR	10kΩ 1/4W J		S5009	QSW0683-001Z	PUSH SW I.M		
R6501	QRJ146J-102X	UNF C RESISTOR	1kΩ 1/4W J		S5010	QSW0683-001Z	PUSH SW I.M		
R6502	QRJ146J-102X	UNF C RESISTOR	1kΩ 1/4W J		S5011	QSW0683-001Z	PUSH SW I.M		
R6503	QRJ146J-102X	UNF C RESISTOR	1kΩ 1/4W J		S5012	QSW0683-001Z	PUSH SW I.M		
R6510	QRE141J-102Y	C RESISTOR	1kΩ 1/4W J		S5013	QSW0683-001Z	PUSH SW I.M		
△ R6511	QRZ0224-R22	EMIT RESISTOR	0.22Ω		S5014	QSW0683-001Z	PUSH SW I.M		
R6512	QRE141J-563Y	C RESISTOR	56kΩ 1/4W J		S5015	QSW0683-001Z	PUSH SW I.M		
△ R6513	QRJ146J-100X	UNF C RESISTOR	10Ω 1/4W J		S5016	QSW0683-001Z	PUSH SW I.M		
R6514	QRJ146J-100X	UNF C RESISTOR	10Ω 1/4W J		S5017	QSW0683-001Z	PUSH SW I.M		
R6516	QRE141J-562Y	C RESISTOR	5.6kΩ 1/4W J		S5018	QSW0683-001Z	PUSH SW I.M		
R6517	QRE141J-473Y	C RESISTOR	47kΩ 1/4W J		S5019	QSW0683-001Z	PUSH SW I.M		
△ R6518	QRJ146J-681X	UNF C RESISTOR	680Ω 1/4W J		S5020	QSW0683-001Z	PUSH SW I.M		
R6519	QRE141J-104Y	C RESISTOR	100kΩ 1/4W J		S5021	QSW0683-001Z	PUSH SW I.M		
R6520	QRE141J-102Y	C RESISTOR	1kΩ 1/4W J		S5022	QSW0683-001Z	PUSH SW I.M		
△ R6521	QRZ0224-R22	EMIT RESISTOR	0.22Ω		S5023	QSW0683-001Z	PUSH SW I.M		
R6522	QRE141J-563Y	C RESISTOR	56kΩ 1/4W J		S5024	QSW0683-001Z	PUSH SW I.M		
△ R6523	QRJ146J-100X	UNF C RESISTOR	10Ω 1/4W J		S5025	QSW0683-001Z	PUSH SW I.M		
△ R6524	QRJ146J-100X	UNF C RESISTOR	10Ω 1/4W J		S5026	QSW0683-001Z	PUSH SW I.M		
R6526	QRE141J-562Y	C RESISTOR	5.6kΩ 1/4W J		S5027	QSW0683-001Z	PUSH SW I.M		
R6527	QRE141J-473Y	C RESISTOR	47kΩ 1/4W J		S5028	QSW0683-001Z	PUSH SW I.M		
△ R6528	QRJ146J-681X	UNF C RESISTOR	680Ω 1/4W J		S5029	QSW0683-001Z	PUSH SW I.M		
R6529	QRE141J-104Y	C RESISTOR	100kΩ 1/4W J		S5030	QSW0683-001Z	PUSH SW I.M		
R6530	QRE141J-102Y	C RESISTOR	1kΩ 1/4W J		S5031	QSW0683-001Z	PUSH SW I.M		
△ R6531	QRZ0224-R22	EMIT RESISTOR	0.22Ω		S5032	QSW0683-001Z	PUSH SW I.M		
R6532	QRE141J-563Y	C RESISTOR	56kΩ 1/4W J		S5033	QSW0683-001Z	PUSH SW I.M		
△ R6533	QRJ146J-100X	UNF C RESISTOR	10Ω 1/4W J		S5034	QSW0683-001Z	PUSH SW I.M		
R6534	QRJ146J-100X	UNF C RESISTOR	10Ω 1/4W J		SP500	GV40205-004A	IC HOLDER		
R6536	QRE141J-562Y	C RESISTOR	5.6kΩ 1/4W J						
R6537	QRE141J-473Y	C RESISTOR	47kΩ 1/4W J						
△ R6538	QRJ146J-681X	UNF C RESISTOR	680Ω 1/4W J						
R6539	QRE141J-104Y	C RESISTOR	100kΩ 1/4W J						
R6601	QRE141J-222Y	C RESISTOR	2.2kΩ 1/4W J						
R6602	QRE141J-104Y	C RESISTOR	100kΩ 1/4W J						
R6603	QRE141J-103Y	C RESISTOR	10kΩ 1/4W J						
R6604	QRE141J-103Y	C RESISTOR	10kΩ 1/4W J						
△ R6605	QRJ146J-150X	UNF C RESISTOR	15Ω 1/4W J						
R6606	QRE141J-103Y	C RESISTOR	10kΩ 1/4W J						
R6607	QRE141J-103Y	C RESISTOR	10kΩ 1/4W J						
△ R6608	QRJ146J-150X	UNF C RESISTOR	15Ω 1/4W J						
R6701	QRE141J-103Y	C RESISTOR	10kΩ 1/4W J						
R6702	QRE141J-104Y	C RESISTOR	100kΩ 1/4W J						
R6703	QRE141J-103Y	C RESISTOR	10kΩ 1/4W J						
R6704	QRE141J-104Y	C RESISTOR	100kΩ 1/4W J						
R6705	QRE141J-103Y	C RESISTOR	10kΩ 1/4W J						
R6706	QRE141J-104Y	C RESISTOR	100kΩ 1/4W J						
R6801	QRE141J-682Y	C RESISTOR	6.8kΩ 1/4W J						
R6802	QRE141J-682Y	C RESISTOR	6.8kΩ 1/4W J						
R6803	QRE141J-682Y	C RESISTOR	6.8kΩ 1/4W J						
R6804	QRE141J-682Y	C RESISTOR	6.8kΩ 1/4W J						
△ R6805	QRJ146J-100X	UNF C RESISTOR	10Ω 1/4W J						

Primary board (DX-T66)

Block No. [0][9]

△ Symbol No.	Part No.	Part Name	Description	Local
C1002	QETN1HM-226Z	E CAPACITOR	22uF 50V M	
C1003	QETN1HM-226Z	E CAPACITOR	22uF 50V M	
C1004	QCB1HK-103Y	C CAPACITOR	0.01uF 50V K	
C1005	QETN1HM-106Z	E CAPACITOR	10uF 50V M	
C1010	QFLC1HJ-104Z	M CAPACITOR	0.1uF 50V J	
C1011	QFLC1HJ-104Z	M CAPACITOR	0.1uF 50V J	
C1012	QFLC1HJ-104Z	M CAPACITOR	0.1uF 50V J	
C1013	QFZ0228-104Z	M CAPACITOR	0.1uF	
C1014	QFZ0228-104Z	M CAPACITOR	0.1uF	
C1015	QFZ0228-104Z	M CAPACITOR	0.1uF	
C1016	QETM2CM-226	E CAPACITOR	22uF 160V M	

△ Symbol No.	Part No.	Part Name	Description	Local	△ Symbol No.	Part No.	Part Name	Description	Local
C1017	QETN2AM-107Z	E CAPACITOR	100uF 100V M		△ Q2007	KTA1046/Y/	TRANSISTOR		
C2000	QEZ0706-478	E CAPACITOR	4700uF		Q2008	KTC3199/GL/-T	TRANSISTOR		
C2004	QEZ0706-478	E CAPACITOR	4700uF		Q2009	KTC3199/GL/-T	TRANSISTOR		
C2006	QEZ0840-228	E CAPACITOR	2200uF		Q9300	KRA110M-T	TRANSISTOR		
C2008	QEZ0840-228	E CAPACITOR	2200uF		Q9301	KRC110M-T	TRANSISTOR		
C2009	QFZ0228-104Z	M CAPACITOR	0.1uF		Q9303	KTC3199/GL/-T	TRANSISTOR		
C2010	QCBB1HK-103Y	C CAPACITOR	0.01uF 50V K		△ R1000	QRK126J-470X	UNF C RESISTOR	47Ω 1/2W J	
C2011	QCBB1HK-221Y	C CAPACITOR	220pF 50V K		R1001	QRE141J-753Y	C RESISTOR	75kΩ 1/4W J	
C2012	QETM1CM-478	E CAPACITOR	4700uF 16V M		R1002	QRE141J-104Y	C RESISTOR	100kΩ 1/4W J	
C2013	QETM1EM-478	E CAPACITOR	4700uF 25V M		R1003	QRE141J-104Y	C RESISTOR	100kΩ 1/4W J	
C9200	QETN1AM-477Z	E CAPACITOR	470uF 10V M		R1004	QRK126J-1R0X	UNF C RESISTOR	1Ω 1/2W J	
C9204	QCBB1HK-103Y	C CAPACITOR	0.01uF 50V K		R1005	QRE141J-753Y	C RESISTOR	75kΩ 1/4W J	
C9206	QETN1HM-105Z	E CAPACITOR	1uF 50V M		R1006	QRK126J-1R0X	UNF C RESISTOR	1Ω 1/2W J	
C9209	QETN1HM-226Z	E CAPACITOR	22uF 50V M		R2000	QRE141J-104Y	C RESISTOR	100kΩ 1/4W J	
C9211	QETN1HM-105Z	E CAPACITOR	1uF 50V M		R2001	QRE141J-104Y	C RESISTOR	100kΩ 1/4W J	
C9213	QETN1HM-105Z	E CAPACITOR	1uF 50V M		R2002	QRE141J-104Y	C RESISTOR	100kΩ 1/4W J	
C9215	QETN1HM-105Z	E CAPACITOR	1uF 50V M		R2003	QRE141J-104Y	C RESISTOR	100kΩ 1/4W J	
C9216	QCBB1HK-104Y	C CAPACITOR	0.1uF 50V K		R2004	QRE141J-681Y	C RESISTOR	680Ω 1/4W J	
C9218	QETNOJM-477Z	E CAPACITOR	470uF 6.3V M		R2005	QRE141J-272Y	C RESISTOR	2.7kΩ 1/4W J	
C9221	QETNOJM-477Z	E CAPACITOR	470uF 6.3V M		R2006	QRE141J-681Y	C RESISTOR	680Ω 1/4W J	
C9224	QETNOJM-477Z	E CAPACITOR	470uF 6.3V M		R2007	QRE141J-472Y	C RESISTOR	4.7kΩ 1/4W J	
C9227	QETNOJM-477Z	E CAPACITOR	470uF 6.3V M		R2008	QRE141J-102Y	C RESISTOR	1kΩ 1/4W J	
C9230	QETNOJM-477Z	E CAPACITOR	470uF 6.3V M		R2009	QRE141J-102Y	C RESISTOR	1kΩ 1/4W J	
C9232	QCBB1HK-103Y	C CAPACITOR	0.01uF 50V K		R2010	QRE141J-102Y	C RESISTOR	1kΩ 1/4W J	
C9300	QETN1CM-107Z	E CAPACITOR	100uF 16V M		R2011	QRL01DJ-471X	OMF RESISTOR	470Ω 1W J	
C9303	QETN1CM-107Z	E CAPACITOR	100uF 16V M		R2012	QRL01DJ-471X	OMF RESISTOR	470Ω 1W J	
CN100	QGA7901C1-02	CONNECTOR	W-B (1-2)		R2013	QRE141J-273Y	C RESISTOR	27kΩ 1/4W J	
CN101	QGA7901C1-04	CONNECTOR	W-B (1-4)		R9201	QRE141J-431Y	C RESISTOR	430Ω 1/4W J	
CN102	QGA7901C1-03	CONNECTOR	W-B (1-3)		R9202	QRE141J-391Y	C RESISTOR	390Ω 1/4W J	
CN103	QGA3901F1-08	CONNECTOR	W-B (1-8)		R9203	QRE141J-391Y	C RESISTOR	390Ω 1/4W J	
CN104	QGB2510J1-13	CONNECTOR	B-B (1-13)		R9204	QRE141J-131Y	C RESISTOR	130Ω 1/4W J	
CN105	QGD2503F1-03	CONNECTOR	(1-3)		R9205	QRE141J-391Y	C RESISTOR	390Ω 1/4W J	
CN106	QGA3901F2-03	CONNECTOR	W-B (1-3)		R9206	QRE141J-131Y	C RESISTOR	130Ω 1/4W J	
CN200	QGB2510J1-13	CONNECTOR	B-B (1-13)		R9207	QRE141J-391Y	C RESISTOR	390Ω 1/4W J	
CN201	QGB2510J1-09	CONNECTOR	B-B (1-9)		R9208	QRE141J-431Y	C RESISTOR	430Ω 1/4W J	
CN202	QGD2504C1-03Z	CONNECTOR	(1-3)		R9209	QRE141J-391Y	C RESISTOR	390Ω 1/4W J	
CN203	QGB2510K2-07	CONNECTOR	B-B (1-7)		R9210	QRE141J-431Y	C RESISTOR	430Ω 1/4W J	
CN204	QGB2510K2-13	CONNECTOR	B-B (1-13)		R9218	QRE141J-750Y	C RESISTOR	75Ω 1/4W J	
CN920	QGF1205C2-08	CONNECTOR	FFC/FPC (1-8)		R9221	QRE141J-750Y	C RESISTOR	75Ω 1/4W J	
CN930	QGF1036C2-28	CONNECTOR	FFC/FPC (1-28)		R9224	QRE141J-750Y	C RESISTOR	75Ω 1/4W J	
CN931	QGF1205C2-11	CONNECTOR	FFC/FPC (1-11)		R9227	QRE141J-750Y	C RESISTOR	75Ω 1/4W J	
△ D1000	1N5402M-20	SI DIODE			R9230	QRE141J-750Y	C RESISTOR	75Ω 1/4W J	
D1001	1N5402M-20	SI DIODE			R9232	QRE141J-750Y	C RESISTOR	75Ω 1/4W J	
△ D1002	1N5402M-20	SI DIODE			R9300	QRT01DJ-2R2X	MF RESISTOR	2.2Ω 1W J	
△ D1003	1N5402M-20	SI DIODE			R9301	QRE141J-681Y	C RESISTOR	680Ω 1/4W J	
△ D1006	6A10E2	SI DIODE			R9302	QRZ9006-4R7X	FUSI RESISTOR	4.7Ω	
△ D1007	6A10E2	SI DIODE			R9303	QRE141J-271Y	C RESISTOR	270Ω 1/4W J	
△ D1010	6A10E2	SI DIODE			R9310	QRE141J-470Y	C RESISTOR	47Ω 1/4W J	
△ D1011	6A10E2	SI DIODE			△ S1000	QSW0812-001	VOLTAGE SWITCH		
D1012	MTZJ6.2B-T2	Z DIODE			Z1001	QNG0003-001Z	FUSE CLIP		
D1013	MTZJ18B-T2	Z DIODE			Z1002	QNG0003-001Z	FUSE CLIP		
D1014	MTZJ18B-T2	Z DIODE			Z1003	QNG0003-001Z	FUSE CLIP		
D1015	1N4003S-T5	SI DIODE			Z1004	QNG0003-001Z	FUSE CLIP		
D1016	1N4003S-T5	SI DIODE			Z1005	QNG0003-001Z	FUSE CLIP		
D1017	1N4003S-T5	SI DIODE			Z1006	QNG0003-001Z	FUSE CLIP		
△ D2001	GBU803	BRIDGE DIODE			Z1007	QNG0003-001Z	FUSE CLIP		
D2008	2A02-M	DIODE			Z1008	QNG0003-001Z	FUSE CLIP		
D2009	MTZJ5.1C-T2	Z DIODE			Z1009	QNG0003-001Z	FUSE CLIP		
D2013	1SS133-T2	SI DIODE			Z1010	QNG0003-001Z	FUSE CLIP		
D9300	2A02-M	DIODE			Z1011	QNG0003-001Z	FUSE CLIP		
D9301	MTZJ3.3B-T2	Z DIODE			Z1012	QNG0003-001Z	FUSE CLIP		
D9302	MTZJ2.0A-T2	Z DIODE			Z1013	QNG0003-001Z	FUSE CLIP		
D9303	MTZJ3.9B-T2	Z DIODE			Z1014	QNG0003-001Z	FUSE CLIP		
D9310	MTZJ3.0B-T2	Z DIODE			Z1015	QNG0003-001Z	FUSE CLIP		
D9311	1SS133-T2	SI DIODE			Z1016	QNG0003-001Z	FUSE CLIP		
D9312	1SS133-T2	SI DIODE							
D9313	1SS133-T2	SI DIODE							
H2001	GV40577-001A	HEAT SINK							
HS202	GV40620-003A	HEAT SINK							
IC920	BH7868FS-X	IC							
IC930	GP1FAV30TK0F	OPT TRANSMITTER							
IH920	GV40397-004A	IC HOLDER							
J920	QNN0572-001	PIN JACK							
J921	QNN0557-002	PIN JACK							
PP201	QZW0112-001	WIRE CLAMP							
PP202	QZW0112-001	WIRE CLAMP							
△ Q1000	KTC2026/Y/	TRANSISTOR							
Q1001	KTC3203/OY/-T	TRANSISTOR							

DVD servo board(FMU-SB4-1M)

(DX-T99,DX-T77)

Block No. [1][0]

△ Symbol No.	Part No.	Part Name	Description	Local
IC201	LA6502-X	IC		
IC301	MN2DS0009AA	IC		
IC302	MM1701CH-X	IC		
IC305	MM1563BF-X	IC	3.1V Regulator	
IC451	MN101C61GNW	IC		
IC452	BR93L56RF-W-X	IC		
IC453	S-80827CNNB-G-W	IC		
IC505	K4S641632H-UC75	IC		
IC505	or K4S641632K-UC75	IC		
IC509	-----	IC(MICRO C ROM)		
IC510	BR24L16F-W-X	IC(DIGITAL)		
IC701	AK4387ET-X	IC		
IC702	AK4387ET-X	IC		
IC703	AK4387ET-X	IC		
IC704	AK5358ET-X	IC		
IC705	MM1615AN-X	IC		
Q101	KTA1001/Y/-X	TRANSISTOR		
Q101	or 2SB1424/R/-W	TRANSISTOR		
Q102	2SC4617/R/-X	TRANSISTOR		
Q103	KTA1001/Y/-X	TRANSISTOR		
Q103	or 2SB1424/R/-W	TRANSISTOR		
Q104	2SC4617/R/-X	TRANSISTOR		
C101	NCF31EZ-104X	C CAPACITOR	0.1uF 25V Z	
C102	NCF31EZ-104X	C CAPACITOR	0.1uF 25V Z	
C103	NCF31EZ-104X	C CAPACITOR	0.1uF 25V Z	
C104	NCF31EZ-104X	C CAPACITOR	0.1uF 25V Z	
C105	NEAF0JM-476X	E CAPACITOR	47uF 6.3V M	
C106	NBE20JM-226X	TA E CAPACITOR	22uF 6.3V M	
C107	NCF31EZ-104X	C CAPACITOR	0.1uF 25V Z	
C108	NBE20JM-226X	TA E CAPACITOR	22uF 6.3V M	
C201	NDC31HJ-221X	C CAPACITOR	220pF 50V J	
C202	NDC31HJ-221X	C CAPACITOR	220pF 50V J	
C203	NCB31HK-103X	C CAPACITOR	0.01uF 50V K	
C204	NCF31EZ-104X	C CAPACITOR	0.1uF 25V Z	
C205	NCB31HK-271X	C CAPACITOR	270pF 50V K	
C206	NDC31HJ-151X	C CAPACITOR	150pF 50V J	
C210	NCF31AZ-105X	C CAPACITOR	1uF 10V Z	
C211	NCB31EK-223X	C CAPACITOR	0.022uF 25V K	
C217	NCF31EZ-104X	C CAPACITOR	0.1uF 25V Z	
C251	NCB31AK-474X	C CAPACITOR	0.47uF 10V K	
C256	NCB31CK-104X	C CAPACITOR	0.1uF 16V K	
C257	NCB31HK-822X	C CAPACITOR	8200pF 50V K	
C258	NCB31CK-153X	C CAPACITOR	0.015uF 16V K	
C259	NCB31CK-153X	C CAPACITOR	0.015uF 16V K	
C260	NCB31HK-223X	C CAPACITOR	0.022uF 50V K	
C261	NCB31HK-223X	C CAPACITOR	0.022uF 50V K	
C262	NCB31HK-223X	C CAPACITOR	0.022uF 50V K	
C263	NEAF1CM-107X	E CAPACITOR	100uF 16V M	
C300	NCF31EZ-104X	C CAPACITOR	0.1uF 25V Z	
C301	NEAF0GM-476X	E CAPACITOR	47uF 4V M	
C302	NEAF0GM-476X	E CAPACITOR	47uF 4V M	
C303	NEAF0GM-476X	E CAPACITOR	47uF 4V M	
C304	NCB30JK-105X	C CAPACITOR	1uF 6.3V K	
C305	NCF31EZ-104X	C CAPACITOR	0.1uF 25V Z	
C306	NCF31EZ-104X	C CAPACITOR	0.1uF 25V Z	
C307	NCF31EZ-104X	C CAPACITOR	0.1uF 25V Z	
C308	NCF31EZ-104X	C CAPACITOR	0.1uF 25V Z	
C309	NCF31EZ-104X	C CAPACITOR	0.1uF 25V Z	
C310	NCB31CK-104X	C CAPACITOR	0.1uF 16V K	
C312	NCF31EZ-104X	C CAPACITOR	0.1uF 25V Z	
C313	NCF31EZ-104X	C CAPACITOR	0.1uF 25V Z	
C314	NCF31EZ-104X	C CAPACITOR	0.1uF 25V Z	
C315	NCF31EZ-104X	C CAPACITOR	0.1uF 25V Z	
C316	NCF31EZ-104X	C CAPACITOR	0.1uF 25V Z	
C318	NCF31EZ-104X	C CAPACITOR	0.1uF 25V Z	
C319	NCF31EZ-104X	C CAPACITOR	0.1uF 25V Z	
C320	NCB31CK-104X	C CAPACITOR	0.1uF 16V K	
C321	NCB31CK-104X	C CAPACITOR	0.1uF 16V K	
C322	NCB31CK-104X	C CAPACITOR	0.1uF 16V K	
C323	NCB31CK-104X	C CAPACITOR	0.1uF 16V K	

△ Symbol No.	Part No.	Part Name	Description	Local
C324	NCB30JK-105X	C CAPACITOR	1uF 6.3V K	
C325	NDC31HJ-120X	C CAPACITOR	12pF 50V J	
C326	NDC31HJ-100X	C CAPACITOR	10pF 50V J	
C328	NCB31HK-103X	C CAPACITOR	0.01uF 50V K	
C329	NCF31EZ-104X	C CAPACITOR	0.1uF 25V Z	
C330	NCF31EZ-104X	C CAPACITOR	0.1uF 25V Z	
C331	NCB31CK-333X	C CAPACITOR	0.033uF 16V K	
C332	NCF31EZ-104X	C CAPACITOR	0.1uF 25V Z	
C333	NCF31EZ-104X	C CAPACITOR	0.1uF 25V Z	
C334	NCF31EZ-104X	C CAPACITOR	0.1uF 25V Z	
C335	NCF31EZ-104X	C CAPACITOR	0.1uF 25V Z	
C337	NCB31CK-183X	C CAPACITOR	0.018uF 16V K	
C338	NCB31HK-562X	C CAPACITOR	5600pF 50V K	
C339	NBE20JM-106X	TA E CAPACITOR	10uF 6.3V M	
C340	NCB30JK-105X	C CAPACITOR	1uF 6.3V K	
C341	NCB30JK-105X	C CAPACITOR	1uF 6.3V K	
C347	NCB31CK-104X	C CAPACITOR	0.1uF 16V K	
C348	NCB31CK-104X	C CAPACITOR	0.1uF 16V K	
C349	NCF31EZ-104X	C CAPACITOR	0.1uF 25V Z	
C350	NCB31HK-103X	C CAPACITOR	0.01uF 50V K	
C351	NCB31HK-103X	C CAPACITOR	0.01uF 50V K	
C352	NCB31CK-153X	C CAPACITOR	0.015uF 16V K	
C353	NCB31HK-561X	C CAPACITOR	560pF 50V K	
C354	NCB31HK-561X	C CAPACITOR	560pF 50V K	
C356	NCB30JK-105X	C CAPACITOR	1uF 6.3V K	
C359	NCB30JK-105X	C CAPACITOR	1uF 6.3V K	
C371	NCF31AZ-105X	C CAPACITOR	1uF 10V Z	
C372	NCF31EZ-104X	C CAPACITOR	0.1uF 25V Z	
C375	NCF31EZ-104X	C CAPACITOR	0.1uF 25V Z	
C376	NCF31EZ-104X	C CAPACITOR	0.1uF 25V Z	
C377	NCF31EZ-104X	C CAPACITOR	0.1uF 25V Z	
C379	NCF31EZ-104X	C CAPACITOR	0.1uF 25V Z	
C380	NCB21CK-105X	C CAPACITOR	1uF 16V K	
C381	NCB21AK-225X	C CAPACITOR	2.2uF 10V K	
C382	NCB31HK-471X	C CAPACITOR	470pF 50V K	
C383	NCF31EZ-104X	C CAPACITOR	0.1uF 25V Z	
C386	NCF31EZ-104X	C CAPACITOR	0.1uF 25V Z	
C393	NCB31HK-103X	C CAPACITOR	0.01uF 50V K	
C451	NCF31EZ-104X	C CAPACITOR	0.1uF 25V Z	
C452	NCB31CK-104X	C CAPACITOR	0.1uF 16V K	
C453	NCF31EZ-104X	C CAPACITOR	0.1uF 25V Z	
C454	NCB31HK-103X	C CAPACITOR	0.01uF 50V K	
C455	NCB31HK-103X	C CAPACITOR	0.01uF 50V K	
C551	NCF31EZ-104X	C CAPACITOR	0.1uF 25V Z	
C554	NCF31EZ-104X	C CAPACITOR	0.1uF 25V Z	
C555	NCF31EZ-104X	C CAPACITOR	0.1uF 25V Z	
C556	NCF31AZ-105X	C CAPACITOR	1uF 10V Z	
C557	NCB31HK-102X	C CAPACITOR	1000pF 50V K	
C558	NEAF0GM-476X	E CAPACITOR	47uF 4V M	
C559	NCF31EZ-104X	C CAPACITOR	0.1uF 25V Z	
C560	NCF31EZ-104X	C CAPACITOR	0.1uF 25V Z	
C563	NCF31EZ-104X	C CAPACITOR	0.1uF 25V Z	
C564	NCF31EZ-104X	C CAPACITOR	0.1uF 25V Z	
C701	NCB21CK-105X	C CAPACITOR	1uF 16V K	
C702	NCB31HK-103X	C CAPACITOR	0.01uF 50V K	
C703	NCB30JK-105X	C CAPACITOR	1uF 6.3V K	
C704	NCF31AZ-105X	C CAPACITOR	1uF 10V Z	
C705	NCF31EZ-104X	C CAPACITOR	0.1uF 25V Z	
C706	NCF31EZ-104X	C CAPACITOR	0.1uF 25V Z	
C707	NEAF1CM-106X	E CAPACITOR	10uF 16V M	
C708	NEAF1CM-106X	E CAPACITOR	10uF 16V M	
C709	NEAF0JM-476X	E CAPACITOR	47uF 6.3V M	
C712	NCF31EZ-104X	C CAPACITOR	0.1uF 25V Z	
C713	NEAF1CM-106X	E CAPACITOR	10uF 16V M	
C714	NCF31EZ-104X	C CAPACITOR	0.1uF 25V Z	
C715	NCF31EZ-104X	C CAPACITOR	0.1uF 25V Z	
C716	NCF31EZ-104X	C CAPACITOR	0.1uF 25V Z	
C717	NCF31EZ-104X	C CAPACITOR	0.1uF 25V Z	
C718	NCF31EZ-104X	C CAPACITOR	0.1uF 25V Z	
C722	NCF31EZ-104X	C CAPACITOR	0.1uF 25V Z	
R101	NRSA63J-101X	MG RESISTOR	100Ω 1/16W J	
R102	NRSA63J-101X	MG RESISTOR	100Ω 1/16W J	
R103	NRSA63J-562X	MG RESISTOR	5.6kΩ 1/16W J	
R104	NRSA63J-432X	MG RESISTOR	4.3kΩ 1/16W J	
R105	NRS181J-180X	MG RESISTOR	18Ω 1/8W J	
R106	NRSA63J-2R2X	MG RESISTOR	2.2Ω 1/16W J	
R107	NRSA63J-102X	MG RESISTOR	1kΩ 1/16W J	

△ Symbol No.	Part No.	Part Name	Description	Local	△ Symbol No.	Part No.	Part Name	Description	Local
R108	NRSA63J-471X	MG RESISTOR	470Ω 1/16W J		R457	NRSA63J-101X	MG RESISTOR	100Ω 1/16W J	
R109	NRSA63J-331X	MG RESISTOR	330Ω 1/16W J		R458	NRSA63J-102X	MG RESISTOR	1kΩ 1/16W J	
R111	NRSA63J-562X	MG RESISTOR	5.6kΩ 1/16W J		R461	NRSA63J-101X	MG RESISTOR	100Ω 1/16W J	
R112	NRSA63J-432X	MG RESISTOR	4.3kΩ 1/16W J		R463	NRSA63J-101X	MG RESISTOR	100Ω 1/16W J	
R113	NRS181J-180X	MG RESISTOR	18Ω 1/8W J		R464	NRSA63J-101X	MG RESISTOR	100Ω 1/16W J	
R114	NRSA63J-2R2X	MG RESISTOR	2.2Ω 1/16W J		R465	NRSA63J-102X	MG RESISTOR	1kΩ 1/16W J	
R115	NRSA63J-102X	MG RESISTOR	1kΩ 1/16W J		R535	NRSA63J-473X	MG RESISTOR	47kΩ 1/16W J	
R116	NRSA63J-471X	MG RESISTOR	470Ω 1/16W J		R541	NRSA63J-473X	MG RESISTOR	47kΩ 1/16W J	
R117	NRSA63J-331X	MG RESISTOR	330Ω 1/16W J		R542	NRSA63J-473X	MG RESISTOR	47kΩ 1/16W J	
R125	NRSA63J-1R0X	MG RESISTOR	1Ω 1/16W J		R701	NRSA63J-2R2X	MG RESISTOR	2.2Ω 1/16W J	
R127	NRSA63J-432X	MG RESISTOR	4.3kΩ 1/16W J		R703	NRSA63J-471X	MG RESISTOR	470Ω 1/16W J	
R128	NRSA63J-562X	MG RESISTOR	5.6kΩ 1/16W J		R704	NRSA63J-471X	MG RESISTOR	470Ω 1/16W J	
R202	NRSA63J-102X	MG RESISTOR	1kΩ 1/16W J		R705	NRSA63J-471X	MG RESISTOR	470Ω 1/16W J	
R204	NRSA63J-273X	MG RESISTOR	27kΩ 1/16W J		R706	NRSA63J-471X	MG RESISTOR	470Ω 1/16W J	
R205	NRSA63J-273X	MG RESISTOR	27kΩ 1/16W J		R707	NRSA63J-471X	MG RESISTOR	470Ω 1/16W J	
R206	NRSA63J-303X	MG RESISTOR	30kΩ 1/16W J		R708	NRSA63J-471X	MG RESISTOR	470Ω 1/16W J	
R207	NRSA63J-473X	MG RESISTOR	47kΩ 1/16W J		R714	NRSA63J-101X	MG RESISTOR	100Ω 1/16W J	
R213	NRSA63J-103X	MG RESISTOR	10kΩ 1/16W J		R715	NRSA63J-101X	MG RESISTOR	100Ω 1/16W J	
R214	NRSA63J-103X	MG RESISTOR	10kΩ 1/16W J		R716	NRSA63J-471X	MG RESISTOR	470Ω 1/16W J	
R219	NRSA63J-183X	MG RESISTOR	18kΩ 1/16W J		R717	NRSA63J-473X	MG RESISTOR	47kΩ 1/16W J	
R220	NRSA63J-243X	MG RESISTOR	24kΩ 1/16W J		R719	NRSA63J-5R1X	MG RESISTOR	5.1Ω 1/16W J	
R221	NRSA63J-682X	MG RESISTOR	6.8kΩ 1/16W J		R720	NRSA63J-473X	MG RESISTOR	47kΩ 1/16W J	
R251	NRS125J-R39X	MG RESISTOR	0.39Ω 1/2W J		R722	NRSA63J-0R0X	MG RESISTOR	0Ω 1/16W J	
R259	NRSA63J-103X	MG RESISTOR	10kΩ 1/16W J		R731	NRSA63J-102X	MG RESISTOR	1kΩ 1/16W J	
R301	NRS181J-0R0X	MG RESISTOR	0Ω 1/8W J		R732	NRSA63J-331X	MG RESISTOR	330Ω 1/16W J	
R303	NRSA63J-220X	MG RESISTOR	22Ω 1/16W J		CN101	QGF0523F3-24W	CONNECTOR	FFC/FPC (1-24)	
R306	NRSA63J-102X	MG RESISTOR	1kΩ 1/16W J		CN201	QGF1016F8-08W	CONNECTOR	FFC/FPC (1-8)	
R307	NRSA63J-102X	MG RESISTOR	1kΩ 1/16W J		CN451	QGF1016F8-15W	CONNECTOR	FFC/FPC (1-15)	
R308	NRSA63J-103X	MG RESISTOR	10kΩ 1/16W J		CN452	QGA2001F6-02X	CONNECTOR	W-B (1-2)	
R309	NRSA63J-104X	MG RESISTOR	100kΩ 1/16W J		CN453	QGA2001F6-03X	CONNECTOR	W-B (1-3)	
R310	NRSA63J-101X	MG RESISTOR	100Ω 1/16W J		CN701	QGF1016F8-28W	CONNECTOR	FFC/FPC (1-28)	
R316	NRSA63J-102X	MG RESISTOR	1kΩ 1/16W J		CN702	QGF1016F8-10W	CONNECTOR	FFC/FPC (1-10)	
R319	NRSA63J-103X	MG RESISTOR	10kΩ 1/16W J		CN703	QGF1016F8-08W	CONNECTOR	FFC/FPC (1-8)	
R324	NRSA63J-331X	MG RESISTOR	330Ω 1/16W J		K101	NQR0502-001X	FERRITE BEADS		
R325	NRSA63J-331X	MG RESISTOR	330Ω 1/16W J		K351	NQR0502-001X	FERRITE BEADS		
R326	NRSA63J-331X	MG RESISTOR	330Ω 1/16W J		K352	NQR0502-001X	FERRITE BEADS		
R327	NRSA63J-331X	MG RESISTOR	330Ω 1/16W J		K454	NRSA63J-0R0X	MG RESISTOR	0Ω 1/16W J	
R330	NRSA63J-331X	MG RESISTOR	330Ω 1/16W J		K455	NRSA63J-0R0X	MG RESISTOR	0Ω 1/16W J	
R331	NRSA63J-331X	MG RESISTOR	330Ω 1/16W J		K456	NRSA63J-0R0X	MG RESISTOR	0Ω 1/16W J	
R332	NRSA63J-331X	MG RESISTOR	330Ω 1/16W J		K501	NQR0502-001X	FERRITE BEADS		
R334	NRSA63J-0R0X	MG RESISTOR	0Ω 1/16W J		K710	NQR0022-002X	FERRITE BEADS		
R335	NRSA63J-0R0X	MG RESISTOR	0Ω 1/16W J		K732	NRSA63J-0R0X	MG RESISTOR	0Ω 1/16W J	
R336	NRSA63J-0R0X	MG RESISTOR	0Ω 1/16W J		K733	NRSA63J-0R0X	MG RESISTOR	0Ω 1/16W J	
R337	NRSA63J-0R0X	MG RESISTOR	0Ω 1/16W J		K734	NRSA63J-0R0X	MG RESISTOR	0Ω 1/16W J	
R338	NRSA63J-0R0X	MG RESISTOR	0Ω 1/16W J		K735	NRSA63J-0R0X	MG RESISTOR	0Ω 1/16W J	
R339	NRSA63J-0R0X	MG RESISTOR	0Ω 1/16W J		K736	NRSA63J-0R0X	MG RESISTOR	0Ω 1/16W J	
R340	NRSA63D-303X	MG RESISTOR	30kΩ 1/16W D		K737	NRSA63J-0R0X	MG RESISTOR	0Ω 1/16W J	
R341	NRSA63D-512X	MG RESISTOR	5.1kΩ 1/16W D		K738	NQR0022-005X	FERRITE BEADS		
R342	NRSA63D-242X	MG RESISTOR	2.4kΩ 1/16W D		K741	NQR0022-002X	FERRITE BEADS		
R345	NRSA63J-221X	MG RESISTOR	220Ω 1/16W J		K744	NRSA63J-0R0X	MG RESISTOR	0Ω 1/16W J	
R346	NRSA63J-223X	MG RESISTOR	22kΩ 1/16W J		K748	NRSA63J-0R0X	MG RESISTOR	0Ω 1/16W J	
R347	NRSA63J-203X	MG RESISTOR	20kΩ 1/16W J		K749	NRSA63J-0R0X	MG RESISTOR	0Ω 1/16W J	
R348	NRSA63J-0R0X	MG RESISTOR	0Ω 1/16W J		K750	NQR0022-002X	FERRITE BEADS		
R350	NRSA63J-751X	MG RESISTOR	750Ω 1/16W J		K752	NQR0022-002X	FERRITE BEADS		
R351	NRSA63J-681X	MG RESISTOR	680Ω 1/16W J		K754	NQR0022-002X	FERRITE BEADS		
R352	NRSA63J-105X	MG RESISTOR	1MΩ 1/16W J		K756	NQR0022-002X	FERRITE BEADS		
R353	NRSA63J-101X	MG RESISTOR	100Ω 1/16W J		K758	NQR0022-002X	FERRITE BEADS		
R357	NRSA63J-221X	MG RESISTOR	220Ω 1/16W J		TH301	NAD0025-103X	N THERMISTOR	10kΩ	
R358	NRSA63J-221X	MG RESISTOR	220Ω 1/16W J		X301	NAX0741-001X	CRYSTAL	27.000MHz	
R359	NRSA63J-221X	MG RESISTOR	220Ω 1/16W J		X451	NAX0248-001X	C OSCILLATOR	8.000MHz	
R360	NRSA63J-221X	MG RESISTOR	220Ω 1/16W J						
R362	NRSA63J-470X	MG RESISTOR	47Ω 1/16W J						
R367	NRSA63J-221X	MG RESISTOR	220Ω 1/16W J						
R372	NRSA63J-103X	MG RESISTOR	10kΩ 1/16W J						
R373	NRSA63J-103X	MG RESISTOR	10kΩ 1/16W J						
R375	NRSA63J-102X	MG RESISTOR	1kΩ 1/16W J						
R376	NRSA63J-102X	MG RESISTOR	1kΩ 1/16W J						
R377	NRSA63J-102X	MG RESISTOR	1kΩ 1/16W J						
R378	NRSA63J-102X	MG RESISTOR	1kΩ 1/16W J						
R383	NRSA63J-101X	MG RESISTOR	100Ω 1/16W J						
R384	NRSA63J-102X	MG RESISTOR	1kΩ 1/16W J						
R385	NRSA63J-102X	MG RESISTOR	1kΩ 1/16W J						
R392	NRSA63J-103X	MG RESISTOR	10kΩ 1/16W J						
R452	NRSA63J-222X	MG RESISTOR	2.2kΩ 1/16W J						
R453	NRSA63J-103X	MG RESISTOR	10kΩ 1/16W J						
R454	NRSA63J-103X	MG RESISTOR	10kΩ 1/16W J						
R455	NRSA63J-103X	MG RESISTOR	10kΩ 1/16W J						
R456	NRSA63J-103X	MG RESISTOR	10kΩ 1/16W J						

DVD loading board(FMU-SB4-1M)
(DX-T99,DX-T77)
Block No. [1][1]

△ Symbol No.	Part No.	Part Name	Description	Local
IC1	LB1641	IC		
IC2	LB1641	IC		
D1	MTZJ6.2A-T2	Z DIODE		

△ Symbol No.	Part No.	Part Name	Description	Local	△ Symbol No.	Part No.	Part Name	Description	Local
C1	QEKC1AM-107Z	E CAPACITOR	100uF 10V M		C301	NEAF0GM-476X	E CAPACITOR	47uF 4V M	
C2	QCFB1HZ-104Y	C CAPACITOR	0.1uF 50V Z		C302	NEAF0GM-476X	E CAPACITOR	47uF 4V M	
C3	QFLC1HJ-103Z	M CAPACITOR	0.01uF 50V J		C303	NEAF0GM-476X	E CAPACITOR	47uF 4V M	
C5	QFLC1HJ-103Z	M CAPACITOR	0.01uF 50V J		C304	NCB30JK-105X	C CAPACITOR	1uF 6.3V K	
C6	QCFB1HZ-104Y	C CAPACITOR	0.1uF 50V Z		C305	NCF31EZ-104X	C CAPACITOR	0.1uF 25V Z	
C7	QCFB1HZ-104Y	C CAPACITOR	0.1uF 50V Z		C306	NCF31EZ-104X	C CAPACITOR	0.1uF 25V Z	
CN1	QGF1036F1-15	CONNECTOR	FFC/FPC (1-15)		C307	NCF31EZ-104X	C CAPACITOR	0.1uF 25V Z	
CN2	QGB2024K1-07S	CONNECTOR	B-B (1-7)		C308	NCF31EZ-104X	C CAPACITOR	0.1uF 25V Z	
CN3	QGB2024J1-07S	CONNECTOR	B-B (1-7)		C309	NCF31EZ-104X	C CAPACITOR	0.1uF 25V Z	
SW1	QSW0844-001	PUSH SWITCH			C310	NCB31CK-104X	C CAPACITOR	0.1uF 16V K	
SW2	QSW0844-001	PUSH SWITCH			C312	NCF31EZ-104X	C CAPACITOR	0.1uF 25V Z	
SW3	QSW0844-001	PUSH SWITCH			C313	NCF31EZ-104X	C CAPACITOR	0.1uF 25V Z	
SW4	QSW0844-001	PUSH SWITCH			C314	NCF31EZ-104X	C CAPACITOR	0.1uF 25V Z	
SW5	QSW0844-001	PUSH SWITCH			C315	NCF31EZ-104X	C CAPACITOR	0.1uF 25V Z	
SW6	QSW0854-002	PUSH SW			C316	NCF31EZ-104X	C CAPACITOR	0.1uF 25V Z	
SW8	QSW0923-001	DETECT SWITCH			C318	NCF31EZ-104X	C CAPACITOR	0.1uF 25V Z	
					C319	NCF31EZ-104X	C CAPACITOR	0.1uF 25V Z	
					C320	NCB31CK-104X	C CAPACITOR	0.1uF 16V K	
					C321	NCB31CK-104X	C CAPACITOR	0.1uF 16V K	
					C322	NCB31CK-104X	C CAPACITOR	0.1uF 16V K	
					C323	NCB31CK-104X	C CAPACITOR	0.1uF 16V K	
					C324	NCB30JK-105X	C CAPACITOR	1uF 6.3V K	
					C325	NDC31HJ-120X	C CAPACITOR	12pF 50V J	
					C326	NDC31HJ-100X	C CAPACITOR	10pF 50V J	
					C328	NCB31HK-103X	C CAPACITOR	0.01uF 50V K	
					C329	NCF31EZ-104X	C CAPACITOR	0.1uF 25V Z	
					C330	NCF31EZ-104X	C CAPACITOR	0.1uF 25V Z	
					C331	NCB31CK-333X	C CAPACITOR	0.033uF 16V K	
					C332	NCF31EZ-104X	C CAPACITOR	0.1uF 25V Z	
					C333	NCF31EZ-104X	C CAPACITOR	0.1uF 25V Z	
					C334	NCF31EZ-104X	C CAPACITOR	0.1uF 25V Z	
					C335	NCF31EZ-104X	C CAPACITOR	0.1uF 25V Z	
					C337	NCB31CK-183X	C CAPACITOR	0.018uF 16V K	
					C338	NCB31HK-562X	C CAPACITOR	5600pF 50V K	
					C339	NBE20JM-106X	TA E CAPACITOR	10uF 6.3V M	
					C340	NCB30JK-105X	C CAPACITOR	1uF 6.3V K	
					C341	NCB30JK-105X	C CAPACITOR	1uF 6.3V K	
					C347	NCB31CK-104X	C CAPACITOR	0.1uF 16V K	
					C348	NCB31CK-104X	C CAPACITOR	0.1uF 16V K	
					C349	NCF31EZ-104X	C CAPACITOR	0.1uF 25V Z	
					C350	NCB31HK-103X	C CAPACITOR	0.01uF 50V K	
					C351	NCB31HK-103X	C CAPACITOR	0.01uF 50V K	
					C352	NCB31CK-153X	C CAPACITOR	0.015uF 16V K	
					C353	NCB31HK-561X	C CAPACITOR	560pF 50V K	
					C354	NCB31HK-561X	C CAPACITOR	560pF 50V K	
					C356	NCB30JK-105X	C CAPACITOR	1uF 6.3V K	
					C359	NCB30JK-105X	C CAPACITOR	1uF 6.3V K	
					C371	NCF31AZ-105X	C CAPACITOR	1uF 10V Z	
					C372	NCF31EZ-104X	C CAPACITOR	0.1uF 25V Z	
					C375	NCF31EZ-104X	C CAPACITOR	0.1uF 25V Z	
					C376	NCF31EZ-104X	C CAPACITOR	0.1uF 25V Z	
					C377	NCF31EZ-104X	C CAPACITOR	0.1uF 25V Z	
					C379	NCF31EZ-104X	C CAPACITOR	0.1uF 25V Z	
					C380	NCB21CK-105X	C CAPACITOR	1uF 16V K	
					C381	NCB21AK-225X	C CAPACITOR	2.2uF 10V K	
					C382	NCB31HK-471X	C CAPACITOR	470pF 50V K	
					C383	NCF31EZ-104X	C CAPACITOR	0.1uF 25V Z	
					C386	NCF31EZ-104X	C CAPACITOR	0.1uF 25V Z	
					C393	NCB31HK-103X	C CAPACITOR	0.01uF 50V K	
					C451	NCF31EZ-104X	C CAPACITOR	0.1uF 25V Z	
					C452	NCB31CK-104X	C CAPACITOR	0.1uF 16V K	
					C453	NCF31EZ-104X	C CAPACITOR	0.1uF 25V Z	
					C454	NCB31HK-103X	C CAPACITOR	0.01uF 50V K	
					C455	NCB31HK-103X	C CAPACITOR	0.01uF 50V K	
					C551	NCF31EZ-104X	C CAPACITOR	0.1uF 25V Z	
					C554	NCF31EZ-104X	C CAPACITOR	0.1uF 25V Z	
					C555	NCF31EZ-104X	C CAPACITOR	0.1uF 25V Z	
					C556	NCF31AZ-105X	C CAPACITOR	1uF 10V Z	
					C557	NCB31HK-102X	C CAPACITOR	1000pF 50V K	
					C558	NEAF0GM-476X	E CAPACITOR	47uF 4V M	
					C559	NCF31EZ-104X	C CAPACITOR	0.1uF 25V Z	
					C560	NCF31EZ-104X	C CAPACITOR	0.1uF 25V Z	
					C563	NCF31EZ-104X	C CAPACITOR	0.1uF 25V Z	
					C564	NCF31EZ-104X	C CAPACITOR	0.1uF 25V Z	
					C701	NCB21CK-105X	C CAPACITOR	1uF 16V K	
					C702	NCB31HK-103X	C CAPACITOR	0.01uF 50V K	
					C703	NCB30JK-105X	C CAPACITOR	1uF 6.3V K	
					C709	NEAF0GM-476X	E CAPACITOR	47uF 6.3V M	

DVD servo board(FMU-SB4-11M)
(DX-T66)
Block No. [1][2]

△ Symbol No.	Part No.	Part Name	Description	Local
IC201	LA6502-X	IC		
IC301	MN2DS0009AA	IC		
IC302	MM1701CH-X	IC		
IC305	MM1563BF-X	IC	3.1V Regulator	
IC451	MN101C61GNW	IC		
IC452	BR93L56RF-W-X	IC		
IC453	S-80827CNNB-G-W	IC		
IC505	K4S641632H-UC75	IC		
IC505	or K4S641632K-UC75	IC		
IC509	SG32M90TFIR3	IC(MICRO C ROM)		
IC509	or SG32A90TFIR3	IC(MICRO C ROM)		
IC510	BR24L16F-W-X	IC(DIGITAL)		
IC701	AK4387ET-X	IC		
IC705	MM1615AN-X	IC		
Q101	KTA1001/Y/-X	TRANSISTOR		
Q101	or 2SB1424/R/-W	TRANSISTOR		
Q102	2SC4617/R/-X	TRANSISTOR		
Q103	KTA1001/Y/-X	TRANSISTOR		
Q103	or 2SB1424/R/-W	TRANSISTOR		
Q104	2SC4617/R/-X	TRANSISTOR		
C101	NCF31EZ-104X	C CAPACITOR	0.1uF 25V Z	
C102	NCF31EZ-104X	C CAPACITOR	0.1uF 25V Z	
C103	NCF31EZ-104X	C CAPACITOR	0.1uF 25V Z	
C104	NCF31EZ-104X	C CAPACITOR	0.1uF 25V Z	
C105	NEAF0JM-476X	E CAPACITOR	47uF 6.3V M	
C106	NBE20JM-226X	TA E CAPACITOR	22uF 6.3V M	
C107	NCF31EZ-104X	C CAPACITOR	0.1uF 25V Z	
C108	NBE20JM-226X	TA E CAPACITOR	22uF 6.3V M	
C201	NDC31HJ-221X	C CAPACITOR	220pF 50V J	
C202	NDC31HJ-221X	C CAPACITOR	220pF 50V J	
C203	NCB31HK-103X	C CAPACITOR	0.01uF 50V K	
C204	NCF31EZ-104X	C CAPACITOR	0.1uF 25V Z	
C205	NCB31HK-271X	C CAPACITOR	270pF 50V K	
C206	NDC31HJ-151X	C CAPACITOR	150pF 50V J	
C210	NCF31AZ-105X	C CAPACITOR	1uF 10V Z	
C211	NCB31EK-223X	C CAPACITOR	0.022uF 25V K	
C217	NCF31EZ-104X	C CAPACITOR	0.1uF 25V Z	
C251	NCB31AK-474X	C CAPACITOR	0.47uF 10V K	
C256	NCB31CK-104X	C CAPACITOR	0.1uF 16V K	
C257	NCB31HK-822X	C CAPACITOR	8200pF 50V K	
C258	NCB31CK-153X	C CAPACITOR	0.015uF 16V K	
C259	NCB31CK-153X	C CAPACITOR	0.015uF 16V K	
C260	NCB31HK-223X	C CAPACITOR	0.022uF 50V K	
C261	NCB31HK-223X	C CAPACITOR	0.022uF 50V K	
C262	NCB31HK-223X	C CAPACITOR	0.022uF 50V K	
C263	NEAF1CM-107X	E CAPACITOR	100uF 16V M	
C300	NCF31EZ-104X	C CAPACITOR	0.1uF 25V Z	

△ Symbol No.	Part No.	Part Name	Description	Local	△ Symbol No.	Part No.	Part Name	Description	Local
C712	NCF31EZ-104X	C CAPACITOR	0.1uF 25V Z		R385	NRSA63J-102X	MG RESISTOR	1kΩ 1/16W J	
C713	NEAF1CM-106X	E CAPACITOR	10uF 16V M		R392	NRSA63J-103X	MG RESISTOR	10kΩ 1/16W J	
C714	NCF31EZ-104X	C CAPACITOR	0.1uF 25V Z		R452	NRSA63J-222X	MG RESISTOR	2.2kΩ 1/16W J	
C722	NCF31EZ-104X	C CAPACITOR	0.1uF 25V Z		R453	NRSA63J-103X	MG RESISTOR	10kΩ 1/16W J	
R101	NRSA63J-101X	MG RESISTOR	100Ω 1/16W J		R454	NRSA63J-103X	MG RESISTOR	10kΩ 1/16W J	
R102	NRSA63J-101X	MG RESISTOR	100Ω 1/16W J		R455	NRSA63J-103X	MG RESISTOR	10kΩ 1/16W J	
R103	NRSA63J-562X	MG RESISTOR	5.6kΩ 1/16W J		R456	NRSA63J-103X	MG RESISTOR	10kΩ 1/16W J	
R104	NRSA63J-432X	MG RESISTOR	4.3kΩ 1/16W J		R457	NRSA63J-101X	MG RESISTOR	100Ω 1/16W J	
R105	NRS181J-180X	MG RESISTOR	18Ω 1/8W J		R458	NRSA63J-102X	MG RESISTOR	1kΩ 1/16W J	
R106	NRSA63J-2R2X	MG RESISTOR	2.2Ω 1/16W J		R461	NRSA63J-101X	MG RESISTOR	100Ω 1/16W J	
R107	NRSA63J-102X	MG RESISTOR	1kΩ 1/16W J		R463	NRSA63J-101X	MG RESISTOR	100Ω 1/16W J	
R108	NRSA63J-471X	MG RESISTOR	470Ω 1/16W J		R464	NRSA63J-101X	MG RESISTOR	100Ω 1/16W J	
R109	NRSA63J-331X	MG RESISTOR	330Ω 1/16W J		R465	NRSA63J-102X	MG RESISTOR	1kΩ 1/16W J	
R111	NRSA63J-562X	MG RESISTOR	5.6kΩ 1/16W J		R535	NRSA63J-473X	MG RESISTOR	47kΩ 1/16W J	
R112	NRSA63J-432X	MG RESISTOR	4.3kΩ 1/16W J		R541	NRSA63J-473X	MG RESISTOR	47kΩ 1/16W J	
R113	NRS181J-180X	MG RESISTOR	18Ω 1/8W J		R542	NRSA63J-473X	MG RESISTOR	47kΩ 1/16W J	
R114	NRSA63J-2R2X	MG RESISTOR	2.2Ω 1/16W J		R701	NRSA63J-2R2X	MG RESISTOR	2.2Ω 1/16W J	
R115	NRSA63J-102X	MG RESISTOR	1kΩ 1/16W J		R703	NRSA63J-471X	MG RESISTOR	470Ω 1/16W J	
R116	NRSA63J-471X	MG RESISTOR	470Ω 1/16W J		R704	NRSA63J-471X	MG RESISTOR	470Ω 1/16W J	
R117	NRSA63J-331X	MG RESISTOR	330Ω 1/16W J		R717	NRSA63J-473X	MG RESISTOR	47kΩ 1/16W J	
R125	NRSA63J-1R0X	MG RESISTOR	1Ω 1/16W J		R731	NRSA63J-102X	MG RESISTOR	1kΩ 1/16W J	
R127	NRSA63J-432X	MG RESISTOR	4.3kΩ 1/16W J		R732	NRSA63J-331X	MG RESISTOR	330Ω 1/16W J	
R128	NRSA63J-562X	MG RESISTOR	5.6kΩ 1/16W J		CN101	QGF0523F3-24W	CONNECTOR	FFC/FPC (1-24)	
R202	NRSA63J-102X	MG RESISTOR	1kΩ 1/16W J		CN201	QGF1016F8-08W	CONNECTOR	FFC/FPC (1-8)	
R204	NRSA63J-273X	MG RESISTOR	27kΩ 1/16W J		CN451	QGF1016F8-15W	CONNECTOR	FFC/FPC (1-15)	
R205	NRSA63J-273X	MG RESISTOR	27kΩ 1/16W J		CN452	QGA2001F6-02X	CONNECTOR	W-B (1-2)	
R206	NRSA63J-303X	MG RESISTOR	30kΩ 1/16W J		CN453	QGA2001F6-03X	CONNECTOR	W-B (1-3)	
R207	NRSA63J-473X	MG RESISTOR	47kΩ 1/16W J		CN701	QGF1016F8-28W	CONNECTOR	FFC/FPC (1-28)	
R213	NRSA63J-103X	MG RESISTOR	10kΩ 1/16W J		CN702	QGF1016F8-10W	CONNECTOR	FFC/FPC (1-10)	
R214	NRSA63J-103X	MG RESISTOR	10kΩ 1/16W J		K101	NQR0502-001X	FERRITE BEADS		
R219	NRSA63J-183X	MG RESISTOR	18kΩ 1/16W J		K351	NQR0502-001X	FERRITE BEADS		
R220	NRSA63J-243X	MG RESISTOR	24kΩ 1/16W J		K352	NQR0502-001X	FERRITE BEADS		
R221	NRSA63J-682X	MG RESISTOR	6.8kΩ 1/16W J		K454	NRSA63J-0R0X	MG RESISTOR	0Ω 1/16W J	
R251	NRS125J-R39X	MG RESISTOR	0.39Ω 1/2W J		K455	NRSA63J-0R0X	MG RESISTOR	0Ω 1/16W J	
R259	NRSA63J-103X	MG RESISTOR	10kΩ 1/16W J		K456	NRSA63J-0R0X	MG RESISTOR	0Ω 1/16W J	
R301	NRS181J-0R0X	MG RESISTOR	0Ω 1/8W J		K501	NQR0502-001X	FERRITE BEADS		
R303	NRSA63J-220X	MG RESISTOR	22Ω 1/16W J		K710	NQR0022-002X	FERRITE BEADS		
R306	NRSA63J-102X	MG RESISTOR	1kΩ 1/16W J		K732	NRSA63J-0R0X	MG RESISTOR	0Ω 1/16W J	
R307	NRSA63J-102X	MG RESISTOR	1kΩ 1/16W J		K733	NRSA63J-0R0X	MG RESISTOR	0Ω 1/16W J	
R308	NRSA63J-103X	MG RESISTOR	10kΩ 1/16W J		K734	NRSA63J-0R0X	MG RESISTOR	0Ω 1/16W J	
R309	NRSA63J-104X	MG RESISTOR	100kΩ 1/16W J		K735	NRSA63J-0R0X	MG RESISTOR	0Ω 1/16W J	
R310	NRSA63J-101X	MG RESISTOR	100Ω 1/16W J		K736	NRSA63J-0R0X	MG RESISTOR	0Ω 1/16W J	
R316	NRSA63J-102X	MG RESISTOR	1kΩ 1/16W J		K737	NRSA63J-0R0X	MG RESISTOR	0Ω 1/16W J	
R319	NRSA63J-103X	MG RESISTOR	10kΩ 1/16W J		K738	NQR0022-005X	FERRITE BEADS		
R324	NRSA63J-331X	MG RESISTOR	330Ω 1/16W J		K744	NRSA63J-0R0X	MG RESISTOR	0Ω 1/16W J	
R325	NRSA63J-331X	MG RESISTOR	330Ω 1/16W J		K748	NRSA63J-0R0X	MG RESISTOR	0Ω 1/16W J	
R326	NRSA63J-331X	MG RESISTOR	330Ω 1/16W J		K749	NRSA63J-0R0X	MG RESISTOR	0Ω 1/16W J	
R327	NRSA63J-331X	MG RESISTOR	330Ω 1/16W J		K750	NQR0022-002X	FERRITE BEADS		
R334	NRSA63J-0R0X	MG RESISTOR	0Ω 1/16W J		K752	NQR0022-002X	FERRITE BEADS		
R335	NRSA63J-0R0X	MG RESISTOR	0Ω 1/16W J		K754	NQR0022-002X	FERRITE BEADS		
R336	NRSA63J-0R0X	MG RESISTOR	0Ω 1/16W J		K756	NQR0022-002X	FERRITE BEADS		
R337	NRSA63J-0R0X	MG RESISTOR	0Ω 1/16W J		K758	NQR0022-002X	FERRITE BEADS		
R338	NRSA63J-0R0X	MG RESISTOR	0Ω 1/16W J		TH301	NAD0025-103X	N THERMISTOR	10kΩ	
R339	NRSA63J-0R0X	MG RESISTOR	0Ω 1/16W J		X301	NAX0741-001X	CRYSTAL	27.000MHz	
R340	NRSA63D-303X	MG RESISTOR	30kΩ 1/16W D		X451	NAX0248-001X	C OSCILLATOR	8.000MHz	
R341	NRSA63D-512X	MG RESISTOR	5.1kΩ 1/16W D						
R342	NRSA63D-242X	MG RESISTOR	2.4kΩ 1/16W D						
R345	NRSA63J-221X	MG RESISTOR	220Ω 1/16W J						
R346	NRSA63J-223X	MG RESISTOR	22kΩ 1/16W J						
R347	NRSA63J-203X	MG RESISTOR	20kΩ 1/16W J						
R348	NRSA63J-0R0X	MG RESISTOR	0Ω 1/16W J						
R350	NRSA63J-751X	MG RESISTOR	750Ω 1/16W J						
R351	NRSA63J-681X	MG RESISTOR	680Ω 1/16W J						
R352	NRSA63J-105X	MG RESISTOR	1MΩ 1/16W J						
R353	NRSA63J-101X	MG RESISTOR	100Ω 1/16W J						
R357	NRSA63J-221X	MG RESISTOR	220Ω 1/16W J						
R358	NRSA63J-221X	MG RESISTOR	220Ω 1/16W J						
R362	NRSA63J-470X	MG RESISTOR	47Ω 1/16W J						
R367	NRSA63J-221X	MG RESISTOR	220Ω 1/16W J						
R372	NRSA63J-103X	MG RESISTOR	10kΩ 1/16W J						
R373	NRSA63J-103X	MG RESISTOR	10kΩ 1/16W J						
R375	NRSA63J-102X	MG RESISTOR	1kΩ 1/16W J						
R376	NRSA63J-102X	MG RESISTOR	1kΩ 1/16W J						
R377	NRSA63J-102X	MG RESISTOR	1kΩ 1/16W J						
R378	NRSA63J-102X	MG RESISTOR	1kΩ 1/16W J						
R383	NRSA63J-101X	MG RESISTOR	100Ω 1/16W J						
R384	NRSA63J-102X	MG RESISTOR	1kΩ 1/16W J						

DVD loading board(FMU-SB4-11M)

(DX-T66)

Block No. [1][3]

△ Symbol No.	Part No.	Part Name	Description	Local
IC1	LB1641	IC		
IC2	LB1641	IC		
D1	MTZJ6.2A-T2	Z DIODE		
C1	QK1C1M-107Z	E CAPACITOR	100uF 16V M	
C2	QCBB1HK-104Y	C CAPACITOR	0.1uF 50V K	
C3	QFLC1HJ-103Z	M CAPACITOR	0.01uF 50V J	
C5	QFLC1HJ-103Z	M CAPACITOR	0.01uF 50V J	
C6	QCBB1HK-104Y	C CAPACITOR	0.1uF 50V K	

△ Symbol No.	Part No.	Part Name	Description	Local
C7	QCBB1HK-104Y	C CAPACITOR	0.1uF 50V K	
CN1	QGF1036F2-15	CONNECTOR	FFC/FPC (1-15)	
CN2	QGB2024K1-07S	CONNECTOR	B-B (1-7)	
CN3	QGB2024J1-07S	CONNECTOR	B-B (1-7)	
SW1	QSW0844-002	PUSH SWITCH		
SW2	QSW0844-002	PUSH SWITCH		
SW3	QSW0844-002	PUSH SWITCH		
SW4	QSW0844-002	PUSH SWITCH		
SW5	QSW0844-002	PUSH SWITCH		
SW6	QSW0854-002	PUSH SW		
SW8	QSW0923-001	DETECT SWITCH		

△ Symbol No.	Part No.	Part Name	Description	Local
R469	QRE141J-472Y	C RESISTOR	4.7kΩ 1/4W J	
R470	QRE141J-472Y	C RESISTOR	4.7kΩ 1/4W J	
R471	QRE141J-473Y	C RESISTOR	47kΩ 1/4W J	
R480	QRE141J-123Y	C RESISTOR	12kΩ 1/4W J	
R481	QRE141J-183Y	C RESISTOR	18kΩ 1/4W J	
R482	QRE141J-102Y	C RESISTOR	1kΩ 1/4W J	
R483	QRE141J-681Y	C RESISTOR	680Ω 1/4W J	
R485	QRE141J-151Y	C RESISTOR	150Ω 1/4W J	
R486	QRE141J-472Y	C RESISTOR	4.7kΩ 1/4W J	
R487	QRE141J-332Y	C RESISTOR	3.3kΩ 1/4W J	
R488	QRE141J-332Y	C RESISTOR	3.3kΩ 1/4W J	
R489	QRE141J-243Y	C RESISTOR	24kΩ 1/4W J	
VR37	QVP0077-103Z	TRIM RESISTOR	10kΩ	

Head amplifier & Cassette switch board (SLC-S401M)-CassetteA (Common)

Block No. [1][4]

△ Symbol No.	Part No.	Part Name	Description	Local
IC1	SG-105F3/Z1/	PHOTO SENSER		
IC41	NJM4565D	IC		
IC43	CD4094BE	IC		

Q460	2SC3576-JVC-T	TRANSISTOR		
Q461	2SC3576-JVC-T	TRANSISTOR		
Q481	KTA1271/OY/-T	TRANSISTOR		
Q482	KRC107M-T	DIGI TRANSISTOR		
Q485	2SB562/C/-T	TRANSISTOR		
Q486	KTC3199/GL/-T	TRANSISTOR		

D1	1SR139-400-T2	SI DIODE		
D482	1SS133-T2	SI DIODE		
D483	1SS133-T2	SI DIODE		
D485	MTZJ5.1B-T2	Z DIODE		

C449	QEKJ1CM-476Z	E CAPACITOR	47uF 16V M	
C450	QDGB1HK-821Y	C CAPACITOR	820pF 50V K	
C451	QDGB1HK-821Y	C CAPACITOR	820pF 50V K	
C452	QCBB1HK-101Y	C CAPACITOR	100pF 50V K	
C453	QCBB1HK-101Y	C CAPACITOR	100pF 50V K	
C458	QEKJ1AM-107Z	E CAPACITOR	100uF 10V M	
C459	QCBB1HK-391Y	C CAPACITOR	390pF 50V K	
C460	QCBB1HK-103Y	C CAPACITOR	0.01uF 50V K	
C461	QCBB1HK-103Y	C CAPACITOR	0.01uF 50V K	
C462	QEKJ1AM-107Z	E CAPACITOR	100uF 10V M	
C463	QEKJ1HM-225Z	E CAPACITOR	2.2uF 50V M	
C465	QEKJ1AM-107Z	E CAPACITOR	100uF 10V M	
C466	QCBB1HK-391Y	C CAPACITOR	390pF 50V K	
C467	QEKJ1HM-225Z	E CAPACITOR	2.2uF 50V M	
C468	QEKJ1HM-225Z	E CAPACITOR	2.2uF 50V M	
C469	QEKJ1HM-225Z	E CAPACITOR	2.2uF 50V M	
C480	QEKJ1CM-476Z	E CAPACITOR	47uF 16V M	
C481	QEKJ1AM-107Z	E CAPACITOR	100uF 10V M	
C484	QEKJ1EM-475Z	E CAPACITOR	4.7uF 25V M	
C486	QCBB1HK-103Y	C CAPACITOR	0.01uF 50V K	

R371	QRE141J-123Y	C RESISTOR	12kΩ 1/4W J	
R449	QRE141J-221Y	C RESISTOR	220Ω 1/4W J	
R452	QRE141J-563Y	C RESISTOR	56kΩ 1/4W J	
R453	QRE141J-101Y	C RESISTOR	100Ω 1/4W J	
R454	QRE141J-101Y	C RESISTOR	100Ω 1/4W J	
R456	QRE141J-133Y	C RESISTOR	13kΩ 1/4W J	
R457	QRE141J-133Y	C RESISTOR	13kΩ 1/4W J	
R458	QRE141J-472Y	C RESISTOR	4.7kΩ 1/4W J	
R459	QRE141J-473Y	C RESISTOR	47kΩ 1/4W J	
R460	QRE141J-334Y	C RESISTOR	330kΩ 1/4W J	
R461	QRE141J-334Y	C RESISTOR	330kΩ 1/4W J	
R462	QRE141J-101Y	C RESISTOR	100Ω 1/4W J	
R463	QRE141J-563Y	C RESISTOR	56kΩ 1/4W J	
R465	QRE141J-101Y	C RESISTOR	100Ω 1/4W J	
R466	QRE141J-473Y	C RESISTOR	47kΩ 1/4W J	
R467	QRE141J-473Y	C RESISTOR	47kΩ 1/4W J	
R468	QRE141J-472Y	C RESISTOR	4.7kΩ 1/4W J	

CN1	QGF1205F1-09	CONNECTOR	FFC/FPC (1-9)	
CN41	QGF1205F1-09	CONNECTOR	FFC/FPC (1-9)	
CN45	QGF1205F1-25	CONNECTOR	FFC/FPC (1-25)	
CN46	QGF1210G1-09	CONNECTOR	FFC/FPC (1-9)	
CN47	QGF1210G1-10	CONNECTOR	FFC/FPC (1-10)	
CN48	QGF1205F1-06	CONNECTOR	FFC/FPC (1-6)	
FW100	QUM024-07A2Z3	PARA RIBON WIRE		
P1	QNZ0104-001	POST PIN		
SW2	QSW0832-001	CASS.SWITCH		
SW6	QSW0859-001	DETECT SWITCH		

Head amplifier & Cassette switch board (SLC-S304M)-CassetteB (Common)

Block No. [1][5]

△ Symbol No.	Part No.	Part Name	Description	Local
IC1	GP2S24CJ000F	PHOTO SENSOR		
IC32	HA12238F	IC		
IC33	CD4094BE	IC		

Q302	2SC2001/K/-T	TRANSISTOR		
Q305	2SC2001/K/-T	TRANSISTOR		
Q342	KRA111M-T	DIGI TRANSISTOR		
Q343	2SC3576-JVC-T	TRANSISTOR		
Q344	2SC3576-JVC-T	TRANSISTOR		
Q345	2SC3576-JVC-T	TRANSISTOR		
Q346	2SC3576-JVC-T	TRANSISTOR		
Q347	KRC107M-T	DIGI TRANSISTOR		
Q348	KRC113M-T	TRANSISTOR		
Q371	KTA1271/OY/-T	TRANSISTOR		
Q372	KRC107M-T	DIGI TRANSISTOR		
Q375	2SB562/C/-T	TRANSISTOR		
Q376	KTC3199/GL/-T	TRANSISTOR		

D1	1SR139-400-T2	SI DIODE		
D375	MTZJ5.1B-T2	Z DIODE		

C101	QDGB1HK-821Y	C CAPACITOR	820pF 50V K	
C102	QDYB1CM-103Y	C CAPACITOR	0.01uF 16V M	
C103	QFLA1HJ-104Z	M CAPACITOR	0.1uF 50V J	
C105	QCBB1HK-391Y	C CAPACITOR	390pF 50V K	
C106	QERF1HM-225Z	E CAPACITOR	2.2uF 50V M	
C109	QEKJ1EM-475Z	E CAPACITOR	4.7uF 25V M	
C110	QDXB1CM-682Y	C CAPACITOR	6800pF 16V M	
C113	QFLA1HJ-104Z	M CAPACITOR	0.1uF 50V J	
C120	QCSB1HK-4R7Y	C CAPACITOR	4.7pF 50V K	
C121	QCBB1HK-331Y	C CAPACITOR	330pF 50V K	
C201	QDGB1HK-821Y	C CAPACITOR	820pF 50V K	
C202	QDYB1CM-103Y	C CAPACITOR	0.01uF 16V M	
C203	QFLA1HJ-104Z	M CAPACITOR	0.1uF 50V J	
C205	QCBB1HK-391Y	C CAPACITOR	390pF 50V K	
C206	QERF1HM-225Z	E CAPACITOR	2.2uF 50V M	
C207	QCBB1HK-271Y	C CAPACITOR	270pF 50V K	
C208	QDYB1CM-103Y	C CAPACITOR	0.01uF 16V M	
C209	QEKJ1EM-475Z	E CAPACITOR	4.7uF 25V M	
C210	QDXB1CM-682Y	C CAPACITOR	6800pF 16V M	
C211	QCBB1HK-151Y	C CAPACITOR	150pF 50V K	
C212	QCBB1HK-271Y	C CAPACITOR	270pF 50V K	

△ Symbol No.	Part No.	Part Name	Description	Local	△ Symbol No.	Part No.	Part Name	Description	Local
C213	QFLA1HJ-104Z	M CAPACITOR	0.1uF 50V J		CN1	QGF1205F1-09	CONNECTOR	FFC/FPC (1-9)	
C214	QCBB1HK-151Y	C CAPACITOR	150pF 50V K		CN31	QGF1205F1-06	CONNECTOR	FFC/FPC (1-6)	
C220	QCSB1HK-4R7Y	C CAPACITOR	4.7pF 50V K		CN32	QGF1205F1-09	CONNECTOR	FFC/FPC (1-9)	
C221	QCBB1HK-331Y	C CAPACITOR	330pF 50V K		CN33	QGF1205F1-09	CONNECTOR	FFC/FPC (1-9)	
C300	QEKJ1HM-105Z	E CAPACITOR	1uF 50V M		CN34	QGF1201F3-10	CONNECTOR	FFC/FPC (1-10)	
C301	QEKJ1AM-107Z	E CAPACITOR	100uF 10V M		FW100	QUM024-07A2Z3-E	PARA RIBON WIRE		
C304	QEKJ1CM-106Z	E CAPACITOR	10uF 16V M		H32	GV40397-002A	IC HOLDER		
C306	QETJ1AM-227Z	E CAPACITOR	220uF 10V M		P1	QNZ0104-001	POST PIN		
C307	QDGB1HK-102Y	C CAPACITOR	1000pF 50V K		SW1	QSW0832-001	CASS.SWITCH		
C308	QDXB1CM-152Y	C CAPACITOR	1500pF 16V M		SW2	QSW0832-001	CASS.SWITCH		
C310	QCBB1HK-223Y	C CAPACITOR	0.022uF 50V K		SW5	QSW0832-001	CASS.SWITCH		
C313	QEKJ1AM-107Z	E CAPACITOR	100uF 10V M		SW6	QSW0859-001	DETECT SWITCH		
C314	QCFB1HZ-105Y	C CAPACITOR	1uF 50V Z						
C316	QFG32AJ-223Z	PP CAPACITOR	0.022uF 100V J						
C319	QFLC1HJ-472Z	M CAPACITOR	4700pF 50V J						
C331	QEKJ1CM-476Z	E CAPACITOR	47uF 16V M						
C340	QEKJ1CM-476Z	E CAPACITOR	47uF 16V M						
C341	QEKJ1HM-105Z	E CAPACITOR	1uF 50V M						
C342	QEKJ1CM-476Z	E CAPACITOR	47uF 16V M						
C371	QEKJ1EM-475Z	E CAPACITOR	4.7uF 25V M						
C374	QEKJ1AM-107Z	E CAPACITOR	100uF 10V M						
C376	QDYB1CM-103Y	C CAPACITOR	0.01uF 16V M						
R101	QRE141J-512Y	C RESISTOR	5.1kΩ 1/4W J						
R102	QRE141J-512Y	C RESISTOR	5.1kΩ 1/4W J						
R104	QRE141J-222Y	C RESISTOR	2.2kΩ 1/4W J						
R105	QRE141J-104Y	C RESISTOR	100kΩ 1/4W J						
R106	QRE141J-113Y	C RESISTOR	11kΩ 1/4W J						
R107	QRE141J-912Y	C RESISTOR	9.1kΩ 1/4W J						
R108	QRE141J-273Y	C RESISTOR	27kΩ 1/4W J						
R110	QRE141J-103Y	C RESISTOR	10kΩ 1/4W J						
R116	QRE141J-102Y	C RESISTOR	1kΩ 1/4W J						
R121	QRE141J-153Y	C RESISTOR	15kΩ 1/4W J						
R201	QRE141J-512Y	C RESISTOR	5.1kΩ 1/4W J						
R202	QRE141J-512Y	C RESISTOR	5.1kΩ 1/4W J						
R204	QRE141J-222Y	C RESISTOR	2.2kΩ 1/4W J						
R205	QRE141J-104Y	C RESISTOR	100kΩ 1/4W J						
R206	QRE141J-113Y	C RESISTOR	11kΩ 1/4W J						
R207	QRE141J-912Y	C RESISTOR	9.1kΩ 1/4W J						
R208	QRE141J-273Y	C RESISTOR	27kΩ 1/4W J						
R210	QRE141J-103Y	C RESISTOR	10kΩ 1/4W J						
R216	QRE141J-102Y	C RESISTOR	1kΩ 1/4W J						
R221	QRE141J-153Y	C RESISTOR	15kΩ 1/4W J						
R301	QRE141J-221Y	C RESISTOR	220Ω 1/4W J						
R302	QRE141J-222Y	C RESISTOR	2.2kΩ 1/4W J						
R303	QRE141J-222Y	C RESISTOR	2.2kΩ 1/4W J						
R304	QRJ146J-101X	UNF C RESISTOR	100Ω 1/4W J						
R305	QRE141J-103Y	C RESISTOR	10kΩ 1/4W J						
R306	QRE141J-472Y	C RESISTOR	4.7kΩ 1/4W J						
△ R310	QRJ146J-4R7X	UNF C RESISTOR	4.7Ω 1/4W J						
R313	QRE141J-2R2Y	C RESISTOR	2.2Ω 1/4W J						
R314	QRE141J-153Y	C RESISTOR	15kΩ 1/4W J						
R315	QRE141J-101Y	C RESISTOR	100Ω 1/4W J						
R327	QRE141J-474Y	C RESISTOR	470kΩ 1/4W J						
R335	QRE141J-222Y	C RESISTOR	2.2kΩ 1/4W J						
R336	QRE141J-223Y	C RESISTOR	22kΩ 1/4W J						
R337	QRE141J-332Y	C RESISTOR	3.3kΩ 1/4W J						
R338	QRE141J-392Y	C RESISTOR	3.9kΩ 1/4W J						
R339	QRE141J-104Y	C RESISTOR	100kΩ 1/4W J						
R340	QRE141J-471Y	C RESISTOR	470Ω 1/4W J						
R341	QRE141J-123Y	C RESISTOR	12kΩ 1/4W J						
R342	QRE141J-243Y	C RESISTOR	24kΩ 1/4W J						
R343	QRE141J-183Y	C RESISTOR	18kΩ 1/4W J						
R344	QRE141J-472Y	C RESISTOR	4.7kΩ 1/4W J						
R345	QRE141J-472Y	C RESISTOR	4.7kΩ 1/4W J						
R346	QRE141J-472Y	C RESISTOR	4.7kΩ 1/4W J						
R347	QRE141J-103Y	C RESISTOR	10kΩ 1/4W J						
△ R353	QRZ9005-100X	FUSI RESISTOR	10Ω						
R371	QRE141J-123Y	C RESISTOR	12kΩ 1/4W J						
R372	QRE141J-102Y	C RESISTOR	1kΩ 1/4W J						
R375	QRE141J-151Y	C RESISTOR	150Ω 1/4W J						
R376	QRE141J-472Y	C RESISTOR	4.7kΩ 1/4W J						
VR31	QVP0008-203Z	TRIM RESISTOR	20kΩ						
VR37	QVP0077-103Z	TRIM RESISTOR	10kΩ						
L301	QQR1118-002	OSC COIL(BIAS)							
L303	QQL244K-100Z	COIL	10uH K						

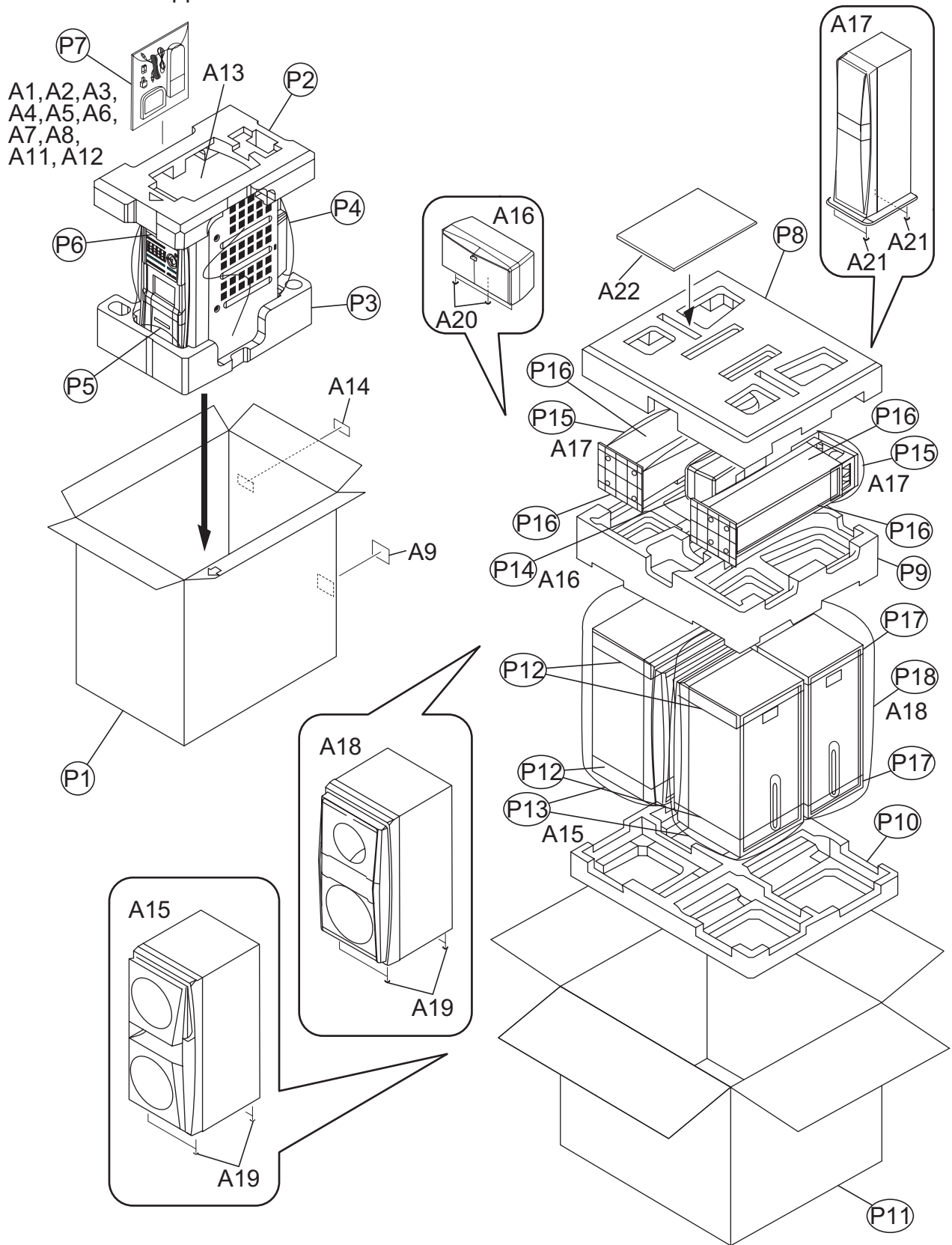
< MEMO >

Packing materials and accessories parts list

Block No. **M 4 M M**

(DX-T99)

No additional / supplemental order of WARRANTY CARDS are available



Packing and Accessories (DX-T99)

Block No. [M][4][M][M]

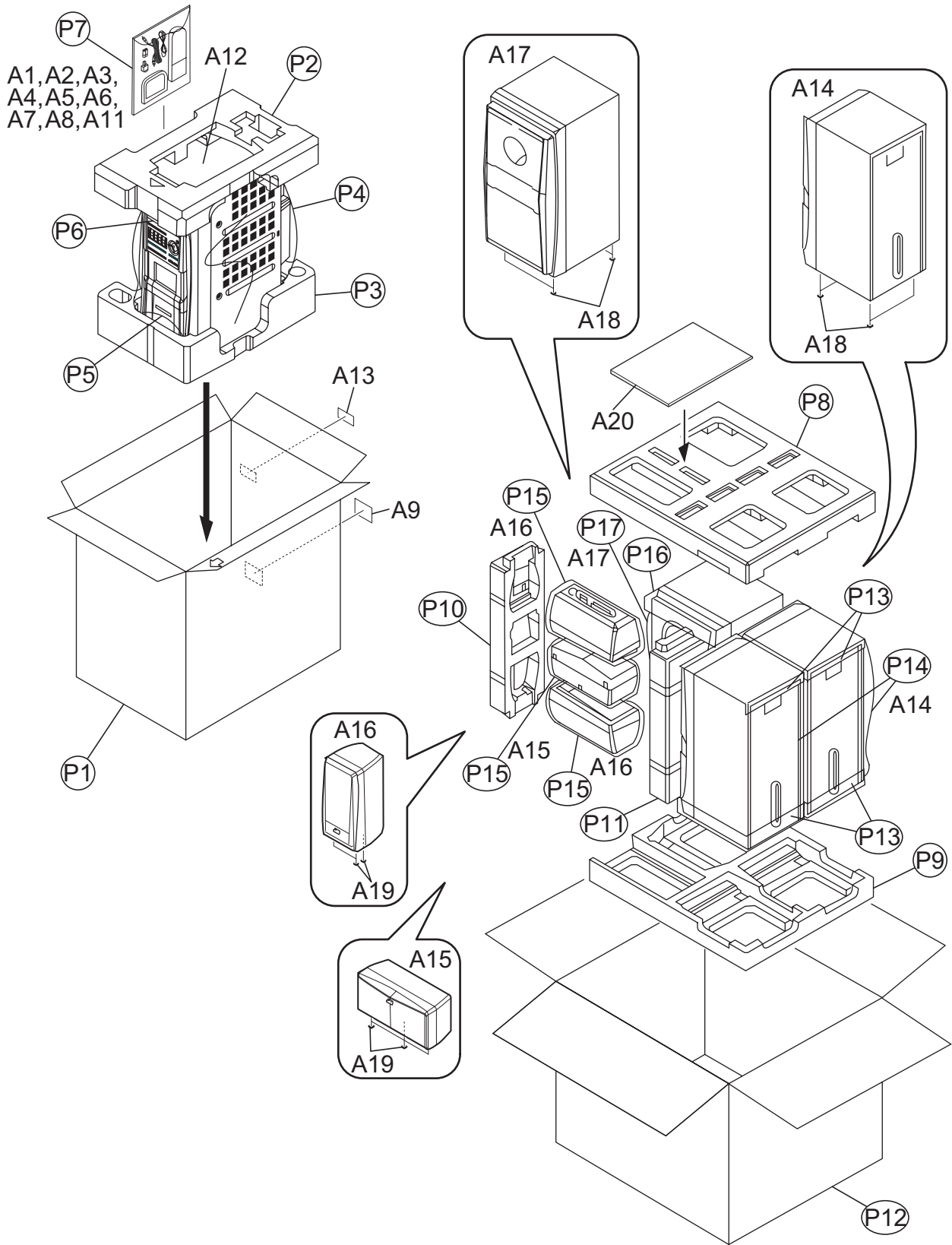
△	Symbol No.	Part No.	Part Name	Description	Local
	A 1	GVT0166-005A	INST BOOK	ENG	T99A
	A 1	GVT0166-004A	INST BOOK	RUS	T99EE
	A 1	GVT0166-001A	INST BOOK	ENG CHI(PEKIN)	T99US,T99UN
	A 1	GVT0166-003A	INST BOOK	ENG SPA POR	T99UW
	A 1	GVT0166-002A	INST BOOK	ENG ARA PER	T99UX,T99UG
	A 2	QAL0014-003	AM LOOP ANT		
△	A 3	QAM0112-002	PLUG ADAPTOR		T99US,T99UW,T99UN
	A 4	QAM0216-001	SIGNAL CORD		
	A 5	RM-SDXT99U	REMOCON		
	A 6	QAL0457-001	ANT.WIRE		
	A 7	-----	BATTERY	1.5V(x2)	
	A 8	GV40634-001A	DEMO SHEET		T99A,T99US,T99UW,T99UX,T99UG,T99UN
	A 8	GV40634-002A	DEMO SHEET		T99EE
	A 9	LE40796-001A	VERANCE LABEL		
	A 11	-----	WARRANTY CARD	BT-56012-1	T99A
	A 12	-----	WARRANTY CARD	BT-54028-1	T99EE
	A 13	GVT0184-001A	VOL SEL SHEET		T99UN
	A 14	GV40641-002A	NOM LABEL		T99UW
	A 14	GV40597-001A	SASO LABEL		T99UX
	A 15	ASL8MXT99-EB10	SPEAKER BOX	MAIN SPK(x2)	
	A 16	ASL8CXT99-EB10	SPEAKER BOX	CENTER SPK	
	A 17	ASL8SXT99-EB10	SPEAKER BOX	SURROUND SPK(x2)	
	A 18	ASL8WXT99-EB10	SPEAKER BOX	SUBWOOFER(x2)	T99A,T99EE,T99US,T99UX,T99UG
	A 18	ASL8WXT99-EB20	SPEAKER BOX	SUBWOOFER(x2)	T99UN
	A 18	ASL8WXT99-EB30	SPEAKER BOX	SUBWOOFER(x2)	T99UW
	A 19	DUF803001-0001	LEG CUSHION	(x16)	
	A 20	DUF803001-0002	LEG CUSHION	(x3)	
	A 21	DUF803001-0003	LEG CUSHION	(x8)	
	A 22	YOM800001-0273	USER MANUAL	ENG ARA PER CHI	T99A,T99US,T99UX,T99UG,T99UN
	A 22	YOM800001-0274	USER MANUAL	ENG SPA POR	T99UW
	A 22	YOM800001-0275	USER MANUAL	RUS	T99EE
	P 1	GV20421-002A	CARTON ASSY.		T99A,T99UW
	P 1	GV20421-004A	CARTON ASSY.		T99EE
	P 1	GV20421-003A	CARTON ASSY.		T99US,T99UN
	P 1	GV20421-001A	CARTON ASSY.		T99UX,T99UG
	P 2	GV10341-001A	CUSHION (TOP)		
	P 3	GV10342-001A	CUSHION (BOTTOM)		
	P 4	QPC07507530P	POLY BAG	75cm x 75cm	
	P 5	GV40168-014A	SHEET		
	P 6	GV40168-015A	SHEET		
	P 7	QPC02503515P	POLY BAG	25cm x 35cm	
	P 8	ITF830366-0001	TOP CUSHION		
	P 9	ITF830366-0002	CENTER CUSHION		
	P 10	ITF830366-0003	BOTTOM CUSHION		
	P 11	ICC8DXT99-EB10	PACKING CASE		T99A,T99US,T99UW,T99UX,T99UG,T99UN
	P 11	ICC8DXT99-EB40	PACKING CASE		T99EE
	P 12	IVH803001-0006	MIRAMAT SHEET	(x4)	
	P 13	IVA803101-0024	HDPE BAG	(x2)	
	P 14	IVA803101-0023	HDPE BAG		
	P 15	IVA803101-0027	HDPE BAG	(x2)	
	P 16	IVH803001-0009	MIRAMAT SHEET	(x4)	
	P 17	IVH803001-0007	MIRAMAT SHEET	(x4)	
	P 18	IVA803101-0025	HDPE BAG	(x2)	

Packing materials and accessories parts list

Block No. **M 5 M M**

(DX-T77)

No additional / supplemental order of WARRANTY CARDS are available



Packing and Accessories (DX-T77)

Block No. [M][5][M][M]

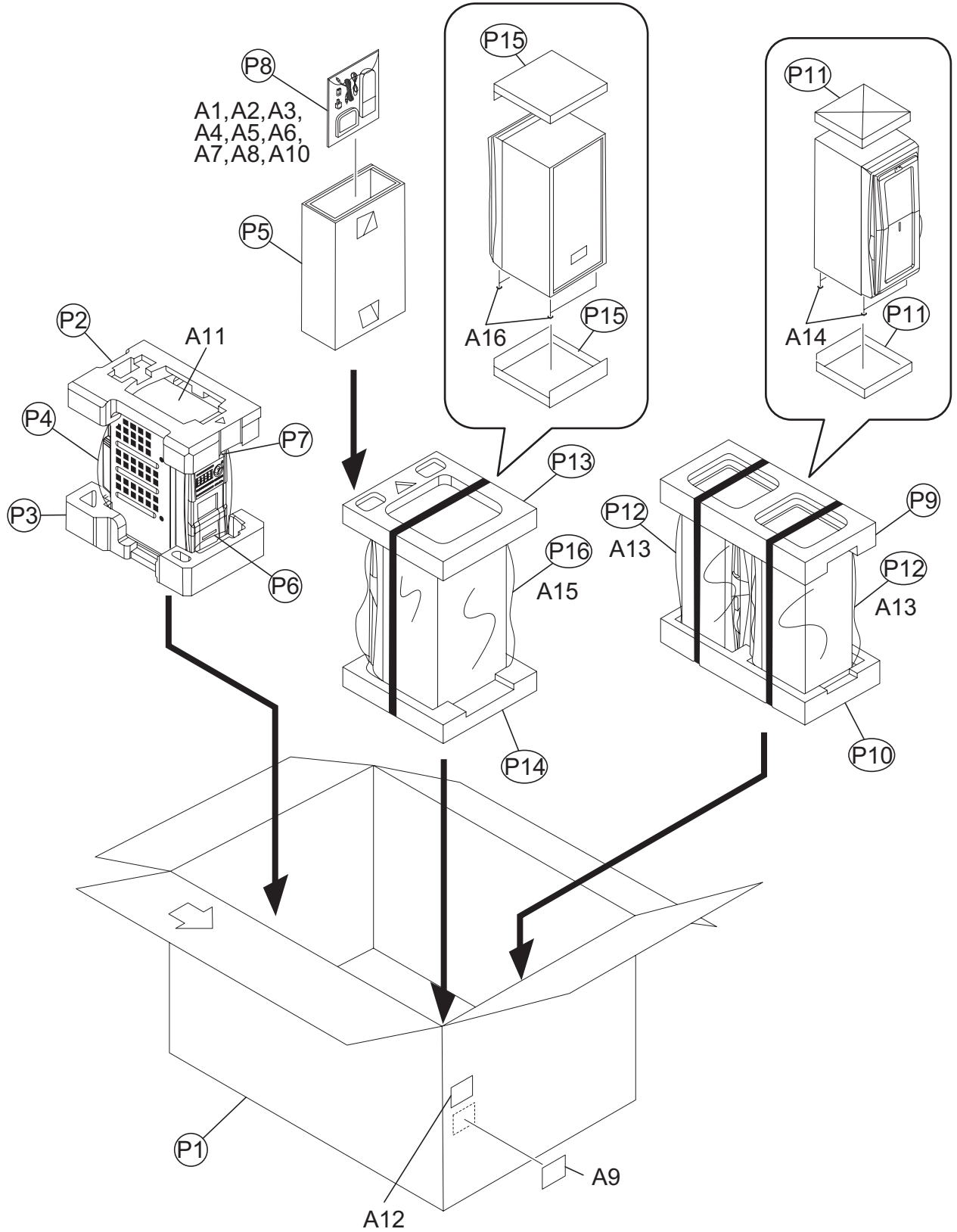
△	Symbol No.	Part No.	Part Name	Description	Local
	A 1	GVT0166-004A	INST BOOK	RUS	T77EE
	A 1	GVT0166-001A	INST BOOK	ENG CHI(PEKIN)	T77US,T77UN
	A 1	GVT0166-003A	INST BOOK	ENG SPA POR	T77UW
	A 1	GVT0166-002A	INST BOOK	ENG ARA PER	T77UX,T77UG
	A 1	GVT0166-006A	INST BOOK	SPA	T77UY
	A 2	QAL0014-003	AM LOOP ANT		
△	A 3	QAM0112-002	PLUG ADAPTOR		T77US,T77UW,T77UN
	A 4	QAM0216-001	SIGNAL CORD		
	A 5	RM-SDXT99U	REMOCON		
	A 6	QAL0457-001	ANT.WIRE		
	A 7	-----	BATTERY	1.5V(x2)	
	A 8	GV40634-002A	DEMO SHEET		T77EE
	A 8	GV40634-001A	DEMO SHEET		T77US,T77UW,T77UX,T77UY,T77UG,T77UN
	A 9	LE40796-001A	VERANCE LABEL		
	A 11	-----	WARRANTY CARD	BT-54028-1	T77EE
	A 12	GVT0184-001A	VOL SEL SHEET		T77UN
	A 13	GV40641-002A	NOM LABEL		T77UW
	A 14	ASL8MXT99-EB10	SPEAKER BOX	MAIN SPK(x2)	
	A 15	ASL8CXT77-EB10	SPEAKER BOX	CENTER SPK	
	A 16	ASL8SXT77-EB10	SPEAKER BOX	SURROUND SPK(x2)	
	A 17	ASL8WXT99-EB10	SPEAKER BOX	SUBWOOFER	T77EE,T77US,T77UX,T77UG
	A 17	ASL8WXT99-EB30	SPEAKER BOX	SUBWOOFER	T77UW,T77UY
	A 17	ASL8WXT99-EB20	SPEAKER BOX	SUBWOOFER	T77UN
	A 18	DUF803001-0001	LEG CUSHION	(x12)	
	A 19	DUF803001-0002	LEG CUSHION	(x9)	
	A 20	YOM800001-0270	USER MANUAL	ENG ARA PER CHI	T77US,T77UX,T77UG,T77UN
	A 20	YOM800001-0272	USER MANUAL	RUS	T77EE
	A 20	YOM800001-0271	USER MANUAL	ENG SPA POR	T77UW,T77UY
	P 1	GV20422-004A	CARTON ASSY.		T77EE
	P 1	GV20422-003A	CARTON ASSY.		T77US,T77UN
	P 1	GV20422-002A	CARTON ASSY.		T77UW,T77UY
	P 1	GV20422-001A	CARTON ASSY.		T77UX,T77UG
	P 2	GV10341-001A	CUSHION (TOP)		
	P 3	GV10342-001A	CUSHION (BOTTOM)		
	P 4	QPC07507530P	POLY BAG	75cm x 75cm	
	P 5	GV40168-014A	SHEET		
	P 6	GV40168-015A	SHEET		
	P 7	QPC02503515P	POLY BAG	25cm x 35cm	
	P 8	ITF830365-0001	TOP CUSHION		
	P 9	ITF830365-0002	BOTTOM CUSHION		
	P 10	ITF830365-0003	CUSHION		
	P 11	ITF830365-0004	CUSHION		
	P 12	ICC8DXT77-EB10	PACKING CASE		T77US,T77UW,T77UX,T77UY,T77UG,T77UN
	P 12	ICC8DXT77-EB50	PACKING CASE		T77EE
	P 13	IVH803001-0006	MIRAMAT SHEET	(x4)	
	P 14	IWA803101-0024	HDPE BAG	(x2)	
	P 15	IWA803101-0023	HDPE BAG	(x3)	
	P 16	IVH803001-0007	MIRAMAT SHEET	(x2)	
	P 17	IWA803101-0025	HDPE BAG		

Packing materials and accessories parts list

(DX-T66)

Block No. M 6 M M

No additional / supplemental order of WARRANTY CARDS are available



Packing and Accessories (DX-T66)

Block No. [M][6][M][M]

△	Symbol No.	Part No.	Part Name	Description	Local
	A 1	GVT0165-004A	INST BOOK	RUS	T66EE
	A 1	GVT0165-001B	INST BOOK	ENG CHI(PEKIN)	T66US,T66UN
	A 1	GVT0165-003A	INST BOOK	ENG SPA POR	T66UW
	A 1	GVT0165-002B	INST BOOK	ENG ARA PER	T66UX,T66UG
	A 1	GVT0165-006A	INST BOOK	SPA	T66UY
	A 2	QAL0014-003	AM LOOP ANT		
△	A 3	QAM0112-002	PLUG ADAPTOR		T66US,T66UW,T66UN
	A 4	QAM0216-001	SIGNAL CORD		
	A 5	RM-SDXT66U	REMOCON		
	A 6	QAL0457-001	ANT.WIRE		
	A 7	-----	BATTERY	1.5V(x2)	
	A 8	GV40634-002A	DEMO SHEET		T66EE
	A 8	GV40634-001A	DEMO SHEET		T66US,T66UW,T66UX,T66UY,T66UG,T66UN
	A 9	LE40796-001A	VERANCE LABEL		
	A 10	-----	WARRANTY CARD	BT-54028-1	T66EE
	A 11	GVT0184-001A	VOL SEL SHEET		T66UN
	A 12	GV40641-002A	NOM LABEL		T66UW
	A 13	ASL8MXT66-EB10	SPEAKER BOX	MAIN SPK(x2)	
	A 14	DUF803001-0001	LEG CUSHION	(x8)	
	A 15	GV30911-001A	SPEAKER BOX	SUBWOOFER	
	A 16	DUF803001-0001	LEG CUSHION	(x4)	
	P 1	GV20423-008A	CARTON ASSY		T66EE
	P 1	GV20423-007A	CARTON ASSY		T66US,T66UN
	P 1	GV20423-006A	CARTON ASSY		T66UW,T66UY
	P 1	GV20423-005A	CARTON ASSY		T66UX,T66UG
	P 2	GV10339-002A	CUSHION (TOP)		
	P 3	GV10340-002A	CUSHION (BOTTOM)		
	P 4	QPC07507530P	POLY BAG	75cm x 75cm	
	P 5	GV30916-002A	CARTON SPACER		
	P 6	GV40168-014A	SHEET		
	P 7	GV40168-015A	SHEET		
	P 8	QPC02503515P	POLY BAG	25cm x 35cm	
	P 9	ITF830361-0001	TOP CUSHION		
	P 10	ITF830361-0002	BOTTOM CUSHION		
	P 11	IVH803001-0006	MIRAMAT SHEET	(x4)	
	P 12	IVA803101-0024	HDPE BAG	(x2)	
	P 13	ITF830364-0001	TOP CUSHION		
	P 14	ITF830364-0002	BOTTOM CUSHION		
	P 15	IVH803001-0007	MIRAMAT SHEET	(x2)	
	P 16	IVA803101-0025	HDPE BAG		

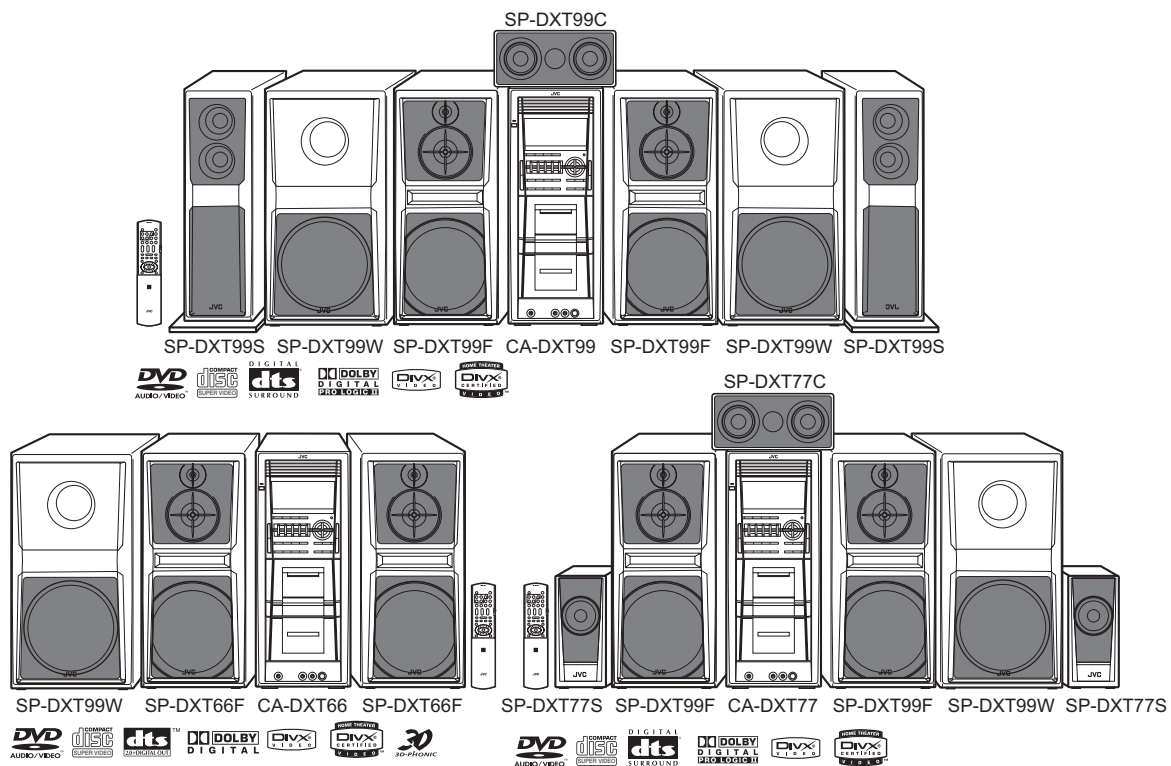
JVC

SCHEMATIC DIAGRAMS

COMPACT COMPONENT SYSTEM

**DX-T99A,DX-T99EE,DX-T99US,DX-T99UW
DX-T99UX,DX-T99UG,DX-T99UN
DX-T77EE,DX-T77US,DX-T77UW,DX-T77UX
DX-T77UY,DX-T77UG,DX-T77UN
DX-T66EE,DX-T66US,DX-T66UW,DX-T66UX
DX-T66UY,DX-T66UG,DX-T66UN**

CD-ROM No.SML200606



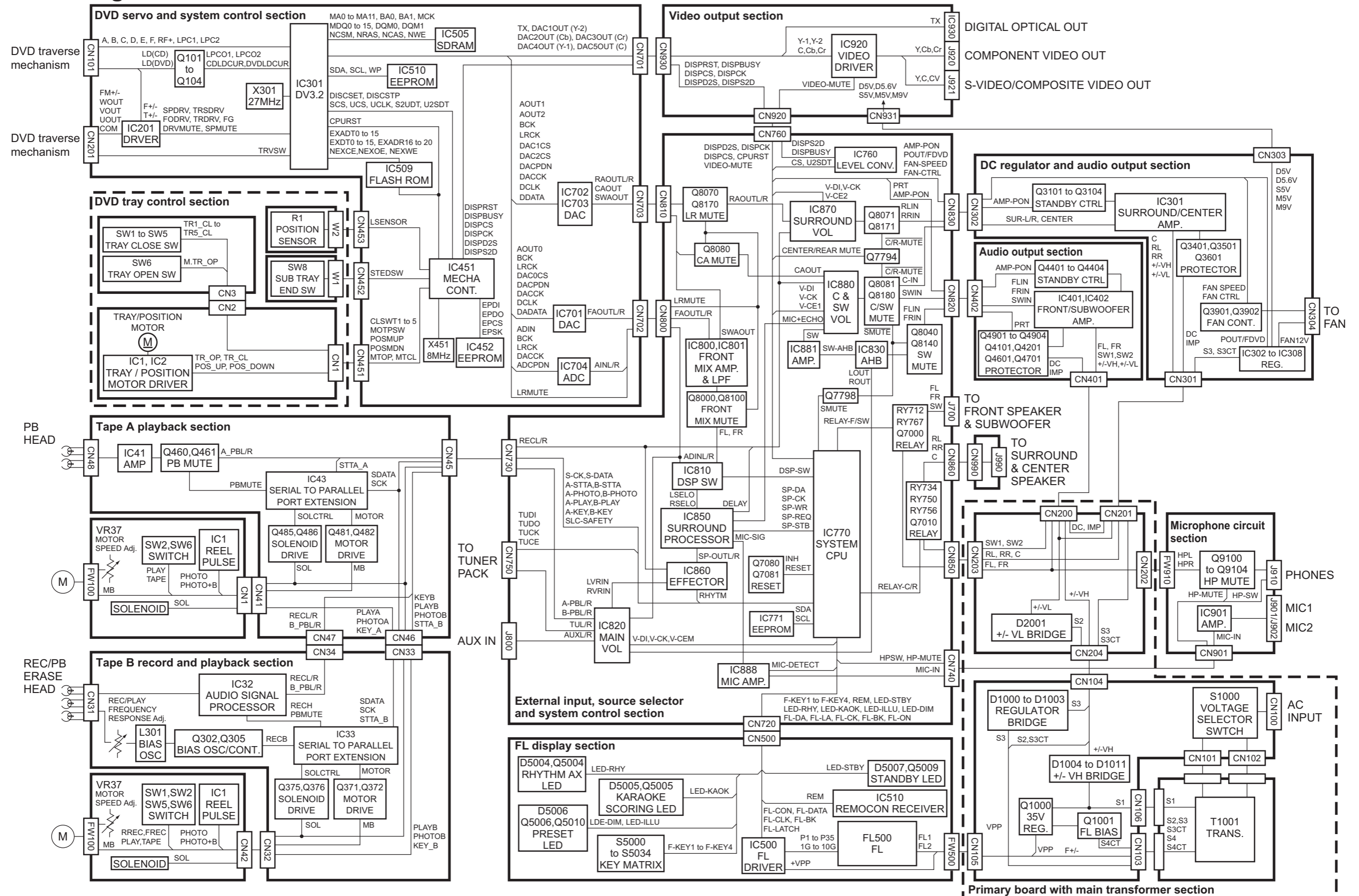
Lead free solder used in the board (material : Sn-Ag-Cu, melting point : 219 Centigrade)

Contents

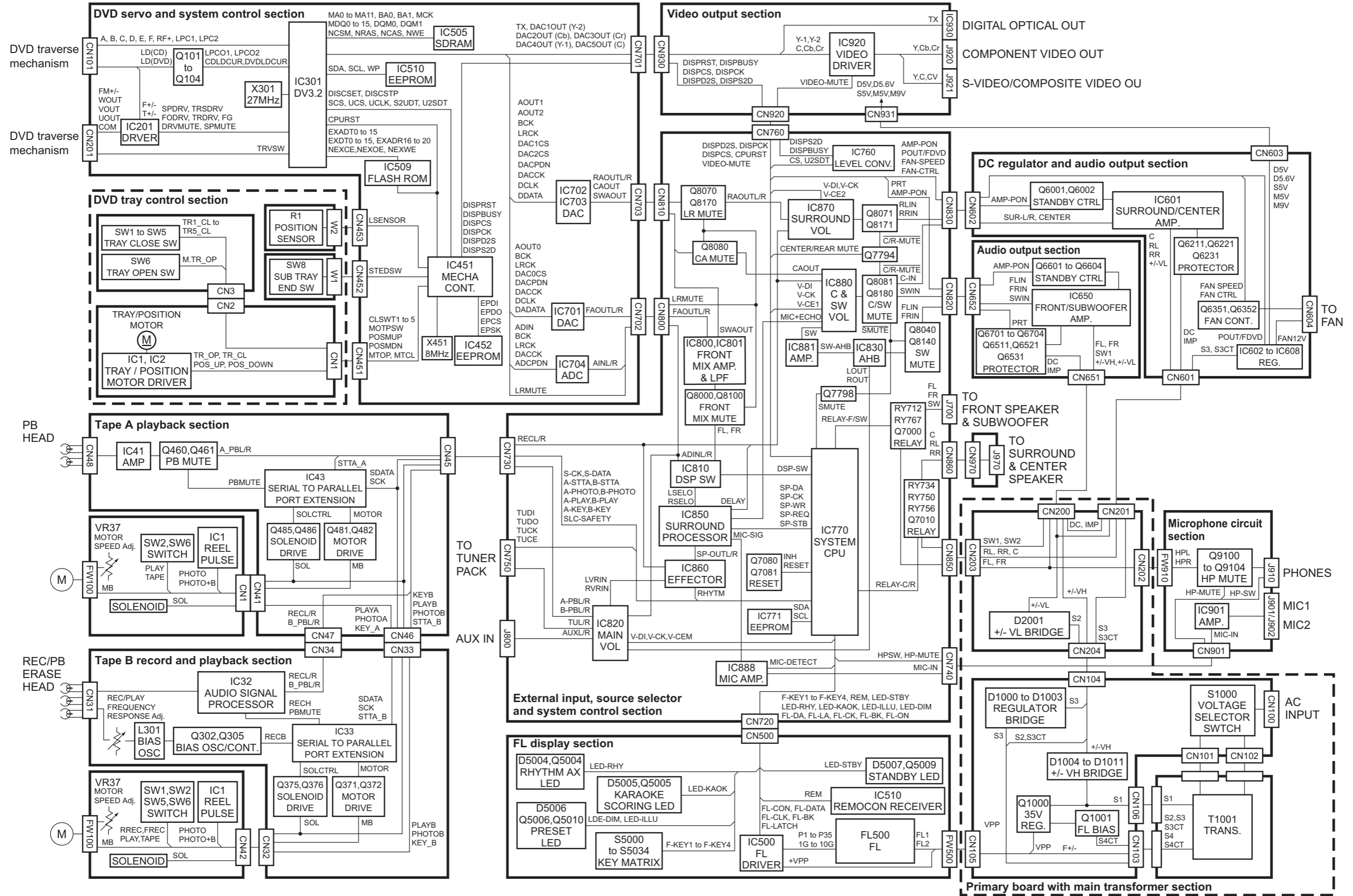
Block diagrams	2-1
Standard schematic diagrams	2-4
Printed circuit boards	2-23 to 29

In regard with component parts appearing on the silk-screen printed side (parts side) of the PWB diagrams, the parts that are printed over with black such as the resistor (■), diode (▣) and ICP (●) or identified by the "▲" mark nearby are critical for safety.

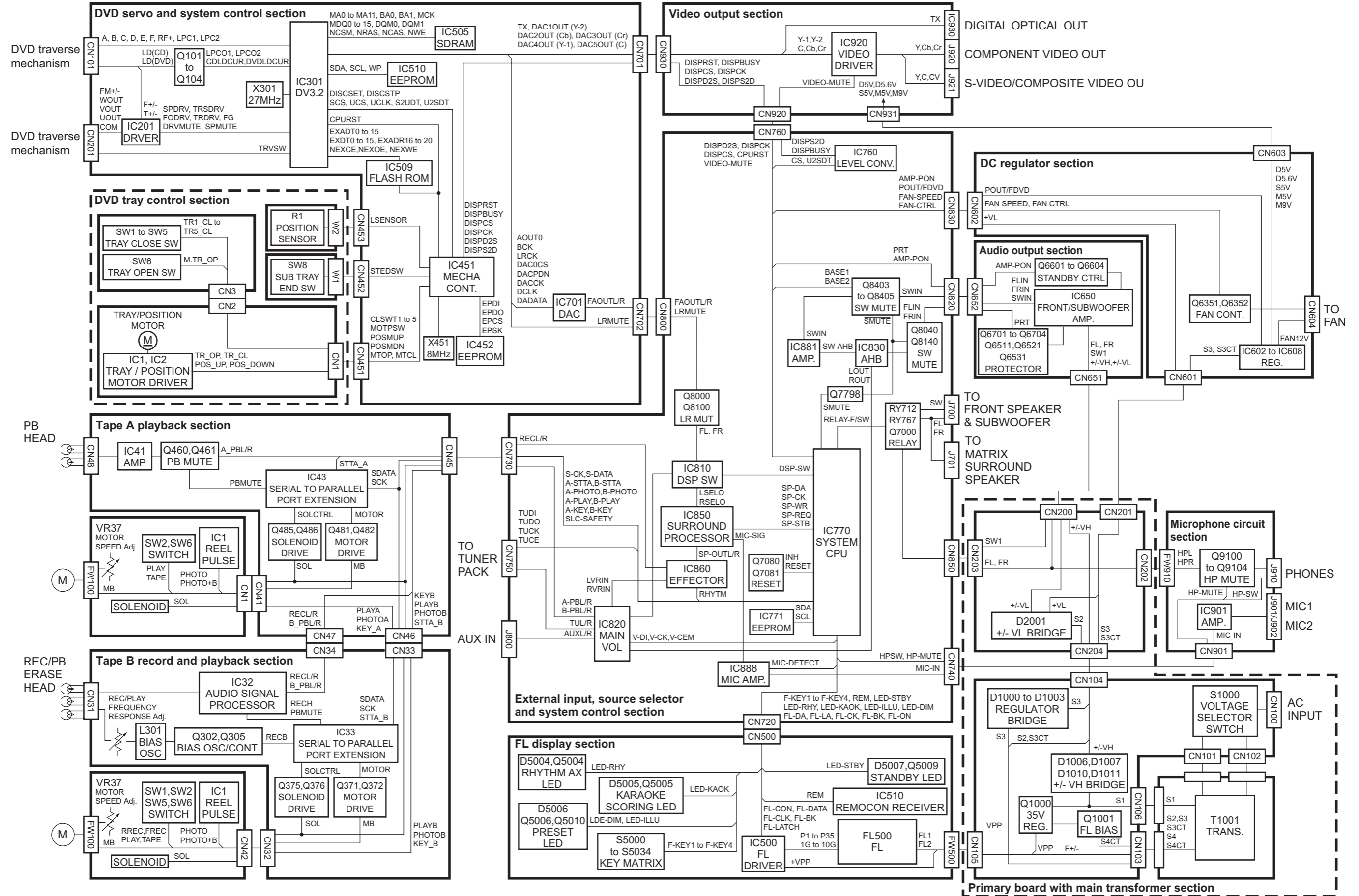
Block diagrams (for DX-T99)



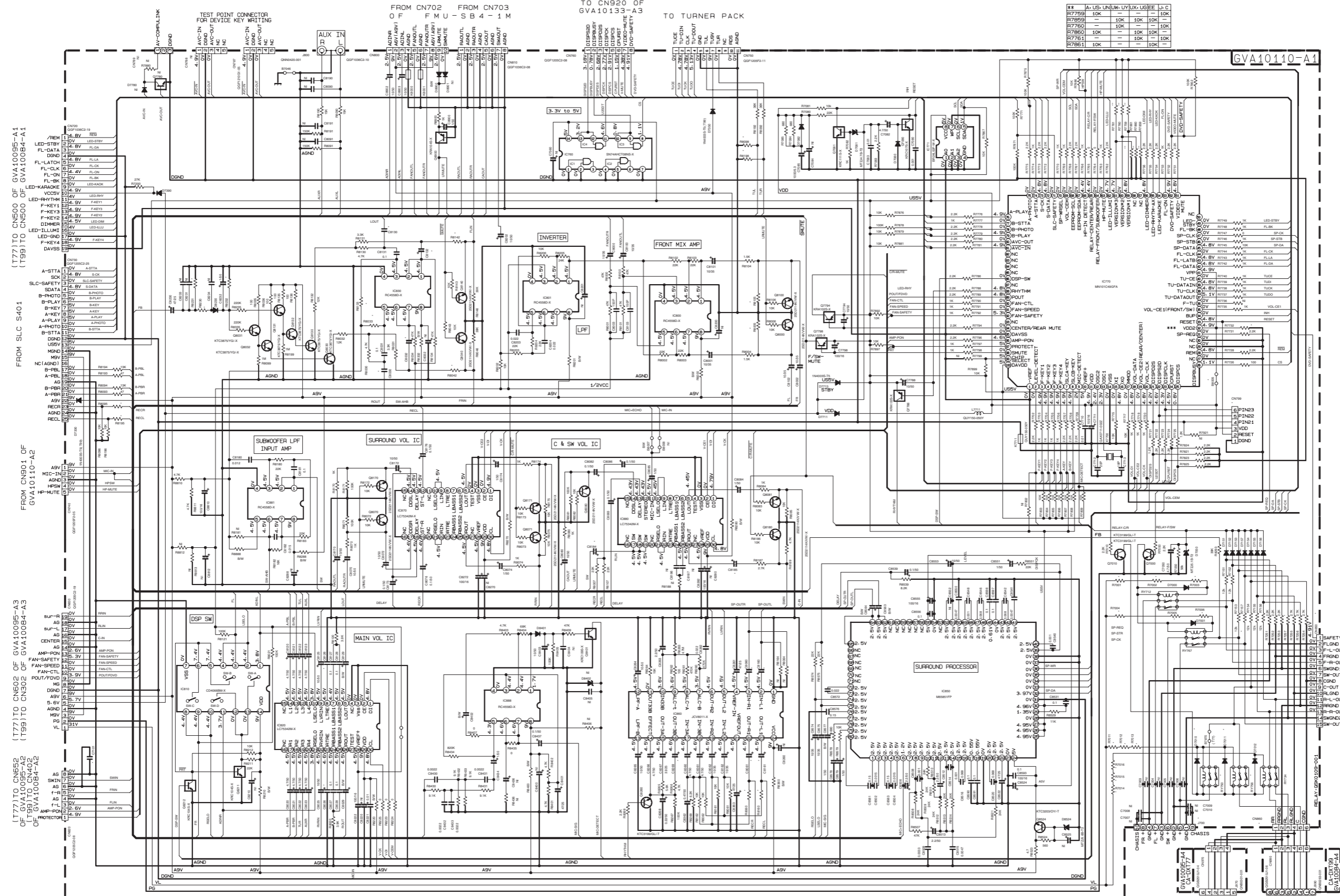
(for DX-T77)



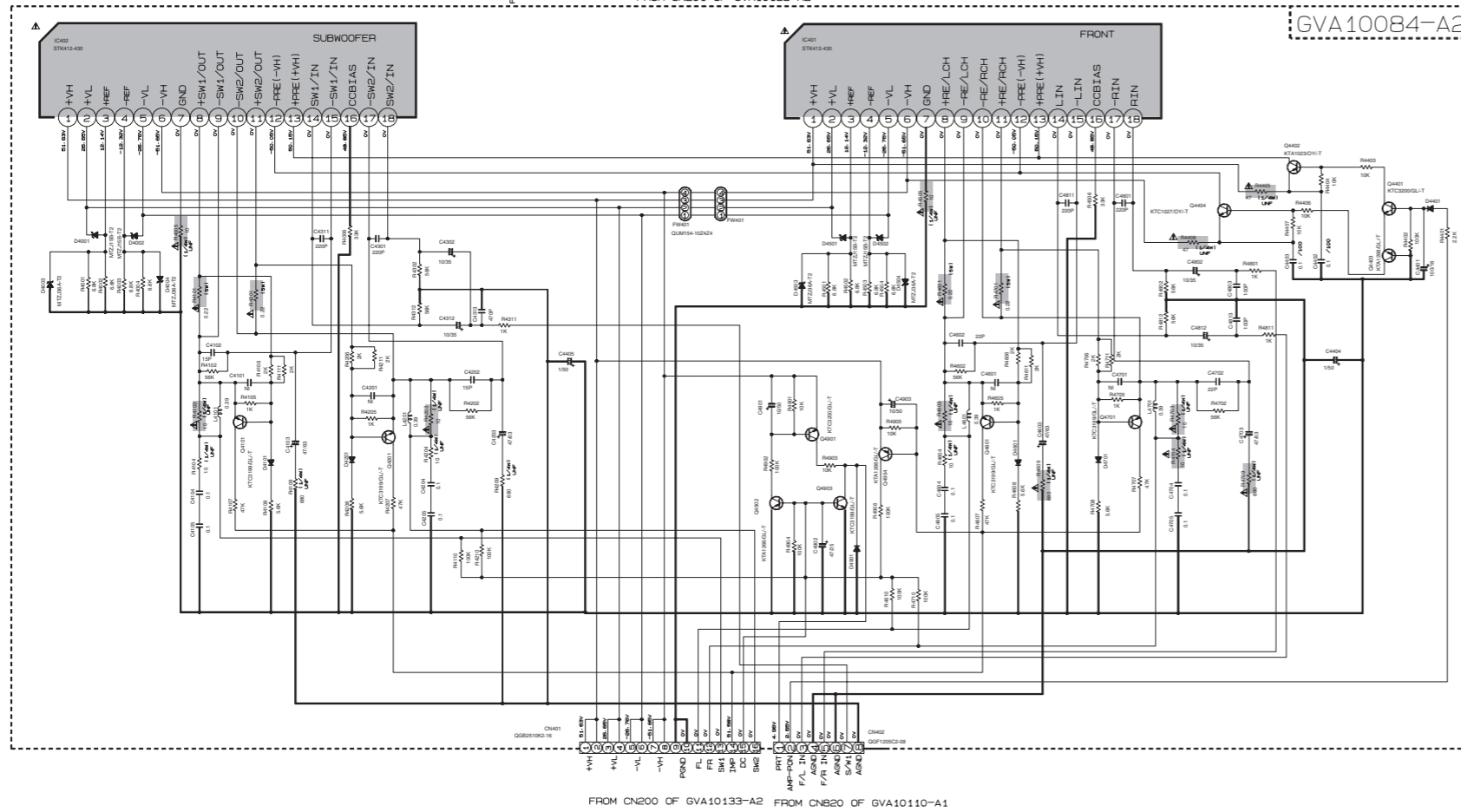
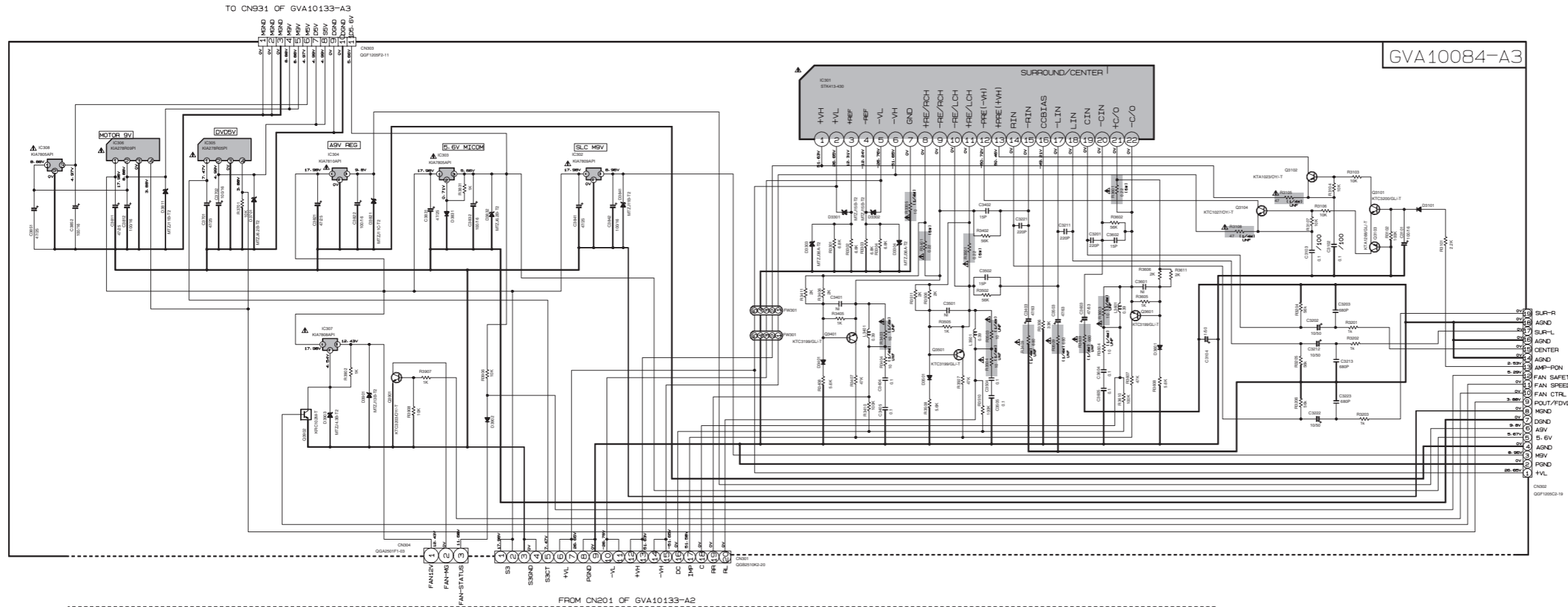
(for DX-T66)



■ Main section (for DX-T99)



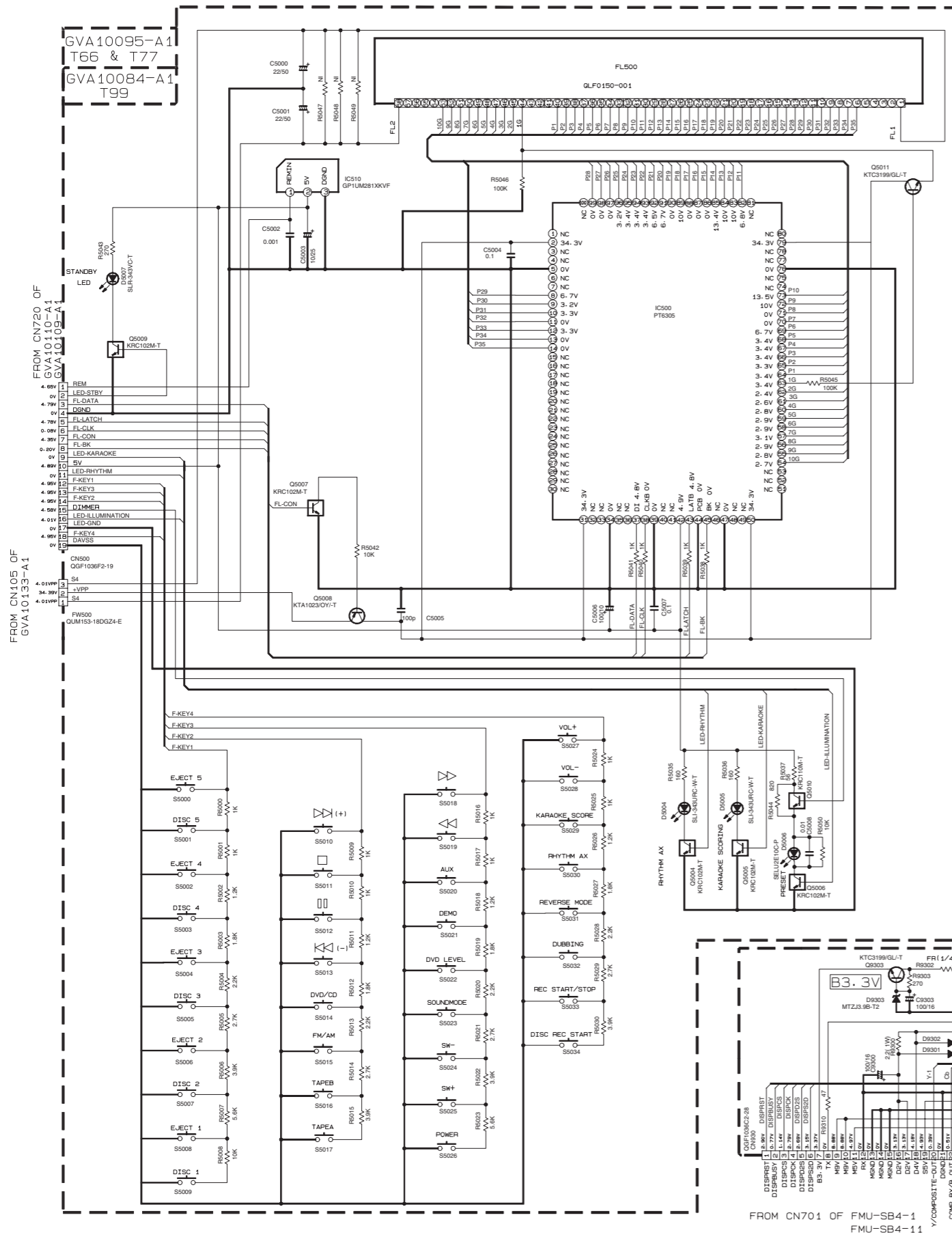
■ Amplifier section (for DX-T99)



- NOTES
1. VOLTAGES ARE DC-MEASURED WITH A DIGITAL VOLT METER OR OSCILLOSCOPE WITHOUT INPUT SIGNAL. CONNECTION — AUX MODE; VOL. MEN; BASS OFF.
 2. UNLESS OTHERWISE SPECIFIED:
 - RESISTORS ARE 1/4W ± 5% CARBON RESISTOR.
 - ALL RESISTANCE VALUES ARE IN OHM (Ω).
 - ALL CAPACITORS ARE CERAMIC CAPACITOR OR POLAR CAPACITOR.
 - ALL CAPACITANCE VALUES ARE IN μF (μF).
 - ALL INDUCTANCE VALUES ARE IN mH (mH).
 - ALL E-CAPACITORS ARE SHOWN IN THE FORM OF CAPACITANCE (μF/RATED VOLTAGE (V)).
 - ALL DIMENSIONS ARE 100±0.10.

⚠ Parts are safety assurance parts. When replacing those parts make sure to use the specified one.

■ Front and Video section (for DX-T99)

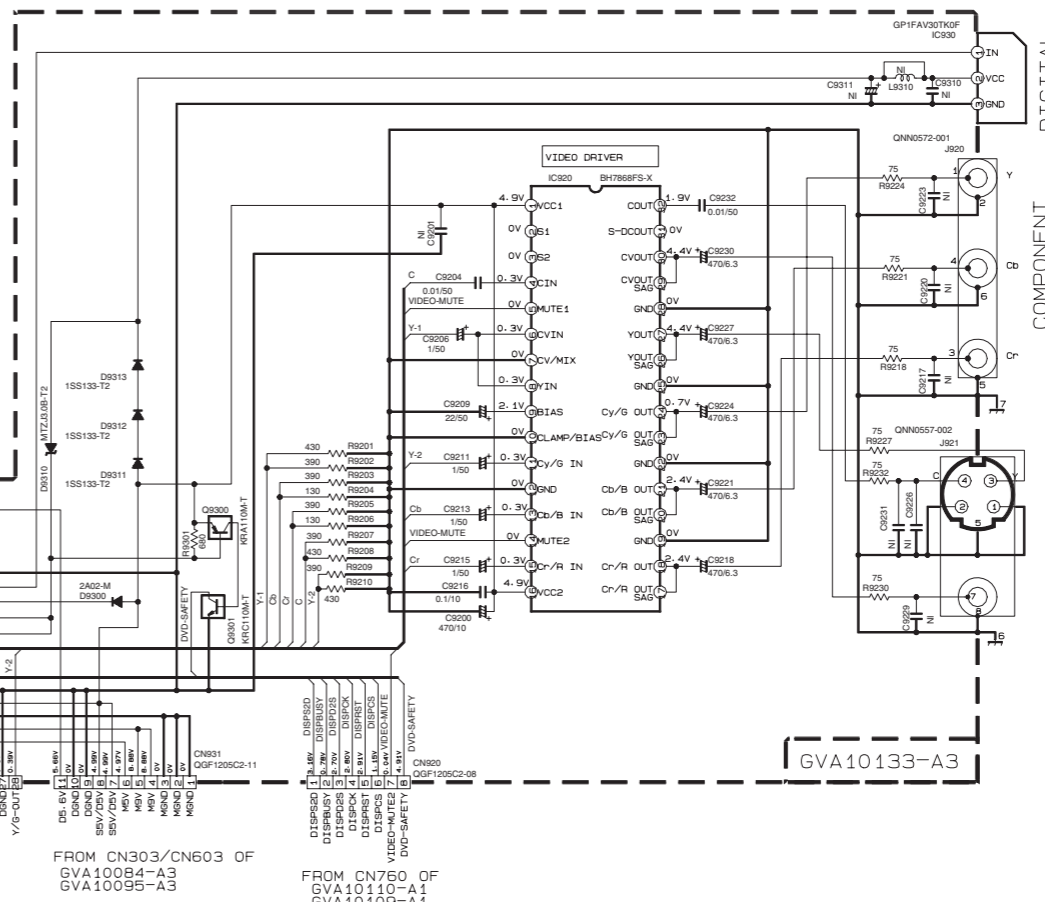
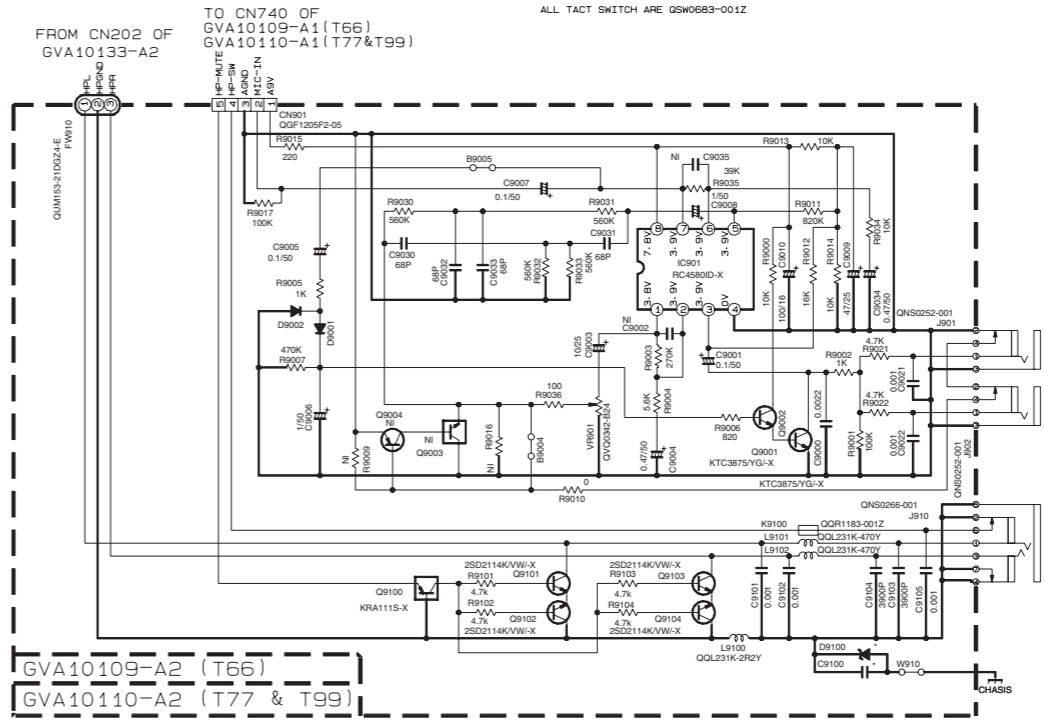


* MARK

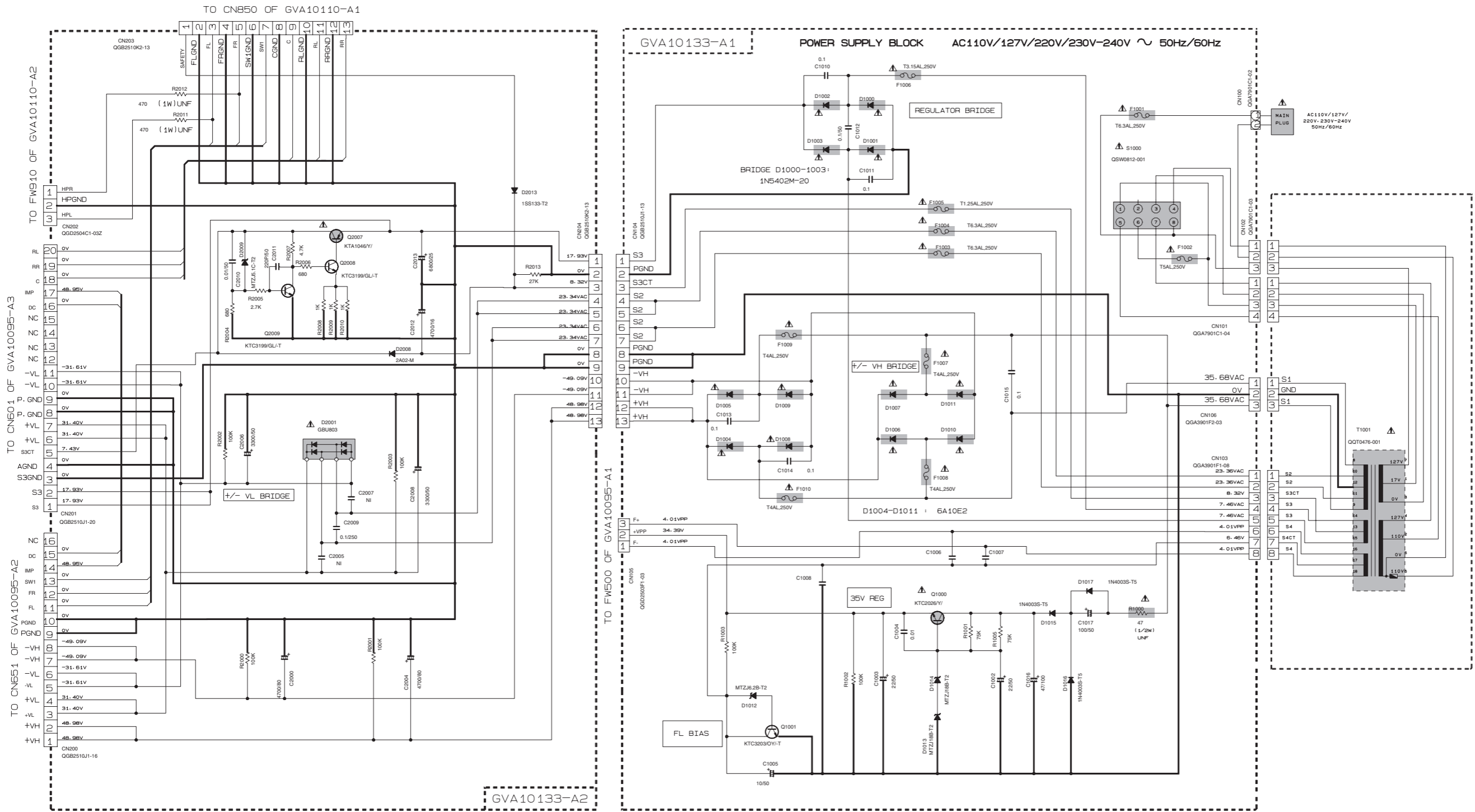
	T66	T77	T99
D9100	-	-	2.4B
C9100	-	-	0.001

NOTES

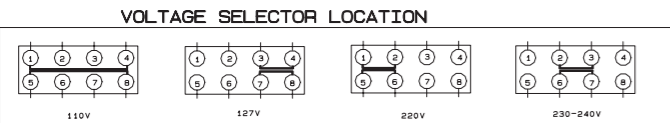
- VOLTAGES ARE DC-MEASURED WITH A DIGITAL VOLT METER OR OSCILLOSCOPE WITHOUT INPUT SIGNAL. CONDITION --- AUX MODE, VOL MIN, BASS OFF
- UNLESS OTHERWISE SPECIFIED
RESISTORS ARE 1/4W±5% CARBON RESISTOR.
ALL RESISTANCE VALUES ARE IN OHM(Ω)
ALL CAPACITORS ARE CERAMIC CAPACITOR OR MYLAR CAPACITOR.
ALL CAPACITANCE VALUES ARE IN #F(P=PF).
ALL INDUCTANCE VALUES ARE IN #H(M=MH).
ALL E. CAPACITORS ARE SHOWN IN THE FORM OF CAPACITANCE (#F)/RATED VOLTAGE (V).
ALL DIODE ARE 1SS133-T2
ALL TACT SWITCH ARE GSW06B3-001Z



■ Primary section (for DX-T77)

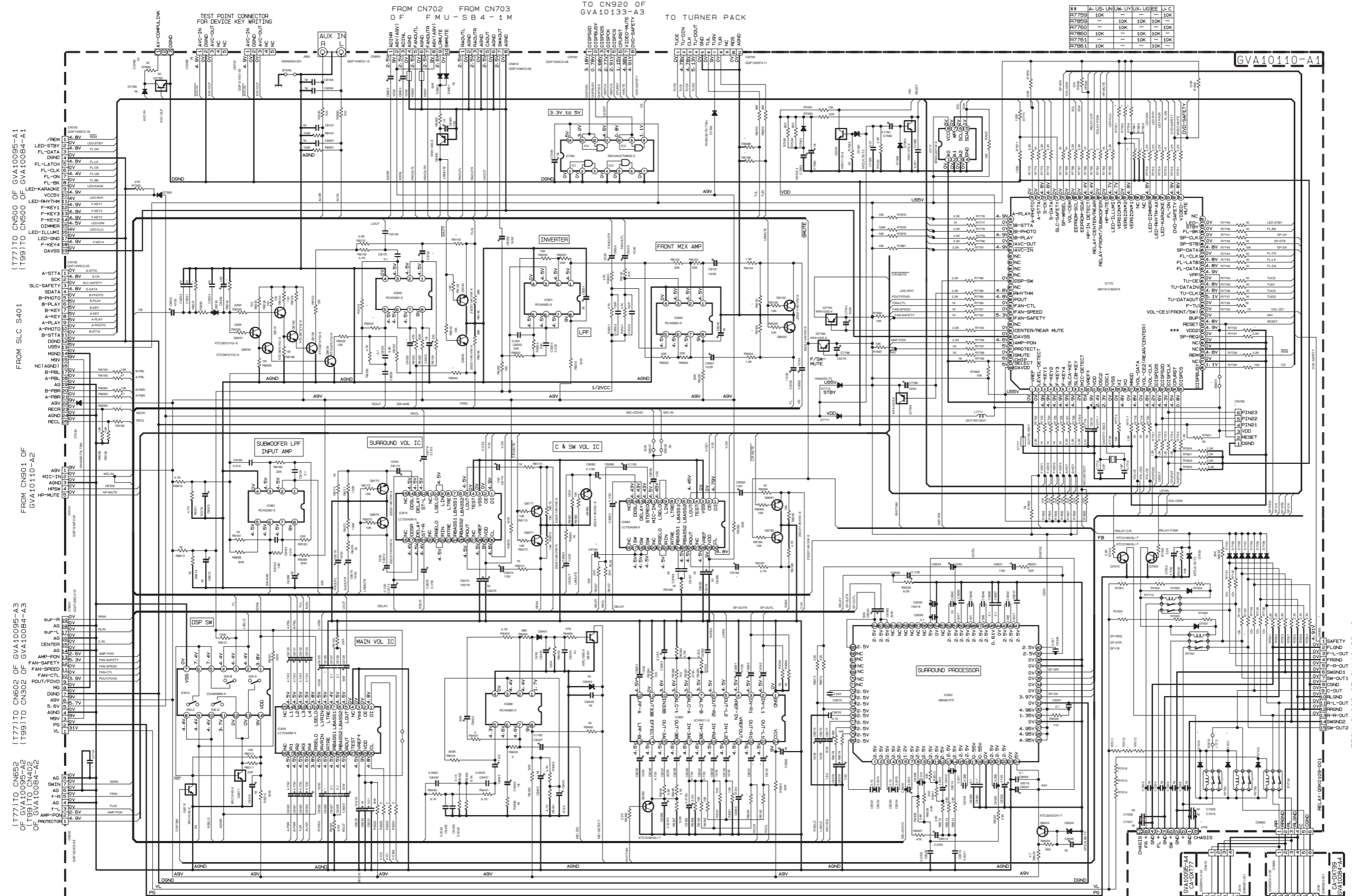


- NOTES
- VOLTAGES ARE DC-MEASURED WITH A DIGITAL VOLT METER OR OSCILLOSCOPE WITHOUT INPUT SIGNAL-CONDITION — AUX MODE- VOL MIN- BASS OFF
 - UNLESS OTHERWISE SPECIFIED
RESISTORS ARE 1/4W ± 5% CARBON RESISTOR-
ALL RESISTANCE VALUES ARE IN OHM (Ω).
ALL CAPACITORS ARE CERAMIC CAPACITOR OR MYLAR CAPACITOR.
ALL CAPACITANCE VALUES ARE IN #F(PpF).
ALL INDUCTANCE VALUES ARE IN #H(mH).
ALL E-CAPACITORS ARE SHOWN IN THE FORM OF CAPACITANCE (#F)/RATED VOLTAGE (V).



▲ Parts are safety assurance parts.
When replacing those parts make sure to use the specified one.

Main section (for DX-T77)



R7759	10K	10K	10K	10K
R7760	10K	10K	10K	10K
R7761	10K	10K	10K	10K
R7762	10K	10K	10K	10K

(T77) TO CN500 OF GVA1009E-A1
(T99) TO CN500 OF GVA1009A-A1

FROM SLC S401

FROM CN501 OF GVA1010-A2

(T77) TO CN502 OF GVA1009E-A3
(T99) TO CN502 OF GVA1009A-A3

(T77) TO CN503 OF GVA1009E-A4
(T99) TO CN503 OF GVA1009A-A4

GVA10110-A1

FROM CN203 OF GVA10133-A2

*** MARK

ES/PP	MP
R7732	NI 10K
B9006	USE NI
I177	PLAS/MASK
CN799	USE NI

* MARK

T77	T99
C8025-C8126	0.0027pF 0.0047pF
C8030-C8130	0.1 0.22
C8033-C8132	10/50 10/50
R8031-R8131	3.3K 3.6K
C8060-C8160	10/50 10/35
C8061-C8161	100K 150K
R8005-R8105	20K 100K
R8060-R8160	9.1K 10K

T77	T99
R8042-R8142	3.9K 1K
R8095-R8195	2.4K 2.7K
R8098-R8198	20K 10K
C8184-C8185	10/50 10/50
R7257	18K

T77	T99
R7201	R7202
R7203	R7204
R7205	R7206
R7207	R7208
R7209	R7210
R7211	R7212
R7213	R7214
R7215	R7216
R7217	R7218
R7219	R7220
R7221	R7222
R7223	R7224
R7225	R7226
R7227	R7228
R7229	R7230
R7231	R7232
R7233	R7234
R7235	R7236
R7237	R7238
R7239	R7240
R7241	R7242
R7243	R7244
R7245	R7246
R7247	R7248
R7249	R7250
R7251	R7252
R7253	R7254
R7255	R7256
R7257	R7258
R7259	R7260
R7261	R7262
R7263	R7264
R7265	R7266
R7267	R7268
R7269	R7270
R7271	R7272
R7273	R7274
R7275	R7276
R7277	R7278
R7279	R7280
R7281	R7282
R7283	R7284
R7285	R7286
R7287	R7288
R7289	R7290
R7291	R7292
R7293	R7294
R7295	R7296
R7297	R7298
R7299	R7300

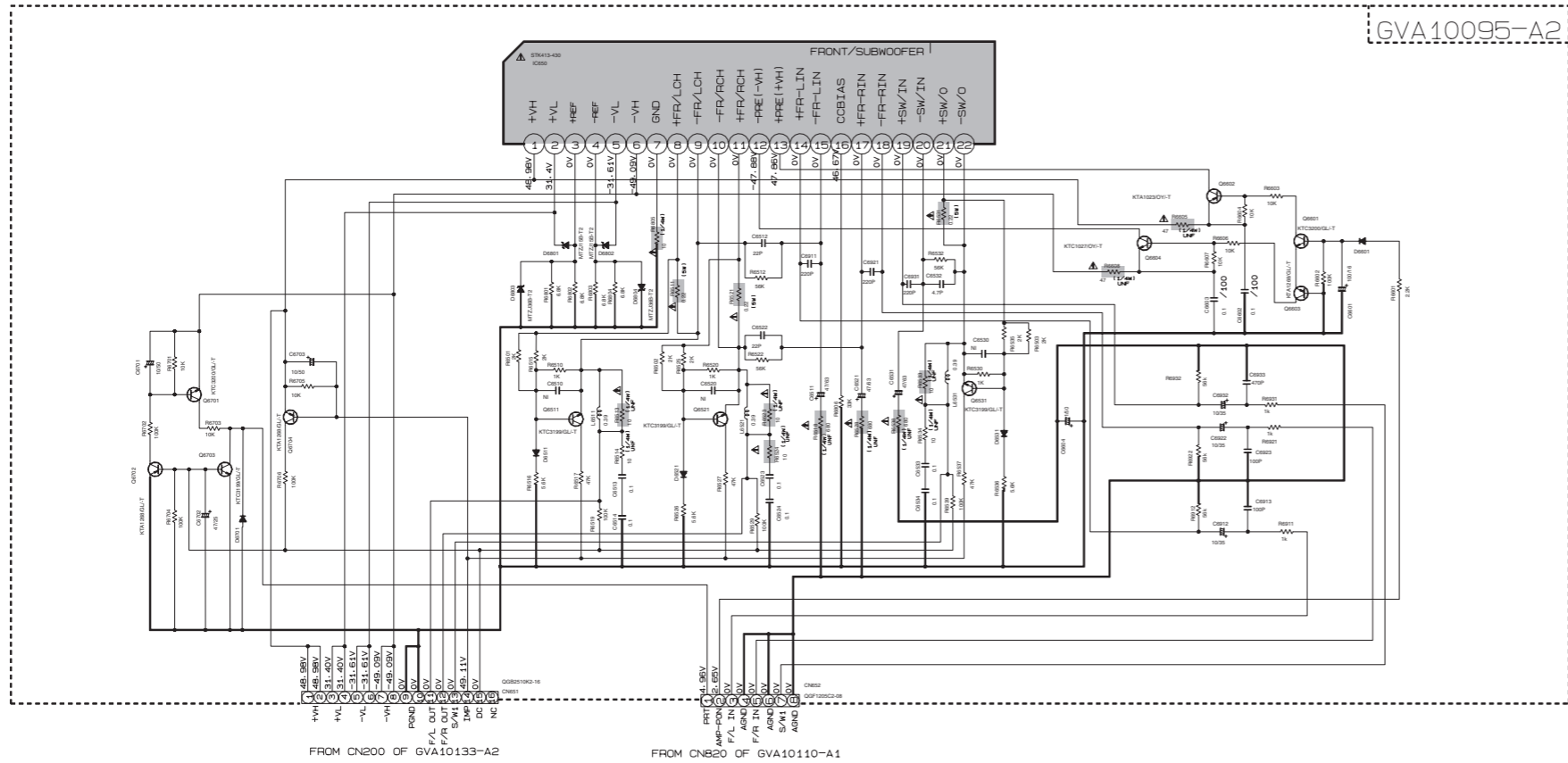
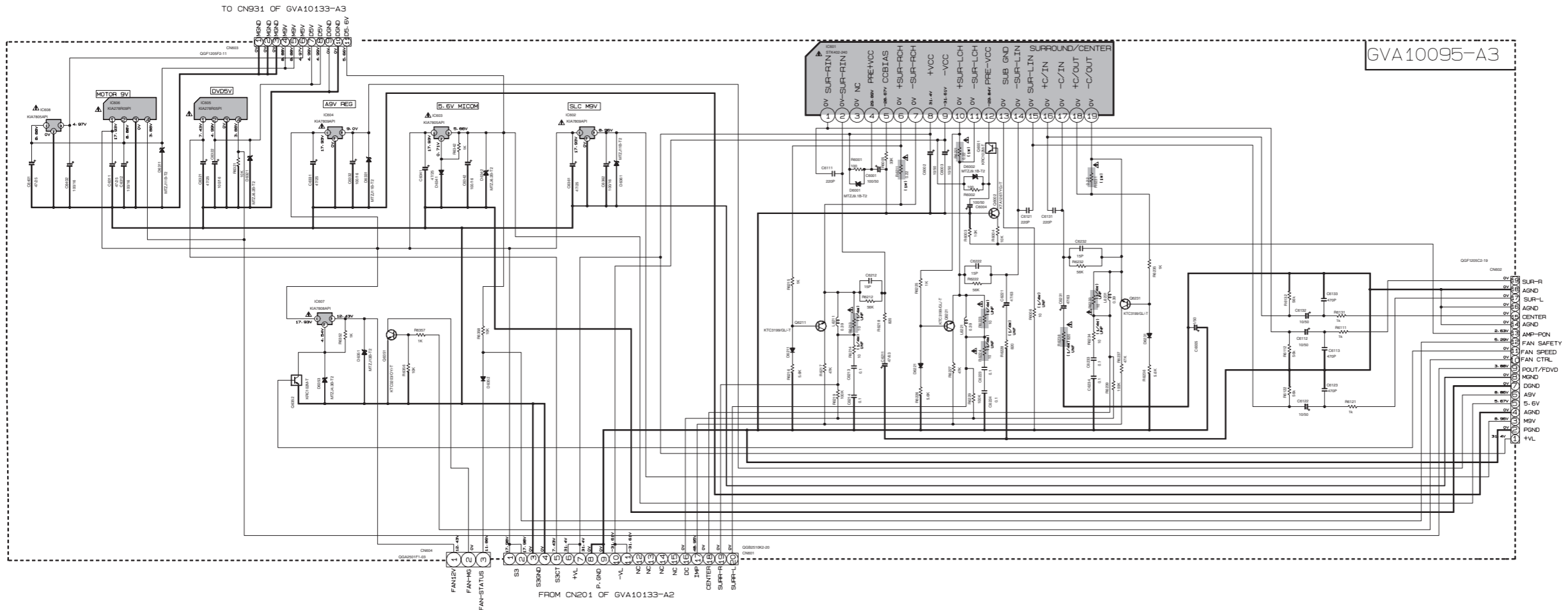
T77	T99
C8650	G062510J1-13 G062510J1-15
C8650	G062510K2-04 G062510K2-06

T77	T99
R7201	R7202
R7203	R7204
R7205	R7206
R7207	R7208
R7209	R7210
R7211	R7212
R7213	R7214
R7215	R7216
R7217	R7218
R7219	R7220
R7221	R7222
R7223	R7224
R7225	R7226
R7227	R7228
R7229	R7230
R7231	R7232
R7233	R7234
R7235	R7236
R7237	R7238
R7239	R7240
R7241	R7242
R7243	R7244
R7245	R7246
R7247	R7248
R7249	R7250
R7251	R7252
R7253	R7254
R7255	R7256
R7257	R7258
R7259	R7260
R7261	R7262
R7263	R7264
R7265	R7266
R7267	R7268
R7269	R7270
R7271	R7272
R7273	R7274
R7275	R7276
R7277	R7278
R7279	R7280
R7281	R7282
R7283	R7284
R7285	R7286
R7287	R7288
R7289	R7290
R7291	R7292
R7293	R7294
R7295	R7296
R7297	R7298
R7299	R7300

T77	T99
R7201	R7202
R7203	R7204
R7205	R7206
R7207	R7208
R7209	R7210
R7211	R7212
R7213	R7214
R7215	R7216
R7217	R7218
R7219	R7220
R7221	R7222
R7223	R7224
R7225	R7226
R7227	R7228
R7229	R7230
R7231	R7232
R7233	R7234
R7235	R7236
R7237	R7238
R7239	R7240
R7241	R7242
R7243	R7244
R7245	R7246
R7247	R7248
R7249	R7250
R7251	R7252
R7253	R7254
R7255	R7256
R7257	R7258
R7259	R7260
R7261	R7262
R7263	R7264
R7265	R7266
R7267	R7268
R7269	R7270
R7271	R7272
R7273	R7274
R7275	R7276
R7277	R7278
R7279	R7280
R7281	R7282
R7283	R7284
R7285	R7286
R7287	R7288
R7289	R7290
R7291	R7292
R7293	R7294
R7295	R7296
R7297	R7298
R7299	R7300

NOTES
 1. VOLTAGES ARE DC-MEASURED WITH A DIGITAL VOLT METER OR OSCILLOSCOPE WITHOUT INPUT SIGNAL. CONDITION --- CD STOP MODE.
 2. UNLESS OTHERWISE SPECIFIED, ALL RESISTORS ARE 1/4W 1% CARBON FILM RESISTOR OR 0.03W ±5% THICK FILM CHIP RESISTOR. ALL CAPACITORS ARE CERAMIC CAPACITOR OR MYLAR CAPACITOR.
 ALL RESISTANCE VALUES ARE IN OHM (Ω). ALL CAPACITANCE VALUES ARE IN PICO (pF). ALL E. CAPACITORS ARE SHOWN IN THE FORM OF CAPACITANCE (μF) RATED VOLTAGE (V). ALL INDUCTANCE VALUES ARE IN MILLI (mH). ALL DIODES ARE 1SS133-T2.

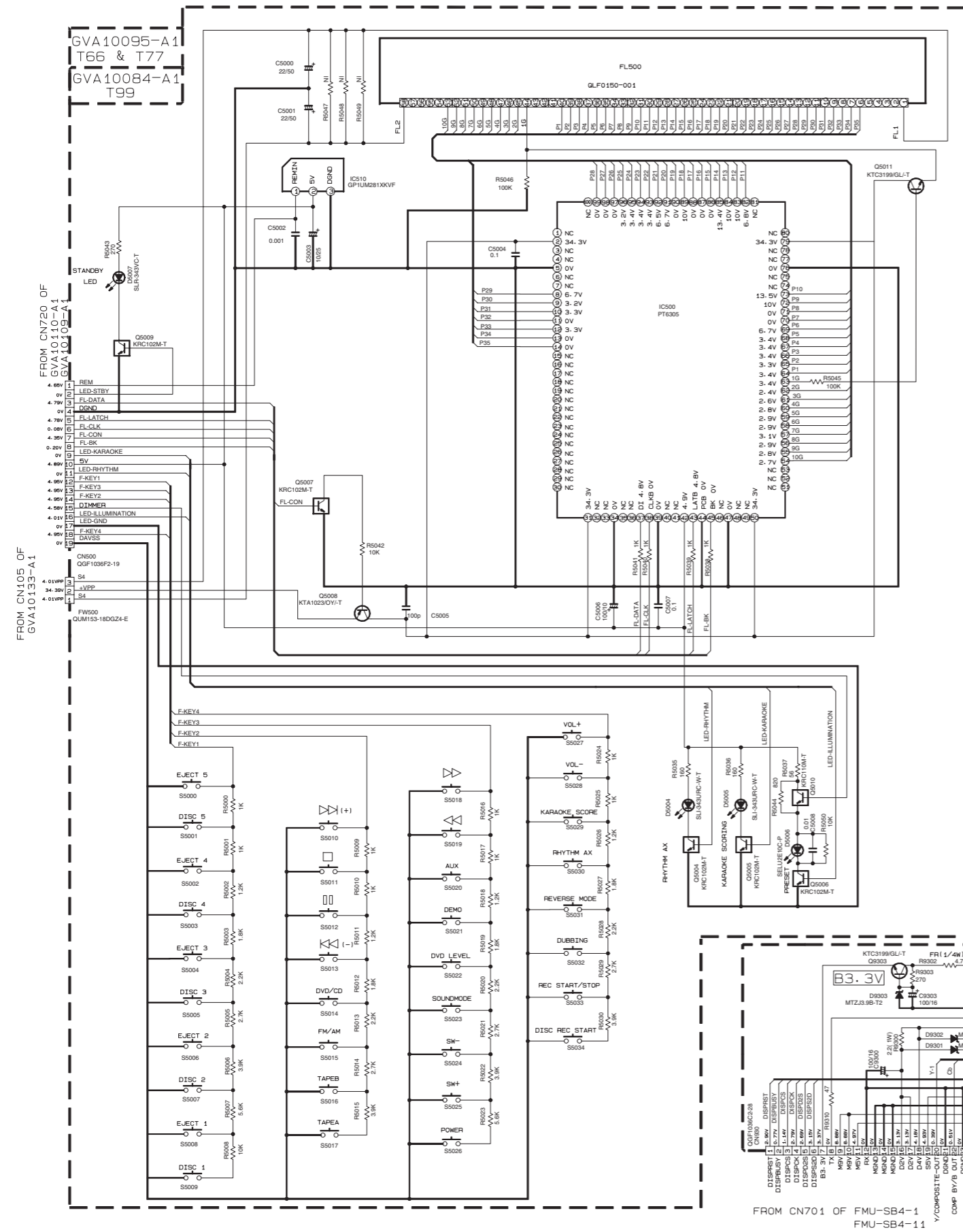
■ Amplifier section (for DX-T77)



- NOTES
1. VOLTAGES ARE DC-MEASURED WITH A DIGITAL VOLT METER OR OSCILLOSCOPE WITHOUT INPUT SIGNAL.
CONNECTION — ALK RES.— VOL. MIN. BASS OFF
 2. UNLESS OTHERWISE SPECIFIED:
RESISTORS ARE 1/4W ± 5% CARBON RESISTOR.
ALL RESISTANCE VALUES ARE IN OHMS.
ALL CAPACITORS ARE CERAMIC CAPACITOR OR MYLAR CAPACITOR.
ALL CAPACITANCE VALUES ARE IN μF (PPF).
ALL INDUCTANCE VALUES ARE IN mH (PPF).
ALL E. CAPACITORS ARE SHOWN IN THE FORM OF CAPACITANCE (HF)/RATED VOLTAGE (V).
ALL DIODES ARE 1SS133-72

▲ Parts are safety assurance parts.
When replacing those parts make
sure to use the specified one.

■ Front and Video section (for DX-T77)

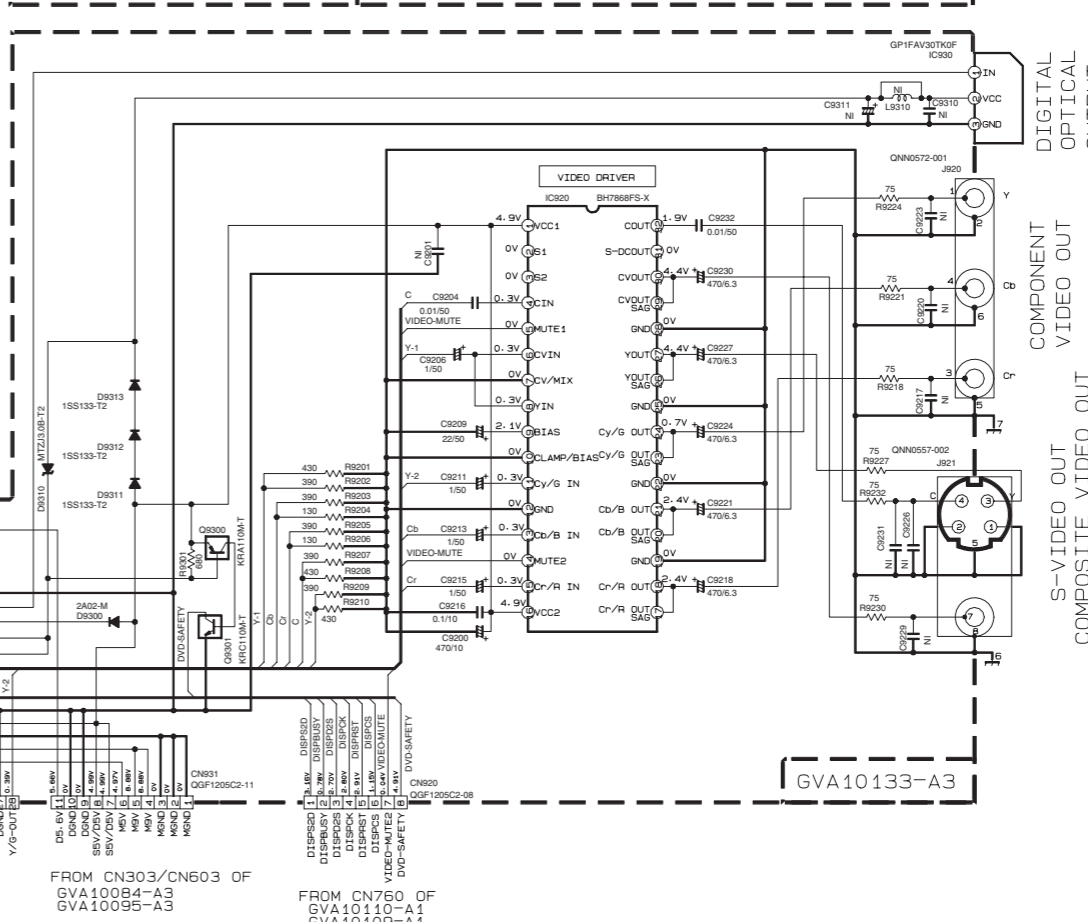
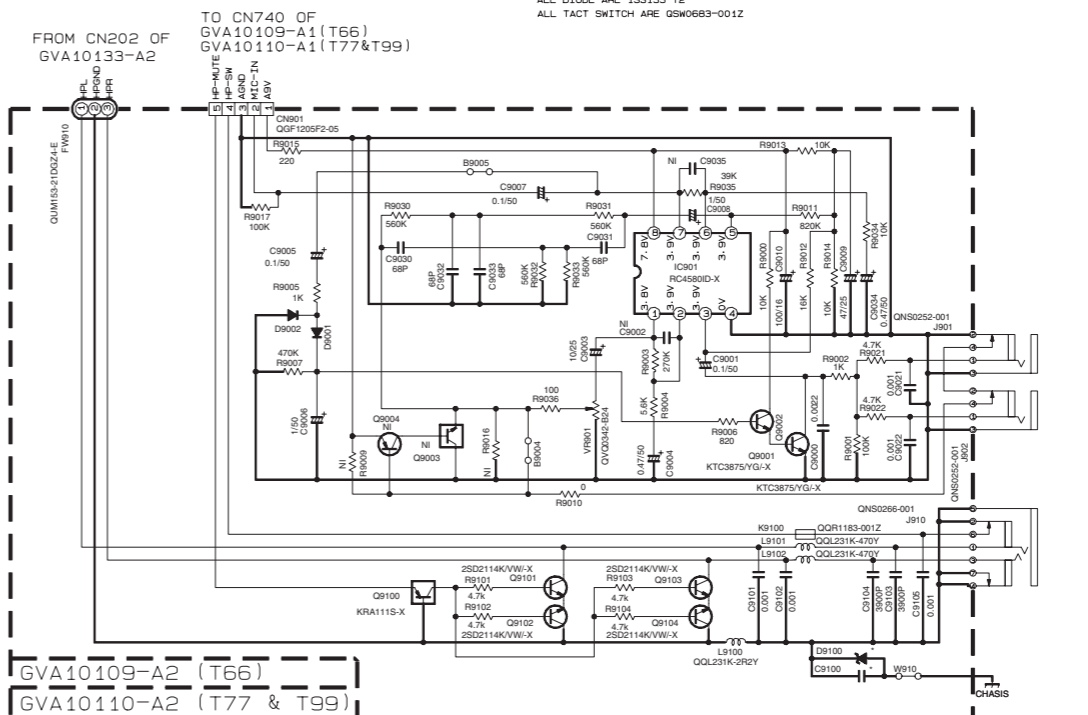


* MARK

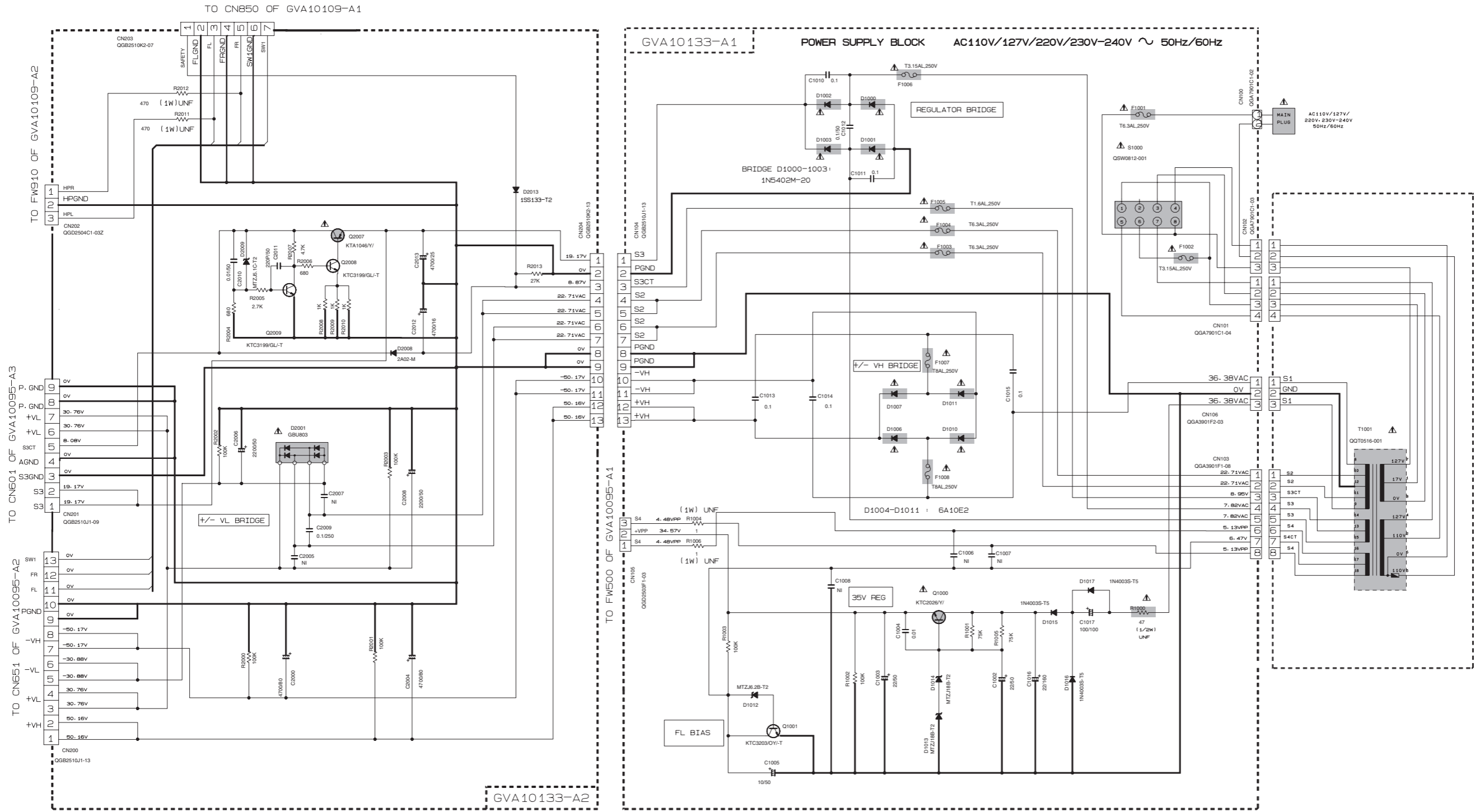
	T66	T77	T99
D9100	-	-	2-48
C9100	-	-	0.001

NOTES

- VOLTAGES ARE DC-MEASURED WITH A DIGITAL VOLT METER OR OSCILLOSCOPE WITHOUT INPUT SIGNAL. CONDITION --- AUX MODE- VOL MIN- BASS OFF
- UNLESS OTHERWISE SPECIFIED
RESISTORS ARE 1/4W±5% CARBON RESISTOR.
ALL RESISTANCE VALUES ARE IN OHM(Ω).
ALL CAPACITORS ARE CERAMIC CAPACITOR MYLAR CAPACITOR.
ALL CAPACITANCE VALUES ARE IN #F(P=PF).
ALL INDUCTANCE VALUES ARE IN #H(M=MH).
ALL E-CAPACITORS ARE SHOWN IN THE FORM OF CAPACITANCE (#F)/RATED VOLTAGE (V).
ALL DIODES ARE 1SS133-T2
ALL TACT SWITCH ARE GSW0683-0012



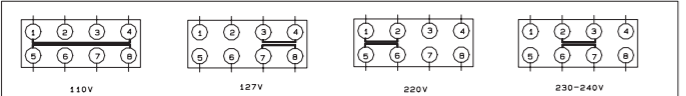
Primary section (for DX-T66)



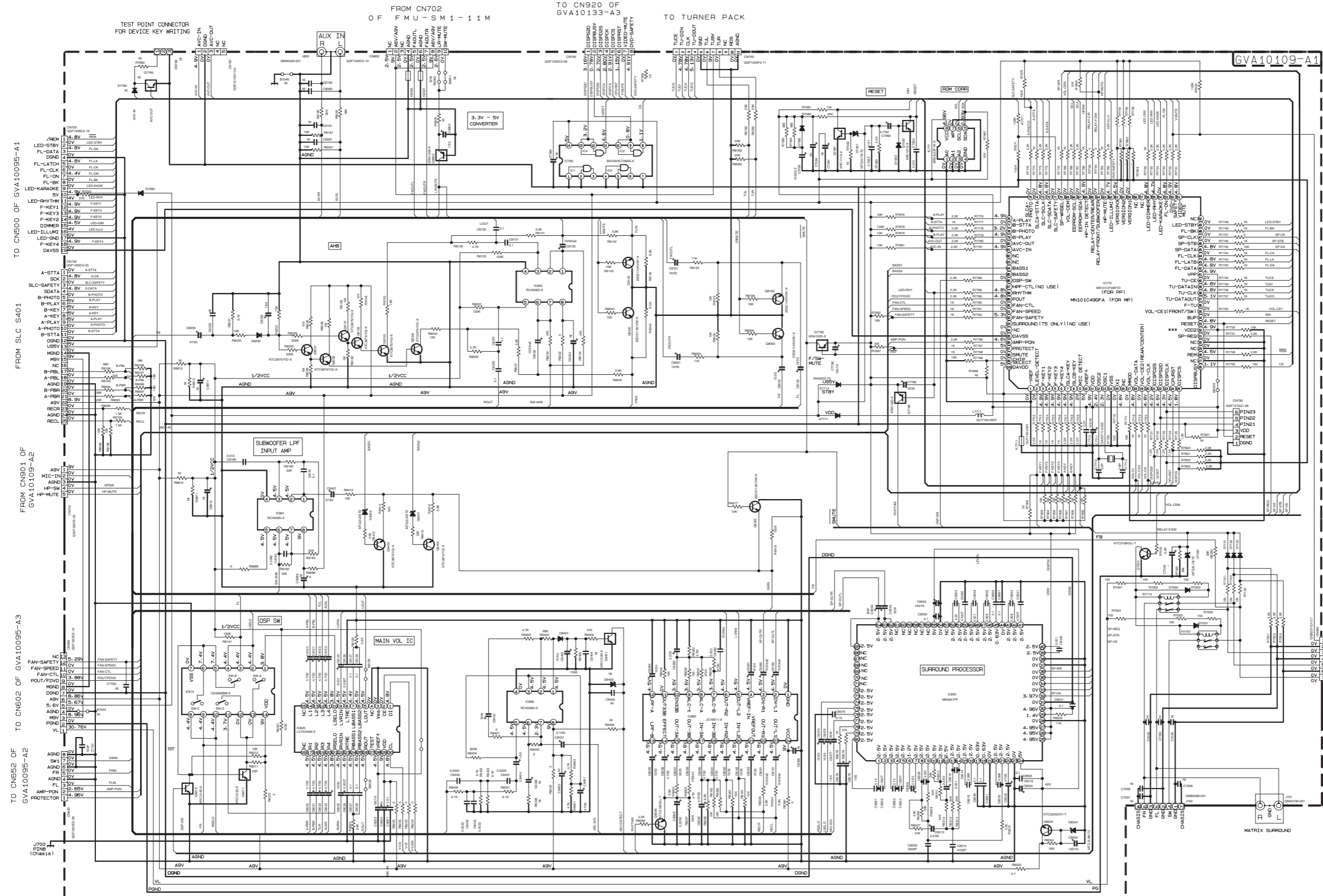
- NOTES
- VOLTAGES ARE DC-MEASURED WITH A DIGITAL VOLT METER OR OSCILLOSCOPE WITHOUT INPUT SIGNAL. CONDITION — AUX MODE, VOL MIN, BASS OFF
 - UNLESS OTHERWISE SPECIFIED
RESISTORS ARE 1/4W ± 5% CARBON RESISTOR. ALL RESISTANCE VALUES ARE IN OHM (Ω). ALL CAPACITORS ARE CERAMIC CAPACITOR OR MYLAR CAPACITOR. ALL CAPACITANCE VALUES ARE IN μF (P-pF). ALL INDUCTANCE VALUES ARE IN μH (P-mH). ALL E-CAPACITORS ARE SHOWN IN THE FORM OF CAPACITANCE (μF)/RATED VOLTAGE (V).

▲ Parts are safety assurance parts. When replacing those parts make sure to use the specified one.

VOLTAGE SELECTOR LOCATION



■ Main section (for DX-T66)



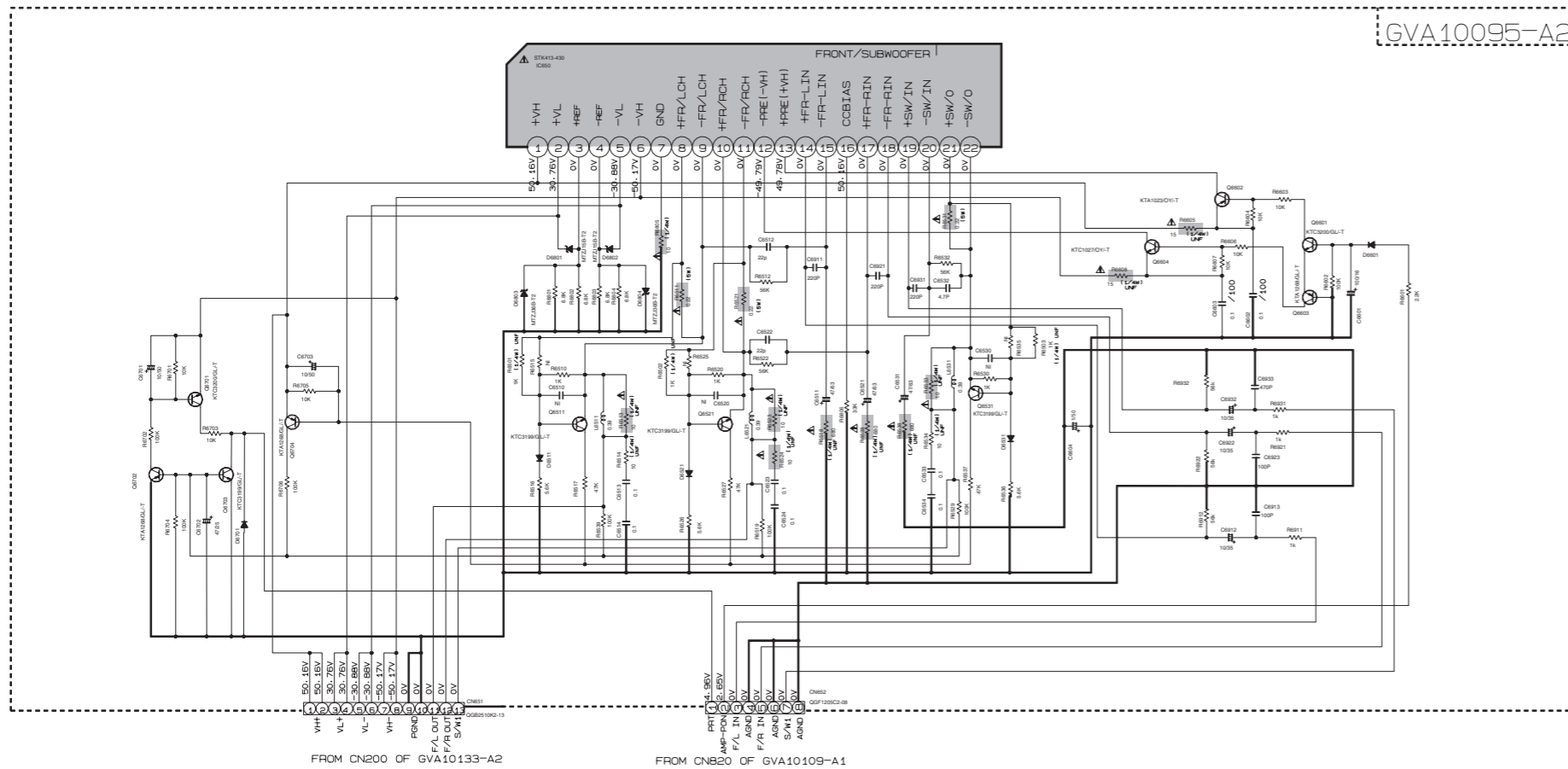
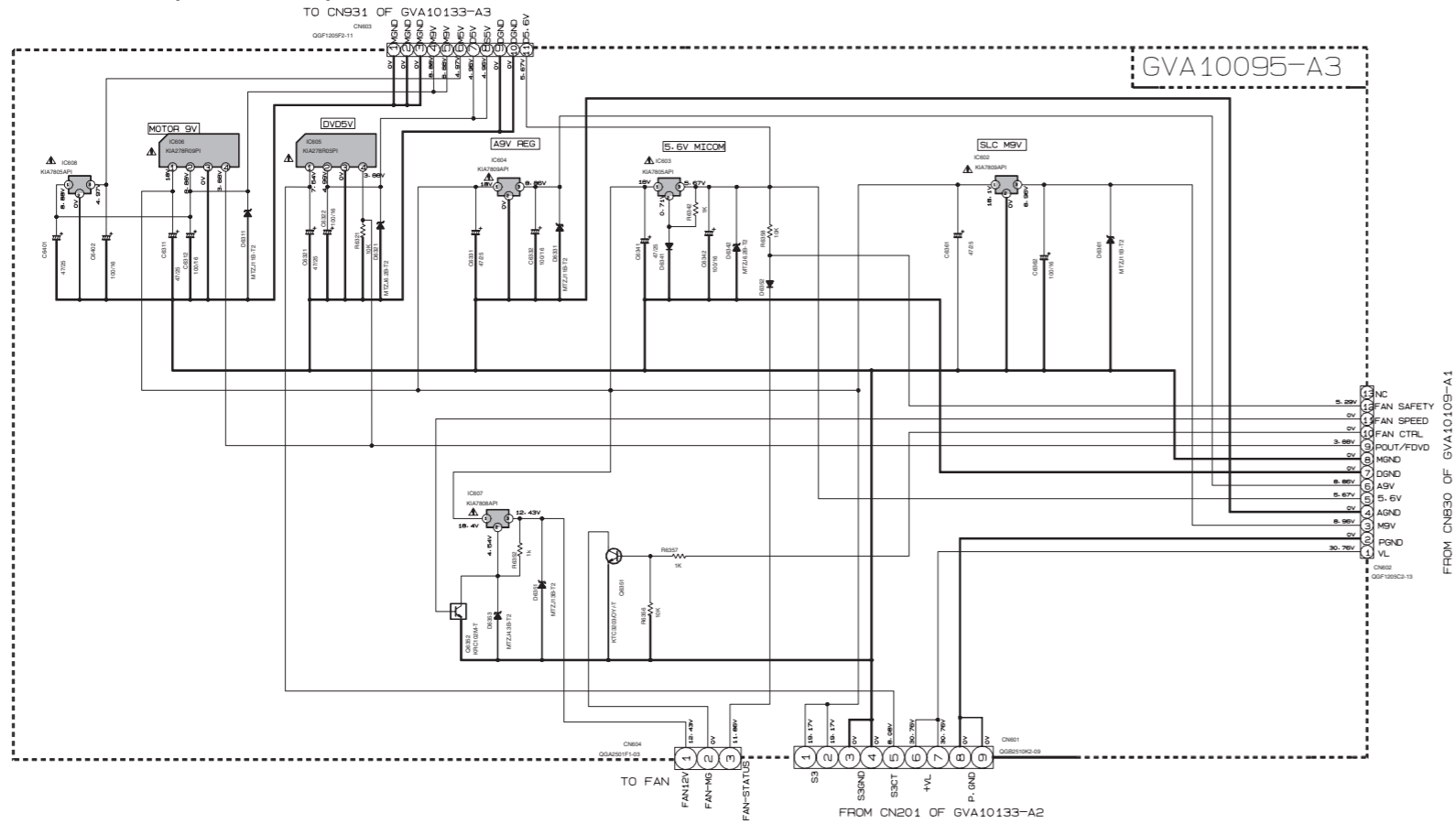
MARK

MARK	A-US-UN	UW	UY	UX-UG	EE	J-C
R7750	10K				10K	
R7759	10K	10K	10K	10K	10K	
R7760	10K	10K	10K	10K	10K	
R7761	10K	10K	10K	10K	10K	
R7762	10K	10K	10K	10K	10K	
R7763	10K	10K	10K	10K	10K	
R7764	10K	10K	10K	10K	10K	
R7765	10K	10K	10K	10K	10K	
R7766	10K	10K	10K	10K	10K	
R7767	10K	10K	10K	10K	10K	
R7768	10K	10K	10K	10K	10K	
R7769	10K	10K	10K	10K	10K	
R7770	10K	10K	10K	10K	10K	
R7771	10K	10K	10K	10K	10K	
R7772	10K	10K	10K	10K	10K	
R7773	10K	10K	10K	10K	10K	
R7774	10K	10K	10K	10K	10K	
R7775	10K	10K	10K	10K	10K	
R7776	10K	10K	10K	10K	10K	
R7777	10K	10K	10K	10K	10K	
R7778	10K	10K	10K	10K	10K	
R7779	10K	10K	10K	10K	10K	
R7780	10K	10K	10K	10K	10K	
R7781	10K	10K	10K	10K	10K	
R7782	10K	10K	10K	10K	10K	
R7783	10K	10K	10K	10K	10K	
R7784	10K	10K	10K	10K	10K	
R7785	10K	10K	10K	10K	10K	
R7786	10K	10K	10K	10K	10K	
R7787	10K	10K	10K	10K	10K	
R7788	10K	10K	10K	10K	10K	
R7789	10K	10K	10K	10K	10K	
R7790	10K	10K	10K	10K	10K	
R7791	10K	10K	10K	10K	10K	
R7792	10K	10K	10K	10K	10K	
R7793	10K	10K	10K	10K	10K	
R7794	10K	10K	10K	10K	10K	
R7795	10K	10K	10K	10K	10K	
R7796	10K	10K	10K	10K	10K	
R7797	10K	10K	10K	10K	10K	
R7798	10K	10K	10K	10K	10K	
R7799	10K	10K	10K	10K	10K	
R7800	10K	10K	10K	10K	10K	

NOTES

- VOLTAGES ARE DC-MEASURED WITH A DIGITAL VOLT METER OR OSCILLOSCOPE WITHOUT INPUT SIGNAL. CONDITION - CD STOP MODE
- UNLESS OTHERWISE SPECIFIED, ALL RESISTORS ARE 1/4W ± 5% CARBON FILM RESISTOR OR 0.063W ± 5% THICK FILM CHIP RESISTOR
- ALL CAPACITORS ARE CERAMIC CAPACITOR OR MYLAR CAPACITOR.
- ALL RESISTANCE VALUES ARE IN OHM (Ω).
- ALL CAPACITANCE VALUES ARE IN PICO (pF).
- ALL E-CAPACITORS ARE SHOWN IN THE FORM OF CAPACITANCE (μF) / RATED VOLTAGE (V).
- ALL INDUCTANCE VALUES ARE IN AH (mH).
- ALL DIODES ARE 1SS133-T2
- ALL PERRITE BEADS ARE NGR0007-002X

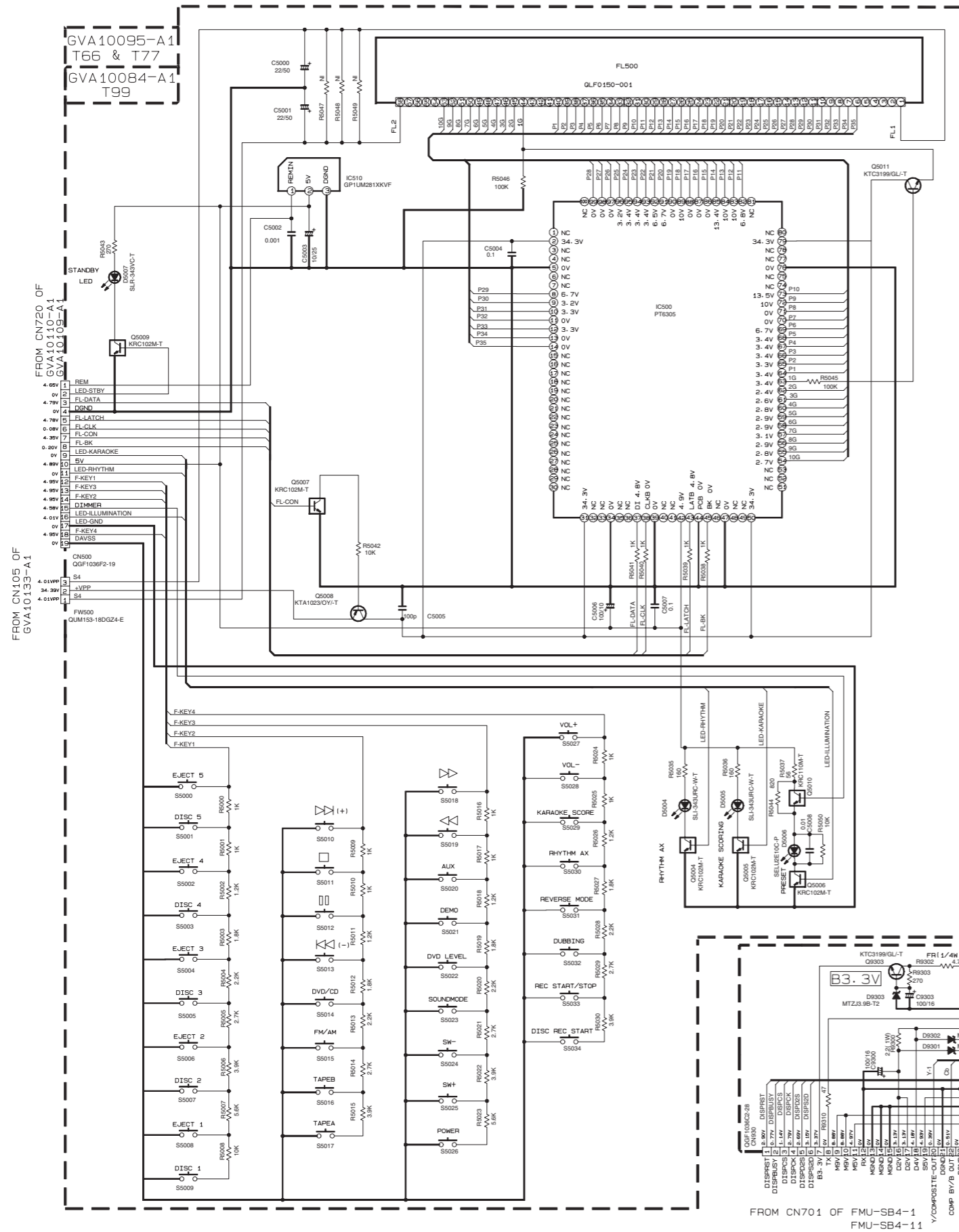
■ Amplifier section (for DX-T66)



- NOTES
1. VOLTAGES ARE DC-MEASURED WITH A DIGITAL VOLT METER OR OSCILLOSCOPE WITHOUT INPUT SIGNAL. CONDITION — AUX MODE. VOL. MDN. BASS OFF.
 2. UNLESS OTHERWISE SPECIFIED:
 RESISTORS ARE 1/4W ± 5% CARBON RESISTOR.
 ALL RESISTANCE VALUES ARE IN OHM (Ω).
 ALL CAPACITORS ARE CERAMIC CAPACITOR OR MYLAR CAPACITOR.
 ALL CAPACITANCE VALUES ARE IN pF (pF).
 ALL INDUCTANCE VALUES ARE IN mH (mH).
 ALL E-CAPACITORS ARE SHOWN IN THE FORM OF CAPACITANCE (μF)/RATED VOLTAGE (V).
 ALL DIODES ARE 1S8533-12.

▲ Parts are safety assurance parts.
 When replacing those parts make sure to use the specified one.

■ Front and Video section (for DX-T66)

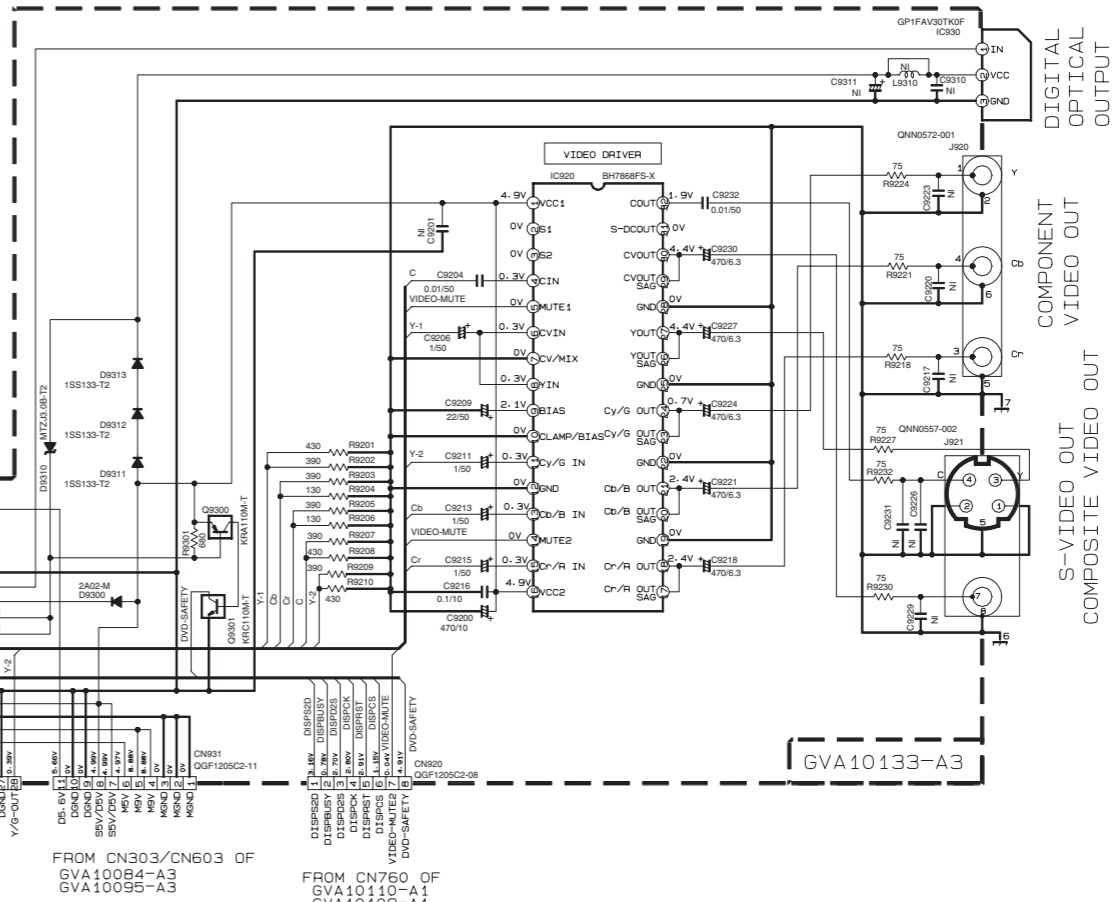
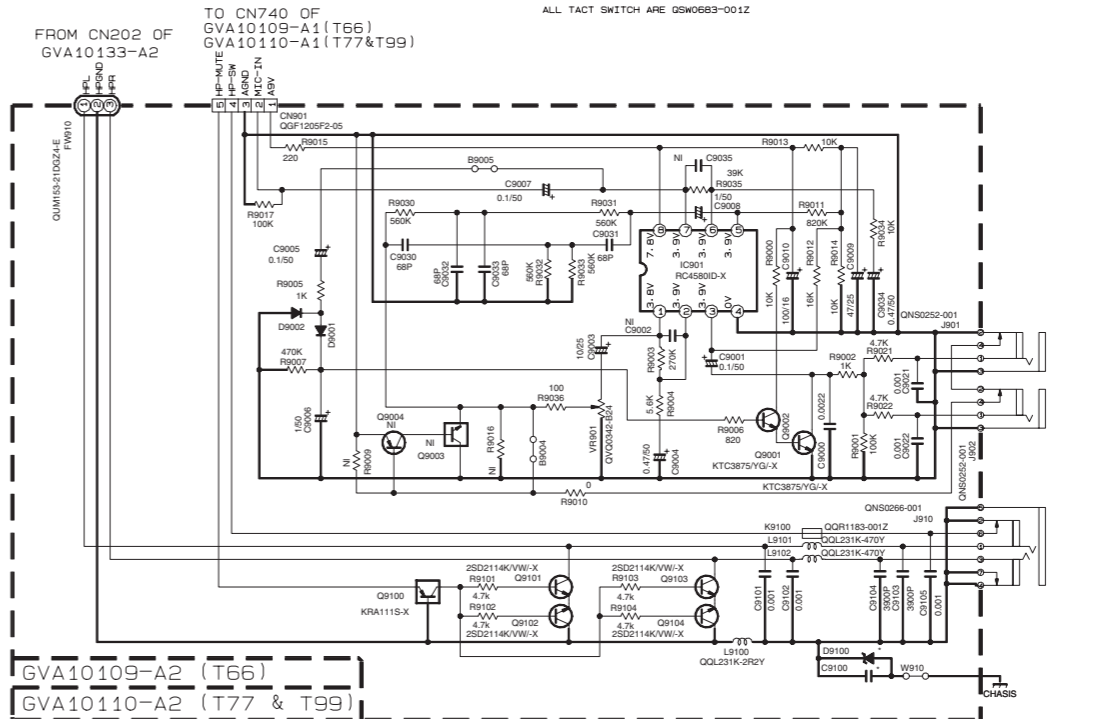


* MARK

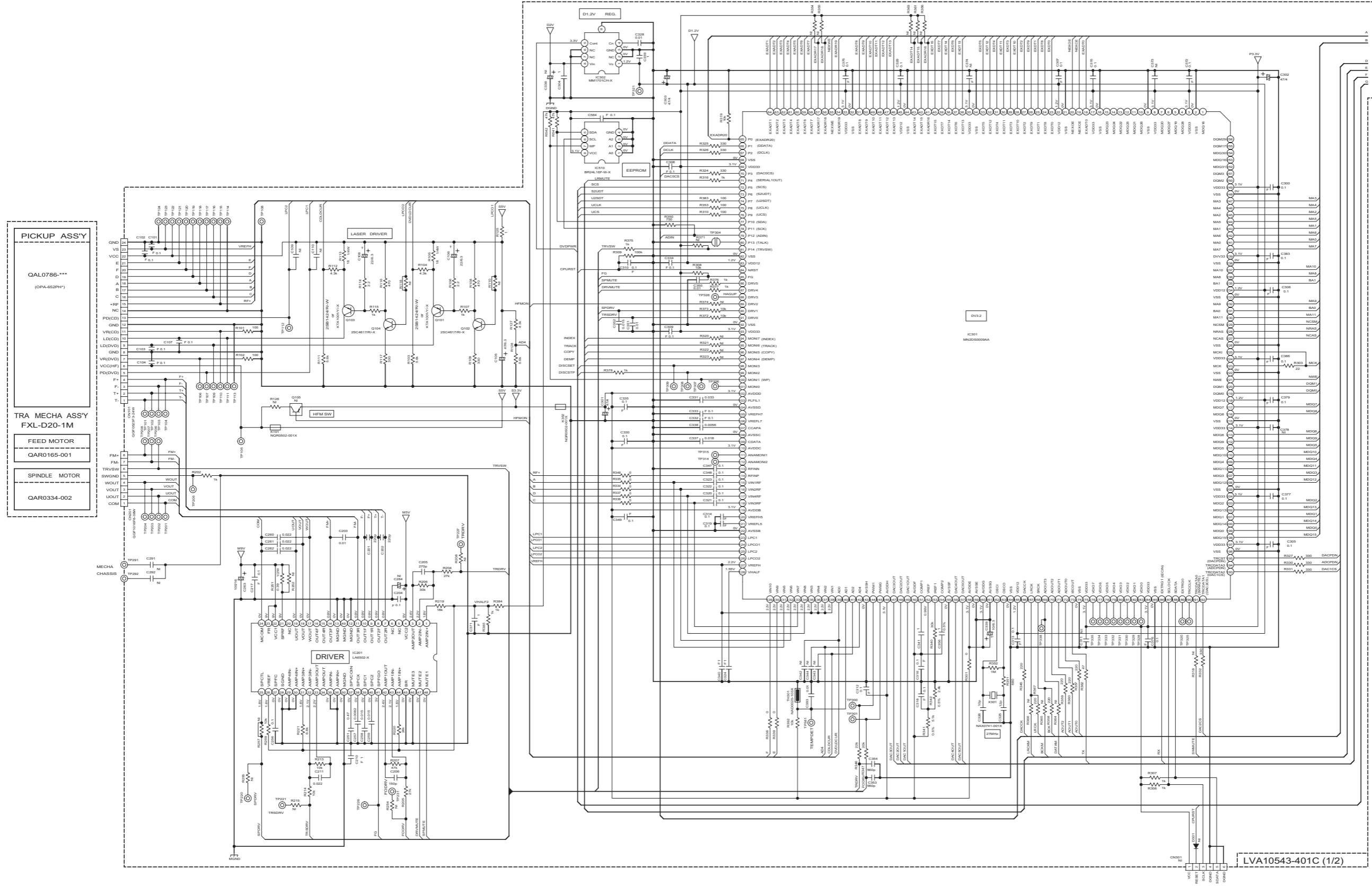
	T66	T77	T99
D9100	-	-	2.4B
C9100	-	-	0.001

NOTES

- VOLTAGES ARE DC-MEASURED WITH A DIGITAL VOLT METER OR OSCILLOSCOPE WITHOUT INPUT SIGNAL.
CONDITION --- AUX MODE. VOL MIN. BASS OFF
- UNLESS OTHERWISE SPECIFIED
RESISTORS ARE 1/4W±5% CARBON RESISTOR.
ALL RESISTANCE VALUES ARE IN OHM(Ω).
ALL CAPACITORS ARE CERAMIC CAPACITOR MYLAR CAPACITOR.
ALL CAPACITANCE VALUES ARE IN pF(pF).
ALL INDUCTANCE VALUES ARE IN mH(mH).
ALL E. CAPACITORS ARE SHOWN IN THE FORM OF CAPACITANCE (+F)/RATED VOLTAGE (V).
ALL DIODE ARE 1SS133-T2
ALL TACT SWITCH ARE GSW06B3-001Z

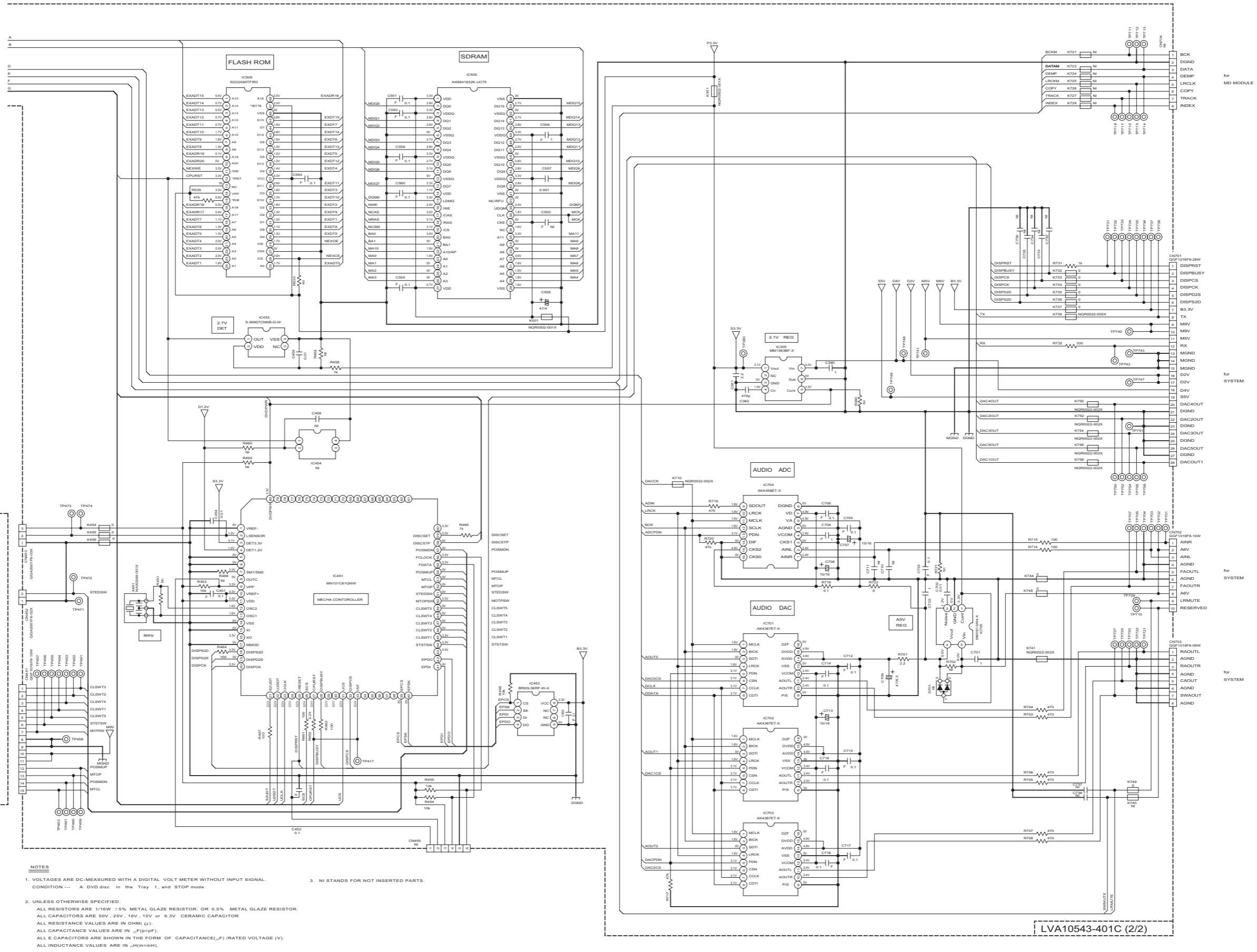


■ DVD section (1/2) (for DX-T99 and DX-T77)



- NOTES**
- VOLTAGES ARE DC-MEASURED WITH A DIGITAL VOLT METER WITHOUT INPUT SIGNAL.
CONDITION ... A DVD disc in the Tray 1, and STOP mode.
 - UNLESS OTHERWISE SPECIFIED.
ALL RESISTORS ARE 1/16W ±5% METAL GLAZE RESISTOR, OR 0.5% METAL GLAZE RESISTOR.
ALL CAPACITANCE VALUES ARE IN μF (μ=10⁻⁶), 10V or 6.3V CERAMIC CAPACITOR.
ALL RESISTANCE VALUES ARE IN Ω (Ω=10⁻³), 10V or 6.3V CERAMIC CAPACITOR.
ALL CAPACITANCE VALUES ARE IN pF (p=10⁻¹²), 10V or 6.3V CERAMIC CAPACITOR.
ALL E-CAPACITORS ARE SHOWN IN THE FORM OF CAPACITANCE/(RATED VOLTAGE (V)).
ALL INDUCTANCE VALUES ARE IN μH (μ=10⁻⁶).
 - NI STANDS FOR NOT INSERTED PARTS.

■ DVD section (2/2) (for DX-T99 and DX-T77)



- NOTES**
- VOLTAGES ARE DC-MEASURED WITH A DIGITAL VOLT METER WITHOUT INPUT SIGNAL.
CONDITION --- A DVD disc in the Tray 1, and STOP mode.
 - UNLESS OTHERWISE SPECIFIED.
ALL RESISTORS ARE 1/16W ±5% METAL GLAZE RESISTOR, OR 0.5% METAL GLAZE RESISTOR.
ALL CAPACITORS ARE 50V, 25V, 16V, 10V or 6.3V CERAMIC CAPACITOR
ALL RESISTANCE VALUES ARE IN OHM (Ω).
ALL CAPACITANCE VALUES ARE IN „F(p=pF).
ALL CAPACITORS ARE SHOWN IN THE FORM OF CAPACITANCE(C)/RATED VOLTAGE (V).
ALL INDUCTANCE VALUES ARE IN „H(m=μH).
 - NI STANDS FOR NOT INSERTED PARTS.

LVA10543-401C (2/2)

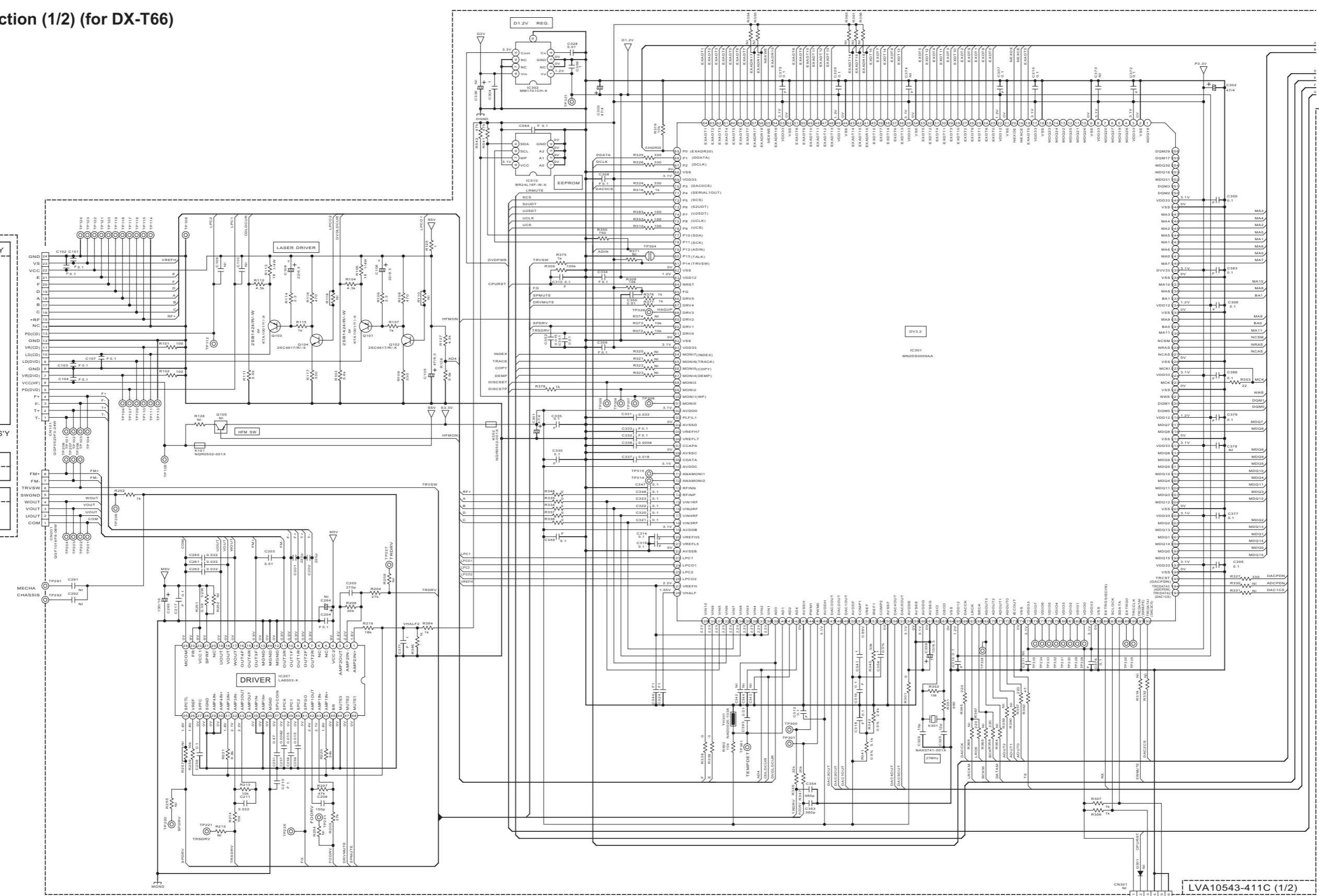
■ DVD section (1/2) (for DX-T66)

PICKUP ASS'Y
QAL0786-***
(OPA-652PH*)

TRA MECHA ASS'Y
FXL-D20-1M

FEED MOTOR
QAR0165-001

SPINDLE MOTOR
QAR0334-002

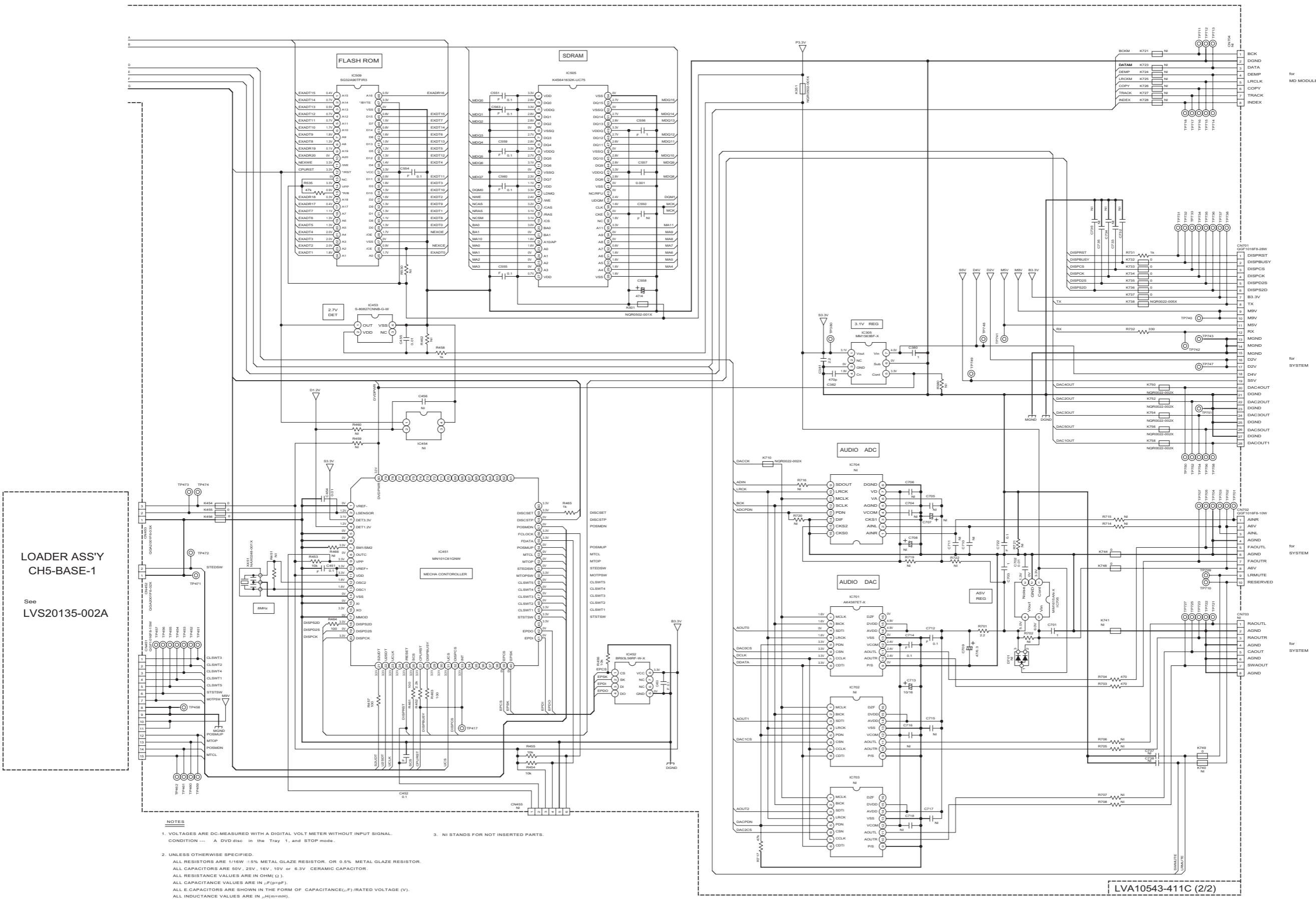


NOTES

- VOLTAGES ARE DC-MEASURED WITH A DIGITAL VOLT METER WITHOUT INPUT SIGNAL. CONDITION ... A DVD disc in the Tray 1, and STOP mode.
- UNLESS OTHERWISE SPECIFIED. ALL RESISTORS ARE 1/16W ±5% METAL GLAZE RESISTOR, OR 0.5% METAL GLAZE RESISTOR. ALL CAPACITORS ARE 50V, 25V, 16V, 10V or 6.3V CERAMIC CAPACITOR. ALL RESISTANCE VALUES ARE IN OHM(Ω). ALL CAPACITANCE VALUES ARE IN μF(μF). ALL CAPACITORS ARE SHOWN IN THE FORM OF CAPACITANCE(μF)/RATED VOLTAGE (V). ALL INDUCTANCE VALUES ARE IN μH(mH).
- NI STANDS FOR NOT INSERTED PARTS.

LVA10543-411C (1/2)

■ DVD section (2/2) (for DX-T66)



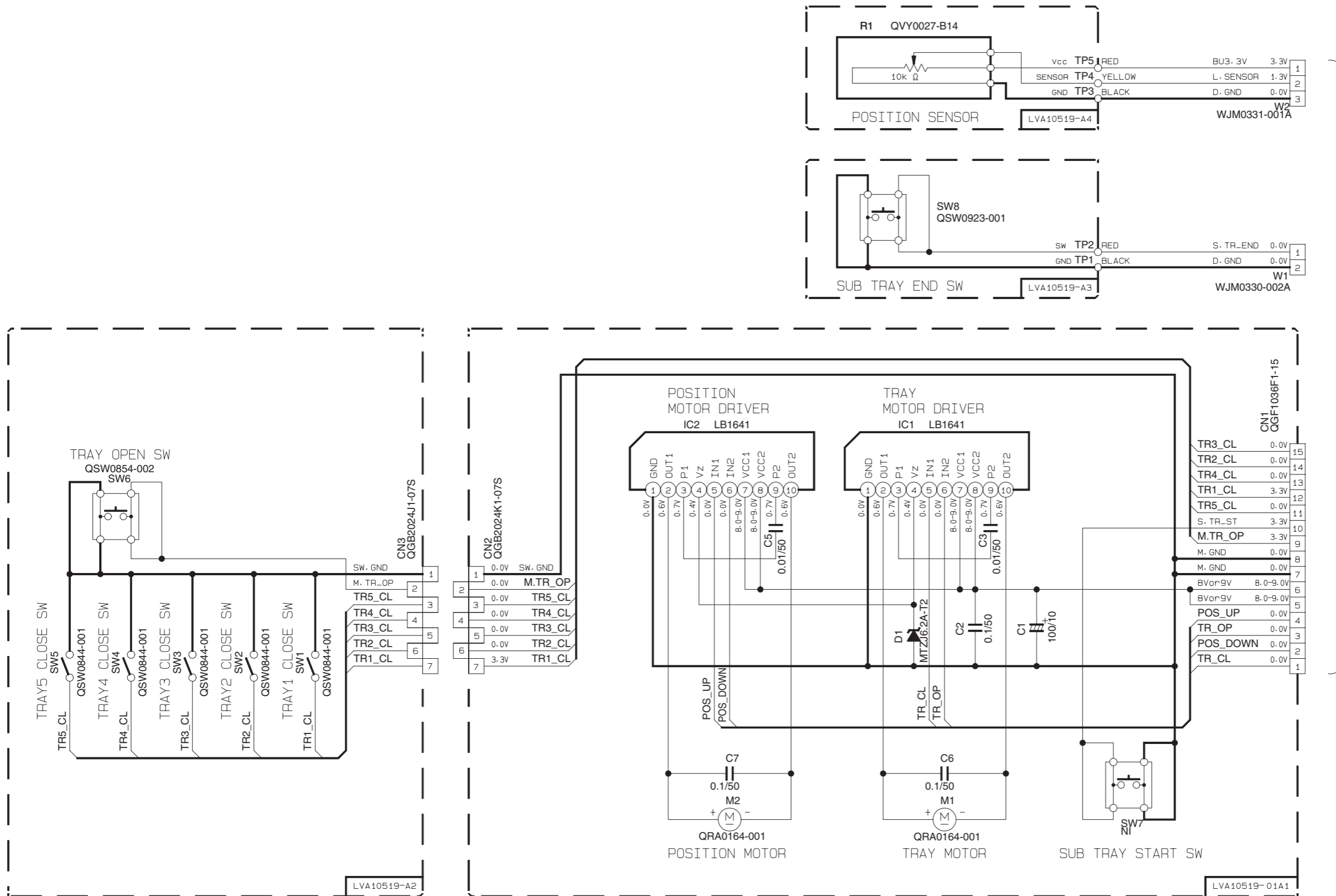
LOADER ASSY
CH5-BASE-1

See
LVS20135-002A

- NOTES**
- VOLTAGES ARE DC-MEASURED WITH A DIGITAL VOLT METER WITHOUT INPUT SIGNAL.
CONDITION --- A DVD disc in the Tray 1, and STOP mode.
 - UNLESS OTHERWISE SPECIFIED:
ALL RESISTORS ARE 1/16W ±5% METAL GLAZE RESISTOR, OR 0.5% METAL GLAZE RESISTOR.
ALL CAPACITORS ARE 50V, 25V, 10V or 6.3V CERAMIC CAPACITOR.
ALL RESISTANCE VALUES ARE IN OHM (Ω).
ALL CAPACITANCE VALUES ARE IN μF(p-pF).
ALL CAPACITORS ARE SHOWN IN THE FORM OF CAPACITANCE(μF)/RATED VOLTAGE (V).
ALL INDUCTANCE VALUES ARE IN μH(mH).
 - NI STANDS FOR NOT INSERTED PARTS.

LVA10543-411C (2/2)

■ Loader section (common)

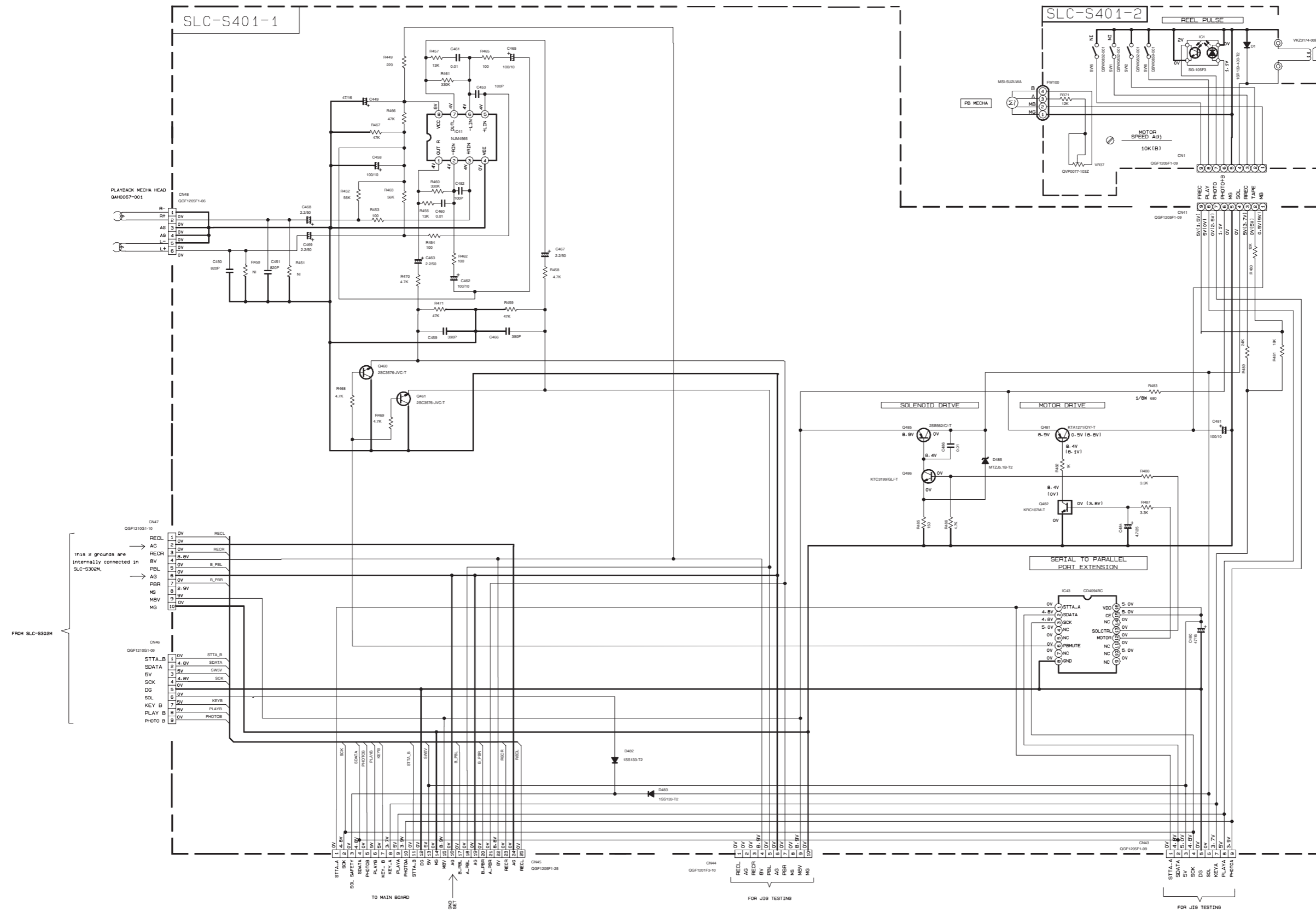


TO POWER AND MECHA CONTROL MICOM

NOTES

1. VOLTAGES ARE DC-MEASURED WITH A DIGITAL VOLT METER.
CONDITION: DISC1 STOP
2. UNLESS OTHERWISE SPECIFIED.
ALL CAPACITORS ARE SHOWN IN THE FORM OF CAPACITANCE(μF)/RATED VOLTAGE(V).
3. NI STANDS FOR NOT INSERTED PARTS.

■ Cassette-A section (common)



NOTES

1. VOLTAGES ARE DC-MEASURED WITH A DIGITAL VOLT METER OR OSCILLOSCOPE WITHOUT INPUT SIGNAL. CONDITION - MECHA STOP MODE

2. UNLESS OTHERWISE SPECIFIED - RESISTORS ARE 1/10W ±5% METAL GLAZE RESISTOR. ALL RESISTANCE VALUES ARE IN OHM(Ω).

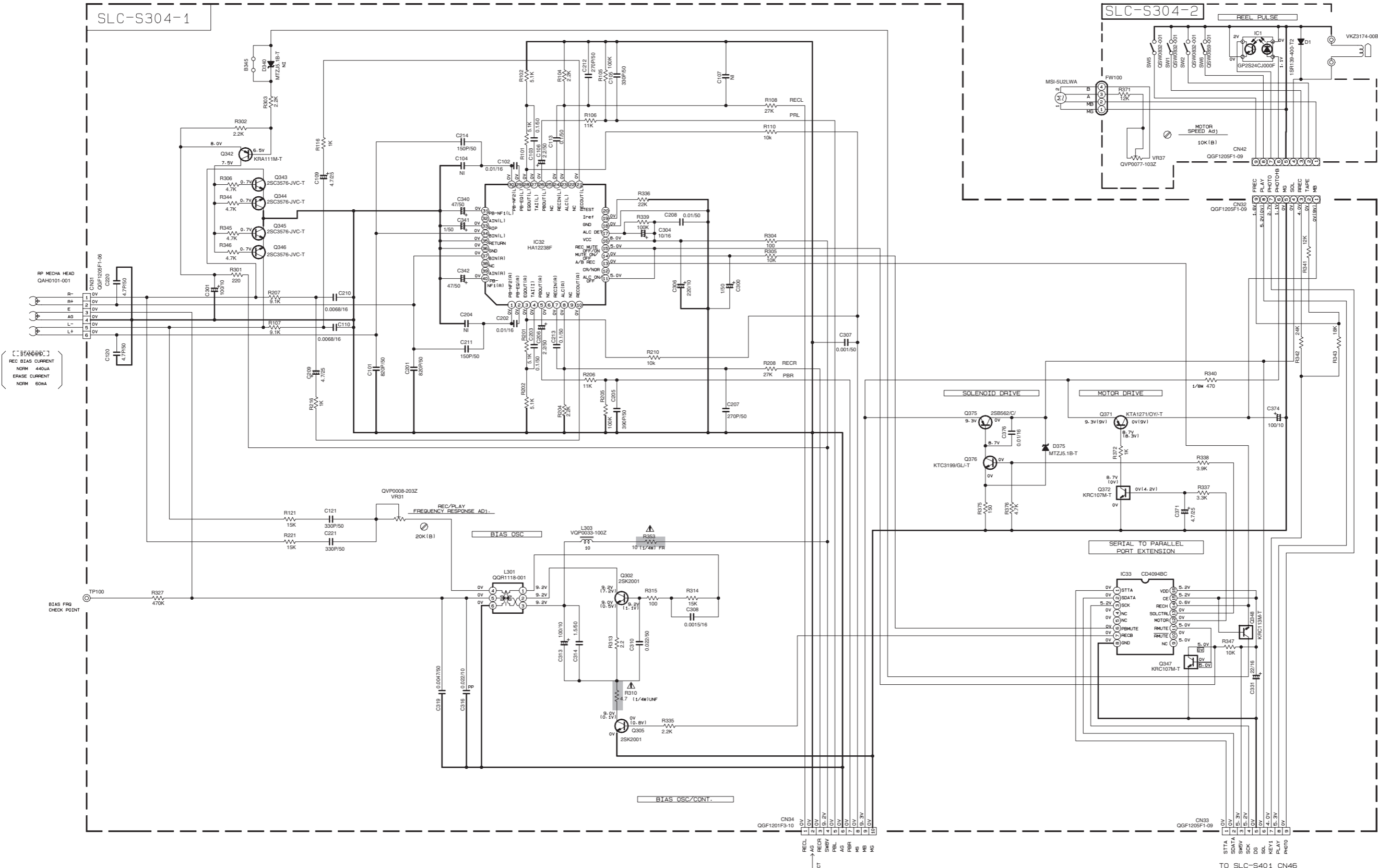
ALL CAPACITORS ARE CERAMIC CAPACITOR OR MYLAR CAPACITOR. ALL CAPACITANCE VALUES ARE IN #F(100P).

ALL INDUCTANCE VALUES ARE IN #H(100H).

ALL E-CAPACITORS ARE SHOWN IN THE FORM OF CAPACITANCE (#F)/RATED VOLTAGE (V).

⊞ POLYPROPYLENE CAPACITOR

■ Cassette-B section (common)



NOTES

1. VOLTAGES ARE DC-MEASURED WITH A DIGITAL VOLT METER OR OSCILLOSCOPE WITHOUT INPUT SIGNAL. CONDITION - MECHA STOP MODE

2. UNLESS OTHERWISE SPECIFIED, RESISTORS ARE 1/10W ±5% METAL GLAZE RESISTOR. ALL RESISTANCE VALUES ARE IN OHM(Ω). ALL CAPACITORS ARE CERAMIC CAPACITOR OR MYLAR CAPACITOR. ALL CAPACITANCE VALUES ARE IN #F(P=PF). ALL INDUCTANCE VALUES ARE IN #H(M=MH). ALL E-CAPACITORS ARE SHOWN IN THE FORM OF CAPACITANCE (#F)/RATED VOLTAGE (V). # POLYPROPYLENE CAPACITOR

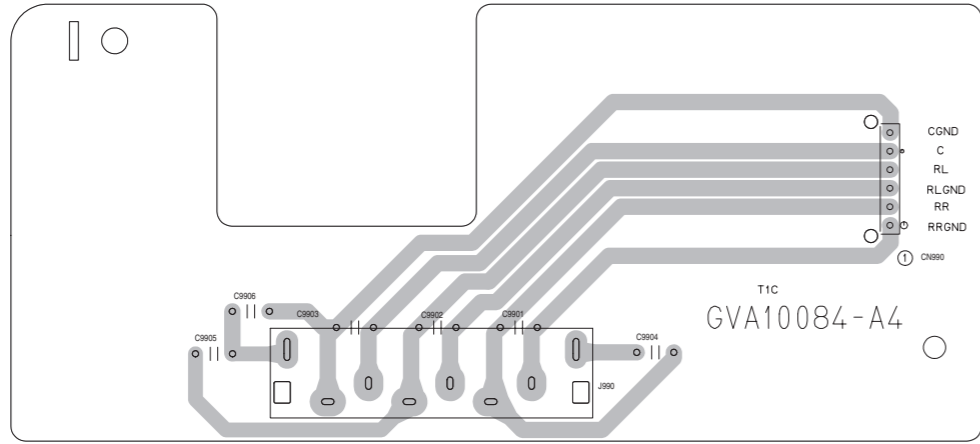
TO SLC-S401 CN47

TO SLC-S401 CN46



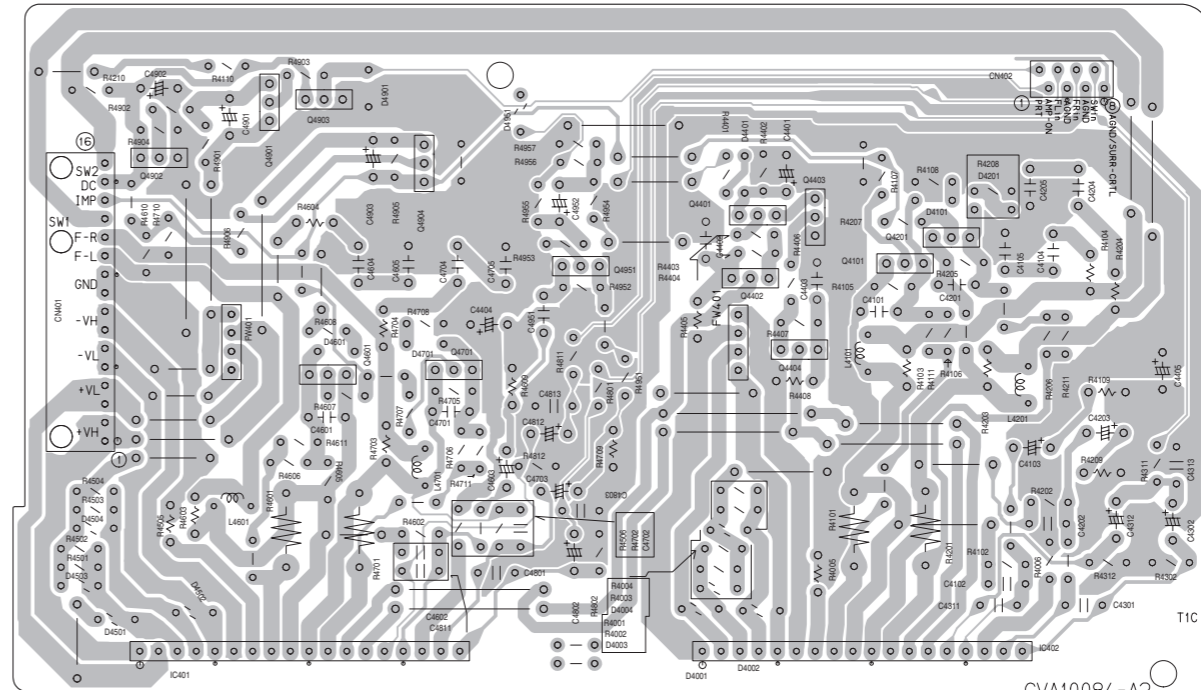
▲ Parts are safety assurance parts. When replacing those parts make sure to use the specified one.

■ Amplifier board (for DX-T99) Lead free solder used in the board (material : Sn-Ag-Cu, melting point : 219 Centigrade)

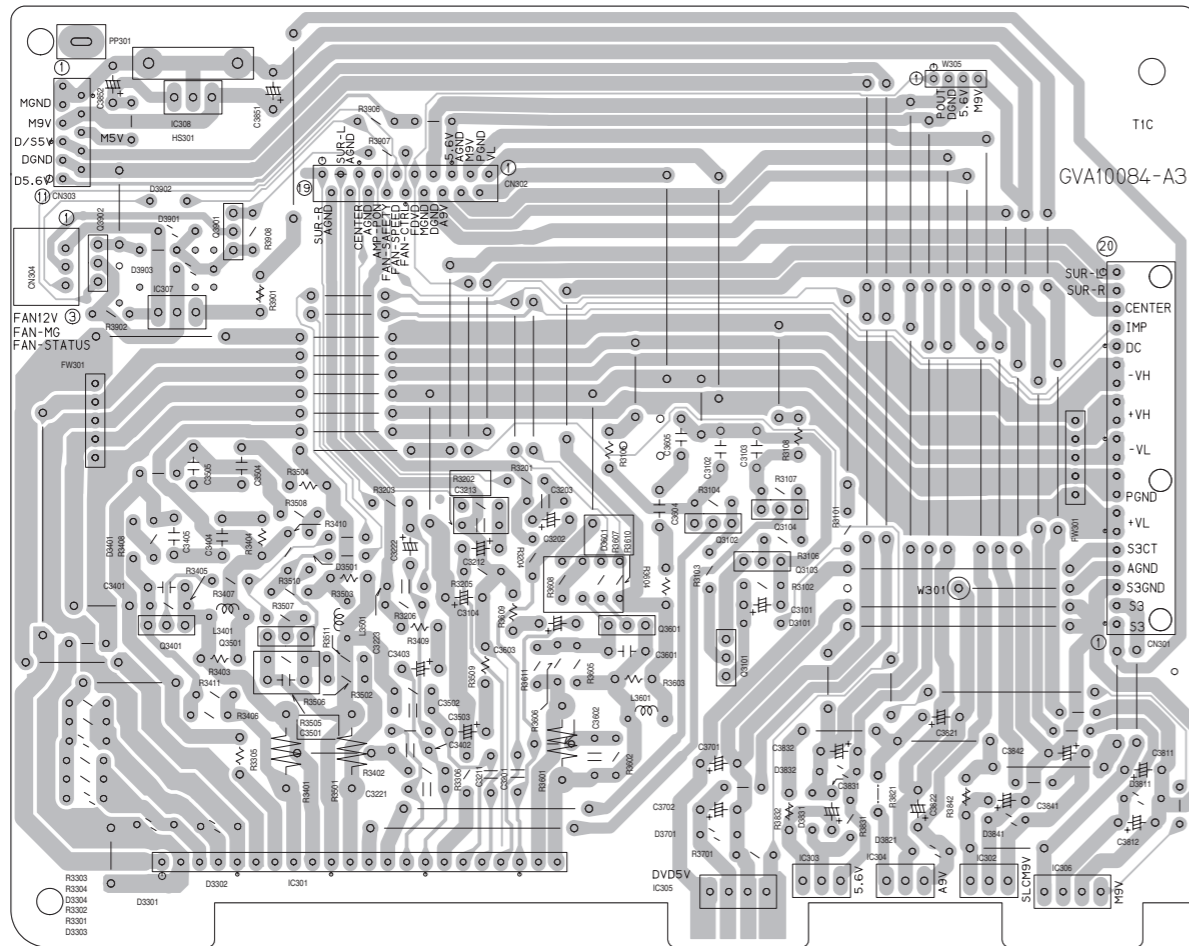


(Surround terminal board)

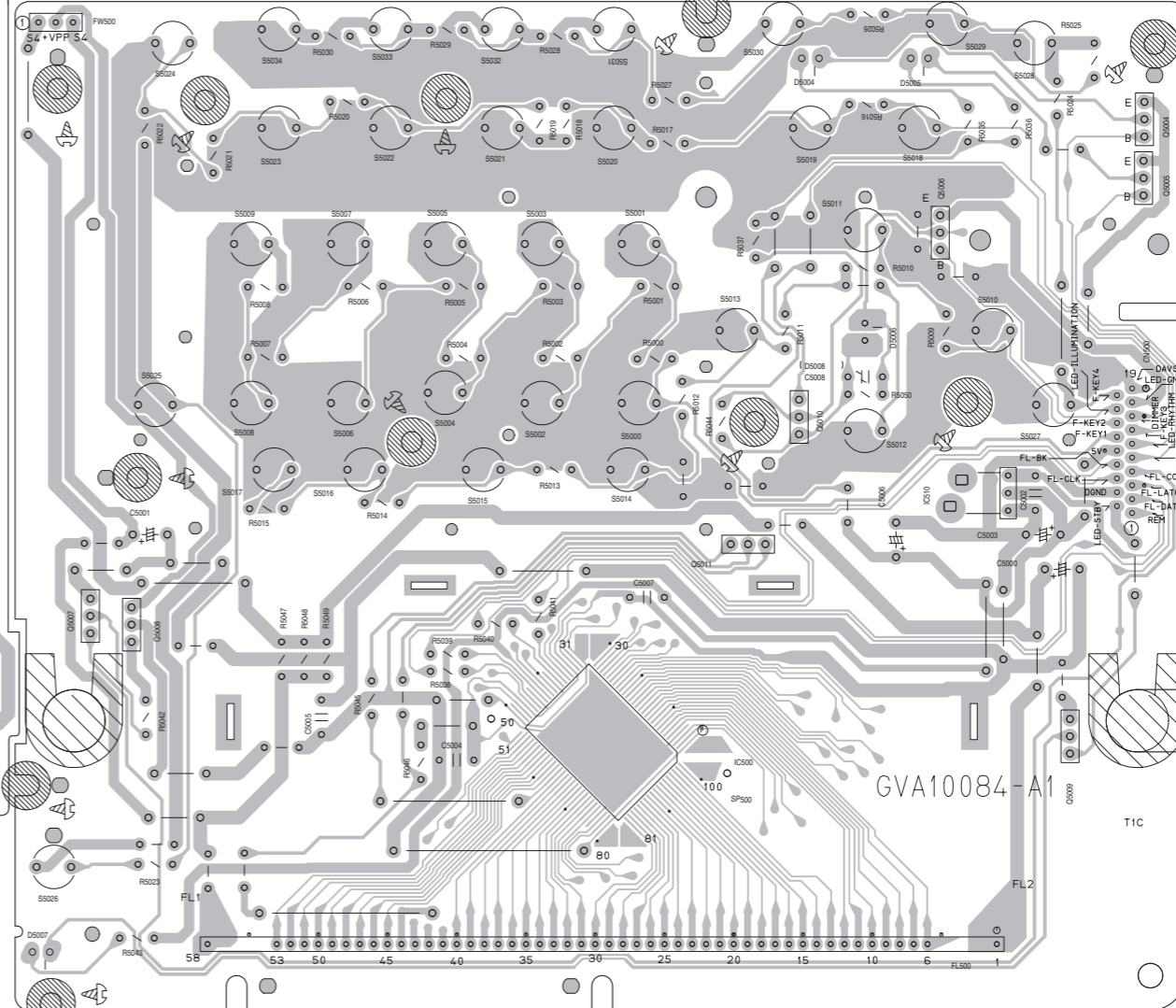
(Amplifier board 2)



(Amplifier board 1)

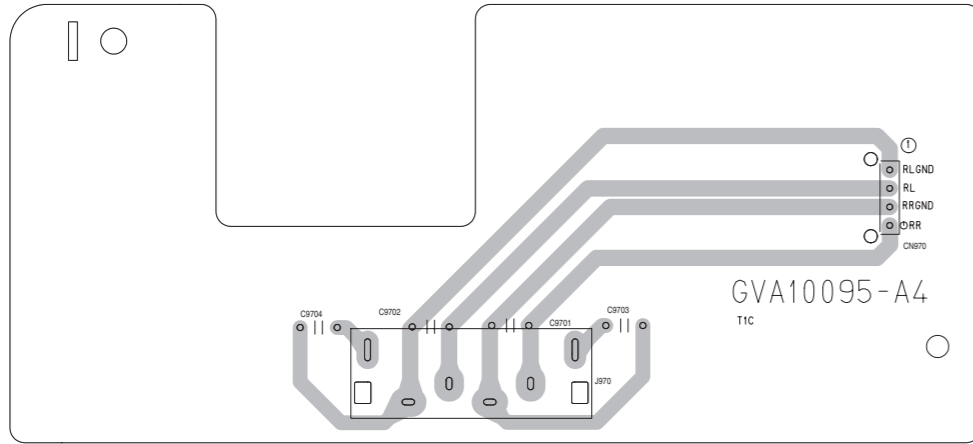


(FL board)



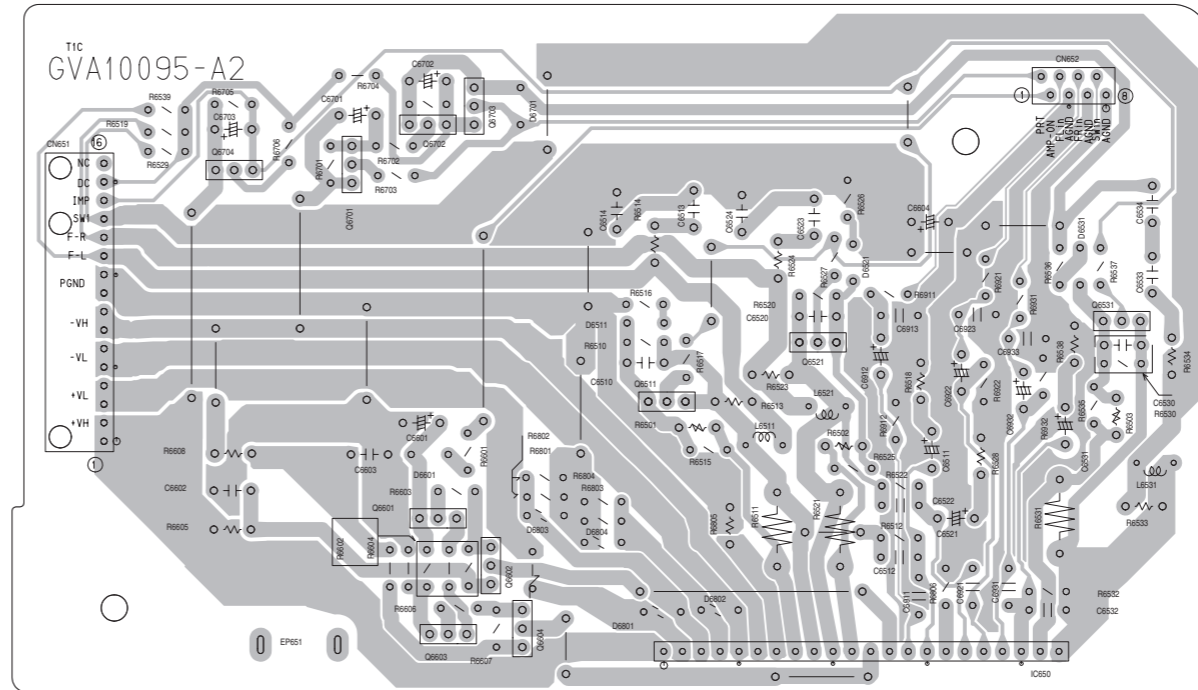
■ Amplifier board (for DX-T77,Dx-T66) Lead free solder used in the board (material : Sn-Ag-Cu, melting point : 219 Centigrade)

(Amplifier board 2)

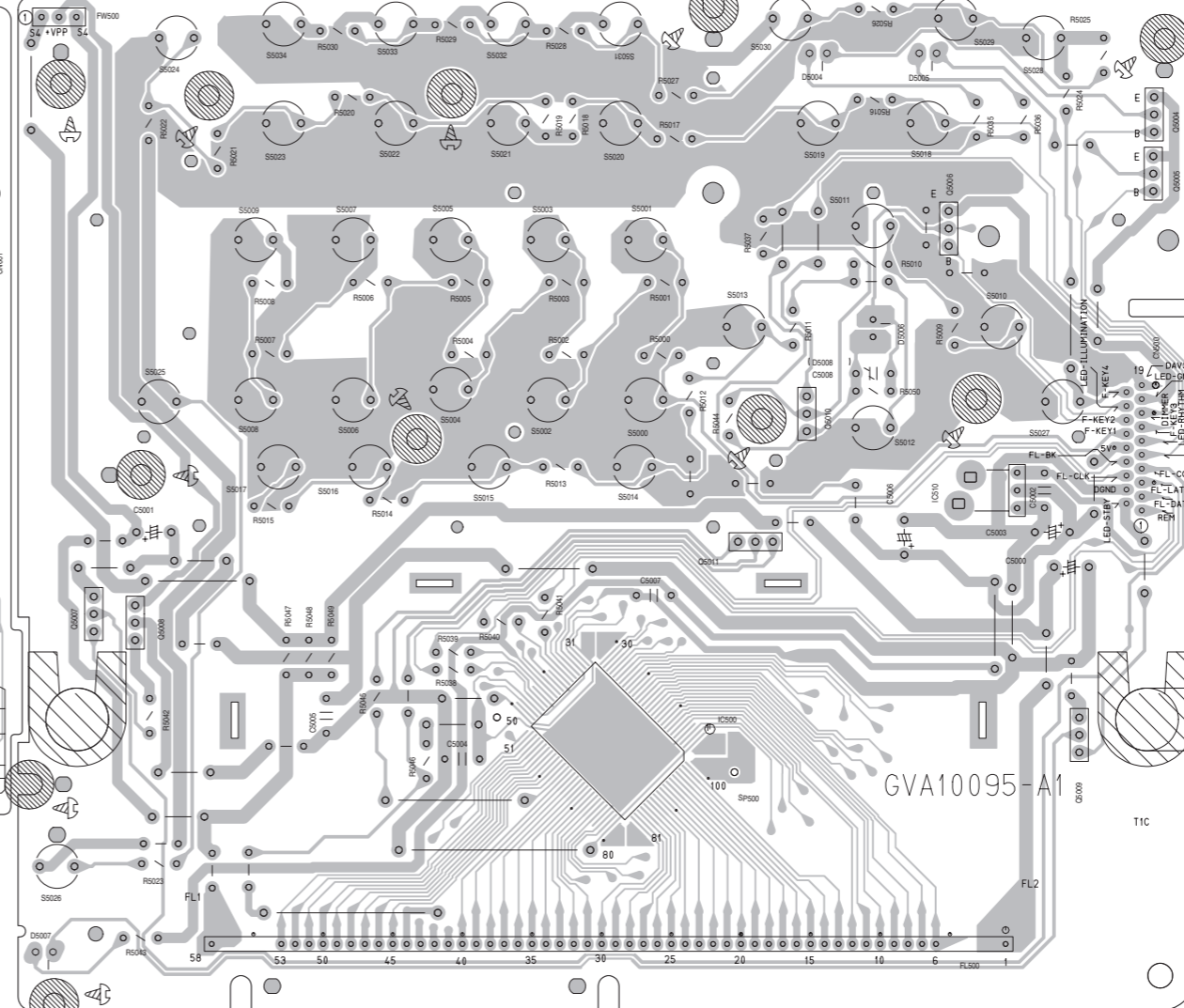
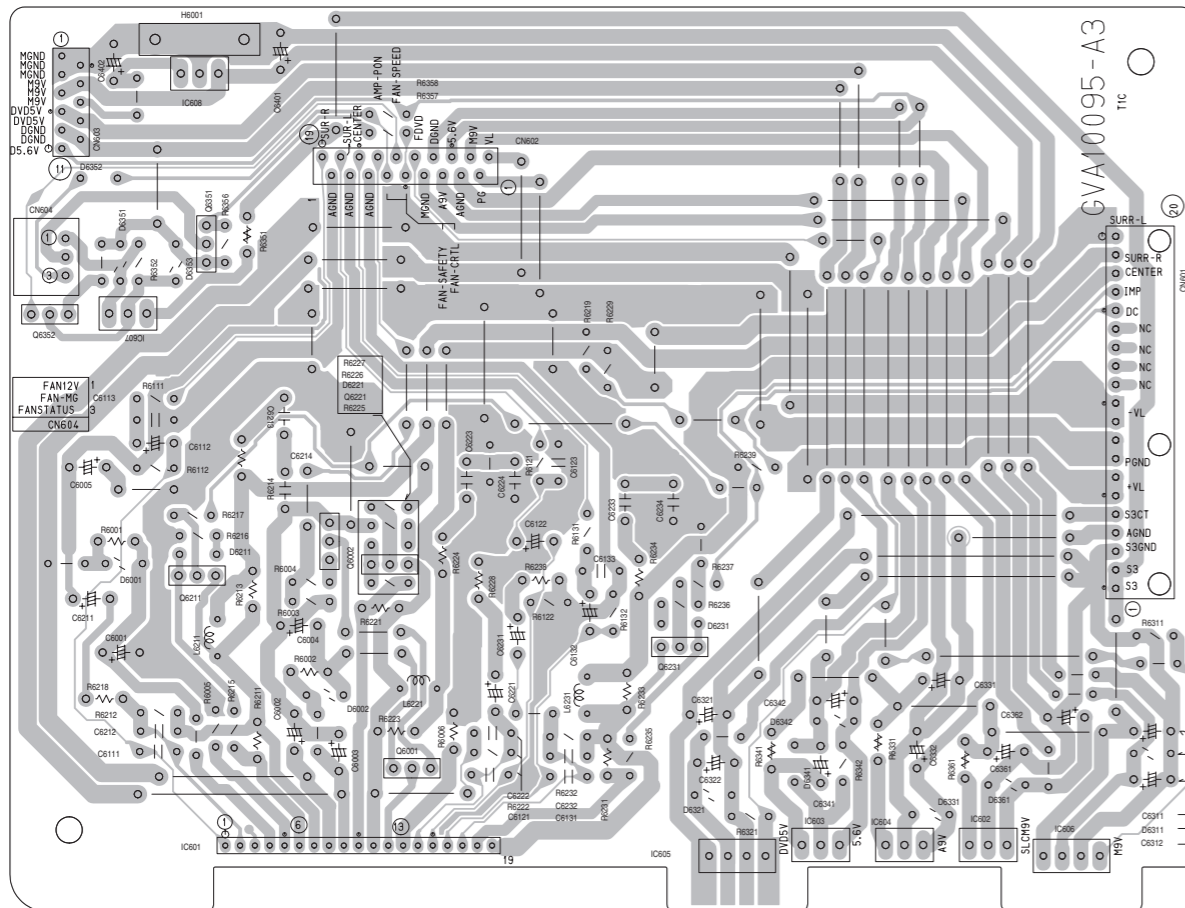


(Surround terminal board)

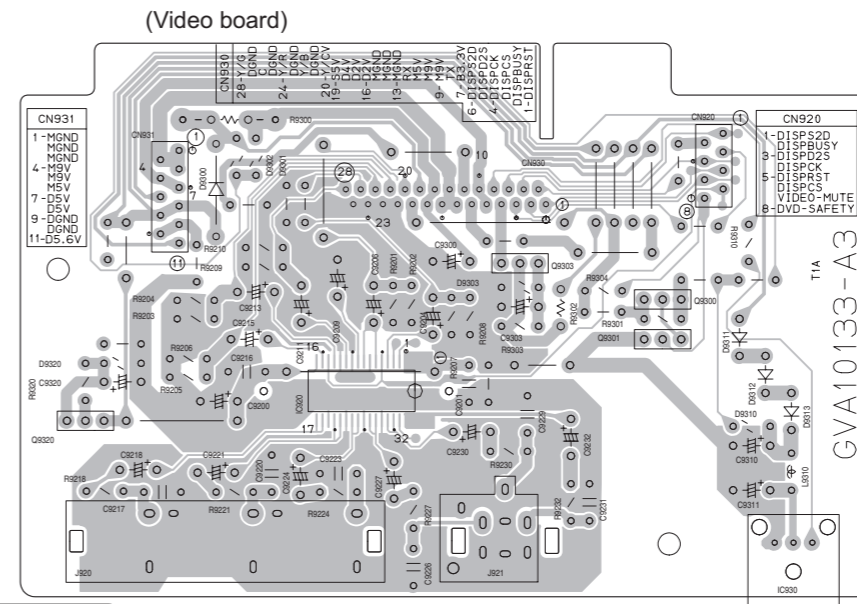
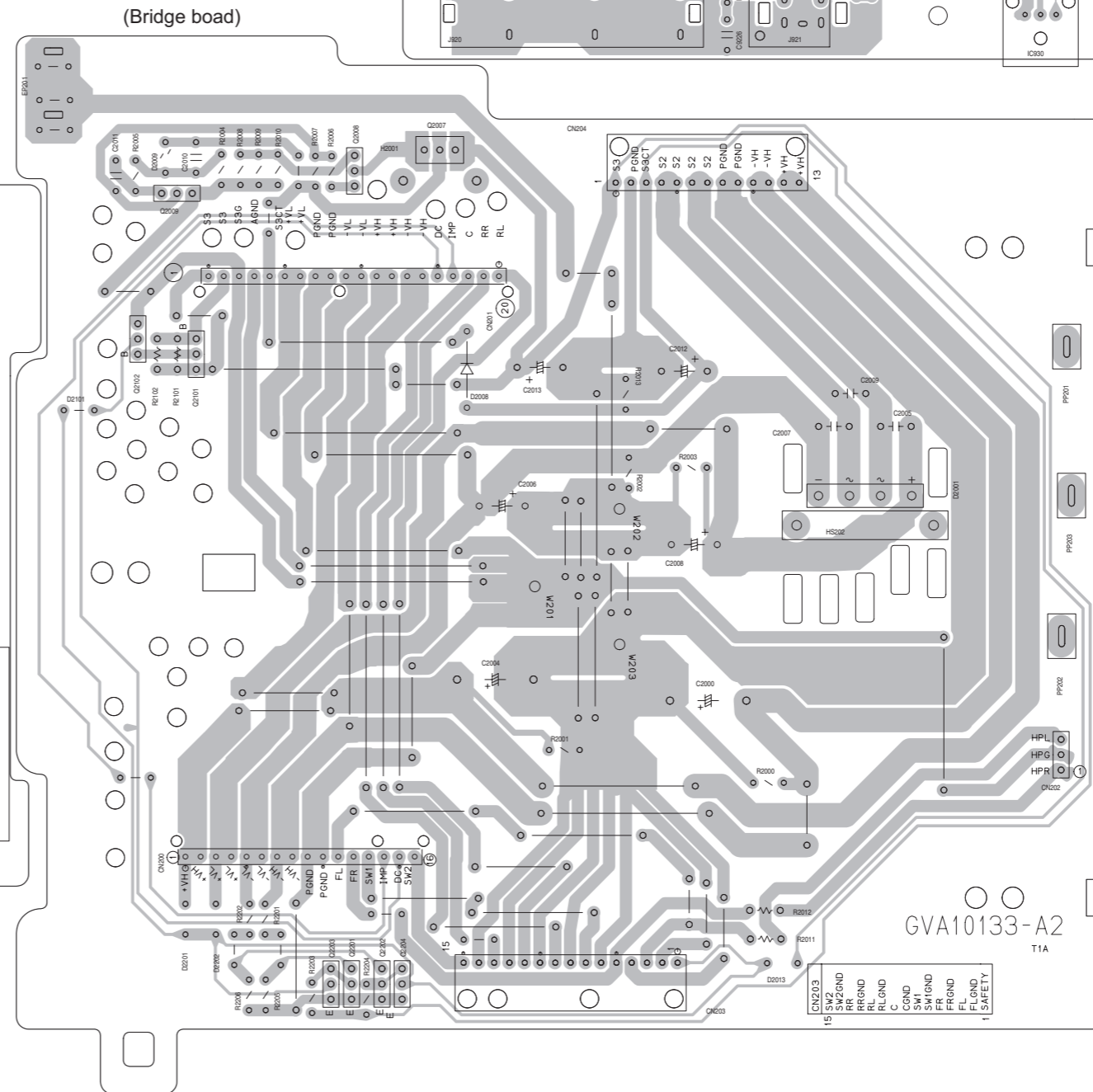
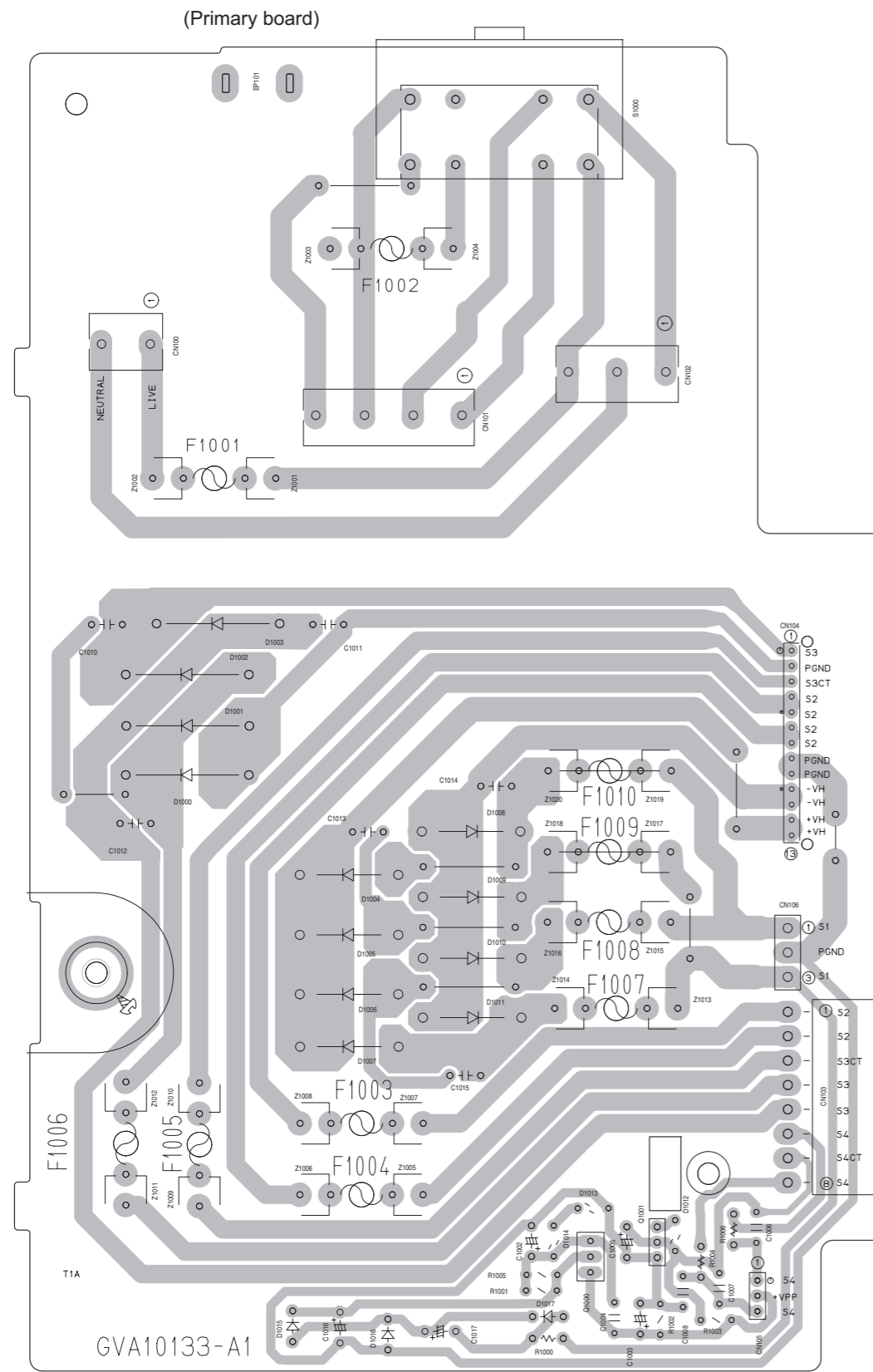
(Amplifier board 1)



(FL board)



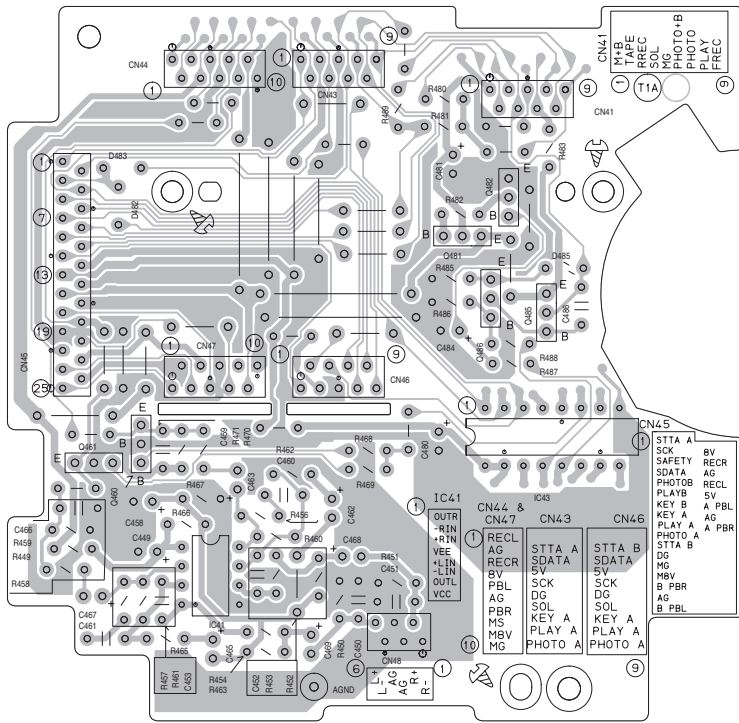
■ Video board (common) Lead free solder used in the board (material : Sn-Ag-Cu, melting point : 219 Centigrade)



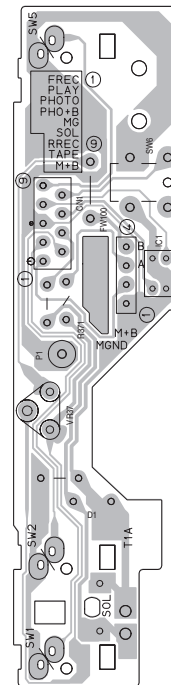
■ Cassette A board (common)

Lead free solder used in the board (material : Sn-Ag-Cu, melting point : 219 Centigrade)

(Head amplifier board)



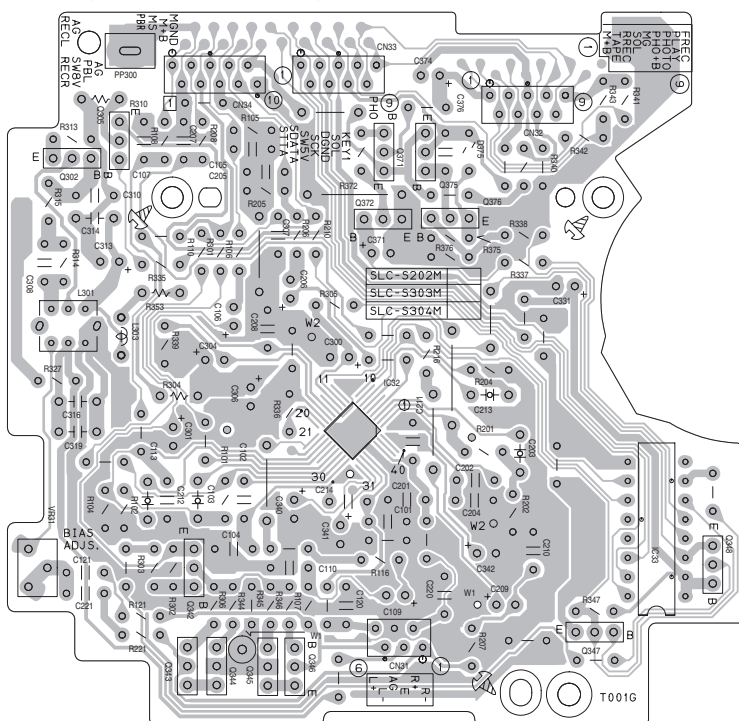
(Switch board)



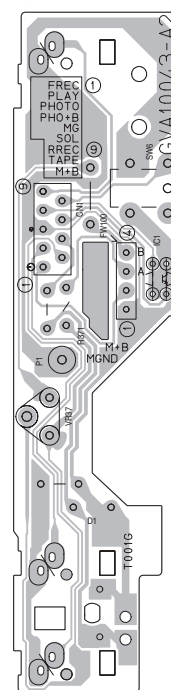
■ Cassette B board (common)

Lead free solder used in the board (material : Sn-Ag-Cu, melting point : 219 Centigrade)

(Head amplifier board)



(Switch board)



JVC

Victor Company of Japan, Limited

Audio/Video Systems Category 10-1, 1chome, Ohwatari-machi, Maebashi-city, 371-8543, Japan

(No.MB531SCH)



Printed in Japan
VPT

Free Manuals Download Website

<http://myh66.com>

<http://usermanuals.us>

<http://www.somanuals.com>

<http://www.4manuals.cc>

<http://www.manual-lib.com>

<http://www.404manual.com>

<http://www.luxmanual.com>

<http://aubethermostatmanual.com>

Golf course search by state

<http://golfingnear.com>

Email search by domain

<http://emailbydomain.com>

Auto manuals search

<http://auto.somanuals.com>

TV manuals search

<http://tv.somanuals.com>