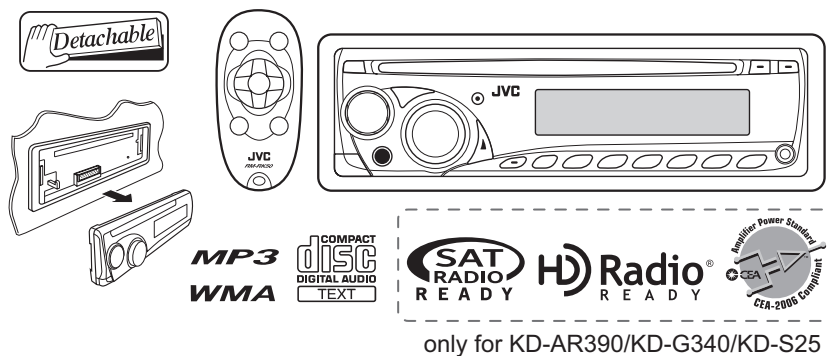


# JVC

## SERVICE MANUAL

### CD RECEIVER

**KD-AR390J, KD-G340J,  
KD-G444UI, KD-G445U,  
KD-G445UN, KD-G445UT,  
KD-G445UH, KD-G446U,  
KD-G446UN, KD-G446UT,  
KD-G446UH, KD-S25J**



Lead free solder used in the board (material : Sn-Ag-Cu, melting point : 219 Centigrade)  
Lead free solder used in the board (material : Sn-Cu, melting point : 230 Centigrade)

### TABLE OF CONTENTS

1	PRECAUTION.....	1-4
2	SPECIFIC SERVICE INSTRUCTIONS.....	1-7
3	DISASSEMBLY.....	1-7
4	ADJUSTMENT.....	1-19
5	TROUBLESHOOTING.....	1-20

# SPECIFICATION

## KD-AR390/KD-G340/KD-S25

<b>AUDIO AMPLIFIER SECTION</b>		
Power Output		20 W RMS × 4 Channels at 4 Ω and < or = 1% THD+N
Signal-to-Noise Ratio		80 dBA (reference: 1 W into 4 Ω)
Load Impedance		4 Ω (4 Ω to 8 Ω allowance)
Tone Control Range	Bass	±12 dB (60 Hz, 80 Hz, 100 Hz, 120 Hz)
	Mid-range	±12 dB (500 Hz, 1.0 kHz, 1.5 kHz, 2.5 kHz)
	Treble	±12 dB (7.5 kHz 10.0 kHz 12.5 kHz 15.0 kHz)
	Q (band width)	Q0.5 to Q2.0
Frequency Response		40 Hz to 20 000 Hz
Line-Out Level/Impedance	KD-AR390	5.0 V/20 kΩ load (full scale)
	KD-G340/KD-S25	2.5 V/20 kΩ load (full scale)
Subwoofer-Out Level/Impedance	KD-AR390	5.0 V /20 kΩ load (full scale)
	KD-G340/KD-S25	2.5 V/20 kΩ load (full scale)
Output Impedance		1 kΩ
Other Terminal		AUX (auxiliary) input jack CD changer jack Steering wheel remote input (only for KD-AR390) Antenna
<b>TUNER SECTION</b>		
Frequency Range	FM	with channel interval set to 100 kHz or 200 kHz : 87.5 MHz to 107.9 MHz with channel interval set to 50 kHz : 87.5 MHz to 108.0 MHz
	AM	with channel interval set to 10 kHz : 530 kHz to 1 710 kHz with channel interval set to 9 kHz : 531 kHz to 1 602 kHz
FM Tuner	Usable Sensitivity	11.3 dBf (1.0 μV/75 Ω)
	50 dB Quieting Sensitivity	16.3 dBf (1.8 μV/75 Ω)
	Alternate Channel Selectivity (400 kHz)	65 dB
	Frequency Response	40 Hz to 15 000 Hz
	Stereo Separation	35 dB
AM Tuner	Sensitivity	20 μV
	Selectivity	35 dB
<b>CD PLAYER SECTION</b>		
Type		Compact disc player
Signal Detection System		Non-contact optical pickup (semiconductor laser)
Number of Channels		2 channels (stereo)
Frequency Response		5 Hz to 20 000 Hz
Dynamic Range		96 dB
Signal-to-Noise Ratio		98 dB
Wow and Flutter		Less than measurable limit
MP3 Decoding Format (MPEG1/2 Audio Layer 3)	Max. Bit Rate	320 kbps
WMA (Windows Media® Audio) Decoding Format	Max. Bit Rate	192 kbps
<b>GENERAL</b>		
Power Requirement	Operating Voltage	DC 14.4 V (11 V to 16 V allowance)
Grounding System		Negative ground
Allowable Operating Temperature		0°C to +40°C (32°F to 104°F)
Dimensions (W × H × D) (approx.)	Installation Size	182 mm × 52 mm × 160 mm (7-3/16" × 2-1/16" × 6-5/16")
	Panel Size	188 mm × 58 mm × 6 mm (7-7/16" × 2-5/16" × 1/4")
Mass		1.3 kg (2.9 lbs) (excluding accessories)

Design and specifications are subject to change without notice.


**KD-G444/KD-G445/KD-G446**

<b>AUDIO AMPLIFIER SECTION</b>		
Maximum Power Output	Front/Rear	50 W per channel
Continuous Power Output (RMS)	Front/Rear	19 W per channel into 4 Ω 40 Hz to 20 000 Hz at no more than 0.8% total harmonic distortion.
Load Impedance		4 Ω (4 Ω to 8 Ω allowance)
Tone Control Range	Bass	±12 dB (60 Hz, 80 Hz, 100 Hz, 120 Hz)
	Mid-range	±12 dB (500 Hz, 1 kHz, 1.5 kHz, 2.5 kHz)
	Treble	±12 dB (7.5 kHz, 10 kHz, 12.5 kHz, 15 kHz)
	Q (Q-slope)	Q0.5 to Q2.0
Frequency Response		40 Hz to 20 000 Hz
Signal-to-Noise Ratio		70 dB
Line-Out Level/Impedance		2.5 V/20 kΩ load (full scale)
Subwoofer-Out Level/Impedance		2.5 V/20 kΩ load (full scale)
Output Impedance		1kΩ
Other Terminal		AUX (auxiliary) input jack, CD changer jack
<b>TUNER SECTION</b>		
Frequency Range	FM	87.5 MHz to 108.0 MHz
	AM	531 kHz to 1 602 kHz
FM Tuner	Usable Sensitivity	11.3 dBf (1.0 μV/75 Ω)
	50 dB Quieting Sensitivity	16.3 dBf (1.8 μV/75 Ω)
	Alternate Channel Selectivity (400 kHz)	65 dB
	Frequency Response	40 Hz to 15 000 Hz
	Stereo Separation	30 dB
AM Tuner	Sensitivity	20 μV
	Selectivity	35 dB
<b>CD PLAYER SECTION</b>		
Type		Compact disc player
Signal Detection System		Non-contact optical pickup (semiconductor laser)
Number of Channels		2 channels (stereo)
Frequency Response		5 Hz to 20 000 Hz
Dynamic Range		96 dB
Signal-to-Noise Ratio		98 dB
Wow and Flutter		Less than measurable limit
MP3 Decoding Format (MPEG1/2 Audio Layer 3)	Max. Bit Rate	320 kbps
WMA (Windows Media® Audio) Decoding Format	Max. Bit Rate	320 kbps
<b>GENERAL</b>		
Power Requirement	Operating Voltage	DC 14.4 V (11 V to 16 V allowance)
Grounding System		Negative ground
Allowable Operating Temperature		0°C to +40°C
Dimensions (W×H×D) (approx.)	Installation Size	182 mm × 52 mm × 160 mm
	Panel Size	187 mm × 58 mm × 6 mm
Mass		1.3 kg (excluding accessories)

Design and specifications are subject to change without notice.

# SECTION 1 PRECAUTION

## 1.1 Safety Precautions

 **CAUTION** Burrs formed during molding may be left over on some parts of the chassis. Therefore, pay attention to such burrs in the case of performing repair of this system.

 **CAUTION** Please use enough caution not to see the beam directly or touch it in case of an adjustment or operation check.

## 1.2 Preventing static electricity

Electrostatic discharge (ESD), which occurs when static electricity stored in the body, fabric, etc. is discharged, can destroy the laser diode in the traverse unit (optical pickup). Take care to prevent this when performing repairs.

### 1.2.1 Grounding to prevent damage by static electricity

Static electricity in the work area can destroy the optical pickup (laser diode) in devices such as laser products.

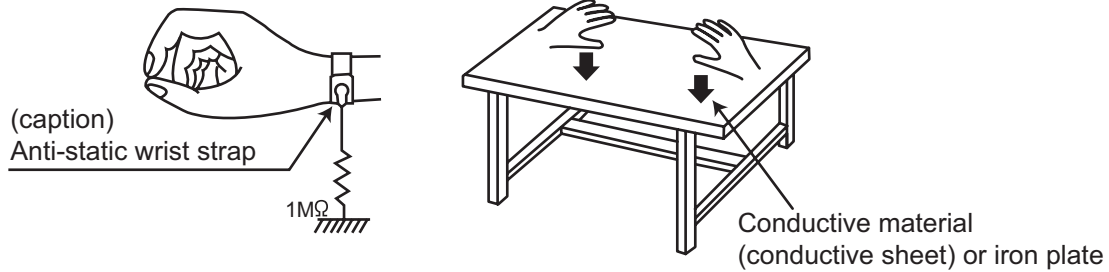
Be careful to use proper grounding in the area where repairs are being performed.

(1) Ground the workbench

Ground the workbench by laying conductive material (such as a conductive sheet) or an iron plate over it before placing the traverse unit (optical pickup) on it.

(2) Ground yourself

Use an anti-static wrist strap to release any static electricity built up in your body.



(3) Handling the optical pickup

- In order to maintain quality during transport and before installation, both sides of the laser diode on the replacement optical pickup are shorted. After replacement, return the shorted parts to their original condition. (Refer to the text.)
- Do not use a tester to check the condition of the laser diode in the optical pickup. The tester's internal power source can easily destroy the laser diode.

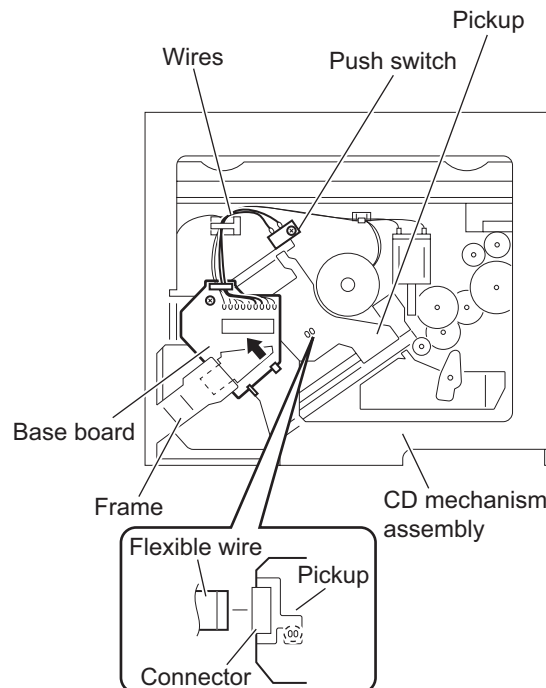
## 1.3 Handling the traverse unit (optical pickup)

- (1) Do not subject the traverse unit (optical pickup) to strong shocks, as it is a sensitive, complex unit.
- (2) Cut off the shorted part of the flexible cable using nippers, etc. after replacing the optical pickup. For specific details, refer to the replacement procedure in the text. Remove the anti-static pin when replacing the traverse unit. Be careful not to take too long a time when attaching it to the connector.
- (3) Handle the flexible cable carefully as it may break when subjected to strong force.
- (4) It is not possible to adjust the semi-fixed resistor that adjusts the laser power. Do not turn it.

## 1.4 Attention when traverse unit is decomposed

**\*Please refer to "Disassembly method" in the text for the pickup unit.**

- Apply solder to the short land before the card wire is disconnected from the connector on the pickup unit. (If the card wire is disconnected without applying solder, the pickup may be destroyed by static electricity.)
- In the assembly, be sure to remove solder from the short land after connecting the card wire.



## 1.5 Important for laser products

### 1.CLASS 1 LASER PRODUCT

#### 2.CAUTION :

(For U.S.A.) Visible and/or invisible class II laser radiation when open. Do not stare into beam.

(Others) Visible and/or invisible class 1M laser radiation when open. Do not view directly with optical instruments.

**3.CAUTION :** Visible and/or invisible laser radiation when open and inter lock failed or defeated. Avoid direct exposure to beam.

**4.CAUTION :** This laser product uses visible and/or invisible laser radiation and is equipped with safety switches which prevent emission of radiation when the drawer is open and the safety interlocks have failed or are defeated. It is dangerous to defeat the safety switches.

(For U.S.A.)

**CAUTION :** Visible and/or invisible class II laser radiation when open. Do not stare into beam.

(Others)

**CAUTION :** Visible and/or invisible class 1M laser radiation when open. Do not view directly with optical instruments

**ACHTUNG:** Sichtbare und/oder unsichtbare Laserstrahlung der Klasse 1M bei offenen Abdeckungen. Nicht direkt mit optischen Instrumenten betrachten.

**ATTENTION:** Rayonnement laser visible et/ou invisible de classe 1M une fois ouvert. Ne pas regarder directement avec des instruments optiques.

**VOORZICHTIG:** Zichtbare en/of onzichtbare klasse 1M laserstralen indien geopend. Bekijk niet direct met optische instrumenten.

**ATTENZIONE:** Radiazione laser in classe 1M visibile e/o invisibile quando aperto. Non osservare direttamente con strumenti ottici.

**WARNING:** Synlig och/eller osynlig laserstrålning, klass 1M, när denna del är öppnad. Betrakta ej strålen med optiska instrument.

**VARO!** Avattaessa olet alttiina näkyvälle ja/tai näkymättömälle luokan 1M lasersäteilylle. Älä tarkastele sitä optisen laitteen läpi.

**ADVASEL:** Synlig og/eller usynlig klasse 1M-laserstrålning ved åbning. Se ikke direkte med optiske instrumenter.

**AVISO:** Radiación láser de clase 1M visible y/o invisible cuando está abierto. No mirar directamente con instrumental óptico.

**PRECAUÇÃO:** Radiação laser de classe 1M visível e/ou invisível quando aberto. Não olhe diretamente com instrumentos ópticos.

**5.CAUTION :** If safety switches malfunction, the laser is able to function.

**6.CAUTION :** Use of controls, adjustments or performance of procedures other than those specified here in may result in hazardous radiation exposure.



**CAUTION Please use enough caution not to see the beam directly or touch it in case of an adjustment or operation check.**

**PRECAUÇÃO:** Radiação laser de classe 1M visível e/ou invisível quando aberto. Não olhe diretamente com instrumentos ópticos.

**ПРЕДУПРЕЖДЕНИЕ:** В открытом состоянии происходит видимое и/или невидимое излучение лазера класса 1M. Не смотрите непосредственно в оптические инструменты.

**UWAGA:** Otwarcie spowoduje narażenie na widzialne i/lub niewidzialne promieniowanie lasera klasy 1M. Nie patrzeć bezpośrednio w przyrządy optyczne.

**UPOZORNĚNÍ:** Při otevření vydává viditelné popř. neviditelné laserové ozáření třídy 1M. Nedívejte se do otvoru přímo s optickými nástroji.

**FIGYELMEZTETÉS:** Látható és/vagy láthatatlan 1M osztályú sugárzás nyitott állapotban. Ne nézze közvetlenül optikai műszerekkel.

**注意:** 打開蓋板可能會產生可見或不可見的 1M 級鐳射。不要使用光學儀器直接進行窺視。

**注意:** 打开蓋板可能会产生可见或不可见的 1M 级辐射。不要使用光学仪器直接进行窥视。

**تنبيه:** يوجد إشعاع ليزري مرئي و/أو غير مرئي من الفئة 1M عندما يكون الجهاز مفتوحاً. تجنب النظر مباشرة داخل الجهاز باستخدام أدوات بصرية.

**احتياط:** هنگامی که باز گردد، تشعشع مرئی و یا نامرئی کلاس 1M لیزر وجود دارد. با لوازم چشمی مستقیماً به آن نگاه نکنید.

**주의:** 개방하면 가시 및/또는 비가시 클래스 1M 레이저 방사선이 나옵니다. 광학 기구로 직접 들여다보지 마십시오.

## REPRODUCTION AND POSITION OF LABELS and PRINT WARNING LABEL and PRINT



<b>CAUTION</b> VISIBLE AND/OR INVISIBLE CLASS 1M LASER RADIATION WHEN OPEN. DO NOT VIEW DIRECTLY WITH OPTICAL INSTRUMENTS. IEC60825-1:2001 (ENG)	<b>ATTENTION</b> RAYONNEMENT LASER VISIBLE ET/OU INVISIBLE DE CLASSE 1M UNE FOIS OUVERT. NE PAS REGARDER DIRECTEMENT AVEC DES INSTRUMENTS OPTIQUES. (FRA)	<b>AVISO</b> RADIACIÓN LASER DE CLASE 1M VISIBLE Y/O INVISIBLE CUANDO ESTÁ ABIERTO. NO MIRAR DIRECTAMENTE CON INSTRUMENTAL ÓPTICO. (ESP)	<b>WARNING</b> SYNLIG OCH/ELLER OSYNLIG LASERSTRÅLNING, KLASS 1M, NÄR DENNA DEL ÄR ÖPPNAD. BETRAKTA EJ STRÅLEN MED OPTISKA INSTRUMENT. (SWE)	<b>注意</b> ニコも黒くと可視 及び/または不可視 のクラス1M レーザー放射が 出ます。 光学機器で直接 見ないでください。 (JPN)	<b>CAUTION</b> VISIBLE AND/OR INVISIBLE CLASS II LASER RADIATION WHEN OPEN. DO NOT STARE INTO BEAM. FDA 21 CFR (ENG) LV44633-003A
--	--	---	---	--	---

## SECTION 2 SPECIFIC SERVICE INSTRUCTIONS

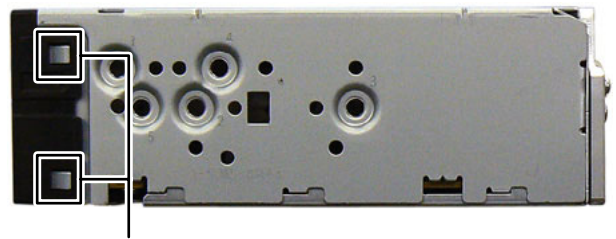
This service manual does not describe SPECIFIC SERVICE INSTRUCTIONS.

## SECTION 3 DISASSEMBLY

### 3.1 Main body (used figure is KD-AR390)

#### 3.1.1 Removing the FRONT CHASSIS assembly (See Fig.1)

- (1) Disengage the four hooks **a** engaged the both side of the FRONT CHASSIS assembly.



hook **a**

Fig.1

#### 3.1.2 Removing the HEAT SINK (See Fig.2, 3)

- (1) Remove the three screws **A** and the two screws **B** attaching the HEAT SINK. (See Fig.2)
- (2) Remove the two screws **C** and the one screw **D** attaching the HEAT SINK. (See Fig.3)

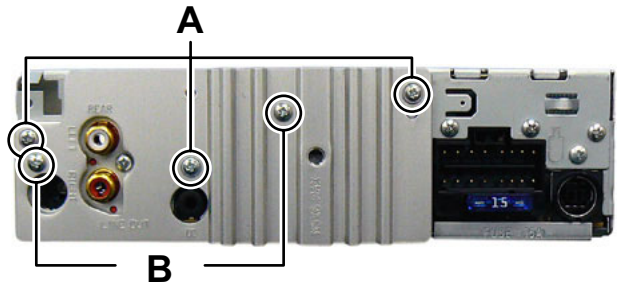


Fig.2

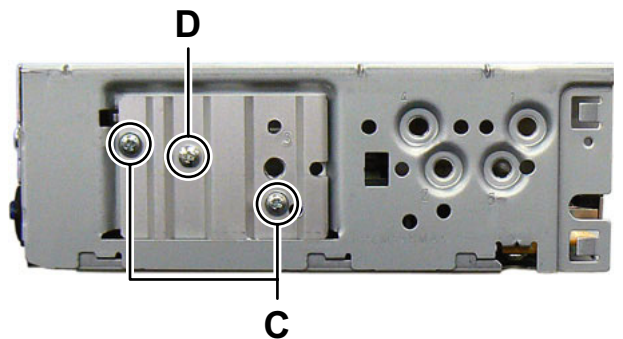


Fig.3

#### 3.1.3 Removing the BOTTOM COVER (See Fig.4)

- (1) Remove the one screw **E** attaching the BOTTOM COVER.
- (2) Slide the BOTTOM COVER to backward.



Fig.4



### 3.1.4 Removing the MAIN BOARD assembly (See Fig.5,6)

- (1) Remove the two screws **F** and one screw **G** attaching the MAIN BOARD assembly. (See Fig.5)
- (2) Remove the two screws **H** attaching the MAIN BOARD assembly. (See Fig.6)
- (3) Disconnect the connector **CN501** connected to MAIN BOARD assembly and CD MECHANISM assembly. (See Fig.6)

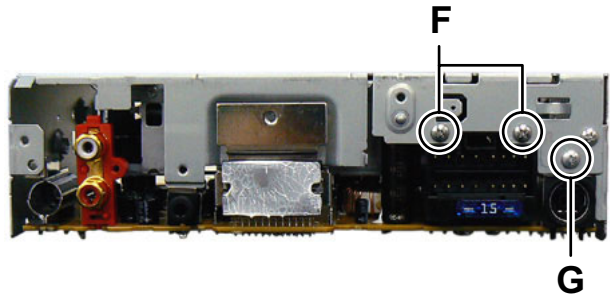


Fig.5

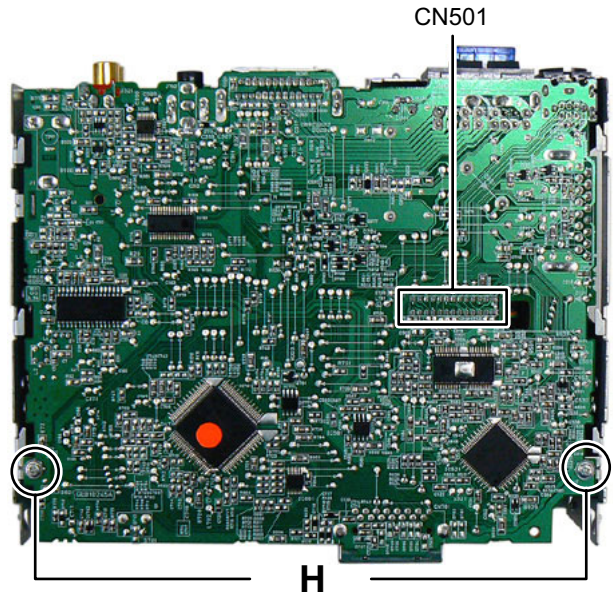


Fig.6

### 3.1.5 Removing the CD MECHANISM assembly (See Fig.7)

- (1) Remove the three screws **J** attaching the CD MECHANISM assembly.

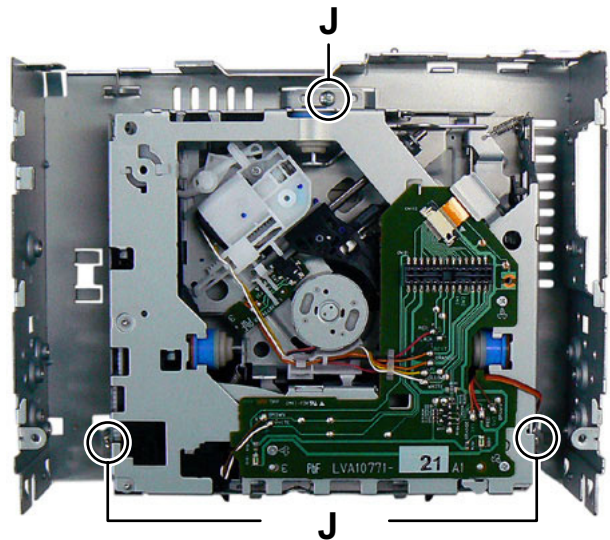


Fig.7



### 3.1.6 Removing the SWITCH BOARD assembly (See Fig.8)

- (1) Remove the VOLUME KNOB.
- (2) Remove the four screws **K** attaching the REAR COVER.
- (3) Disengage the nine hooks **b** engaged the REAR COVER.

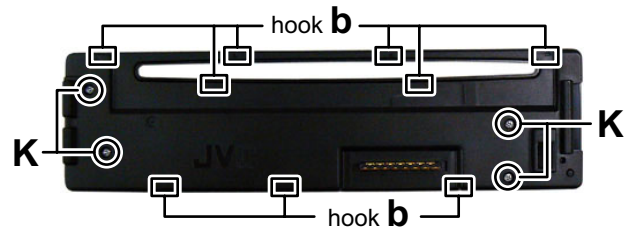


Fig.8

### 3.2 CD MECHANISM assembly section

- Remove the CD MECHANISM assembly from the main body.

#### 3.2.1 Removing the MECHANISM CONTROL BOARD assembly (See Fig.1 and 2)

- (1) From the bottom side of CD MECHANISM assembly, remove the solders from the soldered sections (**a**, **b** and **c**) on the MECHANISM CONTROL BOARD assembly. (See Fig.1.)
- (2) Remove the three screws **A** and one screw **B** attaching the MECHANISM CONTROL BOARD assembly. (See Fig.1.)
- (3) Solder the short land sections on the pickup. (See Fig.2.)

#### Caution:

- Solder the short land sections on the pickup before disconnecting the flexible wire from the connector **CN102** on the MECHANISM CONTROL BOARD assembly. If the card wire is disconnected without attaching solder, the pickup may be destroyed by static electricity. (See Fig.2.)
- When attaching the MECHANISM CONTROL BOARD assembly, remove the solders from the short land sections after connecting the flexible wire to the connector **CN102** on the MECHANISM CONTROL BOARD assembly.

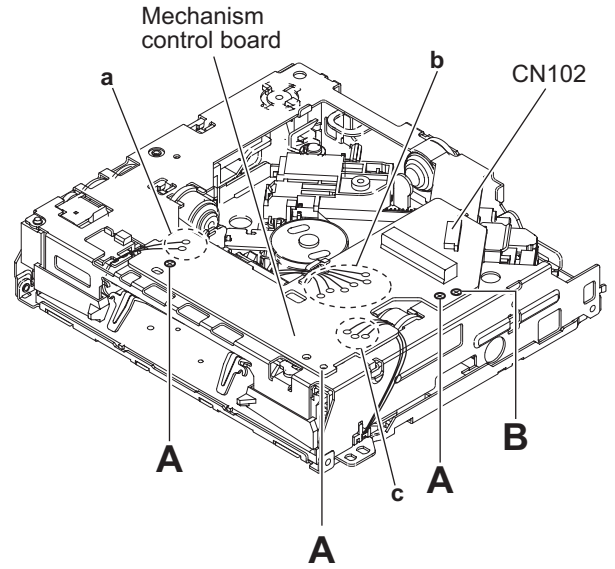


Fig.1

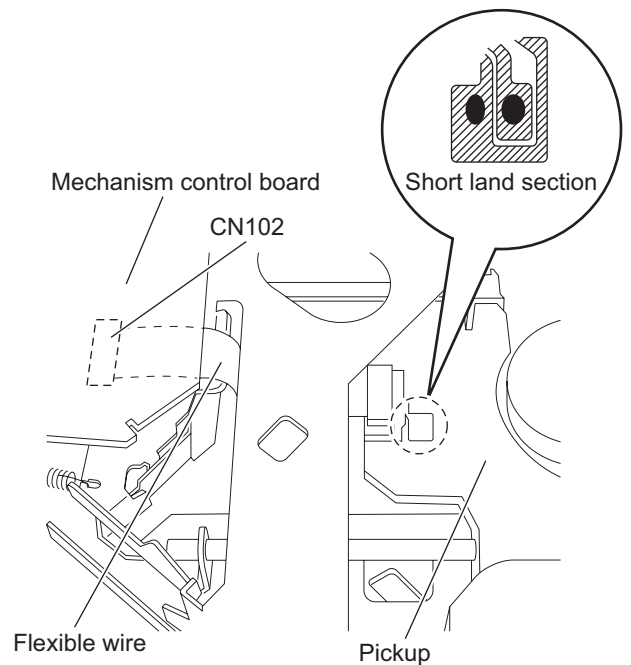
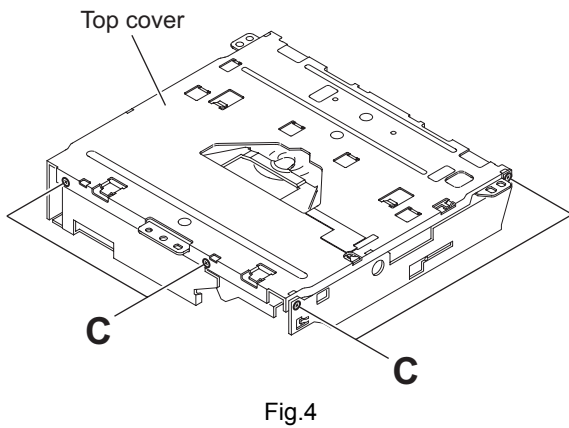
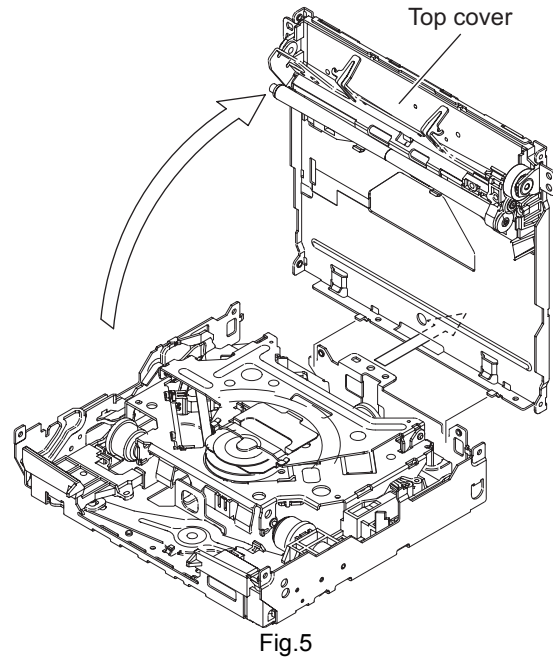
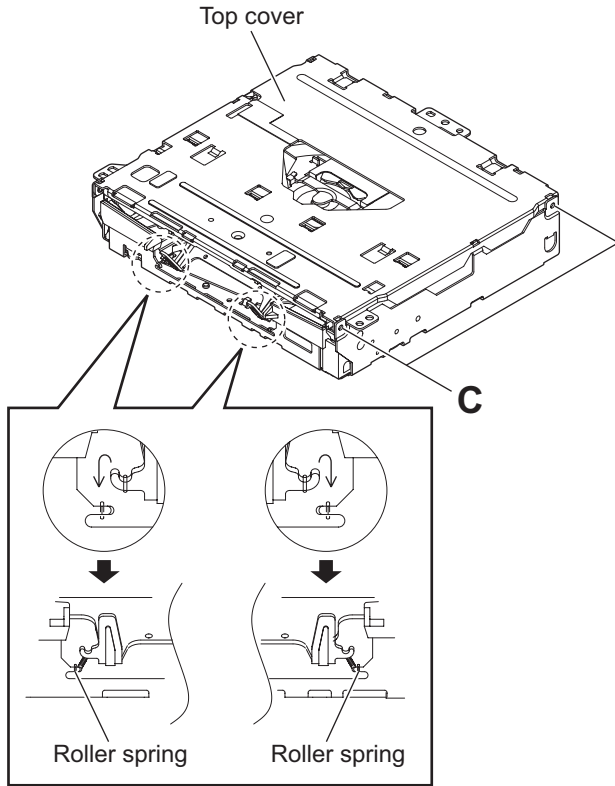


Fig.2

### 3.2.2 Removing the top cover (See Fig.3 to 5)

• Remove the MECHANISM CONTROL BOARD assembly.

- (1) From the front side of the CD MECHANISM assembly, change the hook position of the two roller springs. (See Fig.3.)
- (2) From the side of the CD MECHANISM assembly, remove the six screws **C** attaching the top cover. (See Fig.3 and 4.)
- (3) Take out the top cover in an upward direction. (See Fig.5.)



### 3.2.3 Removing the roller (See Fig.6)

- Remove the MECHANISM CONTROL BOARD assembly and top cover.
- (1) From the bottom side of the top cover, remove the screw **D** attaching the gear holder.
- (2) Remove the R.holder assembly from disc plate, and then take out the roller from R.holder assembly in the direction of the arrow.

#### Reference:

When attaching the R.ACT gear (2) and R.ACT gear (3), apply grease to the section **d** of R.holder assembly.

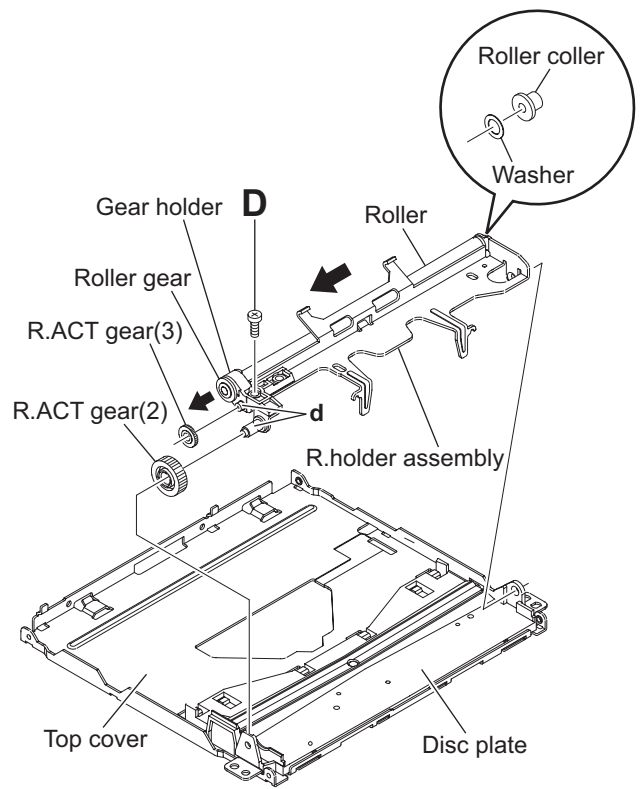


Fig.6

### 3.2.4 Removing the PHOTO BOARD assembly (See Fig.7 and 8)

- Remove the MECHANISM CONTROL BOARD assembly and top cover.
- (1) From the bottom side of the top cover, release the projection **e** from the notch of the disc plate. (See Fig.7.)
- (2) Take out the disc plate in the direction of the arrow. (See Fig.7.)
- (3) From the reverse side of the disc plate, remove the screw **E** attaching the PHOTO BOARD assembly. (See Fig.8.)

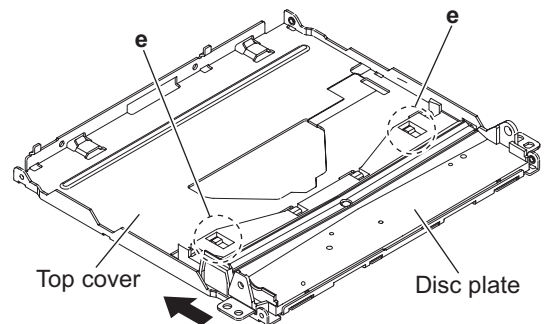


Fig.7

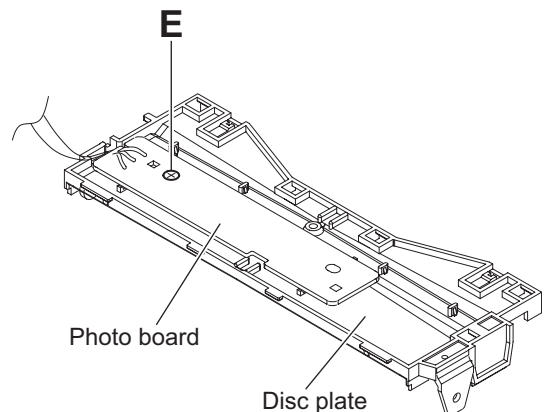


Fig.8

### 3.2.5 Removing the mechanism section (See Fig.9 and 10)

- Remove the MECHANISM CONTROL BOARD assembly and top cover.
- (1) From the top side of the CD MECHANISM assembly, remove the two screws **F** attaching the loading motor assembly. (See Fig.9.)
- (2) Remove the two roller springs on the top side of the mecha frame. (See Fig.9.)
- (3) Remove the four SUS springs on the top side of the mecha frame. (See Fig.9.)
- (4) Remove the link spring on the top side of the mecha frame. (See Fig.10.)
- (5) Release section **f** of the three dampers from the mecha frame. (See Fig.10.)

**Reference:**

When attaching the roller spring and SUS spring, keep direction before remove.

- (6) Move the slide cam (R) assembly in the direction of the arrow, and then take out the mechanism section in an upward direction. (See Fig.10.)

**Reference:**

When attaching the mechanism section, apply grease to the section **g**. (See Fig.10.)

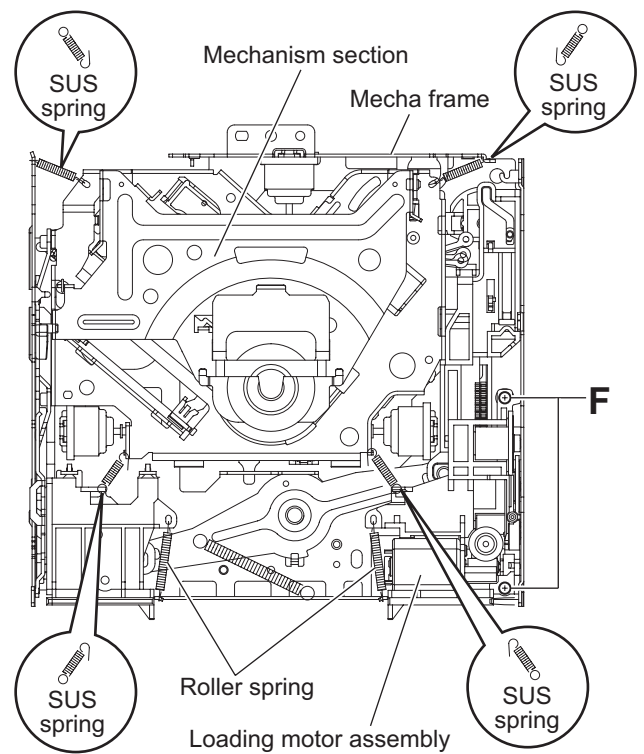


Fig.9

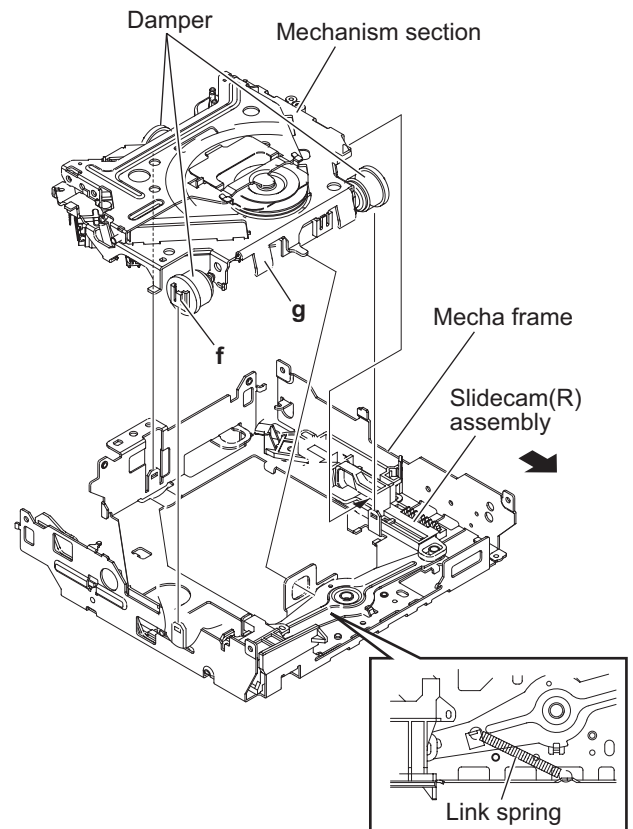


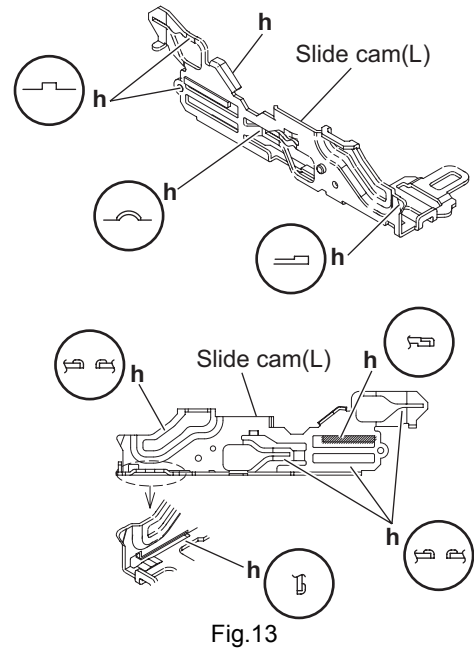
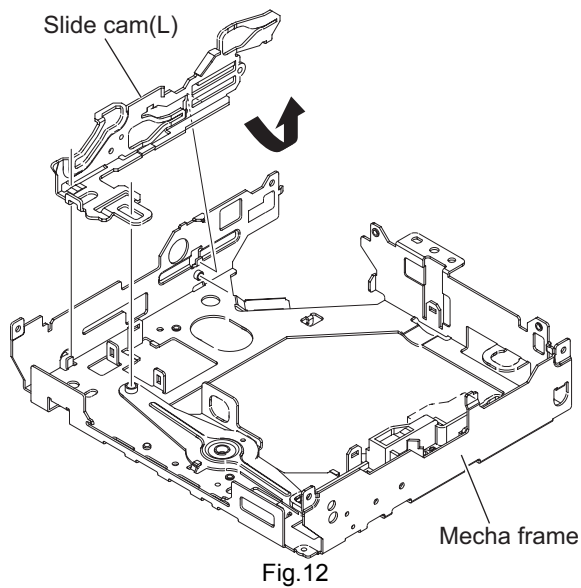
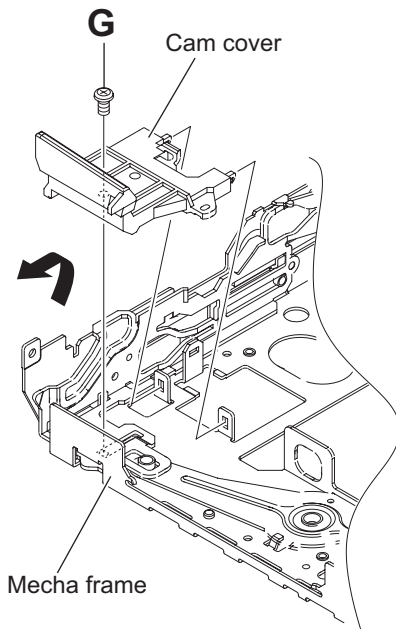
Fig.10

### 3.2.6 Removing the slide cam (L) (See Fig.11 to 13)

- Remove the MECHANISM CONTROL BOARD assembly, top cover and mechanism section.
  - From the top side of the mecha frame, remove the screw **G** attaching the cam cover. (See Fig.11.)
  - Take out the cam cover from mecha frame in an upward direction. (See Fig.11.)
  - Take out the slide cam (L) in the direction of the arrow. (See Fig.12.)

#### Reference:

When attaching the slide cam (L), apply grease to the section **h**. (See Fig.13.)



### 3.2.7 Removing the F.lock lever and slide cam (R) (See Fig.14 and 15)

- Remove the MECHANISM CONTROL BOARD assembly, top cover and mechanism section.
  - From the top side of the mecha frame, take out the slide cam (R) assembly in an upward direction. (See Fig.14.)
  - Rotate the F.lock lever in the direction of the arrow 1, and then take out the direction of the arrow 2. (See Fig.14.)

#### Reference:

When attaching the slide cam (R) assembly, the f.lock lever and the link arm apply grease to the section **h**. (See Fig.14 and 15.)

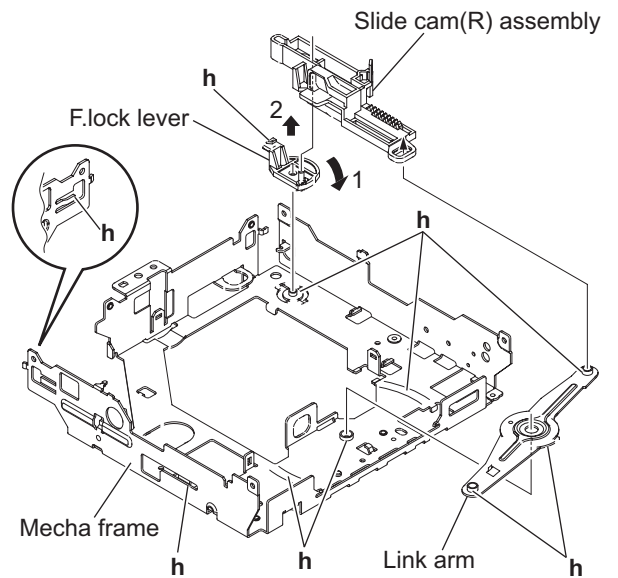


Fig.14

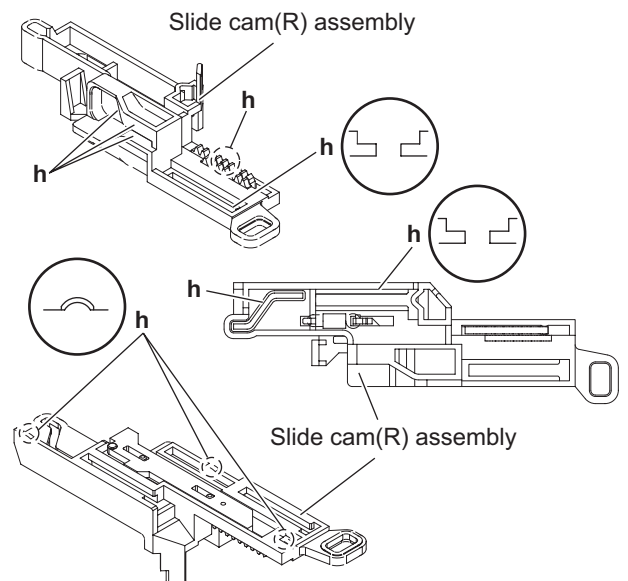


Fig.15

### 3.2.8 Removing the damper (See Fig.16)

- Remove the MECHANISM CONTROL BOARD assembly, top cover and mechanism section.
 

From the mechanism section, pull out the three dampers in the direction of the arrow.

#### Reference:

Before inserting the shaft to the dampers, apply IPA to the pocket **j** of damper.

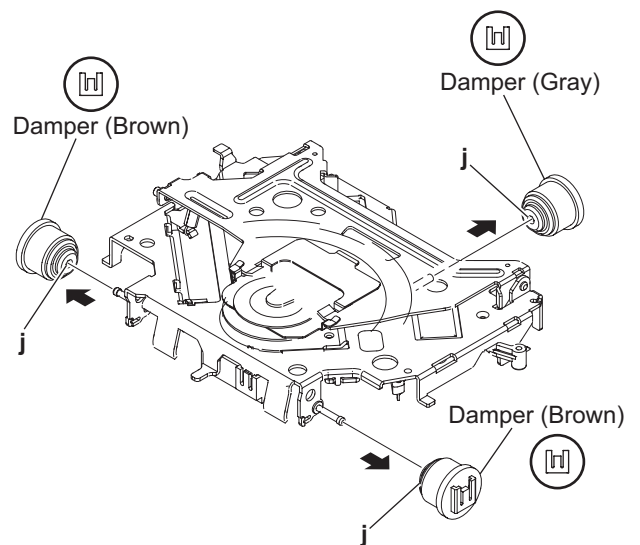


Fig.16



### 3.2.9 Removing the clamper assembly (See Fig.17)

- Remove the MECHANISM CONTROL BOARD assembly, top cover and mechanism section.
  - (1) From the top side of the mechanism section, release the clamper spring.
  - (2) Move the clamper assembly in the direction of the arrow, and then release the joints (**k** and **m**).
  - (3) Take out the clamper assembly from the T.M chassis assembly.

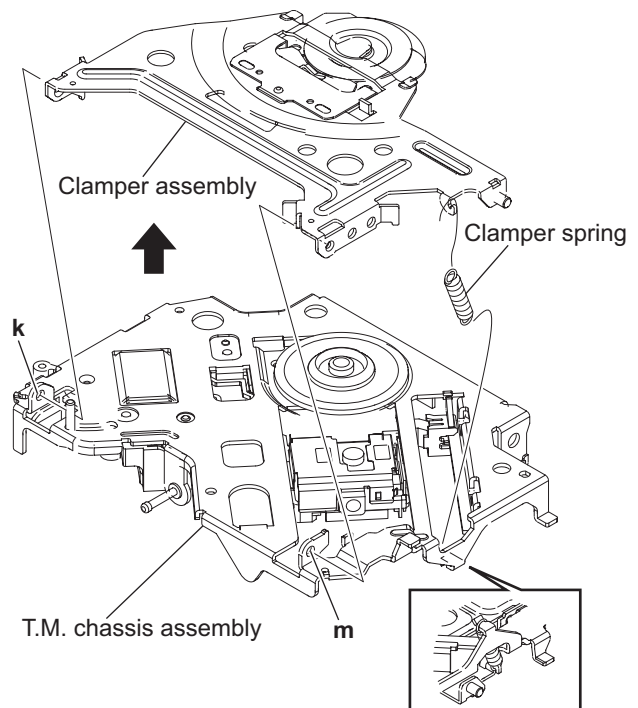


Fig.17

### 3.2.10 Removing the feed motor (See Fig.18 and 19)

- Remove the MECHANISM CONTROL BOARD assembly, top cover, mechanism section and clamber assembly.
  - From the bottom side of the T.M chassis assembly, remove the two screws **H** attaching the feed motor assembly. (See Fig.18.)
  - Remove the two screws **J** attaching the feed motor to f.motor holder. (See Fig.19.)

#### Reference:

When attaching the f. wheel gear, trigger arm and feed motor, apply grease to the sections (**n**, **p** and **q**). (See Fig.18 and 19.)

### 3.2.11 Removing the SWITCH BOARD assembly (See Fig.18)

- Remove the MECHANISM CONTROL BOARD assembly, top cover, mechanism section, clamber assembly and feed motor assembly.

From the bottom side of the T.M chassis assembly, take out the SWITCH BOARD assembly in an upward direction from T.M chassis assembly.

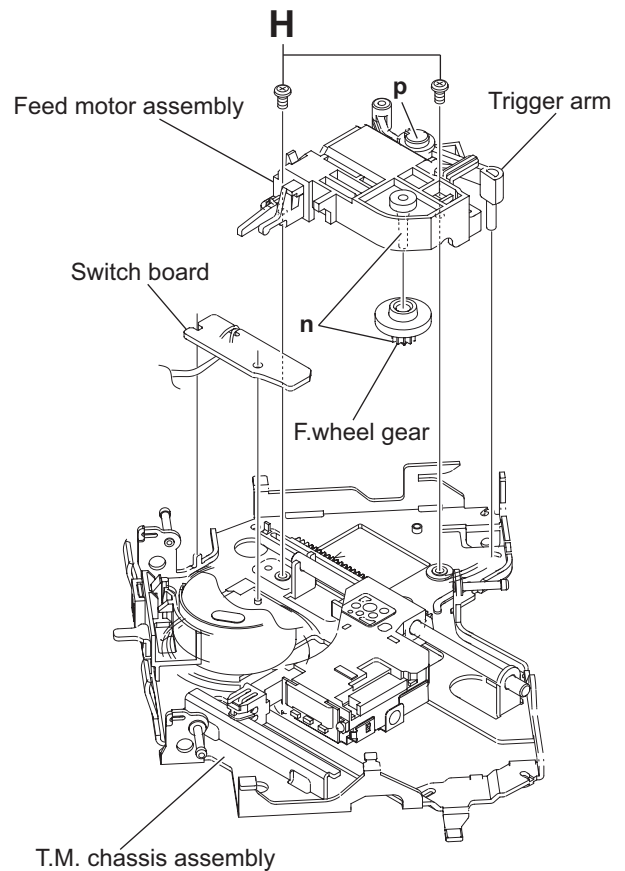


Fig.18

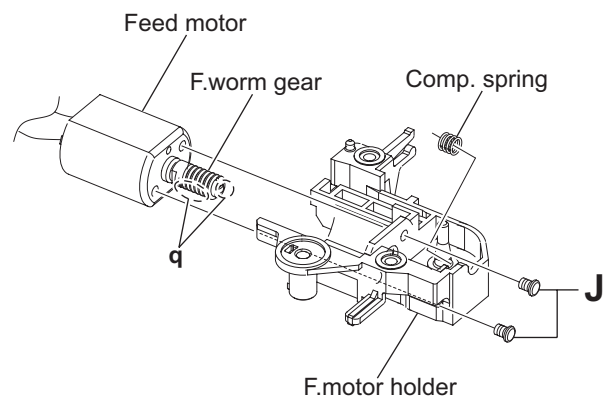


Fig.19

### 3.2.12 Removing the loading motor (See Fig.20)

- Remove the MECHANISM CONTROL BOARD assembly, top cover, mechanism section and clamber assembly.
  - From the right side of the L.M base assembly, remove the two screws **K** attaching the loading motor.
  - Take out the loading motor in the direction of the arrow from the L.M base assembly.

#### Reference:

When attaching the loading motor, apply grease to the section **r**.

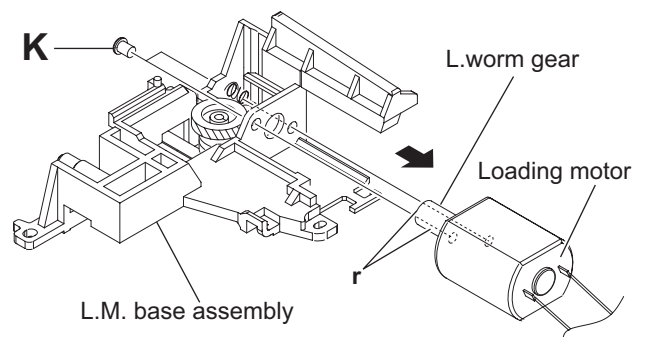


Fig.20

### 3.2.13 Removing the pickup assembly (See Fig.21 to 22)

- Remove the MECHANISM CONTROL BOARD assembly, top cover, mechanism section, clamber assembly and feed motor assembly.

#### Caution:

- Do not touch section **u** on the pickup assembly. (See Fig.21 and 22.)
- From the bottom side of the T.M chassis assembly, move the pickup assembly in the direction of the arrow from the T.M chassis assembly. (See Fig.21.)
  - Pull out the main shaft. (See Fig.21.)
  - Remove the screw **M** attaching the pickup to the rack plate. (See Fig.22.)

#### Reference:

When attaching the loading motor, apply grease to the sections **s** and **t**. (See Fig.21.)

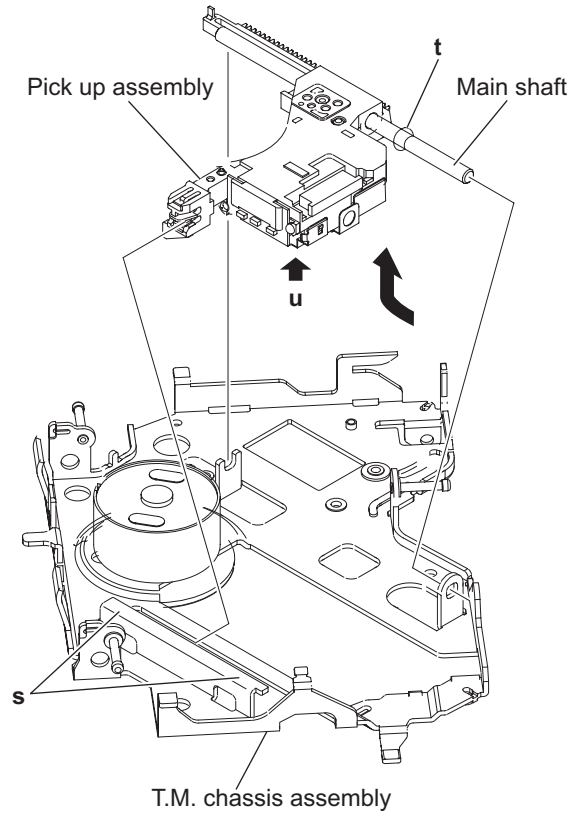


Fig.21

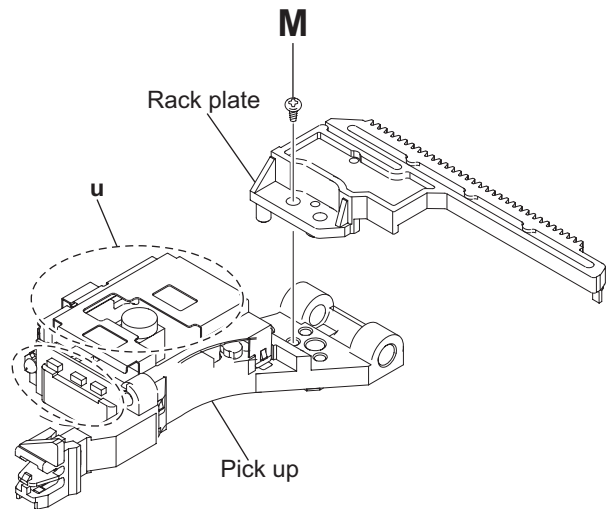


Fig.22

### 3.2.14 Removing the spindle motor (See Fig.23 and 24)

- Remove the MECHANISM CONTROL BOARD assembly, top cover, mechanism section, clamber assembly, feed motor assembly and pickup assembly.

- From the top side of the T.M chassis assembly, remove the CD T.table assembly from the spindle motor. (See Fig.23.)
- Remove the two screws **N** attaching the spindle motor. (See Fig.23.)
- Take out the spindle motor from the bottom side of the T.M chassis assembly. (See Fig.23.)

#### Reference:

When attaching the CD T.table assembly to the spindle motor shaft, apply loctite 460 to inside the CD T.table assembly. (See Fig.24.)

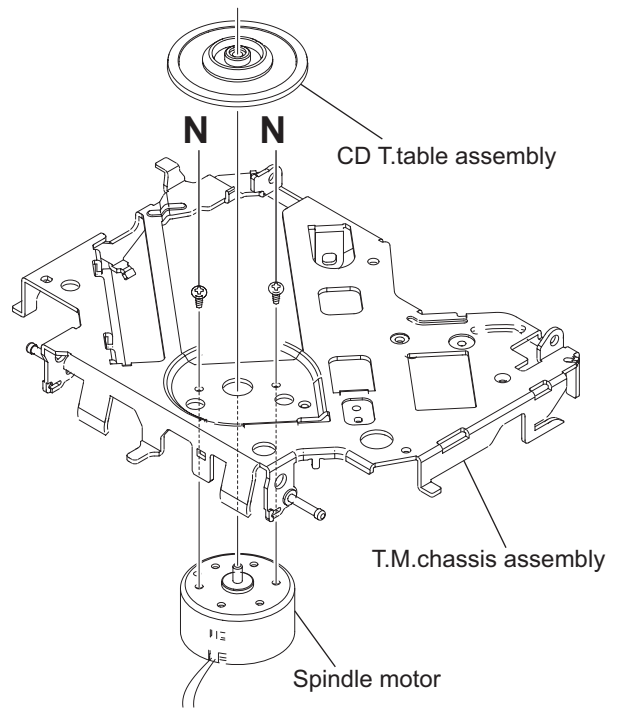


Fig.23

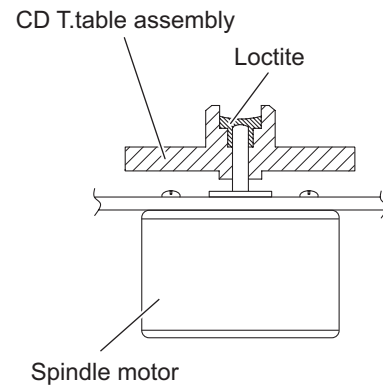


Fig.24

## SECTION 4 ADJUSTMENT

### 4.1 Test instruments required for adjustment

- (1) Digital oscilloscope (100MHz)
- (2) Electric voltmeter
- (3) Digital tester
- (4) Tracking offset meter
- (5) Test Disc JVC :CTS-1000
- (6) Extension cable for check  
EXTGS004-26PL x 1

### 4.2 Standard measuring conditions

Power supply voltage DC14.4V(10.5 to 16V)  
Load impedance 20K.(2 Speakers connection)  
Output Level Line out 2.5V (Vol. MAX)

### 4.5 How to connect the extension cable for adjusting

#### Caution:

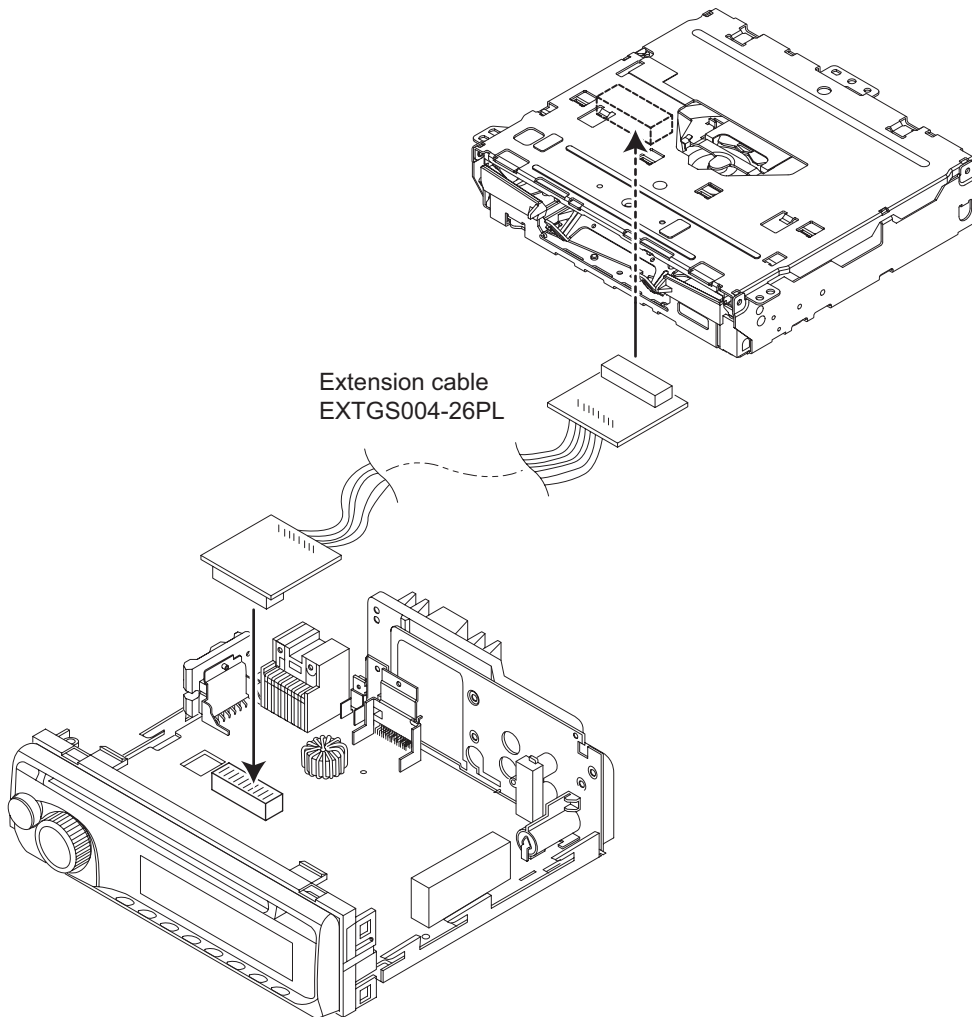
Be sure to attach the heat sink and rear bracket onto the power amplifier IC and regulator IC respectively, before supply the power.  
If voltage is applied without attaching these parts, the power amplifier IC and regulator IC will be destroyed by heat.

### 4.3 Standard volume position

Balance and Bass & Treble volume : Indication "0"  
Loudness : OFF

### 4.4 Dummy load

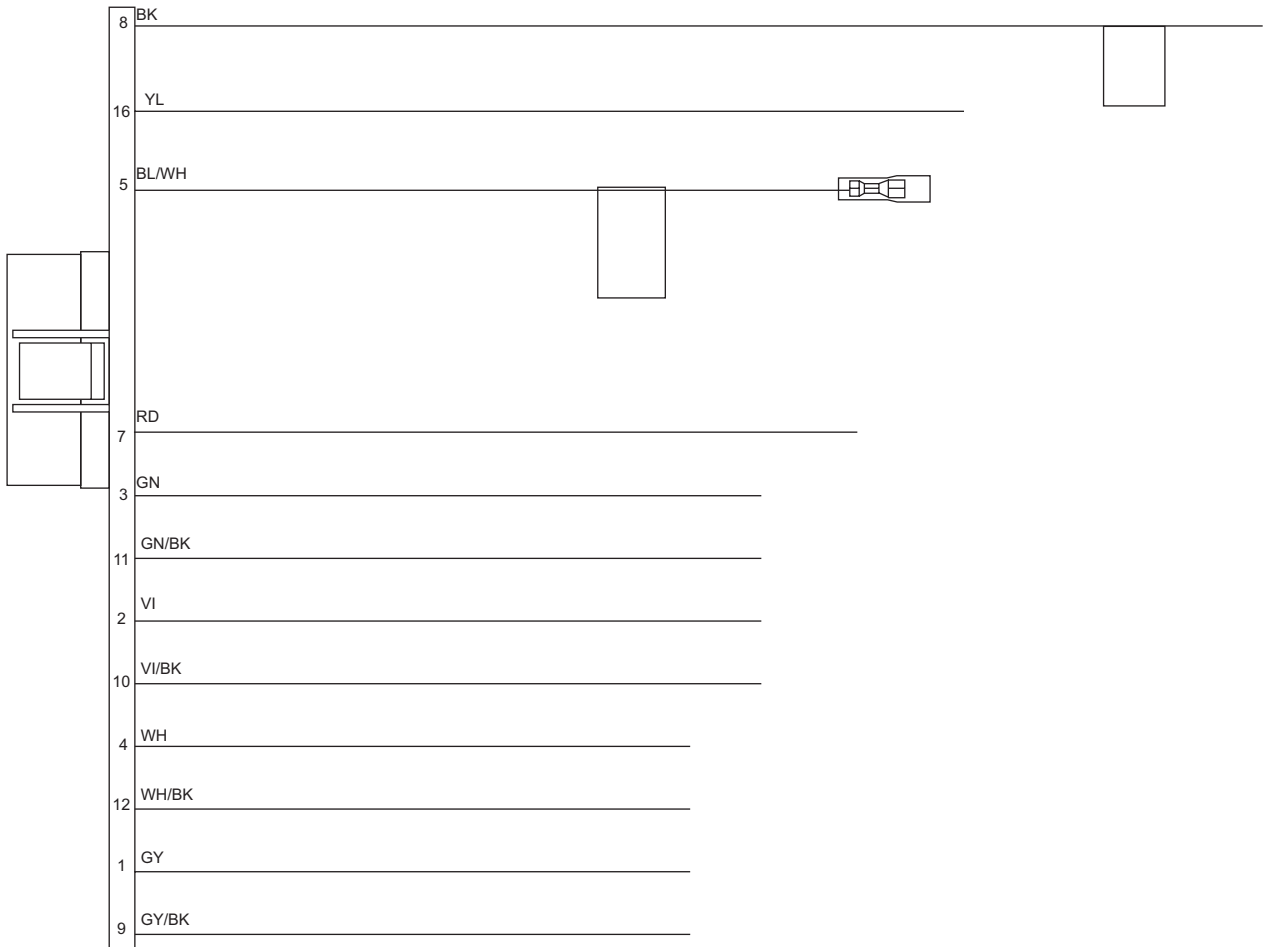
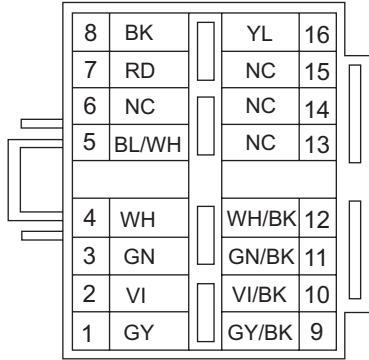
Exclusive dummy load should be used for AM, and FM.  
For FM dummy load, there is a loss of 6dB between SSG output and antenna input.  
The loss of 6dB need not be considered since direct reading of figures are applied in this working standard.



# SECTION 5 TROUBLESHOOTING

## 5.1 16 PIN CORD DIAGRAM (for KD-AR390, KD-G340 and KD-S25)

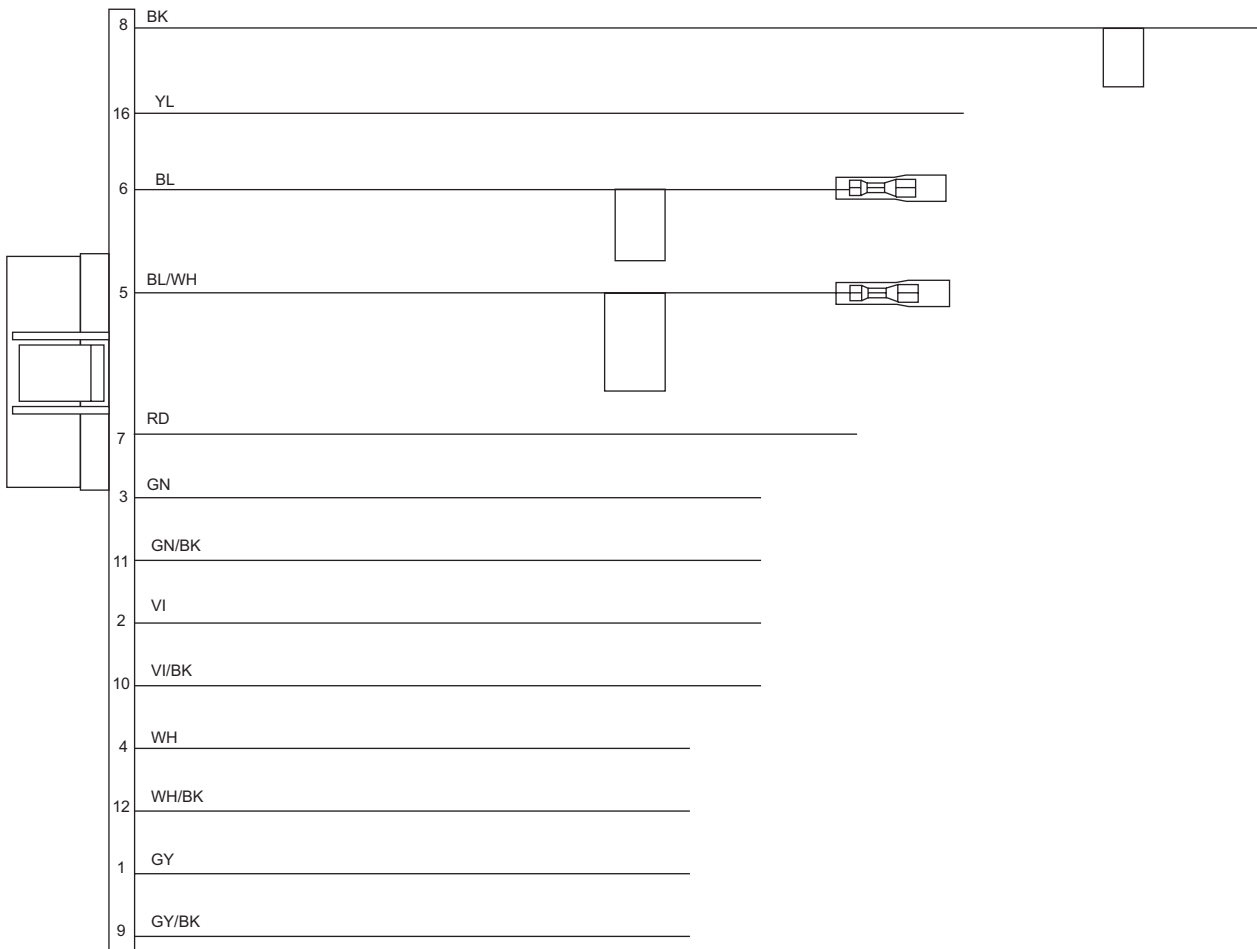
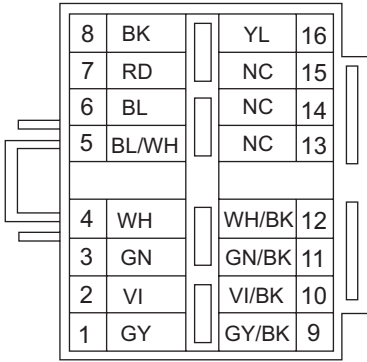
BK	Black	GN	Green
RD	Red	VI	Violet
BL	Blue	GY	Gray
WH	White	YL	Yellow





**5.2 16 PIN CORD DIAGRAM (except KD-AR390 AND KD-G340)**

BK	Black	GN	Green
RD	Red	VI	Violet
BL	Blue	GY	Gray
WH	White	YL	Yellow





# JVC

Victor Company of Japan, Limited  
Mobile Entertainment Business Group Mobile Entertainment Category 10-1,1chome,Ohwatari-machi,Maebashi-city,371-8543,Japan

---

(No.MA376<Rev.002>)



# REVISION INFORMATION

## CD RECEIVER

**KD-AR390J, KD-G340J, KD-G444UI,  
KD-G445U, KD-G445UN, KD-G445UT,  
KD-G445UH, KD-G446U, KD-G446UN,  
KD-G446UT, KD-G446UH, KD-S25J**

### ■ OVERVIEW

Add KD-S25J

### ■ DETAILS

#### COVER SECTION

Title	Line	No.MA376<Rev.001>	No.MA376<Rev.002>	Description
Revision		Rev. <b>001</b>	Rev. <b>002</b>	
Issue Date		<b>2007/12</b>	<b>2008/05</b>	
Model No.		KD-AR390J, KD-G340J, KD-G444UI, KD-G445U, KD-G445UH, KD-G445UN, KD-G445UT, KD-G446U, KD-G446UH, KD-G446UN, KD-G446UT	KD-AR390J, KD-G340J, KD-G444UI, KD-G445U, KD-G445UH, KD-G445UN, KD-G445UT, KD-G446U, KD-G446UH, KD-G446UN, KD-G446UT, <b>KD-S25J</b>	
Cover Illustration		ILLUSTRATION(ma376_0001.png)	ILLUSTRATION(ma376_0001.png)	
Copyright		COPYRIGHT (C) <b>2007</b> Victor Company of Japan, Limited	COPYRIGHT (C) <b>2008</b> Victor Company of Japan, Limited	
SPECIFICATION	1	KD-AR390/KD-G340	KD-AR390/KD-G340/ <b>KD-S25</b>	
	12	KD-G340 2.5 V/20 kΩ load (full scale)	KD-G340/ <b>KD-S25</b> 2.5 V/20 kΩ load (full scale)	
	14	KD-G340 2.5 V/20 kΩ load (full scale)	KD-G340/ <b>KD-S25</b> 2.5 V/20 kΩ load (full scale)	

## SECTION 5 TROUBLESHOOTING

Title	Line	No.MA376<Rev.001>	No.MA376<Rev.002>	Description
5.1 16 PIN CORD DIAGRAM (for KD-AR390, KD-G340 and KD-S25)	T	5.1 16 PIN CORD DIAGRAM (for KD-AR390 <b>AND KD-G340</b> )	5.1 16 PIN CORD DIAGRAM (for KD-AR390, <b>KD-G340</b> and <b>KD-S25</b> )	

## STANDARD SCHEMATIC DIAGRAMS

### Description of Major ICs

Diagram Name	No.MA376<Rev.001>	No.MA376<Rev.002>	Description
Menu	-	IC681: NJL21H380A NJL21H380A.xml	
Menu	IC1: TEF6601T_V2-X	IC1: TEF6601T/V2-X	

## PARTS LIST

### MODEL No. LIST

Model No.	No.MA376<Rev.002>
KD-AR390J	01
KD-G340J	02
KD-G444UI	03
KD-G445U	04
KD-G445UH	07
KD-G445UN	05
KD-G445UT	06
KD-G446U	08
KD-G446UH	0B
KD-G446UN	09
KD-G446UT	0A
KD-S25J	0C

### General assembly [M1]

△	Symbol	or	Part No.		Part Name	Description	Qty	Models
			<Rev.001>	<Rev.002>				
	M1	1	-----	GE10216-011A	TOP CHASSIS	(Addition)	1	0C
	M1	2	-----	GE33234-001A	HEAT SINK	(Addition)	1	0C
	M1	3	-----	GE20232-002A	BOTTOM COVER	(Addition)	1	0C
	M1	8	-----	GE40377-001A	SCREW	(Addition)	2	0C
	M1	10	-----	QYSDST2606ZA	TAP SCREW	(Addition)	1	0C
	M1	23	-----	GE32864-004A	F.PANEL HI ASSY	(Addition)	1	0C
	M1	24	-----	GE33246-016A	FINDER ASSY	(Addition)	1	0C
	M1	29	-----	GE32817-004A	DETACH BTN	(Addition)	1	0C
	M1	44	-----	GE33366-001A	NAME PLATE	(Addition)	1	0C
	M1	45	-----	QLD0549-001	LCD MODULE	(Addition)	1	0C
	M1	55	-----	QYSDSP4014ZA	SCREW	(Addition)	1	0C
	M1	56	-----	GE40225-001A	CAR STEREO TAG	(Addition)	1	0C
	M1	57	-----	QYSDST2606ZA	TAP SCREW	(Addition)	1	0C
	M1	58	-----	GE40218-083A	SHEET	(Addition)	1	0C
	M1	59	-----	GE40282-001A	LABEL	(Addition)	1	0C

### Electrical parts list Main board [01]

△	Symbol	or	Part No.		Part Name	Description	Qty	Models
			<Rev.001>	<Rev.002>				
	01	D786	-----	1SS380-X	SI DIODE	(Addition)	1	0C
	01	L3	-----	QQL213M-R22Z	COIL	(Addition)	1	0C

### Switch board [02]

△	Symbol	or	Part No.		Part Name	Description	Qty	Models
			<Rev.001>	<Rev.002>				
	02	IC681	-----	NJL21H380A	REMOCON RCV	(Addition)	1	0C
	02	D632	-----	LHQ974/LM/-X	LED	(Addition)	1	0C
	02	R656	-----	NRS181J-181X	MG RESISTOR	(Addition)	1	0C
	02	R658	-----	NRSA63J-561X	MG RESISTOR	(Addition)	1	0C

△	Symbol	or	Part No.		Part Name	Description	Qty	Models
			<Rev.001>	<Rev.002>				
	02	R660	-----	NRSA63J-0R0X	MG RESISTOR	(Addition)	1	0C
	02	R661	-----	NRSA63J-102X	MG RESISTOR	(Addition)	1	0C
	02	R662	-----	NRSA63J-102X	MG RESISTOR	(Addition)	1	0C
	02	R663	-----	NRSA63J-394X	MG RESISTOR	(Addition)	1	0C
	02	R664	-----	NRSA63J-102X	MG RESISTOR	(Addition)	1	0C
	02	R670	-----	NRSA63J-102X	MG RESISTOR	(Addition)	1	0C
	02	R672	-----	NRSA63J-102X	MG RESISTOR	(Addition)	1	0C

### Packing and accessories [M3]

△	Symbol	or	Part No.		Part Name	Description	Qty	Models
			<Rev.001>	<Rev.002>				
	M3	A1	-----	GET0562-001A	INST BOOK	(Addition)	1	0C
	M3	A4	-----	GET0562-002A	INST.MANUAL	(Addition)	1	0C
	M3	A8	-----	GE20235-004A	TRIM PLATE	(Addition)	1	0C
	M3	A18	-----	-----	WARRANTY CARD	(Addition)	1	0C
	M3	A20	-----	BT-51044-1	REGIS. CARD	(Addition)	1	0C
	M3	A21	-----	GET0222-001A	TAG CAUTION SH	(Addition)	1	0C
	M3	P1	-----	GE33349-001A	CARTON	(Addition)	1	0C
	M3	P5	-----	GE10237-001A	CUSHION	(Addition)	1	0C



Victor Company of Japan, Limited

Mobile Entertainment Business Group Mobile Entertainment Category 10-1,1chome,Ohwatari-machi,Maebashi-city,371-8543,Japan



# PARTS LIST

KD-AR390J,KD-G340J,KD-G444UI  
KD-G445U,KD-G445UN,KD-G445UT  
KD-G445UH,KD-G446U,KD-G446UN  
KD-G446UT,KD-G446UH,KD-S25J

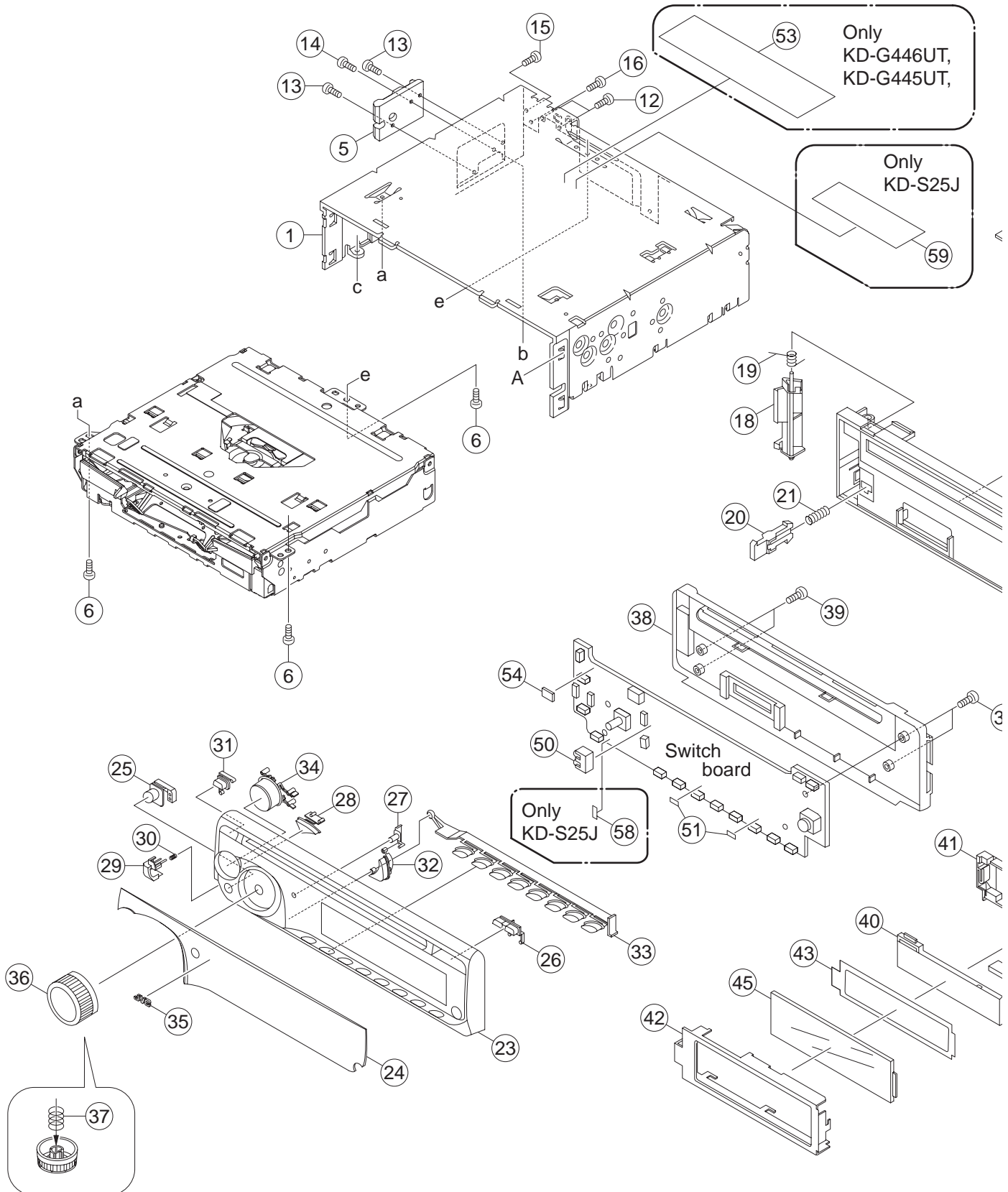
\* All printed circuit boards and its assemblies are not available as service parts.

## - Contents -

Exploded view of general assembly and parts list (Block No.M1) .....	3- 2
CD mechanism assembly and parts list (Block No.MB) .....	3- 6
Electrical parts list (Block No.01~03) .....	3- 8
Packing materials and accessories parts list (Block No.M3) .....	3-14

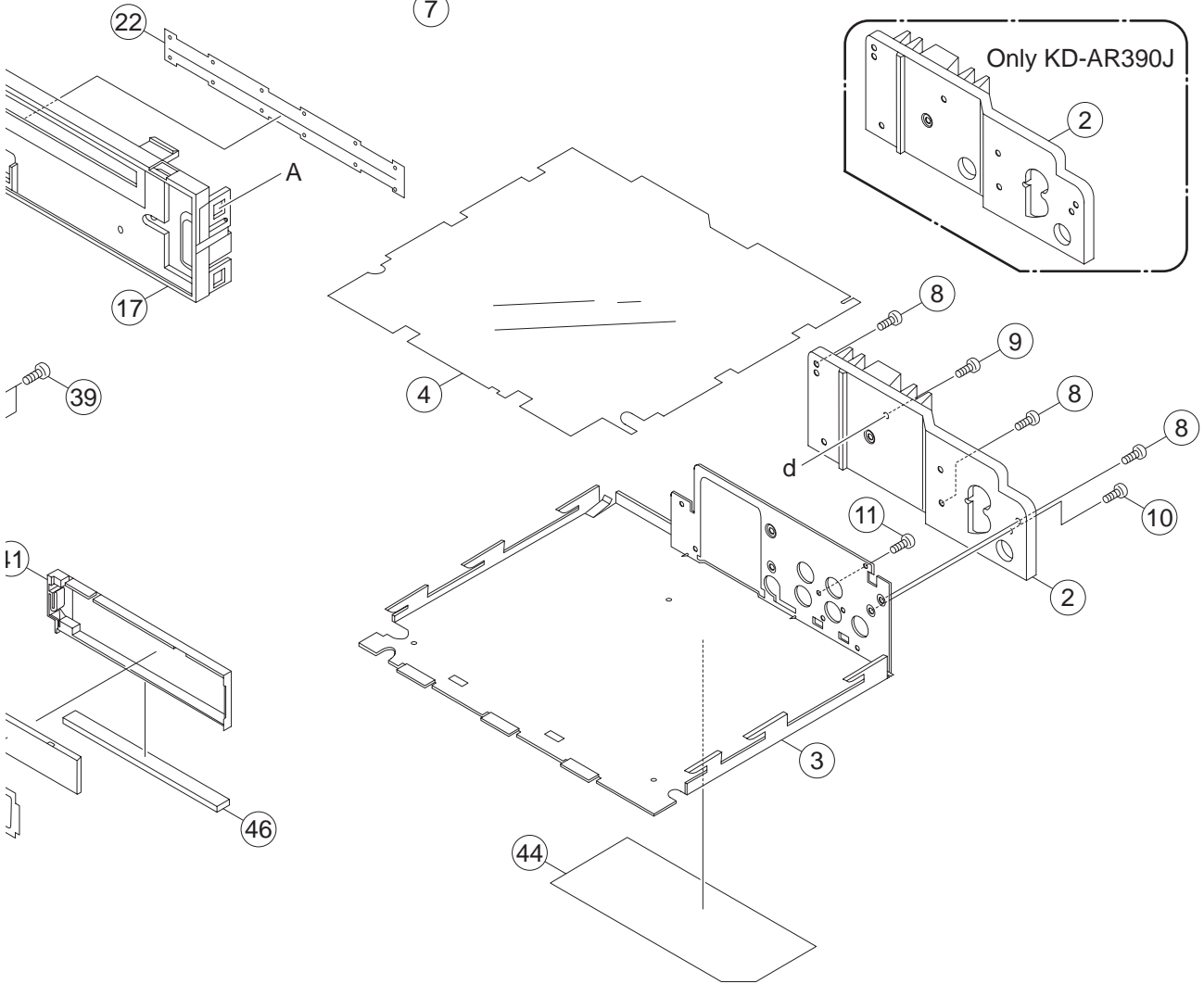
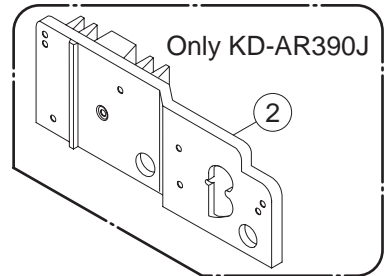
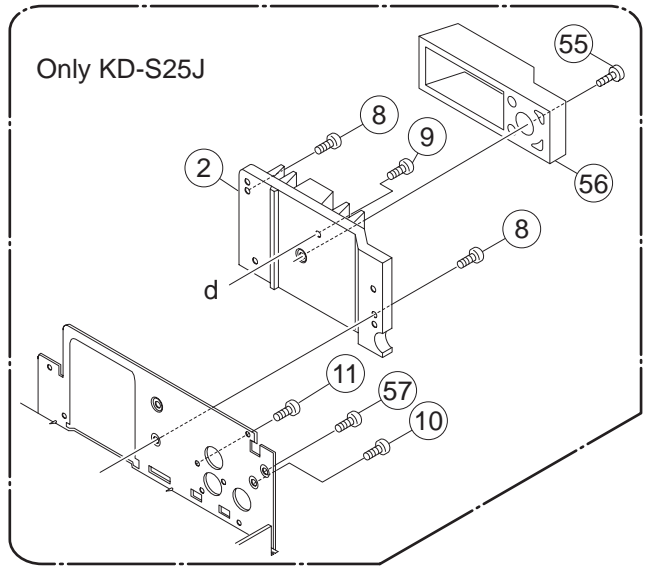
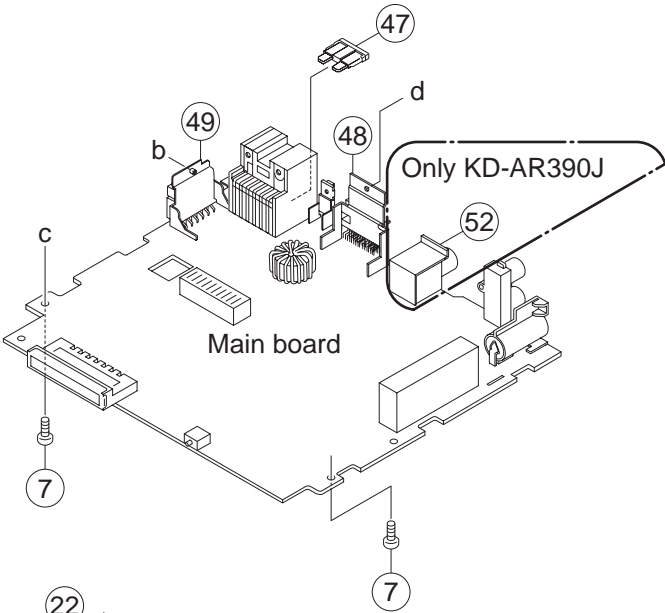
# Exploded view of general assembly and parts list

Block No. M 1 M M



M

5J



The parts without symbol number are not service.

# General Assembly

Block No. [M][1][M][M]

△	Symbol No.	Part No.	Part Name	Description	Local
	1	GE10216-007A	TOP CHASSIS		AR390J,G340J,G444UI,G445U,G445UN,G445UT,G445UH,G446U,G446UN,G446UT,G446UH
	1	GE10216-011A	TOP CHASSIS		S25J
	2	GE32823-001A	HEAT SINK		AR390J
	2	GE32823-002A	HEAT SINK		G340J,G444UI,G445U,G445UN,G445UT,G445UH,G446U,G446UN,G446UT,G446UH
	2	GE33234-001A	HEAT SINK		S25J
	3	GE20228-001A	BOTTOM COVER		AR390J,G340J,G444UI,G445U,G445UN,G445UT,G445UH,G446U,G446UN,G446UT,G446UH
	3	GE20232-002A	BOTTOM COVER		S25J
	4	GE32830-002A	INSULATOR		
	5	GE40395-001A	SIDE PANEL		
	6	QYSDST2604ZA	TAP SCREW	M2.6 x 4mm(x3)	
	7	GE40377-002A	SCREW	(x2)	
	8	GE40377-001A	SCREW	(x3)	AR390J,G340J,G444UI,G445U,G445UN,G445UT,G445UH,G446U,G446UN,G446UT,G446UH
	8	GE40377-001A	SCREW	(x2)	S25J
	9	QYSDST2610ZA	TAP SCREW	M2.6 x 10mm	
	10	QYSDST2610ZA	TAP SCREW	M2.6 x 10mm	AR390J,G340J,G444UI,G445U,G445UN,G445UT,G445UH,G446U,G446UN,G446UT,G446UH
	10	QYSDST2606ZA	TAP SCREW	M2.6 x 6mm	S25J
	11	QYSDSF2606ZA	TAP SCREW	M2.6 x 6mm	
	12	QYSDSF2606ZA	TAP SCREW	M2.6 x 6mm(x2)	
	13	GE40377-002A	SCREW	(x2)	
	14	QYSDST2608ZA	TAP SCREW	M2.6 x 8mm	
	15	QYSDST2604ZA	TAP SCREW	M2.6 x 4mm	
	16	QYSDST2606ZA	TAP SCREW	M2.6 x 6mm	
	17	GE10215-001A	FRONT CHASSIS		
	18	GE32350-002A	LOCK LEVER		
	19	GE40368-002A	TORSION SPRING		
	20	GE32810-001A	RELEASE LEVER		
	21	GE30999-004A	COMP.SPRING		
	22	GE40400-001A	BLIND		
	23	GE32864-006A	F.PANEL HI ASSY		AR390J,G446U,G446UN,G446UT,G446UH
	23	GE32864-002A	F.PANEL HI ASSY		G340J
	23	GE32864-008A	F.PANEL HI ASSY		G444UI,G445U,G445UN,G445UT,G445UH
	23	GE32864-004A	F.PANEL HI ASSY		S25J
	24	GE32866-015A	FINDER ASSY		AR390J
	24	GE32866-004A	FINDER ASSY		G340J
	24	GE32866-018A	FINDER ASSY		G444UI
	24	GE32866-019A	FINDER ASSY		G445U,G445UN,G445UT,G445UH
	24	GE32866-020A	FINDER ASSY		G446U,G446UN,G446UT,G446UH
	24	GE33246-016A	FINDER ASSY		S25J
	25	GE32812-011A	SRC BUTTON		
	26	GE32814-001A	BAND EQ BTN		
	27	GE32815-001A	PUSH BTN		
	28	GE32816-001A	POWER BTN		AR390J,G446U,G446UN,G446UT,G446UH
	28	GE32816-002A	POWER BTN		,S25J
	29	GE32817-001A	DETACH BTN		G340J,G444UI,G445U,G445UN,G445UT,G445UH
	29	GE32817-002A	DETACH BTN		AR390J,G446U,G446UN,G446UT,G446UH
	29	GE32817-005A	DETACH BTN		G340J
	29	GE32817-004A	DETACH BTN		G444UI,G445U,G445UN,G445UT,G445UH
	30	GE30999-006A	COMP.SPRING		S25J
	31	GE32818-001A	EJECT BTN		
	32	GE32824-004A	AUX BUTTON		AR390J,G446U,G446UN,G446UT,G446UH
	32	GE32824-005A	AUX BUTTON		,S25J
	33	GE20233-001A	PRESET BTN		G340J,G444UI,G445U,G445UN,G445UT,G445UH
	33	GE20227-001A	PRESET BTN		AR390J,G446U,G446UN,G446UT,G446UH
	34	GE40399-001A	NAVI BTN ASSY		,S25J
	34	GE40399-002A	NAVI BTN ASSY		G340J,G444UI,G445U,G445UN,G445UT,G445UH
	35	GE40347-001A	JVC BADGE		
	36	GE32822-001A	VOL KNOB LOW		AR390J,G446U,G446UN,G446UT,G446UH
					,S25J

△	Symbol No.	Part No.	Part Name	Description	Local
	36	GE32822-002A	VOL KNOB LOW		G340J,G444UI,G445U,G445UN,G445UT,G445UH
	37	GE40127-005A	KNOB SPRING		
	38	GE10214-001A	REAR COVER		
	39	VKZ4777-010	MINI SCREW	(x4)	
	40	GE32819-001A	LCD LENS		
	41	GE32820-001A	LENS CASE		
	42	GE32821-001A	LCD CASE		
	43	GE40397-002A	LIGHTING SHEET		
	44	GE32888-002A	NAME PLATE		AR390J
	44	GE32945-002A	NAME PLATE		G340J
	44	GE33193-001A	NAME PLATE		G444UI
	44	GE33187-001A	NAME PLATE		G445U,G445UN,G445UT,G445UH
	44	GE33190-001A	NAME PLATE		G446U,G446UN,G446UT,G446UH
	44	GE33366-001A	NAME PLATE		S25J
	45	QLD0518-001	LCD MODULE		AR390J,G340J
	45	QLD0543-001	LCD MODULE		G444UI,G445U,G445UN,G445UT,G445UH,G446U,G446UN,G446UT,G446UH
	45	QLD0549-001	LCD MODULE		S25J
	46	QNZ0950-001	RUBBER CONNECTO		
△	47	QMFZ063-150-J1	FUSE	15A	
	48	GE40396-002A	REG BRACKET		
	49	GE40354-001A	IC BRACKET		
	50	GE30854-001A	LED HOLDER		
	51	FSYH4036-069	SHEET	(x2)	AR390J,G446U,G446UN,G446UT,G446UH,S25J
	52	GE40424-001A	OE HOLDING BKT		AR390J
	53	GE31574-093A	UT LABEL		G445UT
	53	GE31574-094A	UT LABEL		G446UT
	54	FSYH4036-069	SHEET		
	55	QYSDSP4014ZA	SCREW	M4 x 14mm	S25J
	56	GE40225-001A	CAR STEREO TAG		S25J
	57	QYSDST2606ZA	TAP SCREW	M2.6 x 6mm	S25J
	58	GE40218-083A	SHEET		S25J
	59	GE40282-001A	LABEL		S25J

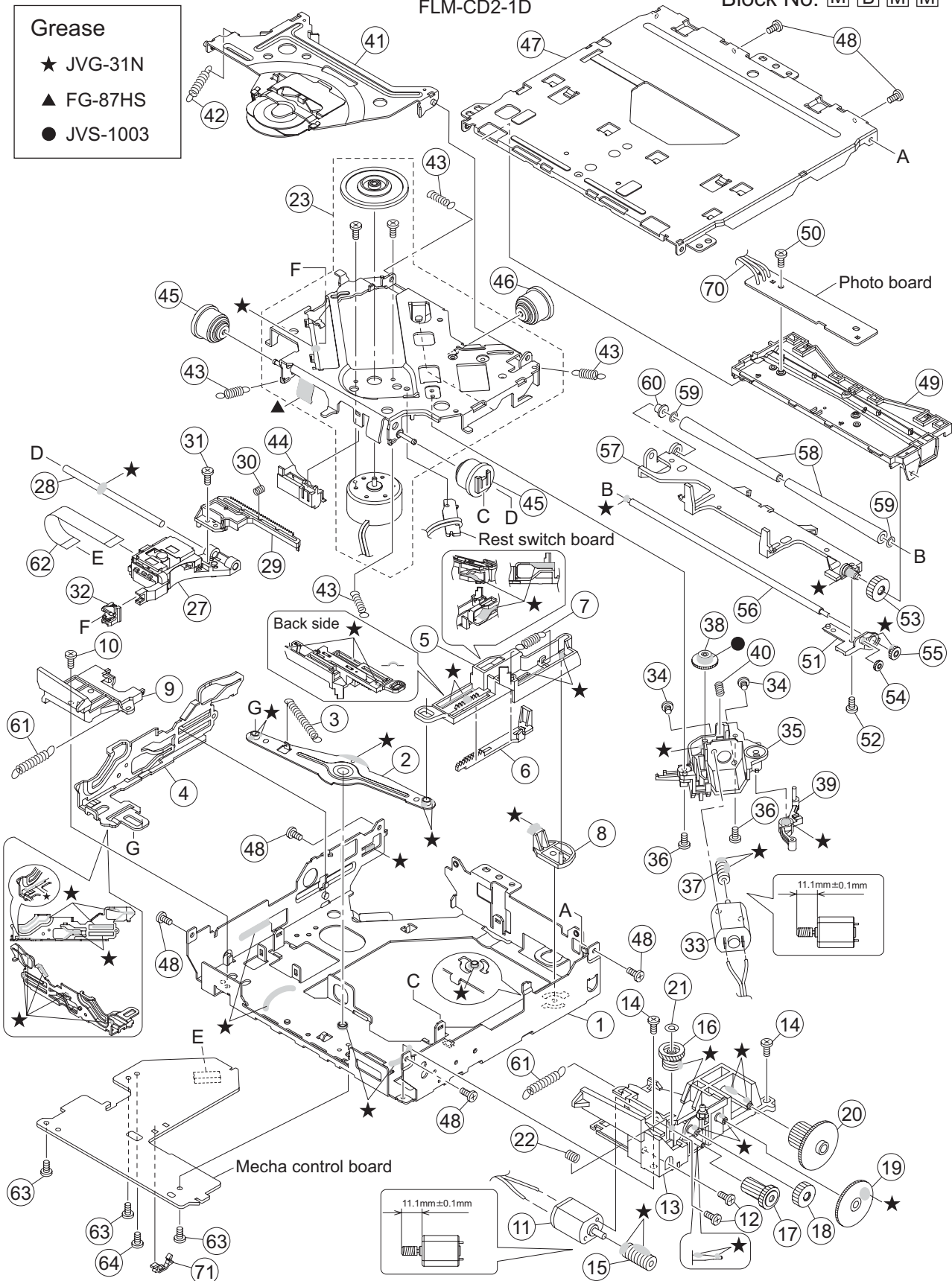
# CD mechanism assembly and parts list

FLM-CD2-1D

Block No. M B M M

**Grease**

- ★ JVG-31N
- ▲ FG-87HS
- JVS-1003



The parts without symbol number are not service.



# CD mechanism

Block No. [M][B][M][M]

△	Symbol No.	Part No.	Part Name	Description	Local
	1	LV11256-001A	MECHA FRAME		
	2	LV36800-001A	LINK ARM		
	3	LV44658-001A	LINK SPRING		
	4	LV22300-001A	SLIDE CAM(L)		
	5	LV22298-002A	SLIDE CAM(R)		
	6	LV36802-001A	LOAD RACK		
	7	LV44552-001A	RETURN SPRING		
	8	LV36803-002A	F LOCK LEVER		
	9	LV36804-002A	CAM COVER		
	10	VKZ4539-054	MINI SCREW		
	11	QAR0373-002	MOTOR		
	12	QYSPSPT2025MA	SCREW	M2 x 2.5mm(x2)	
	13	LV36903-002A	L.M.BASE ASSY		
	14	VKZ4539-054	MINI SCREW	(x2)	
	15	LV36806-001A	L.WORM GEAR		
	16	LV36805-001A	M WHEEL GEAR		
	17	LV36807-001A	A WHEEL GEAR		
	18	LV36808-001A	R.ACT GEAR(1)		
	19	LV36809-001A	LOAD ACT GEAR		
	20	LV36810-001A	LOADING GEAR		
	21	QYWDL1230250	SLIT WASHER	3mm/1.2mm x 0.25mm	
	22	LV44589-002A	COMPRESSION SPRING		
	23	CM-FLMCD1D	SPINDLE MOTOR ASSY		
	27	QAL0993-001	PICK UP		
	28	LV44555-001A	MAIN SHAFT		
	29	LV36799-001A	RACK PLATE		
	30	LV44640-001A	RACK SPRING		
	31	QYSPSGT1745ZA	TAP SCREW	M1.7 x 4.5mm	
	32	LV36813-001A	SUB GUIDE CAP		
	33	QAR0144-003	MOTOR	2.0V DC	
	34	QYSPSPT2025MA	SCREW	M2 x 2.5mm(x2)	
	35	LV22296-001A	F.MOTOR HOLDER		
	36	VKZ4539-054	MINI SCREW	(x2)	
	37	LV36814-001A	F.WORM GEAR		
	38	LV36815-001A	F.WHEEL GEAR		
	39	LV36816-001A	TRIGGER ARM		
	40	LV44589-002A	COMPRESSION SPRING		
	41	LV37326-001A	CLAMPER ASSY		
	42	LV44557-002A	CLAMPER SPRING		
	43	LV44558-001A	SUS SPRING	(x4)	
	44	LV36820-001A	WIRE HOLDER		
	45	LV36904-001A	DAMPER	(x2)	
	46	LV37061-001A	DAMPER		
	47	LV11260-002A	TOP COVER		
	48	VKZ4539-054	MINI SCREW	(x6)	
	49	LV11264-003A	DISC PLATE		
	50	LV44586-001A	SPECIAL SCREW		
	51	LV36801-001A	GEAR HOLDER		
	52	VKZ4539-054	MINI SCREW		
	53	LV36821-001A	R.ACT GEAR(2)		
	54	LV36822-001A	R.ACT GEAR(3)		
	55	LV36823-001A	ROLLER GEAR		
	56	LV44559-002A	ROLLER SHAFT		
	57	LV22325-001A	R.HOLDER ASSY		
	58	LV44560-001A	ROLLER	(x2)	
	59	LV44590-001A	WASHER	(x2)	
	60	LV44561-001A	ROLLER COLLAR		
	61	LV44562-002A	ROLLER SPRING	(x2)	
	62	QAL0817-003	FPC		
	63	VKZ4539-054	MINI SCREW	(x3)	
	64	VKZ4539-054	MINI SCREW		
	70	WJS0085-001A-E	E-FL/RB WIRE		
	71	LV34916-001A	WIRE CLAMP		

# Electrical parts list

## Main board

Block No. [0][1]

△ Symbol No.	Part No.	Part Name	Description	Local
△ IC1	TEF6601T/V2-X	IC		
IC161	BD3445FS-X	IC		
△ IC301	TB2926AHQ	IC		
IC381	NJM2160BV-X	IC		AR390J
△ IC501	LA6565-X	IC		
△ IC521	MN6627945EE	IC		
IC581	NJM4565E-X	IC		
△ IC701	MN101E16MCA	IC		
IC702	S-80824CNNB-G-W	IC		
IC702	or IC-PST3424U-X	IC		
IC771	S-24CS04AFJ-G-X	IC		
IC801	74AHCT126PW-X	IC		
△ IC901	AN34001A	REGULATOR IC		
IC981	NJM2878F4-15-X	IC		
Q341	IMX9-W	PAIR TRANSISTOR		
Q501	2SA1705/ST-T	TRANSISTOR		
Q521	ISA1530AC1/R/-X	TRANSISTOR		
Q521	or 2SB709A/QR/-X	TRANSISTOR		
Q781	RT1P141C-X	DIGI TRANSISTOR		
Q781	or UN2111-X	TRANSISTOR		
Q782	RT6N430C-X	TRANSISTOR		
Q784	RT1P141C-X	DIGI TRANSISTOR		
Q784	or UN2111-X	TRANSISTOR		
Q785	RT1P141C-X	DIGI TRANSISTOR		
Q785	or UN2111-X	TRANSISTOR		
Q882	RT1P141C-X	DIGI TRANSISTOR		
Q882	or UN2111-X	TRANSISTOR		
Q883	RT1N141C-X	DIGI TRANSISTOR		
Q883	or UN2211-X	TRANSISTOR		
Q976	RT1N141C-X	DIGI TRANSISTOR		
Q976	or UN2211-X	TRANSISTOR		
Q977	ISA1530AC1/R/-X	TRANSISTOR		
Q977	or 2SB709A/QR/-X	TRANSISTOR		
D331	MC2836-X	DIODE		
D331	or MA152WA-X	DIODE		
D341	NAF0029-001X	DIODE	V	
D351	NAF0029-001X	DIODE	V	
D501	1A3G-T1	SI DIODE		
D711	MA8062/M/-X	Z DIODE		AR390J
D711	or UDZW6.2B-X	Z DIODE		AR390J
D712	MA111-X	SI DIODE		
D712	or 1SS355W-X	DIODE		
D713	MA8056/M/-X	Z DIODE		
D713	or UDZW5.6B-X	Z DIODE		
D715	MA8062/M/-X	Z DIODE		
D715	or UDZW6.2B-X	Z DIODE		
D716	MA8062/M/-X	Z DIODE		
D716	or UDZW6.2B-X	Z DIODE		
D717	MA8062/M/-X	Z DIODE		
D717	or UDZW6.2B-X	Z DIODE		
D718	MA8062/M/-X	Z DIODE		
D718	or UDZW6.2B-X	Z DIODE		
D782	MA111-X	SI DIODE		
D782	or 1SS355W-X	DIODE		
D784	MA8100/M/-X	Z DIODE		
D784	or UDZW10B-X	Z DIODE		
D785	MA111-X	SI DIODE		
D785	or 1SS355W-X	DIODE		
D786	MA111-X	SI DIODE		AR390J,G3 40J,G444UI, G445U,G44 5UN,G445U T,G445UH, G446U,G44 6UN,G446U T,G446UH

△ Symbol No.	Part No.	Part Name	Description	Local
D786	or 1SS355W-X	DIODE		AR390J,G3 40J,G444UI, G445U,G44 5UN,G445U T,G445UH, G446U,G44 6UN,G446U T,G446UH S25J
D786	1SS380-X	SI DIODE		
D787	MA111-X	SI DIODE		
D787	or 1SS355W-X	DIODE		
D851	MA22D23-X	SB DIODE		G444UI,G44 5U,G445UN ,G445UT,G4 45UH,G446 U,G446UN, G446UT,G4 46UH
D851	or CRS03-W	SB DIODE		G444UI,G44 5U,G445UN ,G445UT,G4 45UH,G446 U,G446UN, G446UT,G4 46UH
D851	or RB160M-30-X	SB DIODE		G444UI,G44 5U,G445UN ,G445UT,G4 45UH,G446 U,G446UN, G446UT,G4 46UH
D852	MA22D39-X	SB DIODE		G444UI,G44 5U,G445UN ,G445UT,G4 45UH,G446 U,G446UN, G446UT,G4 46UH
△ D901	1N5401-F64	SI DIODE		
△ D901	or 1N5401-TU-15	SI DIODE		
D971	MA22D23-X	SB DIODE		
D971	or CRS03-W	SB DIODE		
D971	or RB160M-30-X	SB DIODE		
D972	MA22D39-X	SB DIODE		
C1	NCB31HK-102X	C CAPACITOR	1000pF 50V K	
C2	NDC31HJ-7R0X	C CAPACITOR	7pF 50V J	
C3	NCB31HK-102X	C CAPACITOR	1000pF 50V K	
C4	NCB31AK-224X	C CAPACITOR	0.22uF 10V K	
C5	NDC31HJ-150X	C CAPACITOR	15pF 50V J	
C6	NDC31HJ-2R0X	C CAPACITOR	2pF 50V J	
C7	NDC31HJ-220X	C CAPACITOR	22pF 50V J	
C10	NCB21AK-105X	C CAPACITOR	1uF 10V K	
C11	NCB31HK-103X	C CAPACITOR	0.01uF 50V K	
C12	NCB31HK-103X	C CAPACITOR	0.01uF 50V K	
C13	NCB21AK-105X	C CAPACITOR	1uF 10V K	
C14	NCB31AK-224X	C CAPACITOR	0.22uF 10V K	
C15	NCB31CK-104X	C CAPACITOR	0.1uF 16V K	
C16	NCB31HK-103X	C CAPACITOR	0.01uF 50V K	
C17	NCB31CK-104X	C CAPACITOR	0.1uF 16V K	
C18	NCB31HK-103X	C CAPACITOR	0.01uF 50V K	
C19	NCB31CK-104X	C CAPACITOR	0.1uF 16V K	
C22	NDC31HJ-120X	C CAPACITOR	12pF 50V J	
C23	NCB31CK-104X	C CAPACITOR	0.1uF 16V K	
C24	NCB31HK-103X	C CAPACITOR	0.01uF 50V K	
C25	NCB31HK-103X	C CAPACITOR	0.01uF 50V K	
C26	QEKJ1CM-107Z	E CAPACITOR	100uF 16V M	
C27	QEKJ1EM-106Z	E CAPACITOR	10uF 25V M	
C34	NDC31HJ-5R6X	C CAPACITOR	5.6pF 50V J	
C120	NCB31CK-104X	C CAPACITOR	0.1uF 16V K	
C161	QTE1H57-105Z	E CAPACITOR	1uF 50V	
C163	QTE1H57-105Z	E CAPACITOR	1uF 50V	
C164	QTE1H57-105Z	E CAPACITOR	1uF 50V	
C165	NCB31HK-103X	C CAPACITOR	0.01uF 50V K	
C166	QTE1H57-105Z	E CAPACITOR	1uF 50V	
C167	NCB31AK-474X	C CAPACITOR	0.47uF 10V K	
C168	NCB31AK-474X	C CAPACITOR	0.47uF 10V K	
C169	NCB31EK-103X	C CAPACITOR	0.01uF 25V K	
C171	QTE1H57-105Z	E CAPACITOR	1uF 50V	

△ Symbol No.	Part No.	Part Name	Description	Local	△ Symbol No.	Part No.	Part Name	Description	Local
C173	QTE1H57-105Z	E CAPACITOR	1uF 50V		C592	NCB31EK-104X	C CAPACITOR	0.1uF 25V K	
C174	QTE1H57-105Z	E CAPACITOR	1uF 50V		C700	NDC31HJ-121X	C CAPACITOR	120pF 50V J	
C175	NCB31HK-103X	C CAPACITOR	0.01uF 50V K		C703	NDC31HJ-220X	C CAPACITOR	22pF 50V J	
C177	NCB31AK-474X	C CAPACITOR	0.47uF 10V K		C704	NDC31HJ-220X	C CAPACITOR	22pF 50V J	
C178	NCB31AK-474X	C CAPACITOR	0.47uF 10V K		C705	NCB31EK-103X	C CAPACITOR	0.01uF 25V K	
C180	QTE1C57-107Z	E CAPACITOR	100uF 16V		C706	NCB31EK-103X	C CAPACITOR	0.01uF 25V K	
C181	QTE1C57-106Z	E CAPACITOR	10uF 16V		C707	QEKJ1CM-107Z	E CAPACITOR	100uF 16V M	
C301	QFV91HJ-474Z	MF CAPACITOR	0.47uF 50V J		C708	NCB31CK-104X	C CAPACITOR	0.1uF 16V K	
C302	QFV91HJ-474Z	MF CAPACITOR	0.47uF 50V J		C709	NCB31CK-104X	C CAPACITOR	0.1uF 16V K	
C303	NDC31HJ-101X	C CAPACITOR	100pF 50V J		C710	NDC31HJ-101X	C CAPACITOR	100pF 50V J	AR390J
C304	NDC31HJ-101X	C CAPACITOR	100pF 50V J		C711	QTE0J57-476Z	E CAPACITOR	47uF 6.3V	
C306	NCB31EK-104X	C CAPACITOR	0.1uF 25V K		C712	NCB31EK-103X	C CAPACITOR	0.01uF 25V K	
C307	QEKJ1CM-476Z	E CAPACITOR	47uF 16V M		C714	NCB31CK-104X	C CAPACITOR	0.1uF 16V K	
C311	QFV91HJ-474Z	MF CAPACITOR	0.47uF 50V J		C715	NCB31CK-104X	C CAPACITOR	0.1uF 16V K	
C312	QFV91HJ-474Z	MF CAPACITOR	0.47uF 50V J		C717	NCB31CK-104X	C CAPACITOR	0.1uF 16V K	
C313	NDC31HJ-101X	C CAPACITOR	100pF 50V J		C718	NCB31CK-104X	C CAPACITOR	0.1uF 16V K	
C314	NDC31HJ-101X	C CAPACITOR	100pF 50V J		C719	QEKJ1CM-107Z	E CAPACITOR	100uF 16V M	
C315	QEKJ1HM-225Z	E CAPACITOR	2.2uF 50V M		C720	NCB31AK-474X	C CAPACITOR	0.47uF 10V K	
C316	QEKJ1HM-475Z	E CAPACITOR	4.7uF 50V M		C721	NCB31CK-104X	C CAPACITOR	0.1uF 16V K	
C317	QTE1C57-476Z	E CAPACITOR	47uF 16V		C722	QEKJ1HM-475Z	E CAPACITOR	4.7uF 50V M	
C318	QEKJ1CM-226Z	E CAPACITOR	22uF 16V M		C723	QEKJ1CM-107Z	E CAPACITOR	100uF 16V M	
C319	NCB31EK-223X	C CAPACITOR	0.022uF 25V K		C726	NDC31HJ-391X	C CAPACITOR	390pF 50V J	
C320	NCB31EK-223X	C CAPACITOR	0.022uF 25V K		C727	NDC31HJ-391X	C CAPACITOR	390pF 50V J	
C321	NCB21AK-225X-A	C CAPACITOR	2.2uF 10V K		C771	NCB31EK-473X	C CAPACITOR	0.047uF 25V K	
C383	QEKJ1HM-475Z	E CAPACITOR	4.7uF 50V M	AR390J	C784	QEKJ1CM-107Z	E CAPACITOR	100uF 16V M	
C384	QEKJ1HM-475Z	E CAPACITOR	4.7uF 50V M	AR390J	C785	QEKJ0JM-107Z	E CAPACITOR	100uF 6.3V M	
C385	QEKJ1HM-475Z	E CAPACITOR	4.7uF 50V M		C801	NCB31EK-473X	C CAPACITOR	0.047uF 25V K	
C386	QEKJ1HM-475Z	E CAPACITOR	4.7uF 50V M		C852	NCB31CK-224X	C CAPACITOR	0.22uF 16V K	G444U,G445U,G445UT,G446U,G446UN,G446UT,G446UH
C387	NCB31HK-152X	C CAPACITOR	1500pF 50V K	AR390J					
C388	NCB31HK-152X	C CAPACITOR	1500pF 50V K	AR390J					
C389	QEKJ1CM-107Z	E CAPACITOR	100uF 16V M	AR390J					
C390	QEKJ1CM-107Z	E CAPACITOR	100uF 16V M	AR390J					
C392	NCB31EK-104X	C CAPACITOR	0.1uF 25V K	AR390J					
C393	QEKJ1CM-476Z	E CAPACITOR	47uF 16V M	AR390J					
C501	QEKJ0JM-227Z	E CAPACITOR	220uF 6.3V M		C901	QEZ0870-278	E CAPACITOR	2700uF	
C503	QEKJ1AM-227Z	E CAPACITOR	220uF 10V M		C902	QERF1HM-225Z	E CAPACITOR	2.2uF 50V M	
C504	NCB31EK-104X	C CAPACITOR	0.1uF 25V K		C903	QEKJ1CM-476Z	E CAPACITOR	47uF 16V M	
C507	NCB31EK-473X	C CAPACITOR	0.047uF 25V K		C905	QEKJ1CM-476Z	E CAPACITOR	47uF 16V M	
C511	NCB31HK-222X	C CAPACITOR	2200pF 50V K		C906	NCB31HK-103X	C CAPACITOR	0.01uF 50V K	
C513	NCB31HK-682X	C CAPACITOR	6800pF 50V K		C907	QEKJ1CM-107Z	E CAPACITOR	100uF 16V M	
C515	NCB31HK-122X	C CAPACITOR	1200pF 50V K		C908	QEKJ1AM-227Z	E CAPACITOR	220uF 10V M	
C517	NCB31HK-182X	C CAPACITOR	1800pF 50V K		C909	QERF0JM-337Z	E CAPACITOR	330uF 6.3V M	
C518	NDC31HJ-680X	C CAPACITOR	68pF 50V J		C910	QEKJ1EM-106Z	E CAPACITOR	10uF 25V M	
C521	NCB31EK-104X	C CAPACITOR	0.1uF 25V K		C911	NCB31HK-104X	C CAPACITOR	0.1uF 50V K	
C522	NCB31CK-224X	C CAPACITOR	0.22uF 16V K		C912	NCB31HK-103X	C CAPACITOR	0.01uF 50V K	
C524	NDC31HJ-561X	C CAPACITOR	560pF 50V J		C913	QEKJ1EM-106Z	E CAPACITOR	10uF 25V M	
C525	NCB31CK-223X	C CAPACITOR	0.022uF 16V K		C914	QEKJ1CM-107Z	E CAPACITOR	100uF 16V M	
C526	NCB31CK-223X	C CAPACITOR	0.022uF 16V K		C915	NCB31HK-104X	C CAPACITOR	0.1uF 50V K	
C527	NCB31EK-332X	C CAPACITOR	3300pF 25V K		C916	NCB31HK-103X	C CAPACITOR	0.01uF 50V K	
C528	NDC31HJ-181X	C CAPACITOR	180pF 50V J		C917	QEKJ1EM-106Z	E CAPACITOR	10uF 25V M	
C529	NCB31HK-103X	C CAPACITOR	0.01uF 50V K		C971	NCB31EK-104X	C CAPACITOR	0.1uF 25V K	
C530	NCB31HK-103X	C CAPACITOR	0.01uF 50V K		C982	NCB31EK-104X	C CAPACITOR	0.1uF 25V K	
C531	NCB31AK-334X	C CAPACITOR	0.33uF 10V K		C984	NCB21AK-225X	C CAPACITOR	2.2uF 10V K	
C532	NCB31AK-334X	C CAPACITOR	0.33uF 10V K		R1	NRSA63J-474X	MG RESISTOR	470kΩ 1/16W J	
C534	NCB31EK-332X	C CAPACITOR	3300pF 25V K		R2	NRSA63J-474X	MG RESISTOR	470kΩ /16W J	
C535	NCB31EK-104X	C CAPACITOR	0.1uF 25V K		R4	NRSA63J-472X	MG RESISTOR	4.7kΩ 1/16W J	
C536	QEKJ0JM-476Z	E CAPACITOR	47uF 6.3V M		R5	NRS181J-220X	MG RESISTOR	22Ω 1/8W J	
C537	QEKJ0JM-476Z	E CAPACITOR	47uF 6.3V M		R6	NRSA63J-101X	MG RESISTOR	100Ω 1/16W J	
C539	NCB31EK-104X	C CAPACITOR	0.1uF 25V K		R7	NRSA63J-101X	MG RESISTOR	100Ω 1/16W J	
C540	NCS31HJ-681X	C CAPACITOR	680pF 50V J		R10	NRSA63J-0R0X	MG RESISTOR	0Ω 1/16W J	
C541	NCB31EK-153X	C CAPACITOR	0.015uF 25V K		R11	NRS181J-4R7X	MG RESISTOR	4.7Ω 1/8W J	
C542	NCB31EK-104X	C CAPACITOR	0.1uF 25V K		R16	NRSA63J-472X	MG RESISTOR	4.7kΩ 1/16W J	
C543	NCB31HK-102X	C CAPACITOR	1000pF 50V K		R17	NRSA63J-472X	MG RESISTOR	4.7kΩ 1/16W J	
C544	NCB31EK-823X	C CAPACITOR	0.082uF 25V K		R81	NRSA63J-752X	MG RESISTOR	7.5kΩ 1/16W J	AR390J,G340J,S25J
C545	NCB31EK-104X	C CAPACITOR	0.1uF 25V K						
C547	QTE0J57-476Z	E CAPACITOR	47uF 6.3V		R81	NRSA63J-682X	MG RESISTOR	6.8kΩ 1/16W J	G444U,G445U,G445UN,G445UT,G446U,G446UN,G446UT,G446UH
C548	QTE0J57-476Z	E CAPACITOR	47uF 6.3V						
C549	NCB31EK-104X	C CAPACITOR	0.1uF 25V K						
C551	NCB31EK-104X	C CAPACITOR	0.1uF 25V K						
C552	QEKJ0JM-476Z	E CAPACITOR	47uF 6.3V M						
C583	NDC31HJ-821X	C CAPACITOR	820pF 50V J						
C584	NDC31HJ-821X	C CAPACITOR	820pF 50V J						
C585	QTE1H64-225Z	E CAPACITOR	2.2uF 50V		R82	NRSA63J-392X	MG RESISTOR	3.9kΩ 1/16W J	AR390J,G340J,S25J
C586	QTE1H64-225Z	E CAPACITOR	2.2uF 50V						
C587	NDC31HJ-151X	C CAPACITOR	150pF 50V J						
C588	NDC31HJ-151X	C CAPACITOR	150pF 50V J						
C590	QTE0J57-476Z	E CAPACITOR	47uF 6.3V						
C591	QTE1A57-107Z	E CAPACITOR	100uF 10V						

△ Symbol No.	Part No.	Part Name	Description	Local	△ Symbol No.	Part No.	Part Name	Description	Local
R82	NRSA63J-822X	MG RESISTOR	8.2kΩ 1/16W J	G444UI,G445U,G445UT,G445UH,G446U,G446UT,G446UH	R516	NRSA63J-102X	MG RESISTOR	1kΩ 1/16W J	
R91	NRSA63J-752X	MG RESISTOR	7.5kΩ 1/16W J	AR390J,G340J,S25J	R517	NRSA63J-153X	MG RESISTOR	15kΩ 1/16W J	
R91	NRSA63J-682X	MG RESISTOR	6.8kΩ 1/16W J	G444UI,G445U,G445UT,G445UH,G446U,G446UT,G446UH	R518	NRSA63J-562X	MG RESISTOR	5.6kΩ 1/16W J	
R92	NRSA63J-392X	MG RESISTOR	3.9kΩ 1/16W J	AR390J,G340J,S25J	R519	NRS181J-203X	MG RESISTOR	20kΩ 1/8W J	
R92	NRSA63J-822X	MG RESISTOR	8.2kΩ 1/16W J	G444UI,G445U,G445UT,G445UH,G446U,G446UT,G446UH	R520	NRS181J-220X	MG RESISTOR	22Ω 1/8W J	
R122	NRSA63J-471X	MG RESISTOR	470Ω 1/16W J		R521	NRSA63J-105X	MG RESISTOR	1MΩ 1/16W J	
R161	NRSA63J-104X	MG RESISTOR	100kΩ 1/16W J		R522	NRSA63J-221X	MG RESISTOR	220Ω 1/16W J	
R162	NRSA63J-104X	MG RESISTOR	100kΩ 1/16W J		R524	NRSA63J-102X	MG RESISTOR	1kΩ 1/16W J	
R163	NRSA63J-103X	MG RESISTOR	10kΩ 1/16W J		R525	NRSA63J-101X	MG RESISTOR	100Ω 1/16W J	
R164	NRSA63J-472X	MG RESISTOR	4.7kΩ 1/16W J		R526	NRSA63J-101X	MG RESISTOR	100Ω 1/16W J	
R165	NRSA63J-472X	MG RESISTOR	4.7kΩ 1/16W J		R527	NRSA63J-101X	MG RESISTOR	100Ω 1/16W J	
R166	NRSA63J-472X	MG RESISTOR	4.7kΩ 1/16W J		R528	NRSA63J-101X	MG RESISTOR	100Ω 1/16W J	
R167	NRSA63J-472X	MG RESISTOR	4.7kΩ 1/16W J		R529	NRSA63J-101X	MG RESISTOR	100Ω 1/16W J	
R168	NRSA63J-103X	MG RESISTOR	10kΩ 1/16W J		R535	NRSA63J-103X	MG RESISTOR	10kΩ 1/16W J	
R169	NRSA63J-333X	MG RESISTOR	33kΩ 1/16W J		R536	NRSA63J-822X	MG RESISTOR	8.2kΩ 1/16W J	
R170	NRSA63J-101X	MG RESISTOR	100Ω 1/16W J		R537	NRSA63J-153X	MG RESISTOR	15kΩ 1/16W J	
R171	NRSA63J-101X	MG RESISTOR	100Ω 1/16W J		R538	NRSA63J-103X	MG RESISTOR	10kΩ 1/16W J	
R172	NRSA63J-472X	MG RESISTOR	4.7kΩ 1/16W J		R540	NRSA63J-303X	MG RESISTOR	30kΩ 1/16W J	
R173	NRSA63J-472X	MG RESISTOR	4.7kΩ 1/16W J		R541	NRSA63J-393X	MG RESISTOR	39kΩ 1/16W J	
R174	NRSA63J-222X	MG RESISTOR	2.2kΩ 1/16W J		R542	NRSA63J-472X	MG RESISTOR	4.7kΩ 1/16W J	
R305	NRS181J-102X	MG RESISTOR	1kΩ 1/8W J		R543	NRS181J-102X	MG RESISTOR	1kΩ 1/8W J	
R342	NRSA63J-821X	MG RESISTOR	820Ω 1/16W J		R544	NRSA63J-102X	MG RESISTOR	1kΩ 1/16W J	
R343	NRSA63J-101X	MG RESISTOR	100Ω 1/16W J		R545	NRSA63J-332X	MG RESISTOR	3.3kΩ 1/16W J	
R344	NRSA63J-222X	MG RESISTOR	2.2kΩ 1/16W J		R546	NRSA63J-822X	MG RESISTOR	8.2kΩ 1/16W J	
R352	NRSA63J-821X	MG RESISTOR	820Ω 1/16W J		R547	NRSA63J-822X	MG RESISTOR	8.2kΩ 1/16W J	
R353	NRSA63J-101X	MG RESISTOR	100Ω 1/16W J		R548	NRSA63J-332X	MG RESISTOR	3.3kΩ 1/16W J	
R354	NRSA63J-222X	MG RESISTOR	2.2kΩ 1/16W J		R549	NRS181J-562X	MG RESISTOR	5.6kΩ 1/8W J	
R381	NRSA63J-102X	MG RESISTOR	1kΩ 1/16W J	AR390J	R554	NRSA63J-4R7X	MG RESISTOR	4.7Ω 1/16W J	
R382	NRS181J-102X	MG RESISTOR	1kΩ 1/8W J	AR390J	R556	NRSA63J-473X	MG RESISTOR	47kΩ 1/16W J	
R382	NRS181J-0R0X	MG RESISTOR	0Ω 1/8W J	G340J,G444UI,G445U,G445UN,G445UT,G445UH,G446U,G446UT,G446UH,H,S25J	R558	NRSA63J-823X	MG RESISTOR	82kΩ 1/16W J	
R383	NRSA63J-473X	MG RESISTOR	47kΩ 1/16W J		R559	NRSA63J-821X	MG RESISTOR	820Ω 1/16W J	
R384	NRSA63J-104X	MG RESISTOR	100kΩ 1/16W J	AR390J	R565	NRS181J-151X	MG RESISTOR	150Ω 1/8W J	
R385	NRSA63J-223X	MG RESISTOR	22kΩ 1/16W J	AR390J	R566	NRS181J-100X	MG RESISTOR	10Ω 1/8W J	
R386	NRSA63J-223X	MG RESISTOR	22kΩ 1/16W J	AR390J	R583	NRSA63J-153X	MG RESISTOR	15kΩ 1/16W J	
R387	NRSA63J-473X	MG RESISTOR	47kΩ 1/16W J		R584	NRSA63J-153X	MG RESISTOR	15kΩ 1/16W J	
R388	NRSA63J-333X	MG RESISTOR	33kΩ 1/16W J	AR390J	R585	NRSA63J-562X	MG RESISTOR	5.6kΩ 1/16W J	
R389	NRSA63J-333X	MG RESISTOR	33kΩ 1/16W J	AR390J	R586	NRSA63J-562X	MG RESISTOR	5.6kΩ 1/16W J	
R390	NRSA63J-104X	MG RESISTOR	100kΩ 1/16W J	AR390J	R587	NRSA63J-273X	MG RESISTOR	27kΩ 1/16W J	
R500	NRS181J-220X	MG RESISTOR	22Ω 1/8W J		R589	NRSA63J-0R0X	MG RESISTOR	0Ω 1/16W J	
R501	NRSA63J-822X	MG RESISTOR	8.2kΩ 1/16W J		R590	NRSA63J-0R0X	MG RESISTOR	0Ω 1/16W J	
R502	NRSA63J-822X	MG RESISTOR	8.2kΩ 1/16W J		R591	NRSA63J-103X	MG RESISTOR	10kΩ 1/16W J	
R503	NRSA63J-512X	MG RESISTOR	5.1kΩ 1/16W J		R592	NRSA63J-103X	MG RESISTOR	10kΩ 1/16W J	
R504	NRSA63J-822X	MG RESISTOR	8.2kΩ 1/16W J		R593	NRS181J-223X	MG RESISTOR	22kΩ 1/8W J	
R505	NRSA63J-822X	MG RESISTOR	8.2kΩ 1/16W J		R594	NRSA63J-223X	MG RESISTOR	22kΩ 1/16W J	
R506	NRSA63J-393X	MG RESISTOR	39kΩ 1/16W J		R701	NRSA63J-103X	MG RESISTOR	10kΩ 1/16W J	
R507	NRSA63J-203X	MG RESISTOR	20kΩ 1/16W J		R702	NRSA63J-103X	MG RESISTOR	10kΩ 1/16W J	
R508	NRSA63J-682X	MG RESISTOR	6.8kΩ 1/16W J		R703	NRSA63J-104X	MG RESISTOR	100kΩ 1/16W J	
R509	NRSA63J-683X	MG RESISTOR	68kΩ 1/16W J		R704	NRSA63J-104X	MG RESISTOR	100kΩ 1/16W J	
R510	NRSA63J-273X	MG RESISTOR	27kΩ 1/16W J		R705	NRSA63J-103X	MG RESISTOR	10kΩ 1/16W J	
R511	NRSA63J-153X	MG RESISTOR	15kΩ 1/16W J		R708	NRSA63J-104X	MG RESISTOR	100kΩ 1/16W J	G444UI,G445U,G445UT,G445UH,G446U,G446UT,G446UH
R512	NRSA63J-562X	MG RESISTOR	5.6kΩ 1/16W J		R709	NRSA63J-473X	MG RESISTOR	47kΩ 1/16W J	AR390J,G340J,S25J
R513	NRSA63J-103X	MG RESISTOR	10kΩ 1/16W J		R712	NRSA63J-0R0X	MG RESISTOR	0Ω 1/16W J	
R514	NRSA63J-562X	MG RESISTOR	5.6kΩ 1/16W J		R714	NRSA63J-0R0X	MG RESISTOR	0Ω 1/16W J	
R515	NRSA63J-153X	MG RESISTOR	15kΩ 1/16W J		R716	NRSA63J-102X	MG RESISTOR	1kΩ 1/16W J	
					R717	NRSA63J-102X	MG RESISTOR	1kΩ 1/16W J	
					R718	NRSA63J-102X	MG RESISTOR	1kΩ 1/16W J	
					R719	NRSA63J-102X	MG RESISTOR	1kΩ 1/16W J	
					R720	NRSA63J-102X	MG RESISTOR	1kΩ 1/16W J	
					R721	NRSA63J-102X	MG RESISTOR	1kΩ 1/16W J	
					R722	NRSA63J-102X	MG RESISTOR	1kΩ 1/16W J	
					R723	NRSA63J-103X	MG RESISTOR	10kΩ 1/16W J	
					R726	NRSA63J-273X	MG RESISTOR	27kΩ 1/16W J	
					R727	NRSA63J-122X	MG RESISTOR	1.2kΩ 1/16W J	
					R731	NRSA63J-104X	MG RESISTOR	100kΩ 1/16W J	
					R733	NRSA63J-101X	MG RESISTOR	100Ω 1/16W J	
					R736	NRSA63J-472X	MG RESISTOR	4.7kΩ 1/16W J	
					R737	NRSA63J-472X	MG RESISTOR	4.7kΩ 1/16W J	
					R738	NRSA63J-472X	MG RESISTOR	4.7kΩ 1/16W J	
					R740	NRSA63J-104X	MG RESISTOR	100kΩ 1/16W J	
					R746	NRS181J-104X	MG RESISTOR	100kΩ 1/8W J	
					R747	NRSA63J-103X	MG RESISTOR	10kΩ 1/16W J	
					R748	NRSA63J-102X	MG RESISTOR	1kΩ 1/16W J	

△ Symbol No.	Part No.	Part Name	Description	Local
R752	NRSA63J-472X	MG RESISTOR	4.7kΩ 1/16W J	
R753	NRSA63J-472X	MG RESISTOR	4.7kΩ 1/16W J	
R754	NRSA63J-472X	MG RESISTOR	4.7kΩ 1/16W J	
R755	NRS181J-472X	MG RESISTOR	4.7kΩ 1/8W J	
R756	NRSA63J-472X	MG RESISTOR	4.7kΩ 1/16W J	
R757	NRSA63J-472X	MG RESISTOR	4.7kΩ 1/16W J	
R758	NRSA63J-473X	MG RESISTOR	47kΩ 1/16W J	
R764	NRSA63J-823X	MG RESISTOR	82kΩ 1/16W J	
R770	NRSA63J-222X	MG RESISTOR	2.2kΩ 1/16W J	AR390J
R770	NRSA63J-0R0X	MG RESISTOR	0Ω 1/16W J	G340J,G444UI,G445U,G445UN,G445UT,G446U,G446UN,G446UT,G446UH,S25J
R771	NRSA63J-271X	MG RESISTOR	270Ω 1/16W J	
R772	NRSA63J-271X	MG RESISTOR	270Ω 1/16W J	
R773	NRSA63J-223X	MG RESISTOR	22kΩ 1/16W J	
R774	NRSA63J-473X	MG RESISTOR	47kΩ 1/16W J	
R775	NRSA63J-222X	MG RESISTOR	2.2kΩ 1/16W J	
R779	NRSA63J-101X	MG RESISTOR	100Ω 1/16W J	
R781	NRSA63J-473X	MG RESISTOR	47kΩ 1/16W J	
R783	NRSA63J-103X	MG RESISTOR	10kΩ 1/16W J	
R802	NRSA63J-104X	MG RESISTOR	100kΩ 1/16W J	
R803	NRSA63J-682X	MG RESISTOR	6.8kΩ 1/16W J	
R804	NRSA63J-392X	MG RESISTOR	3.9kΩ 1/16W J	
R807	NRSA63J-104X	MG RESISTOR	100kΩ 1/16W J	
R808	NRSA63J-101X	MG RESISTOR	100Ω 1/16W J	
R809	NRSA63J-473X	MG RESISTOR	47kΩ 1/16W J	
R810	NRSA63J-392X	MG RESISTOR	3.9kΩ 1/16W J	
R811	NRSA63J-682X	MG RESISTOR	6.8kΩ 1/16W J	
R812	NRSA63J-104X	MG RESISTOR	100kΩ 1/16W J	
R814	NRSA63J-101X	MG RESISTOR	100Ω 1/16W J	
R819	NRSA63J-473X	MG RESISTOR	47kΩ 1/16W J	
R851	NRS181J-103X	MG RESISTOR	10kΩ 1/8W J	G444UI,G445U,G445UN,G445UT,G446U,G446UN,G446UT,G446UH
R883	NRSA63J-682X	MG RESISTOR	6.8kΩ 1/16W J	
R884	NRSA63J-123X	MG RESISTOR	12kΩ 1/16W J	
R885	NRSA63J-102X	MG RESISTOR	1kΩ 1/16W J	
R901	QRE142J-102X	C RESISTOR	1kΩ 1/4W J	
R902	NRSA02J-912X	MG RESISTOR	9.1kΩ 1/10W J	
R903	NRS181J-472X	MG RESISTOR	4.7kΩ 1/8W J	
R971	NRS181J-222X	MG RESISTOR	2.2kΩ 1/8W J	
R972	NRS181J-222X	MG RESISTOR	2.2kΩ 1/8W J	
R976	NRSA02J-273X	MG RESISTOR	27kΩ 1/10W J	
R977	NRSA02J-123X	MG RESISTOR	12kΩ 1/10W J	
L1	NQL093K-R47X	COIL	0.47uH K	
L2	NQL093K-1R8X	COIL	1.8uH K	
L3	QQR1773-001	COIL		AR390J,G340J,G444UI,G445U,G445UN,G445UT,G446U,G446UN,G446UT,G446UH,S25J
L3	QQL213M-R22Z	COIL	0.22uH M	
L4	QQR1813-001	COIL		
L5	QQL244J-561Z	COIL	560uH J	
L6	QQL244J-561Z	COIL	560uH J	
L7	QQL244J-4R7Z	P COIL	4.7uH J	
L8	QQL244J-4R7Z	P COIL	4.7uH J	
L9	NQL093K-R47X	COIL	0.47uH K	
L120	NQR0007-002X	FERRITE BEADS		
L121	NQR0007-002X	FERRITE BEADS		
L122	NQR0007-002X	FERRITE BEADS		
L701	QQL244J-4R7Z	P COIL	4.7uH J	
L702	QQL244J-4R7Z	P COIL	4.7uH J	
L901	QQR1809-001	CHOKO COIL		
CN501	QGB2027MD-26	CONNECTOR	B-B (1-26)	
CN701	QGZ1601J1-15	CONNECTOR	(1-15)	
CN901	QNZ0611-001	16P CONNECTOR		

△ Symbol No.	Part No.	Part Name	Description	Local
J1	QNB0190-001	CAR ANT JACK		
J321	QNN0832-001	PIN JACK		AR390J
J321	QNN0802-001	PIN JACK		G340J,G444UI,G445U,G445UN,G445UT,G446U,G446UN,G446UT,G446UH,S25J,AR390J
J702	QNS0283-001	STEERING REMOTE CONNECTOR		
J801	QNZ0095-001	CONNECTOR		
S701	QSW0648-001Z	TACT SWITCH		
X1	QAX0928-001Z	CRYSTAL		
X521	QAX0714-001Z	C RESONATOR	16.000MHz	
X701	QAX0667-001Z	C RESONATOR	8.000MHz	
X702	QAX0401-001	CRYSTAL	32.768KHz	

## Switch board

Block No. [0][2]

△ Symbol No.	Part No.	Part Name	Description	Local
IC661	PTC6526LQ-L	IC		
IC681	NJL29H380A	REMOCON RCV		AR390J,G340J,G444UI,G445U,G445UN,G445UT,G446U,G446UN,G446UT,G446UH,S25J
IC681	NJL21H380A	REMOCON RCV		AR390J,G340J,G444UI,G445U,G445UN,G445UT,G446U,G446UN,G446UT,G446UH,S25J
D630	LHQ974/LM-X	LED		
D631	LHQ974/LM-X	LED		
D632	NECBB205/WPQR/X	LED		
D632	LHQ974/LM-X	LED		
D633	SML-D12V8W/PQ-X	LED		
D634	SML-D12V8W/PQ-X	LED		
D635	SML-D12V8W/PQ-X	LED		
D636	SML-D12V8W/PQ-X	LED		
D637	LHQ974/LM-X	LED		
D638	LHQ974/LM-X	LED		
D639	LHQ974/LM-X	LED		
D640	LHQ974/LM-X	LED		
D641	LHQ974/LM-X	LED		
D642	LHQ974/LM-X	LED		
D643	LHQ974/LM-X	LED		
D644	LHQ974/LM-X	LED		
D645	LHQ974/LM-X	LED		
D646	LHQ974/LM-X	LED		
D647	LHQ974/LM-X	LED		
D648	LHQ974/LM-X	LED		
D649	LHQ974/LM-X	LED		
D650	LHQ974/LM-X	LED		
D651	LHQ974/LM-X	LED		
D652	LHQ974/LM-X	LED		
D653	NSPW310CS/BTUV/	WHITE LED		
D654	NSPW310CS/BTUV/	WHITE LED		
D661	MA111-X	SI DIODE		
D661	or 1SS355W-X	DIODE		
D662	MA8051/M-X	Z DIODE		
D662	or UDZW5.1B-X	SB DIODE		
C661	NCB21CK-105X	C CAPACITOR	1uF 16V K	
C662	NDC31HJ-151X	C CAPACITOR	150pF 50V J	
C663	NCB31CK-223X	C CAPACITOR	0.022uF 16V K	
C665	NCB31CK-104X	C CAPACITOR	0.1uF 16V K	
C666	NCB31CK-104X	C CAPACITOR	0.1uF 16V K	
C682	NCB31CK-104X	C CAPACITOR	0.1uF 16V K	

Symbol No.	Part No.	Part Name	Description	Local
R600	NRSA63J-272X	MG RESISTOR	2.7kΩ 1/16W J	
R601	NRSA63J-821X	MG RESISTOR	820Ω 1/16W J	
R602	NRSA63J-821X	MG RESISTOR	820Ω 1/16W J	
R603	NRSA63J-122X	MG RESISTOR	1.2kΩ 1/16W J	
R604	NRSA63J-182X	MG RESISTOR	1.8kΩ 1/16W J	
R605	NRSA63J-272X	MG RESISTOR	2.7kΩ 1/16W J	
R606	NRSA63J-821X	MG RESISTOR	820Ω 1/16W J	
R607	NRSA63J-821X	MG RESISTOR	820Ω 1/16W J	
R608	NRSA63J-122X	MG RESISTOR	1.2kΩ 1/16W J	
R609	NRSA63J-182X	MG RESISTOR	1.8kΩ 1/16W J	
R610	NRSA63J-272X	MG RESISTOR	2.7kΩ 1/16W J	
R611	NRSA63J-821X	MG RESISTOR	820Ω 1/16W J	
R612	NRSA63J-821X	MG RESISTOR	820Ω 1/16W J	
R613	NRSA63J-122X	MG RESISTOR	1.2kΩ 1/16W J	
R614	NRSA63J-182X	MG RESISTOR	1.8kΩ 1/16W J	
R615	NRSA63J-272X	MG RESISTOR	2.7kΩ 1/16W J	
R616	NRSA63J-392X	MG RESISTOR	3.9kΩ 1/16W J	
R617	NRSA63J-103X	MG RESISTOR	10kΩ 1/16W J	
R619	NRSA63J-0R0X	MG RESISTOR	0Ω 1/16W J	
R620	NRSA63J-0R0X	MG RESISTOR	0Ω 1/16W J	
R630	NRSA63J-271X	MG RESISTOR	270Ω 1/16W J	
R631	NRS181J-621X	MG RESISTOR	620Ω 1/8W J	AR390J,G340 J,G444UI,G44 5U,G445UN,G 445UT,G445U H,G446U,G44 6UN,G446UT, G446UH

R635	NRSA63J-471X	MG RESISTOR	470Ω 1/16W J	
R637	NRSA63J-471X	MG RESISTOR	470Ω 1/16W J	
R639	NRSA63J-561X	MG RESISTOR	560Ω 1/16W J	
R640	NRSA02J-0R0X	MG RESISTOR	0Ω 1/10W J	
R641	NRSA63J-561X	MG RESISTOR	560Ω 1/16W J	
R643	NRSA63J-561X	MG RESISTOR	560Ω 1/16W J	
R646	NRSA63J-561X	MG RESISTOR	560Ω 1/16W J	
R647	NRSA63J-561X	MG RESISTOR	560Ω 1/16W J	
R649	NRSA63J-561X	MG RESISTOR	560Ω 1/16W J	
R651	NRSA63J-561X	MG RESISTOR	560Ω 1/16W J	
R653	NRSA63J-561X	MG RESISTOR	560Ω 1/16W J	
R656	NRSA63J-181X	MG RESISTOR	180Ω 1/16W J	AR390J,G340 J,G444UI,G44 5U,G445UN,G 445UT,G445U H,G446U,G44 6UN,G446UT, G446UH
R656	NRS181J-181X	MG RESISTOR	180Ω 1/8W J	S25J
R658	NRSA63J-132X	MG RESISTOR	1.3kΩ 1/16W J	AR390J,G340 J,G444UI,G44 5U,G445UN,G 445UT,G445U H,G446U,G44 6UN,G446UT, G446UH

R658	NRSA63J-561X	MG RESISTOR	560Ω 1/16W J	S25J
R659	NRSA63J-0R0X	MG RESISTOR	0Ω 1/16W J	AR390J,G340 J,G444UI,G44 5U,G445UN,G 445UT,G445U H,G446U,G44 6UN,G446UT, G446UH
R660	NRSA63J-0R0X	MG RESISTOR	0Ω 1/16W J	S25J
R661	NRSA63J-222X	MG RESISTOR	2.2kΩ 1/16W J	AR390J,G340 J,G444UI,G44 5U,G445UN,G 445UT,G445U H,G446U,G44 6UN,G446UT, G446UH
R661	NRSA63J-102X	MG RESISTOR	1kΩ 1/16W J	S25J
R662	NRSA63J-222X	MG RESISTOR	2.2kΩ 1/16W J	AR390J,G340 J,G444UI,G44 5U,G445UN,G 445UT,G445U H,G446U,G44 6UN,G446UT, G446UH
R662	NRSA63J-102X	MG RESISTOR	1kΩ 1/16W J	S25J

Symbol No.	Part No.	Part Name	Description	Local
R663	NRSA63J-184X	MG RESISTOR	100kΩ 1/16W J	AR390J,G340 J,G444UI,G44 5U,G445UN,G 445UT,G445U H,G446U,G44 6UN,G446UT, G446UH
R663	NRSA63J-394X	MG RESISTOR	390kΩ 1/16W J	S25J
R664	NRSA63J-102X	MG RESISTOR	1kΩ 1/16W J	S25J
R665	NRSA63J-224X	MG RESISTOR	220kΩ 1/16W J	
R666	NRSA63J-101X	MG RESISTOR	100Ω 1/16W J	
R667	NRSA63J-101X	MG RESISTOR	100Ω 1/16W J	
R668	NRSA63J-101X	MG RESISTOR	100Ω 1/16W J	
R670	NRSA63J-102X	MG RESISTOR	1kΩ 1/16W J	S25J
R671	NRSA63J-0R0X	MG RESISTOR	0Ω 1/16W J	
R672	NRSA63J-102X	MG RESISTOR	1kΩ 1/16W J	S25J
R674	NRSA63J-0R0X	MG RESISTOR	0Ω 1/16W J	
R676	NRSA63J-0R0X	MG RESISTOR	0Ω 1/16W J	
R681	NRSA63J-471X	MG RESISTOR	470Ω 1/16W J	
R682	NRSA63J-103X	MG RESISTOR	10kΩ 1/16W J	

CJ601	QGZ1601K1-15S	CONNECTOR	(1-15)	
J602	QNS0215-001	3.5 JACK		AR390J,G340 J
J602	QNS0245-001	3.5 JACK		G444UI,G445 U,G445UN,G4 45UT,G445UH ,G446U,G446 UN,G446UT,G 446UH,S25J

JS686	QSW1219-001	ROTARY ENCODER		
S601	NSW0124-001X	TACT SW		
S602	NSW0124-001X	TACT SW		
S603	NSW0124-001X	TACT SW		
S604	NSW0124-001X	TACT SW		
S605	NSW0124-001X	TACT SW		
S606	NSW0124-001X	TACT SW		
S607	NSW0124-001X	TACT SW		
S608	NSW0124-001X	TACT SW		
S609	NSW0124-001X	TACT SW		
S610	NSW0124-001X	TACT SW		
S611	NSW0124-001X	TACT SW		
S612	NSW0124-001X	TACT SW		
S613	NSW0124-001X	TACT SW		
S614	NSW0124-001X	TACT SW		
S615	NSW0124-001X	TACT SW		
S616	NSW0124-001X	TACT SW		
S617	NSW0124-001X	TACT SW		
S618	NSW0124-001X	TACT SW		
S619	NSW0124-001X	TACT SW		

## CD control board

Block No. [0][3]

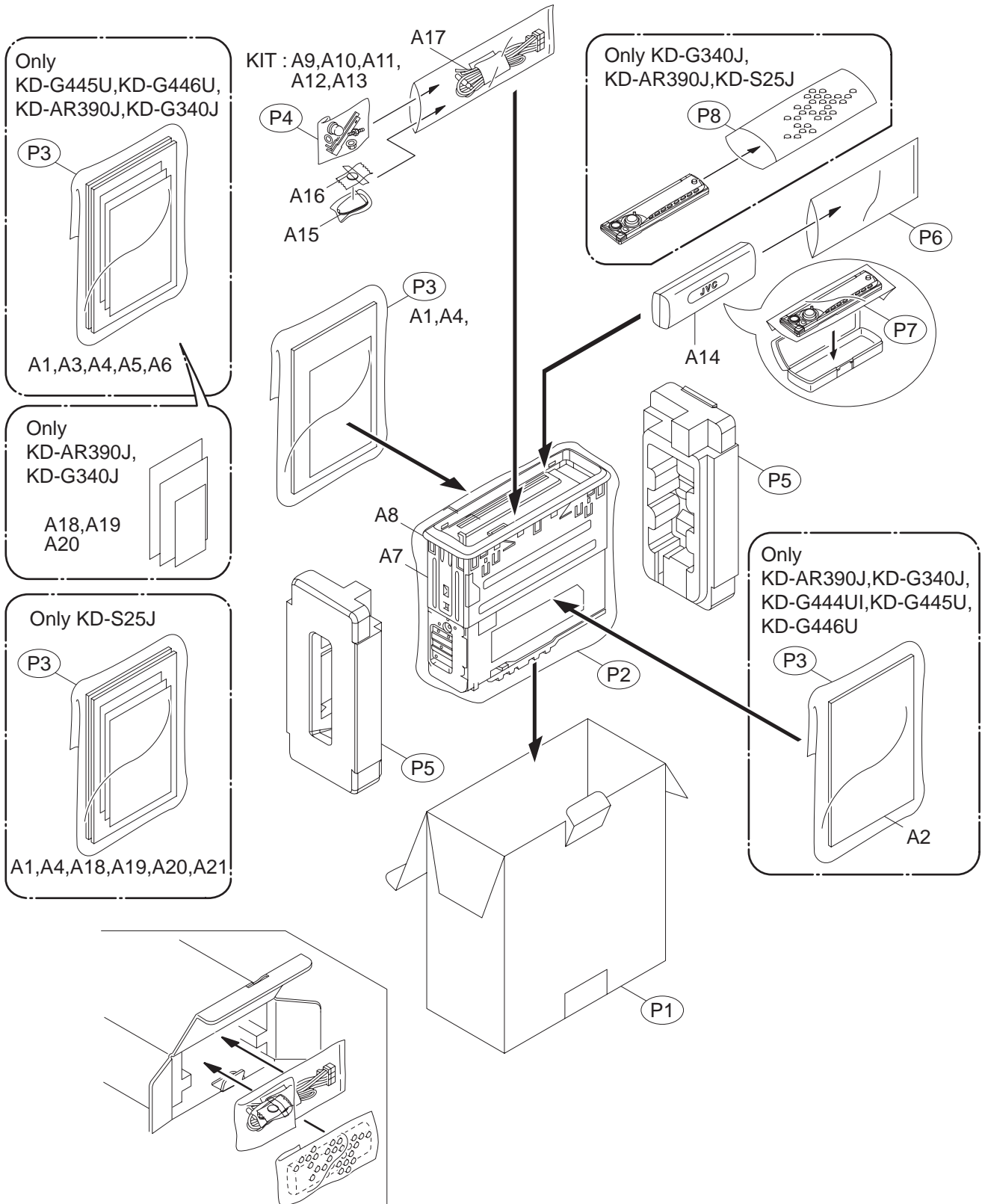
Symbol No.	Part No.	Part Name	Description	Local
Q101	2SC3928A/R/-X	TRANSISTOR		
Q201	2SC3928A/R/-X	TRANSISTOR		
Q301	PS1191RB22/BC/X	PHOTO TRANSISTOR		
Q302	PS1191RB22/BC/X	PHOTO TRANSISTOR		
D101	AN1105W21/AB/-X	IR LED		
D201	AN1105W21/AB/-X	IR LED		
R101	NRSA02J-391X	MG RESISTOR	390Ω 1/10W J	
R102	NRSA63J-822X	MG RESISTOR	8.2kΩ 1/16W J	
R103	NRSA63J-184X	MG RESISTOR	180kΩ 1/16W J	
R104	NRSA63J-184X	MG RESISTOR	180kΩ 1/16W J	
R105	NRSA63J-153X	MG RESISTOR	15kΩ 1/16W J	
R201	NRSA02J-391X	MG RESISTOR	390Ω 1/10W J	
R202	NRSA63J-822X	MG RESISTOR	8.2kΩ 1/16W J	
R203	NRSA63J-184X	MG RESISTOR	180kΩ 1/16W J	
R204	NRSA63J-184X	MG RESISTOR	180kΩ 1/16W J	

△ Symbol No.	Part No.	Part Name	Description	Local
R205	NRSA63J-153X	MG RESISTOR	15kΩ 1/16W J	
CN101	QGB2027LA-26X	CONNECTOR	B-B (1-26)	
CN102	QGF0522F3-15W	CONNECTOR	FFC/FPC (1-15)	
SW1	NSW0291-001X	DETECT SWITCH		

# Packing materials and accessories parts list

Block No. M 3 M M

No additional / supplemental order of WARRANTY CARDS are available.



The parts without symbol number are not service.



# Packing and Accessories

Block No. [M][3][M][M]

△ Symbol No.	Part No.	Part Name	Description	Local
A 1	GET0487-001A	INST BOOK	ENG FRE SPA	AR390J,G340J
A 1	GET0538-001A	INST BOOK	ENG	G444UI
A 1	GET0537-001A	INST BOOK	ENG THA	G445U,G445UH,G446U,G446UH
A 1	GET0537-004A	INST BOOK	ENG INA	G445UN,G446UN
A 1	GET0537-005A	INST BOOK	ENG CHI(TAIWAN)	G445UT,G446UT
A 1	GET0562-001A	INST BOOK		S25J
A 2	GET0537-002A	INST BOOK	ENG THA	G445U,G446U
A 3	GET0537-003A	INST BOOK	ENG THA	G445U,G446U
A 4	GET0487-002A	INST.MANUAL	ENG FRE SPA	AR390J,G340J
A 4	GET0538-002A	INST.MANUAL	ENG	G444UI
A 4	GET0537-006A	INST.MANUAL	ENG THA	G445U,G445UH,G446U,G446UH
A 4	GET0537-009A	INST.MANUAL	ENG INA	G445UN,G446UN
A 4	GET0537-010A	INST.MANUAL	ENG CHI(TAIWAN)	G445UT,G446UT
A 4	GET0562-002A	INST.MANUAL		S25J
A 5	GET0537-007A	INST.MANUAL	ENG THA	G445U,G446U
A 6	GET0537-008A	INST.MANUAL	ENG THA	G445U,G446U
A 7	GE20137-003A	MOUNTING SLEEVE		
A 8	GE20235-001A	TRIM PLATE		AR390J,G446U,G446UN,G446UT,G446UH
A 8	GE20235-002A	TRIM PLATE		G340J
A 8	GE20235-005A	TRIM PLATE		G444UI,G445U,G445UN,G445UT,G445UH
A 8	GE20235-004A	TRIM PLATE		S25J
A 9	VKZ4027-202	PLUG NUT		
A 10	GE40426-002A	MOUNT BOLT		
A 11	VKZ4328-003	LOCK NUT		
A 12	QYWWS53A008ZA	WASHER	0mm/5.3mm x	
A 13	GE40130-002A	HOOK	(x2)	
A 14	GE32320-001A	HARD CASE ASSY		G444UI,G445U,G445UN,G445UT,G445UH, G446U,G446UN,G446UT,G446UH
A 15	RM-RK50C	REMOCON		
A 16	-----	BATTERY	3V	
A 17	QAM1048-001	16P CORD ASSY		AR390J,G340J,S25J
A 17	QAM1047-001	16P CORD ASSY		G444UI,G445U,G445UN,G445UT,G445UH, G446U,G446UN,G446UT,G446UH
A 18	-----	WARRANTY CARD	BT-52007-1	AR390J,G340J
A 18	-----	WARRANTY CARD	BT-52008-1	S25J
A 19	-----	WARRANTY CARD	BT-51029-3	AR390J
A 19	-----	WARRANTY CARD	BT-51018-5	G340J,S25J
A 20	BT-51041-1	REGIS. CARD		AR390J,G340J
A 20	BT-51044-1	REGIS. CARD		S25J
A 21	GET0222-001A	TAG CAUTION SH		S25J
KIT	SRW-MA372	SCREW PARTS KIT	A9 A10 A11 A12 A13	
P 1	GE32889-003A	CARTON		AR390J
P 1	GE32946-002A	CARTON		G340J
P 1	GE33194-001A	CARTON		G444UI
P 1	GE33188-001A	CARTON		G445U,G445UN,G445UT,G445UH
P 1	GE33191-001A	CARTON		G446U,G446UN,G446UT,G446UH
P 1	GE33349-001A	CARTON		S25J
P 2	QPC03004315PB	POLY BAG	30cm x 43cm	
P 3	FSPG4002-001	POLY BAG		G340J,G444UI,G445UN,G445UT,G445UH, G446UN,G446UT,G446UH,S25J
P 3	FSPG4002-001	POLY BAG	(x2)	G445U,G446U
P 4	QPA00801205	POLY BAG	8cm x 12cm	
P 5	GE10218-001A	EPS CUSHION		AR390J,G340J,G444UI,G445U,G445UN,G 445UT,G445UH,G446U,G446UN,G446UT, G446UH
P 5	GE10237-001A	CUSHION		S25J
P 6	QPA01003003	POLY BAG	10cm x 30cm	G444UI,G445U,G445UN,G445UT,G445UH, G446U,G446UN,G446UT,G446UH
P 7	QPC01002515	POLY BAG	10cm x 25cm	G444UI,G445U,G445UN,G445UT,G445UH, G446U,G446UN,G446UT,G446UH
P 8	GE40276-003A	AIR BUBBLE BAG		AR390J,G340J,S25J

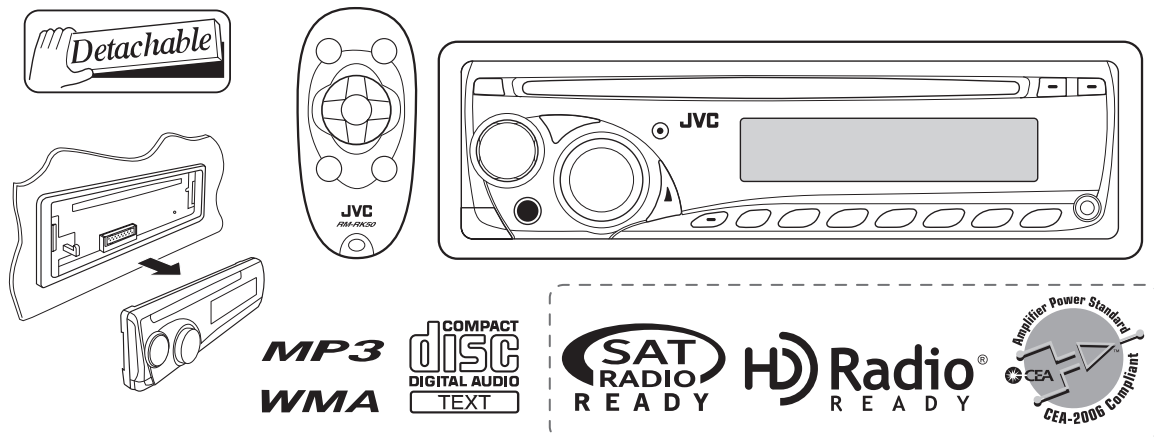
# JVC

## SCHEMATIC DIAGRAMS

### CD RECEIVER

**KD-AR390J, KD-G340J, KD-G444UI  
KD-G445U, KD-G445UN, KD-G445UT  
KD-G445UH, KD-G446U, KD-G446UN  
KD-G446UT, KD-G446UH, KD-S25J**

DVD-ROM No.SML2008Q1



only for KD-AR390/KD-G340/KD-S25

Lead free solder used in the board (material : Sn-Ag-Cu, melting point : 219 Centigrade)  
Lead free solder used in the board (material : Sn-Cu, melting point : 230 Centigrade)

### Contents

Block diagram .....	2-1
Standard schematic diagrams .....	2-2
Printed circuit boards .....	2-5 to 6

## Safety precaution

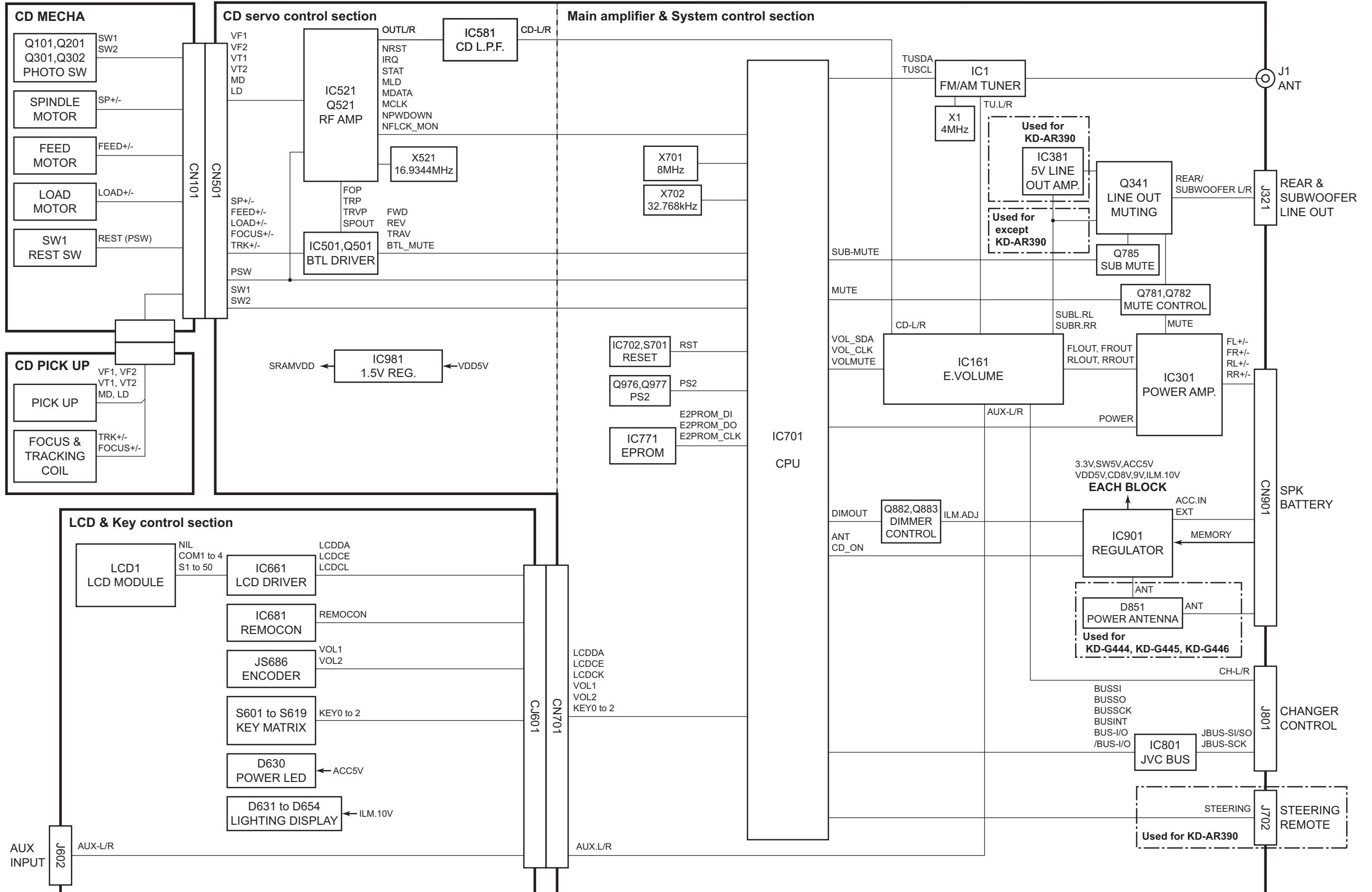


**CAUTION** Burrs formed during molding may be left over on some parts of the chassis. Therefore, pay attention to such burrs in the case of performing repair of this system.



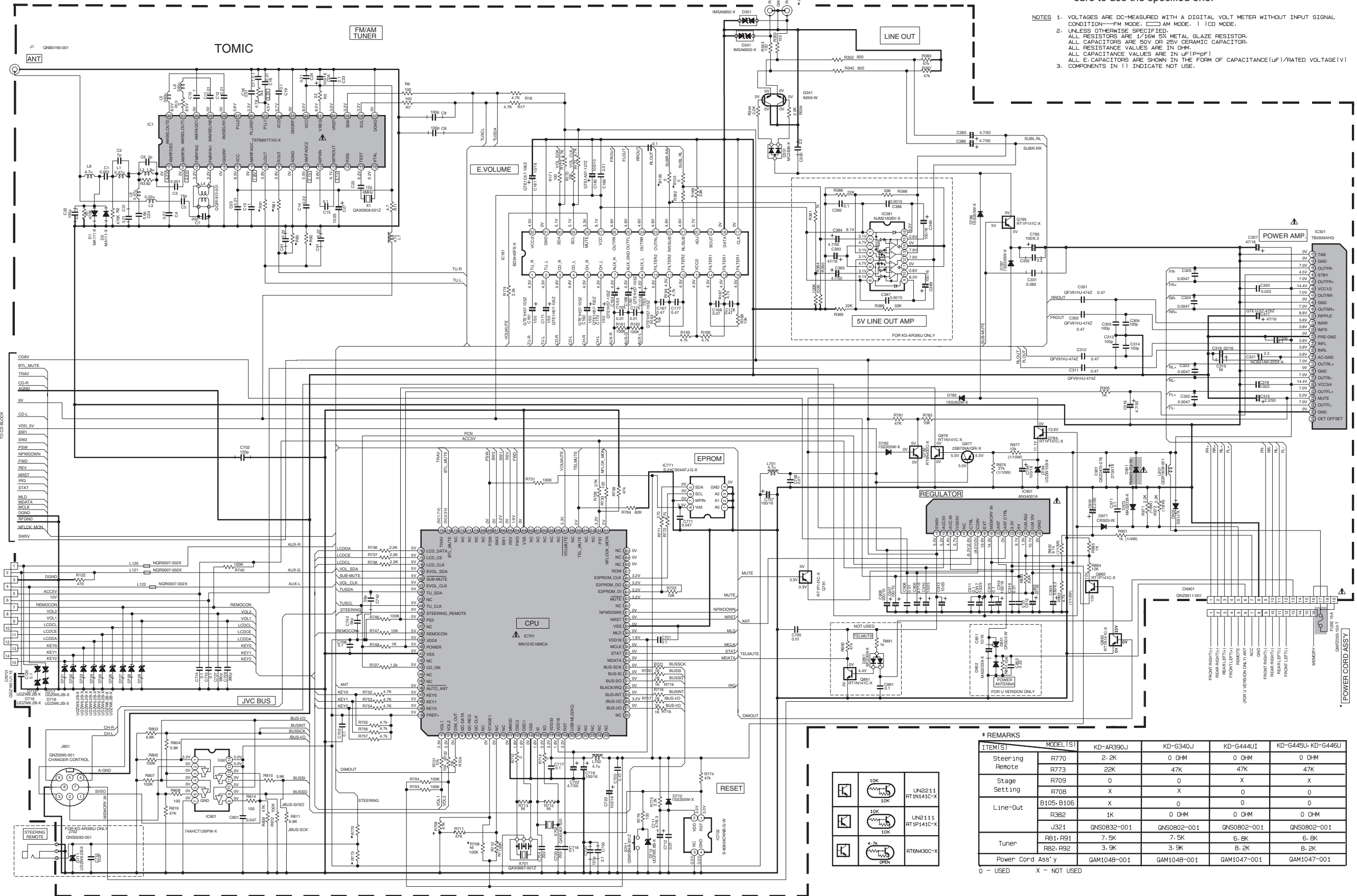
**CAUTION** Please use enough caution not to see the beam directly or touch it in case of an adjustment or operation check.

# Block diagram



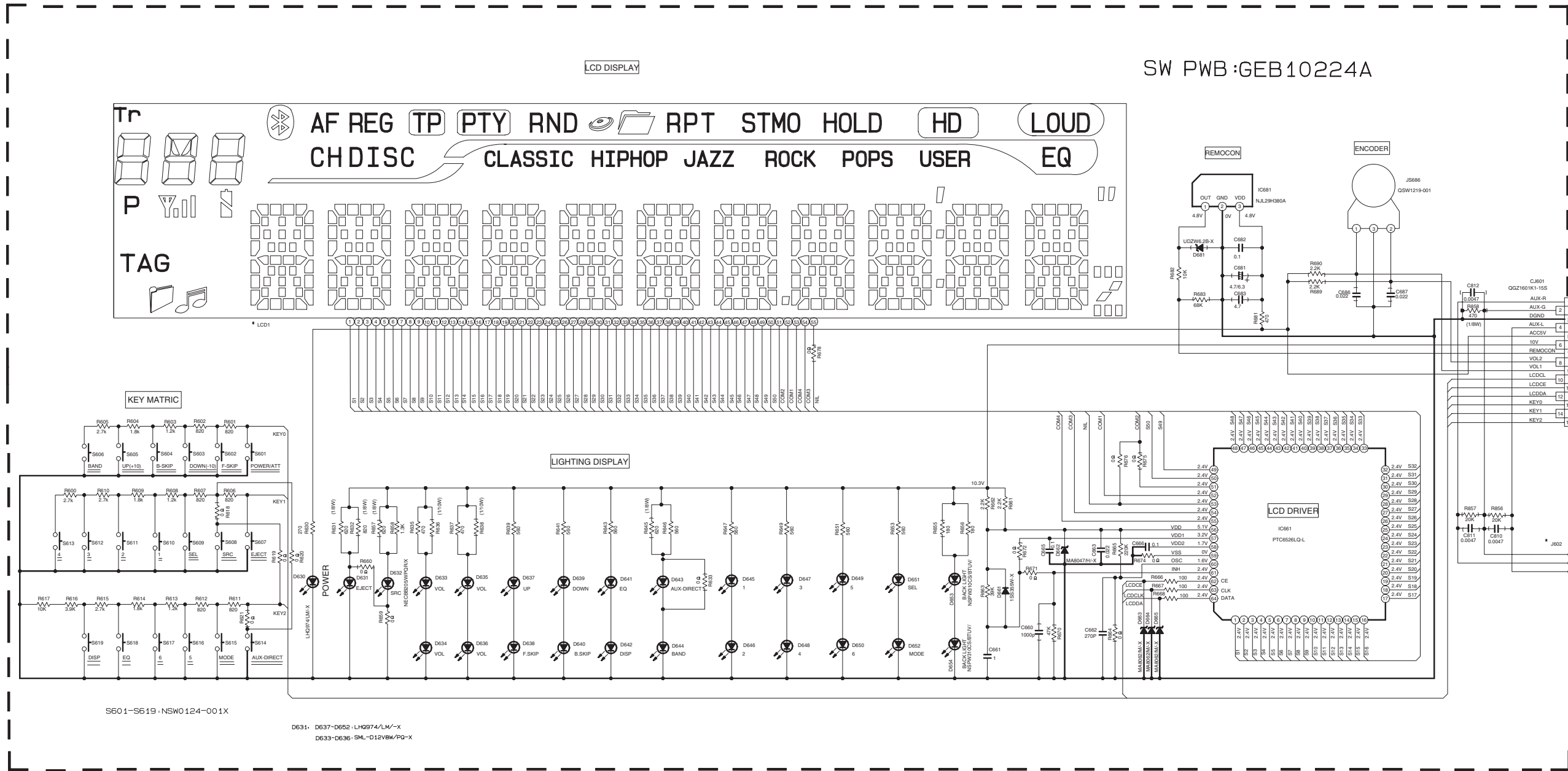
# Standard schematic diagrams

## Main section





■ LCD & Key control section



S601-S619: NSW0124-001X

D631, D637-D652: LH974/LM/-X  
D633-D636: SML-D12VBN/PQ-X

\*REMARK(S):

KD-AR390/JKD-6340J	KD-6444U/JKD-6445U/KD-6446U
LCD1	GLD0518-001
J602	QNS0215-001

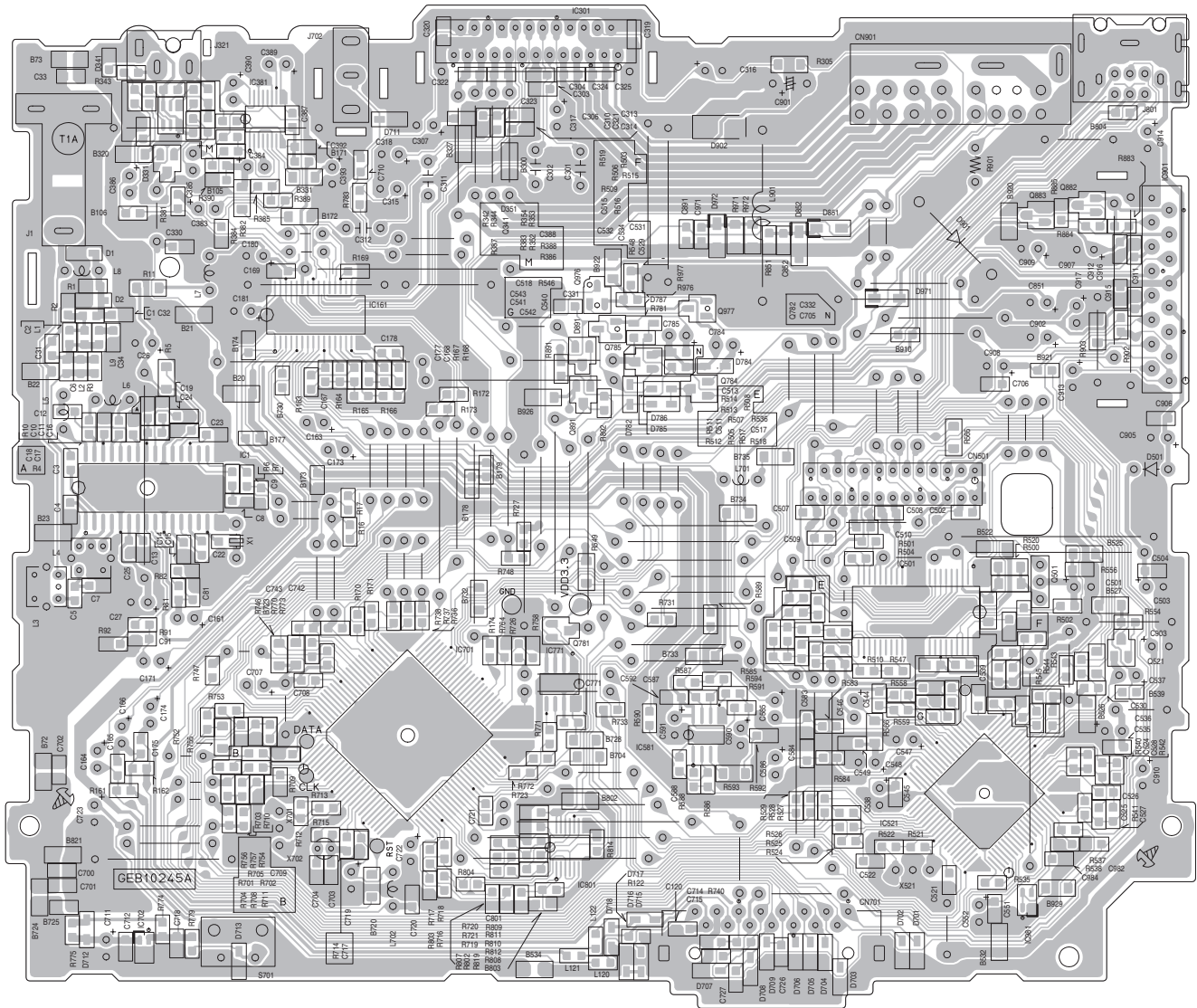
- NOTES
1. VOLTAGES ARE DC-MEASURED WITH A DIGITAL VOLT METER WITHOUT INPUT SIGNAL.
  2. UNLESS OTHERWISE SPECIFIED.  
ALL RESISTORS ARE 1/16W ±5% METAL GLAZE RESISTOR.  
ALL CAPACITORS ARE 50V OR 25V CERAMIC CAPACITOR.  
ALL RESISTANCE VALUES ARE IN OHM.  
ALL CAPACITANCE VALUES ARE IN uF (P=PF)  
ALL E. CAPACITORS ARE SHOWN IN THE FORM OF CAPACITANCE(uF)/RATED VOLTAGE(V)  
T --- TANTAL CAPACITOR.
  3. COMPONENTS IN ( ) INDICATE NOT USE.



# Printed circuit boards

- Main board 

Lead free solder used in the board (material : Sn-Ag-Cu, melting point : 219 Centigrade)
Lead free solder used in the board (material : Sn-Cu, melting point : 230 Centigrade)

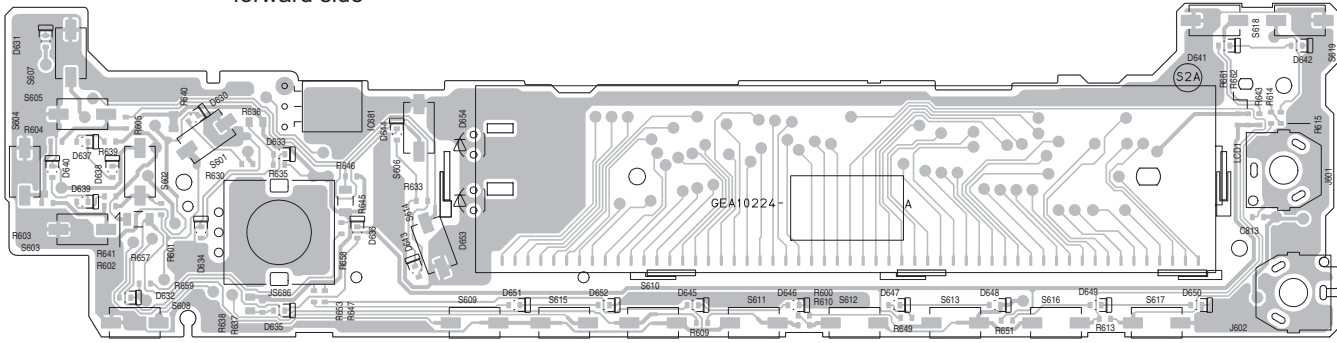




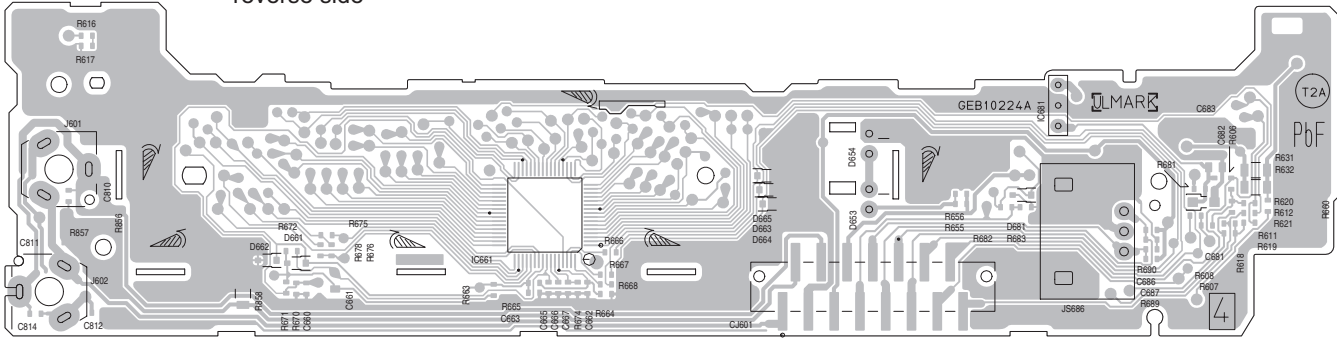
■ **Switch board** Lead free solder used in the board (material : Sn-Ag-Cu, melting point : 219 Centigrade)

Lead free solder used in the board (material : Sn-Cu, melting point : 230 Centigrade)

forward side

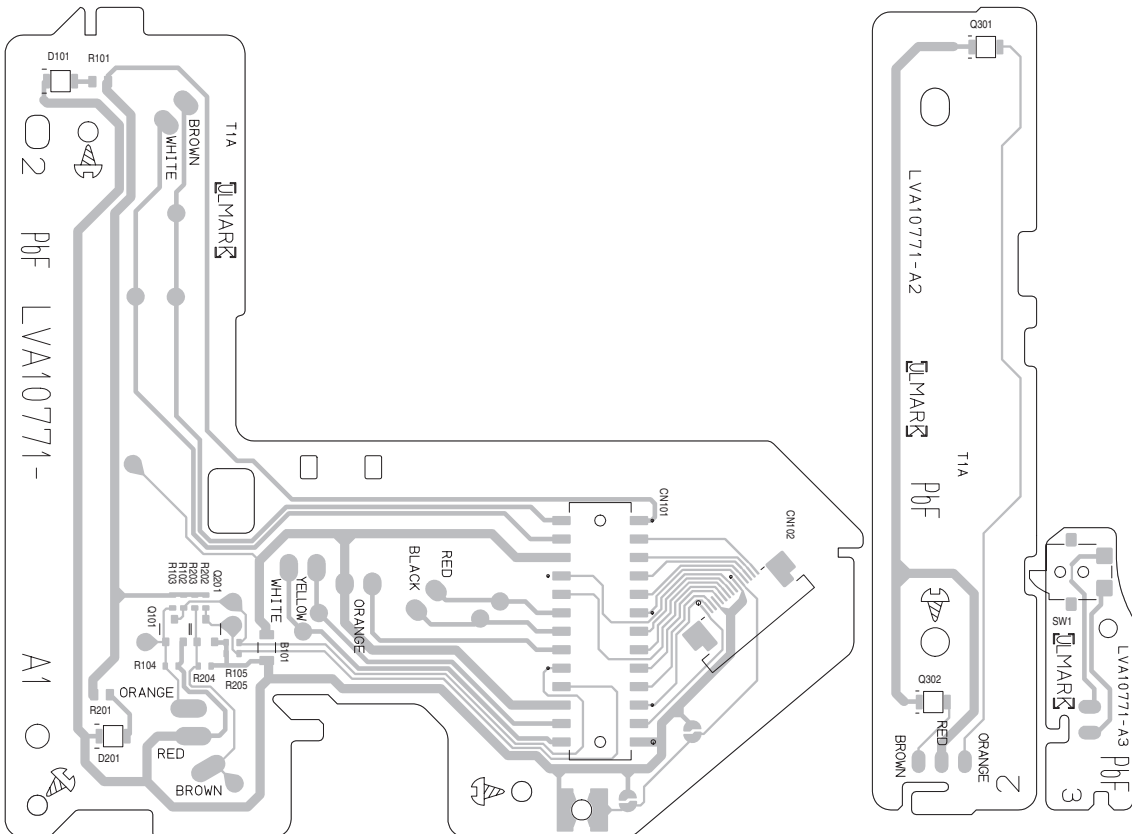


reverse side



■ **CD board** Lead free solder used in the board (material : Sn-Ag-Cu, melting point : 219 Centigrade)

Lead free solder used in the board (material : Sn-Cu, melting point : 230 Centigrade)



< MEMO >

**JVC**

**Victor Company of Japan, Limited**

Mobile Entertainment Business Group Mobile Entertainment Category 10-1, 1chome, Ohwatari-machi, Maebashi-city, Gumma-ken, 371-8543, Japan

(No.MA376SCH<Rev.002>)



Printed in Japan  
VPT

## Free Manuals Download Website

<http://myh66.com>

<http://usermanuals.us>

<http://www.somanuals.com>

<http://www.4manuals.cc>

<http://www.manual-lib.com>

<http://www.404manual.com>

<http://www.luxmanual.com>

<http://aubethermostatmanual.com>

Golf course search by state

<http://golfingnear.com>

Email search by domain

<http://emailbydomain.com>

Auto manuals search

<http://auto.somanuals.com>

TV manuals search

<http://tv.somanuals.com>