

Use & Care Guide
Manual de Uso y Cuidado

Kenmore®

Portable Air Conditioner

Aire Acondicionado Portatil

Models/Modelos

111.77106 - 10000 BTU

111.77126 - 12000 BTU

Sears Brands Management Corporation
Hoffman Estates, IL 60179 U.S.A.

www.kenmore.com



TABLE OF CONTENTS

Safety Instructions	3
Features and Components	5 - 6
Installation	7 - 8
Control Setting	9 - 10
Drainage Instructions	11
Maintenance	12 - 13
Troubleshooting	14
Warranty	15
Service	Back Cover

Read this Use & Care Guide carefully before product use.
Keep the Use & Care Guide for later review.

IMPORTANT SAFETY INSTRUCTIONS

WARNING! When using electrical appliances, basic safety precautions should be followed, including the following:

1. This air conditioner must be connected to proper electrical outlet with the correct electrical supply.
2. Proper grounding must be ensured to reduce the risk of shock and fire. **DO NOT CUT OR REMOVE THE GROUNDING PRONG.** If you do not have a three-prong electric receptacle outlet in the wall, have a certified electrician install the proper receptacle. The wall receptacle **MUST** be properly grounded.
3. Do not operate air conditioner if power cord is frayed or otherwise damaged. Avoid using it if there are any cracks or abrasion damage along the length, plug connector or if the unit malfunctions or is damaged in any manner. Contact an authorized service technician for examination and repairs.
4. **DO NOT USE AN ADAPTER OR AN EXTENSION CORD.**
5. Do not block airflow around the air conditioner. The exhaust hose should be free of any obstructions.
6. Always unplug the air conditioner before servicing it or moving it.
7. Do not install or use the air conditioner in any area where the atmosphere contains combustible gases or where the atmosphere is oily or sulfurous. Avoid any chemical coming in contact with your air conditioner.
8. Do not place any object on the top of the unit.
9. Never operate the air conditioner without filters in place.
10. Do not use the air conditioner in a bathroom or other highly humid environment.
11. Always unplug air conditioner when not in use.
12. Do not operate air conditioner with any safety devices removed.
13. Do not run power cord under carpeting. Do not cover cord with throw rugs, runners, or the like. Arrange cord away from traffic area where it will not be tripped over.
14. Do not block air openings or place air conditioner on a soft surface such as a bed or sofa.
15. Do not place the air conditioner on a small, unlevel, uneven or any other surface which might allow the unit to tip or fall.
16. For proper operation, air conditioner should be placed on a smooth, noncombustible surface. Always place this air conditioner on a level surface at least 20" (50 cm) away from any wall or object.
17. This appliance is not intended for use by persons (including children) with reduced physical, sensory or mental capabilities, or lack of experience and knowledge, unless they have been given supervision or instruction concerning use of the appliance by a person responsible for their safety.
18. Always insert the filters securely. Clean the filters every two weeks.
19. Operating with clogged filters may cause failures.

IMPORTANT SAFETY INSTRUCTIONS

20. When moving the unit, make sure that it is in an upright position.
21. Keep the unit away from gasoline, flammable gas, stoves and other heat sources.
22. Don't disassemble, overhaul or modify the air conditioner, otherwise it will cause a malfunction or possibly bring harm to persons and properties. To avoid hazard, if a unit failure occurs, have the unit repaired before attempting to use it.
23. Do not install and use the air conditioning in the bathroom or other humid environments.
24. Do not pull the plug to turn off the unit operation.
25. Do not place cups or other objects on the body to prevent water or other liquids from spilling into the air conditioner.
26. Do not use insecticide sprays or other flammable substances near the air conditioning.
27. Do not wipe or wash the air conditioner with chemical solvents such as gasoline and alcohol. When you need to clean the air conditioner, you must disconnect the power supply, and clean it with a half-wet soft cloth. If the unit is very dirty, scrub with a mild detergent.
28. The appliance can be used by children aged from 8 years and above if they have been given supervision or instruction concerning use of the appliance in a safe way and understand the hazards involved.
29. This appliance is intended for indoor residential use only, not for industrial or other commercial applications.
30. This appliance is intended for private household use only!

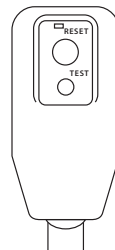
SAVE THESE INSTRUCTIONS

Power Plug

The power plug contains a device that senses damage to the power cord.

To test the power cord:

1. Plug in the air conditioner. The plug has a Test and a Reset button.
2. Press the TEST button and notice a click as the RESET button pops out.
3. Press the RESET button. You will also hear a click as the RESET button engages.
4. The power cord will now supply electricity to the unit.
5. Always make sure the RESET button is pushed in for correct operation. The power cord must be replaced if it fails to reset after this test.



FEATURES AND COMPONENTS

This air conditioner features cooling, dehumidification, fan-only, and continuous water drainage functions.

The air louvers in top of the unit have an automatic air swing function that is activated from the remote control

The remote control can be placed on the back of the body for convenient out of the way storage.

Handles on both sides make unit easier to carry.

The plug storage plate enables the plug to be inserted into the back of the unit during storage.

Operation of the unit provides continuous air filtration.

The Timer function provides for automatic shutoff and delayed starting.

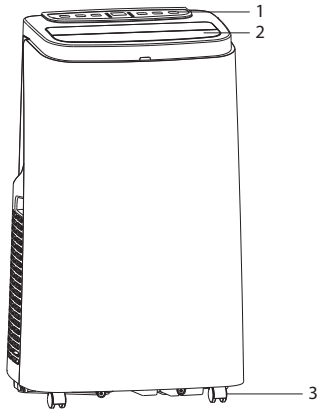
The unit is equipped with a variety of protection functions, such as automatic defrosting and a water pan overflow signal.

The unit features thermostatic operation. The thermostat senses the temperature of the air surrounding the unit. When the air reaches the set cooling temperature, the compressor shuts off and the fan continues to run at low speed. When the surrounding air temperature increases by approximately 2°F, the compressor restarts to cool the air to the set temperature.

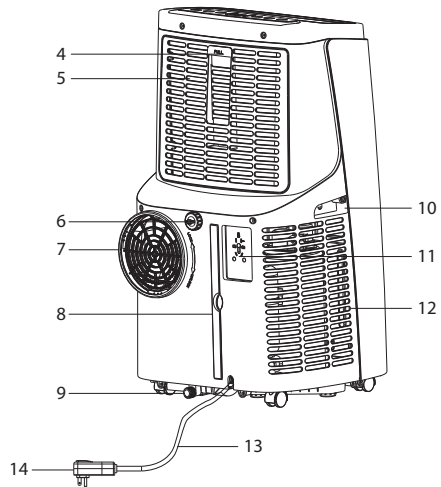
The dehumidification mode combines compressor operation and low fan speed to reduce humidity in damp rooms. Keep room doors and windows closed for effective dehumidification. The fan speed cannot be varied when the unit is set to dehumidify. The display screen will show dh; it will not show the relative humidity percentage of the air.

FEATURES AND COMPONENTS

Front

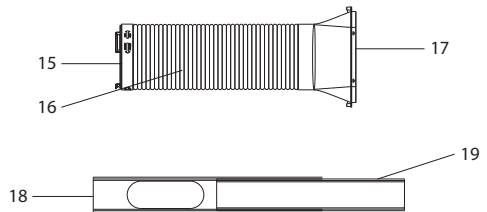


Back



1. Control Panel
2. Air Louvers
3. Casters
4. Remote Control Storage
5. Upper Filter Grille
6. Drainage Tube Port
7. Air Exhaust Vent
8. Lower Filter Screen
9. Lower Drainage Port
10. Handle
11. Plug Storage Plate
12. Lower (Air Intake) Filter Grille
13. Power Cord
14. 3-prong Power Plug
15. Air Exhaust Hose Inlet Coupler
16. Air Exhaust Hose
17. Air Exhaust Hose Flared Outlet Coupler
18. Window Slider Kit Piece 1
19. Window Slider Kit Piece 2

Air Exhaust Assembly



Not Shown

- 3 L Brackets
- 2 Straight Brackets
- 2 Foam Strips (Adhesive)
- 1 Foam Strip (Non-adhesive)
- Drainage Tube

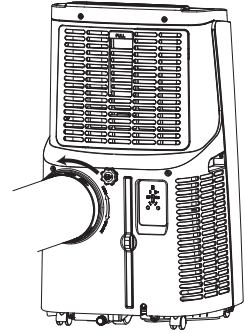
INSTALLATION AND ADJUSTMENT

Air Exhaust Hose Installation

The couplers for the inlet and outlet ends of the air exhaust hose are shipped preattached to the hose. Ensure that they are securely screwed into place on the hose before hose installation.

1. Insert the hose inlet end coupler into the air exhaust vent. Turn coupler in the direction of the Lock arrows (counterclockwise) to secure the coupler in place. See Fig. 1.
2. Position the flared opening of the hose outlet over the elliptical opening in slider piece 1.
3. Push the tabs at the top of the flared outlet into the slots on slider piece 1. Slide the hose outlet to the side so that the tabs engage in the slots.
4. Use a screw to secure the flared outlet to slider piece 1 on the side of the elliptical opening that will be nearest to the window frame.
5. Insert slider piece 2 into piece 1 and push until tight against the flared outlet ridge protruding through the elliptical opening. You may need to trim material off of the inner end of piece 2 to fit the width of the window opening.

Fig.1



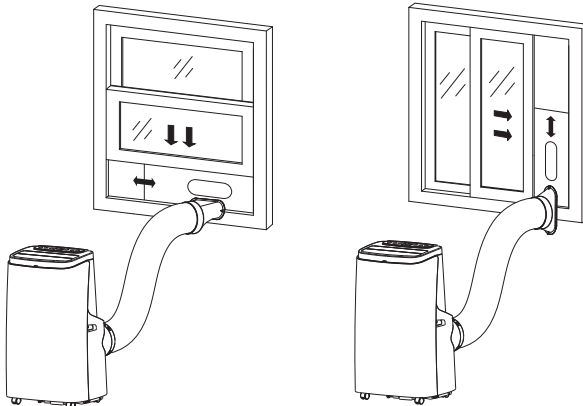
NOTE: If the window is narrower than 20.5", use only slider piece 1. Shorten the piece by cutting material from the end that is furthest from the hole. Do not cut from the end that is nearest to the hole.

Position Unit Near Window

IMPORTANT! Before using the air conditioner, keep it upright for at least two hours.

The four casters on the air conditioner base allow it to be easily pushed in an upright position across a level floor. There are handles on each side of the unit to allow it to be lifted straight up if necessary.

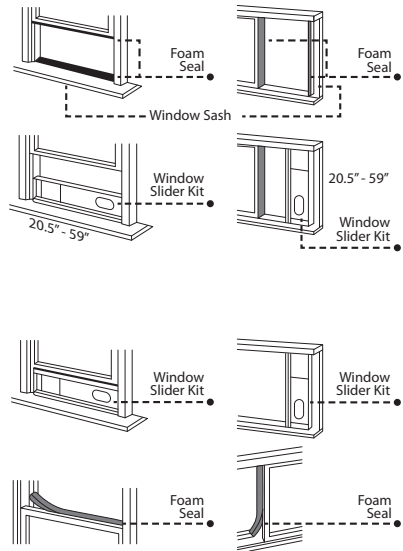
CAUTION! To avoid injury, use proper lifting technique when lifting the unit by its handles. Do not bend over from waist with legs straight. Bend knees down to lift with back straight.



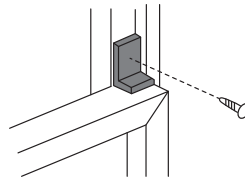
INSTALLATION

Mount the Window Slider Kit

1. Cut a length of foam seal (adhesive type) to the proper window opening width and attach it to the window sash.
2. Extend the air exhaust hose to necessary length. Place the window slider kit (with flared outlet attached) onto the window sash.
3. Cut a length of foam seal (adhesive type) to the proper width and attach it to the bottom (horizontally hung) or side (vertically hung) of the window.
4. Close the window securely onto the window slider kit.
5. Cut the foam seal (non-adhesive type) to an appropriate length and seal the open gap at the top of the window frame.



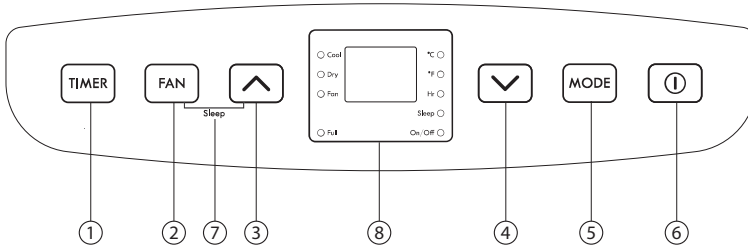
NOTE: You may use one of the supplied L brackets to secure the window closed (see figure to the right). Also, you may use the two supplied straight brackets to secure the top side of the slider kit to the window, and the other two L brackets to secure the bottom side of the slider kit to the window frame.



NOTE: The length of the exhaust hose can be extended to 59 inches, but it is best to keep the length to a minimum. Make sure that the hose does not have any sharp bends. Do not use extension tubes or replace the supplied exhaust hose with a different hose, or a malfunction may result. There must be no obstructions within the hose, or the unit may overheat.

CONTROL SETTINGS

LED Control Panel



1. Timer Key 2. Fan Speed Selection Key 3. Up Key 4. Down Key
5. Mode Selection Key 6. Power Key 7. Sleep Mode 8. Display Screen

Plug the power cord of the unit into a 3-prong wall receptacle. You will hear a beep and the display screen will illuminate, showing digits for the surrounding air temperature. Press the Power Key. The air louvers on the front of the unit will open and the unit will begin operating in Cool mode. Press Up or Down key to adjust Cool temperature setting. Press Mode key to toggle from Cool to Dry (dehumidification) to Fan (fan-only) operation mode.

1 Timer Key – The Timer can be set from 1 to 24 hours in one-hour increments. Shutoff Time – With power on, press the Timer key. Digits will start to flash in the display and the Hr indicator will light. While display is flashing, press the up and down keys to select the desired number of run time hours. After a few seconds the temperature digits will display and the Hr indicator will remain lit. The unit will run for the set time and then shut off.

Delayed Start Time – With the power off, press the Timer key. Digits will start to flash in the display and the Hr indicator will light. While the display is flashing, press the up and down keys to select the desired number of hours before startup. After a few seconds the temperature digits will display and the Hr indicator will remain lit. The unit will begin to run after the set number of hours has passed.

To cancel Timer settings press the Timer key twice in quick succession. The Hr indicator will turn off.

The Timer can be set from 1 to 24 hours and the amount of time is adjustable by one-hour increments.

2 Fan Speed Selection Key – In Cool and Fan mode, press the Fan key to select high (F2) or low (F1) fan speed. In Dehum mode, the fan defaults to the lowest speed (F1).

3, 4 Up and Down Keys – Press the up or down key to adjust the desired cooling temperature. While pressing Timer key, press up or down key to select the desired shutoff or delayed start time span. Simultaneously press both keys to switch between Celsius (°C) and Fahrenheit (°F).

5 Mode Selection Button – Press Mode key to switch between modes. With each press, the mode indicator will light up in sequence from Cool ---> Dehum ---> Fan

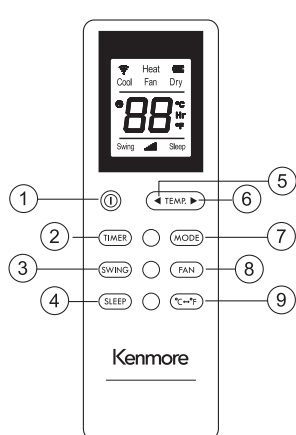
CONTROL SETTINGS

6 Power Key – Press the key to turn unit operation on or off. With key off the display shows surrounding air temperature.

7 Sleep Mode – In Cool mode, press the up key and fan key at same time to turn on Sleep mode. After one hour the temperature setting will increase by one degree, and by one more degree after another hour, to accord with how your body naturally cools while asleep. Fan speed is low for quiet operation. Press up and fan key at same time to turn Sleep mode off. The temperature will return to original setting.

Remote Control

Point the remote control at the unit control panel when pressing remote control keys. You will hear the unit beep to confirm remote control key activation.



- 1 Power – Press **⏻** key to turn unit operation on and off.
- 2 Timer – Press **TIMER** key to set the timer.
- 3 Auto-Swing Function – Press **SWING** key to start Oscillation mode.
- 4 Sleep – Press **SLEEP** key to turn on sleep mode.
- 5 Down – Press **◀** key to reduce temperature and adjust timer setting.
- 6 Up – Press **▶** key to increase the temperature and adjust timer setting.
- 7 Mode – Press **MODE** key to switch between cooling, dehumidifying and fan-only mode.
- 8 Fan – Press **FAN** key to select high or low wind speed.
- 9 Temperature unit converter – °F ↔ °C

Protective Functions

Frost Protection – In Cool and Dry modes, if the temperature of the compressor becomes too low, the unit will automatically enter protection status. Once coil rises to a sufficient temperature, the unit will automatically revert to normal operation.

Overflow Protection – When water in the water pan exceeds the maximum level, the unit will beep, stop running, and the display screen will show FL. The water in the pan must be drained empty before the unit will resume operation. See the Drainage Instructions in the next section of this Use & Care Guide.

Automatic Defrosting – The air conditioner has automatic defrosting. During defrosting, the compressor will stop working for about 3-5 minutes, during which time the fan continues to run.

Automatic Thermal Protection – The air conditioner has automatic thermal protection to protect against overheating. When thermal protection is activated, the compressor and motor will stop. Once cooled to a safe operation temperature, the unit can be restarted.

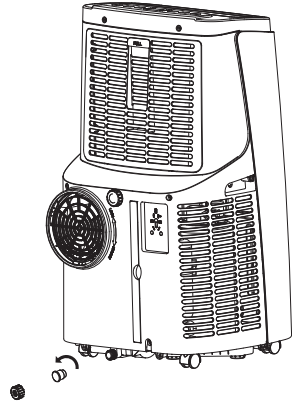
DRAINAGE INSTRUCTIONS

Manual drainage

1. When the unit stops after the water pan is full, press the power key to turn off power to the unit, and then unplug the power plug. Note: Move the unit carefully so as not to spill the water in the water pan at the base.
2. Place a water container below the bottom drainage port of the unit.
3. Unscrew the drain cap and remove the water plug. Water will automatically flow into the water container.

Notes

- During drainage, tilt the unit slightly backwards.
 - If you see that your water container will not hold all the water, before it is full insert the water plug back into the drain port to prevent water from spilling onto the floor.
4. When the all the water is drained from the unit, insert the water plug and retighten the drain cap.

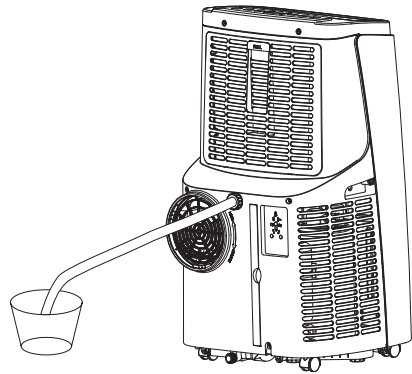


Continuous drainage

1. Unscrew the drain cap and remove the water plug from the drainage tube port in the middle back of the unit.
2. Push one end of the drainage tube into the drainage port.
3. Set the other end of the drainage tube into a water container or floor drain. Allow water pan to drain.

Note: If your water container becomes full, a water backup may occur that will fill the unit water pan and result in unit shutdown. Remove the adapter end and place into another empty container or floor drain. Allow water pan to drain.

4. When the all the water is drained from the unit, insert the water plug and retighten the drain cap.



MAINTENANCE

Cleaning

Before cleaning and maintenance, press the power key is pressed to off and unplug the power cord from the electrical outlet.

Clean the exterior surface

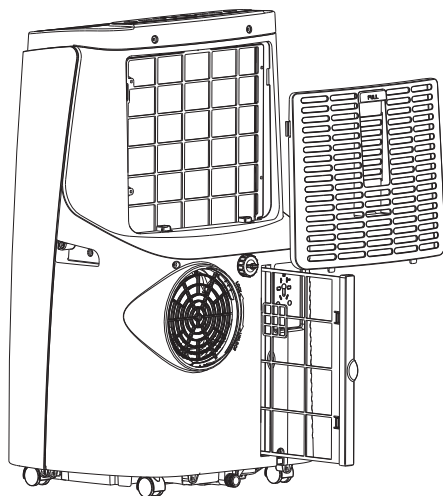
Clean with surface of machine with a wet soft cloth. Don't use chemicals such as alcohol, gasoline, etc.; otherwise, the surface of the air conditioning will be damaged or even the whole machine will be damaged.

Clean the filter screens

If the filter screens become clogged with dust the effectiveness of the air conditioner is reduced. Be sure to clean the filter screens once every two weeks.

To clean upper filter screen

1. Remove Remote Control from storage slot in upper filter grille.
2. Insert fingertips beneath PULL tab at top of screen grille and pull outward to remove.
3. Remove upper filter screen. Place the screen into warm water (about 104°F/40°C) with mild detergent and allow it to air dry after rinsing clean.
4. Once screen is completely dry, insert back into place in unit.
5. To reinstall grille, insert tabs at bottom of grille into slots in unit frame. Push grille forward to snap into place.



To clean the lower filter screen

1. Grasp the tab in the middle of the lower filter screen and pull outward gently to remove it.
2. Place the filter screen into warm water (about 104°F/40°C) with mild detergent and allow it to air dry after rinsing clean.
3. Once screen is completely dry, insert back into place in unit.

To purchase new filter screens call 1-844-553-6667

MAINTENANCE

Postseason Storage

1. If unit is hooked up for continuous drainage, unscrew the middle drain cap, unplug the water plug, and discharge the water into other water containers or floor drain. If unit is not connected for continuous drainage, empty the pan according to the manual drainage instructions.
2. Turn on the air conditioner, adjust it to low-low fan speed, and run unit until for a period of time so as to dry out moisture from inside the unit to prevent formation of mildew during storage.
3. Turn off the air conditioner, unplug the power plug from wall receptacle and insert the power plug prongs into the plug storage plate on the back of the unit. Reinstall the water plug and the drainage cap.
4. Remove the air exhaust hose and store in a secure place.
5. Cover the air conditioner with a plastic bag. Store the unit in a dry place, keep it out of the reach of children, and take dust control measures.

TROUBLESHOOTING

If problems not listed in the table occur or recommended solutions do not work, contact a qualified service dealer for repair. Do not disassemble the air conditioner. Unqualified repair will void the warranty, and may cause injury to users or damage to property.

Problems	Reasons	Solutions
The air conditioner does not work.	There is no electricity.	Turn unit on after connecting it to a socket with electricity.
	The overflow indicator displays FL.	Discharge the water inside.
	The ambient temperature is too low or too high	Run the unit within the ambient temperature range of 44-95 °F (7-35°C).
	In cooling mode, the room temperature is lower than the set temperature	Change the set temperature.
	In dehumidification mode, the ambient temperature is low.	Place the unit in a room with an ambient temperature of greater than 62 °F (17 °C).
The cooling effect is not good	There is direct sunlight.	Pull the room curtain closed.
	Doors or windows are open; there are a lot of people in the room; or in cooling mode, there are other sources of heat.	Close doors and windows, and add new air conditioner.
	The filter screen is dirty.	Clean or replace the filter screen.
	The air inlet or outlet is blocked.	Clear obstructions.
Loud Noise	The air conditioner is not placed on a flat surface.	Put the air conditioner on a flat and hard place (to reduce noise).
Compressor does not work.	Overheat protection is active.	Wait for 3 minutes until unit cools, then restart.
The remote control does not work.	The distance between the unit and the remote control is too far.	Move the remote control closer to the air conditioner, and make sure that the remote control directly faces in the direction of the remote control receiver on the unit.
	The remote control is not aligned with the direction of the remote control receiver.	
	Batteries are dead.	Replace batteries.
Display reads E1	The coil temperature sensor is malfunctioning.	Call for service.
Display reads E2	The room temperature sensor is malfunctioning.	Call for service.

WARRANTY

KENMORE LIMITED WARRANTY

FOR ONE YEAR from the date of sale this appliance is warranted against defects in material or workmanship when it is correctly installed, operated and maintained according to all supplied instructions.

WITH PROOF OF SALE a defective appliance will receive free repair or replacement at option of seller.

For warranty coverage details to obtain free repair or replacement, visit the web page: www.kenmore.com/warranty

This warranty applies for only 90 DAYS from the date of sale if this appliance is ever used for other than private household purposes.

This warranty covers ONLY defects in material and workmanship, and will NOT pay for:

1. Expendable items that can wear out from normal use, including but not limited to filters, belts, bags or screw-in base light bulbs.
2. A service technician to clean or maintain this appliance, or to instruct the user in correct appliance installation, operation and maintenance.
3. Service calls to correct appliance installation not performed by Sears authorized service agents, or to repair problems with house fuses, circuit breakers, house wiring, and plumbing or gas supply systems resulting from such installation.
4. Damage to or failure of this appliance resulting from installation not performed by Sears authorized service agents, including installation that was not in accord with electrical, gas or plumbing codes.
5. Damage to or failure of this appliance, including discoloration or surface rust, if it is not correctly operated and maintained according to all supplied instructions.
6. Damage to or failure of this appliance, including discoloration or surface rust, resulting from accident, alteration, abuse, misuse or use for other than its intended purpose.
7. Damage to or failure of this appliance, including discoloration or surface rust, caused by the use of detergents, cleaners, chemicals or utensils other than those recommended in all instructions supplied with the product.
8. Damage to or failure of parts or systems resulting from unauthorized modifications made to this appliance.
9. Service to an appliance if the model and serial plate is missing, altered, or cannot easily be determined to have the appropriate certification logo.

Disclaimer of implied warranties: limitation of remedies

Customer's sole and exclusive remedy under this limited warranty shall be product repair or replacement as provided herein. Implied warranties, including warranties of merchantability or fitness for a particular purpose, are limited to one year or the shortest period allowed by law. Seller shall not be liable for incidental or consequential damages. Some states and provinces do not allow the exclusion or limitation of incidental or consequential damages, or limitation on the duration of implied warranties of merchantability or fitness, so these exclusions or limitations may not apply to you.

This warranty applies only while this appliance is used in the United States.

This warranty gives you specific legal rights, and you may also have other rights which vary from state to state.

Sears Brands Management Corporation, Hoffman Estates, IL 60179

TABLA DE CONTENIDO

Instrucciones de seguridad	3
Características y componentes	5 - 6
Instalación	7 - 8
Configuración de control	9 - 10
Instrucciones de drenaje	11
Mantenimiento	12 - 13
Solución de problemas	14
Garantía	15
Servicio	Contraportada

Lea esta Guía de uso y cuidado cuidadosamente antes de usar este producto.

Guarde la Guía de uso y cuidado para revisión en un futuro

INSTRUCCIONES DE SEGURIDAD

¡ADVERTENCIA! Al usar aparatos eléctricos, se deben seguir precauciones de seguridad básicas, que incluyen las siguientes:

1. Este aire Acondicionado debe estar conectado a una toma de corriente adecuada con el suministro eléctrico correcto.
2. Se debe garantizar una conexión a tierra adecuada para reducir el riesgo de descarga e incendio. NO CORTE NI QUITE LA CONEXIÓN A TIERRA. Si no tiene una toma de corriente eléctrica de tres patas en la pared, solicite a un electricista certificado que instale el receptáculo adecuado. El receptáculo de pared DEBE estar debidamente conectado a tierra.
3. No opere el aire acondicionado si el cable de alimentación está desgastado o dañado. Evite usarlo si hay grietas o daños por abrasión a lo largo, el conector o si la unidad funciona mal o está dañada de alguna manera. Póngase en contacto con un técnico de servicio autorizado para examinar y reparar la unidad.
4. No utilice un adaptador o un alargador
5. No bloquee el flujo de aire alrededor del aire acondicionado. La manguera de escape debe estar libre de obstrucciones.
6. Desenchufe siempre el aire acondicionado antes de repararlo o moverlo.
7. No instale ni use el aire acondicionado en ninguna área donde la atmósfera contenga gases combustibles o donde la atmósfera sea aceitosa o sulfurosa. Evite cualquier sustancia química que entre en contacto con su aire acondicionado.
8. No coloque ningún objeto en la parte superior de la unidad.
9. Nunca opere el aire acondicionado sin filtros.
10. No use el aire acondicionado en un baño u otro ambiente altamente húmedo.
11. Siempre desconecte el aire acondicionado cuando no esté en uso.
12. No opere el aire acondicionado con ningún dispositivo de seguridad retirado.
13. No pase el cable de alimentación debajo de las alfombras. No cubra el cable con ningún tipo de tapetes, o alfombras. Arregle el cable de manera que no obstruya el paso para evitar que alguien se tropecé.
14. No bloquee las aberturas de aire ni coloque el aire acondicionado sobre una superficie blanda, como una cama o sofá.
15. No coloque el aire acondicionado sobre una superficie pequeña, desigual, irregular o cualquier otra que pueda permitir que la unidad se vuelque o se caiga.
16. Para una operación adecuada, el aire acondicionado debe colocarse sobre una superficie lisa y no combustible. Siempre coloque este aire acondicionado en una superficie nivelada a una distancia mínima de 20 "(50 cm) de cualquier pared u objeto.
17. Este electrodoméstico no debe ser utilizado por personas (incluidos niños) con discapacidades físicas, sensoriales o mentales, o por falta de experiencia y conocimiento, a menos que una persona responsable de su seguridad les haya dado supervisión o instrucciones sobre el uso del electrodoméstico.
18. Siempre inserte los filtros de forma segura. Limpia los filtros cada dos semanas.
19. Operar con filtros obstruidos puede causar fallas.

INSTRUCCIONES DE SEGURIDAD

20. Cuando mueva la unidad, asegúrese de que esté en posición vertical.
21. Mantenga la unidad alejada de la gasolina, gases inflamables, estufas y otras fuentes de calor.
22. No desarme, revise o modifique el aire acondicionado, de lo contrario causará un mal funcionamiento o posiblemente cause daños a personas y propiedades. Para evitar riesgos, si ocurre una falla en la unidad, mande a reparar la unidad antes de intentar usarla.
23. No instale y use el aire acondicionado en el baño u otros ambientes húmedos.
24. No desconecte el enchufe para apagar la unidad.
25. No coloque tazas u otros objetos sobre el cuerpo de la unidad para evitar que el agua u otros líquidos se derramen en el aire acondicionado.
26. No use aerosoles insecticidas u otras sustancias inflamables cerca del aire acondicionado.
27. No limpie ni lave el acondicionador de aire con solventes químicos como gasolina y alcohol. Cuando necesite limpiar el aire acondicionado debe desconectar la fuente de alimentación y limpiarlo con un paño suave medio húmedo. Si la unidad está muy sucia, frote con un detergente suave.
28. El aparato puede ser utilizado por niños mayores de 8 años si se les ha supervisado o instruido sobre el uso del artefacto de una manera segura y comprende los riesgos involucrados.
29. Este electrodoméstico está diseñado solo para uso residencial en interiores, no para aplicaciones industriales ni comerciales.
30. ¡Este aparato está destinado solo para uso doméstico privado!

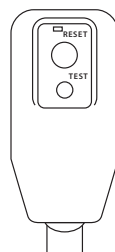
GUARDE ESTAS INSTRUCCIONES

Enchufe

El enchufe de alimentación contiene un dispositivo que detecta daños en el cable de alimentación.

Para probar el cable de alimentación:

1. Conecte el aire acondicionado. El enchufe tiene una prueba y un botón de reinicio.
2. Presione el botón de PRUEBA y escuchara un clic mientras el botón RESET se sale.
3. Presione el botón RESET. Escuchará un clic cuando el botón RESET se active.
4. El cable de alimentación ahora suministrará electricidad a la unidad.
5. Asegúrese siempre de presionar el botón RESET para una operación correcta. El cable de alimentación debe reemplazarse si no se restablece después de esta prueba.



CARACTERÍSTICAS Y COMPONENTES

Este aire acondicionado cuenta con funciones de enfriamiento, deshumidificación, ventilador y drenaje continuo de agua.

Las rejillas de ventilación en la parte superior de la unidad tienen una función de oscilación de aire automática que se activa desde el control remoto.

El control remoto se puede colocar en la parte posterior de la unidad para un almacenamiento conveniente.

Las manijas en ambos lados hacen que la unidad sea más fácil de transportar.

La placa de almacenamiento de enchufe permite que el enchufe se inserte en la parte posterior de la unidad durante el almacenamiento.

El funcionamiento de la unidad proporciona una filtración de aire continua.

La función del temporizador permite el apagado automático y el inicio diferido.

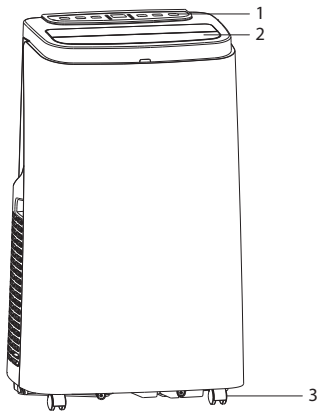
La unidad está equipada con una variedad de funciones de protección, como descongelación automática y una señal de desbordamiento de bandeja de agua.

La unidad cuenta con operación termostática. El termostato detecta la temperatura del aire que rodea la unidad. Cuando el aire alcanza la temperatura de enfriamiento configurada, el compresor se apaga y el ventilador continúa funcionando a baja velocidad. Cuando la temperatura del aire circundante aumenta en aproximadamente 2°F, el compresor se reinicia para enfriar el aire a la temperatura establecida.

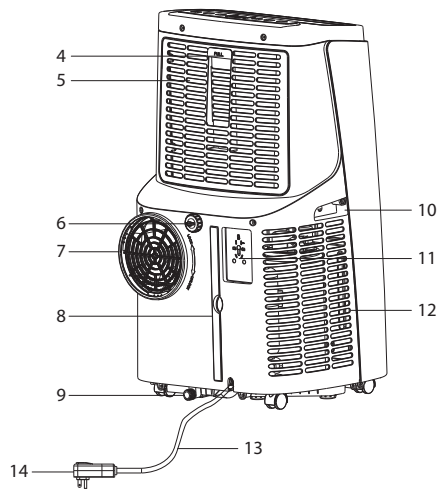
El modo de deshumidificación combina el funcionamiento del compresor y la baja velocidad del ventilador para reducir la humedad en las habitaciones húmedas. Mantenga las puertas y ventanas de la habitación cerradas para una deshumidificación efectiva. La velocidad del ventilador no puede variarse cuando la unidad está configurada para deshumidificar. La pantalla de visualización mostrará dh; no mostrará el porcentaje de humedad relativa del aire.

CARACTERÍSTICAS Y

Frente

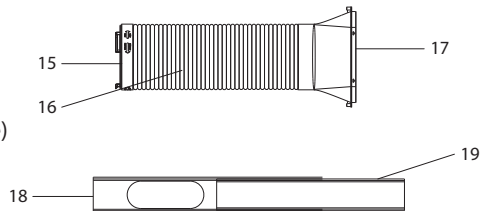


Parte Posterios



1. Panel de control
2. Rejillas
3. Ruedas
4. Almacenamiento para control remoto
5. Parrilla superior del filtro
6. Puerto del tubo de drenaje
7. Salida de escape de aire
8. Pantalla de filtro inferior
9. Baje el puerto de drenaje
10. Manija
11. Placa de almacenamiento de enchufe
12. Rejilla de filtro inferior (entrada de aire)
13. Cable de alimentación
14. Enchufe de 3 clavijas
15. Acoplador de entrada de la manguera de escape de aire
16. Manguera de escape de aire
17. Manguera de escape de aire quemado Acoplador de salida
- 18 kit de control deslizante de ventana 1
19. Kit de control deslizante de ventana 2

Asamblea de escape de aire



No mostrada

- 3L Corchete
- 2 Soporte directo
- 2 Franja de poliestireno (Adhesivo)
- 1 Franja de poliestireno
- Tubo de drenaje

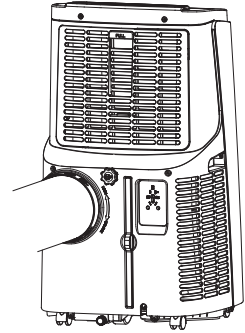
INSTALACION

Instalación de la manguera de escape de aire

Los acopladores para los extremos de entrada y salida de la manguera de escape de aire se envían preinstalados a la manguera. Asegúrese de que estén firmemente atornillados en su lugar en la manguera antes de instalar la manguera.

1. Inserte el acoplador del extremo de entrada de la manguera en el orificio de salida de aire. Gire el acoplador en la dirección de las flechas de Bloqueo (hacia la izquierda) para asegurar el acoplador en su lugar. Ver la Fig. 1.
2. Coloque la abertura acampanada de la salida de la manguera sobre la abertura elíptica en la pieza deslizadora
3. Empuje las pestañas en la parte superior de la salida 1, abocardada en las ranuras de la barra deslizadora 1.
4. Use un tornillo para asegurar la salida abocardada a la pieza deslizadora 1 en el lado de la abertura elíptica que estará más cerca del marco de la ventana.
5. Inserte la pieza deslizante 2 en la pieza 1 y presione hasta que quede apretada contra la cresta de salida acampanada que sobresale a través de la apertura elíptica. Es posible que deba recortar el material del extremo interno de la pieza 2 para adaptarse al ancho de la abertura de la ventana.

Fig.1



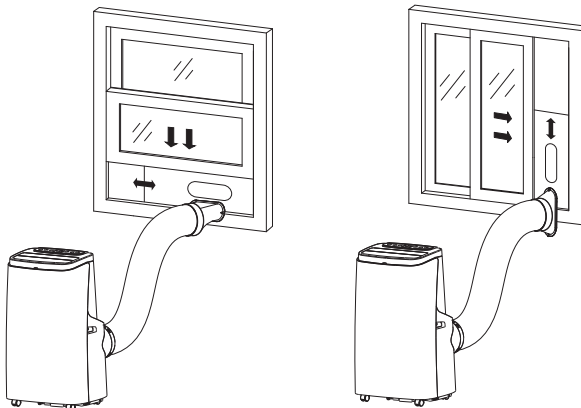
NOTA: Si la ventana es más estrecha que 20.5", use solo la barra deslizadora 1. Acorte la pieza cortando material del extremo que está más alejado del orificio. No corte desde el extremo más cercano al orificio.

Posición de la unidad cerca de la ventana

¡IMPORTANTE! Antes de usar el aire acondicionado, manténgalo en posición vertical durante al menos dos horas.

Las cuatro rueditas en la base del acondicionador de aire permiten que se pueda empujar fácilmente en una posición vertical a través de un piso nivelado. Hay asas a cada lado de la unidad para permitir que se levante hacia arriba si es necesario.

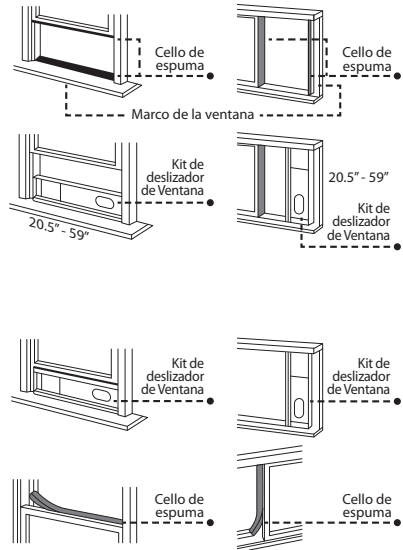
¡PRECAUCIÓN! Para evitar lesiones, use la técnica de levantamiento adecuada al levantar la unidad por sus asas. No se doble de la cintura con las piernas estiradas, Doblar las rodillas para levantar con la espalda recta.



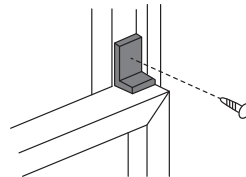
INSTALACION

Monte el kit de corredera de ventana

1. Corte un trozo de sello de espuma (tipo adhesivo) en el ancho de abertura de la ventana adecuada y fíjelo a la hoja de la ventana.
2. Extienda la manguera de escape de aire a la longitud necesaria. Coloque el kit de deslizador de la ventana (con salida abocardada adjunta) en la hoja de la ventana.
3. Corte un trozo de sello de espuma (tipo adhesivo) con el ancho adecuado y conéctelo a la parte inferior (colgando horizontalmente) o al costado (colgando verticalmente) de la ventana.
4. Cierre la ventana de forma segura en el kit deslizante de la ventana.
5. Corte el sello de espuma (tipo no adhesivo) a una longitud adecuada y selle el espacio abierto entre la parte superior del marco de la ventana.



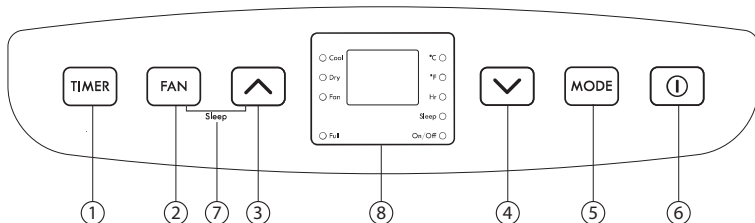
NOTA: puede usar uno de los suministrados L corchetes para asegurar la ventana cerrada (ver figura a la derecha). Además, puede usar los dos soportes rectos suministrados para asegurar el lado superior del kit deslizante a la ventana, y los otros dos soportes L para asegurar el lado inferior del kit deslizante al marco de la ventana.



NOTA: La longitud de la manguera de escape puede extenderse a 59 pulgadas, pero es mejor mantener la longitud a un mínimo. Asegúrese de que la manguera no tenga curvas cerradas. No use tubos de extensión ni reemplace la manguera de escape suministrada con una manguera diferente, ya que podría producirse un mal funcionamiento. No debe haber obstrucciones dentro de la manguera, o la unidad puede sobrecalentarse.

CONFIGURACIÓN DE CONTROL

LED Panel de Control



1. Tecla del tiempo
2. Tecla de selección de velocidad del ventilador
3. Tecla Arriba
4. Tecla Abajo
5. Tecla de selección de modo
6. Tecla de encendido
7. Modo de reposo
8. Pantalla de visualización

Enchufe el cable de alimentación de la unidad en un receptáculo de pared de 3 patas. Escuchará un pitido y la pantalla se iluminará, mostrando los dígitos de la temperatura del aire circundante. Presiona la tecla de encendido. Las rejillas de ventilación en la parte frontal de la unidad se abrirán y la unidad comenzará a funcionar en el modo Frío. Presione la tecla Arriba o Abajo para ajustar la temperatura de enfriamiento. Presione la tecla Modo para alternar entre el modo de funcionamiento Frío a Seco (deshumidificación) y Ventilador (solo ventilador).

1. Tecla de temporizador: el temporizador se puede configurar de 1 a 24 horas en incrementos de una hora. Tiempo de apagado: con la energía encendida, presione la tecla del temporizador. Los dígitos comenzarán a parpadear en la pantalla y el indicador Hr se encenderá. Mientras la pantalla parpadea, presione las teclas hacia arriba y hacia abajo para seleccionar la cantidad deseada de horas de funcionamiento. Después de unos segundos, se mostrarán los dígitos de temperatura y el indicador Hr permanecerá encendido. La unidad funcionará durante el tiempo establecido y luego se apagará. Tiempo de inicio demorado: con la alimentación apagada, presione la tecla del temporizador. Los dígitos comenzarán a parpadear en la pantalla y el indicador Hr se encenderá. Mientras la pantalla parpadea, presione las teclas hacia arriba y hacia abajo para seleccionar el número deseado de horas antes del inicio. Después de unos segundos, se mostrarán los dígitos de temperatura y el indicador Hr permanecerá encendido. La unidad comenzará a funcionar después de que haya transcurrido el número de horas establecido. Para cancelar la configuración del temporizador, presione la tecla del temporizador dos veces seguidas. El indicador Hr se apagará. El temporizador se puede configurar de 1 a 24 horas y la cantidad de tiempo se puede ajustar en incrementos de una hora.

2. Tecla de selección de velocidad del ventilador: en el modo de refrigeración y ventilador, presione la tecla de ventilador para seleccionar la velocidad del ventilador alto (F3), medio (F2) o bajo (F1). En el modo Seco, el ventilador se predetermina a la velocidad más baja (F1).

3, 4. Teclas arriba y abajo - Presione la tecla arriba o abajo para ajustar la temperatura de enfriamiento deseada. Mientras presiona la tecla del temporizador, presione la tecla hacia arriba o hacia abajo para seleccionar el intervalo de apagado deseado o de inicio diferido. Presione simultáneamente ambas teclas para cambiar entre Celsius (°C) y Fahrenheit (°F).

5. Botón de selección de modo: presione la tecla de modo para alternar entre modos. Con cada presión, el indicador de modo se iluminará en secuencia desde Frío---> Deshumidificación ---> Ventilador

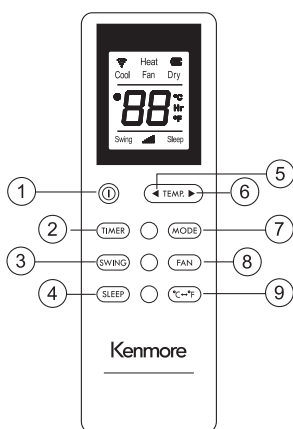
CONFIGURACIÓN DE CONTROL

6. Tecla de encendido: presione la tecla para encender o apagar el funcionamiento de la unidad. Con la tecla apagada, la pantalla muestra la temperatura del aire circundante.

7. Modo de suspensión: en el modo de refrigeración, presione la tecla hacia arriba y la tecla de ventilador al mismo tiempo para encender el modo de suspensión. Después de una hora, el ajuste de la temperatura aumentará en un grado, y en un grado más después de otra hora, de acuerdo con la forma en que su cuerpo se enfría de forma natural mientras duerme. La velocidad del ventilador es baja para un funcionamiento silencioso. Presione hacia arriba y la tecla del ventilador al mismo tiempo para apagar el modo de Suspensión. La temperatura volverá a la configuración original.

Control Remoto

Apunte el control remoto hacia el panel de control de la unidad cuando presione las teclas de control remoto. Escuchará el pitido de la unidad para confirmar la activación de la tecla de control remoto



- 1 Encendido – Presione tecla para encender y apagar la unidad.
- 2 Selección de tiempo - Presione la tecla de Selección de tiempo para configurar el temporizador.
- 3 Función de oscilación automática - Presione la tecla oscilación para comenzar modo de oscilación.
- 4 Dormir - Presione la tecla Dormir para activar el modo de suspensión.
- 5 Abajo – Presione tecla para reducir la temperatura y ajustar la configuración del temporizador.
- 6 Arriba - Presione tecla para aumentar la temperatura y ajustar la configuración del temporizador.
- 7 Modo - Presione la tecla Modo para alternar entre modo de enfriamiento, deshumidificación y solo ventilador.
- 8 Ventilador - Presione la tecla Ventilador para seleccionar alta, media o baja velocidad del ventilador.
- 9 Convertidor de unidad de temperatura – °F °C

Funciones protectoras

Protección contra heladas: en los modos Frío y Seco, si la temperatura del compresor es demasiado baja, la unidad automáticamente ingresará el estado de protección. Una vez que la bobina alcanza una temperatura suficiente, la unidad volverá automáticamente a la operación normal.

Protección contra desbordamiento: cuando el agua en la bandeja de agua excede el nivel máximo, la unidad emitirá un pitido, dejará de funcionar y la pantalla mostrará FL. El agua en la bandeja debe drenarse vacía antes de que la unidad reanude su funcionamiento. Consulte las Instrucciones de drenaje en la próxima sección de esta Guía de uso y cuidado.

Descongelación automática: el aire acondicionado tiene descongelación automática. Durante la descongelación, el compresor dejará de funcionar durante aproximadamente 3 a 5 minutos, tiempo durante el cual el ventilador continuará funcionando.

Protección térmica automática: el aire acondicionado tiene protección térmica automática para proteger contra el sobrecalentamiento. Cuando la protección térmica está activada, el compresor y el motor se detendrán. Una vez enfriada a una temperatura de operación segura, la unidad puede reiniciarse.

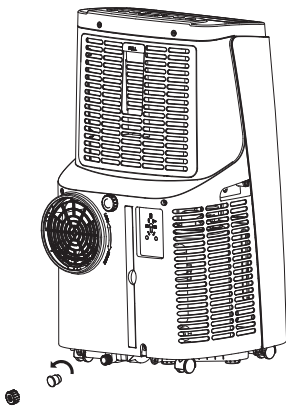
DRAINAGE INSTRUCTIONS

Drenaje manual

1. Cuando la unidad se detiene después de que el colector de agua está lleno, presione la tecla de encendido para apagar la unidad y luego desenchufe el cable de alimentación. Nota: Mueva la unidad con cuidado para no derramar el agua en la bandeja de agua en la base.
2. Coloque un recipiente de agua debajo del puerto de drenaje inferior de la unidad.
3. Desenrosque la tapa de drenaje y quite el tapón de agua. El agua fluirá automáticamente al contenedor de agua.

Nota:

- Durante el drenaje, incline la unidad ligeramente hacia atrás.
 - Si ve que su contenedor de agua no retiene toda el agua, antes de que esté llena, inserte el tapón de agua nuevamente en el puerto de drenaje para evitar que el agua se derrame en el piso.
4. Cuando toda el agua se drene de la unidad, inserte el tapón de agua y vuelva a apretar la tapa de drenaje.

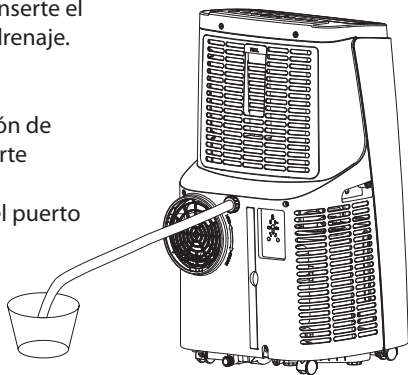


Drenaje continuo

1. Desatornille la tapa de drenaje y quite el tapón de agua del puerto del tubo de drenaje en la parte central posterior de la unidad.
2. Empuje un extremo del tubo de drenaje en el puerto de drenaje.
3. Coloque el otro extremo del tubo de drenaje en un recipiente de agua o drenaje de piso.

Nota: Si el contenedor de agua se llena, se puede producir una reserva de agua que llenará la bandeja de agua de la unidad y provocará el apagado de la unidad. Retire el extremo del adaptador y colóquelo en otro recipiente vacío o drenaje de piso. Permitir agua pan para escurrir

4. Cuando toda el agua se drene de la unidad, inserte el tapón de agua y vuelva a apretar la tapa de drenaje.



MANTENIMIENTO

Limpieza

Antes de realizar la limpieza y el mantenimiento, presione la tecla de encendido presionada para apagarla y desenchufe el cable de alimentación de la toma de corriente.

Limpie la superficie exterior

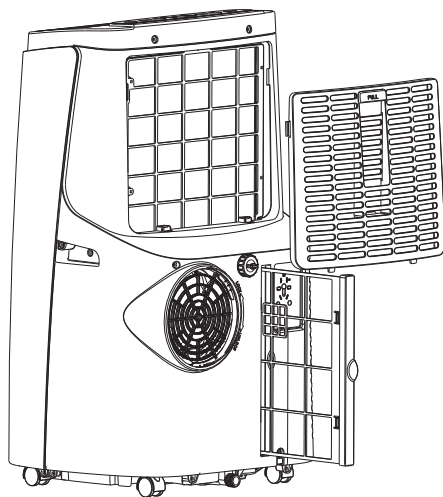
Limpie con la superficie de la máquina con un paño suave y húmedo. No use productos químicos, como benceno, alcohol, gasolina, etc.; de lo contrario, la superficie del aire acondicionado se dañará o incluso toda la máquina se dañará.

Limpie las pantallas de filtro

Si las pantallas del filtro se obstruyen con polvo, se reduce la efectividad del aire acondicionado. Asegúrese de limpiar las pantallas de filtro una vez cada dos semanas.

Para limpiar la pantalla del filtro superior

1. Retire el control remoto de la ranura de almacenamiento en la rejilla superior del filtro.
2. Inserte las puntas de los dedos debajo de la pestaña TIRAR en la parte superior de la rejilla de la pantalla y tire hacia afuera para eliminar.
3. Retire la pantalla del filtro superior. Coloque la pantalla en agua tibia (aproximadamente 104 ° F /40 ° C) con un detergente suave y deje que se seque al aire después de enjuagar.
4. Una vez que la pantalla esté completamente seca, vuelva a colocarla en su lugar en la unidad.
5. Para volver a instalar la rejilla, inserte las pestañas en la parte inferior de la rejilla en las ranuras del marco de la unidad. Empuje la rejilla hacia adelante para encajar en su lugar.



Para limpiar la pantalla de filtro inferior

1. Sujete la pestaña en el medio de la pantalla del filtro inferior y tire hacia afuera suavemente para quitarlo.
2. Coloque la pantalla del filtro en agua tibia (alrededor de 104 ° F / 40 ° C) con agua templada detergente y deje que se seque al aire después de enjuagarlo.
3. Una vez que la pantalla esté completamente seca, vuelva a colocarla en su lugar en la unidad.

Para comprar nuevas pantallas de filtro, llame al 1-844-553-6667

MANTENIMIENTO

Almacenamiento de postemporada

1. Si la unidad está conectada para drenaje continuo, desatornille la tapa de drenaje del medio, desenchufe el tapón de agua y descargue el agua en otros recipientes de agua o sumidero de piso. Si la unidad no está conectada para un drenaje continuo, vacíe la bandeja de acuerdo con las instrucciones de drenaje manual.
2. Encienda el acondicionador de aire, ajústelo a una velocidad de ventilador baja y haga funcionar la unidad hasta un período de tiempo para secar la humedad del interior de la unidad y evitar la formación de moho durante el almacenamiento.
3. Apague el aire acondicionado, desenchufe el cable de alimentación del receptáculo de la pared e inserte las clavijas del enchufe de alimentación en la placa de almacenamiento del enchufe en la parte posterior de la unidad. Vuelva a instalar el tapón de agua y la tapa de drenaje.
4. Retire la manguera de escape de aire y guárdela en un lugar seguro.
5. Cubra el acondicionador de aire con una bolsa de plástico. Guarde la unidad en un lugar seco, manténgala fuera del alcance de los niños y tome medidas de control de polvo.

SOLUCIÓN DE PROBLEMAS

Si se producen problemas que no figuran en la tabla o las soluciones recomendadas no funcionan, comuníquese con un distribuidor de servicio técnico calificado para que lo repare. No desmonte el aire acondicionado. La reparación no calificada, anulará la garantía y puede causar lesiones a los usuarios o daños a la propiedad.

Problems	Reasons	Solutions
El aire acondicionado no funciona.	No hay electricidad.	Encienda la unidad después de conectarla a un enchufe con electricidad.
	El indicador de desbordamiento muestra FL.	Descarga el agua adentro.
	La temperatura ambiente es demasiado baja o demasiado alta.	Haga funcionar la unidad dentro del rango de temperatura ambiente de 44-95°F (7-35°C).
	En el modo de enfriamiento, la temperatura ambiente es inferior a la temperatura establecida.	Cambia la temperatura establecida.
	En el modo de deshumidificación, la temperatura ambiente es baja.	Coloque la unidad en una habitación con una temperatura ambiente superior a 62°F (17°C).
El efecto de enfriamiento no es bueno	Hay luz solar directa.	Cierre la cortina de la habitación.
	Las puertas o ventanas están abiertas; hay mucha gente en la sala; o en el modo de enfriamiento, hay otras fuentes de calor.	Cierre puertas y ventanas, y agregue un nuevo el aire acondicionado.
	La pantalla del filtro está sucia.	Limpie o reemplace la pantalla del filtro.
	La entrada o salida de aire está bloqueada.	Despejar obstrucciones.
Ruido fuerte	El aire acondicionado no se encuentra una en una superficie plana.	Coloque la unidad en un lugar plano y duro (para reducir el ruido).
El compresor no funciona.	La protección contra sobrecalentamiento está activa.	Espere 3 minutos hasta que la unidad se enfríe, luego reinicie.
El control remoto no funciona.	La distancia entre la unidad y el control remoto es demasiado grande.	Acerque el control remoto del aire acondicionado y asegúrese de que el control remoto esté orientado directamente en la dirección del receptor de control remoto de la unidad.
	El control remoto no está alineado con la dirección del receptor del control remoto.	
	Las baterías están muertas.	Reemplace las baterías.
La pantalla muestra E1	Reemplace las baterías.	Llame al servicio.
La pantalla muestra E2	El sensor de temperatura ambiente no funciona correctamente.	Llame al servicio.

GARANTÍA

GARANTÍA LIMITADA DE KENMORE

POR UN AÑO a partir de la fecha de venta, este electrodoméstico está garantizado contra defectos de material o mano de obra cuando está correctamente instalado, operado y mantenido de acuerdo con todas las instrucciones provistas.

CON LA PRUEBA DE VENTA, un electrodoméstico defectuoso recibirá reparación o reemplazo gratuito a opción del vendedor.

Para obtener detalles sobre la cobertura de la garantía para obtener reparaciones o reemplazos gratuitos, visite la página web: www.kenmore.com/warranty

Esta garantía se aplica solo durante 90 DÍAS desde la fecha de venta si este electrodoméstico se usa con fines de uso de hogar.

Esta garantía cubre ÚNICAMENTE defectos en materiales y mano de obra, y NO pagar por:

1. Artículos consumibles que pueden desgastarse por el uso normal, incluidos, entre otros, filtros, correas, bolsas o bombillas de luz con base rosca.
2. Un técnico de servicio para limpiar o mantener este dispositivo, o para instruir al usuario sobre la correcta instalación, operación y mantenimiento del dispositivo.
3. Llamadas de servicio para corregir la instalación del artefacto no realizada por los agentes de servicio autorizados de Sears, o para reparar problemas con fusibles domésticos, interruptores automáticos, cableado de viviendas y sistemas de plomería o suministro de gas resultantes de dicha instalación.
4. Daño o falla de este electrodoméstico como resultado de la instalación no realizada por los agentes de servicio autorizados de Sears, incluida la instalación que no estaba de acuerdo con los códigos eléctricos, de gas o de plomería.
5. Daños o fallas de este artefacto, incluida la decoloración o el óxido de la superficie, si no se opera y mantiene correctamente de acuerdo con todas las instrucciones provistas.
6. Daños o fallas de este artefacto, incluida la decoloración o la corrosión superficial, como resultado de un accidente, alteración, abuso, uso indebido o uso distinto del previsto.
7. Daños o fallas de este artefacto, incluida la decoloración o la oxidación de la superficie, causados por el uso de detergentes, limpiadores, productos químicos o utensilios distintos de los recomendados en todas las instrucciones suministradas con el producto.
8. Daño o falla de partes o sistemas como resultado de modificaciones no autorizadas hechas a este electrodoméstico.
9. Servicio a un electrodoméstico si el modelo y la placa de serie faltan, están alterados o no se puede determinar fácilmente que tengan el logotipo de certificación apropiado.

Descargo de responsabilidad de las garantías implícitas: limitación de los recursos

El único y exclusivo remedio del cliente bajo esta garantía limitada será reparación o reemplazo del producto como se proporciona aquí. Las garantías implícitas, incluidas las garantías de comerciabilidad o adecuación para un fin determinado, están limitadas a un año o al período más breve permitido por la ley. El vendedor no será responsable por daños incidentales o consecuentes. Algunos estados y provincias no permiten la exclusión o limitación de daños incidentales o consecuentes, o la limitación de la duración de las garantías implícitas de comerciabilidad o adecuación, por lo que estas exclusiones o limitaciones pueden no aplicarse en su caso.

Esta garantía solo se aplica mientras este dispositivo se usa en los Estados Unidos. Esta garantía le otorga derechos legales específicos, y también puede tener otras derechos que varían de estado a estado.

Sears Brands Management Corporation, Hoffman Estates, IL 60179

Kenmore®

Customer Care Hotline

To schedule in-home repair service
or order replacement parts

Para pedir servicio de reparación
a domicilio, y ordenar piezas

1-844-553-6667

www.kenmore.com



Free Manuals Download Website

<http://myh66.com>

<http://usermanuals.us>

<http://www.somanuals.com>

<http://www.4manuals.cc>

<http://www.manual-lib.com>

<http://www.404manual.com>

<http://www.luxmanual.com>

<http://aubethermostatmanual.com>

Golf course search by state

<http://golfingnear.com>

Email search by domain

<http://emailbydomain.com>

Auto manuals search

<http://auto.somanuals.com>

TV manuals search

<http://tv.somanuals.com>