

OWNER'S MANUAL

SEARS

Kenmore

SEWING MACHINE

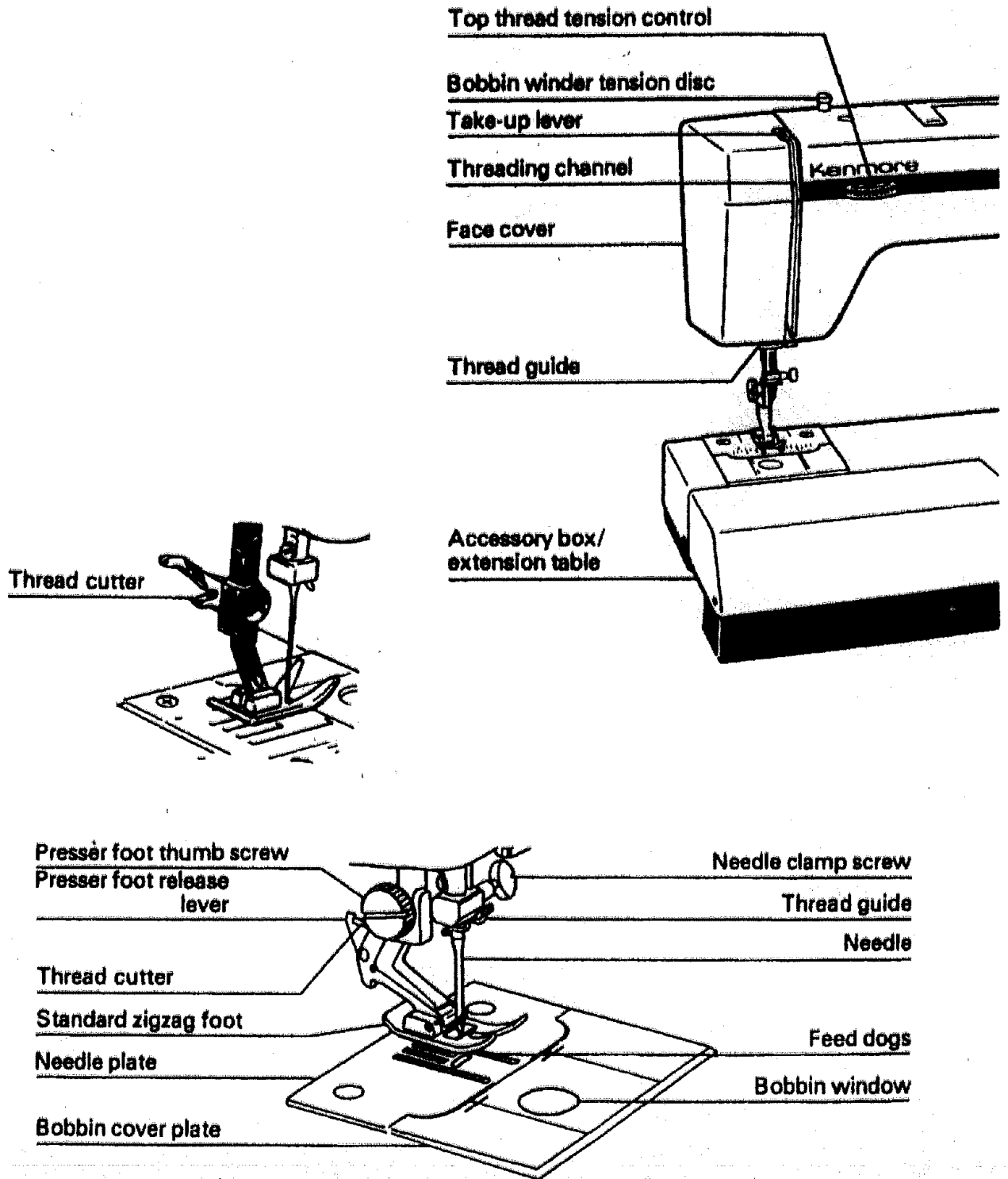
**MODEL 17651/17830/17831/17832
17840/17841/17842/17843
17871/17891/17892**

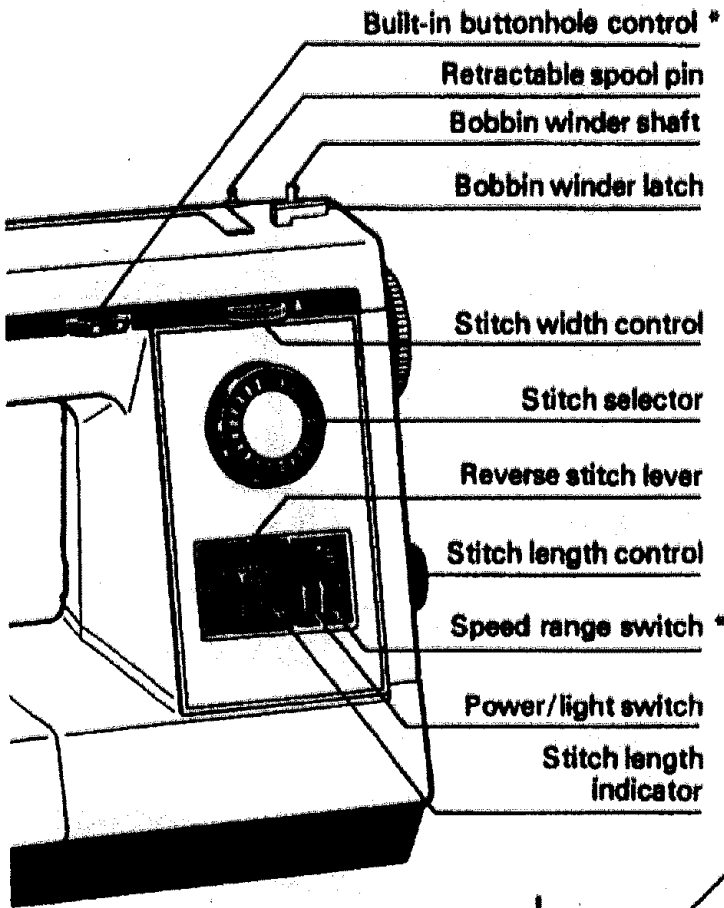
TABLE OF CONTENTS

1. KNOWING YOUR SEWING MACHINE	
Identification chart.....	2 - 3
Setting up your machine.....	4
Foot control, Power/light switch, Speed range switch	
Converting to free-arm sewing, Accessory box.....	5
Accessories.....	6 - 7
Needles, Needle, thread and fabric chart.....	8
Changing needle, Presser foot lever, Preparation for threading.....	9
Winding the bobbin.....	10
Threading the bobbin case.....	11
Threading top thread.....	12
Picking up bobbin thread.....	13
Presser feet, Changing presser feet, Feed cover plate.....	14
Stitch selector, Stitch length control.....	15
Stitch width/needle position control, Reverse stitch lever, Buttonhole control.....	16
Pressure regulator, Seam guides.....	17
Thread tension control.....	18
2. STARTING TO SEW.....	19
Machine setting chart.....	20
Straight stitching.....	21 - 24
Three needle positions, Starting to sew and back tacking, Turning a square corner, Removing fabric, Top-stitching, Darning, Temporary sewing by machine, Zipper application-cording	
Zigzag stitching.....	25 - 28
Overcasting, Satin stitching, Bar tacking, Appliqueing, Embroidery, Monogramming, Button sewing	
Blind hemming.....	29 - 30
Mending and overcast stitching.....	31
Shell stitching.....	32
Box stitch.....	33
Fagoting stitch.....	34
Stretch stitches.....	35 - 39
Adjusting stitch length, Straight stretch stitch, Rick-rack stretch stitch, Smocking stretch stitch, Elastic stretch stitch, Overcast stretch stitch, Overedge stretch stitch, Patching stretch stitch, Overlock stretch stitch, Elastic edge stretch stitch	
Where to use which stretch stitch: A check-chart.....	40
Hints on sewing different fabrics.....	41
Buttonhole making.....	42 - 47
Decorative embroidery designs.....	48 - 50
3. CARING FOR THE MACHINE	
Cleaning and oiling.....	51 - 53
Changing light bulb.....	53
4. CHECKING PERFORMANCE PROBLEMS.....	54 - 56

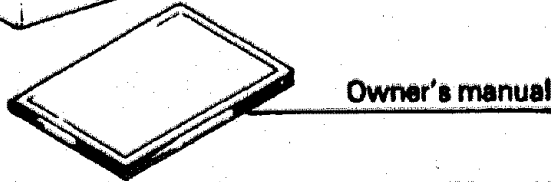
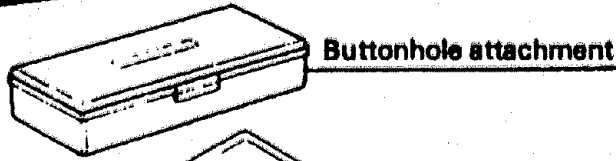
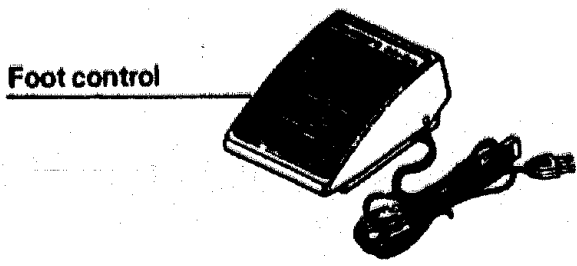
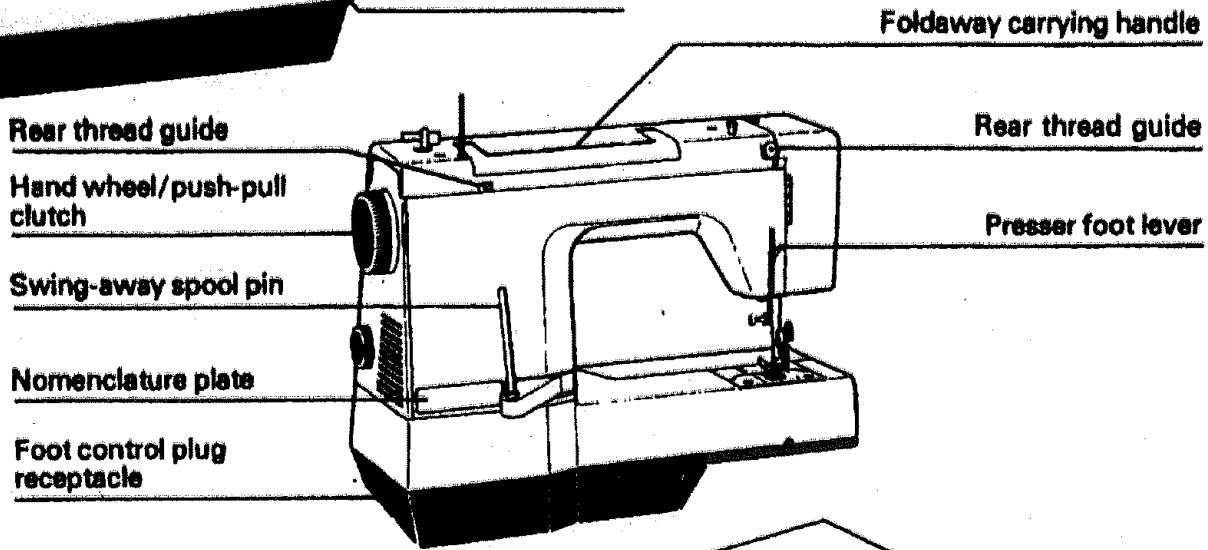
1. KNOWING YOUR SEWING MACHINE

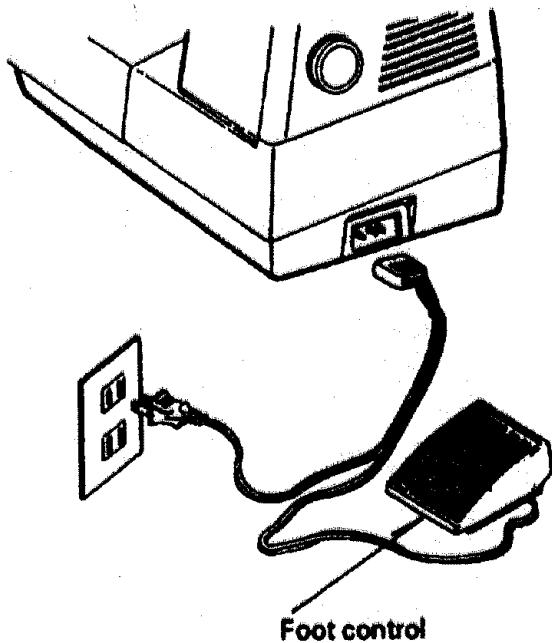
IDENTIFICATION CHART





* Available depending upon model.





SETTING UP YOUR MACHINE

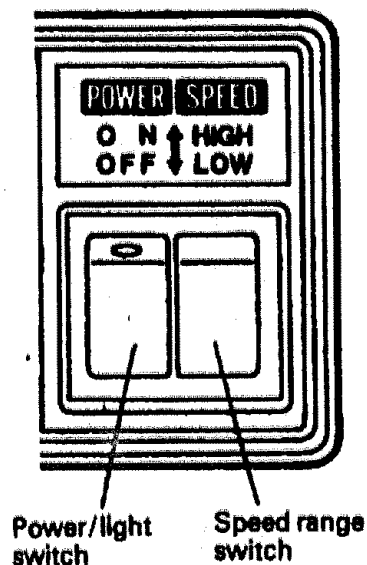
1. Install your Kenmore sewing machine in a Kenmore cabinet or case or set the machine on a sturdy flat surface.
2. Your Kenmore sewing machine has been thoroughly oiled at the factory. Be sure to wipe off the needle plate area and bed plate carefully before sewing a garment. It is wise to practice on a scrap of fabric so any surplus oil is absorbed.

FOOT CONTROL

Make sure power/light switch is off. Plug foot control plug into machine receptacle. Then connect cord into any 110-120 volt A. C. wall outlet.

POWER/LIGHT SWITCH

Your machine will not operate unless the power/light switch is turned on. Turning on the power automatically illuminates the stitching area. If you're interrupted or stop sewing and leave the machine, turn off the power/light switch.



SPEED RANGE SWITCH

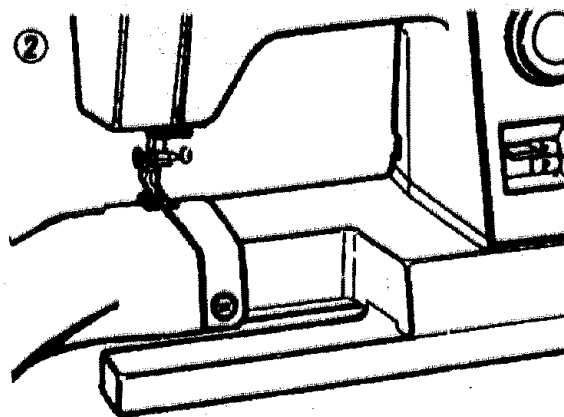
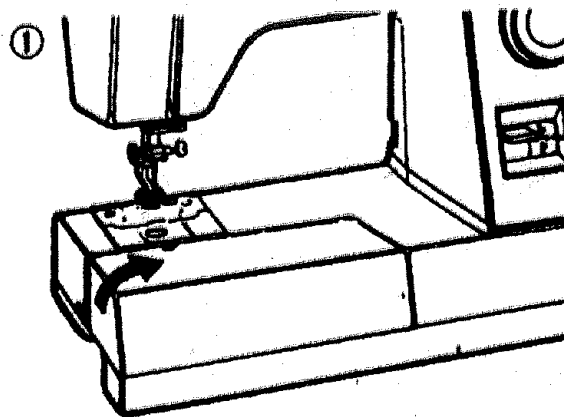
Your machine has two ranges of speed—a low range for slower, intricate work and a high one for faster, general work. On the low setting the machine will sew no faster than approximately one-half the speed of the high one, even when the foot control is fully depressed.

CONVERTING TO FREE-ARM SEWING

This machine can be used either as a flatbed or as a freearm model. With the accessory box in place, the machine is a flatbed model with a large working surface, which slopes gently toward you to help the smooth flow of fabric.

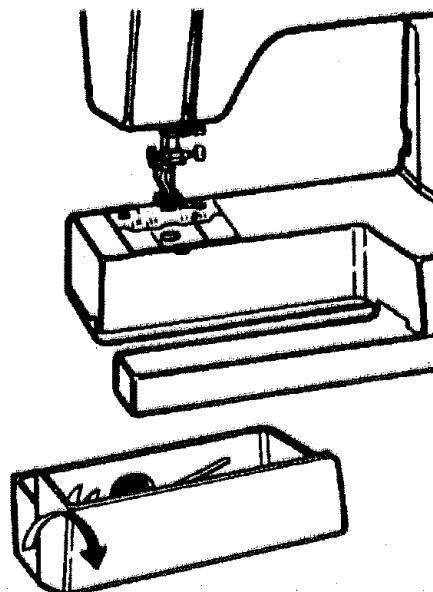
By removing the accessory box, the machine converts into free-arm machine for sewing children's clothes, cuffs, trouser legs, armholes and other awkward places.

1. To remove the accessory box, grip it firmly between fingers and thumb at the left end and lift it. To replace, slide the accessory box back into place until it clicks.
2. With the accessory box removed the machine is ready for freearm sewing.



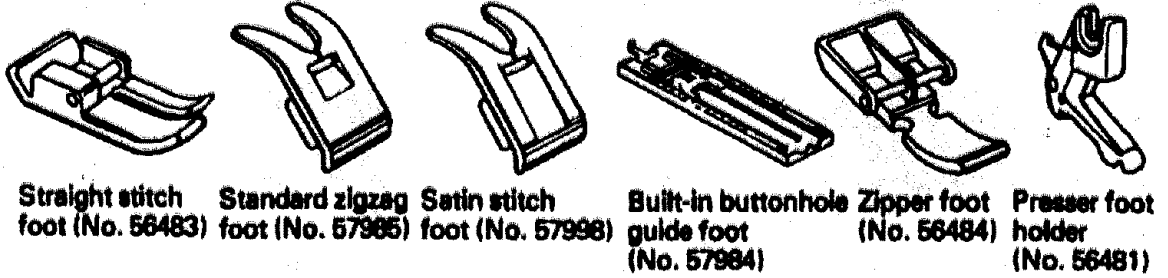
ACCESSORY BOX

Open accessory box by lifting the lid up and forward as shown and you'll find a variety of accessories inside. Turn next page for components.

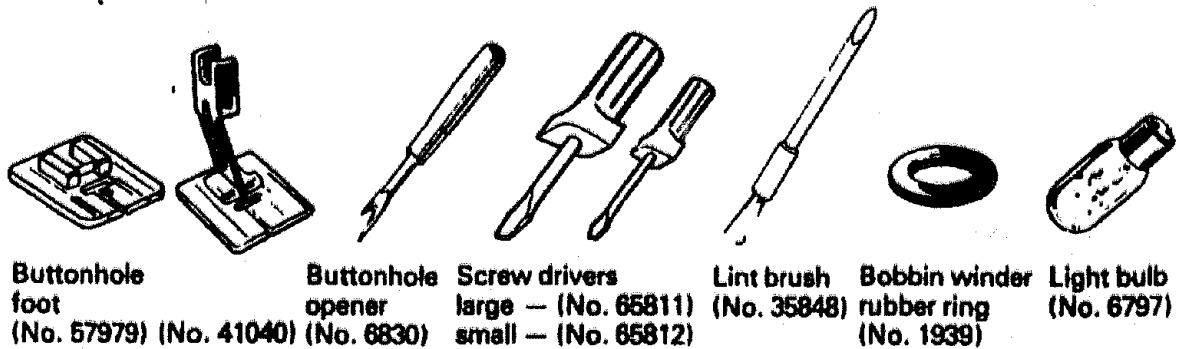
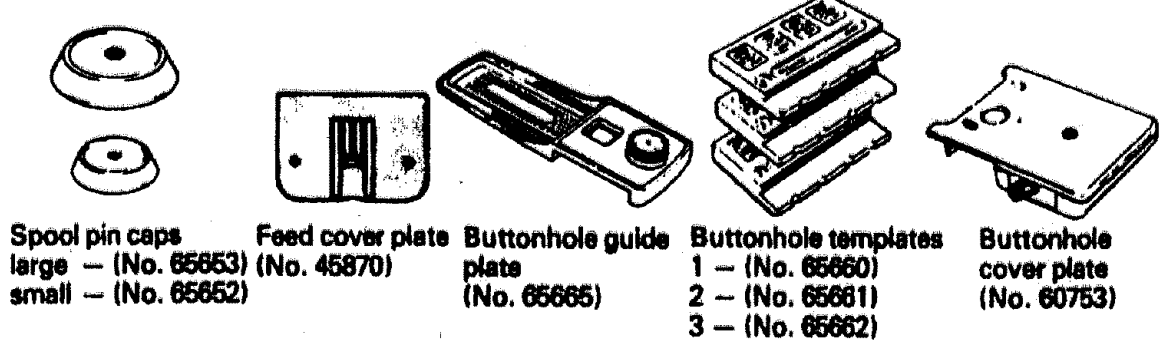
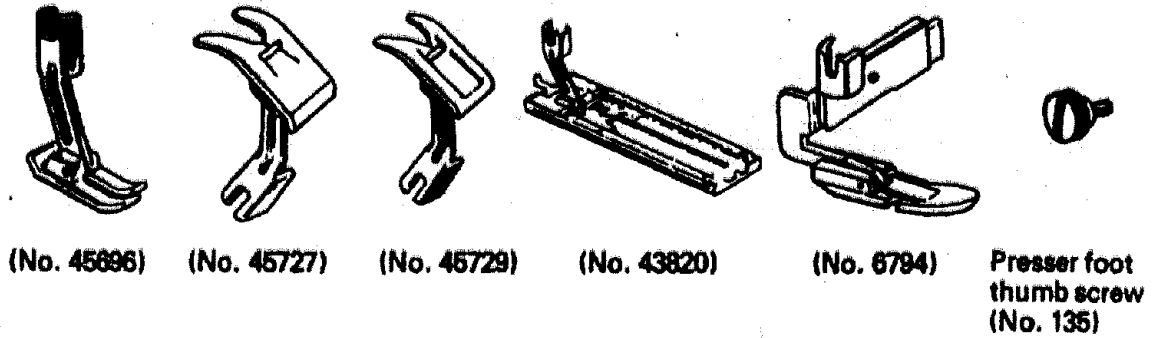


ACCESSORIES

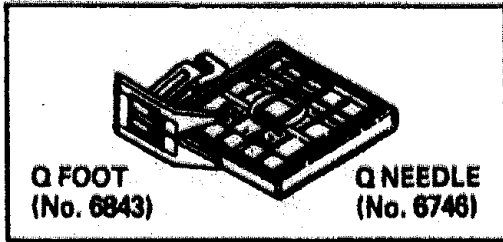
SNAP-ON FEET



ONE-PIECE FEET



OPTIONAL ACCESSORIES



Q FOOT
(No. 6843)

Q NEEDLE
(No. 6746)

Q SET (No. 6995)

— Helps avoid skipped stitches, especially with synthetic, stretch and knit fabrics.



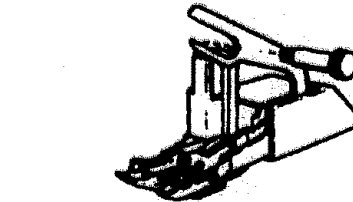
Blind hem foot (No. 6886)

— Holds fabric folded for blind hem sewing.



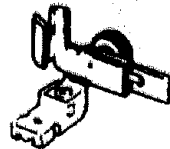
Roller foot (No. 6765)

— Hinged zigzag type foot that has one roller in front of needle and another roller behind it. Recommended for imitation leather or vinyl.



Even-feeding foot (No. 6888)

— Feeds both fabric layers simultaneously to help prevent bunching of Ultra Suede fabric, satin, tricot or other slick fabrics, eases pattern matching.

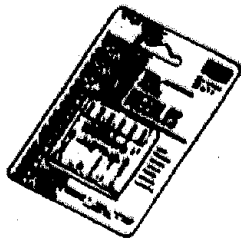
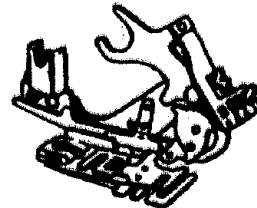


Zipper foot (No. 6759)

— For insertion of invisible zipper.

Ruffler/pleater (No. 6896)

— Gathers fabric to ease making curtains, flounces etc.



Machine needles: (See page 8 for how to choose needle)

5 pcs. Regular color-coded needles

Size 9-Brown (No. 6550)

Size 11-Orange (No. 6551)

Size 14-Red (No. 6552)

Size 16-Purple (No. 6553)

Size 18-Green (No. 6554)

10 pcs. Ball point color-coded needles (No. 6747)

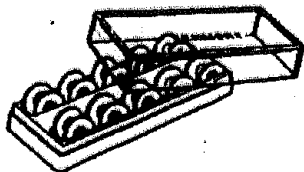
Size 9-Silver/Brown x 4 pcs.

Size 11-Silver/Orange x 4 pcs.

Size 14-Silver/Red x 2 pcs.

2 pcs. Double needles (No. 6749)

5 pcs. Q-Needles - Blue (No. 6746)



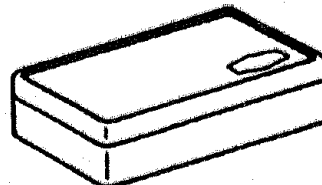
10 plastic bobbins (No. 6868)



Needle threader
(No. 43780)



Oil/Oiler
(Contents: 30 cc Oil)
(No. 6890)



Accessory set (No. 6842)

— Expands your machine's uses from simple mending to detailed gathering, quilting, shirring and more. Includes hemmers, guides and Q SET. Presser feet let you attach braid, insert zippers and cording.

NEEDLES



Use KENMORE needles. The size of the needle should conform with the size of the thread and both should be suitable to the fabric. Kenmore needles are color-coded by size for your convenience (See chart below).

Never use a bent needle or one with a dull point.

If you do not have a Kenmore needle, please use this illustration to be sure your needle is the right size. Distance from top of needle to needlehole should be this exact length.

You will find among your accessories a "Q NEEDLE" with blue shank. This special needle is to be used when sewing knits and certain difficult synthetic fabrics. If you experience skipped stitches in any of your sewing, use "Q NEEDLE" and "Q FOOT". *

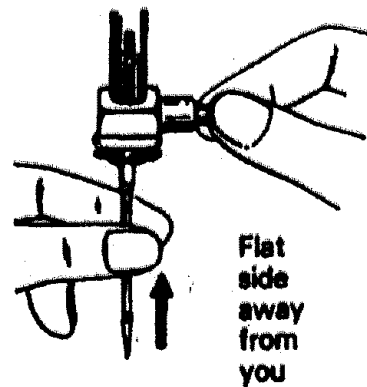
*Available at most Sears retail stores and catalog.

NEEDLE, THREAD AND FABRIC CHART

FABRIC	NEEDLE SIZE AND COLOR	THREAD SIZE	RECOMMENDED STITCH LENGTH SETTING
LIGHTWEIGHT: Batiste, Dimity, Chiffon, Silks, Synthetic Jerseys, Fine Lace, Organza, Crepe, Taffeta, Voile, Organdy	9-BROWN or 11-ORANGE	Polyester Core/Cotton Wrap Fine Mercerized Cotton Silk A	12 stitches per inch
MEDIUMWEIGHT: Cotton, Cotton Blends, Percale, Gingham, Shantung, Pique, Seersucker, Satin, Knits, Vinyl, Suitings, Linen, Wool Crepe, Leather	14-RED	Polyester Core/Cotton Wrap 50 Mercerized Cotton Silk A	10 to 12 stitches per inch
MEDIUM HEAVYWEIGHT: Corduroy, Denim, Wool, Sailcloth, Wool Flannel, Gabardine, Velvets, Leather	14-RED or 16-PURPLE	Polyester Core/Cotton Wrap 50 Mercerized Cotton Mercerized Heavy-Duty Silk A	8 to 10 stitches per inch
HEAVYWEIGHT: Coatings, Upholstery, Cotton Duck, Heavy Twills, Canvas	18-GREEN	Polyester Core/Cotton Wrap Heavy-Duty Mercerized Cotton Polyester Synthetic Silk A	8 stitches per inch
Decorative top-stitching on all types of fabric	16-PURPLE 18-GREEN or Q-BLUE	Buttonhole Twist	6 stitches per inch
Synthetic Knits and Stretch: Polyester Double Knits, Nylon Tricot, Jersey, Stretch Terry, Spandex, Cire Tricot	Q-BLUE with "Q FOOT" **	Polyester Core/Cotton Wrap 50 Mercerized Cotton	10 for Regular or 6 to 12 Stretch Stitches

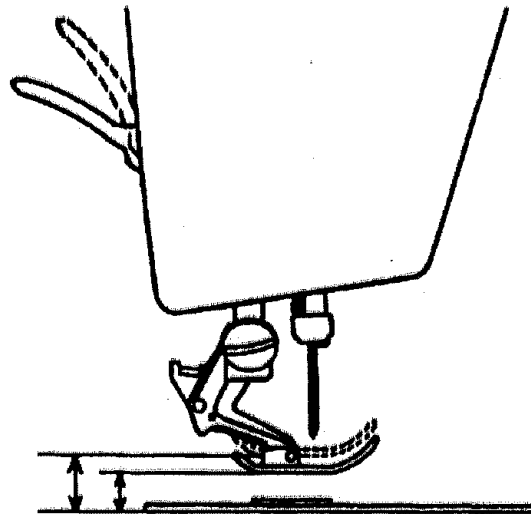
CHANGING NEEDLE

Raise needle bar to its highest position by turning the hand wheel toward you. Loosen the needle clamp screw. Holding the needle with the flat side away from you, slip the needle into the needle bar. When it is in as far as it will go, tighten the needle clamp screw.



PRESSER FOOT LEVER

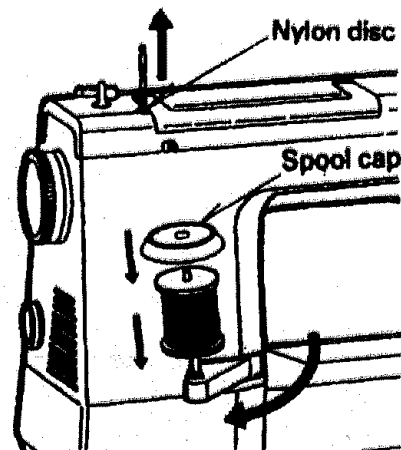
Presser foot lever has a two position lift. In order to place heavy fabric under the presser foot or to change the presser foot raise the presser foot lever to its maximum upward position as shown.



PREPARATION FOR THREADING

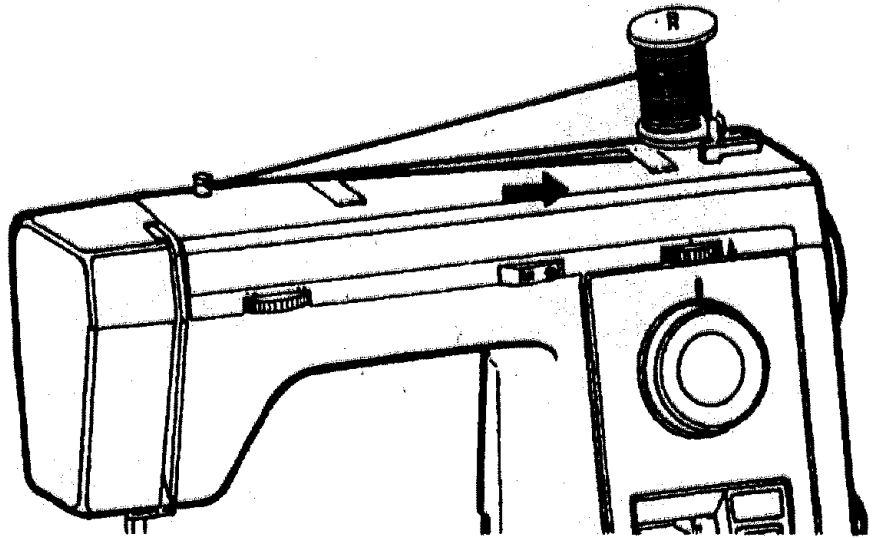
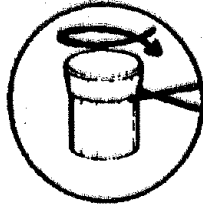
Swing away spool pin fully to the back of machine. Place spool of thread on the spool pin and cover with cap for smooth supply of thread.

Extra spool pin is provided on top of machine. This is used only when winding bobbin and sewing with double needle. Pull it up when using.

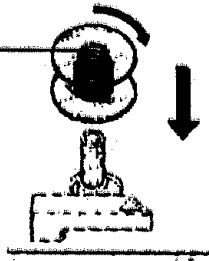


WINDING THE BOBBIN

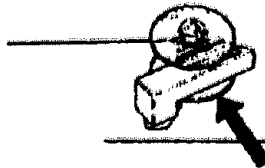
①



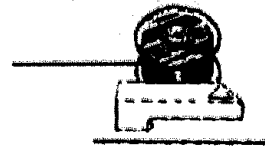
②



③



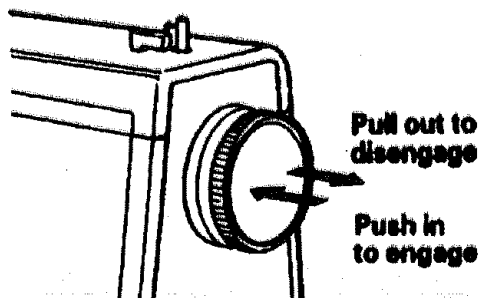
④



1. Pull out retractable spool pin and place thread spool on the pin. To wind bobbin, draw thread from spool through bobbin winder tension disc as indicated, and pull end of thread toward bobbin winder.
2. Wind thread around bobbin several times in direction of arrow; place bobbin on bobbin winder shaft.
3. Push bobbin winder latch against bobbin until it clicks. Then pull Hand Wheel away from machine to disengage clutch

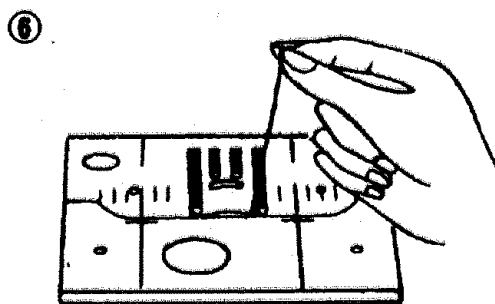
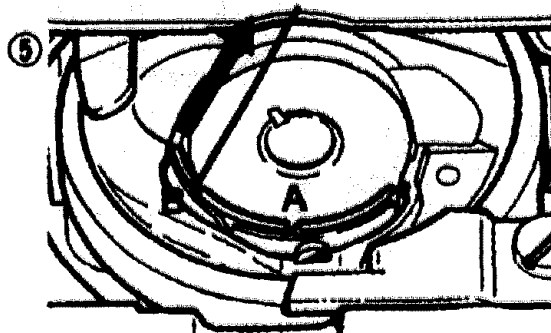
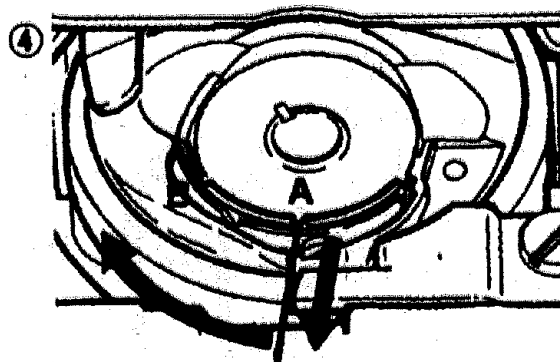
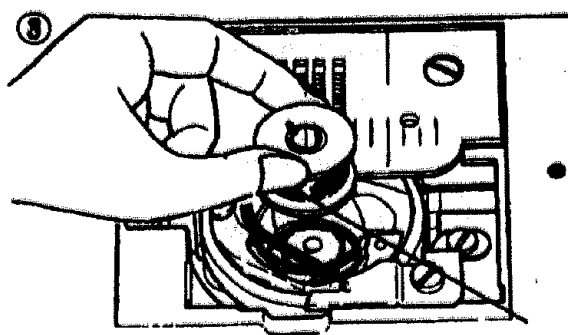
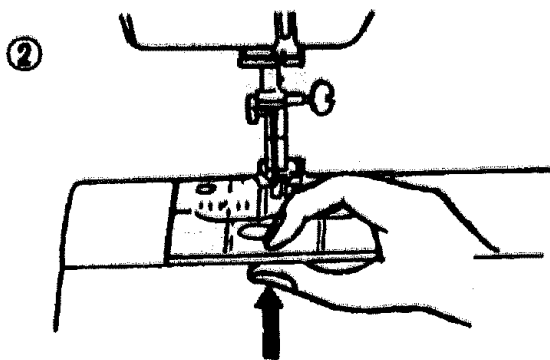
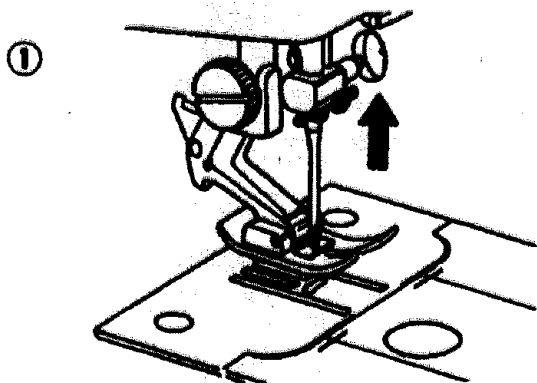
(see diagram below). Start machine by pressing down on foot control.

4. When bobbin is full, winding stops automatically. Push in Hand Wheel. Remove bobbin from shaft and trim thread end.



- * Treat hand wheel as a "clutch" It controls the needle drive mechanism so that when pulled out (disengaged), the machine will not operate while the bobbin is being wound.

THREADING THE BOBBIN CASE



1. Raise needle to its highest position by rotating hand wheel toward you.
2. Remove bobbin cover plate by lifting up the front.
3. Insert bobbin into bobbin case making sure bobbin rotates counter clockwise.
4. Pull thread through slot (A) and then to the left.
5. Pull thread through slot (B) toward the rear of machine and leave about 4 inches of thread.
6. Replace bobbin cover plate allowing thread to emerge through slot in needle plate.

THREADING TOP THREAD

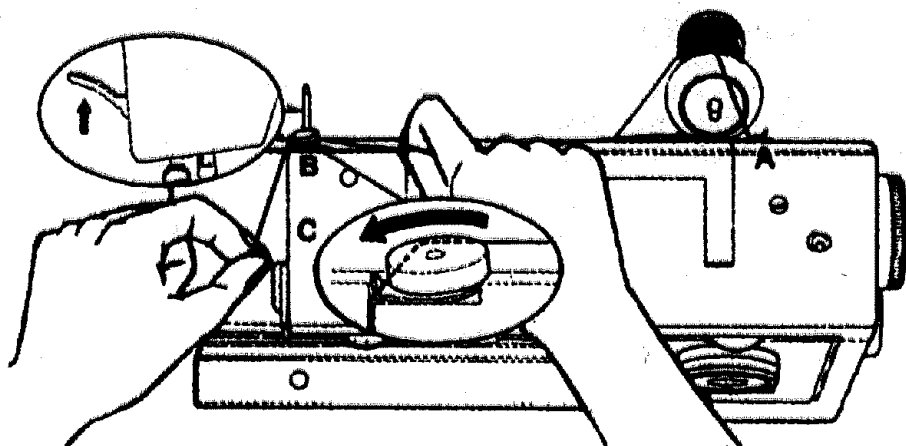


Fig. 1

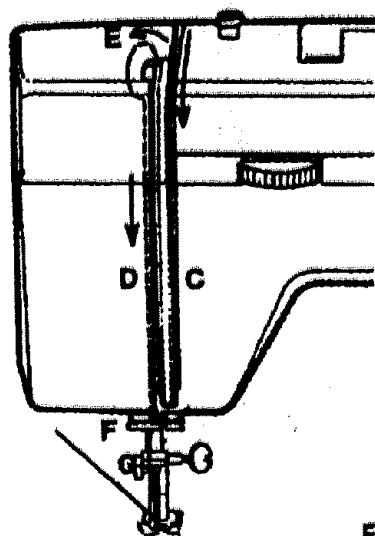


Fig. 2

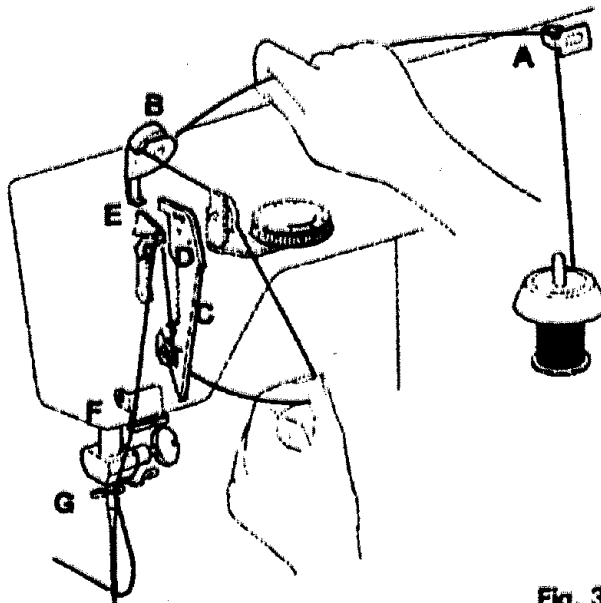


Fig. 3

1. Raise thread take-up lever to its highest position by turning hand wheel toward you. Raise presser foot lever.

Place thread spool on spool pin. Place appropriate spool cap over the spool. See Fig. 1.

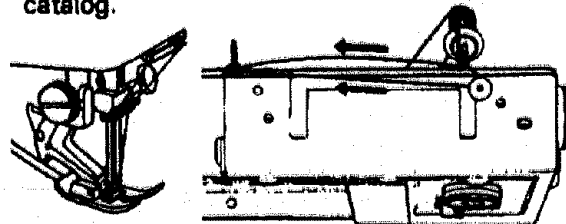
Holding thread taut with right hand, draw thread through rear thread guides (A and B) and into threading channel (C) toward you. (Fig. 1)

2. Draw thread down channel (C) and up channel (D). Thread take-up lever (E) by guiding thread through the slot and lead thread down through channel (D) again. Pass thread through lower thread guide (F) and needle bar thread guide (G) and thread needle from front to back. (Fig. 2 and 3)

THREADING DOUBLE NEEDLE*

Place second spool of thread on second spool pin, and thread machine as you would for a single needle except double thread guides are provided at (F) and (G) in Fig. 2 and 3. Draw one thread through each of these and through each side of needle from front to back. Make certain threads are not crossed.

*Available at most Sears retail stores and catalog.



PICKING UP BOBBIN THREAD

1. Raise presser foot lever. Hold needle thread loosely in left hand and rotate handwheel toward you one complete turn. (Fig. 1)

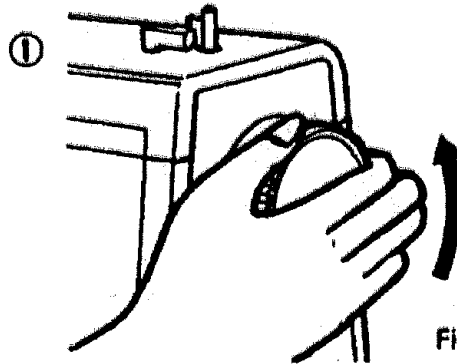


Fig. 1

2. Bring bobbin thread up by pulling upper thread. (Fig. 2)

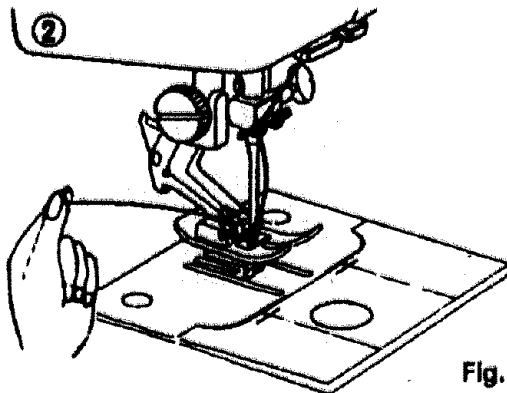


Fig. 2

3. Pull both threads under and to the back of the presser foot, leaving 3 to 4 inches of thread clear. (Fig. 3)

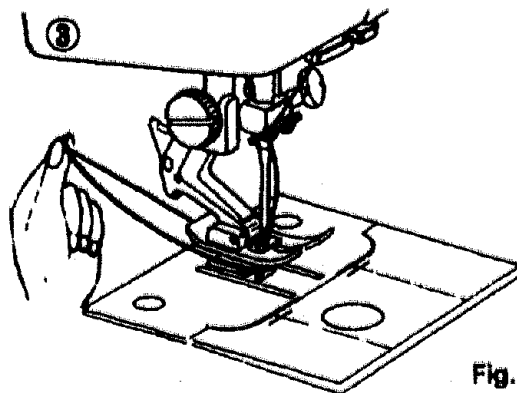


Fig. 3

If you can not pick up bottom thread by following above steps, then check:

1. Is needle threaded ?
2. Is thread tangled around needle ?
3. Is bobbin case threaded correctly with thread going through slots A and B as shown on page 11, Fig. 4 and 5 ?
4. Is there 4 inches of thread coming from bobbin case and through slot of needle plate as shown on page 11, Fig. 6 ?
5. Is thread from bobbin case tangled ?

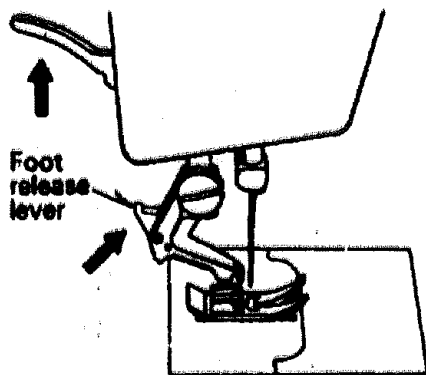


Fig. 1

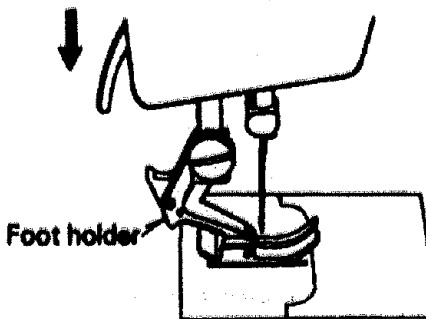


Fig. 2

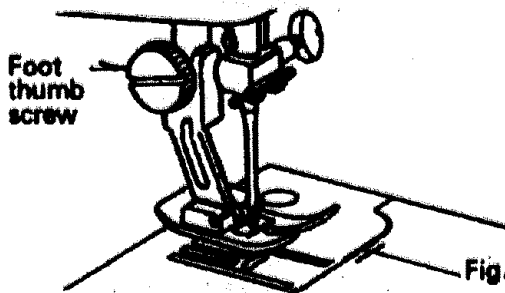


Fig. 3

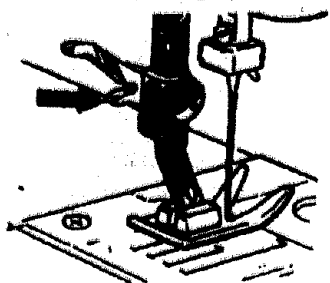
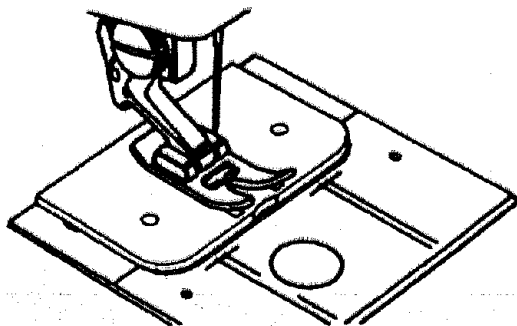


Fig. 4



PRESSER FEET

This machine is fitted with a zigzag presser foot for general sewing purposes. The following additional presser feet are found in the accessory box.

1. Straight stitch foot
2. Satin stitch foot
3. Buttonhole foot
4. Built-in buttonhole guide foot
5. Zipper foot

CHANGING PRESSER FEET

Make sure needle is in the up position. Raise presser foot lever.

Snap-on presser feet

1. Raise foot release lever to remove the foot. (Fig. 1)
2. Place desired foot on the needle plate aligning needle holes. Lower the presser foot lever so that foot holder snaps on the foot. (Fig. 2)

One-piece presser feet (Fig. 3)

1. Loosen presser foot thumb screw and remove the foot holder.
2. Insert desired foot from the left. Lower the presser foot lever and tighten the screw using the large screw driver to make certain the foot is secure.

For machines with presser foot lock (Fig. 4).

To change presser feet, simply drop Presser Foot Lock and slip foot away from the Presser Bar. Raise Presser Foot Lever beyond the normal up position and place new foot on presser bar. To lock foot securely, raise presser foot lock as high as possible.

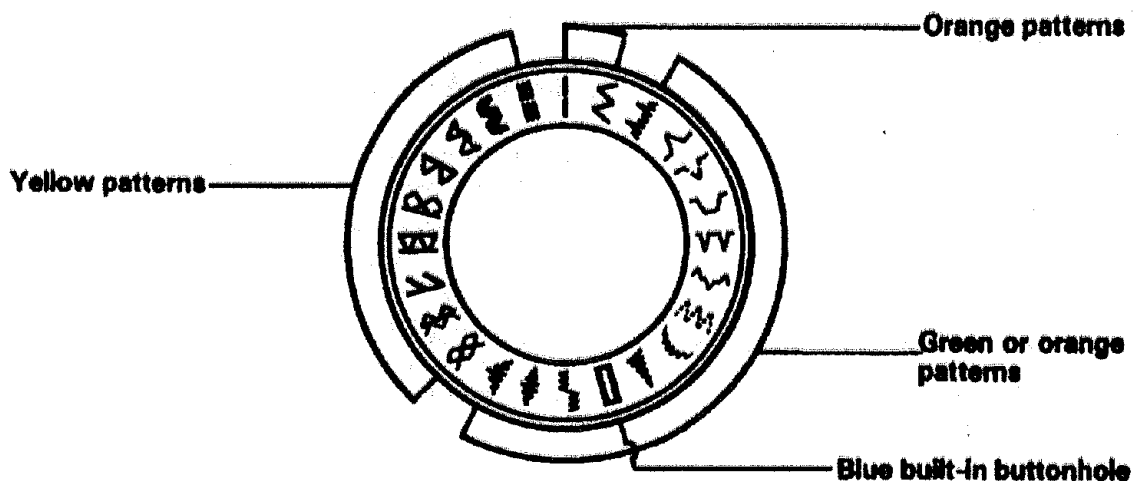
FEED COVER PLATE

There are a few times when you want to control the feeding of the fabric yourself. Raise needle to its highest position and raise presser foot. Place feed cover plate over needle plate aligning two pins of feed cover plate with holes of needle plate. You may then determine the movement of the fabric yourself.

STITCH SELECTOR

All of the stitches that are made by your Kenmore machine are illustrated on the stitch selector. You can obtain your desired stitch by simply turning the dial.

Stitch patterns are color-coded to recommend setting ranges on stitch length and width dials.



STITCH LENGTH CONTROL


The stitch length control regulates the length of the stitch you select. **THE HIGHER THE NUMBER-THE SHORTER THE STITCH.**

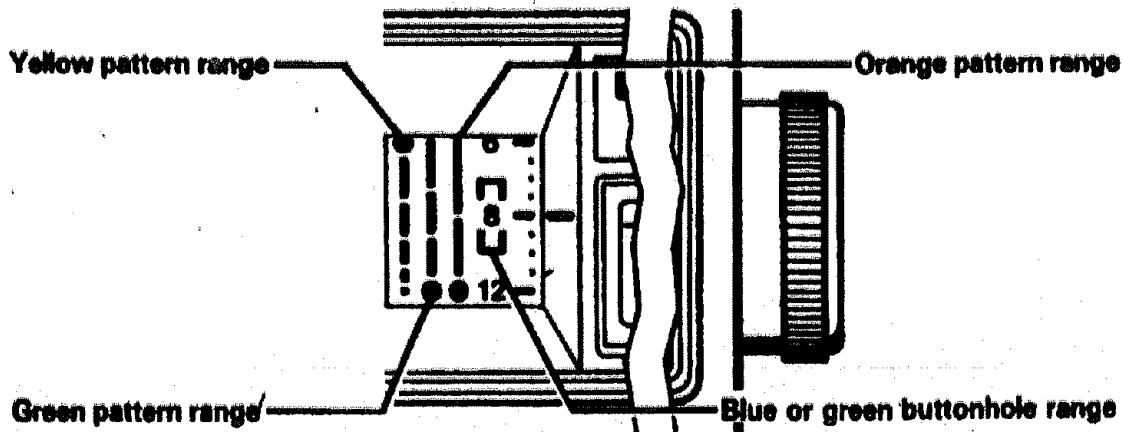
The number on stitch length control indicates the approximate number of stitches per inch. The stitch setting you use will be determined by the thickness of the fabric you are sewing.

A longer stitch setting should be used for thicker fabric or more layers of fabric.

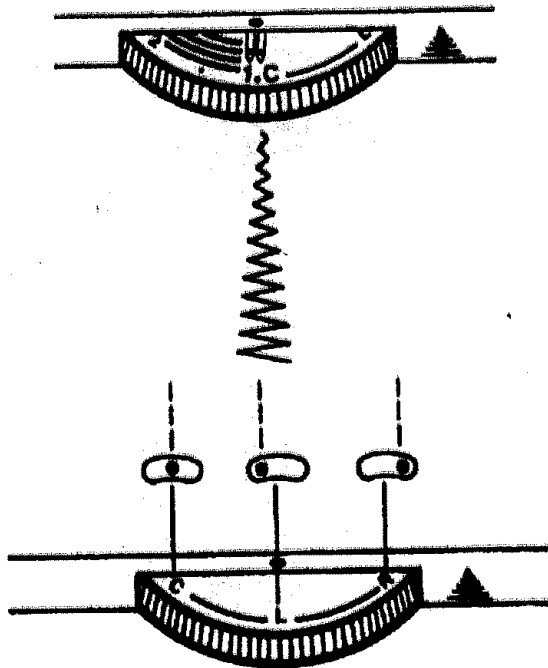
The middle range of the control is the 12 stitch per inch range which is the most commonly used.

Recommended setting ranges are color-coded in four colors to stitch patterns on the selector dial.

The orange marking  between 0 and 24 is the setting used for the shortest stitches such as in satin stitching.



STITCH WIDTH/NEEDLE POSITION CONTROL



The width of all the stitches produced on this machine, with the obvious exception of straight stitch, can be made narrower or wider by adjusting the stitch width control.

To decrease or increase the width of a stitch, turn the stitch width control dial from 1 - 4. The higher the number the wider the stitch.

Recommended setting ranges are color-coded to patterns on the stitch selector dial.

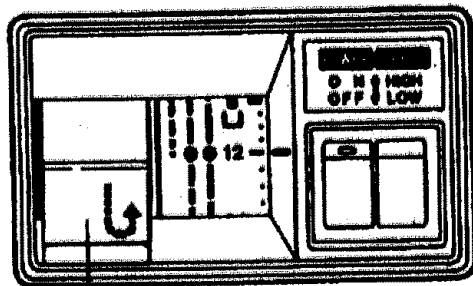
When sewing with a double needle*, control the stitch width within white zone on the dial.

NOTE: Double needle will hit needle plate and break if stitch width is set out of white zone on the dial.

Some models enable you to straight stitch with the needle in any of three positions — left, right or center. These positions are designated as L, R or C on the stitch width dial. Details for sewing in these positions are given on page 21 and 36.

*Available at most Sears retail stores and catalog.

REVERSE STITCH LEVER



Reverse stitch lever

It is best to begin and finish seams with stitches taken in reverse about 1/2 inch. This is called **BACK TACKING**. Back tacking fastens the ends of the seams firmly and prevents raveling.

When reverse stitching is needed, push down the lever and hold there during sewing. The fabric will immediately start feeding backwards and seam will be fastened. See page 19 and 21 for details.

NOTE: When you operate the lever while sewing straight stretch stitch, the machine sews only straight stitches and does not sew straight stitch in reverse.

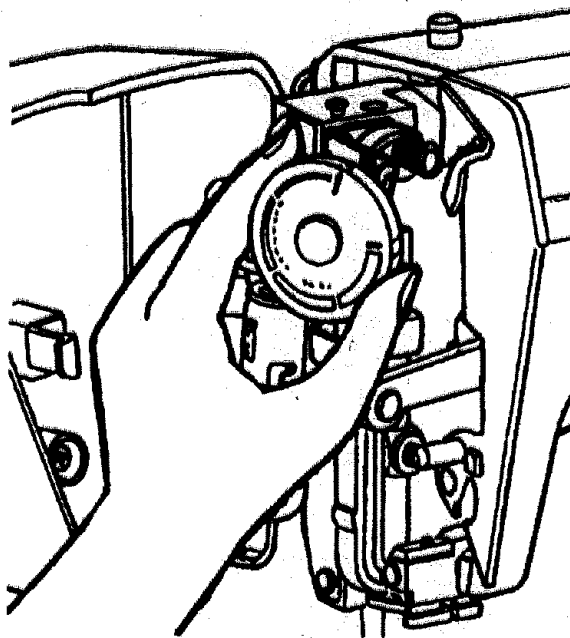
Do not use the lever while sewing zigzag stretch stitches. The machine sews only zigzag stitches in reverse.

BUTTONHOLE CONTROL

This control is used in making bar tacked buttonholes with two control settings. Detailed instructions are given on page 43. (This feature is built into the stitch selector on some models.)

PRESSURE REGULATOR

Presser foot pressure is vital for straight seams, uniform stitch length and even handling of both layers of fabric. To adjust pressure; use pressure regulator which is located inside the face cover. To increase pressure, turn the dial clockwise. To decrease pressure, turn the dial counterclockwise.

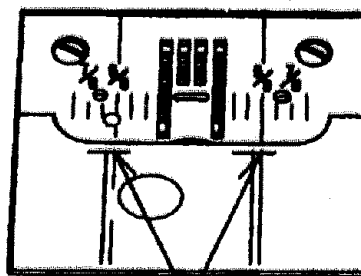


SEAM GUIDES

Seam guides are engraved in needle plate at both sides of feed dog holes to help you line up the fabric and keep it straight. The standard seam width is $5/8$ ". So these lines are emphasized, easy to follow.

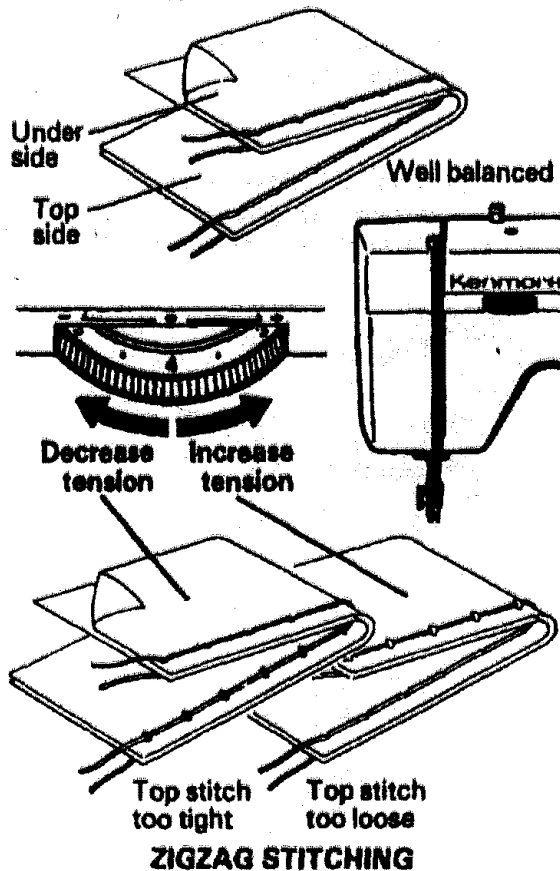
Each dimension on needle plate indicates seam width from needle at Center position. If using either Right or Left needle position, add or subtract $1/8$ " to the marking.

Also the cross lines are "cornering guides" to help when turning a square corner $5/8$ " from the fabric edge. (For details on cornering, see page 22.)

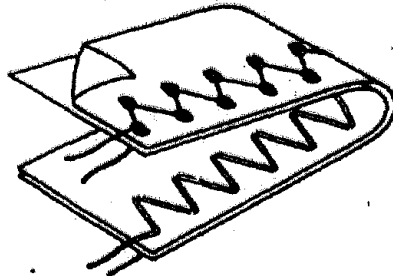


Cornering Guide

STRAIGHT STITCHING



ZIGZAG STITCHING



THREAD TENSION CONTROL

STRAIGHT STITCHING

The good looking appearance of your stitching is largely determined by the balanced tension of both top and bobbin threads. The tension is well balanced when these two threads 'lock' in the middle of layers of fabric you are sewing.

For most fabrics the top thread tension control should be set in the white zone between 3 and 5.

If, when you start to sew, you find that the stitching is irregular, you will need to adjust the tension control.

Make any adjustments with presser foot 'down'.

1. If the threads are locking on the top surface with the top thread lying flat, the top stitch is too tight. Tension can be decreased by turning the tension control to the left (lower numbers).
2. If the reverse is happening with the threads on the underside of the fabric, the tension is too loose. This can be corrected by turning the tension control to the right (higher numbers).

ZIGZAG STITCHING

The top thread may appear on the bottom depending on the thread, fabric, type of stitch and sewing speed, but the bobbin thread must never appear on the top of the fabric.

In the case of zigzag stitching, the wider the zigzag setting, the more chance there is of puckering. If this occurs decrease the top tension slightly and/or reduce the zigzag width.

BOBBIN THREAD TENSION

The bobbin thread tension has been correctly set at the factory, so you do not need to adjust it.

MORE TIPS ON THREAD TENSION BALANCE

A perfect stitch is obtained when the tension is well balanced, but the tension balance may vary according to the type and size of needle, thread and fabric. The fabric determines size of thread and needle. The presser foot pressure and the thread tension control should also be adjusted properly.

FABRICS:

Heavy fabrics, stiff - Increase top thread tension. Use larger size needle, heavier thread and longer stitch length.

Heavy fabrics, soft - Decrease top thread tension. Use longer stitch length.

Light, sheer fabrics - Decrease top thread tension and presser foot pressure. Use shorter stitch length. Sew slowly.

THREADS:

Polyester and silk - Decrease top thread tension.
Nylon - Increase top thread tension.

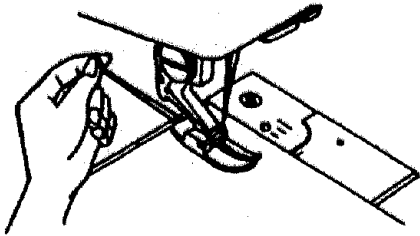
2. STARTING TO SEW

Now that you are familiar with the controls on your machine and with the accessories provided for the machine, you are ready to start to sew with your sewing machine. Below are some good habits to follow each time you sit down to sew:

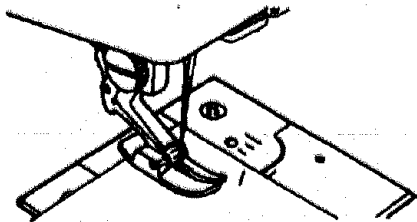
1. Check the needle—it should be straight, properly set and sharp on the point. It should be the correct size for the fabric and thread being used. Do not be afraid to change your needle frequently. Many of the new fabrics made of synthetic blends tend to dull the needles more easily than fabrics made of natural fibers.



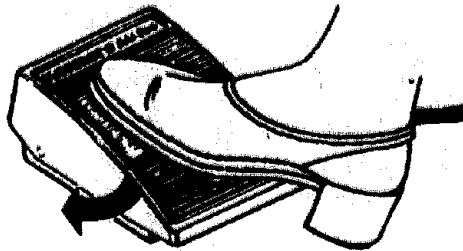
2. Before placing the material on the machine, see that the ends of the threads have been drawn about 3-4 inches to the rear of the machine. Hold on to threads during the sewing of the first 3 or 4 stitches of the seam.



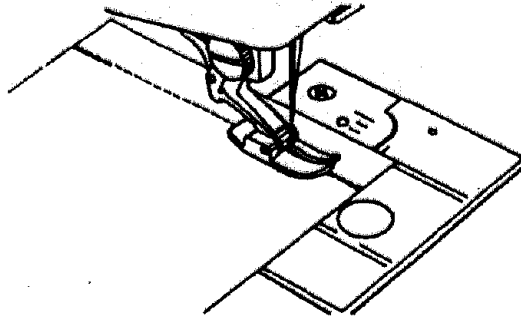
3. Test the machine stitch on a scrap of fabric you plan to use. The fabric should be double thickness. Adjust the machine for the length of stitch and tension suitable to your fabric.
4. Fabric should be placed under the presser foot with the bulk of the material to the left of the needle and the right edge of the material placed on the 5/8" seam marking on the needle plate when making a simple seam.



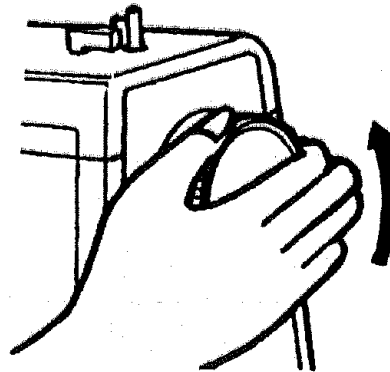
5. Run the machine at a slow even speed. The more pressure you put on the foot control, the faster the machine will sew.



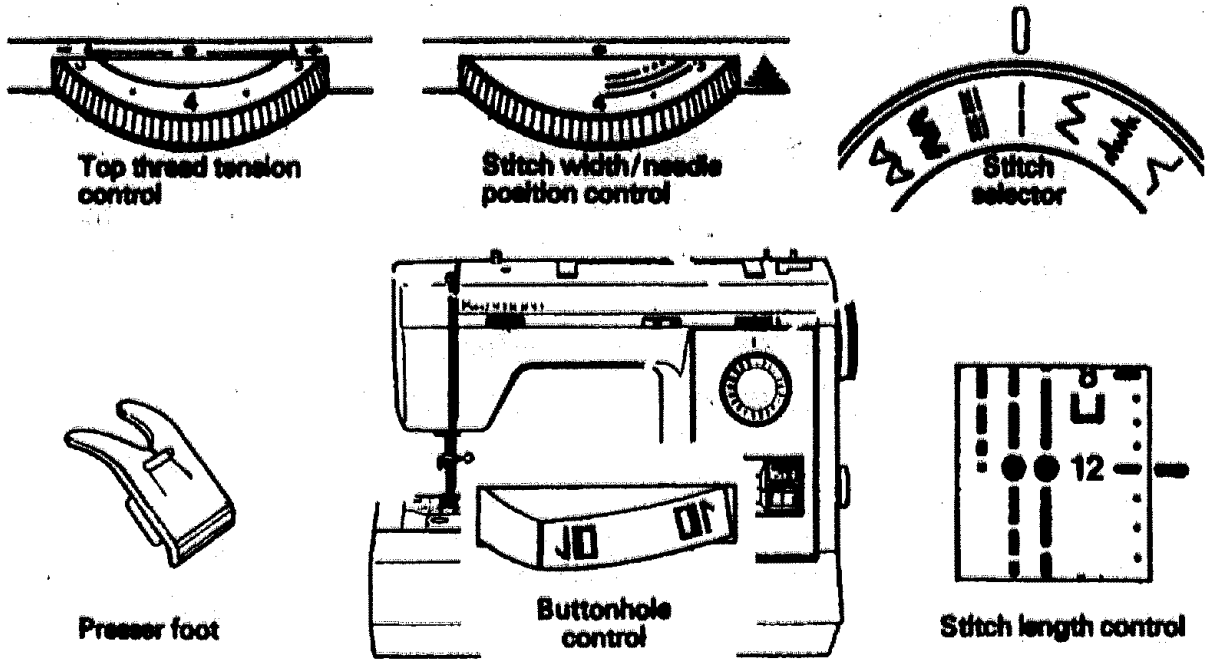
6. Fasten each seam by back tacking at the beginning and end of the seam.



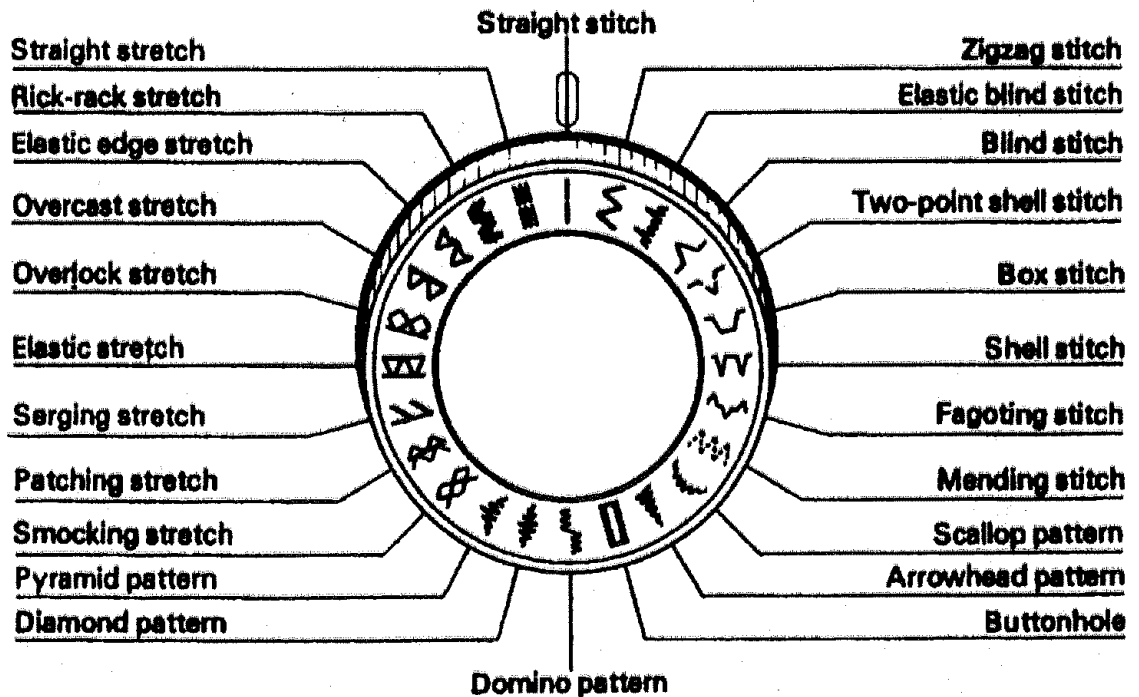
7. Finish sewing each seam with the needle at its highest point except turning a square corner. (See page 22.)
8. Guide the fabric gently with your hand. Never pull or hold the fabric in such a way that the normal feeding is altered.
9. When turning the hand wheel manually, always turn it toward you.



MACHINE SETTING CHART



Machine settings are graphically shown in this section for your quick reference. Simply following illustrated charts, select and sew a variety of stitches shown below...



Stitch package is different depending upon the model.

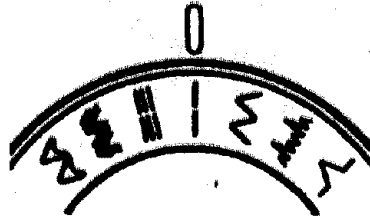
STRAIGHT STITCHING



See page 18.



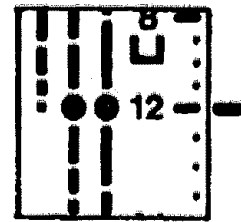
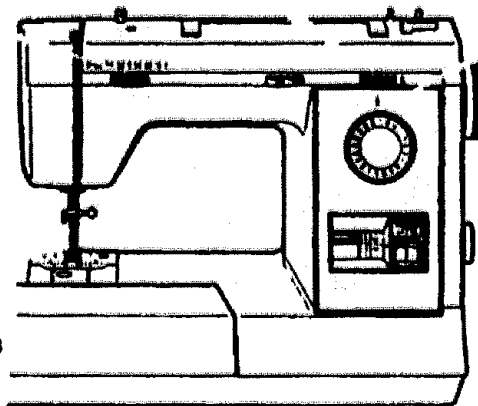
C-L-R



Straight stitch
foot at "C"
setting



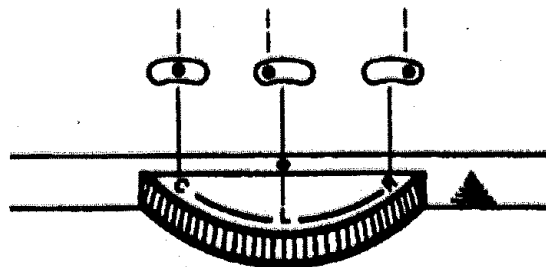
Zigzag foot
at "L" and
"R" settings



Any setting but "0"

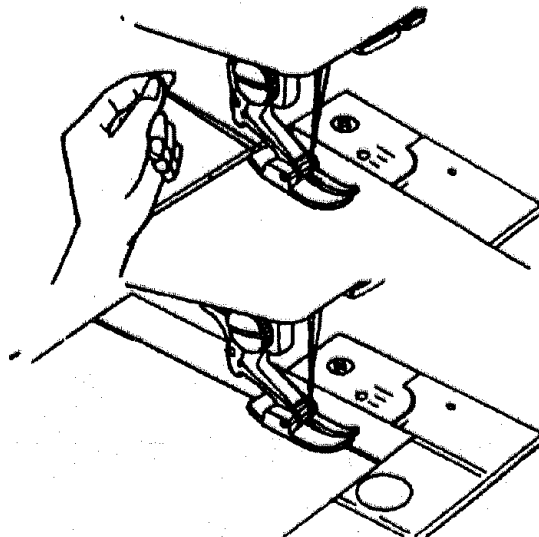
THREE NEEDLE POSITIONS

Straight stitch foot gives optimum stitching, but must be used at center (C) setting. You may stitch in a left (L) or right (R) setting, but be sure to use the zigzag foot.



STARTING TO SEW AND BACK TACKING

Make sure both threads are drawn back under the presser foot. Lower needle into fabric about 1/2 inch from beginning of seam. Depress the reverse stitch lever and stitch in reverse until needle reaches the point where you should start forward stitches. Release the reverse stitch lever and complete seam. When you reach the end, depress the reverse stitch lever and sew back (backtack) over 1/2 inch of completed seam.



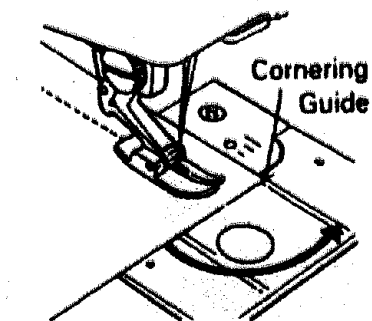


Fig. 1

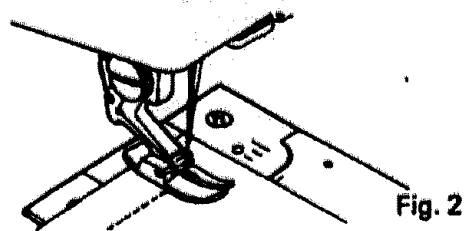
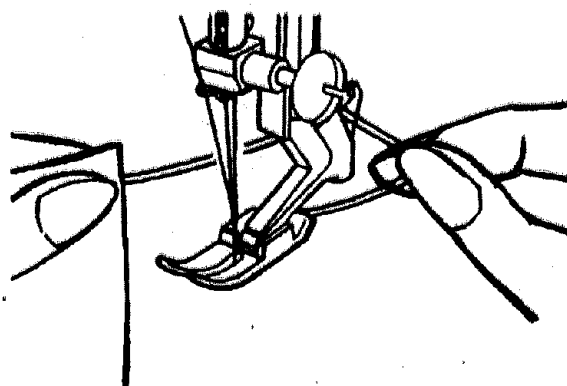


Fig. 2

TURNING A SQUARE CORNER

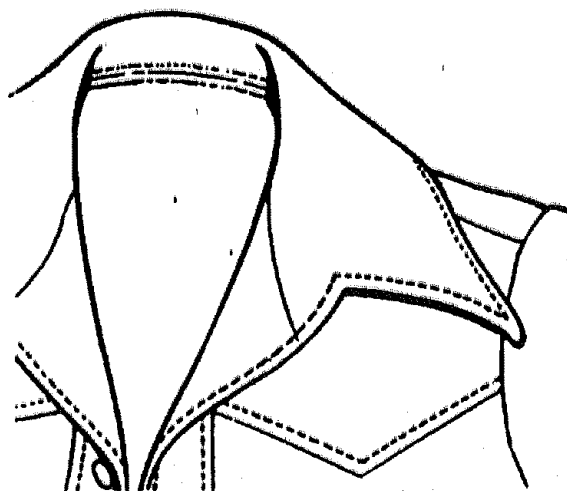
To turn a square corner 5/8" from the fabric edge, stop stitching with the needle piercing the fabric, when reaching the cornering guide as shown. Raise the presser foot, turn fabric. (Fig. 1)

New stitching line will align with 5/8" seam guide on side of needle plate. Lower the presser foot and begin stitching in new direction. (Fig. 2)



REMOVING FABRIC

First turn the handwheel toward you until the needle is at its highest position, then raise the presser foot, draw fabric to the rear and bring it around to the left side of needle bar, and cut the threads with the thread cutter located on the presser bar as shown.



TOP-STITCHING

This is a seam you may want to show off! It's on the front side of the garment, possibly at the top of a "kick pleat" or on a lapel, both functional and decorative. Usually, it's a simple, forward stitch — with a long stitch length, or with special thread, matching or contrasting.

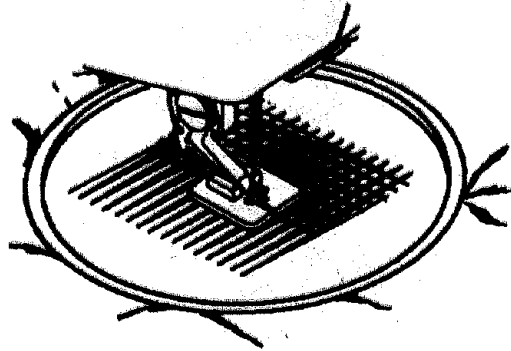
DARNING

SETTINGS

Pressure Regulator - 0 (DARN)
Zigzag foot or square automatic buttonhole foot

Stretch fabric between embroidery hoops with hole centered. Lower presser bar and sew at a slow speed moving fabric back and forth with a steady rhythm to cover darning area. When it is covered, turn fabric 1/4 a turn and sew layer of stitching across first layer.

If fabric is thin or badly damaged in hole area, you may want to put a separate piece under the hole for reinforcement.



TEMPORARY SEWING BY MACHINE

No longer do you need to baste by hand!

Basting by machine is easy—simply use straight stitching with longest available length setting.

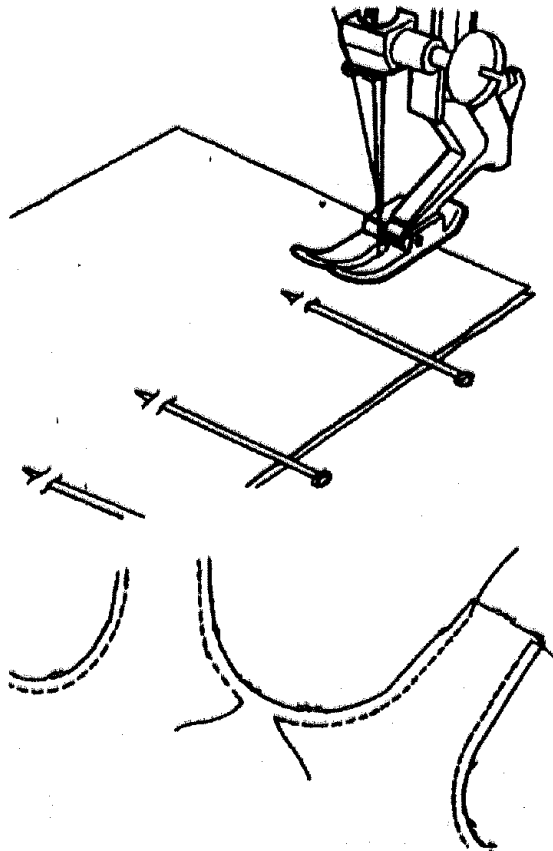
Set top thread tension at 1 to 2 to facilitate pulling out bobbin thread.

PIN BASTING

You can sew over pins easily (if done correctly) because your presser feet are hinged. Pins must be inserted at right angles to seam line. Tip of pin should just touch seam line. Sew over tip of pins. Pins must not come in contact with feed dogs: Never pin on the under-side of the fabric. Sew slowly. If in doubt about sewing over pins, remove each pin as you approach it.

STAY-STITCHING

“Stay-stitching” is a form of temporary seaming that prevents stretching of curved edges of garments. Usually this is on a single layer of fabric, so reduce top thread tension slightly to prevent puckering. Baste about 1/4" away from intended seamline.

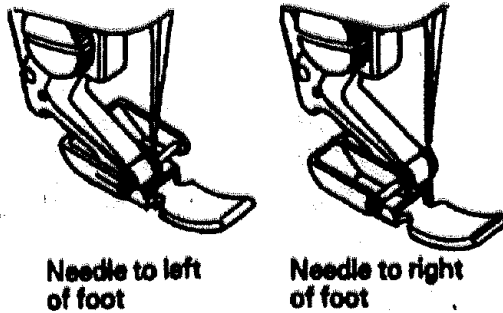


ZIPPER APPLICATION-CORDING

SETTING

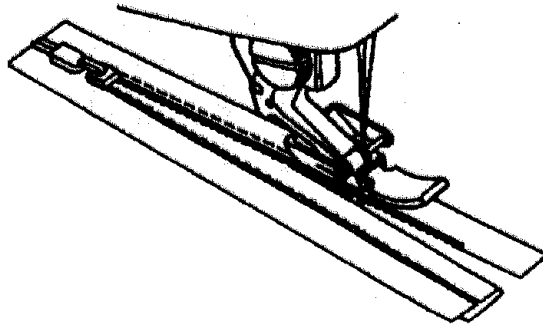
Needle Position/Stitch Width - C

Use zipper foot which allows you to sew to the right or left of the zipper or close to the cord.



Needle to left
of foot

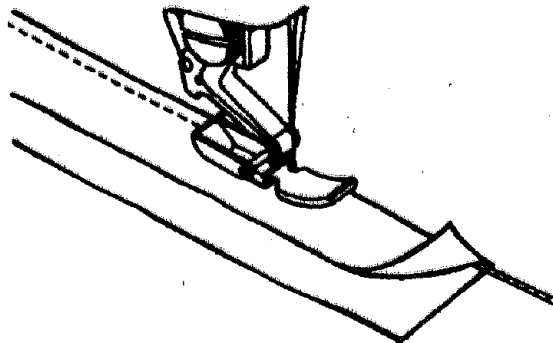
Needle to right
of foot



ZIPPER APPLICATION

To sew down the right side, attach left side of zipper foot to presser foot holder so that the needle passes through the opening on the left side of the foot.

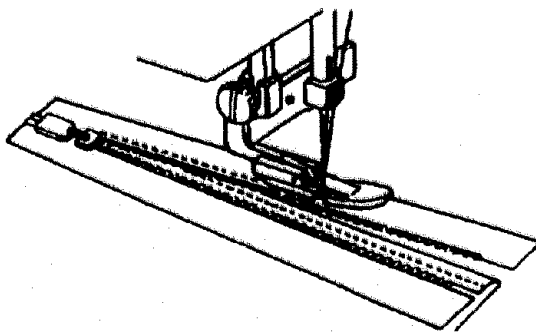
To sew down the left side, attach right side of foot to foot holder.



CORDING

To make cording for slipcovers etc., cover a cord with a strip of true bias.

Attach right side of zipper foot to foot holder so that needle passes through the opening on the right side of the foot.



ONE-PIECE ZIPPER FOOT

The foot is adjustable for use on the right or left side of needle when sewing regular type of zipper. Adjust the foot so the needle clears the side notch on the foot. Carefully follow directions given on the zipper package.

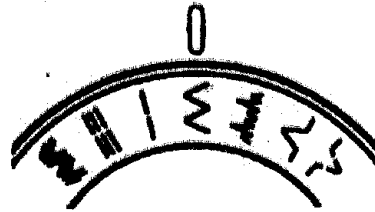
ZIGZAG STITCHING



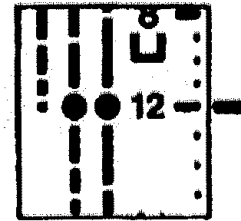
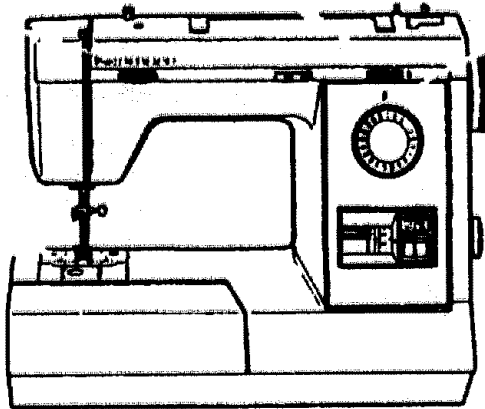
See page 18.



1-4



Zigzag foot



Any setting but "0"

Simple zigzag stitching enables you to do many exciting things with your Kenmore sewing machine. Beyond basics, you'll use zigzag stitching to applique, embroider and monogram. Unlike straight stitches, zigzag stitches have a side-to-side width as well as a

stitch length. You'll find "recipes" for many zigzag operations on following pages. You can create an exciting variety of zigzag stitches by adjusting stitch width and length controls (see chart below).

Extra wide zigzag for heavy fabrics or those that fray — set width at 4.



Wide zigzag for double layers, like hemming — set at 3.

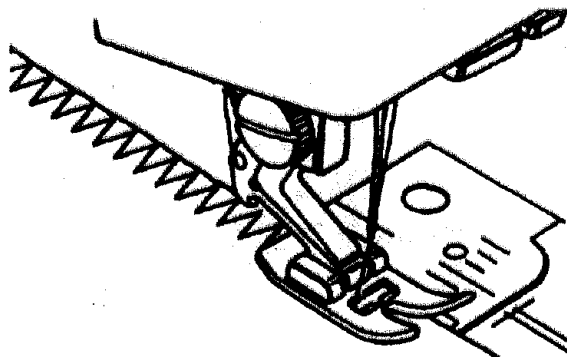


Medium zigzag for most construction seams — set at 2.



Narrow zigzag for light fabrics, barely shows — set at 1.







OVERCASTING

This is one of the more frequently used zigzag stitches on garment construction. You may want to overcast along the raw edge of each seam allowance or fold the raw edge toward the garment and stitch.

Stitch so the needle pierces the fabric just short of the outside edge. Raw or worn edges of older garments can be overcast to prevent further raveling.

SATIN STITCHING

SETTINGS

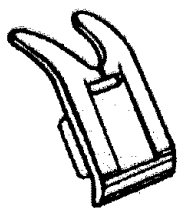
Stitch Selector - 
 Stitch Length -  between 0 and 24

Use Satin stitch foot which is grooved to permit dense stitching to pass under it easily.

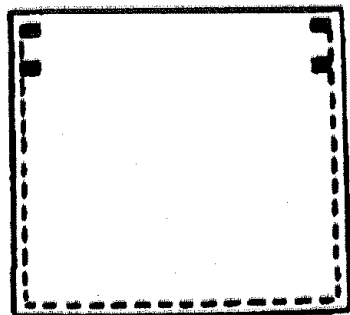
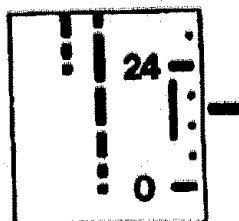
Whenever you are using this stitch, it is well to remember to loosen the tension of the top thread slightly. The wider the stitch you make, the looser the tension should be.

If you are stitching on a very soft fabric, use a backing of tissue paper or interfacing for a well formed stitch. Puckering of the material will be eliminated and the bobbin thread will not be visible on the right side of the fabric.

As with all special stitches, it is best to make a sample design on your fabric before starting the design on the garment.



Satin stitch foot



BAR TACKING

Settings same as Satin Stitching

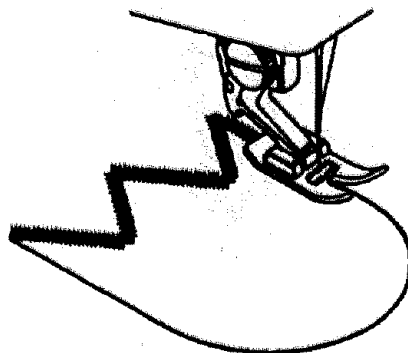
Choose this stitch to reinforce points of strain such as corners of pockets and straps on lingerie.

Sew 4 to 6 stitches using a medium-width zigzag.

APPLIQUEING

Settings same as Satin Stitching

Select an applique design to be applied to your garment and baste it in place. Satin stitch around the raw edge of the applique completely covering the edge. You may want to do this with a contrasting color of thread.



EMBROIDERY

Settings same as Satin Stitching

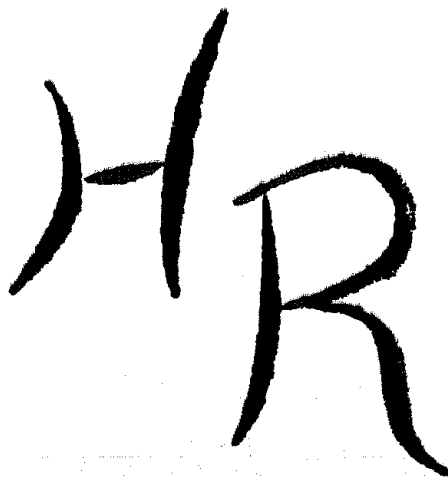
Satin stitch can be used to produce many different designs and patterns. To sew the flowers illustrated, back the fabric with interfacing or paper and draw on the design with tailor's chalk. Turn stitch width control from 1 to 4 to 1, to form each petal and leaf. Join the flowers and leaves with straight stretch stitch. If using paper, carefully remove it when you have finished sewing.

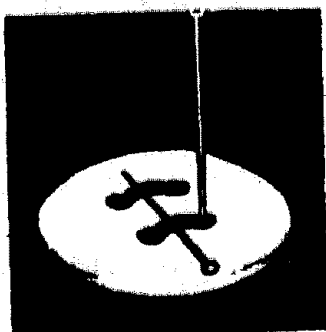
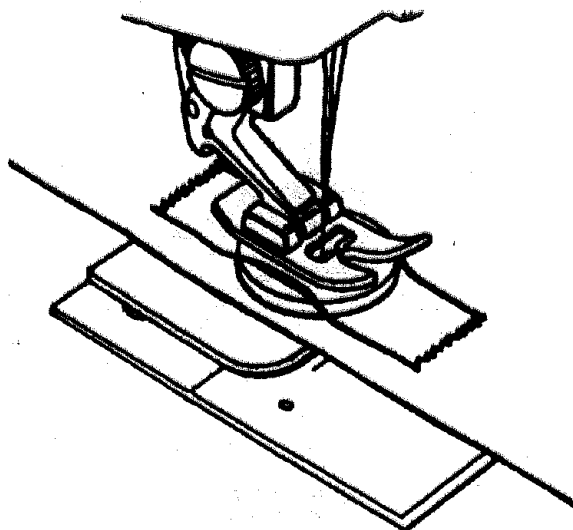


MONOGRAMMING

Settings same as Satin Stitching

To sew initials, first back the fabric with interfacing or paper. Draw the initials on to the fabric with tailor's chalk. Satin stitch, adjusting the width from 1-4 as you begin and end the stroke of a letter. Or the same stitch width can be used throughout. If using paper carefully remove it when you have finished sewing.





BUTTON SEWING

SETTINGS

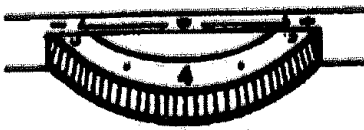
Stitch Selector Σ

Use feed cover plate.

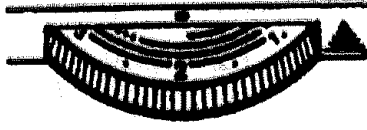
1. Fix the button on fabric at desired position with clear tape.
2. Align two holes of button with slot of presser foot and lower foot to hold the button securely.
3. Turn hand wheel manually until needle approaches just above button.
4. Adjust stitch width control so needle will enter one hole of the button.
5. Turn hand wheel again by hand so needle enters second hole. Readjust stitch width if necessary. Stitch a number of times.
6. Finish sewing with an extra two inches of thread remaining. Draw these threads to reverse side of garment and tie.

When sewing a flat button, place needle or pin between holes of button as shown to provide flexibility for buttoning.

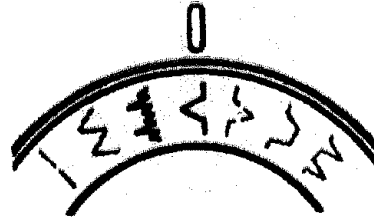
BLIND HEMMING



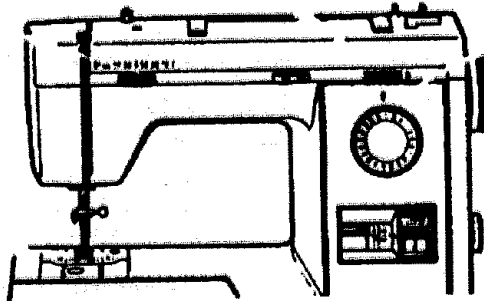
See page 18.



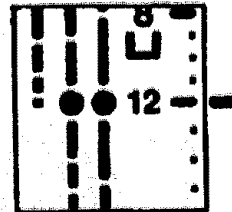
1½ - 4



Zigzag foot



*For easier blind hemming it is recommended to use the adjustable blind hem foot, optional accessory item No. 6886.



12 - 8

Blind hemming is a good technique to use on garments, and especially on curtains and drapery hems so that stitches need not show on the front of the fabric. Because your Kenmore has two types of blindstitches built in, blind hemming is easier than you'd expect. It's just a matter of folding... give it a try!



— Regular blind stitch for normal fabrics

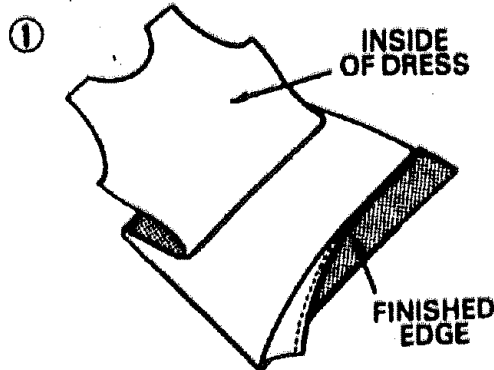


— Elastic blind stitch for soft, stretchable fabrics

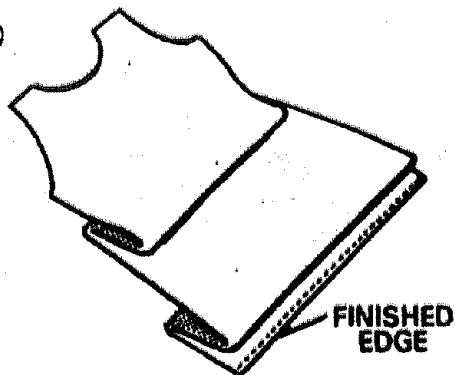
PROCEDURE

Stitch Length - 12 - 8
 Stitch Width - 1½ - 4

Finish raw edge of fabric appropriately. You may want to use seam tape on woven fabrics. With knits use a lace seam tape or just use decorative stretch stitch.

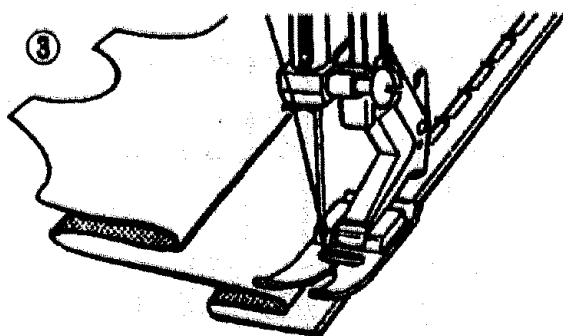


②



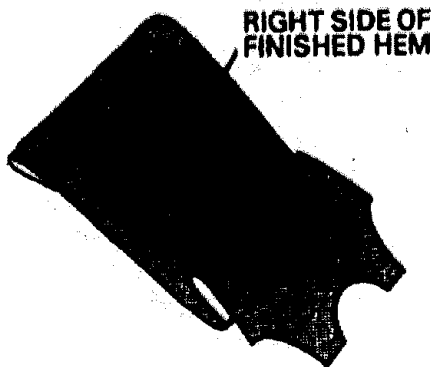
Working on wrong side of fabric, fold hem up. Press and pin in place. Then fold hem allowance under... leaving $\frac{1}{8}$ " of hem edge extending.

③



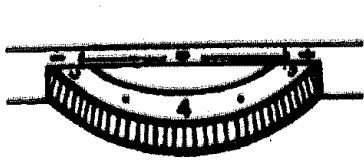
Place garment under presser foot in such a manner that straight stitches will be sewn on extended edge. The zigzag stitch should just catch the fold of the garment.

④

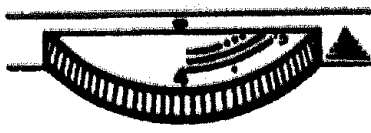


Now the right side of your garment will show only the blind stitches! Be sure to press both sides of the finished hem!

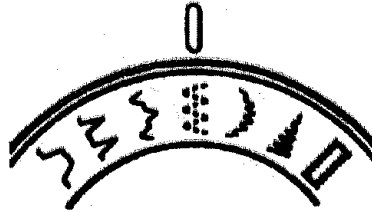
MENDING AND OVERCAST STITCHING (THREE-STEP ZIGZAG)



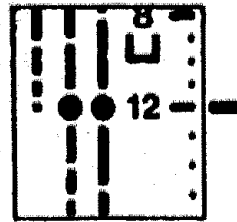
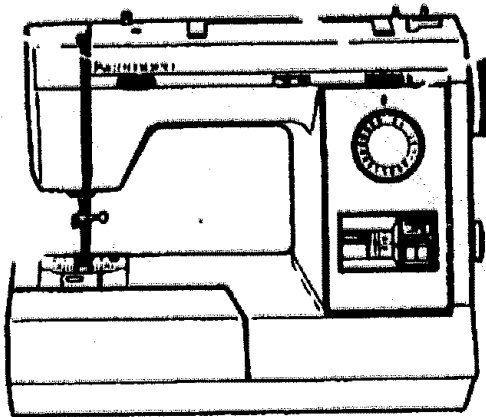
See page 18.



3-4



Zigzag foot

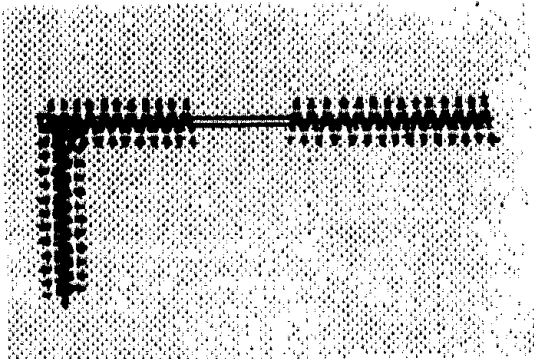


MENDING - 24 to 12
OVERCASTING - 12 to 8

MENDING A TEAR

Stitch Length - 24 - 12
Stitch Width - 3 - 4

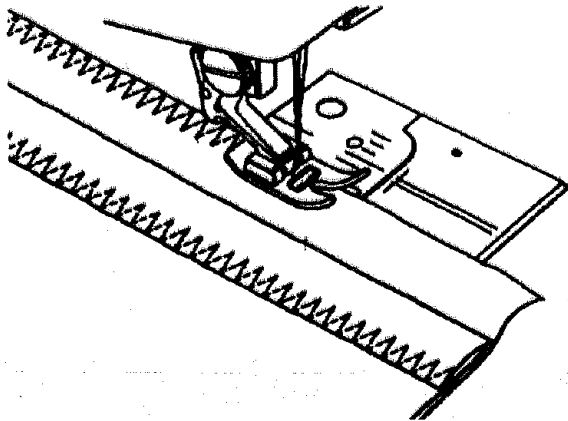
To repair a straight or three-cornered tear, position the tear under the needle in such a way that the stitching catches both sides of the tear. When mending a three-cornered tear, stitch from each end to the center. It is well to use a piece of fabric under the tear for reinforcement.



OVERCASTING WITH MENDING STITCH

Stitch Length - 12 - 8
Stitch Width - 3 - 4

Three-step zig-zag is a strong stitch because, as its name implies, it takes three short stitches where normal zig-zag takes one. For this reason it is highly recommended for overcasting, i.e. finishing a raw edge, on all types of fabric.



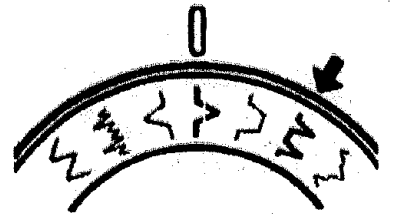
SHELL STITCHING



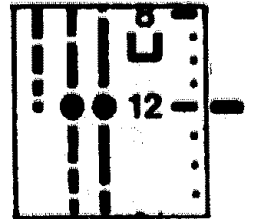
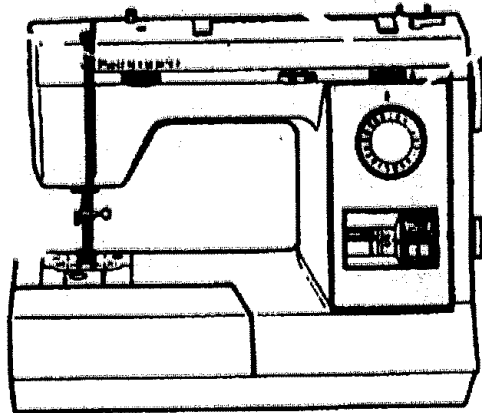
See page 18.



2 - 4



Zigzag foot



12

PROCEDURE

Stitch Length - 12
Stitch Width - 2 - 4

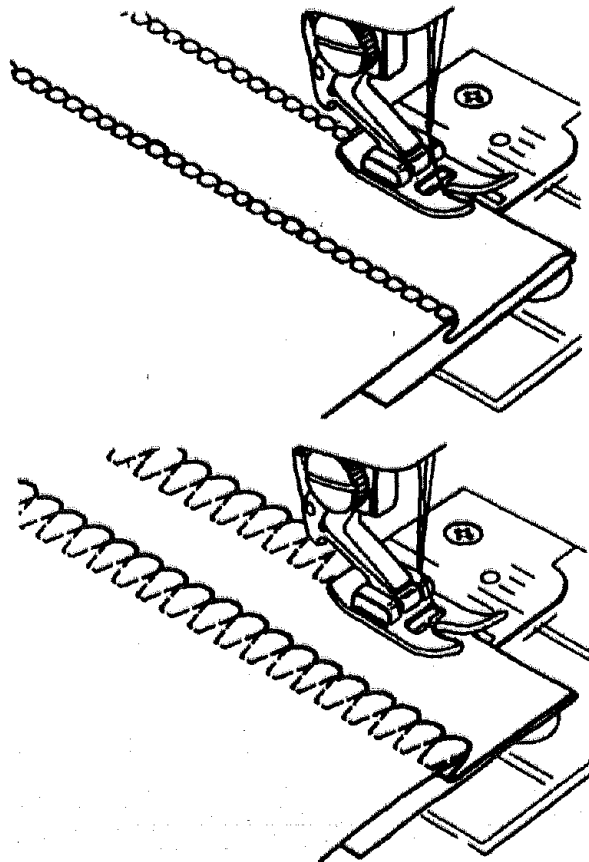
This shell-stitched edge is a popular finish for lingerie and nightgowns. To achieve this multiple scalloped effect, allow needle to clear just the right edge of the fabric when it zigzags.

Regular shell stitch

Regular shell stitch produces a tiny shell hem on lingerie and other fine garments.

Two-point shell stitch

If bigger size of shell pattern is desired, use two-point shell stitch.



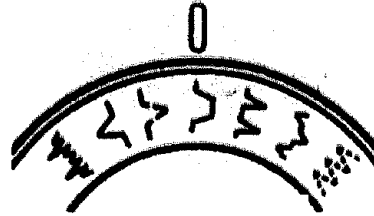
BOX STITCH



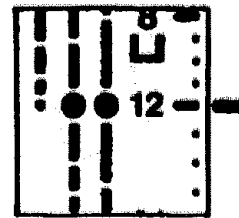
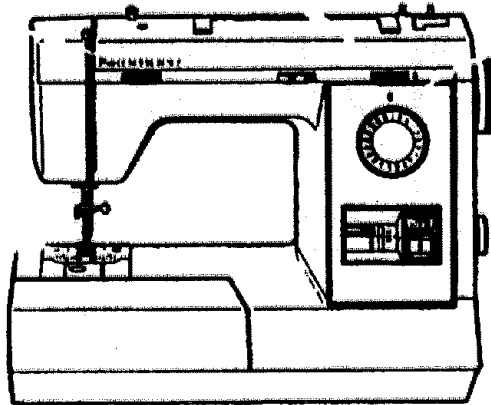
See page 18.



2 - 4



Zigzag foot



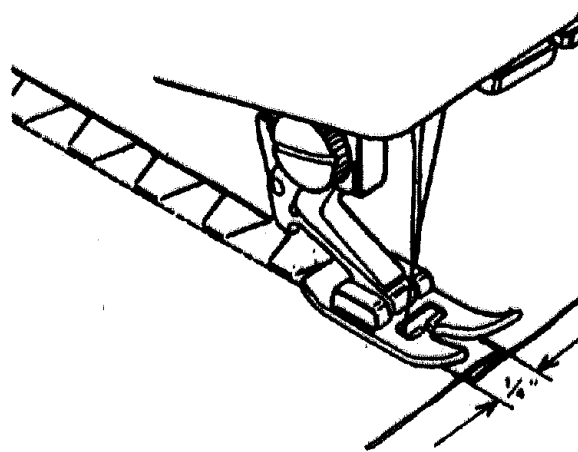
24 - 12

Stitch Length - 24 - 12
Stitch Width - 2 - 4

OVERLAPPED SEAM

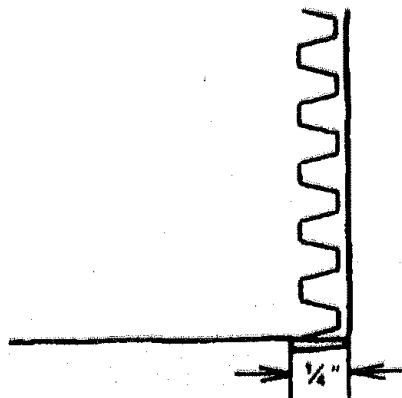
Box stitch is ideal for producing flat overlapped seams on almost any type of fabric and a bolder effect will result from sewing with a contrasting thread.

Overlap the raw edges of two pieces of fabric 1/4" and pin or tack. Place the fabric right side up with the middle of the overlap under the center of the presser foot, so that the stitch sews just over the top and bottom raw edges.

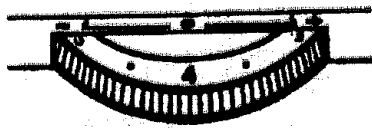


DECORATIVE EDGING

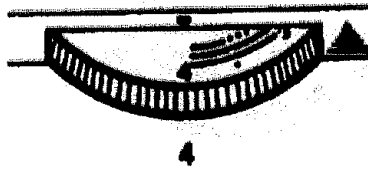
Turn the raw edge under 1/4" and press. Place the fabric right side up with the middle of the turnover under the center of the presser foot, so that the stitch sews on to the fold and just over the raw edge underneath.



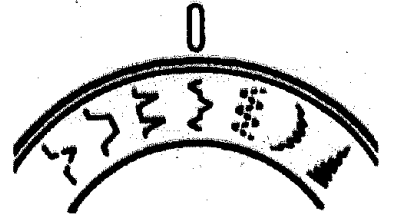
FAGOTING STITCH



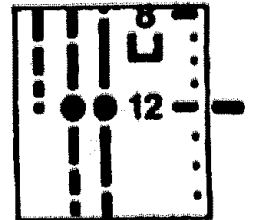
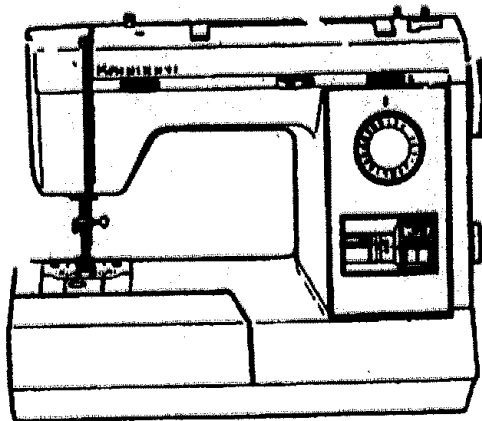
See page 18.



4



Zigzag foot



24 - 12

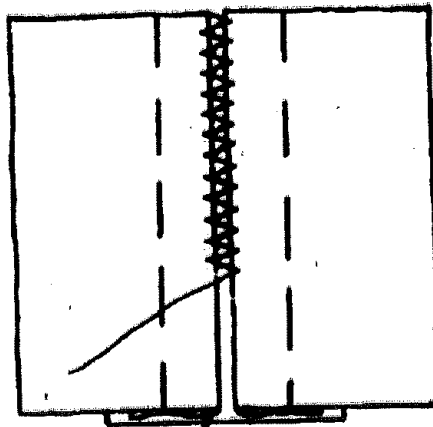
PROCEDURE

Stitch Length - 24 - 12
Stitch Width - 4

This is a popular decorative stitch (used in sleeves or fronts of blouses and dresses). To attach two separate pieces of fabric together, leave a little space between.

To prepare the fabric, fold under the seam allowances on the cut edges, and press. Baste folded edges to tissue paper with about 1/8" space between.

Stitch over the 1/8" allowance, just catching the fabric fold on both sides with needle. Remove bastings and paper; press.



Tissue paper

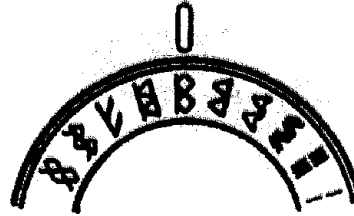
STRETCH STITCHES



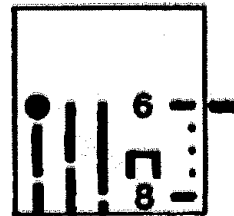
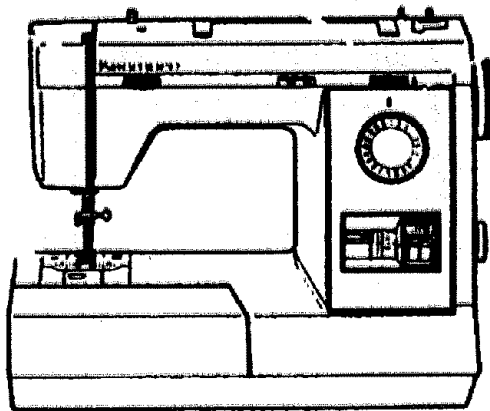
See page 18.



1-4



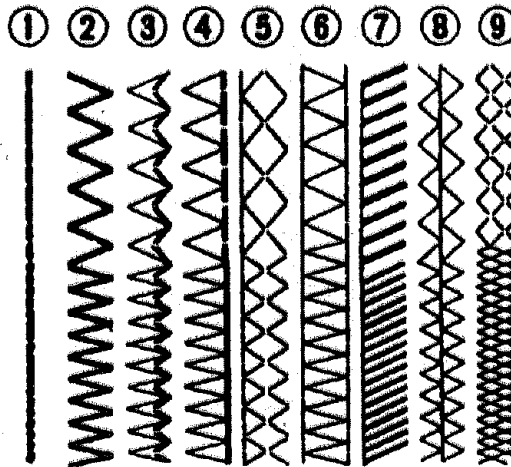
Zigzag foot



Within yellow zone

The stitches shown at right are all for use with stretch and knit fabrics.

1. Straight Stretch
2. Rick-Rack Stretch
3. Elastic Edge Stretch
4. Overcast Stretch
5. Overlock Stretch
6. Elastic Stretch
7. Serging Stretch
8. Patching Stretch
9. Smocking Stretch



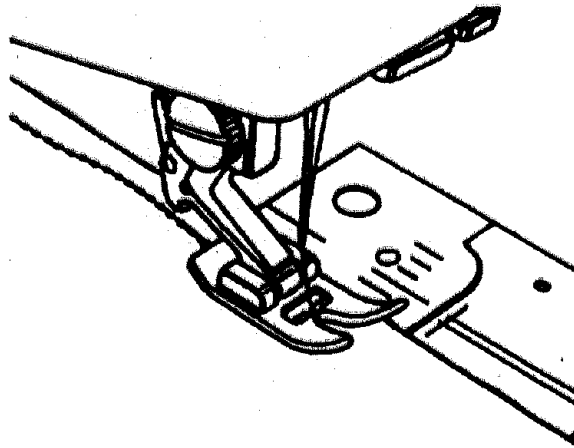
ADJUSTING STITCH LENGTH

Depending upon your preference in stitch patterns, you may make stretch stitches closer together without changing the balance of stitches by turning stitch length control within yellow zone.

RECOMMENDATION

1. It is recommended to use the Q set for sewing knit and woven synthetic fabrics to prevent irregular stitches or skipped stitches.
2. It is necessary to use an interfacing or backing when sewing very soft and thin knits or woven synthetic fabrics to have better stitch formation.

NOTE: If the reverse stitch lever is operated while sewing any of the above stretch stitches, the machine sews only straight or plain zigzag stitch.



STRAIGHT STRETCH STITCH

SETTINGS

Stitch Selector - 

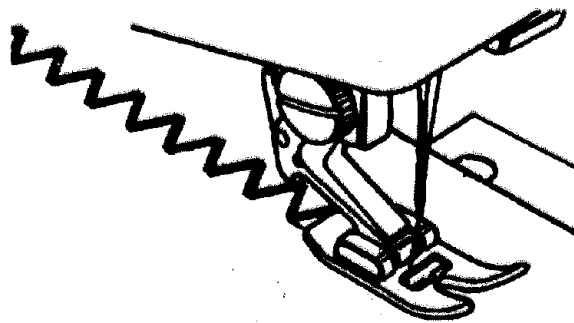
Stitch Length - Yellow Zone

Needle Position/Stitch Width - C - L - R

You may use any of the three needle positions. (See page 21 for directions. Straight stitch foot is recommended for optimum stitching.

Use this stretch stitch with knit or synthetic fabric. Sew as you do with regular straight stitch.

This is also a good stitch to use on curved seams regardless of the type of fabric. Any seam that will receive a great deal of strain when worn should be sewn with the stretch stitch. Use in children's shorts and slacks as well as adult sports clothes.



RICK-RACK STRETCH STITCH

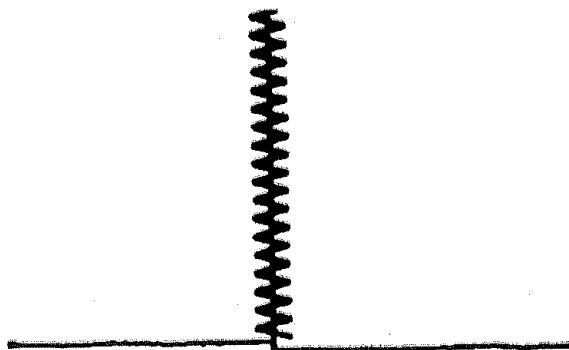
Stitch Selector - 

Stitch Length - Yellow Zone


Stitch Width - 1 - 4

Sew on stretch fabrics in any area that you might use a zig zag stitch. This stitch can be used as a decorative top stitch as well.

It is useful also on lapped or abutted seams where you lap one edge of a seam over another with seamlines meeting in the center

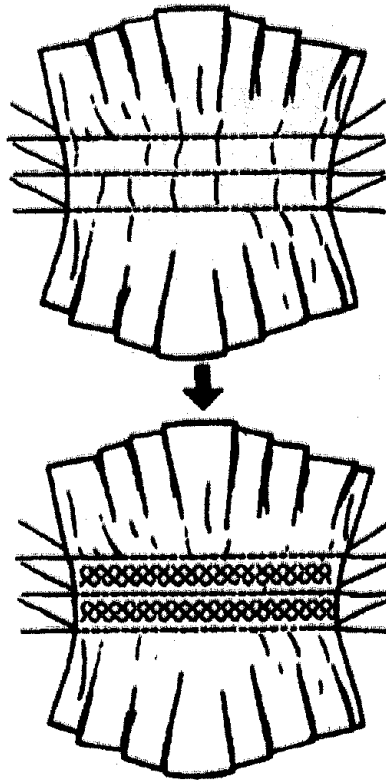


SMOCKING STRETCH STITCH


Stitch Selector - 
Stitch Length - Yellow Zone
Stitch Width - 2 - 4

1. Sew rows of straight stitches $3/8''$ apart. Draw up the bobbin thread to gather the fabric to the required length. If required, back the gathering with a strip of fabric or bias binding.
2. Sew smocking stitch between the rows of gathering. When complete, remove the gathering stitches.

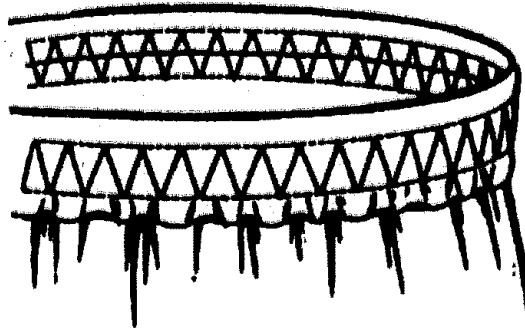
Note: When smocking a garment, the stitching should be done before the piece is sewn into the garment.

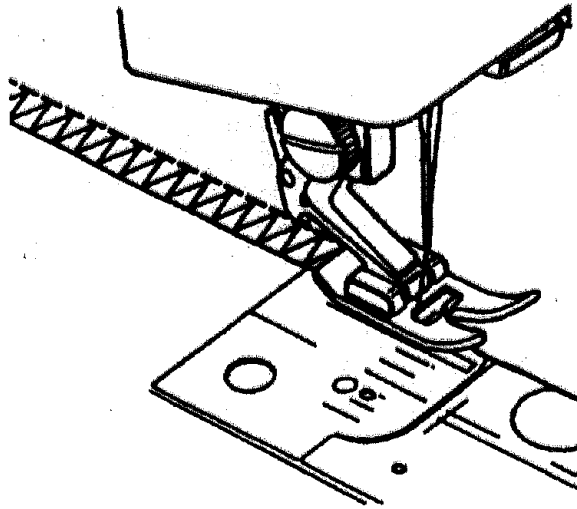


ELASTIC STRETCH STITCH


Stitch Selector - 
Stitch Length - Yellow Zone
Stitch Width - 2 - 4

Use this versatile stitch to insert elastic in garments. Simply stitch elastic into place, making sure it is evenly spaced. To do this, mark the correct length piece into quarters, then match these markings with center front and side seams.



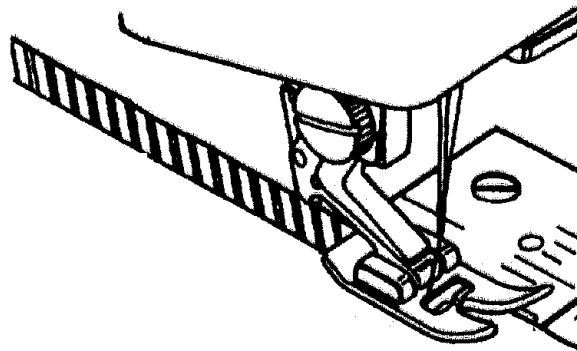


OVERCAST STRETCH STITCH


Stitch Selector - 
 Stitch Length - Yellow Zone
 Stitch Width - 4

This is the same type stitch used by the garment industry in making sportswear—it forms and finishes the seam in one operation (for seams of $\frac{1}{4}$ " to $\frac{3}{8}$ "). It's very effective for use in repairing raw or worn edges of older garments.

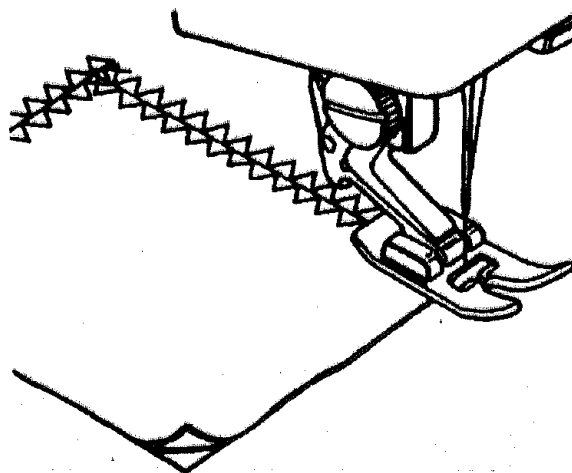
Note: To sew overcast stretch stitch in the opposite direction, use serging or overlock stretch stitch.




SERGING (OR PINE LEAF) STRETCH STITCH

Stitch Selector - 
 Stitch Length - Yellow Zone
 Stitch Width - 2-4

Great in making elastic swimwear—as well as for overcasting a neat edge on seams. It's equally useful with woven and knitted fabrics. Tension may need to be tightened to achieve desired look.




PATCHING STRETCH STITCH

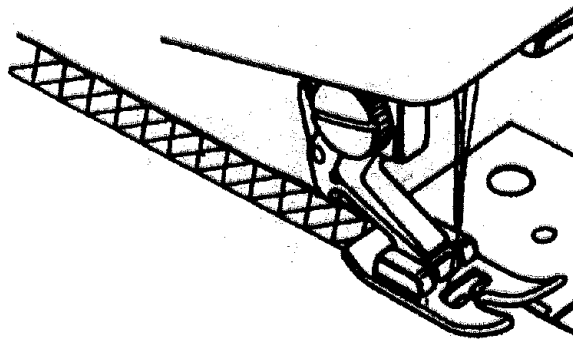
Stitch Selector - 
 Stitch Length - Yellow Zone
 Stitch Width - 4

If the kids keep "busting out" elbows or knees... if someone burns a hole in expensive knits... this recipe will save you big money! It can be decorative, too — When you want patches to show!


OVERLOCK STRETCH STITCH

Stitch Selector - 
Stitch Length - Yellow Zone
Stitch Width - 4

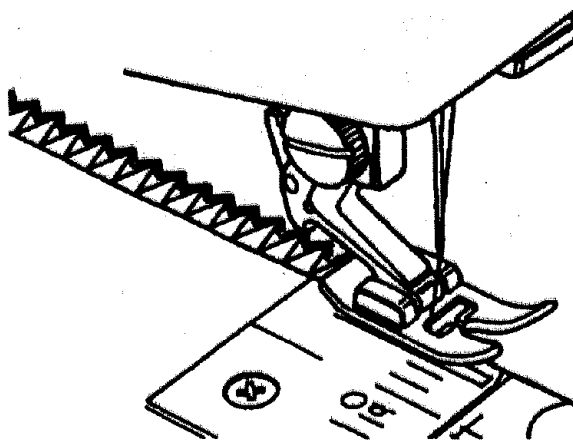
This stitch is suitable for overcasting loosely constructed knits or woven fabrics. Threads lock in the middle to reinforce seams for more durability.



ELASTIC EDGE STRETCH STITCH

Stitch Selector - 
Stitch Length - Yellow Zone
Stitch Width - 4

Use this stitch in preference to overcast stretch for overcasting stretch or knit fabrics where strength and flexibility are required.



WHERE TO USE WHICH STRETCH STITCH: A CHECK-CHART










Some stretchy suggestions...

Loosely constructed knits sometimes catch over toes of presser foot. To remedy this, wrap short strip of transparent tape around the foot encasing both toes.

To avoid tangled threads when working with knits, start seams carefully. Position fabric and lower needle before lowering presser foot.

It is always a good idea to test thread tension and stitches on a scrap of the fabric being used.

Knits contain more yarn than woven fabrics, so you will need to take greater care to keep your machine clean specially in feed dog and bobbin case area.

SUITABLE FOR STRETCH FABRICS	
 STRAIGHT STRETCH	Use on stretch and knit fabrics and to repair ready made garments at stress points. Basic stitch for all garment seams requiring "give" (i. e. armholes, crotch area, etc.). Use also to sew center seam of men's neck ties and seams cut on the bias.
 RICK-RACK STRETCH	A basic multi-purpose stretch stitch with same usage as zigzag stitch, especially for lightweight stretch fabrics.
 SMOCKING STRETCH	A decorative stitch for use on children's clothing, lingerie, yokes of blouses, dress bodices.
 ELASTIC STRETCH	Use to apply elastic to top of lingerie or to repair ready-made lingerie and replace or restitch elastic.
 OVERCAST OR ELASTIC EDGE STRETCH	Use on sportswear where 1/2" seams are required. Makes and finishes seams at same time.
 OVERLOCK STRETCH STITCH	Use to overcast loosely constructed knits or woven fabrics.
 SERGING STRETCH	Use for overcasting fabrics that ravel or fray easily... and for seams that need a great deal of stretch (i. e. swimwear, other sportswear, girdles). Also good-looking!
BASIC STITCHES WITH STRETCH APPLICATIONS	
 PLAIN ZIGZAG	Use for all-purpose stretch sewing, seam finishing, edge finishing, or attaching stretch laces.
 SHELL STITCH	A good finishing stitch for nylon tricot lingerie.

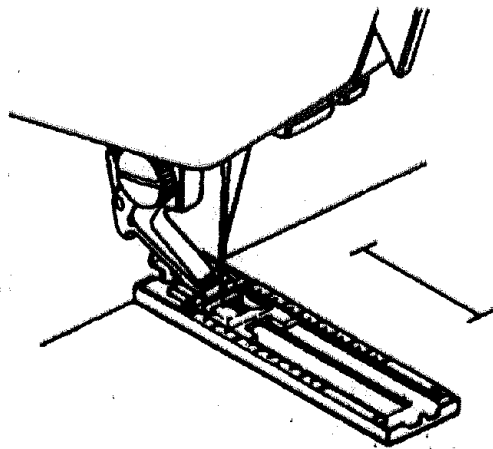
HINTS ON SEWING DIFFERENT FABRICS

The chart below provides many details but you'll also want to remember...

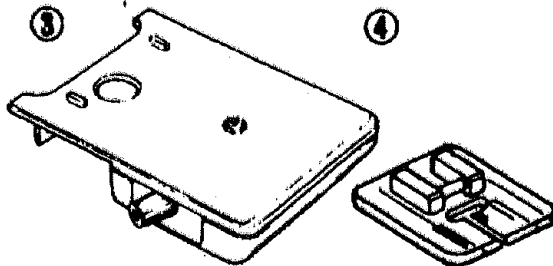
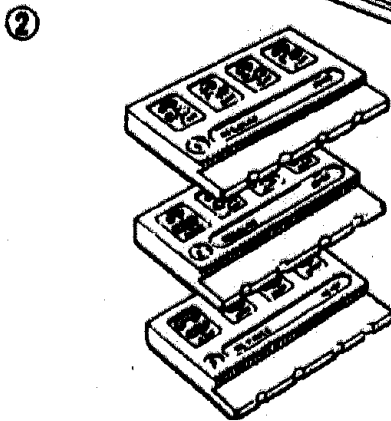
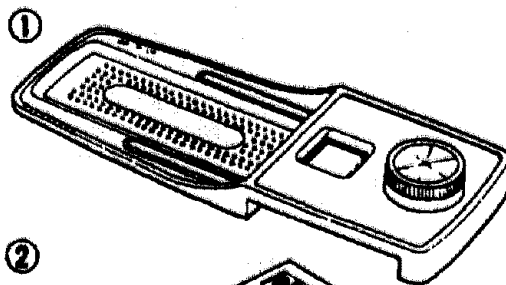
- Soft fabrics need backing—especially where stitches are close together.
- In sewing knits, if you can't match fabric and thread exactly, use the strongest fine thread available and use a Q NEEDLE.
- When working on tweed—or other multi-colored bulky fabrics—use one color thread on bobbin, another on top. (Great for repairs—the "patch" practically disappears!)

FABRICS	USEFUL STITCHES TO USE	SPECIAL NOTIONS TO USE
NYLON TRICOT	Serging stretch Overcast stretch Overlock stretch Elastic edge stretch Elastic stretch (for sewing on elastic) Blind hem Three-step zigzag	"Q NEEDLE"™ Polyester, nylon or dacron core thread "Q FOOT"™*
TERRY CLOTH OR REGULAR CORDUROY	Simple zigzag Three-step zigzag	Mercerized thread Size 14 needle
TERRY CLOTH STRETCH	Simple zigzag Three-step zigzag Overcast stretch Serging stretch Elastic edge stretch	Mercerized thread Polyester, nylon or dacron core thread "Q NEEDLE"™ "Q FOOT"™*
LEATHER	Straight or simple zigzag	Mercerized or silk thread Size 14 needle Even feed foot*
STRETCH KNITS FOR SWIMWEAR AND SKI WEAR OR GIRDLES	Serging stretch Overcast stretch Elastic edge stretch Elastic stretch Three-step zigzag	Polyester, nylon or dacron core thread "Q NEEDLE"™ "Q FOOT"™* Lace seam tape Pre-shrunk zippers

*See the optional accessories on page 7.



Built-in System



Snap-in Automatic System

BUTTONHOLE MAKING

Your Kenmore brings you two buttonhole systems along with several special accessories that enable you to solve all your clothes "closing" problems.

Your built-in system enables you to sew buttonholes with finished ends (bar-tacked) by simply moving the control. Only two control settings are required. An important aid is the buttonhole guide foot (in your accessory box).

Your Snap-in Automatic Buttonhole System is a Kenmore "Exclusive". It repeats identical buttonholes quickly and easily with no need to touch control.

You will find following parts in your accessory box:

1. Buttonhole guide plate.
2. Three templates which give you a choice of buttonhole styles and lengths.
3. Cover plate with pinion gear.
4. Buttonhole foot.

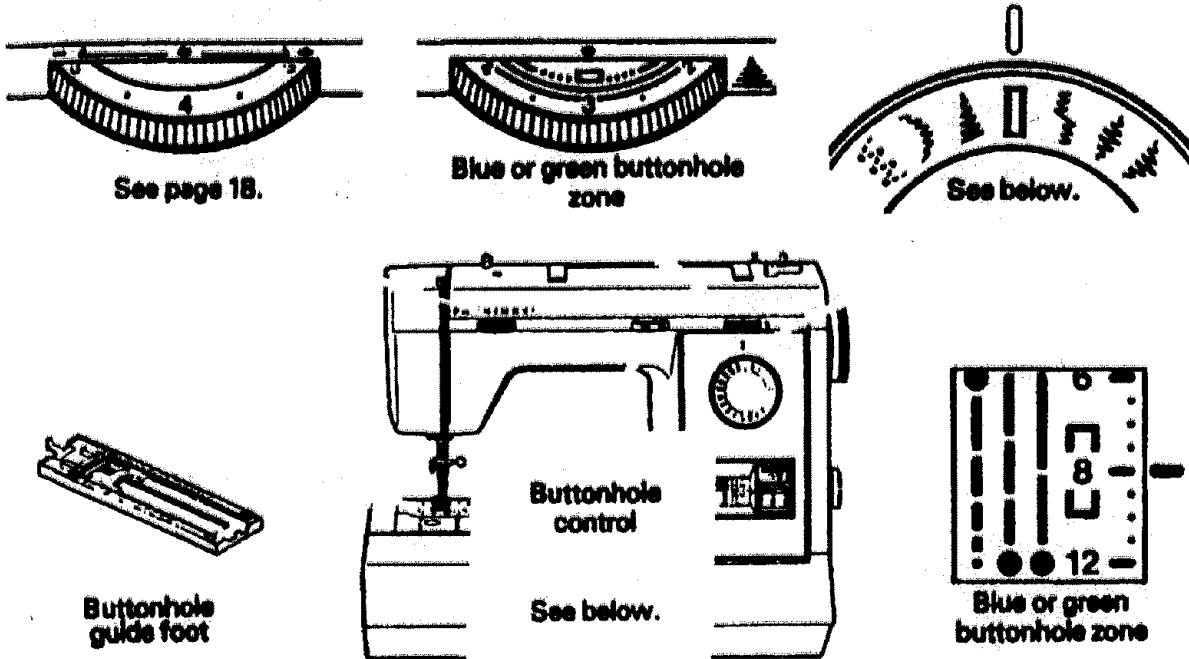
TIPS ON BUTTONHOLING

Always make a practice buttonhole on a scrap of fabric you plan to use. Try the buttonhole with the button you will use.

Always use an interfacing in area of garment where buttonholes are placed. Tissue paper or regular interfacing can be used. Tear paper away after stitching.

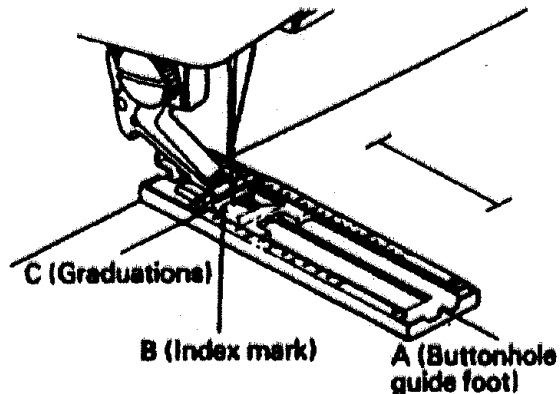
For heavier weight fabrics, loosen your top thread tension slightly.

BUTTONHOLE MAKING - BUILT-IN SYSTEM



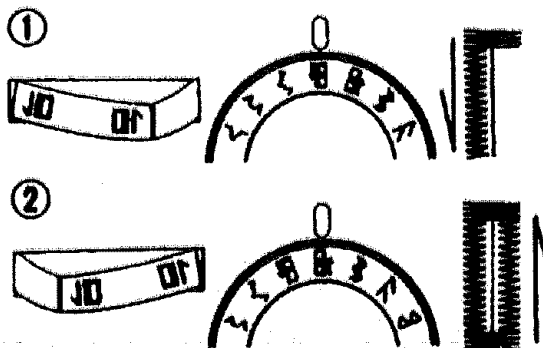
PREPARATION

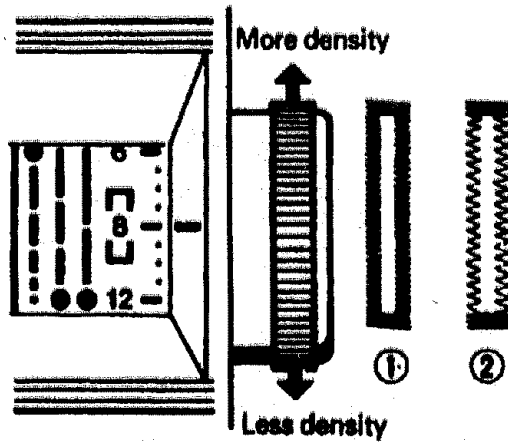
Carefully mark the buttonhole length on your garment. Place the fabric with the buttonhole marked under the buttonhole foot. Pull the guide foot (A) all the way forward so that the index mark (B) is aligned with the graduation (C), with thread to rear. (Reproduction of the identical size buttonholes is facilitated with the aid of the graduations on both sides of the buttonhole guide foot. These graduations are 1/8" (left side) or 2.5 mm (right side) apart. Graduations act as reference mark.)



PROCEDURE

1. Switch the control to left. (If it is already at left, set it at right, sew several stitches and switch to left again before you start to sew buttonholes.) Step on foot control to form first bartack and left side of buttonhole.
2. When you reach end of left side, switch the control to the right and complete the buttonhole.

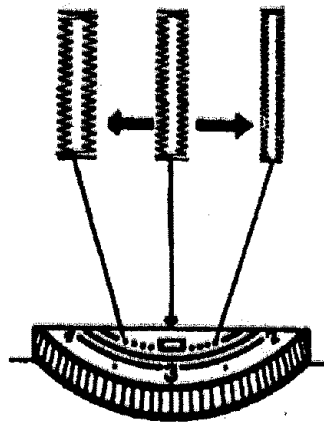




ADJUSTING STITCH DENSITY

Depending upon the fabrics on which you are sewing, or your own preference in buttonholes, you may alter buttonhole stitch density by varying the original stitch length setting within the blue buttonhole zone.

1. For more density, turn the dial toward "12".
2. For less density, turn the dial toward "6".



ADJUSTING STITCH WIDTH

You may adjust the width of the sides and the space in the center within blue buttonhole zone on the stitch width control as shown, depending upon your fabric and buttonhole length.

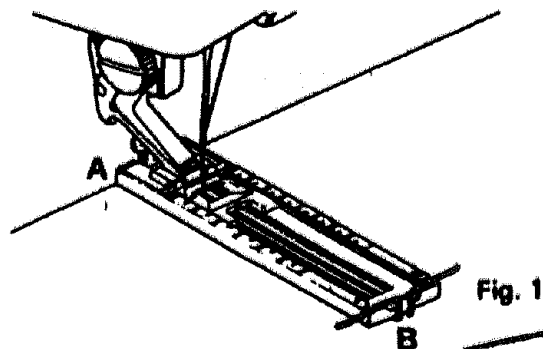


Fig. 1

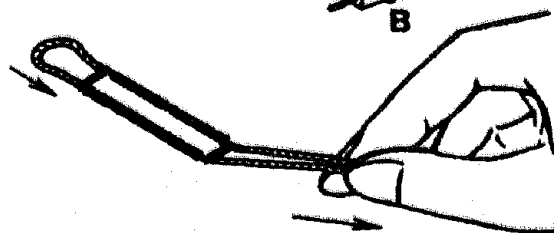


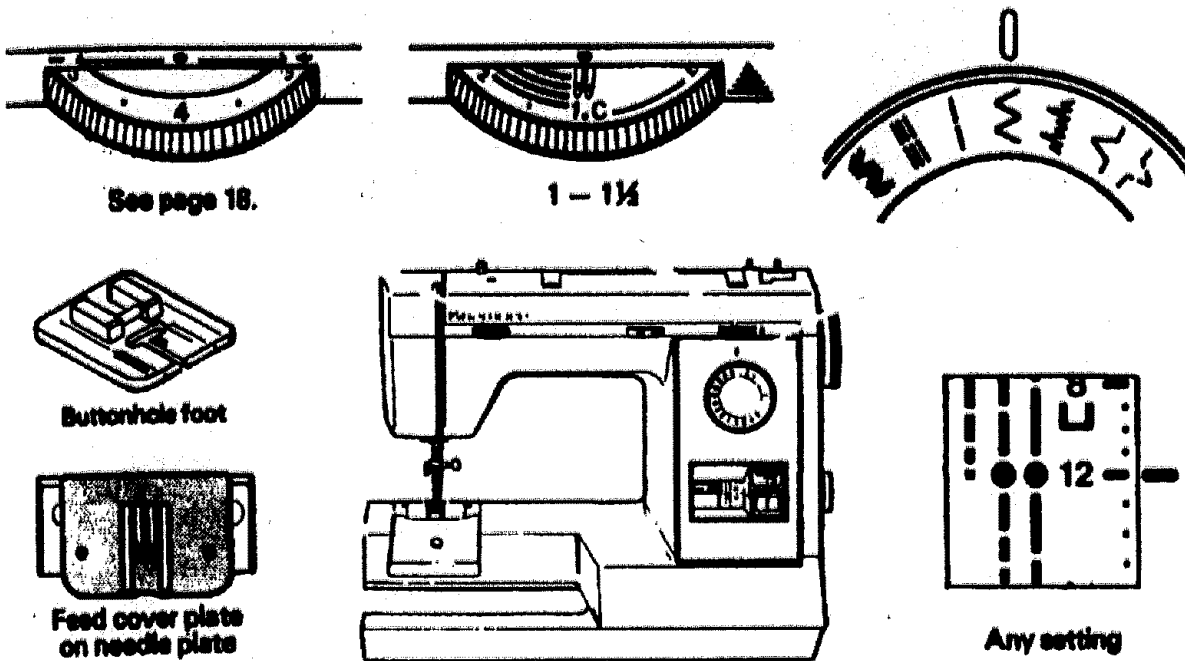
Fig. 2

CORDED BUTTONHOLES

Hook filler cord (crotchet thread or buttonhole twist) to the spur (A), pull both ends of cord forward under foot and tie to the spur (B). Sew buttonhole in such a way that zigzag stitches cover the cord. (Fig. 1)

When stitching is completed, release cord from foot, pull ends of cord and snip off extra length. (Fig. 2)

BUTTONHOLE MAKING - USING BUTTONHOLE ATTACHMENT



PROCEDURE

- Stitch Selector - Σ
- Stitch Length - Any number
- Stitch Width - $1 - 1\frac{1}{2}$
- Feed cover plate
- Buttonhole foot

1. Raise needle to its highest position and raise presser foot. Remove accessory box and bobbin cover plate.

Insert buttonhole cover plate at 45 degree angle and snap it down into place pressing it against the needle plate.

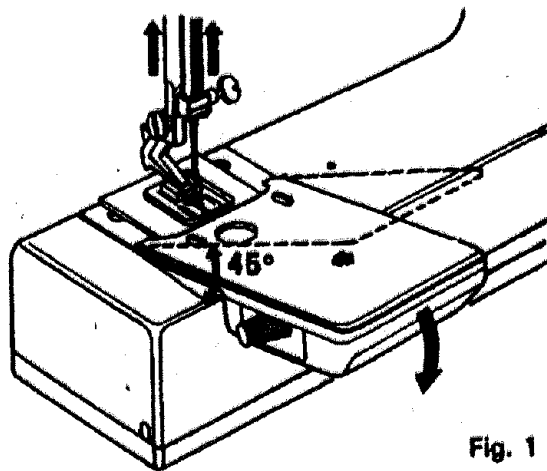


Fig. 1

2. Select correct template for type buttonhole you want. Insert template into slot of guide plate. Turn template advance knob until desired size appears in window on the top side of guide plate.

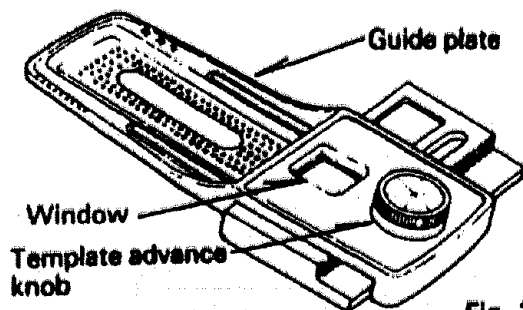


Fig. 2

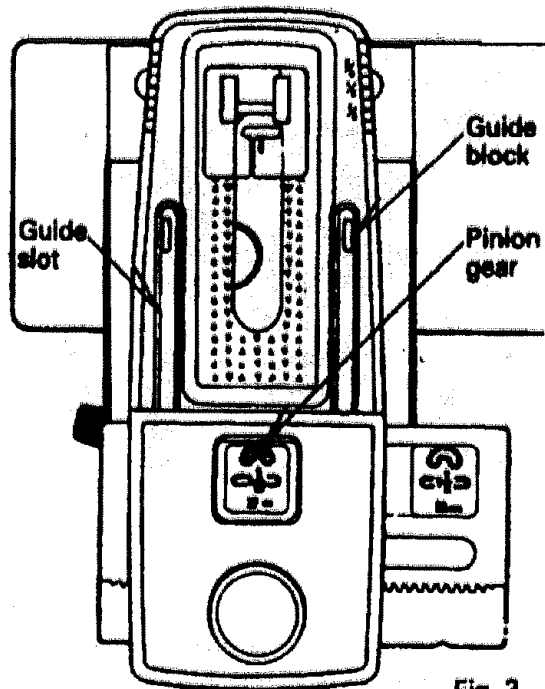
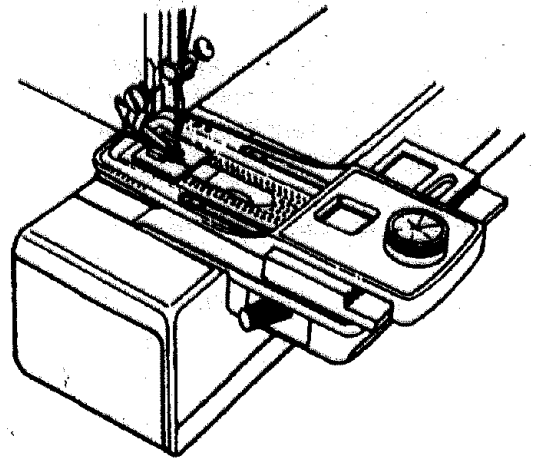


Fig. 3



3. Place guide plate onto machine so it fits in place with pinion gear in the center of arc hole of the template. Make sure guide blocks are inserted in guide slots.

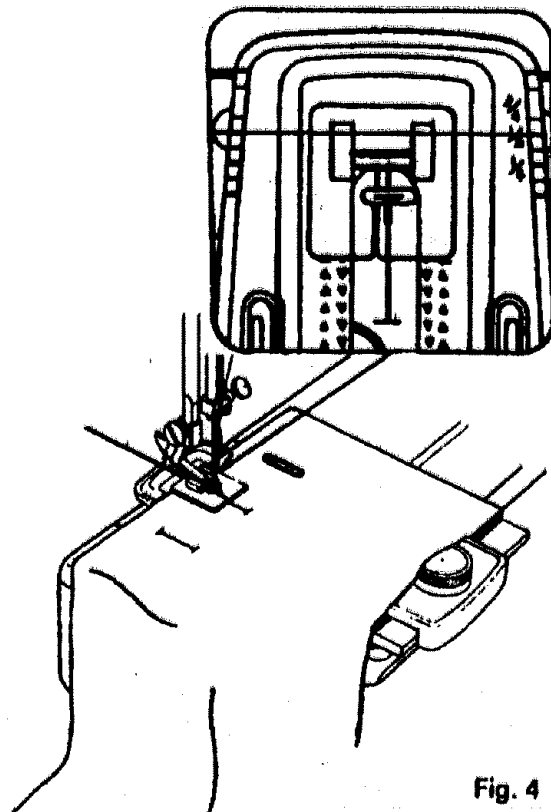


Fig. 4

4. Carefully mark the buttonhole length on your garment.

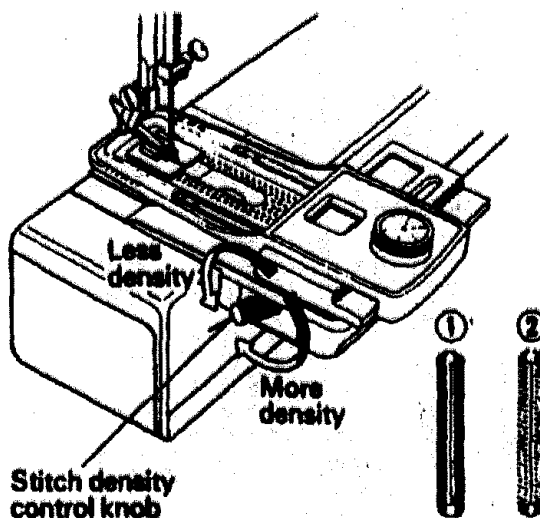
Pick up bobbin thread through guide plate by turning hand wheel. Place fabric between presser foot and guide plate. Align marked buttonhole with center marking on foot. Line up edge of fabric with graduations on both sides of the guide plate. If you wish all buttonholes to be 1/2" from edge of fabric, for example, line up fabric with 1/2" markings each time you start a buttonhole.

Now you are ready to sew the buttonhole you selected. Your buttonholer does all for you.

ADJUSTING STITCH DENSITY

Depending upon the fabrics on which you are sewing, or your own preference in buttonholes, you may alter buttonhole stitch density by turning stitch density control knob.

1. For more density, turn the knob toward you.
2. For less density, turn the knob away from you.



CHOOSING BUTTONHOLE STYLE AND SIZE

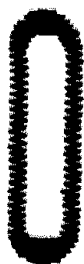
Each buttonholing situation will be different so you will want to experiment with your garment, considering fabric and placement of button. Here are some basic applications:

Built-in buttonholes (described previously) are ideal for one or two buttons used on waistband or cuff, or for "belt slots."

Straight buttonholes are most popular for everyday sewing — for series of buttons on dress, blouse, vest, jacket or coat.

Keyhole buttonholes are a variation of the above, with an enlarged opening at one end to allow more room for button shank. These are normally used in tailored vests, jackets, coats.

**ROUND END
STRAIGHT
BUTTONHOLE**



**KEYHOLE
BUTTONHOLE**



Template	45195	45196	45197
Sizes	$\frac{3}{8}$ " - $\frac{1}{2}$ " - $\frac{5}{8}$ " - $\frac{13}{16}$ "	$\frac{1}{16}$ " - $1\frac{1}{16}$ " - $1\frac{1}{4}$ " - $1\frac{1}{2}$ "	$\frac{3}{8}$ " - $1\frac{1}{16}$ " - $1\frac{1}{4}$ " - $1\frac{3}{8}$ "

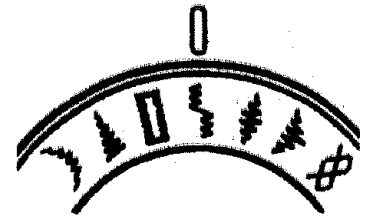
DECORATIVE EMBROIDERY DESIGNS



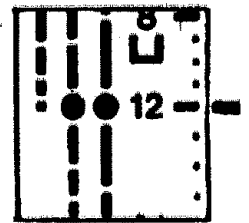
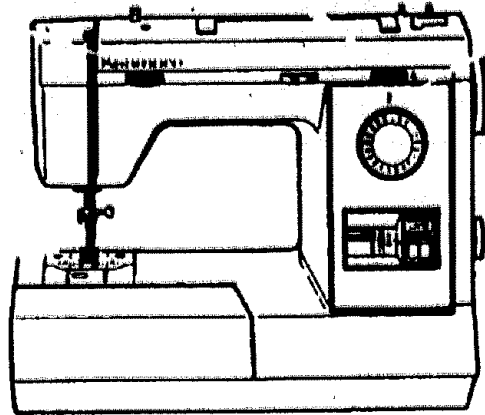
See page 18.



1-4



Zigzag or satin foot



Green zone



Scallop



Domino



Diamond



Arrowhead



Pyramid

You may get the look and feel of hand embroidery infinitely faster and easier by your machine.

Just choose which of the designs you want to sew alone or in combination with each other.

TIPS ON DESIGN STITCHING

1. Always make a practice design on a scrap of the fabric you plan to use.
2. Start with a full bobbin and plenty of thread on the spool to avoid running out of thread in the middle of your design.
3. Reduce the top thread tension slightly.
4. On a very soft fabric you may want to use a tissue paper backing or organza that can be cut away.
5. Decorative designs are very attractive when sewn with a double needle and two colors or shades of a color of thread.

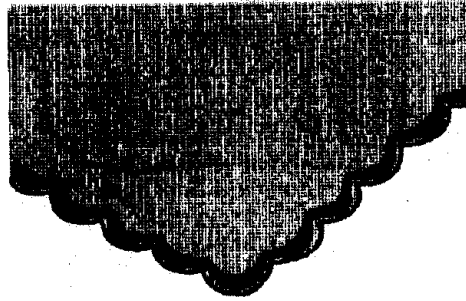
APPLICATIONS

Create the loveliest of custom designs-your own personal touch. There is much you can do by adjusting stitch width or length. Below you see some applications and variations. You'll find many more design ideas as you become more expert.

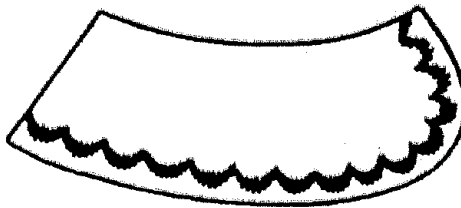
SCALLOP PATTERN

A speedy and decorative way of handling a raw edge is by using the scallop pattern. Simply sew along the raw edge of the fabric and trim close to the outside of the stitching.

This pattern is also attractive when decorating a collar or down the front of a blouse, around a cuff or finish on the edge of a cocktail apron.



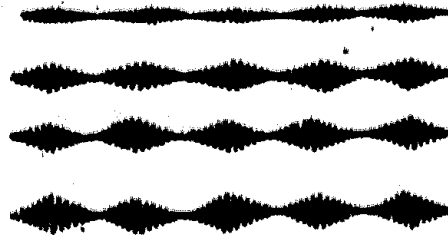
Scallop edge finish



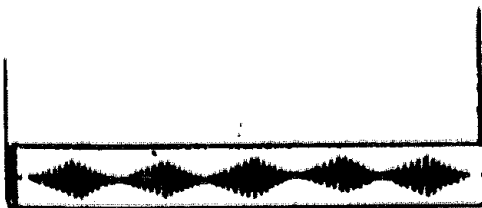
Scallop pattern on collar

DIAMOND PATTERN

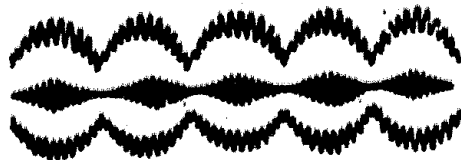
This is a series of diamond patterns and is used to add professional touch to your sewing, such as blouses and dresses.



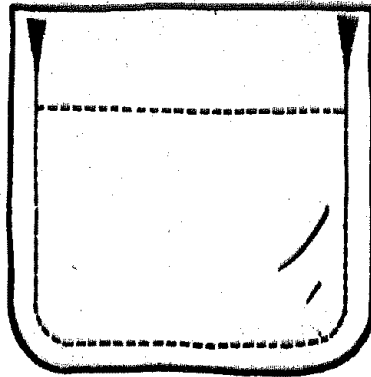
Variation of width of diamond pattern



Diamond on narrow hem



Scallop and diamond in combination



ARROWHEAD PATTERN

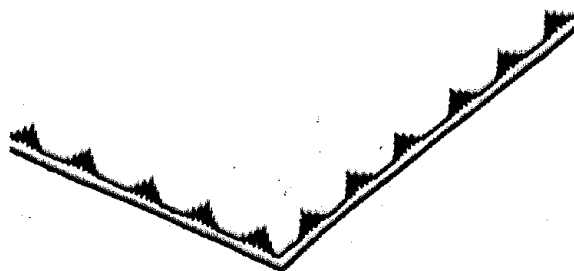
A series of arrow heads can be used to accent your sewing. Individual pattern unit is also a good stitch to reinforce the point of strain. Use it on the pocket corner.



Domino on bias tape

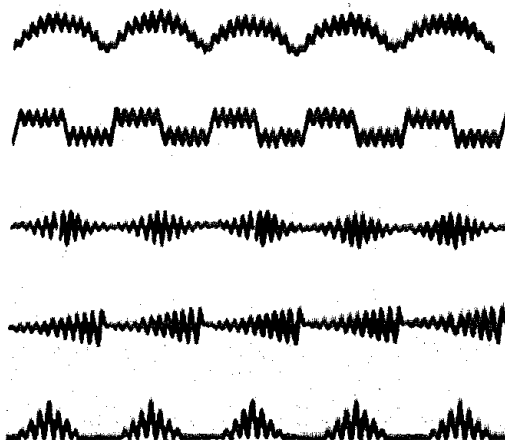
DOMINO PATTERN

This pattern is suitable for decorative edge and border.



PYRAMID PATTERN

This is an attractive embroidery stitch to be used alone or to sew on bias tape or ribbon trims.



DOUBLE-NEEDLE DESIGNS

Very attractive designs can be produced using a double needle*. Use different colored threads in each needle, or tones of the same color, to make yet further designs.

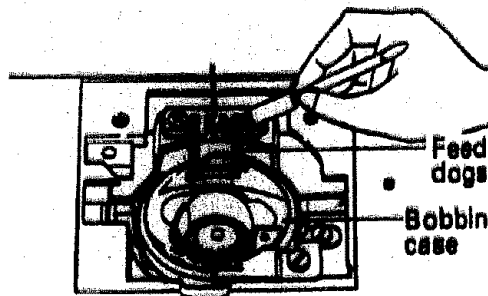
*Available at most Sears retail stores and catalog.

3. CARING FOR THE MACHINE

CLEANING THE FEED DOGS WITH A BRUSH

To insure the best possible operation of your machine, it is necessary to keep the essential parts clean at all times.

1. Remove bobbin cover plate.
2. Remove needle plate.
3. Using the brush provided, remove the lint that accumulates in and around the feed dogs and shuttle area.

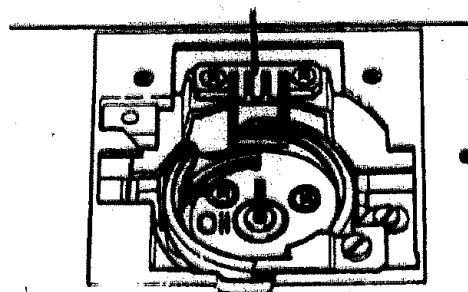
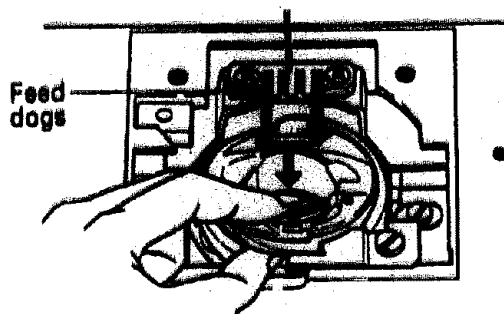


CLEANING AND OILING SHUTTLE AREA

On occasions, you will need to clean the shuttle area. Just follow these simple steps.

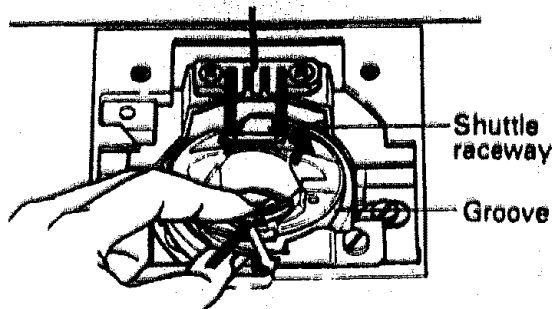
1. Turn hand wheel toward you until needle is above feed dogs.
2. Remove bobbin case by lifting it out from front.
3. Clean the shuttle with the brush and put a drop of oil to the points indicated by arrows. Don't over-oil. (Reminder: don't use household oil...Kenmore sewing machine oil.)

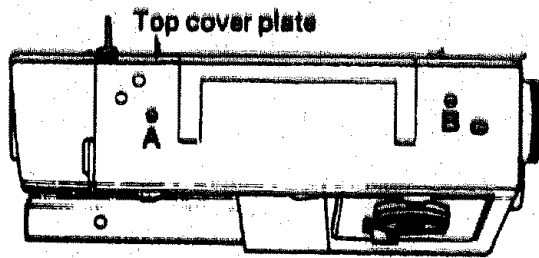
NOTE: Kenmore Oil/Oiler No. 6890 is available at most Sears retail stores and catalog.



REPLACING BOBBIN CASE

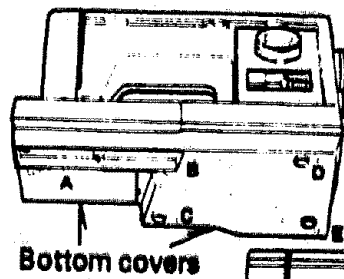
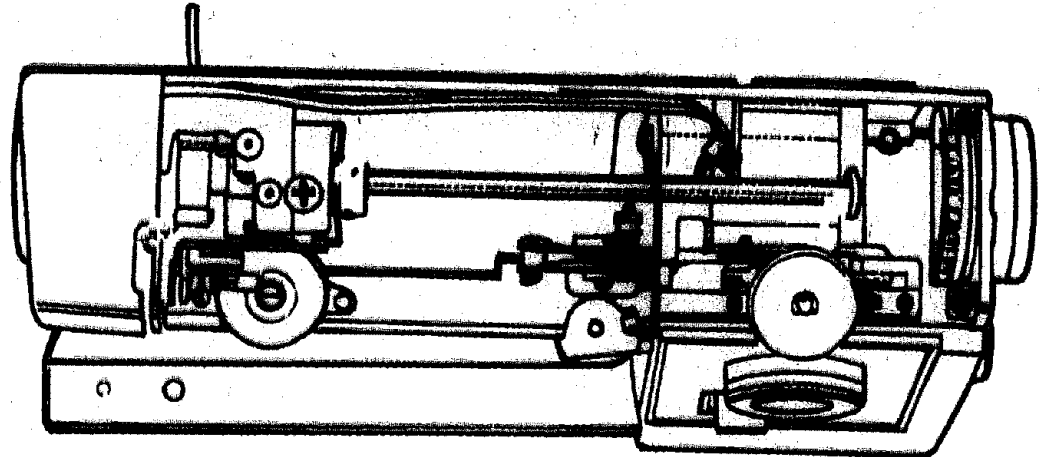
1. Make sure needle is above feed dogs. Insert bobbin case into shuttle until its groove fits on shuttle raceway as illustrated, and then snap down into position.
2. Replace both needle plate and bobbin cover plate to their original positions.





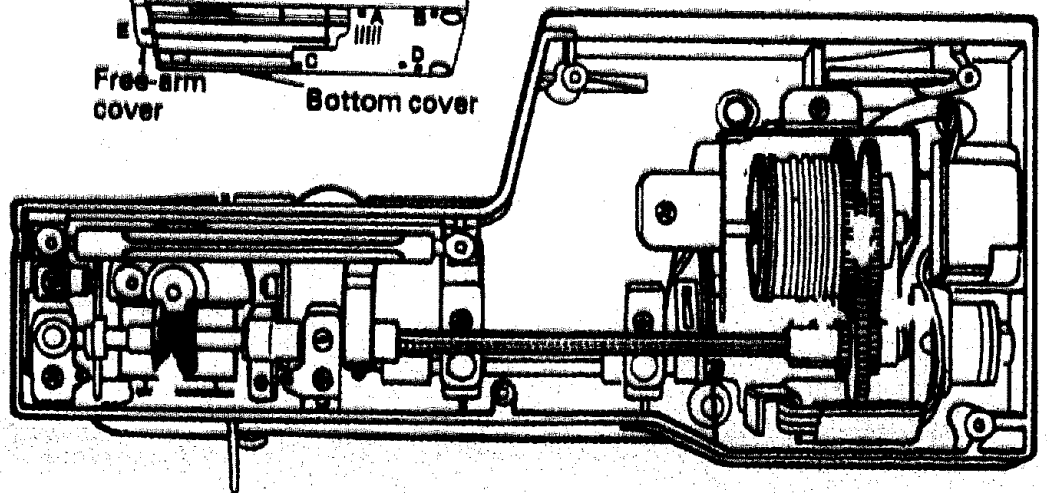
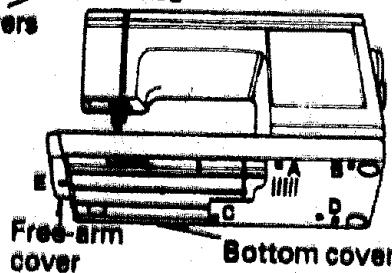
OILING UNDER TOP COVER PLATE

Remove top cover plate by loosening two top screws (A and B) as shown at left. Then place one or two drops of Kenmore sewing machine oil at each point.



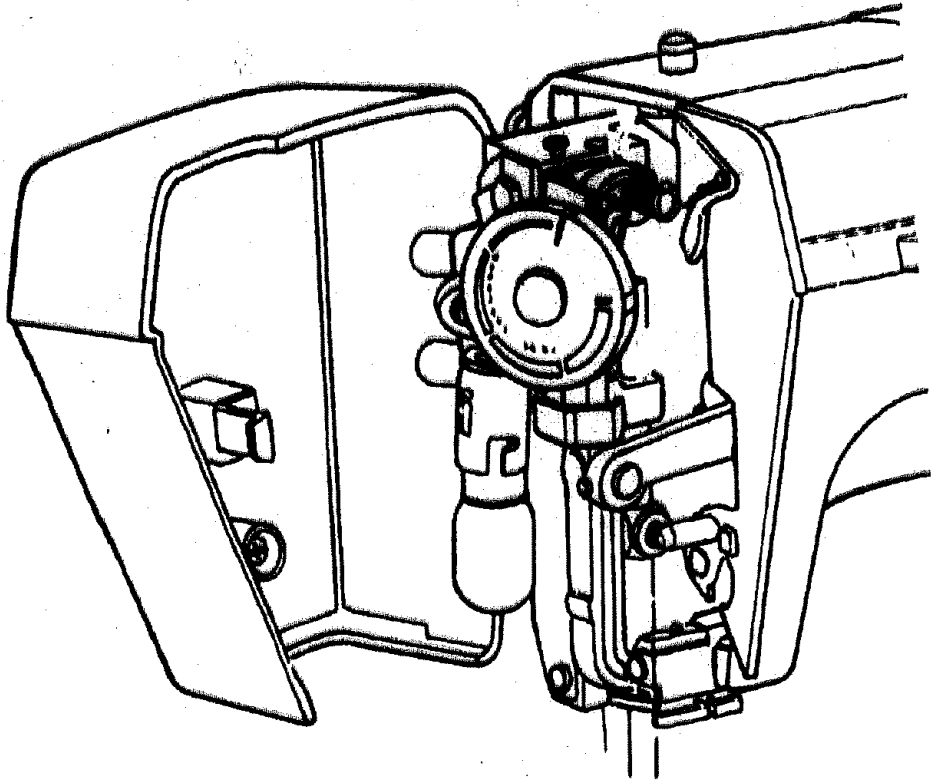
OILING UNDERSIDE

Tilt back machine and remove two bottom covers by loosening five screws (A, B, C, D and E).



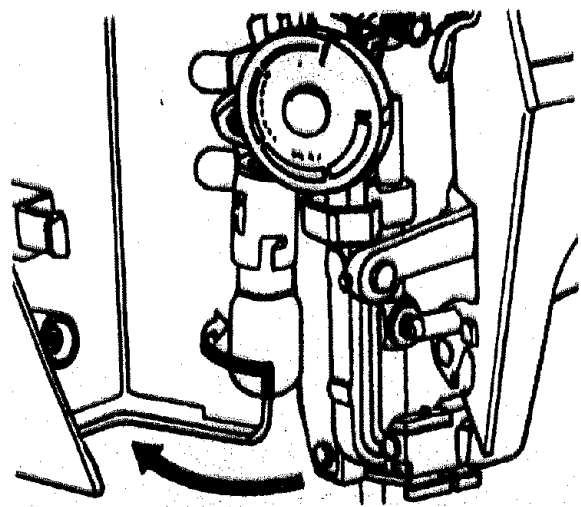
OILING IN FACE COVER PLATE

Swing face cover plate open and oil points indicated by arrows in illustration.



CHANGING LIGHT BULB

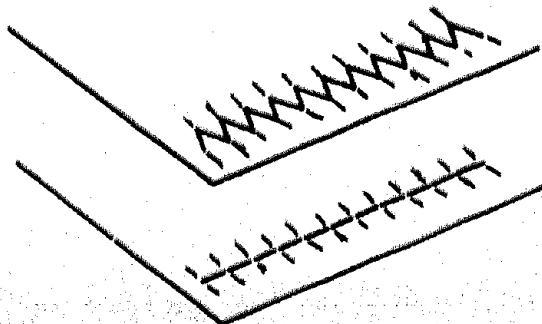
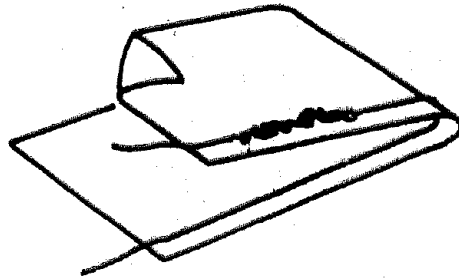
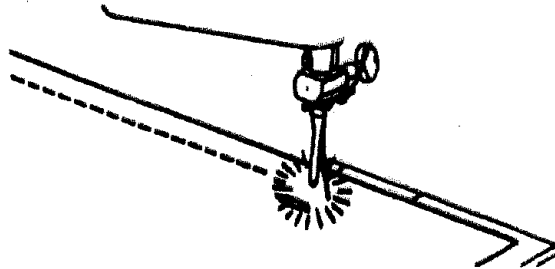
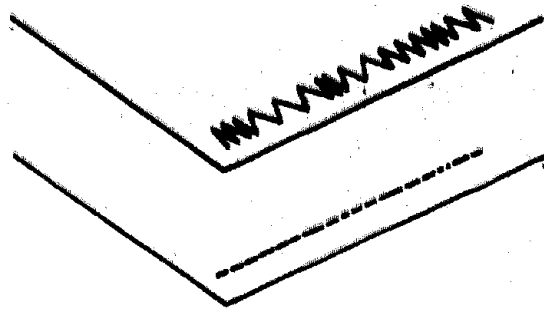
The sewing light is located inside the face cover plate as shown. To replace the bulb, push switch to off, unplug machine and swing the face cover plate open. Push up on the bulb slightly and turn bulb to the left. Withdraw bulb from socket. Push in new bulb and turn to the right.



4. CHECKING PERFORMANCE PROBLEMS

Your Kenmore sewing machine is a precision instrument, designed to give you many years of troublefree sewing - with minimum mainte-

nance. If you have any performance problem, check the list below and you'll be able to solve the problem yourself.



Stitches are irregular

1. Needle size is not correct for thread fabric. - See page 8.
2. Machine is not threaded correctly. - page 11 and 12.
3. Top thread tension is too loose. - page 18.
4. Fabric is being pulled or pushed against machine feeding action. - Guide it gently.
5. Presser foot pressure is too light. - page 17.
6. Bobbin has not been wound evenly. Rewind bobbin (see page 10).
7. There are nicks or burrs at needle opening. - Replace needleplate or smooth burrs with extra fine Emory cloth.

Needle breaks

1. Fabric is being pulled or pushed against machine feeding action. - Guide it gently.
2. Needle size is not correct for thread fabric. - See page 8.
3. Needle is not all the way up into needle clamp. - See page 9.
4. Presser foot holder is not fastened securely. - See page 14.

Bunching of thread

1. Top and bobbin threads are not drawn under presser foot before starting seam. - Draw both threads back under presser foot about 4" and hold until a few stitches formed.

Fabric puckers

1. Top thread tension is too tight. - Decrease top thread tension.
2. Presser foot pressure is too light. - page 17.
3. Two different sizes or types of thread used. - Use same size and type of thread top and in the bobbin.
4. Needle is bent or blunt. - Replace needle.
5. Presser foot holder is not fastened securely. - See page 14.
6. Fabric is too sheer or too soft. - Use underlayer of tissue paper.

Machine skips stitches

Needle size is not correct for thread and fabric. - See page 8.

Fabric is certain knit or synthetic. - Use "Q NEEDLE" and "Q FOOT".

Needle is bent or blunt. - Replace needle.

Needle is not all the way up into needle clamp. - See page 9.

Top thread tension is too tight. - Decrease top thread tension.

Presser foot pressure is too light. - See page 17.

Needle thread breaks

Machine is started too fast. - Start to stitch at a medium speed.

Machine is not threaded correctly. - See page 12.

Top thread tension is too tight. - See page 18.

Needle size is not correct for thread and fabric. - See page 8.

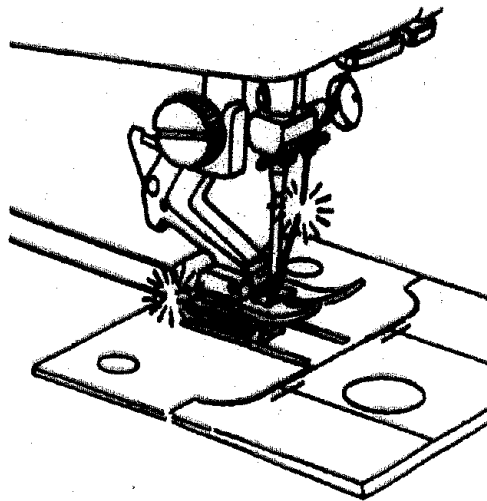
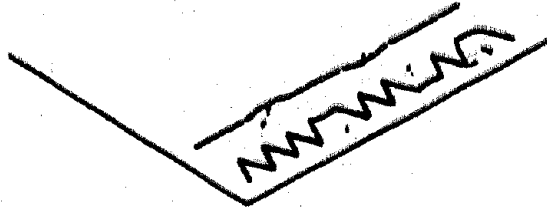
Eye of needle has sharp edges. - Replace needle.

There are nicks or burrs at needleplate opening. - Replace needleplate or smooth burrs with extra fine Emory cloth.

Bobbin thread breaks

Bobbin case is not threaded correctly. - See page 11.

Lint accumulates in bobbin case or shuttle. - See page 51.



Machine does not feed fabric

Presser foot pressure is too light. - See page 17.

Thread is knotted under fabric.

Feed cover plate is attached on needle plate. - Remove feed cover plate.

Machine jams

Thread is caught in shuttle. Remove bobbin case and clean shuttle (see page 51).

Needle is damaged. - Replace needle.

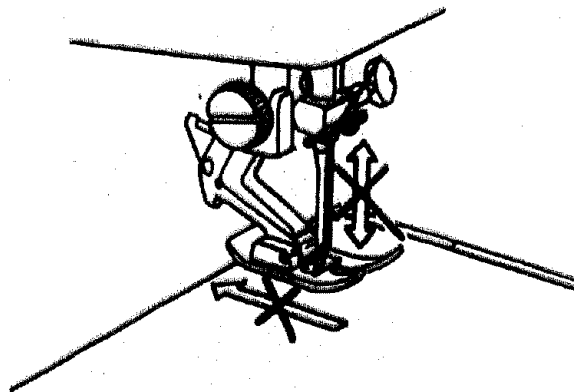
Needle plate is bent. - Replace needle plate.

Machine will not operate

Hand wheel is not returned to stitching position. - Push in clutch.

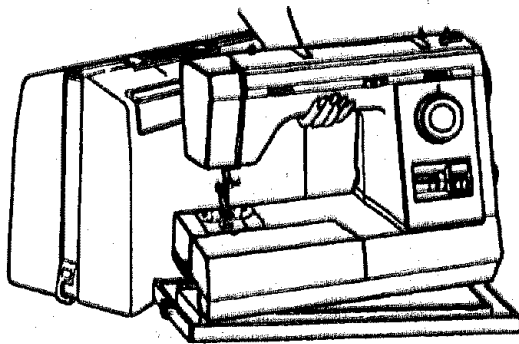
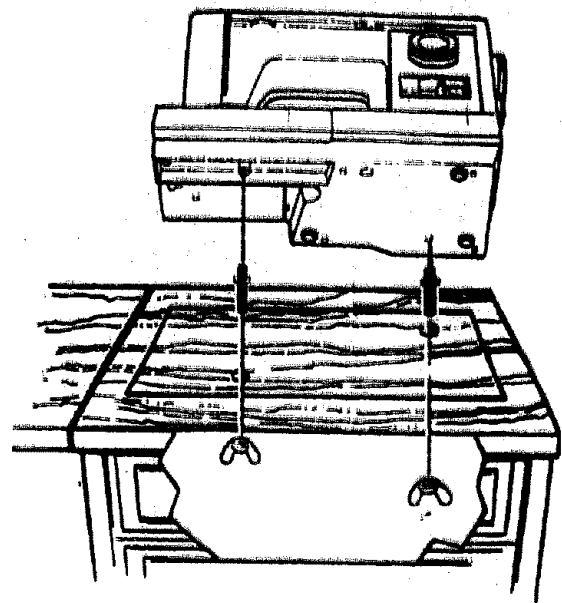
Power cord is not connected. - Check plug.

Power/light switch is turned off. - Turn on the switch.



YOUR SEWING PLACE IS ALWAYS READY WITH SEARS KENMORE SEWING FURNITURE

Sewing machine cabinet is available at your nearest Sears retail store or through our general catalog. Whenever you're ready to sew, so is your sewing place. Another option... buy a Carrying Case... then your Kenmore goes anywhere, can be stored anywhere.



SEWING MACHINE

Now that you have purchased your Kenmore Sewing Machine, should a need ever exist for repair parts or service, simply contact any Sears Service Center and most Sears, Roebuck and Co. Stores. Be sure to provide all pertinent facts when you call or visit.

The model number of your Sewing Machine will be shown on your nomenclature plate on the back of your Sewing Machine. See page 3 for location.

WHEN ORDERING REPAIR PARTS, ALWAYS GIVE THE FOLLOWING INFORMATION:

***MODEL NUMBER *NAME OF ITEM *PART DESCRIPTION**

If the parts you need are not stocked locally, your order will be electronically transmitted to a Sears Repair Parts Distribution Center for handling.

SEARS, ROEBUCK AND CO., Chicago, IL 60684 U.S.A.

Free Manuals Download Website

<http://myh66.com>

<http://usermanuals.us>

<http://www.somanuals.com>

<http://www.4manuals.cc>

<http://www.manual-lib.com>

<http://www.404manual.com>

<http://www.luxmanual.com>

<http://aubethermostatmanual.com>

Golf course search by state

<http://golfingnear.com>

Email search by domain

<http://emailbydomain.com>

Auto manuals search

<http://auto.somanuals.com>

TV manuals search

<http://tv.somanuals.com>