

Use & Care Guide  
Manual de Uso y Cuidado  
English / Español

Models/Modelos: 796.6927#,796.7927#

# Kenmore Elite Steam Dryer Secador con vapor

# = color number, numero de color

P/N MFL62512818  
Sears Brands Management  
Corporation, Hoffman Estates,  
IL 60179 USA  
[www.sears.com](http://www.sears.com)  
[www.sears.ca](http://www.sears.ca)



**Protocol P154**

Sanitization Performance of  
Residential Clothes dryer

**Protocolo P154**

Ejecucion de Saneamiento en la  
zona residencial Secadoras



## TABLE OF CONTENTS

<b>IMPORTANT SAFETY INSTRUCTIONS</b>	
SAFETY MESSAGES . . . . .	.3
IMPORTANT SAFETY INSTRUCTIONS . . . . .	.3—6
<b>FEATURES AND BENEFITS</b>	
Key Parts and Components . . . . .	.7
<b>INSTALLATION INSTRUCTIONS</b>	
Key Dimensions and Specifications. . . . .	.8
Location Requirements . . . . .	.8
Choose the Proper Location . . . . .	.8
Clearances . . . . .	.8
Optional Accessories. . . . .	.9
Gas Requirements . . . . .	.10
Connecting Gas Dryers . . . . .	.10,11
Electrical Requirements . . . . .	.12
Connecting Electric Dryers . . . . .	.12,13
Venting the Dryer . . . . .	.14,15
Leveling the Dryer . . . . .	.16
Reversing the Door . . . . .	.17
Final Installation Check . . . . .	.18
<b>HOW TO USE</b>	
Control Panel Features . . . . .	.19
Operating the Dryer . . . . .	.20
Cycle Guide . . . . .	.21
Sorting Loads. . . . .	.22
Loading the Dryer. . . . .	.22
Time and Status Display . . . . .	.23
Cycle Modifier Buttons . . . . .	.24
Cycle Options and Special Features. . . . .	.25
Steam Features . . . . .	.25
Wrinkle Guard . . . . .	.25
Control Lock . . . . .	.25
My Cycle. . . . .	.25
Drum Light. . . . .	.25
Sanitize Cycle. . . . .	.25
Rack Dry Cycle. . . . .	.25
Steam Functions. . . . .	.26
About Steam. . . . .	.26
Using the STEAM REFRESH Cycle. . . . .	.26
Using the STATIC SHIELD Option. . . . .	.26
To Fill the Steam Feeder . . . . .	.27
Important Notes about Steam Cycles . . . . .	.27
<b>USER MAINTENANCE INSTRUCTIONS</b>	
Regular Cleaning . . . . .	.28
Cleaning the Exterior. . . . .	.28
Cleaning the Interior. . . . .	.28
Cleaning Around and Under the Dryer. . . . .	.28
Maintaining the Ductwork. . . . .	.28
Cleaning the Lint Filter . . . . .	.28
<b>TROUBLESHOOTING GUIDE</b>	
Before Calling for Service . . . . .	.29—32
<b>OPTIONAL ACCESSORIES</b>	
Optional Accessories. . . . .	.33
Side Venting Kit Installation. . . . .	.34
<b>WARRANTY</b> . . . . .	.35

## PRODUCT RECORD

In the space below, record the date of purchase, model, and serial number of your product. You will find the model and serial number printed on an identification plate located inside the dryer door. Have these items of information available whenever you contact Sears concerning your product.

Model No. \_\_\_\_\_

Date of Purchase \_\_\_\_\_

Serial No. \_\_\_\_\_

Save these instructions and your sales receipt for future reference.

## PROTECTION AGREEMENTS

### Master Protection Agreements

*Congratulations on making a smart purchase.* Your new Kenmore® product is designed and manufactured for years of dependable operation. But like all products, it may require preventive maintenance or repair from time to time. That's when having a Master Protection Agreement can save you money and aggravation.

The Master Protection Agreement also helps extend the life of your new product. Here's what the Agreement\* includes:

- **Parts and labor** needed to help keep products operating properly **under normal use**, not just defects. Our coverage goes **well beyond the product warranty**. No deductible, no functional failure excluded from coverage—**real protection**.
- **Expert service** by a force of more than 10,000 authorized **Sears service technicians**, which means someone you can trust will be working on your product.
- **Unlimited service calls and nationwide service**, as often as you want us, whenever you want us.
- **No-lemon guarantee**—replacement of your covered product if four or more product failures occur within twelve months.
- **Product replacement** if your covered product can't be fixed.
- **Annual Preventive Maintenance Check** at your request—no extra charge.
- **Fast help by phone**—we call it Rapid Resolution. Phone support from a Sears representative on all products. Think of us as a talking owner's manual.
- **Power surge protection** against electrical damage due to power fluctuations.
- **\$250 food loss protection annually** for any food spoilage that is the result of mechanical failure of any covered refrigerator or freezer.
- **Rental reimbursement** if repair of your covered product takes longer than promised.
- **10% discount** off the regular price of any non-covered repair service and related installed parts.

Once you purchase the Agreement, a simple phone call is all that it takes for you to schedule service. You can call anytime day or night or schedule a service appointment online.

The Master Protection Agreement is a risk free purchase. If you cancel for any reason during the product warranty period, we will provide a full refund. Or a prorated refund anytime after the product warranty period expires. Purchase your Master Protection Agreement today!

**Some limitations and exclusions apply.**  
**For prices and additional information in the U.S.A. call 1-800-827-6655.**

**\*Coverage in Canada varies on some items.**  
**For full details call Sears Canada at 1-800-361-6665.**

### Sears Installation Service

For Sears professional installation of home appliances, garage door openers, water heaters, and other major home items, in the U.S.A. or Canada, call 1-800-4-MY-HOME®.

## IMPORTANT SAFETY INSTRUCTIONS

### READ ALL INSTRUCTIONS BEFORE USE

**⚠ WARNING** For your safety, the information in this manual must be followed to minimize the risk of fire or explosion, electric shock, or to prevent property damage, personal injury, or loss of life.

#### Your Safety and the safety of others is very important.

We have provided many important safety messages in this manual and on your appliance. Always read and obey all safety messages.



This is the safety alert symbol.

This symbol alerts you to potential hazards that can kill or hurt you and others.

All safety messages will follow the safety alert symbol and either the word DANGER or WARNING.

These words mean:

**⚠ DANGER:** You can be killed or seriously injured if you don't immediately follow instructions.

**⚠ WARNING:** You can be killed or seriously injured if you don't follow instructions.

All safety messages will tell you what the potential hazard is, tell you how to reduce the chance of injury, and tell you what can happen if the instructions are not followed.

ENGLISH

- Do not install a clothes dryer with flexible plastic venting materials. If flexible metal (foil type) duct is installed, it must be of a specific type identified by the appliance manufacturer as suitable for use with clothes dryers. Flexible venting materials are known to collapse, be easily crushed, and trap lint. These conditions will obstruct clothes dryer airflow and increase the risk of fire.
- Do not store or use gasoline or other flammable vapors and liquids in the vicinity of this appliance or any other appliances.
- Installation and service must be performed by a qualified installer, service agency, or the gas supplier.
- Install the clothes dryer according to the manufacturer's instructions and local codes.
- Save these instructions.

#### WHAT TO DO IF YOU SMELL GAS:

1. Do not try to light a match or cigarette, or turn on any gas or electrical appliance.
2. Do not touch any electrical switches. Do not use any phone in your building.
3. Clear the room, building, or area of all occupants.
4. Immediately call your gas supplier from a neighbor's phone. Follow the gas supplier's instructions carefully.
5. If you cannot reach your gas supplier, call the fire department.

# IMPORTANT SAFETY INSTRUCTIONS

## BASIC SAFETY PRECAUTIONS

**⚠ WARNING:** To reduce the risk of fire, electric shock, or injury to persons when using this appliance, follow basic precautions, including the following:

- Read all instructions before using the dryer.
- Before use, the dryer must be properly installed as described in this manual.
- Do not place items exposed to cooking oils in your dryer. Items contaminated with cooking oils may contribute to a chemical reaction that could cause a load to catch fire.
- Do not dry articles that have been previously cleaned in, washed in, soaked in, or spotted with gasoline, dry-cleaning solvents, or other flammable or explosive substances as they give off vapors that could ignite or explode.
- Do not reach into the dryer if the drum or any other part is moving.
- Do not repair or replace any part of the dryer or attempt any servicing unless specifically recommended in this Use and Care Guide or in published user-repair instructions that you understand and have the skills to carry out.
- Do not tamper with controls.
- Before the dryer is removed from service or discarded, remove the door to the drying compartment.
- Do not allow children to play on or in the dryer. Close supervision of children is necessary when the dryer is used near children.
- Do not use fabric softeners or products to eliminate static unless recommended by the manufacturer of the fabric softener or product.
- Do not use heat to dry articles containing foam rubber or similarly textured rubber-like materials.
- Keep area around the exhaust opening and adjacent surrounding areas free from the accumulation of lint, dust, and dirt.
- The interior of the dryer and exhaust vent should be cleaned periodically by qualified service personnel.
- Do not install or store the dryer where it will be exposed to the weather.
- Always check the inside of the dryer for foreign objects.
- Clean lint filter before or after each load.

ENGLISH

## CALIFORNIA SAFE DRINKING WATER AND TOXIC ENFORCEMENT ACT

This act requires the governor of California to publish a list of substances known to the state to cause cancer, birth defects, or other reproductive harm and requires businesses to warn customers of potential exposure to such substances. Gas appliances can cause minor exposure to four of these substances, namely benzene, carbon monoxide, formaldehyde, and soot, caused primarily by the incomplete combustion of natural gas or LP fuels. Properly adjusted dryers will minimize incomplete combustion. Exposure to these substances can be minimized further by properly venting the dryer to the outdoors.

## GROUNDING INSTRUCTIONS

This appliance must be grounded. In the event of malfunction or breakdown, grounding will reduce the risk of electric shock by providing a path of least resistance for electric current. This appliance must be equipped with a cord having an equipment-grounding conductor and a grounding plug. The plug must be plugged into an appropriate outlet that is properly installed and grounded in accordance with all local codes and ordinances.

**⚠ WARNING:** Improper connection of the equipment-grounding conductor can result in a risk of electric shock. Check with a qualified electrician or service person if you are in doubt as to whether the appliance is properly grounded. Do not modify the plug provided with the appliance. If it will not fit the outlet, have a proper outlet installed by a qualified electrician. This appliance must be connected to a grounded metal, permanent wiring system or an equipment grounding conductor must be run with the circuit conductors and connected to the equipment grounding terminal or lead on the appliance. Electrical shock can result if the dryer is not properly grounded.

# IMPORTANT SAFETY INSTRUCTIONS

## SAFETY INSTRUCTIONS FOR INSTALLATION

**⚠ WARNING:** To reduce the risk of fire, electric shock, or injury to persons when using this appliance, follow basic precautions, including the following:

- **Properly ground dryer to conform with all governing codes and ordinances.** Follow details in the installation instructions. Electrical shock can result if the dryer is not properly grounded.
- **Before use, the dryer must be properly installed as described in this manual.** Electrical shock can result if the dryer is not properly grounded.
- **Install and store the dryer where it will not be exposed to temperatures below freezing or exposed to the weather.**
- **All repairs and servicing must be performed by an authorized servicer unless specifically recommended in this Owner's Guide. Use only authorized factory parts.** Failure to follow this warning can cause serious injury, fire, electrical shock, or death.
- **To reduce the risk of electric shock, do not install the dryer in humid spaces.** Failure to follow this warning can cause serious injury, fire, electrical shock, or death.
- **Connect to a properly rated, protected, and sized power circuit to avoid electrical overload.** Improper power circuit can melt, creating electrical shock and/or fire hazard.
- **Remove all packing items and dispose of all shipping materials properly.** Failure to do so can result in death, explosion, fire, or burns.
- **Place dryer at least 18 inches above the floor for a garage installation.** Failure to do so can result in death, explosion, fire, or burns.
- **Keep all packaging from children.** Packaging material can be dangerous for children. There is a risk of suffocation.
- **Do not install nearby heat item.** Such as stove, cooking oven. Failure to do so can cause deform, smoke and fire.
- **Do not place candle and cigarettes on top of the product.** Failure to do so can cause deform, smoke and fire.
- **Remove all protective vinyl film from the product.** Failure to do so can cause deform, smoke and fire.

**⚠ WARNING:** To reduce the risk of personal injury, adhere to all industry recommended safety procedures including the use of long sleeved gloves and safety glasses. Failure to follow all of the safety warnings in this manual could result in property damage, personal injury or death.

### Exhaust/Ducting:

- **Gas dryers MUST be exhausted to the outside.** Failure to follow these instructions can result in fire or death.
- **The dryer exhaust system must be exhausted to the outside of the dwelling. If the dryer is not exhausted outdoors, some fine lint and large amounts of moisture will be expelled into the laundry area.** An accumulation of lint in any area of the home can create a health and fire hazard.
- **Use only rigid metal or flexible metal 4 inches diameter ductwork inside the dryer cabinet or for exhausting to the outside. Use of plastic or other combustible ductwork can cause a fire.** Punctured ductwork can cause a fire if it collapses or becomes otherwise restricted in use or during installation.
- **Ductwork is not provided with the dryer, and you should obtain the necessary ductwork locally. The end cap should have hinged dampers to prevent backdraft when the dryer is not in use.** Failure to follow these instructions can result in fire or death.
- **The exhaust duct must be 4 inches (10.2 cm) in diameter with no obstructions. The exhaust duct should be kept as short as possible. Make sure to clean any old ducts before installing your new dryer.** Failure to follow these instructions can result in fire or death.
- **Rigid or semi rigid metal ducting is recommended for use between the dryer and the wall. In special installations when it is impossible to make a connection with the above recommendations, a ULlisted flexible metal transition duct may be used between the dryer and wall connection only. The use of this ducting will affect drying time.** Failure to follow these instructions can result in fire or death.
- **DO NOT use sheet metal screws or other fasteners which extend into the duct that could catch lint and reduce the efficiency of the exhaust system.** Secure all joints with duct tape. For complete details, follow the Installation Instructions. Failure to follow these instructions can result in fire or death.

## IMPORTANT SAFETY INSTRUCTIONS

### SAFETY INSTRUCTIONS FOR STEAM FUNCTIONS

**⚠ WARNING:** To reduce the risk of fire, electric shock, or injury to persons when using this appliance, follow basic precautions, including the following:

- **Do not open the dryer door during steam cycles.** Failure to follow these instructions can result in a burn hazard.
- **Do not dry articles that have been previously cleaned in, washed in, soaked in, or spotted with gasoline, dry-cleaning solvents, or other flammable or explosive substances as they give off vapors that could ignite or explode.** Failure to follow these instructions can result in fire or death.
- **Do not fill the steam feeder with gasoline, dry-cleaning solvents, or other flammable or explosive substances.** Failure to follow these instructions can result in fire or death.
- **Do not touch the steam nozzle in the drum during or after the steam cycle.** Failure to follow these instructions can result in a burn hazard.
- **Do not fill the steam feeder with hot water (over 86°F/30°C).** Failure to follow these instructions can result in a burn hazard.

ENGLISH

### SAFETY INSTRUCTIONS FOR CONNECTING ELECTRICITY

**⚠ WARNING:** To reduce the risk of fire, electric shock, or injury to persons when using this appliance, follow basic precautions, including the following:

- **Do not, under any circumstances, cut or remove the ground prong from the power cord.** To prevent personal injury or damage to the dryer, the electrical power cord must be plugged into a properly grounded outlet.
- **For personal safety, this dryer must be properly grounded.** Failure to do so can result in electrical shock or injury.
- **Refer to the installation instructions in this manual for specific electrical requirements for your model.** Failure to follow these instructions can create an electrical shock hazard and/or a fire hazard.
- **This dryer must be plugged into a properly grounded outlet. Electrical shock can result if the dryer is not properly grounded. Have the wall outlet and circuit checked by a qualified electrician to make sure the outlet is properly grounded.** Failure to follow these instructions can create an electrical shock hazard and/or a fire hazard.
- **The dryer should always be plugged into its own individual electrical outlet which has a voltage rating that matches the rating plate.** This provides the best performance and also prevents overloading house wiring circuits which could cause a fire hazard from overheated wires.
- **Never unplug your dryer by pulling on the power cord. Always grip plug firmly and pull straight out from the outlet.** The power cord can be damaged, resulting in a risk of fire and electrical shock.
- **Repair or replace immediately all power cords that have become frayed or otherwise damaged. Do not use a cord that shows cracks or abrasion damage along its length or at either end.** The power cord can melt, creating electrical shock and/or fire hazard.
- **When installing or moving the dryer, be careful not to pinch, crush, or damage the power cord.** This will prevent injury and prevent damage to the dryer from fire and electrical shock.

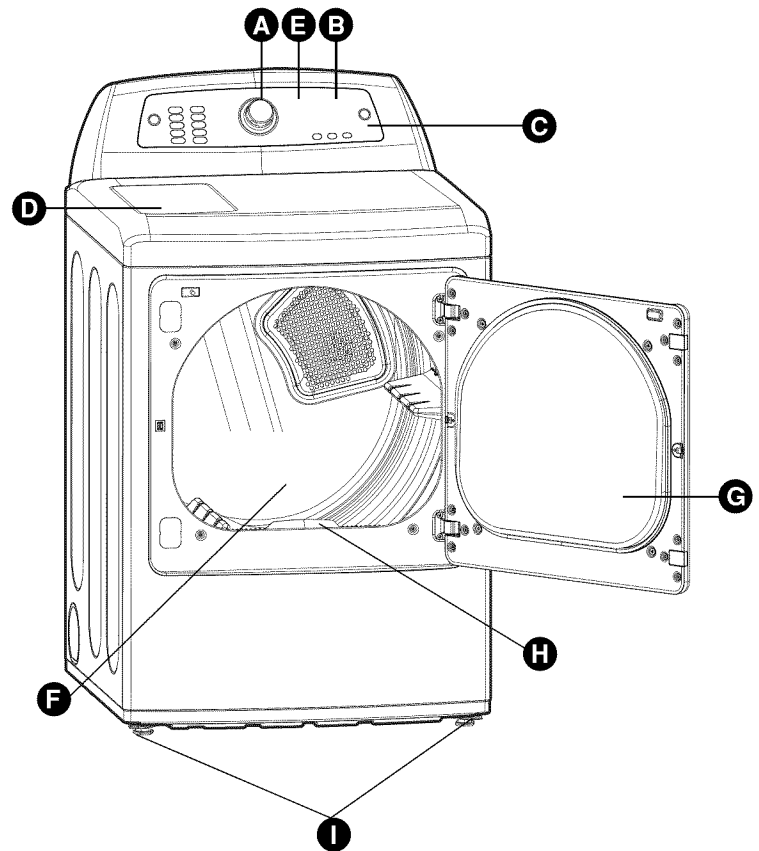
**SAVE THESE INSTRUCTIONS**

# FEATURES AND BENEFITS

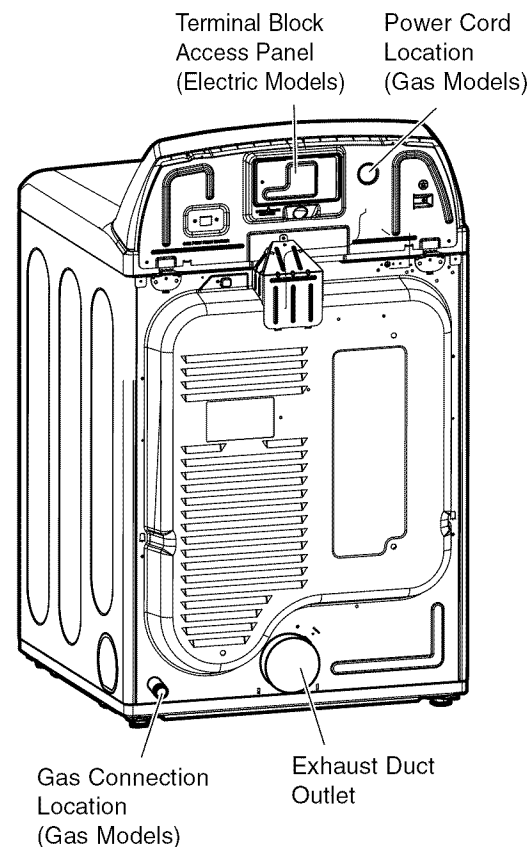
## KEY PARTS AND COMPONENTS

There are several important components that are referenced in this manual.

- A EASY-TO-USE CONTROL PANEL**  
Rotate the Cycle Selector Knob to select the desired dry cycle. Add cycle options or adjust settings with the touch of a button.
- B TIME AND STATUS DISPLAY**  
The easy-to-read LED display shows cycle status and estimated time remaining.
- C CYCLE MODIFIERS**  
Adjust the cycle defaults such as temperature and dry level with the touch of a button.  
**NOTE:** Not all settings are available for all cycles. See page 24.
- D STEAM FEEDER**  
This lid provides access to the reservoir for the water used by the dryer to create steam for the STEAM REFRESH cycle and other steam features.
- E CHECK VENT (Duct Blockage Sensing System)**  
The Check Vent (Duct blockage sensing system) detects and alerts you to blockages in the exhaust system that reduce airflow from the dryer. Maintaining clean exhaust system ducts improves operating efficiency and helps minimize service calls, saving you money.
- F ULTRA-CAPACITY STAINLESS STEEL DRUM WITH DRUM LIGHT**  
The ultra-large stainless steel drum offers superior durability. The drum is equipped with a light that illuminates when the dryer door is open and turns off when the door is closed.
- G EASY-ACCESS REVERSIBLE DOOR**  
Wide-opening, see-through glass door provides easy access for loading and unloading. Door swing can be reversed to adjust for installation location.
- H FRONT-MOUNT LINT FILTER**  
Front-mount lint filter allows for easy access and cleaning between loads.
- I LEVELING FEET**  
Four leveling feet (two in front, and two in back) adjust to improve dryer stability on uneven floors.



ENGLISH



Rear of Dryer

# INSTALLATION INSTRUCTIONS

## KEY DIMENSIONS AND SPECIFICATIONS

Description	Dryer (Gas and Electric)
Electrical Requirements	Please refer to the rating label.
Gas Requirements* Natural:	6–8 inches WC
Gas Requirements* Propane:	10–13 inches WC
Dimensions	27" (W) X 28 15/16" (D) X 45" (H), 50 1/4" (D With door open) 68.6cm (W) X 73.4 cm (D) X 114.1cm (H), 127.5 cm (D With door open)
Net Weight	Electric : 147 lb. (66.7kg) / Gas : 150.5 lb. (68.3kg)
Drying Capacity	IEC 7.3 cu. ft.

\*Gas Models only.

## LOCATION REQUIREMENTS

### IMPORTANT:

Read all installation instructions completely before installing and operating your dryer!  
It is important that you review this entire manual before installing and using your dryer. It contains detailed instructions concerning electrical connections, gas connections and exhaust requirements.

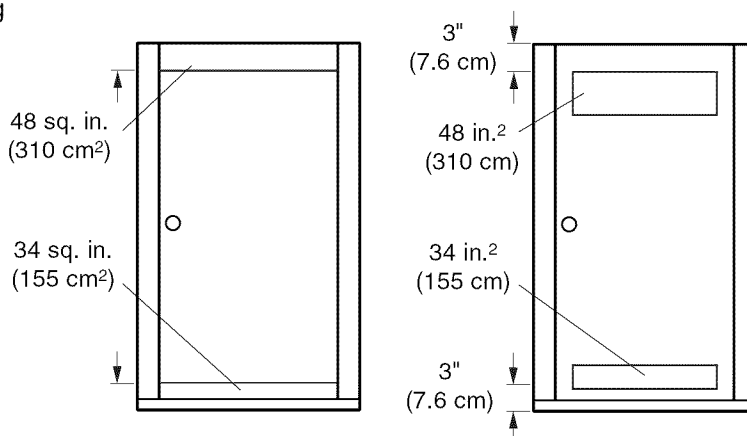
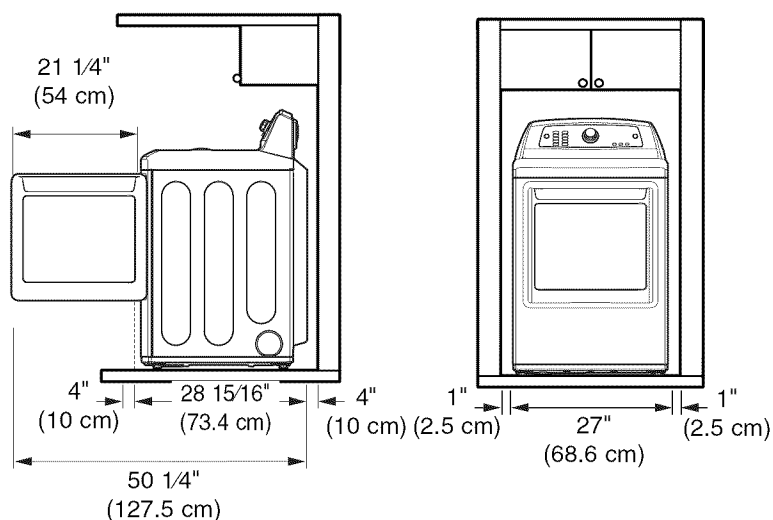
## CHOOSE THE PROPER LOCATION

- Store and install the dryer where it will not be exposed to temperatures below freezing or exposed to outdoor weather conditions.
- Choose a location with a solid, level floor.
- If the dryer is being installed in a garage, place the dryer at least 18 inches (45.7cm) above the floor.
- Properly ground the dryer to conform with all governing codes and ordinances.
- To reduce the risk of electric shock, do not install the dryer in damp or wet locations.

**IMPORTANT:** If you are installing your dryer in a manufactured or mobile home, please refer to the section *Special Electrical Requirements for Mobile or Manufactured Homes on page 12*.

## CLEARANCES

- Most installations require a minimum 5-1/2 in. (14 cm) clearance behind the dryer for the exhaust ducting.
- Allow minimum clearances of at least 1 in. (2.5 cm) on the sides and back to minimize vibration and noise.
- Allowing additional clearance for installation and servicing is recommended.
- Be sure to allow for wall, door, or floor moldings that may increase the required clearances.
- Allow at least 21 inches (53.3 cm) in front of the dryer to open the door.



Closet Door Clearance Requirements

### Additional Instructions for closet installations:

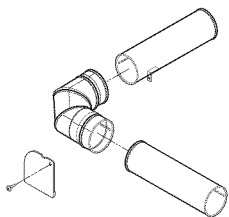
- The closet door must allow for sufficient airflow. Refer to the diagram to the left for minimum vent opening or door clearance requirements. A louvered door is also acceptable.

ENGLISH



# INSTALLATION INSTRUCTIONS

## OPTIONAL ACCESSORIES



Use the side vent kit for venting directly on either side or on the bottom.  
Kit # D26-49670  
NOTE: Gas dryers can not be vented to the right



Use the LP CONVERSION KIT for changing the dryer gas connections from Natural Gas (NG) to Liquefied Propane Gas (LP)  
Part # 383EEL3002D  
NOTE: Installation of the LP conversion kit must be performed by a qualified service professional.

ENGLISH

# INSTALLATION INSTRUCTIONS

## GAS REQUIREMENTS (GAS MODELS ONLY)

### CONNECTING GAS DRYERS

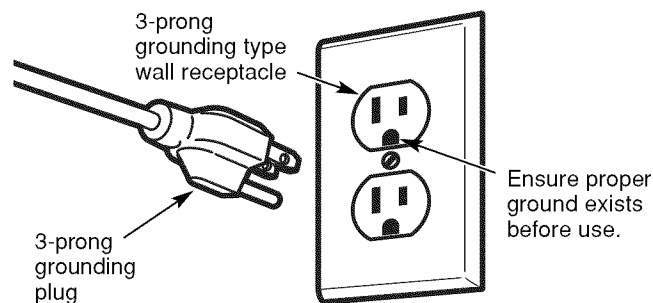
**⚠ WARNING:** To reduce the risk of fire, electric shock, or injury to persons when using this appliance, follow basic precautions, including the following:

- **Gas supply requirements:**  
As shipped from the factory, this dryer is configured for use with (NG) natural gas. It can be converted for use with LP (Liquefied Propane) gas. Gas pressure must not exceed 8 inches water column for (NG), or 13 inches water column for (LP).
- A qualified service or gas company technician must connect the dryer to the gas service. Failure to do so can result in fire, explosion, or death.
- Isolate the dryer from the gas supply system by closing its individual manual shutoff valve during any pressure testing of the gas supply. Failure to do so can result in fire, explosion, or death.
- **Supply line requirements:** Your laundry room must have a rigid gas supply line to your dryer. In the United States, an individual manual shutoff valve **MUST** be installed within at least 6 ft. (1.8 m) of the dryer, in accordance with the National Fuel Gas Code ANSI Z223.1 or Canadian gas installation code CSA B149.1. A 1/8 inches NPT pipe plug must be installed. Failure to do so can result in fire, explosion, or death.
- If using a rigid pipe, the rigid pipe should be 1/2 inches IPS. If acceptable under local codes and ordinances and when acceptable to your gas supplier, 3/8 inches approved tubing may be used where lengths are less than 20 ft. (6.1 m). Larger tubing should be used for lengths in excess of 20 ft. (6.1 m). Failure to do so can result in fire, explosion, or death.
- **Connect the dryer to the type of gas shown on the nameplate.** Failure to do so can result in fire, explosion, or death.
- **To prevent contamination of the gas valve, purge the gas supply of air and sediment before connecting the gas supply to the dryer. Before tightening the connection between the gas supply and the dryer, purge remaining air until the odor of gas is detected.** Failure to do so can result in fire, explosion, or death.
- **DO NOT use an open flame to inspect for gas leaks. Use a noncorrosive leak detection fluid.** Failure to do so can result in fire, explosion, or death.
- **Use only a new AGA- or CSA-certified gas supply line with flexible stainless steel connectors.** Failure to do so can result in fire, explosion, or death.
- **Securely tighten all gas connections.** Failure to do so can result in fire, explosion, or death.
- **Use Teflon® tape or a pipe-joint compound that is insoluble in Liquefied Petroleum (LP) gas on all pipe threads.** Failure to do so can result in fire, explosion, or death.
- **DO NOT attempt any disassembly of the dryer; any disassembly requires the attention and tools of an authorized and qualified service person or company.** Failure to do so can result in fire, explosion, or death.

ENGLISH

### Electrical Requirements for Gas Models Only

- **Do not, under any circumstances, cut or remove the third (ground) prong from the power cord.** Failure to follow this warning can result in fire, explosion, or death.
- **For personal safety, this dryer must be properly grounded.** Failure to follow this warning can result in fire, explosion, or death.
- **The power cord of this dryer is equipped with a 3-prong (grounding) plug which mates with a standard 3-prong (grounding) wall outlet to minimize the possibility of electric shock hazard from this appliance.** Failure to follow this warning can result in fire, explosion, or death.
- **This dryer must be plugged into a 120-VAC, 60-Hz. grounded outlet protected by a 15-ampere fuse or circuit breaker.** Failure to follow this warning can result in fire, explosion, or death.
- **Where a standard 2-prong wall outlet is encountered, it is your personal responsibility and obligation to have it replaced with a properly grounded 3-prong wall outlet.** Failure to follow this warning can result in fire, explosion, or death.



# INSTALLATION INSTRUCTIONS

## CONNECTING GAS DRYERS (cont.)

**! WARNING:** To reduce the risk of fire, electric shock, or injury to persons when using this appliance, follow basic precautions, including the following:

- **Installation and service must be performed by a qualified installer, service agency, or the gas supplier.** Failure to do so can result in fire, explosion, or death.
- **Use only a new stainless steel flexible connector and a new AGA-certified connector.** Failure to do so can result in fire, explosion, or death.
- **A gas shutoff valve must be installed within 6 ft. (1.8 m) of the dryer.** Failure to do so can result in fire, explosion, or death.
- **The dryer is configured for Natural Gas when shipped from the factory. Make sure that the dryer is equipped with the correct burner nozzle for the type of gas being used (Natural Gas or Liquefied Petroleum).** Failure to do so can result in fire, explosion, or death.
- **If necessary, the correct nozzle (for the LP nozzle kit, order part number 383EEL3002D) should be installed by a qualified technician and the change should be noted on the dryer.** Failure to do so can result in fire, explosion, or death.
- **All connections must be in accordance with local codes and regulations.** Failure to do so can result in fire, explosion, or death.
- **Gas dryers MUST exhaust to the outdoors.** Failure to do so can result in fire, explosion, or death.

### Connecting the Gas Supply

**NOTE:** This dryer is configured from the factory set for Natural Gas (NG). If dryer is to be used with LP gas, it must be converted by a qualified service technician.

- 1 Make sure that the gas supply to the laundry room is turned OFF and the dryer is unplugged. Confirm that the type of gas available in your laundry room is appropriate for the dryer.
- 2 Remove the shipping cap from the gas fitting at the back of the dryer. Be careful not to damage the threads of the gas connector when removing the shipping cap.
- 3 Connect the dryer to your laundry room's gas supply using a new flexible stainless steel connector with a 3/8 inches NPT fitting.

**NOTE:** DO NOT use old connectors.

- 4 Securely tighten all connections between the dryer and your laundry room's gas supply.

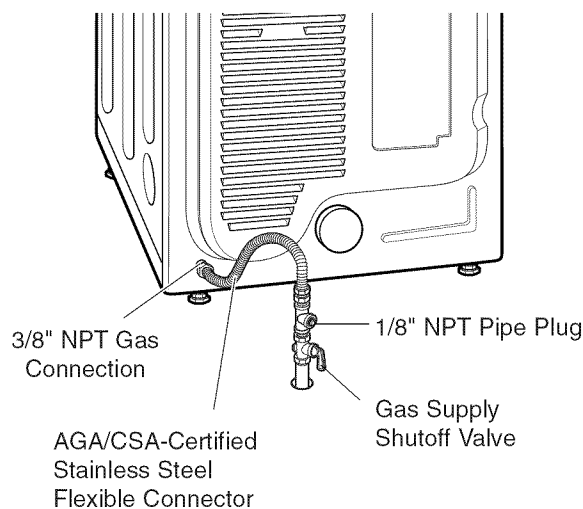
**NOTE:** Use pipe dope or teflon tape that is approved for use on gas lines on all pipe thread connections. NEVER use dope or tape on compression or flare connections, such as the gas flex.

- 5 Turn on your laundry room's gas supply.
- 6 Check all pipe connections (both internal and external) for gas leaks with a noncorrosive leak-detection fluid.
- 7 Proceed to *Venting the Dryer on pages 14-15.*

### High-Altitude Installations

The BTU rating of this dryer is AGA-certified for elevations below 10,000 feet.

If your gas dryer is being installed at an elevation above 10,000 feet, it must be derated by a qualified technician or gas supplier.



# INSTALLATION INSTRUCTIONS

## ELECTRICAL REQUIREMENTS

### CONNECTING ELECTRIC DRYERS

**! WARNING:** To help prevent fire, electric shock, serious injury, or death, the wiring and grounding must conform to the latest edition of the National Electrical Code, ANSI/NFPA 70 and all applicable local regulations. Please contact a qualified electrician to check your home's wiring and fuses to ensure that your home has adequate electrical power to operate the dryer.

#### Special Electrical Requirements for Mobile or Manufactured Homes

**! WARNING:** To reduce the risk of fire, electric shock, or injury to persons when using this appliance, follow basic precautions, including the following:

- Any installation in a manufactured or mobile home must comply with the Manufactured Home Construction and Safety Standards Title 24 CFR, Part 32-80 or Standard CAN/CSA0Z240 MH and local codes and ordinances.
- **A 4-wire connection is required for all mobile and manufactured home installations, as well as all new construction after January 1, 1996.** Failure to do so can result in fire, explosion, or death.

#### Electrical Requirements for Electric Models Only

**! WARNING:** To reduce the risk of fire, electric shock, or injury to persons when using this appliance, follow basic precautions, including the following:

- **This dryer must be connected to a grounded metal, permanent wiring system, or an equipment grounding conductor must be run with the circuit conductors and connected to the equipment grounding terminal or lead on the dryer.** Failure to do so can result in fire, explosion, or death.
- **The dryer has its own terminal block that must be connected to a separate 240 VAC, 60-Hertz, single phase circuit, fused at 30 amperes (the circuit must be fused on both sides of the line). ELECTRICAL SERVICE FOR THE DRYER SHOULD BE OF THE MAXIMUM RATE VOLTAGE LISTED ON THE NAME-PLATE. DO NOT CONNECT DRYER TO 110-, 115-, OR 120-VOLT CIRCUIT.** Heating elements are available for field installation in dryers which are to be connected to an electrical service of a different voltage than that listed on the rating plate. Failure to follow these instructions can result in fire, explosion, or death.
- **If branch circuit to dryer is 15 ft. (4.5 m) or less in length, use UL (Underwriters Laboratories) listed No.-10 AWG wire (copper wire only), or as required by local codes. If over 15 ft. (4.50 m), use UL-listed No.-8 AWG wire (copper wire only), or as required by local codes. Allow sufficient slack in wiring so dryer can be moved from its normal location when necessary.** Failure to do so can result in fire, explosion, or death.
- **The power cord (pigtail) connection between wall receptacle and dryer terminal block IS NOT supplied with the dryer. Type of pigtail and gauge of wire must conform to local codes and with instructions on the following pages.** Failure to follow these instructions can result in fire, explosion, or death
- **A 4-wire connection is required for all new construction after January 1, 1996. A 4-wire connection must be used where local codes do not permit grounding through the neutral wire.** Failure to do so can result in fire, explosion, or death.

# INSTALLATION INSTRUCTIONS

## CONNECTING ELECTRIC DRYERS (cont.)

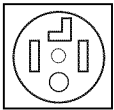
### CONNECTING ELECTRIC DRYERS

#### ⚠ WARNING:

- Connect the power cord to the terminal block. Each colored wire should be connected to same color screw. Wire color indicated on manual is connected to the same color screw in block. Failure to follow these instructions may result in a short or overload.

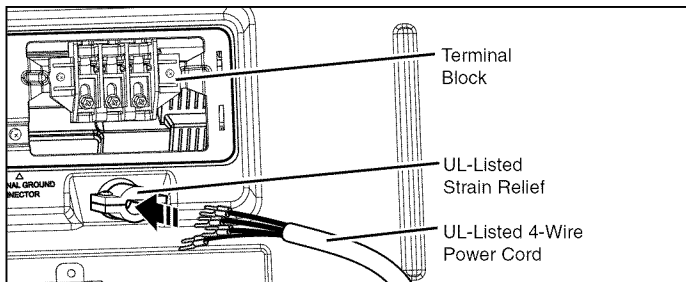
- Grounding through the neutral conductor is prohibited for: (1) new branch-circuit installations, (2) mobile homes, (3) recreational vehicles, and (4) areas where local codes prohibit grounding through the neutral conductor.

#### Four-Wire Power Cord

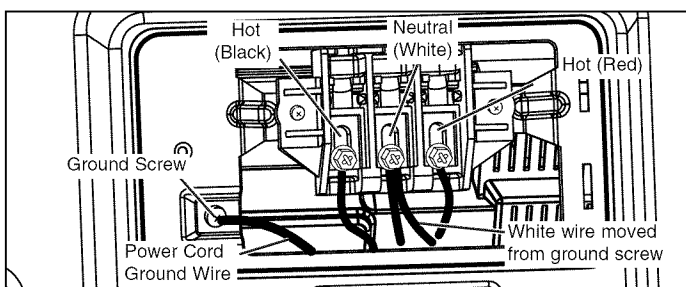


- A 4-wire connection is required for all mobile and manufactured home installations, as well as all new construction after January 1, 1996.

- A UL-listed strain relief is required.
- Use a **30-amp, 240-volt, 4-wire, UL-listed power cord with #10 AWG-minimum copper conductor** and closed loop or forked terminals with upturned ends.



- 1 Remove the terminal block access cover on the upper back of the dryer.
- 2 Install a UL-listed strain relief into the power cord through-hole.
- 3 Thread a **30-amp, 240-volt, 4-wire, UL-listed power cord with #10 AWG-minimum copper conductor** through the strain relief.



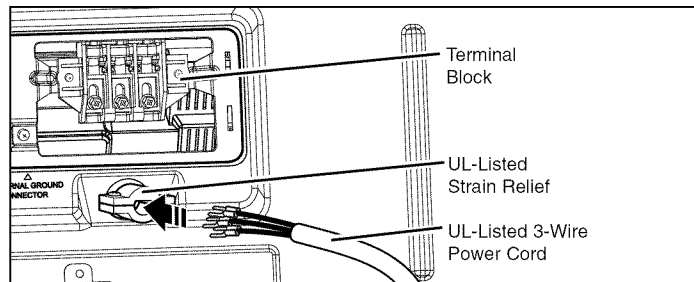
- 4 Transfer the dryer's white ground wire from behind the green ground screw to the center screw of the terminal block.
- 5 Attach the two hot leads of the power cord to the outer terminal block screws.
- 6 Attach the white neutral wire to the center screw of the terminal block.
- 7 Attach the power cord ground wire to the green ground screw.
- 8 **TIGHTEN ALL SCREWS SECURELY.**
- 9 Reinstall the terminal block access cover.

#### Three-Wire Power Cord

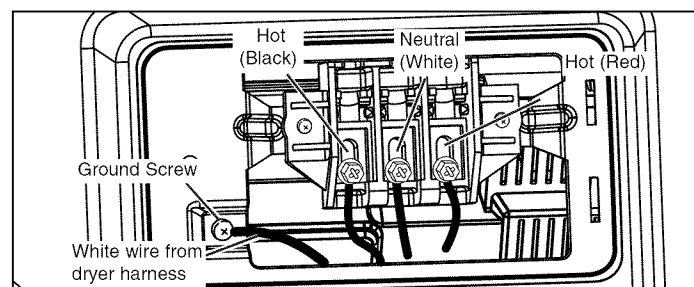


- A 3-wire connection is **NOT** permitted on new construction after January 1, 1996.
- A UL-listed strain relief is required.

- Use a **30-amp, 240-volt, 3-wire, UL-listed power cord with #10 AWG-minimum copper conductor** and closed loop or forked terminals with upturned ends.



- 1 Remove the terminal block access cover on the upper back of the dryer.
- 2 Install a UL-listed strain relief into the power cord through-hole.
- 3 Thread a **30-amp, 240-volt, 3-wire, UL-listed power cord with #10 AWG-minimum copper conductor** through the strain relief.



- 4 Attach the two hot leads of the power cord to the outer terminal block screws.
- 5 Attach the neutral (center) wire to the center terminal block screw.
- 6 Connect the external ground (if required by local codes) to the green ground screw.
- 7 **TIGHTEN ALL SCREWS SECURELY.**
- 8 Reinstall the terminal block access cover.

# INSTALLATION INSTRUCTIONS

## VENTING THE DRYER

### IMPORTANT! CHECK YOUR EXHAUST SYSTEM FOR PROBLEMS

The most common cause of dryer problems is poor exhaust venting. Before you install your new dryer, check the items listed below to make sure you get the best possible performance. This can save you time and money by reducing cycle times and increasing energy efficiency.

- ❶ **DIRTY OR DAMAGED EXHAUST DUCTS.** Lint builds up in exhaust ducts over time. This decreases the airflow and makes the dryer work harder. Visually inspect your ducts from both ends and have them cleaned if they have not been cleaned recently.
- ❷ **WRONG VENT MATERIAL.** Check your vent to make sure it is rigid or semi-rigid metal ducting. If your venting is plastic or flexible foil, have it replaced before using the dryer.
- ❸ **RESTRICTED OR DAMAGED VENT HOOD.** Check your vent hood outside. It must be clean and free of lint buildup. Check the damper and make sure it opens fully and easily.
- ❹ **EXCESSIVELY LONG VENT.** Measure the length of your exhaust system and count the elbows. Use the chart below to see if your duct is too long. If it is too long, have the duct routed to another location that is within the venting guidelines.
- ❺ **DO NOT USE PLASTIC OR FOIL VENTING.** The transition duct from your dryer to the wall must be rigid or semi-rigid metal ducting. If your old transition duct is plastic or foil, REPLACE IT with semi-rigid metal ducting.

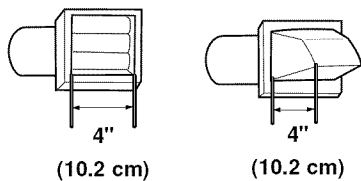
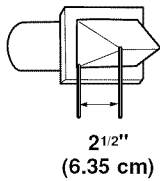
ENGLISH

### Using the Duct Requirements Chart (below)

- ❶ Select the type of vent hood.
- ❷ Select the row that matches the number of elbows in the dryer duct run.
- ❸ Look to the right of elbow number for the maximum duct length for your installation. Duct lengths longer than shown will result in reduced drying performance, longer dry times and increased energy consumption.

DO NOT exceed maximum length for the hood type and number of elbows used.

### Selecting and Verifying Duct Length Chart

Vent Hood Type	Number of 90° Elbows	Maximum length of 4" (10.2 cm) diameter rigid metal duct
<b>Recommended</b> 	0	65 feet (19.8 m)
	1	55 feet (16.8 m)
	2	47 feet (13.7 m)
	3	36 feet (11.0 m)
	4	28 feet (8.5 m)
<b>Only for Short-Run Installations</b> 	0	55 feet (16.8 m)
	1	47 feet (13.7 m)
	2	41 feet (12.5 m)
	3	30 feet (9.1 m)
	4	22 feet (6.7 m)

**NOTE:** Deduct 6 ft. (1.8 m) for each additional elbow. It is not recommended to use more than four 90° elbows.

# INSTALLATION INSTRUCTIONS

## VENTING THE DRYER (cont.)

### Routing and Connecting Ductwork

Follow the guidelines below to maximize drying performance and reduce lint buildup and condensation in the ductwork.

**NOTE:** Ductwork and fittings are NOT included and **must** be purchased separately.

- Use 4 inches (102mm) diameter rigid or semi rigid metal ductwork.
- The exhaust duct run should be as short as possible.
- Use as few elbow joints as possible.
- The male end of each section of exhaust duct **must** point away from the dryer.
- Use duct tape on all duct joints.
- Insulate ductwork that runs through unheated areas in order to reduce condensation and lint buildup on duct surfaces.
- The Total length of flexible metal duct shall not exceed 8 ft.(2.4m)
- In Canada, only those foil-type flexible ducts, if any, specifically identified for use with the appliance by the manufacturer shall be used. In the United States, only those foil-type flexible ducts, if any, specifically identified for use with the appliance by the manufacturer and that comply with the Outline for Clothes Dryer Transition Duct, Subject 2158A, shall be used.

**⚠ WARNING:** Failure to follow these guidelines will result in poor performance, product failure, and/or result in fire or death.

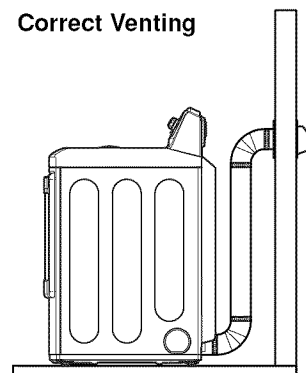
**IMPORTANT:** Failure to exhaust the dryer per the guidelines included within these instructions may result in unsatisfactory dryer performance. All venting and ductwork beyond the exterior of the dryer is the responsibility of the consumer. Product failure as a result of improper venting is not covered by the manufacturer's warranty.

### Connecting the Dryer Vent

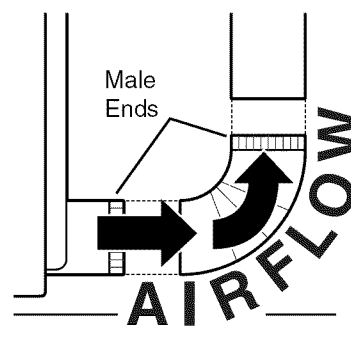
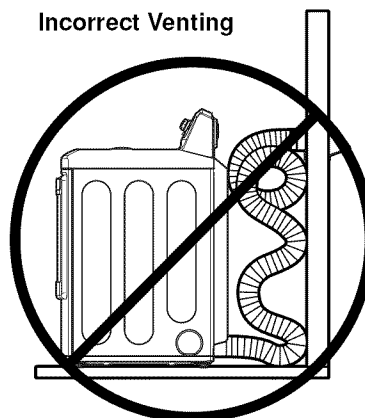
- 1 Verify all ducts and elbows are clean and free from any blockages.
- 2 Measure duct length. DO NOT exceed the maximum length listed in the chart on page 14.
- 3 Connect dryer exhaust to existing ductwork.
  - Use duct tape or clamps only.
  - DO NOT use screws to secure ductwork.
  - Use rigid or semi rigid metal duct.
  - DO NOT use plastic or thin metal foil tubing for ductwork.
  - The male end of each elbow must always point in the direction of the airflow.

**NOTE:** Be careful when moving the dryer into it's final location. Do NOT crush the duct. Make sure the connections do not come loose.

Correct Venting



Incorrect Venting



# INSTALLATION INSTRUCTIONS

## LEVELING THE DRYER

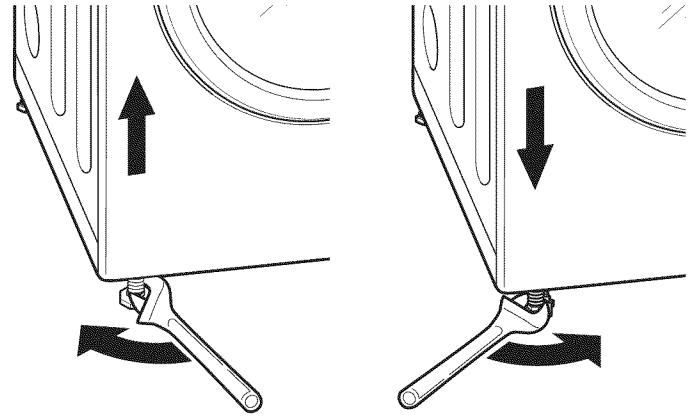
### **⚠ WARNING**

- Wear gloves during installation.
- Failure to follow these instructions can result in injury.
- The appliances are heavy. Two or more people are required when installing the dryer. There is a risk of serious back injury or other injuries.

To ensure that the dryer provides optimal drying performance, it must be level. To minimize vibration, noise, and unwanted movement, the floor must be a level, solid surface.

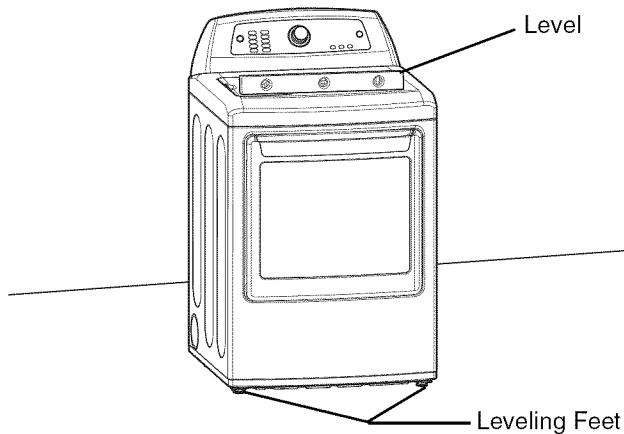
**NOTE:** Adjust the leveling feet only as far as necessary to level the dryer. Extending the leveling feet more than necessary can cause the dryer to vibrate.

- ① Position the dryer in the final location. Place a level across the top of the dryer.
  - All four leveling feet must rest solidly on the floor. Gently push on the top corners of the dryer to make sure that the dryer does not rock from corner to corner.



- ② Use a wrench to turn the leveling feet. Turn the leveling foot clockwise to raise the dryer; turn the foot counter-clockwise to lower the dryer. Using a level, adjust the foot until the dryer is level from side to side and front to back. Make sure all 4 feet are in firm contact with the floor.

**NOTE:** Be careful when moving the dryer into its final location. Do NOT crush the duct. Make sure the connections do not come loose.



ENGLISH

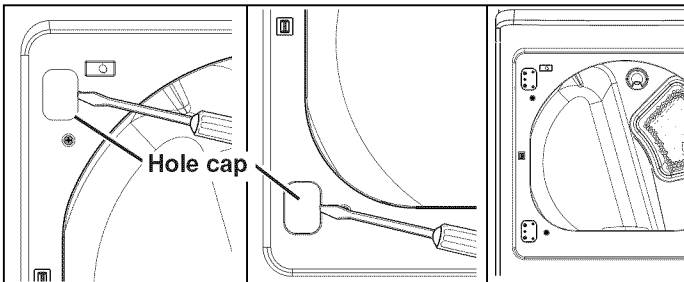


# INSTALLATION INSTRUCTIONS

## REVERSING THE DOOR

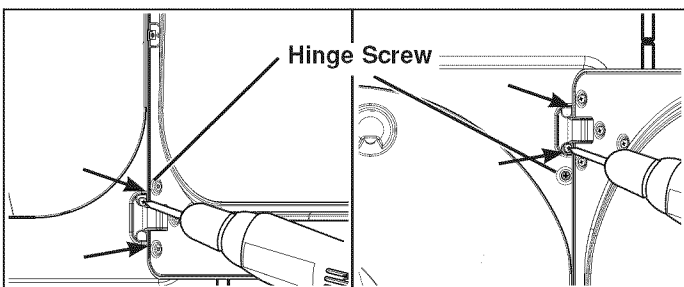
### ⚠ WARNING:

**THE DRYER DOOR IS VERY LARGE AND HEAVY.** Failure to follow the instructions below can result in damage to the dryer, property damage or personal injury.

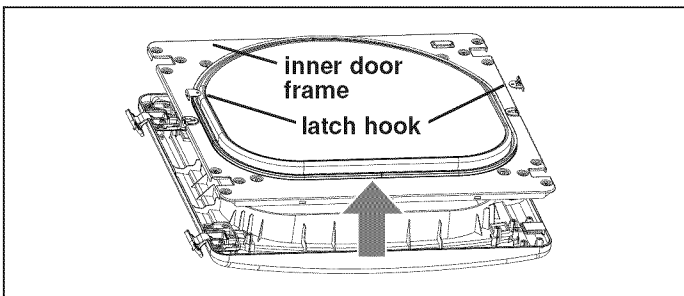


- 1 Open the door and remove the two plastic hole caps on the catch side by gently prying up with a flat blade screwdriver. Save these for step 6.

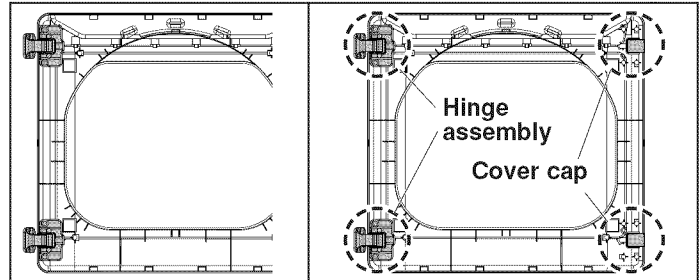
**CAUTION:** Be sure to support the weight of the door before removing the hinge screws.



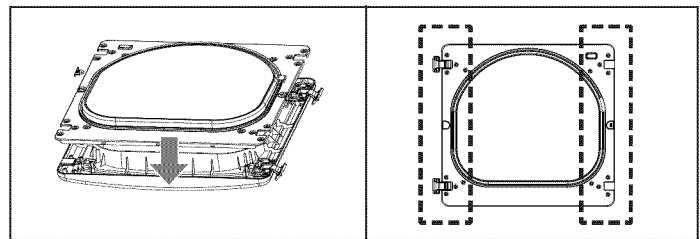
- 2 While supporting the door, remove the 4 screws, two from each hinge. Set the door aside face down on a protected surface to prevent damage to the door or the work surface.



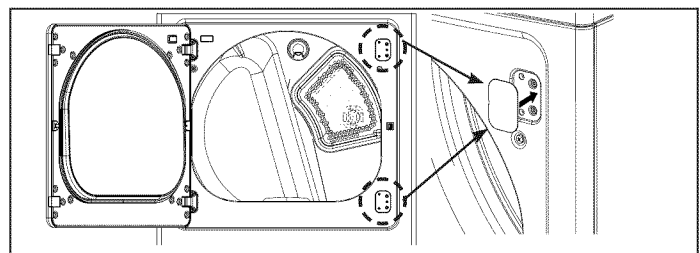
- 3 With the door on a protected surface, remove the 16 screws on each side of the door and lift off the inner door frame using a flat blade screwdriver. Remove the latch hook and blank and move them to the opposite side.



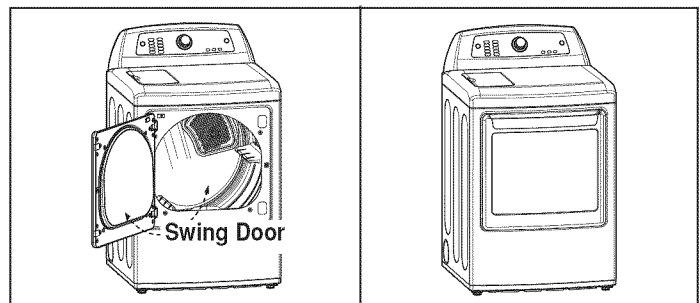
- 4 Remove the 4 screws securing the hinges to the door frame. Remove the two plastic cover caps on the side opposite the hinges. Reinstall the hinges and cover caps on the opposite sides from which they were removed.



- 5 With the hinges and cover caps in the new locations, remount the inner door frame onto the outer door frame with the screws removed in step 3 above.



- 6 Reinstall the door with the screws from step 2, and snap the hole caps into the open hinge mounting holes.



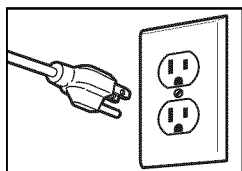
- 7 Test the swing of the door to make sure the hinges and latch are properly aligned and that the door closes and latches.

# INSTALLATION INSTRUCTIONS

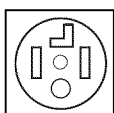
## FINAL INSTALLATION CHECK

Once you have completed the installation of the dryer and it is in its final location, confirm proper operation with the following steps and tests.

- 1 Is gas turned ON? (Gas Models only)
- 2 Is dryer plugged in? Dryer should always be plugged into the proper outlet.



Gas dryer should use a 120-VAC, 60-Hz. grounded 3-prong outlet.



Electric dryer should use a 4-wire connection which is required for all mobile and manufactured home installations, as well as all new construction after January 1, 1996.

-- OR --



A 3-wire connection.  
NOTE: A 3-wire connection is NOT permitted on new construction after January 1, 1996.

- 3 Is dryer vent ductwork connected?
- 4 Is dryer level?
- 5 Perform the following tests before using the dryer.

## Testing Dryer Heating

### GAS MODELS

- 1 Close the dryer door.
- 2 Press the Power button to turn the dryer on.
- 3 Turn Cycle Selector Knob to Normal drying cycle.
- 4 Press the Cycle Selector Knob to start the dryer. When the dryer starts, the igniter should ignite the main burner.
- 5 After 2 minutes, open the door and check for heat. If no heat is felt, verify the gas valve is on and check other gas appliances for proper operation.

**NOTE:** If all air is not purged from the gas line, the gas igniter may turn off before the main burner ignites. If this happens, the igniter will reattempt gas ignition until all the air is purged from the gas line.

### ELECTRIC MODELS

- 1 Close the dryer door.
- 2 Press the Power button to turn the dryer on.
- 3 Turn Cycle Selector Knob to Normal drying cycle.
- 4 Press the Cycle Selector Knob to start the dryer. The exhaust air should be warm after the dryer has been operating for 3 minutes.
- 5 After 2 minutes open the door and check for heat. If no heat is felt, verify that BOTH breakers or fuses are not tripped. Check for proper power cord wiring and power supply.

## Checking Venting

Vent ductwork should be checked for lint buildup and cleaned at least once per year. If any noticeable reduction in drying performance occurs, check ductwork for obstructions and blockages.

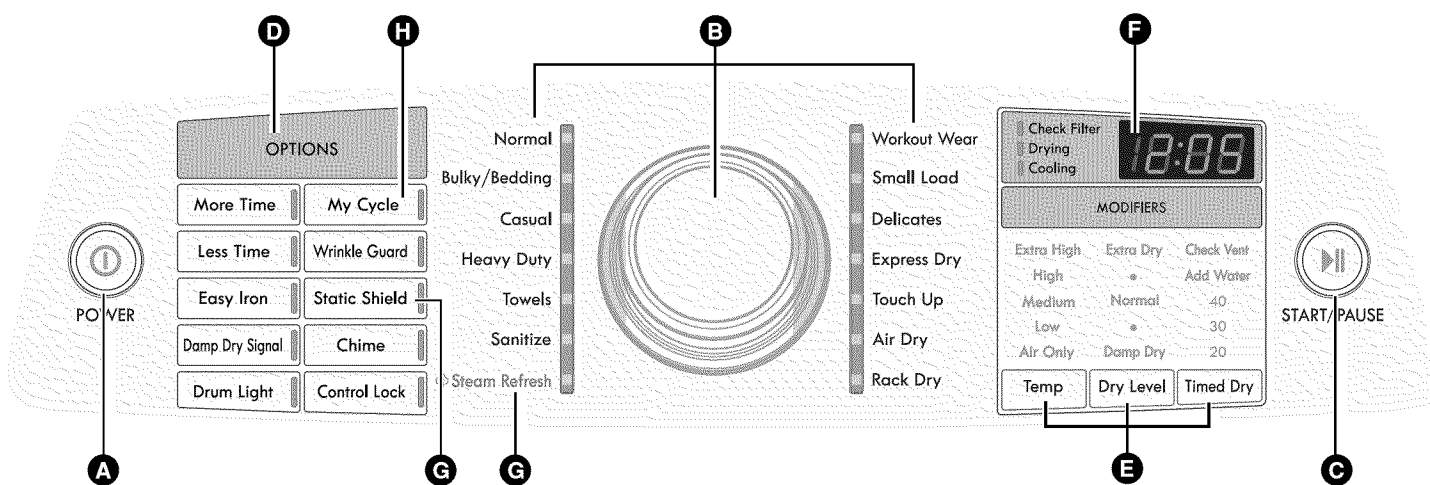
## Checking Levelness

Once the dryer is in its final location, recheck the dryer to be sure it is level. Make sure it is level front to back and side to side, and that all 4 leveling feet rest firmly on the floor.

## HOW TO USE

**⚠ WARNING:** To reduce the risk of fire, electric shock, or injury to persons, read this entire manual, including the Important Safety Instructions, before operating this dryer.

### CONTROL PANEL FEATURES



#### A POWER (On/Off) BUTTON

Press to turn the dryer ON. Press again to turn the dryer OFF.

**NOTE:** Pressing the Power button during a cycle will cancel that cycle and any load settings will be lost.

#### B CYCLE SELECTOR KNOB AND CYCLES

The CYCLE SELECTOR KNOB is used to select the desired dry cycle by rotating the knob in either direction until the desired cycle LED is illuminated. Once the desired cycle has been selected, the standard presets for that cycle will be shown in the display. These settings can be adjusted using the Cycle Modifier or Option buttons anytime before starting the cycle. (See the Cycle Guide on page 21 for allowable settings. To protect your fabrics, not all settings are allowed in all cycles.)

#### C START/PAUSE BUTTON

Press the START/PAUSE button to begin the cycle. The display will change, and the dryer will display the estimated time (AUTO DRY) or set time (TIMED DRY) remaining and start tumbling. To pause the cycle at any time, open the dryer door or press the START/PAUSE button. To resume the cycle where it was stopped, press START/PAUSE again.

**NOTE:** If the dryer has been stopped for more than 4 minutes, the dryer will turn off automatically and all settings will be lost.

#### D OPTION BUTTONS

The option buttons allow you to select additional cycle options. The controls can be locked or unlocked by pressing and holding the Control Lock button for 5 seconds.

MORE TIME and LESS TIME options are not available with Auto dry cycles.

For detailed information about the individual options, please see the following pages.

#### E CYCLE MODIFIER BUTTONS

Use these buttons to modify the settings for the selected cycle. The lights above the buttons show the current selection. See page 24 for a complete description.

**NOTE:** Some settings are not allowed on some cycles.

#### F TIME AND STATUS DISPLAY

The display shows the estimated time remaining and the cycle status. The display also monitors the vent status. See page 23 for a complete description.

#### G STEAM FUNCTIONS

Steam technology allows you to inject fabrics with a swirling jet of hot steam to refresh clothes and reduce static. Simply select the STEAM REFRESH cycle or select either the STATIC SHIELD or EASY IRON option.

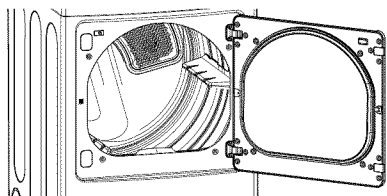
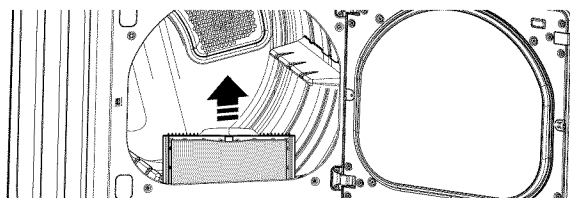
**NOTE:** The Static Shield and EASY IRON options are not available on all cycles. See pages 26-27 for steam function details.

#### H MY CYCLE

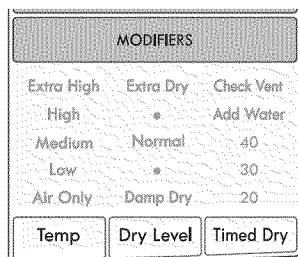
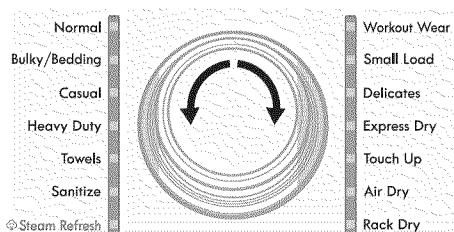
If you have a special combination of settings that you use frequently, you can save these settings as a MY CYCLE.

# HOW TO USE

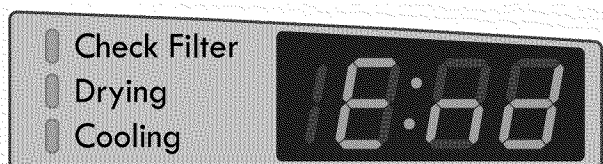
## OPERATING THE DRYER



POWER



START/PAUSE



### 1 CLEAN THE LINT FILTER

If the lint filter has not already been cleaned, lift out the filter and remove the lint from the last load. This will help ensure the fastest and most efficient drying performance.

### 2 LOAD THE DRYER

Load the dryer with the wet laundry from the washer. If the load is extra large, you may need to divide it into smaller loads for proper performance and fabric care.

### 3 TURN ON THE DRYER

Press the POWER button to turn on the dryer. The cycle LEDs will illuminate and a chime will sound, if turned on. Refer to page 19.

### 4 SELECT A CYCLE

Turn the Cycle Selector Knob either direction until the LED for the desired cycle is on. The preset temperature, dry level, and option settings for that cycle will be shown. Refer to page 21.

### 5 SELECT CYCLE MODIFIERS

Default settings for the selected cycle can now be changed if desired. This can be done using the cycle modifier buttons as shown on page 24 (temperature, dry level, timed dry and chime).

**NOTE:** Not all options or modifiers are available on all cycles. A different chime will sound and the LED will not come on if the selection is not allowed.

### 6 SELECT CYCLE OPTIONS

Cycle options can be added using the option buttons as shown on page 25 ~ 26 (wrinkle guard, static shield and control lock).

**NOTE:** Not all options or modifiers are available on all cycles. A different chime will sound and the LED will not come on if the selection is not allowed.

### 7 BEGIN CYCLE

Press the START/PAUSE button to begin the cycle. The cycle can be paused at any time either by opening the door or by pressing the START/PAUSE button. If the cycle is not restarted within 4 minutes, the dryer will shut off and the cycle settings will be lost.

### 8 END OF CYCLE

When the cycle is finished, the chime will sound if it is set. Remove your clothing from the dryer immediately to reduce wrinkling. If Wrinkle Guard is selected, the dryer will tumble briefly every few minutes to help prevent wrinkles from setting in the clothes.

# HOW TO USE

## CYCLE GUIDE

The cycle guide below shows the options and recommended fabric types for each cycle.

● = available option ■ = default setting

\* **Note :** This is the default time and actual time will vary depending on the size of the load and moisture content.

			Modifiers				Options		
Type	Cycle	Fabrics Type	Temperature	Dry Level	Time in Min.	More Time/ Less Time	Wrinkle Guard	Damp Dry Signal	Static Shield
AUTO DRY	Steam Refresh	Comforter, shirts, Trousers 1 - 5 garments (DO NOT use for delicate fabrics)	High	Off	20				
			Adjustable		Adjustable	●	●		●
	NSF Sanitize	Comforter, Bedding, Children's clothing, etc.	Extra High	Extra Dry	70			●	
	Towels	Denims, towels, heavy cottons.	High	Normal	55			●	●
				Adjustable					
	Heavy Duty	Jeans, heavyweight items.	Extra High	Normal	54			●	●
				Adjustable					
	Casual	Permanent press, synthetic items.	Low	Normal	36			●	●
				Adjustable					
Bulky/Bedding	Comforters, pillows, shirt.	Medium	Normal	55					
			Adjustable						
Normal	Work clothes, etc.	Medium	Normal	41			●	●	
			Adjustable						
Workout Wear	Workout wear	Off	Off	27			●	●	
Small Load	Only Normal & Cotton/Towels fabric type (Max 3lb)	Extra High	Normal	30			●		
			Adjustable						
Delicates	Lingerie, sheets, blouses.	Low	Normal	32			●	●	
			Adjustable						
TIMED DRY	Express Dry	For small loads with short.	Extra High	Off	25			●	●
			Adjustable		Max 99				
	Touch Up	For removing light wrinkles.	High	Off	20			●	●
			Adjustable		Max 99				
	Air Dry	For items that require heat-free drying such as plastics or rubber.	Air Only	Off	30			●	●
					Max 99				
	Rack Dry	Wool sweaters, Silk, Lingerie.	Off	Off	50			●	
			Air Only, Low		Max 99				

### Auto Dry Cycles

Auto Dry cycles utilize a sensor that detects moisture levels in the clothes and adjusts the drying time as needed to ensure superior results. The dryer automatically sets the dry level and temperature at the recommended setting for each cycle. The estimated time remaining will be shown in the display.

**NOTE:** To protect your garments, not every dry level, temperature, or option is available with every cycle. A different chime will sound and the LED will not come on if the selection is not allowed.

### NSF CERTIFIED BY NSF

NSF International (formerly the National Sanitation Foundation), certifies that SANITIZE cycle reduces 99.9% of bacteria on laundry, and none of the bacteria will carry over onto the next laundry load.

### Timed Dry Cycles

Use Timed Dry cycles to select a specific amount of drying time and a drying temperature. When a Timed Dry cycle is selected, the ESTIMATED TIME REMAINING display shows the actual time remaining in your cycle.

You can change the actual time for the cycle by pressing MORE TIME or LESS TIME. Press and hold the MORE TIME or LESS TIME buttons to rapidly change the time.

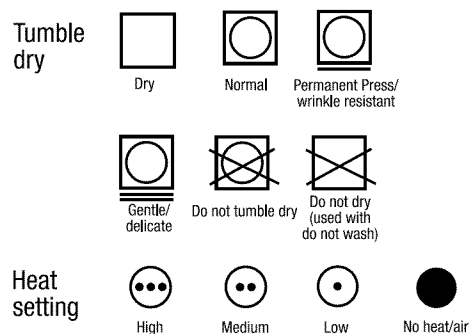
## HOW TO USE

**! WARNING:** To reduce the risk of fire, electric shock, or injury to persons, read this entire manual, including the Important Safety Instructions, before operating this dryer.

### SORTING LOADS

#### Fabric Care Labels

Most articles of clothing feature fabric care labels that include instructions for proper care.



#### Grouping Similar Items

For best results, sort clothes into loads that can be dried with the same drying cycle.

Different fabrics have different care requirements, and some fabrics will dry more quickly than others. For best fabric care results, always dry fabrics with similar care requirements together.

### LOADING THE DRYER

**! WARNING:** To reduce the risk of fire, electric shock, or injury to persons when using this appliance, follow basic precautions, including the following:

- **Check all pockets to make sure that they are empty. Items such as clips, pens, coins, and keys can damage both your dryer and your clothes. Flammable objects such as lighters or matches could ignite, causing a fire.** Failure to do so can result in fire, explosion, or death.
- **Never dry clothes that have been exposed to oil, gasoline, or other flammable substances. Washing clothes will not completely remove oil residues.** Failure to obey this warning can result in fire, explosion, or death.

#### Loading Tips

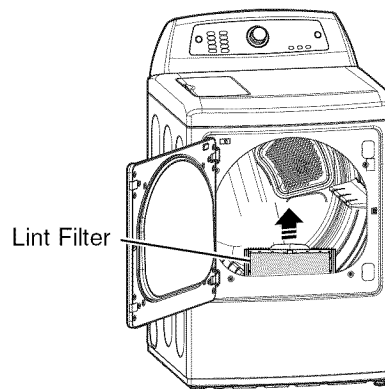
- Combine large and small items in a load.
- Damp clothes will expand as they dry. Do not overload the dryer; clothes require room to tumble dry properly.
- Close zippers, hooks, and drawstrings to prevent these items from snagging or tangling on other clothes.

### CHECK THE LINT FILTER BEFORE EVERY LOAD

Always make sure the lint filter is clean before starting a new load; a clogged lint filter will increase drying times.

To clean, pull the lint filter straight up and roll any lint off the filter with your fingers. Do not rinse or wash the filter to remove lint. Push the lint filter firmly back into place. See "Regular Cleaning" on *page 28* for more information.

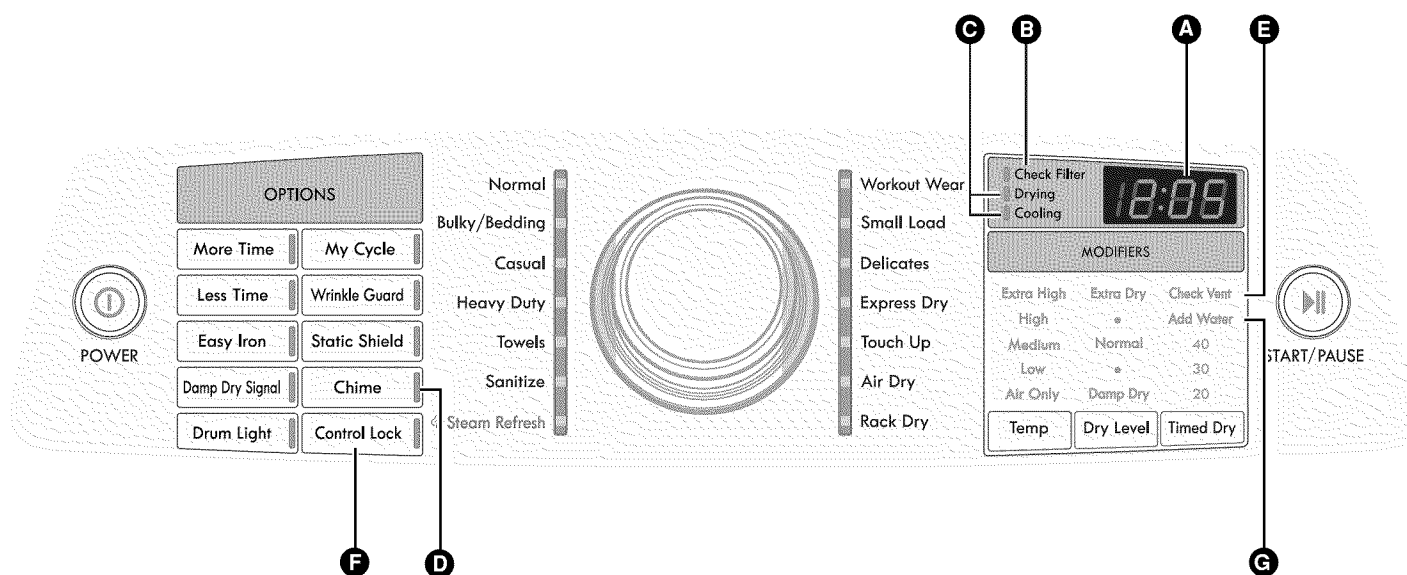
Always ensure the lint filter is properly installed before running the dryer. Running the dryer with a loose or missing lint filter may damage the dryer and articles in the dryer.



## HOW TO USE

### TIME AND STATUS DISPLAY

The Time and Status Display shows the estimated time remaining, cycle progress, and vent status. When the dryer is turned on, the display will illuminate.



ENGLISH

#### **A** ESTIMATED TIME REMAINING

When a cycle is selected, the display will indicate the default time for that cycle. Once the cycle is started, the estimated time will be displayed. This displayed time may fluctuate during the cycle depending on the conditions of the load in the dryer.

#### **B** LINT FILTER INDICATOR

The dryer automatically detects reduced airflow caused by a full lint filter. The Check Lint Filter indicator will light before each load as a reminder to check the lint filter before starting each load for maximum efficiency. Always clean the lint filter before every cycle.

#### **C** CYCLE STATUS INDICATOR

This portion of the display shows which stage of the drying cycle is currently underway (DRYING or COOLING).

#### **D** CHIME

Adjusts the volume of the chime or turns off the chime. Press the button repeatedly until the desired sound level is reached.

#### **E** CHECK VENT INDICATOR (DUCT BLOCKAGE SENSING SYSTEM)

The CHECK VENT duct blockage sensing system detects and alerts you to serious blockages in the ductwork that reduce exhaust flow from the dryer. This light does not indicate any problems with your dryer. If this light blinks, it indicates that your home's exhaust system has a serious restriction, which is not covered by your dryer's warranty. Call 1-800-4-MY-HOME® for information regarding duct cleaning services offered through Sears.

#### **F** CONTROL LOCK INDICATOR

When Control Lock is set, the Control Lock indicator will appear and all buttons are disabled except the ON/OFF button. This prevents children from changing settings while the dryer is operating.

#### **G** ADD WATER INDICATOR

If the steam feeder runs low on water, the ADD WATER light will flash and the cycle will be cancelled. Refill the steam feeder and then restart the cycle. See page 27 for information on filling the steam feeder.

## HOW TO USE

### CYCLE MODIFIER BUTTONS

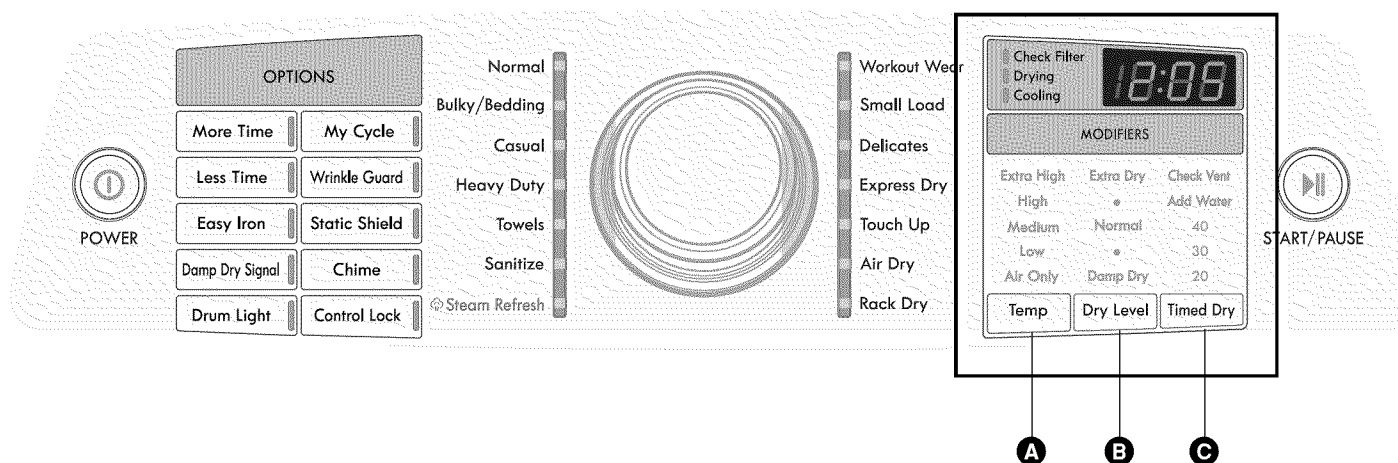
Each cycle has default settings that are selected automatically. You may also customize some of these settings using the cycle modifier buttons.

AUTO DRY cycles are designed to properly care for specific fabrics and loads. As a result, not all settings are available for each cycle selection. Refer to page 22 for details.

TIMED DRY cycles have default settings, but you may also customize the settings using the cycle modifier buttons.

Press the button for the desired modifier until the indicator light for the desired value is lit.

**NOTE:** To protect your garments, not every dry level, temperature, or option is available with every cycle. See the Cycle Guide on page 21 for details.



#### **A** TEMP

Adjusts the temperature setting from Air Only to Extra High. This allows precise care of your fabrics and garments. Press the TEMP CONTROL button repeatedly to scroll through available settings.

#### **B** DRY LEVEL

Selects the level of dryness for the cycle. Press the DRY LEVEL button repeatedly to scroll through available settings. Use this button to adjust the dryness of the articles in the load to your preferences.

- This option is not available with TIMED DRY cycles.
- The dryer will automatically adjust the cycle time. Selecting EXTRA DRY or MORE DRY will increase the cycle time, while LESS DRY or DAMP DRY will decrease the cycle time.
- Use a LESS DRY or DAMP DRY setting for items that you wish to iron or hang for final drying.

#### **C** TIMED DRY

Allows you to manually select the drying time in 10-minute increments. Use this cycle for small loads or to remove wrinkles. Use the MORE TIME/LESS TIME buttons to increase or decrease the selected drying time in 1-minute increments.



# HOW TO USE

## CYCLE OPTIONS AND SPECIAL FEATURES

Your dryer features several additional cycle options and special features to meet your individual needs. For all steam features, see the following pages.

### STEAM FEATURES

All steam functions are described on pages 26-27.

#### To Add Cycle Options to a Cycle:

- 1 Turn on the dryer.
- 2 Turn the Cycle Selector Knob to select the desired cycle.
- 3 Press the Cycle Option button(s) for the option you would like to add.
- 4 Press the START Button to start the cycle.  
The dryer will start automatically.

### WRINKLE GUARD

Wrinkle Guard

Selecting this option will tumble the clothes for a few seconds every few minutes without heat. This option is active for 180 minutes

after the end of the cycle, or until the door is opened. This helps prevent wrinkles in the clothes caused by lying in the bottom of the drum when you can't be there to remove them immediately after the cycle is completed.

### CONTROL LOCK

Control Lock

Use this option to disable the controls. This feature allows you to prevent children from changing cycles or operating the machine.

Once set, the CONTROL LOCK must be turned off before the controls can be used. Once the dryer has shut off, the power button will allow the machine to be turned on, but the controls will still be locked. When the controls are locked, the control lock light will be illuminated and "CL" will be displayed alternately with the estimated time remaining. Press and hold the CONTROL LOCK button for 5 seconds to activate or deactivate the controls.

### MY CYCLE

My Cycle

If you have a special combination of settings that you use frequently, you can save these settings as a MY CYCLE. Select the cycle,

modifiers and options you want to use, then press and hold the MY CYCLE button for three seconds. A chime will sound to let you know that the settings have been memorized. Select the cycle, modifiers and options you want to use, then press and hold the MY CYCLE button for three seconds. A chime will sound to let you know that the settings have been memorized.

### DRUM LIGHT

Drum Light

Use the DRUM LIGHT button to turn on the light inside the drum during cycle operation.

**NOTE:** The drum light will also come on if the dryer door is opened. However, after the dryer has been off for more than 4 minutes, the drum light will be disabled until the POWER button is pressed to turn on the dryer.

### SANITIZE CYCLE

The SANITIZE cycle is designed to kill bacteria in your clothing. When this cycle is selected, the temperature is set to HIGH and the dry level is set to EXTRA DRY. These default settings cannot be changed.

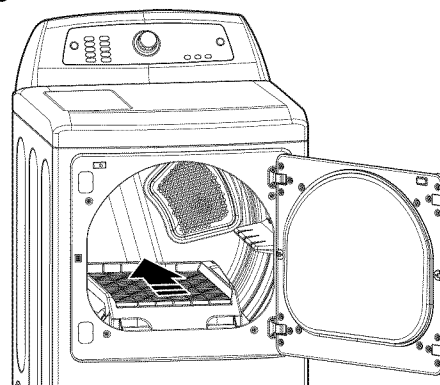
#### NOTE:

- Do NOT use this cycle with delicate items or fabrics.
- Steam cannot be added to the SANITIZE cycle.

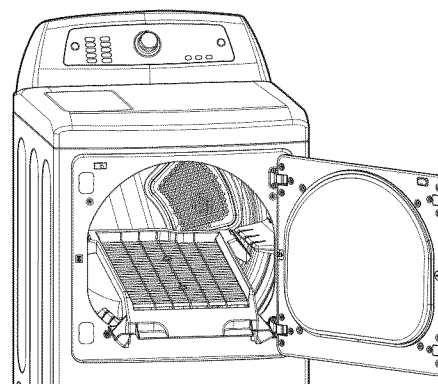
### RACK DRY CYCLE

RACK DRY cycle is designed to carefully dry items that should not be tumbled in the dryer, such as sweaters, stuffed animals, gym shoes, etc. This cycle uses gentle heat to prevent overheating of items since they are not tumbling.

**NOTE:** Never use any cycle but RACK DRY when the rack is being used.



- 1 With the dryer door open, slide the rack into the dryer drum.



- 2 Make sure the front of the rack is seated properly in the recess on the lint filter housing at the front of the drum. The two rear legs of the rack should be resting on the rear wall just above the drum.
- 3 Place items to be dried on the rack. Make sure no part of the articles hang over the edges of the rack, as they might be contacted by the rotating drum causing noise or damage to the drum or articles.

**NOTE:** Be sure to remove the drying rack after using the RACK DRY cycle.

## HOW TO USE

### STEAM FUNCTIONS

#### WARNING:

- Do not open the dryer door during Steam Cycles. Steam can cause severe burns.
- Do not fill the steam feeder with gasoline, dry-cleaning solvents, or other flammable or explosive substances. They give off vapors that could explode.
- Do not drink water from the steam feeder.
- Do not fill the steam feeder with hot water (over 86°F/30°C).
- Do not touch the steam nozzle in the drum during or after the steam cycle.

#### ABOUT STEAM

Steam technology allows you to inject fabrics with a swirling jet of hot steam to remove wrinkles and deodorize clothes with the STEAM REFRESH cycle. In addition, steam can be used on many other cycles to help prevent static electricity buildup at the end of the cycle.

The STEAM REFRESH cycle will refresh from 1 to 5 garments. For best results, only refresh items of similar size and fabric type. Best results are obtained with 70/30 cotton/poly blend fabrics.


#### Using the STEAM REFRESH cycle

The STEAM REFRESH cycle uses the power of steam to quickly reduce wrinkles and odor in fabrics. It brings new life to wrinkled clothes that have been stored for an extended time, and it can make heavily wrinkled clothes easier to iron. STEAM REFRESH can also be used to help reduce odors in clothes, such as clothes that were worn in a room where people have been smoking.

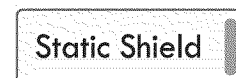
This cycle can refresh from 1 to 5 garments, or one bulky item such as a comforter. The garment settings available are for 1, 3 and 5 garments, so for 2 or 4 garments select the number that best fits the load: for larger garments select the next higher number and for smaller garments select the next lower number. Best results are achieved on cotton/poly blend fabrics.

When the STEAM REFRESH cycle is selected, the default garment setting of 3 will be displayed. The MORE TIME and LESS TIME buttons are used to adjust the number of garments as described above. Once the cycle is started, the display will change back to the cycle time.

**NOTE:** The STATIC SHIELD option can be used together with the STEAM REFRESH cycle to help prevent static electricity.

- 1 Turn on the dryer and rotate the cycle selector knob to select the STEAM REFRESH cycle.
- 2 Select the STATIC SHIELD option, if desired.
- 3 The default number of garments is 3. Press the MORE TIME or LESS TIME button to select the number of garments in the load. Select  (big) to refresh bulky items such as comforters.
- 4 Press the START/PAUSE button to start the cycle.

#### Using the STATIC SHIELD Option



This option injects steam late in the drying cycle to reduce the static electricity caused by dry fabrics rubbing together. Change the amount of time for the cycle by pressing the MORE TIME and LESS TIME buttons until the display shows the number of articles in the load.



The EASY IRON option provides uniform, properly dampened fabrics for ironing, which can save time and make ironing easier. Change the amount of time for the cycle by pressing the MORE TIME or LESS TIME button, depending on the load (quantity of items). The display will show the recommended number of items, such as 1, 2, 3, 4, or 5.

The STATIC SHIELD option can be used with the STEAM REFRESH, HEAVY DUTY, NORMAL, CASUAL, DELICATES, EXPRESS DRY, TOUCH UP and TIMED DRY cycles.

#### NOTES:

- When STATIC SHIELD is added to auto dry cycles, the LESS and DAMP dry level cannot be selected.
- STATIC SHIELD can be used with TIMED DRY cycles.
- After the STATIC SHIELD option is selected in TIMED DRY, the MORE TIME and LESS TIME buttons will change the steam time ONLY.
- After the cycle has started, the MORE TIME and LESS TIME buttons are disabled.

#### IMPORTANT NOTES ABOUT STEAM FUNCTIONS:

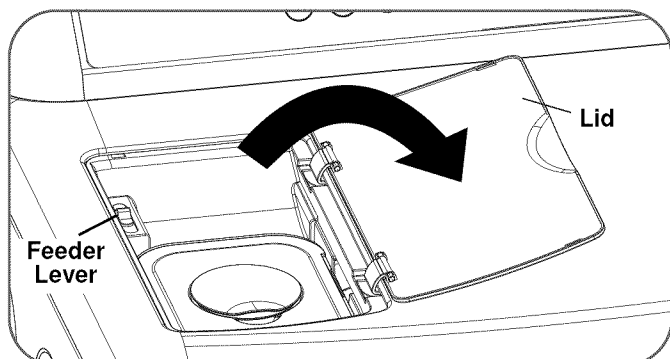
- Steam may not be clearly visible during the steam functions. This is normal.
- Do not use Steam Refresh with items such as wool, wool blanket, leather jackets, silk, wet clothes, lingerie, foam products, or electric blankets.
- For best results, load articles of similar size and fabric type. Do not overload.
- When the filter/duct is clogged, the steam functions may not have optimal results.
- During steam operation, the clothes will be tumbled only for a few seconds once a minute.
- The steam feeder must be filled with water up to the filter screen. Otherwise, the ADD WATER light may come on.
- If the exhaust duct is restricted or the lint filter is not clean, the steam functions may not give proper results. See pages 14-15 for venting the dryer.

## HOW TO USE

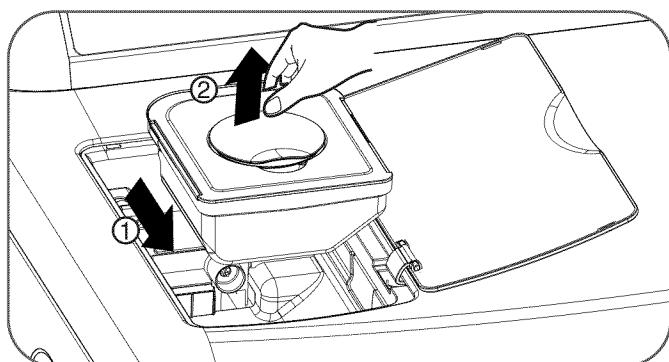
### STEAM FUNCTIONS

#### To Fill the Steam Feeder

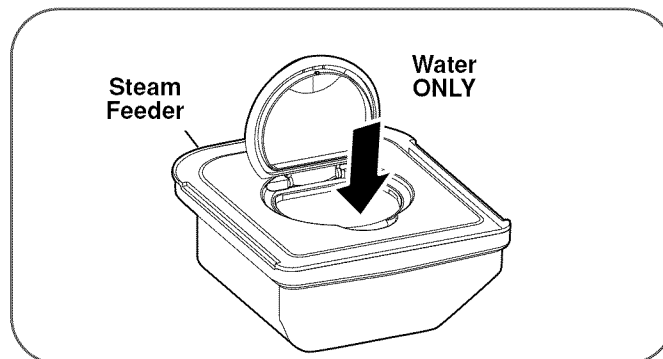
- ❶ Pull out the drawer.



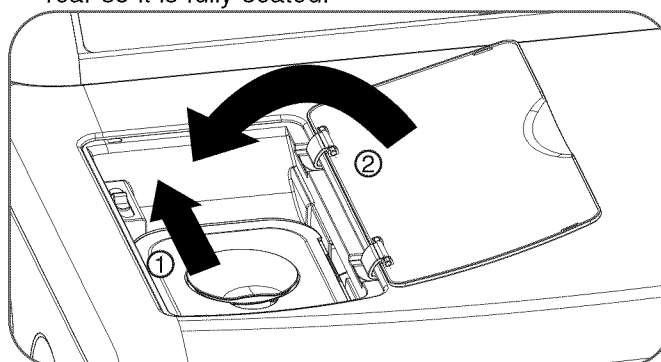
- ❷ Slide the lever forward to the OPEN position and lift out the steam feeder.



- ❸ Open the lid, then fill the steam feeder up to the filter screen with tap water.



- ❹ Place the steam feeder into position, then slide the lever to the rear or push the steam feeder to the rear so it is fully seated.



ENGLISH

#### IMPORTANT NOTES ABOUT STEAM CYCLES

Check Vent

Add Water

40

30

20

Timed Dry

Before using a Steam Cycle, the steam feeder must be filled with water up to the filter screen. If not, the ADD WATER light will blink. Make sure that the steam feeder is filled with water and fully seated. Turn the dryer off then restart the Steam Cycle. When steam is used for the first time, it is possible that the steam feeder may not have enough water and the ADD WATER light will come on. Refill the feeder and restart the cycle.

- Only use water. Do not fill the steam feeder with foreign substances, rinse agents, or detergents.
- Before moving the dryer, make sure the steam feeder is empty.
- Do not use distilled water; the water level sensor in the steam generator will not work.
- Be careful to put the Steam Feeder otherwise water will be overflow.
- Wipe up any spilled water around the Steam Feeder and the drawer before starting the dryer.

#### ⚠ WARNING:

- Do not fill the steam feeder with liquids such as gasoline, dry-cleaning solvents, or other flammable or explosive substances. They give off vapors that could explode.
- Do not fill the steam feeder with hot water (over 86°F/30°C).
- Do not drink water from the steam feeder.
- During steam operation, the clothes will be tumbled only for a few seconds once a minute.

## USER MAINTENANCE INSTRUCTIONS

**⚠ WARNING:** To reduce the risk of fire, electric shock, or injury to persons when using this appliance, follow basic precautions, including the following:

- **Unplug the dryer before cleaning to avoid the risk of electric shock.** Failure to follow this warning can cause serious injury, fire, electrical shock, or death.
- **Never use harsh chemicals, abrasive cleaners, or solvents to clean the dryer.** They will damage the finish.

### REGULAR CLEANING

#### *Cleaning the Exterior*

Proper care of your dryer can extend its life. The outside of the machine can be cleaned with warm water and a mild, nonabrasive household detergent. Immediately wipe off any spills with a soft, damp cloth.

**IMPORTANT:** Do not use methylated spirits, solvents, or similar products.

**NEVER** use steel wool or abrasive cleansers because they can damage the surface.

#### *Cleaning the Interior*

Wipe around the door opening and seal with a soft, damp cloth to prevent lint and dust buildup that could damage the door seal.

Clean the window with a soft cloth dampened with warm water and a mild, nonabrasive household detergent; then wipe dry.

**NEVER** use steel wool or abrasive cleansers; they can scratch or damage the surface.

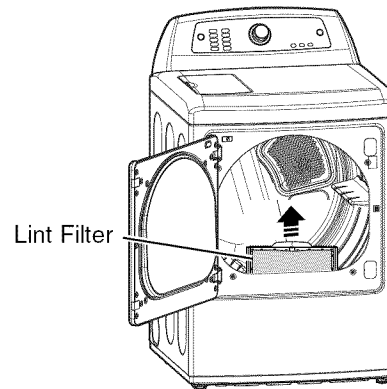
#### *Cleaning Around and Under the Dryer*

Vacuum lint and dust from around the dryer and underneath it regularly.

#### *Maintaining Ductwork*

Vent ductwork should be checked for lint buildup and cleaned at least once per year. If any noticeable reduction in drying performance occurs, check ductwork for obstructions and blockages. If the CHECK VENT indicator illuminates, the exhaust system should be checked immediately for damage or obstructions. The CHECK VENT indicator signals a serious reduction in exhaust airflow which will greatly reduce energy efficiency and increase drying times. Damaged or restricted exhaust systems are not covered by the dryer warranty. Damage to the dryer that is caused by damaged, restricted, or otherwise inadequate exhaust systems is not covered by the dryer warranty.

#### *Cleaning the Lint Filter*

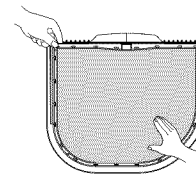


**ALWAYS** make sure the lint filter is clean before every cycle. The Check Lint filter Light on the control panel will blink before every cycle to remind you.

**NOTE:** **NEVER** operate the dryer without the lint filter.

#### *To remove lint between cycles:*

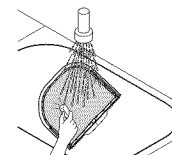
- 1 Open the dryer door.



- 2 Pull the lint filter straight up. Then:
- 3 Roll any lint off the filter with your fingers.

#### *Periodic thorough cleaning:*

Some fabric softeners can build up on the lint filter over time. This buildup can restrict the airflow through the filter reducing dryer efficiency and lengthening dry times. If the filter looks dark or dirty when held up to the light, follow these steps to clean:



- 1 Use hot soapy water and a stiff brush to clean the filter.
- 2 Make sure the filter is completely dry before reinstalling and using the dryer.

**NOTE:** **NEVER** operate the dryer with a wet lint filter.

# TROUBLESHOOTING GUIDE

## BEFORE CALLING FOR SERVICE

### CHECK VENT INDICATOR IS BLINKING \*

Check if...

Then...

* This warning light is not a dryer failure and is not covered by the dryer warranty. Contact a duct cleaning service to set up an appointment to have your exhaust system cleaned and inspected.	
Vent duct is crushed behind the dryer	Repair the transition duct or reposition the dryer
Ductwork is too long or has too many turns/restrictions.	Install a shorter or straighter duct run. See the Installation Instructions for details.
Partial blockage of the ductwork due to lint buildup or other foreign object.	Ductwork should be checked/cleaned immediately. Dryer can be used in this condition, but drying times will be longer and energy consumption will be increased.
Outside vent hood is plugged or damaged.	Repair or clean vent hood.

### Dryer will not turn on

Check if...

Then...

Power cord is not properly plugged in.	Make sure that the plug is securely plugged into a grounded outlet matching dryer's rating plate.
House fuse is blown, circuit breaker has tripped, or power outage has occurred.	Reset circuit breaker or replace fuse. Do not increase fuse capacity. If the problem is a circuit overload, have it corrected by a qualified electrician. <b>NOTE:</b> Due to the design of electric dryers, it is possible for a circuit problem to allow an electric dryer to run without heat.

### Dryer does not heat

Check if...

Then...

House fuse is blown, circuit breaker has tripped, or power outage has occurred.	Reset circuit breaker or replace fuse. Do not increase fuse capacity. If the problem is a circuit overload, have it corrected by a qualified electrician.
Gas supply or service turned off (gas models only).	Confirm that the house gas shutoff and the dryer gas shutoff valves are both fully open. Even if gas is not supplied to the dryer, it will run and no error codes will be displayed. Verify that other gas appliances in the home are working normally.

### Greasy or dirty spots on clothes

Check if...

Then...

Clean and dirty clothes being dried together.	Only use your dryer to dry clean items, because dirty items can soil clean clothes placed in the same or subsequent loads.
Clothes were not properly cleaned or rinsed before placing them in the dryer.	Stains on dried clothes could be stains that weren't removed during the washing process. Make sure that clothes are being completely cleaned or rinsed according to the instructions for your washer and detergent. Some difficult soils may require pre-treating prior to washing.

### Excess static in clothes after drying

Check if...

Then...

Fabric softener not used or used incorrectly.	Use a fabric softener or STATIC SHIELD option, if equipped, to reduce static electricity. Be sure to follow the manufacturer's instructions.
Clothes dried too long (overdried).	Overdrying a load of laundry can cause a buildup of static electricity. Adjust settings and use a shorter drying time, or use AUTO DRY cycles. Select a "Less Dry" setting on Auto Dry cycles, if necessary.
Drying synthetics, permanent press, or synthetic blends.	These fabrics are naturally more prone to static buildup. Try using fabric softener, or use LESS DRY and/or shorter TIMED DRY time settings.

ENGLISH

## TROUBLESHOOTING GUIDE

### BEFORE CALLING FOR SERVICE(cont.)

#### Drying time is not consistent

Check if...

Then...

Heat settings, load size, or dampness of clothing is not consistent.	The drying time for a load will vary depending on the type of heat used (electric, natural, or LP gas), the size of the load, the type of fabrics, the wetness of the clothes, and the condition of the exhaust ducts and lint filter. Even an unbalanced load in the washer can cause poor spinning resulting in wetter clothes which will take longer to dry.
--	---

#### Clothes take too long to dry

Check if...

Then...

Exhaust ducts blocked, dirty, or duct run is too long.	Confirm that the exhaust ductwork is properly configured and free of debris, lint, and obstructions. Make sure that outside wall dampers can open properly and are not blocked, jammed, or damaged.
Load is not properly sorted.	Separate heavy items from lightweight items. Larger and heavier items take longer to dry. Light items in a load with heavy items can fool the sensor because the light items dry faster.
Large load of heavy fabrics.	Heavy fabrics take longer to dry because they tend to retain more moisture. To help reduce and maintain more consistent drying times for large and heavy fabrics, separate these items into smaller loads of a consistent size.
Dryer controls are not set properly.	Use the appropriate control settings for the type of load you are drying. Some loads may require an adjustment of the dry level for proper drying.
Lint filter needs to be cleaned.	Remove the lint from the filter before every load. With the lint removed, hold the filter up to a light to see if it is dirty or clogged. If it looks dirty, follow the cleaning instructions on page 28. With some loads that produce high amounts of lint, it may be necessary to pause the cycle and clean the filter during the cycle.
House fuse is blown, circuit breaker has tripped, or power outage has occurred.	Reset circuit breaker or replace fuse. Do not increase fuse capacity. If the problem is a circuit overload, have it corrected by a qualified electrician.
Dryer is overloaded.	Divide extra large loads into smaller loads for better drying performance and efficiency.
Dryer is underloaded.	If you are drying a very small load, add a few extra items to ensure proper tumbling action. If the load is very small and you are using Auto Dry cycles the electronic control cannot properly sense the dryness of the load and may shut off too soon. Use timed dry or add some extra wet clothes to the load.

ENGLISH

## TROUBLESHOOTING GUIDE

### BEFORE CALLING FOR SERVICE (cont.)

#### Clothes are wrinkled

Check if...	Then...
Clothes dried too long (overdried).	Overdrying a load of laundry can lead to wrinkled clothes. Try a shorter drying time or LESS DRY setting and remove items while they still retain a slight amount of moisture.
Clothes left in dryer too long after cycle ends.	Use the WRINKLE GUARD option. This feature will tumble the clothes briefly every few minutes for up to 150minutes to help prevent wrinkling.

#### Clothes are shrinking

Check if...	Then...
Garment care instructions are not being followed.	To avoid shrinkage, please carefully follow the fabric care instructions for your garment, because some fabrics will naturally shrink when washed. Other fabrics can be washed but will shrink when dried in a dryer. Use a low or no heat setting and/or the RACK DRY if available.

#### Display shows error code tE1 or tE2

Check if...	Then...
Temperature sensing failure.	Turn off the dryer and call for service.

#### Display shows error code PS (electric dryers only)

Check if...	Then...
Power cord is connected incorrectly.	White (N) and hot (L2 – red) wires on power cord. Check power cord connections for neutral connection on the center terminal. 240 volts applied to the control, so it will protect itself.

#### Lint on clothes

Check if...	Then...
Lint filter not cleaned properly.	Remove the lint from the filter before every load. With the lint removed, hold the filter up to a light to see if it is dirty or clogged. If it looks dirty, follow the cleaning instructions on page 28. With some loads that produce high amounts of lint, it may be necessary to clean the filter during the cycle.
Laundry not sorted properly.	Some fabrics are lint producers (i.e., a fuzzy white cotton towel) and should be dried separately from clothes that are lint trappers (i.e., a pair of black linen pants).
Excess static in clothes.	<ul style="list-style-type: none"> <li>• Use a fabric softener to reduce static electricity. Be sure to follow the manufacturer's instructions.</li> <li>• Over-drying a load of laundry can cause a buildup of static electricity. Adjust settings and use a shorter drying time, or use AUTO DRY cycles.</li> </ul>
Dryer is overloaded.	Divide extra large loads into smaller loads for drying.
Tissue, paper, etc., left in pockets.	Check pockets thoroughly before washing and drying clothes.

## TROUBLESHOOTING GUIDE

### BEFORE CALLING FOR SERVICE (cont.)

#### Steam Features Not Working

Check if...

Then...

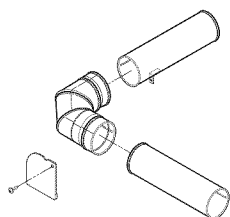
Steam is not generated and no error code is displayed	<p>Check for condensation on the inside of the door during steam portion of the cycle. Steam is not directly visible. This is normal.</p> <p>Check steam feeder drawer:</p> <ol style="list-style-type: none"> <li>(1) Make sure steam feeder is filled with water up to the filter screen.</li> <li>(2) Make sure steam feeder is seated properly and drawer is fully closed.</li> <li>(3) Turn the dryer off, then turn back on and restart the steam cycle.</li> </ol> <p><b>DO NOT USE DISTILLED WATER</b> - The water level sensors in the steam generator will not work.</p> <p>Steam feeder pump not working - call for service.</p>
Garments are still wrinkled at the end of the STEAM REFRESH cycle.	<p>Load only 1 to 5 garments (or a single bulky item). Do not mix fabric types. STEAM REFRESH is most effective on 70/30 cotton/poly blends. Do not use on 100% cotton items.</p>
There are no creases in garments after the STEAM REFRESH cycle is used.	<p>This cycle is designed to remove wrinkles. If creases are desired after STEAM REFRESH, the garments will need to be ironed.</p>
Water drips from the door during steam cycles.	<p>Steam is invisible. However, under some conditions, the condensed fog may be seen, or condensation will form on the inside of the door glass.</p>
Drum does not turn during steam cycles.	<p>The drum is turned off so that the steam vapor remains in the drum. The drum will turn for only a few seconds once a minute.</p>
Cannot see steam vapor at the beginning of cycle.	<p>Steam is released at different stages of the cycle for each option. Steam cannot be seen, but condensation may form on the inside of the door when steam is being generated.</p>
Steam is released at different stages of the cycle for each option.	<p>Some odors are difficult to remove. Fabrics containing certain difficult odors or very strong odors may not refresh well and should be washed or dry cleaned instead.</p>

ENGLISH

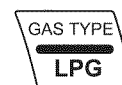
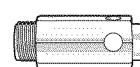


## OPTIONAL ACCESSORIES

### OPTIONAL ACCESSORIES



Use the side vent kit for venting directly on either side or on the bottom.  
Kit # D26-49670  
NOTE: Gas dryers can not be vented to the right



Use the LP CONVERSION KIT for changing the dryer gas connections from Natural Gas (NG) to Liquefied Propane Gas (LP)  
Part # 383EEL3002D  
NOTE: Installation of the LP conversion kit must be performed by a qualified service professional.

ENGLISH

## OPTIONAL ACCESSORIES

### SIDE VENTING KIT INSTALLATION

#### List of Parts

The following parts are included with the pedestal.

- Duct Outlet (A) (blower - elbow)
- Duct Elbow
- Duct Outlet (B) (elbow - outlet)
- Cover Plate
- Installation Instruction
- Screw

#### Tools Needed

The following tools are needed for installation.

- 1 #2 Phillips screwdriver
- 1 adjusting wrench for leveling feet (included)

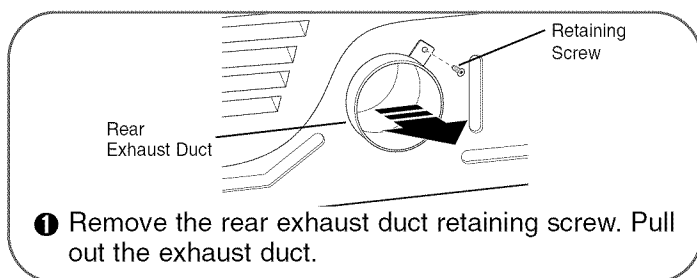
#### ! WARNING:

- Use a heavy metal vent.
- Do not use plastic or thin foil duct.
- Clean old ducts before installing this dryer.
- Wear gloves during installation.
- Failure to follow these instructions can result in death or fire.

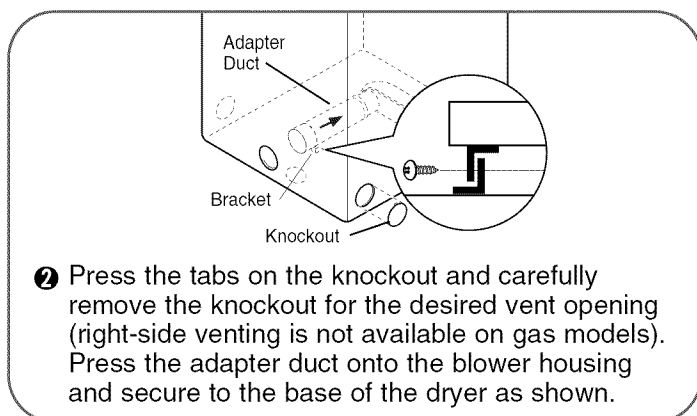
Your new dryer is shipped to vent to the rear. It can also be configured to vent to the bottom or side (right-side venting is not available on gas models).

ENGLISH

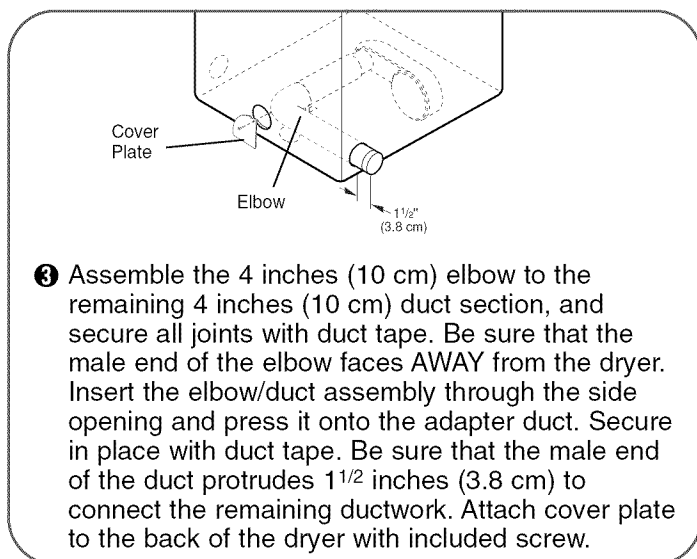
#### Option 1 : side venting (Gas dryers can only be vented to the left side.)



- 1 Remove the rear exhaust duct retaining screw. Pull out the exhaust duct.

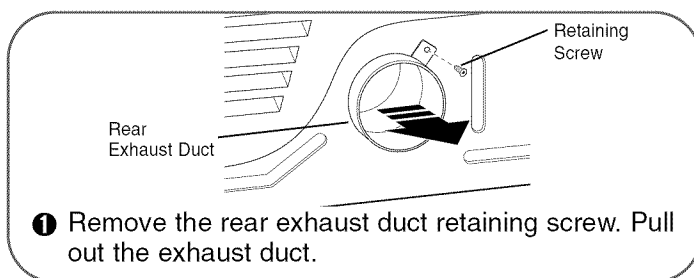


- 2 Press the tabs on the knockout and carefully remove the knockout for the desired vent opening (right-side venting is not available on gas models). Press the adapter duct onto the blower housing and secure to the base of the dryer as shown.

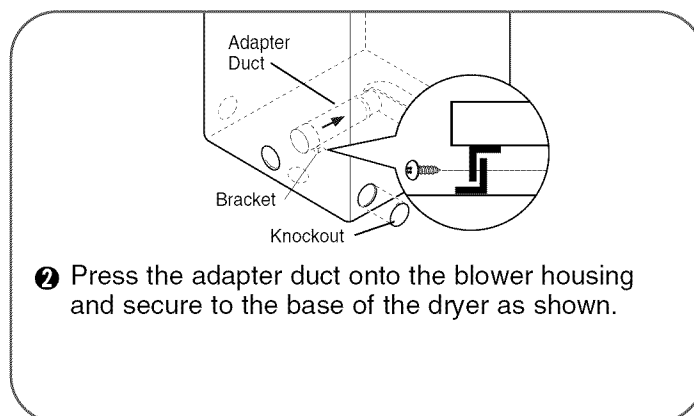


- 3 Assemble the 4 inches (10 cm) elbow to the remaining 4 inches (10 cm) duct section, and secure all joints with duct tape. Be sure that the male end of the elbow faces AWAY from the dryer. Insert the elbow/duct assembly through the side opening and press it onto the adapter duct. Secure in place with duct tape. Be sure that the male end of the duct protrudes 1 1/2 inches (3.8 cm) to connect the remaining ductwork. Attach cover plate to the back of the dryer with included screw.

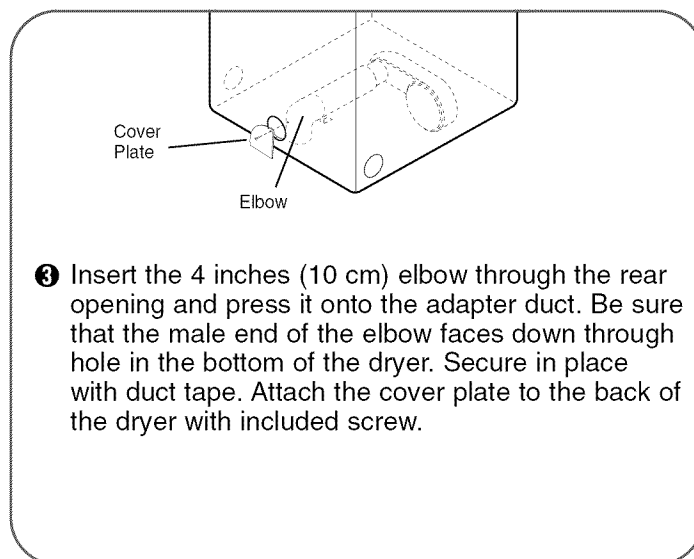
#### Option 2 : Bottom venting



- 1 Remove the rear exhaust duct retaining screw. Pull out the exhaust duct.



- 2 Press the adapter duct onto the blower housing and secure to the base of the dryer as shown.



- 3 Insert the 4 inches (10 cm) elbow through the rear opening and press it onto the adapter duct. Be sure that the male end of the elbow faces down through hole in the bottom of the dryer. Secure in place with duct tape. Attach the cover plate to the back of the dryer with included screw.

## WARRANTY

### One-Year Limited Warranty

When installed, operated and maintained according to all instructions supplied with the product, if this appliance fails due to a defect in material and workmanship within one year from the date of purchase, call 1-800-4-MY-HOME® to arrange for free repair.

If this appliance is ever used for other than private family purposes, this warranty applies for only 90 days from the date of purchase.

This warranty covers only defects in material and workmanship. Sears will NOT pay for:

- ❶ Expendable items that can wear out from normal use, including but not limited to filters, belts, light bulbs, and bags.
- ❷ A service technician to instruct the user in correct product installation, operation or maintenance.
- ❸ A service technician to clean or maintain this product.
- ❹ Damage to or failure of this product if it is not installed, operated or maintained according to all the instructions supplied with the product.
- ❺ Damage to or failure of this product resulting from accident, abuse, misuse or use for other than its intended purpose.
- ❻ Damage to or failure of this product caused by the use of detergents, cleaners, chemicals or utensils other than those recommended in all instructions supplied with the product.
- ❼ Damage to or failure of parts or systems resulting from unauthorized modifications made to this product.

#### Disclaimer of implied warranties; limitation of remedies

Customer's sole and exclusive remedy under this limited warranty shall be product repair as provided herein. Implied warranties, including warranties of merchantability or fitness for a particular purpose, are limited to one year or the shortest period allowed by law. Sears shall not be liable for incidental or consequential damages. Some states and provinces do not allow the exclusion or limitation of incidental or consequential damages, or limitation on the duration of implied warranties of merchantability or fitness, so these exclusions or limitations may not apply to you.

This warranty applies only while this appliance is used in the United States or Canada.

This warranty gives you specific legal rights, and you may also have other rights which vary from state to state.

Sears, Roebuck and Co., Hoffman Estates, IL 60179  
Sears Canada Inc., Toronto, Ontario, Canada M5B 2B8

# NOTES

ENGLISH

# NOTES

ENGLISH

## ÍNDICE

<b>INSTRUCCIONES IMPORTANTES DE SEGURIDAD</b>	
MENSAJES DE SEGURIDAD . . . . .	39
INSTRUCCIONES IMPORTANTES DE SEGURIDAD. . .	39-42
<b>CARACTERÍSTICAS Y VENTAJAS</b>	
Piezas y componentes significativos . . . . .	43
<b>INSTRUCCIONES DE INSTALACIÓN</b>	
Dimensiones y especificaciones significativas. . . . .	44
Requisitos de ubicación . . . . .	44
Escoger la ubicación correcta . . . . .	44
Espacios libres . . . . .	44
Accesorios opcionales . . . . .	45
Requerimientos de gas . . . . .	46
Conexión de las secadoras de gas. . . . .	46,47
Requerimientos de eléctricos . . . . .	48
Conexión de las secadoras de eléctricas. . . . .	48,49
Ventilación de la secadora . . . . .	50,51
Nivelación de la secadora . . . . .	52
Comprobación final de la instalación . . . . .	54
<b>CÓMO USAR</b>	
Funciones del panel de control . . . . .	55
Funcionamiento de la secadora . . . . .	56
Guía de ciclos. . . . .	57
Clasificación de cargas. . . . .	58
Carga de la secadora. . . . .	58
Pantalla de tiempo y estado . . . . .	59
Botones modificadores de ciclo . . . . .	60
Opciones del ciclo y funciones especiales. . . . .	61
Wrinkle Guard (anti-arrugas) . . . . .	61
Control Lock (bloqueo de controles) . . . . .	61
My Cycle (mi ciclo) . . . . .	61
Drum Light (Luz del tambor) . . . . .	61
Sanitize cycle (desinfección) . . . . .	61
Rack Dry Cycle (secado con bandeja) . . . . .	61
Funciones de vapor. . . . .	62
Acerca del vapor. . . . .	62
Utilización del ciclo STEAM REFRESH(refresco por vapor) . . . . .	62
Utilización de la opción STATIC SHIELD (anti-estática) . . . . .	62
Para rellenar el alimentador de vapor . . . . .	63
Notas importantes acerca de los ciclos de vapor . . . . .	63
<b>INSTRUCCIONES DE MANTENIMIENTO PARA EL USUARIO</b>	
Limpieza regular . . . . .	64
Limpieza del exterior. . . . .	64
Limpieza del interior . . . . .	64
Limpieza alrededor y bajo la secadora . . . . .	64
Mantenimiento de los conductos . . . . .	64
Limpieza del filtro de pelusas . . . . .	64
<b>GUÍA DE SOLUCIÓN DE PROBLEMAS</b>	
Antes de solicitar asistencia técnica . . . . .	65-68
<b>ACCESORIOS OPCIONALES</b>	
Accesorios opcionales. . . . .	69
Instalación del kit de ventilación lateral . . . . .	70
<b>GARANTÍA</b> . . . . .	71

## REGISTRO DEL PRODUCTO

En el espacio que se muestra a continuación, registre la fecha de compra, el n° de modelo y el n° de serie de su producto. Podrá encontrar los números de modelo y de serie impresos en una placa de identificación ubicada dentro de la puerta de la secadora. Tenga disponible esta información siempre que entre en contacto con Sears en relación con su producto.

Nº de modelo. \_\_\_\_\_

Fecha de compra \_\_\_\_\_

Nº de serie. \_\_\_\_\_

Guarde estas instrucciones, y su ticket de compra, para futuras consultas.

## ACUERDOS DE PROTECCIÓN

### Contrato maestro de protección

*Felicidades por realizar una compra inteligente.* Su nuevo producto Kenmore® ha sido diseñado y fabricado para proporcionarle años de funcionamiento fiable. Pero, como todos los productos, puede necesitar un mantenimiento preventivo o reparaciones puntuales. Contar con un Acuerdo maestro de protección puede ahorrarle dinero y problemas.

El Contrato maestro de protección también ayuda a ampliar la vida útil de su nuevo producto. Esto es lo que incluye el Contrato\*:

- **Piezas y mano** de obra necesarias para ayudar a mantener el funcionamiento correcto de los productos bajo **un uso normal**, no sólo defectos. Nuestra cobertura va más **allá de la garantía del producto**. Sin exclusión de fallos deducibles ni funcionales de la cobertura— **protección real**.
- **Servicio especializado** con un ejército de más de 10 000 técnicos de **servicio Sears autorizados**, lo que significa que su producto estará en manos de alguien en quien puede confiar.
- **Asistencia telefónica y servicio de mantenimiento y reparación a escala nacional**, cada vez que nos necesite, cuantas veces nos necesite.
- **Garantía por piezas defectuosas**—sustitución de su producto cubierto por la garantía si experimenta cuatro o más averías en un plazo de doce meses.
- **Sustitución del producto** si su producto cubierto por la garantía no puede repararse.
- **Revisión anual de mantenimiento preventivo a petición**—sin coste adicional.
- **La ayuda rápida por teléfono** la denominamos Resolución rápida. Asistencia telefónica en todos los productos por parte de un representante de Sears. Piense en nosotros como en un “manual del usuario parlante”.
- **Protección de sobrecarga** contra daños eléctricos debidos a fluctuaciones del suministro.
- **Protección de 250\$ por pérdida de alimentos** anuales por cualquier pérdida de alimentos debida a fallos mecánicos de cualquier frigorífico o congelador bajo garantía.
- **Devolución del coste por alquiler** si una reparación del producto cubierto por la garantía tardara más tiempo del previsto.
- **10% de descuento** sobre el precio habitual de cualquier servicio de reparación no cubierto y de las piezas instaladas asociadas.

Una vez adquirido el acuerdo, una simple llamada telefónica es todo lo que hace falta para concertar su cita de servicio. Puede llamar a cualquier hora del día o la noche, o fijar la hora de la reparación online.

El Contrato maestro de protección se traduce en una compra libre de riesgos. Si, por cualquier razón, realiza una cancelación durante el período de garantía del producto, le proporcionaremos un reembolso completo o prorrateado una vez expirado el período de garantía del producto. ¡Adquiera hoy mismo su Contrato maestro de protección!

**Algunas limitaciones y exclusiones son aplicables. Para obtener información sobre precios y adicional en los EE.UU., llame al 1-800-827-6655.**

**\* La cobertura en Canadá difiere en algunos aspectos. Para obtener información completa, póngase en contacto con Sears Canadá llamando al 1-800-361-6665.**

### Servicio de instalación Sears

Para solicitar la instalación profesional de Sears para la instalación doméstica de electrodomésticos, mecanismos de apertura para puertas de garaje, calentadores de agua y otros electrodomésticos en los EE.UU. o Canadá, llame al 1-800-4-MY-HOME®.

# LEA TODAS LA INSTRUCCIONES ANTES DE USAR

**! ADVERTENCIA** Por su seguridad, debe seguir la información indicada en este manual para minimizar el riesgo de incendio o explosión, descarga eléctrica, o para prevenir daños a la propiedad, lesiones personales o muerte.

### Su Seguridad y la de los demás son de suma importancia.

En este manual y en su electrodoméstico figuran muchos mensajes importantes de seguridad. Lea y cumpla siempre con todos los mensajes de seguridad.

**!** Éste es el símbolo de alerta de seguridad.

El mismo alerta sobre potenciales riesgos de muerte o heridas tanto para usted como para otras personas. Todos los mensajes de seguridad estarán a continuación del símbolo de alerta de seguridad y con la palabra PELIGRO o ADVERTENCIA. Estas palabras significan:

**! PELIGRO:** Corre riesgo de muerte o de sufrir heridas serias si no sigue las instrucciones inmediatamente.

**! ADVERTENCIA:** Corre riesgo de muerte o de sufrir heridas serias si no sigue las instrucciones. Todos los mensajes de seguridad le indicarán cuál es el riesgo potencial, le dirán cómo reducir las posibilidades de sufrir heridas y qué puede suceder si no se siguen las instrucciones.

- No instale una secadora junto a materiales de ventilación plásticos flexibles. Si se instala un conducto flexible metálico (de tipo lámina de metal), éste deberá cumplir las especificaciones determinadas por el fabricante del electrodoméstico para su uso con secadoras. Se sabe que los materiales de ventilación flexibles se contraen, se agrietan con rapidez y atrapan pelusas. Estas condiciones obstruirán el flujo de aire de la secadora y aumentarán el riesgo de incendio.
- No almacene o use gasolina ni ningún otro tipo de vapores o líquidos inflamables cerca de este electrodoméstico ni de ningún otro electrodoméstico.
- Únicamente un técnico calificado de mantenimiento, agencia de mantenimiento o compañía de gas deberán realizar el mantenimiento y la instalación.
- Instale la secadora según las instrucciones del fabricante y las normativas locales.
- Guarde estas instrucciones.

### QUÉ HACER SI HUELE GAS:

1. No intente encender un cigarrillo o fósforo, ni encender ningún electrodoméstico a gas o eléctrico.
2. No toque ningún interruptor eléctrico. No use ningún teléfono en su edificio.
3. No permita que ninguna persona se encuentre en la habitación, edificio o área.
4. Llame a su compañía de gas inmediatamente desde el teléfono de un vecino. Siga las instrucciones de su compañía de gas al pie de la letra.
5. Si no puede comunicarse con su compañía de gas, llame al departamento de bomberos.

# INSTRUCCIONES DE INSTALACIÓN

## Precauciones básicas de seguridad

**▲ ADVERTENCIA:** Por su seguridad, se debe seguir la información indicada en este manual para minimizar el riesgo de incendio o explosión, descarga eléctrica, o para prevenir daños a la propiedad, lesiones personales o muerte.

- Lea todas las instrucciones antes de usar la secadora.
- Antes de usar, la secadora debe estar correctamente instalada como se describe en este manual.
- No coloque artículos que hayan sido expuestos a aceites, incluyendo aceites comestibles, en su secadora. Los artículos contaminados con aceites comestibles podrían contribuir a la generación de una reacción química que podría ocasionar que una carga se incendie.
- No seque artículos que hayan sido limpiados, lavados, remojados o salpicados previamente con gasolina, disolventes de limpieza en seco u otras sustancias inflamables o explosivas, ya que emanan vapores que podrían encenderse o explotar, incluso después del lavado.
- No introduzca las manos en la secadora cuando el tambor o las otras partes estén en movimiento.
- No repare o reemplace ninguna parte de la secadora ni intente reparar la misma a menos que esto se recomiende en forma específica en esta Guía de Uso y Cuidado o en instrucciones de reparación publicadas las cuales comprende y sabe aplicar.
- No altere los controles.
- Antes de poner la secadora fuera de servicio o de tirarla, quite la puerta para prevenir que los niños se metan dentro.
- No deje que los niños jueguen en la secadora ni dentro de ella. Cuando se usa la secadora cerca de los niños, se necesita una supervisión estricta.
- Use suavizadores de tela o productos para eliminar estática únicamente del modo recomendado por el fabricante.
- No use calor para secar artículos que contienen caucho espumoso, plásticos o materiales de textura similar al caucho.
- Evite la acumulación de pelusa, polvo o tierra alrededor del área de la apertura de ventilación y áreas adyacentes.
- La parte interior de la secadora y el conducto de ventilación se deberán limpiar periódicamente, y la misma deberá ser realizada por personal calificado del servicio.
- No instale ni coloque esta secadora en lugares donde pueda estar expuesta a variables climáticas.
- Antes de cargar la secadora, siempre revise que no haya objetos extraños en su interior.
- Retire la pelusa del filtro antes de cada carga.

ESPAÑOL

## LEY EJECUTIVA PARA LA SEGURIDAD DEL AGUA POTABLE Y LOS TÓXICOS DE CALIFORNIA (California Safe Drinking Water and Toxic Enforcement Act)

Esta ley requiere que el gobernador de California publique un listado de sustancias conocidas en el estado que causan cáncer, defectos congénitos u otras lesiones reproductivas, y obliga a los negocios a alertar a los clientes sobre la posible exposición a tales sustancias.

Los electrodomésticos a gas pueden causar exposición leve a cuatro de estas sustancias, principalmente benceno, monóxido de carbono, formaldehído y hollín, generado principalmente por la combustión parcial del gas natural o los combustibles LP (petróleo líquido).

Las secadoras calibradas adecuadamente minimizarán la combustión parcial. Para minimizar incluso más la exposición a estas sustancias, se puede dotar a la secadora de la ventilación adecuada al exterior.

## INSTRUCCIONES DE CONEXIÓN A TIERRA

Este electrodoméstico deberá estar conectado a tierra. En caso de avería o mal funcionamiento, la conexión a tierra reducirá el riesgo de descargas eléctricas al brindar un camino con una resistencia menor para la corriente eléctrica. Este electrodoméstico debe estar equipado con un cable con un conductor para la conexión a tierra del equipo y un enchufe con conexión a tierra. El enchufe deberá estar conectado a una toma de corriente instalada en forma adecuada y con conexión a tierra de acuerdo con todos los códigos y ordenanzas locales.

**▲ ADVERTENCIA:** Una conexión inapropiada del conductor de conexión a tierra del equipo puede provocar riesgos de descargas eléctricas. Consulte a un electricista calificado o personal del servicio si tiene dudas de que el electrodoméstico se encuentre conectado a tierra apropiadamente.

No modifique el enchufe que se entrega con el electrodoméstico. Si no coincide con la toma de corriente, contrate a un electricista calificado para que instale una toma de corriente en forma adecuada.

Este electrodoméstico debe estar conectado a un sistema de cableado de metal permanente con conexión a tierra o se debe tender un conducto para la conexión a tierra del equipo con los conductores del circuito y conectado al terminal de tierra del equipo o al conductor de suministro del electrodoméstico.

Si la secadora no se encuentra adecuadamente conectada a tierra se pueden producir descargas eléctricas.



# INSTRUCCIONES DE INSTALACIÓN

## INSTRUCCIONES IMPORTANTE PARA LA INSTALACIÓN

**⚠ ADVERTENCIA:** Para reducir el riesgo de incendio, descargas eléctricas o heridas al usar su electrodoméstico, siga las precauciones básicas, incluyendo lo siguiente:

- Conecte la secadora adecuadamente a tierra según todos los códigos y las regulaciones vigentes. Siga los detalles en las instrucciones de instalación. Si la secadora no se encuentra adecuadamente conectada a tierra se pueden producir descargas eléctricas.
- Antes de usar, la secadora debe estar correctamente instalada como se describe en este manual. Si la secadora no se encuentra adecuadamente conectada a tierra se pueden producir descargas eléctricas.
- Todas las reparaciones y controles deberán ser realizados por un centro de servicio autorizado a menos que se den otras recomendaciones específicas en el Manual del Usuario. Utilice sólo piezas de fábrica autorizadas. Si no se cumple con esta advertencia se podrán producir heridas graves, incendios, descargas eléctricas o muerte.
- Instale y almacene la secadora en un lugar no expuesto a temperaturas inferiores al punto de congelación ni expuesto a la intemperie. Si no se cumple con esta advertencia se podrán producir heridas graves, incendios, descargas eléctricas o muerte.
- No lo instale cerca de un elemento que genera calor, como una cocina u horno de cocción. No hacerlo puede provocar una deformación, humo o un incendio.
- Quite la película de vinilo protectora del producto. No hacerlo puede provocar una deformación, humo o un incendio.
- Con el fin de reducir el riesgo de descargas eléctricas no instale la secadora en espacios húmedos. Si no se cumple con esta advertencia se podrán producir heridas graves, incendios, descargas eléctricas o muerte.
- Conecte un circuito eléctrico clasificado, protegido y adecuado para evitar sobrecarga eléctrica. Un circuito eléctrico inadecuado se puede fundir, creando descargas eléctricas y/o riesgo de incendio.
- Quite todos los elementos de embalaje y deseché adecuadamente todos los materiales de envío. Si no se cumple con esto se podrá producir una explosión, incendio, quemaduras o muerte.
- Coloque la secadora a un altura mínima de 18 pulgadas encima del piso para una instalación en el garaje. Si no se cumple con esto se podrá producir una explosión, incendio, quemaduras o muerte.
- Mantenga todos los envoltorios alejados de los niños. Los materiales de los envoltorios pueden resultar peligrosos para los niños. Existe riesgo de asfixia.

**⚠ ADVERTENCIA** Para reducir el riesgo de lesiones personales, cumpla con todos los procedimientos de seguridad recomendados por la industria, incluyendo el uso de use guantes con mangas largas y gafas de seguridad. En caso de no cumplir con todas las advertencias de seguridad de este manual se podrán producir daños sobre la propiedad, lesiones personales o la muerte.

## Conducto de escape/Tubería:

- Las secadoras a gas DEBEN tener un conducto de ventilación al exterior. Si no se siguen estas instrucciones se podrá producir incendio o muerte.
- Para prevenir el ingreso de grandes cantidades de humedad y pelusa a la habitación, se recomienda enfáticamente dotar las secadoras eléctricas de un conducto de ventilación al exterior. La acumulación de pelusa en cualquier parte de la casa puede crear riesgos de salud e incendio.
- Use únicamente sistemas de ventilación de metal rígido o flexible de 4 pulgadas de diámetro dentro del gabinete de la secadora o para ventilación al exterior. Los sistemas de ventilación de plástico u otro material pueden causar incendios. Los sistemas de ventilación agujereados pueden causar incendios si se colapsan o bloquean durante el uso o la instalación.
- No se provee el sistema de ventilación con la secadora; el mismo deberá obtenerse localmente. La tapa terminal deberá tener reguladores de tiro con bisagras para prevenir el retorno de descarga cuando no se usa la secadora. Si no se siguen estas instrucciones se podrá producir incendio o muerte.
- El conducto de escape deberá tener 10.2 cm (4 pulg.) de diámetro sin obstrucciones. El conducto de escape deberá mantenerse lo más corto posible. Asegúrese de limpiar cualquier tipo de conducto antiguo antes de instalar su secadora nueva. Si no se siguen estas instrucciones se podrá producir incendio o muerte.
- Se recomiendan conductos rígidos o semirígidos para usar entre la secadora y la pared. En instalaciones particulares cuando es imposible realizar una conexión siguiendo las recomendaciones antes indicadas, únicamente se puede utilizar un conducto metálico de transición aprobado por UL entre la secadora y la conexión de pared. Usar este tipo de conducto afectará el tiempo de secado. Si no se siguen estas instrucciones se podrá producir incendio o muerte.
- No utilice tornillos de lámina de metal ni otro tipo de aseguradores que extiendan dentro del conducto y puedan atrapar pelusa y reducir la eficiencia del sistema de escape. Asegure todas las uniones con cinta adhesiva impermeable. Para más detalles, siga las Instrucciones de Instalación. Si no se siguen estas instrucciones se podrá producir incendio o muerte.

## INSTRUCCIONES DE INSTALACIÓN

### INSTRUCCIONES DE SEGURIDAD PARA FUNCIONES DE VAPOR

**⚠ ADVERTENCIA:** Para reducir el riesgo de incendio, descarga eléctrica o lesiones a personas cuando utilice este artefacto, deben seguirse precauciones básicas de seguridad, incluyendo las siguientes:

- **No abra la puerta de la secadora durante los ciclos de vapor.** No seguir estas instrucciones puede provocar un peligro de quemaduras.
- **No seque artículos que previamente se hayan limpiado, lavado, sumergido o manchado con gasolina, solventes para limpieza en seco u otras sustancias inflamables o explosivas ya que emanan vapores que podrían prenderse fuego o explotar.** No seguir estas instrucciones puede provocar un incendio o la muerte.
- **No llene el alimentador de vapor con gasolina, solventes para limpieza en seco u otras sustancias inflamables o explosivas.** No seguir estas instrucciones puede provocar un incendio o la muerte.
- **No toque la boquilla de vapor del tambor durante o después del ciclo de vapor.** No seguir estas instrucciones puede provocar un peligro de quemaduras.
- **No llene el alimentador de vapor con agua caliente (más de 86° F / 30° C).** No seguir estas instrucciones puede provocar un peligro de quemaduras.

### LEA TODAS LA INSTRUCCIONES ANTES DE USAR

**⚠ ADVERTENCIA:** Para reducir el riesgo de incendio, descarga eléctrica o lesiones a personas cuando utilice este artefacto, deben seguirse precauciones básicas de seguridad, incluyendo las siguientes:

- **Bajo ninguna circunstancia, corte o quite la tercera pata (puesta a tierra) del cable eléctrico.** Para evitar heridas a nivel personal o daños sobre la secadora, el cable de corriente eléctrica debe estar conectado en una conexión a tierra en condiciones adecuadas.
- **Por motivos de seguridad personal, este electrodoméstico debe estar conectado a tierra adecuadamente.** Si esto no se cumple se podrán producir descargas eléctricas o heridas.
- **Consulte las instrucciones de instalación de este manual para obtener los requisitos eléctricos específicos de su modelo.** Si estas instrucciones no se cumplen se podrán producir descargas eléctricas y/o riesgo de incendio.
- **Esta secadora debe estar enchufada a un tomacorriente conectado a tierra adecuadamente. Si la secadora no se encuentra adecuadamente conectada a tierra se pueden producir descargas eléctricas. Contrate a un electricista calificado para que controle el tomacorriente y el circuito eléctrico para asegurarse que el enchufe está correctamente conectado a tierra.** Esto evitará riesgos de descargas y asegurará la estabilidad durante el funcionamiento.
- **La secadora siempre debe estar enchufada a su tomacorriente individual, con la clasificación de tensión correspondiente a la placa de datos de servicio.** Esto proporciona el mejor desempeño y previene a la vez sobrecarga de los circuitos de cableado del hogar, lo que podría producir un incendio debido a los cables sobrecalentados.
- **Nunca desenchufe su secadora empujando el cable de corriente. Siempre tome su enchufe firmemente y empuje el mismo hacia fuera para retirarlo.** El cable de corriente se puede cortar debido a cualquier movimiento de su parte central, resultando en una descarga eléctrica.
- **Repáre o reemplace de inmediato todos los cables de corriente pelados o con cualquier tipo de daño. No use un cable con cortaduras o abrasión sobre su extensión o extremos.** Este cable de corriente se puede fundir, creando descargas eléctricas y/o riesgo de incendio.
- **Al instalar o cambiar de lugar la secadora, evite todo tipo de cortes u otros daños en el cable de corriente.** Esto evitará heridas o daños debido a incendios o descargas eléctricas sobre la secadora.

ESPAÑOL

**GUARDE ESTAS INSTRUCCIONES**

# CARACTERÍSTICAS Y VENTAJAS

## PIEZAS Y COMPONENTES SIGNIFICATIVOS

Existen varios componentes importantes a los que se hace referencia en este manual.

### A PANEL DE CONTROL FÁCIL DE USAR

Gire el mando selector de ciclo para seleccionar el ciclo de secado que desee. Añada opciones de ciclo o ajuste los valores tocando un botón.

### B PANTALLA DE TIEMPO Y ESTADO

La pantalla LED de fácil lectura muestra el estado del ciclo y el tiempo restante estimado.

### C MODIFICADORES DE CICLO

Ajuste los valores predeterminados del ciclo como la temperatura y nivel de secado tocando un botón.

**NOTA:** no todos los ajustes están disponibles para todos los ciclos. Consulte la página 60.

### D ALIMENTADOR DE VAPOR

Este compartimento contiene la reserva de agua utilizada por la secadora para generar vapor durante el ciclo STEAM REFRESH (refresco por vapor) y otras funciones de vapor.

### E COMPROBAR VENTILACIÓN

(Sistema de detección de bloqueo del conducto)

La comprobación de ventilación (sistema de detección de bloqueo del conducto) detecta y le alerta sobre la existencia de bloqueos en el sistema de evacuación que reducen el flujo de aire de la secadora. Mantener limpios los conductos del sistema de evacuación mejora el rendimiento y ayuda a minimizar la solicitud de asistencia técnica, ahorrándole dinero.

### F TAMBOR DE ACERO INOXIDABLE DE CAPACIDAD ULTRA GRANDE CON ILUMINACIÓN

El tambor de acero inoxidable de capacidad ultra grande proporciona una durabilidad superior. El tambor está equipado con una luz que se ilumina al abrir la puerta de la secadora y se apaga al cerrarla.

### G PUERTA REVERSIBLE DE FÁCIL ACCESO

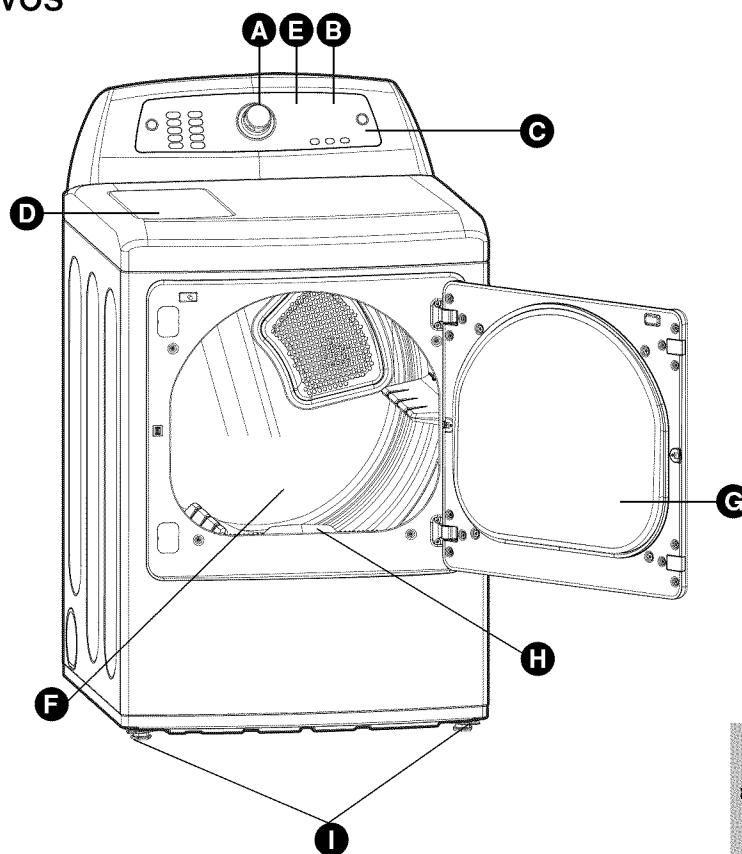
Puerta de cristal transparente de amplia apertura que facilita el acceso para realizar la carga y descarga. El giro de apertura de la puerta puede cambiarse de sentido para ajustarse al lugar de instalación.

### H FILTRO DE PELUSAS DE MONTAJE FRONTAL

El filtro de pelusas de montaje frontal permite un acceso y limpieza más sencillos entre cargas.

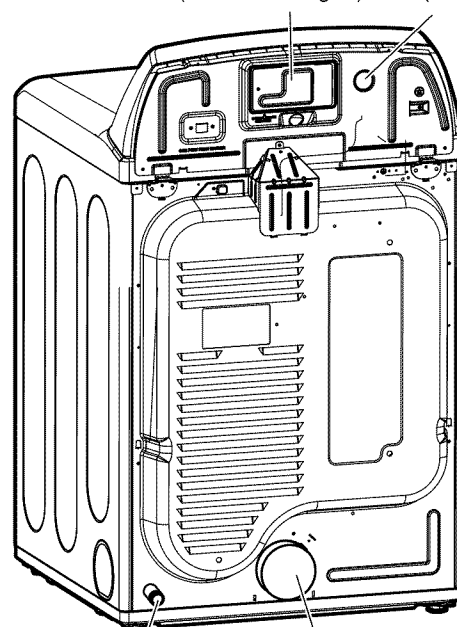
### I PIES DE NIVELACIÓN

Cuatro pies de nivelación (dos frontales y dos posteriores) se ajustan para mejorar la estabilidad de la secadora sobre suelos irregulares.



Ubicación del cable de alimentación (modelos de gas)

Panel de acceso al bloque de terminales (modelos eléctricos)



Ubicación de la toma de gas (modelos de gas)

Salida del conducto de evacuación

Parte posterior de la secadora

ESPAÑOL

# INSTRUCCIONES DE INSTALACIÓN

## DIMENSIONES Y ESPECIFICACIONES SIGNIFICATIVAS

Descripción	Secadora (de gas y eléctrica)
Requerimientos eléctricos	Consulte la etiqueta de especificaciones.
Requerimientos de gas* NG:	6–8 pulg. de columna de agua
Requerimientos de gas* LP:	10–13 pulg. de columna de agua
Dimensiones	27" (W) X 28 15/16" (D) X 45" (H), 50 1/4" (D With door open) 68.6cm (W) X 73.4 cm (D) X 114.1cm (H), 127.5 cm (D With door open)
Peso neto	Eléctrico : 147 libras (66,7 kg) / Gas : 150.5 libras (68,3 kg)
Capacidad de secado	IEC 7.3 pies cúbicos

\*Sólo modelos de gas.

### REQUISITOS DE UBICACIÓN

#### IMPORTANTE:

Lea por completo todas las instrucciones de instalación antes de instalar y poner en funcionamiento su secadora! Es importante que revise por completo este manual antes de instalar y utilizar su secadora. En las siguientes páginas se proporcionan instrucciones pormenorizadas acerca de las conexiones eléctricas, conexiones de gas y evacuación de la unidad.

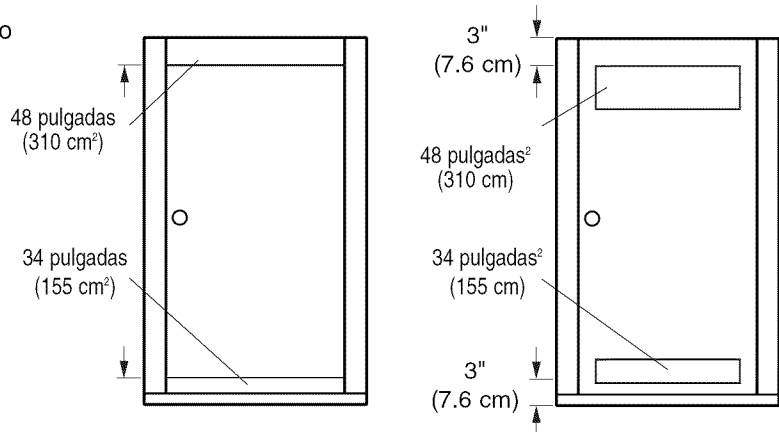
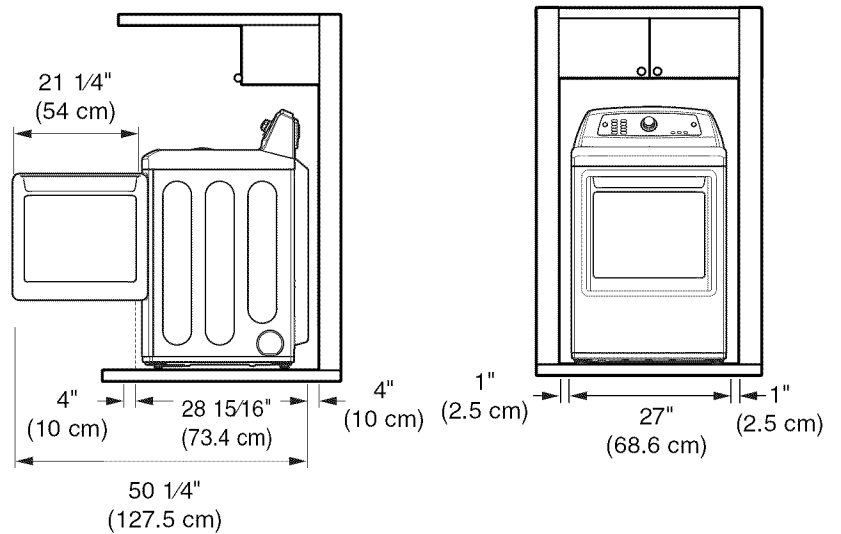
### ESCOGER LA UBICACIÓN CORRECTA

- No almacene ni instale la secadora en lugares expuestos a temperaturas de congelación ni a inclemencias meteorológicas.
- Escoja una ubicación que disponga de un suelo firme y nivelado.
- Si va a instalar la secadora en un garaje, coloque la unidad al menos a 18 pulgadas (45.7 cm) sobre el nivel del suelo.
- Conecte correctamente a tierra la secadora cumpliendo todos los códigos y ordenanzas.
- Para reducir el riesgo de descarga eléctrica, no instale la secadora en espacios húmedos ni mojados.

**IMPORTANTE:** Si va a instalar su secadora en una vivienda prefabricada o móvil, consulte la sección Requerimientos eléctricos especiales para viviendas móviles o prefabricadas en la página 48.

### ESPACIOS LIBRES

- La mayoría de las instalaciones requieren un espacio libre mínimo de 5-1/2 pulgadas (14 cm) en la parte trasera de la secadora para el conducto de evacuación.
- Permita unos espacios libres en los laterales y parte posterior de 1 pulgada (2.5 cm) para minimizar la vibración y el ruido.
- Se recomienda permitir un espacio libre adicional para llevar a cabo la instalación y el mantenimiento.
- Asegúrese de tener en cuenta las molduras de paredes, puertas o suelo, que podrían aumentar el espacio libre requerido.
- Permita al menos 21 pulgadas (53,3 cm) en la parte frontal de la secadora para abrir la puerta.



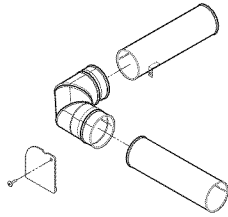
Requisitos de ventilación de la puerta del armario

### Instrucciones adicionales para instalaciones en armario:

- La puerta del armario debe permitir la entrada del flujo de aire suficiente. Consulte el esquema de la derecha para consultar los requisitos mínimos de las aperturas de ventilación. También es aceptable la utilización de puertas de celosía.

# INSTRUCCIONES DE INSTALACIÓN

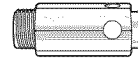
## ACCESORIOS OPCIONALES



Utilice el kit de ventilación lateral para ventilar directamente desde cualquiera de los lados o desde la base.

Kit # D26-49670

**NOTA:** No esta disponible ventilacion lateral en los modelos a.



Utilice el KIT DE ADAPTACIÓN A LP para cambiar las conexiones de gas de la secadora de Gas natural (NG) a Gas propano licuado (LP).  
Part# 383EEL3002D  
NOTA: la instalación del kit de adaptación a LP debe realizarla un profesional de servicio cualificado.

# INSTRUCCIONES DE INSTALACIÓN

## REQUERIMIENTOS DE GAS (SÓLO MODELOS DE GAS)

### CONEXIÓN DE LAS SECADORAS DE GAS

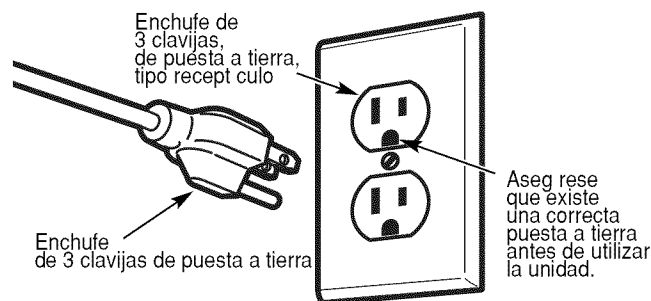
**! ADVERTENCIA:** a fin de reducir el riesgo de incendio, descargas eléctricas o lesiones a terceros durante el uso de este electrodoméstico, siga las precauciones básicas de seguridad, incluidas las expuestas a continuación:

- **Requerimientos del suministro de gas:**  
Esta secadora viene configurada de fábrica para utilizar gas natural (NG). Esta puede adaptarse para que utilice gas LP (propano licuado). La presión del gas no debe sobrepasar las 8 pulgadas de columna de agua para (NG) ni 13 pulgadas de columna de agua para (LP).
- La conexión de la secadora al suministro de gas debe realizarla un técnico de servicio cualificado o de la compañía. No hacerlo podría conllevar riesgos de explosión, incendio o, incluso, peligro de muerte.
- **Aísle la secadora del sistema de suministro de gas cerrando su válvula manual de cierre individual durante cualquier prueba de presión del suministro de gas.** No hacerlo podría conllevar riesgos de explosión, incendio o, incluso, peligro de muerte.
- **Requerimientos de la toma de suministro:**  
Su lavadero debe disponer de una toma de suministro de gas rígida para su secadora. IEn los EE.UU., debe instalarse una válvula manual de corte individual en un radio de al menos 6 pies (1,8 m) de la secadora, según el National Fuel Gas Code ANSI Z223.1. Debe instalarse un tapón de tubería NPT de 1/8-pulgadas. No hacerlo podría conllevar riesgos de explosión, incendio o, incluso, peligro de muerte.
- Si se utiliza una tubería rígida, debe ser IPS de 1/2-pulgadas. Si lo aceptan los códigos y ordenanzas locales y su proveedor de gas, puede utilizarse tubería autorizada de 3/8-pulgadas cuando la longitud sea inferior a 20 pies (6,1 m). Deberá utilizarse tubería de mayor sección para longitudes que excedan los 20 pies (6,1 m). No hacerlo podría conllevar riesgos de explosión, incendio o, incluso, peligro de muerte.
- **Conecte la secadora al tipo de gas que se indique en la placa de identificación.** No hacerlo podría conllevar riesgos de explosión, incendio o, incluso, peligro de muerte.
- **Para evitar contaminación procedente de la válvula de gas, purgue el aire y los sedimentos del suministro de gas antes de conectarlo a la secadora. Antes de apretar la conexión entre el suministro de gas y la secadora, purgue el aire residual hasta que perciba olor a gas.** No hacerlo podría conllevar riesgos de explosión, incendio o, incluso, peligro de muerte.
- **NO utilice una llama abierta para buscar fugas de gas. Utilice un líquido de detección de fugas no corrosivo.** No hacerlo podría conllevar riesgos de explosión, incendio o, incluso, peligro de muerte.
- **Utilice únicamente una toma de suministro de gas certificada AGA o CSA con conectores de acero inoxidable flexible.** No hacerlo podría conllevar riesgos de explosión, incendio o, incluso, peligro de muerte.
- **Apriete firmemente todas las conexiones de gas.** No hacerlo podría conllevar riesgos de explosión, incendio o, incluso, peligro de muerte.
- **Utilice cinta de teflón o un sellador de tubos que sea insoluble en gas de petróleo licuado (LP) en todas las tuberías.** No hacerlo podría conllevar riesgos de explosión, incendio o, incluso, peligro de muerte.
- **NO intente desmontar la secadora; cualquier desmontaje requiere la atención y las herramientas de un técnico o compañía de servicio autorizada y cualificada.** No hacerlo podría conllevar riesgos de explosión, incendio o, incluso, peligro de muerte.

ESPAÑOL

### Requerimientos eléctricos sólo para modelos de gas

- No corte no desmonte, bajo ninguna circunstancia, la tercera clavija (de puesta a tierra) del enchufe del cable de alimentación. No acatar esta advertencia puede provocar incendios o, incluso, peligro de muerte.
- Por motivos de seguridad personal, esta secadora debe conectarse correctamente a tierra. No acatar esta advertencia puede provocar incendios o, incluso, peligro de muerte.
- El cable de alimentación de esta secadora está equipado con un enchufe de tres clavijas (de puesta a tierra) que coincide con una toma de pared para tres clavijas (de puesta a tierra) y así minimizar la posibilidad de descarga eléctrica de este electrodoméstico. No acatar esta advertencia puede provocar incendios o, incluso, peligro de muerte.
- Esta secadora debe enchufarse a una toma de pared con puesta a tierra de 120 V de CA, 60 Hz, protegida mediante un fusible o un disyuntor de 15 A. No acatar esta advertencia puede provocar incendios o, incluso, peligro de muerte.
- Si únicamente contara con un enchufe estándar de 3 clavijas, será responsabilidad y obligación suya sustituirlo por otro de 3 clavijas, de puesta a tierra, y adecuado para este uso. No acatar esta advertencia puede provocar incendios o, incluso, peligro de muerte.



# INSTRUCCIONES DE INSTALACIÓN

## CONEXIÓN DE LAS SECADORAS DE GAS (cont.)

**⚠ ADVERTENCIA:** a fin de reducir el riesgo de incendio, descargas eléctricas o lesiones a terceros durante el uso de este electrodoméstico, siga las precauciones básicas de seguridad, incluidas las expuestas a continuación:

- **La instalación y mantenimiento deben realizarlas un instalador cualificado, empresa de servicios o el distribuidor de gas.** No hacerlo podría conllevar riesgos de explosión, incendio o, incluso, peligro de muerte.
- **Utilice únicamente un conector flexible de acero inoxidable y un conector certificado AGA nuevos.** No hacerlo podría conllevar riesgos de explosión, incendio o, incluso, peligro de muerte.
- **Debe instalarse una válvula de corte de gas en un radio de 6 pies (1,8 m) de la secadora.** No hacerlo podría conllevar riesgos de explosión, incendio o, incluso, peligro de muerte.
- **La secadora viene configurada de fábrica para Asegúrese de que la secadora está equipada con la boquilla de quemador adecuada al tipo de gas que está utilizando (gas natural o petróleo licuado).**

No hacerlo podría conllevar riesgos de explosión, incendio o, incluso, peligro de muerte.

- **Si fuese necesario, la boquilla adecuada (para el kit de boquilla de LP, solicite el número de pieza 383EEL3002D) debe instalarla un técnico cualificado, indicando el cambio en la secadora.** No hacerlo podría conllevar riesgos de explosión, incendio o, incluso, peligro de muerte.
- **Todas las conexiones deben realizarse conforme a los códigos y normativas locales.** No hacerlo podría conllevar riesgos de explosión, incendio o, incluso, peligro de muerte.
- **Las secadoras de gas DEBEN evacuar al exterior.** No hacerlo podría conllevar riesgos de explosión, incendio o, incluso, peligro de muerte.

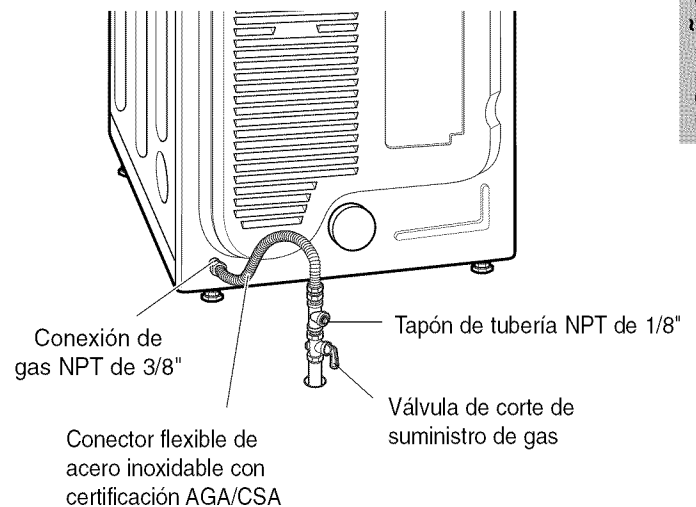
### Conexión del suministro de gas

**NOTA:** Esta secadora viene configurada de fábrica para utilizar gas natural (NG). Si la secadora va a utilizarse con gas LP, debe ser adaptada por un técnico de servicio cualificado.

- 1 Asegúrese de que el suministro de gas que da servicio al lavadero esté **CORTADO** y que la secadora esté desenchufada. Confirme que el tipo de gas disponible en su lavadero es el adecuado para utilizar la secadora.
- 2 Retire el tapón de transporte del adaptador de gas situado en la parte posterior de la secadora. Asegúrese de no dañar las roscas del conector de gas al retirar el tapón de transporte.
- 3 Conecte la secadora al suministro de gas de su lavadero utilizando un conector de acero inoxidable flexible con un adaptador NPT de 3/8-pulgadas.

**NOTA:** NO utilice conectores viejos.

- 4 Apriete firmemente todas las conexiones entre la secadora y el suministro de gas de su lavadero.
- 5 Abra el suministro de gas de su lavadero.
- 6 Compruebe todas las conexiones en busca de posibles fugas de gas utilizando un líquido de detección de fugas no corrosivo.
- 7 Proceda con los requerimientos de ventilación de la página 50-51.



ESPAÑOL

### Instalaciones a cotas altas

La clasificación BTU de esta secadora tiene certificación AGA para cotas inferiores a 10 000 pies.

Si ha instalado su secadora en una cota superior a 10 000 pies, un técnico cualificado o proveedor de gas deberá reducir su capacidad eléctrica.

# INSTRUCCIONES DE INSTALACIÓN

## REQUERIMIENTOS DE ELÉCTRICOS

### CONEXIÓN DE LAS SECADORAS DE ELÉCTRICAS

**! ADVERTENCIA** Para ayudar a prevenir incendios, descargas eléctricas, lesiones graves o incluso la muerte, el cableado y la puesta a tierra deben cumplir la edición más reciente del National Electrical Code, ANSI/NFPA 70 y todas las normativas locales de aplicación. Póngase en contacto con un electricista cualificado para comprobar el cableado y los fusibles de su vivienda para asegurarse de que dispone de la potencia eléctrica adecuada para utilizar la secadora.

### Requerimientos eléctricos especiales para viviendas móviles o prefabricadas

**! ADVERTENCIA** a fin de reducir el riesgo de incendio, descargas eléctricas o lesiones a terceros durante el uso de este electrodoméstico, siga las precauciones básicas de seguridad, incluidas las expuestas a continuación:

- Cualquier instalación en una vivienda prefabricada o móvil debe cumplir con las directrices del Manufactured Home Construction and Safety Standards, título 24 CFR, sección 32-80 ó con el estándar CAN/CSA0Z240 MH y los códigos y ordenanzas locales.
- **Es precisa una conexión tetrafililar para las instalaciones realizadas en todas las viviendas móviles y prefabricadas, así como toda nueva construcción a partir del 1 de enero de 1996.** No hacerlo podría conllevar riesgos de explosión, incendio o, incluso, peligro de muerte.

### Requerimientos eléctricos sólo para modelos eléctricos

**! ADVERTENCIA** A fin de reducir el riesgo de incendio, descargas eléctricas o lesiones a terceros durante el uso de este electrodoméstico, siga las precauciones básicas de seguridad, incluidas las expuestas a continuación:

- **Esta secadora debe conectarse a un metal puesto a tierra, un sistema de cableado permanente o los conductores del circuito deben incluir un conductor de puesta a tierra del equipo que esté conectado al terminal de tierra del equipo o cable de la secadora.** No hacerlo podría conllevar riesgos de explosión, incendio o, incluso, peligro de muerte.
- **La secadora dispone un bloque de terminales propio que debe conectarse a un circuito monofásico independiente de 240 V de CA y 60 Hz, con fusible de 30 A. El circuito debe disponer de fusibles en ambos extremos de la línea. EL SERVICIO ELÉCTRICO PARA LA SECADORA DEBE SER EL MÁXIMO VOLTAJE NOMINAL INDICADO EN LA PLACA DE ESPECIFICACIONES. NO CONECTE LA SECADORA A UN CIRCUITO DE 110, 115 Ó 120 VOLTIOS.** Existen elementos de calefacción disponibles para su instalación en secadoras que deben conectarse a un suministro eléctrico de voltaje diferente al especificado en su placa de especificaciones. No acatar estas instrucciones puede provocar incendios, explosiones o, incluso, peligro de muerte.
- **Si el ramal del circuito a la secadora tiene una longitud igual o inferior a 15 pies (4,5 m), utilice el cable AWG nº 10 con clasificación UL (Underwriters Laboratories) (sólo cable de cobre) o el que requieran los códigos locales. Si supera los 15 pies (4,50 m), utilice el cable AWG nº 8 con clasificación UL (sólo cable de cobre) o el que requieran los** Permita la suficiente holgura en el cableado para que la secadora pueda ser desplazada de su ubicación habitual cuando sea necesario. No hacerlo podría conllevar riesgos de explosión, incendio o, incluso, peligro de muerte.
- **La conexión del cable de alimentación (cable flexible de conexión) entre la toma de pared y el bloque de terminales de la secadora NO VIENE INCLUIDO con la unidad. El tipo de cable flexible de conexión y su calibre deben cumplir los códigos locales y las instrucciones que se proporcionan en las páginas siguientes.** No acatar estas instrucciones puede provocar incendios, explosiones o, incluso, peligro de muerte.
- **Es necesario disponer de una conexión de tetrafililar en toda nueva construcción a partir del 1 de enero de 1996. Debe utilizarse una conexión de tetrafililar allí donde los códigos locales no permitan la puesta a tierra a través del cable neutro.** No hacerlo podría conllevar riesgos de explosión, incendio o, incluso, peligro de muerte.



# INSTRUCCIONES DE INSTALACIÓN

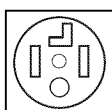
## CONEXIÓN DE LAS SECADORAS DE ELÉCTRICAS (cont.)

### ! ADVERTENCIA

- Conectar el cable de alimentación al bloque de terminales. Cada cable de un color en concreto debe El cable del color indicado en el manual está conectado al tornillo del mismo color en el bloque. No acatar estas instrucciones puede provocar cortocircuitos o sobrecarga.

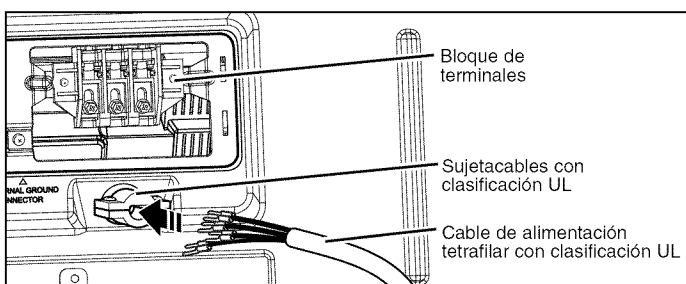
- La puesta a tierra a través del conductor neutro está prohibida para: (1) nuevas instalaciones de circuitos derivados, (2) viviendas móviles, (3) vehículos recreativos y (4) zonas en las que los códigos locales prohíban la puesta a tierra a través del conductor neutro.

### Cable de alimentación tetrafilar

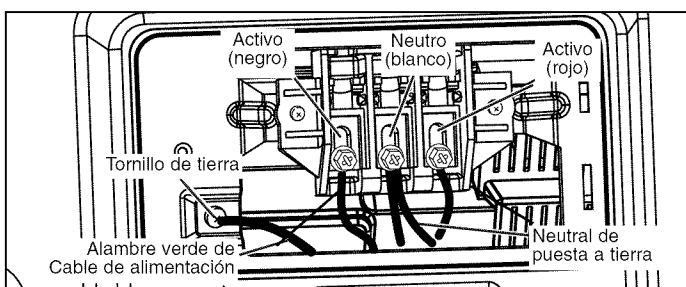


- Es precisa una conexión tetrafilar para las instalaciones realizadas en todas las viviendas móviles y prefabricadas, así como toda nueva construcción a partir del 1 de enero de 1996.

- Es preciso disponer de un sujetacables con clasificación UL.
- Instale un cable eléctrico de 30 amp, 240 V, listado por UL con un conductor de cobre Núm.-10 AWG como mínimo y terminales de bucle cerrado o de horquilla con extremos doblados hacia arriba.



- 1 Retire la tapa de acceso al bloque de terminales situado en la sección superior de la parte posterior de la secadora.
- 2 Instale un sujetacables con clasificación UL dentro del orificio de paso del cable de alimentación.
- 3 Introduzca un cable de alimentación de 30 A, 240 V, tetrafilar y con clasificación UL con conductor de cobre mínimo AWG nº 10 a través del sujetacables.



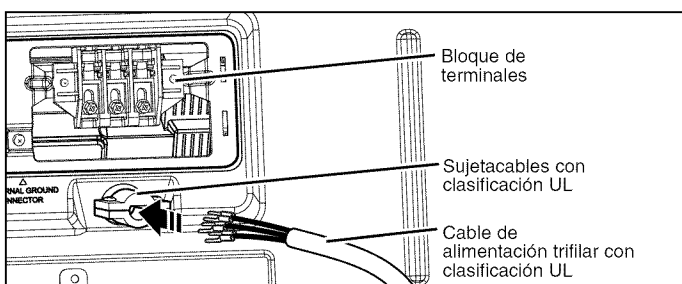
- 4 Cambie el cable de tierra de la secadora de la parte posterior del tornillo verde de puesta a tierra al tornillo central del bloque de terminales.
- 5 Fije los dos cables activos del cable de alimentación a los tornillos del bloque de terminales exteriores.
- 6 Fije el cable neutro blanco al tornillo central del bloque de terminales.
- 7 Fije el cable de tierra del cable de alimentación al tornillo de tierra verde.
- 8 APRIETE FIRMEMENTE TODOS LOS TORNILLOS.
- 9 Vuelva a colocar la tapa de acceso del bloque de terminales.

### Cable de alimentación trifilar

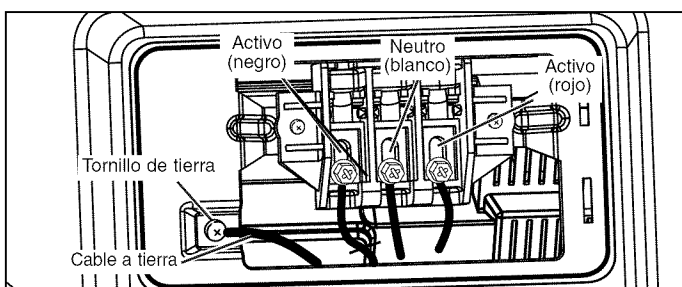


- NO están permitidas las conexiones trifilares en nuevas construcciones a partir del 1 de enero de 1996.

- Es preciso disponer de un sujetacables con clasificación UL.
- Instale un cable eléctrico de 30 amp, 240 V, listado por UL con un conductor de cobre Núm.-10 AWG como mínimo y terminales de bucle cerrado o de horquilla con extremos doblados hacia arriba.



- 1 Retire la tapa de acceso al bloque de terminales situado en la sección superior de la parte posterior de la secadora.
- 2 Instale un sujetacables con clasificación UL dentro del orificio de paso del cable de alimentación.
- 3 Introduzca un cable de alimentación de 30 A, 240 V, trifilar y con clasificación UL con conductor de cobre mínimo AWG nº 10 a través del sujetacables.



- 4 Fije los dos cables activos del cable de alimentación a los tornillos del bloque de terminales exteriores.
- 5 Fije el cable neutro al tornillo central del bloque de terminales.
- 6 Conecte la puesta a tierra externa (si lo exigen los códigos locales) al tornillo verde de conexión a tierra.
- 7 APRIETE FIRMEMENTE TODOS LOS TORNILLOS.
- 8 Vuelva a colocar la tapa de acceso del bloque de terminales.

ESPAÑOL

# INSTRUCCIONES DE INSTALACIÓN

## VENTILACIÓN DE LA SECADORA

### ¡IMPORTANTE! COMPRUEBE LA EXISTENCIA DE PROBLEMAS EN SU SISTEMA DE EVACUACIÓN

La causa más habitual de problemas en la secadora es una ventilación de evacuación deficiente. Antes de instalar su nueva secadora, compruebe los elementos enumerados a continuación para garantizar el mejor rendimiento posible. Hacerlo puede ahorrarle tiempo y dinero al reducir los ciclos y aumentar la eficacia energética.

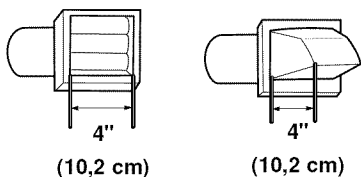
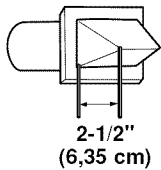
- ❶ **CONDUCTOS DE EVACUACIÓN SUCIOS O DAÑADOS.** Se produce una acumulación de pelusas con el paso del tiempo en los conductos de evacuación. Esto reduce el flujo de aire y aumenta el trabajo de la secadora. Inspeccione visualmente sus conductos desde ambos extremos y límpielos si no lo ha hecho recientemente. Compruebe los conductos de ventilación para asegurarse de que son de metal rígido o semirígido. Si los conductos de ventilación son de plástico o lámina metálica flexible, sustitúyalos antes de utilizar la secadora.
- ❷ **MATERIAL INADECUADO DE LOS CONDUCTOS DE VENTILACIÓN.** Compruebe los conductos de ventilación para asegurarse de que son de metal rígido o semirígido. Si los conductos de ventilación son de plástico o lámina metálica flexible, sustitúyalos antes de utilizar la secadora.
- ❸ **EXTRACTOR OBSTRUIDO O DAÑADO.** Compruebe su extractor exterior. Debe estar limpio y libre de acumulaciones de pelusas. Compruebe el regulador de tiro y asegúrese de que se abre fácilmente y por completo.
- ❹ **CONDUCTO DE VENTILACIÓN DE LONGITUD EXCESIVA.** Mida la longitud de su sistema de evacuación y cuente los codos. Utilice el cuadro de la página 50 para comprobar si su conducto es demasiado largo. Si lo es, rediríjalo de forma que cumpla las directrices de ventilación.
- ❺ **NO UTILICE CONDUCTOS DE VENTILACIÓN DE PLÁSTICO O LÁMINA METÁLICA.** El paso del conducto desde su secadora a la pared debe ser rígido o semirígido. Si su viejo conducto de paso es de plástico o de lámina metálica, SUSTITÚYALO por un conducto metálico semirígido.

### Utilización del cuadro de requisitos del conducto (a continuación)

- ❶ Seleccione el tipo de caperuza de pared.
- ❷ Seleccione la fila que coincida con el número de codos requeridos en el recorrido del conducto de la secadora.
- ❸ Mira a la derecha del número de codo para la longitud máxima del conducto para su instalación. Mayor longitud de conducto se traducirá en el desempeño de secado reducido, ya los tiempos de sequía y el aumento de consumo de energía.

NO exceda la longitud máxima para el tipo y número de codos del conducto utilizado.

### Cuadro de selección y comprobación de longitud del conducto

Tipo de caperuza protectora	Número de codos de 90°	Longitud máxima del conducto de metal rígido de 4" (10,2 cm) de diámetro
<p><b>Recomendado</b></p>  <p>4" (10,2 cm)</p>	0	65 pies (19,8 m)
	1	55 pies (16,8 m)
	2	47 pies (13,7 m)
	3	36 pies (11,0 m)
	4	28 pies (8,5 m)
<p><b>Sólo para instalaciones con recorridos cortos</b></p>  <p>2-1/2" (6,35 cm)</p>	0	55 pies (16,8 m)
	1	47 pies (13,7 m)
	2	41 pies (12,5 m)
	3	30 pies (9,1 m)
	4	22 pies (6,7 m)

**NOTA:** Reduzca 6 pies (1,8 m) por cada codo adicional. No se recomienda utilizar más de cuatro codos de 90°.

# INSTRUCCIONES DE INSTALACIÓN

## VENTILACIÓN DE LA SECADORA (cont.)

### Trayectoria y conexión de los conductos

Siga las directrices expuestas a continuación para maximizar el rendimiento del secado y reducir la acumulación de pelusa y la condensación en los conductos.

**NOTA:** los conductos y las uniones NO vienen incluidas, debiendo adquirirse por separado.

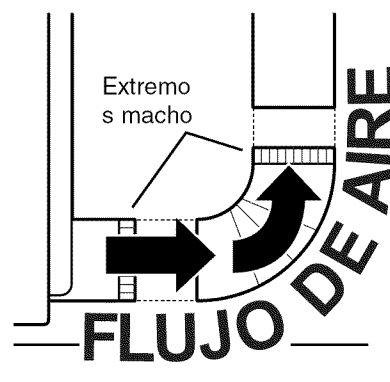
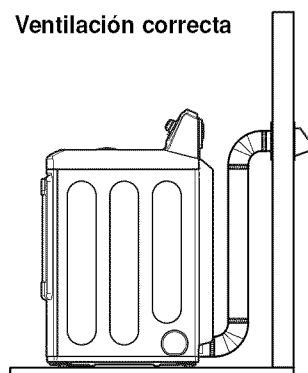
- Utilice un conducto de metal rígido o semirígido de 4-pulgadas (102 mm) de diámetro.
- El recorrido del conducto de evacuación debe ser tan corto como sea posible.
- Utilice la mínima cantidad posible de uniones en codo.
- El extremo macho de cada sección del conducto de evacuación debe apuntar hacia fuera de la secadora.
- Utilice cinta para conductos en todas las uniones.
- Aísle los conductos que pasan a través de áreas no calefactadas con el fin de reducir la condensación y la acumulación de pelusa sobre la superficie del conducto.
- La longitud total del conducto de metal flexible no deberá exceder los 8 pies (2,4 m).
- En Canadá, sólo deben utilizarse conductos flexibles tipo aluminio identificados específicamente para el uso con este electrodoméstico por el propio fabricante. En los Estados Unidos, sólo deben utilizarse conductos flexibles tipo aluminio identificados específicamente para el uso con este electrodoméstico por el propio fabricante y que cumplan la normativa Clothes Dryer Transition Duct, Subject 2158A.

**⚠ ADVERTENCIA:** no acatar estas directrices tendrá como resultado un rendimiento deficiente, fallos del producto y/o podría producir incendios o riesgo de muerte.

**IMPORTANTE:** no ventilar la secadora según las directrices incluidas en estas instrucciones, podría producir un rendimiento insatisfactorio de la unidad. Toda la ventilación y conductos externos a la propia secadora son responsabilidad del consumidor. Los fallos en el producto como consecuencia de una ventilación inadecuada no quedan cubiertos por la garantía del fabricante.

### Conexión del conducto de ventilación de la secadora

- 1 Compruebe que todos los conductos y codos estén limpios y libres de obstrucciones.
- 2 Mida la longitud del conducto. NO sobrepase la longitud máxima que se indica en el cuadro de la página 50.
- 3 Conecte la evacuación de la secadora a los conductos existentes.
  - Utilice únicamente cinta o abrazaderas para conductos.
  - NO utilice tornillos para sujetar el conducto.
  - Utilice conductos de metal rígidos o semirígidos.
  - NO utilice tubos de plástico ni de lámina metálica para los conductos.
  - El extremo macho de cada codo debe apuntar siempre en el sentido del flujo de aire.



# INSTRUCCIONES DE INSTALACIÓN

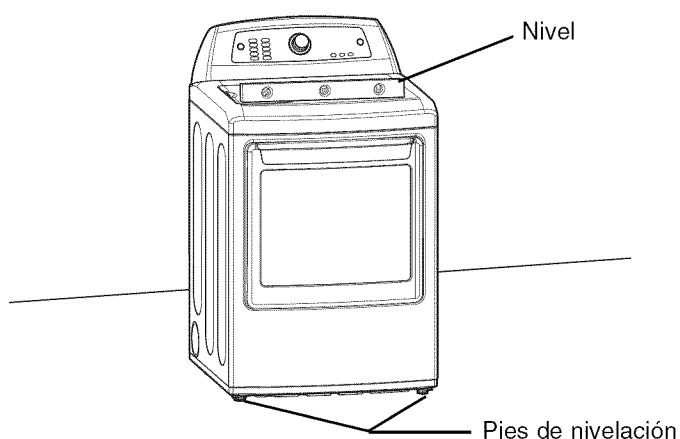
## NIVELACIÓN DE LA SECADORA

### ⚠ ADVERTENCIA

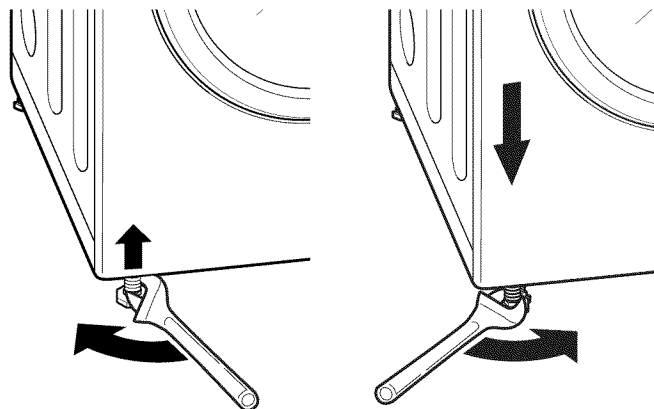
- Utilice guantes durante la instalación.
- No acatar estas instrucciones puede provocar lesiones físicas.

Para asegurarse de obtener un rendimiento óptimo de la secadora, debe estar nivelada. Para minimizar la vibración, ruidos y movimientos no deseados, la superficie del suelo debe ser firme y estar nivelada.

**NOTA:** ajuste los pies de nivelación sólo lo necesario para nivelar la secadora. Extender los pies de nivelación más de lo necesario puede provocar vibraciones en la secadora.



- 1 Coloque la secadora en su ubicación final. Coloque un nivel sobre la parte superior de la secadora.
  - Los cuatro pies de nivelación deben apoyarse firmemente sobre el suelo. Presione ligeramente las esquinas superiores de la secadora para asegurarse de que no existe desequilibrio entre ellas.



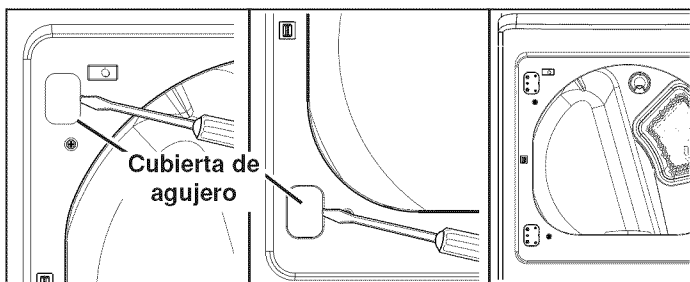
- 2 Use una llave inglesa para mover los pies de nivelación. Gire el pie de nivelación en sentido horario para aumentar el secador, girar el pie en sentido antihorario para bajar el secador. Con un nivel, ajustar los pies hasta el secador es el nivel de lado a lado y de adelante hacia atrás. Asegúrese de que todos los 4 pies están en contacto con la empresa de suelo.

# INSTRUCCIONES DE INSTALACIÓN

## INVERSION DE LA PUERTA

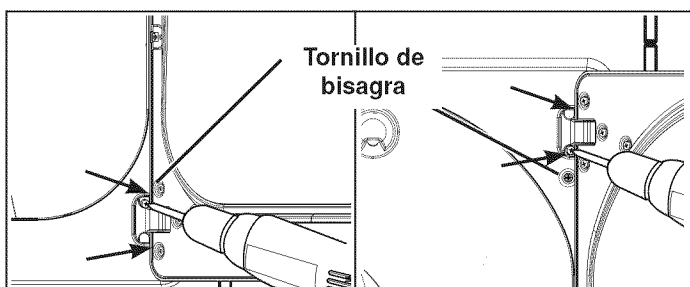
### ⚠ ADVERTENCIA

LA PUERTA DE LA SECADORA ES MUY GRANDE Y PESADA. Si no se siguen las instrucciones siguientes, se pueden producir daños en la secadora, a la propiedad, o bien lesiones personales.

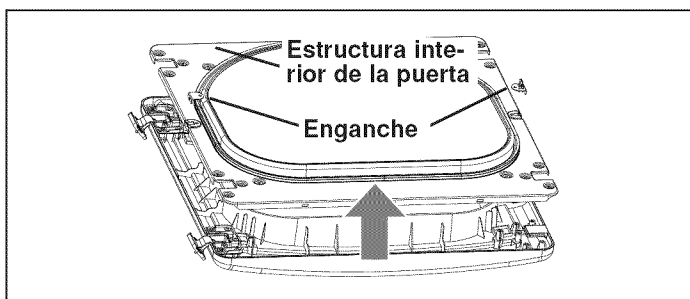


- 1 Abra la puerta y retire las dos cubiertas de plástico que cubren el agujero en la zona de sujeción; para ello, presione con cuidado hacia arriba con un destornillador de punta plana. Guárdelas para el paso 6.

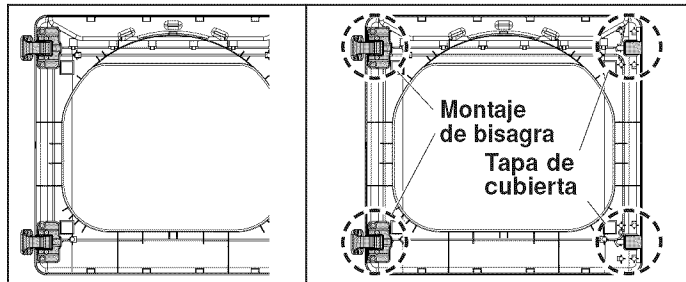
**PRECAUCIÓN:** asegúrese de que puede sujetar el peso de la puerta antes de retirar los tornillos de la bisagra.



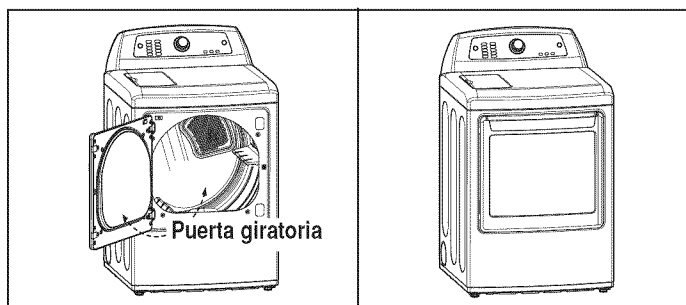
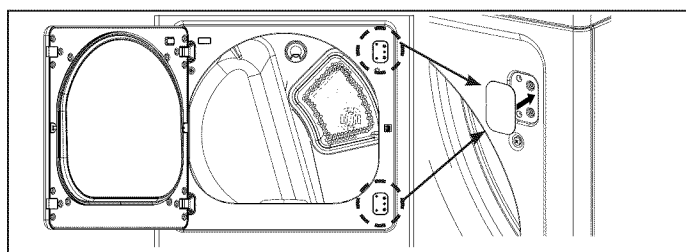
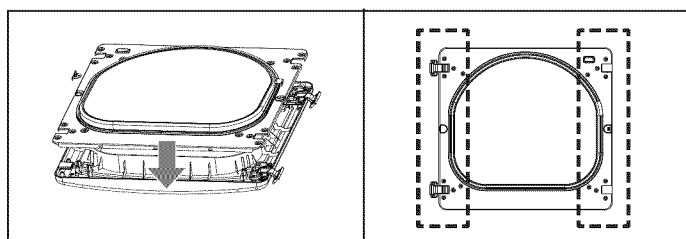
- 2 Mientras sujeta la puerta, retire los 4 tornillos, dos de cada bisagra. Deje la puerta a un lado, posicionada hacia abajo sobre una superficie protegida para evitar que se dane.



- 3 Con la puerta colocada sobre una superficie protegida, retire los 16 tornillos de cada lado de la puerta y retire el panel interior de la puerta con un destornillador de punta plana. Retire el enganche y la pieza, y lívelas al lado opuesto.



- 4 Retire los 4 tornillos fijando las bisagras a la estructura de la puerta. Retire los dos rellenos de plástico. Vuelva a instalar las bisagras y los rellenos en los lados opuestos a su posición inicial.

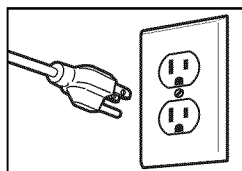


# INSTRUCCIONES DE INSTALACIÓN

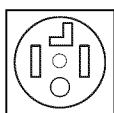
## COMPROBACIÓN FINAL DE LA INSTALACIÓN

Una vez completa la instalación y ubicada en su posición final, compruebe que la secadora funciona correctamente realizando los siguientes pasos y pruebas.

- 1 ¿Está ABIERTO el gas? (Sólo modelos de gas)
- 2 ¿Está enchufada la secadora? La secadora debe estar siempre enchufada a una toma de pared adecuada.



Las secadoras de gas precisan una toma de pared de 120 V de CA, 60 Hz y de tres clavijas con toma de tierra.



Las secadoras eléctricas precisan una conexión tetrafilario para las instalaciones realizadas en todas las viviendas móviles y prefabricadas, así como toda nueva construcción a partir del 1 de enero de 1996.

-- O --



Conexión trifilar.  
NOTA: NO están permitidas las conexiones trifilares en nuevas construcciones a partir del 1 de enero de 1996.

- 3 ¿Están conectados los conductos de ventilación de la secadora?
- 4 ¿Está nivelada la secadora?
- 5 Realice las siguientes pruebas antes de utilizar la secadora.

## Prueba de calentamiento de la secadora

### MODELOS DE GAS

- 1 Cierre la puerta de la secadora.
- 2 Presione el botón Power para encender la secadora.
- 3 Gire el mando del selector de ciclo hasta el ciclo de secado normal.
- 4 Presione el mando del selector de ciclo para poner en funcionamiento la secadora. Al ponerse en marcha la secadora, el generador de chispas deberá encender el quemador principal.

**NOTA:** Si no se purga todo el aire procedente de la toma de gas, el generador de chispas de gas podría apagarse antes de encender el quemador principal. Si esto ocurre, el generador de chispas volverá a intentar encender el gas hasta que se purgue todo el aire procedente de la toma de gas.

### MODELOS ELÉCTRICOS

- 1 Cierre la puerta de la secadora.
- 2 Presione el botón Power para encender la secadora.
- 3 Gire el mando del selector de ciclo hasta el ciclo de secado normal.
- 4 Presione el mando del selector de ciclo para poner en funcionamiento la secadora. El aire de evacuación debe estar caliente tras 3 minutos de funcionamiento de la secadora.

## Comprobación de la ventilación

Debe comprobarse el conducto de ventilación en busca de acumulaciones de pelusa y limpiarlo al menos una vez al año. Si se produce cualquier reducción apreciable en el rendimiento del secado, compruebe los conductos en busca de obstrucciones y bloqueos.

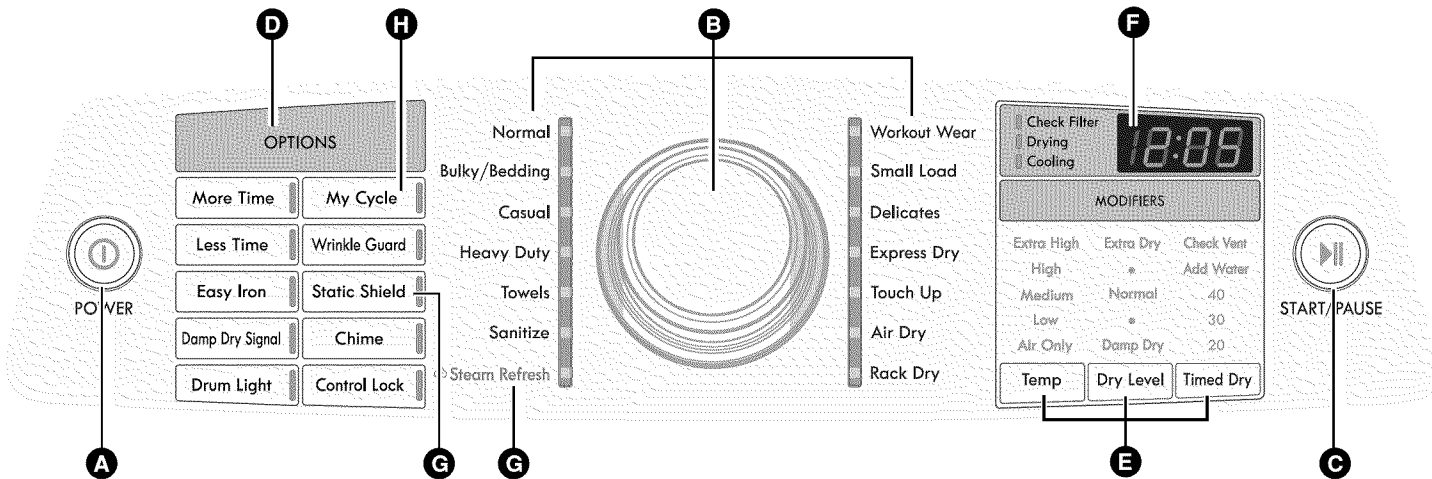
## Comprobación de la nivelación

Una vez instalada en su ubicación final, vuelva a comprobar la nivelación correcta de la secadora. Asegúrese de que exista una nivelación correcta entre la parte posterior y frontal y entre los laterales de la secadora y de que todos los pies de nivelación estén apoyados firmemente sobre el suelo.

## COMO USAR

**⚠ ADVERTENCIA:** Para reducir el riesgo de incendio, descarga eléctrica o lesiones físicas, lea completamente este manual, incluyendo las instrucciones importantes de seguridad, antes de poner en funcionamiento esta secadora.

### FUNCIONES DEL PANEL DE CONTROL



#### A BOTÓN POWER (enc./apag.)

Presione este botón para ENCENDER la secadora. Púlselo de nuevo para APAGAR la secadora.

**NOTA:** al presionar el botón Power durante un ciclo, cancelará dicho ciclo y cualquier ajuste de carga se perderá.

#### B MANDO DEL SELECTOR DE CICLO

El MANDO DEL SELECTOR DE CICLO se utiliza para seleccionar el ciclo de secado deseado girándolo en cualquier sentido hasta que el LED ilumine dicho ciclo. Una vez seleccionado el ciclo que desea, se mostrarán en pantalla los preajustes estándar para dicho ciclo. Estos ajustes pueden cambiarse utilizando los botones modificadores de ciclo o de opción en cualquier momento antes de que el ciclo comience. (Consulte los ajustes permitidos en la guía de ciclos de la *página 57*. Para proteger sus tejidos, no se permiten todos los ajustes en todos los ciclos).

#### C BOTÓN START/PAUSE

Presione el botón START/PAUSE para que comience el ciclo. La pantalla cambiará y la secadora mostrará el tiempo restante estimado (SECADO POR SENSOR) o ajustado (SECADO MANUAL) y comenzará. Para pausar el ciclo en cualquier momento, abra la puerta de la secadora o presione el botón PAUSE. Para reanudar el ciclo desde el punto en que fue detenido, presione de nuevo el botón START/PAUSE.

**NOTA:** Si la secadora ha sido detenida durante más de 4 minutos, se apagará automáticamente.

#### D BOTONES DE OPCIÓN

Los botones de opción le permitirán seleccionar opciones adicionales para el ciclo. Los controles se pueden bloquear o desbloquear manteniendo presionado el botón Control Lock durante 5 segundos. Las opciones MORE TIME y LESS TIME (más tiempo y menos tiempo) no están disponibles para ciclos de secado con sensor. Para obtener más información acerca de las opciones individuales, consulte las siguientes páginas.

#### E BOTONES MODIFICADORES DE CICLO

Utilice estos botones para ajustar las opciones de ciclo que desee para el ciclo seleccionado. Los indicadores luminosos ubicados sobre los botones muestran la selección actual. Consulte la *página 60* para obtener una descripción completa (**NOTA:** ciertos cambios no están permitidos para algunos ciclos).

#### F PANTALLA DE TIEMPO Y ESTADO

La pantalla muestra el tiempo restante estimado y el estado del ciclo. La pantalla también controla el estado de la ventilación y del filtro de pelusas. Consulte la *página 59* para obtener una descripción completa.

#### G FUNCIONES DE VAPOR

La tecnología de vapor permite aplicar en los tejidos un chorro de vapor caliente en remolino para refrescar las prendas y reducir su electricidad estática. Sencillamente seleccione el ciclo STEAM REFRESH o la opción de STATIC SHIELD.

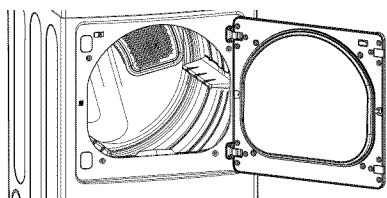
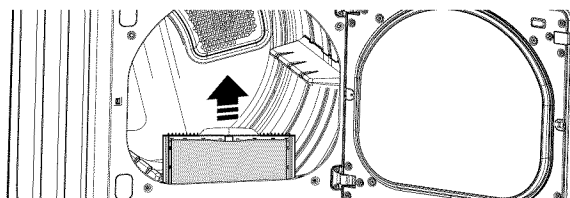
**NOTA:** la opción de static shield no está disponible para todos los ciclos. Consulte la disponibilidad de la función de vapor en la *página 62 ~ 63*.

#### H MI CICLO

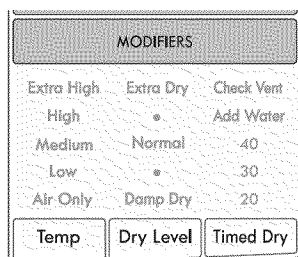
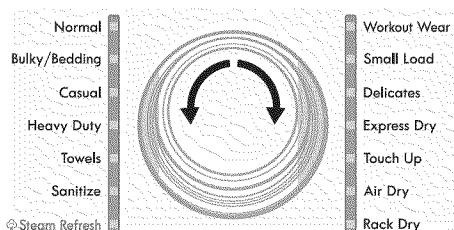
Si utiliza una combinación especial de opciones con frecuencia, puede guardarla como un programa MI CICLO.

# CÓMO USAR

## FUNCIONAMIENTO DE LA SECADORA



POWER



START/PAUSE



### 1 LIMPIAR EL FILTRO DE PELUSAS

Si aún no ha limpiado el filtro de pelusas, extráigalo y elimine las pelusas procedentes de la última carga. Esto le ayudará a asegurarse un funcionamiento más rápido y eficiente de secado.

### 2 CARGAR LA SECADORA

Cargue en la secadora la colada húmeda procedente de la lavadora. Si la carga es muy grande, deberá dividirla en cargas más pequeñas para obtener un buen rendimiento y proteger los tejidos.

### 3 ENCENDER LA SECADORA

Presione el botón POWER para encender la secadora. Si se enciende, los LEDs de ciclo se iluminarán y se emitirá un aviso sonoro. Consulte la página 55.

### 4 SELECCIONAR UN CICLO

Gire el mando del selector de ciclo en cualquier sentido hasta que se ilumine el LED del ciclo que desee. Se mostrarán los ajustes preestablecidos de temperatura, nivel de secado y opción para este ciclo. (El ciclo RETOCAR se selecciona presionando el botón TOUCH UP situado a la izquierda). Consulte la página 57.

### 5 SELECCIONAR LOS MODIFICADORES DE CICLO

Los ajustes predeterminados para el ciclo seleccionado podrán cambiarse ahora si lo desea. Esto puede llevarse a cabo utilizando los botones modificadores de ciclo tal y como se muestra en la página 60 (temperatura, nivel de secado, tiempo de secado y aviso sonoro).

**NOTA:** No todas las opciones ni modificadores están disponibles para todos los ciclos.

### 6 SELECCIONAR LAS OPCIONES DE CICLO

Las opciones de ciclo pueden añadirse utilizando los botones de opción tal y como se muestra en la página 61 ~ 62 (wrinkle guard, control lock y static shield) (anti-arrugas, bloqueo de controles y anti-estática).

**NOTA:** No todas las opciones ni modificadores están disponibles para todos los ciclos.

### 7 INICIAR EL CICLO

Presione el botón START/PAUSE para que comience el ciclo. El ciclo puede ser pausado en cualquier momento abriendo la puerta o presionando el botón START/PAUSE. Si no vuelve a iniciarse el ciclo tras 4 minutos, la secadora se apagará y los ajustes del ciclo se perderán.

### 8 FIN DEL CICLO

Al finalizar el ciclo, si lo tiene ajustado, oirá un aviso sonoro. Retire inmediatamente sus prendas de la secadora para reducir las arrugas. Si tiene seleccionada la función anti-arrugas, la secadora voltará brevemente la carga cada pocos minutos para ayudar a prevenir la aparición de arrugas en sus prendas.



# CÓMO USAR

## GUÍA DE CICLOS

La siguiente guía de ciclos muestra las opciones y los tipos de tejidos recomendados para cada ciclo.

● = opción disponible ■ = ajuste predeterminado

\* Nota : El tiempo predeterminado y real variarán dependiendo del tamaño de la carga y su contenido de humedad.

			Modificadores				Opciones		
Tipo	Ciclo	Tipo de tejido	Temperatura	Nivel de secado	Tiempo en min.	Más tiempo / Menos tiempo	Antiarrugas	Señal seco húmedo	Antiestática
SECADO CON SENSOR	Refresco por vapor	Comforter, shirts, Trousers 1 - 5 garments (No utilizar para prendas delicadas)	Alta	Desac	20	●	●		●
			Ajustable		Ajustable				
	NSF Desinfección	Comforter, Bedding, Children's clothing, etc.	Muy alta	Extra Seco	70		●		
	TOALLAS	Prendas vaqueras, toallas, algodón resistente.	Alta	Normal	55		●	●	●
				Ajustable					
	Gran carga	Vaqueros, prendas pesadas	Muy alta	Normal	54		●	●	●
				Ajustable					
	Ropa informal	Prendas de planchado permanente y sintéticas	Baja	Normal	36		●	●	●
				Ajustable					
Prendas voluminosas / Ropa de cama	Colchas, almohadas, camisas	Media	Normal	55				●	
			Ajustable						
Normal	Ropa de trabajo, etc.	Media	Normal	41		●	●	●	
			Ajustable						
Ropa de ejercicio	Ropa de ejercicio	Desac	Desac	27		●		●	
Cargas pequeñas	Sólo tejidos normales y de algodón / toallas (3 libras máx.).	Muy alta	Normal	30		●			
			Ajustable						
Prendas delicadas	Ropa interior, sábanas, blusas	Baja	Normal	32		●	●	●	
			Ajustable						
SECADO MANUAL	Secado rápido	Para cargas pequeñas	Muy alta	Desac	25	●	●		●
			Ajustable		Max 99				
	Retocar	Para eliminar pequeñas arrugas	Alta	Desac	20	●	●		●
			Ajustable		Max 99				
Secado con aire	Para prendas que deben secarse sin calor, como plásticos o goma	Sólo aire	Desac	30	●	●			
				Max 99					
Secado con bandeja	jerséis de lana, seda, lencería	Desac	Desac	50	●				
		Sólo aire, Baja		Max 99					

### Ciclos de secado por sensor

Los ciclos de secado por sensor utilizan un sensor que detecta los niveles de humedad en las prendas y ajusta el tiempo de secado necesario para obtener resultados superiores. La secadora ajusta automáticamente el nivel de secado y la temperatura en los valores recomendados para cada ciclo.

NOTA: para proteger sus prendas, no todos los niveles de secado, temperatura y opciones están disponibles para todos los ciclos.

### Ciclos de secado manual

Utilice los ciclos de secado manual para seleccionar un tiempo y temperatura de secado específicos. Al seleccionar el ciclo de secado manual, la pantalla de TIEMPO RESTANTE ESTIMADO muestra el tiempo restante real para su ciclo. Puede cambiar el tiempo real para el ciclo presionando los botones MORE TIME o LESS TIME (más tiempo o menos tiempo). Mantenga presionado los botones MORE TIME o LESS TIME para cambiarlo rápidamente.

### NSF CERTIFICADO POR NSF

NSF International (anteriormente, National Sanitation Foundation, Fundación Nacional de Saneamiento), certifica que el ciclo de desinfección SANITIZE reduce el 99,9% de las bacterias presentes en la colada, y que no se transmitirá ninguna bacteria en la siguiente carga.

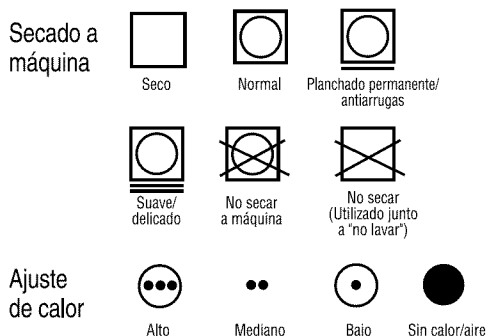
## CÓMO USAR

**! ADVERTENCIA:** para reducir el riesgo de incendio, descarga eléctrica o lesiones físicas, lea completamente este manual, incluyendo las instrucciones importantes de seguridad, antes de poner en funcionamiento esta secadora.

### CLASIFICACIÓN DE CARGAS

#### Etiquetas de prendas delicadas

La mayoría de las etiquetas de las prendas incluyen instrucciones para sus cuidados específicos.



#### Agrupación de prendas similares

Para obtener los mejores resultados, clasifique las prendas en cargas que puedan secarse mediante el mismo ciclo de secado.

Los distintos tejidos precisan diferentes cuidados y algunos se secarán más rápidamente que otros. Para obtener los mejores resultados, seque siempre juntos los tejidos que requieran cuidados similares.

### CARGA DE LA SECADORA

**! ADVERTENCIA:** a fin de reducir el riesgo de incendio, descargas eléctricas o lesiones a terceros durante el uso de este electrodoméstico, siga las precauciones básicas de seguridad, incluidas las expuestas a continuación:

- **Compruebe todos los bolsillos para asegurarse de que están vacíos. ¡Artículos como clips, bolígrafos, monedas y llaves pueden dañar tanto su secadora como sus prendas. Los objetos inflamables como mecheros o cerillas pueden prenderse y provocar un incendio.** No hacerlo podría conllevar riesgos de explosión, incendio o, incluso, peligro de muerte.
- **No seque nunca prendas de hayan estado expuestas a aceite, gasolina u otras sustancias inflamables. El lavado de las prendas no eliminará completamente la presencia de residuos de aceite.** No acatar esta advertencia puede provocar incendios o, incluso, peligro de muerte.

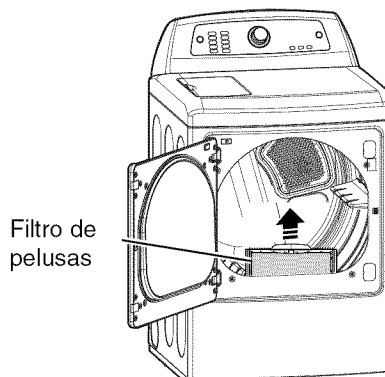
#### Consejos útiles de carga

- Mezcle prendas grandes y pequeñas en la misma carga.
- Las prendas húmedas aumentarán su volumen al secarse. No cargue en exceso la secadora: las prendas requieren espacio para secarse a máquina adecuadamente.
- Cierre cremalleras, broches y cordones para evitar enganches o enredos en otras prendas.

### COMPROBAR EL FILTRO DE PELUSAS ANTES DE CADA CARGA

Asegúrese siempre de que el filtro de pelusas está limpio antes de secar una nueva carga; un filtro de pelusas obstruido incrementará los tiempos de secado. Para limpiarlo, tire del filtro hacia arriba y elimine cualquier pelusa adherida al filtro con los dedos. No enjuague ni lave el filtro para eliminar la pelusa. Presione firmemente el filtro de pelusas para devolverlo a su lugar. Consulte la sección "Limpieza regular" en la *página 64* para obtener más información.

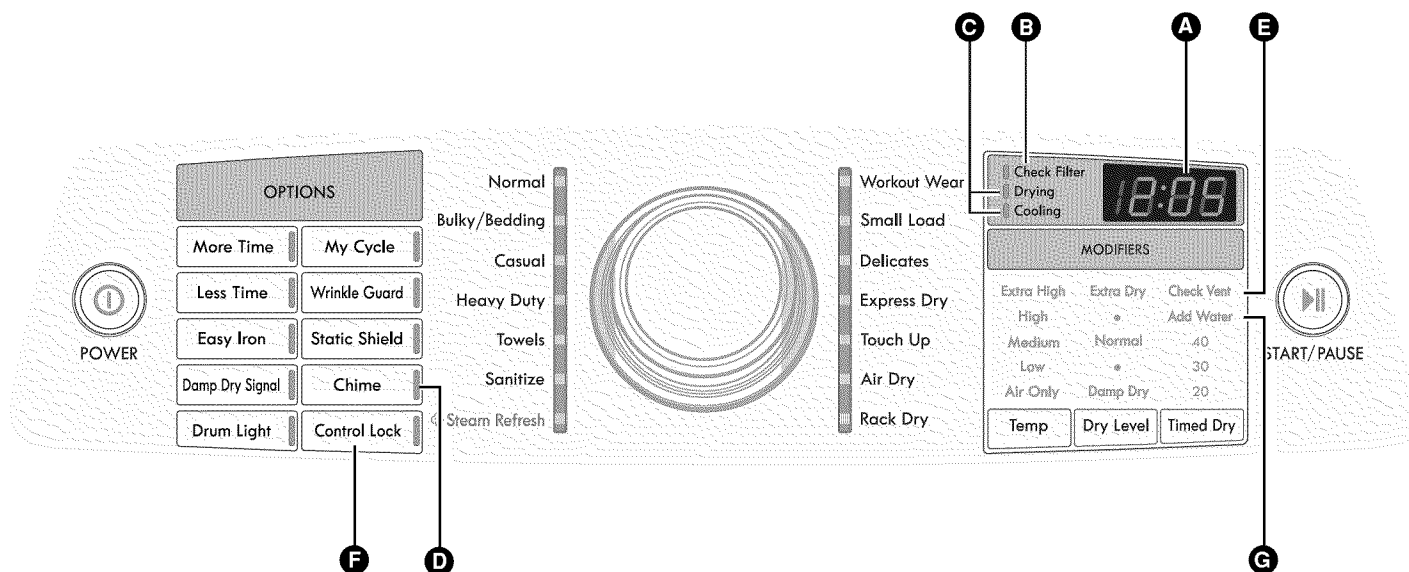
Asegúrese siempre de que el filtro de pelusas está instalado correctamente antes de poner la secadora en funcionamiento. Poner la secadora en funcionamiento sin el filtro de pelusas o con holgura en el mismo, podría dañar la secadora y las prendas que contiene.



## CÓMO USAR

### PANTALLA DE TIEMPO Y ESTADO

La pantalla de tiempo y estado muestra el tiempo restante estimado, el proceso del ciclo y el estado de ventilación. Al encender la secadora, la pantalla se iluminará.



#### **A** TIEMPO RESTANTE ESTIMADO

Al seleccionar un ciclo, la pantalla indicará el tiempo predeterminado para dicho ciclo. Una vez comenzado el ciclo, se mostrará el tiempo estimado. El tiempo estimado podría variar durante el ciclo dependiendo de las condiciones de carga de la secadora.

#### **B** INDICADOR DEL FILTRO DE PELUSAS

La secadora detecta automáticamente reducciones en el flujo de aire provocadas por un filtro de pelusas lleno. El indicador de control del filtro de pelusas se iluminará antes de cada carga como recordatorio para comprobar el filtro antes de iniciar cada carga. Para obtener la máxima eficacia. Limpie siempre el filtro de pelusas antes de cada ciclo.

#### **C** INDICADOR DE ESTADO DEL CICLO

Esta sección de la pantalla muestra el estado del ciclo en curso (DRYING o COOLING) (Secado o enfriamiento).

#### **D** CHIME (aviso sonoro)

Ajusta el volumen del aviso sonoro o lo desactiva. Presione repetidamente el botón hasta que la pantalla muestre el volumen deseado.

#### **E** INDICADOR DE CONTROL DE VENTILACIÓN (SISTEMA DE DETECCIÓN DE BLOQUEO DEL CONDUCTO)

El sistema de detección de bloqueo del conducto CHECK VENT detecta y le alerta sobre la existencia de bloqueos en el sistema de evacuación que reduzcan el flujo de evacuación de la secadora. Estas luces no indican problema alguno en su secadora. Si las luces parpadean, indican que el sistema de evacuación de su vivienda presenta una limitación grave, no cubierta por la garantía de su secadora.system serviced. Llame al 1-800-4-MY-HOME® para obtener información sobre limpieza de conductos de servicios ofrecidos a través de Sears.

#### **F** INDICADOR DE BLOQUEO DE CONTROLES

Al activar el bloqueo de controles, aparecerá el indicador correspondiente y todos los botones quedarán deshabilitados. Esto evita que los niños cambien los ajustes mientras la secadora está en funcionamiento.

#### **G** INDICADOR AÑADIR AGUA

Si el alimentador de vapor dispone de poca agua, el indicador ADD WATER parpadeará y el ciclo quedará cancelado. Rellene el alimentador de vapor y, a continuación, reinicie el ciclo. Consulte la página 63 para obtener información relativa al llenado del alimentador de vapor.

# CÓMO USAR

## BOTONES MODIFICADORES DE CICLO

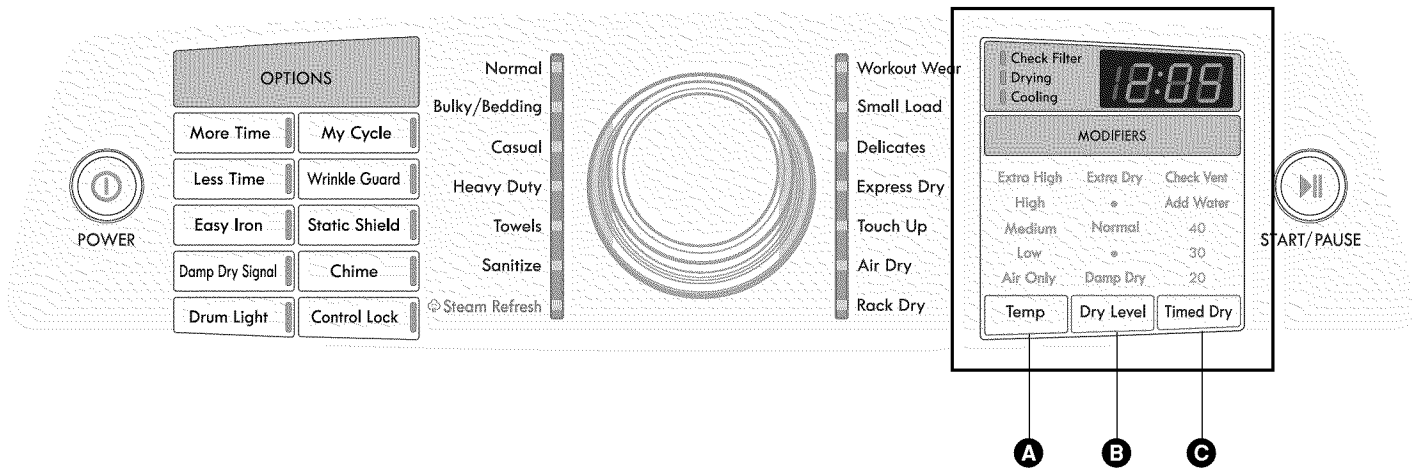
Cada ciclo dispone de ajustes predeterminados que son seleccionados automáticamente. También puede personalizar estos ajustes utilizando los botones modificadores de ciclo.

Los ciclos de SECADO POR SENSOR están diseñados para el cuidado específico de ciertos tejidos y cargas. Por lo tanto, no todos los ajustes están disponibles para todos los ciclos. Consulte la página 52 para obtener más información.

Los ciclos de SECADO MANUAL disponen de ajustes predeterminados, pero también pueden cambiarse utilizando los botones modificadores de ciclo.

Presione el botón para activar el modificador que desee hasta que se ilumine el indicador del valor deseado.

**NOTA:** para proteger sus prendas, no todos los niveles de secado, temperatura y opciones están disponibles para todos los ciclos. Consulte la Guía de ciclos en la página 57 para obtener más información.



### A TEMP

Ajusta la temperatura entre Air Only(Sólo aire) y Extra High(Muy alta). Esto permite un cuidado preciso de sus prendas y tejidos. Presione repetidamente el botón TEMP para desplazarse entre los ajustes disponibles.

### B DRY LEVEL (nivel de secado)

Selecciona el nivel de secado para el ciclo. Presione repetidamente el botón DRY LEVEL para desplazarse entre los ajustes disponibles. Utilice este botón para ajustar el tipo de secado que prefiera para la carga.

- Esta opción no está disponible para los ciclos de SECADO MANUAL.
- La secadora ajustará automáticamente el tiempo de duración del ciclo. Seleccionar EXTRA DRY o MORE DRY (muy seco o más seco incrementará el tiempo de duración del ciclo, mientras LESS DRY o DAMP DRY (menos seco o seco húmedo) lo reducirá.
- Utilice los ajustes LESS DRY o DAMP DRY (menos seco o seco húmedo) para prendas que desee planchar o colgar para acabar de secar.

### C TIMED DRY (tiempo de secado)

Le permite seleccionar manualmente el tiempo de secado en incrementos de 10 minutos. Utilice este ciclo para cargas pequeñas o para eliminar arrugas. Utilice los botones MORE TIME/LESS TIME (más tiempo/menos tiempo) para aumentar o reducir el tiempo de secado seleccionado en incrementos de 1 minuto.

## OPCIONES DEL CICLO Y FUNCIONES ESPECIALES

Su secadora dispone de opciones de ciclo adicionales de varias funciones, así como de funciones especiales para adaptarse a sus necesidades particulares.

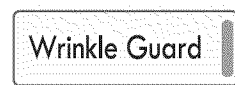
### FUNCIONES DE VAPOR

Todas las funciones de vapor están descritas en las páginas 62 ~ 63.

#### Para añadir opciones a un ciclo:

- 1 Encienda la secadora.
- 2 Gire el mando selector de ciclo para seleccionar el ciclo que desee.
- 3 Presione el botón(es) de opciones de ciclo para añadir la opción que desee.
- 4 Presione el botón START para iniciar el ciclo.

### WRINKLE GUARD (anti-arrugas)



Seleccionar esta opción volteará las prendas durante unos segundos cada pocos minutos sin calentarlas. Esta opción

permanece activa durante 180 minutos una vez finalizado el ciclo o hasta que la puerta sea abierta. Esto ayuda a evitar las arrugas que se producen en las prendas por permanecer en la base del tambor cuando no pueden ser retiradas inmediatamente una vez terminado el ciclo.

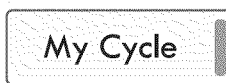
### CONTROL LOCK (bloqueo de controles)



Utilice esta opción para deshabilitar los controles. Esta función le permitirá evitar que los niños cambien los ciclos o pongan en

funcionamiento la máquina. Una vez activada, el BLOQUEO DE CONTROLES debe desactivarse antes de poder utilizar los controles. Una vez apagada la secadora, el botón permitirá encender la máquina, pero los controles continuarán bloqueados. Al bloquear los controles, el mensaje "CL" se alternará en pantalla con el tiempo restante estimado. Mantenga presionado el botón CONTROL LOCK durante 5 segundos para activar o desactivar los controles.

### MY CYCLE (mi ciclo)



Si utiliza una combinación especial de opciones con frecuencia, puede guardarla como un programa MI CICLO.

### DRUM LIGHT (luz del tambor)



Para ver el interior del tambor durante el ciclo, seleccione la función Luz del tambor. Le permite observar el ciclo de secado. La luz

del tambor se enciende al pulsar el botón LUZ DEL TAMBOR.

### SANITIZE CYCLE (desinfección)

El ciclo SANITIZE está diseñado para eliminar las bacterias de sus prendas. Al seleccionar este ciclo, la temperatura se ajusta en ALTA y el nivel de humedad en MUY SECO. Estos ajustes predeterminados no pueden cambiarse.

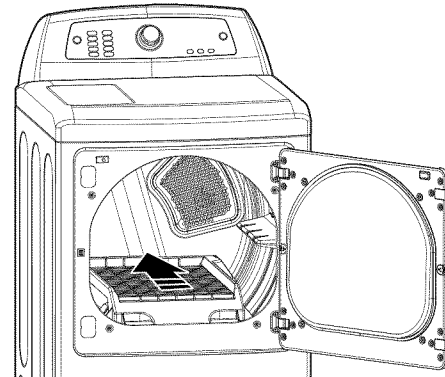
#### NOTA:

- NO utilice este ciclo con prendas o tejidos delicados.
- No se puede añadir vapor al ciclo de desinfección.

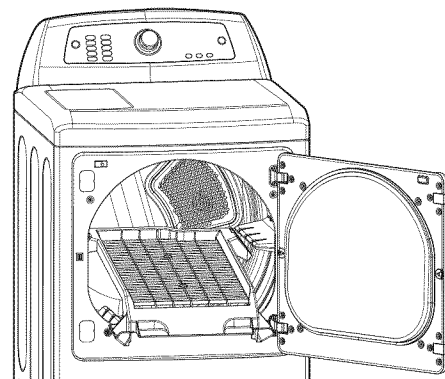
### RACK DRY CYCLE (secado con bandeja)

El ciclo RACK DRY está diseñado para secar con cuidado prendas que no pueden voltearse en la secadora, como jerséis, pieles, zapatillas de deporte, etc. Este ciclo aplica calor moderadamente para evitar calentar en exceso las prendas, ya que no se pueden voltear.

**NOTA:** No utilice ningún ciclo salvo RACK DRY cuando esté utilizando la bandeja.



- 1 Con la puerta de la secadora abierta, deslice la bandeja hasta el interior del tambor de la secadora.



- 2 Asegúrese de que la parte frontal de la bandeja asiente correctamente en el hueco del alojamiento del filtro de pelusas situado en el frente de la secadora. Las dos pestañas posteriores de la bandeja deben apoyarse sobre la pared trasera, encima del tambor.
- 3 Coloque las prendas ha secar sobre la bandeja. Asegúrese de que no cuelgue de los bordes de la bandeja ninguna parte de las prendas, ya que podría ponerse en contacto con el tambor giratorio provocando ruidos y daños en el tambor o en las prendas.

**NOTA:** Asegúrese de retirar la bandeja de secado tras utilizar el ciclo RACK DRY.

## FUNCIONES DE VAPOR

### ⚠ ADVERTENCIA:

- No abra la puerta de la secadora durante los ciclos de vapor. El vapor puede provocar quemaduras graves.
- No rellene el alimentador de vapor con gasolina, disolventes de limpieza en seco u otras sustancias inflamables o explosivos. Éstas desprenden vapores que podrían explotar.
- No beba agua procedente del alimentador de vapor.
- No rellene el alimentador de vapor con agua caliente (por encima de los 86° F/30° C)
- No toque la boquilla de vapor ubicada en el tambor durante o tras el ciclo de vapor.

### ACERCA DEL VAPOR

La tecnología de vapor permite aplicar en los tejidos un chorro de vapor caliente en remolino para eliminar las arrugas y desodorizar las prendas mediante el ciclo STEAM REFRESH (refresco por vapor). Además, el vapor puede utilizarse en muchos otros ciclos para ayudar a prevenir la acumulación de electricidad estática al final del ciclo.

El ciclo STEAM REFRESH refrescará entre 1 y 5 prendas. Para obtener los mejores resultados, utilice este ciclo en prendas de tamaño y tejido similares. Los mejores resultados se obtienen en prendas con mezcla 70/30 de algodón/poliéster.

### Utilización del ciclo STEAM REFRESH (refresco por vapor)

El ciclo STEAM REFRESH utiliza únicamente el poder del vapor para reducir de forma rápida las arrugas y el olor de los tejidos. Deja como nuevas prendas arrugadas guardadas durante mucho tiempo y permite un planchado más sencillo de prendas muy arrugadas. El ciclo STEAM REFRESH también puede utilizarse para ayudar a reducir olores en las prendas, como la ropa que ha estado expuesta a espacios de fumadores. Este ciclo puede refrescar entre 1 y 5 prendas o una prenda voluminosa como una colcha. Los mejores resultados se obtienen en prendas mezcla de algodón/poliéster.

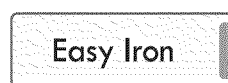
**NOTA:** la opción STATIC SHIELD (anti-estática) puede utilizarse junto con el ciclo STEAM REFRESH (refresco por vapor) para ayudar a prevenir la electricidad estática.

- 1 Encienda la secadora y gire el mando selector de ciclo hasta seleccionar STEAM REFRESH.
- 2 Si lo desea, seleccione la opción STATIC SHIELD.
- 3 El número predeterminado de prendas es 3. Presione el botón MORE TIME o LESS TIME para seleccionar el número de prendas que contiene la carga. Seleccione **5** (big) para refrescar prendas voluminosas como colchas.
- 4 Presione el botón START/PAUSE para iniciar el ciclo.

### Utilización de la opción STATIC SHIELD (anti-estática)



Esta opción inyecta vapor al final del ciclo de secado para reducir la electricidad estática generada por el roce de tejidos secos. Cambie el tiempo de duración del ciclo presionando los botones MORE TIME y LESS TIME (más tiempo y menos tiempo) hasta que la pantalla muestre el número de prendas que conforman la carga.



La opción PLANCHADO FACIL (EASY IRON) deja las telas adecuadamente húmedas para planchado, lo que puede ahorrar tiempo y facilitar el planchado. Modifique el tiempo del ciclo presionando el botón MÁS TIEMPO (MORE TIME) o MENOS TIEMPO (LESS TIME). La pantalla muestra la cantidad de prendas recomendadas, por ejemplo, 1, 2, 3, 4 o 5.

La opción STATIC SHIELD (anti-estática) puede utilizarse con los ciclos STEAM REFRESH, HEAVY DUTY, NORMAL, CASUAL, DELICATES, EXPRESS DRY, TOUCH UP and TIMED DRY (refresco por vapor, gran carga, prendas voluminosas/ropa de cama, normal, ropa de ejercicio, ropa informal, prendas delicadas, secado rápido, retocar y tiempo de secado).

### NOTAS:

- Al añadir la opción STATIC SHIELD a los ciclos de secado con sensor, no pueden seleccionarse los niveles de secado LESS y DAMP.
- La opción STATIC SHIELD puede utilizarse con los ciclos TIMED DRY (tiempo de secado).
- Tras seleccionar la opción STATIC SHIELD en TIMED DRY, los botones MORE TIME y LESS TIME sólo cambiarán el tiempo del vapor.
- Una vez comenzado el ciclo, los botones MORE TIME y LESS TIME quedarán deshabilitados.

### NOTAS IMPORTANTES ACERCA DE LAS FUNCIONES DE VAPOR:

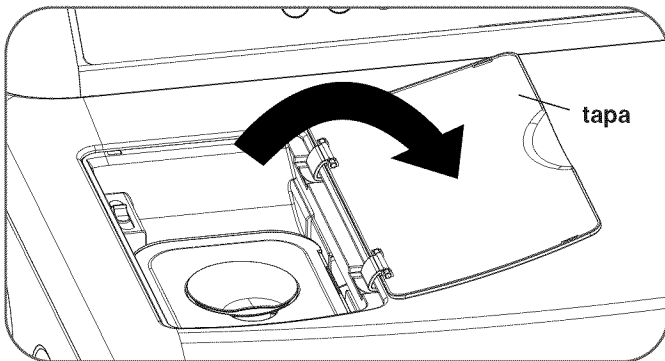
- El vapor podría no ser claramente visible durante las funciones en los que se utiliza. Esto se considera normal.
- No utilice el ciclo Steam Refresh con prendas como jerséis de lana, chaquetas de cuero, seda, prendas mojadas, lencería, productos de espuma o mantas eléctricas.
- Para obtener los mejores resultados, introduzca prendas de tamaño y tejido similares. No sobrecargue la máquina.
- Cuando el filtro/conducto está obstruido, las funciones de vapor podría no proporcionar resultados óptimos.
- Cuando una función de vapor esté en uso, el tambor se detendrá para permitir que el vapor permanezca dentro.
- El alimentador de vapor debe rellenarse con agua hasta la línea de nivel MÁX. De lo contrario, aparecerá un mensaje de error en pantalla.
- Si el conducto de evacuación está restringido o el filtro de pelusas no está limpio, las funciones de vapor podrían no proporcionar los resultados adecuados. Consulte las páginas 50 y 51 para obtener los requisitos de ventilación.

## CÓMO USAR

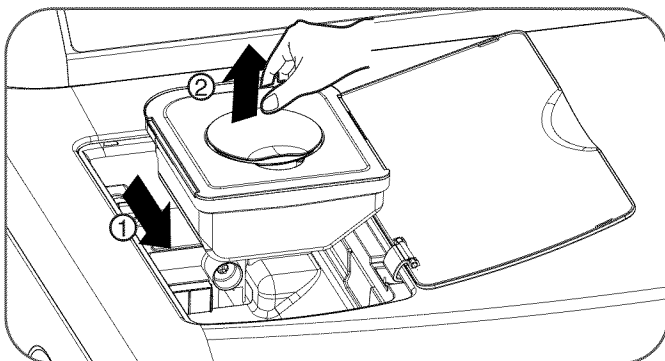
### FUNCIONES DE VAPOR

#### Para rellenar el alimentador de vapor

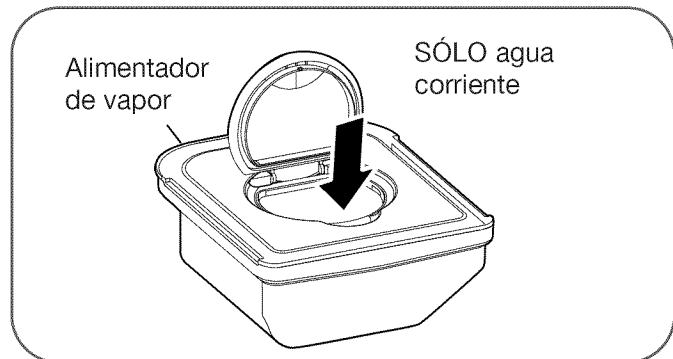
- 1 Tire del compartimento.



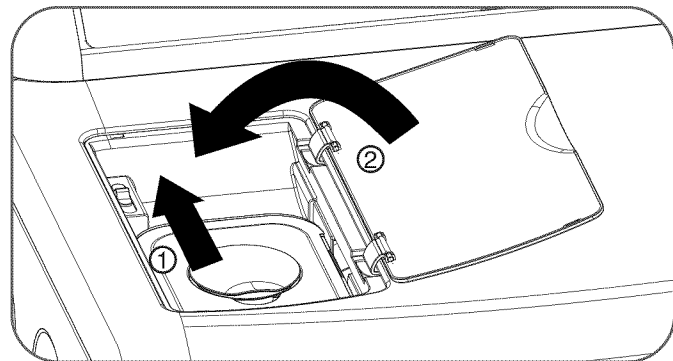
- 2 Extraiga el alimentador de vapor.



- 3 Rellene con agua el alimentador de vapor hasta la línea de nivel MÁX.



- 4 Coloque el alimentador de vapor en su compartimento y, a continuación, empújelo hasta que haga tope en su posición.



ESPAÑOL

### NOTAS IMPORTANTES ACERCA DE LOS CICLOS DE VAPOR

Check Vent

Add Water

40

30

20

Timed Dry

Antes de utilizar un ciclo de vapor, el alimentador de vapor debe rellenarse con agua hasta la línea de nivel MÁX. Si no lo hace, parpadeará el indicador ADD WATER (añadir agua). Asegúrese de que el alimentador de vapor esté lleno de agua y su compartimento cerrado por completo. Apague la secadora y reinicie el ciclo de vapor. Al utilizar el vapor por primera vez, es posible que el alimentador de vapor no disponga de agua suficiente y el indicador ADD WATER se ilumine. Rellene el alimentador y reinicie el ciclo.

- Utilice sólo agua. No llene el alimentador de vapor con sustancias extrañas, agentes de aclarado o detergentes.
- Antes de desplazar la secadora, asegúrese de que el alimentador de vapor esté vacío.
- No utilice agua destilada; el sensor de nivel de agua del generador de vapor no funcionará.
- Tenga cuidado al colocar el alimentador de vapor; el agua podría derramarse.
- Seque cualquier derrame de agua que encuentre alrededor del alimentador de vapor y de su compartimento antes de poner en funcionamiento la secadora.

### ⚠ ADVERTENCIA:

- No rellene el alimentador de vapor con líquidos como gasolina, disolventes de limpieza en seco u otras sustancias inflamables o explosivas. Éstas desprenden vapores que podrían explotar.
- No rellene el alimentador de vapor con agua caliente (por encima de los 86° F/30° C).
- No beba agua procedente del alimentador de vapor.

## INSTRUCCIONES DE MANTENIMIENTO PARA EL USUARIO

**⚠ ADVERTENCIA:** A fin de reducir el riesgo de incendio, descargas eléctricas o lesiones a terceros durante el uso de este electrodoméstico, siga las precauciones básicas de seguridad, incluidas las expuestas a continuación:

- **Desenchufe la secadora antes de proceder a su limpieza para evitar riesgos de descarga eléctrica.** No acatar estas advertencias puede provocar lesiones graves, incendios, descargas eléctricas o, incluso, peligro de muerte.
- **No utilice nunca productos químicos fuertes, limpiadores abrasivos o disolventes para limpiar la secadora.** Dañarán el acabado.

### LIMPIEZA REGULAR

#### Limpieza del exterior

Unos cuidados adecuados prolongarán la vida útil de su secadora. La limpieza exterior de la máquina puede realizarse con agua caliente y un detergente doméstico suave y no abrasivo. Seque inmediatamente cualquier derrame con un paño suave y húmedo.

**IMPORTANTE:** No utilice alcoholes desnaturalizados, disolventes ni productos similares.

No utilice NUNCA estropajos metálicos ni limpiadores abrasivos; pueden dañar la superficie.

#### Limpieza del interior

Seque el contorno del hueco y la junta de la puerta con un paño suave y húmedo para eliminar las acumulaciones de pelusas y polvo que podrían dañar la junta de la puerta.

Limpie el cristal de la puerta con un paño suave humedecido en agua caliente y un detergente doméstico neutro no abrasivo; a continuación séquelo.

No utilice NUNCA estropajos metálicos ni limpiadores abrasivos; pueden arañar o dañar la superficie.

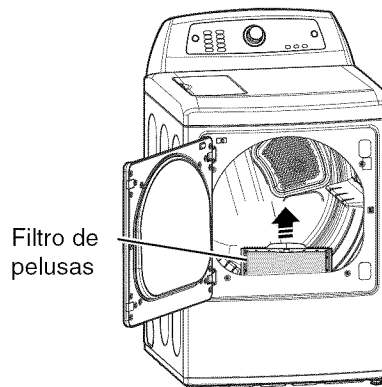
#### Limpieza alrededor y bajo la secadora

Aspire regularmente las pelusas y el polvo de los alrededores y debajo de la secadora.

#### Mantenimiento de los conductos

Debe comprobarse el conducto de ventilación en busca de acumulaciones de pelusa y limpiarlo al menos una vez al año. Si se produce cualquier reducción apreciable en el rendimiento del secado, compruebe los conductos en busca de obstrucciones y bloqueos. Si se ilumina el indicador CHECK VENT, debe comprobarse inmediatamente la existencia de daños u obstrucciones en el sistema de ventilación. El indicador CHECK VENT indica una reducción grave en la ventilación del flujo de aire que reducirá drásticamente el rendimiento energético y aumentará los tiempos de secado. Los sistemas de ventilación dañados o restringidos no quedan cubiertos por la garantía de la secadora. Los daños ocasionados en la secadora derivados de sistemas de ventilación dañados, restringidos o inadecuados de cualquier otra forma, no quedan cubiertos por la garantía de la unidad.

#### Limpieza del filtro de pelusas

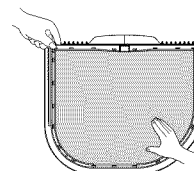


Asegúrese SIEMPRE de que el filtro de pelusas esté limpio antes de cada ciclo. El indicador de control del filtro de pelusas en el panel de control parpadeará antes de cada ciclo para recordárselo.

**NOTA:** No utilice NUNCA la secadora sin el filtro de pelusas instalado.

#### Para eliminar las pelusas entre ciclos:

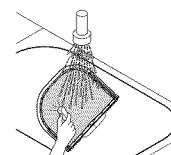
- 1 Abra la puerta de la secadora.



- 2 Tire hacia arriba del filtro de pelusas. A continuación:
- 3 Elimine los restos de pelusa del filtro con los dedos.

#### Limpieza exhaustiva periódica:

Con el paso del tiempo, cierto tipo de suavizantes pueden acumularse en el filtro de pelusas. Dichas acumulaciones pueden restringir el flujo de aire a través del filtro, reduciendo el rendimiento de la secadora y alargando los tiempos de secado. Si el filtro presenta un aspecto oscuro o sucio al trasluz, siga los pasos expuestos a continuación para limpiarlo:



- 1 Utilice agua caliente jabonosa y un cepillo duro para limpiar el filtro.
- 2 Asegúrese de que el filtro está completamente seco antes de volver a instalar y utilizar la secadora.

64 **NOTA:** No utilice NUNCA la secadora con un filtro de pelusas mojado.



# GUÍA DE SOLUCIÓN DE PROBLEMAS

## ANTES DE SOLICITAR ASISTENCIA TÉCNICA (cont.)

### COMPRUEBE SI EL INDICADOR DE VENTILACIÓN ESTÁ PARPADEANDO

Compruebe si...

Entonces:

El conducto tiene demasiada longitud o demasiados cambios de dirección/restricciones.	Instale un conducto con un recorrido más corto o recto. Consulte las instrucciones de instalación para obtener más detalles.
Existen bloqueos en el conducto por acumulaciones de pelusas u otros productos extraños.	El conducto debe comprobarse/limpiarse inmediatamente. La secadora puede utilizarse en estas condiciones, pero los tiempos de secado serán mayores y aumentará el consumo eléctrico.  * Esta luz de advertencia no indica un fallo en la secadora y no queda cubierto por la garantía de la máquina. Póngase en contacto con el servicio técnico de limpieza de conductos para concertar una cita y limpiar e inspeccionar su sistema de evacuación.

### La secadora no se enciende

Compruebe si...

Entonces:

El cable de alimentación no está enchufado de forma adecuada.	Asegúrese de que el enchufe esté conectado firmemente a una toma de pared con conexión de puesta a tierra que coincida con la placa de especificaciones de la secadora.
Se ha fundido el fusible, ha saltado el disyuntor o se ha producido un corte de suministro eléctrico en la vivienda.	Reinicie el disyuntor o sustituya el fusible. No aumente la capacidad del fusible. Si el problema es una sobrecarga del circuito, hágalo corregir por un electricista cualificado. <b>NOTA:</b> debido al diseño de las secadoras eléctricas, es posible que, en caso de problemas en los circuitos, la secadora eléctrica funcione sin calor.

### La secadora no calienta

Compruebe si...

Entonces:

Se ha fundido el fusible, ha saltado el disyuntor o se ha producido un corte de suministro eléctrico en la vivienda.	Reinicie el disyuntor o sustituya el fusible. No aumente la capacidad del fusible. Si el problema es una sobrecarga del circuito, hágalo corregir por un electricista cualificado.
Suministro o servicio de gas cortado (sólo modelos de gas).	Compruebe que las válvulas de corte de gas de la vivienda y la secadora están abiertas por completo. Aunque la secadora no disponga de suministro de gas, funcionará y no mostrará códigos de error. Compruebe que funcionan con normalidad otros electrodomésticos de la vivienda que utilicen gas.

### Manchas de grasa o suciedad en las prendas

Compruebe si...

Entonces:

Se han secado juntas prendas limpias y sucias.	Utilice su secadora sólo para secar prendas limpias; la ropa sucia puede contaminar prendas limpias introducidas en la misma carga o en cargas posteriores.
Las prendas no estaban limpias y secas antes de introducirlas en la secadora.	Las manchas en prendas secas podrían no haber sido eliminadas durante el proceso de lavado. Asegúrese de que las prendas han sido limpiadas y secadas por completo según las instrucciones de su lavadora y del fabricante del detergente. Ciertas manchas difíciles podrían requerir un tratamiento previo al lavado.

### Electricidad estática excesiva en las prendas tras el secado

Compruebe si...

Entonces:

No se ha utilizado suavizante o se ha usado de forma incorrecta.	Utilice suavizante si dispone de ella, para reducir la electricidad estática. Asegúrese de seguir las instrucciones del fabricante.
Las prendas están secándose demasiado tiempo (secadas en exceso).	Secar excesivamente una carga puede hacer que se acumule en las prendas electricidad estática. Ajuste los valores y utilice tiempos de secado más cortos o ciclos de secado por sensor. Seleccione un ajuste "Less Dry" (menos seco) en los ciclos de secado por sensor si fuese necesario.
Se están secando prendas sintéticas, de planchado permanente o de mezcla sintética.	Estos tejidos son, por naturaleza, más propensos a acumular electricidad estática. Intente utilizar suavizante o utilice la opción LESS DRY (menos seco) y/o un ajuste de tiempo más corto para la función TIMED DRY (tiempo de secado).

# GUÍA DE SOLUCIÓN DE PROBLEMAS

## ANTES DE SOLICITAR ASISTENCIA TÉCNICA

### El tiempo de secado no es consistente

Compruebe si...

Entonces:

<p>Los ajustes de calor, tamaño de la carga o humedad en las prendas no son consistentes.</p>	<p>El tiempo de secado para una carga variará dependiendo del tipo de calor utilizado (eléctrico, gas natural o gas LP), el tamaño de la carga, los tipos de tejidos, la humedad de las prendas y el estado de los conductos de ventilación y del filtro de pelusas. Incluso una carga desequilibrada en el tambor puede ocasionar un centrifugado deficiente que resulte en prendas más húmedas que tardarán más tiempo en secarse.</p>
---	--

### Las prendas tardan mucho en secarse

Compruebe si...

Entonces:

<p>Existen conductos de ventilación bloqueados, sucios o de longitud excesiva.</p>	<p>Asegúrese de que los conductos de ventilación están instalados correctamente y libres de residuos, pelusas y obstrucciones. Asegúrese de que los amortiguadores de la pared exterior pueden abrirse correctamente y no están bloqueados, atascados o dañados.</p>
<p>La carga no ha sido agrupada correctamente.</p>	<p>Separe las prendas pesadas de las ligeras. Las prendas más grandes y pesadas tardan más en secarse. Las prendas ligeras en una carga de prendas pesadas pueden falsear los resultados del sensor, ya que se secan antes.</p>
<p>Se trata de una carga grande de tejidos pesados.</p>	<p>Los tejidos pesados tardan más en secarse debido a que tienden a retener más humedad. Para ayudar a reducir y mantener tiempos de secado más consistentes para tejidos grandes y pesados, divida estas prendas en cargas más pequeñas de un tamaño coherente.</p>
<p>Los controles de la secadora no están ajustados correctamente.</p>	<p>Utilice los ajustes de control adecuados al tipo de carga que está secando. Ciertas cargas pueden requerir un ajuste del nivel de humedad para secarse correctamente.</p>
<p>El filtro de pelusas necesita limpieza.</p>	<p>Elimine las pelusas del filtro antes de cada carga. Tras eliminar la pelusa, sujete el filtro al trasluz para comprobar si está sucio u obstruido. Si parece sucio, siga las instrucciones de limpieza proporcionadas en la página 63. Con ciertas cargas que generan grandes cantidades de pelusa, podría ser necesario pausar el ciclo y limpiar el filtro durante el transcurso del mismo.</p>
<p>Se ha fundido el fusible, ha saltado el disyuntor o se ha producido un corte de suministro eléctrico en la vivienda.</p>	<p>Reinicie el disyuntor o sustituya el fusible. No aumente la capacidad del fusible. Si el problema es una sobrecarga del circuito, hágalo corregir por un electricista cualificado.</p>
<p>La secadora está sobrecargada.</p>	<p>Divida las cargas muy grandes en otras más pequeñas para conseguir mejores rendimientos y eficacia de secado.</p>
<p>La secadora está cargada de forma insuficiente.</p>	<p>Si está secando una carga muy pequeña, añada algunas prendas más para asegurarse un volteo correcto. Si la carga es muy pequeña y está utilizando ciclos de secado por sensor, el control electrónico no detectará correctamente la humedad de la carga y podría finalizar el ciclo demasiado pronto. Utilice la función de secado por temporizador o añada algunas prendas húmedas a la carga.</p>

## GUÍA DE SOLUCIÓN DE PROBLEMAS

### ANTES DE SOLICITAR ASISTENCIA TÉCNICA (cont.)

#### Las prendas están arrugadas

##### Compruebe si...

##### Entonces:

Las prendas están secándose demasiado tiempo (secadas en exceso).	Secar una carga en exceso puede producir arrugas en las prendas. Intente utilizar un tiempo de secado más corto o utilice la opción LESS DRY y retire las prendas mientras aún retienen un poco de humedad.
Las prendas han permanecido en la secadora demasiado tiempo una vez terminado el ciclo.	Utilice la opción WRINKLE GUARD (anti-arrugas). Esta función hará girar brevemente las prendas cada pocos minutos y durante 150 minutos para ayudar a prevenir las arrugas.

#### Las prendas han encogido

##### Compruebe si...

##### Entonces:

Las instrucciones para el cuidado de las prendas no se han tenido en cuenta.	Para evitar que las prendas encojan, siga atentamente las instrucciones relativas al cuidado de sus prendas, ya que ciertos tejidos encojen de forma natural al ser lavados. Otro tipo de tejidos pueden lavarse, pero encogen al secarse a máquina. No use calor o utilice un ajuste menor y/o la función RACK DRY (secado con bandeja) si dispone de ellas.
--	---

#### La pantalla muestra el código de error tE1 ó tE2

##### Compruebe si...

##### Entonces:

La detección de temperatura falla.	Apague la secadora y solicite asistencia técnica.
------------------------------------	---

#### Pelusa sobre las prendas

##### Compruebe si...

##### Entonces:

El filtro de pelusas no se ha limpiado correctamente.	Elimine las pelusas del filtro antes de cada carga. Tras eliminar la pelusa, sujete el filtro al trasluz para comprobar si está sucio u obstruido. Si parece sucio, siga las instrucciones de limpieza proporcionadas en la página 63. Con ciertas cargas que generan grandes cantidades de pelusa, podría ser necesario limpiar el filtro durante el transcurso del ciclo.
Las prendas no se han agrupado correctamente.	Ciertos tejidos producen pelusa (por ejemplo, una toalla de algodón blanco) y deben secarse separadas de otras que tienen facilidad para atraparla (por ejemplo, unos pantalones de lino negro).
Las prendas acumulan un exceso de electricidad estática.	<ul style="list-style-type: none"> <li>Utilice suavizante para reducir la electricidad estática. Asegúrese de seguir las instrucciones del fabricante.</li> <li>Secar excesivamente una carga puede hacer que se acumule en las prendas electricidad estática. Ajuste los valores y utilice tiempos de secado más cortos o ciclos de secado por sensor.</li> </ul>
La secadora está sobrecargada.	Divida las cargas muy grandes en otras más pequeñas para secarlas.
Ha olvidado pañuelos de papel, papel, etc. en los bolsillos.	Busque a fondo en los bolsillos antes de proceder al lavado o secado de las prendas.

## GUÍA DE SOLUCIÓN DE PROBLEMAS

### ANTES DE SOLICITAR ASISTENCIA TÉCNICA (cont.)

#### Las funciones de vapor no están operativas

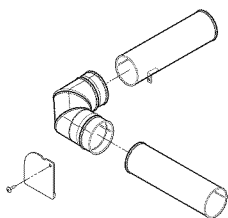
Compruebe si...

Entonces:

<p>No se genera vapor y la pantalla no muestra códigos de error.</p>	<p>Compruebe si se produce condensación en el interior de la puerta durante la vaporización del ciclo. El vapor no resulta claramente visible. Esto se considera normal. Compruebe el compartimento del alimentador de vapor: (1) Asegúrese de que el alimentador de vapor está lleno de agua hasta la línea de nivel MAX. (2) Asegúrese de que el alimentador de vapor esté asentado correctamente y que su compartimento esté cerrado por completo. (3) Encienda y apague la secadora; a continuación, reinicie el ciclo de vapor. <b>NO UTILICE AGUA DESTILADA:</b> los sensores de nivel de agua del generador de vapor no funcionarán. La bomba del alimentador de vapor no funciona: solicite asistencia técnica.</p>
<p>Las prendas siguen estando arrugadas al terminar el ciclo STEAM REFRESH (refresco por vapor).</p>	<p>Cargue únicamente entre 1 y 5 prendas (excepto prendas voluminosas individuales). No mezcle distintos tejidos. El ciclo STEAM REFRESH es más eficaz en tejidos con mezcla 70/30 de algodón/poliéster. No utilice prendas de algodón 100%.</p>
<p>No existen arrugas en las prendas tras utilizar el ciclo STEAM REFRESH.</p>	<p>Este ciclo está diseñado para eliminar las arrugas. Si, tras el ciclo STEAM REFRESH, desea crear rayas o marcas en sus prendas, deberá plancharlas para que así sea.</p>
<p>Existen gotas de agua en la puerta durante los ciclos de vapor.</p>	<p>El vapor es invisible. Sin embargo, bajo ciertas condiciones, la nube condensada puede verse o puede formarse condensación en el interior del cristal de la puerta.</p>
<p>El tambor no gira durante los ciclos de vapor.</p>	<p>El tambor se detiene para que el vapor permanezca en el mismo. El tambor girará sólo durante unos segundos cada minuto.</p>
<p>No puede verse el vapor al comienzo del ciclo.</p>	<p>El vapor se libera en distintos períodos del ciclo para cada opción. El vapor no puede verse, pero podría formarse condensación en el interior de la puerta al generarse vapor.</p>
<p>El vapor se libera en distintos períodos del ciclo para cada opción.</p>	<p>Algunos olores son difíciles de eliminar. Los tejidos que contengan ciertos olores difíciles de eliminar o muy fuertes, podrían no refrescarse correctamente y requerir ser lavadas o limpiadas en seco.</p>

## ACCESORIOS OPCIONALES

### ACCESORIOS OPCIONALES



Utilice el kit de ventilación lateral para ventilar directamente desde cualquiera de los lados o desde la base.

Kit # D26-49670

**NOTA:** No esta disponible ventilacion lateral en los modelos a.



Utilice el KIT DE ADAPTACIÓN A LP para cambiar las conexiones de gas de la secadora de Gas natural (NG) a Gas propano licuado (LP).

Part# 383EEL3002D

**NOTA:** la instalación del kit de adaptación a LP debe realizarla un profesional de servicio cualificado.

## INSTALACIÓN DEL KIT DE VENTILACIÓN LATERAL

### Listado de piezas

Las siguientes piezas están incluidas con el pedestal.

- Salida del conducto (A) (ventilador – codo)
- Codo del conducto
- Salida del conducto (B) (codo - salida)
- Tapa de cubierta
- Instrucciones de instalación
- Tornillo

### Herramientas necesarias

Son necesarias las siguientes herramientas para llevar a cabo la instalación.

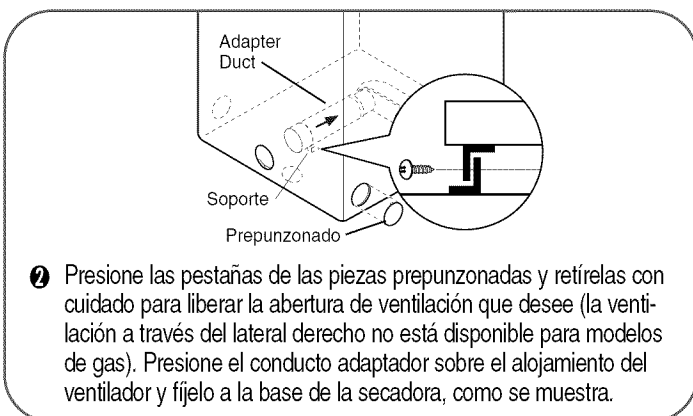
- 1 destornillador Phillips nº 2
- 1 llave de ajuste para ajustar los pies de nivelación (incluida)

### Opción 1: ventilación lateral

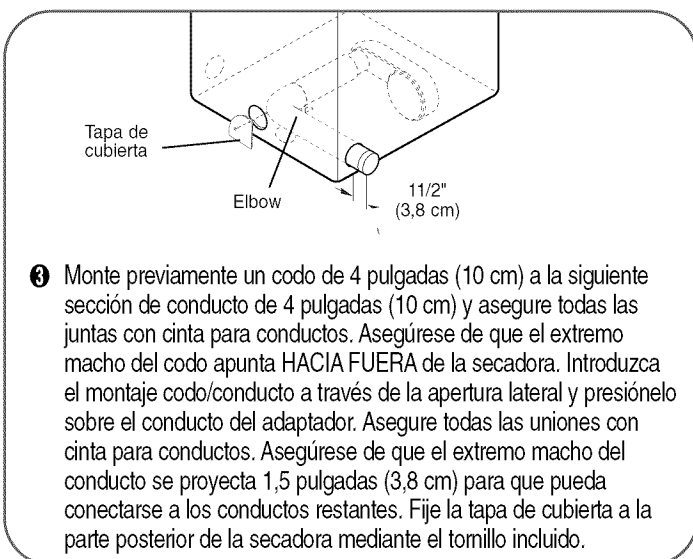
(las secadora de gas sólo pueden ventilarse por el lateral izquierdo).



- 1 Extraiga el tornillo de retención del conducto de evacuación posterior. Extraiga el conducto de evacuación.



- 2 Presione las pestañas de las piezas prepunzonadas y retírelas con cuidado para liberar la abertura de ventilación que desee (la ventilación a través del lateral derecho no está disponible para modelos de gas). Presione el conducto adaptador sobre el alojamiento del ventilador y fíjelo a la base de la secadora, como se muestra.



- 3 Monte previamente un codo de 4 pulgadas (10 cm) a la siguiente sección de conducto de 4 pulgadas (10 cm) y asegure todas las juntas con cinta para conductos. Asegúrese de que el extremo macho del codo apunta HACIA FUERA de la secadora. Introduzca el montaje codo/conducto a través de la apertura lateral y presiónelo sobre el conducto del adaptador. Asegure todas las uniones con cinta para conductos. Asegúrese de que el extremo macho del conducto se proyecta 1,5 pulgadas (3,8 cm) para que pueda conectarse a los conductos restantes. Fije la tapa de cubierta a la parte posterior de la secadora mediante el tornillo incluido.

### ⚠ ADVERTENCIA:

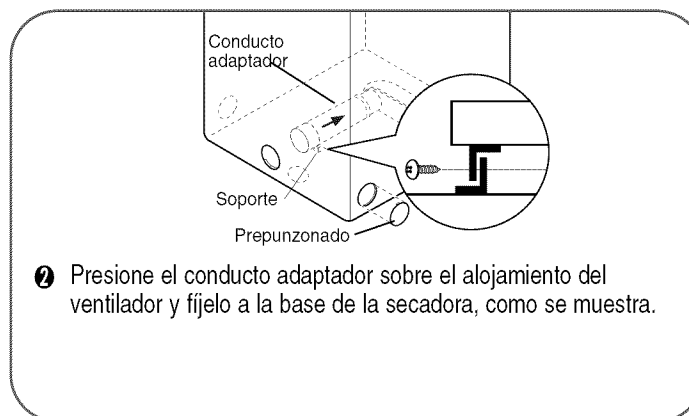
- Utilice conductos de ventilación de metal pesado.
- No utilice conductos de plástico o aluminio delgado.
- Limpie los viejos conductos antes de proceder a la instalación de esta secadora.
- Utilice guantes durante la instalación.
- No acatar estas instrucciones puede provocar incendios o, incluso, peligro de muerte.

Su nueva secadora viene preajustada de fábrica con la ventilación a través de la parte posterior. También puede configurarse para que ventile a través de la base o por el lateral (la ventilación a través del lateral derecho no está disponible para modelos de gas).

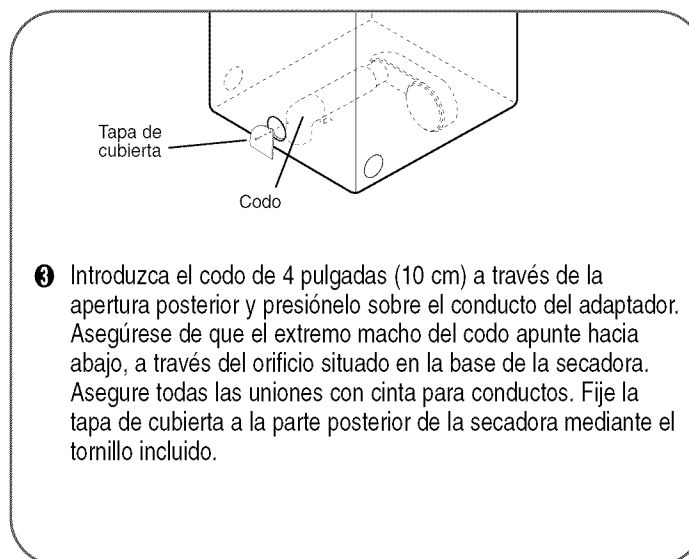
### Opción 2: ventilación por la base



- 1 Extraiga el tornillo de retención del conducto de evacuación posterior. Extraiga el conducto de evacuación.



- 2 Presione el conducto adaptador sobre el alojamiento del ventilador y fíjelo a la base de la secadora, como se muestra.



- 3 Introduzca el codo de 4 pulgadas (10 cm) a través de la apertura posterior y presiónelo sobre el conducto del adaptador. Asegúrese de que el extremo macho del codo apunte hacia abajo, a través del orificio situado en la base de la secadora. Asegure todas las uniones con cinta para conductos. Fije la tapa de cubierta a la parte posterior de la secadora mediante el tornillo incluido.

# GARANTÍA

## Garantía limitada de un año

Si, tras ser instalado, operado y mantenido según todas las instrucciones incluidas con el producto, este electrodoméstico sufriera averías debidas a defectos de material y mano de obra, dentro del período de un año desde la fecha de compra, llame al 1-800-4-MY-HOME® para su reparación gratuita.

Si este electrodoméstico fuera utilizado con fines distintos a los domésticos, esta garantía sólo sería aplicable durante 90 días desde la fecha de compra.

Esta garantía cubre únicamente los defectos de material y mano de obra. Sears NO cubrirá:

- ① Elementos consumibles que pueden gastarse debido al uso normal, incluyendo de forma enunciativa pero no limitativa, los filtros, correas, bombillas y bolsas de la unidad.
- ② Un técnico de servicio para mostrar al usuario la instalación, funcionamiento o mantenimiento correctos del producto.
- ③ Un técnico de servicio para realizar labores de limpieza o mantenimiento del producto.
- ④ Daños o averías en caso de no acatar todas las instrucciones de instalación, funcionamiento o mantenimiento incluidas con el producto.
- ⑤ Daños o averías en caso de accidente, abuso, uso inadecuado o uso con propósitos distintos a los fines para los que fue diseñado.
- ⑥ Daños o averías en caso de utilizar detergentes, limpiadores, sustancias químicas o utensilios distintos a los recomendados en las instrucciones incluidas con el producto.
- ⑦ Daños o averías en las piezas o sistemas provocados por modificaciones del producto no autorizadas.

## Cláusula de exención de responsabilidad o garantías implícitas; limitación de recursos

El único y exclusivo recurso del cliente bajo esta garantía limitada será la reparación del producto como se ha mencionado. Las garantías implícitas, incluyendo garantías de comerciabilidad o idoneidad para un fin concreto, están limitadas a un año o el período de tiempo más reducido permitido por la ley. Sears no será responsable de los daños incidentales o derivados.

Ciertos estados y provincias no permiten exclusiones o limitaciones de daños incidentales o derivados, o limitaciones en relación a la duración de las garantías implícitas de comerciabilidad o idoneidad, de tal forma que estas limitaciones o excepciones pueden no ser pertinentes para usted.

Esta garantía será aplicable únicamente mientras este electrodoméstico sea utilizado dentro de los Estados Unidos o Canadá.

Esta garantía le otorga unos derechos legales específicos, e incluso puede conferirle otros derechos, distintos dependiendo del estado en que se encuentre.

Sears Brands Management Corporation, Hoffman Estates, IL 60179  
Sears Canada Inc., Toronto, Ontario, Canada M5B 2B8

# Get it fixed, at your home or ours!

## Your Home

For troubleshooting, product manuals and expert advice:



[www.managemylife.com](http://www.managemylife.com)

For repair – **in your home** – of **all** major brand appliances, lawn and garden equipment, or heating and cooling systems, **no matter who made it, no matter who sold it!**

For the replacement parts, accessories and owner's manuals that you need to do-it-yourself.

For Sears professional installation of home appliances and items like garage door openers and water heaters.

**1-800-4-MY-HOME<sup>®</sup>** (1-800-469-4663)

Call anytime, day or night (U.S.A. and Canada)

[www.sears.com](http://www.sears.com)    [www.sears.ca](http://www.sears.ca)

## Our Home

For repair of carry-in items like vacuums, lawn equipment, and electronics, call anytime for the location of your nearest

**Sears Parts & Repair Service Center**

**1-800-488-1222** (U.S.A.)    **1-800-469-4663** (Canada)

[www.sears.com](http://www.sears.com)    [www.sears.ca](http://www.sears.ca)

To purchase a protection agreement on a product serviced by Sears:

**1-800-827-6655** (U.S.A.)    **1-800-361-6665** (Canada)

Para pedir servicio de reparación a domicilio, y para ordenar piezas:

**1-888-SU-HOGAR<sup>®</sup>**

(1-888-784-6427)

[www.sears.com](http://www.sears.com)

Au Canada pour service en français:

**1-800-LE-FOYER<sup>MC</sup>**

(1-800-533-6937)

[www.sears.ca](http://www.sears.ca)

The Sears logo, featuring the word "Sears" in a large, stylized, serif font with a distinctive 'S'.

® Registered Trademark / <sup>TM</sup> Trademark of KCD IP, LLC in the United States, or Sears Brands, LLC in other countries

® Marca Registrada / <sup>TM</sup> Marca de Fábrica de KCD IP, LLC en Estados Unidos, o Sears Brands, LLC in otros países

<sup>MC</sup> Marque de commerce / <sup>MD</sup> Marque déposée de Sears Brands, LLC



## Free Manuals Download Website

<http://myh66.com>

<http://usermanuals.us>

<http://www.somanuals.com>

<http://www.4manuals.cc>

<http://www.manual-lib.com>

<http://www.404manual.com>

<http://www.luxmanual.com>

<http://aubethermostatmanual.com>

Golf course search by state

<http://golfingnear.com>

Email search by domain

<http://emailbydomain.com>

Auto manuals search

<http://auto.somanuals.com>

TV manuals search

<http://tv.somanuals.com>