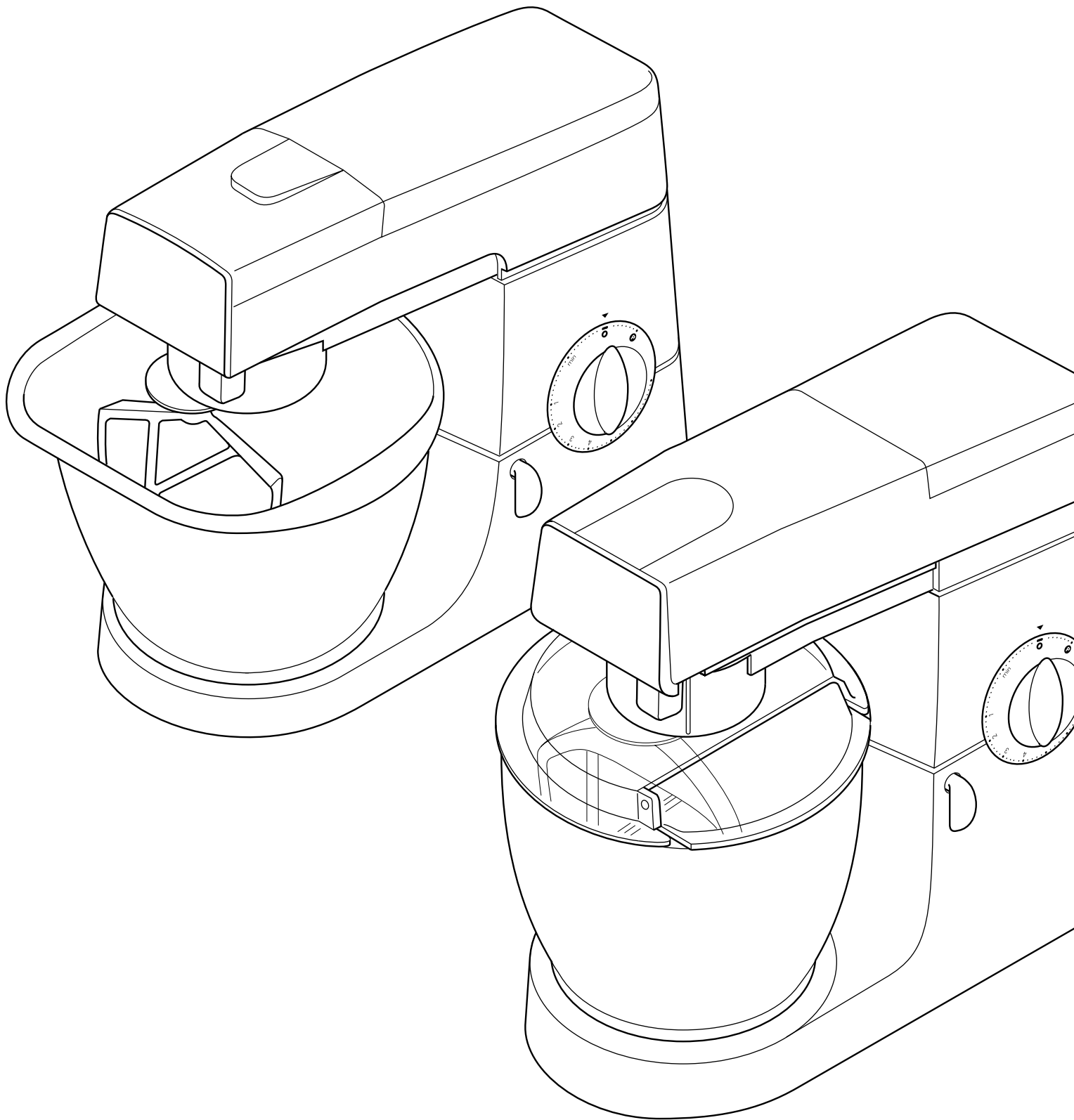


**Kenwood Chef KM200, KM300, KM400 series
Major KM600, KM800 series**



KENWOOD

Kenwood

English

- page 3 **instructions**
Congratulations on buying a Kenwood. With such a wide range of attachments available, it's more than just a mixer. It's a state-of-the-art kitchen machine. We hope you'll enjoy it. Robust. Reliable. Versatile. Kenwood.

Français

- page 11 **mode d'emploi**
Félicitations pour l'achat de votre robot Kenwood. Avec une gamme impressionnante d'accessoires adaptables, votre robot est plus qu'un simple batteur: c'est un robot de cuisine ultra-perfectionné qui vous donnera entière satisfaction. Nous espérons que vous l'apprécierez.
Solide. Sûr. sur-mesure. Kenwood.

Deutsch

- sieten 19 **bedienungsanleitung**
Wir beglückwünschen Sie zu Ihrer Entscheidung für Kenwood. Sie haben nicht nur eine Küchenmaschine zum Rühren und Kneten erworben, sondern können durch ein reichhaltiges Zubehörprogramm Ihre neue Maschine zu einem universellen Küchensystem ausbauen. Wir wünschen Ihnen viel Freude beim Kochen und Backen mit Kenwood
Robust. Zuverlässig. Vielseitig. Kenwood.

Italiano

- pagg 27 **istruzioni**
Ci congratuliamo con Lei dell'acquisto di questo elettrodomestico Kenwood. Con una tale ampia gamma di accessori disponibili, questo apparecchio è molto più di un semplice mixer, è un modernissimo apparecchio da cucina. Ci auspichiamo che Le piacerà.
Robusto. Affidabile. Versatile. Kenwood.

Nederlands

- blz. 36 **instructies**
Gefeliciteerd met de aankoop van uw Kenwood keukenmachine. Er zijn zo veel accessoires verkrijgbaar dat je deze machine niet meer gewoon een mixer kunt noemen. Het is een echte keukenmachine en we hopen dan ook dat u er veel plezier van zult hebben.
Krachtig, betrouwbaar en veelzijdig, dat is Kenwood.

Español

- página 44 **instrucciones**
Felicidades por comprar un aparato Kenwood. Con el abanico de accesorios disponibles, Ud. ha comprado algo más que una mezcladora. Es una obra de arte para la cocina. Esperamos que lo disfrute.
Sólida. Fiable. Versátil. Kenwood.

Portugêus

- página 53 **instruções**
Parabéns pela compra da sua Kenwood. Com a grande variedade de acessórios para ela disponíveis, esta máquina é mais que uma batedeira. É uma máquina de cozinha super moderna. Esperamos que a sua Kenwood lhe dê muito prazer.
Robusta. Fiável. Versátil. Kenwood.

Dansk

- side 62 **brugsanvisning**
Tillykke med Deres nye Kenwood. Med så stort et udvalg af tilbehør, er det mere end blot en røremaskine - det er en suveræn, moderne køkkenmaskine. Vi håber, De vil få meget glæde af den.
Robust. Pålidelig. Alsidig. Kenwood.

Svenska

- sid 70 **bruksanvisning**
Grattis! Du har just blivit ägare till en Kenwood. Till Kenwood finns det så många tillbehör att köpa, så det är inte bara en vanlig matberedare du har - du har det allra senaste inom köksmaskiner. Vi hoppas du kommer att trivas med den.
Robust. Pålitlig. Mångsidig. Kenwood.

Kenwood

Norsk

side 78 **Bruksanvisning**

Gratulerer med kjøpet av Kenwood. Med et så stort utvalg av tilbehør, er den mer enn bare en mikser. Det er en kjøkkenkunstner-maskin. Vi håper du vil ha stor glede av den. Robust. Pålitelig. Allsidig. Kenwood.

Suomi

sivu 86 **käyttöohjeet**

Onnittelut Kenwood-ostoksen johdosta! Koneeseen kuuluu niin suuri määrä erilaisia laitteita, että se on todellakin paljon enemmän kuin pelkkä vatkain. Tämä yleiskone on alansa viimeisintä huutoa ja toivotamme teille miellyttäviä työhetkiä sen parissa. Vahva. Luotettava. Monipuolinen. Kenwood.

Türkçe

sayfada 94 **kullanım yönergeleri**

Kenwood karıştırıcıyı seçtiğiniz için tebrikler. Kenwood'un kapsamlı ek parça dizisi istediğiniz yiyeceği hazırlama olanağı verir. Kenwood yalnızca bir karıştırıcı aygıt değil, mutfak sanatı aracıdır. Zevkle kullanınız. Kenwood sağlam, güvenilir ve kullanışlıdır.

Česky

str. 102 **návod k použití**

Blahopřejeme Vám ke koupi spotřebiče značky Kenwood. Díky širokému sortimentu dodávaného příslušenství jste zakoupili víc, než jen kuchyňský strojek. Získali jste špičkový kuchyňský robot. Věříme, že Vám bude dobře sloužit. Robustní. Spolehlivý. Univerzální. Kenwood.

Magyar

oldal 110 **használati utasítás**

Köszöntjük a Kenwood vásárlói körében! Az Ön által kiválasztott robotgép a csatlakoztatható változatos tartozékok révén a legtöbb konyhai munkában segítőtársra lesz. Reméljük, örömmel használja majd. Ellenálló, megbízható, sokoldalú - Kenwood.

Polski

str. 118 **instrukcje**

Gratulujemy zakupu Kenwooda. Mając tak szeroki asortyment narzędzi jest on więcej, niż malakserem. Jest on dziełem bieżącej sztuki kuchennej. Mamy nadzieję, że się Państwu spodoba. Mocny. Niezawodny. Uniwersalny. Kenwood.

Русский

странице 126 **Указания по применению**

Мы рады, что вы приобрели кухонный комбайн нашей фирмы. Благодаря широкому ассортименту имеющихся насадок этот прибор является не просто миксером - это современный кухонный комбайн. Пользуясь им, вы получите истинное удовольствие. Прочный. Надежный. Универсальный. Изготовитель - фирма KENWOOD.

Ελληνικά

σελίδα 134 **οδηγίες χρήσεως**

Συγχαρητήρια για την αγορά μιας συσκευής Kenwood. Με την μεγάλη ποικιλία εξαρτημάτων που διατίθεται η συσκευή αυτή είναι κάτι παραπάνω από ένα απλό μίξερ, είναι η τελευταία λέξη της τεχνολογίας στις μηχανές κουζίνας. Ελπίζουμε ότι θα την απολαύσετε. Αντοχή. Αξιοπιστία. Ευκινησία. Kenwood.

عربي

تعليمات ٤٤١ صفحة

نهنتكم على شراء جهاز كينوود. ومع توفر تشكيلة واسعة كهذه من الملحقات، فهو ليس مجرد خلاطة. بل انه جهاز مطبخ غاية في الروعة والانتقان. اننا نأمل تمتعكم به. متين، موثوق، متعدد الاستعمالات، كينوود.

know your Kenwood kitchen machine

safety

- Switch off and unplug before fitting or removing tools/attachments, after use and before cleaning.
- This machine is not intended for use by young children or infirm persons without supervision.
- Keep your fingers away from moving parts and fitted attachments.
- Never leave the machine on unattended.
- Never use a damaged machine. Get it checked or repaired: see 'service', page 8.
- Never use an unauthorised attachment or more than one attachment at once.
- Never exceed the maximum capacities on page 4.
- Don't let children play with this machine.
- When using an attachment, read the safety instructions that come with it.
- Only use this machine for domestic food preparation.

before plugging in

important - UK only

- Make sure your electricity supply is the same as the one shown on the underside of your machine.
- The wires in the cord are coloured as follows:
Blue = Neutral, Brown = Live.
- This machine complies with European Economic Community Directive 89/336/EEC.

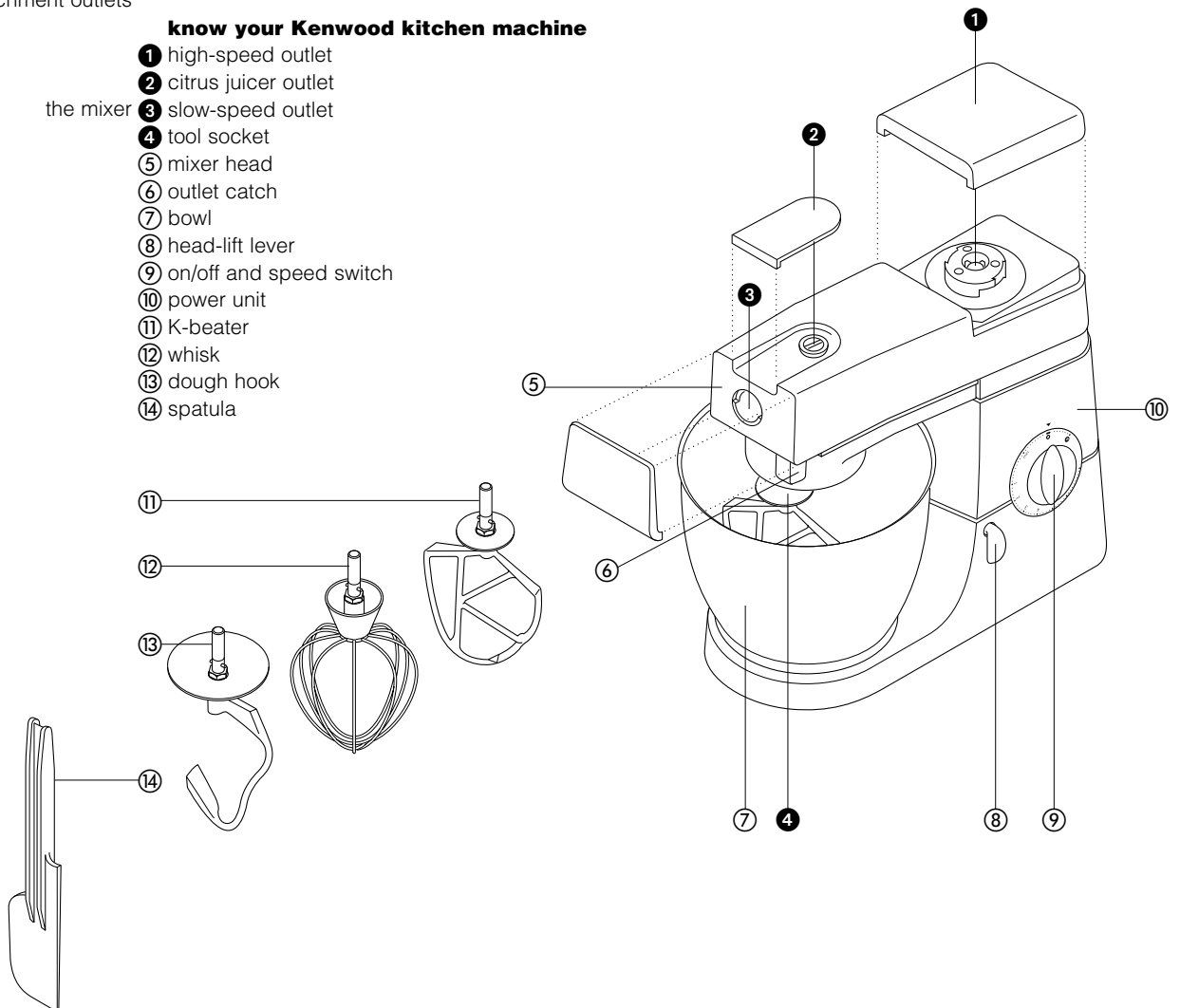
before using for the first time

- 1 Remove all packaging.
- 2 Wash the parts: see 'care and cleaning', page 8.

attachment outlets

know your Kenwood kitchen machine

- ① high-speed outlet
- ② citrus juicer outlet
- ③ slow-speed outlet
- ④ tool socket
- ⑤ mixer head
- ⑥ outlet catch
- ⑦ bowl
- ⑧ head-lift lever
- ⑨ on/off and speed switch
- ⑩ power unit
- ⑪ K-beater
- ⑫ whisk
- ⑬ dough hook
- ⑭ spatula



the mixer

the mixing tools and some of their uses

- K-beater • For making cakes, biscuits, pastry, icing, fillings, éclairs and mashed potato.
- whisk • For eggs, cream, batters, fatless sponges, meringues, cheesecakes, mousses, soufflés. Don't use the whisk for heavy mixtures (eg creaming fat and sugar) - you could damage it.
- dough hook • For yeast mixtures.

to use your mixer

- 1 Turn the head-lift lever anti-clockwise ❶ and raise the mixer head till it locks.
- to insert a tool 2 Turn till it stops ❷ then push.
- 3 Fit the bowl onto the base - press down and turn clockwise ❸
- 4 Turn the head-lift lever anti-clockwise and lower the mixer head till it locks.
- 5 Select a speed, then switch on by turning the speed switch.
- Switch to pulse **P** for short bursts.
- to remove a tool 6 Unscrew.

- hints
- Switch off and scrape the bowl with the spatula frequently.
 - Eggs at room temperature are best for whisking.
 - Before whisking egg whites, make sure there's no grease or egg yolk on the whisk or bowl.
 - Use cold ingredients for pastry unless your recipe says otherwise.

points for bread making

- important
- Never exceed the maximum capacities below - you'll overload the machine.
 - If you hear the machine labouring, switch off, remove half the dough and do each half separately.
 - The ingredients mix best if you put the liquid in first.

maximum capacities

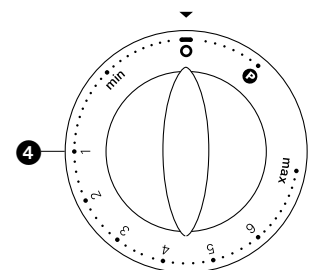
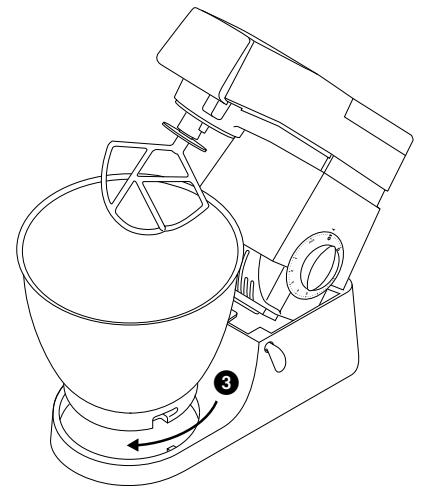
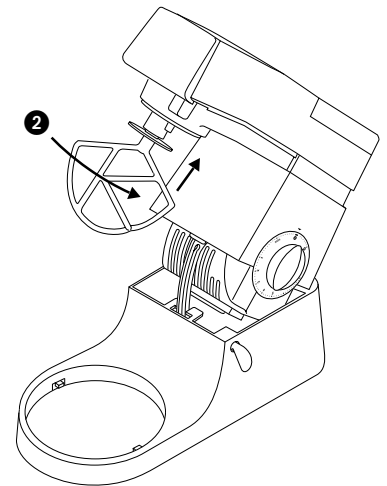
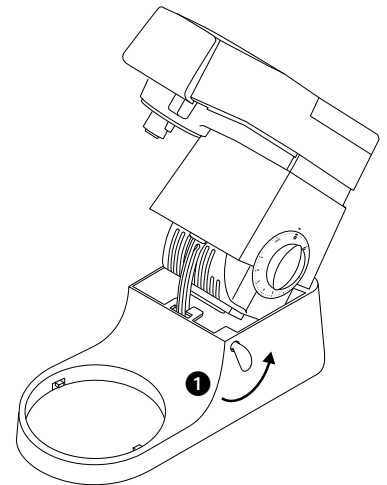
KM300, 400, 410 models

KM600, 800, 810 models

- | | | |
|--------------------------|-----------------------------------|--------------------------------|
| shortcrust pastry | • Flour weight: 680g - 1lb 8oz | Flour weight: 910g - 2lb |
| stiff yeast dough | • Flour weight: 1.36kg - 3lb | Flour weight: 1.5kg - 3lb 5oz |
| British type | • Total weight: 2.18kg - 4lb 13oz | Total weight: 2.4kg - 5lb 5oz |
| soft yeast dough | • Flour weight: 1.3kg - 2lb 14oz | Flour weight: 2.6kg - 5lb 12oz |
| continental type | • Total weight: 2.5kg - 5lb 8oz | Total weight: 5kg - 11lb |
| fruit cake mix | • Total weight: 2.72kg - 6lb | Total weight: 4.55kg - 10lb |
| egg whites | • 12 | 16 |

speeds ❹

- K-beater • **creaming fat and sugar** start on min, gradually increasing to max.
- **beating eggs into creamed mixtures** 4 - 'max'.
- **folding in flour, fruit etc** Min - 1.
- **all in one cakes** start on min speed, gradually increase to max.
- **rubbing fat into flour** min - 2.
- whisk • Gradually increase to 'max'.
- dough hook • Start on 'min', gradually increasing to 1.



for **cleaning** see page 8

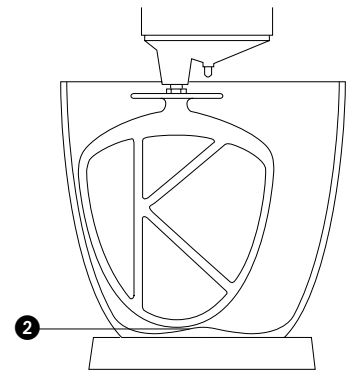
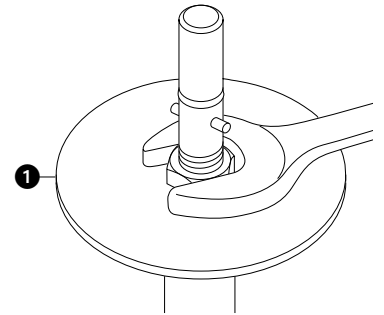
troubleshooting

problem

- The whisk or K-beater knocks against the bottom of the bowl or isn't reaching the ingredients in the bottom of the bowl.

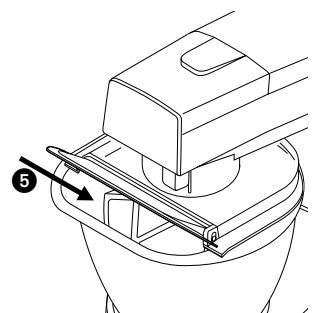
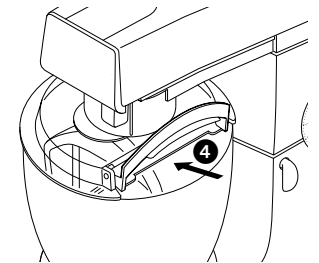
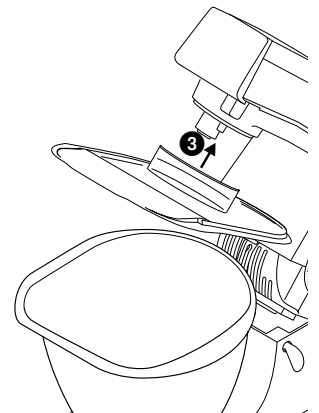
solution • Adjust the height. Here's how:

- 1 Unplug.
- 2 Raise the mixer head and insert the whisk or beater.
- 3 Hold it, then loosen the nut ❶
- 4 Lower the mixer head.
- 5 Adjust the height by turning the shaft. Ideally the whisk/K-beater should be **almost** touching the bottom of the bowl ❷
- 6 Raise the head, hold the whisk/K-beater and tighten the nut.



to fit and use your round/D-shaped splashguard (if supplied)

- 1 Raise the mixer head until it locks.
 - 2 Fit the bowl onto the base.
 - 3 Push the splashguard on until fully located ❸. The hinged section should be positioned as shown round ❹ and D-shaped ❺
 - 4 Insert required tool.
 - 5 Lower the mixer head ensuring the splashguard follows the shape of the bowl.
- During mixing, ingredients can be added directly to the bowl via the hinged section of the splashguard.
 - You do not need to remove the splashguard to change tools.
- 6 Remove the splashguard by raising the mixer head and sliding it down.

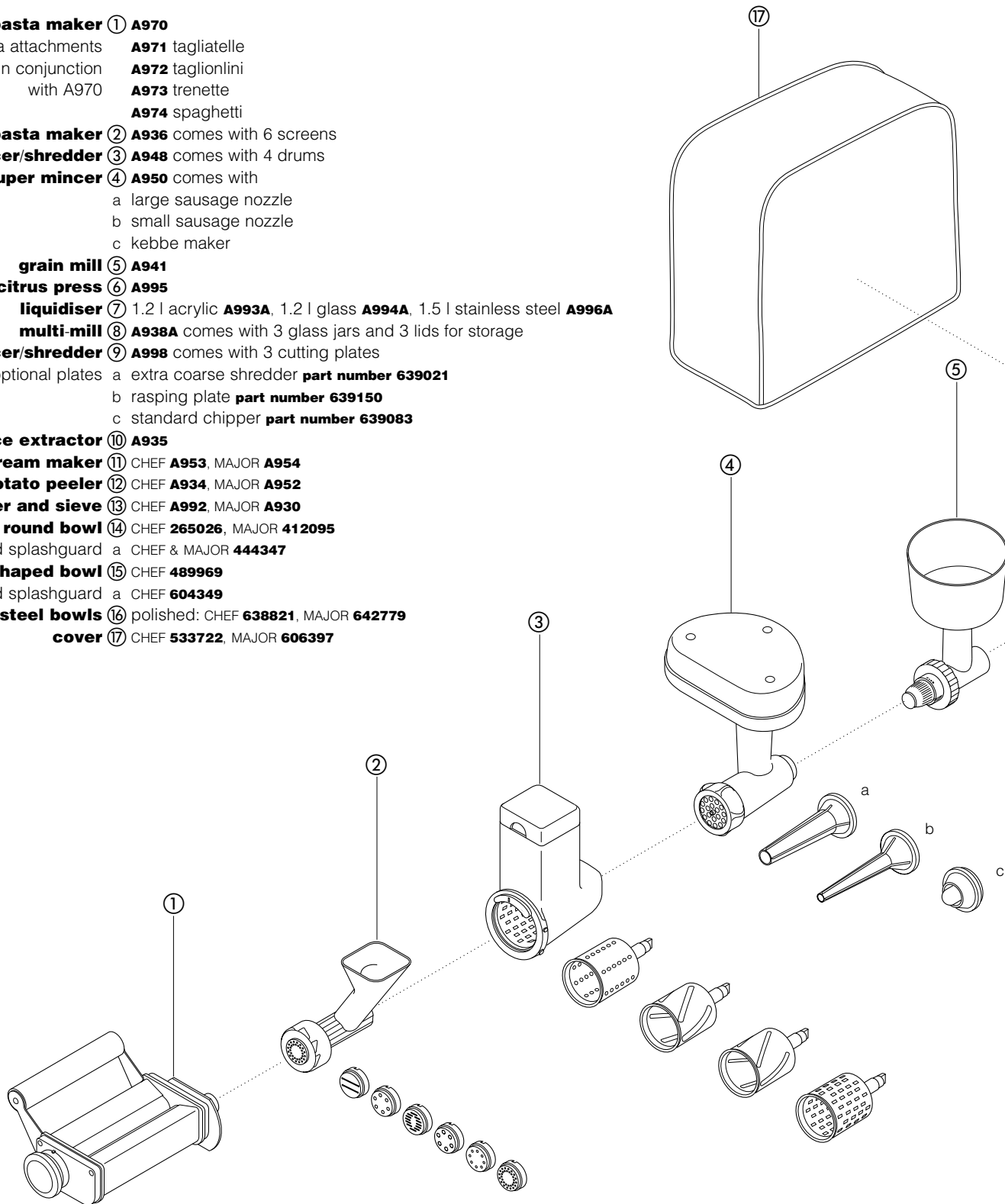


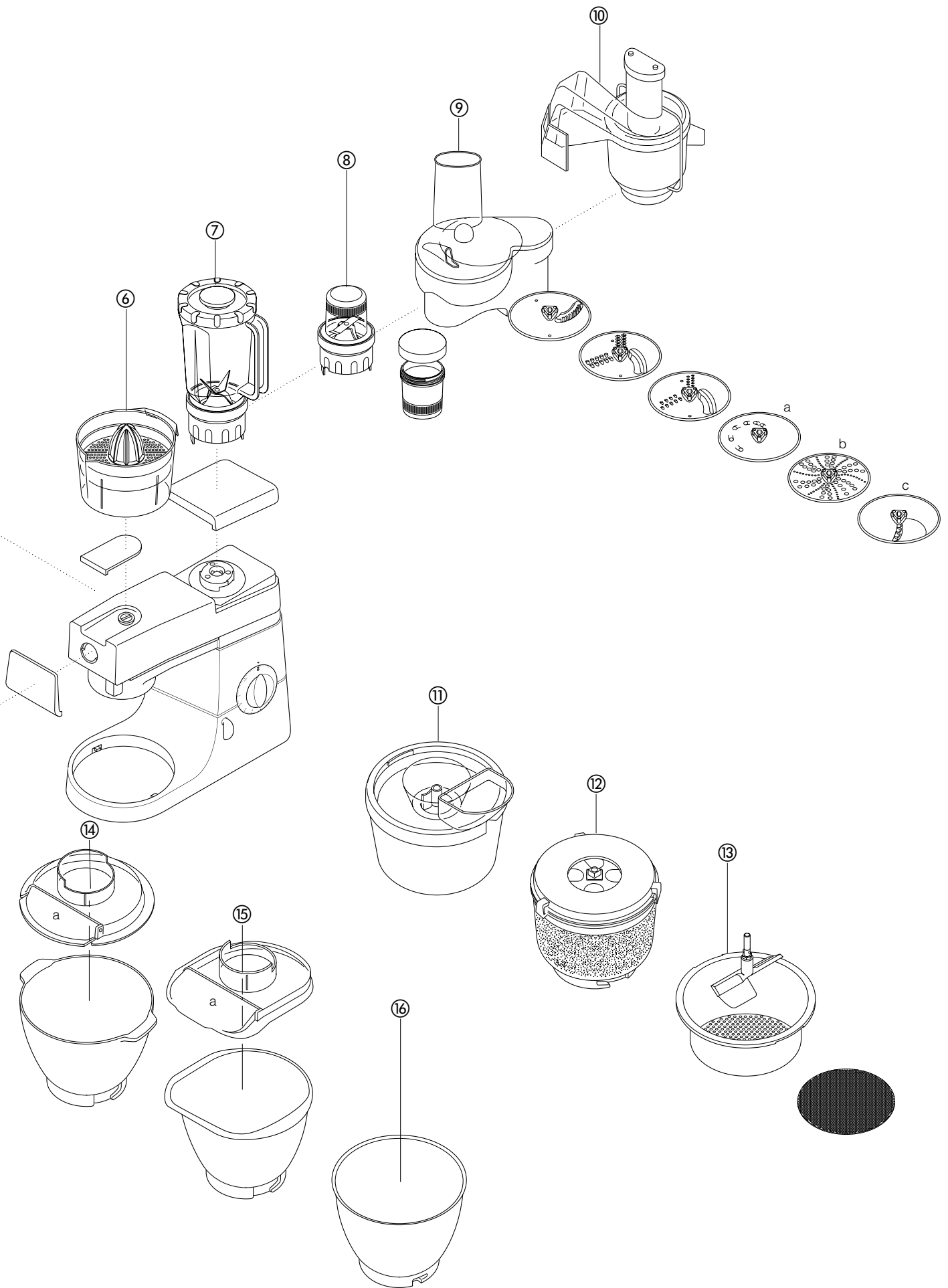
the **attachments** available

To buy an attachment not included in your pack, call your KENWOOD repairer.

attachment attachment code

- flat pasta maker** ① **A970**
- additional pasta attachments (not shown) used in conjunction with A970
 - A971** tagliatelle
 - A972** taglionini
 - A973** trenette
 - A974** spaghetti
- pasta maker** ② **A936** comes with 6 screens
- slow speed slicer/shredder** ③ **A948** comes with 4 drums
- super mincer** ④ **A950** comes with
 - a large sausage nozzle
 - b small sausage nozzle
 - c kebbe maker
- grain mill** ⑤ **A941**
- citrus press** ⑥ **A995**
- liquidiser** ⑦ 1.2 l acrylic **A993A**, 1.2 l glass **A994A**, 1.5 l stainless steel **A996A**
- multi-mill** ⑧ **A938A** comes with 3 glass jars and 3 lids for storage
- high speed slicer/shredder** ⑨ **A998** comes with 3 cutting plates
 - optional plates a extra coarse shredder **part number 639021**
 - b rasping plate **part number 639150**
 - c standard chipper **part number 639083**
- continuous juice extractor** ⑩ **A935**
- ice-cream maker** ⑪ CHEF **A953**, MAJOR **A954**
- potato peeler** ⑫ CHEF **A934**, MAJOR **A952**
- colander and sieve** ⑬ CHEF **A992**, MAJOR **A930**
- kenlyte round bowl** ⑭ CHEF **265026**, MAJOR **412095**
 - round splashguard a CHEF & MAJOR **444347**
- kenlyte D-shaped bowl** ⑮ CHEF **489969**
 - D-shaped splashguard a CHEF **604349**
- stainless steel bowls** ⑯ polished: CHEF **638821**, MAJOR **642779**
- cover** ⑰ CHEF **533722**, MAJOR **606397**





cleaning and service

care and cleaning

- Always switch off and unplug before cleaning.
- A little grease may appear at **outlets 2** and **3** when you first use them. This is normal - just wipe it off.

- power unit
- Wipe with a damp cloth, then dry.
 - Never use abrasives or immerse in water.
- bowls
- Wash by hand, then dry thoroughly.
 - If you have a stainless steel bowl, never use a wire brush, steel wool or bleach. Use vinegar to remove limescale. The stainless steel bowl may also be washed in the dishwasher.
 - Keep away from heat (cooker tops, ovens, microwaves).
- tools
- Wash by hand, then dry thoroughly.
 - Discolouration of the K beater, whisk and dough hook may occur if placed within a dishwasher.
- splashguard
- Wash by hand, then dry thoroughly.

service and customer care

- If the cord is damaged it must, for safety reasons, be replaced by KENWOOD or an authorised KENWOOD repairer.

UK If you need help with:

- using your machine
 - servicing or repairs (in or out of guarantee)
- ☎ call KENWOOD on **023 92392333** and ask for Customer Care.

Have your model number ready - it's on the underside of the mixer.

Alternatively, contact your authorised KENWOOD repairer:

look in Yellow Pages under 'Electrical appliance repairs'.

Eire

- See our advertisement in Golden Pages.

other countries

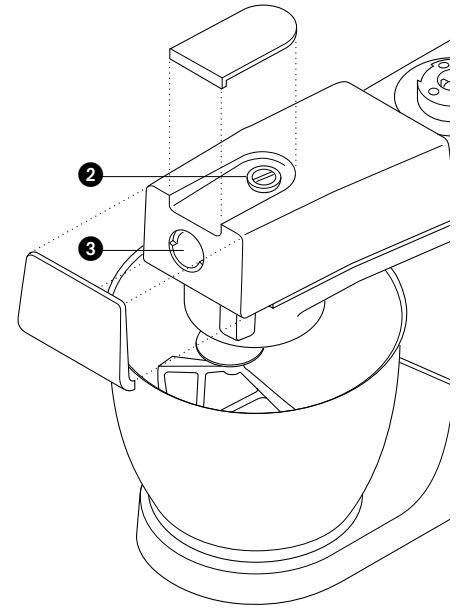
- Contact the shop where you bought your machine.

guarantee UK only

If your machine goes wrong within one year from the date you bought it, we will repair or replace it free of charge provided:

- you have not misused, neglected or damaged it;
- it has not been modified;
- it is not second-hand;
- it has not been used commercially;
- you have not fitted a plug incorrectly; and
- **you supply your receipt to show when you bought it.**

This guarantee does not affect your statutory rights.



recipes

See important points for bread making on page 4.

white bread *stiff British-type dough*

- ingredients
- 1.36kg (3lb) strong plain flour
 - 15ml (3tsp) salt
 - 25g (1oz) fresh yeast; or 15g/20ml (½oz) dried yeast + 5ml (1tsp) sugar
 - 750ml (1¼pts) warm water: 43°C (110°F). Use a thermometer or add 250ml (9fl oz) boiling water to 500ml (18fl oz) cold water
 - 25g (1oz) lard
- method
- 1 **dried yeast** (the type that needs reconstituting): pour the warm water into the bowl. Then add the yeast and the sugar and leave to stand for about 10 minutes until frothy.
fresh yeast: crumble into the flour.
other types of yeast: follow the manufacturer's instructions.
 - 2 Pour the liquid into the bowl. Then add the flour (with fresh yeast if used), salt and lard.
 - 3 Knead at minimum speed for 45 - 60 seconds. Then increase to speed 1, adding more flour if necessary, until a dough has formed.
 - 4 Knead for 3 - 4 more minutes at speed 1 until the dough is smooth, elastic and leaves the sides of the bowl clean.
 - 5 Put the dough into a greased polythene bag or a bowl covered with a tea towel. Then leave somewhere warm until doubled in size.
 - 6 Re-knead for 2 minutes at speed 1.
 - 7 Half fill four 450g (1lb) greased tins with the dough, or shape it into rolls. Then cover with a tea towel and leave somewhere warm until doubled in size.
 - 8 Bake at 230°C/450°F/Gas Mark 8 for 30 - 35 minutes *for loaves* or 10 - 15 minutes *for rolls*.
 - When ready, the bread should sound hollow when tapped on the base.

white bread *soft continental-type dough*

- ingredients**
- This quantity is for models KM600, 800 and 810. For models KM300, 400 and 410, halve the quantities and add all the flour in one go**
- 2.6kg (5lb 12oz) ordinary plain flour
 - 1.3 litre (2¼pts) milk
 - 300g (10oz) sugar
 - 450g (1lb) margarine
 - 100g (4oz) fresh yeast or 50g (2oz) dried yeast
 - 6 eggs, beaten
 - 5 pinches salt
- method
- 1 Melt the margarine in the milk and bring to 43°C (110°F).
 - 2 **dried yeast** (the type that needs reconstituting): add the yeast and sugar to the milk and leave to stand for about 10 minutes until frothy.
fresh yeast: crumble into the flour and add the sugar.
other types of yeast: follow the manufacturer's instructions.
 - 3 Pour the milk into the bowl. Add the beaten eggs and 2kg (4lb 6oz) flour.
 - 4 Mix at minimum speed for 1 minute, then at speed 1 for a further minute. Scrape down.
 - 5 Add the remaining flour and mix at minimum speed for 1 minute, then at speed 1 for 2 - 3 minutes until smooth and evenly mixed.
 - 6 Half fill some 450g (1lb) greased tins with the dough, or shape it into rolls. Then cover with a tea towel and leave somewhere warm until doubled in size.
 - 7 Bake at 200°C/400°F/Gas Mark 6 for 20 - 25 minutes *for loaves* or 15 minutes *for rolls*.
 - 8 When ready, the bread should sound hollow when tapped on the base.
 - Makes about 10 loaves.

recipes *continued*

strawberry and apricot gâteau

- ingredients: sponge
- 3 eggs
 - 75g (3oz) caster sugar
 - 75g (3oz) plain flour
- filling and decoration
- 150ml (¼pt) double cream
 - Sugar to taste
 - 225g (8oz) strawberries
 - 225g (8oz) apricots
- method
- 1 Halve the apricots and remove the stones. Cook gently in very little water, adding sugar to taste, until soft.
 - 2 Wash and halve the strawberries.
 - 3 To make the sponge, whisk the eggs and sugar at maximum speed until very pale and thick.
 - 4 Remove the bowl and the whisk. Fold in the flour by hand using a large metal spoon - do this carefully to keep the sponge light.
 - 5 Put the mixture into two 18cm (7") greased and lined sandwich tins.
 - 6 Bake at 180°C/350°F/Gas Mark 4 for about 20 minutes until the cake springs back when lightly touched.
 - 7 Turn out onto a wire rack.
 - 8 Whisk the cream at maximum speed until stiff. Add sugar to taste.
 - 9 Roughly chop the apricots and a third of the strawberries. Fold them into half the cream.
 - 10 Spread this over one of the sponges, then put the other sponge on top.
 - 11 Spread the remaining cream on top and decorate with the remaining strawberries.

meringues

- ingredients
- 4 egg whites
 - 250g (9oz) icing sugar, sieved
- method
- 1 Line your baking tray with non-stick baking parchment.
 - 2 Whisk the egg whites and sugar at maximum speed for about 10 minutes until it stands in peaks.
 - 3 Spoon the mixture onto the baking tray (or use a piping bag with a 2.5cm (1") star nozzle).
 - 4 Bake at 110°C/225°F/Gas Mark ¼ for about 4 - 5 hours until firm and crisp. If they start to brown, leave the oven door slightly ajar.
- Store meringues in an airtight tin.

shortcrust pastry

- ingredients
- 450g (1lb) flour, sieved with the salt
 - 5ml (1tsp) salt
 - 225g (8oz) fat (mix lard and margarine straight from the fridge)
 - About 80ml (4tbsp) water
- hint
- Don't overmix
- method
- 1 Put the flour into the bowl. Chop the fat up roughly and add to the flour.
 - 2 Mix at speed 1 until it resembles breadcrumbs. Stop before it looks greasy.
 - 3 Add the water and mix at minimum speed. Stop as soon as the water is incorporated.
 - 4 Cook at around 200°C/400°F/Gas Mark 6, depending on the filling.

beefburgers

- ingredients
- 250g (9oz) prime sinewless beef
- method
- 1 Cut into 2.5cm (1") cubes.
 - 2 If you don't have a mincer, use your liquidiser and mince small amounts at a time. Use speed 2 for 15 seconds **maximum**. Clean around the blades between one batch and the next.
 - 3 Mix with seasonings such as chopped onion, mixed herbs (fresh or dried), coarse black pepper, and the juice and rind of a lemon.
 - 4 Shape into 2 beefburgers and grill on medium to high heat until thoroughly cooked.

faites connaissance avec votre robot de cuisine Kenwood

sécurité

- Éteignez et débranchez l'appareil avant d'adapter ou de retirer tout élément/accessoire, après l'utilisation et avant le nettoyage.
- Cet appareil n'est pas prévu pour être utilisé par de jeunes enfants ou des personnes infirmes sans surveillance.
- N'approchez jamais vos doigts des éléments en mouvement ou des accessoires fixés sur votre robot.
- Ne laissez jamais votre appareil sans surveillance lorsqu'il fonctionne et maintenez-le hors de portée des enfants.
- N'utilisez jamais un appareil endommagé ou en mauvais état. Faites-le vérifier et réparer. Pour cela reportez-vous à la rubrique 'service après-vente' en page 16.
- N'utilisez jamais un accessoire non adapté à cet appareil et n'utilisez pas plus d'un accessoire à la fois.
- Ne dépassez jamais les capacités maximales de charge de l'appareil telles qu'elles sont précisées en page 12.
- Ne laissez pas un enfant jouer avec cet appareil.
- Lorsque vous utilisez un accessoire, lisez attentivement les instructions sur la sécurité concernant cet accessoire.
- Cette machine est uniquement destinée à une utilisation domestique.

avant de brancher l'appareil

- Assurez-vous que le courant électrique que vous utilisez est le même que celui indiqué sous votre appareil.
- Cet appareil est conforme à la directive 89/336/CEE de la C. E.

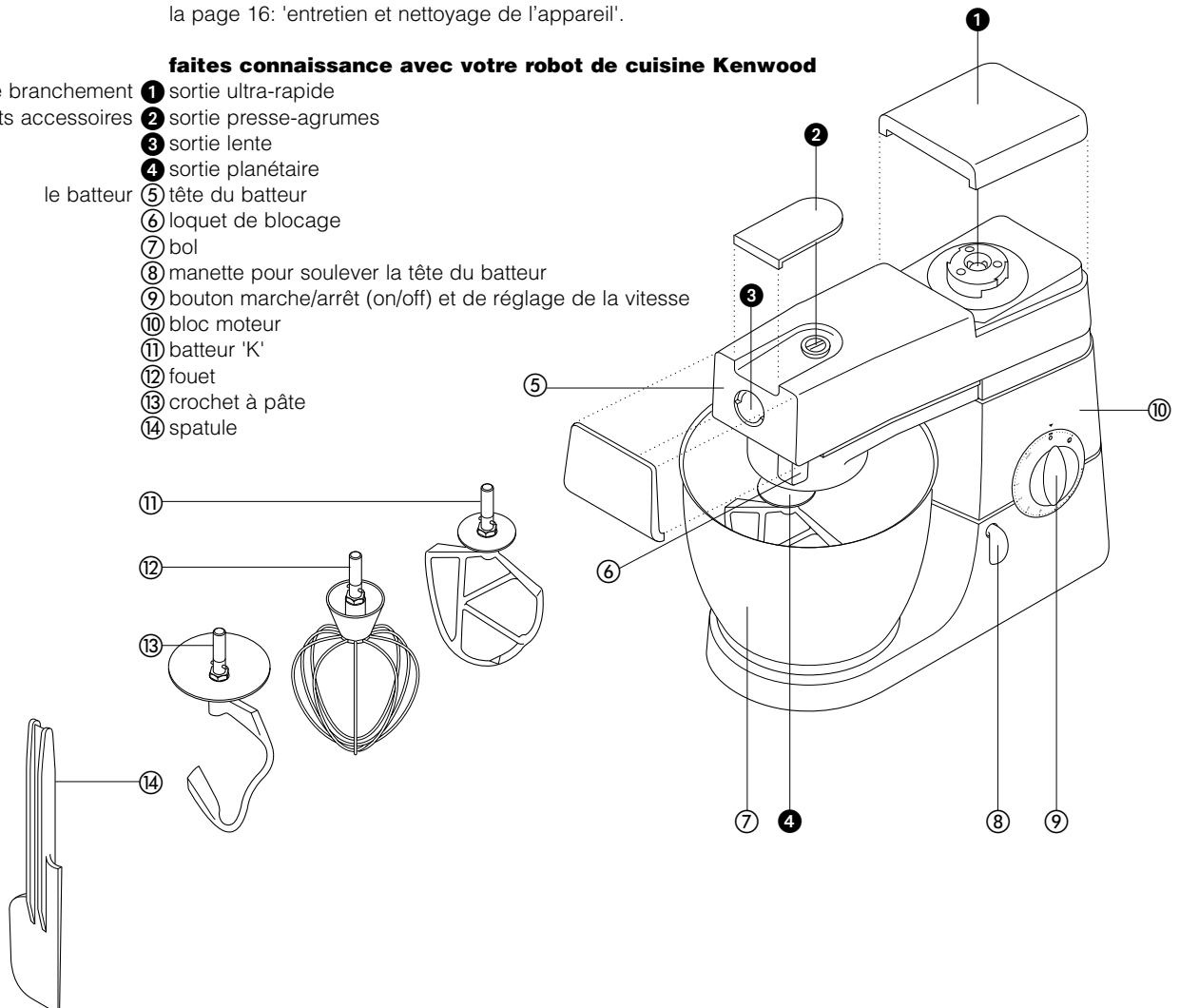
avant d'utiliser votre appareil pour la première fois

- 1 Retirez tous les emballages.
- 2 Lavez les différentes parties de l'appareil. Reportez-vous pour cela à la page 16: 'entretien et nettoyage de l'appareil'.

faites connaissance avec votre robot de cuisine Kenwood

orifices de branchement
des différents accessoires

- 1 sortie ultra-rapide
- 2 sortie presse-agrumes
- 3 sortie lente
- 4 sortie planétaire
- 5 tête du batteur
- 6 loquet de blocage
- 7 bol
- 8 manette pour soulever la tête du batteur
- 9 bouton marche/arrêt (on/off) et de réglage de la vitesse
- 10 bloc moteur
- 11 batteur 'K'
- 12 fouet
- 13 crochet à pâte
- 14 spatule



le batteur

les accessoires du batteur et quelques unes de leurs utilisations possibles

- batteur 'K' • Pour la confection de cakes, biscuits, pâtisseries, glaçages, garnitures, éclairs et purées de pommes de terre.
- fouet • Pour les oeufs, la crème, la pâte à frire, les gâteaux (type gâteau de Savoie) sans matière grasse, les meringues, les gâteaux au fromage, les mousses, les soufflés. N'utilisez pas le fouet pour les mélanges épais (comme par exemple pour travailler les matières grasses ou le sucre) car vous pourriez l'endommager.
- crochet à pâte • pour les mélanges à base de levure.

pour utiliser le batteur

- 1 Tournez la manette pour soulever la tête du batteur dans le sens contraire des aiguilles d'une montre ❶ et soulevez la tête du batteur jusqu'à ce qu'elle s'enclenche en position.
- 2 Tournez l'accessoire jusqu'à ce qu'il s'arrête ❷ puis pousser.
- 3 Adaptez le bol sur la base - pressez vers le bas et tournez dans le sens des aiguilles d'une montre ❸
- 4 Tournez la manette pour soulever la tête du batteur dans le sens contraire des aiguilles d'une montre et abaissez la tête du batteur jusqu'à ce qu'il se verrouille en position.
- 5 Choisissez la vitesse qui convient, puis mettez votre robot en marche en tournant le bouton de réglage de la vitesse.
 - Passez en mode pulsateur **P** pour procéder par brèves impulsions.
- 6 Dévissez.

- astuces
- Éteignez l'appareil et raclez fréquemment le bol avec la spatule.
 - Pour battre les oeufs, il est conseillé d'utiliser des oeufs à température ambiante.
 - Avant de monter les blancs en neige, vérifiez qu'il n'y a pas de restes de graisse ou de jaune d'oeuf sur le fouet ou dans le bol.
 - Utilisez des ingrédients froids pour la pâte sauf indications contraires mentionnées sur votre recette.

points importants pour la fabrication du pain

- important
- Ne dépassez jamais les capacités maximales signalées ci-dessous car vous risqueriez de surcharger votre appareil.
 - Si vous entendez votre appareil forcer, éteignez l'appareil, retirez la moitié de la pâte et travaillez chaque moitié séparément.
 - Les ingrédients se mélangeront mieux si vous mettez les liquides en premier dans l'appareil.

capacités maximales

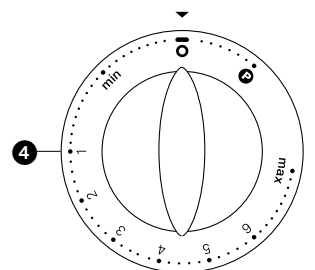
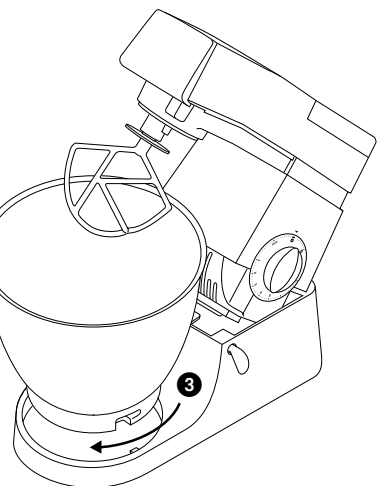
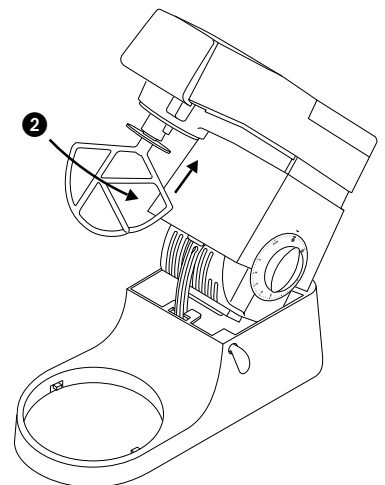
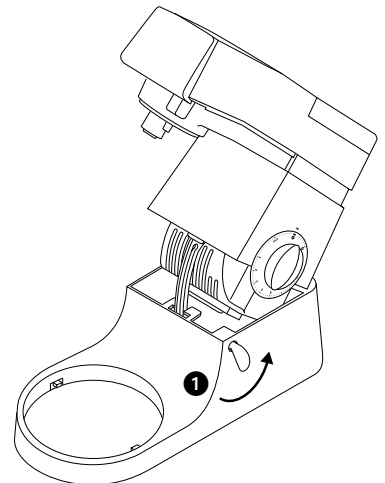
modèles KM300, 400, 410

Modèles KM600, 800, 810

- | | | |
|-------------------------------------|------------------------------|--------|
| pâte Brisée | • Quantité de farine: 680g | 910g |
| pâte ferme à base de levure | • Quantité de farine: 1,36kg | 1,5kg |
| type anglais | • Quantité de farine: 2,18kg | 2,4kg |
| pâte souple à base de levure | • Quantité de farine: 1,3kg | 2,6kg |
| type continental | • Quantité de farine: 2,5kg | 5kg |
| cake aux fruits | • Quantité de farine: 2,72kg | 4,55kg |
| blancs d'oeufs | • 12 | 16 |

vitesse ❹

- batteur "K" • **Travailler les corps gras en crème avec le sucre** commencez sur min, augmentez progressivement jusqu'au max.
- **Incorporer les œufs à une crème** 4 - "max".
- **Incorporer la farine, les fruits, etc.** Min - 1.
- **Battre tous les ingrédients d'un gâteau** simultanément commencez à vitesse min, augmentez progressivement jusqu'au max.
- **Incorporer les corps gras à la farine** min - 2.
- fouet • Augmentez progressivement jusqu'à 'max'.
- crochet à pâte • Commencez sur 'min', puis augmentez graduellement jusqu'à passer sur 1.



pour le **nettoyage** de l'appareil reportez-vous à la page 16.

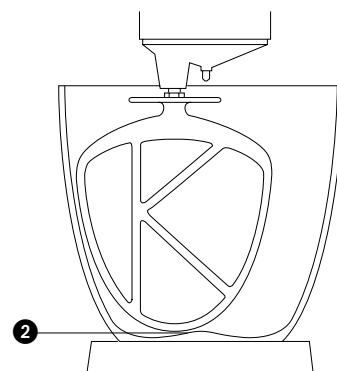
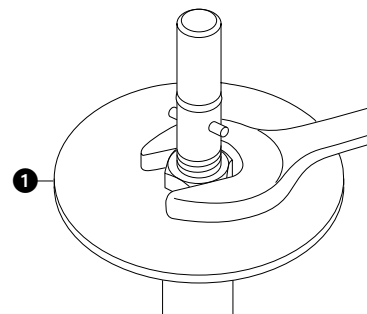
solutionner les problèmes

problème

- Le fouet ou le batteur 'K' vient heurter le fond du bol ou ne peut pas atteindre les ingrédients situés au fond du bol.

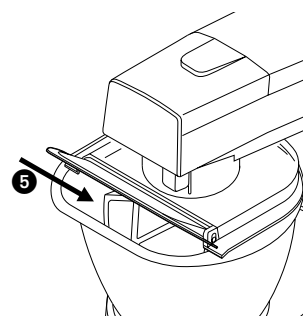
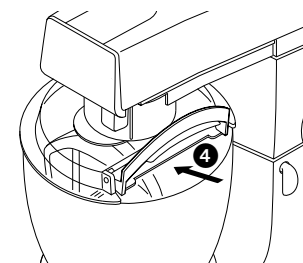
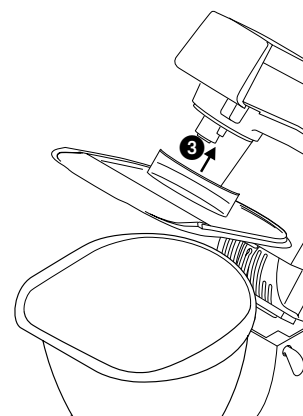
solution • Ajuster la hauteur de la manière suivante :

- 1 Débranchez l'appareil.
- 2 Levez la tête du batteur et introduisez le fouet ou batteur.
- 3 Maintenez-le, puis desserrez l'écrou. ❶
- 4 Abaissez la tête du batteur.
- 5 Réglez la hauteur en tournant l'axe. Le fouet/batteur en K est en position idéale lorsqu'il touche **presque** le fond du bol. ❷
- 6 Levez à nouveau la tête, maintenez le fouet/batteur en K et resserrez l'écrou.



installation et utilisation du couvercle de protection (s'il est fourni)

- 1 Levez la tête du batteur jusqu'en position verrouillée.
 - 2 Installez le bol sur le socle.
 - 3 Enfoncez le couvercle de protection jusqu'à mise en place complète ❸. La section articulée doit être positionnée comme indiqué : rond ❹ et en D ❺.
 - 4 Introduisez l'élément requis.
 - 5 Abaissez la tête du batteur en veillant à ce que le couvercle de protection suive la forme du bol.
- Durant le mélange, les ingrédients peuvent être ajoutés directement dans le bol par la section articulée du couvercle de protection.
 - Il n'est pas nécessaire de retirer le couvercle pour changer les éléments.
- 6 Pour retirer le couvercle, levez la tête du batteur et glissez-le vers le bas.



les **accessoires** disponibles

Si vous souhaitez acheter un accessoire qui n'a pas été livré avec votre appareil, contactez votre spécialiste conseil KENWOOD.

accessoire code accessoire

appareil à pâtes plates ① **A970**

accessoires supplémentaires **A971** tagliatelle
pour pâtes (non illustrés) **A972** tagliolini
à utiliser avec A970 **A973** trenette
A974 spaghetti

appareil à pâtes ② **A936** livré avec 6 grilles
éminceur/râpe lent ③ **A948** livrée avec 4 cônes

hachoir ④ **A950** livré avec
a grand adaptateur à saucisses
b petit adaptateur à saucisses
c adaptateur à kebbés

moulin à céréales ⑤ **A941**

presse-agrumes ⑥ **A995**

mixer ⑦ 1,2 l acrylique **A993A**, 1,2 l verre **A994A**, 1,5 l acier inoxydable **A996A**

mini cuve ⑧ **A938A** livrée avec 3 pots en verre et 3 couvercles de rangement

éminceur/râpe rapide ⑨ **A998** livré avec 3 grilles
grilles supplémentaires a moulin extra robuste **référence 639021**
b grille râpe **référence 639150**
c coupe frites **référence 639083**

centrifugeuse ⑩ **A935**

appareil à glace ⑪ CHEF **A953**, MAJOR **A954**

éplucheuse ⑫ CHEF **A934**, MAJOR **A952**

passoire et tamis ⑬ CHEF **A992**, MAJOR **A930**

bol rond en kenlyte ⑭ CHEF **265026**, MAJOR **412095**

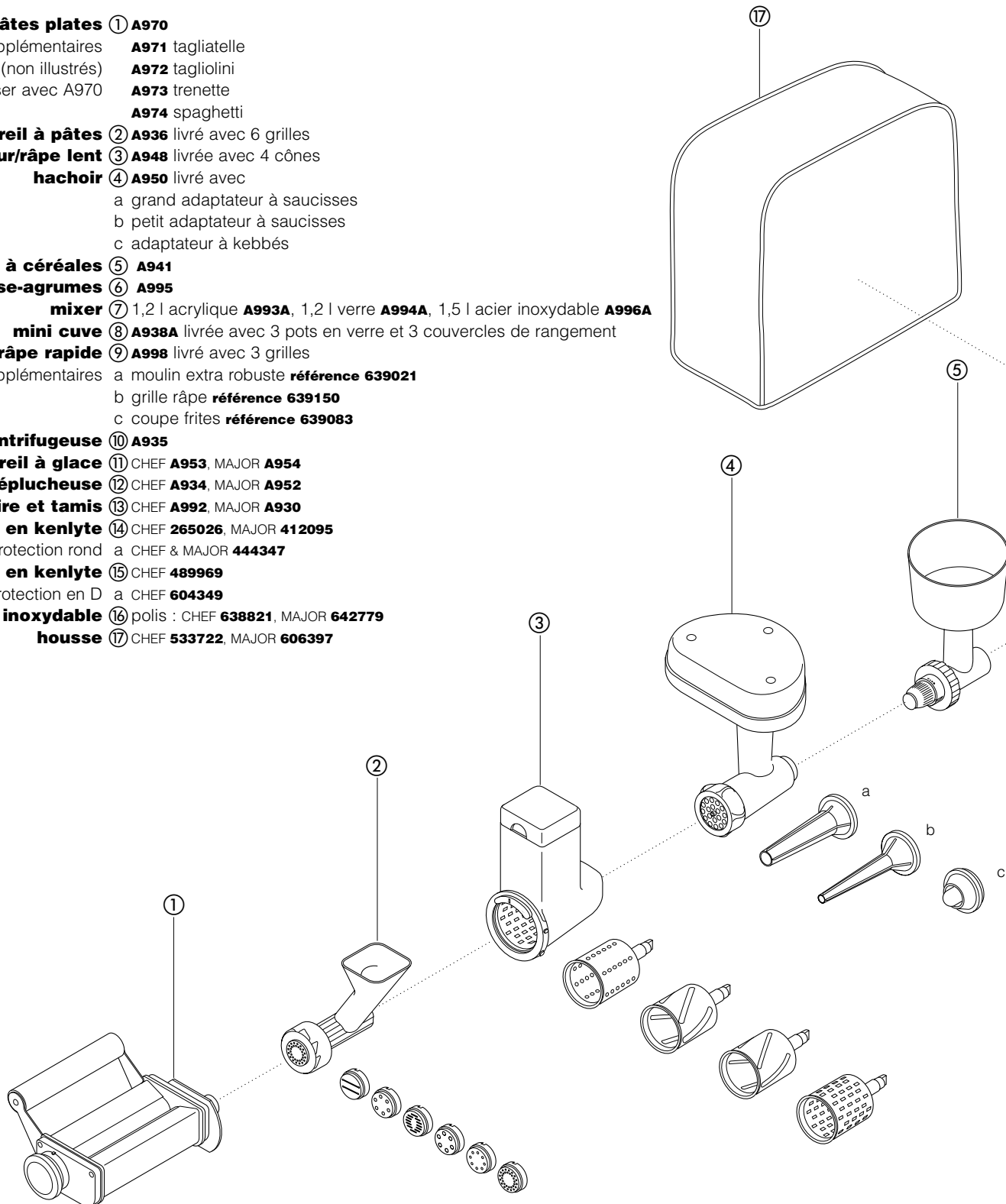
couvercle de protection rond a CHEF & MAJOR **444347**

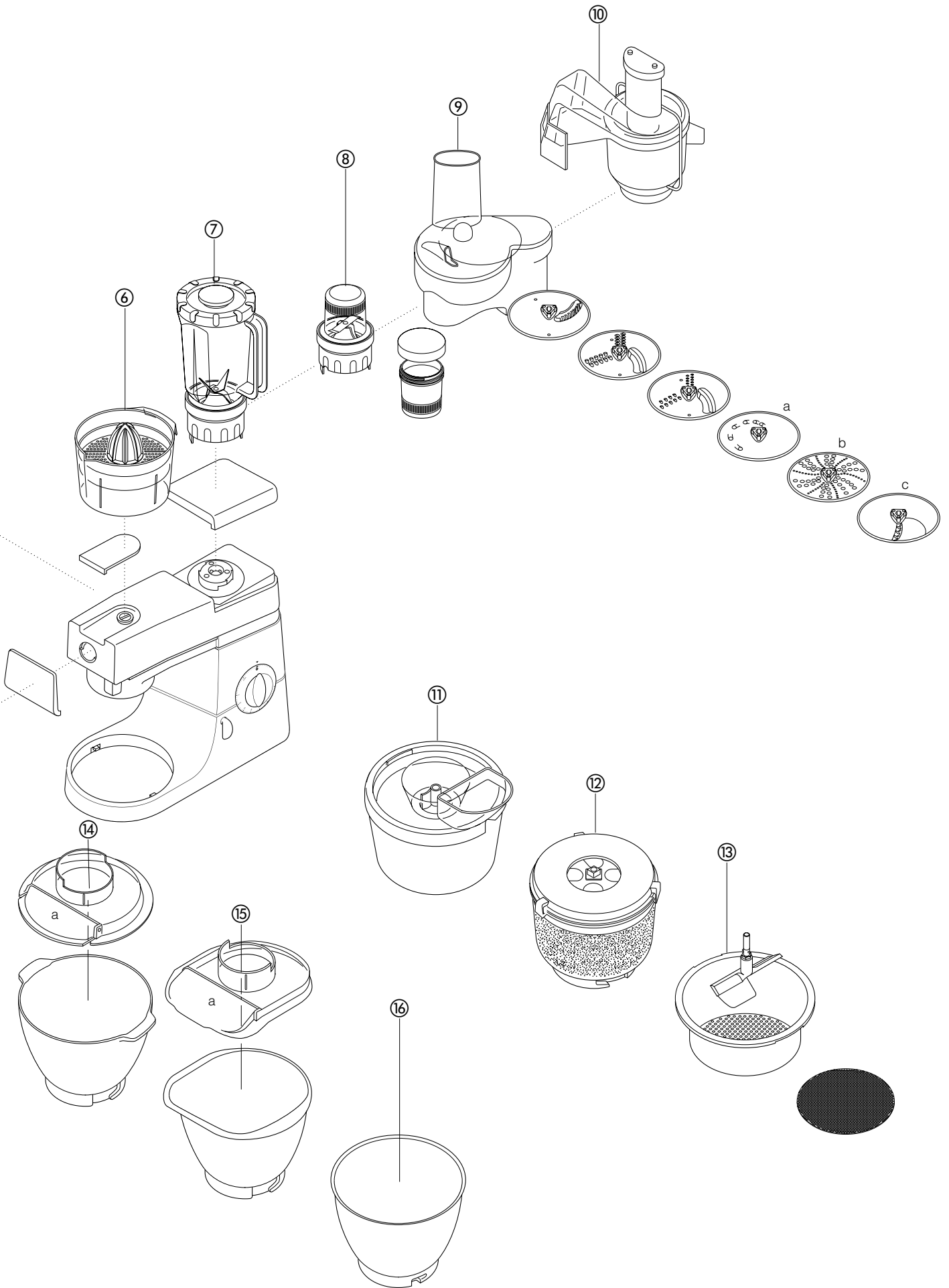
bol en D en kenlyte ⑮ CHEF **489969**

couvercle de protection en D a CHEF **604349**

bols en acier inoxydable ⑯ polis : CHEF **638821**, MAJOR **642779**

housse ⑰ CHEF **533722**, MAJOR **606397**



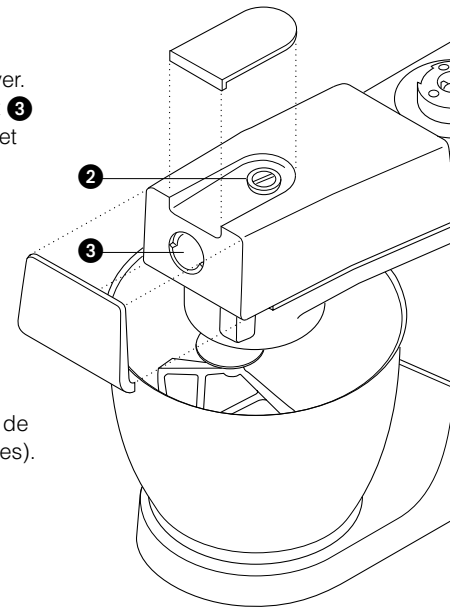


nettoyage de l'appareil et service après-vente

entretien et nettoyage

- Eteignez toujours votre appareil et débranchez-le avant de le nettoyer.
- De petites traces de gras peuvent apparaître sur les **orifices 2** et **3** lorsque vous les utilisez la première fois. Ceci est tout à fait normal et vous devez simplement les essuyer.

- bloc moteur
- Essuyez avec un chiffon humide, puis séchez.
 - N'utilisez jamais d'abrasifs et n'immergez jamais dans l'eau.
- bols
- Lavez-les à la main puis séchez soigneusement.
 - Si vous disposez d'un bol en acier inoxydable, n'utilisez jamais de brosse en acier, de paille de fer ou de détergent. Utilisez simplement du vinaigre pour enlever le tartre. Les bols en acier inoxydable sont aussi lavable au lave-vaisselle.
 - Tenez votre ou vos robots de cuisine toujours éloignés des sources de chaleurs (plaques de cuisson, fours traditionnels, fours à micro-ondes).
- accessoires
- Lavez à la main, puis séchez soigneusement.
 - Une décoloration du batteur en K, du fouet et du crochet à pâte est susceptible de se produire s'ils sont passés au lave-vaisselle.
- couvercle de protection
- Lavez à la main, puis séchez soigneusement.



service après-vente et assistance clientèle

- Si le cordon souple de votre robot est endommagé, il faut impérativement, pour des raisons de sécurité, que celui-ci soit remplacé par un réparateur agréé KENWOOD ou par KENWOOD.

Si vous avez besoin d'assistance pour:

- utiliser votre appareil
 - commander un autre accessoire
 - faire réparer ou entretenir votre appareil:
- Contactez le magasin où vous avez acheté votre appareil.

recettes

Pour connaître les points importants de la fabrication du pain, veuillez vous reporter à la page 12.

pain blanc *pâte souple type continental*

ingrédients
Ces quantités s'appliquent aux modèles KM600, 800. Pour les modèles KM300, 400 et 410, 420, réduire les quantités de moitié et ajoutez la farine en une fois.

- 2,6kg de farine ordinaire
- 1,3 litre de lait
- 300g de sucre
- 450g de margarine
- 100g de levure fraîche ou 50g de levure sèche
- 6 oeufs, préalablement battus
- 5 pincées de sel

- méthode
- 1 Faites dissoudre la margarine dans le lait et portez la température à 43°C.
 - 2 **levure sèche** (à reconstituer) : Ajoutez la levure et le sucre au lait et laissez reposer pendant environ 10 minutes jusqu'à ce que le mélange obtenu soit mousseux.
levure fraîche: incorporez à la farine en émiettant et ajoutez le sucre.
autres types de levure : reportez-vous aux instructions du fabricant.
 - 3 Versez le lait dans le bol, ajoutez-y les oeufs battus et 2kg de farine.
 - 4 Mélangez à la vitesse minimale pendant 1 minute puis à la vitesse 1 pendant une minute supplémentaire.
 - 5 Ajoutez le reste de la farine et le sel et mélangez le tout à la vitesse minimale pendant une minute, puis à la vitesse 1 pendant 2 - 3 minutes jusqu'à ce que le mélange soit homogène et bien mélangé.
 - 6 Remplissez à moitié plusieurs moules de 450g avec la pâte. (Ces moules doivent être préalablement beurrés) ou bien réalisez des petits pains avec la pâte. Couvrez ensuite avec un torchon de cuisine et laissez reposer dans un endroit chaud jusqu'à ce que la pâte ait doublé de volume.
 - 7 Faites cuire à 200°C/Thermostat 6 pendant 20 - 25 minutes pour les *miches de pain* et 15 minutes pour les *petits pains*.
 - 8 Lorsque le pain est cuit, il doit sonner creux lorsqu'on le tapote sur la base.

- Permet de réaliser environ 10 miches de pain.

gâteau aux fraises et aux abricots

ingrédients: type gâteau de Savoie

- 3 oeufs
- 75g de sucre en poudre
- 75g de farine
- 150ml de crème fraîche épaisse
- Sucre à volonté
- 225g de fraises
- 225g d'abricots

garniture et décoration

- méthode
- 1 Coupez les abricots en deux et retirez les noyaux. Faites cuire à petit feu dans très peu d'eau, en ajoutant du sucre selon votre goût, jusqu'à ce que le mélange devienne moelleux.
 - 2 Lavez et coupez les fraises en deux.
 - 3 Pour réaliser la génoise du gâteau, fouettez les oeufs et le sucre à la vitesse maximum jusqu'à ce que le mélange soit de couleur pâle et de consistance épaisse.
 - 4 Retirez le bol et le fouet. Incorporez la farine à la main à l'aide d'une grande cuillère métallique – effectuez cette opération avec soin afin de préserver la légèreté de la génoise.
 - 5 Mettez le mélange ainsi obtenu dans deux moules à manqué de 18cm préalablement beurrés.
 - 6 Faites cuire à 180°C/Thermostat 4 pendant environ 20 minutes jusqu'à ce que le gâteau soit de consistance ferme et élastique lorsque vous le touchez légèrement.
 - 7 Démoulez le gâteau et laissez-le refroidir sur une grille de cuisson.
 - 8 Fouettez la crème à la vitesse maximale jusqu'à ce qu'elle prenne une consistance ferme. Ajoutez le sucre selon votre goût.
 - 9 Hachez grossièrement les abricots et un tiers des fraises, puis incorporez-les lentement dans la moitié de la quantité de crème.
 - 10 Étalez cette préparation entre les deux biscuits.
 - 11 Recouvrez le dessus du gâteau avec la crème restante et décorez avec les fraises restantes.

recettes *suite*

meringues

- ingrédients
- 4 blancs d'oeufs
 - 250g de sucre glace, tamisé
- méthode
- 1 Recouvrez votre grille de cuisson avec du papier de cuisson non-collant.
 - 2 Battez les blancs d'oeufs et le sucre à la vitesse maximum pendant environ 10 minutes jusqu'à ce que le mélange fasse des petits pics à la surface lorsque vous en retirez le fouet.
 - 3 Déposez le mélange ainsi obtenu sur la plaque de cuisson (ou utilisez un sac à douille en étoile de 2,5cm).
 - 4 Faites cuire à 110°C/Thermostat ¼ pendant environ 4 - 5 heures jusqu'à ce que les meringues soient fermes et croustillantes.
Si les meringues commencent à brunir, laissez la porte du four légèrement entrouverte.
- Conservez les meringues dans une boîte hermétique.

pâte brisée

- ingrédients
- 450g de farine tamisée avec du sel
 - 5ml de sel
 - 225g de matière grasse (mélange de lard et de margarine directement sortis du réfrigérateur)
 - Environ 80ml d'eau (soit l'équivalent de 4 cuillères à soupe)
- astuce
- Ne mélangez pas pendant trop longtemps.
- méthode
- 1 Mettez la farine dans le bol. Découpez la matière grasse que vous utilisez en morceaux grossiers et ajoutez à la farine.
 - 2 Mélangez à vitesse 1 jusqu'à obtenir l'apparence de miettes de pain. Arrêtez avant d'obtenir une apparence grasse.
 - 3 Ajoutez l'eau et mélangez à la vitesse minimale. Arrêtez dès que l'eau est bien incorporée au mélange.
 - 4 Faites cuire à environ 200°C/Thermostat 6, selon la garniture.

beefburgers

- ingrédients
- 250g de boeuf de premier choix non tendineux
- méthode
- 1 Coupez en petits cubes de 2,5cm.
 - 2 Si vous ne disposez pas d'un hachoir, utilisez votre mixeur en ne broyant que de petites quantités à la fois. Utilisez la vitesse 2 pendant 15 secondes **maximum**. Nettoyez les lames entre deux séries d'aliments.
 - 3 Mélangez avec l'assaisonnement comme les oignons hachés, le mélange d'herbes (fraîches ou sèches), le poivre noir grossièrement moulu et le jus et le zeste d'un citron.
 - 4 Réalisez deux beefburgers et faites griller sur chaleur moyenne à forte jusqu'à ce que les beefburgers soient bien cuits.

Ihre Küchenmaschine von Kenwood

Wichtige Sicherheitshinweise

- Vor dem Einsetzen oder Abnehmen von Rührgeräten oder Zubehörteilen, nach dem Gebrauch und vor dem Reinigen immer ausschalten und Netzstecker ziehen.
- Kinder und gebrechliche Personen bitte nur unter Beaufsichtigung dieses Gerät benutzen lassen.
- Greifen Sie nicht in rotierende Teile und montierte Vor- und Aufsätze.
- Lassen Sie die Maschine nie unbeaufsichtigt eingeschaltet. Halten Sie Kinder von der Maschine fern.
- Benutzen Sie eine beschädigte Maschine nicht weiter, sondern lassen Sie sie vor Benutzung überprüfen und reparieren - siehe Seite 24, Abschnitt 'Kundendienst'.
Verwenden Sie nur das von Kenwood zugelassene Zubehör, und immer nur ein Zubehörteil auf einmal.
- Überschreiten Sie die auf Seite 20 angegebenen Höchstmengen nicht.
- Kinder nicht mit dem Gerät spielen lassen.
- Beachten Sie die mit jedem Zubehörteil mitgelieferten Sicherheitsanweisungen.
- Diese Maschine ist nur für den Hausgebrauch gedacht.

Vor dem Einschalten

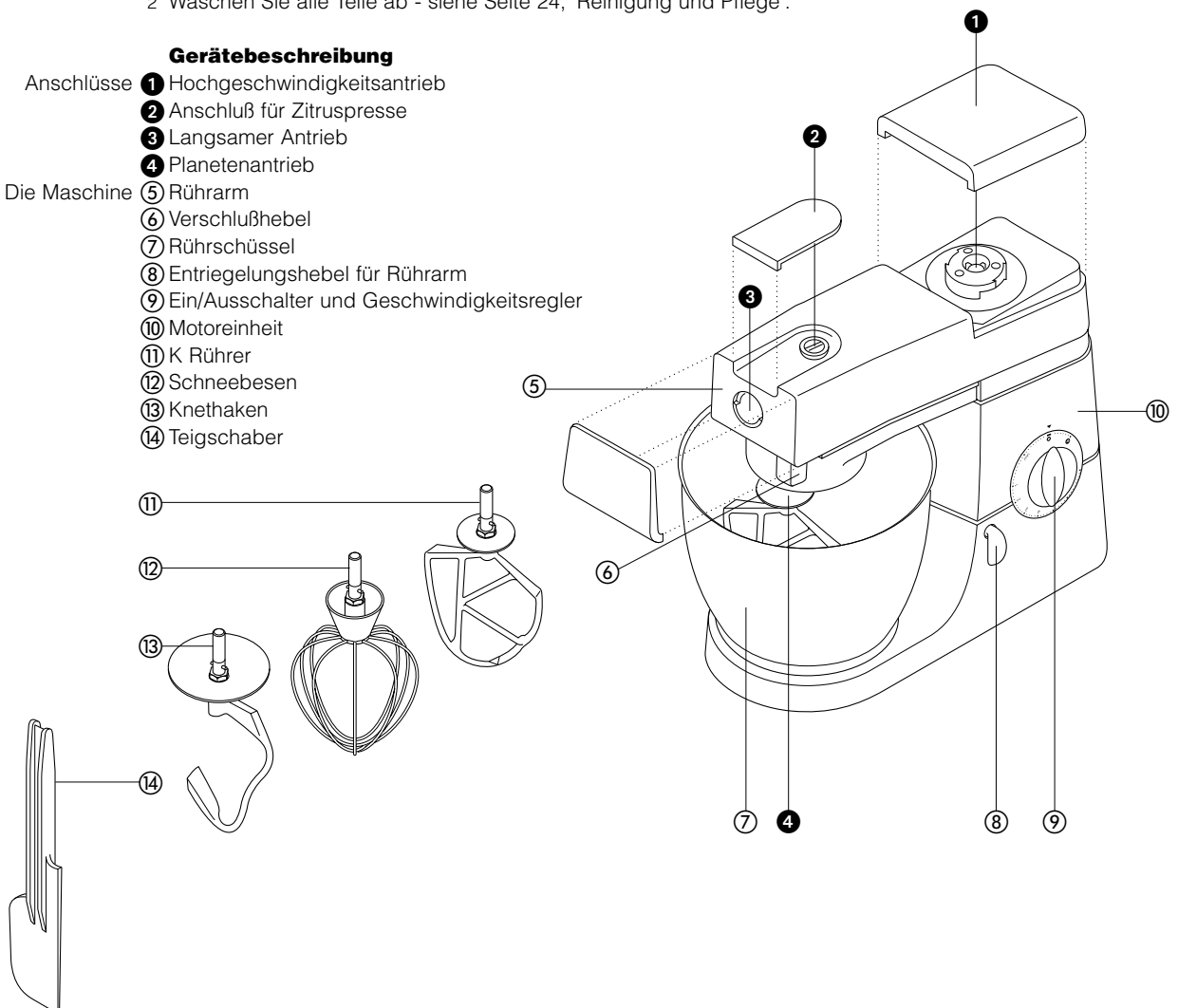
- Überprüfen Sie, ob die Spannung Ihres Stromnetzes mit der auf dem Typenschild (auf der Unterseite der Maschine) angegebenen Spannung übereinstimmt.
- Diese Maschine erfüllt die Richtlinie 89/336/EEC der Europäischen Union.

Vor dem Gebrauch

- 1 Entfernen Sie alles Verpackungsmaterial.
- 2 Waschen Sie alle Teile ab - siehe Seite 24, 'Reinigung und Pflege'.

Gerätebeschreibung

- Anschlüsse
- 1 Hochgeschwindigkeitsantrieb
 - 2 Anschluß für Zitruspresse
 - 3 Langsamer Antrieb
 - 4 Planetenantrieb
- Die Maschine
- 5 Rührarm
 - 6 Verschußhebel
 - 7 Rührschüssel
 - 8 Entriegelungshebel für Rührarm
 - 9 Ein/Ausschalter und Geschwindigkeitsregler
 - 10 Motoreinheit
 - 11 K Rührer
 - 12 Schneebesen
 - 13 Knethaken
 - 14 Teigschaber



Die Maschine

Die Rührwerkzeuge und ihr Gebrauch

- K-Rührer • für Kuchen-, Mürbe-, Torten-, Blätter- und Nudelteig
- Schneebeesen • zum Aufschlagen von Eiern, Sahne, Waffel- und Brandteig, Bisquitteig, Mousses, Soufflés usw. Nicht verwenden für schwere Mischungen - der Schneebeesen kann dabei zerbrechen.
- Knethaken • für Hefeteig, Brotteig

Gebrauch der Maschine

- Rührwerkzeug einsetzen
- 1 Den Entriegelungshebel für den Rührarm gegen den Uhrzeigersinn drehen **1** und den Rührarm hochschwenken, bis er einrastet.
 - 2 Das Rührwerkzeug bis zum Anschlag drehen **2**
 - 3 Die Rührschüssel auf den Fuß aufsetzen - nach unten drücken und im Uhrzeigersinn drehen **3**
 - 4 Den Entriegelungshebel gegen den Uhrzeigersinn drehen und den Rührarm bis zum Einrasten nach unten schwenken..
 - 5 Maschine einschalten - dazu den Geschwindigkeitsregler auf die gewünschte Geschwindigkeit drehen.
 - Zum Intervall-Rühren den Regler auf Impulsbetrieb **P** stellen.
- Rührwerkzeug entfernen
- 6 Gegen den Uhrzeigersinn drehen und nach unten herausziehen.

- Tips
- Falls nötig die Maschine ausschalten und mit dem Teigschaber die Masse vom Schüsselrand lösen.
 - Eier lassen sich am leichtesten aufschlagen, wenn sie Zimmertemperatur haben.
 - Vor dem Schlagen von Eiweiß darauf achten, daß kein Fett oder Eigelb am Schneebeesen oder an der Schüssel haftet.
 - Bleibt Teig am Schüsselboden unbearbeitet, die Einstellung der Rührwerkzeuge überprüfen.

Brotteig

- Wichtig
- Die unten angegebenen Höchstmengen nicht überschreiten, damit die Maschine nicht überlastet wird.
 - Wenn die Maschine schwer läuft: Maschine abschalten, die Hälfte der Teigmenge herausnehmen und jede Hälfte gesondert kneten.
 - Zuerst die trockenen Zutaten mischen, dann bei laufender Maschine Flüssigkeiten zufügen.

Höchstfüllmengen

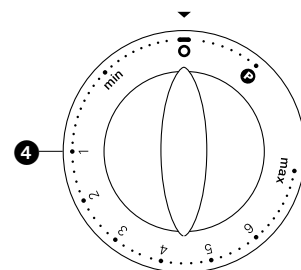
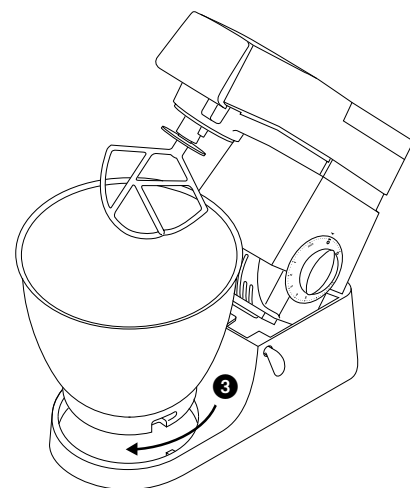
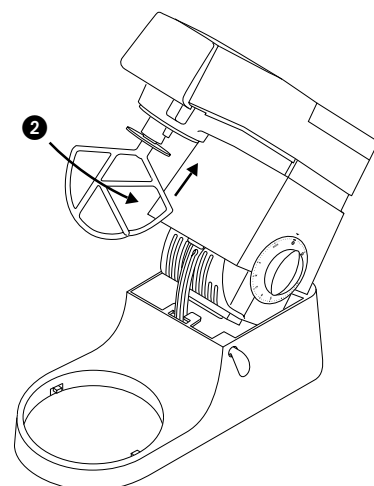
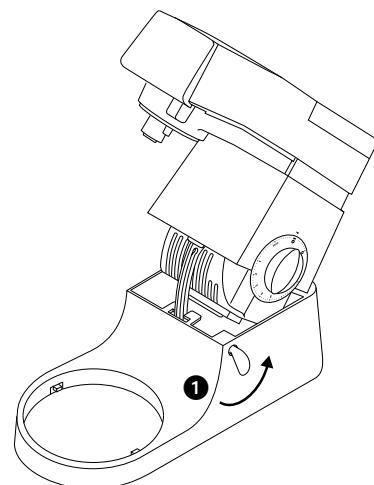
KM 300, 400, 410

KM 600, 800, 810

- | | | |
|---------------|----------------------------|--------------------------|
| Teig | • Gesamtgewicht bis zu 3kg | Gesamtgewicht bis zu 5kg |
| Eiweiß | • 1 - 12 | 1 - 16 |
| Sahne | • 1,5l | 2,5l |

Geschwindigkeiten **4**

- K-Rührer
- **Verrühren von Fett und Zucker** Mit minimaler Geschwindigkeitsstufe beginnen, nach und nach bis auf Max erhöhen.
 - **Eier cremig schlagen** 4-'Max'.
 - **Mehl, Obst etc. unterrühren** Min-1.
 - **Backmischungen** Mit minimaler Geschwindigkeitsstufe beginnen, nach und nach bis auf Max erhöhen.
 - **Verrühren von Fett und Mehl** Min-2.
- Schneebeesen
- Allmählich bis max steigern.
- Knethaken
- mit 'min' beginnend, allmählich bis '1' steigern.



Reinigung siehe Seite 24

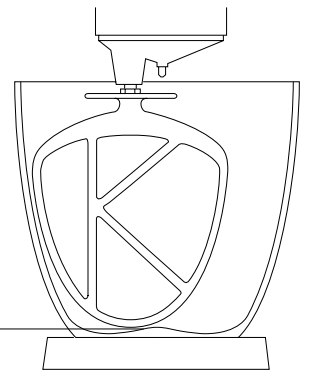
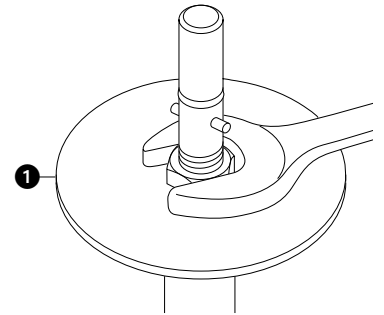
Fehlersuche

Problem

- Schneebesen oder K-Rührer schlagen gegen den Boden der Rührschüssel oder erreichen die Zutaten am Boden der Rührschüssel nicht.

Lösung • Höheneinstellung folgendermaßen anpassen:

- 1 Den Netzstecker der Maschine ziehen.
- 2 Mixerkopf anheben und Schneebesen oder Teigrührer einsetzen.
- 3 Festhalten, dann Schraubenmutter ❶ lösen.
- 4 Mixerkopf senken.
- 5 Höhe durch Drehen des Schafts einstellen. Im Idealfall sollte der Schneebesen/K-Teigrührer **beinahe** den Schüsselboden ❷ berühren.
- 6 Kopf anheben, Schneebesen/K-Teigrührer festhalten und Schraubenmutter anziehen.



Problem

- Teig bleibt am Schüsselrand hängen

Lösung • Richtiges Werkzeug für die gewählte Teigart einsetzen.
• Nicht auf zu hohen Geschwindigkeiten arbeiten.

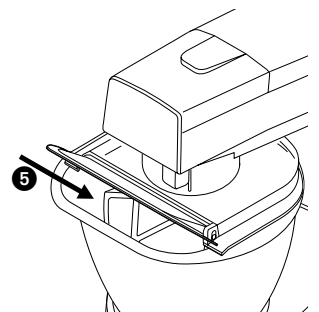
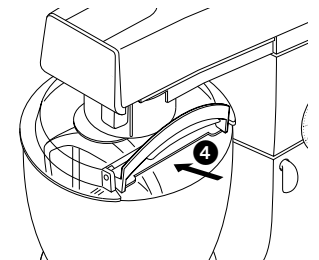
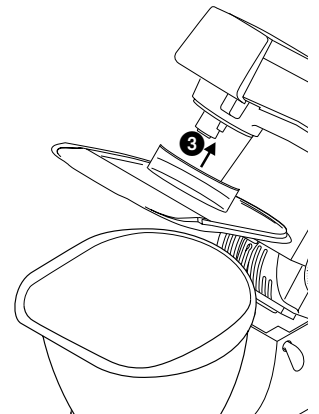
Problem

- Die Küchenmaschine ist nicht standfest

Lösung • Die Gummifüßchen an der Unterseite des Gerätes auf Unversehrtheit überprüfen.

Einstellung und Anwendung des runden/D-förmigen Spritzschutzes (falls vorhanden)

- 1 Mixerkopf anheben, bis er einrastet.
- 2 Schüssel auf den Sockel aufsetzen.
- 3 Spritzschutz einpassen und drücken, bis er fest sitzt ❸. Die Öffnung muss dabei wie in Abbildung ❹ (rund) oder ❺ (D-förmig) ausgerichtet sein.
- 4 Benötigtes Rührgerät einsetzen.
- 5 Mixerkopf senken. Darauf achten, dass der Spritzschutz die Schüssel ganz abdeckt.
 - Während des Mixvorgangs können durch die Öffnung im Spritzschutz weitere Zutaten direkt zugegeben werden.
 - Der Spritzschutz muss nicht abgenommen werden, um ein anderes Rührgerät einzusetzen.
- 6 Zum Entfernen des Spritzschutzes Mixerkopf anheben und Spritzschutz nach unten schieben.



Das erhältliche **Zubehör**

Zubehörteile, die nicht mit der Maschine mitgeliefert wurden, erhalten Sie bei Ihrem Kenwood-Händler.

Hinweis: nicht alle hier abgebildeten Zubehörteile sind lieferbar.

vorsatz vorsatz-code

flacher Nudelvorsatz ① **A970**

weitere Nudelvorsätze **A971** Tagliatelle
(nicht gezeigt) zur **A972** Tagliolini
Verwendung mit A970 **A973** Trenette
 A974 Spaghetti

nudelvorsatz ② **A936** wird mit 6 Siebscheiben geliefert

langsamer Schlitz/

Reibvorsatz ③ **A948** wird mit 4 Trommeln geliefert

superhacker ④ **A950** wird mit
a großer Wurstdüse
b kleiner Wurstdüse
c Kebbe-Vorsatz geliefert

getreidemühle ⑤ **A941**

zitruspresse ⑥ **A995**

pürrierer ⑦ 1,2 l Acryl **A993A**, 1,2 l Glas **A994A**, 1,5 l Edelstahl **A996A**

multimühle ⑧ **A938A** mit 3 Glasgefäßen und 3 Deckeln zum

Aufbewahren schneller

Schlitz/Reibvorsatz ⑨ **A998** enthält 3 Schneidscheiben als Standard

optionale Scheiben a Zusätzliche Grobreibe **Teilnummer 639021**

b Raspelscheibe **Teilnummer 639150**

c Standard-Schnitzelwerk **Teilnummer 639083**

kontinuierlicher Entsafter ⑩ **A935**

eismaschine ⑪ CHEF **A953**, MAJOR **A954**

kartoffelschäler ⑫ CHEF **A934**, MAJOR **A952**

kolander und Sieb ⑬ CHEF **A992**, MAJOR **A930**

kenlyte runde Schüssel ⑭ CHEF **265026**, MAJOR **412095**

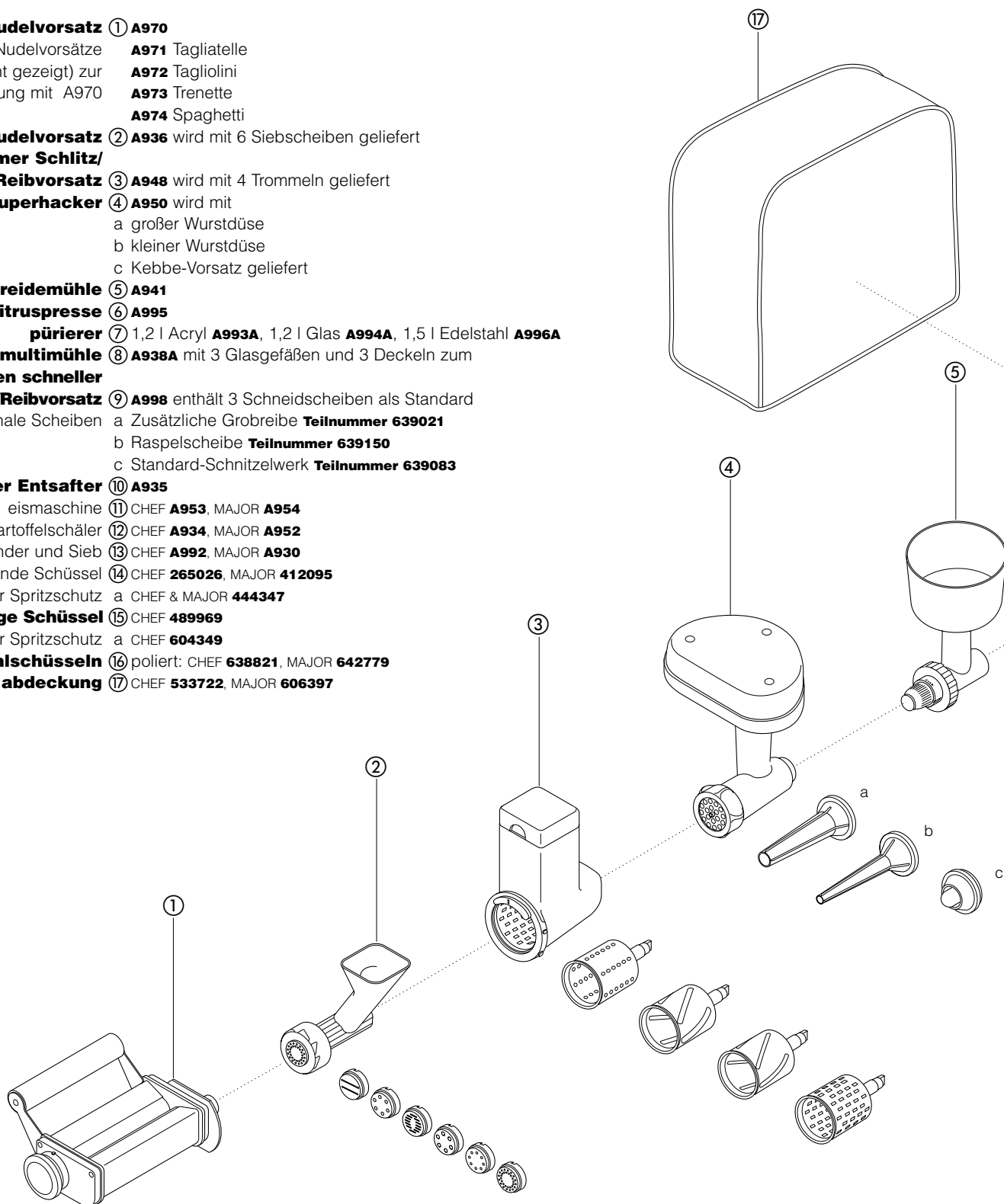
runder Spritzschutz a CHEF & MAJOR **444347**

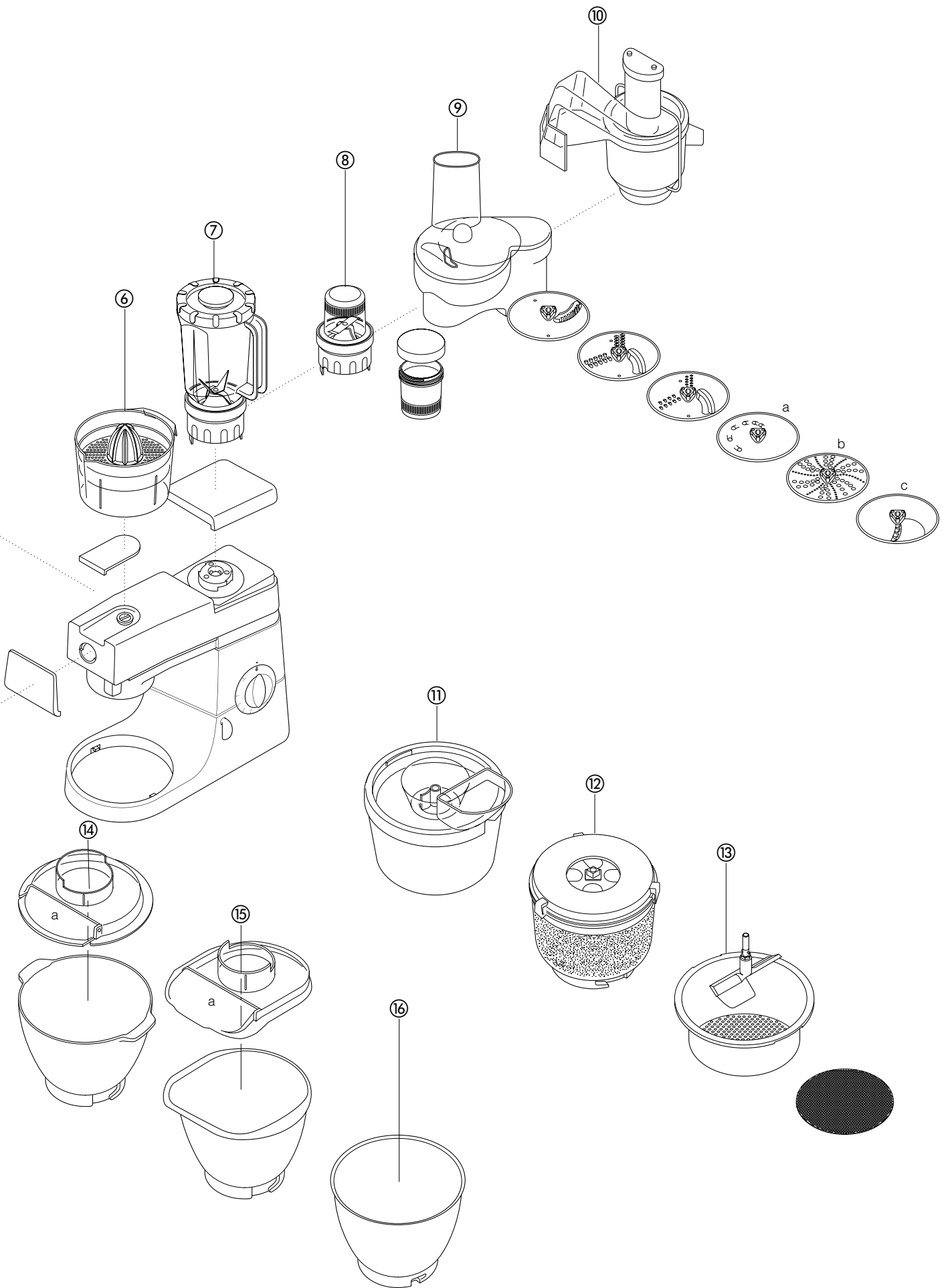
kenlyte D-förmige Schüssel ⑮ CHEF **489969**

D-förmiger Spritzschutz a CHEF **604349**

edelstahlschüsseln ⑯ poliert: CHEF **638821**, MAJOR **642779**

abdeckung ⑰ CHEF **533722**, MAJOR **606397**





Reinigung und Kundendienst

Reinigung und Pflege

- Vor dem Reinigen die Maschine immer ausschalten und den Netzstecker ziehen.
- Beim ersten Gebrauch kann an den Wellen ② und ③ etwas Fett austreten. Das ist normal - dieses Schmierfett können Sie einfach abwischen.

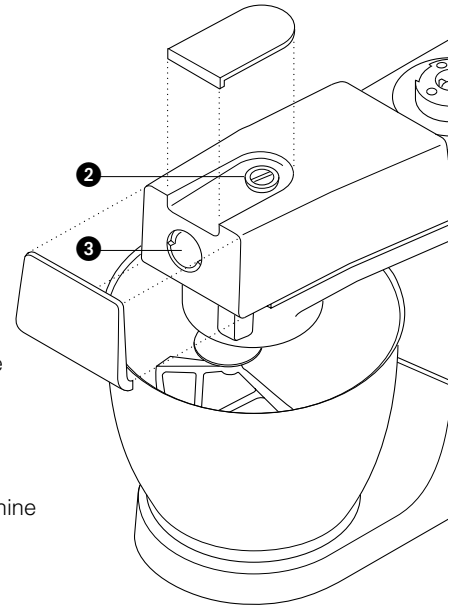
- Motoreinheit
- Mit einem feuchten Tuch abwischen, danach trockenwischen.
 - Keine Scheuermittel verwenden, nicht in Wasser tauchen.
- Rührschüsseln
- Von Hand spülen und gründlich abtrocknen.
 - Edelstahlschüsseln nie mit Drahtbürsten, Scheuerpads oder Bleichmitteln behandeln. Kalkablagerungen mit Essig entfernen. Die Edelstahlschüssel kann auch im Geschirrspüler gereinigt werden.
- Rührwerkzeuge
- Von Hand spülen und gründlich abtrocknen. Nicht im Geschirrspüler reinigen!
 - K-Teigrührer, Schneebesen und Teighaken können in der Spülmaschine ihre Farbe verlieren.
- Spritzschutz
- Von Hand spülen und gründlich abtrocknen.

Kundendienst

- Ein beschädigtes Netzkabel darf aus Sicherheitsgründen nur von KENWOOD oder einer autorisierten KENWOOD-Fachwerkstatt repariert werden.

Wenn Sie Hilfe brauchen:

- beim Gebrauch Ihrer Maschine,
- bei der Bestellung weiteren Zubehörs,
- bei Reparaturen oder Wartungsdienst wenden Sie sich bitte an den Händler, bei dem Sie Ihre Maschine gekauft haben.



Rezepte

Siehe auch die wichtigen Hinweise für Brotteig auf Seite 20.

Frühstücksbrot

- zutaten
- 2,6kg Mehl
 - 1,3l Milch
- Die Mengenangaben gelten für KM600, 800 und 810. Für KM300, 400 und 410 die Mengenangaben halbieren und das ganze Mehl auf einmal zugeben.**
- 300g Zucker
 - 450g Margarine
 - 100g Frischhefe oder 50g Trockenhefe
 - 6 Eier, geschlagen
 - 5 Prisen Salz
- zubereitung
- 1 Die Margarine in der Milch schmelzen und die Mischung auf 43°C erwärmen.
 - 2 **Trockenhefe:** Hefe und Zucker in die Milch geben und etwa 10 Minuten stehen lassen, bis die Hefe geht.
Frischhefe: in das Mehl krümeln und den Zucker zugeben.
sonstige Hefe: Herstellerangaben befolgen.
 - 3 Die Milch in die Rührschüssel gießen, die geschlagenen Eier und 2kg Mehl zugeben.
 - 4 1 Minute bei minimaler Geschwindigkeit mixen, dann eine weitere Minute auf Stufe 1.
Reste vom Rand abkratzen.
 - 5 Das Salz und das restliche Mehl zugeben und bei geringster Geschwindigkeit 1 Minute, dann bei Geschwindigkeit 1 weitere 2 - 3 Minuten kneten, bis ein glatter und gleichmäßiger Teig entstanden ist.
 - 6 Gefettete 450g - Formen zur Hälfte mit dem Teig füllen, oder den Teig zu Brötchen formen. Mit einem Tuch abgedeckt an einem warmen Ort gehen lassen, bis sich das Teigvolumen verdoppelt hat.
 - 7 Backen: *Brotlaibe* 20 - 25 Minuten, *Brötchen* 15 Minuten bei 200°C (Gas Stufe 6).
 - 8 Das Brot ist gar, wenn es bei Klopfen auf die Unterseite hohl klingt.

Erdbeer-Aprikosen-Torte

- zutaten: Bisquitteig
- 3 Eier
 - 75g Zucker
 - 75g Mehl
- Füllung und Dekoration
- 150ml Schlagsahne
 - Zucker nach Geschmack
 - 225g Erdbeeren
 - 225g Aprikosen
- zubereitung
- 1 Aprikosen halbieren und entsteinen. In etwas Wasser mit Zucker nach Geschmack weich kochen.
 - 2 Erdbeeren waschen und halbieren.
 - 3 Für den Teig Eier und Zucker mit dem Schneebesen auf höchster Geschwindigkeitsstufe zu einem weißlichen Schaum aufschlagen.
 - 4 Schüssel und Schneebesen vom Gerät nehmen. Mehl von Hand mit einem großen Metallöffel untermischen – vorsichtig untermischen, damit der Biskuitboden leicht bleibt.
 - 5 Zwei flache Formen fetten und auslegen und mit der Mischung füllen.
 - 6 Backen: 20 Minuten lang bei 180°C (Gas Stufe 4), bis der Teig bei sanftem Druck zurückfedert.
 - 7 Den Teig auf ein Drahtgitter stürzen.
 - 8 Bei maximaler Geschwindigkeit die Sahne steif schlagen. Zucker nach Geschmack zugeben.
 - 9 Die Aprikosen und ein Drittel der Erdbeeren grob hacken und unter die Sahne heben.
 - 10 Die Sahne-Fruchtmischung auf dem einem Teigboden verteilen, den anderen Boden darauflegen.
 - 11 Die restliche Sahne auf dem oberen Boden verteilen und mit den restlichen Erdbeeren verzieren.

Rezepte (Fortsetzung)

Baiser

- zutaten
- 4 Eiweiß
 - 250g gesiebter Puderzucker
- zubereitung
- 1 Backblech mit Backpapier auslegen.
 - 2 Eiweiß mit Zucker bei maximaler Geschwindigkeit in etwa 10 Minuten steif schlagen.
 - 3 Mit einem Löffel (oder einem Spritzbeutel mit 2,5cm Sterntülle) die Mischung auf das Backblech geben.
 - 4 Bei 110°C (Gas Stufe ¼) 4 - 5 Stunden lang backen, bis die Baiser fest und knusprig sind. Wenn sie braun werden, die Backofentür etwas geöffnet lassen.
- Die Baiser luftdicht verschlossen aufbewahren.

Mürbeteig

- zutaten
- 450g Mehl, mit dem Salz durchgesiebt
 - 5ml Salz
 - 225g Fett (Schmalz und Margarine, gemischt, Kühlschranktemperatur)
 - etwa 80ml (4 El) Wasser
- Tip:
- Nicht überühren.
- zubereitung
- 1 Das Mehl in die Rührschüssel geben. Das Fett in Flocken zum Mehl geben.
 - 2 Bei Geschwindigkeitsstufe 1 nur so lange mixen, bis Masse aussieht wie Paniermehl. Nicht schmierig werden lassen.
 - 3 Das Wasser zugeben und bei minimaler Geschwindigkeit rühren. Sobald das Wasser aufgenommen ist, das Rührwerk abschalten.
 - 4 Backen: bei etwa 200°C (Gas Stufe 6), Dauer je nach Belag.

Beefburger

- zutaten
- 250g mageres Rindfleisch ohne Sehnen
- zubereitung
- 1 In 2,5cm große Würfel schneiden.
 - 2 Wenn Sie keinen Fleischwolf haben, immer kleine Fleischmengen auf einmal im Mixer zerkleinern. Bei Stufe 2 **höchstens** 15 Sekunden. Nach jeder Füllung die Messer reinigen.
 - 3 Nach Belieben und Geschmack Gewürze, z.B. Zwiebelwürfel, gemischte Kräuter (frisch oder getrocknet), gemahlener schwarzer Pfeffer, Saft und Schale einer Zitrone, zugeben.
 - 4 Zwei flache Frikadellen formen und bei mittlerer bis starker Hitze gar grillen.

Hinweise für Garantieleistungen

1. Für das an Sie gelieferte Gerät gemäss Rechnung gewährt der Hersteller ab Kaufdatum eine 24-monatige Garantie. Zum Nachweis der Garantie gilt nur der Kaufbeleg.
2. Alle innerhalb der Garantiezeit auftretenden Funktionsfehler, die nachweisbar trotz sachgemäsem Gebrauch entstanden sind, beheben wir bis 24 Monate nach Kaufdatum kostenlos.
Bei gewerblicher Nutzung reduziert sich die Garantieleistung auf 6 Monate.
3. Es bleibt unserer Wahl überlassen, ob wir die defekten Teile reparieren oder austauschen. Ausgetauschte Teile gehen in unser Eigentum über.
4. Durch die Erbringung von Garantieleistungen tritt keine Verlängerung der ab Kaufdatum eingeräumten Garantiezeit ein. Die Garantiezeit für Teile, die im Rahmen der Garantie ausgetauscht werden, läuft mit Ende der Garantiezeit ab.
5. Die Garantie erlischt bei Eingriffen von anderen als autorisierten KENWOOD-Kundendienststellen oder bei der Verwendung anderer als original KENWOOD-Ersatzteile.
6. Unsere autorisierten KENWOOD-Kundendienststellen werden die Instandsetzung so schnell wie möglich durchführen.
7. Von der Garantie ausgenommen sind:
 - Glas- und Kunststoffbruch,
 - Schäden, die auf Nichtbeachtung der Hinweise in der Betriebsanleitung zurückzuführen sind.
 - Schäden, die durch Anschluß an eine falsche Netzspannung oder sonstige unsachgemäße Behandlung des Gerätes oder seiner Teile entstehen, insbesondere Überlastung.
 - Schäden, die auf normale Abnutzung zurückzuführen sind.
 - Transportschäden jeglicher Art melden Sie bitte umgehend, jedoch spätestens 8 Tage nach Auslieferung bei Ihrem Händler, damit er diese reguliert.
8. Durch diese Herstellergarantie wird die gesetzliche Gewährleistungspflicht nicht eingeschränkt.

Im Garantiefall oder bei Reparaturbedarf wenden Sie sich bitte an dem Verkäufer (oder an eine autorisierte Kundendienststelle).

Deutschland: Info Line: 0180-2000-422 (0,12€/min)

Per conoscere il vostro apparecchio da cucina Kenwood

avvertenze

- Spegner l'apparecchio e togliere la spina dalla presa di corrente prima di inserire od estrarre utensili/accessori, dopo l'uso e prima della pulizia.
- Non lasciare che bambini o persone inferme usino l'apparecchio senza adeguata supervisione.
- Tenere le dita lontano dalle parti componenti e dagli accessori inseriti mentre sono in movimento.
- Non allontanarsi mentre l'apparecchio è in funzione e non lasciare che i bambini vi si avvicinino.
- Non usare l'apparecchio se appare danneggiato. Farlo controllare o riparare da personale apposito (vedere a pagina 33 per le informazioni sull'assistenza tecnica).
- Non usare accessori diversi da quelli indicati e non inserire più di un accessorio alla volta.
- Non superare la capacità massima dell'apparecchio riguardo la quantità di cibo da inserire (indicazioni a pagina 29).
- Non lasciare che i bambini giochino con l'apparecchio.
- Quando si desidera usare un accessorio, leggere le istruzioni di sicurezza che lo corredano.
- Questa apparecchiatura è destinata al solo uso domestico.

prima di collegare l'apparecchio alla rete elettrica

- Assicurarsi che la tensione della vostra rete elettrica sia la stessa di quella indicata sulla targhetta sotto l'apparecchio.
- Questo apparecchio è conforme alla Direttiva Comunitaria 89/336/EEC.

prima dell'uso

- 1 Togliere tutto il materiale d'imballaggio.
- 2 Lavare i componenti secondo le istruzioni fornite a pagina 33.

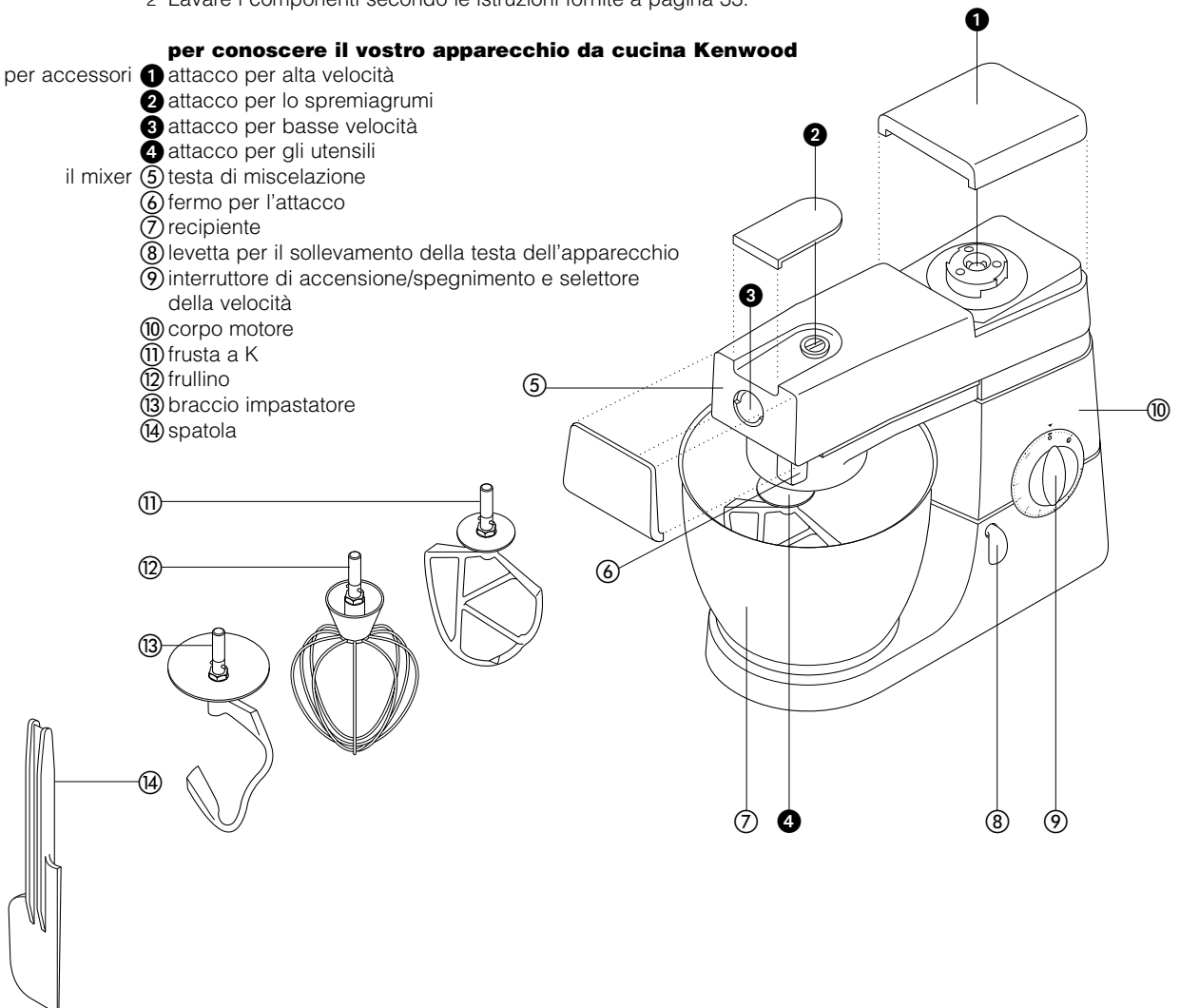
per conoscere il vostro apparecchio da cucina Kenwood

attacchi per accessori

- 1 attacco per alta velocità
- 2 attacco per lo spremiagrumi
- 3 attacco per basse velocità
- 4 attacco per gli utensili

il mixer

- 5 testa di miscelazione
- 6 fermo per l'attacco
- 7 recipiente
- 8 levetta per il sollevamento della testa dell'apparecchio
- 9 interruttore di accensione/spegnimento e selettore della velocità
- 10 corpo motore
- 11 frusta a K
- 12 frullino
- 13 braccio impastatore
- 14 spatola



il mixer

utilizzo degli accessori per mescolare

- frusta • Per torte, biscotti, paste frolle, glasse, ripieni, cannoli e per fare il puree di patate.
- frullino • Per uova, panna, pastelle, torte senza grasso, meringhe, torte alla ricotta, mousse, soufflé. Non usare il frullino per miscele dense (per esempio per il grasso di scrematura e per lo zucchero), altrimenti si corre il rischio di danneggiarlo.
- braccio impastatore • Per tutte le miscele a lievitazione.

come usare il mixer

- 1 Girare in senso antiorario la levetta di sollevamento della testa dell'apparecchio ❶ e sollevare la testa di miscelazione fino a quando essa non si blocca in posizione.
- inserimento degli utensili 2 Ruotare fino a quando non si ferma ❷ quindi spingere.
- 3 Collocare il recipiente sulla base. Spingerlo verso il basso e ruotare in senso orario ❸
- 4 Girare in senso antiorario la levetta di sollevamento della testa dell'apparecchio e abbassare la testa di miscelazione finché si chiude con uno scatto.
- 5 Selezionare la velocità desiderata, poi accendere il mixer girando il selettore della velocità
 - Spostare il selettore sugli impulsi **P** per lavorare gli ingredienti in modo intermittente.
- estrazione degli utensili 6 Svitare per estrarre.

- consigli • Spegnerlo e pulire di frequente la frusta, servendosi della spatola.
- Per ottenere i migliori risultati, le uova devono essere a temperatura ambiente.
- Prima di montare gli albumi, accertarsi che frusta e recipiente non presentino residui di grasso o tuorlo d'uovo.
- Per la pasta frolla usare solo ingredienti freddi, a meno che la ricetta non specifichi diversamente.

promemoria per impastare il pane

- importante • Non superare mai le capacità sottoelencate, altrimenti si sovraccarica l'apparecchio.
- Se l'apparecchio sembra lavorare l'impasto con fatica, spegnerlo, asportare metà dell'impasto e lavorarla separatamente.
- Gli ingredienti si impastano meglio se si versa il liquido per primo nel recipiente.

capacità massime

KM300, 400, 410

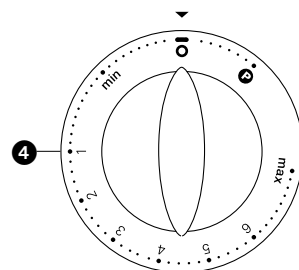
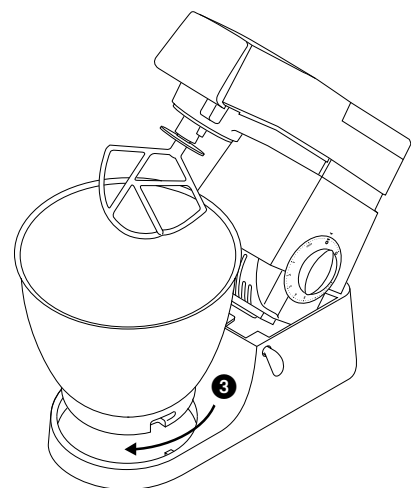
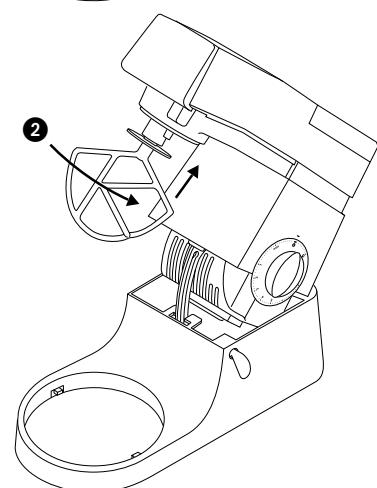
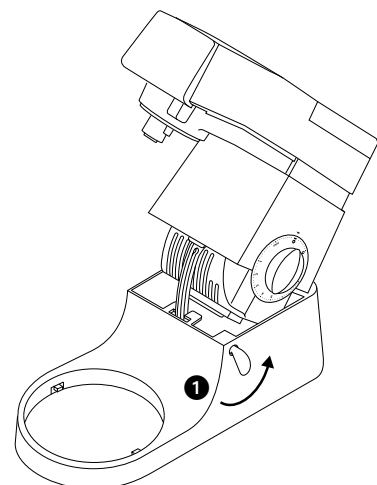
KM600, 800, 810

- paste frolle** • Peso della farina: 680gr
- miscele dure a lievitazione** • Peso della farina: 1,36kg
- Tipo inglese • Peso totale: 2,18kg
- miscele morbide a lievitazione** • Peso della farina: 1,3kg
- Tipo europeo • Peso totale: 2,5kg
- miscele per torte di frutta** • Peso totale: 2,72kg
- albumi** • 12

- Peso della farina: 910gr
- Peso della farina: 1,5kg
- Peso totale: 2,4kg
- Peso della farina: 2,6kg
- Peso totale: 5kg
- Peso totale: 4,55kg
- 16

velocità selezionabili ❹

- frusta • **grassi di scrematura e zucchero:** iniziare al min e portare gradualmente al max.
- **per sbattere le uova in miscele cremose:** 4 – 'max'.
- **per incorporare farina, frutta, ecc:** min – 1.
- **per miscele per torte:** iniziare al min e portare gradualmente al max.
- **per amalgamare il grasso alla farina:** min – 2.
- frullino • Portare gradualmente a 'max'.
- braccio impastatore • Iniziare da 'min' e portare gradualmente a 1.



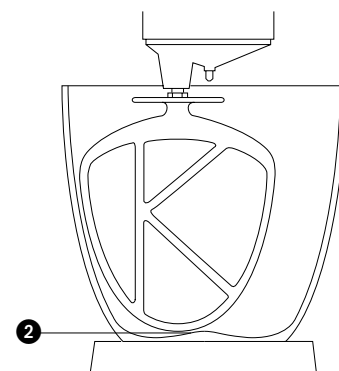
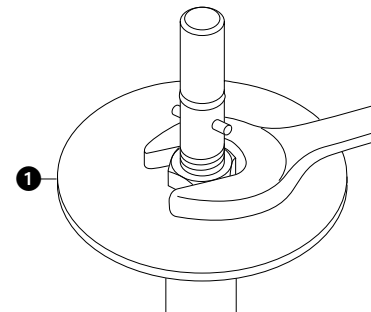
guida alla ricerca dei guasti

problema

- Il frullino o la frusta battono contro il fondo del recipiente, oppure non riescono ad impastare gli ingredienti sul fondo del recipiente.

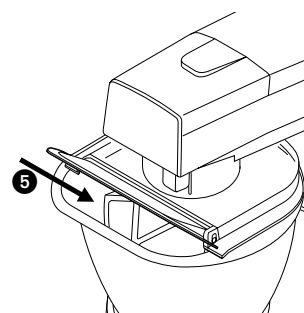
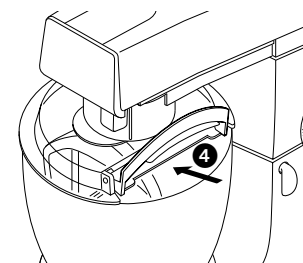
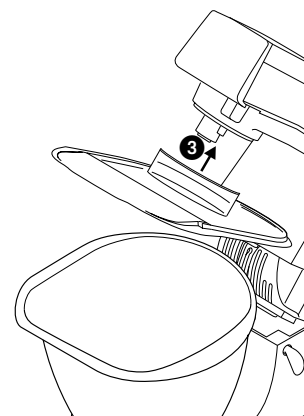
soluzione • Regolare l'altezza. Ecco come fare:

- 1 Staccare la spina dell'apparecchio.
- 2 Sollevare la testa del mixer e inserire la frusta o il frullino.
- 3 Tenere l'accessorio con una mano, quindi allentare il dado **1**.
- 4 Abbassare la testa del mixer.
- 5 Regolare l'altezza dell'accessorio ruotandolo. Se possibile il frullino/la frusta a K deve **quasi** toccare il fondo del recipiente **2**.
- 6 Sollevare la testa, tenere il frullino/la frusta a K con una mano e infine stringere il dado.



per montare ed usare il paraspruzzi rotondo/a D (se fornito)

- 1 Sollevare la testa del mixer finché non si blocca.
 - 2 Montare il recipiente sulla base.
 - 3 Spingere il paraspruzzi fino ad inserirlo completamente **3**. La sezione incernierata deve essere collocata come mostrato, per il paraspruzzi rotondo **4** e per quello a D **5**.
 - 4 Inserire l'accessorio desiderato.
 - 5 Abbassare la testa del mixer, controllando che il paraspruzzi si conformi al recipiente.
- Mentre si miscela è possibile aggiungere gli ingredienti direttamente nel recipiente, dalla sezione incernierata del paraspruzzi.
 - Non occorre togliere il paraspruzzi per cambiare accessorio.
- 6 Estrarre il paraspruzzi sollevando la testa del mixer e spostandola verso il basso.



gli **accessori** disponibili

Se si desidera acquistare un accessorio non incluso nella confezione di questo elettrodomestico, si prega di rivolgersi all'addetto KENWOOD per le riparazioni.

accessorio codice

accessorio per pasta piatta ① **A970**

accessori supplementari per pasta (Non illustrato) usati insieme a A970

- A971** tagliatelle
- A972** tagliolini
- A973** trenette
- A974** spaghetti

accessorio per la pasta **affetta/sminuzzatutto a bassa velocità** ② **A936** con 6 filiere

tritacarne super ③ **A948** con 4 elementi

④ **A950** con

- a accessorio per salsicce grandi
- b accessorio per salsicce piccole
- c accessorio per salsicce kebbe

macinino ⑤ **A941**

spremiagrumi ⑥ **A995**

frullatore ⑦ 1.2 l acrilico **A993A**, 1.2 l vetro **A994A**, 1.5 l acciaio inox **A996A**

macinatutto ⑧ **A938A** con 3 caraffe in vetro e 3 coperchio per conservazione

affetta/sminuzzatutto ad alta velocità ⑨ **A998** con 3 dischi di taglio

dischi facoltativi

- a sminuzzatutto extra grosso art. n° **639021**
- b accessorio per raschiare art. n° **639150**
- c accessorio standard per patatine art. n° **639-83**

spremi frutta a centrifuga ⑩ **A935**

gelatiera ⑪ CHEF **A953**, MAJOR **A954**

pelapatate ⑫ CHEF **A934**, MAJOR **A952**

colino e setaccio ⑬ CHEF **A992**, MAJOR **A930**

vaschetta rotonda kenlyte ⑭ CHEF **265026**, MAJOR **412095**

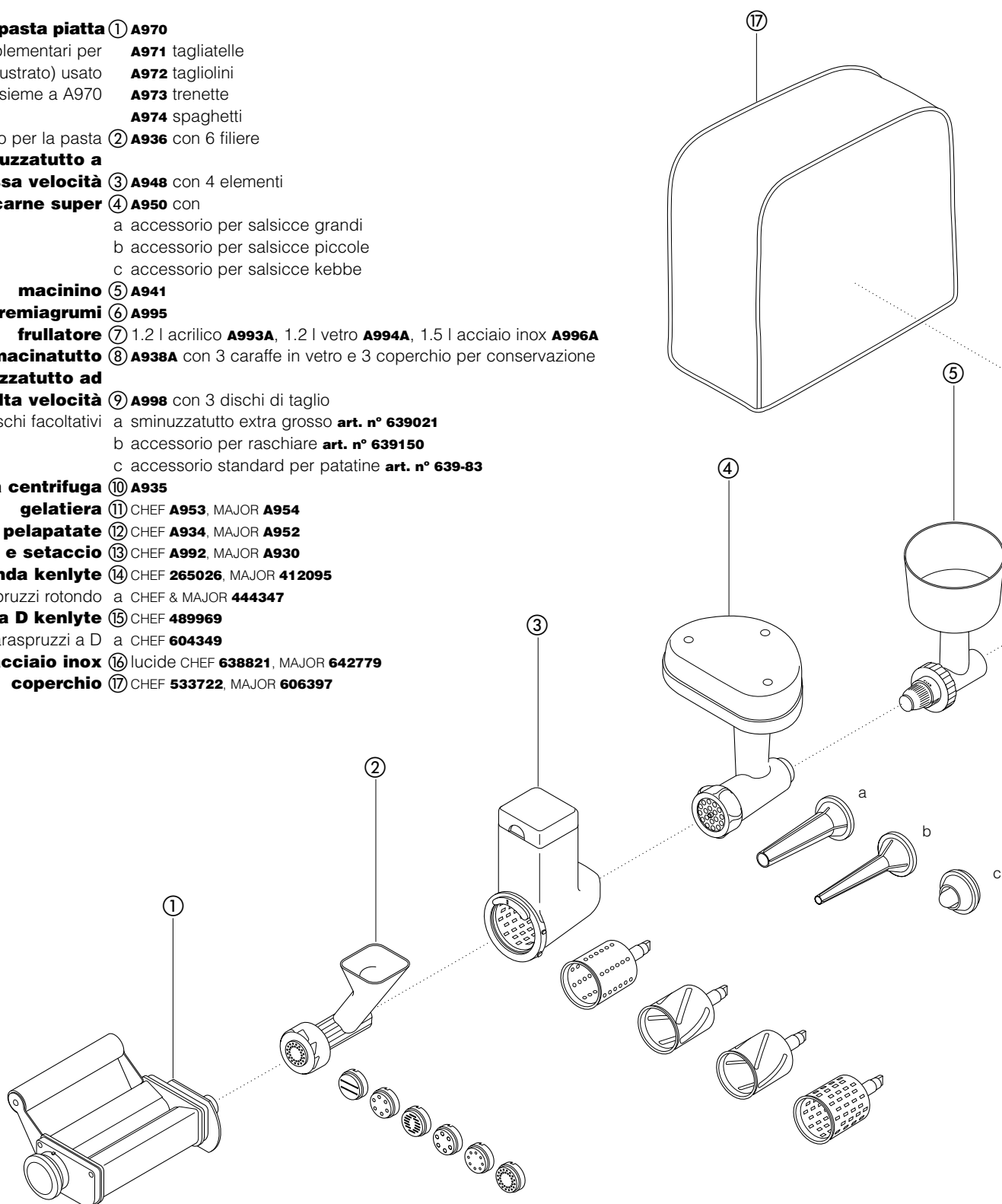
paraspruzzi rotondo a CHEF & MAJOR **444347**

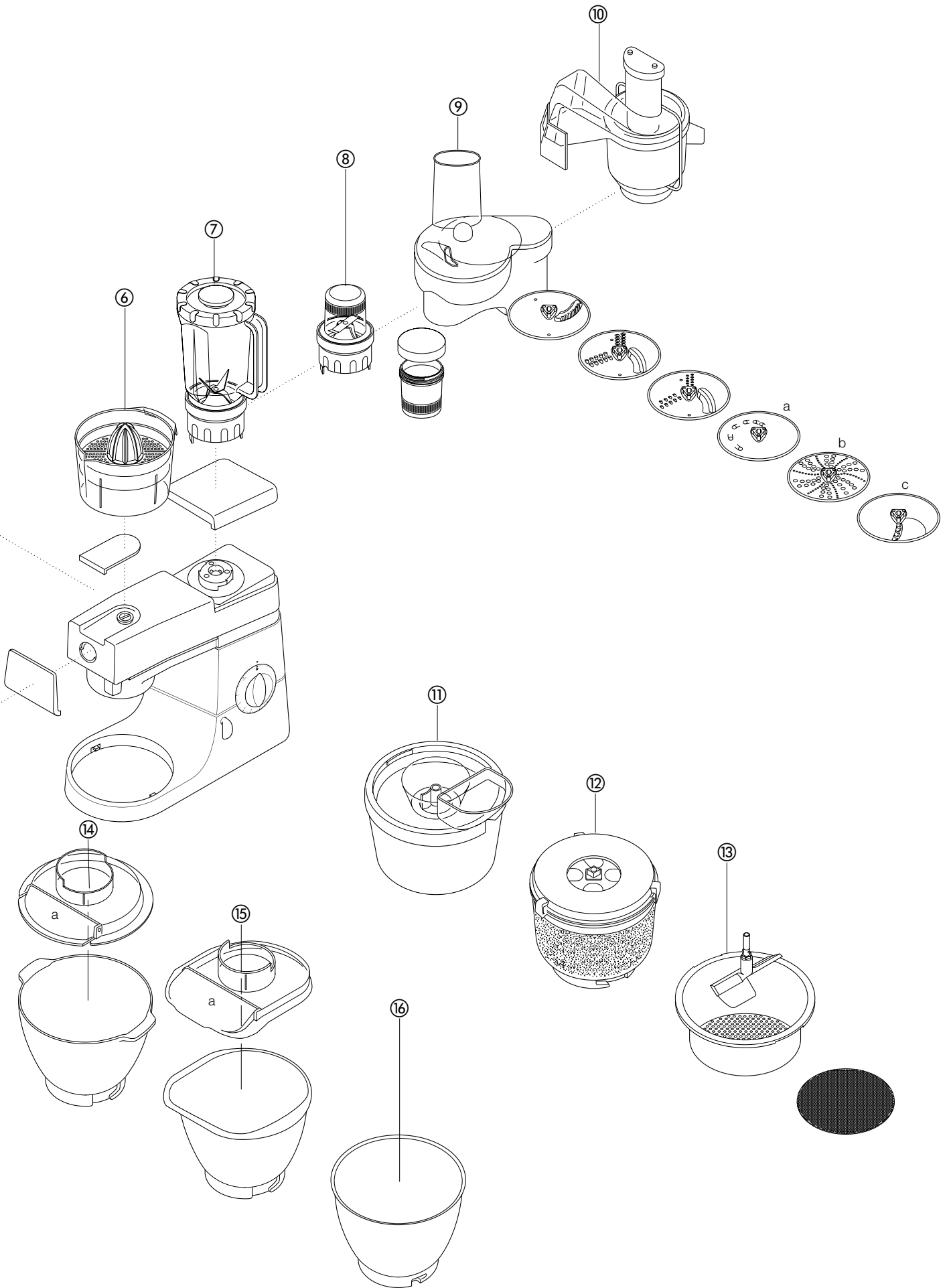
vaschetta a D kenlyte ⑮ CHEF **489969**

paraspruzzi a D a CHEF **604349**

vaschette acciaio inox ⑯ lucide CHEF **638821**, MAJOR **642779**

coperchio ⑰ CHEF **533722**, MAJOR **606397**

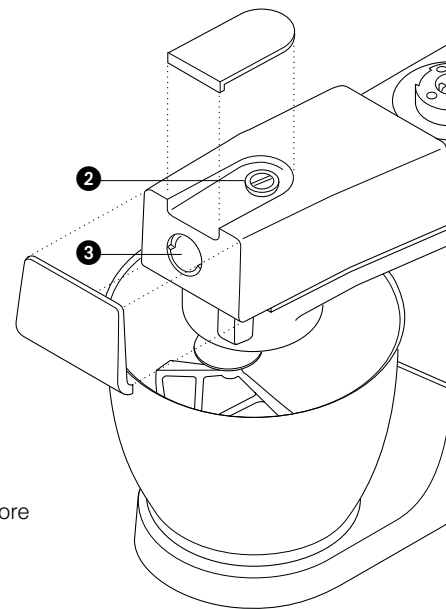




pulizia dell'apparecchio e assistenza tecnica

pulizia e cura dell'apparecchio

- Spegnere sempre l'apparecchio e togliere la spina prima di pulirlo.
 - Dagli **attacchi 2** e **3** può fuoriuscire del grasso quando si usa l'apparecchio per la prima volta. Questo è perfettamente normale e basta asportare i residui con un panno.
- corpo motore
- Pulire con un panno umido e poi asciugare.
 - Non pulire mai con sostanze abrasive e non immergere mai l'apparecchio nell'acqua.
- recipienti
- Lavare a mano ed asciugare a fondo.
 - Se il recipiente è in acciaio inossidabile, non usare mai uno spazzolino di ferro, lana di ferro oppure candeggina per lavarlo. Usare solo dell'aceto per eliminare i residui di calcare. La vaschetta in acciaio inossidabile può anche essere lavata in lavastoviglie.
 - Tenere lontano da sorgenti di calore (per es. fornelli, forni, forni a microonde).
- utensili
- Lavare a mano e poi asciugare con cura.
 - Se lavati in lavastoviglie, la frusta a K, il frullino e il braccio impastatore potrebbero scolorirsi.
- paraspruzzi
- Lavare a mano ed asciugare a fondo.



manutenzione e assistenza tecnica

- In caso il cavo sia danneggiato, deve essere sostituito solo dal fabbricante oppure da un centro assistenza KENWOOD autorizzato. Ciò eviterà possibili situazioni di pericolo.

se si ha bisogno di assistenza riguardo:

- l'utilizzo dell'apparecchio
 - l'ordinazione di un altro accessorio
 - assistenza tecnica o riparazioni
- contattare il negozio dove si è acquistato l'apparecchio.

ricette

Per la preparazione del pane, si vedano le importanti note a pagina 29.

- pane bianco** *tipo europeo a pasta morbida*
- ingredienti
- 2,6kg di farina bianca di tipo normale
 - 1,3 litri di latte
 - 300gr di zucchero
 - 450gr di margarina
 - 100gr di lievito di birra fresco oppure 50gr di lievito secco
 - 6 uova sbattute
 - 5 pizzichi di sale
- Queste quantità sono valide per i modelli KM600, 800 e 810. Per i modelli KM300, 400 e 410, dimezzare tutte le quantità e aggiungere la farina tutta in una volta.**
- procedimento
- 1 Fare sciogliere la margarina nel latte e portare a una temperatura di 43°C.
 - 2 Se si usa il **lievito di birra in polvere** (il tipo che deve essere ricostituito): versarlo nel recipiente insieme allo zucchero e al latte. Lasciar riposare per circa 10 minuti finché il composto appare schiumoso.
Se si usa il **lievito di birra fresco**: sbriciolatelo nella farina
Se si usano **altri tipi di lievito**: seguire le indicazioni del produttore.
 - 3 Versare il latte nel recipiente. Poi aggiungere le uova sbattute e 2kg di farina.
 - 4 Miscelare a velocità minima per 1 minuto, poi a velocità 1 per un altro minuto. Staccare l'impasto dal recipiente.
 - 5 Aggiungere il sale e la rimanente farina e miscelare a velocità minima per 1 minuto, poi a velocità 1 per 2 - 3 minuti, fino a quando l'impasto non appare morbido e ben amalgamato.
 - 6 Riempire a metà alcune teglie imburrate di 450gr, oppure formare panini. Ora coprire con un panno e lasciare l'impasto in ambiente caldo finché non raddoppia in volume.
 - 7 Cuocere in forno a 200°C per 20 - 25 minuti (*per le pagnotte*) o per 15 minuti (*per i panini*).
 - 8 A cottura ultimata il pane dovrebbe produrre un suono sordo se battuto sul fondo.
- Con questa miscela si ottengono circa 10 pagnotte.

- torta di fragole e albicocche**
- ingredienti: base
- 3 uova
 - 75gr di zucchero raffinato
 - 75gr di farina bianca
- ripieno e decorazione
- 150ml di panna da cucina
 - zucchero - secondo i gusti
 - 225gr di fragole
 - 225gr di albicocche
- procedimento
- 1 Tagliare a metà le albicocche ed asportare i noccioli. Cuocere a fuoco lento in poca acqua, aggiungendo zucchero secondo i gusti, fino a quando non si ammorbidiscono.
 - 2 Lavare e tagliare a metà le fragole.
 - 3 Per fare la torta di base, montare le uova e lo zucchero alla velocità massima, fino a quando la miscela non appare densa e di colore molto chiaro.
 - 4 Estrarre il recipiente e il frullino. Incorporare a mano la farina, servendosi di un grosso cucchiaino metallico – fare attenzione a mantenere leggero il pan di spagna.
 - 5 Versare la miscela in due teglie di 18cm imburrate e rivestite di carta oleata.
 - 6 Cuocere in forno a 180°C per 20 minuti circa, fino a quando la torta non risulta elastica al tocco.
 - 7 Capovolgere la torta su un piano a grata.
 - 8 Montare la panna a velocità massima, fino a quando non si indurisce. Aggiungere zucchero secondo i gusti.
 - 9 Tagliare a pezzetti le albicocche e un terzo delle fragole, quindi unirle a metà della panna.
 - 10 Spalmare questo impasto su una delle torte di base e poi ricoprire con la seconda torta.
 - 11 Spalmare il resto della panna sulla torta e decorare con le rimanenti fragole.

ricette (*continuazione*)

meringhe

- ingredienti
- 4 albumi
 - 250gr di zucchero a velo setacciato
- procedimento
- 1 Rivestire la teglia di carta antiaderente per cottura al forno.
 - 2 Montare gli albumi con lo zucchero a velocità massima, per circa 10 minuti, fino a quando la miscela non produce un effetto onda.
 - 3 Versare la miscela sulla teglia (oppure usare una siringa con bocchetta di 2,5cm a stella).
 - 4 Cuocere in forno a 110°C per circa 4 - 5 ore, fino a quando le meringhe non sono solide e croccanti. Se iniziano a dorarsi, lasciare accostato lo sportello del forno.
- Conservare le meringhe in un contenitore a tenuta stagna.

pasta frolla

- ingredienti
- 450gr di farina, setacciata insieme al sale
 - 5ml (1 cucchiaino) di sale
 - 225gr di strutto (miscelare strutto e margarina direttamente dal frigorifero)
 - Circa 80ml (4 cucchiaini) di acqua
- consiglio
- Non miscelare eccessivamente gli ingredienti.
- procedimento
- 1 Versare la farina nel recipiente. Tagliare a cubetti lo strutto e aggiungerlo alla farina.
 - 2 Miscelare a velocità 1 fino a quando l'impasto non assume la consistenza di briciole di pane. Fermarsi prima che l'impasto appaia unto.
 - 3 Aggiungere l'acqua e miscelare a velocità massima. Fermarsi non appena l'acqua è stata incorporata nell'impasto.
 - 4 Cuocere a circa 200°C, a seconda del ripieno desiderato.

svizzere di manzo

- ingredienti
- 250 gr di manzo magro di prima scelta
- procedimento
- 1 Tagliare la carne a cubetti di 2,5cm.
 - 2 Se non si dispone di tritacarne, usare il frullatore tritando la carne un poco alla volta. Usare la velocità 2 per un **massimo** di 15 secondi. Pulire attorno alle lame prima di versare altra carne nel frullatore.
 - 3 Miscelare la carne insieme ad aromi come cipolle a pezzetti, erbe miste (fresche o secche), pepe nero macinato grosso e il succo della scorza di un limone.
 - 4 Formare 2 svizzere e cuocerle alla griglia a fuoco medio-alto, fino a quando non sono ben cotte.

GARANZIA E SERVIZI DI ASSISTENZA

1. KENWOOD garantisce ai propri clienti l'applicazione di tutti i diritti contenuti nella Direttiva Europea 1999/44/CE sulla vendita dei beni di consumo, nonché dei diritti previsti dalle norme nazionali in materia.
In particolare sono coperti da garanzia tutti i possibili difetti di conformità e di fabbricazione presenti nel prodotto al momento della vendita che si manifestino nei primi 2 anni dalla data di acquisto.
2. Per il primo anno il cliente KENWOOD goderà pienamente dei diritti sopra indicati senza dover dimostrare l'esistenza del difetto di conformità o di fabbricazione al momento della vendita.
3. La conformità del prodotto verrà ripristinata dalla KENWOOD senza alcun onere per il cliente per manodopera e materiale nonché per le spese di intervento del tecnico a domicilio, limitatamente ai prodotti per i quali tale servizio sia previsto.
4. Per esercitare i diritti di cui sopra il cliente dovrà rivolgersi alla rete dei Centri Assistenza Autorizzati KENWOOD (contattare il numero verde sottoindicato) ed esibire unitamente al presente "certificato" un documento valido ai fini fiscali e rilasciato dal rivenditore e comprovante la data di acquisto del prodotto.
5. I diritti di cui ai punti 1, 2, 3 non si applicano ai seguenti casi :
 - Difetti causati da utilizzi non previsti nel libretto di istruzione che costituisce parte integrante del contratto di vendita.
 - Difetti causati da rotture accidentali, incuria, manomissione da parte di terzi non autorizzati, utilizzo di ricambi non originali.
6. Non sono da intendersi come prestazioni in garanzia gli interventi inerenti l'installazione, l'allacciamento agli impianti di alimentazione e le manutenzioni citate nel libretto delle istruzioni. Altresì viene escluso dalla garanzia il ricambio dei materiali di consumo (es. filtri, spazzole ecc.).
7. La KENWOOD declina ogni responsabilità per eventuali danni che possono, direttamente o indirettamente derivare a persone, cose ed animali domestici in conseguenza della mancata osservanza di tutte le prescrizioni indicate nell'apposito libretto di istruzioni e concernenti specialmente le avvertenze in tema di installazione, uso e manutenzione dell'apparecchio.



KENWOOD

Via Lodovico Seitz, 47
31100 Treviso - Italia

wat u moet weten over uw Kenwood keukenmachine

veiligheid

- Schakel het apparaat uit en haal de stekker uit het stopcontact voordat u instrumenten/hulpstukken aanbrengt of verwijdert, na ieder gebruik en alvorens het apparaat te reinigen.
- Kinderen of zieke personen mogen dit apparaat nooit zonder toezicht gebruiken.
- Houd uw vingers uit de buurt van bewegende onderdelen en vaste accessoires.
- Laat de machine nooit onbeheerd achter, wanneer deze ingeschakeld is, en houd hem buiten het bereik van kinderen..
- Gebruik de machine niet als hij beschadigd is. Laat hem nakijken of repareren: zie paragraaf 'service', blz. 42.
- Gebruik geen accessoires die niet voor de keukenmachine bestemd zijn en gebruik nooit meer dan één accessoire tegelijkertijd.
- Overschrijd nooit de maximale hoeveelheden (blz.38)
- Laat kinderen niet met dit apparaat spelen.
- Lees eerst de veiligheidsvoorschriften bij de accessoires, voordat u ze gebruikt.
- Deze machine is uitsluitend bestemd voor huishoudelijk gebruik.

voordat u de stekker in het stopcontact steekt.

- Controleer of de spanning van het stopcontact hetzelfde is als die op het typeplaatje.
- Dit apparaat voldoet aan EG-richtlijn 89/336/EEC.

voordat u de machine voor de eerste keer gebruikt.

- 1 Verwijder al het verpakkingsmateriaal.
- 2 Was alle onderdelen goed af: zie paragraaf 'onderhoud en reiniging', blz 42.

uw Kenwood keukenmachine

accessoires openingen ① hoge snelheid aansluiting

② citruspers aansluiting

③ lage snelheid aansluiting

④ hulpstukkenopening

de mixer ⑤ mixerkop

⑥ afvalopvanger

⑦ kom

⑧ hendel voor het omhoog zetten van de mixerkop

⑨ aan/uit -en snelheidsschakelaar

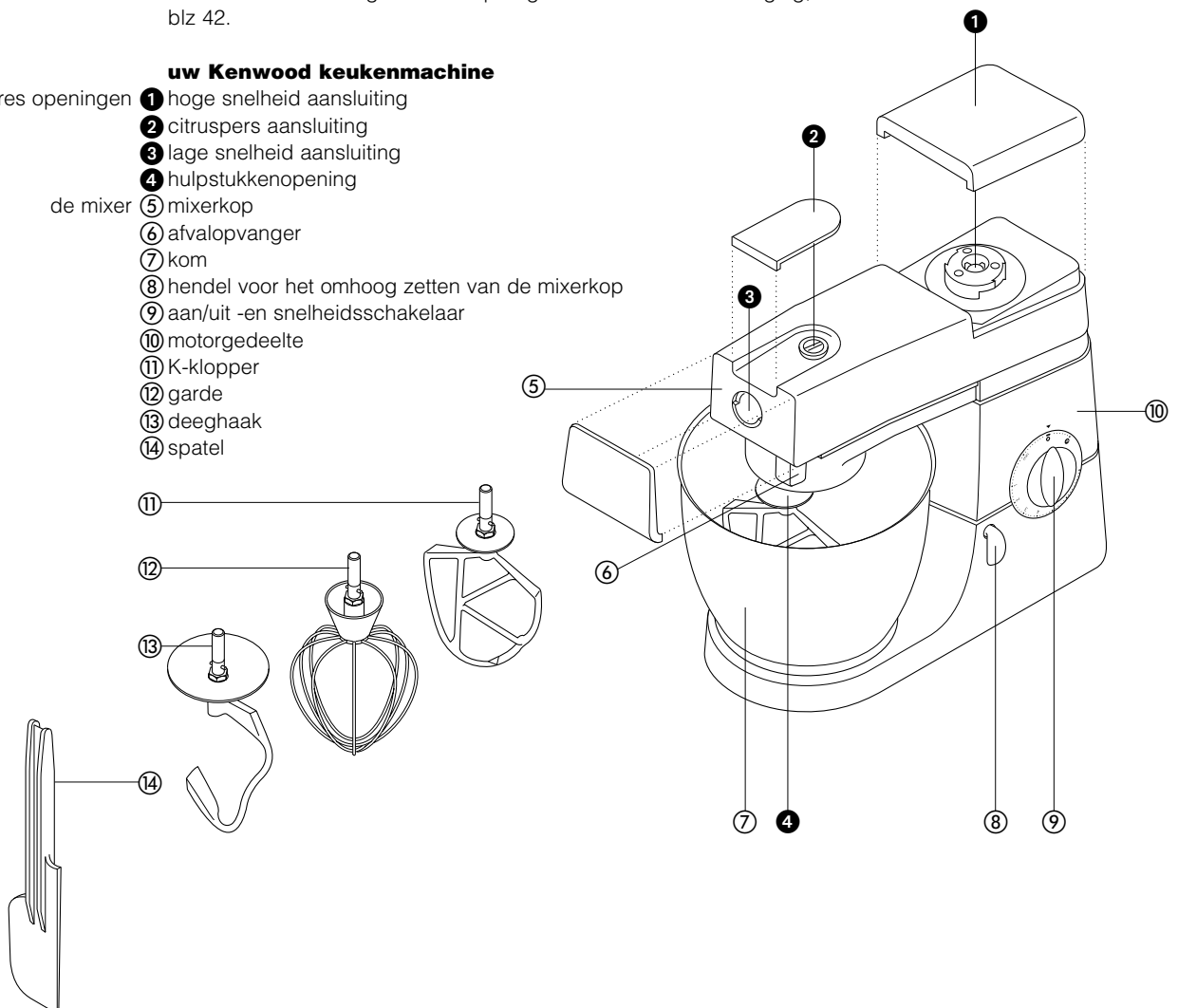
⑩ motorgedeelte

⑪ K-klopper

⑫ garde

⑬ deeghaak

⑭ spatel



de mixer

gebruik van de mix-accessoires

- K-klopper • Voor het maken van cakes, koekjes, pasteis, suikerglazuur, vullingen, roomsoezen en puree.
- garde • Voor eieren, room, beslag, vetarm biscuitdeeg, schuimgebak, kwarktaart, mousses en soufflés. Gebruik de garde niet voor zware mengsels (ei, vet en suiker), aangezien deze hierdoor beschadigd kan raken.
- deeghaak • Voor gistmengsels.

gebruik van uw mixer

- 1 Draai de hendel voor het omhoog zetten van de mixerkop tegen de klok in **1** en duw de mixerkop omhoog, totdat hij vastklikt.
- 2 Draai tot het niet meer verder kan **2** en duw het dan omhoog.
- 3 Zet de kom op het onderstel, druk hem naar beneden en draai hem met de klok mee **3**.
- 4 Draai de hendel voor de mixerkop tegen de klok in en laat de mixerkop zakken, totdat hij vastklikt.
- 5 Stel de gewenste snelheid in, en schakel de machine in door aan de snelheidsschakelaar te draaien.
 - Schakel naar 'pulse' **P** bij korte schokken.
- 6 Losdraaien.

aanbrengen van een hulpstuk

verwijderen van een hulpstuk

- tips • Haal de kom regelmatig van het onderstel af en schraap de binnenkant schoon met de spatel.
- Voor het kloppen kunt u het beste eieren op kamertemperatuur gebruiken.
- Controleer voordat u eiwitten gaat kloppen of er geen vet of eigeel op de garde of in de kom zit.
- Gebruik koude ingrediënten voor het deeg, tenzij in uw recept iets anders staat.

belangrijk voor het maken van brood

- important • Overschrijd nooit de hieronder aangegeven maximale hoeveelheden, omdat de machine hierdoor overbelast raakt.
- Als u hoort dat de machine moeite heeft met mengen, schakel hem dan uit en haal de helft van het deeg eruit. Meng hierna het deeg in twee keer.
- Het mixen gaat gemakkelijker als u eerst de vloeibare ingrediënten in de kom doet.

maximale hoeveelheden

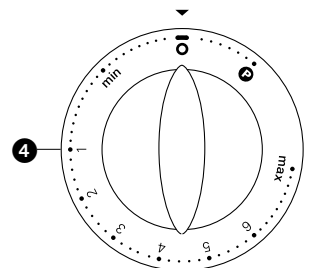
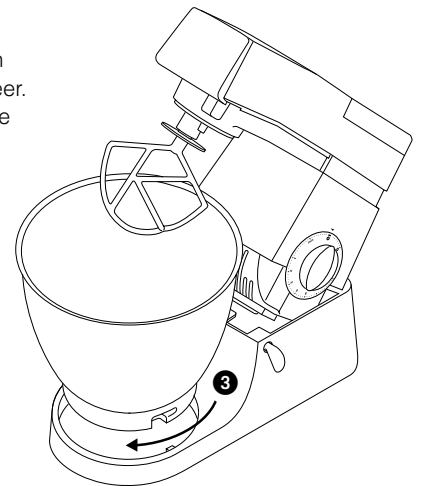
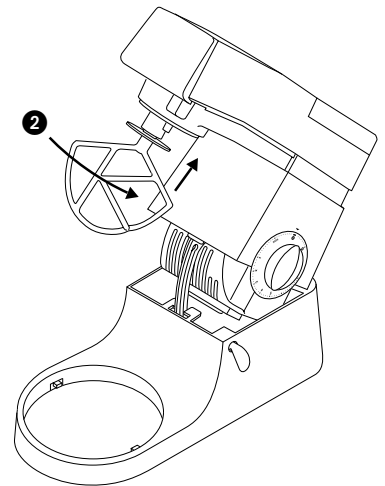
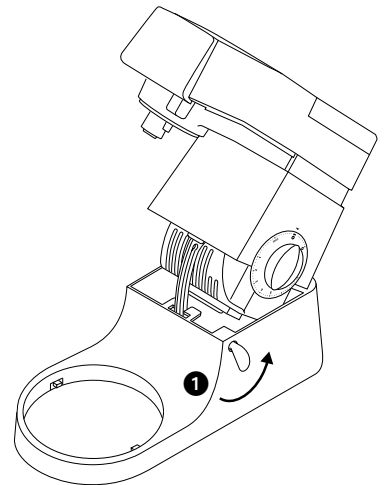
modellen Km300, 400, 410

modellen Km600, 800, 810

- | | | |
|-----------------------|---------------------------|------------------------|
| kruimeldeeg | • hoeveelheid meel 680g | hoeveelheid meel 910g |
| stijf gistdeeg | • hoeveelheid meel 1,36kg | hoeveelheid meel 1,5kg |
| Brits | • totaal 2,18kg | totaal 2,4kg |
| zacht gistdeeg | • hoeveelheid meel 1,3kg | hoeveelheid meel 2,6kg |
| continentaal | • totaal 2,5kg | totaal 5kg |
| vruchtencake | • totaal 2,72kg | totaal 4,55kg |
| eiwit | • 12 | 16 |

snellheden **4**

- K-klopper • **Kloppen van boter en suiker** beginnen op min, geleidelijk opvoeren tot max.
- **Een egaal mengsel van eieren maken** 4 – 'max'.
- **Bloem, fruit, enz, ergens door scheppen** Min –1
- **Cakebeslag** beginnen op min. snelheid, geleidelijk opvoeren tot max.
- **Boter door bloem mengen** min – 2
- garde • geleidelijk verhogen tot 'max'.
- deeghaak • start op 'min', en verhoog geleidelijk tot stand 1.



zie pagina 42 voor **reiniging**

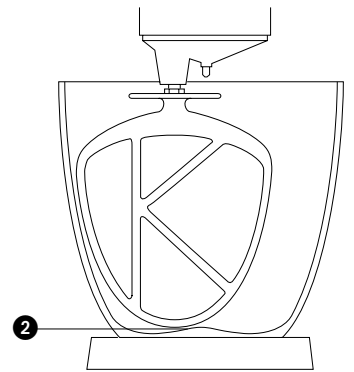
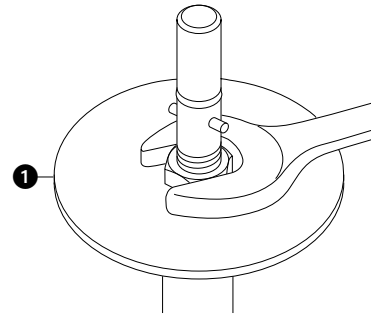
oplossen van problemen

probleem:

- De garde of de K-klopper slaat tegen de bodem van de kom of reikt niet tot aan de ingrediënten op de bodem van de kom.

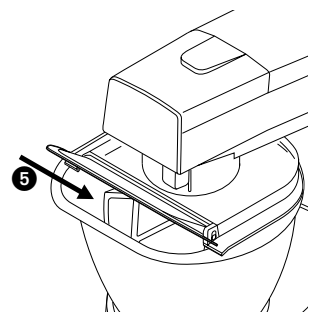
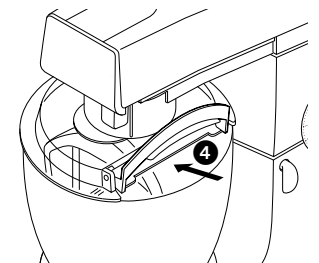
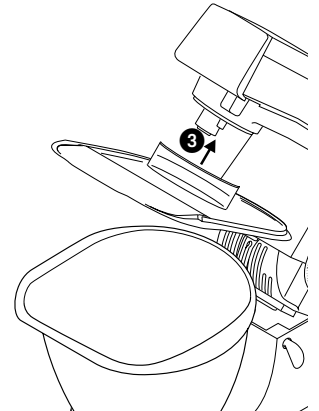
oplossing • Pas de hoogte aan. Ga hierbij als volgt te werk:

- 1 Haal de stekker uit het stopcontact.
- 2 Breng de mixerkop omhoog en breng de garde of klopper aan.
- 3 Houd deze vast en draai vervolgens de moer los ①
- 4 Laat de mixerkop weer zakken.
- 5 Pas de hoogte aan door de schacht te verdraaien. Het is het beste als de garde / K-klopper **bijna** de bodem van de kom raakt ②.
- 6 Breng de kop weer omhoog, houd de garde / K-klopper vast en draai de moer vast.



Uw ronde / D-vormige spatbescherming aanbrengen en gebruiken (indien meegeleverd)

- 1 Breng de mixerkop omhoog totdat deze wordt vergrendeld.
- 2 Plaats de kom op het onderstel.
- 3 Duw de spatbescherming vast totdat deze volledig op zijn plaats zit ③. Het scharnierende deel moet zoals aangegeven zijn geplaatst voor het ronde ④ en D-vormige model ⑤.
- 4 Breng het gewenste hulpmiddel aan.
- 5 Laat de mixerkop zakken, waarbij u ervoor zorgt dat de spatbescherming de vorm van de kom volgt.
 - Tijdens het mixen kunt u ingrediënten rechtstreeks aan de kom toevoegen via het scharnierende deel van de spatbescherming.
 - Het is niet nodig de spatbescherming te verwijderen om hulpmiddelen te verwisselen.
- 6 Verwijder de spatbescherming door de mixerkop omhoog te brengen en de bescherming eraf te schuiven.

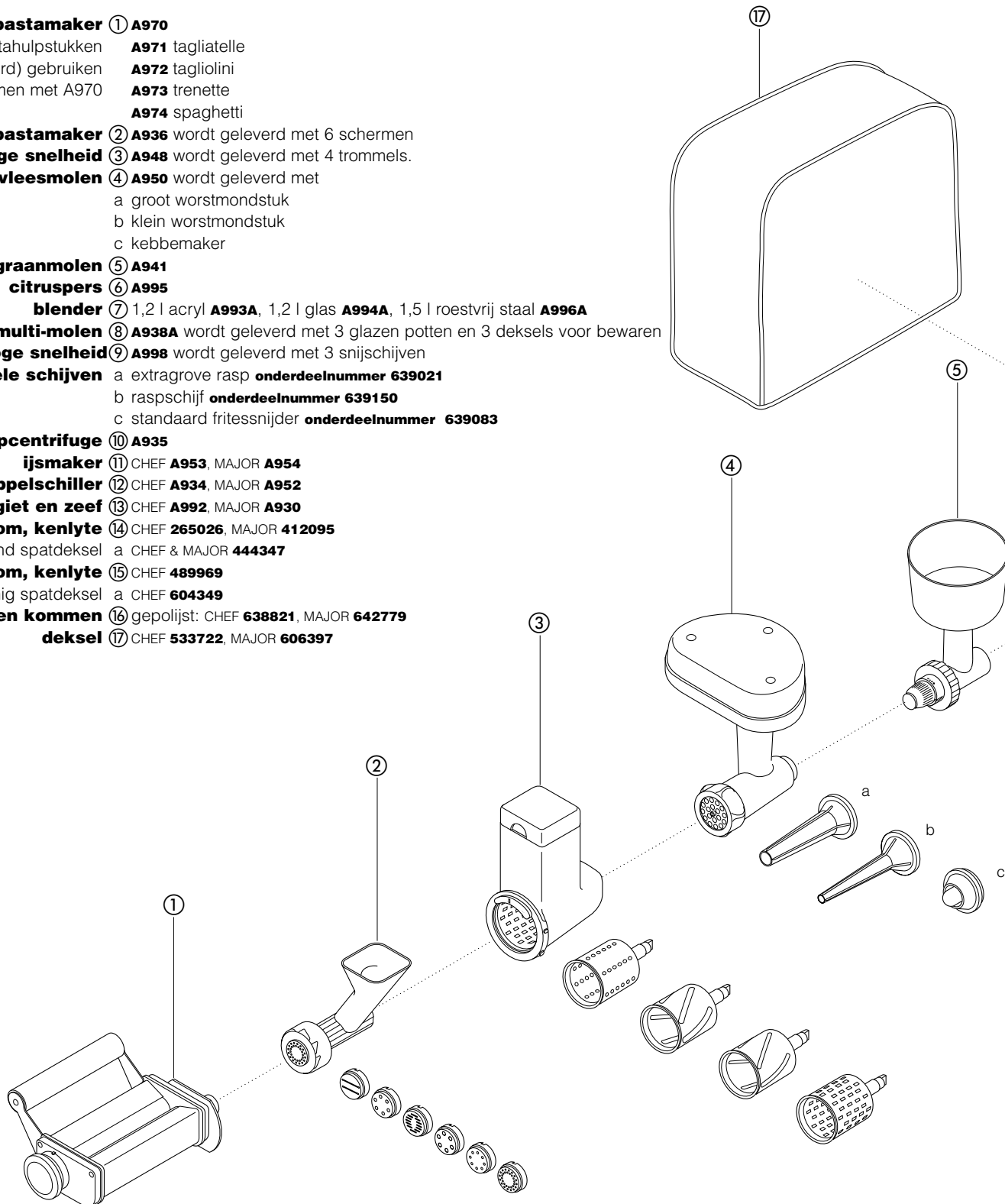


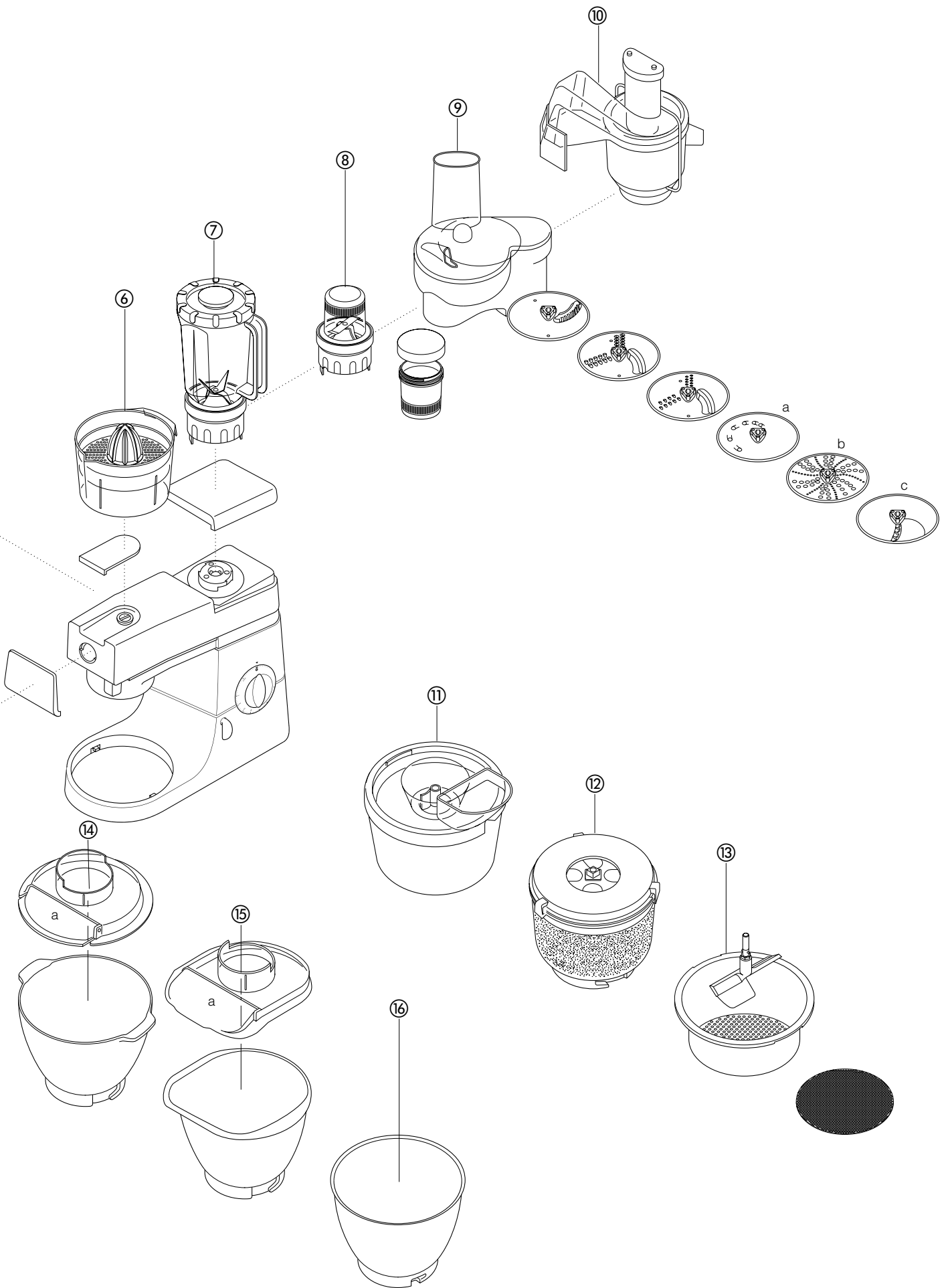
verkrijgbare **accessoires**

Als u accessoires wilt kopen die niet standaard bij uw keukenmachine geleverd worden, neem dan contact op met uw KENWOOD dealer.

hulpstuk hulpstukcode

- platte pastamaker** ① **A970**
aanvullende pastahulpstukken (niet geïllustreerd) gebruiken samen met A970
A971 tagliatelle
A972 tagliolini
A973 trenette
A974 spaghetti
- pastamaker** ② **A936** wordt geleverd met 6 schermen
- snijder/rasp, lage snelheid** ③ **A948** wordt geleverd met 4 trommels.
- supervleesmolen** ④ **A950** wordt geleverd met
a groot worstmondstuk
b klein worstmondstuk
c kebbemaker
- graanmolen** ⑤ **A941**
- citruspers** ⑥ **A995**
- blender** ⑦ 1,2 l acryl **A993A**, 1,2 l glas **A994A**, 1,5 l roestvrij staal **A996A**
- multi-molen** ⑧ **A938A** wordt geleverd met 3 glazen potten en 3 deksels voor bewaren
- snijder/rasp, hoge snelheid** ⑨ **A998** wordt geleverd met 3 snijdschijven
optionele schijven
a extragrove rasp **onderdeelnummer 639021**
b raspschijf **onderdeelnummer 639150**
c standaard fritessnijder **onderdeelnummer 639083**
- continue sapcentrifuge** ⑩ **A935**
- ijsmaker** ⑪ CHEF **A953**, MAJOR **A954**
- aardappelschiller** ⑫ CHEF **A934**, MAJOR **A952**
- vergiet en zeef** ⑬ CHEF **A992**, MAJOR **A930**
- ronde kom, kenlyte** ⑭ CHEF **265026**, MAJOR **412095**
rond spatdeksel a CHEF & MAJOR **444347**
- D-vormige kom, kenlyte** ⑮ CHEF **489969**
D-vormig spatdeksel a CHEF **604349**
- roestvrijstalen kommen** ⑯ gepolijst: CHEF **638821**, MAJOR **642779**
- deksel** ⑰ CHEF **533722**, MAJOR **606397**





reiniging en service

Onderhoud en reiniging:

- Schakel het apparaat altijd eerst uit en haal de stekker uit het stopcontact, voordat u met schoonmaken begint.
- Als u het apparaat voor het eerst gebruikt, kan er een beetje vet uit **uitloop 2** en **3** komen. Dat is heel normaal en u kunt het gewoon afvegen.

- motorgedeelte
- Doe dit af met een vochtige doek en maak het vervolgens droog
 - Gebruik geen schuurmiddelen en dompel het motorgedeelte nooit onder in water.

- kommen
- Was deze met de hand en maak ze daarna goed droog.
 - Gebruik bij een roestvrijstalen kom nooit een staalborstel, staalwol of bleekmiddel. Gebruik azijn om kalkaanslag te verwijderen. De roestvrijstalen kom kan ook in de vaatwasmachine worden schoongemaakt.
 - Houd de kommen uit de buurt van hitte (gasfornuizen, ovens, magnetrons).

- hulpstukken
- Was deze met de hand en maak ze daarna goed droog.
 - Als de K-klopper, garde en deeghaak in de vaatwasser worden geplaatst, kunnen ze verkleuren.

- Spatbescherming
- Met de hand afwassen, vervolgens zorgvuldig afdrogen.

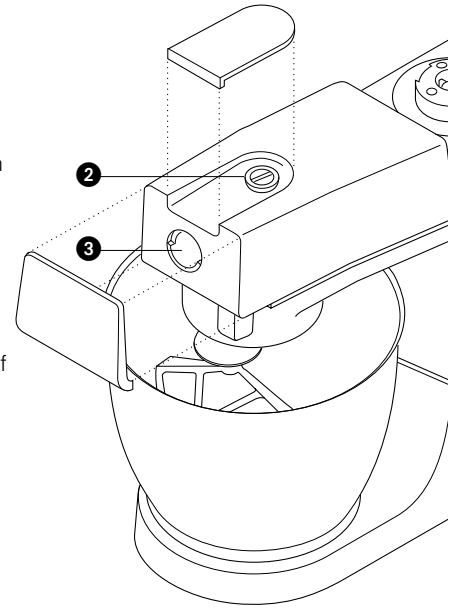
Service

- Wanneer het snoer beschadigd is, moet het om veiligheidsredenen vervangen worden door een erkende KENWOOD service-monteur.

Als u hulp nodig heeft bij:

- het gebruik van uw machine
- het bestellen van accessoires
- service of reparaties

Neem dan contact op met de dealer bij wie u het apparaat gekocht heeft.



recepten

Zie paragraaf 'belangrijk voor het maken van brood' (blz.38)

Witbrood *zacht continentaal deeg*

- ingrediënten
- 2,6kg normaal ongemengd deeg
 - 1,3 liter melk
 - 300g suiker
 - 450g margarine
 - 100g verse gist of 50g gedroogde gist
 - 6 geklopte eieren
 - 5 snuifjes zout
- Deze hoeveelheden gelden voor de modellen KM600, 800 en 810. Halveer de hoeveelheden en voeg al het meel in één keer toe bij de modellen KM300, 400 en 410.**

- bereiding
- 1 Laat de margarine smelten in de melk en verwarm het mengsel tot 43°C.
 - 2 **gedroogde gist** (moet nog opgelost worden): voeg de gist en de suiker aan de melk toe en laat het mengsel 10 minuten staan, totdat het schuimig wordt.
verse gist: kruimel de gist in het meel en voeg suiker toe.
andere soorten gist: volg de instructies van de fabrikant.
 - 3 Giet de melk in een kom. Voeg de geklopte eieren en 2kg meel toe.
 - 4 Mix gedurende 1 minuut op de minimumsnelheid, vervolgens nog een minuut op snelheid 1. Schraap opspattend deeg omlaag.
 - 5 Voeg het overgebleven meel toe en meng gedurende 1 minuut op de laagste stand. Meng vervolgens gedurende 2 - 3 minuten op stand 1, totdat het deeg soepel is en er geen klonten meer in zitten.
 - 6 Vul enkele ingevette bakblikken van 450g tot de helft met het deeg, of maak er broodjes van. Leg er een theedoek overheen en laat het deeg in een warme ruimte staan, totdat het volume verdubbeld is.
 - 7 Bak gedurende 20 - 25 minuten op 200°C, stand 6 voor gasovens, voor een brood, ofwel gedurende 15 minuten voor broodjes.
 - 8 Als het brood klaar is, moet het hol klinken wanneer u op de onderkant klopt.

- Goed voor ongeveer 10 broden.

aardbeien en abrikozen taart

- ingrediënten: deeg
- 3 eieren
 - 75g strooisuiker
 - 75g ongemengd meel
- vulling en versiering
- 150ml dikke room
 - Suiker naar smaak
 - 225g aardbeien
 - 225g abrikozen
- bereiding
- 1 Snijd de abrikozen in tweeën en haal de pitten eruit. Kook ze op een zacht pitje in een heel klein beetje water. Voeg suiker naar smaak toe, totdat ze zacht zijn.
 - 2 Was de aardbeien en snijd ze in tweeën.
 - 3 Voor het maken van het deeg: klop de eieren en de suiker op de hoogste snelheid, totdat een vast wit mengsel ontstaat.
 - 4 Verwijder de kom en de garde. Schep de bloem handmatig door het mengsel met een grote metalen lepel – doe dit voorzichtig om het deeg luchtig te houden.
 - 5 Doe het mengsel in 2 ingevette bakblikken van 18cm.
 - 6 Bak gedurende ongeveer 20 minuten op 180°C, stand 4 voor gasovens, totdat de cake terugveert als u er voorzichtig op drukt.
 - 7 Laat de cake afkoelen op een rooster.
 - 8 Klop de room op de hoogste snelheid, totdat deze stijf is. Voeg suiker naar smaak toe.
 - 9 Snijd de abrikozen en een derde van de aardbeien in grote stukken. Doe ze door de helft van de room.
 - 10 Verdeel het mengsel over een van de deeglagen en leg er een andere deeglaag overheen.
 - 11 Verdeel de overgebleven room over de bovenste laag en versier de taart met de resterende aardbeien.

recipes *continued*

schuimgebakjes

- ingrediënten
- wit van 4 eieren
 - 250g gezeefde strooisuiker
- bereiding
- 1 Smeer uw bakschaal in, zodat de gebakjes niet vastplakken.
 - 2 Klop het eiwit en de suiker stijf gedurende 10 minuten op de hoogste stand.
 - 3 Schep het mengsel op de bakplaat (of gebruik een spuitzak met een tuit van 2,5cm doorsnee).
 - 4 Bak gedurende ongeveer 4 - 5 minuten op 110°C, stand ¼ voor gasovens, totdat de gebakjes stevig en krokant zijn. Als ze bruin beginnen te worden, zet de ovendeur dan een beetje open.
- Bewaar de schuimgebakjes in een luchtdicht bakje.

Pastei van korstdeeg

- ingrediënten
- 450g meel, samen met het zout gezeefd.
 - 5ml (één theelepel) zout
 - 225g vet (meng varkensvet en koude margarine)
 - Ongeveer 80ml water
- Tip
- Mix het mengsel niet te lang.
- bereiding
- 1 Doe het meel in de kom. Snijd het vet in blokjes en voeg het toe aan het meel.
 - 2 Mix op snelheid 1 totdat het mengsel lijkt op broodkruimels. Stop voordat het er vet begint uit te zien.
 - 3 Voeg het water toe en meng op de laagste snelheid. Stop zo gauw als het water helemaal opgenomen is.
 - 4 Bak op ongeveer 200°C, stand 6 voor gasovens, afhankelijk van de vulling.

Beefburgers

- ingrediënten
- 250g mager rundvlees
- bereiding
- 1 Snijd het vlees in stukjes van 2,5cm.
 - 2 Als u niet over een gehaktmolen beschikt, gebruik dan een mengbeker en hak kleine hoeveelheden per keer fijn. Gebruik snelheid 2 gedurende **maximaal** 15 seconden. Maak de messen voor elke hakbeurt schoon.
 - 3 Breng het vlees op smaak met specerijen, gesneden uien, gemengde kruiden (vers of gedroogd), grove zwarte peper, en het sap en de schil van een citroen.
 - 4 Geef het vlees de vorm van 2 beefburgers en grill deze op een gemiddelde stand op hoge temperatuur tot ze goed doorbakken zijn.

conozca su aparato de cocina Kenwood

seguridad

- Apague y desenchufe el aparato antes de colocar o quitar piezas/accesorios, después de usarlo y antes de limpiarlo.
- Este aparato no está destinado a ser usado por niños pequeños o personas discapacitadas sin supervisión.
- Mantenga los dedos lejos de las partes móviles y de los accesorios fijos.
- Nunca deje el aparato desatendido mientras esté funcionando y mantenga a los niños fuera del alcance.
- Nunca utilice un aparato dañado. Que lo revisen o arreglen: vea 'servicio' en la página 50.
- Nunca utilice un accesorio no autorizado o más de un accesorio al mismo tiempo.
- Nunca exceda las capacidades máximas indicadas en la página 46.
- No permita a los niños jugar con el aparato.
- Cuando vaya a utilizar un accesorio, lea las instrucciones de seguridad adjuntas.
- Este aparato es únicamente para uso doméstico.

antes de enchufarlo

- Asegúrese de que la corriente eléctrica es la misma que se muestra en la parte inferior de su aparato.
- Este aparato cumple con la Directiva de la Comunidad Económica Europea 89/336/CEE.

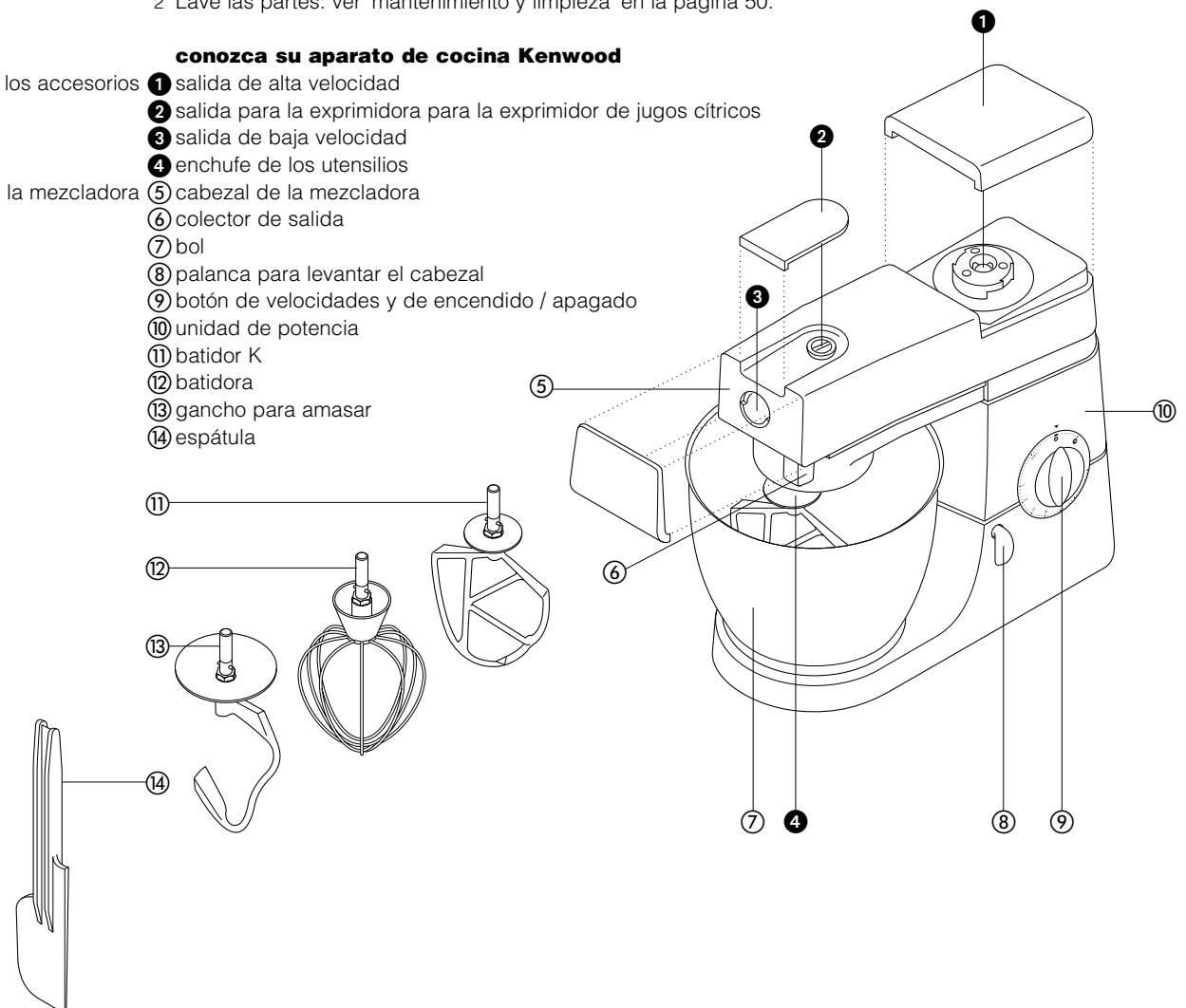
antes de usarlo por primera vez

- 1 Retire todo el embalaje.
- 2 Lave las partes: ver 'mantenimiento y limpieza' en la página 50.

conozca su aparato de cocina Kenwood

salidas de los accesorios

- 1 salida de alta velocidad
 - 2 salida para la exprimidora para la exprimidor de jugos cítricos
 - 3 salida de baja velocidad
 - 4 enchufe de los utensilios
- la mezcladora
- 5 cabezal de la mezcladora
 - 6 colector de salida
 - 7 bol
 - 8 palanca para levantar el cabezal
 - 9 botón de velocidades y de encendido / apagado
 - 10 unidad de potencia
 - 11 batidor K
 - 12 batidora
 - 13 gancho para amasar
 - 14 espátula



la mezcladora

Los utensilios para mezclar y algunos de sus usos

- batidor K • Para hacer tartas, galletas, pastas, garapiñar, rellenos, relámpagos de chocolate y puré de patata.
- batidora • Para batir huevos, nata, batidos, bizcochos ligeros, merengues, tartas de queso, mousses, soufflés. No la utilice para batir masas pesadas (por ej. montar grasa y azúcar) - podría dañarla.
- gancho para amasar • Para las mezclas con levadura.

para usar la mezcladora

- 1 Gire la palanca para levantar el cabezal hacia la izquierda ❶ y levante el cabezal de la mezcladora hasta que se cierre.
- Para insertar un instrumento 2 Gire hasta que se pare ❷, luego empuje.
- 3 Coloque el bol sobre la base - apriete y gírelo en el sentido de las agujas del reloj ❸
- 4 Gire la palanca para levantar el cabezal hacia la izquierda y baje el cabezal de la mezcladora hasta que se cierre.
- 5 Elija la velocidad, luego póngala en marcha girando el botón de la velocidad.
 - Cambie a impulso **P** para ráfagas cortas.
- Para quitar un utensilio 6 Desenrosque.

- Consejos
- Apáguela y rasque el bol con la espátula con regularidad.
 - Se baten mejor los huevos a temperatura ambiente.
 - Antes de batir claras de huevo, asegúrese de que no haya grasa o yema de huevo en la batidora de varillas o en el bol.
 - Utilice ingredientes fríos para las pastas a no ser que su receta indique lo contrario.

puntos para hacer pan

- importante
- Nunca exceda la capacidad máxima que se indica abajo-sobrecargará el aparato.
 - Si le parece que el aparato funciona con dificultad, apáguelo, saque la mitad de la masa y trátelas por separado.
 - Los ingredientes se mezclan mejor si pone primero el líquido.

capacidad máxima

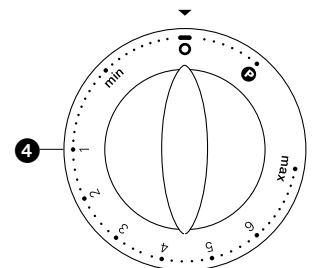
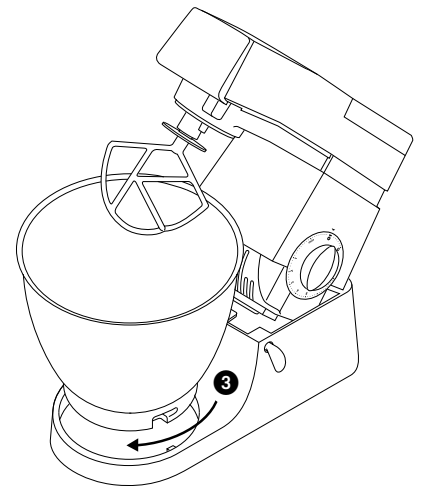
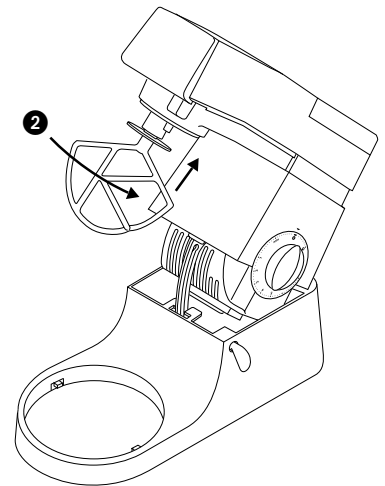
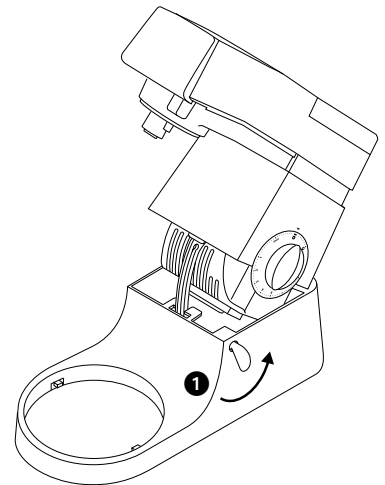
Modelos KM300, 400, 410

Modelos KM600, 800, 810

- | | | |
|---------------------------------|-----------------------------|----------------------------|
| pasta quebradiza | • Peso de la harina: 680g | • Peso de la harina: 910g |
| masa con levadura espesa | • Peso de la harina: 1,36kg | • Peso de la harina: 1,5kg |
| tipo británico | • Peso total: 2,18kg | • Peso total: 2,4kg |
| masa con levadura ligera | • Peso de la harina: 1,3kg | • Peso de la harina: 2,6kg |
| tipo continental | • Peso total: 2,5kg | • Peso total: 5kg |
| mezcla para pastel | | |
| de frutas | • Peso total: 2,72kg | • Peso total: 4,55kg |
| claras de huevos | • 12 | • 16 |

velocidades ❹

- batidor K • **batir manteca y azúcar** empiece con min y aumente gradualmente hasta max.
- **batir huevos en mezclas cremosas** 4 – “max”.
- **mezclar harina, frutas, etc.** Min – 1.
- **mezclar a la vez todos los ingredientes de un pastel** empiece con velocidad min y aumente gradualmente hasta max.
- **ligar manteca y harina** min. – 2
- batidora • Aumentar gradualmente hasta ‘max’.
- gancho para amasar • Empezar en ‘min’ y aumentar gradualmente hasta 1.



para **limpieza** vea la página 50

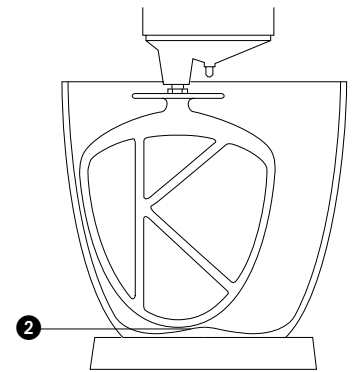
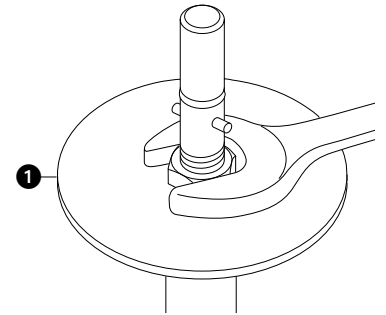
posibles problemas

problema

- La batidora o el batidor K golpean la parte inferior del bol o no llegan a los ingredientes del fondo del bol.

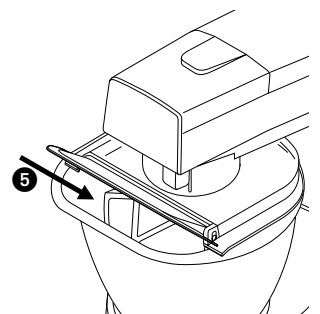
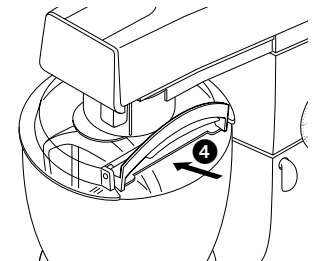
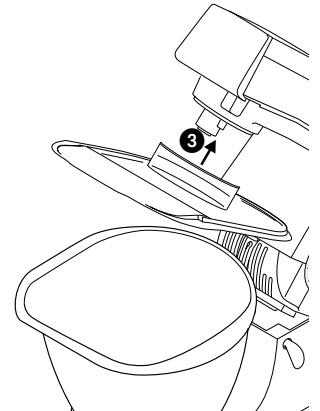
solución • Ajuste la altura del modo siguiente:

- 1 Desconéctela de la red.
- 2 Levante el cabezal de la mezcladora e introduzca el batidor de varillas o el batidor K.
- 3 Sujetando el batidor, afloje la tuerca ❶.
- 4 Baje el cabezal.
- 5 Ajuste la altura girando el eje. Para unos resultados óptimos, coloque el batidor de modo que **casi** toque el fondo del bol ❷.
- 6 Levante el cabezal, sujete el batidor y apriete la tuerca.



para acoplar y utilizar la tapa antisalpicaduras redonda/en forma de D (si se incluye)

- 1 Levante el cabezal de la mezcladora hasta que quede bloqueado.
 - 2 Coloque el bol en la base.
 - 3 Coloque bien la tapa antisalpicaduras presionándola ❸. La parte articulada debe quedar situada según se muestra ❹ (redonda) y ❺ (en forma de D).
 - 4 Introduzca el accesorio pertinente.
 - 5 Baje el cabezal asegurándose de que la tapa antisalpicaduras encaja en la forma del bol.
- Mientras se mezcla, se pueden añadir ingredientes directamente al bol por la parte articulada de la tapa antisalpicaduras.
 - Para cambiar de accesorio no es preciso quitar la tapa.
- 6 Retire la tapa antisalpicaduras levantando el cabezal y deslizándola hacia abajo.



los **accesorios** disponibles

Para comprar un accesorio que no esté incluido en su paquete, llame al técnico de KENWOOD.

piezas extra código de la pieza extra

para elaborar pasta plana ① **A970**

otras piezas para elaborar pasta (sin ilustración) para uso con A970

- A971** tagliatelle
- A972** tagliolini
- A973** trenette
- A974** spaghetti

para elaborar rebanador/troceador **veloci. lenta** ② **A936** con 4 moldes 6

superpicador ③ **A948** con 4 tambores

④ **A950** con una

- a boquilla ancha para salchichas
- b boquilla pequeña para salchichas
- c para hacer kebbe

molinillo de grano exprimidor ⑤ **A941**

⑥ **A995**

licuador ⑦ 1.2 l acrílico **A993A**, 1.2 l vidrio **A994A**, 1.5 l acero inoxidable **A996A**

rebanador/troceador **gran veloci.** ⑧ **A938A** con 3 recipientes de vidrio y 3 tapas para guardar

⑨ **A998** con 3 placas cortantes

- a troceador extra grueso, **número de pieza 639021**
- b placa de rallar, **número de pieza 639150**
- c para cortar patatas fritas, **número de pieza 639083**

extractor continuo de zumo ⑩ **A935**

heladora ⑪ CHEF **A953**, MAJOR **A954**

pelapatatas ⑫ CHEF **A934**, MAJOR **A952**

colador y escurridor ⑬ CHEF **A992**, MAJOR **A930**

cuenco redondo kenlyte ⑭ CHEF **265026**, MAJOR **412095**

antisalpicaduras redondo a CHEF & MAJOR **444347**

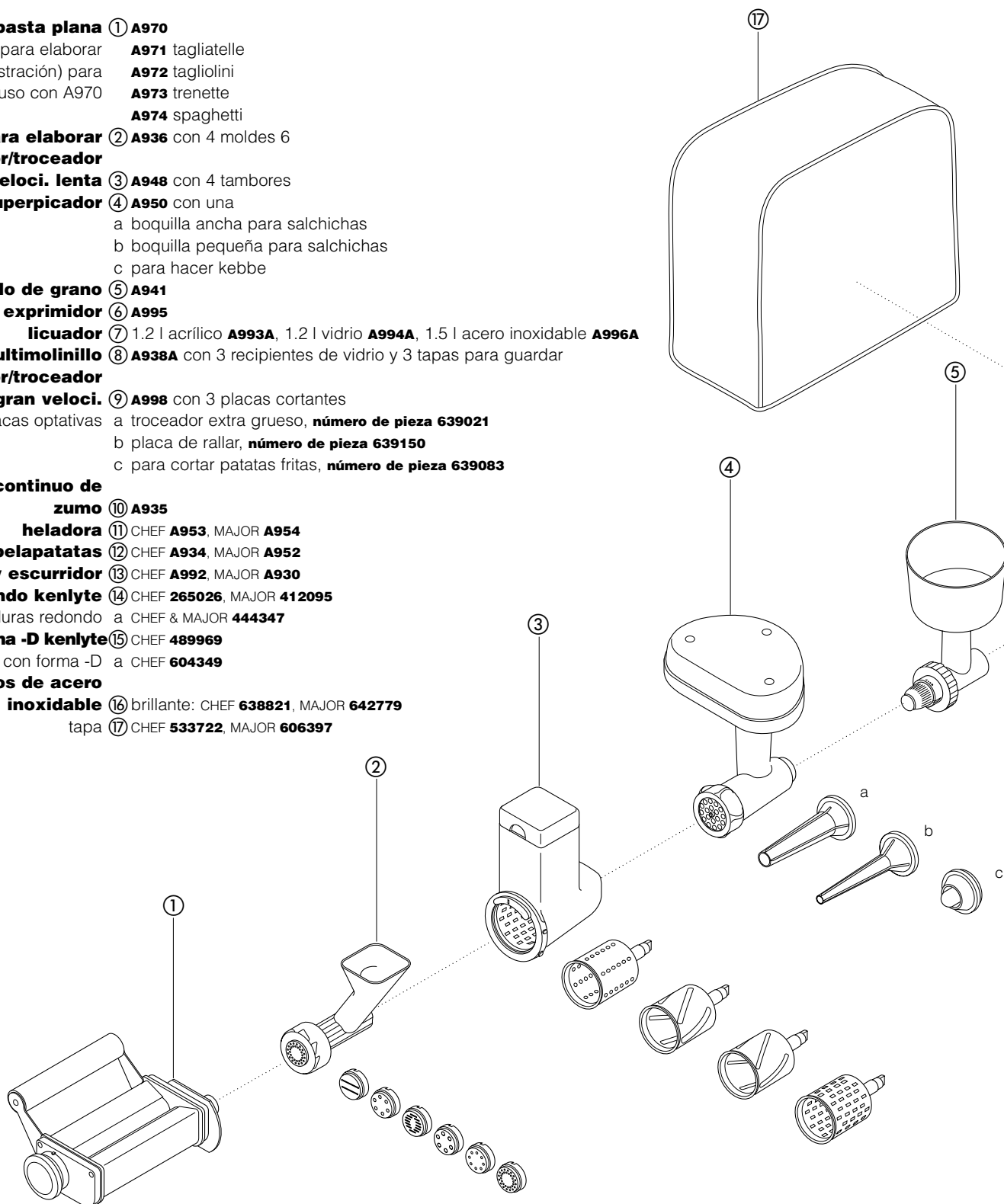
cuenco con forma -D kenlyte ⑮ CHEF **489969**

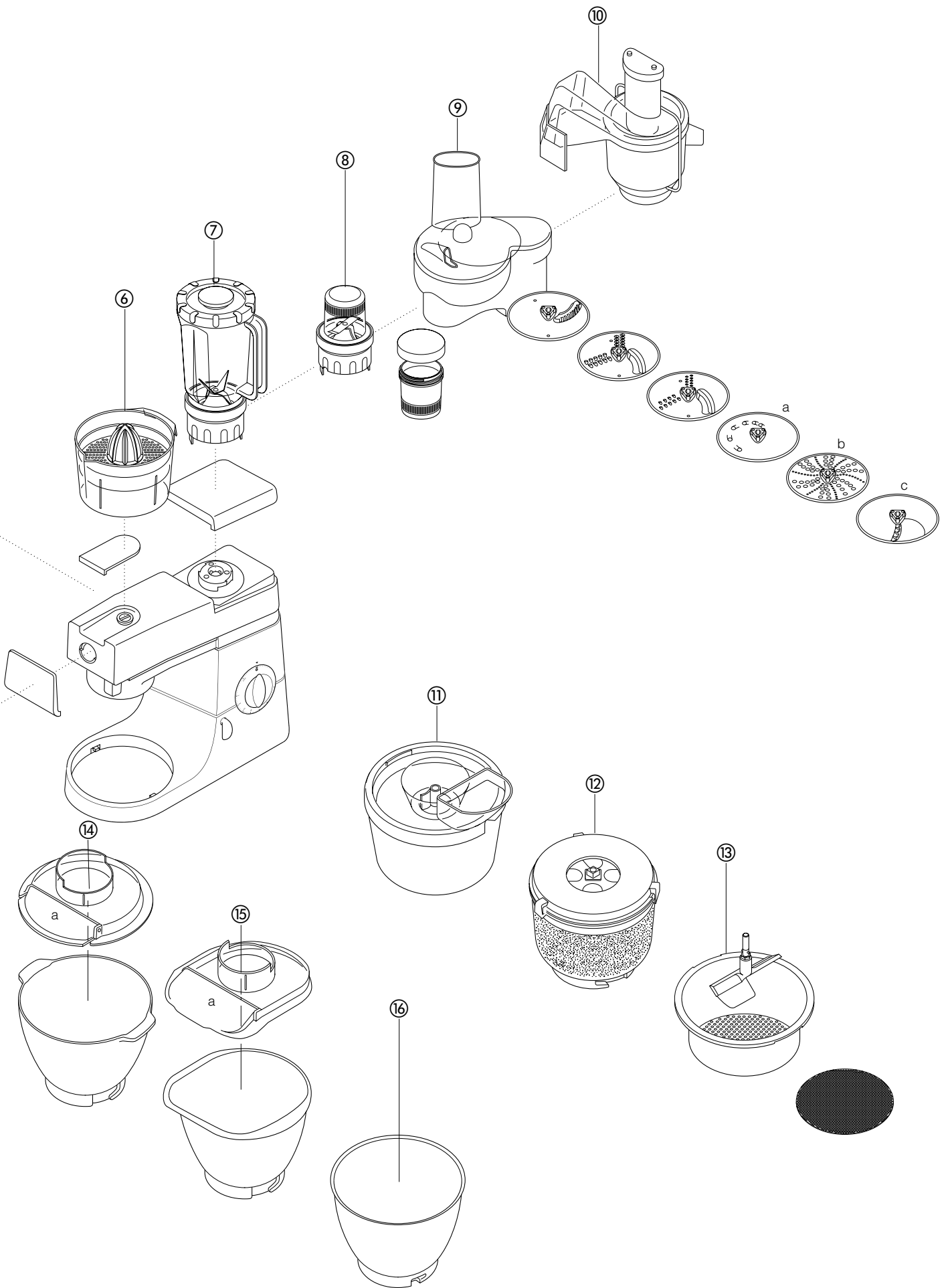
antisalpicaduras con forma -D a CHEF **604349**

cuencos de acero

inoxidable ⑯ brillante: CHEF **638821**, MAJOR **642779**

tapa ⑰ CHEF **533722**, MAJOR **606397**





limpieza y servicio

mantenimiento y limpieza

- Apague y desenchúfela siempre antes de limpiar.
- Puede que haya un poco de grasa en las salidas **2** y **3** cuando las utilice por primera vez. Esto es normal. Páseles un paño.

unidad de potencia ● Pase un trapo húmedo, luego séquela.

- Nunca utilice productos abrasivos o la sumerja en agua.

boles ● Lávelos a mano, luego séquelos bien.

- Si tiene un bol de acero inoxidable, no utilice nunca un cepillo de alambre, nanas o lejía. Use vinagre para limpiar la cal. El cuenco de acero inoxidable se puede limpiar también en lavavajillas.

- Manténgalos lejos del calor (cocinas, hornos, microondas).

utensilios ● Lávelos a mano, luego séquelos bien.

- Si se ponen en el lavavajillas, el batidor en forma de K, el batidor de varillas y el gancho de amasar pueden descolorirse.

tapa antisalpicaduras ● Lávela a mano y séquela bien.

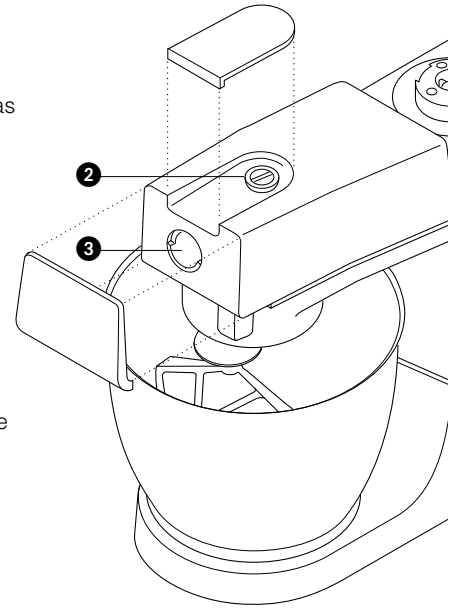
servicio y atención al cliente

- Si el cable de alimentación eléctrica del aparato está dañado, por razones de seguridad debe ser sustituido por el fabricante o un técnico autorizado de KENWOOD.

Si necesita ayuda sobre:

- el uso del aparato
- el pedido de otro accesorio
- servicio o asistencia técnica

Contacte con la tienda donde compró su aparato.



recetas

Vea los puntos importantes para hacer pan de la página 46

pan blanco *masa blanda al estilo continental*

ingrediente • 2,6kg de harina normal

Esta cantidad es para los • 1,3 l de leche

modelos KM600, 800 y 810. • 300g de azúcar

Para los modelos KM300, 400 • 450g de margarina

y 410, utilice la mitad de las • 100g de levadura fresca o 50g de levadura seca

medidas y añada toda la • 6 huevos batidos

harina al mismo tiempo. • 5 pellizcos de sal

preparación 1 Derrita la margarina en la leche y caliéntelo hasta 43°C.

2 **Levadura seca** (de la clase que necesita reconstitución): añada la levadura y el azúcar a la leche y déjelo durante unos 10 minutos hasta que se haga una espuma.

Levadura fresca: desmenúcela en la harina y añada el azúcar.

Otras clases de levaduras: siga las instrucciones del fabricante.

3 Eche la leche al bol. Añada los huevos batidos y 2kg de harina.

4 Mézclelo a velocidad mínima durante 1 minuto y después a velocidad 1 durante otro minuto más. Junte la masa.

5 Añada la sal y el resto de la harina y mézclela a la velocidad mínima durante 1 minuto, luego use la velocidad 1 durante otros 2 - 3 minutos hasta que esté suave y uniforme.

6 Llène por la mitad algunos moldes de 450g untados con grasa con la masa, o deles la forma de bollos. Luego cúbralos con un paño de cocina y déjelos en un sitio templado hasta que se doble la cantidad.

7 Métalos en el horno a 200°C/Marca de gas 6 durante 20 - 25 minutos si son *hogazas* y 15 minutos si se trata de *bollos*.

8 Una vez hechos, deben sonar a hueco cuando se golpeen en la base.

• Haga unas 10 hogazas.

tarta de fresas y albaricoques

ingrediente: bizcocho • 3 huevos

• 75g de azúcar blanquilla

• 75g de harina

relleno y decoración • 150ml de nata de montar

• Azúcar a su gusto

• 225g de fresas

• 225g de albaricoques

preparación 1 Corte los albaricoques por la mitad y quite los huesos. Cocínelos a fuego lento con muy poca agua, añadiendo azúcar a su gusto, hasta que estén blandos.

2 Lave y corte las fresas por la mitad.

3 Para hacer el bizcocho, bata los huevos y el azúcar a la velocidad máxima hasta que pierdan el color y se pongan espesos.

4 Retire el bol y el batidor de varillas. Mezcle la harina a mano con una cuchara grande de metal (con cuidado para que el bizcocho quede ligero).

5 Ponga la mezcla en dos moldes de 18cm con papel pastelero untados con grasa.

6 Métalas al horno a 180°C/Marca de gas 4 durante 20 minutos hasta que la tarta se levante un poco por detrás con el contacto ligero.

7 Páselos a una bandeja de rejilla para enfriar.

8 Bata la nata a la velocidad máxima hasta que se monte. Añada el azúcar a su gusto.

9 Trocee los albaricoques y $\frac{1}{2}$ de las fresas. Échelos en la mitad de la nata.

10 Espárzalo en uno de los bizcochos, luego ponga el otro encima.

11 Esparza el resto de la nata por encima y decórelo con el resto de las fresas.

recetas *continuación*

merengues

- ingrediente
- 4 claras de huevo
 - 250g de azúcar glas, colada
- preparación
- 1 Ponga papel pastelero del que no se pega en la bandeja.
 - 2 Bata las claras de los huevos y el azúcar a la velocidad máxima durante 10 minutos hasta que forme picos.
 - 3 Ponga con una cuchara la mezcla en la bandeja (o utilice una manga pastelera con una boquilla de 2,5cm).
 - 4 Métalo al horno a 110°C/Marca de gas ¼ durante 4 - 5 horas hasta que se solidifiquen y estén crujientes. Si se empiezan a dorar demasiado, deje la puerta del horno un poquito abierta.
- Conserve los merengues en latas de aire comprimido.

pastas quebradizas

- ingrediente
- 450g de harina, colada con sal
 - 5ml (1 cucharada) de sal
 - 225g de grasa (mezcle manteca de cerdo y margarina recién sacada del frigorífico)
 - Unos 80ml (4 cucharas) de agua
- Consejo
- No lo mezcle demasiado
- preparación
- 1 Ponga la harina en el bol. Corte la grasa: en trozos y añádala a la harina.
 - 2 Mézclelo a velocidad 1 hasta obtener una consistencia parecida a las migas de pan. Deje de mezclar antes de que quede untuoso.
 - 3 Añada el agua y mézclelo a la velocidad mínima. Pare tan pronto como el agua se haya ligado.
 - 4 Cocine a unos 200°C/Marca de gas 6, dependiendo del relleno.

hamburguesas

- ingrediente
- 250g de ternera de primera sin nervios
- preparación
- 1 Córtele en cuadraditos de 2,5cm
 - 2 Si no tiene picadora use la licuadora y pique trocitos pequeños. Use la velocidad 2 durante 15 segundos **máximo**. Limpia alrededor de las cuchillas entre remesas.
 - 3 Mezcle los condimentos como cebollas troceadas, hierbas (frescas o secas), pimienta negra molida, y el zumo y la corteza de un limón.
 - 4 Dé la forma de hamburguesas y póngalo al grill con calor de medio a fuerte hasta que estén cocinadas.

GARANTIA

Este artículo está GARANTIZADO por DOS AÑOS desde su fecha de compra, para su uso normal de acuerdo con las instrucciones, contra defectos de fabricación o montaje.

ARTICULO

FECHA DE COMPRA

FIRMA Y SELLO DEL VENDEDOR

Solicite el servicio de Asistencia Técnica al Vendedor o al importador: ARIETE HISPANIA, S.L. C/PEZ VOLADOR, 32, 1ºA, 28007 MADRID, ESPAÑA - TEL: 91 4448170 - FAX: 91 4019300. Presente al S.A.T. esta GARANTIA cumplimentada o la Factura de compra.

conheça a sua máquina de cozinha Kenwood

segurança

- Desligue a máquina antes de instalar ou retirar acessórios, após a utilização ou antes de a limpar.
- Esta máquina não se destina a ser utilizada por crianças pequenas ou por pessoas debilitadas sem supervisão.
- Mantenha os dedos afastados das peças móveis e dos acessórios montados.
- Nunca deixe a máquina a funcionar sem supervisão e mantenha as crianças afastadas da mesma.
- Nunca utilize uma máquina danificada. Mande-a inspeccionar ou reparar; consulte a secção 'Assistência Técnica' na página 59.
- Nunca utilize um acessório não autorizado ou mais que um acessório de cada vez.
- Nunca exceda as capacidades máximas indicadas na página 55.
- Não deixe que as crianças brinquem com esta máquina.
- Ao utilizar um acessório, leia as instruções de segurança que o acompanham.
- Utilize a máquina exclusivamente para a preparação doméstica de alimentos.

antes de ligar à corrente

- Certifique-se de que a tensão da corrente da sua rede corresponde à indicada na base da sua máquina.
- Esta máquina cumpre os requisitos da Directiva 89/336/CEE da Comunidade Económica Europeia.

antes de utilizar a máquina pela primeira vez

- 1 Retire todos os materiais de embalagem.
- 2 Lave as peças: consulte a secção 'manutenção e limpeza' na página 59.

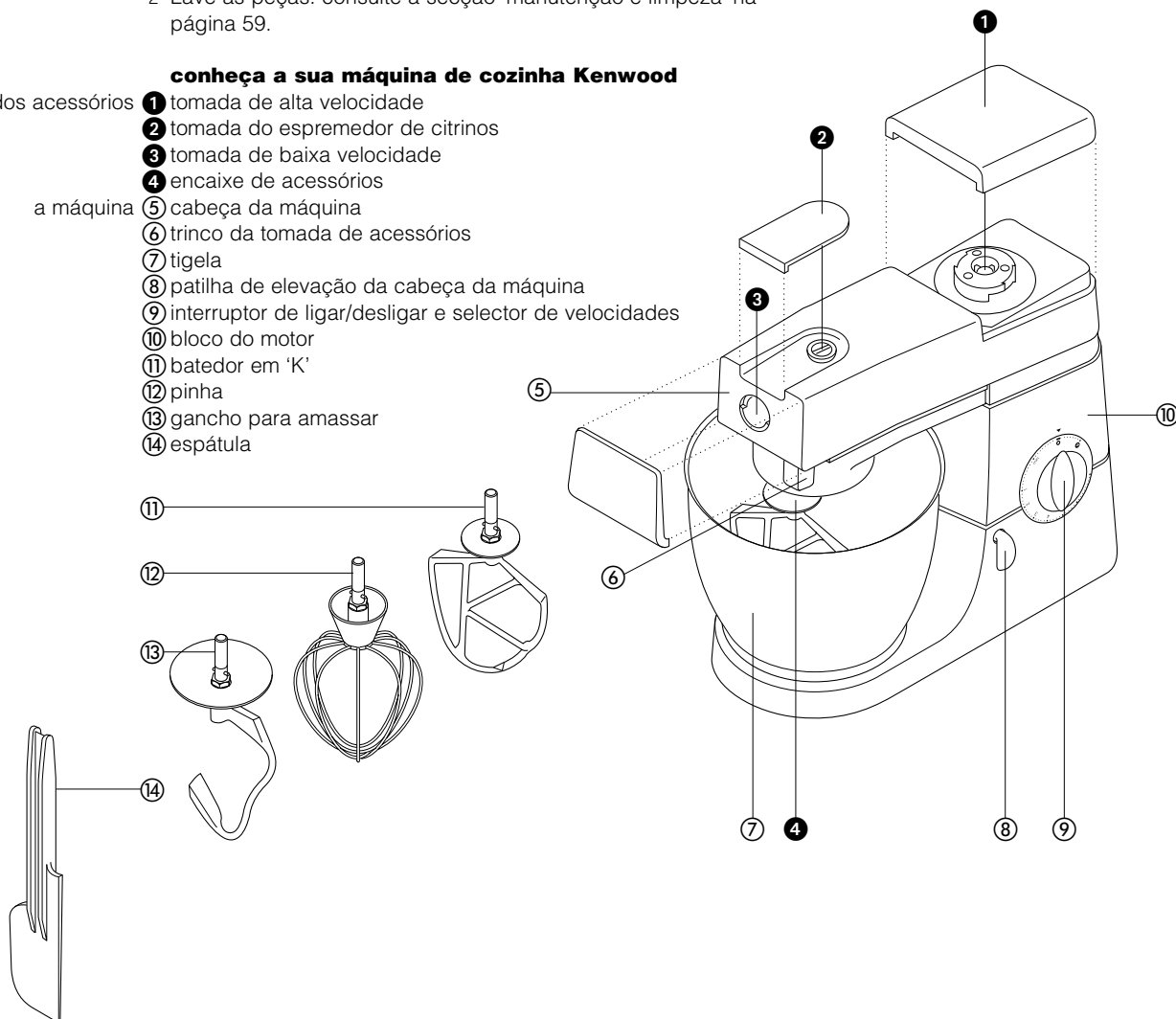
conheça a sua máquina de cozinha Kenwood

tomadas dos acessórios

- 1 tomada de alta velocidade
- 2 tomada do espremedor de citrinos
- 3 tomada de baixa velocidade
- 4 encaixe de acessórios

a máquina

- 5 cabeça da máquina
- 6 trinco da tomada de acessórios
- 7 tigela
- 8 patilha de elevação da cabeça da máquina
- 9 interruptor de ligar/desligar e selector de velocidades
- 10 bloco do motor
- 11 batedor em 'K'
- 12 pinha
- 13 gancho para amassar
- 14 espátula



a máquina

- os acessórios de misturar e algumas das suas funções**
- batedor em 'K' • para fazer bolos, biscoitos, massas de pasteleria, coberturas para bolos, recheios, éclairs e puré de batata.
 - pinha • para ovos, natas, massas para fritos, pão-de-ló sem gordura, merengues, tartes de requeijão, mousses e soufflés. Não utilize a pinha para preparados pesados (por ex. para bater manteiga com açúcar) - caso contrário poderá danificá-la.
 - gancho para massas • para massas com fermento.

como utilizar a sua máquina

- 1 Rode a patilha de elevação da cabeça da máquina para a esquerda ❶ e eleve a cabeça da máquina até esta prender.
- 2 Rode até parar ❷ e depois empurre.
- 3 Coloque a tigela na base - pressione-a rodando-a para a direita ❸
- 4 Rode a patilha de elevação da cabeça da máquina para a esquerda e baixe a cabeça da máquina até esta prender.
- 5 Seleccione uma velocidade e depois ligue rodando o selector de velocidades.
 - Seleccione **P** para impulsos curtos.
- 6 Desenrosque-o.

para retirar um acessório

- sugestões
- Desligue a máquina e raspe a tigela com a espátula frequentemente.
 - Os ovos à temperatura ambiente são melhores de bater.
 - Antes de bater claras em castelo, certifique-se de que não há gordura ou gema de ovo na pinha ou na tigela.
 - Utilize ingredientes frios para massas de pasteleria, a não ser que a receita indique que deve fazer algo diferente.

conselhos para fazer pão

- importante
- Nunca exceda as capacidades máximas abaixo ou sobrecarregará a máquina.
 - Se ouvir a máquina a trabalhar com dificuldade, desligue-a, retire metade da massa e bata cada metade separadamente.
 - Os ingredientes misturarão melhor se introduzir primeiro o líquido.

capacidades máximas

Modelos KM300, 400 e 410

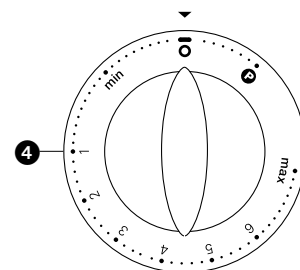
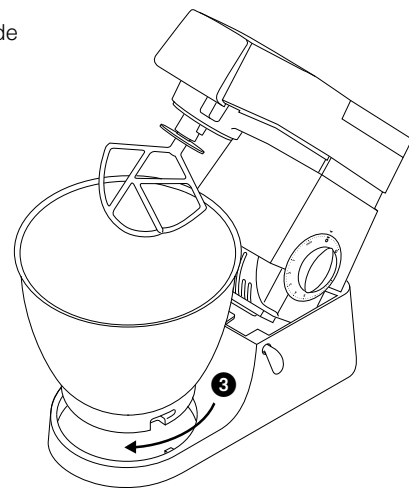
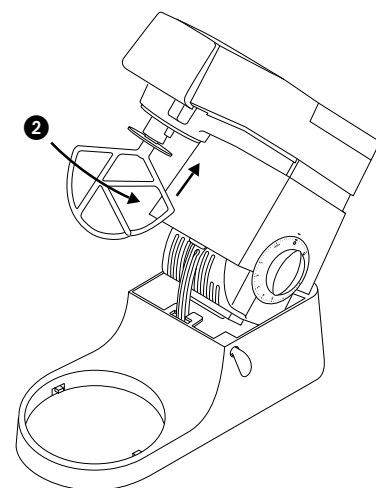
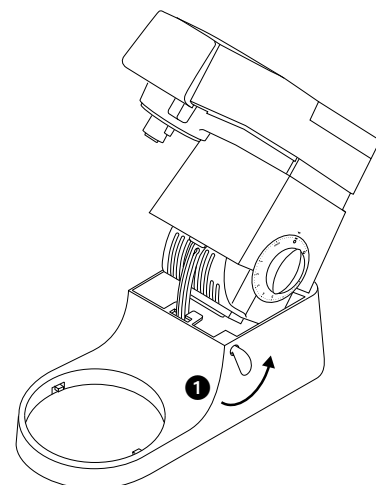
KM600, 800 e 810

- | | |
|----------------------------------|---------------------------|
| massa para tartes | • Peso de farinha: 680g |
| massa com fermento rija | • Peso de farinha: 1,36kg |
| tipo britânico | • Peso total: 2,18kg |
| massa com fermento mole | • Peso de farinha: 1,3kg |
| tipo continental | • Peso total: 2,5kg |
| massa para bolo de frutas | • Peso total: 2,72kg |
| claras de ovo | • 12 |

- | |
|------------------------|
| Peso de farinha: 910g |
| Peso de farinha: 1,5kg |
| Peso total: 2,4kg |
| Peso de farinha: 2,8kg |
| Peso total: 5kg |
| Peso total: 4,55kg |
| 16 |

velocidades ❹

- batedor em 'K'
- **bater manteiga e açúcar até estarem cremosos** comece no mínimo e aumente gradualmente até ao máximo.
 - **incorporar ovos nas misturas em creme** 4 - máximo.
 - **envolver farinha, fruta, etc.** mínimo - 1.
 - **bolos de pacote** comece no mínimo e aumente gradualmente até ao máximo.
 - **incorporar manteiga ou margarina em farinha** mínimo - 2.
- pinha
- Aumente gradualmente para a velocidade 'max.' (máximo).
- gancho para massas
- Comece no 'min' (mínimo) e aumente gradualmente para 1.



para limpeza, veja a pág. 59

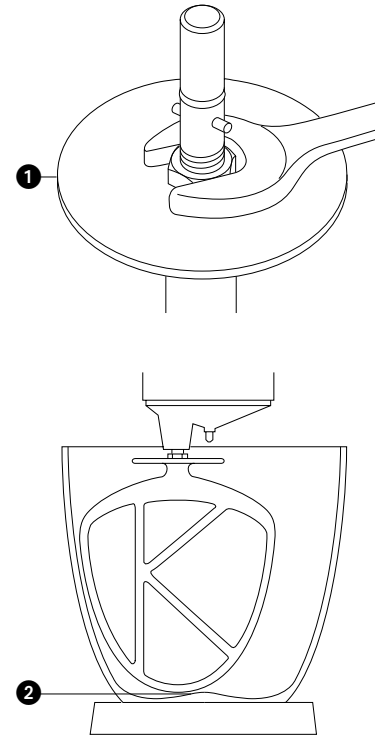
resolução de problemas

problema

- A pinha ou o batedor em 'K' bate contra o fundo da tigela ou não alcança os ingredientes que se encontram no fundo da tigela.

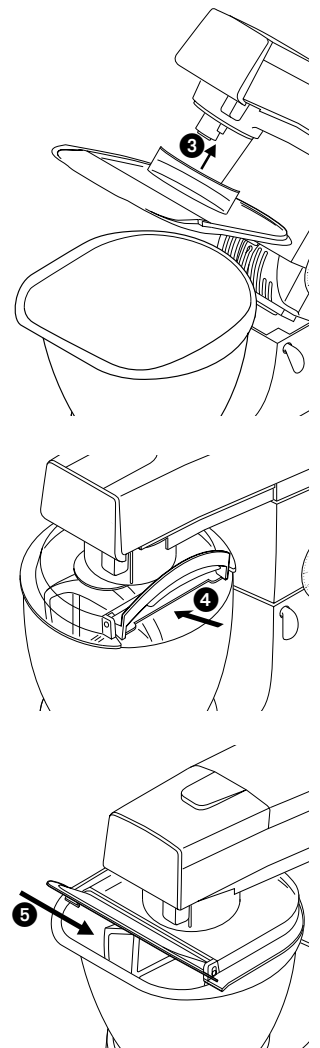
solução • ajuste a altura do acessório. Faça o seguinte:

- 1 Retire a ficha da tomada.
- 2 Eleve a cabeça da máquina e introduza o batedor de arames ou batedor em "K".
- 3 Segure no acessório e afrouxe a porca **1**.
- 4 Baixe a cabeça da máquina.
- 5 Ajuste a altura do acessório rodando o eixo. Idealmente, o batedor de arames/batedor em "K" deverá **quase** tocar o fundo da taça **2**.
- 6 Eleve a cabeça da máquina, segure o batedor de arames/batedor em "K" e aperte a porca.



instalação e utilização do seu resguardo anti-salpicos redondo/em "D" (se for fornecido)

- 1 Eleve a cabeça da máquina até esta prender.
- 2 Coloque a taça na base.
- 3 Instale o resguardo anti-salpicos, empurrando-o até estar bem encaixado **3**. A secção articulada deve ser posicionada tal como ilustrado em **4** para o formato redondo e como ilustrado em **5** para o formato em "D".
- 4 Introduza o acessório pretendido.
- 5 Baixe a cabeça da máquina, certificando-se de que o formato do resguardo anti-salpicos acompanha o formato da taça.
 - Durante a mistura, os ingredientes podem ser adicionados directamente à taça através da secção articulada do resguardo anti-salpicos.
 - Não precisa de retirar o resguardo anti-salpicos ao trocar os acessórios.
- 6 Retire o resguardo anti-salpicos elevando a cabeça da máquina e puxando-o levemente para baixo.

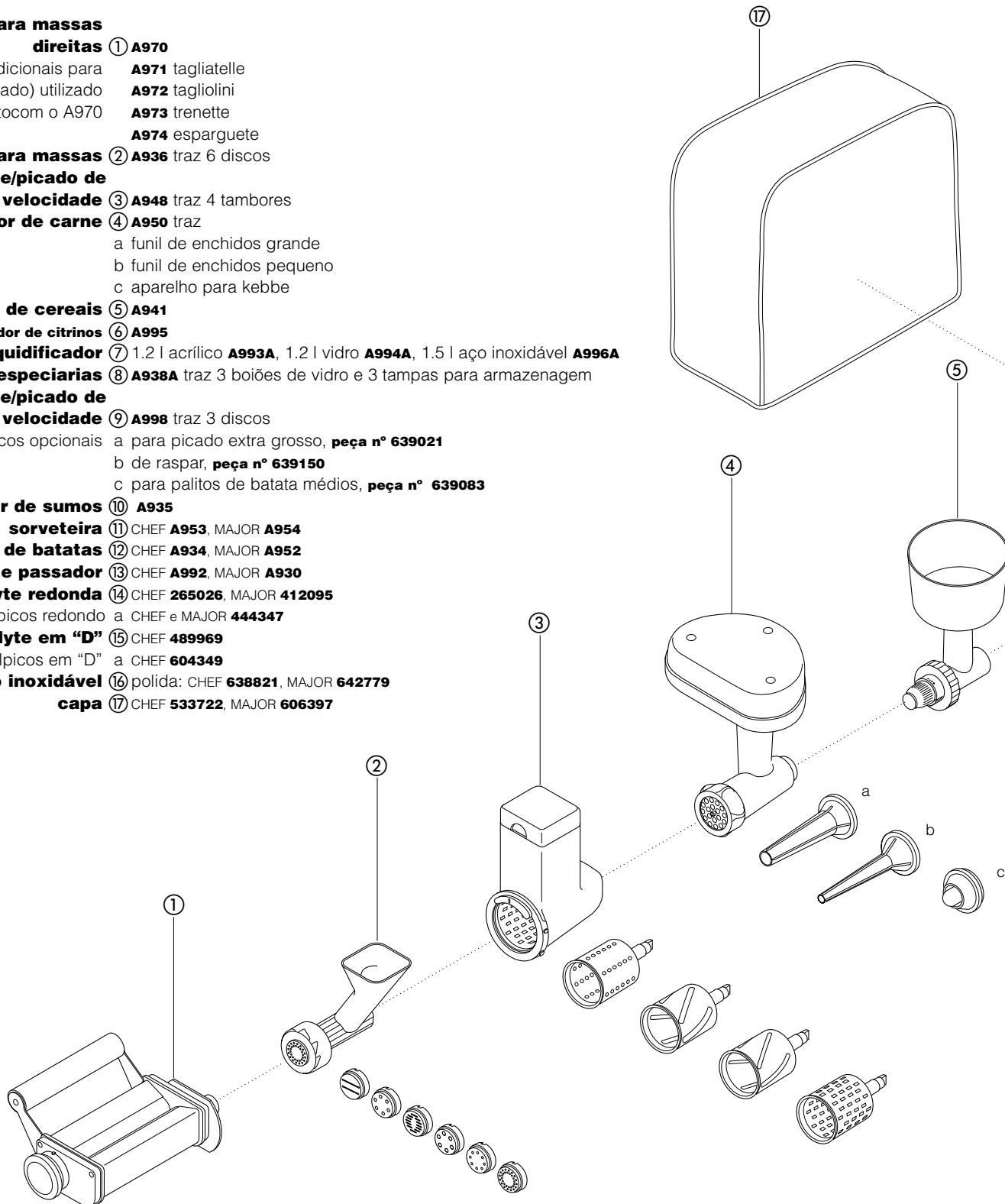


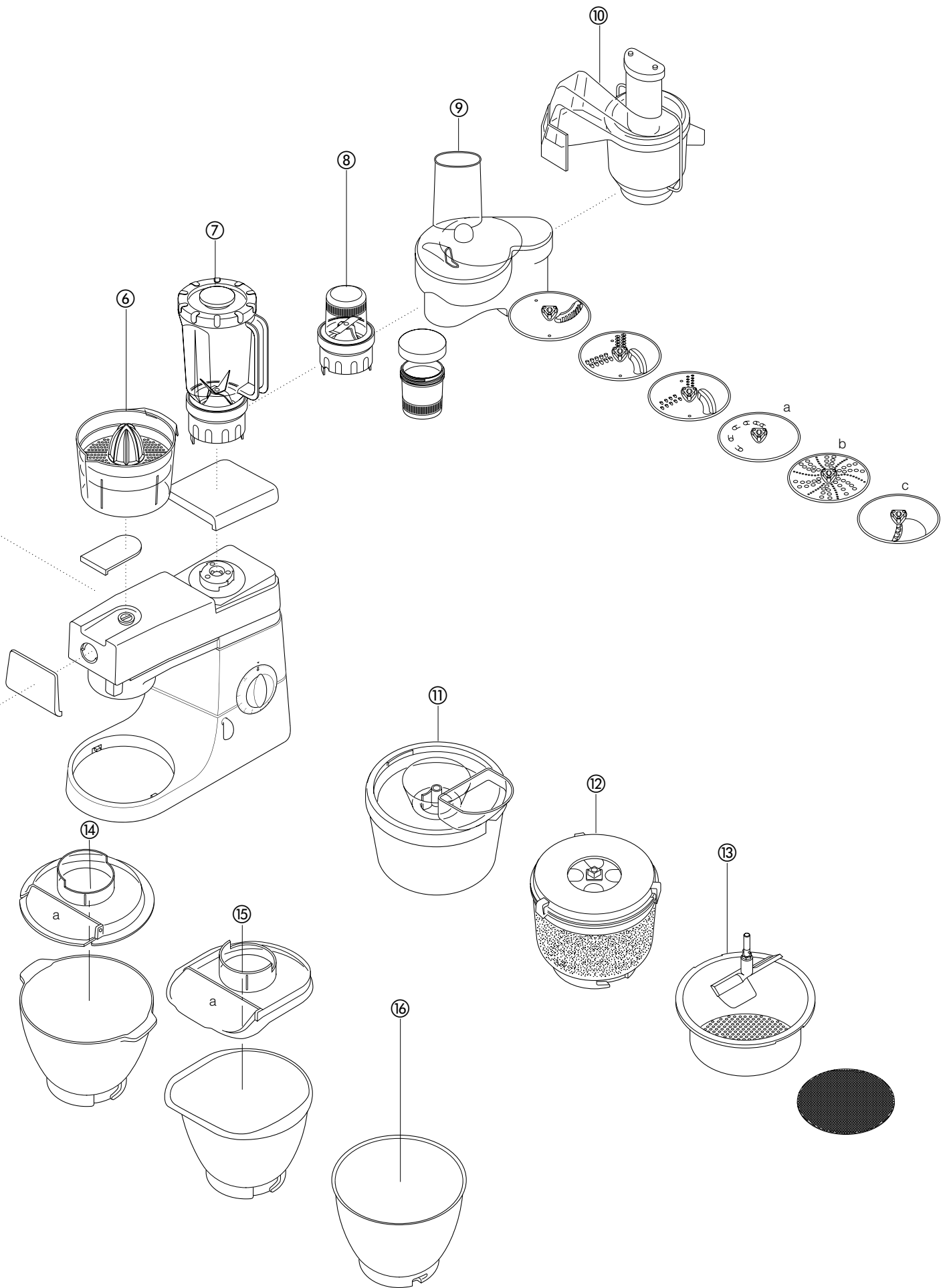
os **acessórios** disponíveis

Para comprar um acessório não incluído com o seu aparelho, contacte um técnico autorizado KENWOOD.

acessório código do acessório

- aparelho para massas direitas** ① **A970**
 acessórios adicionais para massas (não ilustrado) utilizado em conjunto com o A970
A971 tagliatelle
A972 tagliolini
A973 trenette
A974 esparquete
- aparelho para massas disco para corte/picado de baixa velocidade** ② **A936** traz 6 discos
- super picador de carne** ③ **A948** traz 4 tambores
- moimho de cereais** ④ **A950** traz
 a funil de enchidos grande
 b funil de enchidos pequeno
 c aparelho para kebbe
- espremedor de citrinos** ⑤ **A941**
- liquidificador** ⑦ 1.2 l acrílico **A993A**, 1.2 l vidro **A994A**, 1.5 l aço inoxidável **A996A**
- moimho de especiarias** ⑧ **A938A** traz 3 boiões de vidro e 3 tampas para armazenagem
- disco para corte/picado de alta velocidade** ⑨ **A998** traz 3 discos
 discos opcionais
 a para picado extra grosso, **peça n° 639021**
 b de raspar, **peça n° 639150**
 c para palitos de batata médios, **peça n° 639083**
- centrifugador de sumos** ⑩ **A935**
- sorveteira** ⑪ CHEF **A953**, MAJOR **A954**
- pelador de batatas** ⑫ CHEF **A934**, MAJOR **A952**
- coador e passador** ⑬ CHEF **A992**, MAJOR **A930**
- taça kenlyte redonda** ⑭ CHEF **265026**, MAJOR **412095**
- resguardo anti-salpicos redondo a CHEF e MAJOR **444347**
- taça kenlyte em "D"** ⑮ CHEF **489969**
- resguardo anti-salpicos em "D" a CHEF **604349**
- taças em aço inoxidável** ⑯ polida: CHEF **638821**, MAJOR **642779**
- capa** ⑰ CHEF **533722**, MAJOR **606397**





limpeza e assistência técnica

manutenção e limpeza

- Desligue sempre a máquina no interruptor e retire a ficha da tomada de corrente antes de a limpar.
- Um pouco de gordura poderá aparecer nas **tomadas de acessórios 2** e **3** ao utilizá-las pela primeira vez. Isto é normal - remova simplesmente a gordura com um pano.

bloco do motor • Limpe com um pano húmido e depois com um seco.

- Nunca utilize abrasivos nem mergulhe em água.

tigelas • Lave-as à mão e seque-as bem em seguida.

- Se tiver uma tigela de aço inoxidável, nunca utilize uma escova de arame, palha de aço ou lixívia. Utilize vinagre para remover depósitos calcários. A taça em aço inoxidável pode também ser lavada na máquina de lavar loiça.
- Mantenha-as afastadas do calor (bicos de fogão, fornos normais e fornos microondas).

acessórios • Lave-os à mão e seque-os bem em seguida.

- O batedor em "K", o batedor de arames e o gancho para amassar não devem ser lavados na máquina de lavar loiça, caso contrário poderão sofrer descoloração.

resguardo anti-salpicos • Lave-o à mão e depois seque-o bem

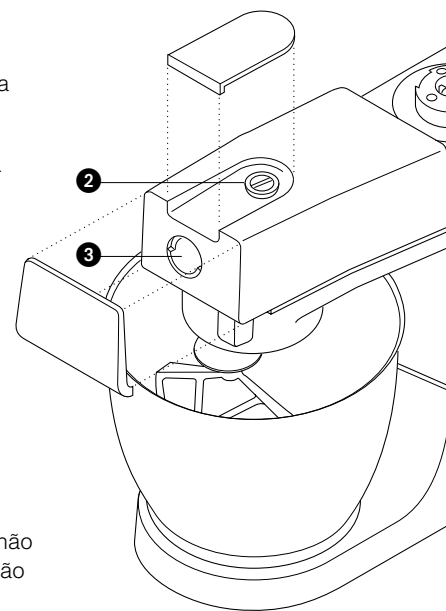
assistência técnica e atendimento ao cliente

- Se o fio estiver danificado, deverá, por razões de segurança, ser substituído pela KENWOOD ou por um técnico autorizado KENWOOD.

Se necessitar de ajuda em relação ao seguinte:

- utilização da sua máquina
- encomenda de outro acessório
- assistência técnica ou reparações

Contacte o estabelecimento onde adquiriu o seu aparelho.



receitas

Consulte os 'Conselhos para Fazer Pão' na página 55

pão branco *massa suave do tipo continental*

- ingredientes
- 2,6kg de farinha branca normal
 - 1,3 litros de leite
 - 300g de açúcar
 - 450g de margarina
 - 100g de fermento fresco ou 50g de fermento seco
 - 6 ovos, batidos
 - 5 pitadas de sal

Estas quantidades destinam-se aos modelos KM600, 800 e 810. Para os modelos KM300, 400 e 410, utilize metade das quantidades e adicione a farinha toda de uma só vez.

- método
- 1 Derreta a margarina no leite e eleve a temperatura aos 43°C.
 - 2 **fermento seco** (do tipo que necessita de ser reconstituído): adicione o fermento e o açúcar ao leite e deixe repousar cerca de 10 minutos até criar espuma.
fermento fresco: desfaça-o e incorpore-o na farinha e adicione o açúcar.
outros tipos de fermento: siga as instruções do fabricante.
 - 3 Deite o leite na tigela. Adicione os ovos batidos e 2kg de farinha.
 - 4 Bata à velocidade mínima por 1 minuto e depois à velocidade 1 por mais um minuto. Raspe para baixo.
 - 5 Adicione o sal e a farinha restante e misture à velocidade mínima por 1 minuto e depois à velocidade 1 por 2 - 3 minutos até a massa ficar suave e homogénea.
 - 6 Unte e encha de massa, até metade, quatro formas de 450g ou prepare pãezinhos. Seguidamente cubra com um pano de loiça e deixe num local quente até duplicarem de volume.
 - 7 Coza no forno, à temperatura de 200°C/400°F/Gás Marca 6, por 20 - 25 minutos para o pão de forma ou por 15 minutos para os pãezinhos.
 - 8 Quando pronto, o pão deverá soar a oco quando se lhe bater levemente na base.

- Quantidade suficiente para cerca de 10 pães de forma.

pão-de-ló recheado com morangos e alperces

- ingredientes: pão-de-ló
- 3 ovos
 - 75g de açúcar branco
 - 75g de farinha sem fermento
- recheio e decoração
- 150ml de natas
 - Açúcar a gosto
 - 225g de morangos
 - 225g de alperces

- método
- 1 Parta os alperces ao meio e remova os caroços. Coza em fogo lento, em muito pouca água, adicionando açúcar a gosto, até estarem macios.
 - 2 Lave e corte ao meio os morangos.
 - 3 Para preparar o pão-de-ló, bata os ovos e açúcar à velocidade máxima até a massa ficar muito pálida e espessa.
 - 4 Retire a taça e o batedor de arames. Incorpore manualmente a farinha, com uma colher metálica grande - faça isto cuidadosamente para manter o pão-de-ló leve.
 - 5 Introduza a mistura em duas formas redondas de 18 cm de diâmetro, untadas e forradas.
 - 6 Coza no forno, à temperatura de 180°C/350°F/Gás Marca 4, por cerca de 20 minutos, até o bolo estar fofo ao ser tocado ligeiramente.
 - 7 Vire em cima de uma rede de arame.
 - 8 Bata as natas à velocidade máxima até ficarem firmes. Adicione açúcar a gosto.
 - 9 Corte grosseiramente os alperces e um terço dos morangos. Envolve-os em metade das natas.
 - 10 Espalhe este recheio sobre uma das metades do pão-de-ló e depois coloque a outra metade sobre a primeira.
 - 11 Espalhe as natas restantes por cima do bolo e decore-o com os morangos restantes.

receitas *continuação*

Merengues

- ingredientes
- 4 claras de ovo
 - 250g de açúcar em pó, peneirado
- método
- 1 Forre o seu tabuleiro de ir ao forno com papel vegetal antiaderente.
 - 2 Bata as claras de ovo e o açúcar à velocidade máxima por cerca de 10 minutos até formarem picos.
 - 3 Coloque colheradas de merengue no tabuleiro (ou utilize um saco de pasteleiro com um bico de 2,5cm em estrela).
 - 4 Coza no forno, à temperatura de 110°C/225°F/Gás Marca ¼, por cerca de 4 - 5 horas, até estarem firmes e estaladiços. Se começarem a dourar, deixe a porta do forno ligeiramente aberta.
- Guarde os merengues numa lata hermética.

massa para tartes

- ingredientes
- 450g de farinha, peneirada com o sal
 - 5ml (1 colher de chá) de sal
 - 225g de gordura (misture banha e margarina, directamente do frigorífico)
 - Cerca de 80ml de água
- sugestão
- Não bata excessivamente.
- método
- 1 Coloque a farinha na tigela. Corte grosseiramente a gordura e adicione-a à farinha.
 - 2 Misture à velocidade 1 até obter a consistência de pão ralado. Pare antes que a mistura adquira um aspecto gorduroso
 - 3 Adicione a água e misture à velocidade mínima. Pare assim que a água esteja incorporada.
 - 4 Coza no forno, à temperatura de cerca de 200°C/400°F/Gás Marca 6, dependendo do recheio.

Hamburgers

- ingredientes
- 250g de boa carne de vaca, sem nervos
- método
- 1 Corte-a em cubos de 2,5cm.
 - 2 Se não tiver um picador, utilize o liquidificador e pique pequenas quantidades de cada vez. Utilize a velocidade 2 por um **máximo** de 15 segundos. Limpe em volta das lâminas entre um lote e o seguinte.
 - 3 Misture com temperos, tais como cebola picada, ervas aromáticas mistas (frescas ou secas), pimenta preta grossa e sumo e raspas de um limão.
 - 4 Enforme dois hamburgers e grelhe-os com calor entre médio a alto até estarem bem cozinhados.

KENWOOD

Garantia nº

Condições de Garantia Pequenos Electrodomésticos em Portugal

1. Todas as verificações necessárias foram feitas em cada fase de fabrico para assegurar um elevado nível de qualidade.
O aparelho é garantido contra todos os defeitos mecânicos ou eléctricos de fabrico ou má qualidade do material, durante o período de dois anos, a contar da data de compra.
2. Verificar a tensão de alimentação indicada no aparelho antes de ligar à rede.
3. Se o Aparelho não funcionar correctamente será reparado ou substituído, sem mais custos para o comprador, durante o período de Garantia, excepto se não forem seguidas as indicações do modo de emprego, negligência ou má utilização. Qualquer alteração introduzida no aparelho por terceiros também não está abrangida por esta Garantia.
4. Esta Garantia só pode ser utilizada nos Agentes de Serviço Autorizados Kenwood depois de devidamente preenchida, rubricada e acompanhada do respectivo documento de compra.

**ARIES LUSITANIA
RUA DA BOTICA 252, 1º sala 1,2,3
MORIERE DA MAIA
4470-575 MAIA, PORTUGAL**

**TEL: 029 407454
FAX: 029 419050**

Revendedor

Aparelho

Carimbo & Rubrica

Modelo:

Nº de Série:

Data compra:/...../.....

Cliente

Nome

Morada

Cod.Postal: Tel

lær Kenwood køkkenmaskinen at kende

sikkerhed

- Sluk for strømmen og tag stikket ud af stikkontakten før der monteres eller afmonteres tilbehør, efter brug og før rengøring.
- Denne maskine bør ikke anvendes af børn eller svagelige personer uden opsyn.
- Hold fingrene væk fra bevægelige dele og monteret tilbehør.
- Gå aldrig fra maskinen, mens den arbejder, og hold børn væk fra den.
- Brug aldrig en beskadiget maskine. Få den eftersat eller repareret (se 'service', side 68).
- Brug aldrig et uautoriseret tilbehør eller flere end et tilbehør ad gangen.
- De maksimale mængder på side 64 må aldrig overskrides.
- Lad ikke børn lege med maskinen.
- Når der bruges et tilbehør, skal de medfølgende sikkerhedsanvisninger læses.
- Denne maskine er kun beregnet til privat brug.

inden stikket sættes i stikkontakten

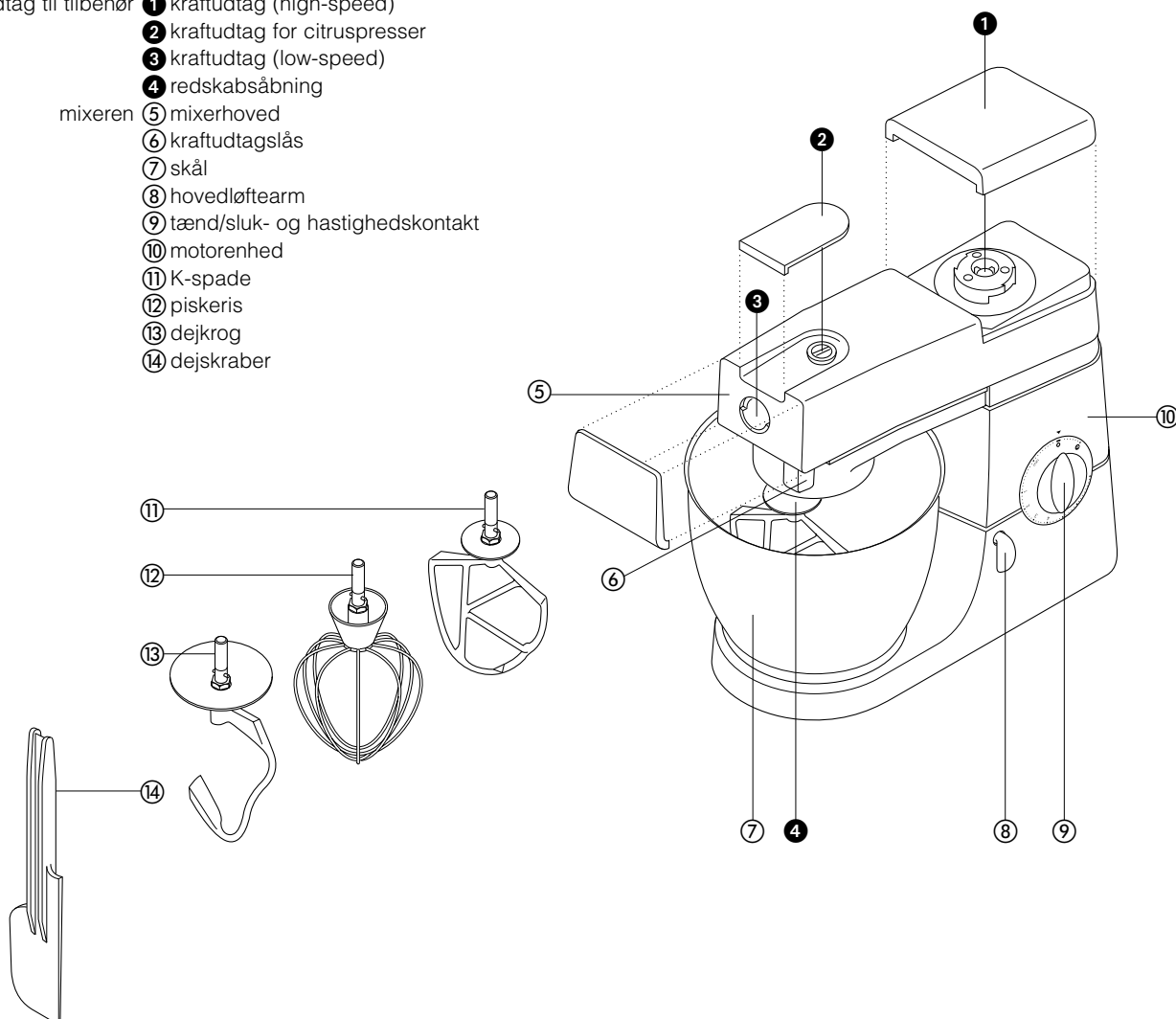
- Sørg for, at Deres el-forsynings spænding er den samme som den, der er vist på maskinens underside.
- Denne maskine opfylder bestemmelserne for radiostøjdæmpning i EU-direktiv 89/336/EØF.

inden maskinen anvendes første gang

1. Fjern alt indpakningsmaterialet.
2. Vask delene, se 'rengøring', side 68.

lær Kenwood køkkenmaskinen at kende

- kraftudtag til tilbehør
- ① kraftudtag (high-speed)
 - ② kraftudtag for citruspresser
 - ③ kraftudtag (low-speed)
 - ④ redskabsåbning
- mixeren
- ⑤ mixerhoved
 - ⑥ kraftudtagslås
 - ⑦ skål
 - ⑧ hovedløftearm
 - ⑨ tænd/sluk- og hastighedskontakt
 - ⑩ motorenhed
 - ⑪ K-spade
 - ⑫ piskeris
 - ⑬ dejkrog
 - ⑭ dejskraber



mixeren

mixerredskaberne og nogle af deres anvendelser

- K-spade • Til at røre kagedej, småkager, butterdej, glasur, kagefyld, vandbakkelse og kartoffelmos m.v.
- piskeris • Til at piske æg, piskefløde, pandekagedej, lagkagedej, marengs, ostekage, mousse, soufflé. Piskeriset må ikke anvendes til tykkere deje (som f.eks. til at røre margarine og sukker) - da det kan beskadige det.
- dejkrog • Til gærdeje.

sådan anvendes mixeren

- 1 Drej hovedløftearmen mod uret **1** og løft mixerhovedet, til det låser.
 - 2 Drej redskabet, indtil det standser **2** og tryk det så på plads.
 - 3 Sæt skålen i fordybningen. Tryk skålen ned og drej den med uret **3**.
 - 4 Drej hovedløftearmen mod uret og sænk mixerhovedet, til det låser.
 - 5 Vælg en hastighed og tænd for maskinen ved at dreje på hastighedskontakten.
 - 6 Skru det ud.
- sådan fjernes et redskab

- tips
- Sluk for maskinen og skrab hyppigt dejen ned i skålen med dejskraber.
 - Det er bedst at piske æg, når de har stuetemperatur.
 - Inden der piskes æggeghvider, skal De sørge for, at der ikke er noget fedt eller æggeblomme på piskeriset eller i skålen.
 - Når De laver butterdej, er det bedst at bruge kolde ingredienser, medmindre opskriften angiver andet.

tips om æltning af brød

- vigtigt
- Nedenstående maksimale mængder må aldrig overskrides, da maskinen ellers vil blive overbelastet.
 - Hvis De hører, at maskinen sejtrækker, skal De slukke for den, fjerne halvdelen af dejen og så ælte hver halvdel for sig.
 - Ingredienserne blandes bedst, hvis væsken kommer i først.

maksimalt mængder

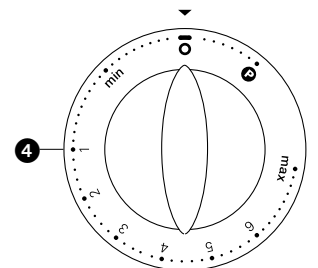
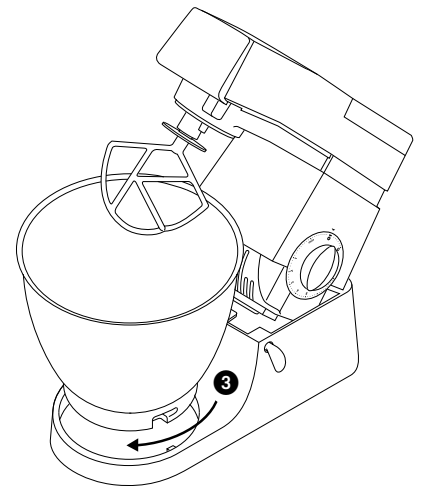
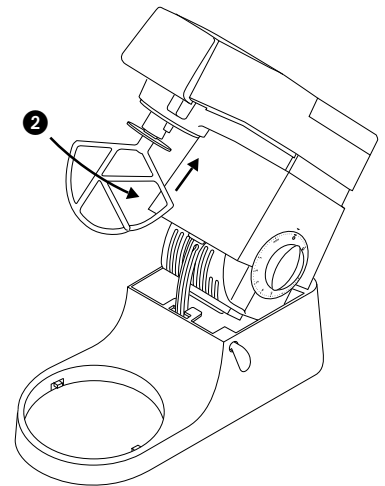
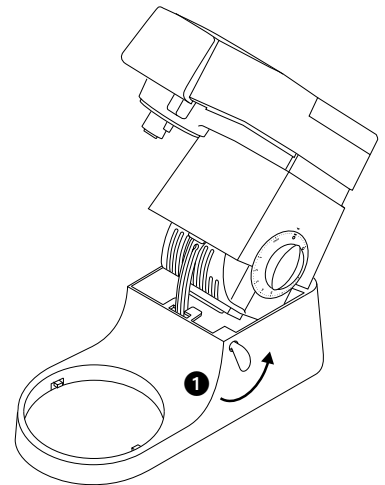
KM300, 400, 410 modeller

KM600, 800, 810 modeller

- | | | |
|---------------------|-----------------------|---------------------|
| butterdej | • Melvægt: 680g | Melvægt: 910g |
| tyk gærdej | • Melvægt: 1,36kg | Melvægt: 1,5kg |
| britisk type | • Samlet vægt: 2,18kg | Samlet vægt: 2,4kg |
| blød gærdej | • Melvægt: 1,3kg | Melvægt: 2,6kg |
| kontinental type | • Samlet vægt: 2,5kg | Samlet vægt: 5kg |
| frugtkagedej | • Samlet vægt: 2,72kg | Samlet vægt: 4,55kg |
| æggeghvider | • 12 stk. | 16 stk. |

hastigheder **4**

- K-spade • **røring af fedtstof og sukker:** start på "min" og sæt gradvist hastigheden op til "maks".
- **piskning af æg i cremede blandinger:** 4 – "maks".
- **iblanding af mel, frugt mv.:** "min" – 1.
- **småkagedej:** start på "min" og sæt gradvist hastigheden op til "maks".
- **blanding af fedtstof i mel:** "min" – 2.
- piskeris • Sæt gradvist hastigheden op til 'maks.'
- dejkrog • Start på 'min' og sæt gradvist hastigheden op til 1.



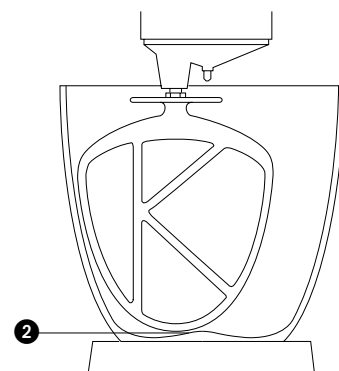
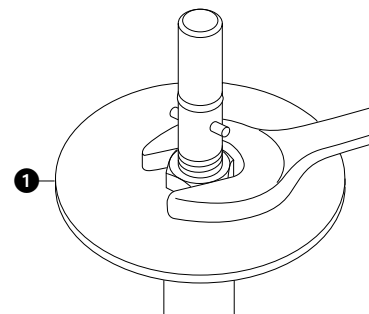
fejlfinding

problem:

- Piskeriset eller K-spaden rammer bunden af skålen eller når ikke ned til ingredienserne i bunden af skålen.

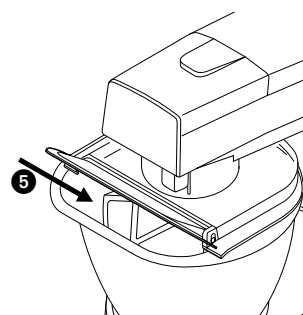
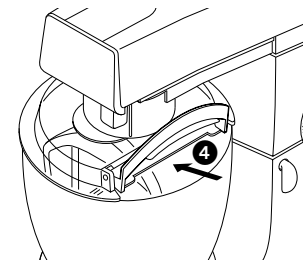
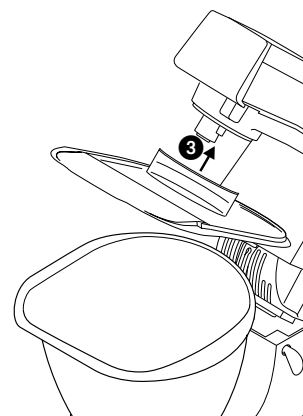
løsning • Tilbehørshøjden justeres på følgende måde:

- 1 Tag stikket ud af stikkontakten.
- 2 Løft mixerhovedet og sæt piskeriset eller K-spaden i.
- 3 Hold fast i tilbehøret og løs møtrikken ❶.
- 4 Sænk mixerhovedet.
- 5 Justér tilbehørshøjden ved at dreje tilbehøret. Det er bedst, hvis piskeriset/K-spaden **næsten** rører ved bunden af skålen ❷.
- 6 Løft mixerhovedet, og mens De holder på piskeriset/K-spaden, strammes møtrikken.



montering og brug af din runde/D-formede stænkskærm (hvis denne medfølger)

- 1 Løft mixerhovedet til det låser.
- 2 Sæt skålen i fordybningen.
- 3 Skub stænkskærmen på plads ❸. Siden med hængslet skal placeres som vist for henholdsvis den runde stænkskærm ❹ og den D-formede stænkskærm ❺.
- 4 Isæt det ønskede tilbehør.
- 5 Sænk mixerhovedet og sørg for, at stænkskærmen følger skålens form.
 - Under blandingen kan ingredienserne hældes direkte ned i skålen vha. den hængslede del af stænkskærmen.
 - Det er ikke nødvendigt at fjerne stænkskærmen for at skifte tilbehør.
- 6 Afmonter stænkskærmen ved at hæve mixerhovedet og skub den af.

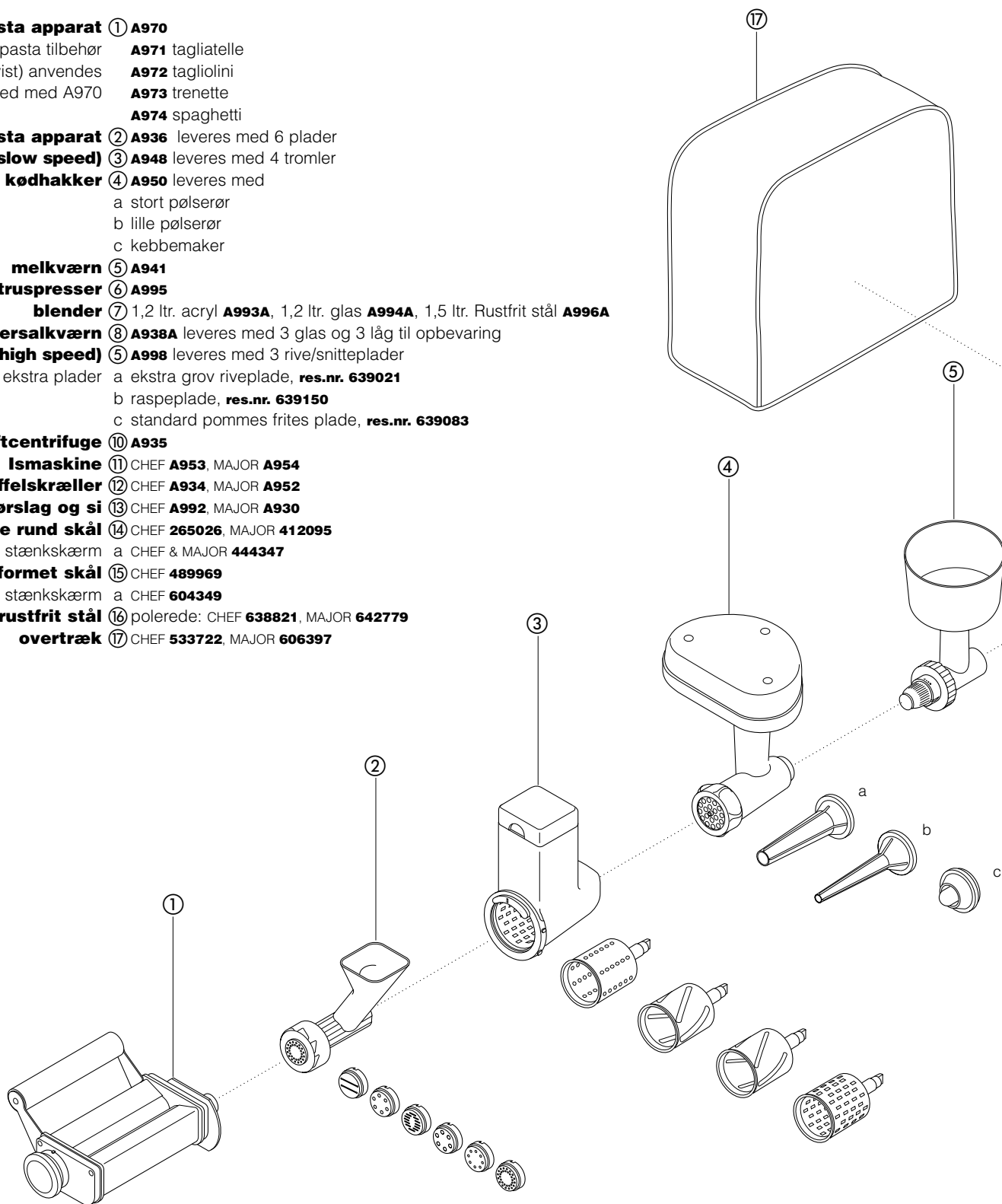


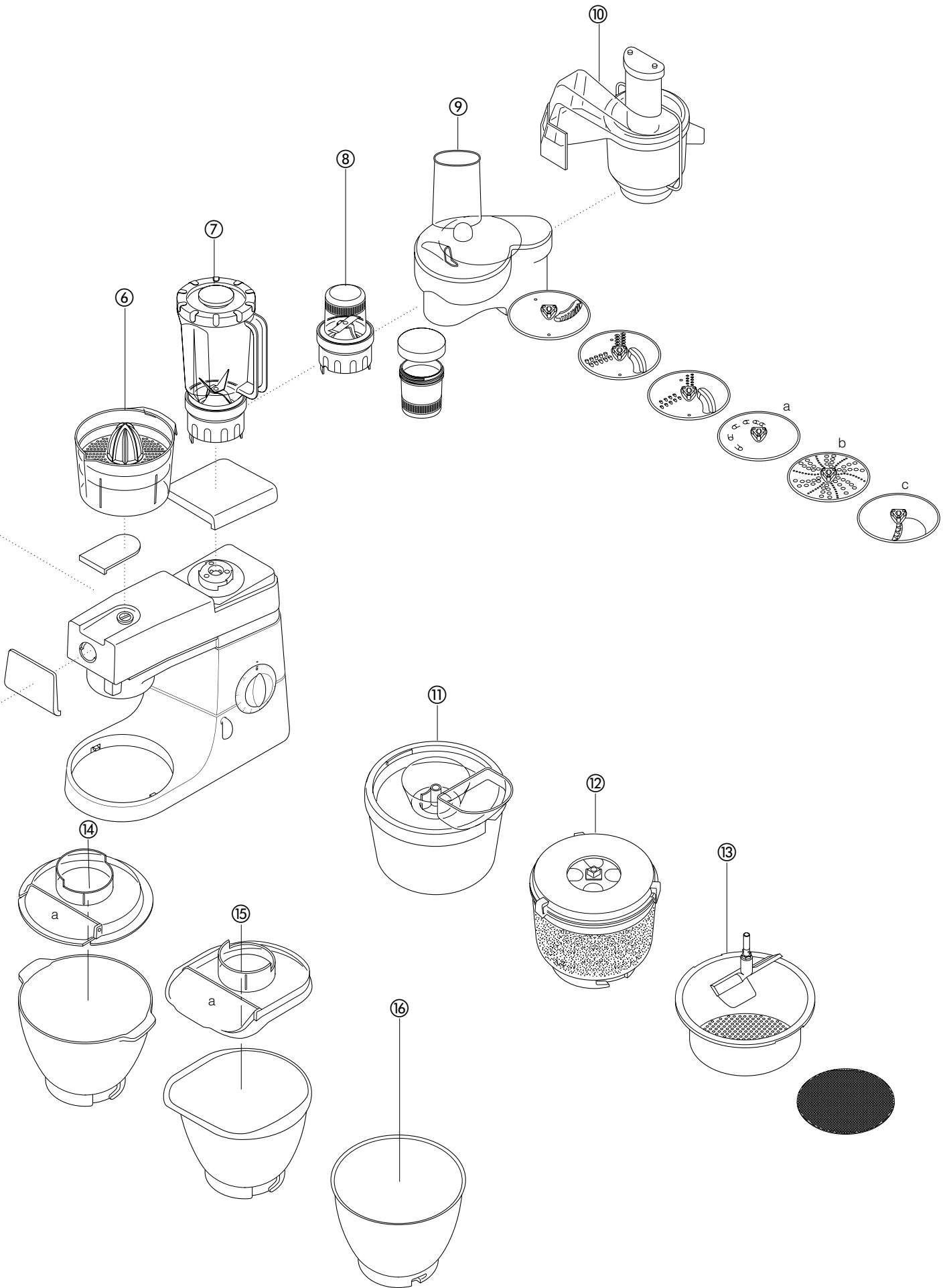
tilbehør som kan fås

Ønsker De at købe tilbehør, der ikke er medleveret i pakken, skal De henvende Dem til KENWOOD forhandleren.

tilbehør tilbehørskode

- fladt pasta apparat** ① **A970**
 andet pasta tilbehør **A971** tagliatelle
 (ikke vist) anvendes **A972** tagliolini
 sammen med med A970 **A973** trenette
A974 spaghetti
- pasta apparat** ② **A936** leveres med 6 plader
- råkostapparat (slow speed)** ③ **A948** leveres med 4 tromler
- kødhakker** ④ **A950** leveres med
 a stort pølserør
 b lille pølserør
 c kebbemaker
- melkværn** ⑤ **A941**
- citruspresser** ⑥ **A995**
- blender** ⑦ 1,2 ltr. acryl **A993A**, 1,2 ltr. glas **A994A**, 1,5 ltr. Rustfrit stål **A996A**
- universalkværn** ⑧ **A938A** leveres med 3 glas og 3 låg til opbevaring
- råkostapparat (high speed)** ⑤ **A998** leveres med 3 rive/snitteplader
 ekstra plader a ekstra grov riveplade, **res.nr. 639021**
 b raspeplade, **res.nr. 639150**
 c standard pommes frites plade, **res.nr. 639083**
- saftcentrifuge** ⑩ **A935**
- Ismaskine** ⑪ CHEF **A953**, MAJOR **A954**
- kartoffelskræller** ⑫ CHEF **A934**, MAJOR **A952**
- dørslag og si** ⑬ CHEF **A992**, MAJOR **A930**
- kenlyte rund skål** ⑭ CHEF **265026**, MAJOR **412095**
 rund stænkskærm a CHEF & MAJOR **444347**
- kenlyte D-formet skål** ⑮ CHEF **489969**
 D-formet stænkskærm a CHEF **604349**
- skåle i rustfrit stål** ⑯ polerede: CHEF **638821**, MAJOR **642779**
- overtræk** ⑰ CHEF **533722**, MAJOR **606397**





rengøring og service

rengøring

- Inden rengøring skal der altid slukkes for strømmen til maskinen og stikket skal tages ud af stikkontakten.
- Lidt fedt kan komme til syne ved **kraftudtag ②** og **③**, når disse først anvendes. Dette er normalt - tør det blot af.

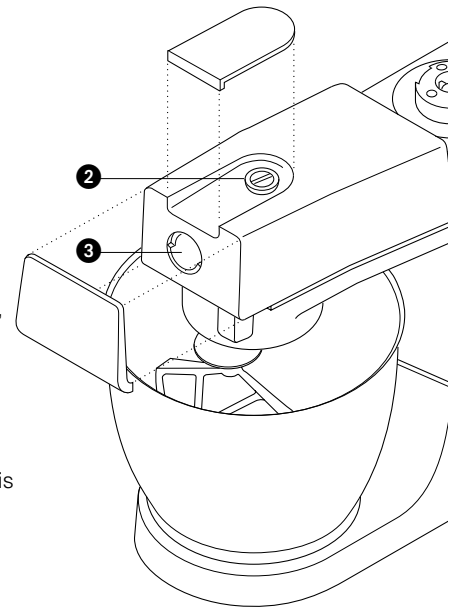
- motorenhed
 - Aftørres med en fugtig klud, og der poleres efter med en tør.
 - Brug aldrig skuremidler og kom aldrig maskinen i vand.
- skåle
 - Vaskes i hånden og tørres grundigt.
 - Hvis De har en skål af rustfrit stål, må De aldrig bruge en stålbørste, ståluld eller blegemidler. Kalkmærker kan fjernes med eddike. Skålen i rustfrit stål kan også vaskes i opvaskemaskine.
 - Skålene må ikke udsættes for direkte varme (komfurer, ovne, mikrobølgeovne).
- tilbehør
 - Vaskes i hånden og tørres grundigt.
 - Der kan opstå misfarvning af K-spaden, piskeriset og dejkrogen, hvis de lægges i opvaskemaskinen.
- stænkskærm
 - Vask den i hånden og tør den grundigt af.

service og kundeservice

- Hvis ledningen bliver beskadiget, skal den af sikkerhedsgrunde udskiftes af KENWOOD eller en autoriseret KENWOOD forhandler.

Hvis De har brug for hjælp med:

- brug af maskinen
 - bestilling af andet udstyr
 - service eller reparationer
- så kontakt den forretning, hvor De har købt maskinen.



opskrifter

Se vigtige tips om æltning af brød på side 64.

ingredienser **franskbrød** *blød dej af kontinental type*

- Denne mængde er til modeller KM600, 800 og 810.**
- Til modeller KM300, 400 og 410 skal mængderne halveres og alt melet skal kommes i på én gang.**
- 2,6kg hvedemel
 - 1,3 liter mælk
 - 300g sukker
 - 450g margarine
 - 100g frisk gær eller 50g tørgær
 - 6 æg, piskede
 - 5 knsp salt

- metode
- 1 Smelt margarinen i mælken og opvarm til 43°C.
 - 2 **tørgær** (den type gær, som skal opløses): tilsæt gær og sukker til mælken, og lad det stå i 10 minutter, indtil det skummer.
frisk gær: smuldres i melet og sukkeret tilsættes.
andre typer gær: følg producentens brugsanvisning.
 - 3 Hæld mælken op i skålen. Tilsæt de piskede æg og 2kg hvedemel.
 - 4 Bland ingredienserne ved minimumhastigheden i 1 minut og derefter endnu et minut ved hastighed 1. Skrab ingredienserne af skålens sider.
 - 5 Tilsæt salt og resten af melet og bland på minimal hastighed i 1 minut, så på hastighed 1 i 2 - 3 minutter, indtil dejen er glat og ensartet.
 - 6 Fyld nogle smurte forme, som kan rumme 450g, halvt med dejen eller form den til boller. Dejen dækkes til med et viskestykke og hæves på et lunt sted til dobbelt størrelse.
 - 7 Bages ved 200°C i 20 - 25 minutter *for brød* eller 15 minutter *for boller*.
 - 8 Når brødet er bagt, lyder det hult, når der bankes på undersiden.

- Til ca. 10 brød

jordbær- og abrikoslagkage

- ingredienser: lagkagebunde
- 3 æg
 - 75g sukker
- fyld og pynt
- 75g hvedemel
 - 150ml piskefløde
 - sukker efter smag
 - 225g jordbær
 - 225g abrikoser

- metode
- 1 Skær abrikoserne halvt over og fjern stenene. Kog abrikoserne i en lille smule vand med sukker efter smag, indtil de er møre.
 - 2 Vask jordbærerne og skær dem halvt over.
 - 3 Lagkagebundene tilberedes ved at piske æg og sukker på maksimal hastighed, indtil dejen er lysegul og tyk.
 - 4 Fjern skålen og piskeriset. Vend melet i blandingen vha. en stor metalske. Gør dette forsigtigt for at holde lagkagebundene lette.
 - 5 Fyld dejen i 2 smurte og forede 18cm lagkageforme.
 - 6 Bages ved 120°C i ca. 20 minutter, indtil kagen springer tilbage, når der røres let ved den.
 - 7 Vend bundene ud på en rist.
 - 8 Pisk piskefløden på maksimal hastighed, indtil den er stiv. Tilsæt sukker efter smag.
 - 9 Skær abrikoserne og en tredjedel af jordbærerne i små stykker. Bland dem i halvdelen af flødeskummet.
 - 10 Fordel dette over en af lagkagebundene og læg den anden bund ovenpå.
 - 11 Fordel resten af flødeskummet ovenpå og pynt med resten af jordbærerne.

opskrifter *fortsat*

marengs

- ingredienser
- 4 æggehvider
 - 250g flormelis, sigtet
- metode
- 1 Læg bagepapir på en bageplade.
 - 2 Pisk æggehviderne og sukkeret på maksimal hastighed i ca. 10 minutter, indtil de er stive.
 - 3 Sæt marengsdejen på bagepladen med en ske (eller brug en sprøjtepose med en 2,5cm stjernedyse).
 - 4 Bages ved 110°C i ca. 4 - 5 timer, indtil de er faste og sprøde. Hvis de begynder at blive brune, skal ovndøren sættes lidt på klem.
- De bagte marengs opbevares i en lufttæt kagedåse.

butterdej

- ingredienser
- 450g hvedemel, sigtet med salt
 - 5ml salt
 - 225g fedtstof (bland svinefedt med margarine lige fra køleskabet)
 - ca. 80ml vand
- tips
- Rør ikke dejen for meget
- metode
- 1 Kom melet i skålen. Det kolde fedtstof snittes groft og kommes i melet.
 - 2 Rør på hastighed 1 indtil blandingen minder om brødkrummer. Stop før blandingen bliver fedtet.
 - 3 Tilsæt vandet og rør på minimal hastighed. Stop, så snart vandet er iblandet.
 - 4 Bages ved ca. 200°C afhængig af fyldet.

burgere, hakkebøf

- ingredienser
- 230g magert oksekød (uden sener)
- metode
- 1 Skær kødet i ca. 2,5cm terninger.
 - 2 Hvis De ikke har en kødhakker, kan De bruge blenderen og hakke små mængder ad gangen. Hak kødet på hastighed 2 i 15 sekunder, **men ikke længere**. Pladerne skal rengøres mellem det ene hold og det næste.
 - 3 Det hakkede kød kan krydres efter ønske f.eks. med hakket løg, blandede krydderurter - enten friske eller tørrede, groft malede sorte peberkorn eller skal og saft af en citron.
 - 4 Del farsen i 2 dele og form dem til 2 bøffer. Steg dem på panden eller grillen på mellem til høj varme, indtil de er helt gennemstegte.

lär känna din Kenwood köksmaskin

säkerheten

- Stäng av maskinen och dra ut sladden innan du monterar eller tar bort verktyg/tillbehör, efter användningen och före rengöring.
- Maskinen är inte avsedd att användas av små barn eller handikappade utan översyn.
- Rör inte vid delar i rörelse eller monterade tillbehör.
- Lämna aldrig maskinen utan tillsyn, och håll barn på avstånd från den.
- Använd aldrig en skadad maskin. Lämna den för kontroll eller reparation: se 'service', sid 76.
- Använd aldrig tillbehör som inte hör till maskinen och aldrig mer än ett tillbehör i taget.
- Överskrid aldrig maskinens maxkapacitet, se sid 72.
- Låt inte barn leka med maskinen.
- Innan du använder ett verktyg måste du läsa säkerhetsinstruktionerna som hör till.
- Denna maskin är endast avsedd för matberedning och bakning i hemmet.

innan du sätter i kontakten

- Se till att nätströmmen är samma som anges på maskinens undersida.
- Denna maskin uppfyller kraven i direktivet 89/336/EEG.

innan du använder maskinen första gången

- 1 Tag bort allt förpackningsmaterial.
- 2 Diska delarna: se 'underhåll och rengöring', sid 76.

lär känna din Kenwood köksmaskin

uttag för tillbehör ① högväxeluttag

② drivuttag för citruspress

③ lågväxeluttag

④ drivuttag för verktygen

blandaren ⑤ blandarhuvud

⑥ låsspärr för drivuttag

⑦ blandningsskål

⑧ låsspak för uppfällning av överdelen

⑨ på/av och hastighetsreglage

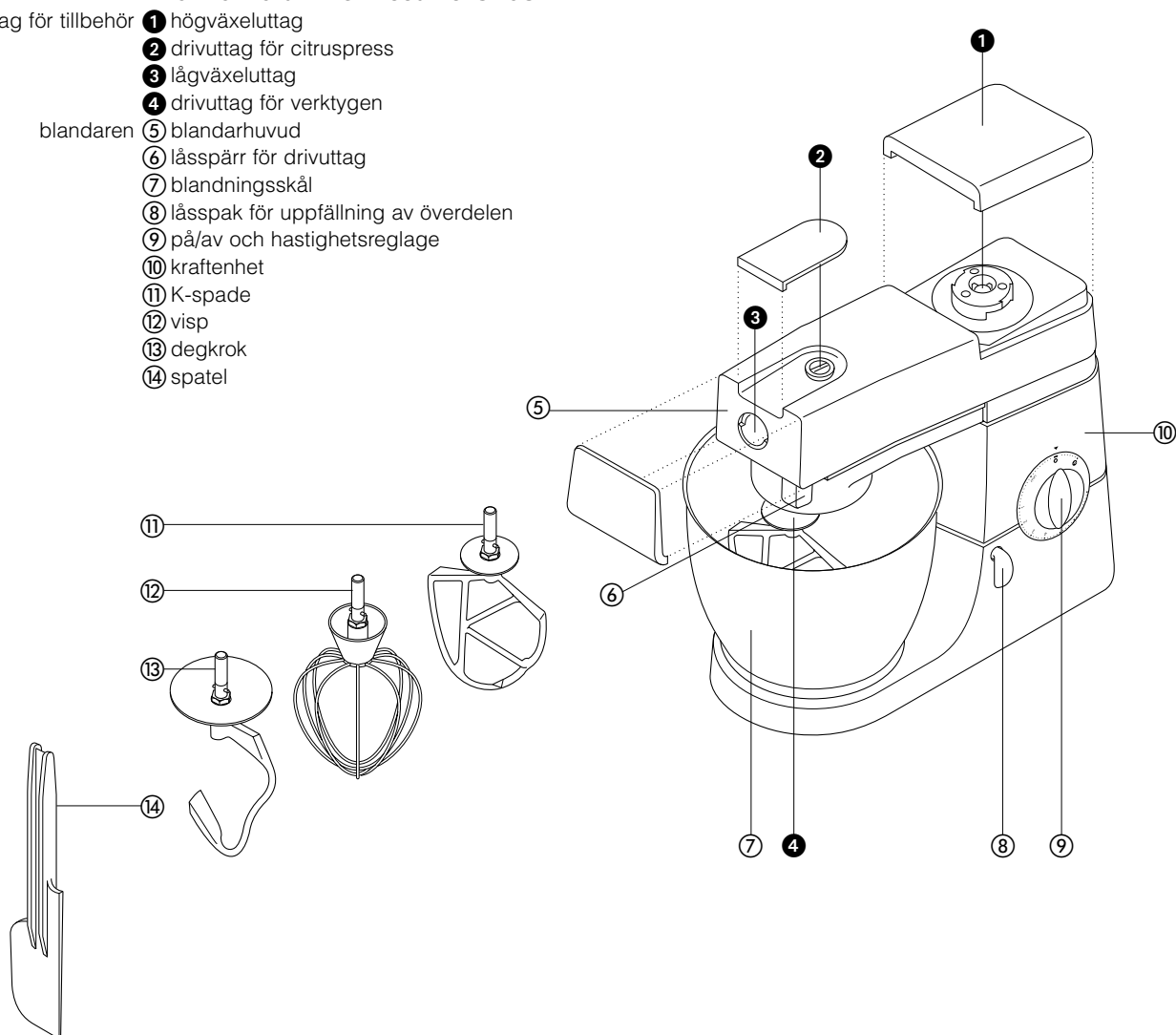
⑩ kraftenhet

⑪ K-spade

⑫ visp

⑬ degkrok

⑭ spatel



blandaren

blandarverktygen och några av deras användningsområden

- K-spaden • Används för att göra tyngre mjuka kakor, småkakor, pajdeg, glasyrer, fyllningar, petit-choux och potatismos.
- vispen • Används för att vispa ägg, grädde, pannkakssmet, lätta sockerkakor, maräng, ostkakor, mousse och suffléer. Använd inte vispen till tung kaksmet, t.ex. för att röra matfett med socker - vispen kan skadas.
- degkrok • Används för att knåda jäsdeg.

hur man använder blandaren

- 1 Vrid låsspaken moturs **1** och fäll upp överdelen tills den går i låsläge.
- 2 Sätta in ett verktyg. Vrid så långt det går och pressa sedan uppåt **2**
- 3 Sätt skålen på basen. Tryck ner den och vrid medurs **3**
- 4 Vrid låsspaken moturs och fäll ner överdelen tills den går i låsläge.
- 5 Slå på maskinen genom att vrida hastighetsreglaget till önskad hastighet.
 - Vrid till momentanläge **P** för korta arbetsmoment.
- 6 Ta bort ett verktyg. Vrid loss verktyget.

- tips • Stäng då och då av maskinen och skrapa ur skålen med spateln.
- Ägg bör vara vid rumstemperatur när de skall vispas.
- Innan du vispar äggvitor måste du se till att det inte finns rester av fett eller äggula på vispen eller i skålen.
- Ingredienser till pajdeg skall vara kalla om inget annat anges i receptet.

vid brödbak

- viktigt • Överskrid aldrig maxkapaciteterna nedan - då överbelastas maskinen.
- Om du hör att maskinen arbetar ansträngt måste du stänga av den, ta upp halva degen och knåda varje hälft för sig.
- Degen blandas bäst om du håller i de flytande ingredienserna först.

maxkapaciteter

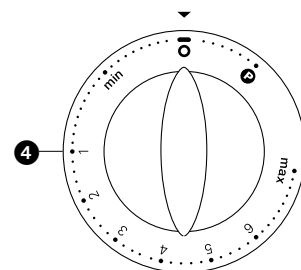
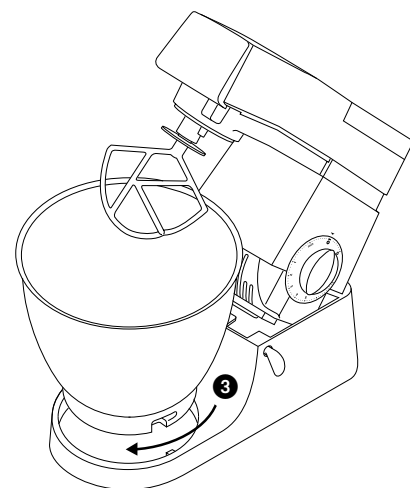
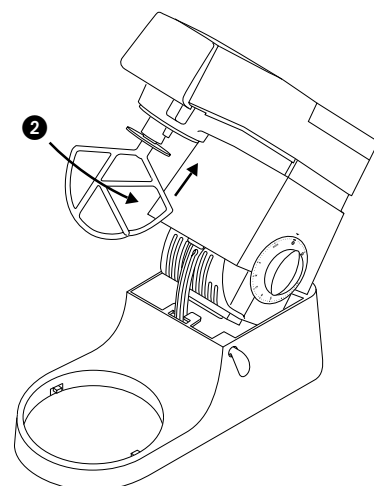
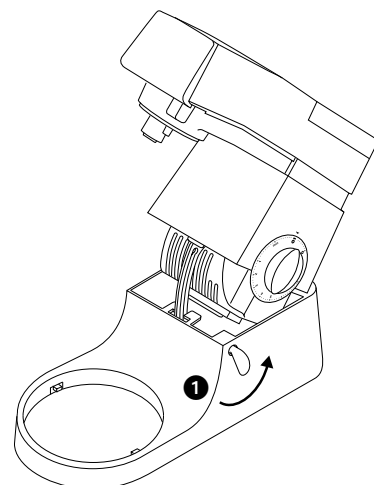
KM300, 400, 410

KM600, 800, 810

pajdeg	• mjölvikt: 680g	• mjölvikt: 910g
tung jäsdeg	• mjölvikt: 1,36kg	• mjölvikt: 1,5kg
British type	• totalvikt: 2,18kg	• totalvikt: 2,4kg
lätt jäsdeg	• mjölvikt: 1,3kg	• mjölvikt: 2,6kg
continental type	• totalvikt: 2,7kg	• totalvikt: 5kg
kaka med torkad frukt	• totalvikt: 2,72kg	• totalvikt: 4,55kg
äggvitor	• 12	• 16

hastigheter **4**

- K-spaden • **röra fett och socker** börja på min och öka gradvis till max.
- **vispa ner ägg i fettblandning** 4-"max"
- **röra ner mjöl, torkad frukt o.dyl.** min till 1.
- **allt-i-ettkaka** börja på min. och öka gradvis till max.
- **röra ihop fett och mjöl** min till 2.
- vispen • Öka gradvis till 'max'.
- degkroken • Börja på 'min' och öka gradvis till 1.



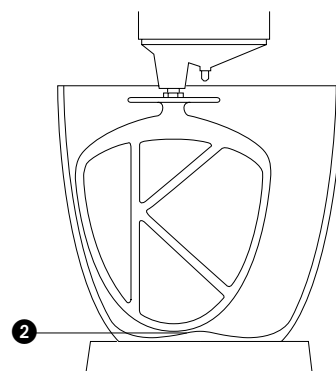
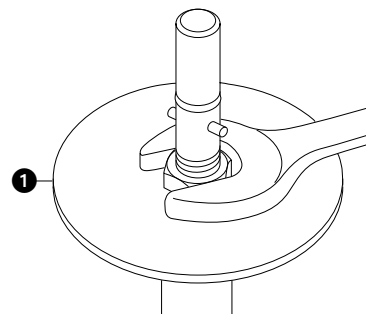
felsökning

problem

- Vispen eller K-spaden slår mot skålens botten eller når inte ner till ingredienserna på botten av skålen.

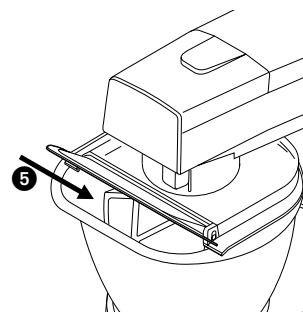
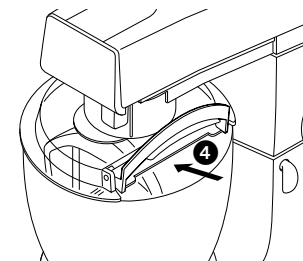
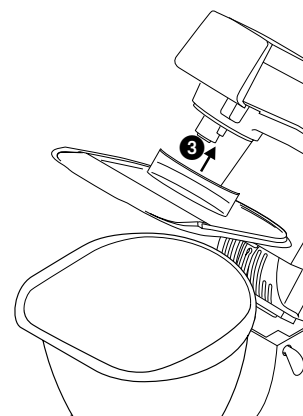
lösning • Justera höjden. Så här gör du:

- 1 Drag ur kontakten ur vägguttaget.
- 2 Fäll upp överdelen och sätt i vispen/spaden.
- 3 Håll fast vispen/spaden och lossa låsmuttern **1**.
- 4 Fäll ner överdelen.
- 5 Justera längden genom att vrida på skaftet. Vispen/spaden bör nästan vidröra botten på skålen **2**.
- 6 Fäll upp överdelen, håll fast vispen/spaden och dra åt låsmuttern.



Hur du monterar och använder ditt runda/D-formade stänkskydd (om sådant finns)

- 1 Fäll upp överdelen tills den går i låsläge.
- 2 Sätt skålen på basen.
- 3 Tryck på stänkskyddet tills det sitter på ordnetligt **3**. Den gångjärnsförsedda delen placeras enligt bilden - **4** för runt, **5** för D-format skydd.
- 4 Sätt i önskat verktyg.
- 5 Sänkt överdelen och se till att stänkskyddet följer skålens form.
 - Under bearbetningen kan ingredienser tillsättas genom den gångjärnsförsedda delen av stänkskyddet.
 - Stänkskyddet behöver inte tas bort för byte av verktyg.
- 6 Tag bort stänkskyddet genom att fälla upp överdelen och skjuta av det.



existerande **tillsatser**

Om du vill skaffa tillsatser som inte ingick i köpet, kan du kontakta din KENWOOD-reparatör.

tillsats tillsatskod

pastamaskin ① **A970**

extra pastatillsatser **A971** tagliatelle
(visas ej) används **A972** tagliolini
med A970 **A973** trenette
 A974 spaghetti

pastamaskin ② **A936** med 6 skivor

skiv- och strimlartillsats

för lågväxeluttaget ③ **A938** med 4 trummor

superhacktillsats ④ **A950** med

a stort korvmunstycke

b litet korvmunstycke

c kebbtillsats

grynvarn ⑤ **A941**

citruspress ⑥ **A995**

mixer ⑦ 1,2 l akryl **A993A**, 1,2 l glas **A994A**, 1,5 l rostfritt stål **A996A**

multikvarn ⑧ **A938A** med 3 glasbägare och 3 lock för förvaring

skiv- och strimlartillsats

för högväxeluttaget ⑨ **A998** med 3 skärskivor

extra skivor a extra grov strimlartillsats **detaljn 639021**

b rivskiva **detaljn 639150**

c pommes frites-tillsats **detaljn 639083**

kontinuerlig råsaftcentrifug ⑩ **A935**

glassmaskin ⑪ CHEF **A953**, MAJOR **A954**

potatisskalare ⑫ CHEF **A934**, MAJOR **A952**

duskslag och sil ⑬ CHEF **A992**, MAJOR **A930**

kenlyte rund skål ⑭ CHEF **265026**, MAJOR **412095**

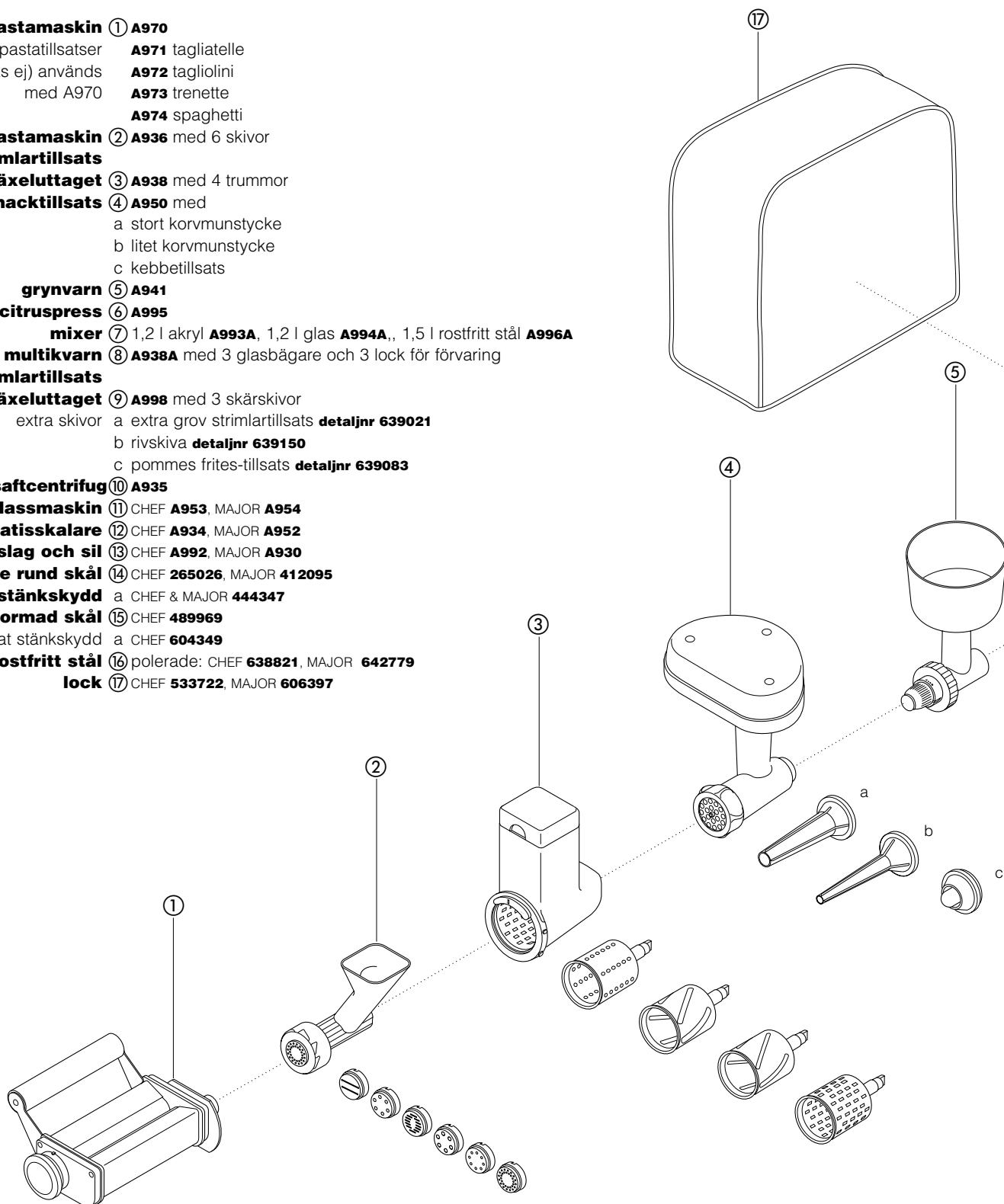
runt stänkskydd a CHEF & MAJOR **444347**

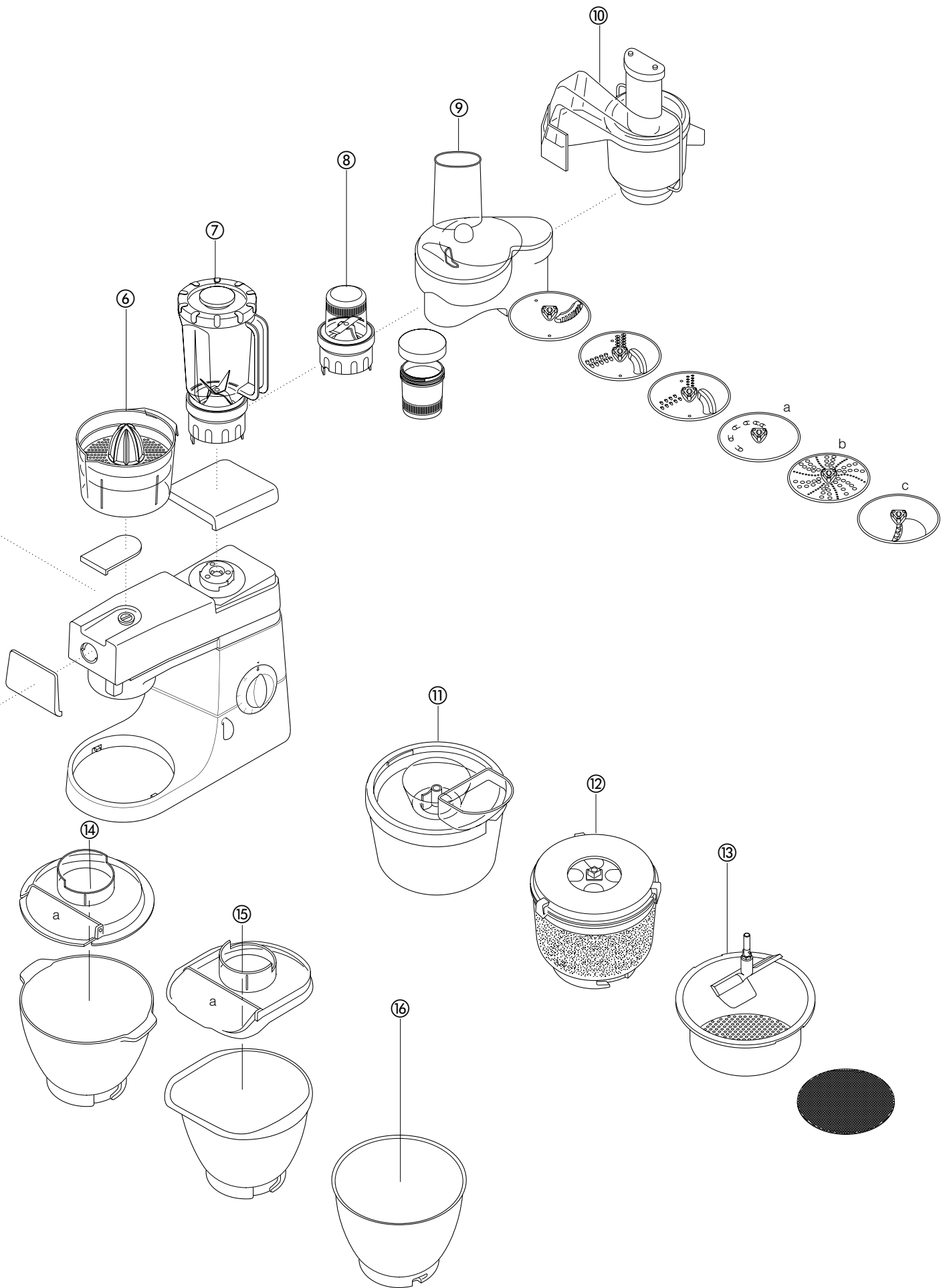
kenlyte D-format skål ⑮ CHEF **489969**

D-format stänkskydd a CHEF **604349**

skålar i rostfritt stål ⑯ polerade: CHEF **638821**, MAJOR **642779**

lock ⑰ CHEF **533722**, MAJOR **606397**





rengöring och service

underhåll och rengöring

- Stäng alltid av maskinen och dra ut kontakten innan du rengör den.
- Det kan komma ut litet smörjfett vid **uttagen 2** och **3** när du använder maskinen de första gångerna. Det är helt normalt - det kan du bara torka bort.

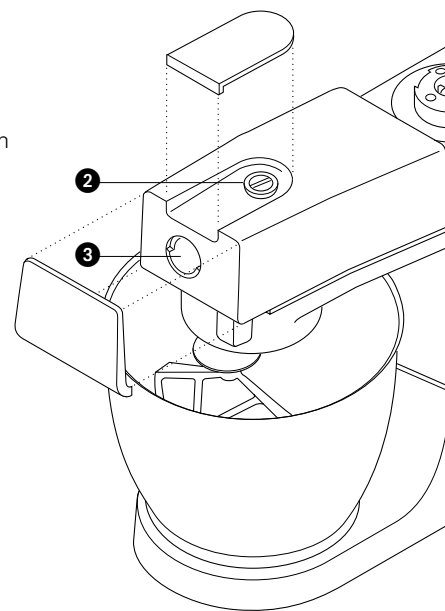
- kraftenheten
- Torka av med en fuktad trasa och torka efter med en torr.
 - Använd inte repande rengöringsmedel och doppa aldrig ner maskinen i vatten.
- skålar
- Diska för hand och torka ordentligt.
 - Använd inte stålborste, stålull eller blekmedel när du diskar rostfria skålar. Tag litet ättika för att få bort kalkbeläggningar. Skålar av rostfritt skål kan maskindiskas.
 - Utsätt inte skålarna för direktkontakt med värme (spisplattor, ugn, mikrovågsugn)
- verktyg
- Diska för hand och torka ordentligt.
 - K-spaden, vispen och degkroken kan missfärgas om de diskas i maskin.
- stänkskydd
- Diska för hand och torka noga.

service och kundtjänst

- Om kabeln skadas måste den av säkerhetsskäl bytas ut av KENWOOD eller en av KENWOOD godkänd reparatör.

Om du behöver hjälp med:

- att använda maskinen
 - att beställa tillbehör
 - service eller reparationer
- kan du kontakta butiken där du köpte maskinen.



recept

se viktiga anvisningar för brödbak sid 72.

vitt matbröd *lätt deg*

- ingredienser
- 2,6kg vetemjöl
 - 1,3 l mjölk
 - 300g socker
 - 450g margarin
 - 100g färsk jäst (eller 50g torrjäst)
 - 6 uppvispade ägg
 - 5 nypor salt

Satsen gäller modellerna KM600, 800 och 810. Om du har KM300, 400 eller 410 tar du halv sats och håller i allt mjölet på en gång.

- gör så här
- 1 Smält margarinet i mjölken och värm blandningen till 43°C.
 - 2 **med torrjäst:** (av den typ som blandas ut i vatten): Tillsätt jästen och sockret i mjölken och låt blandningen stå i c:a 10 minuter tills den är skummig.
med färsk jäst: smula ner i mjölet och tillsätt sockret.
andra typer av jäst: följ anvisningarna på förpackningen.
 - 3 Häll mjölken i skålen. Tillsätt de uppvispade äggen och 2kg mjöl.
 - 4 Kör på minimihastighet i en minut och därefter på hastighet 1 i ytterligare en minut. Skrapa ner.
 - 5 Tillsätt saltet och det resterande mjölet och kör på minimihastighet i en minut och därefter på hastighet 1 i ytterligare 2 - 3 minuter tills degen är slät och helt blandad.
 - 6 Fyll några smorda avlånga bakformar till hälften med degen eller rulla till små bullar. Bred över en handduk och ställ formarna att jäsa på ett varmt ställe till dubbel storlek.
 - 7 Grädda i 200°C i 20 - 25 minuter *för limpor* eller 15 minuter *för bullar*.
 - 8 Brödet är färdigt när det låter ihåligt om man knackar på botten.

- Ger c:a 10 limpor

jordgubbs- och aprikostårta

- ingredienser: sockerkaksbotten
- 3 ägg
 - 75g socker
 - 75g vetemjöl
- fillning och dekoration
- 1,5dl vispgrädde
 - socker efter smak
 - 225g jordgubbar
 - 225g aprikoser

- gör så här
- 1 Skär itu aprikoserna och tag ut kärnan. Sjud dem försiktigt i mycket litet vatten med sockret tillsatt, tills de är mjuka.
 - 2 Skölj och skär itu jordgubbarna.
 - 3 Börja sedan med sockerkaksbotten: Vispa äggen och sockret på maxhastighet tills det är vitt och pösigt.
 - 4 Tag bort skålen och vispen. Vänd ner mjölet för hand med en stor metallsked - försiktigt så att sockerkakan blir fluffig.
 - 5 Häll i smeten i två smorda låga kakformar (18cm), klädda med bakpapper.
 - 6 Grädda i 180°C i c:a 20 minuter. Om kakan återtar sin form igen efter ett lätt tryck, är den färdig.
 - 7 Stjälp upp den på galler.
 - 8 Vispa grädden hårt på maxhastighet. Tillsätt ev. litet socker.
 - 9 Grovhacka aprikoserna och en tredjedel av jordgubbarna. Vänd ner dem i hälften av grädden.
 - 10 Bred blandningen på en av sockerkaksbottnarna och lägg över den andra.
 - 11 Bred resten av grädden på tårtan och dekorera med resten av jordgubbarna.

recept forts

maränger

- ingredienser
- 4 äggvitor
 - 250g florsocker, siktat
- gör så här
- 1 Lägg bakpapper på en plåt.
 - 2 Vispa äggvitorna och sockret på maxhastighet i c:a 10 min tills smeten står upp i toppar.
 - 3 Klicka ut blandningen på bakpapperet (eller använd en spritspåse med 2,5cm stjärnmunstycke).
 - 4 Grädda i 110°C i c:a 4 - 5 timmar tills marängerna är hårda och spröda. Om de börjar ta färg kan du ställa luckan på glänt.
- Förvara marängerna i en lufttät burk.

pajdeg

- ingredienser
- 450g mjöl, siktat tillsammans med saltet
 - 1 tsk salt
 - 225g matfett (ister och margarin direkt från kylan)
 - 4 msk vatten
- tips
- Överarbeta inte degen
- gör så här
- 1 Häll mjölet i skålen. Hacka upp matfettet grovt och lägg det i mjölet.
 - 2 Kör på hastighet 1 tills det ser ut som brödsulor. Sluta innan det blir smetigt.
 - 3 Tillsätt vatten och kör på minimihastighet. Sluta meddetsamma när vattnet har blandats in.
 - 4 Grädda i omkring 200°C, beroende på fyllningen.

pannbiffar

- ingredienser
- 250g nötkött av god kvalitet utan senor
- gör så här
- 1 Skär köttet i tärningar på 2,5cm
 - 2 Om du inte har köttkvarnstillsatsen kan du använda mixertillsatsen och göra litet färs i taget. Kör på hastighet 2, **högst** 15 sekunder. Torka av knivbladen mellan omgångarna.
 - 3 Blanda i t.ex. hackad lök, olika örter (färska eller torkade), grovmalen svartpeppar och saft och skal av en citron.
 - 4 Forma till 2 pannbiffar och grilla på medelstark till stark värme tills de är genomstekta.

Kjenn din Kenwood kjøkkenmaskin

Sikkerhetsregler

- Slå av strømmen og trekk støpselet ut av kontakten før du setter på eller tar av redskap/tilbehør, etter bruk og før rengjøring.
- Denne maskinen er ikke egnet til bruk av barn eller handikappede mennesker uten tilsyn.
- Hold fingrene vekk fra bevegelige deler og montert tilbehør.
- Gå aldri fra maskinen mens den er igang, og hold barn vekk fra den.
- Bruk aldri en skadet maskin. Sørg for at den blir undersøkt og reparert, se 'Service' side 84.
- Bruk aldri tilbehør som ikke er godkjent, eller mer enn en type tilbehør av gangen .
- Maksimum kapasitet som er nevnt på side 80 må aldri overstiges.
- Ikke la barn leke med denne maskinen.
- Når du bruker tilbehør må du alltid først lese sikkerhetsreglene som følger med.
- Denne maskinen er kun til hjemmebruk.

Før maskinen slås på

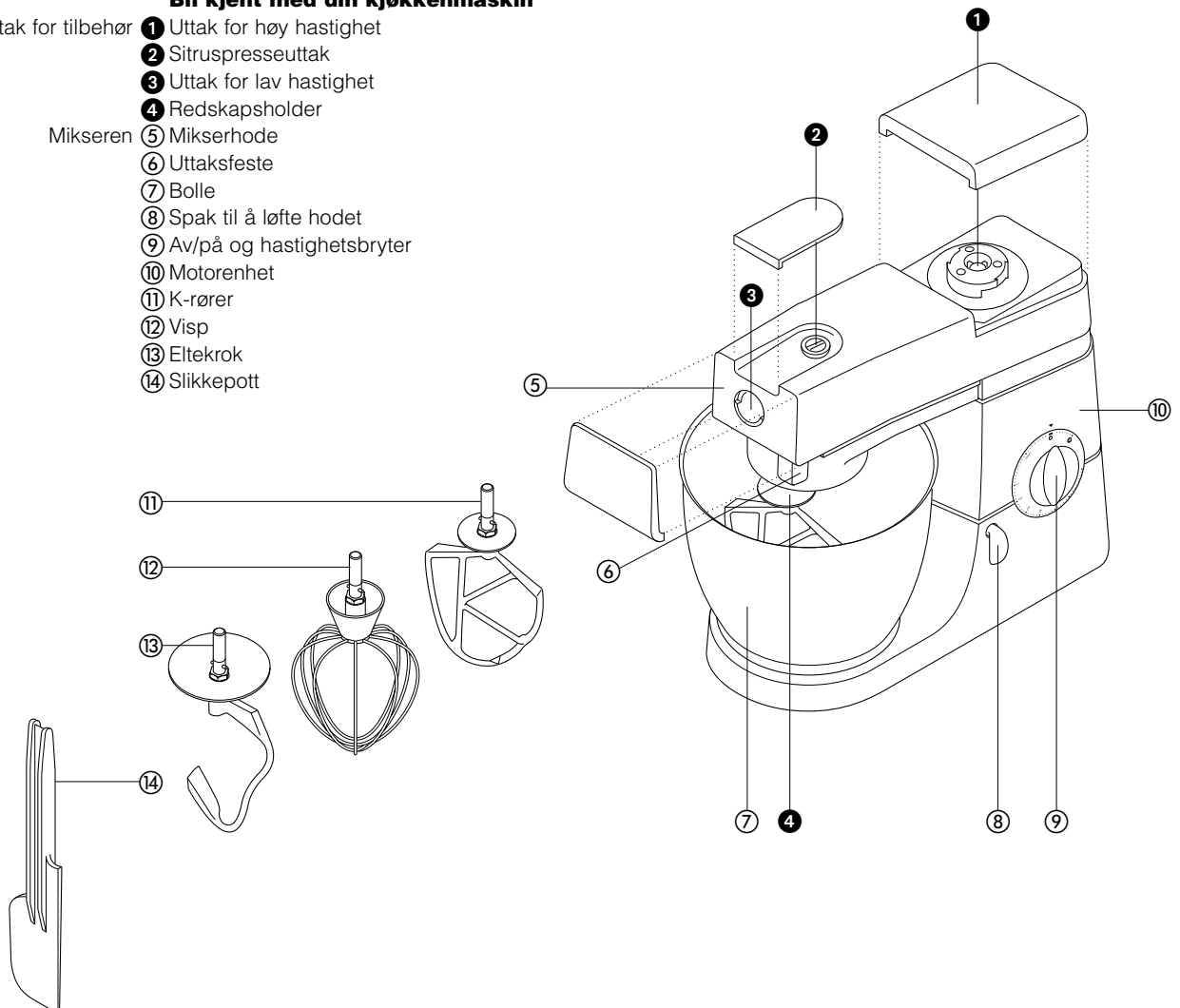
- Før du setter i støpselet og tar maskinen i bruk, bør du forvise deg om at nettspenningen er den samme som det som står på merkeplaten på undersiden av maskinen.
- Denne maskinen er i overensstemmelse med EU-direktiv 89/336/EEC.

Før maskinen tas i bruk

- 1 Fjern all emballasje.
- 2 Vask alle delene, se 'stell og rengjøring' side 84.

Bli kjent med din kjøkkenmaskin

- Uttak for tilbehør
- 1 Uttak for høy hastighet
 - 2 Sitruspresseuttak
 - 3 Uttak for lav hastighet
 - 4 Redskapsholder
- Mikseren
- 5 Mikserhode
 - 6 Uttaksfeste
 - 7 Bolle
 - 8 Spak til å løfte hodet
 - 9 Av/på og hastighetsbryter
 - 10 Motorenhet
 - 11 K-rører
 - 12 Visp
 - 13 Eltekrok
 - 14 Slikkepott



Mikseren

Mikseredskapene og deres anvendelse

- K-rører • Brukes til å lage kaker, kjeks, butterdeig, glasur, fyll, vannbakkels og potetmos.
- Visp • Brukes til egg, krem, pannekake/vaffelrøre, sukkerbrød, marengs, ostekake, fromasj, sufflé. Bruk ikke vispen til tyngre deiger (f.eks. vispe smør og sukker hvitt) - ellers kan den bli ødelagt.
- Eltekrok • Brukes til gjærdeiger.

Bruk av mikseren

- 1 Drei spaken som brukes til å løfte hodet med, i retning mot urviserne **1**, og løft mikserhodet til det går i lås.
- 2 Drei vispen/kroken til den stopper **2** og skyv den så inn.
- 3 Sett bollen på underdelen - trykk ned og dreii i retning med urviserne **3**
- 4 Drei spaken som løfter hodet i retning mot urviserne, og senk mikserhodet til det faller på plass med et klikk
- 5 Velg hastighet, og slå på mikseren ved å vri på hastighetsbryteren.
 - Vri bryteren til momenttrinn **P** for korte, kraftige omrøringer.
- 6 Fjerning av redskap • Skru den ut.

- Tips
- Slå ofte av maskinen og skrap rundt sidene av bollen med slikkepotten.
 - Egg med romtemperatur er best til visping.
 - Før du visper eggehviter, bør du forsikre deg om at det ikke er noe fett eller eggeplomme på vispen eller bollen.
 - Bruk kalde ingredienser til pai med mindre oppskriften sier noe annet.

Huskeregler for brøddeig

- Viktig
- Overstig aldri maksimum kapasitet som er vist i tabellen nedenfor, ellers vil du overbelaste maskinen.
 - Hvis du hører at maskinen arbeider tungt, må du slå av, ta ut halvparten av deigen, og elte hver del for seg.
 - Ingrediensene blander seg best med hverandre hvis du har i væsken først.

Maksimum kapasitet

KM300, 400, 410 modellene

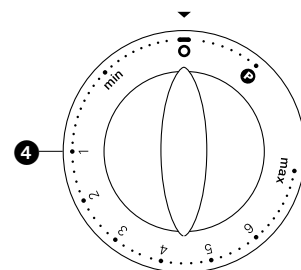
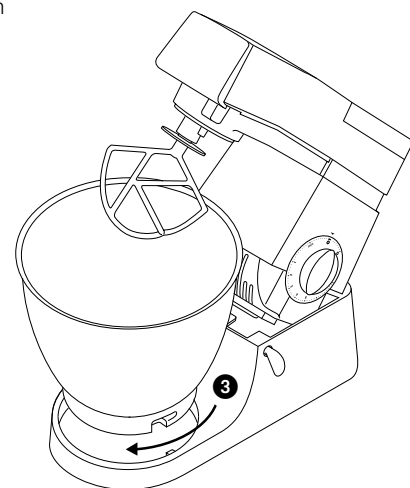
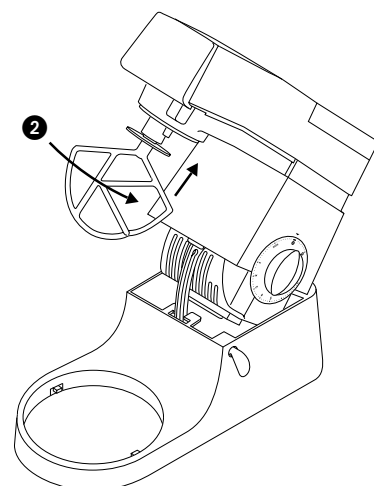
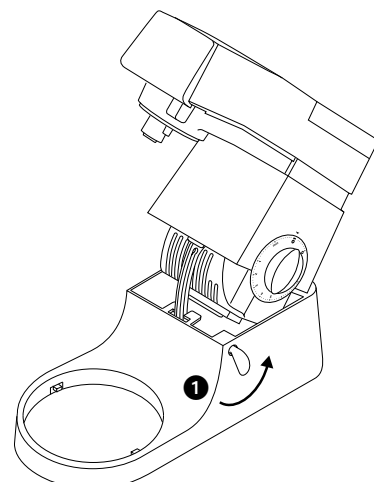
KM600, 800, 810

- Mørdeig** • Melvekt: 680g
- Fast gjærdeig** • Melvekt: 1.36kg
- Britisk type • Totalvekt: 2.18kg
- Løs gjærdeig** • Melvekt: 1.3kg
- Kontinental type • Totalvekt: 2.5kg
- Fruktkakerøre** • Totalvekt: 2.72kg
- Eggehviter** • 12

- Melvekt: 910g
- Totalvekt: 1.5kg
- Totalvekt: 2.4kg
- Melvekt: 2.6kg
- Totalvekt: 5kg
- Totalvekt: 4.55kg
- 16

Hastigheter **4**

- K-rører • **røre smør og sukker hvitt** start på min, øk gradvis til max.
- **vispe egg i rører** 4 - 'max'.
- **blande inn mel, frukt etc.** min - 1.
- **alt-i-ett kaker** begynn på min, øk gradvis til max.
- **smuldre smør/fett i melet** min - 2.
- Visp • Øk gradvis til 'max'.
- Eltekrok • Start på 'min', øk gradvis til 1.



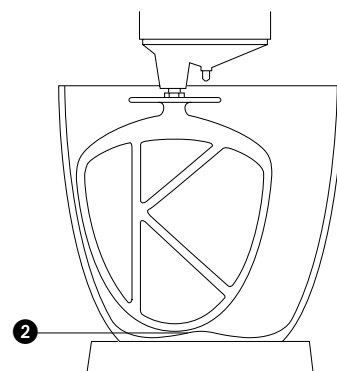
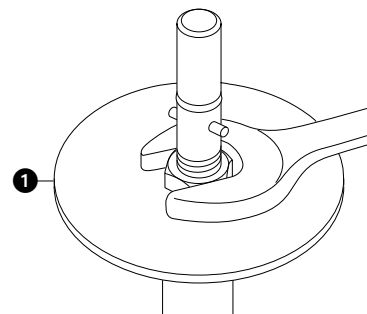
Løsning på problemer

Problem

- Vispen eller K-røreren slår mot bunnen av bollen, eller når ikke de ingrediensene som er i bunnen av bollen.

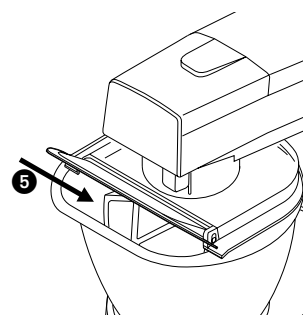
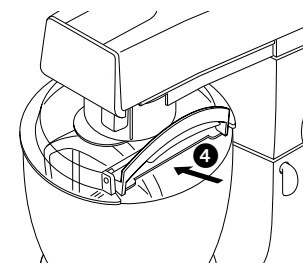
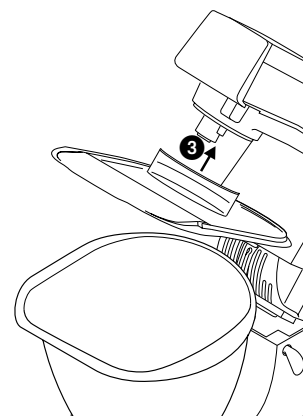
Løsning • Juster høyden slik:

- 1 Trekk ut støpselet.
- 2 Løft mikserhodet og sett inn visp eller rørerredskap.
- 3 Hold redskapet, og løsne så mutteren **1**.
- 4 Senk mikserhodet.
- 5 Justér høyden ved å dreie på akselen. Ideelt sett skal vispen/K-røreren **nesten** berøre bunnen av bollen **2**.
- 6 Løft hodet, hold i vispen/K-røreren og skru til mutteren.



sette på og bruke det runde/D-formede sprutdekselet (hvis det følger med)

- 1 Løft mikserhodet til det låser seg.
 - 2 Sett bollen på plass.
 - 3 Legg på sprutdekselet, pass på at det ligger støtt **3**. Den hengslede delen må plasseres som vist, rund **4** og D-formatet **5**.
 - 4 Sett i ønsket redskap.
 - 5 Senk mikserhodet. Pass på at sprutdekselet følger formen på bollen.
- Under miksing kan ingrediensene tilsettes direkte i bollen via den hengslede delen av sprutdekselet.
 - Det er ikke nødvendig å ta av sprutdekselet for å bytte redskap.
- 6 Løft mikserhodet og ta av sprutdekselet ved å skyve det ned.



Ekstra **tilbehør**

Hvis du ønsker å kjøpe tilbehør som ikke følger med i pakken din, kan du ta kontakt med din Kenwood-forhandler eller -reparatør.

vedlegg vedleggskode

flat pastalager ① A970

ekstra pastatilbehør **A971** tagliatelle
(Ikke vist) brukes **A972** tagliolini
sammen med A970 **A973** trenette
A974 spaghetti

pastalager ② A936 leveres med 6 siler

skjærer/river m/lav hastighet ③ A948 leveres med 4 valser

superkvern ④ A950 leveres med

- a Åpning for store pølser
- b Åpning for små pølser
- c kebbelager

kornkvern ⑤ A941

sitronpresse ⑥ A995

blender ⑦ 1,2 l akryl **A993A**, 1,2 l glass **A994A**, 1,5 l rustfritt stål **A996A**

flerbrukskvern ⑧ A938A leveres med 3 glass og 3 lokk til oppbevaring

høyhastighetsskjærer/river ⑨ A998 leveres med 3 skjæreplater

valgfrie plater

- a ekstra grov river, **delenummer 639021**
- b grov riverplate, **delenummer 639150**
- c standardhugger, **delenummer 639083**

kontinuerlig juice

ekstraktor ⑩ A935

iskremmaskin ⑪ CHEF **A953**, MAJOR **A954**

potetskreller ⑫ CHEF **A934**, MAJOR **A952**

dørslag og sil ⑬ CHEF **A992**, MAJOR **A930**

kenlyte rund bolle ⑭ CHEF **265026**, MAJOR **412095**

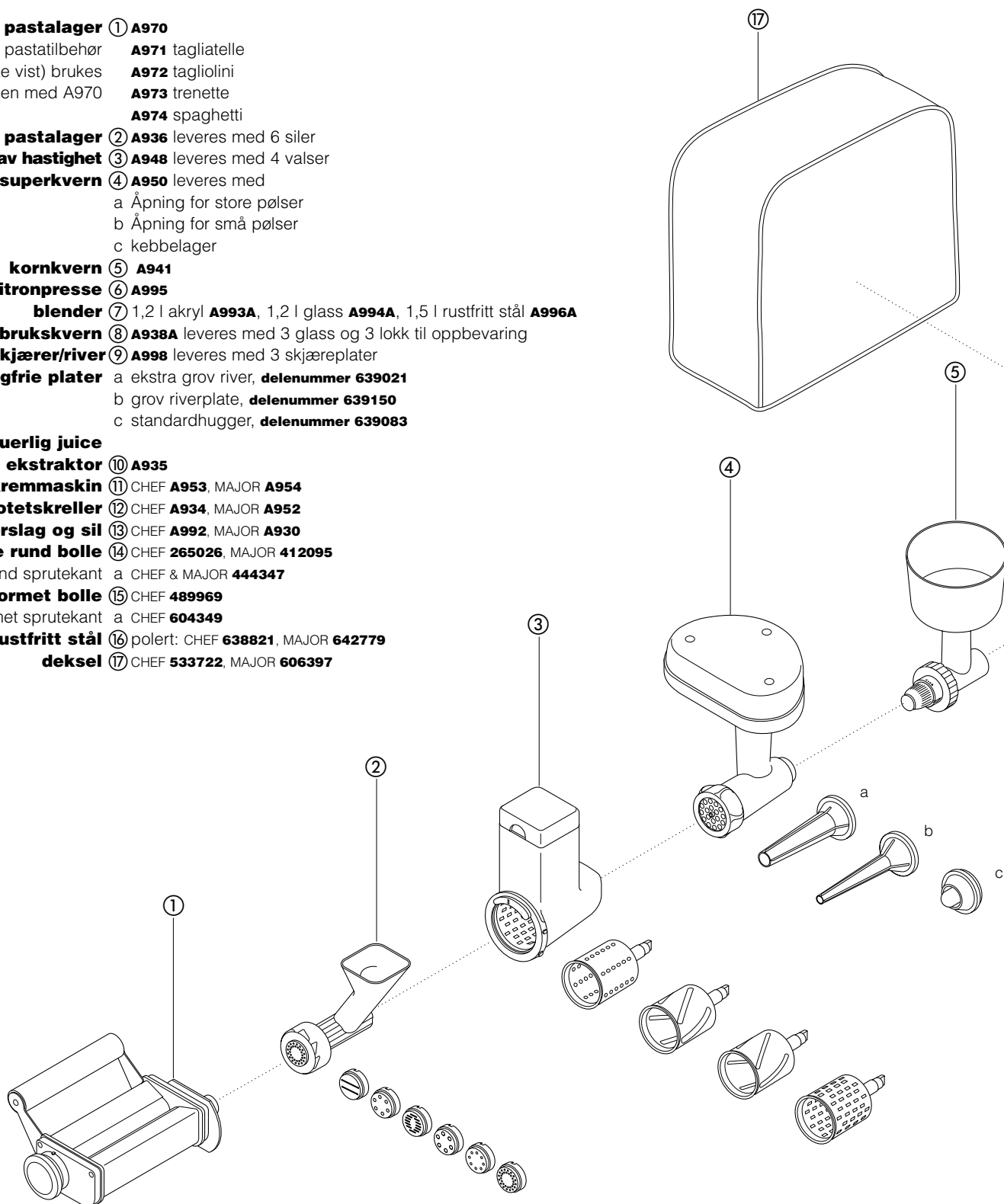
rund sprutekant a CHEF & MAJOR **444347**

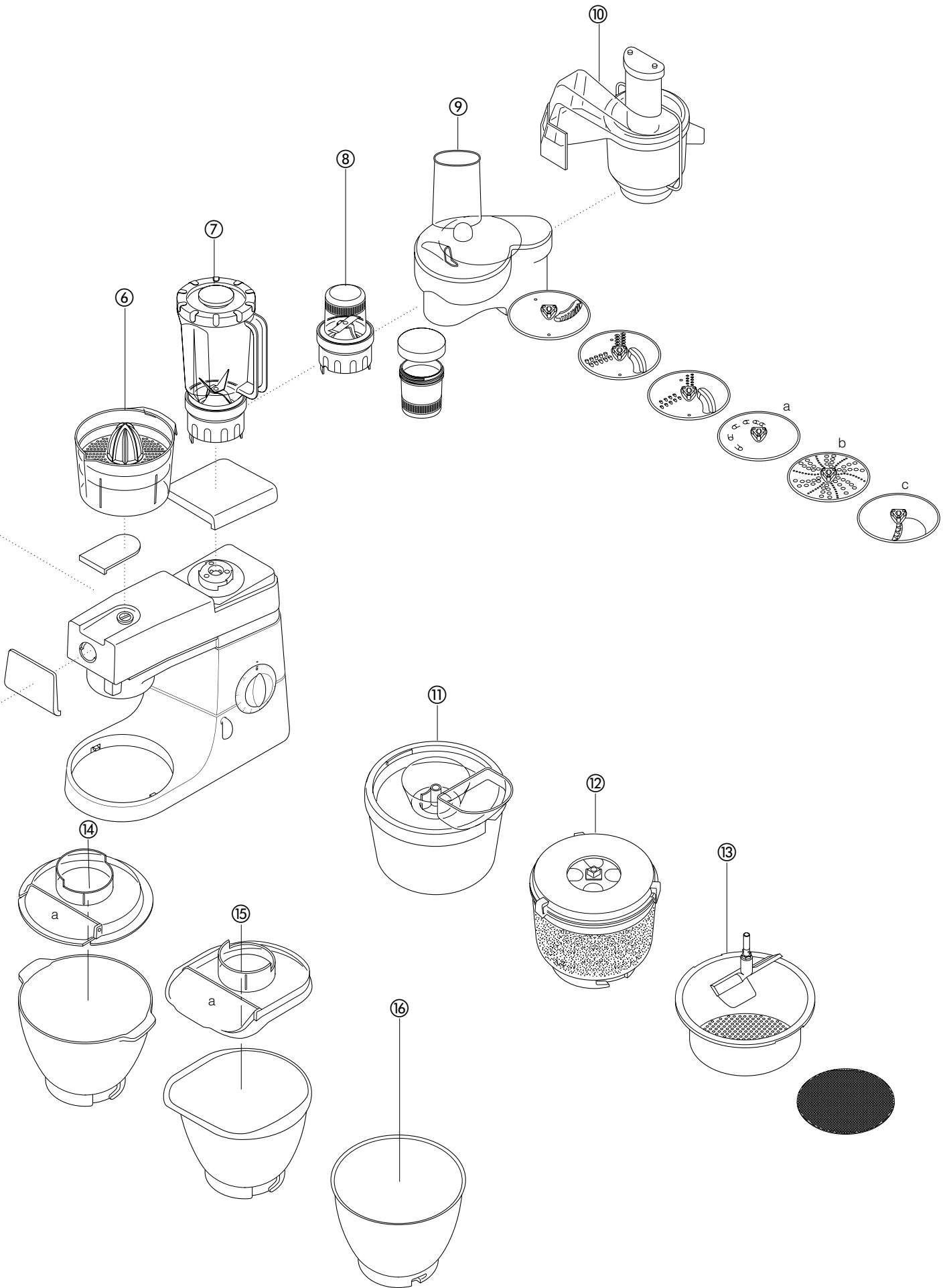
kenlyte D-formet bolle ⑮ CHEF **489969**

D-formet sprutekant a CHEF **604349**

boller av rustfritt stål ⑯ polert: CHEF **638821**, MAJOR **642779**

deksel ⑰ CHEF **533722**, MAJOR **606397**





Rengjøring og service

Stell og rengjøring

- Slå alltid av maskinen og trekk ut støpselet før rengjøring.
- Det kan være litt olje på **uttakene 2** og **3** når du bruker dem første gang. Dette er normalt - bare tørk den av.

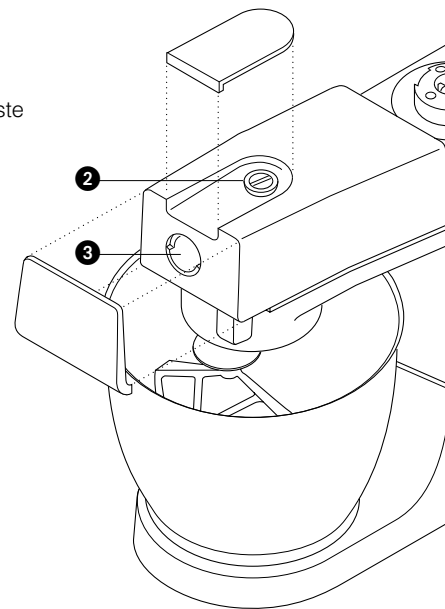
- Motorenheten
- Tørk av med en fuktig klut, deretter med en tørr.
 - Bruk aldri skuremidler, og legg aldri maskinen i vann.
- Boller
- Vask for hånd, og tørk deretter grundig.
 - Hvis du har en rustfri stålbolle, må du aldri bruke børste med ståltråd, stålull eller blekemidler. Bruk eddik til å løse opp kalkbelegg. Bollen av rustfritt stål kan også vaskes i oppvaskmaskinen.
 - Hold den borte fra varme (f.eks. komfyr, stekeovn, mikrobølgeovn).
- Redskap
- Vask for hånd og tørk deretter grundig.
 - K-røreren, vispen og eltekroken kan bli misfarget hvis de vaskes i oppvaskmaskin.
- sprutdeksel
- Vask for hånd og tørk deretter grundig.

Service og kundetjeneste

- Hvis ledningen er skadet, må den, av sikkerhetsmessige grunner, erstattes av KENWOOD eller en autorisert KENWOOD-reparatør.

Hvis du trenger hjelp til å:

- bruke maskinen
- bestille annet tilbehør
- utføre vedlikehold eller reparasjon ta kontakt med din forhandler.



Oppskrifter

Se huskereglene for brøddeig på side 80.

Loff løst deig, kontinental type

ingredienser • 2,6kg hvetemel

- Den angitte mengden passer for modellene KM600, 800 og 810. For modellene KM300, 400 og 410, må mengdene halveres og alt melet has i på**
- 1,3 l melk
 - 300g sukker
 - 450g margarin
 - 100g fersk gjær eller 50g tørrgjær
 - 6 vispede egg
 - 5 klyper salt

- fremgangsmåte
- 1 Smelt margarinen i melken og varm det opp til 43°C.
 - 2 **Tørrgjær** (den typen som må blandes med væske): Ha gjæren og sukkeret i melken, og la det stå i ca 10 minutter til blandingen skummer.
Pressgjær (fersk gjær): Smuldre gjæren inn i melet
Andre typer gjær: Følg bruksanvisningen på pakken
 - 3 Hell melken i bollen. Tilsett deretter de vispede eggene, 2kg mel (eventuelt tilsatt smuldret pressgjær), og salt.
 - 4 Elt deigen på minimumshastighet i 1 minutt, deretter på hastighet 1 i enda et minutt. Skrap ned sidene.
 - 5 Tilsett resten av melet og saltet og elt på minimumshastighet i 1 minutt, deretter på hastighet 1 i 2 - 3 minutter inntil deigen er glatt og jevn.
 - 6 Fyll fire smurte halvkilos-former halvfulle med deig, eller lag rundstykker. Dekk dem til med et koppehåndkle, og la dem heve på et lunt sted til de er dobbelt så store.
 - 7 Stekes ved 200°C i 20 - 25 minutter *for loffene* eller 15 minutter *for rundstykkene*.
 - 8 Loffene er ferdigstekt hvis du hører en hul lyd når du banker på undersiden.

- Det blir ca 10 loffer av denne oppskriften.

Jordbær- og aprikoskake

ingredienser: Sukkerbrød • 3 egg

- 75g sukker
- Fyll og pynt • 1,5dl kremfløte
- sukker etter smak
- 225g jordbær
- 225g aprikoser

- fremgangsmåte
- 1 Del aprikosene og ta ut stenene. Kok dem forsiktig i veldig lite vann, tilsatt sukker etter smak, inntil de er myke.
 - 2 Vask og del jordbærene.
 - 3 For å lage sukkerbrødet, må du vispe eggene og sukkeret på maksimum hastighet, til eggedosisen er lys og tykk.
 - 4 Ta bort bollen og vispen. Ta en stor skje av metall, og bruk den til å skjære inn melet for hånd. Gjør dette forsiktig, slik at sukkerbrødet blir lett.
 - 5 Hell røren i to runde, smurte og strødde kakeformer som er 18cm i diameter.
 - 6 Stek kakene ved 180°C i ca 20 minutter til kaken løfter seg opp igjen straks du trykker lett på den.
 - 7 Avkjøl kakene på rist.
 - 8 Visp kremfløten på maksimum hastighet til den er stiv. Sukker tilsettes etter smak.
 - 9 Skjær aprikosene i biter, og en tredjedel av jordbærene. Bland dem forsiktig inn i halvparten av kremen.
 - 10 Fordel dette over ett av sukkerbrødene, og legg så det andre sukkerbrødet på toppen.
 - 11 Fordel resten av kremen på toppen, og pynt med resten av jordbærene.

Oppskrifter *forts.*

Marengs

- ingredienser
- 4 eggehviter
 - 250g siktet melis
- fremgangsmåte
- 1 Dekk bakeplaten med bakepapir
 - 2 Visp eggehviten og melisen på maksimum hastighet i ca 10 minutter, til det topper seg.
 - 3 Sett blandingen på bakeplaten med skjeer (eller bruk en sprøytepose med en 2,5cm stjernespiss).
 - 4 Stek dem ved 110°C i 4 - 5 timer inntil de er faste og sprø. Hvis de begynner å bli brune, må du la stekeovnsdøren stå på gløtt.
- Oppbevar marengsene i en lufttett boks.

Mørdeig

- ingredienser
- 450g mel siktet sammen med saltet
 - 1ts salt
 - 225g fett (bland smult og margarin rett fra kjøleskapet)
 - Ca 4ss vann
- Tips
- Ikke rør for mye
- fremgangsmåte
- 1 Ha melet i en bolle, Hakk opp fett og ha det i melet.
 - 2 Rør på hastighet 1 til deigen ligner brødsuler. Stopp før den ser fet ut.
 - 3 Tilsett vann og rør på minimumshastighet. Stopp så snart vannet er blandet inn.
 - 4 Stek ved ca 200°C, avhengig av fyllet.

Kjøttburgere

- ingredienser
- 250g førsteklasses seneffritt oksekjøtt
- fremgangsmåte
- 1 Del kjøttet i 2,5cm store terninger.
 - 2 Hvis du ikke har kjøttkvern, kan du bruke hurtigmikseren og male små mengder av gangen. Bruk hastighet 2 i **maksimum** 15 sekunder. Gjør ren knivene mellom hver omgang.
 - 3 Bland i tilsetninger og krydder, som f.eks. hakket løk, urter (friske eller tørkede), hel svart pepper, og saften og skallet av en sitron.
 - 4 Form deigen til 2 kjøttburgere og grill dem på medium eller høy varme til de er gjennomstekt.

tutustu Kenwood-yleiskoneeseen

turvallisuus

- Kytke kone pois päältä ja irrota pistoke pistorasiasta ennen kuin kiinnität tai irrotat työvälineet/lisälaitteet käytön jälkeen ja ennen puhdistusta.
- Tätä konetta ei ole tarkoitettu lasten tai taitamattomien henkilöiden käyttöön ilman valvontaa.
- Pidä sormet kaukana liikkuvista osista ja paikalleen asetetuista lisälaitteista.
- Älä jätä konetta koskaan ilman valvontaa äläkä päästä lapsia koneen lähetyville.
- Älä käytä konetta jos siihen on tullut vikaa. Vie se tarkistettavaksi tai korjattavaksi; katso kohtaa 'huolto' sivulla 92.
- Koneessa ei saa käyttää lisälaitteita joita ei ole tarkoitettu siinä käytettäväksi, eikä useampaa kuin yhtä laitetta saa käyttää samalla kertaa.
- Älä koskaan ylikuormita konetta suositeltua suuremmalla määrällä aineksia kerrallaan sivu 88.
- Älä anna lasten leikkiä tällä koneella.
- Muista lukea kunkin laitteen turvallista käyttöä koskevat ohjeet ennen kuin käytät kyseistä laitetta.
- Käytä tätä konetta ainoastaan ruuanvalmistukseen kotona.

ennen liittämistä verkkovirtaan

- Varmista, että koneesi pohjasta ilmenevä jännite vastaa käytettävän verkkovirran jännitettä.
- Tämä kone täyttää Euroopan talousyhteisön direktiivin 89/336EEC vaatimukset.

ennen ensimmäistä käyttökertaa

- 1 Poista kaikki pakkausmateriaali.
- 2 Pese osat: katso kohtaa 'huolto ja puhdistus', sivu 92.

tutustu Kenwood-yleiskoneeseen

laitteiden voimansiirtoistukat 1 suurta nopeutta vaativille lisälaitteille

2 sitruspuserrin

3 hitaammille laitteille

4 kulhon käyttöosille

peruskone 5 vatkainpää

6 lukitusvipu

7 kulho

8 vatkainpään käyttövipu

9 käynnistyskytkin/nopeudenvälitsin

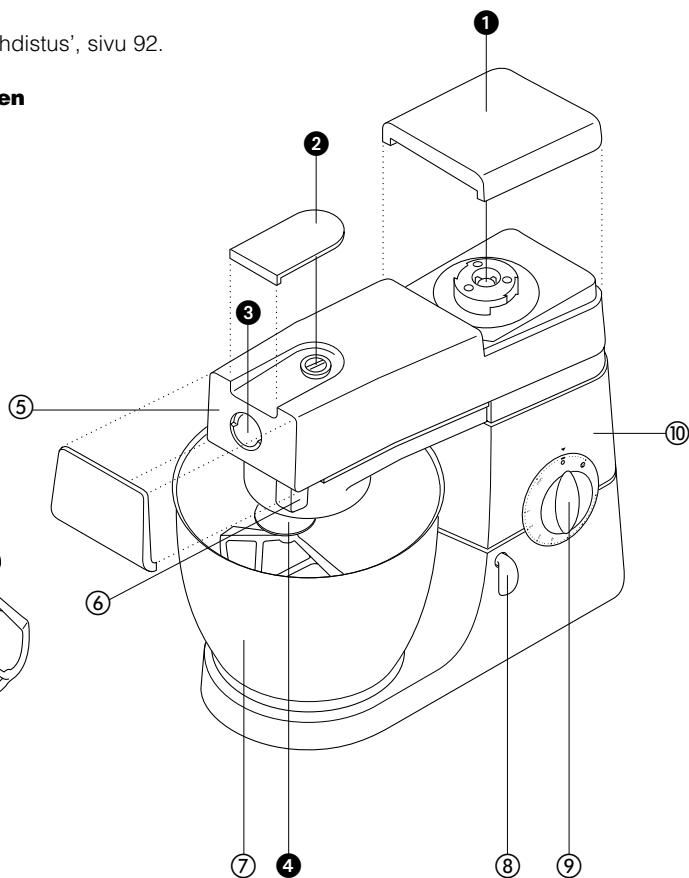
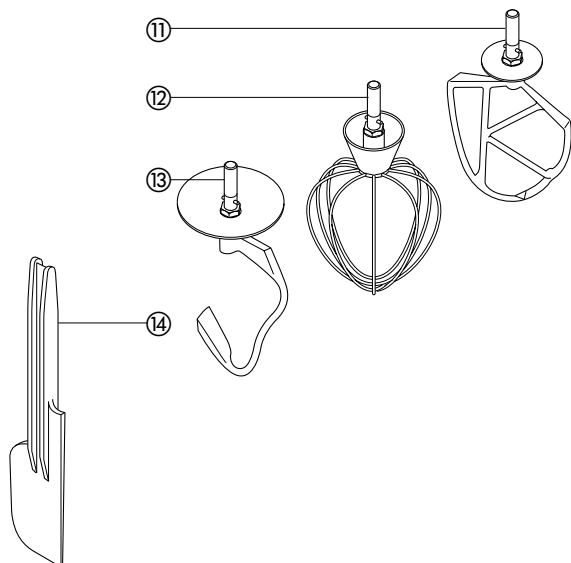
10 runko/moottori

11 K-vatkain

12 vispilä

13 taikinakoukku

14 kaavin



yleiskone

yleiskoneen vakio-osat ja niiden erilaisia käyttömahdollisuuksia

- K-vatkain • Sopii kakkujen, pikkuleipien, voitaikinoiden, sokerikuorrutusten, tuulihattutaikinan ja perunasoseen valmistukseen.
- vispilä • Sopii kananmunien, kerman, ohukaistaikinan, sokerikakkutaikinan, marenkiseoksen, juustokakun, vaahtojälkiruokien ja kohokasseosten valmistukseen. Vispilää ei pidä käyttää raskaiden seosten, (esim. rasvan ja sokerin vaahdotus) valmistuksessa; se saattaisi vahingoittaa.
- taikinakoukku • Hiivataikinoiden valmistukseen.

yleiskoneen käyttö

- 1 Käännä vatkainpään kohotusvipua vastapäivään **1** ja nosta vatkaimen päätä kunnes se lukittuu.
- 2 Pyöräytä myötäpäivään kunnes se pysähtyy **2** ja nyt työnnä ylöspäin.
- 3 Aseta kulho alustalle - paina alas ja käännä myötäpäivään **3**
- 4 Käännä vatkainpään käyttövipua vastapäivään **1** ja sitten käännä vatkainpää alas kunnes se lukkiutuu.
- 5 Käynnistä **4** kone käynnistyskiekosta ja valitse sopiva nopeus.
 - Pidä kiekkoa **P**-asennossa jos haluat koneen toimivan suurimmalla nopeudella. Toimii vain pidettäessä ; ns. pitotoiminto.
- 6 Pyöritä vatkainta/koukku vastapäivään.

- vihjeitä • Kytke kone pois toiminnasta ja kaavi kulhoa kaapimella tihein väliajoin.
- Huoneenlämpöiset kananmunat vaahdottuvat parhaiten.
- Varmista ennen kananmunien vispaamista, että vispilään tai kulhoon ei ole jäänyt esim. rasvaa tai entistä kananmunaa.
- Käytä kylmiä aineksia voitaikinan valmistukseen, ellei ohjeessa neuvota toisin. Käytä kaavinta tihein väliajoin.

huomioitavaa hiivataikinoita valmistettaessa

- tärkeää • Älä koskaan ylikuormita konettasi. Allaolevan enimmäismäärän ylittäminen voi johtaa koneen vaurioitumiseen.
- Jos kuulostaa siltä, että koneella on vaikeuksia taikinan vaivaamisessa, ota puolet sisällöstä ulos ja vaivaa kahtena erillisenä annoksena.
- Sekoitusliikkeestä johtuen lisää jauhot 2-3:ssa erässä, ei vähitellen.

suurimmat sallitut käyttömäärät

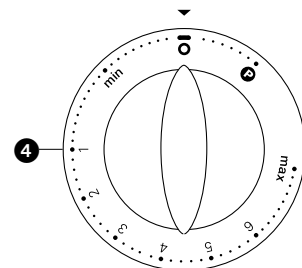
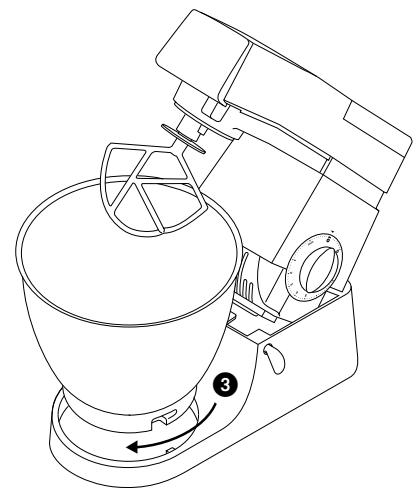
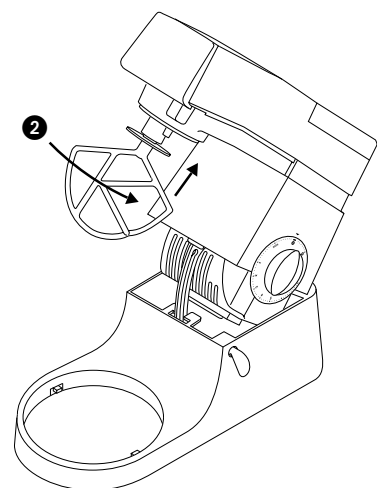
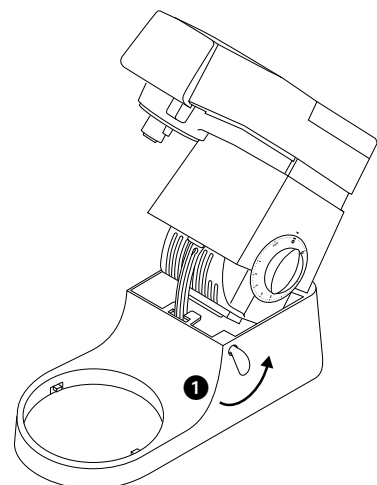
KM300, KM410 mallit

KM600, 800 mallit

- | | | |
|----------------------------|---------------------------|---------|
| voitaikina | • jauhojen paino: 680 g | 910 g |
| paksu hiivataikina | • jauhojen paino: 1,36 kg | 1,5 kg |
| (Engl. tyyppinen) | • kokonaispaino: 2,18 kg | 2,4 kg |
| pehmeä hiivataikina | • jauhojen paino: 1,3 kg | 2,6 kg |
| (Eurooppalainen taikina) | • kokonaispaino: 2,5 kg | 5 kg |
| hedelmäkakku | • kokonaispaino: 2,72 kg | 4,55 kg |
| munanvalkuaiset | • 12 | 16 |

nopeudet **4**

- K-vatkain • **rasvan ja sokerin vaahdottaminen aloita nopeudella min, vähitellen** lisää nopeudelle max.
- **munien vatkaaminen vaahdotettuun seokseen 4 - 'max'**.
- **jauhojen, hedelmien jne. lisääminen seokseen Min - 1.**
- **kerralla lisättävät kakuaineokset** aloita nopeudella min, vähitellen lisää nopeudelle max.
- **rasvan sekoittaminen jauhoihin** min - 2.
- vispilä • nosta nopeutta pikkuhiljaa kunnes saavutetaan MAX.
- taikinakoukku • aluksi 'min', nosta nopeutta pikkuhiljaa kunnes saavutetaan 1.



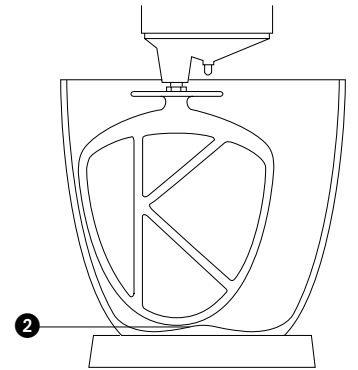
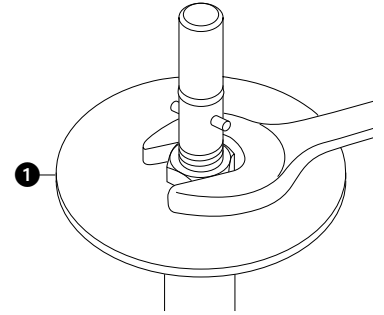
ongelmia - miten toimia

ongelma

- Vispilä tai K-vatkain koskettaa kulhon pohjaa tai ei ylety kulhon pohjalla oleviin aineksiin.

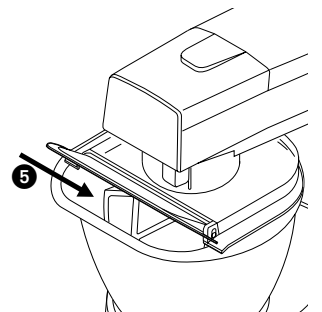
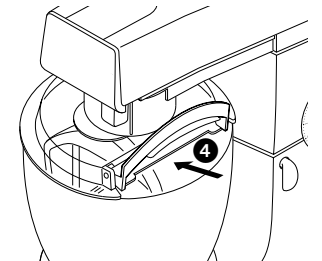
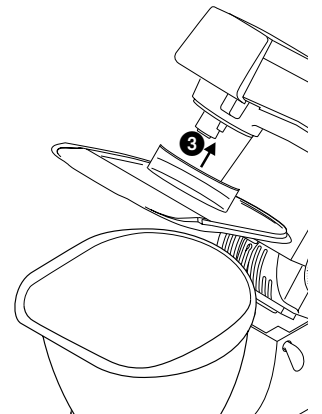
vastaus • säädä korkeutta. Ohjeet alla:

- 1 Ota pistoke pois pistorasiasta.
- 2 Nosta kiinnitysvarsi ja työnnä vispilä tai vatkain paikalleen.
- 3 Pidä siitä kiinni ja löysää ruuvia **1**.
- 4 Laske kiinnitysvarsi alas.
- 5 Säädä korkeutta kääntämällä vartta. Vispilän/K-vatkaimen tulisi **melkein** koskettaa kulhon pohjaa **2**.
- 6 Nosta kiinnitysvarsi, pidä kiinni vispilästä/K-vatkaimesta ja kiristä ruuvi.



pyöreän/D-muotoisen roiskesuojan asennus ja käyttö (jos toimitetaan koneen mukana)

- 1 Nosta kiinnitysvarrtta, kunnes se lukkiutuu.
 - 2 Aseta kulho kiinnitysalustan päälle.
 - 3 Työnnä roiskesuoja kunnolla paikalleen **3**. Saranallisen osan tulee olla kuvan osoittamassa kohdassa: pyöreä kuva **4** ja D-muotoinen kuva **5**.
 - 4 Työnnä tarvittava työväline paikalleen.
 - 5 Laske kiinnitysvarsi alas ja varmista, että roiskesuoja on asetettu kulhon mallin mukaisesti.
- Sekoituksen aikana aineksia voidaan lisätä suoraan kulhoon roiskesuojan saranallisen osan kautta.
 - Roiskesuojaa ei tarvitse poistaa vaihdettaessa työvälinettä.
- 6 Roiskesuoja irrotetaan nostamalla kiinnitysvarsi ja työntämällä roiskesuoja alas.



lisälaitteet

Ota yhteyttä Kenwood-kauppiaseen jos haluat hankkia lisälaitteita.
Seuraavassa olevien lisälaitteiden saatavuus Suomessa vaihtelee.

lisälaite lisälaitteen koodi

levypastakone ① A970

muuta pastakoneen lisälaitteita
(ei kuvassa) käytetään
yhdessä A970:n kanssa

- A971** tagliatelle
- A972** tagliolini
- A973** trenette
- A974** spagetti

pastakone ② A936 mukana 6 reikälevyä eteen kiinnittyvä

leikkuri/raastin ③ A948 mukana 4 rumpua

lihamyly ④ A950 mukana
a iso makkarasuutin
b pieni makkarasuutin
c kebbenvalmistuslaite

viljamyly ⑤ A941

sitruspuserrin ⑥ A995

tehosekoitin ⑦ 1,2 l akryylimuovinen **A993A**, 1,2 l lasinen **A994A**, 1,5 l ruostumatonta

terästä **A996A**

monitoimimyly ⑧ A938A mukana 3 lasiastiaa ja 3 säilytyskantta
päälle kiinnittyvä

leikkuri/raastin ⑨ A998 mukana 3 terää

lisäterät
a erittäin karkea raastinterä **tuotenumero 639021**
b rouhintaterä **tuotenumero 639150**
c normaali suikalointiterä **tuotenumero 639083**

mehunpuristin ⑩ A935

jäätelökone ⑪ CHEF **A953**, MAJOR **A954**

perunankuorin ⑫ CHEF **A934**, MAJOR **A952**

puserrin- ja siivilälaite ⑬ CHEF **A992**, MAJOR **A930**

kenlyte pyöreä kulho ⑭ CHEF **265026**, MAJOR **412095**

pyöreä roiskesuoja a CHEF & MAJOR **444347**

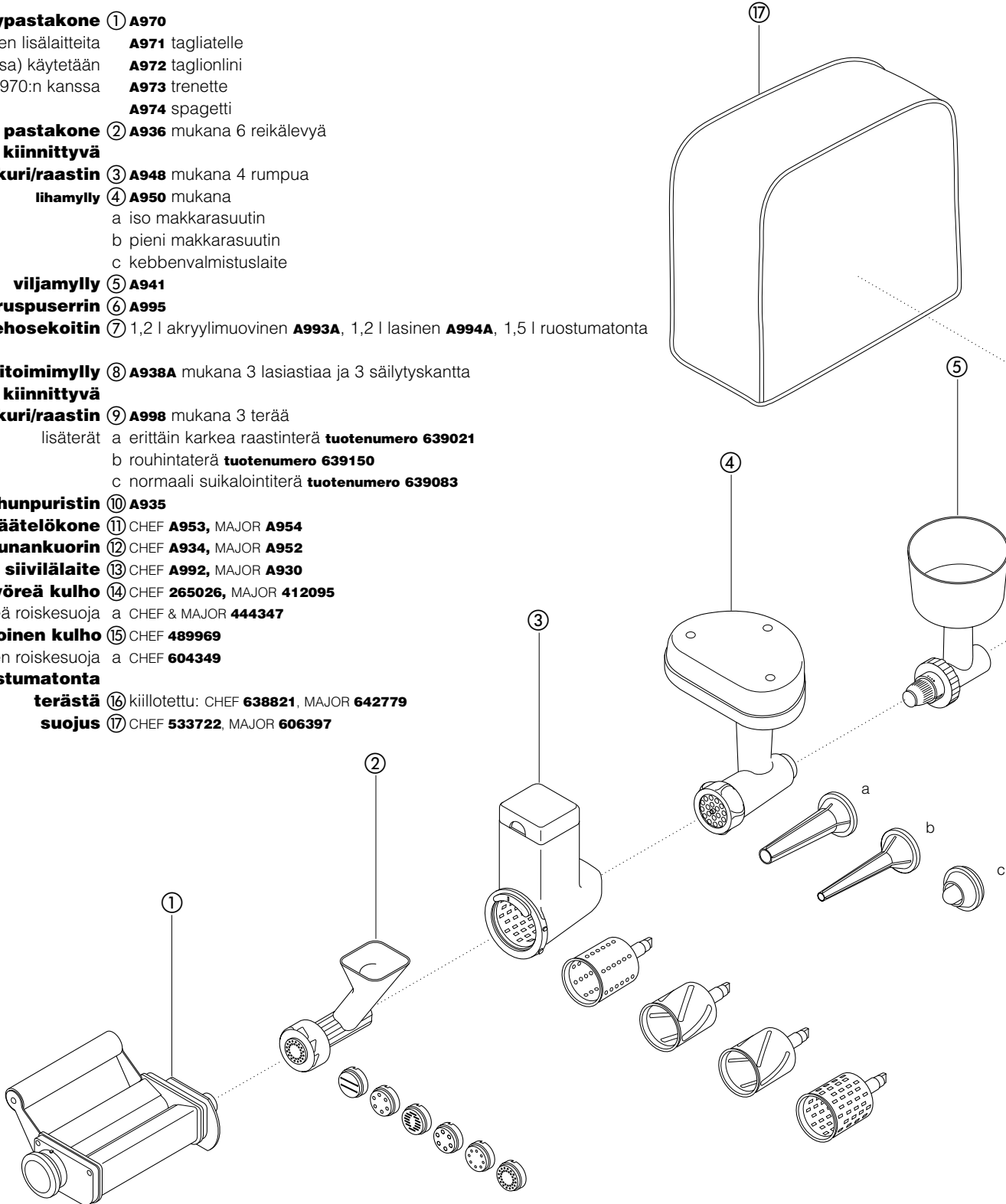
kenlyte D-muotoinen kulho ⑮ CHEF **489969**

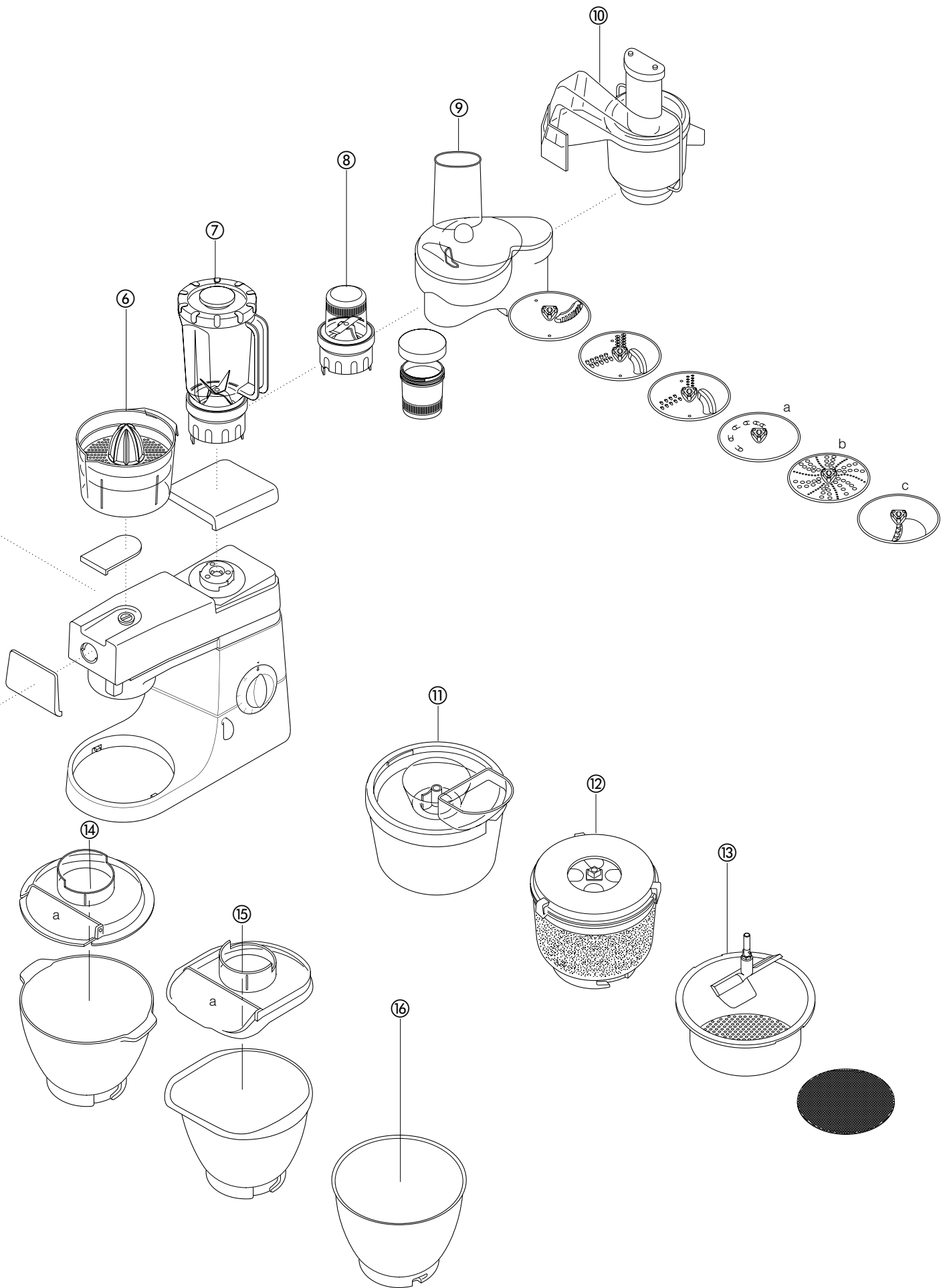
D-muotoinen roiskesuoja a CHEF **604349**

kulhot ruostumatonta

terästä ⑯ kiillotettu: CHEF **638821**, MAJOR **642779**

suojus ⑰ CHEF **533722**, MAJOR **606397**





puhdistus ja huolto

tärkeää

- Muista aina kytkeä kone pois toiminnasta ja ota pistoke pistorasiasta ennen puhdistustoimenpiteitä.
- Konerasvaa saattaa tulla ulos jonkin verran käytön aikana kohdista ② ja ③ kun kone on vielä uusi. Se on normaalia.

puhdistus

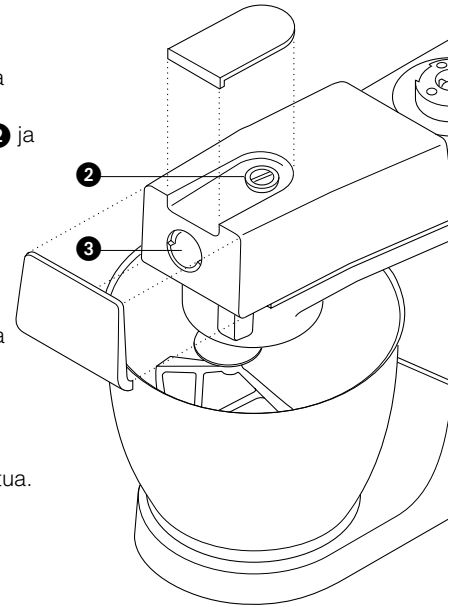
- runko/moottoriosi • Pyyhi kostealla, viimeistele pyyhkimällä kuivaksi.
- Älä käytä hankaavia aineita tai pesimiä. Äläkä upota konetta veteen.
- kulhot • Pese käsin tai astianpesukoneessa muovien pesuohjelmalla.
- Ruostumattomasta teräksestä valmistettuja kulhoja ei pidä puhdistaa teräsharjalla, teräsvillalla eikä valkaisuaineilla. Pinttyneen pinnan voi puhdistaa etikalla tai teräksen hoitoaineilla. Ruostumattomasta teräksestä valmistettu kulho voidaan pestä astianpesukoneessa.
- Teräskulhoa ei saa laittaa kuumille tasoille, uuniin tai mikროon
- vatkaimet/koukut • Pese kevytmetallivatkaimet aina käsinpesussa muuten väri voi muuttua.
- Ei saa pestä astianpesukoneessa.
- roiskesuoja • Pese käsin, kuivaa sitten huolellisesti.

huolto

- Jos esim. yleiskoneen liitosjohtoon tulee vikaa vie kone valtuutettuun huoltoliikkeeseen.
- Huolto- ja lisälaitesymyksissä voitte kääntyä Kenwood-jälleenmyyjän tai valtuutetun huoltoliikkeen puoleen.

takuu

- Yleiskoneella on takuu vain normaalissa kotitalouskäytössä.
- Suomessa noudatettavista takuehdoista saat tietoja Kenwood-jälleenmyyjältä tai maahantuojalta.
- Oikeus niihin laitemuutoksiin, jotka tämän käyttöohjeen painamisen jälkeen on tehty tai painovirheisiin pidätetään.



reseptejä

kts myös 'huomioitava leipää valmistettaessa', sivu 88

valkoinen vehnäleipä *mannermainen pehmeä taikina*

ainekset • 2,6kg tavallista vehnäjauhoa

Nämä määrät sopivat malleille

KM600, 800 ja 810. Malleja

KM300, 400 ja 410 käytettäessä

ainesten määrää tulee

vähentää puolella ja jauhot

täytyy lisätä kerralla.

valmistusmenetelmä

- 1,3l maitoa
 - 300g sokeria
 - 450g margariinia
 - 100g tuoretta hiivaa
 - 6 vatkatua munaa
 - 5 ripausta suolaa
- 1 Sulata margariini maidossa joka tulee lämmittää 43°C asteiseksi.
 - 2 **tuore hiiva:** murena jauhoon ja lisää sokeri
 - 3 Kaada maito koneen kulhoon. Lisää siihen vatkatut munat ja 2kg jauhoa.
 - 4 Sekoita nopeudella 'min' minuutin ajan ja sitten nopeudella 1 vielä minuutin ajan. Kaavi reunaan tarttunut seos.
 - 5 Lisää suola ja loput jauhoista ja sekoita minuutin ajan alimmalla nopeudella, sitten nopeudella 1 noin 2 - 3 minuuttia kunnes taikina on tasaista.
 - 6 Täytä puoliksi taikinalla muutamia voideltuja puolen kilon suorakaiteenmuotoisia vuokia, tai muotoile taikina sämpylöiksi. Peitä sitten astiapyyhkeellä ja anna olla lämpimässä kunnes taikina on noussut kaksinkertaiseksi.
 - 7 Paista 200°C lämmössä; vuokaleipänä 20 - 25 minuuttia, sämpylöinä 15 minuuttia.
 - 8 Leipä on kypsää kun se kuullostaa ontolta pohjaan koputettaessa.

- Tästä määrästä aineksia tulee noin kymmenen leipää.

mansikka - ja aprikoositäytekakku

ainekset: kakkupohja

täyte ja koristelu

valmistusmenetelmä

- 3 kananmunaa
 - 75g sokeria
 - 75g vehnäjauhoa
 - 150ml paksua kermaa
 - sokeria maun mukaan
 - 225g mansikoita
 - 225g tuoreita aprikooseja
- 1 Halkaise aprikoosit ja poista kivet. Kiehauta aprikoosit pehmeiksi pienessä vesimäärässä jossa on hiukan sokeria.
 - 2 Huuhtelee ja halkaise mansikat.
 - 3 Aloita kakkupohjan valmistus vispaamalla munat ja sokeri vaaleaksi, paksuksi vaahdoksi suurimmalla nopeudella.
 - 4 Irrota kulho ja vispilä. Sekoita jauhot varovasti joukkoon suurella metallilusikalla - tee tämä varoen, jotta kakusta tulisi kuohkea.
 - 5 Kaada taikina kahteen samankokoisen matalaan (18cm halkaisija) voidellulla paperilla vuorattuun vuokaan.
 - 6 Paista 180°C noin 20 minuuttia kunnes kakun pinta tuntuu sormella kokeillessa kimmoisalta.
 - 7 Kumoa metalliritilälle jäähtymään.
 - 8 Vispaa kerma vahhdoksi suurimmalla nopeudella, lisäten sokeria maun mukaan.
 - 9 Paloittele aprikoosit ja kolmannes mansikoista. Ota puolet kermavaahdosta erilleen ja sekoita ne siihen.
 - 10 Levitä tämä kermaseos yhden kakun päälle ja aseta toinen kakku niiden päälle.
 - 11 Levitä jäljelläoleva kermavaahto kakun päälle ja koristelee lopuilla mansikoilla.

reseptejä *jatkoa*

marengit

- ainekset
- 4 kananmunanvalkuaista
 - 250g tomusokeria, sihdattuna
- valmistusmenetelmä
- 1 Peitä paistinpelti tarttumattomalla leivinpaperilla.
 - 2 Vispaa munia ja sokeria noin kymmenen minuutin ajan suurimmalla nopeudella, kunnes seoksesta muodostuu pystyssä seisovaa vaahtoa.
 - 3 Nostele vaahtoa pellille ruokalusikalla pikkulapsen nyrkin kokoiisiin kasoihin. Voit myös pursottaa marengit pellille pursottimella 2,5cm:n tähdenmuotoista suutinta käyttäen.
 - 4 Paista 110°C noin 4 - 5 tuntia kunnes marengit ovat kiinteitä ja rapeita. Jos marengit uhkaavat tulla ruskeiksi paiston aikana, pönkitä uunin luukku roalleen.
- Säilytä marengit ilmatiiviisti.

voitaikina (murea)

- ainekset
- 450g vehnäjauhoa, suolan kanssa sihdattuna
 - 5ml (1 tl) suolaa
 - 225g rasvaa (laardi tai margariini kovana, suoraan jääkaapista)
 - noin 80ml vettä (4rkl)
- vihje
- Älä sekoita liian kauan
- valmistusmenetelmä
- 1 Laita jauho koneen kulhoon. Paloittele rasva karkeasti veitsellä ja lisää jauhoon.
 - 2 Sekoita nopeudella 1, kunnes seos on murumaista. Pysäytä ennen kuin seos näyttää rasvaiselta.
 - 3 Lisää vesi ja sekoita taikinaa alhaisinta nopeutta käyttäen. Pysäytä kone heti kun vesi on sekoittunut taikinaan.
 - 4 Paista noin 200°C lämmössä, piirakan täytteestä riippuen.

hampurilaiset

- ainekset
- 250g naudanpaistia
- valmistusmenetelmä
- 1 Leikkele 2,5cm kuutioiksi.
 - 2 Jos et omista lihamyllyä, voit jauhaa lihan pieni määrä kerrallaan tehosekoittimessa. Käytä nopeutta 2 **enintään** 15 sekuntia kerrallaan. Puhdista liha pois terän ympäriltä jokaisen lastin jälkeen.
 - 3 Sekoita joukkoon mausteeksi esim. sipulisiippua, tuoreita tai kuivia yrttejä, karkeasti jauhettua mustaa pippuria, ja sitruunan mehua ja kuorta.
 - 4 Muodosta seoksesta kaksi hampurilaista ja paista ne kauttaaltaan.

Kenwood mutfak robotunun parçaları

güvenlik önlemleri

- Aygıtın ek parçalarını takmadan ya da çıkarmadan ve temizlemeden önce ya da kullandıktan sonra aygıtın fişini prizden çekiniz.
- Çocukların ya da engelli kişilerin bu aygıtı kullanmalarına izin vermeyiniz ya da denetim altında kullanmalarına izin veriniz.
- Hasarlı aygıtları kullanmayınız. Hasarlı mutfak robotunu onarımcıya götürüp denetimden geçirtiniz. Bu konuda 100. sayfadaki 'bakım' bölümüne bakınız.
- Kullanılması yetkili üretici tarafından onaylanmamış ek parçaları ve aynı anda birden fazla ek parça kullanmayınız.
- Aygıtta hiçbir zaman 96. sayfada açıklanan azami kullanım miktarlarının üstünde yiyecek doldurmayınız.
- Çocukların bu aygıtla oynamalarına izin vermeyiniz.
- Herhangi bir ek parçayı kullanmadan önce parçayla birlikte verilen güvenlik önlemlerini dikkatle okuyunuz.
- Bu mutfak robotu yalnızca evde kullanım amacıyla üretilmiştir.

elektrik akımına bağlanması

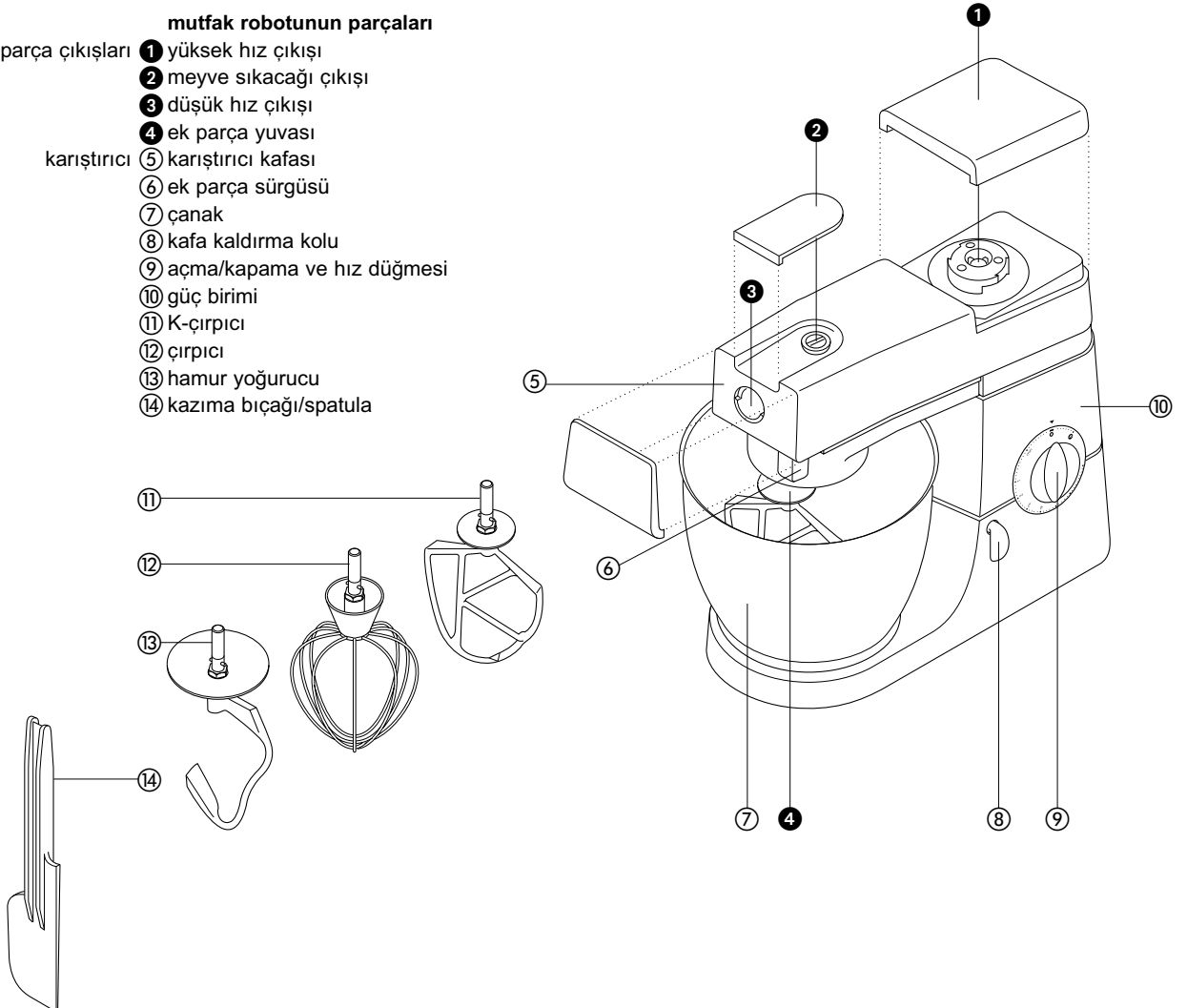
- Mutfak robotunu çalıştırmadan önce evinizdeki elektrik akımının aygıtta belirtilen akımla aynı olduğundan emin olunuz.
- Bu aygıt, 89/336/EEC sayılı Avrupa Ekonomik Topluluğu Yönergesi'ne uygun olarak üretilmiştir.

ilk kullanımdan önce

- 1 Aygıtın tüm ambalajını çıkarınız.
- 2 Aygıtın tüm parçalarını yıkayınız. Bu konuda 100. sayfadaki 'temizlik ve bakım' bölümünü okuyunuz.

mutfak robotunun parçaları

- ek parça çıkışları
- 1 yüksek hız çıkışı
 - 2 meyve sıkacağı çıkışı
 - 3 düşük hız çıkışı
 - 4 ek parça yuvası
- karıştırıcı
- 5 karıştırıcı kafası
 - 6 ek parça sürgüsü
 - 7 çanak
 - 8 kafa kaldırma kolu
 - 9 açma/kapama ve hız düğmesi
 - 10 güç birimi
 - 11 K-çirpici
 - 12 çirpici
 - 13 hamur yoğurucu
 - 14 kazıma bıçağı/spatula



karıştırıcı

karıştırıcının parçaları ve kullanımı

- K-çırpıcı • Pasta, bisküvi, hamur işi, şekerli krema, iç malzeme, ekler ve patates püre yapmak için kullanılır.
- çırpıcı • Yumurta, kaymak, sulu hamur, pandispanya, kaymaklı kurabiye, peynirli kek, dondurulmuş krema, sufle yapmak için kullanılır. Yağ ve şekeri kremalaştırmak gibi ağır karışımlar için çırpıcıyı kullanmayınız. Kullanıldığı taktirde çırpıcı hasar görebilir.
- hamur yoğurucu • Mayalı karışımlar için kullanılır.

karıştırıcının kullanımı

- 1 Kafa kaldırma kolunu sola çeviriniz ① ve karıştırıcının kafasını yerine oturuncaya kadar kaldırınız.
- 2 Duruncaya kadar çeviriniz ② ve itiniz.
- 3 Çanağı taban birimine takınız. Aşağı doğru bastırınız ve sağa çeviriniz ③
- 4 Kafa kaldırma kolunu sola çeviriniz ve karıştırıcının kafasını yerine oturuncaya kadar aşağı indiriniz.
- 5 İsteddiğiniz hızı seçiniz ve hız düğmesine basınız.
 - Kısa süren karışım işlemleri için pals (P) düğmesine basınız.
- 6 Ek parçayı yerinden çıkarınız.

- faydalı bilgiler • Aygıtı durdurunuz ve çanağı kazıma bıçağı/spatula ile düzenli aralıklarla sıyırınız.
 - Yumurtaları oda sıcaklığında çırpınız.
 - Yumurta aklarını çırpmadan önce çanakta ya da çırpıcıda yağ birikintileri ya da yumurta sarısının olmadığından emin olunuz.
 - Yemek ve tatlı tarifinizde aksi belirtilmediyse hamur işleri için soğuk içerikler kullanınız.

ekmek yapma

- önemli notlar • Aşağıda belirtilen azami içerik miktarlarını aşmayınız. Aksi taktirde aygıtı aşırı derecede yüklemiş olacaksınız.
 - Aygıtın çalışması zorlanıyorsa, aygıtı durdurunuz. Hamurun yarısını alınız ve ayrı ayrı yoğurunuz.
 - Aygıtı önce sulu karışımları koyarsanız içeriklerin karışması daha kolay olur.

en çok kullanım miktarları

KM300, 400, 410 modelleri

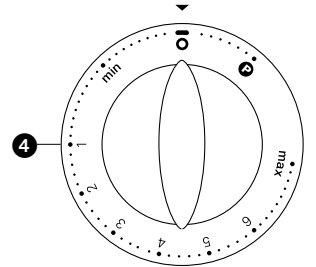
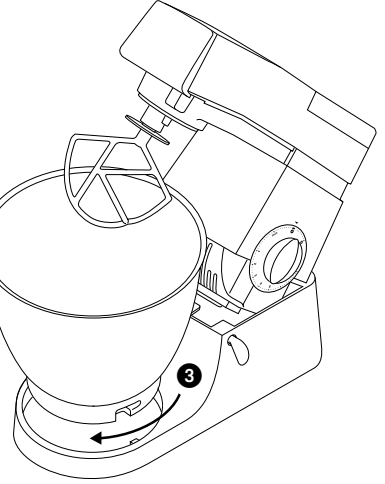
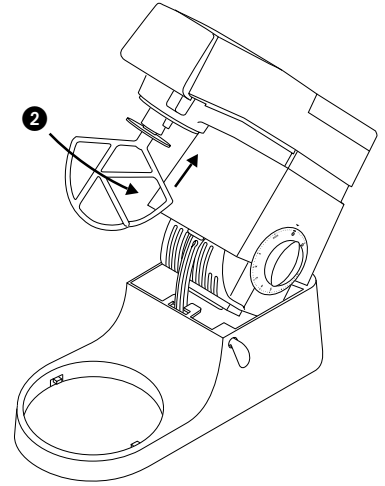
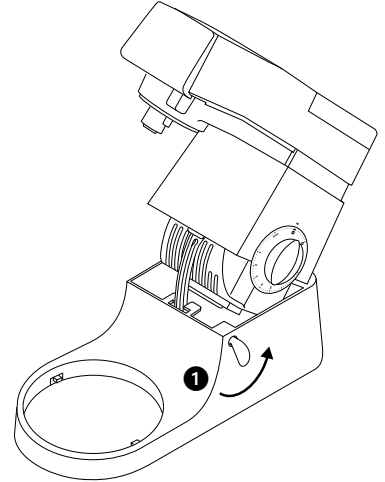
KM600, 800 ve 810 modelleri

- hamur işi tatlılar • Un ağırlığı: 680gr
- katı mayalı hamur • Un ağırlığı: 1.36kg
- İngiliz türü • Toplam ağırlık: 2.18kg
- yumuşak mayalı hamur • Un ağırlığı: 1.3kg
- Avrupa türü • Toplam ağırlık: 2.5kg
- meyveli kek karışımları • Toplam ağırlık: 2.72kg
- yumurta akları • 12 yumurta akı

- Un ağırlığı: 910gr
- Un ağırlığı: 1.5kg
- Toplam ağırlık: 2.4kg
- Un ağırlığı: 2.6kg
- Toplam ağırlık: 5kg
- Toplam ağırlık: 4.55kg
- 16 yumurta akı

hız seçimi ④

- K-çırpıcı • yağ ve şekeri kremalaştırmak için asgari hızdan başlayınız ve giderek 5. hıza geçiniz.
 - kremalı karışımlara yumurta çırpmak için 4. ve 'azami' hızı seçiniz.
 - un, meyve vbg içerikleri karıştırmak için asgari ve 1. hızı kullanınız.
 - kek karışımları için asgari hızdan başlayınız ve giderek azami hıza geçiniz.
 - yağı una yedirmek için asgari ve 2. hızı seçiniz.
- çırpıcı • En az hızdan başlayarak yavaş yavaş 'azami' hıza geçiniz.
- hamur yoğurucu • 'En az' hızdan başlayarak 1. hıza geçiniz.



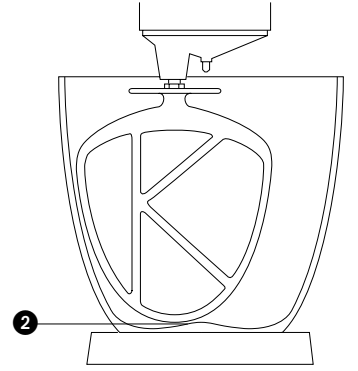
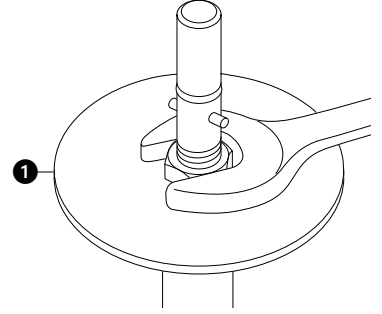
temizlik için 100. sayfayı okuyunuz

sorun giderme

sorun

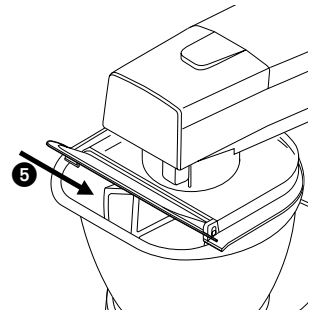
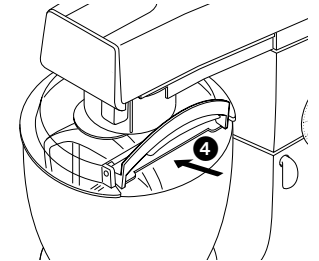
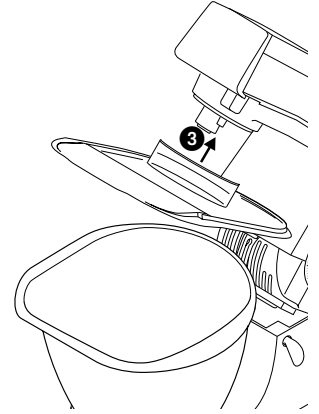
- çırpıcı ya da K-çırpıcı çanağın dibine değiyorsa ya da çarpıyorsa ya da çanağın dibindeki içeriklere ulaşmıyorsa.
- çözüm
- Ek parçanın yüksekliğini aşağıda gösterildiği gibi ayarlayınız:

- 1 Aygıtın çalışmasını durdurunuz ve fişini prizden çekiniz.
- 2 Karıştırıcının kafasını kaldırarak çırpıcı ya da K-çırpıcıyı takınız.
- 3 Ek parçayı tutarak Şekil 1'de gösterildiği gibi somunu gevşetiniz.
- 4 Karıştırıcının kafasını aşağıya doğru itiniz.
- 5 Mili çevirerek yüksekliği ayarlayınız. Çırpıcının ya da K-çırpıcının çanağın dibine **değecek kadar** yakın olması, Şekil 2'de gösterildiği gibi en iyi yükseklik ayarıdır.
- 6 Karıştırıcının kafasını kaldırınız ve çırpıcı ya da K-çırpıcıyı tutarak somunu sıkıştırınız.



yuvarlak ve D biçimi sıçrama önleme kapağının takılması ve kullanımı (eğer varsa)

- 1 Karıştırıcının kafasını yerine oturuncaya kadar kaldırınız.
 - 2 Çanağı tabana takınız.
 - 3 Şekil 3'de gösterildiği gibi sıçrama önleme kapağını tamamen yerine oturuncaya kadar itiniz. Kapağın kanadı yuvarlak kapaklar için Şekil 4'de, D biçimi kapaklar için ise Şekil 5'de gösterildiği gibi konumlandırılmalıdır.
 - 4 İsteddiğiniz ek parçayı takınız.
 - 5 Karıştırıcının kafasını çanağın biçimini izleyecek şekilde aşağı itiniz.
- Karıştırırken sıçrama önleme kapağının kaldırma kanadını açarak diğer içerikleri çanağa atabilirsiniz.
 - Ek parçaları değiştirmek için sıçrama önleme kapağını kaldırmaya gerek yoktur.
- 6 Sıçrama önleme kapağını çıkarmak için karıştırıcının kafasını kaldırınız ve aşağı doğru itiniz.

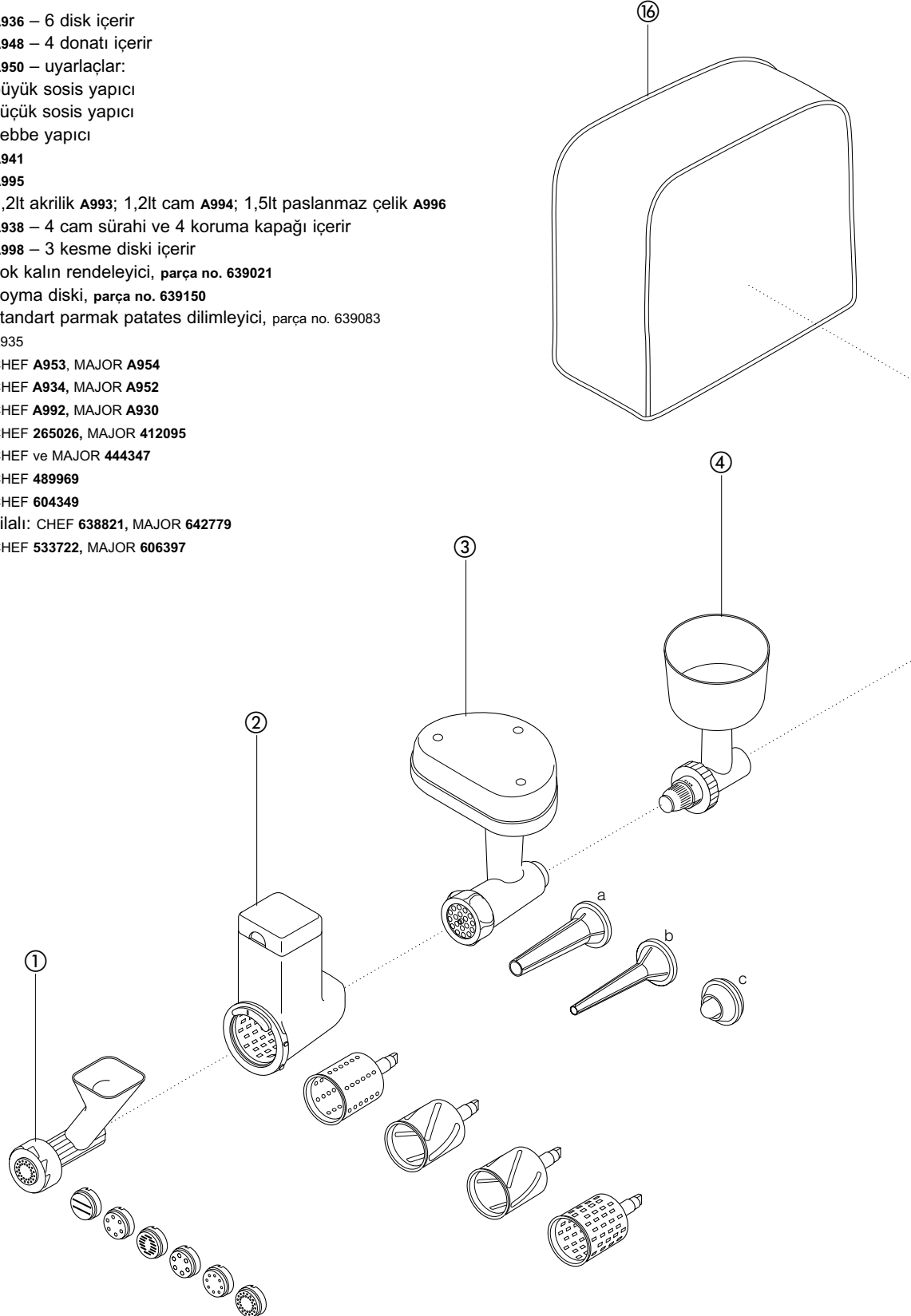


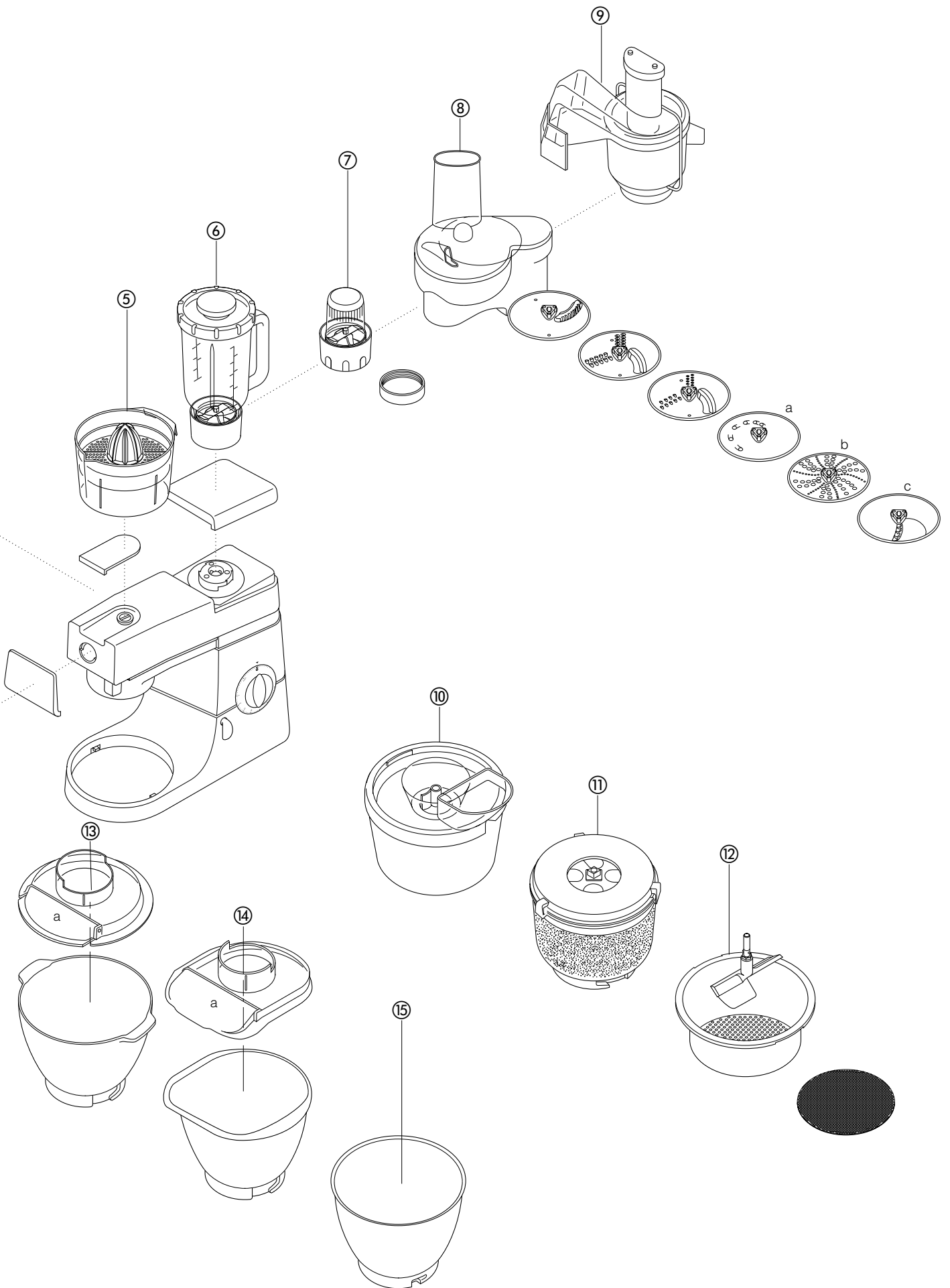
ek parçalar

Satın aldığınız pakette bulunmayan ek parçalar için KENWOOD satıcınıza başvurunuz.

ek parça ek parça kodu

- İtalyan pasta yapıcı** ① A936 – 6 disk içerir
yavai dilimleyici/rendeleyici ② A948 – 4 donatı içerir
süper kıyıcı ③ A950 – uyarlaçlar:
a büyük sosis yapıcı
b küçük sosis yapıcı
c kebbe yapıcı
hububat öğütücü ④ A941
sert meyve sıkacağı ⑤ A995
sıvılaştırıcı ⑥ 1,2lt akrilik A993; 1,2lt cam A994; 1,5lt paslanmaz çelik A996
çoklu öğütücü ⑦ A938 – 4 cam sürahi ve 4 koruma kapağı içerir
hızlı dilimleyici/rendeleyici ⑧ A998 – 3 kesme diski içerir
seçimlik diskler a çok kalın rendeleyici, parça no. 639021
b soyma diski, parça no. 639150
c standart parmak patates dilimleyici, parça no. 639083
meyve/sebze sıkacağı ⑨ A935
dondurma yapıcı ⑩ CHEF A953, MAJOR A954
patates soyucu ⑪ CHEF A934, MAJOR A952
süzgeç ve elek ⑫ CHEF A992, MAJOR A930
kenlyte yuvarlak çanak ⑬ CHEF 265026, MAJOR 412095
yuvarlak sıçrama önleme kapağı a CHEF ve MAJOR 444347
kenlyte D biçimi çanak ⑭ CHEF 489969
D biçimi sıçrama önleme kapağı a CHEF 604349
paslanmaz çelik çanaklar ⑮ cıvalı: CHEF 638821, MAJOR 642779
örtü ⑯ CHEF 533722, MAJOR 606397





temizlik ve bakım

temizlik ve bakım

- Temizlemeye başlamadan önce aygıtı durdurunuz ve fişini prizden çekiniz.
- **Çıkış deliklerinde 2 ve 3** çok az yağ birikintisi olabilir. Bu durum normaldir ve ilk kullanımdan önce bir bezle siliniz.

güç birimi

- Nemli bir bezle siliniz ve kuru bir bezle kurulayınız.
- Aşındırıcı temizlik malzemeleri kullanmayınız ve aygıtı suya batırmayınız.

çanaklar

- Çanakları elle yıkayınız ve tamamen kurulayınız.
- Paslanmaz çelik çanak kullanıyorsanız telli fırça, çelik ovma teli ya da ağartıcı kullanmayınız. Kireçlenmeyi gidermek için sirke kullanınız.
- Ocak, fırın ve mikro dalga fırın gibi ısı kaynaklarına yakın yerlerde kullanmayız. Hiçbir biçimde ısıyla temas ettirmeyiniz.

ek parçalar

- Ek parçaları elle yıkayınız ve tamamen kurulayınız. K-çırpıcı, çırpıcı ve hamur yoğurucu bulaşık makinesinde yıkanırsa bu parçaların rengi solabilir.

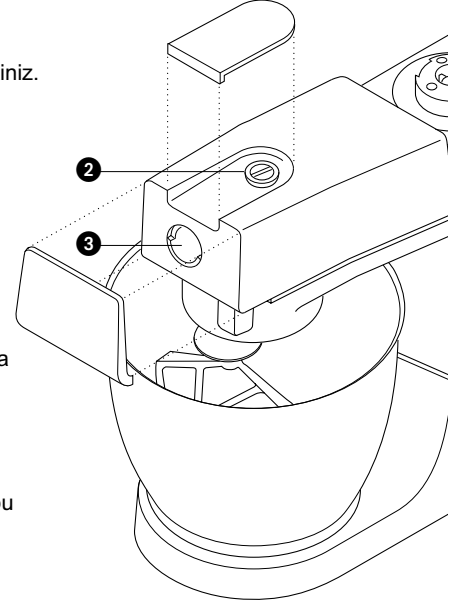
sıçrama önleme kapağı

- Elle yıkayınız ve arkasından tamamen kurulayınız.

bakım ve müşteri hizmetleri

- Elektrik kordonu hasar görürse, KENWOOD ya da yetkili KENWOOD onarımcısına başvurunuz.

Aygıtın kullanımı, ek parça siparişi, bakımı ve onarımı için aygıtı satın aldığınız satıcıya başvurunuz.



yemek tarifleri

Ekmek yapımıyla ilgili yönergeler için 96. sayfaya bakınız.

- beyaz ekmek katı İngiliz hamuru**
- içerikler
- 1.36kg sert sade un
 - 15ml (3 çay kaşığı) tuz
 - 25gr taze maya ya da 15gr kuru maya ve 5ml (1 çay kaşığı) toz şeker
 - 750ml ılık su (43°C). Isılçerle suyun ısını ölçünüz ya da 500ml soğuk suya 250ml kaynar su ilave ediniz
 - 25gr yağ
- pişirme yöntemi
- 1 **kuru maya** (su katılması gereken türde): çanağa ılık su koyunuz. Arkasından maya ve şeker ilave ederek 10 dakika süreyle karışım köpüklü bir hale gelene kadar bekletiniz.
taze maya: un ile birlikte çanak içerisine ufalayınız.
diğer türdeki mayalar: üreticinin kullanım yönergelerini izleyiniz.
 - 2 Karışımı çanağa dökünüz. Arkasından unla birlikte varsa taze maya, tuz ve yağ ilave ediniz.
 - 3 En az hızda 45 - 60 saniye yoğurunuz. Arkasından gerekirse daha fazla un ilave ediniz ve maya oluşuncaya kadar aygıtı 1. hızda çalıştırınız.
 - 4 Daha sonra hamur düz, esnek ve çanağın kenarlarında hamur parçaları bırakmayan hale gelene kadar 1. hızda 3 - 4 dakika daha yoğurunuz.
 - 5 Elde edilen hamuru yağlanmış bir politen torba ya da bir çanak içerisine aktarınız ve üzerini bir bezle örtünüz. Hamuru, büyüklüğü iki katına ulaşana kadar ılık bir yerde muhafaza ediniz.
 - 6 1. hızda hamuru 2 dakika daha yoğurunuz.
 - 7 Hamuru 450 şer gramlık parçalara bölerek yağlanmış dört tepsiye yerleştiriniz ya da küçük ekmek parçaları haline getirerek yağlanmış tepsilere koyunuz. üzerlerini bir bezle örtünüz ve büyüklükleri iki katına ulaşana kadar ılık bir yerde muhafaza ediniz.
 - 8 Isısı 230°C olan ya da ısı derecesi 8'e ayarlanmış fırında somun ekmek için 30 - 35 dakika ve küçük ekmekler için 10 - 15 dakika pişiriniz.
- Ekmek piştiğinde, atlarına vurulduğu zaman içi boş ses çıkarır.

beyaz ekmek yumuşak Avrupa hamuru

- içerikler
- 2.6kg sade un
 - 1.3 litre süt
 - 300gr toz şeker
 - 450gr margarin
 - 100gr taze maya ya da 50gr kuru maya
 - 6 adet çırpılmış yumurta
 - 5 tutam tuz

Burada belirtilen içerik miktarları, KM600, 800 ve 810 modelleri içindir. KM300, 400 ve 510 modelleri için belirtilen içerik miktarlarının yarısını kullanınız ve tüm unu bir anda ilave ediniz.

- pişirme yöntemi
- 1 Margarin süt içerisinde eritiniz ve 43°C ısıya getiriniz.
 - 2 **Kuru maya** (su katılması gereken türde): süte maya ve şeker ilave ediniz ve 10 dakika süreyle karışım köpüklü bir hale gelene kadar bekletiniz.
taze maya: un ile birlikte çanak içerisine ufalayınız.
diğer türdeki mayalar: üreticinin kullanım yönergelerini izleyiniz.
 - 3 Sütü çanağa dökünüz. çırpılmış yumurtaları ve 2kg unu ilave ediniz.
 - 4 Karışımı asgari hızda 1 dakika ve daha sonra 1. hızda 1 dakika daha karıştırınız. Arkasından çanağın yanına yapışan karışımları çanağa itiniz.
 - 5 Kalan unu ve tuzu ilave ediniz ve hamuru en az hızda 1 dakika karıştırınız. Arkasından hamur düzgün ve tutarlı yoğrulmuş hale gelene kadar 1. hızda 2 - 3 dakika daha karıştırınız.
 - 6 Hamuru 450 gramlık parçalara bölerek yağlanmış dört tepsiye yerleştiriniz ya da küçük ekmek parçaları haline getirerek yağlanmış tepsilere koyunuz. Üzerlerini bir bezle örtünüz ve büyüklükleri iki katına ulaşana kadar ılık bir yerde muhafaza ediniz.
 - 7 Isısı 230°C olan ya da ısı derecesi 8'e ayarlanmış fırında somun ekmek için 30 - 35 dakika ve küçük ekmekler için 10 - 15 dakika pişiriniz.
 - 8 Ekmek piştiğinde, atlarına vurulduğu zaman içi boş ses çıkarır.

- Bu işlemle yaklaşık 10 somun ekmek yapılabilir.

yemek ve tatlı tariflerinin *devamı*

- kaymaklı çilek ve kayısı keki**
- içerikler: pandispanya • 3 yumurta
• 75gr toz şeker
• 75gr sade un
- içeriği ve süslemesi • 15 ml koyu kaymak
• Damak tadına göre şeker
• 225gr çilek
• 225gr kayısı
- pişirme yöntemi 1 Kayısıları ikiye ayırınız ve çekirdeklerini çıkarınız. Arkasından tatlandırmak için şeker ilave ederek çok az suda hafifçe yumuşayınca kadar pişiriniz.
2 Çilekleri yıkayınız ve ikiye bölünüz.
3 Pandispanya yapmak için karışım koyulaşınca kadar yumurtaları ve şekerini çırpınız.
4 Çanağı ve çırpıcı yerinden çıkarınız. Büyük bir metal kaşıkla un ilave ediniz ve pandispanyanın doğru kıvamda olması için hafifçe karıştırınız.
5 Karışımı 18cm'lik yağlanmış iki tepsiye koyunuz.
6 180°C ısıda ya da ısı derecesi 4'e ayarlanmış olarak yaklaşık 20 dakika pişiriniz. Hafifçe dokunduğunuzda esnek hale gelince pişmiş demektir.
7 Daha sonra pandispanyayı tel bir rafa koyunuz.
8 Kaymağı sertleşinceye kadar en yüksek hızda çırpınız. Tat vermek için şeker ilave ediniz.
9 Kayısıları ve çileklerin üçte birini parça parça kesiniz. Arkasından bunları kaymağa batırınız.
10 Bu karışımı pandispanyalardan birinin üzerine sürünüz ve ikinci pandispanyayı üstüne kapayınız.
11 Artan kremayı pandispanyanın üstüne sürünüz ve kalan çileklerle süsleyiniz.

- kaymaklı kurabiye**
- içerikler • 4 yumurta akı
• 250gr elenmiş pudra şeker
- pişirme yöntemi 1 Pişirme tepsisini yapışmaz kağıtla kaplayınız.
2 Yumurta aklarını ve şekerini koyulaşınca kadar yaklaşık 10 dakika en yüksek hızda çırpınız.
3 Elde ettiğiniz karışımı bir kaşıkla pişirme tepsisine koyunuz ya da 2.5cm yıldız ağızlı sıkma torbası kullanınız.
4 110°C ısıda ya da ısı derecesi 1/4'e ayarlanmış fırında kurabiyeler kuru hale gelme kadar pişiriniz. Kurabiyeler kahverengimsi renk almaya başlayınca fırının kapağını biraz aralayınız.
• Kaymaklı kurabiyeleri hava geçirmez bir kutuda saklayınız.

- gevrek kek**
- içerikler • 450gr tuzla birlikte elenmiş un
• 5ml (1 çay kaşığı) tuz
• 225gr yağ (buzdolabında tutulmuş margarin)
• Yaklaşık 80ml (4 çorba kaşığı) su
• Gereğinden fazla karıştırmayınız.
- faydalı bilgi
- pişirme yöntemi 1 Unu çanağa dökünüz. Margarini parçalara keserek una katınız.
2 Karışımı ekmek kırıntıları haline gelene kadar 1. hızda çalıştırınız. Yağlı bir görüntü vermeye başlamadan önce işlemi durdurunuz.
3 Su ilave ederek en az hızda bir karıştırınız. Karışım suyu emer emmez işlemi durdurunuz.
4 Kullandığınız içerik miktarlarına bağlı olarak 200°C ısıda ya da ısı derecesi 6'ya ayarlanmış fırında pişiriniz.

- danaburger**
- içerikler • 250gr sinirsiz dana eti
- pişirme yöntemi 1 Eti 2.5cm.lik kuşbaşı halinde kesiniz.
2 Kıyma donatınız yoksa, sıvılaştırıcıyı kullanınız ve eti azar azar çekiniz. Aygıtı 2. hızda **en fazla** 15 saniye çalıştırınız. Her çekim arasında bıçakların arasını temizleyiniz.
3 Kiyılmış soğan, taze ve kuru baharat, çekilmiş karabiber, limon suyu ve bir dilim limon katıp karıştırınız.
4 2 burger yapınız ve orta ile yüksek derece ateşte iyice pişene kadar izgara ediniz.

popis kuchyňského robota Kenwood

bezpečnost

- Před montáží či demontáží nástrojů/příslušenství a po použití a před čištěním spotřebič vypněte a zástrčku vytáhněte ze zásuvky.
- Malé děti a nemocné či jinak oslabené osoby spotřebič nesmí používat bez dohledu.
- Nestrkejte prsty do blízkosti pohybujících se součástí a přídatných zařízení.
- Běžící spotřebič nenechávejte bez dohledu a nedovolte, aby v jeho blízkosti byly děti.
- Nepoužívejte, jeli spotřebič poškozen. Dejte ho přezkoušet či spravit: viz 'servis', str. 108.
- Nepoužívejte příslušenství nedoporučené výrobcem; nikdy nepoužívejte více než jedno příslušenství najednou.
- Nepřekračujte maximální množství uvedená na str. 104.
- Nedovolte dětem, aby si se spotřebičem hrály.
- Před použitím příslušenství si přečtěte bezpečnostní pokyny uvedené v jeho návodu.
- Tento spotřebič je určen pouze pro domácí použití.

před zapnutím do sítě

- Zkontrolujte, zda napětí v síti odpovídá jmenovitému napětí uvedenému na typovém štítku na spodku spotřebiče.
- Tento spotřebič odpovídá normě dané Směrnicí Evropského společenství 89/336/EEC o odrušení.

před prvním použitím

- 1 Robot a příslušenství vybalte.
- 2 Umyjte jeho součásti: viz část 'čištění', str. 108.

popis kuchyňského robota Kenwood

vývody příslušenství ① rychloběžný vývod

② vývod lisu na citrusové plody

③ pomaloběžný vývod

④ zásuvka pro nástroje

robot ⑤ rameno robota

⑥ západka vývodu

⑦ pracovní mísa

⑧ páčka zvedání ramena

⑨ spínač zapínání/vypínání a regulace rychlosti

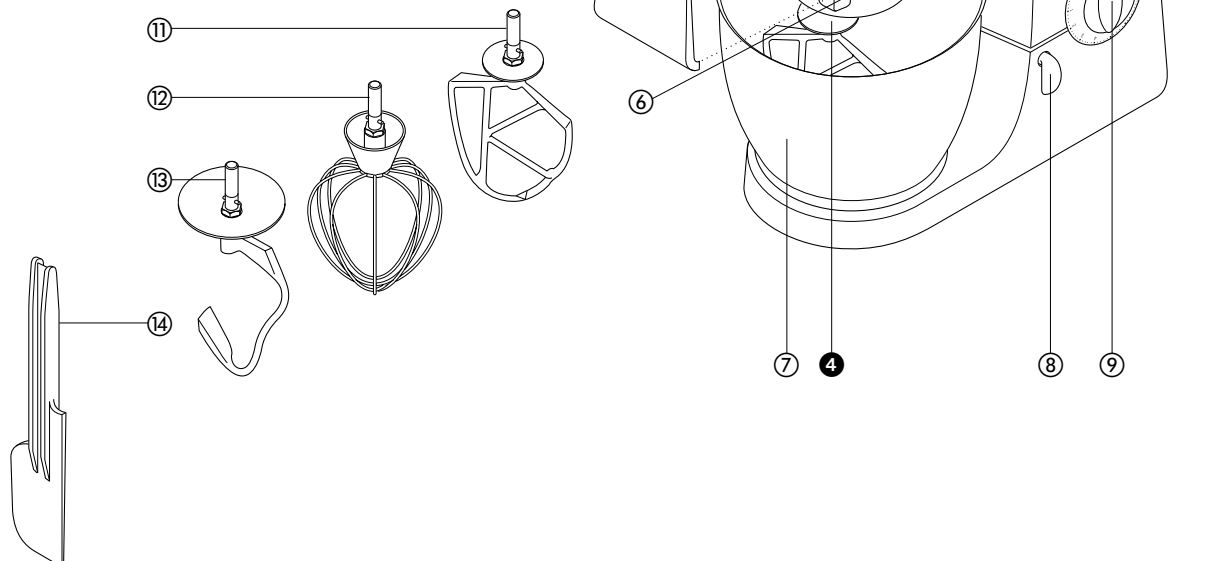
⑩ hnací jednotka

⑪ K-šlehač

⑫ šlehací metla

⑬ hnětací hák

⑭ stěrka



kuchyňský strojek

míchací přídatná zařízení a některé možnosti jejich použití

- K-šlehač • K přípravě dortových směsí, sušenek, různých těst na pečivo, polev, náplní, větrníků a bramborové kaše.
- šlehačí metla • Na vejce, smetanu, netučné piškoty, sníh, tvarohové řezy, pěny a suflé. Metlu nepoužívejte na těžké směsi (např. roztlírání tuku s cukrem na krém), mohli byste ji poškodit.
- hnětací hák • Na kynutá těsta.

postup použití robota

- 1 Páčku zvedání ramena stiskněte směrem doleva **1** a rameno zvedněte, až se zajistí v horní poloze.
- montáž nástroje 2 Našroubujte ho na doraz **2**, a pak ho zatlačte.
- 3 Na spodek robota umístěte mísu-zatlačte ji dolů a pootočte s ní doprava **3**
- 4 Páčku zvedání ramena stiskněte doleva a rameno zatlačte, až se zajistí ve spodní poloze.
- 5 Zvolte si rychlost, a pak robot spusťte otáčením regulátoru rychlosti.
 - Přepnutím na pulzátor **P** můžete směs zpracovávat krátkými impulzy.
- demontáž nástroje 6 Vyšroubujte ho.

- rady • V pravidelných intervalech robot vypínejte a stěrkou směs ze stěn mísy stírejte.
- Nejlepší sníh našleháte z vajec o pokojové teplotě.
- Při šlehání bílků dbejte na to, aby na metle ani v míse nebyly stopy tuku či žloutků.
- K přípravě těst na pečivo používejte chladných příměsí, pokud to recept dovoluje.

základní body přípravy chlebového těsta

- důležité • Nikdy nepřekračujte maximální množství uvedená níže-hrozí přetížení motoru.
- Jakmile uslyšíte, že se motor příliš namáhá, vypněte ho, vyndejte polovinu těsta a dodělejte každou půlku zvlášť.
- Příměsí se promísí nejlépe, když do mísy dáte nejprve tekutinu.

maximální množství

modely KM300, 400, 410

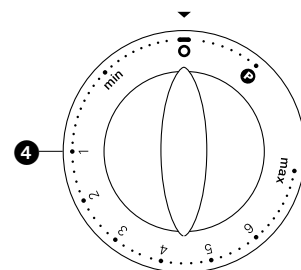
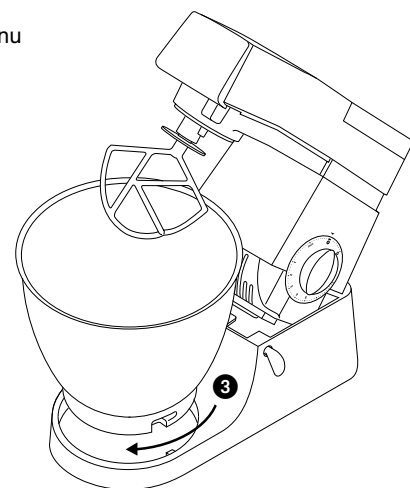
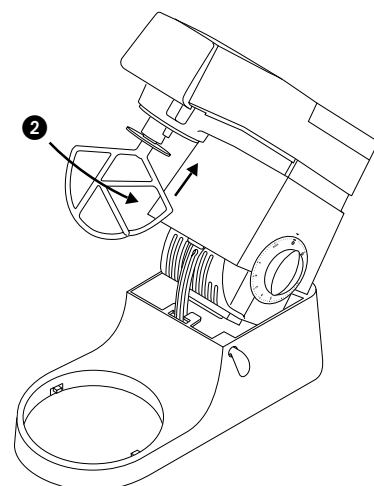
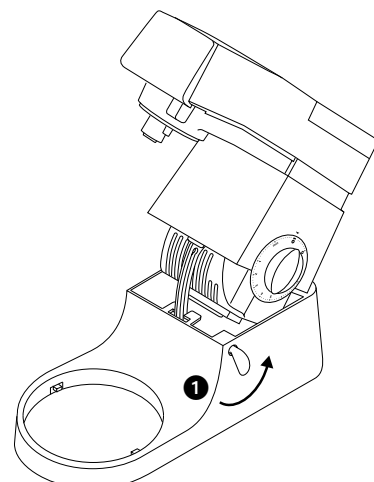
modely KM600, 800, 810

- linecké těsto • váha mouky: 680g
- tuhé kynuté těsto • váha mouky: 1,36kg
- britského typu • celková váha: 2,18kg
- měkké kynuté těsto • váha mouky: 1,3kg
- kontinentálního typu • celková váha: 2,5kg
- biskupský chlebiček • celková váha: 2,72kg
- bílky • 12

- váha mouky: 910g
- váha mouky: 1,5kg
- celková váha: 2,4kg
- váha mouky: 2,6kg
- celková váha: 5kg
- celková váha: 4,55kg
- 16

rychlosti **4**

- K-šlehač • **tření tuku s cukrem** začněte na 'min', a postupně rychlost zvyšujte až na 5.
- **zašlehávání vajec do krémových směsí** 4 – 'max'.
- **vmíchávání mouky, ovoce apod.** 'min' – 1.
- **zpracovávání všech příměsí najednou** začněte rychlostí 'min', a postupně zvyšujte až na 'max'.
- **rozetření tuku s moukou** 'min' – 2.
- šlehačí metla • postupně zvyšujte až na 'max'.
- hnětací hák • začněte na 'min' a postupně zvýšte rychlost na 1.



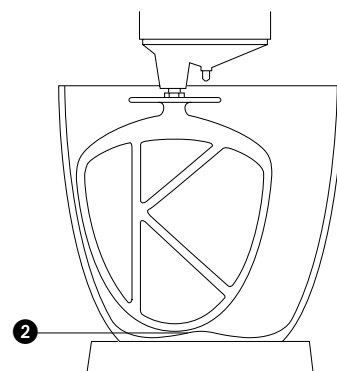
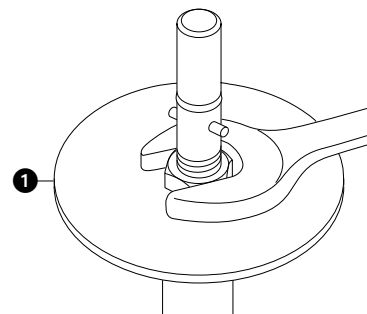
seřízení a drobné opravy

problém

- šlehací metla nebo K-šlehač narážejí na dno mísy nebo nedosahují na příměsi na dně mísy.

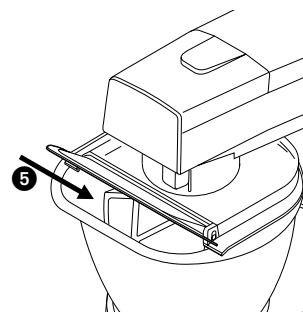
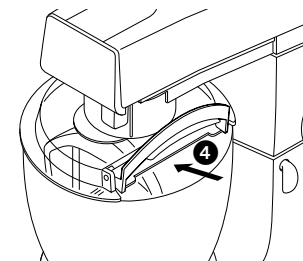
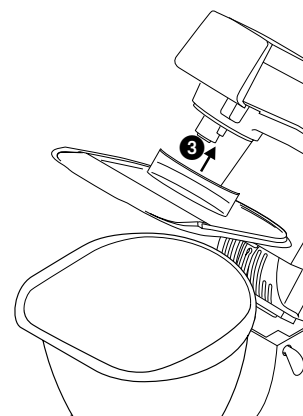
řešení • Seřídte výšku nástroje. Postupujte přitom následovně:

- 1 Robot vytáhněte ze zásuvky.
- 2 Zvedněte rameno robota a zasuňte do něj šlehač či hnětač.
- 3 Rukou ho držte, a přitom povolte matici ①.
- 4 Rameno robota sklopte.
- 5 Seřídte výšku otáčením hřídele. Šlehací metla/K-šlehač by se v ideálním případě měly **téměř** dotýkat dna mísy ②.
- 6 Zvedněte rameno robota, rukou podržte šlehací metlu/K-šlehač a matici utáhněte.



upevnění a použití kruhového/do Dé tvarovaného krytu (pokud je součástí příslušenství)

- 1 Zvedněte rameno robota, až se zajistí v horní poloze.
- 2 Do strojku umístěte pracovní mísu.
- 3 Nasuňte kryt, až zapadne zcela na místo ③. Otvírací část krytu musí být umístěna tak, jak je zobrazeno u kruhový kryt ④ a tvarovaný kryt ⑤
- 4 Zasuňte požadovaný nástroj.
- 5 Rameno sklopte, přičemž kryt musí přesně lícovat s okrajem mísy.
 - Při spuštění strojku je možné příměsi přidávat do mísy přímo za běhu, a to otvírací částí krytu.
 - Při výměně nástrojů není potřeba kryt sundávat.
- 6 Při sundávání krytu nejprve zvedněte rameno robota, a kryt pak zatažením sundejte.

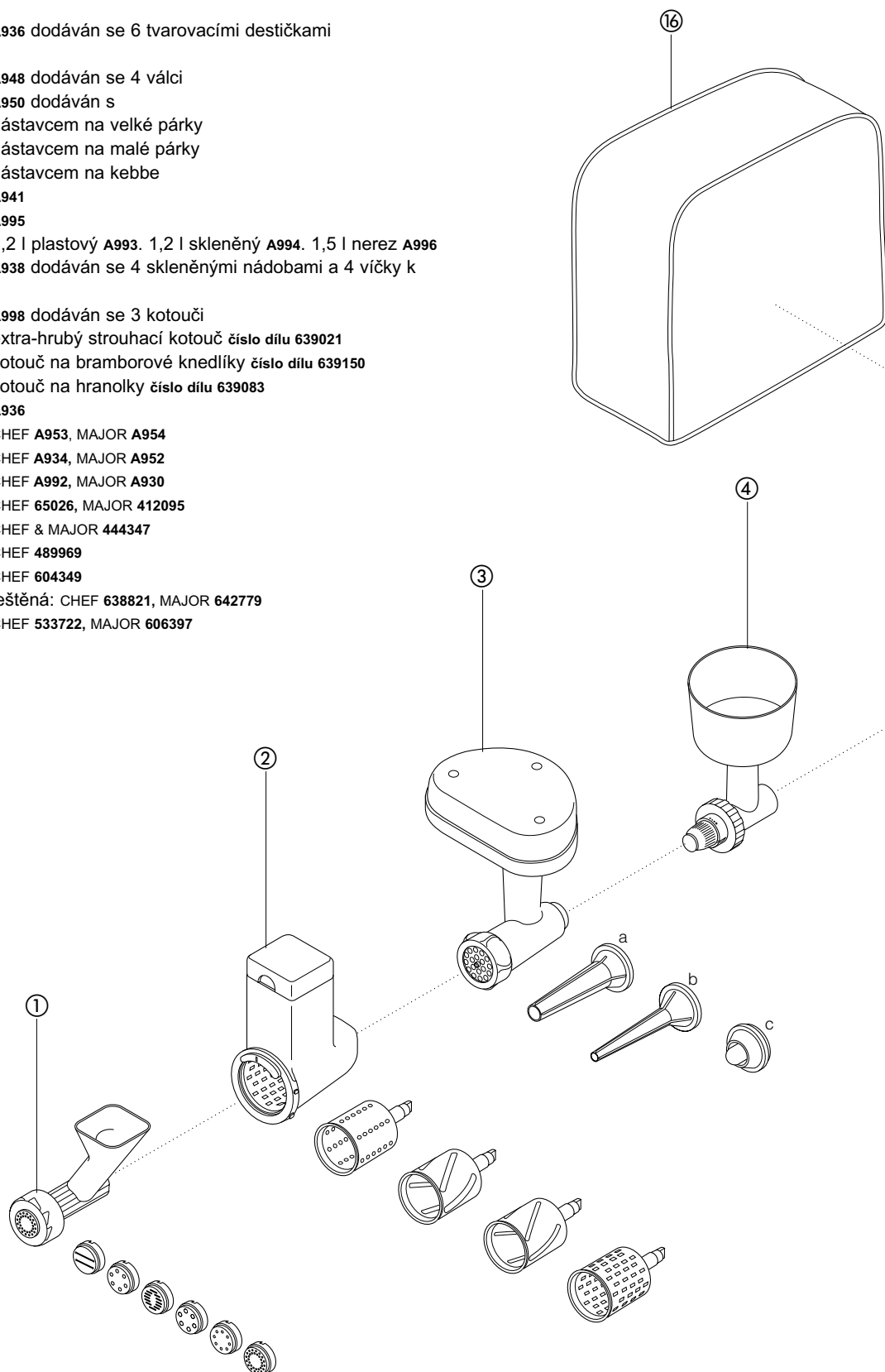


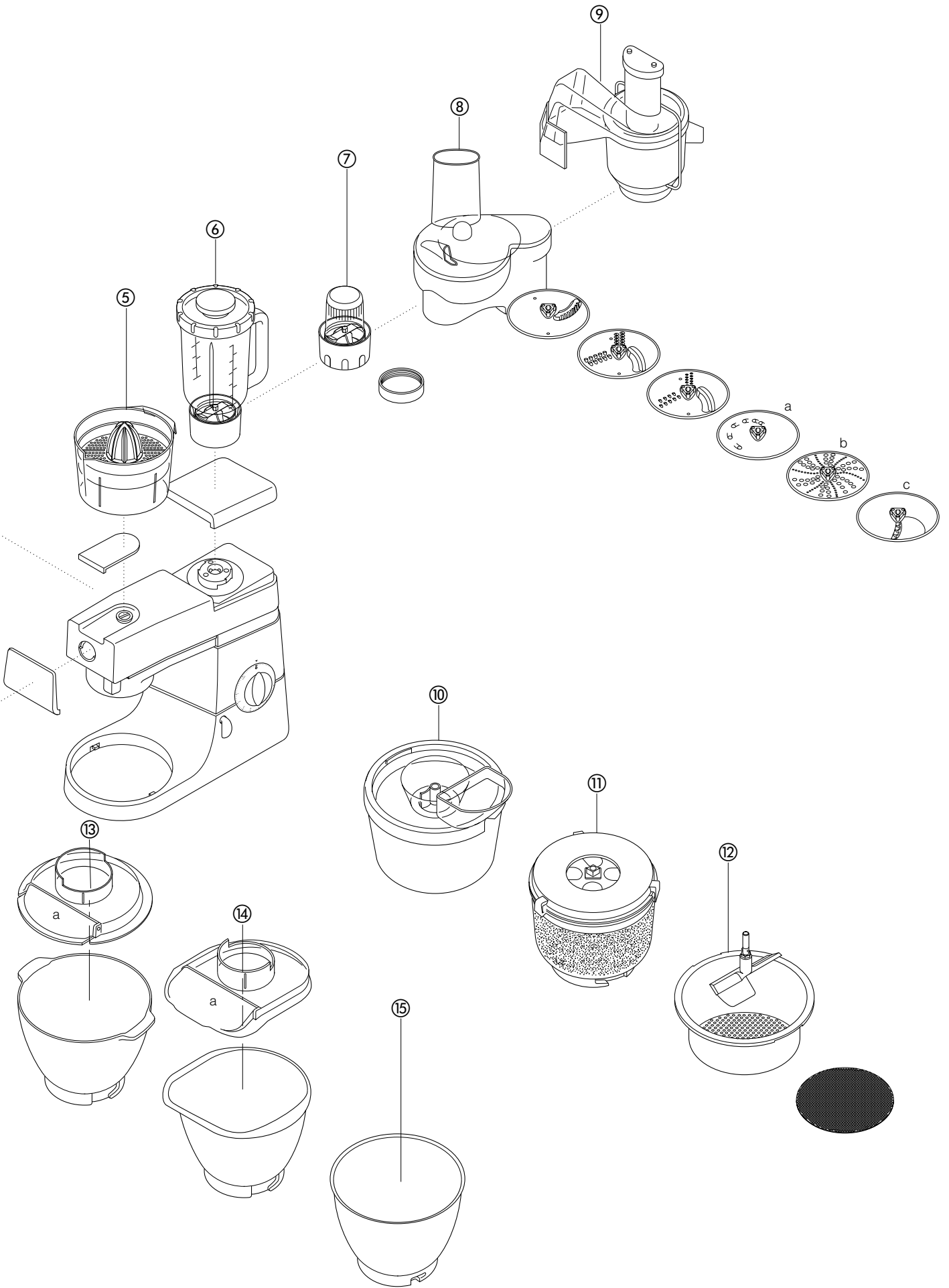
dodávané příslušenství

Chcete-li zakoupit příslušenství, které není součástí vybavení Vašeho robota, obraťte se na opravnu spotřebičů KENWOOD.

příslušenství kód příslušenství

- strojek na těstoviny** ① A936 dodáván se 6 tvarovacími destičkami
pomaloběžný strojek
na krájení/strouhání ② A948 dodáván se 4 válci
super-strojek na mletí masa ③ A950 dodáván s
 a nástavcem na velké párky
 b nástavcem na malé párky
 c nástavcem na kebbe
mlýnek na zrní ④ A941
lis na citrusové plody ⑤ A995
mixér ⑥ 1,2 l plastový A993. 1,2 l skleněný A994. 1,5 l nerez A996
univerzální mlýnek ⑦ A938 dodáván se 4 skleněnými nádobami a 4 víčky k
uskladnění rychloběžný strojek
na krájení/strouhání ⑧ A998 dodáván se 3 kotouči
 kotouče k dokoupení a extra-hrubý strouhací kotouč číslo dílu 639021
 b kotouč na bramborové knedlíky číslo dílu 639150
 c kotouč na hranolky číslo dílu 639083
odstředivka na šťávy ⑨ A936
strojek na zmrzlinu ⑩ CHEF A953, MAJOR A954
strojek na loupání brambor ⑪ CHEF A934, MAJOR A952
pasírovací strojek ⑫ CHEF A992, MAJOR A930
plastová mísa kruhová ⑬ CHEF 65026, MAJOR 412095
 kruhový kryt a CHEF & MAJOR 444347
plastová mísa tvarovaná do Dé ⑭ CHEF 489969
 tvarovaný kryt a CHEF 604349
mísa z nerezavějící oceli ⑮ leštěná: CHEF 638821, MAJOR 642779
 kryt ⑯ CHEF 533722, MAJOR 606397





čištění a servis

čištění a péče

- Před čištěním spotřebič vždy vypněte a zástrčku vytáhněte ze zásuvky.
- Kolem vývodů ② a ③ se po prvním použití mohou objevit stopy maziwa. Jde o normální jev-mazivo stačí jen utřít.

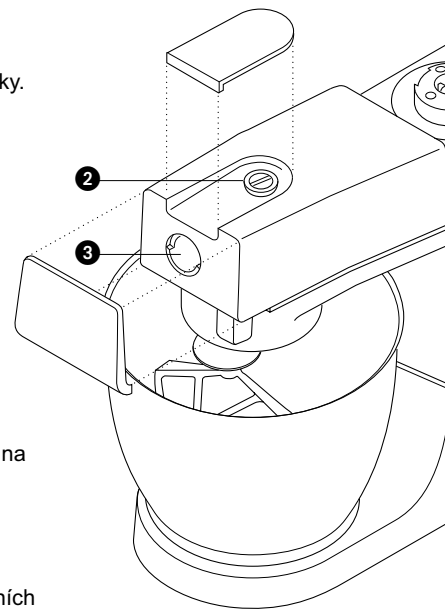
- hnací jednotka
- Otřete navlhčeným hadříkem, a pak vysušte.
 - Nikdy nepoužívejte drsných čisticích prostředků a spotřebič neponořujte do vody.
- mísy
- Umyjte v ruce a důkladně vysušte.
 - Máte-li mísu z nerez, nepoužívejte na ni ocelový kartáč, drátěnku ani bělicí prostředky. Vápenité nánosy odstraníte octem.
 - Mísy chraňte před žářem (plotýnky sporáků, trouby, mikrovlnného záření).
- nástroje
- Umyjte v ruce a do sucha utřete.
 - U K-šlehače, šlehací metly a hnětacího háku může při mytí v myčce na nádobí dojít ke změně barvy.
- kryty
- Umyjte v ruce, a pak utřete do sucha.

servis a služby zákazníkům

- V případě poškození přípojné šňůry může její výměnu z bezpečnostních důvodů provést pouze firma KENWOOD nebo firmou KENWOOD autorizovaná opravna.

pokud potřebujete pomoc s:

- použitím spotřebiče,
 - objednáním nového příslušenství,
 - servisem a opravami,
- volejte firmu, u níž jste spotřebič zakoupili.



recepty

Viz důležité body přípravy chlebového těsta na str. 104

bílý chléb tuhé těsto britského typu

- přísady
- 1,36kg hrubé mouky
 - 3 lžičky soli
 - 25g čerstvých kvasnic; nebo 15g sušených kvasnic + 1 lžička cukru
 - 750ml vody teplé 43°C. Použijte teploměr nebo nalejte 250ml vařící vody do 500ml vody studené.
 - 25g sádla
- postup
- 1 **sušené kvasnice** (druh, který se musí rozpustit v tekutině): sušené kvasnice nasypeme do misky s teplou vodou, přidáme cukr a necháme stát asi 10 minut, až se na směsi objeví pěna.
čerstvé kvasnice: rozdrobíme do mouky.
jiné druhy kvasnic: řiďte se doporučením výrobce.
 - 2 Tekutiny nalejeme do pracovní mísy. Přidáme mouku (s rozdrobenými čerstvými kvasnicemi, pokud je používáme), sůl a sádlo.
 - 3 Hněteme minimální rychlostí 45 - 60 sekund. Pak zrychlíme běh na rychlost 1, v případě potřeby přidáme mouku, až se vytvoří těsto.
 - 4 Pokračujeme v hnětení rychlostí 1 další 3 - 4 minuty, až je těsto hladké a pružné a nelepí se na stěny mísy.
 - 5 Těsto přendáme buď do promaštěného igelitového pytlíku, nebo do mísy, kterou přikryjeme utěrkou, a necháme v teple kynout, až se jeho objem zdvojnásobí.
 - 6 Vykynuté těsto znovu prohněteme rychlostí 1 po dobu 2 minut.
 - 7 Těstem do poloviny naplníme 4 vymaštěné bochníkové formy (450g), nebo z něj vytvarujeme housky. Přikryjeme utěrkou a necháme v teple dokynout, až se objem těsta opět zdvojnásobí.
 - 8 Pečeme v horké troubě o teplotě 230°C chleba asi 30 - 35 minut, housky 10 - 15 minut.
- řádně upečený chléb musí při poklepu zespodu znít dutě.

bílý chléb měkké těsto kontinentálního typu

- přísady
- 2,6kg hladké mouky
 - 1,3 l mléka
 - 300g cukru
 - 450g pokrmového tuku
 - 100g čerstvých kvasnic nebo 50g sušených kvasnic
 - 6 rozšlehaných vajec
 - sůl
- Tato množství jsou pro modely KM600, 800 a 810. U modelů KM300, 400 a 410 použijte poloviční množství a mouku přidejte najednou.
- postup
- 1 Pokrmový tuk rozpustíme v mléce a ohřejeme na 43°C.
 - 2 **sušené kvasnice** (druh, který se musí rozpustit v tekutině): sušené kvasnice nasypeme do misky s mlékem, přidáme cukr a necháme stát asi 10 minut, až se na směsi objeví pěna.
čerstvé kvasnice: rozdrobíme do mouky a přidáme cukr.
jiné druhy kvasnic: řiďte se doporučením výrobce.
 - 3 Mléko nalejeme do mísy. Přidáme rozšlehaná vejce a 2kg mouky.
 - 4 Zpracováváme 1 minutu minimální rychlostí, pak další minutu rychlostí 1. Setřete směs ze stěn.
 - 5 Přidáme zbývající mouku a 1 minutu hněteme minimální rychlostí, a pak další 2 - 3 minuty rychlostí 1, až je směs hladká a řádně promíchaná.
 - 6 Vymaštěné formy na chleba (450g) naplníme do poloviny, nebo z těsta vypracujeme housky. Přikryjeme utěrkou a necháme v teple vykynout, až těsto zdvojnásobí svůj objem.
 - 7 Pečeme v troubě při teplotě 200°C bochníky chleba 20 - 25 minut, housky 15 minut.
 - 8 řádně upečený chléb musí při poklepu zespodu znít dutě.
- Z uvedeného množství upečeme asi 10 bochníků.

recepty pokračování

jahodový a meruňkový dort

- přísady: piškot
- 3 vejce
 - 75g jemného krystalového cukru
 - 75g hladké mouky
- náplň a ozdoba
- 150ml husté smetany
 - cukr podle chuti
 - 225g jahod
 - 225g meruněk
- postup
- 1 Meruňky rozpůlíme a odstraníme pecky. Lehce je povaříme v trošce vody s cukrem podle chuti, až změkknou.
 - 2 Jahody opláchneme a rozpůlíme.
 - 3 Piškotové těsto připravíme z vajec a cukru, které šleháme maximální rychlostí tak dlouho, až směs zesvětlí a zhoustne.
 - 4 Vyndejte mísu a odmontujte šlehací metlu. Do směsi vmíchejte mouku pomocí velké kovové lžice. L buďte přitom opatrní, aby piškot neztěžkl.
 - 5 Směs přelejeme do dvou sendvičových forem (5x18cm), které jsme před tím vymas tili a vyložili pergamenovým papírem.
 - 6 Pečeme asi 20 minut při teplotě 180°C. Hotový piškot musí při lehkém zatlačení vyskočit zpět.
 - 7 Upečený piškot vyndáme z formy a necháme vychladnout na drátěném roštu.
 - 8 Maximální rychlostí ušleháme ze smetany šlehačku, do níž podle chuti přidáme cukr.
 - 9 Meruňky a třetinu jahod hrubě rozkrájíme a vmícháme do poloviny šlehačky.
 - 10 Tuto směs rozetřeme na jeden piškot a oba piškoty pak slepíme dohromady.
 - 11 Zbývající šlehačku rozetřeme na vrch dortu, který ozdobíme zbývajícimi jahodami.

sněhové pusinky

- přísady
- 4 bílky
 - 250g prosetého práškového cukru
- postup
- 1 Plechy na pečení vyložíme nelepivým pergamenovým papírem na pečení.
 - 2 Bílky a cukr šleháme maximální rychlostí asi 10 minut, až se vytvoří tuhý sníh, který stojí do špičky.
 - 3 Ze směsi tvoříme lžicí přímo na plechu pusinky (nebo použijeme stříkací pytlík s hvězdicovou trubičkou o průměru 2,5cm).
 - 4 Pečeme 4 - 5 hodin ve vlahe troubě při teplotě 110°C, až jsou pusinky pevné a křehké. Pokud pusinky začnou při pečení hnědnout, dvířka trouby mírně pootevřeme.
 - Hotové pusinky skladujeme v plechové krabici s dobře těsnícím víkem.

linecké těsto (shortcrust)

- přísady
- 450g mouky proseté společně s
 - 1 lžičkou soli
 - 225g tuku (směs sádla a margarínu přímo z lednice)
 - asi 4 lžice vody
- rada
- Dávejte pozor, abyste směs nepřemíchali.
- postup
- 1 Do mísy dáme mouku a přidáme tuk rozkrájený na kostky.
 - 2 Zpracováváme rychlostí 1, až směs začne připomínat drobení. Strojek vypněte před tím, než směs začne vypadat masně.
 - 3 Přidáme vodu a mícháme minimální rychlostí, jen tak dlouho, až se směs spojí.
 - 4 Pečeme v troubě rozehřáté na 200°C. Teplota se ale mění podle náplně.

beefburgers hovězí karbanátky

- přísady
- 250g hovězího masa bez šlach
- postup
- 1 Maso rozkrájíme na 2,5cm kostky.
 - 2 Pokud nemáte mlýnek na maso, použijte mixér, kterým po malých dávkách hovězí rozsekáte. Mixér spusťte rychlostí 2 na **maximálně** 15 sekund. Mezi dávkami sekací nože vždy vyčistěte.
 - 3 Rozsekané maso smícháme s různým kořením, jako např. rozsekanou cibulkou, zeleným kořením (čerstvé nebo sušené), na hrubo umletým černým pepřem a šťávou a nastrohanou kůrou z citrónu.
 - 4 Vytvarujeme 2 karbanátky, které pečeme na středně až velmi horkém grilu tak dlouho, až je maso zcela propečené.

a Kenwood robotgép használata

első a biztonság

- A keverőlapátok és a tartozékok cseréje, valamint a készülék tisztítása előtt mindig kapcsolja ki a robotgépet, és a hálózati vezetékét is húzza ki a konnektorból. Használat után is áramtalanítsa a készüléket.
- Kisgyermek ne használja a robotgépet. A fizikai támogatásra szoruló (idősek, betegek) is csak felügyelet mellett használják a készüléket.
- Soha ne nyúljon a robotgép vagy a tartozékok mozgó alkatrészeihez.
- Működés közben soha ne hagyja magára a robotgépet, és a kisgyermekket is tartsa távol a készüléktől.
- Ha a robotgép megsérül, ne használja tovább. Az újbóli bekapcsolás előtt szakemberrel ellenőriztesse a készüléket, és ha szükséges, javíttassa meg (l. 116 oldal, javíttatás).
- Csak a gyártó által jóváhagyott tartozékokat használjon. Egyszerre mindig csak egy tartozékot csatlakoztasson a készülékhez.
- Soha ne lépje túl az egyszerre feldolgozható maximális mennyiségeket (l. 112. oldal).
- Soha ne engedje, hogy kisgyermek játsszanak a készülékkel.
- Gondosan tanulmányozza át a tartozékokhoz külön mellékelt biztonsági előírásokat is.
- A készülék csak háztartási célokra alkalmas.

csatlakoztatás

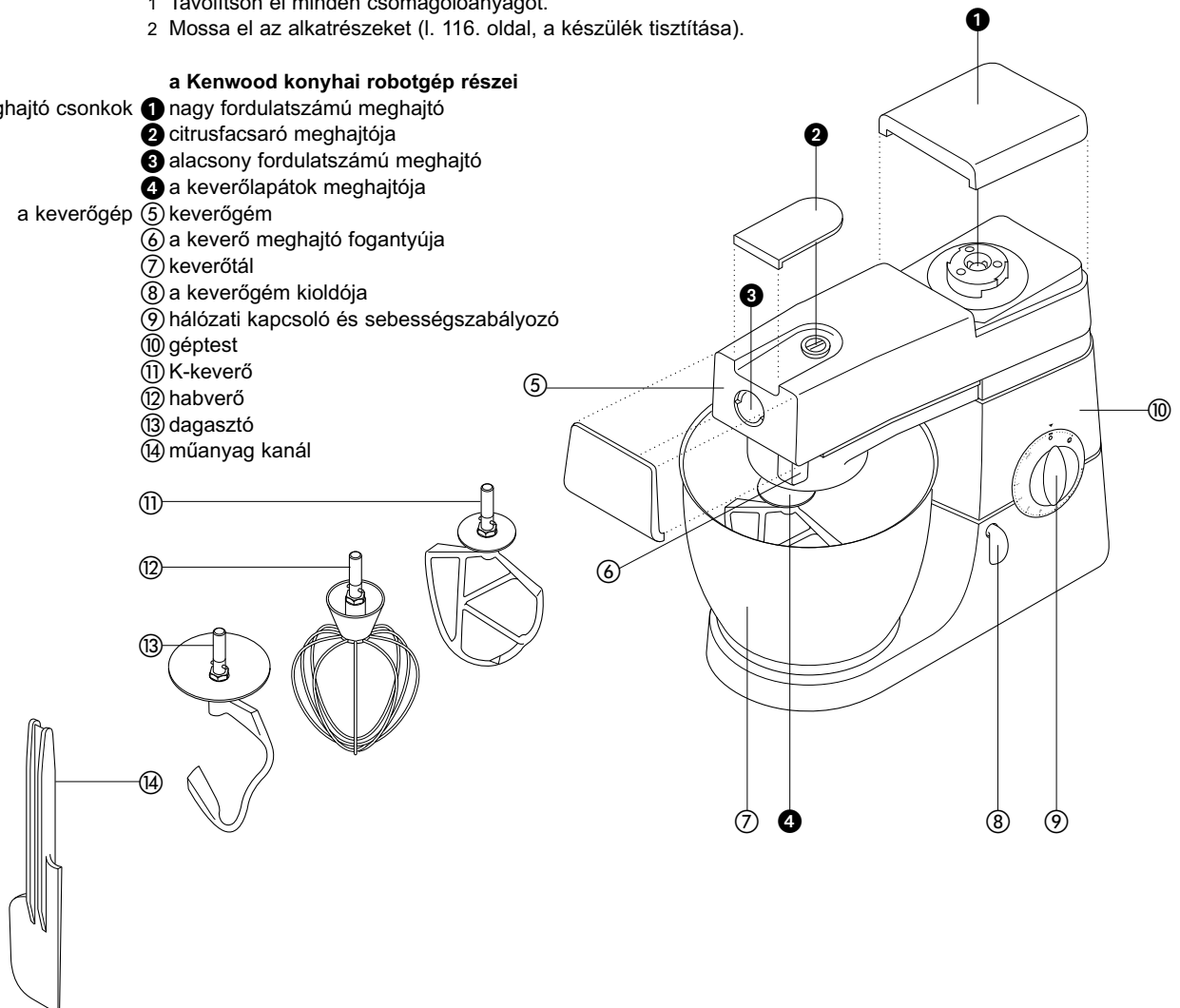
- A falidugasz csatlakoztatása előtt ellenőrizze, hogy a hálózati feszültség megegyezik-e a robotgép alján feltüntetett üzemi feszültséggel.
- A készülék megfelel az Európai Közösség 89/336/EEC sz. előírásának.

az első használat előtt...

- 1 Távolítsa el minden csomagolóanyagot.
- 2 Mossa el az alkatrészeket (l. 116. oldal, a készülék tisztítása).

a Kenwood konyhai robotgép részei

- meghajtó csomók
- 1 nagy fordulatszámú meghajtó
 - 2 citrusfacsaró meghajtója
 - 3 alacsony fordulatszámú meghajtó
 - 4 a keverőlapátok meghajtója
- a keverőgép
- 5 keverőgém
 - 6 a keverő meghajtó fogantyúja
 - 7 keverőtál
 - 8 a keverőgém kioldója
 - 9 hálózati kapcsoló és sebességszabályozó
 - 10 géptest
 - 11 K-keverő
 - 12 habverő
 - 13 dagasztó
 - 14 műanyag kanál



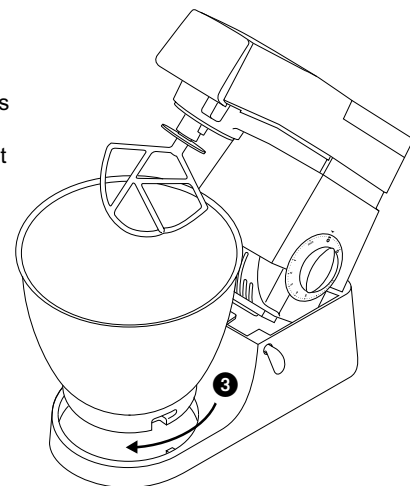
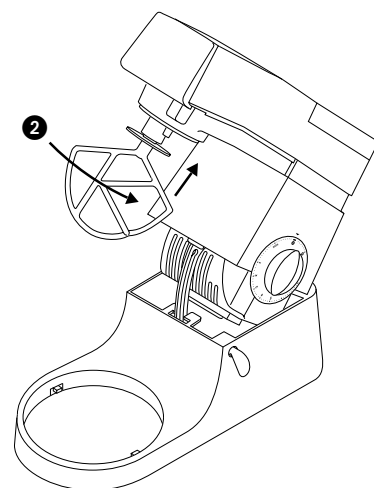
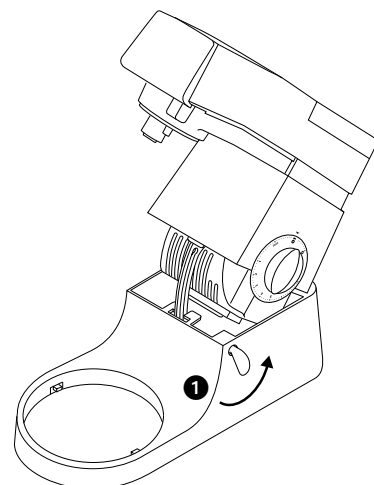
a keverőgép

a csatlakoztatható keverők

- K-keverő • Tészták, mázak, krémek és töltelékek kikeveréséhez, illetve burgonyapüré készítéséhez.
- habverő • Tojás, tejszín felveréséhez, illetve palacsintatészta, zsír nélküli piskótatészta, habcsók, túrótorta valamint különböző habok és pudingok kikeveréséhez. Sűrű anyagokhoz (pl. zsír és cukor kikeveréséhez) ne használja a habverőt, mert deformálódhat.
- dagasztókar • Kelttészta keveréséhez.

a keverőgép használata

- 1 Fordítsa el a keverőgép kioldóját az óramutató járásával ellentétes irányban **1**, majd ütközésig hajtsa fel a keverőgémet: a gép rögzülését a zárszerkezet kattánása jelzi.
 - 2 A használni kívánt keverőt csavarja be a keverőgémen levő csatlakozóba **2**, majd ütközésig nyomja be.
 - 3 A keverő-edényt is tegye a géptestre. Az edény alját nyomja be a géptesten kiképzett mélyedésbe, majd az egész edényt fordítsa el az óramutató járásának irányában **3**.
 - 4 Fordítsa el ismét a keverőgép kioldóját az óramutató járásával ellentétes irányban, és hajtsa vissza a keverőgémet: a gép rögzülését a zárszerkezet kattánása jelzi.
 - 5 A sebességszabályzót állítsa a kívánt fokozatra. A kapcsoló elfordításával a készülék motorja azonnal elindul.
- a keverő kivétele
- 6 Csavarja ki a keverőt a meghajtó tengelyből.



- megjegyzések
- Keverés közben időnként állítsa le a gépet, és a mellékelt műanyag kanállal kaparja le a keverőtál oldalára tapadt masszát.
 - A habveréshez lehetőleg szobahőmérsékletű tojásokat használjon.
 - Tojásfehérje felverésénél ügyeljen arra, hogy sem a keverőn, sem pedig a keverő-edényben ne maradjon tojássárgája vagy bármilyen zsíradék.
 - A különböző tésztákhoz ajánlatos hideg összetevőket használni (hacsak a recept mást nem ír elő).

kenyértészta készítés

- fontos megjegyzések
- Ne lépje túl az egyszerre feldolgozható maximális mennyiségeket (l. lejjebb), mert túlterhelheti a készülék motorját.
 - Ha a gép motorja erőlködik, a tészta felét vegye ki a keverő-edényből, és dagassza két részletben.
 - Az összetevők akkor keverednek el legjobban, ha először a folyadékokat önti a keverő-edénybe.

maximális mennyiségek

KM300, 400 és 410 típus

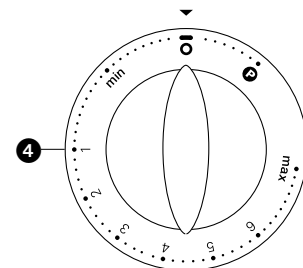
KM600, 800 és 810 típus

- linzertészta • 680g lisztből
- kemény kelttészta • 1,4kg lisztből
- (kenyérhez) • teljes tömeg 2,2kg
- lágú kelttészta • 1,3kg lisztből
- (kalácsához) • teljes tömeg 2,5kg
- püspökkenyér (gyümölcs torta) • teljes tömeg 2,7kg
- tojásfehérje • 12

- 910g lisztből
- 1,5kg lisztből
- teljes tömeg 2,4kg
- 2,6kg lisztből
- teljes tömeg 5kg
- teljes tömeg 4,5kg
- 16

a helyes sebesség megválasztása **4**

- K-keverő • **zsír és cukor kikeverése** kezdje a legalacsonyabb sebességfokozaton, majd fokozatosan kapcsoljon az maximális fokozatra.
- **tojás tészta keverése** a 4-es és a legmagasabb sebességfokozat között.
- **liszt, gyümölcs stb. bekeverése** a legalacsonyabb és az 1-es sebességfokozat között.
- **gyümölcskenyér jellegű sütemények kikeverése** kezdje a legalacsonyabb sebességfokozaton, majd fokozatosan kapcsoljon a legmagasabb fokozatra.
- **zsír és liszt keverése** a legalacsonyabb és a 2-es sebességfokozat között.
- habverő • Fokozatosan kapcsoljon maximális fokozatra.
- dagasztókar • Kezdje minimális sebességen, majd fokozatosan váltson 1 - es fokozatra.



a készülék tisztítása - 116. oldal

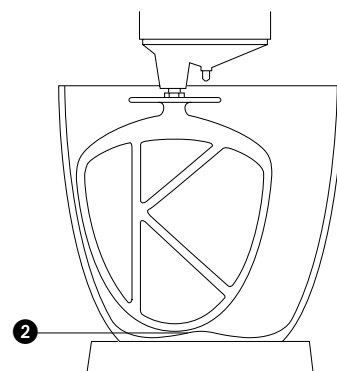
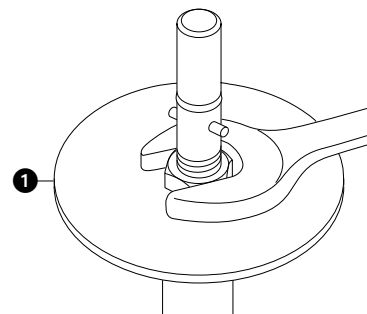
hibakeresés

a hiba

- A habverő vagy a K-keverő a keverőtál aljának ütközik vagy az edény alján nem kever tökéletesen.

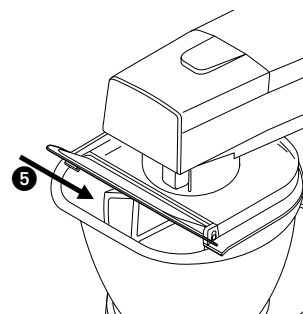
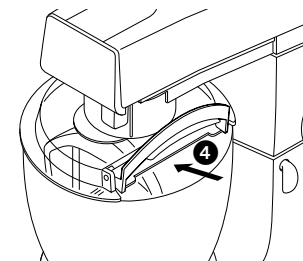
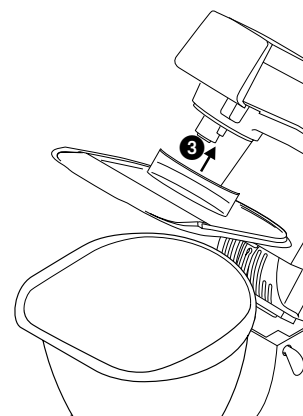
megoldás • Az alábbiak szerint állítsa be a keverő magasságát.

- 1 A csatlakozó dugaszt húzza ki a hálózathoz.
- 2 Hajtsa fel a keverőgémet, és helyezze be a habverőt/K-keverőt.
- 3 Egyik kezével fogja meg a keverőt, és lazítsa meg az anyát **1**.
- 4 Hajtsa le a keverőgémet.
- 5 Forgassa el a keverő szárát addig, amíg a habverő/K-keverő **majdnem** az edény aljáig ér, de még nem érintkezik az edénnyel **2**.
- 6 Hajtsa fel ismét a keverőgémet. Egyik kezével fogja meg a keverőt, és húzza meg az anyát.



A kerek/D-alakú fedél használata (nem minden típusnál alaptartozék)

- 1 Hajtsa fel a keverőgémet úgy, hogy a felhajtott állásban rögzüljön.
 - 2 Helyezze a keverő edényt a készülékre.
 - 3 Nyomja rá a fedelet a keverőgépre úgy, hogy rögzüljön **3**. A fedél felhajtható részének az ábra szerint kell elhelyezkednie **4**: kerek fedél, **5**: D-alakú fedél).
 - 4 Illessze a kívánt keverőlapátot a keverőgémbe.
 - 5 Hajtsa le a keverőgémet. Ügyeljen arra, hogy a fedél megfelelően illeszkedjen a keverő edényre.
- A fedél felhajtható részét kinyitva keverés közben is az edénybe teheti a hozzávalókat.
 - A keverőlapát cseréjekor a fedelet nem szükséges levenni.
- 6 Ha elkészült, hajtsa fel a keverőgémet, és a fedél szélét lefelé nyomva vegye le róla a fedelet.



A csatlakoztatható tartozékok

Az alapsomagban nem mellékelt tartozékok külön is megvásárolhatók. Forduljon a helyi KENWOOD javítóvállalathoz.

tartozék tartozék kódja

lasagna készítő ① A970

Az A970-hez rendelhető további
tésztakészítő tartozékok
(az ábrán nem láthatók)

A971 tagliatelle
A972 tagliolini
A973 trenette
A974 spagetti

tésztakészítő ② A936, hatféle formával

alacsony fordulatszámú

szeletelő/reszelő ③ A948, 4 szeletelő dobbal

nagyméretű daráló ④ A950, három adapterrel:

a nagyméretű kolbásztöltő-kivezetés
b kisméretű kolbásztöltő kivezetés
c kebbe készítő

gabonadaráló ⑤ A941

citrusfacsaró ⑥ A995

turmixoló ⑦ 1,2 literes műanyag A993A, 1,2 literes üveg A994A 1,5 literes

rozsdamentes acél A996A

univerzális daráló ⑧ A938A, három tárolásra is alkalmas fedeles üvegedénnyel

nagy fordulatszámú

szeletelő/reszelő ⑨ A998, háromféle vágólappal

további vágólapok a extra durva reszelőlap (cikkszám: 639021)

b krumplinyomó (cikkszám: 639150)

c normál hasábburgonya szeletelő (cikkszám: 639083)

gyümölcscentrifuga ⑩ A935

fagylalkészítő ⑪ CHEF A953, MAJOR A954

burgonyahámozó ⑫ CHEF A934, MAJOR A952

passzírozó szita ⑬ CHEF A992, MAJOR A930

Kenlyte kerek edény ⑭ CHEF 265026, MAJOR 412095

kerek védőfedél a CHEF és MAJOR 444347

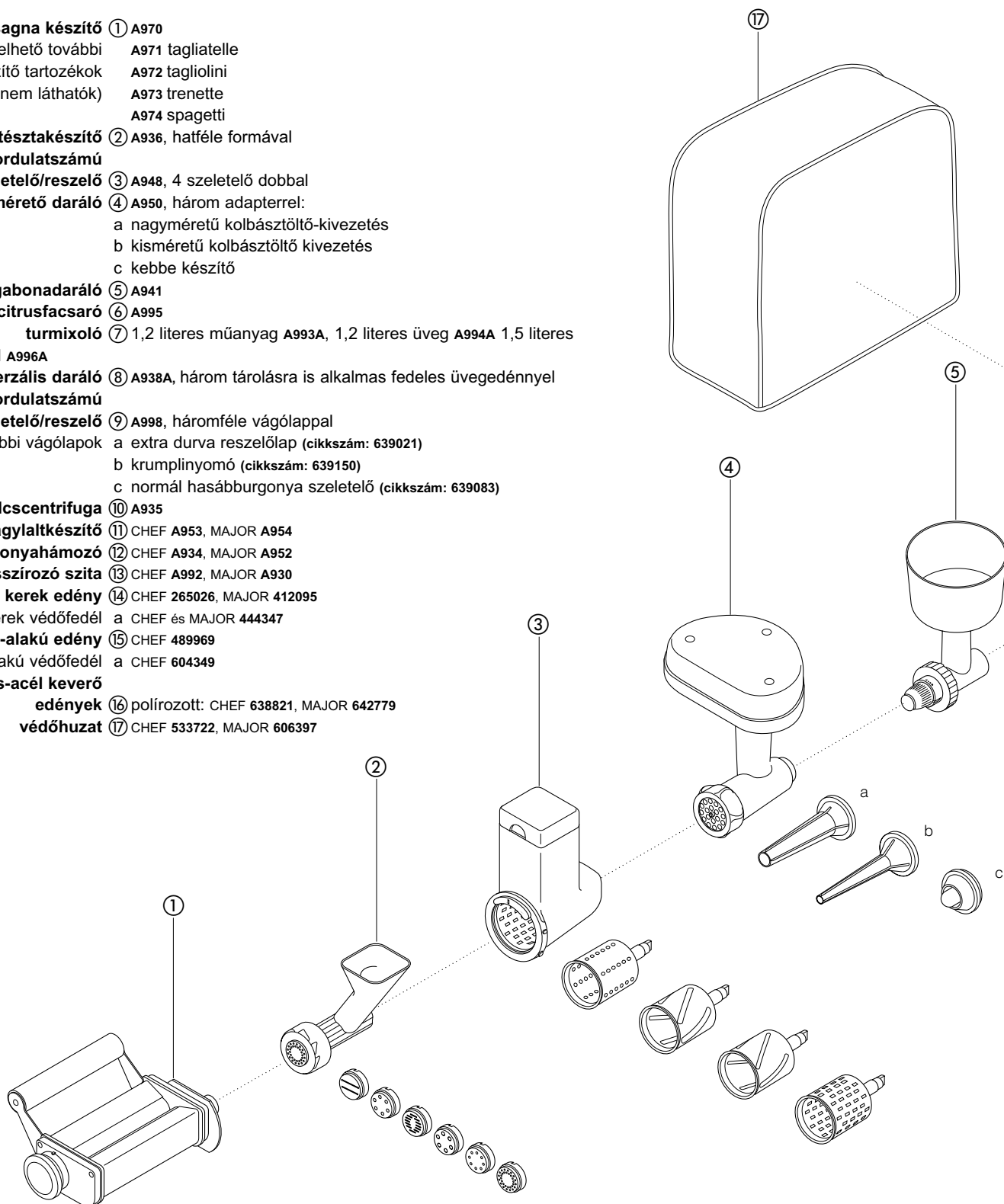
Kenlyte D-alakú edény ⑮ CHEF 489969

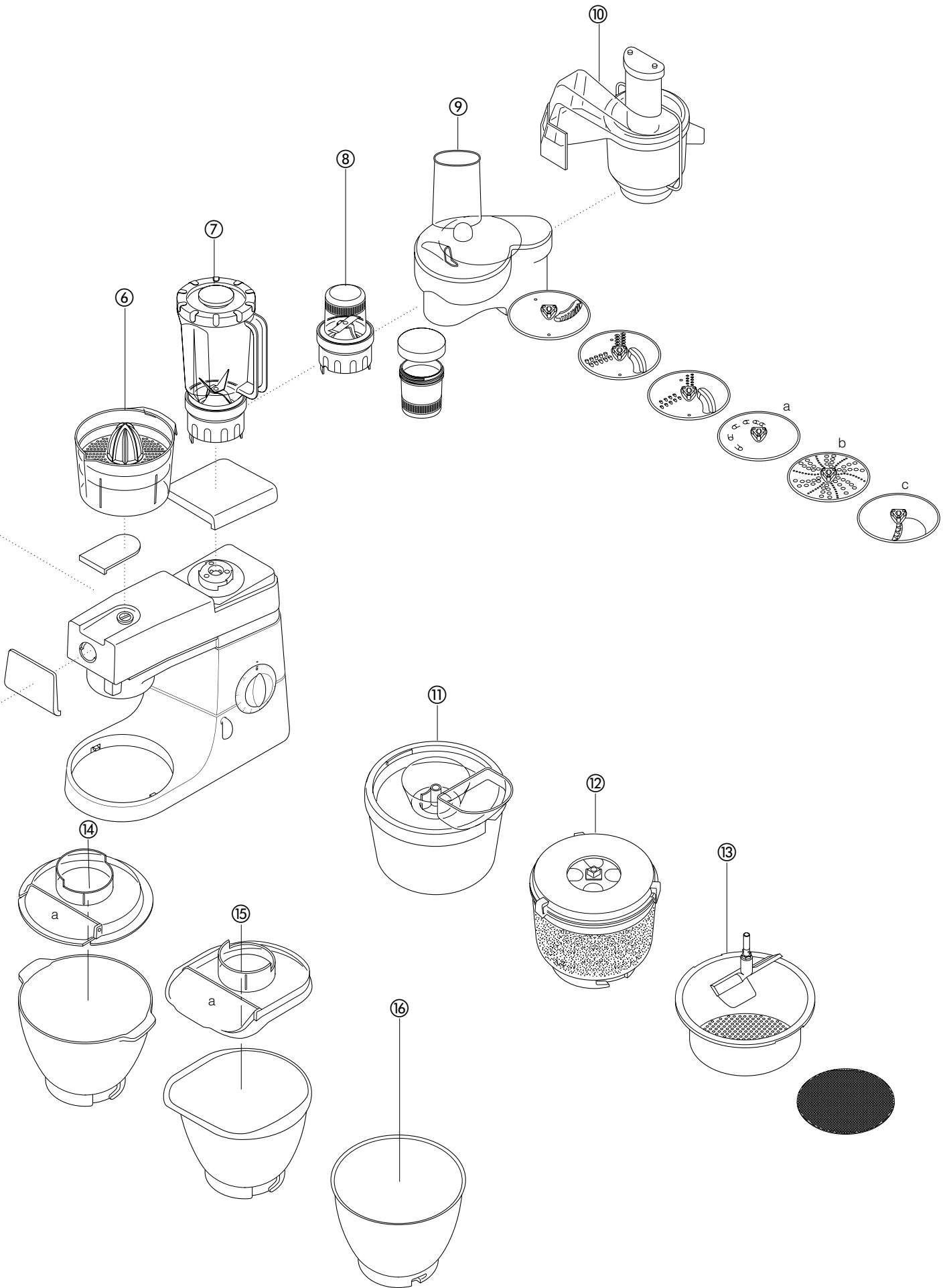
D-alakú védőfedél a CHEF 604349

rozsdamentes-acél keverő

edények ⑯ polírozott: CHEF 638821, MAJOR 642779

védőhuzat ⑰ CHEF 533722, MAJOR 606397





tisztítás és javítás

a készülék tisztítása

- Tisztítás előtt mindig húzza ki a hálózati vezetékét a konnektorból.
- Az első napokban a **2** és **3** **meghajtó csomk** körül kenőzsír szivároghat ki, ez azonban normális jelenség. A kiszivárgott zsírt csupán törölje le.

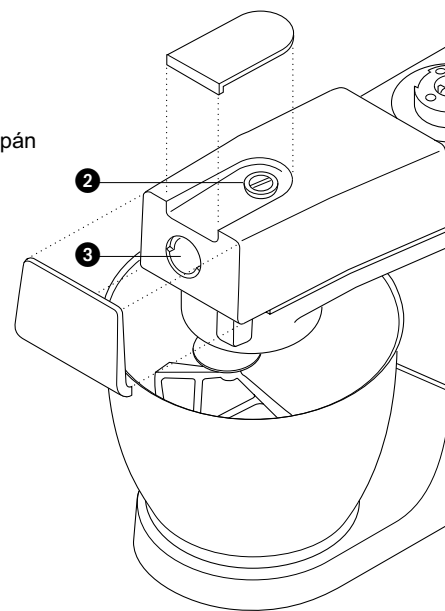
- géptest
 - Először nedves, majd száraz ruhával törölje át.
 - Ne használjon súrolószert, és soha ne merítse vízbe.
- keverő-edények
 - Kézzel mosogassa el, majd alaposan szárítsa meg.
 - A rozsdamentes acél keverő-edény tisztításánál soha ne használjon drótkefét, fém dörzsszivacsot vagy hypót. Az esetleges vízkőlerakódást ecetes ruhával távolíthatja el. A rozsdamentes-acél keverő edények mosogatógépben is tisztíthatók.
 - A keverő edényt óvja a közvetlen hőtől (pl. tűzhely, hagyományos vagy mikrohullámú sütő).
- keverők
 - Kézzel mosogassa el, majd alaposan szárítsa meg.
 - A K-keverő, a habverő és a dagasztókar a mosogatógépben való tisztítástól elszíneződhet.
- fedél
 - Kézzel mosogassa el, majd alaposan törölje meg.

javítás és vevőszolgálat

- Ha a hálózati vezeték megsérül, azonnal ki kell cserélni. A javítást - biztonsági okokból - csak a KENWOOD által megbízott javítóállalat szakembere végezheti el.

Ha további segítségre van szüksége:

- a készülék használatával
- külön tartozékok rendelésével
- a készülék karbantartásával vagy javításával kapcsolatban, forduljon ahhoz az üzlethez, ahol a készüléket vásárolta.



receptek

Kérjük, hogy a 112. oldalon is olvassa el a kenyérfélesztővel kapcsolatos fontos megjegyzéseket.

fehér kalács

hozzávalók
A megadott mennyiségek a KM600, 800 és 810 típusokra vonatkoznak. A KM300, 400 és 410 típusoknál felezze meg a mennyiségeket. Ilyenkor egyszerre feldolgozhatja a teljes mennyiséget.

- 2,6kg sima liszt
- 1,3 liter tej
- 300g cukor
- 450g margarin
- 100g friss élesztő vagy 50g szárított élesztő
- 6 habosra kevert tojás
- 5 csipetnyi só

elkészítés

- 1 A tejben olvasszuk fel a margarint, és melegítsük 43°C hőmérsékletre.
- 2 **szárított élesztővel:** adjuk az élesztőt és a cukrot a tejhez, és hagyjuk állni kb. 10 percig, amíg habos lesz.
friss élesztővel: a darabokra tört élesztőt keverjük a liszthez, majd keverjük bele a cukrot is.
egyéb élesztők: kövessük a csomagoláson levő utasítást.
- 3 Öntsük a tejet a keverő-edénybe. Adjuk hozzá a habosra kevert tojást és 2kg lisztet.
- 4 Keverje a legalacsonyabb sebességfokozaton egy percig, majd további egy percre kapcsoljon az 1-es fokozatra. A keverés után kaparja le az edény falára ragadt tésztát.
- 5 Adjuk hozzá a maradék lisztet, és minimális sebességen keverjük újabb 1 percig. Ezután kapcsoljunk 1 - es sebességfokozatra, és keverjük további 2 - 3 percig, amíg a tészta egyenletesen sima lesz.
- 6 A tésztából formázzunk buccikat vagy válasszuk szét kb. fél kg-os darabokra, és tegyük zsírral kikent tepsibe (ügyeljünk arra, hogy a tészta csak a tepső oldalának feléig érjen). Takarjuk le, és hagyjuk tovább kelni, amíg a tészta újból kétszeresére dagad.
- 7 Tegyük 200°C hőmérsékletű sütőbe. A buccikat 15 percig, a kalácsokat 20 - 25 percig süssük.
- 8 A sütés vége felé kopogtassuk meg a buccik vagy kalácsok alját: ha üregesnek hangzanak, a tészta teljesen átsült, kivehetjük a sütőből.

- A recept kb. 10 kalács elkészítésére elegendő.

Epres-sárgabarackos habossütemény

hozzávalók: piskótatészta
töltelék és bevonat

- 3 tojás
- 75g finomított kristálycukor
- 75g finom liszt
- 150ml tejszín
- cukor ízlés szerint
- 225g eper
- 225g sárgabarack

elkészítés

- 1 A sárgabarackokat vágjuk felébe, és vegyük ki a magot. Nagyon kevés, ízlés szerint cukrozott vízben főzzük puhára.
- 2 Az epret tisztítsuk meg, és vágjuk felébe.
- 3 A gépet maximális sebességre állítva keverjük ki a tojást a cukorral, amíg kifehéredik és sűrűvé válik.
- 4 Vegye ki a keverőedényt és a habverőt. Óvatosan kanalazza bele a lisztet (használgjon nagyalakú fémkanalat). Ügyeljen arra, hogy a tészta könnyű maradjon.
- 5 A tésztát tegyük két kb. 20cm átmérőjű, kizsirozott és kibélelt tortaformába.
- 6 Süssük 180°C-on kb. 20 percig, amíg a tészta felülete rugalmas tapintásúvá válik.
- 7 Fordítsuk ki a formából, és sütőrácsra hagyjuk kihűlni.
- 8 Tegyük vissza a habverőt a gépbe, és maximális sebességre kapcsolva verjük fel az előzőleg ízlés szerint édesített tejszínt. Az elkészült habot válasszuk két egyenlő részre.
- 9 A sárgabarackot és az eper egyharmadát vágjuk darabokra, és óvatosan keverjük az egyik adag tejszínhabhoz.
- 10 Az így kapott krémmel ragasszuk össze a két piskóta lapot.
- 11 A másik adag tejszínhabbal borítsuk be a tortát, és a maradék eperdarabokkal díszítsük.

receptek *folígatás*

Habcsók

- hozzávalók
- 4 tojásfehérje
 - 250g átszitált porcukor
- elkészítés
- 1 Béveljünk ki egy tepsit zsírpapírral.
 - 2 Tegyük a hozzávalókat a keverő-edénybe, és a gépet maximális sebességre kapcsolva verjük addig, amíg a habverő kiemelésekor a massa csúcsos alakban megáll (kb. 10 perc).
 - 3 Tegyük a masszát nagyméretű nyomózsákba, és kb. 2,5cm-es, csillag alakú nyomóformán keresztül nyomjunk kis formákat a tepsibe. Ha nincs nyomózsákunk, kanállal adagoljuk a tésztát.
 - 4 Lassú tűzön (110°C) süssük addig, amíg a tészta kemény és porhanyós lesz (kb. 4 - 5 óra). Ha sütés közben a habcsók barnulni kezdenek, a sütő ajtaját résnyire nyissuk ki.
- Az elkészült habcsókokat légmentesen záródó fémdobozban tároljuk.

Linzertészta

- hozzávalók
- 450g a sóval együtt átszitált liszt
 - 1 kávéskanál só
 - 225g zsiradék (hűtőszekrény-hideg zsír és margarin keveréke)
 - kb. 4 evőkanál víz
- jótanács
- Ügyeljünk arra, hogy ne keverjük túl a hozzávalókat.
- elkészítés
- 1 Öntsük a lisztet a keverő-edénybe, és adjuk hozzá a darabokra vágott zsiradékot.
 - 2 Keverje 1-es sebességfokozaton addig, amíg a keverék állaga zsemlemorzsaszerű lesz. Ügyeljen arra, hogy időben állítsa le a keverést, különben zsíros állagúvá válik.
 - 3 Adjuk hozzá a vizet, és keverjük a legalacsonyabb sebességen, de csak addig, amíg a tészta teljesen fel nem veszi a vizet.
 - 4 A tésztát általában 200°C-on kell sütni, de a helyes hőmérséklet a tölteléktől is függ.

Hamburger marhahúsból

- hozzávalók
- 250g porcmentes marhahús
- elkészítés
- 1 Vágjuk fel a marhahúst kb. 2,5cm-es kockákra.
 - 2 Ha a robotgép tartozékai között nincsen húsdaráló, a marhahús kis mennyiségben a turmixoló egységben is felaprítható. Tegyük a húsdarabokat a turmixoló egységbe, majd 2 - es sebességfokozaton turmixoljuk **legfeljebb** 15 másodpercig. Az újabb adag felaprítása előtt a forgókés mellől távolítsuk el a húsmaradékokat.
 - 3 A felaprított húshoz keverjük fűszereket, ízlés szerint (pl. apróra vágott hagymát, friss vagy szárított fűszerkeveréket, durvára őrölt fekete borsot vagy egy citrom lereszelt héját és levét).
 - 4 Az így kapott keveréket osszuk két egyenlő részre, és formázzunk belőlük lapos, kerek pogácsát. A két pogácsát közepes vagy magas fokozatra állított grillező alatt süssük addig, amíg teljesen átsülnek.

poznaj swój malakser kuchenny Kenwood

bezpieczeństwo

- Wyłącz i wyjmij wtyczkę z gniazdka sieciowego przed zakładaniem lub zdejmowaniem narzędzi, po użyciu i przed czyszczeniem.
- Urządzenie nie jest przeznaczone do użytku bez nadzoru przez małe dzieci lub osoby niepełnosprawne.
- Trzymaj palce z daleka od części ruchomych i założonych narzędzi.
- Nigdy nie pozostawiaj włączonego malaksera bez opieki; trzymaj dzieci z dala od niego.
- Nigdy nie pracuj na uszkodzonym malakserze. Sprawdź go w punkcie obsługi lub oddaj do naprawy - patrz 'serwis' na str. 124.
- Nigdy nie używaj narzędzi nie autoryzowanych, ani też więcej, niż jednego narzędzia na raz.
- Nigdy nie przekraczaj ilości maksymalnych, podanych na str. 120.
- Nie pozwalaj, aby urządzeniem bawiły się dzieci.
- Przed użyciem narzędzia przeczytaj dołączone do niego instrukcje bezpiecznej obsługi.
- Malakser jest przeznaczony wyłącznie do użytku domowego.

przed włożeniem wtyczki do gniazdka

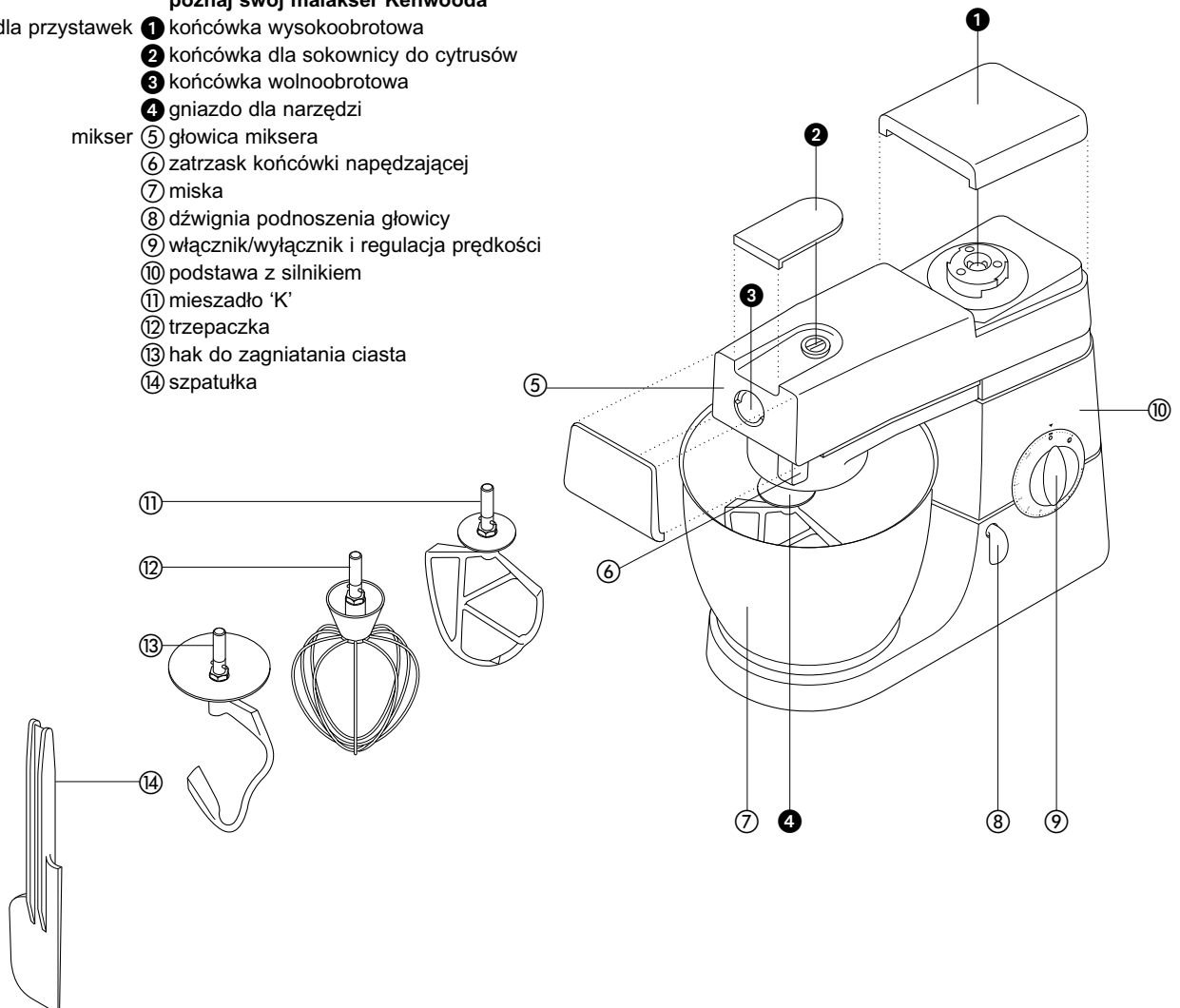
- Upewnij się, że napięcie sieci jest takie same, jak podane na tabliczce znamionowej pod spodem malaksera.
- Urządzenie jest zgodne z Dyrektywą EWG Nr. 89/336/EEC.

przed użyciem po raz pierwszy

- 1 Usuń wszystkie materiały opakowania.
- 2 Umyj części: patrz punkt 'pielęgnacja i czyszczenie' na str. 124.

poznaj swój malakser Kenwooda

- końcówki dla przystawek
- 1 końcówka wysokoobrotowa
 - 2 końcówka dla sokownicy do cytrusów
 - 3 końcówka wolnoobrotowa
 - 4 gniazdo dla narzędzi
- mikser
- 5 głowica miksera
 - 6 zatrzask końcówki napędzającej
 - 7 miska
 - 8 dźwignia podnoszenia głowicy
 - 9 włącznik/wyłącznik i regulacja prędkości
 - 10 podstawa z silnikiem
 - 11 mieszadło 'K'
 - 12 trzepaczka
 - 13 hak do zagniatania ciasta
 - 14 szpatułka



ubijanie/zagniatanie

narzędzia do miksowania i niektóre ich zastosowania

- mieszadło 'K' • Do ciastek, biszkoptów, ciasta kruchego, lukrów, nadzienia, eklerów i tłuczonych ziemniaków
- trzepaczka • Do ubijania jaj, śmietanki, ciasta naleśnikowego, babek bez tłuszczu, bezów, serników, musów, sufletów. Nie używaj trzepaczki do mieszania ciężkich (np. ucierania tłuszczu z cukrem) - może to ją uszkodzić.
- Hak do ciasta • Do ciast drożdżowych.

jak używać funkcji ubijania/zagniatania

- 1 Obróć dźwignię podnoszenia głowicy ❶ w lewo i podnieś głowicę miksera, aż się zatrzaśnie.
 - 2 Obróć aż do oporu ❷ następnie wciśnij.
 - 3 Załóż miskę na podstawie - pociśnij i obróć w prawo ❸
 - 4 Obróć dźwignię podnoszenia głowicy w lewo i opuść głowicę miksera, aż się zatrzaśnie.
 - 5 Nastaw odpowiednią prędkość, następnie włącz obracając pokrętko regulacji prędkości.
 - Przełączaj na **P** do pracy impulsami.
 - 6 Wykręć je.
- aby wyjąć narzędzie

- wskazówki
- Często wyłączaj i zeskrobujskrobujskrobuj miskę szpatułką.
 - Najlepiej się ubijają jajka w temperaturze pokojowej.
 - Przed ubijaniem piany z białek upewnij się, że na trzepaczce i w misce nie ma tłuszczu ani żółtka.
 - Na kruche ciasto używaj zimnych składników, chyba że przepis podaje inaczej.

zagniatanie chleba

- ważne
- Nigdy nie przekraczaj maksymalnych ilości podanych poniżej - przeciąży to malakser.
 - Jeśli słycać wyężoną pracę silnika - wyłącz malakser, wyjmij połowę ciasta i zagniataj każdą połówkę oddzielnie.
 - Składniki mieszają się najlepiej, jeśli włącz najpierw płynny.

pojemności maksymalne

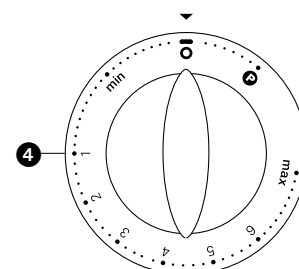
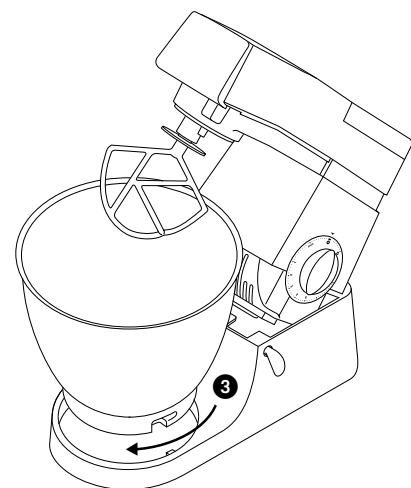
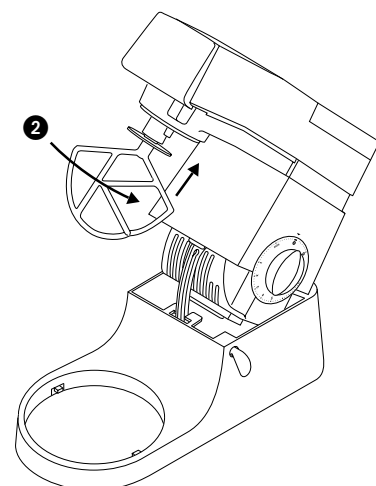
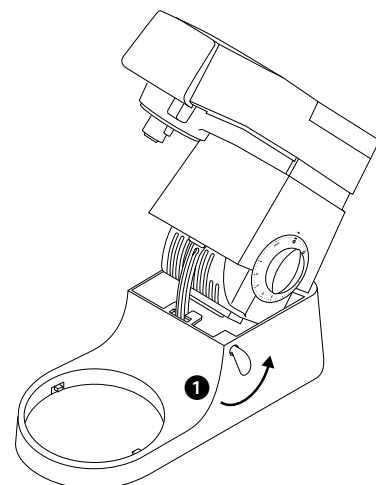
Modele KM300, 400, 410

Modele KM600, 800, 810

- | | | |
|---------------------------------|--------------------------|------------------------|
| ciasto kruche | • Ilość mąki: 68 dag | Ilość mąki: 91 dag |
| gęste ciasto drożdżowe | • Ilość mąki: 1,36kg | Ilość mąki: 1,5kg |
| ciasto 'angielskie' | • Ilość całkowita: 2,2kg | Ilość całkowita: 2,4kg |
| miękkie ciasto drożdżowe | • Ilość mąki: 1,3kg | Ilość mąki: 2,6kg |
| ciasto chlebowe słodkie | • Ilość całkowita: 2,5kg | Ilość całkowita: 5kg |
| mieszanina na keks | • Ilość całkowita: 2,7kg | Ilość całkowita: 4,5kg |
| białka | • 12 | 16 |

prędkości ❸

- mieszadło 'K' • **ucieranie tłuszczu z cukrem** zacznij na prędkości "min", stopniowo zwiększając do 5.
- **łączenie jaj z utartą mieszaniną** od 4 do "max".
- **dodawanie mąki, owoców itp.** od "min" do 1
- **ciasta "wszystko od razu"** zacznij na prędkości "min" i stopniowo zwiększaj do "max".
- **ucieranie tłuszczu z mąką** od "min" do 2.
- bicie piany • Stopniowo zwiększaj do 'max'.
- hak do ciasta • Zacznij od 'min', stopniowo zwiększaj do 1.



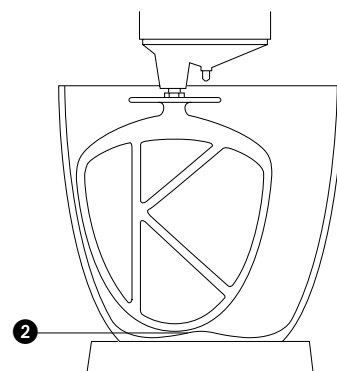
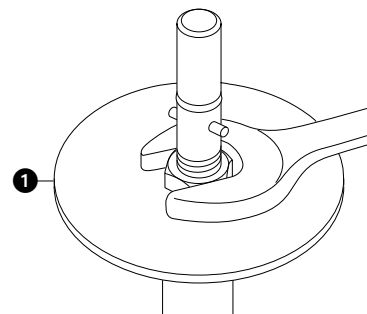
usuwanie niesprawności

problem

- Trzepaczka lub mieszadło 'K' uderza o dno miski lub nie dosięga składników na dnie miski.

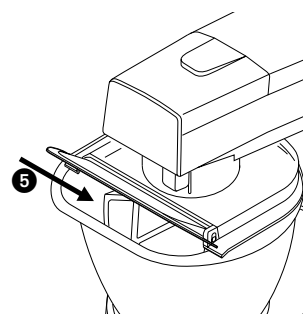
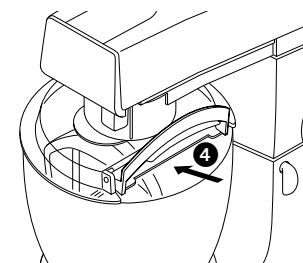
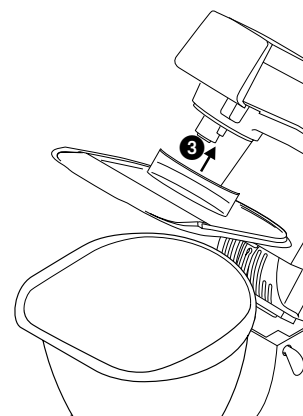
rozwiązanie • Wyreguluj wysokość. Postępuj jak niżej:

- 1 Wyjmij wtyczkę z gniazdka sieciowego.
- 2 Podnieś głowicę miksera i załóż trzepaczkę lub mieszadło.
- 3 Trzymaj za narzędzie, następnie zluźnij nakrętkę ❶.
- 4 Opuść głowicę miksera.
- 5 Wyreguluj wysokość przez obracanie wałka. Najlepiej jest, gdy trzepaczka lub mieszadło "K" **prawie** dotyka dna miski ❷.
- 6 Podnieś głowicę trzymając za trzepaczkę lub mieszadło "K" i dociągnij nakrętkę.



zakładanie i posługiwanie się osłoną przeciwrozbryzgową okrągłą lub w kształcie "D" (jeśli przewidziana)

- 1 Podnieś głowicę miksera, aż zaskoczy.
- 2 Załóż miskę w podstawie.
- 3 Nasuń osłonę, aż wejdzie na miejsce ❸. Część z zawiasą powinna być umiejscowiona jak na rysunku: okrągłą ❹ względnie "D" ❺.
- 4 Załóż odpowiednie narzędzie.
- 5 Opuść głowicę miksera upewniając się, że kształt osłony jest dopasowany do kształtu miski.
- Podczas miksowania składniki można dodawać bezpośrednio do miski posługując się podnoszoną kłapką w osłonie.
- Zdejmowanie osłony nie jest konieczne, aby zmienić narzędzie.
- 6 Aby zdjąć osłonę, podnieś głowicę miksera i zsuń ją.

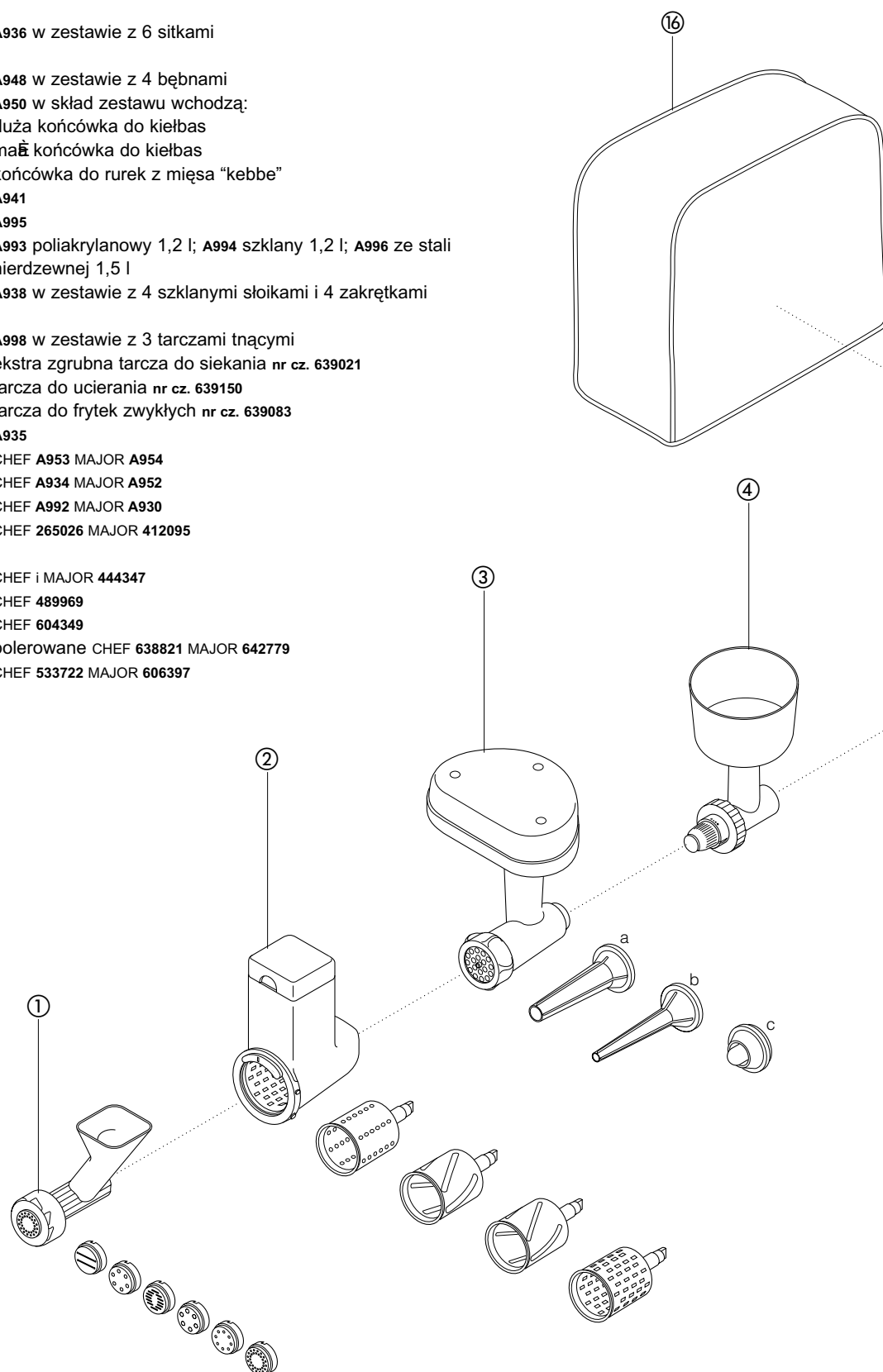


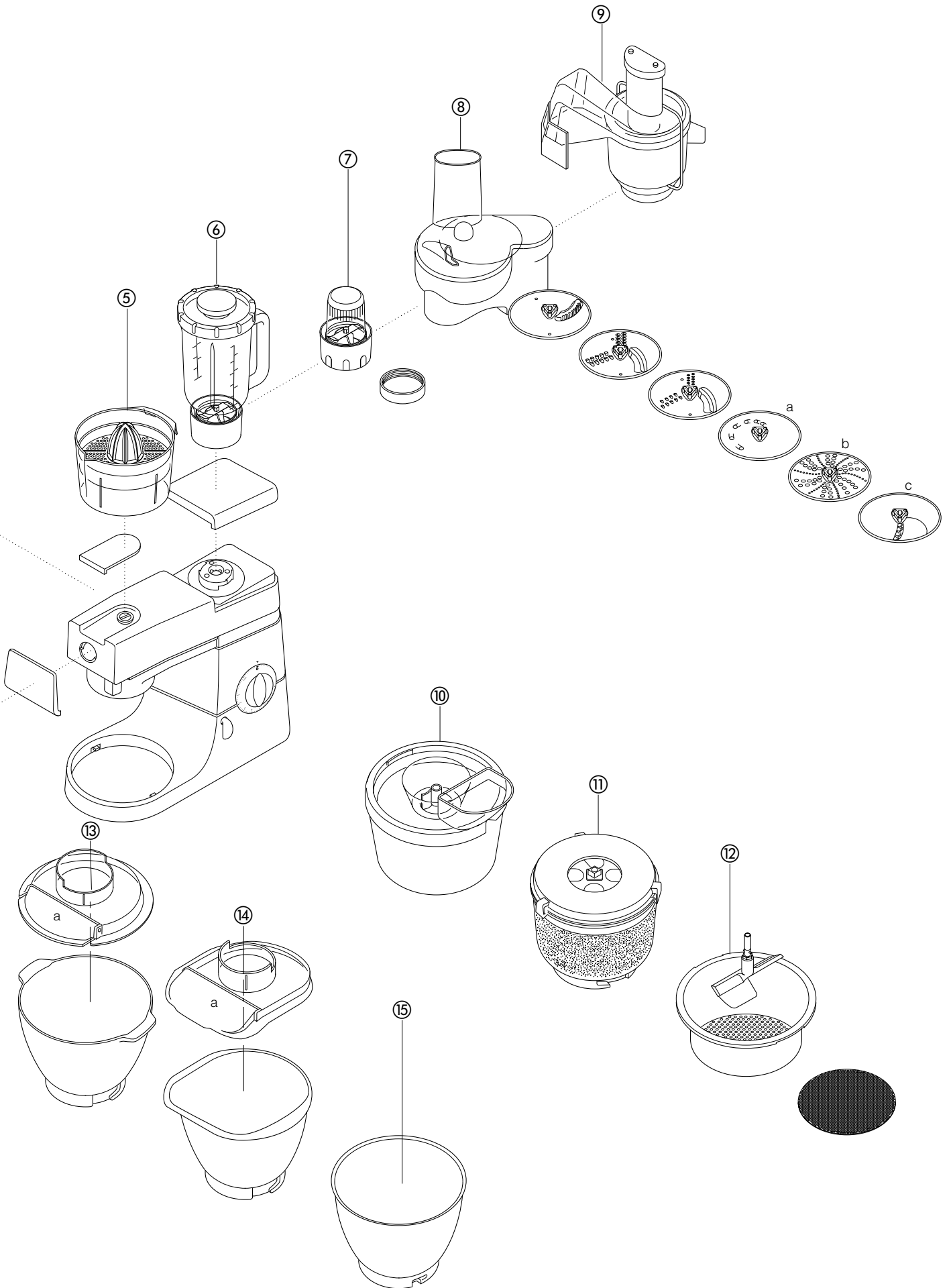
dostępne narzędzia i przystawki

Aby kupić narzędzie nie przewidziane w zestawie, prosimy się skontaktować z punktem usługowym KENWOODA.

narzędzie oznaczenie narzędzia

- przystawka do makaronu** ① A936 w zestawie z 6 sitkami
- przystawka do krajania/siekania**
- na niskiej prędkości** ② A948 w zestawie z 4 bębniami
- super młynek** ③ A950 w skład zestawu wchodzi:
- a duża końcówka do kiełbas
 - b mała końcówka do kiełbas
 - c końcówka do rurek z mięsa "kebbe"
- młynek do ziarna** ④ A941
- sokownica do cytrusów** ⑤ A995
- mikser** ⑥ A993 poliakrylanowy 1,2 l; A994 szklany 1,2 l; A996 ze stali nierdzewnej 1,5 l
- multi-młynek** ⑦ A938 w zestawie z 4 szklanymi słótkami i 4 zakrętkami
- przystawka do krajania/siekania**
- na wysokiej prędkości** ⑧ A998 w zestawie z 3 tarczami tnącymi
- a ekstra zgrubna tarcza do siekania nr cz. 639021
 - b tarcza do ucierania nr cz. 639150
 - c tarcza do frytek zwykłych nr cz. 639083
- sokownica do pracy ciągłej** ⑨ A935
- maszynka do lodów** ⑩ CHEF A953 MAJOR A954
- obieraczka do ziemniaków** ⑪ CHEF A934 MAJOR A952
- przecierak i sito** ⑫ CHEF A992 MAJOR A930
- miska okrągła kenlyte** ⑬ CHEF 265026 MAJOR 412095
- osłona przeciwozbryzgowa
- okrągła a CHEF i MAJOR 444347
- miska "D" kenlyte** ⑭ CHEF 489969
- osłona przeciwozbryzgowa "D" a CHEF 604349
- miski ze stali nierdzewnej** ⑮ polerowane CHEF 638821 MAJOR 642779
- pokrowiec** ⑯ CHEF 533722 MAJOR 606397





czyszczenie i serwis

czyszczenie i pielęgnacja

- Zawsze wyłącz i wyjmij wtyczkę z gniazdka przed czyszczeniem.
- Na **końcówkach 2 i 3** może się ukazać nieco smaru po pierwszym użyciu. Jest to normalne - wystarczy wytrzeć.

- podstawa z silnikiem
- Wytrzyj wilgotną ściereczką, a następnie suchą.
 - Nigdy nie używaj abrazyjnych środków czyszczących i nie zanurzaj w wodzie.

- miski
- Myj ręcznie i dokładnie osusz.
 - Jeśli miska jest ze stali nierdzewnej, nigdy nie używaj druciaka, wełny stalowej ani środków bielących. Kamień usuwaj octem.
 - Trzymaj z dala od źródeł ciepła (kuchenki, prodiża, mikrofalówki).

- narzędzia
- Myj ręcznie i dokładnie osusz.
 - Mycie mieszadła "K", trzepaczki i haka do zagniatania ciasta w zmywarce do naczyń może spowodować ich odbarwienie.

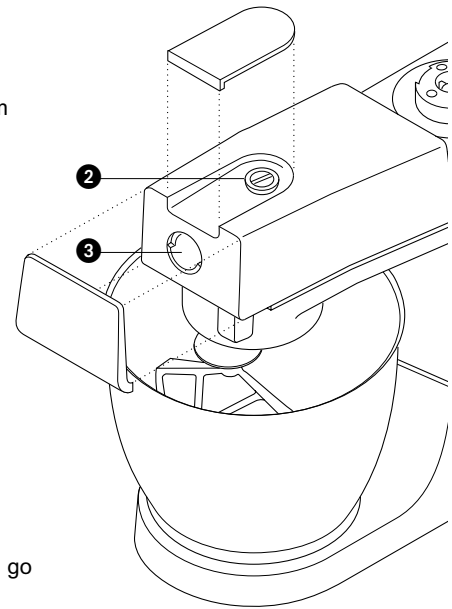
- osłona przeciwbryzgowa
- Myj ręcznie i dokładnie osusz.

serwis i łączność z klientami

- Jeśli sznur ulegnie uszkodzeniu, to z uwagi na bezpieczeństwo musi go wymienić wyłącznie KENWOOD, względnie autoryzowany punkt naprawczy KENWOODA.

Gdy potrzebujesz pomocy:

- W posługiwaniu się malakserem
 - W zamówieniu innego narzędzia
 - W serwisie lub naprawie
- prosimy się skontaktować z miejscem zakupu swego malaksera.



przepisy

Ważne wskazówki do zagniatania ciasta na chleb są podane na str. 120

biały chleb - gęste ciasto 'angielskie'

- składniki
- 1,36kg mąki chlebowej
 - 15ml (3 łyżeczki) soli
 - 2,5 dag świeżych drożdży lub 1,5 dag/20ml drożdży suszonych plus 5ml (1 łyżeczka) cukru
 - 0,75 l ciepłej wody (43°C). Użyj termometru, lub wlej 0,25 l wrzątku do 0,5 l zimnej wody.
 - 2,5 dag smalcu
- metoda
- 1 **drożdże suszone** (typ wymagający rozrobienia): wlej ciepłej wody do miski. Dodaj drożdże, cukier i odstaw na ok. 10 minut, aż się spienią.
drożdże świeże: rozkrusz do mąki.
Inne rodzaje drożdży: postępuj według wskazówek wytwórcy.
 - 2 Wlej płyn do miski. Wsyp mąkę (ze świeżymi drożdżami, jeśli zostały użyte), dodaj sól i smalec.
 - 3 Wyrabiaj na minimalnej prędkości przez 45 - 60 sekund. Następnie zwiększ prędkość do 1, jeśli trzeba dodając mąki, aż ciasto się wyrobi.
 - 4 Wyrabiaj przez dalsze 3 - 4 minuty na prędkości 1, aż ciasto będzie gładkie, elastyczne i będzie odstawać od miski.
 - 5 Przełóż ciasto do nasmarowanej torby polietylenowej lub do miski, przykryj ściereczką. Pozostaw w ciepłym miejscu, aż podwoi swoją objętość.
 - 6 Wyrabiaj przez 2 minuty na prędkości 1.
 - 7 Napełnij ciastem do połowy półkilogramowe, nasmarowane foremki, względnie ukształtuj ciasto w bułeczki. Następnie przykryj ściereczką i pozostaw w ciepłym miejscu, aż ciasto podwoi swoją objętość.
 - 8 Piecz *bochenki* w 230°C/Gaz 8 przez 30 - 35 minut lub *bułeczki* przez 10 - 15 minut.
- Upieczony chleb powinien odzywać się pusto, gdy go postukać od spodu.

biały chleb - miękkie ciasto słodkie

- składniki
- 2,6kg zwykłej mąki
 - 1,3 l mleka
 - 30 dag cukru
 - 45 dag margaryny
 - 10 dag świeżych drożdży lub 5 dag drożdży suszonych
 - 6 rozbełtanych jaj
 - 5 szczypt soli
- metoda
- 1 Stop margarynę w ciepłym mleku (43°C)
 - 2 **drożdże suszone** (typ wymagający rozrobienia): wlej ciepłej wody do miski. Dodaj drożdże, cukier i odstaw na ok. 10 minut, aż się spienią.
drożdże świeże: rozkrusz do mąki i dodaj cukier.
Inne rodzaje drożdży: postępuj według wskazówek wytwórcy.
 - 3 Wlej mleko do miski. Dodaj rozbełtane jaja i 2kg mąki.
 - 4 Miksuj na prędkości minimum przez 1 minutę, następnie na prędkości 1 przez dalszą minutę. Zgarniaj w dół miski.
 - 5 Dodaj sól i pozostałą mąkę i wyrabiaj na minimalnej prędkości przez 1 minutę, następnie na prędkości 1 przez 2 - 3 minuty, aż ciasto będzie gładkie i równomiernie wyrobione.
 - 6 Napełnij ciastem do połowy półkilogramowe, nasmarowane foremki, względnie ukształtuj ciasto w bułeczki. Następnie przykryj ściereczką i pozostaw w ciepłym miejscu, aż ciasto podwoi swoją objętość.
 - 7 Piecz *bochenki* w 200°C/Gaz 6 przez 20 - 25 minut lub *bułeczki* przez 15 minut.
 - 8 Upieczony chleb powinien odzywać się pusto, gdy go postukać od spodu.
- Wychodzi ok. 10 bochenków.

przepisy *c.d.*

tort truskawkowo-morelowy

- składniki: biszkopt
- 3 jajka
 - 7,5 dag cukru-kryształu
 - 7,5 dag mąki
- nadzienie i garniowanie
- 150ml śmietanki podwójnej
 - Cukier do smaku
 - 22 dag truskawek
 - 22 dag moreli
- metoda
- 1 Przełować morele i usunąć pestki. Gotować do miękkości w minimalnej ilości wody, dodając cukier do smaku.
 - 2 Umyć truskawki i pokrajać na pół.
 - 3 Na ciasto biszkoptowe ubić jajka z cukrem na maksymalnej prędkości, aż mieszanina będzie biała i gęsta.
 - 4 Zdejmij miskę i trzepaczkę. Dodawaj mąkę dużą metalową łyżką mieszając ręcznie - ostrożnie, aby ciasto było lekkie.
 - 5 Przełóż mieszalinę do dwóch 18cm foremek, nasmarowanych i wyłożonych papierem pergaminowym.
 - 6 Piec w 180°C/Gaz 4 przez ok. 20 minut, aż ciasto będzie sprężynować pod dotknięciem.
 - 7 Wyłożyć na drucziany ruszt.
 - 8 Ubić śmietankę na maksymalnej prędkości, aż będzie sztywna. Dodać cukier do smaku.
 - 9 Grubo posiekać morele i trzecią część truskawek. Połączyć z połową śmietanki.
 - 10 Rozsmarować na jednym z biszkoptów, przykryć drugim.
 - 11 Rozsmarować pozostałą śmietankę na wierzchu i ozdobić pozostałymi truskawkami.

bezy

- składniki
- 4 białka
 - 25 dag przesianego cukru-pudru
- metoda
- 1 Wyłóż blachę nieprzylegającym papierem pergaminowym.
 - 2 Ubijaj białka z cukrem na maksymalnej prędkości przez ok. 10 minut, aż będą sztywne.
 - 3 Przełóż masę łyżką na blachę (lub użyj wyciskacza z końcówką gwiazdką 2,5cm).
 - 4 Piecz w 110°C/Gaz 1/4 przez ok. 4 - 5 godzin, aż bezy będą sztywne i twarde. Jeśli zaczną brązowieć, lekko uchyl drzwiczki piekarnika.
- Trzymaj bezy w szczelnie zamkniętym pojemniku.

krucho ciasto

- składniki
- 45 dag mąki, przesianej wraz z solą
 - 5ml (1 łyżeczka) soli
 - 22 dag tłuszczu (wymieszaj smalec i margarynę prosto z lodówki)
 - ok. 80ml (4 łyżki stołowe) wody
- uwaga
- Nie przemieszaj zanadto.
- metoda
- 1 Wsyp mąkę do miski. Z grubsza posiekaj tłuszcz i dodaj do mąki.
 - 2 Miksuj na prędkości 1, aż mieszanina będzie przypominała tartą bułkę. Wyłącz, zanim zacznie wyglądać tłusto.
 - 3 Dodaj wodę i miksuj na minimalnej prędkości. Wyłącz natychmiast, gdy woda zostanie zaabsorbowana.
 - 4 Piecz w temperaturze ok. 200°C/Gaz 6, odpowiednio do nadzienia.

hamburgery

- składniki
- 25 dag dobrej wołowiny bez ścięgien
- metoda
- 1 Pokraj w kostkę 2,5cm.
 - 2 Jeśli nie masz maszynki do mięsa, użyj miksera i przemiałaj niewielkie ilości na raz. Używaj prędkości 2 przez 15 sekund **maksimum**. Oczyszcz między ostrzami przed każdą następną partią mięsa.
 - 3 Wymieszaj z przyprawami np. cebulą, ziołami (świeżymi lub suszonymi); dodaj grubo zmielony pieprz ziarnisty, sok i skórkę z cytryny.
 - 4 Ukształtuj dwa kotlety i piecz na ruszcie w średnio-wysokiej temperaturze aż będą upieczone na wskroś.

ОЗНАКОМЬТЕСЬ С ВАШИМ КУХОННЫМ КОМБАЙНОМ ФИРМЫ KENWOOD

Меры предосторожности

- Перед поднятием или снятием инструментов/насадок, а также после использования и перед очисткой обязательно выключите кухонную машину и отсоедините сетевой шнур от розетки.
- Детям и инвалидам самостоятельно пользоваться миксером запрещается.
- Не касайтесь руками вращающихся частей комбайна и установленных насадок.
- Не оставляйте работающий комбайн без присмотра и не позволяйте детям пользоваться им.
- Не пользуйтесь неисправным комбайном. Проверьте и отремонтируйте его: смотрите раздел 'Уход' на странице 132.
- Используйте только предназначенные для этого комбайна насадки. Запрещается одновременное использование насадок различных типов.
- Не допускайте превышения максимальных норм загрузки комбайна, указанных на странице 128.
- Не позволяйте детям играть с миксером.
- При использовании насадки ознакомьтесь с указаниями по мерам безопасности, поставляемыми в комплекте с насадками комбайна.
- Используйте кухонный комбайн только для приготовления пищи в домашних условиях.

Перед включением комбайна

- Убедитесь, что параметры электрической сети совпадают с данными, указанными в табличке на нижней поверхности комбайна.
- Наш кухонный комбайн разработан в соответствии с Директивой Европейского экономического сообщества 89/336/ЕЕС.

Перед первым использованием

- 1 Удалите весь упаковочный материал.
- 2 Вымойте все части комбайна в соответствии с указаниями, приведенными в разделе 'Очистка и Уход' на странице 132.

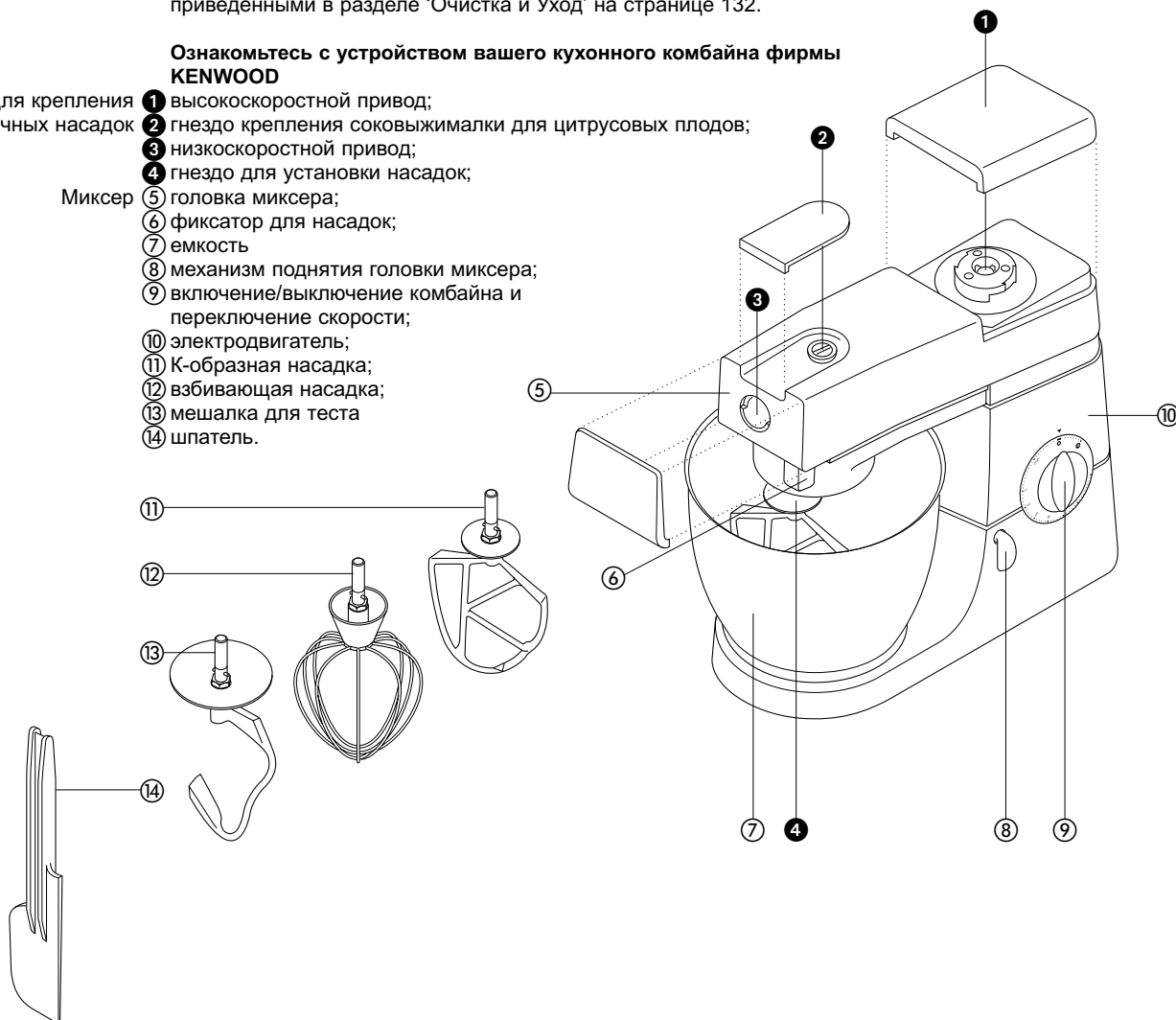
Ознакомьтесь с устройством вашего кухонного комбайна фирмы KENWOOD

Гнезда для крепления различных насадок

- 1 высокоскоростной привод;
- 2 гнездо крепления соковыжималки для цитрусовых плодов;
- 3 низкоскоростной привод;
- 4 гнездо для установки насадок;

Миксер

- 5 головка миксера;
- 6 фиксатор для насадок;
- 7 емкость
- 8 механизм поднятия головки миксера;
- 9 включение/выключение комбайна и переключение скорости;
- 10 электродвигатель;
- 11 К-образная насадка;
- 12 взбивающая насадка;
- 13 мешалка для теста
- 14 шпатель.



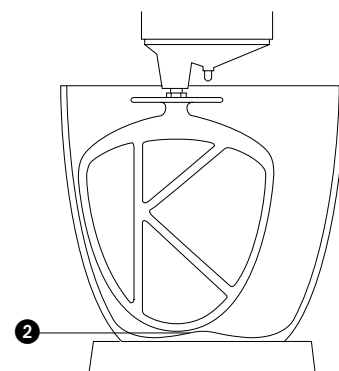
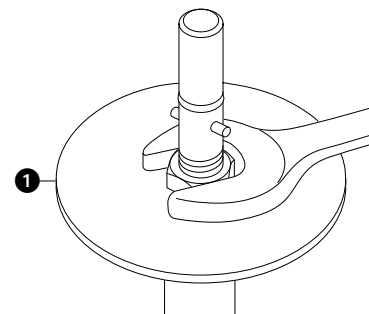
ПОИСК И УСТРАНЕНИЕ НЕИСПРАВНОСТЕЙ

Неисправность

- Взбивающая насадка или К-образная насадка задевают за дно емкости или не промешивают ингредиенты, находящиеся на дне емкости.

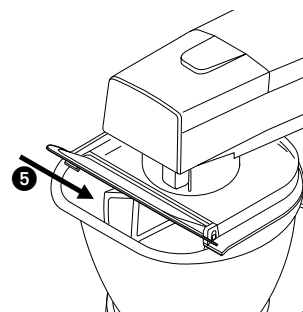
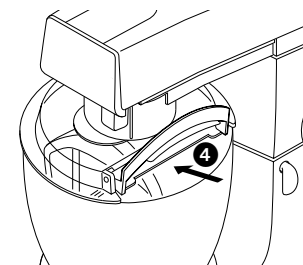
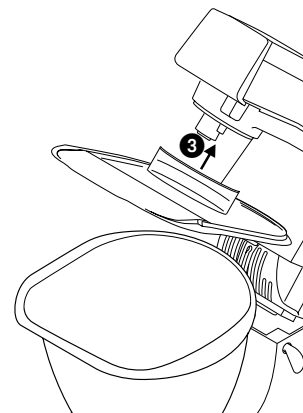
Устранение неисправности • Отрегулируйте высоту. Ниже описано, как это нужно делать.

- 1 Отключите комбайн от сети.
- 2 Поднимите головку миксера и вставьте венчик или взбивалку.
- 3 Захватите насадку рукой, а затем ослабьте гайку ①.
- 4 Опустите головку миксера.
- 5 Отрегулируйте высоту с помощью вращения вала, в идеальном случае венчик/ К-образная взбивалка должна **почти** касаться дна чаши ②.
- 6 Поднимите головку, захватите венчик/К-образную взбивалку и затяните гайку.



Установка и использование круглого/В-образного антиразбрызгивателя (при наличии)

- 1 Поднимите головку миксера до ее фиксации.
- 2 Установите чашу на основание.
- 3 Вставьте антиразбрызгиватель до упора ③. Подвешенная на петлях секция должна располагаться, как показано на рисунке - круглый антиразбрызгиватель ④, В-образный антиразбрызгиватель ⑤.
- 4 Вставьте нужный инструмент.
- 5 Опустите головку миксера, убедившись перед этим, что форма антиразбрызгивателя соответствует форме чаши.
 - Во время перемешивания ингредиенты могут добавляться в чашу через подвешенную на петлях секцию антиразбрызгивателя.
 - Для смены инструментов нет необходимости снимать антиразбрызгиватель.
- 6 Для снятия антиразбрызгивателя поднимите головку миксера и сдвиньте антиразбрызгиватель вниз.

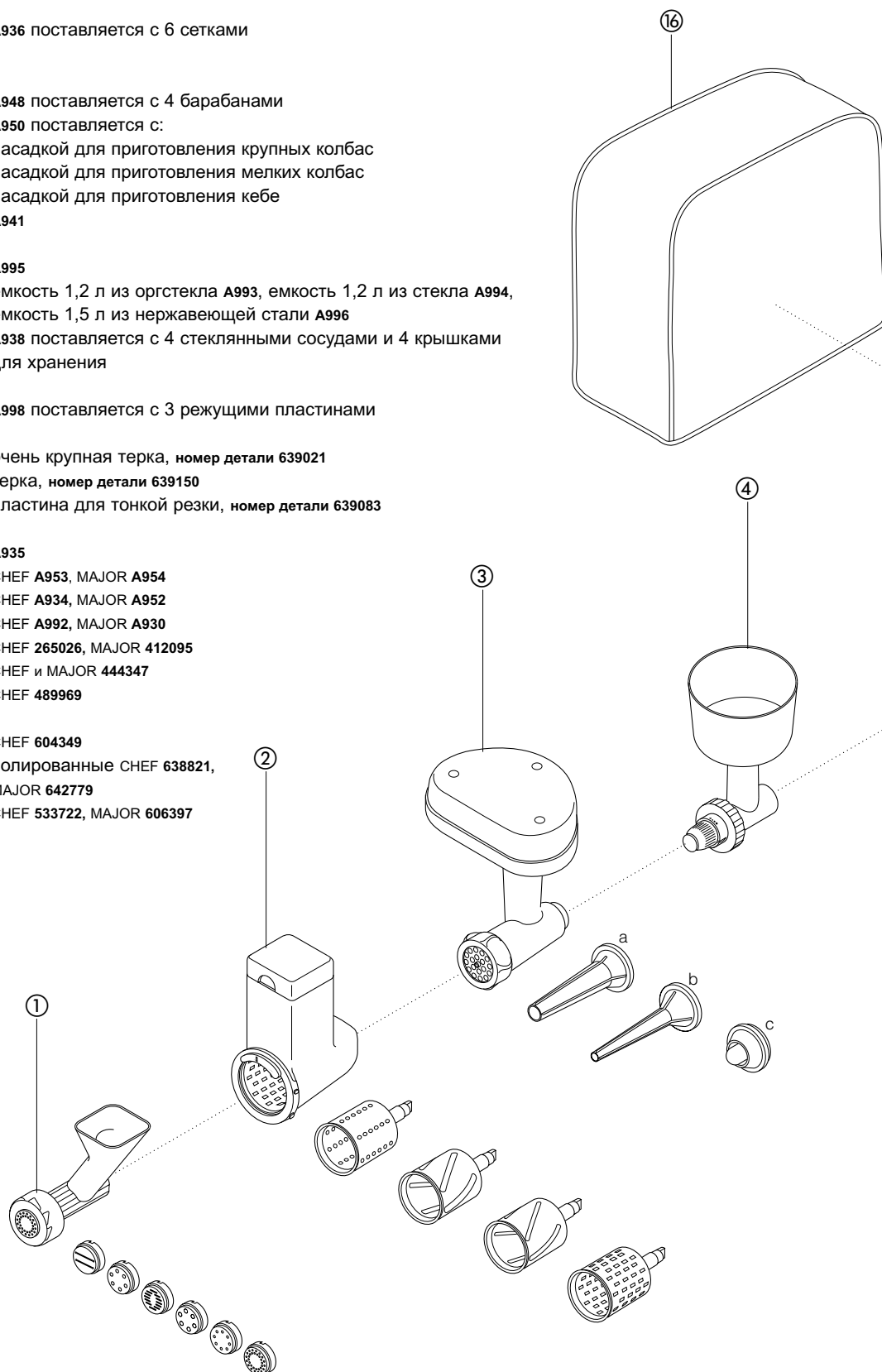


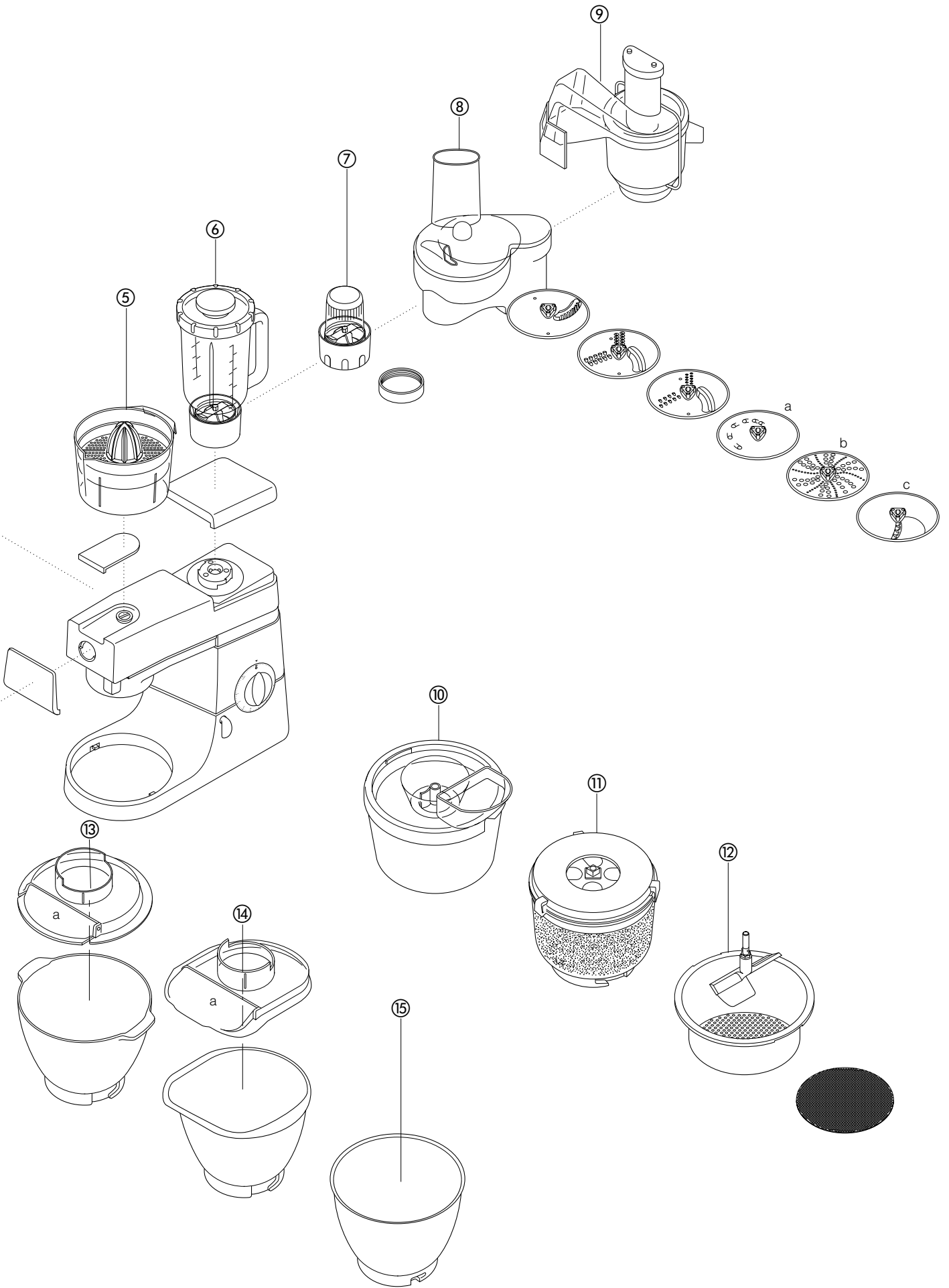
Насадки для кухонного комбайна

Для приобретения насадки, не входящей в комплект вашего кухонного комбайна, обратитесь в сервисный центр KENWOOD.

насадка код насадки

- насадка для изготовления макаронных изделий** ① A936 поставляется с 6 сетками
- низкоскоростная ломтерезка/терка** ② A948 поставляется с 4 барабанами
- супер мясорубка** ③ A950 поставляется с:
- a насадкой для приготовления крупных колбас
 - b насадкой для приготовления мелких колбас
 - c насадкой для приготовления кебе
- мельница для зерен** ④ A941
- соковыжималка для цитрусовых** ⑤ A995
- измельчитель** ⑥ емкость 1,2 л из оргстекла A993, емкость 1,2 л из стекла A994, емкость 1,5 л из нержавеющей стали A996
- универсальная мельница** ⑦ A938 поставляется с 4 стеклянными сосудами и 4 крышками для хранения
- высокоскоростная ломтерезка/терка** ⑧ A998 поставляется с 3 режущими пластинами
- дополнительные пластины (приобретаются отдельно)**
- a очень крупная терка, номер детали 639021
 - b терка, номер детали 639150
 - c пластина для тонкой резки, номер детали 639083
- соковыжималка непрерывного действия** ⑨ A935
- мороженица** ⑩ CHEF A953, MAJOR A954
- картофелечистка** ⑪ CHEF A934, MAJOR A952
- дуршлаг и сито** ⑫ CHEF A992, MAJOR A930
- круглая чаша из кенлита** ⑬ CHEF 265026, MAJOR 412095
- круглый антиразбрызгиватель** a CHEF и MAJOR 444347
- В-образная чаша из кенлита** b CHEF 489969
- В-образный антиразбрызгиватель** ⑭ CHEF 604349
- чаши из нержавеющей стали** ⑮ полированные CHEF 638821, MAJOR 642779
- крышка** ⑯ CHEF 533722, MAJOR 606397



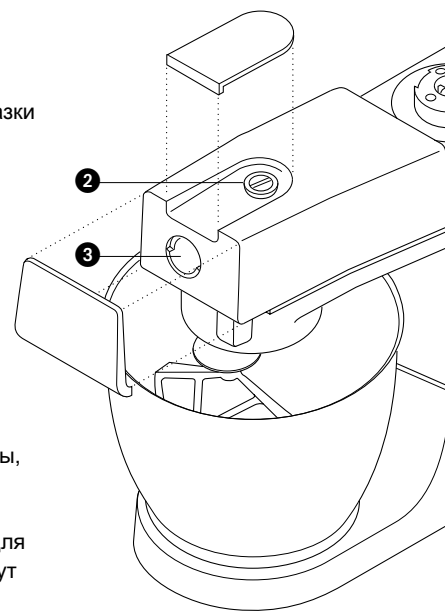


ОЧИСТКА И УХОД

Уход и очистка

- Всегда отключайте комбайн от сети перед его очисткой.
- При первом использовании комбайна небольшое количество смазки может появиться в гнездах ② и ③. Это нормальное явление - просто удалите смазку из гнезда.

- Электродвигатель
- Протирайте влажной тканью, затем вытирайте насухо.
 - Никогда не используйте абразивные моющие средства и не погружайте его в воду.
- Емкости:
- Мойте вручную, затем тщательно вытирайте.
 - Если емкость комбайна изготовлена из нержавеющей стали, для его очистки нельзя использовать проволочную щетку, металлическую мочалку или отбеливающие средства. Для удаления известковых отложений применяйте уксус.
 - Не держите емкости вблизи источников тепла (поверхности плиты, духовки и микроволновых печей.)
- Насадки
- Мойте вручную, затем тщательно вытирайте.
 - Если вы моете К-образную взбивалку, венчик и насадку-крючок для замешивания теста в посудомоечной машине, то эти детали могут обесцветиться.
- антиразбрызгиватель
- Вымойте руками, а затем тщательно высушите



Уход

- Если поврежден шнур питания, то в целях безопасности его необходимо заменить, обратившись на фирму KENWOOD или в местный официальный сервисный центр.

Если вам требуется помощь

- при использовании комбайна
- при заказе другой насадки
- при обслуживании или ремонте, обратитесь в торговую организацию, где вы приобрели комбайн.

РЕЦЕПТЫ

Необходимые рекомендации по выпечке хлеба см. на странице 128.

Белый хлеб (*крутое тесто английского типа*)

- Ингредиенты
- 1,36кг муки 'сильной' муки обычного помола
 - 15мл (3 ч. л.) соли
 - 25г свежих дрожжей или 15г/20мл сухих дрожжей + 5мл (1 ч. л.) сахара
 - 750мл теплой воды - температурой 43°C. Измерьте температуру термометром, а за неимением такового добавьте 250мл кипятка к 500мл холодной воды.
 - 25г свиного жира

Способ приготовления 1 **Сухие дрожжи:** (тип дрожжей, для которого необходимо восстановления влагосодержания) налейте в резервуар теплой воды. Затем добавьте дрожжи и сахар и оставьте на 10 минут до появления пены.

Свежие дрожжи: покрошите в муку.

Другие типы дрожжей: следуйте указаниям изготовителя.

- 2 Налейте жидкость в емкость. Затем добавьте муку (со свежими дрожжами, если таковые используются), соль и жир.
 - 3 Размешивайте тесто на минимальной скорости в течение 45 - 60 секунд. Затем увеличьте скорость до значения 1 и продолжайте размешивать, пока смесь не превратится в тесто, добавляя при необходимости муку.
 - 4 Перемешивайте еще 3 - 4 минуты на скорости 1 до получения однородной эластичной массы, которая не должна прилипать к стенкам емкости.
 - 5 Выложите тесто в полиэтиленовый пакет, смазанный жиром, или в кастрюлю, накрыв ее полотенцем. Оставьте тесто в теплом месте до двухкратного увеличения в объеме.
 - 6 Вымесите тесто вторично в течение 2 минут на скорости 1.
 - 7 Заполните тестом (наполовину) 4 жестяные формы для выпечки на 450 г, смазанные жиром, или сформируйте булочки. Затем накройте кухонным полотенцем и оставьте в теплом месте до двукратного увеличения объема.
 - 8 Выпекайте *батоны* при 230°C при положении '8' регулятора духовки в течение 30 - 35 минут, а *булочки* в течении 10 - 15 минут.
- Готовый хлеб издает при постукивании по нижней корочке 'пустой' звук.

Белый хлеб (*мягкое тесто континентального типа*)

- Ингредиенты
- 2,6кг обычной муки
- Указанные количества ингредиентов рассчитаны на модели KM300, 400 и 810. Для половины от указанных количеств и добавьте всю муку за один раз.
- 1,3л молока
 - 300г сахара
 - 450г маргарина
 - 100г свежих дрожжей или 50г сухих дрожжей
 - 6 разбитых яиц
 - 5 щепоток соли

Способ приготовления 1 Растопите маргарин в молоке и доведите смесь до температуры 43°C.

2 **Сухие дрожжи:** (тип дрожжей, для которого необходимо восстановление влагосодержания) добавьте дрожжи и сахар в молоко и оставьте на 10 минут до появления пены.

Свежие дрожжи: покрошите в муку и добавьте сахар.

Другие типы дрожжей: следуйте указаниям изготовителя.

- 3 Вылейте молоко в емкость. Добавьте разбитые яйца и 2кг муки.
- 4 Перемешивайте на минимальной скорости в течение 1 минуты, а затем на скорости 1 в течение еще 1 минуты. Соскоблите.
- 5 Добавьте соль и оставшееся количество муки и перемешайте на минимальной скорости в течение 1 минуты, затем на скорости 1 еще 2 - 3 минуты до получения однородной смеси.
- 6 Заполните тестом жестяные формы для выпечки на 450г, смазанные жиром, наполовину или сформируйте булочки. Затем накройте кухонным полотенцем и оставьте в теплом месте, пока тесто не увеличится в объеме вдвое.
- 7 Выпекайте *батоны* при температуре 200°C при положении '6' регулятора духовки в течение 20 - 25 минут, а *булочки* - 15 минут.
- 8 Готовый хлеб издает при постукивании по нижней корочке 'пустой' звук.

- Рецепты рассчитаны приблизительно на 10 батонов.

РЕЦЕПТЫ (ПРОДОЛЖЕНИЕ)

Торт с клубникой и абрикосами

- Ингредиенты: Бисквитное тесто
- 3 яйца
 - 75г сахарная пудра
 - 75г обычной муки
- Начинка и украшение
- 150мл двойные сливки
 - сахар по вкусу
 - 225г клубники
 - 225г абрикосов
- Способ приготовления
- 1 Разрежьте абрикосы на половинки и удалите косточки. Варите на слабом огне с небольшим количеством воды до достижения мягкости, добавив по вкусу сахар.
 - 2 Вымойте и разрежьте на половинки ягоды клубники.
 - 3 Для приготовления теста взбейте яйца и сахар на максимальной скорости до получения густой светлой смеси.
 - 4 Снимите чашу и венчик. Добавьте муку и тщательно перемешайте вручную с помощью большой металлической ложки. Будьте осторожны – избыток муки сделает опару слишком густой.
 - 5 Поместите смесь в две смазанные жиром формы для выпечки диаметром 18см.
 - 6 Выпекайте при 180°С при положении '4' регулятора духовки в течение 20 минут, пока пирог не станет упругим при нажатии.
 - 7 Выложите пирог на металлическую решетку.
 - 8 Взбейте сливки на максимальной скорости до получения густой пены. Добавьте сахар по вкусу.
 - 9 Нарежьте абрикосы крупными кусочками и добавьте 1/3 часть клубники. Добавьте фрукты к половине приготовленного крема.
 - 10 Распределите смесь на первом корже пирога, затем положите сверху второй корж.
 - 11 Распределите оставшийся крем на поверхности пирога и украсьте его оставшейся клубникой.

Меренги

- Ингредиенты
- 4 яичных белка
 - 250г сахарной пудры, просеять
- Способ приготовления
- 1 Выстелите противень пищевым неприлипающим пергаментом.
 - 2 Взбейте белки и сахар на максимальной скорости в течение 10 минут до получения стойкой пены.
 - 3 Выложите ложкой смесь на противень (или используйте кулинарный мешочек со звездообразным носиком 2,5см).
 - 4 Выпекайте при температуре 110°С при положении '1/4' регулятора духовки в течение 4 - 5 часов до затвердевания и появления хруста. Если у меренг начнет проявляться коричневый оттенок, оставьте дверцу духовки слегка приоткрытой.
- храните меренги в герметичной таре.

Песочное тесто

- Ингредиенты
- 450г муки, просеять вместе с солью
 - 5мл (1 ч.л.) соли
 - 225г жира (смесь свиного жира и маргарина, охлажденная)
 - около 80мл воды
- Полезные советы
- не перемешивайте тесто излишне долго.
- Способ приготовления
- 1 Поместите муку в емкость. Нарежьте жир крупными кубиками и добавьте к муке.
 - 2 Замешивайте на скорости 1 до тех пор, пока тесто не станет густым. Остановите замешивание до того, как тесто приобретет «сальный» вид.
 - 3 Добавьте воду и перемешайте на минимальной скорости. Остановите перемешивание, как только вода будет поглощена тестом.
 - 4 Выпекайте при температуре 200°С при положении '6' регулятора духовки. Время выпечки зависит от начинки.

Бифбургеры

- Ингредиенты
- 250г говядины высшей категории с удаленными сухожилиями
- Способ приготовления
- 1 Нарежьте говядину на кусочки размером 2,5см.
 - 2 Если у вас нет мясорубки, используйте гомогенизатор и готовьте фарш небольшими порциями. При приготовлении фарша используйте скорость 2 в течении **не более 15 секунд**. В промежутках между загрузками мяса очищайте ножи.
 - 3 Смешайте фарш с приправами, например, с рубленным луком, смесью трав (свежих или сухих), молотым черным перцем грубого помола, а также с соком и тертой цедрой лимона.
 - 4 Разделите фарш пополам и сделайте 2 бифбургера, поджарьте их до полной готовности на гриле на среднем или высоком уровне нагрева до полной готовности.

γνωρίστε τη μηχανή κουζίνας της Kenwood

ασφάλεια

- Θέστε εκτός λειτουργίας και αποσυνδέστε τη συσκευή από το ρεύμα πριν προσαρμόσετε ή αφαιρέσετε εργαλεία/εξαρτήματα, μετά από τη χρήση και πριν από τον καθαρισμό.
- Η συσκευή αυτή δεν προορίζεται για χρήση από μικρά παιδιά ή ανήμπορα άτομα χωρίς επίβλεψη.
- Κρατείστε τα δάχτυλά σας μακριά από τα κινούμενα μέρη και τα προσαρμοσμένα εξαρτήματα.
- Μην αφήνετε ποτέ τη συσκευή σε λειτουργία χωρίς να την επιβλέπετε και κρατήστε τα παιδιά μακριά από αυτήν.
- Μην χρησιμοποιείτε ποτέ συσκευές που παρουσιάζουν βλάβη. Πρώτα επισκευάστε ή ελέγξτε τις: Δείτε σχετικά το κεφάλαιο 'σέρβις' στη σελίδα 140.
- Μην χρησιμοποιείτε ποτέ εξαρτήματα που δεν είναι εγκεκριμένα από την Kenwood ή περισσότερα από ένα εξαρτήματα ταυτόχρονα.
- Μην υπερβαίνετε ποτέ τις μέγιστες χωρητικότητες που αναγράφονται στη σελίδα 136.
- Μην αφήνετε τα παιδιά να χρησιμοποιούν τη συσκευή αυτή ως παιχνίδι.
- Όταν χρησιμοποιείτε ένα εξάρτημα διαβάστε τις οδηγίες ασφαλείας που το συνοδεύουν.
- Χρησιμοποιείτε τη συσκευή αυτή μόνο για παρασκευή φαγητού για οικιακή χρήση.

πριν συνδέσετε τη συσκευή στο ρεύμα

- Βεβαιωθείτε ότι η ηλεκτρική σας παροχή είναι ίδια με αυτήν που αναγράφεται στο κάτω μέρος της συσκευής.
- Η συσκευή αυτή είναι κατασκευασμένη σύμφωνα με την Οδηγία 89/336/ΕΟΚ της Ευρωπαϊκής Οικονομικής Κοινότητας.

πριν από την πρώτη χρήση

- 1 Αφαιρέστε όλα τα υλικά συσκευασίας.
- 2 Πλύνετε όλα τα μέρη της συσκευής: δείτε σχετικά το κεφάλαιο 'φροντίδα και καθαρισμός' στη σελίδα 140.

γνωρίστε τη μηχανή κουζίνας της Kenwood

στόμια εξαρτημάτων

1 στόμιο υψηλής ταχύτητας

2 στόμιο λεμονοσίφτη

3 στόμιο χαμηλής ταχύτητας

4 υποδοχέας εργαλείων

το μίξερ

5 κεφαλή μίξερ

6 αρπάγη ασφαλίσεως στομίου

7 μπωλ

8 αρπάγη κεφαλής μίξερ

9 διακόπτης λειτουργίας/έλεγχος ταχύτητας

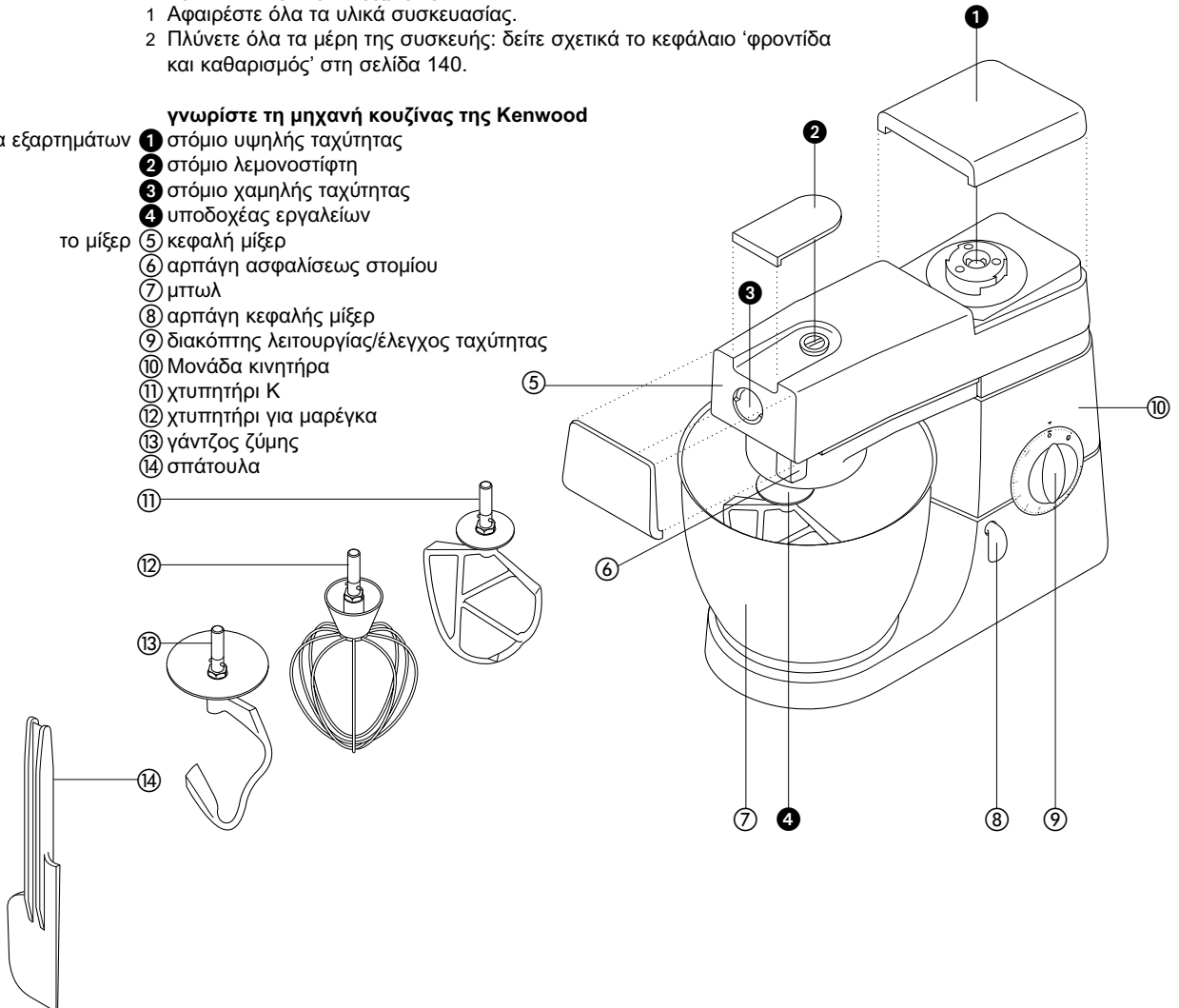
10 Μονάδα κινητήρα

11 χτυπητήρι K

12 χτυπητήρι για μαρέγκα

13 γάντζος ζύμης

14 σπάτουλα



ΤΟ ΜΙΞΕΡ

- χτυπητήρι K • **τα εργαλεία ανάμιξης και μερικές από τις χρήσεις τους**
- χτυπητήρι για μαρέγκα • Για να παρασκευάσετε κέικ, μπισκότα, ζύμη σφολιάτας, ζάχαρη άχνη, γέμιση, εκκλέρ και πουρέ πατάτας.
- γάντζος ζύμης • Για αυγά, κρέμα γάλακτος, βούτυρο, σπογγώδη κέικ χωρίς λίπη, μαρέγκες, κέικ τυριού, μους, σουφλέ. Μη χρησιμοποιείτε το χτυπητήρι για πυκνά μίγματα (π.χ. για να παρασκευάσετε κρεμώδες μίγμα από βούτυρο και ζάχαρη) - διότι μπορεί να το καταστρέψετε.
- γάντζος ζύμης • Για μίγματα που περιέχουν μαγιά.

για να χρησιμοποιήσετε το μίξερ σας

- 1 Στρέψτε την αρπάγη της κεφαλής του μίξερ αντίθετα από τη φορά κίνησης των δεικτών του ρολογιού **1** και ανυψώστε την κεφαλή του μίξερ μέχρις ότου να ασφαλίσει.
 - 2 Στρέψτε το μέχρις ότου να σταματήσει **2** και στη συνέχεια στρώστε το.
 - 3 Προσαρμόστε το μπτωλ επάνω στη βάση - πιέστε προς τα κάτω και στρέψτε κατά τη φορά κίνησης των δεικτών του ρολογιού **3**
 - 4 Στρέψτε την αρπάγη της κεφαλής του μίξερ αντίθετα από τη φορά κίνησης των δεικτών του ρολογιού και κατεβάστε την κεφαλή του μίξερ μέχρις ότου να ασφαλίσει.
 - 5 Επιλέξτε κάποια ταχύτητα και στη συνέχεια θέστε τη συσκευή σε λειτουργία στρέφοντας το διακόπτη ελέγχου ταχύτητας.
 - Στρέψτε το διακόπτη στη θέση **P** για σύντομες παλλόμενες κινήσεις.
 - 6 Ξεβιδώστε το.
- για να αφαιρέσετε κάποιο εργαλείο

- χρήσιμες συμβουλές
- Σβήνετε τη συσκευή και ξύνετε το μπτωλ με τη σπάτουλα κατά τακτά χρονικά διαστήματα.
 - Τα αυγά που βρίσκονται σε θερμοκρασία δωματίου είναι τα καταλληλότερα για χτύπημα.
 - Πριν χτυπήσετε ασπράδια αυγού βεβαιωθείτε ότι δεν υπάρχουν υπολείμματα λίπους ή κρόκου στο χτυπητήρι ή στο μπτωλ.
 - Χρησιμοποιείτε κρύα υλικά για την παρασκευή ζύμης σφολιάτας εκτός και αν η συνταγή σας προτρέπει να κάνετε κάτι άλλο.

σημαντική σημείωση

- Δεν πρέπει ποτέ να υπερβαίνετε τις μέγιστες χωρητικότητες που αναφέρονται παρακάτω, διότι θα υπερφορτώσετε τη συσκευή.
- Εάν ακούσετε τον κινητήρα της συσκευής να καταπονείται, σβήστε τη συσκευή, αφαιρέστε τη μισή ζύμη και επεξεργαστείτε κάθε ένα από τα δύο μέρη της ζύμης ξεχωριστά.
- Τα υλικά αναμιγνύονται καλύτερα εάν πρώτα τοποθετήσετε τα υγρά μέσα στο μπτωλ.

μέγιστες χωρητικότητες

μοντέλα KM300, 400, 410

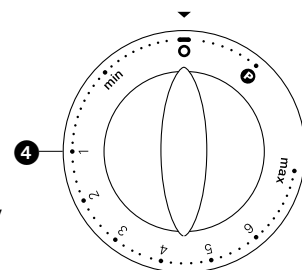
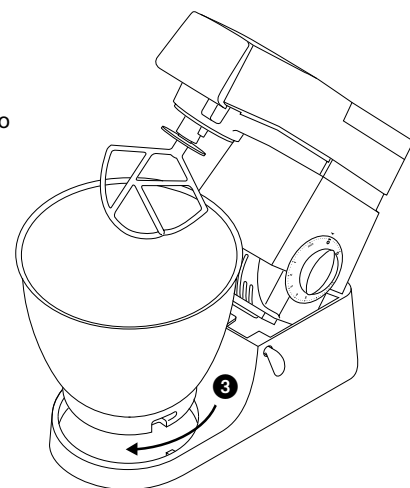
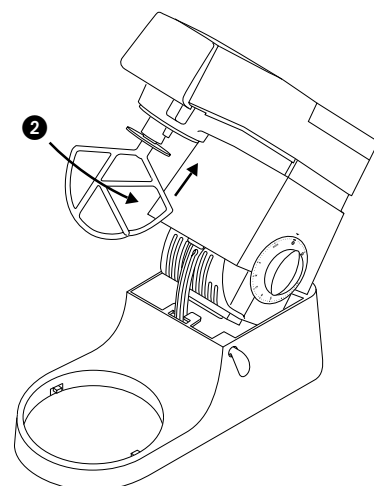
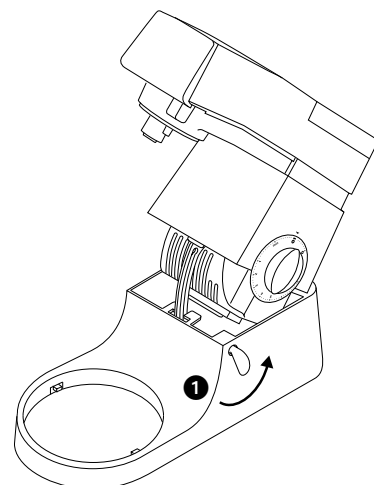
μοντέλα KM600, 800, 810

- | | | |
|---|--|--|
| <p>ζύμη σφολιάτας</p> <p>σφιχτό μίγμα μαγιάς
Βρετανικού τύπου</p> <p>μαλακό μίγμα μαγιάς
ευρωπαϊκού τύπου</p> <p>μίγμα για κέικ φρούτων
ασπράδια αυγών</p> | <ul style="list-style-type: none"> • Βάρος αλευριού: 680γρ • Βάρος αλευριού: 1.36 κιλά • Συνολικό βάρος: 2.18 κιλά • Βάρος αλευριού: 1.3 κιλά • Συνολικό βάρος: 2.5 κιλά • Συνολικό βάρος: 2.72 κιλά • 12 | <ul style="list-style-type: none"> Βάρος αλευριού: 910γρ Βάρος αλευριού: 1.5 κιλά Συνολικό βάρος: 2.4 κιλά Βάρος αλευριού: 2.6 κιλά Συνολικό βάρος: 5 κιλά Συνολικό βάρος: 4.55 κιλά 16 |
|---|--|--|

ταχύτητες **4**

- χτυπητήρι K • **για να αναμίξετε λίπος και ζάχαρη μέχρι το μίγμα να αποκτήσει κρεμώδη υφή** ξεκινήστε στην πιο χαμηλή ταχύτητα 'min', αυξάνοντας σταδιακά μέχρι την ταχύτητα 5.
- **για να χτυπήσετε αυγά μέχρι το μίγμα να αποκτήσει κρεμώδη υφή 4 - 'max'.**
- **για να ανακατέψετε ελαφρά αλεύρι, φρούτα κλπ. με άλλα υλικά** Min - 1.
- **για να αναμίξετε ταυτόχρονα όλα τα υλικά για μίγμα κέικ** ξεκινήστε στην πιο χαμηλή ταχύτητα 'min', αυξάνοντας σταδιακά μέχρι την πιο υψηλή ταχύτητα 'max'.
- **για να προσθέσετε σταδιακά λίπος σε αλεύρι** min - 2.
- χτυπητήρι για μαρέγκα • Σταδιακά αυξήστε στη μέγιστη ταχύτητα 'max'.
- γάντζος ζύμης • Ξεκινήστε από την μικρότερη ταχύτητα 'min', αυξάνοντας σταδιακά έως το 1.

για τον καθαρισμό δείτε την σελίδα 140



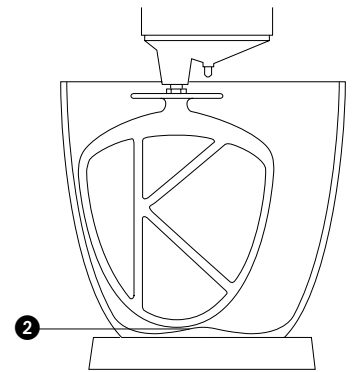
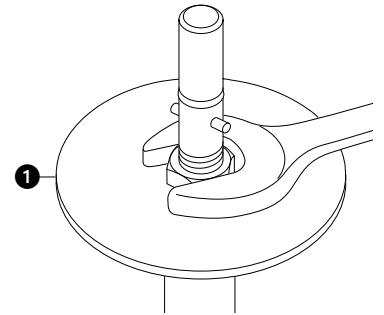
προβλήματα κατά τη λειτουργία

πρόβλημα

- το χτυπητήρι για μαρέγκα ή το χτυπητήρι K χτυπούν επάνω στον πυθμένα της λεκάνης ή δεν φτάνουν στα υλικά που βρίσκονται στο κάτω μέρος της λεκάνης.

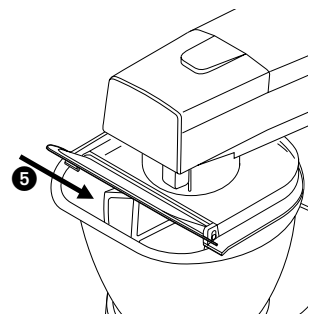
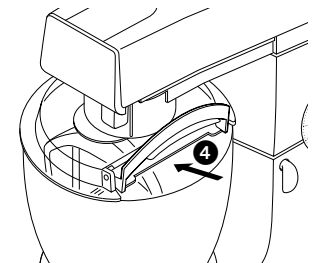
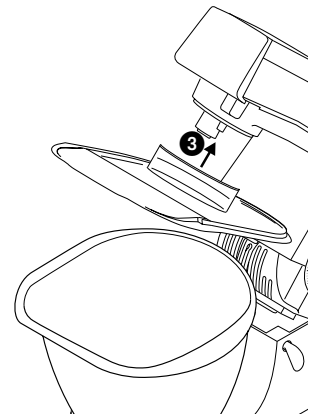
λύση • Ρυθμίστε το ύψος ως εξής:

- 1 Αποσυνδέστε τη συσκευή από το ρεύμα.
- 2 Σηκώστε την κεφαλή του μίξερ και εισάγετε τον αναδευτήρα.
- 3 Κρατήστε τη σταθερά, έπειτα χαλαρώστε το παξιμάδι **1**
- 4 Κατεβάστε την κεφαλή του μίξερ.
- 5 Ρυθμίστε το ύψος στρέφοντας τη λαβή του εργαλείου. Θα ήταν προτιμότερο ο αναδευτήρας να ακουμπά **σχεδόν** στο κάτω μέρος του μπωλ **2**
- 6 Σηκώστε την κεφαλή, κρατήστε σταθερά τον αναδευτήρα και σφίξτε το παξιμάδι.



για να προσαρμόσετε και να χρησιμοποιήσετε το στρογγυλό/σε σχήμα Δ προστατευτικό κάλυμμα (αν παρέχεται)

- 1 Σηκώστε την κεφαλή του μίξερ μέχρι να ασφαλίσει.
- 2 Προσαρμόστε το μπωλ ανάμιξης επάνω στη βάση.
- 3 Πιέστε το προστατευτικό κάλυμμα επάνω στο μπωλ μέχρι να εφαρμόσει στη θέση του **3**. Το αρθρωτό κομμάτι πρέπει να βρίσκεται στη θέση που εικονίζεται: για το στρογγυλό προστατευτικό κάλυμμα **4** και για το προστατευτικό κάλυμμα σε σχήμα Δ **5**.
- 4 Εισάγετε τον κατάλληλο αναδευτήρα.
- 5 Κατεβάστε την κεφαλή του μίξερ προσέχοντας ώστε το προστατευτικό κάλυμμα να εφαρμόζει σωστά στο σχήμα του μπωλ ανάμιξης.
 - Όσο διαρκεί η ανάμιξη, μπορείτε να προσθέτετε υλικά απευθείας στο μπωλ ρίχνοντάς τα μέσα από το άνοιγμα που σχηματίζει το αρθρωτό κομμάτι του προστατευτικού καλύμματος.
 - Δε χρειάζεται να αφαιρέσετε το προστατευτικό κάλυμμα για να αλλάξετε εξαρτήματα.
- 6 Αφαιρέστε το προστατευτικό κάλυμμα σηκώνοντας την κεφαλή του μίξερ και τραβώντας το προς τα κάτω.

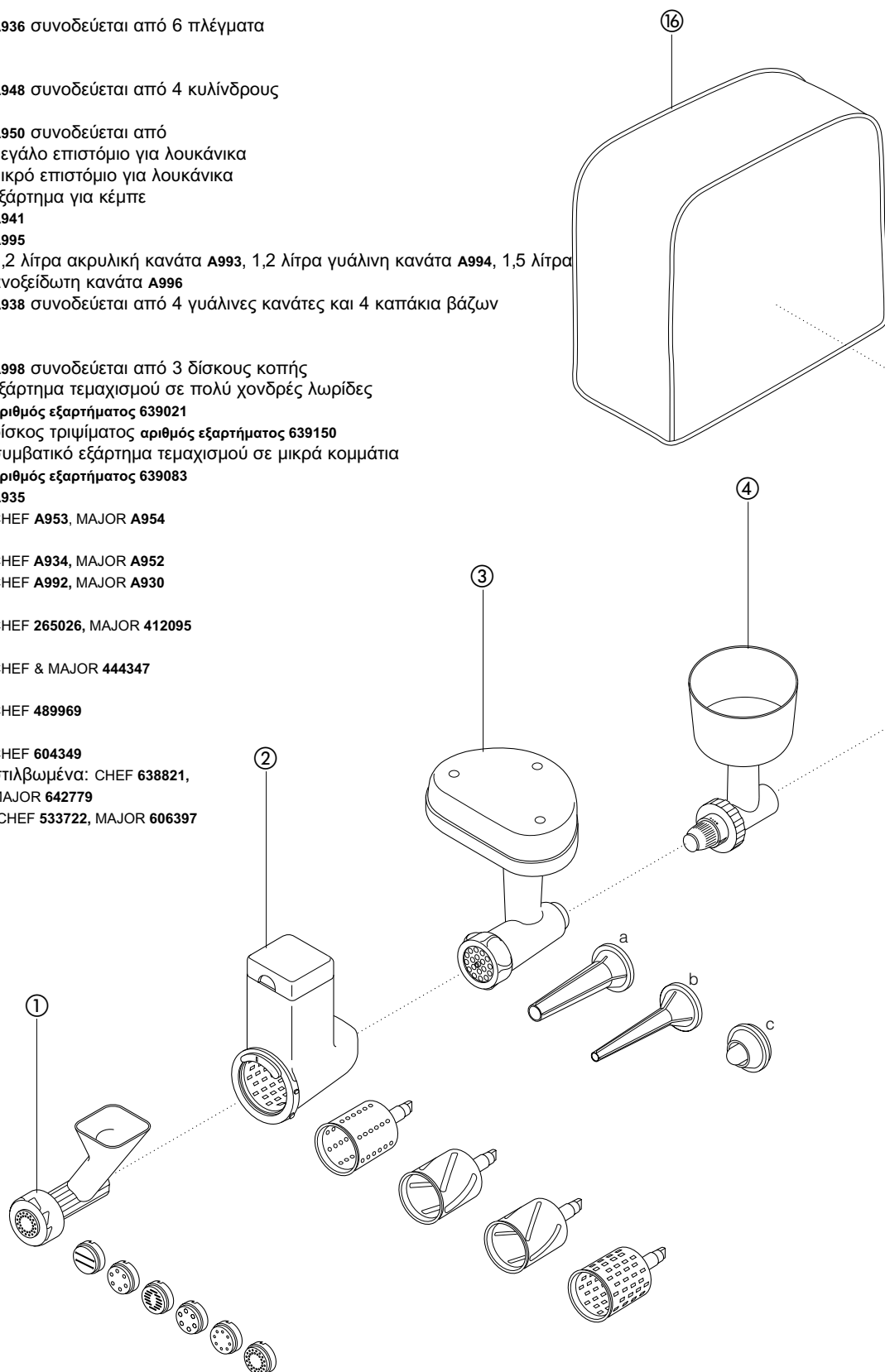


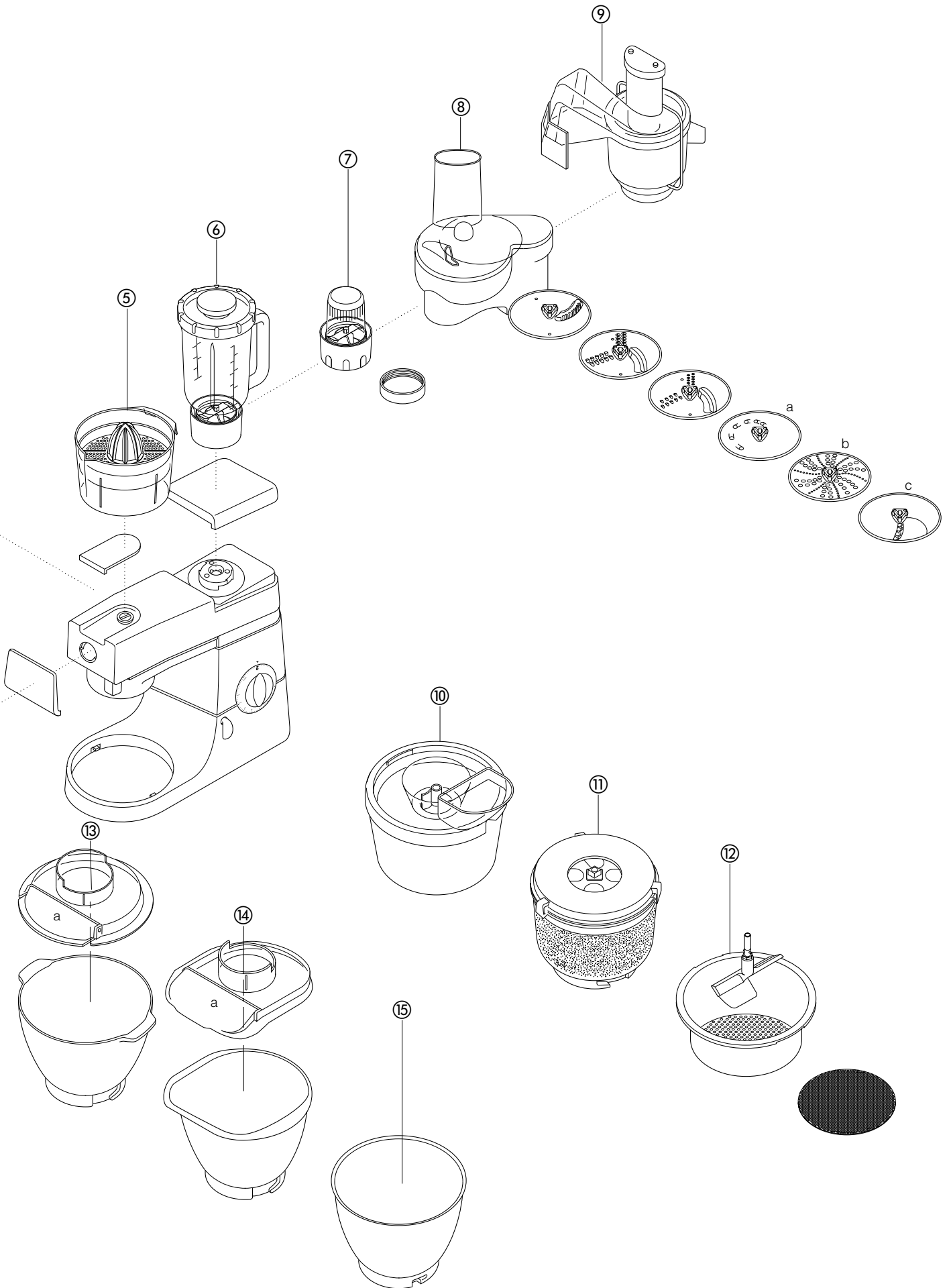
Τα διαθέσιμα εξαρτήματα

Για να προμηθευτείτε κάποιο εξάρτημα που δεν περιλαμβάνεται στη συσκευασία σας, επικοινωνήστε με το σέρβις της KENWOOD.

εξάρτημα κωδικός εξαρτήματος

- παρασκευαστής ζυμαρικών** ① A936 συνοδεύεται από 6 πλέγματα
εξάρτημα τεμαχισμού σε φέτες/λωρίδες χαμηλής ταχύτητας ② A948 συνοδεύεται από 4 κυλίνδρους
κρεατομηχανή πολλαπλών χρήσεων ③ A950 συνοδεύεται από
 a μεγάλο επιστόμιο για λουκάνικα
 b μικρό επιστόμιο για λουκάνικα
 c εξάρτημα για κέμπτε
- μύλος αλέσεως δημητριακών** ④ A941
λεμονοστύφης ⑤ A995
μπλέντερ ⑥ 1,2 λίτρα ακρυλική κανάτα A993, 1,2 λίτρα γυάλινη κανάτα A994, 1,5 λίτρα ανοξείδωτη κανάτα A996
- μύλος πολλαπλών χρήσεων** ⑦ A938 συνοδεύεται από 4 γυάλινες κανάτες και 4 καπάκια βάζων
εξάρτημα τεμαχισμού σε φέτες/λωρίδες υψηλής ταχύτητας ⑧ A998 συνοδεύεται από 3 δίσκους κοπής
 προαιρετικοί δίσκοι
 a εξάρτημα τεμαχισμού σε πολύ χονδρές λωρίδες αριθμός εξαρτήματος 639021
 b δίσκος τριψίματος αριθμός εξαρτήματος 639150
 c συμβατικό εξάρτημα τεμαχισμού σε μικρά κομμάτια αριθμός εξαρτήματος 639083
- αποχυμωτής συνεχούς ροής** ⑨ A935
παρασκευαστής παγωτού ⑩ CHEF A953, MAJOR A954
εξάρτημα αποφλοιώσης πατάτας ⑪ CHEF A934, MAJOR A952
πουριέρα ⑫ CHEF A992, MAJOR A930
- στρογγυλό μπωλ ανάμιξης** ⑬ CHEF 265026, MAJOR 412095
λεξίμυε
 στρογγυλό προστατευτικό κάλυμμα a CHEF & MAJOR 444347
- μπωλ ανάμιξης σε σχήμα Δ** ⑭ CHEF 489969
λεξίμυε
 προστατευτικό κάλυμμα σε σχήμα Δ a CHEF 604349
- ανοξείδωτα μπωλ ανάμιξης** ⑮ στυλιβωμένα: CHEF 638821, MAJOR 642779
κάλυμμα ⑯ CHEF 533722, MAJOR 606397





καθαρισμός και σέρβις

φροντίδα και καθαρισμός

- Θα πρέπει πάντοτε να σβήνετε τη συσκευή και να την αποσυνδέετε από το ρεύμα πριν από τον καθαρισμό.
- Μετά την πρώτη χρήση μπορεί να εμφανιστεί λίγο γράσο στα **στόμια 2** και **3**, πράγμα που είναι φυσιολογικό. Απλώς σκουπίστε το.

μονάδα κινητήρα • Περάστε με ένα υγρό πανί και στη συνέχεια στεγνώστε.

- Μη χρησιμοποιείτε ποτέ σκληρά καθαριστικά και μη τη βυθίζετε σε νερό.

τα μπωλ • Πλύνετε τα στο χέρι και στη συνέχεια στεγνώστε τα καλά.

- Εάν διαθέτετε ανοξείδωτα υπτωλ, δεν θα πρέπει ποτέ να χρησιμοποιήσετε συρμάτινη βούρτσα, σύρμα για τρίψιμο ή λευκαντικές ουσίες. Για να αφαιρέσετε τα άλατα χρησιμοποιήστε ξύδι.

- Κρατήστε τα μακριά από πηγές θερμότητας (όπως μάτια κουζίνας, φούρνους συμβατικούς, φούρνους μικροκυμάτων).

εργαλεία • Πλύνετε τα στο χέρι και στη συνέχεια στεγνώστε τα καλά.

- Οι αναδευτήρες μπορεί να αποχρωματιστούν αν τοποθετηθούν μέσα σε πλυντήριο πιάτων.

προστατευτικό κάλυμμα • Πλύνετε στο χέρι, έπειτα στεγνώστε πολύ καλά.

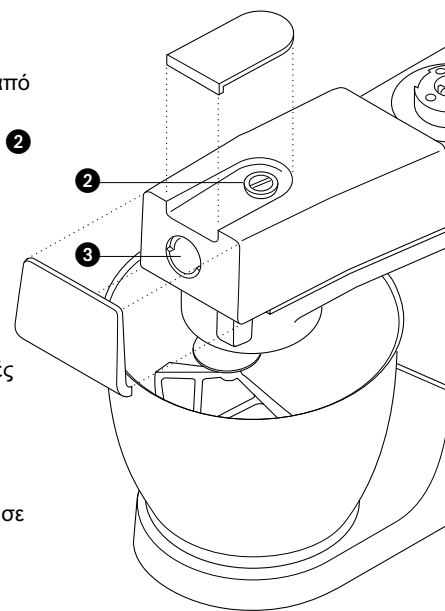
σέρβις και φροντίδα πελατών

- Για λόγους ασφαλείας, εάν το καλώδιο παροχής ρεύματος χαλάσει θα πρέπει να αντικατασταθεί από την KENWOOD ή από κάποιο εξουσιοδοτημένο συνεργείο της.

Εάν χρειαστείτε βοήθεια σχετικά με:

- τη χρήση της συσκευής
- την παραγγελία κάποιων εξαρτημάτων
- την συντήρηση και επισκευή

Επικοινωνήστε με το κατάστημα που αγοράσατε τη συσκευή σας.



ΣΥΝΤΑΓΕΣ

Διαβάστε χρήσιμες συμβουλές για την παρασκευή ψωμιού στη σελίδα 136.

Λευκό ψωμί σφιχτή ζύμη Βρετανικού τύπου

- υλικά
- 1.36 κιλά δυνατό άσπρο αλεύρι
 - 15 χιλιοστόλιτρα (3 κουταλάκια τσαγιού) αλάτι
 - 25γρ φρέσκια μαγιά, ή 15γρ/20 χιλιοστόλιτρα στεγνή μαγιά + 5 χιλιοστόλιτρα (1 κουταλάκι τσαγιού) ζάχαρη
 - 750 χιλιοστόλιτρα χλιαρό νερό: 43°C (110°F). Χρησιμοποιήστε ένα θερμόμετρο ή προσθέστε 250 χιλιοστόλιτρα βραστό νερό σε 500 χιλιοστόλιτρα κρύο νερό.
 - 25γρ λαρδί
- μέθοδος
- 1 **στεγνή μαγιά** (του τύπου που χρειάζεται εφύγρανση): χύστε το χλιαρό νερό μέσα στο μπωλ, προσθέστε τη μαγιά και τη ζάχαρη και στη συνέχεια αφήστε το μίγμα για 10 λεπτά, μέχρις ότου να αφίσει.
φρέσκια μαγιά: θρυμματίστε την μέσα στο αλεύρι.
άλλοι τύποι μαγιάς: ακολουθήστε τις οδηγίες του κατασκευαστή.
 - 2 Χύστε το υγρό μέσα στο μπωλ. Στη συνέχεια προσθέστε το αλεύρι (με τη φρέσκια μαγιά, εάν χρησιμοποιείτε αυτού του τύπου), το αλάτι και το λαρδί.
 - 3 Ζυμώνετε για περίπου 45 - 60 δευτερόλεπτα στην ταχύτητα 1 και μετά αυξάνετε την ταχύτητα στο 1 μέχρις ότου σχηματιστεί ζύμη, προσθέτοντας λίγο περισσότερο αλεύρι εάν χρειάζεται.
 - 4 Ζυμώνετε για περίπου ακόμα 3 με 4 λεπτά στην ταχύτητα 1 μέχρι να γίνει η ζύμη λεία και ελαστική και να μπορείτε να την αφαιρέσετε αφήνοντας τα τοιχώματα του δοχείου καθαρά.
 - 5 Τοποθετείτε τη ζύμη σε μια λαδωμένη πλαστική σακούλα ή σε ένα μπωλ λεκάνη σκεπασμένη με μια πετσέτα κουζίνας και στη συνέχεια αφήστε την σε κάποιο ζεστό μέρος μέχρις ότου να διπλασιαστεί σε μέγεθος.
 - 6 Ξαναζυμώστε για 2 λεπτά στην ταχύτητα 1.
 - 7 Γεμίστε με ζύμη μέχρι τη μέση 4 λαδωμένες φόρμες, ή πλάστε με αυτήν μικρά ψωμάκια. Στη συνέχεια σκεπάστε τη με μια πετσέτα κουζίνας και αφήστε την σε κάποιο ζεστό μέρος μέχρις ότου να διπλασιαστεί σε όγκο.
 - 8 Ψήστε στους 230°C/450°F/στο 8 για φούρνους υγραερίου, για 30 - 35 λεπτά εάν πρόκειται για φρατζόλες, ή για 10 - 15 λεπτά εάν πρόκειται για μικρά ψωμάκια.
- Όταν η φρατζόλα ή τα ψωμάκια είναι ψημένα παράγουν ένα κούφιο ήχο όταν τα χτυπήσετε ελαφρά στη βάση.

Λευκό ψωμί μαλακή Ευρωπαϊκού τύπου ζύμη

- υλικά
- 2.6 κιλά κοινό λευκό αλεύρι
 - 1.3 λίτρα γάλα
 - 300γρ ζάχαρη
 - 450γρ μαργαρίνη
 - 100γρ φρέσκια μαγιά ή 50γρ στεγνή μαγιά
 - 6 χτυπημένα αυγά
 - 5 πρέζες αλάτι
- Η ποσότητα αυτή αναφέρεται στα μοντέλα KM600, 800 και 810. Για τα μοντέλα KM300, 400 και 410 μειώστε τις ποσότητες στο μισό και προσθέστε όλο το αλεύρι σε μια δόση.
- μέθοδος
- 1 Λιώστε τη μαργαρίνη μέσα στο γάλα σε θερμοκρασία 43°C.
 - 2 **στεγνή μαγιά** (του τύπου που χρειάζεται εφύγρανση): προσθέστε τη μαγιά και τη ζάχαρη στο γάλα και αφήστε το μίγμα για περίπου 10 λεπτά μέχρις ότου να γίνει αφρώδες.
φρέσκια μαγιά: θρυμματίστε την μέσα στο αλεύρι και προσθέστε τη ζάχαρη.
άλλοι τύποι μαγιάς: ακολουθήστε τις οδηγίες του κατασκευαστή.
 - 3 Χύστε το γάλα μέσα στο ηπωλ. Προσθέστε τα αυγά χτυπημένα και 2 κιλά αλεύρι.
 - 4 Αναμίξτε στην πιο χαμηλή ταχύτητα για 1 λεπτό, έπειτα στην ταχύτητα 1 για ένα ακόμη λεπτό. Σπρώξτε προς τα κάτω το μίγμα που έχει κολλήσει στα τοιχώματα.
 - 5 Προσθέστε το αλάτι και το αλάτι και το υπόλοιπο αλεύρι και αναμίξτε στην πιο χαμηλή ταχύτητα για ένα λεπτό και στη συνέχεια στην ταχύτητα 1 για 2 - 3 λεπτά, μέχρις ότου το μίγμα να γίνει μαλακό και να ανακατευτεί ομοιογενώς.
 - 6 Βάλτε τη ζύμη σε λαδωμένες φόρμες για φρατζόλα των 450γρ ή πλάστε την σε μικρά ψωμάκια. Καλύψτε τη ζύμη με μια πετσέτα και αφήστε την μέχρις ότου διπλασιαστεί ο όγκος της.
 - 7 Ψήστε στους 200°C/400°F/στο 6 για φούρνους υγραερίου, για 20 - 25 λεπτά εάν πρόκειται για φρατζόλες, ή για 15 λεπτά εάν πρόκειται για μικρά ψωμάκια.
 - 8 Όταν οι φρατζόλες ή τα ψωμάκια είναι ψημένα παράγουν ένα κούφιο ήχο όταν τα χτυπήσετε ελαφρά στη βάση.
- Η ποσότητα αυτή φτάνει για 10 περίπου φρατζόλες.

ΣΥΝΤΑΓΕΣ ΣΥΝΕΧΕΙΑ

- τούρτα με φράουλες και βερούκοκα**
- υλικά: κέικ
- 3 αυγά
 - 75γρ ψιλή ζάχαρη
 - 75γρ κοινό αλεύρι
- γέμιση και διακόσμηση
- 150 χιλιοστόλιτρα διπλή κρέμα
 - Ζάχαρη σύμφωνα με τις προτιμήσεις σας
 - 225γρ φράουλες
 - 225γρ βερούκοκα
- μέθοδος
- 1 Κόβετε τα βερούκοκα στη μέση και αφαιρείτε τα κουκούτσια. Τα βράζετε ελαφρά σε πολύ λίγο νερό, προσθέτοντας ζάχαρη ανάλογα με τις προτιμήσεις σας, μέχρις ότου να μαλακώσουν.
 - 2 Πλένετε και κόβετε τις φράουλες στη μέση.
 - 3 Ετοιμάζετε το κέικ χτυπώντας τα αυγά και τη ζάχαρη στη μέγιστη ταχύτητα, μέχρις ότου το μίγμα να γίνει άσπρο και παχύ.
 - 4 Αφαιρέστε το μπωλ και τον αναδευτήρα. Ανακατέψτε ελαφρά μέσα στο μίγμα το αλεύρι με το χέρι χρησιμοποιώντας ένα μεγάλο μεταλλικό κουτάλι - προσέξτε ώστε να παραμείνει η ζύμη αφράτη.
 - 5 Μεταφέρετε το μίγμα σε δύο ταψιά 18 εκατοστών που έχετε προηγουμένως καλύψει με λαδόχαρτο.
 - 6 Ψήνετε το μίγμα για 20 περίπου λεπτά σε θερμοκρασία 180°C/350°F/στο 4 για φούρνους υγραερίου, μέχρι που το κέικ να είναι ελαστικό στο άγγιγμα.
 - 7 Βγάξτε τα κέικ από τα ταψάκια και τα αφήνετε να κρυώσουν σε μια σχάρα.
 - 8 Χρησιμοποιείτε το χτυπητήρι στη μέγιστη ταχύτητα για να χτυπήσετε την κρέμα μέχρι που να γίνει σχεδόν στερεή, προσθέτοντας όση ζάχαρη θέλετε.
 - 9 Κόβετε τα βερούκοκα και το ένα τρίτο από τις φράουλες σε χονδρά κομμάτια και τα ανακατεύετε με τη μισή κρέμα.
 - 10 Απλώνετε το μίγμα σε ένα κέικ και προσθέτετε το δεύτερο από επάνω.
 - 11 Απλώνετε την υπόλοιπη κρέμα πάνω από το κέικ και χρησιμοποιείτε τις υπόλοιπες φράουλες για διακόσμηση.
- μαρέγκες**
- υλικά
- 4 ασπράδια αυγών
 - 250γρ κοσκινισμένη ζάχαρη άχνη
- μέθοδος
- 1 Καλύψτε το ταψί σας με χονδρό αντικολλητικό λαδόχαρτο.
 - 2 Χτυπάτε τα ασπράδια και τη ζάχαρη με το χτυπητήρι για δέκα περίπου λεπτά στη μέγιστη ταχύτητα, μέχρις ότου το μίγμα να είναι στερεό.
 - 3 Απλώστε το μίγμα με ένα κουτάλι μέσα στο ταψί (εναλλακτικά χρησιμοποιείτε μια σακούλα για διακόσμηση με στόμιο διαμέτρου 2.5 εκατοστών και σχήματος αστεριού.)
 - 4 Ψήνετε στους 110°C/225°F/στο 1/4 για φούρνους υγραερίου για 4 - 5 ώρες περίπου, μέχρις ότου να γίνουν σκληρές και τραγανές. Εάν αρχίσουν να μαυρίζουν, αφήστε την πόρτα του φούρνου ελαφρά ανοιχτή.
- Φυλάξτε τις μαρέγκες σε κάποιο αεροστεγές δοχείο.
- ζύμη σφολιάτας**
- υλικά
- 450γρ αλεύρι, κοσκινισμένο μαζί με το αλάτι
 - 5 χιλιοστόλιτρα αλάτι
 - 225γρ λίπος (μίγμα από λαρδί και μαργαρίνη κατευθειαν από το ψυγείο)
 - Περίπου 80 χιλιοστόλιτρα (4 κουταλάκια τσαγιού) νερό
- χρήσιμη συμβουλή
- μέθοδος
- 1 Τοποθετήστε το αλεύρι μέσα στο μπωλ. Κόψτε το λίπος σε χονδρά κομμάτια και προσθέστε το μέσα στο αλεύρι.
 - 2 Αναμίξτε στην ταχύτητα 1 μέχρι το μίγμα να αποκτήσει την όψη τριμμένης φρυγανιάς. Σταματήστε να αναμινύετε πριν αποκτήσει λιπαρή όψη.
 - 3 Προσθέτετε το νερό και αναμινύετε και πάλι στη χαμηλότερη ταχύτητα για όσο χρόνο χρειάζεται να απορροφηθεί το νερό.
 - 4 Ψήστε τη ζύμη σε θερμοκρασία 200°C/400°F/στο 6 για φούρνους υγραερίου, ανάλογα με τη γέμιση.
- Μπιφτέκια με μοσχαρίσιο κρέας**
- υλικά
- 250γρ μοσχάρι εκλεκτής ποιότητας χωρίς νευρικό ιστό
- μέθοδος
- 1 Κόψτε το μοσχάρι σε κύβους 2.5 εκατοστών.
 - 2 Εάν δεν σας παρέχεται μηχανή του κιμά μαζί με τη συσκευή σας, χρησιμοποιείτε το μπλέντερ σας και πολτοποιήστε το κρέας σε μικρές δόσεις. Χρησιμοποιήστε την ταχύτητα 2 για 15 δευτερόλεπτα **το πολύ**. Καθαρίζετε το χώρο γύρω από τις λεπίδες μεταξύ των δόσεων που επεξεργάζεστε.
 - 3 Αναμίξτε με καρυκεύματα όπως ψιλοκομμένο κρεμμύδι, ανάμικτα αρωματικά φυτά (φρέσκα ή αποξηραμένα), χονδροαλεσμένους κόκκους μαύρου πιπεριού ή με χυμό και φλούδα λεμονιού.
 - 4 Πλάστε το μίγμα σε δύο μπιφτέκια και ψήστε τα στο γκριλ σε μέτρια προς υψηλή θερμοκρασία μέχρις ότου ψηθούν πολύ καλά.

ΟΡΟΙ ΕΓΓΥΗΣΕΩΣ

Η εταιρεία ΡΑΔΙΟ Α. ΚΟΡΑΣΙΔΗΣ Ε.Ε.Α.Ε. μέσω της ANKOP Α.Ε. παρέχει, στους καταναλωτές **12 μήνες** δωρεάν αποκατάσταση βλάβης συμπεριλαμβανομένων των ανταλλακτικών που θα απαιτηθούν, για τα προϊόντα μικροσυσκευών **KENWOOD** με τους ακόλουθους όρους:

- Η εγγύηση παρέχεται στον αρχικό αγοραστή της συσκευής και ισχύει από την ημερομηνία αγοράς της συσκευής. Το έντυπο της εγγύησης πρέπει να συμπληρώνεται και να σφραγίζεται στο κατάστημα αγοράς.
- Σε περίπτωση βλάβης της συσκευής, η εταιρεία, κατά την κρίση της, αναλαμβάνει την υποχρέωση επαναφοράς της σε ομαλή λειτουργία.
- Ο πελάτης πρέπει να προσκομίζει, ορθά συμπληρωμένο, το έντυπο της εγγυήσεως μαζί με την Απόδειξη Λιανικής Πωλήσεως ή φωτοτυπία αυτής.
- Για την αποκατάσταση της βλάβης ο καταναλωτής υποχρεούται να μεταφέρει τη συσκευή στα εργαστήριά μας ή στο πλησιέστερο εξουσιοδοτημένο σέρβις.

Προσοχή : Πρίν από οποιαδήποτε χρήση διαβάστε τις οδηγίες χρήσης.

Η εγγύηση δεν ισχύει όταν:

- Διαπιστωθεί επέμβαση στη συσκευή από άτομα μη εξουσιοδοτημένα.
- Η βλάβη έχει προέλθει από κακό χειρισμό, αμέλεια, πτώση, κτύπημα ή βλάβη κατά τη μεταφορά.
- Η τάση τροφοδοσίας δεν είναι κανονική.
- Ο αριθμός κατασκευής έχει αλλοιωθεί.
- Έχει παραποιηθεί το έντυπο της εγγύησης.
- Διαπιστωθεί λανθασμένη εγκατάσταση της συσκευής.
- Διαπιστωθεί βλάβη από πτώση κεραυνού μέσω του δικτύου τροφοδοσίας ρεύματος ή του δικτύου λήψεως.
- Η βλάβη οφείλεται σε πτώση ή υπέρταση του δικτύου τροφοδοσίας.

Στις ανωτέρω περιπτώσεις, ο καταναλωτής είναι υποχρεωμένος να καταβάλλει το αντίτιμο για τον έλεγχο της συσκευής, την κατ'οίκον κλήση, και όλα τα έξοδα που θα απαιτηθούν για την επισκευή της.

Προσοχή : Μετά τη λήξη της εγγυήσεως για οποιοδήποτε πρόβλημα επισκευής της συσκευής θα πρέπει να απευθύνεσθε πάντοτε στην ANKOP Α.Ε. ή στο πλησιέστερο εξουσιοδοτημένο SERVICE της εταιρείας.

Βεβαιωθείτε ότι τα στοιχεία ταυτότητας της συσκευής συμφωνούν με τα αναγραφόμενα στην εγγύησή σας,

ΠΛΗΡΟΦΟΡΙΑΚΑ ΣΤΟΙΧΕΙΑ ΕΓΓΥΗΣΗΣ

ΟΝΟΜΑΤΕΠΩΝΥΜΟ ΠΕΛΑΤΗ:	
ΔΙΕΥΘΥΝΣΗ ΠΕΛΑΤΗ	
ΟΔΟΣ:	ΑΡΙΘΜΟΣ:
ΠΟΛΗ:	ΤΗΛΕΦΩΝΟ:
Τ.Κ.:	
ΣΤΟΙΧΕΙΑ ΣΥΣΚΕΥΗΣ	
ΜΑΡΚΑ:	ΜΟΝΤΕΛΟ/ΣΕΙΡΑ:
ΑΡΙΘΜΟΣ ΚΑΤΑΣΚΕΥΗΣ:	ΣΦΡΑΓΙΔΑ/ΥΠΟΓΡΑΦΗ ΚΑΤΑΣΤΗΜΑΤΟΣ
	<div style="border: 1px solid black; height: 60px; width: 100%;"></div>
ΚΑΤΑΣΤΗΜΑ ΑΓΟΡΑΣ:	ΗΜΕΡΟΜΗΝΙΑ ΑΓΟΡΑΣ:
ΑΡΙΘΜΟΣ ΔΕΛΤΙΟΥ ΛΙΑΝΙΚΗΣ:	

ΑΝΤΙΠΡΟΣΩΠΕΙΑ:

ΠΕΙΡΑΙΑΣ: Μ.ΑΣΙΑΣ 4 185 47, Τηλ.: 210-4899100, fax :210-4826209

ANKOP ΣΕΡΒΙΣ Α.Ε.:

ΑΘΗΝΑ: Σ. Τσαλαβούτα 7, 121 31 Περιστέρι, Τηλ: 210-5706250 - fax: 210-5712703

ΘΕΣΣΑΛΟΝΙΚΗ: Αγ. Δημητρίου 190 & Τήλου, 546 35 Θεσσαλονίκη Τηλ: 2310-24 60 02 - fax: 2310-21 64 96

المحركات المتوفرة

البراءة ملكة غير موجودة لدى، اتصل بجهة تصليح كيتوون.

رقم القطعة الملائمة الاسم

A970 انارة على البامبنا المتبسطة ①
A971 tagliatelle (غير مبيتة) قطع ملحقة احصائية لعمل البامبنا
A972 tagliolini ويستعمل مع A970

A974 spaghetti انارة على البامبنا ②

A936 تاتى مع 1 شباك انارة على البامبنا ③

A948 تاتى مع 4 السطوانات انارة على البامبنا/تقطيع مازجة السريعة ④

A950 تاتى مع: مقرفة سوية ⑤

A941 مطحنة جنون ⑥

A995 مكبس حجببات ⑦

A996A انارة على البامبنا/تقطيع مازجة السريعة ⑧

A938A-8 مطحنة متعددة ⑨

A998-9 مطحنة متعددة ⑩

A954 مطحنة متعددة ⑪

A930 مطحنة متعددة ⑫

A992 مطحنة متعددة ⑬

kenlyte مطحنة متعددة ⑭

412095 مطحنة متعددة ⑮

444347 مطحنة متعددة ⑯

489969 مطحنة متعددة ⑰

604349 مطحنة متعددة ⑱

638821 مطحنة متعددة ⑲

533722 مطحنة متعددة ⑳

606397 مطحنة متعددة ㉑

642779 مطحنة متعددة ㉒

638821 مطحنة متعددة ㉓

533722 مطحنة متعددة ㉔

606397 مطحنة متعددة ㉕

642779 مطحنة متعددة ㉖

638821 مطحنة متعددة ㉗

533722 مطحنة متعددة ㉘

606397 مطحنة متعددة ㉙

642779 مطحنة متعددة ㉚

638821 مطحنة متعددة ㉛

533722 مطحنة متعددة ㉜

606397 مطحنة متعددة ㉝

642779 مطحنة متعددة ㉞

638821 مطحنة متعددة ㉟

533722 مطحنة متعددة ㊱

606397 مطحنة متعددة ㊲

642779 مطحنة متعددة ㊳

638821 مطحنة متعددة ㊴

533722 مطحنة متعددة ㊵

606397 مطحنة متعددة ㊶

642779 مطحنة متعددة ㊷

638821 مطحنة متعددة ㊸

533722 مطحنة متعددة ㊹

606397 مطحنة متعددة ㊺

642779 مطحنة متعددة ㊻

638821 مطحنة متعددة ㊼

533722 مطحنة متعددة ㊽

606397 مطحنة متعددة ㊾

642779 مطحنة متعددة ㊿

638821 مطحنة متعددة 1

533722 مطحنة متعددة 2

606397 مطحنة متعددة 3

642779 مطحنة متعددة 4

638821 مطحنة متعددة 5

533722 مطحنة متعددة 6

606397 مطحنة متعددة 7

642779 مطحنة متعددة 8

638821 مطحنة متعددة 9

533722 مطحنة متعددة 10

606397 مطحنة متعددة 11

642779 مطحنة متعددة 12

638821 مطحنة متعددة 13

533722 مطحنة متعددة 14

606397 مطحنة متعددة 15

642779 مطحنة متعددة 16

638821 مطحنة متعددة 17

533722 مطحنة متعددة 18

606397 مطحنة متعددة 19

642779 مطحنة متعددة 20

638821 مطحنة متعددة 21

533722 مطحنة متعددة 22

606397 مطحنة متعددة 23

642779 مطحنة متعددة 24

638821 مطحنة متعددة 25

533722 مطحنة متعددة 26

606397 مطحنة متعددة 27

642779 مطحنة متعددة 28

638821 مطحنة متعددة 29

533722 مطحنة متعددة 30

606397 مطحنة متعددة 31

642779 مطحنة متعددة 32

638821 مطحنة متعددة 33

533722 مطحنة متعددة 34

606397 مطحنة متعددة 35

642779 مطحنة متعددة 36

638821 مطحنة متعددة 37

533722 مطحنة متعددة 38

606397 مطحنة متعددة 39

642779 مطحنة متعددة 40

638821 مطحنة متعددة 41

533722 مطحنة متعددة 42

606397 مطحنة متعددة 43

642779 مطحنة متعددة 44

638821 مطحنة متعددة 45

533722 مطحنة متعددة 46

606397 مطحنة متعددة 47

642779 مطحنة متعددة 48

638821 مطحنة متعددة 49

533722 مطحنة متعددة 50

606397 مطحنة متعددة 51

642779 مطحنة متعددة 52

638821 مطحنة متعددة 53

533722 مطحنة متعددة 54

606397 مطحنة متعددة 55

642779 مطحنة متعددة 56

638821 مطحنة متعددة 57

533722 مطحنة متعددة 58

606397 مطحنة متعددة 59

642779 مطحنة متعددة 60

638821 مطحنة متعددة 61

533722 مطحنة متعددة 62

606397 مطحنة متعددة 63

642779 مطحنة متعددة 64

638821 مطحنة متعددة 65

533722 مطحنة متعددة 66

606397 مطحنة متعددة 67

642779 مطحنة متعددة 68

638821 مطحنة متعددة 69

533722 مطحنة متعددة 70

606397 مطحنة متعددة 71

642779 مطحنة متعددة 72

638821 مطحنة متعددة 73

533722 مطحنة متعددة 74

606397 مطحنة متعددة 75

642779 مطحنة متعددة 76

638821 مطحنة متعددة 77

533722 مطحنة متعددة 78

606397 مطحنة متعددة 79

642779 مطحنة متعددة 80

638821 مطحنة متعددة 81

533722 مطحنة متعددة 82

606397 مطحنة متعددة 83

642779 مطحنة متعددة 84

638821 مطحنة متعددة 85

533722 مطحنة متعددة 86

606397 مطحنة متعددة 87

642779 مطحنة متعددة 88

638821 مطحنة متعددة 89

533722 مطحنة متعددة 90

606397 مطحنة متعددة 91

642779 مطحنة متعددة 92

638821 مطحنة متعددة 93

533722 مطحنة متعددة 94

606397 مطحنة متعددة 95

642779 مطحنة متعددة 96

638821 مطحنة متعددة 97

533722 مطحنة متعددة 98

606397 مطحنة متعددة 99

642779 مطحنة متعددة 100

638821 مطحنة متعددة 101

533722 مطحنة متعددة 102

606397 مطحنة متعددة 103

642779 مطحنة متعددة 104

638821 مطحنة متعددة 105

533722 مطحنة متعددة 106

606397 مطحنة متعددة 107

642779 مطحنة متعددة 108

638821 مطحنة متعددة 109

533722 مطحنة متعددة 110

606397 مطحنة متعددة 111

642779 مطحنة متعددة 112

638821 مطحنة متعددة 113

533722 مطحنة متعددة 114

606397 مطحنة متعددة 115

642779 مطحنة متعددة 116

638821 مطحنة متعددة 117

533722 مطحنة متعددة 118

606397 مطحنة متعددة 119

642779 مطحنة متعددة 120

638821 مطحنة متعددة 121

533722 مطحنة متعددة 122

606397 مطحنة متعددة 123

642779 مطحنة متعددة 124

638821 مطحنة متعددة 125

533722 مطحنة متعددة 126

606397 مطحنة متعددة 127

642779 مطحنة متعددة 128

638821 مطحنة متعددة 129

533722 مطحنة متعددة 130

606397 مطحنة متعددة 131

642779 مطحنة متعددة 132

638821 مطحنة متعددة 133

533722 مطحنة متعددة 134

606397 مطحنة متعددة 135

642779 مطحنة متعددة 136

638821 مطحنة متعددة 137

533722 مطحنة متعددة 138

606397 مطحنة متعددة 139

642779 مطحنة متعددة 140

638821 مطحنة متعددة 141

533722 مطحنة متعددة 142

606397 مطحنة متعددة 143

642779 مطحنة متعددة 144

638821 مطحنة متعددة 145

533722 مطحنة متعددة 146

606397 مطحنة متعددة 147

642779 مطحنة متعددة 148

638821 مطحنة متعددة 149

533722 مطحنة متعددة 150

606397 مطحنة متعددة 151

642779 مطحنة متعددة 152

638821 مطحنة متعددة 153

533722 مطحنة متعددة 154

606397 مطحنة متعددة 155

642779 مطحنة متعددة 156

638821 مطحنة متعددة 157

533722 مطحنة متعددة 158

606397 مطحنة متعددة 159

642779 مطحنة متعددة 160

638821 مطحنة متعددة 161

533722 مطحنة متعددة 162

606397 مطحنة متعددة 163

642779 مطحنة متعددة 164

638821 مطحنة متعددة 165

533722 مطحنة متعددة 166

606397 مطحنة متعددة 167

642779 مطحنة متعددة 168

638821 مطحنة متعددة 169

533722 مطحنة متعددة 170

606397 مطحنة متعددة 171

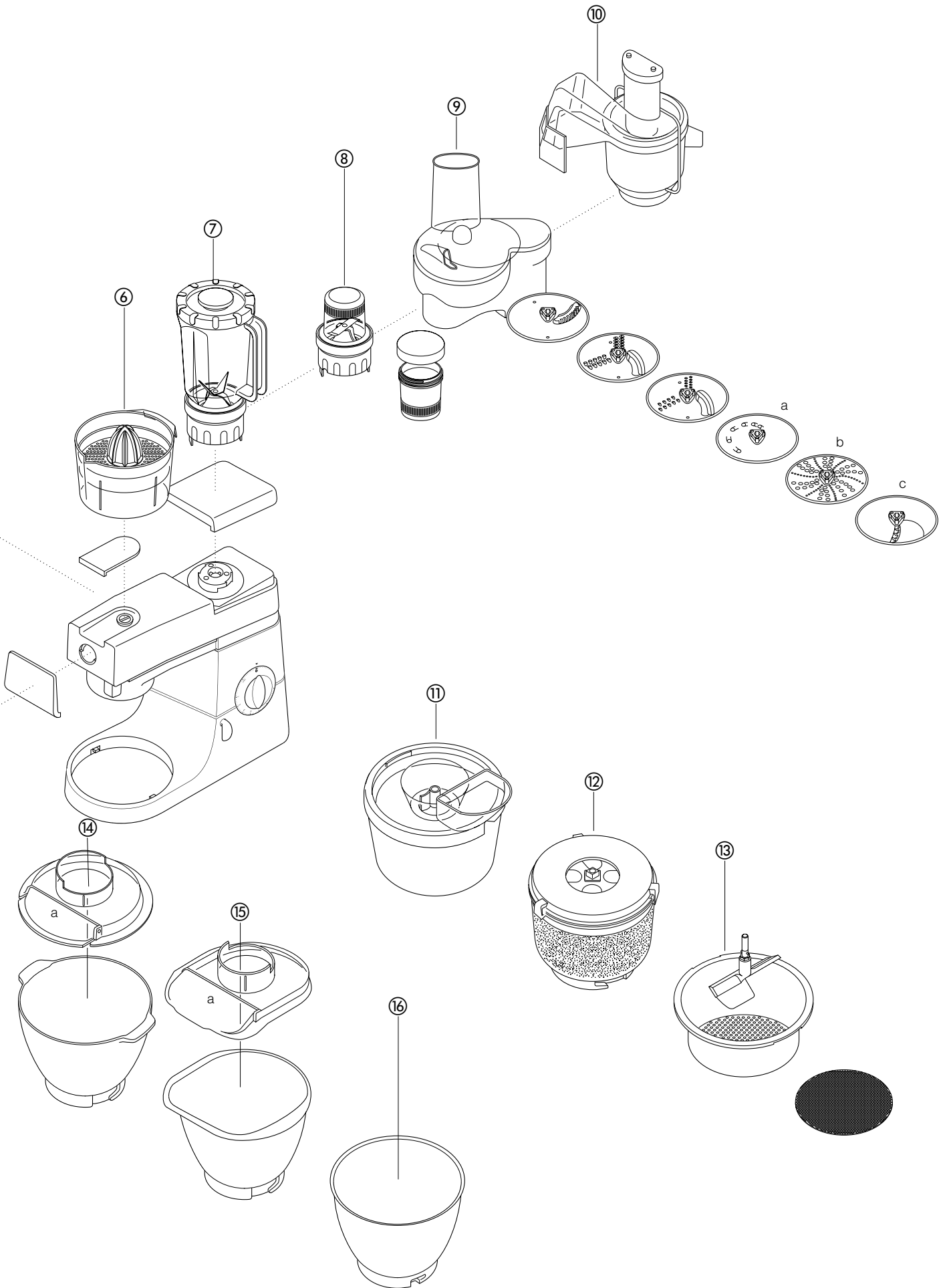
642779 مطحنة متعددة 172

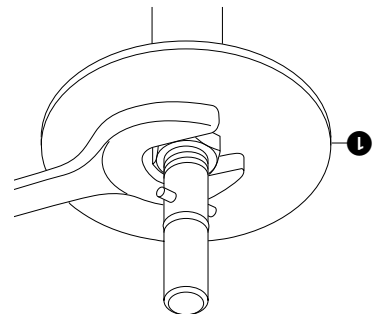
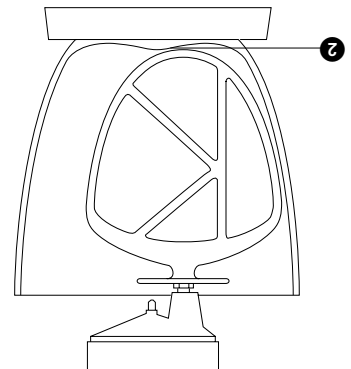
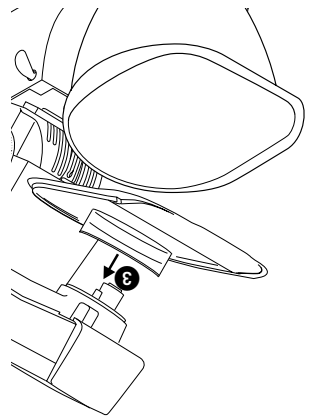
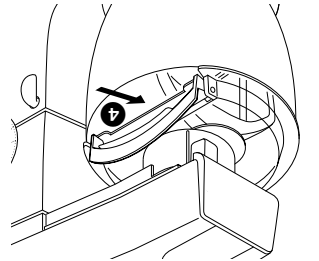
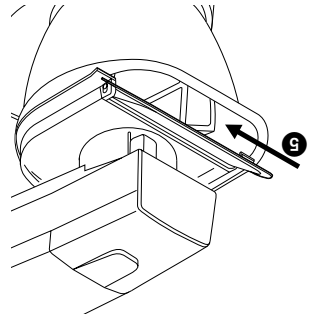
638821 مطحنة متعددة 173

533722 مطحنة متعددة 174

606397 مطحنة متعددة 175

642779 مطحنة متعددة 176





- ١. ارفج راس الجالطة حتى يفتق.
- ٢. كنب الراس على القاع.
- ٣. ان الخبز المصنعي الخبز محله ٣.
- ٤. في القالب ينشك D ٥.
- ٥. الجالطة راس الجالطة.
- ٦. في القالب ينشك ٧.
- ٧. ارفج راس الجالطة حتى يفتق.

الخبز والخبز المصنعي / الخبز المصنعي (الخبز المصنعي)

- ١. ارفج راس الجالطة حتى يفتق.
- ٢. ارفج راس الجالطة حتى يفتق.
- ٣. ارفج راس الجالطة حتى يفتق.
- ٤. ارفج راس الجالطة حتى يفتق.
- ٥. ارفج راس الجالطة حتى يفتق.
- ٦. ارفج راس الجالطة حتى يفتق.
- ٧. ارفج راس الجالطة حتى يفتق.

الخبز المصنعي والخبز المصنعي

Kenwood Limited, New Lane, Havant, Hampshire PO9 2NH, UK
www.kenwoodworld.com



Free Manuals Download Website

<http://myh66.com>

<http://usermanuals.us>

<http://www.somanuals.com>

<http://www.4manuals.cc>

<http://www.manual-lib.com>

<http://www.404manual.com>

<http://www.luxmanual.com>

<http://aubethermostatmanual.com>

Golf course search by state

<http://golfingnear.com>

Email search by domain

<http://emailbydomain.com>

Auto manuals search

<http://auto.somanuals.com>

TV manuals search

<http://tv.somanuals.com>