

Before reading this manual, click the button below to check the latest edition and the modified pages.

[Check the latest edition](#)

## 1-1. Safety precaution

### ▲ WARNING

To prevent injuries or a fire, take the following precautions:

- Stop the car before operating the unit.
- To prevent a short circuit, never put or leave any metallic objects (such as coins or metal tools) inside the unit.

### ▲ CAUTION

- Adjust the volume so that you can hear the sound outside the car. Driving with the volume too high may cause an accident.
- Wipe off the dirt on the panel with a dry silicon or soft cloth.  
Failure to observe this precaution may result in damage to the monitor or unit.
- If you experience problems during installation, consult your Kenwood dealer.

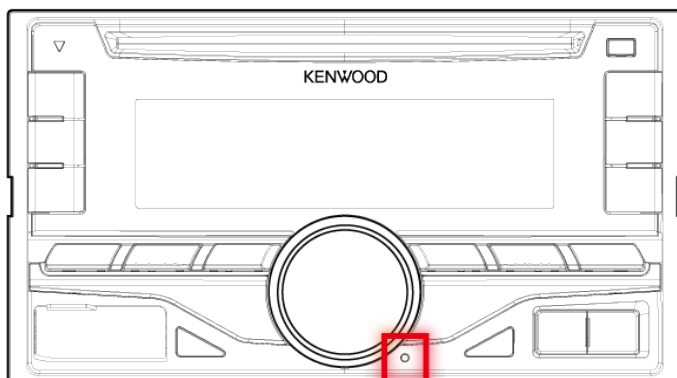
## 1-2. Important information

### Condensation

When the car is air-conditioned, moisture may collect on the laser lens. This may cause disc read errors. In this case, remove the disc and wait for the moisture to evaporate.

### How to reset your unit

If the unit fails to operate properly, press the Reset button. The unit returns to the factory settings when the Reset button is pressed.



### Notes

- When you purchase optional accessories, check with your Kenwood dealer to make sure that they can work with your model and in your area.
- Characters that conform to ISO 8859-1 can be displayed.
- The illustrations of the display and panel appearing in this manual are examples used to explain more clearly how the controls are used. Therefore, what appears on the display in the illustrations may differ from what appears on the display on the actual equipment, and some of the images on the display may be inapplicable.

## 1-3. Regulatory Compliance

### ▲ CAUTION

Use of controls or adjustments or performance of procedures other than those specified herein may result in hazardous radiation exposure.

In compliance with Federal Regulations, following are reproductions of labels on, or inside the product relating to laser product safety.

JVC KENWOOD Corporation  
2967-3, ISHIKAWA-MACHI,  
HACHIOJI-SHI, TOKYO, JAPAN

THIS PRODUCT COMPLIES WITH DHHS RULES  
21 CFR SUBCHAPTER J IN EFFECT AT DATE OF  
MANUFACTURE.

Location : Top plate

### FCC WARNING

This equipment may generate or use radio frequency energy. Changes or modifications to this equipment may cause harmful interference unless the modifications are expressly approved in the instruction manual. The user could lose the authority to operate this equipment if an unauthorized change or modification is made.

### FCC NOTE

This equipment has been tested and found to comply with the limits for a Class B digital device, pursuant to Part 15 of the FCC Rules. These limits are designed to provide reasonable protection against harmful interference in a residential installation. This equipment may cause harmful interference to radio communications, if it is not installed and used in accordance with the instructions. However, there is no guarantee that interference will not occur in a particular installation. If this equipment does cause harmful interference to radio or television reception, which can be determined by turning the equipment off and on, the user is encouraged to try to correct the interference by one or more of the following measures:

- Reorient or relocate the receiving antenna.
- Increase the separation between the equipment and receiver.
- Connect the equipment into an outlet on a circuit different from that to which the receiver is connected.
- Consult the dealer or an experienced radio/TV technician for help.

### IC (Industry Canada) Notice

This device complies with Industry Canada licence-exempt RSS standard(s).

Operation is subject to the following two conditions:

- (1) This device may not cause interference, and
- (2) this device must accept any interference, including interference that may cause undesired operation of the device.

The term "IC: " before the certification/ registration number only signifies that the Industry Canada technical specification were met.

## **▲ CAUTION**

This equipment complies with FCC/IC radiation exposure limits set forth for an uncontrolled environment and meets the FCC radio frequency (RF) Exposure Guidelines in Supplement C to OET65 and RSS-102 of the IC radio frequency (RF) Exposure rules. This equipment has very low levels of RF energy that it deemed to comply without maximum permissive exposure evaluation (MPE). But it is desirable that it should be installed and operated keeping the radiator at least 20cm or more away from person's body (excluding extremities: hands, wrists, feet and ankles).

Under Industry Canada regulations, this radio transmitter may only operate using an antenna of a type and maximum (or lesser) gain approved for the transmitter by Industry Canada. To reduce potential radio interference to other users, the antenna type and its gain should be so chosen that the equivalent isotropically radiated power (e.i.r.p.) is not more than that necessary for successful communication.

-----  
-----

- Contains Transmitter Module  
FCC ID : XQN-BTR60X
- Contains Transmitter Module  
IC: 9688A-BTR601

-----  
-----

## **CALIFORNIA, USA ONLY**

This product contains a CR Coin Cell Lithium Battery which contains Perchlorate Material – special handling may apply.

See [www.dtsc.ca.gov/hazardouswaste/perchlorate](http://www.dtsc.ca.gov/hazardouswaste/perchlorate)

## **Información acerca de la eliminación de equipos eléctricos y electrónicos al final de la vida útil (aplicable a los países que hayan adoptado sistemas independientes de recogida de residuos)**



Los productos con el símbolo de un contenedor con ruedas tachado no podrán ser desechados como residuos domésticos.

Los equipos eléctricos y electrónicos al final de la vida útil, deberán ser reciclados en instalaciones que puedan dar el tratamiento adecuado a estos productos y a sus subproductos residuales correspondientes. Póngase en contacto con su administración local para obtener información sobre el punto de recogida más cercano. Un tratamiento correcto del reciclaje y la eliminación de residuos ayuda a conservar los recursos y evita al mismo tiempo efectos perjudiciales en la salud y el medio ambiente.

## **Para cumplimiento de la COFETEL:**

"La operación de este equipo está sujeta a las siguientes dos condiciones:

- (1) es posible que este equipo o dispositivo no cause interferencia perjudicial y
- (2) este equipo o dispositivo debe aceptar cualquier interferencia,

incluyendo la que pueda causar su operación no deseada."

## 2-1. Specifications

### FM tuner section

---

- Frequency range (200 kHz step)
  - : 87.9 MHz – 107.9 MHz
- Usable sensitivity (S/N = 30dB)
  - : 9.3dBf (0.8  $\mu$ V/75  $\Omega$ )
- Quieting Sensitivity (S/N = 46dB)
  - : 10.2 dBf (1.13  $\mu$ V/75  $\Omega$ )
- Frequency response ( $\pm 3$  dB)
  - : 30 Hz – 15 kHz
- Signal to Noise ratio (MONO)
  - : 75 dB
- Stereo separation
  - : 45 dB (1 kHz)

### AM tuner section

---

- Frequency range (10 kHz step)
  - : 530 kHz – 1700 kHz
- Usable sensitivity (S/N = 20dB)
  - : 28 dB $\mu$  (25  $\mu$ V)

### CD player section

---

- Laser diode
  - : GaAlAs
- Digital filter (D/A)
  - : 8 Times Over Sampling
- D/A Converter
  - : 24 Bit
- Spindle speed (Audio files)
  - : 500 – 200 rpm (CLV)
- Wow & Flutter
  - : Below Measurable Limit
- Frequency response ( $\pm 1$  dB)
  - : 20 Hz – 20 kHz
- Total harmonic distortion (1 kHz)
  - : 0.01 %
- Signal to Noise ratio (1 kHz)
  - : 105 dB
- Dynamic range
  - : 90 dB
- MP3 decode
  - : Compliant with MPEG-1/2 Audio Layer-3
- WMA decode
  - : Compliant with Windows Media Audio
- AAC decode
  - : AAC-LC ".m4a" files

### USB interface

---

- USB Standard
  - : USB1.1/ 2.0 (Full speed)

File System  
: FAT12/ 16/ 32  
Maximum Supply current  
: DC 5 V  $\approx$  1 A  
MP3 decode  
: Compliant with MPEG-1/2 Audio Layer-3  
WMA decode  
: Compliant with Windows Media Audio  
AAC decode  
: AAC-LC ".m4a" files  
WAV decode  
: Linear-PCM

### **Audio section**

---

Maximum output power  
: 50 W x 4  
Full Bandwidth Power (at less than 1% THD)  
: 22 W x 4  
Speaker Impedance  
: 4 – 8  $\Omega$   
Tone action  
Bass : 100 Hz  $\pm$ 8 dB  
Middle : 1 kHz  $\pm$ 8 dB  
Treble : 12.5 kHz  $\pm$ 8 dB  
Preout level/ Load (CD)  
: 2500 mV/10 k $\Omega$   
Preout impedance  
:  $\leq$  600  $\Omega$

### **Bluetooth section (DPX500BT)**

---

Version  
: Bluetooth Ver.2.1+EDR Certified  
Frequency range  
: 2.402 – 2.480 GHz  
Output Power  
: +4dBm (MAX), 0dBm (AVE) Power Class 2  
Maximum Communication range  
: Line of sight approx.10m (32.8 ft)  
Profiles  
: HFP (Hands Free Profile)  
: SPP (Serial Port Profile)  
: PBAP (Phonebook Access Profile)  
: OPP (Object Push Profile)  
: A2DP (Advanced Audio Distribution Profile)  
: AVRCP (Audio/Video Remote Control Profile)

### **Auxiliary input**

---

Frequency response ( $\pm$ 3 dB)  
: 20 Hz – 20 kHz  
Input Maximum Voltage  
: 1200 mV  
Input Impedance  
: 10 k $\Omega$

### **General**

---

Operating voltage



**DPX500BT**

: 14.4 V (10.5 – 16V allowable)

**DPX300U**

: 14.4 V (11 – 16V allowable)

Maximum Current consumption

: 10 A

Installation Size (W x H x D)

: 182 x 111 x 157 mm

7-3/16 x 4-3/8 x 6-1/16 inch

Weight

: 3.4 lbs (1.5 kg)

Specifications subject to change without notice.

## 2-2. Trademarks

- The "AAC" logo is a trademark of Dolby Laboratories.



- "Made for iPod" and "Made for iPhone" mean that an electronic accessory has been designed to connect specifically to iPod or iPhone, respectively, and has been certified by the developer to meet Apple performance standards. Apple is not responsible for the operation of this device or its compliance with safety and regulatory standards. Please note that the use of this accessory with iPod or iPhone may affect wireless performance.



- iPhone, iPod, iPod classic, iPod nano, and iPod touch are trademarks of Apple Inc., registered in the U.S. and other countries.
- iTunes is a trademark of Apple Inc.
- Microsoft and Windows Media are either registered trademarks or trademarks of Microsoft Corporation in the United States and/or other countries.



- The Bluetooth word mark and logos are owned by the Bluetooth SIG, Inc. and any use of such marks by JVC KENWOOD Corporation is under license. Other trademarks and trade names are those of their respective owners.



- PANDORA, the PANDORA logo, and the Pandora trade dress are trademarks or registered trademarks of Pandora Media, Inc., used with permission.



- aha, the Aha logo, and the Aha trade dress are trademarks or registered trademarks of HARMAN International Industries, used with permission.



- iHeartRadio® is a registered mark of Clear Channel Broadcasting, Inc. in the United States and other countries. Such marks are used under license.

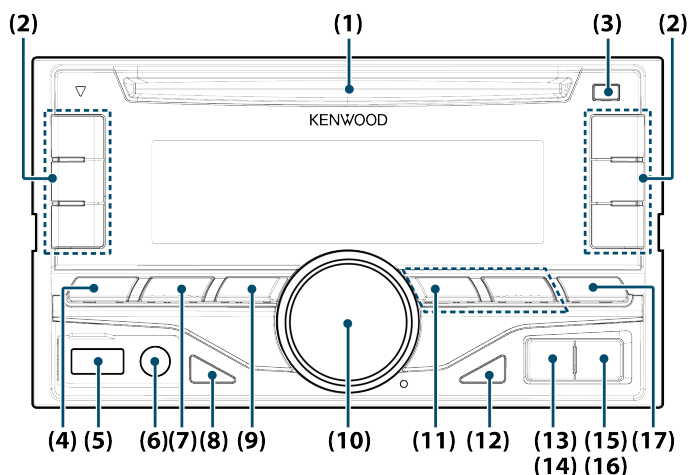


- Sirius, XM and all related marks and logos are trademarks of Sirius XM Radio Inc. All rights reserved.



- Android is a trademark of Google Inc.
- BlackBerry®, RIM®, Research In Motion® and related trademarks, names and logos are the property of Research In Motion Limited and are registered and/or used in the U.S. and countries around the world. Used under license from Research In Motion Limited.

## 3-1. Component names



1. Disc slot  
Insert a disc (label side up) in this slot.
2. [1] – [6] button  
When listening to the radio, press the button to call a registered station.  
When listening to the CD/USB/iPod, press the button to perform the following operations:
  - [1] [2] : Selecting an audio file folder.
  - [3] : Selecting Random Play.
  - [4] : Selecting Repeat Play.
  - **DPX500BT** [5] : Selecting App & iPod Control Mode.
3. [▲] button  
Press the button to eject the disc.
4. [SRC] button  
Press the button to switch among sources.
5. USB terminal  
Connect the iPod or USB device to this terminal.
6. Auxiliary input  
Connect the output of an external device using a stereo mini-jack.
7. [Q] button  
When listening to the iPod, audio file, or CD, press the button to enter the search mode.  
When listening to the radio, press the button to select a band.
8. [DISP] button  
Press the button to switch between display modes.
9. [↶] button  
In each of the selected modes, press the button to return to the previous item.
10. [Control knob] (Volume knob)  
In the normal mode, turn the knob to adjust the volume or press the knob to turn down the volume quickly.  
In the Function mode, turn the knob to select an item or press the knob to determine the selection.
11. [◀◀/▶▶] button  
Press the button to select a song or station.
12. [▶||] button

Press the button to switch between play/pause.

13. **DPX500BT** [⏮] button

Press the button to select the Phone Book.

14. **DPX300U** [A~Z] button

Press the button to enter the alphabet search mode.

15. **DPX500BT** [📞] button

Press the button to make, answer, or disconnect a hands-free call.

16. **DPX300U** [iPod] button

Press the button to switch to the iPod source.

17. [AUDIO] button

Press the button to enter the Audio Control mode.

## 3-2. Preparations

### *Exiting the Demonstration mode*

Turn off the Demonstration mode when you use the unit for the first time after installation.

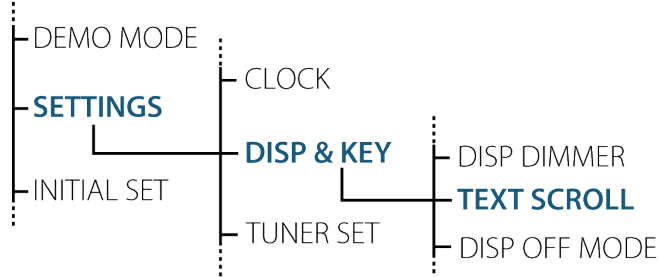
1. Press the [Control knob] to quit the Demonstration mode when the message "CANCEL DEMO PRESS VOLUME KNOB" appears (approx. 15 seconds).
2. Turn the [Control knob] to select the "YES" and then press the [Control knob]. The Demonstration mode can also be canceled in the Function Setting mode. Refer to <[13-3. Demonstration mode setting](#)>.

### 3-3. How to select the item

For how to select setting items such as a function setting item, see the following example:

#### **Example: Adjusting the text scroll of the display**

1. Press and hold the [AUDIO] button.  
"Function" appears and enters the Function setting mode.
2. Select the Text scroll function item



Turn the [Control knob] to select "SETTINGS", and then press the [Control knob].

Next, turn the [Control knob] to select "DISP & KEY", and then press the [Control knob].

Finally, turn the [Control knob] to select "TEXT SCROLL, and then press the [Control knob].

Press the [↵] button to return to the previous item.

3. Turn the [Control knob] to select a value (AUTO, ONCE, OFF), and then press the [Control knob].  
The previous item appears.
4. Press and hold the [↵] button.  
Exit the Function setting mode.

#### ▼ About the description in this manual

- "Function" appears and enters the Function setting mode.
  - 2 Use the [Control knob] to select "SETTINGS" > "DISP & KEY" > "TEXT SCROLL".
  - 3 Use the [Control knob] to select a value (AUTO, ONCE, OFF).

## 3-4. Adjusting the clock

- 1. Press and hold the [Control knob].**  
The hour display blinks.
- 2. Turn the [Control knob] to adjust the hour, and then press the [Control knob].**  
The minute display blinks.
- 3. Turn the [Control knob] to adjust the minute, and then press the [Control knob].**



## 3-5. General operations

### Power

Turn the power on by pressing the [SRC] button.  
Press and hold [SRC] button to turn the power off.

### Source selection

Press the [SRC].  
Pressing the button switches among sources.

Source	Display
Standby	"STANDBY"
SiriusXM (optional accessory)[1]	"SIRIUS XM"
Tuner	"TUNER"
USB or iPod[1]	"USB" or "iPod"
Pandora®[1]	"PANDORA"
iHeartRadio[1]	"IHEARTRADIO"
aha™[1][2]	"AHA"
Bluetooth audio[2]	"BT AUDIO"
CD[1]	"CD"
Auxiliary Input	"AUX"

[1] This source can be selected only when it can be played.

[2] Function of DPX500BT.

### ▼ Source switching setting

- "PANDORA", "IHEARTRADIO", "AHA", and "AUX" sources are not selectable when not in use. For more details, see <13-4. Initial settings>.

### Volume

Turn the [Control knob].

### USB terminal

A USB device or iPod can be connected.  
CA-U1EX (optional accessory) or KCA-iP102 (optional accessory) is recommended to connect a USB device or iPod.

### Auxiliary input

A portable audio device can be connected with a stereo mini-plug (3.5 mm ø).

## 4-1. Audio control

You can adjust the audio control items.

### 1. Select the source.

Refer to [<Source selection>](#).

### 2. Press the [AUDIO] button.

Enter the Audio control mode.

### 3. Use the [Control knob] to select an audio item.

For how to use the [Control knob], refer to [<3-3. How to select the item>](#).

Display	Audio setting item	Range
"SUB-W LEVEL" <b>[2]</b>	Subwoofer level	-15 — +15 (dB) <b>(0)</b>
"BASS LEVEL"	Bass level	-8 — +8 (dB) <b>(0)</b>
"MID LEVEL"	Middle level	-8 — +8 (dB) <b>(0)</b>
"TRE LEVEL"	Treble level	-8 — +8 (dB) <b>(0)</b>
"EQ PRO"		
"BASS ADJUST"		
"BASS CTR FRQ"	Bass Center Frequency	60/ 80/ <b>100</b> / 200 (Hz)
"BASS LEVEL"	Bass level	-8 — +8 (dB) <b>(0)</b>
"BASS Q FACTOR"	Bass Q Factor	<b>1.00</b> / 1.25/ 1.50/ 2.00
"BASS EXTEND"	Bass Extend	<b>OFF</b> / ON
"MID ADJUST"		
"MID CTR FRQ"	Middle Center Frequency	0.5/ <b>1.0</b> / 1.5/ 2.5 (kHz)
"MID LEVEL"	Middle level	-8 — +8 (dB) <b>(0)</b>
"MID Q FACTOR"	Middle Q Factor	0.75/ <b>1.00</b> / 1.25
"TRE ADJUST"		
"TRE CTR FRQ"	Treble Center Frequency	10.0/ <b>12.5</b> / 15.0/ 17.5 kHz
"TRE LEVEL"	Treble level	-8 — +8 (dB) <b>(0)</b>
"PRESET EQ"	Preset Equalizer curve	"ROCK"/ "POPS"/ "EASY"/ "TOP40"/ "JAZZ"/ "POWERFUL"/ <b>"NATURAL"</b> / "USER" <b>[1]</b>
"BASS BOOST"	Bass Boost	<b>"OFF"</b> / "LV1"/ "LV2"/ "LV3"
"LOUDNESS"	Loudness	"OFF"/ <b>"LV1"</b> / "LV2"
"BALANCE"	Balance	Left 15 — Right 15 <b>(0)</b>
"FADER"	Fader	Rear 15 — Front 15 <b>(0)</b>
"SUBWOOFER SET"	Subwoofer output	OFF/ <b>ON</b>
"DETAILED SET"		

"HPF"	High Pass Filter	<b>Through</b> / 100/ 120/ 150 (Hz)
"LPF SUBWOOFER" <b>[2]</b>	Low Pass Filter	85/ 120/ 160/ <b>Through</b> (Hz)
"SUB-W PHASE" <b>[2][3]</b>	Subwoofer Phase	Reverse (180°)/ <b>Normal</b> (0°)
"SUPREME SET" <b>[4]</b>	Supreme setting	<b>ON</b> / OFF
"VOLUME OFFSET"	Volume offset	-8 — ± <b>0</b> (dB) (AUX: -8 — +8) ( <b>0</b> )

(**Colored text**: Factory setting)

**[1]** "USER": The customized Bass, Middle, and Treble settings are effective.

**[2]** "SUB-W LEVEL"/ "LPF SUBWOOFER"/ "SUB-W PHASE" is selectable only if "SUBWOOFER SET" is set to "ON".

**[3]** "SUB-W PHASE" is selectable only if a setting other than "THROUGH" is selected for "LPF SUB-W".

**[4]** "SUPREME SET" is selectable only when playing back an MP3/WMA/AAC/WAV disc, USB device or iPod.

#### 4. Use the **[Control knob]** to select a value.

The previous item appears.

### ***Exit the Audio control mode.***

Press and hold the **[↵]** button.

#### ▼ **Adjusting Bass, Middle, and Treble levels**

- You can set Bass, Middle, and Treble levels for each source.

#### ▼ **About Supreme**

- Technology to extrapolate and supplement with proprietary algorithm, the high-frequency range that is cut off when encoding at low bit rate. Supplementing is optimized by compression format (AAC, MP3, WMA or WAV) and processed according to bit rate. The effect is negligible with music that is encoded at high bit rate, variable bit rate or has minimal high frequency range.

## 5-1. Models of iPods/iPhones that can be connected to this unit

- Made for
  - \_ iPod nano (6th generation)
  - \_ iPod nano (5th generation)
  - \_ iPod nano (4th generation)
  - \_ iPod nano (3rd generation)
  - \_ iPod nano (2nd generation)
  - \_ iPod nano (1st generation)
  - \_ iPod with video
  - \_ iPod classic
  - \_ iPod touch (4th generation)
  - \_ iPod touch (3rd generation)
  - \_ iPod touch (2nd generation)
  - \_ iPod touch (1st generation)
  - \_ iPhone 4S
  - \_ iPhone 4
  - \_ iPhone 3GS
  - \_ iPhone 3G
  - \_ iPhone
- For information on the compatibility with iPod/iPhone software, visit [www.kenwood.com/cs/ce/ipod/](http://www.kenwood.com/cs/ce/ipod/).
- Types of available control vary depending on the type of connected iPod. Visit [www.kenwood.com/cs/ce/ipod/](http://www.kenwood.com/cs/ce/ipod/) for further details.
- The word "iPod" appearing in this manual indicates the iPod or the iPhone connected with the iPod connection cable (optional accessory).
- Refer to the web site for connectable iPods and iPod connection cables.  
[www.kenwood.com/cs/ce/ipod/](http://www.kenwood.com/cs/ce/ipod/)

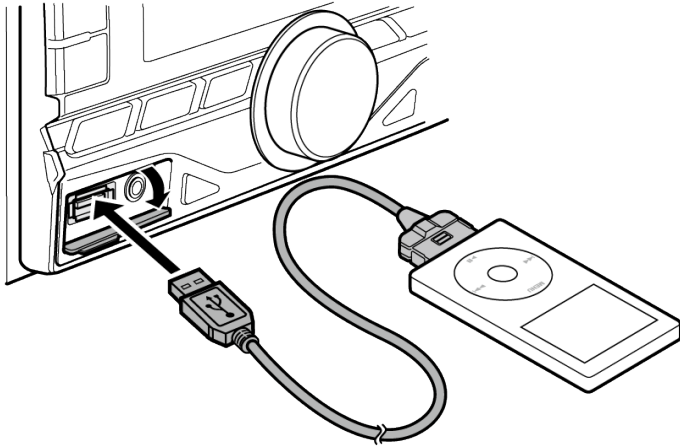
### ▼ Notes

- If you start playback after connecting the iPod, the music that was playing on the iPod is played first.  
In this case, "RESUMING" appears without displaying a folder name, etc. Changing the browse item will display a correct title, etc.
- You cannot operate the iPod if "KENWOOD" or "✓" appears on the iPod.

## 5-2. Playing music

### *Playing an iPod*

Connect the iPod to the USB terminal using KCA-iP102 connector (optional accessory).



When it is connected, the source is switched automatically and playback starts.

#### ▼ When playback of iPod touch or iPhone does not start

- If an unsupported application has started when connecting iPod touch or iPhone, "APP&iPod MODE" appears and sometimes playback does not start. Press the [5] button (DPX500BT) or press and hold the [iPod] button (DPX300U).

### *Selecting a song*

Press the [◀◀] or [▶▶] button.

### *Fast-forwarding or fast-backwarding a song*

Press and hold the [◀◀] or [▶▶] button.

### *Pause and play a song*

Press the [▶||] button.

### *Removing iPod*

Press the [SRC] button to switch the source to a device other than iPod, Pandora, Aha Radio, and iHeartRadio, and then remove the iPod.

Data contained in the iPod may be damaged if you remove it when it is used as the active source.

## 5-3. Music search

You can search for the song you want to play.

### 1. Press the [Q] button.

"SEARCH" appears and enters the Music search mode.

### 2. Search for a song

Operation type	Operation
Selecting items	Turn the [Control knob].
Determining selection	Press the [Control knob].
Skip Search	Press the [◀◀] or [▶▶]./ Press and hold the [◀◀] or [▶▶].
Returning to previous item	Press the [↶] button.
Returning to Top menu	Push the [5] button.

🎵 indicator: Audio file

👤 indicator: Artist

📀 indicator: Album

📁 indicator: Folder

### Canceling the Music search mode

Press and hold the [↶] button.

### ▼ Undisplayable titles

- If a song name can not be displayed for some reason, browse item name and digits are displayed(ex. PLIST\*\*\*) instead.

Items	Display
Playlists	"PLIST***"
Artists	"ART***"
Albums	"ALB***"
Songs	"PRGM***"
Podcasts	"PDCT***"
Genres	"GEN***"
Composers	"COM***"

## 5-4. Alphabet search

You can select an alphabetic character from the list in the browse item (artist, album, etc.) currently selected.

### ▼ When DPX300U is used

- DPX300U allows you to enter the Alphabet search mode by pressing [A to Z] buttons instead of executing the following steps 1 and 2.

#### 1. Press the [Q] button.

"SEARCH" appears and enters the Music search mode.

#### 2. Press the [Q] button.

Enter the Alphabet search mode and "SEARCH <\_ >" appears.

#### 3. Select a character.

Operation type	Operation
Entry of character	Turn the [Control knob].
Movement of character entry position	Press the [◀◀] or [▶▶].
Determination of entered character	Press the [Control knob].

Returning to the Music search mode.

### *Canceling the Alphabet search mode*

Press and hold the [↵] button.

### ▼ Alphabet search notes

- Turning the [Control knob] fast in the Music search mode allows you to enter the alphabet search mode.
- The time of Alphabet search may become long depending on the number of items (songs) in iPod.
- To search for a character other than A to Z and 1, enter "\*".
- If the first character string begins with an article "a", "an", or "the" in the alphabet search mode, it is searched for in defiance of the article.

## 5-5. Skip search ratio setting

You can change the ratio of skip performed as mentioned in [<Skip Search>](#).

- 1. Select the iPod source.**  
Refer to [<Source selection>](#).
- 2. Press and hold the [AUDIO] button.**  
Enter the Function setting mode.
- 3. Use the [Control knob] to select "SETTINGS" > "SKIP SEARCH".**  
For how to use the [Control knob], refer to [<3-3. How to select the item>](#).
- 4. Use the [Control knob] to select a ratio (0.5, 1, 5, 10).**  
The previous item appears.

### *Exit the Function setting mode*

Press and hold the [] button.



## 5-6. Play function

### ***Repeat play***

**Press the [4] button.**

Switches between Repeat ("FILE REPEAT") and off ("REPEAT OFF") when pressed.

### ***Random play***

**Press the [3] button.**

Randomly plays the music.

Pressing the button toggles the setting between Random play on ("FOLDER RANDOM") and off ("RANDOM OFF").

Press this button again cancels the Random play.

### ***All Random play***

**Press and hold the [3] button.**

All songs in iPod are played at random.

Pressing the button toggles the setting between All random play on ("ALL RANDOM") and off ("RANDOM OFF").

Press this button again cancels the All Random play.

### **▼ Notes**

- The time required to turn on the all random function may become longer depending on the number of songs in iPod.
- Turning on the all random function changes the iPod browse item to "Songs". This browse item will not be changed even if the all random function is turned off.
- If the browse item is changed to search for music while the all random function is on, the all random function is turned off and the songs in the browse item are played at random.

## 5-7. APP & iPod Mode

Allowing you to operate iPod with the control on the iPod.

**DPX500BT**

Press the [5] button.

**DPX300U**

Press and hold the [iPod] button.

When the APP & iPod mode is selected, "MODE ON" appears.

### *Canceling the APP & iPod mode*

**DPX500BT**

Press the [5] button.

**DPX300U**

Press the [iPod] button.

### ▼ Operation when "APP&iPod MODE" is "ON"

- When "APP&iPod MODE" is set to "ON", this unit can control only the "Pause and play", "Selecting a song", and "Fast Forward or Fast Backward of the Song" functions.

## 6-1. Requirements Pandora®

Requirements for listening to Pandora® are as follows:

- A smartphone with the latest Pandora application installed.
- Latest version of the Pandora application (search App Store for Pandora and install).
- An active internet connection.

### *iPhone or iPod touch*

- Apple iPhone or iPod touch with iOS 3 or later installed
- Search for "Pandora" in the Apple iTunes App Store to find and install the most current version of the Pandora® application on your device.
- iPhone/ iPod touch connected to this unit with a KCA-iP102.

### *Android™*

- Latest version of the Pandora Android application (search Google Play for Pandora and install).
- Bluetooth must be built in and the following profiles must be supported.
  - \_ SPP (Serial Port Profile)
  - \_ A2DP (Advanced Audio Distribution Profile)

### *BlackBerry®*

- Visit [www.pandora.com](http://www.pandora.com) from the built in browser to download the Pandora application.
- Bluetooth must be built in and the following profiles must be supported.
  - \_ SPP (Serial Port Profile)
  - \_ A2DP (Advanced Audio Distribution Profile)

### ▼ Notes

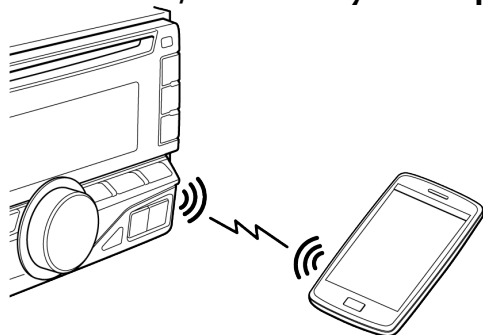
- Pandora® is only available in the United States, Australia, and New Zealand.
- Because Pandora® is a third-party service, the specifications are subject to change without prior notice. Accordingly, compatibility may be impaired or some or all of the services may become unavailable.
- Some functions of Pandora® cannot be operated from this unit.
- For issues using the application, please contact Pandora® at [pandora-support@pandora.com](mailto:pandora-support@pandora.com)

## 6-2. Listening to Pandora®

### *Android or BlackBerry (DPX500BT only)*

- You need to register your cell-phone before using it with this unit. See <14-2. Registering a Bluetooth device>.
- Disconnect the iPhone or iPod touch.

#### 1. Connect the Android/BlackBerry smartphone via Bluetooth.



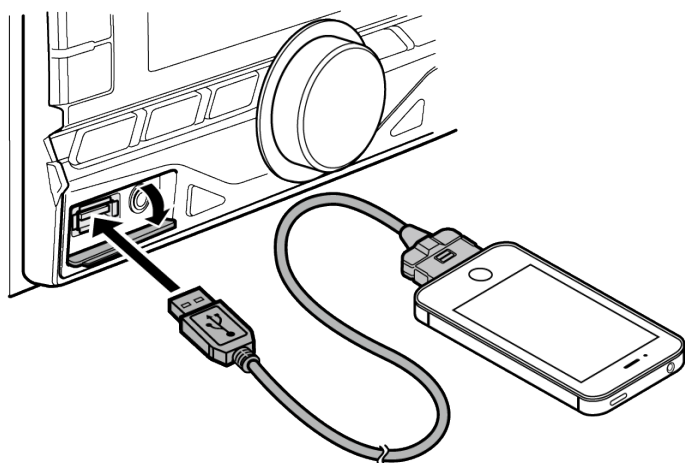
Speakers from which audio is output change depending on the Bluetooth setting "BT HF/AUDIO". The default is Front. See <17-5. Bluetooth detail setting>.

2. Open the Pandora® application on your device.
3. Press the [SRC] button to select a Pandora ("PANDORA") source.  
Refer to <Source selection>.

### *iPhone or iPod touch*

1. Open the Pandora® application on your device.
2. Open the cover.
3. Connect the iPod to the USB terminal using KCA-iP102 connector (optional accessory).

The source switches, and broadcasting starts automatically from your current station.



## 6-3. Basic operation

### *Thumbs up*

Press and hold the [1] button.

### *Thumbs down*

Press and hold the [2] button.

### *Song skip*

Press the [▶▶].

### *Pause and play a song*

Press the [▶||] button.

## 6-4. Station search

You can select the station you want to listen to from your station list.

- 1. Press the [Q] button.**  
"SEARCH" appears and enter the Station List mode.
- 2. Use the [Control knob] to select a sort type.**  
For how to use the [Control knob], refer to [<3-3. How to select the item>](#).  
"A-Z": Stations are displayed in alphabetical order.  
"By Date": Stations are displayed in date order.
- 3. Use the [Control knob] to select a station.**

## 6-5. New station Creation

You can search for a desired station. You can register the displayed station as a new station in your station list.

**1. Press and hold the [Q] button.**

"NEW STATION" appears and enter the New station registration.

**2. Use the [Control knob] select a search method.**

For how to use the [Control knob], refer to [<3-3. How to select the item>](#).

- \_ "FROM ARTIST": Searches for a song by the name of the artist you are listening to.
- \_ "FROM TRACK": Searches for a song by the name of the track you are listening to.

When you select a search method, a new station name is created.

**3. Use the [Control knob] to select a station.**

The broadcast from the selected station is received and the station is registered in the station list.

## 6-6. Station preset memory

You can store a station in the memory.

- 1. Press the [Q] button.**  
"SEARCH" appears and enter the Station List mode.
- 2. Use the [Control knob] to select a sort type.**  
For how to use the [Control knob], refer to [<3-3. How to select the item>](#).  
"A-Z": Stations are displayed in alphabetical order.  
"By Date": Stations are displayed in date order.
- 3. Use the [Control knob] to select a station.**
- 4. Press and hold the button ([3] to [5]) to which you want to assign the selected station.**  
"STORED" appears and the channel is registered.



## 6-7. Preset tuning

Recalling a channel from the memory.


**Press the button ([3] to [5]) corresponding to the station you want to listen to.**

## 6-8. Pandora source control

You can turn on/off the Pandora source.

1. **Press and hold the [AUDIO] button.**  
Enter the Function setting mode.
2. **Use the [Control knob] to select "INITIAL SET" > "PANDORA SRC".**  
For how to use the [Control knob], refer to <3-3. [How to select the item](#)>.
3. **Use the [Control knob] to select a Pandora source control method.**  
"ON": Turns on the Pandora source.  
"OFF": Turns off the Pandora source.

### *Exit the Function setting mode*

Press and hold the [] button.

## 7-1. Requirements Aha™

Requirements for listening to Aha™ are as follows:

- In the application on your device, log in and create a free account with Aha.
- Internet connection by 3G, LTE, EDGE, or WiFi.

### *iPhone or iPod touch*

- Use an Apple iPhone or iPod touch running iOS4 or later.
- Search for "Aha" in the Apple iTunes App Store to find and install the most current version of the Aha™ application on your device.
- iPhone/ iPod touch connected to this unit with a KCA-iP102.

### *Android™*

- Use Android OS 2.2 or later.
- Download the Aha™ application to your smartphone from the Google play.
- Bluetooth must be built in and the following profiles must be supported.
  - \_ SPP (Serial Port Profile)
  - \_ A2DP (Advanced Audio Distribution Profile)

### ▼ Notes

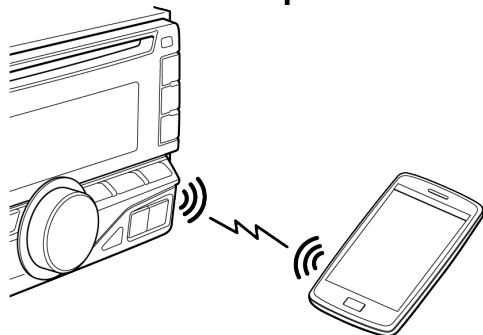
- Because Aha™ is a third-party service, the specifications are subject to change without prior notice. Accordingly, compatibility may be impaired or some or all of the services may become unavailable.
- Some Aha™ functionality cannot be operated from this unit.

## 7-2. Listening to the Aha Radio

### *Android (DPX500BT only)*

- You need to register your cell-phone before using it with this unit. See <14-2. Registering a Bluetooth device>.
- Disconnect the iPhone or iPod touch.

#### 1. Connect the Android smartphone via Bluetooth.

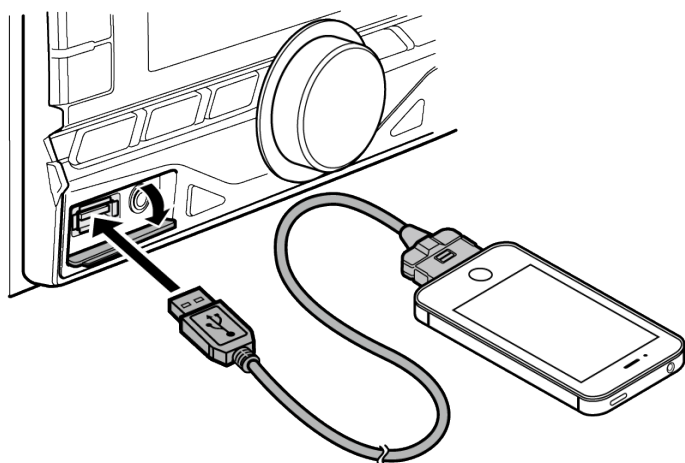


Speakers from which audio is output change depending on the Bluetooth setting "BT HF/AUDIO". The default is Front. See <17-5. Bluetooth detail setting>.

2. Open the Aha Radio application on your device.
3. Press the [SRC] button to select an Aha Radio ("AHA") source.  
Refer to <Source selection>.

### *iPhone or iPod touch*

1. Open the Aha Radio application on your device.
2. Open the cover.
3. Connect the iPod to the USB terminal using KCA-iP102 connector (optional accessory).
4. Press the [SRC] button to select an Aha Radio ("AHA") source.  
Refer to <Source selection>.



## 7-3. Basic operations

### ***Pause and play a content***

Press the [▶||] button.

### ***Selecting a content***

Press the [◀◀] or [▶▶] button.

### ***Forward 30 seconds a content***

Press and hold the [▶▶] button.

### ***Backward 15 seconds a content***

Press and hold the [◀◀] button.

### ***"Likes" current content***

Press the [1] button.

To unvote, press the button again.

### ***"Dislikes" current content***

Press the [2] button.

To unvote, press the button again.

## 7-4. Station search

You can select the station you want to listen to from your station list.

- 1. Press the [Q] button.**  
"SEARCH" appears and enter the Station List mode.
- 2. Use the [Control knob] to select a station.**  
For how to use the [Control knob], refer to [<3-3. How to select the item>](#).
- 3. Use the [Control knob] to select a content.**

## 7-5. Calling a number in the content


You can call the phone number obtained from the content from a smartphone connected to this unit via Bluetooth.

1. **Press the [3] button.**  
"MAKE A CALL" appears.
2. **Press the [Control knob] to make a call.**  
"CALL" appears.

### *Canceling the confirmative display*

Press and hold the [] button.

### *Disconnecting a call*

Press the [] button.

## 8-1. Requirements iHeartRadio™

Requirements for listening to iHeartRadio are as follows:

- In the application on your device, log in and create a free account with iHeartRadio.
- Internet connection by 3G, LTE, EDGE, or WiFi.

### *iPhone or iPod touch*

- Use an Apple iPhone or iPod touch running iOS4 or later.
- Search for "iHeart Link for KENWOOD" in the Apple iTunes App Store to find and install the most current version of the iHeartLink application on your device.
- iPhone/ iPod touch connected to this unit with a KCA-iP102.

### *Android™*

- Use Android OS 2.2 or later.
- Download the "iHeart Link for KENWOOD" application to your smartphone from the Google play.
- Bluetooth must be built in and the following profiles must be supported.
  - \_ SPP (Serial Port Profile)
  - \_ A2DP (Advanced Audio Distribution Profile)

### ▼ Notes

- Because iHeartRadio™ is a third-party service, the specifications are subject to change without prior notice. Accordingly, compatibility may be impaired or some or all of the services may become unavailable.
- Some iHeartRadio™ functionality cannot be operated from this unit.

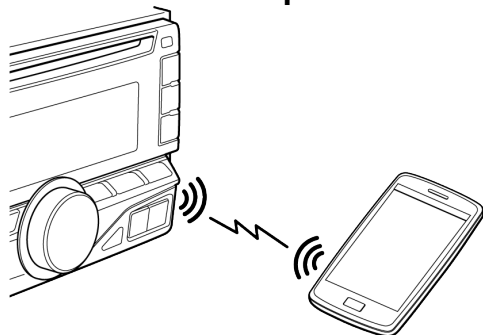


## 8-2. Listening to the iHeartRadio

### *Android (DPX500BT only)*

- You need to register your cell-phone before using it with this unit. See [<14-2. Registering a Bluetooth device>](#).
- Disconnect the iPhone or iPod touch.

#### 1. Connect the Android smartphone via Bluetooth.

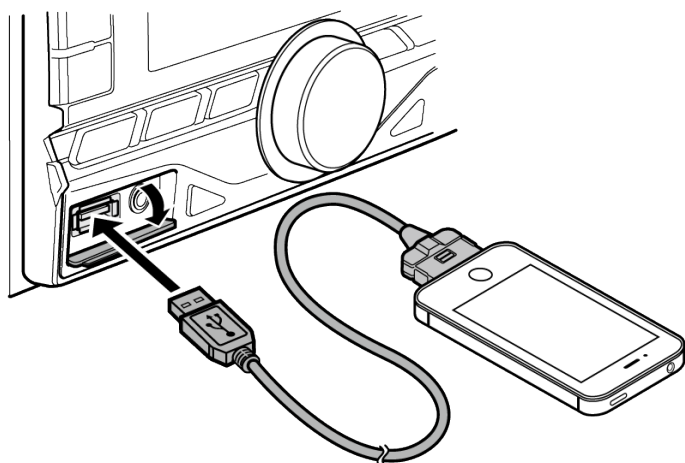


Speakers from which audio is output change depending on the Bluetooth setting "BT HF/AUDIO". The default is Front. See [<17-5. Bluetooth detail setting>](#).

2. Open the iHeart Link application on your device.
3. Press the [SRC] button to select an iHeartRadio ("IHEARTRADIO") source. Refer to [<Source selection>](#).

### *iPhone or iPod touch*

1. Open the iHeart Link application on your device.
2. Open the cover.
3. Connect the iPod to the USB terminal using KCA-iP102 connector (optional accessory).
4. Press the [SRC] button to select an iHeartRadio ("IHEARTRADIO") source. Refer to [<Source selection>](#).



## 8-3. Basic operations

### *Stop/Pause and play a song*

Press the [▶||] button.

### *Skip track (Custom station)*

Press the [▶▶] button.

### *Thumbs up (Custom station)*

Press the [1] button.

### *Thumbs down (Custom station)*

Press the [2] button.

### *Adding to favorite stations*

Press and hold the [5] button.

### *Creating a custom station name*

Press and hold the [Q] button.

### *Station Scan (Live station)*

Press the [5] button.

## 8-4. Station search

You can select the station you want to listen to from your station list.

**1. Press the [Q] button.**

"SEARCH" appears and enter the Station List mode.

**2. Use the [Control knob] to select a category and station.**

For how to use the [Control knob], refer to [<3-3. How to select the item>](#).

When a city list appears, you can skip cities in alphabetical order. Refer to [<8-5. Alphabet search>](#).

## 8-5. Alphabet search

When a city list appears <8-4. Station search>, you can search for a city by alphabet.

1. **Press the [Q] button.**  
"SEARCH" appears and enter the Station List mode.
2. **Press the [Q] button.**  
Enter the Alphabet search mode and "<ABCDEFGHJK>" appears.
3. **Select a character.**

Operation type	Operation
Selection of initial	Turn the [Control knob].
Page feeding of alphabetical list	Press the [◀◀] or [▶▶].
Determine the initial	Press the [Control knob].

### *Canceling the Alphabet search mode*

Press and hold the [↵] button.

## 8-6. Station delete

You can delete a custom or favorite station.

- 1. Select the iHeartRadio source.**  
Refer to [<Source selection>](#).
- 2. Press and hold the [AUDIO] button.**  
Enter the Function setting mode.
- 3. Use the [Control knob] to select "STATION DEL".**  
For how to use the [Control knob], refer to [<3-3. How to select the item>](#).
- 4. Use the [Control knob] to select a category ("LIVE" or "CUSTOM").**
- 5. Use the [Control knob] to select a station.**
- 6. Use the [Control knob] to select "YES".**  
"COMPLETED" appears.

***Exit the Function setting mode.***

Press and hold the [] button.

## 9-1. Playing music

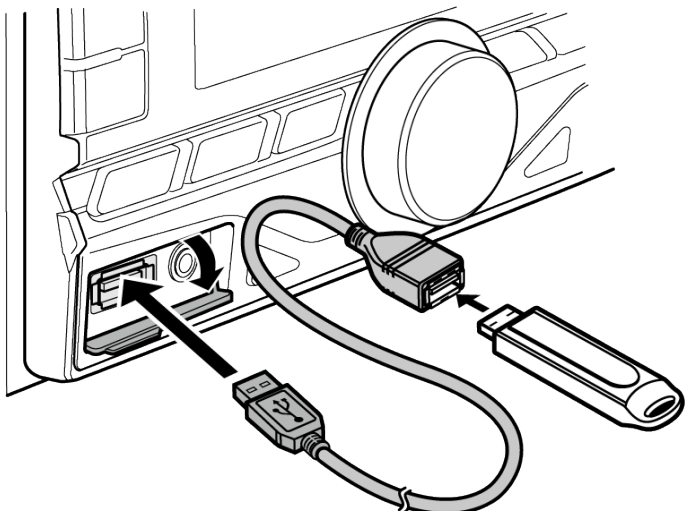
### *Playing a disc*

Insert a disc in the Disc slot.

When it is inserted, the source is switched automatically and playback starts.

### *Playing a USB device*

Connect a USB device to the USB terminal using CA-U1EX connector (500 mA Max.: optional accessory).



When it is connected, the source is switched automatically and playback starts.

### *Selecting an audio file folder*

Press the [1] or [2] button.

### *Selecting a song (track or file)*

Press the [◀◀] or [▶▶] button.

### *Fast-forwarding or fast-backwarding a song (track or file)*

Press and hold the [◀◀] or [▶▶] button.

### *Pause and play a song (track or file)*

Press the [▶||] button.

### *Removing disc*

Press the [▲] button.

### *Removing USB device*

Press the [SRC] button to switch the source to a device other than USB, and then remove the USB device.

Data contained in the USB device may be damaged if you remove it when it is used as the active source.

## 9-2. Music search

You can select the music you want to listen to from the device or media being played now.

**1. Press the [Q] button.**

"SEARCH" appears and enters the Music search mode.

**2. Search for music.**

### *Audio file*

Operation type	Operation
Selecting folders/files	Turn the [Control knob].
Determining selection	Press the [Control knob].
Skip Search (Music Editor media)	Press the [◀◀] or [▶▶]./ Press and hold the [◀◀] or [▶▶].
Returning to previous folder	Press the [↶] button.
Returning to root folder	Press the [5].
Cancellation of Music search mode	Press and hold the [↶] button.

🎵 indicator: Audio file

📁 indicator: Folder

### *CD source*

Operation type	Operation
Selecting track	Turn the [Control knob].
Determining selection	Press the [Control knob].
Returning to first track	Press the [5].
Cancellation of Music search mode	Press and hold the [↶] button.

## 9-3. Skip search ratio setting

You can change the ratio of skip performed as mentioned in <Skip Search (Music Editor media)>.

- 1. Select the USB source.**  
Refer to <Source selection>.
- 2. Press and hold the [AUDIO] button.**  
Enter the Function setting mode.
- 3. Use the [Control knob] to select "SETTINGS" > "SKIP SEARCH".**  
For how to use the [Control knob], refer to <3-3. How to select the item>.
- 4. Use the [Control knob] to select a ratio (0.5, 1, 5, 10).**  
The previous item appears.

### ***Exit the Function setting mode***

Press and hold the [] button.



## 9-4. Play function

### ***Repeat play***

**Press the [4] button.**

Switches between Track Repeat ("TRACK REPEAT") and OFF ("REPEAT OFF") when pressed while playing a CD.

Switches between File Repeat ("FILE REPEAT"), Folder Repeat ("FOLDER REPEAT"), and OFF ("REPEAT OFF") when pressed while playing an Audio file.

### ***Random play***

**Press the [3] button.**

Randomly plays the music in the disc or folder.

When Random Play is turned on, "DISC RANDOM" / "FOLDER RANDOM" appears.

Press this button again cancels the Random play.

### ***All Random play***

**Press and hold the [3] button.**

All songs in the disc/USB are played at random.

Pressing the button toggles the setting between All random play on ("ALL RANDOM") and off ("RANDOM OFF").

Press this button again cancels the All Random play.

## 9-5. Direct music search

*(Function of remote control)*

You can search for music by entering the track number.

1. Press the **[DIRECT]** button on the remote control.  
"- -" appears and enter the Direct Music search mode.
2. Press the number buttons on the remote control to enter the music number.
3. Press the **[ENT]** button on the remote control.

### *Canceling the Direct music search mode*

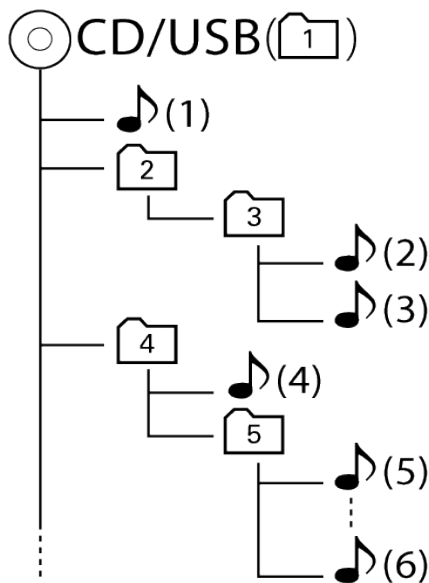
Press the **[↵]** button on the remote control.

## 9-6. About the Audio file

- **Playable Audio files**  
AAC-LC (.m4a), MP3 (.mp3), WMA (.wma), WAV of USB device (.wav)
- **Playable disc media**  
CD-R/RW/ROM
- **Playable disc file formats**  
ISO 9660 Level 1/2, Joliet, Long file name.
- **Playable USB devices**  
USB mass storage class
- **Playable USB device file systems**  
FAT12, FAT16, FAT32

Even if the audio files comply with the standards listed above, playback may be impossible depending on the type or condition of the medium or device.

- **Playback order of the Audio files**  
In the example of folder/file tree shown below, files are played in the order of number from (1) to (6).



📁: folder

🎵: Audio file

For the online manual describing audio files, visit [www.kenwood.com/cs/ce/audiofile/](http://www.kenwood.com/cs/ce/audiofile/). In this online manual, detailed information and notes which are not provided in this manual are provided. Make sure to read through the online manual as well.

### ▼ What is a USB device?

- In this manual, the term "USB device" indicates a flash memory or digital audio player which has a USB terminal.




## 9-7. About the USB device

- When the USB device is connected to this unit, it is charged when this unit is powered.
- Install the USB device in the place where it will not prevent you from driving your vehicle properly.
- You cannot connect a USB device via a USB hub or multi card reader.
- Save backups of the audio files used with this unit. The files can be erased depending on the operating condition of the USB device.  
We shall not be liable for any damage arising out of erasure of the stored data.
- No USB device comes with this unit. You need to purchase a commercially available USB device.
- When connecting the USB device, use of CA-U1EX (option) is recommended.
- Normal playback is not guaranteed when a cable other than the USB compatible cable is used. Connecting a cable whose total length is longer than 4 m can result in abnormal playback.

## 9-8. About "KENWOOD Music Editor Light" and "KENWOOD Music Control"

- This unit supports the PC application "KENWOOD Music Editor Light" (hereinafter "KME-Light"), and Android™ application "KENWOOD Music Control" (hereinafter "KMC").
- When you use the audio file with database information added by the "KENWOOD Music Editor Light" or "KENWOOD Music Control", you can search for a file by title, album or artist name using Music Search.
- "KENWOOD Music Editor Light" and "KENWOOD Music Control" are available from the following web site: [www.kenwood.com/cs/ce/](http://www.kenwood.com/cs/ce/)

## 9-9. About the discs used with this unit

- This unit can only play the CDs with   
- The following discs cannot be used:
  - \_ A discs that is not round
  - \_ A discs with coloring on the recording surface or a disc that is dirty
  - \_ A recordable/rewritable disc that has not been finalized (For the finalization process, refer to the instruction manual that came with your disc writing software or your disc recorder.)
  - \_ An 8 cm (3 inch) disc (An attempt to insert using an adapter can cause malfunction.)

## 9-10. Handling discs

- Do not touch the recording surface of the disc.
- Do not stick tape etc. on the disc, or use a disc with tape stuck on it.
- Do not use any accessories for the disc.
- Do not use any solvents to clean discs. Use a dry silicon or soft cloth.
- Clean the disc by moving the cloth outward from the center of the disc.
- When removing a disc from this unit, pull it out horizontally.
- If the center hole or outside rim of a disc has burrs, remove them before inserting a disc.

## 10-1. Listening to the radio

### *Selecting a tuner source*

Press the [SRC] button to select "TUNER".

### *Selecting a band*

Press the [Q] button.

Pressing the button switches the receiving band (FM1, FM2, FM3, AM).

### *Selecting a station*

Press the [◀◀] or [▶▶] button.

The tuning mode can be changed. Refer to <[10-6. Tuner setting](#)>.



## 10-2. Station preset memory

You can store a station in the memory.

1. Press the [**◀◀**] or [**▶▶**] button to select the station.
2. Press and hold the button ([1] to [6]) to which you want to assign the selected station.  
"STORED" appears and the station is registered.

### ▼ About the Mix station preset mode

- In this mode, different bands and tuner sources (Radio, SiriusXM etc.) can be saved in the same preset layer, which allows you to recall the desired station without switching between bands or tuner sources.

## 10-3. Auto memory

You can register 6 stations with good reception automatically.

**1. Select the Tuner source.**

Refer to [<Source selection>](#).

**2. Press and hold the [AUDIO] button.**

Enter the Function setting mode.

**3. Use the [Control knob] to select "SETTINGS" > "AUTO MEMORY".**

For how to use the [Control knob], refer to [<3-3. How to select the item>](#).

**4. Use the [Control knob] to select "YES".**

When 6 stations that can be received are stored in the memory, the process in this mode is completed.

## 10-4. Preset tuning

Recalling a station from the memory.

1. Press the [Q] button to select a band.
2. Press the button ([1] to [6]) corresponding to the station you want to listen to.

## 10-5. PTY (Program Type)

You can search for a station by selecting a Program Type.

1. **Press and hold the [AUDIO] button.**  
Enter the Function setting mode.
2. **Use the [Control knob] to select "SETTINGS" > "PTY SEARCH".**  
For how to use the [Control knob], refer to <3-3. How to select the item>.
3. **Use the [Control knob] to select a Program Type.**

Program Type	Display
<b>Speech</b>	"SPEECH"
Music	"MUSIC"
<b>News</b>	"NEWS"
<b>Information</b>	"INFORM"
<b>Sports</b>	"SPORTS"
<b>Talk</b>	"TALK"
Rock	"ROCK"
Classic Rock	"CLS ROCK"
Adult Hits	"ADLT HIT"
Soft Rock	"SOFT RCK"
Top 40	"TOP 40"
Country	"COUNTRY"
Oldies	"OLDIES"
Soft	"SOFT"
Nostalgia	"NOSTALGA"
Jazz	"JAZZ"
Classical	"CLASSICL"
R & B	"R & B"
Soft R & B	"SOFT R&B"
<b>Language</b>	"LANGUAGE"
Religious Music	"REL MUSC"
<b>Religious Talk</b>	"REL TALK"
<b>Personality</b>	"PERSNLTY"
<b>Public</b>	"PUBLIC"
<b>College</b>	"COLLEGE"
<b>Spanish Talk</b>	"HABL ESP"
Spanish Music	"MUSC ESP"
Hip-Hop	"HIP HOP"
<b>Weather</b>	"WEATHER"


Speech and music include the following types of programs.

Speech: Program type indicated by colored letters

Music: Program type indicated by black letters

4. Press the [] or [] button to select a station.

***Exit the PTY mode.***

Press and hold the [] button.

▼ **"NO PTY" display**

- When the selected Program Type is not found, "NO PTY" appears. Select another Program Type.

▼ **Case where PTY cannot be used**

- This function cannot be used during reception of a traffic bulletin or AM broadcast.

## 10-6. Tuner setting

You can set up the tuner.

1. **Select the Tuner source.**  
Refer to <Source selection>.
2. **Press and hold the [AUDIO] button.**  
Enter the Function setting mode.
3. **Use the [Control knob] to select "SETTINGS".**  
For how to use the [Control knob], refer to <3-3. How to select the item>.
4. **Use the [Control knob] to select a Tuner setting item.**

Display	Description
"SEEK MODE"	Sets the tuning mode. "AUTO1": Automatic search for a station. "AUTO2": Search in order of the stations in the preset memory. "MANUAL": Normal manual tuning.
"MONO SET"	You can reduce the noise when stereo broadcasts are received as monaural. "ON" / "OFF"
"TI"	Switches to the traffic information automatically when the traffic bulletin starts. "ON" / "OFF"

(Colored text: Factory setting)

5. **Use the [Control knob] to select a setting.**  
The previous item appears.

**Exit the Function setting mode.**

Press and hold the [] button.

## 10-7. Direct access tuning

(Function of remote control)

You can search for a station directly by entering frequency.

1. Press the **[DIRECT]** button on the remote control.  
" - - - " appears and enter the Direct access tuning mode.
2. Press the number buttons on the remote control to enter the frequency.  
Example:

Desired frequency	Press the following buttons
92.1 MHz (FM)	[9], [2], [1]
810 kHz (AM)	[8], [1], [0]

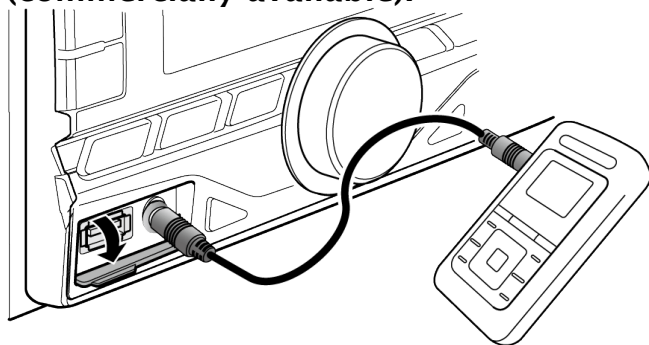
3. Press the **[ENT]** button on the remote control.

### *Canceling Direct access tuning mode*

Press the **[↵]** button on the remote control.

## 11-1. Start listening

1. **Connect a portable audio player with 3.5 mm stereo mini plug audio cable (commercially available).**



2. **Select the AUX source.**  
Refer to [<Source selection>](#).
3. **Turn on the portable audio player and start playback.**



## 11-2. Auxiliary input display setting

You can set the display when switched the AUX source.

**1. Select the AUX source.**

Refer to [<Source selection>](#).

**2. Press and hold the [AUDIO] button.**

Enter the Function setting mode.

**3. Use the [Control knob] to select "SETTINGS" > "AUX NAME SET".**

For how to use the [Control knob], refer to [<3-3. How to select the item>](#).

**4. Use the [Control knob] to select a display ("AUX", "DVD", "PORTABLE", "GAME", "VIDEO", or "TV").**

***Exit the Function setting mode.***

Press and hold the [] button.

## 12-1. Illumination color selection

You can select the illumination color of the panel.

1. **Press and hold the [AUDIO] button.**  
Enter the Function setting mode.
2. **Use the [Control knob] to select "SETTINGS" > "DISP & KEY" > "COLOR SELECT".**  
For how to use the [Control knob], refer to <3-3. How to select the item>.
3. **Use the [Control knob] to select a illumination part.**

Display	Part
"ALL"	All
"DISP"	Display
"KEY"	Button

4. **Use the [Control knob] to select a color ("VARIABLE SCAN"/ "COLOR01" — "COLOR24").**

***Exit the Function setting mode.***

Press and hold the [] button.

## 12-2. Adjusting the Illumination color

You can adjust the illumination color of the panel.

1. **Select the illumination color you want to adjust.**  
Select from among "COLOR01" to "COLOR24" with reference to <12-1. Illumination color selection>.
2. **Press and hold the [Control knob].**  
The RGB value of the selected illumination color appears and enters the Detail color adjustment mode.
3. **Set the color.**

Operation type	Operation
To select the color to adjust (Red, Green, or Blue)	Press the [◀◀] or [▶▶].
To adjust color (Range: 0 - 9)	Turn the [Control knob].
Determination of the adjusted color.	Press the [Control knob].

The color you created can be called by selecting "USER".

***Exit the Function setting mode.***

Press and hold the [↵] button.

## 12-3. Display & Illumination setting

You can set the display and illumination.

1. **Press and hold the [AUDIO] button.**  
Enter the Function setting mode.
2. **Use the [Control knob] to select "SETTINGS" > "DISP & KEY".**  
For how to use the [Control knob], refer to <3-3. How to select the item>.
3. **Use the [Control knob] to select a Display & Illumination setting item.**

Display	Description
"DISP DIMMER"	Dims the display part in conjunction with the Light switch of the vehicle. <b>"DIM OFF"</b> : Does not dim the display. <b>"DIM AUTO"</b> : Dims the display in conjunction with the Light switch of the vehicle. <b>"DIM MANUAL1"</b> : Dims the display constantly. <b>"DIM MANUAL2"</b> : Dims the display darker than that in the Manual1 mode.
"TEXT SCROLL"	Sets the method of scrolling to view hidden texts. <b>"SCROLL AUTO"</b> : Scrolls. <b>"SCROLL ONCE"</b> : Scrolls once. <b>"SCROLL OFF"</b> : Does not scroll.
"DISP OFF MODE"	Sets the clock and button illumination when "DISP OFF MODE" is selected as described in <12-4. Text Display Selection>.
"CLOCK"	<b>"CLOCK ON"</b> : Displays the clock. <b>"CLOCK OFF"</b> : Dims the clock.
"KEY ILLUMI"	<b>"KEY ON"</b> : Turns on the button illumination. <b>"KEY OFF"</b> : Dims the button illumination.
"ILLUMI DIMMER"	Reduces the key Illumination brightness. <b>"DIM OFF"</b> : Does not dim the illumination. <b>"DIM AUTO"</b> : Dims the illumination in conjunction with the Light switch of the vehicle. <b>"DIM MANUAL1"</b> : Dims the illumination constantly. <b>"DIM MANUAL2"</b> : Dims the illumination darker than that in the Manual1 mode.
"BT DVC STATUS"	You can display the connection status, signal strength, and battery level. HF-CON : Connection status for cell-phone. (1/: One cell-phone is connected, 1/2: Two cell-phones are connected, NO: No cell-phone is connected.) AD-CON : Connection status for BT Audio. (YES: Connected, NO: Not connected) BATT : Battery level of cell-phone. SIGNAL : Signal strength of cell-phone. (Function of DPX500BT)

(**Colored text**: Factory setting)

4. **Use the [Control knob] to select a setting.**  
The previous item appears.

**Exit the Function setting mode.**

Press and hold the [] button.

## 12-4. Text Display Selection

You can change the information displayed on each of the following sources:

1. Press the [DISP].

### *On Audio file/ iPod source*

Information	Display
Title and Artist name	"TITLE/ARTIST"
Album and Artist name	"ALBUM/ARTIST"
Folder name	"FOLDER NAME"
File name	"FILE NAME"
Play time	"P-TIME"
Display off	"DISP OFF MODE"

### *On Pandora source*

Information	Display
Station name	"STATION NAME"
Title and Artist name	"TITLE/ARTIST"
Album and Artist name	"ALBUM/ARTIST"
Play time	"P-TIME"
Display off	"DISP OFF MODE"

### **DPX500BT**

### *On Aha Radio source*

Information	Display
Content Provider	"PROVIDER"
Content information 1	"CONTENT INFO1"
Content information 2	"CONTENT INFO2"
Content rating information	"CONTENT RATE"
Station name	"STATION NAME"
Display off	"DISP OFF MODE"

### *On iHeartRadio source*

Information	Display
Station Name	"STATION NAME"
Song Information	"TITLE/ARTIST"
Display off	"DISP OFF MODE"

### *On CD source*

Information	Display
Disc title	"DISC TITLE"

Track title	"TRACK TITLE"
Play time	"P-TIME"
Display off	"DISP OFF MODE"

### ***On Tuner source***

Information	Display
Program Service name (FM)	"PS"
Radio text (FM)	"RADIO TEXT"
Frequency	"FREQUENCY"
Display off	"DISP OFF MODE"

### ***DPX500BT***

### ***On Bluetooth audio source***

Information	Display
Title and Artist name	"TITLE/ARTIST"
Album and Artist name	"ALBUM/ARTIST"
Play time	"P-TIME"
Display off	"DISP OFF MODE"

### ***On Standby/ Auxiliary input source***

Information	Display
Source name	"SOURCE NAME"
Display off	"DISP OFF MODE"

### ***On SiriusXM (Optional accessory) source***

Information	Display
Channel name	"CHANNEL NAME"
Artist name*	"ARTIST NAME"
Song title*	"SONG TITLE"
Content information*	"CONTENT INFO"
Category name	"CATEGORY NAME"
Channel number	"CH NUMBER"
Display off	"DISP OFF MODE"

#### **▼ Text display notes**

- When you select the Display off mode, the display setting of each source will be changed to the Display off.
- If the selected display item does not have any information, alternative information appears.
- If you select "FOLDER NAME" while playing music on the iPod, names will be displayed depending on the currently selected browsing items.
- If you select the APP & iPod Control mode while playing music on the iPod, "APP&iPod MODE" appears.
- If all characters cannot be displayed while music is played on the iPod, the file number in the list appears.

<b>Information</b>	<b>Display</b>
Music title	"TITLE***"
Folder name	"FOLDER***"
File name	"FILE***"

## 12-5. Text scroll

**Press and hold the [DISP].**  
The displayed text scrolls.



## 13-1. Clock setting


1. **Press and hold the [AUDIO] button.**  
Enter the Function setting mode.
2. **Use the [Control knob] to select "SETTINGS" > "CLOCK".**  
For how to use the [Control knob], refer to <3-3. [How to select the item](#)>.
3. **Use the [Control knob] to select a Clock setting item.**

Display	Description
"TIME SYNC"	Synchronizes this unit's clock with the radio data system station's time data. "ON" / "OFF"

(**Colored text**: Factory setting)

4. **Use the [Control knob] to select a setting.**  
The previous item appears.

### ***Exit the Function setting mode.***

Press and hold the [] button.

## 13-2. Muting the audio upon reception of a phone call

### *Function of DPX300U*

The audio system automatically mutes when it receives an incoming call.

### ***When a call comes in***

"CALL" appears.

The audio system pauses.

### ***Listening to the audio during a call***

**Press the [SRC] button.**

The "CALL" display disappears and the audio system comes back ON.

### ***When the call ends***

**Hang up the phone.**

The "CALL" display disappears and the audio system comes back ON.

### **▼ To use this function**


- To use the TEL Mute feature, you need to hook up the MUTE wire to your telephone using a commercial telephone accessory. Refer to <Connecting Wires to Terminals> in Quick start guide.

## 13-3. Demonstration mode setting

You can turn on/off the demonstration mode.

1. **Press and hold the [AUDIO] button.**  
Enter the Function setting mode.
2. **Use the [Control knob] to select "DEMO MODE".**  
For how to use the [Control knob], refer to <[3-3. How to select the item](#)>.
3. **Use the [Control knob] to select a setting ("ON" or "OFF").**

***Exit the Function setting mode.***

Press and hold the [] button.

## 13-4. Initial settings

You can configure initial settings of this unit.

1. **Select the Standby source.**  
Refer to <Source selection>.
2. **Press and hold the [AUDIO] button.**  
Enter the Function setting mode.
3. **Use the [Control knob] to select "INITIAL SET".**  
For how to use the [Control knob], refer to <3-3. How to select the item>.
4. **Use the [Control knob] to select an Initial setting item.**

Display	Description
"PRESET TYPE"	Sets the Tuner preset type. <b>"TYPE NORMAL"</b> : 1 station can be assigned to 1 preset button in each of 4 bands (FM1, FM2, FM3, and AM), i.e., a total of 24 stations (6 stations x 4 bands) can be preset. <b>"TYPE MIX"</b> : A total of 6 stations can be assigned to a total of 6 preset buttons regardless of band (FM1, FM2, FM3, and AM). You can recall a preset station without switching between bands.
"KEY BEEP"	Setting the operation check sound (beep sound) ON/OFF. <b>"ON"</b> / <b>"OFF"</b>
"PANDORA SRC"	Sets whether to display Pandora during source selection. <b>"ON"</b> / <b>"OFF"</b>
"IHEART SRC"	Sets whether to display iHeartRadio during source selection. <b>"ON"</b> / <b>"OFF"</b> (Function of DPX500BT)
"AHA SRC"	Sets whether to display aha during source selection. <b>"ON"</b> / <b>"OFF"</b> (Function of DPX500BT)
"BUILT-IN AUX"	Sets whether to display AUX during source selection. <b>"ON"</b> / <b>"OFF"</b>
"CD READ"	Sets the method for reading CD. When unable to play a special format CD, set this setting to "2" to force playing. Note that some music CDs may be unplayable even when set to "2". In addition, audio files cannot be played when set to "2". Normally, keep this set to "1". <b>1</b> : Automatically distinguishes between the audio file disc and music CD when playing a disc. <b>2</b> : Forces playing as a music CD.
"SP SELECT"	Sets the speaker type so that the System Q value is optimal. <b>"OFF"</b> : OFF <b>"5/4"</b> : For 5 & 4 in. speaker <b>"6*9/6"</b> : For 6 & 6x9 in. speaker <b>"OEM"</b> : For the OEM speaker
"F/W UPDATE"	Upgrades the firmware. When the firmware version appears, press [Control knob]. Selecting "YES" and then pressing the [Control knob] starts upgrading the firmware. For how to update the firmware, access our web site. <a href="http://www.kenwood.com/cs/ce/">http://www.kenwood.com/cs/ce/</a>

(**Colored text**: Factory setting)

5. Use the [Control knob] to select a setting.  
The previous item appears.

***Exit the Function setting mode.***

Press and hold the [] button.

## 14-1. About the Bluetooth module

This unit conforms to the following Bluetooth specifications:

<b>Version</b>	Bluetooth Ver.2.1+EDR Certified
<b>Profile</b>	HFP (Hands Free Profile) SPP (Serial Port Profile) PBAP (Phonebook Access Profile) OPP (Object Push Profile) A2DP (Advanced Audio Distribution Profile) AVRCP (Audio/Video Remote Control Profile)

For the cell-phones verified for compatibility, access the following URL:

<http://www.kenwood.com/cs/ce/bt/>

### ▼ Notes

- The units supporting the Bluetooth function have been certified for conformity with the Bluetooth Standard following the procedure prescribed by Bluetooth SIG. However, it may be impossible for such units to communicate with your cell-phone depending on its type.
- HFP is a profile used to make a hands-free call.
- OPP is a profile used to transfer data such as a phone book between units.

## 14-2. Registering a Bluetooth device

You can register your Bluetooth device in this unit.

**1. Start registering a unit by operating the Bluetooth device.**

**By operating the Bluetooth device, register the hands-free unit or audio unit (pairing).**

Select "DPX5\*\*BT" (for DPX500BT) from the list of found units.

**2. If "PAIRING PASS \*\*\*\*\* (Bluetooth device name) PRESS VOLUME KNOB" appears, proceed to step 4.**

**3. Input the PIN code ("0000") in the Bluetooth device.**

Check that registration is complete on the Bluetooth device. PIN code is set to "0000" as the default. You can change this code.

See <[17-1. Registering the PIN code](#)>

"PAIRING PASS \*\*\*\*\* (Bluetooth device name) PRESS VOLUME KNOB" appears.

**4. Press the [Control knob].**

Pairing starts. When is it completed, "PAIRING OK" appears.

▼ **Bluetooth module that can be used with this unit**

- For details on the Bluetooth cell-phone with the hands-free function, see <[14-1. About the Bluetooth module](#)>.

▼ **About automatic connection of the iPod touch or iPhone through Bluetooth**

- This unit is compatible with an Apple Auto Pairing function. Connecting the iPod touch or iPhone to this unit with USB cable will automatically register it as a Bluetooth device. See <["AUTO PAIRING"](#)>.

1. The Bluetooth function of the iPod touch or iPhone is turned on first.
2. Connect an iPod touch or iPhone to the USB terminal.
3. Press the volume knob to pair once you have confirm the passcode.

▼ **When registration is impossible**

- If there are 5 Bluetooth devices registered, you cannot register a new Bluetooth device.
- When any error code appears while the pairing is in progress, refer to <[20-3. Err or messages](#)>.

▼ **When SMS is received**

- When the connected Bluetooth device receives SMS, "SMS RECEIVE" is displayed on this unit.

## 14-3. Selecting the Bluetooth device you wish to connect

When two or more Bluetooth devices have already been registered, you need to select the Bluetooth device you wish to use.

**1. Press the [↵] button.**

"BT MODE" appears and enter the Bluetooth mode.

**2. Use the [Control knob] to select "SETTINGS" > "PAIRING" > "PHONE SELECT" (to select the cell-phone) or "AUDIO SELECT" (to select the audio player).**

For how to use the [Control knob], refer to <3-3. [How to select the item](#)>.

"(name)" appears.

**3. Use the [Control knob] to select an Bluetooth device.**

'\*(name)' or '-(name)' appears.

"\*": The selected Bluetooth device is busy.

"-": The selected Bluetooth device is on standby.

" " (blank): The Bluetooth device is deselected.

### ***Exit the Bluetooth mode.***

**Press the [↵] button.**

#### **▼ When no device can be selected**

- If a cell-phone is already selected, deselect it, and then select a different one.
- If you cannot select a device using the audio player, connect the device with the audio player.



## 14-4. Deleting a registered Bluetooth device

You can delete a registered Bluetooth device.

1. **Press the [↵] button.**  
"BT MODE" appears and enter the Bluetooth mode.
2. **Use the [Control knob] to select "SETTINGS" > "PAIRING" > "DEVICE DELETE".**  
For how to use the [Control knob], refer to [<3-3. How to select the item>](#).  
"(name)" appears.
3. **Use the [Control knob] to select an Bluetooth device.**
4. **Use the [Control knob] to select "YES".**  
"COMPLETED" appears.

### *Exit the Bluetooth mode.*

Press the [↵] button.

#### ▼ **When a registered device is deleted**

- When a registered cell-phone is deleted, its phone Book, and log are also deleted.

## 14-5. Bluetooth device registration test

You can check whether a Bluetooth device can be registered by operating this unit.

- 1. Press the [↵] button.**  
"BT MODE" appears and enter the Bluetooth mode.
- 2. Use the [Control knob] to select "BT TEST MODE".**  
For how to use the [Control knob], refer to <3-3. How to select the item>.  
"PLEASE PAIR YOUR PHONE" appears.
- 3. By operating the Bluetooth device, register the hands-free unit or audio unit (pairing).**  
Select "DPX5\*\*BT" (for DPX500BT) from the list of found units.
- 4. If "(Bluetooth device name)" appears, proceed to step 6.**
- 5. Input the PIN code ("0000") in the Bluetooth device.**
- 6. Use the [Control knob] to select an Bluetooth device.**  
When pairing is completed successfully, a connection test starts automatically.  
When the connection test is completed, test results are displayed on a function basis ("OK": Enabled; "NG": Disabled).

Display	Description
"PAIRING"	Registration in this unit
"HF CNT"	Hands-free phoning
"AUD CNT"	Audio playback
"PB DL"	Phone Book downloading

- 7. Press the [Control knob].**  
Exit the test mode.

## 15-1. Receiving a call

### *You can answer a phone call*

Press the [**📞**] button.

#### ▼ **The following operations disconnect the line**

- Inserting a CD.
- Connecting a USB device.

### *Rejecting an incoming call*

Press the [**SRC**] button.

## 15-2. Calling a number in the phone book

1. Press the [📞] button.
2. Search for a name in the phone book.

Operation type	Operation
Selection of name list	Turn the [Control knob].
Switching to number list	Press the [Control knob].

3. Search for a number in the phone book.

Operation type	Operation
Selection of number list	Turn the [Control knob].
Switching to name list	Press the [↩].

4. Press the [Control knob].  
Make a call.

### ▼ When there is no phone book

- If the phone book has not yet been downloaded automatically, download it according to <[17-2. Downloading the phone book](#)>.

### ▼ Display of phone book

- During search, a non-accent character such as "u" is searched for instead of an accent character such as "ü".

## 15-3. Alphabet search

You can search for a name in the phone book by the alphabet.

1. Press the [📞] button.
2. Press the [Q] button.  
Enter the Alphabet search mode and "<ABCDEFGHJK>" appears.
3. Search for a name in the phone book.

Operation type	Operation
Selection of initial	Turn the [Control knob].
Page feeding of alphabetical list	Press the [⏪] or [⏩].
Determine the initial	Press the [Control knob].

4. Use the [Control knob] to select a name.
5. Search for a number in the phone book.

Operation type	Operation
Selection of number list	Turn the [Control knob].
Switching to name list	Press the [↩].

6. Press the [Control knob].  
Make a call.

### *Canceling the Alphabet search mode*

Press and hold the [↩] button.

## 15-4. Dialing a number

1. **Press the [📞] button.**  
"BT MODE" appears and enter the Bluetooth mode.
2. **Use the [Control knob] to select "NUMBER DIAL".**  
For how to use the [Control knob], refer to <3-3. How to select the item>.
3. **Enter a phone number.**

Operation type	Operation
Selection of number	Turn the [Control knob].
Selection of digit	Press the [◀◀] or [▶▶].

4. **Press the [Control knob].**  
Make a call.
- ▼ **Number of digits that can be input**
- You can input a maximum of 32 digits.

## 15-5. Calling a number in the call log

- 1. Press the [↵] button.**  
"BT MODE" appears and enter the Bluetooth mode.
- 2. Use the [Control knob] to select "CALL HISTORY".**  
For how to use the [Control knob], refer to <3-3. How to select the item>.
- 3. Turn the [Control knob] to select a name and phone number.**  
I : Incoming calls  
O : Outgoing calls  
M : Missed calls
- 4. Press the [Control knob].**  
Make a call.

## 15-6. Speed dialing (Preset dial)

**1. Press the [↵] button.**

"BT MODE" appears and enter the Bluetooth mode.

**2. Press number button ([1] to [6]).**

**3. Press the [Control knob].**

Make a call.

▼ **Registering a dial number**

- You need to register the preset dial number. Refer to [<15-7. Registering in the p reset dial number list>](#).



## 15-7. Registering in the preset dial number list

- 1. Press the [📞] button.**  
"BT MODE" appears and enter the Bluetooth mode.
- 2. Enter the phone number you wish to register.**  
Enter the phone number with reference to the following:
  - <15-2. Calling a number in the phone book>
  - <15-4. Dialing a number>
  - <15-5. Calling a number in the call log>
- 3. Press and hold number button ([1] to [6]).**

## 15-8. During a call

### *Disconnecting a call*

Press the [SRC] button.

### *Switching to the Private mode*

Press the [▶||] button.

Pressing this knob each time switches between the private talk mode ("PV TALK") and hands-free talk mode ("HF TALK").

#### ▼ **When the previous source is restored in the Private mode**

- Depending on the type of your cell-phone, switching to the private talk mode may select the source that was used before commencing the hands-free connection. If this happens, the source cannot be switched back to the hands-free talk mode by operating this unit. Operate your cell-phone to return to the hands-free talk mode.

### *Adjusting the voice volume during a call*

Turn the [Control knob].

## 15-9. Switching between two connected cell-phones

When two Bluetooth devices are connected, you can assign the Bluetooth device to be used in priority to the other Bluetooth device.

### *When selecting the priority device using the button*

1. **Press the [↵] button.**  
"BT MODE" appears and enter the Bluetooth mode.
2. **Press and hold [↵] button.**  
The device given priority is changed.

### *When selecting the priority device from the Function setting mode*

1. **Press the [↵] button.**  
"BT MODE" appears and enter the Bluetooth mode.
2. **Use the [Control knob] to select "DVC PRIORITY".**  
For how to use the [Control knob], refer to [<3-3. How to select the item>](#).
3. **Turn the [Control knob] to select "MAIN" or "SUB".**
4. **Press the [Control knob].**  
When Sub is selected, the device given priority is changed.

### *Exit the Bluetooth mode.*

Press the [↵] button.

#### ▼ Notes

- You cannot switch between the connected cell-phones during downloading of the Phone Book.
- Only the main cell-phone from which you can make a call.
- Both the main and sub cell-phones can receive an incoming call.
- If the other cell-phone receives an incoming call while you are talking on the active cell-phone, you must finish the current call to answer the incoming call to the other cell-phone.
- If the main cell-phone is disconnected when it is taken out of the vehicle, the sub cell-phone becomes the main cell-phone if it is held connected. When the disconnected cell-phone is brought back into the vehicle, it is reconnected as the sub cell-phone.

## 15-10. Clearing the disconnection message

**Press the [↵] button.**

"HF DISCONCT" disappears.

## 15-11. Making a call by voice dialing

You can make a voice call using the voice recognition function of the cell-phone.

1. **Press and hold the [📞] button to start voice recognize.**  
"VOICE CONTROL" appears.
2. **Pronounce the name registered in the cell-phone.**  
Make a call.

### *Canceling the voice recognize*

**Press and hold the [📞] button.**

#### ▼ **About voice recognition**

- If "NO SUPPORT" appears, your cell-phone does not support the voice recognition function.
- If "N/A VOICE TAG" appears, your cell-phone cannot start voice recognition.
- If your voice cannot be recognized, a message appears. Press and hold the volume knob to terminate voice recognition. Retry it again from the beginning.
- Audio sound is not output during voice recognition.

## 15-12. Display of phone number types (categories)

The category items in the phone book are displayed as follows:

Display	Information
HOME	Home
MOBILE	Mobile
OFFICE	Office
GENERAL	General
OTHERS	Other

## 16-1. Before use

- You need to register your Bluetooth audio player before using it with this unit. For more details, see [<14-2. Registering a Bluetooth device>](#).
- You need to select the Bluetooth audio player you wish to connect. Refer to [<14-3. Selecting the Bluetooth device you wish to connect>](#).

## 16-2. Basic operations

### *Selecting a Bluetooth audio source*

Press the [SRC] button.

### *Pause and play a song*

Press the [▶||] button.

### *Selecting a song*

Press the [◀◀] or [▶▶] button.

### *Fast-forwarding or fast-backwarding a song*

Press and hold the [◀◀] or [▶▶] button.

### *Selecting an audio file folder*

Press the [1] or [2] button.

#### ▼ Preparation for using a Bluetooth audio player

- All or some of the operations above cannot be performed if the Bluetooth audio player is not ready for remote control.
- Switching between Bluetooth audio sources does not start or stop playback automatically. Perform the operation for starting or stopping playback.
- Some audio players cannot be controlled remotely or reconnected after Bluetooth disconnection. Operate the main unit of the audio player to connect a Bluetooth device.



## 16-3. Play function

### *Random play*

**Press the [3] button.**

Switches between Folder Random ("FOLDER RANDOM"), All Random ("ALL RANDOM"), and OFF ("RANDOM OFF").

### *Repeat play*

**Press the [4] button.**

Switches between File Repeat ("FILE REPEAT"), All Repeat ("ALL REPEAT"), and OFF ("REPEAT OFF").

### ▼ **Functions that can be used**

- The available playback functions differ depending on the type of the connected Bluetooth audio player.

## 17-1. Registering the PIN code

By operating the Bluetooth device, specify the PIN code necessary for registering this unit.

**1. Press the [↵] button.**

"BT MODE" appears and enter the Bluetooth mode.

**2. Use the [Control knob] to select "SETTINGS" > "DETAILED SET" > "PIN CODE EDIT".**

For how to use the [Control knob], refer to <3-3. How to select the item>.

**3. Input the PIN code**

Operation type	Operation
Selection of numbers	Turn the [Control knob].
Movement to the next digit	Press the [▶▶].
Deletion of the last digit	Press the [◀◀].
Transmission of PIN code	Press the [Control knob].

If "COMPLETED" appears and registration is complete.

### ***Exit the Bluetooth mode.***

**Press the [↵] button.**

#### **▼ Notes on PIN code input**

- By default, "0000" is specified.
- A PIN code can be specified with up to eight digits.

## 17-2. Downloading the phone book

If the phone book is not downloaded automatically to this unit to which a cell-phone – which is not compatible with PBAP – is connected, download it in the following manner:

**1. Press the [↵] button.**

"BT MODE" appears and enter the Bluetooth mode.

**2. Use the [Control knob] to select "SETTINGS" > "TRANSFER PB".**

For how to use the [Control knob], refer to <3-3. [How to select the item](#)>.

When downloading starts, "PB DL ###" appears.

### ***Exit the Bluetooth mode.***

Press the [↵] button.

#### ▼ **Maximum number of phone numbers that can be registered**

- Up to 400 phone numbers can be registered for each registered cell-phone.
- Up to 32 digits can be registered for each phone number along with up to 32\* characters representing a name.  
(\* 32: Number of alphabetical characters. Fewer characters can be input depending on the type of characters.)

#### ▼ **Cancellation of downloading**

- To cancel downloading of the phone book data, operate the cell-phone.

## 17-3. Deleting the phone book

You can delete the phone book stored in this unit to which a cell-phone – which is not compatible with PBAP – is connected.

1. Press the [📞] button.
2. Search for a number/name in the phone book.

Operation type	Operation
Selection of name list and number list	Turn the [Control knob].
Switching to number list	Press the [Control knob].
Switching to name list	Press the [↩].

3. Press and hold the [Control knob].
4. Use the [Control knob] to select the item to be deleted.  
For how to use the [Control knob], refer to <3-3. How to select the item>.

Display	Item to be deleted
"DELETE ONE"	When a name is selected, all phone numbers registered to the name are deleted. When a phone number is selected, only the selected phone number is deleted.
"DELETE ALL"	When a name is selected, all the registered phone books are deleted. When a phone number is selected, all the phone books having the name to which the selected number are deleted.

5. Use the [Control knob] to select "YES".  
"COMPLETED" appears.

## 17-4. Displaying the firmware version

You can view the version of the firmware of this unit.

**1. Press the [↵] button.**

"BT MODE" appears and enter the Bluetooth mode.

**2. Use the [Control knob] to select "SETTINGS" > "DETAILED SET" > "BT F/W UPDATE".**

For how to use the [Control knob], refer to <3-3. How to select the item>.

The firmware version appears.

***Exit the Bluetooth mode.***

Press the [↵] button.

**▼ How to update**

- For how to update the firmware, access our web site.

[www.kenwood.com/cs/ce/bt/](http://www.kenwood.com/cs/ce/bt/)

## 17-5. Bluetooth detail setting

You can configure the initial settings of this unit.

1. Press the [↵] button.  
"BT MODE" appears and enter the Bluetooth mode.
2. Use the [Control knob] to select "SETTINGS" > "DETAILED SET".  
For how to use the [Control knob], refer to <3-3. How to select the item>.
3. Use the [Control knob] to select an Bluetooth detail setting item.

Display	Description
"AUTO ANSWER"	Automatically answers a call after lapse of the preset time interval. "OFF": Does not answer the phone call automatically. "1" - "8" - "99": Automatically answers the phone call after lapse of 1 - 99 seconds.
"RECONNECT"	When set to "ON", starts re-pairing with the registered Bluetooth device automatically when it becomes unpaired. "ON" / "OFF"
"AUTO PAIRING"	When set to "ON", performs Bluetooth pairing automatically when the iPhone is connected to the USB terminal. "ON" / "OFF"
"BT HF/AUDIO"	Specifies the output speakers for hands-free voice communication and Bluetooth audio sound. "FRONT" : Outputs sound from the front speakers. "ALL" : Outputs sound from the front and rear speakers.
"CALL BEEP"	Sets whether to output a beep from the speaker when a call comes in. "ON" : Outputs a beep. "OFF" : Does not output a beep.
"MIC GAIN"	Adjusts the sensitivity of the microphone for telephone call or adjusts the voice of the caller. "-20" - "0" - "+8"
"ECHO CANCEL"	Sets the echo cancellation level. "1" - "4" - "10"

(Colored text: Factory setting)

4. Use the [Control knob] to select a setting.  
The previous item appears.

### *Exit the Bluetooth mode.*

Press the [↵] button.

## 18-1. Before use

- SiriusXM Satellite Radio operation requires the connection of the optional SiriusXM Connect Vehicle Tuner. To activate the SiriusXM Vehicle Connect tuner, you will need the Radio ID.

### ***Make a note of your Radio ID***

For each SiriusXM Vehicle Connect tuner, peculiar Radio ID is assigned. To confirm your Radio ID, tune to channel 0. The letters I, O, S and F are not used in any Radio ID. The Radio ID is also located on the label of the SiriusXM Connect Vehicle Tuner.

### ***How to activate your SiriusXM Service***

Go to [www.siriusxm.com/activatenow](http://www.siriusxm.com/activatenow) or call 1-866-635-2349 to activate your SiriusXM Vehicle Connect Tuner.

To activate SiriusXM Canada service go to [www.xmradio.ca](http://www.xmradio.ca) and click on "ACTIVATE RADIO" in the top right corner, or call 1-877-438-9677

## 18-2. Listening to the SiriusXM™ Satellite Radio

### *Selecting a tuner source*

Press the [SRC] button to select "SIRIUS XM".

### *Selecting a band*

Press the [Q] button.

Pressing the button switches the receiving band (SXM1, SXM2, SXM3, SXM4).

### *Selecting a channel*

Press the [◀◀] or [▶▶] button.

The tuning mode can be changed. Refer to [<18-15. SiriusXM tuner setting>](#).



## 18-3. Category and channel search

You can select the channel and category you want to receive.

1. **Press and hold the [Q] button.**  
"CAT SEARCH" appears and enter the Category and Channel search mode.
2. **Use the [Control knob] to select a category.**  
For how to use the [Control knob], refer to <[3-3. How to select the item](#)>.
3. **Use the [Control knob] to select a channel.**

### *Canceling the Category and Channel search mode*

Press and hold the [] button.

#### ▼ **Until channel selection becomes possible**

- You cannot search for a channel until the category information is acquired.

## 18-4. Channel preset memory

You can store a channel in the memory.

1. Press the [**◀◀**] or [**▶▶**] button to select the channel.
2. Press and hold the button ([1] to [6]) to which you want to assign the selected channel.  
"STORED" appears and the channel is registered.

### ▼ About the Mix Station present mode

- In this mode, different bands and tuner sources (Radio, SiriusXM etc.) can be saved in the same preset layer, which allows you to recall the desired station without switching between bands or tuner sources. Refer to [<13-4. Initial setting S>](#).

## 18-5. Preset tuning

Recalling a channel from the memory.

1. Press the [Q] button to select a band.
2. Press the button ([1] to [6]) corresponding to the channel you want to listen to.

## 18-6. Direct access tuning

*(Function of remote control)*

You can search for a channel directly by entering its number.

1. Press the [DIRECT] button on the remote control.
2. Press the number buttons on the remote control to enter a channel number.
3. Press the [ENT] button on the remote control.

### *Canceling the Direct access tuning mode*

Press the [] button on the remote control.

#### ▼ Automatic cancellation

- If you operate no button for 10 seconds, the Direct Access Tuning mode is automatically canceled.

## 18-7. iTunes tagging

You can store the tag of the information about the song being received, and send it to the connected iPod. You can easily find the song on the iTunes Store according to the tag sent to the iPod.

### 1. Press and hold the [**↵**] button.

"**TAG**" will be indicated on the display when song information can be registered.

"TAG STORING" is indicated on the display while a tag is being stored in this unit.

"TAG STORED" is indicated on the display after a tag is stored.

When your iPod is connected to this unit, "TAG TRANSFERD" is shown on the display and a tag is sent to the iPod.

### ▼ Effective use of iTunes

- The song corresponding to the tag sent to the iPod is indicated in the playlist ("Tagged") of the synchronized iTunes.

By clicking your desired song in the playlist, you can easily find it on the iTunes Store and buy it from the iTunes Store.

### ▼ Number of tags that can be stored

- A fifty song information tags can be stored in this unit.  
When a tag has been sent to the iPod, the tag stored in this unit is cleared.
- The memory usage can be checked by selecting the "**TAG MEMORY**" setting mentioned in [<18-15. SiriusXM tuner setting>](#).

## 18-8. Parental Lock setting

You can turn on/off Parental Lock for each channel.

1. **Select the SiriusXM Radio source.**  
Refer to [<Source selection>](#).
2. **Press and hold the [AUDIO] button.**  
Enter the Function setting mode.
3. **Use the [Control knob] to select "SETTINGS" > "CHANNEL LOCK".**  
For how to use the [Control knob], refer to [<3-3. How to select the item>](#).
4. **Enter the pass code.**

Operation type	Operation
Selection of numbers.	Turn the [Control knob].
Determination of the selected numbers.	Press the [Control knob].
Selection of column	Press the [◀◀] or [▶▶].

### Pass code setting

- The pass code is set to "0000" as default.  
For how to change the pass code, refer to [<18-11. Parental Lock pass code setting>](#).

5. **Use the [Control knob] to select "CHANNEL EDIT".**  
A category list appears.

#### ▼ When the "CHANNEL EDIT" item is not displayed

- The mature content setting may be turned ON. Refer to [<18-10. Setting Parental Lock for Mature content>](#).

6. **Use the [Control knob] to select the category of the channel subject.**  
The list of the channels in the selected category appears.
7. **Use the [Control knob] to select a channel.**  
Parental Lock for the selected channel is turned on and off alternately each time you press the [Control knob].  
"L" is indicated for the selected channel.  
"X" is indicated for the channel that cannot be locked.

### ***Exit the Function setting mode.***



Press and hold the [] button.

- ▼ **Viewing the channel for which Parental Lock is turned on**
  - If a channel for which Parental Lock is turned on is selected, a pass code input screen appears. Programs on the selected channel can be received only when the input pass code is correct.

## 18-9. Clearing the Parental Lock setting

You can clear the Parent Lock setting for each channel.

1. **Select the SiriusXM Radio source.**  
Refer to [<Source selection>](#).
2. **Press and hold the [AUDIO] button.**  
Enter the Function setting mode.
3. **Use the [Control knob] to select "SETTINGS" > "CHANNEL LOCK".**  
For how to use the [Control knob], refer to [<3-3. How to select the item>](#).
4. **Enter the pass code.**

Operation type	Operation
Selection of numbers.	Turn the [Control knob].
Determination of the selected numbers.	Press the [Control knob].
Selection of column	Press the [  ] or [  ].

### Pass code setting

- \_ The pass code is set to "0000" as default.

5. **Use the [Control knob] to select "CHANNEL CLEAR".**
  - ▼ **When the "CHANNEL CLEAR" item is not displayed**
    - \_ The mature content setting may be turned ON. Refer to [<18-10. Setting Parental Lock for Mature content>](#).
6. **Use the [Control knob] to select "YES".**

### *Exit the Function setting mode.*

Press and hold the [] button.

## 18-10. Setting Parental Lock for Mature content

You can turn on/off Parental Lock for the adult channels assigned by SiriusXM.

1. **Select the SiriusXM Radio source.**  
Refer to [<Source selection>](#).
2. **Press and hold the [AUDIO] button.**  
Enter the Function setting mode.
3. **Use the [Control knob] to select "SETTINGS" > "CHANNEL LOCK".**  
For how to use the [Control knob], refer to [<3-3. How to select the item>](#).
4. **Enter the pass code.**

Operation type	Operation
Selection of numbers.	Turn the [Control knob].
Determination of the selected numbers.	Press the [Control knob].
Selection of column	Press the [◀◀] or [▶▶].

### Pass code setting

- \_ The pass code is set to "0000" as default.

5. **Use the [Control knob] to select "MATURE CH".**
6. **Use the [Control knob] to select "ON".**  
Selecting "OFF" will turn off the Mature setting.

### *Exit the Function setting mode.*

Press and hold the [] button.

### ▼ **Listening the channel for which Parental Lock is turned on**

- If a Mature channel is selected with the Mature setting turned on, the pass code input screen appears. Programs on the selected channel can be received only when the pass code is correct.

### ▼ **About the Mature setting**

- The setting described in [<18-8. Parental Lock setting>](#) is ineffective while the Mature setting is held "ON". Setting the Mature setting to "OFF" will make the setting effective.



## 18-11. Parental Lock pass code setting

You can set a new pass code for Parental Lock setting.

1. **Select the SiriusXM Radio source.**  
Refer to <Source selection>.
2. **Press and hold the [AUDIO] button.**  
Enter the Function setting mode.
3. **Use the [Control knob] to select "SETTINGS" > "CHANNEL LOCK".**  
For how to use the [Control knob], refer to <3-3. How to select the item>.
4. **Enter the pass code.**

Operation type	Operation
Selection of numbers.	Turn the [Control knob].
Determination of the selected numbers.	Press the [Control knob].
Selection of column	Press the [◀◀] or [▶▶].

### Pass code setting

- \_ The pass code is set to "0000" as default.

5. **Use the [Control knob] to select "CODE SET".**  
"NEW CODE" appears.
6. **Enter a new pass code in the same manner as in step 4.**
7. **Enter the same pass code as that entered in step 6.**  
The old pass code is changed to the new one and "COMPLETED" appears.

### *Exit the Function setting mode.*

Press and hold the [↵] button

## 18-12. SiriusXM Replay™

You can replay up to the last 60 minutes broadcasting of current channel.

### 1. Press the [▶||] button.

"REPLAY MODE" appears.

The "⏮" indicator stays lit during Replay.

The songs are replayed starting with the song played 60 minutes ago.

During Replay, you can perform the following operations:

Operation type	Operation
Pause and play	Press the [▶  ].
Music search	Press the [⏮] or [▶▶].
Fast forward or Fast backward	Press and hold the [⏮] or [▶▶].

### *Exit Replay mode.*

#### **Press and hold the [▶||] button.**

"LIVE" appears, and then the on-air song is received.

Replay mode is automatically cancelled and go to Live mode when playback position is reached to Live by skip up or other reasons.

### ▼ **When the current reception channel is changed**

- The record of the current channel is deleted when another channel is received.

## 18-13. Channel skip setting

You can register the channel you wish to skip.

**1. Select the SiriusXM Radio source.**

Refer to [<Source selection>](#).

**2. Press and hold the [AUDIO] button.**

Enter the Function setting mode.

**3. Use the [Control knob] to select "SETTINGS" > "CHANNEL SKIP" > "CHANNEL EDIT".**

For how to use the [Control knob], refer to [<3-3. How to select the item>](#).

**4. Use the [Control knob] to select the category of the channel.**


**5. Use the [Control knob] to select the channel.**

The selected channel skip setting is turned on and off alternately each time you press the [Control knob].

"S" is indicated for the selected channel number.

"X" is indicated for channel numbers that cannot be selected.

***Exit the Function setting mode.***


Press and hold the [] button.

## 18-14. Clearing the channel skip setting

You can clear the skip setting for all the selected channels together.

- 1. Select the SiriusXM Radio source.**  
Refer to [<Source selection>](#).
- 2. Press and hold the [AUDIO] button.**  
Enter the Function setting mode.
- 3. Use the [Control knob] to select "SETTINGS" > "CHANNEL SKIP" > "CHANNEL CLEAR".**  
For how to use the [Control knob], refer to [<3-3. How to select the item>](#).
- 4. Use the [Control knob] to select "YES".**

### ***Exit the Function setting mode.***

Press and hold the [] button.

## 18-15. SiriusXM tuner setting

You can set the SiriusXM tuner related items.


1. **Press the [Control knob].**  
Enter the Function setting mode.
2. **Use the [Control knob] to select "SETTINGS".**  
For how to use the [Control knob], refer to <3-3. How to select the item>.
3. **Use the [Control knob] to select an SiriusXM tuner setting item.**

Display	Description
"SEEK MODE"	Sets the tuning mode. <b>Channel:</b> Normal manual seeking. <b>Preset:</b> Searches in order of the channels in the preset memory.
"SIGNAL LEVEL"	Displays the received signal strength of the SiriusXM tuner.
"BUFFER USAGE"	Displays the memory usage for the function mentioned in <18-12. SiriusXM Replay™>. "0%" - "100%"
"TAG MEMORY"	Displays the tag memory usage of the SiriusXM tuner. Up to 50 tags can be registered in this unit.

(**Colored text:** Factory setting)

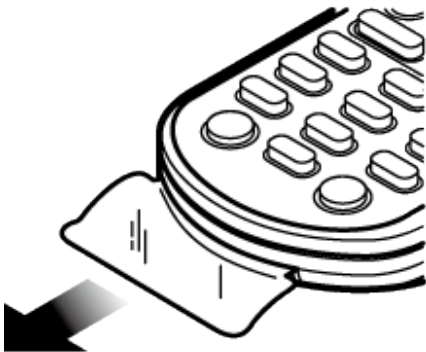
4. **Use the [Control knob] to select a setting.**  
The previous item appears.

**Exit the Function setting mode.**

Press and hold the [] button.

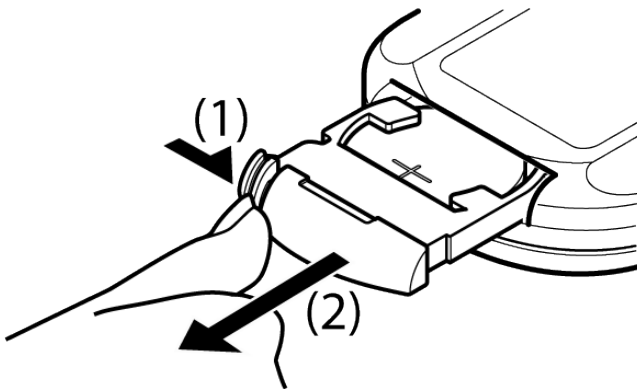
## 19-1. Before using remote control

### Preparing the remote control unit



Pull the battery sheet out from the remote control unit in the direction of the arrow.

### Changing the battery of the remote control unit



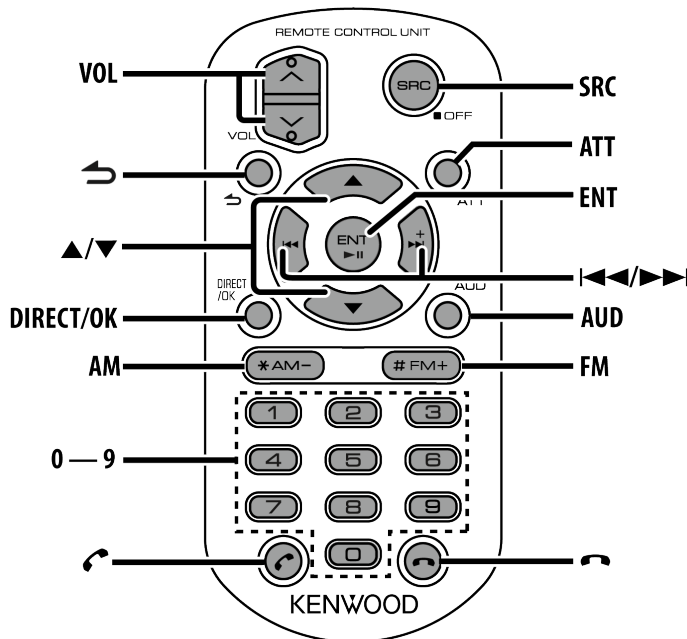
Use a commercially available button battery (CR2025). Insert the battery with the + side facing upward, following the illustration inside the case.

1. Keep on sliding.
2. Pull out.

#### **⚠ CAUTION**

- Keep battery out of reach of children and in original package until ready to use. Dispose of used batteries promptly. If swallowed contact physician immediately.
- Do not leave the battery near fire or under direct sunlight. A fire, explosion or excessive heat generation may result.
- Do not set the remote control in hot places such as on the dashboard.
- The Lithium battery is in danger of explosion if replaced incorrectly. Replace only with the same or equivalent type.

## 19-2. Basic operation



### General control

- **Volume control:** [VOL]
- **Source selection:** [SRC]  
Press and hold to turn off the power.
- **Volume reduction:** [ATT]  
When the button is pressed again, the volume returns to the previous level.
- **Returning to previous item:** [↶]
- **Selection of item:** [▲]/[▼]
- **Determination:** [ENT]
- **Enter Audio Control mode:** [AUD]

### ▼ About power on

- The remote control cannot be used to turn the power on. Press the [SRC] button on the main unit.

### On Tuner source

- **Band selection:** [FM]/[AM]
- **Station selection:** [◀◀]/[▶▶]
- **Recall preset stations:** [1] - [6]

### On CD/Audio file source

- **Music selection:** [◀◀]/[▶▶]
- **Folder selection:** [FM]/[AM]
- **Pause/Play:** [ENT]

- Enter the Music search mode: [▲]/[▼]
- Selecting folders/files during Music search mode: [▲]/[▼]
- Returning to previous folder: [↶]

### ***On iPod source***

- Enter Music search mode: [▲]/[▼]
- Selecting items during Music search mode: [▲]/[▼]
- Returning to previous item: [↶]
- Pause/Play: [ENT]

### ***On Pandora source***

- Song skip: [▶▶]
- Pause/Play: [ENT]
- Enter the station list mode: [▲]/[▼]
  - \_ Select item: [▲]/[▼]
  - \_ Exit the station list mode: [↶]

### ***On Aha source***

- Selecting a content: [◀◀]/[▶▶]
- Pause/Play: [ENT]
- Enter the station search mode: [▲]/[▼]
  - \_ Select item: [▲]/[▼]
  - \_ Exit the station search mode: [↶]

### ***On iHeartRadio source***

- Skip track (Custom station): [▶▶]
- Pause/Play: [ENT]
- Enter the station search mode: [▲]/[▼]
  - \_ Select item: [▲]/[▼]
  - \_ Exit the station search mode: [↶]

### ***On SiriusXM tuner source***

- Channel selection: [◀◀]/[▶▶]
- Recall preset stations: [1] - [6]
- Enter the Category search mode: [▲]/[▼]

## ***Hands-free phone control***

### **Making a call**


- Enter Bluetooth mode: [📶]
- Select a dialing method: [▲]/[▼] → [ENT]
- Number dial input:
  - \_ Input a digit: [0] - [9]
  - \_ Input "+": [▶▶]
  - \_ Input "#": [FM]
  - \_ Input "\*": [AM]
  - \_ Clear the entered phone number: [◀◀]
- Make a call: [ENT]

### **Receiving a call**



- Answer the call: []

During a call

- End the call: []

## 20-1. Setting error

Some functions of this unit may be disabled by some settings made on this unit.

● **Cannot set up display.**

- The demonstration mode is not turned off as mentioned in [<13-3. Demonstration mode setting>](#).

● **Cannot set up the subwoofer.**

● **Cannot set up the low pass filter.**

● **No output from the subwoofer.**

- "SUBWOOFER SET" is not set to ON as mentioned in [<4-1. Audio control>](#).

● **Cannot set up the subwoofer phase.**

- "LPF SUBWOOFER" is set to "THROUGH" as mentioned in [<4-1. Audio control>](#).

## 20-2. Operation/wiring error

What might seem to be a malfunction in your unit may just be the result of a slight operation error or a wiring error. Before calling for service, first check the following table for possible problems.

### General

#### ● The key beep does not sound

- The Preout jack is in use.
  - The key beep cannot be output from the Preout jack.

#### ● Sound cannot be heard.

- Adjust the volume to the optimum level.
- Check the cords and connections.

### Tuner source

#### ● Radio reception is poor.


- The car antenna is not extended.
  - Pull the antenna out all the way.

### Disc source

#### ● The specified disc does not play, but another one plays instead.

- The specified CD is quite dirty.
  - Clean the CD with reference to <9-10. Handling discs>.
- The disc is severely scratched.
  - Try another disc instead.

#### ● Disc cannot be ejected.

- The unit is malfunctioning for some reason.
  - Press and hold  to forcibly eject the disc. Be careful not to drop the disc when it is ejected. If this does not solve the problem, reset the unit.

### Audio file source

#### ● The sound skips when an Audio file is being played.

- The media is scratched or dirty.
  - Clean the CD with reference to <9-10. Handling discs>.
- The recording condition is bad.
  - Play the media again or use another media.

### iHeartRadio source

#### ● Station cannot be selected.

- If "Explicit Content" in [Account Settings] is checked in the web version of iHeartRADIO, some stations become unavailable.

### Bluetooth source

#### ● The hands-free talk volume is low.

- The hands-free talk volume can be adjusted independently.
  - Adjust it during hands-free talk. "MIC GAIN" of <17-5. Bluetooth detail setting >.

#### ● No beep is heard at reception of an incoming call.

- No beep is heard depending on the type of your cell-phone.
  - ✎ The "CALL BEEP" of <17-5. [Bluetooth detail setting](#)> is set ON.
- **Voice is not recognized.**
  - The vehicle window is open. If the surrounding noise is large, voice cannot be recognized properly.
    - ✎ Close the vehicle windows to reduce noise.
  - Small voice. If voice is too small, it cannot be recognized properly.
    - ✎ Speak into the microphone a little more loudly and naturally.
- **The sound from the Bluetooth audio player is discontinuous.**
  - Another Bluetooth device is affecting the Bluetooth communication. Turn off another Bluetooth device. Move another Bluetooth device away from this unit.
  - Another Bluetooth device or profile is used for communication. The downloading of the Phone book disconnects the sound.

## 20-3. Error messages

The messages shown below indicates your system condition.

### General

#### ● "PROTECT" (blink)

- The speaker wire has short-circuited or touched the chassis of the vehicle, and then the protection function has been activated.
  - Lay or insulate the speaker cable properly and press the Reset button. If "PROTECT" does not disappear, consult your nearest service center.

### Disc/ USB/ iPod Messages

#### ● "COPY PRO"

- A copy-protected file is played.

#### ● "iPod ERROR"

- Connection to the iPod has failed.
  - Remove the iPod/ iPhone and then reconnect it.
  - Reset iPod/ iPhone.

#### ● "NA DEVICE"

- An unsupported USB device is connected.
  - Check that the connected USB device is supported. See [<9-7. About the USB device>](#).
- Connection to the iPod has failed.
  - Check that the connected iPod is supported. See [<5-1. Models of iPods/iPhone s that can be connected to this unit>](#) for information on supported iPods.

#### ● "NA FILE"

- An Audio file is played in a format that is not supported by this unit.

#### ● "NO DEVICE"

- A USB device is selected as a source although no USB device is connected.
  - Change the source to any source other than the USB device. Connect an USB device, and change the source to the USB device again.

#### ● "NO MUSIC"

- The connected USB device contains no playable audio file.
- A medium that does not have playable data has been played.

#### ● "PLEASE EJECT"

- The unit is malfunctioning for some reason.
  - Press and hold **[▲]**.
  - Press the reset button on the unit. If the "PLEASE EJECT" code does not disappear, consult your nearest service center.

#### ● "READ ERROR"

- The file system of the connected USB device is broken.
  - Copy the files and folders for the USB device again. If "READ ERROR" is still displayed, initialize the USB device or use another USB device.

#### ● "TOC ERROR"

- The CD is quite dirty. The CD is upside-down. The CD is scratched a lot.
- The disc is unreadable.

#### ● "USB ERROR"

- Some trouble may have occurred to the connected USB device.
  - Remove the USB device, then cycle the power switch to ON. If the same display

is repeated, use another USB device.

## Bluetooth Messages

---

- **"AUD DISCONNECT"**
  - The unit cannot communicate with the Bluetooth audio player.
- **"DEVICE FULL"**
  - 5 Bluetooth device have already been registered. No more Bluetooth devices are registered.
- **"HF DISCONNECT"**
  - The unit cannot communicate with the cell-phone.
- **"HF ERROR 68"**
  - The unit cannot communicate with the cell-phone.
    - Cycle the power switch. If this message still appears, press the Reset button on the control unit.
- **"HF ERROR 89"**
  - Update of the firmware has failed.
    - Retry update of the firmware.
- **"NO DATA"**
  - There is no outgoing call list.
  - There is no incoming call list.
  - There is no missed call list.
  - There is no phone book list.
  - Data is not contained in the phone book.
- **"NO ENTRY"**
  - The cell-phone has not been registered (pairing).
- **"NO ACTIVE DVC"**
  - No cell-phone is connected.
- **"NO NUMBER"**
  - The calling party does not notify a caller ID.
  - There is no phone number data.
- **"NO SUPPORT"**
  - Your cell-phone does not support the voice recognition function.
- **"N/A VOICE TAG"**
  - Your cell-phone cannot start voice recognition.
- **"PAIRING NG"**
  - Pairing error.

## Pandora Messages

---

- **"ADD ERROR"**
  - Registration of the station has failed.
- **"CHECK DEVICE"**
  - Any device ready for Pandora reception is not connected to this unit.
  - Pandora application has not started, you have not signed in, or system maintenance is in progress.
- **"CONNECT ERROR"**
  - Communication is unstable.
- **"LICENSE ERROR"**
  - The Pandora® is accessed from a country to which it is not delivered.
- **"NO CONTENT"**
  - There is no receivable content.
- **"NO SKIPS"**
  - No more skips are allowed now.
    - Retry after a while.

- **"NO STATIONS"**
  - There is no receivable station.
- **"NOT EXIST"**
  - The registered station has been deleted or the device is not the registered one.
- **"RATING ERROR"**
  - Registration of Thumbs Up/Down has failed.
- **"SEARCH ERROR"**
  - No station could be searched for.
- **"STATION LIMIT"**
  - The number of registered stations has reached the upper limit.
    - Retry after deleting an unnecessary station.
- **"UPGRADE APP"**
  - The Pandora application is an older version which the unit can not support.
    - Confirm that the Pandora application is the latest version.

## **iHeartRadio Messages**

---

- **"CANNOT CREATE"**
  - Creation of a custom station name failed.
- **"CANNOT SAVE"**
  - Addition to the favorite category failed.
- **"DELETE ERROR"**
  - Deletion of the stored station has failed.
- **"DISCONNECT"**
  - Check the connection to the device.
- **"NO CONTENT"**
  - There is no receivable content.
- **"NO SKIPS"**
  - No more skips are allowed now.
    - Retry after a while.
- **"NO STATIONS"**
  - There is no receivable station.
- **"NOT CONNECT"**
  - Link to the application is impossible.
- **"PLEASE LOGIN"**
  - You haven't log in. Log in again.
- **"STATION NOT AVAILABLE"**
  - Broadcast from the station is over.
- **"STATION NOT SELECTED"**
  - No station is selected.
- **"STREAM ERROR"**
  - Broadcast data is interrupted.
- **"THUMB FAILED"**
  - Registration of Thumbs Up/Down has failed.
- **"TIME OUT"**
  - The request has resulted in time-out.

## **Aha Messages**

---

- **"ACTN DISABLED"**
  - You performed an unavailable operation.
- **"AHA APP UPDATE REQUIRED"**
  - Upgrade the aha application to the latest version.
- **"AHA UNAVAILABLE"**
  - Your smartphone cannot be connected to Aha Radio server.

- **"CHECK APP"**
  - Log in to aha.
- **"CHECK DEVICE"**
  - Aha application has not started, you have not signed in, or system maintenance is in progress.
- **"CONNECT PHONE"**
  - Connect the cell-phone.
- **"LOGIN FAILED"**
  - Logging in to aha has failed.
- **"NETWORK UNAVAILABLE"**
  - The network has been disconnected.
- **"NO CONTENT"**
  - There is no receivable content.
- **"POOR GPS"**
  - The GPS reception condition of your smartphone is poor.

## **SiriusXM Advisory Messages**

---

- **"CH UNAVAIL"**
  - The currently selected channel is unavailable.
- **"CHAN UNSUB"**
  - The currently selected channel is not subscribed to.
- **"CHECK ANTENNA"**
  - No antenna is connected to the SiriusXM tuner.
    - 🔊 Check that an antenna is connected to the SiriusXM tuner.
- **"CHECK TUNER"**
  - A SiriusXM tuner is not connected to this unit.
    - 🔊 Check that the connected SiriusXM tuner is connected.
- **"iPod FULL"**
  - The iPod memory is FULL.
- **"MEMORY FULL"**
  - The tag memory of HD Radio tuner and SiriusXM tuner is FULL.
- **"NO SIGNAL"**
  - No SiriusXM radio signal is received.
- **"SUBSCRIPTION UPDATED – PRESS ENTER TO CONTINUE."**
  - The SiriusXM subscription has been renewed.
    - 🔊 Pressing the Control knob will clear the error message.
- **"TAG ERROR"**
  - The unit is unable to complete transferring the tagged information to the iPod.
- **"NO TAG FNC"**
  - An iPod which does not support the tag memory has been connected.
- **"WRONG CODE"**
  - The entered pass code is incorrect.



## Free Manuals Download Website

<http://myh66.com>

<http://usermanuals.us>

<http://www.somanuals.com>

<http://www.4manuals.cc>

<http://www.manual-lib.com>

<http://www.404manual.com>

<http://www.luxmanual.com>

<http://aubethermostatmanual.com>

Golf course search by state

<http://golfingnear.com>

Email search by domain

<http://emailbydomain.com>

Auto manuals search

<http://auto.somanuals.com>

TV manuals search

<http://tv.somanuals.com>