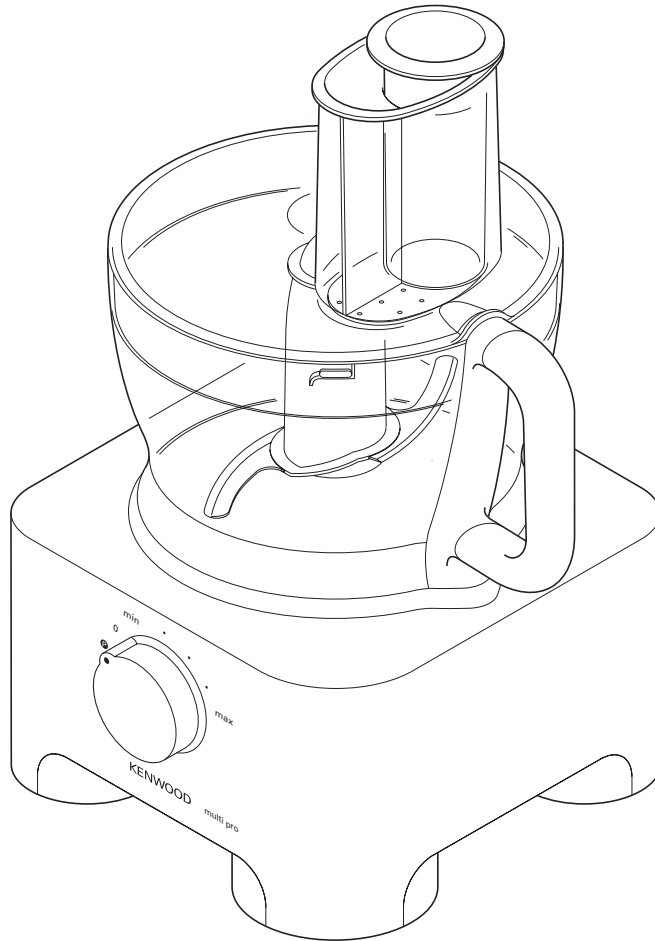




Kenwood Limited, New Lane, Havant, Hampshire PO9 2NH, UK  
[www.kenwoodworld.com](http://www.kenwoodworld.com)

# KENWOOD

multi pro



FP925

**English** 2 - 9

**Nederlands** 10 - 17

**Français** 18 - 25

**Deutsch** 26 - 33

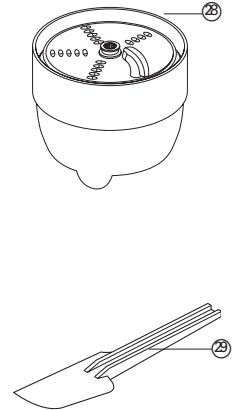
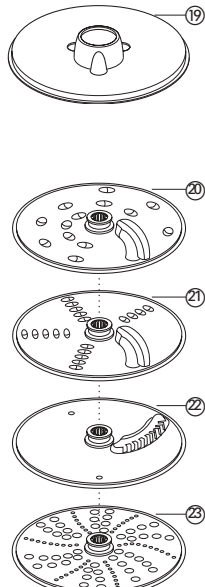
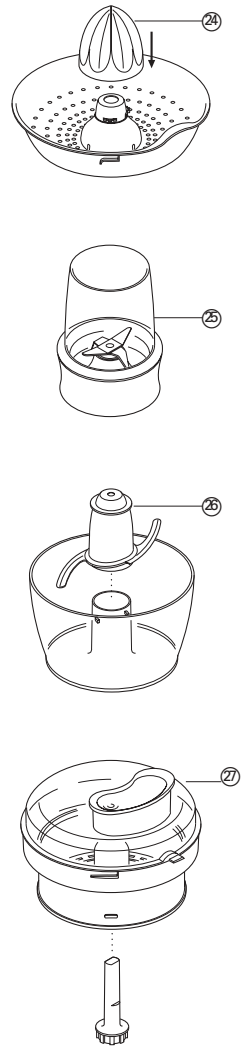
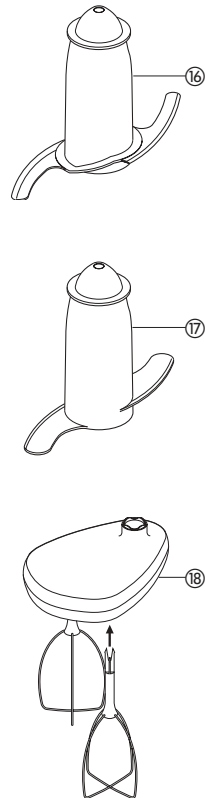
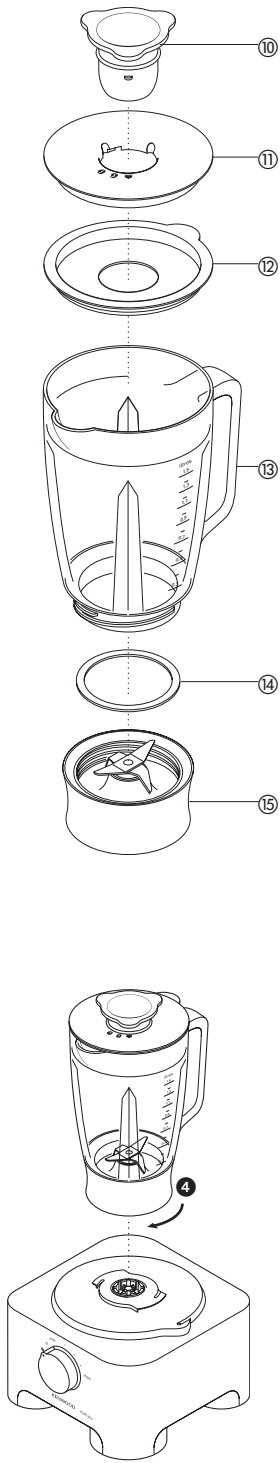
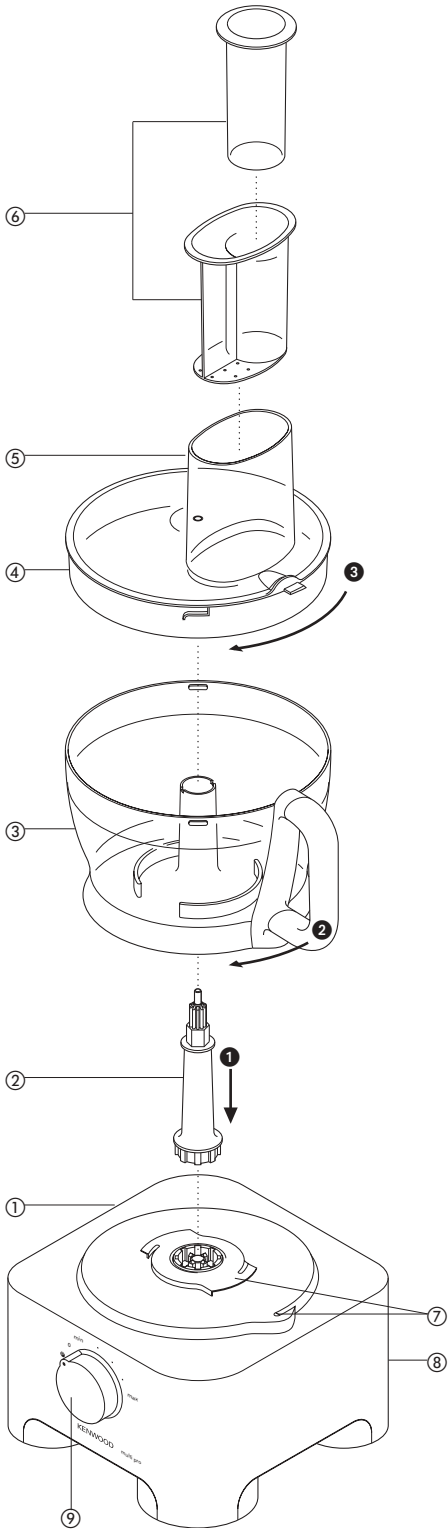
**Italiano** 34 - 41

**Dansk** 42 - 49

**Svenska** 50 - 57

**Norsk** 58 - 65

**Suomi** 66 - 73

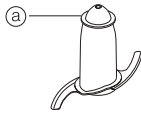


## safety

- The blades and discs are very sharp, handle with care. **Always hold the knife blade by the finger grip ① at the top, away from the cutting edge, both when handling and cleaning.**
- Do not lift or carry the processor by the handle - or the handle may break resulting in injury.
- Always remove the knife blade before pouring contents from the bowl.
- Keep hands and utensils out of the processor bowl and liquidiser jug whilst connected to the power supply.
- Switch off and unplug:
  - before fitting or removing parts
  - after use
  - before cleaning
- Never use your fingers to push food down the feed tube. Always use the pusher/s supplied.
- Before removing the lid from the bowl or liquidiser/mill from the power unit:-
  - switch off;
  - wait until the attachment/blades have completely stopped;
  - Be careful not to unscrew the liquidiser jug or mill from the blade unit.
- Do not use the lid to operate the processor, always use the on/off speed control.
- **This machine will be damaged and may cause injury if the interlock mechanism is subjected to excessive force.**
- Never use an unauthorised attachment.
- Never leave the machine on unattended.
- Never use a damaged machine. Get it checked or repaired: see 'service'.
- Never let the power unit, cord or plug get wet.
- Don't let excess cord hang over the edge of a table or worktop or touch hot surfaces.
- Do not exceed the maximum capacities stated.
- This appliance is not intended for use by persons (including children) with reduced physical, sensory or mental capabilities, or lack of experience and knowledge, unless they have been given supervision or instruction concerning use of the appliance by a person responsible for their safety.
- Children should be supervised to ensure that they do not play with the appliance.
- Only use the appliance for its intended domestic use. Kenwood will not accept any liability if the appliance is subject to improper use, or failure to comply with these instructions.
- Misuse of your processor/liquidiser can result in injury.

### before plugging in

- Make sure your electricity supply is the same as the one shown on the underside of your machine.
- This appliance conforms to EC directive 2004/108/EC on Electromagnetic Compatibility and EC regulation no. 1935/2004 of 27/10/2004 on materials intended for contact with food.



### before using for the first time

- 1 Remove all packaging including the plastic blade covers from the knife blade. **Take care the blades are very sharp.** These covers should be discarded as they are to protect the blade during manufacture and transit only.
- 2 Wash the parts see 'cleaning'
- 3 Push excess cord into the back of the machine.

## key

### processor

- ① power unit
- ② detachable drive shaft
- ③ bowl
- ④ lid
- ⑤ feed tube
- ⑥ pushers
- ⑦ safety interlocks
- ⑧ cord storage
- ⑨ speed control with power on light

### liquidiser

- ⑩ filler cap
- ⑪ lid
- ⑫ lid seal
- ⑬ jug
- ⑭ sealing ring
- ⑮ blade unit

### additional attachments

Not all of these attachments listed below will be included with your food processor. To buy an attachment not included in your pack, contact the dealer from whom you purchased your appliance.

- ⑯ knife blade
- ⑰ dough tool
- ⑱ twin beater geared metal whisk
- ⑲ maxi-blend canopy
- ⑳ thick slicing/coarse shredding disc
- ㉑ thin slicing/fine shredding disc
- ㉒ fine (Julienne style) chipper disc
- ㉓ rasping disc
- ㉔ geared citrus press
- ㉕ mill
- ㉖ mini processor bowl
- ㉗ centrifugal juicer
- ㉘ KENSTORE™ attachments carousel
- ㉙ spatula

## choosing a speed for all functions

Tool/Attachment	Function	Speed	Maximum Capacities
Knife Blade	One Stage Cake Mix Pastry - rubbing fat into flour Adding water to combine pastry ingredients Chopping/pureeing/pates	Min – Max 5 – Max 1 – 5 Max	1.5Kg/3lb 5oz Total Wt 340g/12oz Flour Wt 600g/1lb 6oz Meat
Knife Blade with maxi-blend canopy	Soups – start at a low speed and move up to Max	Min –Max	1.5 litres/2pts 12oz
Whisk	Egg Whites Egg & sugar for fatless sponges Cream	Max Max 5 – Max	6 Egg Whites 500 mls
Dough tool	Yeast mixes	Max	600g/1lb 6oz
Discs – slicing/shredding/chipping	Firm food items such as carrots, hard cheese. Softer items such as cucumbers, tomatoes	5 – Max Min – 5	
Rasping disc	Parmesan cheese, Potatoes for German potato dumplings.	Max	
Citrus Press	Citrus fruits	1	
Mini Bowl & knife	All processing	Max	200g/8oz
Liquidiser	All processing	Max	1.5 litres/2pts 12fl.oz
Mill	All processing	Max	
Centrifugal juicer	Fruit & Vegetables	Max	500g/1lb 2oz

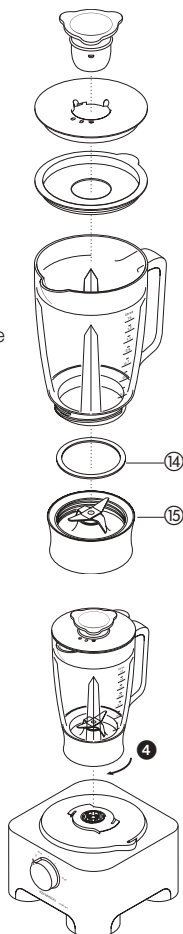
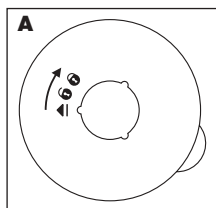
## to use your food processor

- 1 Fit the detachable shaft onto the power unit ❶.
- 2 **Then** fit the bowl. Place the handle towards the back and turn clockwise until it locks ❷.
- 3 Fit an attachment over the drive shaft.
  - Always fit the bowl and attachment onto the machine before adding ingredients.
- 4 Fit the lid ❸ - ensuring the top of the drive shaft locates into the centre of the lid.
  - **Do not use the lid to operate the processor, always use the on/off control.**
- 5 Plug in and the power on light will come on. Switch on and select a speed.
  - **The processor won't work if the bowl and lid are fitted incorrectly.**

- Use the pulse (P) for short bursts. The pulse will operate for as long as the control is held in position.
  - 6 Reverse the above procedure to remove the lid, attachments and bowl.
    - **Always switch off before removing the lid.**
- important**
- Your processor is not suitable for crushing or grinding coffee beans, or converting granulated sugar to caster sugar.
  - When adding almond essence or flavouring to mixtures avoid contact with the plastic as this may result in permanent marking.

## to use your liquidiser

- 1 Fit the sealing ring (14) into the blade unit (15) - ensuring the seal is located correctly. **Leaking will occur if the seal is damaged or not fitted correctly.**
- 2 Screw the jug onto the blade unit.
- 3 Put your ingredients into the jug.
- 4 Push the lid seal onto the underside of the lid.
- 5 Fit and lock the filler cap in the lid, by turning one position (17).
- 6 Fit the lid to the goblet and turn the filler cap to (18) to lock.  
The filler cap can be located in 3 different positions (see **A**)  
▲ - filler cap removable for adding ingredients to the jug.  
ⓘ - lid unlocked/filler cap locked to the lid for fitting and removing the lid.  
Ⓢ - lid locked.
- 7 Place the liquidiser onto the power unit and turn to lock (4).
- 8 Select a speed or use the pulse control.



- Don't use the liquidiser as a storage container. Keep it empty before and after use.
- Never blend more than 1½ litres (2pts 12froz) - less for frothy liquids like milkshakes.

**Note: The mill base is not interchangeable with the FP925 glass liquidiser jug. The processor will not operate if the wrong base is fitted. Refer to graphics on blade unit bases.**

### hints

- **Liquids should be allowed to cool to room temperature before blending.**
- When making mayonnaise, put all the ingredients, except the oil into the liquidiser. Then with the machine running, pour the oil into the filler cap and let it run through.
- Thick mixtures, eg pates and dips, may need scraping down. If it's difficult to process, add more liquid.
- When crushing ice use the pulse in short bursts.
- To ensure the long life of your liquidiser, never run it for longer than 60 seconds. Switch off as soon as you've got the right consistency.
- Don't process spices - they may damage the plastic.
- The machine won't work if the liquidiser is fitted incorrectly.
- Don't put dry ingredients into the liquidiser before switching on. If necessary, cut them into pieces; remove the filler cap; then with the machine running, drop them through one by one.

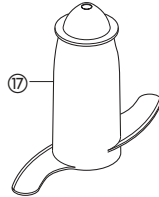
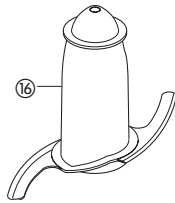
## using the attachments

### 16 knife blade/17 dough tool

The knife blade is the most versatile of all the attachments. The length of the processing time will determine the texture achieved. For coarser textures use the pulse control.

Use the knife blade for cake and pastry making, chopping raw and cooked meat, vegetables, nuts, pate, dips, pureeing soups and to also make crumbs from biscuits and bread. It can also be used for yeasted dough mixes if the dough tool is not supplied.

Use the dough tool for yeasted mixes.



#### hints knife blade

- Cut food such as meat, bread, vegetables into cubes approximately 2cm<sup>3</sup>/in before processing.
- Biscuits should be broken into pieces and added down the feed tube whilst the machine is running.
- When making pastry use fat straight from the fridge cut into 2cm<sup>3</sup>/in.cubes.
- Take care not to over-process.

#### dough tool

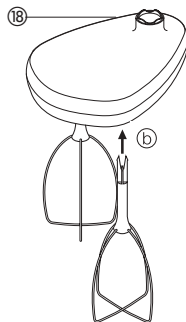
- Place the dry ingredients in the bowl and add the liquid down the feed tube whilst the machine is running. Process until a smooth elastic ball of dough is formed this will take 60 - 90 secs.
- Re-knead by hand only. Re-kneading in the bowl is not recommended as it may cause the processor to become unstable.

### 18 twin beater geared whisk

Use for light mixtures only eg egg whites, cream, evaporated milk and for whisking eggs and sugar for fatless sponges. Heavier mixtures such as fat and flour will damage it.

## using the whisk

- 1 Fit the drive shaft and bowl onto the power unit.
- 2 Push each beater securely into the drive head 18.
- 3 Fit the whisk by carefully turning until it drops over the drive shaft.
- 4 Add the ingredients.
- 5 Fit the lid - ensuring the end of the shaft locates into the centre of the lid.
- 6 Switch on.



#### important

- The whisk is not suitable for making one-stage cakes or creaming fat and sugar as these mixes will damage it. Always use the knife blade for cake making.

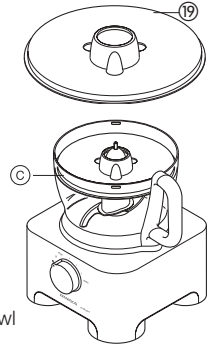
#### hints

- Best results are obtained when the eggs are at room temperature.
- Ensure the bowl and whisks are clean and free from grease before whisking.

### 19 maxi-blend canopy

When blending liquids, use the maxi-blend canopy with the knife blade. It allows you to increase the liquid processing capacity from 1 litre to 1.5 litres, prevents leaking and improves the chopping performance of the blade.

- 1 Fit the drive shaft and bowl onto the power unit.
- 2 Fit the knife blade.
- 3 Add ingredients to be processed.
- 4 Fit the canopy over the top of the blade ensuring it sits on the ledge inside the bowl 19.
- 5 Fit the lid and switch on.



## slicing/shredding discs

### reversible slicing/shredding discs - thick 20, thin 21

Use the shredding side for cheese, carrots, potatoes and foods of a similar texture.

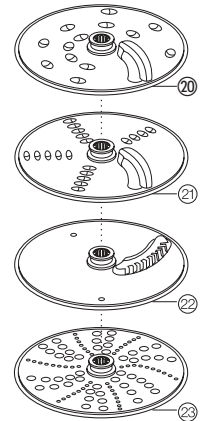
Use the slicing side for cheese, carrots, potatoes, cabbage, cucumber, courgette, beetroot and onions.

### fine (Julienne style) chipper disc 22

Use to cut: potatoes for Julienne style French fries; firm ingredients for salads, garnishes, casseroles and stir fries (eg carrot, swede, courgette, cucumber).

### rasping disc 23

Grates Parmesan cheese and potatoes for German potato dumplings.

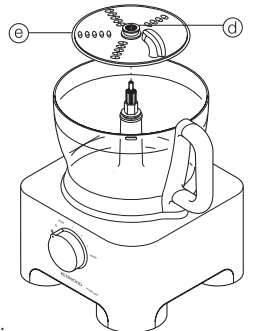


## safety

- **Never remove the lid until the cutting disc has completely stopped.**
- **Handle the cutting discs with care - they are extremely sharp**

## to use the cutting discs

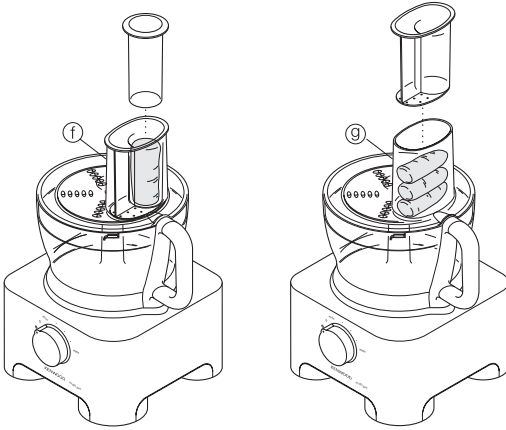
- 1 Fit the drive shaft and bowl onto the power unit.
- 2 Holding by the centre grip 24, place the disc onto the drive shaft with the appropriate side uppermost 25.
- 3 Fit the lid.
- 4 Choose which size feed tube you want to use. The pusher contains a smaller feed tube for processing individual items or thin ingredients. To use the small feed tube - first put the large pusher inside the feed tube. To use the large feed tube - use both pushers together.
- 5 Put the food in the feed tube.
- 6 Switch on and push down evenly with the pusher - **never put your fingers in the feed tube.**





### hints

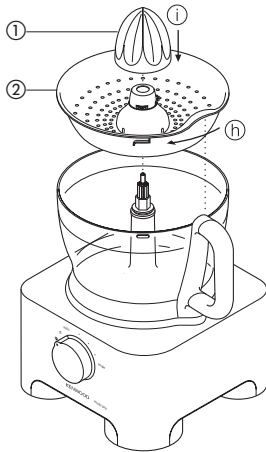
- Use fresh ingredients
- Don't cut food too small. Fill the width of the large feed tube fairly full. This prevents the food from slipping sideways during processing. Alternatively use the small feed tube.
- When using the chipper disc, place ingredients horizontally.
- When slicing or shredding: food placed upright (f) comes out shorter than food placed horizontally (g).
- There will always be a small amount of waste on the plate or in the bowl after processing.



### 24 citrus press

Use the citrus press to squeeze the juice from citrus fruits (eg oranges, lemons, limes and grapefruits).

- ① cone
- ② sieve



### to use the citrus press

- 1 Fit the drive shaft and bowl onto the power unit.
  - 2 Fit the sieve into the bowl - ensuring the sieve handle is locked into position directly over the bowl handle (h).
  - 3 Place the cone over the drive shaft turning until it drops all the way down (i).
  - 4 Cut the fruit in half. Then switch on and press the fruit onto the cone.
- **The citrus press will not operate if the sieve is not locked correctly.**

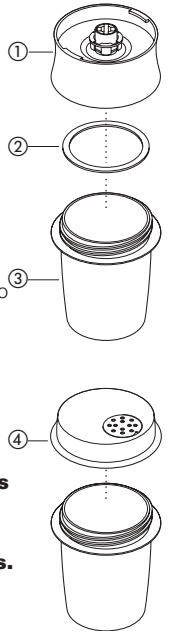
### 25 mill

Use the mill for milling herbs, nuts and coffee beans.

- ① blade unit
- ② sealing ring
- ③ jar
- ④ sprinkler lid

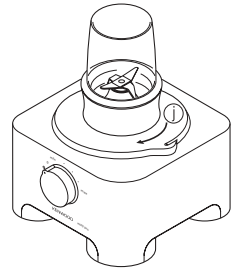
### safety

- Never fit the blade unit to your machine without the jar fitted.
- Never unscrew the jar while the mill is fitted to your machine.
- Don't touch the sharp blades. Keep the blade unit away from children.
- Never remove the mill until the blades have completely stopped.
- **Note: The mill base is not interchangeable with the FP925 glass liquidiser jug. The processor will not operate if the wrong base is fitted. Refer to graphics on blade unit bases. important**
- To ensure long life of your mill, never run for longer than 30 seconds. Switch off as soon as you've got the right consistency.
- Don't process spices - they may damage the plastic.
- The machine won't work if the mill is fitted incorrectly.
- Use for dry ingredients only.



### to use your mill

- 1 Put your ingredients into the jar. Fill it no more than half full.
  - 2 Fit the sealing ring into the blade unit.
  - 3 Turn the blade unit upside down. Lower it into the jar, blades down.
  - 4 Screw the blade unit onto the jar until it is finger tight.
  - 5 Place the mill onto the power unit and turn to lock (j).
  - 6 Switch on to maximum speed or use the pulse control.
  - 7 After milling, you can replace the blade unit with the sprinkler lid and shake out your food.
- The sprinkler lid is not airtight.



### hints

- Herbs are best milled when clean and dry.

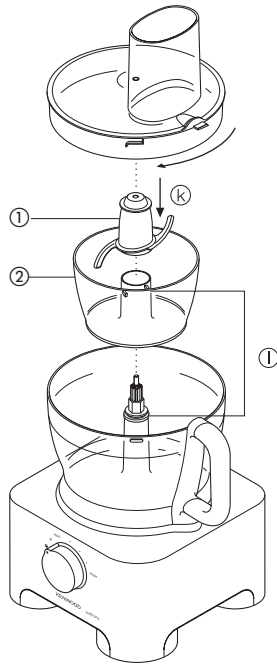
## ②⑥ mini processor bowl

Use the mini processor bowl to chop herbs and process small quantities of ingredients e.g. meat, onion, nuts, mayonnaise, vegetables, purées, sauces and baby food.

- ① mini processor knife blade
- ② mini processor bowl

### to use the mini processor bowl

- 1 Fit the drive shaft and bowl onto the power unit.
- 2 Fit the mini processor bowl - ensuring the ribs on the inside of the mini bowl chimney align with the slots in the main bowl chimney ①.
- 3 Place the knife blade over the drive shaft ①.
- 4 Add the ingredients to be processed.
- 5 Fit the lid and switch on.



#### safety

- Never remove the lid until the knife blade has completely stopped.
- The knife blade is very sharp - always handle with care.

#### important

- Don't process spices - they may damage the plastic.
- Don't process hard food such as coffee beans, ice cubes or chocolate - they may damage the blade.

#### hints

- Herbs are best chopped when clean and dry.
- Always add a little liquid when blending cooked ingredients to make baby food.
- Cut foods such as meat, bread, vegetables into cubes approximately 1-2 cm ( $\frac{1}{2}$  -  $\frac{3}{4}$  in) before processing.
- When making mayonnaise add the oil down the feed tube.

## ②⑦ metal centrifugal juicer (use max speed)

Use the centrifugal juicer for making juice from firm fruit and vegetables.

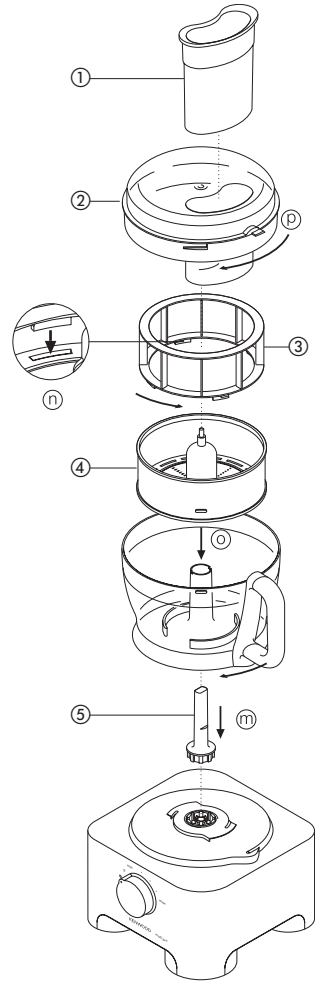
- ① pusher
- ② lid
- ③ pulp remover
- ④ filter drum
- ⑤ juicer drive shaft

### to use the centrifugal juicer

- 1 Fit the drive shaft and bowl onto the power unit ①.
- 2 Place the pulp remover into the filter drum - ensuring the tabs locate with the slots in the bottom of the drum ①.
- 3 Fit the filter drum ④. **Your juicer will not work if the lid is unlocked.**
- 4 Place the attachment lid onto the bowl, turn until it locks and the feed tube sits over the handle ②.
- 5 Cut the food into small pieces to fit the feed tube.
- 6 Switch on and push down evenly with the pusher - **never put your fingers in the feed tube.**

Process fully before adding more.

- After adding the last piece, let the juicer run for a further 20 seconds to extract all the juice from the filter drum.



### safety

- **Do not use the juicer if the filter is damaged.**
- The cutting blades on the base of the filter drum are very sharp, take care when handling and cleaning the drum.
- Only use the pusher supplied. Never put your fingers in the feed tube. Unplug before unblocking the feed tube.
- Before removing the lid, switch off and wait for the filter to stop.

#### important

- If the juicer starts to vibrate, switch off and empty the pulp from the drum. (The juicer vibrates if the pulp becomes unevenly distributed).
- Maximum capacity that can be processed at one time is 500g of fruit or vegetables.
- Some very hard foods may make your juicer slow down or stop. If this happens switch off and unblock the filter.
- Switch off and clear the pulp collector regularly during use.

#### hints

- Before processing remove stones and pips (eg pepper, melon, plum) and tough skins (eg melon, pineapple). You don't need to peel or core apples and pears.

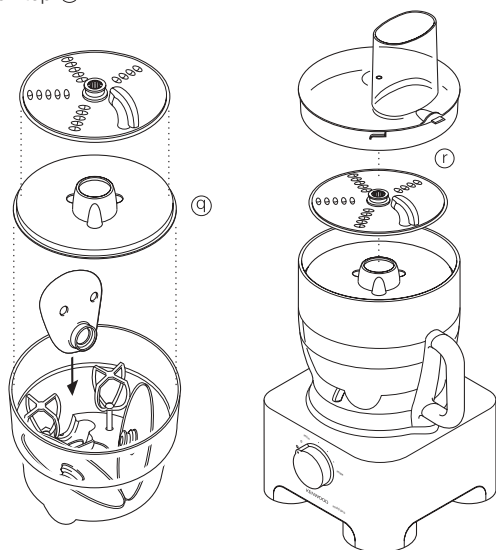
- Use firm, fresh fruit and vegetables.
- Citrus juice will be bitter and frothy because its peel and pith get processed too. Use the citrus juicer instead.

## 28 KENSTORE™ attachments carousel

Your food processor is supplied with an attachment storage carousel that fits inside the bowl.

### to use the storage carousel

- 1 Fit the knife blade to the bowl.
- 2 Then fit the whisk, discs and canopy into the carousel ④.
- 3 Fit the carousel over the knife blade and place the processor lid on top ①.

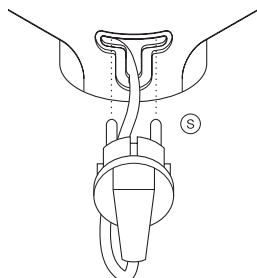


### care & cleaning

- Always switch off and unplug before cleaning.
- Handle the blades and cutting discs with care - they are extremely sharp.
- Some foods may discolour the plastic. This is perfectly normal and won't harm the plastic or affect the flavour of your food. Rub with a cloth dipped in vegetable oil to remove the discolouration.

#### power unit

- Wipe with a damp cloth, then dry. Ensure that the interlock area is clear of food debris.
- Store excess cord in the storage area at the back of the machine ⑤.



#### liquidiser/mill

- 1 Empty the jug/jar before unscrewing it from the blade unit.
- 2 Wash the jug/jar by hand.
- 3 Remove and wash the seals.
- 4 Don't touch the sharp blades – brush them clean using hot soapy water, then rinse thoroughly under the tap. **Don't immerse the blade unit in water.**
- 5 Leave to dry upside down.

#### twin beater geared whisk

- Detach the beaters from the drive head by gently pulling them free. Wash in warm soapy water.
  - Wipe the drive head with a damp cloth, then dry.
- Do not immerse the drive head in water.**

#### metal centrifugal juicer

- For easier cleaning always wash the parts immediately after use.
- Some foods, eg carrot, will discolour the plastic. Rubbing with a cloth dipped in vegetable oil helps remove discolouring.

#### filter

- Lift out the pulp remover and tap lightly to release the pulp.
- Clean using a soft brush.
- **Check the filter regularly for signs of damage. Do not use if the filter is damaged. Refer to "service and customer care"**

#### all other parts

- Wash by hand, then dry.
- Alternatively they can be washed on the top rack of your dishwasher. A short low temperature programme is recommended.

### service and customer care

- If the cord is damaged it must, for safety reasons, be replaced by KENWOOD or an authorised KENWOOD repairer.

If you need help with:

- using your appliance or
  - servicing or repairs
- Contact the shop where you bought your appliance.



#### IMPORTANT INFORMATION FOR CORRECT DISPOSAL OF THE PRODUCT IN ACCORDANCE WITH EC DIRECTIVE 2002/96/EC.

At the end of its working life, the product must not be disposed of as urban waste.

It must be taken to a special local authority differentiated waste collection centre or to a dealer providing this service.

Disposing of a household appliance separately avoids possible negative consequences for the environment and health deriving from inappropriate disposal and enables the constituent materials to be recovered to obtain significant savings in energy and resources. As a reminder of the need to dispose of household appliances separately, the product is marked with a crossed-out wheeled dustbin.

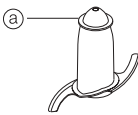
## troubleshooting guide

Problem	Cause	Solution
The processor will not operate	No power/indicator light not lit. Bowl not locked on correctly. Lid not locked correctly.	Check processor is plugged in Check bowl is located correctly and the handle is situated towards the right hand side. Check that the lid interlock is located correctly into the handle area. <b>The processor will not work if the bowl and lid are fitted incorrectly.</b> If none of the above check the fuse/circuit breaker in your home.
Liquidiser/mill will not operate	Wrong base used.	<b>The mill base is not interchangeable with the FP925 liquidiser jug. The processor will not operate if the wrong base is fitted.</b> Check graphic is correct on base used.
Processor stops during processing	Processor overloaded/maximum capacities exceeded. Lid unlocked.	Check maximum capacities stated under "to use your food processor". Check lid is locked correctly.
Poor performance of tools/attachments.	Refer to hints in relevant "using the attachment" section. Check attachments are assembled correctly.	

# Nederlands

## Vouw voor het lezen a.u.b. de voorpagina met illustraties uit

### veiligheid

- De messen en schijven zijn scherp: u dient ze voorzichtig te behandelen. **Houd het snijvlak altijd bij de vingergreep vast**  **Ⓐ aan de bovenzijde, van de snijkant af, zowel bij het werken als het schoonmaken.**
- De keukenmachine niet aan het handvat optillen of meedragen – het handvat kan afbreken met persoonlijk letsel als gevolg.
- Voordat u de inhoud uit de kom giet, dient u altijd eerst het mes te verwijderen.
- Haal altijd de stekker uit het stopcontact, voordat u met uw handen of gereedschappen in de kom van de machine of de blenderkan komt.
- Zet het apparaat uit en trek de stekker uit het stopcontact:
  - alvorens onderdelen aan te brengen of te verwijderen
  - na gebruik
  - voor het schoonmaken
- Gebruik nooit uw vingers om voedsel in de invoerkoker te duwen. Gebruik altijd de bijgeleverde stamper.
- Doe het volgende, voordat u het deksel van de kom of de mengbeker/molen van het motorblok verwijdert:
  - zet het apparaat uit;
  - wacht totdat de hulpstukken / messen helemaal tot stilstand zijn gekomen;
  - Pas ervoor op dat u niet de mengbeker of molen van de eenheid met snijmes schroeft.
- Gebruik nooit het deksel om de keukenmachine te bedienen, maar altijd de aan/uit-knop.
- **Deze machine wordt beschadigd en kan letsel veroorzaken wanneer er te veel kracht wordt uitgeoefend op het veiligheidsmechanisme.**
- Gebruik nooit een niet bij het apparaat behorend hulpstuk.
- De machine mag nooit op de stroom aangesloten zijn als er niemand bij is.
- Gebruik nooit een beschadigde machine. Laat een beschadigd apparaat nakijken of repareren: zie onder 'service'.
- Laat het motorhuis, het netsnoer of de stekker nooit nat worden.
- Laat het snoer nooit over de rand van een tafel of werkblad hangen of in aanraking komen met hete oppervlakken.
- De aangegeven maximum hoeveelheden niet overschrijden.
- Dit apparaat is niet bedoeld voor gebruik door personen (inclusief kinderen) met verminderde lichamelijke, zintuiglijke of geestelijke vermogens of gebrek aan ervaring en kennis, tenzij ze toezicht of instructies over het gebruik van het apparaat hebben gekregen van de persoon die verantwoordelijk is voor hun veiligheid.
- Op kinderen moet toezicht gehouden worden om er zeker van te zijn dat ze niet met het apparaat spelen.
- Gebruik het apparaat alleen voor het huishoudelijke gebruik waarvoor het is bedoeld. Kenwood kan niet aansprakelijk worden gesteld in het geval dat het apparaat niet correct is gebruikt, of waar deze instructies niet worden opgevolgd.
- Misbruik van uw keukenmachine/blender kan tot letsel leiden.

### alvorens het apparaat aan te sluiten

- Controleer of de netspanning overeenkomt met het op de onderkant van het apparaat aangegeven voltage.
- Dit apparaat voldoet aan de EC-richtlijn 2004/108/EC betreffende de elektromagnetische compatibiliteit en EC-bepaling 1935/2004 van 27/10/2004 betreffende materialen die bestemd zijn voor contact met voedsel.

### voordat u het apparaat voor het eerst gebruikt

- 1 Verwijder al het verpakkingsmateriaal, inclusief de kunststof beschermhoezen van de messen. **Wees voorzichtig, de messen zijn erg scherp.** Deze hoezen zijn alleen bedoeld om de messen tijdens de fabricage en het transport te beschermen; u kunt deze weggooien.
- 2 Reinig de onderdelen: zie onder 'reinigen'.
- 3 Berg het overbodige snoer in de speciale opbergruimte aan de achterkant van het apparaat op.

### sleutel

#### keukenmachine

- ① motorhuis
- ② losmaakbare aandrijfjas
- ③ kom
- ④ deksel
- ⑤ invoerkoker
- ⑥ stampers
- ⑦ veiligheidsvergrendelingen
- ⑧ opbergvak snoer
- ⑨ snelheidsregeling met stroomlichtje

#### blender

- ⑩ vulkap
- ⑪ deksel
- ⑫ deksel
- ⑬ kom
- ⑭ afsluistring
- ⑮ messeneenheid

#### extra hulpstukken

Niet alle onderstaande hulpstukken zijn met uw keukenmachine meegeleverd. Als u een hulpstuk wilt kopen dat niet is meegeleverd, neem dan contact op met de winkelier waar u de machine gekocht hebt.

- ⑯ mes
- ⑰ deeghaak
- ⑱ dubbele metalen garde met snelheidsregeling
- ⑲ maxi mengkap
- ⑳ schijf voor dik snijden/grof raspen
- ㉑ schijf voor dun snijden/fijn raspen
- ㉒ schijf voor fijnhakken (julienne)
- ㉓ raspschijf
- ㉔ citroenpers met snelheidsregeling
- ㉕ molen
- ㉖ miniwerkkom
- ㉗ centrifugale fruitpers
- ㉘ KENSTORE™ hulpstukcarrousel
- ㉙ spatel

de juiste snelheden voor alle functies

Instrument/hulpstuk	Functie	Snelheid	Maximum capaciteit
Mes	Instant cakemix Gebaksdeeg – boter met bloem mengen Water toevoegen om ingrediënten te mengen Hakken/pureren/paté's	Min – Max 5 – Max 1 – 5 Max	1,5 kg totaalgewicht 340 gr bloemgewicht 600 gr vlees
Mes met maxi mengkap	Soep – begin op lage snelheid en verhoog tot Max	Min – Max	1,5 liter
Garde	Eiwit Ei & suiker voor vetloze taarten Slagroom	Max Max 5 – Max	het wit van 6 eieren 500 ml
Deeghaak	Mengsels met gist	Max	600 gr
Schijven – snijden/schaven/hakken	Harde etenswaren als wortelen, harde kaas Zachtere etenswaren als komkommer, tomaten	5 – Max Min – 5	
Raspschijf	Parmezaanse kaas, aardappelen voor knoedels	Max	
Citroenpers	Citrusvruchten	1	
Minikom & mes	Alle functies	Max	200 gr
Blender	Alle functies	Max	1,5 liter
Molen	Alle functies	Max	
Centrifugale fruitpers	Fruit & groente	Max	500 gr

## gebruik van uw keukenmachine

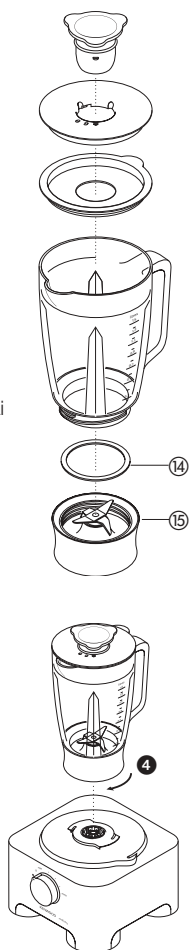
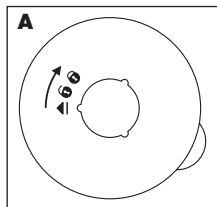
- Plaats de afneembare as op het motorblok ❶.
- Breng vervolgens de kom aan. Richt de handgreep eerst naar achteren – draai deze vervolgens met de klok mee totdat deze vastklikt ❷.
- Plaats een hulpstuk op de aandrijfas.
  - Breng altijd eerst de kom en het hulpstuk aan op het apparaat voordat u ingrediënten toevoegt.
- Breng het deksel aan ❸ - verzeker u ervan dat de bovenkant van de aandrijfas zich in het midden van het deksel bevindt.
  - Gebruik nooit het deksel om de keukenmachine te bedienen, maar altijd de aan/uit snelheidsregelaar.**

5 Steek de stekker in het stopcontact. Het stroomlichtje gaat branden. Zet de machine aan en kies een snelheid.

- De keukenmachine werkt niet wanneer de kom en het deksel niet correct zijn aangebracht.**
- Gebruik de stootfunctie (P) om korte stroomstoten te geven. Als u de stroomstoot wilt stoppen, laat u de knop los.
- Volg de bovenstaande procedure in omgekeerde volgorde om het deksel, de hulpstukken en de kom te verwijderen.
  - Zet het apparaat altijd uit voordat u het deksel verwijdert.**

## de blender gebruiken

- 1 Plaats de afsluitring (14) over de roterende mesjes (15) – zorg ervoor dat de afsluitring goed is geplaatst.  
**Als de afsluitring niet goed is geïnstalleerd, zal de machine lekken.**
- 2 Schroef de maatbeker op het onderstel.
- 3 Giet de ingrediënten in de maatbeker.
- 4 Duw de afdichting tegen de onderkant van het deksel.
- 5 Installeer en vergrendel de vuldop in het deksel, door hem één stand (I) verder te draaien.
- 6 Plaats het deksel op de maatbeker en draai de vuldop naar (II) om hem te vergrendelen.  
De voldop kan op 3 verschillende standen geplaatst worden (zie A)  
▲ – de voldop kan verwijderd worden, zodat extra ingrediënten toegevoegd kunnen worden.  
I – het deksel is ontgrendeld en de voldop is op het deksel vergrendeld, zodat het deksel verwijderd kan worden.  
II – het deksel is vergrendeld.
- 7 Plaats de blender op het motorelement en draai hem vast (4).
- 8 Kies een snelheid of gebruik de stroomstootknop.



- Gebruik de blender niet als een opslagcontainer. Houd de blender voor en na gebruik leeg.
- Meng nooit meer dan 1½ liter vloeistof – minder voor schuimende vloeistoffen, zoals milkshakes.

**NB: Het onderstel van de molen kan niet verwisseld worden met de glazen blenderkan van de FP925. De machine functioneert niet als het onjuiste onderstel wordt gebruikt. Raadpleeg de afbeeldingen op de mesonderstellen.**

### tips

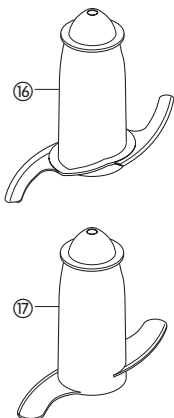
- **Vloeistoffen eerst tot kamertemperatuur laten afkoelen voordat u ze in de blender verwerkt.**
- Wanneer u mayonaise maakt, doet u alle ingrediënten behalve de olie in de blender. Terwijl de machine aan staat, giet u de olie door de voldop in de kom.
- Dikke mengsels, zoals patés en dipsauzen moeten soms van de zijkant van de kom af geschraapt worden. Als de mengeling met moeite wordt gemengd, voeg dan wat meer vloeistof toe.
- Wanneer u ijs wilt vergruizen, gebruikt u korte stroomstoten.
- Als u wilt dat uw blender lang mee gaat, zet hem dan nooit langer dan 60 seconden aan. Zet de blender uit zodra u de juiste dikte hebt verkregen.
- Doe geen specerijen in de keukenmachine – ze kunnen het plastic beschadigen.
- De machine functioneert niet als de blender onjuist is geïnstalleerd.
- Doe geen droge ingrediënten in de blender voordat u hem aan zet. Snij ze zo nodig in stukjes; verwijder de voldop en terwijl de machine aan staat, laat u ze één voor één door de voldop vallen.

## het gebruik van de hulpstukken

### 16 snijmes/17 deeggereedschap

Het snijmes is het meest veelzijdige van alle hulpstukken. De verwerkingstijd bepaalt de verkregen structuur. Gebruik de pulsknop voor een grovere structuur. Gebruik het snijmes voor het bakken van taarten en gebak, het hakken van rauw en gekookt vlees, groenten, noten, paté, dipsauzen, gepureerde soepen en verder om biscuits en brood te verkrummelen. Het kan ook worden gebruikt om gegiste deegmengsels te maken indien het deeggereedschap niet is bijgeleverd.

Gebruik het deeggereedschap voor gegiste deegmengsels.



#### nuttige tips snijmes

- Snijd producten zoals vlees, brood en groenten in blokjes van ongeveer 2 cm voor verwerking.
- Biscuits moeten in stukken worden gebroken en in de invoerkoker ingebracht terwijl de machine draait.
- Bij het bereiden van gebak, gebruik vet dat direct uit de ijskast in blokjes van 2 cm is gesneden.
- Zorg ervoor de producten niet te fijn te bewerken.

#### deeg gereedschap

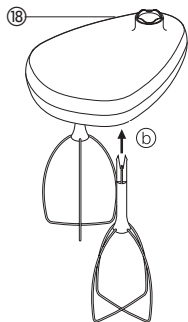
- Plaats de droge ingrediënten in de kom en giet de vloeistof in de invoerkoker terwijl de machine draait. Ga door totdat er zich een elastische deegbal heeft gevormd. Dit duurt 60 - 90 seconden.
- Kneed het opnieuw, alleen met de hand. Het wordt niet aanbevolen om het herkneden in de kom uit te voeren aangezien de keukenmachine daar instabiel van kan worden.

### 18 aangedreven dubbele garde

Gebruik voor de lichte mengsels en het kloppen van eieren bijvoorbeeld alleen eiwitten, room, poedermelk en suiker voor vetvrije biscuits. Zwaardere mengsels zoals vet en bloem beschadigen de garde.

## het gebruik van de garde

- 1 Bevestig de aandrijfas en de kom op het motorhuis.
- 2 Druk iedere menger stevig in de aandrijfkop (b).
- 3 Breng de garde aan door deze zorgvuldig te draaien totdat zij over de aandrijfas valt.
- 4 Voeg de ingrediënten toe.
- 5 Breng het deksel aan - controleer of de bovenkant van de aandrijfas zich in het midden van het deksel bevindt.
- 6 Zet het apparaat aan.



#### belangrijk

- De garde is niet geschikt voor het mengen van instant cakemix of boter en suiker, aangezien hierdoor de garde beschadigd raakt. Gebruik altijd het mes voor de bereiding van cakes en taarten.

#### handige tips

- De beste resultaten worden verkregen wanneer de eieren op kamertemperatuur zijn.
- Controleer of de kom en de gardes schoon en vetvrij zijn voordat u gaat kloppen.

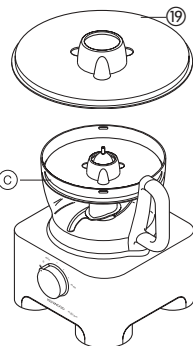
### 19 blenderkap

Gebruik de blenderkap en het snijmes bij het mengen van vloeistoffen. Hiermee kunt u de capaciteit voor het verwerken van vloeistoffen vergroten van 1 liter tot 1,5 liter, lekken voorkomen en de hakprestaties van het mes vergroten.

- 1 Bevestig de aandrijfas en de kom aan het motorhuis.
- 2 Plaats het snijmes.
- 3 Voeg de te bewerken ingrediënten toe.
- 4 Plaats de kap over de bovenzijde van het mes en controleer dat deze rust op de rand aan de binnenkant van de kom (c).

**Druk niet op de kap, houd deze vast aan de centrale handgreep.**

- 5 Plaats het deksel en zet het apparaat aan.



## schijven voor snijden/raspen

#### omkeerbare schijven voor

#### snijden/raspen - dik (20), dun (21)

Gebruik de raspzijde voor kaas, wortels, aardappels en producten met een vergelijkbare structuur.

Gebruik de snijzijde voor kaas, wortels, aardappels, kool, courgette, bieten en uien.

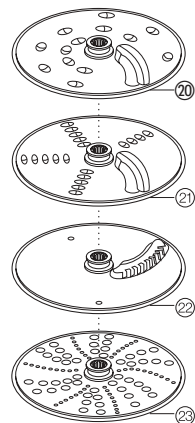
#### schijf voor fijn hakken (Julienne)

(22)

Gebruik: aardappels snijden voor frieten à la Julienne; stevige ingrediënten voor salades, garneringen, stoofschotels en roerbakgroenten (bv. wortels, koolraap, courgette, komkommer).

#### raspschijf (23)

Raspt Parmezaanse kaas en aardappelen voor Duitse aardappelknodels.



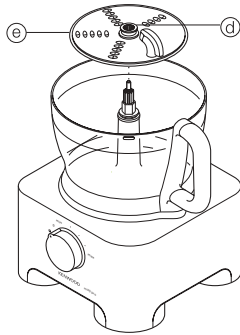
## veiligheid

- **Verwijder het deksel nooit voordat de snijschijf geheel tot stilstand is gekomen.**
- **De snijschijven zijn scherp - u dient ze voorzichtig te behandelen.**



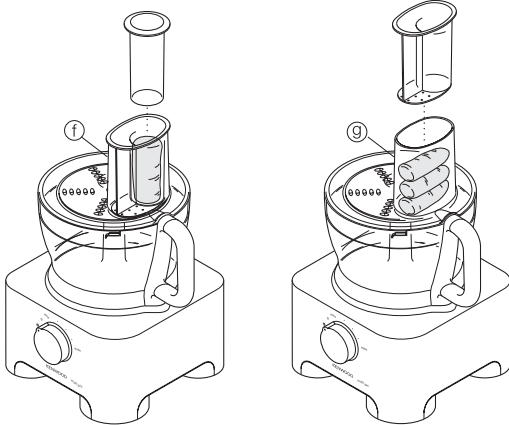
## gebruik van de snijschijven

- 1 Bevestig de aandrijfas en de kom op het motorhuis.
- 2 Houd de schijf bij de handgreep in het midden vast (d) en plaats de schijf op de aandrijfas met de juiste zijde naar boven (e).
- 3 Breng het deksel aan.
- 4 Kies het formaat invoerkoker dat u wilt gebruiken. De stamper bevat een kleinere invoerkoker voor het verwerken van losse producten of dunne ingrediënten.  
Om de kleine invoerkoker te gebruiken - plaatst u eerst de grote stamper in de invoerkoker.  
Om de grote invoerkoker te gebruiken - gebruikt u beide stampers tegelijk.
- 5 Plaats het voedsel in de invoerkoker.
- 6 Zet het apparaat aan en druk de stamper gelijkmatig naar beneden - **steek nooit uw vingers in de invoerkoker.**



### nuttige tips

- Gebruik verse ingrediënten
- Snij het voedsel niet te klein. Vul de grote invoerkoker behoorlijk en over de hele breedte. Dit voorkomt dat het voedsel opzij glijdt tijdens de verwerking. U kunt ook de kleine invoerkoker gebruiken.
- Wanneer u de hakschijf gebruikt, plaats de ingrediënten dan horizontaal.
- Bij het snijden of raspens: verticaal geplateerde producten (f) worden korter gesneden dan horizontaal geplateerde producten (g).
- Er zal na verwerking altijd een kleine hoeveelheid afval overblijven op de plaat of in de kom.



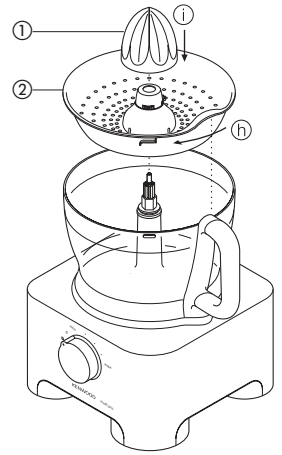
## 24 citruspers

Gebruik de citruspers om het sap van citrusvruchten uit te persen (b.v. sinaasappels, citroenen, limoenen en grapefruits).

- 1 kegel
- 2 zeef

### het gebruik van de citruspers

- 1 Bevestig de aandrijfas en de kom op het motorhuis.
  - 2 Plaats de zeef in de kom - verzeker u ervan dat de handgreep van de zeef direct boven de handgreep van de kom is vastgezet (h).
  - 3 Plaats de kegel over de aandrijfas totdat deze geheel naar beneden valt (i).
  - 4 Snijd het fruit in tweeën. Zet het apparaat vervolgens aan en druk het fruit op de kegel.
- **De citruspers werkt niet als de zeef niet correct is vastgezet.**



## 25 molen

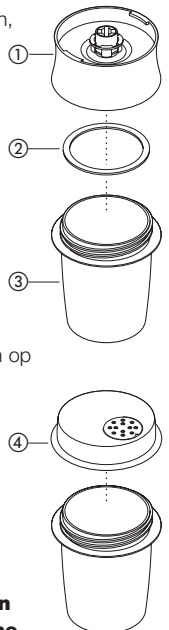
Gebruik de molen voor het malen van kruiden, noten en koffiebonen.

- 1 messeneenheid
- 2 afdichtring
- 3 pot
- 4 strooideksel

### veiligheid

- Breng nooit de eenheid met snijmes op het apparaat aan zonder dat de beker is aangebracht.
- Schroef de pot nooit los terwijl de multimolen op uw apparaat is aangebracht.
- Raak de scherpe messen niet aan. Houd de messeneenheid uit de buurt van kinderen.
- Verwijder de multimolen pas als de messen volledig tot stilstand zijn gekomen.
- Verwijder de molen nooit voordat de messen helemaal tot stilstand zijn gekomen.

**NB: Het onderstel van de molen kan niet verwisseld worden met de glazen blenderkan van de FP925. De machine functioneert niet als het onjuiste onderstel wordt gebruikt. Raadpleeg de afbeeldingen op de mesonderstellen.**

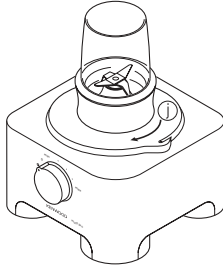


### belangrijk

- Om te zorgen dat de molen lang meegaat, moet u hem nooit langer dan 30 seconden laten draaien. Zet hem uit, zodra u de juiste consistentie heeft bereikt.
- Verwerk geen kruiden - deze kunnen het plastic beschadigen.
- Het apparaat zal niet werken, als de molen verkeerd is aangebracht.
- Uitsluitend gebruiken voor droge ingrediënten.

## het gebruik van uw molen

- 1 Doe uw ingrediënten in de pot. Vul de pot maximaal tot de helft.
  - 2 Plaats de afdichtring in de messeneenheid.
  - 3 Zet de messeneenheid ondersteboven en laat deze met de messen naar beneden in de pot zakken.
  - 4 Schroef de messeneenheid op de pot tot hij losvast zit.
  - 5 Plaats de blender op het motorelement en draai hem vast ①.
  - 6 Zet de molen aan op de hoogste snelheid of gebruik de pulsregelaar.
  - 7 Na het malen kunt u de messeneenheid vervangen door de strooideksel en uw voedsel uit de pot schudden.
- De strooideksel is niet luchtdicht



### tips

- Kruiden kunnen het best worden gemalen, als ze schoon en droog zijn.

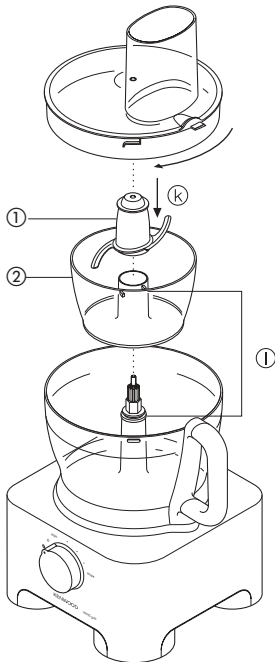
## ②⑥ miniwerkkom

Gebruik de miniwerkkom om kruiden te hakken en om kleine hoeveelheden ingrediënten te mengen, zoals vlees, ui, noten, mayonaise, groente, puré, sauzen en babyvoeding.

- ① mes van miniwerkkom
- ② miniwerkkom

## de miniwerkkom gebruiken

- 1 Plaats de aandrijfas en de kom op het motorelement.
- 2 Installeer de miniwerkkom – zorg dat de ribben aan de binnenkant van de minikompomp op één lijn liggen met de gleuven van de hoofdpijp ①.
- 3 Plaats het mes over de aandrijfas ②.
- 4 Voeg de ingrediënten toe die verwerkt moeten worden.
- 5 Plaats het deksel op de kom en zet de machine aan.



### veiligheidsmaatregelen

- Verwijder het deksel nooit voordat het mes helemaal tot stilstand is gekomen.
- Het mes is erg scherp – ga er altijd voorzichtig mee om.

### belangrijk

- Doe geen specerijen in de keukenmachine – ze kunnen het plastic beschadigen.
- Meng geen harde ingrediënten, zoals koffiebonen, ijsklontjes of chocolade – ze kunnen het mes beschadigen.

### tips

- Kruiden worden het beste verwerkt wanneer ze schoon en droog zijn.
- Voeg altijd een klein beetje vloeistof toe wanneer u gekookte ingrediënten tot babyvoeding mengt.
- Snij etenswaren als vlees, brood, groente in blokjes van 1-2 cm, voordat u ze gaat mengen.
- Wanneer u mayonaise maakt, giet u de olie door de toevoerbus.

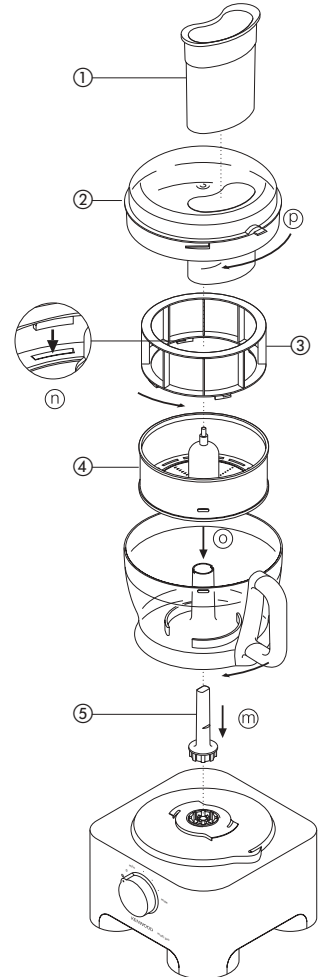
## ②⑦ metalen sapcentrifuge (gebruik de hoogste snelheid)

Gebruik de sapcentrifuge voor het maken van sap van stevig fruit en stevige groenten.

- ① stamper
- ② deksel
- ③ vruchtvleesfilter
- ④ filtertrommel
- ⑤ aandrijfas van de sapcentrifuge

## hoe de centrifugale fruitpers moet worden gebruikt

- 1 Breng de aandrijfas en kom aan op het motorblok ①.
- 2 Plaats het vruchtvleesfilter in de filtertrommel, waarbij u erop let dat de lipjes in de gleuven aan de onderkant van de trommel passen ②.
- 3 Zet de filtertrommel op zijn plaats ③. **Uw sapcentrifuge werkt niet als de deksel niet vergrendeld is.**
- 4 Plaats het deksel op de beker en draai het tot het vastzit en de vulbus zich boven de handgreep bevindt ④.
- 5 Snijd het voedsel in kleine stukken, zodat ze in de vulbus passen.
- 6 Zet de fruitpers aan en druk de inhoud met de stamper gelijkmatig omlaag - **steek nooit uw vingers in de vulbus.** Verwerk de gehele inhoud, voordat u meer stukken toevoegt.
- Nadat u het laatste stuk heeft toegevoegd, laat u de sapcentrifuge nog 20 seconden draaien om al het sap uit de filtertrommel te extraheren.



## veiligheid

- **De fruitpers niet gebruiken als het filter beschadigd is.**
- De snijbladen aan de onderkant van de filtertrommel zijn erg scherp; wees voorzichtig wanneer u de trommel hanteert en reinigt.
- Gebruik alleen het duwstuk dat wordt meegeleverd. Steek nooit uw vingers in de vulbuis. Haal de stekker uit het stopcontact voordat u de vulbuis loskoppelt.
- Schakel de pers uit en wacht totdat het filter gestopt is voordat u de deksel verwijdert.

### belangrijk

- Als de centrifuge begint te vibreren, schakelt u de centrifuge uit en verwijdert u het vruchtvlies uit de trommel. (De sapcentrifuge gaat vibreren als het vruchtvlies ongelijkmatig verdeeld raakt).
- U kunt maximaal 500g fruit of groente tegelijkertijd verwerken.
- Hard voedsel kan uw pers langzamer laten draaien of doen stoppen. Als dit gebeurt, schakelt u de machine uit en reinigt u het filter.
- U dient de pers tijdens het gebruik regelmatig uit te schakelen en het vruchtvliesfilter te verwijderen.

### tips

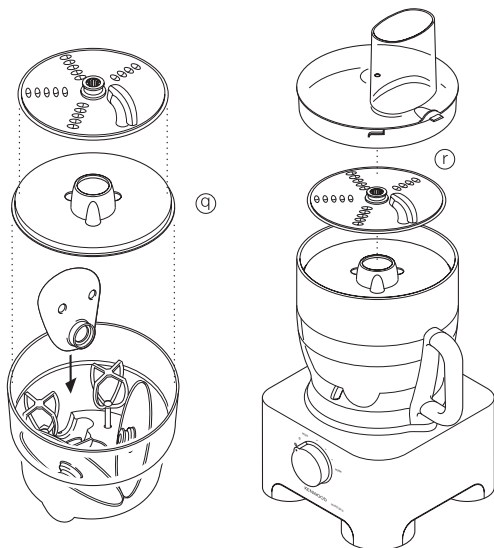
- Verwijder vóór het verwerken pitten (bv. peper, meloen, pruimen) en harde schillen (bv. meloen, ananas). Het is niet nodig appels of peren te schillen en van hun klokhuis te ontdoen.
- Gebruik stevige, verse vruchten en groenten.
- Het sap van citrusvruchten zal bitter en schuimig zijn, omdat de schil, het wit en de velletjes ook worden verwerkt. Gebruik daarvoor een citrusvruchtenpers.

## 28 KENSTORE™ hulpstukcarrousel

Deze keukenmachine heeft een carrousel waarin de hulpstukken opgeborgen worden, die in de kom past.

## de hulpstukcarrousel

- 1 Monteer het mes op de kom.
- 2 Plaats daarna de garde, de schijven en de mengkap in de carrousel (q).
- 3 Plaats de carrousel over het mes en zet het deksel daar weer bovenop (r).

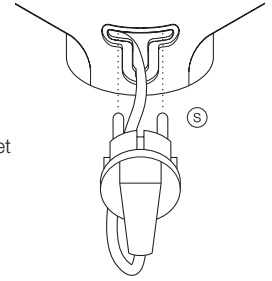


## onderhoud & reiniging

- Zet het apparaat altijd uit en trek de stekker uit het stopcontact voordat u het gaat schoonmaken.
- Messen en snijschijven zijn zeer scherp - ga er voorzichtig mee om.
- Het plastic kan verkleuren door sommige voedselproducten. Dit is normaal, levert geen schade op aan het plastic en beïnvloedt de smaak van uw voedsel niet. U kunt deze verkleuringen verwijderen met een doek die licht bevochtigd is met plantaardige olie.

### Motorhuis

- Veeg af met een vochtige doek, en droog dan af. Controleer of het veiligheidsmechanisme vrij is van voedselresten.
- Berg het overbodige snoer op in het opbergvak aan de achterzijde van het apparaat (s).



### mengbeker/molen

- 1 Leeg de beker, voordat u hem van de eenheid met snijmes afschroeft.
- 2 Was de beker met de hand.
- 3 Verwijder en was de afdichtringen
- 4 Raak de scherpe messen niet aan - borstel ze schoon met heet water en zeep, en spoel ze zorgvuldig af onder de kraan.

### Dompel de messeneenheid niet onder in water.

- 5 Laat het ondersteboven opdrogen.

### aangedreven dubbele garde

- Maak de gardes los van de aandrijfkop door ze voorzichtig los te trekken. Wassen in warm water met zeep.
- Veeg de aandrijfkop af met een vochtige doek, en droog deze dan af. **Dompel de aandrijfkop niet onder in water.**

### metalen sapcentrifuge

- Voor gemakkelijker reinigen, de onderdelen onmiddellijk na gebruik afwassen.
- Sommige etenswaren, zoals wortels, verkleuren het plastic. Deze verkleuringen kunnen verwijderd worden door er met een in plantaardige olie gedompelde doek over te wrijven.

### filter

- Verwijder het vruchtvliesfilter en tik er zachtjes op om het vruchtvlies los te maken.
- Met een zachte borstel schoonmaken.
- **Controleer het filter regelmatig op beschadigingen. Het filter niet gebruiken als het beschadigd is. Lees het deel "onderhoud en klantenservice"**

### alle andere onderdelen

- Met de hand afwassen, en dan afdrogen.
- Ze kunnen ook op het bovenrek van uw afwasmachine gewassen worden. Aanbevolen wordt een kort programma op lage temperatuur te gebruiken.

## onderhoud en klantenservice

- Als het snoer beschadigd is, moet het om veiligheidsredenen door KENWOOD of een door KENWOOD geautoriseerd reparatiebedrijf vervangen worden.

Als u hulp nodig hebt met:

- het gebruik van uw apparaat of
- onderhoud en reparatie kunt u contact opnemen met de winkel waar u het apparaat gekocht hebt.



**BELANGRIJKE INFORMATIE VOOR DE CORRECTE VERWERKING VAN HET PRODUCT IN OVEREENSTEMMING MET DE EUROPESE RICHTLIJN 2002/96/EC**

Aan het einde van de levensduur van het product mag het niet samen met het gewone huishoudelijke afval worden verwerkt. Het moet naar een speciaal centrum voor gescheiden afvalinzameling van de gemeente worden gebracht, of naar een verkooppunt dat deze service verschaft. Het apart verwerken van een huishoudelijk apparaat voorkomt mogelijke gevolgen voor het milieu en de gezondheid die door een ongeschikte verwerking ontstaan en zorgt ervoor dat de materialen waaruit het apparaat bestaat, teruggewonnen kunnen worden om een aanmerkelijke besparing van energie en grondstoffen te verkrijgen. Om op de verplichting tot gescheiden verwerking van elektrische huishoudelijke apparatuur te wijzen, is op het product het symbool van een doorgekruiste vuilnisbak aangebracht.

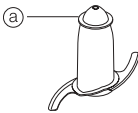
problemen oplossen

<b>probleem</b>	<b>Oorzaak</b>	<b>Oplossing</b>
De machine werkt niet	Geen stroom/stroomlichtje gaat niet aan. De kom zit niet goed vast.  Het deksel zit niet goed vast.	Controleer of de stekker in het stopcontact zit. Controleer of de kom goed op zijn plaats zit en of de hendel naar rechts gedraaid is. Controleer of de dekselvergrendeling goed in de hendel past. <b>De machine functioneert niet als de kom en het deksel niet goed vast zitten.</b> Als het bovenstaande niet het geval is, controleer dan de zekering / stroomonderbreker bij u thuis.
Blender/molen functioneert niet	Het foute onderstel is gebruikt.	<b>Het onderstel van de molen kan niet verwisseld worden met de blenderkan van de FP925. De machine functioneert niet als het onjuiste onderstel wordt gebruikt.</b> Controleer of de afbeelding onderop het gebruikte onderstel juist is.
De machine stopt plotseling	De machine is te vol / de maximumcapaciteit is overschreden. Het deksel zit los.	Controleer de maximumcapaciteit, lees 'gebruik van uw keukenmachine'. Controleer of het deksel goed vergrendeld is.
Slecht resultaat met instrumenten en hulpstukken	Lees de tips in het deel 'gebruik van de snijschijven'. Controleer of de hulpstukken goed zijn gemonteerd.	

# Français

**Veillez déplier les illustrations de la première page**

## sécurité

- Les lames et lamelles sont très tranchantes, manipulez-les avec précaution. **Tenez systématiquement la lame du couteau à l'emplacement prévu pour les doigts (a) à l'opposé du tranchant, durant la manipulation et le nettoyage.**
- 
- Ne pas soulever ou porter le robot par la poignée car celle-ci risque de casser et de provoquer des blessures.
  - Veillez toujours à retirer la lame avant de verser le contenu du bol.
  - Ne mettez jamais les mains dans le bol du robot ou dans le récipient du mixeur quand ils sont branchés.
  - Eteignez et débranchez l'appareil :
    - avant l'assemblage ou le retrait d'accessoires
    - après chaque utilisation
    - avant le nettoyage
  - N'utilisez jamais vos doigts pour pousser la nourriture dans le tube d'alimentation. Utilisez toujours le poussoir fourni.
  - Avant de retirer le couvercle du bol ou le mixeur/moulin du bloc-moteur :
    - éteignez l'appareil
    - assurez-vous que les accessoires / lames sont complètement arrêtés
    - Faites attention à ne pas dévisser le pichet du mixeur ou le moulin et à les désolidariser ainsi de l'unité porte-lames.
  - Ne vous servez pas du couvercle pour arrêter ou allumer le robot ; utilisez toujours le sélecteur de vitesse Marche / Arrêt.
  - **Veillez à ne pas forcer le mécanisme de verrouillage, l'appareil serait alors endommagé et pourrait provoquer des blessures.**
  - N'utilisez jamais un accessoire non autorisé.
  - Ne laissez jamais l'appareil sans surveillance quand il est en marche.
  - N'utilisez jamais un appareil endommagé. Faites-le vérifier ou réparer : voir la rubrique « service après-vente ».
  - Ne mouillez jamais l'unité moteur, le cordon d'alimentation ou la prise.
  - Ne laissez pas le cordon d'alimentation dépasser du bord d'une table, du plan de travail ou être en contact avec des surfaces chaudes.
  - Ne pas dépasser les capacités maximales indiquées.
  - Cet appareil n'est pas destiné à être utilisé par des personnes (y compris des enfants) dont les capacités physiques, sensorielles ou mentales sont diminuées, ou qui ne disposent pas des connaissances ou de l'expérience nécessaires, à moins qu'elles n'aient été formées et encadrées pour l'utilisation de cet appareil par une personne responsable de leur sécurité.
  - Les enfants doivent être surveillés afin qu'ils ne puissent pas jouer avec cet appareil.
  - N'employez l'appareil qu'à la fin domestique prévue. Kenwood décline toute responsabilité dans les cas où l'appareil est utilisé incorrectement ou que les présentes instructions ne sont pas respectées.
  - Une mauvaise utilisation de votre robot/mixeur peut provoquer des blessures.

### avant le branchement

- Assurez-vous que le voltage est identique à celui indiqué sous votre appareil.
- Cet appareil est conforme à la directive 2004/108/CE de la CE sur la compatibilité électromagnétique, et au règlement 1935/2004 de la CE du 27/10/2004 sur les matériaux destinés au contact alimentaire.

### avant la première utilisation

- 1 Otez tous les emballages y compris le cache lame en plastique du couteau. **Manipulez avec précautions les lames car elles sont extrêmement coupantes.** Ces emballages doivent être jetés, ils sont uniquement destinés à protéger la lame durant le processus de fabrication et de transport.
- 2 Lavez les différents éléments : voir la rubrique « Nettoyage »
- 3 Enroulez l'excès de cordon d'alimentation au dos de l'appareil.

## robot

### principal

- ① unité moteur
- ② manche amovible
- ③ bol
- ④ couvercle
- ⑤ tube d'alimentation
- ⑥ poussoirs
- ⑦ systèmes de verrouillage de sécurité
- ⑧ enrouleur
- ⑨ réglage de la vitesse et voyant de marche/arrêt

### mixeur

- ⑩ bouchon
- ⑪ couvercle
- ⑫ rondelle d'étanchéité du couvercle
- ⑬ bol
- ⑭ joint d'étanchéité
- ⑮ support de lame

### accessoires supplémentaires

Parmi les accessoires ci-dessous, tous ne seront pas inclus avec votre robot multifonction. Pour vous procurer un accessoire non fourni avec votre robot, contactez le distributeur auprès duquel vous avez acheté votre appareil.

- ⑯ lame tranchante
- ⑰ pétrin
- ⑱ double batteur métallique
- ⑲ couvercle mixeur
- ⑳ disque pour lamelles épaisses/râpeuse (épais)
- ㉑ disque pour lamelles fines/râpeuse (fin)
- ㉒ disque à découper en fines lamelles (style Julienne)
- ㉓ disque grattoir
- ㉔ presse-agrumes à récipient
- ㉕ récipient à émulsionner
- ㉖ mini-bol
- ㉗ centrifugeuse
- ㉘ espace de rangement des accessoires KENSTORE™
- ㉙ spatule

## sélection de la vitesse selon la fonction requise

Outil/accessoire	Fonction	Vitesse	Capacité maximale
Lame tranchante	Mélange pour préparations de gâteaux Pâte – mélange de la matière grasse avec la farine Ajout de l'eau à la pâte Emincer/mixer/pâtes	Min – Max 5 – Max 1 – 5 Max	1,5 kg poids total 340 g farine 600 g viande
Lame tranchante avec couvercle mixeur	Soupes – démarrer à vitesse faible puis augmenter progressivement jusqu'à la vitesse maximale	Min – Max	1,5 litres
Batteur	Blancs d'oeufs Oeuf et sucre pour gâteaux de Savoie sans matière grasse Crème	Max Max 5 – Max	6 blancs d'oeufs 500 ml
Pétrin	Mélange à base de levure	Max	600 g
Disques – éminceur/râpeuse/fines lamelles	Aliments durs – carottes, fromages à pâtes dures Aliments plus mous – concombres, tomates	5 – Max Min – 5	
Disque grattoir	Parmesan, pommes de terre pour les boulettes de pomme de terre	Max	
Presse-agrumes	Agrumes	1	
Mini-bol et lame tranchante	Toutes les fonctions	Max	200 g
Le mixeur	Toutes les fonctions	Max	1,5 litres
Récipient à émulsionner	Toutes les fonctions	Max	
Centrifugeuse	Fruits et légumes	Max	500 g

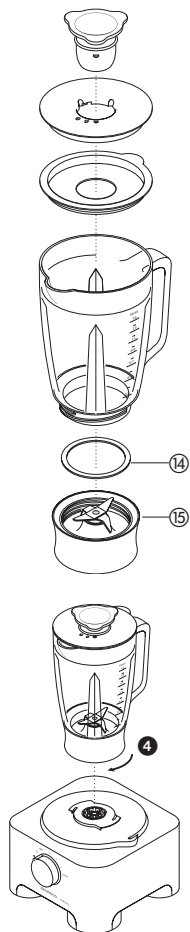
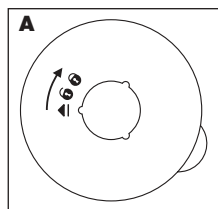
## utilisation du robot

- 1 Fixez l'axe d'entraînement amovible sur le bloc moteur ❶ .
- 2 Mettez le bol en place. Orientez la poignée vers l'arrière et tournez dans le sens des aiguilles d'une montre jusqu'à ce qu'il s'enclenche en position ❷ .
- 3 Ajoutez un accessoire sur le manche du robot.
  - Fixez toujours le bol et l'accessoire sur l'appareil avant d'y ajouter les ingrédients.
- 4 Fixez le couvercle sur le bol ❸ - le haut du manche doit se trouver au centre du couvercle.
  - **N'utilisez pas le couvercle pour faire fonctionner le robot ; utilisez toujours le sélecteur de vitesse Marche / Arrêt.**
- 5 Branchez l'appareil et le voyant de mise en marche s'allume. Mettez sous tension et sélectionnez la vitesse.

- **Si le couvercle n'est pas fixé correctement, le robot ne fonctionnera pas.**
- Utilisez le bouton de mélange intermittent Pulse (P). Pour un fonctionnement prolongé de cette commande, laissez en position P.
- 6 Procédez de façon inverse pour retirer le couvercle, les accessoires et le bol.
  - **Eteignez toujours l'appareil avant de retirer le couvercle. important**
  - Votre robot n'est pas conçu pour concasser ou mouliner des grains de café ou transformer du sucre cristallisé en sucre en poudre.
  - Si vous ajoutez de l'essence d'amandes ou un parfum aux préparations, évitez le contact avec le plastique car il risquerait d'être taché définitivement.

## utilisation du mixeur

- 1 Installez la rondelle d'étanchéité (14) dans l'unité à lame (15) en prenant soin de positionner la rondelle correctement.  
**Toute rondelle endommagée ou qui n'est pas installée correctement entraîne un risque de fuite.**
- 2 Vissez le bol sur l'unité à lame.
- 3 Mettez les ingrédients dans le bol.
- 4 Enfoncez la rondelle d'étanchéité du couvercle dans le couvercle.
- 5 Enfoncez et verrouillez le bouchon dans le couvercle en tournant sur l'une des positions (1).
- 6 Placez le couvercle sur l'ensemble et verrouillez le bouchon en tournant (1). Le bouchon peut être fixé sur l'une des 3 positions (voir A)
- 7 Placez le mixeur sur le bloc moteur puis tournez pour verrouiller (4).
- 8 Sélectionnez une vitesse ou utilisez le bouton de réglage Pulse.



- Ne pas insérer d'ingrédients secs dans le mixeur avant de le mettre en marche. Si nécessaire, coupez-les en morceaux, enlevez le bouchon de remplissage, puis une fois que l'appareil est en marche, introduisez-les un par un.
- Ne pas utiliser le mixeur pour préparations liquides comme espace de stockage. Il doit être vide avant et après utilisation.
- Ne jamais mixer plus de 1,5 litres – moins pour les liquides épais comme les milk-shakes.

**Remarque : le socle du récipient à émulsionner n'est pas interchangeable avec le bol du mixeur en verre FP925. Le robot ne pourra pas fonctionner sans son socle adéquat. Se reporter aux illustrations des socles d'unité à lame.**

### astuces

- **Laissez tous les liquides refroidir à température ambiante avant de les passer au mixeur.**
- Lorsque vous faites une mayonnaise, mettez tous les ingrédients à l'exception de l'huile dans le mixeur. Une fois l'appareil en marche, versez l'huile dans le conduit de remplissage.
- Raclez les mélanges épais des parois, par ex. les pâtes ou les sauces épaisses pour hors-d'œuvre. Si le mélange est trop épais, ajoutez du liquide.
- Pour piler de la glace, utilisez le bouton de mélange intermittent Pulse (P).
- Pour protéger votre appareil dans la durée, procédez par séquences de 60 secondes maximum. Arrêtez l'appareil dès que vous obtenez la consistance requise.
- Ne pas insérer d'épices car elles risqueraient d'endommager le plastique.
- L'appareil ne se mettra pas en marche si le mixeur n'est pas installé correctement.

## utilisation des accessoires

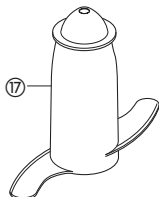
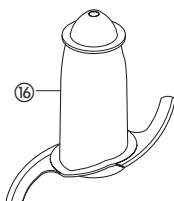
### ⑯ lame couteau / ⑰ pétrin

Cette lame est l'accessoire le plus polyvalent.

La texture que vous obtenez est déterminée par la durée de mixage. Pour les textures plus granuleuses, utilisez le mode de fonctionnement par impulsion (pulse).

Utilisez la lame couteau pour la préparation de gâteau et de pâtes à tarte, pour hacher la viande fraîche et cuite, les légumes, les noisettes, les pâtes, les pâtes à tartiner salées, pour mixer les potages et aussi réduire les biscuits et le pain en miettes. Elle peut également servir pour la préparation de pétrin lorsque l'accessoire mixeur n'est pas fourni.

Utilisez l'accessoire mixeur pour la préparation de pétrin.



#### conseils

##### lame couteau

- Coupez les aliments, tels que la viande, le pain et les légumes en cubes de 2 cm avant la préparation.
- Les biscuits doivent être coupés en morceaux et introduits dans le tube d'alimentation pendant que le moteur est en marche.
- Pour la préparation de pâte à tarte, utilisez la matière grasse directement du réfrigérateur et coupez-la en cubes de 2cm.
- Prenez garde à ne pas mélanger trop longtemps.

##### pétrin

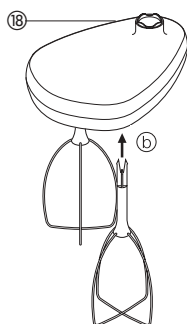
- Disposez les ingrédients secs dans le bol et versez le liquide dans le tube d'alimentation pendant que le moteur est en marche. Mélangez jusqu'à ce que le tout forme une pâte et soit lisse d'apparence et élastique au touché (cela prend 60 à 90 secondes).
- Pétrissez la pâte à la main uniquement. Il est déconseillé de pétrir dans le bol car cela peut entraîner une certaine instabilité du robot.

### ⑱ fouet à deux batteurs

Utilisez cet accessoire pour les mélanges légers uniquement, tels que les blancs d'œufs, la crème, le lait condensé non sucré et pour le mélange d'œufs et de sucre pour les gâteaux mousseline légers. Les préparations plus lourdes, avec matière grasse et levure, risquent d'endommager l'accessoire.

## utilisation du fouet

- 1 Fixez le manche et le bol sur l'unité moteur.
- 2 Introduisez fermement chaque batteur dans la tête du fouet (b).
- 3 Mettez le fouet en place en le faisant délicatement tourner jusqu'à ce qu'il s'enclenche sur le manche.
- 4 Ajoutez les ingrédients.
- 5 Mettez le couvercle - assurez-vous que l'extrémité du manche est correctement positionnée au centre du couvercle.
- 6 Allumez l'appareil.



#### important

- Le batteur ne convient pas aux préparations de gâteaux ni aux mélanges de matière grasse et de sucre, qui risqueraient d'endommager le batteur. Toujours utiliser la lame tranchante pour faire vos gâteaux.

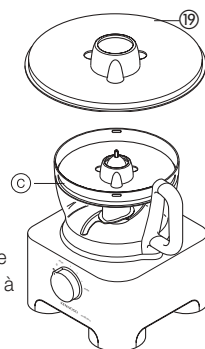
#### conseils

- Pour de meilleurs résultats, utilisez des œufs à température ambiante.
- Assurez-vous que le bol et les fouets sont propres et exempts de graisse avant de battre la préparation.

### ⑲ récipient mixeur maxi blend

Pour mélanger les liquides, utilisez le récipient mixeur maxi blend avec la lame couteau. Il vous permet d'accroître la capacité de traitement des liquides de 1 litre à 1,5 litres, d'empêcher les écoulements et d'améliorer les performances de hachage de la lame.

- 1 Adaptez le manche et le bol sur l'unité moteur.
- 2 Fixez la lame couteau.
- 3 Ajoutez les ingrédients à mélanger.
- 4 Fixez le récipient mixeur sur la partie supérieure de la lame en veillant à le stabiliser sur le socle à l'intérieur du bol (c). **N'enfoncez pas le récipient, maintenez-le par la poignée centrale.**
- 5 Adaptez le couvercle et allumez l'appareil.



## disques éminceur / râpe

### disque éminceur / râpe réversible - épais ⑳, fin ㉑

Utilisez la râpe pour les fromages, carottes, pommes de terre et aliments de texture similaire.

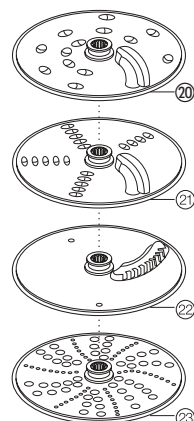
Utilisez l'éminceur pour les fromages, carottes, pommes de terre, choux, concombres, courgettes, betteraves et oignons.

### disque frites fines (style Julienne) ㉒

Utilisez ce disque pour couper : les pommes de terre pour l'obtention de frites (style Julienne) ; les ingrédients fermes pour salades, garnitures, ragoûts et sautés (par exemple, carottes, rutabaga, courgettes, concombre).

### disque râpe ㉓

Ce disque râpe le Parmesan et les pommes de terre pour la préparation de boulettes.



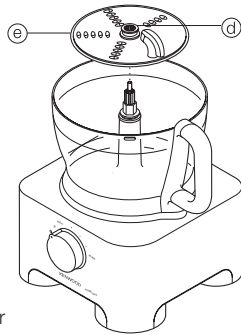
## sécurité

- **Ne retirez jamais le couvercle tant que les disques de coupe ne sont pas complètement arrêtés.**
- **Manipulez les disques de coupe avec précaution - ils sont extrêmement tranchants**



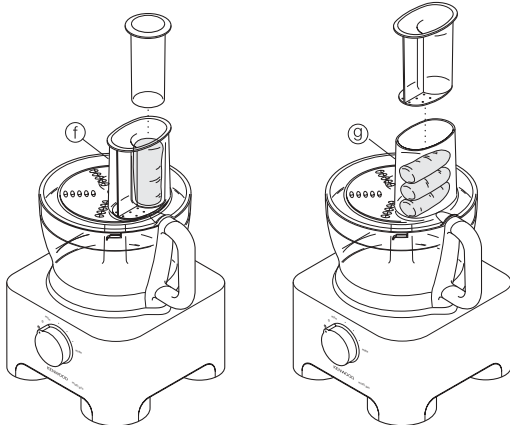
## utilisation des disques de coupe

- 1 Fixez le manche et le bol sur l'unité moteur.
- 2 Tout en le maintenant par sa poignée centrale (Ⓐ), placez le disque sur le manche, face appropriée vers le haut (Ⓒ).
- 3 Fixez le couvercle.
- 4 Choisissez la taille de tube d'alimentation à utiliser. Le poussoir comprend un tube d'alimentation plus petit pour les ingrédients individuels ou plus fins. Pour utiliser le petit tube d'alimentation - introduisez tout d'abord le grand poussoir dans le tube d'alimentation. Pour utiliser le grand tube d'alimentation - utilisez conjointement les deux poussoirs.
- 5 Introduisez les aliments dans le tube.
- 6 Allumez l'appareil et exercez à l'aide du poussoir une pression régulière - **n'introduisez jamais vos doigts à l'intérieur du tube d'alimentation.**



### conseils

- Utilisez des ingrédients frais
- Ne coupez pas les aliments en trop petits morceaux. Remplissez presque complètement le grand tube d'alimentation pour empêcher les aliments de glisser sur les côtés pendant que le robot fonctionne. Utilisez alternativement le petit tube d'alimentation.
- Lorsque vous utilisez le disque frites, placez les aliments en position verticale.
- Les aliments placés à la verticale (Ⓕ) sont émincés ou rapés plus menus que ceux placés à l'horizontale (Ⓖ).
- Vous remarquerez toujours une petite quantité de résidus sur la lame ou dans le bol lorsque vous cesserez d'utiliser un disque de coupe.



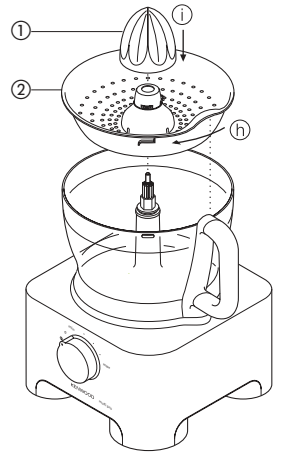
## ②④ presse-agrumes

Le presse-agrumes sert à extraire le jus des agrumes (par exemple, les oranges, les citrons, les citrons verts et les pamplemousses).

- ① cône
- ② passoire

### utilisation du presse-agrumes

- 1 Fixez le manche et le bol sur l'unité moteur.
  - 2 Fixez la passoire dans le bol - assurez-vous de verrouiller la poignée de la passoire sur celle du bol (Ⓕ).
  - 3 Fixez le cône sur le manche jusqu'à ce qu'il descende à fond (Ⓐ).
  - 4 Coupez le fruit en deux. Mettez l'appareil en marche et pressez le fruit sur le cône.
- **Si la passoire n'est pas correctement verrouillée, le presse-agrumes ne fonctionnera pas.**



## ②⑤ moulin

Utilisez le moulin afin de moudre les herbes aromatiques, noix et grains de café.

- ① unité porte-lames
- ② bague d'étanchéité
- ③ pot
- ④ couvercle saupoudreur

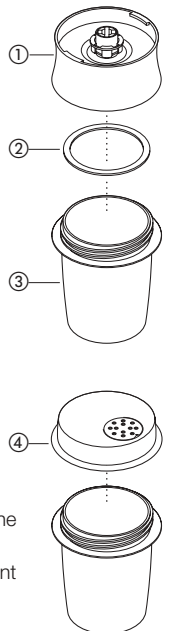
### sécurité

- N'installez jamais l'unité porte-lames sur votre appareil sans avoir installé le bocal.
- Ne dévissez jamais le bocal tant que le moulin est fixé à l'appareil.
- Ne touchez pas les lames tranchantes. Conservez l'unité porte-lames hors de portée des enfants.
- Ne retirez jamais le moulin tant que les lames ne sont pas complètement à l'arrêt.
- Ne jamais enlever le récipient à émulsionner tant que les lames ne sont pas totalement à l'arrêt.

**Remarque : le socle du récipient à émulsionner n'est pas interchangeable avec le bol du mixeur en verre FP925. Le robot ne pourra pas fonctionner sans son socle adéquat. Se reporter aux illustrations des socles d'unité à lame.**

### important

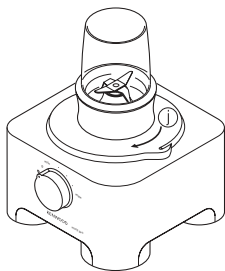
- Afin de prolonger la durée de vie de votre moulin, ne l'actionnez jamais pendant plus de 30 secondes. Éteignez-le dès que vous avez obtenu la consistance souhaitée.
- N'utilisez pas votre appareil pour transformer les épices - ces aliments pourraient endommager le plastique.
- Votre appareil ne fonctionne pas si le moulin n'est pas correctement installé.



- Utilisez le moulin uniquement pour les ingrédients secs.

## utilisation de votre moulin

- 1 Mettez vos ingrédients dans le bocal. Ne le remplissez pas à plus de la moitié.
- 2 Adaptez la bague d'étanchéité dans l'unité porte-lames.
- 3 Retournez l'unité porte-lames. Abaissez-la dans le bocal, lames vers le bas.
- 4 Vissez l'unité porte-lames sur le bocal jusqu'à ce qu'elle soit correctement vissée et fixée.
- 5 Placez le récipient à émulsionner sur le bloc moteur puis tournez pour verrouiller (j).
- 6 Mettez en marche à vitesse maximum ou utilisez la commande par impulsion.
- 7 Après avoir moulu les ingrédients, vous pouvez remplacer l'unité porte-lames par le couvercle permettant de les saupoudrer.



- Le couvercle saupoudreur n'est pas hermétique.

### conseils

- Il est préférable de mouler les herbes aromatiques une fois nettoyées et sèches.

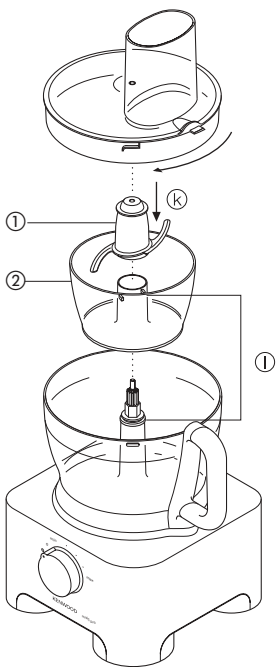
## 26 mini-bol

Utilisez le mini-bol pour broyer les aromates et pour mixer les petites quantités d'ingrédients, par ex. viande, oignon, noix, mayonnaise, légumes, purées, sauces et aliments pour bébés.

- 1 lame tranchante de mini-bol
- 2 mini-bol

## utilisation du mini-bol

- 1 Positionnez l'arbre de transmission et le bol sur le bloc moteur.
- 2 Fixez le mini-bol en vous assurant que les rainures situées sur l'intérieur du conduit du mini-bol sont alignées avec les fentes du conduit principal (l).
- 3 Placez la lame tranchante sur l'arbre de transmission (k).
- 4 Ajoutez les ingrédients.
- 5 Placez le couvercle et mettez en marche.



### sécurité

- Ne jamais enlever le couvercle tant que la lame n'est pas totalement à l'arrêt.
- La lame est très tranchante, elle doit toujours être manipulée avec précaution.

### important

- Ne pas insérer d'épices car elles risqueraient d'endommager le plastique.
- Ne pas insérer d'aliments durs comme les grains de café, les

glaçons ou le chocolat, car ils risqueraient d'endommager la lame.

### astuces

- Les aromates se broient plus facilement s'ils sont lavés et secs.
- Toujours ajouter un peu de liquide pour mélanger les ingrédients cuits des aliments pour bébés.
- Coupez les aliments comme le pain, la viande, les légumes, en cubes de 1-2 cm avant de les introduire dans le robot.
- Lorsque vous faites une mayonnaise, ajoutez l'huile dans le conduit d'alimentation.

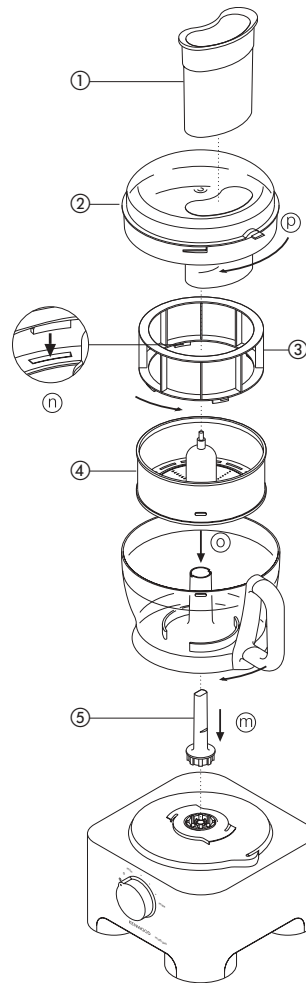
## 27 presse-fruits centrifuge métallique (utiliser la vitesse maximale)

Le presse-fruits centrifuge vous permet de faire du jus de fruits ou de légumes.

- 1 poussoir
- 2 couvercle
- 3 dépulpeur
- 4 tambour filtrant
- 5 axe moteur du presse-fruits

## utilisation de votre centrifugeuse

- 1 Installez l'arbre d'entraînement et le bol sur le bloc-moteur (m).
- 2 Insérez le dépulpeur dans le tambour filtrant en veillant alors à ce que les languettes s'engagent dans les encoches percées au fond du tambour (n).
- 3 Adapter le filtre (o). **Le presse-fruits ne fonctionne pas si le couvercle est déverrouillé.**
- 4 Placez le couvercle fourni sur le bol et tournez-le jusqu'à ce qu'il s'enclenche, le tube d'introduction des aliments étant situé au-dessus de la poignée (p).
- 5 Coupez les ingrédients en morceaux suffisamment petits pour être introduits dans le tube.
- 6 Mettez en marche et enfoncez les ingrédients sans à-coups à l'aide du poussoir ; **n'introduisez jamais les doigts dans le tube destiné aux aliments.** Extrayez tout le jus avant d'ajouter davantage de morceaux.



- Après l'ajout du dernier morceau, laissez le presse-fruits fonctionner encore 20 secondes pour extraire le jus du filtre.

## sécurité

- **N'utilisez pas votre centrifugeuse si le filtre est endommagé.**
- Vu que les lames de coupe aménagées à la base du tambour filtrant sont très aiguisées, il convient de redoubler de précaution au moment de manipuler et de nettoyer le tambour.

- Utilisez uniquement le poussoir fourni avec l'appareil. N'introduisez jamais vos doigts dans le tube d'alimentation. Débranchez avant de retirer tout élément obstruant le tube d'alimentation.
- Avant de retirer le couvercle, éteignez l'appareil et attendez l'immobilisation du filtre.

#### important

- Si l'extracteur de jus se met à vibrer, éteignez-le et videz la pulpe contenue dans le tambour. (il peut trépidier si la pulpe est inégalement répartie).
- La capacité maximale d'extraction en une fournée atteint 500g de fruits ou de légumes.
- Certains aliments très durs risquent de ralentir ou d'arrêter la marche de votre extracteur de jus, auquel cas il convient d'en interrompre le fonctionnement et de débloquer le filtre.
- Désactivez l'appareil et videz le collecteur de pulpe régulièrement durant l'emploi.

#### conseils

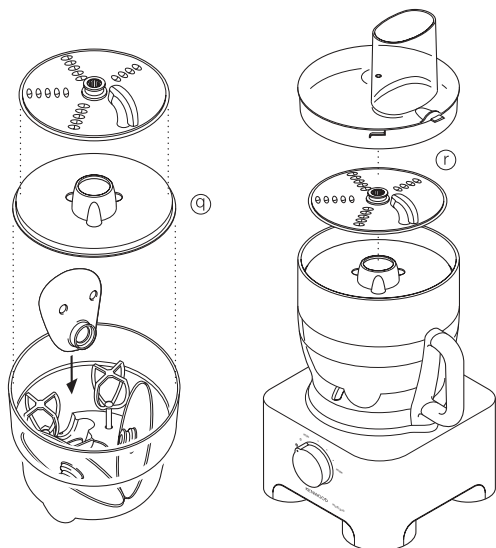
- Avant de centrifuger, retirez les noyaux et les pépins (ex. : poivron, melon, prune), ainsi que les peaux dures (ex. : melon, ananas). Il est inutile de peler ou d'évider les pommes et les poires.
- Utilisez des fruits et légumes frais et fermes.
- Les jus d'agrumes sont amers et mousseux, car leur écorce et leur peau blanche sont également centrifugées. Utilisez de préférence le presse-agrumes.

## ⑳ espace de rangement des accessoires KENSTORE™

Votre robot multifonction est fourni avec un espace de rangement des accessoires qui se place dans le bol.

### utilisation de l'espace de rangement

- 1 Introduisez d'abord la lame tranchante dans le bol.
- 2 Puis insérez le batteur, les disques et le couvercle supérieur dans l'espace de rangement ①.
- 3 Placez l'espace de rangement sur la lame tranchante et positionnez le couvercle à cheminée du robot ② par-dessus.

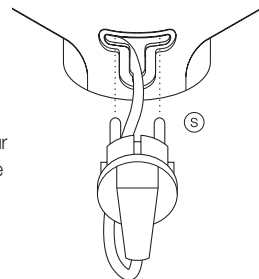


### nettoyage

- Arrêtez et débranchez l'appareil avant de le nettoyer.
- Manipulez les lames et les disques de coupe avec précaution - ils sont extrêmement tranchants.
- Certains aliments décolorent le plastique. Ce phénomène est parfaitement normal. Cela n'endommage pas le plastique et n'altère pas le goût des aliments. Frottez-le à l'aide d'un chiffon imbibé d'huile végétale pour faire disparaître la décoloration.

#### unité moteur

- Essuyez avec un chiffon humide, puis séchez. Assurez-vous que la zone de verrouillage est exempte de résidus alimentaires.
- Entourez le cordon d'alimentation autour de l'enrouleur qui se trouve à l'arrière de l'appareil ③.



#### mixeur/moulin

- 1 Videz le pichet/bocal avant de le dévisser de l'unité porte-lames.
- 2 Lavez le pichet/bocal à la main.
- 3 Enlevez et lavez les joints et les rondelles
- 4 Ne touchez pas les lames tranchantes avec les doigts - brossez-les à l'aide d'eau chaude savonneuse, puis rincez-les entièrement sous le robinet. **N'immergez pas le support de lame dans l'eau.**
- 5 Retournez-le pour le faire sécher.

#### fouet à deux batteurs

- Détachez les batteurs de la tête du fouet en tirant dessus délicatement. Lavez-les avec de l'eau savonneuse tiède.
- Nettoyez la tête du fouet à l'aide d'un chiffon humide, puis séchez.

#### **N'immergez pas la tête du fouet dans l'eau.**

#### presse-fruits centrifuge métallique

- Pour faciliter le nettoyage de l'extracteur de jus, lavez-en systématiquement les pièces aussitôt après leur utilisation.
- Certains aliments, telle la carotte, décolorent le plastique. Pour essayer de retirer cette coloration, vous pouvez frotter avec un chiffon que vous aurez préalablement trempé dans de l'huile végétale.

#### filtre

- Soulevez le dépulpeur pour le retirer et tapotez-le pour en détacher la pulpe.
- Nettoyez à l'aide d'une brosse douce.
- **Vérifiez le filtre régulièrement afin de déceler tout dommage apparent. N'utilisez pas l'appareil si le filtre est endommagé. Reportez-vous à la section "service après-vente".**

#### autres éléments

- Lavez à la main et séchez soigneusement.
- Vous pouvez aussi les placer dans le bac supérieur du lave-vaisselle. Nous conseillons dans ce cas un programme à basse température.

### service après-vente

- Si le cordon est endommagé, il doit être remplacé, pour des raisons de sécurité, par KENWOOD ou par un réparateur agréé KENWOOD.

Si vous avez besoin d'aide concernant :

- l'utilisation de votre appareil
  - l'entretien ou les réparations
- Contactez le magasin où vous avez acheté votre appareil.



**AVERTISSEMENTS POUR L'ÉLIMINATION CORRECTE DU PRODUIT AUX TERMES DE LA DIRECTIVE EUROPÉENNE 2002/96/EC.**

Au terme de son utilisation, le produit ne doit pas être éliminé avec les déchets urbains.

Le produit doit être remis à l'un des centres de collecte sélective prévus par l'administration communale ou auprès des revendeurs assurant ce service.

Éliminer séparément un appareil électroménager permet d'éviter les retombées négatives pour l'environnement et la santé dérivant d'une élimination incorrecte, et permet de récupérer les matériaux qui le composent dans le but d'une économie importante en termes d'énergie et de ressources. Pour rappeler l'obligation d'éliminer séparément les appareils électroménagers, le produit porte le symbole d'un caisson à ordures barré.

en cas de dysfonctionnement

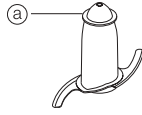
Problème	Cause	Solution
Le robot ne fonctionne pas	Le voyant indicateur d'alimentation ne s'allume pas. Le bol n'est pas fixé correctement. Le couvercle n'est pas fixé correctement.	Vérifiez que le robot est branché.  Vérifiez que le bol est fixé correctement, la poignée sur la droite. Vérifiez que le couvercle est fixé et verrouillé correctement avec la poignée. <b>Le robot ne pourra pas fonctionner si le bol et le couvercle ne sont pas fixés correctement.</b> Si aucune des solutions susmentionnées ne règle le problème, vérifiez votre disjoncteur ou les fusibles de votre installation électrique.
Le mixeur ne fonctionne pas	Vous n'utilisez pas le socle adéquat.	<b>Le socle du récipient à émulsionner n'est pas interchangeable avec le bol du mixeur pour préparations liquides FP925. Le robot ne pourra pas fonctionner sans son socle adéquat. Vérifiez sur l'illustration que vous utilisez le socle adéquat.</b>
Le robot s'arrête en cours de fonctionnement	Les capacités ou charges maximales sont dépassées. Le couvercle est déverrouillé.	Vérifiez les capacités maximales indiquées dans la section « utilisation de votre robot ». Vérifiez que le couvercle est verrouillé.
Mauvaise performance des outils/accessoires	Se reporter au paragraphe « astuces » de la section « utilisation des accessoires ». Vérifiez que les accessoires sont assemblés correctement.	

# Deutsch

**Bitte die Titelseite mit dem Abbildungen aufklappen.**

## Sicherheit

- Die Klingen und Arbeitsscheiben sind sehr scharf, handhaben Sie sie mit Vorsicht.  
**Halten Sie die Messerklinge während des Gebrauchs und der Reinigung <sup>a</sup> stets an dem Griff am oberen Rand fest und nicht an der Schneide.**
- Die Küchenmaschine darf nicht am Griff angehoben oder getragen werden – der Griff könnte brechen und Verletzungen hervorrufen.
- Entfernen Sie immer erst die Messerklinge, bevor Sie die Schüssel entleeren.
- Halten Sie Hände oder Küchengeräte nie in die Schüssel oder den Mixerkrug des Geräts, solange es an die Steckdose angeschlossen ist.
- Schalten Sie das Gerät aus bzw. ziehen Sie den Netzstecker:
  - vor dem Anbringen bzw. Entfernen von Teilen
  - nach dem Gebrauch
  - vor der Reinigung
- Drücken Sie niemals Lebensmittel mit den Fingern in den Einfüllschacht. Verwenden Sie stets den/die mitgelieferten Stopfer.
- Vor Abnehmen des Deckels von der Schüssel bzw. des Mixers/Mahlwerks vom Antrieb:
  - das Gerät ausschalten;
  - warten, bis Zusatzgeräte/Klingen völlig zum Stillstand gekommen sind;
  - Den Mixerbecher bzw. das Mahlwerk nicht vom Messerwerk abschrauben.
- Verwenden Sie zum Betreiben der Küchenmaschine niemals den Deckel, sondern nur den Ein-/Aus-Geschwindigkeitsstufenschalter.
- Das Gerät kann beschädigt werden und es kann zu Verletzungen kommen, wenn der Verriegelungsmechanismus übermäßiger Kräfteinwirkung ausgesetzt wird.**
- Verwenden Sie nur zugelassenes Zubehör.
- Lassen Sie das Gerät nie unbeaufsichtigt laufen.
- Verwenden Sie niemals ein beschädigtes Gerät. Zu Überprüfung bzw. Reparatur siehe 'Kundendienst und Kundenbetreuung'.
- Lassen Sie die Antriebseinheit, das Netzkabel oder den Stecker niemals nass werden.
- Lassen Sie nicht zu, dass lose Abschnitte des Netzkabels über die Tischkante oder Arbeitsplatte hängen oder heiße Oberflächen berühren.
- Die angegebenen Höchstmengen dürfen nicht überschritten werden.
- Dieses Gerät darf weder von physisch noch von geistig behinderten oder in ihrer Bewegung eingeschränkten Personen (einschließlich Kinder) benutzt werden. Auch dürfen Personen die weder Erfahrung noch Kenntnis im Umgang mit dem Gerät haben, dieses erst nach Anweisungen durch eine für ihre Sicherheit zuständige Person in Betrieb nehmen.
- Kinder müssen überwacht werden, damit sie mit dem Gerät nicht spielen.
- Verwenden Sie das Gerät nur für seinen vorgesehenen Zweck im Haushalt. Bei unsachgemäßer Benutzung oder Nichteinhaltung dieser Anweisungen übernimmt Kenwood keinerlei Haftung.
- Unsachgemäßer Gebrauch Ihrer Küchenmaschine/Ihres Mixers kann zu Verletzungen führen.



## Vor dem Einstecken des Netzsteckers

- Überprüfen Sie, ob die Netzspannung in Ihrem Haushalt mit dem an der Unterseite des Geräts angegebenen Wert übereinstimmt.
- Das Gerät entspricht der EG-Richtlinie 2004/108/EG und der EG-Verordnung Nr. 1935/2004 vom 27/10/2004 über Materialien und Gegenstände, die dazu bestimmt sind, mit Lebensmitteln in Berührung zu kommen.

## Vor der ersten Verwendung

- Entfernen Sie alle Verpackungsmaterialien, einschließlich der Kunststoffabdeckungen der Messerklinge. **Seien Sie vorsichtig - die Klingen sind sehr scharf.** Diese Abdeckungen können Sie wegwerfen, da sie nur zum Schutz der Klinge während der Herstellung und des Transports dienen.
- Zum Abwaschen der Teile siehe 'Reinigung'
- Stecken Sie überschüssiges Kabel in das Kabelfach an der Rückseite des Geräts.

## Gerätebeschreibung

### Küchenmaschine

- Antriebseinheit
- abnehmbare Antriebswelle
- Schüssel
- Deckel
- Einfüllschacht
- Stopfer
- Sicherheitsverriegelungen
- Netzkabelfach
- Geschwindigkeitskontrolle mit Hinweislampe

### Mixer

- Füllaufsatz
- Deckel
- Deckeldichtung
- Gefäß
- Dichtungsring
- Klingenthalterung

### Zusätzliches Zubehör

Ihrer Küchenmaschine liegen nicht alle unten aufgeführten Aufsätze bei. Wenn Sie einen Aufsatz kaufen möchten, der Ihrer Küchenmaschine nicht beiliegt, wenden Sie sich an den Händler, bei dem Sie Ihr Gerät gekauft haben.

- Messerklinge
- Knetwerkzeug
- Doppelschlagbesen aus Metall
- Maxi-Mix-Aufsatz
- Dicke Schneid-/grobe Raspelscheibe
- Dünne Schneid-/feine Raspelscheibe
- Feine Julienne-Scheibe
- Raspelscheibe
- Zitruspresse
- Mühle
- Mini-Arbeitsschüssel
- Zentrifugalsaftpresse
- KENSTORE™ Aufsatzkarussell
- Spatel

## Wählen einer Geschwindigkeit für alle Funktionen

Werkzeug/Aufsatz	Funktion	Geschwindigkeit	Höchstmengen
Messerklinge	Rührkuchenteig Gebäck – Einarbeiten von Fett in Mehl Hinzufügen von Wasser zum Verkneten der Backzutaten Hacken/Pürieren/Pasteten	Min – Max 5 – Max 1 – 5  Max	1.5 kg Gesamtgewicht 340 g Mehl   600 g Fleisch
Messerklinge mit Maxi-Mix-Aufsatz	Suppen – beginnen Sie mit einer niedrigen Geschwindigkeit und steigern Sie die Geschwindigkeit dann langsam bis zu Max	Min – Max	1.5 Liter
Schlagen	Eiweiß Eier & Zucker für fettfreie Teige Sahne	Max Max 5 – Max	6 Eiweiß  500 ml
Knetwerkzeug	Hefeteige	Max	600 g
Scheiben – Schneiden/Raspeln/Schnitzeln	Feste Nahrungsmittel wie z.B. Möhren, Hartkäse Weichere Nahrungsmittel wie z.B. Gurken, Tomaten	5 – Max Min – 5	
Raspelscheibe	Parmesankäse, Kartoffeln für Kartoffelknödel.	Max	
Zitruspresse	Zitrusfrüchte	1	
Mini-Arbeitsschüssel & Messer	Alle Arbeiten	Max	200 g
Mixer	Alle Arbeiten	Max	1.5 Liter
Mühle	Alle Arbeiten	Max	
Zentrifugalsaftpresse	Obst & Gemüse	Max	500 g

## Verwendung der Küchenmaschine

- 1 Die abnehmbare Welle auf die Antriebseinheit ❶ aufsetzen.
- 2 Setzen Sie dann die Schüssel auf. Positionieren Sie den Griff nach hinten und drehen Sie ihn im Uhrzeigersinn, bis er einrastet ❷.
- 3 Schließen Sie ein Zubehörteil an der Antriebswelle an.
  - Setzen Sie immer die Schüssel auf die Maschine und schließen Sie ein Zubehörteil an, bevor Sie Zutaten in die Schüssel geben.
- 4 Setzen Sie den Deckel auf ❸ und achten Sie dabei darauf, dass sich die Spitze der Antriebswelle in der Mitte des Deckels befindet.
  - **Verwenden Sie zum Betreiben der Küchenmaschine niemals den Deckel, sondern nur den Ein-/Aus-Geschwindigkeitsstufenschalter.**
- 5 Sobald Sie den Stecker in die Steckdose gesteckt haben, leuchtet die Hinweislampe auf. Schalten Sie das Gerät ein und wählen Sie eine Geschwindigkeit.

- **Wenn Schüssel und Deckel nicht ordnungsgemäß aufgesetzt wurden, funktioniert die Küchenmaschine nicht.**
  - Verwenden Sie die Pulsfunktion (P) für kurze Schübe. Die Pulsfunktion läuft, solange der Regler in der entsprechenden Position gehalten wird.
  - 6 Führen Sie die obigen Schritte in umgekehrter Reihenfolge aus, um Schüssel, Zubehörteile und Deckel zu entfernen.
  - **Schalten Sie das Gerät vor dem Abheben des Deckels immer aus.**
- Achtung**
- Ihre Küchenmaschine eignet sich nicht zum Zerkleinern oder Mahlen von Kaffeebohnen oder grobem Zucker bzw. Kristallzucker.
  - Wenn Sie der Mischung Mandelaroma oder andere Aromen hinzufügen wollen, vermeiden Sie bitte, dass diese auf den Kunststoff gelangen. Sie könnten zu permanenten Verfärbungen führen.

## Verwenden Ihres Mixers

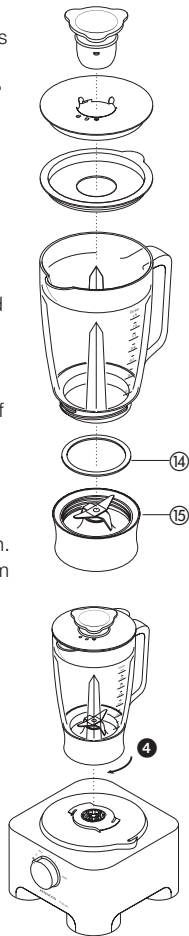
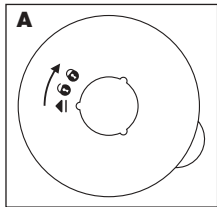
- 1 Setzen Sie den Dichtungsring (14) in das Messerwerk (15) und achten Sie darauf, dass die Dichtung richtig sitzt.

**Wenn die Dichtung beschädigt oder nicht richtig aufgesetzt ist, kann Püriergut austreten.**

- 2 Schrauben Sie das Gefäß auf das Messerwerk.
- 3 Geben Sie Ihre Zutaten in das Gefäß.
- 4 Drücken Sie die Deckeldichtung auf die Unterseite des Deckels.
- 5 Setzen Sie die Füllkappe in den Deckel und drehen Sie sie zum Arretieren eine Position weiter (T).
- 6 Setzen Sie den Deckel auf den Becher und drehen Sie die Füllkappe zum Arretieren auf (T).

Für die Füllkappe gibt es 3 verschiedene Positionen (siehe A)

- ▲ – Füllkappe kann zum Hinzufügen von Zutaten in das Gefäß abgenommen werden.
  - T – Deckel nicht verriegelt/Füllkappe zum Anbringen und Abnehmen des Deckels mit dem Deckel verriegelt.
  - T – Deckel verriegelt.
- 7 Stellen Sie den Mixer auf den Motorblock und drehen Sie ihn zum Arretieren (4).
  - 8 Wählen Sie eine Geschwindigkeit oder benutzen Sie die Pulskontrolle.



- Geben Sie keine trockenen Zutaten in den Mixer, bevor Sie ihn eingeschaltet haben. Bei Bedarf schneiden Sie die Zutaten in kleine Stücke; nehmen Sie die Füllkappe ab und geben Sie die Stücke dann bei laufendem Motor einzeln in den Mixer.
- Verwenden Sie den Mixer nicht als Aufbewahrungsbehälter. Der Mixer muss vor und nach dem Gebrauch leer sein.
- Mixen Sie niemals mehr als 1½ Liter – weniger bei schaumigen Flüssigkeiten, wie z.B. Milchshakes.

**Hinweis: Der Mühlensockel kann nicht gegen das Glas-Mixgefäß des FP925 ausgewechselt werden. Das Gerät funktioniert nicht, wenn der falsche Sockel eingesetzt wurde. Die Abbildungen zeigen die Sockel für das Messerwerk.**

### Tipps

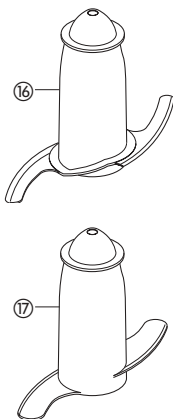
- **Lassen Sie Flüssigkeiten auf Raumtemperatur abkühlen, bevor Sie mit dem Mixen beginnen.**
- Zum Zubereiten von Mayonnaise geben Sie alle Zutaten außer das Öl in den Mixer. Gießen Sie dann das Öl bei laufender Maschine in die Füllkappe und in die Zutaten.
- Dicke Massen, wie z.B. Pasteten und Dips, müssen eventuell abgeschabt werden. Wenn sich die Masse nur schwer verarbeiten lässt, geben sie mehr Flüssigkeit zu.
- Zum Zerkleinern von Eis sollten Sie die Pulsfunktion mit kurzen Schüben verwenden.
- Um Ihren Mixer zu schonen, sollte er niemals länger als 60 Sekunden laufen. Schalten Sie das Gerät ab, sobald die Konsistenz richtig ist.
- Verarbeiten Sie keine Gewürze – Sie könnten den Kunststoff beschädigen.
- Das Gerät funktioniert nicht, wenn der Mixer falsch aufgesetzt wurde.

## Verwendung der Zubehöerteile

### 16 Messerklinge/17 Teigkneter

Die Messerklinge ist das vielseitigste Zubehöerteil. Die Verarbeitungsdauer bestimmt die erreichte Konsistenz. Verwenden Sie die Impulsfunktion, um größere Konsistenzen zu erreichen. Verwenden Sie die Messerklinge zur Kuchen- und Mürbeteigzubereitung, zum Hacken von rohem und gekochtem Fleisch, Gemüse und Nüssen, zur Zubereitung von Paté, Dips, zum Pürieren von Suppenzutaten und zur Herstellung von Biskuit- und Semmelbröseln. Sie kann auch zur Herstellung von Hefeteigmischungen verwendet werden, wenn der Teigkneter nicht zur Verfügung steht.

Verwenden Sie den Teigkneter zur Herstellung von Hefeteigmischungen.



#### Tipps

##### Messerklinge

- Schneiden Sie Lebensmittel wie Fleisch, Brot oder Gemüse vor der Verarbeitung in Würfel von ca. 2 cm Größe.
- Biskuits sollten zuvor etwas zerkleinert und dann bei laufendem Gerät durch den Einfüllschacht gegeben werden.
- Zur Herstellung von Mürbeteig sollten Sie Fett direkt aus dem Kühlschrank, in ca. 2 cm große Würfel geschnitten, verwenden.
- Achten Sie darauf, dass Sie die Zutaten nicht zu lange verarbeiten.

##### Teigkneter

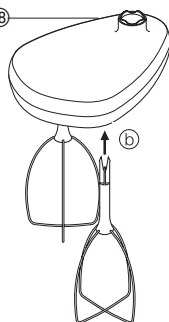
- Geben Sie die trockenen Zutaten in die Schüssel und fügen Sie über den Einfüllschacht bei laufendem Gerät Flüssigkeit zu. Lassen Sie solange kneten, bis sich eine elastische Teigkugel formt. Dies dauert 60-90 Sekunden.
- Kneten Sie noch einmal nur von Hand. Dieses nochmalige Kneten sollte nicht in der Schüssel erfolgen, da die Küchenmaschine dabei ihren Halt verlieren kann.

### 18 Doppelschneebesen

Nur für nicht zähe Mischungen wie Eiweiß, Sahne, Kondensmilch und zum Schlagen von Eiern und Zucker für fettfreie Biskuits. Zähere Mixturen wie Fett und Mehl beschädigen ihn.

## Verwendung des Schneebesens

- 1 Setzen Sie Antriebswelle und Schüssel auf die Antriebseinheit.
- 2 Drücken Sie jeden Besen sicher in den Antriebskopf 18.
- 3 Setzen Sie den Schneebesen durch vorsichtiges Drehen ein, bis er in die Antriebswelle rutscht.
- 4 Geben Sie die Zutaten zu.
- 5 Setzen Sie den Deckel auf und achten Sie dabei darauf, dass sich das Ende der Antriebswelle in der Mitte des Deckels befindet.
- 6 Schalten Sie das Gerät ein.



#### Wichtig

- Der Schlagbesen eignet sich nicht für Rührkuchenteige oder zum Cremigrühren von Fett und Zucker, weil er dadurch beschädigt werden kann. Verwenden Sie für die Zubereitung von Kuchenteig stets das Messer.

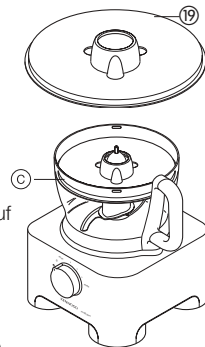
#### Tipps

- Die besten Ergebnisse werden erreicht, wenn die Eier Zimmertemperatur haben.
- Achten Sie vor dem Schnee schlagen darauf, dass die Schüssel und der Schneebesen frei von Fettsuren sind.

### 19 Maxi-Fülldeckel

Verwenden Sie beim Mixen von Flüssigkeiten den Maxi-Fülldeckel zusammen mit der Messerklinge. Sie können damit das Fassungsvermögen der Schüssel von 1 l auf 1,5 l erhöhen, Auslaufen verhindern und die Effektivität der Klinge erhöhen.

- 1 Setzen Sie Antriebswelle und Schüssel auf die Antriebseinheit.
- 2 Setzen Sie die Messerklinge ein.
- 3 Geben Sie die zu verarbeitenden Zutaten hinein.
- 4 Setzen Sie den Fülldeckel über die Klinge und stellen Sie sicher, dass er auf dem Absatz in der Schüssel aufsitzt (c). **Drücken Sie nicht auf den Fülldeckel - halten Sie ihn am Mittelgriff.**
- 5 Setzen Sie den Deckel auf und schalten Sie das Gerät ein.



## Schneide-/Reibescheiben

### Wendbare Schneide-/Reibescheiben - dick 20, dünn 21

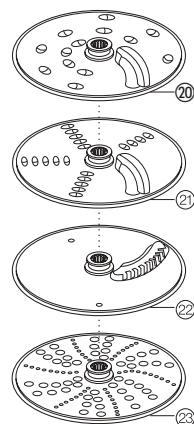
Verwenden Sie die Reibescheibe für Käse, Karotten, Kartoffeln und Lebensmittel ähnlicher Konsistenz. Verwenden Sie die Schneidescheibe für Käse, Karotten, Kartoffeln, Kohl, Gurke, Zucchini, rote Bete und Zwiebel.

### Feine Chip-Scheibe (für Julienne)

Zum Schneiden von: Kartoffeln für Julienne Pommes frites; feste Zutaten für Salate, Garnierungen, Kasserollen und "Stir fry" (z.B. Karotten, Kohlrüben, Zucchini, Gurken)

### Raspelscheibe 23

Zum Reiben von Parmesankäse und Kartoffeln für Klöße





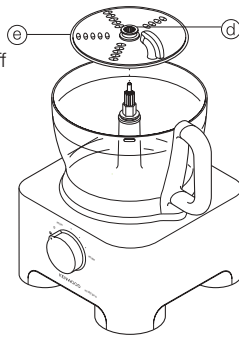
## Sicherheit

- **Entfernen Sie den Deckel erst, nachdem die Schneidescheibe vollständig zum Stillstand gekommen ist.**
- **Seien Sie bei der Handhabung der Schneidescheiben vorsichtig - sie sind äußerst scharf.**



## Verwendung der Schneidescheiben



- 1 Setzen Sie Antriebswelle und Schüssel auf die Antriebseinheit.
- 2 Fassen Sie die Scheibe am Mittelgriff  und setzen Sie sie mit der jeweils gewünschten Seite nach oben auf die Antriebswelle .
- 3 Setzen Sie den Deckel auf.
- 4 Wählen Sie die Größe des zu verwendenden Einfüllschachts. Der Stopfer besitzt zum Verarbeiten einzelner Stücke oder dünner Zutaten einen kleineren Einfüllschacht.

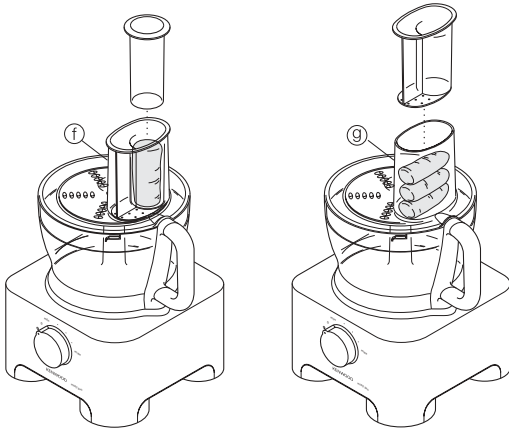


Setzen Sie zur Verwendung des kleinen Einfüllschachts zuerst den großen Stopfer in den Einfüllschacht. Für den großen Einfüllschacht benötigen Sie beide Stopfer zusammen.

- 5 Geben Sie die Lebensmittel in den Einfüllschacht.
- 6 Schalten Sie das Gerät ein und drücken Sie die Lebensmittel mit dem Stopfer gleichmäßig nach unten - **verwenden Sie dazu nie Ihre Finger.**

### Tipps

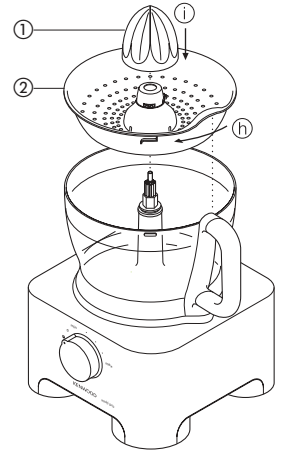
- Verwenden Sie frische Zutaten
- Schneiden Sie Lebensmittel nicht zu fein. Machen Sie den großen Einfüllschacht ziemlich voll. Dies verhindert, dass die Lebensmittel während des Verarbeitens seitlich wegrutschen. Verwenden Sie alternativ auch den kleinen Einfüllschacht.
- Bei der Verwendung der Chip-Scheibe sollten Sie die Zutaten waagrecht in den Einfüllschacht geben.
- Beim Schneiden und Reiben: Lebensmittel, die aufrecht in den Schacht gegeben werden,  werden kürzer geschnitten als Lebensmittel, die waagrecht hineingegeben werden .
- Nach der Verarbeitung bleiben immer kleine Reste auf der Scheibe oder in der Schüssel zurück.





## 24 Zitruspresse

Die Zitruspresse wird zum Auspressen von Zitrusfrüchten, wie z.B. Orangen, Zitronen, Limonen und Grapefruits verwendet.

- 1 Kegel
- 2 Sieb



## Verwendung der Zitruspresse

- 1 Setzen Sie Antriebswelle und Schüssel auf die Antriebseinheit.
- 2 Setzen Sie das Sieb in die Schüssel - vergewissern Sie sich, dass der Siebgriff direkt über dem Schüsselgriff einrastet .
- 3 Setzen Sie den Kegel auf die Antriebswelle und drehen Sie ihn, bis er ganz nach unten rutscht .
- 4 Schneiden Sie die Frucht in zwei Hälften. Schalten Sie dann das Gerät ein und drücken Sie die Frucht auf den Kegel.

- **Die Zitruspresse funktioniert nicht, wenn das Sieb nicht ordnungsgemäß eingerastet ist.**

## 25 Mahlwerk

Mit dem Mahlwerk können Sie Kräuter hacken sowie Nüsse und Kaffeebohnen mahlen.

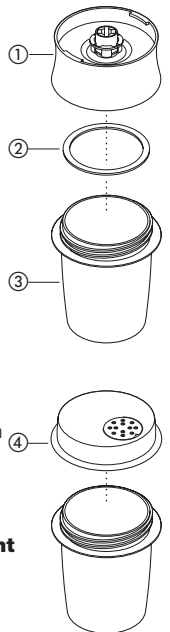
- 1 Messereinsatz
- 2 Dichtungsring
- 3 Behälter
- 4 Deckel mit Streuvorrichtung

- Das Messerwerk nie ohne den Krug in die Maschine einsetzen.
- Solange die Mühle auf der Maschine sitzt, Mixerglas nicht abschrauben.
- Messer nicht berühren und von Kindern fernhalten.
- Mühle erst abnehmen, wenn die Messer zum Stillstand gekommen sind.
- Entfernen Sie die Mühle niemals, bevor das Messer vollständig gestoppt hat.

**Hinweis: Der Mühlensockel kann nicht gegen das Glas-Mixgefäß des FP925 ausgewechselt werden. Das Gerät funktioniert nicht, wenn der falsche Sockel eingesetzt wurde. Die Abbildungen zeigen die Sockel für das Messerwerk.**

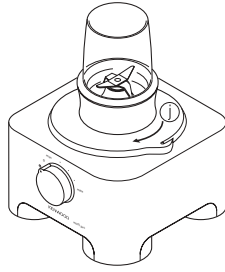
### Wichtig

- Um die lange Lebensdauer des Mahlwerks zu erhalten, das Mahlwerk nicht länger als 30 Sekunden ununterbrochen laufen lassen. Sobald die gewünschte Konsistenz erreicht ist, das Mahlwerk abschalten.
- Keine Gewürze einfüllen – das Plastik könnte beschädigt werden.
- Die Maschine läßt sich nicht einschalten, wenn das Mahlwerk nicht richtig eingesetzt ist.
- Nur trockene Zutaten verwenden.



## Zusammensetzen der Mühle

- 1 Zutaten in den Behälter geben. Maximal bis zur Hälfte füllen.
- 2 Dichtungsring auf den Messereinsatz legen.
- 3 Komplette Messereinheit auf das gefüllte Glas legen.
- 4 Messereinheit fest auf den Behälter schrauben.
- 5 Stellen Sie die Mühle auf den Motorblock und drehen Sie sie zum Arretieren ①.
- 6 Schalten Sie die Maschine mit maximaler Geschwindigkeit oder im Impulsbetrieb ein.
- 7 Nach dem Mahlvorgang kann die Messereinheit durch den Deckel mit Streuvorrichtung ersetzt und der Behälter als Streuer verwendet werden.



- Deckel ist nicht luftdicht.

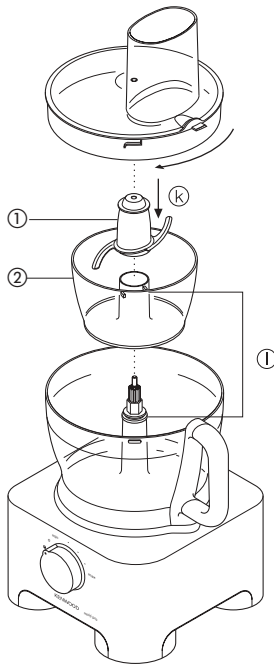
### Tipps

- Saubere trockene Kräuter lassen sich am besten hacken.

## ⑳ Mini-Arbeitsschüssel

Verwenden Sie die Mini-Arbeitsschüssel zum Hacken von Kräutern und zum Verarbeiten von kleinen Zutatenmengen, z.B. Fleisch, Zwiebeln, Nüsse, Mayonnaise, Gemüse, Pürees, Saucen und Babynahrung.

- ① Messerwerk für die Mini-Arbeitsschüssel
- ② Mini-Arbeitsschüssel



## Verwenden der Mini-Arbeitsschüssel

- 1 Setzen Sie die Antriebswelle und die Schüssel auf den Motorblock.
- 2 Bringen Sie die Mini-Arbeitsschüssel an – achten Sie darauf, dass die Rippen auf der Innenseite des Mini-Arbeitsschüsselschachts mit den Schlitzen im Hauptschacht ausgerüstet sind ①.
- 3 Setzen Sie das Messerwerk auf die Antriebswelle (k).
- 4 Fügen Sie die zu verarbeitenden Zutaten hinzu.
- 5 Setzen Sie den Deckel auf und schalten Sie das Gerät an.

### Sicherheit

- Nehmen Sie niemals den Deckel ab, solange das Messer nicht vollständig gestoppt hat.
- Die Messerklinge ist sehr scharf – gehen Sie immer vorsichtig damit um.

### Wichtig

- Verarbeiten Sie keine Gewürze – sie könnten den Kunststoff beschädigen.

- Verarbeiten Sie keine harten Nahrungsmittel, wie z.B. Kaffeebohnen, Eiswürfel oder Schokolade – sie könnten die Klinge beschädigen.

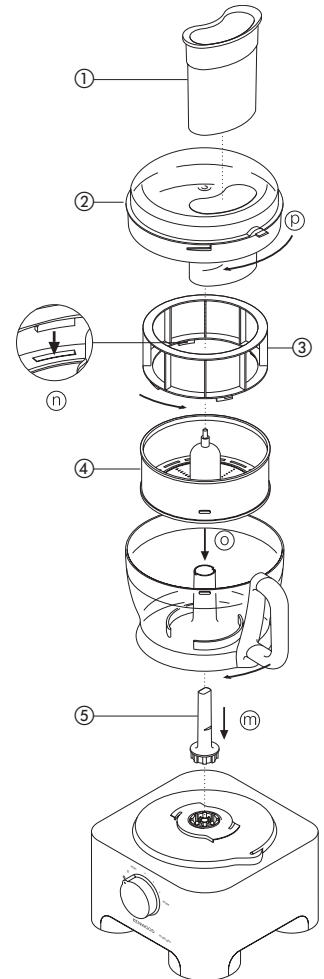
### Tipps

- Kräuter werden am besten erst nach dem Waschen und Trocknen gehackt.
- Fügen Sie beim Mixen von gekochten Zutaten zur Zubereitung von Babynahrung immer etwas Flüssigkeit hinzu.
- Schneiden Sie Nahrungsmittel wie Fleisch, Brot, Gemüse vor dem Verarbeiten in Würfel mit einer Größe von ca. 1-2 cm (1/2 – 3/4 in).
- Für die Zubereitung von Mayonnaise fügen Sie das Öl durch den Einfüllschacht hinzu.

## ㉗ Saftzentrifuge aus Metall (bei max. Drehzahl verwenden)

Verwenden Sie die Saftzentrifuge zum Pressen von Saft aus harten Früchten und Gemüse.

- ① Stopfer
- ② Deckel
- ③ Tresterauswurf
- ④ Filtertrommel
- ⑤ Antriebswelle der Saftzentrifuge



## So verwenden Sie den Entsafter

- 1 Antriebswelle und Schüssel auf die Antriebseinheit aufsetzen (m).
- 2 Geben Sie den Tresterbehälter in die Filtertrommel. Stellen Sie sicher, dass sich die Zapfen in die dafür vorgesehenen Schlitze am Boden der Trommel befinden (n).
- 3 Setzen Sie die Filtertrommel (o) ein. **Ihr Entsafter arbeitet nur mit eingearbetetem Einfülltablett.**
- 4 Den Vorsatzdeckel auf die Schüssel aufsetzen und drehen, bis er einrastet und das Einfüllrohr über dem Griff (p) sitzt.
- 5 Früchte/Gemüse in Stücke schneiden, die in das Einfüllrohr passen.
- 6 Die Maschine einschalten und mit dem Stopfer gleichmäßig nach unten drücken – **nie die Finger in das Einfüllrohr stecken**. Erst eine Portion vollständig verarbeiten, bevor das Einfüllrohr nachgefüllt wird.
- Nach Hinzufügen des letzten Stückes, lassen Sie den Entsafter weitere 20 Sekunden laufen, um auch noch den letzten Saft aus der Filtertrommel zu entziehen.

## Sicherheitshinweise

- **Wenn der Filter beschädigt ist, den Entsafter nicht weiter benutzen.**
- Die Schneidmesser am Boden der Filtertrommel sind sehr scharf, gehen Sie beim Reinigen der Trommel vorsichtig damit um.
- Nur den zum Gerät gehörenden Stopfer verwenden. Nie die Finger in den Einfüllstutzen stecken. Bleibt ein Obst- oder Gemüsestück in dem Einfüllstutzen hängen, bitte sofort den Netzstecker ziehen.
- Vor Öffnen des Deckels den Entsafter abschalten und warten, bis der Filter stillsteht.

### wichtig

- Beginnt der Entsafter zu vibrieren, schalten Sie diesen ab und entfernen Sie den Trester aus der Trommel. (Eine Vibration entsteht, wenn der Trester ungleich verteilt ist.)
- In einem Arbeitsgang kann maximal 500g Früchte oder Gemüse verarbeitet werden.
- Sehr harte Lebensmittel verringern die Umdrehungsgeschwindigkeit oder bringen Ihren Entsafter zum Stillstand. Geschieht dies, schalten Sie den Entsafter ab und machen Sie den Filter frei.
- Während des Gebrauchs schalten Sie den Entsafter regelmäßig ab und reinigen den Tresterbehälter.

### Tips

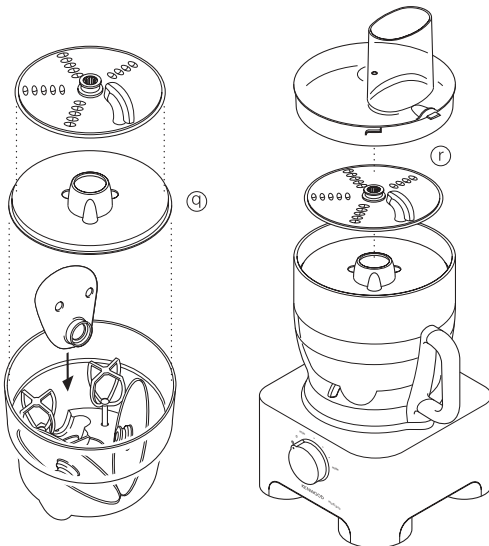
- Vor dem Entsaften Kerne und Samen (z.B. bei Paprika, Melonen, Pflaumen) und zähe Haut (z.B. bei Melonen oder Ananas) entfernen. Äpfel und Birnen brauchen nicht geschält werden.
- Möglichst nur feste frische Früchte und Gemüse verarbeiten.
- Der Saft von Zitrusfrüchten wird bitter, weil auch die Schale und die weiße Haut mit verarbeitet werden. Für Zitrusfrüchte die Zitruspresse verwenden.

## 28 KENSTORE™ Aufsatzkarussell

Zusammen mit Ihrer Küchenmaschine wird ein Aufbewahrungskarussell für Aufsätze geliefert, das in die Schüssel passt.

## Verwenden Ihres Aufbewahrungskarussells

- 1 Bringen Sie das Messer in der Schüssel an.
- 2 Bringen Sie dann Schlagbesen, Scheiben und Maxi-Blend-Aufsatz im Karussell an ④.
- 3 Setzen Sie das Karussell über das Messer und setzen Sie den Deckel der Küchenmaschine darauf ①.

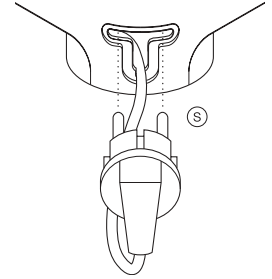


## Wartung & Reinigung

- Schalten Sie das Gerät vor dem Reinigen immer aus und ziehen Sie den Netzstecker.
- Seien Sie bei der Handhabung der Klingen und Schneidescheiben vorsichtig - sie sind äußerst scharf.
- Einige Lebensmittel verfärben den Kunststoff. Das ist völlig normal - der Kunststoff wird dadurch weder beschädigt, noch wird der Geschmack der Lebensmittel beeinträchtigt. Durch Abreiben mit einem in Pflanzenöl getränktem Tuch können Verfärbungen entfernt werden.

### Antriebseinheit

- Mit einem feuchten Tuch abwischen, dann abtrocknen. Vergewissern Sie sich, dass der Bereich des Sicherheitsriegels frei von Lebensmittlrückständen ist.
- Stecken Sie überschüssiges Kabel in das Kabelfach an der Rückseite des Geräts ⑤.



### Mixer/Mahlwerk

- 1 Den Krug entleeren, bevor Sie ihn vom Messerwerk abschrauben.
- 2 Den Krug von Hand spülen.
- 3 Entfernen und waschen Sie die Dichtungen
- 4 Berühren Sie die scharfen Klingen nicht - bürsten Sie sie mit heißem Seifenwasser sauber und spülen Sie sie dann unter fließendem Wasser gründlich ab. **Tauchen Sie die Klingenthalerung nicht in Wasser.**
- 5 Lassen Sie die Teile umgekehrt stehend trocknen.

### Doppelschneebesen

- Entfernen Sie die Besen durch leichtes Ziehen aus dem Antriebskopf. Waschen Sie sie in warmen Seifenwasser.
- Wischen Sie den Antriebskopf mit einem feuchten Tuch ab, und trocknen Sie ihn dann. **Tauchen Sie den Antriebskopf nicht in Wasser.**

### Saftzentrifuge aus Metall

- Um das Reinigen zu erleichtern, waschen Sie die Teile gleich nach Gebrauch.
- Einige Nahrungsmittel wie z. B. Karotten verfärben den Kunststoff. Diese Verfärbungen lassen sich durch Abreiben mit einem in Pflanzenöl getauchten Lappen entfernen.

### Filter

- Nehmen Sie den Tresterauswurf ab und klopfen leicht gegen diesen um den Trester zu entfernen.
- Mit einer weichen Bürste reinigen.
- **Den Filter regelmäßig auf Schäden prüfen. Einen beschädigten Filter nicht weiterverwenden - siehe "Kundendienst"**
- **Alle anderen Teile**
- Von Hand spülen, dann trocknen.
- Alternativ können sie im oberen Gestell Ihrer Geschirrspülmaschine gereinigt werden. Wir empfehlen ein kurzes Programm bei niedriger Temperatur.

## Kundendienst und Service

- Ein beschädigtes Netzkabel darf aus Sicherheitsgründen nicht selbst repariert werden, sondern muß von KENWOOD oder einer autorisierten KENWOOD-Kundendienststelle ausgetauscht werden.

Hinweise zur:

- Verwendung Ihres Kenwood Gerätes
  - Wartung oder Reparatur
- Bitte setzen Sie sich mit Ihrem Händler in Verbindung, bei dem Sie das Gerät gekauft haben.



### WICHTIGER HINWEIS FÜR DIE KORREKTE ENTSORGUNG DES PRODUKTS IN ÜBEREINSTIMMUNG MIT DER EG-RICHTLINIE 2002/96/EG.

Am Ende seiner Nutzungszeit darf das Produkt NICHT mit dem Hausmüll entsorgt werden.

Es muss zu einer örtlichen Sammelstelle für Sondernüll oder zu einem Fachhändler gebracht werden, der einen Rücknahmeservice anbietet.

Die getrennte Entsorgung eines Haushaltsgerätes vermeidet mögliche negative Auswirkungen auf die Umwelt und die menschliche Gesundheit, die durch eine nicht vorschriftsmäßige Entsorgung bedingt sind. Zudem ermöglicht dies die Wiederverwertung der Materialien, aus denen das Gerät hergestellt wurde, was erhebliche Einsparungen an Energie und Rohstoffen mit sich bringt.

## Fehlersuche und -behebung

Problem	Ursache	Lösung
Die Küchenmaschine arbeitet nicht	Kein Strom/Hinweislampe leuchtet nicht.  Schüssel nicht richtig arretiert.  Deckel nicht richtig arretiert.	Prüfen, ob Stecker in Steckdose steckt.  Prüfen, ob Schüssel richtig sitzt und der Griff sich rechts befindet.  Prüfen, ob Deckelverriegelung richtig im Griffbereich sitzt.  <b>Das Gerät funktioniert nicht, wenn die Schüssel und der Deckel falsch aufgesetzt wurden.</b>  Wenn keine dieser Ursachen vorliegt, überprüfen Sie bitte die Sicherung/den Leistungsschalter in Ihrem Haushalt.
Mixer/Mühle funktioniert nicht	Falscher Sockel verwendet.	<b>Der Mühlensockel kann nicht gegen das Glas-Mixgefäß des FP925 ausgewechselt werden. Das Gerät funktioniert nicht, wenn der falsche Sockel eingesetzt wurde.</b> Prüfen Sie anhand der Abbildung, ob der richtige Sockel verwendet wurde.
Gerät hält während dem Verarbeitungsvorgang an	Gerät überlastet/Höchstmengen überschritten.  Deckel nicht verriegelt.	Überprüfen Sie die Höchstmengen unter "Verwenden Ihrer Küchenmaschine".  Prüfen, ob Deckel richtig arretiert ist.
Unzureichende Leistung von Werkzeugen/Aufsätzen	Siehe Tipps im relevanten Abschnitt "Verwendung des Aufsatzes". Prüfen, ob die Aufsätze richtig montiert wurden.	

# Italiano

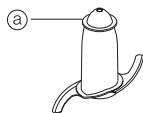
## Prima di leggere, aprire la prima pagina con le illustrazioni

### sicurezza

- La lama e i dischi sono taglienti: maneggiare con cautela. **Tenere la lama per l'apposita presa (a) in alto, lontano dalla parte tagliente, sia durante l'uso che nel corso della pulizia.**
- Non sollevare o trasportare l'apparecchio afferrandolo per il manico; il manico potrebbe rompersi e provocare incidenti.
- Rimuovere sempre la lama prima di svuotare il recipiente.
- Non introdurre le mani o altri utensili nel recipiente e nel bicchiere del frullatore mentre l'apparecchio è collegato alla rete elettrica.
- Spegner l'apparecchio e staccare la spina:
  - prima di inserire o rimuovere parti accessorie
  - dopo l'uso
  - prima della pulizia
- Non usare mai le dita per spingere gli alimenti nel tubo di riempimento. Servirsi sempre dell'apposito accessorio (pressatore).
- Prima di togliere il coperchio dalla vaschetta oppure il frullatore/macinino dal corpo motore:
  - spegnere l'apparecchio;
  - attendere che le parti accessorie o la lama si siano fermate completamente;
  - Fare attenzione a non svitare la caraffa del frullatore o del macinino dal gruppo delle lame.
- Non usare il coperchio per far funzionare l'apparecchio, ma servirsi sempre dell'interruttore di velocità on/off.
- **Nel caso in cui il meccanismo di sicurezza venga sottoposto a forza eccessiva, l'elettrodomestico verrà danneggiato e potrà essere causa di infortuni.**
- Non utilizzare l'apparecchio con accessori non autorizzati.
- Non lasciare l'apparecchio incustodito.
- Non utilizzare l'apparecchio se danneggiato. Rivolgersi ai tecnici per un controllo ed eventuali riparazioni (consultare la sezione 'Assistenza clienti').
- Non bagnare il motore, il cavo o la spina.
- Non lasciar pendere il cavo elettrico dal piano di lavoro e non lasciare che tocchi superfici calde.
- Non superare le capacità massime indicate.
- Non consentire l'uso dell'apparecchio a persone (anche bambini) con ridotte capacità psico-fisico-sensoriali, o con esperienze e conoscenze insufficienti, a meno che non siano attentamente sorvegliate e istruite da un responsabile della loro incolumità.
- Sorvegliare i bambini, assicurandosi che non giochino con l'apparecchio.
- Utilizzare l'apparecchio solo per l'uso domestico per cui è stato realizzato. Kenwood non si assumerà alcuna responsabilità se l'apparecchio viene utilizzato in modo improprio o senza seguire le presenti istruzioni.
- L'uso incorretto del robot/frullatore può provocare infortuni.

#### prima dell'uso

- Accertarsi che la tensione della rete elettrica corrisponda a quella indicata sul lato inferiore dell'apparecchio.
- Questo apparecchio è conforme alla direttiva 2004/108/CE sulla Compatibilità Elettromagnetica, ed al regolamento (EC) No. 1935/2004 del 27/10/2004 sui materiali in contatto con alimenti.



### prima di usare per la prima volta

- 1 Rimuovere l'imballaggio, comprese le protezioni di plastica delle lame. **Fare molta attenzione: le lame sono taglienti.** Queste protezioni vengono usate solo come misura protettiva durante la fabbricazione e il trasporto e possono essere gettate.
- 2 Lavare i componenti (consultare la sezione 'Pulizia').
- 3 Avvolgere la lunghezza in eccesso del cavo elettrico nell'apposito vano sul retro dell'apparecchio.

### legenda

#### robot

- ① Blocco motore
- ② Alberino di rotazione rimovibile
- ③ Vaschetta
- ④ Coperchio
- ⑤ Tubo di riempimento
- ⑥ Pressatori
- ⑦ dispositivi bloccanti
- ⑧ Vano cavo elettrico
- ⑨ selettore della velocità con spia di alimentazione

#### frullatore

- ⑩ Tappo del coperchio
- ⑪ Coperchio
- ⑫ guarnizione del coperchio
- ⑬ caraffa
- ⑭ Guarnizione
- ⑮ Unità lame

#### accessori

Non tutti gli accessori elencati di seguito sono in dotazione con il vostro apparecchio. Per acquistare un accessorio non in dotazione rivolgersi al rivenditore da cui avete acquistato il vostro elettrodomestico.

- ⑯ lama
- ⑰ utensile per impastare
- ⑱ doppia frusta in metallo a ingranaggi
- ⑲ maxi-calotta
- ⑳ disco grosso per affettare/sminuzzare
- ㉑ disco fino per affettare/sminuzzare
- ㉒ disco per patatine (a fiammifero)
- ㉓ disco per grattugiare
- ㉔ spremiagrumi a ingranaggi
- ㉕ tritatutto
- ㉖ mini vaschetta
- ㉗ centrifuga
- ㉘ porta-accessori circolare KENSTORE™
- ㉙ spatola

scegliere la velocità per ogni funzione







Utensile/accessorio	Funzione	Velocità	Capacità massime
Lama	Miscele per torte con preparazione in un unico stadio Pasta frolla/sfoglia – miscelare burro e farina Aggiungere acqua per amalgamare gli ingredienti della pasta frolla/sfoglia Sminuzzare/preparare purea/paté	Min – Max 5 – Max 1 – 5  Max	Peso totale: 1,5 kg Peso farina: 340 g  Carne: 600 g
Lama con maxi-calotta	Zuppe – iniziare a velocità moderata e aumentarla gradualmente fino a quella massima	Min – Max	1,5 litri
Frusta	Albumi Uova e zucchero per pan di spagna senza grassi Panna	Max Max 5 – Max	6 albumi 500 ml
Utensile per impastare	Miscele con lievito	Max	600 g
Dischi – affettare/sminuzzare/ preparare patatine a fiammifero	Alimenti di consistenza solida come carote, formaggio a pasta dura Alimenti più soffici come cetrioli, pomodori	5 – Max  Min – 5	
Disco per grattugiare Spremiagrumi	Parmigiano, patate per gnocchi Agrumi	Max 1	
Mini-vaschetta e lama	Tutti i tipi di lavorazione	Max	200 g
Frullatore	Tutti i tipi di lavorazione	Max	1,5 litri
Tritatutto	Tutti i tipi di lavorazione	Max	
Centrifuga	Frutta e verdura	Max	500 g

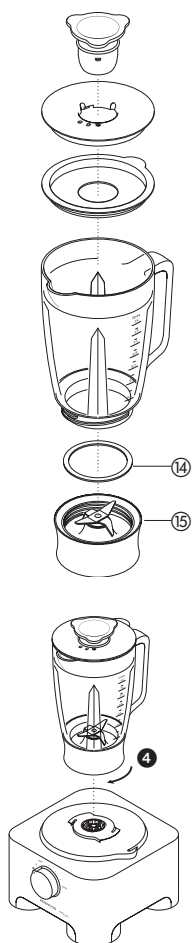
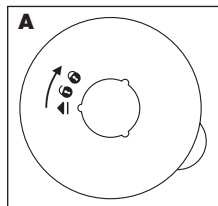
## uso del robot

- 1 Montare l'alberino rimovibile sul corpo motore ❶.
- 2 Quindi, inserire il recipiente. Posizionare il manico rivolto all'indietro e ruotare in senso antiorario fino a bloccarlo in posizione ❷.
- 3 Inserire un accessorio sopra l'alberino di rotazione.
  - Inserire sempre il recipiente e l'accessorio sull'apparecchio prima di aggiungere gli ingredienti.
- 4 Inserire il coperchio ❸ accertandosi di introdurre la parte superiore dell'alberino di rotazione al centro dello stesso.
  - **Non utilizzare il coperchio per far funzionare l'apparecchio, ma usare sempre l'interruttore on/off per il controllo della velocità.**
- 5 Inserire la spina nella presa elettrica, si accenderà la spia di alimentazione. Accendere l'apparecchio e selezionare una velocità.

- **L'apparecchio non funziona se il recipiente e il coperchio non sono inseriti correttamente.**
- Per azionare l'apparecchio a brevi impulsi utilizzare l'impostazione a intermittenza (P). Questa impostazione rimane in funzione fino a quando il selettore è impostato sulla posizione corrispondente.
- 6 Rimuovere coperchio, accessori e recipiente eseguendo la procedura inversa.
  - **Spegnere prima di rimuovere il coperchio. importante**
  - Questo apparecchio non è indicato per macinare caffè in grani o per ottenere zucchero a velo da zucchero granulato.
  - Durante l'aggiunta di aromi o essenza di mandorle, evitare il contatto diretto con la plastica in quanto può provocare macchie permanenti.

## per usare il vostro frullatore

- 1 Inserire la guarnizione ad anello (14) nel complessivo delle lame (15), assicurandosi che sia posizionata correttamente. **Se la guarnizione è danneggiata o non montata correttamente si avranno perdite.**
- 2 Avvitare la caraffa sul complessivo delle lame.
- 3 Versare gli ingredienti nella caraffa.
- 4 Premere la guarnizione del coperchio sulla parte inferiore del coperchio.
- 5 Montare e bloccare il tappo di riempimento sul coperchio ruotandolo di una posizione .
- 6 Inserire il coperchio sulla caraffa e ruotare il tappo di riempimento sulla posizione  per bloccare.  
Il tappo di riempimento può trovarsi in 3 posizioni diverse (vedere **A**)
  -  – tappo di riempimento rimovibile, per aggiungere ingredienti alla caraffa.
  -  – coperchio non bloccato/tappo di riempimento bloccato sul coperchio, per montare e smontare il coperchio.
  -  – coperchio bloccato.
- 7 Montare il frullatore sul corpo motore, quindi bloccarlo ruotandolo .
- 8 Selezionare una velocità o utilizzare l'impostazione a intermittenza.



riempimento; ora, con l'apparecchio in funzione, aggiungerli uno ad uno.

- Non utilizzare il frullatore come un contenitore per la conservazione degli alimenti. Mantenerlo vuoto prima e dopo l'uso.
- Non frullare mai più di 1,5 litri alla volta – meno in caso di liquidi schiumosi come frappé.

**NB: La base del tritatutto non è intercambiabile con la caraffa in vetro del frullatore del modello FP925. L'apparecchio non funziona se viene montata la base scorretta. Consultare i simboli grafici posti sulle basi del complessivo delle lame.**

### suggerimenti

- **Lasciare raffreddare i liquidi a temperatura ambiente prima di lavorarli nel frullatore.**

- Quando si prepara la maionese, versare tutti gli ingredienti nel frullatore eccetto l'olio. Ora, con l'apparecchio in funzione, versare l'olio attraverso il tappo di riempimento.
- Nel caso di miscele dense come paté e salse simili può essere necessario pulire le pareti. Se il composto risulta difficile da frullare aggiungere del liquido.
- Per sminuzzare il ghiaccio utilizzare l'impostazione a intermittenza a impulsi brevi.
- Per prolungare la durata del frullatore non tenerlo mai in funzione per più di 60 secondi. Spegnerlo non appena si raggiunge la consistenza desiderata.
- Non lavorare spezie, potrebbero danneggiare le superfici di plastica.
- L'apparecchio non funziona se il frullatore è montato in modo scorretto.
- Non versare ingredienti asciutti nel frullatore prima di metterlo in funzione. Se necessario tagliarli a pezzetti; togliere il tappo di

## uso degli accessori

### ⑩ lama/⑪ lama per impastare

La lama è il più versatile di tutti gli accessori.

La consistenza ottenuta dipende dal tempo di lavorazione. Per ottenere composti di consistenza meno omogenea, usare l'interruttore a impulsi.

Utilizzare la lama per preparare torte e dolci, macinare carne cruda e cotta, vegetali, noci, preparare pasticcini, creme, zuppe cremose e sbriciolare biscotti e pane. Utilizzarla inoltre per preparare impasti a lievitazione se la lama per impastare non è in dotazione.

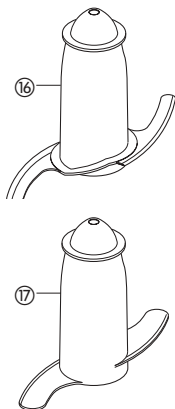
Usare la lama per impastare per gli impasti a lievitazione.

#### suggerimenti lama

- Tagliare gli alimenti, come carne, pane o verdure, in cubetti di circa 2 cm prima di lavorarli.
- Spezzettare i biscotti e aggiungerli attraverso il tubo di riempimento mentre l'apparecchio è in funzione.
- Per la preparazione delle torte, usare burro appena estratto dal frigorifero e tagliato in cubetti di 2 cm.
- Non esagerare con il tempo di lavorazione.

#### lama per impastare

- Introdurre gli ingredienti secchi nel recipiente e aggiungere il liquido attraverso il tubo di riempimento mentre l'apparecchio è in funzione. Lavorare per 60 - 90 secondi fino a ottenere una palla di impasto omogenea ed elastica.
- Reimpastare solo a mano. Si sconsiglia di rimpastare nel recipiente per non compromettere la stabilità dell'apparecchio.

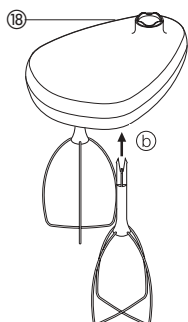


### ⑫ sbattitore a due fruste

Usare solo per miscele soffici, ad esempio albumi, panna o latte evaporato e per montare le uova e lo zucchero per il pan di Spagna dietetico. Le miscele più consistenti, come farina e burro, danneggiano lo sbattitore.

## uso dello sbattitore

- 1 Inserire l'alberino di rotazione e il recipiente nel blocco motore.
- 2 Spingere e assicurare un frullino alla volta nella testina di rotazione ⑬.
- 3 Inserire lo sbattitore facendolo girare delicatamente sull'alberino di rotazione fino a incastrarlo.
- 4 Aggiungere gli ingredienti.
- 5 Inserire il coperchio, accertandosi che la parte terminale dell'alberino sia infilata al centro del coperchio.
- 6 Accendere l'apparecchio.



#### importante

- La frusta non è adatta per preparare torte con preparazione in un unico stadio o per montare burro e zucchero, poiché queste miscele la danneggiano. Per preparare torte utilizzare sempre la lama.

#### suggerimenti

- I risultati migliori si ottengono quando le uova sono a temperatura ambiente.
- Accertarsi che il recipiente e lo sbattitore siano puliti e privi di qualsiasi traccia di burro prima di azionarli.

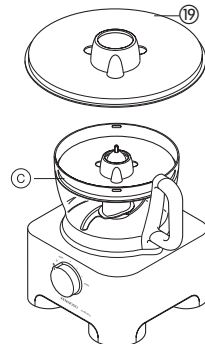
### ⑬ maxi calotta

Durante la miscelazione dei liquidi, usare la maxi calotta insieme alla lama. Ciò consentirà di aumentare la capienza del recipiente da 1 litro a 1,5 litri e di ottimizzare le prestazioni di sminuzzamento della lama.

- 1 Inserire l'alberino di rotazione e il recipiente nel motore.
- 2 Inserire la lama.
- 3 Aggiungere gli ingredienti da lavorare.
- 4 Collocare la calotta sopra la lama, accertandosi che poggia sul bordo interno del recipiente ⑭.

**Non esercitare pressione sulla calotta, tenerla per la presa centrale.**

- 5 Inserire il coperchio e accendere l'apparecchio.



## dischi per affettare e sminuzzare

#### dischi per affettare e sminuzzare reversibili: spesso ⑮, sottile ⑯

Lato per sminuzzare: sminuzza formaggio, carote, patate e alimenti di consistenza simile.

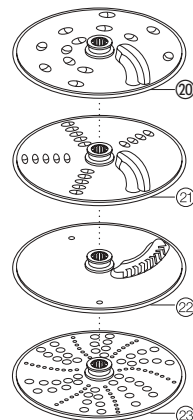
Lato per affettare: affetta formaggio, carote, patate, cavolo, cetrioli, zucchine, barbabietola e cipolle.

#### disco per sfilettare sottile (stile Julienne) ⑰

Usare per tagliare patate a bastoncini; ingredienti solidi per insalate, contorni, sughi e frittate miste (ad esempio, carote, zucchine e cetrioli).

#### disco per grattugiare ⑱

Grattugia parmigiano e patate per gnocchi di patate alla tedesca.



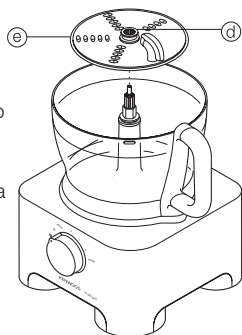
## sicurezza

- Assicurarsi che il disco affilato si sia fermato completamente prima di rimuovere il coperchio.
- Maneggiare i dischi affilati con cautela in quanto sono estremamente taglienti



## uso dei dischi affilati

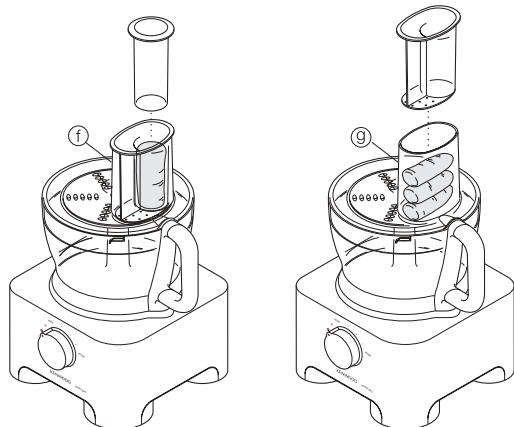
- 1 Inserire l'alberino di rotazione e il recipiente nel motore.
- 2 Tenendolo per la presa centrale, **d**, inserire il disco sull'alberino di rotazione con il lato appropriato rivolto verso l'alto **e**.



- 3 Inserire il coperchio.
- 4 Scegliere il tubo di riempimento della dimensione desiderata. Il pressatore contiene un tubo di riempimento più piccolo per la lavorazione di alimenti singoli o sottili. Per utilizzare il tubo di riempimento piccolo: inserire il pressatore grande nel tubo di riempimento. Per utilizzare il tubo di riempimento grande: usare i due pressatori insieme.
- 5 Introdurre gli alimenti nel tubo di riempimento.
- 6 Accendere l'apparecchio ed esercitare una pressione uniforme con il pressatore. **Non infilare le dita nel tubo di riempimento.**

### suggerimenti

- Usare ingredienti freschi
- Non ridurre gli ingredienti in pezzi di dimensioni eccessivamente ridotte. Riempire il tubo più grande quasi fino al bordo. In tal modo si eviterà che i pezzi scivolino di lato durante la lavorazione. In alternativa, usare il tubo piccolo.
- Quando si usa il disco per sfilettare, introdurre gli ingredienti orizzontalmente.
- Per affettare o sminuzzare, gli ingredienti inseriti verticalmente **f** risulteranno tagliati più corti rispetto a quelli posizionati orizzontalmente **g**.
- Dopo la lavorazione, rimarrà sempre un certo quantitativo di residui sul disco o nel recipiente.



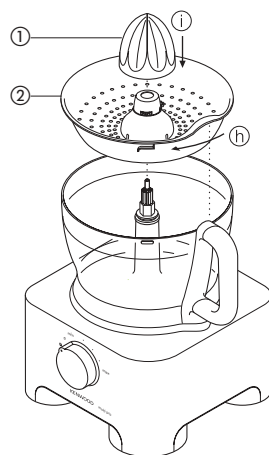
## 24 spremiagrumi

Lo spremiagrumi è indicato per spremere arance, limoni, limoni verdi e pompelmi.

- 1 Cono
- 2 Filtro

### per usare lo spremiagrumi

- 1 Inserire l'alberino di rotazione e il recipiente sul blocco motore.
- 2 Inserire il filtro nel recipiente, accertandosi che il manico del filtro sia bloccato in posizione direttamente sopra il manico del recipiente **h**.
- 3 Applicare il cono sull'alberino di rotazione, ruotando fino al completo inserimento **i**.
- 4 Tagliare il frutto a metà. Accendere e premere il frutto sul cono.



● **Lo spremiagrumi non funzionerà se il filtro non è bloccato correttamente.**

## 25 macinino

Usare il macinino per erbe, frutta secca e chicchi di caffè.

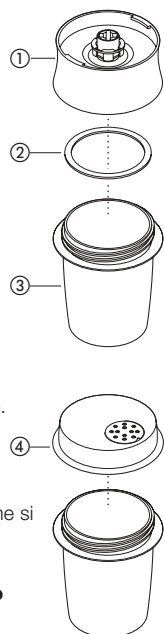
- 1 complessivo delle lame
- 2 anello di tenuta
- 3 caraffa
- 4 coperchio con spolverizzatore

### sicurezza

- Non montare mai il gruppo delle lame sull'apparecchio senza prima aver installato la vaschetta.
- Non svitare mai la vaschetta quando è il macinatutto è ancora inserito sull'apparecchio.
- Non toccare le lame affilate. Tenere il complessivo delle lame fuori della portata dei bambini.
- Non smontare mai il tritatutto prima che le lame si siano fermate completamente.

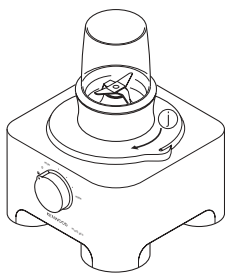
**NB: La base del tritatutto non è intercambiabile con la caraffa in vetro del frullatore del modello FP925. L'apparecchio non funziona se viene montata la base scorretta. Consultare i simboli grafici posti sulle basi del complessivo delle lame. importante**

- A garanzia di una lunga durata del macinino, non azionarlo mai continuamente per più di 30 secondi. Spegnerlo non appena gli alimenti hanno raggiunto la consistenza desiderata.
- Non lavorare le spezie, che possono infatti danneggiare la plastica.
- L'apparecchio non funziona se si è installato incorrettamente il macinino.
- Usare esclusivamente ingredienti secchi.



## come usare il macinino

- 1 Versare gli ingredienti nella vaschetta, riempiendola per non più di metà.
  - 2 Inserire l'anello di tenuta nel complessivo delle lame.
  - 3 Capovolgere il complessivo delle lame. Abbassarlo sulla vaschetta, tenendo le lame rivolte verso il basso.
  - 4 Avvitare il complessivo delle lame sulla vaschetta, fino a stringerlo a mano.
  - 5 Inserire il tritatutto nel corpo motore e bloccarlo in posizione ruotandolo ①.
  - 6 Impostare sulla velocità massima, oppure usare il controllo ad impulsi.
  - 7 Dopo aver macinato gli ingredienti è possibile rimettere il complessivo delle lame con il coperchio provvisto di spolverizzatore e spolverizzare gli ingredienti come desiderato.
- Si ricorda che il coperchio con spolverizzatore non è ermetico.



### consigli

- Le erbe si tritano meglio se sono pulite ed asciutte.

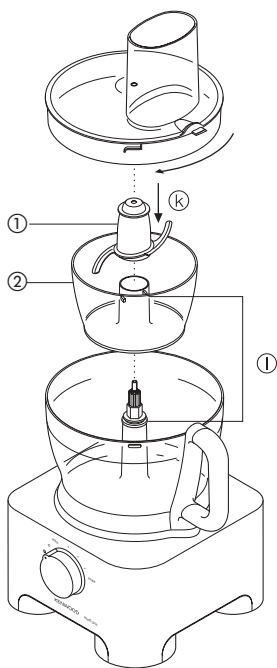
## ②⑥ mini-vaschetta

Utilizzare la mini-vaschetta per tritare erbe aromatiche e lavorare ingredienti in piccole quantità, ossia carne, cipolle, noci, maionese, verdure, purea, salse e cibo per neonati.

- ① mini-lama
- ② mini-vaschetta

## per usare la mini vaschetta

- 1 Montare l'alberino motore e la ciotola sul corpo motore.
- 2 Inserire la mini-vaschetta, assicurandosi che le sporgenze all'interno della rientranza della mini vaschetta siano allineate con le fessure poste sul raccordo principale ①.
- 3 Inserire la lama sopra l'alberino motore ②.
- 4 Versare gli ingredienti da lavorare.
- 5 Inserire il coperchio e accendere l'apparecchio.



### sicurezza

- Non togliere mai il coperchio prima che la lama si sia fermata completamente.
- La lama è molto affilata, maneggiare con attenzione.

### importante

- Non lavorare spezie, potrebbero danneggiare le superfici di plastica.
- Non lavorare cibi troppo duri come caffè, cubetti di ghiaccio o cioccolata – potrebbero danneggiare la lama.

### suggerimenti

- Le erbe si tritano meglio se sono pulite e asciutte.
- Aggiungere sempre un po' di liquido quando si frullano ingredienti cotti per preparare cibi per neonati.
- Prima di lavorare cibi come carne, pane e verdure tagliarli a cubetti di circa 1-2 cm.
- Quando si prepara la maionese aggiungere l'olio versandolo dal tubo di alimentazione.

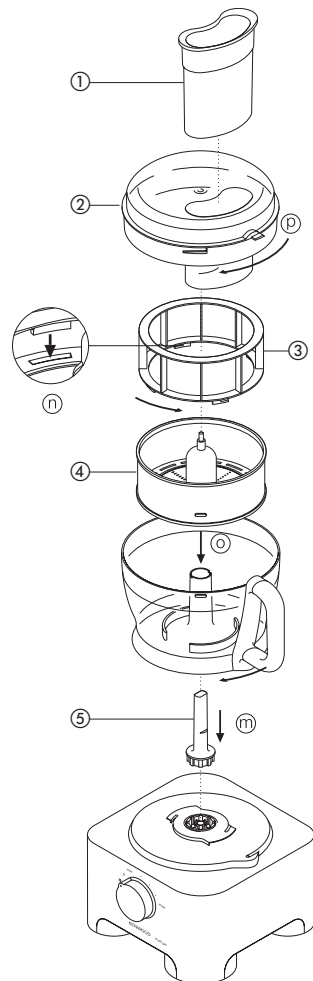
## ②⑦ Centrifuga in metallo (usare a velocità max.)

Con la centrifuga è possibile estrarre il succo da frutta e verdura di consistenza compatta.

- ① pressatore
- ② coperchio
- ③ dispositivo di raccolta della polpa
- ④ filtro
- ⑤ albero motore

## per usare lo spremitutto a centrifuga

- 1 Montare l'alberino dell'apparecchio e la vaschetta sul corpo motore ①.
- 2 Inserire il dispositivo di raccolta della polpa nel filtro, controllando che le alette vadano ad inserirsi nelle fessure corrispondenti sulla base del filtro ②.
- 3 Inserire il filtro ③. **La centrifuga non entra in funzione se prima non si blocca il coperchio.**
- 4 Mettere il coperchio dell'accessorio sulla vaschetta, quindi girarlo finché non si blocca e il tubo di riempimento non va ad appoggiarsi sull'impugnatura ④.
- 5 Tagliare frutta o verdura a pezzetti, in modo che entri nel tubo di riempimento.
- 6 Accendere l'apparecchio e premere uniformemente sugli alimenti, usando lo spingitore. **Non mettere mai le dita nel tubo di riempimento.** Lavorare completamente gli alimenti prima di aggiungere altri pezzetti.
- Dopo aver aggiunto l'ultimo pezzo di frutta o di verdura nella centrifuga, lasciarla in funzione per altri 20 secondi per spremere tutto il succo dal filtro.



### sicurezza

- **Non usare l'apparecchio se il filtro risulta danneggiato.**

- Le lame sulla base del filtro sono molto affilate: prestare molta attenzione quando si maneggia e si pulisce il filtro.

- Usare solo lo spingitore fornito. Non mettere mai le dita nel tubo di riempimento. Togliere la spina dell'apparecchio dalla presa di corrente prima di sbloccare il tubo di riempimento.
- Prima di togliere il coperchio, spegnere l'apparecchio ed attendere sino a quando il filtro non si ferma.

#### importante

- Se lo spremitutto inizia a vibrare, spegnerlo e svuotare la polpa presente nel filtro. (L'apparecchio vibra se la polpa si distribuisce in modo poco uniforme).
- Lo spremitutto è in grado di lavorare un massimo di 500g di frutta o verdura alla volta.
- Frutti o verdure molto duri possono rallentare il funzionamento dello spremitutto oppure fermarlo del tutto. In questo caso, spegnerlo e liberare il filtro.
- Spegnerlo lo spremitutto e svuotare il dispositivo di raccolta della polpa a intervalli regolari durante l'uso.

#### consigli

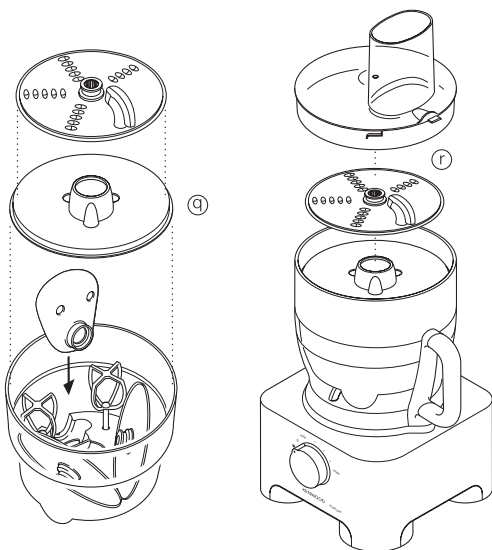
- Prima di lavorare la frutta o la verdura, togliere semi e noccioli (es. da peperoni, melone, prugne) e la buccia dura (es. da melone e ananas). Non occorre pelare o togliere il torsolo a mele e pere.
- Usare frutta e verdura fresche e di ferma consistenza.
- Gli agrumi avranno un gusto aspro e un aspetto schiumoso a causa della scorza e dell'albedo, che vengono anch'essi lavorati. Per gli agrumi utilizzare lo spremiagrumi.

## 28 porta-accessori circolare KENSTORE™

Il vostro robot da cucina è dotato di un porta-accessori circolare che può essere inserito all'interno della ciotola.

### per usare il porta-accessori circolare

- 1 Inserire la lama nella ciotola.
- 2 Ora inserire nel porta-accessori il frullino, i dischi e la calotta ④.
- 3 Collocare il porta-accessori sopra la lama e coprire con il coperchio dell'apparecchio ①.

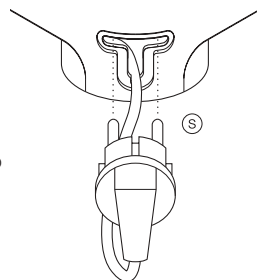


## manutenzione e pulizia

- Spegnere sempre e scollegare dalla rete prima di pulire.
- Maneggiare le lame e i dischi affilati con cautela in quanto sono estremamente taglienti.
- Alcuni alimenti possono scolorire la plastica. Ciò rientra nella norma e non danneggia la plastica né pregiudica il gusto degli alimenti. Sfregare con un panno imbevuto di olio vegetale per eliminare la macchia.

#### gruppo motore

- Pulire con un panno umido, quindi asciugare. Accertarsi che nell'area del meccanismo di sicurezza non ci siano residui di alimenti.
- Avvolgere la lunghezza in eccesso del cavo elettrico nell'apposito vano sul retro dell'apparecchio ⑤.



#### frullatore/macinino

- 1 Svuotare la caraffa/vaschetta prima di svitarla dal gruppo delle lame.
- 2 Lavare a mano la caraffa/vaschetta.
- 3 Togliere e lavare le guarnizioni
- 4 Non toccare le lame affilate, utilizzare una spugna con acqua insaponata per pulirle e sciacquarle abbondantemente con acqua corrente. **Non immergere l'unità lame nell'acqua.**
- 5 Lasciare asciugare capovolta.

#### sbattitore a due fruste

- Staccare le fruste dalla testa di azionamento tirandole delicatamente. Lavarle in acqua tiepida e sapone.
- Strofinare la testa di azionamento con un panno umido, quindi asciugare. **Non immergere la testa di azionamento nell'acqua.**

#### centrifuga in metallo

- Per una pulizia più facile, lavare i componenti subito dopo l'uso.
- Alcuni tipi di alimenti, per esempio le carote, possono causare lo scolorimento della plastica. Per togliere le macchie dovute a scolorimento, strofinare le parti interessate con un panno imbevuto di olio vegetale.

#### filtro

- Sollevare il dispositivo di raccolta della polpa e picchiettarlo leggermente per staccare la polpa.
- Pulire usando uno spazzolino morbido.
- **Controllare regolarmente il filtro per escludere la presenza di danni. Non usare l'apparecchio con un filtro danneggiato. Vedere la sezione "manutenzione e assistenza tecnica".**

#### tutti gli altri componenti

- Lavare a mano, quindi asciugare.
- Alternativamente è possibile lavarli nel cestello superiore della lavastoviglie. Si consiglia un programma corto a bassa temperatura.

## manutenzione e assistenza tecnica

- In caso il cavo sia danneggiato, per ragioni di sicurezza deve essere sostituito solo dal fabbricante oppure da un addetto KENWOOD autorizzato alle riparazioni.

Se si ha bisogno di assistenza riguardo:

- uso dell'apparecchio o
  - manutenzione o riparazioni
- Contattare il negozio dove si è acquistato l'apparecchio.



**AVVERTENZE PER IL CORRETTO SMALTIMENTO DEL  
 PRODOTTO AI SENSI DELLA DIRETTIVA EUROPEA  
 2002/96/EC. E DEL DECRETO LEGISLATIVO N. 151 DEL 25  
 LUGLIO 2005**

Alla fine della sua vita utile il prodotto non deve essere smaltito insieme ai rifiuti urbani.

Deve essere consegnato presso gli appositi centri di raccolta differenziata predisposti dalle amministrazioni comunali, oppure presso i rivenditori che offrono questo servizio.

Smaltire separatamente un elettrodomestico consente di evitare possibili conseguenze negative per l'ambiente e per la salute derivanti da un suo smaltimento inadeguato e permette di recuperare i materiali di cui è composto al fine di ottenere notevoli risparmi in termini di energia e di risorse.

Per rimarcare l'obbligo di smaltire separatamente gli elettrodomestici, sul prodotto è riportato il simbolo del bidone a rotelle barrato. Lo smaltimento abusivo del prodotto da parte dell'utente comporta l'applicazione delle sanzioni amministrative previste dalla normativa vigente.

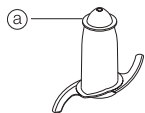
guida alla localizzazione e risoluzione dei problemi

<b>Problema</b>	<b>Causa</b>	<b>Soluzione</b>
L'apparecchio non funziona	Assenza di corrente/spia di alimentazione spenta.  La ciotola non è stata bloccata correttamente.  Il coperchio non è bloccato correttamente.	Controllare che l'apparecchio sia collegato all'alimentazione elettrica.  Controllare che la ciotola sia montata correttamente e che la maniglia sia situata sul lato destro.  Controllare che il dispositivo di bloccaggio del coperchio sia collocato correttamente accanto all'impugnatura.  <b>L'apparecchio non funziona se la ciotola e il coperchio non sono montati correttamente.</b>  Se le misure elencate non risolvono il problema controllare il fusibile/interruttore principale del sistema elettrico.
Frullatore/tritatutto non funziona	La base utilizzata è scorretta.	<b>La base del tritatutto non è intercambiabile con la caraffa del frullatore modello FP925. L'apparecchio non funziona se viene montata la base scorretta.</b> Controllare che il simbolo sulla base utilizzata sia corretto.
L'apparecchio si ferma improvvisamente durante il funzionamento.	Apparecchio troppo pieno/superate le capacità massime. Coperchio non bloccato.	Controllare le capacità massime indicate nella sezione "uso del vostro robot da cucina". Controllare che il coperchio sia bloccato correttamente.
Gli utensili/accessori non danno buoni risultati.	Consultare i suggerimenti contenuti nella relativa sezione "per usare l'accessorio". Controllare che l'accessorio sia montato correttamente.	

# Dansk

## Fold forsiden med illustrationerne ud.

### sikkerhed

- Knive og plader er meget skarpe og skal behandles forsigtigt. **Hold altid kniven ved fingergrebet (a) i toppen, bort fra skæret, både under brug og rengøring.**
- 
- Løft eller bær ikke maskinen i håndtaget – det kan gå i stykker, hvilket kan medføre personskader.
  - Tag altid kniven af, inden indholdet hældes ud af skålen.
  - Stik ikke hænder og køkkenredskaber ned i foodprocessorsens skål, mens den er tilsluttet lysnettet.
  - Sluk for den og tag stikket ud:
    - inden der påsættes eller fjernes dele
    - efter brugen
    - før rengøring
  - Brug aldrig fingrene til at stoppe maden ned i påfyldningstragten. Brug altid de(n) medfølgende nedstopper(e).
  - Før låget fjernes fra skålen eller blenderen/kværnen fra motorenheden:-
    - sluk maskinen;
    - vent til tilbehør/knive står helt stille;
    - Pas på ikke skrue blenderkanden eller kværnen af knivenheden.
  - Brug ikke låget til at betjene processoren - brug altid den kombinerede afbryder/hastighedsknap.
  - **Maskinen bliver beskadiget, og du risikerer selv at komme til skade, hvis du prøver at omgå sikkerhedslåsen med magt.**
  - Brug aldrig uoriginalt tilbehør.
  - Gå aldrig fra maskinen, mens den kører.
  - Brug aldrig en defekt maskine. Få den efterset eller repareret: Se under 'service'.
  - Motorhus, ledning eller stik må aldrig blive våde.
  - Lad ikke ledningen hænge ned over bordkant, skærebæret o.lign. Undgå, at den rører ved varme overflader.
  - Overskrid ikke de maksimale mængder, der er angivet.
  - Dette apparat er ikke tilsigtet brug af personer (inklusive børn) med reducerede fysiske, sansemæssige eller mentale evner, eller mangel på erfaring og kendskab, undtagen hvis de er blevet vejledt eller givet instrukser i brugen af apparatet af en person, der er ansvarlig for deres sikkerhed.
  - Børn bør overvåges for at sikre, at de ikke leger med apparatet.
  - Anvend kun apparatet til husholdningsbrug. Kenwood påtager sig ikke erstatningsansvar, hvis apparatet ikke anvendes korrekt eller disse instruktioner ikke følges.
  - Misbrug af din foodprocessor/blender kan føre til personskade.

#### **før foodprocessoren tilsluttes**

- Se efter, at netspændingen svarer til angivelserne under maskinen.
- Denne anordning er i overensstemmelse med EC-direktivet 2004/108/EC om elektromagnetisk forlignelighed og EU-regulativ nr.1935/2004 fra 27/10/2004 om materialer, der tilsigtes at få kontakt med fødevarer.

#### **før ibrugtagning**

- 1 Fjern al emballage, inkl. plastovertræk på knivene. **Pas på - bladene er meget skarpe.** Plastovertrækkene bør kasseres - de er kun beregnet på at beskytte knivene under produktion og transport.
- 2 Vask delene, se under 'rengøring'
- 3 Skub overskydende ledning ind bag på maskinen.

### forklaring

#### processor

- ① motorhus
- ② aftagelig drivaksel
- ③ skål
- ④ låg
- ⑤ påfyldningstragt
- ⑥ nedstopper
- ⑦ sikkerhedslåse
- ⑧ ledningsopbevaring
- ⑨ hastighedsknap med strømlampe

#### blender

- ⑩ påfyldningsdæksel
- ⑪ låg
- ⑫ tætningsring til låg
- ⑬ kande
- ⑭ tætningsring
- ⑮ knivenhed

#### andet tilbehør

Ikke alle nedenstående tilbehørsdele følger med foodprocessoren. Hvis du ønsker at købe tilbehør, som ikke findes i din pakke, bedes du kontakte den forhandler, hvor du købte maskinen.

- ⑯ kniv
- ⑰ ælteredskab
- ⑱ dobbelt metalpiskeris med tandhjul
- ⑲ maxi-blenderindsats
- ⑳ tyk snitte-/grov riveplade
- ㉑ tynd snitte-/fin riveplade
- ㉒ fin bølge-snitteplade
- ㉓ raspeplade
- ㉔ citruspresser
- ㉕ kværn
- ㉖ mini-processorskål
- ㉗ saftcentrifuge
- ㉘ KENSTORE™ tilbehørskarrusel
- ㉙ dejskraber

## valg af hastighed til alle funktioner

Redskab/tilbehør	Funktion	Hastighed	Maximale mængder
Kniv	Kagedej i ét trin Butterdej – blanding af fedtstof i mel Tilsætning af vand til blanding af ingredienser Hakning/purering/postejer	Min – Max 5 – Max 1 – 5 Max	1,5 kg vægt i alt 340 g melvægt 600 g kød
Kniv med maxi-blenderindsats	Supper – start på en lav hastighed og sæt hastigheden op til Max	Min – Max	1,5 liter
Piskeris	Æggehvider Æg & sukker til sukkerbrødsdej Fløde	Max Max 5 – Max	6 æggehvider 500 ml
Ælteredskab	Gærdeje	Max	600 g
Plader – snitte/rive/finsnitte	Faste madvarer, f.eks. gulerødder, faste oste Blødere madvarer, f.eks. agurker, tomater	5 – Max Min – 5	
Raspeplade	Parmesanost, kartofler til tyske kartoffelfrikadeller	Max	
Citruspresser	Citrusfrugter	1	
Mini-skål & kniv	Alt arbejde	Max	200 g
Blender	Alt arbejde	Max	1,5 liter
Kværn	Alt arbejde	Max	
Saftcentrifuge	Frugt & grøntsager	Max	500 g

## sådan bruges foodprocessoren

- 1 Sæt den aftagelige aksel på motorenheden ❶ .
- 2 Sæt så skålen fast. Lad håndtaget vende bagud og drej det med uret, til det låses fast ❷ .
- 3 Sæt tilbehør ned over drivakslen.
  - Sæt altid skål og tilbehør fast på maskinen, inden der fyldes ingredienser i.
- 4 Påsæt låget ❸ - se efter, at toppen af drivakslen er på plads midt i låget.
  - **Brug ikke låget til at betjene processoren; brug altid den kombinerede afbryder/hastighedsknap.**
- 5 Sæt stikket i stikkontakten, hvorefter strømlampen lyser. Tænd for maskinen og vælg en hastighed.
  - **Foodprocessoren kan ikke starte, hvis skål og låg er sat forkert på.**

- Anvend start/stop-knappen (P) til at køre med afbrydelser. Maskinen kører, så længe knappen holdes i den pågældende position.
- 6 Låg, tilbehør og skål fjernes i omvendt rækkefølge af den beskrevne procedure.
  - **Sluk altid for maskinen, inden låget fjernes.**
  - vigtigt**
  - Processoren egner sig ikke til at knuse eller male kaffebønner, eller til at lave stødt melis om til flormelis.
  - Når der tilsættes mandelessens eller krydderier: Undgå, at de kommer i berøring med plastik. Det kan give misfarvning, der ikke kan fjernes.

## sådan bruges blenderen

- 1 Sæt tætningsringen (14) ind i knivenheden (15) – sørg for at den sidder rigtigt.

**Hvis tætningsringen er beskadiget eller ikke sidder rigtigt, vil der komme utætheder.**

- 2 Skru kanden på knivenheden.
- 3 Kom ingredienserne i kanden.
- 4 Sæt lågets tætningsring ind på undersiden af låget.
- 5 Sæt påfyldningsdækslet i låget og lås det ved at dreje én position (T).
- 6 Sæt låget på kanden og drej påfyldningsdækslet til (T) for at låse det fast.

Påfyldningsdækslet kan anbringes i 3 forskellige positioner (se A).

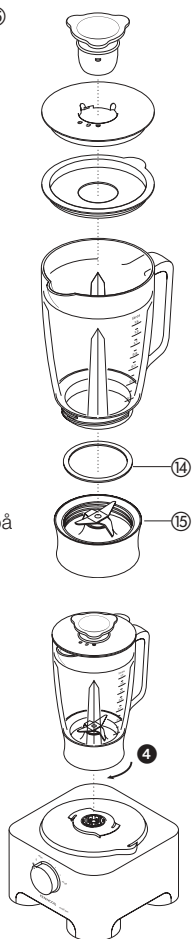
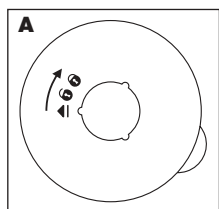
▲ – påfyldningsdækslet kan fjernes, når der skal kommes ingredienser i kanden.

T – låget er ikke låst/påfyldningsdækslet er låst fast på låget, når låget skal sættes på og tages af.

T – låget er låst.

- 7 Sæt blenderen på strømudtaget og drej den, til den låser (4).

- 8 Vælg en hastighed eller brug start/stop-knappen.



**Bemærk: Kværnens underdel kan ikke ombyttes med FP925 glaskanden. Processoren fungerer ikke, hvis den forkerte underdel er sat på. Se grafikken på knivenhedsunderdelene.**

### tips

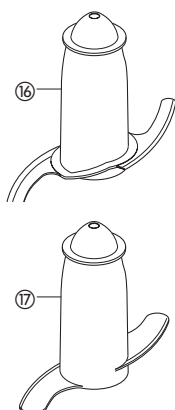
- **Væsker bør lades afkøle til stuetemperatur, før de blendes.**
- Til mayonnaise hældes alle ingredienserne, undtagen olien, i blenderen. Hæld olien ned i påfyldningsdækslet, mens maskinen kører, og lad den løbe igennem.
- Tykke blandinger, f.eks. til postej og dip, skal måske skrubes ned. Tilsæt mere væske, hvis blandingen er tung at bearbejde.
- Ved knusning af is bruges start/stop-knappen.
- Lad aldrig blenderen køre længere end 60 sekunder ad gangen for at sikre, at den holder længst muligt. Sluk for blenderen, så snart konsistensen er rigtig.
- Blend ikke krydderier – de kan beskadige plastikdelene.
- Maskinen virker ikke, hvis blenderen er sat forkert på.
- Kom ikke tørre ingredienser i blenderen, før den startes. Skær dem eventuelt i mindre stykker; fjern påfyldningsdækslet og kom stykkerne i én ad gangen, mens maskinen kører.
- Brug ikke blenderen som opbevaringsbeholder. Lad den stå tom før og efter brug.
- Blend aldrig mere end 1½ liter – mindre når det drejer sig om væsker, der skummer, f.eks. milkshake.

## brug af tilbehør

### ⑯ kniv/⑰ dejredskab

Kniven er den mest alsidige af alle tilbehørsdelene. Det er forarbejdningstiden, der bestemmer konsistensen. Brug start-/stop funktionen, hvis konsistensen skal være lidt grov. Kniven kan bruges til at lave kager og bagværk, hakke rått og tilberedt kød, grøntsager, nødder, pate, dip, til at pure sauce, og også til at lave rasp af kiks og brød. Den kan også bruges til dejblandinger med gær, hvis æltereds-kabet ikke medfølger.

Brug æltereds-kabet til blandinger med gær.



#### tips kniv

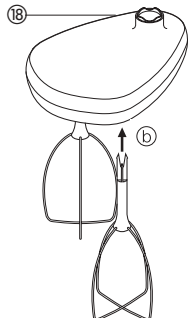
- Skær madvarer som kød, brød, grøntsager ud i 2 cm tern, inden de forarbejdes.
  - Kiks bør brækkes i mindre stykker og tilsættes gennem påfyldningstragten, mens maskinen kører.
  - Til bagværk bruges fedtstoffet direkte fra køleskabet og skæres i 2 cm tern.
  - Pas på ikke at lade det køre for længe.
- #### æltereds-kab
- Læg de tørre ingredienser i skålen; tilsæt væsken gennem påfyldningstragten, mens maskinen kører. Lad maskinen køre, indtil der dannes en blød, smidig dejklump - dvs. 60-90 sekunder.
  - 2. gang æltes kun i hånden. Det frarådes at ælte 2. gang i skålen, da processoren kan komme ud af balance.

### ⑱ piskersæt

Må kun bruges til lette blandinger, f.eks. æggehviter, fløde, kondenseret mælk, samt til at piske æg og sukker til sukkerbrøds-kager. Tungere blandinger med f.eks. fedtstof og mel vil beskadige piskerne.

## brug af piskereds-kab

- 1 Sæt drivakslen og skålen på motordelen.
- 2 Tryk de to piskere godt op i drivhovedet ⑱.
- 3 Sæt piskeren godt fast ved forsigtigt at dreje den, til den falder ned over drivakslen.
- 4 Tilsæt ingredienserne.
- 5 Sæt låg på - sørg for, at enden af akslen sidder i midten af låget.
- 6 Tænd maskinen.



#### vigtigt

- Piskeriset egner sig ikke til at lave kagedej i ét trin eller til at røre fedtstof og sukker, da disse blandinger vil beskadige det. Brug altid kniven til at røre kagedej.

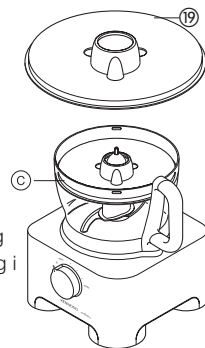
#### tips

- Resultatet bliver bedst, hvis æggene har stuetemperatur.
- Sørg for, at skål og piskere er rene og fri for fedtstof, inden der piskes.

### ⑲ maxi blenderindsats

Til blendning af væske bruger man maxi blenderindsatsen sammen med kniven. Den øger den mængde væske, der kan forarbejdes, fra 1 liter til 1,5 liter. Sivning undgås, og bladet finder bedre.

- 1 Sæt drivaksel og skål på motordelen.
- 2 Sæt kniven på.
- 3 Tilsæt de madvarer, der skal forarbejdes.
- 4 Sæt blenderindsatsen ned over kniven og sørg for, at den hviler på kanten indvendig i skålen ⑲. **Tryk ikke blenderindsatsen ned; hold den i grebet i midten.**
- 5 Sæt låg på og tænd maskinen.



## snitte-/riveplader

### dobbeltsidede snitte-/riveplader

#### - tyk ⑳, tynd ㉑

Brug rive-siden til ost, gulerødder, kartofler og mad med lignende konsistens.

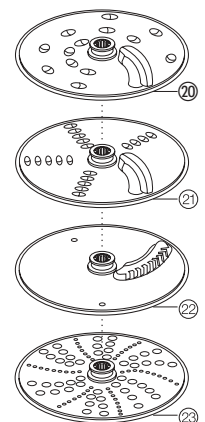
Brug snitte-siden til ost, gulerødder, kartofler, kål, agurk, squash, rødbeder og løg.

#### plade til tynde bølgede skiver (f.eks. kartoffelchips) ㉒

Bruges til at skære: kartofler til bølgechips; faste ingredienser til salat, garniture, sammenkogte retter og wok-retter (f.eks. gulerod, kålroe, squash, agurk).

#### raspeplade ㉓

River parmesanost og kartofler til tyske kartoffelfrikadeller.



## sikkerhed

- **Tag aldrig låget af, før snittepladen står helt stille.**
- **Behandl skærepladerne forsigtigt - de er særdeles skarpe**



## sådan bruges skærepladerne

1 Sæt drivaksel og skål på motordelen.

2 Hold pladen i grebet i midten (d), sæt den ned over drivakslen med den ønskede side opad (e).

3 Sæt låget på.

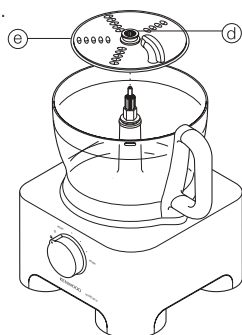
4 Vælg den størrelse påfyldningstragt, der skal bruges. Nedstopperen indeholder en mindre påfyldningstragt, der bruges til enkelte stykker eller tynde ingredienser.

Hvis den lille påfyldningstragt skal bruges - sæt først den store nedstopper ned i påfyldningstragten.

Hvis den store påfyldningstragt skal bruges - brug begge nedstoppere sammen.

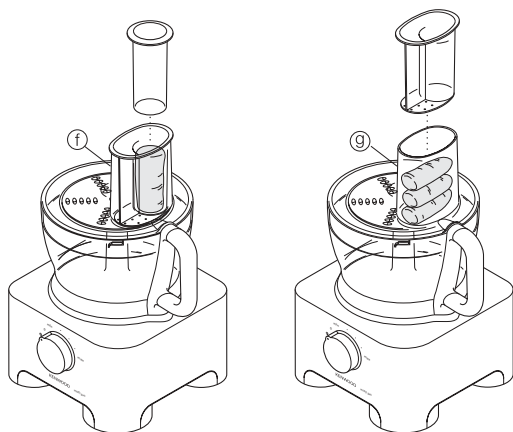
5 Læg ingredienserne i påfyldningstragten.

6 Tænd maskinen og tryk jævnt med nedstopperen - **stik aldrig fingrene ned i påfyldningstragten.**



### tips

- Brug friske madvarer
- Lad være med at skære dem for fint ud. Fyld påfyldningstragten næsten op. Det hindrer, at maden smutter ud til siden under bearbejdningen. Man kan eventuelt bruge den lille påfyldningstragt.
- Når snittepladen til tynde skiver bruges, lægges ingredienserne vandret.
- Når maden skives eller strimles: de dele, der sættes på højkant (f) bliver kortere end dem, der lægges vandret (g).
- Der bliver altid en lille smule tilbage på pladen eller i skålen efter bearbejdningen.



## 24 citruspresser

Brug citruspresseren til at presse saften ud af citrusfrugter (f.eks. appelsin, citron, lime og grapefrugt).

① riflet kegle

② si

### sådan bruges citruspresseren

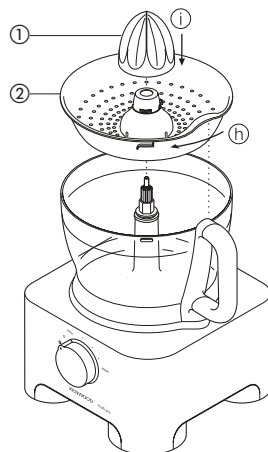
1 Sæt drivakslen og skålen på motordelen.

2 Sæt sien ned i skålen - sørg for, at siens håndtag låses på plads lige over håndtaget på skålen (h).

3 Sæt keglen ned over drivakslen og drej den, til den falder ned på plads (i).

4 Skær frugten midt over. Tænd for maskinen og tryk frugten ned over keglen.

• **Citruspresseren kan ikke starte, hvis sien ikke er låst rigtigt fast.**



## 25 kværn

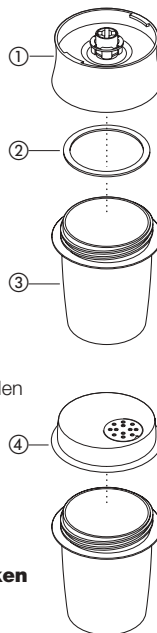
Kværnen anvendes til at male krydderurter, nødder og kaffebønner.

① knivenhed

② tætningsring

③ glas

④ strørlåg



### sikkerhed

- Sæt aldrig knivenheden på maskinen, uden at glasset sidder på.
- Skru aldrig glasset af, mens universalkværnen sidder på maskinen.
- Rør ikke ved de skarpe knive. Hold knivenheden væk fra børn.
- Fjern aldrig kværnen, før knivene helt er holdt op med at dreje.

**Bemærk: Kværnens underdel kan ikke ombyttes med FP925 glaskanden. Processoren fungerer ikke, hvis den forkerte underdel er sat på. Se grafikken på knivenhedsunderdelene.**

### vigtigt

- Lad aldrig kværnen arbejde længere end 30 sekunder ad gangen, så holder den længst muligt. Sluk for maskinen, så snart den rette konsistens er opnået.
- Krydderier må ikke males i maskinen - de kan beskadige plasticmaterialet.
- Maskinen virker ikke, hvis kværnen ikke er sat korrekt på.
- Må kun anvendes til tørre ingredienser.

## sådan anvender du kværnen

- 1 Kom ingredienserne i glasset. Fyld det aldrig mere end halvt op.
- 2 Sæt tætningsringen i knivenheden.
- 3 Vend knivenheden på hovedet. Sænk den ned i glasset med knivene nedad.
- 4 Skru knivenheden på glasset, til den er fingerstram.
- 5 Sæt kværnen på strømudtaget og drej den, til den er låst fast ①.
- 6 Tænd for maskinen på maximal hastighed eller brug impulsfunktionen.
- 7 Efter maling kan strøllåget sættes på i stedet for knivenheden og ingredienserne kan rystes ud.

- Strøllåget er ikke lufttæt.

### tips

- Det er bedst at male krydderurter, når de er rene og tørre.

## ②⑥ mini-processorskål

Anvend mini-processorskålen til at hakke krydderurter og behandle små mængder af ingredienser, f.eks. kød, løg, nødder, mayonnaise, grøntsager, puré, sauce og babymad.

- ① kniv til mini-processoren
- ② mini-processorskål

## sådan bruges mini-processorskålen

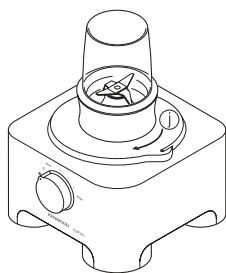
- 1 Sæt drivakslen og skålen på motorenheden.
- 2 Sæt mini-processorskålen på – sørg for, at ribberne på indersiden af mini-skålens skorsten er rettet ind med udskaaringerne i hovedskorstenen ①.
- 3 Sæt kniven ned over drivakslen ②.
- 4 Kom de ingredienser, der skal behandles, i.
- 5 Sæt låget på og tænd for maskinen.

### sikkerhed

- Fjern aldrig låget, før kniven helt er holdt op med at dreje.
- Kniven er meget skarp – den skal altid behandles med forsigtighed.

### vigtigt

- Behandl ikke krydderier – de kan beskadige plastikdelene.
- Behandl ikke hårde madvarer, f.eks. kaffebønner, isterninger og chokolade – de kan beskadige kniven.



### tips

- Det er bedst at hakke krydderurter, når de er rene og tørre.
- Tilsæt altid lidt væske, når der blendes kogte ingredienser til babymad.
- Skær madvarer som f.eks. kød, brød, grøntsager i terninger på ca. 1-2 cm før bearbejdningen.
- Når der laves mayonnaise, skal olien tilsættes gennem tilførselsrøret.

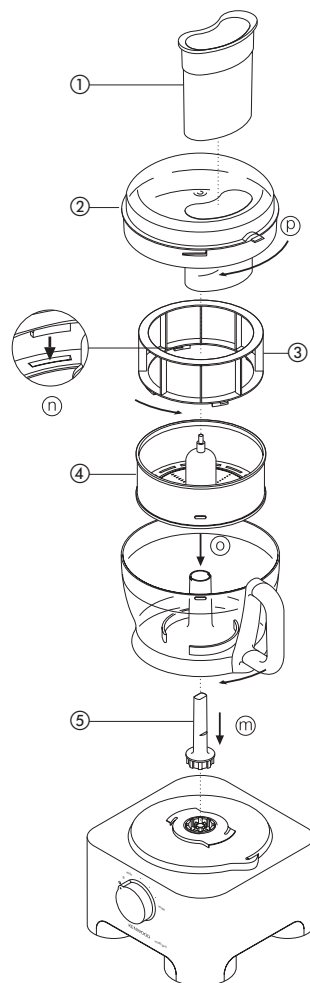
## ②⑦ metal centrifugal saftpresser (brug maks. hastighed)

Brug den centrifugale saftpresser til at udvinde juice fra frugt og grøntsager.

- ① nedskubber
- ② låg
- ③ frugtkødsfjerner
- ④ filtercylinder
- ⑤ Saftpresserens påfyldningscylinder

## sådan anvendes saftcentrifugen

- 1 Sæt drivakslen og skålen på motorenheden ①.
  - 2 Placer frugtkødsfjerner i filtercylinderen, og check at tapperne er korrekt anbragt i hullerne på bunden af cylinderen ②.
  - 3 Montér filtertømlen ③. **Din saftpresser vil ikke fungere, hvis låget ikke er låst.**
  - 4 Sæt tilbehørlåget på skålen og drej det, indtil det låser og tilførselsrøret sidder over håndtaget ④.
  - 5 Skær frugten/grøntsagerne i så små stykker, at de kan komme ned i tilførselsrøret.
  - 6 Tænd for maskinen og tryk jævnt ned med nedskubberen – **kom aldrig fingrene ned i tilførselsrøret.** Stykkerne skal behandles færdigt, før der kommer flere i.
- Efter at sidste del er kørt igennem maskinen, skal du lade saftpresseren køre i yderligere 20 sekunder for at udvinde alt saften fra filtertømlen.



## sikkerhed

- **Anvend ikke saftcentrifugen, hvis filteret er beskadiget.**
- Brug kun den medfølgende nedskubber. Kom aldrig fingrene ned i tilførselsrøret. Tag stikket ud, før der fjernes fastsiddende stykker i tilførselsrøret.
- Før låget fjernes, sluk for apparatet og vent, til filteret standser.
- Skærebledene på bunden af filtercylinderen er meget skarpe. Pas derfor på, når du bruger og skal rengøre cylinderen.

### vigtigt

- Hvis saftpresseren begynder at vibrere, så sluk den og tøm frugtkødet fra cylinderen (saftpresseren vibrerer, hvis frugtkødet ikke fordeler sig jævnt)

- Den maksimale kapacitet for saftpresseren er 500g frugt eller grøntsager
- Visse meget hårde frugt/grøntsagstyper kan få saftcentrifugen til at virke langsommere eller standse. Hvis dette sker, sluk for saftcentrifugen og fjern tilstopningen i filteret.
- Sluk for saftcentrifugen og rens filteret jævnlgt under brug.

#### tips

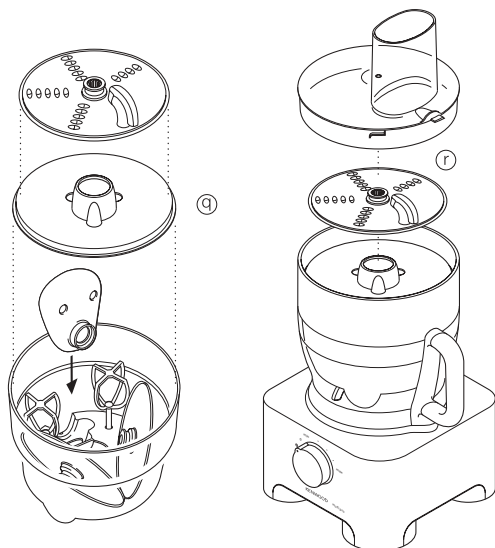
- Før frugten/grøntsagerne kommes i, fjernes sten og kerner (f.eks. peberfrugt, meloner, blommer) og hård skræl (f.eks. meloner, ananas). Du behøver ikke skrælle æbler og pærer eller tage kernehuset ud.
- Brug faste, friske frugter og grøntsager.
- Saft fra citrusfrugter vil blive bitter og skummende, hvis skrællen også bruges. Anvend en citruspresser i stedet for.

## 28 KENSTORE™ tilbehørskarrusel

Med foodprocessoren følger en tilbehørskarrusel, som sættes ind i skålen.

### sådan bruges tilbehørskarusellen

- 1 Sæt kniven fast på skålen.
- 2 Sæt så piskeriset, pladerne og indsatsen ind i karrusellen ④.
- 3 Sæt karrusellen over kniven og anbring processorlåget ovenpå ①.

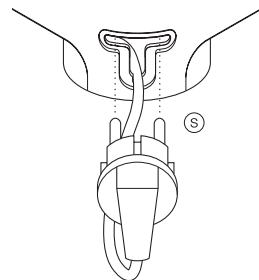


## vedligeholdelse og rengøring

- Sluk altid for maskinen og tag stikket ud, inden den gøres ren.
- Behandl kniv og snitteplader forsigtigt - de er særdeles skarpe.
- Visse fødevarer misfarver plastdelene. Det er ganske normalt og skader ikke plastikken eller giver afsmag i maden. Misfarvninger kan fjernes ved at gnide dem med en klud dyppet i spiseolie.

#### motordel

- Aftørres med en fugtig klud; tør efter. Sørg for, at området omkring sikkerhedslåsen er fri for madrester.
- Opbevar overskydende ledning i rummet bag på maskinen ⑤.



#### blender/kværn

- 1 Tøm kanden/glasset, før den/det skrues af knivenheden.
- 2 Vask kanden/glasset i hånden.
- 3 Tag tætningsringene af og vask dem.
- 4 Undgå at berøre de skarpe knive - børst dem rene med varmt sæbevand og skyl grundigt efter under hanen. **Kniven må ikke sænkes ned i vandet.**
- 5 Lufttørres med bunden opad.

#### piskersæt

- Tag piskerne af drivhovedet ved forsigtigt at trække dem ud. Vask dem i varmt sæbevand.
- Aftør piskerdrevet med en fugtig klud; tør efter. **Piskerens drivhoved må ikke sænkes ned i vandet.**

#### metal centrifugal saftpresser

- Saftpresseren er lettere at gøre ren, hvis de enkelte dele vaskes straks efter brug
- Visse madvarer, f.eks. gulerødder, misfarver plastic. Misfarvninger kan fjernes ved at gnide dem med en klud dyppet i vegetabilsk olie.

#### filter

- Løft frugtkødsfjernereren af og bank let på den for at løsrive frugtkødet
- Rengør filteret med en blød børste.
- **Kontrollér filteret regelmæssigt for tegn på beskadigelse. Anvend ikke apparatet, hvis filteret er beskadiget. Se "service og kundeservice"**

#### alle andre dele

- Vaskes i hånden og tørres af.
- Alternativt kan de vaskes på øverste stativ i opvaskemaskinen. Et kort program med lav temperatur anbefales.

## service og kundepleje

- Hvis ledningen er beskadiget, skal den af sikkerhedsgrunde udskiftes af KENWOOD eller en autoriseret KENWOOD-reparatør.

Hvis du har brug for hjælp med:

- at bruge apparatet eller
  - servicering eller reparation
- Kontakt den butik hvor du oprindeligt købte dit produkt.



**VIGTIG INFORMATION ANGÅENDE BORTSKAFFELSE AF PRODUKTET I OVERENSSTEMMELSE MED EF DIREKTIV 2002/96/CE.**

Ved afslutningen af dets produktive liv må produktet ikke bortskaffes som almindeligt affald. Det bør afleveres på et specialiseret lokalt genbrugscenter eller til en forhandler, der yder denne service. At bortskaffe et elektrisk husholdningsapparat separat gør det muligt at undgå eventuelle negative konsekvenser for miljø og helbred på grund af upassende bortskaffelse, og det giver mulighed for at genbruge de materialer det består af, og dermed opnå en betydelig energi- og ressourcebesparelse. Som en påmindelse om nødvendigheden af at bortskaffe elektriske husholdningsapparater separat, er produktet mærket med en mobil affaldsbeholder med et kryds.

fejlfindingsvejledning

Problem	Årsag	Løsning
Processoren fungerer ikke	Ingen strøm/strømlampen lyser ikke. Skålen er ikke låst rigtigt fast.  Låget er ikke låst rigtigt fast.	Kontrollér, at processorens stik er sat i en stikkontakt. Kontrollér, at skålen er placeret rigtigt og at håndtaget vender mod højre side. Kontrollér, at lågets sikkerhedslås er sat rigtigt ind i håndtagsområdet. <b>Processoren kan ikke fungere, hvis skålen og låget er sat forkert på.</b> Hvis der ikke findes nogen af ovenstående fejl, skal du kontrollere sikringen/relæet i din bolig.
Blenderen/kværnen fungerer ikke	Den forkerte underdel er brugt.	<b>Kværnens underdel kan ikke ombyttes med FP925 glaskanden. Processoren fungerer ikke, hvis den forkerte underdel er sat på.</b> Kontrollér, at grafikken er korrekt på den anvendte underdel.
Processoren stopper under arbejdet.	Processoren er overbelastet/de maximale mængder er overskredet. Låget er ikke låst.	Kontrollér de maximale mængder, som er anført under "sådan bruges foodprocessoren". Kontrollér, at låget er låst rigtigt.
Redskaber/tilbehør virker ikke rigtigt.	Se tips i det relevante afsnit om "brug af tilbehør".	Kontrollér, at tilbehøret er samlet rigtigt.

# Svenska

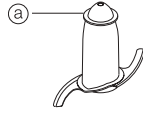
## Vik ut främre omslaget med bilderna.

### säkerhet

- Var försiktig! Knivbladen och skivorna är mycket vassa. **Håll alltid i kniven i "handtaget" ③ högst upp (så långt bort som möjligt från själva eggen) både när du använder och diskar den.**
- Lyft eller bär inte matberedaren i handtaget. Då kan handtaget gå sönder och du kanske skadar dig.
- Ta alltid bort kniven innan du tömmer skålen.
- Stick inte ner händer eller redskap i skålen eller mixerkannan när kontakten är i.
- Stäng av apparaten och dra ur kontakten:
  - innan du monterar eller tar bort delar
  - efter användning
  - före rengöring
- Använd aldrig fingrarna för att trycka ner bitar i matarröret. Använd alltid matarstaven (-arna) som levererades med matberedaren.
- Innan du tar av locket från skålen eller mixern/kvarnen:
  - stänga av;
  - vänta tills tillbehören/knivbladen är helt stilla;
  - Var försiktig så att du inte skruvar av mixerkannan eller kvarnen från bladenheten.
- Använd inte locket för att reglera matberedaren utan använd alltid hastighetsreglaget i av/på-vredet.
- **Apparaten kan gå sönder och eventuellt orsaka personskada om låsmekanismen utsätts för våld.**
- Använd endast tillbehör som är direkt avsedda för denna apparat.
- Håll alltid ett öga på den när den är på.
- Använd aldrig matberedaren om den är trasig. Lämna in den för genomgång eller reparation: se "service".
- Låt aldrig strömenhet, sladd eller kontakt bli våta.
- Låt inte överflödigt sladd hänga ner över kanten på bordet eller arbetsbänken eller komma åt en het yta.
- Överstig inte de angivna maxmängderna.
- Den här apparaten är inte avsedd för användning av personer (inklusive barn) med begränsad fysisk eller mental förmåga eller begränsad känsel. Den är inte heller avsedd för användning av personer med bristande erfarenhet eller kunskap, om de inte övervakas eller får instruktioner om hur apparaten ska användas av en person som ansvarar för deras säkerhet.
- Barn får inte lov att leka med apparaten. Lämna dem inte ensamma med den.
- Använd apparaten endast för avsett ändamål i hemmet. Kenwood tar inte på sig något ansvar om apparaten används på felaktigt sätt eller om dessa instruktioner inte följs.
- Om du använder matberedaren/mixern på fel sätt kan det resultera i skada.

### före inkoppling

- Kontrollera att elektriciteten i din bostad överensstämmer med specifikationerna på apparatens undersida.
- Den här apparaten följer EU-direktiv 2004/108/EG om elektromagnetisk kompatibilitet och EU:s förordning nr 1935/2004 från 2004-10-27 om material som är avsedda för kontakt med livsmedel.



### före användning

- 1 Ta bort allt förpackningsmaterial, inklusive plastskydden på kniven. **Var försiktig! Knivbladen är mycket vassa.** Kassera plastskydden, eftersom de endast behövs under tillverkning och frakt.
- 2 Diska alla delar (se "rengöring")
- 3 För att förhindra att det ligger för mycket sladd framme kan du skjuta in överskottet på apparatens baksida.

### förklaring till bilder

#### matberedare

- ① strömenhet
- ② löstagbar drivaxel
- ③ skål
- ④ lock
- ⑤ matarrör
- ⑥ matarstav
- ⑦ säkerhetsföreglingar
- ⑧ sladdförvaring
- ⑨ hastighetsreglage med strömindikator

#### mixer

- ⑩ påfyllningslock
- ⑪ lock
- ⑫ locktätning
- ⑬ kanna
- ⑭ packningsring
- ⑮ knivhållare

### ytterligare tillbehör

Inte alla de nedan angivna tillsatserna följer med din matberedare. Om du vill köpa en tillsats som inte följer med i kartongen kan du fråga i butiken där du köpte maskinen.

- ⑯ knivblad
- ⑰ degredskap
- ⑱ växlad metallvisp
- ⑲ visplock
- ⑳ grov skivnings/strimlingsskiva
- ㉑ fin skivnings/strimlingsskiva
- ㉒ fin pomes frites-skiva
- ㉓ rivningsskiva
- ㉔ växlad citrusfruktspress
- ㉕ kvarn
- ㉖ matberedarskål
- ㉗ råsaftcentrifug
- ㉘ tillsatskarusell KENSTORE™
- ㉙ spatel

välja hastighet för de olika funktionerna

Verktyg/tillsats	Funktion	Hastighet	Maxmängder
Knivblad	Allt-i-ett-kaka Pajdeg – finfördela fett i mjölet Tillsätta vatten till pajdegen Hacka/puréa/patéer	Min – Max 5 – Max 1 – 5 Max	1,5 kg totalvikt 340 g mjöl 600 g kött
Knivblad med visplock	Soppor – börja vid låg hastighet och gå upp till maxhastighet	Min – Max	1,5 liter
Visp	Äggvita Ägg och socker till sockerkaka Gräddde	Max Max 5 – Max	6 äggvitor 5 dl
Degredskap	Jästdeg	Max	600 g
Skivor – skivning/strimling/hackning	Fasta livsmedel såsom motor, hård ost Mjukare livsmedel såsom gurka, tomat	5 – Max Min – 5	
Rivningsskiva	Parmesanost, potatis till kroppkakor	Max	
Citrusfruktpress	Citrusfrukter	1	
Miniskål och kniv	All matberedning	Max	200 g
Mixer	All matberedning	Max	1,5 liter
Kvarn	All matberedning	Max	
Råsaftcentrifug	Frukt och grönsaker	Max	500 g

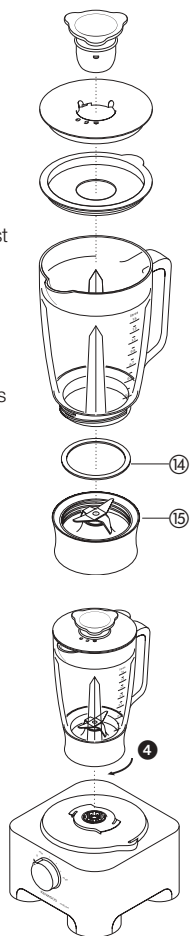
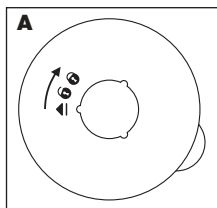
## använda matberedaren

- 1 Montera den borttagbara axeln på kraftenheten ❶.
  - 2 Sätt sedan fast skålen. Låt handtaget peka bakåt och vrid sedan medurs tills skålen låses fast ❷.
  - 3 Sätt på ett tillbehör på drivaxeln.
- Montera alltid ihop skål, tillbehör och själva matberedaren innan du lägger i ingredienserna.
  - 4 Sätt på locket ❸ - kontrollera att den översta delen av drivaxeln hamnar mitt i locket.
  - **Använd inte locket för att reglera matberedaren utan använd alltid hastighetsreglaget i av/på-vredet.**
  - 5 Sätt i kontakten, så tänds strömindikatorn. Koppla på och ställ in en hastighet.
  - **Matberedaren fungerar inte om skål och lock inte är korrekt monterade.**

- Använd momentaninställningen (P) om du bara vill köra matberedaren helt kort. Då går den så länge som reglaget hålls i det läget.
- 6 Följ anvisningarna ovan i omvänd ordning för att ta loss skålen, locket och tillbehören.
- **Stäng alltid av beredaren innan du tar av locket. viktigt**
- Matberedaren lämpar sig inte för att krossa eller mala kaffebönor eller göra strösocker till florsocker.
- När du tillsätter bittermandelessens eller andra smaktillsatser måste du undvika att dessa kommer i direktkontakt med plasten, eftersom det kan orsaka bestående missfärgningar.

## använda mixern

- 1 Lägg i tätningringen (14) i bladenheten (15) och se till att den tätar ordentligt.  
**Om tätningringen är skadad eller fel ilagd läcker mixern.**
- 2 Skruva fast kannan på bladenheten.
- 3 Lägg ingredienserna i kannan.
- 4 Tryck fast locktätningen på undersidan av locket.
- 5 Sätt på påfyllningslocket i locket och lås fast det genom att vrida det ett snäpp (T).
- 6 Sätt på locket på kannan och vrid påfyllningslocket (T) för att låsa fast det. Påfyllningslocket kan ställas i tre olika lägen (se A)  
▲ - påfyllningslocket kan tas av för tillsats av ingredienser i kannan.  
T - låset olåst/påfyllningslocket fastlåst på locket för på- och avtagning av locket.  
T - locket fastlåst.
- 7 Sätt mixern på kraftdelen och vrid fast den (4).
- 8 Markera en hastighet eller använd momentanreglaget.



**OBS: Kvarnens underdel är inte utbytbar mot glaskannan för mixern till FP925. Matberedaren fungerar inte om fel bas har satts på. Se illustrationen på bladenhetens underdel.**

### tips

- **Låt vätskor svalna till rumstemperatur innan de mixas.**
- För att göra majonnäs lägger du alla ingredienserna i mixern utom oljan. Lås sedan maskinen gå och häll oljan i påfyllningslocket och låt det rinna genom.
- Du kan behöva skrapa mer tjocka blandningar t.ex. patéer och dipsåser. Om blandningen är svårarbetad kan du tillsätta mer vätska.
- För att krossa is använder du momentanfunktionen i korta pass.
- För att din mixer ska hålla länge bör du inte köra den längre än 60 sekunder i taget. Stäng av så snart som du fått rätt konsistens.
- Kör inte kryddor. Då kan plasten skadas.
- Maskinen fungerar inte om mixern har satts på fel.
- Lägg inte torra ingredienser i mixern innan du kopplar på den. Skär dem vid behov i bitar, ta ut påfyllningslocket och släpp sedan ned dem en i taget medan maskinen går.
- Använd inte mixern som förvaringskärl. Den måste vara tom när den inte används.
- Mixa aldrig mer än 1½ liter, eller inte ens det vid skummande vätskor som milkshakes.

## använda tillbehören

### ⑯ kniv/⑰ degknådare

kniven är det mest mångsidiga tillbehöret. Konsistensen avgörs av hur länge man kör. Använd momentanreglaget för grövre konsistens.

Använd kniven när du gör mjuka kakor och pajdeg, hackar grönsaker, nötter, och rått och kokt kött, gör paté och dippsåser, puréar soppor och också när du gör ströbröd av kakor och bröd. Den kan även användas till jäsdeg om du inte har någon degknådare.

Använd degknådarknåden till jäsdeg.

#### tips

##### kniv

- Skär livsmedel som kött, bröd och grönsaker i cirka 2 cm stora tärningar före körningen.
- Bryt kakor i småbitar och släpp ner i matarröret medan maskinen är igång.
- När du gör pajdeg tar du fett direkt från kylen och skär i 2 cm stora tärningar.
- Var noga med att inte bearbeta degen för länge.

##### degknådare

- Lägg de torra ingredienserna i skålen och tillsätt vätskan genom matarröret, när apparaten är igång. Kör tills det bildats en slät och smidig degklump (60 - 90 sekunder).
- Efter jäsning ska degen endast knådas för hand. Det är inte tillrådligt att knåda den i skålen, eftersom det kan göra matberedaren instabil.

### ⑱ dubbelvisp

Vispen ska endast användas till lätta, t.ex. äggvita, gräddde, torrmjöl, och när du vispar ägg och socker till sockerkaka. Den förstörs av tyngre blandningar, som fett och mjöl.

## använda vispen

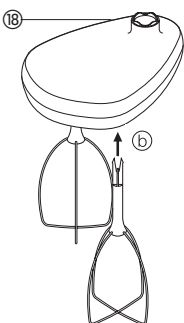
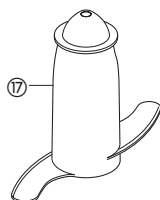
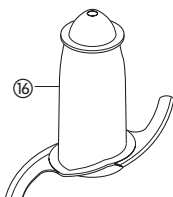
- 1 Sätt fast drivaxeln och skålen på strömenheten.
- 2 Tryck in båda visparna stadigt i drivhuvudet ⑯.
- 3 Montera vispen genom att vrida den försiktigt tills den faller ner över drivaxeln.
- 4 Tillsätt ingredienserna.
- 5 Sätt på locket - kontrollera att änden på axeln hamnar mitt i locket.
- 6 Slå på.

#### viktigt

- Vispen lämpar sig inte för allt-i-ett-kakor, eller kaksmet där man börjar med att blanda fett och socker. Då kan vispen skadas. Använd alltid knivbladet för sådan kaksmet.

#### tips

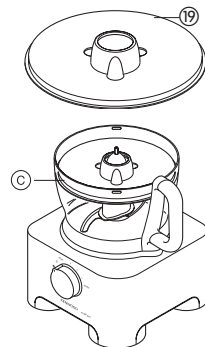
- Du får bäst resultat om äggen har rumstemperatur.
- Se till att skål och vispar är rena och fria från fett innan du vispar.



### ⑲ mixerkåpa

När du ska mixa vätskor använder du mixerkåpan tillsammans med kniven. På det sättet kan du öka den körda mängden vätska från 1 liter till 1,5 liter; läckage förhindras och kniven fungerar effektivare.

- 1 Sätt fast drivaxeln och skålen på strömenheten.
- 2 Montera kniven.
- 3 Tillsätt ingredienserna.
- 4 Sätt på mixerkåpan över kniven och kontrollera att den vilar mot listen på skålens insida ⑳. **Tryck inte ner mixerkåpan; ta tag i hållaren mitt på.**
- 5 Sätt på locket och slå på apparaten.



## skär- och strimlingskivor

### vändbara skär- och strimlingskivor - tjock ⑳, tunn ㉑

Använd strimlingskivorna till ost, morötter, potatis och livsmedel med liknande konsistens.

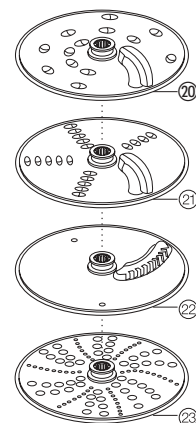
Använd skärsidan till ost, morötter, potatis, vitkål, gurka, zucchini, rödbetor och lök.

### skiva för strimlor av juliennetyp ㉒

Används för att skära: potatis till extra finstrimlade pommes frites; fasta ingredienser i sallader, garnityr, grytor och "stir fry" (t.ex. morot, kålrot, zucchini, gurka).

### rivskiva ㉓

River Parmesan-ost eller potatis till raggmunk.



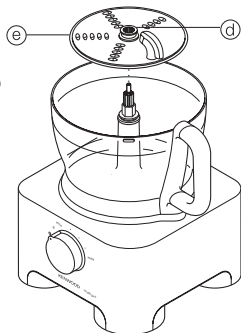
## säkerhet

- **Ta aldrig av locket förrän skärskivan är helt stilla.**
- **Var försiktig när du hanterar skärskivorna - de är extremt vassa**



## använda skärskivorna

- 1 Sätt fast drivaxeln och skålen på strömenheten.
- 2 Ta tag i hållaren mitt på **d** och lägg skivan på drivaxeln med rätt sida upp **e**.



- 3 Sätt på locket.
- 4 Välj vilken storlek på matarrör du vill använda. I matarstaven finns det ett mindre matarrör för bearbetning av enskilda bitar eller tunna ingredienser.

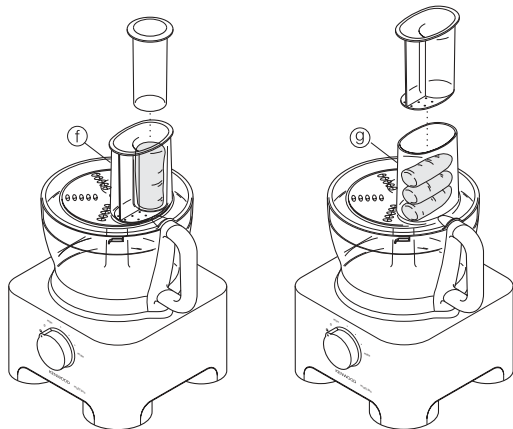
När du vill använda det mindre matarröret placerar du först den stora matarstaven i matarröret.

När du vill använda det stora matarröret använder du båda matarstavarna tillsammans.

- 5 Lägg livsmedlen i matarröret.
- 6 Slå på matberedaren och tryck ner livsmedlen i jämn takt med matarstaven - **stoppa aldrig in fingrarna i matarröret.**

### tips

- Använd färsk ingredienser
- Skär inte livsmedlen i alltför små bitar. Fyll på det stora matarröret så att det är tämligen fullt även på bredden. Det gör att livsmedlen inte lägger sig på sidan under körningen. Alternativt använder du det lilla matarröret.
- När du använder strimlingskivan lägger du ingredienserna vågrätt.
- Om du ställer livsmedlet lodrätt **f** när du strimlar eller skivar blir bitarna mindre än om det läggs vågrätt **g**.
- Det kommer alltid att finnas lite rester på skivan eller i skålen efter körningen.



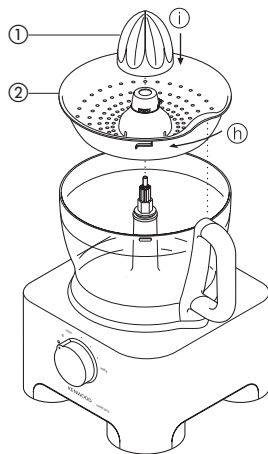
## 24 citruspress

Använd citruspressen för att pressa juice från citrusfrukter (t.ex. apelsiner, citroner, lime och grapefrukt).

- 1 kon
- 2 sil

## använda citruspressen

- 1 Sätt fast drivaxeln och skålen på strömenheten.
- 2 Passa in silen i skålen - kontrollera att handtaget på silen är i låst läge, direkt ovanför handtaget på skålen **h**.
- 3 Sätt konen på drivaxeln och vrid runt tills den har gått hela vägen ner **i**.
- 4 Skär frukten i halvor. Slå sedan på apparaten och tryck frukten mot konen.



- **Citruspressen fungerar inte om silen inte är korrekt låst.**

## 25 kvarnen

Använd kvarnen för att mala örter, kryddor, nötter och kaffeböner.

- 1 bladenhet
- 2 tätningring
- 3 burk
- 4 ströarlock

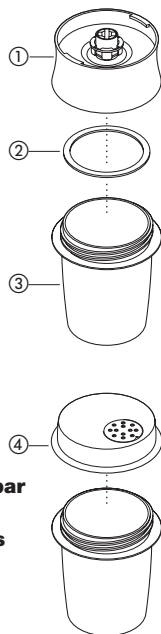
## säkerhet

- Montera aldrig bladen på maskinen utan att kannan är monterad.
- Skruva aldrig bort burken medan multikvarnen sitter på maskinen.
- Vidrör inte de vassa bladen. Håll bladenheten utom räckhåll för barn.
- Ta aldrig bort kvarnen förrän bladen har stannat helt.

**OBS: Kvarnens underdel är inte utbytbar mot glaskannan för mixern till FP925. Matberedaren fungerar inte om fel bas har satts på. Se illustrationen på bladenhetens underdel.**

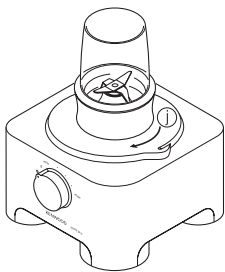
### viktigt

- För att kvarnen ska hålla så länge som möjligt ska du aldrig köra den längre än 30 sekunder. Stäng av så snart du fått rätt konsistens.
- Mixa/mal inte kryddor - de kan skada plasten.
- Maskinen fungerar inte om kvarnen är felmonterad.
- Använd kvarnen bara för torra ingredienser.



## hur du använder kvarnen

- 1 Lägg ingredienserna i burken. Fyll den inte mer än till hälften.
- 2 Montera tättningsringen i bladenheten.
- 3 Vänd bladenheten upp-och-ner.
- 4 Skruva på bladenheten på burken så hårt det går för hand.
- 5 Sätt kvarnen på kraftdelen och vrid fast den ①.
- 6 Koppla på på högsta hastighet eller använd momentanknappen.
- 7 Efter malningen kan du byta ut bladenheten mot ströarlocket och ströa det malda.



- Ströarlocket är inte lufttätt.

### tips

- Örtkryddor är lättast att mala när de är rena och torra.

## ⑳ miniskål för matberedare

Använd miniskålen för att hacka örtkryddor och köra små mängder såsom kött, lök, nötter, majonnäs, grönsaker, puréer, såser och barnmat.

- ① kniv till miniskål
- ② miniskål

## använda miniskålen

- 1 Montera drivaxeln och skålen på kraftdelen.
- 2 Sätt på miniskålen och se till att åsarna på insidan av miniskålen passar in i skårorna i det större matarröret ①.
- 3 Sätt knivbladet på drivaxeln ②.
- 4 Tillsätt ingredienserna som ska köras.
- 5 Sätt på locket och koppla på.

### säkerheten

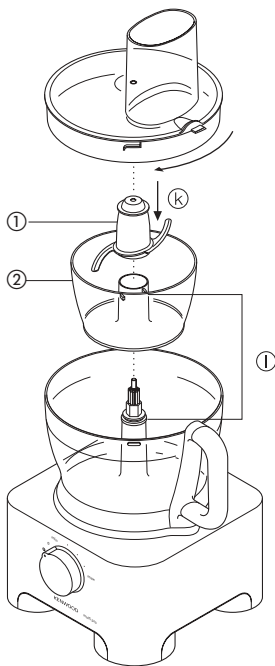
- Ta aldrig bort locket förrän knivbladet har stannat helt.
- Knivbladet är mycket vasst. Hantera det med försiktighet.

### viktigt

- Kör inte kryddor. Då kan plasten skadas.
- Kör inte hårda livsmedel såsom kaffeböner, istärningar eller choklad. Då kan bladet skadas.

### tips

- Örtkryddor hackas bäst om de är rena och torra.
- Tillsätt alltid lite vätska vid mixning av tillagade ingredienser till barnmat.
- Skär livsmedel såsom kött, bröd, grönsaker i 1-2 cm stora tärningar innan de körs..
- Håll oljan i matarröret för att göra majonnäs.



## ㉗ juicepress av metall (använd maxhastighet)

Använd juicepressen för att göra juice av fast frukt och fasta grönsaker.

- ① stöt
- ② lock
- ③ avskiljare för fruktkött
- ④ filtertrumma
- ⑤ drivaxel

## hur du använder råsaftcentrifugen

- 1 Montera drivaxeln och skålen på kraftdelen ①.
- 2 Placera avskiljaren för fruktkött i filtertrumman och kontrollera att flikarna fäster på plats i trummans botten ②.

- 3 Montera filtertrumman ③.

### Juicepressen fungerar inte om locket inte är spärrat

- 4 Sätt tillbehörslocket på skålen, vrid tills det låses fast och inmatningsröret kommer över handtaget ④.
- 5 Skär frukten och grönsakerna i små bitar som passar i matarröret.
- 6 Koppla på och tryck ner stöten jämnt – **sätt aldrig fingrarna i matarröret**.

- Efter att du lagt i sista biten ska du låta juicepressen gå ytterligare 20 sekunder så att all juice pressas ut ur filtertrumman.

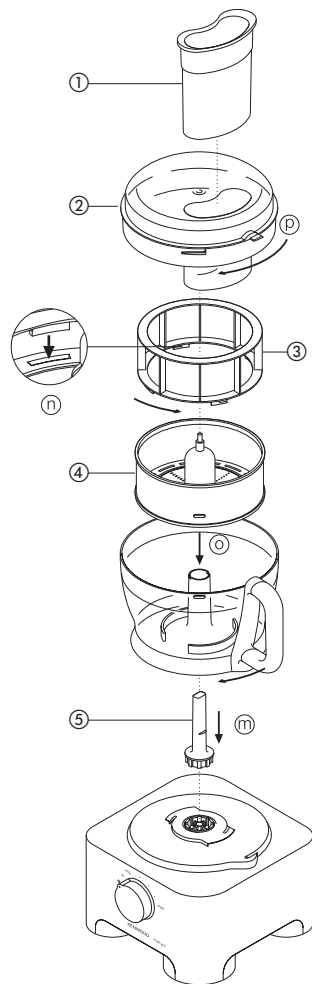
## säkerheten

- **Använd inte saftcentrifugen om filtret är skadat.**

- Knivbladen vid filtertrummans bas är mycket vassa. Var försiktig när du rengör trumman.
- Använd bara den medföljande stöten. Stoppa aldrig fingrarna i matarröret. Dra ut kontakten innan du avlägsnar bitar som kört fast i matarröret.
- Koppla av råsaftcentrifugen och vänta tills filtret stannar innan du tar bort locket.

### viktigt

- Om juicepressen börjar att vibrera ska du stänga av den och tömma trumman på fruktkött. (Juicepressen vibrerar om fruktköttet är ojämnt fördelat.)
- Du kan maximalt pressa 500g frukt eller grönsaker åt gången.
- Vid mycket hård konsistens kan det hända att råsaftcentrifugen saktar ner eller stannar. Om det händer måste du stänga av och göra ren filtret.
- Stäng av och töm fruktköttsuppsamlaren regelbundet under användningen.



### tips

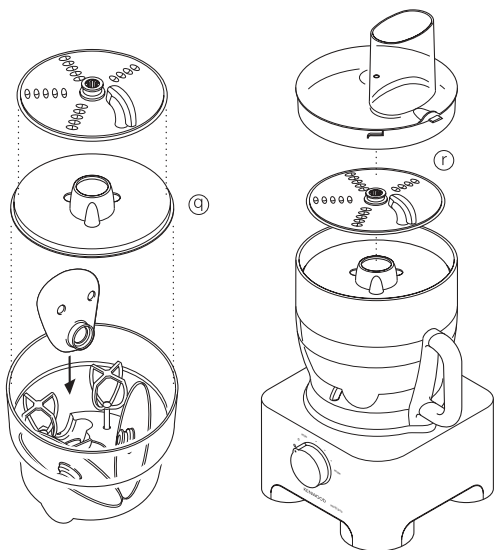
- Innan du börjar ska du ha tagit bort kärnor (t.ex. i paprikor, melon, plommon) och hårt skal (t.ex. melon, ananas). Äpplen och päron behöver inte skalas eller kärnas ur.
- Använd fasta färska ingredienser.
- Saft från citrusfrukt blir besk och skummig av det vita på skalet. Använd citrusfruktpressen i stället.

## 28 Tillsatskarusell KENSTORE™

Med din matberedare följer en tillsatskarusell som passar i skålen.

### så här använder du tillsatskarusellen

- 1 Montera knivbladet i skålen.
- 2 Sätt sedan i vispen, skivorna och vispocket i karusellen ④.
- 3 Sätt karusellen över knivbladet och sätt på matberedarlocket ①.

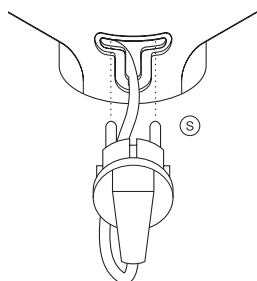


## skötsel och rengöring

- Stäng alltid av matberedaren och dra ur kontakten innan du rengör den.
- Hantera kniv och skärskivor försiktigt - de är extremt vassa.
- Vissa livsmedel kan missfärga plasten. Detta är helt normalt. Plasten skadas inte, och mat som du lagar senare påverkas inte heller på något sätt. Om du gnuggar med en trasa doppad i vegetabilisk olja försvinner missfärgningen.

### strömenhet

- Torka med fuktig trasa och torka sedan torrt. Kontrollera att det inte finns några matrester nära låsmekanismen.
- Förvara överflödigt nätsladd i förvaringsutrymmet på apparatens baksida ⑤.



### mixer/kvarn

- 1 Töm kannan/kvarnen innan du skruvar bort den från bladenheten.
- 2 Diska kannan för hand.
- 3 Ta ut och diska tärningarna.
- 4 Rör inte vid de vassa knivbladen - borsta dem rena med varmt diskvatten och skölj sedan noga under rinnande vatten. **Doppa aldrig ner knivhållaren i vatten.**
- 5 Ställ den uppochner och låt den torka.

### dubbelvisp

- Ta loss visparna från drivhuvudet genom att försiktigt dra ut dem. Diska i varmt vatten.
- Torka av drivhuvudet med fuktig trasa och torka sedan torrt. **Doppa aldrig ner drivhuvudet i vatten.**

### juicepress av metall

- Rengör alltid delarna direkt efter användningen, då är det enklare att få dem rena.
- Vissa livsmedel t.ex. morot missfärgar plast. Missfärgningen kan delvis avlägsnas genom att man gnider med en duk doppad i vegetabilisk olja.

### filter

- Lyft ut avskiljaren och slå lätt på den för att avlägsna fruktköttet.
- gör rent med mjuk borste.
- **Undersök filtret regelbundet för att se att det är oskadat. Använd det inte om det är skadat. Se "service och kundtjänst"**

### alla övriga delar

- Diska för hand och torka.
- Alternativt kan de maskindiskas i övre korgen. Ett kort program med låg temperatur rekommenderas.

## service och kundtjänst

- Om sladden är skadad måste den av säkerhetsskäl bytas ut av KENWOOD eller av en auktoriserad KENWOOD-reparatör.
- Om du behöver hjälp med:
  - att använda apparaten eller
  - service eller reparationerKontakta återförsäljaren där du köpte apparaten.



## VIKTIG INFORMATION FÖR KORREKT BORTSKAFFNING AV PRODUKTEN I ÖVERENSSTÄMMELSE MED EU-DIREKTIV 2002/96/EG.

När produktens livslängd är över får den inte slängas i hushållssoporna. Den kan överlämnas till lokala myndigheters avfallssorteringscentraler eller till en återförsäljare som ger denna service.

När du avfallshanterar en hushållsmaskin på rätt sätt undviker du de negativa konsekvenser för miljön och hälsan som kan uppkomma vid felaktig avfallshandling. Du möjliggör även återvinning av materialen vilket innebär en betydande besparing av energi och tillgångar.

## felsökningsguide

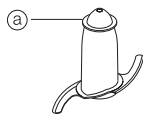
<b>Problem</b>	<b>Orsak</b>	<b>Lösning</b>
Matberedaren fungerar inte	Ingen ström/strömindikatore lyser inte. Skålen har inte låsts fast ordentligt.  Locket har inte låsts fast ordentligt.	Kontrollera att matberedaren är ansluten till strömmen. Kontrollera att skålen sitter rätt med handtaget åt höger. Kontrollera att lockfjörreglingen sitter rätt i området vid handtaget. <b>Matberedaren fungerar inte om skålen och locket inte sitter rätt.</b> Om inget av ovanstående hjälper bör du se efter om en säkring eller jordfelsbrytaren har gått.
Mixern/kvarnen fungerar inte	Fel underdel används.	<b>Kvarens underdel är inte utbyttbar mot mixerkannan till FP925. Matberedaren fungerar inte om fel bas har satts på.</b> Se illustrationen på den använda underdelen.
Matberedaren stannar under arbetet	Matberedaren överlastad/maxmängden har överskridits. Locket har inte låsts fast.	Se maxmängderna under "hur du använder din matberedare". Kontrollera att locket sitter ordentligt fastlåst.
Verktygen/tillsatserna fungerar inte som de ska	Se tipsen i motsvarande avsnitt under "använda tillsatserna". Se till att tillsatserna har satts ihop ordentligt.	

# Norsk

## Brett ut framsiden med illustrasjoner

### sikkerhet

- Knivbladene og skivene er svært skarpe og må håndteres med forsiktighet. **Hold alltid kniven i fingergrepet** **(a) øverst, bort fra eggen, både når du bruker og vasker kniven.**
- Ikke løft eller bær matprosessen etter håndtaket – ellers kan håndtaket knekke og føre til personskade.
- Ta alltid ut kniven før du tømmer bollen.
- Stikk ikke hendene eller redskaper ned i bollen eller hurtigmikseren når strømmen er tilkoblet.
- Slå av maskinen og trekk ut støpselet i følgende tilfeller:
  - før du setter inn eller tar ut deler
  - etter bruk
  - før rengjøring



- Bruk aldri fingrene til å skyve ingrediensene ned i påfyllingstrakten. Bruk alltid stapperne som følger med maskinen.
- Før du tar lokket av bollen eller hurtigmikseren/kvernen av strømmeheten:-
  - slå av maskinen,
  - vente til ekstrautstyret/stålkni ven har stoppet helt opp,
  - Pass på at du ikke skrur mikserglasset eller kvernen av knivenheten.
- Start aldri maskinen ved å vri på lokket. Bruk av/på-bryteren.
- **Maskinen vil bli skadet og kan forårsake personskade hvis du bruker for stor makt på låsemekanismen.**
- Bruk kun originalt ekstrautstyr.
- Gå aldri fra maskinen mens den er på.
- Bruk aldri en defekt foodprocessor. Defekte maskiner må til kontroll eller reparasjon. Se "Vedlikehold og kundeservice".
- La aldri strømmeheten, ledningen eller støpselet bli vått.
- La ikke ledningen henge over kanten på bordet eller arbeidsbenken, eller ligge inntil varme overflater.
- Ikke overgå de oppgitte maksimumskapasitetene.
- Apparatet er ikke ment brukt av personer (inkludert barn) med reduserte fysiske, sensoriske eller mentale evner, eller med manglende erfaring og kunnskap, med mindre vedkommende har fått tilsyn eller opplæring i hvordan apparatet skal betjenes av en person som er ansvarlig for vedkommendes sikkerhet.
- Barn må ha tilsyn for å sikre at de ikke leker med apparatet.
- Bruk bare apparatet til dets tiltenkte hjemlige bruk. Kenwood frasier seg ethvert ansvar ved feilaktig bruk eller dersom apparatet ikke er brukt i henhold til denne bruksanvisningen.
- Feil bruk av prosessen/moseren kan føre til skader.

#### før strømmen kobles til

- Forviss deg om at nettspenningen er den samme som den som står oppført på undersiden av maskinen.
- Dette apparatet er i samsvar med EU-direktiv 2004/108/EU om elektromagnetisk kompatibilitet og EU-bestemmelse nr. 1935/2004 fra 27/10/2004 om materialer som skal brukes i kontakt med mat.

#### før første gangs bruk

- 1 Fjern all emballasje, og ta av plastbeskytterne på knivbladene. **Vær forsiktig - knivbladene er svært skarpe.** Kast beskytterne. De er kun ment å beskytte kniven under produksjon og transport.
- 2 Vask samtlige deler. Se "Rengjøring".
- 3 Ledning som er til overs, kan legges i ledningsholderen på baksiden av maskinen.

### deler

#### foodprocessor

- ① strømmehet
- ② avtakbar drivaksel
- ③ bolle
- ④ lokk
- ⑤ påfyllingstrakt
- ⑥ stappere
- ⑦ sikkerhetssperrer
- ⑧ ledningsholder
- ⑨ hastighetskontroll med lampe

#### hurtigmikser

- ⑩ påfyllingskopp
- ⑪ lokk
- ⑫ lokkforsegling
- ⑬ mugge
- ⑭ gummiring
- ⑮ knivenhet

#### ekstrautstyr

Ikke alt tilbehøret nedenfor følger med matprosessen. For å kjøpe tilbehør som ikke er inkludert med din maskin, skal du kontakte forhandleren der du kjøpte prosessen.

- ⑯ knivblad
- ⑰ deigkrok
- ⑱ dobbel metallvisp
- ⑲ multiblandelokk
- ⑳ tykk skjære/grov riveskive
- ㉑ tynn skjære/fin riveskive
- ㉒ fin (Julienne type) pomes fritesskive
- ㉓ raspeskive
- ㉔ sitruspresse
- ㉕ kvern
- ㉖ miniprosessorbolle
- ㉗ saftsentrifuge
- ㉘ KENSTORE™ tilbehørskarusell
- ㉙ slikkepott

velg hastighet til alle funksjonene

Verktøy/tilbehør	Funksjon	Hastighet	Maksimumskapasitet
Knivblad	Alt-i-ett kakedeig Butterdeig – smuldre smør i mel Sette til vann for å binde ingrediensene til butterdeig Hakking/mosing/posteier	Min – Max 5 – Max 1 – 5 Max	1,5 kg total vekt 340 g melvekt 600 g kjøtt
Knivblad med multiblandelokk	Suppe – start ved lav hastighet og øk til max	Min – Max	1,5 liter
Visp	Eggehviter Egg og sukker til sukkerbrød Fløte	Max Max 5 – Max	6 eggehviter 500 ml
Deigkrok	Gjærdeig	Max	600 g
Skiver – skjære/rive/potetkutter	Faste matvarer som gulrøtter, hard ost Mykere mat som agurker, tomater	5 – Max Min – 5	
Raspeskiver	Parmesanost, poteter til raspeballer	Max	
Sitruspresse	Sitrusfrukter	1	
Minibolle og kniv	All prosessering	Max	200 g
Hurtigmikser	All prosessering	Max	1,5 liter
Kvern	All prosessering	Max	
Saftsentrifuge	Frukt og grønnsaker	Max	500 g

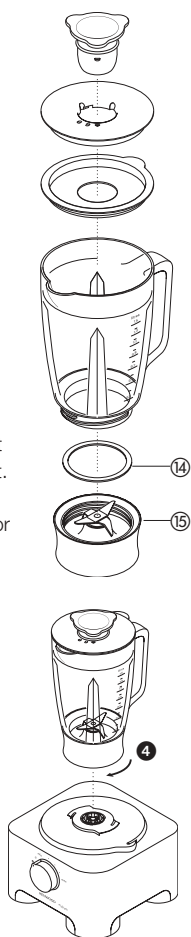
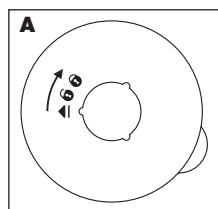
## bruk av foodprocessoren

- 1 Sett den avtagbare drivakselen på strømenheten ❶ .
- 2 Sett bollen på strømenheten med hanken bakover, og vri den med klokken til den klikker på plass ❷ .
- 3 Plasser ønsket redskap over drivakselen.
  - Sett alltid bollen på strømenheten og ønsket redskap i bollen før du tilsetter ingredienser.
- 4 Sett lokket på bollen ❸ . Påse at toppen av drivakselen går inn i åpningen midt i lokket.
  - **Start aldri foodprocessoren ved å vri på lokket. Bruk av/på-bryteren.**
- 5 Sett i støpselet og neonlampen kommer på. Slå på maskinen, og velg hastighet.

- **Foodprocessoren starter ikke hvis bollen og lokket ikke sitter skikkelig på plass.**
- Bruk pulsfunksjonen (P) til korte støt. Pulsfunksjonen fungerer så lenge kontrollen holdes på plass.
- 6 Følg trinnene ovenfor i motsatt rekkefølge når du skal ta av lokket, redskapene og bollen.
  - **Slå alltid av maskinen før du tar av lokket.**
  - viktig**
  - Foodprocessoren egner seg ikke til knusing eller maling av kaffebønner, eller til knusing av grovt sukker til strøsukker (farin).
  - Når du tilsetter mandelessens eller andre smakstilsetninger, må ikke disse komme i kontakt med plastmaterialet da de kan lage merker.

## slik bruker du hurtigmikseren

- 1 Sett tetningsringen (14) i knivenheten (15) – pass på at tetningen sitter riktig.  
**Det lekker dersom tetningen er skadet eller ikke satt riktig på.**
- 2 Skru muggen på knivenheten.
- 3 Ha ingrediensene i muggen.
- 4 Skyv lokkforseglingen på undersiden av lokket.
- 5 Sett på og lås påfyllingslokket på lokket, ved å vri en posisjon (6).
- 6 Sett lokket på mikserglasset og vri påfyllingslokket til (7) for å låse på plass. Påfyllingslokket kan settes i 3 forskjellige posisjoner (se A)  
(8) – påfyllingslokket kan tas av slik at du kan ha andre ingredienser i muggen.  
(9) – lokket er ulåst/påfyllingslokket er låst på lokket for påsetting og fjerning av lokket.  
(10) – lokket er låst.
- 7 Sett hurtigmikseren på motordelen og vri for å låse (4).
- 8 Velg hastighet, eller bruk pulsfunksjonen.



**Merk: Kvernunderstelet er ikke ombyttbart med mikserglasset til FP925. Prosessoren fungerer ikke dersom du har satt på feil understell. Se tegningen på knivenhetens understell.**

### tips

- **Væsker må avkjøles til romtemperatur før miksing.**
- Når du lager majones skal du ha alle ingrediensene bortsett fra oljen i mikserglasset. Mens maskinen går heller du så oljen ned i påfyllingslokket og lar den renne ned.
- Du må kanskje skrape ned sidene når du blander tykke blandinger, f.eks. posteier og dips. Hvis det er vanskelig å prosessere skal du ha i mer væske.
- Når du knuser is skal du bruke pulsfunksjonen i korte støt.
- For å sikre lang levetid på hurtigmikseren, skal du ikke kjøre den i mer enn 60 sekunder. Slå den av så snart du har fått ønsket konsistens.
- Ikke prosesser krydder – de kan skade plasten.
- Maskinen fungerer ikke dersom hurtigmikseren ikke er satt riktig på.
- Ikke ha tørre ingredienser i hurtigmikseren før du slår den på. Hvis nødvendig skal du skjære dem i biter. Ta av påfyllingslokket, og mens maskinen går slipper du dem oppi en etter en.
- Ikke bruk hurtigmikseren til oppbevaring. Den skal være tom før og etter bruk.
- Ikke bland mer enn 1,5 liter – mindre for væsker som skummer, som milkshake.

## bruk av ekstrautstyr

### 16 stålkniv/17 eltekrok

Stålkniven er det mest anvendelige av alt utstyret. Ingrediensenes konsistens avhenger av hvor lenge de bearbeides i maskinen. Hvis du ønsker en grovere konsistens, kan du bruke momentknappen.

Bruk stålkniven til å lage kake- og brøddeiger, hakke rått og kokt kjøtt, grønnsaker, nøtter, posteier, dip, puréer, supper og til å hakke smuler fra kjeks og brød. Kniven kan også brukes til å lage gjærdeig hvis du ikke har eltekrok.

Bruk eltekroken til gjærdeiger.

#### tips

##### stålkniv

- Skjær opp ingrediensene, f.eks. kjøtt, brød eller grønnsaker, i terninger på ca. 2 cm før du har dem i bollen.
- Kjeks brytes opp i mindre biter og tilsettes gjennom påfyllingstrakten mens maskinen er i gang.
- Når du skal lage deig, bruker du smør rett fra kjøleskapet, i terninger på ca. 2 cm.

- Pass på at du ikke bearbeider deigen for lenge i maskinen.

##### eltekrok

- Ha de tørre ingrediensene i bollen, og tilsett væsken gjennom påfyllingstrakten mens maskinen er i gang. Bland ingrediensene i maskinen til du får en myk og elastisk deigklump etter ca. 60-90 sekunder.
- Elt deigen ytterligere for hånd. Du bør ikke elte deigen i bollen da dette kan skade foodprocessoren.

### 18 stålvisp

Brukes kun til lette rører, f.eks. eggehviter, fløte, kondensert melk og eggedosis til deiger uten fett. Tykkere blandinger som inneholder smør og mel, vil skade vispen.

## bruk av vispen

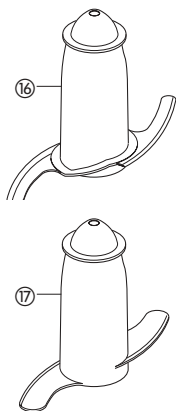
- 1 Sett drivakselen og bollen på strømenheten.
- 2 Skyv begge vispene godt inn i drivhodene i vispinnsatsen (b).
- 3 Tre vispen forsiktig nedover drivakselen.
- 4 Ha i ingrediensene.
- 5 Sett på lokket. Påse at toppen av drivakselen går inn i åpningen midt i lokket.
- 6 Slå på maskinen.

#### viktig

- Vispen er ikke egnet til alt-i-ett kaker eller til å røre smør og sukker hvitt, da disse blandningene skader den. Bruk alltid knivenheten til kakerører.

#### tips

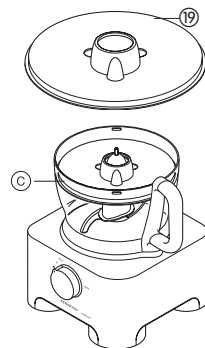
- Du oppnår best resultater hvis eggene har romtemperatur.
- Påse at bollen og vispene er helt rene og fettfrie før du starter.



### 19 maksi-blend sprutdeksel

Sprutdekslet brukes sammen med stålkniven ved blanding av væske i bollen. Dekselet gjør at du kan øke væskemengden fra 1 liter til 1,5 liter, hindre at innholdet i bollen spruter utover og bruke stålkniven mer effektivt.

- 1 Sett drivakselen og bollen på strømenheten.
- 2 Sett på stålkniven.
- 3 Ha i ingrediensene.
- 4 Sett sprutdekslet over knivinnsetsen, og påse at det hviler stabilt på kanten inne i bollen (c). **Press ikke sprutdekslet nedover, men ta tak i håndtaket i midten.**
- 5 Sett på lokket, og start maskinen.



## skjære- og raspeskiver

### vendbare skjære- og raspeskiver - tykk (20), tynn (21)

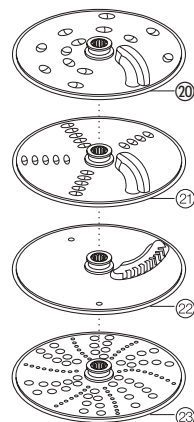
Raspesiden brukes til ost, gulrøtter, poteter og lignende matvarer. Skjæresiden brukes til ost, gulrøtter, poteter, kål, slangeagurk, squash, rødbeter og løk.

### fin kutteskive (Julienne-type) (22)

Brukes til å kutte poteter til ekstra tynne pommes frites, og kutte faste ingredienser til salater, garnering, gryteretter og kinamat (f.eks. gulrøtter, kålrot, squash, agurk).

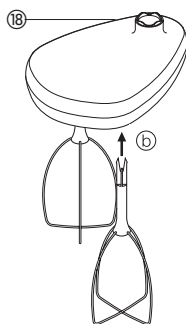
### raspeskive (23)

Brukes til riving av parmesanost og poteter til raspeballer/komle.



## sikkerhet

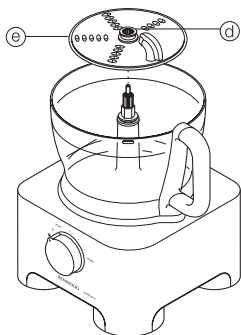
- **Ta aldri av lokket før skjæreskiven har stoppet helt opp.**
- **Hånder skjæreskivene med forsiktighet - de er svært skarpe.**





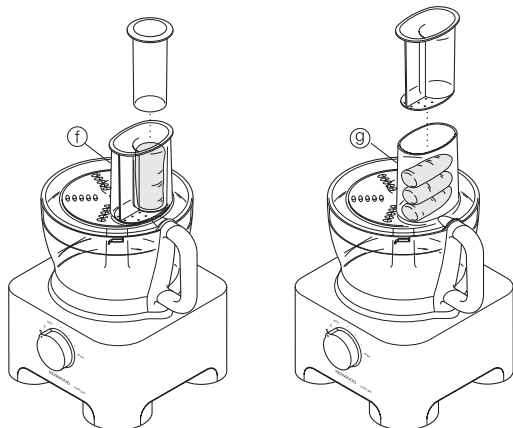
## bruk av skjæreskivene

- 1 Sett drivakselen og bollen på strømenheten.
- 2 Hold skiven i fingergrepet i midten (d), og plasser den på drivakselen med ønsket side oppover (e).
- 3 Sett på lokket.
- 4 Velg stapperen med passende størrelse. Stapperen har en smalere påfyllingstrakt på innsiden slik at du kan mate én og én matvare eller tynne ingredienser gjennom den. Når du skal bruke den indre påfyllingstrakten, må du først sette den store stapperen i den store påfyllingstrakten. Bruk begge stapperne samtidig når du bruker den store påfyllingstrakten.
- 5 Legg ingrediensene i påfyllingstrakten.
- 6 Slå på maskinen, og press maten jevnt nedover ved hjelp av stapperen. **Stikk aldri fingrene ned i påfyllingstrakten.**



### tips

- Bruk alltid ferske matvarer.
- Skjær ikke opp matvarene i for små biter. Pakk alltid den store påfyllingstrakten ganske full. Dette hindrer at matvarene glir ut til siden under bearbeidingen. Du kan eventuelt bruke den lille påfyllingstrakten.
- Legg ingrediensene vannrett i påfyllingstrakten når du bruker kutteskiven.
- Ved skjæring og riving blir ingredienser som mates inn loddrett (f) kortere enn mat som legges vannrett (g).
- Det vil alltid være igjen litt avfall på skiven eller i bollen etter bearbeidingen.



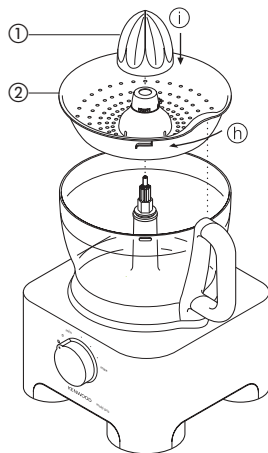
## 24 sitruspresse

Sitruspressen brukes til å presse ut saften fra sitrusfrukter (appelsin, sitron, lime og grapefrukt).

- 1 Kjegle
- 2 Sil

### bruk av sitruspressen

- 1 Sett drivakselen og bollen på strømenheten.
- 2 Plasser silen i bollen, og påse at håndtaket på silen låses på plass rett over hanken på bollen (h).
- 3 Plasser kjeglen over drivakselen, og vri rundt til den sitter på plass (i).
- 4 Del sitrusfrukten i to. Slå på maskinen, og press frukten ned på kjeglen.



- **Sitruspressen virker ikke hvis silen ikke sitter skikkelig på plass.**

## 25 kvern

Bruk kvernen til å male urter, nøtter og kaffebønner.

- 1 knivenheten
- 2 tetningsring
- 3 kopp/glass
- 4 stroløkk

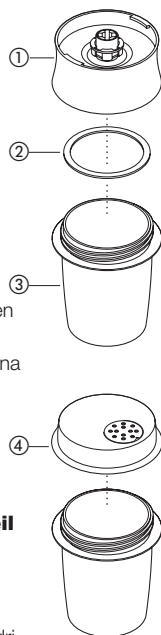
### sikkerhet

- Sett aldri knivenheten i maskinen uten at glasset er montert.
- Skru aldri av glasset/koppen mens multikvernen står på maskindelen.
- Ikke berør de skarpe knivene, og hold barn unna knivenheten.
- Ikke ta av kvernen før kniven har stanset helt.

**Merk: Kvernunderstellet er ikke ombyttbart med understellet på mikserglasset til FP925. Prosessoren fungerer ikke dersom det er satt på feil understell. Se tegningen på knivenhetens understell.**

### Viktig

- For å sikre lang levetid på kvernen skal den aldri kjøres i mer enn 30 sekunder. Slå den av så snart du har oppnådd riktig konsistens.
- Ikke ha krydder i mikseren - de kan skade plasten.
- Maskinen virker ikke hvis kvernen er satt feil på.
- Må kun brukes til tørre ingredienser

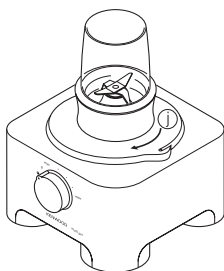


## Bruk av multikvernen

- 1 Fyll ingrediensene i glasset/koppen. Det skal ikke være mer enn halvfullt.
  - 2 Sett gummipakningen på knivenheten.
  - 3 Snu knivenheten opp ned. Sett den ned i glasset med bladene vendt ned.
  - 4 Skru knivenheten fast i glasset med fingrene.
  - 5 Sett kvernen på motordelen, og vri for å låse på plass ①.
  - 6 Slå på maksimal hastighet, eller bruk pulsfunksjonen.
  - 7 Når du har malt ferdig kan du ta ut knivenheten og sette på strølokket hvis du vil strø blandingen.
- Strølokket er ikke lufttett.

### Tips

- Det er best å male urter når de er rene og tørre.



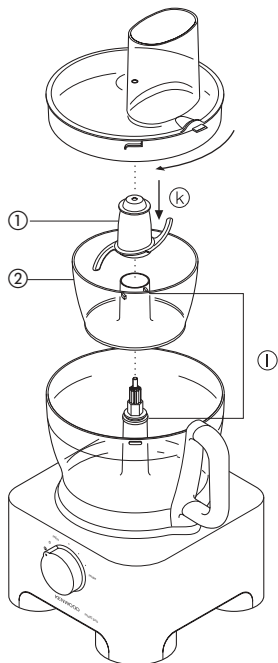
## ②6 miniprosessorbolle

Bruk miniprosessorbollen til å hakke urter og prosessere små mengder ingredienser, for eksempel kjøtt, løk, nøtter, majones, grønnsaker, mos, sauser og babyemat.

- ① knivblad til miniprosessoren
- ② miniprosessorbolle

## slik bruker du miniprosessorbollen

- 1 Sett drivakselen og bollen på motordelen.
- 2 Sett på miniprosessorbollen – pass på at ribbene på innsiden av minibolletrakten er på linje med spaltene i hovedtrakten ①.
- 3 Sett knivenheten over drivakselen ②.
- 4 Ha i ingrediensene som skal prosesseres.
- 5 Sett på lokket, og slå maskinen på.



### sikkerhetshensyn

- Ikke ta av lokket før kniven har stanset helt.
- Knivbladet er svært skarpt – vær forsiktig når du tar i det.

### viktig

- Ikke prosesser krydder – de kan skade plasten.
- Ikke prosesser hard mat som kaffebønner, isterninger eller sjokolade – de kan skade kniven.

### tips

- Det er best å hakke urter når de er rene og tørre.
- Ha alltid i litt væske når du blander kokte ingredienser til barnemat.
- Skjær mat som kjøtt, brød og grønnsaker i terninger på ca. 1-2 cm før prosessering.
- Når du lager majones skal du sette oljen til gjennom matetrakten.

## ②7 sentrifugal saftpresse i metall (bruk maks hastighet)

Bruk sentrifugal saftpressen til å lage juice av fast frukt og grønnsaker.

- ① stapper
- ② lokk
- ③ fruktkjøttfjerner
- ④ filtertrommel
- ⑤ saftpresse driftshåndtak

## bruk av saftsentrifugen

- 1 Sett drivakselen og bollen på strømenheten ①.
  - 2 Plasser fruktkjøttfjerner inni filtertrommelen – samtidig som du sikrer at kantene treffer sporene i bunnen av trommelen ②.
  - 3 Sett på plass filtertrommelen ③.
- Saftpressen virker ikke dersom lokket ikke sitter fast.**
- 4 Sett lokket på bollen, vri det til det låser seg og påfyllingstrakten sitter over håndtaket ④.
  - 5 Skjær maten i små biter slik at de passer i påfyllingstrakten.

- 6 Slå maskinen på og skyv maten ned med et jevnt trykk på stapperen - **du må aldri stikke fingrene ned i påfyllingstrakten.** La dette kjøre seg ferdig før du setter til mer.

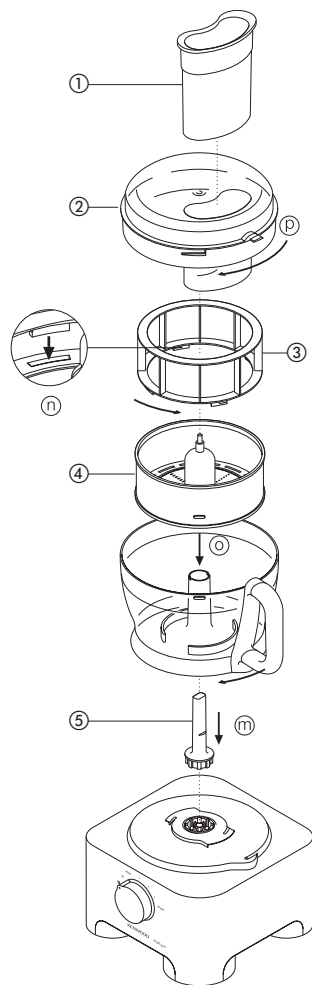
- La saftpressen stå på i 20 sekunder etter at du har hatt i det siste stykket, for å presse ut all juicen fra filtertrommelen.

## sikkerhetshensyn

- **Ikke bruk saftpressen hvis filteret er skadet.**
- Knivene på bunnen av filtertrommelen er svært skarpe, vær forsiktig ved håndtering og rengjøring av trommelen.
- Bruk kun stapperen som følger med. Stikk aldri fingrene i påfyllingstrakten. Trekk ut støpselet før du fjerner noe som har satt seg fast.
- Slå av motoren og vent til silen har stoppet før du tar av lokket.

### viktig

- Dersom saftpressen begynner å vibrere, slå den av og tøm fruktkjøttet ut av trommelen. (Saftpressen vibrerer dersom fruktkjøttet blir ujevnt fordelt).
- Den maksimale kapasiteten som kan bearbeides på en gang er 500g frukt eller grønnsaker.
- Hvis bitene er svært harde kan de få motoren til å gå tungt eller stoppe helt. Slå i så fall motoren av og fjern de harde bitene og rens silen.



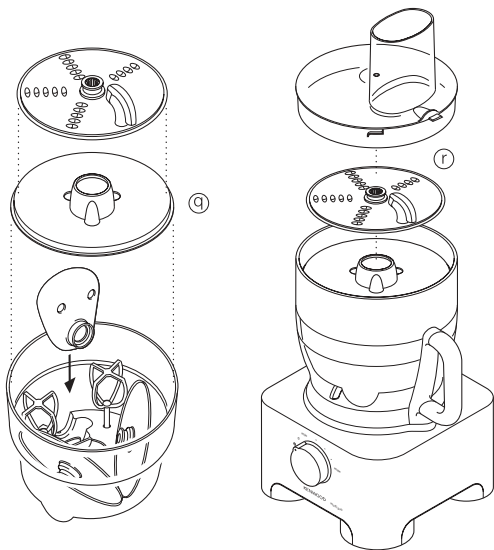
- Slå av motoren med jevne mellomrom for å tømme mos/kjøttssamleren.
- tips**
- Før det kjøres i saftsentrifugen skal du fjerne steiner og kjerner (f.eks. paprika, melon, plomme) og tykt skall (f.eks. melon, ananas). Du trenger ikke å skrelle eller ta ut kjernehuset på epler og pærer.
  - Bruk fast, frisk frukt og grønnsaker.
  - Saft av sitrusfrukt blir bitter og skummer fordi både skallet og det hvite kjøttet kjøres i maskinen. Bruk sitruspressen i stedet.

## 28 KENSTORE™ tilbehørskarusell

Matprosessoren leveres med en tilbehørskarusell som passer inni bollen.

### slik brukes oppbevaringskarusellen

- 1 Sett knivbladet ned i bollen.
- 2 Sett så vispen, skivene og multiblandelokket på karusellen ④.
- 3 Sett karusellen over knivenheten og sett prosessorlokket på toppen ①.



### vedlikehold og rengjøring

- Slå alltid av maskinen og trekk ut støpselet for rengjøring.
- Hånder stålkniven og skjæreskivene med forsiktighet - de er svært skarpe.
- Enkelte ingredienser kan føre til misfarging av plastmaterialet. Dette er helt normalt og skader ikke plasten. Det påvirker heller ikke smaken på maten. Fjern misfarging med en klut fuktet i vegetabilsk olje.

### strømenhet

- Tørk av med en fuktig klut, og deretter med en tørr klut. Påse at det ikke er matrester i eller rundt sikkerhetslåsen.

- Ledning som er til overs, legges i ledningsholderen på baksiden av maskinen ⑤.

### hurtigmikser/kvern

- 1 Tøm mikserglasset/glasset før du skrur det av knivenheten.
- 2 Vask mikserglasset/glasset for hånd.
- 3 Ta av og vask tetningene
- 4 Ikke berør de skarpe knivbladene. Vask dem med en oppvaskkost og varmt såpevann, og skyl dem under springen.

### Legg ikke knivenheten i vann.

- 5 Legg knivenheten opp ned, og la den lufttørke.

### stålvisp

- Trekk begge vispene forsiktig ut av drivhodene på vispinnsatsen. Vask dem i varmt såpevann.
- Tørk av drivhodet med en fuktig klut, og deretter med en tørr klut. **Drivhodet må ikke legges i vann.**

### sentrifugal saftpresse i metall

- For en mer lettvinnt rengjøring bør alle delene vaskes umiddelbart etter bruk.
- Ved bruk kan enkelte plastdeler bli misfarget - av f.eks. gulrøtter. Det lykkes av og til å fjerne flekkene ved å ta litt matolje (vegetabilsk olje) på en klut og gni forsiktig til flekken blir borte.

### filter

- Løft ut fruktkjøttfjernerer og bank lett på den for å frigjøre fruktkjøttet.
- Rengjøres med en myk børste.
- **Kontrollér filteret regelmessig for tegn på skade. Ikke bruk maskinen hvis filteret er skadet. Se "service og kundetjeneste"**

### alle andre deler

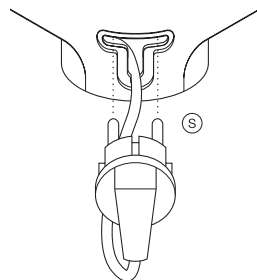
- Vask delene for hånd, og tørk av.
- Eller du kan vaske dem i den øverste kurven i oppvaskmaskinen. Vi anbefaler et kort program med lav temperatur.

### service og kundetjeneste

- Dersom ledningen er skadet må den av sikkerhetsmessige grunner erstattes av KENWOOD eller en autorisert KENWOOD-reparatør.

Hvis du trenger hjelp med å:

- bruke apparatet eller
  - service eller reparasjoner
- kontakt forhandleren der du kjøpte apparatet.





VIKTIG INFORMASJON FOR KORREKT AVHENDING AV PRODUKTET I SAMSVAR MED EU-DIREKTIV 2002/96/EC. På slutten av levetiden må ikke produktet kastes som vanlig avfall. Det må tas med til et lokalt kildesorteringssted eller til en forhandler som tilbyr tjenesten. Ved å avhende husholdningsapparater separat unngås mulige negative konsekvenser for miljø og helse som oppstår som en følge av feil avhending, og gjør at de forskjellige materialene kan gjenvinnes. Dermed blir det betydelige besparelser på energi og ressurser. Som en påminnelse om behovet for å kaste husholdningsapparater separat, er produktet merket med en søppelkasse med kryss over.

## feilsøking

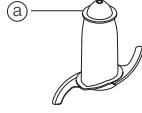
Problem	Årsak	Løsning
Prosessen fungerer ikke	Ikke strøm/lampen er ikke på. Bollen ikke låst på riktig.  Lokket er ikke skikkelig låst.	Sjekk at støpselet sitter i veggkontakten. Sjekk at bollen sitter riktig på, og at håndtaket er vendt mot høyre side. Sjekk at lokkets sikkerhetssperre sitter riktig i håndtaksområdet. <b>Prosessoren fungerer ikke dersom bollen og lokket er satt feil på.</b> Dersom ikke noen av ovenfornevnte, skal du sjekke sikring/overbelastningsbryter.
Hurtigmikseren/kvernen fungerer ikke	Feil understell.	<b>Kvernunderstellet er ikke ombyttbart med mikserglasset til FP925. Prosessoren fungerer ikke dersom feil understell er satt på.</b> Sjekk tegningen på understellet.
Prosessoren stanser mens prosessering pågår	Prosessoren er overbelastet/maksimumskapasitet er oversteget. Lokket er ulåst.	Sjekk maksimumskapasitetene oppgitt under "slik bruker du matprosessoren". Sjekk at lokket er skikkelig låst.
Verktøyet/tilbehøret fungerer dårlig	Se tipsene i relevant del om "bruke tilbehøret". Sjekk at tilbehøret er riktig satt sammen.	

# Suomi

## Taita auki etusivun kuvitukset

### turvallisuus

- Leikkuuterät ja raastinlevyt ovat erittäin teräviä: käsittele niitä varoen. **Tartu leikkuuterään aina sormien avulla** <sup>a</sup> **osan yläosasta siten, että sormet ovat kaukana terästä käsitellessäsi ja puhdistaussasi terää.**
  - Älä nosta tai kanno monitoimikoneetta kahvasta, sillä kahva voi murtua ja aiheuttaa vahinkoja.
  - Irrota leikkuuterä aina ennen kuin kaadat kulhon sisällön astiaan.
  - Älä pane käsiä tai työvälineitä sekoituskulhoon tai tehosekoittimen kannuun silloin kun virta on päällä.
  - Sammuta virta ja irrota pistoke rasiasta:
    - ennen osien kiinnittämistä tai irrottamista
    - käytön jälkeen
    - ennen puhdistusta
  - Älä koskaan paina ruokaa syöttösuppiloon sormien avulla. Syötä ainekset laitteen mukana toimitetun painimen avulla.
  - Ennen kannen irrottamista kulhosta tai tehosekoittimen/myllyn irrottamista runko-osasta:
    - kytke virta pois;
    - odota, kunnes levy/terä on pysähtynyt kokonaan;
    - Ole varovainen, ettet kierrä myllyä tai tehosekoittimen kannua irti teräosasta.
  - Älä pyöritä käyttölaitetta kannen avulla, vaan käytä aina on/off-kytkintä.
  - Laite rikkoutuu ja saattaa aiheuttaa vahinkoa, jos väännät lukitusmekanismeja liian voimakkaasti.**
  - Älä koskaan kiinnitä laitteeseen muita kuin sen omia osia.
  - Valvo aina laitteen toimintaa.
  - Jos laite on vahingoittunut, sitä ei saa käyttää. Tarkistuta tai korjauta laite ensin: katso 'huolto'.
  - Älä kastele virtayksikköä, sähköjohtoa tai pistoketta.
  - Varo, ettei virtajohto roiku pöydän tai työtason reunan alla tai kosketa kuumiin pintoihin.
  - Merkittyjä maksimikapasiteetteja ei saa ylittää.
  - Tätä laitetta ei ole tarkoitettu sellaisten henkilöiden käyttöön, joilla ei ole täysin normaalia vastaavat fyysiset tai henkiset ominaisuudet (mukaan lukien lapset), jos heidän turvallisuudestaan vastaava henkilö ei ole opastanut heitä käyttämään laitetta tai jos heitä ei valvota.
  - Lapsia tulee pitää silmällä sen varmistamiseksi, että he eivät leiki laitteella.
  - Käytä laitetta ainoastaan sille tarkoitettuun kotitalouskäyttöön. Kenwood-yhtiö ei ole korvausvelvollinen, jos laitetta on käytetty väärin tai näitä ohjeita ei ole noudatettu.
  - Yleiskoneen väärinkäyttö voi aiheuttaa loukkaantumisen.
- ennen kuin kiinnität pistokkeen pistorasiaan**
- Varmista, että asuntosi verkkovirta vastaa laitteen alla olevassa kilvessä mainittua.
  - Tämä laite täyttää sähkömagneettista yhteensopivuutta koskevan EU-direktiivin 2004/108/EU ja 27.10.2004 annetun elintarvikkeiden kanssa kosketuksiin joutuvia materiaaleja säätelevän EU-määräyksen 1935/2004 vaatimukset.
- ennen kuin käytät laitetta ensimmäistä kertaa**
- Poista kaikki pakkausmateriaalit, myös leikkuuterän suojamuovit. **Toimi varoen, sillä terät ovat erittäin teräviä.** Nämä suojukset voi heittää pois, sillä ne on tarkoitettu ainoastaan valmistuksen ja kuljetuksen aikaiseksi suojaukseksi.
  - Pese osat, katso 'puhdistus'
  - Työnnä ylimääräinen virtajohto laitteen takana olevaan lokeroon.



### osat

#### monitoimikone

- virtayksikkö
- irrotettava pyörityskappale
- kulho
- kansi
- syöttösuppilo
- painimet
- turvalukitus
- virtajohdon lokero
- nopeudenvälitsin toiminnan merkivalolla

#### tehosekoitin

- täyttökansi
- kansi
- kannen tiiviste
- kannu
- tiivisterengas
- teräyksikkö

#### lisävälineet

Kaikki alla luetellut lisälaitteet eivät kuulu monitoimikoneeseen. Ota yhteys laitteesi myyneeseen liikkeeseen, jos haluat ostaa lisälaitteen, joka ei kuulunut pakkaukseen.

- hienonnusterä
- taikinasekoitin
- metallivatkain kahdella vispilällä
- maksimisekoituskansi
- paksu viipalointi / karkea raastinterä
- ohut viipalointi / hieno raastinterä
- ohut suikalointiterä
- rouhintaterä
- sitruspuserrin
- mylly
- pieni monitoimikulho
- mehulinko
- KENSTORE™-pyöröteline lisälaitteille
- kaavin

## nopeuden valitseminen kaikille toiminnoille

Väline/lisälaitte	Toiminta	Nopeus	Maksimikapasiteetit
Hienonusterä	Yksivaiheiset kakkutaikinat Murotaikina – rasvan hierominen jauhoihin Veden lisääminen murotaikina-ainesten yhdistämiseksi Hienontaminen/soseuttaminen/pateet	Min – Max 5 – Max 1 – 5 Max	1,5 kg kokonaispaino 340 g jauhojen paino 600 g lihaa
Hienonusterä maksimisekoituskannella	Keitot – aloita alhaisella nopeudella ja siirry nopeudelle Max	Min – Max	1,5 litraa
Vatkain	Munanvalkuiset Munat ja sokeri sokerikakuissa Kerma	Max Max 5 – Max	6 munanvalkuaista 5 dl
Taikinansekoitin	Hiivataikinat	Max	600 g
Terät – viipalointi/raastin/suikalointi	Kovat ruoka-aineet, kuten porkkanat, kova juusto Pehmeämmät ainekset, kuten kurkku, tomaatti	5 – Max Min – 5	
Rouhintaterä	Parmesan-juusto, peruna perunamykyjä varten	Max	
Sitruspuserrin	Sitruhedelmät	1	
Pieni kulho & terä	Kaikki käsittely	Max	200 g
Tehosekoitin	Kaikki käsittely	Max	1,5 litraa
Mylly	Kaikki käsittely	Max	
Mehulinko	Hedelmät ja vihannekset	Max	500 g

## monitoimikoneen käyttö

- 1 Aseta irrotettava akseli moottoriosan päälle ❶.
- 2 Aseta kulho paikalleen. Aseta kulhon kahva taaksepäin ja pyöritä kulhoa myötäpäivään, kunnes se naksauttaa paikalleen ❷.
- 3 Kiinnitä haluamasi väline pyörityskappaleen päälle.
  - Aseta kulho ja työväline aina paikalleen laitteeseen ennen kuin kaadat kulhoon valmistusaineita.
- 4 Kiinnitä kansi paikalleen ❸ - varmista, että pyörityskappaleen yläpää on kannen keskellä.
  - **Älä käytä monitoimikonetta kannesta pyörittämällä, vaan käytä aina on/off-nopeuskytkintä.**
- 5 Kytke pistotulppa pistorasiaan; toiminnan merkivalo syttyy. Kytke päälle ja valitse nopeus.

- **Monitoimikone ei toimi, jos kulho ja kansi eivät ole kunnolla paikallaan.**
- Käytä pitokytkintä (P), kun haluat käyttää konetta sykäyksittäin. Laite toimii sen aikaa, kun kytkintä pidetään paikallaan.
- 6 Kansi, työvälineet ja kulho irrotetaan päinvastaisessa järjestyksessä.
- **Kytke virta pois aina ennen kuin avaat kannen. tärkeää**
- Monitoimikoneella ei voi rouhia tai jauhaa kahvinpajuja tai hienontaa palasokeria.
- Kun käytät mausteena manteliesanssia tai -aromia, varo että aine ei kosketa muoviosiin, sillä siitä jää pysyviä jälkiä.

## tehosekoittimen käyttö

- 1 Aseta tiivisterengas 14 teräosaan 15 – varmista, että tiiviste on asetettu oikein.

**Teräosa vuotaa, jos tiiviste on vaurioitunut tai sitä ei ole asennettu oikein.**

- 2 Kierrä kannu teräosan päälle.
- 3 Laita sekoitettavat ainekset kannuun.
- 4 Paina kannen tiiviste kannen alapuolelle.
- 5 Aseta täyttöaukon korkki kanteen ja lukitse korkki kääntämällä sitä yhden asennon verran 6.
- 6 Kiinnitä kansi sekoitusastiaan ja lukitse kansi kääntämällä täyttöaukon korkki asentoon 7.

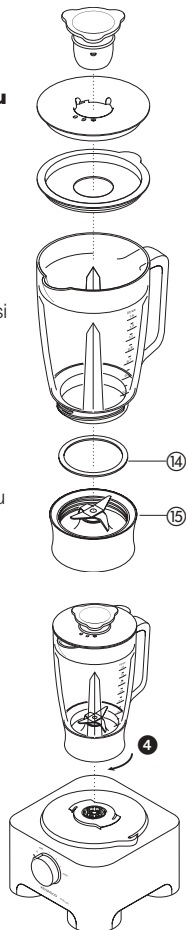
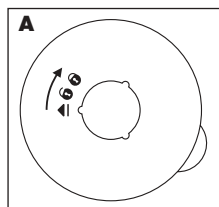
Täyttöaukon korkki voi olla 3 eri asennossa (ks. kuva A)

▲ – täyttöaukon korkki voidaan irrottaa aineiden lisäämiseksi kannuun.

⊕ – kansi auki / täyttöaukon korkki lukittu kanteen kannen asennusta ja irrottamista varten.

⊖ – kansi lukittu.

- 7 Aseta tehosekoitin moottoriosan päälle ja lukitse kääntämällä 4.
- 8 Valitse nopeus tai käytä pitokytintä.



### vihjeitä

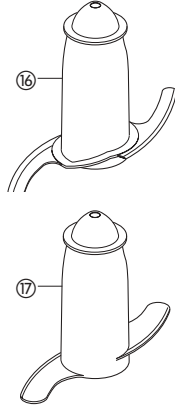
- **Anna nesteiden jäähtyä huoneenlämpöiseksi ennen niiden kaatamista tehosekoittimeen.**
- Kun valmistat majoneesia, laita kaikki ainekset öljyä lukuun ottamatta tehosekoittimeen. Kun kone on käynnissä, kaada öljy täyttöaukon korkkiin ja anna sen valua läpi.
- Paksut seokset, kuten pateet ja dippikastikkeet, voi joutua kaapimaan reunoilta. Jos käsittely on vaikeaa, lisää nestettä.
- Käytä jään murskaamiseen pitokytintä sykäyksittäin.
- Tehosekoittimen pitkän käyttöiän varmistamiseksi älä koskaan käytä sekoitinta 60 sekuntia kauempaa. Kytke se heti pois päältä, kun seoksen koostumus on oikea.
- Älä jauha mausteita, sillä ne saattavat vaurioittaa muoviosia.
- Kone ei toimi, jos tehosekoitin on asennettu väärin.
- Älä laita kuivia aineksia tehosekoittimeen ennen sen kytkemistä päälle. Leikkaa ne tarvittaessa paloiksi, irrota täyttöaukon korkki ja pudota ne yksitellen aukon läpi koneen käydessä.
- Älä käytä tehosekoitinta säilytysastiana. Pidä se tyhjänä ennen ja jälkeen käytön.
- Älä ylitä 1,5 litran täyttömäärää – käytä vaahtoavia nesteitä, kuten pirtelöä, sitä vähemmän.

**Huomaa: Myllyn pohjaa ei voi vaihtaa FP925:n lasisen tehosekoitinkannun kanssa. Monitoimikone ei toimi, jos on asennettu väärä pohja. Katso teräosien pohjissa olevat kuvat.**

## välineiden käyttö

### ⑯ hienonnusterä/⑰ taikinan sekoitin

Leikkuuterä on monipuolisin kaikista monitoimikoneen välineistä. Saavutettava koostumus määräytyy käsittelyajan pituuden perusteella. Kun haluat karkean lopputuloksen, käytä sykäspainiketta. Hienonnusterää käytetään kakkujen ja leivonnaisten valmistamiseen, raa'an ja kypsennetyn lihan jauhamiseen, vihannesten pilkkomiseen, pähkinöiden jauhamiseen, pateen, dippien ja sosekeittojen valmistamiseen sekä pikkuleipien ja leipien murentamiseen. Käytä taikinan sekoitinta hiivataikinan valmistamiseen.



#### **vinkkejä leikkuuterä**

- Leikkaa ainekset, esim. liha, leipä, vihannekset, noin 2cm:n kuutioiksi.
- Paloittele pikkuleivät pienempiin osiin ja pudota syöttösuppilon läpi koneen käydessä.
- Käytä taikinan valmistuksessa jääkaappikyhmää rasvaa, jonka olet pilkkonut 2cm:n kuutioiksi.
- Älä pyöritä konetta liian kauan.

#### **taikinan sekoitin**

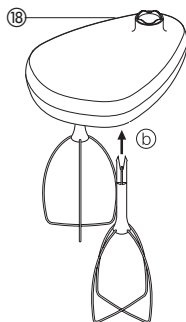
- Pane kuivat aineet kulhoon ja lisää neste syöttösuppilon kautta koneen käydessä. Annan koneen käydä, kunnes taikinasta on muodostunut tasainen ja joustava pallo (noin 1 - 1 1/2 minuuttia).
- Jos alustusta tarvitsee jatkaa, tee se käsin. Uudelleen alustamista kulhossa ei suositella, sillä monitoimikone saattaa alkaa täristä.

### ⑱ kaksoisvatkain

Käytä vatkaainta vain kevyiden aineiden vatkaamiseen, esim. munanvalkuaiset, kerma, maitotiviste sekä munien ja sokerin sekoittaminen valmistaessasi rasvattomia kakkutaikainoita. Raskaammat aineet, esim. rasva ja jauhot, rikkovat vatkaimen.

## vatkaimen käyttö

- 1 Kiinnitä pyörityskappale ja kulho virtayksikköön.
- 2 Työnnä kumpikin vispilä tiukasti paikalleen käyttöpäähän ⑯.
- 3 Aseta vatkain paikalleen kääntämällä varovasti, kunnes se painuu pyörityskappaleen yli.
- 4 Lisää kulhoon valmistusaineet.
- 5 Kiinnitä kansi - varmista, että pyörityskappaleen pää on kannen keskellä.
- 6 Käynnistä kone.



#### **tärkeää**

- Vispilä ei sovi yksivaiheisten kakkutaikainoiden valmistukseen eikä voin ja sokerin vaahdottamiseen, sillä tällaiset seokset voivat vaurioittaa vispilän. Käytä kakkutaikainoiden valmistukseen hienonnusterää.

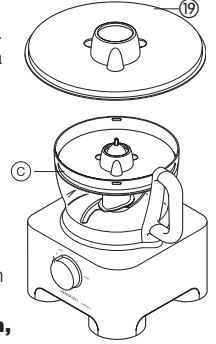
#### **vinkkejä**

- Kananmunat vatkaavat parhaiten huoneenlämpöisinä.
- Tarkista aluksi, että kulho ja vispilät ovat puhtaat eikä niissä ole rasvaa.

### ⑲ maksimisekoituskansi

Käytä nesteiden sekoittamiseen maksimisekoituskantta ja hienonnusterää. Näin sekoitettavan nesteen määrä voi olla jopa 1.5 l (1 l:n sijaan), neste ei vuoda yli, ja terä leikkaa paremmin.

- 1 Kiinnitä pyörityskappale ja kulho virtayksikköön.
- 2 Kiinnitä hienonnusterä.
- 3 Lisää sekoitettavat ainekset.
- 4 Kiinnitä sekoituskansi terän päälle varmistaen, että se on kunnolla paikallaan kulhon sisällä olevan ulkoneman päällä ⑳. **Älä paina kantta alaspäin, pidä kiinni kannen keskellä olevasta ottimesta.**
- 5 Kiinnitä kansi ja käynnistä kone.



## viipalointi/raastinterät

#### **käännettävät**

#### **viipalointi/raastinlevy - paksu ⑳, ohut ㉑**

Käytä terän raastinpuolta juuston, porkkanoiden, perunoiden yms. raastamiseen.

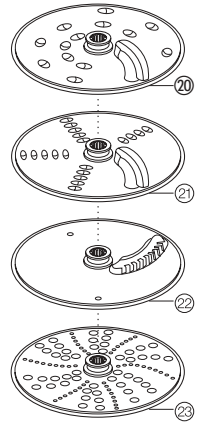
Käytä terän viipalointipuolta juuston, porkkanoiden, perunoiden, kaalin, kurkun, kesäkurpitsan, punajuurien ja sipuleiden viipaloimiseen.

#### **ohut suikaleterä ㉒**

Käyttö: ranskalaisten perunoiden leikkaaminen; kiinteät ainekset salaatteihin, koristeluun, pataruokiin ja öljyssä kypsentämiseen (esim. porkkana, lanttu, kesäkurpitsa, kurkku).

#### **hienoraastinterä ㉓**

Parmesaanijuuston ja perunoiden raastaminen (perunapyörykät).



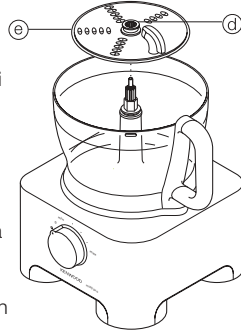
## turvallisuus

- **Älä koskaan poista kantta ennen kuin leikkuulevy on pysähtynyt kokonaan.**
- **Käsittele leikkuuteriä varoen - ne ovat erittäin teräviä**



## leikkuuterien käyttö

- 1 Aseta pyörityskappale ja kulho virtayksikön päälle.
- 2 Pidä kiinni terän keskeltä ④ ja aseta se pyörityskappaleen päälle haluamasi puoli päälle päin.
- 3 Aseta kansi paikalleen ⑥.
- 4 Valitse sopivan kokoinen syöttösuppilo. Painimessa on pienempi syöttösuppilo yksittäisten palojen tai hienon aineksen käsittelyä varten.



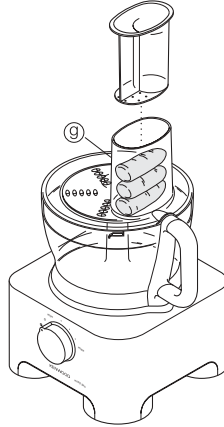
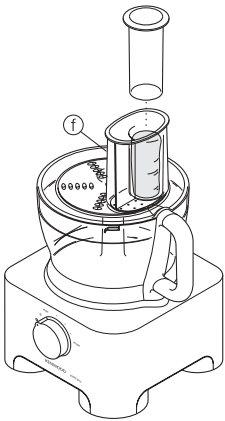
Kun haluat käyttää pientä syöttösuppiloa -asetä ensin iso painin syöttösuppilon sisään.

Kun haluat käyttää isoä syöttösuppiloa - käytä kumpaakin paininta yhdessä.

- 5 Pane ruoka syöttösuppiloon.
- 6 Käynnistä laite ja paina ruokaa painimen avulla alaspäin - **älä koskaan pane sormiasi syöttösuppiloon.**

### vinkejä

- Käytä tuoreita valmistusaineita
- Älä leikkaa ruokaa liian pieniksi paloiksi. Täytä iso syöttösuppilo melkein täyteen. Näin ainekset eivät pääse liikkumaan sivusuunnassa käsittelyn aikana. Käytä vaihtoehtoisesti pientä syöttösuppiloa.
- Kun käytät suikaleterää, aseta ainekset vaakasuuntaisesti.
- Viipalointi tai raastaminen: pystysuuntaan järjestetyistä aineksista ① tulee pienempiä kuin vaakasuuntaisesti asetetuista ②.
- Lautaselle tai kulhoon jää aina vähän hukka-ainetta.



## ②4 sitruspuserrin

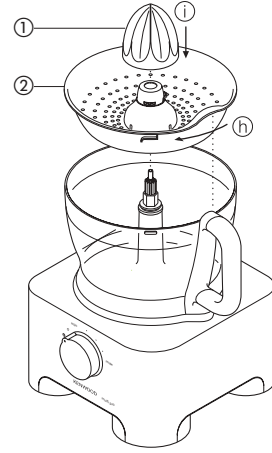
Sitruspuserrinta käytetään sitruhedelmien mehun puristamiseen (esim. appelsiinit, sitruunat, limettihedelmät ja greipit).

- ① kartio
- ② siivilä

### sitruspusertimenkäyttö

- 1 Kiinnitä pyörityskappale ja kulho virtayksikköön.
- 2 Aseta siivilä kulhoon - varmista, että siivilän otin on kulhon kahvan kohdalla ③.
- 3 Aseta kartio pyörityskappaleen päälle ja käännä sitä, kunnes se painuu alas asti ①.
- 4 Leikkaa hedelmä kahtia. Käynnistä kone ja purista hedelmä kartiota vasten.

- **Sitruspuserrin ei toimi, jos siivilä ei ole kunnolla paikallaan.**



## ②5 mylly

Käytetään yrttien hienontamiseen ja pähkinöiden ja kahvinpapujen jauhamiseen.

- ① terä
- ② tiivisterengas
- ③ astia
- ④ sirotuskansi

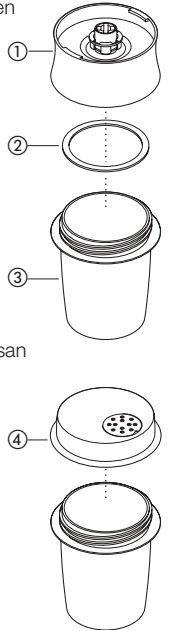
### turvallisuus

- Älä koskaan kiinnitä teräosaa koneeseen ilman hienonnuksastiaa.
- Älä kierrä astiaa irti alustasta, jos monitoimimylly on laitteessa kiinni.
- Älä koske teräviä teriä. Älä päästä lapsia teräosan lähetyville.
- Älä koskaan irrota myllyä ennen kuin terä on pysähtynyt kokonaan.

**Huomaa: Myllyn pohjaa ei voi vaihtaa FP925:n lasisen tehosekoitinkannun kanssa. Monitoimikone ei toimi, jos väärä pohja on asennettu. Katso teräosien pohjissa olevat kuvat.**

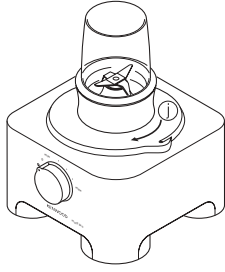
### tärkeää

- Pitkän käyttöiän varmistamiseksi älä koskaan käytä myllyä 30 sekuntia kauempaa. Katkaise virta heti, kun hienonnettava aine on koostumukseltaan oikeaa.
- Älä jauha laitteessa mausteita, sillä ne saattavat vaurioittaa muovipinnan.
- Kone ei toimi, jos mylly on asennettu väärin.
- Käytä vain kuivia aineksia.



## myllyn käyttö

- 1 Laita ainekset hienonnuksastiaan. Älä täytä sitä yli puolen väliin.
- 2 Aseta tiivisterengas teräosaan.
- 3 Käännä teräosa ylösalaisin. Aseta se hienonnuksastiaan terät alaspäin.
- 4 Kierrä teräosa hienonnuksastiaan kiinni kiristäen sitä käsin.
- 5 Aseta mylly moottoriosan päälle ja lukitse kääntämällä ①.
- 6 Kytke maksiminopeus päälle tai käytä pitokytintä.
- 7 Jauhatuksen jälkeen voit vaihtaa teräosan sirotuskanteen ja sirotella jauhetun/hienonnetun aineen.



- Sirotuskansi ei ole ilmatiivis.

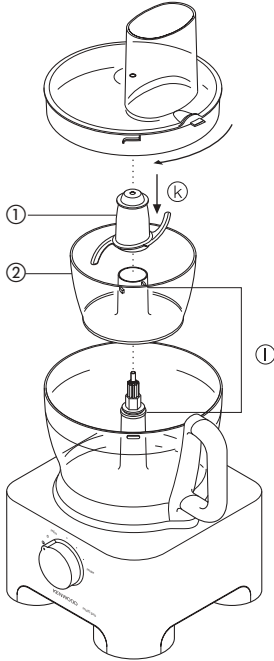
### vihjeitä

- Paras tulos saavutetaan, kun yrtit hienonnetaan puhtaina ja kuivina.

## ②⑥ pieni monitoimikulho

Pientä monitoimikulhoa käytetään yrttien hienontamiseen ja mm. lihan, sipulin, pähkinöiden ja vihannesten käsittelyyn tai majoneesin, soseiden, kastikkeiden ja vauvanruoan valmistukseen pienissä erissä.

- ① pienen monitoimikulhon hienonnusterä
- ② pieni monitoimikulho



## pienen monitoimikulhon käyttö

- 1 Aseta akseli ja kulho runko-osan päälle.
- 2 Kiinnitä pieni monitoimikulho. Varmista, että pienen kulhon sylinterin sisäpuolella olevat kohoumat asettuvat kohdalleen varsinaisen kulhon sylinterin urien kanssa ①.
- 3 Aseta hienonnusterä akselin päälle ②.
- 4 Lisää käsiteltävät ainekset.
- 5 Kiinnitä kansi ja kytke kone päälle.

### turvallisuus

- Älä koskaan irrota kantta ennen kuin hienonnusterä on pysähtynyt kokonaan.
- Käsittele hienonnusterää varoen, sillä se on hyvin terävä.

### tärkeää

- Älä jauha mausteita, sillä ne saattavat vaurioittaa muoviosia.
- Älä hienonna kovia aineita (esim. kahvipapuja, jääpaloja tai suklaata), sillä ne saattavat vaurioittaa terän.

### vihjeitä

- Hienonna yrtit puhtaina ja kuivina.
- Lisää aina vähän nestettä, kun valmistat vauvanruokaa kypsennetyistä aineksista.

- Ennen hienontamista leikkaa ruoka-aineet, kuten liha, leipä tai kasvikset, noin 1–2 cm:n kokoisiksi kuutioiksi.
- Valmistaessasi majoneesia lisää öljy seokseen syöttösuppilon kautta.

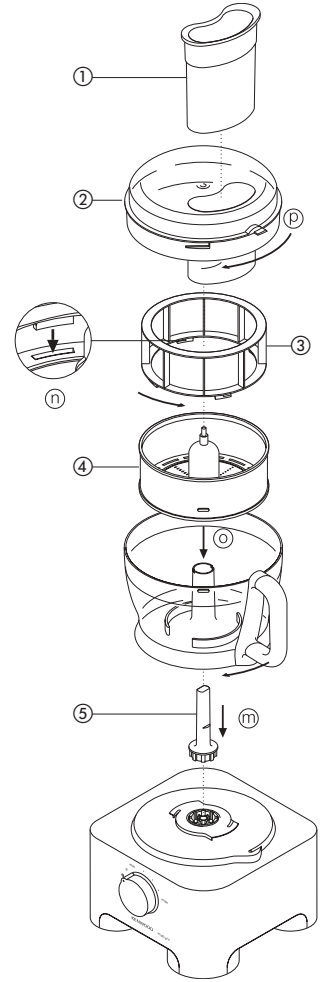
## ②⑦ metallinen mehulinko (käytä maksiminopeutta)

Mehulingolla teet mehua kiinteistä hedelmistä tai vihanneksista.

- ① syöttöpainin
- ② kansi
- ③ hedelmälihan poistaja
- ④ suodatinrumpu
- ⑤ mehulingon käyttöakseli

## mehulingon käyttö

- 1 Aseta pyörityskappale ja kulho runko-osan päälle ①.
  - 2 Aseta hedelmälihan poistaja suodatinrumpuun – varmistaen, että lukituskiekkeet menevät rummun pohjassa oleviin uriin ②.
  - 3 Aseta suodatinrumpu ③ paikalleen. **Linko ei toimi jos kantta ei ole lukittu.**
  - 4 Aseta mehulingon kansi kulhon päälle ja käännä kulhoa, kunnes se lukkiutuu paikalleen ja syöttösuppilo on kahvan päällä ④.
  - 5 Leikkaa mehustettavat ainekset niin pieniksi paloiksi, että ne mahtuvat syöttösuppiloon.
  - 6 Kytke laite päälle ja työnnä tasaisesti paloja alaspäin syöttöpainimella. **Älä koskaan laita sormiasi syöttösuppiloon.** Anna aineiden mehustua kunnolla ennen palojen lisäämistä.
- Asetettuasi viimeisen kappaleen paikalleen, anna linkon toimia vielä 20 sekunnin ajan, jotta loputkin mehut poistuvat suodatinrummista.



## turvallisuus

- **Mehulinkoa ei saa käyttää, jos suodatin on vaurioitunut.**
- Suodatinrummun alaosassa olevat leikkuuterät ovat erittäin terävät; ole varovainen käsitellessäsi ja puhdistaussasi rumpua.
- Käytä ainoastaan pakkauksen mukana toimitettua syöttöpaininta. Älä koskaan työnnä sormiasi syöttösuppiloon. Irrota pistoke pistorasiasta ennen kuin tyhjennät syöttösuppilon.
- Ennen kannen poistamista kytke laite pois päältä ja odota, että suodatin pysähtyy.

## tärkeää

- Jos puristin alkaa täristä, kytke virta pois päältä ja poista hedelmäliha rummulta. (Puristin tärisee, kun hedelmälihaa on epätasaisesti rummulla).
- Maksimimäärä kerralla käsiteltäväksi on 500g hedelmiä tai vihanneksia.
- Erittäin kovat ruoka-aineiden palaset saattavat hidastuttaa tai pysäyttää kokonaan laitteen. Kytke laite silloin pois päältä ja tyhjennä suodatin.
- Kytke laite pois päältä ja tyhjennä kuitumassan kerääjä säännöllisesti käytön aikana. Irrota pistoke pistorasiasta aina käytön jälkeen.

## vihjeitä

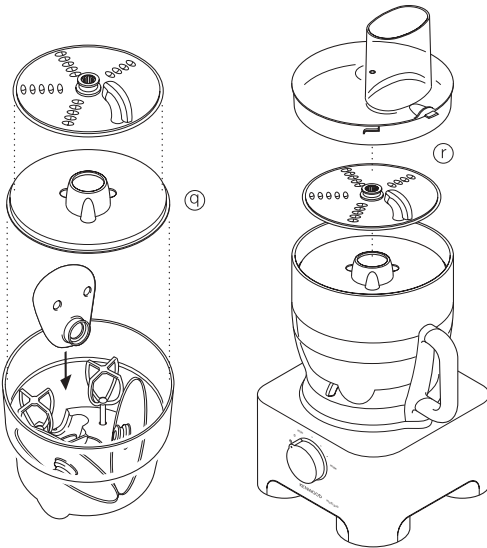
- Ennen mehustamista poista kivet ja siemenet (esim. paprikoista, melonista ja luumuista) ja kovat kuoret (esim. melonista ja ananaksesta). Omenoita ja päärynöitä ei tarvitse kuoria eikä siemenkotaa poistaa.
- Käytä kiinteitä tuoreita hedelmiä ja vihanneksia.
- Sitruhedelmistä saatu mehu on karvasta ja siinä on vaahtoa, sillä kuori mehustetaan hedelmän mukana. Käytä sitruhedelmien mehustamiseen mieluummin sitruspuserrinta.

## 28 KENSTORE™-pyöröteline lisälaitteille

Monitoimikoneeseen kuuluu pyöröteline lisälaitteiden säilytykseen, joka sopii kulhon sisälle.

## pyörötelineen käyttö

- 1 Aseta hienonusterä kulhoon.
- 2 Aseta sitten vatkein, terät ja kansi pyörötelineeseen ④.
- 3 Aseta pyöröteline hienonusterän päälle ja laita monitoimikoneen kansi päälle ①.

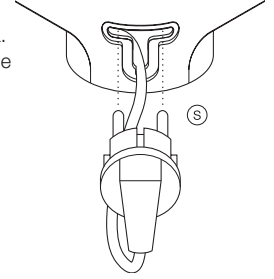


## huolto ja puhdistus

- Sammuta laite ja irrota pistoke pistorasiasta aina ennen puhdistamista.
- Käsittele teriä ja leikkuulevyjä varoen - ne ovat erittäin teräviä.
- Jotkut elintarvikkeet saattavat värjätä muovia. Tämä on täysin normaalia eikä vahingoita muovia tai vaikuta ruoan makuun. Poista väri hankaamalla kasvisöljyyn kastetulla kankaalla.

### virtayksikkö

- Pyyhi kostealla pyyhkeellä ja kuivaa. Varmista, että lukituskohdassa ei ole ruoan jätteitä.
- Säilytä ylimääräinen johto laitteen takana olevassa lokerossa ⑤.



### tehosekoitin/mylly

- 1 Tyhjennä kannu/hienonustusastia ennen kuin kierrät sen irti teräosasta.
- 2 Pese kannu/hienonustusastia käsin.
- 3 Irrota ja pese tiivisteet.
- 4 Älä koske teräviin teriin - pese ne puhtaaksi kuumassa pesuaineviedessä harjan avulla ja huuhtelee sen jälkeen huolellisesti juoksevan veden alla. **Älä upota teräyksikköä veteen.**
- 5 Anna kuivua ylösalaisin.

### kaksoisvatkain

- Irrota vispilät käyttöpäädystä vetämällä niitä varovasti ulospäin. Pese lämpimällä pesuaineviedellä.
- Pyyhi käyttöpäätä kostealla pyyhkeellä ja kuivaa sen jälkeen. **Älä upota käyttöpäätä veteen.**

### metallinen mehilinko

- Jotta puhdistaminen olisi helpompaa, pese osat aina heti käytön jälkeen.
- Jotkut ruoka-aineet (esim. porkkana) saattavat värjätä muoviosia. Väriin poistamiseksi osia voidaan hangata kasviöljyyn kastetulla liinalla.

### suodatin

- Nosta hedelmälihan poistaja ulos ja kopauta kevyesti hedelmälihan irrottamiseksi.
- Puhdista pehmeällä harjalla.
- **Tarkasta suodatin säännöllisesti vaurioiden varalta. Laitetta ei saa käyttää, jos suodatin on vaurioitunut. Katso kohta "huolto ja käyttökysymykset".**

### kaikki muut osat

- Pese käsin ja kuivaa pesun jälkeen.
- Vaihtoehtoisesti ne voidaan pestä astianpesukoneen yläritilällä. Pesuohjelmaksi suositellaan lyhytohjelmää alhaisella lämpötilalla.

## huolto ja asiakaspalvelu

- Jos virtajohto vaurioituu, se on turvallisuussyistä vaihdettava. Vaihdytöy saa tehdä KENWOOD tai KENWOODIN valtuuttama huoltoliike.  
Jos tarvitset apua
- laitteen käyttämisessä tai
- laitteen huolto- tai korjaustöissä, ota yhteys laitteen ostopaikkaan.



**TÄRKEITÄ OHJEITA TUOTTEEN HÄVITTÄMISEEN  
EUROOPAN UNIONIN DIREKTIIVIN 2002/96 MUKAISESTI.**

Tuotetta ei saa hävittää yhdessä tavallisten kotitalousjätteiden kanssa sen lopullisen käytöstä poiston yhteydessä.

Vie se paikallisten viranomaisten hyväksymään kierrätyskeskukseen tai anna se jälleenmyyjän hävitettäväksi, mikäli kyseinen palvelu kuuluu jälleenmyyjän toimialaan. Suojelet luontoa ja vältty virheellisen tai väärän romutuksen aiheuttamilta terveysriskeiltä, mikäli hävität kodinkoneen erillään muista jätteistä. Näin myös kodinkoneen sisältämät kierrätettävät materiaalit voidaan kerätä talteen, jolloin säästät energiaa ja luonnonvaroja.

Tuotteessa on ristillä peitetty roskasäiliön merkki, jonka tarkoituksena on muistuttaa että kodinkoneet on hävitettävä erikseen muista kotitalousjätteistä.

**vianetsintäohjeet**

Ongelma	Syy	Ratkaisu
Monitoimikone ei toimi	Toiminnan merkkivalo ei syty. Kulhoa ei ole kiinnitetty oikein.  Kantta ei ole lukittu oikein.	Tarkista, että pistotulppa on kytketty pistorasiaan. Tarkista, että kulho on asetettu oikein ja että kahva osoittaa oikealle puolelle. Tarkista, että kannen lukitus on kohdakkain kahvan kanssa. <b>Monitoimikone ei toimi, jos kulho ja kansi on asennettu väärin.</b> Jos kyseessä ei ole mikään yllä olevista, tarkista huoneistosi sulakkeet.
Tehosekoitin/mylly ei toimi	Käytössä väärä pohja.	<b>Myllyn pohjaa ei voi vaihtaa FP925:n lasisen tehosekoitinkannun kanssa. Monitoimikone ei toimi, jos väärä pohja on asennettu.</b> Tarkista, että käytettävässä pohjassa on oikea kuva.
Monitoimikone pysähtyy käytön aikana	Kone ylikuormitettu / maksimikapasiteetti ylitetty.  Kantta ei ole lukittu.	Tarkista maksimikapasiteetit kohdasta "monitoimikoneen käyttö". Tarkista, että kansi on lukittu oikein.
Työvälineet/lisälaitteet eivät toimi kunnolla.	Katso vihjeet asianomaisen lisälaitteen kohdasta osiossa "lisälaitteiden käyttö". Tarkista, että lisälaitteet on koottu oikein.	

## Free Manuals Download Website

<http://myh66.com>

<http://usermanuals.us>

<http://www.somanuals.com>

<http://www.4manuals.cc>

<http://www.manual-lib.com>

<http://www.404manual.com>

<http://www.luxmanual.com>

<http://aubethermostatmanual.com>

Golf course search by state

<http://golfingnear.com>

Email search by domain

<http://emailbydomain.com>

Auto manuals search

<http://auto.somanuals.com>

TV manuals search

<http://tv.somanuals.com>