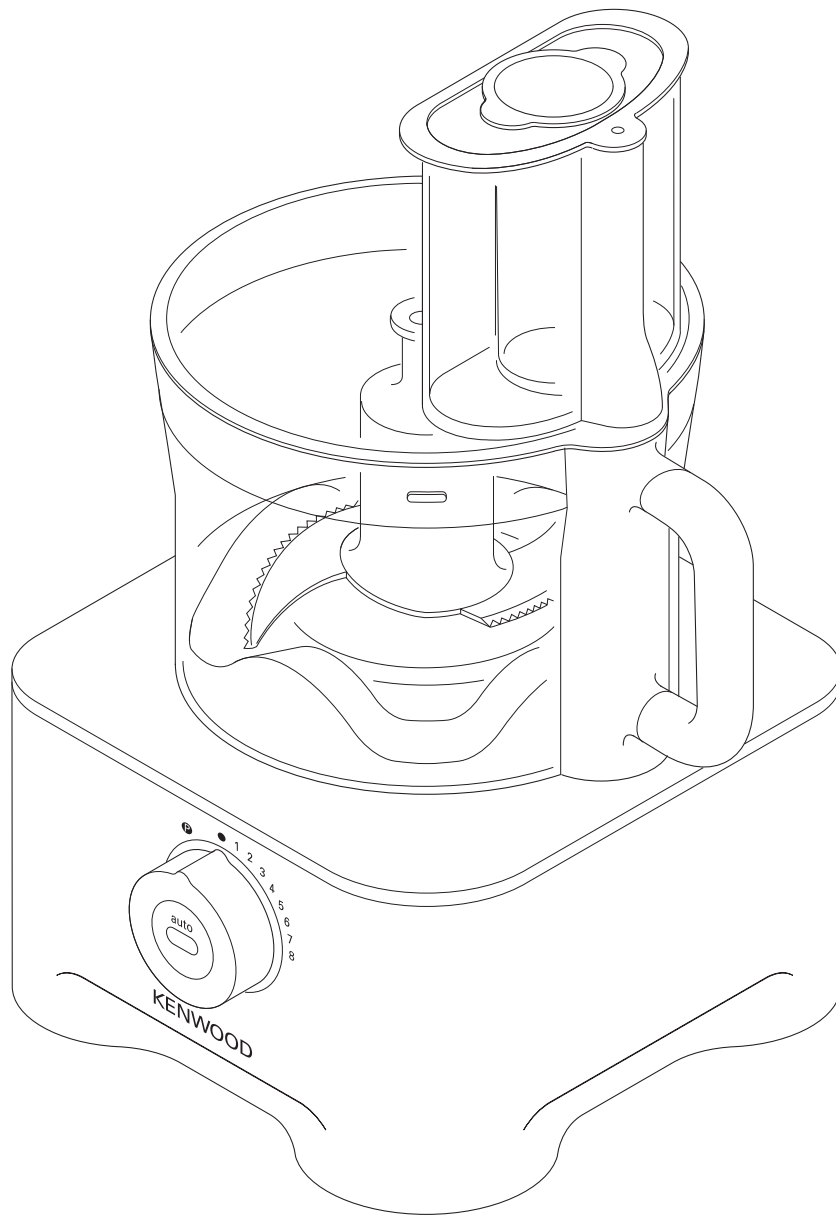


KENWOOD
multipro
EXCEL



FP970 series

English 2 - 7

Nederlands 8 - 13

Français 14 - 19

Deutsch 20 - 25

Italiano 26 - 31

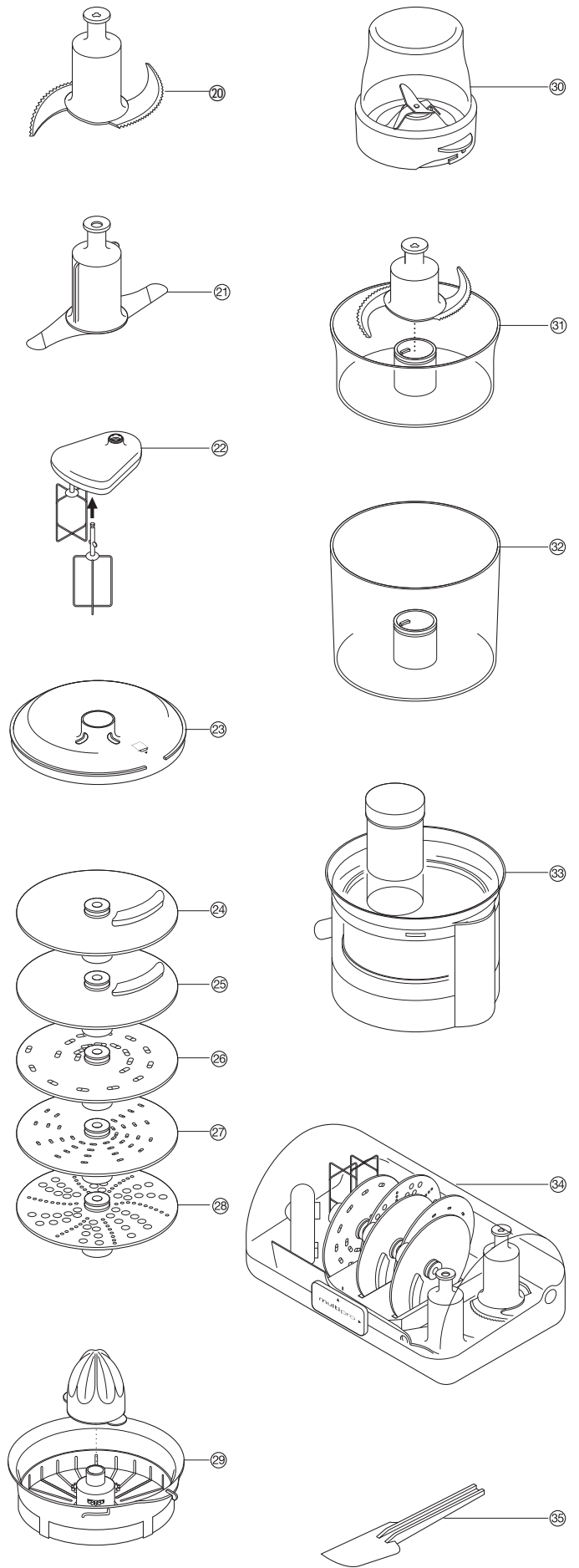
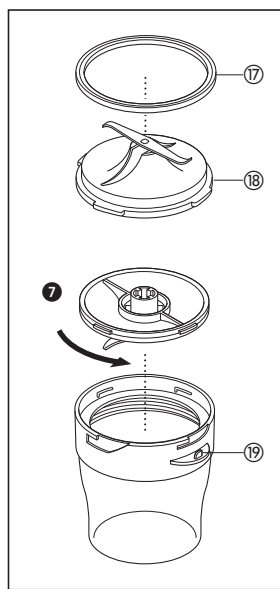
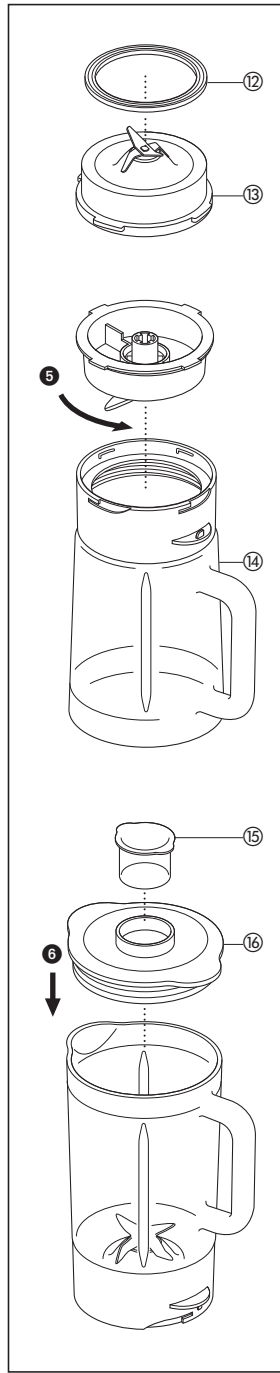
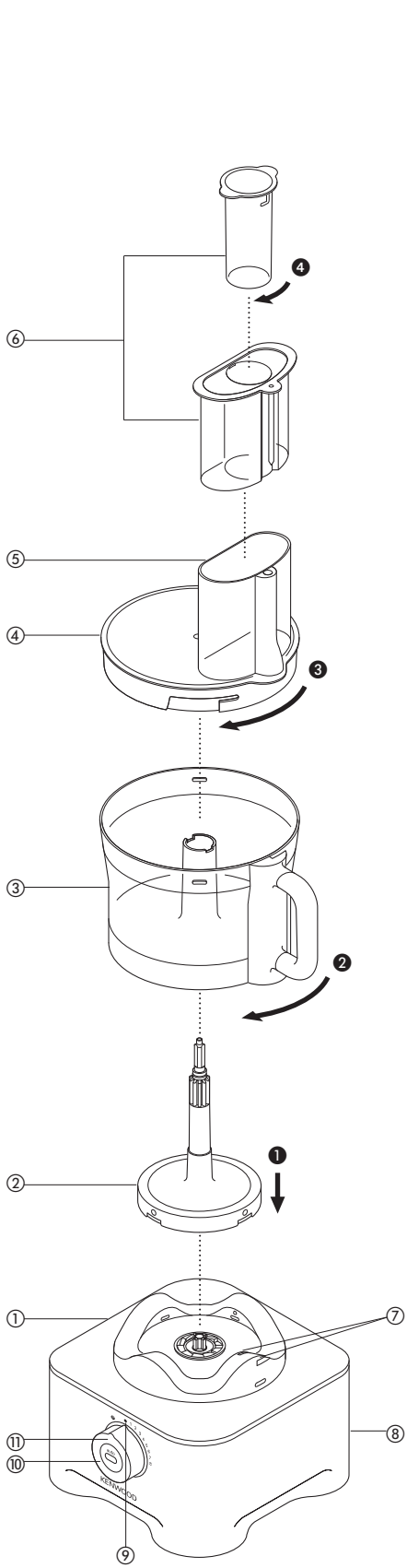
Dansk 32 - 37

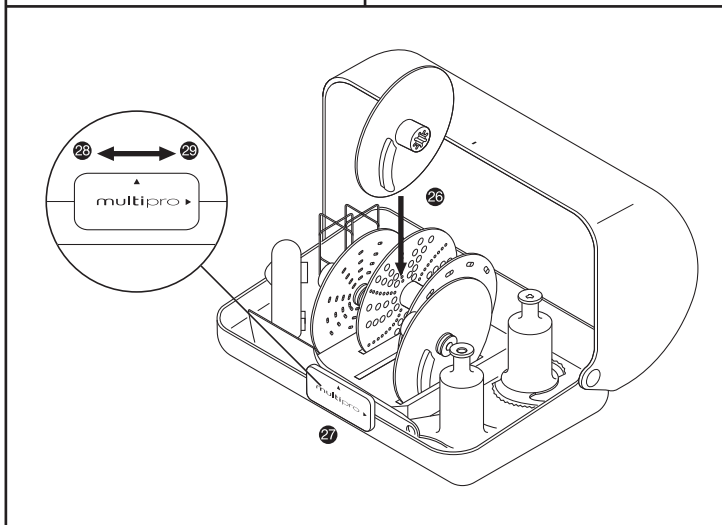
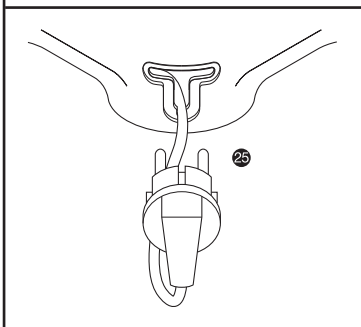
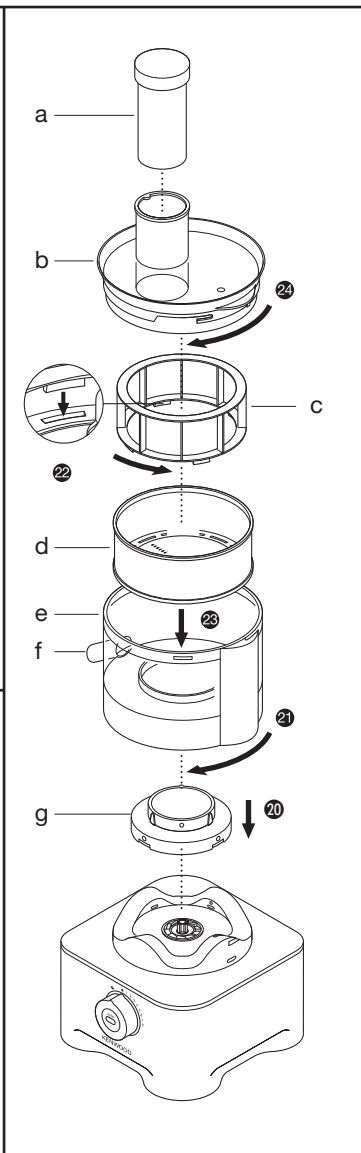
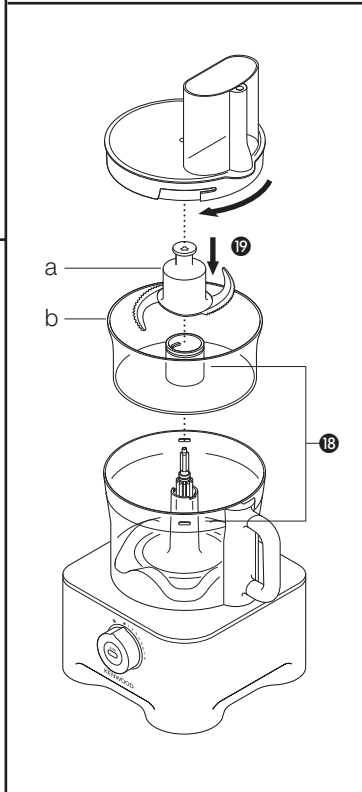
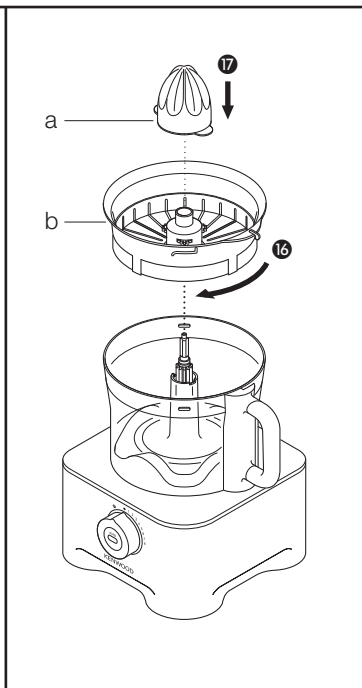
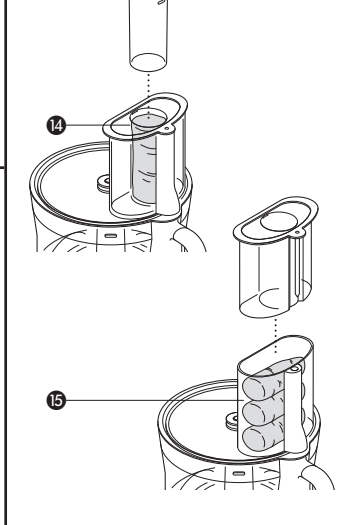
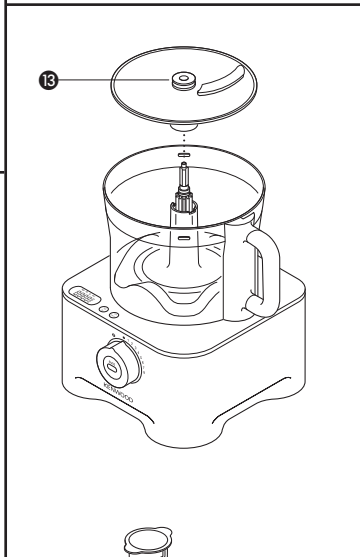
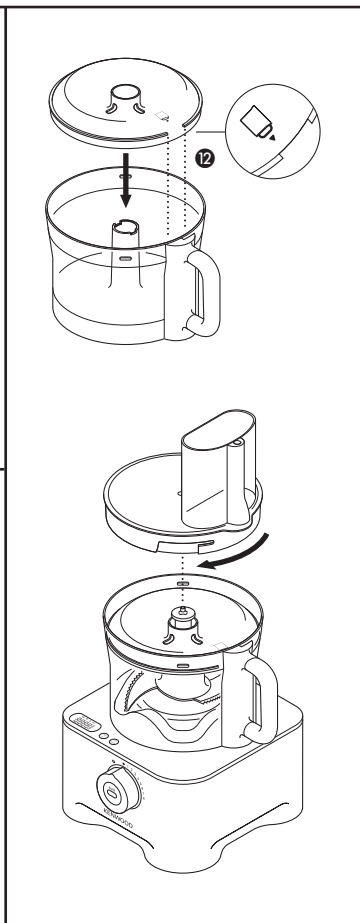
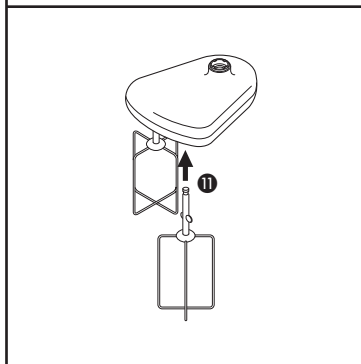
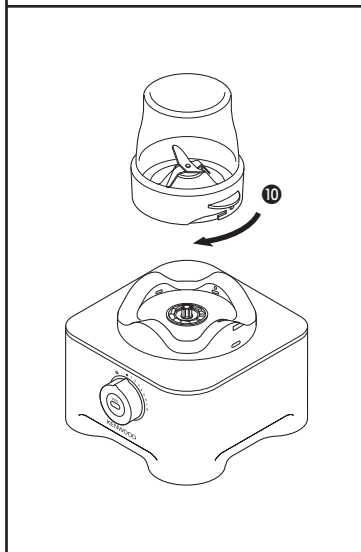
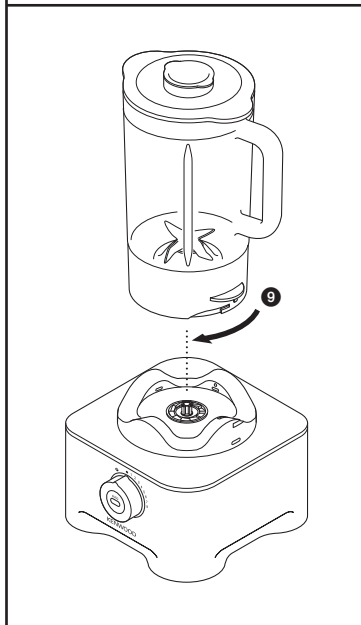
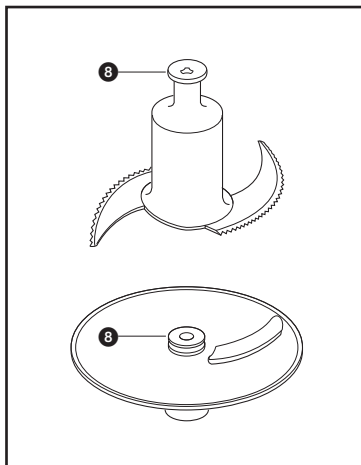
Svenska 38 - 43

Norsk 44 - 49

Suomi 50 - 55







before using your Kenwood appliance

- Read these instructions carefully and retain for future reference.
- Remove all packaging and any labels.

safety

- The blades and discs are very sharp, handle with care. **Always hold by the finger grip ③ at the top, away from the cutting edge, both when handling and cleaning.**
- Do not lift or carry the processor by the handle - or the handle may break resulting in injury.
- Always remove the knife blade before pouring contents from the bowl.
- Keep hands and utensils out of the processor bowl and liquidiser goblet whilst connected to the power supply.
- Switch off and unplug:-
 - before fitting or removing parts;
 - when not in use;
 - before cleaning.
- Never use your fingers to push food down the feed tube. Always use the pusher/s supplied.
- Before removing the lid from the bowl or liquidiser/mill from the power unit:-
 - switch off;
 - wait until the attachment/blades have completely stopped;
 - be careful not to unscrew the liquidiser goblet or mill jar from the blade assembly.
- Liquids should be allowed to cool to room temperature before blending.
- Do not use the lid to operate the processor, always use the on/off speed control.
- **This appliance will be damaged and may cause injury if the interlock mechanism is subjected to excessive force.**
- Never use an unauthorised attachment.
- Never leave the appliance unattended when it is operating.
- Never use a damaged appliance. Get it checked or repaired: see 'service & customer care'.
- Never let the power unit, cord or plug get wet.
- Don't let excess cord hang over the edge of a table or worktop or touch hot surfaces.
- Do not exceed the maximum capacities stated in the recommended speed chart.
- This appliance is not intended for use by persons (including children) with reduced physical, sensory or mental capabilities, or lack of experience and knowledge, unless they have been given supervision or instruction concerning use of the appliance by a person responsible for their safety.
- Children should be supervised to ensure that they do not play with the appliance.
- Only use the appliance for its intended domestic use. Kenwood will not accept any liability if the appliance is subject to improper use, or failure to comply with these instructions.
- Misuse of your processor/liquidiser can result in injury.

Refer to the relevant section under "using the attachments" for additional safety warnings for each individual attachment.

before plugging in

- Make sure your electricity supply is the same as the one shown on the underside of your machine.
- This appliance conforms to EC directive 2004/108/EC on Electromagnetic Compatibility and EC regulation no. 1935/2004 of 27/10/2004 on materials intended for contact with food.

before using for the first time

- 1 Remove the plastic blade covers from the knife blade. **Take care the blades are very sharp.** These covers should be discarded as they are to protect the blade during manufacture and transit only.
- 2 Wash the parts see 'care & cleaning'.

key

processor

- ① power unit
- ② detachable drive shaft
- ③ bowl
- ④ lid
- ⑤ wide feed tube
- ⑥ pushers
- ⑦ safety interlocks
- ⑧ cord storage
- ⑨ power on light
- ⑩ speed control
- ⑪ Auto button

glass liquidiser

- ⑫ sealing ring
- ⑬ blade unit
- ⑭ goblet
- ⑮ filler cap
- ⑯ lid

glass multi mill

- ⑰ sealing ring
- ⑱ blade unit
- ⑲ glass jar

attachments

Not all of the attachments listed below may be included with your food processor. Attachments are dependent upon the model variant.

- ⑳ knife blade
- ㉑ dough tool
- ㉒ twin beater geared metal whisk
- ㉓ maxi-blend canopy
- ㉔ thick slicing disc (4mm)
- ㉕ thin slicing disc (2mm)
- ㉖ coarse shredding disc
- ㉗ fine shredding disc
- ㉘ rasping/parmesan disc (optional)
- ㉙ geared citrus press (optional)
- ㉚ multi mill (optional)
- ㉛ mini bowl (optional)
- ㉜ midi bowl (optional)
- ㉝ centrifugal juicer (optional)
- ㉞ attachment storage box
- ㉟ spatula

to use your food processor

- 1 Fit the detachable drive shaft onto the power unit ❶ – push down lightly to ensure the drive shaft is fully engaged.
- 2 **Then** fit the bowl with the handle to the right hand side of the power unit. Place the handle towards the back and turn clockwise until it locks ❷.
- 3 Fit an attachment over the drive shaft.
 - Always fit the bowl and attachment onto the processor before adding ingredients.
- 4 Fit the lid ❸ - ensuring the top of the drive shaft locates into the centre of the lid.
- 5 Fit the pushers to the feed tube – turn the small pusher clockwise to lock in position ❹.
- **The processor will not operate if the bowl, lid or wide feed tube pusher are not fitted correctly into the interlocks. Check that the feed tube and bowl handle are situated to the right hand side.**
- 6 Plug in. The Power On light will come on and flash until the bowl and lid are fitted correctly. Select one of the following options: -
 - Auto Button – the light will come on when the Auto Button is pressed and the optimum speed for the attachment will be automatically selected.
 - Speed Control – manually select the required speed (Refer to the recommended speed chart).
 - Pulse – use the pulse (P) for short bursts. The pulse will operate for as long as the control is held in position.

7 At the end of processing turn the speed control to the 0 position or if using the Auto press the button and the light will go out.

- **The Power On light will flash if either the lid, bowl or wide feed tube are not fitted.**
- **The Power On and Auto lights will flash if the Auto is selected but the interlocks are not engaged.**
- **Do not use the lid to operate the processor, always use the on/off control.**
- **The Auto button will not operate if a speed is selected on the speed control.**
- **Always switch off and unplug before removing the lid.**
- 8 Reverse the above procedure to remove the lid, attachments and bowl.

important

- Your processor bowl is not suitable for crushing or grinding coffee beans, or converting granulated sugar to caster sugar.
- When adding almond essence or flavouring to mixtures avoid contact with the plastic as this may result in permanent marking.

choosing a speed for all functions

Tool/Attachment	Function	Speed	Maximum Capacities
Knife Blade	One Stage Cake Mix	1 – 8	2Kg/4lb 8oz total weight
	Rubbing fat into flour	3 – 8	500g/1lb 2oz flour weight
	Adding water to combine pastry ingredients	3 – 8	
	Chopping/pureeing/pâtés	8	1Kg/2lb 4oz chopping lean meat total weight
Knife Blade with maxi-blend canopy	Soups – start at a low speed and move up to Max	1 – 8	2 litres/3½ pts
Whisk	Egg Whites Cream	auto	2 – 8 250-750 mls
Dough tool	Yeasted mixes	6 – 8	1.3Kg/2lb 12oz total weight 650g/1lb 8oz flour weight
Discs – slicing/shredding	Firm food items such as carrots, hard cheese.	5 – 8	–
	Softer items such as cucumbers, tomatoes	1 – 3	–
Rasping disc	Parmesan cheese, Potatoes for German potato dumplings	8	–
Mini Bowl & knife	All processing	8	300g/12oz lean meat total weight
Citrus Press	Smaller fruits i.e. limes and lemons	1	–
	Larger fruits i.e. oranges and grapefruits	2	
Centrifugal juicer	Juicing firm fruit and vegetables ie apples and carrots	auto	1Kg/2lb 4oz apples 800g/1lb 12oz carrots
	Juicing soft fruits ie grapes and tomatoes		500g/1lb 2oz
Liquidiser	Soups and drinks	8	1.5 litres/2pts 12fl.oz
	Mayonnaise	8	3 eggs + 450 ml oil
	Frothing milk	8	1 litre/1½pt
	Ice crushing - operate the pulse in short bursts until crushed to the desired consistency	pulse	6 cubes
Multi-mill	Processing a range of spices	8	100g/4oz
	Grinding coffee beans	8	75g/3oz
	Chopping nuts	8	140g/5oz

to use your liquidiser

- 1 Fit the sealing ring ⑫ into the blade unit ⑬ - ensuring the seal is located correctly in the grooved area.
- 2 Hold the underside of the blade unit ⑬ and insert the blades into the goblet - turn anti-clockwise to lock ⑤.
- 3 Put your ingredients into the goblet.
- 4 Fit the lid to the goblet and push down to secure ⑥. Fit the filler cap.
- 5 Place the liquidiser onto the power unit with the handle situated to the right hand side and turn clockwise to lock ⑨.
- 6 Use the Auto button or select a speed (refer to the recommended speed chart) or use the pulse control.

safety

- **Liquids should be allowed to cool to room temperature before blending.**
- Always take care when handling the blade assembly and avoid touching the cutting edge of the blades when cleaning.
- Only operate the liquidiser with the lid in place.
- Only use the goblet with the blade assembly supplied.
- Never run the liquidiser empty.
- To ensure the long life of your liquidiser, do not run it continuously for longer than 60 seconds.
- Smoothie recipes - never blend frozen ingredients that have formed a solid mass during freezing, break it up before adding to the goblet.

hints

- When making mayonnaise, put all the ingredients, except the oil, into the liquidiser. Remove the filler cap. Then, with the appliance running, add the oil slowly through the hole in the lid.
- Thick mixtures, e.g. pâtés and dips, may need scraping down. If the mixture is difficult to process, add more liquid.
- Ice crushing - operate the pulse in short bursts until crushed to the desired consistency.
- The appliance will not work if the liquidiser is incorrectly fitted.
- To blend dry ingredients - cut into pieces, remove the filler cap, then with the appliance running, drop the pieces down one by one. Keep your hand over the opening. For best results empty regularly.
- Don't use the liquidiser as a storage container. Keep it empty before and after use.
- Never blend more than 1.5 litres (2pts 12froz) - less for frothy liquids like milkshakes.

⑩ multi mill (if supplied)

Use the mill for processing dry ingredients such as nuts, coffee beans and it is also suitable for processing a range of spices such as: -
Black peppercorns, cardamom seeds, cumin seeds, coriander seeds, fennel seeds, fresh ginger root, fresh chillies and whole cloves.

to use your multi mill

- 1 Put your ingredients into the jar. Fill it no more than half full.
- 2 Fit the sealing ring ⑰ to the blade unit ⑱.
- 3 Hold the underside of the blade unit and insert the blades into the jar - turn anti-clockwise to lock ⑦.
- 4 Place the mill onto the power unit and turn clockwise to lock ⑩.
- 5 Use the Auto button, or select a speed (refer to the recommended speed chart).

safety

- Never fit the blade unit to your food processor without the jar fitted.
- Never unscrew the jar while the mill is fitted to your appliance.
- Do not touch the sharp blades - Keep the blade unit away from children.
- Never remove the mill until the blades have completely stopped.
- To ensure the long life of your mill, do not run it continuously for longer than 60 seconds. Switch off as soon as you have got the right consistency.

- The appliance will not work if the mill is incorrectly fitted.
- Do not process turmeric root in the mill as it is too hard and may damage the blades.

hints

- For optimum performance when processing spices we recommend that you do not process more than 100g at a time in the mill.
- Whole spices retain their flavour for a much longer time than ground spices so it is best to grind a small quantity fresh at a time to retain the flavour.
- To release the maximum flavour and essential oils whole spices are best roasted prior to milling.
- Cut ginger up into small pieces before processing.
- For best results the mini bowl attachment is recommended when chopping herbs.

using the attachments

⑳ knife blade/㉑ dough tool

The knife blade is the most versatile of all the attachments. The length of the processing time will determine the texture achieved. For coarser textures use the pulse control.

Use the knife blade for cake and pastry making, chopping raw and cooked meat, vegetables, nuts, pâté, dips, pureeing soups and to also make crumbs from biscuits and bread.

Use the dough tool supplied for yeasted mixes.

hints

knife blade

- Cut food such as meat, bread, vegetables into cubes approximately 2cm³/in before processing.
- Biscuits should be broken into pieces and added down the feed tube whilst the machine is running.
- When making pastry use fat straight from the fridge cut into 2cm³/in.cubes.
- Take care not to over-process.

dough tool

- Place the dry ingredients in the bowl and add the liquid down the feed tube whilst the machine is running. Process until a smooth elastic ball of dough is formed this will take 45 - 60 secs.
- Re-knead by hand only. Re-kneading in the bowl is not recommended as it may cause the processor to become unstable.

㉒ twin beater geared whisk

Use for light mixtures only eg egg whites, cream, evaporated milk and for whisking eggs and sugar for fatless sponges. Heavier mixtures such as fat and flour will damage it.

using the whisk

- 1 Fit the detachable drive shaft and bowl onto the power unit.
- 2 Push each beater securely into the drive head ⑪.
- 3 Fit the whisk by carefully turning until it drops over the drive shaft.
- 4 Add the ingredients.
- 5 Fit the lid - ensuring the end of the shaft locates into the centre of the lid.
- 6 Select Auto.

important

- The whisk is not suitable for making one-stage cakes or creaming fat and sugar as these mixes will damage it. Always use the knife blade for cake making.

hints

- Best results are obtained when the eggs are at room temperature.
- Ensure the bowl and whisks are clean and free from grease before whisking.

23 maxi-blend canopy

When blending liquids, use the maxi-blend canopy with the knife blade. It allows you to increase the liquid processing capacity from 1.4 litre to 2 litres, prevents leaking and improves the chopping performance of the blade.

- 1 Fit the detachable drive shaft and bowl onto the power unit.
- 2 Fit the knife blade.
- 3 Add ingredients to be processed.
- 4 Fit the canopy over the top of the blade ensuring it sits on the ledge area and the slot 12 aligns with the tab inside the bowl. **Do not push down on the canopy, hold by the centre grip.**
- 5 Fit the lid and switch on.

slicing/shredding discs

slicing discs - thick (4mm) 24, thin (2 mm) 25

Use the slicing discs for cheese, carrots, potatoes, cabbage, cucumber, courgettes, beetroot and onions.

shredding discs - coarse 26, fine 27

Use the shredding discs for cheese, carrots, potatoes and food of a similar texture.

rasping disc 28 (if supplied)

Grates Parmesan cheese and potatoes for German potato dumplings.

safety

- **Never remove the lid until the cutting disc has completely stopped.**
- **Handle the cutting discs with care - they are extremely sharp.**

to use the cutting discs

- 1 Fit the detachable drive shaft and bowl onto the power unit.
- The midi bowl 29 can be used with all the discs. Fit the midi bowl inside the main bowl - align the tabs with the groove on the side of the main bowl chimney and slide down. To remove lift out using the finger grips on the side of the midi bowl.
- 2 Holding by the centre grip 13, place the disc onto the drive shaft.
- 3 Fit the lid.
- 4 Choose which size feed tube you want to use. The pusher contains a smaller feed tube for processing individual items or thin food items. To use the small feed tube – first put the large pusher inside the feed tube. To use the wide feed tube – fit the small pusher into the wide pusher and turn clockwise to lock in place. Do not fill the feed tube above the maximum level as the processor will not operate unless the wide feed tube pusher is fitted correctly.
- 5 Put the food in the feed tube.
- 6 Switch on and push down evenly with the pusher - **never put your fingers in the feed tube.**

hints

- Use fresh ingredients
- Don't cut food too small. Fill the width of the large feed tube fairly full. This prevents the food from slipping sideways during processing. Alternatively use the small feed tube.
- When slicing or shredding: food placed upright 14 comes out shorter than food placed horizontally 15.
- There will always be a small amount of waste on the disc or in the bowl after processing.

29 citrus press (if supplied)

Use the citrus press to squeeze the juice from citrus fruits (eg oranges, lemons, limes and grapefruits).

- a cone
- b sieve

to use the citrus press

- 1 Fit the detachable drive shaft and bowl onto the power unit.
 - 2 Fit the sieve into the bowl - ensuring the sieve handle is locked into position directly over the bowl handle 16.
 - 3 Place the cone over the drive shaft turning until it drops all the way down 17.
 - 4 Cut the fruit in half. Then switch on and press the fruit onto the cone.
- **The citrus press will not operate if the sieve is not locked correctly into the interlock.**

31 mini processor bowl (if supplied)

Use the mini processor bowl to chop herbs and process small quantities of ingredients e.g. meat, onion, nuts, mayonnaise, vegetables, purées, sauces and baby food.

- a mini processor knife blade
- b mini processor bowl

to use the mini processor bowl

- 1 Fit the detachable drive shaft and bowl onto the power unit.
- 2 Fit the mini processor bowl - ensuring the ribs on the inside of the mini bowl chimney align with the slots in the main bowl chimney 18.
- 3 Place the knife blade over the drive shaft 19.
- 4 Add the ingredients to be processed.
- 5 Fit the lid and switch on.

safety

- Never remove the lid until the knife blade has completely stopped.
- The knife blade is very sharp - always handle with care.

important

- Don't process spices – they may damage the plastic.
- Don't process hard food such as coffee beans, ice cubes or chocolate – they may damage the blade.

hints

- Herbs are best chopped when clean and dry.
- Always add a little liquid when blending cooked ingredients to make baby food.
- Cut foods such as meat, bread, vegetables into cubes approximately 1-2 cm (½ – ¾ in) before processing.
- When making mayonnaise add the oil down the feed tube.

32 midi bowl (if supplied)

An extra bowl is supplied which can be used with all the discs. Just fit inside the main bowl and fit the discs and lid as stated in the slicing/shredding disc section.

33 centrifugal juicer (if supplied)

Use the centrifugal juicer for making juice from firm fruit and vegetables.

- a pusher
- b lid
- c pulp remover
- d filter drum
- e bowl
- f juicing spout
- g juicer drive adaptor

to use the centrifugal juicer

- 1 Fit the juicer drive adaptor onto the power unit 20 – push down lightly to ensure the adaptor is located correctly.
- 2 Then fit the juicer bowl. Place the handle towards the back and turn clockwise until it locks 21.
- 3 Place the pulp remover into the filter drum - ensuring the tabs locate with the slots in the bottom of the drum 22.
- 4 Fit the filter drum 23.
- 5 Place the attachment lid onto the bowl, turn until it locks and the feed tube sits over the handle 24 **Your juicer will not operate if the bowl or lid are not fitted correctly into the interlock.**
- 6 Place a suitable glass or jug under the juice outlet.
- 7 Cut the food to fit the feed tube.
- 8 Select Auto and push down evenly with the pusher - **never put your fingers in the feed tube.** Process fully before adding more.
 - After adding the last piece, let the juicer run for a further 30 seconds to extract all the juice from the filter drum.

safety

- **Do not use the juicer if the filter is damaged.**
- The cutting blades on the base of the filter drum are very sharp, take care when handling and cleaning the drum.
- Only use the pusher supplied. Never put your fingers in the feed tube. Unplug before unblocking the feed tube.
- Before removing the lid, switch off and wait for the filter to stop.

important

- If the juicer starts to vibrate, switch off and empty the pulp from the drum. (The juicer vibrates if the pulp becomes unevenly distributed).
- Maximum capacity that can be processed at one time is 1Kg of fruit or vegetables (refer to speed chart).
- Some very hard foods may make your juicer slow down or stop. If this happens switch off and unblock the filter.
- Switch off and clear the pulp collector regularly during use.

hints

- Before processing remove stones and pips (eg pepper, melon, plum) and tough skins (eg melon, pineapple). You don't need to peel or core apples and pears.
- Use firm, fresh fruit and vegetables.
- To maximise juice extraction place small quantities at a time in the feed tube and push down slowly.
- Citrus fruit - peel and remove the white pith, otherwise the juice may taste bitter. For best results use the citrus press.

34 attachment storage box

Your food processor is supplied with a storage box for your bowl attachments and discs.

- 1 Fit the whisk, knife blade, dough tool and discs into the storage box when not in use 26.
- 2 The storage box is fitted with a safety lock 27 - close the lid and slide the latch to the left to lock 28. To open slide the latch to the right 29.

care & cleaning

- Always switch off and unplug before cleaning.
- Handle the blades and cutting discs with care - they are extremely sharp.
- Some foods may discolour the plastic. This is perfectly normal and won't harm the plastic or affect the flavour of your food. Rub with a cloth dipped in vegetable oil to remove the discolouration.

power unit

- Wipe with a damp cloth, then dry. Ensure that the interlock area is clear of food debris.
- Store excess cord in the storage area at the back of the machine 25.

detachable drive shaft/juicer drive adaptor

- Wipe with a damp cloth, then dry.
- **Do not immerse the drive shaft or adaptor in water.**

liquidiser/mill

- 1 Empty the goblet/jar before unscrewing it from the blade unit.
- 2 Wash the goblet/jar by hand.
- 3 Remove and wash the seals.
- 4 Don't touch the sharp blades – brush them clean using hot soapy water, then rinse thoroughly under the tap. **Don't immerse the blade unit in water.**
- 5 Leave to dry upside down.

twin beater geared whisk

- Detach the beaters from the drive head by gently pulling them free. Wash in warm soapy water.
- Wipe the drive head with a damp cloth, then dry.
- **Do not immerse the drive head in water.**

all other parts

- Wash by hand, then dry.
- Alternatively they are dishwasher safe and can be washed on the top rack of your dishwasher. Avoid placing items on the bottom rack directly over the heating element. A short low temperature (Maximum 50°C) programme is recommended.

item	suitable for dishwashing
main, midi & mini bowl, lid, pushers, spatula	✓
liquidiser glass goblet, lid, filler cap	✓
blade unit and seal for liquidiser and mill	✗
glass mill jar	✓
knife blades, dough tool, maxi blend canopy	✓
whisk beaters	✓
whisk drive head	✗
discs	✓
citrus press	✓
centrifugal juicer	✗
detachable drive shaft	✗
juicer drive adaptor	✗

service & customer care

- If the cord is damaged it must, for safety reasons, be replaced by Kenwood or an authorised Kenwood repairer.
- **If you experience any problems with the operation of the processor, before calling for assistance refer to the troubleshooting guide.**
- If you need help with:
 - using your appliance or
 - servicing or repairs
 Contact the shop where you bought your appliance.

- Designed and engineered by Kenwood in the UK
- Made in China



IMPORTANT INFORMATION FOR CORRECT DISPOSAL OF THE PRODUCT IN ACCORDANCE WITH EC DIRECTIVE 2002/96/EC.

At the end of its working life, the product must not be disposed of as urban waste. It must be taken to a special local authority differentiated waste collection centre or to a dealer providing this service.

Disposing of a household appliance separately avoids possible negative consequences for the environment and health deriving from inappropriate disposal and enables the constituent materials to be recovered to obtain significant savings in energy and resources. As a reminder of the need to dispose of household appliances separately, the product is marked with a crossed-out wheeled dustbin.

troubleshooting guide

Problem	Cause	Solution
The processor will not operate	No power - power on light not lit. Bowl not locked on correctly. Lid not locked correctly. Large pusher not fitted.	Check processor is plugged in. Check bowl is located and interlocked correctly and the handle is situated towards the right hand side. Check that the lid interlock is located correctly into the handle area. Fit the large pusher. The processor will not operate if the bowl, lid or large pusher are not interlocked correctly. If none of the above check the fuse/circuit breaker in your home.
Processor stops or slows during processing	Overload protection operated. Processor overloaded or overheated during operation. Maximum capacity exceeded.	Switch off, unplug and allow the appliance to cool down for approximately 15 minutes. Refer to the speed chart for maximum capacities to process.
Poor performance of tools/attachments.	Refer to hints in relevant "using the attachment" section. Check attachments are assembled correctly.	
Power On light flashing	Normal operation The light will flash if the bowl, lid, liquidiser or mill are not fitted to the power unit or not locked in place correctly.	Check interlocks are engaged correctly.
Auto and Power On light flashing	Normal operation The light will flash if the Auto selected but interlocks not engaged.	Check interlocks are engaged correctly or press the Auto button to switch off the Auto function.

Nederlands

Vouw voor het lezen a.u.b. de voorpagina met illustraties uit

voordat u uw Kenwood-apparaat gebruikt:

- Lees deze instructies zorgvuldig door en bewaar ze voor toekomstig gebruik.
- Verwijder alle verpakking en labels.

veiligheid

- De messen en de schijven zijn erg scherp; ga er dus voorzichtig mee om.
Houd ze bij het hanteren en schoonmaken altijd bovenaan bij de vingergreep ⑥ en weg van het snijvlak, vast.
- Til de keukenmachine niet bij het handvat op en draag hem evenmin op die manier; hierdoor kan het handvat afbreken, waardoor u letsel kunt oplopen.
- Voordat u de inhoud uit de kom giet, dient u altijd eerst het mes te verwijderen.
- Haal altijd de stekker uit het stopcontact, voordat u met uw handen of gereedschappen in de kom van de machine of de blenderkan komt.
- Schakel het apparaat uit en haal de stekker uit het stopcontact:-
 - voordat u onderdelen aanbrengt of verwijderd;
 - als u het apparaat niet gebruikt;
 - voor het reinigen.
- Gebruik nooit uw vingers om voedsel in de invoerkoker te duwen. Gebruik altijd de bijgeleverde duwer.
- Voor u het deksel van de kom haalt of de blender/molen van het motorblok verwijderd:-
 - eerst het apparaat uitschakelen;
 - wacht tot de hulpstukken/messen volledig gestopt zijn;
 - zorg dat u de blender- of maalbeker niet losschroeft van de messeneenheid.
- Vloeistoffen eerst tot kamertemperatuur laten afkoelen voordat u ze in de blender verwerkt.
- Gebruik nooit het deksel om de keukenmachine te bedienen, maar altijd de aan/uit-knop.
- **Als teveel kracht wordt uitgeoefend op het vergrendelingsmechanisme, wordt dit apparaat beschadigd en kan het letsel veroorzaken.**
- Gebruik nooit een niet bij het apparaat behorend hulpstuk.
- Het apparaat nooit onbeheerd laten terwijl het aan staat.
- Gebruik nooit een beschadigd apparaat. Laat het nakijken of repareren: zie Onderhoud en klantenservice.
- Laat het motorhuis, het netsnoer of de stekker nooit nat worden.
- Laat het snoer nooit over de rand van een tafel of werkblad hangen of in aanraking komen met hete oppervlakken.
- U mag de maximum capaciteit die in de snelheidstabel wordt aangegeven, niet overschrijden.
- Dit apparaat is niet bedoeld voor gebruik door personen (inclusief kinderen) met verminderde lichamelijke, zintuiglijke of geestelijke vermogens of gebrek aan ervaring en kennis, tenzij ze toezicht of instructies over het gebruik van het apparaat hebben gekregen van de persoon die verantwoordelijk is voor hun veiligheid.
- Op kinderen moet toezicht gehouden worden om er zeker van te zijn dat ze niet met het apparaat spelen.
- Gebruik het apparaat alleen voor het huishoudelijke gebruik waarvoor het is bedoeld. Kenwood kan niet aansprakelijk worden gesteld in het geval dat het apparaat niet correct is gebruikt, of waar deze instructies niet worden opgevolgd.
- Misbruik van uw keukenmachine/blender kan tot letsel leiden.

Raadpleeg de betreffende paragraaf onder De hulpstukken gebruiken voor aanvullende veiligheidswaarschuwingen voor ieder hulpstuk afzonderlijk.

voordat u de stekker in het stopcontact steekt

- Zorg dat de elektriciteitsvoorziening dezelfde spanning heeft als op de onderkant van het apparaat wordt aangegeven.
- Dit apparaat voldoet aan de EC-richtlijn 2004/108/EC betreffende de elektromagnetische compatibiliteit en EC-bepaling 1935/2004 van 27/10/2004 betreffende materialen die bestemd zijn voor contact met voedsel.

voordat u het apparaat voor het eerst gebruikt

- 1 Verwijder de plastic beschermhoezen van het mes. **Wees voorzichtig: de messen zijn erg scherp.** Deze beschermhoezen moeten weggegooid worden; ze zijn uitsluitend bedoeld om het mes tijdens de vervaardiging en het vervoer te beschermen.
- 2 Was de onderdelen, zie Reiniging en onderhoud.

sleutel

keukenmachine

- ① motorhuis
- ② losmaakbare aandrijfjas
- ③ kom
- ④ deksel
- ⑤ brede vulopening
- ⑥ duwers
- ⑦ veiligheidsvergrendelingen
- ⑧ opbergvak snoer
- ⑨ aan/uit-lampje
- ⑩ snelheidstoets
- ⑪ Auto-toets

glazen blender

- ⑫ afsluitring
- ⑬ messeneenheid
- ⑭ kom
- ⑮ vulkap
- ⑯ deksel

glazen multimolen

- ⑰ afsluitring
- ⑱ messeneenheid
- ⑲ glazen beker

hulpstukken

Het kan zijn dat uw keukenmachine niet met alle hieronder genoemde hulpstukken geleverd wordt. De selectie aan hulpstukken is afhankelijk van het model.

- ⑳ mes
- ㉑ deeghaak
- ㉒ dubbele metalen garde met snelheidsregeling
- ㉓ maxi mengkap
- ㉔ dikke snijschijf (4 mm)
- ㉕ dunne snijschijf (2 mm)
- ㉖ grove raspschijf
- ㉗ fijne raspschijf
- ㉘ rasp-/Parmezaanschijf (optioneel)
- ㉙ citruspers met snelheidsregeling (optioneel)
- ㉚ multimolen (optioneel)
- ㉛ minikom (optioneel)
- ㉜ midi-kom (optioneel)
- ㉝ sapcentrifuge (optioneel)
- ㉞ opslagdoos voor hulpstukken
- ㉟ spatel

gebruik van uw keukenmachine

- 1 Zet de afneembare aandrijfas op het motorblok ❶ – duw de aandrijfas zachtjes naar beneden om er zeker van te zijn dat hij goed is bevestigd.
- 2 Plaats de kom **vervolgens** met het handvat naar de rechterkant van het motorblok gericht. Plaats het handvat naar achteren en draai naar rechts tot de kom vergrendeld is ❷.
- 3 Plaats een hulpstuk op de aandrijfas.
 - Zet de kom en het hulpstuk altijd op de keukenmachine voordat u ingrediënten toevoegt.
- 4 Leg het deksel erop ❸ – zorg dat de bovenkant van de drijfas zich in het midden van het deksel bevindt.
- 5 Zet de duwers op de vulopening – draai de kleine duwer naar rechts om hem op zijn plaats te vergrendelen ❹.
 - **De processor werkt niet als de kom, deksel of duwer voor de brede vulopening niet juist op het apparaat zijn bevestigd en vergrendeld. Controleer of de vulopening en het handvat van de kom zich aan de rechterkant bevinden.**
- 6 Steek de stekker in het stopcontact. Het aan-/uitlampje gaat branden en knippert tot de kom en het deksel op de juiste manier zijn geplaatst. Kies één van de volgende opties:
 Auto-toets – het lampje gaat branden als u op de toets Auto drukt en de optimale snelheid voor het hulpstuk wordt automatisch geselecteerd.
 Snelheidstoets – selecteer handmatig de vereiste snelheid (raadpleeg de tabel met aanbevolen snelheden).
 Pulseren – gebruik de pulstoets (P) voor korte pulsen. De puls duurt zolang als de toets wordt ingedrukt.

- 7 Aan het eind van de verwerking schakelt u de snelheidstoets naar de 0-stand, of als u Auto gebruikt, drukt u op die toets en het lampje gaat uit.
 - **Het aan-/uitlampje knippert als het deksel, de kom of de brede vulopening niet zijn bevestigd.**
 - **Het aan-/uitlampje en het Auto-lampje knipperen als Auto geselecteerd is, maar de vergrendeling is niet geactiveerd.**
 - **Gebruik nooit het deksel om de keukenmachine te bedienen, maar altijd de aan/uit snelheidsregelaar.**
 - **De toets Auto werkt niet als een snelheid is geselecteerd met de snelheidstoets.**
 - **Zet het apparaat altijd uit voordat u het deksel verwijdert.**
- 8 Volg de bovenstaande procedure in omgekeerde volgorde om het deksel, de hulpstukken en de kom te verwijderen.

belangrijk

- De kom van uw processor is niet geschikt om koffiebonen te verpulveren of te malen of om suikerkorrels te verwerken tot basterdsuiker.
- Wanneer u amandelessence of -smaakstof aan mengsels toevoegt, dient u het contact met kunststof te vermijden, aangezien dit permanente vlekken kan geven.

de juiste snelheden voor alle functies

Instrument/hulpstuk	Functie	Snelheid	Maximum capaciteit
Mes	Instant cakemix	1 – 8	2 kg totaalgewicht
	Gebaksdeeg – boter met bloem mengen	3 – 8	500 gr bloemgewicht
	Water toevoegen om ingrediënten te mengen	3 – 8	
	Hakken/pureren/paté's	8	1 kg mager gehakt totaalgewicht
Mes met maxi mengkap	Soep – begin op lage snelheid en verhoog tot Max	1 – 8	2 liter
Garde	Eiwit	auto	2 – 8
	Slagroom		250-750 ml
Deeghaak	Mengsels met gist	6 – 8	1,3 kg totaalgewicht 650 gr bloemgewicht
Schijven – snijden/schaven	Harde etenswaren als wortelen, harde kaas	5 – 8	–
	Zachtere etenswaren als komkommer, tomaten	1 – 3	–
Raspschijf	Parmezaanse kaas, aardappelen voor knoedels	8	–
Minikom & mes	Alle functies	8	300 gr mager totaalgewicht
Citruspers	Kleiner fruit, zoals limoenen en citroenen	1	–
	Groter fruit zoals sinaasappels en grapefruit	2	–
Sapcentrifuge	Stevig fruit en stevige groenten d.w.z. appels en wortelen	auto	1 kg appels 800 g wortelen
	Zacht fruit, zoals druiven en tomaten		500 g
Blender	Soep en dranken	8	1,5 liter
	Mayonaise	8	3 eieren + 450 ml olie
	Schuimende melk	8	1 liter
	Verbrijzelen van ijsblokjes – pulseer in korte pulsen tot het ijs de gewenste consistentie bereikt heeft	pulseren	6 blokjes
Multimolen	Verwerking van een groot aantal verschillende specerijen	8	100 gr
	Koffiebonen hakken	8	75 gr
	Noten hakken	8	140 gr

de blender gebruiken

- 1 Zet de afsluitring ⑫ in de messeneenheid ⑬ – zorg dat de ring correct in de groef wordt geplaatst.
- **Het apparaat lekt wanneer de afsluitring beschadigd is of niet goed is aangebracht.**
- 2 Houd de onderkant van de messeneenheid ⑬ vast en plaats de messen in de beker – draai naar links om de messen te vergrendelen ⑤.
- 3 Doe de ingrediënten in de beker.
- 4 Plaats het deksel op de beker en duw erop om hem goed vast te zetten ⑥. Zet de vuldop erop.
- **Voordat u de blender op het motorblok zet, moet u controleren of de snelheidstoets in de 0-stand staat en het Auto-lampje uit is. Als de snelheidstoets niet op de 0-stand staat of Auto is geselecteerd, begint de blender te werken zodra de blender op het motorblok wordt gezet.**
- 5 Zet de blender op het motorblok met het handvat naar rechts en draai de blender naar rechts om hem te vergrendelen ④.
- **Het apparaat werkt niet als de blender onjuist geplaatst is op de vergrendeling.**
- 6 Gebruik de toets Auto of selecteer een snelheid (zie de tabel met aanbevolen snelheden) of gebruik de pulseertoets.

veiligheid

- **Vloeistoffen eerst tot kamertemperatuur laten afkoelen voordat u ze in de blender verwerkt.**
 - Wees voorzichtig wanneer u de messen hanteert en raak het snijvlak van de messen bij het reinigen niet aan.
 - Laat de blender uitsluitend voorzien van deksel lopen.
 - Gebruik de beker uitsluitend met de bijgeleverde messen.
 - De blender nooit leeg gebruiken.
 - Om een lange levensduur van uw blender te garanderen, mag u hem nooit langer dan 60 seconden achtereen gebruiken.
 - Smoothie-recepten – verwerk nooit bevroren ingrediënten die tijdens de bevroering tot een vaste massa gevormd zijn; breek de massa op voor u hem aan de beker toevoegt.
- ### tips
- Bij de bereiding van mayonaise plaatst u alle ingrediënten, met uitzondering van de olie, in de blender. Verwijder de vuldop. Giet de olie vervolgens langzaam door de opening in het deksel op het draaiende apparaat.
 - Bij dikke mengsels, zoals patés en dips, moet u de wand van het apparaat misschien schoonschrapen. Als het mengsel moeilijk verwerkt kan worden, voegt u meer vloeistof toe.
 - Verbrjzelen van ijsblokjes – pulseer in korte pulsen tot het ijs de gewenste consistentie bereikt heeft.
 - Het apparaat werkt niet als de blender onjuist geplaatst is.
 - Droge ingrediënten mengen – in stukken snijden, de vuldop verwijderen, en de stukken één voor één op het draaiende mes laten vallen. Houd uw handen over de opening. Voor het beste resultaat het apparaat regelmatig legen.
 - Gebruik de blender niet om voedsel in te bewaren. Zorg dat deze zowel voor als na gebruik leeg is.
 - Meng nooit meer dan 1,5 liter - of minder voor schuimende vloeistoffen zoals milkshakes.

⑳ multimolen (indien meegeleverd)

Gebruik de molen om droge ingrediënten zoals noten en koffiebonen te verwerken; de molen is ook geschikt om verschillende specerijen te malen, zoals:
zwarte peperkorrels, kardemomzaden, komijnzaden, korianderzaden, venkelzaden, verse gemberwortel, verse chilipepers en hele kruidnagels.

het gebruik van uw multimolen

- 1 Doe de ingrediënten in de beker. Vul de beker maximaal voor de helft.
- 2 Zet de afdichting ⑰ op de messeneenheid ⑱.
- 3 Houd de onderkant van de messeneenheid vast en plaats de messen in de beker – draai naar links om de messen te vergrendelen ⑦.
- 4 Zet de molen op het motorblok en draai naar rechts om hem vast te zetten ⑩.
- 5 Gebruik de toets Auto of selecteer een snelheid (raadpleeg de tabel met aanbevolen snelheden).

veiligheid

- Breng nooit de messeneenheid op het apparaat aan zonder dat de beker is aangebracht.
- Schroef de beker nooit los terwijl de multimolen op uw apparaat is aangebracht.
- Raak de scherpe messen niet aan. Houd de messeneenheid uit de buurt van kinderen.
- Verwijder de multimolen pas als de messen volledig tot stilstand zijn gekomen.
- Om een lange levensduur van uw molen te garanderen, mag u hem nooit langer dan 60 seconden achtereen gebruiken. Schakel het apparaat uit zodra u de juiste consistentie hebt verkregen.
- Het apparaat werkt niet als de molen onjuist is bevestigd.
- Verwerk geen geelwortel (kurkuma) in de molen; dit is te hard en kan de messen beschadigen.

tips

- Voor het beste resultaat bij de verwerking van specerijen, raden we aan dat u niet meer dan 100 g tegelijk in de molen verwerkt.
- Hele specerijen houden hun aromatische stoffen veel langer vast dan gemalen specerijen; u kunt dus het best een kleine hoeveelheid tegelijk malen, zodat het aroma bewaard blijft.
- Om de maximale hoeveelheid aroma en essentiële oliën te laten vrijkomen, kunt u de specerijen het best roosteren voordat u ze maalt.
- Hak de gember in kleine stukken voordat u hem verwerkt.
- Voor het beste resultaat raden we u aan de minikom te gebruiken als u kruiden hakt.

het gebruik van de hulpstukken

㉑ snijmes/㉒ deeggereedschap

Het snijmes is het meest veelzijdige van alle hulpstukken. De verwerkingstijd bepaalt de verkregen structuur. Gebruik de pulseerknop voor een grovere structuur.

Gebruik het snijmes voor het bakken van taarten en gebak, het hakken van rauw en gekookt vlees, groenten, noten, paté, dipsauzen, gepureerde soepen en verder om biscuits en brood te verkruiden.

Gebruik het deeggereedschap voor gegiste deegmengsels.

nuttige tips snijmes

- Snijd producten zoals vlees, brood en groenten in blokjes van ongeveer 2 cm voor verwerking.
- Biscuits moeten in stukken worden gebroken en in de invoerkoker ingebracht terwijl de machine draait.
- Bij het bereiden van gebak, gebruik vet dat direct uit de ijskast in blokjes van 2 cm is gesneden.
- Zorg ervoor de producten niet te fijn te bewerken.

deeg gereedschap

- Plaats de droge ingrediënten in de kom en giet de vloeistof in de invoerkoker terwijl de machine draait. Ga door totdat er zich een elastische deegbal heeft gevormd. Dit duurt 45 - 60 seconden.
- Kneed het deeg opnieuw, alleen nu met de hand. Het wordt niet aanbevolen om het herkneden in de kom uit te voeren aangezien de keukenmachine daar instabiel van kan worden.

22 aangedreven dubbele garde

Gebruik voor de lichte mengsels en het kloppen van eieren bijvoorbeeld alleen eiwitten, room, poedermelk en suiker voor vetvrije biscuits. Zwaardere mengsels zoals vet en bloem beschadigen de garde.

het gebruik van de garde

- 1 Plaats de verwijderbare aandrijfas en kom op het motorblok.
- 2 Druk iedere deeghaak stevig in de aandrijfkop 11.
- 3 Breng de garde aan door deze zorgvuldig te draaien totdat hij over de aandrijfas valt.
- 4 Voeg de ingrediënten toe.
- 5 Breng het deksel aan - controleer of de bovenkant van de aandrijfas zich in het midden van het deksel bevindt.
- 6 Selecteer auto.

belangrijk

- De garde is niet geschikt voor het mengen van instant cakemix of boter en suiker, aangezien hierdoor de garde beschadigd raakt. Gebruik altijd het mes voor de bereiding van cakes en taarten.

handige tips

- De beste resultaten worden verkregen wanneer de eieren op kamertemperatuur zijn.
- Controleer of de kom en de gardes schoon en vetvrij zijn voordat u gaat kloppen.

23 blenderkap

Gebruik de blenderkap en het snijmes bij het mengen van vloeistoffen. Hiermee kunt u de capaciteit voor het verwerken van vloeistoffen vergroten van 1,4 liter tot 2 liter, lekken voorkomen en de hakprestaties van het mes verbeteren.

- 1 Plaats de verwijderbare aandrijfas en de kom op het motorblok.
- 2 Plaats het snijmes.
- 3 Voeg de te bewerken ingrediënten toe.
- 4 Zet de kap over het mes en zorg dat deze op de richel staat en de gleuf 12 is uitgelijnd met het lipje in de kom. **Duw de kap niet naar beneden, houd hem bij de greep in het midden vast.**
- 5 Plaats het deksel en zet het apparaat aan.

schijven voor snijden/raspen

snijschijven - dik (4 mm) 24, dun (2 mm) 25

Gebruik de snijschijven voor kaas, wortelen, aardappelen, kool, komkommer, courgettes, bieten en uien.

raspschijven - grof 26, fijn 27

Gebruik de raspschijven voor kaas, wortels, aardappelen en voedingsmiddelen met een soortgelijke structuur.

raspschijf 28 (indien meegeleverd)

Raspt Parmezaanse kaas en aardappelen voor Duitse aardappelknoedels.

veiligheid

- **Verwijder het deksel nooit voordat de snijschijf geheel tot stilstand is gekomen.**
- **De snijschijven zijn scherp - u dient ze voorzichtig te behandelen.**

gebruik van de snijschijven

- 1 Plaats de verwijderbare aandrijfas en de kom op het motorblok.
- De midi-kom 32 kan met alle schijven worden gebruikt. Zet de midi-kom in de hoofdkom – lijn de lipjes uit met de groef op de zijkant van de pijp van de hoofdkom en schuif hem naar onderen. Om de kom te verwijderen, tilt u hem met behulp van de vingergrepen aan de zijkant van de midi-kom op.
- 2 Houd de schijf bij de centrale greep vast 18, en plaats hem op de aandrijfas.
- 3 Breng het deksel aan.
- 4 Kies welke maat vulopening u wilt gebruiken. De duwer bevat een kleinere vulopening voor het verwerken van individuele of dunne ingrediënten. Om de kleine vulopening te gebruiken, plaatst u eerst de grote duwer in de vulopening. Om de brede vulopening te gebruiken, plaatst u de kleine duwer in de brede duwer en draait naar rechts om hem te vergrendelen. Vul de vulopening niet hoger dan het maximumniveau, omdat de processor pas werkt als de duwer voor de brede vulopening juist is geplaatst.

- 5 Plaats het voedsel in de vulopening.
- 6 Zet het apparaat aan en druk de duwer gelijkmatig naar beneden - **steek nooit uw vingers in de vulopening.**

tips

- Gebruik verse ingrediënten
- Snij het voedsel niet te klein. Vul de grote vulopening behoorlijk en over de hele breedte. Dit voorkomt dat het voedsel opzij glijpt tijdens de verwerking. U kunt ook de kleine vulopening gebruiken.
- Bij het snijden of raspen: verticaal geplaatste producten 14 worden korter gesneden dan horizontaal geplaatste producten 15.
- Er blijft altijd een klein beetje voedsel op de schijf of in de kom achter nadat de verwerking klaar is.

29 citruspers (indien meegeleverd)

Gebruik de citruspers om het sap van citrusvruchten uit te persen (b.v. sinaasappels, citroenen, limoenen en grapefruits).

- a perskegel
- b zeef

het gebruik van de citruspers

- 1 Plaats de verwijderbare aandrijfas en de kom op het motorblok.
 - 2 Plaats de zeef in de kom - verzekert u ervan dat de handgreep van de zeef direct boven de handgreep van de kom is vastgezet 16.
 - 3 Plaats de perskegel over de aandrijfas totdat deze geheel naar beneden valt 17.
 - 4 Snijd het fruit in tweeën. Zet het apparaat vervolgens aan en druk het fruit op de perskegel.
- **De citruspers werkt niet als de zeef niet juist is vergrendeld.**

31 miniwerkkom (indien meegeleverd)

Gebruik de miniwerkkom om kruiden te hakken en om kleine hoeveelheden ingrediënten te mengen, zoals vlees, ui, noten, mayonaise, groente, puré, sauzen en babyvoeding.

- a mes van miniwerkkom
- b miniwerkkom

de miniwerkkom gebruiken

- 1 Plaats de verwijderbare aandrijfas en de kom op het motorblok.
- 2 Installeer de miniwerkkom – zorg dat de ribben aan de binnenkant van de minikompijp op één lijn liggen met de gleuven van de hoofdpijp 18.
- 3 Plaats het mes over de aandrijfas 19.
- 4 Voeg de ingrediënten toe die verwerkt moeten worden.
- 5 Plaats het deksel op de kom en zet de machine aan.

veiligheidsmaatregelen

- Verwijder het deksel nooit voordat het mes helemaal tot stilstand is gekomen.
- Het mes is erg scherp – ga er altijd voorzichtig mee om.

belangrijk

- Doe geen specerijen in de keukenmachine – ze kunnen het plastic beschadigen.
- Meng geen harde ingrediënten, zoals koffiebonen, ijsklontjes of chocolade – ze kunnen het mes beschadigen.

tips

- Kruiden worden het beste verwerkt wanneer ze schoon en droog zijn.
- Voeg altijd een klein beetje vloeistof toe wanneer u gekookte ingrediënten tot babyvoeding mengt.
- Snij etenswaren als vlees, brood, groente in blokjes van 1-2 cm, voordat u ze gaat mengen.
- Wanneer u mayonaise maakt, giet u de olie door de toevoerbuis.

32 midi-kom (indien meegeleverd)

Bij uw apparaat wordt een extra kom geleverd die met alle schijven kan worden gebruikt. U kunt deze kom in de hoofdkom zetten en de schijven en deksel plaatsen zoals in de paragraaf over snij-/raspschijf is beschreven.

33 sapcentrifuge (indien meegeleverd)

Gebruik de sapcentrifuge voor het maken van sap van stevig fruit en stevige groenten.

- a duwer
- b deksel
- c vruchtvliesfilter
- d filtertrommel
- e kom
- f saptuit
- g aandrijfas van de sapcentrifuge

hoe de sapcentrifuge moet worden gebruikt

- 1 Zet de drijfasadapter voor de sapcentrifuge op het motorblok 20 – duw de adapter zachtjes naar beneden om er zeker van te zijn dat hij goed is bevestigd.
 - 2 Zet vervolgens de sapkom erop. Plaats het handvat naar achteren en draai naar rechts tot de kom vergrendeld is 21.
 - 3 Plaats het vruchtvliesfilter in de filtertrommel, waarbij u erop let dat de lipjes in de gleuven aan de onderkant van de trommel passen 22.
 - 4 Zet de filtertrommel op zijn plaats 23.
 - 5 Plaats het deksel op de beker en draai het tot het vastzit en de vulopening zich boven de handgreep bevindt 24. **Uw fruitpers werkt niet als de kom of het deksel niet juist op het vergrendelingsmechanisme zijn bevestigd.**
 - 6 Zet een geschikt glas of geschikte kan onder de sapopening.
 - 7 Snij het fruit of de groente zodat het in de vulopening past.
 - 8 Selecteer auto en duw de duwer gelijkmatig naar beneden – **steek nooit uw vingers in de vulopening. Volledig verwerken voordat u meer toevoegt.**
- Nadat u het laatste stuk heeft toegevoegd, laat u de sapcentrifuge nog 30 seconden draaien om al het sap uit de filtertrommel te extraheren.

veiligheid

- **De fruitpers niet gebruiken als het filter beschadigd is.**
- De snijbladen aan de onderkant van de filtertrommel zijn erg scherp; wees voorzichtig wanneer u de trommel hanteert en reinigt.
- Gebruik alleen de duwer die wordt meegeleverd. Steek nooit uw vingers in de vulopening. Haal de stekker uit het stopcontact voordat u de vulopening loskoppelt.
- Schakel de pers uit en wacht totdat het filter gestopt is voordat u de deksel verwijdert.

belangrijk

- Als de centrifuge begint te vibreren, schakelt u de centrifuge uit en verwijdert u het vruchtvlies uit de trommel. (De sapcentrifuge gaat trillen als het vruchtvlies ongelijkmatig verdeeld raakt).
- De maximale hoeveelheid fruit of groente die in één keer kan worden verwerkt, is 1 kg (zie snelheidtabel).
- Hard voedsel kan uw pers langzamer laten draaien of doen stoppen. Als dit gebeurt, schakelt u de machine uit en reinigt u het filter.
- U dient de pers tijdens het gebruik regelmatig uit te schakelen en het vruchtvliesfilter te verwijderen.

tips

- Verwijder vóór het verwerken pitten (bv. peper, meloen, pruimen) en harde schillen (bv. meloen, ananas). Het is niet nodig appels of peren te schillen en van hun klokhuis te ontdoen.
- Gebruik stevige, verse vruchten en groenten.
- Voor een optimale sapopbrengst doet u kleine hoeveelheden in de vulopening en duwt u langzaam naar beneden.
- Citrusfruit – schillen en het witte velletje verwijderen, anders kan het sap bitter smaken. Voor het beste resultaat, gebruikt u de citruspers.

34 opslagdoos voor hulpstukken

Uw foodprocessor wordt geleverd met een opslagdoos voor uw komhulpstukken en schijven.

- 1 Plaats de klopper, mes, deeghaak en schijven in de opslagdoos als u ze niet gebruikt 26.
- 2 De opslagdoos heeft een veiligheidsslot 27; sluit het deksel en schuif de vergrendeling naar links 28. Om de doos te openen, schuift u de vergrendeling naar rechts 29.

onderhoud & reiniging

- Zet het apparaat altijd uit en trek de stekker uit het stopcontact voordat u het gaat schoonmaken.
- Messen en snijschijven zijn zeer scherp - ga er voorzichtig mee om.
- Het plastic kan verkleuren door sommige voedselproducten. Dit is normaal, levert geen schade op aan het plastic en beïnvloedt de smaak van uw voedsel niet. U kunt deze verkleuringen verwijderen met een doek die licht bevochtigd is met plantaardige olie.

motorhuis

- Veeg af met een vochtige doek, en droog dan af. Controleer of het veiligheidsmechanisme vrij is van voedselresten.
- Berg het overbodige snoer op in het opbergvak aan de achterzijde van het apparaat 25.

verwijderbare aandrijfas/aandrijfasadapter voor de sapcentrifuge

- Met een vochtige doek afvegen en daarna drogen.
- **Dompel de aandrijfas of adapter niet onder in water.**

mengbeker/molen

- 1 Leeg de beker/maalbeker voor u hem van de messeneenheid losschroeft.
- 2 Was de beker/maalbeker met de hand af.
- 3 Verwijder en was de afdichtingen
- 4 Raak de scherpe messen niet aan - borstel ze schoon met heet water en zeep, en spoel ze zorgvuldig af onder de kraan. **Dompel de messeneenheid niet onder in water.**
- 5 Laat hem ondersteboven opdrogen.

aangedreven dubbele garde

- Maak de gardes los van de aandrijfkop door ze voorzichtig los te trekken. Wassen in warm water met zeep.
- Veeg de aandrijfkop af met een vochtige doek, en droog deze dan af. **Dompel de aandrijfkop niet onder in water.**

alle andere onderdelen

- Met de hand afwassen, en dan afdrogen.
- U kunt deze artikelen ook op het bovenste rek van uw afwasmachine wassen. Plaats ze niet op het onderste rek net boven het verwarmingselement. Het wordt aanbevolen een programma met een lage temperatuur (maximaal 50 °C) te gebruiken.

Item	Item geschikt voor afwasmachine
hoofd-, midi- en minikom, deksel, duwers, spatel	✓
glazen blenderbeker, deksel, vuldop	✓
meseenheid en afdichting voor blender en molen	✗
glazen maalbeker	✓
mesbladen, deeghaak, maxi mengkap	✓
kloppers	✓
aandrijfkop klopper	✗
schijven	✓
citruspers	✓
sapcentrifuge	✗
verwijderbare aandrijfas	✗
drijfasadapter voor sapcentrifuge	✗

onderhoud en klantenservice

- Als het snoer beschadigd is, moet het om veiligheidsredenen door KENWOOD of een door KENWOOD geautoriseerd reparatiebedrijf vervangen worden.
- **Als u problemen ondervindt met deze keukenmachine, wordt aangeraden eerst het hoofdstuk 'Problemen oplossen' te lezen, voordat u hulp inroept.**
 - Als u hulp nodig hebt met:
 - het gebruik van uw apparaat of
 - onderhoud en reparatie
 Neem contact op met de winkel waar u het apparaat gekocht hebt.
 - Ontworpen en ontwikkeld door Kenwood in het VK.
 - Vervaardigd in China.



BELANGRIJKE INFORMATIE VOOR DE CORRECTE VERWERKING VAN HET PRODUCT IN OVEREENSTEMMING MET DE EUROPESE RICHTLIJN 2002/96/EC

Aan het einde van de levensduur van het product mag het niet samen met het gewone huishoudelijke afval worden verwerkt. Het moet naar een speciaal centrum voor gescheiden afvalinzameling van de gemeente worden gebracht, of naar een verkooppunt dat deze service verschaft. Het apart verwerken van een huishoudelijk apparaat voorkomt mogelijke gevolgen voor het milieu en de gezondheid die door een ongeschikte verwerking ontstaan en zorgt ervoor dat de materialen waaruit het apparaat bestaat, teruggewonnen kunnen worden om een aanmerkelijke besparing van energie en grondstoffen te verkrijgen. Om op de verplichting tot gescheiden verwerking van elektrische huishoudelijke apparatuur te wijzen, is op het product het symbool van een doorgekruiste vuilnisbak aangebracht.

problemen oplossen

probleem	Oorzaak	Oplossing
De machine werkt niet	Geen stroomtoevoer – aan-/uit- en autolampjes branden niet. De kom zit niet goed vast. Het deksel zit niet goed vast. Grote duwer niet geplaatst.	Controleer of de stekker in het stopcontact zit. Controleer of de kom juist is geplaatst en vergrendeld en het handvat naar rechts wijst. Controleer of de dekselvergrendeling goed in de hendel past. Zet de grote duwer in de vulopening De processor werkt niet als de kom, deksel of grote duwer niet juist op de apparaat zijn bevestigd. Als het bovenstaande niet het geval is, controleer dan de zekering / stroomonderbreker bij u thuis.
Keukenmachine stopt tijdens de verwerking	Beveiliging tegen overbelasting. Keukenmachine overbelast of oververhit tijdens de werking. Maximum capaciteit overschreden.	Schakel het apparaat uit, haal de stekker uit het stopcontact en laat het apparaat ongeveer 15 minuten afkoelen Raadpleeg de snelheidstabel voor de maximale hoeveelheden die kunnen worden verwerkt.
Slecht resultaat met instrumenten en hulpstukken	Lees de tips in het deel 'gebruik van de snijschijven'. Controleer of de hulpstukken goed zijn gemonteerd.	
Aan-/uitlampje knippert	Normaalbedrijf Het lampje knippert als de kom, deksel, blender of molen niet op het motorblok zijn gezet of niet juist zijn vergrendeld.	Controleer of de vergrendeling juist is geactiveerd.
Auto- en aan-/uitlampjes knipperen	Normaalbedrijf Het lampje knippert als de toets Auto is geselecteerd, maar de vergrendeling niet is geactiveerd.	Controleer of de vergrendeling juist is geactiveerd of druk op de toets Auto om de Auto-functie uit te schakelen.

Français

Veillez déplier les illustrations de la première page

avant d'utiliser votre appareil Kenwood

- Lisez et conservez soigneusement ces instructions pour pouvoir vous y référer ultérieurement.
- Retirez tous les éléments d'emballage et les étiquettes.

sécurité

- Les lames et les disques sont très tranchants, manipulez-les avec précautions. **Tenez-les toujours par la partie supérieure prévue à cet effet ⑧, à distance du bord tranchant, à la fois lors de l'utilisation et du nettoyage.**
- Veillez à ne pas soulever ou transporter le robot par la poignée – celle-ci pourrait se briser et provoquer des blessures.
- Veillez toujours à retirer la lame avant de verser le contenu du bol.
- Ne mettez jamais les mains dans le bol du robot ou dans le récipient du mixeur quand ils sont branchés.
- Éteignez et débranchez l'appareil :-
 - avant d'adapter ou de retirer des éléments;
 - lorsqu'il n'est pas utilisé ;
 - avant le nettoyage.
- Ne poussez jamais les ingrédients dans le tube d'alimentation avec vos doigts.
- Avant de retirer le couvercle du bol ou le mixeur/moulin du bloc d'alimentation :-
 - éteignez l'appareil;
 - assurez-vous que les accessoires/lames sont complètement arrêtés;
 - veillez à ne pas dévisser le gobelet du mixeur ou le bocal du moulin de l'unité porte-lames
- Laissez les liquides refroidir à température ambiante avant de les placer dans le mixeur.
- Ne vous servez pas du couvercle pour arrêter ou allumer le robot ; utilisez toujours le sélecteur de vitesse Marche / Arrêt.
- **Cette machine sera endommagée et pourra provoquer des blessures si le mécanisme de verrouillage est soumis à une force excessive.**
- N'utilisez jamais un accessoire non autorisé.
- Ne laissez jamais l'appareil sans surveillance lorsqu'il fonctionne.
- N'utilisez jamais un appareil endommagé. Faites-le vérifier ou réparer : voir « service après-vente ».
- Ne mouillez jamais l'unité moteur, le cordon d'alimentation ou la prise.
- Ne laissez pas le cordon d'alimentation dépasser du bord d'une table, du plan de travail ou être en contact avec des surfaces chaudes.
- Ne dépassez pas les capacités maximales indiquées dans le tableau des vitesses recommandées.
- Cet appareil n'est pas destiné à être utilisé par des personnes (y compris des enfants) dont les capacités physiques, sensorielles ou mentales sont diminuées, ou qui ne disposent pas des connaissances ou de l'expérience nécessaires, à moins qu'elles n'aient été formées et encadrées pour l'utilisation de cet appareil par une personne responsable de leur sécurité.
- Les enfants doivent être surveillés afin qu'ils ne puissent pas jouer avec cet appareil.
- N'employez l'appareil qu'à la fin domestique prévue. Kenwood décline toute responsabilité dans les cas où l'appareil est utilisé incorrectement ou que les présentes instructions ne sont pas respectées.
- Une mauvaise utilisation de votre robot/mixeur peut provoquer des blessures.

Référez-vous à la section pertinente du chapitre « utilisation des accessoires » pour consulter d'autres avertissements relatifs à la sécurité de chaque accessoire.

avant le branchement

- Assurez-vous que votre alimentation électrique correspond à celle qui est indiquée sur la partie inférieure de votre appareil.
- Cet appareil est conforme à la directive 2004/108/CE de la CE sur la compatibilité électromagnétique, et au règlement 1935/2004 de la CE du 27/10/2004 sur les matériaux destinés au contact alimentaire.

avant la première utilisation

- 1 Retirez le cache lame de la lame couteau. **Attention, les lames sont très tranchantes.** Ce cache doit être jeté, il est uniquement destiné à protéger la lame durant le processus de fabrication et de transport.
- 2 Nettoyez les éléments, voir « entretien et nettoyage ».

robot

principal

- ① unité moteur
- ② manche amovible
- ③ bol
- ④ couvercle
- ⑤ tube d'alimentation large
- ⑥ poussoirs
- ⑦ systèmes de verrouillage de sécurité
- ⑧ enrouleur du cordon
- ⑨ témoin de fonctionnement
- ⑩ contrôle de la vitesse
- ⑪ bouton Auto

bol mixeur en verre

- ⑫ joint d'étanchéité
- ⑬ support de lame
- ⑭ gobelet
- ⑮ bouchon
- ⑯ couvercle

multi moulin en verre

- ⑰ joint d'étanchéité
- ⑱ support de lame
- ⑲ bocal en verre

accessoires

Il se peut que tous les accessoires mentionnés ci-dessous ne soient pas inclus avec votre robot. Les accessoires dépendent du modèle de robot.

- ⑳ lame tranchante
- ㉑ pétrin
- ㉒ double batteur métallique
- ㉓ couvercle mixeur
- ㉔ disque pour lamelles épaisses (4mm)
- ㉕ disque pour lamelles fines (2mm)
- ㉖ disque grosse râpe
- ㉗ disque râpe fine
- ㉘ disque grattoir/parmesan (en option)
- ㉙ presse-agrumes à récipient (en option)
- ㉚ multi moulin (en option)
- ㉛ mini-bol (en option)
- ㉜ bol midi (en option)
- ㉝ centrifugeuse (en option)
- ㉞ boîte de rangement des accessoires
- ㉟ spatule

utilisation du robot

- 1 Fixez l'axe d'entraînement amovible sur le bloc moteur ❶ – pousser légèrement pour s'assurer que l'axe est bien engagé.
- 2 **Puis** fixez le bol en plaçant la poignée à droite du bloc moteur. Placez la poignée à l'arrière et tournez dans le sens des aiguilles d'une montre pour le verrouiller ❷.
- 3 Ajoutez un accessoire sur le manche du robot.
 - Installez toujours le bol et l'accessoire sur le robot avant d'ajouter des ingrédients.
- 4 Installez le couvercle ❸ – en veillant à ce que la partie supérieure de l'axe se trouve au centre du couvercle.
- 5 Placez les poussoirs dans le tube d'alimentation – tournez le petit poussoir dans le sens des aiguilles d'une montre pour le verrouiller ❹.
 - **Le robot ne fonctionnera pas si le bol, le couvercle ou le poussoir du grand tube d'alimentation ne sont pas correctement verrouillés. Vérifiez que le tube d'alimentation et la poignée sont du côté droit.**
- 6 Branchez l'appareil. Le voyant de mise en marche s'allume et clignote jusqu'à ce que le bol et le couvercle soient correctement fixés. Choisir l'une des options suivantes :

Bouton Auto – le voyant s'allume quand on appuie sur le bouton Auto et la vitesse optimale pour l'accessoire sera sélectionnée automatiquement.

Contrôle vitesse – sélectionner la vitesse manuellement (cf. tableau des vitesses recommandées).

Pulse – utilisez le bouton Pulse (P) pour actionner brièvement par intermittence. Pour un fonctionnement prolongé de cette commande, laissez en position P.

7 A la fin de l'opération, tournez le bouton de vitesse en position 0, ou si vous êtes en Auto, appuyez sur le bouton et la lumière s'éteindra.

- **Le voyant de mise en marche clignote si le couvercle, le bol ou le grand tube d'alimentation ne sont pas verrouillés.**
- **Les voyants de mise en marche et Auto clignotent si Auto est sélectionné et que les éléments ne sont pas verrouillés.**
- **N'utilisez pas le couvercle pour faire fonctionner le robot ; utilisez toujours le sélecteur de vitesse Marche / Arrêt.**
- **Le bouton Auto ne fonctionnera pas si une vitesse est sélectionnée.**
- **Eteignez toujours l'appareil avant de retirer le couvercle.**

8 Procédez de façon inverse pour retirer le couvercle, les accessoires et le bol.

important

- Votre robot n'est pas conçu pour concasser ou mouliner des grains de café, ou transformer du sucre cristallisé en sucre en poudre.
- Si vous ajoutez de l'essence d'amandes ou un parfum aux préparations, évitez le contact avec le plastique car il risquerait d'être taché définitivement.

sélection de la vitesse selon la fonction requise

Outil/accessoire	Fonction	Vitesse	Capacité maximale
Lame tranchante	Mélange pour préparations de gâteaux	1 – 8	2 kg poids total
	Pâte – mélange de la matière grasse avec la farine	3 – 8	500 g farine
	Ajout de l'eau à la pâte	3 – 8	
	Émincer/mixer/pâtés	8	1 kg de viande maigre à découper poids total
Lame tranchante avec couvercle mixeur	Soupes – démarrer à vitesse faible puis augmenter progressivement jusqu'à la vitesse maximale	1 – 8	2 litres
Batteur	Blancs d'oeufs Crème	auto	2 – 8 250-750 ml
Pétrin	Mélange à base de levure	6 – 8	1,3 kg poids total 650 g farine
Disques – éminceur/râpeuse	Aliments durs – carottes, fromages à pâtes dures	5 – 8	–
	Aliments plus mous – concombres, tomates	1 – 3	–
Disque grattoir	Parmesan, pommes de terre pour les boulettes de pomme de terre	8	–
Mini-bol et lame tranchante	Toutes les fonctions	8	300 g viande poids total
Presse-agrumes	Petits fruits par ex. citrons et citrons verts	1	–
	Grands fruits par ex. oranges et pamplemousses	2	–
Centrifugeuse	Extraire le jus de fruits fermes et de légumes Par ex pommes et carottes	auto	1Kg pommes 800g carottes
	Extraire le jus de fruits mous, par ex raisins et tomates		500g
Mixeur	Soupes et boissons	8	1,5 litres
	Mayonnaise	8	3 œufs + 450 ml huile
	Lait moussoux	8	1 litre
	Glace pilée – opérer par coups brefs jusqu'à obtenir la consistance souhaitée	pulse	6 cubes
Multi moulin	Mélanger une gamme d'épices	8	100 g
	Moudre des grains de café	8	75 g
	Concasser des noix	8	140 g

utilisation du mixeur

- 1 Installez la rondelle d'étanchéité ⑫ dans l'unité porte-lames ⑬ en prenant soin de positionner la rondelle correctement.
- **Des fuites se produiront si le joint est endommagé ou s'il n'est pas correctement installé.**
- 2 Retournez l'unité porte-lames ⑬ et insérez les lames dans le bol. Tournez dans le sens inverse des aiguilles d'une montre pour verrouiller ⑤.
- 3 Placez vos ingrédients dans le bol.
- 4 Placez le couvercle sur le bol et poussez pour le fixer ⑥. Installez le bouchon pour l'ajout d'ingrédients.
- **Avant d'installer le mixeur sur le bloc moteur, vérifiez que le bouton de contrôle de vitesse est en position 0 et que le voyant Auto est éteint. Si le bouton de contrôle de vitesse n'est pas en position 0 ou si Auto est sélectionné, le mixeur se mettra en marche dès sa fixation.**
- 5 Placez le mixeur sur le bloc moteur avec la poignée située à droite puis tournez pour verrouiller ⑨.
- **L'appareil ne fonctionnera pas si le mixeur n'est pas correctement verrouillé.**
- 6 Utilisez le bouton Auto ou sélectionnez une vitesse (cf. tableau des vitesses recommandées) ou utilisez la fonction pulse.

sécurité

- **Laissez tous les liquides refroidir à température ambiante avant de les passer au mixeur.**
- Prenez toujours des précautions lorsque vous manipulez l'ensemble porte-lames et évitez de toucher le bord tranchant des lames lors du nettoyage.
- Utilisez toujours le mixeur avec son couvercle.
- N'utilisez le gobelet qu'avec l'ensemble porte-lames fourni.
- Ne faites jamais fonctionner le mixeur lorsqu'il est vide.
- Pour préserver la longévité de votre mixeur, ne l'actionnez jamais continuellement pendant plus de 60 secondes.
- Recettes pour smoothies – ne mixez jamais d'ingrédients surgelés qui ont formé une masse solide pendant la congélation. Brisez les ingrédients avant de les placer dans le bol.

conseils

- Lorsque vous préparez de la mayonnaise, placez tous les ingrédients à l'exception de l'huile dans le mixeur. Retirez le bouchon de remplissage. Puis, alors que l'appareil fonctionne, ajoutez l'huile doucement par l'orifice du couvercle.
- Les mélanges épais, comme les pâtes et les sauces, peuvent nécessiter de racler les parois de l'appareil. En cas de difficulté à mixer, ajoutez davantage de liquide.
- Pour piler de la glace, utilisez le bouton Pulse par impulsions brèves jusqu'à obtenir la consistance désirée.
- L'appareil ne fonctionne pas si le mixeur n'est pas correctement installé.
- Pour mélanger des ingrédients secs – coupez-les en morceaux, retirez le bouchon de remplissage, puis, l'appareil étant en marche, laissez-les tomber un par un. Laissez une main au-dessus de l'ouverture. Pour de meilleurs résultats, videz régulièrement.
- N'utilisez pas le mixeur à des fins de stockage. Il doit rester vide avant et après utilisation.
- Ne mélangez pas plus de 1,5 litres - moins encore pour les liquides mousseux comme les milkshakes.

⑩ multi moulin (si fourni)

Utilisez le moulin afin de moudre des ingrédients secs comme les noix ou les grains de café. Vous pouvez aussi moudre des épices, comme le poivre en grains, les graines de cardamome, de cumin, de coriandre, de fenouil, le gingembre frais, les piments frais et les clous de girofle.

pour utiliser le multi moulin :

- 1 Mettez vos ingrédients dans le bocal. Ne le remplissez pas à plus de la moitié.
- 2 Adaptez le joint ⑰ dans le bloc des lames ⑱.
- 3 Retournez l'unité porte-lames et placez-la dans le bocal. Tournez dans le sens inverse des aiguilles d'une montre pour le fixer ⑦.
- 4 Placez le moulin sur le bloc moteur et tournez dans le sens des aiguilles d'une montre pour le verrouiller ⑩.
- 5 Utilisez le bouton Auto ou sélectionnez une vitesse (cf. tableau des vitesses recommandées).

sécurité

- N'installez jamais l'unité porte-lames sur votre appareil sans avoir installé le bocal.
- Ne dévissez jamais le bocal tant que le moulin est fixé à l'appareil.
- Ne touchez pas les lames tranchantes. Conservez l'unité porte-lames hors de portée des enfants.
- Ne retirez jamais le moulin tant que les lames ne sont pas complètement à l'arrêt.
- Pour prolonger la durée de vie de votre moulin, ne l'actionnez jamais continuellement pendant plus de 60 secondes. Eteignez-le dès que vous avez obtenu la consistance souhaitée.
- L'appareil ne fonctionnera pas si le moulin n'est pas correctement installé.
- Ne broyez pas de la racine de curcuma dans le moulin car celle-ci est trop dure et pourrait endommager les lames.

conseils

- Pour une performance optimale pour moudre des épices, nous vous recommandons de ne pas moudre plus de 100g à la fois.
- Les épices entières gardent leur arôme beaucoup plus longtemps que les épices moulus, mieux vaut donc moudre la quantité nécessaire à chaque fois pour préserver la saveur.
- Il est recommandé de griller les épices avant de les moudre afin qu'ils donnent toute leur saveur.
- Couper le gingembre en petits morceaux avant de le moudre.
- Pour de meilleurs résultats, il est recommandé d'utiliser le mini bol pour hacher des herbes.

utilisation des accessoires

⑪ lame couteau / ⑫ pétrin

Cette lame est l'accessoire le plus polyvalent. La texture que vous obtenez est déterminée par la durée de mixage. Pour les textures plus granuleuses, utilisez le mode de fonctionnement par impulsion (pulse).

Utilisez la lame couteau pour la préparation de gâteau et de pâtes à tarte, pour hacher la viande fraîche et cuite, les légumes, les noisettes, les pâtes, les pâtes à tartiner salées, pour mixer les potages et aussi réduire les biscuits et le pain en miettes.

Utilisez l'accessoire mixeur pour la préparation de pétrin.

conseils

lame couteau

- Coupez les aliments, tels que la viande, le pain et les légumes en cubes de 2 cm avant la préparation.
- Les biscuits doivent être coupés en morceaux et introduits dans le tube d'alimentation pendant que le moteur est en marche.
- Pour la préparation de pâte à tarte, utilisez la matière grasse directement du réfrigérateur et coupez-la en cubes de 2cm.
- Prenez garde à ne pas mélanger trop longtemps.

pétrin

- Disposez les ingrédients secs dans le bol et versez le liquide dans le tube d'alimentation pendant que le moteur est en marche. Mélangez jusqu'à ce que le tout forme une pâte et soit lisse d'apparence et élastique au touché (cela prend 45 à 60 secondes).
- Pétrissez la pâte à la main uniquement. Il est déconseillé de pétrir dans le bol car cela peut entraîner une certaine instabilité du robot.

⑬ fouet à deux batteurs

Utilisez cet accessoire pour les mélanges légers uniquement, tels que les blancs d'oeufs, la crème, le lait condensé non sucré et pour le mélange d'oeufs et de sucre pour les gâteaux mousseline légers. Les préparations plus lourdes, avec matière grasse et levure, risquent d'endommager l'accessoire.

utilisation du fouet

- 1 Installez l'arbre d'entraînement détachable et le bol sur le bloc moteur.
- 2 Introduisez fermement chaque batteur dans la tête du fouet ⑭.
- 3 Mettez le fouet en place en le faisant délicatement tourner jusqu'à ce qu'il s'enclenche sur le manche.
- 4 Ajoutez les ingrédients.
- 5 Mettez le couvercle - assurez-vous que l'extrémité du manche est correctement positionnée au centre du couvercle.
- 6 Sélectionnez auto.

important

- Le batteur ne convient pas aux préparations de gâteaux ni aux mélanges de matière grasse et de sucre, qui risqueraient d'endommager le batteur. Toujours utiliser la lame tranchante pour faire vos gâteaux.

conseils

- Pour de meilleurs résultats, utilisez des oeufs à température ambiante.
- Assurez-vous que le bol et les fouets sont propres et exempts de graisse avant de battre la préparation.

23 récipient mixeur maxi blend

Pour mélanger les liquides, utilisez le récipient mixeur maxi blend avec la lame couteau. Il vous permet d'accroître la capacité de traitement des liquides de 1,4 litres à 2 litres, d'empêcher les écoulements et d'améliorer les performances de hachage de la lame.

- Fixez l'axe d'entraînement amovible et le bol sur le bloc moteur.
- Fixez la lame couteau.
- Ajoutez les ingrédients à mélanger.
- Installez le couvercle au-dessus de la lame en vous assurant qu'il repose sur le bord et que la fente 12 soit alignée avec l'encoche à l'intérieur du bol. **Ne poussez pas le couvercle, tenez-le par la poignée au centre.**
- Adaptez le couvercle et allumez l'appareil.

disques éminceur / râpe

disque éminceur - épais (4mm) 24, fin (2 mm) 25

Utilisez les disques éminceur pour les fromages, carottes, pommes de terre, choux, concombres, courgettes, betterave et oignons.

Disque râpe - gros 26, fin 27

Utilisez les disques râpe pour les fromages, carottes, pommes de terre et aliments de texture similaire.

disque râpe 28 (si fourni)

Ce disque râpe le Parmesan et les pommes de terre pour la préparation de boulettes.

sécurité

- Ne retirez jamais le couvercle tant que les disques de coupe ne sont pas complètement arrêtés.**
- Manipulez les disques de coupe avec précaution - ils sont extrêmement tranchants**

utilisation des disques de coupe

- Fixez l'axe d'entraînement amovible et le bol sur le bloc moteur.
- Le bol midi 29 peut s'utiliser avec tous les disques. Installez le bol midi à l'intérieur du bol principal en alignant les rainures avec les fentes sur le côté du conduit du bol principal et en le faisant glisser. Pour le retirer, soulevez en utilisant les prises pour les doigts sur le côté du bol midi.
- En tenant par la prise centrale 18, placez le disque sur l'axe d'entraînement.
- Fixez le couvercle.
- Choisissez la taille du tube d'alimentation à utiliser. Le poussoir comprend un tube d'alimentation plus petit pour les ingrédients individuels ou plus fins. Pour utiliser le petit tube d'alimentation – introduisez tout d'abord le grand poussoir dans le tube d'alimentation. Pour utiliser le grand tube – insérez le petit poussoir dans le grand poussoir et tournez dans le sens des aiguilles d'une montre pour verrouiller. Ne remplissez pas le tube d'alimentation au-dessus du niveau maximum car le robot ne fonctionnera pas si le poussoir du grand tube n'est pas installé correctement.
- Introduisez les aliments dans le tube.
- Allumez l'appareil et exercez à l'aide du poussoir une pression régulière - **n'introduisez jamais vos doigts à l'intérieur du tube d'alimentation.**

conseils

- Utilisez des ingrédients frais
- Ne coupez pas les aliments en trop petits morceaux. Remplissez presque complètement le grand tube d'alimentation pour empêcher les aliments de glisser sur les côtés pendant que le robot fonctionne. Utilisez alternativement le petit tube d'alimentation.
- Les aliments placés à la verticale 14 sont émincés ou rapés plus menus que ceux placés à l'horizontale 15.
- Vous remarquerez toujours une petite quantité de résidus sur le disque ou dans le bol après utilisation.

29 presse-agrumes (si fourni)

Le presse-agrumes sert à extraire le jus des agrumes (par exemple, les oranges, les citrons, les citrons verts et les pamplemousses).

- cône
- passoire

utilisation du presse-agrumes

- Fixez l'axe d'entraînement amovible et le bol sur le bloc moteur.
 - Fixez la passoire dans le bol - assurez-vous de verrouiller la poignée de la passoire sur celle du bol 16.
 - Fixez le cône sur le manche jusqu'à ce qu'il descende à fond 17.
 - Coupez le fruit en deux. Mettez l'appareil en marche et pressez le fruit sur le cône.
- Le presse-agrumes ne fonctionnera pas si la passoire n'est pas correctement verrouillée.**

31 mini-bol (si fourni)

Utilisez le mini-bol pour broyer les aromates et pour mixer les petites quantités d'ingrédients, par ex. viande, oignon, noix, mayonnaise, légumes, purées, sauces et aliments pour bébés.

- lame tranchante de mini-bol
- mini-bol

utilisation du mini-bol

- Fixez l'axe d'entraînement amovible et le bol sur le bloc moteur.
- Fixez le mini-bol en vous assurant que les rainures situées sur l'intérieur du conduit du mini-bol sont alignées avec les fentes du conduit principal 18.
- Placez la lame tranchante sur l'arbre de transmission 19.
- Ajoutez les ingrédients.
- Placez le couvercle et mettez en marche.

sécurité

- Ne jamais enlever le couvercle tant que la lame n'est pas totalement à l'arrêt.
- La lame est très tranchante, elle doit toujours être manipulée avec précaution.

important

- Ne pas insérer d'épices car elles risqueraient d'endommager le plastique.
- Ne pas insérer d'aliments durs comme les grains de café, les glaçons ou le chocolat, car ils risqueraient d'endommager la lame.

astuces

- Les aromates se broient plus facilement s'ils sont lavés et secs.
- Toujours ajouter un peu de liquide pour mélanger les ingrédients cuits des aliments pour bébés.
- Coupez les aliments comme le pain, la viande, les légumes, en cubes de 1-2 cm avant de les introduire dans le robot.
- Lorsque vous faites une mayonnaise, ajoutez l'huile dans le conduit d'alimentation.

32 bol midi (si fourni)

Un bol supplémentaire est fourni, qui peut être utilisé avec tous les disques. Installez-le à l'intérieur du bol principal et installez les disques et le couvercle comme expliqué dans la section disque râpe/éminceur.

33 centrifugeuse (si fourni)

Le presse-fruits centrifuge vous permet de faire du jus de fruits ou de légumes.

- a poussoir
- b couvercle
- c dépulpeur
- d tambour filtrant
- e bol
- f robinet du jus
- g axe moteur du presse-fruits

utilisation de votre centrifugeuse

- 1 Installez l'adaptateur pour la centrifugeuse sur le bloc moteur 20 – pousser légèrement pour s'assurer qu'il est bien installé.
 - 2 Puis installez le bol de la centrifugeuse. Placez la poignée vers l'arrière et tourner jusqu'à ce que ce soit verrouillé 21.
 - 3 Insérez le dépulpeur dans le tambour filtrant en veillant alors à ce que les languettes s'engagent dans les encoches percées au fond du tambour 22.
 - 4 Adapter le filtre 23.
 - 5 Placez le couvercle fourni sur le bol et tournez-le jusqu'à ce qu'il s'enclenche, le tube d'introduction des aliments étant situé au-dessus de la poignée 24. **Votre centrifugeuse ne fonctionnera pas si le bol ou le couvercle ne sont pas installés correctement.**
 - 6 Placez un verre ou un pichet sous le robinet d'écoulement du jus.
 - 7 Coupez les ingrédients en petits bouts pour les mettre dans le tube d'alimentation
 - 8 Sélectionnez auto et poussez vers le bas à l'aide du poussoir. **Ne mettez jamais vos doigts dans le tube d'alimentation.** Attendez que l'opération soit terminée avant d'en rajouter.
- Après l'ajout du dernier morceau, laisser la centrifugeuse fonctionner encore 30 secondes pour extraire le jus du filtre.

sécurité

- **N'utilisez pas votre centrifugeuse si le filtre est endommagé.**
- Vu que les lames de coupe aménagées à la base du tambour filtrant sont très aiguës, il convient de redoubler de précaution au moment de manipuler et de nettoyer le tambour.
- Utilisez uniquement le poussoir fourni avec l'appareil. N'introduisez jamais vos doigts dans le tube d'alimentation. Débranchez avant de retirer tout élément obstruant le tube d'alimentation.
- Avant de retirer le couvercle, éteignez l'appareil et attendez l'immobilisation du filtre.

important

- Si la centrifugeuse se met à vibrer, éteignez-la et videz la pulpe contenue dans le tambour. (Elle peut vibrer si la pulpe est inégalement répartie).
- La capacité maximum pouvant être extraite en une fois est 1Kg de fruits ou légumes (référez-vous au tableau des vitesses).
- Certains aliments très durs risquent de ralentir ou d'arrêter la marche de votre centrifugeuse, auquel cas il convient d'en interrompre le fonctionnement et de débloquer le filtre.
- Eteignez l'appareil et videz le collecteur de pulpe régulièrement durant l'emploi.

conseils

- Avant de centrifuger, retirez les noyaux et les pépins (ex. : poivron, melon, prune), ainsi que les peaux dures (ex. : melon, ananas). Il est inutile de peler ou d'évider les pommes et les poires.
- Utilisez des fruits et légumes frais et fermes.
- Pour maximiser l'extraction de jus, placez des petites quantités à la fois dans le tube d'alimentation et poussez doucement.
- Agrumes - pelez et enlevez la peau blanche, ou le jus risquerait d'être amer. Pour de meilleurs résultats, utilisez le presse-agrumes.

34 espace de rangement des accessoires

Votre robot multifonction est fourni avec un espace de rangement des accessoires et des disques.

- 1 Placez le fouet, les lames, le pétrin et les disques dans l'espace de rangement quand le robot n'est pas utilisé 26.
- 2 La boîte de rangement est équipée d'un verrou de sûreté 27 – fermez le couvercle et faites glisser le loquet vers la gauche pour verrouiller 28. Pour ouvrir, faire glisser le loquet vers la droite 29.

nettoyage

- Eteignez et débranchez l'appareil avant de le nettoyer.
- Manipulez les lames et les disques de coupe avec précaution - ils sont extrêmement tranchants.
- Certains aliments décolorent le plastique. Ce phénomène est parfaitement normal. Cela n'endommage pas le plastique et n'altère pas le goût des aliments. Frottez-le à l'aide d'un chiffon imbibé d'huile végétale pour faire disparaître la décoloration.

unité moteur

- Essuyez avec un chiffon humide, puis séchez. Assurez-vous que la zone de verrouillage est exempte de résidus alimentaires.
- Entourez le cordon d'alimentation autour de l'enrouleur qui se trouve à l'arrière de l'appareil 25.

axe d'entraînement amovible / adaptateur centrifugeuse

- Essuyez avec un chiffon humide puis sécher.
- **Ne pas immerger l'axe d'entraînement ou l'adaptateur dans l'eau.**

mixeur/moulin

- 1 Videz le pichet avant de dévisser l'unité porte-lames.
- 2 Laver le pichet/bocal à la main.
- 3 Enlevez et lavez les joints et les rondelles
- 4 Ne touchez pas les lames tranchantes avec les doigts - brossez-les à l'aide d'eau chaude savonneuse, puis rincez-les entièrement sous le robinet. **N'immergez pas le support de lame dans l'eau.**
- 5 Retournez-le pour le faire sécher.

fouet à deux batteurs

- Détachez les batteurs de la tête du fouet en tirant dessus délicatement. Lavez-les avec de l'eau savonneuse tiède.
- Nettoyez la tête du fouet à l'aide d'un chiffon humide, puis séchez. **N'immergez pas la tête du fouet dans l'eau.**

autres éléments

- Lavez à la main et séchez soigneusement.
- Ils peuvent aussi passer au lave-vaisselle, sur l'étagère du haut de votre lave vaisselle. Évitez de placer les éléments sur l'étagère du bas, juste au-dessus de l'élément chauffant. Un programme court à faible température (Maximum 50°C) est recommandé.

Article	Articles pouvant être lavés au lave-vaisselle
Bols principal, midi et mini, couvercle, poussoirs, spatule	✓
Pichet en verre mixeur, couvercle, bouchon d'approvisionnement	✓
Unité porte-lames et rondelle d'étanchéité pour le mixeur et le moulin	✗
Bocal en verre moulin	✓
Lames, pétrin, couvercle maxi blend	✓
Fouets batteurs	✓
Tête du fouet	✗
Disques	✓
Presse-agrumes	✓
Centrifugeuse	✗
Axe d'entraînement amovible	✗
Adaptateur centrifugeuse	✗

service après-vente

- Si le cordon est endommagé, il doit être remplacé, pour des raisons de sécurité, par KENWOOD ou par un réparateur agréé KENWOOD.

- **Si vous rencontrez un problème avec le fonctionnement du robot, veuillez consulter le guide de résolution des pannes avant de téléphoner au service d'assistance.**

Si vous avez besoin d'aide concernant :

- l'utilisation de votre appareil
 - l'entretien ou les réparations
- Contactez le magasin où vous avez acheté votre appareil.

- Conçu et développé par Kenwood au Royaume-Uni.
- Fabriqué en Chine.



AVERTISSEMENTS POUR L'ÉLIMINATION CORRECTE DU PRODUIT AUX TERMES DE LA DIRECTIVE EUROPÉENNE 2002/96/EC.

Au terme de son utilisation, le produit ne doit pas être éliminé avec les déchets urbains.

Le produit doit être remis à l'un des centres de collecte sélective prévus par l'administration communale ou auprès des revendeurs assurant ce service. Éliminer séparément un appareil électroménager permet d'éviter les retombées négatives pour l'environnement et la santé dérivant d'une élimination incorrecte, et permet de récupérer les matériaux qui le composent dans le but d'une économie importante en termes d'énergie et de ressources. Pour rappeler l'obligation d'éliminer séparément les appareils électroménagers, le produit porte le symbole d'un caisson à ordures barré.

en cas de dysfonctionnement

Problème	Cause	Solution
Le robot ne fonctionne pas	<p>Pas d'alimentation – le voyant de mise en marche/auto ne s'allume pas.</p> <p>Le bol n'est pas fixé correctement.</p> <p>Le couvercle n'est pas fixé correctement.</p> <p>Le grand poussoir n'est pas installé.</p>	<p>Vérifiez que le robot est branché.</p> <p>Vérifiez que le bol est correctement verrouillé et que la poignée est située à droite.</p> <p>Vérifiez que le couvercle est fixé et verrouillé correctement avec la poignée.</p> <p>Insérer le grand poussoir.</p> <p>Le robot ne fonctionnera pas si le bol, le couvercle ou le grand poussoir ne sont pas verrouillés correctement.</p> <p>Si aucune des solutions susmentionnées ne règle le problème, vérifiez votre disjoncteur ou les fusibles de votre installation électrique.</p>
Le robot s'arrête ou ralentit en cours d'opération	<p>La protection de surcharge est enclenchée.</p> <p>Le robot est surchargé ou surchauffe en cours d'opération.</p> <p>La capacité maximale est dépassée.</p>	<p>Eteindre, débrancher et laisser le robot refroidir pendant environ 15 minutes.</p> <p>Référez-vous au tableau des vitesses pour les capacités maximales.</p>
Mauvaise performance des outils/accessoires	Se reporter au paragraphe « astuces » de la section « utilisation des accessoires ». Vérifiez que les accessoires sont assemblés correctement.	
Le voyant de mise en marche clignote	<p>Opération normale</p> <p>Le voyant clignote si le bol, le couvercle, le mixeur ou le moulin ne sont pas fixés au bloc moteur ou mal verrouillés.</p>	Vérifiez que les verrous sont correctement enclenchés.
Les voyants de mise en marche et Auto clignotent	<p>Opération normale</p> <p>Le voyant clignote si Auto est sélectionné mais les verrous mal enclenchés.</p>	Vérifiez que les verrous sont correctement enclenchés ou appuyer sur le bouton Auto pour éteindre la fonction Auto.

Deutsch

Bitte die Titelseite mit den Abbildungen aufklappen.

Vor Gebrauch Ihres Kenwood-Gerätes

- Lesen Sie diese Anleitung sorgfältig durch und bewahren Sie diese zur späteren Benutzung auf.
- Entfernen Sie jegliches Verpackungsmaterial und alle Aufkleber.

Sicherheit

- Die Klingen und Scheiben sind sehr scharf, gehen Sie vorsichtig damit um. **Halten Sie sie sowohl beim Transport als auch beim Reinigen immer am Griff ⑧ oben am anderen Ende der Schneide.**
- Heben oder tragen Sie die Küchenmaschine nicht am Griff – der Griff kann sonst brechen, was zu Verletzungen führen kann.
- Entfernen Sie immer erst die Messerklinge, bevor Sie die Schüssel entleeren.
- Halten Sie Hände oder Küchengeräte nie in die Schüssel oder den Mixbecher des Geräts, solange es an die Steckdose angeschlossen ist.
- Gerät ausschalten und Netzstecker ziehen:-
 - vor dem Auseinandernehmen oder Zusammensetzen des Gerätes;
 - wenn das Gerät nicht gebraucht wird;
 - vor der Reinigung.
- Drücken Sie niemals Lebensmittel mit den Fingern in den Einfüllschacht. Verwenden Sie stets den/die mitgelieferten Stopfer.
- Bevor Sie den Deckel von der Schüssel oder den Mixer/das Mahlwerk von der Antriebseinheit abnehmen:-
 - Schalten Sie das Gerät ab;
 - warten Sie, bis sich der Aufsatz/das Messer nicht mehr bewegt;
 - Achten Sie darauf, den Mixbecher oder den Mahlwerk-Glasbehälter nicht vom Messer abzuschrauben.
- Lassen Sie Flüssigkeiten auf Raumtemperatur abkühlen, bevor Sie mit dem Mixen beginnen.
- Verwenden Sie zum Betreiben der Küchenmaschine niemals den Deckel, sondern nur den Ein-/Aus-Geschwindigkeitsregler.
- **Das Gerät wird beschädigt und kann Verletzungen verursachen, wenn der Verriegelungsmechanismus zu starken Kräften unterliegt.**
- Verwenden Sie nur zugelassenes Zubehör.
- Gerät bei Betrieb niemals unbeaufsichtigt lassen.
- Benutzen Sie niemals ein beschädigtes Gerät. Lassen Sie es überprüfen oder reparieren: siehe ‚Service und Kundendienst‘.
- Lassen Sie die Antriebseinheit, das Netzkabel oder den Stecker niemals nass werden.
- Lassen Sie nicht zu, dass lose Abschnitte des Netzkabels über die Tischkante oder Arbeitsplatte hängen oder heiße Oberflächen berühren.
- Überschreiten Sie nicht die Obergrenzen, die in den Empfehlungen der Geschwindigkeitstabelle angegeben sind.
- Dieses Gerät darf weder von physisch noch von geistig behinderten oder in ihrer Bewegung eingeschränkten Personen (einschließlich Kinder) benutzt werden. Auch dürfen Personen, die weder Erfahrung noch Kenntnis im Umgang mit dem Gerät haben, dieses erst nach Anweisungen durch eine für ihre Sicherheit zuständige Person in Betrieb nehmen.
- Kinder müssen überwacht werden, damit sie mit dem Gerät nicht spielen.
- Verwenden Sie das Gerät nur für seinen vorgesehenen Zweck im Haushalt. Bei unsachgemäßer Benutzung oder Nichteinhaltung dieser Anweisungen übernimmt Kenwood keinerlei Haftung.
- Unsachgemäßer Gebrauch Ihrer Küchenmaschine/Ihres Mixers kann zu Verletzungen führen.

Lesen Sie weitere Sicherheitshinweise für jeden Aufsatz im Kapitel „Verwendung der Zubehörteile“.

Vor dem Einschalten

- Achten Sie darauf, dass Ihre Netzspannung der auf der Geräterunterseite angegebenen Spannung entspricht.
- Das Gerät entspricht der EG-Richtlinie 2004/108/EG und der EG-Verordnung Nr. 1935/2004 vom 27/10/2004 über Materialien und Gegenstände, die dazu bestimmt sind, mit Lebensmitteln in Berührung zu kommen.

Vor der ersten Verwendung

- 1 Entfernen Sie den Kunststoff-Schutz von der Messerklinge. **Vorsicht, die Klingen sind sehr scharf.** Diese Schutzhüllungen sind zu entsorgen, da sie die Klinge nur während der Produktion oder des Transports schützen sollen.
- 2 Spülen Sie die Teile wie unter ‚Pflege und Reinigung‘ beschrieben.

Gerätebeschreibung

Küchenmaschine

- ① Antriebseinheit
- ② Abnehmbare Antriebswelle
- ③ Schüssel
- ④ Deckel
- ⑤ Großer Einfüllschacht
- ⑥ Stopfer
- ⑦ Sicherheitsverriegelungen
- ⑧ Netzkabelfach
- ⑨ Betriebslampe
- ⑩ Geschwindigkeitsregler
- ⑪ Auto-Taste

Glas-Mixer

- ⑫ Dichtungsring
- ⑬ Klingenthalerung
- ⑭ Becher
- ⑮ Füllaufsatz
- ⑯ Deckel

Glas-Mahlwerk

- ⑰ Dichtungsring
- ⑱ Klingenthalerung
- ⑲ Glasbehälter

Zubehör

Es kann sein, dass nicht alle der unten aufgeführten Aufsätze mit Ihrer Küchenmaschine geliefert wurden. Dies hängt vom jeweiligen Modell ab.

- ⑳ Messerklinge
- ㉑ Teigknetter
- ㉒ Doppelschneebesen aus Metall
- ㉓ Maxi-Mix-Aufsatz
- ㉔ Schneidescheibe dick (4 mm)
- ㉕ Schneidescheibe dünn (2 mm)
- ㉖ Raspelscheibe grob
- ㉗ Raspelscheibe fein
- ㉘ Raspel-/Parmesanscheibe (optional)
- ㉙ Zitruspresse (optional)
- ㉚ Mahlwerk (optional)
- ㉛ Mini-Schüssel (optional)
- ㉜ Midi-Schüssel (optional)
- ㉝ Zentrifugal-Entsafter (optional)
- ㉞ Zubehörkasten
- ㉟ Spatel

Verwendung der Küchenmaschine

- 1 Setzen Sie die abnehmbare Antriebswelle auf die Antriebseinheit ❶ – drücken Sie sie leicht nach unten, damit sie vollständig einrastet.
- 2 Setzen Sie **dann** die Schüssel so auf, dass sich der Griff auf der rechten Seite des Antriebs befindet. Positionieren Sie den Griff nach hinten und drehen Sie ihn im Uhrzeigersinn, bis er einrastet ❷.
- 3 Schließen Sie einen Aufsatz an der Antriebswelle an.
 - Befestigen Sie immer die Schüssel und den Aufsatz an der Maschine, bevor Sie die Zutaten hinzugeben.
- 4 Befestigen Sie den Deckel ❸ – und achten Sie darauf, dass sich die Spitze der Antriebswelle in der Mitte des Deckels befindet.
- 5 Setzen Sie die Stopfer in den Einfüllschacht – drehen Sie den kleinen Stopfer im Uhrzeigersinn, bis er einrastet ❹.
- **Die Küchenmaschine funktioniert nicht, wenn Schüssel, Deckel oder großer Einfüllschacht nicht ordnungsgemäß eingerastet sind. Überprüfen Sie, dass sich Einfüllschacht und Schüsselgriff auf der rechten Seite befinden.**
- 6 Schließen Sie das Gerät an das Netz an. Die Betriebsanzeige leuchtet auf und blinkt, solange Schüssel und Deckel nicht korrekt aufgesetzt sind. Wählen Sie eine der folgenden Optionen: -
 - Auto-Taste – Die Anzeige leuchtet auf, wenn die Auto-Taste gedrückt wird. Das Gerät wählt automatisch die optimale Geschwindigkeit für den jeweiligen Aufsatz.
 - Geschwindigkeitsregler – Wählen Sie manuell die gewünschte Geschwindigkeit (siehe Tabelle empfohlener Geschwindigkeiten).
 - Puls – Verwenden Sie die Pulsfunktion (P), um das Gerät stoßweise zu betreiben. Die Pulsfunktion läuft, solange der Schalter in der entsprechenden Position gehalten wird.

- 7 Stellen Sie den Geschwindigkeitsregler am Ende des Arbeitsvorgangs wieder auf 0 oder drücken Sie bei Verwendung der Auto-Funktion auf die Taste. Die Anzeige erlischt.
 - **Die Betriebsanzeige blinkt, wenn Deckel, Schüssel oder großer Einfüllschacht nicht aufgesetzt wurden.**
 - **Die Betriebs- und Auto-Anzeigen blinken, wenn die Auto-Funktion gewählt wurde, aber die Verriegelungen nicht eingerastet sind.**
 - **Verwenden Sie zum Betreiben der Küchenmaschine niemals den Deckel, sondern nur den Ein-/Aus-Geschwindigkeitsregler.**
 - **Die Auto-Taste funktioniert nicht, wenn der Geschwindigkeitsregler auf eine Geschwindigkeit eingestellt ist.**
 - **Schalten Sie das Gerät vor dem Abheben des Deckels immer aus.**
- 8 Führen Sie die obigen Schritte in umgekehrter Reihenfolge aus, um Schüssel, Aufsätze und Deckel zu entfernen.
 - **Achtung**
 - Ihre Arbeitsschüssel eignet sich nicht zum Mahlen oder Zerkleinern von Kaffeebohnen oder Zucker.
 - Wenn Sie der Mischung Mandelaroma oder andere Aromen hinzufügen wollen, vermeiden Sie bitte, dass diese auf den Kunststoff gelangen. Sie könnten zu permanenten Verfärbungen führen.

Wählen einer Geschwindigkeit für alle Funktionen

Werkzeug/Aufsatz	Funktion	Geschwindigkeit	Höchstmengen
Messerklinge	Rührkuchenteig	1 – 8	2kg Gesamtgewicht
	Gebäck – Einarbeiten von Fett in Mehl Hinzufügen von Wasser zum Verkneten der Backzutaten	3 – 8 3 – 8	500 g Mehl
	Hacken/Pürieren/Pasteten	8	1kg Gesamtgewicht, mageres gehacktes Fleisch
Messerklinge mit Maxi-Mix-Aufsatz	Suppen – beginnen Sie mit einer niedrigen Geschwindigkeit und steigern Sie die Geschwindigkeit dann langsam bis zu Max	1 – 8	2 Liter
Schneebesen	Eiweiß Sahne	auto	2 – 8 250-750 ml
Teigkneter	Hefeteige	6 – 8	1,3kg Gesamtgewicht 650g Mehl
Scheiben – Schneiden/Raspeln	Feste Nahrungsmittel wie z.B. Möhren, Hartkäse	5 – 8	–
	Weichere Nahrungsmittel wie z.B. Gurken, Tomaten	1 – 3	–
Raspelscheibe	Parmesankäse, Kartoffeln für Kartoffelknödel	8	–
Mini-Arbeitsschüssel und Messer	Alle Arbeiten	8	300g Fleisch Gesamtgewicht
Zitruspresse	Kleinere Früchte, d. h. Limonen und Zitronen	1	–
	Größere Früchte, d. h. Orangen und Grapefruit	2	–
Zentrifugal-Entsafter	Zum Entsaften von hartem Obst und Gemüse wie Äpfel und Karotten	auto	1 kg Äpfel 800 g Karotten
	Zum Entsaften von weichem Obst und Gemüse wie Trauben und Tomaten		500 g
Mixer	Suppen und Getränke	8	1,5 Liter
	Mayonnaise	8	3 Eier + 450 ml Öl
	Aufschäumen von Milch	8	1 Liter
	Zerkleinern von Eis – Verwenden Sie die Pulsfunktion stoßweise, bis das Eis die gewünschte Konsistenz hat.	Puls	6 Eiswürfel
Mahlwerk	Mahlen verschiedenster Gewürze	8	100g
	Mahlen von Kaffeebohnen	8	75g
	Hacken von Nüssen	8	140g

Verwendung des Mixers

- 1 Setzen Sie den Dichtungsring ⑫ in die Klingenthalerung ⑬ – achten Sie darauf, dass der Ring korrekt in der Rille einliegt.
 - **Wenn die Dichtung beschädigt ist oder nicht richtig angebracht wurde, kann Flüssigkeit auslaufen.**
- 2 Halten Sie die Unterseite der Klingenthalerung ⑬ fest und setzen Sie die Klängen in den Mixbecher ein. Drehen Sie die Klingenthalerung dann gegen den Uhrzeigersinn, bis sie einrastet ⑤.
- 3 Füllen Sie Ihre Zutaten in den Mixbecher.
- 4 Setzen Sie den Deckel auf den Mixbecher und drücken Sie ihn fest ⑥. Bringen Sie den Füllaufsatz an.
 - **Stellen Sie vor dem Aufsetzen des Mixers auf den Antrieb sicher, dass der Geschwindigkeitsregler auf Null steht und die Auto-Anzeige nicht aufleuchtet. Andernfalls springt der Mixer beim Aufsetzen sofort an.**
- 5 Positionieren Sie den Mixer so auf der Antriebseinheit, dass der Griff nach rechts weist. Drehen Sie den Mixer im Uhrzeigersinn, bis er einrastet ⑨.
 - **Das Gerät funktioniert nicht, wenn der Mixer nicht ordnungsgemäß eingerastet ist.**
- 6 Drücken Sie die Auto-Taste, wählen Sie eine Geschwindigkeit (siehe Tabelle empfohlener Geschwindigkeiten) oder verwenden Sie die Pulsfunktion.

Sicherheit

- **Lassen Sie Flüssigkeiten auf Raumtemperatur abkühlen, bevor Sie mit dem Mixen beginnen.**
- Die Messer sind sehr scharf! Gehen Sie bei Gebrauch und Reinigung sehr vorsichtig damit um.
- Der Mixer darf nur mit aufgesetztem Deckel laufen.
- Verwenden Sie den Mixbecher nur mit der mitgelieferten Messereinheit.
- Betätigen Sie niemals den Mixer, wenn er leer ist.
- Damit der Mixer möglichst lange hält, sollten Sie ihn nie länger als 60 Sekunden ununterbrochen laufen lassen.
- Rezepte für Smoothies - mixen Sie niemals gefrorene Zutaten, die beim Tiefkühlen zu einer festen Masse zusammengefroren sind. Zerkleinern Sie die gefrorene Masse, bevor Sie sie in den Becher füllen.

Tipps

- Wenn Sie Mayonnaise machen, geben Sie alle Zutaten – außer dem Öl – in den Mixer. Entfernen Sie die Einfüllöffnung. Geben Sie dann bei laufendem Gerät das Öl langsam durch die Deckelöffnung.
- Dickflüssige Mischungen, z. B. Pasteten und Dipps, müssen evtl. zwischendurch vom Rand des Mixbechers abgekratzt werden. Ist die Verarbeitung zu schwer, Flüssigkeit zugeben.
- Zerkleinern von Eis - arbeiten Sie mit kurzen Schüben der Pulsfunktion, bis das Eis die gewünschte Konsistenz erreicht hat.
- Das Gerät funktioniert nicht, wenn der Mixer falsch befestigt ist.
- Um trockene Zutaten zu mischen, schneiden Sie diese in Stücke, entfernen Sie die Einfüllöffnung und geben Sie die Stücke bei laufendem Gerät eines nach dem anderen in das Gerät. Halten Sie Ihre Hand über die Öffnung. Entleeren Sie das Gerät regelmäßig, um optimale Ergebnisse zu erzielen.
- Verwenden Sie den Mixer nicht zum Aufbewahren. Solange er nicht benutzt wird, sollte er leer sein.
- Mixen Sie niemals mehr als 1,5 Liter - weniger, wenn es sich um schaumige Flüssigkeiten wie Milch-Shakes handelt.

③⑩ Mahlwerk (wenn im Lieferumfang)

Mit dem Mahlwerk können Sie trockene Zutaten wie Nüsse und Kaffeebohnen zerkleinern. Außerdem eignet es sich zum Mahlen verschiedenster Gewürze, darunter: schwarze Pfefferkörner, Kardamomkörner, Kreuzkümmel, Korianderkörner, Fenchelkörner, frische Ingwerwurzel, frische Chilischoten und ganze Gewürznelken.

Verwendung Ihres Mahlwerks

- 1 Füllen Sie Ihre Zutaten in den Behälter (maximal bis zur Hälfte).
- 2 Legen Sie den Dichtungsring ⑰ in den Messerkopf ⑱.
- 3 Halten Sie die Unterseite der Klingenthalerung fest und setzen Sie die Klängen in den Behälter ein. Drehen Sie dann die Klingenthalerung gegen den Uhrzeigersinn, bis sie einrastet ⑦.
- 4 Setzen Sie das Mahlwerk auf die Antriebseinheit und drehen Sie es im Uhrzeigersinn, bis es einrastet ⑩.

- 5 Drücken Sie die Auto-Taste oder wählen Sie eine Geschwindigkeit (siehe Tabelle empfohlener Geschwindigkeiten).

Sicherheit

- Das Messerwerk nie ohne den Behälter in die Maschine einsetzen.
- Solange das Mahlwerk auf der Maschine sitzt, den Behälter nicht abschrauben.
- Messer nicht berühren und von Kindern fernhalten.
- Mahlwerk erst abnehmen, wenn die Messer zum Stillstand gekommen sind.
- Damit das Mahlwerk möglichst lange hält, sollten Sie es nie länger als 60 Sekunden ununterbrochen laufen lassen. Schalten Sie es aus, sobald Ihr Mahlgut die gewünschte Konsistenz hat.
- Das Gerät funktioniert nicht, wenn das Mahlwerk falsch aufgesetzt ist.
- Verwenden Sie das Mahlwerk nicht für Kurkumawurzel, da diese zu hart ist und die Messer beschädigen könnte.

Tipps

- Für eine optimale Leistung beim Mahlen von Gewürzen empfehlen wir, maximal 100 g pro Mahlvorgang zu verarbeiten.
- Ganze Gewürze behalten ihr Aroma sehr viel länger als gemahlene. Es empfiehlt sich deshalb, jeweils kleine Mengen nach Bedarf frisch zu mahlen.
- Um das volle Aroma und die essentiellen Öle von Gewürzen freizusetzen, sollten Sie sie vor dem Mahlen rösten.
- Schneiden Sie Ingwerwurzel vor dem Mahlen in kleine Stücke.
- Für die besten Ergebnisse empfiehlt es sich, beim Hacken von Kräutern die Mini-Schüssel zu verwenden.

Verwendung der Zubehöerteile

⑳ Messerklinge/㉑ Teigknetter

Die Messerklinge ist das vielseitigste Zubehöerteil. Die Verarbeitungsdauer bestimmt die erreichte Konsistenz. Verwenden Sie die Pulsfunktion, um größere Konsistenzen zu erreichen.

Verwenden Sie die Messerklinge zur Kuchen- und Mürbeteigzubereitung, zum Hacken von rohem und gekochtem Fleisch, Gemüse und Nüssen, zur Zubereitung von Paté, Dips, zum Pürieren von Suppenzutaten und zur Herstellung von Kekskrümeln und Semmelbröseln.

Verwenden Sie den Teigknetter zur Herstellung von Hefeteigmischungen.

Tipps

Messerklinge

- Schneiden Sie Lebensmittel wie Fleisch, Brot oder Gemüse vor der Verarbeitung in Würfel von ca. 2 cm Größe.
- Kekse sollten zuvor etwas zerkleinert und dann bei laufendem Gerät durch den Einfüllschacht gegeben werden.
- Zur Herstellung von Mürbeteig sollten Sie Fett direkt aus dem Kühlschrank, in ca. 2 cm große Würfel geschnitten, verwenden.
- Achten Sie darauf, dass Sie die Zutaten nicht zu lange verarbeiten.

Teigknetter

- Geben Sie die trockenen Zutaten in die Schüssel und fügen Sie über den Einfüllschacht bei laufendem Gerät Flüssigkeit zu. Lassen Sie solange kneten, bis sich eine elastische Teigkugel formt. Dies dauert 45-60 Sekunden.
- Kneten Sie noch einmal nur von Hand. Dieses nochmalige Kneten sollte nicht in der Schüssel erfolgen, da die Küchenmaschine dabei ihren Halt verlieren kann.

㉒ Doppelschneebesen

Nur für nicht zähe Mischungen wie Eiweiß, Sahne, Kondensmilch und zum Schlagen von Eiern und Zucker für fettfreien Biskuitteig. Zähere Mixturen wie Fett und Mehl beschädigen ihn.

Verwendung des Schneebesens

- 1 Setzen Sie die abnehmbare Antriebswelle und die Schüssel auf die Antriebseinheit.
- 2 Drücken Sie jeden Besen sicher in den Antriebskopf ①.
- 3 Setzen Sie den Schneebesen durch vorsichtiges Drehen ein, bis er in die Antriebswelle rutscht.
- 4 Geben Sie die Zutaten zu.
- 5 Setzen Sie den Deckel auf und achten Sie dabei darauf, dass sich das Ende der Antriebswelle in der Mitte des Deckels befindet.
- 6 Wählen Sie „Auto“.

Wichtig

- Der Schneebesens eignet sich nicht für Rührkuchenteige oder zum Cremigrühren von Fett und Zucker, weil er dadurch beschädigt werden kann. Verwenden Sie für die Zubereitung von Kuchenteig stets das Messer.

Tipps

- Die besten Ergebnisse werden erreicht, wenn die Eier Zimmertemperatur haben.
- Achten Sie vor dem Schlagen darauf, dass die Schüssel und der Schneebesens frei von Fettsuren sind.

29 Maxi-Fülldeckel

Verwenden Sie beim Mixen von Flüssigkeiten den Maxi-Fülldeckel zusammen mit der Messerklinge. Sie können damit das Fassungsvermögen der Schüssel von 1,4 l auf 2 l erhöhen, Auslaufen verhindern und die Effektivität der Klinge erhöhen.

- 1 Setzen Sie die abnehmbare Antriebswelle und die Schüssel auf die Antriebseinheit.
- 2 Setzen Sie die Messerklinge ein.
- 3 Geben Sie die zu verarbeitenden Zutaten hinein.
- 4 Setzen Sie den Fülldeckel über die Klinge und stellen Sie sicher, dass er richtig auf dem Absatz sitzt und der Schlitz 12 auf den Vorsprung in der Schüssel ausgerichtet ist. **Drücken Sie nicht auf den Fülldeckel – halten Sie ihn am Mittelgriff fest.**
- 5 Setzen Sie den Deckel auf und schalten Sie das Gerät ein.

Schneide-/Reibescheiben

Schneidescheiben - dick (4 mm) 24, dünn (2 mm) 25

Verwenden Sie die Schneidescheiben für Käse, Karotten, Kartoffeln, Kohl, Gurken, Zucchini, Rote Beete und Zwiebeln.

Raspelscheiben – grob 26, fein 27

Verwenden Sie die Raspelscheiben für Käse, Karotten, Kartoffeln und Nahrungsmittel von ähnlicher Konsistenz.

Raspelscheibe 28 (wenn im Lieferumfang)

Zum Reiben von Parmesankäse und Kartoffeln für Klöße

Sicherheit

- **Entfernen Sie den Deckel erst, nachdem die Schneidescheibe vollständig zum Stillstand gekommen ist.**
- **Seien Sie bei der Handhabung der Schneidescheiben vorsichtig - sie sind äußerst scharf.**

Verwendung der Schneidescheiben

- 1 Setzen Sie die abnehmbare Antriebswelle und die Schüssel auf die Antriebseinheit.
- Die Midi-Schüssel 29 eignet sich zur Verwendung mit allen Arbeitsscheiben. Setzen Sie die Midi-Schüssel in die Arbeitsschüssel – richten Sie die Vorsprünge auf die Rille seitlich am Schacht der Arbeitsschüssel aus und schieben Sie die Schüssel nach unten. Zum Herausnehmen verwenden Sie die Fingergriffe seitlich an der Midi-Schüssel.
- 2 Halten Sie die Scheibe am Mittelgriff 13 fest und setzen Sie sie auf die Antriebswelle.
- 3 Setzen Sie den Deckel auf.
- 4 Wählen Sie die Größe des Einfüllschachts aus. Der Stopfer enthält einen kleineren Einfüllschacht zum Verarbeiten von Einzelstücken oder dünnen Zutaten.
Verwendung des kleinen Einfüllschachts – Setzen Sie zunächst den großen Stopfer in den Einfüllschacht ein.
Verwendung des großen Einfüllschachts – Setzen Sie den kleinen Stopfer in den großen Stopfer und drehen Sie ihn im Uhrzeigersinn, bis er einrastet. Befüllen Sie den Einfüllschacht nicht höher als bis zur Maximalmarke – das Gerät funktioniert nur, wenn der große Stopfer korrekt eingesetzt ist.
- 5 Geben Sie die Lebensmittel in den Einfüllschacht.
- 6 Schalten Sie das Gerät ein und drücken Sie die Lebensmittel mit dem Stopfer gleichmäßig nach unten - **verwenden Sie dazu nie Ihre Finger.**

Tipps

- Verwenden Sie frische Zutaten
- Schneiden Sie Lebensmittel nicht zu fein. Füllen Sie den großen Einfüllschacht ziemlich voll. Dies verhindert, dass die Lebensmittel während des Verarbeitens seitlich wegrutschen. Verwenden Sie alternativ auch den kleinen Einfüllschacht.

- Beim Schneiden und Reiben: Lebensmittel, die aufrecht in den Schacht gegeben werden, 14 werden kürzer geschnitten als Lebensmittel, die waagrecht hineingegeben werden 15.
- Nach der Verarbeitung bleiben immer kleine Reste auf der Scheibe oder in der Schüssel zurück.

29 Zitruspresse (wenn im Lieferumfang)

Die Zitruspresse wird zum Auspressen von Zitrusfrüchten, wie z.B. Orangen, Zitronen, Limonen und Grapefruits verwendet.

- a Presskegel
- b Sieb

Verwendung der Zitruspresse

- 1 Setzen Sie die abnehmbare Antriebswelle und die Schüssel auf die Antriebseinheit.
- 2 Setzen Sie das Sieb in die Schüssel - vergewissern Sie sich, dass der Siebgriff direkt über dem Schüsselgriff einrastet 16.
- 3 Setzen Sie den Kegel auf die Antriebswelle und drehen Sie ihn, bis er ganz nach unten rutscht 17.
- 4 Schneiden Sie die Frucht in zwei Hälften. Schalten Sie dann das Gerät ein und drücken Sie die Frucht auf den Presskegel.
- **Die Zitruspresse funktioniert nicht, wenn das Sieb nicht ordnungsgemäß eingerastet ist.**

31 Mini-Arbeitsschüssel (wenn im Lieferumfang)

Verwenden Sie die Mini-Arbeitsschüssel zum Hacken von Kräutern und zum Verarbeiten von kleinen Zutatenmengen, z.B. Fleisch, Zwiebeln, Nüsse, Mayonnaise, Gemüse, Pürees, Saucen und Babynahrung.

- a Messerwerk für die Mini-Arbeitsschüssel
- b Mini-Arbeitsschüssel

Verwenden der Mini-Arbeitsschüssel

- 1 Setzen Sie die abnehmbare Antriebswelle und die Schüssel auf die Antriebseinheit.
- 2 Bringen Sie die Mini-Arbeitsschüssel an – achten Sie darauf, dass die Rippen auf der Innenseite des Mini-Arbeitsschüsselschachts mit den Schlitz im Hauptschacht ausgerüstet sind 18.
- 3 Setzen Sie das Messerwerk auf die Antriebswelle 19.
- 4 Fügen Sie die zu verarbeitenden Zutaten hinzu.
- 5 Setzen Sie den Deckel auf und schalten Sie das Gerät an.

Sicherheit

- Nehmen Sie niemals den Deckel ab, solange das Messer noch nicht vollständig gestoppt hat.
- Die Messerklinge ist sehr scharf – gehen Sie immer vorsichtig damit um.

Wichtig

- Verarbeiten Sie keine Gewürze – sie könnten den Kunststoff beschädigen.
- Verarbeiten Sie keine harten Nahrungsmittel, wie z.B. Kaffeebohnen, Eiswürfel oder Schokolade – sie könnten die Klinge beschädigen.

Tipps

- Kräuter werden am besten erst nach dem Waschen und Trocknen gehackt.
- Fügen Sie beim Mixen von gekochten Zutaten zur Zubereitung von Babynahrung immer etwas Flüssigkeit hinzu.
- Schneiden Sie Nahrungsmittel wie Fleisch, Brot, Gemüse vor dem Verarbeiten in Würfel mit einer Größe von ca. 1-2 cm.
- Für die Zubereitung von Mayonnaise fügen Sie das Öl durch den Einfüllschacht hinzu.

32 Midi-Schüssel (wenn im Lieferumfang)

Zum Lieferumfang gehört eine Midi-Schüssel, die sich mit allen Arbeitsscheiben verwenden lässt. Setzen Sie sie einfach in die große Arbeitsschüssel ein und bringen Sie Scheiben und Deckel an (siehe Anleitungen zum Schneiden/Raspeln).

33 Zentrifugal-Entsafter (wenn im Lieferumfang)

Verwenden Sie den Zentrifugal-Entsafter zum Pressen von Saft aus harten Früchten und Gemüse.

- a Stopfer
- b Deckel
- c Tresterauswurf
- d Filtertrommel
- e Schüssel
- f Saftausguss
- g Antriebswelle des Zentrifugal-Entsafters

So verwenden Sie den Entsafter

- 1 Setzen Sie den Zentrifugal-Entsafter auf die Antriebseinheit 20 – drücken Sie ihn leicht nach unten, damit er korrekt sitzt.
- 2 Setzen Sie anschließend die Entsafterschüssel auf. Positionieren Sie den Griff nach hinten und drehen Sie ihn im Uhrzeigersinn, bis er einrastet 21.
- 3 Geben Sie den Tresterauswurf in die Filtertrommel. Stellen Sie sicher, dass die Zapfen in die dafür vorgesehenen Schlitze am Boden der Trommel greifen 22.
- 4 Setzen Sie die Filtertrommel 23 ein.
- 5 Den Vorsatzdeckel auf die Schüssel aufsetzen und drehen, bis er einrastet und das Einfüllrohr über dem Griff 24 sitzt. **Ihr Entsafter funktioniert nur, wenn Schüssel und Deckel richtig arretiert sind.**
- 6 Stellen Sie ein geeignetes Glas oder Gefäß unter den Saftausguss.
- 7 Schneiden Sie das Obst/Gemüse in Stücke, so dass es in den Einfüllschacht passt.
- 8 Wählen Sie „Auto“ und drücken Sie das Füllgut gleichmäßig mit dem Stopfer nach unten. **Stecken Sie niemals die Finger in den Füllschacht.** Verarbeiten Sie jede Portion vollständig, bevor Sie eine neue hinzufügen.
- Nach Hinzufügen des letzten Stückes lassen Sie den Entsafter weitere 30 Sekunden laufen, um auch noch den letzten Saft aus der Filtertrommel zu entziehen.

Sicherheit

- **Wenn der Filter beschädigt ist, den Entsafter nicht weiter benutzen.**
- Die Schneidmesser am Boden der Filtertrommel sind sehr scharf, gehen Sie beim Reinigen der Trommel vorsichtig damit um.
- Nur den zum Gerät gehörenden Stopfer verwenden. Nie die Finger in den Einfüllstutzen stecken. Bleibt ein Obst- oder Gemüseteil in dem Einfüllstutzen hängen, bitte sofort den Netzstecker ziehen.
- Vor Öffnen des Deckels den Entsafter abschalten und warten, bis der Filter stillsteht.

Wichtig

- Beginnt der Entsafter zu vibrieren, schalten Sie diesen ab und entfernen Sie den Trester aus der Trommel. (Eine Vibration entsteht, wenn der Trester ungleich verteilt ist.)
- Sie können pro Arbeitsdurchgang maximal 1 kg Obst oder Gemüse entsaften (siehe Geschwindigkeitstabelle)..
- Sehr harte Lebensmittel verringern die Umdrehungsgeschwindigkeit oder bringen Ihren Entsafter zum Stillstand. Geschieht dies, schalten Sie den Entsafter ab und machen Sie den Filter frei.
- Während des Gebrauchs schalten Sie den Entsafter regelmäßig ab und reinigen den Tresterbehälter.

Tipps

- Vor dem Entsaften Kerne und Samen (z.B. bei Paprika, Melonen, Pflaumen) und zähe Haut (z.B. bei Melonen oder Ananas) entfernen. Äpfel und Birnen brauchen nicht geschält zu werden.
- Möglichst nur feste frische Früchte und Gemüse verarbeiten.
- Um die maximale Saftausbeute zu erzielen, jeweils kleine Mengen in den Füllschacht geben und den Stopfer langsam nach unten drücken.
- Zitrusfrüchte schälen und die weiße Haut entfernen, da der Saft ansonsten bitter schmecken könnte. Für die besten Ergebnisse die Zitruspresse verwenden.

34 Zubehörkasten

Ihre Küchenmaschine wird mit einem Aufbewahrungskasten für die Aufsätze und Arbeitsscheiben geliefert.

- 1 Bewahren Sie Schneebeesen, Messerklingen, Teigknetter und Arbeitsscheiben im Zubehörkasten auf, wenn Sie sie nicht verwenden 26.
- 2 Der Zubehörkasten ist mit einem Sicherheitschloss ausgestattet 27 – schließen Sie den Deckel und schieben Sie den Riegel zum Verschließen nach links 28. Zum Öffnen schieben Sie den Riegel wieder nach rechts 29.

Wartung und Reinigung

- Schalten Sie das Gerät vor dem Reinigen immer aus und ziehen Sie den Netzstecker.
- Seien Sie bei der Handhabung der Klingen und Schneidescheiben vorsichtig - sie sind äußerst scharf.
- Einige Lebensmittel verfärben den Kunststoff. Das ist völlig normal - der Kunststoff wird dadurch weder beschädigt, noch wird der Geschmack der Lebensmittel beeinträchtigt. Durch Abreiben mit einem in Pflanzenöl getränkten Tuch können Verfärbungen entfernt werden.

Antriebseinheit

- Mit einem feuchten Tuch abwischen, dann abtrocknen. Vergewissern Sie sich, dass der Bereich des Sicherheitsriegels frei von Lebensmittelrückständen ist.
- Stecken Sie überschüssiges Kabel in das Kabelfach an der Rückseite des Geräts 25.

Abnehmbare Antriebswelle / Entsafter-Antriebsadapter

- Mit einem feuchten Tuch abwischen und trocknen lassen.
- **Antriebswelle oder Adapter nicht in Wasser eintauchen.**

Mixer/Mahlwerk

- 1 Mixbecher/Behälter entleeren, bevor Sie ihn von der Klingenhalterung abschrauben.
- 2 Mixbecher/Behälter von Hand spülen.
- 3 Entfernen und waschen Sie die Dichtungen.
- 4 Berühren Sie die scharfen Klingen nicht - bürsten Sie sie mit heißem Seifenwasser sauber und spülen Sie sie dann unter fließendem Wasser gründlich ab. **Tauchen Sie die Klingenhalterung nicht in Wasser.**
- 5 Lassen Sie die Teile umgekehrt stehend trocknen.

Doppelschneebeesen

- Entfernen Sie die Besen durch leichtes Ziehen aus dem Antriebskopf. Waschen Sie sie in warmem Seifenwasser.
- Wischen Sie den Antriebskopf mit einem feuchten Tuch ab, und trocknen Sie ihn dann. **Tauchen Sie den Antriebskopf nicht in Wasser.**

Alle anderen Teile

- Von Hand spülen, dann trocknen.
- Diese Teile sind zudem spülmaschinenfest und können im oberen Fach Ihrer Spülmaschine gereinigt werden. Vermeiden Sie es, die Teile im unteren Gestell direkt über dem Heizelement zu platzieren. Wir empfehlen ein kurzes Programm bei niedriger Temperatur (maximal 50°C).

Teil	Für Spülmaschine geeignete Teile
Arbeitsschüssel, Midi- und Mini-Schüssel, Deckel, Stopfer, Spatel	✓
Glas-Mixbecher, Deckel, Füllaufsatz	✓
Klingenhalterung und Dichtung für Mixer und Mahlwerk	✗
Glasbehälter für Mahlwerk	✓
Messerklingen, Teigknetter, Maxi-Mixaufsatz	✓
Schneebeesen	✓
Schneebeesen-Antriebskopf	✗
Arbeitsscheiben	✓
Zitruspresse	✓
Zentrifugal-Entsafter	✗
Abnehmbare Antriebswelle	✗
Entsafter-Antriebswelle	✗

Kundendienst und Service

- Ein beschädigtes Netzkabel darf aus Sicherheitsgründen nicht selbst repariert werden, sondern muss von KENWOOD oder einer autorisierten KENWOOD-Kundendienststelle ausgetauscht werden.
 - **Sollten während des Betriebs des Geräts Probleme auftreten, siehe „Tabelle Fehlersuche und -behebung“. Bleibt dies erfolglos, wenden Sie sich bitte an Ihren Fachhändler.**
- Hinweise zur:
- Verwendung Ihres Kenwood Gerätes
 - Wartung oder Reparatur
Bitte setzen Sie sich mit Ihrem Händler in Verbindung, bei dem Sie das Gerät gekauft haben.
 - Gestaltet und entwickelt von Kenwood GB.
 - Hergestellt in China.



WICHTIGER HINWEIS FÜR DIE KORREKTE ENTSORGUNG DES PRODUKTS IN ÜBEREINSTIMMUNG MIT DER EG-RICHTLINIE 2002/96/EG.

Am Ende seiner Nutzungszeit darf das Produkt NICHT mit dem Hausmüll entsorgt werden.
Es muss zu einer örtlichen Sammelstelle für Sondermüll oder zu einem Fachhändler gebracht werden, der einen Rücknahmeservice anbietet.
Die getrennte Entsorgung eines Haushaltsgerätes vermeidet mögliche negative Auswirkungen auf die Umwelt und die menschliche Gesundheit, die durch eine nicht vorschriftsmäßige Entsorgung bedingt sind. Zudem ermöglicht dies die Wiederverwertung der Materialien, aus denen das Gerät hergestellt wurde, was erhebliche Einsparungen an Energie und Rohstoffen mit sich bringt.

Fehlersuche und – behebung

Problem	Ursache	Lösung
Die Küchenmaschine arbeitet nicht	Kein Strom – Betriebs-/Auto-Anzeige leuchten nicht. Schüssel nicht richtig arretiert. Deckel nicht richtig arretiert. Großer Stopfer nicht eingesetzt.	Prüfen, ob Stecker in Steckdose steckt. Prüfen, ob Schüssel richtig aufgesetzt und eingerastet ist und ob Griff nach rechts weist. Prüfen, ob Deckelverriegelung richtig im Griffbereich sitzt. Den großen Stopfer einsetzen. Die Küchenmaschine funktioniert nicht, wenn Schüssel, Deckel oder großer Stopfer nicht ordnungsgemäß eingerastet sind. Wenn keine dieser Ursachen vorliegt, überprüfen Sie bitte die Sicherung/den Leistungsschalter in Ihrem Haushalt.
Gerät hält während des Arbeitsvorgangs an oder wird langsamer	Überlastungsschutz wurde ausgelöst. Gerät ist überlastet oder im Betrieb zu heiß geworden. Höchstmengen wurden überschritten.	Ausschalten, Netzstecker ziehen und Gerät rund 15 Minuten abkühlen lassen. Die Höchstmengen sind in der Tabelle empfohlener Geschwindigkeiten angegeben.
Unzureichende Leistung von Werkzeugen/Aufsätzen	Siehe Tipps im relevanten Abschnitt "Verwendung des Aufsatzes". Prüfen, ob die Aufsätze richtig montiert wurden.	
Betriebsanzeige blinkt	Normaler Betrieb Die Anzeige blinkt, wenn Schüssel, Deckel, Mixer oder Mahlwerk nicht auf die Antriebseinheit aufgesetzt wurden oder nicht ordnungsgemäß eingerastet sind.	Prüfen, dass Verriegelungen ordnungsgemäß eingerastet sind.
Auto- und Betriebsanzeige blinken	Normaler Betrieb Die Anzeige blinkt, wenn Auto-Funktion gewählt wurde, aber Verriegelungen nicht eingerastet sind.	Prüfen, dass Verriegelungen ordnungsgemäß eingerastet sind, oder Auto-Taste drücken, um Auto-Funktion zu deaktivieren.

Italiano

Prima di leggere, aprire la prima pagina con le illustrazioni

prima di utilizzare la vostra apparecchiatura Kenwood

- Leggere attentamente le presenti istruzioni e conservarle come futuro riferimento.
- Rimuovere la confezione e le etichette.

sicurezza

- Le lame e i dischi sono molto affilati: maneggiarli sempre con cura. **Tenere sempre la lama dall'appoggio per le dita Ⓢ in alto, mai dal filo di taglio, sia per maneggiarla che per pulirla.**
 - Non sollevare né trasportare il robot dal manico, che potrebbe rompersi e causare un infortunio.
 - Rimuovere sempre la lama prima di svuotare la vaschetta.
 - Non introdurre le mani o altri utensili nella vaschetta del robot e nella caraffa del frullatore mentre l'apparecchio è collegato alla rete elettrica.
 - Spegnerne l'apparecchio e togliere la spina dalla presa di corrente:-
 - prima di montare o staccare qualunque componente;
 - se non in uso;
 - prima di pulire l'apparecchio.
 - Non usare mai le dita per spingere gli alimenti nel tubo di riempimento. Servirsi sempre dell'apposito pressatore (o pressatori).
 - Prima di togliere il coperchio dalla vaschetta, oppure il frullatore/tritatutto blocco motore dell'apparecchio:-
 - spegnere l'apparecchio;
 - attendere fino a quando l'accessorio/le lame siano completamente ferme;
 - fare attenzione a non svitare la caraffa del frullatore o la vaschetta del tritatutto dall'unità delle lame.
 - Lasciare raffreddare i liquidi a temperatura ambiente prima di lavorarli nel frullatore.
 - Non usare il coperchio per far funzionare l'apparecchio, ma servirsi sempre dell'interruttore di velocità on/off.
 - **Questo apparecchio può venire danneggiato e provocare un infortunio esercitando forza eccessiva sul suo dispositivo di blocco.**
 - Non utilizzare l'apparecchio con accessori non autorizzati.
 - Non lasciare mai l'apparecchio incustodito dopo averlo acceso.
 - Non usare mai un apparecchio danneggiato. Farlo controllare o riparare: vedere la sezione 'manutenzione e assistenza tecnica'.
 - Non bagnare il blocco motore, il cavo o la spina.
 - Non lasciar pendere il cavo elettrico dal piano di lavoro e non lasciare che tocchi superfici calde.
 - Non superare le capacità massime indicate nella tabella delle velocità consigliate.
 - Non consentire l'uso dell'apparecchio a persone (anche bambini) con ridotte capacità psico-fisico-sensoriali, o con esperienza e conoscenze insufficienti, a meno che non siano attentamente sorvegliate e istruite da un responsabile della loro incolumità.
 - Sorvegliare i bambini, assicurandosi che non giochino con l'apparecchio.
 - Utilizzare l'apparecchio solo per l'uso domestico per cui è stato realizzato. Kenwood non si assumerà alcuna responsabilità se l'apparecchio viene utilizzato in modo improprio o senza seguire le presenti istruzioni.
 - L'uso incorretto del robot/frullatore può provocare infortuni.
- Vedere la sezione pertinente alla voce "uso degli accessori", per ulteriori avvertenze di sicurezza per ciascun accessorio.

prima di collegare l'apparecchio alla rete elettrica

- Accertarsi che la tensione della vostra rete sia la stessa di quella indicata sulla base dell'apparecchio.
- Questo apparecchio è conforme alla direttiva 2004/108/CE sulla Compatibilità Elettromagnetica, ed al regolamento (EC) No. 1935/2004 del 27/10/2004 sui materiali in contatto con alimenti.

prima di usare per la prima volta

- 1 Eliminare le protezioni in plastica dalla lama. **Fare attenzione: le lame sono molto affilate.** Le protezioni vanno gettate, in quando servono solo a proteggere la lama durante la produzione e il trasporto.
- 2 Lavare i componenti – vedere la sezione 'cura & pulizia'

legenda

robot

- ① blocco motore
- ② alberino di rotazione rimovibile
- ③ vaschetta
- ④ coperchio
- ⑤ tubo grande di riempimento
- ⑥ pressatori
- ⑦ dispositivi di blocco
- ⑧ vano cavo elettrico
- ⑨ spia di accensione
- ⑩ selettore della velocità
- ⑪ tasto Automatico

frullatore in vetro

- ⑫ guarnizione
- ⑬ unità lame
- ⑭ caraffa
- ⑮ tappo del coperchio
- ⑯ coperchio

tritatutto in vetro

- ⑰ guarnizione
- ⑱ unità lame
- ⑲ vaschetta in vetro

accessori

Il robot da cucina potrebbe non includere tutti gli accessori elencati sotto. Gli accessori in dotazione variano a seconda del modello.

- ⑳ lama
- ㉑ utensile per impastare
- ㉒ doppia frusta in metallo a ingranaggi
- ㉓ maxi-calotta
- ㉔ disco grosso per affettare (4mm)
- ㉕ disco fino per affettare (2mm)
- ㉖ disco grosso per sminuzzare
- ㉗ disco fino per sminuzzare
- ㉘ disco per grattugiare/parmigiano (facoltativo)
- ㉙ spremiagrumi a ingranaggi (facoltativo)
- ㉚ tritatutto (facoltativo)
- ㉛ mini vaschetta (facoltativa)
- ㉜ mini-vaschetta media (facoltativa)
- ㉝ centrifuga (facoltativa)
- ㉞ porta-accessori
- ㉟ spatola

uso del robot

- 1 Montare l'alberino di rotazione rimovibile sul blocco motore ❶ – spingere leggermente verso il basso per assicurare che sia ben inserito.
- 2 **In seguito**, inserire la vaschetta posizionando il manico verso il lato destro del blocco motore. Collocare il manico rivolto all'indietro e ruotare in senso orario fino a bloccarlo in posizione ❷.
- 3 Inserire un accessorio sopra l'alberino di rotazione.
 - Prima di aggiungere gli ingredienti, assicurarsi sempre di montare la vaschetta e l'accessorio sul robot da cucina.
- 4 Mettere il coperchio ❸, verificando che la parte superiore dell'alberino di rotazione vada a inserirsi nel centro.
- 5 Inserire i pressatori nel tubo di riempimento, ruotando il pressatore piccolo in senso orario per bloccarlo in posizione ❹.
- **L'apparecchio non funziona se la vaschetta, il coperchio o il tubo grande di riempimento non sono inseriti correttamente nei dispositivi di blocco. Controllare che il tubo di riempimento e il manico della vaschetta siano rivolti verso destra.**
- 6 Inserire la spina nella presa elettrica. La spia di accensione si accende e lampeggia fino a quando la vaschetta e il coperchio sono inseriti in modo corretto. Selezionare una delle opzioni seguenti:

Tasto Automatico – la spia si accende quando il Tasto Automatico viene premuto e seleziona automaticamente la velocità ottimale per l'accessorio.

Selettore della velocità – selezionare manualmente la velocità desiderata (vedere la tabella delle velocità consigliate).

Intermittenza – usare l'impostazione a intermittenza (P) per azionare l'apparecchio a brevi impulsi. Questa impostazione rimane in funzione fino a quando il selettore viene tenuto nella posizione corrispondente.

7 Al termine del ciclo, spostare il selettore della velocità sulla posizione 0 oppure, se viene utilizzato il tasto Automatico, premere il tasto e la spia si spegnerà.

- **La spia di accensione lampeggia se il coperchio, la vaschetta o il tubo grande di riempimento non sono stati inseriti.**
- **Le spie di accensione e del tasto Automatico lampeggiano se il tasto viene selezionato ma i dispositivi di blocco non sono inseriti.**
- **Non utilizzare il coperchio per far funzionare l'apparecchio, ma usare sempre l'interruttore on/off per il controllo della velocità.**

● **Il tasto Automatico non entra in funzione se sul selettore è stata selezionata una velocità.**

● **Spegnere prima di rimuovere il coperchio.**

8 Rimuovere coperchio, accessori e vaschetta eseguendo la procedura inversa.

importante

- La vaschetta del robot non è idonea per frantumare o macinare caffè in grani o per ottenere zucchero a velo da zucchero granulato.
- Durante l'aggiunta di aromi o essenza di mandorle, evitare il contatto diretto con la plastica in quanto può provocare macchie permanenti.

scegliere la velocità per ogni funzione

Utensile/accessorio	Funzione	Velocità	Capacità massime
Lama	Miscela per torte con preparazione in un unico stadio	1 – 8	Peso totale: 2 kg
	Miscelare burro e farina	3 – 8	Peso farina: 500 g
	Aggiungere acqua per amalgamare gli ingredienti della pasta frolla/sfoglia	3 – 8	
	Sminuzzare/preparare purea/paté	8	Peso totale 1 kg di trito magro di carne
Lama con maxi-calotta	Zuppe – iniziare a velocità moderata e aumentarla gradualmente fino a quella massima	1 – 8	2 litri
Frusta	Albumi Panna	automatico	2 – 8 250-750 ml
Utensile per impastare	Miscela con lievito	6 – 8	Peso totale: 1,3 kg Peso farina: 650 g
Dischi – affettare/sminuzzare	Alimenti di consistenza solida come carote, formaggio a pasta dura	5 – 8	–
	Alimenti più soffici come cetrioli, pomodori	1 – 3	–
Disco per grattugiare	Parmigiano, patate per gnocchi di patate alla tedesca	8	–
Mini-vaschetta e lama	Tutti i tipi di lavorazione	8	Peso totale 300 g carne
Spremiagrumi	Frutti più piccoli, come limoni verdi e limoni	1	–
	Frutti più grandi, come arance e pompelmi	2	–
Centrifuga	Per spremere frutta e verdura di consistenza solida es. mele e carote	automatico	1 kg mele 800 g di carote
	Per spremere frutta di consistenza morbida, come uva e pomodori		500 g
Frullatore	Minestre e bevande	8	1,5 litri
	Maionese	8	3 uova + 450 ml di olio
	Per schiumare il latte	8	1 litro
	Per sminuzzare il ghiaccio – utilizzare l'impostazione a intermittenza a impulsi brevi, fino a ottenere la consistenza desiderata	intermittenza	6 cubetti
Tritatutto	Per lavorare vari tipi di spezie	8	100 g
	Per macinare caffè in grani	8	75 g
	Per sminuzzare frutta secca	8	140 g

per usare il vostro frullatore

- 1 Inserire la guarnizione ⑫ nell'unità delle lame ⑬, assicurandosi che sia posizionata correttamente nell'area scanalata.
- **Se la guarnizione è danneggiata o non montata correttamente si avranno perdite.**
- 2 Tenere l'unità delle lame ⑬ dalla parte sottostante e inserirla nella caraffa, ruotandolo in senso antiorario per bloccarlo in posizione ⑤.
- 3 Versare gli ingredienti nella caraffa.
- 4 Mettere il coperchio sulla caraffa e premerlo verso il basso ⑥. Ora inserire il tappo di introduzione.
- **Prima di inserire il frullatore sul blocco motore, controllare che il selettore della velocità sia sulla posizione 0 e che la spia del tasto Automatico sia spenta. Se il selettore della velocità non è su 0, o se il tasto Automatico è selezionato, il frullatore entra in funzione non appena viene inserito.**
- 5 Montare il frullatore sul blocco motore, tenendo il manico rivolto verso destra e ruotandolo in senso orario per bloccarlo in posizione ④.
- **L'apparecchio non funziona se il frullatore non è inserito correttamente nel dispositivo di blocco.**
- 6 Usare il tasto Automatico o selezionare una velocità (vedere la tabella delle velocità consigliate), oppure usare il selettore dell'impostazione a intermittenza.

sicurezza

- **Lasciare raffreddare i liquidi a temperatura ambiente prima di lavorarli nel frullatore.**
- Fare sempre attenzione nel maneggiare l'unità delle lame. Evitare di toccare il filo di taglio delle lame durante la pulizia.
- Azionare il frullatore solo con il coperchio in posizione.
- Usare la caraffa solo con l'unità delle lame in dotazione.
- Non usare mai il frullatore a vuoto.
- Per prolungare la durata del frullatore non tenerlo mai in funzione per più di 60 secondi.
- Ricette per gli smoothie – non frullare mai ingredienti solidificatisi dopo il congelamento; disgregarli prima di aggiungerli nella caraffa.

suggerimenti

- Per fare la maionese, versare nel frullatore tutti gli ingredienti, tranne l'olio. Ora togliere il tappo di introduzione. Con l'apparecchio in funzione, aggiungere lentamente l'olio attraverso il foro sul coperchio
- Nel caso di impasti molto densi, come patè e salse, potrebbe essere necessario staccare gli ingredienti dalle pareti della caraffa, usando la spatola. Se la lavorazione risulta difficoltosa, aggiungere più liquido.
- Per tritare il ghiaccio, premere il tasto ad intermittenza fino ad ottenere la consistenza desiderata.
- Questo apparecchio non funziona se il frullatore è stato montato in modo incorretto.
- Per lavorare ingredienti secchi, tagliarli a pezzetti; togliere il tappo di introduzione, poi mentre il frullatore è già in funzione versarli uno alla volta nella caraffa. Tenere la mano sopra l'apertura. Per i migliori risultati, svuotare regolarmente la caraffa.
- Non usare il frullatore per conservare alimenti. Mantenerlo vuoto prima e dopo l'uso.
- Non miscelare più di 1,5 litri, meno per liquidi schiumosi come i frappé.

⑳ tritatutto (se fornito)

Usare il tritatutto per lavorare ingredienti secchi come frutta secca e caffè in grani. Inoltre, è idoneo per varie spezie come: -
Pepe nero, semi di cardamomo, semi di cumino, semi di coriandolo, semi di finocchio, zenzero fresco, peperoncini freschi e chiodi di garofano interi.

come usare il tritatutto

- 1 Versare gli ingredienti nella vaschetta. Non riempire la vaschetta per più di metà.
- 2 Inserire la guarnizione ⑰ nell'unità delle lame ⑱.
- 3 Tenere l'unità delle lame dalla parte sottostante e inserirla nella vaschetta, ruotandolo in senso antiorario per bloccarlo in posizione ⑦.
- 4 Inserire il tritatutto nel blocco motore e ruotare in senso orario per bloccarlo in posizione ⑩.
- 5 Usare il tasto Automatico, oppure selezionare una velocità (vedere la tabella delle velocità consigliate).

sicurezza

- Non montare mai l'unità delle lame sull'apparecchio senza prima aver installato la vaschetta.
- Non svitare mai la vaschetta quando è il tritatutto è ancora inserito sull'apparecchio.
- Non toccare le lame affilate. Tenere l'unità delle lame fuori della portata dei bambini.
- Non smontare mai il tritatutto prima che le lame si siano fermate completamente.
- A garanzia della durata del tritatutto, non azionarlo mai in modo continuo per oltre 60 secondi. Spegnerlo non appena gli ingredienti hanno raggiunto la consistenza desiderata.
- Questo apparecchio non entra in funzione se il tritatutto non è stato installato in modo corretto.
- Non lavorare la radice di curcuma nel tritatutto, altrimenti si rischia di danneggiare le lame.

suggerimenti

- Per risultati ottimali quando si lavorano le spezie, è consigliabile inserirne non più di 100 g alla volta nel tritatutto.
- Le spezie intere conservano molto più a lungo l'aroma rispetto a quelle macinate, quindi si consiglia di macinare piccole quantità di spezie fresche, per conservarne il gusto.
- Per ottenere l'aroma più intenso e gli oli essenziali, è consigliabile arrostiti le spezie intere prima di macinarle.
- Tagliare lo zenzero a pezzettini prima di lavorarlo.
- Per i migliori risultati, usare l'accessorio della mini-vaschetta per tritare le erbe.

uso degli accessori

⑳ lama/㉑ utensile per impastare

La lama è il più versatile di tutti gli accessori. La consistenza ottenuta dipende dal tempo di lavorazione. Per ottenere composti di consistenza meno omogenea, usare l'interruttore ad intermittenza.

Utilizzare la lama per preparare torte e dolci, macinare carne cruda e cotta, verdure, noci, preparare patè, salse, zuppe cremose e sbriciolare biscotti e pane.

Usare l'utensile per impastare per le miscele a lievitazione.

suggerimenti

lama

- Tagliare gli alimenti, come carne, pane o verdure, a cubetti di circa 2 cm prima di lavorarli.
- Spezzettare i biscotti e aggiungerli attraverso il tubo di riempimento mentre l'apparecchio è a funzione.
- Per la preparazione delle torte, usare burro appena estratto dal frigorifero e tagliato a cubetti di 2 cm.
- Non esagerare con il tempo di lavorazione.

utensile per impastare

- Introdurre gli ingredienti secchi nella vaschetta e aggiungere il liquido attraverso il tubo di riempimento mentre l'apparecchio è in funzione. Lavorare per 45 - 60 secondi fino a ottenere una palla di impasto omogenea ed elastica.
- Reimpastare solo a mano. Si sconsiglia di rimpastare nella vaschetta per non compromettere la stabilità dell'apparecchio.

22 doppia frusta a ingranaggi

Usare solo per miscele soffici, ad esempio albumi, panna o latte evaporato e per montare le uova e lo zucchero per il pan di Spagna dietetico. Le miscele più consistenti, come farina e burro, danneggiano la frusta.

uso della frusta

- 1 Inserire l'alberino di rotazione rimovibile e la vaschetta nel blocco motore.
- 2 Spingere e assicurare un frullino alla volta nella testina di rotazione 11.
- 3 Inserire la frusta facendola girare delicatamente sull'alberino di rotazione fino a incastrarlo.
- 4 Aggiungere gli ingredienti.
- 5 Inserire il coperchio, accertandosi che la parte terminale dell'alberino sia infilata al centro del coperchio.
- 6 Selezionare il tasto Automatico.

importante

- La frusta non è adatta per preparare torte con preparazione in un unico stadio o per montare burro e zucchero, poiché queste miscele la danneggiano. Per preparare torte utilizzare sempre la lama.

suggerimenti

- I risultati migliori si ottengono quando le uova sono a temperatura ambiente.
- Accertarsi che la vaschetta e la frusta siano pulite e prive di qualsiasi traccia di burro prima di azionarli.

23 maxi-calotta

Durante la miscelazione dei liquidi, usare la maxi-calotta insieme alla lama. Ciò consentirà di aumentare la capienza della vaschetta da 1,4 litri a 2 litri, di evitare le fuoriuscite e di ottimizzare le prestazioni di sminuzzamento della lama.

- 1 Inserire l'alberino di rotazione rimovibile e la vaschetta nel blocco motore.
- 2 Inserire la lama.
- 3 Aggiungere gli ingredienti da lavorare.
- 4 Collocare la calotta sopra la lama, accertandosi che poggia sull'area del bordo e che la fessura 12 sia allineata rispetto alla sporgenza all'interno della vaschetta. **Non esercitare pressione sulla calotta, tenerla per la presa centrale.**
- 5 Inserire il coperchio e accendere l'apparecchio.

dischi per affettare e sminuzzare

dischi per affettare -grosso (4mm) 24, fino (2 mm) 25

Usare i dischi per affettare per formaggio, carote, patate, cavolo, cetrioli, zucchine, barbabietole e cipolle.

dischi per sminuzzare - grosso 26, fino 27

Usare i dischi per sminuzzare per formaggio, carote, patate e alimenti di consistenza simile.

disco per grattugiare 28 (se fornita)

Grattugia parmigiano e patate per gnocchi di patate alla tedesca.

sicurezza

- **Assicurarsi che il disco si sia fermato completamente prima di rimuovere il coperchio.**
- **Maneggiare i dischi con cautela in quanto sono estremamente taglienti.**

uso dei dischi

- 1 Inserire l'alberino di rotazione rimovibile e la vaschetta nel blocco motore.
- La vaschetta media 22 può essere usata con tutti i dischi. Inserire la vaschetta media nella vaschetta principale, allineando le sporgenze con la scanalatura sul lato della vaschetta principale e poi spingendo verso il basso. Per estrarre, servirsi degli appositi punti di appoggio per le dita sulla vaschetta media.
- 2 Tenendo il disco per la presa centrale 18, appoggiarlo sull'alberino di rotazione.
- 3 Inserire il coperchio.
- 4 Scegliere il tubo di riempimento della dimensione desiderata. Il pressatore contiene un tubo di riempimento più piccolo per la lavorazione di ingredienti singoli o sottili.

Per usare il tubo piccolo di riempimento, prima inserire il pressatore grande nel tubo di riempimento.

Per utilizzare il tubo grande di riempimento, inserire il pressatore piccolo in quello grande, poi ruotare in senso orario per bloccare in posizione. Non riempire il tubo di riempimento oltre il livello massimo: l'apparecchio non funziona se il pressatore del tubo grande di riempimento non è inserito bene.

5 Introdurre gli alimenti nel tubo di riempimento.

6 Accendere l'apparecchio ed esercitare una pressione uniforme con il pressatore. **Non infilare le dita nel tubo di riempimento.**

suggerimenti

- Usare ingredienti freschi
- Non ridurre gli ingredienti in pezzi di dimensioni eccessivamente piccole. Riempire il tubo grande quasi fino al bordo. In tal modo si eviterà che i pezzi scivolino di lato durante la lavorazione. In alternativa, usare il tubo piccolo di riempimento.
- Per affettare o sminuzzare, gli ingredienti inseriti verticalmente 14 risulteranno tagliati più corti rispetto a quelli posizionati orizzontalmente 15.
- Dopo la lavorazione, rimarrà sempre un certo quantitativo di residui sul disco o nella vaschetta.

29 spremiagrumi (se fornita)

Lo spremiagrumi è indicato per spremere arance, limoni, limoni verdi e pompelmi.

- a Cono
- b Filtro

per usare lo spremiagrumi

- 1 Inserire l'alberino di rotazione rimovibile e la vaschetta nel blocco motore.
 - 2 Inserire il filtro nella vaschetta, accertandosi che il manico del filtro sia bloccato in posizione direttamente sopra il manico della vaschetta 16.
 - 3 Applicare il cono sull'alberino di rotazione, ruotandolo fino al completo inserimento 17.
 - 4 Tagliare il frutto a metà. Accendere e premere il frutto sul cono.
- **Lo spremiagrumi non funzionerà se il filtro non è inserito correttamente nel dispositivo di blocco.**

31 mini-vaschetta (se fornita)

Utilizzare la mini-vaschetta per tritare erbe aromatiche e lavorare ingredienti in piccole quantità, ossia carne, cipolle, noci, maionese, verdure, purea, salse e cibo per neonati.

- a mini-lama
- b mini-vaschetta

per usare la mini-vaschetta

- 1 Inserire l'alberino di rotazione rimovibile e la vaschetta nel blocco motore.
- 2 Inserire la mini-vaschetta, assicurandosi che le sporgenze all'interno della rientranza della mini-vaschetta siano allineate con le fessure poste sul raccordo principale 18.
- 3 Inserire la lama sopra l'alberino di rotazione 19.
- 4 Versare gli ingredienti da lavorare.
- 5 Inserire il coperchio e accendere l'apparecchio.

sicurezza

- Non togliere mai il coperchio prima che la lama si sia fermata completamente.
- La lama è molto affilata, maneggiare con attenzione.

importante

- Non lavorare spezie, potrebbero danneggiare le superfici di plastica.
- Non lavorare cibi troppo duri come caffè, cubetti di ghiaccio o cioccolato – potrebbero danneggiare la lama.

suggerimenti

- Le erbe si tritano meglio se sono pulite e asciutte.
- Aggiungere sempre un po' di liquido quando si frullano ingredienti cotti per preparare cibi per neonati.
- Prima di lavorare cibi come carne, pane e verdure tagliarli a cubetti di circa 1-2 cm.
- Quando si prepara la maionese aggiungere l'olio versandolo dal tubo di riempimento.

32 vaschetta media (se fornita)

Viene fornita una vaschetta supplementare, utilizzabile con tutti i dischi. È sufficiente inserirla nella vaschetta principale e poi installare i dischi e il coperchio come spiegato nella sezione sui dischi per affettare/sminuzzare.

33 centrifuga (se fornita)

Con la centrifuga è possibile estrarre il succo da frutta e verdura di consistenza compatta.

- a pressatore
- b coperchio
- c dispositivo di raccolta della polpa
- d filtro
- e vaschetta
- f uscita per il succo
- g adattatore per alberino di centrifuga

per usare la centrifuga

- 1 Montare l'alberino di rotazione della centrifuga nel blocco motore 20 – spingere leggermente verso il basso per assicurare che l'adattatore sia ben inserito.
 - 2 Ora inserire la vaschetta della centrifuga. Posizionare il manico rivolto all'indietro e ruotare in senso orario fino a bloccarlo 21.
 - 3 Inserire il dispositivo di raccolta della polpa nel filtro, controllando che le alette vadano ad inserirsi nelle fessure corrispondenti sulla base del filtro 22.
 - 4 Inserire il filtro 23.
 - 5 Mettere il coperchio dell'accessorio sulla vaschetta, quindi girarlo finché non si blocca e il tubo di riempimento non va ad appoggiarsi sul manico 24. **La centrifuga non funziona se la vaschetta, o il coperchio, non è bloccata correttamente.**
 - 6 Collocare un bicchiere o caraffa di tipo idoneo sotto l'uscita per il succo.
 - 7 Tagliare gli ingredienti per inserirli nel tubo di riempimento.
 - 8 Selezionare il tasto Automatico e premere uniformemente sugli alimenti, usando il pressatore. **Non mettere mai le dita nel tubo di riempimento.** Lavorare completamente gli alimenti prima di aggiungere altri pezzetti.
- Dopo aver aggiunto l'ultimo pezzo di frutta o di verdura nella centrifuga, lasciarla in funzione per altri 30 secondi per spremere tutto il succo dal filtro.

sicurezza

- **Non usare la centrifuga se il filtro risulta danneggiato.**
- Le lame sulla base del filtro sono molto affilate: prestare molta attenzione quando si maneggia e si pulisce il filtro.
- Usare solo il pressatore fornito. Non mettere mai le dita nel tubo di riempimento. Togliere la spina dell'apparecchio dalla presa di corrente prima di sbloccare il tubo di riempimento.
- Prima di togliere il coperchio, spegnere l'apparecchio ed attendere sino a quando il filtro non si ferma.

importante

- Se la centrifuga inizia a vibrare, spegnerla e svuotare la polpa presente nel filtro. (L'apparecchio vibra se la polpa si distribuisce in modo poco uniforme).
- È possibile lavorare un massimo di 1 Kg di frutta o verdura alla volta (vedere la tabella delle velocità).
- Frutti o verdure molto duri possono rallentare il funzionamento della centrifuga oppure fermarla del tutto. In questo caso, spegnerla e liberare il filtro.
- Spegnerla la centrifuga e svuotare il dispositivo di raccolta della polpa a intervalli regolari durante l'uso.

consigli

- Prima di lavorare la frutta o la verdura, togliere semi e noccioli (es. da peperoni, melone, prugne) e la buccia dura (es. da melone e ananas). Non occorre pelare o togliere il torsolo a mele e pere.
- Usare frutta e verdura fresche e di ferma consistenza.
- Per massimizzare l'estrazione del succo, inserire pochi ingredienti alla volta nel tubo di riempimento e spingerli piano all'interno dell'apparecchio.
- Agrumi – sbucciarli ed eliminare l'albedo bianco, altrimenti il succo potrebbe risultare amaro. Per i migliori risultati, usare lo spremiagrumi.

34 porta-accessori

Il vostro robot è dotato di un porta-accessori per gli accessori della vaschetta e i dischi.

- 1 Inserire la frusta, la lama, l'utensile per impastare e i dischi nel porta-accessori quando non vengono usati 26.
- 2 Il porta-accessori è provvisto di una serratura di sicurezza 27. Chiudere il coperchio e spostare il fermo a sinistra per bloccarlo in posizione 28. Per aprire, spostare il fermo verso destra 29.

manutenzione e pulizia

- Spegnerla sempre e scollegare dalla rete elettrica prima di pulire.
- Maneggiare le lame e i dischi con cautela in quanto sono estremamente taglienti.
- Alcuni alimenti possono scolorire la plastica. Ciò rientra nella norma e non danneggia la plastica né pregiudica il gusto degli alimenti. Sfregare con un panno imbevuto di olio vegetale per eliminare la macchia.

blocco motore

- Pulire con un panno umido, quindi asciugare. Accertarsi che nell'area del dispositivo di blocco non ci siano residui di alimenti.
- Avvolgere la lunghezza in eccesso del cavo elettrico nell'apposito vano sul retro dell'apparecchio 25.

alberino di rotazione rimovibile/adattatore per alberino di centrifuga

- Passare con un panno umido, quindi asciugare.
- **Non immergere l'alberino di rotazione o l'adattatore nell'acqua.**

frullatore/tritatutto

- 1 Svuotare la caraffa/vaschetta prima di sviarla dal dall'unità delle lame.
- 2 Lavare a mano la caraffa/vaschetta.
- 3 Togliere e lavare le guarnizioni
- 4 Non toccare le lame affilate, utilizzare una spugna con acqua insaponata per pulirle e sciacquarle abbondantemente con acqua corrente. **Non immergere l'unità lame nell'acqua.**
- 5 Lasciare in posizione capovolta.

doppia frusta a ingranaggi

- Staccare le fruste dalla testa di rotazione tirandole delicatamente. Lavarle in acqua tiepida e sapone.
- Strofinare la testa di rotazione con un panno umido, quindi asciugare. **Non immergere la testa di rotazione nell'acqua.**

tutti gli altri componenti

- Lavare a mano, quindi asciugare.
- Alternativamente, è possibile lavarli in lavastoviglie, nel cestello superiore. Evitare di lavare i componenti nel cestello inferiore della lavastoviglie direttamente sopra l'elemento termico. Si consiglia un programma breve a bassa temperatura (massimo 50°C).

Componente	componente idoneo per lavaggio in lavastoviglie
vaschetta principale, media e mini, pressatori, spatola	✓
caraffa in vetro del frullatore, coperchio, tappo di introduzione	✓
unità delle lame e guarnizione per frullatore e tritatutto	✗
vaschetta in vetro del tritatutto	✓
lame, utensile per impastare, maxi-calotta	✓
fruste	✓
testina di rotazione della frusta	✗
dischi	✓
spremiagrumi	✓
centrifuga	✗
alberino di rotazione rimovibile	✗
adattatore di rotazione per centrifuga	✗

manutenzione e assistenza tecnica

- In caso il cavo sia danneggiato, per ragioni di sicurezza deve esser sostituito solo dal fabbricante oppure da un Centro Assistenza KENWOOD autorizzato alle riparazioni.
- **In caso di problemi con il robot, prima di richiedere assistenza si prega di consultare la Guida alla localizzazione e risoluzione dei problemi.**
 - Se si ha bisogno di assistenza riguardo:
 - uso dell'apparecchio o
 - manutenzione o riparazioni
 Contattare il negozio dove si è acquistato l'apparecchio.
 - Disegnato e progettato da Kenwood nel Regno Unito.
 - Prodotto in Cina.



IMPORTANTI AVVERTENZE PER IL CORRETTO SMALTIMENTO DEL PRODOTTO AI SENSI DELLA DIRETTIVA EUROPEA 2002/96/EC.

Alla fine della sua vita utile il prodotto non deve essere smaltito insieme ai rifiuti urbani.

Deve essere consegnato presso gli appositi centri di raccolta differenziata predisposti dalle amministrazioni comunali, oppure presso i rivenditori che offrono questo servizio.

Smaltire separatamente un elettrodomestico consente di evitare possibili conseguenze negative per l'ambiente e per la salute derivanti da un suo smaltimento inadeguato e permette di recuperare i materiali di cui è composto al fine di ottenere notevoli risparmi in termini di energia e di risorse. Per rimarcare l'obbligo di smaltire separatamente gli elettrodomestici, sul prodotto è riportato il simbolo del bidone a rotelle barrato.

guida alla localizzazione e risoluzione dei problemi

Problema	Causa	Soluzione
L'apparecchio non funziona	Assenza di corrente – spie di accensione/tasto Automatico spente La vaschetta non è stata bloccata correttamente. Il coperchio non è bloccato correttamente. Il pressatore grande non è stato inserito.	Controllare che l'apparecchio sia collegato all'alimentazione elettrica. Controllare che la vaschetta sia montata e bloccata correttamente in posizione e che il manico sia rivolto verso il lato destro. Controllare che il dispositivo di blocco del coperchio sia collocato correttamente accanto al manico. Inserire il pressatore grande. L'apparecchio non funziona se la vaschetta, il coperchio o il pressatore grande non sono bloccati correttamente. Se le misure elencate non risolvono il problema controllare il fusibile/interruttore principale del sistema elettrico.
L'apparecchio si ferma o rallenta durante il funzionamento.	È scattato il dispositivo di protezione dal sovraccarico. L'apparecchio si è sovraccaricato o durante il funzionamento. La capacità massima è stata superata.	Spegnere l'apparecchio, disinserire la spina dalla presa elettrica e lasciarlo raffreddare per 15 minuti circa. Vedere la tabella delle velocità per un'indicazione delle capacità massime consentite.
Gli utensili/accessori non danno buoni risultati.	Consultare i suggerimenti contenuti nella relativa sezione "uso degli accessori". Controllare che l'accessorio sia montato correttamente.	
La spia di accensione lampeggia	Funzionamento normale La spia lampeggia se vaschetta, coperchio, frullatore o tritatutto non sono inseriti nel blocco motore o non sono bloccati correttamente in posizione.	Controllare che i dispositivi di blocco siano inseriti correttamente.
Le spie del tasto Automatico e di accensione lampeggiano	Funzionamento normale La spia lampeggia se il tasto Automatico è selezionato ma i dispositivi di blocco non sono stati inseriti.	Controllare che i dispositivi di blocco siano inseriti correttamente, oppure premere il tasto Automatico per disattivare la funzione Automatico.

Dansk

Fold forsiden med illustrationerne ud.

før Kenwood-apparatet tages i brug

- Læs denne brugervejledning nøje og opbevar den i tilfælde af, at du får brug for at slå noget op i den.
- Fjern al emballage og mærkater.

sikkerhed

- Knive og skiver er meget skarpe og skal behandles forsigtigt. **Hold dem altid ved fingergrebet ④ i toppen, bort fra skæret, både under brug og rengøring.**
- Løft eller bær ikke maskinen i håndtaget – det kan gå i stykker, hvilket kan medføre personskader.
- Tag altid kniven af, inden indholdet hældes ud af skålen.
- Stik ikke hænder og køkkenredskaber ned i foodprocessorens skål, mens den er tilsluttet lysnettet.
- Sluk og tag stikket ud af stikkontakten:-
 - inden dele sættes på eller tages af;
 - Når apparatet ikke anvendes;
 - før rengøring.
- Brug aldrig fingrene til at stoppe maden ned i påfyldningstragten. Brug altid de(n) medfølgende nedstopper(e).
- Før låget fjernes fra skålen, eller blenderen/kværnen fra motorenheden:-
 - sluk maskinen;
 - vent til tilbehør/knive står helt stille;
 - pas på ikke at skrue blenderkanden eller kværnen fra knivenheden.
- Væsker bør lades afkøle til stuetemperatur, før de blendes.
- Brug ikke låget til at betjene processoren - brug altid den kombinerede afbryder/hastighedsknap.
- **Maskinen bliver beskudiget, og du risikerer selv at komme til skade, hvis du prøver at omgå sikkerhedslåsen med magt.**
- Brug aldrig uoriginalt tilbehør.
- Efterlad aldrig apparatet uden opsyn, når det er i drift.
- Brug aldrig en defekt maskine. Få den efterset eller repareret: se under 'service og kundepleje'.
- Motorhus, ledning eller stik må aldrig blive våde.
- Lad ikke ledningen hænge ned over bordkant, skærebræt o.lign. Undgå, at den rører ved varme overflader.
- Overskrid ikke de maksimale mængder, der er angivet i tabellen over anbefalede hastigheder.
- Dette apparat er ikke tilsigtet brug af personer (inklusiv børn) med reducerede fysiske, sansemæssige eller mentale evner, eller mangel på erfaring og kendskab, undtagen hvis de er blevet vejledt eller givet instrukser i brugen af apparatet af en person, der er ansvarlig for deres sikkerhed.
- Børn bør overvåges for at sikre, at de ikke leger med apparatet.
- Anvend kun apparatet til husholdningsbrug. Kenwood påtager sig ikke erstatningsansvar, hvis apparatet ikke anvendes korrekt eller disse instruktioner ikke følges.
- Misbrug af din foodprocessor/blender kan føre til personskade.
Se de relevante afsnit om "brug af tilbehør" for yderligere sikkerhedsadvarsler for hvert enkelt tilbehør.

før foodprocessoren tilsluttes

- Sørg for at din elforsyning er tilsvarende, den der står under maskindelen.
- Denne anordning er i overensstemmelse med EC-direktivet 2004/108/EC om elektromagnetisk forlidelighed og EU-regulativ nr.1935/2004 fra 27/10/2004 om materialer, der tilsigtes at få kontakt med fødevarer.

før ibrugtagning

- 1 Fjern plastovertræk fra knivene. **Pas på – bladene er meget skarpe.** Disse overtræk bør kasseres – de er kun beregnet til at beskytte knivene under produktion og transport.
- 2 Vask delene, se under 'pleje & rengøring'

forklaring

processor

- ① motorhus
- ② aftagelig drivaksel
- ③ skål
- ④ låg
- ⑤ stor påfyldningstragt
- ⑥ nedstopper
- ⑦ sikkerhedslåse
- ⑧ ledningsopbevaring
- ⑨ indikationslys for tilsluttet strøm
- ⑩ hastighedskontrol
- ⑪ Auto-knap

blender med glaskande

- ⑫ tætningsring
- ⑬ knivenhed
- ⑭ blenderglas
- ⑮ påfyldningsdæksel
- ⑯ låg

Multi-kværn med glaskande

- ⑰ tætningsring
- ⑱ knivenhed
- ⑲ glaskande

tilbehør

Ikke alt tilbehør beskrevet nedenfor er inkluderet sammen med din foodprocessor. Tilbehør afhænger af modeltypen.

- ⑳ kniv
- ㉑ ælteredskab
- ㉒ dobbelt metalpiskeris med tandhjul
- ㉓ maxi-blenderindsats
- ㉔ tyk snitteplade (4mm)
- ㉕ tynd snitteplade (2mm)
- ㉖ grov riveplade
- ㉗ fin riveplade
- ㉘ raspe-/pargesanplade (valgfri)
- ㉙ citruspresser (valgfri)
- ㉚ multi-kværn (valgfri)
- ㉛ mini-skål (valgfri)
- ㉜ midi-skål (valgfri)
- ㉝ saftcentrifuge (valgfri)
- ㉞ opbevaringsæske til tilbehør
- ㉟ dejskraber

sådan bruges foodprocessoren

- Den aftagelige drivaksel monteres på motorenheden ❶ – skub forsigtigt nedad for at sikre at drivakslen er helt aktiveret.
- Derefter** monteres skålen med håndtaget på højre side af motorenheden. Vend håndtaget bagud og drej det med uret til det låses fast ❷.
- Sæt tilbehør ned over drivakslen.
 - Sæt altid skål og tilbehør fast på maskinen, inden der fyldes ingredienser i.
- På sæt låget ❸ - se efter, at toppen af drivakslen er på plads midt i låget.
- Sæt nedstopperne på påfyldningstragten – drej den lille nedstopper med uret til det låses på plads ❹.
- Processoren vil ikke fungere, hvis skål, låg eller den store påfyldningstragt ikke er korrekt monteret på sikkerhedslåsene. Kontrollér at påfyldningstragten og skålens håndtag er placeret på den højre side.**
- Sæt stikket i. Strømlampen (Power On-lyset) vil tændes og blinke indtil skålen og låget er monteret korrekt. Vælg en af de følgende muligheder: - Auto-knappen – lyset vil tændes når der trykkes på Auto-knappen og den optimale hastighed for tilbehøret vil automatisk blive valgt. Hastighedskontrol – den nødvendige hastighed vælges manuelt (se tabellen over anbefalede hastigheder). Puls – brug puls (P) for korte pulseringer. Pulsprogrammet kører så længe knappen holdes i den pågældende position.

- Når du er færdig med processoren, drejes hastighedskontrollen til 0-positionen eller, hvis Auto benyttes, trykkes på knappen og lyset vil slukkes.
 - **Power On-lyset vil blinke hvis enten låget, skålen eller den store påfyldningstragt ikke er monteret.**
 - **Power On- og Auto-lysene vil blinke hvis Auto er valgt, men sikkerhedslåsene ikke er aktiveret.**
 - **Brug ikke låget til at betjene processoren; brug altid den kombinerede afbryder/hastighedsknap.**
 - **Auto-knappen vil ikke fungere, hvis der vælges en hastighed på hastighedskontrollen.**
 - **Sluk altid for maskinen og træk stikket ud, inden låget fjernes.**
- Låg, tilbehør og skål fjernes i omvendt rækkefølge af den beskrevne procedure.
 - vigtigt**
 - Din skål til processoren egner sig ikke til at knuse eller male kaffebønner, eller til at lave krystalsukker om til fint sukker.
 - Når der tilsættes mandelessens eller krydderier: Undgå, at de kommer i berøring med plastik. Det kan give misfarvning, der ikke kan fjernes.

valg af hastighed til alle funktioner

Redskab/tilbehør	Funktion	Hastighed	Maximale mængder
Kniv	Kagedej i ét trin	1 – 8	2 kg totalvægt
	Butterdej – blanding af fedtstof i mel	3 – 8	500 g melvægt
	Tilsætning af vand til blanding af ingredienser	3 – 8	
	Hakning/purering/postejer	8	1 kg magert hakkekød totalvægt
Kniv med maxi-blenderindsats	Supper – start på en lav hastighed og sæt hastigheden op til Max	1 – 8	2 liter
Piskeris	Æggehvinder Fløde	auto	2 – 8 250-270 ml
Ælteredskab	Gærdeje	6 – 8	1,3 kg totalvægt 650 g melvægt
Plader – snitte/rive	Faste madvarer, f.eks. gulerødder, faste oste	5 – 8	–
	Blødere madvarer, f.eks. agurker, tomater	1 – 3	–
Raspeplade	Parmesanost, kartofler til tyske kartoffelfrikadeller	8	–
Mini-skål & kniv	Alt arbejde	8	300 g magert totalvægt
Citruspresser	Mindre frugter dvs. limefrugter eller citroner	1	–
	Større frugter dvs. appelsiner og grapefrugter	2	–
Saftcentrifuge	Saftudvinding fra fast frugt og grøntsager f.eks. æbler og gulerødder	auto	1 kg æbler 800 g gulerødder
	Saftudvinding fra bløde frugter, f.eks. vindruer og tomater		500 g
Blender	Supper og drikke	8	1,5 liter
	Mayonnaise	8	3 æg + 450 ml olie
	Dannelse af mælkeskum	8	1 liter
	Knusning af is – anvend puls-funktionen med korte pulseringer indtil den ønskede knusningskonsistens er opnået	puls	6 terninger
Multi-kværn	Maling af en række forskellige krydderier	8	100 g
	Maling af kaffebønner	8	75 g
	Hakning af nødder	8	140 g

sådan bruges blenderen

1 Sæt tætningsringen ⑫ ind i knivenheden ⑬ – sørg for at tætningsringen er korrekt placeret i hulrummet.

● **Lækage kan opstå, hvis forseglingen er beskadiget eller forkert monteret.**

2 Hold undersiden af knivenheden ⑬ og sæt bladene ind i kanden – drej mod uret for at låse ⑤.

3 Kom dine ingredienser i kanden.

4 Sæt låget på kanden og skub nedad for at sætte det fast ⑥. Sæt påfyldningsdækslet på.

● **Før blenderen sættes på motorenheden, skal det kontrolleres at hastighedskontrollen er på 0-positionen og Auto-lyset er slukket. Hvis hastighedskontrollen ikke er på 0-positionen eller Auto er valgt, vil blenderen fungere så snart den er monteret.**

5 Placér blenderen på motorenheden med håndtaget på højre side og drej med uret for at låse ⑧.

● **Maskinen vil ikke fungere, hvis blenderen ikke er korrekt monteret på sikkerhedslåsen.**

6 Brug Auto-knappen eller vælg en hastighed (se tabellen over anbefalede hastigheder) eller brug puls-kontrollen.

sikkerhed

● **Væsker bør lades afkøle til stuetemperatur, før de blendes.**

- Vær altid forsigtig når du håndterer bladdelen og undgå at røre bladets skarpe dele under rengøring.
- Anvend kun blenderen, når låget sidder på.
- Brug kun glasset sammen med skæreblassdelen der medfølger.
- Lad aldrig blenderen køre, når den er tom.
- Lad aldrig blenderen køre i længere end 60 sekunder ad gangen for at sikre, at den holder længst muligt.
- Opskrifter på smoothies – Blend aldrig frosne ingredienser som har formet sig til en solid masse ved frysning. En sådan klump skal knuses, før den tilføres glasset.

tips

- Til mayonnaise hældes alle ingredienserne, undtagen olien, i blenderen. Fjern påfyldningsdækslet. Hæld langsomt olien ned gennem hullet i låget, mens maskinen kører.
- Tykke blandinger dvs. patéer og dips, skal evt. skrubes ned. Såfremt blandingen er vanskelig at tilberede tilføres der mere væde.
- Isk nusning – brug puls-funktionen i korte træk indtil isen er knust til den ønskede konsistens.
- Maskinen kan ikke starte, hvis blenderen er sat forkert på.
- Til at blende tørre ingredienser – skær dem i mindre stykker, fjern påfyldningsdækslet og kom stykkerne i ét ad gangen, mens maskinen kører. Hold hånden over åbningen. Tøm den regelmæssigt for det bedste resultat.
- Brug ikke blenderen som opbevaringsboks. Hold den tom før og efter brugen.
- Blend aldrig mere end 1,5 liter - mindre ved væsker der skummer, f.eks. milkshake.

⑩ multi-kværn (hvis medleveret)

Brug kværnen til at male tørre ingredienser som f.eks. nødder, kaffebønner og den er også egnet til at male en række forskellige krydderier, som f.eks.:

-
Sorte peberkorn, kardemommefrø, spidskommensfrø, korianderfrø, fennikelfrø, frisk ingefærrod, friske chili og hel kløver.

sådan anvendes din multi-kværn

- 1 Kom dine ingredienser i glasset. Fyld det aldrig mere end halvt op.
- 2 Sæt tætningsringen ⑰ på bladenheden ⑱.
- 3 Hold undersiden af knivenheden og sæt knivene ned i glasset – drej mod uret for at låse ⑦.
- 4 Placér kværnen på motorenheden og drej med uret for at låse ⑩.
- 5 Brug Auto-knappen eller vælg en hastighed (se tabellen over anbefalede hastigheder).

sikkerhed

- Sæt aldrig knivenheden på maskinen, uden at glasset sidder på.
- Skru aldrig glasset af, mens universalkværnen sidder på maskinen.
- Rør ikke ved de skarpe knive. Hold knivenheden væk fra børn.
- Fjern aldrig kværnen, før knivene helt er holdt op med at dreje.

- Lad aldrig kværnen køre i længere end 60 sekunder for at sikre, at den holder længst muligt. Sluk for kværnen, så snart du har den rigtige konsistens.
- Maskinen virker ikke, hvis kværnen er sat forkert på.
- Lad være med at male gurkemejerod, da den er for hård og kan beskadige knivene.

tips

- Under maling af krydderier anbefaler vi at du ikke maler mere end 100 g ad gangen i kværnen, for at opnå det bedste resultat.
- Hele krydderier bibeholder deres aroma meget længere end malede krydderier, så det er bedst at male en lille mængde friske krydderier ad gangen for at bibeholde aromaen.
- Det er bedst at riste hele krydderier før de males, for at frigøre den maksimale aroma og essentielle olier.
- Skær ingefær i små stykker før de males.
- Det anbefales at mini-skålen monteres når der hakkes krydderurter.

brug af tilbehør

⑳ kniv/㉑ dejredskab

Kniven er den mest alsidige af alle tilbehørsdelene. Det er forarbejdningstiden, der bestemmer konsistensen. Brug start-/stop funktionen, hvis konsistensen skal være lidt grov.

Kniven kan bruges til at lave kager og bagværk, hakke rådt og tilberedt kød, grøntsager, nødder, pate, dip, til at purere saucer, og også til at lave rasp af kiks og brød.

Brug ælteredskabet til blandinger med gær.

tips

kniv

- Skær madvarer som kød, brød, grøntsager ud i 2 cm tern, inden de forarbejdes.
- Kiks bør brækkes i mindre stykker og tilsættes gennem påfyldningstragten, mens maskinen kører.
- Til bagværk bruges fedtstoffet direkte fra køleskabet og skæres i 2 cm tern.
- Pas på ikke at lade det køre for længe.

ælte redskab

- Læg de tørre ingredienser i skålen; tilsæt væsken gennem påfyldningstragten, mens maskinen kører. Lad maskinen køre, indtil der dannes en blød, smidig dejklump - dvs. 45-60 sekunder.
- 2. gang æltes kun i hånden. Det frarådes at ælte 2. gang i skålen, da processoren kan komme ud af balance.

㉒ dobbelt metalpiskeris med tandhjul

Anvendes til lette blandinger, f.eks. kun til æggehvider, fløde, tømælk og til at piske æg og sukker sammen til lagkagebunde uden fedtstof. Tungere blandinger som fedtstof og mel vil beskadige det.

anvendelse af piskeriset

- 1 Den aftagelige drivaksel og skålen monteres på motorenheden.
- 2 Skub begge piskere sikkert på plads i drivhovedet ①.
- 3 Sæt piskeriset på ved at dreje forsigtigt indtil det falder ned over drivhovedet.
- 4 Tilsæt ingredienserne.
- 5 Sæt låget på – sørg for at enden på skaffet er på plads midt på låget.
- 6 Vælg auto.

vigtigt

- Piskeriset er ikke passende til kager, hvor alt tilsættes i ét trin, eller til at piske fedtstof og sukker, da disse blandinger vil beskadige det. Anvend altid knivbladet til at bage kager.

tips

- De bedste resultater opnås når æggene har stuetemperatur.
- Sørg for at skålen og piskerisene er rene og uden fedtstof før piskning.

23 maxi-blenderindsats

Når der blendes væsker, skal maxi-blenderindsatsen med knivbladet anvendes. Det gør dig i stand til at forøge kapaciteten til behandling af væsker fra 1,4 liter til 2 liter, forhindrer lækage og forbedrer knivbladets hakkeevne.

- 1 Den aftagelige drivaksel og skål monteres på motorenheden.
- 2 Knivbladet monteres.
- 3 Tilsæt de ingredienser, der skal behandles.
- 4 Sæt blenderindsatsen over toppen af kniven og sørg for at den sidder på kantområdet og tappen 12 er rettet ind med udskæringen inde i skålen. **Lad være med at skubbe ned på blenderindsatsen, hold i grebet i midten.**
- 5 Sæt låget på og tænd for apparatet.

snitte-/riveplader

snitteplader - tyk (4mm) 24, tynd (2 mm) 25

Brug snittepladerne til ost, gulerødder, kartofler, kål, agurk, squash, rødbeder og løg.

riveplader – grov 26, fin 27

Brug rivepladerne til ost, gulerødder, kartofler og madvarer med en lignende konsistens.

rasping disc 28 (hvis medleveret)

River parmesanost og kartofler til tyske kartoffelfrikadeller.

sikkerhed

- **Låget må aldrig fjernes før skærepladen er stoppet helt.**
- **Skærebladene skal behandles forsigtigt – de er ekstremt skarpe.**

sådan bruges skærepladerne

- 1 Den aftagelige drivaksel og skål monteres på motorenheden.
- Midi-skålen 29 kan bruges sammen med alle pladerne. Sæt midi-skålen ind i den primære skål – sørg for at håndtagene er på linje med hulrummet ved siden af keglen på den primære skål og glid på plads. Den fjernes ved at løfte den i fingregrebene på siden af midi-skålen.
- 2 Hold den i grebet i midten 13, og placér pladen på drivakslen.
- 3 Sæt låget på.
- 4 Vælg hvilken størrelse påfyldningstragt, du ønsker at bruge. Nedstopperen indeholder en mindre påfyldningstragt, der bruges til enkelte stykker eller tynde madvarer.
Hvis den lille påfyldningstragt bruges – sæt først den store nedstopper ned i påfyldningstragten.
Hvis den store påfyldningstragt bruges – sæt den lille nedstopper ned i den store nedstopper og drej med uret for at låse på plads.
Fyld aldrig påfyldningstragten op over det maksimale niveau, da processoren ikke vil fungere med mindre den store påfyldningstragt er korrekt monteret.
- 5 Læg ingredienserne i påfyldningstragten.
- 6 Tænd maskinen og tryk jævnt med nedstopperen - **stik aldrig fingrene ned i påfyldningstragten.**

tips

- Brug friske madvarer
- Lad være med at skære dem for fint ud. Fyld påfyldningstragten næsten op. Det hindrer, at maden smutter ud til siden under bearbejdningen. Man kan eventuelt bruge den lille påfyldningstragt.
- Når maden skives eller strimles: de dele, der sættes på højkant 14 bliver kortere end dem, der lægges vandret 15.
- Der vil altid være en lille smule affald på pladen eller i skålen efter processoren har været i brug.

29 citruspresser (hvis medleveret)

Brug citruspresseren til at presse saften ud af citrusfrugter (f.eks. appelsin, citron, lime og grapefrugt).

- a presser
- b si

sådan bruges citruspresseren

- 1 Den aftagelige drivaksel og skål monteres på motorenheden.
- 2 Sæt sien ned i skålen - sørg for, at siens håndtag låses på plads lige over håndtaget på skålen 16.
- 3 Sæt presseren ned over drivakslen og drej den, til den falder ned på plads 17.
- 4 Skær frugten midt over. Tænd for maskinen og tryk frugten ned over presseren.
- **Citruspresseren vil ikke fungere hvis sien ikke er korrekt låst på plads i sikkerhedslåsen.**

31 mini-processorskål (hvis medleveret)

Anvend mini-processorskålen til at hakke krydderurter og behandle små mængder af ingredienser, f.eks. kød, løg, nødder, mayonnaise, grøntsager, puré, sauce og baby mad.

- a kniv til mini-processoren
- b mini-processorskål

sådan bruges mini-processorskålen

- 1 Den aftagelige drivaksel og skål monteres på motorenheden.
- 2 Sæt mini-processorskålen på – sørg for, at ribberne på indersiden af mini-skålens skorsten er rettet ind med udskæringerne i hovedskorstenen 18.
- 3 Sæt kniven ned over drivakslen 19.
- 4 Kom de ingredienser, der skal behandles, i.
- 5 Sæt låget på og tænd for maskinen.

sikkerhed

- Fjern aldrig låget, før kniven helt er holdt op med at dreje.
- Kniven er meget skarp – den skal altid behandles med forsigtighed.

vigtigt

- Behandl ikke krydderier – de kan beskadige plastikdelene.
- Behandl ikke hårde madvarer, f.eks. kaffebønner, isterninger og chokolade – de kan beskadige kniven.

tips

- Det er bedst at hakke krydderurter, når de er rene og tørre.
- Tilsæt altid lidt væske, når der blendes kogte ingredienser til baby mad.
- Skær madvarer som f.eks. kød, brød, grøntsager i terninger på ca. 1-2 cm før bearbejdningen.
- Når der laves mayonnaise, skal olien tilsættes gennem tilførselsrøret.

32 midi-skål (hvis medleveret)

En ekstra skål medfølger, som kan bruges med alle pladerne. Sæt den ind i den primære skål og sæt plader og låg på plads som beskrevet i afsnittet snitte-/riveplader.

33 saftcentrifuge (hvis medleveret)

Brug den centrifugale saftpreser til at udvinde juice fra frugt og grøntsager.

- a nedskubber
- b låg
- c frugtkødsfjerner
- d filtercylinder
- e skål
- f saftudløb
- g Saftpreserens påfyldningscylinder

sådan anvendes saftcentrifugen

- 1 Saftcentrifugens drivaksel monteres på motorenheden 20 – skub forsigtigt nedad for at sørge for at akslen er korrekt på plads.
 - 2 Derefter monteres saftskålen. Placer håndtaget bagud og drej med uret for at låse 21.
 - 3 Placer frugtkødsfjerner i filtercylinderen, og check at tapperne er korrekt anbragt i hullerne på bunden af cylinderen 22.
 - 4 Monter filtertomlen 23.
 - 5 Sæt tilbehørslåget på skålen og drej det, indtil det låser og tilførselsrøret sidder over håndtaget 24. **Din saftcentrifuge vil ikke fungere, hvis skålen eller låget ikke er monteret korrekt på sammenkoblingsmekanismen.**
 - 6 Placer en passende kande eller et glas under saftudløbet.
 - 7 Skær maden ud så det passer ned i påfyldningstragten.
 - 8 Vælg auto og tryk jævnt ned med nedstopperen – **stik aldrig fingrene ned i påfyldningstragten.** Stykkerne skal behandles færdigt, før der kommer flere i.
- Efter at sidste del er kørt igennem maskinen, skal du lade saftpreseren køre i yderligere 30 sekunder for at udvinde alt saften fra filtertromlen.

sikkerhed

- **Anvend ikke saftcentrifugen, hvis filteret er beskadiget.**
- Brug kun den medfølgende nedskubber. Kom aldrig fingrene ned i tilførselsrøret. Tag stikket ud, før der fjernes fastsiddende stykker i tilførselsrøret.
- Før låget fjernes, sluk for apparatet og vent, til filteret standser.
- Skærebledene på bunden af filtercylinderen er meget skarpe. Pas derfor på, når du bruger og skal rengøre cylinderen.

vigtigt

- Hvis saftpreseren begynder at vibrere, så sluk den og tøm frugtkødet fra cylinderen (saftpreseren vibrerer, hvis frugtkødet ikke fordeler sig jævnt)
- Den maksimale kapacitet der kan benyttes i processoren på én gang er 1 kg frugt eller grøntsager (se tabellen med hastigheder).
- Vise meget hårde frugt/grøntsagstyper kan få saftcentrifugen til at virke langsommere eller standse. Hvis dette sker, sluk for saftcentrifugen og fjern tilstopningen i filteret.
- Sluk for saftcentrifugen og rens filteret jævnligt under brug.

tips

- Før frugten/grøntsagerne kommer i, fjernes sten og kerner (f.eks. peberfrugt, meloner, blommer) og hård skræl (f.eks. meloner, ananas). Du behøver ikke skrælle æbler og pærer eller tage kernehuset ud.
- Brug faste, friske frugter og grøntsager.
- For at maksimere saftudvinding placeres små mængder ad gangen i påfyldningstragten og der skubbes langsomt ned.
- Citrusfrugter – skrælles og de hvide trevler fjernes, eller kan juicen smage bitter. For det bedste resultat anvendes citruspreseren.

34 Opbevaringsæske til tilbehør

Der medfølger en opbevaringsæske til din foodprocessor til skålens tilbehør og plader.

- 1 Læg piskeris, knive, dejredskab og plader på plads i opbevaringsæskens, når de ikke bruges 25.
- 2 Opbevaringsæskens er udstyret med en sikkerhedslås 27 – luk låget og skyd låsen mod venstre for at låse 28. For at åbne skubbes låsen til højre 29.

vedligeholdelse og rengøring

- Sluk altid for maskinen og tag stikket ud, inden den gøres ren.
- Behandl kniv og snitteplader forsigtigt - de er særdeles skarpe.
- Vise fødevarer misfarver plastdelene. Det er ganske normalt og skader ikke plastikken eller giver afsmag i maden. Misfarvninger kan fjernes ved at gnide dem med en klud dyppet i spiseolie.

motordel

- Aftørres med en fugtig klud; tør efter. Sørg for, at området omkring sikkerhedslåsen er fri for madrester.
- Opbevar overskydende ledning i rummet bag på maskinen 25.

aftagelig drivaksel/drivaksel til saftcentrifuge

- Tør af med en fugtig klud og tør efter.
- **Drivakslerne må ikke nedsænkes i vand.**

blender/kværn

- 1 Tøm kanden/glasset før du skruer den af knivenheden.
- 2 Vask kanden/glasset i hånden.
- 3 Tag tætningsringene af og vask dem.
- 4 Undgå at berøre de skarpe knive - børst dem rene med varmt sæbevand og skyl grundigt efter under hanen. **Kniven må ikke sænkes ned i vandet.**
- 5 Lufttørret med bunden opad.

piskersæt

- Tag piskerne af drivhovedet ved forsigtigt at trække dem ud. Vask dem i varmt sæbevand.
- Aftør piskerdrevet med en fugtig klud; tør efter. **Piskerens drivhoved må ikke sænkes ned i vandet.**

alle andre dele

- Vaskes i hånden og tørres af.
- Alternativt kan de vaskes på øverste stativ i opvaskemaskinen. Undgå at placere delene på det nederste stativ direkte over varmeelementet. Et kort program med lav temperatur (maksimalt 50°C) anbefales.

Dele	Dele, der kan vaskes i opvaskemaskinen
Den primære skål samt midi- og miniskålen, låg, nedstopper, spatel	✓
Blenderglaskanden, låg, påfyldningsdæksel	✓
Knivenhed og tætningsring til blender og kværn	✗
Glaskanden til kværnen	✓
Knive, dejredskab, maxi blenderindsats	✓
piskeris	✓
drivhoved til piskeris	✗
plader	✓
citruspreser	✓
saftcentrifuge	✗
aftagelig drivaksel	✗
drivaksel til saftcentrifuge	✗

service og kundepleje

- Hvis ledningen er beskadiget, skal den af sikkerhedsgrunde udskiftes af KENWOOD eller en autoriseret KENWOOD-reparatør.
- **hvis du oplever nogle problemer med betjeningen af processoren, bør du se problemløsningsguiden, før du ringer efter assistance.**

Hvis du har brug for hjælp med:

- at bruge apparatet eller
 - servicering eller reparation
- Kontakt den butik hvor du oprindeligt købte dit produkt.
- Designet og udviklet af Kenwood i Storbritannien.
 - Fremstillet i Kina.



VIGTIG INFORMATION ANGÅENDE BORTSKAFFELSE AF PRODUKTET I OVERENSSTEMMELSE MED EF DIREKTIV 2002/96/CE.

Ved afslutningen af dets produktive liv må produktet ikke bortskaffes som almindeligt affald. Det bør afleveres på et specialiseret lokalt genbrugscenter eller til en forhandler, der yder denne service. At bortskaffe et elektrisk husholdningsapparat separat gør det muligt at undgå eventuelle negative konsekvenser for miljø og helbred på grund af upassende bortskaffelse, og det giver mulighed for at genbruge de materialer det består af, og dermed opnå en betydelig energi- og ressourcebesparelse. Som en påmindelse om nødvendigheden af at bortskaffe elektriske husholdningsapparater separat, er produktet mærket med en mobil affaldsbeholder med et kryds.

fejlfindingsvejledning

Problem	Årsag	Løsning
Processoren fungerer ikke	Ingen strømforsyning – tilsluttet strøm/auto-lys ikke tændt. Skålen er ikke låst rigtigt fast. Låget er ikke låst rigtigt fast. Stor nedstopper er ikke monteret.	Kontrollér, at processorens stik er sat i en stikkontakt. Kontrollér at skålen er placeret og sikkerhedslåsen er korrekt placeret og at håndtaget er placeret mod den højre side. Kontrollér, at lågets sikkerhedslås er sat rigtigt ind i håndtagsområdet. Den store nedstopper monteres. Processoren vil ikke fungere, hvis skålen, låget eller den store nedstopper ikke er låst korrekt sammen. Hvis der ikke findes nogen af ovenstående fejl, skal du kontrollere sikringen/relæet i din bolig.
Processoren stopper eller sænker hastigheden når den er i brug	Beskyttelse mod overbelastning benyttes. Processor er overbelastet eller overophedet under brug. Den maksimale kapacitet er overskredet.	Sluk, træk stikket ud og lad maskinen køle ned i ca. 15 minutter. Se hastighedstabellen for processorens maksimale ydeevne.
Redskaber/tilbehør virker ikke rigtigt.	Se tips i det relevante afsnit om "brug af tilbehør".	Kontrollér, at tilbehøret er samlet rigtigt.
Power On-lys blinker	Normalt brug Lyset vil blinke hvis skålen, låget, blenderen eller kværnen ikke er korrekt monteret på motorenheden eller ikke låst korrekt på plads.	Kontrollér at sikkerhedslåsene er korrekt aktiveret.
Auto- og Power On-lys blinker	Normalt brug Lyset vil blinke hvis Auto vælges, men sikkerhedslåsene ikke er aktiveret.	Kontrollér at sikkerhedslåsene er korrekt aktiveret eller tryk på Auto-knappen for at slukke for Auto-funktionen.

Svenska

Vik ut främre omslaget med bilderna.

innan du använder din Kenwood-apparat

- Läs bruksanvisningen noggrant och spara den för framtida bruk.
- Avlägsna allt emballage och alla etiketter.

säkerhet

- Bladen och skivorna är mycket vassa. **Var försiktig! Håll alltid i greppet ③ längst upp med eggen vänd bortåt när du hanterar eller rengör dem.**
- Lyft inte och bär inte matberedaren i handtaget – om du gör det kan handtaget gå sönder och orsaka skada.
- Ta alltid bort kniven innan du tömmer skålen.
- Stick inte ner händer eller redskap i skålen eller mixerkannan när kontakten är i.
- Stäng av den och dra ut sladden:-
 - innan du monterar eller tar bort delar;
 - när den inte används;
 - före rengöring.
- Använd aldrig fingrarna för att trycka ner bitar i matarröret. Använd alltid matarstaven (-arna) som levererades med matberedaren.
- Innan du tar bort locket på skålen eller mixern/kvarnen från nätdelen:-
 - stäng av;
 - vänta tills tillbehöret/bladen har stannat helt;
 - var försiktig så att du inte skruvar av mixerbägaren från bladenheten.
- Låt vätskor svalna till rumstemperatur innan de mixas.
- Använd inte locket för att reglera matberedaren utan använd alltid hastighetsreglaget i av/på-vredet.
- **Denna apparat skadas och kan orsaka skada om låsmekanismen utsätts för alltför stor kraft.**
- Använd endast tillbehör som är direkt avsedda för denna apparat.
- Lämna aldrig apparaten obevakad när den är igång.
- Använd aldrig en skadad apparat. Se till att den undersöks eller repareras. se 'service och kundtjänst'.
- Låt aldrig strömenhet, sladd eller kontakt bli våta.
- Låt inte överflödigt sladd hänga ner över kanten på bordet eller arbetsbänken eller komma åt en het yta.
- Överskrid inte den maximala mängd som anges i tabellen med rekommenderade hastigheter.
- Den här apparaten är inte avsedd för användning av personer (inklusive barn) med begränsad fysisk eller mental förmåga eller begränsad känsel. Den är inte heller avsedd för användning av personer med bristande erfarenhet eller kunskap, om de inte övervakas eller får instruktioner om hur apparaten ska användas av en person som ansvarar för deras säkerhet.
- Barn får inte lov att leka med apparaten. Lämna dem inte ensamma med den.
- Använd apparaten endast för avsett ändamål i hemmet. Kenwood tar inte på sig något ansvar om apparaten används på felaktigt sätt eller om dessa instruktioner inte följs.
- Om du använder matberedaren/mixern på fel sätt kan det resultera i skada. Se relevant avsnitt under "använda tillbehören" för information om ytterligare säkerhetsvarningar för varje enskilt tillbehör

före inkoppling

- Se till att nätspänningen hos dig motsvarar den som visas på apparatens undersida.
- Den här apparaten följer EU-direktiv 2004/108/EG om elektromagnetisk kompatibilitet och EU:s förordning nr 1935/2004 från 2004-10-27 om material som är avsedda för kontakt med livsmedel.

före användning

- 1 Ta bort plastskydden från knivbladet. **Observera att bladen är mycket vassa.** Dessa skydd bör slängas eftersom de endast är avsedda att skydda bladet under tillverkning och transport.
- 2 Diska delarna, "se skötsel och rengöring"

förklaring till bilder

matberedare

- ① strömenhet
- ② löstagbar drivaxel
- ③ skål
- ④ lock
- ⑤ brett matarrör
- ⑥ matarstav
- ⑦ säkerhetsförreglingar
- ⑧ sladdförvaring
- ⑨ strömlampa
- ⑩ hastighetsreglage
- ⑪ Auto-knapp

glasmixer

- ⑫ packningsring
- ⑬ knivhållare
- ⑭ bägare
- ⑮ påfyllningslock
- ⑯ lock

glasmultikvarn

- ⑰ packningsring
- ⑱ knivhållare
- ⑲ glasbehållare

tillbehör

Eventuellt medföljer inte alla tillbehör som anges nedan din matberedare. Tillbehören beror på vilken modell som köpts.

- ⑳ knivblad
- ㉑ degredskap
- ㉒ växlad metallvisp
- ㉓ visplock
- ㉔ platta för tjocka skivor (4 mm)
- ㉕ platta för tunna skivor (2 mm)
- ㉖ grov rivplatta
- ㉗ fin rivplatta
- ㉘ rivjärn/parmesanskiva (tillval)
- ㉙ växlad citruspress (tillval)
- ㉚ multikvarn (tillval)
- ㉛ miniskål (tillval)
- ㉜ mellanstor skål (tillval)
- ㉝ råsaftcentrifug (tillval)
- ㉞ tillbehör förvaringsbox
- ㉟ spatel

använda matberedaren

- 1 Montera den löstagbara drivaxeln på drivenheten ❶ – tryck lätt nedåt så att drivaxeln har fullt grepp.
- 2 Montera **sedan** skålen med handtaget till höger om drivenheten. Placera handtaget mot enhetens bakre del och vrid medurs tills det låser fast ❷.
- 3 Sätt på ett tillbehör på drivaxeln.
 - Montera alltid ihop skål, tillbehör och själva matberedaren innan du lägger i ingredienserna.
- 4 Sätt på locket ❸ - kontrollera att den översta delen av drivaxeln hamnar mitt i locket.
- 5 Montera matarna på matarröret – vrid den lilla mataren medurs för att låsa fast den ❹.
- **Det går inte att starta bearbetningen om skålen, locket eller den breda mataren inte monterats korrekt och låsts fast. Kontrollera att matarröret och skålens handtag sitter på höger sida.**
- 6 Sätt i stickkontakten. Strömindikators tänds och blinkar tills skålen och locket monterats korrekt. Välj något av följande alternativ:
 Auto-knapp – lampan tänds när Auto-knappen trycks in och optimal hastighet för tillbehöret väljs automatiskt.
 Hastighetsreglering – välj önskad hastighet manuellt (titta på diagrammet över rekommenderade hastigheter).
 Puls – använd pulsknappen (P) för korta stötar. Pulskörningen pågår så länge reglaget är aktiverat.

7 När du är klar med bearbetningen ställer du hastighetsreglaget i läge 0. Om du använder Auto trycker du på knappen så att lampan slocknar.

- **Strömindikators blinkar om locket, skålen eller den breda mataren inte monterats.**
- **Strömindikators och Auto-lampan blinkar om du har valt Auto men inte låst fast delarna.**
- **Använd inte locket för att reglera matberedaren utan använd alltid hastighetsreglaget i av/på-vredet.**
- **Auto-knappen fungerar inte om du väljer en hastighet via hastighetsreglaget.**
- **Stäng alltid av beredaren innan du tar av locket.**

8 Följ anvisningarna ovan i omvänd ordning för att ta loss skålen, locket och tillbehören.

viktigt

- Matberedarens skål lämpar sig inte för att krossa eller mala kaffeböner eller för att finmala strösocker.
- När du tillsätter bittermandelessens eller andra smaktillsatser måste du undvika att dessa kommer i direktkontakt med platen, eftersom det kan orsaka bestående missfärgningar.

välja hastighet för de olika funktionerna

Verktyg/tillsats	Funktion	Hastighet	Maxmängder
Knivblad	Allt-i-ett-kaka	1 – 8	2 kg total vikt
	Pajdeg – finfördela fett i mjölet	3 – 8	500 g mjöl
	Tillsätta vatten till pajdegen	3 – 8	
	Hacka/puréa/patéer	8	1 kg hackat magert kött total vikt
Knivblad med visplock	Soppor – börja vid låg hastighet och gå upp till maxhastighet	1 – 8	2 liter
Visp	Äggvita Grädde	auto	2 – 8 250-750 dl
Degredskap	Jästdeg	6 – 8	1,3 kg total vikt 650 g mjöl
Skivor – skivning/strimling	Fasta livsmedel såsom motor, hård ost	5 – 8	–
	Mjukare livsmedel såsom gurka, tomat	1 – 3	–
Rivningsskiva	Parmesanost, potatis till kroppkakor	8	–
Miniskål och kniv	All matberedning	8	300 g magert kött total vikt
Citruspress	Mindre frukter, dvs. lime och citroner	1	–
	Större frukter, dvs. apelsiner och grapefrukt	2	–
Råsaftcentrifug	Fasta frukter och grönsaker t.ex. äpplen och morötter	auto	1 kg äpplen 800 g morötter
	Mjuka frukter, t.ex. druvor och tomater		500 g
Mixer	Soppor och drycker	8	1,5 liter
	Majonnäs	8	3 ägg + 450 ml olja
	Skumma mjölk	8	1 liter
	Krossa is – använd pulsen i korta stötar tills isen har krossats till önskad konsistens.	Puls	6 kuber
Multikvarn	Malning av många olika kryddor	8	100 g
	Malning av kaffeböner	8	75 g
	Hacka nötter	8	140 g

använda mixern

- 1 Placera tätningringen ⑫ på knivsatsen ⑬. Se till att tätningen är korrekt placerad i spåren.
 - **Läckage kan uppstå om tätningringen skadas eller sätts på felaktigt.**
 - 2 Fatta tag i undersidan på knivsatsen ⑬ och för in knivarna i behållaren – vrid moturs för att spärra ⑤.
 - 3 Placera ingredienserna i bågaren.
 - 4 Placera locket på bågaren och vrid det medurs för att låsa fast det ⑥. Sätt på locket.
 - **Innan du monterar mixern på drivenheten ska du kontrollera att hastighetsreglaget står i läge 0 och att Auto-lampan inte lyser. Om hastighetsreglaget inte står i läge 0 eller om Auto har valts, körs mixern direkt när den monterats.**
 - 5 Placera mixern på drivenheten med handtaget ställt åt höger och vrid medurs för att låsa fast den ⑨.
 - **Apparaten fungerar inte om mixern inte är korrekt fastlåst.**
 - 6 Använd Auto-knappen eller välj en hastighet (mer information finns i översikten över rekommenderade hastigheter) eller använd pulskontrollen.
- säkerhet**
- **Låt vätskor svalna till rumstemperatur innan de mixas.**
 - Var alltid försiktig när du hanterar bladenheten och undvik att röra vid bladens eggjar vid rengöring.
 - Använd mixern bara när locket sitter på.
 - Använd endast bågaren med bladenheten isatt.
 - Kör aldrig mixern när den är tom.
 - För att garantera mixerns livslängd ska du aldrig köra den mer än 60 sekunder åt gången.
 - Recept på smoothies – mixa aldrig frusna ingredienser som har bildat en fast klump vid frysningen. Bryt sönder den innan du lägger den i bågaren.
- tips**
- När du gör majonnäs ska du lägga i alla ingredienserna utom oljan i mixern. Ta bort locket till påfyllningshålet. Håll därefter sakta i oljan genom hålet i locket medan apparaten är igång.
 - Tjocka blandningar, t.ex. patéer och dipmixer kan behöva skrapas ned. Tillsätt mer vätska om blandningen är svår att bereda.
 - Iskrossning – använd pulsen i korta stötar tills isen har krossats till önskad konsistens.
 - Apparaten fungerar inte om mixern sätts på felaktigt.
 - Mixa torra ingredienser – skär i bitar, ta bort locket till påfyllningshålet och släpp ned bitarna en och en medan apparaten är igång. Håll handen över öppningen. Resultatet blir bäst om du tömmer apparaten med jämna mellanrum.
 - Använd inte mixern som förvaringskärl. Håll den tom före och efter användning.
 - Mixa aldrig mer än 1,5 liter - mindre för skummande vätskor som milkshake.

⑩ multikvarn (om sådan medföljer)

Använd kvarnen när du vill bearbeta torra ingredienser som nötter eller kaffeboor. Den kan även användas för malning av många olika kryddor som:
Svartpepparkorn, kardemummafrön, kumminfrön, fänkålsfrön, färsk ingefära, färsk chili och hela kryddnejlikor.

så här använder du multikvarnen

- 1 Lägg ingredienserna i behållaren. Fyll inte behållaren till mer än hälften.
- 2 Montera tätningringen ⑭ på knivsatsen ⑮.
- 3 Fatta tag i undersidan på knivsatsen och för in knivarna i bågaren – vrid moturs för att spärra ⑦.
- 4 Placera kvarnen på drivenheten och vrid medurs för att låsa fast den ⑩.
- 5 Använd Auto-knappen eller välj en hastighet (mer information finns i översikten över rekommenderade hastigheter).

säkerhet

- Montera aldrig bladen på maskinen utan att kannan är monterad.
- Skruva aldrig bort burken medan multikvarnen sitter på maskinen.
- Vidrör inte de vassa bladen. Håll bladenheten utom räckhåll för barn.
- Ta aldrig bort kvarnen förrän bladen har stannat helt.
- För att garantera kvarnens livslängd ska du aldrig köra den mer än 60 sekunder åt gången. Stäng av den direkt när du erhållit önskad konsistens.

- Apparaten fungerar inte om kvarnen inte är korrekt monterad.
- Det går inte att köra gurkmeja i kvarnen eftersom den är för hård och kan skada knivbladen.

tips

- För bästa prestanda när du mal kryddor rekommenderar vi att du inte bearbetar med än 100 g åt gången i kvarnen.
- Hela kryddor behåller smaken mycket längre än malda. Därför är det bäst att bara mala den mängd du behöver för varje recept så att du bevarar smakerna.
- För att kryddorna ska avge så mycket smak och essentiella oljor som möjligt, bör du rosta dem innan du mal dem.
- Skär ingefära i små bitar innan du mal den.
- För bästa resultat bör du använda miniskålen när du hackar örter.

använda tillbehören

⑳ kniv/㉑ degknådare

kniven är det mest mångsidiga tillbehöret. Konsistensen avgörs av hur länge man kör. Använd momentanreglaget för grövre konsistens.

Använd kniven när du gör mjuka kakor och pajdeg, hackar grönsaker, nötter, och rått och kokt kött, gör paté och dipsåser, puréar soppor och också när du gör ströbröd av kakor och bröd.

Använd degknådammen till jäsdeg.

tips

kniv

- Skär livsmedel som kött, bröd och grönsaker i cirka 2 cm stora tärningar före körningen.
- Bryt kakor i småbitar och släpp ner i matarröret medan maskinen är igång.
- När du gör pajdeg tar du fettet direkt från kylan och skär i 2 cm stora tärningar.
- Var noga med att inte bearbeta degen för länge.

degknådare

- Lägg de torra ingredienserna i skålen och tillsätt vätskan genom matarröret, när apparaten är igång. Kör tills det bildats en slät och smidig degklump (45 - 60 sekunder).
- Efter jäsning ska degen endast knådas för hand. Det är inte tillrådligt att knåda den i skålen, eftersom det kan göra matberedaren instabil.

㉒ dubbelvisp

Vispen ska endast användas till lätta, t.ex. äggvita, grädde, tormjolk, och när du vispar ägg och socker till sockerkaka. Den förstörs av tyngre blandningar, som fett och mjöl.

använda vispen

- 1 Montera den löstagbara drivaxeln och skålen på drivenheten.
- 2 Tryck in båda visparna stadigt i drivhuvudet ⑪.
- 3 Montera vispen genom att vrida den försiktigt tills den faller ner över drivaxeln.
- 4 Tillsätt ingredienserna.
- 5 Sätt på locket - kontrollera att änden på axeln hamnar mitt i locket.
- 6 Välj auto.

viktigt

- Vispen lämpar sig inte för allt-i-ett-kakor, eller kaksmet där man börjar med att blanda fett och socker. Då kan vispen skadas. Använd alltid knivbladet för sådan kaksmet.

tips

- Du får bäst resultat om äggen har rumstemperatur.
- Se till att skål och vispar är rena och fria från fett innan du vispar.

23 mixerkåpa

När du ska mixa vätskor använder du mixerkåpan tillsammans med kniven. På det sättet kan du öka den körda mängden vätska från 1,4 liter till 2 liter; läckage förhindras och kniven fungerar effektivare.

- 1 Montera den löstagbara drivaxeln och skålen på drivenheten.
- 2 Montera kniven.
- 3 Tillsätt ingredienserna.
- 4 Montera kåpan på bladet och kontrollera att den sitter på kanten och att skåran 12 är riktad mot fliken inuti skålen. **Tryck inte ned på kåpan. Håll i mittgreppet.**
- 5 Sätt på locket och slå på apparaten.

skär- och strimlingskivor

plattor för skivning – tjock (4mm) 24, tunn (2 mm) 25

Använd plattorna när du vill skiva ost, morot, potatis, kål, gurka, zucchini, rödbeta och lök.

rivplattor – grov 26, fin 27

Använd plattorna när du vill riva ost, morot, potatis och livsmedel med liknande struktur.

rivskiva 28 (om sådan medföljer)

River Parmesan-ost eller potatis till raggmunk.

säkerhet

- **Ta aldrig av locket förrän skärskivan är helt stilla.**
- **Var försiktig när du hanterar skärskivorna - de är extremt vassa**

använda skärskivorna

- 1 Montera den löstagbara drivaxeln och skålen på drivenheten.
- Den mellanstora skålen 29 kan användas med alla plattor. Placera den mellanstora skålen i huvudskålen – rikta piggarna mot spåret på huvudskålens sida och för ned den. Ta bort den genom att lyfta ut den med fingregreppen på sidan av den mellanstora skålen.
- 2 Fatta tag i mittgreppet 13 och placera skivan på drivaxeln.
- 3 Sätt på locket.
- 4 Välj det matarrör du vill använda. I mataren finns ett litet rör för bearbetning av enskilda stycken eller tunna ingredienser.
Om du vill använda den mindre mataren måste du först placera den större mataren inuti matarröret.
Om du vill använda den större mataren ska du montera den mindre mataren och vrida den medurs tills den låser fast.
Fyll inte röret ovanför den angivna maxnivån. Apparaten fungerar enbart när den större mataren monterats korrekt.
- 5 Lägg livsmedlen i matarröret.
- 6 Slå på matberedaren och tryck ner livsmedlen i jämn takt med matarstaven - **stoppa aldrig in fingrarna i matarröret.**

tips

- Använd färska ingredienser
- Skär inte livsmedlen i alltför små bitar. Fyll på det stora matarröret så att det är tämligen fullt även på bredden. Det gör att livsmedlen inte lägger sig på sidan under körningen. Alternativt använder du det lilla matarröret.
- Om du ställer livsmedlet lodrätt 14 när du strimlar eller skivar blir bitarna mindre än om det läggs vågrätt 15.
- Det finns alltid kvar lite rester på plattan eller i skålen efter bearbetningen.

29 citruspress (om sådan medföljer)

Använd citruspressen för att pressa juice från citrusfrukter (t.ex. apelsiner, citroner, lime och grapefrukt).

- a kon
- b sil

använda citruspressen

- 1 Montera den löstagbara drivaxeln och skålen på drivenheten.
 - 2 Passa in silen i skålen - kontrollera att handtaget på silen är i låst läge, direkt ovanför handtaget på skålen 16.
 - 3 Sätt konen på drivaxeln och vrid runt tills den har gått hela vägen ner 17.
 - 4 Skär frukten i halvor. Slå sedan på apparaten och tryck frukten mot konen.
- **Citruspressen fungerar inte om silen inte är korrekt fastlåst.**

31 miniskål för matberedare (om sådan medföljer)

Använd miniskålen för att hacka örtyddor och köra små mängder såsom kött, lök, nötter, majonnäs, grönsaker, puréer, såser och barnmat.

- a kniv till miniskål
- b miniskål

använda miniskålen

- 1 Montera den löstagbara drivaxeln och skålen på drivenheten.
- 2 Sätt på miniskålen och se till att åsarna på insidan av miniskålen passar in i skåror i det större matarröret 18.
- 3 Sätt knivbladet på drivaxeln 19.
- 4 Tillsätt ingredienserna som ska köras.
- 5 Sätt på locket och koppla på.

säkerheten

- Ta aldrig bort locket förrän knivbladet har stannat helt.
- Knivbladet är mycket vasst. Hantera det med försiktighet.

viktigt

- Kör inte kryddor. Då kan plasten skadas.
- Kör inte hårda livsmedel såsom kaffeböner, istärningar eller choklad. Då kan bladet skadas.

tips

- Örtyddor hackas bäst om de är rena och torra.
- Tillsätt alltid lite vätska vid mixning av tillagade ingredienser till barnmat.
- Skär livsmedel såsom kött, bröd, grönsaker i 1-2 cm stora tärningar innan de körs..
- Häll oljan i matarröret för att göra majonnäs.

32 mellanstor skål (om sådan medföljer)

En extraskål medföljer som kan användas med alla plattor. Placera den i huvudskålen och montera plattor och lock enligt anvisningarna i avsnittet som beskriver hur du skivar och river med apparaten.

33 råsaftcentrifug (om sådan medföljer)

Använd juicecentrifugen för att göra juice av fast frukt och fasta grönsaker.

- a stöt
- b lock
- c avskiljare för fruktkött
- d filtertrumma
- e skål
- f juicepip
- g drivaxel

hur du använder juicecentrifug

- 1 Montera juicetillbehöret på drivenheten 20 – tryck lätt nedåt så att det har fullt grepp.
- 2 Montera sedan juiceskålen. Placera handtaget mot enhetens bakre del och vrid medurs tills det låser fast 21.
- 3 Placera avskiljaren för fruktkött i filtertrumman och kontrollera att flikarna fäster på plats i trummans botten 22.
- 4 Montera filtertrumman 23.
- 5 Sätt tillbehörslocket på skålen, vrid tills det låses fast och inmatningsröret kommer över handtaget 24. **Det går inte att starta råsaftcentrifugen om skålen eller locket inte låsts på plats korrekt.**
- 5 Skär frukten och grönsakerna i små bitar som passar i matarröret.
- 6 Placera ett lämpligt glas eller en bägare under juicepipen.
- 7 Skär råvarorna så att de ryms i matarröret.
- 8 Välj auto och tryck ned jämnt med mataren – **stoppa aldrig ned fingrarna i matarröret.** Kontrollera att allt bearbetats innan du fyller på matarröret.
- Efter att du lagt i sista biten ska du låta juicecentrifugen gå ytterligare 30 sekunder så att all juice pressas ut ur filtertrumman.

säkerheten

- **Använd inte saftcentrifugen om filtret är skadat.**
 - Knivbladen vid filtertrummans bas är mycket vassa. Var försiktig när du rengör trumman.
 - Använd bara den medföljande stöten. Stoppa aldrig fingrarna i matarröret. Dra ut kontakten innan du avlägsnar bitar som kört fast i matarröret.
 - Koppla av råsaftcentrifugen och vänta tills filtret stannar innan du tar bort locket.
- viktigt**
- Om juicepressen börjar att vibrera ska du stänga av den och tömma trumman på fruktkött. (Juicepressen vibrerar om fruktköttet är ojämnt fördelat.)
 - Du kan maximalt bearbeta kg frukt eller grönsaker åt gången (titta på översikten över rekommenderad hastighet).
 - Vid mycket hård konsistens kan det hända att råsaftcentrifugen saktar ner eller stannar. Om det händer måste du stänga av och göra ren filtret.
 - Stäng av och töm fruktköttsuppsamlaren regelbundet under användningen.

tips

- Innan du börjar ska du ha tagit bort kärnor (t.ex. i paprikor, melon, plommon) och hårt skal (t.ex. melon, ananas). Äpplen och päron behöver inte skalas eller kärnas ur.
- Använd fasta färska ingredienser.
- För att få ut så mycket juice som möjligt ska du bara fylla på små mängder åt gången i matarröret och trycka ned långsamt.
- Citrusfrukt – skala och avlägsna de vita hinnorna, annars kan juicen smaka bittert. Använd citruspressen för bästa resultat.

34 förvaringsbox för tillbehör

Matberedaren levereras med en förvaringsbox för tillbehören och plattorna.

- 1 Förvara vispen, knivbladet, degredskapet och plattorna i boxen när de inte används 25.
- 2 Förvaringsboxen har ett säkerhetslås 27 – stäng locket och för spärren åt vänster för att låsa det 28. Öppna låset genom att föra spärren åt höger 29.

skötsel och rengöring

- Stäng alltid av matberedaren och dra ur kontakten innan du rengör den.
- Hantera kniv och skärskivor försiktigt - de är extremt vassa.
- Vissa livsmedel kan missfärga plasten. Detta är helt normalt. Plasten skadas inte, och mat som du lagar senare påverkas inte heller på något sätt. Om du gnuggar med en trasa doppad i vegetabilisk olja försvinner missfärgningen.

strömenhet

- Torka med fuktig trasa och torka sedan torrt. Kontrollera att det inte finns några matrester nära låsmekanismen.
- Förvara överflödigt nätsladd i förvaringsutrymmet på apparatens baksida 25.

löstagbar drivaxel/tillbehör för juicepress

- Torka av med en fuktig trasa och torka torrt.
- **Sänk inte ned drivaxeln eller adapter i vattnet.**

mixer/kvarn

- 1 Töm bägaren/kannan innan du skruvar loss den från knivsatsen.
- 2 Diska bägaren/kannan för hand.
- 3 Ta ut och diska tärningarna.
- 4 Rör inte vid de vassa knivbladen - borsta dem rena med varmt diskvatten och skölj sedan noga under rinnande vatten. **Doppa aldrig ner knivhållaren i vatten.**
- 5 Ställ den uppochner och låt den torka.

dubbelvisp

- Ta loss visparna från drivhuvudet genom att försiktigt dra ut dem. Diska i varmt vatten.
- Torka av drivhuvudet med fuktig trasa och torka sedan torrt. **Doppa aldrig ner drivhuvudet i vatten.**

alla övriga delar

- Diska för hand och torka.
- Alternativt kan de diskas i den övre korgen i diskmaskinen. Undvik att placera dem i den nedre korgen direkt ovanför värmeelementet. Ett kort program med låg temperatur (maximalt 50°C) rekommenderas.

Komponent	komponenter som kan diskas i diskmaskin
huvudskål, mellan- och miniskål, lock, matare, skrapa	✓
glasbägare, lock, påfyllningstratt	✓
knivsats och tätning för mixer och kvarn	✗
glaskvarn	✓
knivblad, degredskap, maxilock	✓
vispar	✓
drivhuvud för visp	✗
plattor	✓
citruspress	✓
juicecentrifug	✗
löstagbar drivaxel för visp	✗
adapter för juicepress	✗

service och kundtjänst

- Om sladden är skadad måste den av säkerhetsskäl bytas ut av KENWOOD eller av en auktoriserad KENWOOD-reparatör.
- **Om du har problem med att använda matberedaren, ska du läsa igenom felsökningsguiden innan du ringer kundtjänst.**
 - Om du behöver hjälp med:
 - att använda apparaten eller
 - service eller reparationerKontakta återförsäljaren där du köpte apparaten.
- Konstruerad och utvecklad av Kenwood i Storbritannien.
- Tillverkad i Kina.



**VIKTIG INFORMATION FÖR KORREKT BORTSKAFFNING AV
PRODUKTEN I ÖVERENSSTÄMMELSE MED EU-DIREKTIV
2002/96/EG.**

När produktens livslängd är över får den inte slängas i hushållssoporna. Den kan överlämnas till lokala myndigheters avfalls sorteringscentraler eller till en återförsäljare som ger denna service.

När du avfallshanterar en hushållsmaskin på rätt sätt undviker du de negativa konsekvenser för miljön och hälsan som kan uppkomma vid felaktig avfallshandtering. Du möjliggör även återvinning av materialen vilket innebär en betydande besparing av energi och tillgångar.

felsökningsguide

Problem	Orsak	Lösning
Matberedaren fungerar inte	Ingen ström – strömindikator/Auto-lampa lyser ej. Skålen har inte låsts fast ordentligt. Locket har inte låsts fast ordentligt. Den stora mataren är inte monterad.	Kontrollera att matberedaren är ansluten till strömmen. Kontrollera att skålen är korrekt placerad och fastlåst samt att handtaget är riktat åt höger. Kontrollera att lockförreglingen sitter rätt i området vid handtaget. Sätt i den stora matarstaven. Det går inte att starta bearbetningen om skålen, locket eller den breda mataren inte är korrekt fastlåsta. Om inget av ovanstående hjälper bör du se efter om en säkring eller jordfelsbrytaren har gått.
Apparaten stoppar eller så går bearbetningen långsamt.	Överbelastningsskyddet aktiveras. Apparaten är överbelastad eller blir överhettad under användning. Maximikapaciteten har överskridits.	Stäng av, drag ut kontakten och låt apparaten svalna i ca 15 minuter. Diagrammet över hastighet visar de maximikapaciteter som är tillåtna.
Verktygen/tillsatserna fungerar inte som de ska	Se tipsen i motsvarande avsnitt under "använda tillsatsen". Se till att tillsatserna har satts ihop ordentligt.	
Strömindikatorns lampa blinkar	Normal drift Lampan blinkar om skålen, locket, mixern eller kvarnen inte monterats korrekt på drivenheten eller inte låsts på plats korrekt.	Kontrollera att alla komponenter låsts fast korrekt.
Auto-lampan och strömindikatorns lampa blinkar	Normal drift Lampan blinkar om Auto-läget valts men låsen inte aktiverats.	Kontrollera att alla komponenter låsts fast korrekt eller tryck på Auto-knappen om du vill stänga av Auto-funktionen.

Norsk

Brett ut framsiden med illustrasjoner

før du tar Kenwood-apparatet i bruk

- Les nøye gjennom denne bruksanvisningen og ta vare på den slik at du kan slå opp i den senere.
- Fjern all emballasje og eventuelle merkesedler.

sikkerhet

- Bladene og platene er veldig skarpe. **Vær forsiktig. Hold alltid i fingergrepet ⑥ øverst, unna skjærekanten, både ved bruk og rengjøring.**
- Ikke løft eller bær prosessoren i håndtaket. Det kan knekke og føre til skader.
- Ta alltid ut kniven før du tømmer bollen.
- Stikk ikke hendene eller redskaper ned i bollen eller hurtigmikseren når strømmen er tilkoblet.
- Slå av strømmen og ta støpselet ut av kontakten:-
 - før du setter på eller tar av deler;
 - når den ikke er i bruk;
 - før rengjøring.
- Bruk aldri fingrene til å skyve ingrediensene ned i påfyllingstrakten. Bruk alltid stapperne som følger med maskinen.
- Før du tar lokket av bollen eller fjerner moseren/kvernen fra strømenheten:-
 - slå av;
 - vent til festet/bladene har stanset helt;
 - vær forsiktig så du ikke skrur løs mosebegeret eller kvernen fra bladet.
- Væsker må avkjøles til romtemperatur før miksing.
- Start aldri maskinen ved å vri på lokket. Bruk av/på-bryteren.
- **Dette apparatet blir ødelagt og kan føre til skader hvis låsemekanismen blir utsatt for stort press.**
- Bruk kun originalt ekstrautstyr.
- Ikke gå fra hurtigmikseren når den er i bruk.
- Aldri bruk et skadet apparat. Få det kontrollert eller reparert: se Service og kundetjeneste.
- La aldri strømenheten, ledningen eller støpselet bli vått.
- La ikke ledningen henge over kanten på bordet eller arbeidsbenken, eller ligge inntil varme overflater.
- Ikke overskrid maksimal kapasitet som beskrevet i tabellen over anbefalt hastighet.
- Apparatet er ikke ment brukt av personer (inkludert barn) med reduserte fysiske, sensoriske eller mentale evner, eller med manglende erfaring og kunnskap, med mindre vedkommende har fått tilsyn eller opplæring i hvordan apparatet skal betjenes av en person som er ansvarlig for vedkommendes sikkerhet.
- Barn må ha tilsyn for å sikre at de ikke leker med apparatet.
- Bruk bare apparatet til dets tiltenkte hjemlige bruk. Kenwood frasier seg ethvert ansvar ved feilaktig bruk eller dersom apparatet ikke er brukt i henhold til denne bruksanvisningen
- Feil bruk av prosessoren/moseren kan føre til skader.
Se i den relevante delen under Bruke festene for ytterligere sikkerhetsadvarsler for hvert feste.

før strømmen kobles til

- Forviss deg om at nettspenningen er den samme som den som står oppført på undersiden av maskinen.
- Dette apparatet er i samsvar med EU-direktiv 2004/108/EU om elektromagnetisk kompatibilitet og EU-bestemmelse nr. 1935/2004 fra 27/10/2004 om materialer som skal brukes i kontakt med mat.

før første gangs bruk

- 1 Fjern plastikkdekslene fra knivbladet. **Bladene er veldig skarpe, så vær forsiktig.** Disse dekslene bør kastes da de kun skal beskytte bladet under produksjon og transport.
- 2 For vask av delene ser du Vedlikehold og rengjøring

deler

foodprocessor

- ① strømenhet
- ② avtakbar drivaksel
- ③ bolle
- ④ lokk
- ⑤ vid påfyllingstrakt
- ⑥ stappere
- ⑦ sikkerhetssperrer
- ⑧ ledningsholder
- ⑨ strøm på-lampe
- ⑩ hastighetskontroll
- ⑪ Auto-knapp

hurtigmikser av glass

- ⑫ gummiring
- ⑬ knivenhet
- ⑭ mikserglass
- ⑮ påfyllingskopp
- ⑯ lokk

multikvern av glass

- ⑰ gummiring
- ⑱ knivenhet
- ⑲ glass

ekstrautstyr

Det kan hende at ikke alle festene på listen nedenfor følger med matprosessoren. Festene avhenger av modellen.

- ⑳ knivblad
- ㉑ deigkrok
- ㉒ dobbel metallvisp
- ㉓ multiblandelokk
- ㉔ tykk skjæreskive (4 mm)
- ㉕ tynn skjæreskive (2 mm)
- ㉖ grov riveskive
- ㉗ fin riveskive
- ㉘ raspe/parmesanskive (valgfri)
- ㉙ sitruspresse (valgfri)
- ㉚ multikvern (valgfri)
- ㉛ minibolle (valgfri)
- ㉜ mellomstor bolle (valgfri)
- ㉝ saftsentrifuge (valgfri)
- ㉞ oppbevaringsboks til tilbehør
- ㉟ slikkepott

bruk av foodprocessoren

- 1 Sett den avtakbare drivakselen på strømenheten ❶ – skyv lett ned for å sikre at drivakselen sitter skikkelig.
- 2 Deretter settes bollen på med hanken til høyre side for strømenheten. Plasser hanken mot baksiden og vri med urviseren til den låses på plass ❷.
- 3 Plasser ønsket redskap over drivakselen.
 - Sett alltid bollen på strømenheten og ønsket redskap i bollen før du tilsetter ingredienser.
- 4 Sett lokket på bollen ❸. Påse at toppen av drivakselen går inn i åpningen midt i lokket.
- 5 Sett stapperne på påfyllingstrakten – vri den lille stapperen med urviseren for å låse den på plass ❹.
 - **Prosessoren fungerer ikke hvis bollen, lokket eller stapperen til den vide påfyllingstrakten ikke er satt riktig inn i sikkerhetssperrene. Kontroller at påfyllingstrakten og bollehanken befinner seg på høyre side.**
- 6 Sett støpselet i kontakten. Strømliset kommer på og blinker til bollen og lokket er riktig påsatt. Velg et av følgende alternativer: -
 - Auto-knapp – lyset kommer på når auto-knappen trykkes inn og optimal hastighet for tilbehøret velges automatisk.
 - Hastighetskontroll – velg manuelt ønsket hastighet (se tabellen over anbefalt hastighet).
 - Puls – bruk pulsfunksjonen (P) til korte støt. Pulsfunksjonen fungerer så lenge kontrollen holdes på plass.

7 Når du er ferdig å prosessere vris hastighetskontrollen til 0, eller hvis du bruker auto kan du trykke inn knappen og lampen slokner.

- **Strømliset blinker hvis enten lokket, bollen eller den vide påfyllingstrakten ikke er påsatt.**
- **Strøm- og auto-lysene blinker hvis auto velges men sikkerhetssperrene ikke er aktiverte.**
- **Start aldri foodprocessoren ved å vri på lokket. Bruk av/på-bryteren.**
- **Auto-knappen fungerer ikke hvis det er valgt en hastighet på hastighetskontrollen.**
- **Slå alltid av maskinen før du tar av lokket.**

8 Følg trinnene ovenfor i motsatt rekkefølge når du skal ta av lokket, redskapene og bollen.

viktig

- Prosessorbollen er ikke egnet til knusing eller maling av kaffebønner, eller til knusing av grovt sukker til strøsukker (farin).
- Når du tilsetter mandelessens eller andre smakstilsetninger, må ikke disse komme i kontakt med plastmaterialet da de kan lage merker.

velge hastighet til alle funksjonene

Verktøy/tilbehør	Funksjon	Hastighet	Maksimumskapasitet
Knivblad	Alt-i-ett kakedeig	1 – 8	2 kg total vekt
	Butterdeig – smuldre smør i mel	3 – 8	500 g melvekt
	Sette til vann for å binde ingrediensene til butterdeig	3 – 8	
	Hakking/mosing/posteier	8	1 kg hakke magert kjøtt total vekt
Knivblad med multiblandelokk	Suppe – start ved lav hastighet og øk til max	1 – 8	2 liter
Visp	Eggehviter	auto	2 – 8
	Fløte		250-750 ml
Deigkrok	Gjærdeig	6 – 8	1,3 kg total vekt 650 g melvekt
Skiver – skjære/rive	Faste matvarer som gulrøtter, hard ost	5 – 8	–
	Mykere mat som agurker, tomater	1 – 3	–
Raspekiver	Parmesanost, poteter til raspeballer	8	–
Minibolle og kniv	All prosessering	8	300 g magert kjøtt total vekt
Sitruspresse	Mindre frukt, dvs. lime og sitroner	1	–
	Større frukt dvs. appelsiner og grapefrukt	2	
Saftsentrifuge	Presse hard frukt og harde grønnsaker f.eks. epler og gulrøtter	auto	1 kg epler 800 g gulrøtter
	Presse myke frukter f.eks. druer og tomater		500 g
Hurtigmikser	Supper og drikker	8	1,5 liter
	Majones	8	3 egg + 4,5 dl olje
	Skumme melk	8	1 liter
	Isknusing – bruk pulsfunksjonen i korte støt til den er knust til ønsket konsistens	Pulsfunksjon	6 terninger
Multikvern	Prosesserer en rekke krydder	8	100 g
	Male kaffebønner	8	75 g
	Hakke nøtter	8	140 g

slik bruker du hurtigmikseren

- 1 Sett tetningsringen ⑫ på knivenheten ⑬ – pass på at tetningen sitter på riktig sted i rillen.
- **Det vil oppstå lekkasje dersom forseglingen er skadet eller feil påsatt.**
- 2 Hold undersiden av knivenheten ⑬ og sett knivene ned i glasset – vri mot urviseren for å låse ⑤.
- 3 Ha ingrediensene i glasset.
- 4 Sett lokket på glasset og trykk ned for å feste det ⑥. Sett på påfyllingslokket.
- **Før du setter hurtigmikseren på strømenheten må du kontrollere at hastighetskontrollen står på 0 og at auto-lyset er av. Hvis hastighetskontrollen ikke står på 0 eller auto er valgt starter hurtigmikseren så snart den er påsatt.**
- 5 Sett hurtigmikseren på strømenheten med hanken til høyre side og vri med urviseren for å låse den på plass ⑨.
- **Apparatet fungerer ikke hvis hurtigmikseren er feil montert på sikkerhetssperren.**
- 6 Bruk auto-knappen eller velg en hastighet (se tabellen over anbefalt hastighet) eller bruk pulsfunksjonen.

sikkerhet

- **Væsker må avkjøles til romtemperatur før miksing.**
- Vær alltid forsiktig når du håndterer knivenheten, og unngå å berøre skjærekanten på kniven når du rengjør.
- Hurtigmikseren må alltid brukes med lokket påsatt.
- Mikserglasset må kun brukes med medfølgende knivenhet.
- Du må aldri kjøre moseren når den er tom.
- For å sikre at hurtigmikseren varer lenge skal du ikke kjøre den kontinuerlig i mer enn 60 sekunder.
- Smoothie-oppskrifter – ikke bland frosne ingredienser som har stivnet til en klump i fryseren, bryt den opp før den tilsettes mikserglasset.

tips

- Når du lager majones, legger du alle ingrediensene unntatt oljen i moseren. Fjern traktdekslet. Mens apparatet kjører heller du oljen sakte gjennom hullet i lokket
- Tykke blandinger, f.eks. patéer og dipp, må kanskje skrapes ned. Hvis blandingen er vanskelig å prosessere skal du tilsette mer væske.
- Isknusing – bruk pulsfunksjonen i korte støyter til du har fått ønsket konsistens.
- Apparatet vil ikke fungere hvis moseren er plassert feil.
- Når du skal blande tørre ingredienser, skjærer du dem i biter, fjerner traktdekslet og mens apparatet kjører, legger du i én og én bit. Hold hånden over åpningen. For best resultat tømmer du den jevnlig.
- Hurtigmikseren egner seg ikke til oppbevaring. Den skal derfor alltid være tom når den ikke er i bruk.
- Ha aldri mer enn 1,5 liter væske i hurtigmikseren. Maks. mengde er noe mindre for luftige væskeblandinger, som milkshake.

⑩ multikvern (hvis levert)

Bruk kvernen til å male tørre ingredienser som nøtter og kaffebønner. Den er dessuten egnet til prosessering av en rekke krydder, f. eks.: - Svart hel pepper, kardemommefrø, spisskumfrø, korianderfrø, fennikelfrø, fersk ingefærrot, fersk chili og hel nellik.

slik bruker du multikvernen

- 1 Ha ingrediensene i glasset. Fyll det ikke mer enn halvfullt.
- 2 Sett på tetningsringen ⑰ i bladenheten ⑱.
- 3 Hold undersiden av knivenheten og sett kniven ned i glasset – vri mot urviseren for å låse den på plass ⑦.
- 4 Sett kvernen på strømenheten og vri med urviseren for å låse den på plass ⑩.
- 5 Bruk auto-knappen, eller velg en hastighet (se tabellen over anbefalt hastighet).

sikkerhet

- Sett aldri knivenheten i maskinen uten at glasset er montert.
- Skru aldri av glasset/koppen mens multikvernen står på maskindelen.
- Ikke berør de skarpe knivene, og hold barn unna knivenheten.
- Ikke ta av kvernen før kniven har stanset helt.
- For å sikre at kvernen varer lenge skal du ikke kjøre den kontinuerlig i mer enn 60 sekunder. Slå den av så snart du har fått riktig konsistens.
- Apparatet fungerer ikke hvis kvernen er feil påsatt.
- Ikke kjør gurkemeierot i kvernen da den er for hard og kan skade knivene.

tips

- For optimal ytelse når du prosesserer krydder anbefaler vi at du ikke kjører mer enn 100 g om gangen i kvernen.
- Hele krydder holder på smaken mye lenger enn malt krydder, så det er best å male en liten mengde om gangen for å holde på smaken.
- For at hele krydder skal avgi mest mulig smak og essensielle oljer er det best at de ristes før de males.
- Skjær ingefær opp i små biter før prosessering.
- For best resultater anbefales det å bruke minibollen når du hakker urter.

bruk av ekstrautstyr

⑳ stålkniv/㉑ eltekrok

Stålkniven er det mest anvendelige av alt utstyret. Ingrediensenes konsistens avhenger av hvor lenge de bearbeides i maskinen. Hvis du ønsker en grovere konsistens, kan du bruke momentknappen. Bruk stålkniven til å lage kake- og brøddeiger, hakke rått og kokt kjøtt, grønnsaker, nøtter, posteier, dip, puréer, supper og til å hakke smuler fra kjeks og brød.

Bruk eltekroken til gjærdeiger.

tips

stålkniv

- Skjær opp ingrediensene, f.eks. kjøtt, brød eller grønnsaker, i terninger på ca. 2 cm før du har dem i bollen.
- Kjeks brytes opp i mindre biter og tilsettes gjennom påfyllingstrakten mens maskinen er i gang.
- Når du skal lage deig, bruker du smør rett fra kjøleskapet, i terninger på ca. 2 cm.
- Pass på at du ikke bearbeider deigen for lenge i maskinen.

eltekrok

- Ha de tørre ingrediensene i bollen, og tilsett væsken gjennom påfyllingstrakten mens maskinen er i gang. Bland ingrediensene i maskinen til du får en myk og elastisk deigklump etter ca. 45-60 sekunder.
- Elt deigen ytterligere for hånd. Du bør ikke elte deigen i bollen da dette kan skade foodprocessoren.

㉒ stålvisp

Brukes kun til lette rører, f.eks. eggehviter, fløte, kondensert melk og eggedosis til deiger uten fett. Tykkere blandinger som inneholder smør og mel, vil skade vispen.

bruk av vispen

- 1 Fest den avtakbare drivakselen og bollen på strømenheten.
- 2 Skyv begge vispene godt inn i drivhodene i vispinnsatsen ⑪.
- 3 Tre vispen forsiktig nedover drivakselen.
- 4 Ha i ingrediensene.
- 5 Sett på lokket. Påse at toppen av drivakselen går inn i åpningen midt i lokket.
- 6 Velg auto.

viktig

- Vispen er ikke egnet til alt-i-ett kaker eller til å røre smør og sukker hvitt, da disse blandingene skader den. Bruk alltid knivenheten til kakerører.

tips

- Du oppnår best resultater hvis eggene har romtemperatur.
- Påse at bollen og vispene er helt rene og fettfrie før du starter.

23 maksi-blend sprutdeksel

Sprutdekslet brukes sammen med stålkniv ved blanding av væske i bollen. Dekselet gjør at du kan øke væskemengden fra 1,4 liter til 2 liter, hindre at innholdet i bollen spruter utover og bruke stålkniv mer effektivt.

- 1 Sett den avtakbare drivakselen og bollen på strømenheten.
- 2 Sett på stålkniv.
- 3 Ha i ingrediensene.
- 4 Fest lokket over toppen av bladet og kontroller at det er festet på kanten og at sporet 12 er på linje med merket inni bollen. **Ikke dytt på lokket, hold det i midten.**
- 5 Sett på lokket, og start maskinen.

skjære- og raspeskiver

skjærskiver - tykk (4 mm) 24, tynn (2 mm) 25

Bruk skjærskivene til ost, gulrøtter, poteter, kål, agurk, squash, rødbeter og løk.

riveskiver - grov 26, fin 27

Bruk riveskivene til ost, gulrøtter, poteter og lignende mat.

raspekive 28 (hvis levert)

Brukes til riving av parmesanost og poteter til raspeballer/komle.

sikkerhet

- **Ta aldri av lokket før skjærskiven har stoppet helt opp.**
- **Hånder skjærskivene med forsiktighet - de er svært skarpe.**

bruk av skjærskivene

- 1 Sett den avtakbare drivakselen og bollen på strømenheten.
- Den mellomstore bollen 32 kan brukes med alle skivene. Sett den mellomstore bollen inn i den store bollen – rett flikene inn mot rillen på siden av pipen i den store bollen og skyv ned. Den fjernes ved å løfte den ut ved hjelp av fingregrepet på siden av den mellomstore bollen.
- 2 Hold skiven i fingregrepet i midten 13.
- 3 Sett på lokket.
- 4 Velg størrelsen på påfyllingstrakten. Stapperen har en mindre påfyllingstrakt til enkeltvis prosessering eller til prosessering av tynne matvarer. Slik bruker du den lille påfyllingstrakten – sett først den store stapperen inn i påfyllingstrakten. Slik bruker du den vide påfyllingstrakten – sett den lille stapperen inn i den vide stapperen og vri med urviseren for å låse den på plass. Ikke fyll påfyllingstrakten over maksimumsnivået da prosessoren ikke fungerer med mindre den vide stapperen er riktig påsatt.
- 5 Legg ingrediensene i påfyllingstrakten.
- 6 Slå på maskinen, og press maten jevnt nedover ved hjelp av stapperen. **Stikk aldri fingrene ned i påfyllingstrakten.**

tips

- Bruk alltid ferske matvarer.
- Skjær ikke opp matvarene i for små biter. Pakk alltid den store påfyllingstrakten ganske full. Dette hindrer at matvarene glir ut til siden under bearbeidingen. Du kan eventuelt bruke den lille påfyllingstrakten.
- Ved skjæring og riving blir ingredienser som mates inn loddrett 14 kortere enn mat som legges vannrett 15.
- Det sitter alltid litt rester igjen på skiven eller i bollen etter prosessering.

29 sitruspresse (hvis levert)

Sitruspressen brukes til å presse ut saften fra sitrusfrukter (appelsin, sitron, lime og grapefrukt).

- a Presse
- b Sil

bruk av sitruspressen

- 1 Sett den avtakbare drivakselen og bollen på strømenheten.
- 2 Plasser silen i bollen, og påse at håndtaket på silen låses på plass rett over hanken på bollen 16.
- 3 Plasser pressen over drivakselen, og vri rundt til den sitter på plass 17.
- 4 Del sitrusfrukten i to. Slå på maskinen, og press frukten ned på pressen.
- **Sitruspressen fungerer ikke hvis silen ikke er skikkelig låst inn i sikkerhetssperren.**

31 miniprosessorbolle (hvis levert)

Bruk miniprosessorbollen til å hakke urter og prosessere små mengder ingredienser, for eksempel kjøtt, løk, nøtter, majones, grønnsaker, mos, sauser og babyamat.

- a knivblad til miniprosessoren
- b miniprosessorbolle

slik bruker du miniprosessorbollen

- 1 Sett den avtakbare drivakselen og bollen på strømenheten.
- 2 Sett på miniprosessorbollen – pass på at ribbene på innsiden av minibolletrakten er på linje med spaltene i hovedtrakten 18.
- 3 Sett knivenheten over drivakselen 19.
- 4 Ha i ingrediensene som skal prosesseres.
- 5 Sett på lokket, og slå maskinen på.

sikkerhetshensyn

- Ikke ta av lokket før kniven har stanset helt.
- Knivbladet er svært skarpt – vær forsiktig når du tar i det.
- viktig**
- Ikke prosesser krydder – de kan skade plasten.
- Ikke prosesser hard mat som kaffebønner, isterninger eller sjokolade – dekan skade kniven.

tips

- Det er best å hakke urter når de er rene og tørre.
- Ha alltid i litt væske når du blander kokte ingredienser til barnemat.
- Skjær mat som kjøtt, brød og grønnsaker i terninger på ca. 1-2 cm før prosessering.
- Når du lager majones skal du sette oljen til gjennom matetrakten.

32 mellomstor bolle (hvis levert)

Det følger med en ekstra bolle som kan brukes med alle skivene. Sett den ned i den store bollen og sett på skivene og lokket som oppgitt i punkt 1 om skjære/riveskiver.

33 saftsentrifuge (hvis levert)

Bruk sentrifugal saftpressen til å lage juice av fast frukt og grønnsaker.

- a stapper
- b lokk
- c fruktjøttfjerner
- d filtertrommel
- e bolle
- f safttut
- g saftpresse driftshåndtak

bruk av saftsentrifugen

- 1 Sett saftpresseradapteren på strømenheten 20 – trykk lett ned for å sikre at adapteren sitter riktig på.
- 2 Sett deretter saftbollen på. Sett hanken vendt bakover og vri med urviseren til den låses på plass 21.
- 3 Plasser fruktjøttfjerner inni filtertrommelen – samtidig som du sikrer at kantene treffer sporene i bunnen av trommelen 22.
- 4 Sett på plass filtertrommelen 23.
- 5 Sett lokket på bollen, vri det til det låser seg og påfyllingstrakten sitter over håndtaket 24. **Pressen vil ikke fungere dersom bollen eller lokket ikke sitter riktig på plass i sperren.**
- 5 Skjær maten i små biter slik at de passer i påfyllingstrakten.
- 6 Sett et egnet glass eller mugge under saftuttaket.
- 7 Skjær opp maten slik at den passer i påfyllingstrakten.
- 8 Velg auto og dytt jevnt ned med stapperen - **du må aldri stikke fingrene dine inn i materøret.** Behandle ferdig før du tilsetter mer.
- La saftpressen stå på i 30 sekunder etter at du har hatt i det siste stykket, for å presse ut all juicen fra filtertrommelen.

sikkerhetshensyn

- **Ikke bruk saftpressen hvis filteret er skadet.**
- Knivene på bunnen av filtertrommelen er svært skarpe, vær forsiktig ved håndtering og rengjøring av trommelen.
- Bruk kun stapperen som følger med. Stikk aldri fingrene i påfyllingstrakten. Trekk ut støpselet før du fjerner noe som har satt seg fast.
- Slå av motoren og vent til silen har stoppet før du tar av lokket.

viktig

- Dersom saftpressen begynner å vibrere, slå den av og tøm fruktkjøttet ut av trommelen. (Saftpressen vibrerer dersom fruktkjøttet blir ujevnt fordelt).
- Maksimum kapasitet som kan prosesseres om gangen er 1 kg frukt eller grønnsaker (se i hastighetstabellen).
- Hvis bitene er svært harde kan de få motoren til å gå tungt eller stoppe helt. Slå i så fall motoren av og fjern de harde bitene og rens silen.
- Slå av motoren med jevne mellomrom for å tømme mos/kjøttamleren.

tips

- Før det kjøres i saftsentrifugen skal du fjerne steiner og kjerner (f.eks. paprika, melon, plomme) og tykt skall (f.eks. melon, ananas). Du trenger ikke å skrelle eller ta ut kjernehuset på epler og pærer.
- Bruk fast, frisk frukt og grønnsaker.
- For å maksimere saftutvinningen legger du små mengder om gangen i materøret og dytter det forsiktig ned.
- Sitrusfrukt - skrell og fjern det hvite, ellers kan saften smake bittert. Du får best resultat ved å bruke sitruspressen.

34 oppbevaringsboks til tilbehør

Matprosessorer levers med en oppbevaringsboks til bolletilbehør og skiver.

- 1 Sett vispen, knivenheten, deigkroken og skivene i oppbevaringsboksen når de ikke er i bruk 26.
- 2 Oppbevaringsboksen er utstyrt med en sikkerhetssperre 27 – lukk lokket og skyv haspen til venstre for å låse 28. Det åpnes ved å skyve haspen til høyre 29.

vedlikehold og rengjøring

- Slå alltid av maskinen og trekk ut støpselet før rengjøring.
- Håndter stålkniven og skjæreskivene med forsiktighet - de er svært skarpe.
- Enkelte ingredienser kan føre til misfarging av plastmaterialet. Dette er helt normalt og skader ikke plasten. Det påvirker heller ikke smaken på maten. Fjern misfarging med en klut fuktet i vegetabilsk olje.

strømenhet

- Tørk av med en fuktig klut, og deretter med en tørr klut. Påse at det ikke er matrester i eller rundt sikkerhetslåsen.
- Ledning som er til overs, legges i ledningsholderen på baksiden av maskinen 25.

avtakbar drivaksel/saftpressedrivadapter

- Tørk av med en fuktig klut, og tørk.
- **Ikke legg drivakselen eller adapteren i vann.**

hurtigmikser/kvern

- 1 Tøm glasset før du skrur det av knivenheten.
- 2 Vask glasset for hånd.
- 3 Ta av og vask tetningene
- 4 Ikke berør de skarpe knivbladene. Vask dem med en oppvaskkost og varmt såpevann, og skyl dem under springen. **Legg ikke knivenheten i vann.**
- 5 Legg knivenheten opp ned, og la den lufttørke.

stålvisp

- Trekk begge vispene forsiktig ut av drivhodene på vispinnsatsen. Vask dem i varmt såpevann.
 - Tørk av drivhodet med en fuktig klut, og deretter med en tørr klut.
- Drivhodet må ikke legges i vann.**

alle andre deler

- Vask delene for hånd, og tørk av.
- Eller de kan vaskes i den øverste kurven i oppvaskmaskinen. Unngå å legge gjenstander i den nederste kurven rett over varmelementet. Et kort program med lav temperatur (maksimum 50 °C) anbefales.

Gjenstand	gjenstand som er egnet til oppvaskmaskinen
stor, mellomstor og minibolle, lokk, stappere, slikkepott	✓
hurtigmikserglass, lokk, påfyllingslokk	✓
knivenhet og tetning til hurtigmikser og kvern	✗
kvernglass	✓
kniver, deigkrok, multiblandelokk	✓
visper	✓
drivhode, visp	✗
skiver	✓
sitruspresse	✓
saftsentrifuge	✗
avtakbar drivaksel	✗
saftdrivadapter	✗

service og kundetjeneste

- Dersom ledningen er skadet må den av sikkerhetsmessige grunner erstattes av KENWOOD eller en autorisert KENWOOD-reparatør.

- **Hvis du får problemer med å bruke prosessoren skal du se i feilsøking før du ringer etter hjelp.**

Hvis du trenger hjelp med å:

- bruke apparatet eller
 - service eller reparasjoner
- kontakt forhandleren der du kjøpte apparatet.

- Designet og utviklet av Kenwood i Storbritannia.
- Laget i Kina.



VIKTIG INFORMASJON FOR KORREKT AVHENDING AV PRODUKTET I SAMSVAR MED EU-DIREKTIV 2002/96/EC.

På slutten av levetiden må ikke produktet kastes som vanlig avfall. Det må tas med til et lokalt kildesorteringssted eller til en forhandler som tilbyr tjenesten. Ved å avhende husholdningsapparater separat unngås mulige negative konsekvenser for miljø og helse som oppstår som en følge av feil avhending, og gjør at de forskjellige materialene kan gjenvinnes. Dermed blir det betydelige besparelser på energi og ressurser. Som en påminnelse om behovet for å kaste husholdningsapparater separat, er produktet merket med en søppelkasse med kryss over.

feilsøking

Problem	Årsak	Løsning
Prosessoren fungerer ikke	Ikke strøm – strøm på/autolamper lyser ikke. Bollen ikke låst på riktig. Lokket er ikke skikkelig låst. Den store stapperen er ikke påsatt.	Sjekk at støpselet sitter i veggkontakten. Kontroller at bollen sitter på plass og riktig i sikkerhetssperren og at hanken befinner seg mot høyre side. Sjekk at lokkets sikkerhetssperre sitter riktig i håndtaksområdet. Sett på den store stapperen. Prosessoren fungerer ikke hvis bollen, lokket eller den store stapperen ikke sitter riktig i sikkerhetssperren. Dersom ikke noen av ovenfornevnte, skal du sjekke sikring/overbelastningsbryter.
Prosessoren stanser eller senker farten under prosesseringen	Overbelastningsvernet fungerte. Prosessoren overbelastet eller overopphetet under drift. Maksimum kapasitet overgått.	Slå av, trekk støpselet ut av kontakten og la den kjøle seg ned i ca. 15 minutter. Se hastighetstabellen for maksimale prosesseringsmengder.
Verktøyet/tilbehøret fungerer dårlig	Se tipsene i relevant del om "bruke tilbehøret". Sjekk at tilbehøret er riktig satt sammen.	
Strømlyset blinker	Normal drift Lyset blinker hvis bollen, lokket, hurtigmikseren eller kvernen ikke er påsatt strømenheten eller ikke er låst skikkelig på plass.	Kontroller at sperrene er riktig aktiverte.
Auto- og strømlys blinker	Normal drift Lyset blinker hvis auto er valgt men sikkerhetssperrene ikke er aktiverte.	Kontroller at sperrene er riktig aktiverte eller trykk på auto-knappen for å slå av auto-funksjonen.

Suomi

Taita auki etusivun kuvitukset

ennen kuin ryhdyt käyttämään tätä Kenwood-kodinkonetta

- Lue nämä ohjeet huolella ja säilytä ne myöhempiä tarvetta varten.
- Poista pakkauksen osat ja mahdolliset tarrat.

turvallisuus

- Terät ja levyt ovat hyvin teräviä. **Käsittele niitä varovasti. Kun käsittelet tai puhdistat, tartu aina yläosan kohtaan ⑨, joka on kaukana leikkuuterästä.**

- Älä nosta tai kannaa yleiskonetta kahvasta. Muutoin kahva voi särkyä, jolloin voi aiheutua onnettomuus.
- Irrota leikkuuterä aina ennen kuin kaadat kulhon sisällön astiaan.
- Älä pane käsiä tai työvälineitä sekoituskulhoon tai tehosekoittimen kannuun silloin kun virta on päällä.
- Kytke laite pois päältä ja irrota pistoke pistorasiasta:-
 - ennen osien asentamista tai irrottamista;
 - kun laite ei ole käytössä;
 - ennen puhdistusta.
- Älä koskaan paina ruokaa syöttösuppilon sormien avulla. Syötä ainekset laitteen mukana toimitetun painimen avulla.
- Ennen kannen poistamista kulhosta tai tehosekoittimen tai kulhon irrottamista moottoriyksiköstä:-
 - katkaise virta;
 - odota, kunnes laite ja terät ovat pysähtyneet kokonaan;
 - älä irrota tehosekoittimen astiaa tai myllyä teristä.

- Anna nesteiden jäähtyä huoneenlämpöiseksi ennen niiden kaatamista tehosekoittimeen.

- Älä pyöritä käyttölaitetta kannen avulla, vaan käytä aina on/off-kytkintä.

- **Tämä laite vaurioituu ja voi aiheuttaa henkilövahingon, jos lukitusmekanismiin kohdistetaan suuri voima.**

- Älä koskaan kiinnitä laitteeseen muita kuin sen omia osia.
- Älä koskaan jätä laitetta valvomatta, kun se on toiminnassa.
- Älä käytä vaurioitunutta laitetta. Toimita se tarkistettavaksi tai korjattavaksi. Lisätietoja on huolto ja asiakaspalvelu -kohdassa.
- Älä kastele virtayksikköä, sähköjohtoa tai pistoketta.
- Varo, ettei virtajohto roiku pöydän tai työtason reunan alla tai kosketa kuumiin pintoihin.
- Älä ylitä nopeussuositusaulukossa mainittuja enimmäistehoja.
- Tätä laitetta ei ole tarkoitettu sellaisten henkilöiden käyttöön, joilla ei ole täysin normaalia vastaavat fyysiset tai henkiset ominaisuudet (mukaan lukien lapset), jos heidän turvallisuudestaan vastaava henkilö ei ole opastanut heitä käyttämään laitetta tai jos heitä ei valvota.
- Lapsia tulee pitää silmällä sen varmistamiseksi, että he eivät leiki laitteella.
- Käytä laitetta ainoastaan sille tarkoitettuun kotitalouskäyttöön. Kenwood-yhtiö ei ole korvausvelvollinen, jos laitetta on käytetty väärin tai näitä ohjeita ei ole noudatettu.
- Yleiskoneen väärinkäyttö voi aiheuttaa loukkaantumisen.

Varusteiden turvallisesta käyttämisestä on lisätietoja varusteiden käyttäminen -kohdassa.

ennen kuin kiinnität pistokkeen pistorasiaan

- Varmista, että sähkövirta vastaa laitteen pohjaan merkittyjä tietoja.
- Tämä laite täyttää sähkömagneettista yhteensopivuutta koskevan EU-direktiivin 2004/108/EU ja 27.10.2004 annetun elintarvikkeiden kanssa kosketuksiin joutuvia materiaaleja säätelevän EU-määräyksen 1935/2004 vaatimukset.

ennen kuin käytät laitetta ensimmäistä kertaa

- 1 Poista terän muovisuojukset. **Terät ovat erittäin teräviä, joten toimi varovasti.** Tämä suojukset on heitettävä pois, sillä niiden tehtävä on vain suojata terää valmistuksen ja kuljetuksen ajan.
- 2 Pese osat Hoito ja puhdistus -kohdassa kuvatulla tavalla.

osat

monitoimikone

- ① virtayksikkö
- ② irrotettava pyörityskappale
- ③ kulho
- ④ kansi
- ⑤ leveä syöttöputki
- ⑥ painimet
- ⑦ turvalukitus
- ⑧ virtajohdon lokero
- ⑨ virtamerkkivalo
- ⑩ nopeudensäädin
- ⑪ automaattipainike

lasinen tehosekoitin

- ⑫ tiivisterengas
- ⑬ teräyksikkö
- ⑭ tiivisterengas
- ⑮ täyttökansi
- ⑯ kansi

lasinen monitoimimylly

- ⑰ tiivisterengas
- ⑱ teräyksikkö
- ⑲ lasitölkki

lisävälineet

Monitoimikoneesi mukana ei ehkä ole toimitettu kaikkia alla lueteltuja varusteita. Varusteet vaihtelevat mallin mukaan.

- ⑳ hienonnusterä
- ㉑ taikinasekoitin
- ㉒ metallivatkain kahdella vispilällä
- ㉓ maksimisekoituskansi
- ㉔ paksu viipalointilevy
- ㉕ ohut viipalointilevy (2 mm)
- ㉖ karkea raastamislevy
- ㉗ hieno raastamislevy
- ㉘ raastamis-/pamesaanilevy (lisävaruste)
- ㉙ sitruspuserrin (lisävaruste)
- ㉚ monitoimimylly (lisävaruste)
- ㉛ pienoiskulho (lisävaruste)
- ㉜ keskikokoinen kulho (lisävaruste)
- ㉝ mehulinko sitruspuristin (lisävaruste)
- ㉞ varusteiden säilytyslaatikko
- ㉟ kaavin

monitoimikoneen käyttö

- Kiinnitä irrotettava akseli moottoriosaan ❶. Paina kevyesti sen varmistamiseksi, että akseli menee kunnolla paikalleen.
- Kiinnitä **tämän jälkeen** kulho kahva oikealle osoittaen moottoriosaan. Käännä kahva kohti takaosaa ja käännä myötäpäivään, kunnes se lukittuu ❷.
- Kiinnitä haluamasi väline pyörityskappaleen päälle.
 - Aseta kulho ja varuste aina paikoilleen yleiskoneeseen ennen aineosien lisäämistä.
- Aseta kansi paikoilleen ❸. Varmista, että käyttöakselin yläosa tulee kannen keskelle.
- Sovita työntimet syöttöputkeen ja käännä pientä työnintä myötäpäivään, jotta se lukittuu paikalleen ❹.
 - Yleiskone ei toimi, jos kulho, kansi tai leveä syöttöputki ei ole kunnolla paikallaan. Tarkista, että syöttöputki ja kulhon kahva ovat oikealla puolella.**
- Kytke virta. Virtamerkkivalo syttyy ja vilkkuu, kunnes kulho ja kansi ovat kunnolla paikoillaan. Valitse jokin seuraavista vaihtoehdoista. - Automaattipainike: valo syttyy, kun automaattipainiketta painetaan. Varusteelle valitaan paras nopeus automaattisesti. Nopeudensäätö: tarvittava nopeus valitaan käsin (lisätietoja on nopeussuosituskaaviossa). Sykäys (P) tuottaa lyhyitä sekoitusjaksoja. Sykäys toimii, kun säädintä pidetään tässä asennossa.

- Käännä nopeussäädin sekoittamisen päätteeksi asentoon 0. Jos käytät automaattista toimintoa, paina painiketta. Valo sammuu,
 - Virtamerkkivalo vilkkuu, jos kulho tai leveä syöttöputki ei ole paikallaan.**
 - Virta- ja Automaattinen-valo vilkkuvat, jos valitaan automaattinen tila mutta lukitukset eivät ole kiinni.**
 - Älä käytä monitoimikonetta kannesta pyörittämällä, vaan käytä aina on/off-nopeuskytkintä.**
 - Automaattipainike ei toimi, jos nopeus valitaan nopeudensäätimen avulla.**
 - Kytke virta pois aina ennen kuin avaat kannen.**
- Kansi, työvälineet ja kulho irrotetaan päinvastaisessa järjestyksessä.
 - tärkeää**
 - Yleiskoneen kulhossa ei voi murskata tai jauhaa kahvipapuja eikä sokeria.
 - Kun käytät mausteena manteliesanssia tai -aromia, varo että aine ei kosketa muoviosiin, sillä siitä jää pysyviä jälkiä.

nopeuden valitseminen kaikille toiminnoille

Väline/lisälaite	Toiminta	Nopeus	Maksimikapasiteetit
Hienonnusterä	Yksivaiheiset kakkutaikinat	1 – 8	2 kg kokonaispaino
	Murotaikina – rasvan hierominen jauhoihin	3 – 8	500 g jauhojen paino
	Veden lisääminen murotaikina-ainesten yhdistämiseksi	3 – 8	
	Hienontaminen/soseuttaminen/pateet	8	1 kg lihaa hienontaminen kokonaispaino
Hienonnusterä maksimisekoituskannella	Keitot – aloita alhaisella nopeudella ja siirry nopeudelle Max	1 – 8	2 litraa
Vatkain	Munanvalkuaiset Kerma	automaattinen	2 – 8 250-750 ml
Taikinansekoitin	Hiivataikinat	6 – 8	1,3 kg kokonaispaino 650 g jauhojen paino
Terät – viipalointi/raastin	Kovat ruoka-aineet, kuten porkkanat, kova juusto Pehmeämmät ainekset, kuten kurkku, tomaatti	5 – 8 1 – 3	– –
Rouhintaterä	Parmesan-juusto, peruna perunamykyjä varten	8	–
Pieni kulho & terä	Kaikki käsittely	8	300 g lihaa kokonaispaino
Sitruspuserrin	Pienehköt hedelmät, kuten limetit ja sitruunat Suurehkot hedelmät, kuten appelsiini ja greipit	1 2	– –
Mehulinko Sitruspuristin	Kiinteiden hedelmien ja vihannesten, kuten omenien ja porkkanoiden mehustaminen	automaattinen	1 kg omenien 800 g porkkanoita
	Pehmeiden hedelmien tai vihannesten, kuten viinirypäleiden ja tomaattien mehustaminen		500 g
Tehosekoitin	Keitot ja juomat	8	1,5 litraa
	Majoneesi	8	3 kananmunaa ja 450 ml öljyä
	Maidon vaahdottaminen	8	1 litraa
	Jään murskaaminen: käytä sykäyksittäin, kunnes jäämurska on haluamasi kaltaista.	sykäys	6 kuutiota
Monitoimimylly	Erialaisten mausteiden käsittelyminen	8	100 g
	Kahvipapujen jauhaminen	8	75 g
	Pähkinöiden hienontaminen	8	140 g

tehosekoittimen käyttö

- 1 Sovita tiivisterengas ⑫ teräyksikköön ⑬. Varmista, että tiiviste on urassa oikein.
- **Teräosa vuotaa, jos tiiviste on vaurioitunut tai sitä ei ole asennettu oikein.**
- 2 Tartu teräyksikön pohjaan ⑬ ja aseta terät astiaan. Lukitse kääntämällä myötäpäivään ⑤.
- 3 Laita aineosat astiaan.
- 4 Kiinnitä astiaan kansi ja varmista painamalla alas ⑥. Kiinnitä täyttökansi paikoilleen.
- **Ennen tehosekoittimen kiinnittämistä moottoriosaan tarkista, että nopeussäädin on asennossa 0 ja että Automaattinen-valo ei pala. Jos nopeussäädin ei ole asennossa 0 tai Automaattinen-asetusta ei ole valittu, tehosekoitin käynnistyy heti, kun tehosekoitinastia asetetaan paikalleen.**
- 5 Aseta tehosekoitinastia moottoriyksikköön siten, että kahva osoittaa oikealle. Lukitse kääntämällä myötäpäivään ⑨.
- **Laite ei toimi, jos tehosekoitinastia ei ole kunnolla paikallaan.**
- 6 Paina Automaattinen-painiketta, valitse nopeus (lisätietoja on nopeussuosustaulukossa) tai käytä sykäyssäädintä.

turvallisuus

- **Anna nesteiden jäähtyä huoneenlämpöiseksi ennen niiden kaatamista tehosekoittimeen.**
- Käsittele teräiä varovaisesti. Vältä koskettamista terien reunoja puhdistaussasi niitä.
- Käytä tehosekoitinta vain kannen ollessa paikoillaan.
- Käytä kannussa vain laitteen mukana toimitettuja teriä.
- Älä koskaan käytä tehosekoitinta sen ollessa tyhjä.
- Voit pidentää tehosekoittimen ikää käyttämällä sitä korkeintaan 60 sekuntia kerrallaan.
- Valmistaussasi smoothieta älä aseta tehosekoittimeen kimpaleeksi jäätyneitä aineosia. Riko kimpaleet ennen niiden asettamista kannuun.

vinkejä

- Kun teet majoneesia, aseta kaikki aineosat öljyä lukuun ottamatta tehosekoittimeen. Irrota syöttökansi. Kun laite on toiminnassa, kaada öljy hitaasti kannen aukon läpi.
- Paksut seokset, kuten pateetaikinat ja dippikastikkeet, on ehkä kaavittava lastalla. Jos seos on liian paksua, lisää nestettä.
- Jään murskaaminen: käytä lyhyitä sykäyksiä, kunnes jäämurska on haluamasi kaltaista.
- Laite ei toimi, jos tehosekoitin ei ole kunnolla paikoillaan.
- Voit sekoittaa kuivat paloitellut ainekset poistamalla syöttökannen ja pudottamalla palaset yksi kerrallaan laitteen käydessä. Pidä kätesi aukon päällä. Tyhjennä säännöllisesti parhaan lopputuloksen saavuttamiseksi.
- Älä käytä tehosekoitinta säilytysastiana. Säilytä se tyhjiällä.
- Älä koskaan sekoita suurempaa määrää kuin 1,5 litraa - vaahtoavien nesteiden, esim. pirtelö, määrää on pienempi.

⑳ monitoimimylly (jos sisältyy toimitukseen)

Tässä myllyssä voit jauhaa kuivia aineosia, kuten pähkinöitä, kahvinpapuja tai erilaisia mausteita, kuten - mustapippuria, kardemumman, kuminan, korianterin tai fenkolin siemeniä, tuoretta inkiväärinjuurta, tuoretta chiliä tai neilikkaa.

monitoimimyllyn käyttäminen

- 1 Laita aineosat astiaan. Täytä se korkeintaan puoleksi.
- 2 Kiinnitä tiivisterengas ⑰ teräyksikköön ⑱.
- 3 Tartu teräyksikön pohjaan ja aseta terät astiaan. Lukitse kääntämällä vastapäivään ⑦.
- 4 Aseta mylly moottoriyksikköön ja lukitse kääntämällä myöt-Taste äpäivään ⑩.
- 5 Paina Automaattinen-painiketta tai valitse nopeus (lisätietoja on nopeussuosustaulukossa).

turvallisuus

- Älä koskaan kiinnitä teräosaa koneeseen ilman hienonnusastiaa.
- Älä kierrä astiaa irti alustasta, jos monitoimimylly on laitteessa kiinni.
- Älä koske teräviä teriä. Älä päästä lapsia teräosan lähetyville.
- Älä koskaan irrota myllyä ennen kuin terä on pysähtynyt kokonaan.
- Voit pidentää tehosekoittimen ikää käyttämällä sitä korkeintaan 60 sekuntia kerrallaan. Katkaise virta, kun haluamasi sakeus on saavutettu.
- Laite ei toimi, jos mylly ei ole kunnolla paikoillaan.
- Älä jauhaa kurkumajuurta tässä myllyssä, sillä se on liian kovaa ja voi vahingoittaa teriä.

vihteitä

- Mausteita jauhaessasi on suositeltavaa jauhaa myllyssä korkeintaan 100 grammaa kerrallaan.
- Mausteiden aromi säilyy paljon paremmin niiden ollessa kokonaisia, joten jauha niitä vain pieni määrä kerrallaan aromien säilyttämiseksi.
- Kokonaiset mausteet kannattaa paahtaa ennen jauhamista, jotta niiden aromi ja eteeriset öljyt vapautuvat parhaiten.
- Leikkaa inkivääri pieniksi paloiksi ennen jauhamista.
- Parhaiden tulosten varmistamiseksi on suositeltavaa käyttää pientä kulhoa.

välineiden käyttö

㉑ hienonnusterä/㉒ taikinan sekoitin

Leikkuuterä on monipuolisin kaikista monitoimikoneen välineistä. Saavutettava koostumus määräytyy käsittelyajan pituuden perusteella. Kun haluat karkean lopputuloksen, käytä sykäyspainiketta. Hienonnusterää käytetään kakkujen ja leivonnaisten valmistamiseen, raa'an ja kypsennetyn lihan jauhamiseen, vihannesten pilkkomiseen, pähkinöiden jauhamiseen, pateen, dippien ja sosekeittojen valmistamiseen sekä pikkuleipien ja leipien murentamiseen.

Käytä taikinan sekoitinta hiivataikinan valmistamiseen.

vinkejä

leikkuuterä

- Leikkaa ainekset, esim. liha, leipä, vihannekset, noin 2cm:n kuutioiksi.
 - Paloittele pikkuleivät pienempiin osiin ja pudota syöttösuppilon läpi koneen käydessä.
 - Käytä taikinan valmistuksessa jääkaappikylmää rasvaa, jonka olet pilkkonut 2cm:n kuutioiksi.
 - Älä pyöritä konetta liian kauan.
- #### taikinan sekoitin
- Pane kuivat ainekset kulhoon ja lisää neste syöttösuppilon kautta koneen käydessä. Annan koneen käydä, kunnes taikinasta on muodostunut tasainen ja joustava pallo (noin 45 - 60 sekunnin).
 - Jos alustusta tarvitsee jatkaa, tee se käsin. Uudelleen alustamista kulhossa ei suositella, sillä monitoimikone saattaa alkaa täristä.

㉓ kaksoisvatkain

Käytä vatkaista vain kevyiden aineiden vatkaamiseen, esim. munanvalkuaiset, kerma, maitotiiviste sekä munien ja sokerin sekoittaminen valmistaessasi rasvattomia kakkutaikinoita. Raskaammat ainekset, esim. rasva ja jauhot, rikkovat vatkaimen.

vatkaimen käyttö

- 1 Kiinnitä irrotettava akseli ja kulho moottoriosaan.
- 2 Työnnä kumpikin vispilä tiukasti paikalleen käyttöpäähän ①.
- 3 Aseta vatkaimen paikalleen kääntämällä varovasti, kunnes se painuu pyörittyskappaleen yli.
- 4 Lisää kulhoon valmistusaineet.
- 5 Kiinnitä kansi - varmista, että pyörittyskappaleen pää on kannen keskellä.
- 6 Valitse automaattinen.

tärkeää

- Vispilä ei sovi yksivaiheisten kakkutaikinoiden valmistukseen eikä voin ja sokerin vaahdottamiseen, sillä tällaiset seokset voivat vaurioittaa vispilän. Käytä kakkutaikinoiden valmistukseen hienonnusterää.

vinkejä

- Kananmunat vatkaautuvat parhaiten huoneenlämpöisinä.
- Tarkista aluksi, että kulho ja vispilät ovat puhtaat eikä niissä ole rasvaa.

29 maksimisekoituskansi

Käytä nesteiden sekoittamiseen maksimisekoituskantta ja hienonnusterää. Näin sekoitettavan nesteen määrä voi olla jopa 2 l (1,4 l:n sijaan), neste ei vuoda yli, ja terä leikkaa paremmin.

- 1 Kiinnitä irrotettava varsi ja kulho moottoriosaan.
- 2 Kiinnitä hienonnusterä.
- 3 Lisää sekoitettavat ainekset.
- 4 Aseta tehosekoitussuojus terän päälle ja varmista, että se istuu tukialueeseen ja että kolo 12 kohdistuu kulhon sisällä olevaan tappiin. **Älä paina suojusta alaspäin. Tartu siihen keskeltä.**
- 5 Kiinnitä kansi ja käynnistä kone.

viipalointi/raastinterät

viipalointilevyt: paksu (4mm) 24, ohut (2 mm) 25

Viipaloimislevyjien avulla voit viipaloida juustoa, porkkanoita, perunoita, kaalia, kurkkua, kesäkurpitsaa, punajuurta ja sipulia.

raastamislevyt: karkea 26, hieno 27

Raastamislevyjien avulla voit raastaa porkkanoita, perunoita ja samantyyppisiä aineksia.

hienoraastinterä 28 (jos sisältyy toimitukseen)

Parmesaanijuuston ja perunoiden raastaminen (perunapyörökät).

turvallisuus

- **Älä koskaan poista kantta ennen kuin leikkuulevy on pysähtynyt kokonaan.**
- **Käsittele leikkuuteriä varoen - ne ovat erittäin teräviä.**

leikkuuterien käyttö

- 1 Kiinnitä irrotettava varsi ja kulho moottoriosaan.
- Yhdessä levyjen kanssa voidaan käyttää keskikokoista kulhoa 29. Aseta keskikokoinen kulho pääkulhon sisään. Kohdista tapit pääkulhon kyljen uraan ja paina alas. Voit irrottaa sen tarttumalla keskikokoisen kulhon kyljessä näkyviin tarttumakohtiin.
- 2 Tartu levyn 18 keskiosaan ja aseta se akseliin.
- 3 Aseta kansi paikalleen.
- 4 Valitse oikean kokoinen syöttöputki. Työntimessä on pieni syöttöputki yksittäisiä tai ohuita aineksia varten. Voit käyttää pientä syöttöputkea asettamalla ensin suuremman työntimen syöttöputken sisään. Voit käyttää leveää syöttöputkea asettamalla pienen työntimen paikalleen ja kääntämällä myötäpäivään, jotta se lukittuu paikalleen. Älä täytä syöttöputkea liikaa, sillä monitoimikone ei toimi, ellei leveää työntintä ole asetettu paikalleen oikein.
- 5 Pane ruoka syöttösuppiloon.
- 6 Käynnistä laite ja paina ruokaa painimen avulla alaspäin - **älä koskaan pane sormiasi syöttösuppiloon.**

vinkkejä

- Käytä tuoreita valmistusaineita
- Älä leikkaa ruokaa liian pieniksi paloiksi. Täytä iso syöttösuppilo melkein täyteen. Näin ainekset eivät pääse liikkumaan sivusuunnassa käsitteilyn aikana. Käytä vaihtoehtoisesti pientä syöttösuppiloa.
- Viipalointi tai raastaminen: pystysuuntaan järjestetyistä aineksista 14 tulee pienempiä kuin vaakasuuntaisesti asetetuista 15.
- Levyyt tai kulhoon jää aina hieman tähteitä.

29 sitruspuserrin (jos sisältyy toimitukseen)

Sitruspuserrinta käytetään sitruhedelmien mehun puristamiseen (esim. appelsiinit, sitruunat, limettihedelmät ja greipit).

- a kartio
- b siivilä

sitruspusertimenkäyttö

- 1 Kiinnitä irrotettava varsi ja kulho moottoriosaan.
- 2 Aseta siivilä kulhoon - varmista, että siivilän otin on kulhon kahvan kohdalla 16.
- 3 Aseta kartio pyörityskappaleen päälle ja käännä sitä, kunnes se painuu alas asti 17.
- 4 Leikkaa hedelmä kahtia. Käynnistä kone ja purista hedelmä kartiota vasten.
- **Sitruspuristin ei toimi, ellei siivilä ole kunnolla paikallaan.**

31 pieni monitoimikulho (jos sisältyy toimitukseen)

Pientä monitoimikulhoa käytetään yrttien hienontamiseen ja mm. lihan, sipulin, pähkinöiden ja vihannesten käsittelyyn tai majoneesin, soseiden, kastikkeiden ja vauvanruoan valmistukseen pienissä erissä.

- a pienen monitoimikulhon hienonnusterä
- b pieni monitoimikulho

pienen monitoimikulhon käyttö

- 1 Kiinnitä irrotettava varsi ja kulho moottoriosaan.
- 2 Kiinnitä pieni monitoimikulho. Varmista, että pienen kulhon sylinterin sisäpuolella olevat kohojuovat asettuvat kohdalleen varsinaisen kulhon sylinterin urien kanssa 18.
- 3 Aseta hienonnusterä akselin päälle 19.
- 4 Lisää käsiteltävät ainekset.
- 5 Kiinnitä kansi ja kytke kone päälle.

turvallisuus

- Älä koskaan irrota kantta ennen kuin hienonnusterä on pysähtynyt kokonaan.
- Käsittele hienonnusterää varoen, sillä se on hyvin terävä.

tärkeää

- Älä jauha mausteita, sillä ne saattavat vaurioittaa muoviosia.
- Älä hienonna kovia aineita (esim. kahvipapuja, jääpaloja tai suklaata), sillä ne saattavat vaurioittaa terän.

vihteitä

- Hienonna yrtit puhtaina ja kuivina.
- Lisää aina vähän nestettä, kun valmistat vauvanruokaa kypsennetyistä aineksista.
- Ennen hienontamista leikkaa ruoka-aineet, kuten liha, leipä tai kasvikset, noin 1–2 cm:n kokoisiksi kuutioiksi.
- Valmistatessasi majoneesia lisää öljy seokseen syöttösuppilon kautta.

32 keskikokoinen kulho (jos sisältyy toimitukseen)

Yhdessä kaikkien levyjen kanssa voidaan käyttää lisäkulhoa. Aseta se pääkulhon sisään. Kiinnitä levyt ja kansi viipalointi- ja raastamisteristä kertovassa osassa kuvatulla tavalla.

33 mehulinko sitruspuristin (jos sisältyy toimitukseen)

Mehulingolla teet mehua kiinteistä hedelmistä tai vihanneksista.

- a syöttöpainin
- b kansi
- c hedelmälihan poistaja
- d suodatinrumpu
- e kulho
- f mehunokka
- g mehulingon käyttöäkseli

mehulingon käyttö

- 1 Kiinnitä mehulingon sovitin moottoriosaan 20. Paina kevyesti sen varmistamiseksi, että sovitin menee kunnolla paikalleen.
- 2 Aseta mehulingon kulho paikalleen. Käännä kahva kohti takaosaa ja käännä myötäpäivään, kunnes se lukittuu 21.
- 3 Aseta hedelmälihan poistaja suodatinrumpuun – varmistaen, että lukituskielekkeet menevät rummun pohjassa oleviin uriin 22.
- 4 Aseta suodatinrumpu 23 paikalleen.
- 5 Aseta mehulingon kansi kulhon päälle ja käännä kulhoa, kunnes se lukkiutuu paikalleen ja syöttösuppilo on kahvan päällä 24. **Mehulinko ei toimi, jos kulho tai kansi ei ole kunnolla paikallaan.**
- 6 Aseta mehun ulostulo-aukon alle sopiva lasi tai kannu.
- 7 Paloittele aineosat siten, että ne mahtuvat syöttöputkeen.
- 8 Valitse automaattinen toiminta ja paina työntimellä tasaisesti. **Älä työnnä sormiasi syöttöputkeen.** Käsittele ensimmäinen erä loppuun saakka ennen kuin lisäät seuraavan erän.
- Asetettuasi viimeisen kappaleen paikalleen, anna lingon toimia vielä 30 sekunnin ajan, jotta loputkin mehut poistuvat suodatinrummista.

turvallisuus

- **Mehulinkoa ei saa käyttää, jos suodatin on vaurioitunut.**
- Suodatinrummun alaosassa olevat leikkuuterät ovat erittäin terävät; ole varovainen käsitellessäsi ja puhdistatessasi rumpua.
- Käytä ainoastaan pakkauksen mukana toimitettua syöttöpaininta. Älä koskaan työnnä sormiasi syöttösuppiloon. Irrota pistoke pistorasiasta ennen kuin tyhjennät syöttösuppilon.
- Ennen kannen poistamista kytke laite pois päältä ja odota, että suodatin pysähtyy.

tärkeää

- Jos puristin alkaa täristä, kytke virta pois päältä ja poista hedelmäliha rummulta. (Puristin tärisee, kun hedelmälihaa on epätasaisesti rummulla).
- Voit käsitellä kerrallaan 1 kilon hedelmiä tai vihanneksia (Lisätietoja on nopeuskaaviossa).
- Erittäin kovat ruoka-aineiden palaset saattavat hidastuttaa tai pysäyttää kokonaan laitteen. Kytke laite silloin pois päältä ja tyhjennä suodatin.
- Kytke laite pois päältä ja tyhjennä kuitumassan kerääjä säännöllisesti käytön aikana. Irrota pistoke pistorasiasta aina käytön jälkeen.

vihjeitä

- Ennen mehustamista poista kivet ja siemenet (esim. paprikoista, melonista ja luumuista) ja kovat kuoret (esim. melonista ja ananaksesta). Omenoita ja päärynöitä ei tarvitse kuoria eikä siemenkotaa poistaa.
- Käytä kiinteitä tuoreita hedelmiä ja vihanneksia.
- Saat mahdollisimman paljon mehua työntämällä syöttöputkeen vain vähän materiaalia kerrallaan ja painamalla hitaasti.
- Sitruhedelmät: kuori hedelmät ja poista valkoinen osa. Muutoin mehu voi maistua kitkerältä. Saat parhaat tulokset käyttämällä sitruspuristinta:

34 varusteiden säilytyslaatikko

Monitoimikoneen mukana toimitetaan säilytyslaatikko kulhoja ja levyjä varten.

- 1 Säilytä vispilää, terää, taikinatyökälyä ja levyjä säilytysrasiassa, kun niitä ei käytetä 25.
- 2 Säilytysrasiassa on turvalukko 27. Voit lukita sen sulkemalla kannen ja siirtämällä vipua vasemmalle 28. Voit avata työntämällä salpaa oikealle 29.

huolto ja puhdistus

- Sammuta laite ja irrota pistoke pistorasiasta aina ennen puhdistamista.
- Käsittele teriä ja leikkuulevyjä varoen - ne ovat erittäin teräviä.
- Jotkut elintarvikkeet saattavat värjätä muovia. Tämä on täysin normaalia eikä vahingoita muovia tai vaikuta ruoan makuun. Poista väri hankaamalla kasvisöljyyn kastetulla kankaalla.

virtayksikkö

- Pyyhi kostealla pyyhkeellä ja kuivaa. Varmista, että lukituskohdassa ei ole ruoan jätteitä.
- Säilytä ylimääräinen johto laitteen takana olevassa lokerossa 25.

irrotettava akseli/mehulingon sovitin

- Pyyhi kostealla kankaalla ja kuivaa.
- **Älä upota akselia tai sovitinta veteen.**

tehosekoitin/mylly

- 1 Tyhjennä astia ennen sen irrottamista teräyksiköstä.
- 2 Pese astia käsin.
- 3 Irrota ja pese tiivisteet.
- 4 Älä koske teräviin teriin - pese ne puhtaaksi kuumassa pesuainevedessä harjan avulla ja huuhtelee sen jälkeen huolellisesti juoksevan veden alla. **Älä upota teräyksikköä veteen.**
- 5 Anna kuivua ylösalaisin.

kaksoisvatkain

- Irrota vispilät käyttöpäästä vetämällä niitä varovasti ulospäin. Pese lämpimällä pesuainevedellä.
- Pyyhi käyttöpää kostealla pyyhkeellä ja kuivaa sen jälkeen. **Älä upota käyttöpäätä veteen.**

kaikki muut osat

- Pese käsin ja kuivaa pesun jälkeen.
- Ne voidaan pestä myös astianpesukoneen ylätasolla. Älä aseta osia alatasolle suoraan kuumennusvastuksen päälle. On suositeltavaa käyttää lyhyttä ohjelmaa ja alhaista lämpötilaa (enintään 50 °C).

Esine	Voidaan pestä astianpesukoneessa
pää-, keskikokoinen ja pieni kulho, kansi, työntimet, lasta	✓
tehosekoittimen lasiastia, kansi, täyttökansi	✓
teräyksikkö, tehosekoittimen ja myllyn tiiviste	✗
lasinen myllyastia	✓
terät, taikinatyökäly, tehosekoittimen kansi	✓
vatkaimet	✓
vatkauspää	✗
levyt	✓
sitruspuserrin	✓
mehulinko sitruspuristin	✗
irrotettava akseli	✗
mehulingon sovitin	✗

huolto ja asiakaspalvelu

- Jos virtajohto vaurioituu, se on turvallisuussyistä vaihdettava. Vaihdotyön saa tehdä KENWOOD tai KENWOODIN valtuuttama huoltoliike.
 - **Jos monitoimikoneen käyttämisen aikana ilmenee ongelmia, tutustu vianetsintäohjeisiin ennen yhteyden ottamista huoltoon.**
- Jos tarvitset apua
- laitteen käyttämisessä tai
 - laitteen huolto- tai korjaustöissä, ota yhteys laitteen ostopaikkaan.
- Kenwood on suunnitellut ja muotoillut Iso-Britanniassa.
 - Valmistettu Kiinassa.



TÄRKEITÄ OHJEITA TUOTTEEN HÄVITTÄMISEEN EUROOPAN UNIONIN DIREKTIIVIN 2002/96 MUKAISESTI.

Tuotetta ei saa hävittää yhdessä tavallisten kotitalousjätteiden kanssa sen lopullisen käytöstä poiston yhteydessä.

Vie se paikallisten viranomaisten hyväksymään kierrätyskeskukseen tai anna se jälleenmyyjän hävitettäväksi, mikäli kyseinen palvelu kuuluu jälleenmyyjän toimialaan. Suojelet luontoa ja vältä virheellisen tai väärän romutuksen aiheuttamilta terveysriskeiltä, mikäli hävität kodinkoneen erillään muista jätteistä. Näin myös kodinkoneen sisältämät kierrätettävät materiaalit voidaan kerätä talteen, jolloin säästät energiaa ja luonnonvaroja.

Tuotteessa on ristillä peitetty roskasäiliön merkki, jonka tarkoituksena on muistuttaa että kodinkoneet on hävitettävä erikseen muista kotitalousjätteistä.

vianetsintäohjeet

Ongelma	Syy	Ratkaisu
Monitoimikone ei toimi	Ei virtaa: virta- tai automaattinen-merkkivalo ei pala. Kulhoa ei ole kiinnitetty oikein. Kantta ei ole lukittu oikein. Kookasta työntä ei ole asetettu paikalleen.	Tarkista, että pistotulppa on kytketty pistorasiaan. Tarkista, että kulho on kunnolla paikallaan ja että kahva osoittaa oikealle. Tarkista, että kannen lukitus on kohdakkain kahvan kanssa. Sovita suuri työntä paikalleen. Yleiskone ei toimi, jos kulho, kansi tai kookas työntä ei ole kunnolla paikallaan. Jos kyseessä ei ole mikään yllä olevista, tarkista huoneistosi sulakkeet.
Yleiskone pysähtyy tai hidastuu kesken kaiken	Ylikuormitussuojaus on lauennut. Yleiskone on ylikuormitettu tai ylikuumentunut käytön aikana. Enimmäiskapasiteetti on ylitetty.	Katkaise virta, irrota pistoke pistorasiasta ja anna laitteen jäähtyä noin 15 minuuttia. Suurimmat nopeudet näkyvät nopeuskaaviossa.
Työvälineet/lisälaitteet eivät toimi kunnolla.	Katso vihjeet asianomaisen lisälaitteen kohdasta osiossa "lisälaitteiden käyttö". Tarkista, että lisälaitteet on koottu oikein.	
Virtamerkkivalo vilkkuu	Normaalikäyttö Merkkivalo vilkkuu, jos kulho, kansi, mehulinko tai mylly ei ole kunnolla paikallaan tai niitä ei ole asetettu moottoriyksikköön.	Tarkista, että lukitukset ovat tiukassa.
Automaattinen- ja virtamerkkivalo vilkkuvat	Normaalikäyttö Merkkivalo vilkkuu, jos on valittu automaattinen toiminta mutta lukitukset ovat irti.	Tarkista, että lukitukset ovat tiukassa tai lopeta automaattinen toiminta painamalla Automaattinen-painiketta.



Head Office Address: Kenwood Limited, New Lane, Havant, Hampshire PO9 2NH, UK
www.kenwoodworld.com
Designed and engineered by Kenwood in the UK
Made in China

Free Manuals Download Website

<http://myh66.com>

<http://usermanuals.us>

<http://www.somanuals.com>

<http://www.4manuals.cc>

<http://www.manual-lib.com>

<http://www.404manual.com>

<http://www.luxmanual.com>

<http://aubethermostatmanual.com>

Golf course search by state

<http://golfingnear.com>

Email search by domain

<http://emailbydomain.com>

Auto manuals search

<http://auto.somanuals.com>

TV manuals search

<http://tv.somanuals.com>