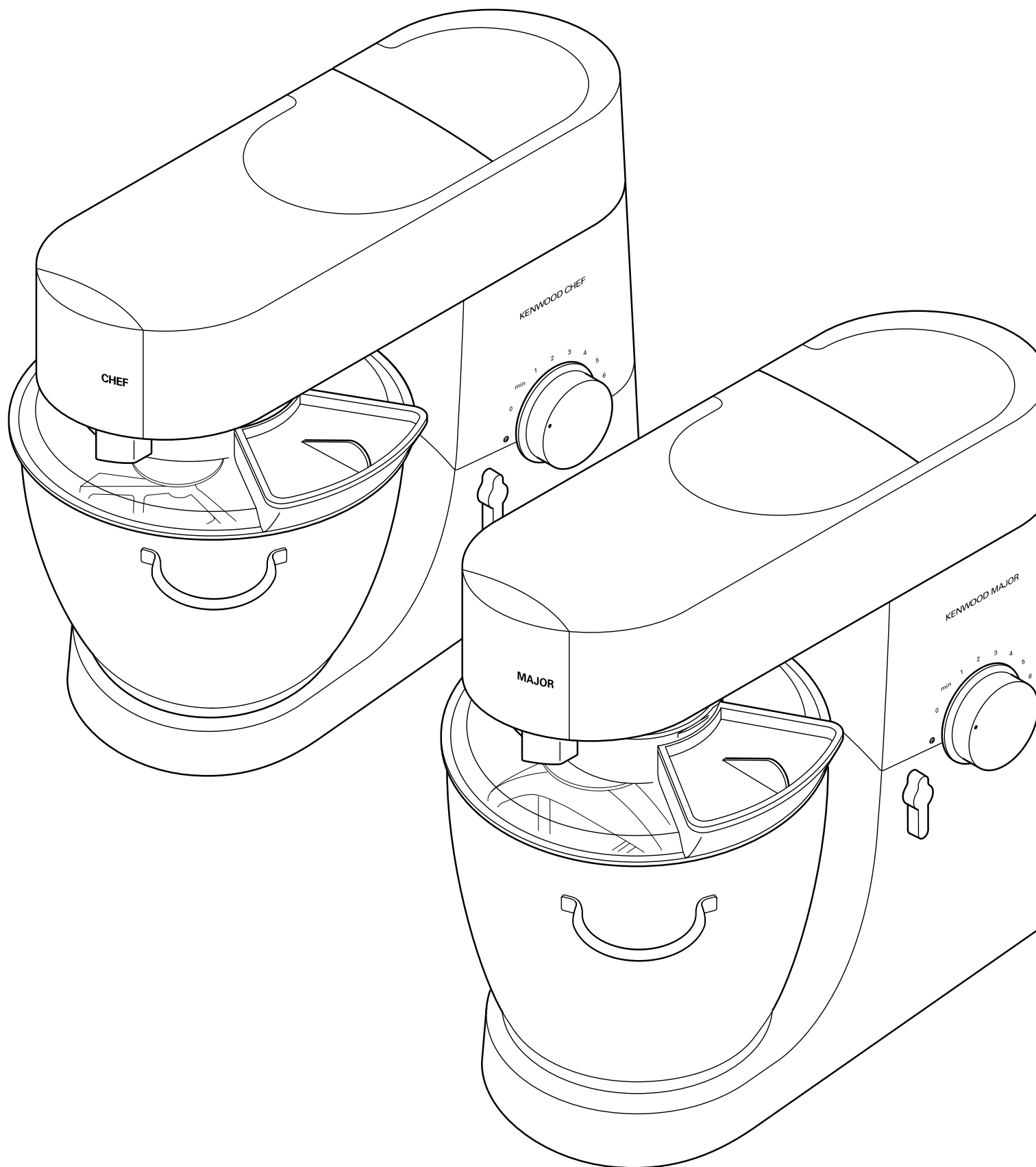


**Chef and Major
KM001 - KM007 series**



KENWOOD

Kenwood

English

page 3

instructions

Congratulations on buying a Kenwood. With such a wide range of attachments available, it's more than just a mixer. It's a state-of-the-art kitchen machine. We hope you'll enjoy it. Robust. Reliable. Versatile. Kenwood.

Français

page 11

mode d'emploi

Félicitations pour l'achat de votre robot Kenwood. Avec une gamme impressionnante d'accessoires adaptables, votre robot est plus qu'un simple batteur: c'est un robot de cuisine ultra-perfectionné qui vous donnera entière satisfaction. Nous espérons que vous l'apprécierez.

Solide. Sûr. sur-mesure. Kenwood.

Deutsch

sieten 19

bedienungsanleitung

Wir beglückwünschen Sie zu Ihrer Entscheidung für Kenwood. Sie haben nicht nur eine Küchenmaschine zum Rühren und Kneten erworben, sondern können durch ein reichhaltiges Zubehörprogramm Ihre neue Maschine zu einem universellen Küchensystem ausbauen. Wir wünschen Ihnen viel Freude beim Kochen und Backen mit Kenwood

Robust. Zuverlässig. Vielseitig. Kenwood.

Italiano

pagg 28

istruzioni

Ci congratuliamo con Lei dell'acquisto di questo elettrodomestico Kenwood. Con una tale ampia gamma di accessori disponibili, questo apparecchio è molto più di un semplice mixer, è un modernissimo apparecchio da cucina. Ci auspichiamo che Le piacerà.

Robusto. Affidabile. Versatile. Kenwood.

Nederlands

blz. 37

instructies

Gefeliciteerd met de aankoop van uw Kenwood keukenmachine. Er zijn zo veel accessoires verkrijgbaar dat je deze machine niet meer gewoon een mixer kunt noemen. Het is een echte keukenmachine en we hopen dan ook dat u er veel plezier van zult hebben.

Krachtig, betrouwbaar en veelzijdig, dat is Kenwood.

Español

página 45

instrucciones

Felicidades por comprar un aparato Kenwood. Con el abanico de accesorios disponibles, Ud. ha comprado algo más que una mezcladora. Es una obra de arte para la cocina.

Esperamos que lo disfrute.

Sólida. Fiable. Versátil. Kenwood.

Portugêus

página 54

instruções

Parabéns pela compra da sua Kenwood. Com a grande variedade de acessórios para ela disponíveis, esta máquina é mais que uma batedeira. É uma máquina de cozinha super moderna. Esperamos que a sua Kenwood lhe dê muito prazer.

Robusta. Fiável. Versátil. Kenwood.

Dansk

side 63

brugsanvisning

Tillykke med Deres nye Kenwood. Med så stort et udvalg af tilbehør, er det mere end blot en røremaskine - det er en suveræn, moderne køkkenmaskine. Vi håber, De vil få meget glæde af den.

Robust. Pålidelig. Alsidig. Kenwood.

Svenska

sid 71

bruksanvisning

Grattis! Du har just blivit ägare till en Kenwood. Till Kenwood finns det så många tillbehör att köpa, så det är inte bara en vanlig matberedare du har - du har det allra senaste inom köksmaskiner. Vi hoppas du kommer att trivas med den.

Robust. Pålitlig. Mångsidig. Kenwood.

Kenwood

Norsk

side 79 **Bruksanvisning**

Gratulerer med kjøpet av Kenwood. Med et så stort utvalg av tilbehør, er den mer enn bare en mikser. Det er en kjøkkenkunstner-maskin. Vi håper du vil ha stor glede av den. Robust. Pålitelig. Allsidig. Kenwood.

Suomi

sivu 87 **käyttöohjeet**

Onnittelut Kenwood-ostoksen johdosta! Koneeseen kuuluu niin suuri määrä erilaisia laitteita, että se on todellakin paljon enemmän kuin pelkkä vatkain. Tämä yleiskone on alansa viimeisintä huutoa ja toivotamme teille miellyttäviä työhetkiä sen parissa. Vahva. Luotettava. Monipuolinen. Kenwood.

Türkçe

sayfada 95 **kullanım yönergeleri**

Kenwood karıştırıcıyı seçtiğiniz için tebrikler. Kenwood'un kapsamlı ek parça dizisi istediğiniz yiyeceği hazırlama olanağı verir. Kenwood yalnızca bir karıştırıcı aygıt değil, mutfak sanatı aracıdır. Zevkle kullanınız. Kenwood sağlam, güvenilir ve kullanışlıdır.

Česky

str. 103 **návod k použití**

Blahopřejeme Vám ke koupi spotřebiče značky Kenwood. Díky širokému sortimentu dodávaného příslušenství jste zakoupili víc, než jen kuchyňský strojek. Získali jste špičkový kuchyňský robot. Věříme, že Vám bude dobře sloužit. Robustní. Spolehlivý. Univerzální. Kenwood.

Magyar

oldal 111 **használati utasítás**

Köszöntjük a Kenwood vásárlói körében! Az Ön által kiválasztott robotgép a csatlakoztatható változatos tartozékok révén a legtöbb konyhai munkában segítőtársra lesz. Reméljük, örömmel használja majd. Ellenálló, megbízható, sokoldalú - Kenwood.

Polski

str. 119 **instrukcje**

Gratulujemy zakupu Kenwooda. Mając tak szeroki asortyment narzędzi jest on więcej, niż malakserem. Jest on dziełem bieżącej sztuki kuchennej. Mamy nadzieję, że się Państwu spodoba. Mocny. Niezawodny. Uniwersalny. Kenwood.

Русский

странице 127 **Указания по применению**

Мы рады, что вы приобрели кухонный комбайн нашей фирмы. Благодаря широкому ассортименту имеющихся насадок этот прибор является не просто миксером - это современный кухонный комбайн. Пользуясь им, вы получите истинное удовольствие. Прочный. Надежный. Универсальный. Изготовитель - фирма KENWOOD.

Ελληνικά

σελίδα 135 **οδηγίες χρήσεως**

Συγχαρητήρια για την αγορά μιας συσκευής Kenwood. Με την μεγάλη ποικιλία εξαρτημάτων που διατίθεται η συσκευή αυτή είναι κάτι παραπάνω από ένα απλό μίξερ, είναι η τελευταία λέξη της τεχνολογίας στις μηχανές κουζίνας. Ελπίζουμε ότι θα την απολαύσετε. Αντοχή. Αξιοπιστία. Ευκινησία. Kenwood.

عربي

تعليمات ٤٤١ صفحة

نهنتكم على شراء جهاز كينوود. ومع توفر تشكيلة واسعة كهذه من الملحقات، فهو ليس مجرد خلاطة. بل انه جهاز مطبخ غاية في الروعة والانتقان. اننا نأمل تمتعكم به. متين، موثوق، متعدد الاستعمالات، كينوود.

know your Kenwood kitchen machine

safety

- Switch off and unplug before fitting or removing tools/attachments, after use and before cleaning.
- This machine is not intended for use by young children or infirm persons without supervision.
- Keep your fingers away from moving parts and fitted attachments.
- Never leave the machine on unattended.
- Never use a damaged machine. Get it checked or repaired: see 'service', page 8.
- Never use an unauthorised attachment or more than one attachment at once.
- Never exceed the maximum capacities on page 4.
- Don't let children play with this machine.
- When using an attachment, read the safety instructions that come with it.
- Only use this machine for its intended domestic use.
- Take care when lifting this appliance as it is heavy. Ensure the head is locked and that the bowl, tools, outlet covers and cord are secure before lifting.

before plugging in

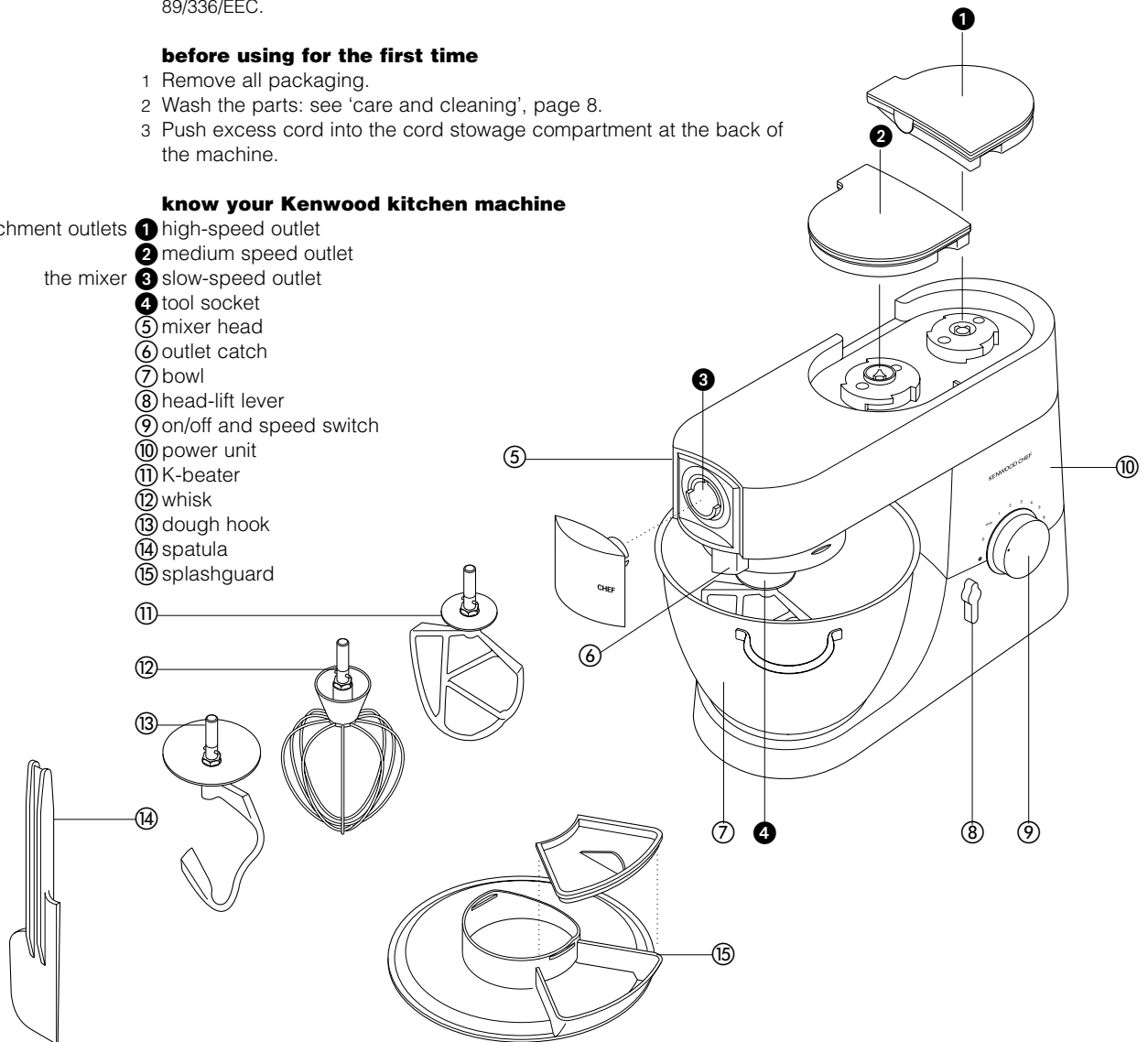
- important - UK only
- Make sure your electricity supply is the same as the one shown on the underside of your machine.
 - The wires in the cord are coloured as follows:
Blue = Neutral, Brown = Live.
 - This machine complies with European Economic Community Directive 89/336/EEC.

before using for the first time

- 1 Remove all packaging.
- 2 Wash the parts: see 'care and cleaning', page 8.
- 3 Push excess cord into the cord stowage compartment at the back of the machine.

know your Kenwood kitchen machine

- attachment outlets
- 1 high-speed outlet
 - 2 medium speed outlet
 - 3 slow-speed outlet
 - 4 tool socket
 - 5 mixer head
 - 6 outlet catch
 - 7 bowl
 - 8 head-lift lever
 - 9 on/off and speed switch
 - 10 power unit
 - 11 K-beater
 - 12 whisk
 - 13 dough hook
 - 14 spatula
 - 15 splashguard



the **mixer**

the mixing tools and some of their uses

- K-beater • For making cakes, biscuits, pastry, icing, fillings, éclairs and mashed potato.
- whisk • For eggs, cream, batters, fatless sponges, meringues, cheesecakes, mousses, soufflés. Don't use the whisk for heavy mixtures (eg creaming fat and sugar) - you could damage it.
- dough hook • For yeast mixtures.

to use your mixer

- 1 Turn the head-lift lever clockwise ❶ and raise the mixer head till it locks.
- 2 Turn till it stops ❷ then push.
- 3 Fit the bowl onto the base - press down and turn clockwise ❸
- 4 To lower the mixer head, raise it slightly, then turn the head lift lever clockwise. Lower into the locked position.
- 5 Switch on and turn the speed switch to the desired setting.
- 6 Unscrew.

- hints • Switch off and scrape the bowl with the spatula frequently.
- Eggs at room temperature are best for whisking.
- Before whisking egg whites, make sure there's no grease or egg yolk on the whisk or bowl.
- Use cold ingredients for pastry unless your recipe says otherwise.

points for bread making

- important • Never exceed the maximum capacities below - you'll overload the machine.
- If you hear the machine labouring, switch off, remove half the dough and do each half separately.
- The ingredients mix best if you put the liquid in first.

maximum capacities

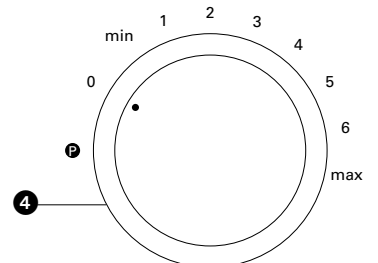
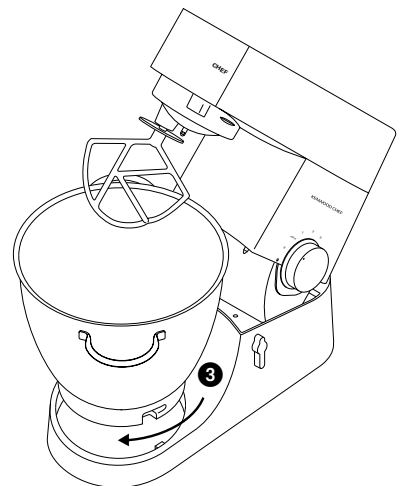
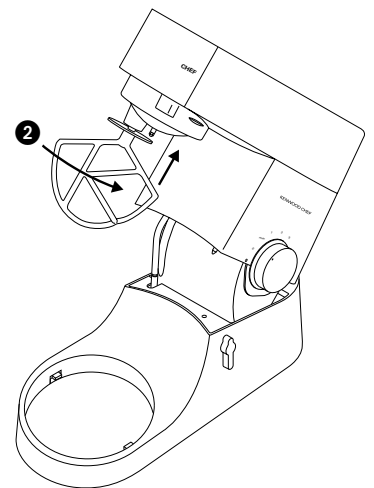
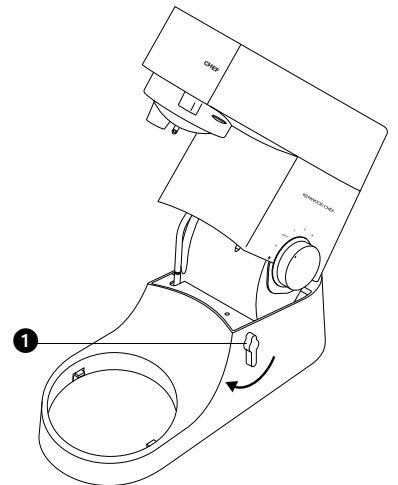
CHEF

MAJOR

- | | | |
|--------------------------|-----------------------------------|--------------------------------|
| shortcrust pastry | • Flour weight: 680g - 1lb 8oz | Flour weight: 910g - 2lb |
| stiff yeast dough | • Flour weight: 1.36kg - 3lb | Flour weight: 1.5kg - 3lb 5oz |
| British type | • Total weight: 2.18kg - 4lb 13oz | Total weight: 2.4kg - 5lb 5oz |
| soft yeast dough | • Flour weight: 1.3kg - 2lb 14oz | Flour weight: 2.6kg - 5lb 12oz |
| continental type | • Total weight: 2.5kg - 5lb 8oz | Total weight: 5kg - 11lb |
| fruit cake mix | • Total weight: 2.72kg - 6lb | Total weight: 4.55kg - 10lb |
| egg whites | • 12 | 16 |

speed switch ❹

- K-beater • **creaming fat and sugar** start on min, gradually increasing to 'max'.
- **beating eggs into creamed mixtures** 4 - 'max'.
- **folding in flour, fruit etc** Min - 1
- **all in one cakes** start on min speed, gradually increase to max.
- **rubbing fat into flour** min - 2.
- whisk • Gradually increase to 'max'.
- dough hook • Start on 'min', gradually increasing to 1.



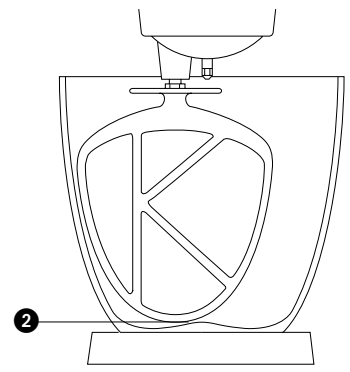
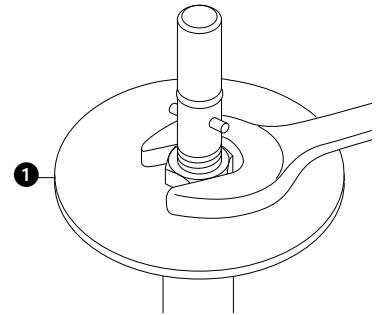
troubleshooting

problem

- The whisk or K-beater knocks against the bottom of the bowl or isn't reaching the ingredients in the bottom of the bowl.

solution • Adjust the height. Here's how:

- 1 Unplug.
- 2 Raise the mixer head and insert the whisk or beater.
- 3 Hold it, then loosen the nut ❶
- 4 Lower the mixer head.
- 5 Adjust the height by turning the shaft. Ideally the whisk/K-beater should be **almost** touching the bottom of the bowl ❷
- 6 Raise the head, hold the whisk/K-beater and tighten the nut.

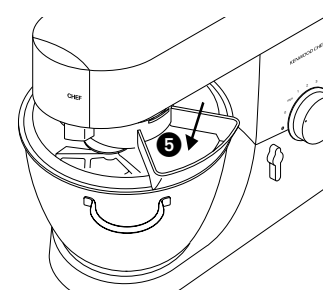
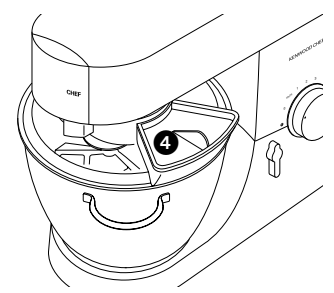
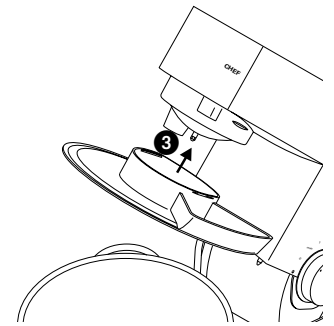


problem

- solution • The mixer stops during operation.
- Your mixer is fitted with an overload protection device and will stop if overloaded to protect the machine. If this happens, switch off and unplug the mixer. Remove some of the ingredients to reduce the load, and allow the mixer to stand for a few minutes. Plug in and reselect the speed. If the mixer does not restart immediately allow to stand for additional time.

to fit and use your splashguard

- 1 Raise the mixer head until it locks.
- 2 Fit the bowl onto the base.
- 3 Push the splashguard onto the underside of the mixer head ❸ until fully located. The food chute should be positioned as shown.
- 4 Insert required tool.
- 5 Lower the mixer head.
- 6 Fit the food chute cover ❹.
- During mixing the chute cover can be removed and ingredients added directly to the bowl ❺.
- You do not need to remove the splashguard to change tools.
- 7 Remove the splashguard by raising the mixer head and sliding it down.

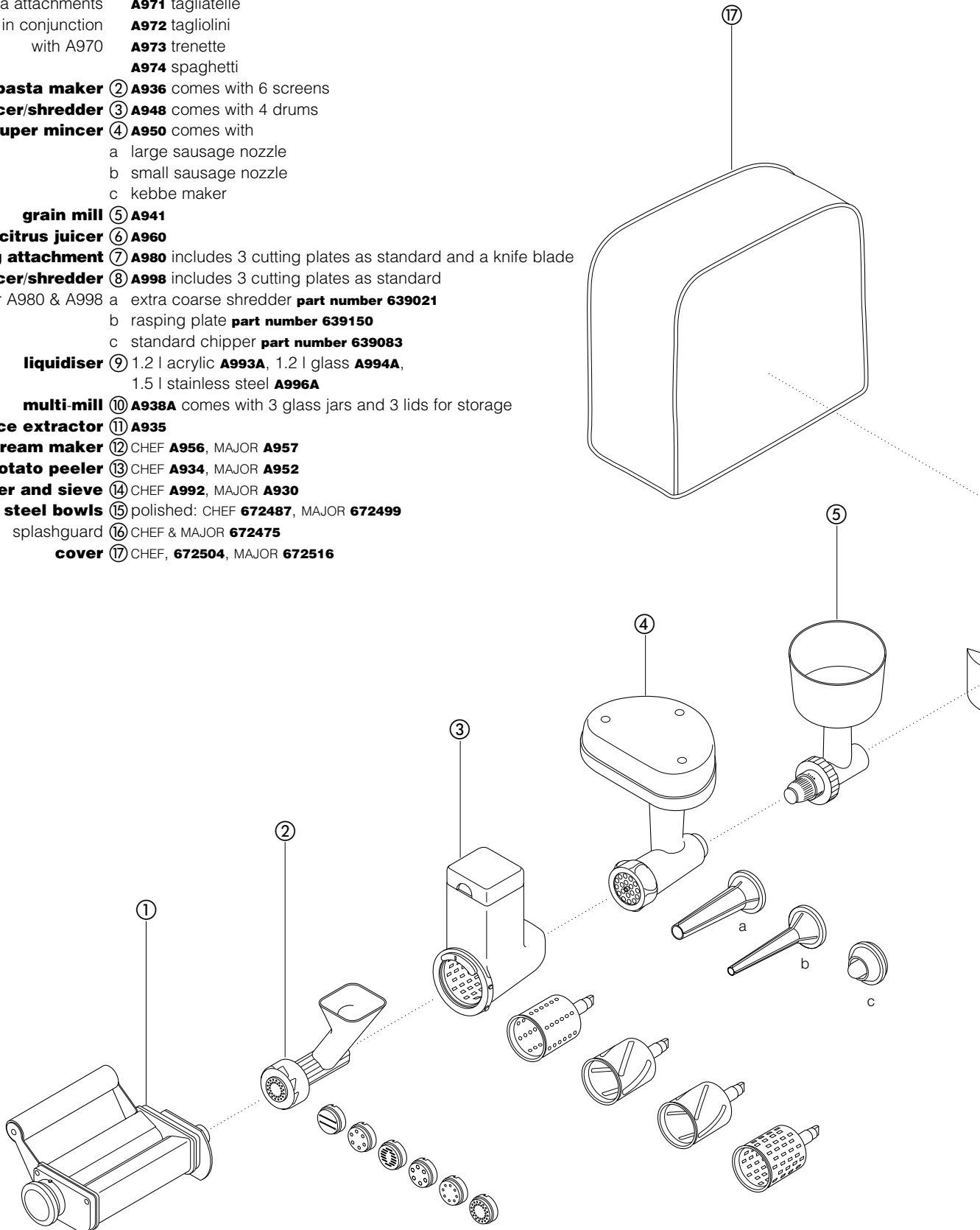


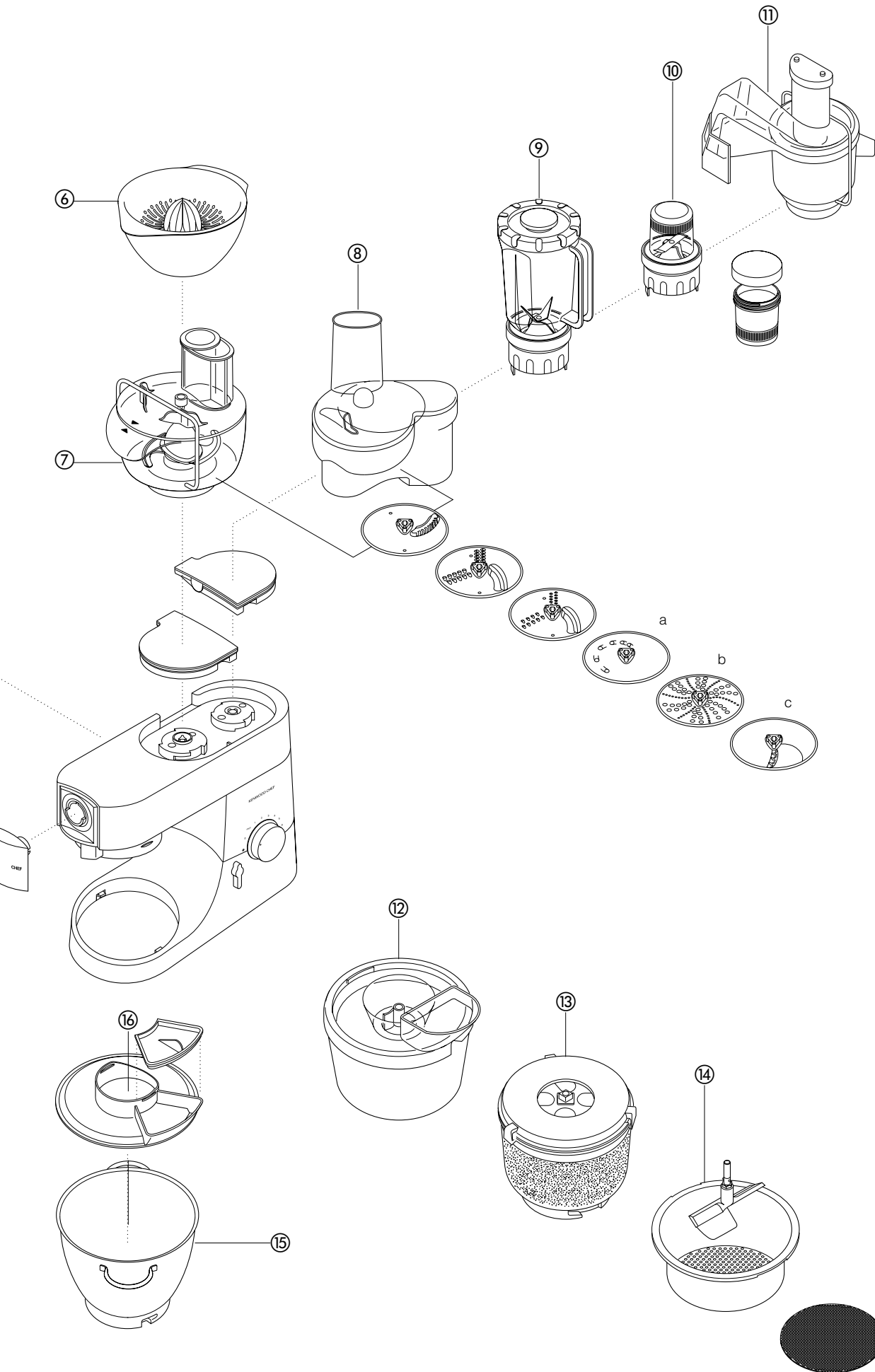
the **attachments** available

To buy an attachment not included in your pack, call your KENWOOD repairer.

attachment attachment code

- flat pasta maker** ① **A970**
- additional pasta attachments (not shown) used in conjunction with A970
 - A971** tagliatelle
 - A972** tagliolini
 - A973** trenette
 - A974** spaghetti
- pasta maker** ② **A936** comes with 6 screens
- slow speed slicer/shredder** ③ **A948** comes with 4 drums
- super mincer** ④ **A950** comes with
 - a large sausage nozzle
 - b small sausage nozzle
 - c kebbe maker
- grain mill** ⑤ **A941**
- citrus juicer** ⑥ **A960**
- food processing attachment** ⑦ **A980** includes 3 cutting plates as standard and a knife blade
- high speed slicer/shredder** ⑧ **A998** includes 3 cutting plates as standard
 - a extra coarse shredder **part number 639021**
 - b rasping plate **part number 639150**
 - c standard chipper **part number 639083**
- liquidiser** ⑨ 1.2 l acrylic **A993A**, 1.2 l glass **A994A**, 1.5 l stainless steel **A996A**
- multi-mill** ⑩ **A938A** comes with 3 glass jars and 3 lids for storage
- continuous juice extractor** ⑪ **A935**
- ice-cream maker** ⑫ CHEF **A956**, MAJOR **A957**
- potato peeler** ⑬ CHEF **A934**, MAJOR **A952**
- colander and sieve** ⑭ CHEF **A992**, MAJOR **A930**
- stainless steel bowls** ⑮ polished: CHEF **672487**, MAJOR **672499**
- splashguard ⑯ CHEF & MAJOR **672475**
- cover** ⑰ CHEF, **672504**, MAJOR **672516**



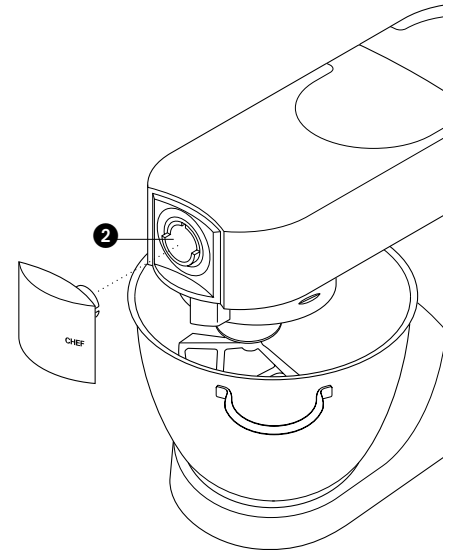


cleaning and service

care and cleaning

- Always switch off and unplug before cleaning.
- A little grease may appear at **outlet 2** when you first use it. This is normal - just wipe it off.

- power unit, outlet covers
- Wipe with a damp cloth, then dry.
 - Never use abrasives or immerse in water.
- bowl
- Wash by hand, then dry thoroughly or wash in the dishwasher.
 - Never use a wire brush, steel wool or bleach to clean your stainless steel bowl. Use vinegar to remove limescale.
 - Keep away from heat (cooker tops, ovens, microwaves).
- tools
- Stainless steel tools can be washed by hand or in a dishwasher.
 - Non stainless steel tools (coated) should only be washed by hand, then dried thoroughly.
- splashguard
- Wash by hand, then dry thoroughly.



service and customer care

- If the cord is damaged it must, for safety reasons, be replaced by KENWOOD or an authorised KENWOOD repairer.

UK If you need help with:

- using your machine
 - servicing or repairs (in or out of guarantee)
- ☎ call KENWOOD Customer Care on **023 92392333**.
- Have your model number ready** - it's on the underside of the mixer.
- spares and attachments
- ☎ call **0870 2413653**.

Eire

- See our advertisement in Golden Pages.

other countries

- Contact the shop where you bought your machine.

guarantee UK only

- If your machine goes wrong within one year from the date you bought it, we will repair or replace it free of charge provided:
- you have not misused, neglected or damaged it;
- it has not been modified;
- it is not second-hand;
- it has not been used commercially;
- you have not fitted a plug incorrectly; and
- **you supply your receipt to show when you bought it.**

This guarantee does not affect your statutory rights.

recipes

See important points for bread making on page 4.

white bread *stiff British-type dough*

- ingredients
- 1.36kg (3lb) strong plain flour
 - 15ml (3tsp) salt
 - 25g (1oz) fresh yeast; or 15g/20ml (½oz) dried yeast + 5ml (1tsp) sugar
 - 750ml (1¼pts) warm water: 43°C (110°F). Use a thermometer or add 250ml (9floz) boiling water to 500ml (18floz) cold water
 - 25g (1oz) lard
- method
- 1 **dried yeast** (the type that needs reconstituting): pour the warm water into the bowl. Then add the yeast and the sugar and leave to stand for about 10 minutes until frothy.
fresh yeast: crumble into the flour.
other types of yeast: follow the manufacturer's instructions.
 - 2 Pour the liquid into the bowl. Then add the flour (with fresh yeast if used), salt and lard.
 - 3 Knead at minimum speed for 45 - 60 seconds. Then increase to speed 1, adding more flour if necessary, until a dough has formed.
 - 4 Knead for 3 - 4 more minutes at speed 1 until the dough is smooth, elastic and leaves the sides of the bowl clean.
 - 5 Put the dough into a greased polythene bag or a bowl covered with a tea towel. Then leave somewhere warm until doubled in size.
 - 6 Re-knead for 2 minutes at speed 1.
 - 7 Half fill four 450g (1lb) greased tins with the dough, or shape it into rolls. Then cover with a tea towel and leave somewhere warm until doubled in size.
 - 8 Bake at 230°C/450°F/Gas Mark 8 for 30 - 35 minutes *for loaves* or 10 - 15 minutes *for rolls*.
 - When ready, the bread should sound hollow when tapped on the base.

shortcrust pastry

- ingredients
- 450g (1lb) flour, sieved with the salt
 - 5ml (1tsp) salt
 - 225g (8oz) fat (mix lard and margarine straight from the fridge)
 - About 80ml (4tbsp) water
- hint
- Don't overmix
- method
- 1 Put the flour into the bowl. Chop the fat up roughly and add to the flour.
 - 2 Mix at speed 1 until it resembles breadcrumbs. Stop before it looks greasy.
 - 3 Add the water and mix at minimum speed. Stop as soon as the water is incorporated.
 - 4 Cook at around 200°C/400°F/Gas Mark 6, depending on the filling.

pavlova

- ingredients
- 3 large egg whites
 - 175g (6oz) caster sugar
 - 275ml (10 fl.oz.) double cream
 - fresh fruit eg raspberries, strawberries, grapes, kiwi fruit
- method
- 1 Whisk the egg whites on a high speed until they form 'soft peaks'.
 - 2 With the whisk operating on speed 5, gradually add the sugar one tablespoon at a time, whisking after each addition.
 - 3 Line a baking tray with silicone paper, then spoon the meringue onto the paper forming a nest approximately 20cm/8" in diameter.
 - 4 Place the baking tray into an oven preheated to 150°C/300°F/Gas Mark 2, then immediately reduce the temperature to 140°C/275°F/Gas Mark 1 and bake for 1 hour. Turn the heat off but leave the pavlova in the oven to cool down.
 - 5 When ready to serve, peel off the silicone paper and place on a serving dish. Whip the cream until soft peaks form then spread over the top of the pavlova and decorate with the fruit.

recipes *continued*

scrumptious chocolate cake

- ingredients
- 225g (8oz) butter, softened
 - 250g (9oz) caster sugar
 - 4 eggs
 - 5ml (1tsp) instant coffee dissolved in 15ml (1tbsp) hot water
 - 30ml (2tbsp) milk
 - 5ml (1tsp) almond essence
 - 50g (2oz) ground almonds
 - 100g (4oz) self raising flour
 - 5ml (1tsp) baking powder
 - 50g (2oz) unsweetened cocoa powder
- method
- 1 Cream the butter and sugar on a low speed gradually increasing to a higher speed until the mixture is light and fluffy. Scrape down the bowl and beater.
 - 2 Beat the eggs in a jug and whilst the mixer is operating on a high speed, gradually add the egg a little at a time until incorporated. Switch off and scrape down.
 - 3 Incorporate the dissolved coffee, milk and almond essence on a low speed. Add the ground almonds, sieved flour, baking powder and cocoa. Mix on a low speed to incorporate.
 - 4 Divide the mixture between two 20cm/8" cakes tins that have been lined with greased greaseproof paper. Level the tops then bake at 180°C/350°F/Gas Mark 4 for approximately 30 minutes until springy to the touch.
 - 5 Turn out and cool on a wire rack.

chocolate mousseline filling

- ingredients
- 275g (10oz) plain chocolate, broken into pieces
 - 225ml (8 fl.oz.) double cream
- method
- 1 Melt the chocolate by placing in a bowl over a pan of barely simmering water.
 - 2 Whisk the cream starting on a low speed gradually increasing to a higher speed until it forms soft peaks.
 - 3 When the chocolate has melted remove the bowl from the heat and, using a large spoon fold into the cream.
 - 4 Spread the chocolate filling between the cooled cakes.

carrot and coriander soup

- ingredients
- 25g (1oz) butter
 - 1 onion chopped
 - 1 clove garlic crushed
 - 600g (1lb 6oz) carrot cut into 2.5cm cubes
 - cold chicken stock
 - 10-15ml (2-3tsp) ground coriander
 - salt and pepper
- method
- 1 Melt the butter in a pan, add the onion and garlic and fry until soft.
 - 2 Place the carrot into the liquidiser, add the onion and garlic. Add sufficient stock to reach the 1.2 level marked on the gobet. Fit the lid and filler cap.
 - 3 Blend on maximum speed for 5 seconds for a coarse soup or longer for a finer result.
 - 4 Transfer the mixture to a saucepan, add the coriander and seasoning and simmer the soup for 30 to 35 minutes or until cooked.
 - 5 Adjust the seasoning as necessary and add extra liquid if required.

faites connaissance avec votre robot de cuisine Kenwood

sécurité

- Éteignez et débranchez l'appareil avant d'adapter ou de retirer tout élément/accessoire, après l'utilisation et avant le nettoyage.
- Cet appareil n'est pas prévu pour être utilisé par de jeunes enfants ou des personnes infirmes sans surveillance.
- N'approchez jamais vos doigts des éléments en mouvement ou des accessoires fixés sur votre robot.
- Ne laissez jamais votre appareil sans surveillance lorsqu'il fonctionne et maintenez-le hors de portée des enfants.
- N'utilisez jamais un appareil endommagé ou en mauvais état. Faites-le vérifier et réparer. Pour cela reportez-vous à la rubrique 'service après-vente' en page 16.
- N'utilisez jamais un accessoire non adapté à cet appareil et n'utilisez pas plus d'un accessoire à la fois.
- Ne dépassez jamais les capacités maximales de charge de l'appareil telles qu'elles sont précisées en page 12.
- Ne laissez pas un enfant jouer avec cet appareil.
- Lorsque vous utilisez un accessoire, lisez attentivement les instructions sur la sécurité concernant cet accessoire.
- Ce robot est uniquement prévu pour un usage domestique.
- Faites attention pour soulever le robot qui est lourd. Assurez-vous que la tête est verrouillée et que le bol, les accessoires, les couvercles des orifices et le cordon sont fixés avant de le soulever.

avant de brancher l'appareil

- Assurez-vous que le courant électrique que vous utilisez est le même que celui indiqué sous votre appareil.
- Cet appareil est conforme à la directive 89/336/CEE de la C. E.

avant d'utiliser votre appareil pour la première fois

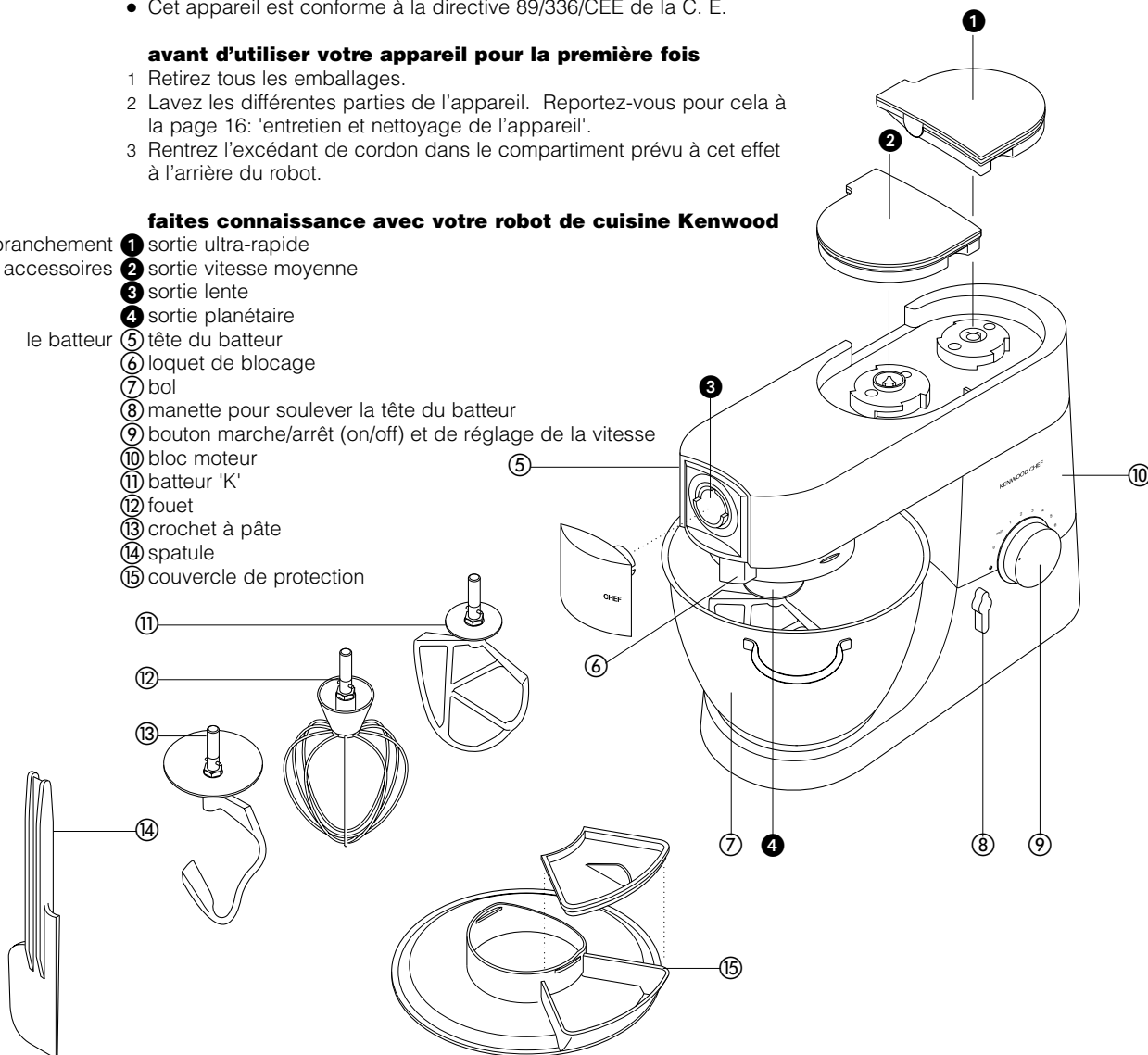
- 1 Retirez tous les emballages.
- 2 Lavez les différentes parties de l'appareil. Reportez-vous pour cela à la page 16: 'entretien et nettoyage de l'appareil'.
- 3 Rentrez l'excédant de cordon dans le compartiment prévu à cet effet à l'arrière du robot.

faites connaissance avec votre robot de cuisine Kenwood

orifices de branchement des différents accessoires

le batteur

- 1 sortie ultra-rapide
- 2 sortie vitesse moyenne
- 3 sortie lente
- 4 sortie planétaire
- 5 tête du batteur
- 6 loquet de blocage
- 7 bol
- 8 manette pour soulever la tête du batteur
- 9 bouton marche/arrêt (on/off) et de réglage de la vitesse
- 10 bloc moteur
- 11 batteur 'K'
- 12 fouet
- 13 crochet à pâte
- 14 spatule
- 15 couvercle de protection



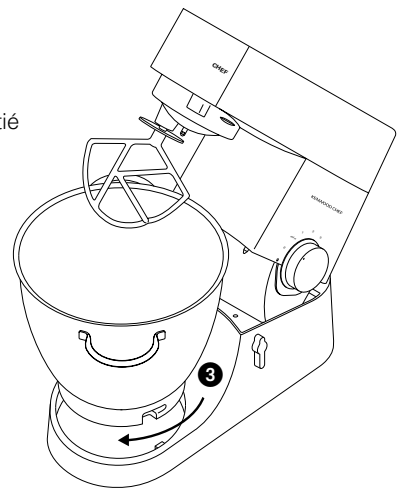
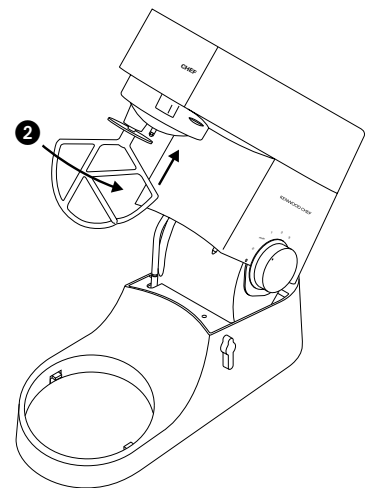
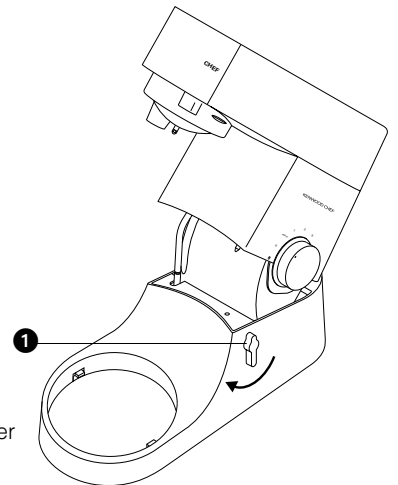
le batteur

les accessoires du batteur et quelques uns de leurs utilisations possibles

- batteur 'K' • Pour la confection de cakes, biscuits, pâtisseries, glaçages, garnitures, éclairs et purées de pommes de terre.
- fouet • Pour les oeufs, la crème, la pâte à frire, les gâteaux (type gâteau de Savoie) sans matière grasse, les meringues, les gâteaux au fromage, les mousses, les soufflés. N'utilisez pas le fouet pour les mélanges épais (comme par exemple pour travailler les matières grasses ou le sucre) car vous pourriez l'endommager.
- crochet à pâte • pour les mélanges à base de levure.

pour utiliser le batteur

- 1 Tournez le levier ❶ dans le sens des aiguilles d'une montre pour soulever la tête du batteur et soulevez-la jusqu'à ce qu'elle s'enclenche en position.
- 2 Tournez l'accessoire jusqu'à ce qu'il s'arrête ❷ puis pousser.
- 3 Adaptez le bol sur la base - pressez vers le bas et tournez dans le sens des aiguilles d'une montre ❸
- 4 Pour abaisser la tête du batteur, soulevez-la légèrement, puis tournez le levier dans le sens des aiguilles d'une montre. Abaissez-la en position verrouillée.
- 5 Mettez le robot sous tension et tournez le variateur sur la vitesse voulue.
 - Passez en mode pulsateur P pour procéder par brèves impulsions.
- 6 Dévissez.



- astuces
- Eteignez l'appareil et raclez fréquemment le bol avec la spatule.
 - Pour battre les oeufs, il est conseillé d'utiliser des oeufs à température ambiante.
 - Avant de monter les blancs en neige, vérifiez qu'il n'y a pas de restes de graisse ou de jaune d'oeuf sur le fouet ou dans le bol.
 - Utilisez des ingrédients froids pour la pâte sauf indications contraires mentionnées sur votre recette.

points importants pour la fabrication du pain

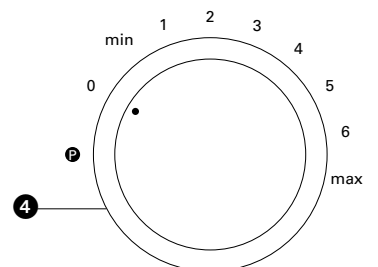
- important
- Ne dépassez jamais les capacités maximales signalées ci-dessous car vous risqueriez de surcharger votre appareil.
 - Si vous entendez votre appareil forcer, éteignez l'appareil, retirez la moitié de la pâte et travaillez chaque moitié séparément.
 - Les ingrédients se mélangeront mieux si vous mettez les liquides en premier dans l'appareil.

capacités maximales

	CHEF	MAJOR
pâte brisée	• Quantité de farine: 680g	910g
pâte ferme à base de levure	• Quantité de farine: 1,36kg	1,5kg
type anglais	• Quantité de farine: 2,18kg	2,4kg
pâte souple à base de levure	• Quantité de farine: 1,3kg	2,6kg
type continental	• Quantité de farine: 2,5kg	5kg
cake aux fruits	• Quantité de farine: 2,72kg	4,55kg
blancs d'oeufs	• 12	16

vitesses ❹

- batteur "K"
- **Travailler les corps gras en crème avec le sucre** commencez sur min, augmentez progressivement jusqu'au max.
 - **Incorporer les œufs à une crème** 4 - "max".
 - **Incorporer la farine, les fruits, etc.** Min - 1.
 - **Battre tous les ingrédients d'un gâteau** simultanément commencez à vitesse min, augmentez progressivement jusqu'au max.
 - **Incorporer les corps gras à la farine** min - 2.
- fouet
- Augmentez progressivement jusqu'à 'max'.
- crochet à pâte
- Commencez sur 'min', puis augmentez graduellement jusqu'à passer sur 1.



pour le **nettoyage** de l'appareil reportez-vous à la page 16.

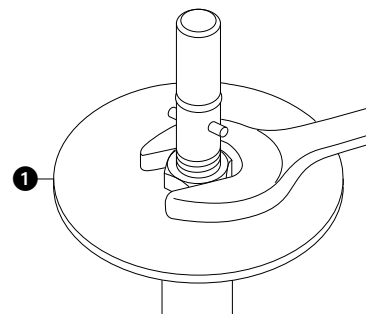
solutionner les problèmes

problème

- Le fouet ou le batteur 'K' vient heurter le fond du bol ou ne peut pas atteindre les ingrédients situés au fond du bol.

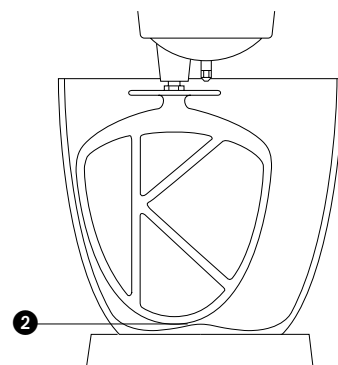
solution • Ajuster la hauteur de la manière suivante :

- 1 Débranchez l'appareil.
- 2 Levez la tête du batteur et introduisez le fouet ou batteur.
- 3 Maintenez-le, puis desserrez l'écrou. **1**
- 4 Abaissez la tête du batteur.
- 5 Réglez la hauteur en tournant l'axe. Le fouet/batteur en K est en position idéale lorsqu'il touche **presque** le fond du bol. **2**
- 6 Levez à nouveau la tête, maintenez le fouet/batteur en K et resserrez l'écrou.



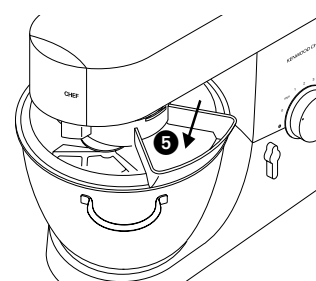
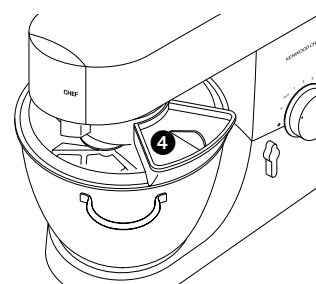
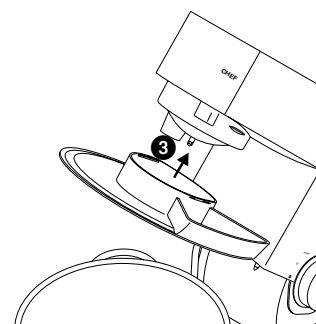
problème

- Le batteur s'arrête pendant l'utilisation.
- Votre batteur est équipé d'un dispositif de protection contre les surcharges, il s'arrête en cas de surcharge. Si cela se produit, éteignez et débranchez le batteur. Retirez une partie des ingrédients pour réduire la charge et laissez le batteur reposer pendant quelques minutes. Rebranchez-le et sélectionnez une vitesse. Si le batteur ne redémarre pas immédiatement, laissez-le reposer un peu plus longtemps.



installation et utilisation du couvercle de protection

- 1 Levez la tête du batteur jusqu'en position verrouillée.
- 2 Installez le bol sur le socle.
- 3 Placez le couvercle de protection sous la tête du batteur **3** jusqu'à son emplacement correct. Le bac récupérateur doit être positionné comme indiqué.
- 4 Insérez l'outil nécessaire.
- 5 Abaissez la tête du batteur.
- 6 Fixez le couvercle du bac récupérateur **4**.
 - Pendant le mélange le couvercle du bac récupérateur peut être enlevé ; les ingrédients peuvent ainsi être ajoutés directement dans le bol **5**.
 - Vous n'avez pas besoin d'enlever le couvercle de protection pour changer d'outil.
- 7 Retirez le couvercle de protection en le faisant glisser vers le bas après avoir soulevé la tête du batteur.



les **accessoires** disponibles

Si vous souhaitez acheter un accessoire qui n'a pas été livré avec votre appareil, contactez votre spécialiste conseil KENWOOD.

accessoire code accessoire

appareil à pâtes plates ① **AA970**

accessoires supplémentaires

- pour pâtes **A971** tagliatelle
- (non illustrés) à utiliser **A972** tagliolini
- avec A970 **A973** trenette
- A974** spaghetti

appareil à pâtes fraîches ② **A936** livré avec 6 grilles

éminceur/râpe lent ③ **A948** livrée avec 4 cônes

- hachoir** ④ **A950** livré avec
- a grand adaptateur à saucisses
 - b petit adaptateur à saucisses
 - c adaptateur à kebbés

moulin à céréales ⑤ **A941**

presse-agrumes ⑥ **A960**

cuve de préparation

alimentaire ⑦ **A980** livrée avec trois grilles à émincer/râper et un couteau rotatif

éminceur/râpe rapide ⑧ **A998** livré avec 3 grilles

grilles supplémentaires pour

- A980 & A998 a moulin extra robuste **référence 639021**
- b grille râpe **référence 639150**
- c coupe frites **référence 639083**

mixer ⑨ 1,2 l acrylique **A993A**, 1,2 l verre **A994A**, 1,5 l acier inoxydable **A996A**

mini cuve ⑩ **A938A** livrée avec 3 pots en verre et 3

couvertres de rangement

centrifugeuse ⑪ **A935**

appareil à glace ⑫ **CHEF A956**, **MAJOR A957**

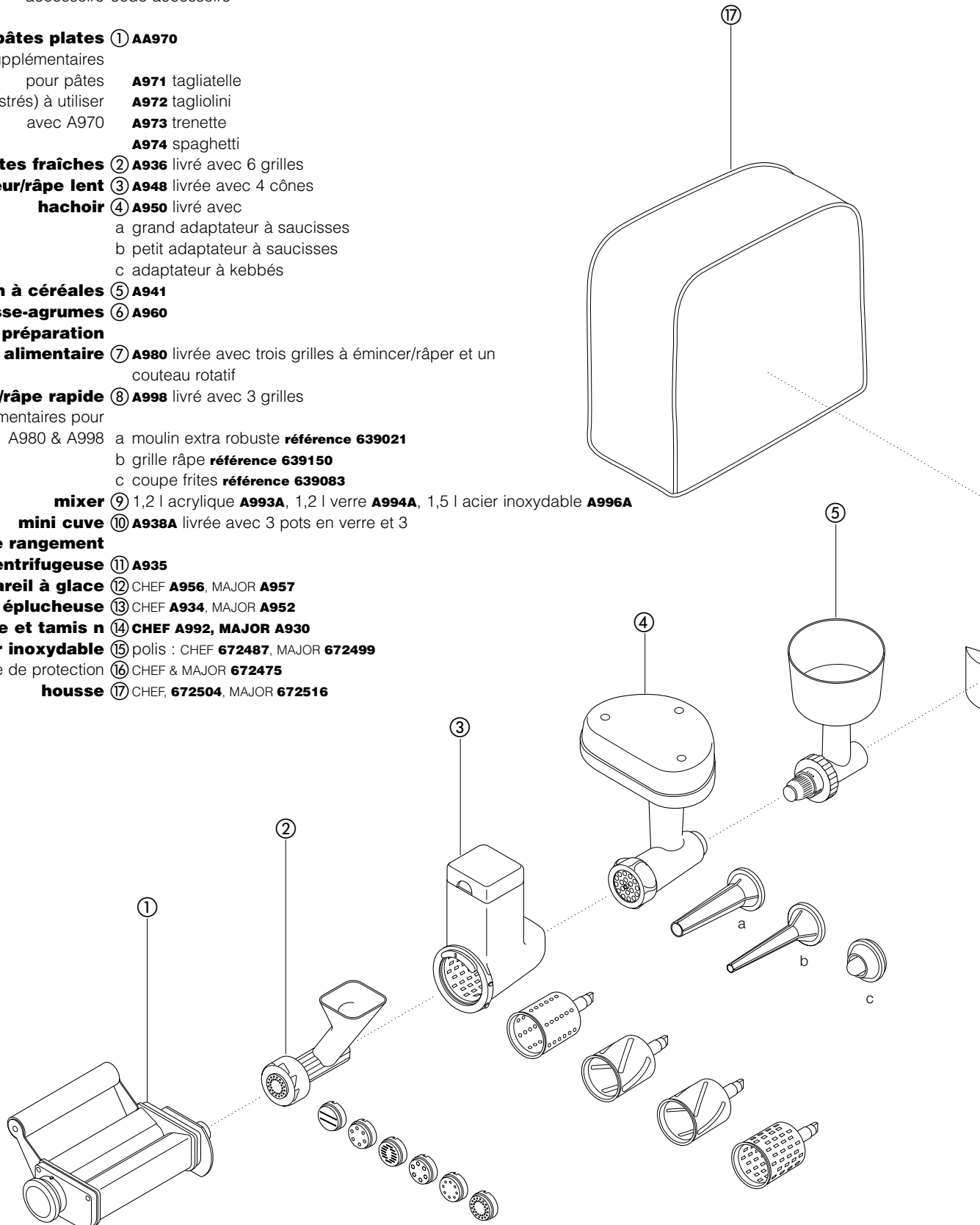
éplucheuse ⑬ **CHEF A934**, **MAJOR A952**

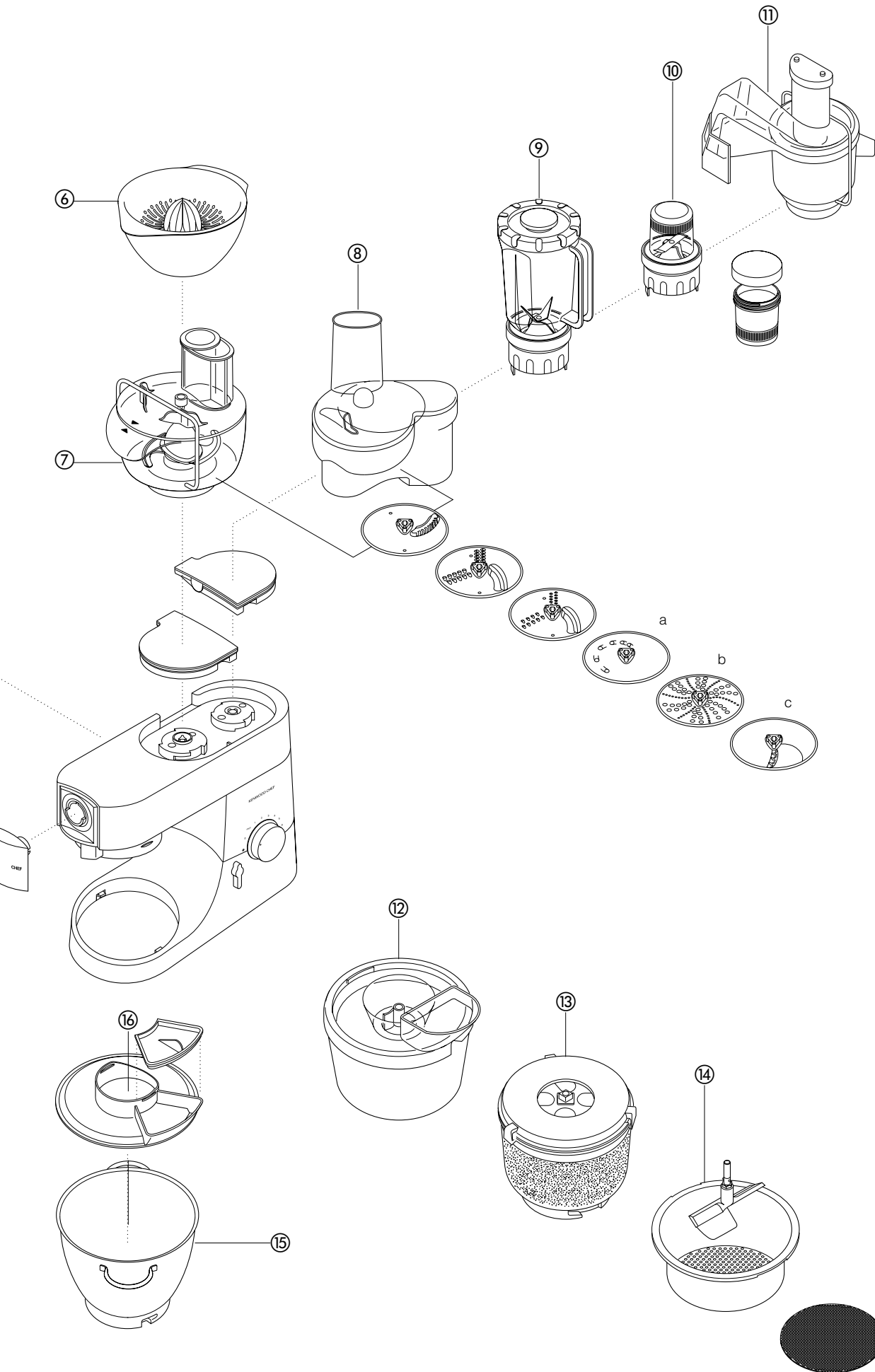
passoire et tamis n ⑭ **CHEF A992**, **MAJOR A930**

bols en acier inoxydable ⑮ polis : **CHEF 672487**, **MAJOR 672499**

couverture de protection ⑯ **CHEF & MAJOR 672475**

housse ⑰ **CHEF 672504**, **MAJOR 672516**



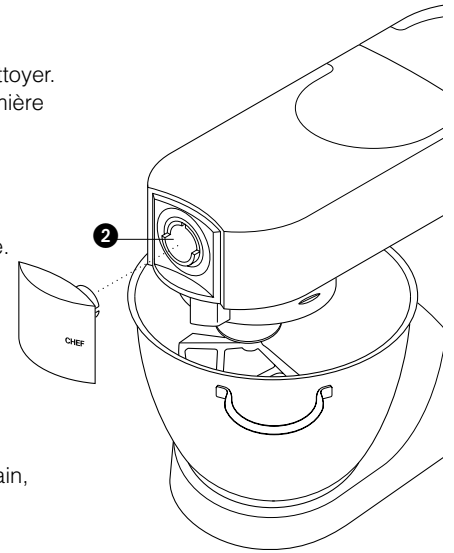


nettoyage de l'appareil et service après-vente

entretien et nettoyage

- Eteignez toujours votre appareil et débranchez-le avant de le nettoyer.
- Un peu de graisse peut apparaître à l'**orifice 2** lors de la première utilisation. C'est normal, il vous suffit de l'essuyer.

- robot, couvercles des orifices
 - Essuyez-les avec un chiffon humide, puis séchez-les.
 - N'utilisez jamais d'abrasifs et n'immergez jamais dans l'eau.
- bol
 - Lavez-le à la main puis essuyez-le ou lavez le en lave-vaisselle.
 - N'utilisez jamais de brosse métallique, de paille de fer ou de chlore pour nettoyer votre bol en acier inoxydable. Utilisez du vinaigre pour enlever le calcaire.
 - Tenez le bol à l'écart de la chaleur (plaques de cuisson, fours conventionnels, fours à micro-ondes).
- accessoires
 - Les accessoires en acier inoxydables peuvent être lavés à la main ou en lave-vaisselle.
 - Les autres accessoires (enduits) ne doivent être lavés qu'à la main, puis entièrement séchés.
- couvercle de protection
 - Lavez-le à la main, puis séchez-le entièrement.



service après-vente et assistance clientèle

- Si le cordon souple de votre robot est endommagé, il faut impérativement, pour des raisons de sécurité, que celui-ci soit remplacé par un réparateur agréé KENWOOD ou par KENWOOD.

Si vous avez besoin d'assistance pour:

- utiliser votre appareil
- commander un autre accessoire
- faire réparer ou entretenir votre appareil:

Contactez le magasin où vous avez acheté votre appareil.

recettes

Pour connaître les points importants de la fabrication du pain, veuillez vous reporter à la page 12.

pain blanc *pâte souple type continental*

ingrédients • 2,6kg de farine ordinaire

Ces quantités s'appliquent aux modèles Major. Pour les modèles Chef, réduisez les quantités de moitié et ajoutez la farine en une fois.

méthode

- 1,3 litre de lait
 - 300g de sucre
 - 450g de margarine
 - 100g de levure fraîche ou 50g de levure sèche
 - 6 oeufs, préalablement battus
 - 5 pincées de sel
- 1 Faites dissoudre la margarine dans le lait et portez la température à 43°C.
 - 2 **levure sèche** (à reconstituer) : Ajoutez la levure et le sucre au lait et laissez reposer pendant environ 10 minutes jusqu'à ce que le mélange obtenu soit mousseux.
levure fraîche: incorporez à la farine en émiettant et ajoutez le sucre.
autres types de levure : reportez-vous aux instructions du fabricant.
 - 3 Versez le lait dans le bol, ajoutez-y les oeufs battus et 2kg de farine.
 - 4 Mélangez à la vitesse minimale pendant 1 minute puis à la vitesse 1 pendant une minute supplémentaire.
 - 5 Ajoutez le reste de la farine et le sel et mélangez le tout à la vitesse minimale pendant une minute, puis à la vitesse 1 pendant 2 - 3 minutes jusqu'à ce que le mélange soit homogène et bien mélangé.
 - 6 Remplissez à moitié plusieurs moules de 450g avec la pâte. (Ces moules doivent être préalablement beurrés) ou bien réalisez des petits pains avec la pâte. Couvrez ensuite avec un torchon de cuisine et laissez reposer dans un endroit chaud jusqu'à ce que la pâte ait doublé de volume.
 - 7 Faites cuire à 200°C/Thermostat 6 pendant 20 - 25 minutes pour les *miches de pain* et 15 minutes pour les *petits pains*.
 - 8 Lorsque le pain est cuit, il doit sonner creux lorsqu'on le tapote sur la base.
- Permet de réaliser environ 10 miches de pain.

pâte brisée

ingrédients • 450g de farine tamisée avec du sel

- 5ml de sel
- 225g de matière grasse (mélange de lard et de margarine directement sortis du réfrigérateur)
- Environ 80ml d'eau (soit l'équivalent de 4 cuillères à soupe)

astuce • Ne mélangez pas pendant trop longtemps.

méthode

- 1 Mettez la farine dans le bol. Découpez la matière grasse que vous utilisez en morceaux grossiers et ajoutez à la farine.
- 2 Mélangez à vitesse 1 jusqu'à obtenir l'apparence de miettes de pain. Arrêtez avant d'obtenir une apparence grasse.
- 3 Ajoutez l'eau et mélangez à la vitesse minimale. Arrêtez dès que l'eau est bien incorporée au mélange.
- 4 Faites cuire à environ 200°C/Thermostat 6, selon la garniture.

pavlova

ingrédients • blancs de 3 gros œufs

- 175 g de sucre extra fin
- 275 ml de crème fraîche épaisse
- fruits frais, p. ex. framboises, fraises, raisins, kiwis

méthode

- 1 Battez les blancs d'œuf en neige jusqu'à ce que la mousse tiende au fouet.
- 2 Le fouet fonctionnant à la vitesse 5, ajoutez graduellement le sucre cuillère à soupe par cuillère à soupe, en battant après chaque ajout.
- 3 Couvrez une plaque de four avec du papier siliciné, puis déposez la meringue à la cuillère sur le papier pour former un nid d'environ 20 cm de diamètre.
- 4 Placez la plaque dans un four préchauffé à environ 150 ° C/thermostat 2, puis réduisez immédiatement la température à 140 ° C/thermostat 1 et faites cuire pendant une heure. Éteignez le four mais laissez le pavlova refroidir dans le four.
- 5 Lorsque le dessert est prêt à servir, retirez le papier siliciné et placez-le sur un plat. Fouettez la crème jusqu'à ce qu'elle tiende au fouet et répandez-la au dessus du pavlova et décorez-le avec les fruits.

recettes *suite*

délicieux gâteau au chocolat

- ingrédients
- 225 g de beurre ramolli
 - 250 g de sucre extra fin
 - 4 œufs
 - 5 ml de café instantané dissous dans 15 ml d'eau chaude
 - 30 ml de lait
 - 5 ml d'essence d'amende
 - 50 g de poudre d'amende
 - 100 g de farine auto-levante
 - 5 ml de levure chimique
 - 50 g de cacao en poudre non sucré
- méthode
- 1 Mélangez le beurre et le sucre à faible vitesse en passant graduellement à une vitesse plus rapide jusqu'à obtenir un mélange léger et onctueux. Videz le bol et nettoyez le fouet.
 - 2 Battez les œufs dans une jatte et pendant que le batteur tourne à grande vitesse, ajoutez l'œuf peu à peu jusqu'à ce qu'il s'incorpore. Éteignez et videz la jatte.
 - 3 Incorporez le café dissous, le lait et l'essence d'amende à faible vitesse. Ajoutez la poudre d'amende, la farine tamisée, le levure chimique et le cacao. Mélangez à faible vitesse jusqu'à incorporation.
 - 4 Partagez le mélange dans deux moules à gâteau de 20 cm préalablement recouverts de papier sulfurisé beurré. Nivelez le dessus, puis cuire à 180 ° C/thermostat 4 pendant environ 30 minutes jusqu'à ce qu'il soit moelleux au toucher.
 - 5 Retournez les gâteaux et laissez-les refroidir sur une grille.

garniture mousseline au chocolat

- ingrédients
- 275 g de chocolat noir brisé en morceaux
 - 225 ml de crème fraîche épaisse
- méthode
- 1 Faites fondre le chocolat dans un bol au bain-marie.
 - 2 Fouettez la crème en commençant à faible vitesse puis augmentez graduellement la vitesse jusqu'à ce que la crème tienne au fouet.
 - 3 Lorsque le chocolat a fondu retirez le bol du bain-marie, et incorporez le chocolat à la crème avec une grande cuillère.
 - 4 Répartissez la garniture au chocolat sur les gâteaux refroidis.

soupe aux carottes et à la coriandre

- ingrédients
- 25 g de beurre
 - 1 oignon émincé
 - 1 gousse d'ail écrasée
 - 600 g de carottes coupées en dés de 2,5cm de côté
 - bouillon de poulet froid
 - 10-15 ml (2 à 3 cuillères à café) de coriandre hachée
 - sel et poivre
- méthode
- 1 Faites fondre le beurre dans une poêle, ajoutez l'ail, l'oignon et faites fondre le tout.
 - 2 Placez les carottes dans le mixer, ajoutez l'oignon et l'ail. Ajoutez suffisamment de bouillon pour atteindre le niveau 1.2 marqué sur le bol. Mettez en place le couvercle et le bouchon de remplissage.
 - 3 Mélangez à vitesse maximum pendant 5 secondes pour obtenir une soupe avec morceaux ou plus longtemps pour obtenir une soupe plus fine.
 - 4 Versez le mélange dans une casserole, ajoutez la coriandre et l'assaisonnement faites frémir pendant 30 à 35 minutes ou jusqu'à cuisson complète.
 - 5 Ajustez l'assaisonnement si nécessaire et ajoutez éventuellement du liquide.

Ihre Küchenmaschine von Kenwood

Wichtige Sicherheitshinweise

- Vor dem Einsetzen oder Abnehmen von Rührgeräten oder Zubehörteilen, nach dem Gebrauch und vor dem Reinigen immer ausschalten und Netzstecker ziehen.
- Kinder und gebrechliche Personen bitte nur unter Beaufsichtigung dieses Gerät benutzen lassen.
- Greifen Sie nicht in rotierende Teile und montierte Vor- und Aufsätze.
- Lassen Sie die Maschine nie unbeaufsichtigt eingeschaltet. Halten Sie Kinder von der Maschine fern.
- Benutzen Sie eine beschädigte Maschine nicht weiter, sondern lassen Sie sie vor Benutzung überprüfen und reparieren - siehe Seite 24, Abschnitt 'Kundendienst'.
Verwenden Sie nur das von Kenwood zugelassene Zubehör, und immer nur ein Zubehörteil auf einmal.
- Überschreiten Sie die auf Seite 20 angegebenen Höchstmengen nicht.
- Kinder nicht mit dem Gerät spielen lassen.
- Beachten Sie die mit jedem Zubehörteil mitgelieferten Sicherheitsanweisungen.
- Dieses Gerät darf nur für den dafür vorgesehenen Zweck im Haushalt verwendet werden.
- Heben Sie das Gerät vorsichtig an, denn es ist schwer. Vergewissern Sie sich vor dem Anheben, dass der Kopf arretiert ist und dass die Schüssel, Werkzeuge, Abdeckungen und das Kabel fest sitzen.

Vor dem Einschalten

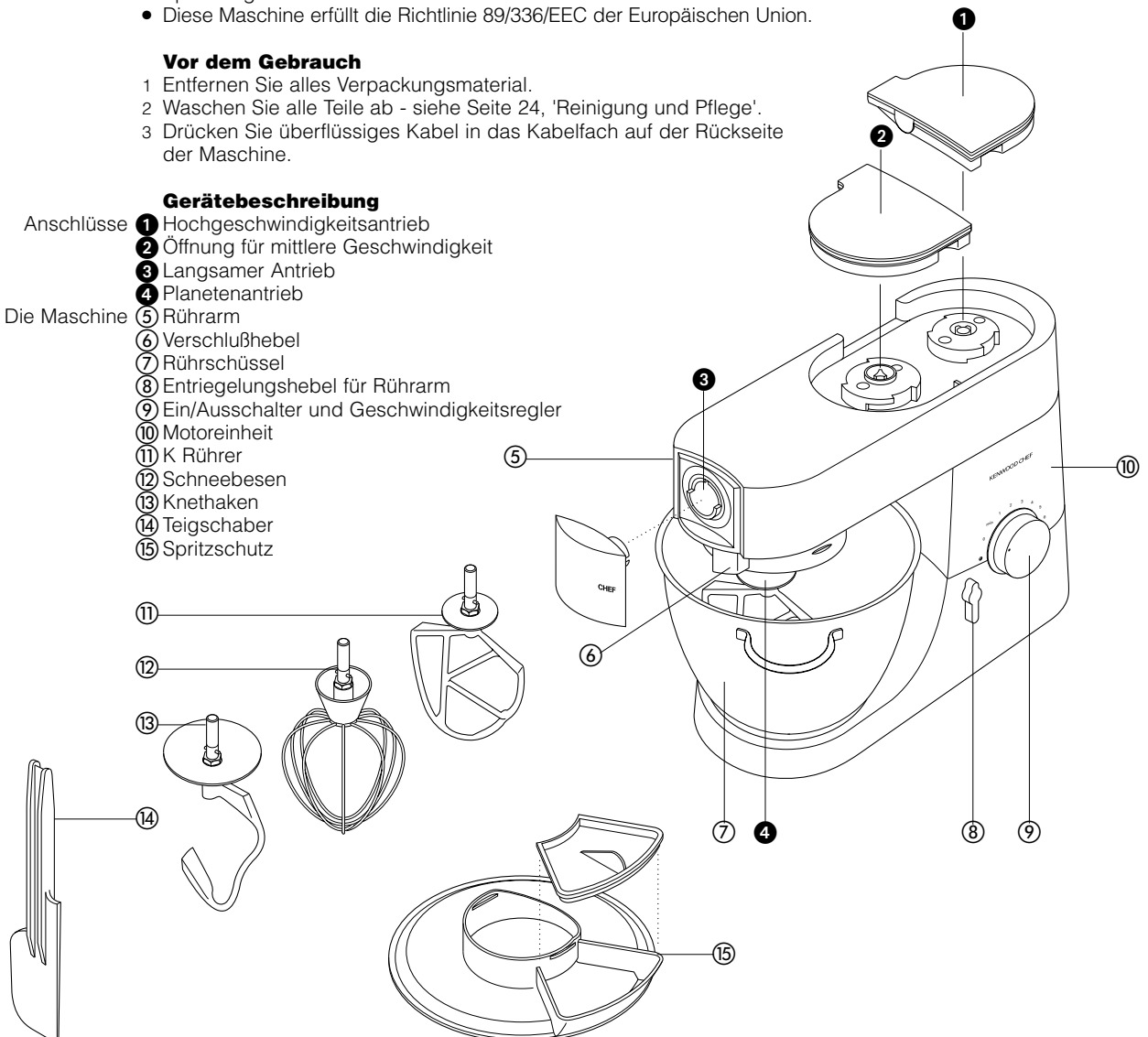
- Überprüfen Sie, ob die Spannung Ihres Stromnetzes mit der auf dem Typenschild (auf der Unterseite der Maschine) angegebenen Spannung übereinstimmt.
- Diese Maschine erfüllt die Richtlinie 89/336/EEC der Europäischen Union.

Vor dem Gebrauch

- 1 Entfernen Sie alles Verpackungsmaterial.
- 2 Waschen Sie alle Teile ab - siehe Seite 24, 'Reinigung und Pflege'.
- 3 Drücken Sie überflüssiges Kabel in das Kabelfach auf der Rückseite der Maschine.

Gerätebeschreibung

- Anschlüsse
- 1 Hochgeschwindigkeitsantrieb
 - 2 Öffnung für mittlere Geschwindigkeit
 - 3 Langsamer Antrieb
- Die Maschine
- 4 Planetenantrieb
 - 5 Rührarm
 - 6 Verschlusshebel
 - 7 Rührschüssel
 - 8 Entriegelungshebel für Rührarm
 - 9 Ein/Ausschalter und Geschwindigkeitsregler
 - 10 Motoreinheit
 - 11 K Rührer
 - 12 Schneebesens
 - 13 Knethaken
 - 14 Teigschaber
 - 15 Spritzschutz



Die Maschine

Die Rührwerkzeuge und ihr Gebrauch

- K-Rührer • für Kuchen-, Mürbe-, Torten-, Blätter- und Nudelteig
- Schneebeesen • zum Aufschlagen von Eiern, Sahne, Waffel- und Brandteig, Bisquitteig, Mousses, Soufflés usw. Nicht verwenden für schwere Mischungen - der Schneebeesen kann dabei zerbrechen.
- Knethaken • für Hefeteig, Brotteig

Gebrauch der Maschine

- Rührwerkzeug einsetzen
- 1 Drehen Sie den Hebel zum Anheben des Kopfes im Uhrzeigersinn **1** und heben Sie den Mixerkopf an, bis er einrastet.
 - 2 Das Rührwerkzeug bis zum Anschlag drehen **2**
 - 3 Die Rührschüssel auf den Fuß aufsetzen - nach unten drücken und im Uhrzeigersinn drehen **3**
 - 4 Heben Sie den Mixerkopf zum Absenken erst leicht an und drehen Sie den Hebehebel des Kopfes im Uhrzeigersinn. Senken Sie den Kopf bis zur Einraststellung.
 - 5 Schalten Sie die Maschine an und drehen Sie den Geschwindigkeitsschalter auf die gewünschte Einstellung.
 - Zum Intervall-Rühren den Regler auf Impulsbetrieb **P** stellen.
- Rührwerkzeug entfernen
- 6 Gegen den Uhrzeigersinn drehen und nach unten herausziehen.

- Tips
- Falls nötig die Maschine ausschalten und mit dem Teigschaber die Masse vom Schüsselrand lösen.
 - Eier lassen sich am leichtesten aufschlagen, wenn sie Zimmertemperatur haben.
 - Vor dem Schlagen von Eiweiß darauf achten, daß kein Fett oder Eigelb am Schneebeesen oder an der Schüssel haftet.
 - Bleibt Teig am Schüsselboden unbearbeitet, die Einstellung der Rührwerkzeuge überprüfen.

Brotteig

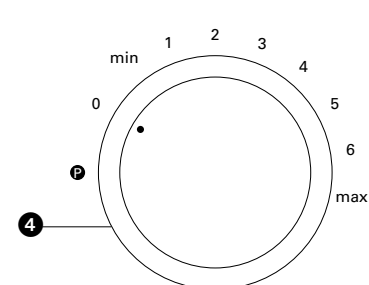
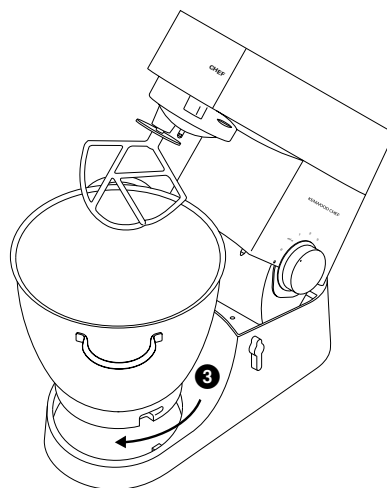
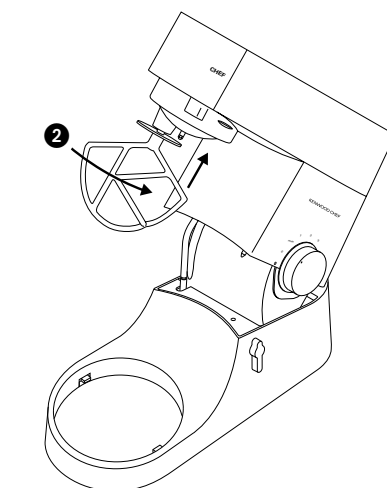
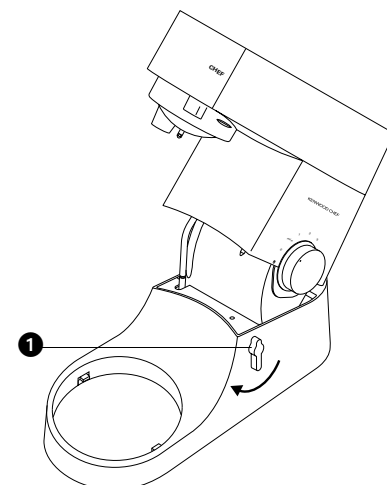
- Wichtig
- Die unten angegebenen Höchstmengen nicht überschreiten, damit die Maschine nicht überlastet wird.
 - Wenn die Maschine schwer läuft: Maschine abschalten, die Hälfte der Teigmenge herausnehmen und jede Hälfte gesondert kneten.
 - Zuerst die trockenen Zutaten mischen, dann bei laufender Maschine Flüssigkeiten zufügen.

Höchstfüllmengen

	CHEF	MAJOR
Teig	• Gesamtgewicht bis zu 3kg	• Gesamtgewicht bis zu 5kg
Eiweiß	• 1 - 12	• 1 - 16
Sahne	• 1,5l	• 2,5l

Geschwindigkeiten **4**

- K-Rührer • **Verrühren von Fett und Zucker** Mit minimaler Geschwindigkeitsstufe beginnen, nach und nach bis auf Max erhöhen.
- **Eier cremig schlagen** 4-'Max'.
- **Mehl, Obst etc. untermischen** Min-1.
- **Backmischungen** Mit minimaler Geschwindigkeitsstufe beginnen, nach und nach bis auf Max erhöhen.
- **Verrühren von Fett und Mehl** Min-2.
- Schneebeesen • Allmählich bis max steigern.
- Knethaken • mit 'min' beginnend, allmählich bis '1' steigern.



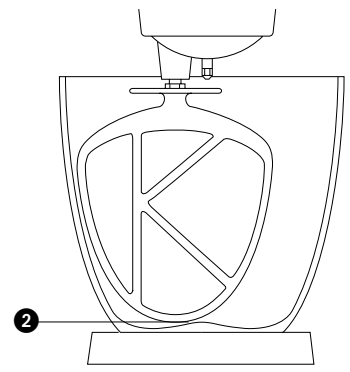
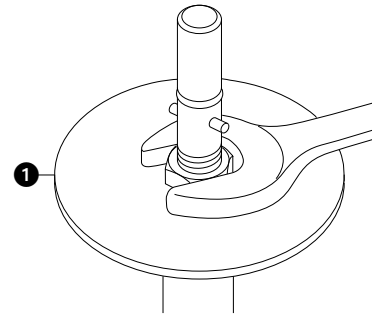
Fehlersuche

Problem

- Schneebesen oder K-Rührer schlagen gegen den Boden der Rührschüssel oder erreichen die Zutaten am Boden der Rührschüssel nicht.

Lösung • Höheneinstellung folgendermaßen anpassen:

- 1 Den Netzstecker der Maschine ziehen.
- 2 Mixerkopf anheben und Schneebesen oder Teigrührer einsetzen.
- 3 Festhalten, dann Schraubenmutter ❶ lösen.
- 4 Mixerkopf senken.
- 5 Höhe durch Drehen des Schafts einstellen. Im Idealfall sollte der Schneebesen/K-Teigrührer **beinahe** den Schüsselboden ❷ berühren.
- 6 Kopf anheben, Schneebesen/K-Teigrührer festhalten und Schraubenmutter anziehen.



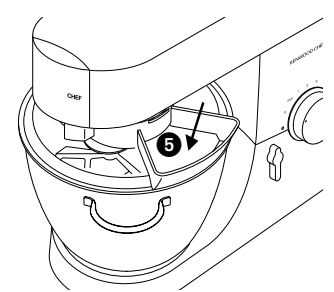
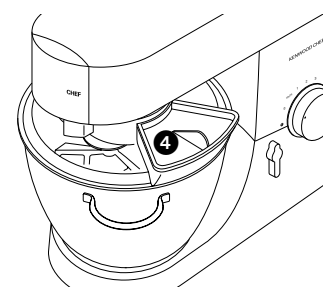
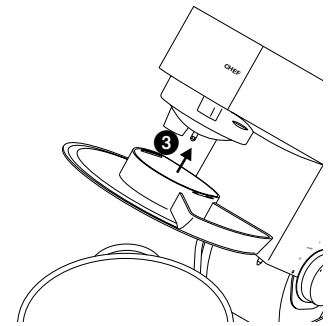
Problem

- Der Mixer stoppt im Betrieb.

Lösung • Ihr Mixer ist mit einem Überlastschutz ausgestattet und stoppt bei Überlastung, um die Maschine zu schützen. Wenn dies passiert, schalten Sie den Mixer ab und ziehen den Stecker aus der Steckdose. Entfernen Sie einen Teil der Zutaten, um die Belastung zu verringern und lassen Sie den Mixer einige Minuten ruhen. Stecken Sie den Stecker wieder in die Steckdose und wählen Sie erneut die gewünschte Geschwindigkeit. Wenn der Mixer nicht sofort wieder startet, lassen Sie ihn noch eine Weile ruhen.

Anbringen und Verwenden Ihres Spritzschutzes

- 1 Mixerkopf anheben, bis er einrastet.
- 2 Schüssel auf den Sockel aufsetzen.
- 3 Den Spritzschutz auf die Unterseite des Rührarms ❸ drücken, bis er korrekt einrastet. Füllrohr gemäß Abbildung anbringen.
- 4 Das gewünschte Rührwerkzeug einsetzen.
- 5 Rührkopf absenken.
- 6 Die Abdeckung für das Füllrohr ❹ aufsetzen.
- Während des Rührvorgangs kann die Abdeckung des Füllrohrs abgenommen und weitere Zutaten direkt in die Rührschüssel ❺ eingefüllt werden.
- Zum Auswechseln der Rührwerkzeuge ist es nicht erforderlich, den Spritzschutz zu entfernen.
- 7 Zum Abnehmen des Spritzschutzes den Rührarm anheben und den Spritzschutz abziehen.



Das erhältliche **Zubehör**

Zubehörteile, die nicht mit der Maschine mitgeliefert wurden, erhalten Sie bei Ihrem Kenwood-Händler.

Hinweis: nicht alle hier abgebildeten Zubehörteile sind lieferbar.

vorsatz vorsatz-code

flacher Nudelvorsatz ① **A970**

weitere Nudelvorsätze **A971** Tagliatelle
 (nicht gezeigt) zur **A972** Tagliolini
 Verwendung mit A970 **A973** Trenette
 A974 Spaghetti

nudelvorsatz ② **A936** wird mit 6 Siebscheiben geliefert

langsamer Schlitz/

Reibvorsatz ③ **A948** wird mit 4 Trommeln geliefert

superhacker ④ **A950** wird mit
 a großer Wurstdüse
 b kleiner Wurstdüse
 c Kebbe-Vorsatz geliefert

getreidemühle ⑤ **A941**

Zitruspresse ⑥ **A960**

Küchenmaschinenvorsatz

und einMesser ⑦ **A980** enthält 3 Schneidscheiben als Standard

Schneller Schlitz/Reibvorsatz ⑧ **A998** enthält 3 Schneidscheiben als Standard

Optionale Scheiben für A980 & A998 a Zusätzliche Grobreibe **Teilnummer 639021**

b Raspelscheibe **Teilnummer 639150**

c Standard-Schnitzelwerk **Teilnummer 639083**

Pürierer ⑨ 1,2 l Acryl **A993A**, 1,2 l Glas **A994A**, 1,5 l Edelstahl **A996A**

Multimühle ⑩ **A938A** mit 3 Glasgefäßen und 3 Deckeln zum Aufbewahren

Kontinuierlicher Entsafter ⑪ **A935**

Eismaschine ⑫ CHEF **A956**, MAJOR **A957**

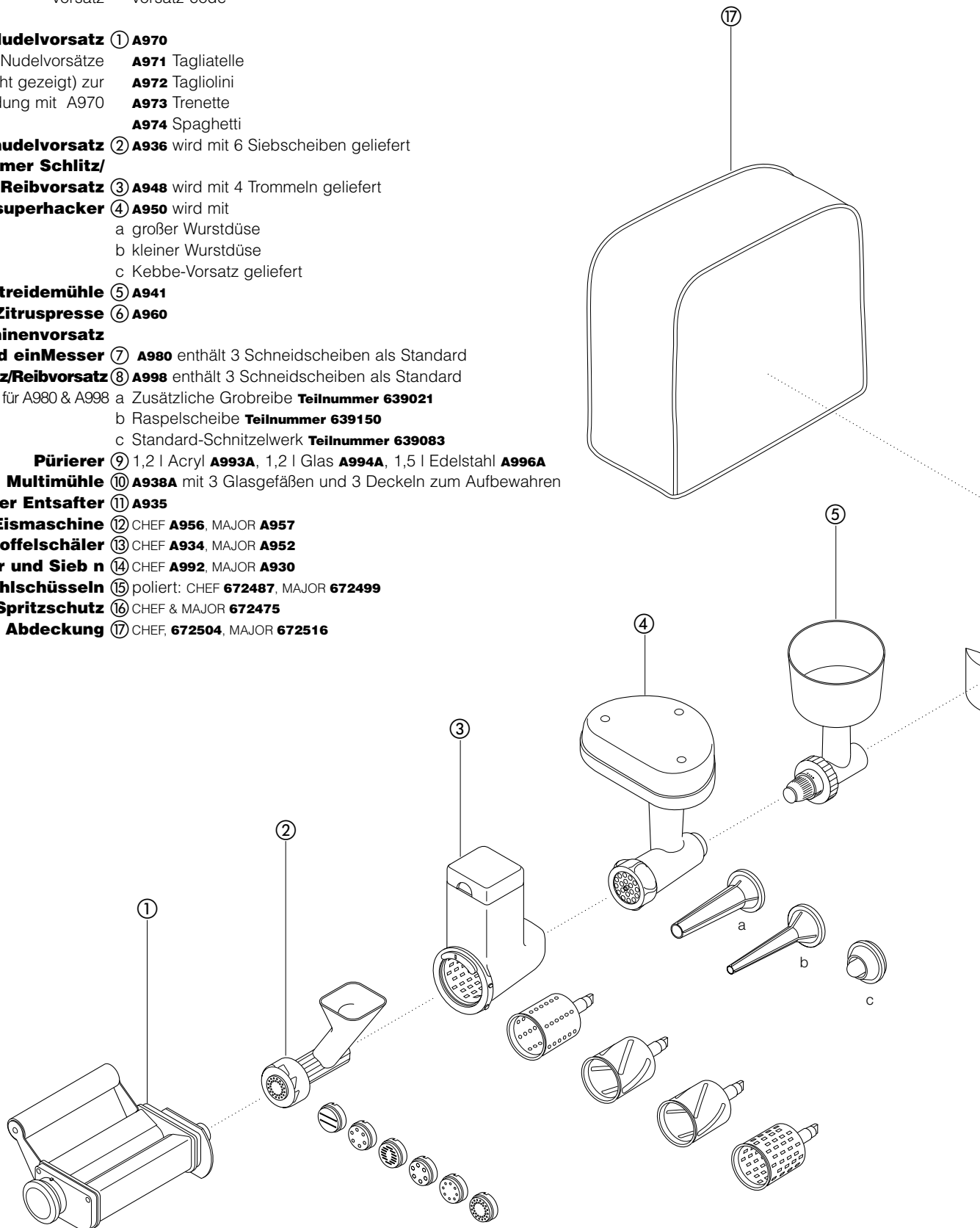
Kartoffelschäler ⑬ CHEF **A934**, MAJOR **A952**

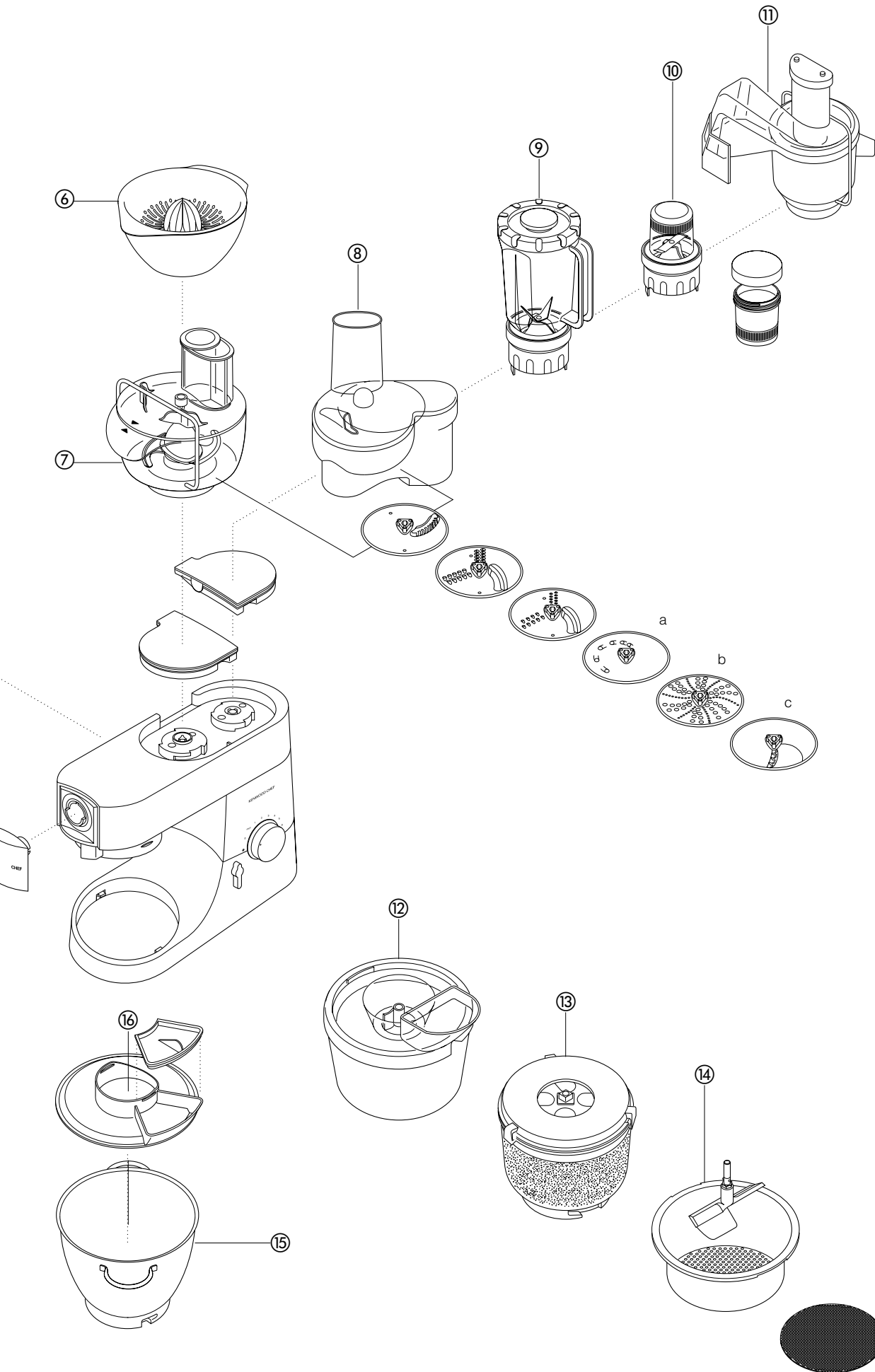
Kolander und Sieb n ⑭ CHEF **A992**, MAJOR **A930**

Edelstahlschüsseln ⑮ poliert: CHEF **672487**, MAJOR **672499**

Spritzschutz ⑯ CHEF & MAJOR **672475**

Abdeckung ⑰ CHEF, **672504**, MAJOR **672516**





Reinigung und Kundendienst

Reinigung und Pflege

- Vor dem Reinigen die Maschine immer ausschalten und den Netzstecker ziehen.
- An der Öffnung ② kann beim erstmaligen Gebrauch etwas Fett erscheinen. Das ist normal – wischen Sie es einfach ab.

Stromaggregat, Abdeckungen • Wischen Sie die Teile mit einem feuchten Tuch ab und trocknen Sie sie ab.

- Keine Scheuermittel verwenden, nicht in Wasser tauchen.

Schüssel • Von Hand waschen, dann gründlich abtrocknen, oder in der Geschirrspülmaschine reinigen.

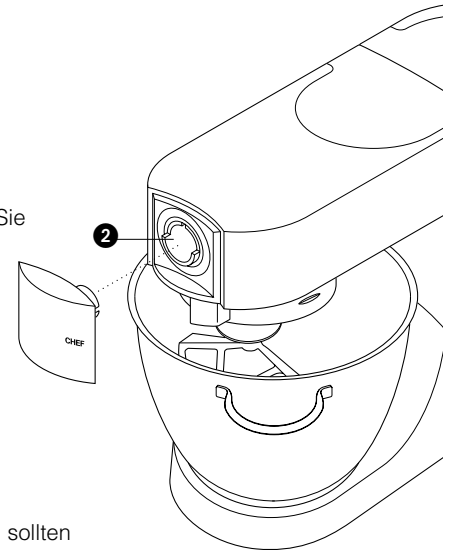
- Zum Reinigen Ihrer Edelstahlschüssel darf niemals eine Drahtbürste, Stahlwolle oder Bleiche verwendet werden. Zum Entfernen von Kalkflecken Essig verwenden.

- Von Hitze fern halten (Herdscheiben, Öfen, Mikrowellen).

Werkzeuge • Edelstahlwerkzeuge können von Hand oder in der Geschirrspülmaschine gewaschen werden.

- Werkzeuge, die nicht aus Edelstahl bestehen (mit Beschichtung) sollten nur von Hand gewaschen und dann gründlich abgetrocknet werden.

Spritzschutz • Von Hand waschen und gründlich abtrocknen.



Kundendienst

- Ein beschädigtes Netzkabel darf aus Sicherheitsgründen nur von KENWOOD oder einer autorisierten KENWOOD-Fachwerkstatt repariert werden.

Wenn Sie Hilfe brauchen:

- beim Gebrauch Ihrer Maschine,
- bei der Bestellung weiteren Zubehörs,
- bei Reparaturen oder Wartungsdienst wenden Sie sich bitte an den Händler, bei dem Sie Ihre Maschine gekauft haben.

Rezepte

Siehe auch die wichtigen Hinweise für Brotteig auf Seite 20.

Frühstücksbrot

- zutaten
- 2,6kg Mehl
 - 1,3l Milch
 - 300g Zucker
 - 450g Margarine
 - 100g Frischhefe oder 50g Trockenhefe
 - 6 Eier, geschlagen
 - 5 Prisen Salz
- Diese Menge gilt für die Major Modelle. Für Chef Modelle muss die Menge halbiert und das gesamte Mehl auf einmal zugegeben werden.**
- zubereitung
- 1 Die Margarine in der Milch schmelzen und die Mischung auf 43°C erwärmen.
 - 2 **Trockenhefe:** Hefe und Zucker in die Milch geben und etwa 10 Minuten stehen lassen, bis die Hefe geht.
Frischhefe: in das Mehl krümeln und den Zucker zugeben.
sonstige Hefe: Herstellerangaben befolgen.
 - 3 Die Milch in die Rührschüssel gießen, die geschlagenen Eier und 2kg Mehl zugeben.
 - 4 1 Minute bei minimaler Geschwindigkeit mixen, dann eine weitere Minute auf Stufe 1.
Reste vom Rand abkratzen.
 - 5 Das Salz und das restliche Mehl zugeben und bei geringster Geschwindigkeit 1 Minute, dann bei Geschwindigkeit 1 weitere 2 - 3 Minuten kneten, bis ein glatter und gleichmäßiger Teig entstanden ist.
 - 6 Gefettete 450g - Formen zur Hälfte mit dem Teig füllen, oder den Teig zu Brötchen formen. Mit einem Tuch abgedeckt an einem warmen Ort gehen lassen, bis sich das Teigvolumen verdoppelt hat.
 - 7 Backen: *Brotlaibe* 20 - 25 Minuten, *Brötchen* 15 Minuten bei 200°C (Gas Stufe 6).
 - 8 Das Brot ist gar, wenn es bei Klopfen auf die Unterseite hohl klingt.

Mürbeteig

- zutaten
- 450g Mehl, mit dem Salz durchgesiebt
 - 5ml Salz
 - 225g Fett (Schmalz und Margarine, gemischt, Kühlschranktemperatur)
 - etwa 80ml (4 El) Wasser
- Tip: Nicht überrühren.
- zubereitung
- 1 Das Mehl in die Rührschüssel geben. Das Fett in Flocken zum Mehl geben.
 - 2 Bei Geschwindigkeitsstufe 1 nur so lange mixen, bis Masse aussieht wie Paniermehl. Nicht schmierig werden lassen.
 - 3 Das Wasser zugeben und bei minimaler Geschwindigkeit rühren. Sobald das Wasser aufgenommen ist, das Rührwerk abschalten.
 - 4 Backen: bei etwa 200°C (Gas Stufe 6), Dauer je nach Belag.

Pavlova

- Zutaten
- 3 große Eiweiß
 - 175g feiner Zucker
 - 275 ml Creme double
 - frisches Obst, z.B. Himbeeren, Erdbeeren, Trauben, Kiwi
- Zubereitung
- 1 Eiweiß mit hoher Geschwindigkeit steif schlagen.
 - 2 Schneebesen auf Stufe 5 laufen lassen und Zucker esslöffelweise hinzufügen. Nach jedem Esslöffel rühren.
 - 3 Backblech mit Backpapier auslegen und Meringue-Masse mit dem Löffel auf das Papier geben, so dass ein Nest mit einem Durchmesser von ca. 20 cm entsteht.
 - 4 Backblech in den auf 150°C/300°F/Gas Stufe 2 vorgeheizten Ofen schieben und Temperatur sofort auf 140°C/275°F/Gas Stufe 1 reduzieren. 1 Stunde lang backen. Hitze ausschalten, aber Pavlova zum Abkühlen im Ofen lassen.
 - 5 Kurz vor dem Servieren Backpapier abziehen und Pavlova auf eine Servierscheibe gleiten lassen. Sahne steif schlagen und Oberseite der Pavlova damit bestreichen. Mit Früchten garnieren.

Rezepte (Fortsetzung)

Üppige Schokoladentorte

- Zutaten
- 225 g weiche Butter
 - 250 g feiner Zucker
 - 4 Eier
 - 5 ml (1 TL) Instant-Kaffee, aufgelöst in 15 ml (1 EL) heißem Wasser
 - 30 ml (2 EL) Milch
 - 5 ml (1 TL) Mandelessenz
 - 50 g gemahlene Mandeln
 - 100 g Mehl
 - 5 ml (1 TL) Backpulver
 - 50 g ungesüßtes Kakaopulver
- Zubereitung
- 1 Butter und Zucker bei niedriger Geschwindigkeit cremig rühren. Geschwindigkeit langsam erhöhen, bis die Masse locker und schaumig ist. Buttermischung von der Schüssel und dem Schneebesen abstreifen.
 - 2 Eier in einem Gefäß verrühren. Während der Mixer auf hoher Geschwindigkeit arbeitet, langsam Ei zufügen und einarbeiten. Abschalten und abstreifen.
 - 3 Gelösten Kaffee, Milch und Mandelessenz bei niedriger Geschwindigkeit einarbeiten. Gemahlene Mandeln, gesiebt Mehl, Backpulver und Kakao zufügen. Bei niedriger Geschwindigkeit verrühren.
 - 4 Masse auf zwei mit Backpapier ausgekleidete Kuchenformen (20 cm) aufteilen. Oberfläche glatt streichen und im Ofen bei 180°C/350°F/Gas Stufe 4 ca. 30 Minuten backen, bis der Kuchen auf Berührung nachgibt.
 - 5 Aus der Backform lösen und auf einem Kuchengitter abkühlen lassen.

Schokoladen-Mousseline-Füllung

- Zutaten
- 275 g Zartbitterschokolade, in Stücke gebrochen
 - 225 ml Crème double
- Zubereitung
- 1 Schokolade in einer Schüssel über einem leicht siedenden Wasserbad schmelzen.
 - 2 Sahne steif schlagen. Dabei bei niedriger Geschwindigkeit beginnen und Geschwindigkeit allmählich erhöhen.
 - 3 Sobald die Schokolade geschmolzen ist, Schüssel aus dem Wasserbad nehmen und Schokolade mit einem großen Löffel unter die Sahne heben.
 - 4 Schokoladenfüllung zwischen die abgekühlten Kuchen streichen.

Möhren-Koriander-Suppe

- Zutaten
- 25 g Butter
 - 1 gehackte Zwiebel
 - 1 zerdrückte Knoblauchzehe
 - 600g Möhren, in 2,5 cm große Stücke geschnitten
 - kalte Hühnerbrühe
 - 10-15 ml (2-3 TL) gemahlener Koriander
 - Salz und Pfeffer
- Zubereitung
- 1 Butter in einer Pfanne schmelzen, Zwiebel und Knoblauch zufügen und glasig dünsten.
 - 2 Möhren in den Pürierer geben, Zwiebeln und Knoblauch zufügen. So viel Hühnerbrühe zufügen, dass die 1,2 Markierung auf dem Gefäß erreicht ist. Deckel und Füllkappe aufsetzen.
 - 3 5 Sekunden auf Höchstgeschwindigkeit mixen, wenn Sie eine grob pürierte Suppe möchten oder länger für ein feineres Ergebnis.
 - 4 Suppe in einen Topf schütten, Koriander und Gewürze zufügen und Suppe 30 bis 35 Minuten lang köcheln lassen.
 - 5 Bei Bedarf nachwürzen und mehr Flüssigkeit zufügen.

Hinweise für Garantieleistungen

1. Für das an Sie gelieferte Gerät gemäss Rechnung gewährt der Hersteller ab Kaufdatum eine 24-monatige Garantie. Zum Nachweis der Garantie gilt nur der Kaufbeleg.
2. Alle innerhalb der Garantiezeit auftretenden Funktionsfehler, die nachweisbar trotz sachgemäßem Gebrauch entstanden sind, beheben wir bis 24 Monate nach Kaufdatum kostenlos.
Bei gewerblicher Nutzung reduziert sich die Garantieleistung auf 6 Monate.
3. Es bleibt unserer Wahl überlassen, ob wir die defekten Teile reparieren oder austauschen. Ausgetauschte Teile gehen in unser Eigentum über.
4. Durch die Erbringung von Garantieleistungen tritt keine Verlängerung der ab Kaufdatum eingeräumten Garantiezeit ein. Die Garantiezeit für Teile, die im Rahmen der Garantie ausgetauscht werden, läuft mit Ende der Garantiezeit ab.
5. Die Garantie erlischt bei Eingriffen von anderen als autorisierten KENWOOD-Kundendienststellen oder bei der Verwendung anderer als original KENWOOD-Ersatzteile.
6. Unsere autorisierten KENWOOD-Kundendienststellen werden die Instandsetzung so schnell wie möglich durchführen.
7. Von der Garantie ausgenommen sind:
 - Glas- und Kunststoffbruch,
 - Schäden, die auf Nichtbeachtung der Hinweise in der Betriebsanleitung zurückzuführen sind.
 - Schäden, die durch Anschluß an eine falsche Netzspannung oder sonstige unsachgemäße Behandlung des Gerätes oder seiner Teile entstehen, insbesondere Überlastung.
 - Schäden, die auf normale Abnutzung zurückzuführen sind.
 - Transportschäden jeglicher Art melden Sie bitte umgehend, jedoch spätestens 8 Tage nach Auslieferung bei Ihrem Händler, damit er diese reguliert.
8. Durch diese Herstellergarantie wird die gesetzliche Gewährleistungspflicht nicht eingeschränkt.

Im Garantiefall oder bei Reparaturbedarf wenden Sie sich bitte an dem Verkäufer (oder an eine autorisierte Kundendienststelle).

Deutschland: Info Line: 0180-2000-422 (0,12€/min)

Per conoscere il vostro apparecchio da cucina Kenwood

avvertenze

- Spegnere l'apparecchio e togliere la spina dalla presa di corrente prima di inserire od estrarre utensili/accessori, dopo l'uso e prima della pulizia.
- Non lasciare che bambini o persone inferme usino l'apparecchio senza adeguata supervisione.
- Tenere le dita lontano dalle parti componenti e dagli accessori inseriti mentre sono in movimento.
- Non allontanarsi mentre l'apparecchio è in funzione e non lasciare che i bambini vi si avvicinino.
- Non usare l'apparecchio se appare danneggiato. Farlo controllare o riparare da personale apposito (vedere a pagina 33 per le informazioni sull'assistenza tecnica).
- Non usare accessori diversi da quelli indicati e non inserire più di un accessorio alla volta.
- Non superare la capacità massima dell'apparecchio riguardo la quantità di cibo da inserire (indicazioni a pagina 29).
- Non lasciare che i bambini giochino con l'apparecchio.
- Quando si desidera usare un accessorio, leggere le istruzioni di sicurezza che lo corredano.
- Usare questo apparecchio solo per l'uso domestico per cui è stato concepito.
- Fare attenzione nel sollevare questo apparecchio, che è molto pesante. Controllare che la testa del mixer sia bloccata e che vaschetta, utensili, coperchi e cavo siano ben saldi prima di sollevare l'apparecchio.

prima di collegare l'apparecchio alla rete elettrica

- Assicurarsi che la tensione della vostra rete elettrica sia la stessa di quella indicata sulla targhetta sotto l'apparecchio.
- Questo apparecchio è conforme alla Direttiva Comunitaria 89/336/EEC.

prima dell'uso

- 1 Togliere tutto il materiale d'imballaggio.
- 2 Lavare i componenti secondo le istruzioni fornite a pagina 33.
- 3 Spingere il cavo in ecceденza dell'apposito comparto sul retro dell'apparecchio.

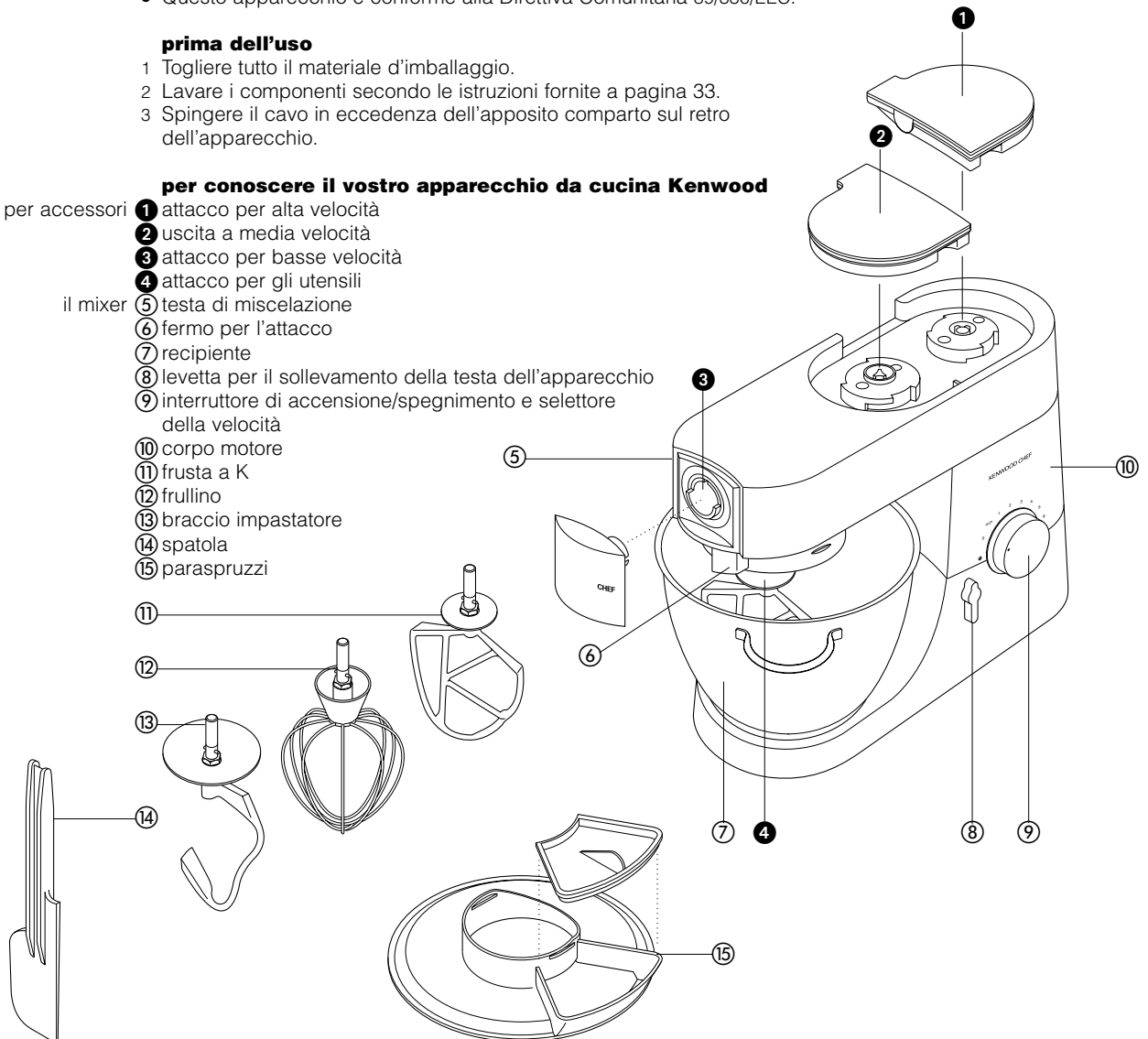
per conoscere il vostro apparecchio da cucina Kenwood

attacchi per accessori

- 1 attacco per alta velocità
- 2 uscita a media velocità
- 3 attacco per basse velocità
- 4 attacco per gli utensili

il mixer

- 5 testa di miscelazione
- 6 fermo per l'attacco
- 7 recipiente
- 8 levetta per il sollevamento della testa dell'apparecchio
- 9 interruttore di accensione/spegnimento e selettore della velocità
- 10 corpo motore
- 11 frusta a K
- 12 frullino
- 13 braccio impastatore
- 14 spatola
- 15 paraspruzzi



il mixer

utilizzo degli accessori per mescolare

- frusta • Per torte, biscotti, paste frolle, glasse, ripieni, cannoli e per fare il puree di patate.
- frullino • Per uova, panna, pastelle, torte senza grasso, meringhe, torte alla ricotta, mousse, soufflé. Non usare il frullino per miscele dense (per esempio per il grasso di scrematura e per lo zucchero), altrimenti si corre il rischio di danneggiarlo.
- braccio impastatore • Per tutte le miscele a lievitazione.

come usare il mixer

- 1 Girare in senso orario la leva di sollevamento della testa del mixer ❶ e sollevare la testa fino a quando non si blocca in posizione.
- 2 Ruotare fino a quando non si ferma ❷ quindi spingere.
- 3 Collocare il recipiente sulla base. Spingerlo verso il basso e ruotare in senso orario ❸.
- 4 Per abbassare la testa del mixer, sollevarla leggermente e poi girare in senso orario la leva di sollevamento. Ora abbassare la testa del mixer nella posizione bloccata.
- 5 Accendere l'apparecchio e spostare il selettore della velocità sulla posizione desiderata.
 - Spostare il selettore sugli impulsi **P** per lavorare gli ingredienti in modo intermittente.
- 6 Svitare per estrarre.

- consigli • Spegnerlo e pulire di frequente la frusta, servendosi della spatola.
- Per ottenere i migliori risultati, le uova devono essere a temperatura ambiente.
- Prima di montare gli albumi, accertarsi che frusta e recipiente non presentino residui di grasso o tuorlo d'uovo.
- Per la pasta frolla usare solo ingredienti freddi, a meno che la ricetta non specifichi diversamente.

promemoria per impastare il pane

- importante • Non superare mai le capacità sottoelencate, altrimenti si sovraccarica l'apparecchio.
- Se l'apparecchio sembra lavorare l'impasto con fatica, spegnerlo, asportare metà dell'impasto e lavorarla separatamente.
- Gli ingredienti si impastano meglio se si versa il liquido per primo nel recipiente.

capacità massime

CHEF

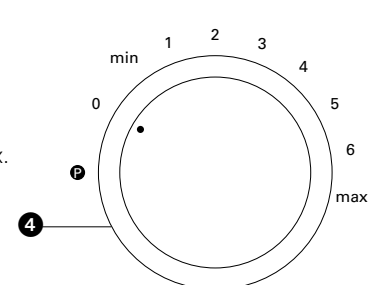
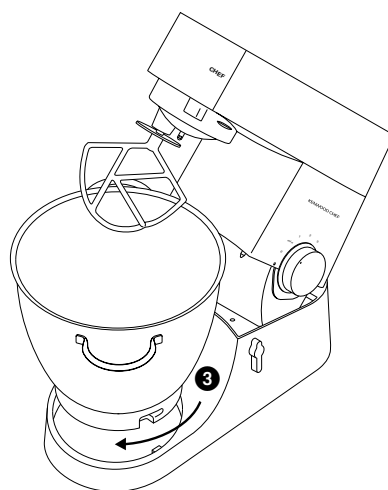
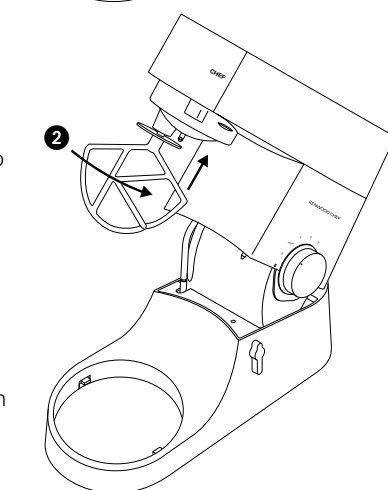
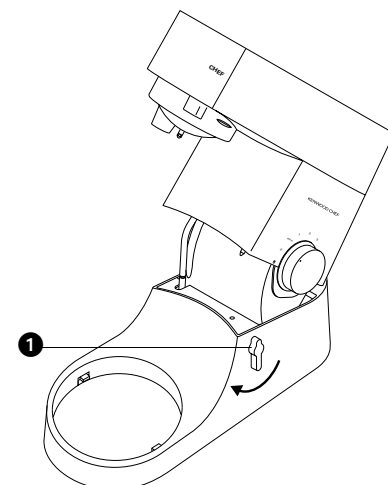
MAJOR

- paste frolle** • Peso della farina: 680gr
- miscele dure a lievitazione** • Peso della farina: 1,36kg
- Tipo inglese • Peso totale: 2,18kg
- miscele morbide a lievitazione** • Peso della farina: 1,3kg
- Tipo europeo • Peso totale: 2,5kg
- miscele per torte di frutta** • Peso totale: 2,72kg
- albumi** • 12

- Peso della farina: 910gr
- Peso della farina: 1,5kg
- Peso totale: 2,4kg
- Peso della farina: 2,6kg
- Peso totale: 5kg
- Peso totale: 4,55kg
- 16

velocità selezionabili ❹

- frusta • **grassi di scrematura e zucchero:** iniziare al min e portare gradualmente al max.
- **per sbattere le uova in miscele cremose:** 4 - 'max'.
- **per incorporare farina, frutta, ecc:** min - 1.
- **per miscele per torte:** iniziare al min e portare gradualmente al max.
- **per amalgamare il grasso alla farina:** min - 2.
- frullino • Portare gradualmente a 'max'.
- braccio impastatore • Iniziare da 'min' e portare gradualmente a 1.



per informazioni sulla **pulizia** vedere a pagina 33

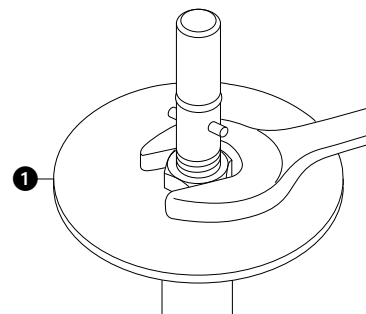
guida alla ricerca dei guasti

problema

- Il frullino o la frusta battono contro il fondo del recipiente, oppure non riescono ad impastare gli ingredienti sul fondo del recipiente.

soluzione • Regolare l'altezza. Ecco come fare:

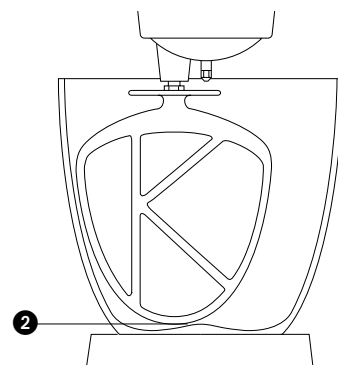
- 1 Staccare la spina dell'apparecchio.
- 2 Sollevare la testa del mixer e inserire la frusta o il frullino.
- 3 Tenere l'accessorio con una mano, quindi allentare il dado ❶.
- 4 Abbassare la testa del mixer.
- 5 Regolare l'altezza dell'accessorio ruotandolo. Se possibile il frullino/la frusta a K deve **quasi** toccare il fondo del recipiente ❷.
- 6 Sollevare la testa, tenere il frullino/la frusta a K con una mano e infine stringere il dado.



problema

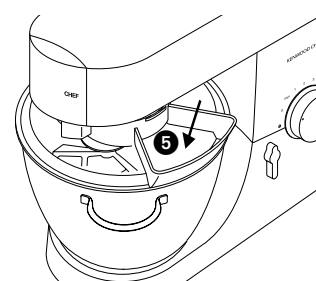
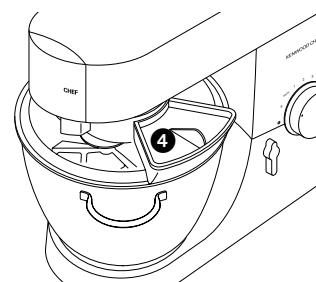
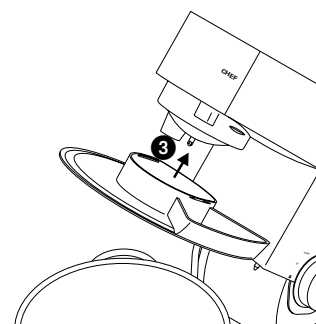
- L'apparecchio si ferma durante il funzionamento.

soluzione • L'apparecchio è provvisto di un dispositivo di protezione contro il sovraccarico, che lo ferma a prevenzione del danno. In questo caso, spegnere l'apparecchio e disinserire la spina dalla presa di corrente. Togliere parte degli ingredienti per ridurre il peso, poi lasciare spento l'apparecchio per qualche minuto. A questo punto rimettere la spina nella presa di corrente e rileselionare la velocità desiderata. Se l'apparecchio non si riaccende subito, lasciarlo spento per più tempo.



come montare ed usare il paraspruzzi

- 1 Sollevare la testa del mixer finché non si blocca.
- 2 Montare il recipiente sulla base.
- 3 Spingere il paraspruzzi sulla parte sottostante della testa del mixer ❸, fino ad inserirlo completamente. Ora il tubo introduttore degli alimenti dovrebbe trovarsi nella posizione mostrata.
- 4 Inserire l'utensile desiderato.
- 5 Abbassare la testa del mixer.
- 6 Ora mettere il coperchio sul tubo introduttore degli alimenti ❹.
- Durante la lavorazione è possibile togliere il coperchio e inoltre aggiungere ingredienti direttamente nella vaschetta ❺.
- Non occorre togliere il paraspruzzi per cambiare gli utensili.
- 7 Per togliere il paraspruzzi, sollevare la testa del mixer e spostarlo verso il basso.



gli **accessori** disponibili

Se si desidera acquistare un accessorio non incluso nella confezione di questo elettrodomestico, si prega di rivolgersi all'addetto KENWOOD per le riparazioni.

accessorio codice

accessorio per pasta piatta ① **A970**

accessori supplementari per pasta (Non illustrato) usati insieme a A970

- A971** tagliatelle
- A972** tagliolini
- A973** trenette
- A974** spaghetti

accessorio per la pasta **affetta/sminuzzatutto a bassa velocità** ② **A936** con 6 filiere

tritacarne super ③ **A948** con 4 elementi

④ **A950** con

- a accessorio per salsicce grandi
- b accessorio per salsicce piccole
- c accessorio per salsicce kebbe

macinino ⑤ **A941**

spremiagrumi ⑥ **A960**

robot ⑦ **A980** con 3 dischi e una lama di taglio

affetta/sminuzzatutto ad alta velocità ⑧ **A998** con 3 dischi di taglio

dischi facoltativi per A980 & A998

- a sminuzzatutto extra grosso art. n° 639021
- b accessorio per raschiare art. n° 639150
- c accessorio standard per patatine art. n° 639083

frullatore ⑨ 1.2 l acrilico **A993A**, 1.2 l vetro **A994A**, 1.5 l acciaio inox **A996A**

macinatutto ⑩ **A938A** con 3 caraffe in vetro e 3 coperchio per conservazione

spremi frutta a centrifuga ⑪ **A935**

gelatiera ⑫ chef **A956**, MAJOR **A957**

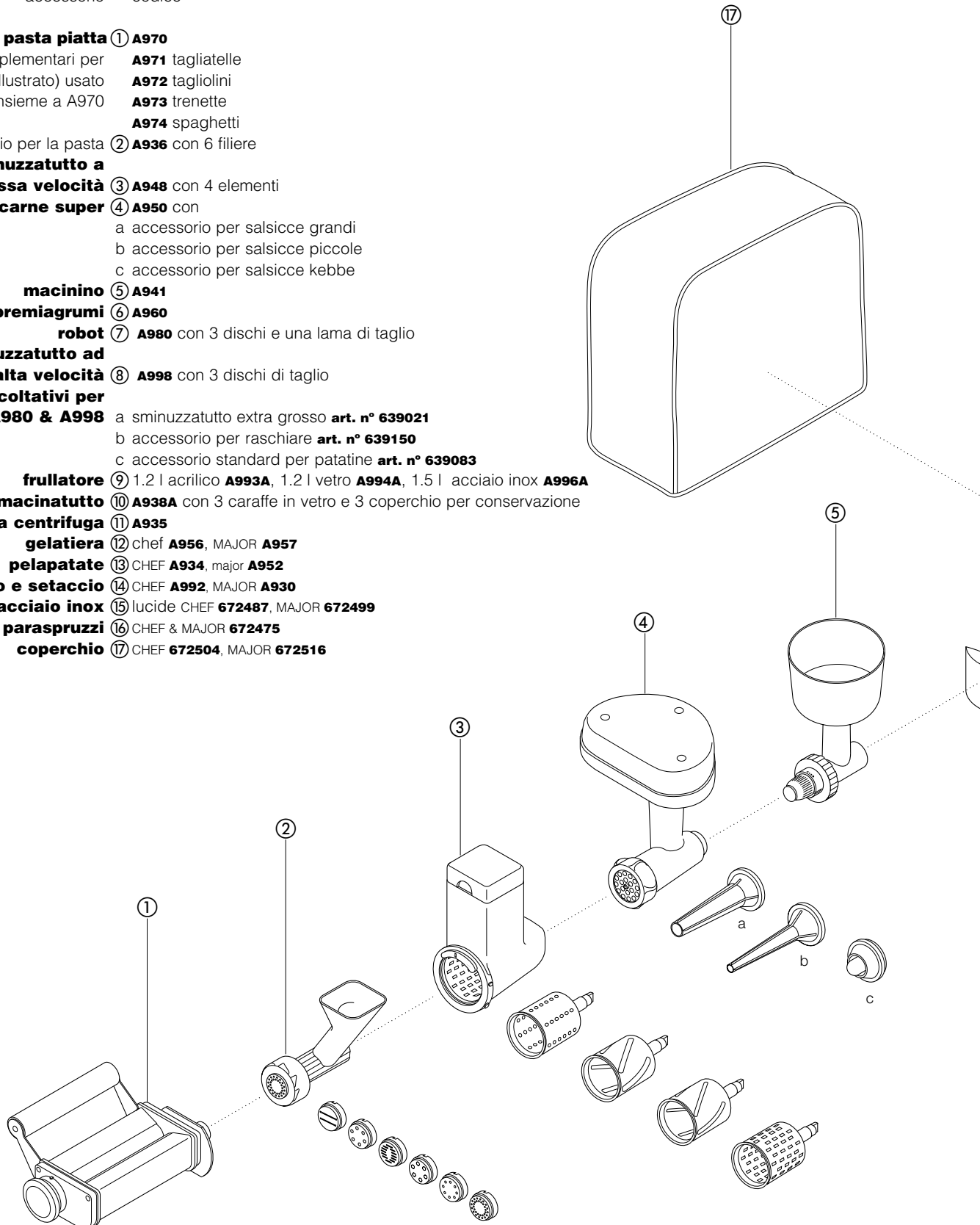
pelapatate ⑬ CHEF **A934**, major **A952**

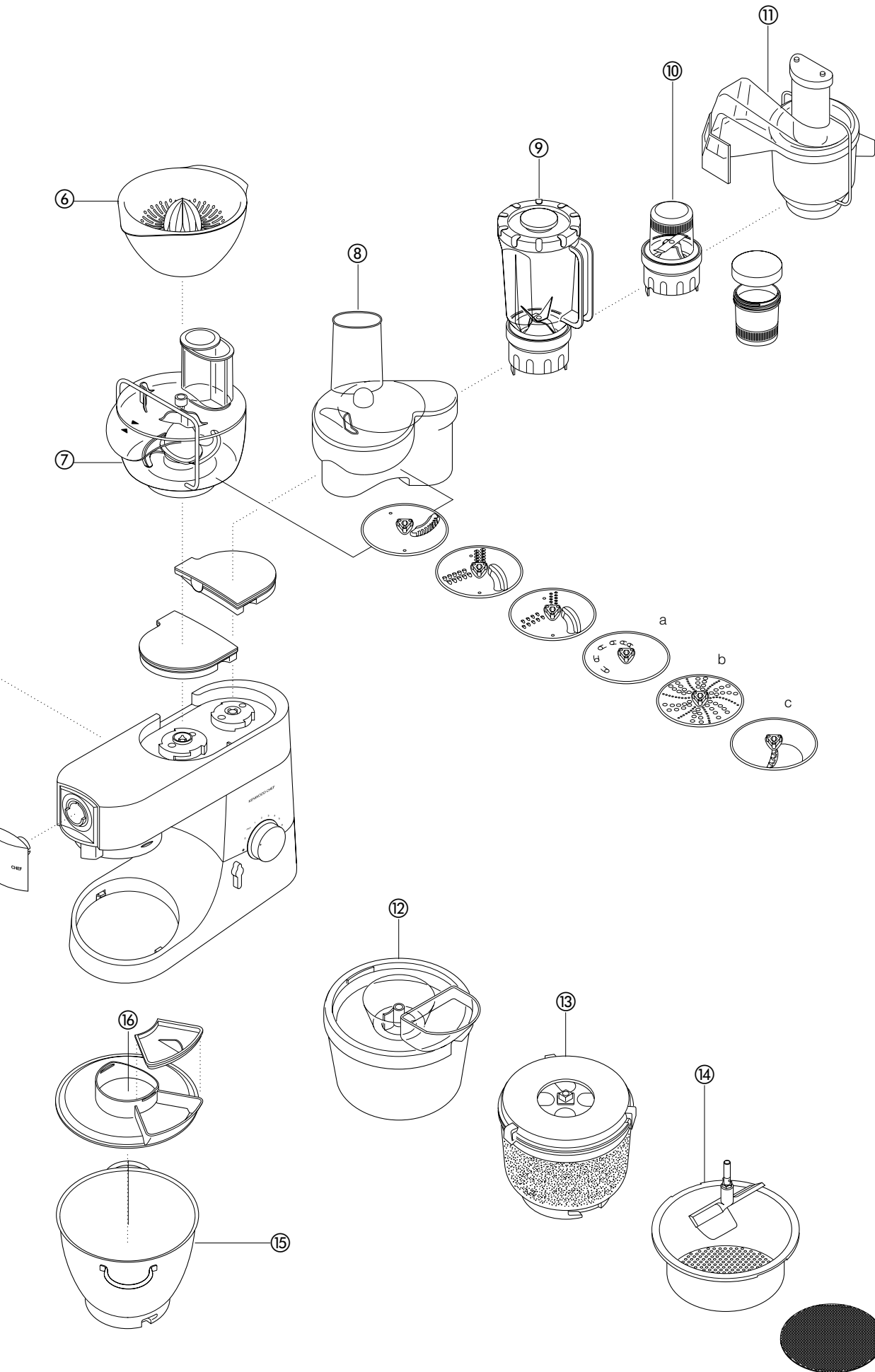
colino e setaccio ⑭ CHEF **A992**, MAJOR **A930**

vaschette acciaio inox ⑮ lucide CHEF **672487**, MAJOR **672499**

paraspruzzi ⑯ CHEF & MAJOR **672475**

coperchio ⑰ CHEF **672504**, MAJOR **672516**





pulizia dell'apparecchio e assistenza tecnica

pulizia e cura dell'apparecchio

- Spegnerne sempre l'apparecchio e togliere la spina prima di pulirlo.
- Quando si usa l'uscita ② per la prima volta potrebbero esservi dei residui di grasso. Questo è perfettamente normale e basta pulire.

corpo motore, coperchi
delle uscite

- Passare con un panno umido e asciugare.
- Non pulire mai con sostanze abrasive e non immergere mai l'apparecchio nell'acqua.

vaschetta

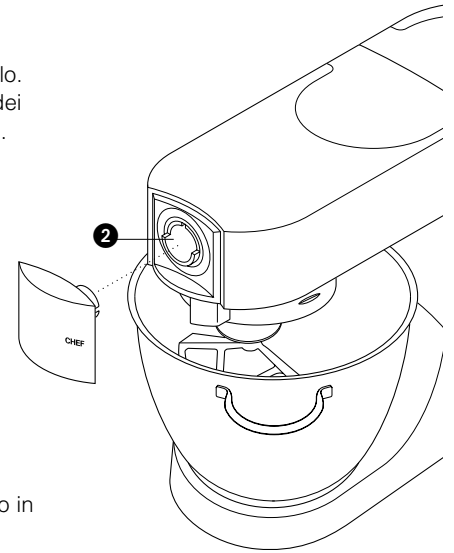
- Lavare a mano e asciugare a fondo, oppure lavare in lavastoviglie.
- Non usare mai spazzolini o pagliette di metallo, e neppure candeggina, per pulire la vaschetta in acciaio inossidabile. Per eliminare le tracce di calcare usare dell'aceto.
- Tenere lontano da fonti di calore (fornelli, forni tradizionali e a microonde).

utensili

- Gli utensili in acciaio inossidabile possono essere lavati a mano o in lavastoviglie.
- Nel caso di utensili non in acciaio inossidabile (ossia rivestiti), lavare esclusivamente a mano e asciugare a fondo.

paraspruzzi

- Lavare a mano e asciugare a fondo.



manutenzione e assistenza tecnica

- In caso il cavo sia danneggiato, deve essere sostituito solo dal fabbricante oppure da un centro assistenza KENWOOD autorizzato. Ciò eviterà possibili situazioni di pericolo.

se si ha bisogno di assistenza riguardo:

- l'utilizzo dell'apparecchio
 - l'ordinazione di un altro accessorio
 - assistenza tecnica o riparazioni
- contattare il negozio dove si è acquistato l'apparecchio.

ricette

Per la preparazione del pane, si vedano le importanti note a pagina 29.

- pane bianco** *tipo europeo a pasta morbida*
- ingredienti
- 2,6kg di farina bianca di tipo normale
 - 1,3 litri di latte
 - 300gr di zucchero
 - 450gr di margarina
 - 100gr di lievito di birra fresco oppure 50gr di lievito secco
 - 6 uova sbattute
 - 5 pizzichi di sale
- Queste quantità sono per i modelli Major. Per i modelli Chef, dimezzare le quantità e aggiungere la farina tutta in una volta**
- procedimento
- 1 Fare sciogliere la margarina nel latte e portare a una temperatura di 43°C.
 - 2 Se si usa il **lievito di birra in polvere** (il tipo che deve essere ricostituito): versarlo nel recipiente insieme allo zucchero e al latte. Lasciar riposare per circa 10 minuti finché il composto appare schiumoso.
Se si usa il **lievito di birra fresco**: sbriciolatelo nella farina
Se si usano **altri tipi di lievito**: seguire le indicazioni del produttore.
 - 3 Versare il latte nel recipiente. Poi aggiungere le uova sbattute e 2kg di farina.
 - 4 Miscelare a velocità minima per 1 minuto, poi a velocità 1 per un altro minuto. Staccare l'impasto dal recipiente.
 - 5 Aggiungere il sale e la rimanente farina e miscelare a velocità minima per 1 minuto, poi a velocità 1 per 2 - 3 minuti, fino a quando l'impasto non appare morbido e ben amalgamato.
 - 6 Riempire a metà alcune teglie imburrate di 450gr, oppure formare panini. Ora coprire con un panno e lasciare l'impasto in ambiente caldo finché non raddoppia in volume.
 - 7 Cuocere in forno a 200°C per 20 - 25 minuti (*per le pagnotte*) o per 15 minuti (*per i panini*).
 - 8 A cottura ultimata il pane dovrebbe produrre un suono sordo se battuto sul fondo.
- Con questa miscela si ottengono circa 10 pagnotte.
- pasta frolla**
- ingredienti
- 450gr di farina, setacciata insieme al sale
 - 5ml (1 cucchiaino) di sale
 - 225gr di strutto (miscelare strutto e margarina direttamente dal frigorifero)
 - Circa 80ml (4 cucchiaini) di acqua
- consiglio
- Non miscelare eccessivamente gli ingredienti.
- procedimento
- 1 Versare la farina nel recipiente. Tagliare a cubetti lo strutto e aggiungerlo alla farina.
 - 2 Miscelare a velocità 1 fino a quando l'impasto non assume la consistenza di briciole di pane. Fermarsi prima che l'impasto appaia unto.
 - 3 Aggiungere l'acqua e miscelare a velocità massima. Fermarsi non appena l'acqua è stata incorporata nell'impasto.
 - 4 Cuocere a circa 200°C, a seconda del ripieno desiderato.
- pavlova**
- ingredienti
- 3 albumi
 - 175g di zucchero semolato
 - 275ml di panna da cucina
 - frutta fresca, es. lamponi, fragole, uva, kiwi
- preparazione
- 1 Montare gli albumi a neve, ad alta velocità.
 - 2 Azionando la frusta alla velocità 5, aggiungere gradualmente lo zucchero (un cucchiaino alla volta) lavorandolo dopo ciascun'aggiunta.
 - 3 Rivestire una teglia di carta siliconata, poi versare un cucchiaino di meringa sulla carta, formando un nido di circa 20cm di diametro.
 - 4 Infornare la teglia in un forno preriscaldato a 150°C, poi ridurre immediatamente la temperatura 140°C e cuocere per 1 ora. Spegner il forno ma lasciare la pavlova al suo interno, lasciando che si raffreddi.
 - 5 Quando si è pronti a servire, staccare la carta siliconata e servire la pavlova su un piatto. Montare la panna e spalmarla in cima alla pavlova. Decorare con la frutta.

ricette (*continuazione*)

torta golosa al cioccolato

- ingredienti
- 225g di burro, ammorbidito
 - 250g di zucchero semolato
 - 4 uova
 - 5ml (1 cucchiaino) di caffè istantaneo sciolto in 15ml (1 cucchiaio) di acqua bollente
 - 30ml (2 cucchiai) di latte
 - 5ml (1 cucchiaino) di essenza di mandorla
 - 50g di mandorle tritate
 - 100g di farina autolievitante
 - 5ml (1 cucchiaino) di lievito
 - 50g di cacao amaro in polvere

- preparazione
- 1 Lavorare il burro e lo zucchero a bassa velocità e aumentare gradualmente la velocità, aggiungendo poco a poco le uova fino ad incorporarle. Ora spegnere l'apparecchio e staccare l'impasto dalle pareti della vaschetta e dalla frusta.
 - 2 Sbatte le uova in una caraffa e aggiungerle gradualmente nella vaschetta con l'apparecchio in funzione, poco alla volta, fino a incorporarle bene. Ora spegnere l'apparecchio e staccare l'impasto dalla vaschetta e dalla frusta.
 - 3 Unire il caffè disciolto, il latte e l'essenza di mandorla, azionando l'apparecchio a bassa velocità. Aggiungere le mandorle tritate, la farina setacciata, il lievito e il cacao. Miscelare a bassa velocità.
 - 4 Suddividere l'impasto fra due tortiere di 20cm rivestite di carta da forno imburrata. Spianare l'impasto e infornare a 180°C per circa 30 minuti, fino a quando non risulta elastico al tatto.
 - 5 Capovolgere e lasciare raffreddare su una griglia.

mousse di cioccolato per ripieno

- ingredienti
- 275g di cioccolato fondente, a pezzetti
 - 225ml di panna montata

- preparazione
- 1 Sciogliere il cioccolato a bagnomaria, in una scodella sopra una pentola di acqua appena in ebollizione.
 - 2 Montare la panna a neve, iniziando a bassa velocità e poi aumentando gradualmente la velocità.
 - 3 Quando il cioccolato si è sciolto, togliere la scodella dal fuoco ed incorporarlo nella panna usando un grosso cucchiaio.
 - 4 Spalmare il ripieno di cioccolato fra le due metà di torta.

minestra di carote e coriandolo

- ingredienti
- 25g di burro
 - 1 cipolla spezzettata
 - 1 spicchio d'aglio schiacciato
 - 600g di carote tagliate a dadini di 2,5cm
 - brodo freddo di pollo
 - 10-15ml (2-3 cucchiaini) di coriandolo tritato
 - sale e pepe

- preparazione
- 1 Sciogliere il burro in una pentola, quindi aggiungere la cipolla e l'aglio e soffriggere a fuoco lento.
 - 2 Mettere le carote nel frullatore, poi aggiungere la cipolla e l'aglio. Aggiungere brodo sufficiente fino al livello 1,2 stampigliato sulla caraffa. Mettere il coperchio e il tappo di riempimento.
 - 3 Frullare alla velocità massima per 5 secondi (per ottenere una minestra densa), oppure più a lungo (per una minestra meno densa).
 - 4 Versare la miscela in una pentola, poi aggiungere il coriandolo, condire e sobbollire la minestra per 30 – 35 minuti, oppure fino a cottura ultimata.
 - 5 Aggiungere altro sale, pepe o brodo, secondo le preferenze.

GARANZIA E SERVIZI DI ASSISTENZA

1. KENWOOD garantisce ai propri clienti l'applicazione di tutti i diritti contenuti nella Direttiva Europea 1999/44/CE sulla vendita dei beni di consumo, nonché dei diritti previsti dalle norme nazionali in materia.
In particolare sono coperti da garanzia tutti i possibili difetti di conformità e di fabbricazione presenti nel prodotto al momento della vendita che si manifestino nei primi 2 anni dalla data di acquisto.
2. Per il primo anno il cliente KENWOOD goderà pienamente dei diritti sopra indicati senza dover dimostrare l'esistenza del difetto di conformità o di fabbricazione al momento della vendita.
3. La conformità del prodotto verrà ripristinata dalla KENWOOD senza alcun onere per il cliente per manodopera e materiale nonché per le spese di intervento del tecnico a domicilio, limitatamente ai prodotti per i quali tale servizio sia previsto.
4. Per esercitare i diritti di cui sopra il cliente dovrà rivolgersi alla rete dei Centri Assistenza Autorizzati KENWOOD (contattare il numero verde sottoindicato) ed esibire unitamente al presente "certificato" un documento valido ai fini fiscali e rilasciato dal rivenditore e comprovante la data di acquisto del prodotto.
5. I diritti di cui ai punti 1, 2, 3 non si applicano ai seguenti casi :
 - Difetti causati da utilizzi non previsti nel libretto di istruzione che costituisce parte integrante del contratto di vendita.
 - Difetti causati da rotture accidentali, incuria, manomissione da parte di terzi non autorizzati, utilizzo di ricambi non originali.
6. Non sono da intendersi come prestazioni in garanzia gli interventi inerenti l'installazione, l'allacciamento agli impianti di alimentazione e le manutenzioni citate nel libretto delle istruzioni. Altresì viene escluso dalla garanzia il ricambio dei materiali di consumo (es. filtri, spazzole ecc.).
7. La KENWOOD declina ogni responsabilità per eventuali danni che possono, direttamente o indirettamente derivare a persone, cose ed animali domestici in conseguenza della mancata osservanza di tutte le prescrizioni indicate nell'apposito libretto di istruzioni e concernenti specialmente le avvertenze in tema di installazione, uso e manutenzione dell'apparecchio.



KENWOOD

Via Lodovico Seitz, 47
31100 Treviso - Italia

wat u moet weten over uw Kenwood keukenmachine

veiligheid

- Schakel het apparaat uit en haal de stekker uit het stopcontact voordat u instrumenten/hulpstukken aanbrengt of verwijdert, na ieder gebruik en alvorens het apparaat te reinigen.
- Kinderen of zieke personen mogen dit apparaat nooit zonder toezicht gebruiken.
- Houd uw vingers uit de buurt van bewegende onderdelen en vaste accessoires.
- Laat de machine nooit onbeheerd achter, wanneer deze ingeschakeld is, en houd hem buiten het bereik van kinderen..
- Gebruik de machine niet als hij beschadigd is. Laat hem nakijken of repareren: zie paragraaf 'service', blz. 42.
- Gebruik geen accessoires die niet voor de keukenmachine bestemd zijn en gebruik nooit meer dan één accessoire tegelijkertijd.
- Overschrijd nooit de maximale hoeveelheden (blz.38)
- Laat kinderen niet met dit apparaat spelen.
- Lees eerst de veiligheidsvoorschriften bij de accessoires, voordat u ze gebruikt.
- Gebruik deze machine uitsluitend voor het beoogde huishoudelijke gebruik.
- Pas op bij het optillen van dit toestel, want het is zwaar. Zorg bij het tillen dat de arm is vergrendeld en dat de kom, gereedschappen, deksels op aansluitpunten en het snoer veilig zijn aangebracht en opgeborgen.

voordat u de stekker in het stopcontact steekt.

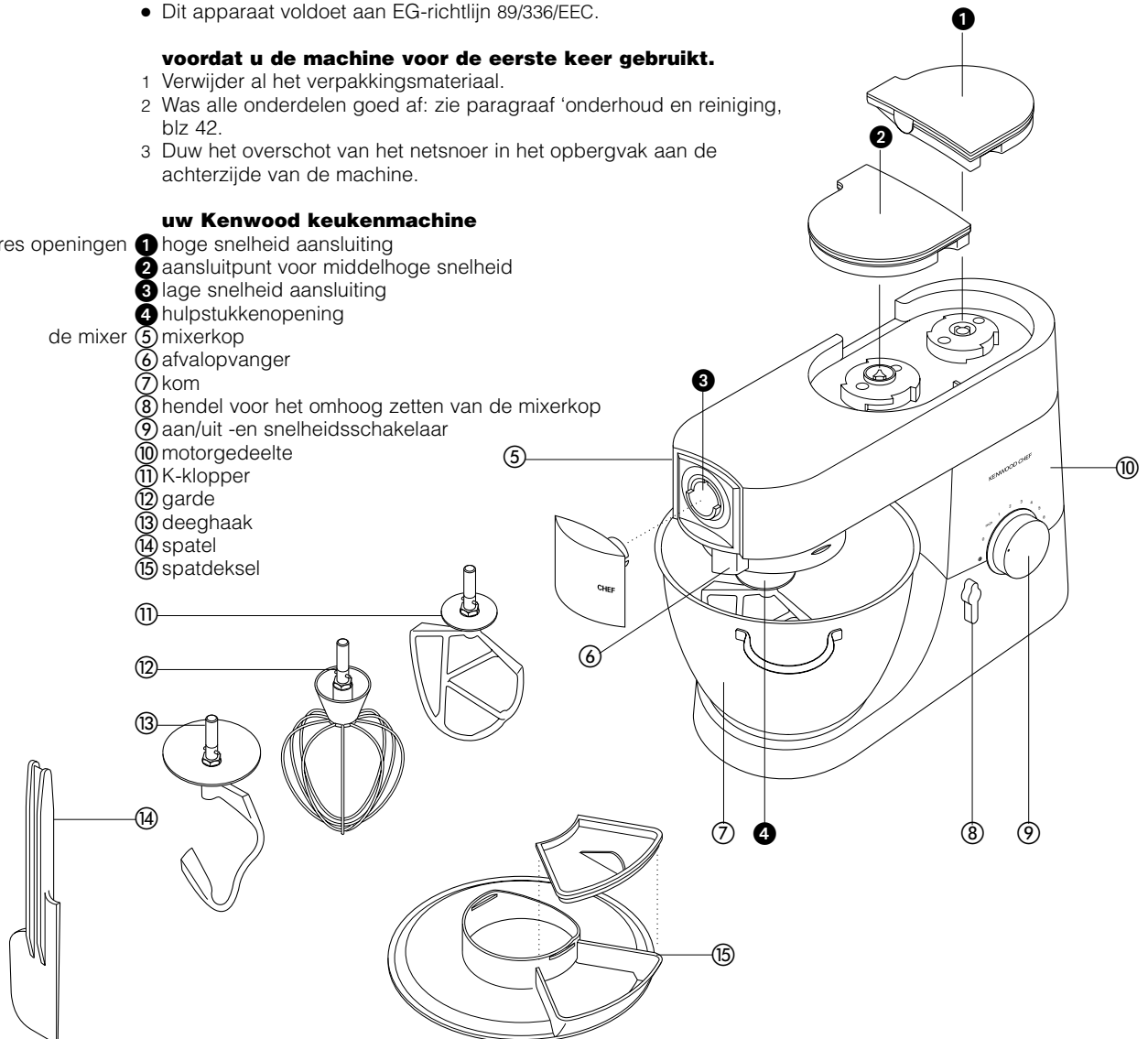
- Controleer of de spanning van het stopcontact hetzelfde is als die op het typeplaatje.
- Dit apparaat voldoet aan EG-richtlijn 89/336/EEC.

voordat u de machine voor de eerste keer gebruikt.

- 1 Verwijder al het verpakkingsmateriaal.
- 2 Was alle onderdelen goed af: zie paragraaf 'onderhoud en reiniging', blz 42.
- 3 Duw het overschot van het netsnoer in het opbergvak aan de achterzijde van de machine.

uw Kenwood keukenmachine

- accessoires openingen
- 1 hoge snelheid aansluiting
 - 2 aansluitpunt voor middelhoge snelheid
 - 3 lage snelheid aansluiting
 - 4 hulpstukkenopening
- de mixer
- 5 mixerkop
 - 6 afvalopvanger
 - 7 kom
 - 8 hendel voor het omhoog zetten van de mixerkop
 - 9 aan/uit -en snelheidsschakelaar
 - 10 motorgedeelte
 - 11 K-klopper
 - 12 garde
 - 13 deeghaak
 - 14 spatel
 - 15 spatdeksel



de mixer

gebruik van de mix-accessoires

- K-klopper • Voor het maken van cakes, koekjes, pasteis, suikerglazuur, vullingen, roomsoezen en puree.
- garde • Voor eieren, room, beslag, vetarm biscuitdeeg, schuimgebak, kwarktaart, mousses en soufflés. Gebruik de garde niet voor zware mengsels (ei, vet en suiker), aangezien deze hierdoor beschadigd kan raken.
- deeghaak • Voor gistmengsels.

gebruik van uw mixer

- 1 Draai de hendel voor de armlift rechtsom ① en breng de mixerarm omhoog tot deze vergrendelt.
- 2 Draai tot het niet meer verder kan ② en duw het dan omhoog.
- 3 Zet de kom op het onderstel, druk hem naar beneden en draai hem met de klok mee ③
- 4 Om de mixerarm omlaag te brengen moet deze eerst enigszins worden opgetild, draai daarna de hendel van de armlift rechtsom. Breng omlaag naar de vergrendelde stand.
- 5 Schakel de machine aan en draai de snelheidsregeling naar de gewenste stand.
- Schakel naar 'pulse' P bij korte schokken.
- 6 Losdraaien.

- tips
- Haal de kom regelmatig van het onderstel af en schraap de binnenkant schoon met de spatel.
 - Voor het kloppen kunt u het beste eieren op kamertemperatuur gebruiken.
 - Controleer voordat u eiwitten gaat kloppen of er geen vet of eigeel op de garde of in de kom zit.
 - Gebruik koude ingrediënten voor het deeg, tenzij in uw recept iets anders staat.

belangrijk voor het maken van brood

- important
- Overschrijd nooit de hieronder aangegeven maximale hoeveelheden, omdat de machine hierdoor overbelast raakt.
 - Als u hoort dat de machine moeite heeft met mengen, schakel hem dan uit en haal de helft van het deeg eruit. Meng hierna het deeg in twee keer.
 - Het mixen gaat gemakkelijker als u eerst de vloeibare ingrediënten in de kom doet.

maximale hoeveelheden

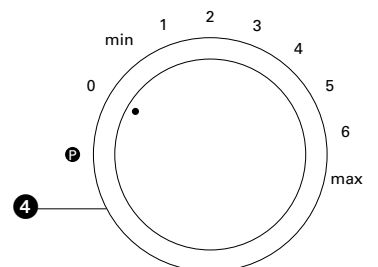
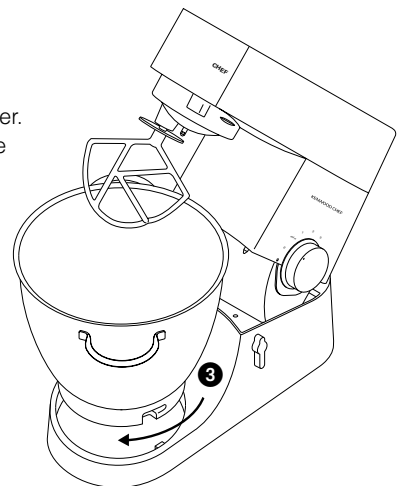
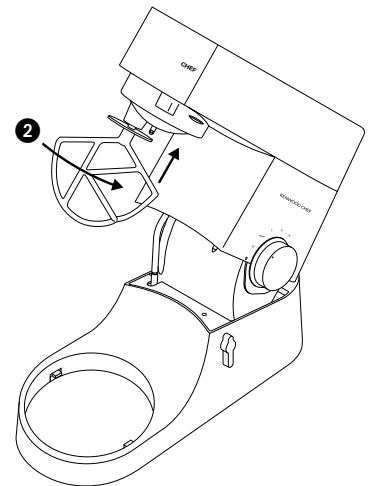
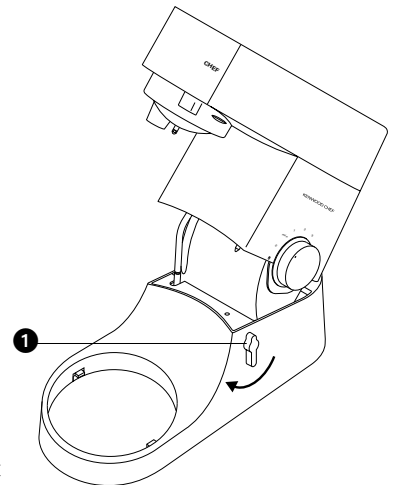
CHEF

MAJOR

- | | | |
|-----------------------|---------------------------|------------------------|
| kruimeldeeg | • hoeveelheid meel 680g | hoeveelheid meel 910g |
| stijf gistdeeg | • hoeveelheid meel 1,36kg | hoeveelheid meel 1,5kg |
| Brits | • totaal 2,18kg | totaal 2,4kg |
| zacht gistdeeg | • hoeveelheid meel 1,3kg | hoeveelheid meel 2,6kg |
| continentaal | • totaal 2,5kg | totaal 5kg |
| vruchtencake | • totaal 2,72kg | totaal 4,55kg |
| eiwit | • 12 | 16 |

snelheden ④

- K-klopper • **Kloppen van boter en suiker** beginnen op min, geleidelijk opvoeren tot max.
- **Een egaal mengsel van eieren maken** 4 – 'max'.
- **Bloem, fruit, enz, ergens door scheppen** Min –1
- **Cakebeslag** beginnen op min. snelheid, geleidelijk opvoeren tot max.
- **Boter door bloem mengen** min – 2
- garde • geleidelijk verhogen tot 'max'.
- deeghaak • start op 'min', en verhoog geleidelijk tot stand 1.



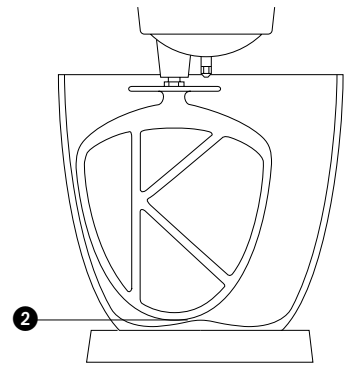
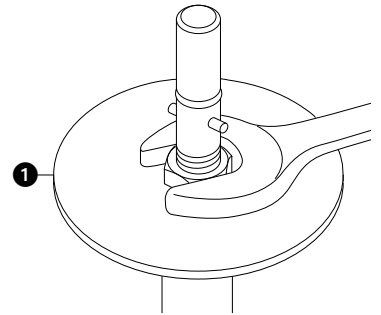
oplossen van problemen

probleem:

- De garde of de K-klopper slaat tegen de bodem van de kom of reikt niet tot aan de ingrediënten op de bodem van de kom.

oplossing • Pas de hoogte aan. Ga hierbij als volgt te werk:

- 1 Haal de stekker uit het stopcontact.
- 2 Breng de mixerkop omhoog en breng de garde of klopper aan.
- 3 Houd deze vast en draai vervolgens de moer los ①
- 4 Laat de mixerkop weer zakken.
- 5 Pas de hoogte aan door de schacht te verdraaien. Het is het beste als de garde / K-klopper **bijna** de bodem van de kom raakt ②.
- 6 Breng de kop weer omhoog, houd de garde / K-klopper vast en draai de moer vast.



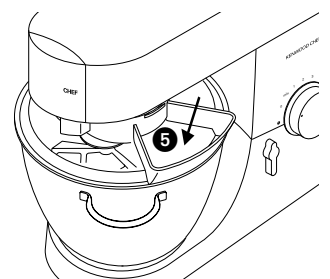
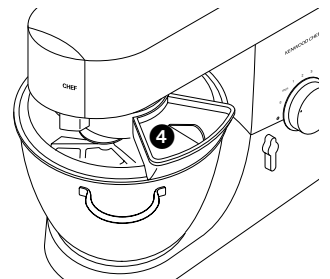
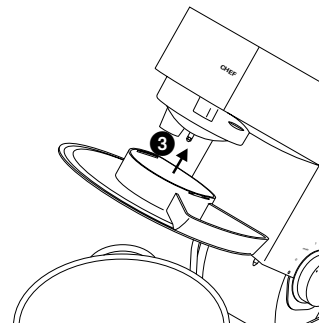
probleem

- De mixer stopt gedurende de bereiding.
- De mixer is voorzien van een overbelastingsbeveiliging en zal bij overbelasting stoppen om de machine te beschermen. Als dit gebeurt, schakel de machine dan uit en neem de stekker uit het stopcontact. Verwijder een hoeveelheid van de ingrediënten om de belasting te verminderen en laat de mixer een paar minuten staan. Steek de stekker weer in het stopcontact en kies opnieuw de snelheid. Als de mixer niet onmiddellijk opnieuw start, laat hem dan wat langer staan.

oplossing

aanbrengen en gebruik van het spatdeksel

- 1 Breng de mixerkop omhoog totdat deze wordt vergrendeld.
- 2 Plaats de kom op het onderstel.
- 3 Monteer het spatdeksel onderaan de mixerkop ③, tot hij goed vast zit. De opening voor de etenswaren bevindt zich zoals op de afbeelding staat aangegeven.
- 4 Monteer het gewenste hulpstuk.
- 5 Laat de mixerkop zakken.
- 6 Dek de opening in het spatdeksel af ④.
- Tijdens het mengen kunt u de opening in het spatdeksel gebruiken om ingrediënten direct aan de kom toe te voegen ⑤.
- U hoeft het spatdeksel niet te verwijderen om van hulpstuk te wisselen.
- 7 Verwijder het spatdeksel door de mixerkop omhoog te halen en het deksel ervanaf te trekken.

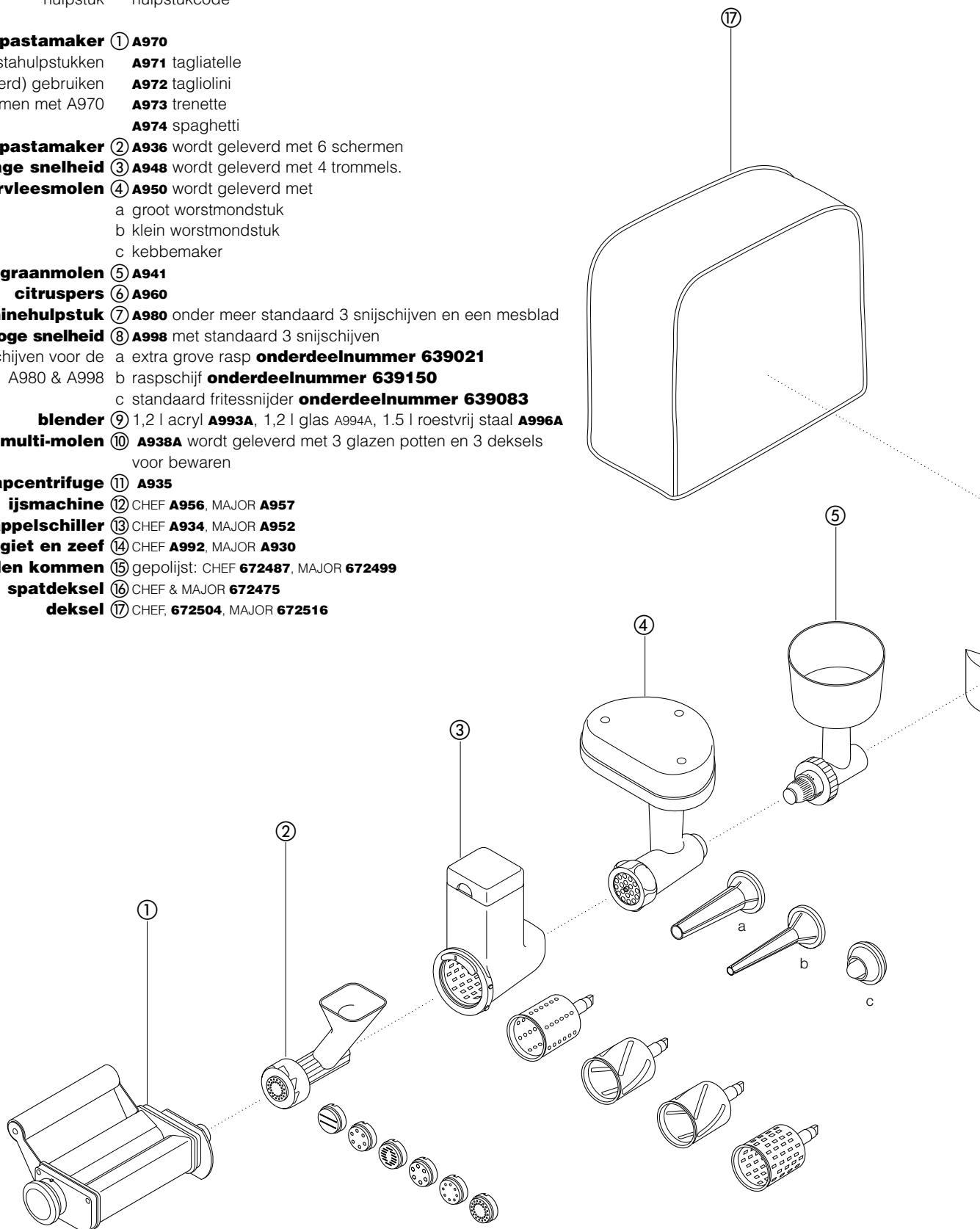


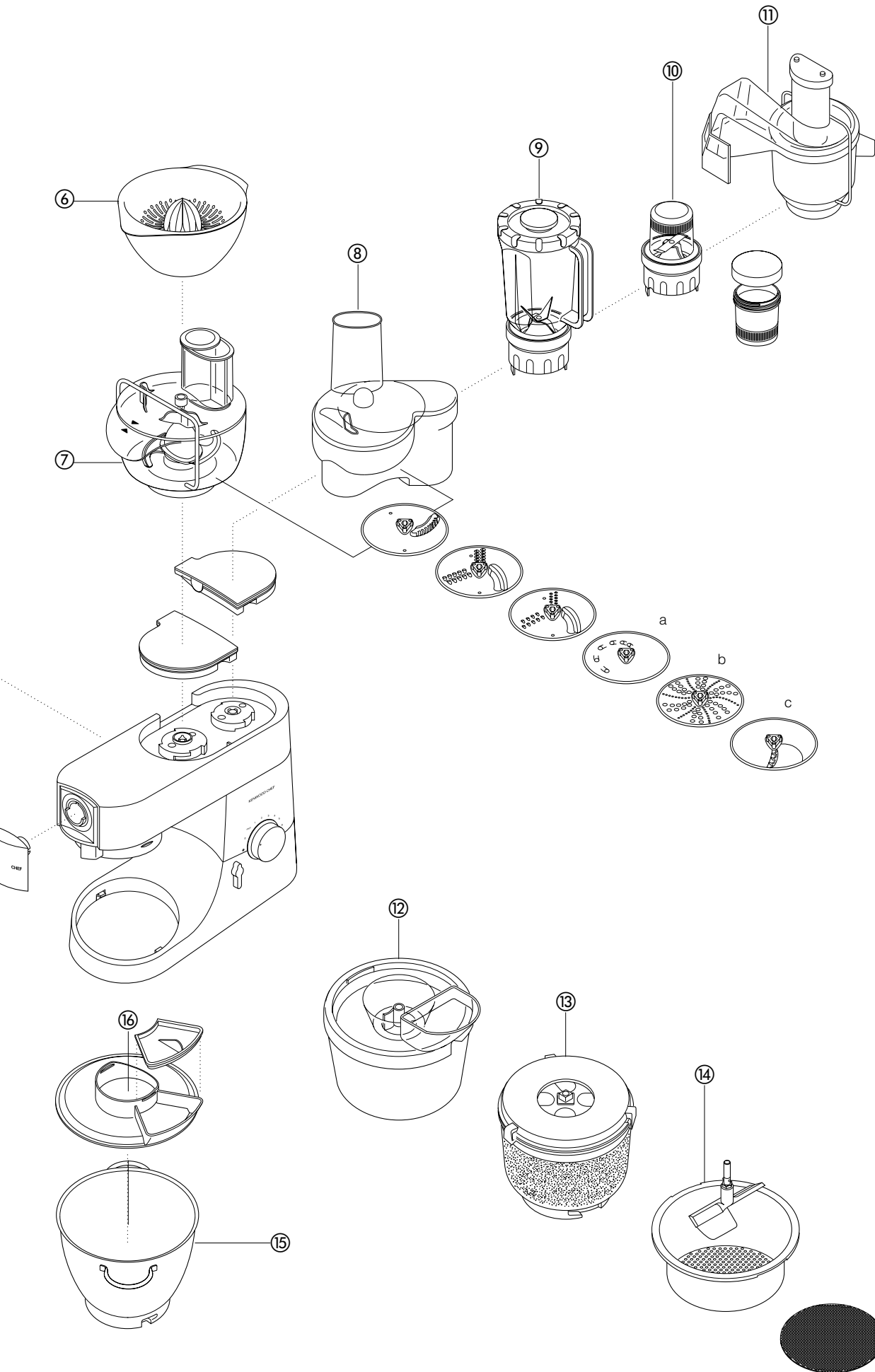
verkrijgbare **accessoires**

Als u accessoires wilt kopen die niet standaard bij uw keukenmachine geleverd worden, neem dan contact op met uw KENWOOD dealer.

hulpstuk hulpstukcode

- platte pastamaker** ① **A970**
aanvullende pastahulpstukken **A971** tagliatelle
(niet geïllustreerd) gebruiken **A972** tagliolini
samen met A970 **A973** trenette
A974 spaghetti
- pastamaker** ② **A936** wordt geleverd met 6 schermen
- snijder/rasp, lage snelheid** ③ **A948** wordt geleverd met 4 trommels.
- supervleesmolen** ④ **A950** wordt geleverd met
a groot worstmondstuk
b klein worstmondstuk
c kebbemaker
- graanmolen** ⑤ **A941**
- citruspers** ⑥ **A960**
- keukenmachinehulpstuk** ⑦ **A980** onder meer standaard 3 snijschijven en een mesblad
- snijder/rasp, hoge snelheid** ⑧ **A998** met standaard 3 snijschijven
optionele schijven voor de
A980 & A998 a extra grove rasp **onderdeelnummer 639021**
b raspschijf **onderdeelnummer 639150**
c standaard fritessnijder **onderdeelnummer 639083**
- blender** ⑨ 1,2 l acryl **A993A**, 1,2 l glas **A994A**, 1,5 l roestvrij staal **A996A**
- multi-molen** ⑩ **A938A** wordt geleverd met 3 glazen potten en 3 deksels voor bewaren
- continue sapcentrifuge** ⑪ **A935**
- ijsmachine** ⑫ CHEF **A956**, MAJOR **A957**
- aardappelschiller** ⑬ CHEF **A934**, MAJOR **A952**
- vergiet en zeef** ⑭ CHEF **A992**, MAJOR **A930**
- roestvrijstalen kommen** ⑮ gepolijst: CHEF **672487**, MAJOR **672499**
- spatdeksel** ⑯ CHEF & MAJOR **672475**
- deksel** ⑰ CHEF, **672504**, MAJOR **672516**





reiniging en service

Onderhoud en reiniging:

- Schakel het apparaat altijd eerst uit en haal de stekker uit het stopcontact, voordat u met schoonmaken begint.
- Er kan wat vet vrijkomen bij het aansluitpunt ② wanneer u deze voor het eerst gebruikt. Dit is normaal - u kunt het gewoon wegvegen.

voedingseenheid, deksels
op aansluitpunten

- Schoonvegen met een vochtige doek, daarna afdrogen.
- Gebruik geen schuurmiddelen en dompel het motorgedeelte nooit onder in water.

mixerkom

- Met de hand afwassen en daarna grondig afdrogen, of in de vaatwasmachine reinigen.
- Gebruik nooit een staalborstel, staalwol of bleekwater om de roestvrijstalen kom schoon te maken. Gebruik azijn om kalkaanslag te verwijderen.
- Uit de buurt van warmtebronnen houden (kooktoestellen, ovens, magnetrons).
- Roestvrijstalen gereedschap kan met de hand of in de afwasmachine worden schoongemaakt.
- Ander dan roestvrijstalen gereedschap (gecoat) mag uitsluitend met de hand worden gewassen en moet daarna grondig worden afgedroogd.

spatdeksel

- Met de hand afwassen en daarna grondig afdrogen.

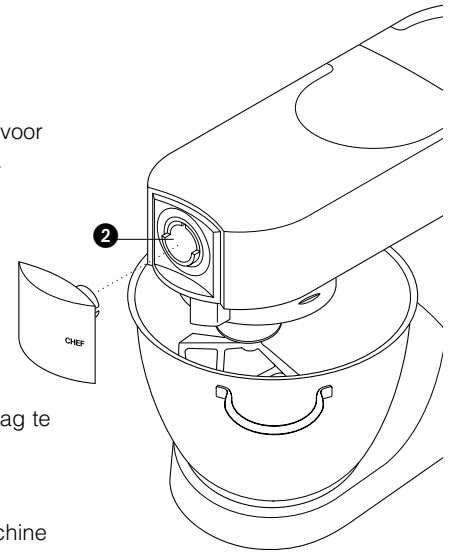
Service

- Wanneer het snoer beschadigd is, moet het om veiligheidsredenen vervangen worden door een erkende KENWOOD service-monteur.

Als u hulp nodig heeft bij:

- het gebruik van uw machine
- het bestellen van accessoires
- service of reparaties

Neem dan contact op met de dealer bij wie u het apparaat gekocht heeft.



recepten

Zie paragraaf 'belangrijk voor het maken van brood' (blz.38)

Witbrood *zacht continentaal deeg*

ingrediënten • 2,6kg normaal ongemengd deeg

De hoeveelheden gelden voor • 1,3 liter melk

Major-modellen. Voor Chef- • 300g suiker

modellen moeten de • 450g margarine

hoeveelheden worden • 100g verse gist of 50g gedroogde gist

gehalveerd en moet al het bloem • 6 geklopte eieren

in één keer worden toegevoegd • 5 snuifjes zout

bereiding 1 Laat de margarine smelten in de melk en verwarm het mengsel tot 43°C.

2 **gedroogde gist** (moet nog opgelost worden): voeg de gist en de suiker aan de melk toe en laat het mengsel 10 minuten staan, totdat het schuimig wordt.

verse gist: kruimel de gist in het meel en voeg suiker toe.

andere soorten gist: volg de instructies van de fabrikant.

3 Giet de melk in een kom. Voeg de geklopte eieren en 2kg meel toe.

4 Mix gedurende 1 minuut op de minimumsnelheid, vervolgens nog een minuut op snelheid 1. Schraap opspattend deeg omlaag.

5 Voeg het overgebleven meel toe en meng gedurende 1 minuut op de laagste stand. Meng vervolgens gedurende 2 - 3 minuten op stand 1, totdat het deeg soepel is en er geen klonten meer in zitten.

6 Vul enkele ingevette bakblikken van 450g tot de helft met het deeg, of maak er broodjes van. Leg er een theedoek overheen en laat het deeg in een warme ruimte staan, totdat het volume verdubbeld is.

7 Bak gedurende 20 - 25 minuten op 200°C, stand 6 voor gasovens, voor een brood, ofwel gedurende 15 minuten voor broodjes.

8 Als het brood klaar is, moet het hol klinken wanneer u op de onderkant klopt.

• Goed voor ongeveer 10 broden.

Pastei van korstdeeg

ingrediënten • 450g meel, samen met het zout gezeefd.

• 5ml (één theelepel) zout

• 225g vet (meng varkensvet en koude margarine)

• Ongeveer 80ml water

Tip • Mix het mengsel niet te lang.

bereiding 1 Doe het meel in de kom. Snijd het vet in blokjes en voeg het toe aan het meel.

2 Mix op snelheid 1 totdat het mengsel lijkt op broodkrumels. Stop voordat het er vet begint uit te zien.

3 Voeg het water toe en meng op de laagste snelheid. Stop zo gauw als het water helemaal opgenomen is.

4 Bak op ongeveer 200°C, stand 6 voor gasovens, afhankelijk van de vulling.

schuimtaart

ingrediënten • 3 grote eiwitten

• 175 g poedersuiker

• 275 ml dubbele room

• vers fruit bijvoorbeeld frambozen, aardbeien, druiven, kiwi

methode 1 Klop de eiwitten bij hoge snelheid totdat ze "zachte pieken" vormen.

2 Met de garde ingesteld op snelheid 5, voegt u geleidelijk het suiker toe, in stappen van één eetlepel, terwijl u na elke toevoeging klopt.

3 Bedek een bakplaat met siliconenpapier en schep het schuim vervolgens op de het papier, zodat het een nest met een doorsnede van ongeveer 20 cm vormt.

4 Plaats de bakplaat in een oven die is voorverwarmd tot 150°C/gasstand 2. Verminder daarna onmiddellijk de temperatuur tot 140°C/gasstand 1 en bak gedurende 1 uur. Draai de warmte uit, maar laat de schuimtaart in de oven om af te koelen.

5 Wanneer u klaar bent om de schuimtaart op te dienen, maakt u deze los van het siliconenpapier en plaatst hem op een schaal. Klop de room totdat zich zachte pieken vormen en spreid het uit over de bovenkant van de schuimtaart. Versier met het fruit.

recipes *continued*

overheerlijke chocoladecake

- ingrediënten
- 225g boter, zacht
 - 250 g poedersuiker
 - 4 eieren
 - 5 ml koffiëpoeder opgelost in 15 ml heet water
 - 30 ml melk
 - 5 ml amandelessence
 - 50 g gemalen amandelen
 - 100 g zelfrijzend bakmeel
 - 5 ml bakpoeder
 - 50 g ongezoete cacao-poeder
- methode
- 1 Klop de boter en suiker bij lage snelheid op en voer de snelheid geleidelijk op totdat het mengsel licht en schuimig is. Schraap de wanden van de kom en de klopper schoon.
 - 2 Klop de eieren in een aparte kom en voeg geleidelijk, terwijl de mixer op hoge snelheid staat, beetje bij beetje toe, totdat alles is toegevoegd. Schakel uit en schraap schoon.
 - 3 Voeg de opgeloste koffie, melk en amandelessence toe bij lage snelheid. Voeg de gemalen amandelen, het gezeefde meel, het bakpoeder en de cacao toe. Meng bij lage snelheid tot ze geheel zijn opgenomen.
 - 4 Verdeel het mengsel over twee cakevormen van 20 cm die zijn bekleed met vetvrij papier. Vlak de bovenkant af en bak gedurende ongeveer 30 minuten bij 180°C/gasstand 4 totdat de cake bij aanraking terugveert.
 - 5 Draai de oven uit en laat de cake op een draadrek afkoelen.

chocolade Chantilly-vulling

- ingrediënten
- 275 g pure chocolade, in stukken gebroken
 - 225 ml dubbele room
- methode
- 1 Smelt de chocolade door een kommetje boven een pan te plaatsen met water dat nauwelijks aan de kook is.
 - 2 Klop de room bij lage snelheid en voer de snelheid geleidelijk op totdat zich zachte pieken vormen.
 - 3 Nadat de chocolade is gesmolten, neemt u het kommetje met chocolade van de pan en schept u de chocolade met een grote lepel in de room.
 - 4 Spreid de chocoladevulling tussen de afgekoelde cakes.

wortel/koriander-soep

- ingrediënten
- 25 g boter
 - 1 fijngesneden ui
 - 1 teentje verbrijzelde knoflook
 - 600 g wortels in blokjes van 2,5 cm gesneden
 - koude kippenbouillon
 - 10-15 ml gemalen koriander
 - zout en peper
- methode
- 1 Smelt de boter in een pan, voeg de ui en knoflook toe en bak totdat ze zacht zijn.
 - 2 Stop de wortels in de blender en voeg de ui en knoflook toe. Voeg voldoende bouillon toe om het maatstreepje 1,2 op de mengbeker te bereiken. Zet het deksel en de vuldop op de beker samen.
 - 3 Meng gedurende 5 seconden op maximumsnelheid voor een grove soep of langer voor een fijnere soep.
 - 4 Breng het mengsel over naar een pan, voeg de koriander en kruiden toe en laat de soep gedurende 30 tot 35 minuten sudderen of totdat de soep gaar is.
 - 5 Voeg naar wens meer kruiden en extra vloeistof toe.

conozca su aparato de cocina Kenwood

seguridad

- Apague y desenchufe el aparato antes de colocar o quitar piezas/accesorios, después de usarlo y antes de limpiarlo.
- Este aparato no está destinado a ser usado por niños pequeños o personas discapacitadas sin supervisión.
- Mantenga los dedos lejos de las partes móviles y de los accesorios fijos.
- Nunca deje el aparato desatendido mientras esté funcionando y mantenga a los niños fuera del alcance.
- Nunca utilice un aparato dañado. Que lo revisen o arreglen: vea 'servicio' en la página 50.
- Nunca utilice un accesorio no autorizado o más de un accesorio al mismo tiempo.
- Nunca exceda las capacidades máximas indicadas en la página 46.
- No permita a los niños jugar con el aparato.
- Utilice este aparato sólo para el uso doméstico a que se destina.
- Cuidado al levantar el aparato, pues es pesado. Antes de levantarlo, asegúrese de que la parte principal (la cabeza) esté trabada y que el cuenco, los útiles, las tapas de los accesos salida y el cable estén sujetos.

antes de enchufarlo

- Asegúrese de que la corriente eléctrica es la misma que se muestra en la parte inferior de su aparato.
- Este aparato cumple con la Directiva de la Comunidad Económica Europea 89/336/CEE.

antes de usarlo por primera vez

- 1 Retire todo el embalaje.
- 2 Lave las partes: ver 'mantenimiento y limpieza' en la página 50.
- 3 Empuje el cable sobrante al compartimiento donde se guarda, en la parte posterior del aparato.

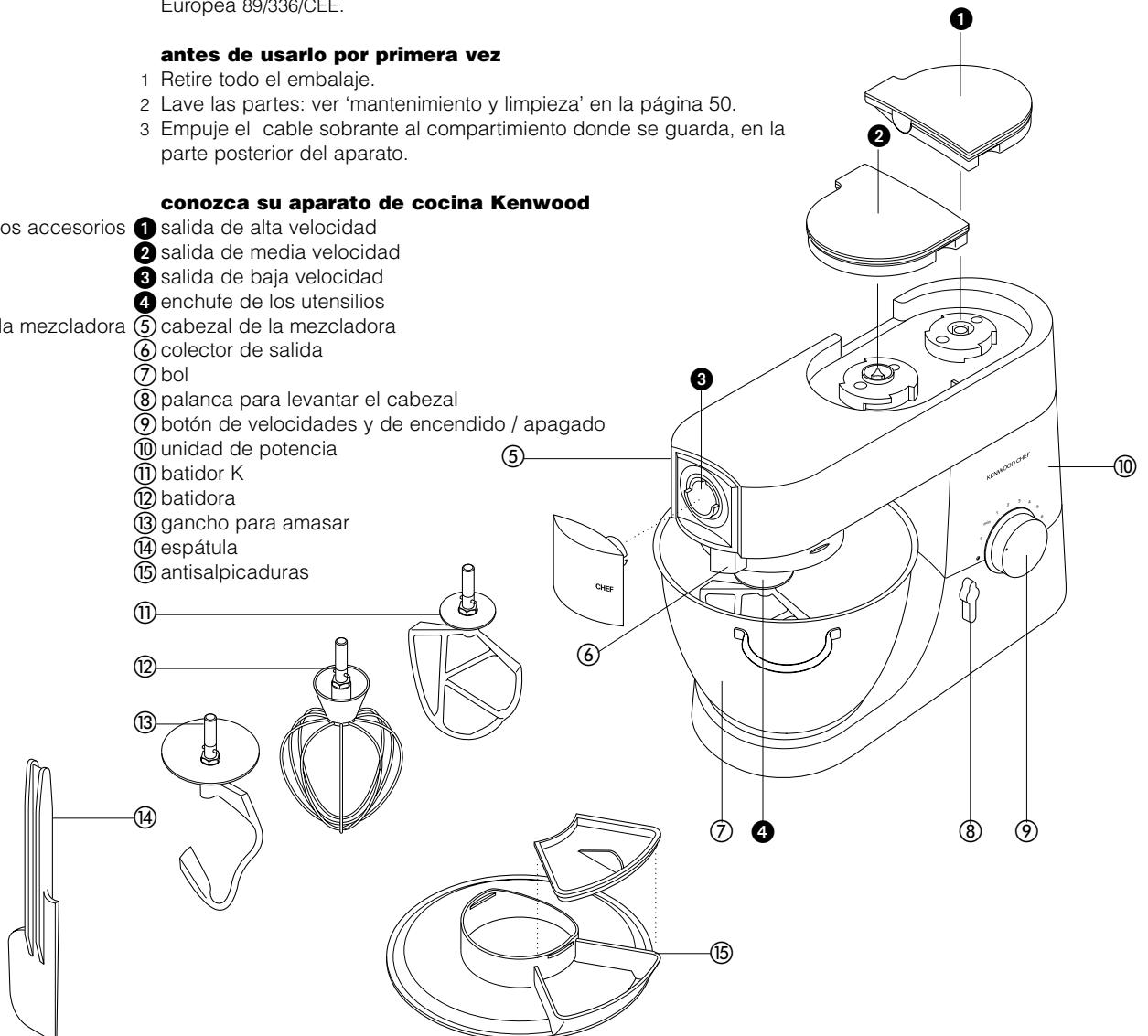
conozca su aparato de cocina Kenwood

salidas de los accesorios

- 1 salida de alta velocidad
- 2 salida de media velocidad
- 3 salida de baja velocidad
- 4 enchufe de los utensilios

la mezcladora

- 5 cabezal de la mezcladora
- 6 colector de salida
- 7 bol
- 8 palanca para levantar el cabezal
- 9 botón de velocidades y de encendido / apagado
- 10 unidad de potencia
- 11 batidor K
- 12 batidora
- 13 gancho para amasar
- 14 espátula
- 15 antisalpicaduras



la mezcladora

los utensilios para mezclar y algunos de sus usos

- batidor K • Para hacer tartas, galletas, pastas, garapiñar, rellenos, relámpagos de chocolate y puré de patata.
- batidora • Para batir huevos, nata, batidos, bizcochos ligeros, merengues, tartas de queso, mousses, soufflés. No la utilice para batir masas pesadas (por ej. montar grasa y azúcar) - podría dañarla.
- gancho para amasar • Para las mezclas con levadura.

para usar la mezcladora

- 1 Gire en sentido horario (derecha) la palanca de levantar la cabeza ① y levante la cabeza de la batidora hasta que quede trabada.
- Para insertar un instrumento 2 Gire hasta que se pare ②, luego empuje.
- 3 Coloque el bol sobre la base - apriete y gírelo en el sentido de las agujas del reloj ③
- 4 Para bajar la cabeza de la batidora, álcela un poco, luego gire la palanca de la misma en sentido horario (derecha). Bájela a la posición donde queda trabada.
- 5 Encienda el aparato y gire el conmutador de velocidad a la posición deseada.
 - Cambie a impulso **P** para ráfagas cortas.
- Para quitar un utensilio 6 Desenrosque.

- Consejos
- Apáguela y rasque el bol con la espátula con regularidad.
 - Se baten mejor los huevos a temperatura ambiente.
 - Antes de batir claras de huevo, asegúrese de que no haya grasa o yema de huevo en la batidora de varillas o en el bol.
 - Utilice ingredientes fríos para las pastas a no ser que su receta indique lo contrario.

puntos para hacer pan

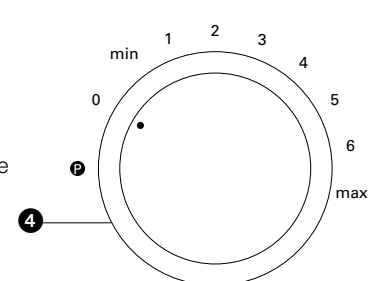
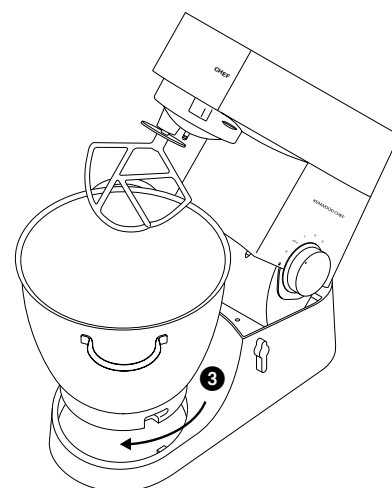
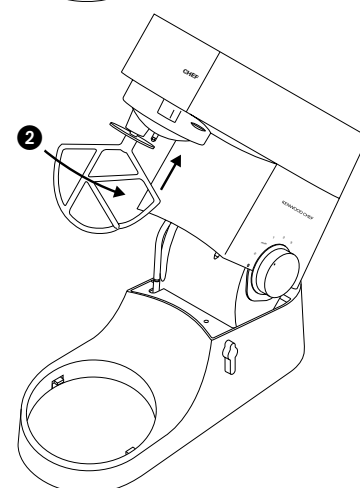
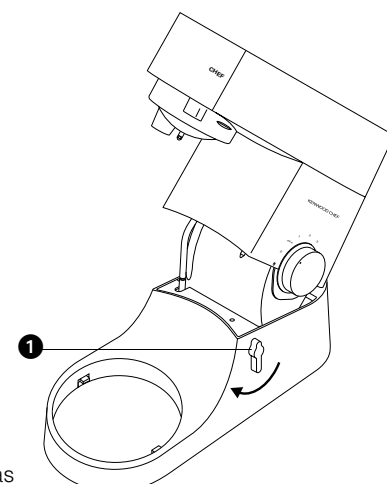
- importante
- Nunca exceda la capacidad máxima que se indica abajo - sobrecargará el aparato.
 - Si le parece que el aparato funciona con dificultad, apáguelo, saque la mitad de la masa y trátelas por separado.
 - Los ingredientes se mezclan mejor si pone primero el líquido.

capacidad máxima

	CHEF	MAJOR
pasta quebradiza	• Peso de la harina: 680g	• Peso de la harina: 910g
masa con levadura espesa	• Peso de la harina: 1,36kg	• Peso de la harina: 1,5kg
tipo británico	• Peso total: 2,18kg	• Peso total: 2,4kg
masa con levadura ligera	• Peso de la harina: 1,3kg	• Peso de la harina: 2,6kg
tipo continental	• Peso total: 2,5kg	• Peso total: 5kg
mezcla para pastel de frutas	• Peso total: 2,72kg	• Peso total: 4,55kg
claras de huevos	• 12	• 16

velocidades ④

- batidor K • **batir manteca y azúcar** empiece con min y aumente gradualmente hasta max.
- **batir huevos en mezclas cremosas** 4 – “max”.
- **mezclar harina, frutas, etc.** Min – 1.
- **mezclar a la vez todos los ingredientes de un pastel** empiece con velocidad min y aumente gradualmente hasta max.
- **ligar manteca y harina** min. – 2
- batidora • Aumentar gradualmente hasta ‘max’.
- gancho para amasar • Empezar en ‘min’ y aumentar gradualmente hasta 1.



para **limpieza** vea la página 50

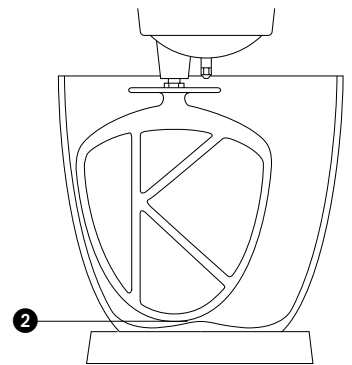
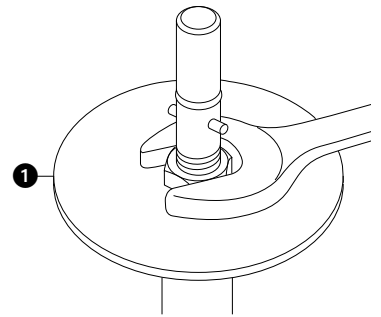
posibles problemas

problema

- La batidora o el batidor K golpean la parte inferior del bol o no llegan a los ingredientes del fondo del bol.

solución • Ajuste la altura del modo siguiente:

- 1 Desconéctela de la red.
- 2 Levante el cabezal de la mezcladora e introduzca el batidor de varillas o el batidor K.
- 3 Sujetando el batidor, afloje la tuerca ❶.
- 4 Baje el cabezal.
- 5 Ajuste la altura girando el eje. Para unos resultados óptimos, coloque el batidor de modo que **casi** toque el fondo del bol ❷.
- 6 Levante el cabezal, sujete el batidor y apriete la tuerca.



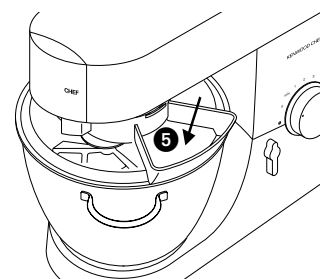
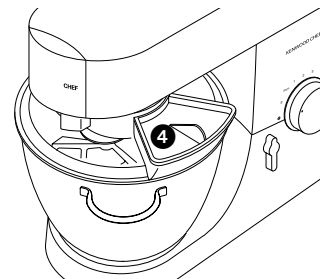
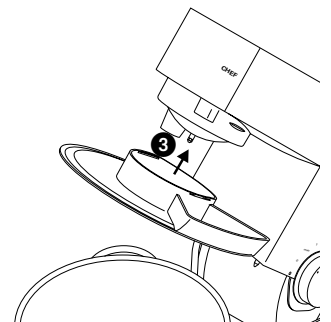
problema

- La batidora se para durante el funcionamiento.

solución • Su batidora tiene un dispositivo de protección de sobrecarga y se parará si está sobrecargada para proteger la máquina. Si así sucede, apague y desenchufe la batidora. Quite parte de los ingredientes para reducir la carga, y deje apagada la máquina unos minutos. Vuelva a enchufar y a elegir la velocidad. Si la batidora no se pone en marcha inmediatamente, déjela parada más tiempo.

para acoplar y usar la tapa antisalpicaduras

- 1 Levante el cabezal de la mezcladora hasta que quede bloqueado.
- 2 Coloque el bol en la base.
- 3 Empuje la tapa anti salpicaduras hacia la parte inferior de la mezcladora ❸ hasta que quede bien situada. Debe colocar el conducto de la comida como se muestra en la imagen.
- 4 Introduzca la herramienta que necesite.
- 5 Baje la mezcladora.
- 6 Coloque la tapa del conducto de la comida ❹.
- Durante la fase del mezclado la tapa del conducto de la comida se puede quitar y añadir los ingredientes directamente al recipiente ❺.
- No es necesario quitar la tapa anti salpicaduras para cambiar de herramienta.
- 7 Para quitar la tapa anti salpicaduras, levante la mezcladora y deslícela hacia abajo.



los **accesorios** disponibles

Para comprar un accesorio que no esté incluido en su paquete, llame al técnico de KENWOOD.

piezas extra código de la pieza extra

para elaborar pasta plana ① **A970**

otras piezas para elaborar pasta (sin ilustración) para uso con A970

- A971** tagliatelle
- A972** tagliolini
- A973** trenette
- A974** spaghetti

para elaborar rebanador/troceador ② **A936** con 4 moldes 6

veloci. lenta ③ **A948** con 4 tambores

superpicador ④ **A950** con una

- a boquilla ancha para salchichas
- b boquilla pequeña para salchichas
- c para hacer kebbe

molinillo de grano ⑤ **A941**

exprimidor ⑥ **A960**

pieza extra para la

batidora ⑦ **A980** con 3 placas cortantes normales más una cuchilla

rebanador/troceador gran veloci ⑧ **A998** con 3 placas cortantes

- a troceador extra grueso, **número de pieza 639021**
- b placa de rallar, **número de pieza 639150**
- c para cortar patatas fritas, **número de pieza 639083**

licuador ⑨ 1.2 l acrílico **A993A**, 1.2 l vidrio **A994A**, 1.5 l acero inoxidable **A996A**

multimolinillo ⑩ **A938A** con 3 recipientes de vidrio y 3 tapas para guardar

extractor continuo de zumo ⑪ **A935**

heladora ⑫ CHEF **A953**, MAJOR **A954**

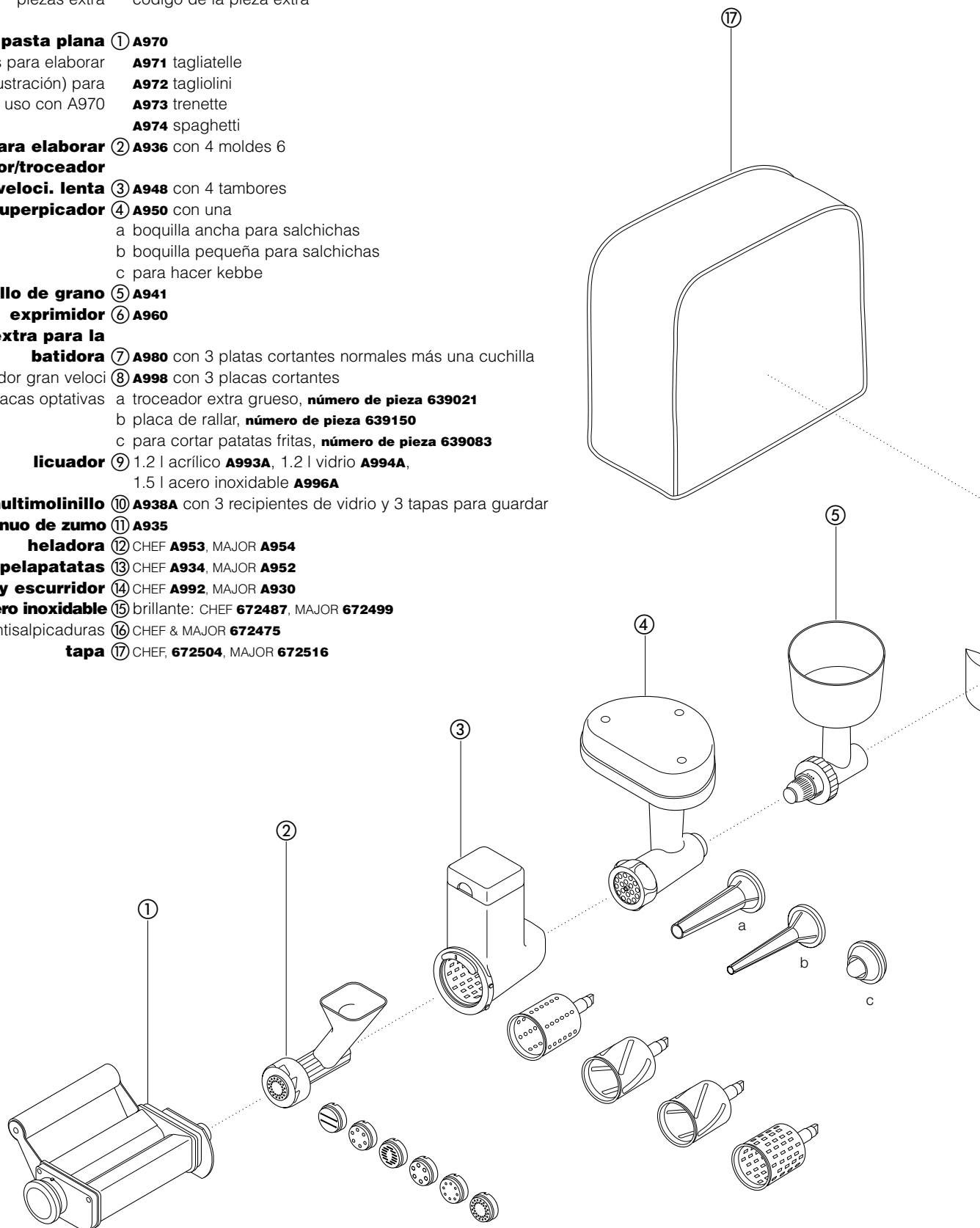
pelapatatas ⑬ CHEF **A934**, MAJOR **A952**

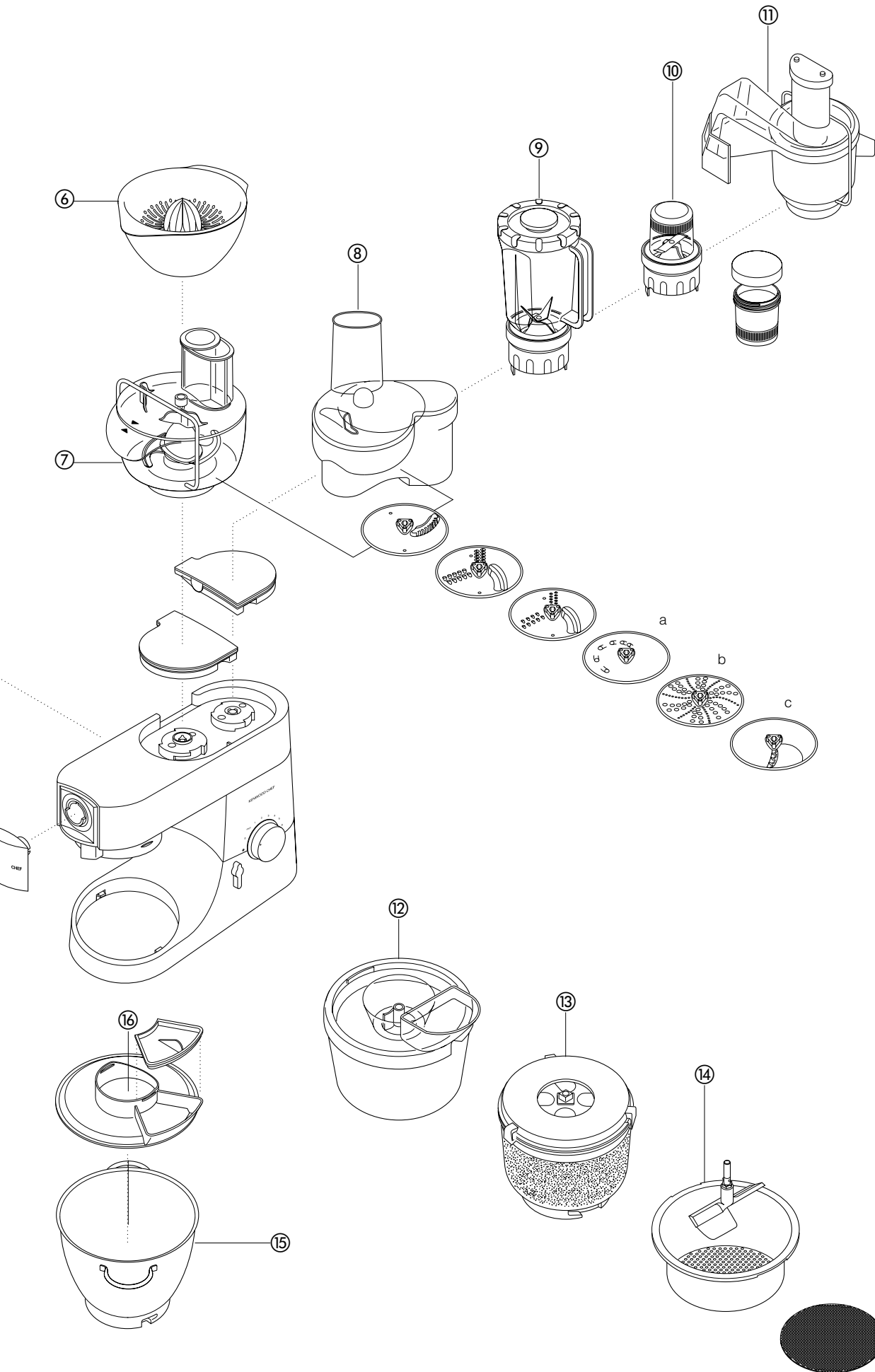
colador y escurridor ⑭ CHEF **A992**, MAJOR **A930**

cuencos de acero inoxidable ⑮ brillante: CHEF **672487**, MAJOR **672499**

antisalpicaduras ⑯ CHEF & MAJOR **672475**

tapa ⑰ CHEF, **672504**, MAJOR **672516**





limpieza y servicio

mantenimiento y limpieza

- Apague y desenchúfela siempre antes de limpiar.
- Quizá aparezca un poco de grasa en el acceso ② la primera vez que use la máquina. Esto es algo normal – límpiela sin más.

motor, tapas de los accesos ● Limpie con un paño húmedo, luego seque.

- Nunca utilice productos abrasivos o la sumerja en agua.

cuenco ● Lávelo a mano, luego séquelo bien o lávelo en lavavajillas.

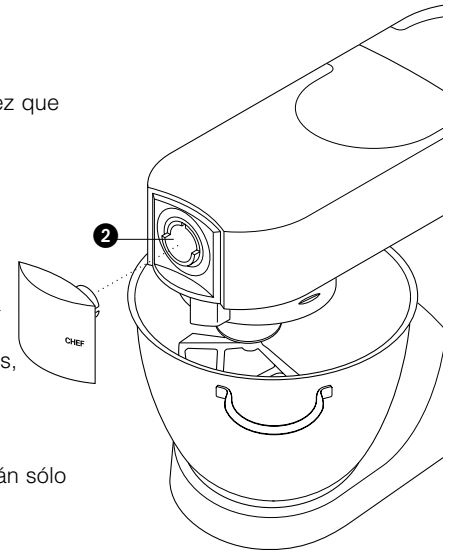
- Para limpiar el cuenco de acero inoxidable no use nunca un cepillo de alambre o parecido ni use lejía. Use sólo vinagre para eliminar los depósitos de cal.

- Mantenga el aparato alejado del calor (chapas de cocina, hornos, microondas).

útiles ● Los útiles de acero inoxidable se pueden lavar a mano o en lavavajillas.

- Los útiles que no sean de acero inoxidable (revestidos) se lavarán sólo a mano, secándolos luego muy bien.

Antisalpicaduras ● Lávelo a mano y séquelo muy bien.



servicio y atención al cliente

- Si el cable de alimentación eléctrica del aparato está dañado, por razones de seguridad debe ser sustituido por el fabricante o un técnico autorizado de KENWOOD.

Si necesita ayuda sobre:

- el uso del aparato
- el pedido de otro accesorio
- servicio o asistencia técnica

Contacte con la tienda donde compró su aparato.

recetas

Vea los puntos importantes para hacer pan de la página 46

pan blanco *masa blanda al estilo continental*

- ingrediente
- Esta cantidad es para los modelos Mayor. Para los modelos Chef, divida las cantidades y añada la harina de una vez.**
- 2,6kg de harina normal
 - 1,3 l de leche
 - 300g de azúcar
 - 450g de margarina
 - 100g de levadura fresca o 50g de levadura seca
 - 6 huevos batidos
 - 5 pellizcos de sal

- preparación
- 1 Derrita la margarina en la leche y caliéntelo hasta 43°C.
 - 2 **Levadura seca** (de la clase que necesita reconstitución): añada la levadura y el azúcar a la leche y déjelo durante unos 10 minutos hasta que se haga una espuma.
Levadura fresca: desmenúcela en la harina y añada el azúcar.
Otras clases de levaduras: siga las instrucciones del fabricante.
 - 3 Eche la leche al bol. Añada los huevos batidos y 2kg de harina.
 - 4 Mézclelo a velocidad mínima durante 1 minuto y después a velocidad 1 durante otro minuto más. Junte la masa.
 - 5 Añada la sal y el resto de la harina y mézclela a la velocidad mínima durante 1 minuto, luego use la velocidad 1 durante otros 2 - 3 minutos hasta que esté suave y uniforme.
 - 6 Llene por la mitad algunos moldes de 450g untados con grasa con la masa, o deles la forma de bollos. Luego cúbralos con un paño de cocina y déjelos en un sitio templado hasta que se doble la cantidad.
 - 7 Méталos en el horno a 200°C/Marca de gas 6 durante 20 - 25 minutos si son *hogazas* y 15 minutos si se trata de *bollos*.
 - 8 Una vez hechos, deben sonar a hueco cuando se golpeen en la base.
- Haga unas 10 hogazas.

pastas quebradizas

- ingrediente
- 450g de harina, colada con sal
 - 5ml (1 cucharada) de sal
 - 225g de grasa (mezcle manteca de cerdo y margarina recién sacada del frigorífico)
 - Unos 80ml (4 cucharas) de agua

- Consejo
- preparación
- 1 Ponga la harina en el bol. Corte la grasa: en trozos y añádala a la harina.
 - 2 Mézclelo a velocidad 1 hasta obtener una consistencia parecida a las migas de pan. Deje de mezclar antes de que quede untuoso.
 - 3 Añada el agua y mézclelo a la velocidad mínima. Pare tan pronto como el agua se haya ligado.
 - 4 Cocine a unos 200°C/Marca de gas 6, dependiendo del relleno.

merengue pavlova

- ingredientes
- 3 claras de huevos grandes
 - 175 g de azúcar de repostería
 - 275 ml de nata montada
 - fruta fresca (frambuesas, fresas, uvas, kiwis)
- método
- 1 bata las claras a gran velocidad hasta que forme 'puntas blandas'.
 - 2 Con la batidora a velocidad 5, añada poco a poco el azúcar, una cucharada cada vez, batiendo después de cada una.
 - 3 Recubra la bandeja pastelera con papel de silicona (papel de barba) y vaya poniendo el merengue sobre el papel hasta formar como un nido de unos 20 cm de diámetro.
 - 4 Meta la bandeja al horno precalentado a 150°C, Gas 2 e inmediatamente reduzca la temperatura a 140°C, Gas 1 y deje que se cueza durante 1 hora. Apague el horno pero deje la pavlova en el horno hasta que se enfríe.
 - 5 Cuando esté lista para servir, quítele el papel de silicona y póngala en una fuente. Bata la nata hasta formar puntas blandas y extiéndala sobre la pavlova, adornando todo ello con la fruta.

recetas *continuación*

deliciosa tarta de chocolate

- ingredientes
- 225g de mantequilla, blanda
 - 250g azúcar de repostería
 - 4 huevos
 - 5 ml (1 cucharilla) de café instantáneo disuelto en 15 ml (1 cucharada) de agua caliente
 - 30 ml (2 cucharadas) de leche
 - 5 ml (cucharilla) de esencia de almendras
 - 50 g de almendra molida
 - 100 de harina leudante
 - 5ml (cucharilla) de levadura en polvo
 - 50 g de polvo cacao en polvo sin azúcar

- método
- 1 Bata la mantequilla y el azúcar a poca velocidad, aumentando poco a poco la velocidad hasta que la mezcla resulte ligera y suelta. Limpie el cuenco y la batidora y añada los residuos al resto.
 - 2 Bata los huevos en un recipiente y con la batidora en marcha a gran velocidad, añada poco a poco el huevo hasta incorporarlo del todo. Apague y añada los residuos al resto.
 - 3 Incorpore el café disuelto, la leche y la esencia de almendra a poca velocidad. Añada la almendra molida, la harina cernida, la levadura y el cacao. Mezcle a poca velocidad para incorporar todo.
 - 4 Divida la mezcla entre dos moldes de 20 cm forrados con papel de barba. Alise por encima y métalos al horno a 180°C, Gas 4 durante aproximadamente 30 minutos hasta que resulte esponjoso al tacto.
 - 5 Dele la vuelta y déjelo enfriar en una bandeja de alambre.

relleno de muselina de chocolate

- ingredientes
- 275 g de chocolate corriente, en trozos
 - 225 ml de nata montada

- método
- 1 Funda el chocolate poniéndolo en un cuenco sobre un cazo de agua apenas hirviendo.
 - 2 Bata la nata empezando a poca velocidad y aumentando poco a poco la velocidad hasta que forme puntas blandas.
 - 3 Cuando el chocolate se haya fundido, quite el cuenco del calor y, con una cuchara grande, vaya incorporándolo a la nata.
 - 4 Esparza el chocolate entre los dos bizcochos ya fríos.

sopa de zanahoria y culantro

- ingredientes
- 25 g de mantequilla
 - 1 cebolla picada
 - 1 diente de ajo aplastado
 - 600 g de zanahorias cortadas en cubitos de 2,5 cm
 - 1 cubito de caldo de gallina
 - 10-15 ml (2-3 cucharillas) de culantro en polvo
 - sal y pimienta

- método
- 1 Funda la mantequilla en una sartén, añada la cebolla y el ajo, friéndolos hasta que estén blandos.
 - 2 Ponga la zanahoria en la licuadora y añada la cebolla y el ajo. Añada líquido suficiente hasta llegar a la marca 1.2 en el recipiente. Ponga la tapa y el tapón del acceso.
 - 3 Bata a la máxima velocidad durante 5 segundos para una sopa gruesa o más tiempo para un resultado más fino.
 - 4 Transfiera la mezcla a un cazo, añada el culantro, añada sal y deje hervir la sopa a fuego lento durante 30 ó 35 minutos o hasta que este hecha.
 - 5 Corrija el punto de sal y añada más líquido si es preciso.

GARANTIA

Este artículo está GARANTIZADO por DOS AÑOS desde su fecha de compra, para su uso normal de acuerdo con las instrucciones, contra defectos de fabricación o montaje.

ARTICULO

FECHA DE COMPRA

FIRMA Y SELLO DEL VENDEDOR

Solicite el servicio de Asistencia Técnica al Vendedor o al importador: ARIETE HISPANIA, S.L. C/PEZ VOLADOR, 32, 1ºA, 28007 MADRID, ESPAÑA - TEL: 91 4448170 - FAX: 91 4019300. Presente al S.A.T. esta GARANTIA cumplimentada o la Factura de compra.

conheça a sua máquina de cozinha Kenwood

segurança

- Desligue a máquina antes de instalar ou retirar acessórios, após a utilização ou antes de a limpar.
- Esta máquina não se destina a ser utilizada por crianças pequenas ou por pessoas debilitadas sem supervisão.
- Mantenha os dedos afastados das peças móveis e dos acessórios montados.
- Nunca deixe a máquina a funcionar sem supervisão e mantenha as crianças afastadas da mesma.
- Nunca utilize uma máquina danificada. Mandê-a inspeccionar ou reparar; consulte a secção 'Assistência Técnica' na página 59.
- Nunca utilize um acessório não autorizado ou mais que um acessório de cada vez.
- Nunca exceda as capacidades máximas indicadas na página 55.
- Não deixe que as crianças brinquem com esta máquina.
- Ao utilizar um acessório, leia as instruções de segurança que o acompanham.
- Utilize esta máquina exclusivamente para a sua finalidade doméstica normal.
- Tenha cuidado ao pegar neste aparelho pois é pesado. Certifique-se de que a cabeça está travada e que a taça, utensílios, tampas das tomadas de acessórios e cabo estão em posição segura antes de pegar na máquina.

antes de ligar à corrente

- Certifique-se de que a tensão da corrente da sua rede corresponde à indicada na base da sua máquina.
- Esta máquina cumpre os requisitos da Directiva 89/336/CEE da Comunidade Económica Europeia.

antes de utilizar a máquina pela primeira vez

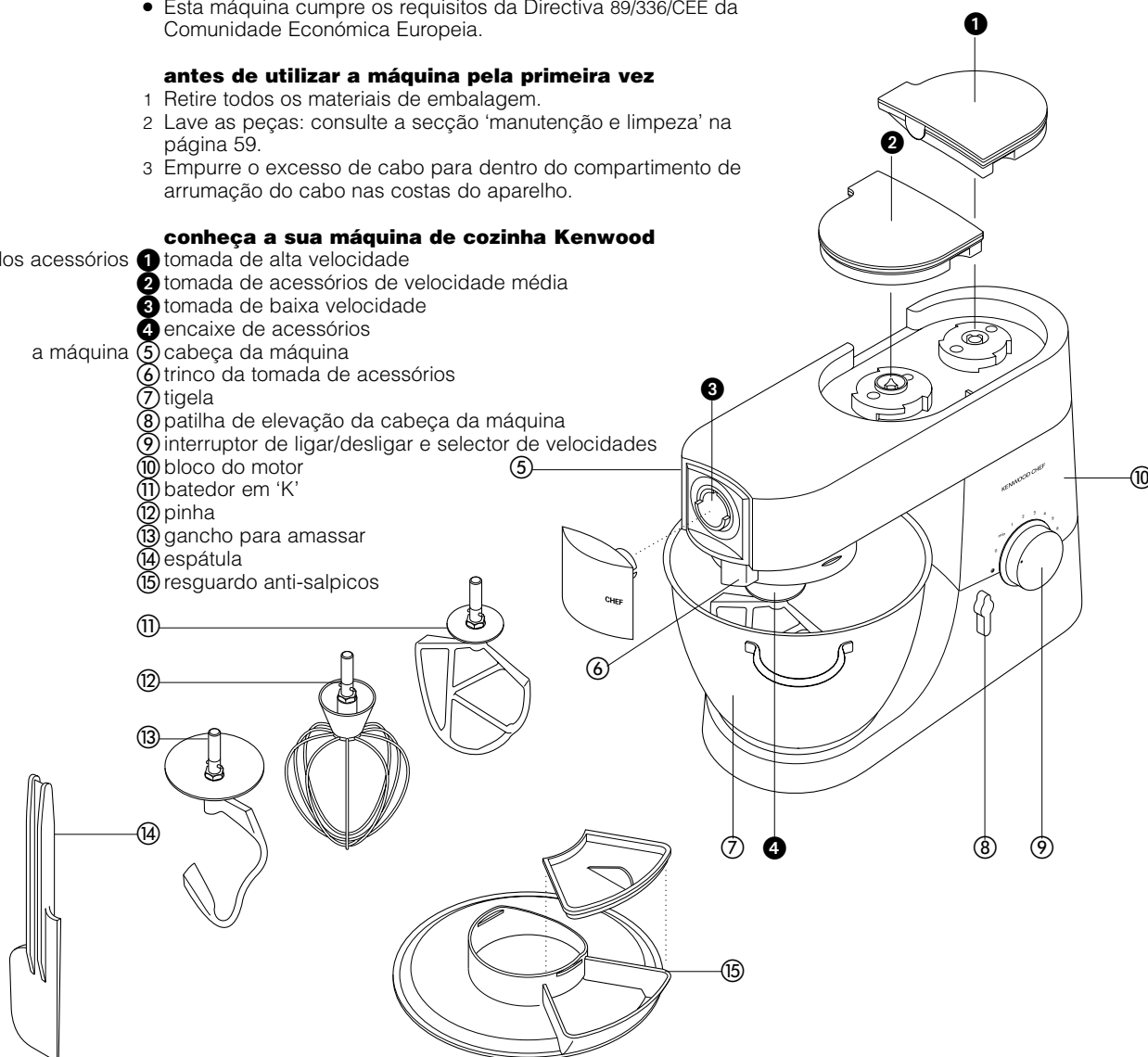
- 1 Retire todos os materiais de embalagem.
- 2 Lave as peças: consulte a secção 'manutenção e limpeza' na página 59.
- 3 Empurre o excesso de cabo para dentro do compartimento de arrumação do cabo nas costas do aparelho.

conheça a sua máquina de cozinha Kenwood

tomadas dos acessórios

a máquina

- 1 tomada de alta velocidade
- 2 tomada de acessórios de velocidade média
- 3 tomada de baixa velocidade
- 4 encaixe de acessórios
- 5 cabeça da máquina
- 6 trinco da tomada de acessórios
- 7 tigela
- 8 patilha de elevação da cabeça da máquina
- 9 interruptor de ligar/desligar e selector de velocidades
- 10 bloco do motor
- 11 batedor em 'K'
- 12 pinha
- 13 gancho para amassar
- 14 espátula
- 15 resguardo anti-salpicos



a máquina

os acessórios de misturar e algumas das suas funções

- batedor em 'K' • para fazer bolos, biscoitos, massas de pastelaria, coberturas para bolos, recheios, éclairs e puré de batata.
- pinha • para ovos, natas, massas para fritos, pão-de-ló sem gordura, merengues, tartes de requeijão, mousses e soufflés. Não utilize a pinha para preparados pesados (por ex. para bater manteiga com açúcar) - caso contrário poderá danificá-la.
- gancho para massas • para massas com fermento.

como utilizar a sua máquina

- 1 Rode a patilha de elevação da cabeça da máquina para a direita ① e eleve a cabeça da máquina até prender.
 - 2 Rode até parar ② e depois empurre.
 - 3 Coloque a tigela na base - pressione-a rodando-a para a direita ③
 - 4 Para baixar a cabeça da máquina, eleve-a ligeiramente e depois rode a patilha de elevação da cabeça para a direita. Baixe para a posição de travada.
 - 5 Ligue o aparelho e volte o interruptor selector de velocidade para a regulação desejada.
 - Seleccione **P** para impulsos curtos.
 - 6 Desenrosque-o.
- para retirar um acessório

- sugestões
- Desligue a máquina e raspe a tigela com a espátula frequentemente.
 - Os ovos à temperatura ambiente são melhores de bater.
 - Antes de bater claras em castelo, certifique-se de que não há gordura ou gema de ovo na pinha ou na tigela.
 - Utilize ingredientes frios para massas de pastelaria, a não ser que a receita indique que deve fazer algo diferente.

conselhos para fazer pão

- importante
- Nunca exceda as capacidades máximas abaixo ou sobrecarregará a máquina.
 - Se ouvir a máquina a trabalhar com dificuldade, desligue-a, retire metade da massa e bata cada metade separadamente.
 - Os ingredientes misturarão melhor se introduzir primeiro o líquido.

capacidades máximas

CHEF

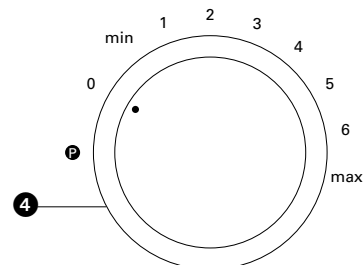
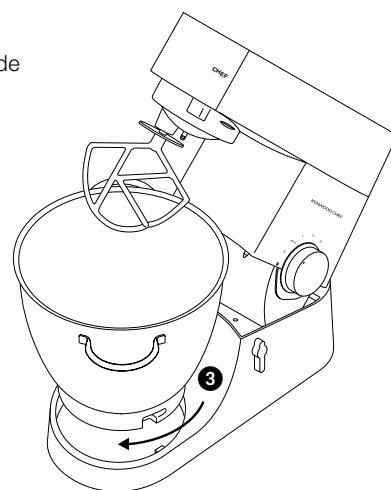
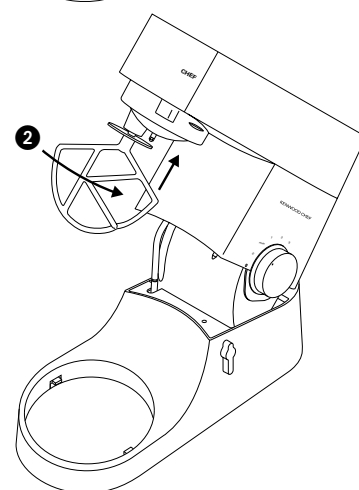
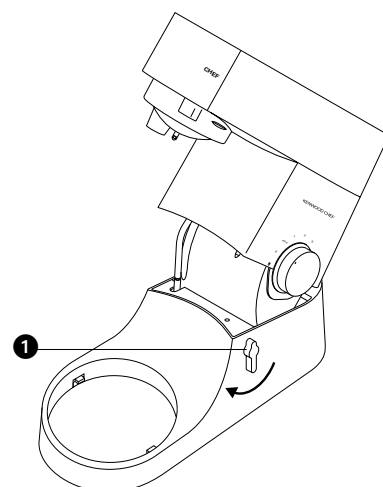
MAJOR

- massa para tartes** • Peso de farinha: 680g
- massa com fermento rija** • Peso de farinha: 1,36kg
- tipo britânico • Peso total: 2,18kg
- massa com fermento mole** • Peso de farinha: 1,3kg
- tipo continental • Peso total: 2,5kg
- massa para bolo de frutas** • Peso total: 2,72kg
- claras de ovo** • 12

- Peso de farinha: 910g
- Peso de farinha: 1,5kg
- Peso total: 2,4kg
- Peso de farinha: 2,8kg
- Peso total: 5kg
- Peso total: 4,55kg
- 16

velocidades ④

- batedor em 'K'
- **bater manteiga e açúcar até estarem cremosos** comece no mínimo e aumente gradualmente para o 'máx.' (máximo).
 - **incorporar ovos nas misturas em creme** 4 - máximo.
 - **envolver farinha, fruta, etc.** mínimo - 1.
 - **bolos de pacote** comece no mínimo e aumente gradualmente até ao máximo.
 - **incorporar manteiga ou margarina em farinha** mínimo - 2.
- pinha
- Aumente gradualmente para a velocidade 'máx.' (máximo).
- gancho para massas
- Comece no 'min' (mínimo) e aumente gradualmente para 1.



para limpeza, veja a pág. 59

resolução de problemas

problema

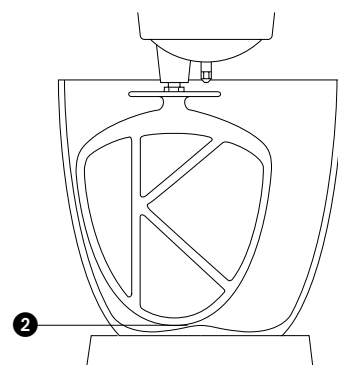
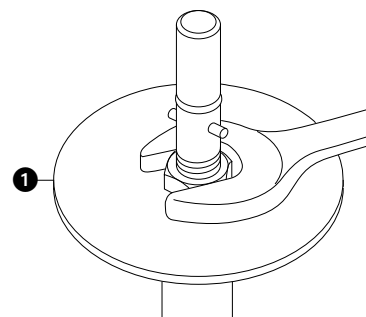
- A pinha ou o batedor em 'K' bate contra o fundo da tigela ou não alcança os ingredientes que se encontram no fundo da tigela.

solução • ajuste a altura do acessório. Faça o seguinte:

- 1 Retire a ficha da tomada.
- 2 Eleve a cabeça da máquina e introduza o batedor de arames ou batedor em "K".
- 3 Segure no acessório e afrouxe a porca ❶.
- 4 Baixe a cabeça da máquina.
- 5 Ajuste a altura do acessório rodando o eixo. Idealmente, o batedor de arames/batedor em "K" deverá **quase** tocar o fundo da taça ❷.
- 6 Eleve a cabeça da máquina, segure o batedor de arames/batedor em "K" e aperte a porca.

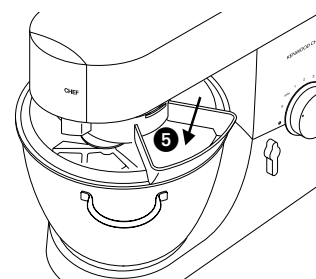
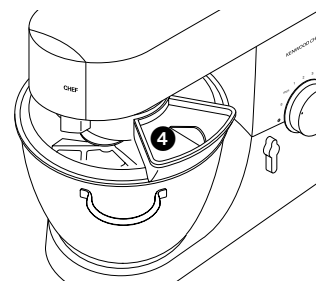
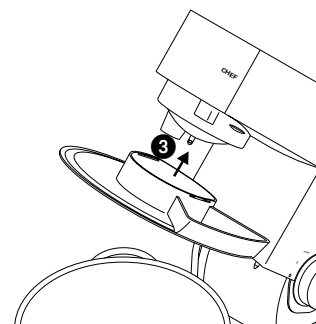
problema

- A máquina pára durante o funcionamento.
- A sua máquina está equipada com um dispositivo de protecção contra a sobrecarga e parará se estiver sobrecarregada para proteger a máquina. Se isto acontecer, desligue no interruptor e desligue a ficha da tomada de corrente. Retire alguns dos ingredientes para reduzir a carga e deixe a máquina descansar por alguns minutos. Ligue a ficha à tomada de corrente e torne a seleccionar a velocidade. Se a máquina não recommençar a funcionar imediatamente, deixe-a parada por mais algum tempo.



como instalar e utilizar o resguardo anti-salpicos

- 1 Eleve a cabeça da máquina até esta prender.
- 2 Coloque a taça na base.
- 3 Instale o resguardo anti-salpicos no lado inferior da cabeça da máquina ❸, empurrando-o até estar bem encaixado. O bocal para introdução de ingredientes deve ficar posicionado da forma ilustrada.
- 4 Introduza o acessório pretendido.
- 5 Baixe a cabeça da máquina.
- 6 Instale a tampa do bocal para introdução de ingredientes ❹.
- Durante a mistura, a tampa do bocal para introdução de ingredientes pode ser retirada para adicionar os ingredientes directamente à tigela ❺.
- Não é preciso retirar o resguardo anti-salpicos ao trocar os acessórios.
- 7 Retire o resguardo anti-salpicos elevando a cabeça da máquina e puxando-o levemente para baixo.



os **acessórios** disponíveis

Para comprar um acessório não incluído com o seu aparelho, contacte um técnico autorizado KENWOOD.

acessório código do acessório

aparelho para massas direitas ① A970

acessórios adicionais para
massas (não ilustrado) utilizado
em conjuntocom o A970

- A971 tagliatelle
- A972 tagliolini
- A973 trenette
- A974 esparguete

aparelho para massas ② A936 traz 6 discos

disco para corte/picado de baixa velocidade ③ A948 traz 4 tambores

super picador de carne ④ A950 traz

- a funil de enchidos grande
- b funil de enchidos pequeno
- c aparelho para kebbe

moinho de cereais ⑤ A941

espremedor de citrinos ⑥ A960

acessório para processamento de alimentos ⑦ A980 inclui 3 discos e lâminas

disco para corte/picado de alta velocidade ⑧ A998 inclui 3 discos

discos opcionais para

A980 e A998 a para picado extra grosso, **peça n° 639021**

b de raspar, **peça n° 639150**

c para palitos de batata médios, **peça n° 639083**

liquidificador ⑨ 1.2 l acrílico A993A, 1.2 l vidro A994A, 1.5 l aço inoxidável A996A

moinho de cereais ⑩ A938A traz 3 boiões de vidro e 3 tampas para armazenagem

centrifugador de sumos ⑪ A935

sorveteira ⑫ CHEF A953, MAJOR A954

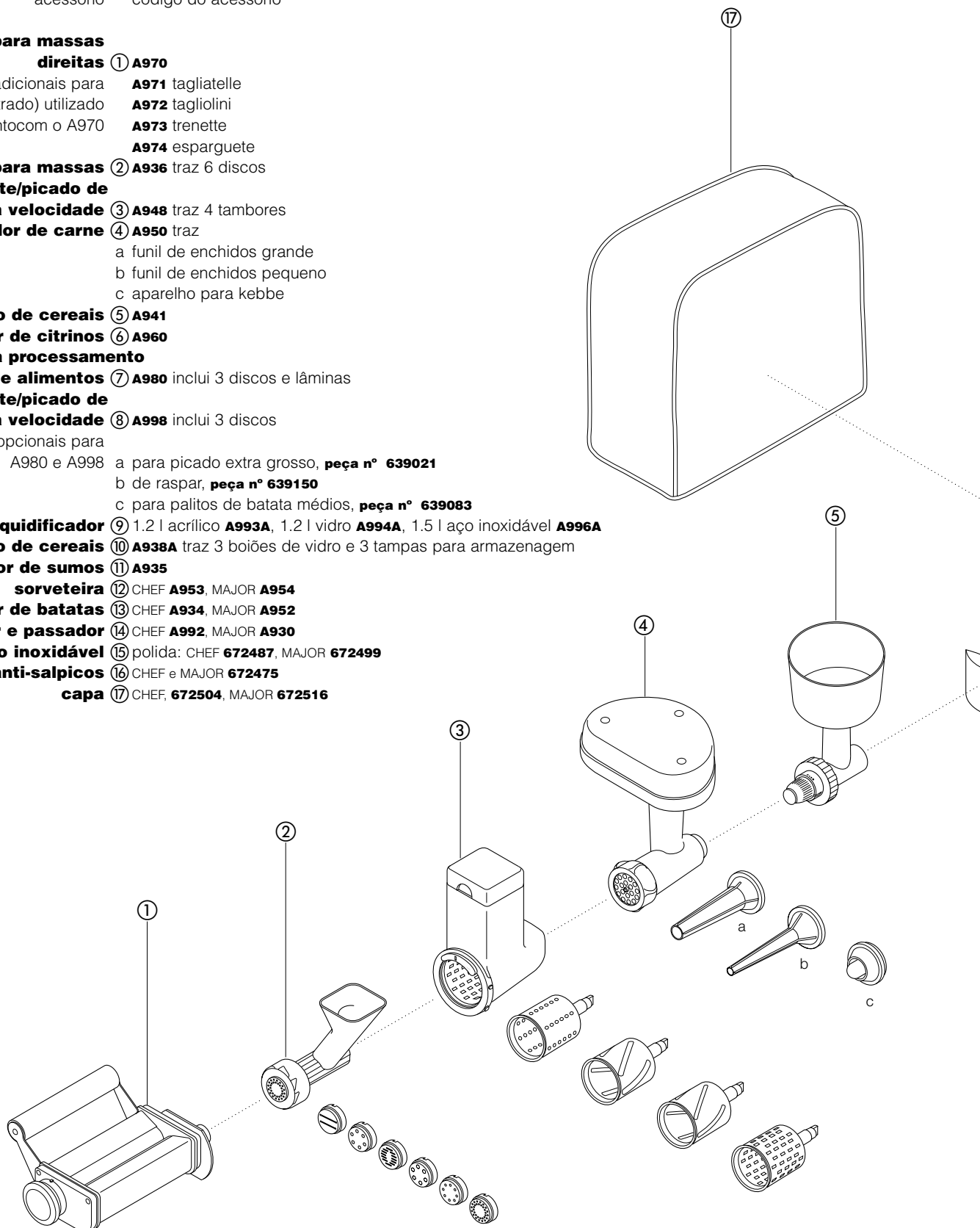
pelador de batatas ⑬ CHEF A934, MAJOR A952

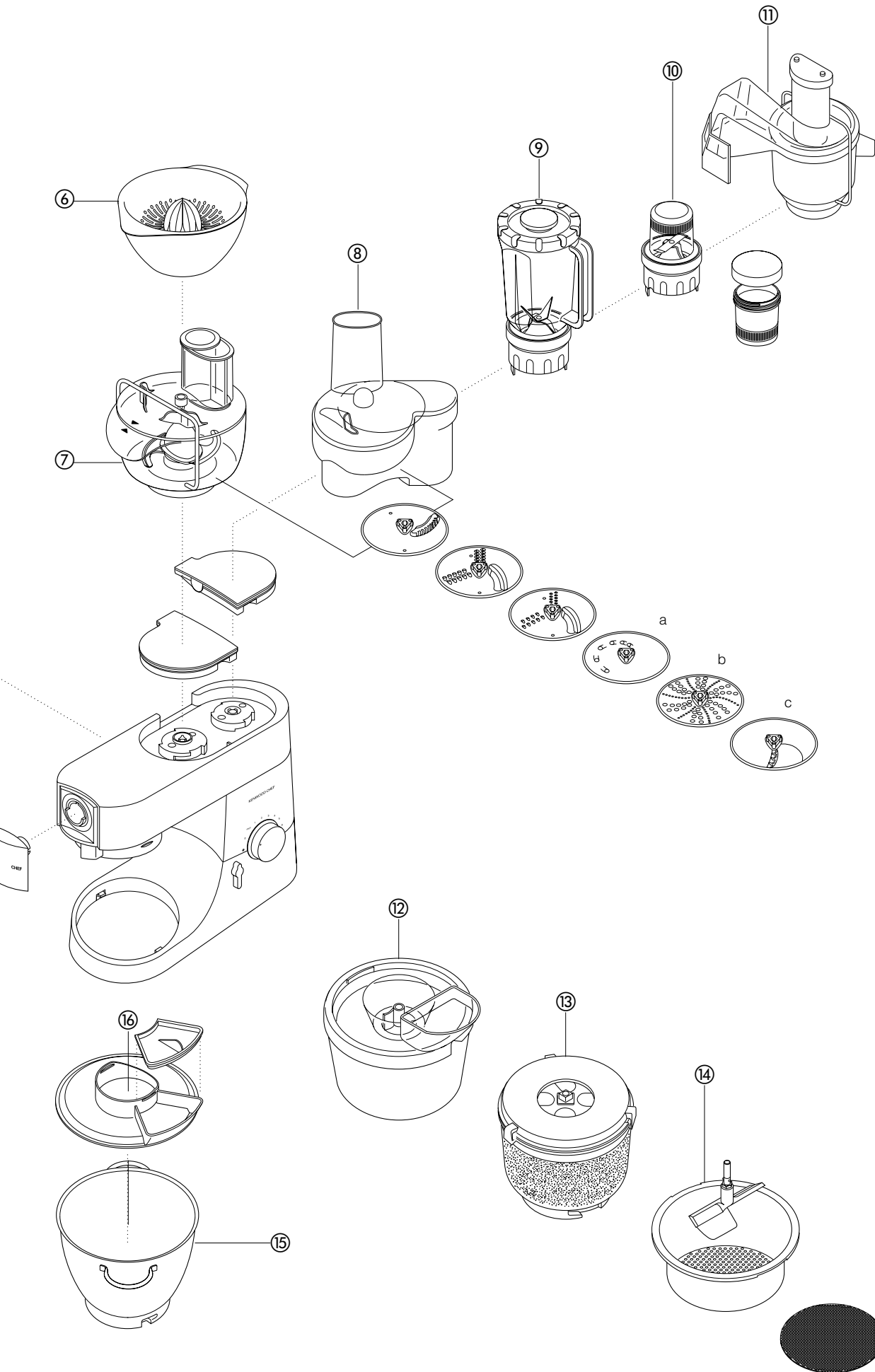
coador e passador ⑭ CHEF A992, MAJOR A930

taças em aço inoxidável ⑮ polida: CHEF 672487, MAJOR 672499

resguardo anti-salpicos ⑯ CHEF e MAJOR 672475

capa ⑰ CHEF, 672504, MAJOR 672516





limpeza e assistência técnica

manutenção e limpeza

- Desligue sempre a máquina no interruptor e retire a ficha da tomada de corrente antes de a limpar.
- Poderá aparecer um pouco de gordura na tomada de acessórios ② a primeira vez que a utilizar. Isto é normal e basta limpá-la.

bloco do motor e tampas das tomadas de acessórios

- Limpe-os com um pano humedecido e depois outro seco.
- Nunca utilize abrasivos nem mergulhe em água.

taça

- Lave-a à mão e depois seque-a bem ou lave-a na máquina de lavar loiça.
- Nunca utilize uma escova de arame, palha de aço ou lixívia para limpar a sua taça de aço inoxidável. Utilize vinagre para remover calcário..

utensílios

- Mantenha-a afastada do calor (bicos de fogões, fornos e microondas).
- Os utensílios de aço inoxidável podem ser lavados à mão ou na máquina de lavar loiça.
- Os utensílios que não sejam de aço inoxidável (revestidos) devem ser apenas lavados à mão e depois bem secos.

resguardo anti-salpicos

- Lave-o à mão e depois seque-o bem.

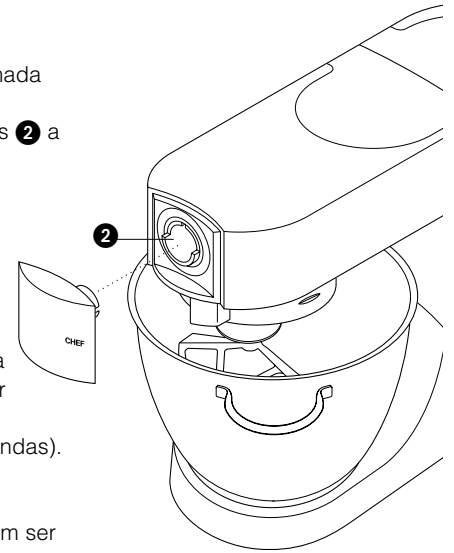
assistência técnica e atendimento ao cliente

- Se o fio estiver danificado, deverá, por razões de segurança, ser substituído pela KENWOOD ou por um técnico autorizado KENWOOD.

Se necessitar de ajuda em relação ao seguinte:

- utilização da sua máquina
- encomenda de outro acessório
- assistência técnica ou reparações

Contacte o estabelecimento onde adquiriu o seu aparelho.



receitas

Consulte os 'Conselhos para Fazer Pão' na página 55.

pão branco *massa suave do tipo continental*

ingredientes • 2,6kg de farinha branca normal

Esta quantidade é para os modelos Major.

Para os modelos Chef, reduza as quantidades para metade e adicione a farinha toda de uma só vez.

método

- 1,3 litros de leite
 - 300g de açúcar
 - 450g de margarina
 - 100g de fermento fresco ou 50g de fermento seco
 - 6 ovos, batidos
 - 5 pitadas de sal
- 1 Derreta a margarina no leite e eleve a temperatura aos 43°C.
 - 2 **fermento seco** (do tipo que necessita de ser reconstituído): adicione o fermento e o açúcar ao leite e deixe repousar cerca de 10 minutos até criar espuma.
fermento fresco: desfaça-o e incorpore-o na farinha e adicione o açúcar.
outros tipos de fermento: siga as instruções do fabricante.
 - 3 Deite o leite na tigela. Adicione os ovos batidos e 2kg de farinha.
 - 4 Bata à velocidade mínima por 1 minuto e depois à velocidade 1 por mais um minuto. Raspe para baixo.
 - 5 Adicione o sal e a farinha restante e misture à velocidade mínima por 1 minuto e depois à velocidade 1 por 2 - 3 minutos até a massa ficar suave e homogénea.
 - 6 Unte e encha de massa, até metade, quatro formas de 450g ou prepare pãezinhos. Seguidamente cubra com um pano de loiça e deixe num local quente até duplicarem de volume.
 - 7 Coza no forno, à temperatura de 200°C/400°F/Gás Marca 6, por 20 - 25 minutos para o pão de forma ou por 15 minutos para os pãezinhos.
 - 8 Quando pronto, o pão deverá soar a oco quando se lhe bater levemente na base.
- Quantidade suficiente para cerca de 10 pães de forma.

massa para tartes

ingredientes • 450g de farinha, peneirada com o sal

- 5ml (1 colher de chá) de sal
- 225g de gordura (misture banha e margarina, directamente do frigorífico)
- Cerca de 80ml de água

sugestão • Não bata excessivamente.

método

- 1 Coloque a farinha na tigela. Corte grosseiramente a gordura e adicione-a à farinha.
- 2 Misture à velocidade 1 até obter a consistência de pão ralado. Pare antes que a mistura adquira um aspecto gorduroso
- 3 Adicione a água e misture à velocidade mínima. Pare assim que a água esteja incorporada.
- 4 Coza no forno, à temperatura de cerca de 200°C/400°F/Gás Marca 6, dependendo do recheio.

pavlova

ingredientes • 3 claras de ovos grandes

- 175g de açúcar branco fino
- 275ml de natas
- fruta fresca, por exemplo framboesas, morangos, uvas e kiwis

método

- 1 Bata as claras de ovo a uma velocidade alta até formarem castelo suave.
- 2 Com o batedor à velocidade 5, adicione gradualmente o açúcar, uma colher de sopa de cada vez, batendo depois de cada adição.
- 3 Forre um tabuleiro com papel de silicone e depois, com uma colher, coloque a mistura do merengue sobre o papel, dando-lhe a forma de um "ninho" (em círculo, com uma depressão no meio), com aproximadamente 20 cm de diâmetro.
- 4 Coloque o tabuleiro num forno pré-aquecido à temperatura de 150°C/Gás Marca 2 e depois reduza imediatamente a temperatura para 140°C/Gás Marca 1 e coza por 1 hora. Desligue o forno mas deixe a pavlova dentro do forno até arrefecer.
- 5 Quando quiser servi-la, pele e retire o papel de silicone e coloque a pavlova num prato. Bata as natas até formarem um castelo suave, espalhe as natas sobre a pavlova e decore-a com a fruta.

receitas *continuação*

bolo de chocolate delicioso

- ingredientes
- 225 g de manteiga amolecida
 - 250 g de açúcar branco fino
 - 4 ovos
 - 5 ml (1 colher de chá) de café instantâneo dissolvido em 15 ml (1 colher de sopa) de água quente
 - 30 ml (2 colheres de sopa) de leite
 - 5 ml (1 colher de chá) de essência de amêndo a
 - 50 g de amêndoas moídas
 - 100 g de farinha com fermento
 - 5 ml (1 colher de chá) de fermento em pó
 - 50 g de cacau em pó sem açúcar
- metodo
- 1 Bata a manteiga e o açúcar até ficarem em creme, batendo-os a uma velocidade baixa e aumentando gradualmente para uma velocidade mais alta até a mistura ficar leve e fofo. Raspe a tigela e o batedor para baixo.
 - 2 Bata os ovos num jarro e, com a máquina a funcionar a alta velocidade, adicione o ovo pouco a pouco até ficar incorporado. Desligue a máquina e raspe a mistura para baixo.
 - 3 Incorpore o café dissolvido, o leite e a essência de amêndoa a uma velocidade baixa. Adicione as amêndoas moídas, a farinha peneirada, o fermento em pó e o cacau. Bata a uma velocidade baixa para incorporar.
 - 4 Divida a mistura por duas formas de bolo redondas com 20 cm de diâmetro, previamente forradas com papel vegetal untado. Nivele as partes superiores e coza a 180°C/Gás Marca 4 por aproximadamente 30 minutos até as duas metades de bolo ressaltarem quando tocadas.
 - 5 Vire e deixe arrefecer sobre um suporte de arame.

recheio de chocolate

- ingredientes
- 275 g de chocolate amargo, cortado em bocados
 - 225ml de natas
- método
- 1 Derreta o chocolate dentro de uma tigela colocada sobre uma panela com água a ferver muito suavemente.
 - 2 Bata as natas, começando a uma velocidade baixa e aumentando para uma velocidade mais alta até formarem castelo suave.
 - 3 Quando o chocolate tiver derretido, retire a tigela do calor e, com uma colher grande, envolva-o nas natas.
 - 4 Barre o recheio de chocolate nas duas metades de bolo arrefecidas.

sopa de cenouras e coentro

- ingredientes
- 25g de manteiga
 - 1 cebola picada
 - 1 dente de alho esmagado
 - 600g de cenouras cortadas em cubos de 2,5 cm
 - caldo de galinha frio
 - 10-15ml (2-3 colheres de chá) de coentro em pó
 - sal e pimenta
- método
- 1 Derreta a manteiga numa caçarola, adicione a cebola e o alho e frite-os até ficarem macios.
 - 2 Coloque as cenouras no liquidificador e adicione a cebola e alho. Adicione caldo suficiente para chegar ao nível de 1,2 marcado no copo. Coloque a tampa com o tampão de enchimento.
 - 3 Misture à velocidade máxima por 5 segundos para uma sopa de consistência mais grossa ou por mais tempo para um resultado mais macio.
 - 4 Transfira a mistura para uma caçarola, adicione o coentro e temperos e deixe cozer a sopa em lume muito brando por 30 a 35 minutos ou até estar cozida.
 - 5 Rectifique o tempero, conforme for necessário e adicione mais líquido, se desejar.

KENWOOD

Garantia nº

Condições de Garantia Pequenos Electrodomésticos em Portugal

1. Todas as verificações necessárias foram feitas em cada fase de fabrico para assegurar um elevado nível de qualidade.
O aparelho é garantido contra todos os defeitos mecânicos ou eléctricos de fabrico ou má qualidade do material, durante o período de dois anos, a contar da data de compra.
2. Verificar a tensão de alimentação indicada no aparelho antes de ligar à rede.
3. Se o Aparelho não funcionar correctamente será reparado ou substituído, sem mais custos para o comprador, durante o período de Garantia, excepto se não forem seguidas as indicações do modo de emprego, negligência ou má utilização. Qualquer alteração introduzida no aparelho por terceiros também não está abrangida por esta Garantia.
4. Esta Garantia só pode ser utilizada nos Agentes de Serviço Autorizados Kenwood depois de devidamente preenchida, rubricada e acompanhada do respectivo documento de compra.

**ARIES LUSITANIA
RUA DA BOTICA 252, 1º sala 1,2,3
MORIERE DA MAIA
4470-575 MAIA, PORTUGAL**

**TEL: 029 407454
FAX: 029 419050**

Revendedor

Aparelho

Carimbo & Rubrica

Modelo:

Nº de Série:

Data compra:/...../.....

Cliente

Nome

Morada

Cod.Postal: Tel

lær Kenwood køkkenmaskinen at kende

sikkerhed

- Sluk for strømmen og tag stikket ud af stikkontakten før der monteres eller afmonteres tilbehør, efter brug og før rengøring.
- Denne maskine bør ikke anvendes af børn eller svagelige personer uden opsyn.
- Hold fingrene væk fra bevægelige dele og monteret tilbehør.
- Gå aldrig fra maskinen, mens den arbejder, og hold børn væk fra den.
- Brug aldrig en beskadiget maskine. Få den eftersat eller repareret (se 'service', side 68).
- Brug aldrig et uautoriseret tilbehør eller flere end et tilbehør ad gangen.
- De maksimale mængder på side 64 må aldrig overskrides.
- Lad ikke børn lege med maskinen.
- Når der bruges et tilbehør, skal de medfølgende sikkerhedsanvisninger læses.
- Denne maskine er kun beregnet til privat husholdningsbrug.
- Vær forsigtig, når maskinen løftes, den er nemlig meget tung. Sørg for at hovedet er låst og at skålen, tilbehøret, kraftudtagsdækslerne og ledningen er sat godt fast, før maskinen løftes.

inden stikket sættes i stikkontakten

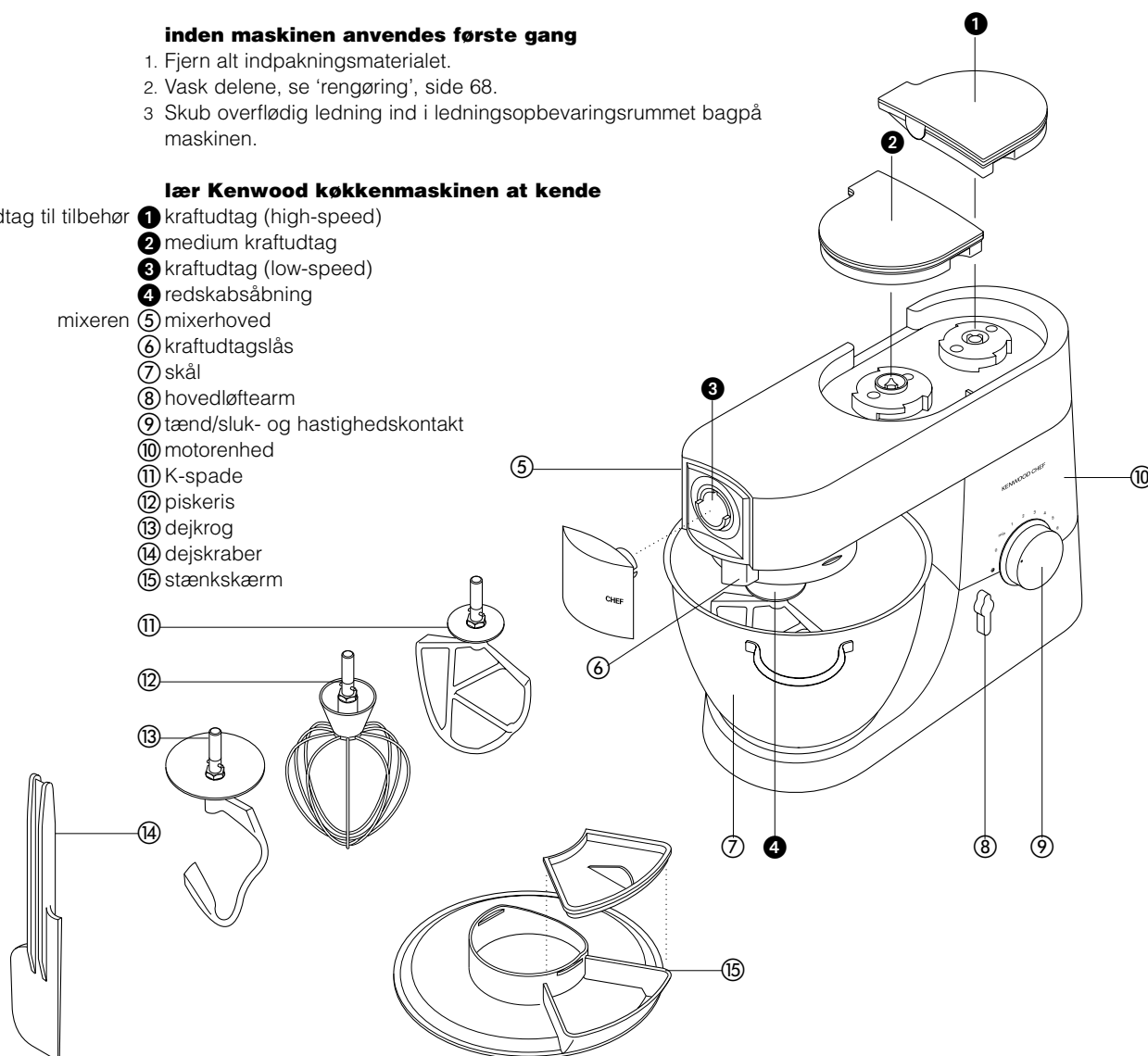
- Sørg for, at Deres el-forsynings spænding er den samme som den, der er vist på maskinens underside.
- Denne maskine opfylder bestemmelserne for radiostøjdæmpning i EU-direktiv 89/336/EØF.

inden maskinen anvendes første gang

1. Fjern alt indpakningsmaterialet.
2. Vask delene, se 'rengøring', side 68.
3. Skub overflødig ledning ind i ledningsopbevaringsrummet bagpå maskinen.

lær Kenwood køkkenmaskinen at kende

- kraftudtag til tilbehør
- 1 kraftudtag (high-speed)
 - 2 medium kraftudtag
 - 3 kraftudtag (low-speed)
 - 4 redskabsåbning
- mixeren
- 5 mixerhoved
 - 6 kraftudtagslås
 - 7 skål
 - 8 hovedløftearm
 - 9 tænd/sluk- og hastighedskontakt
 - 10 motorenhed
 - 11 K-spade
 - 12 piskeris
 - 13 dejkrog
 - 14 dejskraber
 - 15 stænkskærm



mixeren

mixerredskaberne og nogle af deres anvendelser

- K-spade • Til at røre kagedej, småkager, butterdej, glasur, kagefyld, vandbakkelse og kartoffelmos m.v.
- piskeris • Til at piske æg, piskefløde, pandekagedej, lagkagedej, marengs, ostekage, mousse, soufflé. Piskeriset må ikke anvendes til tykkere deje (som f.eks. til at røre margarine og sukker) - da det kan beskadige det.
- dejkrog • Til gærdeje.

sådan anvendes mixeren

- 1 Drej hovedløftearmen med uret **1** og løft mixerhovedet, indtil det er låst fast.
 - 2 Drej redskabet, indtil det standser **2** og tryk det så på plads.
 - 3 Sæt skålen i fordybningen. Tryk skålen ned og drej den med uret **3**.
 - 4 Mixerhovedet sænkes ved at løfte det lidt og så dreje hovedløftearmen med uret. Sænk det ned i låst stilling.
 - 5 Tænd for maskinen og drej hastighedskontakten til den ønskede stilling.
 - Impulsknappen **P** bruges til at give ekstra kraft et øjeblik.
 - 6 Skru det ud.
- sådan fjernes et redskab

- tips
- Sluk for maskinen og skrab hyppigt dejen ned i skålen med dejskraber.
 - Det er bedst at piske æg, når de har stuetemperatur.
 - Inden der piskes æggeghvider, skal De sørge for, at der ikke er noget fedt eller æggeblomme på piskeriset eller i skålen.
 - Når De laver butterdej, er det bedst at bruge kolde ingredienser, medmindre opskriften angiver andet.

tips om æltning af brød

- vigtigt
- Nedenstående maksimale mængder må aldrig overskrides, da maskinen ellers vil blive overbelastet.
 - Hvis De hører, at maskinen sejtrækker, skal De slukke for den, fjerne halvdelen af dejen og så ælte hver halvdel for sig.
 - Ingredienserne blandes bedst, hvis væsken kommer i først.

maksimale mængder

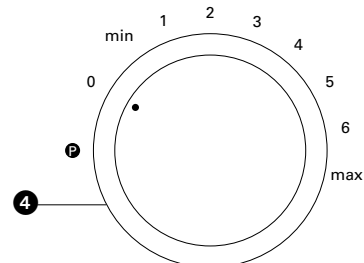
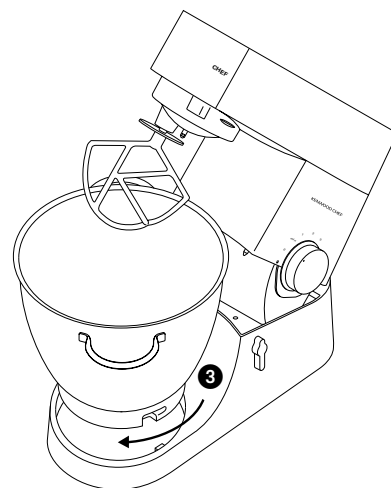
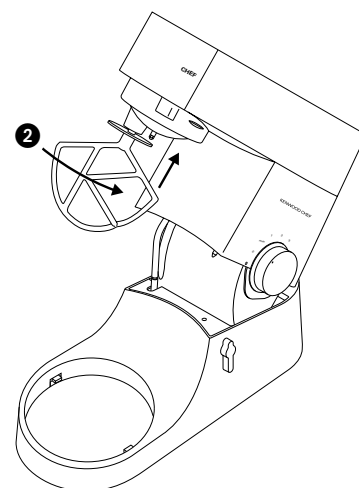
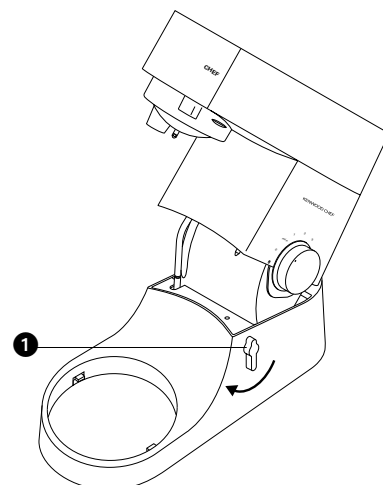
CHEF

MAJOR

- | | | |
|---------------------|-----------------------|---------------------|
| butterdej | • Melvægt: 680g | Melvægt: 910g |
| tyk gærdej | • Melvægt: 1,36kg | Melvægt: 1,5kg |
| britisk type | • Samlet vægt: 2,18kg | Samlet vægt: 2,4kg |
| blød gærdej | • Melvægt: 1,3kg | Melvægt: 2,6kg |
| kontinental type | • Samlet vægt: 2,5kg | Samlet vægt: 5kg |
| frugtkagedej | • Samlet vægt: 2,72kg | Samlet vægt: 4,55kg |
| æggehvider | • 12 stk. | 16 stk. |

hastigheder **4**

- K-spade • **røring af fedtstof og sukker:** start på "min" og sæt gradvist hastigheden op til "maks".
- **piskning af æg i cremede blandinger:** 4 – "maks".
- **iblanding af mel, frugt mv.:** "min" – 1.
- **småkagedej:** start på "min" og sæt gradvist hastigheden op til "maks".
- **blanding af fedtstof i mel:** "min" – 2.
- piskeris • Sæt gradvist hastigheden op til 'maks.'
- dejkrog • Start på 'min' og sæt gradvist hastigheden op til 1.



oplysninger om **rengøring** findes på side 68

fejlfinding

problem:

- Piskeriset eller K-spaden rammer bunden af skålen eller når ikke ned til ingredienserne i bunden af skålen.

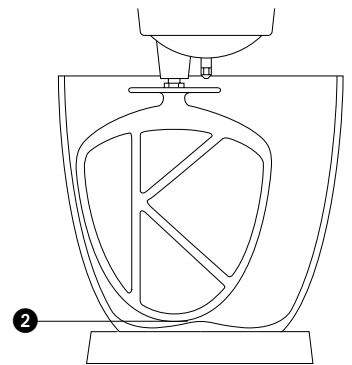
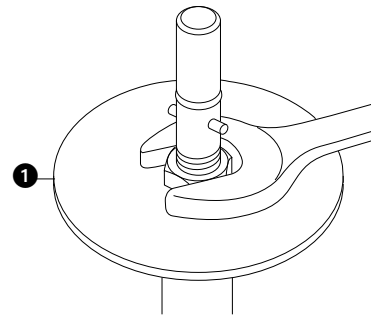
løsning • Tilbehørshøjden justeres på følgende måde:

- 1 Tag stikket ud af stikkontakten.
- 2 Løft mixerhovedet og sæt piskeriset eller K-spaden i.
- 3 Hold fast i tilbehøret og løs møtrikken ①.
- 4 Sænk mixerhovedet.
- 5 Justér tilbehørshøjden ved at dreje tilbehøret. Det er bedst, hvis piskeriset/K-spaden **næsten** rører ved bunden af skålen ②.
- 6 Løft mixerhovedet, og mens De holder på piskeriset/K-spaden, strammes møtrikken.

problem

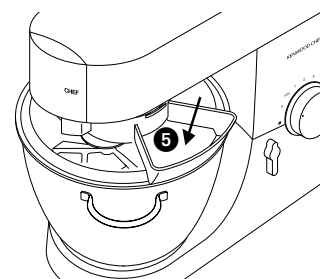
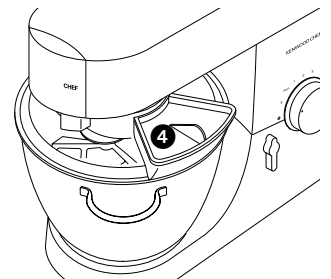
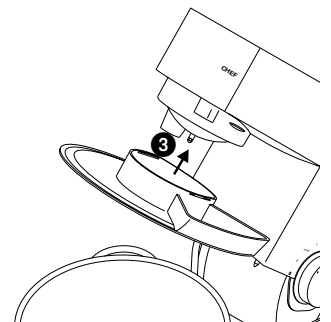
- Mixeren standser under brugen.

løsning • -Mixeren er udstyret med en sikkerhedsanordning, som standser maskinen for at beskytte den, hvis den bliver overbelastet. Hvis dette sker, sluk for mixeren og tag dens stik ud af stikkontakten. Fjern nogle af ingredienserne for at reducere belastningen og lad mixeren stå et par minutter. Sæt stikket i stikkontakten igen og vælg atter hastigheden. Hvis mixeren ikke starter omgående, skal den have lov til at stå et stykke tid endnu.



sådan monteres og anvendes stænkskærmen

- 1 Løft mixerhovedet til det låser.
- 2 Sæt skålen i fordybningen.
- 3 Skub stænkskærmen ind på undersiden af mixerhovedet ③, indtil den sidder godt fast. Tilførselsslisen skal placeres som vist.
- 4 Isæt det ønskede tilbehør.
- 5 Sænk mixerhovedet.
- 6 Sæt dækslet på tilførselsslisen ④.
- Under blandingen kan dækslet på tilførselsslisen fjernes og ingredienserne hældes direkte ned i skålen ⑤.
- Det er ikke nødvendigt at fjerne stænkskærmen for at skifte tilbehør.
- 7 Afmonter stænkskærmen ved at hæve mixerhovedet og skub den ned.



tilbehør som kan fås

Ønsker De at købe tilbehør, der ikke er medleveret i pakken, skal De henvende Dem til KENWOOD forhandleren.

tilbehør tilbehørskode

fladt pasta apparat ① A970

andet pasta tilbehør A971 tagliatelle
(ikke vist) anvendes A972 tagliolini
sammen med med A970 A973 trenette
 A974 spaghetti

pasta apparat ② A936 leveres med 6 plader

råkostapparat (slow speed) ③ A948 leveres med 4 tromler

kødhakker ④ A950 leveres med

- a stort pølseør
- b lille pølseør
- c kebbemaker

melkværn ⑤ A941

citruspresser ⑥ A960

foodprocessor-tilbehør ⑦ A980 indeholder som standard 3 rive/snitteplader og et knivblad

råkostapparat (high speed) ⑧ A998 indeholder som standard 3 rive/snitteplader

- ekstra plader til A980 & A998
- a ekstra grov riveplade, **res.nr. 639021**
 - b raspeplade, **res.nr. 639150**
 - c standard pommes frites plade, **res.nr. 639083**

blender ⑨ 1,2 ltr. acryl **A993A**, 1,2 ltr. glas **A994A**, 1,5 ltr. rustfrit stål **A996A**

universalkværn ⑩ A938A leveres med 3 glas og 3 låg til opbevaring

saftcentrifuge ⑪ A935

ismaskine ⑫ CHEF **A953**, MAJOR **A954**

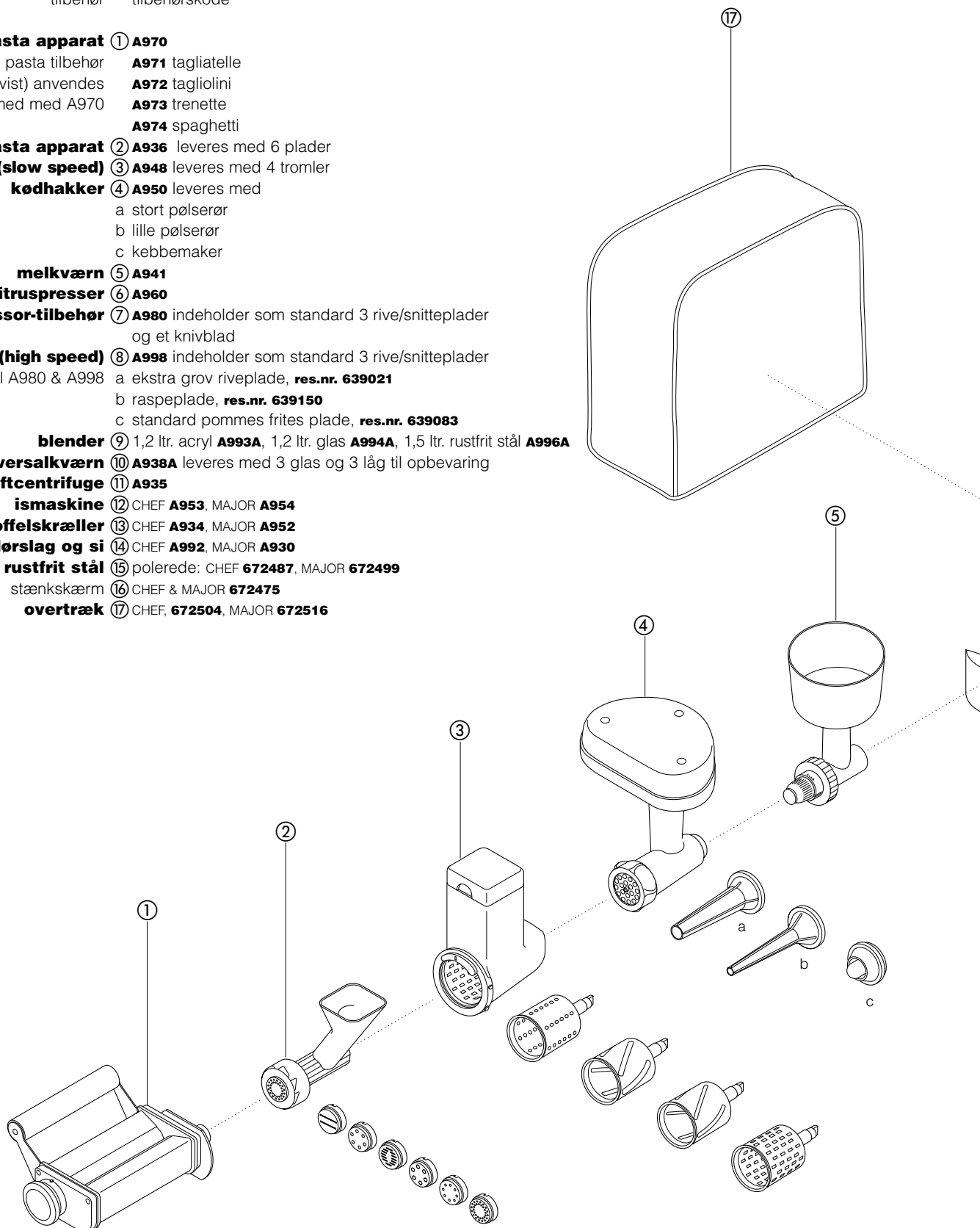
kartoffelskræller ⑬ CHEF **A934**, MAJOR **A952**

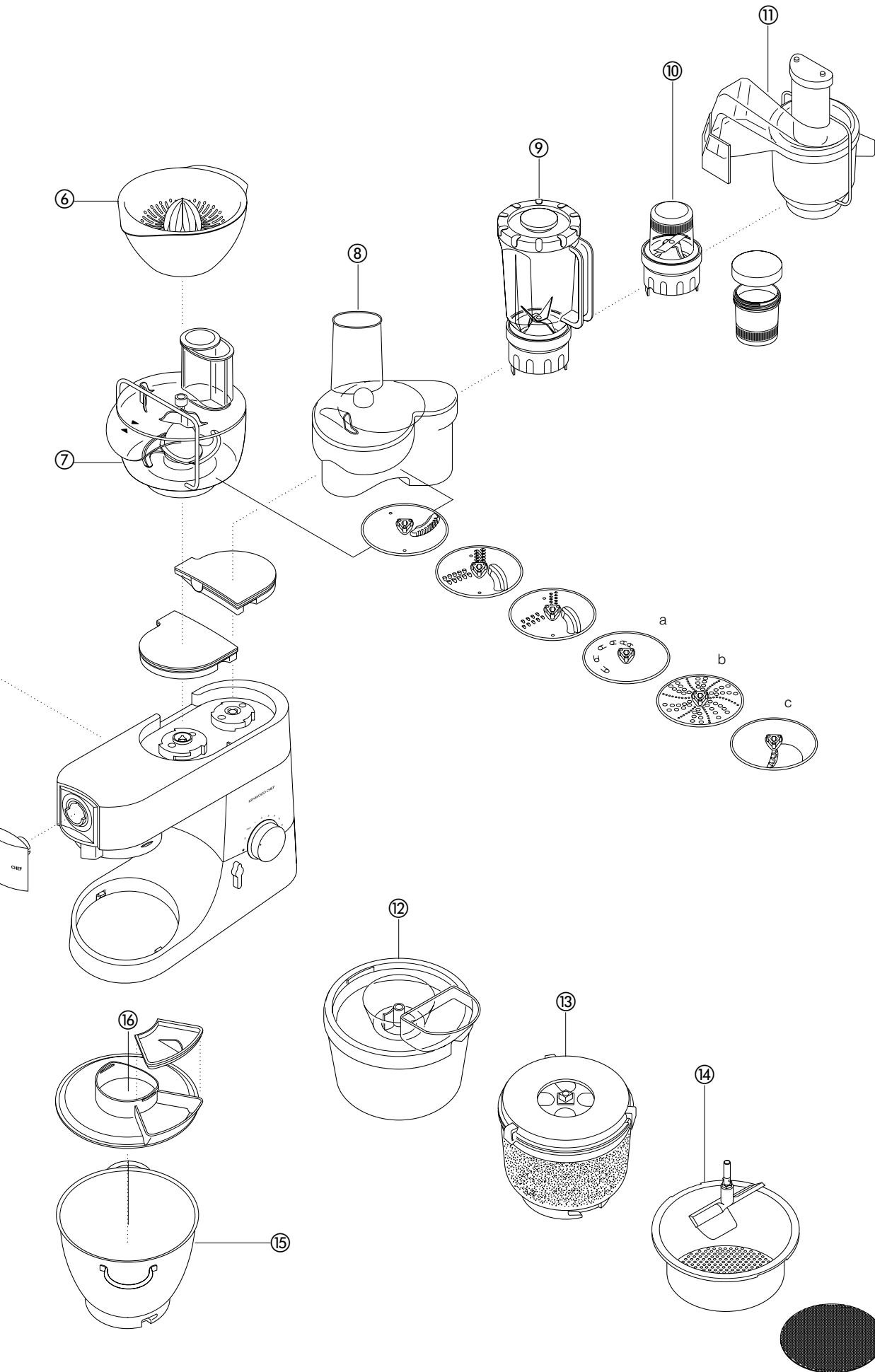
dørslag og si ⑭ CHEF **A992**, MAJOR **A930**

skåle i rustfrit stål ⑮ polerede: CHEF **672487**, MAJOR **672499**

stænkskærm ⑯ CHEF & MAJOR **672475**

overtræk ⑰ CHEF, **672504**, MAJOR **672516**



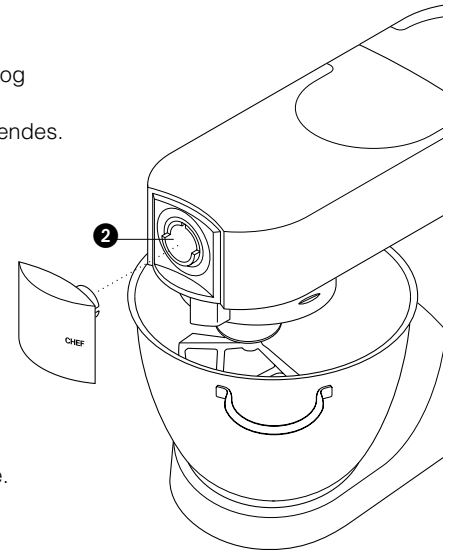


rengøring og service

rengøring

- Inden rengøring skal der altid slukkes for strømmen til maskinen og stikket skal tages ud af stikkontakten.
- Lidt fedt kan komme til syne ved kraftudtag ②, når det først anvendes. Dette er normalt – tør det blot af.

- motorenhed, kraftudtagsdæksler
 - skål
 - tilbehør
 - stænkskærm
- Aftørres med en fugtig klud, og der poleres efter med en tør.
 - Brug aldrig skuremidler og kom aldrig maskinen i vand.
 - Vaskes i hånden og tørres grundigt eller vaskes i opvaskemaskine.
 - Hvis De har en skål i rustfrit stål, må De aldrig bruge en stålborste, ståluld eller blegemidler på den. Kalkmærker kan fjernes med eddike.
 - kålene må ikke udsættes for direkte varme (komfurer, ovne, mikrobølgeovne).
 - Tilbehør i rustfrit stål kan vaskes i hånden eller i opvaskemaskine.
 - Tilbehør, der ikke er i rustfrit stål, (dvs. belagte) må kun vaskes i hånden og skal tørres grundigt.
 - Vaskes i hånden og tørres grundigt.



service og kundeservice

- Hvis ledningen bliver beskadiget, skal den af sikkerhedsgrunde udskiftes af KENWOOD eller en autoriseret KENWOOD forhandler.

Hvis De har brug for hjælp med:

- brug af maskinen
 - bestilling af andet udstyr
 - service eller reparationer
- så kontakt den forretning, hvor De har købt maskinen.

opskrifter

Se vigtige tips om æltning af brød på side 64.

ingredienser **franskbrød** *blød dej af kontinental type*

- Denne mængde er til Major modeller.**
- Til Chef modeller skal mængderne halveres og alt melet skal kommes i på én gang.**
- 2,6kg hvedemel
 - 1,3 liter mælk
 - 300g sukker
 - 450g margarine
 - 100g frisk gær eller 50g tørgær
 - 6 æg, piskede
 - 5 knsp salt

- metode
- 1 Smelt margarinen i mælken og opvarm til 43°C.
 - 2 **tørgær** (den type gær, som skal opløses): tilsæt gær og sukker til mælken, og lad det stå i 10 minutter, indtil det skummer.
frisk gær: smuldres i melet og sukkeret tilsættes.
andre typer gær: følg producentens brugsanvisning.
 - 3 Hæld mælken op i skålen. Tilsæt de piskede æg og 2kg hvedemel.
 - 4 Bland ingredienserne ved minimumhastigheden i 1 minut og derefter endnu et minut ved hastighed 1. Skrab ingredienserne af skålens sider.
 - 5 Tilsæt salt og resten af melet og bland på minimal hastighed i 1 minut, så på hastighed 1 i 2 - 3 minutter, indtil dejen er glat og ensartet.
 - 6 Fyld nogle smurte forme, som kan rumme 450g, halvt med dejen eller form den til boller. Dejen dækkes til med et viskestykke og hæves på et lunt sted til dobbelt størrelse.
 - 7 Bages ved 200°C i 20 - 25 minutter *for brød* eller 15 minutter *for boller*.
 - 8 Når brødet er bagt, lyder det hult, når der bankes på undersiden.

- Til ca. 10 brød

butterdej

- ingredienser
- 450g hvedemel, sigtet med salt
 - 5ml salt
 - 225g fedtstof (bland svinefedt med margarine lige fra køleskabet)
 - ca. 80ml vand

tips

- Rør ikke dejen for meget

- metode
- 1 Kom melet i skålen. Det kolde fedtstof snittes groft og kommes i melet.
 - 2 Rør på hastighed 1 indtil blandingen minder om brødkrummer. Stop før blandingen bliver fedtet.
 - 3 Tilsæt vandet og rør på minimal hastighed. Stop, så snart vandet er iblandet.
 - 4 Bages ved ca. 200°C afhængig af fyldet.

pavlova

- ingredienser
- 3 store æggevider
 - 175 g sukker
 - 275 ml piskefløde
 - frisk frugt, f.eks. hindbær, jordbær, vindruer, kiwi frugt
- metode
- 1 Pisk æggeviderne på en høj hastighed, indtil de er stive.
 - 2 Mens piskeriset virker på hastighed 5, tilsæt sukkeret gradvist en spiseskefuld ad gangen og pisk ind i mellem.
 - 3 Læg bagepapir på en bageplade. Kom marengsdejen på bagepapiret med en ske, så den ligner en rede med en diameter på ca. 20 cm.
 - 4 Sæt bagepladen i en ovn, forvarmet til 150°C, skru så omgående temperaturen ned til 140°C og bag 1 time. Sluk for ovnen, men lad marengsen afkøle i ovnen.
 - 5 Når marengsen er klar til servering, træk bagepapiret af og anbring den på et fad. Pisk fløden, indtil den er stiv, og fordel den så over marengsen og pynt med frugt.

opskrifter *fortsat*

lækker chokoladecake

- ingredienser
- 225 g blødt smør
 - 250 g sukker
 - 4 æg
 - 5 ml (1 tsk.) pulverkaffe opløst i 15 ml (1 spsk.) varmt vand
 - 30 ml (2 spsk.) mælk
 - 5 ml (1 tsk.) mandelessens
 - 50 g stødte mandler
 - 100 g hvedemel
 - 5 ml (1 tsk.) bagepulver
 - 50 g kakao
- metode
- 1 Rør smør og sukker på en lav hastighed, hvorefter hastigheden gradvist sættes op, indtil dejen er let og luftig. Skrab dejen ned fra skålens sider og piskeriset.
 - 2 Pisk æggene i en kande, og mens maskinen arbejder på en høj hastighed, tilsæt de piskede æg lidt ad gangen, indtil de er helt blandet i. Sluk for maskinen og skrab dejen ned fra skålens sider.
 - 3 Bland den opløste pulverkaffe, mælken og mandelessensen i på en lav hastighed. Tilsæt de stødte mandler, det sigtede mel, bagepulveret og kakaoen. Rør på en lav hastighed for at blande godt.
 - 4 Fyld dejen i to 20 cm kageforme, foret med smurt bagepapir. Dejen jævnes ud og bages ca. 30 minutter ved 180°C, indtil kagen springer tilbage, når der røres let ved den.
 - 5 Vend kagebundene ud på en rist og lad dem afkøle.

chokoladefyld

- ingredienser
- 75 g letbitter chokolade, brækket i små stykker
 - 225 ml piskefløde
- metode
- 1 Smelt chokoladen ved at komme den i en skål over en gryde med let kogende vand.
 - 2 Pisk fløden ved at begynde på en lav hastighed og gradvis sætte hastigheden op, indtil den er stiv.
 - 3 Når chokoladen er smeltet, tages skålen af varmen og fløden blandes forsigtigt i med en stor ske.
 - 4 Fordel chokoladefylDET mellem de to afkølede kagebunde.

gulerods- og koriandersuppe

- ingredienser
- 25 g smør
 - 1 løg, hakket
 - 1 fed hvidløg, knust
 - 600 g gulerødder, skåret i 2,5 cm terninger
 - kold kyllingebouillon
 - 10-15 ml (2-3 tsk.) stødt koriander
 - salt og peber
- metode
- 1 Smelt smør i en gryde, tilsæt løg og hvidløg og steg, til de er møre.
 - 2 Kom gulerødderne i blenderen, tilsæt løg og hvidløg. Tilsæt tilstrækkelig bouillon til at nå op til 1,2 mærket på glasset. Sæt låget med midterproppen på.
 - 3 Blend på maksimal hastighed i 5 sekunder for en grov suppe og længere for et finere resultat.
 - 4 Overfør blandingen til en gryde, tilsæt koriander samt salt og peber og lad suppen snurre i 30 - 35 minutter eller indtil den er mør.
 - 5 Smag til med salt og peber og tilsæt ekstra væske, hvis det er nødvendigt.

lär känna din Kenwood köksmaskin

säkerheten

- Stäng av maskinen och dra ut sladden innan du monterar eller tar bort verktyg/tillbehör, efter användningen och före rengöring.
- Maskinen är inte avsedd att användas av små barn eller handikappade utan översyn.
- Rör inte vid delar i rörelse eller monterade tillbehör.
- Lämna aldrig maskinen utan tillsyn, och håll barn på avstånd från den.
- Använd aldrig en skadad maskin. Lämna den för kontroll eller reparation: se 'service', sid 76.
- Använd aldrig tillbehör som inte hör till maskinen och aldrig mer än ett tillbehör i taget.
- Överskrid aldrig maskinens maxkapacitet, se sid 72.
- Låt inte barn leka med maskinen.
- Innan du använder ett verktyg måste du läsa säkerhetsinstruktionerna som hör till.
- Använd bara denna maskin för avsett ändamål i hushållet.
- Var försiktig när du lyfter apparaten. Den är tung. Se till att blandarhuvudet är fastlåst och att skålen, verktygen, uttagslocken och sladden sitter stadigt innan du lyfter.

innan du sätter i kontakten

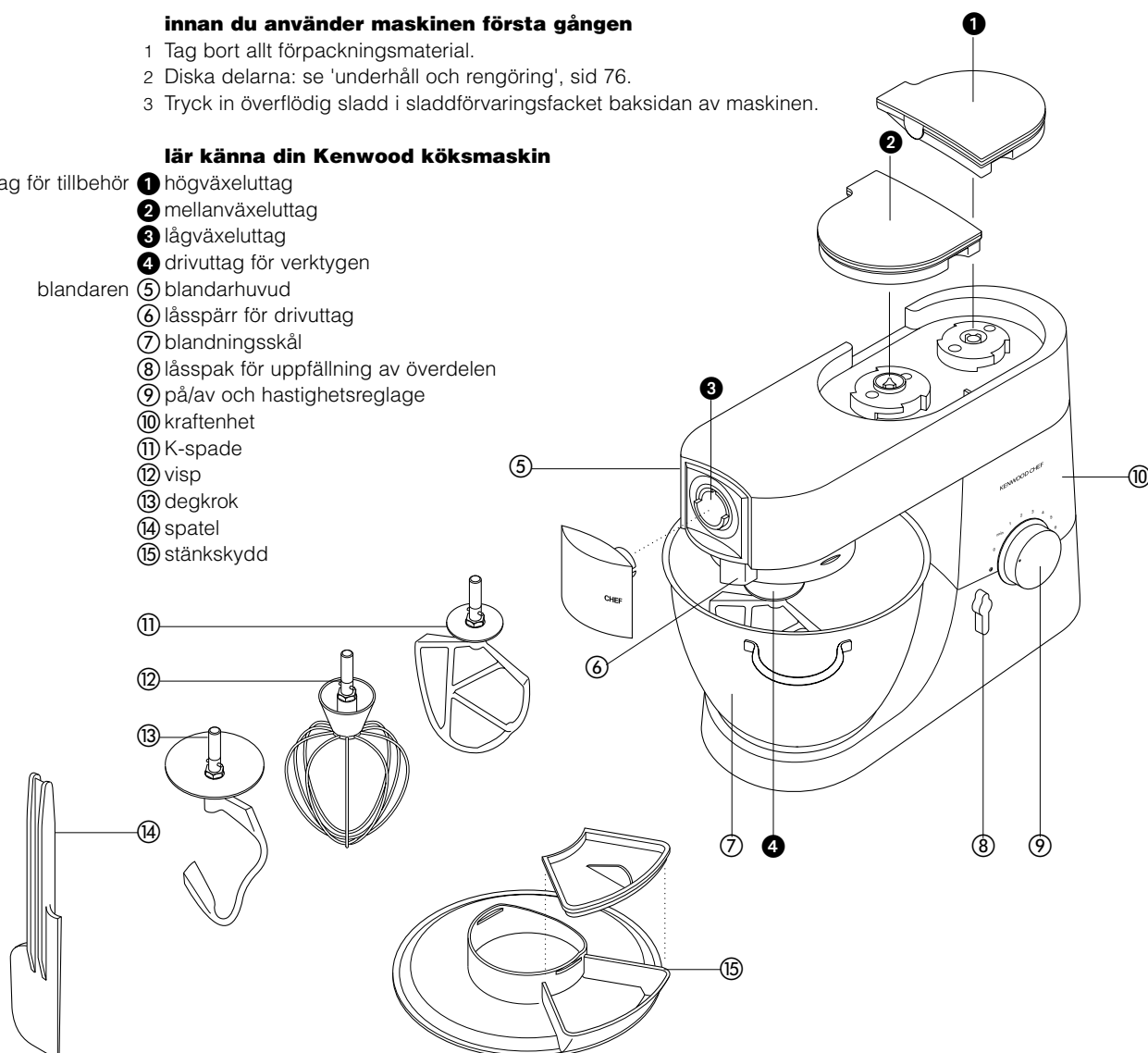
- Se till att nätströmmen är samma som anges på maskinens undersida.
- Denna maskin uppfyller kraven i direktivet 89/336/EEG.

innan du använder maskinen första gången

- 1 Tag bort allt förpackningsmaterial.
- 2 Diska delarna: se 'underhåll och rengöring', sid 76.
- 3 Tryck in överflödigt sladd i sladdförvaringsfacket baksidan av maskinen.

lär känna din Kenwood köksmaskin

- uttag för tillbehör
- 1 högväxeluttag
 - 2 mellanväxeluttag
 - 3 lågväxeluttag
 - 4 drivuttag för verktygen
- blandaren
- 5 blandarhuvud
 - 6 låsspärr för drivuttag
 - 7 blandningsskål
 - 8 låsspak för uppfällning av överdelen
 - 9 på/av och hastighetsreglage
 - 10 kraftenhet
 - 11 K-spade
 - 12 visp
 - 13 degkrok
 - 14 spatel
 - 15 stänkskydd



blandaren

blandarverktygen och några av deras användningsområden

- K-spaden • Används för att göra tyngre mjuka kakor, småkakor, pajdeg, glasyrer, fyllningar, petit-choux och potatismos.
- vispen • Används för att vispa ägg, grädde, pannkakssmet, lätta sockerkakor, maränger, ostkakor, mousse och souffléer. Använd inte vispen till tung kaksmet, t.ex. för att röra matfett med socker - vispen kan skadas.
- degkrok • Används för att knåda jäsdeg.

hur man använder blandaren

- 1 Vrid lyftspaken medurs **1** och lyft upp blandarhuvudet tills det knäpps fast.
- 2 Sätta in ett verktyg. Vrid så långt det går och pressa sedan uppåt **2**.
- 3 Sätt skålen på basen. Tryck ner den och vrid medurs **3**.
- 4 För att sänka blandarhuvudet lyfter du det något och vrider sedan lyftspaken medurs. Sänk blandarhuvudet tills det knäpps fast.
- 5 Koppla på och vrid hastighetsknappen till önskad inställning.
 - Vrid till momentanläge **P** för korta arbetsmoment.
- 6 Ta bort ett verktyg. Vrid loss verktyget.

- tips • Stäng då och då av maskinen och skrapa ur skålen med spateln.
- Ägg bör vara vid rumstemperatur när de skall vispas.
- Innan du vispar äggvitor måste du se till att det inte finns rester av fett eller äggula på vispen eller i skålen.
- Ingredienser till pajdeg skall vara kalla om inget annat anges i receptet.

vid brödbak

- viktigt • Överskrid aldrig maxkapaciteterna nedan - då överbelastas maskinen.
- Om du hör att maskinen arbetar ansträngt måste du stänga av den, ta upp halva degen och knåda varje hälft för sig.
- Degen blandas bäst om du håller i de flytande ingredienserna först.

maxkapaciteter

CHEF

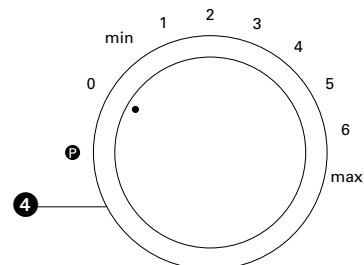
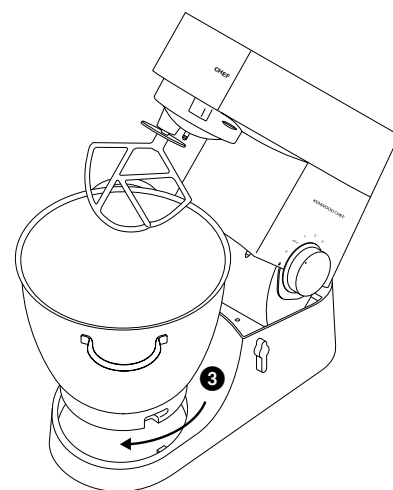
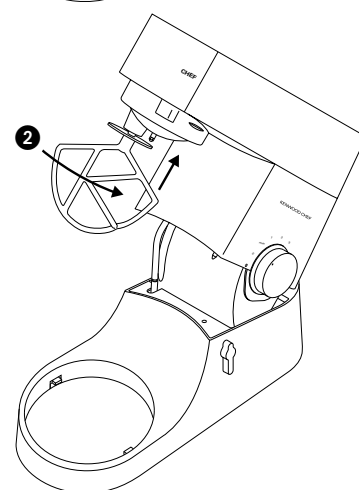
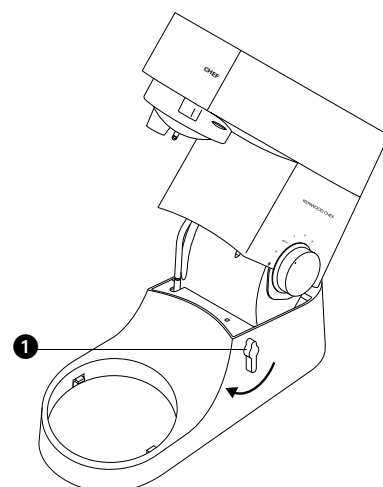
MAJOR

- pajdeg** • mjölvikt: 680g
- tung jäsdeg** • mjölvikt: 1,36kg
- British type • totalvikt: 2,18kg
- lätt jäsdeg** • mjölvikt: 1,3kg
- continental type • totalvikt: 2,7kg
- kaka med torkad frukt** • totalvikt: 2,72kg
- äggvitor** • 12

- mjölvikt: 910g
- mjölvikt: 1,5kg
- totalvikt: 2,4kg
- mjölvikt 2,6kg
- totalvikt: 5kg
- totalvikt: 4,55kg
- 16

hastigheter **4**

- K-spaden • **röra fett och socker** börja på min och öka gradvis till max.
- **vispa ner ägg i fettblandning** 4-"max"
- **röra ner mjöl, torkad frukt o.dyl.** min till 1.
- **allt-i-ettkaka** börja på min. och öka gradvis till max.
- **röra ihop fett och mjöl** min till 2.
- vispen • Öka gradvis till 'max'.
- degkroken • Börja på 'min' och öka gradvis till 1.



felsökning

problem

- Vispen eller K-spaden slår mot skålens botten eller når inte ner till ingredienserna på botten av skålen.

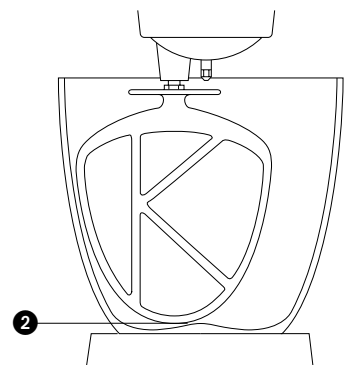
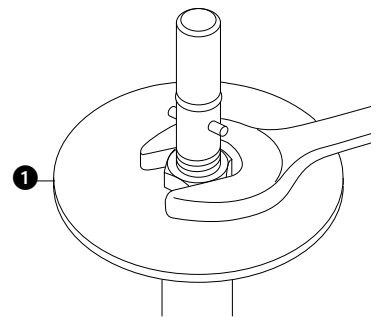
lösning • Justera höjden. Så här gör du:

- 1 Drag ur kontakten ur vägguttaget.
- 2 Fäll upp överdelen och sätt i vispen/spaden.
- 3 Håll fast vispen/spaden och lossa låsmuttern ❶.
- 4 Fäll ner överdelen.
- 5 Justera längden genom att vrida på skaftet. Vispen/spaden bör nästan vidröra botten på skålen ❷.
- 6 Fäll upp överdelen, håll fast vispen/spaden och dra åt låsmuttern.

problem

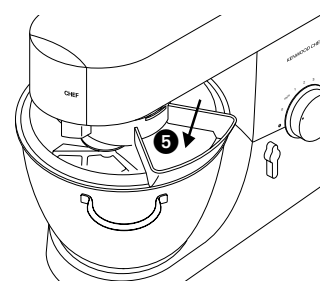
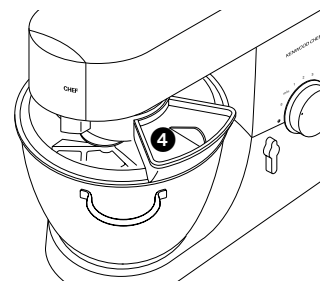
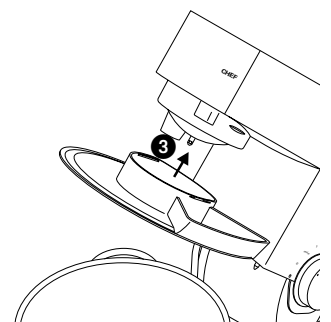
- Maskinen stannar under användningen.

lösning • Din köksmaskin är försedd med ett överbelastningskydd som stannar maskinen om den blir överbelastad. Om det händer ska du stänga av apparaten och dra ut sladden. Tag ut en del av det du blandar för att minska belastningen och låt maskinen stå i ett par minuter. Sätt i kontakten och ställ in hastigheten igen. Om de inte startar omedelbart måste du låta den stå i ytterligare någon stund.



montering och användning av stänkskyddet

- 1 Fäll upp överdelen tills den går i låsläge.
- 2 Sätt skålen på basen.
- 3 Tryck fast stänkskyddet på undersidan av blandarhuvudet ❸ så det kommer på plats ordentligt. Matarröret ska sitta som visas på bilden.
- 4 För in önskat verktyg.
- 5 Sänk blandarhuvudet.
- 6 Montera matarrörslocket ❹.
- Under blandandet kan matarrörslocket tas bort och ingredienser hällas ner direkt i skålen ❺.
- Stänkskyddet behöver inte tas bort för byte av verktyg.
- 7 Ta bort stänkskyddet genom att höja blandarhuvudet och skjuta ner skyddet.



existerande **tillsatser**

Om du vill skaffa tillsatser som inte ingick i köpet, kan du kontakta din KENWOOD-reparatör.

tillsats tillsatskod

pastamaskin ① **A970**

extra pastatillsatser **A971** tagliatelle
(visas ej) används **A972** tagliolini
med A970 **A973** trenette
 A974 spaghetti

pastamaskin ② **A936** med 6 skivor

skiv- och strimlartillsats

för lågväxeluttaget ③ **A938** med 4 trummor

superhacktillsats ④ **A950** med
a stort korvmunstycke
b litet korvmunstycke
c kebbtillsats

grynvarn ⑤ **A941**

citrusfruktpress ⑥ **A960**

matberedartillsats ⑦ **A980** med 3 skärskivor som standard och ett knivblad

skiv- och stri mlartillsats

för högväxeluttaget ⑧ **A998** med 3 skärskivor som standard

extra skivor för A980 och A998
a extra grov strimlartillsats **detaljnr 639021**
b rivskiva **detaljnr 639150**
c pommefrites-tillsats **detaljnr 639083**

mixer ⑨ 1,2 l akryl **A993A**, 1,2 l glas **A994A**, 1,5 l rostfritt stål **A996A**

multikvarn ⑩ **A938A** med 3 glasbägare och 3 lock för förvaring

kontinuerlig råsaftcentrifug ⑪ **A935**

glassmaskin ⑫ CHEF **A953**, MAJOR **A954**

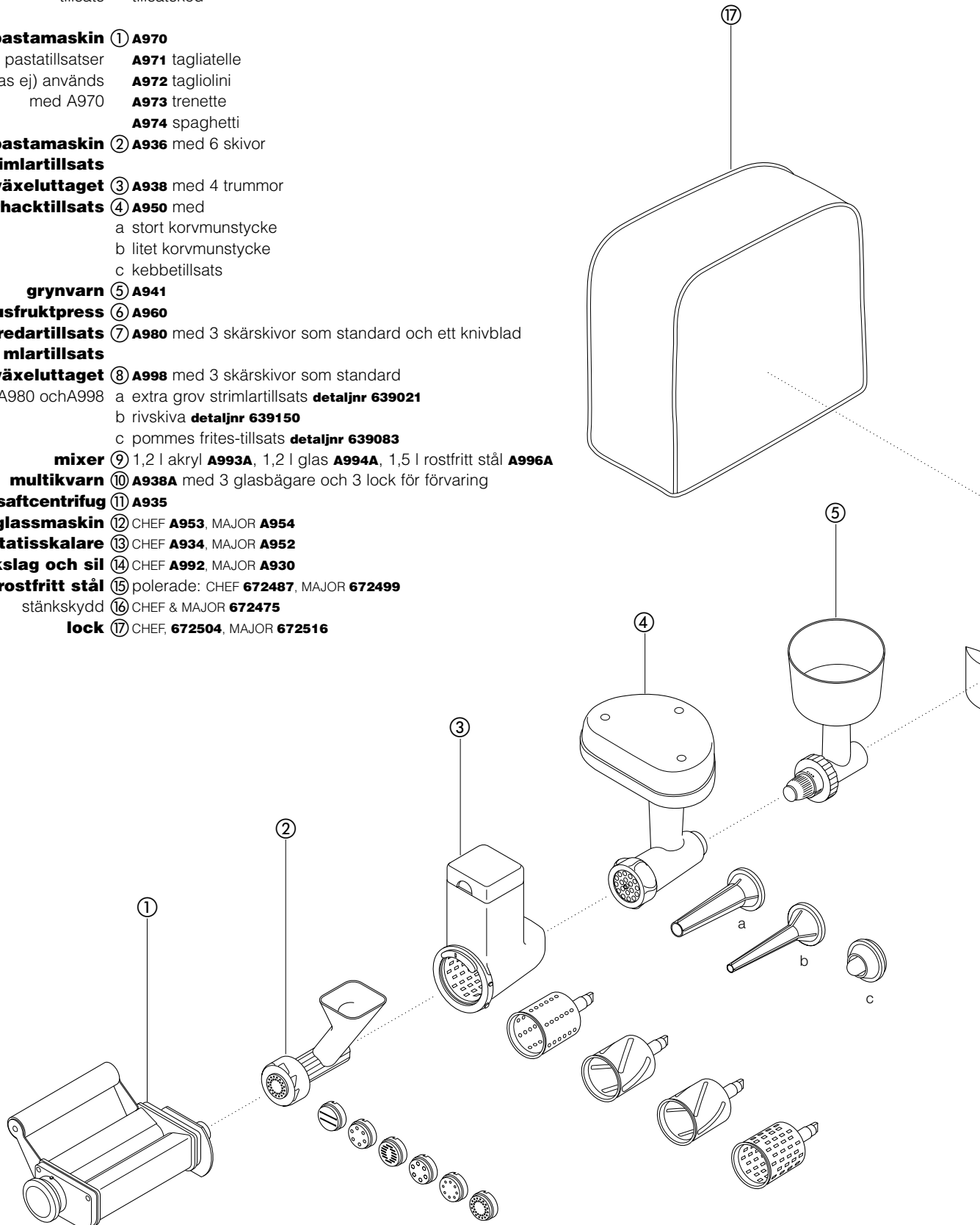
potatisskalare ⑬ CHEF **A934**, MAJOR **A952**

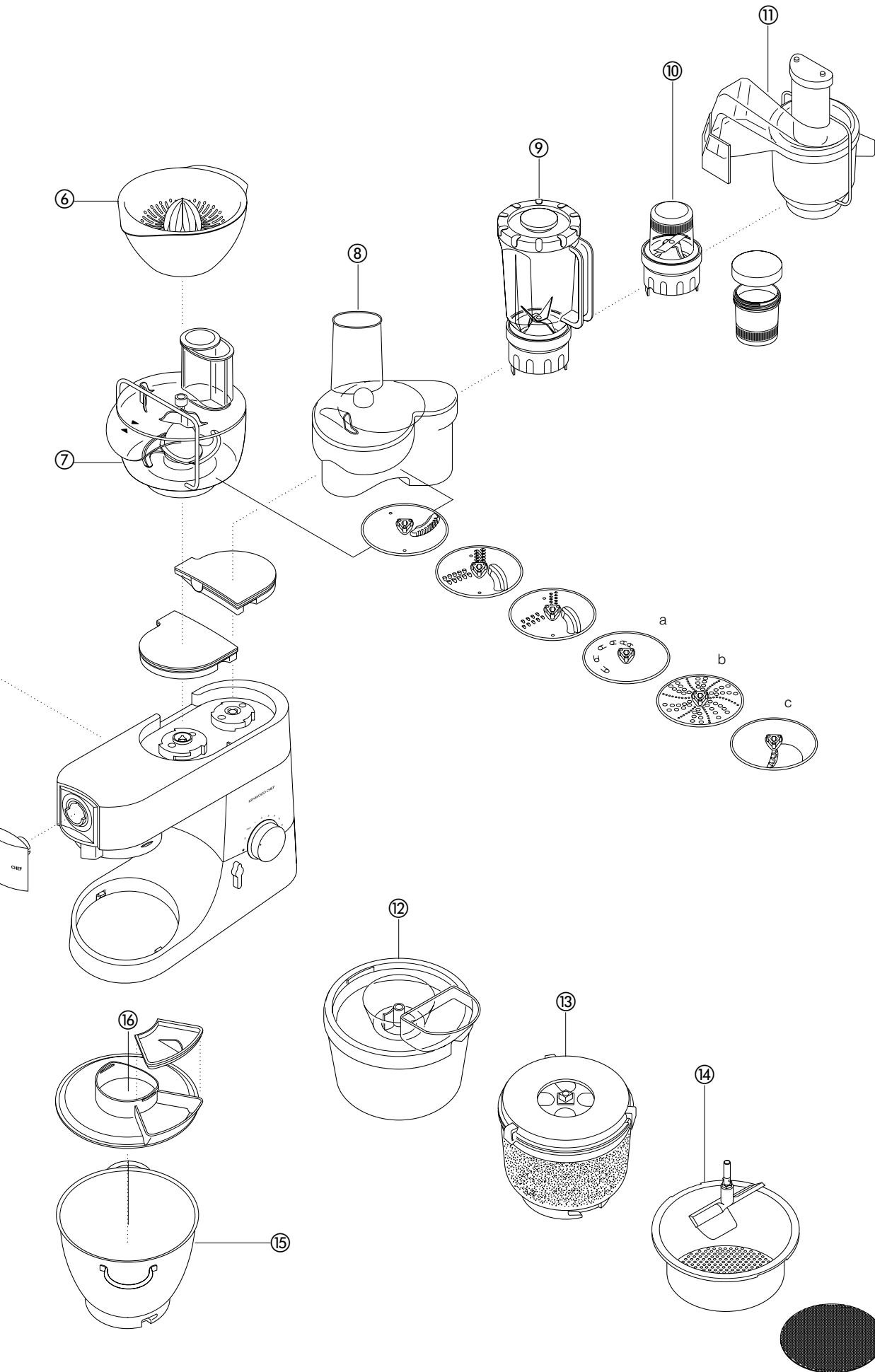
duskslag och sil ⑭ CHEF **A992**, MAJOR **A930**

skålar i rostfritt stål ⑮ polerade: CHEF **672487**, MAJOR **672499**

stänkskydd ⑯ CHEF & MAJOR **672475**

lock ⑰ CHEF, **672504**, MAJOR **672516**





rengöring och service

underhåll och rengöring

- Stäng alltid av maskinen och dra ut kontakten innan du rengör den.
- Det kan hända att det kommer ut lite fett i uttag ② när du först använder det. Det är normalt – det kan du bara torka bort.

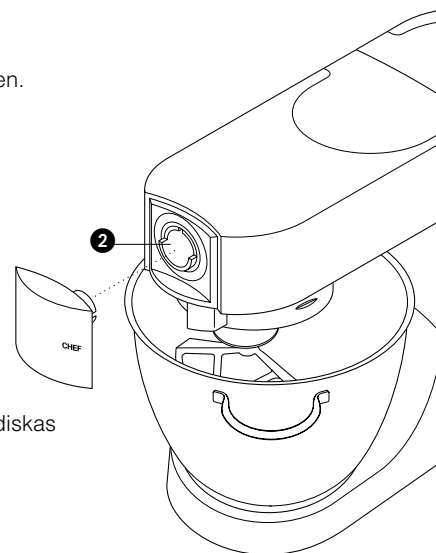
- kraftenheten, uttagslocken
- Torka med en fuktad trasa och torka efter med en torr.
 - Använd inte repande rengöringsmedel och doppa aldrig ner maskinen i vatten.
- skål
- Handdiska och torka noggrant eller maskindiska.
 - Använd inte stålborste, stålull eller blekmedel när du diskar rostfria skålar. Tag litet ättika för att få bort kalkbeläggningar.
 - Utsätt inte skålarna för värme (spisplattor, ugn, mikrougn)
- verktyg
- Verktyg av rostfritt stål kan handdiskas eller maskindiskas.
 - Verktyg av (eller överdragna med) annat material kan bara handdiskas och ska sedan torkas väl.
- stänkskydd
- Handdiska och torka väl.

service och kundtjänst

- Om kabeln skadas måste den av säkerhetsskäl bytas ut av KENWOOD eller en av KENWOOD godkänd reparatör.

Om du behöver hjälp med:

- att använda maskinen
 - att beställa tillbehör
 - service eller reparationer
- kan du kontakta butiken där du köpte maskinen.



recept

se viktiga anvisningar för brödbak sid 72.

vitt matbröd *lätt deg*

ingredienser • 2,6kg vetemjöl

Mängderna är för Major- • 1,3 l mjölk

modellerna. • 300g socker

För Chef-modellerna ska • 450g margarin

mängderna halveras och allt • 100g färsk jäst (eller 50g torrjäst)

mjöl blandas i med en gång. • 6 uppvispade ägg

• 5 nypor salt

gör så här 1 Smält margarinet i mjölken och värm blandningen till 43°C.

2 **med torrjäst:** (av den typ som blandas ut i vatten): Tillsätt jästen och sockret i mjölken och låt blandningen stå i c:a 10 minuter tills den är skummig.

med färsk jäst: smula ner i mjölet och tillsätt sockret.

andra typer av jäst: följ anvisningarna på förpackningen.

3 Häll mjölken i skålen. Tillsätt de uppvispade äggen och 2kg mjöl.

4 Kör på minimihastighet i en minut och därefter på hastighet 1 i ytterligare en minut. Skrapa ner.

5 Tillsätt saltet och det resterande mjölet och kör på minimihastighet i en minut och därefter på hastighet 1 i ytterligare 2 - 3 minuter tills degen är slät och helt blandad.

6 Fyll några smorda avlånga bakformar till hälften med degen eller rulla till små bullar. Bred över en handduk och ställ formarna att jäsa på ett varmt ställe till dubbel storlek.

7 Grädda i 200°C i 20 - 25 minuter *för limpor* eller 15 minuter *för bullar*.

8 Brödet är färdigt när det låter ihåligt om man knackar på botten.

• Ger c:a 10 limpor

pajdeg

ingredienser • 450g mjöl, siktat tillsammans med saltet

• 1 tsk salt

• 225g matfett (ister och margarin direkt från kylan)

• 4 msk vatten

tips • Överarbeta inte degen

gör så här 1 Häll mjölet i skålen. Hacka upp matfettet grovt och lägg det i mjölet.

2 Kör på hastighet 1 tills det ser ut som brödsulor. Sluta innan det blir smetigt.

3 Tillsätt vatten och kör på minimihastighet. Sluta meddetsamma när vattnet har blandats in.

4 Grädda i omkring 200°C, beroende på fyllningen.

pavlova

ingredienser • vitorna från 3 stora ägg

• 175 g socker

• 2,75 dl vispgrädde

• färska bär eller färsk frukt t ex hallon, jordgubbar, druvor, kiwifrukt

tillagning 1 Vispa äggvitorna på hög hastighet tills smeten står i mjuka toppar.

2 Låt vispen gå på hastighet 5 och tillsätt gradvis sockret, en matsked i taget, och vispa efter varje tillsats.

3 Lägg ett bakplåtspapper på en plåt och lägg marängsmeten i form av ett fågelbo ca 20 cm i diameter.

4 Ställ plåten i ugnen förvärmad till 150°C och vrid omedelbart ner temperaturen till 140°C och grädda i en timme. Stäng av ugnen och låt pavlovan kallna i ugnen.

5 Skala av bakplåtspapperet och lägg pavlovan på ett serveringsfat alldeles innan den ska serveras. Vispa grädden tills den står i mjuka toppar, bred den över pavlovan och dekorera med bären eller frukten.

recept *forts*

läcker chokladkaka

- ingredienser
- 225 g mjukt smör
 - 250 g socker
 - 4 ägg
 - 5 ml pulverkaffe upplöst i 15 ml (1 msk) kokande vatten
 - 30 ml mjölk
 - 5 ml mandelessens
 - 50 g mald mandel
 - 100 g mjöl
 - 5 ml (1 tsk) bakpulver
 - 50 g osötat kakaopulver
- tillagning
- 1 Rör smör och socker på låg hastighet och öka gradvis till högre hastighet tills blandningen är lätt och luftig. Skrapa ner smeten från skålen och spaden.
 - 2 Vispa upp äggen i en tillbringare och tillsätt dem gradvis med blandaren på hög hastighet tills de har blandats in. Stäng av maskinen och skrapa ner blandningen.
 - 3 Blanda ner det upplösta kaffet, mjölken och mandelessensen på låg hastighet. Tillsätt den malda mandeln, det siktade mjölet, bakpulvret och kakaon. Blanda in på låg hastighet.
 - 4 Dela upp blandningen mellan två kakformar på 20 cm fodrade med smort smörpapper. Stryk översidan jämn och grädda på 180°C i ca 30 minuter tills ytan fjädrar tillbaka när du trycker på den lätt.
 - 5 Stjälp upp kakan och låt den svalda på ett bakgaller.

chokladmuslutfyllning

- ingredienser
- 275 g mörk choklad bruten i bitar
 - 2,25 dl vispgrädde
- tillagning
- 1 Smält chokladen i en skål över en kastrull med nått och jämnt sjudande vatten.
 - 2 Rör smör och socker på låg hastighet och öka gradvis till högre hastighet tills blandningen står i mjuka toppar.
 - 3 Tag chokladen från värmen när den har smält och vänd in den i grädden med en stor sked.
 - 4 Bred ut chokladfyllningen mellan de svalnade kakkbottnarna.

morots- och koriandersoppa

- ingredienser
- 25 g smör
 - 1 hackad lök
 - 1 krossad vitlöksklyfta
 - 600 g morötter skuren i 2,5 cm bitar
 - kall kycklingbuljong
 - 10-15 ml (2-3 msk) malen koriander
 - salt och peppar
- tillagning
- 1 Smält smöret i en kastrull, tillsätt löken och vitlöken och stek dem mjuka.
 - 2 Lägg morotsbitarna i mixern och tillsätt löken och vitlöken. Tillsätt så mycket buljong att den når upp märket 1.2 på bägaren. Sätt på locket och locket för påfyllningshålet.
 - 3 Kör på högsta hastighet i 5 sekunder, om du vill ha grövre soppa, och längre om du vill ha den jämnare.
 - 4 Överför blandningen till en kastrull, tillsätt koriandern, salta och peppra och låt soppan koka i 30-35 minuter eller tills den är färdiglagad.
 - 5 Smaka av igen med salt och peppar och tillsätt eventuellt mer vätska.

Kjenn din Kenwood kjøkkenmaskin

Sikkerhetsregler

- Slå av strømmen og trekk støpselet ut av kontakten før du setter på eller tar av redskap/tilbehør, etter bruk og før rengjøring.
- Denne maskinen er ikke egnet til bruk av barn eller handikappede mennesker uten tilsyn.
- Hold fingrene vekk fra bevegelige deler og montert tilbehør.
- Gå aldri fra maskinen mens den er igang, og hold barn vekk fra den.
- Bruk aldri en skadet maskin. Sørg for at den blir undersøkt og reparert, se 'Service' side 84.
- Bruk aldri tilbehør som ikke er godkjent, eller mer enn en type tilbehør av gangen .
- Maksimum kapasitet som er nevnt på side 80 må aldri overstiges.
- Ikke la barn leke med denne maskinen.
- Når du bruker tilbehør må du alltid først lese sikkerhetsreglene som følger med.
- Bruk denne maskinen kun til det den er tiltenkt.
- Vær forsiktig når apparatet løftes, da det er tungt. Pass på at hodet er låst og at bollen, redskapene, utgangsdekslene og ledningen er festet før det løftes.

Før maskinen slås på

- Før du setter i støpselet og tar maskinen i bruk, bør du forvise deg om at nettspenningen er den samme som det som står på merkeplaten på undersiden av maskinen.
- Denne maskinen er i overensstemmelse med EU-direktiv 89/336/EEC.

Før maskinen tas i bruk

- 1 Fjern all emballasje.
- 2 Vask alle delene, se 'stell og rengjøring' side 84.
- 3 Skyv den delen av ledningen som er for lang inn i oppbevaringsrommet på baksiden av maskinen.

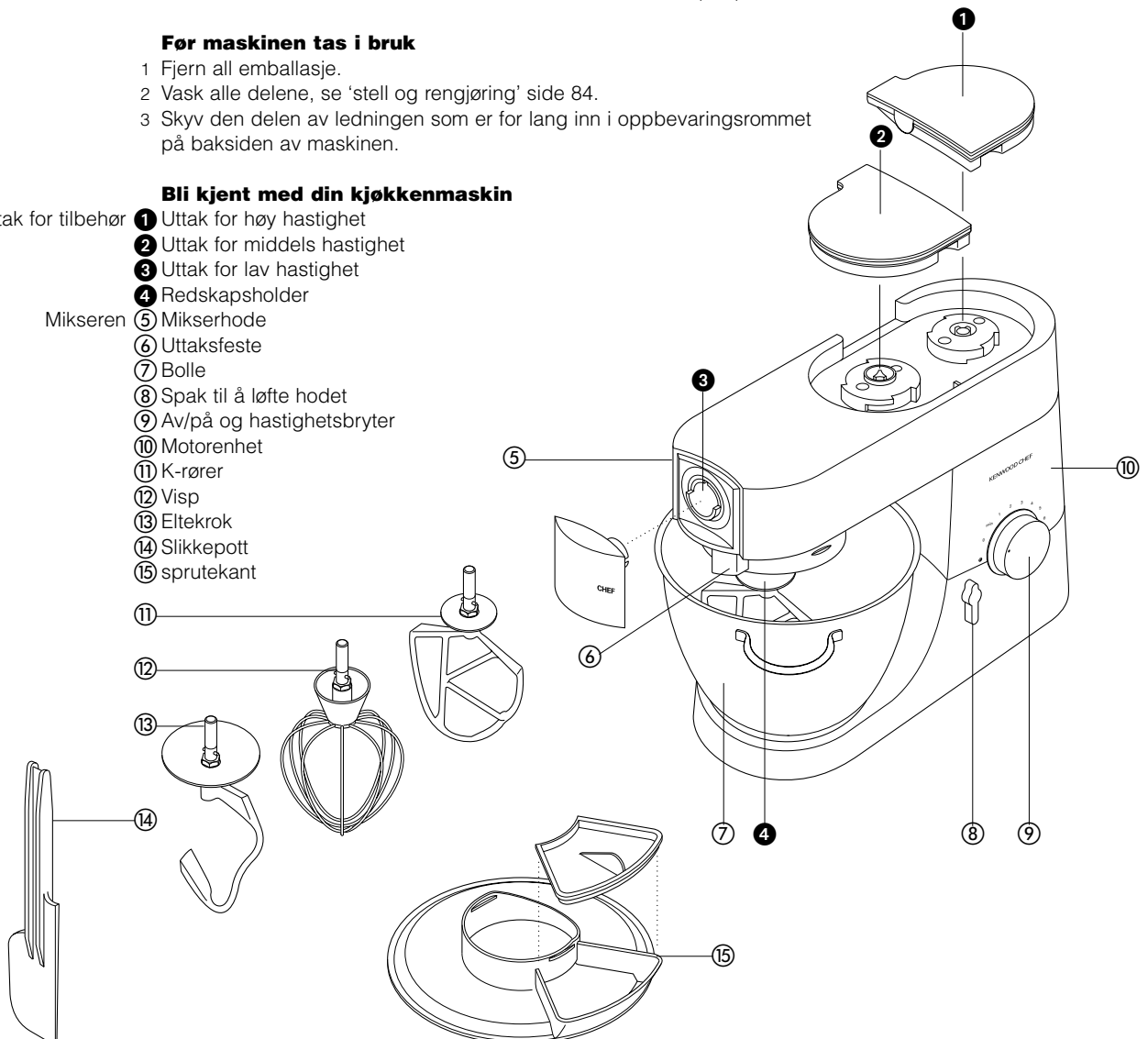
Bli kjent med din kjøkkenmaskin

Uttak for tilbehør

- 1 Uttak for høy hastighet
- 2 Uttak for middels hastighet
- 3 Uttak for lav hastighet
- 4 Redskapsholder

Mikseren

- 5 Mikserhode
- 6 Uttaksfeste
- 7 Bolle
- 8 Spak til å løfte hodet
- 9 Av/på og hastighetsbryter
- 10 Motorenhet
- 11 K-rører
- 12 Visp
- 13 Eltekrok
- 14 Slikkepott
- 15 sprutekant



Mikseren

Mikseredskapene og deres anvendelse

- K-rører • Brukes til å lage kaker, kjeks, butterdeig, glasur, fyll, vannbakkels og potetmos.
- Visp • Brukes til egg, krem, pannekake/vaffelrøre, sukkerbrød, marengs, ostekake, fromasj, sufflé. Bruk ikke vispen til tyngre deiger (f.eks. vispe smør og sukker hvitt) - ellers kan den bli ødelagt.
- Eltekrok • Brukes til gjærdeiger.

Bruk av mikseren

- 1 Drei hodeløftespaken med urviseren ① og løft blandehodet til det går i lås.
- Innsetting av redskap 2 Drei vispen/kroken til den stopper ② og skyv den så inn.
- 3 Sett bollen på underdelen - trykk ned og dre i retning med urviserne ③
- 4 For å senke blandehodet, løfter du den litt, og dreier så på hodeløftespaken med urviseren. Senk til låst posisjon.
- 5 Slå på og slå hastighetsbryteren på ønsket innstilling.
- Fjerning av redskap 6 Skru den ut.

- Tips
- Slå ofte av maskinen og skrap rundt sidene av bollen med slikkepotten.
 - Egg med romtemperatur er best til visping.
 - Før du visper eggehviter, bør du forsikre deg om at det ikke er noe fett eller eggeplomme på vispen eller bollen.
 - Bruk kalde ingredienser til pai med mindre oppskriften sier noe annet.

Huskeregler for brøddeig

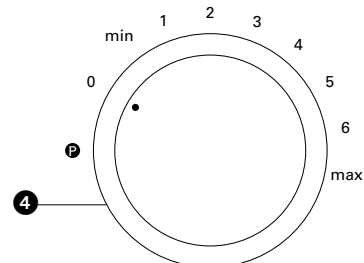
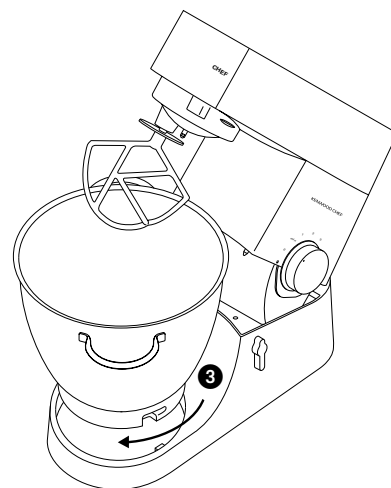
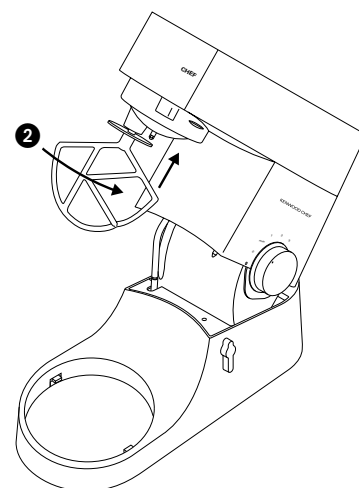
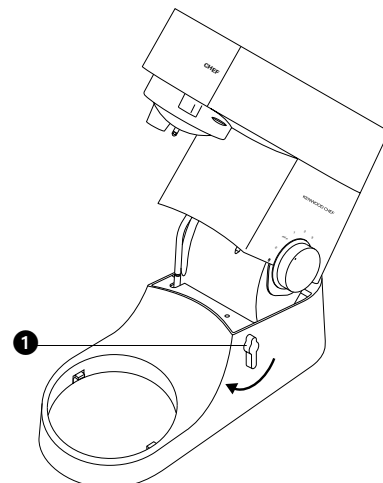
- Viktig
- Overstig aldri maksimum kapasitet som er vist i tabellen nedenfor, ellers vil du overbelaste maskinen.
 - Hvis du hører at maskinen arbeider tungt, må du slå av, ta ut halvparten av deigen, og elte hver del for seg.
 - Ingrediensene blander seg best med hverandre hvis du har i væsken først.

Maksimum kapasitet

	CHEF	MAJOR
Mørdeig	• Melvekt: 680g	Melvekt: 910g
Fast gjærdeig	• Melvekt: 1.36kg	Totalvekt: 1.5kg
Britisk type	• Totalvekt: 2.18kg	Totalvekt: 2.4kg
Løs gjærdeig	• Melvekt: 1.3kg	Melvekt: 2.6kg
Kontinental type	• Totalvekt: 2.5kg	Totalvekt: 5kg
Fruktkakerøre	• Totalvekt: 2.72kg	Totalvekt: 4.55kg
Eggehviter	• 12	16

Hastigheter ④

- K-rører
- **røre smør og sukker hvitt** start på min, øk gradvis til max.
 - **vispe egg i rører** 4 - 'max'.
 - **blande inn mel, frukt etc.** min - 1.
 - **alt-i-ett kaker** begynn på min, øk gradvis til max.
 - **smuldre smør/fett i melet** min - 2.
- Visp
- Øk gradvis til 'max'.
- Eltekrok
- Start på 'min', øk gradvis til 1.



Løsning på problemer

Problem

- Vispen eller K-røreren slår mot bunnen av bollen, eller når ikke de ingrediensene som er i bunnen av bollen.

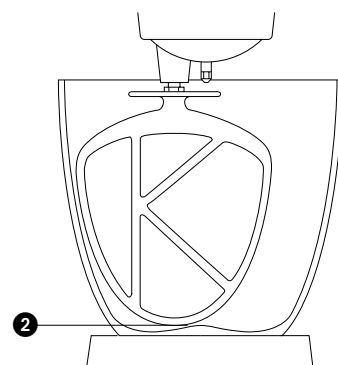
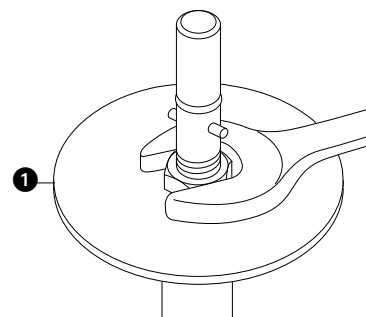
Løsning • Juster høyden slik:

- 1 Trekk ut støpselet.
- 2 Løft mikserhodet og sett inn visp eller rørerredskap.
- 3 Hold redskapen, og løsne så mutteren ①.
- 4 Senk mikserhodet.
- 5 Justér høyden ved å dreie på akselen. Ideelt sett skal vispen/K-røreren **nesten** berøre bunnen av bollen ②.
- 6 Løft hodet, hold i vispen/K-røreren og skru til mutteren.

problem

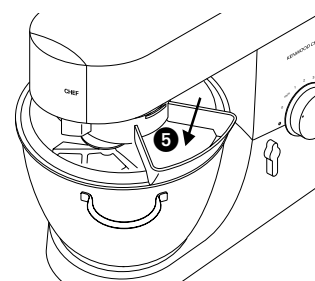
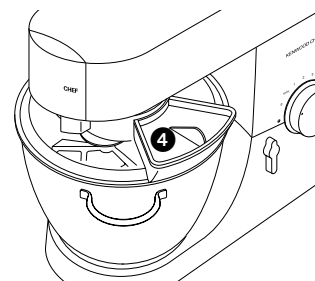
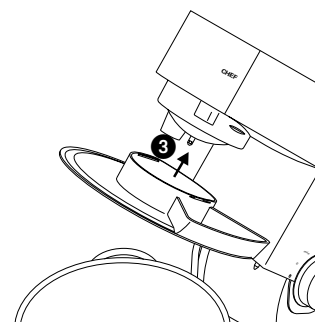
- Blanderer stopper plutselig når det er i bruk.

løsning • Blanderer er utstyrt med en overlastanordning og vil stoppe hvis den overlastes for å beskytte maskinen. Hvis dette skjer, slå av maskinen og trekk kontakten ut av blanderen. Ta ut noen av ingrediensene for å redusere lasten, og la blanderen stå i noen minutter. Sett i kontakten og still hastigheten på nytt. Hvis blanderen ikke starter igjen med en gang, la den stå litt til.



tilpasse og bruke sprutekanten

- 1 Løft mikserhodet til det låser seg.
- 2 Sett bollen på plass.
- 3 Skyv sprutdekselet inn på undersiden av mikserhodet ③ til det låser seg. Påfyllingstrakten skal plasseres som vist.
- 4 Sett i ønsket redskap.
- 5 Senk mikserhodet.
- 6 Sett lokket på påfyllingstrakten ④.
- Mens miksingen pågår kan lokket på påfyllingstrakten tas av, og ingrediensene tilsettes direkte til bollen ⑤.
- Det er ikke nødvendig å ta av sprutdekselet for å bytte redskap.
- 7 Løft mikserhodet og ta av sprutdekselet ved å skyve det ned.



Ekstra **tilbehør**

Hvis du ønsker å kjøpe tilbehør som ikke følger med i pakken din, kan du ta kontakt med din Kenwood-forhandler eller -reparatør.

vedlegg vedleggskode

flat pastalager ① **A970**

ekstra pastatilbehør **A971** tagliatelle
(Ikke vist) brukes **A972** tagliolini
sammen med A970 **A973** trenette
A974 spaghetti

pastalager ② **A936** leveres med 6 siler

skjærer/river m/lav hastighet ③ **A948** leveres med 4 valser

superkvern ④ **A950** leveres med

- a Åpning for store pølser
- b Åpning for små pølser
- c kebbelager

kornkvern ⑤ **A941**

sitronpresser ⑥ **A960**

matbehandlingstilbehør ⑦ **A980** inkl. 3 skjæreplater som standard og et knivblad

høyhastighetskjærer/river ⑧ **A998** inkl. 3 skjæreplater som standard

valgfrie plater til A980 & A998 a ekstra grov rasper, **delenummer 639021**

b riveplate **delenummer 639150**

c standardhakker, **delenummer 639083**

presser ⑨ 1,2 l akryl **A993A**, 1,2 l glass **A994A**, 1,5 l rustfritt stål **A996A**

flerbrukskvern ⑩ **A938A** leveres med 3 glass og 3 lokk til oppbevaring

kontinuerlig juiceekstraktor ⑪ **A935**

iskremmaskin ⑫ CHEF **A953**, MAJOR **A954**

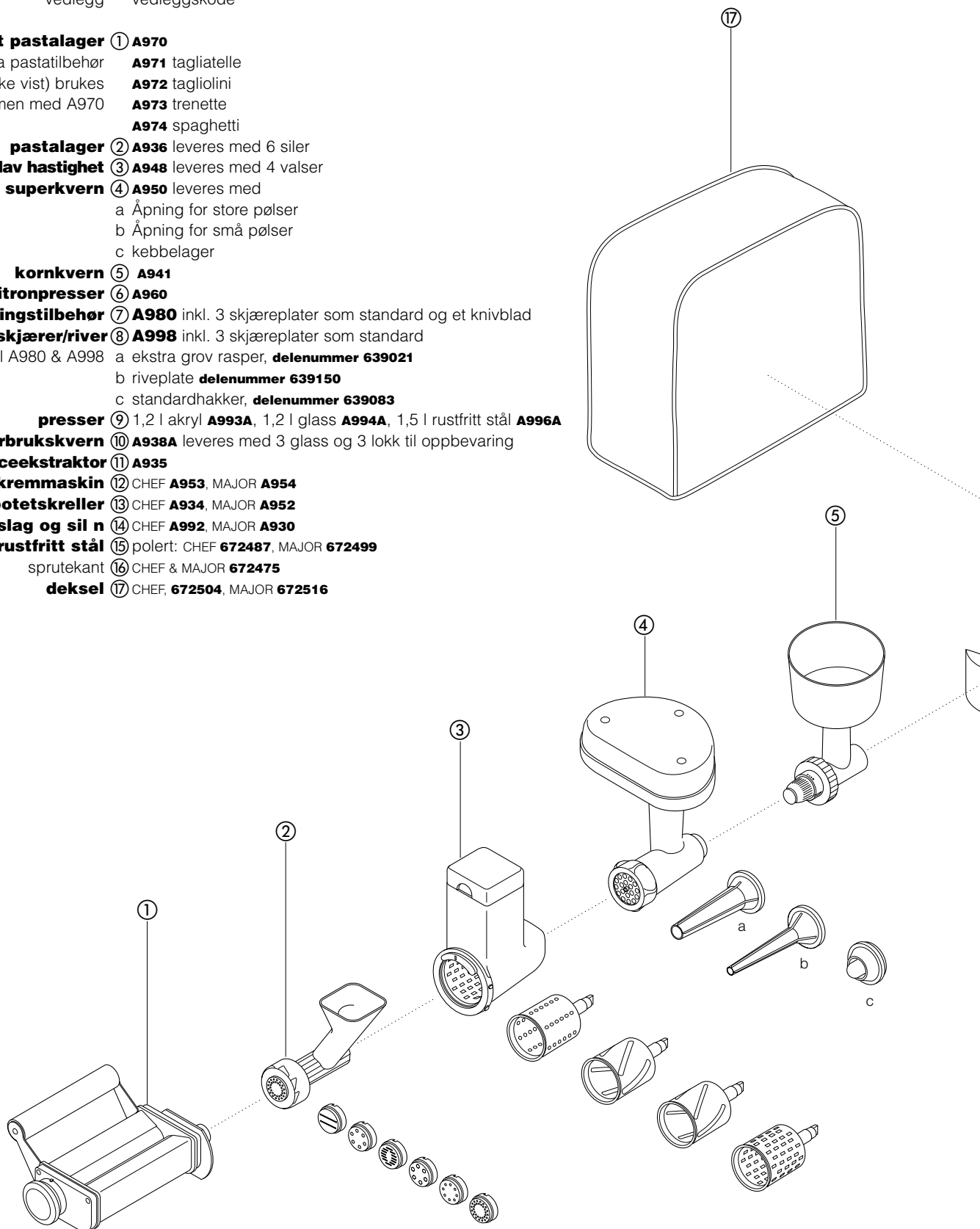
potetskreller ⑬ CHEF **A934**, MAJOR **A952**

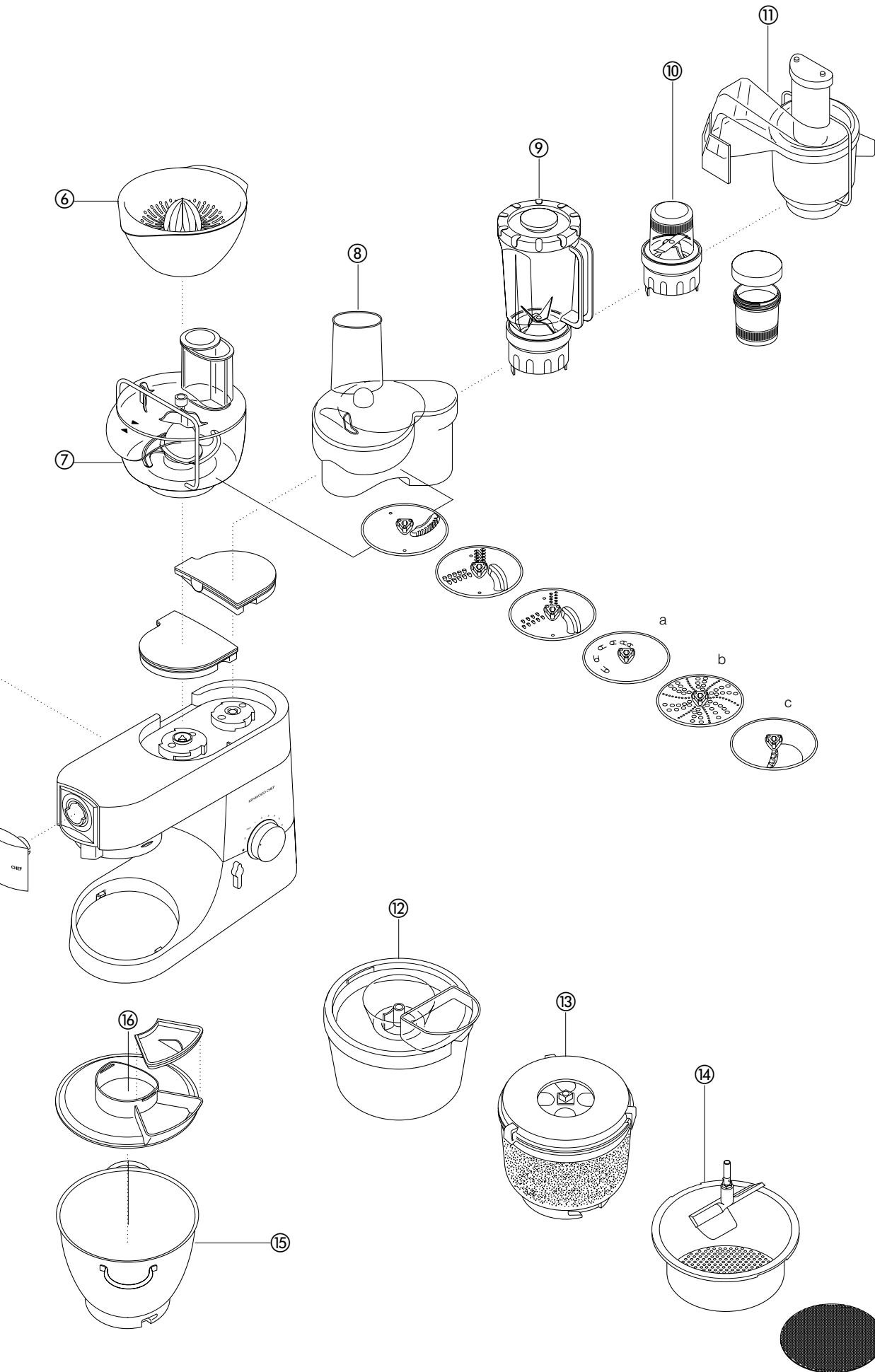
dørslag og sil n ⑭ CHEF **A992**, MAJOR **A930**

bolle av rustfritt stål ⑮ polert: CHEF **672487**, MAJOR **672499**

sprutekant ⑯ CHEF & MAJOR **672475**

deksel ⑰ CHEF, **672504**, MAJOR **672516**





Rengjøring og service

Stell og rengjøring

- Slå alltid av maskinen og trekk ut støpselet før rengjøring.
- Litt fett kan oppstå ved utløp 2 ved førstegangsbruk. Dette er normalt – bare tørk det av.

Strømenhet, utløpsdeksler

- Tørk av med fuktig klut, la tørke.
- Bruk aldri skuremidler, og legg aldri maskinen i vann.

Bolle

- Vask for hånd, tørk deretter grundig eller vask i oppvaskmaskin.
- Bruk aldri stålull eller blekemiddel til å rengjøre bollen av rustfritt stål. Bruk eddik til å fjerne kalk.

redskaper

- Hold borte fra varme (ovnsplater, komfyrer, mikrobølgeovner)
- Redskaper av rustfritt stål kan vaskes for hånd eller i oppvaskmaskin.
- Redskaper som ikke er av rustfritt stål (belagt) bør kun vaskes for hånd og tørkes grundig.

Sprutekant

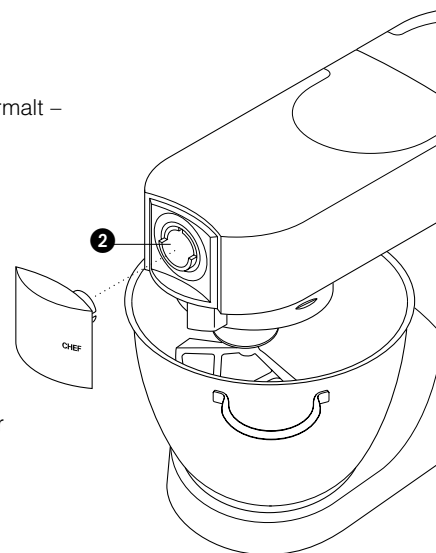
- Vaskes for hånd, tørkes grundig.

Service og kundetjeneste

- Hvis ledningen er skadet, må den, av sikkerhetsmessige grunner, erstattes av KENWOOD eller en autorisert KENWOOD-reparatør.

Hvis du trenger hjelp til å:

- bruke maskinen
- bestille annet tilbehør
- utføre vedlikehold eller reparasjon ta kontakt med din forhandler.



Oppskrifter

Se huskereglene for brøddeig på side 80.

Loff løst deig, kontinental type

- ingredienser
- 2,6kg hvetemel
 - 1,3 l melk
- Disse mengdene gjelder Major-modeller. For Chef-modeller, halveres mengdene og alt melet has i på én gang.**
- 300g sukker
 - 450g margarin
 - 100g fersk gjær eller 50g tørrgjær
 - 6 vispede egg
 - 5 klyper salt

- fremgangsmåte
- 1 Smelt margarinen i melken og varm det opp til 43°C.
 - 2 **Tørrgjær** (den typen som må blandes med væske): Ha gjæren og sukkeret i melken, og la det stå i ca 10 minutter til blandingen skummer.
 - 3 **Pressgjær (fersk gjær)**: Smuldre gjæren inn i melet
Andre typer gjær: Følg bruksanvisningen på pakken
 - 3 Hell melken i bollen. Tilsett deretter de vispede eggene, 2kg mel (eventuelt tilsatt smuldret pressgjær), og salt.
 - 4 Elt deigen på minimumshastighet i 1 minutt, deretter på hastighet 1 i enda et minutt. Skrap ned sidene.
 - 5 Tilsett resten av melet og saltet og elt på minimumshastighet i 1 minutt, deretter på hastighet 1 i 2 - 3 minutter inntil deigen er glatt og jevn.
 - 6 Fyll fire smurte halvkilos-former halvfulle med deig, eller lag rundstykker. Dekk dem til med et koppehåndkle, og la dem heve på et lunt sted til de er dobbelt så store.
 - 7 Stekes ved 200°C i 20 - 25 minutter *for loffene* eller 15 minutter *for rundstykkene*.
 - 8 Loffene er ferdigstekt hvis du hører en hul lyd når du banker på undersiden.

- Det blir ca 10 loffer av denne oppskriften.

Mørdeig

- ingredienser
- 450g mel siktet sammen med saltet
 - 1ts salt
 - 225g fett (bland smult og margarin rett fra kjøleskapet)
 - Ca 4ss vann
- Tips
- Ikke rør for mye
- fremgangsmåte
- 1 Ha melet i en bolle, hakk opp fett og ha det i melet.
 - 2 Rør på hastighet 1 til deigen ligner brødsmler. Stopp før den ser fet ut.
 - 3 Tilsett vann og rør på minimumshastighet. Stopp så snart vannet er blandet inn.
 - 4 Stek ved ca 200°C, avhengig av fyllet.

pavlova

- ingredienser
- 3 store hvite egg
 - 175 g farin
 - 275 ml kremfløte
 - fersk frukt, f.eks. bringebær, jordbær, druer, kiwi-frukt
- fremgangsmåte
- 1 Pisk eggehviten ved høy hastighet til de blir til 'myke topper'.
 - 2 Med pisk på hastighet 5, ha l sukkeret gradvis, én spiseskje om gangen, og pisk videre hver gang.
 - 3 Legg bakepapir på en stekeplate, så legger du marengsen på papirer i små "reder", ca. 20 cm i diameter.
 - 4 Sett stekeplaten inn i en ovn som er forvarmet til 150 °C/300 °F/gassmerke 2, senk straks temperaturen til 140 °C/275 °F/gassmerke 1 og stek i 1 time. Slå av varmen men la pavlova stå i ovnen mens den kjøler ned.
 - 5 Når den er klar til å serveres, dras den av bakepapiret og plasseres på et serveringsfat. Pisk kremen til den former seg i topper, og spre over pavloven og pynt med frukt.

Oppskrifter *forts.*

Deilig sjokoladecake

- Ingredienser
- 225 g mykt smør
 - 250 g farin
 - 4 egg
 - 5 ml pulverkaffe oppløst i 15 ml (1 ss) varmt vann
 - 30 ml (2 ss) melk
 - 5 ml (1 ts) mandelessens
 - 50 g malte mandler
 - 100 g selvhevende mel
 - 5 ml (1 ts) bakepulver
 - 50 g usukret kakaopulser
- fremgangsmåte
- 1 Rør smør og sukker hvitt på lav hastighet. Øk gradvis til høyere hastighet til blandingen er lett og luftig. Skrap bollen og piskeren.
 - 2 Pisk eggene lett i en bolle, ha eggene i mikseren gradvis litt om gangen og pisk ved høy hastighet. Slå av og skrap av bollen.
 - 3 Ha i kaffe, melk og mandelessens på lav hastighet. Tilsett malte mandler, siktet mel, bakepulver og kakao. Bland på lav hastighet.
 - 4 Legg bakepapir i to kakeformer med diameter på 20 cm og fordel blandingen på disse. Deigen jevnes ut på toppen og stekes ved 180 °C/350 °F/gassmerke 4 i ca. 30 minutter til den kjennes ferdig.
 - 5 Vend kaken og la den kjøles av på rist.

Sjokolademousse fyll

- ingredienser
- 275 g vanlig sjokolade, delt opp i biter
 - 225 ml kremfløte
- fremgangsmåte
- 1 Smelt sjokoladen ved å legge den i en bolle over en kjele med småkokende vann.
 - 2 Pisk kremen. Begynn med lav hastighet og øk gradvis til høyere hastighet til det former seg myke topper.
 - 3 Når sjokoladen er smeltet, trekkes bollen fra varmen. Vend den forsiktig i kremen med en stor skje.
 - 4 Spre sjokoladefyllet mellom de avkjølte kakelagene.

Gulrot- og koriandersuppe

- ingredienser
- 25 g smør
 - 1 hakket løk
 - 1 knust hvitløksbåt
 - 600 g gulrøtter, skåret i terninger på 2,5
 - kald sju fra kyllingen
 - 10-15 ml (2-3 ss) malt koriander
 - salt og pepper
- fremgangsmåte
- 1 Smelt smøret i en kjele, ha i løk og hvitløk og stek til det er mykt.
 - 2 Legg gulrøttene i blenderen, ha i løk og hvitløk. Hell i sju opp til nivå 1,2-merket på begeret. Sett på lokket og påfyllingsdekslet.
 - 3 Visp ved maksimumshastighet i 5 sekunder for en grovere suppe eller lengre for en tynnere suppe.
 - 4 Hell blandingen over i en stekepanne, ha i koriander og krydder og småkok suppen i 30 til 35 minutter eller til det er kokt.
 - 5 Krydre etter smak og ha i ekstra væske om nødvendig.

tutustu Kenwood-yleiskoneeseen

turvallisuus

- Kytke kone pois päältä ja irrota pistoke pistorasiasta ennen kuin kiinnität tai irrotat työvälineet/lisälaitteet käytön jälkeen ja ennen puhdistusta.
- Tätä konetta ei ole tarkoitettu lasten tai taitamattomien henkilöiden käyttöön ilman valvontaa.
- Pidä sormet kaukana liikkuvista osista ja paikalleen asetetuista lisälaitteista.
- Älä jätä konetta koskaan ilman valvontaa äläkä päästä lapsia koneen lähetyville.
- Älä käytä konetta jos siihen on tullut vikaa. Vie se tarkistettavaksi tai korjattavaksi; katso kohtaa 'huolto' sivulla 92.
- Koneessa ei saa käyttää lisälaitteita joita ei ole tarkoitettu siinä käytettäviksi, eikä useampaa kuin yhtä laitetta saa käyttää samalla kertaa.
- Älä koskaan ylikuormita konetta suositeltua suuremmalla määrällä aineksia kerrallaan sivu 88.
- Älä anna lasten leikkiä tällä koneella.
- Muista lukea kunkin laitteen turvallista käyttöä koskevat ohjeet ennen kuin käytät kyseistä laitetta.
- Kone on ainoastaan kotitalouskäyttöön.
- Ole varovainen laitetta nostatessasi, sillä se on painava. Varmista ennen nostamista, että kiinnitysvarsi on lukittuna ja että kulho, työvälineet, lisälaitteistukoiden suojalevyt ja virtajohto ovat kiinnitettyinä.

ennen liittämistä verkkovirtaan

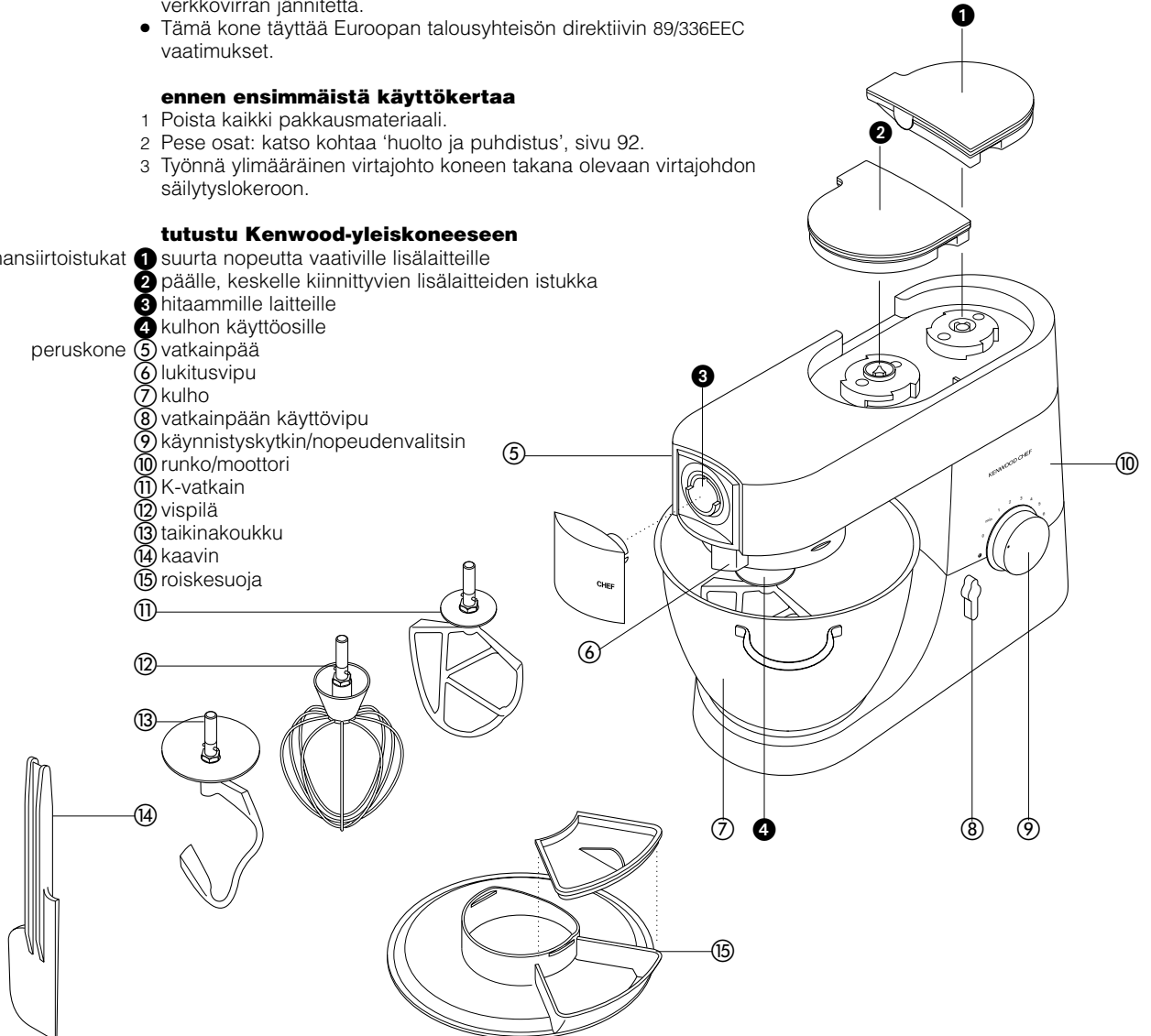
- Varmista, että koneesi pohjasta ilmenevä jännite vastaa käytettävän verkkovirran jännitettä.
- Tämä kone täyttää Euroopan talousyhteisön direktiivin 89/336EEC vaatimukset.

ennen ensimmäistä käyttökertaa

- 1 Poista kaikki pakkausmateriaali.
- 2 Pese osat: katso kohtaa 'huolto ja puhdistus', sivu 92.
- 3 Työnnä ylimääräinen virtajohto koneen takana olevaan virtajohdon säilytyslokeroon.

tutustu Kenwood-yleiskoneeseen

- laitteiden voimansiirtoistukat
- 1 suurta nopeutta vaativille lisälaitteille
 - 2 päälle, keskelle kiinnittyvien lisälaitteiden istukka
 - 3 hitaammille laitteille
 - 4 kulhon käyttöosille
- peruskone
- 5 vatkainpää
 - 6 lukitusvipu
 - 7 kulho
 - 8 vatkainpään käyttövipu
 - 9 käynnistyskytkin/nopeudenvälitsin
 - 10 runko/moottori
 - 11 K-vatkain
 - 12 vispilä
 - 13 taikinakoukku
 - 14 kaavin
 - 15 roiskesuoja



yleiskone

yleiskoneen vakio-osat ja niiden erilaisia käyttömahdollisuuksia

- K-vatkain • Sopii kakkujen, pikkuleipien, voitaikinoiden, sokerikuorrutusten, tuulihattutaikinan ja perunasoseen valmistukseen.
- vispilä • Sopii kananmunien, kerman, ohukaistaikinan, sokerikakkutaikinan, marenkiseoksen, juustokakun, vaahtojälkiruokien ja kohokasseosten valmistukseen. Vispilää ei pidä käyttää raskaiden seosten, (esim. rasvan ja sokerin vaahdotus) valmistuksessa; se saattaisi vahingoittaa.
- taikinakoukku • Hiivataikinoiden valmistukseen.

yleiskoneen käyttö

- 1 Käännä kiinnitysvarren nostovipua myötäpäivään ① ja nosta kiinnitysvarrtta, kunnes se lukkiutuu.
- 2 Pyöräytä myötäpäivään kunnes se pysähtyy ② ja nyt työnnä ylöspäin.
- 3 Aseta kulho alustalle - paina alas ja käännä myötäpäivään ③
- 4 Kiinnitysvarsi lasketaan nostamalla sitä hieman ja kääntämällä kiinnitysvarren nostovipua myötäpäivään. Kiinnitysvarsi lasketaan sitten lukittuun asentoon.
- 5 Kytke kone päälle ja käännä nopeudenvälitsin haluttuun asentoon.
 - Pidä kiekkoa P-asennossa jos haluat koneen toimivan suurimmalla nopeudella. Toimii vain pidettäessä ; ns. pitotoiminto.
- 6 Pyöritä vatkainta/koukku vastapäivään.

- vihjeitä • Kytke kone pois toiminnasta ja kaavi kulhoa kaapimella tihein väliajoin.
- Huoneenlämpöiset kananmunat vaahdotuvat parhaiten.
- Varmista ennen kananmunien vispaamista, että vispilään tai kulhoon ei ole jäänyt esim. rasvaa tai entistä kananmunaa.
- Käytä kylmiä aineksia voitaikinan valmistukseen, ellei ohjeessa neuvota toisin. Käytä kaavinta tihein väliajoin.

huomioitavaa hiivataikinoita valmistettaessa

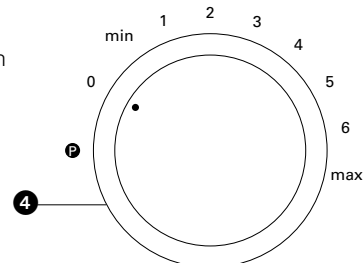
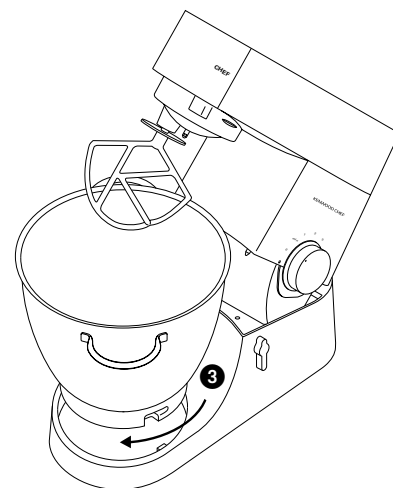
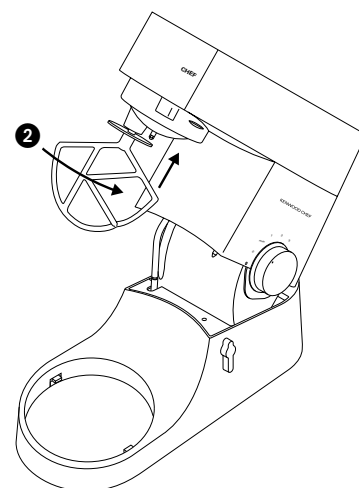
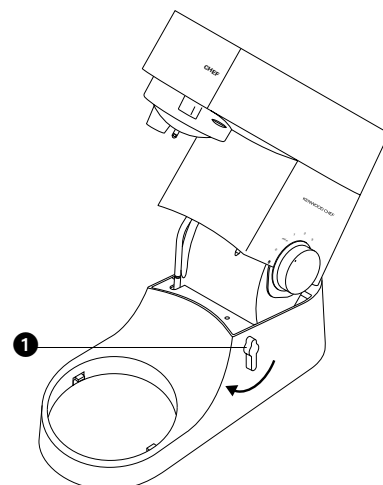
- tärkeää • Älä koskaan ylikuormita konettasi. Allaolevan enimmäismäärän ylittäminen voi johtaa koneen vaurioitumiseen.
- Jos kuulostaa siltä, että koneella on vaikeuksia taikinan vaivaamisessa, ota puolet sisällöstä ulos ja vaivaa kahtena erillisenä annoksena.
- Sekoitusliikkeestä johtuen lisää jauhot 2-3:ssa erässä, ei vähitellen.

suurimmat sallitut käyttömäärät

CHEF	MAJOR
voitaikina • jauhojen paino: 680 g	910 g
paksu hiivataikina • jauhojen paino: 1,36 kg	1,5 kg
(Engl. tyyppinen) • kokonaispaino: 2,18 kg	2,4 kg
pehmeä hiivataikina • jauhojen paino: 1,3 kg	2,6 kg
(Eurooppalainen taikina) • kokonaispaino: 2,5 kg	5 kg
hedelmäkakku • kokonaispaino: 2,72 kg	4,55 kg
munanvalkuaiset • 12	16

nopeudet ④

- K-vatkain • **rasvan ja sokerin vaahdotaminen aloita nopeudella min, vähitellen** lisää nopeudelle max.
- **munien vatkaminen vaahdotettuun seokseen 4 - 'max'.**
- **jauhojen, hedelmien jne. lisääminen seokseen Min - 1.**
- **kerralla lisättävät kakuaineokset** aloita nopeudella min, vähitellen lisää nopeudelle max.
- **rasvan sekoittaminen jauhoihin** min - 2.
- vispilä • nosta nopeutta pikkuhiljaa kunnes saavutetaan MAX.
- taikinakoukku • aluksi 'min', nosta nopeutta pikkuhiljaa kunnes saavutetaan 1.



ongelmia - miten toimia

ongelma

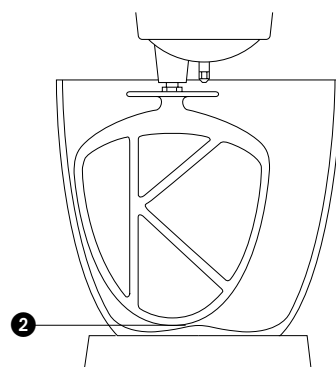
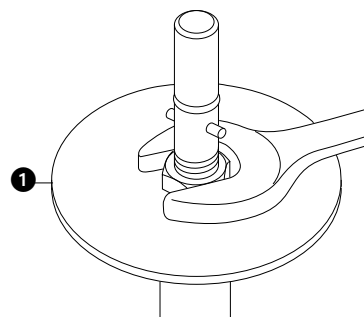
- Vispilä tai K-vatkain koskettaa kulhon pohjaa tai ei ylety kulhon pohjalla oleviin aineksiin.

vastaus • säädä korkeutta. Ohjeet alla:

- 1 Ota pistoke pois pistorasiasta.
- 2 Nosta kiinnitysvarsi ja työnnä vispilä tai vatkain paikalleen.
- 3 Pidä siitä kiinni ja löysää ruuvia **1**.
- 4 Laske kiinnitysvarsi alas.
- 5 Säädä korkeutta kääntämällä vartta. Vispilän/K-vatkaimen tulisi **melkein** koskettaa kulhon pohjaa **2**.
- 6 Nosta kiinnitysvarsi, pidä kiinni vispilästä/K-vatkaimesta ja kiristä ruuvi.

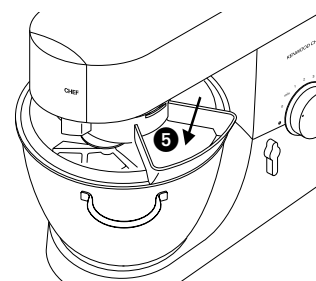
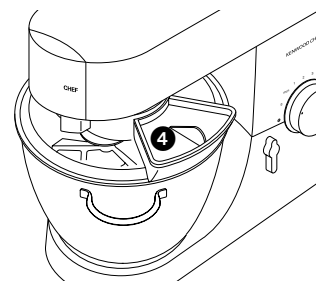
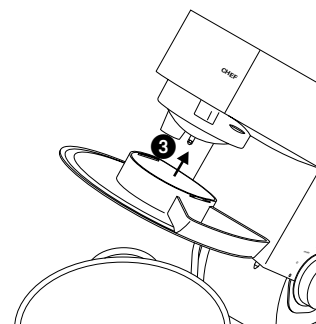
ongelma

- ratkaisu
- Sähkövatkain pysähtyy käytön aikana.
 - Sähkövatkaimessa on ylikuormitussuoja, joka suojaa konetta pysäyttämällä ylikuormitetun koneen. Jos näin käy, kytke sähkövatkain pois päältä ja irrota pistotulppa pistorasiasta. Poista osa aineksista sekoitusmäärän pienentämiseksi ja anna vatkaimen olla pysähtyneenä muutaman minuutin ajan. Kytke pistotulppa pistorasiaan ja valitse nopeus uudelleen. Jos sähkövatkain ei toimi välittömästi, anna sen olla pysähtyneenä vielä jonkin aikaa.



roiskesuojan asennus ja käyttö

- 1 Nosta kiinnitysvarrtta, kunnes se lukkiutuu.
- 2 Aseta kulho kiinnitysalustan päälle.
- 3 Työnnä roiskesuoja kunnolla paikalleen kiinnitysvarren **3** alle. Syöttöaukon tulee olla kuvan osoittamassa asennossa.
- 4 Työnnä tarvittava työväline paikalleen.
- 5 Laske kiinnitysvarsi alas.
- 6 Aseta syöttöaukon kansi **4** paikalleen.
- Aineksia voidaan lisätä sekoittamisen aikana suoraan kulhoon **5** irrottamalla syöttöaukon kansi.
- Roiskesuojaa ei tarvitse irrottaa työvälinettä vaihdettaessa.
- 7 Roiskesuoja irrotetaan nostamalla sekoitinvarsi ja työntämällä roiskesuoja alas.



lisälaitteet

Ota yhteyttä Kenwood-kauppiaseen jos haluat hankkia lisälaitteita.
Seuraavassa olevien lisälaitteiden saatavuus Suomessa vaihtelee.

lisälaite lisälaitteen koodi

levypastakone ① A970

muuta pastakoneen lisälaitteita
(ei kuvassa) käytetään
yhdessä A970:n kanssa

- A971** tagliatelle
- A972** tagliolini
- A973** trenette
- A974** spagetti

pastakone ② A936 mukana 6 reikälevyä eteen kiinnittyvä

leikkuri/raastin ③ A948 mukana 4 rumpua

lihamyly ④ A950 mukana
a iso makkarasuutin
b pieni makkarasuutin
c kebbenvalmistuslaite

viljamyly ⑤ A941

sitruspuserrin ⑥ A960

monitoimikoneen

lisälaitteet ⑦ A980 mukana vakiona 3 terää ja hienonnusterä

päälle kiinnittyvä

leikkuri/raastin ⑧ A998 mukana vakiona 3 terää

lisäterät lisälaitteille A980 & A998
a erittäin karkea raastinterä **tuotenumero 639021**
b rouhintaterä **tuotenumero 639150**
c normaali suikalointiterä **tuotenumero 639083**

tehosekoitin ⑨ 1,2 l akryylimuovinen **A993A**, 1,2 l lasinen **A994A**, 1,5 l ruostumatonta

terästä **A996A**

monitoimimyly ⑩ A938A mukana 3 lasiastiaa ja 3 säilytyskantta

mehunpuristin ⑪ A935

jäätelökone ⑫ CHEF **A953**, MAJOR **A954**

perunankuorin ⑬ CHEF **A934**, MAJOR **A952**

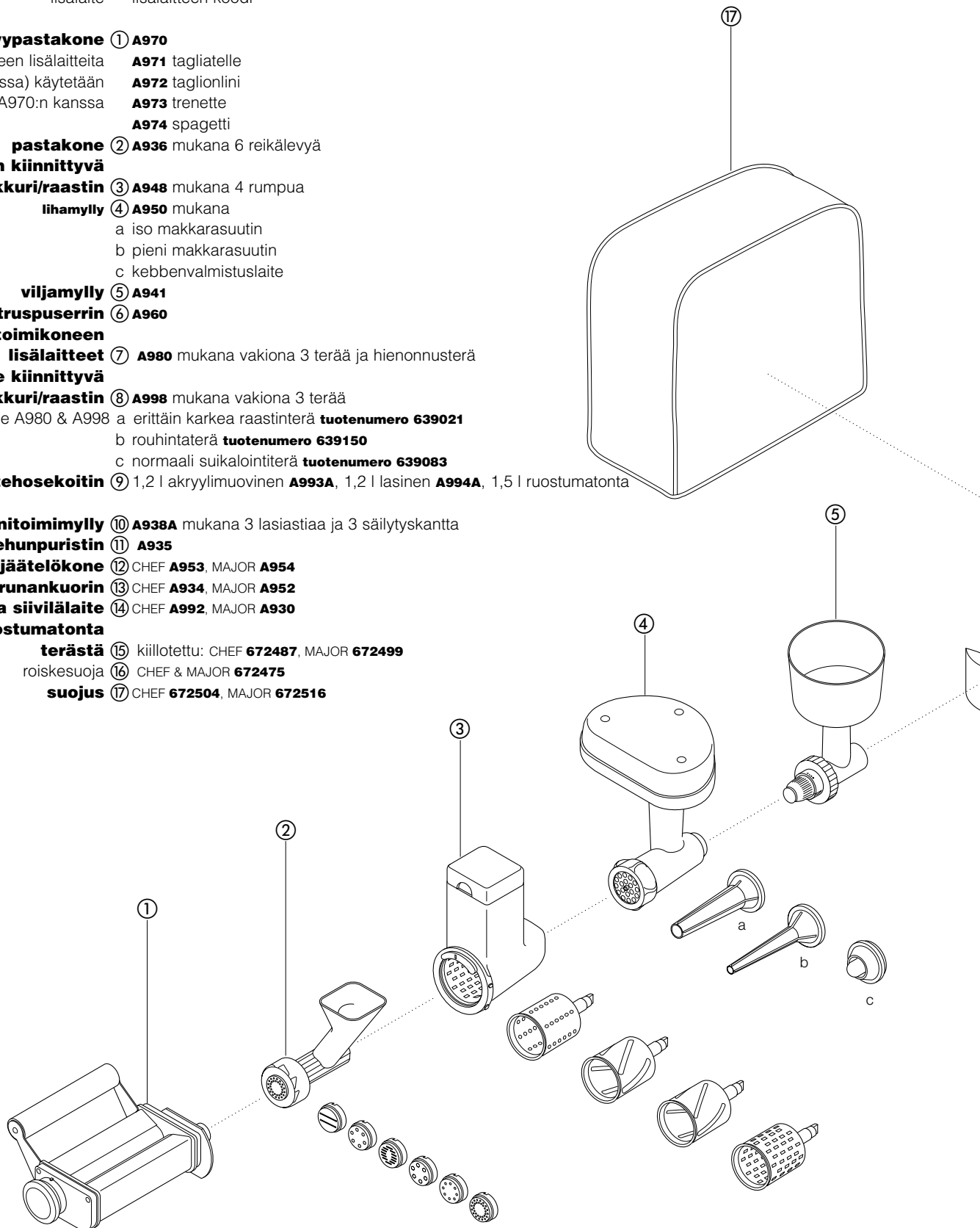
puserrin- ja siivilälaite ⑭ CHEF **A992**, MAJOR **A930**

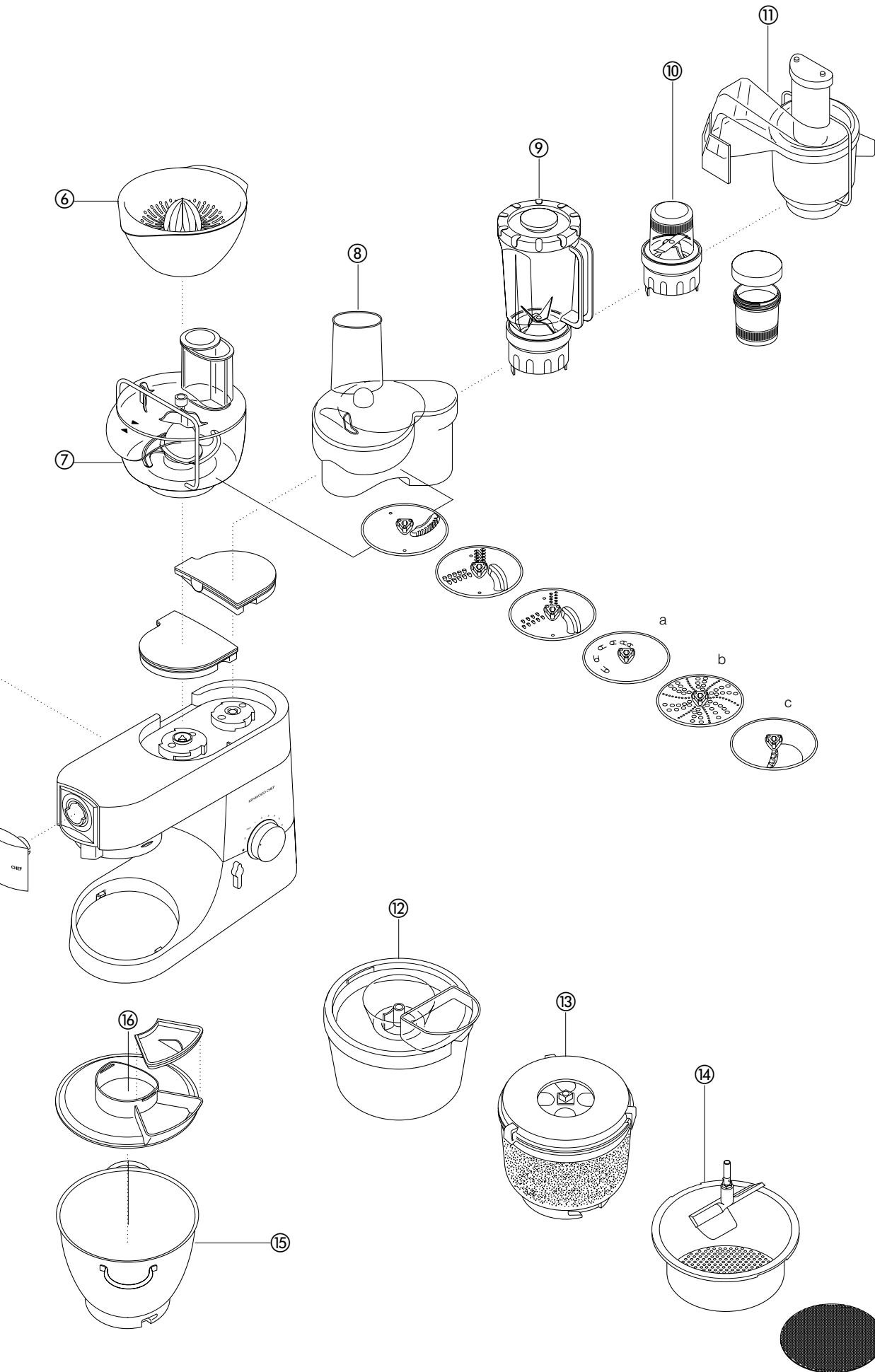
kulhot ruostumatonta

terästä ⑮ kiillotettu: CHEF **672487**, MAJOR **672499**

roiskesuoja **⑯** CHEF & MAJOR **672475**

suojus ⑰ CHEF **672504**, MAJOR **672516**





puhdistus ja huolto

tärkeää

- Muista aina kytkeä kone pois toiminnasta ja ota pistoke pistorasiasta ennen puhdistustoimenpiteitä.
- Lisälaitteistukseen ② saattaa ilmestyä vähän rasvaa, kun sitä käytetään ensimmäisen kerran. Tämä on normaalia – pyyhi se vain pois.

puhdistus

runko, lisälaitteistukoiden suojalevyt • Pyyhi kostealla pyyhkeellä ja kuivaa sitten.

- Älä käytä hankaavia aineita tai pesimiä. Äläkä upota konetta veteen.

kulho • Pese käsin ja kuivaa huolellisesti tai pese astianpesukoneessa.

- Älä koskaan puhdista ruostumattomasta teräksestä valmistettua kulhoa teräsharjalla- tai villalla tai valkaisuaineella. Poista kalkki etikalla.

työvälineet • Älä laita konetta kuumaan paikkaan (sähkölevyt, uuni, mikroaaltouuni).

- Ruostumattomasta teräksestä valmistetut työvälineet voidaan pestä käsin tai astianpesukoneessa.

roiskesuoja • Muut kuin ruostumattomasta teräksestä valmistetut työvälineet (pinnoitetut) tulisi pestä ainoastaan käsin ja kuivata sitten huolellisesti.

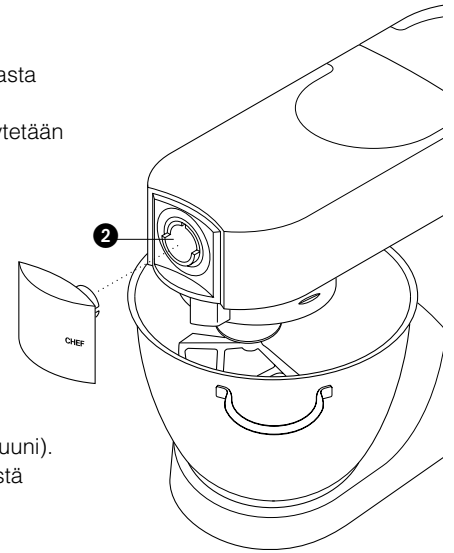
roiskesuoja • Pese käsin ja kuivaa sitten huolellisesti.

huolto

- Jos esim. yleiskoneen liitosjohtoon tulee vikaa vie kone valtuutettuun huoltoliikkeeseen.
- Huolto- ja lisälaittekysymyksissä voitte kääntyä Kenwood-jälleenmyyjän tai valtuutetun huoltoliikkeen puoleen.

takuu

- Yleiskoneella on takuu vain normaalissa kotitalouskäytössä.
- Suomessa noudatettavista takuuehdoista saat tietoja Kenwood-jälleenmyyjältä tai maahantuojalta.
- Oikeus niihin laitemuutoksiin, jotka tämän käyttöohjeen painamisen jälkeen on tehty tai painovirheisiin pidätetään.



reseptejä

kts myös 'huomioitava leipää valmistettaessa', sivu 88

valkoinen vehnäleipä *mannermainen pehmeä taikina*

ainekset

- Tämä määrä on Major-malleille. Chef-malleissa puolita määrät ja lisää jauhot yhdellä kertaa.**

- 2,6kg tavallista vehnäjauhoa
- 1,3l maitoa
- 300g sokeria
- 450g margariinia
- 100g tuoretta hiivaa
- 6 vatkattua munaa
- 5 ripausta suolaa

- valmistusmenetelmä
- 1 Sulata margariini maidossa joka tulee lämmittää 43°C asteiseksi.
 - 2 **tuore hiiva:** murena jauhoon ja lisää sokeri
 - 3 Kaada maito koneen kulhoon. Lisää siihen vatkatut munat ja 2kg jauhoa.
 - 4 Sekoita nopeudella 'min' minuutin ajan ja sitten nopeudella 1 vielä minuutin ajan. Kaavi reunaan tarttunut seos.
 - 5 Lisää suola ja loput jauhoista ja sekoita minuutin ajan alimmalla nopeudella, sitten nopeudella 1 noin 2 - 3 minuuttia kunnes taikina on tasaista.
 - 6 Täytä puoliksi taikinalla muutamia voideltuja puolen kilon suorakaiteenmuotoisia vuokia, tai muotoile taikina sämpylöiksi. Peitä sitten astiapyyhkeellä ja anna olla lämpimässä kunnes taikina on noussut kaksinkertaiseksi.
 - 7 Paista 200°C lämmössä; vuokaleipänä 20 - 25 minuuttia, sämpylöinä 15 minuuttia.
 - 8 Leipä on kypsää kun se kuullostaa ontolta pohjaan koputettaessa.

- Tästä määrästä aineksia tulee noin kymmenen leipää.

voitaikina (murea)

ainekset

- 450g vehnäjauhoa, suolan kanssa sihdattuna
- 5ml (1 tl) suolaa
- 225g rasvaa (laardi tai margariini kovana, suoraan jääkaapista)
- noin 80ml vettä (4rkl)

vihje

- valmistusmenetelmä
- 1 Laita jauho koneen kulhoon. Paloittele rasva karkeasti veitsellä ja lisää jauhoon.
 - 2 Sekoita nopeudella 1, kunnes seos on murumaista. Pysäytä ennen kuin seos näyttää rasvaiselta.
 - 3 Lisää vesi ja sekoita taikinaa alhaisinta nopeutta käyttäen. Pysäytä kone heti kun vesi on sekoittunut taikinaan.
 - 4 Paista noin 200°C lämmössä, piirakan täytteestä riippuen.

pavlova

ainekset

- 3 suuren kananmunan valkuaisia
- 175 g hienosokeria
- 275 ml kuohukermaa
- tuoreita hedelmiä tai marjoja, esim. vadelmia, mansikoita, viinirypäleitä, kiiviä

menetelmä

- 1 Vatkaa munanvalkuaiset kovaksi vaahdoksi suurella nopeudella.
- 2 Vatkaimen ollessa nopeudella 5 lisää sokeri vähitellen ruokalusikallinen kerrallaan ja anna laitteen vatkata jokaisen lisäyksen jälkeen.
- 3 Vuoraa uunipelti leivinpaperilla. Lusikoi marenki paperille pesäksi, joka on halkaisijaltaan noin 20 cm.
- 4 Laita uunipelti uuniin, jonka lämpötila on 150 °C, alenna välittömästi lämpötilaksi 140 °C ja paista marenkia 1 tunti. Käännä uuni pois päältä, mutta jätä pavlova uuniin jäähtymään.
- 5 Kun pavlova on valmis tarjottavaksi, poista leivinpaperi ja aseta pavlova tarjoiluvadille. Vatkaa kerma vaahdoksi, levitä se pavlovan päälle ja koristele hedelmillä ja marjoilla.

reseptejä jatkoa

herkullinen suklaakakku

- ainekset
- 225 g pehmeää voita
 - 250 g hienosokeria
 - 4 kananmunaa
 - 1 tl pikakahvijauhetta sekoitettuna 1 ruokalusikalliseen kuumaa vettä
 - 2 rkl maitoa
 - 1 tl manteliesanssia
 - 50 g mantelijauhetta
 - 100 g vehnä jauhoja
 - 1 tl leivinjauhetta
 - 50 g makeuttamatonta kaakaojauhetta
- menetelmä
- 1 Vatkaa voi ja sokeri vaahdoksi alhaisella nopeudella ja lisää vähitellen nopeutta suuremmaksi, kunnes seos kevyttä ja kuohkeaa. Kaavi seos kulhon reunoilta ja vatkaimesta.
 - 2 Vatkaa munat kannussa ja lisää munat vähitellen vähän kerrallaan koneen toimiessa suurella nopeudella, kunnes ainekset ovat sekoittuneet tasaiseksi. Kytke virta pois ja kaavi seos reunoilta.
 - 3 Sekoita liuennut kahvi, maito ja manteliesanssi alhaisella nopeudella. Lisää mantelijauhe, siivilöity jauho, leivinjauhe ja kaakao. Sekoita tasaiseksi alhaisella nopeudella.
 - 4 Jaa seos kahteen kakkuvuokaan (halkaisija 20 cm), jotka on vuorattu voidellulla leivinpaperilla. Tasoita seos ja paista 180 °C:ssa noin 30 minuuttia, kunnes pinta tuntuu joustavalta.
 - 5 Käännä ylösalaisin ja anna jäähtyä ritilällä.

suklaavaahtotäyte

- ainekset
- 275 g tummaa suklaata, palasina
 - 225 ml kuohukermaa
- menetelmä
- 1 Sulata suklaa vesihauteessa asettamalla kulho hiljalleen kieuvan veden päälle.
 - 2 Vatkaa kerma alhaisella nopeudella ja lisää vähitellen nopeutta suuremmaksi, kunnes kerma on pehmeää vaahtoa.
 - 3 Kun suklaa on sulanut, ota kulho pois lämmöltä ja sekoita suklaa varovasti suurella lusikalla kermavaahtoon.
 - 4 Levitä suklaatäyte jäähtyneiden kakkujen väliin.

porkkana-korianterikeitto

- ainekset
- 25 g voita
 - 1 sipuli, hienonnettuna
 - 1 valkosipulinkynsi, murskattuna
 - 600 g porkkanoita, paloitetuina 2,5 cm:n kuutioiksi
 - kylmää kanalientä
 - 2–3 rkl jauhettua korianteria
 - suolaa ja pippuria
- menetelmä
- 1 Sulata voi pannussa, lisää sipuli ja valkosipuli ja paista pehmeiksi.
 - 2 Laita porkkanat tehosekoittimeen, lisää sipuli ja valkosipuli. Lisää lientä sekoitusastiaan merkittyyn tasoon 1.2 asti. Aseta kansi ja täyttöaukon korkki paikalleen.
 - 3 Sekoita maksiminopeudella 5 sekuntia, jos haluat karkearakenteista keittoa, tai kauemmin, jos haluat hienojakoisemman tuloksen.
 - 4 Siirrä seos kattilaan, lisää korianteri ja mausteet ja anna keiton kiehua hiljalleen 30–35 minuuttia tai kunnes se on kypsää.
 - 5 Lisää mausteita ja nestettä tarvittaessa.

Kenwood mutfak robotunun parçaları

güvenlik önlemleri

- Aygıtın ek parçalarını takmadan ya da çıkarmadan ve temizlemeden önce ya da kullandıktan sonra aygıtın fişini prizden çekiniz.
- Çocukların ya da engelli kişilerin bu aygıtı kullanmalarına izin vermeyiniz ya da denetim altında kullanmalarına izin veriniz.
- Hasarlı aygıtları kullanmayınız. Hasarlı mutfak robotunu onarımcıya götürüp denetimden geçirtiniz. Bu konuda 100. sayfadaki 'bakım' bölümüne bakınız.
- Kullanılması yetkili üretici tarafından onaylanmamış ek parçaları ve aynı anda birden fazla ek parça kullanmayınız.
- Aygıtta hiçbir zaman 96. sayfada açıklanan azami kullanım miktarlarının üstünde yiyecek doldurmayınız.
- Çocukların bu aygıtla oynamalarına izin vermeyiniz.
- Herhangi bir ek parçayı kullanmadan önce parçayla birlikte verilen güvenlik önlemlerini dikkatle okuyunuz.
- Mutfak robotunu yalnızca evde kullanınız.
- Aygıt ağır olduğu için kaldırırken dikkatli olunuz. Aygıtı kaldırmadan önce karıştırıcı kafasının kilitli olduğundan ve çanağın, ek parçaların, çıkış kapaklarının ve elektrik kordonunun güvenli konumda bulunduğundan emin olunuz.

elektrik akımına bağlanması

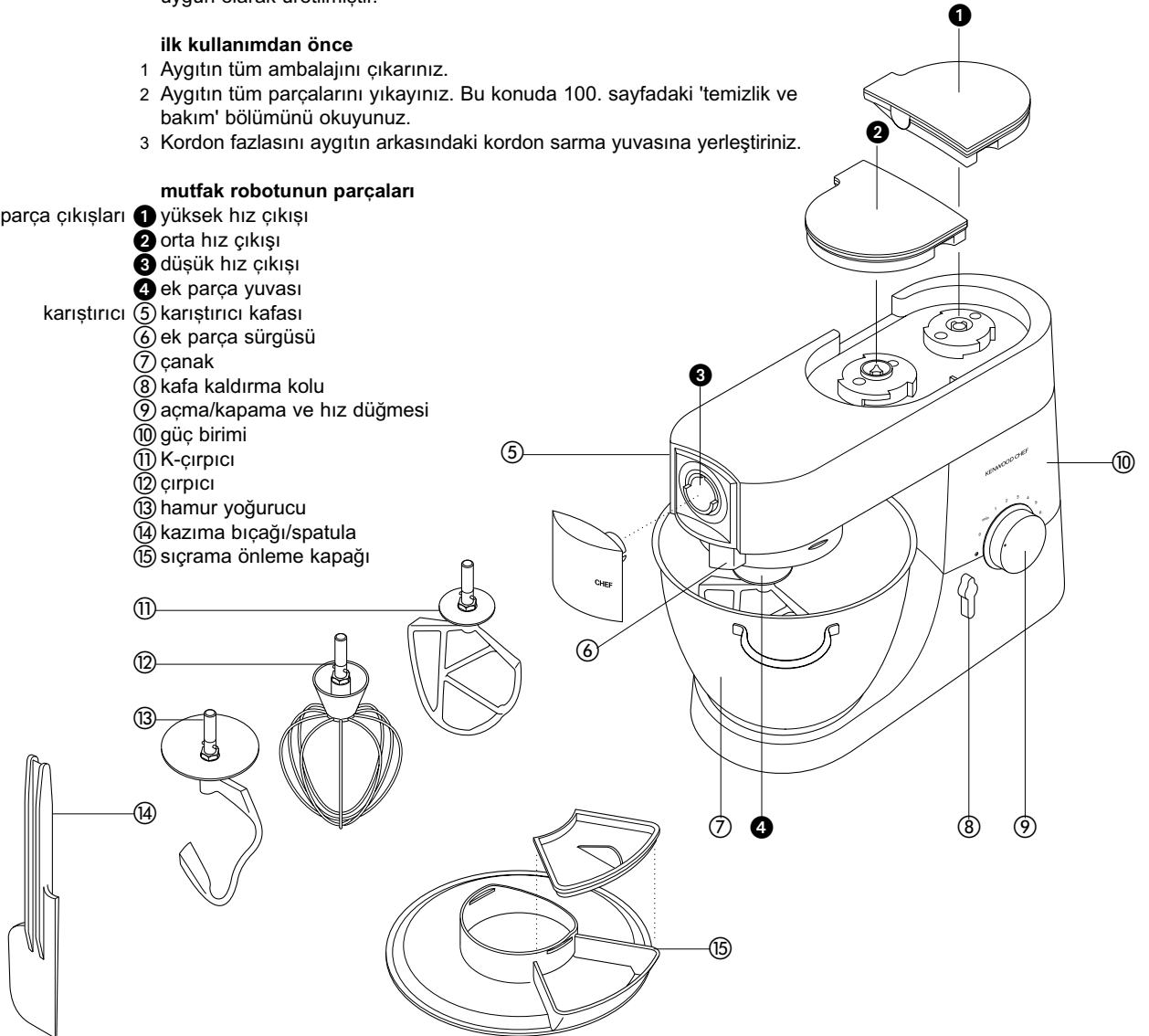
- Mutfak robotunu çalıştırmadan önce evinizdeki elektrik akımının aygıtta belirtilen akımla aynı olduğundan emin olunuz.
- Bu aygıt, 89/336/EEC sayılı Avrupa Ekonomik Topluluğu Yönergesi'ne uygun olarak üretilmiştir.

ilk kullanımdan önce

- 1 Aygıtın tüm ambalajını çıkarınız.
- 2 Aygıtın tüm parçalarını yıkayınız. Bu konuda 100. sayfadaki 'temizlik ve bakım' bölümünü okuyunuz.
- 3 Kordon fazlasını aygıtın arkasındaki kordon sarma yuvasına yerleştiriniz.

mutfak robotunun parçaları

- ek parça çıkışları
- 1 yüksek hız çıkışı
 - 2 orta hız çıkışı
 - 3 düşük hız çıkışı
 - 4 ek parça yuvası
- karıştırıcı
- 5 karıştırıcı kafası
 - 6 ek parça sürgüsü
 - 7 çanak
 - 8 kafa kaldırma kolu
 - 9 açma/kapama ve hız düğmesi
 - 10 güç birimi
 - 11 K-çirpici
 - 12 çirpici
 - 13 hamur yoğurucu
 - 14 kazıma bıçağı/spatula
 - 15 sıçrama önleme kapağı



karıştırıcı

karıştırıcının parçaları ve kullanımı

- K-çırpıcı • Pasta, bisküvi, hamur işi, şekerli krema, iç malzeme, ekler ve patates püre yapmak için kullanılır.
- çırpıcı • Yumurta, kaymak, sulu hamur, pandispanya, kaymaklı kurabiye, peynirli kek, dondurulmuş krema, sufle yapmak için kullanılır. Yağ ve şekeri kremalaştırmak gibi ağır karışımlar için çırpıcıyı kullanmayınız. Kullanıldığı taktirde çırpıcı hasar görebilir.
- hamur yoğurucu • Mayalı karışımlar için kullanılır.

karıştırıcının kullanımı

- 1 Kafa kaldırma kolunu sağa çeviriniz ① ve karıştırıcının kafasını yerine oturuncaya kadar kaldırınız.
- 2 Duruncaya kadar çeviriniz ② ve itiniz.
- 3 Çanağı taban birimine takınız. Aşağı doğru bastırınız ve sağa çeviriniz ③
- 4 Karıştırıcının kafasını alçaltmak için önce biraz yukarı kaldırınız ve kafa kaldırma kolunu sağa çeviriniz.
- 5 Aygıtı çalıştırınız ve hız düğmesini istediğiniz hıza getiriniz.
 - Kısa süren karışım işlemleri için pals **P** düğmesine basınız.
- 6 Ek parçayı yerinden çıkarınız.

- faydalı bilgiler • Aygıtı durdurunuz ve çanağı kazıma bıçağı/spatula ile düzenli aralıklarla sıyırınız.
 - Yumurtaları oda sıcaklığında çırpınız.
 - Yumurta aklarını çırpmadan önce çanakta ya da çırpıcıda yağ birikintileri ya da yumurta sarısının olmadığından emin olunuz.
 - Yemek ve tatlı tarifinizde aksi belirtilmediyse hamur işleri için soğuk içerikler kullanınız.

ekmek yapma

- önemli notlar • Aşağıda belirtilen azami içerik miktarlarını aşmayınız. Aksi taktirde aygıtı aşırı derecede yüklemiş olacaksınız.
 - Aygıtın çalışması zorlanıyorsa, aygıtı durdurunuz. Hamurun yarısını alınız ve ayrı ayrı yoğurunuz.
 - Aygıtı önce sulu karışımları koyarsanız içeriklerin karışması daha kolay olur.

en çok kullanım miktarları

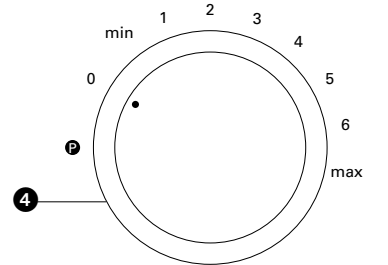
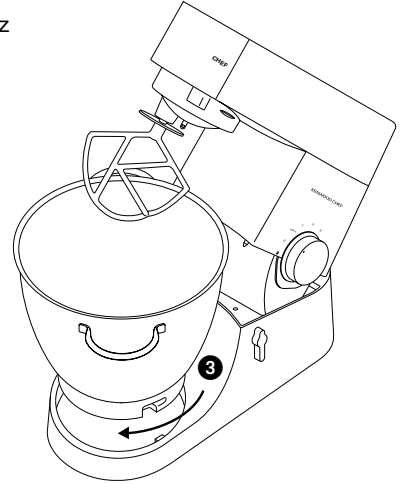
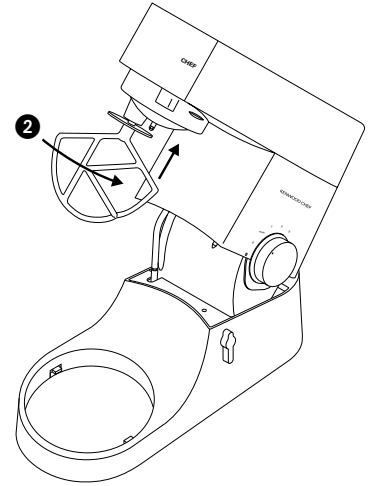
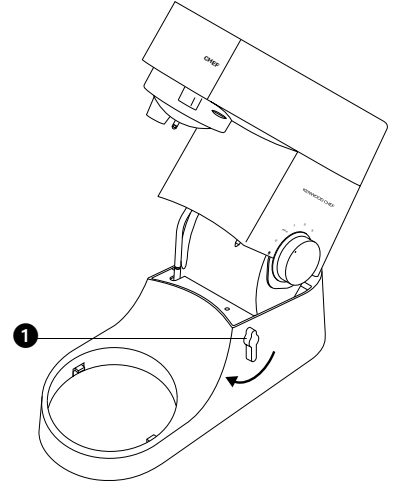
CHEF

MAJOR

hamur işi tatlılar	• Un ağırlığı: 680gr	Un ağırlığı: 910gr
kati mayalı hamur	• Un ağırlığı: 1.36kg	Un ağırlığı: 1.5kg
İngiliz türü	• Toplam ağırlık: 2.18kg	Toplam ağırlık: 2.4kg
yumuşak mayalı hamur	• Un ağırlığı: 1.3kg	Un ağırlığı: 2.6kg
Avrupa türü	• Toplam ağırlık: 2.5kg	Toplam ağırlık: 5kg
meyveli kek karışımları	• Toplam ağırlık: 2.72kg	Toplam ağırlık: 4.55kg
yumurta akları	• 12 yumurta akı	16 yumurta akı

hız seçimi ④

- K-çırpıcı • yağ ve şekeri kremalaştırmak için asgari hızdan başlayınız ve giderek azami hıza geçiniz.
 - kremalı karışımlara yumurta çırpmak için 4. ve 'azami' hızı seçiniz.
 - un, meyve vbğ içerikleri karıştırmak için asgari ve 1. hızı kullanınız.
 - kek karışımları için asgari hızdan başlayınız ve giderek azami hıza geçiniz.
 - yağı una yedirmek için asgari ve 2. hızı seçiniz.
- çırpıcı • En az hızdan başlayarak yavaş yavaş 'azami' hıza geçiniz.
- hamur yoğurucu • 'En az' hızdan başlayarak 1. hıza geçiniz.



temizlik için 100. sayfayı okuyunuz

sorun giderme

sorun

- Çırpıcı ya da K-çırpıcı çanağın dibine değiyorsa ya da çarpıyorsa ya da çanağın dibindeki içeriklere ulaşmıyorsa.

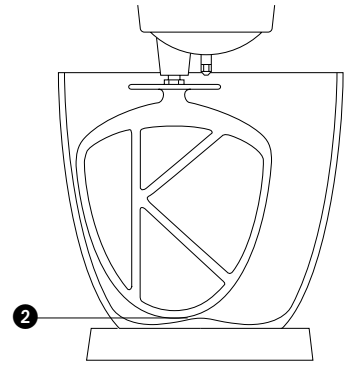
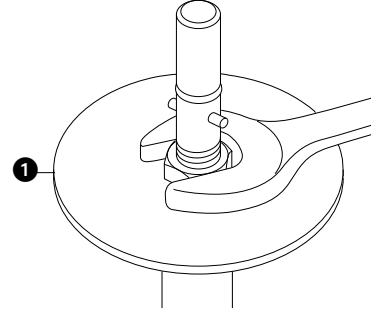
çözüm • Ek parçanın yüksekliğini aşağıda gösterildiği gibi ayarlayınız:

- 1 Aygıtın çalışmasını durdurunuz ve fişini prizden çekiniz.
- 2 Karıştırıcının kafasını kaldırarak çırpıcı ya da K-çırpıcıyı takınız.
- 3 Ek parçayı tutarak Şekil 1'de gösterildiği gibi somunu gevşetiniz.
- 4 Karıştırıcının kafasını aşağıya doğru itiniz.
- 5 Mili çevirerek yüksekliği ayarlayınız. Çırpıcının ya da K-çırpıcının çanağın dibine **değecek kadar** yakın olması, Şekil 2'de gösterildiği gibi en iyi yükseklik ayarıdır.
- 6 Karıştırıcının kafasını kaldırınız ve çırpıcı ya da K-çırpıcıyı tutarak somunu sıkıştırınız.

sorun

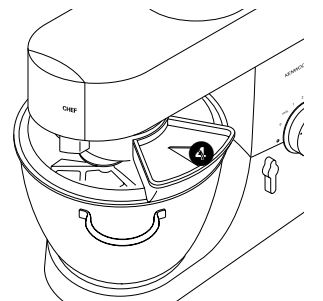
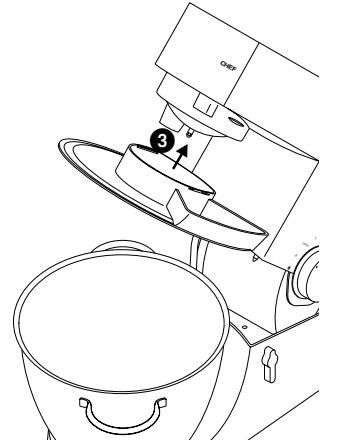
- Karıştırıcı çalışma sırasında duruyor.

çözüm • Karıştırıcınızda aşırı yüklemeyi önleyen bir donatı bulunmaktadır ve aygıtta fazla içerik doldurulduğu zaman bu donatı aygıtın çalışmasını otomatik olarak durdurur. Bu yüzden içeriklerin bir kısmını karıştırıcıdan çıkarınız ve aygıtı birkaç dakika dinlendiriniz. Aygıtın fişini tekrar prize takınız ve istediğiniz hızı seçiniz. Karıştırıcı derhal çalışmaya başlamazsa, birkaç dakika daha dinlendiriniz.



sıçrama önleme kapağının takılması ve kullanımı

- 1 Karıştırıcının kafasını yerine oturuncaya kadar kaldırınız.
- 2 Çanağı tabana takınız.
- 3 Sıçrama önleme kapağını yerine tamamen oturuncaya kadar itiniz 3. Sürgü bölüme resimde gösterildiği biçimde konumlandırılmalıdır 4.
- 4 İsteddiğiniz ek parçayı takınız.
- 5 Karıştırıcının kafasını aşağı doğru indiriniz.
- Karıştırırken sıçrama önleme kapağının kaldırma kanadını açarak diğer içerikleri çanağa atabilirsiniz.
- Ek parçaları değiştirmek için sıçrama önleme kapağını kaldırmanıza gerek yoktur.
- 6 Sıçrama önleme kapağını çıkarmak için karıştırıcının kafasını kaldırınız ve aşağı doğru itiniz.



ek parçalar

Satın aldığınız pakette bulunmayan ek parçalar için KENWOOD satıcınıza başvurunuz.

Ek parçalar ek parça kodu

Yassı pasta yapıcı ① A970

Ek pasta yapıcı parçalar (resimde gösterilmemiştir) A970 ek parçaları ile kullanılır

- A971 talyatelle
- A972 talyolini
- A973 trenette
- A974 spagetti

Pasta yapıcı ② A936 6 disk içerir

Düşük hız dilimleyici/rendeleyici ③ A948 4 kesme diski içerir

Süper kıyıcı ④ A950 şunları içerir:

- a büyük sosis yapıcı
- b küçük sosis yapıcı
- c kebbe yapıcı

Tahıl öğütücü ⑤ A941

sert meyve sıkacağı ⑥ A960

yiyecek işleyici ek parçası ⑦ A980 3 kesme diski ve kesme bıçağı içerir

hızlı dilimleyici/rendeleyici ⑧ A998 3 kesme diski içerir

A980 ve A998 modelleri için

- seçimlik diskler
- a çok kalın dilimleyici, parça no. 639021
 - b soyma diski, parça no. 639150
 - c standart parmak patates dilimleyici, parça no. 639083

sıvılaştırıcı ⑨ 1,2 lt akrilik A993A, 1,2 lt cam A994A, 1,5 lt paslanmaz çelik A996A

çoklu öğütücü ⑩ A938A 3 cam sürahi ve 3 koruma kapağı içerir

sürekli meyve sıkacağı ⑪ A935

dondurma yapıcı ⑫ CHEF A953, MAJOR A954

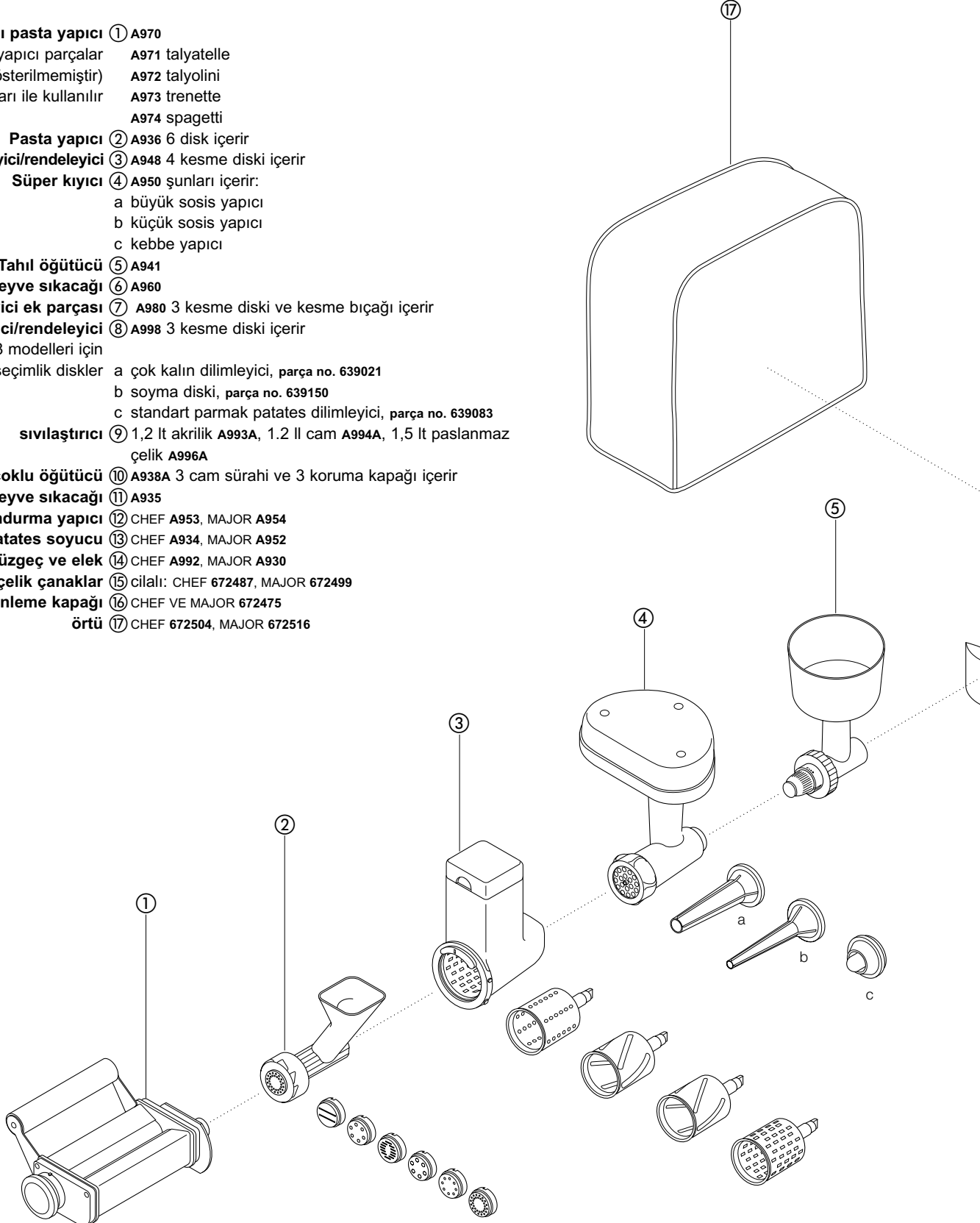
patates soyucu ⑬ CHEF A934, MAJOR A952

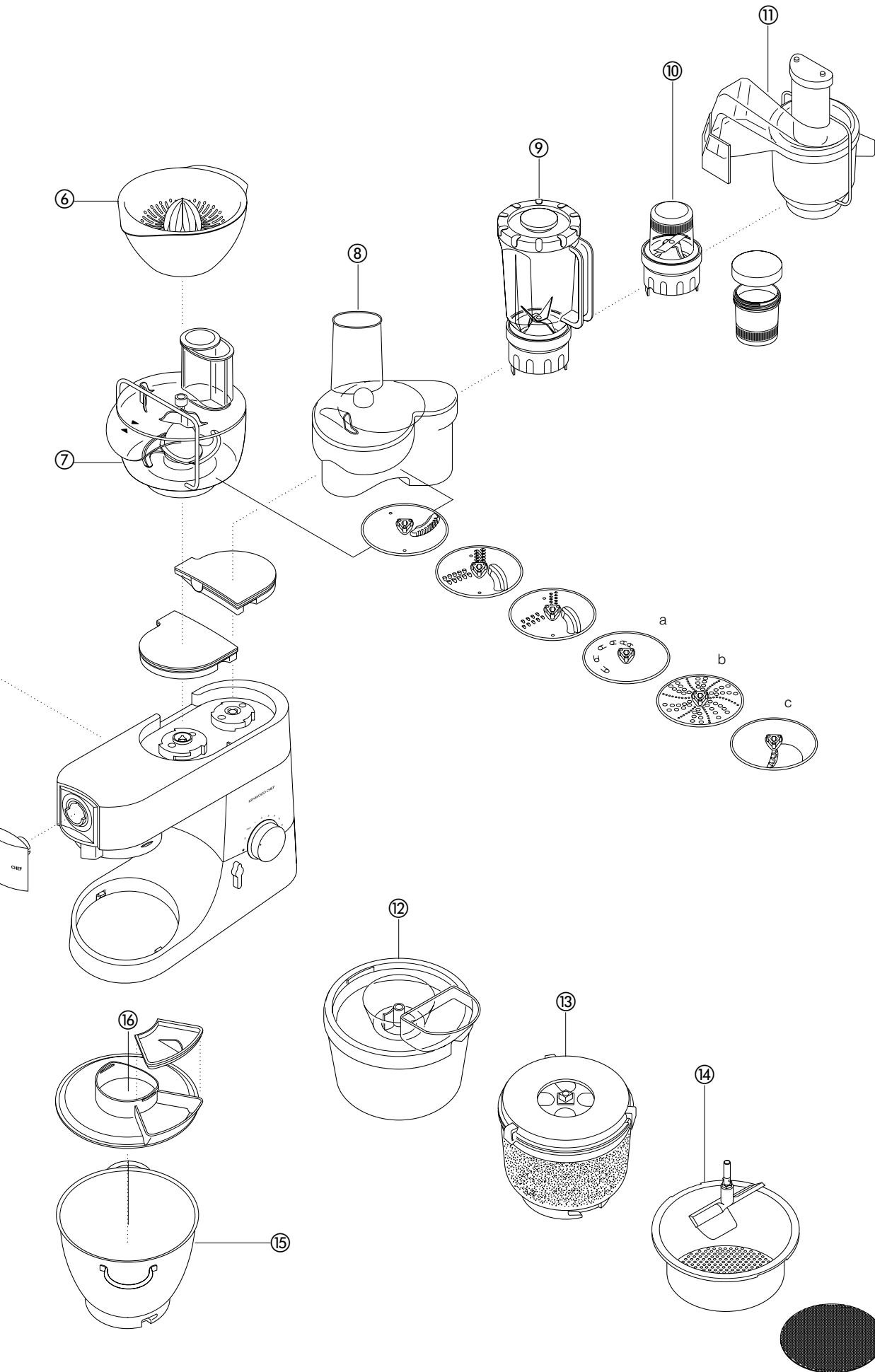
süzgeç ve elek ⑭ CHEF A992, MAJOR A930

paslanmaz çelik çanaklar ⑮ cıvalı: CHEF 672487, MAJOR 672499

sıçrama önleme kapağı ⑯ CHEF VE MAJOR 672475

örtü ⑰ CHEF 672504, MAJOR 672516



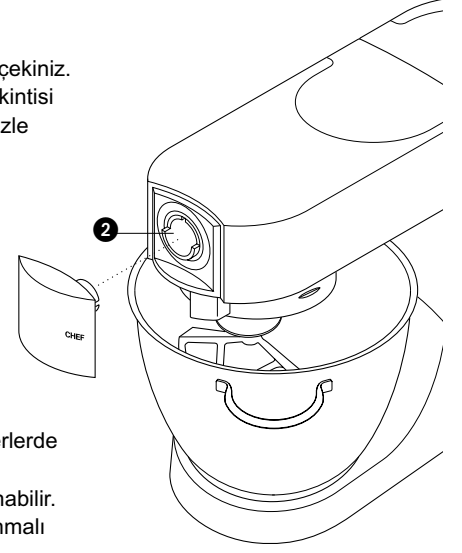


temizlik ve bakım

temizlik ve bakım

- Temizlemeye başlamadan önce aygıtı durdurunuz ve fişini prizden çekiniz.
- Aygıtı ilk kullandığınız zaman çıkış deliklerinde 2 çok az yağ birikintisi belirebilir. Bu durum normaldir. Dolayısıyla yağ birikintilerini bir bezle siliniz.

- güç birimi, çıkış kapakları
- Nemli bir bezle siliniz ve arkasından kurulayınız.
 - Aşındırıcı temizlik malzemeleri kullanmayınız ve aygıtı suya batırmayınız.
- çanak
- Çanağı elle yıkayınız ve arkasından tamamen kurulayınız ya da bulaşık makinesinde yıkayınız.
 - Paslanmaz çelik çanağı temizlemek için telli fırça, çelik ovma teli ya da ağartıcı kullanmayınız. Kireçlenmeyi gidermek için sirke kullanınız.
 - Aygıtı ocak, fırın ve mikrodalga fırın gibi ısı kaynaklarına yakın yerlerde kullanmayınız.
- ek parçalar
- Paslanmaz çelik ek parçalar elle ya da bulaşık makinesinde yıkanabilir.
 - Paslanmaz çelik olmayan kaplama ek parçalar yalnızca elle yıkanmalı ve arkasından tamamen kurulanmalıdır.
- Sıçrama önleme kapağı
- Elle yıkayınız ve arkasından tamamen kurulayınız.



bakım ve müşteri hizmetleri

- Elektrik kordonu hasar görürse, KENWOOD ya da yetkili KENWOOD onarımcısına başvurunuz.

Aygıtın kullanımı, ek parça siparişi, bakımı ve onarımı için aygıtı satın aldığınız satıcıya başvurunuz.

yemek tarifleri

Ekmek yapımıyla ilgili yönergeler için 96. sayfaya bakınız.

beyaz ekmek yumuşak Avrupa hamuru

- içerikler
- 2.6kg sade un
 - 1.3 litre süt
 - 300gr toz şeker
 - 450gr margarin
 - 100gr taze maya ya da 50gr kuru maya
 - 6 adet çırpılmış yumurta
 - 5 tutam tuz
- Bu içerik, Major modelleri içindir. Chef modelleri için içerik miktarlarının yarısını kullanınız ve unun tamamını bir seferde katınız.**

- pişirme yöntemi
- 1 Margarinı süt içerisinde eritiniz ve 43°C ısıya getiriniz.
 - 2 **Kuru maya** (su katılması gereken türde): süte maya ve şeker ilave ediniz ve 10 dakika süreyle karışım köpüklü bir hale gelene kadar bekletiniz.
taze maya: un ile birlikte çanak içerisine ufalayınız.
diğer türdeki mayalar: üreticinin kullanım yönergelerini izleyiniz.
 - 3 Sütü çanağa dökünüz. çırpılmış yumurtaları ve 2kg unu ilave ediniz.
 - 4 Karışımı asgari hızda 1 dakika ve daha sonra 1. hızda 1 dakika daha karıştırınız. Arkasından çanağın yanına yapışan karışımları çanağa itiniz.
 - 5 Kalan unu ve tuzu ilave ediniz ve hamuru en az hızda 1 dakika karıştırınız. Arkasından hamur düzgün ve tutarlı yoğrulmuş hale gelene kadar 1. hızda 2 - 3 dakika daha karıştırınız.
 - 6 Hamuru 450 gramlık parçalara bölerek yağlanmış dört tepsiye yerleştiriniz ya da küçük ekmek parçaları haline getirerek yağlanmış tepsilere koyunuz. Üzerlerini bir bezle örtünüz ve büyüklükleri iki katına ulaşana kadar ılık bir yerde muhafaza ediniz.
 - 7 Isısı 230°C olan ya da ısı derecesi 8'e ayarlanmış fırında somun ekmek için 30 - 35 dakika ve küçük ekmekler için 10 - 15 dakika pişiriniz.
 - 8 Ekmek piştiğinde, atlarına vurulduğu zaman içi boş ses çıkarır.

- Bu işlemle yaklaşık 10 somun ekmek yapılabilir.

gevrek kek

- içerikler
- 450gr tuzla birlikte elenmiş un
 - 5ml (1 çay kaşığı) tuz
 - 225gr yağ (buzdolabında tutulmuş margarin)
 - Yaklaşık 80ml (4 çorba kaşığı) su
 - Gereğinden fazla karıştırmayınız.
- faydalı bilgi
- pişirme yöntemi
- 1 Unu çanağa dökünüz. Margarin parçalara keserek una katınız.
 - 2 Karışımı ekmek kırintıları haline gelene kadar 1. hızda çalıştırınız. Yağlı bir görüntü vermeye başlamadan önce işlemi durdurunuz.
 - 3 Su ilave ederek en az hızda bir karıştırınız. Karışım suyu emer emmez işlemi durdurunuz.
 - 4 Kullandığınız içerik miktarlarına bağlı olarak 200°C ısıda ya da ısı derecesi 6'ya ayarlanmış fırında pişiriniz.

pavlova

- içerikleri
- 3 büyük yumurta akı
 - 175gr toz şeker
 - 275ml koyu kaymak
 - ahududu, çilek, üzüm, kivi meyvesi gibi taze meyve çeşitleri
- yapım yöntemi
- 1 Aygıtı yüksek hızda çalıştırarak yumurta aklarını 'yumuşak tepciler' oluşuncaya kadar çırpınız.
 - 2 Aygıtı 5. hızda çalıştırmaya devam ederek sırayla birer çorba kaşığı şeker katınız ve her şeker kattığınızca çırpınız.
 - 3 Pişirme tepsisine silikon kağıt yayınız ve yaklaşık 20cm çapında yuvalar oluşturacak biçimde tatlıyı kaşıkla kağıda dökünüz.
 - 4 Pişirme tepsisini önceden 150°C sıcaklığa ayarlanmış fırına yerleştiriniz ve sıcaklığı derhal 140°C'ye indiriniz 1 saat pişirdikten sonra fırını kapatınız ve pavlovayı fırında tutarak soğumasını bekleyiniz.
 - 5 Pişirme işlemi tamamlandıktan sonra silikon kağıdı kaldırınız ve tatlıyı tabağa koyunuz. Yumuşak tepciler oluşuncaya kadar kaymağı çırpınız ve arkasından pavlovanın üstüne dökünüz. Daha sonra üzerine meyveleri koyunuz.

yemek ve tatlı tariflerinin *devamı*

- leziz çikolata pastası**
- içerikleri
- 225gr yumuşak tereyağı
 - 250gr toz şeker
 - 4 yumurta
 - 5ml (1 çay kaşığı) kaynar suda eritilmiş toz kahve
 - 30ml (2 çorba kaşığı) süt
 - 5ml (1 çay kaşığı) badem özü
 - 50gr badem ezmesi
 - 100gr kabartma unu
 - 5ml (1 çay kaşığı) kabartma tozu
 - 50gr acı kakao tozu
- yapım yöntemi
- 1 Tereyağını ve şekerini düşük hızda karıştırınız. Karışım hafif ve peltsemi hale gelinceye kadar hızı yavaş yavaş artırarak karıştırmaya devam ediniz.
 - 2 Karıştırıcıyı yüksek hızda çalıştığı sırada yumurtaları bir kasede çırpınız ve çırpıtığınız yumurtaları yavaş yavaş karıştırıcıya dökünüz. Aygıtı durdurunuz ve içerikleri sıyrınız.
 - 3 Eritme kahveyi, sütü ve badem özünü düşük hızda karıştırıcıya dökünüz. Arkasından badem özünü, elekten geçirilmiş unu, kabartma tozunu ve kakao tozunu ekleyiniz. İçerikler karışınca kadar aygıtı düşük hızda çalıştırınız.
 - 4 Karışımı iki 20 cm.lik pasta kutularına bölünüz ve yağgeçirmez yağlı kağıdın üzerine koyunuz. Üstlerini düzleyiniz ve arkasından gözenekli hale gelene kadar 30 dakika 180şC ısıda pişiriniz.
 - 5 Arkasından çeviriniz ve tel bir askıda soğumaya bırakınız.

- kaymak çikolata içi**
- içerikleri
- 275gr sütsüz kırılmış çikolata
 - 225ml koyu kaymak
- yapım yöntemi
- 1 Çikolatayı su buharına tutarak bir çanakta eritiniz.
 - 2 Kaymağı düşük hızda çırpmaya başlayınız ve giderek yumuşak tepcikler oluşuncaya kadar hızını arttırınız.
 - 3 Çikolata eridikten sonra çanağı ateşten alınız ve büyük bir kaşık kullanarak kaymağa dökünüz.
 - 4 Soğumuş pasta tabakaları arasına çikolata içini sürünüz.

- havuç ve kişniş çorbası**
- içerikleri
- 25gr tereyağı
 - 1 tane doğrama soğan
 - 1 tutam sarımsak ezmesi
 - 600gr 2,5 cm.lik küpler halinde kesilmiş havuç
 - soğuk tavuk suyu
 - 10-15ml (2-3 çay kaşığı) kişniş ezmesi
 - tuz ve biber
- yapım yöntemi
- 1 Tereyağını bir tavada eritiniz. Arkasından soğan ve sarımsak katarak yumuşayınca kadar kızartınız.
 - 2 Havuçları sıvılaştırıcının içine koyunuz ve arkasından soğan ve sarımsak katınız. 1.2 çizgisine kadar yeterli miktarda tavuk suyu doldurunuz. Kapağı ve doldurma kapağını kapatınız.
 - 3 Aygıtı azama hızda 5 saniye çalıştırınız. Çorbayı inceltmek isterseniz aygıtı birkaç saniye daha fazla çalıştırınız.
 - 4 Karışımı bir tavaya dökünüz. Arkasından kişniş ve çeşni katarak hafif ateşte 30-35 dakika pişiriniz.
 - 5 İsterseniz daha fazla çeşni katabilirsiniz.

popis kuchyňského robota Kenwood

bezpečnost

- Před montáží či demontáží nástrojů/příslušenství a po použití a před čištěním spotřebič vypněte a zástrčku vytáhněte ze zásuvky.
- Malé děti a nemocné či jinak oslabené osoby spotřebič nesmí používat bez dohledu.
- Nestrkejte prsty do blízkosti pohybujících se součástí a přídatných zařízení.
- Běžící spotřebič nenechávejte bez dohledu a nedovolte, aby v jeho blízkosti byly děti.
- Nepoužívejte, jeli spotřebič poškozen. Dejte ho přezkoušet či spravit: viz 'servis', str. 108.
- Nepoužívejte příslušenství nedoporučené výrobcem; nikdy nepoužívejte více než jedno příslušenství najednou.
- Nepřekračujte maximální množství uvedené na str. 104.
- Nedovolte dětem, aby si se spotřebičem hrály.
- Před použitím příslušenství si přečtěte bezpečnostní pokyny uvedené v jeho návodu.
- Tento spotřebič používejte pouze k tomu, k čemu je v domácnosti určen.
- Zvedejte jej opatrně, protože je těžký. Před zvednutím spotřebiče zajistěte, aby byla jeho hlava zablokovaná a mísa, nástroje, kryty výstupů a napájecí kabel řádně připevněné.

před zapnutím do sítě

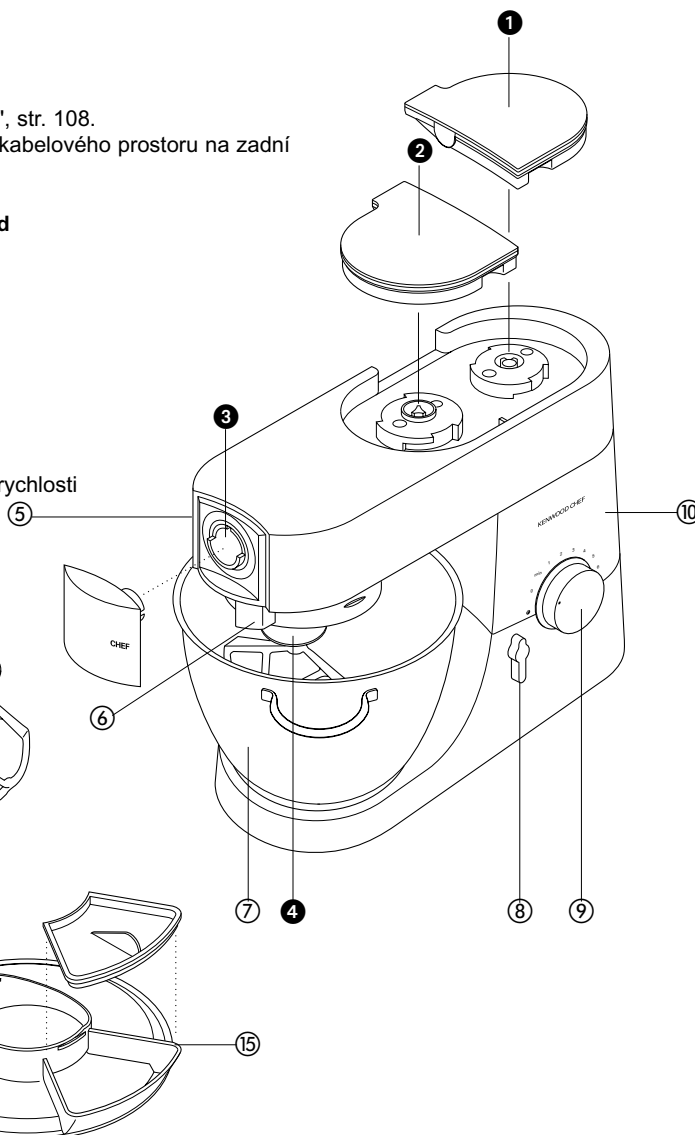
- Zkontrolujte, zda napětí v síti odpovídá jmenovitému napětí uvedenému na typovém štítku na spodku spotřebiče.
- Tento spotřebič odpovídá normě dané Směrnicí Evropského společenství 89/336/EEC o odrušení.

před prvním použitím

- 1 Robot a příslušenství vybalte.
- 2 Umyjte jeho součásti: viz část 'čištění', str. 108.
- 3 Přebytečnou část kabelu zasuňte do kabelového prostoru na zadní straně spotřebiče.

popis kuchyňského robota Kenwood

- vývody příslušenství
- 1 rychloběžný vývod
 - 2 výstup střední rychlosti
 - 3 pomaloběžný vývod
 - 4 zásuvka pro nástroje
- robot
- 5 rameno robota
 - 6 západka vývodu
 - 7 pracovní mísa
 - 8 páčka zvedání ramena
 - 9 spínač zapínání/vypínání a regulace rychlosti
 - 10 hnací jednotka
 - 11 K-šlehač
 - 12 šlehačí metla
 - 13 hnětací hák
 - 14 stěrka
 - 15 ochrana proti vystříknutí
-



kuchyňský strojek

míchací přídatná zařízení a některé možnosti jejich použití

- K-šlehač • K přípravě dortových směsí, sušenek, různých těst na pečivo, polev, náplní, větrníků a bramborové kaše.
- šlehací metla • Na vejce, smetanu, těstíčka, netučné piškoty, sníh, tvarohové řezy, pěny a suflé. Metlu nepoužívejte na těžké směsi (např. roztlírání tuku s cukrem na krém), mohli byste ji poškodit.
- hnětací hák • Na kynutá těsta.

postup použití robota

- 1 Páčkou ke zvednutí hlavy otočte ve směru hodinových ručiček **1**, a zvedněte hlavu mixéru, dokud se nenastaví do aretované polohy.
- montáž nástroje 2 Našroubujte ho na doraz **2**, a pak ho zatlačte.
- 3 Na spodek robota umístěte mísu-zatlačte ji dolů a pootočte s ní doprava **3**.
- 4 Ke spuštění hlavy dolů je nutno ji nejdříve mírně nadzvednout a otočit zvedací páčkou ve směru hodinových ručiček. Potom hlavu spusťte do aretované polohy.
- 5 Zapněte spotřebič a přepínač rychlosti nastavte do požadované polohy.
 - Přepnutím na pulzátor **P** můžete směs zpracovávat krátkými impulzy.
- demontáž nástroje 6 Vyšroubujte ho.

- rady
- V pravidelných intervalech robot vypínejte a stěrkou směs ze stěn mísy stírejte.
 - Nejlepší sníh našleháte z vajec o pokojové teplotě.
 - Při šlehání bílků dbejte na to, aby na metle ani v míse nebyly stopy tuku či žloutků.
 - K přípravě těst na pečivo používejte chladných příměsí, pokud to recept dovoluje.

základní body přípravy chlebového těsta

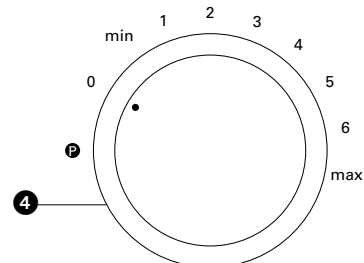
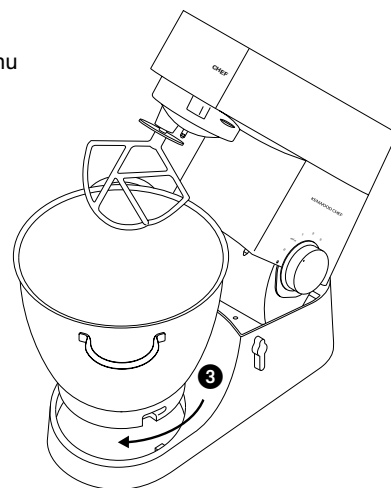
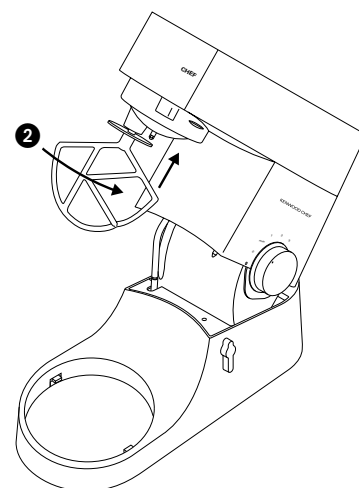
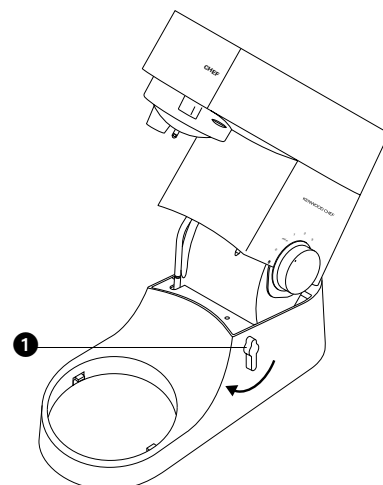
- důležité
- Nikdy nepřekračujte maximální množství uvedená níže-hrozí přetížení motoru.
 - Jakmile uslyšíte, že se motor příliš namáhá, vypněte ho, vyndejte polovinu těsta a dodělejte každou půlku zvlášť.
 - Příměsí se promísí nejlépe, když do mísy dáte nejprve tekutinu.

maximální množství

	CHEF	MAJOR
linecké těsto	• váha mouky: 680g	• váha mouky: 910g
tuhé kynuté těsto	• váha mouky: 1,36kg	• váha mouky: 1,5kg
britského typu	• celková váha: 2,18kg	• celková váha: 2,4kg
měkké kynuté těsto	• váha mouky: 1,3kg	• váha mouky: 2,6kg
kontinentálního typu	• celková váha: 2,5kg	• celková váha: 5kg
biskupský chlebiček	• celková váha: 2,72kg	• celková váha: 4,55kg
bílků	• 12	• 16

rychlosti **4**

- K-šlehač • **tření tuku s cukrem** začněte na 'min', a postupně rychlost zvyšujte až na 'max'.
- **zašlehávání vajec do krémových směsí** 4 – 'max'.
- **vmíchávání mouky, ovoce apod.** 'min' – 1.
- **zpracovávání všech příměsí najednou** začněte rychlostí 'min', a postupně zvyšujte až na 'max'.
- **rozetření tuku s moukou** 'min' – 2.
- šlehací metla • postupně zvyšujte až na 'max'.
- hnětací hák • začněte na 'min' a postupně zvýšte rychlost na 1.



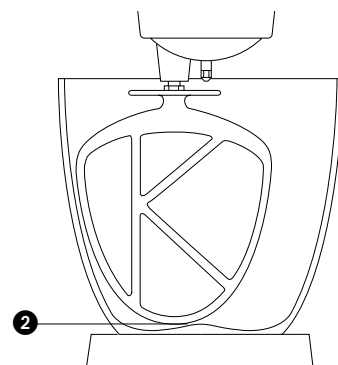
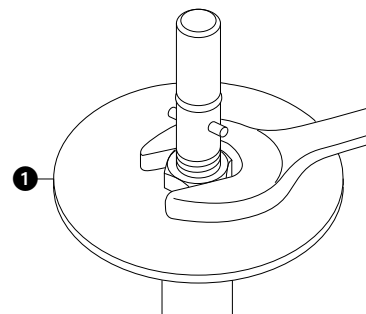
seřízení a drobné opravy

problém

- Šlehací metla nebo K-šlehač narážejí na dno mísy nebo nedosahují na příměsi na dně mísy.

řešení • Seřídte výšku nástroje. Postupujte přitom následovně:

- 1 Robot vytáhněte ze zásuvky.
- 2 Zvedněte rameno robota a zasuňte do něj šlehač či hnětač.
- 3 Rukou ho držte, a přitom povolte matici ①.
- 4 Rameno robota sklopte.
- 5 Seřídte výšku otáčením hřídele. Šlehací metla/K-šlehač by se v ideálním případě měly **téměř** dotýkat dna mísy ②.
- 6 Zvedněte rameno robota, rukou podržte šlehací metlu/K-šlehač a matici utáhněte.



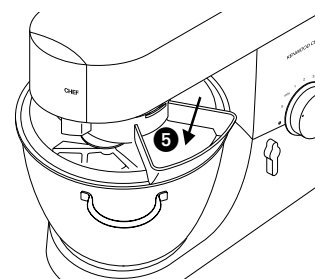
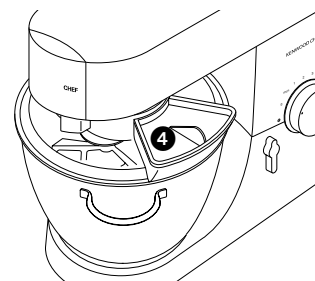
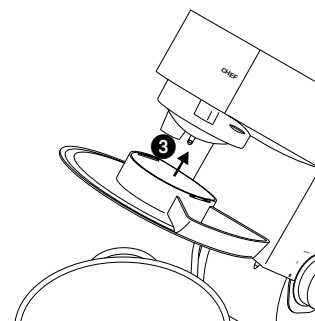
problém

- Mixér se během provozu zastaví.

řešení • Mixér je vybaven ochranou proti přetížení, která jej při přetížení zastaví. Pokud k tomu dojde, vypněte mixér a odpojte jej od síťové zásuvky. Snižte zátěž odstraněním některých ingrediencí a několik minut nechejte mixér vypnutý. Potom jej připojte k zásuvce a zvolte požadovanou rychlost. Jestliže se mixér okamžitě znovu nespustí, nechejte jej ještě chvíli v klidu.

instalace a používání ochrany proti vystříknutí

- 1 Zvedněte rameno robota, až se zajistí v horní poloze.
- 2 Do strojku umístěte pracovní mísu.
- 3 Nasadte kryt bránící rozstříku na spodní stranu hlavy mixéru ③ až plně dosedne. Násypka potravin by měla být umístěna podle obrázku.
- 4 Nasadte požadovaný nástroj.
- 5 Spusťte hlavu mixéru.
- 6 Nasadte kryt násypky potravin ④
- V průběhu mixování je možné kryt násypky sejmout a přisypávat ingredience přímo do nádoby ⑤
- Chcete-li vyměnit nástroje, nemusíte snímat kryt bránící rozstříku.
- 7 Kryt bránící rozstříku se snímá zvednutím hlavy mixéru a stažením krytu.

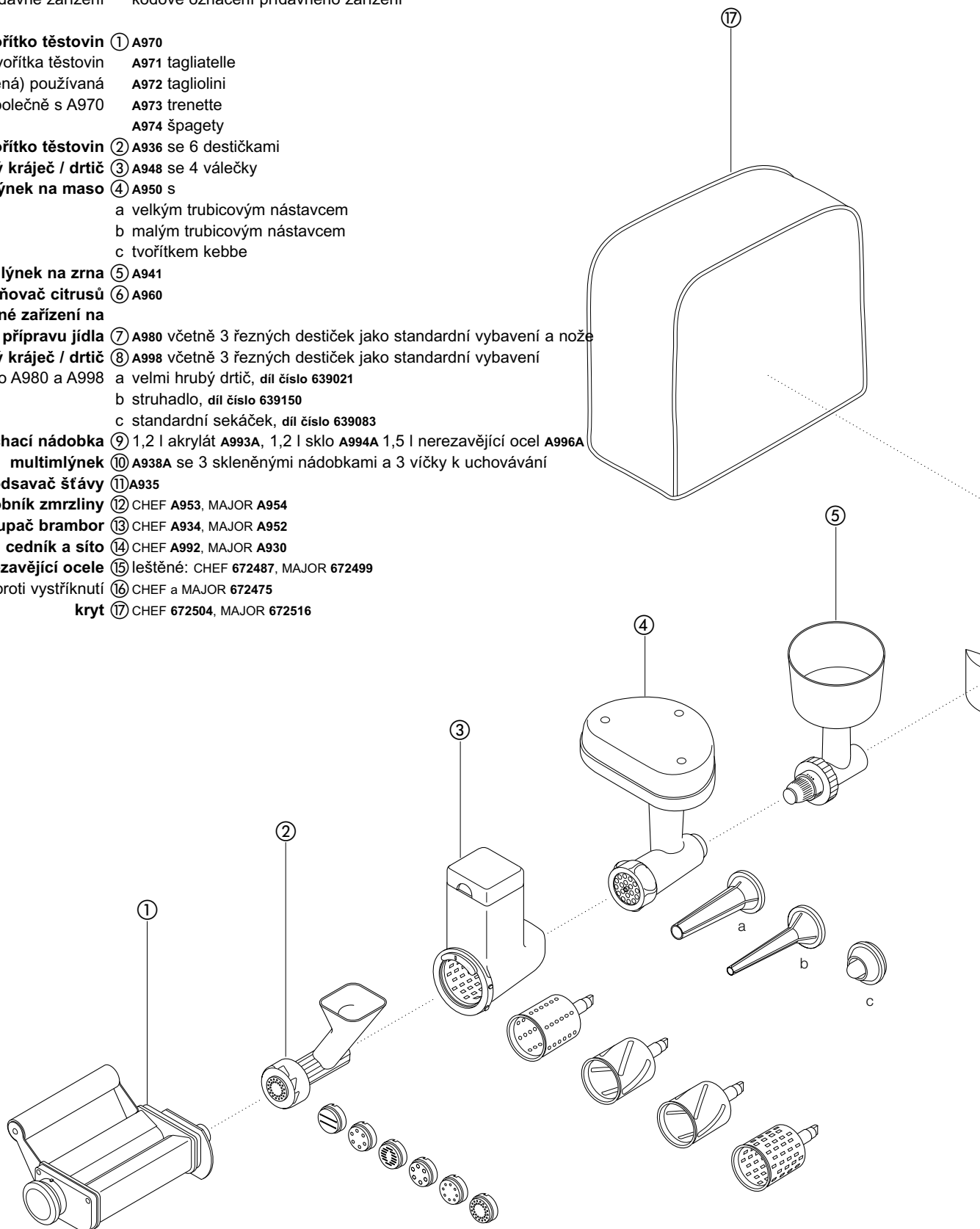


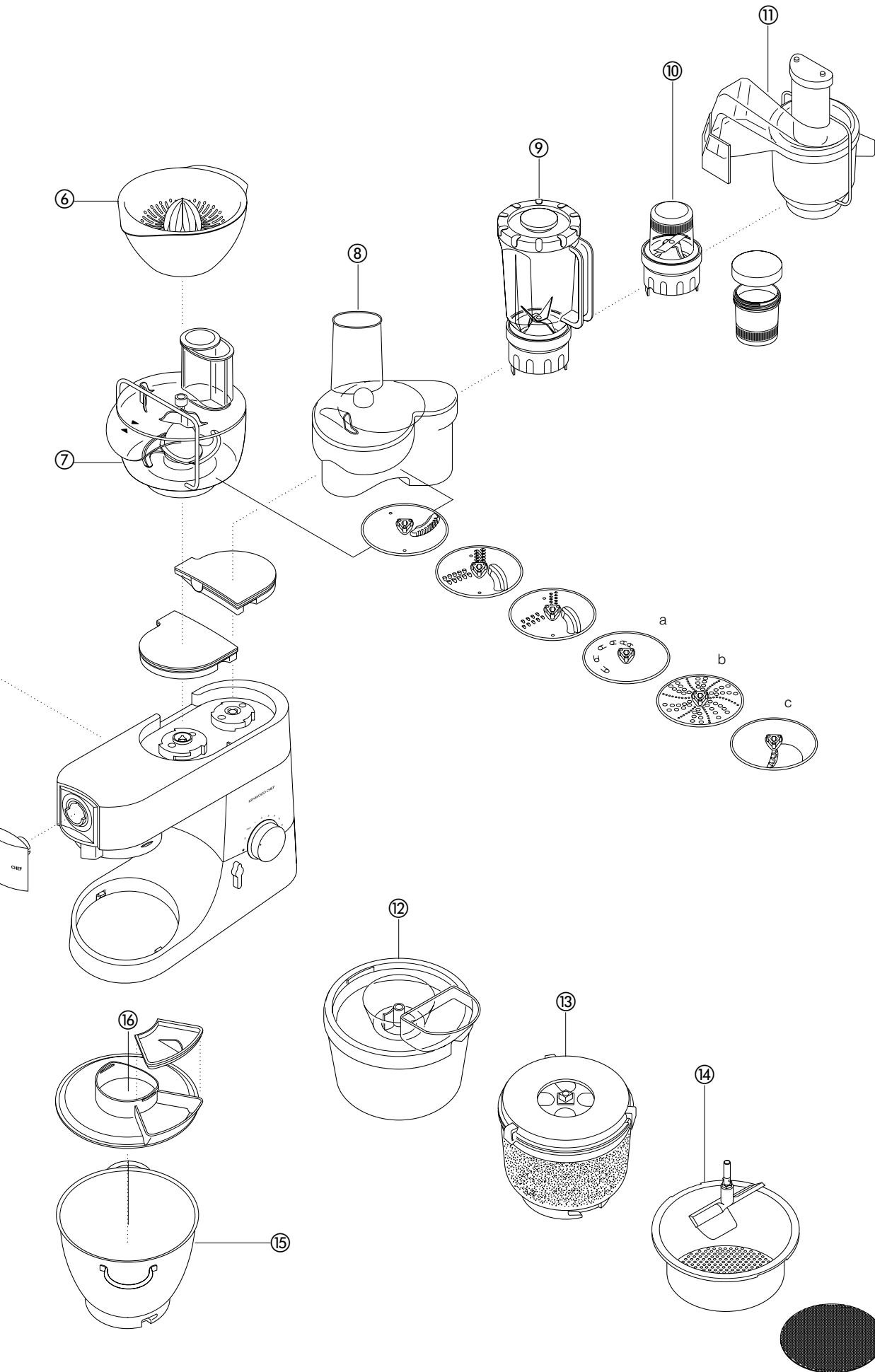
dodávané příslušenství

Chcete-li zakoupit příslušenství, které není součástí vybavení Vašeho robota, obraťte se na opravnu spotřebičů KENWOOD.

přídavné zařízení kódové označení přídavného zařízení

- ploché tvořítko těstovin** ① A970
 přídavná tvořítko těstovin A971 tagliatelle
 (nezobrazená) používaná A972 tagliolini
 společně s A970 A973 trenette
 A974 špagety
- tvořítko těstovin** ② A936 se 6 destičkami
- pomalý kráječ / drtič** ③ A948 se 4 válečky
- super mlýnek na maso** ④ A950 s
 a velkým trubcovým nástavcem
 b malým trubcovým nástavcem
 c tvořítkem kebba
- mlýnek na zrna** ⑤ A941
- odšťavňovač citrusů** ⑥ A960
- přídavné zařízení na přípravu jídla** ⑦ A980 včetně 3 řezných destiček jako standardní vybavení a nože
- rychlý kráječ / drtič** ⑧ A998 včetně 3 řezných destiček jako standardní vybavení
 volitelné desky pro A980 a A998
 a velmi hrubý drtič, díl číslo 639021
 b struhadlo, díl číslo 639150
 c standardní sekáček, díl číslo 639083
- míchací nádobka** ⑨ 1,2 l akrylát A993A, 1,2 l sklo A994A 1,5 l nerezavějící ocel A996A
- multimlýnek** ⑩ A938A se 3 skleněnými nádobkami a 3 víčky k uchovávání
- kontinuální odsavač šťávy** ⑪ A935
- výrobník zmrzliny** ⑫ CHEF A953, MAJOR A954
- loupač brambor** ⑬ CHEF A934, MAJOR A952
- cedník a síto** ⑭ CHEF A992, MAJOR A930
- mísy z nerezavějící ocele** ⑮ leštěné: CHEF 672487, MAJOR 672499
- ochrana proti vystříknutí ⑯ CHEF a MAJOR 672475
- kryt** ⑰ CHEF 672504, MAJOR 672516





čištění a servis

čištění a péče

- Před čištěním spotřebič vždy vypněte a zástrčku vytáhněte ze zásuvky.
- Při prvním použití se může na výstupu ② objevit trochu mastnoty. Je to normální – pouze ji setřete.

hnací jednotka • Otřete navlhčeným hadříkem, a pak vysušte.

- Nikdy nepoužívejte drsných čisticích prostředků a spotřebič neponořujte do vody.

pohonná jednotka, kryty výstupů • Otřete ji navlhčeným hadříkem a potom ji osušte.

mísa • Myjte ji ručně a potom ji osušte nebo ji myjte v myčce na nádobí.

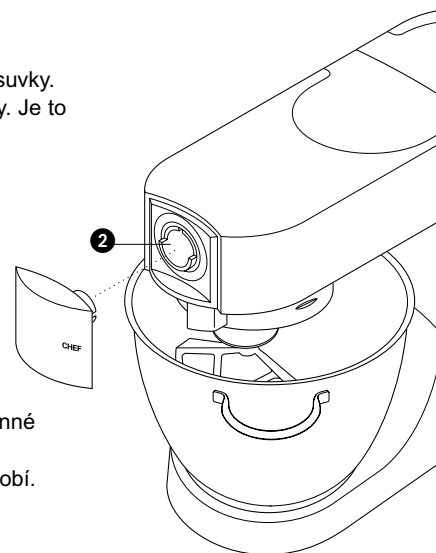
- K čištění nikdy nepoužívejte drátěný kartáč, drátěnku nebo bělicí prostředek. K odstranění vodního kamene používejte ocet.

- Nedávejte ji do blízkosti zdrojů tepla (varné desky, trouby, mikrovlnné trouby).

nástroje • Nástroje z nerezavějící ocele lze mýt ručně nebo v myčce na nádobí.

- Pokovené nástroje se musí mýt ručně a potom dokonale osušit.

ochrana proti vystříknutí • Myjte ji ručně a dokonale osušte.



servis a služby zákazníkům

- V případě poškození přípojné šňůry může její výměnu z bezpečnostních důvodů provést pouze firma KENWOOD nebo firmou KENWOOD autorizovaná opravna.

pokud potřebujete pomoc s:

- použitím spotřebiče,
 - objednáním nového příslušenství,
 - servisem a opravami,
- volejte firmu, u níž jste spotřebič zakoupili.

recepty

Viz důležité body přípravy chlebového těsta na str. 104

bílý chléb měkké těsto kontinentálního typu

- přísady
- 2,6kg hladké mouky
 - 1,3 l mléka
- Toto množství platí pro modely Major. U modelů Chef použijte poloviční množství a přidejte celé množství mouky.**
- 300g cukru
 - 450g pokrmového tuku
 - 100g čerstvých kvasnic nebo 50g sušených kvasnic
 - 6 rozšlehaných vajec
 - sůl
- postup
- 1 Pokrmový tuk rozpustíme v mléce a ohřejeme na 43°C.
 - 2 **sušené kvasnice** (druh, který se musí rozpustit v tekutině): sušené kvasnice nasypeme do misky s mlékem, přidáme cukr a necháme stát asi 10 minut, až se na směsi objeví pěna.
čerstvé kvasnice: rozdrobíme do mouky a přidáme cukr.
jiné druhy kvasnic: řiďte se doporučením výrobce.
 - 3 Mléko nalejeme do mísy. Přidáme rozšlehaná vejce a 2kg mouky.
 - 4 Zpracováváme 1 minutu minimální rychlostí, pak další minutu rychlostí 1. Setřete směs ze stěn.
 - 5 Přidáme zbývající mouku a 1 minutu hněteme minimální rychlostí, a pak další 2 - 3 minuty rychlostí 1, až je směs hladká a řádně promíchaná.
 - 6 Vymaštěné formy na chleba (450g) naplníme do poloviny, nebo z těsta vypracujeme housky. Přikryjeme utěrkou a necháme v teple vykynout, až těsto zdvojnásobí svůj objem.
 - 7 Pečeme v troubě při teplotě 200°C bochníky chleba 20 - 25 minut, housky 15 minut.
 - 8 řádně upečený chléb musí při poklepu zespodu znít dutě.
- Z uvedeného množství upečeme asi 10 bochníků.

linecké těsto (shortcrust)

- přísady
- 450g mouky proseté společně s
 - 1 lžičkou soli
 - 225g tuku (směs sádla a margarínu přímo z lednice)
 - asi 4 lžice vody
- rada
- Dávejte pozor, abyste směs nepřemíchali.
- postup
- 1 Do mísy dáme mouku a přidáme tuk rozkrájený na kostky.
 - 2 Zpracováváme rychlostí 1, až směs začne připomínat drobení. Strojek vypněte před tím, než směs začne vypadat masně.
 - 3 Přidáme vodu a mícháme minimální rychlostí, jen tak dlouho, až se směs spojí.
 - 4 Pečeme v troubě rozehřáté na 200°C. Teplota se ale mění podle náplně.

pavlova

- ingredience
- 3 velké vaječné bílky
 - 175 g (6 uncí) práškového cukru
 - 275 ml (10 kapal.uncí) smetany ke šlehání
 - čerstvé ovoce, například maliny, jahody, hroznové víno, kiwi
- postup
- 1 Vaječné bílky šlehejte při vysoké rychlosti, dokud nebudou vytvářet "měkké špičky".
 - 2 Rychlost šlehání nastavte na 5, po polévkových lžících přidávejte cukr a po každém přidání rozšlehejte.
 - 3 Na plech položte silikonový papír a z ušlehaného těsta na pusinky vytvořte hnízdo o průměru 20 cm (8").
 - 4 Plech dejte do trouby předehřáté na 150 °C (300 °F / značka 2 u plynové trouby), okamžitě snižte teplotu na 140 °C (275 °F / značka 1 u plynové trouby) a 1 hodinu pečte. Potom troubu vypněte a nechejte v ní pavlovu zchladnout.
 - 5 Po zchlazení sloupněte silikonový papír a pavlovu dejte na servírovací talíř. Ušlehejte šlehačku, naneste ji na horní stranu pavlovy a ozdobte ovocem.

recepty pokračování

báječný čokoládový koláč

- ingredience
- 225 g (8 uncí) měkkého másla
 - 250 g (9 uncí) práškového cukru
 - 4 vejce
 - 5 ml (1 čajová lžička) instantní kávy rozpuštěné v 15 ml (1 polévková lžíce) teplé vody
 - 30 ml (2 polévkové lžíce) mléka
 - 5 ml (1 čajová lžička) mandlové esence
 - 50 g (2 unce) drcených mandlí
 - 100 g (4 unce) samokynoucí mouky
 - 5 ml (1 čajová lžička) prášku do pečiva
 - 50 g (2 unce) neslazeného kakaového prášku
- postup
- 1 Třete máslo s cukrem při nízké rychlosti a tuto rychlost postupně zvyšujte, dokud není třená směs lehká a vločkovitá. Setřete ji z mísy a šlehače.
 - 2 Rozbijte vejce do džbánu a když mixér pracuje při vysoké rychlosti, po malých dávkách je přidávejte do směsi, až se s ní spojí. Vypněte mixér a směs setřete dolů.
 - 3 Při nízké rychlosti mixéru vmíchejte rozpuštěnou kávu, mléko a mandlovou esenci. Přidejte drcené mandle, prosetou mouku, prášek do pečiva a kakao. Mixujte při nízké rychlosti do plného vmíchání.
 - 4 Získanou směs rozdělte do dvou dortových forem o průměru 20 cm (8") vyložených pomaštěným papírem odolným vůči tuku. Urovnejte horní povrch a pečte asi 30 minut při teplotě 180 °C (350 °F / značka 4 u plynové trouby), dokud nebude povrch korpusů pružný na dotek.
 - 5 Korpusy vyklopte a nechejte je zchladnout na drátěné mřížce.

jemná čokoládová náplň

- ingredience
- 275 g (10 uncí) na kousky nalámané čokolády
 - 225 ml (8 kapal.uncí) smetany ke šlehání
- postup
- 1 Misku s čokoládou vložte na pánve s jemně vroucí vodou, aby se čokoláda rozpustila.
 - 2 Šlehejte smetanu při nízké rychlosti a tuto rychlost postupně zvyšujte, dokud nebude ušlehaná smetana tvořit měkké špičky.
 - 3 Jakmile se čokoláda rozpustí, vyjměte misku z pánve a velkou lžící vmíchejte čokoládu do šlehačky.
 - 4 Čokoládovou náplň rozetřete mezi vychladlé korpusy.

mrkvová polévka s koriandrem

- ingredience
- 25 g (1 unce) másla
 - 1 jemně nakrájená cibule
 - 1 rozetřený stroužek česneku
 - 600 g (1 libra 6 uncí) mrkve nakrájené na kostičky 2,5 cm
 - studený kuřecí vývar
 - 10-15 ml (2-3 čajové lžičky) drceného koriandru
 - sůl a pepř
- postup
- 1 Na pánvi rozpustíte máslo a do změknutí osmažte cibuli s česnekem.
 - 2 Do nádoby mixéru dejte mrkev a přidejte cibuli s česnekem. Do úrovně značky 1.2 přidejte kuřecí vývar. Nádobku přikryjte víkem a víčkem plnicího hrdla.
 - 3 Při maximální rychlosti mixujte po dobu 5 sekund, chcete-li získat polévku s hrubšími kousky, nebo déle, aby byla polévka jemnější.
 - 4 Získanou směs přelijte do hrnce, přidejte koriandr a koření a vařte 30 až 35 minut.
 - 5 V případě potřeby dochuťte a přidejte tekutinu.

a Kenwood robotgép használata

első a biztonság

- A keverőlapátok és a tartozékok cseréje, valamint a készülék tisztítása előtt mindig kapcsolja ki a robotgépet, és a hálózati vezetékét is húzza ki a konnektorból. Használat után is áramtalanítsa a készüléket.
- Kisgyermek ne használja a robotgépet. A fizikai támogatásra szoruló (idősek, betegek) is csak felügyelet mellett használják a készüléket.
- Soha ne nyúljon a robotgép vagy a tartozékok mozgó alkatrészeihez.
- Működés közben soha ne hagyja magára a robotgépet, és a kisgyermekket is tartsa távol a készüléktől.
- Ha a robotgép megsérül, ne használja tovább. Az újbóli bekapcsolás előtt szakemberrel ellenőriztesse a készüléket, és ha szükséges, javíttassa meg (l. 116. oldal, javíttatás).
- Csak a gyártó által jóváhagyott tartozékokat használjon. Egyszerre mindig csak egy tartozékot csatlakoztasson a készülékhez.
- Soha ne lépje túl az egyszerre feldolgozható maximális mennyiségeket (l. 112. oldal).
- Soha ne engedje, hogy kisgyermek játsszanak a készülékkel.
- Gondosan tanulmányozza át a tartozékokhoz külön mellékelt biztonsági előírásokat is.
- A készüléket csak háztartási célokra szabad használni.
- A robotgép nehéz, ezért mindig óvatosan emelje fel. A készülék elmozdítása előtt ellenőrizze, hogy a keverőgém a lehajtott állásban rögzítve legyen, illetve, hogy a keverőedény, a keverők, a meghajtó csomók fedelei és a hálózati vezeték se mozdulhasson el.

csatlakoztatás

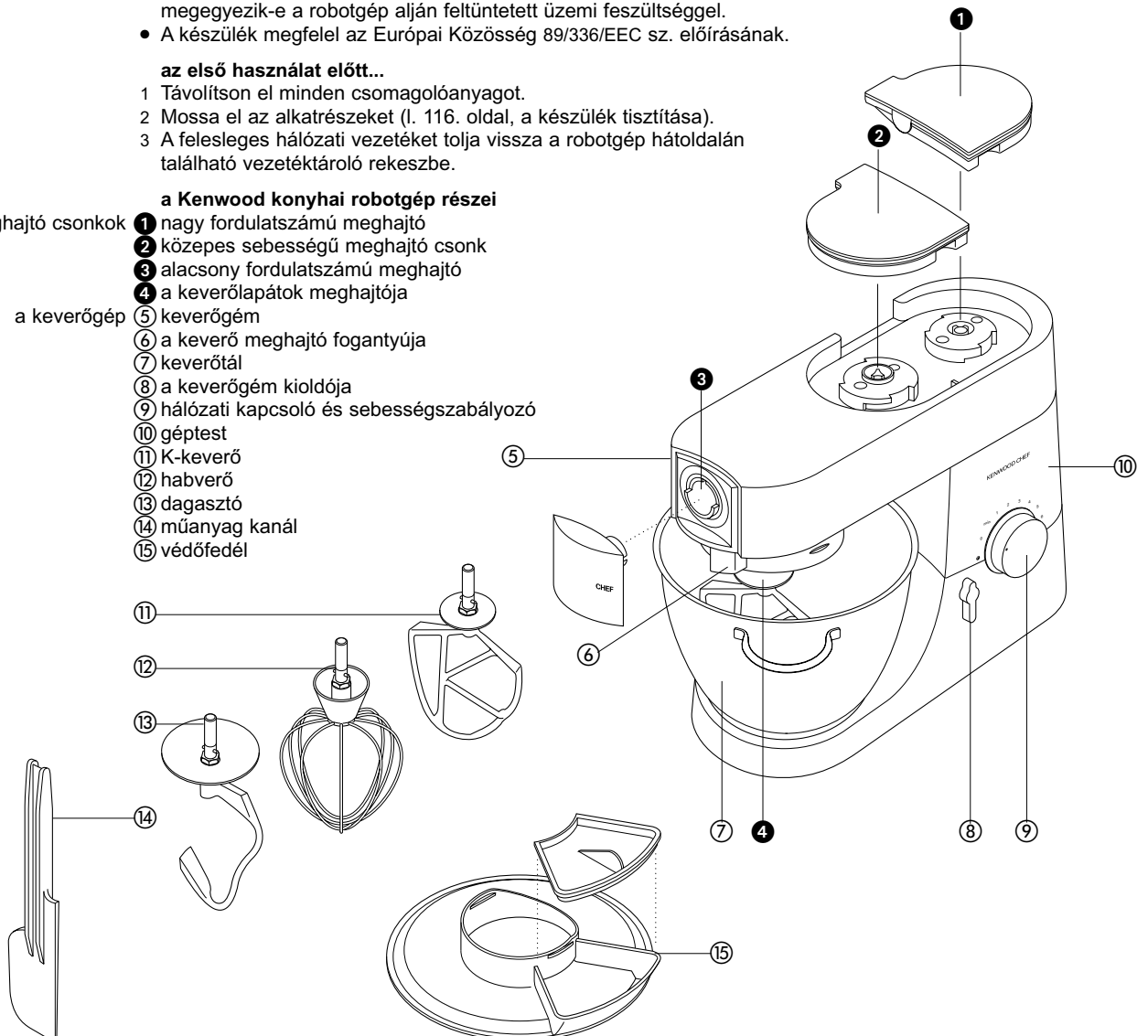
- A falidugasz csatlakoztatása előtt ellenőrizze, hogy a hálózati feszültség megegyezik-e a robotgép alján feltüntetett üzemi feszültséggel.
- A készülék megfelel az Európai Közösség 89/336/EEC sz. előírásának.

az első használat előtt...

- 1 Távolítsa el minden csomagolóanyagot.
- 2 Mossa el az alkatrészeket (l. 116. oldal, a készülék tisztítása).
- 3 A felesleges hálózati vezetékét tolja vissza a robotgép hátoldalán található vezetéktároló rekeszbe.

a Kenwood konyhai robotgép részei

- meghajtó csomók
- 1 nagy fordulatszámú meghajtó
 - 2 közepes sebességű meghajtó csomk
 - 3 alacsony fordulatszámú meghajtó
 - 4 a keverőlapátok meghajtója
- a keverőgém
- 5 keverőgém
 - 6 a keverő meghajtó fogantyúja
 - 7 keverőtál
 - 8 a keverőgém kioldója
 - 9 hálózati kapcsoló és sebességszabályozó
 - 10 géptest
 - 11 K-keverő
 - 12 habverő
 - 13 dagasztó
 - 14 műanyag kanál
 - 15 védőfedél



a keverőgép

a csatlakoztatható keverők

- K-keverő • Tészták, mázak, krégek és töltelékek kikeveréséhez, illetve burgonyapüré készítéséhez.
- habverő • Tojás, tejszín felveréséhez, illetve palacsintatészta, zsír nélküli piskótatészta, habcsók, túrótorta valamint különböző habok és pudingok kikeveréséhez. Sűrű anyagokhoz (pl. zsír és cukor kikeveréséhez) ne használja a habverőt, mert deformálódhat.
- dagasztókar • Kelttészták keveréséhez.

a keverőgép használata

- 1 A keverőgép kioldóját fordítsa el az óramutató járásának irányában **1**, majd hajtsa fel a keverőgémet addig, amíg az a felhajtott helyzetben rögzül.
- a keverők rögzítése 2 A használni kívánt keverőt csavarja be a keverőgémen levő csatlakozóba **2**, majd ütközésig nyomja be.
- 3 A keverő-edényt is tegye a géptestre. Az edény alját nyomja be a géptesten kiképzett mélyedésbe, majd az egész edényt fordítsa el az óramutató járásának irányában **3**.
- 4 A keverőgép lehajtásához először kissé emelje meg, majd hajtsa le. A gép rögzülését a zárszerkezet kattánása jelzi.
- 5 Kapcsolja be a készüléket, és a sebességválasztó gombot forgassa a kívánt állásba.
- Rövid keverésekhez fordítsa a kapcsolót a 'rövid üzem' **P** állásra.
- a keverő kivétele 6 Csavarja ki a keverőt a meghajtó tengelyből.

megjegyzések

- Keverés közben időnként állítsa le a gépet, és a mellékelt műanyag kanállal kaparja le a keverőtál oldalára tapadt masszát.
- A habveréshez lehetőleg szobahőmérsékletű tojásokat használjon.
- Tojásfehérje felverésénél ügyeljen arra, hogy sem a keverőn, sem pedig a keverő-edényben ne maradjon tojássárgája vagy bármilyen zsiradék.
- A különböző tésztákhoz ajánlatos hideg összetevőket használni (hacsak a recept mást nem ír elő).

kenyértészta készítés

fontos megjegyzések

- Ne lépje túl az egyszerre feldolgozható maximális mennyiségeket (l. lejjebb), mert túlterhelheti a készülék motorját.
- Ha a gép motorja erőlködik, a tészta felét vegye ki a keverő-edényből, és dagassza két részletben.
- Az összetevők akkor keverednek el legjobban, ha először a folyadékokat önti a keverő-edénybe.

maximális mennyiségek

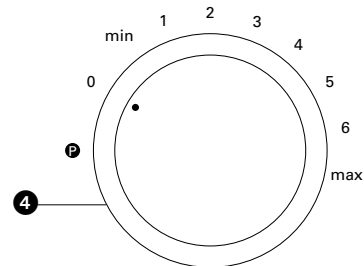
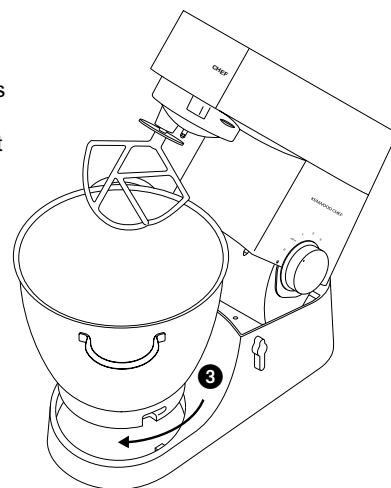
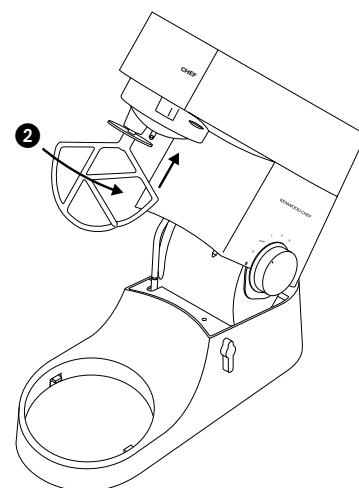
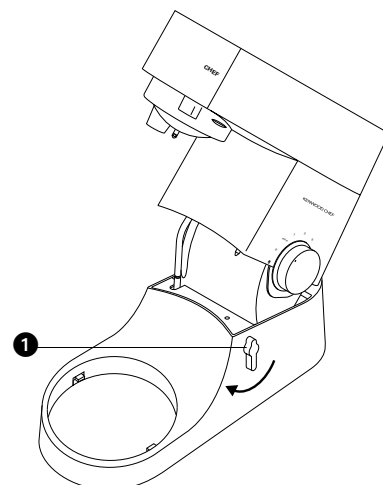
CHEF

MAJOR

- | | | |
|--------------------------------------|----------------------|--------------------|
| linzertészta | • 680g lisztből | 910g lisztből |
| kemény kelttészta | • 1,4kg lisztből | 1,5kg lisztből |
| (kenyérhez) | • teljes tömeg 2,2kg | teljes tömeg 2,4kg |
| lágú kelttészta | • 1,3kg lisztből | 2,6kg lisztből |
| (kalácsához) | • teljes tömeg 2,5kg | teljes tömeg 5kg |
| püspökkenyér (gyümölcsstorta) | • teljes tömeg 2,7kg | teljes tömeg 4,5kg |
| tojásfehérje | • 12 | 16 |

a helyes sebesség megválasztása **4**

- K keverő • **vaj és cukor kikeverését** kezdje a legalacsonyabb sebességen, majd fokozatosan kapcsolja a készüléket a legnagyobb sebességre.
- **tojás tésztába keverése** a 4-es és a legmagasabb sebességfokozat között.
- **liszt, gyümölcs stb. bekeverése** a legalacsonyabb és az 1-es sebességfokozat között.
- **gyümölcskenyér jellegű sütemények kikeverése** kezdje a legalacsonyabb sebességfokozaton, majd fokozatosan kapcsoljon a legmagasabb fokozatra.
- **zsír és liszt keverése** a legalacsonyabb és a 2-es sebességfokozat között.
- habverő • Fokozatosan kapcsoljon maximális fokozatra.
- dagasztókar • Kezdje minimális sebességen, majd fokozatosan váltson 1 - es fokozatra.



hibakeresés

a hiba

- A habverő vagy a K-keverő a keverőtál aljának ütközik vagy az edény alján nem kever tökéletesen.

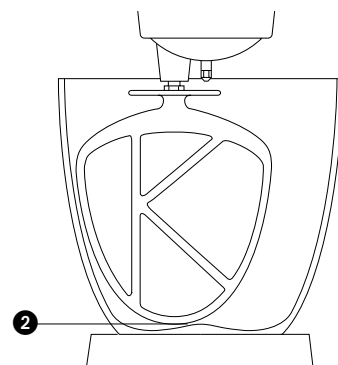
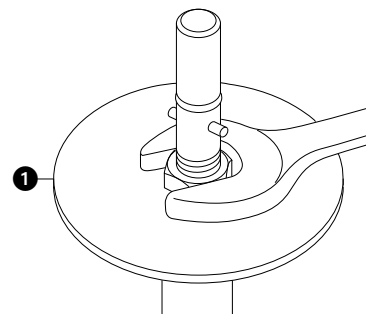
Megoldás • Az alábbiak szerint állítsa be a keverő magasságát.

- 1 A csatlakozó dugaszt húzza ki a hálózathól.
- 2 Hajtsa fel a keverőgémet, és helyezze be a habverőt/K-keverőt.
- 3 Egyik kezével fogja meg a keverőt, és lazítsa meg az anyát **1**.
- 4 Hajtsa le a keverőgémet.
- 5 Forgassa el a keverő szárát addig, amíg a habverő/K-keverő **majdnem** az edény aljáig ér, de még nem érintkezik az edénnyel **2**.
- 6 Hajtsa fel ismét a keverőgémet. Egyik kezével fogja meg a keverőt, és húzza meg az anyát.

a hiba leírása

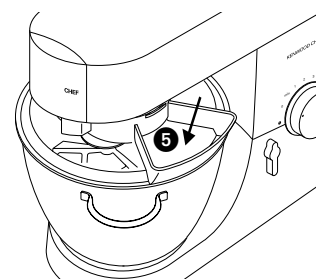
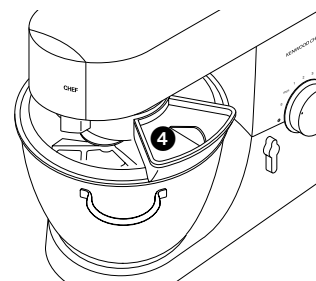
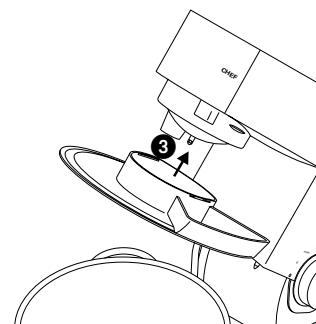
- Keverés közben a készülék leáll.

Megoldás • A robotgépbe épített biztonsági elektronika túlterhelés esetén automatikusan kikapcsolja a készüléket. Ilyenkor kapcsolja ki a kapcsolót, és a hálózati vezetékét is húzza ki a konnektorból. A terhelés csökkentéséhez vegye ki a feldolgozandó étel egy részét, és néhány percig pihentesse a készüléket. Csatlakoztassa a robotgépet a hálózatra, és a sebességválasztó kapcsolót fordítsa a kívánt állásba. Ha a készülék most sem indul el, pihentesse egy kicsit tovább.



a védőfedél felszerelése és használata

- 1 Hajtsa fel a keverőgémet úgy, hogy a felhajtott állásban rögzüljön.
- 2 Helyezze a keverő edényt a készülékre.
- 3 Nyomja a védőfedelelet a keverőgém alsó részébe **3** úgy, hogy rögzüljön. A fedélen levő töltőnyílást állítsa az ábra szerinti helyzetbe.
- 4 Illessze a kívánt keverőt a készülékbe.
- 5 Hajtsa le a keverőgémet.
- 6 Helyezze fel a töltőnyílás fedelét **4**.
- Keverés közben leveheti a töltőnyílás fedelét, és közvetlenül a keverő edénybe **5** töltheti a hozzávalókat.
- A keverők cseréjéhez nem kell levennie a védőfedelelet.
- 7 A védőfedél levételéhez hajtsa fel a keverőgémet, és húzza ki a fedelet.

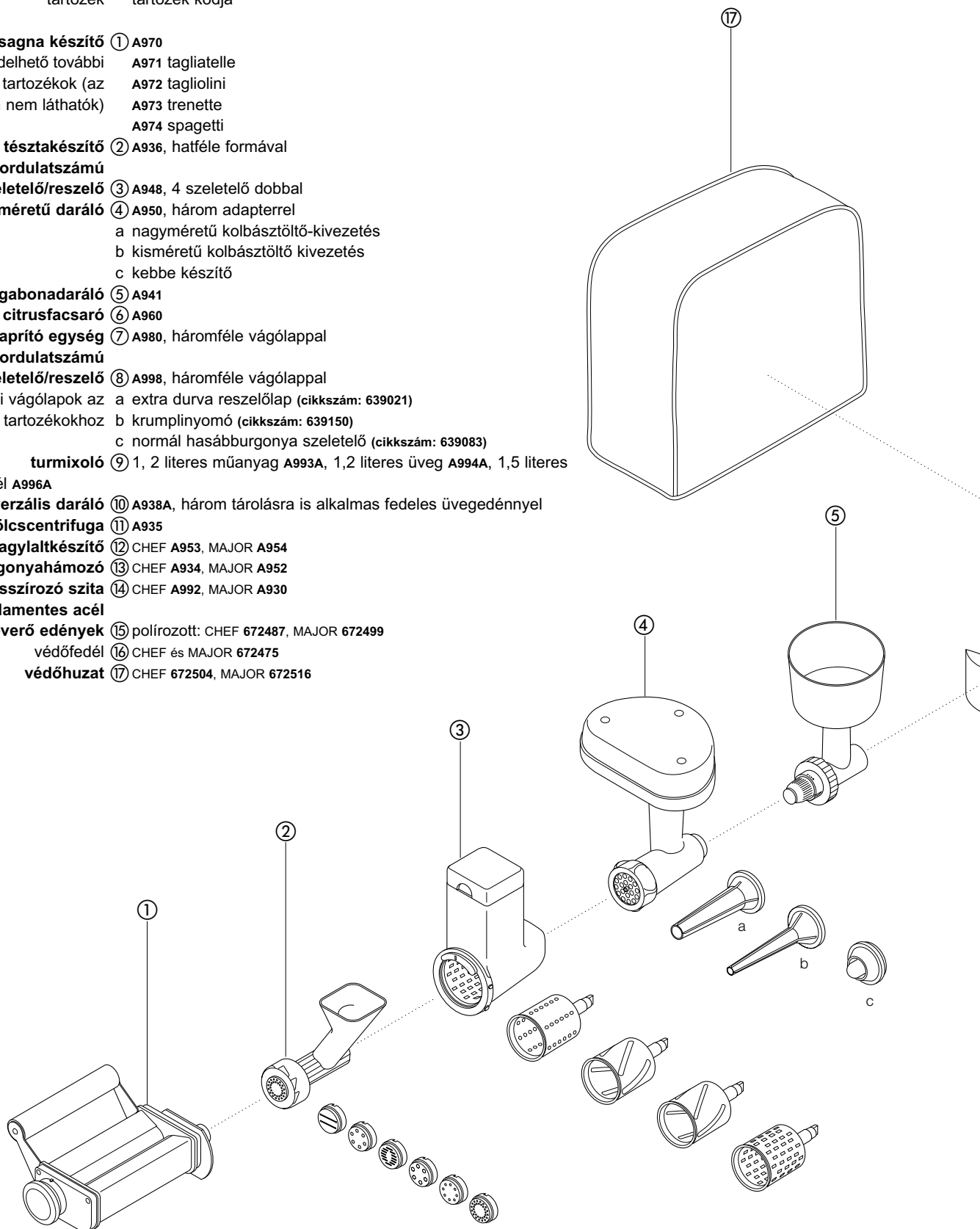


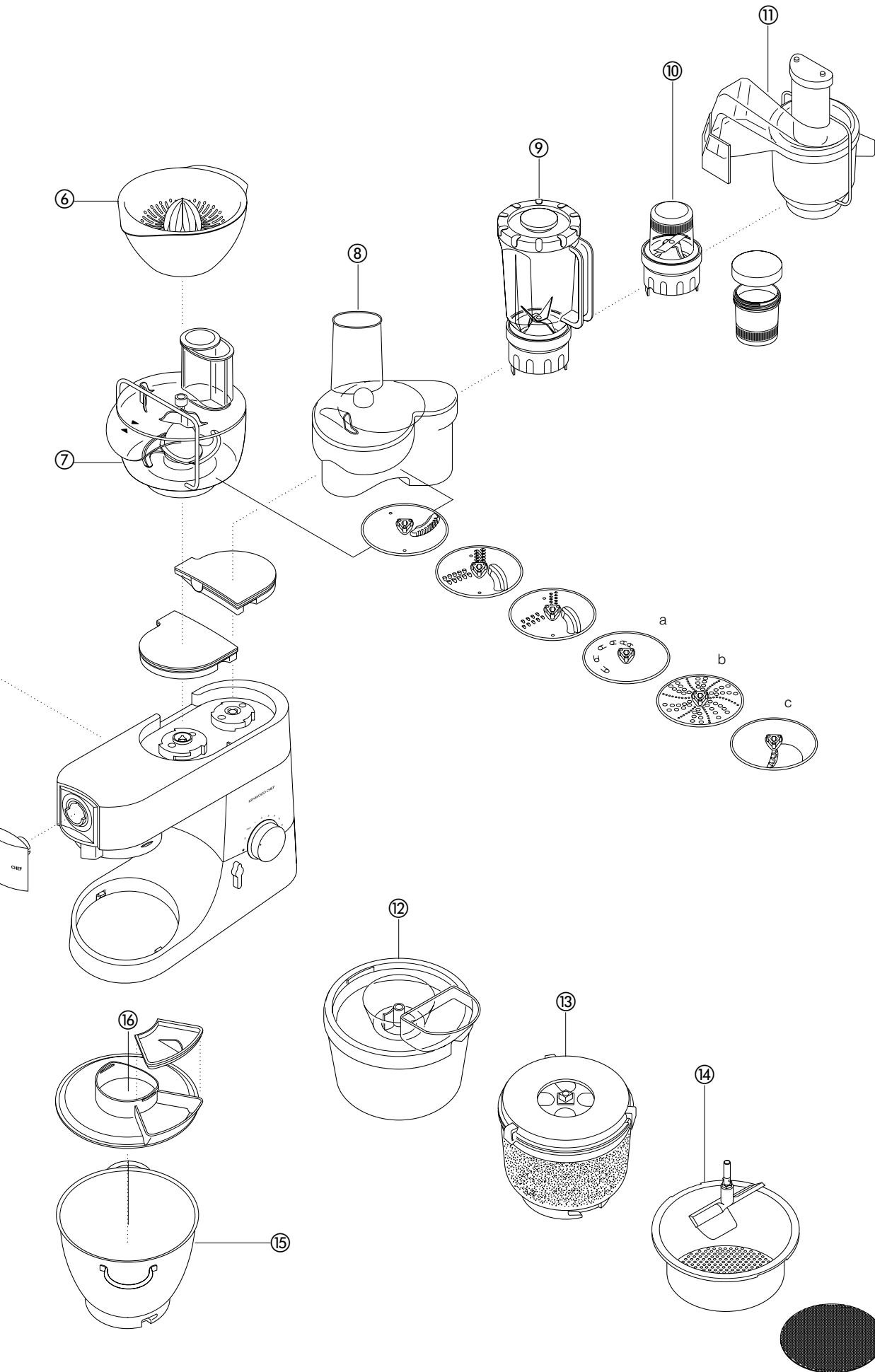
A csatlakoztatható tartozékok

Az alapsomagban nem mellékelt tartozékok külön is megvásárolhatók. Forduljon a helyi KENWOOD javítóvállalathoz.

tartozék tartozék kódja

- lasagna készítő** ① A970
 az A970-hez rendelhető további
 tésztakészítő tartozékok (az
 ábrán nem láthatók)
- tésztakészítő** ② A936, hatféle formával
- alacsony fordulatszámu
 szeletelő/reszelő** ③ A948, 4 szeletelő dobbal
- nagyméretű daráló** ④ A950, három adapterrel
 a nagyméretű kolbásztöltő-kivezetés
 b kisméretű kolbásztöltő kivezetés
 c kebbe készítő
- gabonadaráló** ⑤ A941
- citrusfacsaró** ⑥ A960
- aprító egység** ⑦ A980, háromféle vágólappal
- nagy fordulatszámu
 szeletelő/reszelő** ⑧ A998, háromféle vágólappal
 további vágólapok az
 A980 és A998 tartozékokhoz
- turmixoló** ⑨ 1, 2 literes műanyag A993A, 1,2 literes üveg A994A, 1,5 literes rozsdamentes acél A996A
- univerzális daráló** ⑩ A938A, három tárolásra is alkalmas fedeles üvegedénnyel
- gyümölcscentrifuga** ⑪ A935
- fagylalkészítő** ⑫ CHEF A953, MAJOR A954
- burgonyahámzó** ⑬ CHEF A934, MAJOR A952
- passzírozó szita** ⑭ CHEF A992, MAJOR A930
- rozsdamentes acél**
- keverő edények** ⑮ polírozott: CHEF 672487, MAJOR 672499
 védőfedél ⑯ CHEF és MAJOR 672475
- védőhuzat** ⑰ CHEF 672504, MAJOR 672516





tisztítás és javítás

a készülék tisztítása

- Tisztítás előtt mindig húzza ki a hálózati vezetékét a konnektorból.
- Az első napokban a 2 meghajtó csomagtartó körül kenőzsír szivároghat ki, ez azonban normális jelenség. A kiszivárgott zsírt csupán törölje le.

géptest, külső burkolat • Először nedves, majd száraz ruhával törölje át.

- Ne használjon súrolószert, és soha ne merítse vízbe.

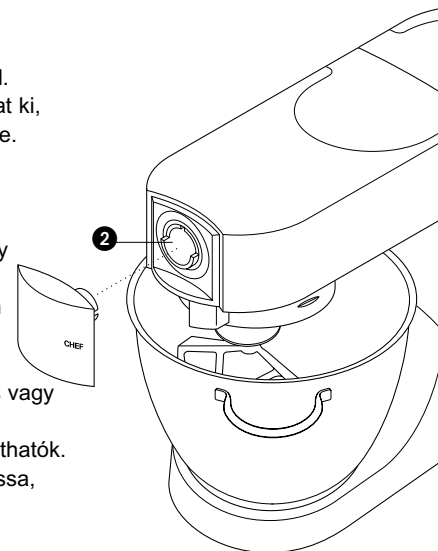
keverő edény • Kézzel mosogassa el, majd alaposan szárítsa meg. A keverő edény mosogatógépben is tisztítható.

- A rozsdamentes acél keverő edény tisztításánál soha ne használjon drótkefét, fém dörzsszivacsot vagy hypót. Az esetleges vízkőlerakódást ecetes ruhával távolíthatja el.
- A keverő edényt óvja a közvetlen hőtől (pl. tűzhely, hagyományos vagy mikrohullámú sütő).

keverők • A rozsdamentes-acél keverők kézzel és mosogatógépben is tisztíthatók.

- A nem rozsdamentes-acél keverőket mindig csak kézzel mosogassa, majd alaposan szárítsa meg.

védőfedél • Kézzel mosogassa el, majd alaposan szárítsa meg.



javítás és vevőszolgálat

- Ha a hálózati vezeték megsérül, azonnal ki kell cserélni. A javítást - biztonsági okokból - csak a KENWOOD által megbízott javítovállalat szakembere végezheti el.

Ha további segítségre van szüksége:

- a készülék használatával
- külön tartozékok rendelésével
- a készülék karbantartásával vagy javításával kapcsolatban, forduljon ahhoz az üzlethez, ahol a készüléket vásárolta.

receptek

Kérjük, hogy a 112. oldalon is olvassa el a kenyérfélesztéssel kapcsolatos fontos megjegyzéseket.

fehér kalács

- hozzávalók
- 2,6kg sima liszt
 - 1,3 liter tej
 - 300g cukor
 - 450g margarin
 - 100g friss élesztő vagy 50g szárított élesztő
 - 6 habosra kevert tojás
 - 5 csipetnyi só
- A jelzett mennyiségek a Major modellekre vonatkoznak. A Chef típusú készülékeknél felezze meg a mennyiségeket, és az össze lisztet egyszerre öntse a keverő edénybe.**
- elkészítés
- 1 A tejben olvasszuk fel a margarint, és melegítsük 43°C hőmérsékletre.
 - 2 **szárított élesztővel:** adjuk az élesztőt és a cukrot a tejhez, és hagyjuk állni kb. 10 percre, amíg habos lesz.
friss élesztővel: a darabokra tört élesztőt keverjük a liszthez, majd keverjük bele a cukrot is.
egyéb élesztők: kövessük a csomagoláson levő utasítást.
 - 3 Öntsük a tejet a keverő-edénybe. Adjuk hozzá a habosra kevert tojást és 2kg lisztet.
 - 4 Keverje a legalacsonyabb sebességfokozaton egy percre, majd további egy percre kapcsoljon az 1-es fokozatra. A keverés után kaparja le az edény falára ragadt tésztát.
 - 5 Adjuk hozzá a maradék lisztet, és minimális sebességen keverjük újabb 1 percre. Ezután kapcsoljunk 1 - es sebességfokozatra, és keverjük további 2 - 3 percre, amíg a tészta egyenletesen sima lesz.
 - 6 A tésztából formázzunk buccikat vagy válasszuk szét kb. fél kg-os darabokra, és tegyük zsírral kikent tepsibe (ügyeljünk arra, hogy a tészta csak a tepsis oldalának feléig érjen). Takarjuk le, és hagyjuk tovább kelni, amíg a tészta újból kétszeresére dagad.
 - 7 Tegyük 200°C hőmérsékletű sütőbe. A buccikat 15 percre, a kalácsokat 20 - 25 percre süssük.
 - 8 A sütés vége felé kopogtassuk meg a buccikat vagy kalácsok alját: ha üregesnek hangzanak, a tészta teljesen átsült, kivehetjük a sütőből.
- A recept kb. 10 kalács elkészítésére elegendő.

Linzertészta

- hozzávalók
- 450g a sóval együtt átszitált liszt
 - 1 kávéskanál só
 - 225g zsiradék (hűtőszekrény-hideg zsír és margarin keveréke)
 - kb. 4 evőkanál víz
- jótanács
- Ügyeljünk arra, hogy ne keverjük túl a hozzávalókat.
- elkészítés
- 1 Öntsük a lisztet a keverő-edénybe, és adjuk hozzá a darabokra vágott zsiradékot.
 - 2 Keverje 1-es sebességfokozaton addig, amíg a keverék állaga zsemlemorzsaszerű lesz. Ügyeljen arra, hogy időben állítsa le a keverést, különben zsíros állagúvá válik.
 - 3 Adjuk hozzá a vizet, és keverjük a legalacsonyabb sebességen, de csak addig, amíg a tészta teljesen fel nem veszi a vizet.
 - 4 A tésztát általában 200°C-on kell sütni, de a helyes hőmérséklet a tölteléktől is függ.

gyümölcsös habos sütemény

- hozzávalók
- 3 nagy tojás
 - 175 g kristálycukor
 - 275 ml tejszín
 - friss gyümölcs, pl. málna, eper, szőlő vagy kivi
- elkészítése
- 1 Nagy sebességen verjük fel a tojásfehérjét, hogy lágy habot alkosson.
 - 2 A habverőt állítsuk 5-ös fokozatra, és evőkanalanként adjuk hozzá a cukrot. Minden evőkanál után verjük egy ideig a habot.
 - 3 Öntsük a habot zsírpapírral kibélelt tepsibe úgy, hogy kb. 20 cm átmérőjű alapot képezzon.
 - 4 Tegyük a tepsit 150 °C-ra/gázsütőn 2-es fokozatra előmelegített sütőbe, majd azonnal csökkentjük a hőmérsékletet 140 °C-ra/gázsütőn 1-es fokozatra, és így süssük egy óráig. Ha elkészült, kapcsoljuk ki a sütőt, de a süteményt hagyjuk a sütőben, amíg lehűl.
 - 5 Tálalás előtt vegyük le róla a zsírpapírt, és tegyük tálcára. Verjük fel a tejszínhabot, és kanalazzuk a sütemény tetejére. Friss gyümölccsel díszítve tálaljuk.

receptek *folígtatás*

csokoládé torta

- hozzávalók
- 225 g kenhető állagú vaj
 - 250 g kristálycukor
 - 4 tojás
 - 5 ml (egy kávéskanál) azonnal oldódó kávé 15 ml (egy evőkanál) forró vízben feloldva
 - 30 ml (két evőkanál) tej
 - 5 ml (egy kávéskanál) mandulaesszencia
 - 50 g reszelt mandula
 - 100 g sütőporos liszt
 - 5 ml (egy kávéskanál) sütőpor
 - 50 g édesítetlen kakaópor
- elkészítése
- 1 Alacsony fordulatszámon kezdve keverjük ki a vaját és a cukrot. Keverés közben fokozatosan növeljük a sebességet addig, amíg a keverék könnyed és lágy lesz. Állítsuk meg a gépet, és kaparjuk le az edény falára ragadt masszát.
 - 2 Üssük a tojásokat egy edénybe, és folyamatos keverés mellett apránként adjuk a masszához. Mindig várjuk meg, amíg a hozzáadott adag teljesen elkeveredik. Állítsuk meg a gépet, és kaparjuk le az edény falára ragadt masszát.
 - 3 Alacsony fordulatszámon keverve adjuk hozzá a vízben feloldott kávé, a tejet és a mandulaesszenciát. Ezután adjuk hozzá a darált mandulát, az átszitált lisztet, a sütőport és a kakaót. Alacsony fordulatszámon keverjük addig, amíg minden hozzávaló egyenletesen elkeveredik.
 - 4 Osszuk a masszát két egyenlő adagra, és tegyük egy-egy 20 cm hosszú, zsírpapírral kibélelt és kizsírozott tortaformába. Simítsuk el a tetejét, majd 180 °C-on/gázsütőnél 4-es fokozaton süssük 30 percig, amíg a teteje rugalmasra keményedik.
 - 5 Fordítsuk ki tésztát a tortaformákból, és sütőrácsra hagyjuk kihűlni.

csokoládékrém töltelék

- hozzávalók
- 275 g darabokra tört étcsokoládé
 - 225 ml tejszín
- elkészítése
- 1 Forrásban levő víz fölé helyezett edényben olvasszuk fel a csokoládét.
 - 2 Alacsony fordulatszámon kezdve verjük fel a tejszínhabot. Közben fokozatosan növeljük a fordulatszámot addig, amíg lágy habot kapunk.
 - 3 Amikor a csokoládé felolvadt, vegyük el a vízről, és nagy kanállal kanalazzuk a tejszínhabba.
 - 4 A tölteléket kanalazzuk a süteményekre, és illesszük össze a két darabot

répa és koriander leves

- hozzávalók
- 25 g vaj
 - egy apróra vágott hagyma
 - egy gerezd átnyomott fokhagyma
 - 600 g 2,5 cm-es kockákra vágott répa
 - hideg csontlé
 - 10-15 ml (2-3 kávéskanál) őrölt koriander
 - só és bors ízlés szerint
- elkészítése
- 1 Serpenyőben olvasszuk fel a vaját, adjuk hozzá a hagymát és a fokhagymát, és pirítsuk, amíg megpuhul.
 - 2 Tegyük a répát a turmixoló edénybe, és adjuk hozzá a pirított hagymát és fokhagymát. Adjunk hozzá annyi csontlevet, hogy a folyadék szintje a turmixoló 1,2 literes jelzésénél legyen. Tegyük fel a fedelet, és illesszük bele a töltőnyílás kupakját is.
 - 3 Turmixoljuk maximális sebességen öt másodpercig. Kevésbé rostos leveshez turmixoljuk kissé tovább.
 - 4 Az összeturmixolt levet öntsük fazékba, adjuk hozzá a koriandert és a fűszereket, majd forraljuk 30-35 percig.
 - 5 Ízlés szerint adjunk hozzá további fűszereket vagy folyadékot.

poznaj swój malakser kuchenny Kenwood

bezpieczeństwo

- Wyłącz i wyjmij wtyczkę z gniazdka sieciowego przed zakładaniem lub zdejmowaniem narzędzi, po użyciu i przed czyszczeniem.
- Urządzenie nie jest przeznaczone do użytku bez nadzoru przez małe dzieci lub osoby niepełnosprawne.
- Trzymaj palce z daleka od części ruchomych i założonych narzędzi.
- Nigdy nie pozostawiaj włączonego malaksiera bez opieki; trzymaj dzieci z dala od niego.
- Nigdy nie pracuj na uszkodzonym malaksierze. Sprawdź go w punkcie obsługi lub oddaj do naprawy - patrz 'serwis' na str. 124.
- Nigdy nie używaj narzędzi nie autoryzowanych, ani też więcej, niż jednego narzędzia na raz.
- Nigdy nie przekraczaj ilości maksymalnych, podanych na str. 120.
- Nie pozwalaj, aby urządzeniem bawiły się dzieci.
- Przed użyciem narzędzia przeczytaj dołączone do niego instrukcje bezpiecznej obsługi.
- Niniejsze urządzenie należy stosować wyłącznie w przewidzianych dla niego zastosowaniach domowych.
- Podczas podnoszenia urządzenia należy zachować ostrożność ze względu na jego ciężar. Przed podniesieniem urządzenia należy sprawdzić, czy głowica jest zablokowana oraz czy pojemnik, narzędzia, pokrywy wyjść i przewód są zabezpieczone.

przed włożeniem wtyczki do gniazdka

- Upewnij się, że napięcie sieci jest takie same, jak podane na tabliczce znamionowej pod spodem malaksiera.
- Urządzenie jest zgodne z Dyrektywą EWG Nr. 89/336/EEC.

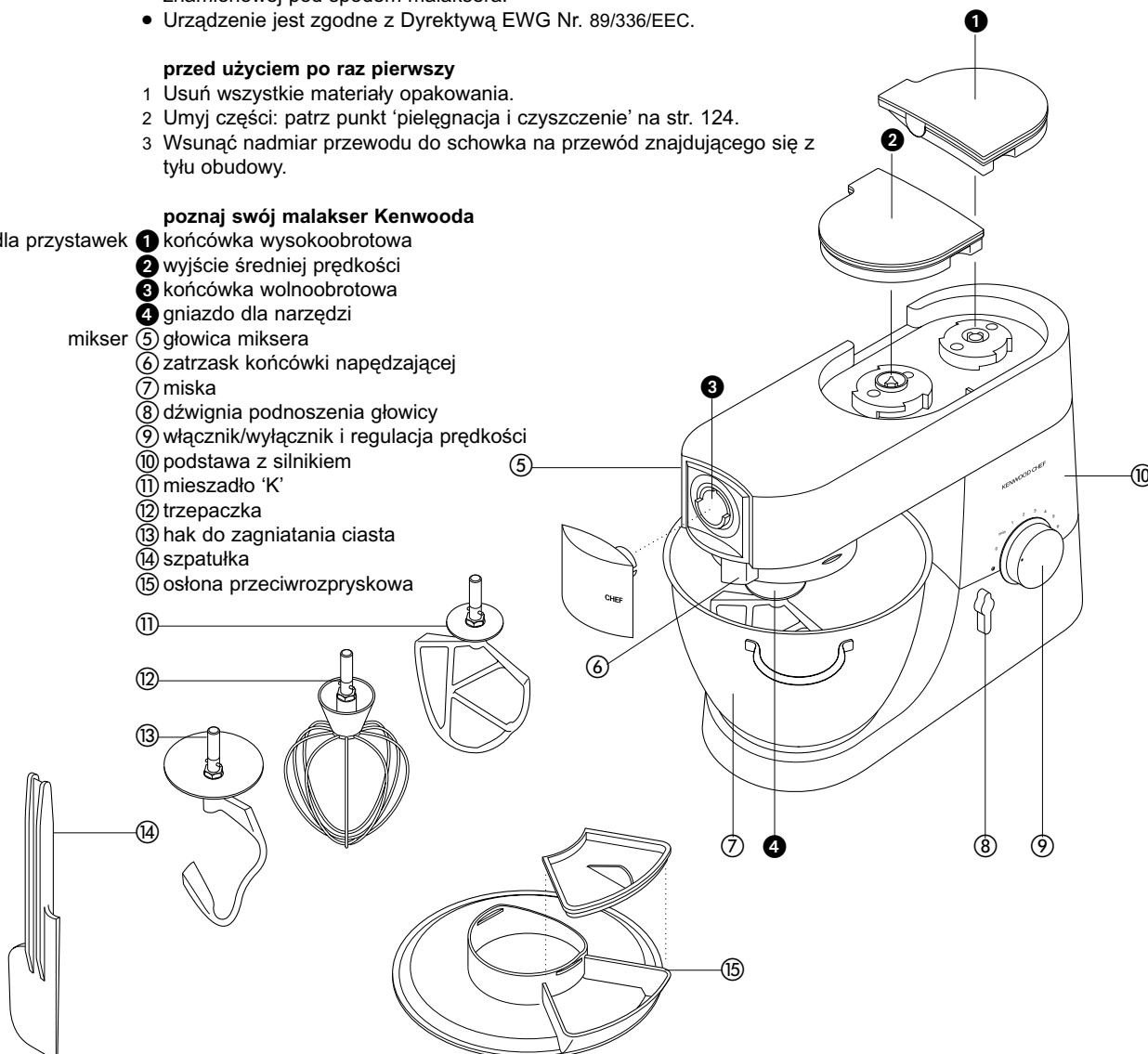
przed użyciem po raz pierwszy

- 1 Usuń wszystkie materiały opakowania.
- 2 Umyj części: patrz punkt 'pielęgnacja i czyszczenie' na str. 124.
- 3 Wsunąć nadmiar przewodu do schowka na przewód znajdującego się z tyłu obudowy.

poznaj swój malakser Kenwooda

końcówki dla przystawek

- 1 końcówka wysokoobrotowa
 - 2 wyjście średniej prędkości
 - 3 końcówka wolnoobrotowa
 - 4 gniazdo dla narzędzi
- mikser
- 5 głowica miksera
 - 6 zatrzask końcówki napędzającej
 - 7 miska
 - 8 dźwignia podnoszenia głowicy
 - 9 włącznik/wyłącznik i regulacja prędkości
 - 10 podstawa z silnikiem
 - 11 mieszadło 'K'
 - 12 trzepaczka
 - 13 hak do zagniatania ciasta
 - 14 szpatułka
 - 15 osłona przeciwrozpryskowa



ubijanie/zagniatanie

narzędzia do miksowania i niektóre ich zastosowania

- mieszadło 'K' • Do ciastek, biszkoptów, ciasta kruchego, lukrów, nadzienia, eklerów i tłuczonych ziemniaków
- trzepaczka • Do ubijania jaj, śmietanki, ciasta naleśnikowego, babek bez tłuszczu, bezów, serników, musów, sufletów. Nie używaj trzepaczki do mieszania ciężkich (np. ucierania tłuszczu z cukrem) - może to ją uszkodzić.
- Hak do ciasta • Do ciast drożdżowych.

jak używać funkcji ubijania/zagniatania

- 1 Obrócić dźwignię podnoszenia głowicy w kierunku zgodnym z ruchem wskazówek zegara ❶ i unieść głowicę miksera aż zaskoczy w położeniu blokady.
- 2 Aby założyć narzędzie 2 Obróć aż do oporu ❷ następnie wciśnij.
- 3 Załóż miskę na podstawie - pociśnij i obróć w prawo ❸
- 4 Aby opuścić głowicę miksera, należy ją nieco unieść, a następnie obrócić dźwignię podnoszenia głowicy w kierunku zgodnym z ruchem wskazówek zegara. Opuścić do położenia blokady.
- 5 Włączyć i obrócić przełącznik prędkości na żądane ustawienie.
 - Przełączaj na **P** do pracy impulsami.
- 6 Aby wyjąć narzędzie 6 Wykręć je.

- wskazówki • Często wyłączaj i zeszkrobuj miskę szpatułką.
- Najlepiej się ubijają jajka w temperaturze pokojowej.
- Przed ubijaniem piany z białek upewnij się, że na trzepaczce i w misce nie ma tłuszczu ani żółtka.
- Na kruche ciasto używaj zimnych składników, chyba że przepis podaje inaczej.

zagniatanie chleba

- ważne • Nigdy nie przekraczaj maksymalnych ilości podanych poniżej - przeciąży to malakser.
- Jeśli słyhać wyteżoną pracę silnika - wyłącz malakser, wyjmij połowę ciasta i zagniataj każdą połówkę oddzielnie.
- Składniki mieszają się najlepiej, jeśli włącz najpierw płynny.

pojemności maksymalne

CHEF

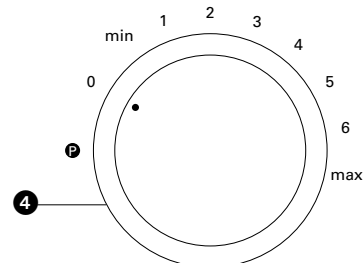
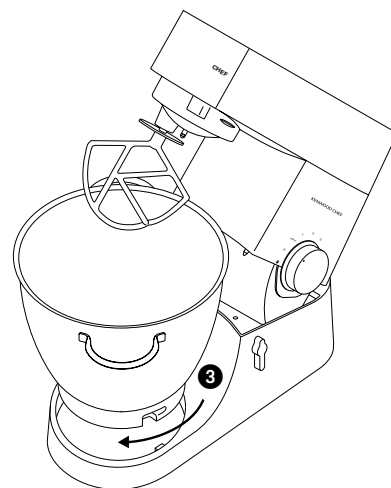
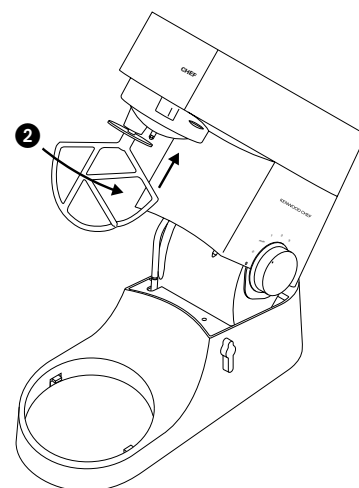
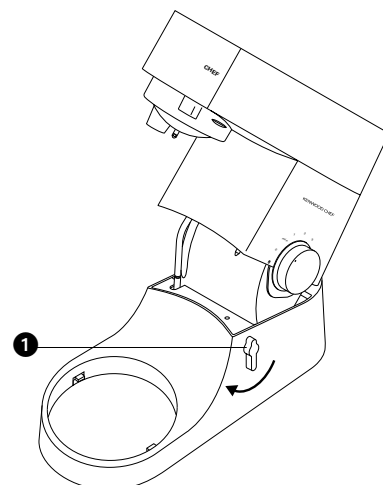
MAJOR

- ciasto kruche** • Ilość mąki: 68 dag
- gęste ciasto drożdżowe** • Ilość mąki: 1,36kg
- ciasto 'angielskie'** • Ilość całkowita: 2,2kg
- miękkie ciasto drożdżowe** • Ilość mąki: 1,3kg
- ciasto chlebowe słodkie** • Ilość całkowita: 2,5kg
- mieszanina na keks** • Ilość całkowita: 2,7kg
- białka** • 12

- Ilość mąki: 91 dag
- Ilość mąki: 1,5kg
- Ilość całkowita: 2,4kg
- Ilość mąki: 2,6kg
- Ilość całkowita: 5kg
- Ilość całkowita: 4,5kg
- 16

prędkości ❸

- mieszadło 'K' • **ucieranie tłuszczu z cukrem** zacznij na prędkości "min", stopniowo zwiększając do "max".
- **łączenie jaj z utartą mieszaniną** od 4 do "max".
- **dodawanie mąki, owoców itp.** od "min" do 1
- **ciasta "wszystko od razu"** zacznij na prędkości "min" i stopniowo zwiększaj do "max".
- **ucieranie tłuszczu z mąką** od "min" do 2.
- bicie piany • Stopniowo zwiększaj do 'max'.
- hak do ciasta • Zacznij od 'min', stopniowo zwiększaj do 1.



czyszczenie jest opisane na str. 124

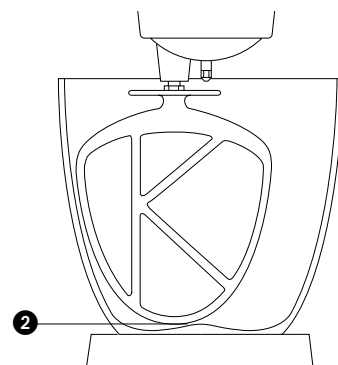
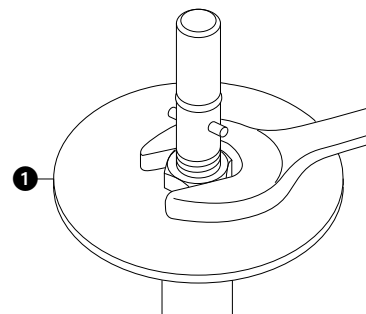
usuwanie niesprawności

problem

- Trzepaczka lub mieszadło 'K' uderza o dno miski lub nie dosięga składników na dnie miski.

rozwiązanie • Wyreguluj wysokość. Postępuj jak niżej:

- 1 Wyjmij wtyczkę z gniazdka sieciowego.
- 2 Podnieś głowicę miksera i załóż trzepaczkę lub mieszadło.
- 3 Trzymaj za narzędzie, następnie zluźnij nakrętkę ❶.
- 4 Opuść głowicę miksera.
- 5 Wyreguluj wysokość przez obracanie wałka. Najlepiej jest, gdy trzepaczka lub mieszadło "K" **prawie** dotyka dna miski ❷.
- 6 Podnieś głowicę trzymając za trzepaczkę lub mieszadło "K" i dociągnij nakrętkę.



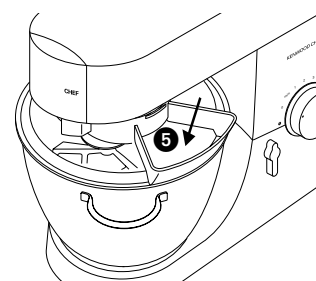
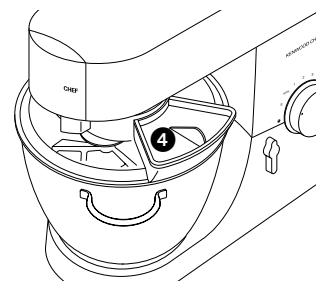
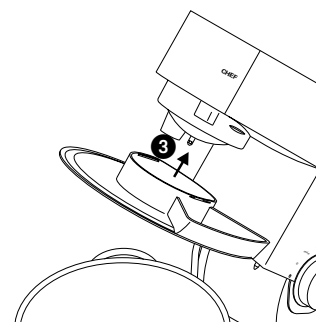
problem

- Mikser zatrzymuje się podczas pracy.

rozwiązanie • Mikser wyposażony jest w zabezpieczenie przeciążeniowe, które wyłącza mikser w przypadku nadmiernego przeciążenia, aby nie dopuścić do jego uszkodzenia. Aby zmniejszyć obciążenie, należy wyjąć część składników i odstawić mikser na kilka minut. Podłączyć wtyczkę do gniazdka elektrycznego i ponownie wybrać ustawienie prędkości. Jeśli mikser nie uruchomi się natychmiast, odstawić mikser jeszcze na jakiś czas.

montaż i korzystanie z osłony przeciwrozpryskowej

- 1 Podnieś głowicę miksera, aż zaskoczy.
- 2 Załóż miskę w podstawie.
- 3 Docisnąć osłonę przeciwrozpryskową na spód głowicy miksera ❸ aż do oporu. Dozownik produktów powinien znajdować się w położeniu przedstawionym na rysunku.
- 4 Wsunąć żądane narzędzie.
- 5 Opuścić głowicę miksera.
- 6 Zamocować pokrywę dozownika produktów ❹.
- W trakcie miksowania pokrywę dozownika można zdjąć i dodawać składniki bezpośrednio do pojemnika ❺.
- Aby zmienić narzędzie, nie jest konieczne zdejmowanie osłony przeciwrozpryskowej.
- 7 Zdjąć osłonę przeciwrozpryskową, unosząc głowicę miksera i zsuwając ją do dołu.



dostępne narzędzia i przystawki

Aby kupić narzędzie nie przewidziane w zestawie, prosimy się skontaktować z punktem usługowym KENWOODA.

Nasadka Kod nasadki

Nasadka do wyrobu płaskiego makaronu

① A970

Dodatkowe nasadki do wyrobu makaronu (nie przedstawione na ilustracji) stosowane łącznie z A970

A971 tagliatelle
A972 tagliolini
A973 trenette
A974 spaghetti

Nasadka do wyrobu makaronu Wolnoobrotowa

② A936 dostarczana jest z 6 sitami

krajarka/szatkownica

③ A948 dostarczana jest z 4 bębniami

Supermaszynka do mielenia

④ A950 dostarczana jest z:
a dyszą do dużych kielbasek
b dyszą do małych kielbasek
c urządzenie do wyrobu kebba

Młynek do zboża

⑤ A941

Wyciskarka soku z cytrusów

⑥ A960

Nasadka do przetwarzania żywności

⑦ A980 zawiera jako standard 3 tarcze tnące i ostrze nożowe

Szybkoobrotowa

krajarka/szatkownica

⑧ A998 zawiera jako standard 3 tarcze tnące

Opcjonalne tarcze do A980 i A998

a supergruboziarnista szatkownica – numer części 639021
b tarcza trąca – numer części 639150
c standardowy obcinacz – numer części 639083

Nasadka miksująca

⑨ z akrylu 1,2 l - A993A, ze szkła 1,2 l - A994A, ze stali nierdzewnej 1,5 l - A996A

Multimikser

⑩ A938A dostarczany jest z 3 szklanymi słoikami i 3 zakrywkami do przechowywania

Sokowirówka

⑪ A935

Maszynka do lodów

⑫ CHEF A953, MAJOR A954

Obieraczka do ziemniaków

⑬ CHEF A934, MAJOR A952

Durszlak i sito

⑭ CHEF A992, MAJOR A930

Pojemniki ze stali nierdzewnej

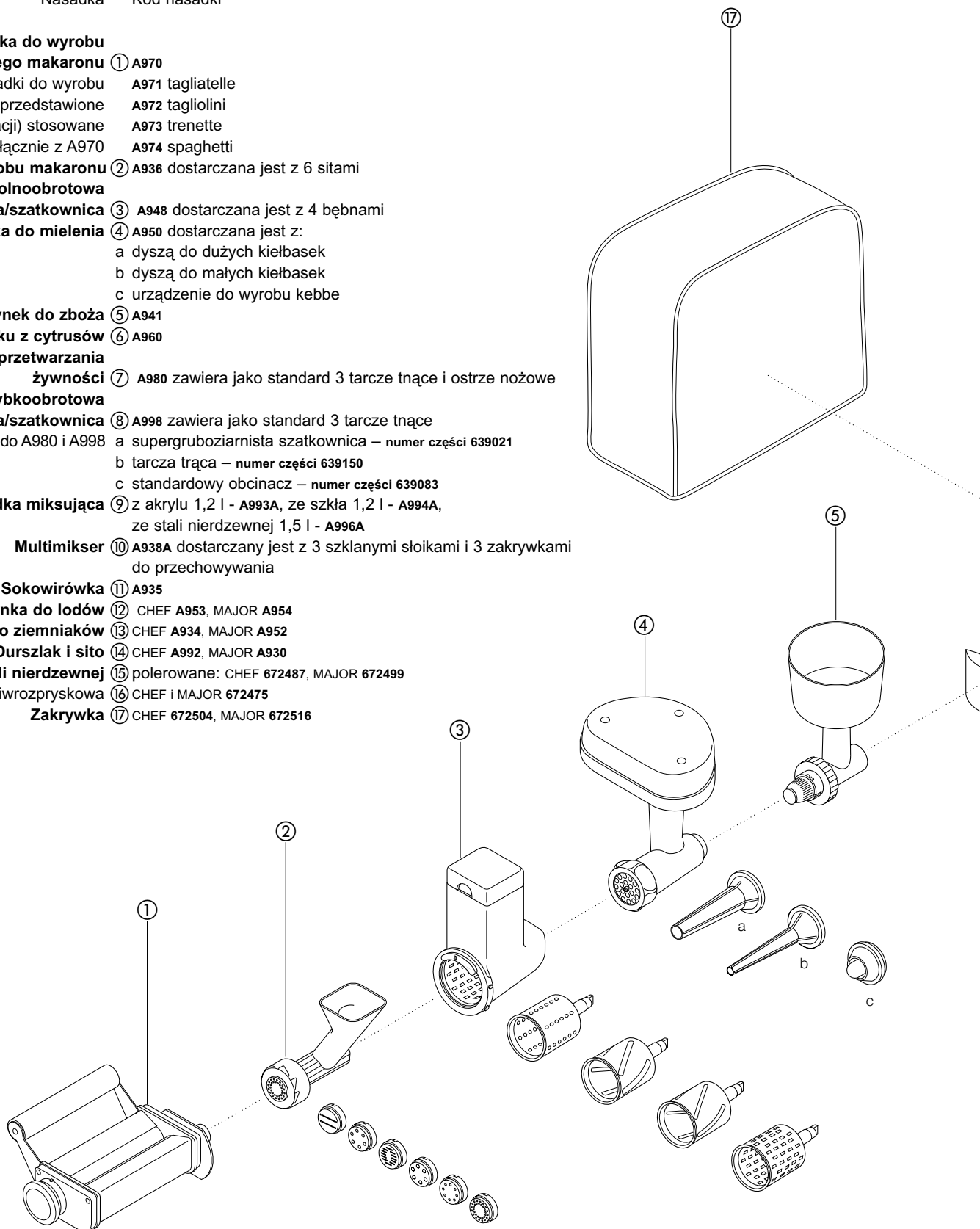
⑮ polerowane: CHEF 672487, MAJOR 672499

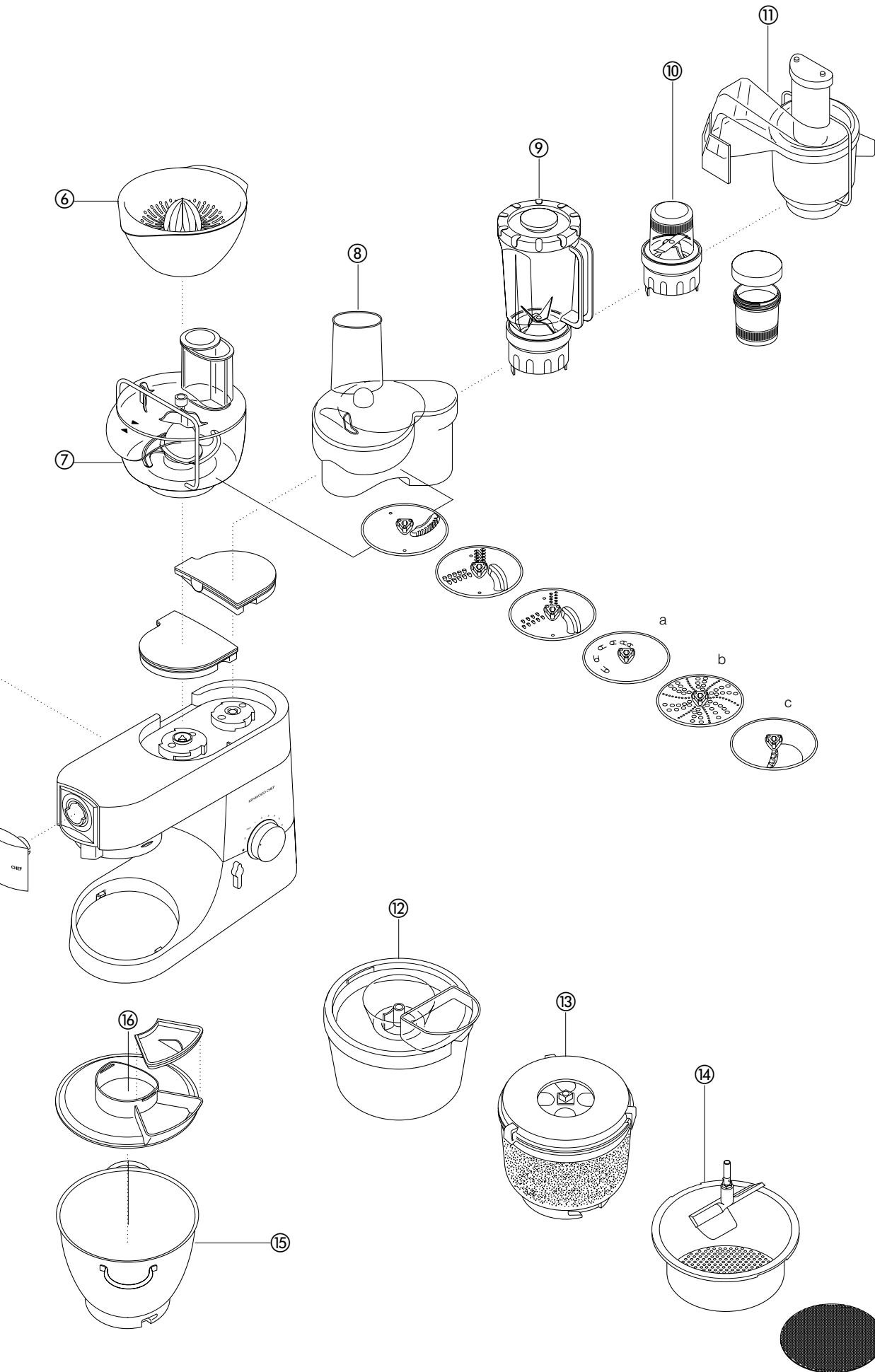
Oslona przeciwrozpryskowa

⑯ CHEF i MAJOR 672475

Zakrywka

⑰ CHEF 672504, MAJOR 672516





czyszczenie i serwis

czyszczenie i pielęgnacja

- Zawsze wyłącz i wyjmij wtyczkę z gniazdka przed czyszczeniem.
- Przy pierwszym użyciu wyjścia ❶ może się na nim pojawić niewielka ilość smaru. Jest to normalne zjawisko – smar wystarczy wytrzeć.

zespół zasilający, pokrywy wyjść • Wytrzeć wilgotną szmatką, a następnie wysuszyć.

- Nigdy nie używaj abrazyjnych środków czyszczących i nie zanurzaj w wodzie.

pojemnik • Wymyć ręcznie, a następnie dokładnie osuszyć lub umyć w zmywarce do naczyń.

- Do czyszczenia pojemnika ze stali nierdzewnej nigdy nie stosować szczoteczki drucianej, wełny stalowej ani wybielacza. Do usuwania kamienia należy używać octu.

narzędzia • Trzymać z dala od źródeł ciepła (palniki kuchenki, piece, mikrofalówki).

• Narzędzia ze stali nierdzewnej można myć ręcznie lub w zmywarce do naczyń.

- Elementy wykonane z innych materiałów niż stal nierdzewna (powlekane) należy myć wyłącznie ręcznie, a następnie dokładnie osuszyć.

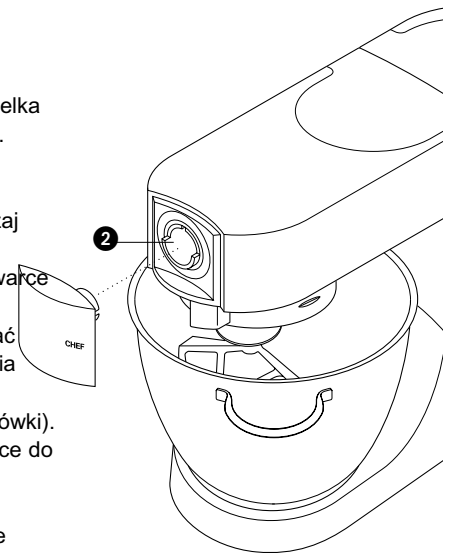
osłona przeciwrozpryskowa • Umyć ręcznie, a następnie dokładnie osuszyć.

serwis i łączność z klientami

- Jeśli sznur ulegnie uszkodzeniu, to z uwagi na bezpieczeństwo musi go wymienić wyłącznie KENWOOD, względnie autoryzowany punkt naprawczy KENWOODA.

Gdy potrzebujesz pomocy:

- W posługiwaniu się malakserem
 - W zamówieniu innego narzędzia
 - W serwisie lub naprawie
- prosimy się skontaktować z miejscem zakupu swego malaksera.



przepisy

Ważne wskazówki do zagniatania ciasta na chleb są podane na str. 120.

biały chleb - miękkie ciasto słodkie

- składniki
- 2,6kg zwykłej mąki
 - 1,3 l mleka
 - 30 dag cukru
 - 45 dag margaryny
 - 10 dag świeżych drożdży lub 5 dag drożdży suszonych
 - 6 rozbełtanych jaj
 - 5 szczypt soli
- Podana ilość odnosi się do modeli Major. W przypadku modeli Chef należy zmniejszyć podane ilości o połowę i dodać całą mąkę naraz.
- metoda
- 1 Stop margarynę w ciepłym mleku (43°C)
 - 2 **drożdże suszone** (typ wymagający rozrobienia): wlej ciepłej wody do miski. Dodaj drożdże, cukier i odstaw na ok. 10 minut, aż się spenią. **drożdże świeże**: rozkrusz do mąki i dodaj cukier. **Inne rodzaje drożdży**: postępuj według wskazówek wytwórcy.
 - 3 Wlej mleko do miski. Dodaj rozbełtane jaja i 2kg mąki.
 - 4 Miksuj na prędkości minimum przez 1 minutę, następnie na prędkości 1 przez dalszą minutę. Zgarniaj w dół miski.
 - 5 Dodaj sól i pozostałą mąkę i wyrabiaj na minimalnej prędkości przez 1 minutę, następnie na prędkości 1 przez 2 - 3 minuty, aż ciasto będzie gładkie i równomiernie wyrobione.
 - 6 Napełnij ciastem do połowy półkilogramowe, nasmarowane foremki, względnie ukształtuj ciasto w bułeczki. Następnie przykryj ściereczką i pozostaw w ciepłym miejscu, aż ciasto podwoi swoją objętość.
 - 7 Piecz *bochenki* w 200°C/Gaz 6 przez 20 - 25 minut lub *bułeczki* przez 15 minut.
 - 8 Upieczony chleb powinien odzywać się pusto, gdy go postukać od spodu.
- Wychodzi ok. 10 bochenków.

krucho ciasto

- składniki
- 45 dag mąki, przesianej wraz z solą
 - 5ml (1 łyżeczka) soli
 - 22 dag tłuszczu (wymieszaj smalec i margarynę prosto z lodówki)
 - ok. 80ml (4 łyżki stołowe) wody
- uwaga
- Nie przemieszaj za nadto.
- metoda
- 1 Wsyp mąkę do miski. Z grubsza posiekaj tłuszcz i dodaj do mąki.
 - 2 Miksuj na prędkości 1, aż mieszanina będzie przypominała tartą bułkę. Wyłącz, zanim zacznie wyglądać tłusto.
 - 3 Dodaj wodę i miksuj na minimalnej prędkości. Wyłącz natychmiast, gdy woda zostanie zaabsorbowana.
 - 4 Piecz w temperaturze ok. 200°C/Gaz 6, odpowiednio do nadzienia.

tort Pawłowa

- składniki
- białka z 3 dużych jaj
 - 175 g cukru pudru
 - 275 ml śmietany kremowej
 - świeże owoce, np. maliny, truskawki, winogrona, kiwi
- sposób przyrządzenia
- 1 Ubić białka z jajek mikserem ustawionym na dużą prędkość aż zaczną się tworzyć miękkie górkę.
 - 2 Przy ubijaczkę pracującej na prędkości 5, stopniowo dodawać za każdym razem jedną łyżkę stołową cukru, ubijając po każdym dodaniu cukru.
 - 3 Wyłożyć formę do pieczenia papierem silikonowym, a następnie nałożyć beżę łyżką na papier, tworząc wgłębienie o średnicy około 20 cm.
 - 4 Umieścić formę do pieczenia we wcześniej podgrzanym piecyku do temperatury 150°C/ustawienie gazu 2, a następnie szybko zmniejszyć temperaturę do 140°C/ustawienie gazu 1, i piec przez jedną godzinę. Wyłączyć piecyk. Pozostawić tort Pawłowa w piecyku do ostygnięcia.
 - 5 Gdy ciasto będzie gotowe do podania, zdjąć papier silikonowy i umieścić ciasto na naczyniu do serwowania. Ubić śmietanę aż powstaną miękkie górkę, a następnie rozsmarować na wierzchu tortu Pawłowa. Udekorować owocami.

przepisy *c.d.*

przepyszne ciasto czekoladowe

- składniki
- 225 g podgrzanego masła
 - 250 g cukru pudru
 - 4 jaja
 - 5 ml (1 łyżeczka) kawy rozpuszczalnej rozprowadzonej w 15 ml (1 łyżka stołowa) gorącej wody
 - 30 ml (2 łyżki stołowe) mleka
 - 5 ml (1 łyżeczka) esencji migdałowej
 - 50 g zmielonych migdałów
 - 100 g mąki zmieszanej z proszkiem do pieczenia
 - 5 ml (1 łyżeczka) proszku do pieczenia
 - 50 g niesłodzonego kakao w proszku
- sposób przyrządzania
- 1 Utrzeć masło i cukier na jednolitą masę przy małej prędkości, stopniowo zwiększając do dużej prędkości, aż mieszanina stanie się lekka i puszysta. Oczyszczyć pojemnik i ubijaczkę.
 - 2 Ubić jaja w dzbanku i podczas pracy miksera z dużą prędkością stopniowo dodawać po trochu po jednym jajku aż zostanie wchłonięte. Wyłączyć i oczyścić.
 - 3 Dolać rozpuszczoną kawę, mleko i esencję migdałową przy małej prędkości. Dodać zmielone migdały, przesianą mąkę, proszek do pieczenia i kakao. Wymieszać przy małej prędkości, aby składniki zostały wchłonięte.
 - 4 Podzielić mieszaninę na dwie formy na ciasto o rozmiarze 20 cm wyłożone papierem odpornym na tłuszcz posmarowanym tłuszczem. Wyrównać wierzchy, a następnie piec w temperaturze 180°C/ustawienie gazu 4 przez około 30 minut aż ciasto stanie się sprężyste w dotyku.
 - 5 Wyłączyć piecyk i ostudzić na drucianej półce.

nadzienie czekoladowe

- składniki
- 275 g zwykłej czekolady połamanej na kawałki
 - 225 ml śmietany kremowej
- sposób przyrządzania
- 1 Roztopić czekoladę, umieszczając ją w pojemniku nad rondlem z lekko gotującą się na wolnym ogniu wodą.
 - 2 Ubić śmietanę, zaczynając od wolnej prędkości, stopniowo zwiększając do wyższej prędkości, aż zaczną się tworzyć miękkie górkę.
 - 3 Gdy czekolada się roztopi, zdjąć pojemnik znad źródła ciepła i przy użyciu dużej łyżki dodać ją do śmietany.
 - 4 Rozsmarować nadzienie czekoladowe między ochłodzonymi ciastami.

zupa z marchewki i kolendry

- składniki
- 25 g masła
 - 1 pokrojona cebula
 - 1 rozgnieciony ząbek czosnku
 - 600 g marchewek pociętych w kostkę 2,5 cm
 - zimny bulion z kurczaka
 - 10-15 ml (2-3 łyżeczki) zmielonej kolendry
 - sól, pieprz
- sposób przyrządzania
- 1 Roztopić masło na rondlu, dodać cebulę i czosnek, a następnie podsmażyć aż staną się miękkie.
 - 2 Umieścić marchewkę w nasadce miksującej, dodać cebulę i czosnek. Dodać odpowiednią ilość bulionu tak, aby osiągnąć poziom 1,2 zaznaczony na pojemniku. Założyć pokrywkę i zakrywkę napełniacza.
 - 3 Mieszać przy maksymalnej prędkości przez 5 sekund dla uzyskania mniej przetartej zupy lub dłużej, aby uzyskać bardziej rozdrobnione składniki.
 - 4 Przebrać mieszaninę do rondla, dodać kolendrę i przyprawy, a następnie gotować na wolnym ogniu przez 30-35 minut lub aż zupa się ugotuje.
 - 5 Doprawić do smaku i w razie potrzeby dodać więcej płynu.

ОЗНАКОМЬТЕСЬ С ВАШИМ КУХОННЫМ КОМБАЙНОМ ФИРМЫ KENWOOD

Меры предосторожности

- Перед поднятием или снятием инструментов/насадок, а также после использования и перед очисткой обязательно выключите кухонную машину и отсоедините сетевой шнур от розетки.
- Детям и инвалидам самостоятельно пользоваться миксером запрещается.
- Не касайтесь руками вращающихся частей комбайна и установленных насадок.
- Не оставляйте работающий комбайн без присмотра и не позволяйте детям пользоваться им.
- Не пользуйтесь неисправным комбайном. Проверьте и отремонтируйте его: смотрите раздел 'Уход' на странице 132.
- Используйте только предназначенные для этого комбайна насадки. Запрещается одновременное использование насадок различных типов.
- Не допускайте превышения максимальных норм загрузки комбайна, указанных на странице 128.
- Не позволяйте детям играть с миксером.
- При использовании насадки ознакомьтесь с указаниями по мерам безопасности, поставляемыми в комплекте с насадками комбайна.
- Данный кухонный комбайн предназначен только для бытового применения.
- Будьте осторожны, поднимая этот тяжелый электроприбор. Перед подъемом убедитесь в том, что головная часть электроприбора зафиксирована, а чаша, насадки, крышки на установочных адаптерах и сетевой шнур надежно закреплены.

Перед включением комбайна

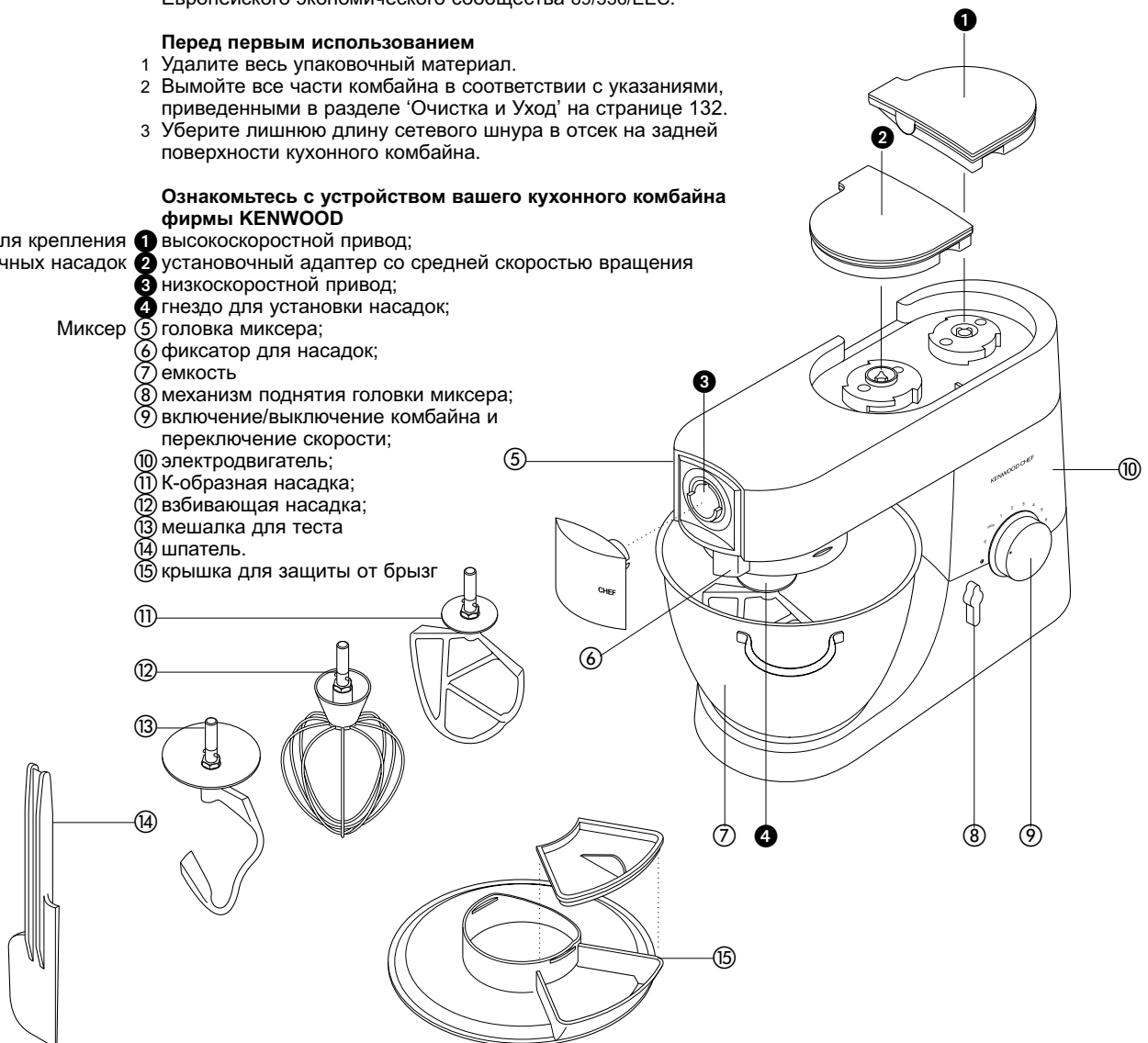
- Убедитесь, что параметры электрической сети совпадают с данными, указанными в табличке на нижней поверхности комбайна.
- Наш кухонный комбайн разработан в соответствии с Директивой Европейского экономического сообщества 89/336/ЕЕС.

Перед первым использованием

- 1 Удалите весь упаковочный материал.
- 2 Выведите все части комбайна в соответствии с указаниями, приведенными в разделе 'Очистка и Уход' на странице 132.
- 3 Уберите лишнюю длину сетевого шнура в отсек на задней поверхности кухонного комбайна.

Ознакомьтесь с устройством вашего кухонного комбайна фирмы KENWOOD

- Гнезда для крепления различных насадок
- 1 высокоскоростной привод;
 - 2 установочный адаптер со средней скоростью вращения;
 - 3 низкоскоростной привод;
 - 4 гнездо для установки насадок;
- Миксер
- 5 головка миксера;
 - 6 фиксатор для насадок;
 - 7 емкость;
 - 8 механизм поднятия головки миксера;
 - 9 включение/выключение комбайна и переключение скорости;
 - 10 электродвигатель;
 - 11 К-образная насадка;
 - 12 взбивающая насадка;
 - 13 мешалка для теста;
 - 14 шпатель.
 - 15 крышка для защиты от брызг



МИКСЕР

Насадки для смешивания и их назначение

- К-образная насадка • Предназначена для приготовления тортов, бисквитов, мучных кондитерских изделий, сахарной глазури, начинок, эклеров и картофельного пюре.
- Взбивающая насадка • Предназначена для взбивания яиц, кремов, жидкого теста, опарного теста без добавления жиров, меренг, пирогов с сырной массой, муссов и суфле. Не используйте эту насадку для приготовления смесей плотной консистенции (например, для жирных кремов и сахаросодержащей смеси) - вы можете повредить насадку.
- Мешалка для теста • Предназначена для вымешивания дрожжевого теста.

Как пользоваться миксером

1 Поверните рычажок ❶ подъема головной части по часовой стрелке, затем поднимите головную часть с миксером до фиксации в верхнем положении.

Как установить насадку 2 Поверните насадку до упора ❷, затем надавите на нее.

3 Установите емкость на основание - нажмите и поверните по часовой стрелке ❸

4 Чтобы опустить головную часть с миксером, слегка приподнимите ее, затем поверните рычажок подъема головной части по часовой стрелке.

5 Включите привод и установите требуемую скорость вращения.

• Для работы в 'импульсном' режиме установите переключатель в положение **P**

Для удаления насадки 6 Открутите ее.

Полезные советы • Периодически выключайте миксер и снимайте шпателем остатки продуктов со стенок емкости.

• Для взбивания лучше всего использовать яйца, нагретые до комнатной температуры.

• Перед взбиванием яичных белков убедитесь, что на взбивающей насадке и в резервуаре нет следов жира или желтка.

• Для приготовления сдобного теста используйте холодные ингредиенты, если в рецептах не приведены иные указания относительно их температуры.

Указания по выпечке хлеба

Важно • Никогда не превышайте максимальных норм загрузки, указанных ниже - вы перегрузите комбайн.

• Если вы слышите, что комбайн работает с перегрузкой, остановите его, удалите половину теста и приготовьте каждую часть отдельно.

• Ингредиенты смешиваются лучше, если сначала налить жидкость.

Максимальные нормы загрузки комбайна:

Модель CHEF	MAJOR
Мука: 680g	Мука: 910g
Мука: 1,36kg	Мука: 1,5kg
Общая масса: 2,18kg	Общая масса: 2,4kg
Мука: 1,3kg	Мука: 2,6kg
Общая масса: 2,5kg	Общая масса: 5kg
Общая масса: 2,72kg	Общая масса: 4,55kg
Яичные белки 12 штук	16 штук

Скорости ❹

К-образная насадка • **взбивание жиров с сахаром** - начинается на минимальной скорости ("min") с постепенным увеличением до "max".

• **сбивание яиц во взбитую смесь**: 4 - максимальная ("max").

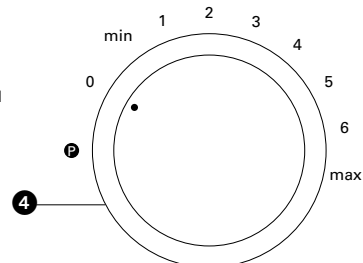
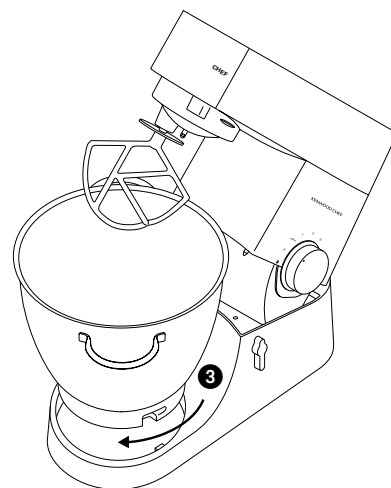
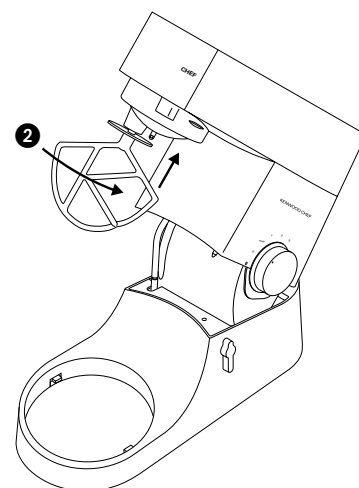
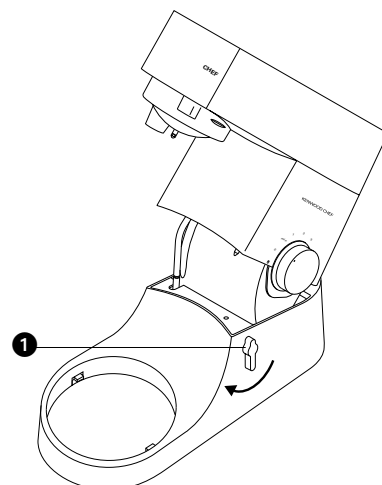
• **замешивание теста, перемешивание фруктов** и т. п. - "min" - 1.

• **смесь для приготовления кексов** - начинается на минимальной скорости ("min") с постепенным увеличением до "max".

• **растирание жиров с мукой** - "min" - 2.

Взбивающая насадка • Постепенно увеличивайте скорость до отметки 'max'.

Мешалка для теста: • Начинать на минимальной отметке 'min' и постепенно увеличивайте скорость до значения 1.



Операции по **очистке** см. на странице 132

ПОИСК И УСТРАНЕНИЕ НЕИСПРАВНОСТЕЙ

Неисправность

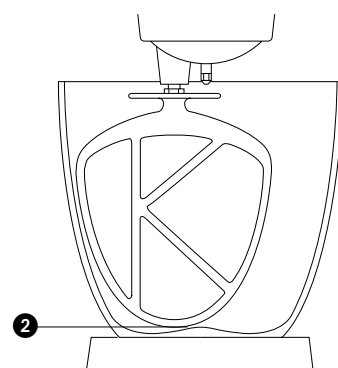
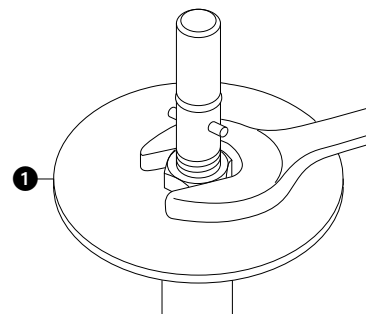
- Взбивающая насадка или К-образная насадка задевают за дно емкости или не промешивают ингредиенты, находящиеся на дне емкости.

Устранение неисправности • Отрегулируйте высоту. Ниже описано, как это нужно делать.

- 1 Отключите комбайн от сети.
- 2 Поднимите головку миксера и вставьте венчик или взбивалку.
- 3 Захватите насадку рукой, а затем ослабьте гайку ❶.
- 4 Опустите головку миксера.
- 5 Отрегулируйте высоту с помощью вращения вала, в идеальном случае венчик/ К-образная взбивалка должна **почти** касаться дна чаши ❷.
- 6 Поднимите головку, захватите венчик/К-образную взбивалку и затяните гайку.

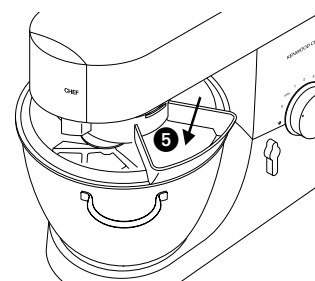
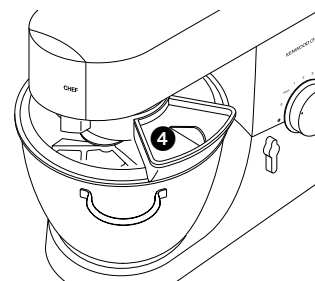
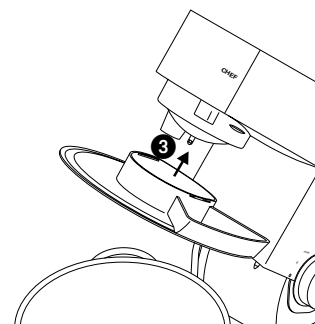
неисправность

- Миксер во время работы останавливается.
- Приобретенный вами миксер комплектуется „1“ устройством защиты от перегрузок. В случае перегрузки миксер остановится во избежание повреждения кухонного комбайна. Если подобное случится, выключите миксер и отсоедините вилку шнура от сети. Удалите из него часть ингредиентов для уменьшения нагрузки. Через несколько минут вновь вставьте вилку сетевого шнура в розетку и снова выберите скорость вращения. Если миксер сразу не включится, подождите еще некоторое время.



Как устанавливать и пользоваться крышкой для защиты от брызг

- 1 Поднимите головку миксера до ее фиксации.
- 2 Установите чашу на основание.
- 3 Надвиньте ограничитель разбрызгивания на нижнюю часть головки миксера до полной фиксации. Лоток для загрузки продуктов должен быть установлен так, как показано на рисунке.
- 4 Вставьте нужную насадку.
- 5 Опустите головку миксера.
- 6 Наденьте на лоток для загрузки продуктов крышку ❷.
- Во время перемешивания можно снять крышку лотка для загрузки продуктов и загружать продукты прямо в чашу ❸.
- Для выполнения смены насадок ограничитель разбрызгивания снимать не требуется.
- 7 Снимите ограничитель разбрызгивания. Для этого нужно поднять головку миксера и сдвинуть ее вниз.



Насадки для кухонного комбайна

Для приобретения насадки, не входящей в комплект вашего кухонного комбайна, обратитесь в сервисный центр KENWOOD.

приспособления код приспособления

насадка для приготовления макаронного теста

① A970

дополнительные приспособления для приготовления макаронного теста (не показано) используются совместно с A970

A971 tagliatelle

A972 tagliolini

A973 trenette

A974 spaghetti

насадка для приготовления макаронных изделий

② A936 поставляется в комплекте с 6 матрицами

низкоскоростная насадка для резки ломтиками/шинкования

③ A948 поставляется в комплекте с 4 режущими барабанами

насадка для приготовления мясного фарша

④ A950 поставляется с
a большой цевкой колбасного шприца
b малой цевкой колбасного шприца
c устройством для приготовления кебаба

мельница для зерна

⑤ A941

соковыжималка

⑥ A960

для citrusовых

насадка для переработки

продуктов

⑦ A980 в комплекте с 3 приспособлениями для нарезки (стандарт) и ножом

высокоскоростная насадка для

резки ломтиками/шинкования

⑧ A998 в комплекте с 3 приспособлениями для нарезки (стандарт)

дополнительные приспособления

к A980 и A998

a приспособление для нарезки очень крупными ломтиками, номер по каталогу 639021

b приспособление-терка, номер по каталогу 639150

c стандартное приспособления для нарезки тонкими ломтиками, номер по каталогу 639083

чаша-растворитель

⑨ 1,2 л полиакрилат A993A, 1,2 л стекло A994A, 1,5 л нержавеющая сталь A996A

универсальная мельница

⑩ A938A в комплекте с 3 стеклянными чашами и 3 крышками для хранения продуктов в этих чашах

экстрактор для соков

непрерывного действия

⑪ A935

сбивалка для приготовления

мороженого

⑫ CHEF A953, MAJOR A954

картофелечистка

⑬ CHEF A934, MAJOR A952

дуршлаг и сито

⑭ CHEF A992, MAJOR A930

чаши из нержавеющей стали

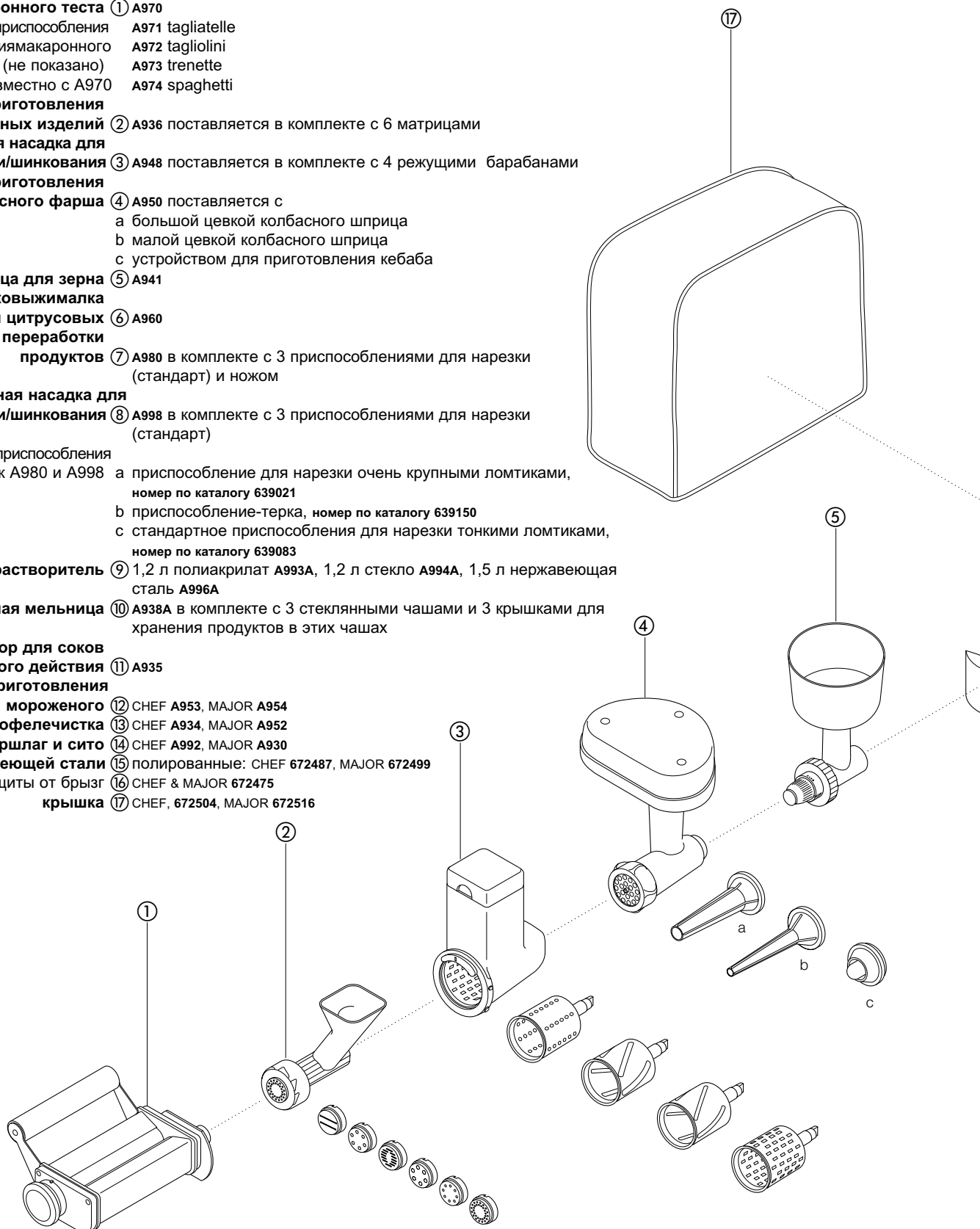
⑮ полированные: CHEF 672487, MAJOR 672499

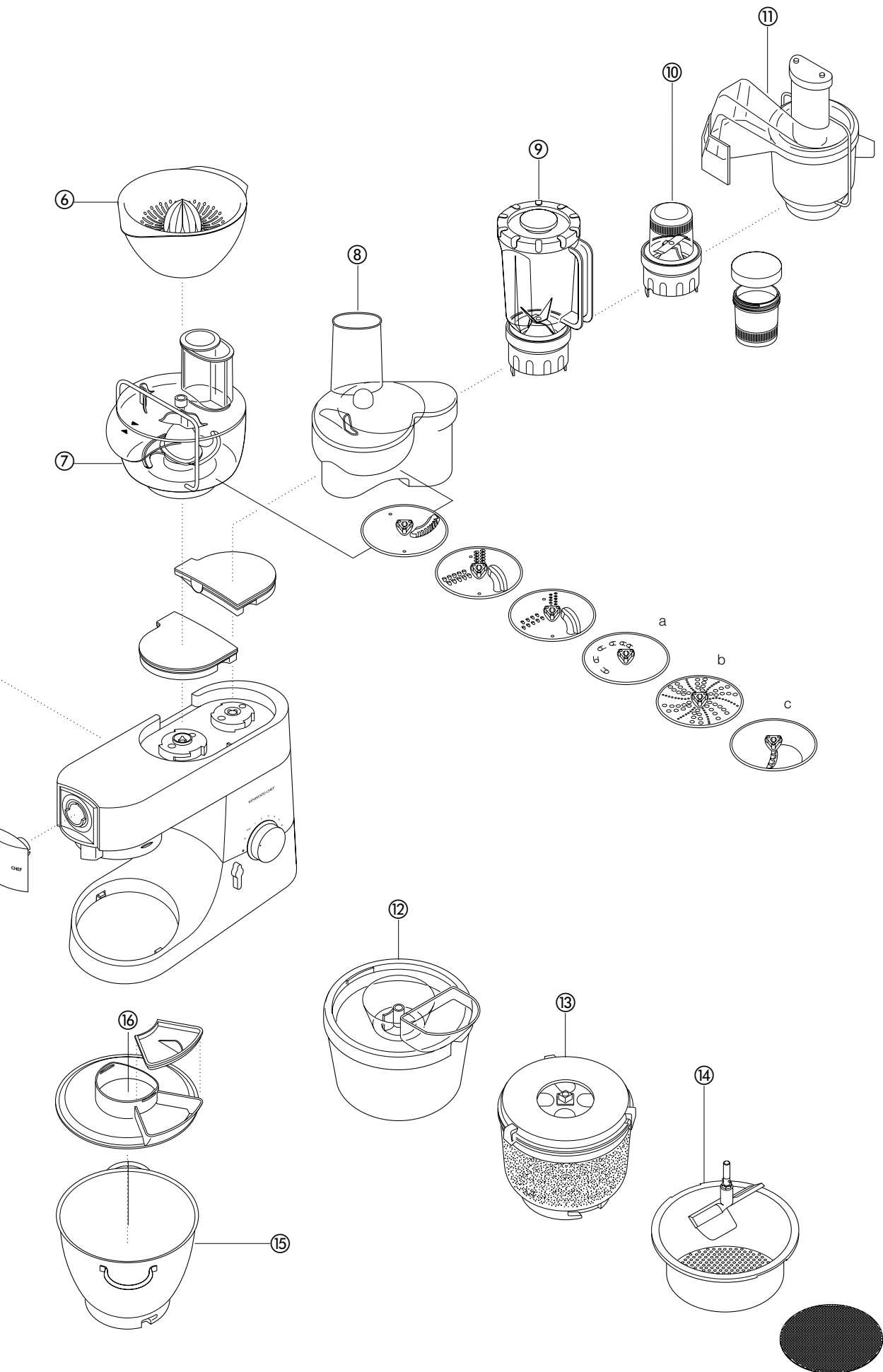
крышка для защиты от брызг

⑯ CHEF & MAJOR 672475

крышка

⑰ CHEF, 672504, MAJOR 672516

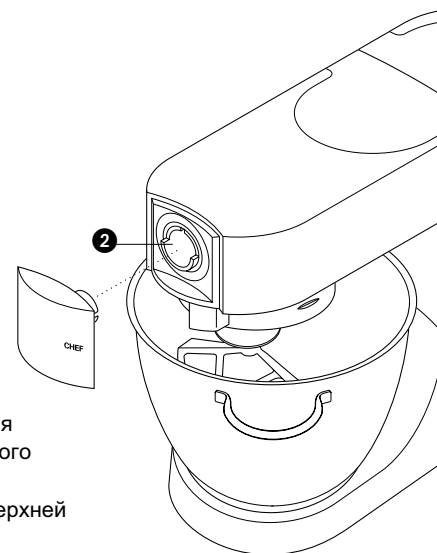




ОЧИСТКА И УХОД

Уход и очистка

- Всегда отключайте комбайн от сети перед его очисткой.
- На установочном адаптере ② при первом использовании электроприбора может появиться немного густой смазки. Это нормальное явление – просто удалите смазку.



силовой блок, крышки на установочных адаптерах

- Протереть влажной салфеткой и просушить.
- Никогда не используйте абразивные моющие средства и не погружайте его в воду.

чаша

- Вымойте чашу руками и тщательно высушите или вымойте чашу в посудомоечной машине.
- Ни в коем случае не пользуйтесь проволочной щеткой, металлической мочалкой или отбеливающими средствами для чистки чаши из нержавеющей стали. Для удаления известкового налета используйте винный уксус.
- Держите кухонный комбайн в стороне от источников тепла (верхней панели электроплиты, электропечей, микроволновых печей).

приспособления

- Приспособления из нержавеющей стали можно мыть руками или в посудомоечной машине.
- Приспособления (с покрытием), изготовленные не из нержавеющей стали, следует мыть только руками и затем тщательно просушивать.

крышка для защиты от брызг

- Мойте только руками и тщательно просушивайте.

Уход

- Если поврежден шнур питания, то в целях безопасности его необходимо заменить, обратившись на фирму KENWOOD или в местный официальный сервисный центр.

Если вам требуется помощь

- при использовании комбайна
- при заказе другой насадки
- при обслуживании или ремонте, обратитесь в торговую организацию, где вы приобрели комбайн.

РЕЦЕПТЫ

Необходимые рекомендации по выпечке хлеба см. на странице 128.

Белый хлеб (*мягкое тесто континентального типа*)

- Ингредиенты
- 2,6кг обычной муки
- Эти количества для моделей Majog. В модели Chef загружать вдвое меньше, муку добавлять в один прием
- 1,3л молока
 - 300г сахара
 - 450г маргарина
 - 100г свежих дрожжей или 50г сухих дрожжей
 - 6 разбитых яиц
 - 5 щепоток соли
- Способ приготовления
- 1 Расплавьте маргарин в молоке и доведите смесь до температуры 43°C.
 - 2 **Сухие дрожжи:** (тип дрожжей, для которого необходимо восстановление влагосодержания) добавьте дрожжи и сахар в молоко и оставьте на 10 минут до появления пены.
Свежие дрожжи: покрошите в муку и добавьте сахар.
Другие типы дрожжей: следуйте указаниям изготовителя.
 - 3 Вылейте молоко в емкость. Добавьте разбитые яйца и 2кг муки.
 - 4 Перемешивайте на минимальной скорости в течение 1 минуты, а затем на скорости 1 в течение еще 1 минуты. Соскоблите.
 - 5 Добавьте соль и оставшееся количество муки и перемешайте на минимальной скорости в течение 1 минуты, затем на скорости 1 еще 2 - 3 минуты до получения однородной смеси.
 - 6 Заполните тестом жестяные формы для выпечки на 450г, смазанные жиром, наполовину или сформируйте булочки. Затем накройте кухонным полотенцем и оставьте в теплом месте, пока тесто не увеличится в объеме вдвое.
 - 7 Выпекайте *батоны* при температуре 200°C при положении '6' регулятора духовки в течение 20 - 25 минут, а *булочки* - 15 минут.
 - 8 Готовый хлеб издает при постукивании по нижней корочке 'пустой' звук.
- Рецепты рассчитаны приблизительно на 10 батонов.

Песочное тесто

- Ингредиенты
- 450г муки, просеять вместе с солью
 - 5мл (1 ч.л.) соли
 - 225г жира (смесь свиного жира и маргарина, охлажденная)
 - около 80мл воды
- Полезные советы
- не перемешивайте тесто излишне долго.
- Способ приготовления
- 1 Поместите муку в емкость. Нарежьте жир крупными кубиками и добавьте к муке.
 - 2 Замешивайте на скорости 1 до тех пор, пока тесто не станет густым. Остановите замешивание до того, как тесто приобретет «сальный» вид.
 - 3 Добавьте воду и перемешайте на минимальной скорости. Остановите перемешивание, как только вода будет поглощена тестом.
 - 4 Выпекайте при температуре 200°C при положении '6' регулятора духовки. Время выпечки зависит от начинки.

«павлова»

- ингредиенты
- белок 3 крупных яиц
 - 175 г сахарной пудры
 - 275 мл двойных сливок
 - свежие фрукты, например, малина, клубника, грейпфруты, киви
- способ приготовления
- 1 Взбивать яичные белки на большой скорости до состояния «воздушности».
 - 2 Продолжить взбивание на скорости «5», периодически добавляя по 1 ложке сахарной пудры. После добавления очередной ложки взбивать.
 - 3 Положить на противень лист силиконовой бумаги, затем ложкой расположить на бумаге меренги, которые должны образовать круглое «гнездо» диаметром около 20 см.
 - 4 Поместить противень в печь, предварительно нагретую до 150°C (положение рукоятки газовой плиты «2») и сразу же снизить температуру до 140°C (положение рукоятки газовой плиты «1»), при которой выпекать продукт в течение 1 ч. Выключить печь, но оставить «павлову» в печи до остывания.
 - 5 Когда продукт будет готов, отделить от него силиконовую бумагу и переместить продукт на сервировочное блюдо. Взбивать крем до состояния «воздушности», после чего покрыть им продукт «павлова» и украсить фруктами.

РЕЦЕПТЫ (ПРОДОЛЖЕНИЕ)

- восхитительный шоколадный кекс**
- ингредиенты
- 225 г размягченное сливочное масло
 - 250 г сахарной пудры
 - 4 яйца
 - 5 мл (1 чайная ложка) быстрорастворимого кофе, которую следует растворить в 15 мл (1 столовая ложка) горячей воды
 - 30 мл (2 столовых ложки) молока
 - 5 мл (1 чайная ложка) миндальной эссенции
 - 50 г молотого миндаля
 - 100 г самоподнимающейся муки
 - 5 мл (1 чайная ложка) разрыхлителя теста
 - 50 г несладкого какао-порошка
- способ приготовления
- 1 Приготовить из сливочного масла и сахарной пудры крем, начав взбивание на малой скорости и постепенно увеличивая ее до получения легкой и пышной смеси. Извлечь смесь из чаши и удалить ее со сбивалки.
 - 2 Взбить яйца в чаше, включив миксер на высокой скорости. Взбивать небольшими порциями, добавляя в чашу яичную смесь до получения однородной массы. Выключить миксер и удалить готовую смесь со сбивалки.
 - 3 Смешать растворенный кофе, молоко и миндалевую эссенцию, включив миксер на малой скорости. Добавить молотый миндаль, просеянную муку, разрыхлитель теста и какао-порошок. Смешивать на малой скорости до получения однородной смеси.
 - 4 Разложить смесь в две жестяные формы для выпечки кекса, размером 20 см каждая, дно которых выстлано промасленной маслонепроницаемой бумагой. Разровнять смесь по верху и выпекать кексы при 180°C (положение рукоятки газовой плиты «4») примерно в течение 30 мин., пока при прикосновении они не начнут «пружинить».
 - 5 Перевернуть формы и охладить на решетке.
- шоколадная начинка «мусселин»**
- ингредиент „К“
- 275 г чистого плиточного шоколада, разломанного на мелкие кусочки
 - 225 мл двойных сливок
- способ приготовления
- 1 Растопите шоколад в чаше, которую с этой целью следует поместить на кастрюлю с кипящей водой (на медленном огне).
 - 2 Приготовить крем, начав сбивание на малой скорости и постепенно увеличивая ее, пока не будет получена «воздушная» смесь.
 - 3 После расплавления шоколада прекратите подогревание чаши и большой ложкой добавьте шоколад в крем.
 - 4 Выложить шоколадную начинку поровну на остывшие кексы.
- морковный суп с кориандром**
- ингредиенты
- 25 г сливочного масла
 - 1 мелко нарезанная луковица
 - 1 зубчик мелко измельченного чеснока
 - 600 г моркови, порезанной на кубики размером 2,5 см
 - холодный куриный бульон
 - 10-15 мл (2-3 чайных ложки) тертого кориандра
 - соль и перец
- способ приготовления
- 1 Растопить масло на сковороде, всыпать в него лук и чеснок и жарить до размягчения.
 - 2 Засыпать морковь в чашу-растворитель, добавить лук и чеснок. Добавить холодный куриный бульон в таком количестве, чтобы количество продукта в чаше соответствовало метке «1.2». Установить крышку и заглушку на заливочное отверстие.
 - 3 Перемешивать на максимальной скорости в течение 5 с для получения супа с крупными кусочками или дольше, если вы хотите получить суп, похожий на суп-пюре.
 - 4 Переложить смесь „Г“ в кастрюлю для приготовления соусов, добавить кориандр и приправы, затем варить в течение 30-35 минут в режиме слабого кипения или до полной готовности.
 - 5 При необходимости добавить приправы и долить жидкость по вкусу.

γνωρίστε τη μηχανή κουζίνας της Kenwood

ασφάλεια

- Θέστε εκτός λειτουργίας και αποσυνδέστε τη συσκευή από το ρεύμα πριν προσαρμόσετε ή αφαιρέσετε εργαλεία/εξαρτήματα, μετά από τη χρήση και πριν από τον καθαρισμό.
- Η συσκευή αυτή δεν προορίζεται για χρήση από μικρά παιδιά ή ανήμπορα άτομα χωρίς επίβλεψη.
- Κρατείστε τα δάχτυλά σας μακριά από τα κινούμενα μέρη και τα προσαρμοσμένα εξαρτήματα.
- Μην αφήνετε ποτέ τη συσκευή σε λειτουργία χωρίς να την επιβλέπετε και κρατήστε τα παιδιά μακριά από αυτήν.
- Μη χρησιμοποιείτε ποτέ συσκευές που παρουσιάζουν βλάβη. Πρώτα επισκευάστε ή ελέγξτε τις: Δείτε σχετικά το κεφάλαιο 'σέρβις' στη σελίδα 140.
- Μην χρησιμοποιείτε ποτέ εξαρτήματα που δεν είναι εγκεκριμένα από την Kenwood ή περισσότερα από ένα εξαρτήματα ταυτόχρονα.
- Μην υπερβαίνετε ποτέ τις μέγιστες χωρητικότητες που αναγράφονται στη σελίδα 136.
- Μην αφήνετε τα παιδιά να χρησιμοποιούν τη συσκευή αυτή ως παιχνίδι.
- Όταν χρησιμοποιείτε ένα εξάρτημα διαβάστε τις οδηγίες ασφαλείας που το συνοδεύουν.
- Χρησιμοποιείτε τη συσκευή μόνο για την οικιακή χρήση για την οποία προορίζεται.
- Προσέχετε όταν σηκώνετε αυτή τη συσκευή καθώς είναι βαριά. Βεβαιωθείτε ότι η κεφαλή είναι ασφαλισμένη και ότι το μπωλ, τα εργαλεία, τα καλύμματα υποδοχών και το καλώδιο είναι στερεωμένα πριν να τη σηκώσετε.

πριν συνδέσετε τη συσκευή στο ρεύμα

- Βεβαιωθείτε ότι η ηλεκτρική σας παροχή είναι ίδια με αυτήν που αναγράφεται στο κάτω μέρος της συσκευής.
- Η συσκευή αυτή είναι κατασκευασμένη σύμφωνα με την Οδηγία 89/336/ΕΟΚ της Ευρωπαϊκής Οικονομικής Κοινότητας.

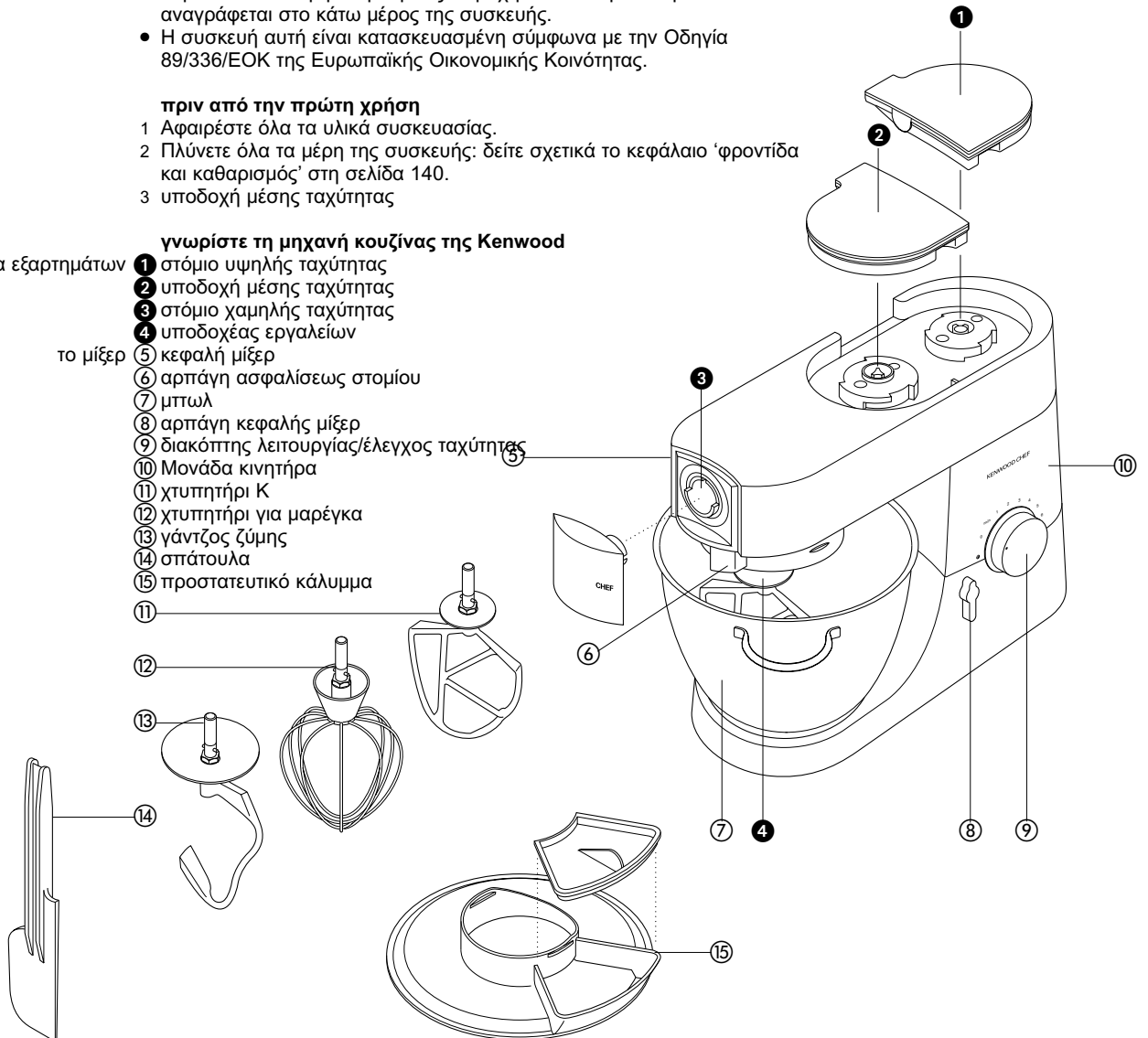
πριν από την πρώτη χρήση

- 1 Αφαιρέστε όλα τα υλικά συσκευασίας.
- 2 Πλύνετε όλα τα μέρη της συσκευής: δείτε σχετικά το κεφάλαιο 'φροντίδα και καθαρισμός' στη σελίδα 140.
- 3 υποδοχή μέσης ταχύτητας

γνωρίστε τη μηχανή κουζίνας της Kenwood

στόμια εξαρτημάτων

- 1 στόμιο υψηλής ταχύτητας
 - 2 υποδοχή μέσης ταχύτητας
 - 3 στόμιο χαμηλής ταχύτητας
 - 4 υποδοχέας εργαλείων
- το μίξερ
- 5 κεφαλή μίξερ
 - 6 αρπάγη ασφαλίσσεως στομίου
 - 7 μπωλ
 - 8 αρπάγη κεφαλής μίξερ
 - 9 διακόπτης λειτουργίας/έλεγχος ταχύτητας
 - 10 Μονάδα κινητήρα
 - 11 χτυπητήρι K
 - 12 χτυπητήρι για μαρέγκα
 - 13 γάντζος ζύμης
 - 14 σπάτουλα
 - 15 προστατευτικό κάλυμμα



ΤΟ ΜΙΞΕΡ

- χτυπητήρι K • **τα εργαλεία ανάμιξης και μερικές από τις χρήσεις τους**
- χτυπητήρι για μαρέγκα • Για να παρασκευάσετε κέικ, μπισκότα, ζύμη σφολιάτας, ζάχαρη άχνη, γέμιση, εκκλέρ και πουρέ πατάτας.
- γάντζος ζύμης • Για αυγά, κρέμα γάλακτος, βούτυρο, σπογγώδη κέικ χωρίς λίπη, μαρέγκες, κέικ τυριού, μους, σουφλέ. Μη χρησιμοποιείτε το χτυπητήρι για πυκνά μίγματα (π.χ. για να παρασκευάσετε κρεμώδες μίγμα από βούτυρο και ζάχαρη) - διότι μπορεί να το καταστρέψετε.
- γάντζος ζύμης • Για μίγματα που περιέχουν μαγιά.

για να χρησιμοποιήσετε το μίξερ σας

- 1 Στρέψτε το μοχλό ανύψωσης κεφαλής προς τα δεξιά **1** και σηκώστε την κεφαλή του μίξερ μέχρι να ασφαλίσει.
- 2 Στρέψτε το μέχρις ότου να σταματήσει **2** και στη συνέχεια σπρώξτε το.
- 3 Προσαρμόστε το μπτωλ επάνω στη βάση - πιέστε προς τα κάτω και στρέψτε κατά τη φορά κίνησης των δεικτών του ρολογιού **3**
- 4 Για να χαμηλώσετε την κεφαλή του μίξερ, σηκώστε την ελαφρά, έπειτα στρέψτε το μοχλό ανύψωσης κεφαλής προς τα δεξιά. Χαμηλώστε την να ασφαλίσει στη θέση της.
- 5 Θέστε τη συσκευή σε λειτουργία και στρέψτε το διακόπτη επιλογής ταχύτητας στη ρύθμιση που επιθυμείτε.
 - Στρέψτε το διακόπτη στη θέση **P** για σύντομες παλλόμενες κινήσεις.
 - 6 Ξεβιδώστε το.

- χρήσιμες συμβουλές • Σβήνετε τη συσκευή και ξύνετε το μπτωλ με τη σπάτουλα κατά τακτά χρονικά διαστήματα.
- Τα αυγά που βρίσκονται σε θερμοκρασία δωματίου είναι τα καταλληλότερα για χτύπημα.
- Πριν χτυπήσετε ασπράδια αυγού βεβαιωθείτε ότι δεν υπάρχουν υπολείμματα λίπους ή κρόκου στο χτυπητήρι ή στο μπτωλ.
- Χρησιμοποιείτε κρύα υλικά για την παρασκευή ζύμης σφολιάτας εκτός και αν η συνταγή σας προτρέπει να κάνετε κάτι άλλο.

- σημαντική σημείωση • **σημεία προσοχής για την παρασκευή ψωμιού**
- Δεν πρέπει ποτέ να υπερβαίνετε τις μέγιστες χωρητικότητες που αναφέρονται παρακάτω, διότι θα υπερφορτώσετε τη συσκευή.
- Εάν ακούσετε τον κινητήρα της συσκευής να καταπονείται, σβήστε τη συσκευή, αφαιρέστε τη μισή ζύμη και επεξεργαστείτε κάθε ένα από τα δύο μέρη της ζύμης ξεχωριστά.
- Τα υλικά ανμιγνύονται καλύτερα εάν πρώτα τοποθετήσετε τα υγρά μέσα στο μπτωλ.

μέγιστες χωρητικότητες

CHEF

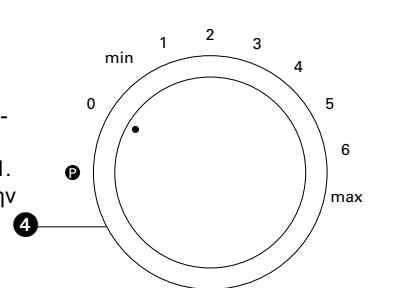
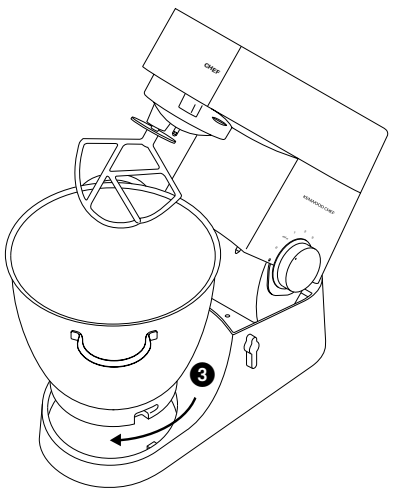
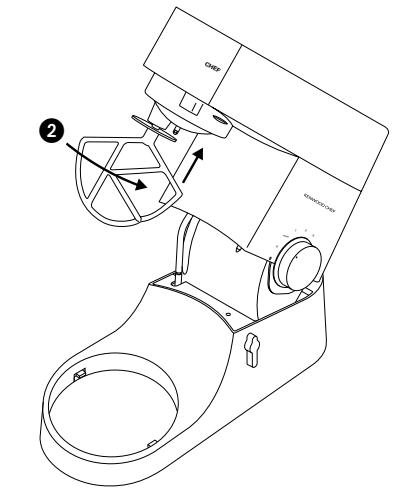
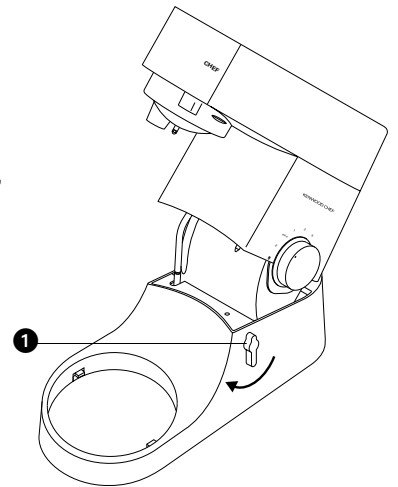
- ζύμη σφολιάτας • Βάρος αλευριού: 680γρ
- σφιχτό μίγμα μαγιάς Βρετανικού τύπου • Βάρος αλευριού: 1.36 κιλά
- μαλακό μίγμα μαγιάς ευρωπαϊκού τύπου • Συνολικό βάρος: 2.18 κιλά
- μίγμα για κέικ φρούτων • Βάρος αλευριού: 1.3 κιλά
- ασπράδια αυγών • Συνολικό βάρος: 2.5 κιλά
- Συνολικό βάρος: 2.72 κιλά
- 12

MAJOR

- Βάρος αλευριού: 910γρ
- Βάρος αλευριού: 1.5 κιλά
- Συνολικό βάρος: 2.4 κιλά
- Βάρος αλευριού: 2.6 κιλά
- Συνολικό βάρος: 5 κιλά
- Συνολικό βάρος: 4.55 κιλά
- 16

ταχύτητες **4**

- χτυπητήρι K • **για να αναμίξετε λίπος και ζάχαρη μέχρι το μίγμα να αποκτήσει κρεμώδη υφή** ξεκινήστε στην πιο χαμηλή ταχύτητα 'min', αυξάνοντας σταδιακά μέχρι την ταχύτητα 'max'.
- **για να χτυπήσετε αυγά μέχρι το μίγμα να αποκτήσει κρεμώδη υφή 4 - 'max'.**
- **για να ανακατέψετε ελαφρά αλεύρι, φρούτα κλπ. με άλλα υλικά** Min - 1.
- **για να αναμίξετε ταυτόχρονα όλα τα υλικά για μίγμα κέικ** ξεκινήστε στην πιο χαμηλή ταχύτητα 'min', αυξάνοντας σταδιακά μέχρι την πιο υψηλή ταχύτητα 'max'.
- **για να προσθέσετε σταδιακά λίπος σε αλεύρι** min - 2.
- χτυπητήρι για μαρέγκα • Σταδιακά αυξήστε στη μέγιστη ταχύτητα 'max'.
- γάντζος ζύμης • Ξεκινήστε από την μικρότερη ταχύτητα 'min', αυξάνοντας σταδιακά έως το 1.



για τον καθαρισμό δείτε την σελίδα 140

προβλήματα κατά τη λειτουργία

πρόβλημα

- το χτυπητήρι για μαρέγκα ή το χτυπητήρι K χτυπούν επάνω στον πυθμένα της λεκάνης ή δεν φτάνουν στα υλικά που βρίσκονται στο κάτω μέρος της λεκάνης.

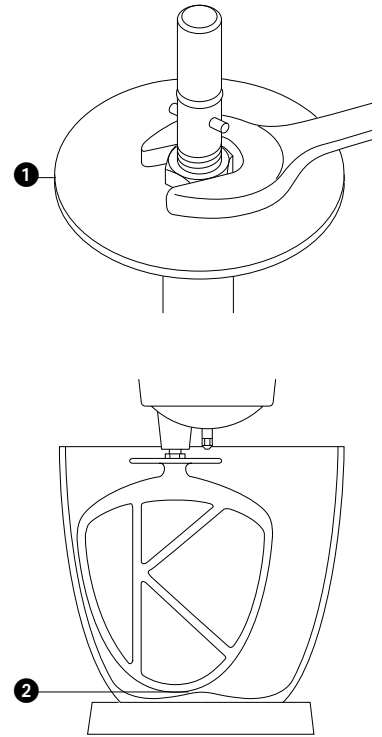
λύση • Ρυθμίστε το ύψος ως εξής:

- 1 Αποσυνδέστε τη συσκευή από το ρεύμα.
- 2 Σηκώστε την κεφαλή του μίξερ και εισάγετε τον αναδευτήρα.
- 3 Κρατήστε τη σταθερά, έπειτα χαλαρώστε το παξιμάδι **1**
- 4 Κατεβάστε την κεφαλή του μίξερ.
- 5 Ρυθμίστε το ύψος στρέφοντας τη λαβή του εργαλείου. Θα ήταν προτιμότερο ο αναδευτήρας να ακουμπά **σχεδόν** στο κάτω μέρος του μπωλ **2**
- 6 Σηκώστε την κεφαλή, κρατήστε σταθερά τον αναδευτήρα και σφίξτε το παξιμάδι.

πρόβλημα

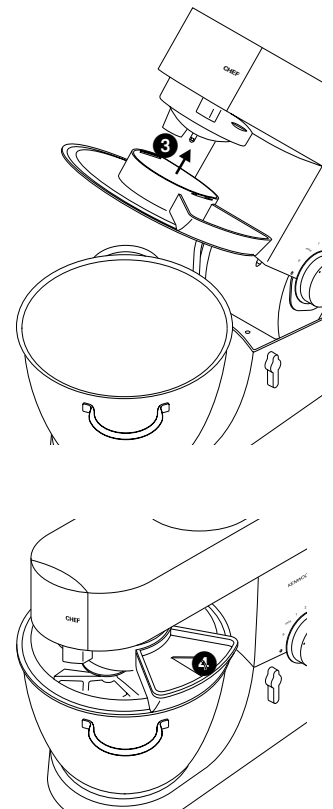
- Το μίξερ σταματά ενώ βρίσκεται σε λειτουργία.

λύση • Το μίξερ διαθέτει ενσωματωμένο μηχανισμό προστασίας από υπερφόρτωση και σταματά εάν έχει υπερφορτωθεί ώστε να προστατευτεί η συσκευή. Στην περίπτωση αυτή, θέστε τη συσκευή εκτός λειτουργίας και αποσυνδέστε το μίξερ από το ρεύμα. Αφαιρέστε κάποια από τα υλικά για να μειώσετε το βάρος και αφήστε το μίξερ εκτός λειτουργίας για λίγα λεπτά. Συνδέστε τη συσκευή στο ρεύμα και επαναπιλέξτε την ταχύτητα. Εάν το μίξερ δεν επαναλειτουργήσει αμέσως αφήστε το εκτός λειτουργίας για λίγη ακόμη ώρα.



για να προσαρμόσετε και να χρησιμοποιήσετε το προστατευτικό κάλυμμα

- 1 Σηκώστε την κεφαλή του μίξερ μέχρι να ασφαλίσει.
- 2 Προσαρμόστε το μπωλ ανάμιξης επάνω στη βάση.
- 3 Πιέστε το προστατευτικό κάλυμμα επάνω στο μπωλ μέχρι να εφαρμόσει στη θέση του **3**. Το αρθρωτό κομμάτι πρέπει να βρίσκεται στη θέση που εικονίζεται **4**.
- 4 Εισάγετε τον κατάλληλο αναδευτήρα.
- 5 Κατεβάστε την κεφαλή του μίξερ.
 - Όσο διαρκεί η ανάμιξη, μπορείτε να προσθέτετε υλικά απευθείας στο μπωλ ρίχνοντάς τα μέσα από το άνοιγμα που σχηματίζει το αρθρωτό κομμάτι του προστατευτικού καλύμματος.
 - Δε χρειάζεται να αφαιρέσετε το προστατευτικό κάλυμμα για να αλλάξετε εξαρτήματα.
- 6 Αφαιρέστε το προστατευτικό κάλυμμα σηκώνοντας την κεφαλή του μίξερ και τραβώντας το προς τα κάτω.



Τα διαθέσιμα εξαρτήματα

Για να προμηθευτείτε κάποιο εξάρτημα που δεν περιλαμβάνεται στη συσκευασία σας, επικοινωνήστε με το σέρβις της KENWOOD.

εξάρτημα κωδικός εξαρτήματος

Παρασκευαστής επίπεδων

ζυμαρικών ① A970

Πρόσθετα εξαρτήματα ζυμαρικών (δεν εικονίζονται) που χρησιμοποιούνται με το A970

- A971 ταλιατέλλες
- A972 ταλιολίνι
- A973 τρενέτε
- A974 σπαγγέτι

παρασκευαστής ζυμαρικών ② A936 συνοδεύεται από 6 πλέγματα

εξάρτημα τεμαχισμού σε φέτες/λωρίδες ③ A948 συνοδεύεται από 4 κυλίνδρους

χαμηλής ταχύτητας

κρεατομηχανή πολλαπλών

χρήσεων ④ A950 συνοδεύεται από

- a μεγάλο επιστόμιο για λουκάνικα
- b μικρό επιστόμιο για λουκάνικα
- c εξάρτημα για κέμπτε

μύλος αλέσεως δημητριακών ⑤ A941

λεμονοστύφης ⑥ A960

εξάρτημα επεξεργασίας τροφών ⑦ A980 περιλαμβάνει 3 σπάντα δίσκους κοπής και μία

λεπίδα μαχαιριού

εξάρτημα τεμαχισμού σε

φέτες/λωρίδες υψηλής

ταχύτητας ⑧ A998 περιλαμβάνει 3 σπάντα δίσκους κοπής προαιρετικοί

δίσκοι για τα

A980 & A998 a εξάρτημα τεμαχισμού σε πολύ χοντρές λωρίδες αριθμός εξαρτήματος 639021

b δίσκος τριψίματος αριθμός εξαρτήματος 639150

c συμβατικό εξάρτημα τεμαχισμού σε μικρά κομμάτια αριθμός εξαρτήματος

639083

μπλέντερ ⑨ 1,2 λίτρα ακρυλική κανάτα A993A, 1,2 λίτρα γυάλινη κανάτα A994A,

1,5 λίτρα ανοξείδωτη κανάτα A996A

μύλος πολλαπλών χρήσεων ⑩ A938A συνοδεύεται από 3 γυάλινες κανάτες και 3 καπάκια βάζων

αποχυμωτής συνεχούς ροής ⑪ A935

παρασκευαστής παγωτού ⑫ CHEF A953, MAJOR A954

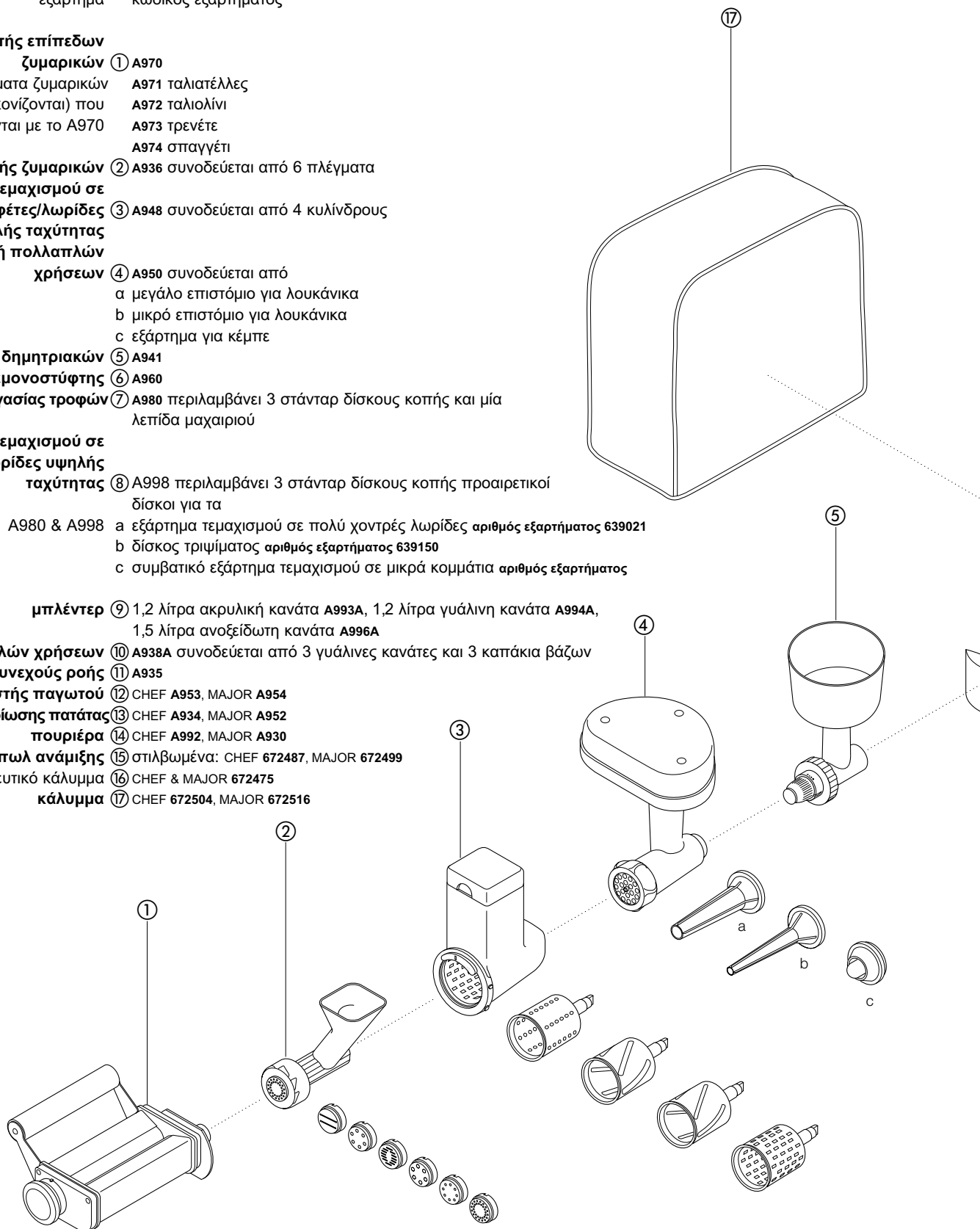
εξάρτημα αποφλοιώσης πατάτας ⑬ CHEF A934, MAJOR A952

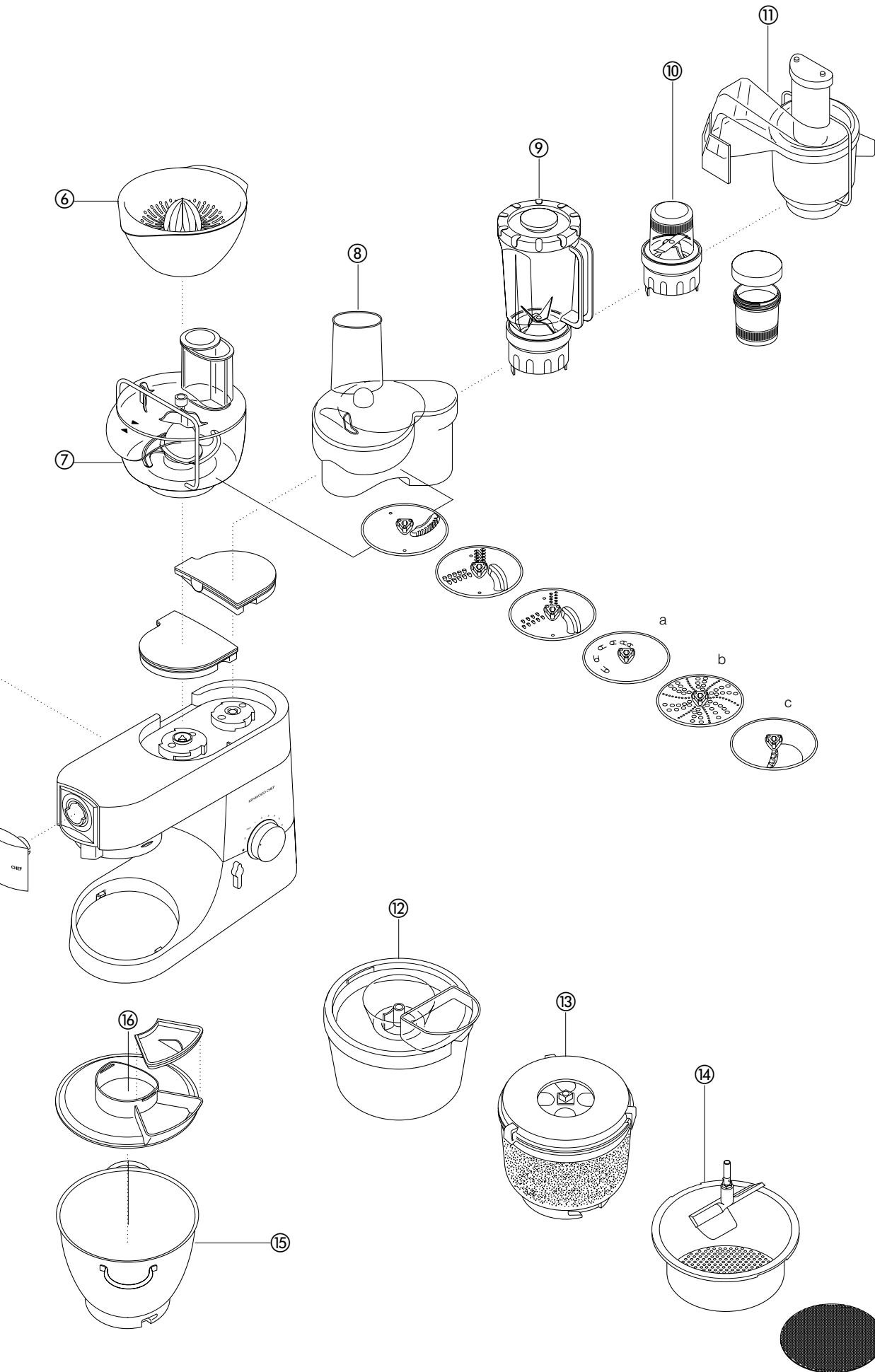
πουριέρα ⑭ CHEF A992, MAJOR A930

ανοξείδωτα μπωλ ανάμιξης ⑮ στιλβωμένα: CHEF 672487, MAJOR 672499

προστατευτικό κάλυμμα ⑯ CHEF & MAJOR 672475

κάλυμμα ⑰ CHEF 672504, MAJOR 672516

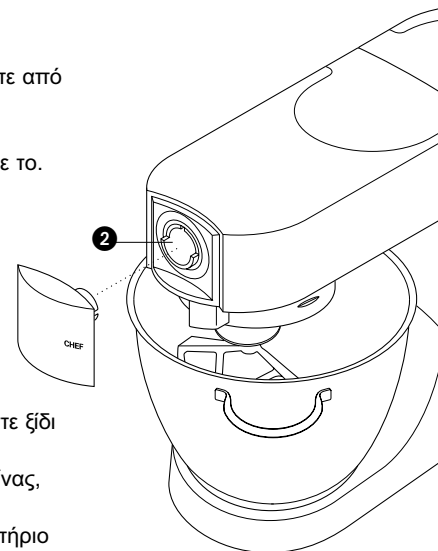




καθαρισμός και σέρβις

φροντίδα και καθαρισμός

- Θα πρέπει πάντοτε να σβήνετε τη συσκευή και να την αποσυνδέετε από το ρεύμα πριν από τον καθαρισμό.
- Μπορεί να εμφανιστεί λίγο λιπαντικό στην υποδοχή ❷ όταν τη χρησιμοποιήσετε για πρώτη φορά. Είναι φυσικό – απλά σκουπίστε το.



μονάδα κινητήρα, καλύμματα

υποδοχών

- Περάστε με ένα υγρό πανί, έπειτα στεγνώστε.
- Μη χρησιμοποιείτε ποτέ σκληρά καθαριστικά και μη τη βυθίζετε σε νερό.

μπωλ

- Πλύνετε στο χέρι, έπειτα στεγνώστε πολύ καλά ή πλύνετε στο πλυντήριο πιάτων.
- Ποτέ μη χρησιμοποιείτε συρμάτινη βούρτσα, σύρμα καθαρισμού ή λευκαντικό για να καθαρίσετε το ανοξείδωτο μπωλ. Χρησιμοποιήστε ξίδι για να καθαρίσετε τα άλατα.
- Κρατήστε το μακριά από πηγές θερμότητας (άνω επιφάνειες κουζίνας, φούρνους, φούρνους μικροκυμάτων).

εργαλεία

- Τα ανοξείδωτα εργαλεία μπορούν να πλυθούν στο χέρι ή σε πλυντήριο πιάτων.
- Τα μη ανοξείδωτα εργαλεία (με ανοξείδωτη επικάλυψη) πρέπει να πλένονται μόνο στο χέρι, έπειτα να στεγνώνονται πολύ καλά.

προστατευτικό κάλυμμα

- Πλύνετε στο χέρι, έπειτα στεγνώστε πολύ καλά.

σέρβις και φροντίδα πελατών

- Για λόγους ασφαλείας, εάν το καλώδιο παροχής ρεύματος χαλάσει θα πρέπει να αντικατασταθεί από την KENWOOD ή από κάποιο εξουσιοδοτημένο συνεργείο της.

Εάν χρειαστείτε βοήθεια σχετικά με:

- τη χρήση της συσκευής
- την παραγγελία κάποιων εξαρτημάτων
- την συντήρηση και επισκευή

Επικοινωνήστε με το κατάστημα που αγοράσατε τη συσκευή σας.

ΣΥΝΤΑΓΕΣ

Διαβάστε χρήσιμες συμβουλές για την παρασκευή ψωμιού στη σελίδα 136.

Λευκό ψωμί μαλακή Ευρωπαϊκού τύπου ζύμη

- υλικά • 2.6 κιλά κοινό λευκό αλεύρι
• 1.3 λίτρα γάλα
• 300γρ ζάχαρη
• 450γρ μαργαρίνη
• 100γρ φρέσκια μαγιά ή 50γρ στεγνή μαγιά
• 6 χτυπημένα αυγά
• 5 πρέζες αλάτι
- Η ποσότητα αυτή είναι για τα μοντέλα Νακος Major. Για τα μοντέλα Chef Γθεζ χρησιμοποιείτε τις μισές ποσότητες και προσθέτετε όλο το αλεύρι μαζί
- μέθοδος
- 1 Λιώστε τη μαργαρίνη μέσα στο γάλα σε θερμοκρασία 43°C.
 - 2 **στεγνή μαγιά** (του τύπου που χρειάζεται εφύγρανση): προσθέστε τη μαγιά και τη ζάχαρη στο γάλα και αφήστε το μίγμα για περίπου 10 λεπτά μέχρις ότου να γίνει αφρώδες.
φρέσκια μαγιά: θρυμματίστε την μέσα στο αλεύρι και προσθέστε τη ζάχαρη.
άλλοι τύποι μαγιάς: ακολουθήστε τις οδηγίες του κατασκευαστή.
 - 3 Χύστε το γάλα μέσα στο ηπτωλ. Προσθέστε τα αυγά χτυπημένα και 2 κιλά αλεύρι.
 - 4 Αναμίξτε στην πιο χαμηλή ταχύτητα για 1 λεπτό, έπειτα στην ταχύτητα 1 για ένα ακόμη λεπτό. Σπρώξτε προς τα κάτω το μίγμα που έχει κολλήσει στα τοιχώματα.
 - 5 Προσθέστε το αλάτι και το αλάτι και το υπόλοιπο αλεύρι και αναμίξτε στην πιο χαμηλή ταχύτητα για ένα λεπτό και στη συνέχεια στην ταχύτητα 1 για 2 - 3 λεπτά, μέχρις ότου το μίγμα να γίνει μαλακό και να ανακατευτεί ομοιογενώς.
 - 6 Βάλτε τη ζύμη σε λαδωμένες φόρμες για φρατζόλα των 450γρ ή πλάστε την σε μικρά ψωμάκια. Καλύψτε τη ζύμη με μια πετσέτα και αφήστε την μέχρις ότου διπλασιαστεί ο όγκος της.
 - 7 Ψήστε στους 200°C/400°F/στο 6 για φούρνους υγραερίου, για 20 - 25 λεπτά εάν πρόκειται για φρατζόλες, ή για 15 λεπτά εάν πρόκειται για μικρά ψωμάκια.
 - 8 Όταν οι φρατζόλες ή τα ψωμάκια είναι ψημένα παράγουν ένα κούφιο ήχο όταν τα χτυπήσετε ελαφρά στη βάση.
- Η ποσότητα αυτή φτάνει για 10 περίπου φρατζόλες.

Ζύμη σφολιάτας

- υλικά • 450γρ αλεύρι, κοσκινισμένο μαζί με το αλάτι
• 5 χιλιοστόλιτρα αλάτι
• 225γρ λίπος (μίγμα από λαρδί και μαργαρίνη κατευθείαν από το ψυγείο)
• Περίπου 80 χιλιοστόλιτρα (4 κουταλάκια τσαγιού) νερό
- χρήσιμη συμβουλή • Μην αναμίξετε τα υλικά υπερβολικά
- μέθοδος
- 1 Τοποθετήστε το αλεύρι μέσα στο μπωλ. Κόψτε το λίπος σε χονδρά κομμάτια και προσθέστε το μέσα στο αλεύρι.
 - 2 Αναμίξτε στην ταχύτητα 1 μέχρι το μίγμα να αποκτήσει την όψη τριμμένης φρυγανιάς. Σταματήστε να αναμιγνύετε πριν αποκτήσει λιπαρή όψη.
 - 3 Προσθέτετε το νερό και αναμιγνύετε και πάλι στη χαμηλότερη ταχύτητα για όσο χρόνο χρειάζεται να απορροφηθεί το νερό.
 - 4 Ψήστε τη ζύμη σε θερμοκρασία 200°C/400°F/στο 6 για φούρνους υγραερίου, ανάλογα με τη γέμιση.

Κέικ πάβλοβα

- υλικά • ασπράδια από 3 μεγάλα αυγά
• 175γρ ζάχαρη άχνη
• 275γρ πλήρης κρέμα γάλακτος
• φρέσκα φρούτα π.χ. βατόμουρα, φράουλες, σταφύλια, φρούτα λιπι
- μέθοδος
- 1 Χτυπήστε τα ασπράδια των αυγών στην υψηλή ταχύτητα μέχρι το μίγμα να 'στέκεται'.
 - 2 Ενώ ο αναδευτήρας βρίσκεται σε λειτουργία στην ταχύτητα 5, προσθέτετε σταδιακά τη ζάχαρη, μία κουταλιά της σούπας κάθε φορά, αναδύοντας έπειτα από κάθε προσθήκη ποσότητας ζάχαρης.
 - 3 Καλύψτε ένα δίσκο κατάλληλο για ψήσιμο στο φούρνο με χαρτί σιλικόνης, έπειτα τοποθετήστε με το κουτάλι τη μαρέγκα επάνω στο χαρτί σχηματίζοντας φωλιά με διάμετρο περίπου 20εκ.
 - 4 Τοποθετήστε το δίσκο μέσα σε φούρνο που έχετε προθερμάνει στους 150°C, έπειτα μειώστε αμέσως τη θερμοκρασία στους 140°C και ψήστε για 1 ώρα. Σβήστε το φούρνο αλλά αφήστε μέσα το κέικ πάβλοβα για να κρυώσει.
 - 5 Όταν είναι έτοιμο να το σερβίρετε, αφαιρέστε το χαρτί σιλικόνης και τοποθετήστε το επάνω σε πιάτο σερβιρίσματος. Χτυπήστε την κρέμα μέχρι να 'σφίξει' έπειτα απλώστε την επάνω στο κέικ πάβλοβα και διακοσμήστε με φρούτα.

ΣΥΝΤΑΓΕΣ ΣΥΝΕΧΕΙΑ

γευστικό κέικ σοκολάτα

- υλικά
- 225γρ βούτυρο, μαλακό
 - 250γρ ζάχαρη άχνη
 - 4 αυγά
 - 5ml (1 κουταλάκι του γλυκού) στιγμιαίο καφέ διαλυμένο σε 15νμ (1 κουταλάκι του γλυκού) καυτό νερό
 - 30ml (2 κουταλάκια του γλυκού) γάλα
 - 5ml (1 κουταλάκι του γλυκού) άρωμα αμυγδάλου
 - 50γρ τριμμένα αμύγδαλα
 - 100γρ αλεύρι που φουσκώνει μόνο του
 - 5ml (1 κουταλάκι του γλυκού) μπέικιν πάουντερ
 - 50γρ σκόνη κακάο χωρίς ζάχαρη
- μέθοδος
- 1 Χτυπήστε το βούτυρο και τη ζάχαρη σε χαμηλή ταχύτητα αυξάνοντας σταδιακά σε υψηλότερη ταχύτητα μέχρι το μίγμα να γίνει ελαφρύ και αφράτο. Αφαιρέστε το μίγμα από τα τοιχώματα του μπωλ και από τον αναδευτήρα.
 - 2 Χτυπήστε τα αυγά σε μία κανάτα και ενώ το μίξερ βρίσκεται σε λειτουργία σε υψηλή ταχύτητα, προσθέστε σταδιακά σε μικρές ποσότητες τα αυγά μέχρι να ενσωματωθούν στο μίγμα. Θέστε τη συσκευή εκτός λειτουργίας και αφαιρέστε το μίγμα από τα τοιχώματα.
 - 3 Αναμίξτε το διαλυμένο καφέ, το γάλα και το άρωμα αμύγδαλο σε χαμηλή ταχύτητα. Προσθέστε τα τριμμένα αμύγδαλα, το κοσκινισμένο αλεύρι, το μπέικιν πάουντερ και το κακάο. Αναμίξτε σε χαμηλή ταχύτητα ώστε να ενσωματωθούν στο μίγμα.
 - 4 Τοποθετήστε το μίγμα σε 2 φόρμες για κέικ των 20εκ τις οποίες έχετε καλύψει με βουτυρωμένο λαδόχαρτο. Ισιώστε την επιφάνεια του μίγματος έπειτα ψήστε στους 180°C για περίπου 30 λεπτά μέχρι να αποκτήσει ελαστική υφή.
 - 5 Σβήστε το φούρνο και αφήστε να κρυώσει σε μεταλλική σχάρα.

γέμιση αραιής κρέμας σοκολάτα

- υλικά
- 275γρ σοκολάτα, σε κομμάτια
 - 225ml πλήρης κρέμα γάλακτος
- μέθοδος
- 1 Λιώστε τη σοκολάτα τοποθετώντας τη σε μπωλ επάνω από κατσαρολάκι με νερό που βράζει σε πολύ χαμηλή φωτιά.
 - 2 Χτυπήστε την κρέμα ξεκινώντας από χαμηλή ταχύτητα αυξάνοντας σταδιακά σε υψηλότερη ταχύτητα μέχρι να 'σφίξει'.
 - 3 Όταν η σοκολάτα λιώσει αφαιρέστε το μπωλ από τη φωτιά και χρησιμοποιώντας ένα μεγάλο κουτάλι τοποθετήστε τη μέσα στην κρέμα.
 - 4 Απλώστε τη γέμιση σοκολάτα ανάμεσα στα κέικ που έχουν κρυώσει.

σούπα με καρότα και κόλιαντρο

- υλικά
- 25γρ βούτυρο
 - 1 τεμαχισμένο κρεμμύδι
 - 1 κοπανισμένη σκελίδα σκόρδο
 - 600γρ καρότο κομμένο σε κύβους των 2,5εκ
 - κρύο ζωμό κοτόπουλο
 - 10-15ml (2-3 κουταλάκια του γλυκού) αλεσμένο κόλιαντρο
 - αλάτι και πιπέρι
- μέθοδος
- 1 Λιώστε το βούτυρο σε ένα κατσαρολάκι, προσθέστε το κρεμμύδι και το σκόρδο και τηγανίστε μέχρι να μαλακώσουν.
 - 2 Τοποθετήστε το καρότο στο μπλέντερ, προσθέστε το κρεμμύδι και το σκόρδο. Προσθέστε ζωμό αρκετό ώστε να φτάνει μέχρι την ένδειξη 1,2 στο κύπελλο. Προσαρμόστε το καπάκι και το κάλυμμα μεζούρα.
 - 3 Αναμίξτε στη μέγιστη ταχύτητα για 5 δευτερόλεπτα για σούπα με χοντροκομμένα υλικά ή για περισσότερη ώρα για σούπα με λεπτότερη υφή.
 - 4 Μεταφέρετε το μίγμα σε κατσαρόλα, προσθέστε το κόλιαντρο και μπαχαρικά και βράστε τη σούπα σε χαμηλή φωτιά για 30 έως 35 λεπτά ή όσο χρειάζεται μέχρι να μαγειρευτεί.
 - 5 Ελέγξτε εάν χρειάζονται και άλλα μπαχαρικά και προσθέστε κι άλλο ζωμό εάν είναι απαραίτητο.

ΟΡΟΙ ΕΓΓΥΗΣΕΩΣ

Η εταιρεία ΡΑΔΙΟ Α. ΚΟΡΑΣΙΔΗΣ Ε.Ε.Α.Ε. μέσω της ANKOP Α.Ε. παρέχει, στους καταναλωτές **12 μήνες** δωρεάν αποκατάσταση βλάβης συμπεριλαμβανομένων των ανταλλακτικών που θα απαιτηθούν, για τα προϊόντα μικροσυσκευών **KENWOOD** με τους ακόλουθους όρους:

- Η εγγύηση παρέχεται στον αρχικό αγοραστή της συσκευής και ισχύει από την ημερομηνία αγοράς της συσκευής. Το έντυπο της εγγύησης πρέπει να συμπληρώνεται και να σφραγίζεται στο κατάστημα αγοράς.
- Σε περίπτωση βλάβης της συσκευής, η εταιρεία, κατά την κρίση της, αναλαμβάνει την υποχρέωση επαναφοράς της σε ομαλή λειτουργία.
- Ο πελάτης πρέπει να προσκομίζει, ορθά συμπληρωμένο, το έντυπο της εγγυήσεως μαζί με την Απόδειξη Λιανικής Πωλήσεως ή φωτοτυπία αυτής.
- Για την αποκατάσταση της βλάβης ο καταναλωτής υποχρεούται να μεταφέρει τη συσκευή στα εργαστήριά μας ή στο πλησιέστερο εξουσιοδοτημένο σέρβις.

Προσοχή : Πρίν από οποιαδήποτε χρήση διαβάστε τις οδηγίες χρήσης.

Η εγγύηση δεν ισχύει όταν:

- Διαπιστωθεί επέμβαση στη συσκευή από άτομα μη εξουσιοδοτημένα.
- Η βλάβη έχει προέλθει από κακό χειρισμό, αμέλεια, πτώση, κτύπημα ή βλάβη κατά τη μεταφορά.
- Η τάση τροφοδοσίας δεν είναι κανονική.
- Ο αριθμός κατασκευής έχει αλλοιωθεί.
- Έχει παραποιηθεί το έντυπο της εγγυήσεως.
- Διαπιστωθεί λανθασμένη εγκατάσταση της συσκευής.
- Διαπιστωθεί βλάβη από πτώση κεραυνού μέσω του δικτύου τροφοδοσίας ρεύματος ή του δικτύου λήψεως.
- Η βλάβη οφείλεται σε πτώση ή υπέρταση του δικτύου τροφοδοσίας.

Στις ανωτέρω περιπτώσεις, ο καταναλωτής είναι υποχρεωμένος να καταβάλλει το αντίτιμο για τον έλεγχο της συσκευής, την κατ'οίκον κλήση, και όλα τα έξοδα που θα απαιτηθούν για την επισκευή της.

Προσοχή : Μετά τη λήξη της εγγυήσεως για οποιοδήποτε πρόβλημα επισκευής της συσκευής θα πρέπει να απευθύνεσθε πάντοτε στην ANKOP Α.Ε. ή στο πλησιέστερο εξουσιοδοτημένο SERVICE της εταιρείας.

Βεβαιωθείτε ότι τα στοιχεία ταυτότητας της συσκευής συμφωνούν με τα αναγραφόμενα στην εγγυήσή σας.

ΠΛΗΡΟΦΟΡΙΑΚΑ ΣΤΟΙΧΕΙΑ ΕΓΓΥΗΣΗΣ

ΟΝΟΜΑΤΕΠΩΝΥΜΟ ΠΕΛΑΤΗ:

ΔΙΕΥΘΥΝΣΗ ΠΕΛΑΤΗ

ΟΔΟΣ: **ΑΡΙΘΜΟΣ:**

ΠΟΛΗ: **Τ.Κ.:** **ΤΗΛΕΦΩΝΟ:**

ΣΤΟΙΧΕΙΑ ΣΥΣΚΕΥΗΣ

ΜΑΡΚΑ:

ΜΟΝΤΕΛΟ/ΣΕΙΡΑ:

ΑΡΙΘΜΟΣ ΚΑΤΑΣΚΕΥΗΣ:

ΣΦΡΑΓΙΔΑ/ΥΠΟΓΡΑΦΗ ΚΑΤΑΣΤΗΜΑΤΟΣ

ΚΑΤΑΣΤΗΜΑ ΑΓΟΡΑΣ:

ΗΜΕΡΟΜΗΝΙΑ ΑΓΟΡΑΣ:

ΑΡΙΘΜΟΣ ΔΕΛΤΙΟΥ ΛΙΑΝΙΚΗΣ:

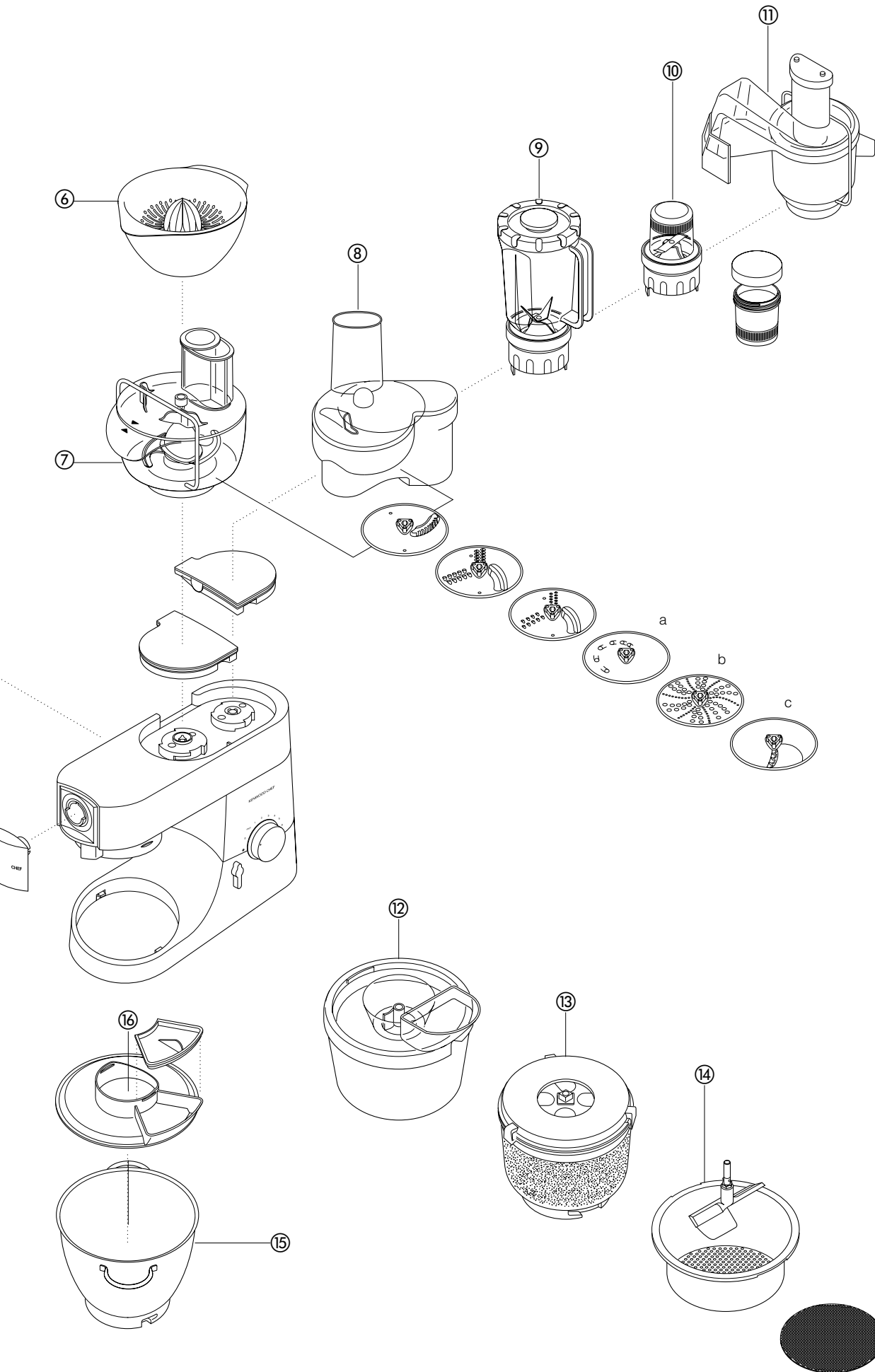
ΑΝΤΙΠΡΟΣΩΠΕΙΑ:

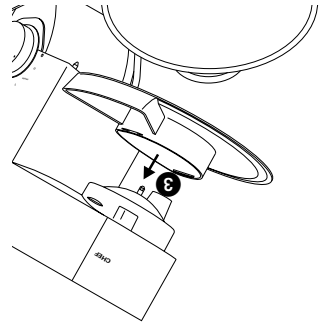
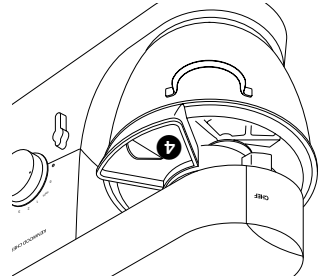
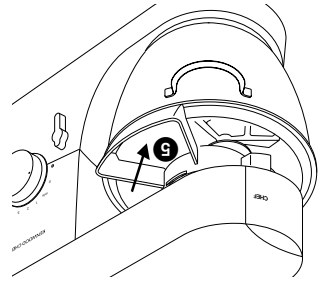
ΠΕΙΡΑΙΑΣ: Μ.ΑΣΙΑΣ 4 185 47, Τηλ.: 210-4899100, fax :210-4826209

ANKOP ΣΕΡΒΙΣ Α.Ε:

ΑΘΗΝΑ: Σ. Τσαλαβούτα 7, 121 31 Περιστέρι, Τηλ: 210-5706250 - fax: 210-5712703

ΘΕΣΣΑΛΟΝΙΚΗ: Αγ. Δημητρίου 190 & Τήλου, 546 35 Θεσσαλονίκη Τηλ: 2310-24 60 02 - fax: 2310-21 64 96

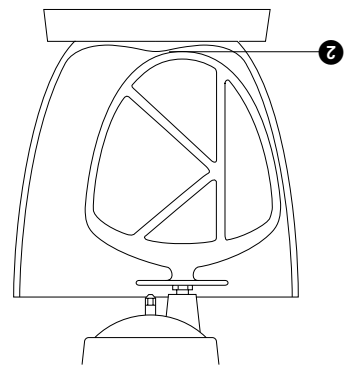




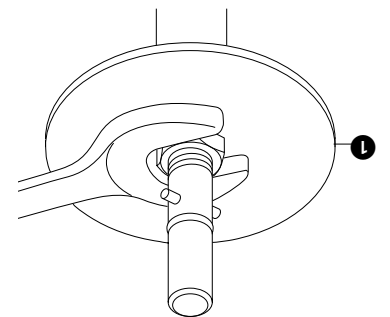
8. ډاډه والی لپاره د دې برخې د لاندې لاندې برخې ته راځوړئ.
- د دې برخې د لاندې لاندې برخې ته راځوړئ.
 - د دې برخې د لاندې لاندې برخې ته راځوړئ.
7. د دې برخې د لاندې لاندې برخې ته راځوړئ.
- د دې برخې د لاندې لاندې برخې ته راځوړئ.
3. د دې برخې د لاندې لاندې برخې ته راځوړئ.
8. د دې برخې د لاندې لاندې برخې ته راځوړئ.
8. د دې برخې د لاندې لاندې برخې ته راځوړئ.
1. د دې برخې د لاندې لاندې برخې ته راځوړئ.

د دې برخې د لاندې لاندې برخې ته راځوړئ

- د دې برخې د لاندې لاندې برخې ته راځوړئ.
- د دې برخې د لاندې لاندې برخې ته راځوړئ.
 - د دې برخې د لاندې لاندې برخې ته راځوړئ.

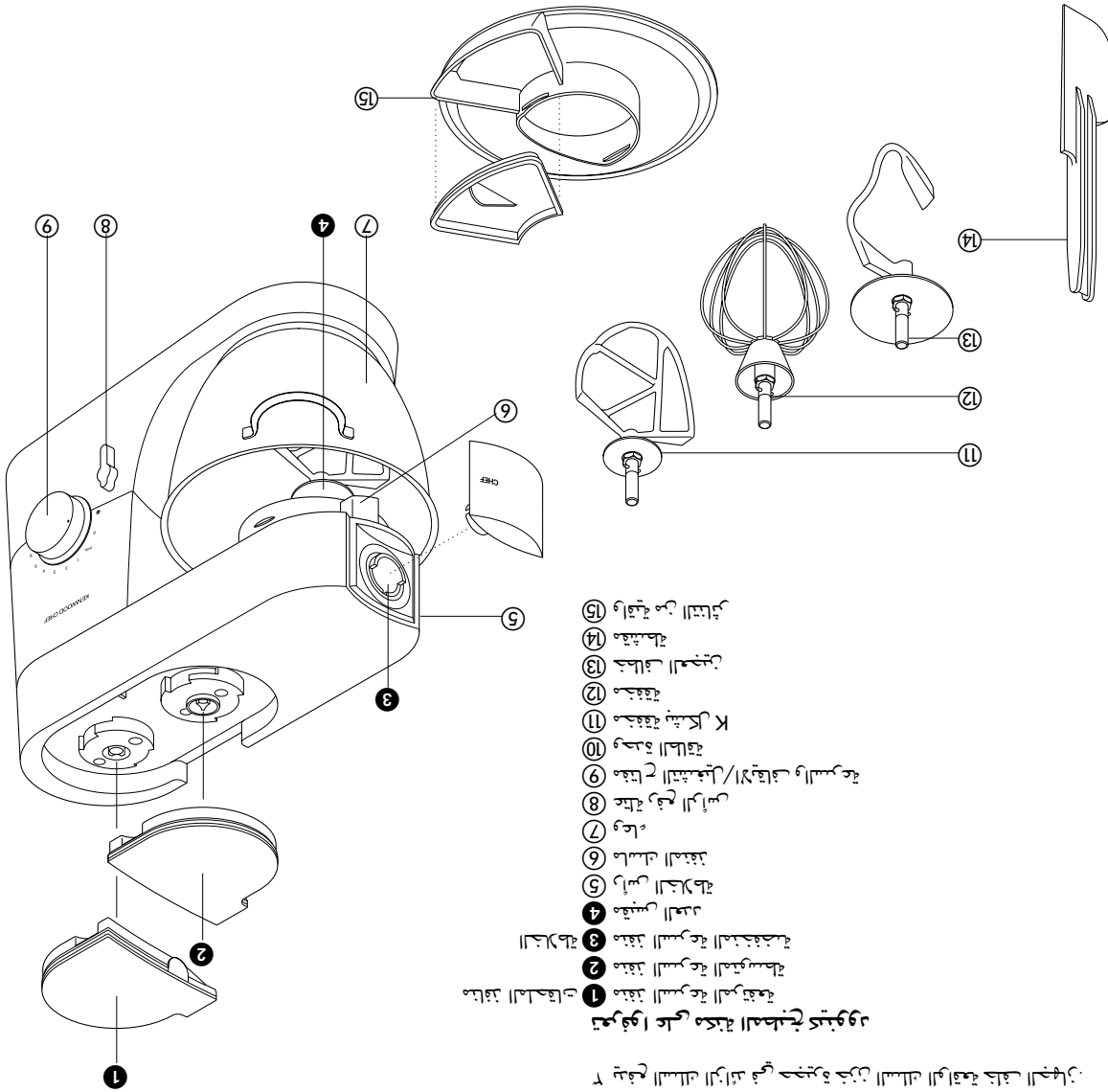


1. د دې برخې د لاندې لاندې برخې ته راځوړئ.
- د دې برخې د لاندې لاندې برخې ته راځوړئ.
 - د دې برخې د لاندې لاندې برخې ته راځوړئ.
 - د دې برخې د لاندې لاندې برخې ته راځوړئ.
 - د دې برخې د لاندې لاندې برخې ته راځوړئ.
 - د دې برخې د لاندې لاندې برخې ته راځوړئ.



1. د دې برخې د لاندې لاندې برخې ته راځوړئ.
- د دې برخې د لاندې لاندې برخې ته راځوړئ.
 - د دې برخې د لاندې لاندې برخې ته راځوړئ.

د دې برخې د لاندې لاندې برخې ته راځوړئ



- 16) دریا
- 17) دریا
- 18) دریا
- 19) دریا
- 20) دریا
- 21) دریا
- 22) دریا
- 23) دریا
- 24) دریا
- 25) دریا
- 26) دریا
- 27) دریا
- 28) دریا
- 29) دریا
- 30) دریا
- 31) دریا
- 32) دریا
- 33) دریا
- 34) دریا
- 35) دریا
- 36) دریا
- 37) دریا
- 38) دریا
- 39) دریا
- 40) دریا
- 41) دریا
- 42) دریا
- 43) دریا
- 44) دریا
- 45) دریا
- 46) دریا
- 47) دریا
- 48) دریا
- 49) دریا
- 50) دریا
- 51) دریا
- 52) دریا
- 53) دریا
- 54) دریا
- 55) دریا
- 56) دریا
- 57) دریا
- 58) دریا
- 59) دریا
- 60) دریا
- 61) دریا
- 62) دریا
- 63) دریا
- 64) دریا
- 65) دریا
- 66) دریا
- 67) دریا
- 68) دریا
- 69) دریا
- 70) دریا
- 71) دریا
- 72) دریا
- 73) دریا
- 74) دریا
- 75) دریا
- 76) دریا
- 77) دریا
- 78) دریا
- 79) دریا
- 80) دریا
- 81) دریا
- 82) دریا
- 83) دریا
- 84) دریا
- 85) دریا
- 86) دریا
- 87) دریا
- 88) دریا
- 89) دریا
- 90) دریا
- 91) دریا
- 92) دریا
- 93) دریا
- 94) دریا
- 95) دریا
- 96) دریا
- 97) دریا
- 98) دریا
- 99) دریا
- 100) دریا

1. دریا

2. دریا

3. دریا

4. دریا

5. دریا

6. دریا

7. دریا

8. دریا

9. دریا

10. دریا

11. دریا

12. دریا

13. دریا

14. دریا

15. دریا

89/336/ECC دریا

8. دریا

9. دریا

10. دریا

11. دریا

12. دریا

13. دریا

14. دریا

15. دریا

16. دریا

17. دریا

18. دریا

19. دریا

20. دریا

21. دریا

22. دریا

23. دریا

24. دریا

25. دریا

26. دریا

27. دریا

28. دریا

29. دریا

30. دریا

31. دریا

32. دریا

33. دریا

34. دریا

35. دریا

36. دریا

37. دریا

38. دریا

39. دریا

40. دریا

41. دریا

42. دریا

43. دریا

44. دریا

45. دریا

46. دریا

47. دریا

48. دریا

49. دریا

50. دریا

51. دریا

52. دریا

53. دریا

54. دریا

55. دریا

56. دریا

57. دریا

58. دریا

59. دریا

60. دریا

61. دریا

62. دریا

63. دریا

64. دریا

65. دریا

66. دریا

67. دریا

68. دریا

69. دریا

70. دریا

71. دریا

72. دریا

73. دریا

74. دریا

75. دریا

76. دریا

77. دریا

78. دریا

79. دریا

80. دریا

81. دریا

82. دریا

83. دریا

84. دریا

85. دریا

86. دریا

87. دریا

88. دریا

89. دریا

90. دریا

91. دریا

92. دریا

93. دریا

94. دریا

95. دریا

96. دریا

97. دریا

98. دریا

99. دریا

100. دریا

دریا



Kenwood Limited, New Lane, Havant, Hampshire PO9 2NH, UK
www.kenwoodworld.com



Free Manuals Download Website

<http://myh66.com>

<http://usermanuals.us>

<http://www.somanuals.com>

<http://www.4manuals.cc>

<http://www.manual-lib.com>

<http://www.404manual.com>

<http://www.luxmanual.com>

<http://aubethermostatmanual.com>

Golf course search by state

<http://golfingnear.com>

Email search by domain

<http://emailbydomain.com>

Auto manuals search

<http://auto.somanuals.com>

TV manuals search

<http://tv.somanuals.com>