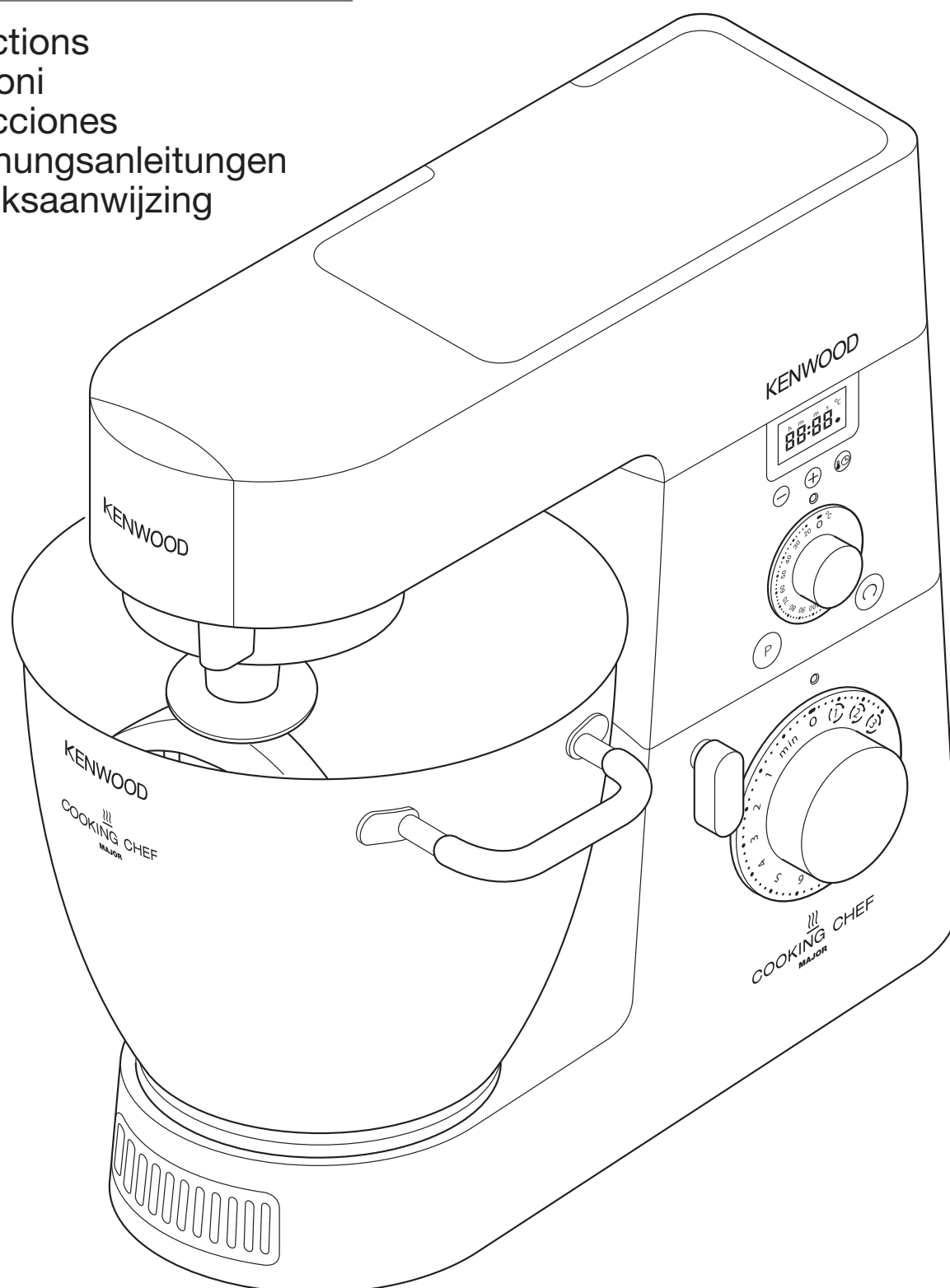


KENWOOD

KM080 series

instructions
istruzioni
instrucciones
Bedienungsanleitungen
gebruiksaanwijzing



English	3 - 19
Dansk	20 - 37
Svenska	38 - 55
Norsk	56 - 73
Suomi	74 - 91
Türkçe	92 - 109
Česky	110 - 127
Magyar	128 - 145
Polski	146 - 163
Slovenčina	164 - 181
Українська	182 - 198
عربي	۲۱۴ - ۱۹۹

English

before using your Kenwood appliance

- **Read these instructions carefully and retain for future reference.**
- Remove all packaging and any labels.

know your Kenwood Cooking Chef Kitchen Machine

safety

important note - electronic medical implants

- Like all induction heating products, this appliance generates short-range magnetic fields. If any user or person in close proximity has a pacemaker or other active implants, please consult a doctor before use, concerning any possible incompatibility to prevent any risk to health.
- Switch off and unplug the appliance before fitting or removing tools/attachments, after use and before cleaning.
- Keep body parts, jewellery and loose clothing away from moving parts and fitted attachments.
- Never put your fingers etc., into the hinge mechanism.
- Never leave the appliance on unattended.
- Never use a damaged appliance. Get it checked or repaired: see 'service and customer care', page 16.
- Never use an unauthorised attachment or more than one attachment at once.
- Never exceed the maximum capacities on page 13 and when using the induction heater never exceed the 3 litre maximum fill level marked on the inside of the bowl.
- When using an attachment, read the safety and usage instructions that come with it.
- Take care when lifting this appliance as it is heavy. Ensure the head is locked and that the bowl, tools, outlet covers and cord are secure before lifting.
- Never let the cord hang down where a child could grab it.
- Never let the power unit, cord or plug get wet.
- Be careful when handling or touching any part of the appliance when being used in the cook mode or after cooking, IN PARTICULAR THE BOWL, SPLASHGUARD AND TOOLS as they will remain HOT long after the appliance has been switched off. Use the handles to remove and carry the bowl. Use oven gloves when handling the hot bowl and hot mixing tools.
- The underside of the bowl will remain hot long after the heating has stopped. Use caution when handling and use the work surface protection mat when placing the bowl on heat sensitive surfaces.
- Be careful of steam escaping from the mixer bowl particularly when opening the lid in the splashguard or when raising the mixer head.
- If transferring hot food from the mixer to the liquidiser, always allow the ingredients to cool to room temperature before placing in the liquidiser.
- Only use the bowl and tools supplied with this appliance. Never use the bowl with any other heat source.
- Never operate the appliance in the cook mode with the bowl empty.
- Never insert anything through the air vents.
- When using this appliance ensure it is positioned on a level surface away from the edge. Make sure it is at least 10 cm from walls and ensure that the vents are not blocked. Do not position below overhanging cupboards.
- For the correct and safe operation of the induction cooker ensure that the bowl base and temperature sensors are clean and dry before cooking.
- As with all induction cooking appliances do not place credit cards, magnetic media or sensitive electronic equipment near to the appliance when in use.
- Do not use the appliance for deep frying foods.
- Always ensure food is thoroughly cooked before eating.
- Food should be eaten shortly after cooking or allowed to cool quickly and then refrigerated as soon as possible.
- This appliance is not intended for use by persons (including children) with reduced physical, sensory or mental capabilities, or lack of experience and knowledge, unless they have been given supervision or instruction concerning use of the appliance by a person responsible for their safety.
- Children should be supervised to ensure that they do not play with the appliance.
- Only use the appliance for its intended domestic use. Kenwood will not accept any liability if the appliance is subject to improper use, or failure to comply with these instructions.

before plugging in

- Make sure your electricity supply is the same as the one shown on the underside of your machine.
- This appliance conforms to EC directive 2004/108/EC on Electromagnetic Compatibility and EC regulation no. 1935/2004 of 27/10/2004 on materials intended for contact with food.

before using for the first time

Wash the parts: see 'care and cleaning' page 16.

introduction

Thank you for buying this Kenwood Cooking Chef Kitchen Machine, we hope you will enjoy many years use.

Kenwood has nearly 60 years of experience and expertise in developing our Kitchen Machines and their wide variety of attachments. Kenwood Chef Kitchen Machines are renowned for being more than just a food mixer.

In the development of Cooking Chef we have taken the well-known versatility of the Chef a step further by introducing integrated Induction Cooking directly beneath the mixing bowl. You can now enjoy all of the benefits of everyday 'cold bowl' planetary mixing when preparing your favourite cakes, pastries and dough, plus the added advantage of heating and cooking directly in the bowl combined with planetary mixing. The opportunities are endless.

The Kenwood Cooking Chef with its range of optional attachments truly is the complete food preparation system.

Strong, Reliable, Versatile, Kenwood.

What is Induction Cooking and how does it work?

Induction cooking is an advanced cooking method that employs the principles of electromagnetic induction. When an electric current is passed through a copper coil in the induction cooking area it creates an electromagnetic field. When the Cooking Chef bowl is locked into position the circuit is completed by a special layer of stainless steel in the bowl base. In turn this creates a large amount of thermal energy that passes through to the contents of the bowl, thus heating the food.

Induction cooking is extremely energy efficient because it only produces heat in the base of the bowl. Other heating methods such as gas hobs waste almost 50% of the heat energy around the sides of the pan. Indeed the Induction cooking area on your Cooking Chef only feels hot during and immediately after cooking because of the heat transferred back from the contents of the bowl. All of this means that Induction cooking is very efficient, very safe and very clean.

The cooking functionality of your Kenwood Cooking Chef is similar to using a saucepan on your cooker hob. The added advantage is that the Chef will automatically stir your food and regulate the cooking temperature to your precise requirements, leaving you free to confidently perform other tasks in your kitchen.

The Cooking Chef uses induction heating technology which is extremely efficient. When compared to cooking on a gas or electric hob, you may find that cooking times are reduced or that you need to cook on a lower temperature. This should be considered when using your appliance for the first time or when experimenting with a new recipe. Make sure that if you start cooking at a high temperature, you keep watching and reduce the heat when necessary to stop food burning and sticking to the bowl, just as you would with your saucepan. Generally the Cooking Chef will automatically heat the food to your desired temperature in the quickest possible time. It is therefore not necessary to set the temperature higher than you require in order to reduce cooking times. At this stage you should also pay attention to the frequency of the stir settings. When cooking at higher temperatures you may find it necessary to stir constantly using stir setting (1). Stir settings (2) and (3) are useful in maintaining the consistency of your food during longer cooking periods on a low simmer.

Selection of the correct bowl tool is also important at this stage. Further on in this book we have suggested the most appropriate uses for each tool and with experience you will quickly understand which is best for each task. When cooking you will find that the high temperature flexible beater is best used to obtain a very smooth consistency for sauces and creams, whereas the stirring tool is better when cooking foods that need to maintain a more solid consistency, such as stews, casseroles, ragouts etc. Our recipe book recommends the best tools for each recipe, and you may also find that changing the tool for different processes during your meal preparation gives better results.

During cooking and immediately afterwards, the bowl, splashguard and bowl tool will be hot – just as your saucepan would be. Please take care when touching any of these. It is important to also remember that the cooking process will generate steam and condensation so take care when looking into the bowl, lifting the food chute lid or the Cooking Chef/machine head to view or access the bowl. You should also warn others when the machine is cooking or hot so they will also be careful. When touching or removing hot parts it is advised to use oven gloves and only carry the bowl using the handles provided. You may also find the work surface protection mat useful to protect heat sensitive surfaces.

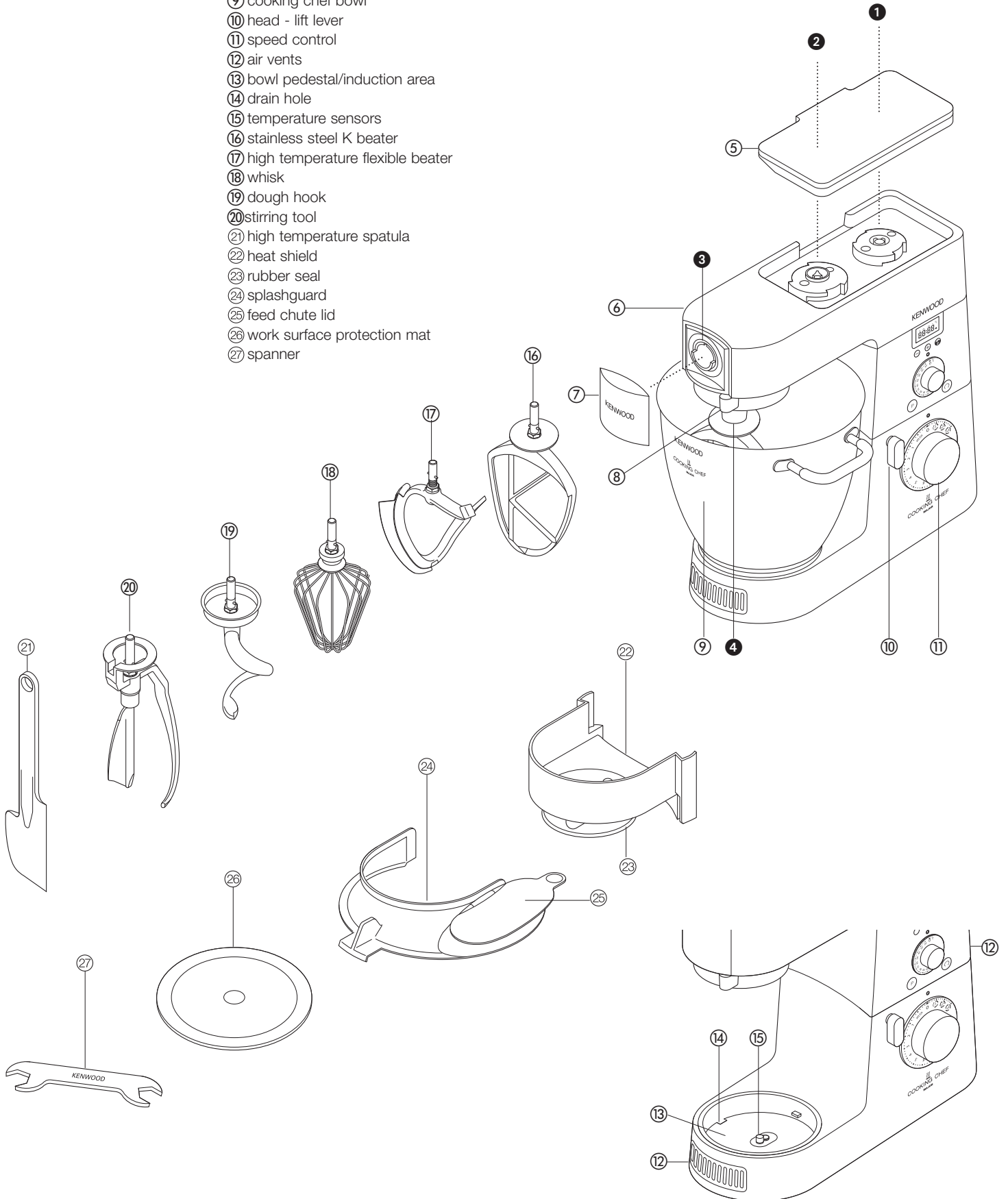
When heating liquids or food with a high water content, the accuracy of the temperature reading is usually within +/- 5°C. The accuracy of the temperature display and control will vary depending upon the consistency of your bowl contents, the volume of your bowl contents, the frequency of stirring and the bowl tool that is used. Again this is similar to cooking on a hob, for example, where a large quantity of food in a large saucepan is heated but not stirred thoroughly. The food will be hot at the base of the saucepan, or even burnt, whereas the food near the top will be much cooler.

In addition to the temperature display the machine has a small blue LED. This will flash until the machine has reached the selected temperature. Once the required temperature is reached the light will stop flashing. However, you should note that when you add further ingredients to the bowl the blue LED will begin to flash again as the temperature of the bowl contents will be reduced by cold ingredients. You may also notice the static light begin to flash if the mixing frequency is increased.

You will quickly find that your Kenwood Cooking Chef is simple to use and will help make your everyday food preparation easy.

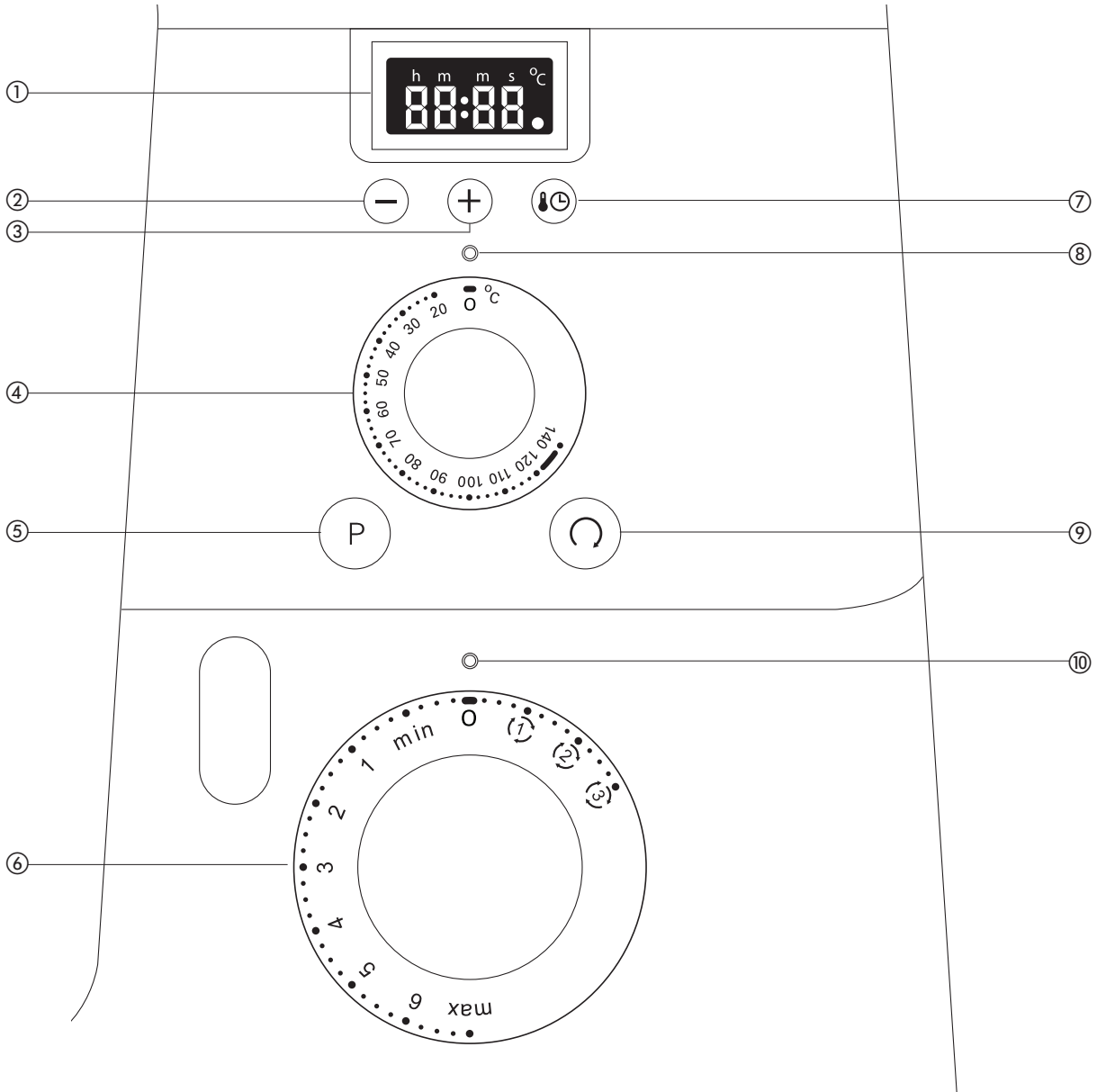
know your Kenwood Cooking Chef

- attachment outlets
- 1 high speed outlet
 - 2 medium speed outlet
 - 3 slow speed outlet
 - 4 tool socket
- the mixer
- 5 medium/high speed outlet cover
 - 6 mixer head
 - 7 slow speed outlet cover
 - 8 slow speed outlet lever
 - 9 cooking chef bowl
 - 10 head - lift lever
 - 11 speed control
 - 12 air vents
 - 13 bowl pedestal/induction area
 - 14 drain hole
 - 15 temperature sensors
 - 16 stainless steel K beater
 - 17 high temperature flexible beater
 - 18 whisk
 - 19 dough hook
 - 20 stirring tool
 - 21 high temperature spatula
 - 22 heat shield
 - 23 rubber seal
 - 24 splashguard
 - 25 feed chute lid
 - 26 work surface protection mat
 - 27 spanner



control panel

- ① timer/temperature display
- ② timer decrease button
- ③ timer increase button
- ④ temperature control
- ⑤ pulse button/high speed, high temperature whisk button
- ⑥ speed control
- ⑦ timer/temperature selector button
- ⑧ temperature indicator light
- ⑨ fold button
- ⑩ speed control indicator light



adjusting the height of the tools

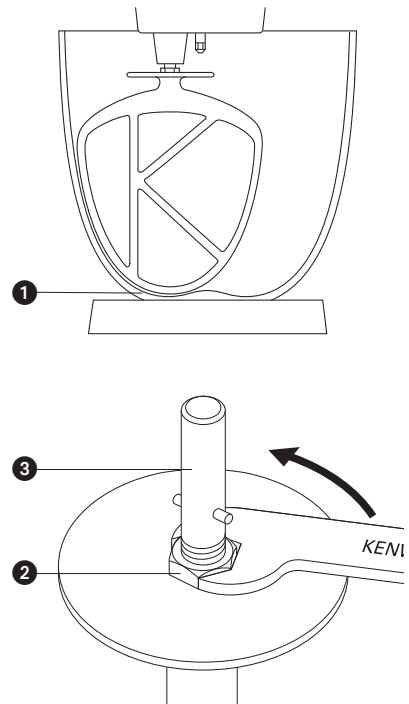
Please refer to page 9 on how to assemble the mixer.

whisk, stainless steel K beater, stirring tool

For best performance the whisk, K beater and stirring tool should be **almost** touching the bottom of the bowl ❶. If necessary adjust the height using the spanner provided.

Here's how:

- 1 Unplug the appliance.
- 2 Raise the mixer head and insert the whisk, beater or stirring tool.
- 3 Lower the mixer head. If the clearance needs to be adjusted, raise the mixer head and remove the tool.
- 4 Using the spanner provided loosen the nut ❷ sufficiently to allow adjustment of the shaft ❸. To lower the tool closer to the bottom of the bowl, turn the shaft anti-clockwise. To raise the tool away from the bottom of the bowl turn the shaft clockwise.
- 5 Re-tighten the nut.
- 6 Fit the tool to the mixer and lower the mixer head. (Check its position see points above).
- 7 Repeat the above steps as necessary until the tool is set correctly. Once this is achieved tighten the nut securely.



high temperature flexible beater - this tool should just touch the bottom of the bowl.

dough hook - this tool is set at the factory and should require no adjustment.

to fit and use your splashguard assembly

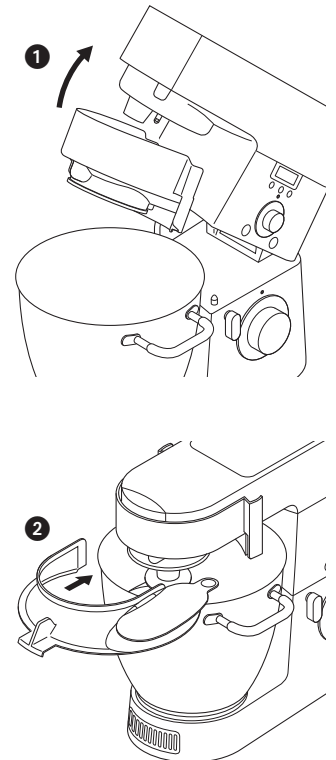
The splashguard assembly consists of 2 pieces: the heat shield and the splashguard.

The heat shield must be fitted during cooking operations otherwise the mixer will not operate and error code E:03 will be displayed. The heat shield is to protect the mixer head from steam produced during the cooking process.

If necessary both the heat shield and the splashguard can be fitted to retain ingredients in the bowl e.g. when mixing light ingredients such as flour and icing sugar, or when cooking ingredients where moisture needs to be retained in the bowl. The splashguard should not be fitted to the bowl unless used in conjunction with the heat shield.

- 1 Raise the mixer head until it locks.
 - 2 Push the heat shield upwards onto the underside of the mixer head ❶ until fully located. The heat shield must never be used without the rubber seal correctly fitted.
 - 3 Fit the bowl onto the base.
 - 4 Lower the mixer head.
 - 5 Rest the splashguard on the bowl rim and then slide forward until fully located ❷.
- During mixing, ingredients can be added directly to the bowl via the feed chute.
- 6 To remove the splashguard simply slide it away from the appliance.
 - 7 To remove the heat shield, raise the mixer head until it locks. Remove the tool, then pull the heat shield downwards from the underside of the mixer head.

Note: Only fit or remove the splashguard when the mixer head is in the locked position.



the mixer

the mixing tools and some of their uses

- K-beater ● For making cakes, biscuits, pastry, icing, fillings, éclairs and mashed potato.
- whisk ● For eggs, cream, batters, fatless sponges, meringues, cheesecakes, mousses, soufflés. Don't use the whisk for heavy mixtures (e.g. creaming fat and sugar) - you could damage it.
- dough hook ● For yeast mixtures only.
- high temperature flexible beater ● Suitable for many cooking operations in particular cooking custards, scrambled eggs and sauces. Ideal for scraping mixes both hot and cold from the sides of the bowl during mixing. Also suitable to sauté vegetables.
- stirring tool ● Suitable to use during cooking to maintain the consistency of food e.g. chicken, fish, vegetables and fruit.

to use your mixer

Before using the mixer ensure the temperature and speed controls are switched to the off 'O' positions.

- 1 Turn the head-lift lever clockwise ❶ and raise the mixer head until it locks.
- to fit a tool 2 Place the tool in the socket, locating the shaft pin in the groove and then turn to lock into position ❷.
- stirring tool** - to fit the stirring tool, insert the shaft into the socket, then line up the slot on the extension so that it is located beneath the metal pin on the underside of the mixer head. Hold the paddle and turn so that the shaft pin is below the groove then push up and turn to lock into position ❸.
- 3 Fit the bowl onto the base - press down and turn clockwise ❹.
- 4 To lower the mixer head, raise it slightly, then turn the head lift lever clockwise. Lower into the locked position.
- to remove a tool ● Reverse step 2 above. (Always use oven gloves to remove tools after cooking).
- 5 Connect the mixer to the power supply. The speed and temperature indicator lights will illuminate briefly. The display will show **88:88** and then clear leaving the power on indicator illuminated .
- 6 Turn the speed control to the desired setting (see page 10 for recommendations), the mixer will start and the speed control indicator light will flash. The timer will count up in 1 second intervals. The speed can be changed at any time whilst the mixer is operating.
- 7 Stop the mixer by returning the speed control to the off 'O' position.

Important - If at any time, the mixer head is raised during an operation, the mixer will automatically stop and beep and it will not re-start when the mixer head is lowered. To re-start the mixer turn the speed control to the off 'O' position and then re-select a speed.

pulse button

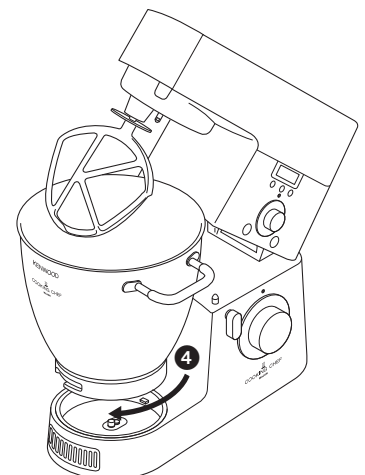
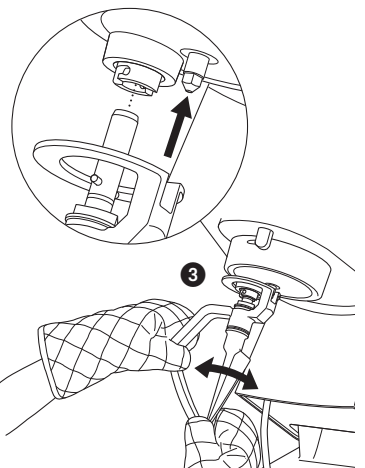
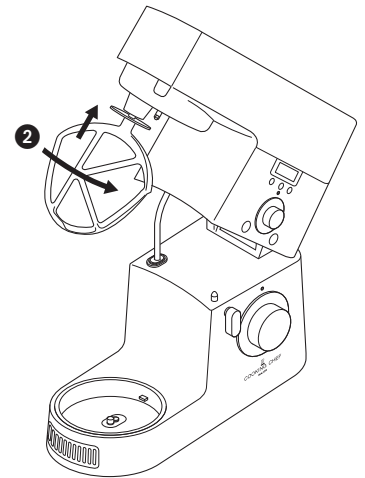
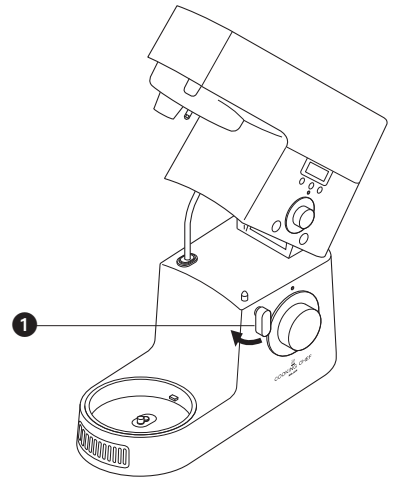
The pulse button can only be used when the speed control is in the off 'O' position.

To select pulse, press the pulse button **P** and the mixer will run at maximum speed for as long as the button is held in this position. If the bowl contents are above 60°C, the speed will increase gradually. This will be accompanied by a beeping sound and the speed and temperature indicator lights will flash quickly.

fold button

Press and release the fold button **F** and the mixer will automatically operate on minimum speed for 2 revolutions and then stop. The button can be pressed for a longer operation or pressed repeatedly as needed to combine ingredients.

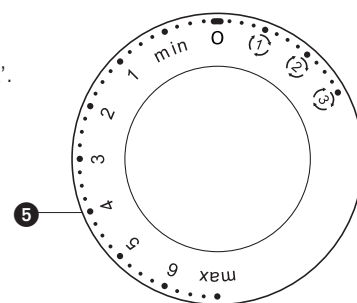
Note: If the fold button is pressed whilst the motor is running it will perform the standard fold function and then return to the selected speed.



speed control 5

The following speeds are a guide only and will vary depending upon the quantity and the temperature of the ingredients being mixed etc. Turn the speed control clockwise to obtain speeds 'min' through to 'max'.

- K-beater
 - **creaming fat and sugar** start on min, gradually increasing to 'max'.
 - **beating eggs into creamed mixtures** 4 - 'max'.
 - **folding in flour, fruit etc** min - 1
 - **all in one cakes** start on min speed, gradually increase to max.
 - **rubbing fat into flour** min - 2.
- high temperature flexible beater
 - **creaming fat and sugar** start on min, gradually increasing to 3.
 - **scraping mixes both hot and cold from the sides of the bowl** start on min gradually increasing to 3.
 - **sauteing vegetables, stirring risotto and polenta etc.,** use (1) .
- whisk
 - Gradually increase to 'max'.
- dough hook
 - Start on 'min', gradually increasing to 1.
- stirring tool
 - Use with the stir settings only (1), (2), (3).



stir settings

To select the stir settings turn the speed control anti-clockwise. These are most suitable when the mixer is used in the cook mode. Please note, to use the stir speeds all outlet covers must be fitted.

- (1) – Use this setting when a constant slow speed is required e.g. stirring sauces.
- (2) – When the speed control is set to this position, the mixer will intermittently operate on a slow speed once every 5 seconds for approximately 2 revolutions.
- (3) – When the speed control is set to this position, the mixer will intermittently operate on a slow speed once every 30 seconds, making it suitable for stirring casseroles etc.

Return the speed control to the off 'O' position to stop the operation.

Note:

- Whenever a speed is selected, the speed indicator light will flash.
- A high pitched sound may be heard from the appliance when in use. This is normal.

to use the mixer to cook food

IMPORTANT

- Make sure the induction area, temperature sensors and external surface of the bowl base are clean. Failure to do this will affect the heat sensor, resulting in poor cooking performance.
- Check that all the outlet covers including the heat shield are fitted. If they are not correctly fitted the heating function will not operate.
- Always use oven gloves to remove the bowl and tools after cooking.

- 1 Assemble the mixer following the instructions on page 9.
- 2 Turn the temperature control to the required temperature.
 - **Heating will not commence unless a speed is selected.**
- 3 Turn the speed control to the desired speed which will switch on the motor and the heater. Both indicator lights will flash.
- 4 Once the set temperature is reached, the temperature indicator light will illuminate continuously. However, during cooking the light will start to flash if the temperature changes indicating that the mixer is trying to maintain the set temperature (please read introduction page 4).
 - If the bowl temperature exceeds 60°C, for safety reasons the speed is automatically limited even if a higher speed has been selected. The speed will not automatically increase when the temperature drops below 60°C. The speed control must be switched off first and the desired speed reselected.
 - Note: Each time the timer/temperature selector button is pressed, the display will alternate between the timer display and the temperature of the bowl contents.
- 5 To stop or pause the mixing and heating process, return the speed control to the off 'O' position. To resume the operation select a speed.

hints

- **Some recipes, in particular those with a high water content, will not be able to reach a cooking temperature above 100°C (as this is the boiling point of water).**
- When adding ingredients to the bowl during cooking, turn the speed down and add the ingredients slowly and evenly.
- To heat sauces quickly use a continuous stir setting (T).
- You may find changing the tool for different processes during your meal preparation gives better results e.g. use the high temperature flexible beater to fry vegetables and then the stirring tool whilst cooking pieces of meat or poultry.
- If using the splashguard during cooking, always remove it before lifting the mixer head. Be aware of condensation formed on the splashguard and heat shield.
- When lifting the mixer head lift it slowly to allow any liquid on the underside of the heat shield to flow back into the bowl.
- Three stir functions are available which enable you to select the appropriate amount of stirring for individual recipes. Some recipes will require constant stirring to stop ingredients from sticking to the bottom of the bowl, whereas others will benefit from intermittent stirring to maintain the consistency of the food.
- For optimum performance adjust the tool heights see page 8.
- The maximum cooking time is 3 hours after which time the mixer will automatically switch off.
- It is possible to heat food without a tool in position, however a speed must be selected. This may be advantageous when melting foods e.g. butter, chocolate.
- Each time the timer/temperature selector button is pressed the display will alternate between displaying the cooking time and the temperature reached at that point.

High speed, high temperature whisk control

To whisk at high speed at temperatures above 60°C, turn the speed control to the desired whisking speed and then press and hold the pulse button. This will be accompanied by a beeping sound and the speed and temperature indicator lights will flash quickly. The whisking speed will slowly increase to the selected speed. Repeat the procedure to increase the speed further. You can reduce the whisking speed or turn off the mixer as normal.

This function MUST only be used with the whisk. You should not exceed the maximum cooking capacity of 3 litres and you must ensure the splashguard is fitted. The machine must not be left unattended.

after cooking

- Be careful when handling or touching any part of the mixer when being used in the cook mode or after cooking, IN PARTICULAR THE BOWL, SPLASHGUARD AND TOOLS as they will remain HOT long after the appliance has been switched off. Use the handles to remove and carry the bowl. Use oven gloves when handling the hot bowl and hot mixing tools.
- The underside of the bowl will remain hot long after the heating has stopped. Use caution when handling and use the work surface protection mat provided to protect heat sensitive surfaces.

display

For your safety the mixer is fitted with 5 separate safety sensors which will operate when using the mixer in the cooking mode. If the mixer is switched on and a safety sensor activated, the timer/temperature display will show an error message e.g. 'E:01'. This will be accompanied by a beeping sound and the mixer will not work. Check the following error messages:-

Error Message	Description	Solution
E:01	The head of the machine is in the raised position. When the head is lifted, a safety sensor disables the motor and heater. If the speed control is turned to any setting other than the Off 'O' position when the head is raised, this message is displayed and the motor will not switch on.	Close the head. Turn the speed control to the 'O' position and then select the desired speed.
E:02	The Cooking Chef Bowl is not fitted. The heating function will only work if the Cooking bowl is being used. This bowl must also be correctly fitted. Safety sensors will detect an incorrect bowl or the correct bowl incorrectly fitted.	Ensure that the Cooking Chef bowl is being used. Check that the bowl is fitted correctly. Turn the speed control to "O" and then select desired speed.
E:03	The heat shield is not fitted. The heating function will be disabled if the heat shield is not correctly fitted.	Ensure the heat shield is fitted correctly. Turn the speed control to 'O' and then select desired speed.
E:04	The slow speed outlet and high speed/medium speed outlet covers are not fitted. These covers are fitted with safety sensors. If the covers are not fitted correctly the heating will switch off and if stir functions are selected, the motor will run continuously. Mixing speeds min to max will run continuously.	Ensure that all covers are fitted correctly. Turn the speed control to 'O' and then select desired speed.
E:09	Temperature sensor problem. If the heater control detects a bowl temperature higher than expected during normal use, the motor and heater will automatically switch off.	Turn the speed control to 'O', unplug the machine and allow to cool. Check that the bowl base and temperature sensors are clean. Replace plug and switch on as normal.
E:10	Motor speed or overheat problem. If the motor stalls or gets too hot, the control system will automatically switch off the motor and heater.	Turn the speed control to 'O' and unplug the machine. Remove any obstructions causing the motor to stall. Ensure all the air vents are clear of obstructions. Plug in and switch on.

If these or any other error codes continue to appear on the display contact Kenwood Customer Care.

to use the countdown timer

The timer can be used in both the cooking and non cooking modes. If a countdown time is not selected, the timer will automatically count up in 1 second intervals whilst the mixer is in operation. The maximum running time is 3 hours.

- 1 Connect the mixer to the power supply. The display will briefly show **88:88.** and then clear leaving the power on indicator visible .
- 2 Press either the + or – button and 0:00 will appear in the display.
- 3 Press either the + or – button until the desired time is displayed. The timer will count up in 5 second intervals. If the button is pressed continuously the numbers will change more quickly the longer it is held down. A maximum time of 3 hours can be set.
Note: If the + button is pressed when the timer is at 3:00 the displayed time will change to 0:00. If the – button is pressed when the timer is at 0:00 the displayed time will change to 3:00.
- 4 Turn the speed control to the desired speed, the mixer will start and the timer will count down in 1 second intervals.
 - The mixer operation can be paused at any time by turning the speed control to the off 'O' position. This will also pause the timer. The timer will continue to count down when the mixer is re-started.
- 5 The mixing process will automatically stop when the total time has elapsed and audible beeps will be emitted for 3 seconds. The display will flash for 5 seconds and then clear showing the power on indicator .

to reset the timer

- 1 Zero the timer by pressing the + and – buttons at the same time (the speed control must be in the off 'O' position).
 - If the machine has been idle for 10 minutes, the LCD display and backlight will enter 'sleep mode' and all the displays will turn off. If any button or control knob is activated, the display will resume its previous format.

maximum capacities

- shortcrust pastry** • Flour weight: 910g - 2lb
- stiff yeast dough** • Flour weight: 1.5kg - 3lb 5oz
- Total weight: 2.4kg - 5lb 5oz
- soft yeast dough** • Flour weight: 2.6kg - 5lb 12oz
- Total weight: 5kg - 11lb
- fruit cake mix** • Total weight: 4.55kg - 10lb
- egg whites** • 16
- cooking mode** • 3 litres

- general hints
- Stop mixing and scrape down the bowl with the spatula frequently.
 - Eggs at room temperature are best for whisking.
 - Before whisking egg whites, make sure there's no grease or egg yolk on the whisk or bowl.
 - Use cold ingredients for pastry unless your recipe says otherwise.

points for bread making

- important
- Never exceed the maximum capacities stated - you'll overload the machine.
 - If you hear the machine labouring, switch off, remove half the dough and do each half separately.
 - The ingredients mix best if you put the liquid in first.

trouble shooting guide when cooking

Problem	Cause	Solution
The mixer will not operate in the heat mode and displays an error message and gives a warning beep.	One of the safety sensors has been activated.	See the table referring to error messages page 12. <ul style="list-style-type: none"> • Ensure the head is lowered and locked. • Ensure all outlet covers are correctly fitted. • Ensure the heat shield is correctly fitted. • Ensure the cooking chef bowl is corrected fitted.
A temperature has been selected but the bowl contents do not heat (the temperature indicator light is not illuminated).	A speed has not been selected.	Select a speed.
The mixer changes speed during cooking.	The speed is automatically limited when the bowl contents reach 60°C.	This is a safety feature.
Food burning on the base of the bowl.	<ol style="list-style-type: none"> 1 The temperature setting selected may be too high. 2 Incorrect tool being used. 3 The stir function is too slow. 4 The tool may not be low enough in the bowl. 5 The timer has been set for too long. 6 The sensor and/or the underside of bowl may not be clean. 	<ol style="list-style-type: none"> 1 Reduce the temperature on the dial or cook at a lower temperature. 2 Check the most suitable tool is being used. 3 Increase the frequency of the stir function or increase to a continuous operation. 4 Adjust the tool. 5 Cook for a shorter length of time (ensure food is thoroughly cooked). 6 Ensure that these areas are kept clean and dry.
Consistency of food not maintained.	<ol style="list-style-type: none"> 1 Temperature selected too high. 2 Stir function too fast. 3 Ingredients cooked for too long. 4 Incorrect tool being used. 	<ol style="list-style-type: none"> 1 Reduce temperature. 2 Reduce stir speed. 3 Reduce the cooking time (ensure food is thoroughly cooked). 4 Check the most suitable tool is being used.
Inconsistent mixing speed.	<ol style="list-style-type: none"> 1 Ingredients too large, hard or too firm. 	<ol style="list-style-type: none"> 1 Cut food into smaller pieces, remove stones from fruit, slowly melt ingredients without a tool in position (but ensure a speed has been selected). 2 Add ingredients after the head is lowered. 3 Check the most suitable tool is being used.
Cold ingredients have been added to a hot mixture but the temperature display does not respond quickly.	If the bowl contents are not thoroughly stirred then there will be varying food temperatures throughout the bowl.	<ol style="list-style-type: none"> 1 Allow time for the ingredients to be thoroughly mixed. 2 Increase the stir speed.
Difficult to shut mixer head with food in bowl.	Firm ingredients such as chocolate in the bottom of the bowl prevent the mixer head from locking down.	Add ingredients after the mixer head is lowered.
Mixer runs continuously when stir (2) or stir (3) are selected.	Outlet covers are incorrectly fitted.	Ensure the outlet covers are correctly fitted.
Motor speed is limited when using attachments	Hot bowl fitted.	Remove the bowl, or cool the bowl to below 60°C.

optional attachments available

To buy an attachment not included in your pack, see service and customer care.

attachment attachment code

flat pasta maker ① AT970A

additional pasta attachments
(not shown) used in conjunction
with AT970A

AT971A tagliatelle
AT972A tagliolini
AT973A trenette
AT974A spaghetti

pasta maker ② AT910 comes with maccheroni rigati die
(12 optional dies plus biscuit maker can be fitted)

roto food cutter ③ AT643 comes with 5 drums

fruit press ④ AT644

multi food grinder ⑤ AT950A comes with a fine, medium and coarse screen,
a small and large sausage nozzle and a kebbe maker

multi food grinder ⑥ AT955 comes with a fine, medium and coarse screen,
a small and large sausage nozzle and a kebbe maker

grain mill ⑦ AT941A

food processor ⑧ AT647 includes 6 cutting discs and a knife blade

pro slicer/grater ⑨ AT340 includes 7 cutting discs

citrus press ⑩ AT312

blender ⑪ 1.5 l acrylic **AT337**, 1.6 l thermo resist glass **AT358**,
1.5 l stainless steel **AT339**

mini chopper/mill ⑫ AT320A comes with 4 glass jars and 4 lids for storage

continuous juicer ⑬ AT641

ice-cream maker ⑭ AT957A

potato peeler ⑮ AT445

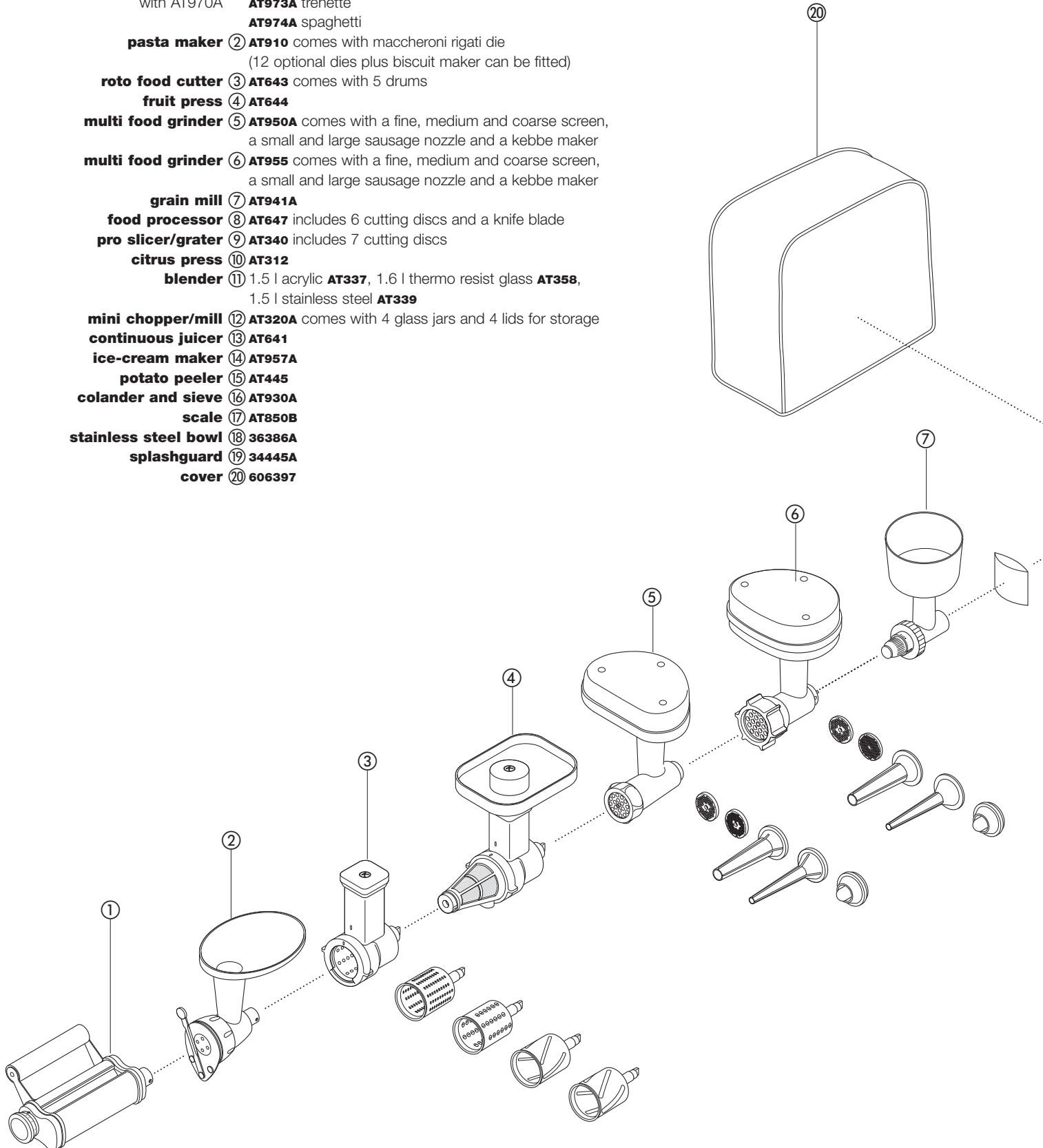
colander and sieve ⑯ AT930A

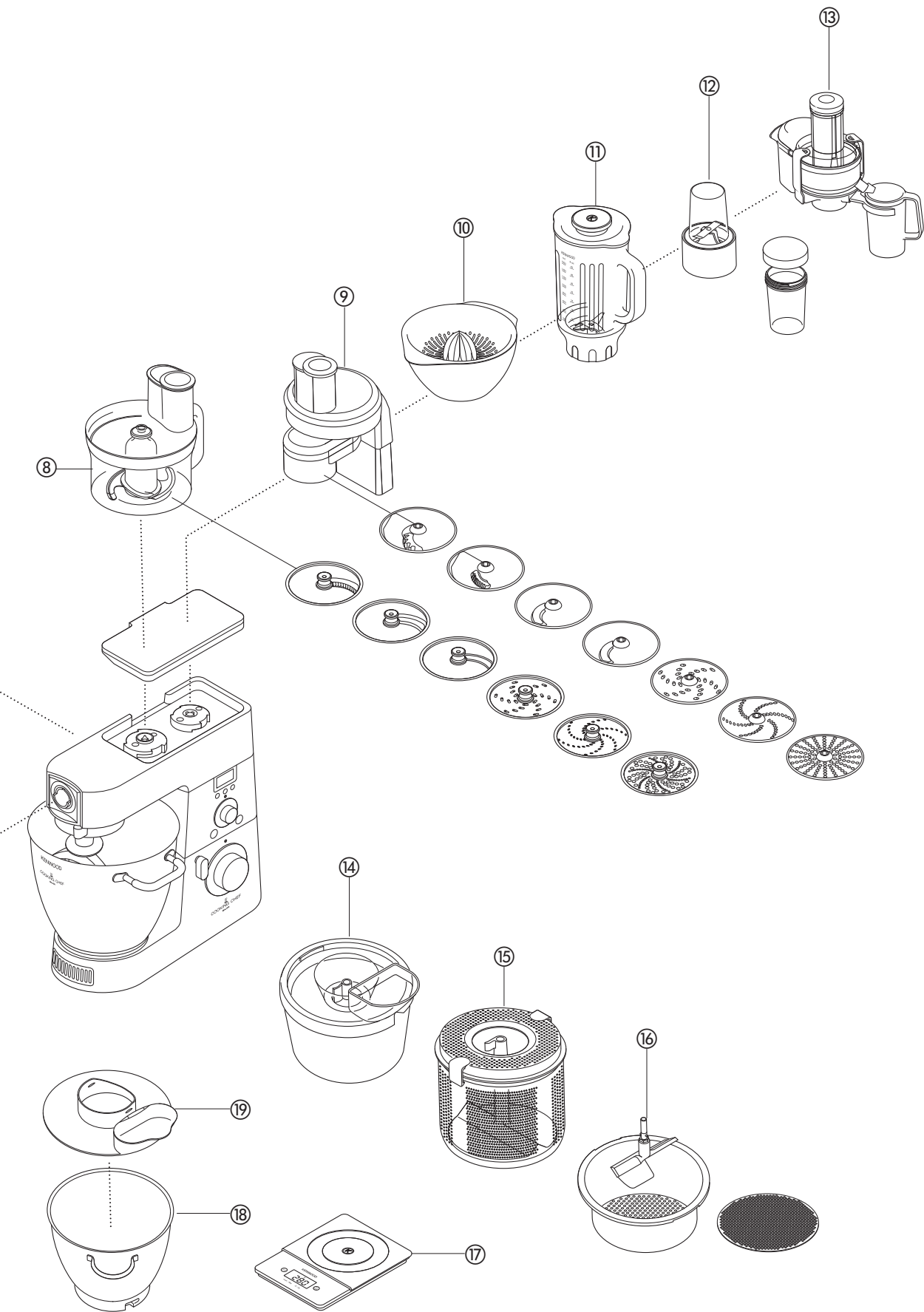
scale ⑰ AT850B

stainless steel bowl ⑱ 36386A

splashguard ⑲ 34445A

cover ⑳ 606397

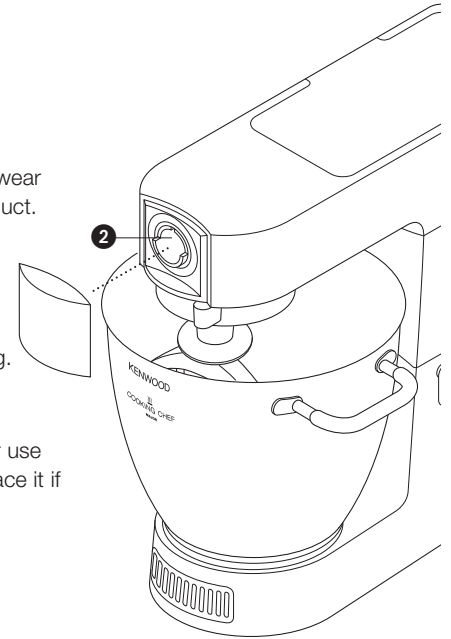




cleaning and service

care and cleaning

- Always switch off and unplug before cleaning.
- A little grease may appear at **outlet 2** when you first use it. This is normal - just wipe it off.
- The metal surfaces of the temperature sensors may show signs of wear during normal use. this does not affect the performance of the product.
- Do not leave the high temperature flexible beater fitted to the mixer when not in use.



appliance, outlet covers
high temperature flexible beater

- Wipe with a damp cloth, then dry.
- Never use abrasives or immerse in water.
- Always remove the flexible wiper blade from the tool before cleaning.
- Wash the flexible wiper blade and tool in hot soapy water, then dry thoroughly. Alternatively the parts can be washed in a dishwasher.

Note: Please inspect the condition of the tool body before and after use and also regularly inspect the condition of the wiper blade and replace it if there are any signs of wear.

bowl, tools, splashguard

- Wash by hand, then dry thoroughly or wash in the dishwasher.
- Never use a wire brush, steel wool or bleach to clean your stainless steel bowl. Use vinegar or a suitable descaler to remove limescale.
- If food sticks or burns on the inside of the bowl, remove as much as possible using the spatula provided. Fill the bowl with warm soapy water and allow to soak. Remove any stubborn deposits using a nylon brush.
- Any discolouration of the bowl will not affect its performance.

drain hole

- Ensure this area is free from food. If necessary use a pipe cleaner or cotton bud to clean.

temperature sensors

- Wipe with a damp cloth then dry thoroughly. Never use abrasives or sharp instruments to clean the sensors.

service and customer care

- If the cord is damaged it must, for safety reasons, be replaced by KENWOOD or an authorised KENWOOD repairer.

If you need help with:

- using your machine
 - servicing or repairs
- Contact the shop where you bought your machine.

- Designed and engineered by Kenwood in the UK.
- Made in China.



IMPORTANT INFORMATION FOR CORRECT DISPOSAL OF THE PRODUCT IN ACCORDANCE WITH EC DIRECTIVE 2002/96/EC.

At the end of its working life, the product must not be disposed of as urban waste.

It must be taken to a special local authority differentiated waste collection centre or to a dealer providing this service.

Disposing of a household appliance separately avoids possible negative consequences for the environment and health deriving from inappropriate disposal and enables the constituent materials to be recovered to obtain significant savings in energy and resources. As a reminder of the need to dispose of household appliances separately, the product is marked with a crossed-out wheeled dustbin.

recipes

See important points for bread making on page 13.

white bread *stiff yeast dough*

- ingredients
- 1.36kg (3lb) strong plain flour
 - 15ml (3tsp) salt
 - 25g (1oz) fresh yeast; or 15g/20ml (½oz) dried yeast + 5ml (1tsp) sugar
 - 750ml (1¼pts) warm water: 43°C (110°F). Use a thermometer or add 250ml (9fl oz) boiling water to 500ml (18fl oz) cold water
 - 25g (1oz) lard
- method
- 1 **dried yeast** (the type that needs reconstituting): pour the warm water into the bowl. Then add the yeast and the sugar and leave to stand for about 10 minutes until frothy.
fresh yeast: crumble into the flour.
other types of yeast: follow the manufacturer's instructions.
 - 2 Pour the liquid into the bowl. Then add the flour (with fresh yeast if used), salt and lard.
 - 3 Knead at minimum speed for 45 - 60 seconds. Then increase to speed 1, adding more flour if necessary, until a dough has formed.
 - 4 Knead for 3 - 4 more minutes at speed 1 until the dough is smooth, elastic and leaves the sides of the bowl clean.
 - 5 Put the dough into a greased polythene bag or a bowl covered with a tea towel. Then leave somewhere warm until doubled in size.
 - 6 Re-knead for 2 minutes at speed 1.
 - 7 Half fill four 450g (1lb) greased tins with the dough, or shape it into rolls. Then cover with a tea towel and leave somewhere warm until doubled in size.
 - 8 Bake at 230°C/450°F/Gas Mark 8 for 30 - 35 minutes *for loaves* or 10 - 15 minutes *for rolls*.
 - When ready, the bread should sound hollow when tapped on the base.

white bread *soft yeast dough*

- 2.6kg (5lb 12oz) ordinary plain flour
 - 1.3 litre (2¼pts) milk
 - 300g (10oz) sugar
 - 450g (1lb) margarine
 - 100g (4oz) fresh yeast or 50g (2oz) dried yeast
 - 6 eggs, beaten
 - 5 pinches salt
- method
- 1 Melt the margarine in the milk and bring to 43°C (110°F).
 - 2 **dried yeast** (the type that needs reconstituting): add the yeast and sugar to the milk and leave to stand for about 10 minutes until frothy.
fresh yeast: crumble into the flour and add the sugar.
other types of yeast: follow the manufacturer's instructions.
 - 3 Pour the milk into the bowl. Add the beaten eggs and 2kg (4lb 6oz) flour.
 - 4 Mix at minimum speed for 1 minute, then at speed 1 for a further minute. Scrape down.
 - 5 Add the remaining flour and mix at minimum speed for 1 minute, then at speed 1 for 2 - 3 minutes until smooth and evenly mixed.
 - 6 Half fill some 450g (1lb) greased tins with the dough, or shape it into rolls. Then cover with a tea towel and leave somewhere warm until doubled in size.
 - 7 Bake at 200°C/400°F/Gas Mark 6 for 20 - 25 minutes *for loaves* or 15 minutes *for rolls*.
 - 8 When ready, the bread should sound hollow when tapped on the base.
 - Makes about 10 loaves.

recipes *continued*

strawberry and apricot gâteau

- ingredients: sponge
- 3 eggs
 - 75g (3oz) caster sugar
 - 75g (3oz) plain flour
- filling and decoration
- 150ml (¼pt) double cream
 - Sugar to taste
 - 225g (8oz) strawberries
 - 225g (8oz) apricots
- method
- 1 Halve the apricots and remove the stones. Cook gently in very little water, adding sugar to taste, until soft.
 - 2 Wash and halve the strawberries.
 - 3 To make the sponge, whisk the eggs and sugar at maximum speed until very pale and thick.
 - 4 Remove the bowl and the whisk. Fold in the flour by hand using a large metal spoon - do this carefully to keep the sponge light.
 - 5 Put the mixture into two 18cm (7") greased and lined sandwich tins.
 - 6 Bake at 180°C/350°F/Gas Mark 4 for about 20 minutes until the cake springs back when lightly touched.
 - 7 Turn out onto a wire rack.
 - 8 Whisk the cream at maximum speed until stiff. Add sugar to taste.
 - 9 Roughly chop the apricots and a third of the strawberries. Fold them into half the cream.
 - 10 Spread this over one of the sponges, then put the other sponge on top.
 - 11 Spread the remaining cream on top and decorate with the remaining strawberries.

meringues

- ingredients
- 4 egg whites
 - 250g (9oz) icing sugar, sieved
 - Line your baking tray with non-stick baking parchment.
- method
- 1 Whisk the egg whites and sugar at maximum speed for about 10 minutes until it stands in peaks.
 - 2 Spoon the mixture onto the baking tray (or use a piping bag with a 2.5cm (1") star nozzle).
 - 3 Bake at 110°C/225°F/Gas Mark ¼ for about 4 - 5 hours until firm and crisp. If they start to brown, leave the oven door slightly ajar.
- Store meringues in an airtight tin.

shortcrust pastry

- ingredients
- 450g (1lb) flour, sieved with the salt
 - 5ml (1tsp) salt
 - 225g (8oz) fat (mix lard and margarine straight from the fridge)
 - About 80ml (4tbsp) water
- hint
- Don't overmix
- method
- 1 Put the flour into the bowl. Chop the fat up roughly and add to the flour.
 - 2 Using the stainless steel K beater mix at speed 1 until it resembles breadcrumbs.
 - 3 Stop before it looks greasy.
 - 4 Add the water and mix at minimum speed. Stop as soon as the water is incorporated.
- Cook at around 200°C/400°F/Gas Mark 6, depending on the filling.

chilli marinade

- Ingredients
- 200g (7oz) cold clear honey (refrigerated overnight)
 - 1 green chilli (whole)
 - 5ml (1 tsp) crunchy peanut butter
 - seasoning
- method
- 1 Place all the ingredients into the mini chopper/mill.
 - 2 Fit the attachment to the mixer and allow the ingredients to settle around the blade.
 - 3 Switch to pulse for 10 seconds.
 - 4 Use as required.

Notes

Dansk

før Kenwood-apparatet tages i brug

- **Læs denne brugervejledning nøje og opbevar den i tilfælde af, at du får brug for at slå noget op i den.**
- Fjern al emballage og mærkater.

lær din Kenwood Cooking Chef Køkkenmaskine at kende

sikkerhed

vigtig besked – elektroniske medicinske implantater

- Dette apparat danner kortrækkende magnetiske felter, ligesom alle induktionsprodukter til opvarmning. Hvis en bruger eller en person i den umiddelbare nærhed har en pacemaker eller et andet aktivt implantat, bedes du kontakte en læge før brug, med hensyn til mulige uforlideligheder for at undgå en sundhedsrisiko.
- Sluk for apparatet og træk stikket ud før montering eller afmontering af redskaber/tilbehør, efter brug eller før rengøring.
- Sørg for at kropsdele, smykker eller løstsiddende påklædning holdes væk fra de bevægelige dele og monteret tilbehør.
- Placér aldrig dine fingre mm. i hængselsmekanismen.
- Hold altid apparatet under opsyn.
- Benyt aldrig et beskadiget apparat. Få det efterset eller repareret: se 'service og kundeservice, side 34.
- Benyt aldrig uautoriseret tilbehør eller mere end et stk. tilbehør ad gangen.
- Overskrid aldrig de maksimale mængder på side 30 og overskrid aldrig det maksimale 3 liters opfyldningsniveau, som er markeret på indersiden af skålen, når du benytter induktionsopvarmeren.
- Når du benytter tilbehør, skal du læse de medfølgende sikkerheds- og brugervejledninger.
- Vær forsigtig når du løfter dette apparat, da det er tungt. Sørg for at hovedet er låst og at skålen, redskaberne, dæksler til udgange og ledning er sat godt fast, før apparatet løftes.
- Lad aldrig ledningen hænge ned, således at et barn kan få fat i den.
- Lad aldrig motorenhed, ledning eller stikkontakt komme i kontakt med vand.
- Vær forsigtig med at håndtere eller berøre alle dele af apparatet, mens det anvendes i kogeindstillingen eller efter madlavning, SPECIELT SKÅLEN, STÆNKSKÆRMEN OG REDSKABER da de stadig vil være VARME i lang tid efter at der er slukket for apparatet. Benyt håndtagene til at fjerne og bære skålen. Benyt grydelapper når den varme skål og de varme mikserredskaber håndteres.
- Undersiden af skålen vil stadig være varm lang tid efter opvarmningen er færdig. Vær forsigtig ved håndtering og anvend bordskåneren når skålen placeres på varmfølsomme overflader.
- Pas på dampudslip fra mikser-skålen, specielt når låget på stænk-skærmen åbnes eller når mikserhovedet løftes.
- Hvis der overføres varm mad fra mikserne til blenderen, skal ingredienserne altid have lov til at køle af til stuetemperatur før de placeres i blenderen.
- Anvend kun skålen og de medfølgende redskaber med dette apparat. Anvend aldrig skålen sammen med en anden varmekilde.
- Benyt aldrig apparatet i kogeindstillingen, hvis skålen er tom.
- Tilsæt aldrig noget gennem luftventilerne.
- Under anvendelse af dette apparat skal der sikres at det er placeret på en jævn overflade væk fra kanten. Sørg for at det er mindst 10 cm fra væggen og sørg for at ventilerne ikke er blokerede. Må ikke placeres under ophængte køkkenskabe.
- Sørg for at undersiden af skålen og temperatursensorerne er rene og tørre før madlavning, for korrekt og sikker brug af induktionskogerne.
- Som med alle induktionskogeapparater, må der ikke placeres kredittkort, magnetiske genstande og følsomt elektronisk udstyr tæt ved apparatet, mens det er i brug.
- Anvend ikke apparatet til dybstegning af madvarer.
- Sørg altid for at maden er helt gennemkogt før den spises.
- Maden bør spises i løbet af kort tid efter tilberedning eller hurtigt nedkøles og derefter sættes i køleskab så hurtigt som muligt.
- Dette apparat er ikke tilsigtet brug af personer (inklusive børn) med reducerede fysiske, sansemæssige eller mentale evner, eller mangel på erfaring og kendskab, undtagen hvis de er blevet vejledt eller givet instrukser i brugen af apparatet af en person, der er ansvarlig for deres sikkerhed.
- Børn bør overvåges for at sikre, at de ikke leger med apparatet.
- Anvend kun apparatet til husholdningsbrug. Kenwood påtager sig ikke erstatningsansvar, hvis apparatet ikke anvendes korrekt eller disse instruktioner ikke følges.

inden stikket sættes i stikkontakten

- Sørg for at din elforsyning er den samme som den, der er vist på din maskines underside.
- Denne anordning er i overensstemmelse med EC-direktivet 2004/108/EC om elektromagnetisk forlidelighed og EU-regulativ nr.1935/2004 fra 27/10/2004 om materialer, der tilsigtes at få kontakt med fødevarer.

inden maskinen anvendes første gang

Vask delene: se 'pleje og rengøring' side 34.

indledning

Tak for dit køb at denne Kenwood Cooking Chef køkkenmaskine, vi håber at du vil få glæde af den i mange år.

Kenwood har næsten 60 års erfaring og ekspertise med udvikling af vores køkkenmaskiner og deres store udbud af tilbehør. Kenwood Chef køkkenmaskinerne er kendt for at være mere end blot en mikser til dine fødevarer.

Under udviklingen af Cooking Chef har vi bragt dens velkendte alsidighed et trin videre ved at introducere integreret induktionskogning direkte under miksereskålen. Du kan nu nyde godt af alle fordelene ved en dagligdags 'kold skål' med planetarisk miksning når du tilbereder dine favoritkager, butterdej og dej, plus den ekstra fordel ved opvarmning og kogning direkte i skålen i kombination med planetarisk miksning. Mulighederne er endeløse.

Kenwood Cooking Chef med udbuddet af valgfrit tilbehør er helt sikkert det fuldstændige system for tilberedning af mad.

Stærk, pålidelig, alsidig, Kenwood.

Hvad er induktionskogning og hvordan fungerer det?

Induktionskogning er en avanceret kogemetode, som benytter sig af principperne for elektromagnetisk induktion. Når en elektrisk strøm passerer gennem en kobberspole i området for induktionskogning, dannes der et elektromagnetisk felt. Når Cooking Chef skålen er låst på plads, slutes kredsløbet af et specielt lag af rustfrit stål på skålens underside. Derved dannes der en stor mængde termisk energi, der passerer gennem skålens indhold, hvilket opvarmer maden.

Induktionskogning er en ekstremt effektiv form for energi, da det kun danner varme i bunden af skålen. Andre opvarmningsmetoder, som f.eks. gasblus, spilder næsten 50% af varmeenergien rundt om siderne af gryden. Faktisk er det kun området for induktionskogning på din Cooking Chef der føles varm under og lige efter madlavningen pga. varmen, der føres tilbage fra skålens indhold. Alt dette betyder at induktionskogning er meget effektivt, meget sikkert og meget rentligt.

Kogefunktionen på din Kenwood Cooking Chef svarer til at bruge en pande på dit komfur. Den ekstra fordel er at din Chef automatisk vil omrøre din mad og regulere kogetemperaturen til dine præcise krav, hvilket gør at du kan føle dig tryk ved at gøre andre ting i dit køkken.

Cooking Chef anvender induktionsopvarmningsteknologi, hvilket er ekstremt effektivt. Hvis du sammenligner med at koge på et elektrisk komfur eller gaskomfur, kan du opleve kortere kogetider eller at du skal koge ved en lavere temperatur. Der skal tages hensyn til dette når du bruger dit apparat første gang, eller når du eksperimenterer med en ny opskrift. Sørg for at holde øje med det, hvis du starter med at koge ved en høj temperatur, og skru ned for varmen når det er nødvendigt for at sørge for at maden ikke brænder på og sætter fast på skålen, ligesom du ville gøre med din pande. Generelt set vil din Cooking Chef automatisk opvarme maden til din ønskede temperatur på den hurtigst mulige måde. Det er derfor ikke nødvendigt at indstille temperaturen højere end du har behov for med henblik på at reducere kogetiden. På dette trin bør du også være opmærksom på omrørerindstillingernes frekvens. Når du koger ved højere temperaturer, kan du finde det nødvendigt at omrøre konstant ved at bruge omrørerindstillingen (1). Omrørerindstillingerne (2) (3) er nyttige til at opretholde konsistensen af din mad over længere kogeperioder ved lav simring.

Det er også vigtigt at vælge det korrekte redskab til skålen på dette tidspunkt. Længere fremme i denne bog har vi forslag til de mest passende anvendelser for hvert redskab, og du vil hurtigt erfare hvilket redskab er bedst for hver opgave. Når du koger, vil du finde ud af at det fleksible piskeris til høj temperatur er bedst at anvende til at opnå en meget jævn konsistens til saucer og creme, hvorimod omrøreren er bedre når der koges mad med en mere fast konsistens, som f.eks. stuvninger, kasseroller, ragout mm. Vores opskriftsbog anbefaler de bedste redskaber til hver opskrift, og det kan være at du synes at det giver bedre resultater at ændre redskaber for forskellige processer under din madtilberedning.

Mens du kokkererer og umiddelbart derefter vil skålen, stænkskærmen og redskaber til skålen være varme – nøjagtig som din pande ville være. Vær forsigtig når du berører disse. Det er også vigtigt at huske at kogningen vil danne damp og kondensering, så vær forsigtig når du kigger i skålen, løfter låget til fødevareskålen eller Cooking Chef-apparatets hoved for at se eller få adgang til skålen. Du bør også advare andre når maskinen er i gang eller er varm, så de også vil være forsigtige. Når du rører ved eller fjerner varme dele anbefales det at bruge grydelapper og kun bære skålen i de dertil hørende håndtag. Det kan også være at du synes at bordskåneren er nyttig til at beskytte varmfølsomme overflader.

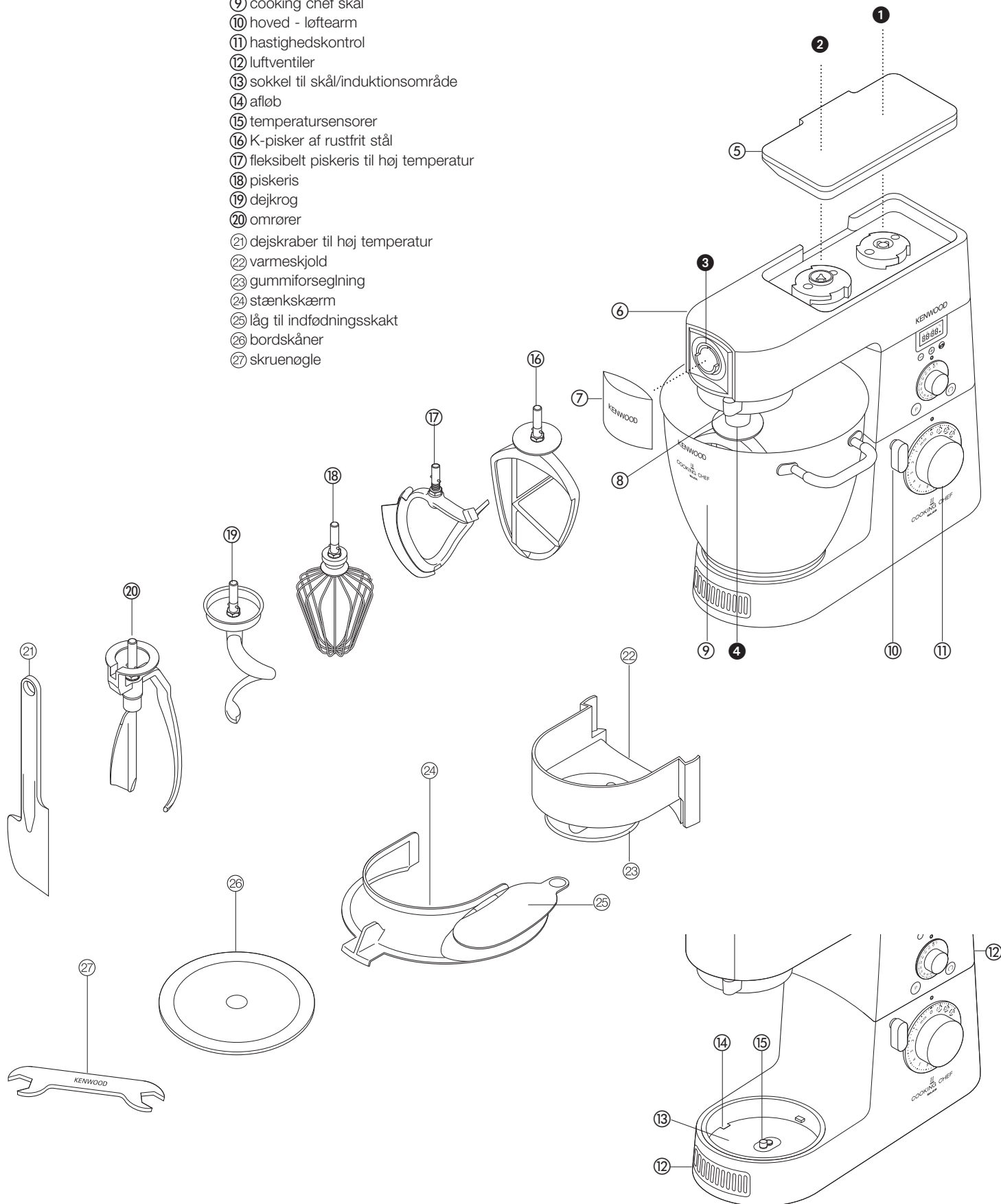
Når du opvarmer væsker eller madvarer med et højt vandindhold, vil temperaturafæserens nøjagtighed normalt være inden for +/- 5°C. Nøjagtigheden af temperaturvisningen og temperaturkontrollen vil variere afhængig af konsistensen af skålens indhold, mængden af indholdet i din skål, omrørerfrekvensen og det redskab, der anvendes i skålen. Dette svarer igen til at koge på et komfur, for eksempel, hvor en stor mængde mad i en stor gryde opvarmes, men ikke omrøres grundigt. Maden vil være varm i bunden af panden eller endda brændt på, hvorimod det øverste lag mad vil være meget koldere.

Udover temperaturvisningen har maskinen en lille blå lysdiode. Den vil blinke indtil maskinen har nået den valgte temperatur. Når den påkrævede temperatur er nået, vil lyset holde op med at blinke. Du bør dog bemærke at når du tilsætter yderligere ingredienser til skålen vil den blå lysdiode begynde at blinke igen, da temperaturen af skålens indhold vil nedsættes af de kolde ingredienser. Du kan også bemærke at det statiske lys begynder at blinke hvis omrørerfrekvensen forøges.

Du vil hurtigt finde ud af at din Kenwood Cooking Chef er let at anvende og vil hjælpe dig med at gøre din tilberedning af mad i dagligdagen lettere.

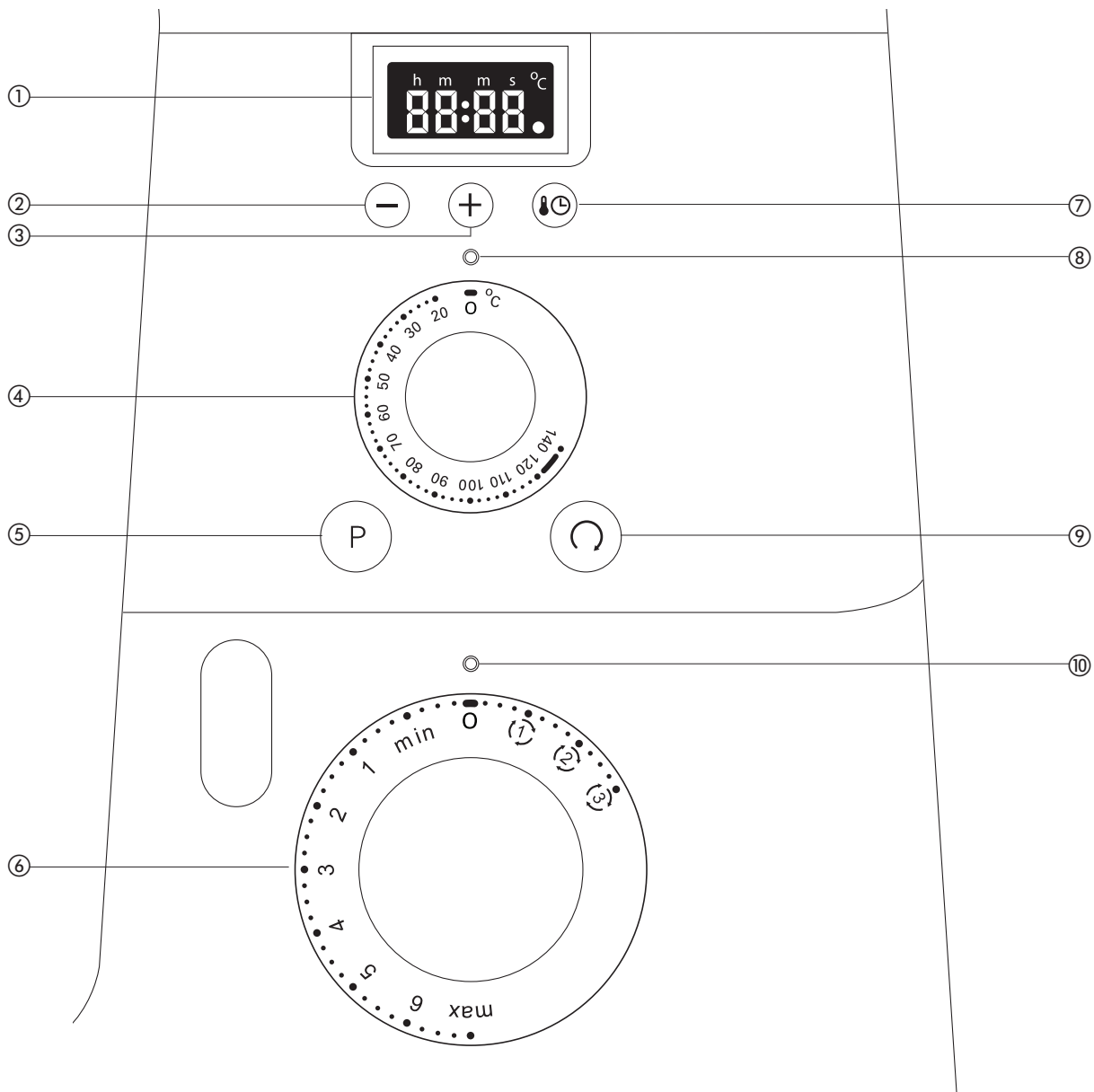
Lær din Kenwood Cooking Chef at kende

- udgange til tilbehør
- 1 udgang til høj hastighed
 - 2 udgang til middelhastighed
 - 3 udgang til lav hastighed
 - 4 redskabssokkel
- mikseren
- 5 dæksel for udgang til middel/høj hastighed
 - 6 mikserhoved
 - 7 dæksel for udgang til lav hastighed
 - 8 arm for udgang til lav hastighed
 - 9 cooking chef skål
 - 10 hoved - løftearm
 - 11 hastighedskontrol
 - 12 luftventiler
 - 13 sokkel til skål/induktionsområde
 - 14 afløb
 - 15 temperatursensorer
 - 16 K-pisker af rustfrit stål
 - 17 fleksibelt piskeris til høj temperatur
 - 18 piskeris
 - 19 dejkrog
 - 20 omrører
 - 21 dejskraber til høj temperatur
 - 22 varmeskjold
 - 23 gummiforseglning
 - 24 stænkskærm
 - 25 låg til indfødningsskakt
 - 26 bordskåner
 - 27 skruenøgle



kontrolpanel

- ① timer/temperaturvisning
- ② timer nedskalingsknap
- ③ timer opskalingsknap
- ④ temperaturkontrol
- ⑤ pulsknap/høj hastighed, knap til piskning ved høj temperatur
- ⑥ hastighedskontrol
- ⑦ timer/knap til valg af temperatur
- ⑧ lys til temperaturindikator
- ⑨ foldeknap
- ⑩ indikatorlys til hastighedskontrol



justering af redskabernes højde

Se venligst side 26 for hvordan mikseren skal samles.

piskeris, K-pisker i rustfrit stål, omrører

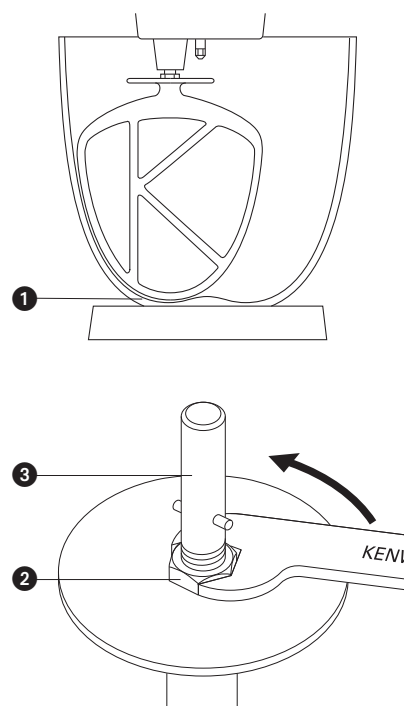
For optimal funktion skal piskeriset, K-piskeren og omrøreren **næsten** røre ved bunden af skålen **1**. Hvis det er nødvendigt at justere højden, bruges den medfølgende skruenøgle.

Her ser du hvordan:

- 1 Træk stikket ud for apparatet.
- 2 Løft mikserhovedet og sæt piskeriset eller omrøreren i.
- 3 Sænk mikserhovedet. Hvis højden skal justeres, løftes mikserhovedet og redskabet fjernes.
- 4 Anvend den medfølgende skruenøgle til at løsne møtrikken **2** tilstrækkeligt til at gøre det muligt at justere skaftet **3**. Hvis redskabet skal sænkes ned mod skålens bund, skal skaftet drejes mod uret. Hvis redskabet skal løftes fra skålens bund, skal skaftet drejes med uret.
- 5 Spænd møtrikken igen.
- 6 Sæt redskabet på mikseren og sænk mikserhovedet. (Kontrollér positionen ved at se de ovenstående punkter).
- 7 Gentag de ovenstående trin efter behov til redskabet er korrekt på plads. Når dette er gjort spændes møtrikken forsvarligt.

fleksibelt piskeris til høj temperatur – dette redskab skal kun lige røre ved bunden af skålen.

dejkrog – dette redskab er indstillet fra fabrikken og der burde ikke være behov for justering.



montering og brug af din stænkskærm montering

Stænkskærmen består af 2 stykker: varmeskjoldet og stænkskærmen.

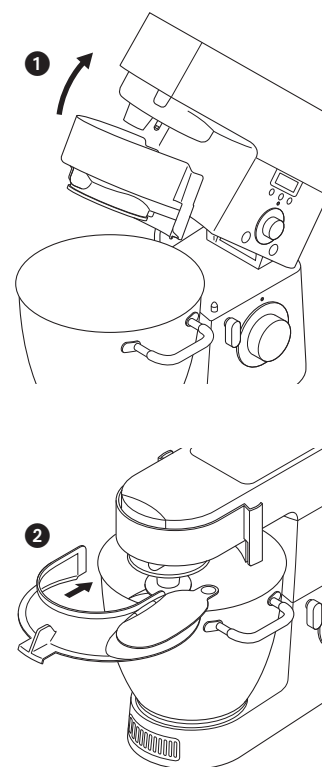
Varmeskjoldet skal være monteret under madlavningen, ellers vil mikseren ikke fungere og fejlkode E:03 vil fremvises.

Varmeskjoldet beskytter mikserhovedet mod den damp, der dannes under kogningen.

Hvis det er nødvendigt kan både varmeskjoldet og stænkskærmen monteres for at holde ingredienserne tilbage i skålen, f.eks. når der mikses lette ingredienser som mel og flormelis, eller når der koges ingredienser, hvor væden skal tilbageholdes i skålen. Stænkskærmen bør ikke monteres på skålen, med mindre den anvendes sammen med varmeskjoldet.

- 1 Løft mikserhovedet indtil det låser på plads.
- 2 Skub varmeskjoldet opad mod undersiden af mikserhovedet **1** indtil det er helt på plads. Varmeskjoldet må aldrig anvendes uden at gummiforseglingen er korrekt monteret.
- 3 Sæt skålen på plads på soklen.
- 4 Sænk mikserhovedet.
- 5 Lad stænkskærmen hvile på kanten af skålen og skub den fremad indtil den er helt på plads **2**.
- Ingredienserne kan tilsættes direkte til skålen via indfødningskakten, mens der mikses.
- 6 Stænkskærmen fjernes ved at trække den væk fra apparatet.
- 7 Løft mikserhovedet indtil det låses på plads for at fjerne varmeskjoldet. Fjern redskabet og træk dernæst varmeskjoldet nedad fra undersiden af mikserhovedet.

Bemærk: Stænkskærmen må kun monteres eller afmonteres når mikseren er i den fastlåste position.



mikseren

mikserredskaberne og nogle af deres anvendelser

- K-pisker • Til at røre kagedej, småkager, butterdej, glasur, kagefyld, vandbakkelser og kartoffelmos.
- piskeris • Til at piske æg, piskefløde, pandekagedej, lagkagedej, marengs, mousse, soufflé. Piskeriset må ikke bruges til tykkere blandinger (f.eks. til at røre fedtstof og sukker) – du kan beskadige det.
- dejkrog • Kun til gærdeje.
- fleksibelt piskeris til høje temperaturer • Passer til mange slags madlavning, specielt til at lave creme, røræg og saucer. Ideel til at skrabe både varme og kolde blandinger fra siderne på skålen under miksning. Også anvendelig til at sautere grøntsager.
- omrører • Anvendelig under madlavning for at opretholde madens konsistens f.eks. fjerkræ, fisk, grøntsager og frugt.

sådan anvendes din mikser

Før mikseren bruges skal der sikres at temperatur- og hastighedskontrollerne er drejet til off 'O'-positionerne.

- sådan monteres et redskab
- 1 Drej hovedets løftearm med uret **1** og løft mikserhovedet indtil det låses.
 - 2 Placér redskabet i soklen, lokaliser skaftets stift i fordybningen og drej dernæst for at låse på plads **2**.

omrører - omrøreren monteres ved sætte skaftet på soklen og derefter sørge for at rillen i forlængelsen befinder sig nedenunder metalstiften på undersiden af mikserhovedet. Hold pinden og drej indtil stiften på skaffet er under fordybningen og skub så opad og drej for at låse på plads **3**.

- 3 Monter skålen på soklen – tryk nedad og drej med uret **4**.
- 4 Mikserhovedet sænkes ved at løfte det en smule og dernæst dreje hovedets løftearm med uret.
Sænk ned i den låste position.

- sådan fjernes et redskab
- Udfør det ovenstående trin i omvendt rækkefølge. (Anvend altid grydelapper til at fjerne redskaber efter madlavning).

- 5 Tilslut mikseren til elforsyningen. Indikatorlysene for hastighed og temperatur vil lyse op i en kort periode. Displayet vil vise **88:88**, og derefter ryddes, med indikatorlys for at vise at det er tændt **□**.
- 6 Drej hastighedskontrollen til den ønskede indstilling (se side 27 for anbefalinger), mikseren vil starte og indikatorlyset for hastighedskontrollen vil blinke. Timeren vil tælle op med 1-sekunds intervaller. Hastigheden kan ændres til enhver tid mens mikseren er i gang.
- 7 Stop mikseren ved at dreje hastighedskontrollen til off 'O'-positionen.

Vigtigt – Hvis mikserhovedet er løftet på noget tidspunkt mens den er i gang, vil mikseren automatisk stoppe og bippe, og den vil ikke starte igen indtil mikserhovedet er sænket. For at starte mikseren igen, drejes hastighedskontrollen til off 'O'-positionen, og der vælges igen en hastighed.

pulsknap

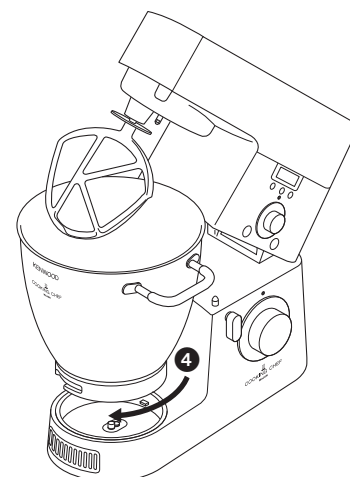
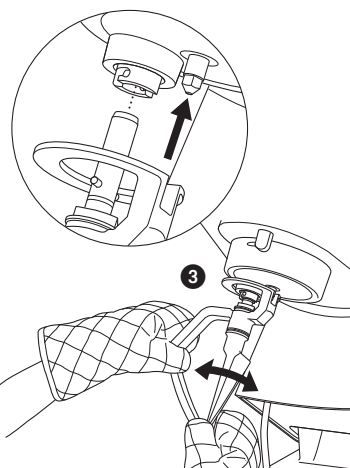
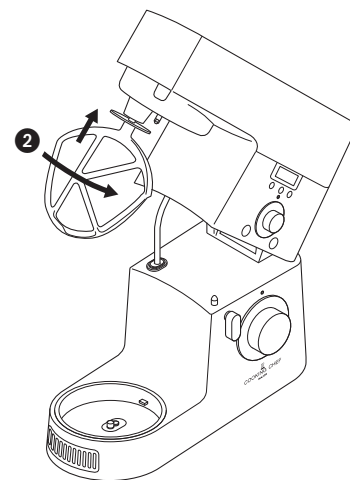
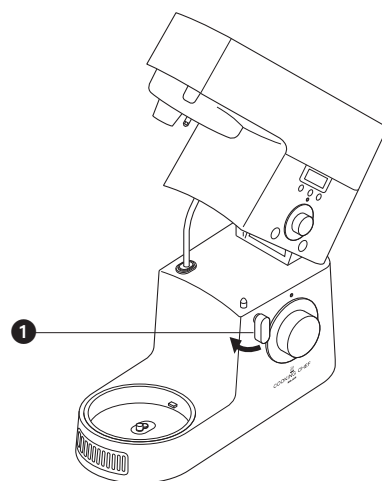
Pulsknappen kan kun anvendes når hastighedskontrollen er i off 'O'-positionen.

Tryk på pulsknappen **Ⓟ** for at vælge puls, og mikseren vil køre ved max. hastighed så længe knappen holdes i denne position. Hvis indholdet i skålen er over 60°C, vil hastigheden gradvist øges. Dette vil ledsages af en bippende lyd og indikatorlysene for hastighed og temperatur vil blinke hurtigt.

foldeknop

Tryk og frigør foldeknappen **Ⓞ** og mikseren vil automatisk køre ved min. hastighed i to omdrejninger og derefter stoppe. Knappen kan trykkes ned for at være i gang længere eller trykkes gentagne gange, så lang tid der er behov for at kombinere ingredienser.

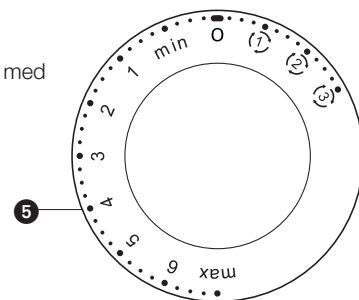
Bemærk: Hvis foldeknappen er trykket ned mens motoren kører, vil standard foldefunktionen udføres, og derefter vendes tilbage til den valgte hastighed.



hastighedskontrol 5

De følgende hastigheder er kun vejledende og vil variere afhængig af mængden og temperaturen af de ingredienser, der mikses mm.

Drej hastighedskontrollen med uret for at opnå hastighederne 'min' til og med 'max'.



- K-pisker • **piskning af fedtstof og sukker (cremet)** start på 'min' og forøg gradvist til 'max'.
- **piskning af æg ind i cremede blandinger** 4 - 'max'.
- **foldning af mel, frugter mm.** 'min' - 1
- **alt-i-én kagedej** start med 'min' hastighed og forøg gradvist til 'max'.
- **smuldring af fedtstof med melet** 'min' - 2.

flexibelt piskeris til høje temperaturer

- Pisker • **piskning af fedtstof og sukker (creme)** start på 'min' og forøg gradvist til 3.
- **skrab både varme og kolde blandinger ned fra siderne på skålen** start på 'min' og forøg gradvist til 3.
- **sautering af grøntsager, omrøring af risotto og polenta mm.** anvend (1).

piskeris

- Forøg gradvist til 'max'.

dejkrog

- Start på 'min', forøg gradvist til 1.

omrører

- Anvendes kun med omrørerindstillingerne (1), (2), (3).

omrørerindstillinger

Drej hastighedskontrollen mod uret for at vælge omrørerindstillinger. Disse er mest passende når mikseren anvendes i kogeindstillingen. Bemærk venligst at alle dæksler til udgange skal være monteret når omrøringshastighederne anvendes.

(1) – Anvend denne indstilling når der kræves en konstant lav hastighed, f.eks. ved omrøring af saucer.

(2) – Når hastighedskontrollen er indstillet til denne position, vil mikseren med mellemrum køre ved en lav hastighed én gang hver 5. sekund i ca. 2 omdrejninger.

(3) – Når hastighedskontrollen er indstillet til denne position, vil mikseren med mellemrum køre ved en lav hastighed én gang hver 30. sekund, hvilket er passende for sammenkogte retter mm..

Drej hastighedskontrollen til off 'O'-positionen for at stoppe kørslen.

Bemærk:

- Når der er valgt en hastighed, vil indikatorlyset for hastighed blinke.
- Der kan høres en skinger lyd fra apparatet, når det er i brug. Dette er normalt.

anvendelse af mikseren til at koge mad

VIGTIGT

- Sørg for at induktionsområdet, temperatursensorerne og skålens ydre overflade fornedet er rene. Hvis dette ikke er tilfældet, vil det påvirke varmesensoren, og resultatet af kogningen vil ikke være optimalt.
- Sørg for at alle dæksler til udgange, herunder varmeskjoldet, er monteret. Hvis de ikke er korrekt monteret, vil opvarmningsfunktionen ikke fungere.
- Anvend altid grydelapper til at fjerne skål og redskaber efter madlavning.

1 Mikseren samles ved at følge instruktionerne på side 26.

2 Drej temperaturkontrollen hen på den ønskede temperatur.

• **Opvarmningen vil ikke påbegyndes indtil der er valgt en hastighed.**

3 Drej hastighedskontrollen til den ønskede hastighed, hvilket vil tænde for motoren og varmelegemet. Begge indikatorlys vil blinke.

4 Når den indstillede temperatur er opnået, vil indikatorlyset for temperatur lyse konstant.

Men under madlavningen vil lyse begynde at blinke, hvis temperaturen ændres, hvilket indikerer at mikseren prøver at opretholde den indstillede temperatur (læs venligst indledningen på side 21).

- Hvis skålens temperatur overstiger 60°C, begrænses hastigheden automatisk af sikkerhedsårsager, selvom der er valgt en højere hastighed. Hastigheden vil ikke automatisk forhøjes når temperaturen falder under 60°C. Der skal først slukkes for hastighedskontrollen, og den ønskede hastighed skal vælges igen.

- Bemærk: Hver gang er trykkes på timeren/knappen til temperaturvalg, vil displayet skifte mellem timer display og temperaturen af skålens indhold.

5 For at stoppe eller holde pause med mikseren og opvarmningsprocessen, drejes hastighedskontrollen til 'O'-positionen. Der skal vælges en hastighed for at komme i gang igen.

tips

- **Nogle opskrifter, specielt dem med en højt vandindhold, vil ikke være i stand til at opnå en kogetemperatur på over 100°C (da det er vands kogepunkt).**
- Når der tilsættes ingredienser til skålen under madlavningen, skal hastigheden reduceres og ingredienserne skal tilsættes langsomt og jævnt.
- Anvend den kontinuerlige omrørerindstilling (i) for at opvarme saucer.
- Du kan opdage, at det giver bedre resultater at skifte redskab for de forskellige processer under madlavningen, f.eks. at anvende det fleksible piskeris ved høj temperatur til at stege grøntsager, og omrøreren mens du steger kød eller fjerkræ.
- Hvis du bruger stænkskærmen under madlavningen, skal du altid fjerne den før mikserhovedet løftes. Pas på den kondensation, som dannes på stænkskærmen og varmeskjoldet.
- Når mikserhovedet løftes, skal det gøres langsomt for at lade evt. væske på undersiden af varmeskjoldet løbe tilbage i skålen.
- Der er tre omrøringsfunktioner, som gør dig i stand til at vælge den passende grad af omrøring for de enkelte opskrifter. Nogle opskrifter vil kræve konstant omrøring for at undgå at ingredienserne sætter sig fast på bunden af skålen, hvorimod andre vil nyde godt af periodevis omrøring for at opretholde madens konsistens.
- For optimal ydeevne skal redskabernes højde justeres, se side 25.
- Den maksimale kogeperiode er 3 timer, hvorefter mikseren automatisk slukkes.
- Det er muligt at opvarme mad uden at et redskab er på plads, men der skal vælges en hastighed. Dette kan være en fordel når du smelter madvarer, f.eks. smør, chokolade.
- Hver gang er trykkes på timeren/knappen til temperaturvalg, vil displayet skifte mellem display af kogetid og den temperatur, der er opnået på det tidspunkt.

Høj hastighed, høj temperatur kontrol af piskeris

Hvis der skal piskes ved temperaturer over 60°C, skal hastighedskontrollen drejes til den ønskede piskehastighed og derefter trykkes pulsknappen ned og holdes nede. Dette vil ledsages af en bippende lyd og indikatorlysene for hastighed og temperatur vil blinke hurtigt. Piskehastigheden vil langsomt forøges til den valgte hastighed. Gentag proceduren for at øge hastigheden yderligere. Du kan reducere piskehastigheden eller slukke for din mikser som normalt.

Denne funktion MÅ kun anvendes sammen med piskeriset. Du bør ikke overstige den maksimale kogekapacitet på 3 liter, og du skal sørge for at stænkskærmen er monteret. Maskinen må ikke efterlades uden opsyn.

efter madlavning.

- Vær forsigtig med at håndtere eller berøre alle dele af mikseren, mens det anvendes i kogeindstillingen eller efter madlavning, SPECIELT SKÅLEN, STÆNKSKÆRMEN OG REDSKABER da de stadig vil være VARME i lang tid efter at der er slukket for apparatet. Benyt håndtagene til at fjerne og bære skålen. Benyt grydelapper når den varme skål og de varme mikserredskaber håndteres.
- Undersiden af skålen vil stadig være varm lang tid efter opvarmningen er færdig. Vær forsigtig ved håndtering og anvend bordskåneren til at beskytte varmefølsomme overflader.

display




Mikseren er monteret med 5 separate sikkerhedssensorer som en beskyttelsesanordning, der vil være i gang når mikseren anvendes i kogeindstillingen. Hvis mikseren er tændt og en sikkerhedssensor er aktiveret, vil displayet for timer/temperatur vise en fejlbesked f.eks. 'E:01'. Dette vil ledsages af en bippende lyd og mikseren vil ikke virke. Kontrollér de følgende fejlbeskeder:-

Fejlbesked	Beskrivelse	Løsning
E:01	Maskinens hoved er løftet op. Når hovedet er løftet vil en sikkerhedssensor sætte motoren og varmelegemet ud af funktion. Hvis hastighedskontrollen er drejet til en anden indstilling end Off 'O'-positionen, når hovedet er løftet, vil denne besked ses og motoren vil ikke kunne tændes.	Sænk hovedet. Drej hastighedskontrollen til 'O'-positionen og vælg dernæst den ønskede hastighed.
E:02	Cooking Chef skålen er ikke monteret. Varmefunktionen vil kun virke hvis Cooking Chef skålen anvendes. Denne skål skal også være monteret korrekt. Sikkerhedssensorer vil opdage en forkert skål eller en skål, der ikke er monteret korrekt.	Sørg for at Cooking Chef skålen anvendes. Kontrollér at skålen er monteret korrekt. Drej hastighedskontrollen til "O" og vælg dernæst den ønskede hastighed.
E:03	Varmeskjoldet er ikke monteret. Varmefunktionen vil sættes ud af funktion, hvis varmeskjoldet ikke er korrekt monteret.	Sørg for at varmeskjoldet er korrekt monteret. Drej hastighedskontrollen til 'O' og vælg dernæst den ønskede hastighed.
E:04	Dækslerne til udgangen for lav hastighed og til udgangene for høj hastighed/middelhastighed er ikke monteret. Disse dæksler er monteret med sikkerhedssensorer. Hvis dækslerne ikke er korrekt monteret, vil der slukkes for opvarmningen og hvis omrørerfunktionerne vælges, vil motoren køre kontinuerligt. Mikserhastighederne min. til max. vil køre kontinuerligt.	Sørg for at alle dæksler er korrekt monteret. Drej hastighedskontrollen til 'O' og vælg dernæst den ønskede hastighed.
E:09	Problem med temperatursensorer. Hvis varmekontrollen detekterer en højere end forventet skåltemperatur under normal brug, vil motoren og varmelegemet automatisk slukkes.	Drej hastighedskontrollen til 'O' og træk stikket ud til maskinen og lad den køle ned. Kontrollér at skålens bund og temperatursensorer er rene. Sæt atter stikket i og tænd for den som normalt.
E:10	Motorhastighed og problemer med overophedning Hvis motoren går i stå eller bliver for varm, vil kontrolsystemet automatisk slukke for motoren og varmelegemet.	Drej hastighedskontrollen til 'O' og træk stikket ud til maskinen. Fjern alle forhindringer som får motoren til at gå i stå. Sørg for at alle luftventilerne er uden forhindringer. Sæt stikket i og tænd for apparatet.

Hvis disse eller andre fejlkoder fremkommer igen og igen på displayet, kontaktes Kenwood Kundeservice.

anvendelse af nedtæller timer

Timeren kan anvendes til både koge- og ikke koge-indstillinger. Hvis der ikke vælges en nedtælling, vil timeren automatisk tælle op med 1-sekunds intervaller mens mikseren er i gang. Den maksimale køretid er 3 timer.

- 1 Tilslut mikseren til elforsyningen. Displayet vil kort vise  og derefter ryddes mens indikatorlyset for at den er tændt er synligt .
- 2 Tryk på enten + eller – knappen og 0:00 vil fremkomme i displayet.
- 3 Tryk på enten + eller – knappen indtil den ønskede tid fremkommer i displayet. Timeren vil tælle op med 5-sekunders intervaller. Hvis knappen trykkes kontinuerligt ned, vil numrene ændres hurtigere jo længere den holdes nede. En maksimal tidsperiode på 3 timer kan indstilles.
Bemærk: Hvis + knappen trykkes ned når timeren er på 3:00 vil den viste tid ændres til 0:00. Hvis – knappen er trykket ned når timeren er på 0:00, vil den viste tid ændres til 3:00.
- 4 Drej hastighedskontrollen hen på den ønskede hastighed, mikseren vil starte og timeren vil tælle ned med 1-sekunds intervaller.
 - Mikserfunktionen kan sættes på pause til enhver tid ved at dreje hastighedskontrollen til off 'O'-positionen. Dette vil også sætte timeren på pause. Timeren vil fortsætte med at tælle ned når mikseren startes igen.
- 5 Mikserfunktionen vil automatisk stoppe når den fulde tid er gået og der udsendes hørbar bip-lyde i 3 sekunder. Displayet vil blinke i 5 sekunder og dernæst ryddes med visning af indikatorlys for at den er tændt .

nulstilling af timer

- 1 Nulstil timeren ved at trykke på + og – knappen på samme tid (hastighedskontrollen skal være i off 'O'-positionen).
 - Hvis maskinen har været ledig i 10 minutter, vil LCD-displayet og baggrundslyset gå i 'sleep mode' og der vil slukkes for alle displays. Hvis en knap eller kontrolknap aktiveres, vil displayet vende tilbage til sit tidligere format.

maksimalle mængder

- butterdej** • Melvægt: 910g
- tyk gærdej** • Melvægt: 1,5kg
- Samlet vægt: 2,4kg
- blød gærdej** • Melvægt: 2,6kg
- Samlet vægt: 5kg
- frugtkagedej** • Samlet vægt: 4,55kg
- æggehvider** • 16
- kogeindstillinger** • 3 liter

- gode råd
- Stop mikseren hyppigt og skrab ned af skålens sider med dejskraberen.
 - Æg ved stuetemperatur er mest velegnet til piskning.
 - Før der piskes æggehvider, skal der kontrolleres at der ikke er noget fedtstof eller æggeblomme på piskeriset eller i skålen.
 - Anvend kolde ingredienser til butterdej med mindre der står noget andet i din opskrift.

tips om æltning af brød

- vigtigt
- Overskrid aldrig de angivne maksimale mængder – du vil overbelaste maskinen.
 - Hvis du kan høre at maskinen arbejder hårdt, skal den slukkes, halvdelen af dejen fjernes og hver halvdel æltes for sig.
 - Ingredienserne blandes bedst, hvis du kommer væsken i først.

Guide til fejlfinding under madlavning

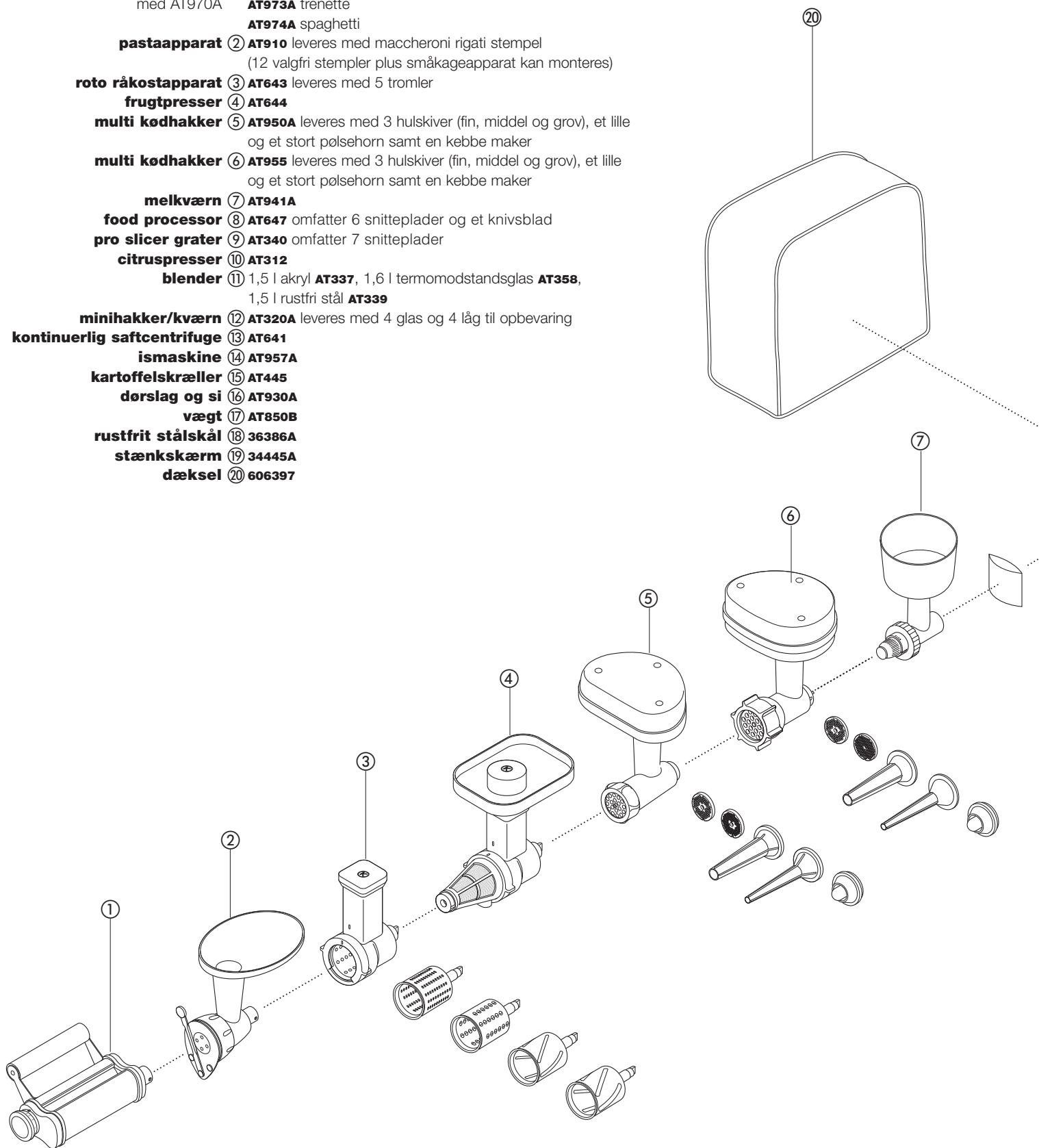
Problem	Årsag	Løsning
Mikseren vil ikke fungere i varmeindstillingen, der vises en fejlmeddelelse og et advarselsbip høres.	En af sikkerhedssensorerne er blevet aktiveret.	Se tabellen over fejlbeskeder på side 29. <ul style="list-style-type: none"> • Sørg for at hovedet er sænket og låst. • Sørg for at alle udgangenes dæksler er korrekt monteret. • Sørg for at varmeskjoldet er korrekt monteret. • Sørg for at Cooking Chef skålen er korrekt monteret.
Der er valgt en temperatur, men indikatorlyset for temperatur er ikke tændt).	Der er ikke blevet valgt en hastighed.	Vælg en hastighed.
Mikseren ændrer hastighed under kogning.	Hastigheden er automatisk begrænset når skålens indhold når op på 60°C.	Dette er en sikkerhedsforanstaltning.
Maden brænder på bunden af skålen.	<ol style="list-style-type: none"> 1 Den valgte temperaturindstilling kan være for høj. 2 Der bruges et forkert redskab. 3 Omrørfunktionen er for langsom. 4 Redskabet er måske ikke langt nok nede i skålen. 5 Timeren er blevet sat til for lang tid. 6 Sensoren og/eller undersiden af skålen er måske ikke ren. 	<ol style="list-style-type: none"> 1 Sænk temperaturen på indstillingsknappen eller kog ved en lavere temperatur. 2 Kontrollér at det redskab, der passer bedst dertil, anvendes. 3 Forøg frekvensen af omrørfunktionen eller forøg til en kontinuerlig funktion. 4 Justér redskabet. 5 Kog i kortere tid (sørg for at maden er gennemkogt). 6 Sørg for at disse områder holdes rene og tørre.
Madens konsistens bibeholdes ikke.	<ol style="list-style-type: none"> 1 Den valgte temperatur er for høj. 2 Omrørfunktionen for hurtig. 3 Ingredienserne koges i for lang tid. 4 Der bruges et forkert redskab. 	<ol style="list-style-type: none"> 1 Reducér temperaturen. 2 Reducér omrørehastigheden. 3 Reducér kogetiden (sørg for at maden er gennemkogt). 4 Kontrollér at det redskab, der passer bedst dertil, anvendes.
Mikserhastigheden er ikke konsistent.	1 Ingredienserne er for store, hårde eller for faste.	<ol style="list-style-type: none"> 1 Skær maden i mindre stykker, fjern sten fra frugt, smelt ingredienserne langsomt uden et redskab i skålen (men sørg for at der er valgt en hastighed). 2 Tilføj ingredienserne efter hovedet er sænket. 3 Kontrollér at det redskab, der passer bedst dertil, anvendes.
Der er blevet tilsat kolde ingredienser til en varm blanding, men temperaturvisningen reagerer ikke hurtigt.	Hvis skålens indhold ikke er grundigt omrørt, vil maden i skålen have forskellig temperatur.	<ol style="list-style-type: none"> 1 Sørg for at der er tid til at ingredienserne mikses grundigt. 2 Forøg omrørehastigheden.
Svært at lukke for mikserhovedet med mad i skålen.	Faste ingredienser som f.eks. chokolade i bunden af skålen forhindrer mikserhovedet i at låse fast.	Tilføj ingredienserne efter mikserhovedet er sænket.
Mikseren kører hele tiden når omrøring (☞) eller omrøring (☛) er valgt.	Dækslerne til udgangene er ikke monteret korrekt.	Sørg for at alle udgangenes dæksler er korrekt monteret.
Motorhastigheden er begrænset når der bruges tilbehør	Varm skål monteret.	Fjern skålen, eller afkøl skålen til under 60°C.

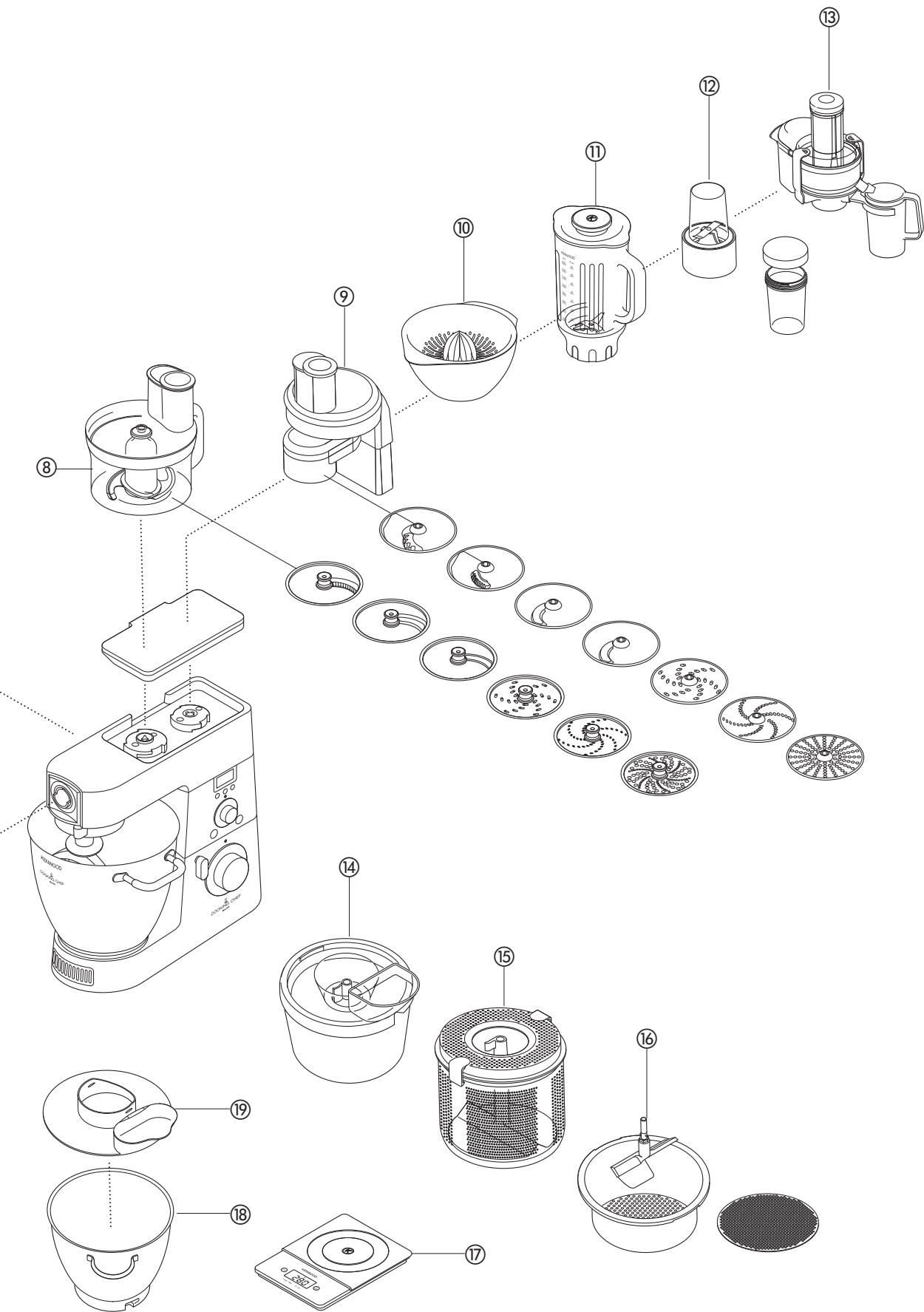
valgfrit tilbehør som kan fås

Hvis du ønsker at købe et tilbehør, der ikke medfølger i pakken, henvises du til service og kundeservice.

tilbehør tilbehørskode

- fladt pastaapparat** ① **AT970A**
yderligere pastatilbehør (ikke vist), som bruges sammen med AT970A
- AT971A** tagliatelle
 - AT972A** tagliolini
 - AT973A** trenette
 - AT974A** spaghetti
- pastaapparat** ② **AT910** leveres med maccheroni rigati stempel (12 valgfri stempler plus småkageapparat kan monteres)
- roto råkostapparat** ③ **AT643** leveres med 5 tromler
- frugtpresser** ④ **AT644**
- multi kødhakker** ⑤ **AT950A** leveres med 3 hulskiver (fin, middel og grov), et lille og et stort pølsehorn samt en kebbe maker
- multi kødhakker** ⑥ **AT955** leveres med 3 hulskiver (fin, middel og grov), et lille og et stort pølsehorn samt en kebbe maker
- melkværn** ⑦ **AT941A**
- food processor** ⑧ **AT647** omfatter 6 snitteplader og et knivsblad
- pro slicer grater** ⑨ **AT340** omfatter 7 snitteplader
- citruspresser** ⑩ **AT312**
- blender** ⑪ 1,5 l akryl **AT337**, 1,6 l termomodstandsglas **AT358**, 1,5 l rustfri stål **AT339**
- minihakker/kværn** ⑫ **AT320A** leveres med 4 glas og 4 låg til opbevaring
- kontinuerlig saftcentrifuge** ⑬ **AT641**
- ismaskine** ⑭ **AT957A**
- kartoffelskræller** ⑮ **AT445**
- dørslag og si** ⑯ **AT930A**
- vægt** ⑰ **AT850B**
- rustfrit stålskål** ⑱ **36386A**
- stænkskærm** ⑲ **34445A**
- dæksel** ⑳ **606397**

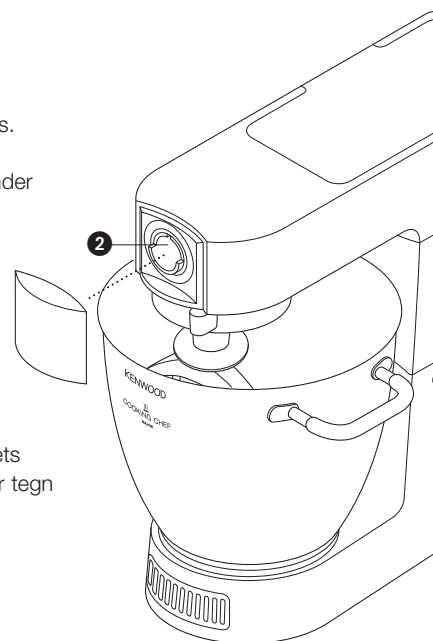




rengøring og service

pleje og rengøring

- Sluk altid for strømmen og træk stikket ud før rengøring.
- Lidt fedt kan komme til syne ved **udgang 2** når det først anvendes. Dette er normalt - og skal blot tørres af.
- Metaloverfladerne på temperatursensorerne kan vise tegn på slid under normalt brug. Dette påvirker ikke produkts ydeevne.
- Efterlad ikke mikseren med det fleksible piskeris ved høj temperatur monteret, når det ikke er i brug.



apparat, dæksler til udgange

fleksibelt piskeris til høje temperaturer

skål, redskaber, stænkskærm

afløb

temperatursensorer

- Tør med en fugtig klud og tør efter.
 - Brug aldrig skuremidler og kom aldrig maskinen i vand.
 - Det fleksible viskerblad skal altid fjernes fra redskabet før rengøring.
 - Vask det fleksible viskerblad og redskabet i varmt sæbevand, og tør dem omhyggeligt. Delen kan også lægges i opvaskemaskinen.
- Bemærk: Apparatets hus skal efterses før og efter brug. Viskerbladets tilstand skal ligeledes regelmæssigt efterses og udskiftes, hvis der er tegn på slitage.
- Vaskes i hånden og tørres grundigt eller vaskes i opvaskemaskine.
 - Hvis du har en skål i rustfrit stål, må du aldrig bruge en stålborste, ståluld eller blegemidler til at rengøre den. Kalkaflejringer kan fjernes med eddike eller en passende afkalker.
 - Hvis maden hænger fast eller brænder på i skålen, skal så meget som muligt fjernes med den medfølgende dejskraber. Fyld skålen med varmt sæbevand and lad den stå i blød. Fjern genstridige aflejringer med en nylonbørste.
 - En evt. misfarvning af skålen vil ikke påvirke dens ydeevne.
 - Sørg for der ikke er mad i dette område. Hvis det er nødvendigt kan der bruges en piberenser eller vat til at rense det.
 - Tør med en fugtig klud og tør grundigt efter. Brug aldrig skuremidler eller skarpe instrumenter til at rengøre sensorerne.

service og kundepleje

- Hvis ledningen er beskadiget, skal den af sikkerhedsgrunde udskiftes af Kenwood eller en autoriseret Kenwood-reparatør.

Hvis du har brug for hjælp med:

- at bruge apparatet eller
- servicering eller reparation

Kontakt den butik hvor du oprindeligt købte dit produkt.

- Designet og udviklet af Kenwood i Storbritannien.
- Fremstillet i Kina.



VIGTIG INFORMATION ANGÅENDE BORTSKAFFELSE AF PRODUKTET I OVERENSSTEMMELSE MED EF DIREKTIV 2002/96/CE.

Ved afslutningen af dets produktive liv må produktet ikke bortskaffes som almindeligt affald. Det bør afleveres på et specialiseret lokalt genbrugscenter eller til en forhandler, der yder denne service. At bortskaffe et elektrisk husholdningsapparat separat gør det muligt at undgå eventuelle negative konsekvenser for miljø og helbred på grund af upassende bortskaffelse, og det giver mulighed for at genbruge de materialer det består af, og dermed opnå en betydelig energi- og ressourcebesparelse. Som en påmindelse om nødvendigheden af at bortskaffe elektriske husholdningsapparater separat, er produktet mærket med en mobil affaldsbeholder med et kryds.

opskrifter

Se vigtige tips om æltning af brød på side 30.

- hvidt brød** *sej gærdej*
- ingredienser
- 1,36kg hvedemel
 - 15ml (3 tsk.) salt
 - 25g frisk gær eller 15g/20ml tørgær + 5ml (1tsk.) sukker
 - 750ml varmt vand: 43°C. Benyt et termometer eller tilsæt 250ml kogende vand til 500ml koldt vand
 - 25g fedtstof
- metode
- 1 **tørgær** (den type gær der skal opløses): hæld det varme vand op i skålen. Tilsæt gær og sukker og lad det stå i ca. 10 minutter, indtil det skummer.
frisk gær: smuldres i melet.
andre slags gær: følg producentens brugsanvisning.
 - 2 Hæld væsken op i skålen. Tilsæt derefter melet (med den friske gær, hvis den anvendes), salt og fedtstof.
 - 3 Dejen æltes ved min. hastighed i 45 - 60 sekunder. Derefter forøges til hastighed 1, hvis det er nødvendigt tilsættes mere mel, indtil der dannes en dej.
 - 4 Dejen æltes i endnu 3 - 4 minutter ved hastighed 1 indtil dejen er glat, elastisk og let slipper fra skålens sider.
 - 5 Kom dejen i en smurt polyten-pose, eller i en skål dækket med et viskestykke. Derefter hæver dejen på et lunt sted til dobbelt størrelse.
 - 6 Dejen æltes igen i 2 minutter ved hastighed 1.
 - 7 Fire smurte 450g forme fyldes halvt op med dejen, eller den formes til boller.
Derefter dækkes den med et viskestykke og hæver på et lunt sted til dobbelt størrelse.
 - 8 Bages ved 230°C/gasmærke 8 i 30 - 35 minutter *for brød* eller 10 - 15 minutter *for boller*.
- Når brødet er bagt, lyder det hult, når der bankes på undersiden.

- hvidt brød** *blød gærdej*
- ingredienser
- 2,6kg hvedemel
 - 1,3 liter mælk
 - 300g sukker
 - 450g margarine
 - 100g frisk gær eller 50g tørgær
 - 6 æg, piskede
 - 5 knsp. salt
- metode
- 1 Smelt margarinen i mælken og opvarm til 43°C.
 - 2 **tørgær** (den type gær der skal opløses): tilsæt gær og sukker til mælken og lad det stå i ca. 10 minutter, indtil det skummer.
frisk gær: smuldres i melet og sukker tilsættes.
andre slags gær: følg producentens brugsanvisning.
 - 3 Hæld mælken op i skålen. Tilsæt de piskede æg og 2kg mel.
 - 4 Mikses ved min. hastighed i 1 minut, og derefter ved hastighed 1 i endnu et minut.
Skrab ned ad skålens sider.
 - 5 Tilsæt resten af melet og bland ved min. hastighed i 1 minut, dernæst ved hastighed 1 i 2-3 minutter indtil dejen er glat og ensartet.
 - 6 Nogle smurte 450g forme fyldes halvt op med dejen, eller den formes til boller.
Derefter dækkes med et viskestykke og hæver på et lunt sted til dobbelt størrelse.
 - 7 Bages ved 200°C/gasmærke 6 i 20 - 25 minutter *for brød* eller 15 *for boller*.
 - 8 Når brødet er bagt, lyder det hult, når der bankes på undersiden.
- Til ca. 10 brød.

opskrifter *fortsat*

jordbær- og abrikoslagkage

- ingredienser: lagkagebund
- 3 æg
 - 75g sukker
 - 75g hvedemel
- fyld og dekoration
- 150ml piskefløde
 - smag til med sukker
 - 225g jordbær
 - 225g abrikoser
- metode
- 1 Halvér abrikoser og fjern stenene. Koges forsigtigt i meget lidt vand indtil blødt, smag til med sukker.
 - 2 Vask og halvér jordbærerne.
 - 3 Lagkagebunden laves ved at piske æg og sukker ved max. hastighed indtil meget lysegult og tykt.
 - 4 Skålen og piskeriset fjernes. Fold melet i med hånden ved at benytte en stor metalske – dette gøres forsigtigt så lagkagebunden bliver luftig.
 - 5 Kom blandingen i to 18cm forme, foret med smurt bagepapir.
 - 6 Bag ved 180°C/gasmærke 4 i ca. 20 minutter indtil kagen springer tilbage, når der røres let ved den.
 - 7 Vend kagebundene ud på en rist.
 - 8 Pisk fløden ved max. hastighed indtil skum. Smag til med sukker.
 - 9 Skær abrikoser og en tredjedel af jordbærerne i store stykker. Fold dem ind i halvdelen af flødeskummet.
 - 10 Fordel over en af lagkagebundene og placér den anden lagkagebund ovenpå.
 - 11 Fordel resten af flødeskummet ovenpå og dekorér med de resterende jordbær.

marengs

- ingredienser
- 4 æggehviler
 - 250g flormelis, siet
 - For en bagepande med slip-let bagepapir.
- metode
- 1 Pisk æggehviler og sukker ved max. hastighed i ca. 10 minutter indtil det kan danne toppe.
 - 2 Skrab blandingen over i en bagepande (eller brug en sprøjtepose med en 2,5cm stjernetyl).
 - 3 Bag ved 110°C/gasmærke 1/4 i ca. 4 - 5 timer indtil fast og sprød. Hvis de begynder at brune, åbnes ovndøren lidt på klem.
- Marengs opbevares i en lufttæt æske.

butterdej

- ingredienser
- 450g mel, siet med salt
 - 5ml (3 tsk.) salt
 - 225g fedtstof (bland palmin og margarine direkte fra køleskabet)
 - Ca. 80ml (4spsk.) vand
 - Må ikke blandes for meget
- gode råd
- 1 Kom melet op i skålen. Skær fedtstoffet i store stykker og tilsæt til melet.
- metode
- 2 En rustfri stål K-pisker anvendes og der mikses ved hastighed 1 indtil det ligner brødkrummer.
Stop før det ser fedtet ud.
 - 3 Tilsæt vand og der mikses ved min. hastighed. Stop så snart vandet er indbygget.
 - 4 Koges ved ca. 200°C/gasmærke 6, afhængig af fyldet.

chilimarinade

- ingredienser
- 200g kold klar honning (i køleskab natten over)
 - 1 grøn chili (hel)
 - 5ml (1 tsk.) jordnøddesmør med knas
 - krydderi
- metode
- 1 Placér alle ingredienser i minihakkeren/kværnen.
 - 2 Sæt tilbehøret på mikseren og lad ingredienserne falde på plads rundt om kniven.
 - 3 Skift til puls i 10 sekunder.
 - 4 Anvendes efter behov.

Notes

Svenska

innan du använder din Kenwood-apparat

- **Läs bruksanvisningen noggrant och spara den för framtida bruk.**
- Avlägsna allt emballage och alla etiketter.

lär känna din köksmaskin Kenwood Cooking Chef

säkerhet

viktig information - elektroniska medicinska implantat

- Liksom alla produkter med induktionsvärme, genererar denna apparat kortvågiga magnetfält. Personer med pacemaker eller andra aktiva implantat som använder eller befinner sig i närheten av apparaten, ska kontakta en läkare före användning och ta reda på om medicinska risker föreligger.
- Stäng av apparaten och dra ut stickkontakten innan du monterar eller tar bort verktyg/tillbehör, efter användning och innan du rengör den.
- Se till att kroppsdelar, smycken och lösa klädesplagg inte kommer i kontakt med rörliga delar eller monterade tillbehör.
- Stick aldrig in fingrar etc. i gångjärnsmekanismen.
- Lämna aldrig apparaten utan uppsikt när den är påslagen.
- Använd aldrig apparaten om den är skadad. Lämna den för kontroll eller reparation. Se service och kundtjänst, sidan 52.
- Använd aldrig tillbehör som inte är godkända eller fler än ett tillbehör åt gången.
- Överskrid aldrig de maximikapaciteter som anges på sidan 48 och när du använder induktionsvärmaren får du aldrig överskrida maximinivån på 3 liter som markerats på skålens insida.
- När du använder ett tillbehör ska du läsa de säkerhets- och användningsanvisningar som medföljer.
- Apparaten är tung – var försiktig när du lyfter upp den. Innan du lyfter apparaten ska du se till att huvudet är spärrat och att skålen, redskapen och kåporna över uttagen sitter säkert samt att sladden inte är i vägen.
- Låt aldrig sladden hänga ned så att ett barn kan få tag på den.
- Drivenhet, sladd och stickkontakt får inte bli blöta.
- Var försiktig när du hanterar eller rör vid någon del av apparaten medan den användas i tillagningsläge eller efter tillagningen. Detta gäller FRAMFÖR ALLT SKÅLEN, STÄNKSKYDDET OCH REDSKAPEN eftersom de förblir VARMA långt efter att apparaten stängts av. Använd handtagen när du ska ta loss och lyfta skålen. Använd alltid ugnsvantar när du hanterar den varma skålen och varma redskap.
- Skålens undersida förblir varm långt efter att uppvärmningen avbrutits. Var försiktig och använd skyddsmattan när du placerar skålen på värmekänsliga ytor.
- Se upp för ånga som slipper ut ur mixerskålen, framför allt när du öppnar locket i stänkskyddet eller när du lyfter upp mixerhuvudet.
- Om du flyttar varm mat från hushållsapparaten till mixern, ska du alltid låta ingredienserna svalna till rumstemperatur innan du håller över dem i mixern.
- Använd enbart den skål och de redskap som medföljer apparaten. Använd aldrig skålen över en annan värmekälla.
- Starta aldrig apparatens tillagningsläge när skålen är tom.
- För aldrig in något genom luftventilerna.
- När apparaten används ska den vara placerad på ett plant underlag på ordentligt avstånd från alla kanter. Se till att den står på minst 10 cm avstånd från väggar och se till att ventilerna inte är blockerade. Placera inte apparaten under överskåp.
- För att induktionsvärmaren ska kunna användas på ett korrekt och säkert sätt, ska du se till att skålens botten och temperatursensorerna är rena och torra innan du startar tillagningen.
- Liksom för alla induktionsvärmare gäller att kreditkort, magnetiska media eller känslig elektronisk utrustning inte får placeras i närheten av apparaten medan den används.
- Använd inte apparaten för fritering.
- Kontrollera alltid att maten är genomstekt innan någon äter den.
- Maten ska ätas direkt efter tillagningen eller så ska du låta den svalna snabbt och sedan placera den i kylskåp så snabbt som möjligt.
- Den här apparaten är inte avsedd för användning av personer (inklusive barn) med begränsad fysisk eller mental förmåga eller begränsad känsel. Den är inte heller avsedd för användning av personer med bristande erfarenhet eller kunskap, om de inte övervakas eller får instruktioner om hur apparaten ska användas av en person som ansvarar för deras säkerhet.
- Barn får inte lov att leka med apparaten. Lämna dem inte ensamma med den.
- Använd apparaten endast för avsett ändamål i hemmet. Kenwood tar inte på sig något ansvar om apparaten används på felaktigt sätt eller om dessa instruktioner inte följs.

innan du sätter i stickkontakten

- Se till att nätspänningen motsvarar den som visas på apparatens undersida.
- Den här apparaten följer EU-direktiv 2004/108/EG om elektromagnetisk kompatibilitet och EU:s förordning nr 1935/2004 från 2004-10-27 om material som är avsedda för kontakt med livsmedel.

innan du använder apparaten för första gången

Diska delarna: Se skötsel och rengöring, sidan 52.

inledning

Tack för att du köpt köksmaskinen Kenwood Cooking Chef. Vi hoppas att du ska få glädje av den under många år.

Kenwood har nästan 60 års erfarenhet och kunskap av utveckling av våra köksmaskiner och vårt stora utbud av tillbehör. Köksmaskinerna i serien Kenwood Chef är mer än bara hushållsapparater.

Under utvecklingen av Cooking Chef har vi förstärkt mångsidigheten hos Chef ytterligare genom att introducera integrerad induktionsvärmare rakt under mixerskålen. Nu kan du dra nytta av alla fördelarna av att kunna vispa ingredienserna i skålen när du förbereder dina tårter, kakor och deg, plus fördelen med att kunna värma och tillaga ingredienserna direkt i skålen. Möjligheterna är oändliga.

Med det omfattande utbudet av tillbehör blir Kenwood Cooking Chef verkligen ett komplett system för matberedning.

Stark, tillförlitlig, mångsidig, Kenwood.

Vad är induktionsvärme och hur fungerar det?

Induktionsvärmning är en avancerad tillagningsmetod där man använder sig av principerna för elektromagnetisk uppvärmning. När elström leds genom en kopparspole i induktionsvärmaren skapas ett elektromagnetiskt fält. När Cooking Chef-skålen har låsts fast sluts kretsen genom ett särskilt skikt av rostfritt stål i skålens bas. Detta genererar en stor mängd värmeenergi som överförs till skålens innehåll och därigenom värmer upp maten.

Induktionsstillagningen är extremt energisnål eftersom värme enbart produceras i skålens bas. Vid andra uppvärmningsmetoder, exempelvis gasspisar, går nästan 50 % av värmeenergin förlorad kring kärlets sidor. Induktionsvärmaren på Cooking Chef är bara varm under och direkt efter tillagningen på grund av värmen som överförs från skålens innehåll. Detta betyder att induktionsvärmning är mycket energisnål, mycket säker och mycket ren.

Tillagningen hos Kenwood Cooking Chef sker på samma sätt som när du ställer en kastrull på spisen. Fördelen är att Cooking Chef automatiskt rör om i maten och reglerar tillagningstemperaturen enligt dina exakta behov, så att du kan göra annat under tiden i köket.

Cooking Chef använder induktionsvärmeteknik som är extremt effektiv. Om du jämför tillagningstiden med en gas- eller elspis, märker du kanske att den blir kortare eller att du måste använda en lägre temperatur. Tänk på detta när du använder apparaten för första gången eller när du experimenterar med ett nytt recept. Om du börjar tillagningen vid en hög temperatur ska du hela tiden kontrollera tillagningen och sänka temperaturen vid behov så att maten inte bränns vid eller fastnar i skålen, precis som när du lagar mat i en kastrull. Cooking Chef värmer generellt maten till önskad temperatur på så kort tid som möjligt. Därför behöver du inte ställa in temperaturen högre än önskat för att förkorta tillagningstiden. Kontrollera också inställningen för omrörningsfrekvensen. Under tillagning vid högre temperaturer kan det vara nödvändigt att röra om kontinuerligt med omrörningsfunktionen (1). Omrörningsinställningarna (2) och (3) är praktiska när du vill behålla konsistensen hos maten under längre tillagningsperioder på låg värme.

Det är också viktigt att välja rätt skål. Senare i den här boken ger vi rekommendationer för den bästa användningen av varje redskap och när du använt dem ett tag lär du dig vilket redskap som fungerar bäst för varje uppgift. Du kommer att märka att den flexibla högtemperaturmixern lämpar sig bäst när du vill ha en mycket len konsistens på såser och krämer, medan omröraren lämpar sig bättre vid tillagning av livsmedel som ska behålla en grövre konsistens, som stuvningar, grytor, raguer etc. I vår kokbok hittar du information om de bästa redskapen för varje recept och eventuellt kan det även vara lämpligt att byta redskap mellan olika processer medan under tillagningen för bästa resultat.

Under tillagningen och direkt efteråt är skålen, stänkskyddet och skålredskapen att vara varma – precis som en kastrull skulle vara. Var försiktig när du rör vid dem. Tänk också på att ånga och kondens bildas under tillagningsprocessen – var försiktig när du tittar ned i skålen, lyfter på locket till matarröret eller Cooking Chef/maskinhuvudet för att titta ned i eller komma åt skålen. Varna andra under tillagningen eller när maskinen är varm så att de också är försiktiga. Du bör använda ugnsvantar när du rör vid eller avlägsnar varma delar och du bör enbart lyfta skålen i handtagen. Det kan också vara en god idé att använda skyddsmattan för att skydda värmekänsliga ytor.

När du värmer vätskor eller livsmedel med högt vatteninnehåll, ligger temperaturnoggrannheten normalt inom +/- 5°C. Temperaturdisplayens och temperaturreglagets noggrannhet varierar beroende på skålinnehållets konsistens och volym, på omrörningsfrekvensen och på vilket redskap som används i skålen. Detta är samma sak som när du exempelvis lagar mat på en spis och en stor mängd mat i en stor kastrull värms upp men inte rörs om ordentligt. Maten i botten av kastrullen kommer att bli varm, eller till och med vidbränd, medan maten överst i kastrullen kommer att vara mycket kallare.

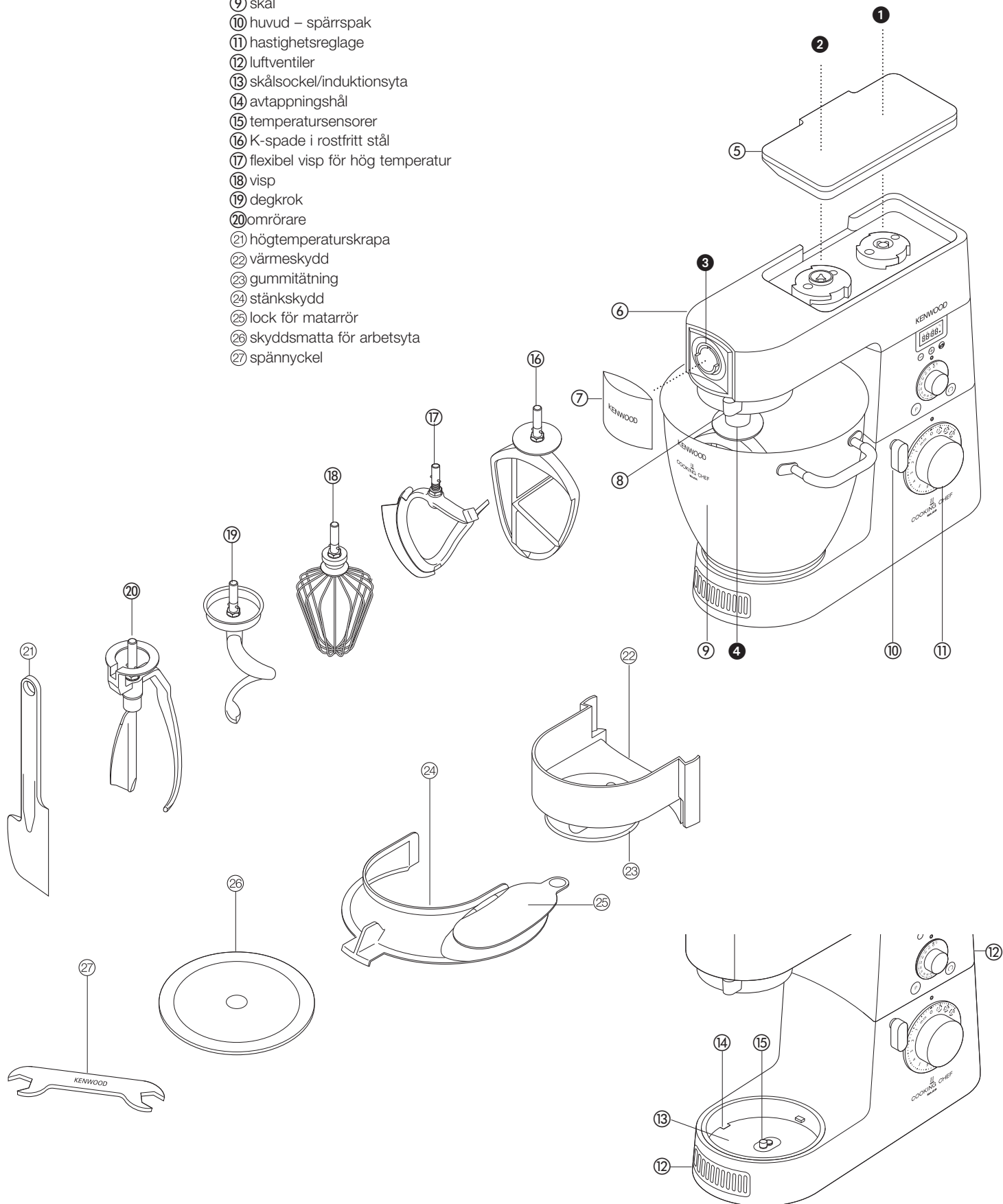
Vid sidan av temperaturdisplayen har maskinen en liten blå LED-lampa. Den blinkar tills apparaten nått den valda temperaturen. När önskad temperatur nåtts slutar lampan att blinka. Observera dock att den blå LED-lampan börjar blinka igen när du tillsätter fler ingredienser i skålen eftersom de kalla ingredienserna sänker temperaturen i skålen. Den kan även börja blinka om omrörningsfrekvensen ökas.

Du kommer snabbt att märka att din Kenwood Cooking Chef är enkel att använda och att den kommer att göra det enkelt för dig att laga mat.

lär känna din Kenwood Cooking Chef

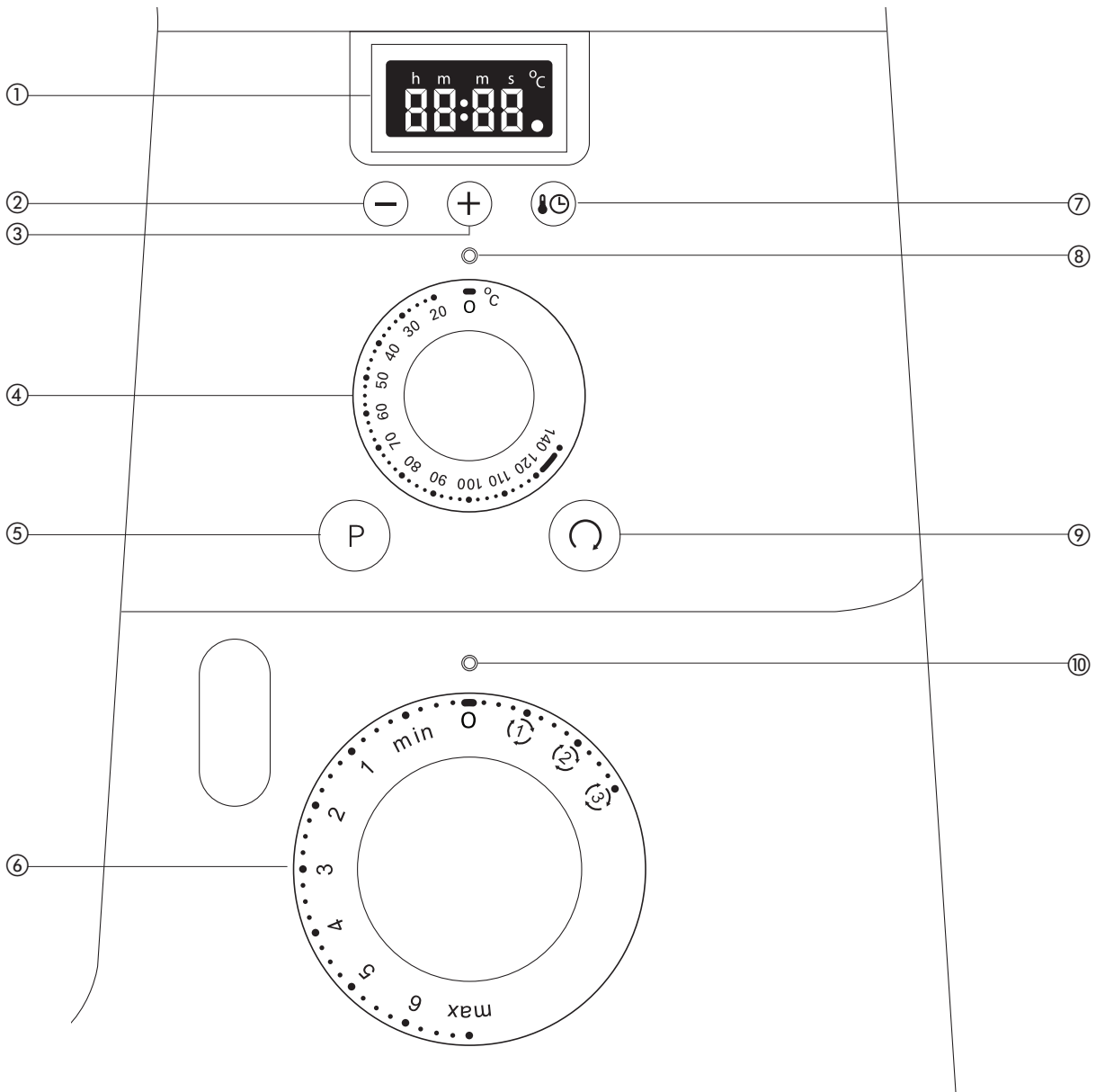
- uttag för tillbehör ① höghastighetsuttag
 ② mellanastighetsuttag
 ③ låghastighetsuttag
 ④ redskapsfäste

- hushållsapparaten ⑤ lock för mellan-/höghastighetsuttag
 ⑥ hushållsapparatens huvud
 ⑦ lock för låghastighetsuttag
 ⑧ spak för låghastighetsuttag
 ⑨ skål
 ⑩ huvud – spärrspak
 ⑪ hastighetsreglage
 ⑫ luftventiler
 ⑬ skålsoclel/induktionsyta
 ⑭ avtappningshål
 ⑮ temperatursensorer
 ⑯ K-spade i rostfritt stål
 ⑰ flexibel visp för hög temperatur
 ⑱ visp
 ⑲ degkrok
 ⑳ omrörare
 ㉑ högtemperaturskrapa
 ㉒ värmskydd
 ㉓ gummitätning
 ㉔ stänkskydd
 ㉕ lock för matarrör
 ㉖ skyddsmatta för arbetsyta
 ㉗ spärrnyckel



kontrollpanel

- ① timer/temperaturindikator
- ② knapp för minskning av tid
- ③ knapp för ökning av timertid
- ④ temperaturreglage
- ⑤ pulsknapp/hög hastighet, knapp för högtemperaturvisp
- ⑥ hastighetsreglage
- ⑦ timer/knapp för temperaturval
- ⑧ temperaturindikator
- ⑨ omrörningsknapp
- ⑩ hastighetsindikator



ställa in redskapshöjden

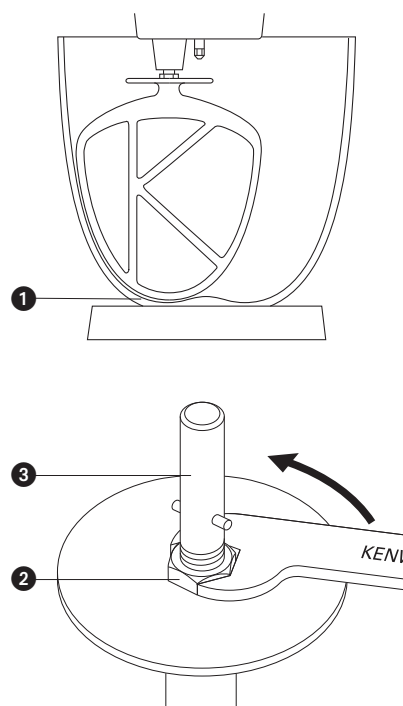
Läs på sidan 44 om hur du monterar hushållsapparaten.

visp, K-spade i rostfritt stål, omrörare

För bästa resultat ska vispen, K-spaden och omröraren **nästan** röra vid skålens botten ❶. Ställ vid behov in höjden med den medföljande spärrnyckeln.

Gör så här:

- 1 Dra ut apparatens stickkontakt.
- 2 Lyft upp hushållsapparatens huvud och montera vispen, spaden eller omröraren.
- 3 Sänk ned hushållsapparatens huvud. Om avståndet måste justeras lyfter du upp mixerhuvudet och tar bort redskapet.
- 4 Använd den medföljande spärrnyckeln för att lossa muttern ❷ tillräckligt mycket för att kunna ställa in axeln ❸. Om du ska sänka redskapet närmare skålens botten vrids du axeln moturs. Om du ska höja upp redskapet från skålens botten vrids du axeln medurs.
- 5 Dra åt muttern.
- 6 Montera redskapet på hushållsapparaten och sänk ned huvudet. (Kontrollera positionen, se punkterna ovan.)
- 7 Upprepa stegen ovan tills redskapet är rätt inställt. När du är klar med justeringen drar du åt muttern ordentligt.



flexibel visp för höga temperaturer - det här redskapet ska bara precis röra vid skålens botten.

degkrok - det här redskapet ställs in vid tillverkningen och ska inte kräva några justeringar.

så här monterar och använder du stänkskyddet montering

Stänkskyddet består av två delar: Värmeskyddet och stänkskyddet.

Värmeskyddet måste vara monterat under tillagningen, annars fungerar inte hushållsapparaten och felkod E:03 visas.

Värmeskyddet skyddar hushållsapparaten från ånga som bildas under tillagningen.

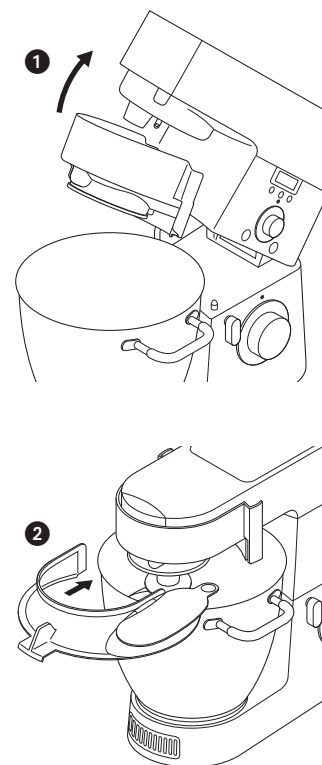
Vid behov kan både värmeskyddet och stänkskyddet monteras för att ingredienserna ska stanna kvar i skålen, t.ex. när lätta ingredienser som mjöl och florsocker blandas, eller vid tillagning av ingredienser där vätska måste hållas kvar i skålen. Stänkskyddet ska inte monteras på skålen om det inte används tillsammans med värmeskyddet.

- 1 Lyft upp hushållsapparatens huvud tills det låser fast.
- 2 För värmeskyddet uppåt mot undersidan av hushållsapparatens huvud ❶ tills det sitter ordentligt på plats. Värmeskyddet får enbart användas när gummitätningen monterats korrekt.
- 3 Montera skålen på basen.
- 4 Sänk ned hushållsapparatens huvud.
- 5 Vila stänkskyddet mot skålens kant och för det framåt tills det sitter ordentligt på plats ❷.

- Under omrörningen kan ingredienserna tillsättas direkt i skålen via matarröret.

- 6 Avlägsna stänkskyddet genom att föra det åt sidan bort från apparaten.
- 7 Avlägsna värmeskyddet genom att lyfta upp hushållsapparatens huvud tills det låser fast. Ta bort redskapet och dra sedan värmeskyddet nedåt från undersidan av hushållsapparatens huvud.

Obs! Stänkskyddet får endast monteras och avlägsnas när hushållsapparatens huvud är i låst läge.



hushållsapparaten

omrörningsredskapen och några av deras användningsområden

- K-spade • För tårter, kakor, smet, glasyr, fyllningar och potatismos.
- visp • För ägg, grädde, smet, fettfria sockerkakor, maräng, cheesecake, mousse, souffléer. Använd inte vispen till tjockflytande blandningar (t.ex. för vispning av fett och socker) – du kan då skada den.
- degkrok • Endast avsedd för jästblandningar.
- flexibel visp för hög temperatur • Lämplig för många olika användningsområden, framför allt vid tillagning av vaniljsås, äggröra och såser. Perfekt för att skrapa bort varma och kalla ingredienser från skålens sidor under omrörning. Lämpar sig även för fränsning av grönsaker.
- omrörare • Lämplig för användning under tillagning för att bevara matens konsistens t.ex. kyckling, fisk, grönsaker och frukt.

så här använder du hushållsapparaten

Innan du använder hushållsapparaten ska du kontrollera att temperatur- och hastighetsreglagen är avstängda i läge "0".

- 1 Vrid spärrspaken för huvudet medurs **1** och lyft upp mixerhuvudet tills det låser fast.

så här monterar du ett redskap 2 Placera redskapet i fästet med axelstiftet i spåret och vrid för att låsa fast det **2**.

omrörare – montera omröraren genom att sticka in axeln i uttaget och sedan se till att springan på tillbehöret befinner sig rakt under metallstiften på undersidan av hushållsapparatsens huvud. Fatta tag i spaden och vrid så att axelstiftet befinner sig under spåret. Tryck sedan uppåt och vrid för att låsa fast det **3**.

- 3 Montera skålen på basen – tryck nedåt och vrid moturs **4**.

- 4 Sänk ned hushållsapparatsens huvud genom att lyfta upp det något och sedan vrida spärrspaken för huvudet moturs. Sänk ned i låst läge.

så här demonterar du ett redskap • Utför steg 2 ovan i omvänd ordning. (Använd alltid ugnsvantar när du demonterar redskap efter tillagningen.)

- 5 Anslut apparaten till strömförsörjningen. Hastighets- och temperaturindikatorerna tänds kort. På displayen visas först **88:88**, och sedan slocknar den. Strömindikatorn är tänd .
- 6 Vrid hastighetsreglaget till önskat läge (rekommendationer finns på sidan 45), hushållsapparaten startar och hastighetsreglets indikatorlampa blinkar. Timern räknar uppåt i steg om 1 sekund. Hastigheten kan ändras när som helst hastigheten medan apparaten är igång.
- 7 Stoppa apparaten genom att vrida tillbaka hastighetsreglaget till läget "0".

Viktigt – Om apparatens huvud lyfts upp under användning, kommer den att stoppa automatiskt och den startar inte igen när huvudet sänks ned. Starta apparaten igen genom att vrida hastighetsreglaget till läget "0" och sedan välja en hastighet på nytt.

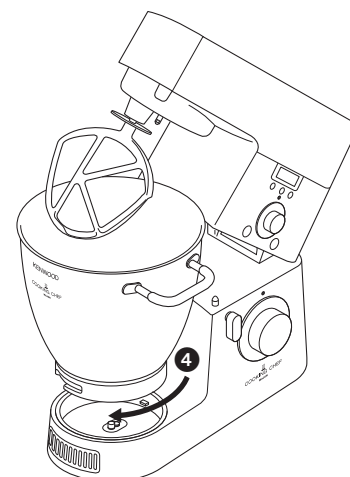
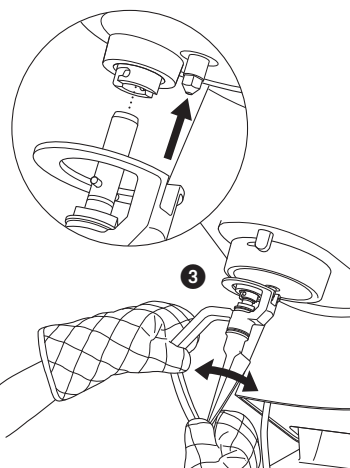
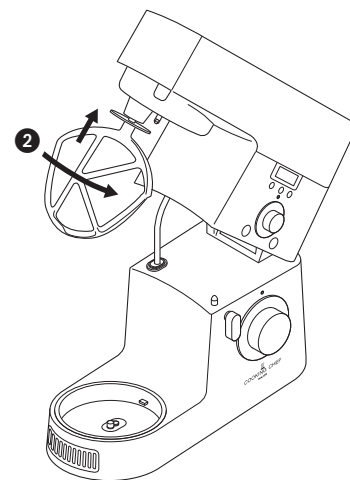
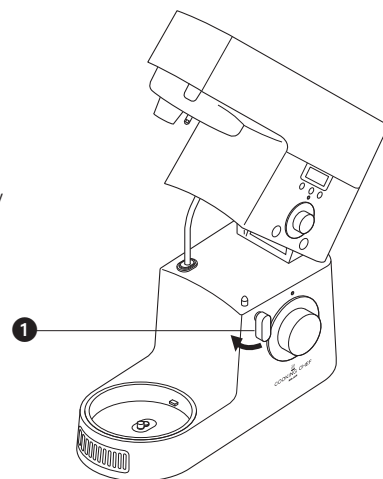
pulsknapp

Pulsknappen kan bara användas när hastighetsreglaget står i läget "0". Välj puls genom att trycka på pulsknappen **Ⓟ**. Apparaten körs på högsta hastighet så länge knappen hålls i detta läge. Om skålens innehåll överstiger 60°C, ökar hastigheten stegvis. Då hörs även ett pipande ljud och hastighets- och temperaturindikatorerna blinkar snabbt.

omrörningsknapp

Tryck och släpp omrörningsknappen **Ⓡ** så körs apparaten automatiskt på minimihastighet i 2 varv och stoppar sedan. Håll knappen nedtryckt om du vill köra apparaten längre eller tryck flera gånger så att ingredienserna blandas.

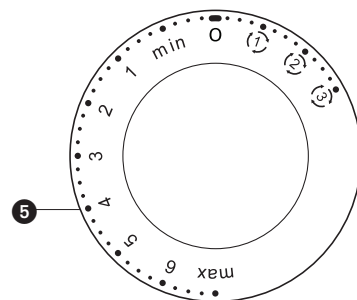
Obs! Om du trycker på omrörningsknappen medan motorn körs utförs standardomrörningen och därefter återgår apparaten till den valda hastigheten.



hastighetsreglage 5

Följande hastigheter är enbart en vägledning och varierar beroende på mängden och temperaturen hos ingredienserna som blandas etc. Vrid hastighetsreglaget moturs för hastigheten 'min' till 'max'.

- K-spade
- **vispning av fett och socker** starta på min och öka gradvis till 'max'.
 - **vispning av ägg i smet** 4 - 'max'.
 - **vända ned mjöl, frukt etc.** min - 1
 - **kaxmix** börja på minimihastighet och öka gradvis till max.
 - **blanda fett och mjöl** min - 2.
- flexibel visp för hög temperatur
- **vispning av fett och socker** starta på min och öka gradvis till 3.
 - **skrapa bort varma och kalla ingredienser från skålens sidor** starta på minimihastighet och öka gradvis till 3.
 - **fräsa grönsaker, röra om risotto och polenta etc.,** använd (1) .
- visp
- Öka gradvis till 'max'.
- degkrok
- Starta på 'min' och öka gradvis till 1.
- omrörare
- Använd enbart med omrörningsinställningarna (1), (2), (3) .



inställningar för omrörning

Välj inställningar för omrörning genom att vrida hastighetsreglaget moturs. Dessa inställningar lämpar sig bäst när apparaten används i tillagningsläge. Tänk på att alla lock på uttagen måste vara monterade för att omrörningshastigheterna ska kunna användas.

- (1) – Använd den här inställningen när du vill ha en konstant hastighet, t.ex. vid omrörning av sås.
- (2) – När hastighetsreglaget ställs in på det här läget, körs apparaten med låg hastighet var femte sekund i cirka två varv.
- (3) – När hastighetsreglaget ställs in på det här läget, körs apparaten med låg hastighet var trettionde sekund. Denna inställning är lämplig för omrörning av grytor etc.
- Stoppa körningen genom att vrida tillbaka hastighetsreglaget till läget "0".

Obs!

- När du väljer en hastighet blinkar hastighetsindikatorn.
- Ett högt ljud kan höras från apparaten när den används. Det är normalt.

använda apparaten för tillagning

VIKTIGT

- Kontrollera att induktionsytan, temperatursensorerna och de utvändiga ytorna på skålens bas är rena. Om du inte gör detta påverkas värmesensorn, vilket försämrar tillagningskapaciteten.
- Kontrollera att alla uttagslock samt värmeskyddet har monterats. Uppvärmningsfunktionen fungerar inte om de inte är korrekt monterade.
- Använd alltid ugnsvantar när du demonterar skål och redskap efter tillagningen.

1 Montera hushållsapparaten enligt anvisningarna på sidan 44.

2 Vrid temperaturreglaget till önskad temperatur.

• Uppvärmningen startar inte förrän du valt en hastighet.

3 Vrid hastighetsreglaget till önskat läge. Då startar motorn och värmaren. Båda indikatorlamporna blinkar.

4 När den inställda temperaturen har nåtts slutar temperaturindikatorn att blinka. Under tillagningen blinkar dock lampan om temperaturen förändras. Detta sker som tecken på att apparaten försöker behålla den inställda temperaturen (läs inledningen på sidan 39).

- Om skålens temperatur överskrider 60°C, begränsas hastigheten automatiskt av säkerhetsskäl även om en högre hastighet har valts. Hastigheten ökar inte automatiskt när temperaturen faller under 60°C. Hastighetsreglaget måste först stängas av och önskad hastighet måste väljas på nytt.

- Obs! Varje gång du trycker på timern/temperaturreglaget växlar displayen mellan timerdisplayen och temperaturen hos skålens innehåll.

5 Stoppa eller pausa omrörningen och uppvärmningen genom att vrida tillbaka hastighetsreglaget till läget "0". Välj en hastighet om du vill starta körningen igen.

tips

- **I vissa recept, framför allt sådana med en hög andel vatten, går det inte att nå en tillagningstemperatur över 100°C (eftersom det är kokpunkten för vatten).**
- När du tillsätter ingredienser i skålen under tillagningen ska du sänka hastigheten och tillsätta ingredienserna långsamt och jämnt.
- Värm såser snabbt genom att använda en inställning för kontinuerlig omrörning (↻).
- Det kan vara lämpligt att byta redskap för olika moment under tillagningen för bästa resultat. Du kan t.ex. använda den flexibla vispen för hög temperatur när du vill steka grönsaker och sedan omröraren när du tillagar bitar av kött eller fågel.
- Om du använder stänkskyddet under tillagningen ska du alltid ta bort det innan du lyfter upp apparatens huvud. Se upp för kondensation som bildas på stänkskyddet och värmeskyddet.
- När du lyfter upp apparatens huvud ska du göra det långsamt så att eventuell vätska på undersidan av värmeskyddet kan rinna tillbaka ned i skålen.
- Det finns tre omrörningsfunktioner så att du kan välja rätt omrörningshastighet för varje recept. Vissa recept kräver konstant omrörning för att ingredienserna inte ska fastna i skålens botten, medan andra kan bli mer lyckade om du bara rör om ibland för att bevara råvarornas konsistens.
- För bästa resultat ska du ställa in höjden på redskapen, se sidan 43.
- Den maximala tillagningstiden är 3 timmar och därefter stängs hushållsapparaten av automatiskt.
- Det går att värma mat utan att ha monterat ett redskap, men du måste välja en hastighet. Det kan vara lämpligt när du smälter råvaror som exempelvis smör eller choklad.
- Varje gång du trycker på timern/temperaturreglaget växlar displayen mellan att visa tillagningstiden och temperaturen hos skålens innehåll.

Vispning vid hög hastighet och hög temperatur

Om du vill vispa med hög hastighet vid temperaturer över 60°C, ska du vrida hastighetsreglaget till önskad hastighet och håll sedan pulsknappen nedtryckt. Då hörs ett pipande ljud och hastighets- och temperaturindikatorerna blinkar snabbt. Visphastigheten ökar långsamt till den valda hastigheten. Upprepa proceduren om du vill öka hastigheten ytterligare. Du kan sänka visphastigheten eller stänga av hushållsapparaten på normalt sätt.

Den här funktionen FÅR enbart användas med vispen. Maximikapaciteten på 3 liter får inte överskridas och stänkskyddet måste ha monterats. Maskinen får inte lämnas utan uppsikt.

efter tillagning

- Var försiktig när du hanterar eller rör vid någon del av apparaten medan den används i tillagningsläge eller efter tillagningen. Detta gäller FRAMFÖR ALLT SKÅLEN, STÄNKSKYDDET OCH REDSKAPEN eftersom de förblir VARMA långt efter att apparaten stängts av. Använd handtagen när du ska ta loss och lyfta skålen. Använd alltid ugnsvantar när du hanterar den varma skålen och varma redskap.
- Skålens undersida förblir varm långt efter att uppvärmningen avbrutits. Var försiktig och använd den medföljande skyddsmattan för att skydda värmekänsliga ytor.

display

Hushållsapparaten är försedd med 5 separata säkerhetssensorer som är aktiva när apparaten används i tillagningsläge. Om apparaten är påslagen och en säkerhetssensor aktiveras, visar timer-/temperaturdisplayen ett felmeddelande, t.ex. 'E:01'. Då hörs ett pipande ljud och apparaten fungerar inte. Kontrollera följande felmeddelanden:-

Felmeddelande	Beskrivning	Lösning
E:01	Apparatus huvud har lyfts upp. När huvudet är upplyft inaktiverar en säkerhetssensor motorn och värmaren. Om hastighetsreglaget ställs i ett annat läge än "O" när huvudet är upplyft, visas detta meddelande och motorn stängs inte av.	Stäng huvudet. Vrid hastighetsreglaget till läget "O" och välj sedan önskad hastighet.
E:02	Cooking Chef-skålen är inte monterad. Uppvärmningsfunktionen fungerar inte om Cooking Chef-skålen används. Denna skål måste också monteras korrekt. Säkerhetssensorer identifierar en felaktig skål eller en felaktig montering av skålen.	Kontrollera att Cooking Chef-skålen används. Kontrollera att skålen är korrekt monterad. Vrid hastighetskontrollen till "O" och välj sedan önskad hastighet.
E:03	Värmeskyddet är inte monterat. Uppvärmningsfunktionen inaktiveras om värmeskyddet inte är korrekt monterat.	Kontrollera att värmeskyddet är korrekt monterat. Vrid hastighetskontrollen till "O" och välj sedan önskad hastighet.
E:04	Locken för låghastighetsuttaget och hög-/mellanhastighetsuttaget är inte monterade. Dessa lock är försedda med säkerhetssensorer. Om locken inte är korrekt monterade slås uppvärmningen av och om omrörningsfunktioner väljs, körs motorn kontinuerligt. Omrörningshastigheterna min till max körs kontinuerligt.	Kontrollera att alla lock är korrekt monterade. Vrid hastighetskontrollen till "O" och välj sedan önskad hastighet.
E:09	Problem med temperatursensorn. Om värmarreglaget identifierar en skåtemperatur som är högre än förväntat under normal användning, stängs motorn och värmaren av automatiskt.	Vrid hastighetskontrollen till "O", dra ut stickkontakten och låt apparaten svalna. Kontrollera att skålens bas och temperatursensorerna är rena. Byt ut stickkontakten och starta den på normalt sätt.
E:10	Problem med motorhastigheten eller överhettning. Om motorn stannar eller blir för varm stänger kontrollsystemet automatiskt av motorn och värmaren.	Vrid hastighetskontrollen till "O" och dra ut apparatens stickkontakt. Avlägsna alla hinder som får motorn att stanna. Kontrollera att alla luftventiler är fria från hinder. Sätt i stickkontakten och slå på apparaten.

Om dessa eller andra felkoder fortsätter att visas på displayen ska du visa Kenwoods kundtjänst.

så här använder du nedräkningstimern

Timern kan användas både i tillagningsläge och icke-tillagningsläge. Om en nedräkningstid inte väljs, räknar timern automatiskt upp i intervall om 1 sekund medan apparaten körs. Den maximala körtiden är 3 timmar.

- 1 Anslut apparaten till strömförsörjningen. På displayen visas kort **88:88.** och därefter visas strömindikatorn .
- 2 Tryck på knappen + eller – så visas 0:00 på displayen.
- 3 Tryck på knappen + eller – tills önskad tid visas. Timern räknar uppåt i steg om 5 sekund. Om knappen hålls nedtryckt växlar siffrorna snabbare ju längre knappen hålls nedtryckt. Maximalt 3 timmar kan ställas in.
Obs! Om knappen + trycks ned när timern står på 3:00 ändras den visade tiden till 0:00. Om knappen – trycks ned när timern står på 0:00 ändras den visade tiden till 3:00.
- 4 Vrid hastighetsreglaget till önskat läge. Apparaten startar och timern räknar ned tiden i intervall om 1 sekund.
 - Stoppa körningen eller pausa den när som helst genom att vrida tillbaka hastighetsreglaget till läget "0". Då pausad även timern. Timern fortsätter att räkna ned när apparaten startas på nytt.
- 5 Blandningen stoppas automatiskt när hela tiden har gått och ljudsignaler hörs i 3 sekunder. Displayen blinkar i 5 sekunder och visas strömindikatorn .

så här återställer du timern

- 1 Nollställ timern genom att trycka på knapparna + och – samtidigt (hastighetsreglaget måste stå i läget "0").
 - Om maskinen har stått stilla i 10 minuter övergår LCD-displayen och bakgrundsbelysningen till 'viloläge' och alla displayer släcks. Om en knapp eller ett reglage aktiveras, återgår displayen till det tidigare formatet.

maximikapacitet

- mördeg** • Mjölvtikt: 910 g
- styv jästdeg** • Mjölvtikt: 1,5 kg
- Totalvikt: 2,4 kg
- mjuk jästdeg** • Mjölvtikt: 2,6 kg
- Totalvikt: 5 kg
- mix för fruktkaka** • Totalvikt: 4,55 kg
- äggvitor** • 16
- tillagningsläge** • 3 liter

- allmänna tips
- Stoppa omrörningen och skrapa ned innehållet i skålen med skrapan ofta.
 - Rumstempererade ägg går bäst att vispa.
 - Innan du vispar äggvitor måste du kontrollera att det inte finns något fett eller någon äggula på vispen eller i skålen.
 - Använd kalla ingredienser för kakdeg om det inte står något annat i receptet.

tips för brödbakning

- viktigt
- Överskrid aldrig de angivna maximikapaciteterna - då överbelastar du apparaten.
 - Om du hör att maskinen går trögt ska du stänga av den, avlägsna hälften av degen och köra varje del separat.
 - Ingredienserna blandar sig bäst om du håller i vätskan först.

felsökningsguide för tillagning

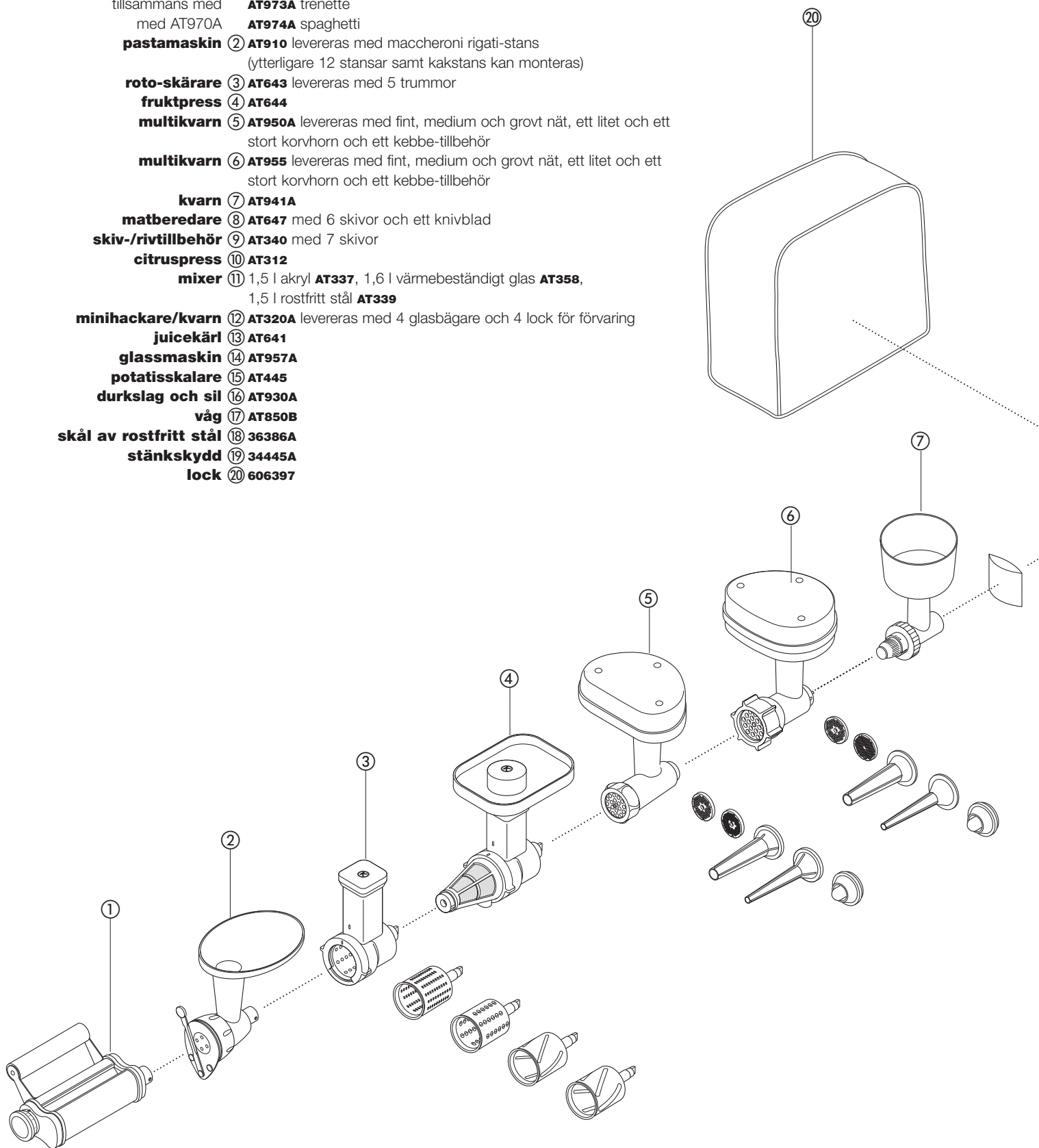
Problem	Orsak	Lösning
Apparaten körs inte i uppvärmningsläge och ett felmeddelande visas samtidigt som en varningssignal hörs.	En av säkerhetssensorerna har aktiverats.	Se tabellen över felmeddelanden på sidan 47. <ul style="list-style-type: none"> ● Kontrollera att huvudet är nedsänkt och fastlåst. ● Kontrollera att alla lock för uttagen är korrekt monterade. ● Kontrollera att värmeskyddet är korrekt monterat. ● Kontrollera att Cooking Chef-skålen är korrekt monterad.
En temperatur har valts men skålens innehåll värms inte upp (temperaturlampan tänds inte).	En hastighet har inte valts.	Välj en hastighet.
Apparatens hastighet varierar under tillagningen.	Hastigheten begränsas automatiskt när skålens innehåll når 60°C.	Detta är en säkerhetsfunktion.
Mat bränns vid på skålens bas.	<ol style="list-style-type: none"> 1 Temperaturinställningen som valts kan vara för hög. 2 Fel redskap används. 3 Omrörningsfunktionen är för långsam. 4 Redskapet är eventuellt inte placerat tillräckligt långt ned i skålen. 5 Timern har ställts in på för lång tid. 6 Sensorn och/eller skålens undersida är eventuellt smutsiga. 	<ol style="list-style-type: none"> 1 Sänk temperaturen på vredet eller tillaga vid en lägre temperatur. 2 Kontrollera att det lämpligaste redskapet används. 3 Öka omrörningsfrekvensen eller sänk till kontinuerlig körning. 4 Justera redskapet. 5 Tillaga under kortare tid (se till att maten är genomstekt). 6 Se till att dessa ytor hålls rena och torra.
Matens konsistens bevaras inte.	<ol style="list-style-type: none"> 1 Den valda temperaturen är för hög. 2 Omrörningsfunktionen är för snabb. 3 Ingredienserna har tillagats för länge. 4 Fel redskap används. 	<ol style="list-style-type: none"> 1 Sänk temperaturen. 2 Sänk omrörningshastigheten. 3 Tillaga under kortare tid (se till att maten är genomstekt). 4 Kontrollera att det lämpligaste redskapet används.
Oregelbunden omrörningshastighet.	<ol style="list-style-type: none"> 1 Ingredienserna är för stora, hårda eller fasta. 	<ol style="list-style-type: none"> 1 Skär maten i mindre bitar, ta ut kärnor ur frukt, smält ingredienser långsamt utan att ha monterat ett redskap (men se till att en hastighet har valts). 2 Tillsätt ingredienser när huvudet sänkts ned. 3 Kontrollera att det lämpligaste redskapet används.
Kalla ingredienser har tillsats i en varm blandning men temperaturdisplayen svarar inte snabbt.	Om skålens innehåll inte rörs om ordentligt kommer matens temperatur att variera i skålen.	<ol style="list-style-type: none"> 1 Låt ingredienserna bli ordentligt blandade. 2 Öka omrörningshastigheten.
Det är svårt att stänga apparatens huvud när det finns mat i skålen.	Fasta ingredienser som choklad i botten av skålen förhindrar att apparatens huvud låser fast.	Tillsätt ingredienser när huvudet sänkts ned.
Apparaten körs kontinuerligt när omrörning (2) eller omrörning (3) väljs.	Locken för uttagen är inte korrekt monterade.	Kontrollera att locken för uttagen är korrekt monterade.
Motorhastigheten är begränsad när tillbehör används	En varm skål har monterats.	Ta bort skålen eller låt den svalna till under 60°C.

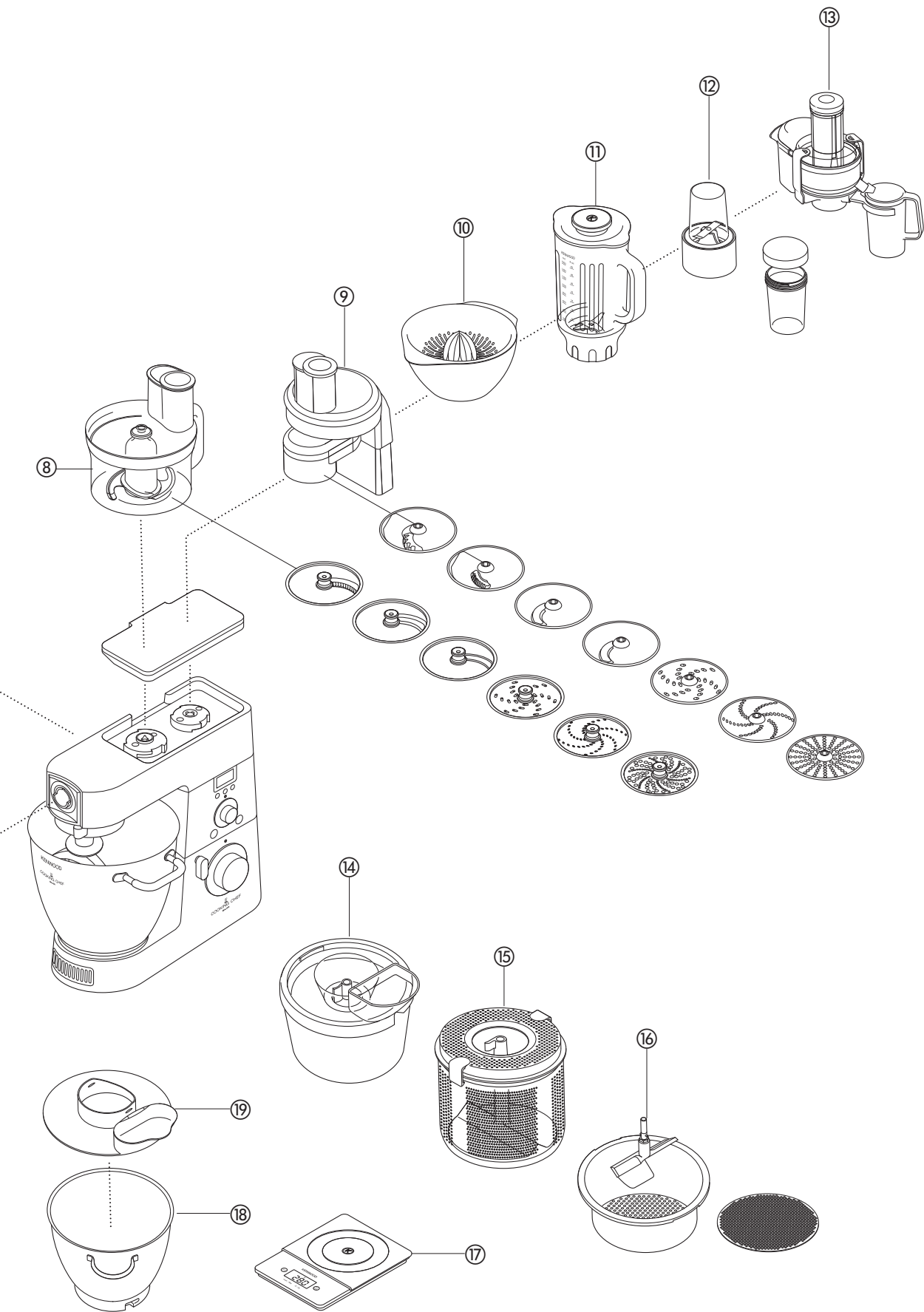
ytterligare tillbehör som kan köpas

Om du vill köpa ett tillbehör som inte medföljer i leveransen, se service och kundtjänst.

tillbehör tillbehörskod

- pastamaskin** ① **AT970A**
ytterligare pastatillbehör (används inte) används tillsammans med med AT970A
- pastamaskin** ② **AT910** levereras med maccheroni rigati-stans (ytterligare 12 stansar samt kakstans kan monteras)
- roto-skärare** ③ **AT643** levereras med 5 trummor
- fruktpress** ④ **AT644**
- multikvarn** ⑤ **AT950A** levereras med fint, medium och grovt nät, ett litet och ett stort korvhorn och ett kebbe-tillbehör
- multikvarn** ⑥ **AT955** levereras med fint, medium och grovt nät, ett litet och ett stort korvhorn och ett kebbe-tillbehör
- kvarn** ⑦ **AT941A**
- matberedare** ⑧ **AT647** med 6 skivor och ett knivblad
- skiv-/rivtillbehör** ⑨ **AT340** med 7 skivor
- citruspress** ⑩ **AT312**
- mixer** ⑪ 1,5 l akryl **AT337**, 1,6 l värmebeständigt glas **AT358**, 1,5 l rostfritt stål **AT339**
- minihackare/kvarn** ⑫ **AT320A** levereras med 4 glasbägare och 4 lock för förvaring
- juicekärl** ⑬ **AT641**
- glassmaskin** ⑭ **AT957A**
- potatisskalare** ⑮ **AT445**
- durkslag och sil** ⑯ **AT930A**
- våg** ⑰ **AT850B**
- skål av rostfritt stål** ⑱ **36386A**
- stänkskydd** ⑲ **34445A**
- lock** ⑳ **606397**

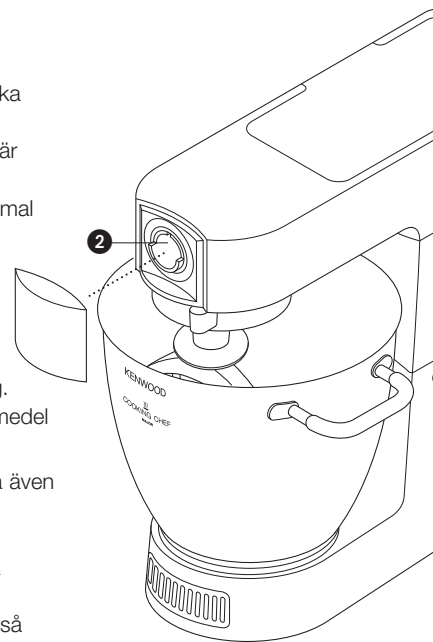




rengöring och service

skötsel och rengöring

- Före rengöring ska apparaten alltid stängas av och stickkontakten ska dras ut.
- Lite fett kan tränga ut vid **uttaget 2** vid första användningen. Det är normalt – torka bara bort det.
- Temperatursensorernas metallytor kan visa tecken på slitage vid normal användning. Detta påverkar inte produktens egenskaper.
- Lämna aldrig den flexibla vispen för hög temperatur monterad på apparaten när den inte används.



apparat, lock för uttag
flexibel visp för hög temperatur

- Torka av med en fuktig trasa och torka torrt.
- Använd aldrig nötande medel och doppa aldrig i vatten.
- Demontera alltid det flexibla vispbladet från redskapet före rengöring.
- Diska det flexibla vispbladet och redskapet i varmt vatten med diskmedel och torka ordentligt. Alternativt kan delarna diskas i diskmaskin.

Obs! Inspektera redskapet före och efter användning och kontrollera även regelbundet torkarbladet och byt ut det vid tecken på slitage.

skål, redskap, stänkskydd

- Tvätta för hand och torka noga eller diska i diskmaskinen.
- Använd aldrig stålborste, stålull eller klorin när du rengör den rostfria skålen. Använd vinäger eller annat lämpligt medel för avkalkning.
- Om maten fastnar eller bränns vid på skålens insida, ska du ta bort så mycket som möjligt av den med den medföljande skrapan. Fyll skålen med varmt tvålsvatten och låt stå en stund. Avlägsna hård smuts med en nylonborste.
- Missfärgningar av skålen påverkar inte dess egenskaper.

avtappningshål

- Se till att det inte finns några matrester här. Gör vid behov rent med en piprensare eller en bomullspinne.

temperatursensorer

- Torka av med en fuktig trasa och torka noga. Använd aldrig nötande medel eller vassa föremål när du rengör sensorerna.

service och kundtjänst

- Om sladden är skadad måste den av säkerhetsskäl bytas ut av Kenwood eller av en auktoriserad Kenwood-reparatör.

Om du behöver hjälp med:

- att använda apparaten eller
 - service eller reparationer
- Kontakta återförsäljaren där du köpte apparaten.

- Konstruerad och utvecklad av Kenwood i Storbritannien.
- Tillverkad i Kina.



VIKTIG INFORMATION FÖR KORREKT BORTSKAFFNING AV PRODUKTEN I ÖVERENSSTÄMMELSE MED EU-DIREKTIV 2002/96/EG.

När produktens livslängd är över får den inte slängas i hushållssoporna. Den kan överlämnas till lokala myndigheters avfallssorteringscentraler eller till en återförsäljare som ger denna service.

När du avfallshanterar en hushållsmaskin på rätt sätt undviker du de negativa konsekvenser för miljön och hälsan som kan uppkomma vid felaktig avfallshantering. Du möjliggör även återvinning av materialen vilket innebär en betydande besparing av energi och tillgångar.

recept

Se viktiga tips för brödbakning på sidan 48.

- vitt bröd** styv jästdeg
- ingredienser
- 1,36 kg vetemjöl special
 - 3 tsk salt
 - 25 g färsk jäst = 3 tsk (15 g) torrjäst + 1 tsk socker
 - 750 ml varmt vatten: 43°C Använd en termometer eller tillsätt 250 ml kokande vatten till 500 ml kallt vatten
 - 25 g matfett
- gör så här:
- 1 **torrjäst** (den typ som måste spädas): töm det varma vattnet i skålen. Tillsätt jästen och sockret och låt stå i cirka 10 minuter tills blandningen är skummig.
färsk jäst: smula ned i mjölet.
andra typer av jäst: följ tillverkarens anvisningar.
 - 2 Töm vätskan i skålen. Tillsätt sedan mjöl (med färsk jäst om du använder det), salt och matfett.
 - 3 Knåda på lägsta hastighet i 45–60 sekunder. Öka sedan till hastighet 1, tillsätt mer mjöl vid behov, tills en deg bildats.
 - 4 Knåda i 3–4 minuter på hastighet 1 tills degen är slät, elastisk och släpper från skålens sidor.
 - 5 Lägg degen i en smord plastpåse eller i en skål täckt med en handduk. Placera den på en varm plats och låt jäsa till dubbel storlek.
 - 6 Knåda på nytt i 2 minuter på hastighet 1.
 - 7 Fyll fyra smorda formar (450 g) till hälften med degen, eller forma den till bullar.
Täck med en handduk, placera den på en varm plats och låt jäsa till dubbel storlek.
 - 8 Grädda i ugn på 230°C (gasugn läge 8) i 30–35 minuter *för limpor* eller 10–15 minuter *för bullar*.
 - Det ska låta ihålligt när man knackar på brödets undersida.

- vitt bröd mjuk jästdeg**
- ingredienser
- 2,6 kg vanligt vetemjöl
 - 1,3 liter mjölk
 - 300 g socker
 - 450 g margarin
 - 100 g färsk jäst eller 50 g torrjäst
 - 6 uppvispade ägg
 - 5 nypor salt
- gör så här:
- 1 Smält margarinet i mjölken och värm till 43°C.
 - 2 **torrjäst** (den typ som måste spädas): Tillsätt jäst och socker i mjölken och låt stå i 10 minuter tills blandningen är skummig.
färsk jäst: smula ned i mjölet och tillsätt sockret.
andra typer av jäst: följ tillverkarens anvisningar.
 - 3 Töm mjölken i skålen. Tillsätt de vispade äggen och 2 kg mjöl.
 - 4 Blanda på lägsta hastighet i 1 minut och sedan på hastighet 1 i ytterligare en minut.
Skrapa ned.
 - 5 Tillsätt resten av mjölet och blanda på lägsta hastighet i 1 minut, sedan på hastighet 1 i 2–3 minuter till en mjuk och jämn konsistens.
 - 6 Fyll smorda formar (450 g) till hälften med degen, eller forma den till bullar.
Täck med en handduk, placera den på en varm plats och låt jäsa till dubbel storlek.
 - 7 Grädda i ugn på 200°C (gasugn läge 6) i 20–25 minuter *för limpor* eller 15 minuter *för bullar*.
 - 8 Det ska låta ihålligt när man knackar på brödets undersida.
 - Cirka 10 limpor.

recept fortsättning

jordgubbs- och aprikoskaka

- ingredienser: sockerkaka
- 3 ägg
 - 75 g finkornigt strösocker
 - 75 g vanligt vetemjöl
- yllning och dekoration
- 150 ml vispgrädde
 - Socker efter smak
 - 225 g jordgubbar
 - 225 g aprikoser
- gör så här:
- 1 Dela aprikoserna på mitten och ta ut kärnan. Sjud i mycket lite vatten tills aprikoserna är mjuka, smaka av med socker.
 - 2 Skölj och halvera jordgubbarna.
 - 3 Laga sockerkakan genom att vispa ägg och socker på högsta hastighet tills blandningen är ljus och tjock.
 - 4 Ta bort skålen och vispen. Vänd ned mjölet för hand med en stor metallsked – gör detta försiktigt för att hålla sockerkakan lätt.
 - 5 Häll blandningen i två 18 cm bakformar som är smorda och klädda med bakplåtspapper.
 - 6 Grädda i ugn på 180°C (gasugn läge 4) i 20 minuter tills kakan känns fjädrande när du trycker försiktigt på den.
 - 7 Låt svalna på ett galler.
 - 8 Vispa grädden på högsta hastighet tills den tjocknat. Smaka av med socker.
 - 9 Hacka aprikoserna och en tredjedel av jordgubbarna grovt. Vänd ned dem i hälften av grädden.
 - 10 Sprid ut blandningen över den ena kakan och lägg på den andra kakan.
 - 11 Bred ut resten av grädden ovanpå och dekorera med resten av jordgubbarna.

maränger

- ingredienser
- 4 äggvitor
 - 250 g siktat florsocker
 - Klä bakplåten med bakplåtspapper.
- gör så här:
- 1 Vispa äggvitorna och sockret på högsta hastighet i cirka 10 minuter tills toppar bildas i blandningen.
 - 2 Skeda upp blandningen på bakplåtspapperet (eller använd en sprits med ett stjärnformat munstycke på 2,5 cm).
 - 3 Grädda i ugn på 110°C (gasugn läge 1/4) i 4–5 timmar tills marängen är fast och krispig. Öppna ugnsluckan något om marängerna börjar bli bruna.
- Förvara marängerna i en lufttät burk.

mördeg

- ingredienser
- 450 g vetemjöl, siktat med saltet
 - 1 tsk salt
 - 225 g fett, (blanda kylskåpskallt ister och margarin)
 - Cirka 4 msk vatten
 - Blanda inte för länge
- tips
- 1 Häll upp mjölet i skålen. Hacka fettet grovt och tillsätt i mjölet.
- gör så här:
- 2 Blanda med K-spaden på hastighet 1. Kör tills blandningen liknar brödsmlor. Stoppa innan blandningen ser fet ut.
 - 3 Tillsätt vattnet och blanda på lägsta hastighet. Stoppa direkt när vattnet arbetats in.
 - 4 Grädda i ugn på cirka 200°C (gasugn läge 6), beroende på fyllning.

chilimarinad

- ingredienser
- 200 g kall honung (kyld över natten)
 - 1 grön chili (hel)
 - 5ml (1 tsk) jordnötssmör med jordnötbitsbitar
 - salt och peppar
- gör så här:
- 1 Tillsätt alla ingredienserna i minihackaren/kvarnen.
 - 2 Montera tillbehöret på mixern och låt ingredienserna samlas runt bladet.
 - 3 Byt till puls i 10 sekunder.
 - 4 Använd som önskas.

Notes

Norsk

før du tar Kenwood-apparatet i bruk

- **Les nøye gjennom denne bruksanvisningen og ta vare på den slik at du kan slå opp i den senere.**
- Fjern all emballasje og eventuelle merkesedler.

bli kjent med din Kenwood Cooking Chef-kjøkkenmaskin

sikkerhet

viktig merknad - elektroniske medisinske implantater

- Som alle produksjoner med induksjonsvarme, genererer dette apparatet små magnetiske felt. Hvis en bruker eller en person i nærheten har en pacemaker eller andre aktive implantater, bør du kontakte en lege før bruk angående mulig inkompatibilitet for å hindre helserisikoer.
- Slå av og koble fra apparatet før du setter på eller tar av verktøy/tilbehør, etter bruk og før rengjøring.
- Hold kroppsdeler, smykker og løse klær unna bevegelige deler og tilbehør som er satt på.
- Aldri putt fingre, osv. i vippemekanismen.
- La aldri apparatet stå på uten tilsyn.
- Aldri bruk et skadet apparat. Få det kontrollert eller reparert: se Service og kundestøtte på side 70.
- Aldri bruk uautorisert tilbehør eller mer enn ett tilbehør samtidig.
- Aldri overstig maksimal kapasitet på side 66 og når du bruker induksjonsvarmeren må du aldri overstige det maksimale fyllnivået på 3 liter som er merket på innsiden av bollen.
- Når du bruker et tilbehør, leser du instruksjonene om sikkerhet og bruk som følger med det.
- Vær forsiktig når du løfter dette apparatet. Det er tungt. Sørg for at toppen er lukket og at bollen, verktøy, åpningsdeksler og ledningen er sikret før du løfter apparatet.
- Aldri la ledningen henge ned så et barn kan få tak i den.
- La aldri strømmenheten, ledningen eller kontakten bli våte.
- Vær forsiktig når du bruker eller berører en av apparatets deler når den brukes i matlagingsmodus eller etter matlaging, SPESIELT BOLLEN, SKVETTPLATEN OG VERKTØYENE da de vil være VARME lenge etter at apparatet har blitt slått av. Bruk håndtakene for å ta av og bære bollen. Bruk grytekluter når du bruker den varme bollen og de varme blandevertøyene.
- Undersiden av bollen er varm lenge etter at oppvarmingen har stanset. Vær forsiktig og bruk beskyttelsesmatten for arbeidsoverflaten når du plasserer bollen på varmekfølsomme overflater.
- Vær oppmerksom på damp som kommer fra blandebollen spesielt når du åpner lokket i skvettplaten eller når du hever mikserhodet.
- Hvis du overfører varm mat fra mikseren til moseren, må du alltid la ingrediensene kjøle seg ned til romtemperatur før du legger dem i moseren.
- Bruk bare bollen og verktøyene som følger med dette apparatet. Aldri bruk bollen med andre varmekilder.
- Aldri bruk apparatet i matlagingsmodus når bollen er tom.
- Aldri ta noe inn i luftåpningene.
- Når du bruker apparatet må du påse at det er plassert på en jevn overflate i god avstand fra kanten. Sørg for at det er minst 10 cm fra vegger og sørg for at luftåpningene ikke er blokkert. Ikke plasser det under overhengende skap.
- For riktig og trygg bruk av induksjonskokeapparatet må du sørge for at bolleunderlaget og temperaturfølerne er rene og tørre før oppvarming.
- Som med alle induksjonskokeapparater må du ikke legge kredittkort, magnetiske medier eller følsomt elektronisk utstyr i nærheten av apparatet når det er i bruk.
- Ikke bruk apparatet til å fritere mat.
- Sørg alltid for at maten er skikkelig kokt før den spises.
- Mat bør spises rett etter oppvarming eller bli kjølt ned og deretter fryst så fort som mulig.
- Apparatet er ikke ment brukt av personer (inkludert barn) med reduserte fysiske, sensoriske eller mentale evner, eller med manglende erfaring og kunnskap, med mindre vedkommende har fått tilsyn eller opplæring i hvordan apparatet skal betjenes av en person som er ansvarlig for vedkommendes sikkerhet.
- Barn må ha tilsyn for å sikre at de ikke leker med apparatet.
- Bruk bare apparatet til dets tiltenkte hjemlige bruk. Kenwood frasier seg ethvert ansvar ved feilaktig bruk eller dersom apparatet ikke er brukt i henhold til denne bruksanvisningen

før du kobler til

- Sørg for at strømforsyningen tilsvarer den som vises på undersiden av maskinen.
- Dette apparatet er i samsvar med EU-direktiv 2004/108/EU om elektromagnetisk kompatibilitet og EU-bestemmelse nr. 1935/2004 fra 27/10/2004 om materialer som skal brukes i kontakt med mat.

før førstegangs bruk

For vask av delene ser du Vedlikehold og rengjøring på side 70.

innledning

Takk for at du kjøpte denne Kenwood Cooking Chef-kjøkkenmaskinen. Vi håper du får glede av den i mange år.

Kenwood har nesten 60 års erfaring og ekspertise i utvikling av våre kjøkkenmaskiner og deres store utvalg av tilbehør. Kenwood Chef-kjøkkenmaskiner er kjent for å være mer enn bare en matmikser.

I utviklingen av Cooking Chef har vi tatt den velkjente allsidigheten til Chef et trinn videre ved å introdusere integrert induksjonsvarme direkte under blandeollen. Nå kan du få glede av alle fordelene med vanlig blanding i kald bolle når du tilbereder kaker, bakverk og deiger, i tillegg til den ekstra fordelen med oppvarming og koking direkte i bollen kombinert med vanlig blanding. Mulighetene er uendelige.

Kenwood Cooking Chef med alle sine valgfrie tilbehør er virkelig det komplette mattilberedingsystemet.

Sterk, Pålitelig, Allsidig, Kenwood.

Hva er induksjonskoking og hvordan fungerer det?

Induksjonskoking er en avansert kokemetode som bruker prinsippene om elektromagnetisk induksjon. Når en elektrisk strøm sendes gjennom en kobberspiral i induksjonskokeområdet, skaper den et elektromagnetisk felt. Når Cooking Chef-bollen låses i posisjon, fullføres kretsen av et spesielt lag av rustfritt stål i bolleunderlaget. Dette skaper masse termisk energi som videreføres til innholdet i bollen og dermed varmer opp maten.

Induksjonskoking er veldig energibesparende fordi det bare produserer varme i bollens underlag. Andre oppvarmingsmetoder som gassplater sløser bort nesten 50 % av energien rundt sidene av pannen. Faktisk er induksjonskokeområdet på Cooking Chef bare varm under og rett etter koking fordi varmen overføres tilbake fra innholdet i bollen. Alt dette betyr at induksjonskoking er veldig effektivt, veldig trygt og veldig rent.

Kokefunksjonen til Kenwood Cooking Chef ligner på bruken av en kasserolle på kokeplaten. En ekstra fordel er at Chef automatisk rører maten og regulerer koketemperaturen etter dine nøyaktige krav, så du kan konsentrere deg om andre ting på kjøkkenet.

Cooking Chef bruker induksjonsvarmeteknologi som er veldig effektiv. Sammenlignet med oppvarming på gassplater eller elektriske kokeplater, reduseres koketiden og du kan bruke lavere temperatur. Dette bør du huske på første gang du bruker apparatet eller når du eksperimenterer med en ny oppskrift. Hvis du begynner å koke på høy temperatur, må du følge med og redusere varmen om nødvendig for å hindre at maten svir seg fast i bollen, akkurat som du ville gjort med en kasserolle. Generelt vil Cooking Chef automatisk varme opp maten til din ønskede temperatur på raskest mulig tid. Derfor er det ikke nødvendig å angi temperaturen høyere enn nødvendig for å redusere koketiden. På dette stadiet bør du også være oppmerksom på frekvensen til røreinnstillingene. Ved koking på høyere temperaturer kan det være nødvendig å røre konstant med røreinnstillingen (1). Røreinnstillinger er nyttige for å opprettholde konsistensen på maten i (2) (3) lengre kokeperioder på lav koking.

Valg av det riktige bollevertøyet er også viktig på dette stadiet. Senere i denne boken har vi foreslått de mest passende bruksområdene for hvert verktøy og med erfaring vil du raskt forstå hvilket som er best til hver oppgave. Når du lager mat, vil du finne ut at vispen for høy temperatur er best å bruke for å oppnå en jevn og fin konsistens for sauser og kremer, mens rørevertøyet er bedre når du lager mat som må beholde en mer solid konsistens, som stuinger, gryteretter osv. Vår oppskriftsbok anbefaler de beste verktøyene for hver oppskrift og du kan også finne ut at å endre verktøy for forskjellige prosesser i mattilberedningen gir bedre resultater.

Ved koking og rett etterpå vil bollen, skvettplaten og bollevertøyet være varme – akkurat som en kasserolle ville vært. Vær forsiktig når du berører disse. Det er også viktig å huske at matlagingsprosessen skaper damp og kondens, så vær forsiktig når du ser ned i bollen, løfter av matlokket eller toppen på Cooking Chef for å se i eller få tilgang til bollen. Du bør også advare andre når maskinen koker eller er varm så de også er forsiktige. Når du berører eller fjerner varme deler, bør du bruke grytekluter og bare bære bollen i håndtakene som følger med. Du kan også finne ut at beskyttelsesmatten for arbeidsoverflaten er nyttig for å beskytte følsomme overflater.

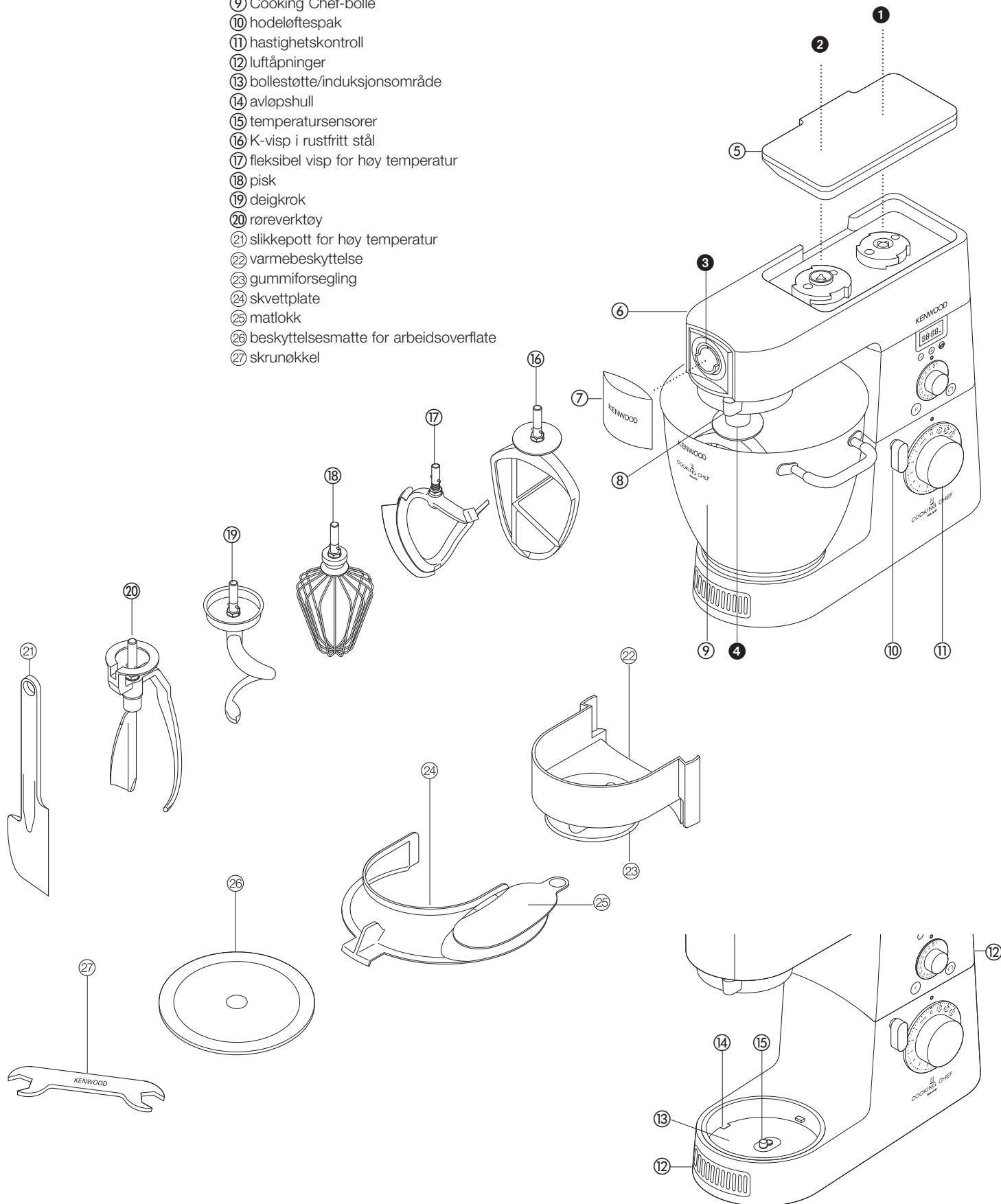
Når du varmer opp væske eller mat med høyt vanninnhold, er nøyaktigheten på temperaturavlesingen vanligvis innenfor +/- 5 °C. Nøyaktigheten på temperaturdisplayet og kontrollen vil variere avhengig av konsistensen i bolleinnholdet, volumet på bolleinnholdet, frekvensen på røringen og bollevertøyet som brukes. Som nevnt ligner dette på bruk av en kokeplate, for eksempel at mye mat i en stor kasserolle varmes opp, men ikke røres skikkelig. Maten nærmest bunnen i kasserollen er varmest, mens maten nærmest toppen er mye kaldere.

I tillegg til temperaturdisplayet, har maskinen en liten blå lampe. Denne blinker til maskinen har nådd den valgte temperaturen. Når den nødvendige temperaturen er nådd, slutter lampen å blinke. Men du bør være oppmerksom på at når du legger til flere ingredienser i bollen, begynner den blå lampen å blinke igjen så snart temperaturen i bolleinnholdet reduseres av kalde ingredienser. Du legger kanskje også merke til at det statiske lyset begynner å blinke hvis blandefrekvensen økes.

Du vil raskt finne ut at Kenwood Cooking Chef er lett å bruke og vil hjelpe deg med å gjøre daglig mattilberedning enkelt.

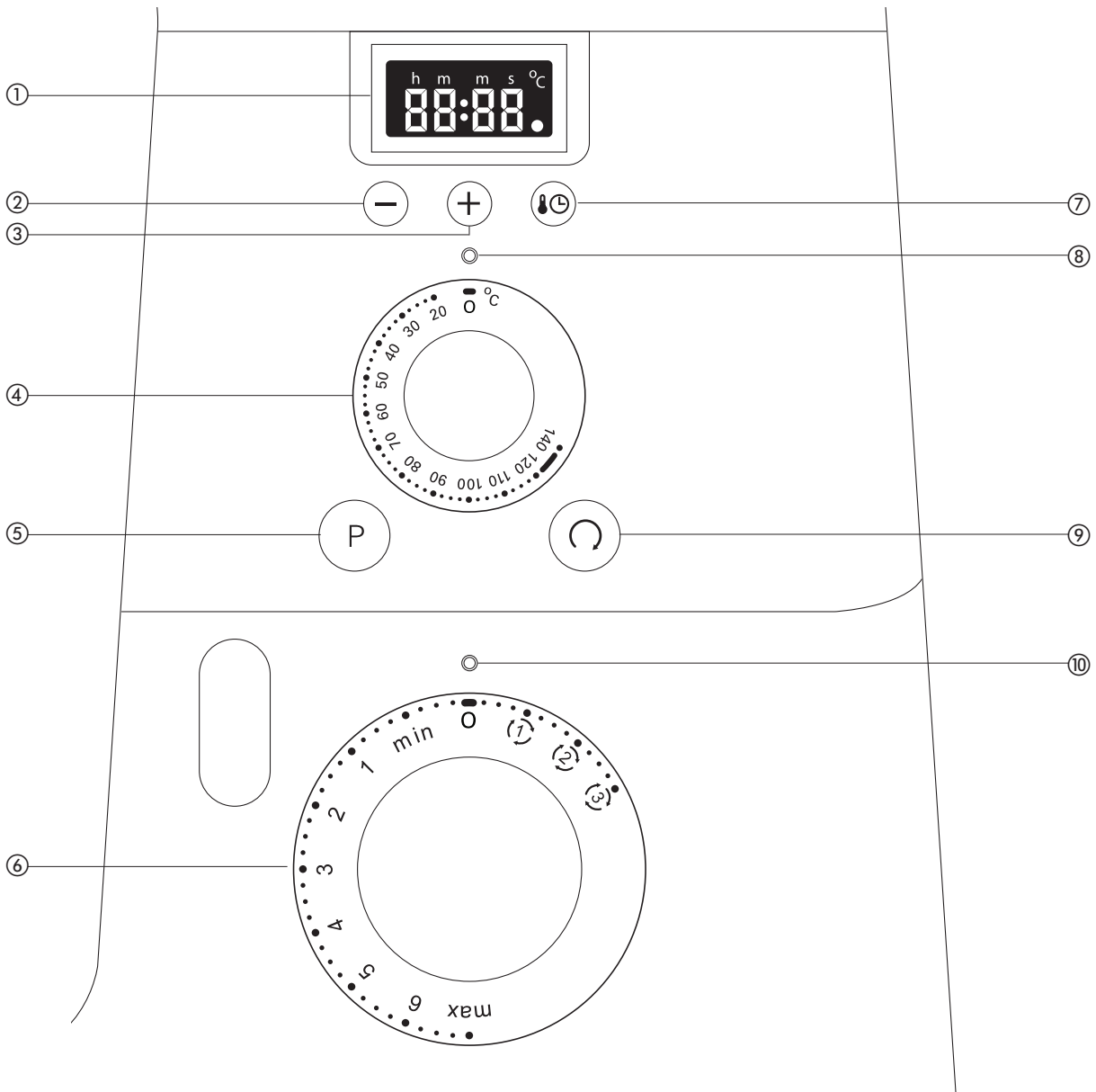
bli kjent med din Kenwood Cooking Chef

- festeåpninger ① åpning for høy hastighet
 ② åpning for middels hastighet
 ③ åpning for sakte hastighet
 ④ verktøyåpning
- mikseren ⑤ deksel til åpning for middels/høy hastighet
 ⑥ mikserhode
 ⑦ deksel til åpning for sakte hastighet
 ⑧ spak for åpning for sakte hastighet
 ⑨ Cooking Chef-bolle
 ⑩ hodeløftespak
 ⑪ hastighetskontroll
 ⑫ luftåpninger
 ⑬ bollestøtte/induksjonsområde
 ⑭ avløpshull
 ⑮ temperatursensorer
 ⑯ K-visp i rustfritt stål
 ⑰ fleksibel visp for høy temperatur
 ⑱ pisk
 ⑲ deigkrok
 ⑳ røreverktøy
 ㉑ slikkepott for høy temperatur
 ㉒ varmebeskyttelse
 ㉓ gummiforsegling
 ㉔ skvettplate
 ㉕ matlokk
 ㉖ beskyttelsesmatte for arbeidsoverflate
 ㉗ skrunøkkel



kontrollpanel

- ① timer/temperaturdisplay
- ② minskningsknapp for timer
- ③ økningsknapp for timer
- ④ temperaturkontroll
- ⑤ strømknapp/høy hastighet, knapp for pisk for høy temperatur
- ⑥ hastighetskontroll
- ⑦ timer/temperaturvelgerknapp
- ⑧ temperaturindikatorlys
- ⑨ bretteknapp
- ⑩ indikatorlampe for hastighetskontroll



justere høyden på verktøyene

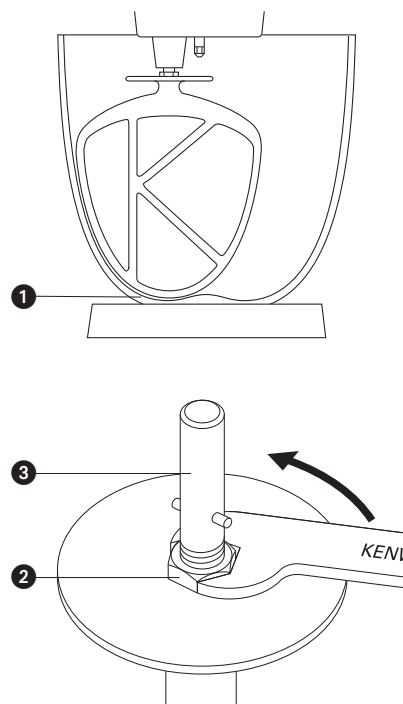
Se på side 62 for hvordan du monterer mikseren.

pisk, K-visp i rustfritt stål, røreverktøy

For best ytelse bør pisken, K-vispen i stål og røreverktøyet **nesten** berøre bunnen av bollen **1**. Om nødvendig justerer du høyden med skrunøkkel som følger med.

Slik gjør du:

- 1 Koble fra apparatet.
- 2 Hev mikseren og sett inn pisken, vispen eller røreverktøyet.
- 3 Senk mikserhodet. Hvis avstanden må justeres, hever du mikserhodet og fjerner verktøyet.
- 4 Bruk skrunøkkel som fulgte med til å løsne mutteren **2** tilstrekkelig så du kan justere skaftet **3**. For å senke verktøyet nærmere bunnen av bollen vrir du skaftet mot klokken. For å heve verktøyet bort fra bunnen av bollen, vrir du skaftet med klokken.
- 5 Stram til mutteren på nytt.
- 6 Tilpass verktøyet til mikseren og senk mikserhodet. (Se punktene over for å kontrollere posisjonen).
- 7 Gjenta trinnene over om nødvendig til verktøyet er riktig stilt inn. Når dette er i orden, strammer du til mutteren skikkelig.



fleksibel visp for høy temperatur - dette verktøyet bør så vidt berøre bunnen av bollen.

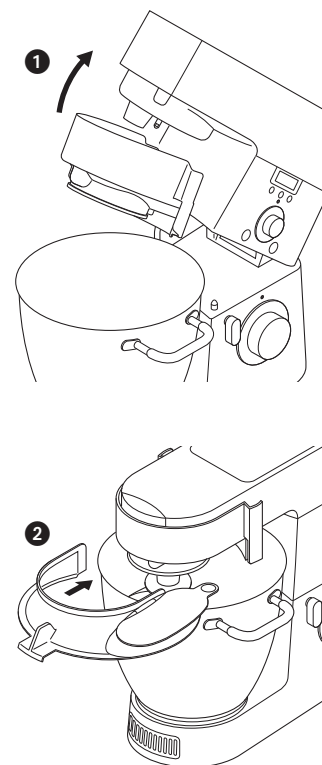
deigkrok - dette verktøyet er stilt inn på fabrikken og skal ikke behøve justeringer.

tilpasse og bruke skvettplaten montering

Skvettplaten består av 2 deler: varmebeskyttelsen og skvettplaten.

Varmebeskyttelsen må settes på under matlaging, ellers vil ikke mikseren fungere og feilkode E:03 vises. Varmebeskyttelsen skal beskytte mikserhodet mot damp som produseres i kokeprosessen. Om nødvendig kan både varmebeskyttelsen og skvettplaten settes på for å holde ingrediensene i bollen, f.eks. ved blanding av lette ingredienser som mel og melis, eller ved tilberedning av ingredienser hvor fuktigheten må beholdes i bollen. Skvettplaten må ikke settes på bollen hvis den ikke brukes sammen med varmebeskyttelsen.

- 1 Hev mikserhodet til det låses på plass.
 - 2 Dytt varmebeskyttelsen oppover til undersiden av mikserhodet **1** til den er riktig plassert. Varmebeskyttelsen må aldri brukes uten at gummiforseglingen er riktig tilpasset.
 - 3 Plasser bollen på underlaget.
 - 4 Senk mikserhodet.
 - 5 Plasser skvettplaten på bollekanten og skyv den deretter forover til den sitter på plass **2**.
- Under miksing kan ingredienser legges direkte til i bollen via matrennen.
- 6 For å fjerne skvettplaten bare skyver du den bort fra apparatet.
 - 7 For å fjerne varmebeskyttelsen hever du mikserhodet til det låses på plass. Fjern verktøyet og dra deretter varmebeskyttelsen nedover fra undersiden av mikserhodet.
- Merk: Bare sett på eller fjern skvettplaten når mikserhodet er i låst posisjon.



mikseren

mikseverktøyene og noen av deres bruksområder

- K-visp • Til å lage kaker, kjeks, bakverk, glasur, fyll og potetmos.
- pisk • Til egg, krem, rører, gjærdeiger, marengs, ostekaker, mousse, suffleer. Ikke bruk piskeren til tunge blandinger (f.eks. til kreming av smør og sukker) - da kan du skade den.
- deigkrok • Bare for gjærblandinger.
- fleksibel visp for høy temperatur • Passer til mange matlagingsfunksjoner, spesielt vaniljekrem, eggerøre og sauser. Ideell til å skrape både kalde og varme blandinger fra sidene av bollen under miksing. Passer også til sauterte grønnsaker.
- røreverktøy • Passer til å opprettholde konsistensen på mat, f.eks. kylling, fisk, grønnsaker og frukt.

slik bruker du mikseren

Før du bruker mikseren må du sørge for at temperatur- og hastighetskontrollen er angitt til O-posisjonen (av).

- 1 Vri hodeløftespaken med klokken **1** og hev mikserhodet til det låses på plass.
 - 2 Plasser verktøyet i åpningen, med skaftet i sporet og deretter vrir du låsen i posisjon **2**.
 - 3 Plasser bollen på underlaget - trykk ned og vri med klokken **4**.
 - 4 Du senker mikserhodet ved å heve det litt, og deretter vrir du spaken med klokken.
Senk til låst posisjon.
- Slik fjerner du et verktøy
- Reverser trinn 2 over. (Bruk alltid gryteklutler for å fjerne verktøy etter matlagning).
- 5 Koble mikseren til strømforsyning. Hastighets- og temperaturindikatoren lyser raskt. Displayet viser **88:88** og fjernes deretter så strømindikatoren lyser **□**.
 - 6 Vri hastighetskontrollen til ønsket innstilling (se side 63 for anbefalinger), mikseren starter og indikatorlampen for hastighetskontroll blinker. Timeren teller opp i intervaller på 1 sekund. Hastigheten kan endres når som helst mens mikseren er i bruk.
 - 7 Stopp mikseren ved å returnere hastighetskontrollen til O-posisjonen (av).

Viktig - Hvis mikserhodet på noe tidspunkt heves når det er i bruk, stopper mikseren automatisk og piper og vil ikke starte på nytt når mikserhodet senkes. For å starte mikseren på nytt vrir du hastighetskontrollen til O-posisjonen (av) og deretter velger du en hastighet på nytt.

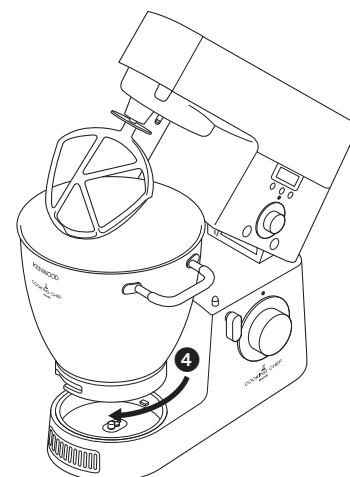
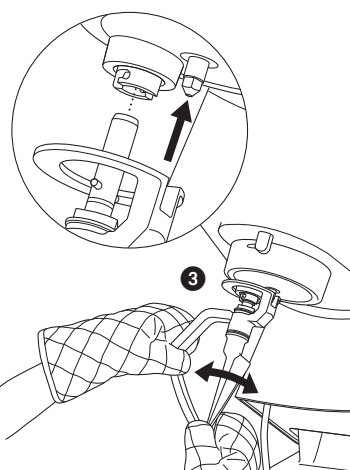
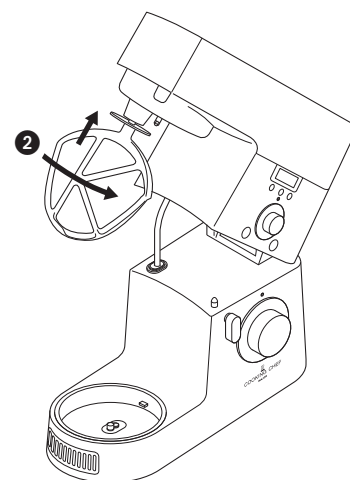
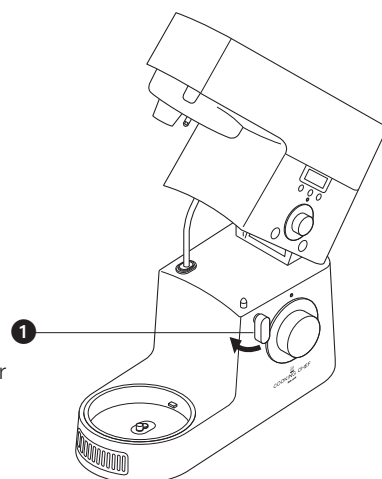
strømknapp

Strømknappen kan bare brukes når hastighetskontrollen er i O-posisjonen (av).

For å velge strøm trykker du på strømknappen **P** og mikseren går på maksimal hastighet så lenge knappen holdes i denne posisjonen. Hvis bolleinnholdet er over 60 °C, øker hastigheten gradvis. Dette følges av en pipelyd og hastighets- og temperaturindikatorlysene blinker raskt.

bretteknapp

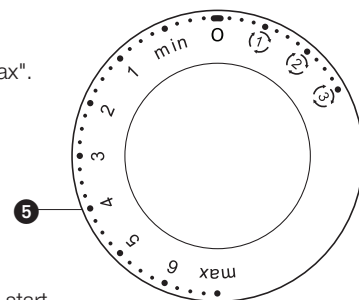
Trykk og slipp ut bretteknappen **Ω** så går mikseren automatisk på minimumshastighet i 2 omdreininger før den stopper. Knappen kan trykkes inn for lenger bruk eller trykkes gjentatte ganger for å kombinere ingredienser. Merk: Hvis bretteknappen trykkes inn mens motoren er i gang, vil den utføre standard brettefunksjon og deretter returnere til den valgte hastigheten.



hastighetskontroll 5

Følgende hastigheter er bare en veiledning og vil variere avhengig av mengden og temperaturen på ingrediensene som blandes osv.

Vri hastighetskontrollen med klokken for å velge hastighet fra "min" til "max".



K-visp • **kreiming av smør og sukker** start på min og øk gradvis til "max".

• **piske egg til kremete blandinger** 4 - 'max'.

• **blende inn mel, frukt osv** min - 1

• **alt-i-ett-kaker** start på min-hastighet og øk gradvis til max.

• **blende smør inn i mel** min - 2.

• **kreiming av smør og sukker** start på min og øk gradvis til 3.

• **skrape både kalde og varme blandinger fra sidene av bollen** start på min og øk gradvis til 3.

• **sautering av grønnsaker, røre risotto og maisgrøt osv,** bruk (1).

pisk • Øk gradvis til max.

deigkrok • Start på min og øk gradvis til 1.

røreverktøy • Bruk kun med røreinnstillingene (1), (2), (3).

fleksibel visp for høy temperatur visp

røreinnstillinger

For å velge røreinnstillingene vrir du hastighetskontrollen mot klokken. De passer best når mikseren brukes i matlagingsmodus. Merk at for å bruke rørehastighetene må alle åpningsdeksler være montert.

(1) – Bruk denne innstillingen når en konstant sakte hastighet er nødvendig til f.eks. å røre i sauser.

(2) – Når hastighetskontrollen er angitt til denne posisjonen, vil mikseren periodisk gå på sakte hastighet en gang hvert 5. sekund i omtrent 2 omdreininger.

(3) – Når hastighetskontrollen er angitt til denne posisjonen, vil mikseren periodisk gå på sakte hastighet en gang hvert 30. sekund, noe som gjør at den passer til røring av gryteretter osv.

Returner hastighetskontrollen til 0-posisjonen (av) for å stoppe funksjonen.

Merk:

- Når en hastighet er valgt, blinker hastighetsindikatoren.
- Det kommer en høy lyd fra apparatet når det er i bruk. Dette er normalt.

slik bruker du mikseren til å lage mat

VIKTIG

- Kontroller at induksjonsområdet, temperatursensorene og den eksterne overflaten til bolleunderlaget er rene. Hvis du ikke gjør dette, påvirkes varmesensoren, noe som resulterer i dårlig matlagingsytelse.
- Kontroller at alle åpningsdekslene, inkludert varmebeskyttelsen, er montert. Hvis de ikke er riktig montert, vil ikke varmefunksjonen fungere.
- Bruk alltid grytekluter til å fjerne bollen og verktøyene etter matlaging.

1 Monter mikseren i henhold til instruksjonene på side 62.

2 Vri temperaturkontrollen til ønsket temperatur.

• **Oppvarmingen begynner ikke før en hastighet er valgt.**

3 Vri hastighetskontrollen til ønsket hastighet. Da slås motoren og varmeapparatet på. Begge indikatorlysene blinker.

4 Når den angitte temperaturen er nådd, lyser indikatorlampen for temperatur kontinuerlig. Men under matlaging begynner lyset å blinke hvis temperaturen endrer seg og indikerer at mikseren prøver å opprettholde den angitte temperaturen (les innledningen på side 57).

• Hvis bolletemperaturen overstiger 60 °C, begrenses hastigheten av sikkerhetsgrunner automatisk selv om det er valgt en høyere hastighet. Hastigheten vil ikke automatisk øke når temperaturen synker under 60 °C. Hastighetskontrollen må slås av først og ønsket hastighet velges på nytt.

• Merk: Hver gang timer-/temperatur-knappen trykkes inn, veksler displayet mellom timerdisplayet og temperaturen i bolleinnholdet.

5 For å stoppe eller sette blende- og oppvarmingsprosessen på pause, returnerer du hastighetskontrollen til 0-posisjonen (av). For å gjenoppta funksjonen velger du en hastighet.

hint

- **Noen oppskrifter, særlig de med høyt vanninnhold, vil ikke kunne nå en koketemperatur på over 100 °C (da dette er kokepunktet for vann).**
- Når du legger til ingredienser i bollen under matlaging, senker du temperaturhastigheten og legger til ingrediensene sakte og jevnt.
- For å varme opp sauser raskt, bruker du en kontinuerlig røreinnstilling (🌀).
- Det kan bli bedre resultater hvis du bytter verktøy til de forskjellige prosessene når du tilbereder maten, f.eks. bruker den fleksible vispen for høy temperatur til å steke grønnsaker og deretter røreverktøyet mens du steker kjøttbiter.
- Hvis du bruker skvettplaten under matlagingen, må du alltid ta den av før du løfter mikserhodet. Vær oppmerksom på kondens som formes på skvettplaten og varmebeskyttelsen.
- Når du løfter mikserhodet, løfter du det sakte for å la eventuell væske på undersiden av varmebeskyttelsen renne tilbake i bollen.
- Tre rørefunksjoner er tilgjengelige og kan gjøre at du kan velge riktig mengde røring for individuelle oppskrifter. Noen oppskrifter krever konstant røring for å hindre at ingrediensene kleber seg til bunnen av bollen, mens andre trenger røring i intervaller for å opprettholde matens konsistens.
- For optimal ytelse justerer du verktøyhøyden som på side 61.
- Maksimal tilberedningstid er 3 timer. Da slår mikseren seg automatisk av.
- Det er mulig å varme opp mat uten et verktøy i posisjon, men en hastighet må velges. Dette kan være lurt når du smelter mat, f.eks. smør eller sjokolade.
- Hver gang timer-/temperatur-valgknappen trykkes inn, veksler displayet mellom å vise tilberedningstiden og temperaturen som er nådd på det tidspunktet.

Piskkontroll for høy hastighet og høy temperatur

For å piske på høy hastighet på temperaturer over 60 °C, vrir du hastighetskontrollen til ønsket piskehastighet og trykker deretter på og holder strømknappen inne. Dette følges av en pipelyd og hastighets- og temperaturindikatorlysene blinker raskt. Piskehastigheten økes sakte til den valgte hastigheten. Gjenta prosedyren for å øke hastigheten ytterligere. Du kan redusere piskehastigheten eller slå av mikseren som normalt.

Denne funksjonen MÅ bare brukes med pisken. Du må ikke overstige den maksimale tilberedingskapasiteten på 3 liter og du må sørge for at skvettplaten er tilpasset. Maskinen må ikke stå uten tilsyn.

etter tilbereding

- Vær forsiktig når du bruker eller berører en av mikserens deler når den brukes i matlagingmodus eller etter matlaging, SPESIELT BOLLEN, SKVETTPLATEN OG VERKTØYENE da de vil være VARME lenge etter at apparatet har blitt slått av. Bruk håndtakene for å ta av og bære bollen. Bruk grytekluter når du bruker den varme bollen og de varme blandevertøyene.
- Undersiden av bollen er varm lenge etter at oppvarmingen har stanset. Vær forsiktig når du håndterer og bruker beskyttelsesmatten for arbeidsoverflaten som skal beskytte varmefølsomme overflater.

display

For din sikkerhet er mikseren utstyrt med 5 separate sikkerhetssensorer som er i bruk når du bruker mikseren i matlagingsmodus. Hvis mikseren slås på og en sikkerhetssensor aktiveres, viser timer-/temperaturdisplayet en feilmelding, f.eks. E:01. Denne følges av en pipelyd og mikseren vil ikke fungere. Kontroller følgende feilmeldinger:

Feilmelding	Beskrivelse	Løsning
E:01	Hodet til maskinen i hevet posisjon. Når hodet er løftet, deaktiverer en sikkerhetssensor motoren og varmeapparatet. Hvis hastighetskontrollen slås til en annen innstilling enn O-posisjonen (av) når hodet er hevet, vises denne meldingen og motoren slår seg ikke på.	Lukk hodet. Vri hastighetskontrollen til O-posisjonen (av) og velg deretter ønsket hastighet.
E:02	Cooking Chef Bollen er ikke satt på. Varmefunksjonen vil bare fungere hvis Cooking-bollen brukes. Denne bollen må også være riktig montert. Sikkerhetssensorer vil registrere en feil bolle eller at den riktige bollen er feil montert.	Kontroller at Cooking Chef-bollen brukes. Kontroller at bollen er montert riktig. Vri hastighetskontrollen til "O" og velg deretter ønsket hastighet.
E:03	Varmebeskyttelsen er ikke montert. Varmefunksjonen deaktiveres hvis varmebeskyttelsen ikke er riktig montert.	Kontroller at varmebeskyttelsen er riktig montert. Vri hastighetskontrollen til "O" og velg deretter ønsket hastighet.
E:04	Åpningsdekslet for sakte hastighet og åpningsdekslet for høy/middels hastighet er ikke satt på. Disse dekslene er utstyrt med sikkerhetssensorer. Hvis dekslene ikke er riktig satt på, slås oppvarmingen av og hvis rørefunksjonene er valgt, kjører motoren kontinuerlig. Miksehastighet min til max vil kjøre kontinuerlig.	Kontroller at alle deksler er riktig montert. Vri hastighetskontrollen til "O" og velg deretter ønsket hastighet.
E:09	Temperatursensorproblem. Hvis varmekontrollen registrerer en bolletemperatur som er høyere enn forventet under normal bruk, slås motoren og varmeapparatet automatisk av.	Vri hastighetskontrollen til "O", koble fra maskinen og la den kjøle seg ned. Kontroller at bolleunderlaget og temperatursensorene er rene. Bytt støpsel og slå på som normalt.
E:10	Problem med motorhastighet eller overoppvarming. Hvis motoren stopper eller blir for varm, slår kontrollsystemet automatisk av motoren og varmeapparatet.	Vri hastighetskontrollen til "O" og koble fra maskinen. Fjern hindringer som gjør at motoren stopper. Kontroller at alle luftåpninger er fri for hindringer. Koble til og slå på.

Hvis disse eller andre feilkoder fortsetter å vises på displayet, kontakter du Kenwoods kundestøtte.

slik bruker du nedtellingstimeren

Timeren kan brukes både i matlagingsmodus og modus som ikke er for matlagning. Hvis en nedtellingstid ikke er valgt, teller timeren automatisk opp i intervaller på 1 sekund mens mikseren er i bruk. Maksimal tid er 3 timer.

- 1 Koble mikseren til strømforsyning. Displayet viser **88:88.** raskt og fjernes deretter så strømindikator på er synlig .
- 2 Trykk på enten + eller – og 0:00 vises på displayet.
- 3 Trykk på enten + eller – til ønsket tid vises. Timeren teller opp i intervaller på 5 sekunder. Hvis knappen blir trykket på kontinuerlig, endres tallene raskere jo lenger den holdes inne. Du kan angi en maksimaltid på 3 timer.
Merk: Hvis + er trykket på når timeren er på 3:00, endres tiden til 0:00. Hvis – er trykket på når timeren er på 0:00, endres tiden til 3:00.
- 4 Vri hastighetskontrollen til ønsket hastighet. Mikseren starter og timeren teller ned i intervaller på 1 sekund.
 - Mikserfunksjonen kan settes på pause når som helst ved å vri hastighetskontrollen til O-posisjonen (av). Dette setter også timeren på pause. Timeren fortsetter å telle ned når mikseren startes på nytt.
- 5 Mikseprosessen stopper automatisk når den totale tiden har gått og du hører piping i 3 sekunder. Displayet blinker i 5 sekunder og deretter tømmes det og viser strøm på-indikatoren .

slik tilbakestiller du timeren

- 1 Nullstill timeren ved å trykke på + og – samtidig (hastighetskontrollen må være i O-posisjonen (av)).
 - Hvis maskinen har vært inaktiv i 10 minutter, går LCD-displayet og bakgrunnsbelysningen i deaktiveringsmodus og alle displayene slås av. Hvis en knapp eller kontrollknott aktiveres, gjenopptas displayet til forrige format.

maksimale kapasiteter

- mørdeiger** • Melvekt: 910 g
- harde gjærdeiger** • Melvekt: 1,5 kg
- Total vekt: 2,4 kg
- myke gjærdeiger** • Melvekt: 2,6 kg
- Total vekt: 5 kg
- fruktkakeblanding** • Total vekt: 4,55 kg
- eggehviter** • 16
- matlagingsmodus** • 3 liter

- generelle hint
- Stopp miksingen og skrap nedover bollen med slikkepotten ofte.
 - Egg i romtemperatur er best til visping.
 - Før du visper eggehviter må du sørge for at det ikke er noe fett eller eggeplomme på vispen eller bollen.
 - Bruk kalde ingredienser til bakverk med mindre oppskriften sier noe annet.

punkter til brødbaking

- viktig
- Aldri overstig de angitte maksimale kapasitetene da du vil overbelaste maskinen.
 - Hvis du hører at maskinen sliter, slår du den av og fjerner halvparten av deigen og tilbereder halvparten om gangen.
 - Ingrediensene blander seg best hvis du heller i væsken først.

feilsøking for matlaging

Problem	Årsak	Løsning
Mikseren vil ikke fungere i varmemodusen og viser en feilmelding og gir et varselspip.	En av sikkerhetssensorene har blitt aktivert.	Se tabellen for feilmeldinger på side 65. <ul style="list-style-type: none"> • Kontroller at hodet er senket og låst. • Kontroller at alle åpningsdeksler er riktig montert. • Kontroller at varmebeskyttelsen er riktig montert. • Kontroller at Cooking Chef-bollen er riktig montert.
En temperatur har blitt valgt, men bolleinnholdet blir ikke varmet opp (temperaturindikatorlampen lyser ikke).	Det har ikke blitt valgt noen hastighet.	Velg en hastighet.
Mikseren endrer hastighet under matlaging.	Hastigheten begrenses automatisk når bolleinnholdet når 60 °C.	Dette er en sikkerhetsfunksjon.
Maten svir seg fast nederst i bollen.	<ol style="list-style-type: none"> 1 Temperaturinnstillingen som er valgt, kan være for høy. 2 Feil verktøy brukes. 3 Rørefunksjonen er for treg. 4 Verktøyet er kanskje ikke lavt nok i bollen. 5 Timeren har blitt angitt til for lenge. 6 Sensoren og/eller undersiden av bollen er kanskje ikke rene. 	<ol style="list-style-type: none"> 1 Reduser temperaturen på tallskiven eller tilbered maten på lavere temperatur. 2 Kontroller at det mest passende verktøyet brukes. 3 Øk frekvensen på rørefunksjonen eller øk til en kontinuerlig funksjon. 4 Juster verktøyet. 5 Tilbered maten i kortere tid (sørg for at maten er skikkelig kokt). 6 Kontroller at disse områdene er rene og tørre.
Konsistensen på maten opprettholdes ikke.	<ol style="list-style-type: none"> 1 Temperaturen som er valgt, er for høy. 2 Rørefunksjonen er for rask. 3 Ingredienser er tilberedt for lenge. 4 Feil verktøy brukes. 	<ol style="list-style-type: none"> 1 Reduser temperaturen. 2 Reduser rørehastigheten. 3 Reduser tilberedingstiden (sørg for at maten er skikkelig kokt). 4 Kontroller at det mest passende verktøyet brukes.
Ujevn miksehastighet.	1 Ingrediensene er for store, harde eller faste.	<ol style="list-style-type: none"> 1 Skjær maten i mindre biter, fjern steiner fra frukt, smelt ingredienser sakte uten et verktøy i posisjon (men sørg for at en hastighet er valgt). 2 Tilsett ingredienser etter at hodet er senket. 3 Kontroller at det mest passende verktøyet brukes.
Kalde ingredienser har blitt lagt til i en varm blanding, men temperaturdisplayet reagerer ikke raskt.	Hvis bolleinnholdet ikke røres skikkelig, vil det bli varierende mattemperaturer i bollen.	<ol style="list-style-type: none"> 1 La det gå litt tid så ingrediensene blandes skikkelig. 2 Øk rørehastigheten.
Vanskelig å stenge mikserhodet med mat i bollen.	Faste ingredienser som sjokolade i bunnen av bollen hindrer mikserhodet i å låses på plass.	Tilsett ingredienser etter at mikserhodet er senket.
Mikseren går kontinuerlig når røring (2) eller røring (3) er valgt.	Åpningsdekslene er feil montert.	Kontroller at åpningsdekslene er riktig montert.
Motorhastigheten er begrenset ved bruk av tilbehør.	Varm bolle montert.	Fjern bollen eller kjøøl ned bollen til under 60 °C.

valgfritt tilbehør tilgjengelig

For å kjøpe et vedlegg som ikke er inkludert i pakken, ser du service og kundestøtte.

vedlegg vedleggskode

flatt pastaverktøy ① AT970A

ekstra pastatilbehør
(ikke vist) brukes sammen
med AT970A

AT971A tagliatelle

AT972A tagliolini

AT973A trenette

AT974A spaghetti

pastaverktøy ② AT910 kommer med makaroni rigati-presse
(12 valgfrie presser pluss kjeksverktøy kan settes på)

roterende matkutter ③ AT643 kommer med 5 tromler

fruktpresse ④ AT644

multimatkvern ⑤ AT950A kommer med en fin, medium og grov skjerm, en liten og stor pølsetut og en kebbemaskin

multimatkvern ⑥ AT955 kommer med en fin, medium og grov skjerm, en liten og stor pølsetut og en kebbemaskin

kornkvern ⑦ AT941A

matprosessor ⑧ AT647 Inkluderer 6 skjæreplater og et knivblad

profesjonelt skjærerivjern ⑨ AT340 Inkluderer 7 skjæreplater

sitruspresse ⑩ AT312

mikser ⑪ 1,5 l akrylisk **AT337**, 1,6 l termoglass **AT358**,
1,5 l rustfritt stål **AT339**

minihakker/kvern ⑫ AT320A kommer med 4 glasskrukker og 4 lokk til oppbevaring

kontinuerlig saftpresse ⑬ AT641

iskremmaskin ⑭ AT957A

potetskreller ⑮ AT445

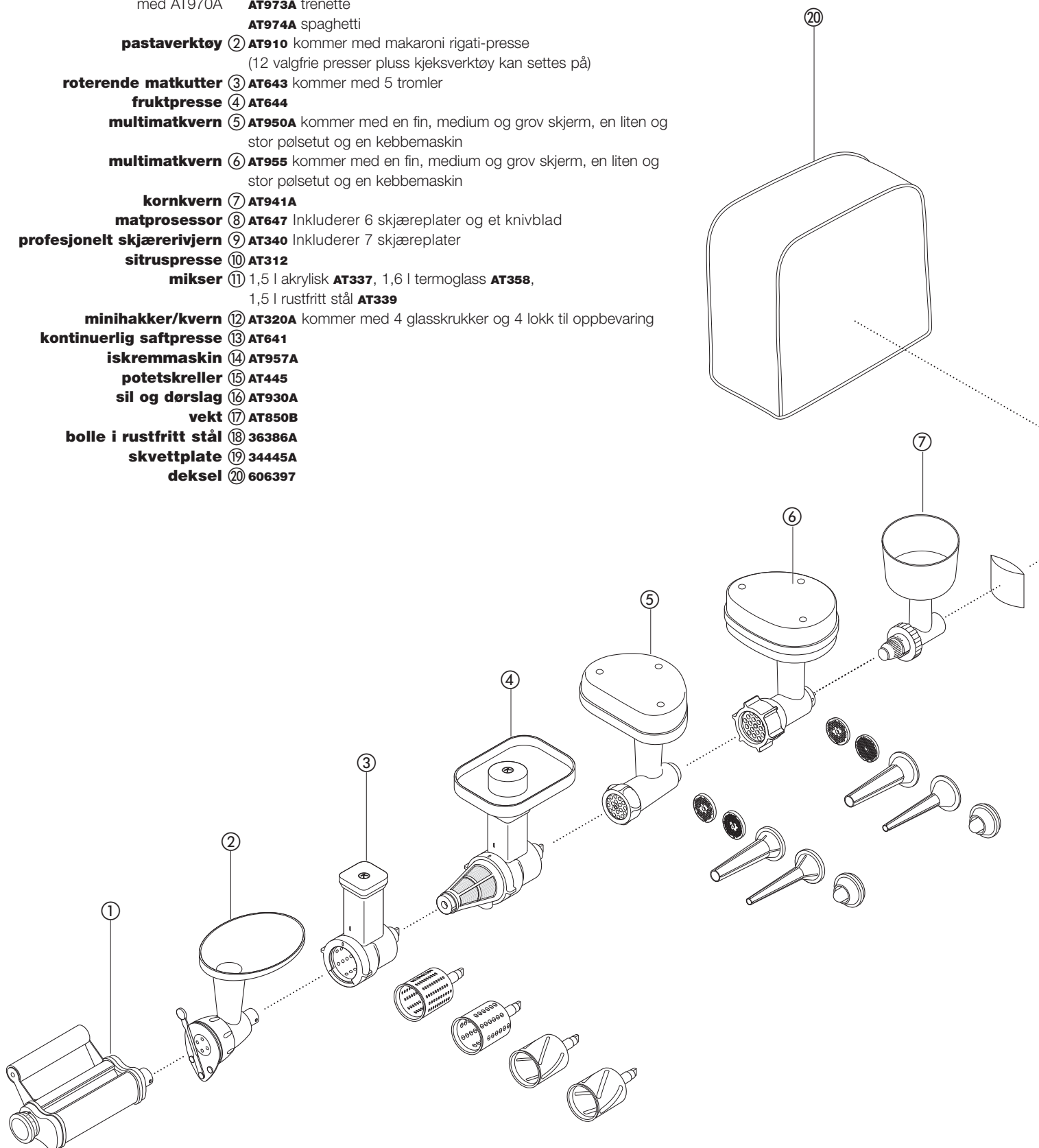
sil og dørslag ⑯ AT930A

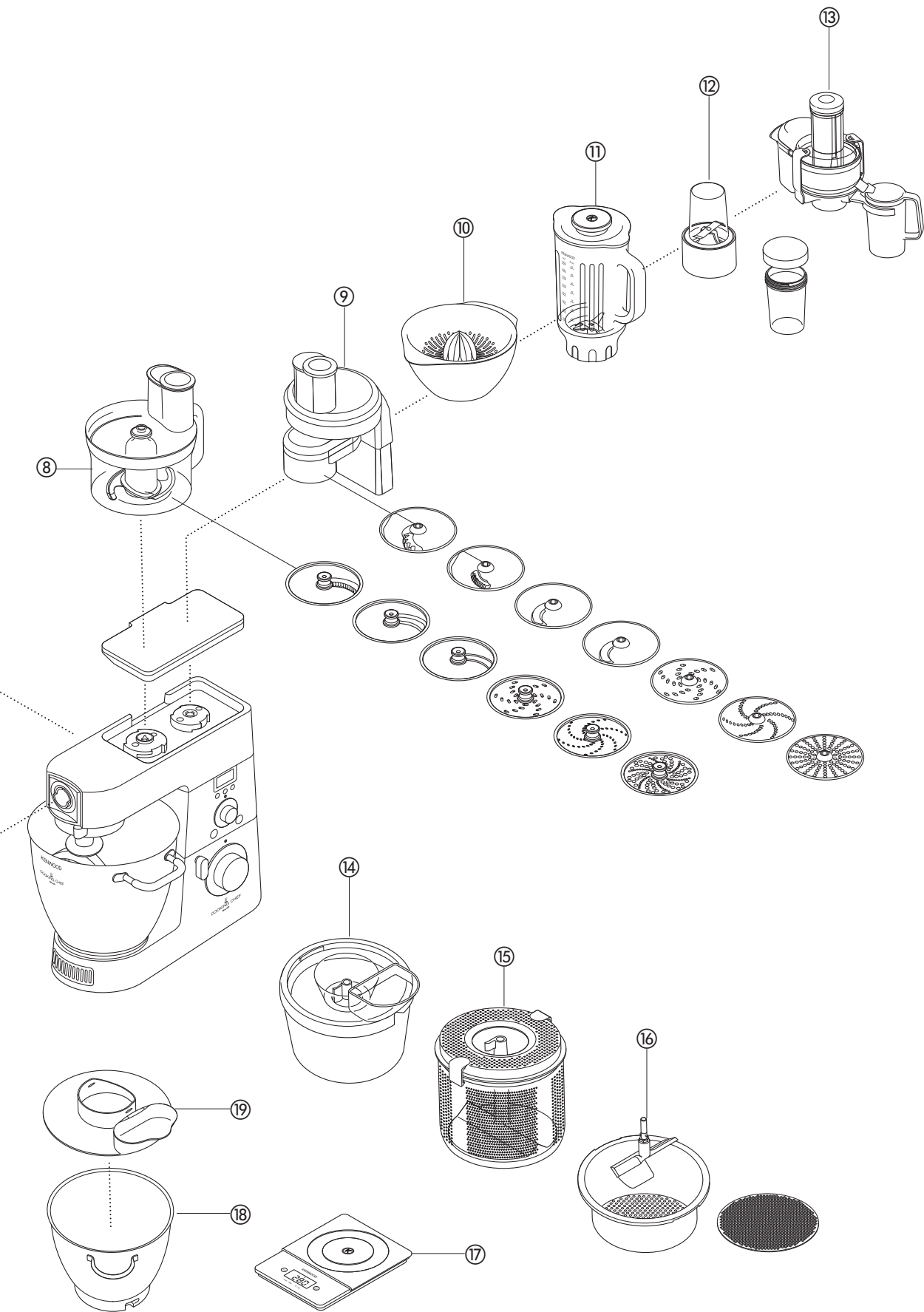
vekt ⑰ AT850B

bolle i rustfritt stål ⑱ 36386A

skvettplate ⑲ 34445A

deksel ⑳ 606397

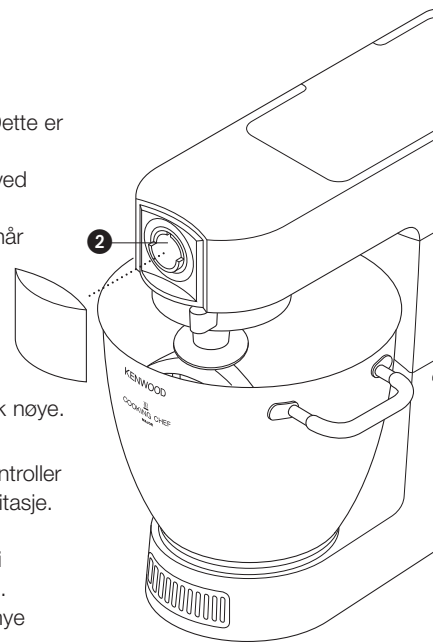




rengjøring og service

vedlikehold og rengjøring

- Slå alltid av og koble fra før rengjøring.
- Det kan komme litt fett på **åpning 2** første gang du bruker den. Dette er normalt - bare tørk det av.
- Metalloverflatene på temperatursensorene kan vise tegn på slitasje ved normal bruk. Dette påvirker ikke produktets ytelse.
- Ikke la den fleksible vispen for høy temperatur sitte i håndmikseren når den ikke er i bruk.



- apparat, åpningsdeksler • Vask med en fuktig klut og la den tørke.
- fleksibel visp for høy temperatur • Aldri bruk slipemidler eller senk i vann.
- Fjern alltid det fleksible viskerbladet fra verktøyet før rengjøring.
- Vask det fleksible viskerbladet og verktøyet i varmt såpevann og tørk nøye. Alternativt kan delene vaskes i oppvaskmaskin.

NB: Sjekk at redskapet er i god stand både før og etter bruk, og kontroller også viskerbladet regelmessig. Skift ut dersom det finnes tegn på slitasje.

- bolle, verktøy, skvettplate • Vask for hånd, og tørk deretter skikkelig eller vask i vaskemaskin.
- Aldri bruk en stålbørste, ståluull eller blekemiddel til å rengjøre bollen i rustfritt stål. Bruk eddik eller passende avkalker for å fjerne kalkstein.
- Hvis mat setter seg fast eller svir seg fast inni bollen, fjerner du så mye som mulig med slikkepotten som fulgte med. Fyll bollen med varmt såpevann og la den bløtgjøres. Fjern vanskelige flekker med en nylonbørste.
- Eventuell misfarging på bollen vil ikke påvirke ytelsen.
- avløpshull • Kontroller at dette området er fritt for mat. Om nødvendig bruker du en piperenser eller q-tips til å gjøre rent.
- temperatursensorer • Tørk med en fuktig klut og tørk skikkelig. Aldri bruk slipemidler eller skarpe gjenstander til å rengjøre sensorene.

service og kundetjeneste

- Dersom ledningen er skadet må den av sikkerhetsmessige grunner erstattes av Kenwood eller en autorisert Kenwood-reparatør.

Hvis du trenger hjelp med å:

- bruke apparatet eller
 - service eller reparasjoner
- kontakt forhandleren der du kjøpte apparatet.

- Designet og utviklet av Kenwood i Storbritannia.
- Laget i Kina.



VIKTIG INFORMASJON FOR KORREKT AVHENDING AV PRODUKTET I SAMSVAR MED EU-DIREKTIV 2002/96/EC.

På slutten av levetiden må ikke produktet kastes som vanlig avfall. Det må tas med til et lokalt kildesorteringssted eller til en forhandler som tilbyr tjenesten. Ved å avhende husholdningsapparater separat unngås mulige negative konsekvenser for miljø og helse som oppstår som en følge av feil avhending, og gjør at de forskjellige materialene kan gjenvinnes. Dermed blir det betydelige besparelser på energi og ressurser. Som en påminnelse om behovet for å kaste husholdningsapparater separat, er produktet merket med en søppelkasse med kryss over.

oppskrifter

Se viktige punkter for brødbaking på side 66.

- hvitt brød** *hard gjærdeig*
- ingredienser
- 1,36 kg hvetemel
 - 15 ml salt
 - 25 g fersk gjær eller 15 g / 20 ml tørrgjær + 5 ml sukker
 - 750 ml varmt vann: 43 °C. Bruk et termometer eller tilsett 250 ml kokende vann i 500 ml kaldt vann.
 - 25 g fett
- metode
- 1 **tørrgjær** (typen som trenger gjenoppbygging): hell varmt vann i bollen. Legg deretter til gjær og sukker og la stå i omtrent 10 minutter til det er skummende.
fersk gjær: smuldre i melet.
andre typer gjær: følg instruksjonene til produsenten.
 - 2 Hell væsken i bollen. Legg deretter til melet (med fersk gjær hvis det brukes), salt og fett.
 - 3 Elt på minimumshastighet i 45 - 60 sekunder. Øk deretter til hastighet 1, og tilsett mer mel om nødvendig, til en deig er formet.
 - 4 Elt i 3-4 minutter til på hastighet 1 til deigen er jevn, elastisk og enkelt slipper bollen.
 - 5 Legg deigen i en smurt polyetylenpose eller i en bolle dekket med et oppvaskhåndkle. Sett den deretter et varmt sted til den er hevet til dobbel størrelse.
 - 6 Elt på nytt i 2 minutter på hastighet 1.
 - 7 Halvfyll fire smurte former på 450 g med deigen eller form den til ruller. Dekk deretter med et oppvaskhåndkle og sett de et varmt sted til de er hevet til dobbel størrelse.
 - 8 Stek på 230 °C i 30-35 minutter *for brød* eller 10-15 minutter *for ruller*.
 - Når det er ferdig, skal brødet høres hult ut når du banker på det.

- hvitt brød** *myk gjærdeig*
- ingredienser
- 2,6 kg hvetemel
 - 1,3 liter melk
 - 300 g sukker
 - 450 g margarin
 - 100 g fersk gjær eller 50 g tørrgjær
 - 6 egg, pisket
 - 5 klyper salt
- metode
- 1 Smelt margarin i melken og få den til 43 °C.
 - 2 tørrgjær (typen som trenger gjenoppbygging): tilsett gjær og sukker i melken og la den stå i omtrent 10 minutter til den er skummende.
fersk gjær: smuldre i melet og tilsett sukkeret.
andre typer gjær: følg instruksjonene til produsenten.
 - 3 Hell melken i bollen. Tilsett de piskede eggene og 2 kg mel.
 - 4 Bland på minimumshastighet i 1 minutt og deretter på hastighet 1 i ett minutt til. Skrap ned.
 - 5 Tilsett gjenværende mel og bland på minimumshastighet i 1 minutt, og deretter på hastighet 1 i 2-3 minutter til deigen er jevnt og godt blandet.
 - 6 Halvfyll noen smurte former på 450 g med deigen eller form den til ruller. Dekk deretter med et oppvaskhåndkle og sett de et varmt sted til de er hevet til dobbel størrelse.
 - 7 Stek på 200 °C i 20-25 minutter *for brød* eller 15 minutter *for ruller*.
 - 8 Når det er ferdig, skal brødet høres hult ut når du banker på det.
 - Holder til omtrent 10 brød.

oppskrifter *fortsetter*

jordbær- og aprikoskake

- ingredienser: gjærdeig
- 3 egg
 - 75 g strøsukker
 - 75 g hvetemel
- fill og pynt
- 150 ml kremfløte
 - Sukker etter smak
 - 225 g jordbær
 - 225 g aprikoser
- metode
- 1 Del aprikosene i to og fjern steinene. Kok dem forsiktig i veldig lite vann til de er myke og tilsett sukker etter smak.
 - 2 Vask og del jordbærene i to.
 - 3 For å lage gjærdeigen pisker du eggene og sukkeret på maksimal hastighet til blandingen er blek og tykk.
 - 4 Fjern bollen og pisken. Ha i melet for hånd med en stor metallskje - gjør dette forsiktig for å holde deigen lett.
 - 5 Legg blandingen i to smurte former på 18 cm.
 - 6 Stek på 180 °C i omtrent 20 minutter til kaken spretter tilbake når du berører den lett.
 - 7 Vend kaken på en rist.
 - 8 Pisk kremfløten på maksimal hastighet til den er stiv. Tilsett sukker etter smak.
 - 9 Hakk opp aprikosene og en tredjedel av jordbærene. Hell dem i halvparten av kremen.
 - 10 Spre dette over en av bunnene og plasser den andre bunnen over.
 - 11 Spre resten av kremen øverst og dekorer med de gjenværende jordbærene.

marengs

- ingredienser
- 4 eggehviter
 - 250 g melis, siktet
 - Ta bakepapir på stekebrettet.
- metode
- 1 Pisk eggehvitene og sukkeret på maksimal hastighet i omtrent 10 minutter til blandingen topper seg.
 - 2 Bruk skje til å ta blandingen på stekebrettet (eller bruk en sprøytepose med en stjernetut på 2,5 cm).
 - 3 Stek på 110 °C i omtrent 4-5 timer til de er faste og sprø. Hvis de begynner å bli brune, lar du ovnsdøren stå litt åpen.
- Oppbevar marengsene i en lufttett boks.

mørdeig

- ingredienser
- 450 g mel, siktet med saltet
 - 5 ml salt
 - 225 g fett (bland fett og margarin direkte fra kjøleskapet)
 - Cirka 80 ml vann
 - Ikke overbland
- hint
- 1 Tilsett melet i bollen. Hakk opp fett og tilsett melet.
- metode
- 2 Bruk k-vispen i rustfritt stål på hastighet 1 til blandingen ligner på brødsmlur. Stopp før den ser oljete ut.
 - 3 Tilsett vannet og bland på minimumshastighet. Stopp så snart vannet er blandet inn.
 - 4 Stek på rundt 200 °C, avhengig av fyllet.

chilimarinade

- ingredienser
- 200 g kald klar honning (i kjøleskapet over natten)
 - 1 grønn chili (hel)
 - 5 ml (1ts) grovt peanøttsmør
 - salt og pepper
- framgangsmåte
- 1 Ha alle ingrediensene i minihakkemaskinen/kvernen.
 - 2 Sett tilbehøret på mikseren og la ingrediensene legge seg rundt kniven.
 - 3 Slå på pulsfunksjon i 10 sekunder.
 - 4 Brukes etter behov.

Notes

Suomi

ennen kuin ryhdyt käyttämään tätä Kenwood-kodinkonetta

- **Lue nämä ohjeet huolella ja säilytä ne myöhempää tarvetta varten.**
- Poista pakkauksen osat ja mahdolliset tarrat.

tutustuminen Kenwood Cooking Chef -keittiökoneeseen

turvallisuus

tärkeä lääketieteellisiä sähkökäyttöisiä implantteja koskeva huomautus

- Kaikkien induktiotekniikkaa käyttävien kuumentavien laitteiden tavoin tämä laite tuottaa lyhyellä etäisyydellä vaikuttavia magneettikenttiä. Jos käyttäjällä tai muilla lähistöllä oleskelevilla henkilöillä on sydämentahdistin tai muu aktiivinen implantti, ennen käyttämistä on syytä kysyä lääkäritä lisätietoja vaaroista terveydelle.
- Katkaise laitteesta virta ja irrota sen pistoke pistorasiasta ennen osien asettamista paikalleen, irrottamista tai puhdistamista.
- Pidä vartalon osat, korut ja löysät vaatteet liikkuvista osista ja laitteeseen asennetuista osista.
- Älä työnnä esimerkiksi sormiasi saranamekanismiin.
- Älä jätä laitetta päälle ilman valvontaa.
- Älä käytä vaurioitunutta laitetta. Toimita se tarkistettavaksi tai korjattavaksi. Lisätietoja on huolto ja asiakaspalvelu -kohdassa sivulla 88.
- Käytä vain tämän laitteen valmistajan suosittelemia varusteita ja vain yhtä varustetta kerrallaan.
- Älä ylitä sivulla 84 mainittua suurinta kapasiteettia. Kun käytät induktiokuumenninta, älä ylitä kulhon sisäpuolelle merkittyä 3 litran enimmäisrajaa.
- Lue varusteen mukana toimitetut turvallisuus- ja käyttöohjeet ennen sen käyttämistä.
- Nosta tätä laitetta varovaisesti, sillä se on painava. Varmista ennen nostamista, että kulho, työvälineet, kannet ja johto on kiinnitetty kunnolla.
- Älä anna johdon roikkua siten, että lapsi voi tarttua siihen.
- Älä koskaan anna moottoriosan, virtajohdon tai pistokkeen kastua.
- Ole varovainen koskettaessasi tai käsitellessäsi laitteen osia, joita käytetään keittämistilassa, VARSINKIN KULHOA, ROISKUMISSUOJUSTA JA TYÖVÄLINEITÄ, sillä ne ovat KUUMIA myös virran katkaisemisen jälkeen. Irrota kulho ja kannat sitä kahvoja käyttämällä. Käytä uunikintaita käsitellessäsi kuumaa kulhoa ja kuumia sekoitustyövälineitä.
- Kulhon alaosaa pysyy kuumana pitkään kuumentamisen päättymisen jälkeen. Käsittele kulhoa varovaisesti. Jos asetat sen kuumuudelle herkälle pinnalle, suoja pinta pannunalustalla.
- Varo sekoituskulhosta nousevaa höyryä varsinkin avatessasi roiske-suojan kannen tai nostaaessasi sekoitinpäätä.
- Anna kuuman ruoan jäähtyä huoneenlämpöiseksi ennen sen siirtämistä yleiskoneesta tehosekoittimeen.
- Käytä ainoastaan tämän laitteen mukana toimitettuja työvälineitä ja kulhoa. Älä lämmitä kulhoa minkään muun lämmönlähteen avulla.
- Älä koskaan käytä laitetta kuumentamistilassa kulhon ollessa tyhjä.
- Älä työnnä mitään ilmanvaihtoaukkoihin.
- Kun käytät tätä laitetta, varmista, että se on tasaisella alustalla kaukana reunasta. Varmista, että se on vähintään 10 cm:n päässä seinistä ja että ilmanvaihtoaukkoja ei ole tukittu. Älä käytä laitetta kaappien alla.
- Varmista ennen kuumentamista, että kulhon pohja ja lämpötilatunnistimet ovat puhtaita ja kuivia, jotta induktiokuumennus toimii oikein ja turvallisesti.
- Älä aseta luottokortteja, magneettisuuteen perustuvia tietovälineitä tai herkkiä sähkölaitteita induktiolaitteen lähelle sen ollessa käytössä.
- Älä käytä laitetta uppoaistamiseen.
- Tarkista aina ennen tarjoilemista, että ruoka on täysin kypsää.
- Ruoka on syötävä pian kypsentämisen jälkeen. Ylijäänyt ruoka on jäädytettävä ja asetettava jääkaappiin nopeasti.
- Tätä laitetta ei ole tarkoitettu sellaisten henkilöiden käyttöön, joilla ei ole täysin normaalia vastaavat fyysiset tai henkiset ominaisuudet (mukaan lukien lapset), jos heidän turvallisuudestaan vastaava henkilö ei ole opastanut heitä käyttämään laitetta tai jos heitä ei valvota.
- Lapsia tulee pitää silmällä sen varmistamiseksi, että he eivät leiki laitteella.
- Käytä laitetta ainoastaan sille tarkoitettuun kotitalouskäyttöön. Kenwood-yhtiö ei ole korvausvelvollinen, jos laitetta on käytetty väärin tai näitä ohjeita ei ole noudatettu.

ennen yhdistämistä verkkovirtaan

- Varmista, että virransyöttö on sama kuin laitteen pohjaan merkitty.
- Tämä laite täyttää sähkömagneettista yhteensopivuutta koskevan EU-direktiivin 2004/108/EU ja 27.10.2004 annetun elintarvikkeiden kanssa kosketuksiin joutuvia materiaaleja säätelevän EU-määräyksen 1935/2004 vaatimukset.

ennen ensimmäistä käyttökertaa

Pese osat. Lisätietoja on huoltaminen ja puhdistaminen -kohdassa sivulla 88.

johdanto

Kiitos tämän Kenwood Cooking Chef -keittiökoneen ostamisesta. Toivottavasti siitä on hyötyä monien vuosien ajan.

Kenwood on lähes 60 vuoden kokemus keittiökoneiden ja niiden varusteiden kehittämisestä. Kenwood Chef -keittiökoneet ovat paljon enemmän kuin pelkkiä yleiskoneita.

Cooking Chef -kehitystyössä Chef-yleiskoneen tunnettua monipuolisuutta on laajennettu lisäämällä siihen sekoituskulhon induktiokuumennustoiminto. Nyt voit valmistaa suosikkikakkujesi, pikkusuolaisten ja leivonnaisten taikinat sekä lisäksi kuumentaa suoraan kulhossa sekoittamisen aikana. Mahdollisuudet ovat loputtomat.

Kenwood Cooking Chef on aidosti kattava ruoanvalmistusjärjestelmä lisävarusteidensa ansiosta.

Kestävä, luotettava, monipuolinen Kenwood.

Mitä induktiokuumentaminen on ja kuinka se toimii?

Kuumentaminen induktion avulla perustuu sähkömagneettiseen ilmiöön. Sähkövirta kulkee induktiossa käytettävän kuparikelan läpi ja saa aikaan sähkömagneettisen kentän. Kun Cooking Chef -kulho lukitaan paikalleen, sen pohjassa sijaitseva erityinen teräskerros sulkee piirin. Tällöin syntyy suuri määrä lämpöenergiaa, joka siirtyy kulhon sisältöön kuumentaa ruoan.

Induktio käyttää energiaa erittäin tehokkaasti, koska vain kulhon pohja lämpiää. Muita kuumennusmenetelmiä, kuten kaasua, käytettäessä lähes 50 % lämpöenergiasta nousee ylös kattilan reunoja pitkin. Cooking Chef -induktiokuumennusalue tuntuu kuumalta vain kuumentamisen aikana ja sen jälkeen, sillä lämpö siirtyy siitä ruokaan. Induktiokuumentaminen on siis erittäin tehokasta, turvallista ja siistiä.

Kenwood Cooking Chef kuumentaa samalla tavalla kuin liedelle asetettu kattila. Lisäksi Chef sekoittaa ruokaa automaattisesti ja säätelee lämpötilan tarkasti, joten voit tehdä samanaikaisesti jotain muuta keittiössä.

Cooking Chef käyttää erittäin tehokasta induktiokuumennustekniikkaa. Huomaat ehkä, että kuumentaminen sujuu nopeammin ja voit käyttää alhaisempaa lämpötilaa kuin sähkö- tai kaasuliedellä. Ota tämä huomioon käyttäessäsi laitetta ensimmäisen kerran tai kokeillessasi uutta ruokaohjetta. Jos käytät alussa korkeampaa lämpötilaa, pidä ruokaa silmällä koko ajan samalla tavalla kuin tarkkailisit liedellä olevaa kattilaa. Alenna lämpötilaa tarvittaessa, jotta ruoka ei pala eikä tartu kulhoon. Cooking Chef kuumentaa ruoan automaattisesti haluamaasi lämpötilaan mahdollisimman nopeasti. Siksi lämpötilaa ei tarvitse säätää tavallista korkeammaksi ruoanvalmistuksen nopeuttamiseksi. Kiinnitä huomiota myös sekoittamiseen. Jos käytät korkeaa lämpötilaa, ruokaa on ehkä sekoitettava jatkuvasti (1). Sekoitusasetuksista on hyötyä ruoan koostumukselle haudutettaessa sitä hitaasti miedolla lämmöllä (2) (3).

On myös tärkeää valita kulhoon oikea työväline. Jäljempänä tässä julkaisussa annetaan ehdotuksia työvälineiden valitsemiseksi. Huomaat pian, mikä työväline on oikea valinta kuhunkin tarkoitukseen. Korkeissa lämpötiloissa joustava vatkein pitää kastikkeet tasaisina, mutta sekoitustyöväline on parempi valinta, jos ruoan koostumus on kiinteämpi esimerkiksi pataruokaa tai ragout'ia valmistettaessa. Ruokaohjeissamme suositellaan kullekin ohjeelle parhaiten soveltuvia työvälineille. Huomaat, että työvälineen vaihtaminen ruokaa valmistettaessa parantaa tuloksia.

Kulho, roiskesuoja ja työväline ovat kuumia ruokaa valmistettaessa ja heti sen jälkeen aivan kuten tavallista kattilaa käytettäessä. Ole varovainen koskettaessasi niitä. Muista, että ruoanvalmistamisen aikana syntyy höyryä ja tiivistyy kosteutta. Toimi varovaisesti katsoessasi kulhoon tai nostaessasi kantta tai Cooking Chef -koneen sekoituspäättä kulhoon käsiksi pääsemiseksi. Varoita muita, kun koneessa valmistetaan ruokaa tai se on kuuma, jotta he osaavat olla varovaisia. Kun kosket kuumiin osiin tai irrotat niitä, on suositeltavaa käyttää patakintaita ja kantaa kulhoa vain sen kahvoista. Lämmölle herkät pinnat on suojattava pannunalustalla.

Kuumennettaessa nestettä tai runsaasti vettä sisältävää ruokaa lämpömittarin tarkkuus on yleensä +/- 5 °C. Näytettävän lämpötilan tarkkuus ja hallinta vaihtelevat kulhon sisällön, sen määrän, sekoitustajuuuden ja käytettävän työvälineen mukaan. Ilmiö on samanlainen kuin valmistettaessa ruokaa liedellä. Silloin suuri määrä ruokaa kookkaassa valmistusastiassa kuumenee mutta ei kiehu tasaisesti. Tällöin kattilan pohjassa ruoka on kuumaa tai jopa palaa, mutta lähellä pintaa se on paljon viileämpää.

Laitteen lämpötilänäytössä on pieni sininen LED-merkkivalo. Se vilkkuu, kunnes valittu lämpötila on saavutettu. Vilkkuminen loppuu, kun tarvittava lämpötila on saavutettu. Huomaa, että kun lisäät aineksia kulhoon, sininen merkkivalo alkaa taas vilkkua, sillä kylmät ainekset alentavat kulhon sisällön lämpötilaa. Valo alkaa vilkkua myös lisättäessä sekoitustajuuutta.

Huomaat pian, että Kenwood Cooking Chef on helppo käyttää ja että se helpottaa ruoan päivittäistä valmistamista.

esittelyssä Kenwood Cooking Chef

työvälineiden kiinnityskolat ① suuren nopeuden kiinnityskolo

② normaalin nopeuden kiinnityskolo

③ hitaan nopeuden kiinnityskolo

④ työvälineen kiinnityskolo

yleiskone ⑤ normaalin ja suuren nopeuden kiinnityskolon kansi

⑥ sekoitinpää

⑦ hitaan nopeuden kiinnityskolon kansi

⑧ hitaan nopeuden kiinnityskolon vipu

⑨ cooking chef -kulho

⑩ päänvapautusvipu

⑪ nopeudensäädin

⑫ ilmanvaihtouukot

⑬ kulhon jalusta / induktioalue

⑭ tyhjennysaukko

⑮ lämpötilan tunnistimet

⑯ ruostumattomasta teräksestä valmistettu K-vatkain

⑰ joustava vatkain korkeita lämpötiloja varten

⑱ vispilä

⑲ taikinakoukku

⑳ hämmennystyöväline

㉑ korkeassa lämpötilassa käytettävä lasta

㉒ lämpösuojaus

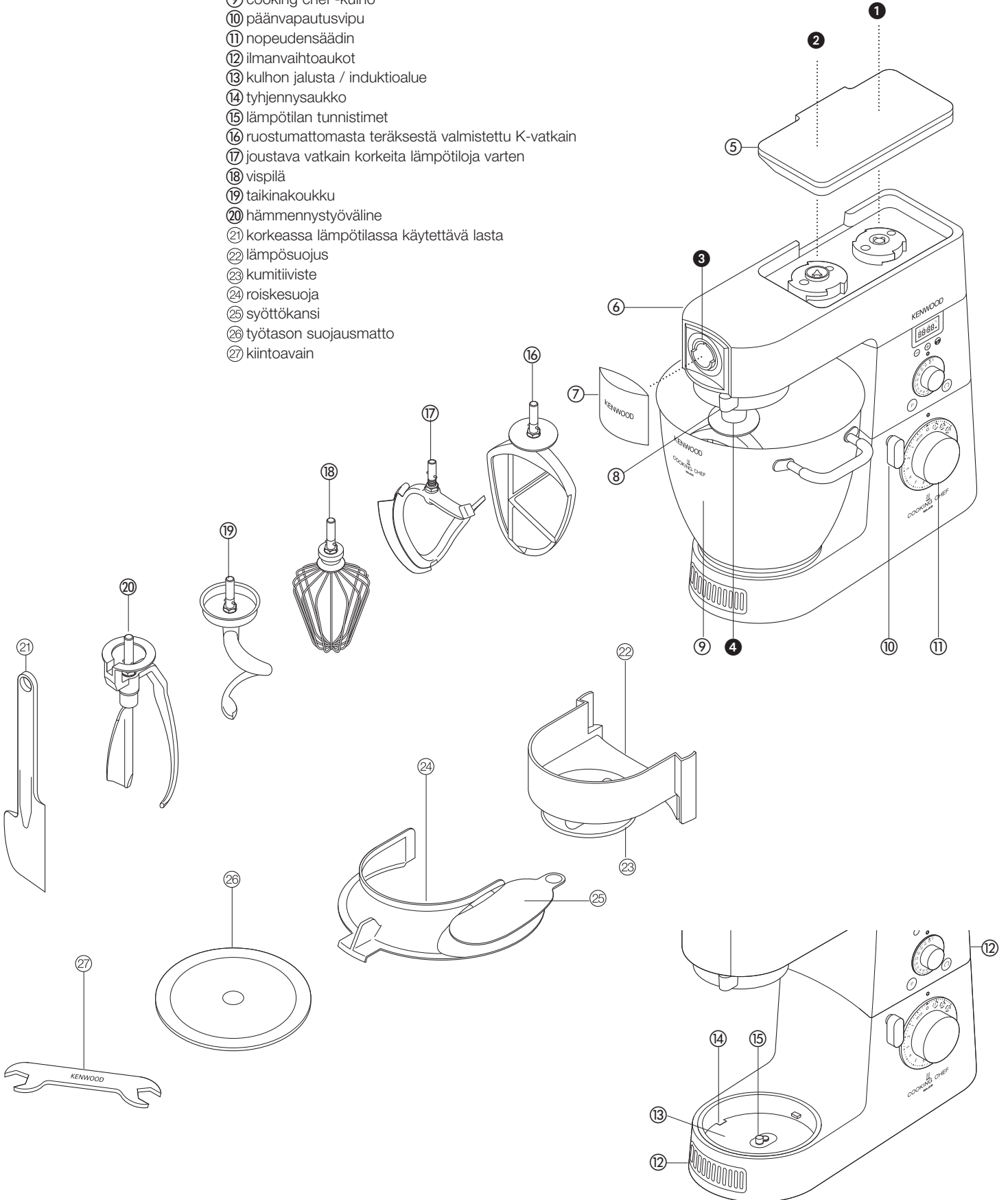
㉓ kumitiiviste

㉔ roiskesuoja

㉕ syöttökansi

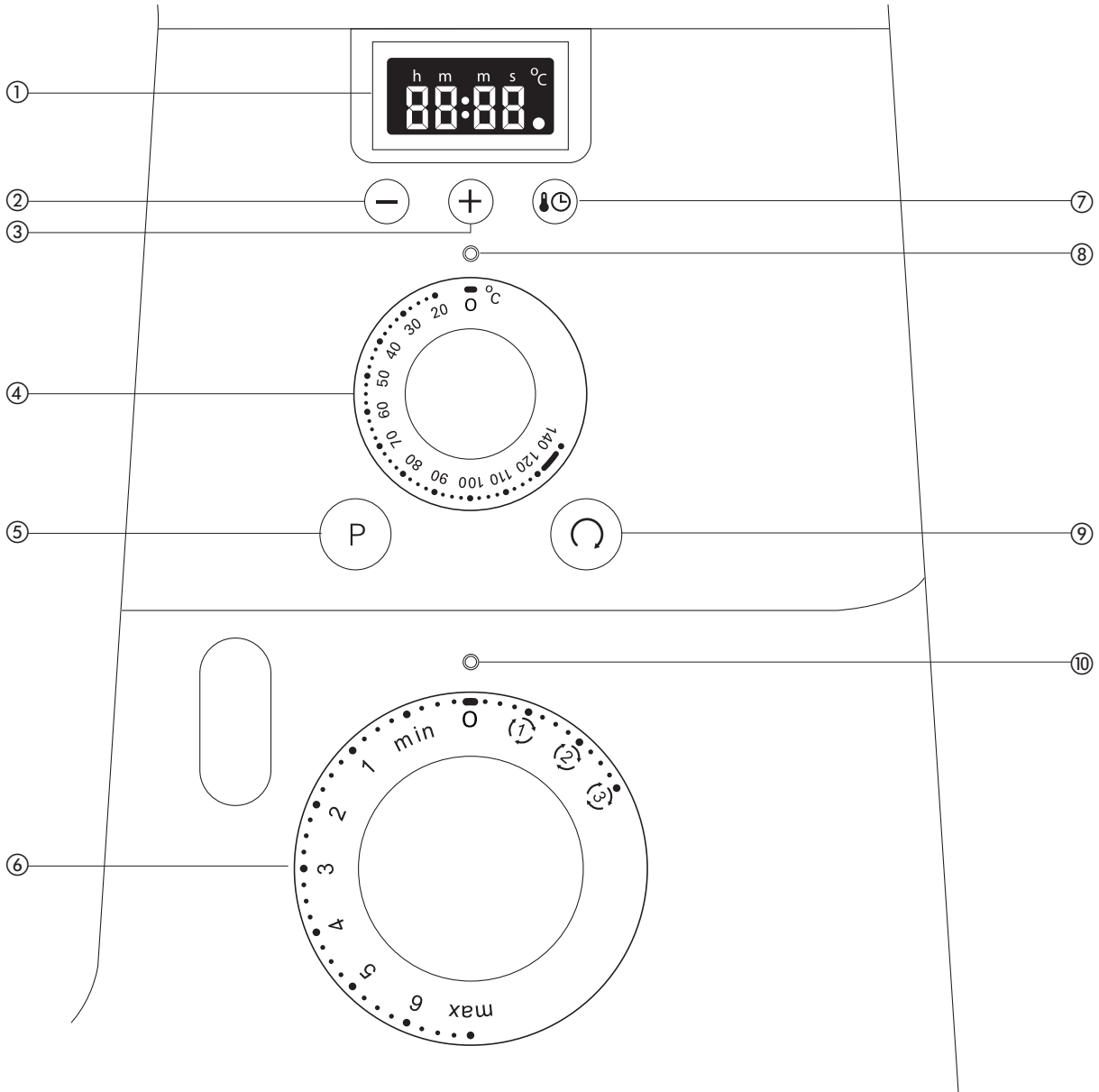
㉖ työtason suojausmatto

㉗ kiintoavain



ohjauspaneeli

- ① ajastin ja lämpötilan näyttö
- ② ajastuksen lyhentämissäädin
- ③ ajastuksen pidentämissäädin
- ④ lämpötilan säätö
- ⑤ sykäys-/suurnopeus, painike korkeassa lämpötilassa käytettävää vatkainta varten
- ⑥ nopeudensäädin
- ⑦ ajastuksen ja lämpötilan valintapainike
- ⑧ lämpötilan merkkivalo
- ⑨ sekoituspainike
- ⑩ nopeudensäätimen merkkivalo



työvälineiden korkeuden säätäminen

Sivulla 80 kuvataan yleiskoneen kokoaminen.

vispilä, ruostumattomasta teräksestä valmistettu K-vatkain, sekoitustyöväline

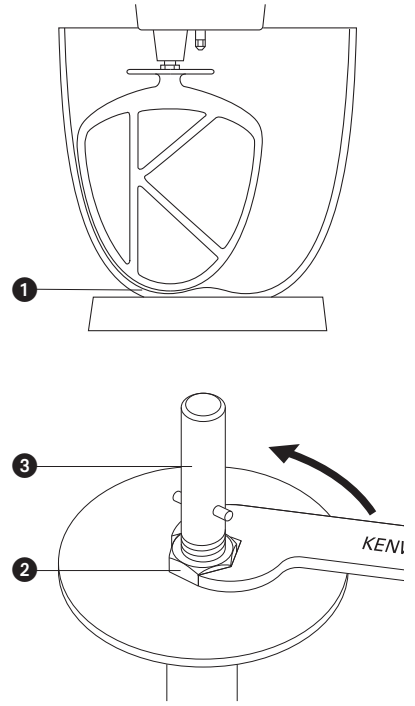
Vispilä, K-vatkain ja sekoitustyöväline toimivat tehokkaimmin, kun ne **melkein** koskettavat kulhon pohjaa ❶. Voit tarvittaessa säätää korkeutta yleiskoneen mukana toimitetulla kiintoavaimella.

Toimi seuraavasti:

- 1 Irrota pistoke pistorasiasta.
- 2 Kohota sekoitinpää ja aseta vispilä, vatkain tai sekoitustyöväline paikalleen.
- 3 Laske sekoitinpää alas. Jos etäisyyttä on säädettävä, nosta sekoitinpää ja irrota työväline.
- 4 Löysennä mutteria ❷ mukana toimitetun kiintoavaimen avulla, jotta voit säätää vartta ❸. Voit laskea työvälinettä lähemmäs kulhon pohjaa kääntämällä vartta vastapäivään. Voit nostaa työvälinettä kauemmas kulhon pohjasta kääntämällä vartta myötäpäivään.
- 5 Kiristä mutteri.
- 6 Aseta yleiskoneeseen työväline ja laske sekoitinpää alas. Tarkista sijainti edellä kuvatulla tavalla.
- 7 Toista edelliset toimet, kunnes työväline on oikeassa asennossa. Kun asento on oikea, kiinnitä mutteri kunnolla.

korkeassa lämpötilassa käytettävä joustava vatkain - tämän työvälineen tulisi lähes koskettaa kulhon pohjaa.

taikinakoukku - tämän työvälineen asento on säädetty tehtaalla, joten sitä ei tarvitse säätää.

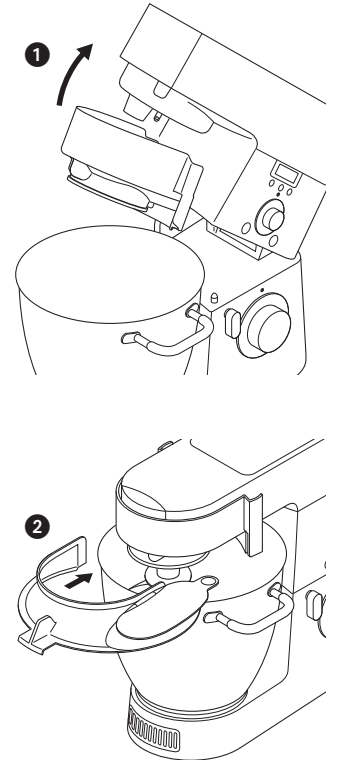


roiskesuojan asettaminen paikalleen ja käyttäminen

Roiskesuoja koostuu kahdesta osasta: lämpösuojasta ja roiskesuojuksesta.

Lämpösuojan on oltava paikallaan ruokaa kypsennettäessä, Muutoin yleiskone ei toimi ja näkyviin tulee virhekoodi E:03. Lämpösuoja suojaa sekoitinpäästä kypsennyksen aikana syntyvältä höyryltä. Sekä lämpösuoja että roiskesuojus voidaan asettaa paikalleen esimerkiksi jauhojen tai tomusokerin vatkaamisen ajaksi tai jos aineosien kosteuden halutaan pysyvän kulhossa. Roiskesuojusta ei saa asettaa paikalleen muulloin kuin lämpösuojaa käytettäessä.

- 1 Nosta sekoitinpää, kunnes se lukittuu.
- 2 Paina lämpösuoja ylöspäin sekoitinpään ❶ alaosan, kunnes se on täysin paikallaan. Lämpösuojaa käytettäessä kumitiiviste on oltava oikein paikallaan.
- 3 Kiinnitä kulho alustaansa.
- 4 Laske sekoitinpää alas.
- 5 Aseta roiskesuojus kulhoon ja työnnä sitä eteenpäin, kunnes se on täysin paikallaan ❷.
- Aineosat voidaan lisätä suoraan kulhoon sekoittamisen aikana käyttämällä syöttöputkea.
- 6 Voit irrottaa roiskesuojuksen vetämällä sen irti yleiskoneesta.
- 7 Voit irrottaa lämpösuojan nostamalla sekoitinpäästä, kunnes se lukittuu. Poista työväline ja vedä lämpösuojusta alaspäin sekoitinpään alaosasta. Huomio: Aseta roiskesuojus paikalleen tai irrota se vain sekoitinpään ollessa lukitussa asennossa.



vatkain

vatkaustyövälineet ja niiden käyttötarkoituksia

- K-vatkain • Kaku-, keksi-, leivonnais- tai pastejataikainoiden, täytteiden tai perunasoseen tekeminen.
- vispilä • Kananmunien, kermavaahdon, rasvattomien vaahtojen, juustokakutäyteen tai kohokastaikin vatkaminen. Älä vatkaa vispilän avulla paksuja seoksia, esimerkiksi sokeri- ja voivaahtoa, sillä se voi vaurioitua.
- taikinakoukku • Vain hiivaa sisältävien taikainoiden vaivaamiseen.
- joustava vatkain korkeita lämpötiloja varten • Moneen käyttötarkoitukseen, esimerkiksi vanukkaiden, munakkaiden ja kastikkeiden vatkamiseen. Oikea työväline kuumien tai kylmien seosten kaapimiseen kulhon reunoista vatkamisen aikana. Myös vihannesten freesaamiseen.
- sekoitustyöväline • Käytetään, jos ruoan koostumuksen halutaan säilyvän ennallaan valmistettaessa ruokaa esimerkiksi broilerista, kalasta, vihanneksista tai hedelmistä.

vatkaimen käyttäminen

Ennen vatkaimen käynnistämistä varmista, että lämpötilan ja nopeuden säätimet ovat Off- eli O-asennossa.

- 1 Käännä sekoitinpään nostovipua myötäpäivään **1** ja nosta sekoitinpäätä, kunnes se lukittuu.

työvälineen asettaminen

- 2 Kiinnitä työväline sille tarkoitettuun koloon. Paina varsi uraan ja lukitse paikalleen kääntämällä **2**.

sekoitustyöväline: voit asettaa sekoitustyövälineen paikalleen työntämällä varren koloon ja kohdistamalla aukon varteen, jotta se sijaitsee metallinastan alla sekoitinpään pohjassa. Tartu lastaan ja käännä siten, että nasta tulee uran alapuolelle. Paina ylöspäin ja lukitse paikalleen kääntämällä **3**.

- 3 Kiinnitä kulho alustaansa painamalla ja kääntämällä myötäpäivään **4**.

- 4 Voit laskea sekoitinpään alas nostamalla sitä hieman ja kääntämällä nostamisvipua myötäpäivään.

Laske sekoitinpää lukittuun asentoon.

työvälineen irrottaminen

- Tee vaiheen 2 toimet päinvastaisessa järjestyksessä. (Käytä aina patakintaita irrottaessasi työvälineen ruoanvalmistuksen päätteeksi.)
- 5 Työnnä yleiskoneen pistoke pistorasiaan. Nopeuden ja lämpötilan merkkivalot syttyvät. Näytössä näkyy **88:88**. Tämän jälkeen se tyhjenee ja virtamerkkivalo palaa .
- 6 Käännä nopeudenvälitsin haluamaasi asentoon (suositukset näkyvät sivulla 81). Yleiskone käynnistyy ja nopeuden merkkivalo vilkkuu. Voit säätää ajastinta 1 sekunnin jaksoissa. Voit vaihtaa nopeutta koska tahansa yleiskoneen ollessa toiminnassa.
- 7 Voit pysäyttää yleiskoneen palauttamalla nopeuden säätimen O-asentoon.

Tärkeää: Jos nostat sekoitinpään yleiskoneen ollessa käynnissä, se pysähtyy automaattisesti ja kuuluu äänimerkki. Yleiskonetta ei voi käynnistää uudelleen ennen sekoitinpään laskemista alas. Voit käynnistää yleiskoneen uudelleen kääntämällä nopeuden säätimen O-asentoon ja valitsemalla nopeuden uudelleen.

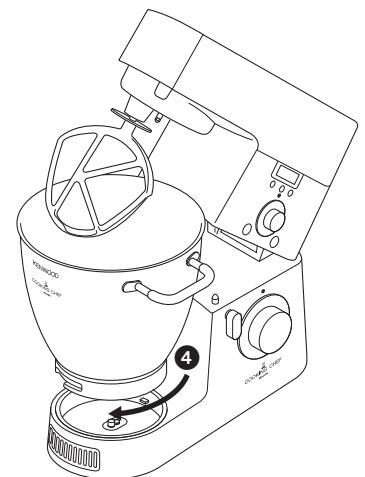
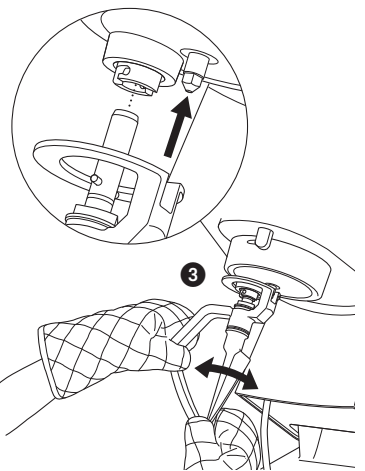
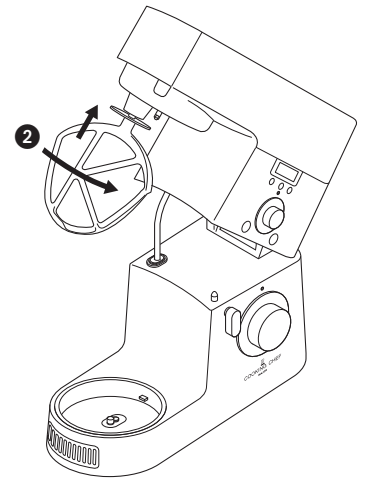
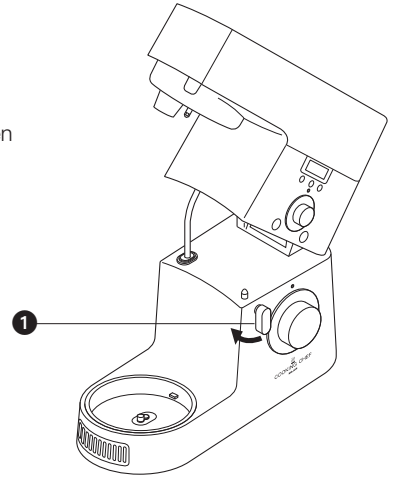
sykäyspainike

Voit käyttää sykäyspainiketta nopeuden säätimen ollessa O-asennossa. Voit käyttää sykäyksiä painamalla sykäyspainiketta **P**. Yleiskone toimii suurimmalla nopeudella niin kauan kuin painiketta painetaan. Jos kulhon sisällön lämpötila ylittää 60°C, nopeus lisääntyy vaiheittain. Tällöin kuuluu äänimerkki. Lisäksi nopeuden ja lämpötilan merkkivalot vilkkuvat nopeasti.

sekoituspainike

Kun painat sekoituspainiketta **Q** ja vapautat sen, yleiskone toimii pienimmällä nopeudella kahden kierroksen ajan ja pysähtyy. Voit painaa painiketta pidempään tai useita kertoja, jos aineet on sekoitettava perusteellisemmin.

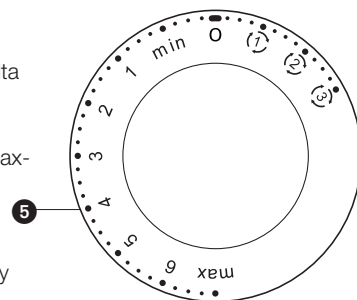
Huomio: Jos sekoituspainiketta painetaan moottorin ollessa käynnissä, yleiskone tekee sekoitustoiminnon ja palaa valitulle nopeudelle.



nopeudensäädin 5

Seuraavat nopeudet ovat vain ohjeellisia. Ne vaihtelevat esimerkiksi sekoitettavien aineosien määrän ja lämpötilan mukaan.

Kääntämällä nopeudenvalitsinta myötäpäivään voit valita nopeuden alueelta min-max.



- K-vatkain
- **vaahdottaessasi rasvaa ja sokeria** aloita min-nopeudella ja siirry max-nopeuteen vähitellen.
 - **kananmunien vaahdottaminen:** 4 - max.
 - **esimerkiksi jauhojen tai hedelmien sekoittaminen:** min - 1
 - **vaahdottaessasi sokerikakkutaikinaa** aloita min-nopeudella ja siirry max-nopeuteen vähitellen.
 - **rasvan hierominen jauhoihin:** min - 2.

korkeassa lämpötilassa
käytettävä joustava vatkain

vatkain

- **vaahdottaessasi rasvaa ja sokeria** aloita min-nopeudella ja siirry nopeuteen 3 vähitellen.
- **kuumien tai kylmien seosten kaapiminen kulhon reunoista:** aloita min-nopeudella ja siirry vähitellen nopeuteen 3.
- **vihannesten paistaminen tai esimerkiksi risoton tai polentan sekoittaminen:** valitse nopeus (1).

vispilä

taikinakoukku

sekoitustyöväline

- Lisää nopeutta vähitellen max-nopeuteen.
- aloita min-nopeudella ja lisää vähitellen nopeudelle 1.
- käytä vain nopeuksia (1), (2) ja (3).

hämmennysasetukset

Voit valita hämmennysasetuksen kääntämällä nopeudensäädintä vastapäivään. Nämä asetukset ovat paras valinta, kun yleiskonetta käytetään ruoan valmistamiseen. Huomaa, että hämmennysnopeuksia käytettäessä kaikki kannet on asetettava paikoilleen.

(1) Käytä tätä asetusta esimerkiksi kastikkeiden sekoittamiseen hitaalla nopeudella.

(2) Kun nopeudenvalitsin on tässä asennossa, yleiskone toimii hitaalla nopeudella noin kahden kierroksen ajan viiden sekunnin välein.

(3) Kun nopeudenvalitsin on tässä asennossa, yleiskone toimii hitaalla nopeudella 30 sekunnin välein. Tämä asento on oikea valinta esimerkiksi pataruokien valmistamiseen.

Voit pysäyttää yleiskoneen palauttamalla nopeudenvalitsimen 0-asentoon.

Huomio:

- Kun nopeus on valittu, merkkivalo vilkkuu.
- Laitteesta voi kuulua korkeaa ääntä sen ollessa toiminnassa. Tämä on normaalia.

ruoan kypsentyminen yleiskoneessa

TÄRKEÄÄ

- Varmista, että induktioalue, lämpötilan tunnistimet ja kulhon jalustan ulkopinta ovat puhtaat. Muutoin kuumennustunnistin ei toimi oikein, jolloin lopputulos ei ole paras mahdollinen.
- Tarkista, että kaikki kannet ovat paikallaan, myös lämpösuoja. Jos ne eivät ole kunnolla paikallaan, kuumennus ei toimi.
- Käytä aina patakintaita irrottaessasi kulhon ja työvälineen ruoanvalmistuksen päätteeksi.

1 Kokoa sekoitin sivulla 80 annettujen ohjeiden mukaisesti.

2 Käännä lämpötilan valitsin haluamasi lämpötilan kohdalle.

• **Kuumennus ei ala ennen nopeuden valitsemista.**

3 Siirrä nopeudensäädin haluamaasi asentoon. Moottori ja kuumennus käynnistyvät. Molemmat merkkivalot vilkkuvat.

4 Kun asetettu lämpötila on saavutettu, lämpötilan merkkivalo palaa jatkuvasti.

Kuumennuksen aikana merkkivalo kuitenkin vilkkuu, jos sekoitin joutuu kuumentamaan kulhon sisältöä sen pitämiseksi valitussa lämpötilassa. Lisätietoja on sivulla 75.

• Jos kulhon lämpötila ylittää 60 °C, nopeutta rajoitetaan automaattisesti turvallisuussyistä vaikka olisi valittu suurempi nopeus. Nopeus ei lisäännä automaattisesti, kun lämpötila alittaa 60 °C. Nopeus on ensin nollattava ja valittava uudelleen.

- Huomio: Kun ajastimen tai lämpötilan säätöpainiketta painetaan, ajastimen ja lämpötilan asetus vaihtelevat näytössä.
- 5 Voit pysäyttää sekoittamisen ja kuumentamisen palauttamalla nopeuden säätimen O-asentoon. Voit jatkaa toimintaa valitsemalla nopeuden.

vihjeitä

- **Joitakin ruokia (varsinkin runsaasti vettä sisältäviä) valmistettaessa lämpötila ei ylitä 100 °C, sillä tämä on veden kiehumispiste.**
- Kun lisää aineksia kulhoon kypsennyksen aikana, hidasta nopeutta sekä lisää ainekset hitaasti ja tasaisesti.
- Voit kuumentaa kastikkeet nopeasti käyttämällä jatkuvaa hämmennystä (D).
- Työväline kannattaa vaihtaa ruokaa valmistettaessa. Esimerkiksi vihanneksia friteerattaessa on hyvä käyttää joustavaa korkeita lämpötiloja sietävää vatkainta. Liha- tai siipikarjanlihapalasia keitetessä voi käyttää sekoitustyökalua.
- Jos käytät roiskesuojusta ruoanvalmistuksen aikana, irrota se ennen sekoitinpään nostamista. Huomaa, että vettä tiivistyy roiskesuojukseen ja lämpösuojaan.
- Nosta sekoitinpää hitaasti, jotta neste valuu lämpösuojan alta takaisin kulhoon.
- Käytettävissä on kolme hämmennystoimintoa, jotta voit valita ruokaa valmistettaessa vaadittavan hämmennämisen. Joitakin ruokia on hämmennettävä koko ajan, jotta mitään ei tartu kulhon pohjaan. Joitakin ruokia on hämmennettävä vain ajoittain, jotta niiden koostumus säilyy halutun kaltaisena.
- Säädä työvälineen korkeus sivulla 79 kuvatulla tavalla, jotta saat parhaat tulokset.
- Pisin kypsennysaika on 3 tuntia. Tämän jälkeen yleiskoneesta sammuu virta automaattisesti.
- Ruokaa voidaan kuumentaa ilman että työväline on asetettu paikalleen. Nopeus on kuitenkin valittava. Tästä voi olla hyötyä esimerkiksi voita tai suklaata sulatettaessa.
- Kun ajastimen tai lämpötilan säätöpainiketta painetaan, kypsennysaika ja saavutettu lämpötila vaihtelevat näytössä.

Vispilän toiminta nopeuden ollessa suuri ja lämpötilan korkea

Voit käyttää vispilää yli 60 °C:n lämpötilassa säätämällä haluamasi vispausnopeuden ja pitämällä sykäyspainiketta painettuna. Tällöin kuuluu äänimerkki. Lisäksi nopeuden ja lämpötilan merkkivalot vilkkuvat nopeasti.

Vispausnopeus lisääntyy hitaasti valitulle tasolle. Voit lisätä nopeutta edelleen toistamalla nämä toimet. Voit vähentää vispausnopeutta tai säätää yleiskoneen toimimaan normaalilla nopeudella.

Tätä toimintoa SAA käyttää vain vispattaessa. Älä ylitä suurinta kolmen litran määrää. Varmista, että roiskesuojaus on paikallaan. Laitetta ei saa jättää toimimaan ilman valvontaa.

ruoanlaiton jälkeen

- Ole varovainen koskettaessasi tai käsitellessäsi laitteen osia, joita käytetään keittämistilassa, VARSINKIN KULHOA, ROISKUMISSUOJUSTA JA TYÖVÄLINEITÄ, sillä ne ovat KUUMIA myös virran katkaisemisen jälkeen. Irrota kulho ja kannu sitä kahvoja käyttämällä. Käytä uunikintaita käsitellessäsi kuumaa kulhoa ja kuumia sekoitustyövälineitä.
- Kulhon alaosa pysyy kuumana pitkään kuumentamisen päättymisen jälkeen. Käsittele kulhoa varovaisesti. Jos asetat sen kuumuudelle herkälle pinnalle, suoja pinta pannunalustalla.

näyttö

Yleiskoneessa on viisi erillistä turvatunnistinta. Ne toimivat kuumennettaessa ruokaa yleiskoneessa. Jos yleiskone on käynnissä ja turvatunnistin laukeaa, ajastimen ja lämpötilan näyttöön tulee virheilmoitus, esimerkiksi E:01.

Lisäksi kuuluu äänimerkki ja yleiskone pysähtyy. Tarkista virheilmoituksen syy.

Virheilmoitus	Kuvaus	Ratkaisu
E:01	Sekoitinpää on nostettu ylös. Jos sekoitinpää nostetaan ylös, turvatunnistin pysäyttää moottorin ja kuumennuksen. Jos nopeudensäädin on käännetty johonkin muuhun on Off O -asentoon sekoitinpään ollessa nostettuna ylös, tämä viesti tulee näkyviin eikä moottori käynnisty.	Sulje sekoitinpää. Käännä nopeudenvälitsin O-asentoon ja valitse haluamasi nopeus.
E:02	Cooking Chef -kulho ei ole paikallaan. Kuumennus toimii vain kulhon ollessa paikallaan. Kulho on lisäksi asetettava paikalleen oikein. Turvatunnistimet tunnistavat, jos kulho on virheellinen tai asetettu väärin paikalleen.	Varmista, että Cooking Chef -kulho on paikallaan. Varmista, että kulho on oikein paikallaan. Käännä nopeudenvälitsin O-asentoon ja valitse haluamasi nopeus.
E:03	Lämpösuoja ei ole paikallaan. Kuumentaminen ei ole käytettävissä, jos lämpösuoja ei ole oikein paikallaan.	Varmista, että lämpösuoja on asetettu kunnolla paikoilleen. Käännä nopeudenvälitsin O-asentoon ja valitse haluamasi nopeus.
E:04	Hitaan, korkean tai normaalin aukon kansi ei ole paikallaan. Turvatunnistimet tarkkailevat näitä kansia. Jos nämä kannet eivät ole oikein paikallaan, kuumentaminen ei ole käytettävissä. Jos valitaan hämmentäminen, moottori toimii jatkuvasti. Kaikki sekoitusnopeudet ovat käytettävissä.	Varmista, että kaikki kannet ovat oikein paikallaan. Käännä nopeudenvälitsin O-asentoon ja valitse haluamasi nopeus.
E:09	Ongelma lämpötilan tunnistimessa. Jos kulhon lämpötilan tunnistetaan olevan odotettua korkeampi, moottorista ja lämmitysyksiköstä katkaistaan virta automaattisesti.	Käännä nopeudenvälitsin O-asentoon, irrota pistoke pistorasiasta ja anna laitteen jäähtyä. Tarkista, että kulhon pohja ja lämpötilatunnistimet ovat puhtaat. Työnnä pistoke pistorasiaan ja käynnistä laite normaalisti.
E:10	Moottorin nopeus- tai ylikuumenemisongelma. Jos moottori jumiutuu tai kuumenee liikaa, ohjausjärjestelmä katkaisee virran moottorista ja lämmitysyksiköstä automaattisesti.	Käännä nopeudenvälitsin O-asentoon ja irrota pistoke pistorasiasta. Poista esteet, jotka jumiuttavat moottorin. Varmista, että jäähdytysaukot eivät ole tukossa. Työnnä pistoke pistorasiaan ja käynnistä laite.

Jos tämä virheilmoitus tai muita virheilmoituksia tulee näyttöön uudelleen, ota yhteys Kenwoodin asiakaspalveluun.

ajastimen käyttäminen

Voit käyttää ajastinta joko itsenäisesti tai yhdessä kuumennuksen kanssa. Jos aikaa ei aseteta, ajastin mittaa aikaa yhden sekunnin välein yleiskoneen toimiessa. Pisin käyntiaika on kolme tuntia.

- 1 Työnnä yleiskoneen pistoke pistorasiaan. Näytössä näkyy lyhyesti **88:88**. Tämän jälkeen se tyhjenee ja virtamerkkivalo palaa .
- 2 Paina painiketta + tai -. Näyttöön tulee 0:00.
- 3 Paina painiketta + tai -, kunnes näytössä on haluttu aika. Ajastin mittaa aikaa 5 sekunnin jaksoissa. Jos painiketta pidetään painettuna, numerot vaihtuvat sitä nopeammin mitä pidempään painiketta pidetään painettuna. Ajaksi voidaan valita enintään 3 tuntia.
Huomio: Jos painiketta + painetaan, kun ajastimen arvona näkyy 3:00, ajaksi muuttuu 0:00. Jos painiketta - painetaan, kun ajastimen arvona näkyy 0:00, ajaksi muuttuu 3:00.
- 4 Siirrä nopeudensäädin haluamaasi asentoon. Yleiskone käynnistyy ja ajastin mittaa aikaa alaspäin yhden sekunnin välein.
 - Voit pysäyttää yleiskoneen kääntämällä nopeuden säätimen O-asentoon. Tällöin myös ajastin pysähtyy. Ajastin jatkaa ajan mittaamista, kun yleiskone käynnistetään uudelleen.
- 5 Sekoittaminen pysähtyy automaattisesti, kun aika on kulunut loppuun. Tällöin kuuluu äänimerkkejä kolmen sekunnin ajan. Näyttö vilkkuu viiden sekunnin ajan. Tämän jälkeen se tyhjenee ja virtamerkkivalo palaa .

ajastimen nollaaminen

- 1 Voit pysäyttää ajastimen painamalla painikkeita + ja - (nopeuden säätimen on oltava O-asennossa).
 - Kun laite on käyttämättä 10 minuuttia, nestekidenäyttö ja taustavalo siirtyvät valmiustilaan eli pimenevät. Näyttö palaa käyttöön, kun jotain painiketta tai säädintä käytetään.

enimmäiskapasiteetit

- murotaikina** • Jauhojen määrä: 910 g
- jäykkä hiivaa sisältävä taikina** • Jauhojen määrä: 1,5 kg
 - Kokonaispaino: 2,4 kg
- pehmeä hiivaa sisältävä taikina** • Jauhojen määrä: 2,6 kg
 - Kokonaispaino: 5 kg
- kuivakakkutaikina** • Kokonaispaino: 4,55 kg
- munanvalkuaiset** • 16
- kypsennystilassa** • 3 litraa

- yleisiä vihjeitä
- Keskeytä sekoittaminen säännöllisesti ja kaavi taikina alas kulhon reunoilta.
 - Kananmunat vatkaavat helpoimmin huoneenlämpöisinä.
 - Ennen valkuaisten vaahdottamista tarkista, ettei vispilässä tai kulhossa ole rasvaa tai keltuaista.
 - Käytä piirakkataikinassa kylmiä aineosia, ellei ruokaohjeessa ole muunlaista mainintaa.

leipää leivottaessa

- tärkeää
- Älä ylitä mainittua enimmäiskapasiteettia. Muutoin kone ylikuormittuu.
 - Jos sekoittaminen muuttuu työlääksi, katkaise virta, poista puolet taikinasta ja vaivaa taikinanpuolikkaat erikseen.
 - Ainekset sekoittuvat parhaiten, kun lisäät nesteen ensin.

ongelmien ratkaiseminen ruokaa valmistettaessa

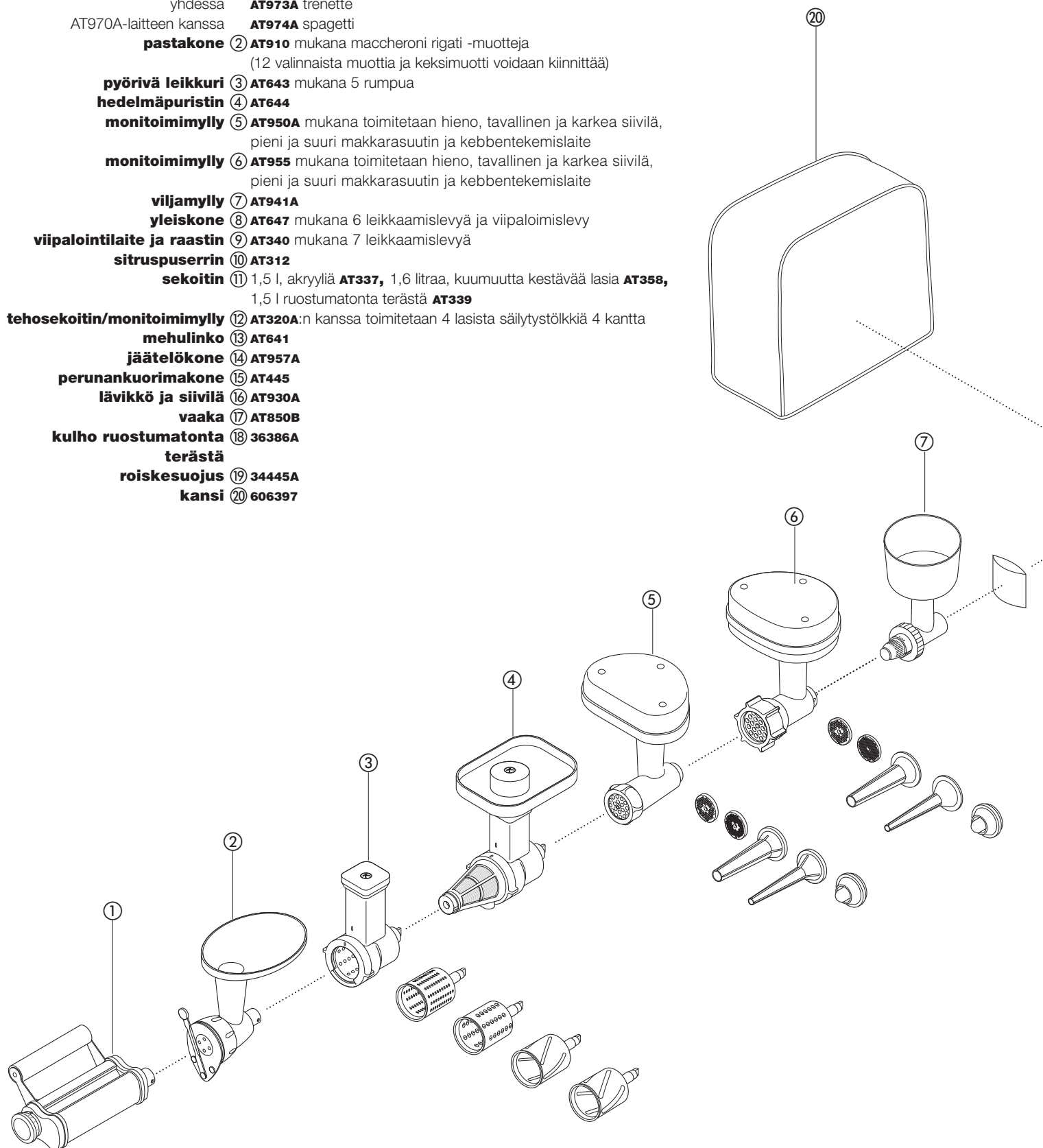
Ongelma	Syy	Ratkaisu
Yleiskone ei kuumenna ruokaa. Näytössä näkyy virheilmoitus ja laitteesta kuuluu äänimerkki.	Jokin turvatunnistin on lauennut.	Virheilmoituksista on lisätietoja sivun 83 taulukossa. <ul style="list-style-type: none"> • Varmista, että sekoitinpää on lukittu ala-asentoon. • Varmista, että kaikki aukkojen kannet ovat oikein paikallaan. • Varmista, että lämpösuoja on asetettu kunnolla paikoilleen. • Varmista, että kulho on kunnolla paikallaan.
Lämpötila on valittu mutta kulhon sisältöä ei kuumenneta (lämpötilan merkkivalo ei pala).	Nopeutta ei ole valittu.	Valitse nopeus.
Sekoittimen nopeus muuttuu ruoanvalmistuksen aikana.	Nopeutta rajoitetaan automaattisesti, kun kulhon sisältö kuumenee lämpötilaan 60 °C.	Tämä on turvallisuusominaisuus.
Ruokaa palaa kulhon pohjaan.	<ol style="list-style-type: none"> 1 Valittu lämpötila voi olla liian korkea. 2 Käytössä on vääränlainen työväline. 3 Hämmennys toimii liian hitaasti. 4 Työväline ei ehkä ole riittävän alhaalla kulhossa. 5 On valittu liian pitkä aika 6 Tunnistin ja/tai kulhon alapinta eivät ehkä ole puhtaita. 	<ol style="list-style-type: none"> 1 Valitse alempi lämpötila tai kypsennä alhaisemmassa lämpötilassa. 2 Tarkista, että käytössä on oikea työväline. 3 Lyhennä hämmennysten välistä aikaa tai hämmennä jatkuvasti. 4 Säädä työvälinettä. 5 Kypsennä ruokaa lyhyempi aika (varmista, että ruoka on täysin kypsää). 6 Varmista, että nämä alueet ovat puhtaat ja kuivat.
Ruoan rakenne ei ole tasainen.	<ol style="list-style-type: none"> 1 On valittu liian korkea lämpötila. 2 Hämmennys toimii liian nopeasti. 3 Aineksia on kypsennetty liian pitkään. 4 Käytössä on vääränlainen työväline. 	<ol style="list-style-type: none"> 1 Alenna lämpötilaa. 2 Hidastaa hämmennysnopeutta. 3 Lyhennä kypsennysaikaa (varmista, että ruoka on täysin kypsää). 4 Tarkista, että käytössä on oikea työväline.
Sekoitusnopeus vaihtuu.	1 Ainekset ovat liian suuria, kovia tai kiinteitä.	<ol style="list-style-type: none"> 1 Paloittele ruoka pienemmiksi paloiksi. Poista hedelmistä kivet. Sulata ainekset hitaasti ilman työvälinettä (nopeus on kuitenkin valittava). 2 Lisää ainekset, kun sekoitinpää on laskettu alas. 3 Tarkista, että käytössä on oikea työväline.
Kuumaan seokseen on lisätty kylmiä aineksia, mutta lämpötilanäyttö ei reagoi nopeasti.	Jos kulhon sisältöä ei hämmennetä kokonaan, lämpötila vaihtelee sen eri osissa.	<ol style="list-style-type: none"> 1 Anna aineksille aikaa sekoittua kokonaan. 2 Lisää hämmennysnopeutta.
Sekoitinpää on vaikea sulkea, kun kulhossa on ruokaa.	Jos kulhon pohjalla on kovia aineksia, kuten suklaata, sekoitinpää ei lukkiudu ala-asentoon.	Lisää ainekset, kun sekoitinpää on laskettu alas.
Sekoitin toimii jatkuvasti, kun hämmennys (2) tai (3) on valittu.	Aukkojen kannet ovat virheellisesti paikallaan.	Varmista, että kaikki aukkojen kannet ovat oikein paikallaan.
Lisävarusteen käyttäminen rajoittaa moottorin nopeutta.	Kulho on asetettu paikalleen kuumana.	Irrota kulho tai anna sen jäähtyä alle 60 °C:n lämpötilaan.

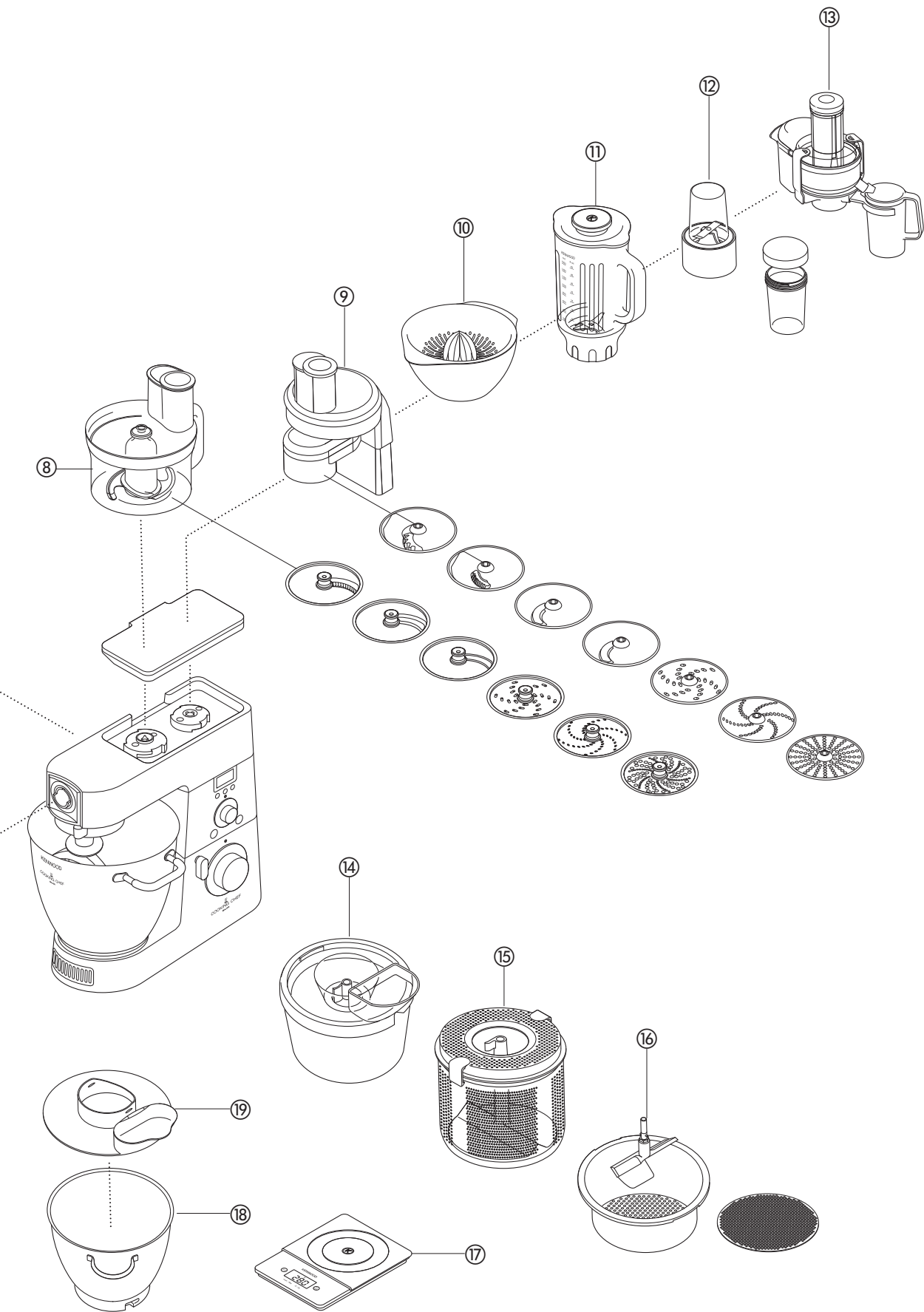
lisävarusteet

Voit ostaa lisävarusteita ottamalla yhteyden asiakaspalveluun.

lisälaite lisälaitteen koodi

- pastakone** ① **AT970A**
muut pastanvalmistuslaitteet **AT971A** tagliatelli
(ei kuvassa), joita käytetään **AT972A** tagliolini
yhdessä **AT973A** trenette
AT970A-laitteen kanssa **AT974A** spagetti
- pastakone** ② **AT910** mukana maccheroni rigati -muotteja
(12 valinnaista muottia ja keksimuotti voidaan kiinnittää)
- pyörivä leikkuri** ③ **AT643** mukana 5 rumpua
- hedelmäpuristin** ④ **AT644**
- monitoimimylly** ⑤ **AT950A** mukana toimitetaan hieno, tavallinen ja karkea siivilä,
pieni ja suuri makkarasuutin ja kebbentekemislaite
- monitoimimylly** ⑥ **AT955** mukana toimitetaan hieno, tavallinen ja karkea siivilä,
pieni ja suuri makkarasuutin ja kebbentekemislaite
- viljamyly** ⑦ **AT941A**
- yleiskone** ⑧ **AT647** mukana 6 leikkaamislevyä ja viipaloimislevy
- viipalointilaite ja raastin** ⑨ **AT340** mukana 7 leikkaamislevyä
- sitruspuserrin** ⑩ **AT312**
- sekoitin** ⑪ 1,5 l, akryyliä **AT337**, 1,6 litraa, kuumuutta kestävä lasia **AT358**,
1,5 l ruostumatonta terästä **AT339**
- tehosekoitin/monitoimimylly** ⑫ **AT320A:n** kanssa toimitetaan 4 lasista säilytystölkkiiä 4 kantta
- mehulinko** ⑬ **AT641**
- jäätelökone** ⑭ **AT957A**
- perunankuorimakone** ⑮ **AT445**
- lävikkö ja siivilä** ⑯ **AT930A**
- vaaka** ⑰ **AT850B**
- kulho ruostumatonta** ⑱ **36386A**
terästä
- roiskesuojaus** ⑲ **34445A**
- kansi** ⑳ **606397**

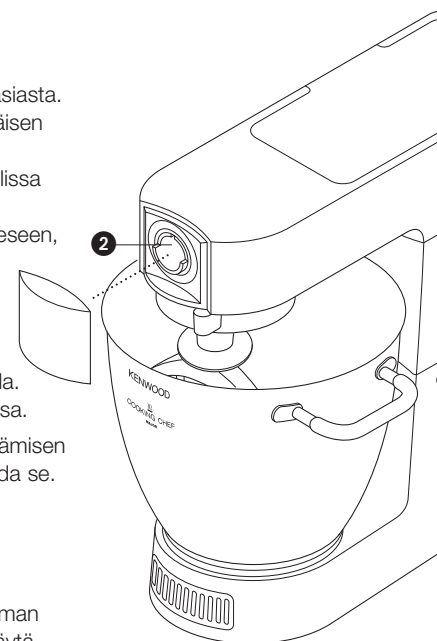




puhdistaminen ja hoitaminen

hoitaminen ja puhdistaminen

- Ennen puhdistamista katkaise laitteesta virta ja irrota pistoke pistorasiasta.
- **Aukossa 2** voi näkyä hieman rasvaa, kun sitä käytetään ensimmäisen kerran. Tämä on normaalia. Pyyhi rasva pois.
- Lämpötilatunnistimien metallipinnat voivat näyttää kuluneilta normaalissa käytössä. Tämä ei vaikuta laitteen toimintaan.
- Älä jätä joustavaa korkeita lämpötiloja sietävää vatkainta kiinni koneeseen, kun sitä ei käytetä.



lisälaitteille tarkoitetut aukot

joustava vatkain korkeita lämpötiloja varten

kulhot, työvälineet, roiskesuoja

kuivausaukko

lämpötilan tunnistimet

- Pyyhi kostealla kankaalla ja kuivaa.
 - Älä upota veteen äläkä käytä hankaavia aineita.
 - Irrota joustava kaavin aina työkalusta ennen puhdistamista.
 - Pese joustava kaavin ja työkalu lämpimän veden ja pesuaineen avulla. Kuivaa perusteellisesti. Osat voidaan myös pestä astianpesukoneessa.
- Huomaa: Tarkista työkalun rungon kunto ennen käyttämistä ja käyttämisen jälkeen. Tarkista myös kaavin säännöllisesti. Jos se on kulunut, vaihda se.
- Pese käsin ja kuivaa tai pese astianpesukoneessa.
 - Älä käytä metalliharjaksista harjaa, teräsvillaa tai valkaisuainetta ruostumattomasta teräksestä valmistetun kulhon puhdistamiseen. Poista kalkkikerrostumat viinietikan tai kalkinpoistoaineen avulla.
 - Jos ruokaa tarttuu kiinni tai palaa kulhon sisään, poista mahdollisimman suuri osa siitä käyttämällä yleiskoneen mukana toimitettua lastaa. Täytä kulho lämpimällä saippuavedellä ja anna sen liota. Poista pinttyneet jäämät nailonisella harjalla.
 - Kulhon värin muuttuminen ei vaikuta sen toimintaan.
 - Varmista, että tällä alueella ei ole ruokajäämiä. Puhdista se tarvittaessa pulloharjalla tai pumpulipuikolla.
 - Pyyhi kostealla kankaalla ja kuivaa perusteellisesti. Älä puhdista tunnistimia hankausaineilla tai terävillä esineillä.

huolto ja asiakaspalvelu

- Jos virtajohto vaurioituu, se on turvallisuussyistä vaihdettava. Vaihtotyön saa tehdä Kenwood tai KenwoodIN valtuuttama huoltoliike.

Jos tarvitset apua

- laitteen käyttämisessä tai
- laitteen huolto- tai korjaustöissä, ota yhteys laitteen ostopaikkaan.

- Kenwood on suunnitellut ja muotoillut Iso-Britanniassa.
- Valmistettu Kiinassa.



TÄRKEITÄ OHJEITA TUOTTEEN HÄVITTÄMISEEN EUROOPAN UNIONIN DIREKTIIVIN 2002/96 MUKAISESTI.

Tuotetta ei saa hävittää yhdessä tavallisten kotitalousjätteiden kanssa sen lopullisen käytöstä poiston yhteydessä.

Vie se paikallisten viranomaisten hyväksymään kierrätyskeskukseen tai anna se jälleenmyyjän hävitettäväksi, mikäli kyseinen palvelu kuuluu jälleenmyyjän toimialaan. Suojelet luontoa ja välttävät virheellisen tai väärän romutuksen aiheuttamilta terveysriskeiltä, mikäli hävität kodinkoneen erillään muista jätteistä. Näin myös kodinkoneen sisältämät kierrätettävät materiaalit voidaan kerätä talteen, jolloin säästät energiaa ja luonnonvaroja. Tuotteessa on ristillä peitetty roskasäiliön merkki, jonka tarkoituksena on muistuttaa että kodinkoneet on hävitettävä erikseen muista kotitalousjätteistä.

ruokaohjeita

Sivulla 84 on tärkeitä tietoja leivän leipomisesta.

vaalea leipä jäykkä hiivaa sisältävä taikina

- aineosat
- 1,36 kg vehnäjauhoja
 - 15 ml suolaa
 - 25 g tuoretta hiivaa tai 15 g (20ml) kuivahiivaa ja 1 tl sokeria
 - 750 ml lämmintä vettä (43 °C). Käytä lämpömittaria tai lisää 250 ml kiehuvaa vettä 500 ml:aan kylmää vettä.
 - 30 ml ruokaöljyä
- ohjeet
- 1 **kuivahiiva** (veteen liuottamista vaativa): Kaada lämmin vesi kulhoon. Lisää hiiva ja sokeri. Anna tekeytyä noin 10 minuuttia, kunnes hiiva on alkanut kuohua.
tuorehiiva: Pilko jauhojen joukkoon.
muut hiivatyyppit: Noudata valmistajan ohjeita.
 - 2 Kaada neste kulhoon. Lisää jauhot (jos käytät tuoretta hiivaa), suola ja ruokaöljy.
 - 3 Vaivaa alhaisella nopeudella 45–60 sekunnin ajan. Nosta nopeus tasolle 1. Lisää tarvittaessa jauhoja, jotta taikinasta tulee kiinteä.
 - 4 Vaivaa vielä 3–4 minuuttia nopeudella 1, kunnes taikina on tasaista ja kimmoisaa eikä se enää tartu kulhon reunoihin.
 - 5 Aseta taikina muovipussiin tai jätä se keittiöpyyhkeellä peitettyyn kulhoon. Kohota taikinaa lämpimässä paikassa, kunnes sen koko on kaksinkertaistunut.
 - 6 Vaivaa uudelleen 2 minuutin ajan nopeudella 1.
 - 7 Täytä neljä 450 g:n voideltua vuokaa taikinalla tai leivo siitä sämpylöitä. Peitä keittiöpyyhkeellä ja kohota lämpimässä paikassa, kunnes koko on kaksinkertaistunut.
 - 8 Paista lämpötilassa 230 °C: *leipiä* 30–35 minuuttia tai *sämpylöitä* 10–15 minuuttia.
 - Kun leipä on kypsä, sen pohjaa koputettaessa kuuluu ontto ääni.

vaalea leipä pehmeä hiivaa sisältävä taikina

- aineosat
- 2,6 kg vehnäjauhoja
 - 1,3 litraa maitoa
 - 300 g sokeria
 - 450 g margariinia
 - 100 g tuoretta hiivaa tai 50 g kuivahiivaa
 - 6 munaa vatkattuna
 - 5 hyppysellistä suolaa
- ohjeet
- 1 Sulata margariini maitoon lämpötilassa 43 °C.
 - 2 **kuivahiiva** (veteen liuottamista vaativa): Lisää hiiva ja sokeri maitoon. Anna tekeytyä noin 10 minuuttia, kunnes hiiva on alkanut kuohua.
tuorehiiva: Pilko jauhojen joukkoon ja lisää sokeri.
muut hiivatyyppit: Noudata valmistajan ohjeita.
 - 3 Kaada maito kulhoon. Lisää vatkatut munat ja 2 kg jauhoja.
 - 4 Sekoita hitaimmalla nopeudella 1 minuutin ajan ja nopeudella 1 vielä minuutin ajan.
Kaavi taikina kulhon reunoilta sen pohjalle.
 - 5 Lisää loput jauhot. Sekoita hitaimmalla nopeudella 1 minuutin ajan ja 2–3 minuutin ajan nopeudella 1, kunnes taikina on tasaista ja aineet ovat sekoittuneet toisiinsa.
 - 6 Täytä neljä 450 g:n voideltua vuokaa taikinalla tai leivo siitä sämpylöitä. Peitä keittiöpyyhkeellä ja kohota lämpimässä paikassa, kunnes koko on kaksinkertaistunut.
 - 7 Paista lämpötilassa 200 °C: *leipiä* 20–25 minuuttia tai *sämpylöitä* 15 minuuttia.
 - 8 Kun leipä on kypsä, sen pohjaa koputettaessa kuuluu ontto ääni.
 - Taikinasta tulee noin 10 leipää.

ruokaohjeet jatkoa

mansikka-aprikoosigâteau

- aineosat: torttupohja
- 3 kananmunaa
 - 75 g hienosokeria
 - 75 g vehnäjauhoja
- täyte ja koristeet
- 150 ml vispikermaa
 - Sokeria maun mukaan
 - 225 g mansikoita
 - 225 g aprikooseja
- ohjeet
- 1 Halkaise aprikoosit ja poista kivet. Keitä aprikoosinpuolikkaita varovaisesti erittäin pienessä vesimäärässä, kunnes ne pehmenevät. Lisää keitinveteen sokeria makusi mukaan.
 - 2 Pese ja puolita mansikat.
 - 3 Valmista torttupohja vatkaamalla kananmunat ja sokeri erittäin vaaleaksi ja paksuksi massaksi suurimmalla nopeudella.
 - 4 Irrota kulho ja vispilä. Kääntelee jauhot seokseen käsin käyttämällä suurta metallilusikkaa. Tee tämä varovaisesti, jotta torttupohja ei sitkisty.
 - 5 Aseta taikina kahteen 18 cm:n voideltuun vuokaan.
 - 6 Paista lämpötilassa 180 °C noin 20 minuuttia, kunnes torttupohja on kimmoisa painettaessa sitä kevyesti.
 - 7 Käänä torttupohja ritilälle.
 - 8 Vaahdota kerma suurimmalla nopeudella. Lisää sokeria maun mukaan.
 - 9 Piiko aprikoosinlohkot ja kolmannes mansikoista. Sekoita palaset puolen kermavaahtomäärän joukkoon.
 - 10 Levitä tämä kermavaahto toiselle torttupohjapuolikkaalle. Aseta toinen puolikas päällimmäiseksi.
 - 11 Levitä loppu kermavaahto pinnalle ja koristele loppuilla mansikoilla.

marengit

- aineosat
- 4 munanvalkuaista
 - 250 g siivilöityä tomusokeria
 - Tarttumaton leivinpaperi uunipeltiä varten
- ohjeet
- 1 Vatkaa kananmunanvalkuaisia ja sokeria suurimmalla nopeudella noin 10 minuuttia, kunnes niistä muodostuu kiinteää vaahtoa.
 - 2 Levitä seos uunipellille leivinpaperin päälle tai käytä 2,5 cm:n suulakkeella varustettua pursotinta.
 - 3 Paista lämpötilassa 110 °C noin 4–5 tuntia, kunnes marenki on kovaa ja rapeaa. Jos marenki alkaa ruskistua, jätä uunin luukku hieman raolleen.
- Säilytä marenkeja ilmatiiviissä tölkissä.

murotaikina

- aineosat
- 450 g siivilöityjä jauhoja, joiden joukkoon suola on lisätty
 - 5 ml suolaa
 - 225 g jääkaappikylmää leivontamargariinia
 - Noin 80 ml vettä
 - Älä vaivaa liikaa.
- vihje
- 1 Kaada jauhot kulhoon. Leikkaa margariini kuutioiksi ja lisää ne jauhojen joukkoon.
- ohjeet
- 2 Vatkaa nopeudella 1 käyttämällä ruostumattomasta teräksestä valmistettua K-vatkainta, kunnes seos muistuttaa leivänmuruja. Lopeta vatkaaminen ennen kuin seos näyttää rasvaiselta.
 - 3 Lisää vesi ja sekoita alhaisimmalla nopeudella. Lopeta heti, kun vesi on imeytynyt.
 - 4 Paista noin lämpötilassa 200 °C. Valitse lämpötila täytteen mukaan.

chilimarinadi

- aineosat
- 200 g juoksevaa kirkasta hunajaa, joka on ollut yön jääkaapissa
 - 1 vihreä chili (kokonainen)
 - 5 ml (1 tl) rouheista maapähkinävoita
 - mausteita
- valmistaminen
- 1 Laita kaikki ainekset monitoimimyllyyn.
 - 2 Kiinnitä laite vatkaimen ja asettele ainekset terän ympärille.
 - 3 Käytä sykäystoimintoa 10 sekunnin ajan.
 - 4 Käytä haluamallasi tavalla.

Notes

Türkçe

Kenwood cihazınızı kullanmadan önce

- Bu talimatları dikkatle okuyun ve gelecekteki kullanımlar için saklayın.
- Tüm ambalajları ve etiketleri çıkartın.

Kenwood Cooking Chef Mutfak Makinenizi tanıyın

güvenlik

önemli not – elektronik tıbbi implantlar

- Tüm indüksiyon ısıtma ürünleri gibi, bu cihaz da kısa mesafeli manyetik alanlar yaratır. Eğer yakın mesafedeki bir kullanıcı veya kişi kalp pili ya da başka aktif bir implanta sahipse, olası sağlık risklerine maruz kalmamak için lütfen bir doktora danışın.
- Alet/ek parça takmadan veya çıkartmadan önce, kullanımdan sonra ve temizlemeden önce cihazı kapatın ve fişini çekin.
- Uzunlarınızı, mücevher ve sarkan kıyafetlerinizi hareketli parçalardan ve açıklıklardan uzak tutun.
- Parmaklarınızı vs. asla menteşe mekanizmasına sokmayın.
- Makineyi asla başıboş bırakmayın.
- Hiç bir zaman hasarlı cihazları kullanmayın. Kontrol ya da tamir ettirin: bkz. 'servis ve müşteri hizmetleri', sayfa 106.
- Onaylanmamış eklentileri kullanmayın, birden fazla eklenti aynı anda kullanılmamalıdır.
- Sayfa 102'de belirtilen maksimum kapasiteleri asla aşmayın ve indüksiyon ısıtıcıyı kullanırken asla kase üzerindeki 3 litre maksimum dolm seviyesini geçmeyin.
- Eklenti kullanırken birlikte gelen güvenlik bilgisini ve kullanım talimatlarını okuyun.
- Ağır olduğu için cihazı kaldırırken çok dikkatli olun. Kafanın kilitleti olduğundan ve kase, araçların, dış kapakların ve kablonun kaldırmadan önce güvenli olduğundan emin olun.
- Kabloyu çocukların erişebileceği bir yerde asla bırakmayın.
- Güç ünitesi, kordon veya fişi hiç bir zaman ıslatmayın.
- Pişirme modunda kullanırken veya pişirmeden sonra cihazı kullanırken, cihaz kapandıktan sonra bile uzun süre SICAK kaldıklarından, ÖZELLİKLE KASE, SIÇRAMA KORUYUCU VE ARAÇLAR gibi parçalara temas ederken çok dikkatli olun. Kaseyi çıkartıp kaşımak için tutamakları kullanın. Sıcak kaseyi ve sıcak karıştırma araçlarını kullanırken fırın eldivenleri kullanın.
- Kase, alt kısmı ısıtma işlemi bittiğinden sonra uzun bir süre sıcak kalır. Kullanırken dikkatli olun ve sığa karşı duyarlı yerlere yerleştirirken çalışma alanı için koruyucu altlık kullanın.
- Özellikle siçrama koruyucusunun kapağını açarken veya mikser kafasını kaldırırken mikser kasesinden çıkabilecek olan buhara dikkat edin.
- Eğer yiyeceği mikserden sıvılaştırıcıya geçirecekseniz, malzemelerin sıvılaştırıcıya yerleştirmeden önce her zaman oda sıcaklığına kadar soğumasını bekleyin.
- Sadece bu cihazla birlikte sağlanan kase ve araçları kullanın. Kaseyi asla bir ısı kaynağı ile kullanmayın.
- Cihazı asla boş kase ile pişirme modunda çalıştırmayın.
- Hava girişlerine asla bir şey sokmayın.
- Cihazı kullanırken, kenardan uzakta düz bir zemin üzerine yerleştirildiğinden emin olun. Duvarlardan en az 10 cm uzakta olduğundan ve hava girişlerinin kapalı olmadığından emin olun. Asma rafların altına yerleştirmeyin.
- İndüksiyon pişiricinin güvenli ve doğru bir şekilde kullanılması için kase tabanının ve sıcaklık sensörlerinin pişirmeden önce temiz ve kuru olduklarından emin olun.
- Tüm indüksiyon pişirme cihazlarında olduğu gibi, kredi kartı, manyetik ortam veya hassas elektronik ekipmanları cihaz kullanımdayken yakınına koymayın.
- Cihazı donmuş besinler için kullanmayın.
- Yemeden önce yemeklerin iyice pişmiş olduklarından emin olun.
- Yiyecekler piştikten kısa bir süre sonra yenmeli veya hızlı bir şekilde soğumasına izin verilip en kısa zamanda buzdolabına konmalıdır.
- Bu cihaz; sorumlu bir kişi tarafından gözetim altında olmayan fiziksel, duyuşal veya zihinsel engelli kişiler (çocuklar dahil), cihazın kullanılışı hakkında açıklama almamış kişiler ve bilgi veya deneyimi eksik olan kişiler tarafından kullanılmak üzere tasarlanmamıştır.
- Çocuklar cihazla oynamaları gerektiği konusunda bilgilendirilmelidir.
- Bu cihaz sadece iç mekânlarda kullanım alanının olduğu yerlerde kullanın. Kenwood, cihaz uygunsuz kullanımlara maruz kaldığı ya da bu talimatlara uyulmadığı takdirde hiç bir sorumluluk kabul etmez.

fişe takmadan önce

- Elektrik kaynağınızın cihazınızın alt tarafında gösterilenle aynı olduğuna emin olun.
- Bu cihaz Elektro Manyetik Uyumluluk ile ilgili EC direktifi 2004/108/EC ve gıda ile temas eden malzemeler hakkındaki EC yönetmeliği no. 1935/2004 - 27/10/2004 ile uyumludur.

ilk kullanımdan önce

Parçaları yıkayın: bkz. 'bakım ve temizlik' sayfa 106.

giriş

Kenwood Cooking Chef Mutfak Makinesi'ni satın aldığınız için teşekkür ederiz, umarım uzun yıllar cihazdan memnun kalırsınız.

Kenwood Mutfak Makineleri ve geniş eklenti seçeneklerini geliştirme konusunda neredeyse 60 yıllık bir deneyime ve uzmanlığa sahiptir. Kenwood Chef Mutfak Makineleri bir yemek mikserinden çok daha fazlasını sunmalarıyla tanınır.

Cooking Chef'i geliştirme aşamasında induksiyon pişirmeyi direkt olarak karıştırma kasesinin altına ekleyerek Chef'in bilinen çok yönlülüğünü bir adım ileri götürdük. Artık en sevdiğiniz kekleri, pastaları ve hamurları hazırlarken her gün kullandığınız 'soğuk kase'nin planeter karıştırma özelliğinin avantajlarından faydalanabilir, buna ek olarak da planeter karıştırma ile direkt olarak kase'nin içerisinde ısıtma ve pişirmeyi birleştirebilmenin avantajından faydalanabilirsiniz. İmkanlar sınırsız.

Kenwood Cooking Chef, opsiyonel ekleri ile birlikte gerçek anlamda tam bir yemek hazırlama sistemidir.

Güçlü, Güvenilir, Çok yönlü, Kenwood.

İndüksiyon Pişirme nedir ve nasıl çalışır?

İndüksiyon pişirme, elektromanyetik induksiyon prensiplerinden yararlanan gelişmiş bir pişirme metodudur. İndüksiyon pişirme alanındaki bakır bir bobinden geçirilen elektrik akımı elektromanyetik bir alan yaratır. Cooking Chef kasesi yerine yerleştirildiğinde, kase içerisindeki özel bir paslanmaz çelik katman tarafından devre tamamlanır. Bunun sonucunda büyük miktarda termal enerji oluşur, bu enerji kase'nin içeriğinden geçer ve yiyeceği ısıtır.

İndüksiyon pişirme sadece kase'nin tabanını ısıttığından enerjiyi son derece verimli olarak kullanır. Gaz ocakları gibi diğer ısıtma metotları sıcaklık enerjisinin neredeyse %50'sini tencerenin yanlarında harcar. Cooking Chef'inizdeki induksiyon pişirme alanı pişirme sırasında ve kase'nin içeriğinin sıcaklığının geri taşınmasından dolayı hemen pişirmeden sonra sıcak olur. Yani induksiyon pişirme çok etkili, çok güvenli ve çok temizdir.

Kenwood Cooking Chef'in pişirme özelliği, ocağınızın üzerinde kullandığınız tavaya benzer. Ek avantaj olarak Chef yemeğinizi otomatik olarak karıştırır ve isteğinize göre pişirme sıcaklığını ayarlar, böylece mutfağınızda yapmanız gereken diğer şeyleri güvenle halledebilirsiniz.

Cooking Chef son derece etkili olan induksiyon ısıtma teknolojisini kullanır. Gazlı veya elektrikli ocağa kıyasla pişirirken pişirme sürelerinin çok daha kısa olduğunu fark edebilir veya daha düşük sıcaklıklarda pişirebilirsiniz. Bunu, cihazınızı ilk defa kullandığınızda veya yeni tarifleri denediğinizde dikkate almalısınız. Eğer yüksek bir sıcaklıkla pişirmeye başlarsanız sos tavanızda yaptığınız gibi gözlemeye devam edin ve yemeğin yanmasını ve kaseye yapışmasını engellemek için gerekirse sıcaklığı azaltın. Genel olarak Cooking Chef yemeğinizi otomatik olarak istediğiniz sıcaklığa en hızlı şekilde getirecektir. Bu sebeple pişirme sürelerini kısaltmak için sıcaklığı gerektiğinden yüksek seviyelere ayarlamamız gerekmemektedir. Bu aşamada karıştırma ayarının frekansına da dikkat etmelisiniz. Daha yüksek sıcaklıklarda pişirirken karıştırma ayarını kullanarak sürekli olarak karıştırmayı gerekli görebilirsiniz (1). Karıştırma ayarları düşük sıcaklıkta (2) uzun (3) süreli pişirmelerde yiyeceğinizin kıvamını kontrol altında tutmak için kullanışlıdır.

Bu aşamada doğru kase aletinin seçilmesi de önemlidir. Bu kitapçığın devamında her bir alet için en uygun kullanımları tavsiye ettik. Siz de en kısa sürede deneyimle hangi aletin hangi görev için uygun olduğunu anlayacaksınız. Pişirirken, yüksek sıcaklıklar için esnek çırpıcıyı soslar ve kremalarda yumuşak kıvamlar elde etmek için, karıştırma aletini de güveçler, yahniler gibi daha katı kıvamlı yiyecekleri pişirirken kullanmanın daha yararlı olacağını fark edeceksiniz.

Tarif kitabımız, her tarif için en uygun aleti tavsiye eder. Siz de yemek hazırlığınız sırasındaki değişik süreçler için aletleri değiştirmenin daha iyi sonuçlar yaratacağını fark edeceksiniz. Pişirme sırasında ve hemen sonrasında kase, sıçrama koruyucu ve kase aletleri sıcak olur – sos tavanızda olduğu gibi. Lütfen bunlara dokunurken dikkatli olun. Pişirme sürecinde buhar ve yoğunlaşma oluşacağından kaseğin içine bakarken, kaseye erişmek veya bakmak için boşaltma oluşunun kapağını veya Cooking Chef/makine başlığını kaldırırken dikkatli olun. Makine pişirirken veya sıcakken diğer insanları da dikkatli olmaları konusunda uyarın. Sıcak parçalara dokunurken veya bunları çıkartırken fırın eldiveni giymeniz ve kaseyi sadece sağlanan tutamaklarla taşımanız tavsiye edilir . Sıcağa karşı duyarlı yerleri korumak için çalışma alanı için koruyucu altlığını da yararlı bulabilirsiniz.

Sıvıları veya su miktarı yüksek yemekleri ısıtırken sıcaklık okuma kesinliği genellikle +/- 5°C'dir. Sıcaklık göstergesi ve kontrolünün kesinliği kaseğizin içeriğinin kıvamına, hacmine, karıştırma frekansına ve kullanılan kase aletine göre değişiklik gösterir. Bu yine ocak üzerinde pişirmeye benzer, örneğin yüksek miktarda bir yemek sos tavasında ısıtıldığında ve düzgün karıştırılmadığında. Sos tavağının dibindeki yiyecek ısınırken, hatta neredeyse yanarken daha üst yerlerdeki yiyecekler daha soğuk olur.

Sıcaklık göstergesine ek olarak makinenin küçük mavi bir LED'i vardır. Bu, makine seçilen sıcaklığa erişene kadar yanıp söner. İstenilen sıcaklık erişildiğinde ışık yanıp sönmeyi bırakır. Fakat kaseye yeni malzemeler eklediğinizde kaseğinin içeriğinin sıcaklığının soğuk malzemelerce düşürülmesi sebebiyle mavi LED'in tekrar yanıp sönmeye başladığını görürsünüz. Karışımın yoğunluğu artarsa statik ışığın yanıp sönmeye başladığını görürsünüz.

Kenwood Cooking Chef'inizin kullanımının ne kadar kolay olduğunu ve günlük yemek pişirme süreçlerinizi size ne kadar kolaylaştıracağını çabucak fark edeceksiniz.

Kenwood Cooking Chef'inizi tanıyın

ek çıkışlar ① yüksek hız çıkışı

② orta hız çıkışı

③ düşük hız çıkışı

④ alet soketi

mikser ⑤ orta/yüksek hız çıkış kapağı

⑥ mikser kafası

⑦ yavaş hızlı dış kapak

⑧ düşük hız çıkışı kolu

⑨ pişirme chef kasesi

⑩ kafa - kaldırma kolu

⑪ hız kontrolü

⑫ havalandırmalar

⑬ kase altlığı/indüksiyon alanı

⑭ gider deliği

⑮ sıcaklık sensörleri

⑯ paslanmaz çelik K çırpıcı

⑰ yüksek sıcaklık için esnek çırpıcı

⑱ çırpıcı

⑲ hamur kancası

⑳ karıştırma aracı

㉑ yüksek sıcaklık spatulası

㉒ sıcaklık kalkanı

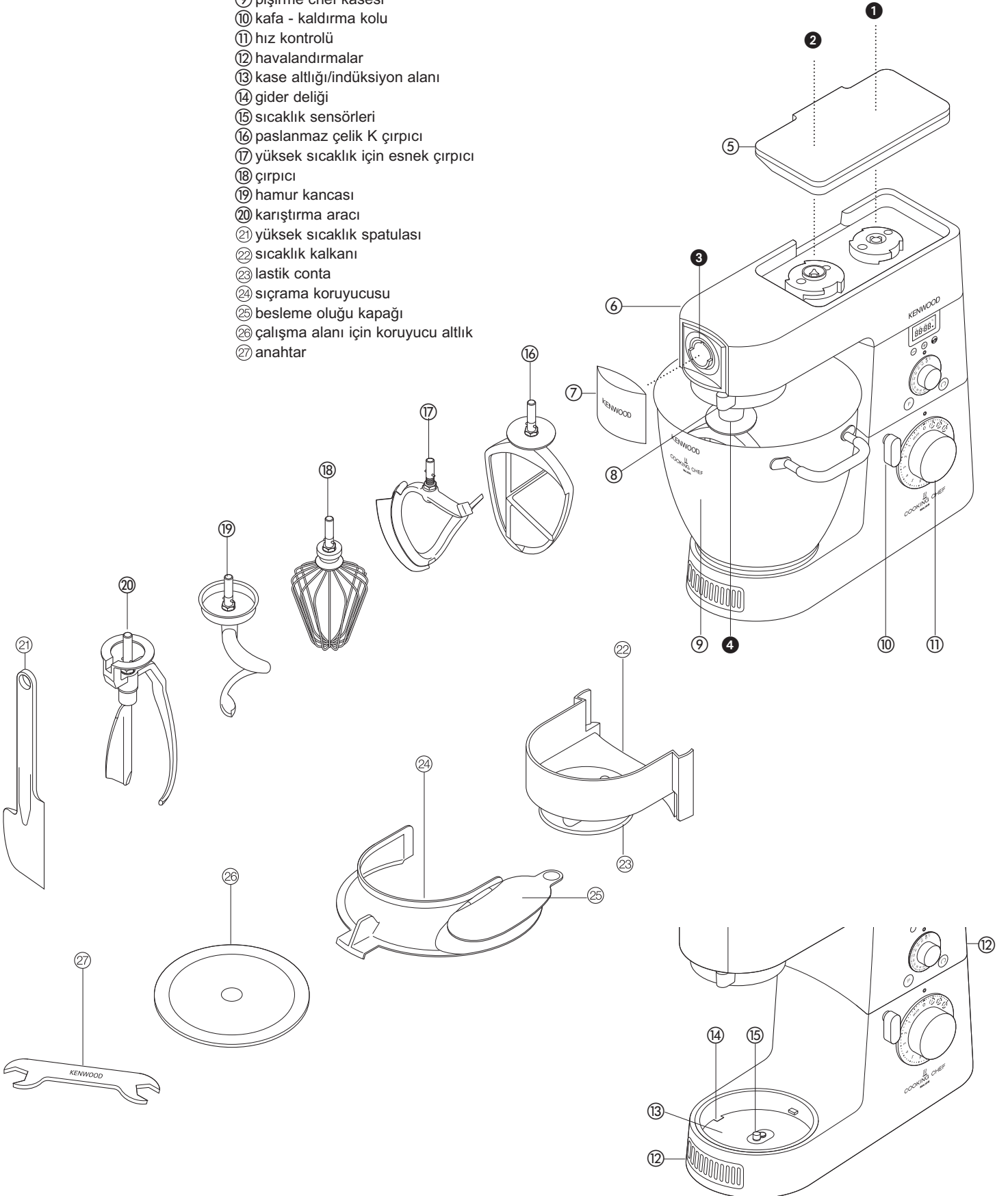
㉓ lastik conta

㉔ sıçrama koruyucusu

㉕ besleme oluğu kapağı

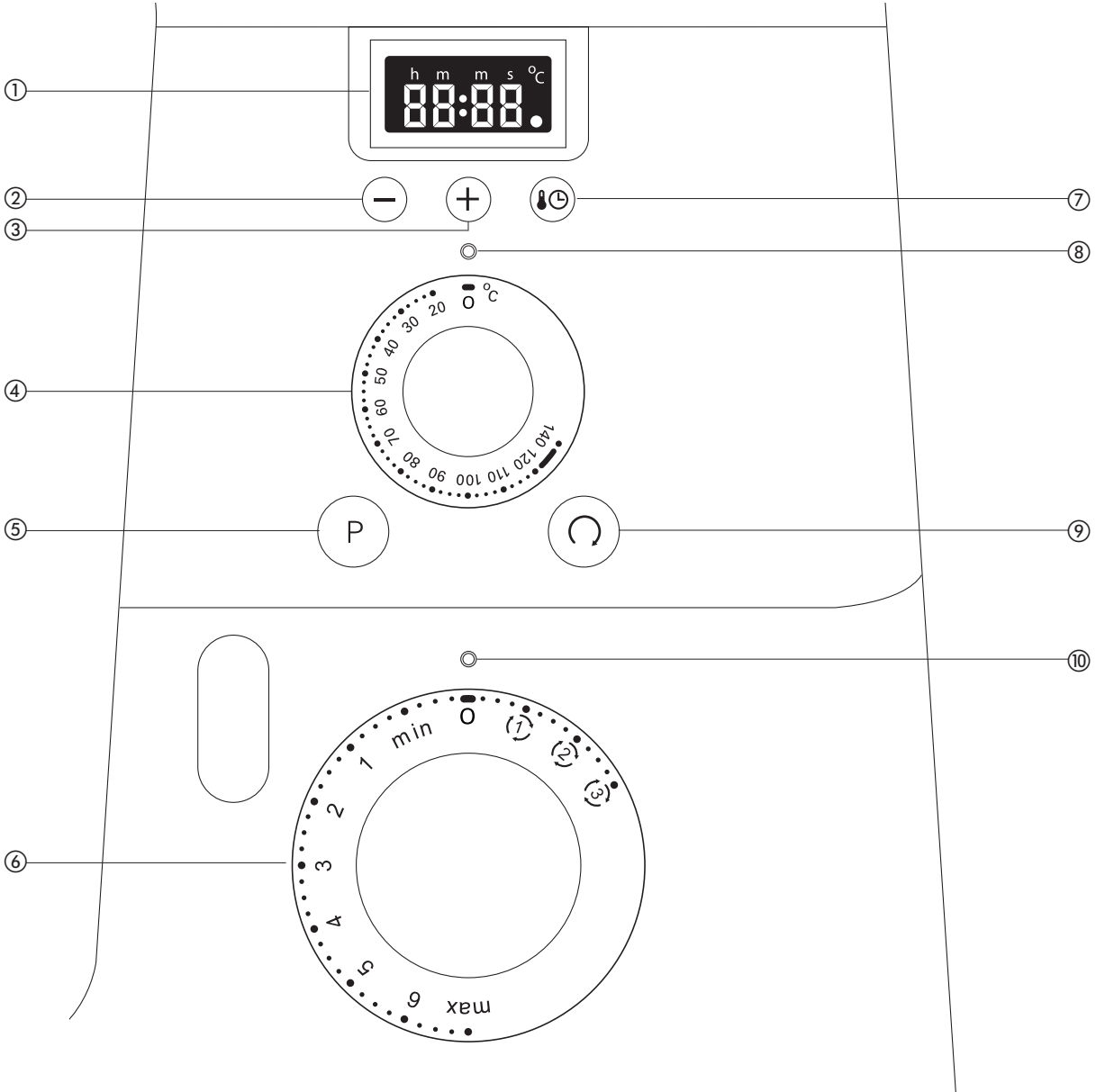
㉖ çalışma alanı için koruyucu altlık

㉗ anahtar



kontrol paneli

- ① zaman/sıcaklık göstergesi
- ② zamanlayıcı azaltma düğmesi
- ③ zamanlayıcı azaltma düğmesi
- ④ sıcaklık kontrol
- ⑤ puls düğmesi/yüksek hız, yüksek sıcaklık çırpıcı düğmesi
- ⑥ hız kontrolü
- ⑦ zaman/sıcaklık seçim düğmesi
- ⑧ sıcaklık lambası yanar
- ⑨ ekleme düğmesi
- ⑩ hız kontrol düğmesi



aletin yüksekliğini ayarlamak

Mikserin montajı ile ilgili lütfen sayfa 98'a bakın.

çırpıcı, paslanmaz çelik K çırpıcı, karıştırma aleti

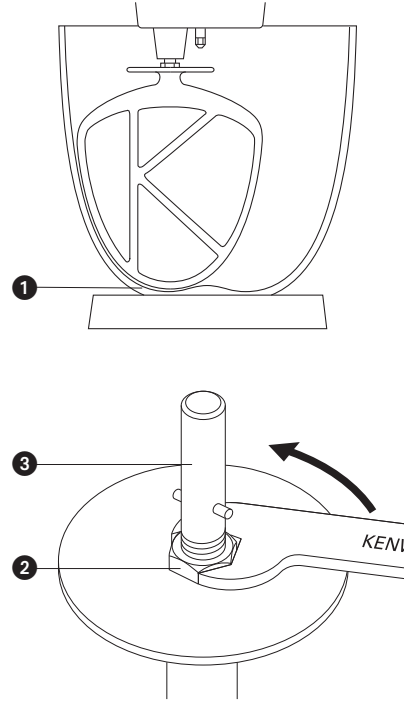
En iyi performans için çırpıcıyı, K çırpıcıyı ve karıştırma aleti **neredeyse** kasenin **1** tabanına deymelidir. Gerekirse sağlanan anahtarı kullanarak yüksekliği ayarlayın.

Şu şekilde:

- 1 Aleti fişten çekin.
- 2 Mikser kafasını kaldırın ve çırpıcıları veya karıştırma aletini takın.
- 3 Mikser kafasını indirin. Eğer açıklığın ayarlanması gerekiyorsa mikser kafasını kaldırın ve aleti çıkarın.
- 4 Sağlanan anahtar ile milin ayarlanmasını sağlayarak somunu yeterince sıkıştırın **2**. Aleti kasenin tabanına yaklaştırmak için mili saat yönünün tersine çevirin **3**. Aleti kasenin tabanından uzaklaştırmak için mili saat yönüne çevirin.
- 5 Somunu tekrar sıkıştırın.
- 6 Aleti miksera takın ve mikser kafasını alçaltın. (Pozisyonunu kontrol edin, yukarıdaki noktalara bakın).
- 7 Alet düzgün yerleşene kadar gerekli oldukça yukarıdaki adımları tekrar edin. Bu sağlandığında somunu güvenle sıkıştırın.

yüksek sıcaklık için esnek çırpıcı – bu alet kasenin tabanına deyecek şekilde durmalıdır.

hamur kancası – bu alet fabrika tarafından ayarlanmıştır ve ayar gerektirmez.



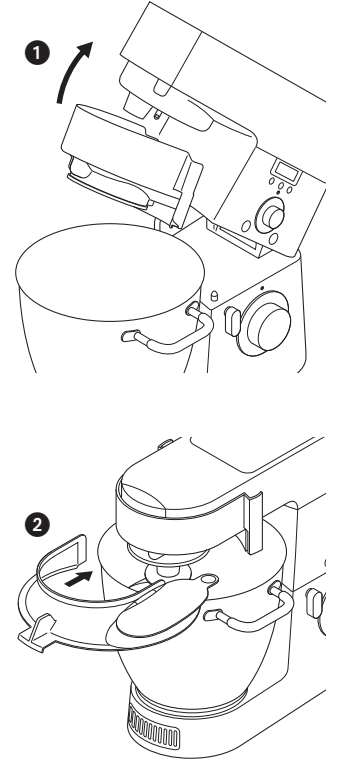
sıçrama koruyucu ünitenizi yerleştirmek ve kullanmak için

Sıçrama koruyucu ünite 2 parçadan oluşur: sıcaklık kalkanı ve sıçrama koruyucu.

Sıcaklık kalkanı pişirme işlemi sırasında yerleştirilmiş olmalıdır, aksi taktirde mikser çalışmaz ve E:03 hata kodu görüntülenir. Sıcaklık kalkanı, mikser kafasını pişirme işlemi sırasında oluşan buhardan korumak içindir.

Gerekirse sıcaklık kalkanı ve sıçrama koruyucu birlikte yerleştirilerek malzemelerin kasenin içerisinde kalması sağlanabilir örn. un ve toz şeker gibi hafif malzemeleri karıştırırken veya nemin kasede saklanması gerektirecek malzemeler pişiriliyorsa. Sıçrama koruyucu, sıcaklık kalkanı ile birlikte kullanılmadığı sürece kaseye takılmamalıdır.

- 1 Mikser kafasını kilitlenceye kadar kaldırın.
 - 2 Sıcaklık kalkanını mikserin kafasının **1** altına tamamen yerleşinceye kadar yukarı itin. Sıcaklık kalkanı asla plastik conta doğru takılmadan kullanılmamalıdır.
 - 3 Kaseyi tabana yerleştirin.
 - 4 Mikser kafasını indirin.
 - 5 Sıçrama koruyucuyu kase kenarına yerleştirin ve tamamen oturuncaya kadar **2** ileri doğru kaydırın.
 - Karıştırma sırasında malzemeler kabın içine doğrudan içine eklenebilir.
 - 6 Sıçrama koruyucuyu çıkartmak için cihazdan geri doğru çekin.
 - 7 Sıcaklık kalkanını çıkartmak için mikser kafasını kilitlenceye kadar kaldırın. Aleti çıkartın, daha sonra sıcaklık kalkanını mikser kafasının altından aşağı doğru çekin.
- Not: Sıçrama koruyucuyu sadece mikser kafası kilitli pozisyondayken takıp çıkartın.



mikser

mikser aletleri ve bazı kullanım şekilleri

- K-çırpıcı • Kek, bisküvi, pasta ürünleri, kaplama, dolgu, ekler ve patates püresi yapmak için.
- çırpıcı • Yumurta, krema, pasta hamuru, yağsız sünger kek, beze, cheesecake, mousse ve sufleler için. Çırpıcıyı yoğun karışımlarda kullanmayın (örn. yağ ve şeker kremalaştırma) -hasar verebilirsiniz.
- hamur kancası • Sadece maya karışımlarında.
- yüksek sıcaklık için esnek çırpıcı • Özellikle muhallebi, omlot ve sos gibi birçok pişirme operasyonu için uygundur. Karıştırma sırasında sıcak ve soğuk karışımları kasenin kenarından sıyırmak için idealdir. Sebzelerin sotelenmesi için de uygundur.
- karıştırma aleti • Pişirme sırasında yiyeceğin yoğunluğunun ayarlanması amacıyla kullanmak için uygundur. örn, tavuk, balık, sebzeler ve meyveler.

mikserin kullanımı

Mikseri kullanmadan önce sıcaklığın ve hız kontrolünün kapalı 'O' pozisyonunda olduğundan emin olun.

- 1 Kafa kaldırma kolunu 1 saat yönünde döndürün ve mikser kafasını pozisyona kilitlemeye kadar yükseltin.
 - 2 Mil pinini oluğun içerisine yerleştirecek şekilde aleti sokete takın ve daha sonra kilitleme pozisyonuna 2 doğru döndürün.
karıştırma aleti – karıştırma aletini takmak için mili sokete yerleştirin, daha sonra uzatmadaki boşluğu mikser kafasının altındaki metal pine karşılık gelecek şekilde hizalayın. Küreği tutup mil pini oluğun altına gelene kadar döndürün, daha sonra yukarı itirin ve kilitleme pozisyonuna getirin 3.
 - 3 Kaseyi tabanın üzerine yerleştirin – aşağı bastırın ve saat yönünde çevirin 4.
 - 4 Mikser kafasını alçaltmak için hafifçe kaldırın ve kafa kaldırma kolunu saat yönünde döndürün.
Kilitli pozisyonuna alçaltın.
- Alet çıkartmak için
- Yukarıdaki 2. adımı tersine döndürün (Pişirme sonrası aletleri çıkartmak için her zaman fırın eldiveni kullanın).
 - 5 Mikseri prize takın. Hız ve sıcaklık göstergeleri ışıkları kısa bir süre için yanar. Ekran "88:88"i gösterecektir ve sonra aydınlanan güç açık indikatörünü bırakarak temizleyin.
 - 6 Hız kontrolünü arzu ettiğiniz ayara getirin (tavsiyeler için bkz. sayfa 99), mikser çalışmaya başlar ve hız kontrol ışığı yanıp söner. Zamanlayıcı 1 saniye aralarla sayacaktır. Hız mikser çalışırken her zaman değiştirilebilir.
 - 7 Hız kontrolünü 'O' pozisyonuna döndürerek mikseri kapatın.

Önemli – Eğer herhangi bir zamanda çalışma sırasında mikser kafası yükselirse, mikser otomatik olarak duracak, bip sesi çıkartacak ve mikser kafası indirildiğinde tekrar çalışmayacaktır. Mikseri tekrar çalıştırmak için hız anahtarını kapalı 'O' pozisyonuna getirin ve sonra hızı tekrar seçin.

puls düğmesi

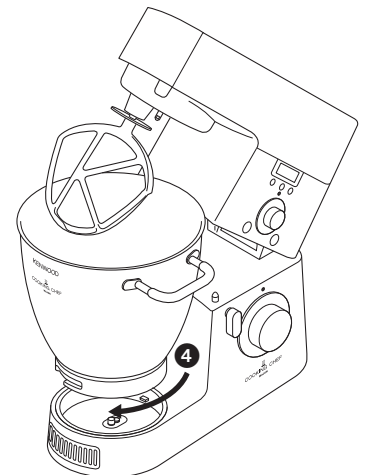
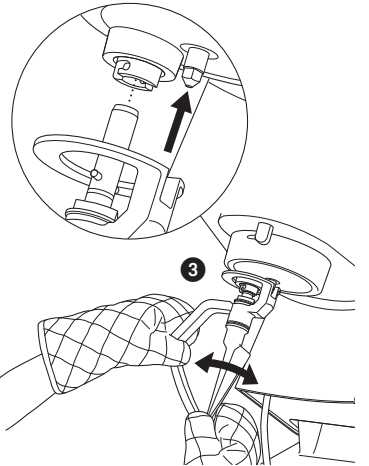
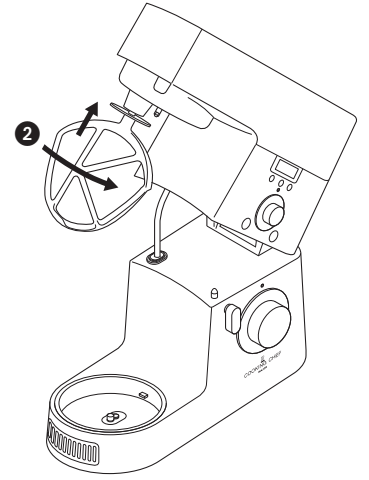
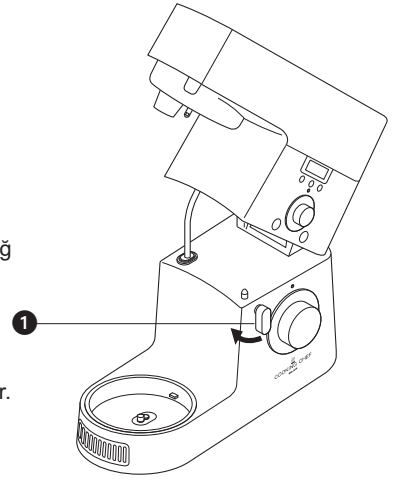
Puls düğmesi sadece hız kontrolü kapalı 'O' pozisyonunda olduğu zaman kullanılabilir.

Pulsu seçmek için puls düğmesine P basın, anahtar bu pozisyonda tutulduğu sürece mikser maksimum hızda çalışacaktır. Eğer kase içeriği 60°C'den yüksekse, hız yavaş yavaş yükselecektir. Buna bir bip sesi eşlik eder ve hız ve sıcaklık göstergesinin ışıkları hızlı bir şekilde yanıp söner.

ekleme düğmesi

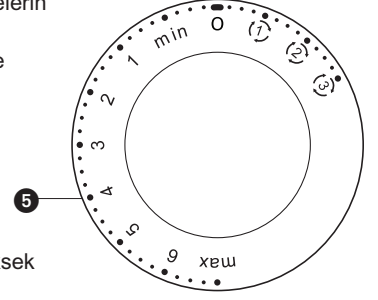
Ekleme düğmesine Q basın ve bırakın ve mikser 2 devir boyunca otomatik olarak minimum hızda çalışacak ve daha sonra duracaktır. Düğme daha uzun çalışma için basılı tutulabilir veya malzemeleri karıştırmak için ihtiyaç duyulduğu kadar tekrar basılabilir.

Not: Eğer ekleme düğmesi motor çalışırken basılı tutulursa standart ekleme fonksiyonunu sergiler ve seçili hıza geri döner.



hız kontrolü 5

Aşağıdakiler sadece rehberdir ve kasedeki karışımın ve karışan maddelerin miktarına ve sıcaklığına dayanarak farklılık gösterecektir. 'Min' ile 'Maks' arası hızları ayarlamak için hız kontrolünü saat yönünde çevirin.



K-çırpıcı • **yağ ve şeker kremalaştırma** en yavaşta başlar gittikçe 'maks'a doğru hızlanır.

• **kremalaşmış karışımlara çırpılmış yumurta koyma** 4- 'maks'.

• **un, meyve, vs ekleme** min - 1

• **hepsi bir arada keklerde** en düşük hızla başlayın yavaş yavaş en yüksek hıza çıkın.

• **una yağ sürme** min - 2

yüksek sıcaklık için esnek çırpıcı • **yağ ve şeker kremalaştırma** en yavaşta başlar gittikçe 3'e doğru hızlanır.

çırpıcı • **sıcak ve soğuk karışımları kaseinin kenarından sıyırma** min'da başlar ve yavaş yavaş 3'e doğru hızlanır.

• **sebze soteleme, risotto ve polenta karıştırma vs.,** (1) kullanın .

çırpıcı • Yavaş yavaş 'mak'a doğru arttırın.

hamur kancası • 'min' ile başlayın yavaş yavaş 1'e yükseltin.

karıştırma aleti • Sadece karıştırma ayarlarıyla kullanın (1), (2), (3).

karıştırma ayarları

Karıştırma ayarlarını seçmek için hız kontrolünü saat yönünün tersine çevirin. Bu ayarlar en çok mikseri pişirme modunda kullandığınızda uygundur. Bu karıştırma ayarlarını kullanabilmek için tüm çıkış kapaklarının takılı olmaları gerektiğini aklınızda bulundurun.

(1) Bu ayarı sabit yavaş bir hız gerektiğinde kullanın örn. sosları karıştırmak için.

(2) Hız kontrolü bu pozisyonda ayarlandığında mikser aralıklı olarak her 5 saniyede bir yaklaşık 2 devir boyunca yavaş hızda çalışır.

(3) Hız kontrolü bu pozisyonda ayarlandığında mikser aralıklı olarak her 30 saniyede bir yavaş hızda çalışarak güveçleri vs. karıştırmaya olanak verir.

Çalışmayı durdurmak için hız kontrolünü kapalı '0' pozisyona getirin.

Not:

- Bir hız seçildiğinde, hız gösterge ışığı yanar.
- Kullanım sırasında cihazdan ince bir ses duyulabilir. Bu normaldir.

mikseri yemek pişirmek amacıyla kullanmak için

ÖNEMLİ

- İndüksiyon alanı, sıcaklık sensörleri ve kaseinin dış yüzeyinin temiz olduğundan emin olun. Aksi takdirde sıcaklık sensörleri etkilenecek düşük bir pişirme performansı elde etmenize sebep olacaktır.
- Sıcaklık kalkanı dahil tüm çıkış kapaklarının yerleştirilmiş olduğundan emin olun. Eğer düzgün yerleştirilmemişlerse ısıtma fonksiyonu çalışmayacaktır.
- Pişirme sonrası kaseyi ve aletleri çıkartmak için her zaman fırın eldiveni kullanın.

1 Mikseri sayfa 98'daki talimatları izleyerek birleştirin.

2 Sıcaklık kontrolünü istenilen sıcaklığa getirin.

• **Bir hız seçilmediği sürece ısıtma başlamayacaktır.**

3 Hız kontrolünü istenilen hıza ayarlayın, böylece motor ve ısıtıcı çalışmaya başlar. Her iki gösterge ışığı da yanıp söner.

4 Ayarlanan sıcaklığa ulaşıldığında, sıcaklık gösterge ışığı sürekli olarak yanar. Eğer pişirme sırasında sıcaklık değişirse, mikserin ayarlanan sıcaklığı korumaya çalıştığını gösteren ışık yanıp sönmeye başlar (lütfen sayfa 93'teki girişi okuyun).

• Eğer kase sıcaklığı 60°C'yi geçerse, daha yüksek bir hız seçilmiş olsa da güvenlik nedenlerinden ötürü hız otomatik olarak sınırlanır. Hız 60°C'nin altına düştüğünde otomatik olarak artmaya başlamaz. Hız kontrolü önce kapatılmalı, daha sonra istenilen hız tekrar seçilmelidir.

- Not: Zamanlayıcı/sıcaklık seçim düğmesine her basıldığında gösterge, zamanlayıcı göstergesi ile kase içeriğinin sıcaklığı arasında değişir.
- 5 Karıştırma ve ısıtma sürecini bekletmek veya durdurmak için hız kontrolünü kapalı 'O' pozisyonuna getirin. İşleme devam etmek için bir hız seçin.

İp uçları

- **Bazı tarifler, özellikle içeriğinde su miktarı fazla olanlar, 100°C'nin (suyun kaynama noktası) üzerinde bir pişirme sıcaklığına ulaşamazlar.**
- Pişirme sırasında kaseye malzeme eklemek için önce hızı azaltın, daha sonra da malzemeleri yavaş yavaş ve eşit miktarlarda ekleyin.
- Sosları çabuk ısıtmak için sürekli bir karıştırma ayarı (1) kullanın.
- Siz de yemek hazırlığınız sırasındaki değişik süreçler için aletleri değiştirmenin daha iyi sonuçlar yaratacağını fark edeceksiniz, örn. sebzeleri kızartırken yüksek sıcaklık için esnek çırpıcıyı ve parça et veya tavuk pişirirken karıştırma aletini.
- Eğer pişirme sırasında sıçrama koruyucu kullandıysanız, mikser kafasını kaldırmadan önce koruyucuyu çıkartın. Sıçrama koruyucu ve sıcaklık kalkanında oluşan yoğunlaşmaya dikkat edin.
- Mikser kafasını kaldırırken sıcaklık kalkanının altında birikmiş olan sıvıların tekrar kaseye akmasını sağlamak için yavaşça kaldırın.
- Her bir tarife uygun karıştırma miktarını seçmenize imkan sağlayan üç karıştırma fonksiyonu mevcuttur. Bazı tarifler, malzemelerin kasenin tabanına yapışmasını engellemek için sürekli karıştırma gerektirir, bazılarında ise ara sıra karıştırma ile yiyeceğin yoğunluğu sağlanabilir.
- Optimum performans için araç yüksekliklerini ayarlayın, bkz. sayfa 97.
- Maksimum pişirme süresi 3 saattir, bu sürenin sonunda mikser otomatik olarak kapanır.
- Alet yerleştirmeden yemek pişirmek mümkündür, fakat bir hız seçilmelidir. Bu durum yiyecekleri örn. yağ, çikolata eritirken avantaj sağlar.
- Zamanlayıcı/sıcaklık seçim düğmesine her basıldığında gösterge, pişirme süresi ile o anda ulaşılmış olan sıcaklık arasında değişir.

Yüksek hız, yüksek sıcaklık çırpıcı kontrolü

60°C'nin üzerinde yüksek hızlarda çırpma için, hız kontrolünü arzu ettiğiniz çırpma hızına ayarlayın ve daha sonra puls düğmesini basılı tutun. Buna bir bip sesi eşlik eder ve hız ve sıcaklık göstergesinin ışıkları hızlı bir şekilde yanıp söner. Çırpma hızı yavaşça istenilen hıza çıkar. Hızı daha da artırmak için işlemi tekrar edin. Normalde olduğu gibi çırpma hızını azaltabilir veya mikseri kapatabilirsiniz.

Bu fonksiyon sadece çırpıcı ile KULLANILMALIDIR. Maksimum pişirme kapasitesi olan 3 litreyi aşmamalı ve sıçrama koruyucunun takılı olduğundan emin olmalısınız. Makine başıboş bırakılmamalıdır.

pişirme sonrası

- Pişirme modunda kullanırken veya pişirmeden sonra cihazı kullanırken, cihaz kapandıktan sonra bile uzun süre SICAK kaldıklarından, **ÖZELLİKLE KASE, SIÇRAMA KORUYUCU VE ARAÇLAR** gibi parçalara temas ederken çok dikkatli olun. Kaseyi çıkartıp kaşımak için tutamakları kullanın. Sıcak kaseyi ve sıcak karıştırma araçlarını kullanırken fırın eldivenleri kullanın.
- Kasenin alt kısmı ısıtma işlemi bittiğinden sonra uzun bir süre sıcak kalır. Kullanırken dikkatli olun ve sıcağa karşı duyarlı yerleri korumak amacıyla çalışma alanı için koruyucu altlık kullanın.

gösterge

Mikser güvenliğinizi için pişirme modunda devreye giren 5 ayrı güvenlik sensörü ile donatılmıştır. Mikser çalıştırılırsa ve bir güvenlik sensörü tetiklenirse zamanlayıcı/sıcaklık göstergesi bir hata mesajı gösterir, örn. 'E:01'. Bu durumu bir bip sesi takip eder ve mikser çalışmaz. Aşağıdaki hata mesajlarını kontrol edin:-

Hata Mesajı	Açıklama	Çözüm
E:01	Makinenin kafası yükselme pozisyonunda. Kafa kaldırıldığında bir güvenlik sensörü motoru ve ısıtıcıyı devre dışı bırakır. Eğer kafa kaldırılmışken hız kontrolü kapalı 'O' pozisyonundan başka herhangi bir ayardaysa, bu mesaj gösterilir ve motor çalışmaz.	Kafayı kapatın. Hız kontrolünü 'O' pozisyonuna çevirin ve daha sonra istenilen hızı seçin.
E:02	Cooking Chef Kasesi düzgün takılmadı. Isıtma fonksiyonu sadece kase kullanıldığında çalışır. Ayrıca kase düzgün takılmış olmalıdır. Güvenlik sensörleri yanlış bir kase takıldığında veya doğru kase yanlış takıldığında algılar.	Cooking Chef kasesinin kullanıldığından emin olun. Kasesinin düzgün yerleştiğinden emin olun. Hız kontrolünü 'O' a çevirin ve daha sonra istenilen hızı seçin.
E:03	Sıcaklık kalkanı takılmadı. Sıcaklık kalkanı doğru takılmadığında ısıtma fonksiyonu devre dışı bırakılır.	Sıcaklık kalkanının düzgün yerleştiğinden emin olun. Hız kontrolünü 'O' a çevirin ve daha sonra istenilen hızı seçin.
E:04	Düşük hız çıkışı ve yüksek hız/orta hız çıkışı kapakları takılı değil. Bu kapaklarda güvenlik sensörleri bulunur. Kapaklar doğru takılmadığında ısıtma fonksiyonu kapanır ve eğer karıştırma fonksiyonu seçiliyse motor çalışmaya devam eder. Min ile maks. arası karıştırma hızları çalışmaya devam eder.	Tüm kapakların düzgün yerleştiğinden emin olun. Hız kontrolünü 'O' a çevirin ve daha sonra istenilen hızı seçin.
E:09	Sıcaklık sensörü sorunu. Sıcaklık kontrolü normal kullanım sırasında beklenenden daha yüksek bir sıcaklık algılırsa motor ve ısıtıcı otomatik olarak kapanır.	Hız kontrolünü 'O' a çevirin, makinenin fişini çekin ve soğumaya bırakın. Kase tabanının ve sıcaklık sensörlerinin temiz olduğundan emin olun. Fişi geri takın ve normalde yaptığınız gibi çalıştırın.
E:10	Motor hızı veya aşırı ısınma problemi. Eğer motor durur veya aşırı ısınır, kontrol sistemi otomatik olarak motoru ve ısıtıcıyı kapatır.	Hız kontrolünü 'O' a çevirin ve makinenin fişini çekin. Motorun durmasına sebep olabilecek tüm engelleri giderin. Tüm hava girişlerinin serbest olduğundan emin olun. Fişe takın ve çalıştırın.

Eğer göstergede bu veya başka hata kodları görünmeye devam ederse Kenwood Müşteri Hizmetleri ile iletişime geçin.

geri sayım zamanlayıcısının kullanımı

Zamanlayıcı hem pişirme modunda hem de normal modda kullanılabilir. Eğer bir geri sayım süresi girilmemişse, zamanlayıcı mikser çalışırken otomatik olarak 1 saniyelik aralıklarla ileri doğru sayar. Maksimum çalışma süresi 3 saattir.

- 1 Mikseri prize takın. Ekran kısa bir süre için gösterecektir ve sonra güç açık indikatörünü görünür bırakarak temizleyin.
- 2 + veya - düğmelerine basın ve göstergede 0:00 görüntülenir.
- 3 İstenilen zaman görülene kadar + veya - düğmelerine basın. Zamanlayıcı 5 saniye aralarla sayacaktır. Eğer düğmeye sürekli basılırsa, ne kadar uzun süre basılı tutulursa sayılar o kadar daha hızlı değişecektir. Maksimum 3 saat ayarlanabilir.
Not: Zamanlayıcı 3:00'dayken + düğmesine basılırsa gösterilen zaman 0:00 olarak değişecektir. Zamanlayıcı 0:00'dayken - düğmesine basılırsa gösterilen zaman 3:00 olarak değişecektir.
- 4 Hız kontrolünü istenilen hıza ayarlayın, mikseri çalışmaya başlar ve bir saniye aralarla zamanlayıcı geri saymaya başlar.
 - Mikserin çalışması istenildiği zaman hız kontrolü kapalı 'O' pozisyona getirilerek durdurulabilir. Bu ayrıca zamanlayıcıyı da durduracaktır. Zamanlayıcı mikser tekrar çalıştırıldığında geri sayıma devam eder.
- 5 Toplam zaman geçtiğinde karıştırma işlemi otomatik olarak 3 saniye boyunca duyulabilir bip sesleri çıkacaktır. 5 saniye boyunca ekran yanıp sönecektir ve sonra güç açık indikatörünü gösterecektir.

zamanlayıcıyı sıfırlamak

- 1 + ve - düğmelerine eş zamanlı basarak zamanlayıcıyı sıfırlayın (hız kontrolü kapalı 'O' pozisyonunda olmalıdır).
- Eğer makine 10 dakika boyunca boş durmuşsa, LCD göstergede ve aydınlatma ışığında 'uyku modu' görüntülenir ve tüm göstergeler kapanır. Herhangi bir tuş veya kontrol düğmesi çalıştırılırsa gösterge önceki formatında çalışmaya devam eder.

maksimum kapasiteler

- ince kenarlı pasta ürünleri** • Un ağırlığı: 910g
- yoğun maya hamuru** • Un ağırlığı: 1.5kg
- Toplam ağırlık: 2,4kg
- yumuşak maya hamuru** • Un ağırlığı: 2,6kg
- Toplam ağırlık: 5kg
- meyveli kek karışımı** • Toplam ağırlık: 4,55kg
- yumurta beyazı** • 16
- pişirme modu** • 3 litre

- genel ipuçları • Karıştırmayı durdurun ve tencereyi sık sık spatula ile kazıyın.
- Çırpma için en uygun olanı oda sıcaklığındaki yumurtalardır.
- Yumurta beyazlarını çırpmadan önce kasenin içinde yağ veya yumurta sarısı olmadığından emin olun.
- Tarifiniz aksini söylemediği sürece pasta ürünleri için soğuk malzemeler kullanın.

ekmek yapımı ile ilgili noktalar

- önemli • Belirlenen maksimum kapasiteleri aşmayın – makineyi fazla yüklersiniz.
- Makineden ses geldiğini duyarsanız, kapatın, hamurun yarısını alın ve her bir yarıyı ayrı ayrı yapın.
- Malzemeler en iyi sıvıyı önceden koyarsanız karışır.

pişirirken sorun giderme rehberi

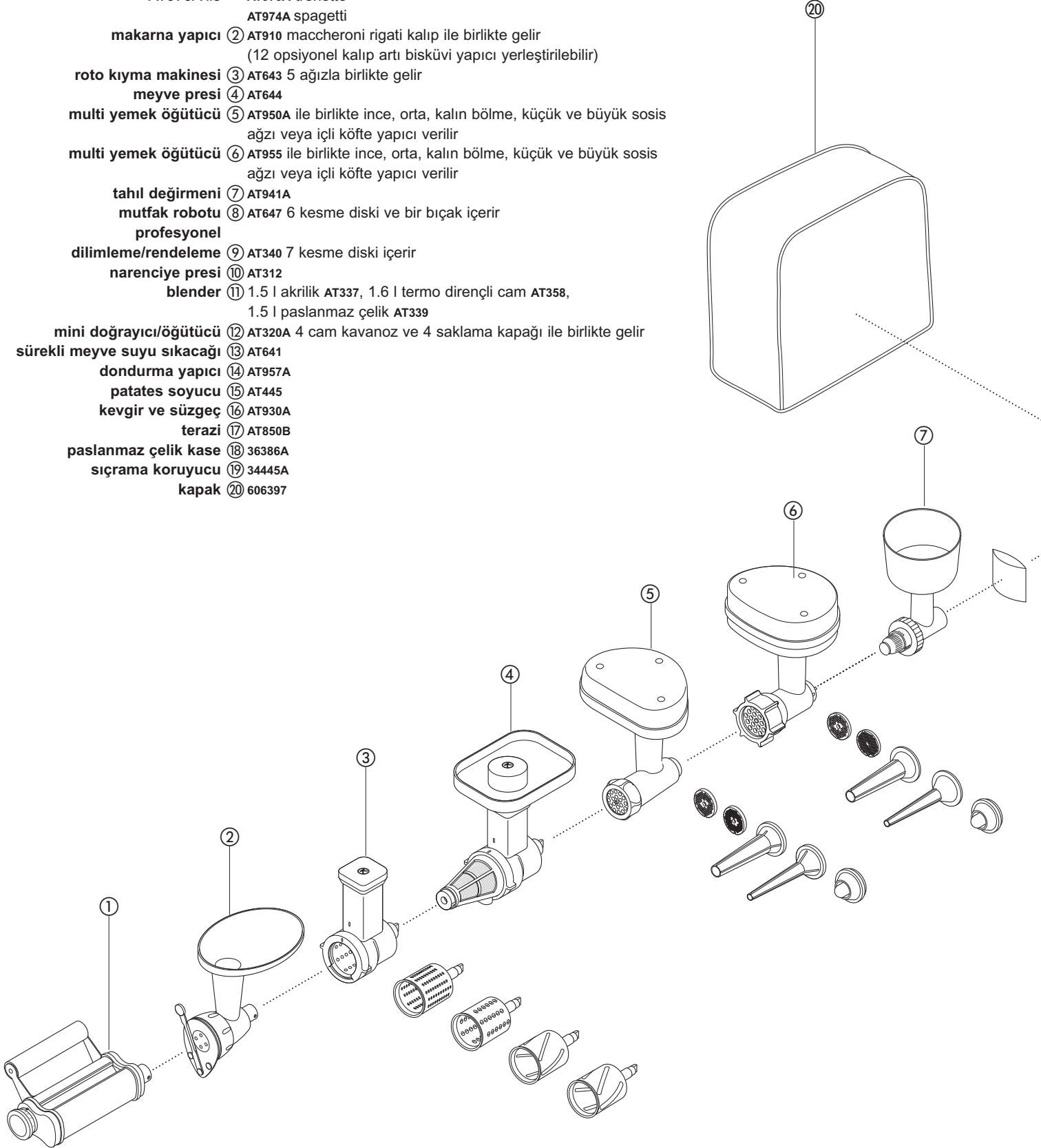
Problem	Nedeni	Çözüm
Mikser ısıtma modunda çalışmaz, bir hata mesajı görüntüler ve bir uyarı için bir bip sesi çıkarır.	Güvenlik sensörlerinden biri tetiklendi.	Sayfa 101'deki hata mesajları ile ilgili tabloya bakın. <ul style="list-style-type: none"> • Kafanın alçaltılmış ve kilitleti olduğundan emin olun. • Tüm kapakların düzgün yerleştiğinden emin olun. • Sıcaklık kalkanının düzgün yerleştiğinden emin olun. • Cooking Chef kasesinin doğru yerleştirilmiş olduğundan emin olun.
Bir sıcaklık seçili, fakat kase içeriği ısınmıyor (sıcaklık göstergesi ışığı yanmıyor).	Bir hız seçilmedi.	Bir hız seçin.
Mikser pişirme sırasında hız değiştiriyor.	Kase içeriği 60°C'ye eriştiğinde hız otomatik olarak sınırlandı.	Bu bir güvenlik özelliğidir.
Kasenin dibindeki yemek yanıyor.	<ol style="list-style-type: none"> 1 Seçili sıcaklık ayarı çok yüksek olabilir. 2 Yanlış alet kullanılıyor. 3 Karıştırma fonksiyonu çok yavaş. 4 Alet kasenin içerisinde yeterince alçak değil. 5 Zamanlayıcı çok uzun bir süreye ayarlı. 6 Sensör ve/veya kasenin altı temiz olmayabilir. 	<ol style="list-style-type: none"> 1 Ayar düğmesi üzerindeki sıcaklığı azaltın veya daha düşük bir sıcaklıkta pişirin. 2 En uygun aletin kullanılıp kullanılmadığından emin olun. 3 Karıştırma fonksiyonunun frekansını artırın veya sürekli bir işleme yükseltin. 4 Aleti ayarlayın. 5 Daha kısa bir süre pişirin (yemeğin iyice piştiğinden emin olun). 6 Bu bölgelerin temiz ve kuru tutulduğundan emin olun.
Yiyeceğin yoğunluğu ayarlanamadı.	<ol style="list-style-type: none"> 1 Çok yüksek bir sıcaklık seçildi. 2 Karıştırma fonksiyonu çok hızlı. 3 Malzemeler çok uzun bir süre pişirildi. 4 Yanlış alet kullanılıyor. 	<ol style="list-style-type: none"> 1 Sıcaklığı azaltın. 2 Karıştırma hızını azaltın. 3 Pişirme süresini azaltın (yemeğin iyice piştiğinden emin olun). 4 En uygun aletin kullanılıp kullanılmadığından emin olun.
Tutarsız karıştırma hızı.	<ol style="list-style-type: none"> 1 Malzemeler çok büyük, katı veya sert. 	<ol style="list-style-type: none"> 1 Yemeği daha küçük parçalar halinde kesin, meyvelerin çekirdeklerini çıkartın, alet takmadan malzemeleri yavaş yavaş eritin (fakat bir hızın seçili olduğundan emin olun) 2 Malzemeleri kafa alçaltıldıktan sonra ekleyin. 3 En uygun aletin kullanılıp kullanılmadığından emin olun.
Sıcak bir karışıma soğuk malzemeler eklendi, fakat sıcaklık göstergesi çabuk tepki vermiyor.	Eğer kasenin içeriği düzgün bir şekilde karıştırılmazsa, kasenin farklı yerlerindeki yemek sıcaklıkları farklılık gösterir.	<ol style="list-style-type: none"> 1 Malzemelerin iyice karışmaları için zaman verin. 2 Karıştırma hızını artırın.
Kasenin içerisinde yemek varken mikser kafasını kapatmak zor.	Kasenin dibindeki çikolata gibi katı malzemeler mikser kafasının kilitlemesine engel oluyor.	Malzemeleri mikser kafası alçaltıldıktan sonra ekleyin.
Karıştır (2) veya karıştır (3) seçiliyken mikser sürekli çalışıyor.	Çıkış kapakları yanlış yerleştirilmiş.	Çıkış kapaklarının düzgün yerleştiğinden emin olun.
Aletleri kullanırken motor hızı sınırlı	Sıcak kase yerleştirildi.	Kaseyi çıkartın veya kaseyi 60°C'nin altına kadar soğutun.

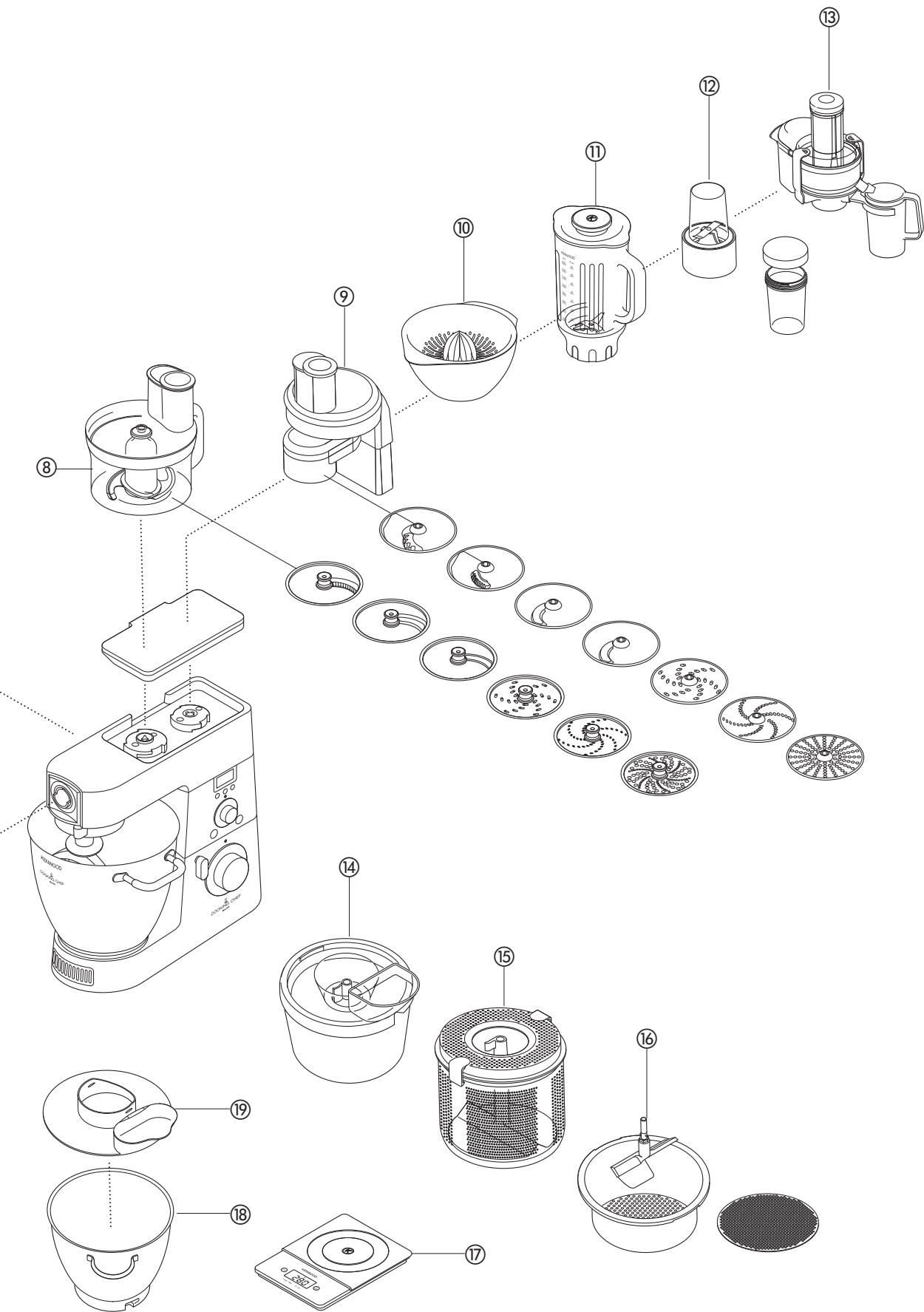
opsiyonel ekler mevcuttur

Paketinize ek alma dahil değildir, servis ve müşteri bakımını görün.

Ek parçalar ek parça kodu

- düz makarna yapıcı** ① AT970A
ilave makarna ekleri AT971A tagliatelle
(gösterilmiyor) birlikte kullanılır AT972A tagliolini
AT970A ile AT973A trenette
AT974A spagetti
- makarna yapıcı** ② AT910 maccheroni rigati kalıp ile birlikte gelir
(12 opsiyonel kalıp artı bisküvi yapıcı yerleştirilebilir)
- roto kıyma makinesi** ③ AT643 5 ağızla birlikte gelir
- meyve presleri** ④ AT644
- multi yemek öğütücü** ⑤ AT950A ile birlikte ince, orta, kalın bölme, küçük ve büyük sosis
ağız veya içli köfte yapıcı verilir
- multi yemek öğütücü** ⑥ AT955 ile birlikte ince, orta, kalın bölme, küçük ve büyük sosis
ağız veya içli köfte yapıcı verilir
- tahıl değirmeni** ⑦ AT941A
- mutfak robotu** ⑧ AT647 6 kesme diski ve bir bıçak içerir
- profesyonel**
- dilimleme/rendeleme** ⑨ AT340 7 kesme diski içerir
- narenciye presleri** ⑩ AT312
- blender** ⑪ 1.5 l akrilik AT337, 1.6 l termo dirençli cam AT358,
1.5 l paslanmaz çelik AT339
- mini doğrayıcı/öğütücü** ⑫ AT320A 4 cam kavanoz ve 4 saklama kapağı ile birlikte gelir
- sürekli meyve suyu sıkacağı** ⑬ AT641
- dondurma yapıcı** ⑭ AT957A
- patates soyucu** ⑮ AT445
- kevgir ve süzgeç** ⑯ AT930A
- terazi** ⑰ AT850B
- paslanmaz çelik kase** ⑱ 36386A
- sıçrama koruyucu** ⑲ 34445A
- kapak** ⑳ 606397

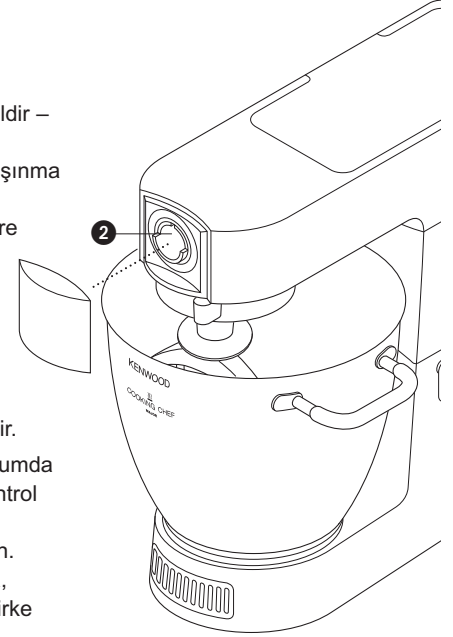




temizlik ve servis

bakım ve temizlik

- Temizlemeden önce daima kapatın ve fişi çekin.
- İlk kullandığınızda **çıkışta 2** bir miktar yağ görünebilir. Bu normaldir – temizleyin.
- Sıcaklık sensörlerinin metal yüzeyleri normal kullanım sırasında aşınma gösterebilir. bu ürünün performansını etkilemez.
- Kullanmadığınız zaman yüksek sıcaklık için esnek çırpıcıyı mikserle takılı olarak bırakmayın.



- Nemli bir bezle silin, sonra kurulayın.
- Asla suya batırmayın veya çözücü temizleyiciler kullanmayın.
- Temizlemeden önce esnek sıyrıcıyı daima aletten çıkartın.
- Esnek sıyrıcıyı ve aleti sıcak sabunlu su ile yıkayın ve güzelce kurulayın. Alternatif olarak parçaları bulaşık makinesinde yıkanabilir.
- Note: Lütfen kullanmadan önce ve sonra aletin gövdesinin ne durumda olduğunu kontrol edin, ayrıca lastik kısımları da düzenli olarak kontrol edin ve aşınmaya başladıkları takdirde değiştirin.
- Elde yıkayın, sonra iyice kurulayın ve bulaşık makinasında yıkayın.
- Paslanmaz çelik tencerenizi temizlemek için hiçbir zaman tel fırça, sert yün veya çamaşır suyu kullanmayın. Kireci temizlemek için sirke veya uygun bir kireç çözücü kullanın.
- Eğer kaseinin içerisinde yiyecek yapışır veya yanarsa, sağlanan spatulayla çıkarabildiğiniz kadarını çıkartın. Kaseyi sabunlu sıcak su ile doldurun ve yumuşamaya bırakın. İnatçı artıkları naylon fırça kullanarak çıkartın.
- Kasede oluşabilecek renk değişimleri performansı etkilemez.
- Bu bölgenin yemekten arındırılmış olduğundan emin olun. Gerekirse bir boru temizleyici veya pamuklu çubuk kullanın.
- Nemli bir bezle silin, sonra iyice kurulayın. Sensörleri temizlemek için asla çözücü temizleyiciler veya sivri araçlar kullanmayın.

servis ve mü teri hizmetleri

- Kablo hasar görürse, güvenlik nedeniyle, KENWOOD ya da yetkili bir KENWOOD tamircisi tarafından değiştirilmelidir.

Aşağıdakilerle ilgili yardıma ihtiyacınız olursa:

- cihazınızın kullanımı veya
- servis veya tamir
- Cihazınızı satın aldığınız yerle bağlantı kurun.
- Kenwood tarafından İngiltere'de dizayn edilmiş ve geliştirilmiştir.
- Çin'de üretilmiştir.



ÜRÜNÜN AT DİREKTİFİ 2002/96/AT İLE UYUMLU OLARAK DOĞRU ŞEKİLDE BERTARAF EDİLMESİ İÇİN ÖNEMLİ BİLGİ.

Kullanım ömrünün sonunda ürün evsel atıklarla birlikte atılmamalıdır. Ürün yerel yetkililerce belirlenmiş atık toplama merkezine veya bu hizmeti sağlayan bir satıcıya götürülmelidir. Ev aletlerinin ayrı bir şekilde atılması çevre üzerindeki olası negatif etkileri azaltır ve aynı zamanda mümkün olan malzemelerin geri dönüşümünü sağlayarak önemli enerji ve kaynak tasarrufu sağlar. Ev aletlerinin ayrı olarak atılması gerekliliğini hatırlatmak amacıyla üzeri çarpı ile işaretlenmiş çöp kutusu resmi kullanılmıştır.

tarifler

Ekmek yapımı ile ilgili önemli noktalar için sayfa 102'e bakın.

- malzemeler**
- 1.36kg (3lb) güçlü sade un
 - 15ml (3çk) tuz
 - 25g (1oz) yaş maya; veya 15g/20ml (1Ç2oz) kuru maya + 5ml (1çk) şeker
 - 750ml (11Ç4ölçek) ılık su: 43°C (110°F). Termometre kullanın veya 250 ml (9fl oz) kaynar suyu 500 ml (18fl oz) soğuk suya ekleyin
 - 25g (1oz) domuz yağı
- yöntem**
- 1 **kuru maya** (sulandırma gerektiren tür): ılık suyu kaseye dökün. Daha sonra mayayı ve şekeri ekleyin ve köpükleninceye kadar yaklaşık 10 dakika bekleyin.
yaş maya: unun içine ufalayın.
diğer maya türleri: Üreticinin talimatları takip edin.
 - 2 Sıvıyı kaseye dökün. Daha sonra unu ekleyin (kullanılıyorsa yaş maya ile birlikte) tuz ve domuz yağı.
 - 3 Minimum hızda 45 – 60 saniye yoğurun. Daha sonra hızı 1. seviyeye artırın, hamur oluşana kadar gerekirse daha fazla un ekleyin.
 - 4 Hamur yumuşak, elastik olup kasenin kenarına yapışmayana kadar 1. hız seviyesinde 3 – 4 dakika daha yoğurun.
 - 5 Hamuru yağlı bir politen torbaya veya kurulama bezi ile kaplanmış bir kaseye koyun. Daha sonra hacmi iki katına çıkana kadar ılık bir yerde bekletin.
 - 6 1. seviyede 2 dakika daha yoğurun.
 - 7 450g'lık (1lb) dört yağlı kutunun yarısını hamurla doldurun veya rulo haline getirin. Daha sonra bir kurulama bezi ile örtüp hacmi iki katına çıkana kadar ılık bir yerde bekletin.
 - 8 *Somunlar için* 30 - 35 dakika veya *rulolar için* 10 – 15 dakika 230°C/450°F'de pişirin.
 - Hazır olduğunda, ekmeğin üzerine vurulduğunda içi boş gibi ses çıkartmalıdır.

- malzemeler**
- 2,6kg (2,27kg) normal sade un
 - 1.3 litre (21Ç4ölçek) süt
 - 300g (10oz) şeker
 - 450g (1lb) margarin
 - 100g (4oz) yaş maya veya 50g (2oz) kuru maya.
 - 6 çirpılmış yumurta
 - 5 tutam tuz
- yöntem**
- 1 Margarini sütün içinde eritin ve 43°C (110°F)'ye getirin.
 - 2 **kuru maya** (sulandırma gerektiren tür): mayayı ve şekeri süte ekleyin ve köpükleninceye kadar yaklaşık 10 dakika bekleyin.
yaş maya: unun içine ufalayım ve şekeri ekleyin.
diğer maya türleri: Üreticinin talimatları takip edin.
 - 3 Sütü kaseye dökün. Çirpılmış yumurtaları ve 2kg (4lb 6oz) unu ekleyin.
 - 4 Bir dakika boyunca minimum hızda karıştırın, daha sonra bir dakika daha 1. seviyede karıştırın.
Kenarlarını temizleyin.
 - 5 Kalan unu ekleyin ve minimum hızda bir dakika karıştırın, daha sonra yumuşak ve düzgün karışana kadar 1. seviyede 2 – 3 dakika daha karıştırın.
 - 6 450g'lık (1lb) yağlı kutularınızın yarısını hamurla doldurun veya rulo haline getirin. Daha sonra bir kurulama bezi ile örtüp hacmi iki katına çıkana kadar ılık bir yerde bekletin.
 - 7 *Somunlar için* 20 - 25 dakika veya *rulolar için* 10 – 15 dakika 200°C/400°F'de pişirin.
 - 8 Hazır olduğunda, ekmeğin üzerine vurulduğunda içi boş gibi ses çıkartmalıdır.
 - Yaklaşık 10 somun yapın.

tariflerin devamı

çilek ve kayısı kremalı pasta

- malzemeler: sünger kek
- 3 yumurta
 - 75g (3oz) toz şeker
 - 75g (3oz) sade un
- dolgu ve dekorasyon
- 150ml (1/4ölçek) duble krema
 - Tatlandırmak için şeker
 - 225g (8oz) çilek
 - 225g (8oz) kayısı
- yöntem
- 1 Kayısıları ikiye bölün ve çekirdeklerini çıkartın. Çok az suyun içinde hafifçe pişirin, yumuşayınca kadar tatlandırmak için şeker ekleyin
 - 2 Çilekleri yıkayın ve ikiye bölün.
 - 3 Sünger keki yapmak için yumurtaları ve şekerini maksimum hızda yoğun ve renksiz hale gelinceye kadar çırpın.
 - 4 Kaseyi ve çırpıcıyı çıkartın. Büyük metal bir kaşık kullanarak unu ekleyin – bunu yaparken süngerin yumuşak kalmasına dikkat edin.
 - 5 Karışımı 18 cm (7")'lik yağlanmış ve dizilmiş iki adet sandviç folyosuna koyun.
 - 6 Hafifçe dokununca eski şekline gelinceye kadar yaklaşık 20 dakika boyunca 180°C/350°F'de pişirin.
 - 7 Tel bir tabla üzerine tersyüz edin.
 - 8 Kremayı yoğunlaşınca kadar maksimum hızda çırpın. Şekerini ekleyin.
 - 9 Kayısıları ve çileğin üçte birini doğrayın. Kremanın yarısına dökün.
 - 10 Bunu sünger keklerden birinin üzerine yayın ve diğer sünger keki üzerine yerleştirin.
 - 11 Artan kremayı onun üzerine yayın ve kalan çileklerle süsleyin.

beze

- malzemeler
- 4 yumurta beyazı
 - 250g (9oz) süzgeçten geçirilmiş pudra şekeri
 - Pişirme tepsinizi yapışmaz pişirme kağıdı ile kaplayın.
- yöntem
- 1 Yumurta beyazlarını ve şekeri katılaşıncaya kadar maksimum hızda yaklaşık 10 dakika boyunca çırpın.
 - 2 Karışımı kaşıkla pişirme tepsisine boşaltın (veya 2.5 cm'lik (1") yıldız ağızlı bir krema torbası kullanın).
 - 3 Sert ve çıtır bir kıvama gelinceye kadar yaklaşık 4 – 5 saat 110°C/225°F'de pişirin. Eğer renkleri kahverengiye dönmeye başlarsa fırının kapısını hafifçe aralık bırakın.
 - Bezeleri hava geçirmeyen bir kaptaki saklayın.

ince kenarlı pasta ürünleri

- malzemeler
- 450g (1lb) elenmiş un ve tuz
 - 5ml (1çk) tuz
 - 225g (8oz) yağ (domuz yağı ve margarinle karışık olarak direkt buz dolabından)
 - Yaklaşık 80ml (4yk) su
 - Aşırı karıştırmayın
- ipucu
- yöntem
- 1 Unu kaseye dökün. Yağı kabaca doğrayın ve una ekleyin.
 - 2 Paslanmaz çelik K çırpıcıyı kullanarak 1. seviye hızda ekme kırıntılarını andırana kadar çırpın.
Yağlı gibi görünmeden önce durun.
 - 3 Suyu ekleyin ve maksimum hızda karıştırın. Su karıştığı an durun.
 - 4 Dolgusuna bağlı olarak yaklaşık 200°C/400°F'de pişirin.

chilli marinat

- malzemeler
- 200g (7oz) soğuk şeffaf bal (bir gece buzdolabında beklemiş)
 - 1 yeşil chilli (bütün)
 - 5ml (1 çk) gevrek fıstık yağı
 - baharatlar
- yöntem
- 1 Malzemelerin tümünü mini doğrayıcı/öğütücü içine koyun.
 - 2 Parçayı mikserle bağlayın ve malzemelerin bıçağın etrafında olmasını sağlayın.
 - 3 10 saniye darbeli olarak çalıştırın.
 - 4 Gereken şekilde kullanın.

Notes

Česky

před použitím tohoto zařízení Kenwood

- **Přečtěte si pečlivě pokyny v této příručce a uschovejte ji pro budoucí použití.**
- Odstraňte veškerý obalový materiál a nálepky.

seznámení s kuchyňským robotem Kenwood Cooking Chef

bezpečnost

důležité upozornění – elektronické implantáty

- Jako všechna zařízení na bázi indukčního ohřevu i tento přístroj produkuje krátkovlnné magnetické pole. Pokud má uživatel nebo osoba nacházející se v blízkosti zařízení voperovaný kardiostimulátor nebo jiný aktivní elektronický implantát, je nutné používání zařízení konzultovat s lékařem pro případ možné nekompatibility a zabránění možným zdravotním rizikům.
- Před montáží a demontáží příslušenství/nástrojů a před a po čištění spotřebič vypněte a zástrčku vytáhněte ze zásuvky.
- Udržujte bezpečnou vzdálenost tak, aby se pohyblivé části spotřebiče či nasazeného příslušenství nedostaly do kontaktu s končetinami, šperky a volným oděvem.
- Nevládejte prsty do uzavíracího mechanismu spotřebiče.
- Zapnutý spotřebič nikdy neponechávejte bez dozoru.
- Nepoužívejte spotřebič, pokud je poškozený. V takovém případě jej nechte opravit: viz oddíl „servis a péče o zákazníka“ na straně 124.
- Nepoužívejte příslušenství nedoporučené výrobcem; nikdy nepoužívejte více než jedno příslušenství najednou.
- Nepřekračujte maximální množství uvedené na straně 120 a v případě použití indukčního ohřivače nikdy nepřekračujte maximální objem 3 litrů vyznačený ryskou na vnitřní straně pracovní mísy.
- Před použitím příslušenství si přečtěte bezpečnostní pokyny uvedené v návodu.
- Spotřebič zvedejte opatrně, neboť je těžký. Před zvednutím spotřebiče se ujistěte, že pracovní mísa, příslušenství, krytky vývodů a přívodní kabel jsou zajištěny.
- Nenechávejte přívodní kabel volně viset v dosahu dětí.
- Pohonná jednotka, přívodní kabel a zástrčka nesmějí přijít do styku s vodou.
- Při manipulaci se spotřebičem v režimu vaření nebo po ukončení vaření je třeba opatrnosti – **ZVLÁŠTĚ PRACOVNÍ MÍSA, OCHRANNÝ KRUHOVÝ KRYT A PŘÍSLUŠENSTVÍ** zůstávají horké dlouho po vypnutí spotřebiče. Pro vyjmutí a manipulaci s pracovní mísou použijte držadla. Při manipulaci s horkou pracovní mísou a příslušenstvím používejte kuchyňské rukavice.
- Spodní strana pracovní mísy zůstává horká dlouho po ukončení vaření. Při manipulaci s horkou pracovní mísou buďte opatrní a použijte ochrannou podložku, abyste zabránili poškození povrchu pracovní plochy přílišným teplem.
- Při otevření ochranného krytu nebo zvednutí ramena robota dávejte pozor na páru unikající z nádoby.
- Před vložením horkého jídla z robota do mixeru jídlo vždy ponechte vychladnout na pokojovou teplotu a teprve poté vložte do mixeru.
- Používejte výhradně pracovní nádoby a ostatní příslušenství dodávané se spotřebičem. Pracovní nádobu používejte na ohřívání/vaření pouze s robotem.
- Nepoužívejte spotřebič v režimu vaření, pokud je pracovní nádoba prázdná.
- Větrací otvory nejsou určeny ke vkládání potravin.
- Při používání spotřebiče zajistěte, aby přístroj spočíval na rovném povrchu a v bezpečné vzdálenosti od okraje pracovní plochy. Zajistěte, aby spotřebič byl alespoň 10 cm od stěny a aby větrací otvory nebyly blokovány. Neumisťujte spotřebič pod policičky zavěšené bezprostředně nad spotřebičem.
- Pro správné a bezpečné fungování indukčního vařiče zajistěte, aby spodní část spotřebiče a tepelné senzory byly čisté a suché.
- Stejně jako u ostatních spotřebičů na bázi indukčního ohřevu nepokládejte platební karty, magnetická média nebo citlivá elektronická zařízení do blízkosti spotřebiče, pokud je v provozu.
- Nepoužívejte pro fritování potravin.
- Než začnete jíst, vždy se ujistěte, že jídlo je důkladně uvařené.
- Jídlo je nejlépe spotřebovat krátce po uvaření nebo ponechat vychladnout a ihned zmrazit.
- Toto příslušenství by neměly používat osoby (včetně dětí) trpící fyzickými, smyslovými či psychickými poruchami ani osoby bez náležitých znalostí a zkušeností. Pokud jej chtějí používat, musí být pod dozorem osoby odpovědné za jejich bezpečnost nebo je tato osoba musí poučit o bezpečném používání příslušenství.
- Dohlédněte, aby si děti s přístrojem nehrály.
- Toto zařízení je určeno pouze pro domácí použití. Společnost Kenwood vylučuje veškerou odpovědnost v případě, že zařízení bylo nesprávně používáno nebo pokud nebyly dodrženy tyto pokyny.

než spotřebič zapojíte do sítě

- Ujistěte se, že napětí v síti odpovídá napětí uvedenému na štítku na spodní straně spotřebiče.
- Tento spotřebič splňuje směrnici EC 2004/108/EC o elektromagnetické kompatibilitě a směrnici EC č. 1935/2004 ze dne 27/10/2004 o materiálech určených pro kontakt s potravinami.

před prvním použitím

Omyjte součásti spotřebiče – viz oddíl „údržba a čištění“ na straně 124.

úvod

Děkujeme vám za nákup kuchyňského robota Kenwood Cooking Chef a doufáme, že vám bude dlouhá léta dobře sloužit.

Kenwood má téměř šedesátiletou zkušenost s výrobou a vývojem kuchyňských spotřebičů a široké škály příslušenství.

Výrobky řady Kenwood Chef se teší dobrému renomé i proto, že nabízí mnohem více než běžné mixery. Při vývoji řady Cooking Chef jsme využili dobře známou všestrannost řady Chef a pokročili o krok dále díky integraci indukčního vaření přímo do přístroje, do prostoru pod pracovní nádobou. Nyní tak můžete využívat všechny výhody běžného mixování za studena při přípravě vašich oblíbených koláčků, sladkého pečiva a koblíhů – a zároveň i výhody integrovaného ohřevu a vaření přímo v pracovní nádobě v kombinaci s mixováním. Možnosti jsou téměř neomezené.

Spotřebič Kenwood Cooking Chef spolu s řadou volitelného doplňkového příslušenství představuje skutečně komplexního pomocníka pro přípravu jídel.

Silný, spolehlivý, všestranný – Kenwood.

Co je indukční vaření a na jakém principu funguje?

Indukční vaření je moderní metoda vaření, která využívá principu elektromagnetické indukce. Když elektrický proud prochází měděnou cívkou v prostoru pro indukční ohřívání pod pracovní nádobou, vytváří elektromagnetické pole. Pokud je pracovní nádoba spotřebiče správně nasazena a upevněna, prostřednictvím speciální vrstvy ocele na spodní části pracovní nádoby se uzavře elektrický obvod. Díky tomu se vzniká velké množství tepelné energie, která prochází do směsi potravin v pracovní nádobě, a dojde tak k ohřevu jídla.

Indukční vaření je energeticky velice efektivní, protože teplo se vytváří pouze ve spodní části nádoby. Při jiných metodách ohřívání, např. na plynovém sporáku, přijde vniveč téměř 50% tepelné energie po stěnách hrnce. Proto je oblast indukčního vaření na spotřebiči horká pouze během vaření a bezprostředně po něm, protože teplo z obsahu v nádobě putuje zpět. Ve výsledku to vše znamená, že indukční vaření je metodou velmi účinnou, bezpečnou a čistou.

Vaření s přístrojem Cooking Chef je podobné běžnému vaření s hrncem na sporáku. Výhodou je však to, že přístroj automaticky míchá jídlo v nádobě a reguluje teplotu při vaření přesně podle vašich požadavků, a vy tak máte více času věnovat se dalším činnostem v kuchyni.

Cooking Chef využívá technologii indukčního ohřevu, která je velice účinná. Ve srovnání s vařením na plynovém nebo elektrickém sporáku je zapotřebí kratší doby a také nižší teploty. Vezměte toto prosím v úvahu, zvláště před prvním vařením s přístrojem, nebo zkoušíte-li nový recept. Pokud začnete vařit na vysokou teplotu, buďte v pohotovosti, abyste mohli teplotu v případě potřeby snížit a zabránit tak spálení jídla nebo jeho připečení k povrchu nádoby, podobně jako byste učinili při vaření na sporáku. Obecně platí, že Chef automaticky ohřeje jídlo na požadovanou teplotu v nejkratší možné době. Pro zkrácení doby vaření tedy není nutné nastavit teplotu vyšší, než byste ji běžně nastavili. V této fázi byste také měli věnovat pozornost nastavení frekvence míchání. Při vaření o vysoké teplotě může být nezbytné nastavit regulátor míchání na neustálé míchání (1). Volby míchání (2) jsou (3) užitečné pro udržení konzistence jídla při delším vaření při nízké teplotě.

Volba vhodného příslušenství do pracovní nádoby je v této fázi rovněž důležitá. Nejvhodnější použití pro každého nástroje je vysvětleno dále v tomto návodu; s přibývajícím zkušenostmi sami rychle pochopíte, který nástroj se pro daný úkol hodí nejlépe. Při vlastním vaření zjistíte že ohebný šlehač pro vysoké teploty je optimální, chceme-li dosáhnout hladkého složení, např. omáček či krémových směsí, a míchadlo je zase lepší pro jídla s tužší konzistencí, např. dušené směsi, ragú apod. Náš receptář doporučí nejvhodnější příslušenství pro každý recept, a vy sami brzy přijdete na to, že změnou nástroje pro různé úkony během přípravy jídla dosáhnete lepších výsledků.

Během vaření a bezprostředně po skončení vaření budou nádoba, kruhový ochranný kryt a použité příslušenství horké na dotek – stejně jako v případě použití běžného hrnce na sporáku. Mějte toto prosím na vědomí při manipulaci. Také si prosím uvědomte, že při vaření bude vznikat pára a kondenzát, proto buďte opatrní při otevírání pracovní mísy, zvedání víka plnicího otvoru nebo ramena spotřebiče. Upozorněte také osoby ve vaší blízkosti, aby byly opatrné, když je spotřebič v provozu a horký na dotek. Při manipulaci s horkými součástmi spotřebiče je vhodné užívat ochranné rukavice a pracovní nádobu přenášet pouze za držadla. Doporučujeme také užití ochranné podložky povrchu pracovní plochy.

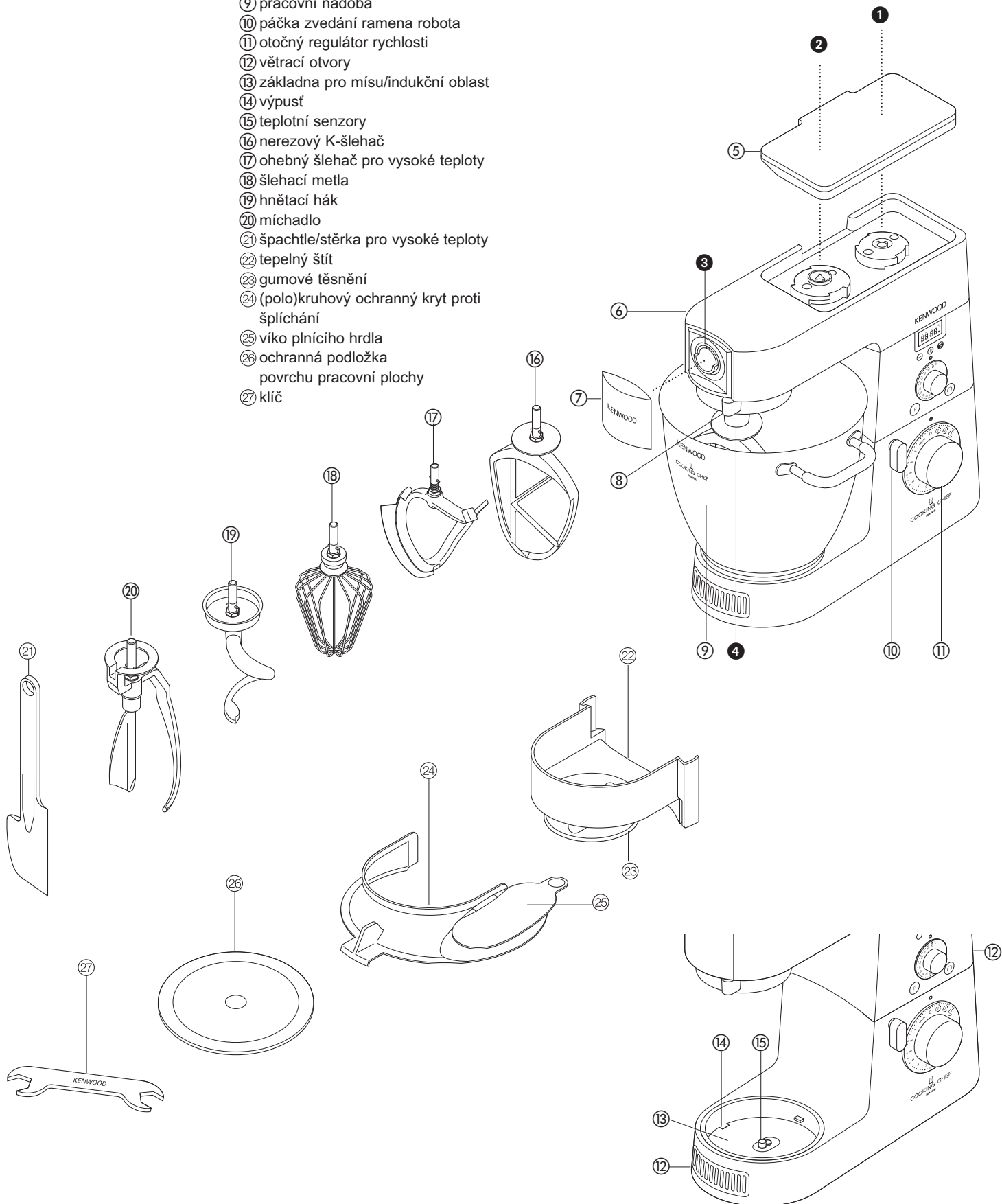
Při ohřívání tekutin nebo jídel s vysokým obsahem vody dosahuje přesnost měření teploty ca +/- 5°C. Přesnost hodnot měření se bude lišit v závislosti na hustotě (konzistenci) obsahu nádoby, množství potravin v nádobě, frekvenci míchání a použitím příslušenství. Je to opět podobné jako při vaření s běžným hrncem na ploténce, kdy ohříváme velké množství jídla ve velkém hrnci, ale nedostatečně je promícháme. Jídlo na dně hrnce bude v takovém případě velmi horké nebo dokonce připálené, zatímco na povrchu bude mnohem studenější.

Vedle displeje pro zobrazení teploty je spotřebič vybaven ještě malou modrou LED diodou. Tato dioda bliká, dokud spotřebič nedosáhne zvolené teploty. Po dosažení zvolené teploty blikání ustane. Pokud však během vaření přidáte další potraviny do nádoby, dioda začne opět blikat, protože přidáním dalších studených potravin dojde k poklesu teploty v nádobě. Světélko rovněž začne blikat při zvýšení frekvence míchání.

Brzy zjistíte, že používání robota Cooking Chef je jednoduché a velmi vám pomůže při každodenní přípravě pokrmů.

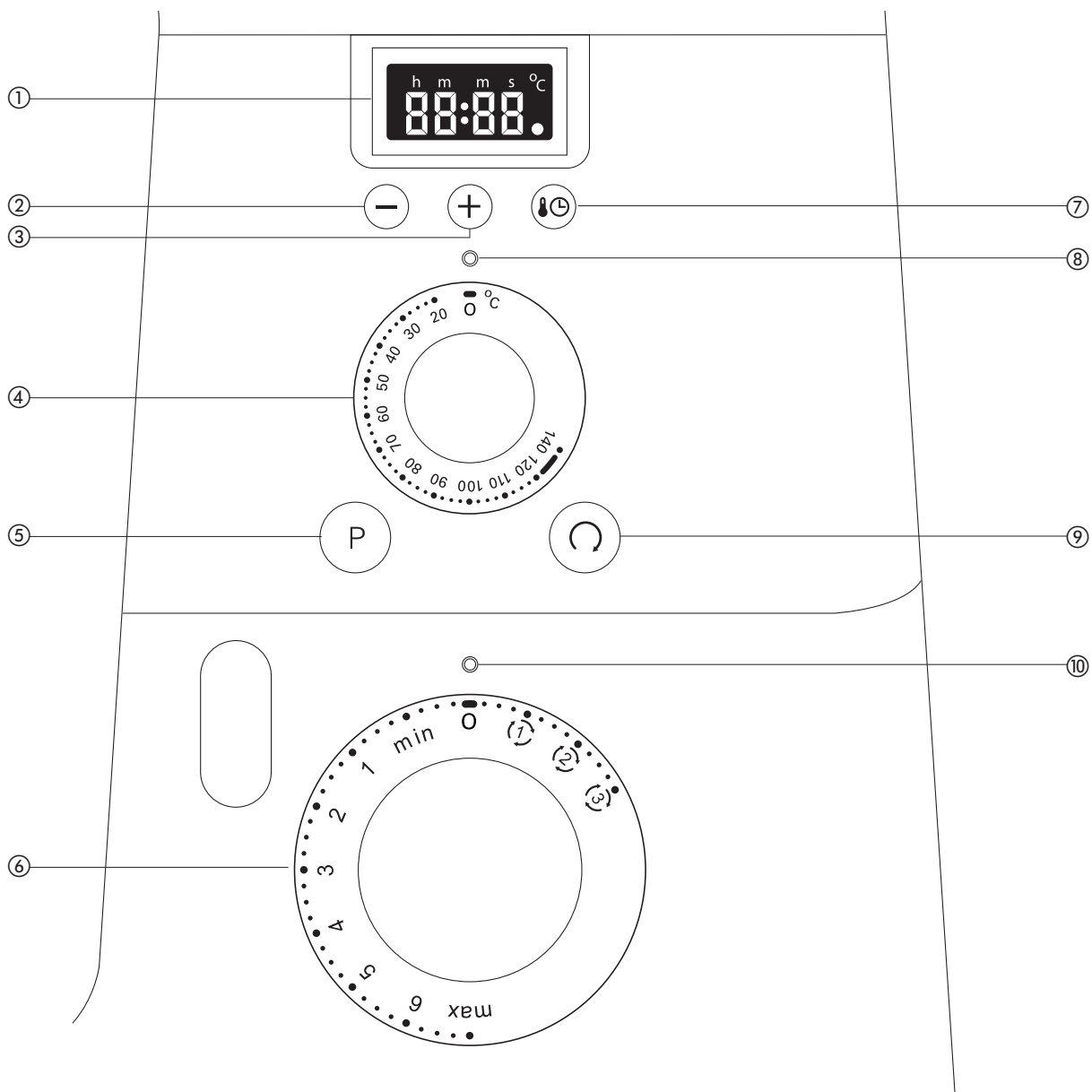
seznamění s kuchyňským robotem Kenwood Cooking Chef

- vývody pro příslušenství
- 1 rychloběžný vývod
 - 2 středněběžný vývod
 - 3 pomaloběžný vývod
 - 4 zásuvka pro nástroje/příslušenství
- krytka
- 5 středněběžného/rychloběžného vývodu
 - 6 rameno robota/mixeru
 - 7 krytka pomaloběžného vývodu
 - 8 páčka pomaloběžného vývodu
 - 9 pracovní nádoba
 - 10 páčka zvedání ramena robota
 - 11 otočný regulátor rychlosti
 - 12 větrací otvory
 - 13 základna pro mísu/indukční oblast
 - 14 výpust
 - 15 teplotní senzory
 - 16 nerezový K-šlehač
 - 17 ohebný šlehač pro vysoké teploty
 - 18 šlehačí metla
 - 19 hnětací hák
 - 20 míchadlo
 - 21 špachtle/stěrka pro vysoké teploty
 - 22 tepelný štít
 - 23 gumové těsnění
 - 24 (polo)kruhový ochranný kryt proti šplíchání
 - 25 víko plnicího hrdla
 - 26 ochranná podložka povrchu pracovní plochy
 - 27 klíč



ovládací panel

- ① displej s časomírou/teplotou
- ② tlačítko ovládání časomíry – ubrat
- ③ tlačítko ovládání časomíry – přidat
- ④ nastavení teploty
- ⑤ impulsní tlačítko/vysoká rychlost, šlehání při vysoké teplotě
- ⑥ regulátor rychlosti
- ⑦ přepínač časomíry/teploty
- ⑧ indikátor teploty
- ⑨ tlačítka pro pomalé zamíchání
- ⑩ indikátor rychlosti



výškové nastavení příslušenství

Podrobný návod k sestavení mixeru najdete na straně 116.

šlehací metla, nerezový K-šlehač, míchadlo

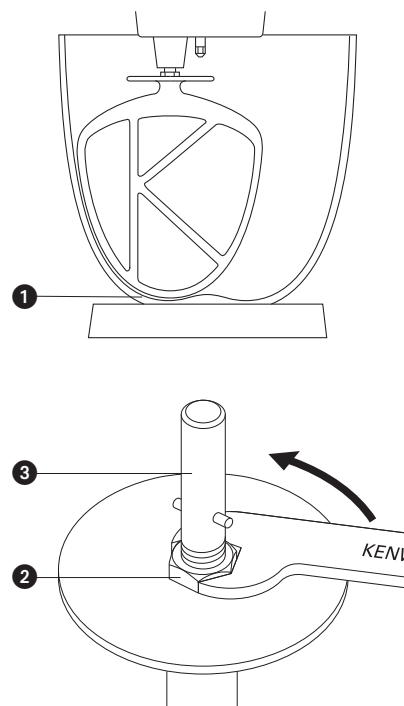
Pro dosažení nejlepších výsledků by se šlehací metla, K-šlehač a míchadlo měly **téměř** dotýkat dna nádoby ①. V případě potřeby upravte výškové nastavení pomocí dodaného klíče.

Postup je následující:

- 1 Spotřebič odpojte ze sítě.
- 2 Zvedněte rameno robota a nasadte vybrané příslušenství: šlehací metlu, šlehač nebo míchadlo.
- 3 Ztlačte rameno dolů. Pokud je třeba upravit světlou výšku mezi příslušenstvím a dnem nádoby, zvedněte rameno robota a vyjměte nasazené příslušenství.
- 4 Pomocí dodávaného klíče uvolněte matku ② tak, abyste mohli nastavit hřídel ③. Pro přiblížení nástroje blíže ke dnu nádoby otáčejte hřídel proti směru hodinových ručiček. Pro zvýšení vzdálenosti ode dna otáčejte hřídel po směru hodinových ručiček.
- 5 Utáhněte matku.
- 6 Nasadte vybraný nástroj a ztlačte rameno mixeru dolů. (Zkontrolujte, zda je nástroj v požadované poloze, viz předcházející body).
- 7 Opakujte předcházející kroky, pokud bude potřeba, dokud příslušenství není nastaveno k vaší spokojenosti. Poté pevně utáhněte závit.

šlehač pro vysoké teploty – tento nástroj by se měl lehce dotýkat dna nádoby

hnětací hák – tento nástroj je nastaven již z výroby a není třeba žádné úpravy.



jak nasadit a používat ochranný kryt proti šplíchání

Ochranný systém se skládá ze dvou částí: tepelného štítu a kruhového ochranného krytu proti šplíchání.

Během vaření musí být tepelný štít nasazen, v opačném případě robot nebude pracovat a na displeji se objeví chybový kód E:003.

Tepelný ochranný štít slouží k ochraně robota před parou, která vzniká během vaření. V případě potřeby je možné osadit jak tepelný štít, tak i kruhový kryt a zabránit tak úniku obsahu z nádoby (např. při mixování lehkých směsí, např. mouky nebo moučkového cukru nebo při zpracování potravin, kdy je třeba udržet vlhkost v míse). Kruhový kryt je nutné používat pouze v kombinaci s tepelným štítem.

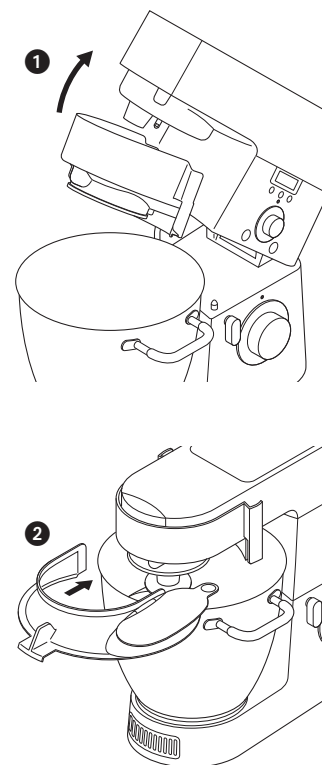
- 1 Zvedněte rameno robota, až se zajistí v horní poloze.
- 2 Nasadte tepelný štít na spodní stranu ramene robota a tlačte ①, dokud štít není zcela zajištěn. Tepelný štít se nesmí použít bez správně nasazeného gumového těsnícího kroužku.
- 3 Nasadte nádobu do základny.
- 4 Rameno ztlačte dolů.
- 5 Nasadte kruhový kryt na okraj pracovní nádoby a zasuňte, dokud není zcela zajištěn ②.

• Během mixování je možné přidávat potraviny do nádoby pomocí plnicího otvoru.

6 Kruhový kryt jednoduše sejmeme vysunutím z ramene robota.

7 Chcete-li sejmout tepelný štít, zvedněte rameno přístroje do horní polohy, dokud se nezajistí. Vyjměte nasazené příslušenství a potom tahem dolů sejměte štít z ramene robota.

Upozornění: Kruhový kryt nasazujte či sundávejte pouze pokud je rameno robota zajištěno v horní poloze.



funkce mixeru

šlehací nástroje a příklady jejich použití

- K-šlehač • Pro přípravu koláčů, sušenek, pečiva, polév, větrníků, bramborové kaše.
- šlehací metla • Vhodná na vajíčka, šlehačku, těstíčka, piškoty bez tuku, sněhové pusinky, tvarohové koláče, šlehané pěny, suflé. Metlu nepoužívejte ke šlehání těžkých, hustých směsí (např. šlehání tuku s cukrem na krém), mohlo by dojít k jejímu poškození.
- hnětací hák • Pouze na kvasnicové směsi.
- ohybný šlehač pro vysoké teploty • Vhodný na velké množství úkonů, hlavně na přípravu pudinkových směsí, míchaných vajíček a omáček. Ideálně se hodí pro seškrabávání horkého i studeného obsahu ze stěn nádoby během mixování. Taktéž vhodný pro sauté ze zeleniny.
- míchadlo • Vhodné na udržení správné konzistence jídla při vaření, např. kuřecího masa, ryb, ovoce a zeleniny.

jak používat mixer

Před prvním použitím mixeru se ujistěte, že regulátory teploty a rychlosti jsou v poloze vypnuto (off) „O“.

- 1 Otočte páčku pro zvedání ramene ve směru hodinových ručiček **1** a zdvihněte rameno mixeru do horní polohy, dokud není zajištěno.
- nasazení příslušenství 2 Nasadte nástroj do zásuvky tak, aby trn hřídele zapadl do drážky a otočením zajistěte do správné polohy **2**.
- míchadlo** – vložte hřídel do zásuvky příslušenství, potom umístěte otvor na nástavci do polohy pod kovovým trnem, který se nachází na spodní straně ramena mixeru. Uchopením lopatky míchadla otočte do polohy, kdy trn hřídele je pod ryskou a poté zatlačte nahoru do zajištěné polohy **3**.
- 3 Upevněte pracovní nádobu na základnu mixeru – zatlačte a otočte ve směru hodinových ručiček **4**.
- 4 Chcete-li spustit rameno mixeru dolů, lehce jej nazdvihněte a potom otočte páčkou zvedání ramene po směru hodinových ručiček. Spusťte do zajištěné polohy.
- vyjmutí nástroje • Použijte opačný postup než pro bod 2. (Pro manipulaci s příslušenstvím po vaření vždy používejte ochranné rukavice).
- 5 Zapojte robota do sítě. Diody indikující rychlost a teplotu se krátce rozsvítí. Na displeji se zobrazí číslice **88:88**, které po čase zmizí a zůstane pouze symbol signalizující, že přístroj je zapojený do sítě **□**.
- 6 Nastavte regulátor rychlosti na požadovanou hodnotu (podrobněji viz strana 117). Mixer začne pracovat a indikátor rychlosti bude blikat. Časomíra bude přičítat ve vteřinových intervalech. Rychlost můžete změnit kdykoli během běhu mixeru.
- 7 Mixer vypnete vrácením regulátoru zpět do polohy "O".

Upozornění: Pokud v průběhu mixování zdvihnete rameno mixeru, přístroj se automaticky zastaví a ozve se pípnutí a po spuštění ramene se opět nespustí. Mixer znovu spustíte nastavením regulátoru do pozice "O" a novou volbou rychlosti.

impulsní tlačítko

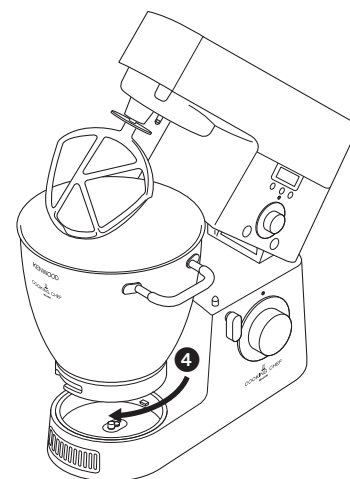
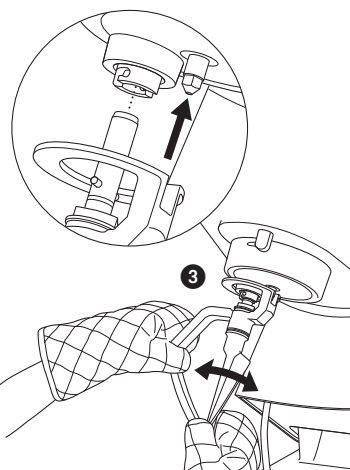
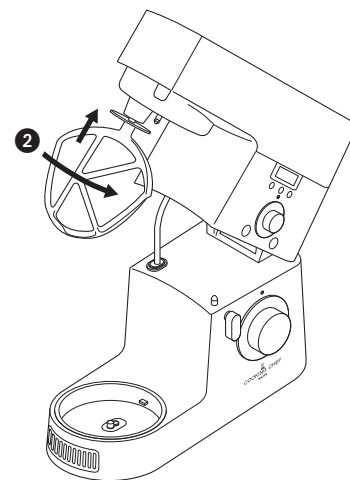
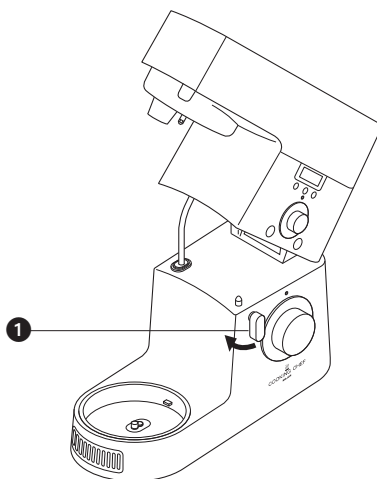
Impulsní tlačítko lze použít pouze, pokud je regulátor rychlosti v poloze off „O“.

Stisknutím tlačítka **P** se mixer rozběhne na maximální rychlost a poběží touto rychlostí, dokud tlačítko držíte stisknuté. Pokud je v nádobě obsah o teplotě vyšší než 60°C, rychlost se bude zvyšovat postupně. To bude doprovázeno pípnutím a indikátory rychlosti a teploty budou rychle blikat.

tlačítko pomalého zamíchání

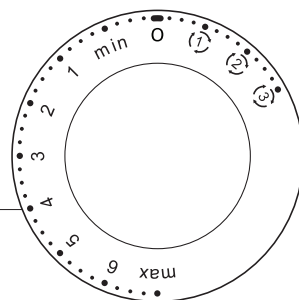
Stisknutím tlačítka pomalého zamíchání **Q** se mixer dvakrát otočí na nejnižší rychlost a poté se zastaví. Tlačítko můžete stisknout a držet, je-li to zapotřebí, nebo jej můžete stisknout opakovaně podle potřeby, když potřebujete smísit různé složky v nádobě.

Upozornění: Pokud stisknete tlačítko během provozu mixeru, mixer provede standardní dvě pomalé otáčky zamíchání a poté bude pokračovat původní rychlostí.



regulátor rychlosti 5

Následující rychlosti slouží pouze jako vodítko a budou se lišit v závislosti na množství a teplotě vloženého obsahu. Regulátorem rychlosti otáčejte ve směru hodinových ručiček pro nastavení rychlosti od nejnižší (min.) po maximální rychlost (max).



- K-šlehač
- **šlehání tuku s cukrem na krém** – začněte na minimální (min.), postupně zvyšujte rychlost až na maximální.
 - **šlehání vaječných bílků do krémových směsí** – rychlost 4 až „max“.
 - **pomalé zamíchání/vmíšení mouky, ovoce** apod – minimální rychlost až 1
 - **dortové směsí** – začněte na minimální rychlosti, postupně zvyšujte na maximální.
 - **vmíšení tuku do mouky** – minimální až rychlost 2.

ohebný šlehač pro vysoké teploty

- **šlehání tuku s cukrem na krém** – začněte na minimální, postupně zvyšujte rychlost až na rychlost 3.
- **seškrábání zbytků směsi ze stěn nádoby (horký i studený obsah)** – začněte na minimální, postupně zvyšujte až na rychlost 3.
- **sauté ze zeleniny, míchání rizota a polenty apod.** – použijte rychlost (1)

Šlehací metla

- Postupně zvyšujte rychlost až na maximální.

hnětací hák

- Začněte na minimální postupně zvyšujte na rychlost 1.

míchadlo

- Používejte pouze s volbami nastavení pro míchání (1), (2), (3).

nastavení míchání

Nastavení voleb míchání se provádí otočením regulátoru rychlosti proti směru hodinových ručiček. Tato funkce přijde nejlépe vhod při použití robota v režimu vaření. Mějte prosím na vědomí, že funkci míchání různými rychlostmi lze použít, pouze jsou-li krytky všech vývodů řádně nasazeny

(1) – Tuto volbu použijte, když je zapotřebí pomalého, neustálého míchání, např. při přípravě omáček.

(2) – Pokud je zvoleno toto nastavení, mixer se automaticky spustí každých 5 sekund na pomalou rychlost a provede asi dvě otáčky.

(3) – Při tomto nastavení se mixer krátce spustí každých 30 sekund na pomalou rychlost, což je ideální třeba při přípravě dušených směsí apod.

Funkci vypnete přepnutím do polohy „0“.

Upozornění:

- Kdykoli je na přístroji nastavena rychlost, indikátor bude blikat.
- Když je robot v provozu, může se ozývat pronikavý, vysoký zvuk. To však je zcela normální.

použití robota pro vaření pokrmů

DŮLEŽITÉ UPOZORNĚNÍ

- Ujistěte se, že oblast indukčního ohřevu, teplotní senzory a vnější povrch pracovní mísy jsou čisté. V opačném případě teplotní senzory nebudou pracovat přesně, a to se projeví na výsledku vaření.
- Ujistěte se, že všechny krytky vývodů jsou řádně nasazeny a stejně tak i tepelný štít. Pokud tomu tak není, funkce ohřívání nebude fungovat.
- Pro vyjmutí příslušenství a manipulaci s pracovní mísou po skončení vaření vždy použijte ochranné rukavice.

1 Smontujte robota podle instrukcí na straně 116.

2 Nastavte regulátor teploty na požadovanou teplotu.

- **Ohřívání se nespustí, dokud nezvolíte rychlost.**

3 Otočte regulátorem rychlosti na požadovanou rychlost, čímž se spustí motor a ohřívání. Obě světélka začnou blikat.

4 Po dosažení nastavené teploty bude dioda nepřetržitě svítit.

Dioda však může blikat v průběhu vaření, pokud se změní teplota a mixer tak signalizuje, že se snaží udržet nastavenou teplotu (podrobnější informace najdete na straně 111.)

- Pokud teplota v nádobě překročí 60°C, rychlost se z bezpečnostních důvodů automaticky sníží, a to i v případě, že byla původně nastavena rychlost vyšší. Po snížení teploty pod 60°C se rychlost opět nezvýší automaticky a je nutné přepnout regulátor do pozice vypnuto a poté znovu zvolit rychlost.

- Upozornění: Stisknutím přepínače časomíry/teploty displej střídavě zobrazí čas a teplotu v nádobě.

5 Chcete-li ukončit nebo pozastavit mixování a ohřívání, přehněte regulátor rychlosti do polohy vypnuto „0“. Pro opětovné spuštění robota zvolte rychlost.

tipy

- **Některé pokrmy, zvláště takové, které obsahují vysoký podíl vody, nebude možné vařit při teplotě vyšší než 100°C (protože tato teplota je varný bod vody).**
- Když přidáváte potraviny do pracovní mísy během vaření, vždy snižte rychlost a potraviny vkládejte pomalu a rovnoměrně.
- Pro rychlé ohřátí omáček použijte nastavení pro nepřetržité míchání (1).
- Změnou příslušenství v průběhu vaření v závislosti na požadovaném úkonu můžete dosáhnout lepších výsledků, např. použijte ohebný šlehač na osmahnutí zeleniny a poté zvolte míchadlo během vaření kusů masa nebo drůbeže.
- Pokud používáte kruhový kryt během vaření, před zvednutím ramene robota jej vždy sejměte. Dávejte si pozor na kondenzovanou tekutinu, která vzniká na kruhovém krytu a tepelném štítu.
- Při zvedání ramene robota postupujte pomalu, aby kapalina na spodní straně tepelného štítu mohla stéci zpět do mísy.
- Máte na výběr ze 3 voleb míchání v závislosti na vyžadované frekvenci míchání při vaření různých typů pokrmů. Příprava některých pokrmů vyžaduje neustálé míchání, aby se potraviny v nádobě nepřilepily na dno, zatímco jiné pokrmy potřebují pouze míchání občasné pro zachování rovnoměrné konzistence.
- Pro správné fungování robota je třeba optimálně nastavit výšku nástrojů/příslušenství, viz strana 115.
- Maximální doba vaření je 3 hodiny. Po této době se robot automaticky vypne.
- Jídlo je možné ohřívát i bez použití jakéhokoliv příslušenství/nástroje, musí být však nastavena rychlost. Toto se hodí hlavně tehdy, když potřebujete rozpustit např. máslo nebo čokoládu.
- Upozornění: Stisknutím přepínače časomíry/teploty displej střídavě zobrazí dobu vaření a teplotu v nádobě v daném okamžiku.

Šlehání vysokou rychlostí při vysoké teplotě

Pro šlehání vysokou rychlostí o teplotě nad 60°C nastavte regulátor rychlosti na požadovanou rychlost šlehání a stiskněte a držte impulsní tlačítko. Ozve se pípání a indikátory rychlosti a teploty začnou rychle blikat. Rychlost šlehání se postupně zvýší až na požadovanou rychlost. Opakujte tento postup chcete-li rychlost zvýšit ještě více. Snižení rychlost nebo vypnutí robota provedete obvyklým způsobem.

Tuto funkci je možné použít POUZE se šlehačí metlou. Nepřekračujte maximální kapacitu 3 litrů a ujistěte se, že kruhový kryt je řádně nasazený. Přístroj nesmí být během této doby ponechán bez dozoru.

po ukončení vaření

- Při manipulaci se spotřebičem v režimu vaření nebo po ukončení vaření je třeba opatrnosti – **ZVLÁŠTĚ PRACOVNÍ NÁDOBA, OCHRANNÝ KRYT A PŘÍSLUŠENSTVÍ** zůstávají **HORKÉ** dlouho po vypnutí spotřebiče. Pro vyjmutí a manipulaci s pracovní mísou použijte držadla. Při manipulaci s horkou pracovní mísou a příslušenstvím požívejte kuchyňské rukavice.
- Spodní strana pracovní mísy zůstává horká dlouho po ukončení vaření. Při manipulaci s horkou pracovní mísou buďte opatrní a použijte ochrannou podložku, abyste zabránili poškození povrchu pracovní plochy přílišným teplem.

displej

Pro vaši bezpečnost je kuchyňský robot vybaven 5 oddělenými bezpečnostními senzory, které jsou v činnosti, když se robot nachází v režimu vaření. Pokud je robot zapnutý a bezpečnostní senzor rozpozná problém, na displeji s teplotou/časomírou se objeví chybové hlášení, např. „E:01“. Hlášení bude provázet pípání a robot nebude pracovat. Prohlédněte si následující chybová hlášení:

Chybové hlášení	Popis	Řešení
E:01	Rameno robota je v horní poloze. Pokud je rameno zvednuté, bezpečnostní senzor deaktivuje motor a ohříváč. Pokud je regulátor rychlosti nastaven na jinou volbu než vypnuto „O“ a zároveň je rameno zvednuté, zobrazí se toto chybové hlášení a motor se nespustí.	Zajistěte rameno ve spodní poloze. Otočte regulátor rychlosti do polohy vypnuto „O“ a pak zvolte požadovanou rychlost.
E:02	Pracovní nádoba není řádně nasazena. Funkce ohřívání funguje pouze se správně nasazenou pracovní nádobou. Bezpečnostní senzory rozpoznají, pokud je nasazena nesprávná nádoba nebo pokud není správná nádoba nasazena řádným způsobem.	Ujistěte se, že používáte správnou pracovní nádobu pro váš model robota Kenwood Cooking Chef. Zkontrolujte, zda je nádoba správně nasazena. Otočte regulátorem rychlosti do polohy „O“ a zvolte požadovanou rychlost.
E:03	Není nasazený tepelný štít. Pokud tepelný štít není správně nasazen, funkce ohřívání nebude fungovat.	Ujistěte se, že tepelný štít je nasazen správně. Otočte regulátor rychlosti do polohy „O“ a pak zvolte požadovanou rychlost.
E:04	Nejsou nasazeny krytky pomaloběžného a rychloběžného/středněběžného vývodu. Tyto krytky mají v sobě zabudovány bezpečnostní senzory. Pokud nejsou řádně nasazeny, ohřívání se vypne a pokud je nastaveno míchání, motor poběží setrvalou rychlostí. Rychlosti mixování od nejnižší po nejvyšší také poběží setrvale.	Ujistěte se, že všechny krytky jsou nasazeny správně. Otočte regulátor rychlosti do polohy „O“ a pak zvolte požadovanou rychlost.
E:09	Vysoká teplota. Pokud senzor v ohříváči zjistí při vaření neočekávaně vysokou teplotu během standardního běhu spotřebiče, motor a ohříváč se automaticky vypnou.	Otočte regulátor rychlosti do polohy „O“, přístroj odpojte a nechte vychladnout. Zkontrolujte, zda jsou spodek nádoby a teplotní senzory čisté. Zapojte znovu do zásuvky a zapněte obvyklým způsobem.
E:10	Problém s rychlostí motoru nebo přehřívání. Pokud motor náhle přestane pracovat nebo se přehřeje, kontrolní systém automaticky motor i ohříváč vypne.	Otočte regulátor rychlosti do polohy „O“ a přístroj odpojte. Vyjměte nečistoty, které by mohly motor blokovat. Ujistěte se, že všechny větrací otvory jsou prosty nečistot. Zapojte do sítě a zapněte.

Pokud se stále na displeji objevují tyto nebo jiné chybové kódy, kontaktujte Oddělení péče o zákazníka společnosti Kenwood.

jak používat odpočítávání časomíry

Časomíru můžete použít jak v režimech vaření, tak i v režimech, kdy zrovna nevaříte. Pokud není zvolen čas odpočítávání, časomíra bude automaticky připočítávat po jednotlivých intervalech po dobu chodu mixéru. Maximální pracovní doba robota je 3 hodiny.

- 1 Připojte mixér do sítě. Na displeji se na chvíli zobrazí symbol **88:88**, který po chvíli zmizí a zůstane viditelný pouze ukazatel zapojení do sítě .
- 2 Stiskněte buď tlačítko + nebo – a na displeji se objeví 0:00.
- 3 Tiskněte buď tlačítko + nebo –, dokud se nezobrazí požadovaný čas. Časomíra bude přičítat po pětivteřinových intervalech. Pokud zmáčknete tlačítka podržíte, číslice se budou měnit tím rychleji, čím déle tlačítko podržíte. Maximální doba, kterou můžete nastavit, je 3 hodiny.
Poznámka: Pokud stisknete tlačítko +, když je časomíra na hodnotě 3:00, zobrazený čas se změní na 0:00. Pokud stisknete tlačítko –, když je časomíra na hodnotě 0:00, zobrazený čas se změní na 3:00.
- 4 Otočte regulátor rychlosti na požadovanou rychlost, mixér se spustí a časomíra bude odpočítávat po jednotlivých intervalech.
 - Chod mixéru je kdykoliv možné pozastavit otočením regulátoru rychlosti do polohy vypnuto „O“. Tím se pozastaví také časomíra. Časomíra znovu začne odpočítávat po spuštění mixéru.
- 5 Proces mixování se automaticky zastaví po skončení celkového času a po dobu 3 sekund se bude ozývat pípání. Displej bude blikat po dobu 5 vteřin, poté se smaže a zůstane svítit ukazatel zapojení do sítě .

resetování časomíry

- 1 Časomíru vynulujete stisknutím tlačítek + a zároveň (regulátor rychlosti musí být ve vypnuté poloze „O“).
 - Pokud je přístroj v nečinnosti 10 minut, LCD displej a podsvícení se přepnou do režimu spánku a všechny displeje zhasnou. Stiskem kteréhokoli tlačítka či otočením regulátoru se displej vrátí do původního formátu.

maximální objemy

- těsto na křehké pečivo** • Váha mouky: 910g
- tuhé kvasnicové těsto** • Váha mouky: 1,5kg
- Celková váha: 2,4kg
- měkké kvasnicové těsto** • Váha mouky: 2,6kg
- Celková váha: 5kg
- směs na biskupský chlebiček** • Celková váha: 4,55kg
- vaječné bílky** • 16
- režim vaření** • 3 litry

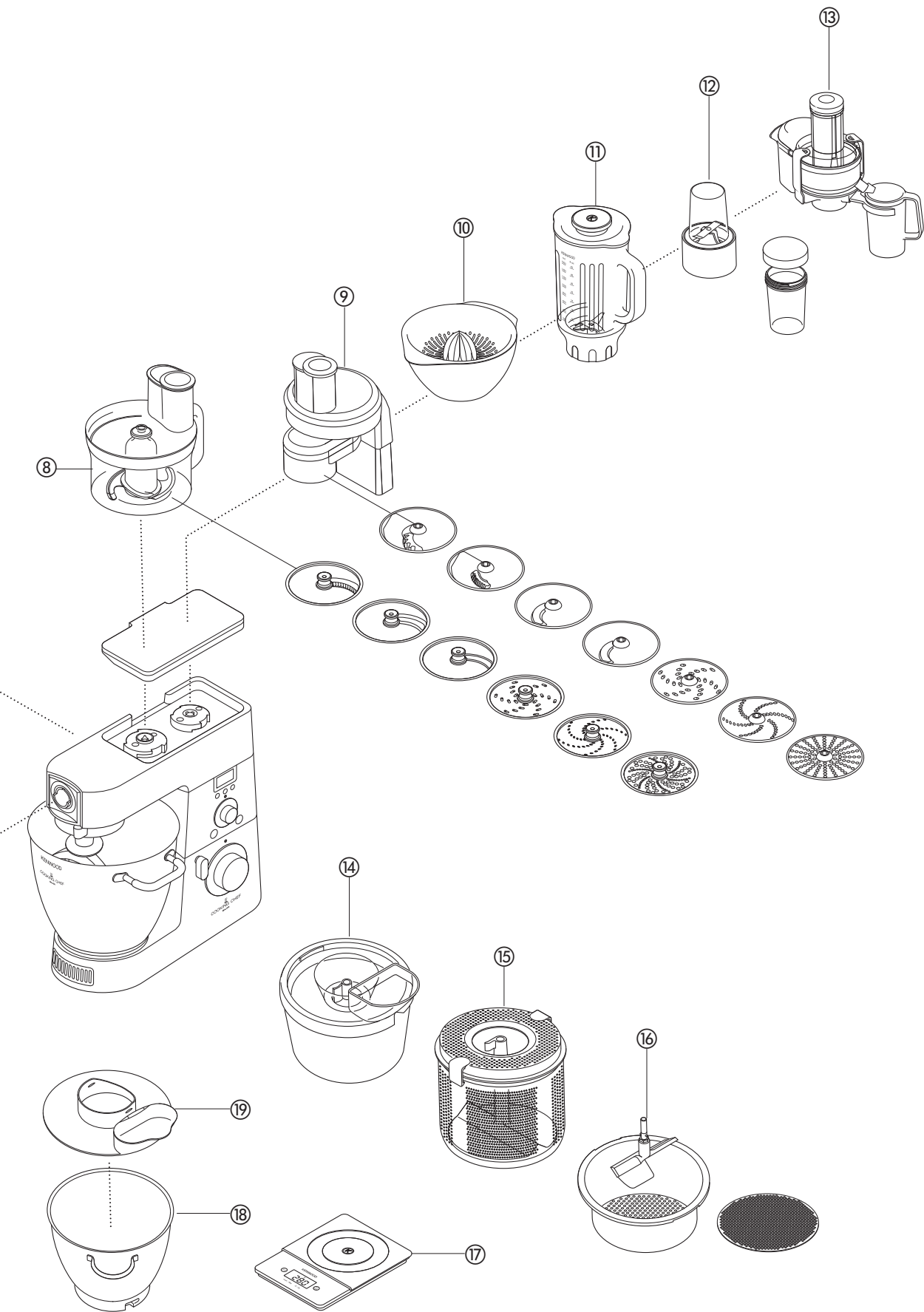
- obecné tipy
- Pravidelně zastavujte mixování a stěny nádoby oškrábejte špachtlí.
 - Na šlehání jsou nejlepší vajíčka při pokojové teplotě.
 - Před šleháním bílků se ujistěte, že na nádobě ani na šlehači nejsou zbytky žloutku či tuku.
 - Na těsto použijte studené přísady, pokud není ve vašem receptu uvedeno jinak.

tipy pro výrobu chleba

- důležité
- Nikdy nepřekračujte uvedené objemy – došlo by k přetížení přístroje.
 - Pokud slyšíte, že přístroj se příliš namáhá, vypněte jej a vyjměte polovinu těsta a každou polovinu zpracujte samostatně.
 - Přísady se nejlépe promísí, pokud vložíte do misky nejprve tekutinu.

nápověda pro odstraňování problémů při vaření

Popis problému	Příčina	Řešení
Mixér nefunguje v režimu ohřívání a na displeji se zobrazuje chybové hlášení a ozývá se varovné pípání.	Byl aktivován jeden z bezpečnostních senzorů.	Přečtěte si tabulku s chybovými hlášeními na straně 119. <ul style="list-style-type: none"> • Ujistěte se, že rameno je ve spodní poloze a zajištěné. • Ujistěte se, že všechny krytky vývodů jsou správně osazeny. • Ujistěte se, že tepelný štít je správně osazen. • Ujistěte se, že pracovní nádoba je správně nasazena.
Byla zvolena teplota, ale obsah nádoby se neohřívá (indikátor teploty nesvítl).	Nebyla zvolena rychlost.	Zvolte rychlost.
Během vaření kolísá rychlost mixéru.	Rychlost je automaticky omezena, pokud obsah v nádobě dosáhne teploty 60°C.	Toto je bezpečnostní funkce.
Potravina na dně nádoby se připaluje.	<ol style="list-style-type: none"> 1 Zvolené nastavení teploty může být příliš vysoké. 2 Je užíván nesprávný nástroj. 3 Funkce míchání je příliš pomalá. 4 Nástroj není umístěn v nádobě dostatečně nízko. 5 Časomíra byla nastavena na příliš dlouhou dobu. 6 Senzor a/nebo spodní strana nádoby jsou znečištěny. 	<ol style="list-style-type: none"> 1 Snižte teplotu na otočném regulátoru nebo vařte při nižší teplotě. 2 Zkontrolujte, zda užíváte nejvhodnější nástroj. 3 Zvyšte frekvenci míchání nebo přejděte na nepřerušovaný chod. 4 Upravte výšku nástroje. 5 Vařte po kratší dobu (ujistěte se však, že jídlo je důkladně uvařené). 6 Ujistěte se, že tyto plochy jsou čisté a suché.
Není dodržena konzistence jídla.	<ol style="list-style-type: none"> 1 Zvolena příliš vysoká teplota. 2 Funkce míchání je příliš rychlá. 3 Obsah v nádobě se vaří příliš dlouho. 4 Je užíván nesprávný nástroj. 	<ol style="list-style-type: none"> 1 Snižte teplotu. 2 Snižte rychlost míchání. 3 Vařte po kratší dobu (ujistěte se však, že jídlo je důkladně uvařené). 4 Zkontrolujte, zda užíváte nejvhodnější nástroj.
Nestálá rychlost mixování.	<ol style="list-style-type: none"> 1 Přísady jsou příliš velké, tvrdé nebo příliš tuhé. 	<ol style="list-style-type: none"> 1 Nakrájejte potraviny na menší kousky, vyjměte pecky z ovoce, pomalu rozpusťte přísady, aniž byste nasadili nástroj (ale ujistěte se, že byla zvolena rychlost). 2 Přidejte přísady až po zajištění ramene ve spodní poloze. 3 Zkontrolujte, zda užíváte nejvhodnější nástroj.
Do horké směsi byly přidány chladné přísady, ale zobrazení teploty na to nereaguje dostatečně rychle.	Pokud není obsah nádoby důkladně zamíchán, budou mít potraviny v nádobě na různých místech různou teplotu.	<ol style="list-style-type: none"> 1 Ponechte dostatečný čas pro promíchání přísad. 2 Zvyšte rychlost míchání.
Je těžké zajistit rameno mixéru ve spodní poloze, když je potravina v nádobě.	Tuhé přísady, např. třeba čokoláda, na dně nádoby zabraňují zaklapnutí ramena mixéru.	Přidejte přísady až po zajištění ramene ve spodní poloze.
Mixér běží nepřetržitě, když je nastavena volba zamíchání (☞) nebo míchání (☞).	Jsou nesprávně osazeny krytky vývodů.	Ujistěte se, že všechny krytky vývodů jsou správně osazeny.
Při použití příslušenství je omezena rychlost motoru.	Byla nasazena horká nádoba.	Sejměte nádobu, nebo ji zchlaďte na teplotu pod 60°C.



čištění a servis

údržba a čištění

- Před čištěním vždy vypněte a odpojte od zdroje energie.
- Při prvním použití se u **vývodu 2** může objevit menší množství maziva. To je v pořádku – mazivo jednoduše utřete.
- U kovových povrchů teplotních senzorů se během běžného užívání může projevit opotřebenost. To nemá vliv na výkon zařízení.
- Nenechávejte ohebný šlehač osazen na mixeru, pokud mixér neužíváte.

zařízení, krytky vývodů

- Otřete vlhkým hadříkem a pak osušte.
- Nikdy neužívejte brusný materiál, ani neponořujte do vody.
- Před čištěním vždy sejměte pružnou stírací lopatku z nástroje.
- Pružnou stírací lopatku a nástroj omyjte v horké vodě se saponátem, poté řádně osušte. Tyto díly lze také mýt v myčce nádobí.

ohebný šlehač pro vysoké teploty

- Pozn.: Před a po použití zkontrolujte stav těla nástroje a rovněž pravidelně kontrolujte stav stírací lopatky. V případě jakýchkoli známek opotřebenosti ji vyměňte.

nádoba, nástroje, kruhový ochranný kryt

- Umyjte ručně a pak důkladně osušte nebo užíjte myčku.
- Nikdy neužívejte drátěný kartáč, drátěnku ani bělidlo na čištění nerez nádoby. Na vodní kámen užívejte ocet nebo vhodný odstraňovač vodního kamene.
- Pokud se potravinová přilipka nebo ulpívá uvnitř nádoby, odstraňte špachtlí tolik, kolik půjde. Pak naplňte nádobu teplou mýdlovou vodou a nechte odstát. Na odstranění zachycených zbytků usazeniny použijte nylonový kartáč.

výpusť

- Změny zbarvení nádoby nemají vliv na výkon robota.
- Ujistěte se, že se v těchto místech nezachytily zbytky potravin. V případě nutnosti užíjte na vyčištění čistič na trubky či tyčinku s vatou.

teplotní senzory

- Otřete vlhkým hadříkem a pak důkladně osušte. Nikdy neužívejte brusný materiál nebo ostré předměty k čištění senzorů.

servis a údržba

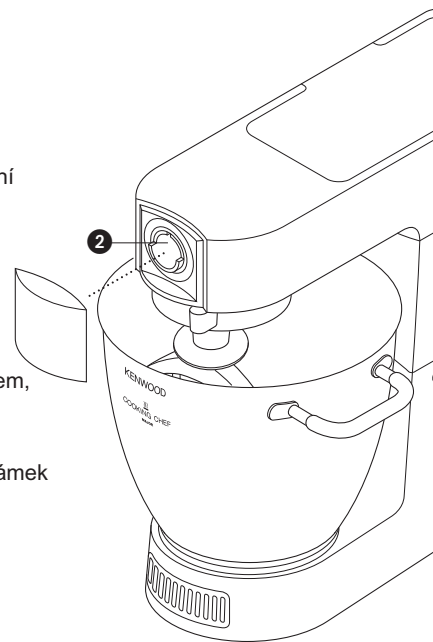
- Je-li napájecí kabel poškozen, musí jej z bezpečnostních důvodů vyměnit KENWOOD nebo autorizovaný servisní technik Kenwood.
- Pokud potřebujete pomoc:
 - s obsluhou a údržbou příslušenství nebo
 - servisem či opravou,obraťte se na prodejnu, v níž jste přístroj zakoupili.

- Zkonstruováno a vyvinuto společností Kenwood ve Velké Británii.
- Vyrobeno v Číně.



INFORMACE PRO SPRÁVNÉM SEŠROTOVÁNÍ VÝROBKU VE SMYSLU EVROPSKÉ SMĚRNICE 2002/96

Po ukončení doby své životnosti nesmí být výrobek odklizen společně s domácím odpadem. Je třeba zabezpečit jeho odevzdání na specializovaná místa sběru tříděného odpadu, zřizovaná městskou správou anebo prodejcem, který zabezpečuje tuto službu. Oddělené sešrotování elektrospotřebičů je zárukou prevence negativních vlivů na životní prostředí a na zdraví, které způsobuje nevhodné nakládání, umožňuje recyklaci jednotlivých materiálů, a tím i významnou úsporu energií a surovin. Pro účely zdůraznění povinnosti tříděného sběru odpadu elektrospotřebičů je na výrobku zaškrtnutý příslušný symbol pro sběr tříděného odpadu.



receptář

Důležité body pro výrobu chleba najdete na straně 120.

bílý chleba tuhé kvasnicové těsto

- přísady
- 1,36kg čisté mouky s vysokým obsahem lepku
 - 15ml (3 kávové lžičky) soli
 - 25g čerstvých kvasnic; nebo 15g/20ml sušených kvasnic + 5ml (1 káv. lžička) cukru
 - 750ml teplé vody: 43°C (110°F). Užijte teploměr anebo přidejte 250ml vroucí vody k 500ml studené vody
 - 25g sádla
- postup
- 1 **sušené kvasnice** (typ, který je potřeba rozpustit ve vodě): nalijte teplou vodu do nádoby. Pak přidejte kvasnice a cukr a nechte odstát po dobu 10 minut, dokud nedojde ke zpěnění.
čerstvé kvasnice: nadrolte do mouky.
ostatní typy kvasnic: Řidte se pokyny výrobce.
 - 2 Nalijte tekutinu do misky. Pak přidejte mouku (s čerstvými kvasnicemi, pokud jsou užity), sůl a sádlo.
 - 3 Hnětete na minimální rychlosti po dobu 45 až 60 vteřin. Pak zvýšte rychlost na první stupeň 1, pokud je potřeba, přidejte mouku, dokud se nevytvoří těsto.
 - 4 Hnětete další 3 až 4 minuty při rychlosti 1, dokud není těsto jemné, poddajné a nepřestane ulpívat na stěnách nádoby.
 - 5 Dejte těsto do vymaštěného polyetylenového pytlíku nebo misky přikryté utěrkou. Pak nechte v teple, dokud se objem nezdvoujnásobí.
 - 6 Znovu hnětete po dobu 2 minut při rychlosti 1.
 - 7 Do půli naplníte 450g vymaštěnou nádobu na pečení těstem nebo těsto vytvarujete do rohlíčků.
Pak přikryjte utěrkou a nechte na teplém místě, dokud se objem nezdvoujnásobí.
 - 8 Pečte při teplotě 230°C/ (značka 8 na některých modelech plynových trub) po dobu 30 až 35 minut *u bochníků* nebo 10 až 15 minut *u rohlíčků*.
- Když je chleba hotov, při poklepání na spodní část by měl znít dutě.

bílý chleba jemné kvasnicové těsto

- přísady
- 2,6kg obyčejné čisté mouky
 - 1,3 litru mléka
 - 300g cukru
 - 450g margarínu
 - 100g čerstvých kvasnic nebo 50g sušených kvasnic
 - 6 vajec, ušlehaných
 - 5 špetek soli
- postup
- 1 Rozpusťte margarín v mléce a ohřejte na 43°C.
 - 2 **sušené kvasnice** (typ, který je potřeba rozpustit ve vodě): přidejte kvasnice a cukr do mléka a nechte odstát po dobu 10 minut, dokud nedojde ke zpěnění.
čerstvé kvasnice: nadrolte do mouky a přidejte cukr.
ostatní typy kvasnic: Řidte se pokyny výrobce.
 - 3 Nalijte mléko do nádoby. Přidejte ušlehaná vejce a 2kg mouky.
 - 4 Míchejte na minimální rychlosti po dobu 1 minuty, pak na rychlosti 1 další minutu. Seškrábejte.
 - 5 Přidejte zbytek mouky a míchejte na minimální rychlosti po dobu 1 minuty, pak při rychlosti 1 po dobu 2 až 3 minut, dokud nebude těsto jemné a rovnoměrně promíchané.
 - 6 Do půli naplníte 450g vymaštěnou nádobu na pečení těstem nebo těsto vytvarujete do rohlíčků.
Pak přikryjte utěrkou a nechte na teplém místě, dokud se objem nezdvoujnásobí.
 - 7 Pečte při teplotě 200°C (značka 6 na některých modelech plynových trub) po dobu 20 - 25 minut *u bochníků* nebo po dobu 15 minut *u rohlíčků*.
 - 8 Když je chleba hotov, při poklepání na spodní část by měl znít dutě
- Takto připravíte asi 10 bochníků.

receptář pokračování

jahodový a meruňkový dort

- přísady: korpus dortu
- 3 vejce
 - 75g moučkového cukru
 - 75g čisté mouky
- náplň a ozdoby
- 150ml šlehačky
 - Cukr podle chuti
 - 225g jahod
 - 225g meruněk
- postup
- 1 Rozpulte meruňky a vyjměte pecky. Jemně povařte v trošce vody, přidejte cukr podle chuti, dokud nedojde ke změknutí.
 - 2 Omyjte a rozpulte jahody.
 - 3 Pro výrobu korpusu dortu ušlehejte vejce a cukr při maximální rychlosti, dokud není hmota velmi bledá a hustá.
 - 4 Vyjměte nádobu a šlehač. Vmíchejte do mouky buď ručně nebo pomocí velké kovové lžice – dělejte to opatrně, aby korpus zůstal nadýchaný.
 - 5 Dejte směs do dvou 18cm vymaštěných a papírem vyložených forem.
 - 6 Pečte při teplotě 180°C (značka 4 na některých modelech plynových trub) po dobu 20 minut, dokud se korpus při lehkém doteku navrácí zpět.
 - 7 Vyklopte na rošt.
 - 8 Ušlehejte šlehačku při maximální rychlosti, dokud nebude tuhá. Přidejte cukr k ochutnání.
 - 9 Nahrubo nasekejte meruňky a třetinu jahod. Vmíchejte je do poloviny šlehačky.
 - 10 Natřete touto směsí jednu polovinu korpusu, pak položte druhou polovinu nahoru.
 - 11 Natřete zbytkem krému vršek a ozdobte zbývajícími jahodami.

sněhové pusinky

- přísady
- 4 vaječné bílky
 - 250g moučkového cukru, prosetého
 - Vyložte plech na pečení nepřilnavým papírem na pečení.
- postup
- 1 Ušlehejte bílky a cukr při maximální rychlosti po dobu 10 minut, dokud sníh neudrží tvar.
 - 2 Naložte směs po lžících na plech na pečení (nebo užitý cukrářský pytlík s hvězdicovým otvorem 2,5cm).
 - 3 Pečte při teplotě 110°C (značka 1/4 na plynové troubě) po dobu 4 až 5 hodin, dokud nejsou pusinky pevné a křupavé. Pokud začnou hnědnout, nechte dvířka trouby pootevřena.
- Skladujte pusinky ve vzduchotěsné plechovce.

těsto na křehké pečivo

- přísady
- 450g mouky, proseté s přidanou solí
 - 5ml (1 káv. lžička) soli
 - 225g sádla (smíchejte sádlo s margarínem hned po vytažení z ledničky)
 - Kolem 80ml (4 polévkové lžíce) vody
- Tip
- Nemíchejte příliš
- postup
- 1 Dejte mouku do nádoby. Nakrájejte sádlo nahrubo a přidejte je do mouky.
 - 2 Míchejte pomocí nerez K-šlehače při rychlosti 1, dokud směs nepřipomíná strouhanku. Přestaňte dřív, než směs začne vypadat masně.
 - 3 Přidejte vodu a míchejte při minimální rychlosti. Zastavte, jakmile je voda vmíchána.
 - 4 Pečte při teplotě kolem 200°C (značka 6 na některých modelech plynových trub), podle užití náplně.

Chilli marináda

- přísady
- 200g vychlazeného čirého medu (nechat vychladit přes noc)
 - 1 zelená chilli paprička (vcelku)
 - 5ml (1 káv. lžička) křupavého arašídového másla
 - koření
- postup
- 1 Vložte všechny přísady do multifunkčního mlýnku/sekáčku.
 - 2 Nasadte mlýnek na robot a ponechte přísady usadit se v okolí sekacího nože.
 - 3 Zapněte na impuls na 10 sekund.
 - 4 Použijte podle potřeby.

Notes

Magyar

a Kenwood-készülék használata előtt

- Alaposan olvassa át ezeket az utasításokat és őrizze meg későbbi felhasználásra!
- Távolítson el minden csomagolóanyagot és címkét!

Ismerje meg a Kenwood Cooking Chef konyhagépét

Biztonság

Fontos megjegyzés – elektronikus orvosi implantátumok

- Más indukciós fűtésű készülékekhez hasonlóan ez a készülék is rövid hatótávolságú mágneses mezőket generál. Ha bárki felhasználónak vagy a készülék közelében tartózkodó személynek pészmeke vagy egyéb aktív implantátuma van, forduljon az orvosához a használat előtt bármilyen lehetséges inkompatibilitás tekintetében, bármilyen egészségügyi kockázat megelőzése céljából.
- Kapcsolja ki a készüléket, és húzza ki a csatlakozó aljzattól a toldatok/eszközök rácsatlakoztatása vagy eltávolítása előtt, használat után és tisztítás előtt.
- Tartsa távol a testrészeit, ékszereit és laza ruházatát a mozgó alkatrészekről és a rászertelt toldatoktól.
- Soha ne tegye az ujját stb. a csuklós mechanizmusba.
- Soha ne hagyja a készüléket felügyelet nélkül.
- Soha ne használjon sérült készüléket. Ellenőriztesse vagy javíttassa meg: lásd a 142. oldalon a „Szerviz és ügyfélszolgálat” c. részt.
- Soha ne használjon nem engedélyezett toldatot vagy egyszerre egynél több toldatot.
- Soha ne lépje túl a 138. oldalon feltüntetett maximális kapacitást, és az indukciós fűtőkészülék használatakor soha ne lépje túl a tál belső oldalán feltüntetett 3 literes maximális feltöltési szintet.
- Toldat használatakor olvassa el a készülékhez mellékelt biztonsági és használati utasításokat.
- Legyen óvatos, amikor felemeli a készüléket, mert nehéz. Ügyeljen rá, hogy a fejrész zárva legyen, és hogy a tálak, eszközök, a kivezető részek fedelei és a zsinór biztonságosan rögzítve legyen felemelés előtt.
- Soha ne hagyja lelógni a zsinórt, ha gyermek belekapaszkodhat.
- Soha ne hagyja, hogy a tápegység, a zsinór vagy a dugó átnedvesedjen.
- Legyen óvatos a készülék bármely részének kezelésekor vagy érintésekor, amikor főzési módban használja vagy főzés után, KÜLÖNÖSEN A TÁL, A KIÖMLÉS ELLENI VÉDELEM ÉS AZ ESZKÖZÖK esetében, amelyek FORRÓK maradnak még az után is sokáig, hogy kikapcsolta a készüléket. A fogók segítségével vegye le és tegye át más helyre a tálakat. Használjon kesztyűt a forró tál és a forró keverőeszközök megfogásához.
- A tál alsó része hosszú ideig forró marad még a fűtés leállítását után is. Legyen óvatos kezelés közben, és használja a munkafelületet védő alátétet, amikor a tálát hőérzékeny felületekre helyezi.
- Legyen óvatos, mivel gőz távozik a mixer tálból, különösen, amikor kinyitja a kiömlés elleni védelem fedelét, vagy amikor felemeli a mixer fejet.
- Ha meleg ételt tesz át a mixerből a turmixba, mindig hagyja, hogy az alkotóelemek lehűljenek szobahőmérsékletre, mielőtt a turmixba helyezi.
- Csak a készülékkel együtt szállított tálát és eszközöket használja. Soha ne használja a tálát bármilyen más hőforráson.
- Soha ne működtesse a készüléket főzési módban, ha a tál üres.
- Soha ne dugjon semmit a lég-szelepekbe.
- Amikor ezt a készüléket használja, ügyeljen rá, hogy egyenes felületre helyezze, a szélétől távol. Ügyeljen rá, hogy legalább 10 cm-re legyen a faltól, és hogy a légszelepek ne legyenek eltömődve. Ne tegye konyhai felső szekrények alá.
- Az indukciós hely megfelelő és biztonságos üzemeltetése céljából ügyeljen rá, hogy a tál alja és a hőmérséklet érzékelők tiszták és szárazak legyenek főzés előtt.
- Mind minden indukciós készülék esetében ne tegyen hitelkártyákat, mágneses hordozókat vagy érzékeny elektronikus készüléket a tűzhely közelébe használat közben.
- Ne használja a készüléket mélyhűtött ételekhez.
- Elfogyasztás előtt mindig ügyeljen rá, hogy az étel alaposan meg legyen főzve.
- Az élelmiszert a főzés után hamarosan meg kell enni, vagy hagyni kell gyorsan lehűlni, majd lehetőség szerint mielőbb a hűtőbe kell tenni.
- A készüléket nem üzemeltethetik olyan személyek (a gyermekeket is beleértve), akik mozgásukban, érzékszerveik tekintetében vagy mentális téren korlátozottak, illetve amennyiben nem rendelkeznek kellő hozzáértéssel vagy tapasztalattal, kivéve ha egy, a biztonságukért felelősséget vállaló személy a készülék használatát felügyeli, vagy arra vonatkozóan utasításokkal látta el őket.
- A gyermekekre figyelni kell, nehogy a készülékkel játszanak.
- A készüléket csak a rendeltetésének megfelelő háztartási célra használja! A Kenwood nem vállal felelősséget, ha a készüléket nem rendeltetészerűen használták, illetve ha ezeket az utasításokat nem tartják be.

Az áramcsatlakozóba való bedugaszolás előtt

- Ügyeljen rá, hogy a táphálózat ugyanaz legyen, mint ami a készüléke alján van feltüntetve.
- Ez a készülék megfelel a 2004/108/EK számú, az elektromágneses zavarvédelemről szóló EK Irányelvnek és a 2004.10.24-ei 1935/2004 számú, élelmiszerekkel érintkezésre szánt anyagokkal kapcsolatos EK jogszabálynak.

A használatba vétel előtt

Mosogassa el az alkatrészeket: lásd a 142. oldalon az „Ápolás és tisztítás” c. részt.

bevezetés

Köszönjük, hogy Kenwood Cooking Chef konyhágepet vásárolt, reméljük, hosszú évekig használni tudja.

A Kenwood közel 60 éves tapasztalatokkal és szakértelemmel rendelkezik a konyhágepeink fejlesztése terén, és a hozzá való toldatok széles skáláját kínáljuk. A Kenwood Chef konyhágepek arról ismertek, hogy egy étel-mixernél sokkal több lehetőséget nyújtanak.

A Cooking Chef fejlesztésében a Chef jól ismert sokoldalúságát még egy lépéssel megtoldottuk, közvetlenül a keverőtál alatt biztosítjuk az integrált Indukciós Főzést. Most élvezheti a szokásos „hidegtál” készítéshez a bolygókereskes mixelés minden előnyét, amikor a kedvenc tortáit, süteményeit és tésztáit készíti, s ez kiegészül a bolygókereskes mixeléssel kombinált tálban közvetlenül történő melegítés és főzés előnyeivel. A lehetőségek végtelenek.

A Kenwood Cooking Chef az optimális toldataival valóban komplett élelmiszerkészítési rendszert alkot.

Erős. Megbízható. Változatos. Kenwood.

Mit jelent az Indukciós Főzés és hogyan működik?

Az indukciós főzés egy olyan fejlettebb főzési mód, amely az elektromágneses indukció elvére épül. Amikor elektromos áram halad át egy réztekercsen az indukciós főzési területen, ez elektromágneses mezőt hoz létre. Amikor a Cooking Chef tál zárt helyzetben van, az áramkör zár a tál aljában lévő rozsdamentes acél speciális rétegével érintkezve. Ez pedig nagymennyiségű hőenergiát termel, amely áthalad a tál tartalmán, s így felmelegíti az ételt.

Az indukciós főzés rendkívül energia-hatékony, mert csak a tál aljában termel hőt. Az egyéb hőátadási módszerek, pl. a gázégők, a hőenergia csaknem 50 %-át elfecsérik a lábos oldalai körül. Valóban, az Ön Cooking Chef készülékén a főzési terület csak a főzés alatt és közvetlenül utána érződik melegnek, mert a hőt átveszi a tál tartalma. Mindez azt jelenti, hogy az indukciós főzés igen hatékony, kiválóan biztonságos és nagyon tiszta.

A Kenwood Cooking Chef-jének főzési működése hasonló a gázégőre helyezett serpenyőjéhez. További előnyt jelent, hogy a Chef automatikusan elkeveri az ételt, és szabályozza a főzési hőmérsékletet az Ön pontos követelményei szerint, így nyugodtan otthaghatja, és végezhet egyéb konyhai munkákat.

A Cooking Chef az indukciós melegítési technológiát rendkívül hatékonyan alkalmazza. Amikor összehasonlítjuk a gáz vagy elektromos főzőlapon történő főzéssel, látni fogja, hogy a főzési idő csökken, illetve, hogy alacsonyabb hőmérsékleten tud főzni. Ezt is figyelembe kell venni a készülék használatba vételekor, vagy egy új recept kipróbálásakor. Ügyeljen rá, hogy ha magas hőmérsékleten kezdi a főzést, figyelnie kell, és csökkentenie kell a hőt, amikor szükséges, nehogy megégjen és a tálhoz ragadjon az étel, éppen úgy, mint ahogy a serpenyőben történne. Általában a Cooking Chef a lehető legrövidebb idő alatt automatikusan felmelegíti az ételt a kívánt hőmérsékletre. Ezért nem szükséges magasabbra állítani a hőmérséklet szabályozót, ha csökkenteni szeretné a főzési időt. Ekkor figyelnie kell a keverések gyakoriságának beállítására is. Amikor magasabb hőmérsékleten főz, szükségesnek találhatja az állandó keverésre való beállítást (1). A keverési beállítások (2) igen (3) hasznosak az étel konzisztenciájának fenntartása érdekében, amikor hosszabb időn át főz lassú tűzön való párolással.

A megfelelő tál kiválasztása is fontos ebben a szakaszban. E füzetben a továbbiakban javaslatot teszünk mindegyik eszköz esetében a legalkalmasabb felhasználásra, és a gyakorlás során hamarosan megérti, melyik a legjobb az egyes feladatokhoz. Főzés közben azt tapasztalja, hogy a magas hőmérsékletű rugalmas habverő a legjobban a szószok és krémek sima konzisztenciájának elérésére használható, míg a keverőeszköz akkor jobb, ha olyan ételt készít, amelynek szilárdabb konzisztenciát kell tartania, pl. párolt ételek, raguk, serpenyős ragu stb. részére. A receptkönyvünk a legjobb eszközöket ajánlja mindegyik recepthez, és azt is tapasztalhatja, hogy jobb eredményeket ér el, ha cserélgeti az eszközöket a különböző folyamatokhoz az étel készítése során.

Főzés közben és közvetlenül utána a tál, a kiömlés elleni védelem és a tálban használt eszköz forró – ugyanúgy, mint amilyen a lábosa lenne. Kérjük, legyen óvatos ezek bármelyikének használatakor, arról se feledkezzen el, hogy a főzési folyamat gőzt termel, tehát vegye figyelembe a gőz lecsapódását, amikor belenéz a tálba, felemeli az ételcsúszda fedelét, vagy a Cooking Chef/készülék fejét, hogy megvizsgálja a tálát vagy belenyúljon. Másokat is figyelmeztetnie kell a konyhagép használata közben, hogy forró, s legyenek óvatosak. A forró alkatrészek érintésekor vagy eltávolításakor célszerű sütőkesztyűt viselni, és a tálát csak a mellékelt kesztyűk segítségével áthelyezni. A munkafelületet védő alátétet is hasznos eszköznek találja a hőérzékeny felületek védelmére.

Folyadékok vagy nagy víztartalmú élelmiszerek melegítésekor a hőmérsékleti érték leolvasásának pontossága általában +/- 5°C-on belül marad. A hőmérséklet kijelző és szabályozó eszköz pontossága nagymértékben függ a tálban lévő tartalom konzisztenciájától, a tálban lévő tartalom mennyiségétől, a keverési gyakoriságtól és a tálban alkalmazott eszköztől. Ez ismét hasonlít a főzőlapon történő főzéshez, pl. amikor nagy mennyiségű élelmiszert helyez egy nagy lábosa, és felmelegíti, de nem keveri el alaposan. Az étel a lábosa alján forró lesz, sőt meg is ég, míg a tetejéhez közel sokkal hidegebb.

A hőmérséklet kijelzőn túl a készüléken van egy kis kék LED lámpa. Ez villog, amíg a készülék eléri a kiválasztott hőmérsékletet. Önnek azonban tudnia kell, hogy ha további alkotóelemeket tesz a tálba, a kék LED lámpa ismét villogni kezd, mivel a tálban lévő tartalom hőmérsékletét csökkentették a hideg alkotóelemek. Azt is észreveheti, hogy a folyamatosan égő lámpa villogni kezd, ha a keverési gyakoriság nőtt.

Hamar meg fogja állapítani, hogy a Kenwood Cooking Chef készülék egyszerűen használható, és segíti a napi ételkészítés könnyűvé tételét.

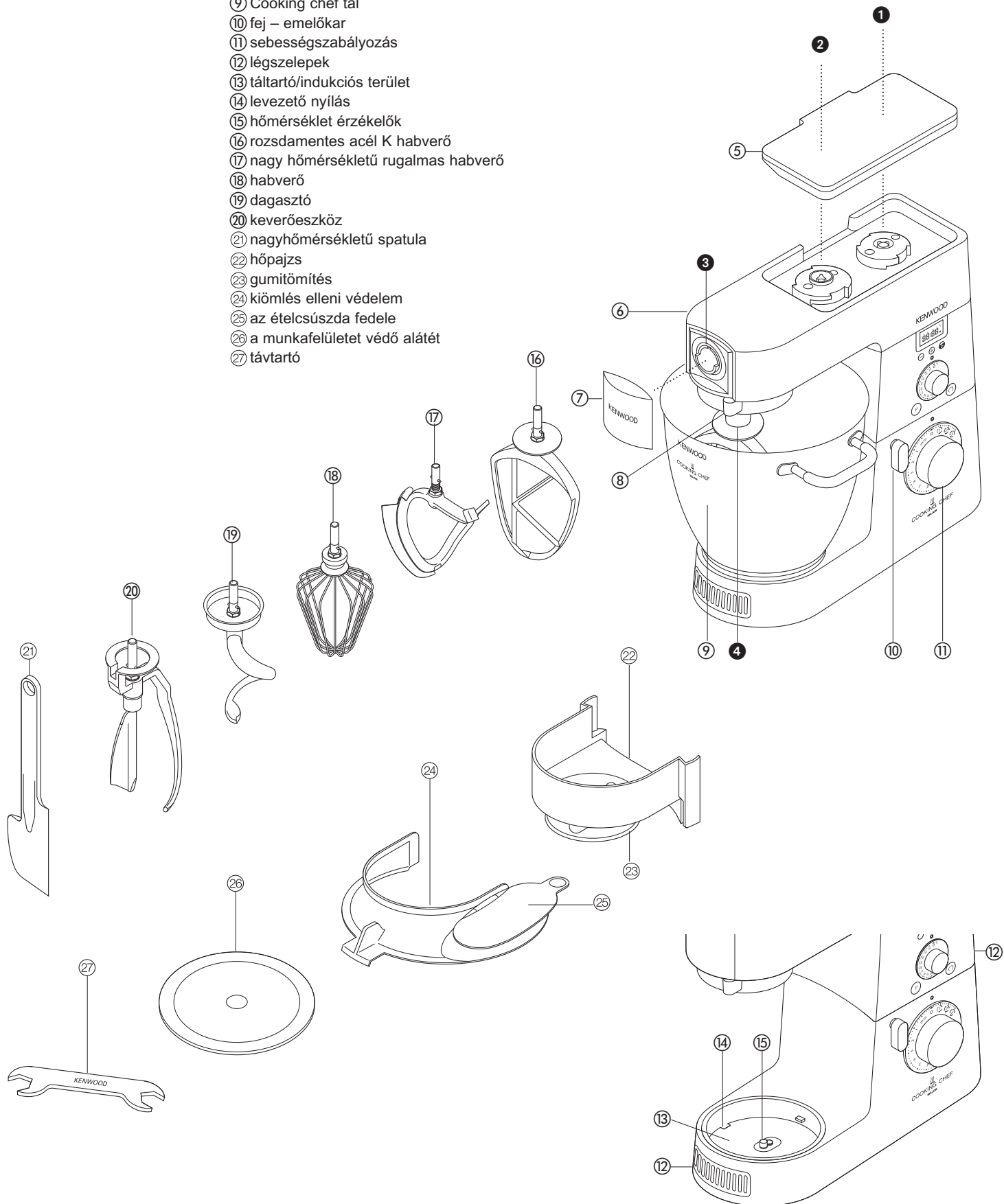
Ismerje meg a Kenwood Cooking Chef-et

Toldat csatlakozó aljzatok

- 1 nagysebességű aljzat
- 2 közepes sebességű aljzat
- 3 alacsony sebességű aljzat
- 4 toldat csatlakozó aljzat

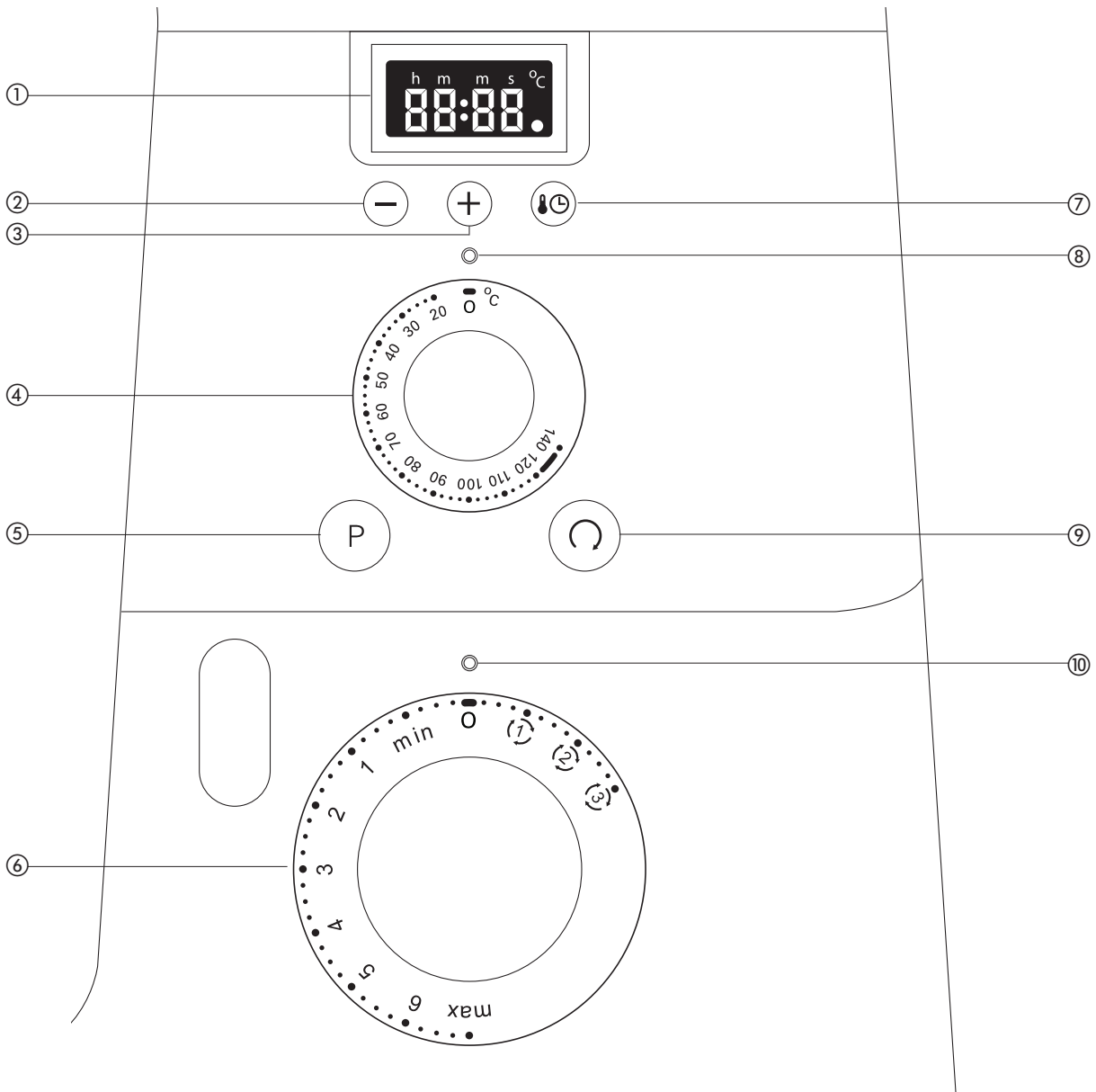
A mixer

- 5 közepes/nagysebességű aljzat fedele
- 6 mixer fej
- 7 alacsony sebességű aljzat fedele
- 8 alacsony sebességű aljzat karja
- 9 Cooking chef tál
- 10 fej – emelőkar
- 11 sebességszabályozás
- 12 légszelepek
- 13 táltartó/indukciós terület
- 14 levezető nyílás
- 15 hőmérséklet érzékelők
- 16 rozsdamentes acél K habverő
- 17 nagy hőmérsékletű rugalmas habverő
- 18 habverő
- 19 dagasztó
- 20 keverőeszköz
- 21 nagyhőmérsékletű spatula
- 22 hópajzs
- 23 gumitömítés
- 24 kiömlés elleni védelem
- 25 az ételcsúsztá fedele
- 26 a munkafelületet védő alátét
- 27 távtartó



vezérlő pult

- ① időkapcsoló/hőmérséklet kijelző
- ② időkapcsoló csökkentő gomb
- ③ időkapcsoló növelő gomb
- ④ hőmérséklet szabályozó
- ⑤ impulzus gomb/nagysebességű/magas hőmérsékletű habverő gomb
- ⑥ sebességszabályozó
- ⑦ időkapcsoló/hőmérséklet választó gomb
- ⑧ hőmérséklet jelző lámpa
- ⑨ bekeverő gomb
- ⑩ sebességszabályozó jelzőlámpa



az eszközök magasságának szabályozása

Lásd a 134. oldalon hogyan kell összeállítani mixert.

habverő, rozsdamentes acél K habverő, keverőeszköz

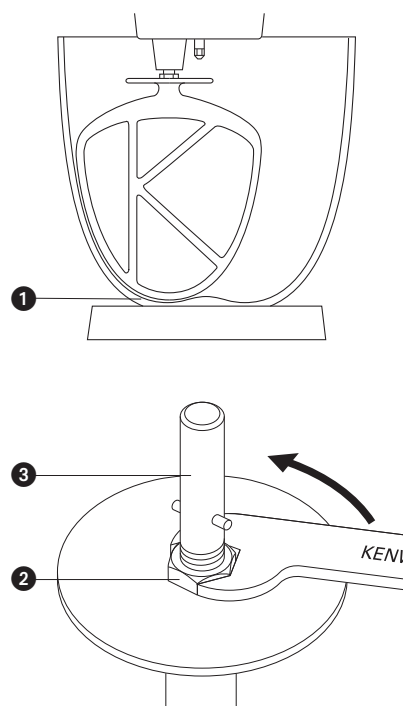
A legjobb teljesítmény elérése céljából a habverőnek, a K habverőnek és a keverőeszköznek **szinte** érintkeznie kell a tál **1** aljával. Szükség esetén a mellékelt távtartóval állítsa be a magasságot.

Ebben a sorrendben:

- 1 Húzza ki a készüléket a csatlakozó aljzatból.
- 2 Emelje fel a mixer fejet és tegye be a habverőt vagy a keverőeszközt.
- 3 Engedje le a mixer fejet. Ha a hézagot állítani kell, emelje fel a mixer fejet és vegye le az eszközt.
- 4 A mellékelt távtartóval lazítsa meg az anyát **2** eléggé ahhoz, hogy állítható legyen a tengely **3**. Ha közelebb akarja hozni az eszközt a tál aljához, fordítsa el a tengelyt az óramutató járásával ellentétes irányban. Ha távolítani akarja az eszközt a tál aljától, fordítsa el a tengelyt az óramutató járásával megegyező irányban.
- 5 Húzza meg újra az anyát.
- 6 Tegye az eszközt a mixerre és engedje le a mixer fejet. (Ellenőrizze a helyzetét, lásd a fenti pontokat.)
- 7 Szükség esetén ismételje meg a fenti lépéseket, amíg az eszköz pontosan áll a helyén. Ha ezt elérte, húzza meg az anyát biztonságosan.

magas hőmérsékletű rugalmas habverő – ennek az eszköznek éppen hogy csak érintkeznie kell a tál aljával.

tésztadagasztó – ez az eszköz gyárilag van beállítva, és beállítást nem igényel.



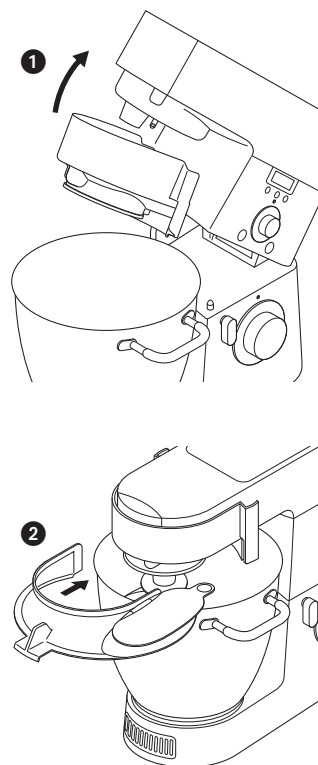
A kiömlés elleni védelem felszerelése és használata, összeszerelés

A kiömlés elleni védelem 2 darabból áll: a hőpajzsból és a kiömlés elleni védelemből.

A hőpajzsot főzés közben kell felszerelni, különben a mixer nem működik, és az E:03 hibakód jelenik meg. A hőpajzs védi a mixer fejet a főzés közben keletkező gőztől.

Szükséges, hogy a hőpajzs és a kiömlés elleni védelem a helyén legyen, hogy a tálban tartsa az alkotóelemeket, azaz, amikor olyan könnyű alkotóelemeket kever, mint a liszt és a porcukor, vagy ha olyan alkotóelemeket főz, amelyek nedvességtartalmát a tálban kell tartani. A kiömlés elleni védelem nem helyezhető a tálra csak akkor, ha a hőpajzssal együtt használja.

- 1 Emelje fel a mixer fejet ütközésig.
 - 2 Nyomja a hőpajzsot felfelé a mixer fej **1** aljába, amíg teljesen a helyére nem kerül. A hőpajzs sosem használható a megfelelően behelyezett gumitömítés nélkül.
 - 3 Tegye a tálat az aljára.
 - 4 Engedje le a mixer fejet.
 - 5 Tegye a kiömlés elleni védelmet a tál peremére, majd csúsztassa előre, amíg teljesen a helyére nem kerül **2**.
- Keverés közben az alkotóelemek közvetlenül betölthetők a tálba az ételcsúszdán át.
- 6 A kiömlés elleni védelem eltávolítása céljából egyszerűen csúsztassa le a készülékről.
 - 7 A hőpajzs eltávolítása céljából emelje fel a mixer fejet ütközésig. Vegye le az eszközt, majd húzza lefelé a hőpajzsot a mixer fej aljáról.
- Megjegyzés: Csak akkor tegye a helyére vagy vegye le a kiömlés elleni védelmet, ha a mixer fej zárt helyzetben van.



a mixer

keverési eszközök és néhány használati mód

- K-habverő • Torta, sütemény, tészta, jégkrém, töltelék, ekler fánk és törkrumpli készítéséhez.
- habverő • Tojás, krém, felvert híg tészta, zsírtalan piskóták, habcsók, sajtorta, krémekek, szuflék készítéséhez. Ne használja a habverőt nehéz keverékekhez (pl. zsíros és cukros krémekekhez) – meghibásodhat.
- tésztadagasztó • Csak élesztős tésztákhoz
- nagy hőmérsékletű rugalmas habverő • Számos főzési műveletre alkalmas, különösen sodókhoz, tojások felveréséhez és szószok készítéséhez. Ideális keverés közben a tál oldaláról mind a forró, mind a hideg keverékek lekaparásához. Alkalmas roston sült zöldségekhez is.
- keverő eszköz • Főzés közben jól használható az étel konzisztenciájának fenntartására, pl. csirke, hal, zöldségek és gyümölcs esetén.

a mixerének használata

A mixer használata előtt ügyeljen rá, hogy a hőmérséklet és a sebesség szabályozó kikapcsolt „O” helyzetben legyen.

- 1 Fordítsa el a fejet emelő kart az óramutató járásával megegyező irányban **1** és emelje fel a mixer fejet ütközésig.

- 2 Tegye az eszközt az aljzatba, a horonyban lévő tengelycsapra, majd fordítsa el ütközésig a **2** helyzetbe.

keverő eszköz – a keverő eszköz behelyezéséhez tegye a tengelyt az aljzatba, majd hozza egy vonalba a hosszabbításon lévő nyílást úgy, hogy a mixer fej alsó részén lévő fémcsap alatt helyezkedjen el. Fogja meg a kereket, és fordítsa el úgy, hogy a tengelycsap a horony alá kerüljön, majd nyomja fel, és fordítsa el ütközésig a **3** helyzetbe.

- 3 A tál ráhelyezése az aljára – nyomja le és fordítsa el az óramutató járásával megegyező irányban **4**.

- 4 A mixer fej leeresztéséhez kissé emelje fel, majd fordítsa el a fejet emelő kart az óramutató járásával megegyező irányban. Engedje le ütközésig.

- Az eszköz levétele • Fordítva végezze el a fenti 2. lépést. (Mindig használjon sütőkesztyűt főzés után az eszközök levételére.)

- 5 Csatlakoztassa a mixert a táphálózathoz. A sebesség és hőmérsékletjelző lámpák rövid ideig világítanak. A kijelzőn **88:88** látható, majd ez eltűnik, és megjelenik a táplálást jelző lámpa **□**.

- 6 A sebességszabályozót fordítsa el a kívánt állásba (lásd a 135. oldalon az ajánlásokat), a mixer beindul, és a sebességszabályozó jelzőlámpa villog. Az időkapcsoló 1 másodperces időközökben számlál. A sebesség bármikor módosítható a mixer működése közben.

- 7 Állítsa le a mixert a sebességszabályozó „O” helyzetbe való kikapcsolásával.

Fontos – Ha bármikor a mixer fej működés közben felemelkedik, a mixer automatikusan leáll és pittyegő hangot ad, és nem indul újra, míg a mixer fej leeresztve marad. Az újraindításhoz a mixer sebességszabályozó kapcsolóját fordítsa el „O” kikapcsolt helyzetbe, majd ismét válassza ki az egyik sebességet.

impulzus gomb

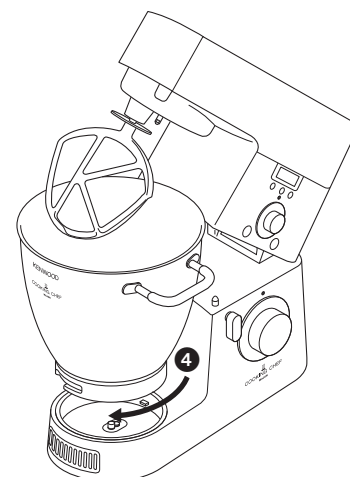
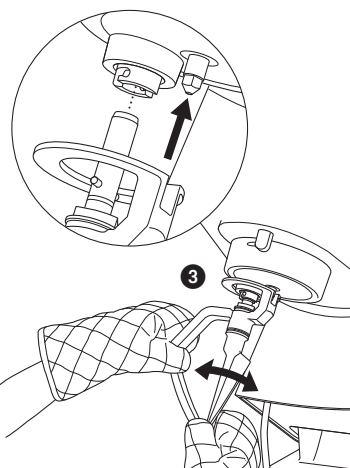
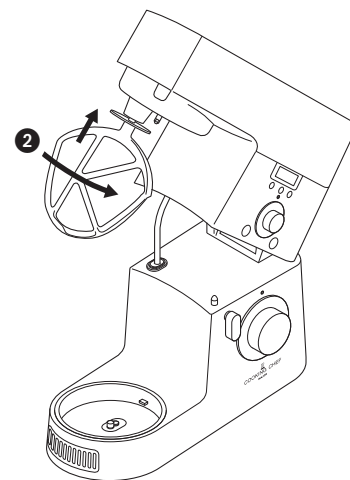
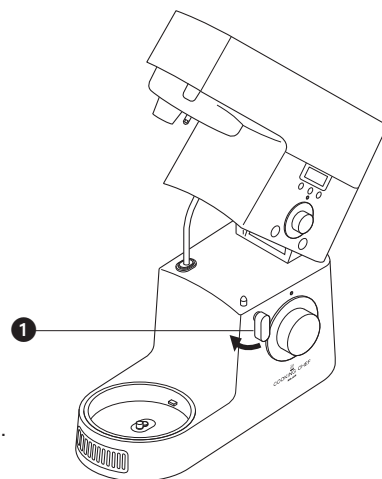
Az impulzus gomb csak akkor használható, ha a sebességszabályozó „O” kikapcsolt helyzetben van.

Az impulzus kiválasztásához nyomja le az impulzus gombot **P**, és a mixer addig működik maximális sebességen, amíg a gombot ebben a pozícióban lenyomva tartja. Ha a tál tartalma 60°C fölé emelkedik, a sebesség fokozatosan nő. Ez pittyegő hanggal jár együtt, és a sebesség- és hőmérsékletjelző lámpák gyorsan villognak.

bekeverő gomb

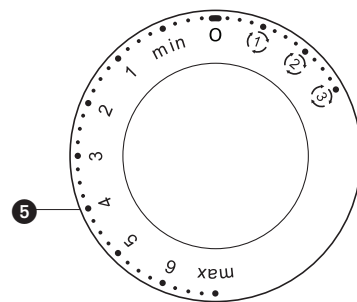
Nyomja le és engedje fel a bekeverő gombot **Ω** és a mixer automatikusan működik minimális sebességen 2 fordulaton át, majd leáll. A gomb hosszabb működésre is lenyomható, vagy ismételtlen is lenyomható, ahogy szükséges az alkotóelemek kombinálása céljából.

Megjegyzés: Ha a bekeverő gomb le van nyomva, miközben a motor működik, a szabványos bekeverési funkciót végzi, majd visszatér a kiválasztott sebességre.



sebességszabályozó 5

Az alábbi sebességek csak útmutatóul szolgálnak, és nagymértékben függhenek a keverésre kerülő alkotóelemek mennyiségétől és hőmérsékletétől stb. Fordítsa el a sebességszabályozót az óramutató járásával ellentétes irányban a „min”-„max” sebességtartományban valamelyik sebességre.



- K-habverő fokozatosan növelve a „max”-ra,
 - magas hőmérsékletű, rugalmas keverő habverő
 - habverő
 - tésztagasztó keverő eszköz
- **zsiros és cukros krémek** készítését a „min” beállítással kezdje,
 - **tojások felverése krémes keverékké** 4 – „max”.
 - **bekeverés lisztbe, gyümölcsbe stb.** „min” – 1
 - **a „minden egyben” torta** készítése minimális sebességen kezdődik, fokozatosan növelve „max”-ra
 - **zsír belemorzsolása a lisztbe** „min” – 2.
 - **zsiros és cukros krém** készítése „min” beállításon kezdődik, fokozatosan növelve 3-ra.
 - **a tál oldaláról mind a forró, mind a hideg keverékek lekaparása** „min” beállításon kezdődik, fokozatosan növelve 3-ra
 - roston sült zöldségek, rizottó és polenta keverése stb., használja az 1 fokozatot.
 - Fokozatosan növelje „max”-ra.
 - Kezdje „min” beállításon, fokozatosan növelve 1-re.
 - Csak keverési beállításokhoz 1, 2, 3 használja.

keverési beállítások

A keverési beállítások kiválasztása céljából fordítsa el a sebességszabályozót az óramutató járásával ellentétes irányban. Ez akkor a legalkalmasabb, amikor a mixert főzési módban használja. Ne feledje, a keverési sebesség használatához minden kimenő fedelet le kell zárni.

- 1 – Akkor használja ezt a beállítást, amikor állandó lassú sebesség szükséges, pl. szószok keverésekor.
- 2 – Ha a sebességszabályozó ebben a helyzetben van, a mixer szakaszosan működik alacsony sebességen minden 5 másodpercben kb. 2 fordulatot téve.
- 3 – Ha a sebességszabályozó ebben a helyzetben van, a mixer szakaszosan működik alacsony sebességen minden 30 másodpercben egyszer, ez serpenyős raguk keverésére stb. alkalmas.

Állítsa vissza a sebességszabályozót „0” kikapcsolt helyzetbe a művelet leállításához.

Megjegyzés:

- Amikor kiválasztja a sebességet, a sebességet mutató lámpa villogni fog.
- Szabályos időközönként erős hang hallható a készülékből használat közben. Ez normális.

a mixer használata ételkészítéshez

FONTOS

- Ügyeljen rá, hogy az indukciós terület, a hőmérséklet érzékelők és a tál aljának külső felülete tiszta legyen. Ennek elmulasztása befolyást gyakorol a hőérzékelőre, ennek következtében gyenge lesz a főzési teljesítmény.
- Ellenőrizze, hogy minden aljzat fedele, a hőpajzsot is beleértve, a helyén van-e. Ha nincsenek megfelelően a helyükön, a melegítési funkció nem fog működni.
- Mindig használjon sütőkesztyűt főzés után a tál és az eszközök eltávolítására.

1 A mixer összeszerelése a 134. oldalon közölt utasításokat követve.

2 Fordítsa el a hőmérséklet szabályozót a kívánt hőmérsékletre.

• **A melegítés csak akkor kezdődik, ha a sebességet kiválasztotta.**

3 Fordítsa el a sebességszabályozót a kívánt sebességre, amely bekapcsolja a motort és a fűtőkészüléket. Mindkét jelzőlámpa villogni fog.

4 Ha elérte a beállított hőmérsékletet, a hőmérséklet jelző lámpa folyamatosan ég.

Bár főzés közben a lámpa villogni fog, ha a hőmérsékletváltozások arra utalnak, hogy a mixer próbálja fenntartani a beállított hőmérsékletet (kérjük, olvassa el a 129. oldalon az utasítást).

- Ha a tál hőmérséklete meghaladja a 60°C-t, biztonsági okokból a sebesség automatikusan korlátozódik, még akkor is, ha nagyobb sebességet választott ki. A sebesség nem nő automatikusan, amikor a hőmérséklet 60°C alá csökken. Előbb a sebességszabályozót ki kell kapcsolni, és újra ki kell választani a kívánt sebességet.
 - Megjegyzés: Minden alkalommal, amikor lenyomja az időkapcsolót/hőmérséklet választókapcsolót, a kijelző váltakozva mutatja az időkapcsolót és a tál tartalmának hőmérsékletét.
- 5 A keverési és a melegítési eljárás leállításához vagy szüneteltetéséhez fordítsa el a sebességkapcsolót „0” kikapcsolt helyzetbe. A művelet folytatásához válasszon ki egy sebességet.

Ötletek

- **Egyes receptek, különösen nagy víztartalmú alkotóelemek esetén, nem érik el a 100°C feletti főzési hőmérsékletet (ez a víz forráspontja).**
- Főzés közben a tálba alkotóelemek hozzáadásakor vegye kisebbre a sebességet, s lassan és egyenletesen adagolja be az alkotóelemeket.
- Szószok gyors felmelegítéséhez használja a folyamatos keverési beállítást (1).
- Esetleg az ételkészítés közben a különböző eljárásokhoz a toldatok cseréjével jobb eredményeket érhet el, pl. a magas hőmérsékletű rugalmas keverő habverőt használja zöldségek pirítására, majd a keverő eszközt a vörös és fehér húsok főzése közben.
- Ha főzés közben kiömlés elleni védelmet használ, mindig vegye le, mielőtt felemeli a mixer fejét. Ügyeljen a kiömlés elleni védelmen és a hőpajzson lecsapódott gőzre.
- Amikor felemeli a mixer fejét, emelje lassan, és hagyja, hogy a hőpajzs alatt lévő minden folyadék visszafolyjon a tálba.
- Három keverési funkció áll rendelkezésre, amely lehetővé teszi Önnek az egyes receptekhez a megfelelő mértékű keverés kiválasztását. Egyes receptek állandó keverést igényelnek azért, hogy az alkotóelemek ne tapadjanak a tál aljára, míg mások inkább szakaszos keverést írnak elő az étel konzisztenciájának fenntartása céljából.
- Az optimális teljesítmény céljából az eszközök magasságát állítsa be a 133. oldalon ajánlottak szerint.
- A maximális főzési idő 3 óra, amely idő után a mixer automatikusan kikapcsol.
- Ételt fel lehet melegíteni a helyére tett eszköz nélkül is, de ki kell választani a sebességet. Ez előnyös lehet élelmiszerek, pl. vaj, csokoládé kiolvasztásakor.
- Minden alkalommal, amikor az időkapcsolót/hő-mérséklet választókapcsolót lenyomja, a kijelző váltakozva mutatja a főzési időt és az adott ponton elért hőmérsékletet.

Nagysebességű, magas hőmérsékletű habverő szabályozás

60°C feletti hőmérsékleten nagy sebességgel habverővel történő keveréshez fordítsa el a sebességszabályozót a kívánt sebességre, és nyomja le és tartsa lenyomva az impulzus gombot. Ez pittyegő hangjelzéssel jár, és a sebesség és hőmérsékletjelző lámpák gyorsan villognak. A habverő sebessége lassan nő a kiválasztott sebesség eléréséig. Ismétlje meg az eljárást a sebesség további növelése céljából. Csökkentheti a habverő sebességét vagy kikapcsolhatja a mixert a szokásos módon.

E funkció CSAK habverővel használható. Nem lépheti túl a maximum 3 literes főzési kapacitást, és ügyelnie kell rá, hogy a kiömlés elleni védelem a helyén legyen. A készülék nem hagyható felügyelet nélkül.

főzés után

- Legyen óvatos, amikor a mixert kezeli vagy bármely részéhez ér, főzési módban vagy főzés után, **KÜLÖNÖSEN A TÁL, A KIÖMLÉS ELLENI VÉDELEM ÉS AZ ESZKÖZÖK FORRÓK** maradnak egy ideig a készülék kikapcsolása után is. A fogók segítségével vegye ki és tegye át a tálat. Használjon sütőkesztyűt, amikor a forró tálat és a forró keverési eszközöket kezeli.
- A tál alja hosszú ideig forró marad a melegítés leállítása után is. Legyen óvatos kezelés közben, és használja a munkafelületet védő mellékelt alátétet a hőérékeny felületek védelme céljából.

kijelző

A biztonsága érdekében a mixer 5 külön biztonsági érzékelővel van felszerelve, amelyek a mixer főzési módban való használata során működnek. Ha a mixer be van kapcsolva, és a biztonsági érzékelő aktiválva van, az időkapcsoló/hőmérséklet kijelző hibaüzenetet mutat, például „E:01”. Ez pittyegő hangjelzéssel jár, és a mixer nem működik. Vizsgálja meg az alábbi hibaüzeneteket:

Hibaüzenet	Leírás	Megoldás
E:01	A készülék feje felemelt helyzetben van. Ha a fej felemelkedik, a biztonsági érzékelő kikapcsolja a motort és a fűtőkészüléket. Ha a sebességszabályozó nem „O” helyzetben, azaz kikapcsolt helyzetben van, hanem más beállításra van elfordítva, amikor a fej felemelkedik, ez az üzenet jelenik meg, és a motor nem kapcsolódik be.	Zárja le a fejet. Fordítsa el a sebességszabályozót „O” helyzetbe, majd válassza ki a kívánt sebességet.
E:02	A Cooking Chef tál nincs a helyén. A melegítési funkció csak akkor működik, ha a Cooking tálat használja. A tálat pontosan kell a helyére tenni. A biztonsági érzékelők észlelik, ha nem a megfelelő tál van odátéve, vagy ha a tál nincs a megfelelő helyzetben.	Ügyeljen rá, hogy a Cooking Chef tálat használja. Ellenőrizze, hogy a tál megfelelően a helyén van-e. Fordítsa el a sebességkapcsolót „O” helyzetbe, majd válassza ki a kívánt sebességet.
E:03	A hőpajzs nincs a helyén. A melegítési funkció nem működik, ha a hőpajzs nincs megfelelően a helyére téve.	Ügyeljen rá, hogy a hőpajzs a helyén legyen. Fordítsa el a sebességszabályozót „O” helyzetbe, majd válassza ki a kívánt sebességet.
E:04	Az alacsony sebességű aljzat és a nagysebességű/közepes sebességű aljzat fedele nincs a helyén. E fedelek biztonsági érzékelőkkel vannak ellátva. Ha a fedelek nincsenek a helyükön, a melegítés kikapcsolódik, és ha keverési funkció van kiválasztva, a motor folyamatosan működik. A minimum és maximum közötti keverési sebesség folyamatosan működik.	Ügyeljen arra, hogy minden fedél megfelelően a helyén legyen. Fordítsa el a sebességszabályozót „O” helyzetbe, majd válassza ki a kívánt sebességet.
E:09	Hőmérsékletérzékelő probléma. Ha a fűtőkészülék szabályozója érzékeli, hogy a tál hőmérséklete magasabb, mint ami a szokásos használat közben elvárható, a motor és a fűtőkészülék automatikusan kikapcsolódik.	Fordítsa el a sebességszabályozót „O” helyzetbe, húzza ki a készülék csatlakozó dugóját, és engedje lehűlni. Ellenőrizze, hogy a tál alja és a hőmérsékletérzékelők tiszták-e. Újra dugaszolja vissza a dugót, és kapcsolja be szokás szerint.
E:10	Motor sebességével vagy túlmelegedéssel kapcsolatos probléma. Ha a motor leáll, vagy túlforrósodik, a szabályozó rendszer automatikusan lekapcsolja a motort és a fűtőkészüléket.	Fordítsa el a sebességszabályozót „O” helyzetbe, és húzza ki a készülék csatlakozó dugóját. Távolítsa el minden akadályt, ami miatt a motor leáll. Ügyeljen rá, hogy minden légszelep akadálymentes legyen. Dugaszolja be és kapcsolja be.

Ha ezek vagy bármely más hibakód továbbra is látható a kijelzőn, forduljon a Kenwood Ügyfélszolgálathoz.

A visszaszámlálási időkapcsoló használata

Az időkapcsoló mind főzési, mind nem főzési üzemmódban használható. Ha nem választotta ki a visszaszámlálási időt, az időkapcsoló automatikusan számlál 1 másodperces időközönként, amíg a mixer működik. A maximális üzemidő 3 óra.

- 1 Csatlakoztassa a mixert a táphálózatba. A kijelzőn röviden **88:88** látható, majd ez eltűnik, s a táplálás jelzése jelenik meg **□**.
- 2 Nyomja le vagy a + vagy a – gombot, és a kijelzőn a 0:00 látható.
- 3 Nyomja le vagy a + vagy a – gombot, amíg a kijelzőn megjelenik a kívánt idő. Az időkapcsoló 5 másodperces időközönként számlál. Ha a gombot folyamatosan lenyomja, a számok gyorsabban változnak, amíg lenyomva tartja. Maximum 3 óra állítható be.
Megjegyzés: Ha a + gombot nyomta le, amikor az időkapcsoló 3:00 időt mutat, a kijelzett idő átvált 0:00-ra. Ha a – gombot nyomta le, amikor az időkapcsoló 0:00-t mutat, a kijelzett idő átvált 3:00-ra.
- 4 Fordítsa el a sebességszabályozót a kívánt sebességre, a mixer beindul, és az időkapcsoló 1 másodperces időközönként visszafelé számlál.
 - A mixer működése bármikor leállítható a sebességszabályozó „O” helyzetbe való kikapcsolásával. Ez szünetelteti az időkapcsolót is. Az időkapcsoló továbbszámlál visszafelé, amikor a mixer újraindult.
- 5 A keverési eljárás automatikusan leáll, amikor letelt a teljes idő, és hangjelzés hallható 3 másodpercig. A kijelző 5 másodpercig villog, majd ez eltűnik, és a táplálást mutatja **□**.

az időkapcsoló újraindítása

- 1 Nullázza le az időkapcsolót a + és – gomb egyidejű lenyomásával (a sebesség-szabályozónak „O” helyzetben kikapcsolva kell lennie).
- Ha a gép 10 percig nem működött, az LCD kijelző és a háttérvilágítás „alvó üzemmódba” megy át, és minden kijelző kikapcsol. Ha bármely gombot vagy szabályozó gombot aktivál, a kijelző a korábbi formátumban indul újra.

maximális kapacitás

- csőben sült tészta** • A liszt súlya: 910 g
- sűrű élesztős tészta** • A liszt súlya: 1,5 kg
- Össz súly: 2,4 kg
- lágú élesztős tészta** • A liszt súlya: 2,6 kg
- Össz súly: 5 kg
- gyümölcstorta keverék** • Össz súly: 4,55 kg
- tojásfehérje** • 16
- főzési mód** • 3 liter

általános tippek

- Állítsa le a keverést és gyakran kaparja le a tálal spatulával.
- A tojásokat szobahőmérsékleten lehet legjobban felverni.
- Tojásfehérje felverése előtt ügyeljen rá, hogy felverésre szolgáló edényben vagy tálban ne legyen zsír vagy tojássárgája.
- Hideg alkotóelemeket használjon a tésztához, kivéve, ha a receptje mást ír elő.

kenyérsütési szempontok

- fontos
- Soha ne lépje túl a megadott maximális mennyiségeket - túlterheli a gépet.
 - Ha azt hallja, hogy a készülék nehezen működik, kapcsolja ki, vegye ki a tészta felét, és külön készítse el a két felet.
 - Az alkotóelemek akkor keverednek el a legjobban, ha először a folyadékot tölti be.

hibakeresés főzés közben

Probléma	Ok	Megoldás
A mixer nem működik melegítési módban, és hibaüzenetet mutat, és figyelmeztető hangjelzést ad.	Az egyik biztonsági szenzor működésbe lépett.	Lásd a 137. oldalon az üzenetekre hivatkozó táblázatott. <ul style="list-style-type: none"> • Ügyeljen rá, hogy a fej alul és zárt helyzetben legyen. • Ügyeljen rá, hogy minden aljzat fedele pontosan a helyén legyen. • Ügyeljen rá, hogy a hőpajzs megfelelően a helyén legyen. • Ügyeljen rá, hogy a cooking chef tál megfelelően a helyén legyen.
A hőmérsékletet kiválasztotta, de a tál tartalma nem melegszik (a hőmérsékletjelző lámpa nem ég).	A sebesség nincs kiválasztva.	Válassza ki a sebességet.
A mixer sebessége változik főzés közben.	A sebesség automatikusan korlátozódik, amikor a tál tartalma eléri a 60°C-t.	Ez biztonsági jellemző.
Az étel leég a tál alján.	<ol style="list-style-type: none"> 1 A hőmérséklet beállítás esetleg túl magas. 2 Nem megfelelő eszközt használt. 3 A keverési funkció túl lassú. 4 Az eszköz esetleg nincs elég alacsonyan a tálban. 5 Az időkapcsoló túl hosszú időre van beállítva. 6 Az érzékelő és/vagy a tál alja esetleg nem tiszta. 	<ol style="list-style-type: none"> 1 Csökkentse a hőmérsékletet a tárcsán vagy főzzön alacsonyabb hőmérsékleten. 2 Vizsgálja meg, hogy a legmegfelelőbb eszközt használja-e. 3 Növelje a keverési funkció gyakoriságát, vagy fokozza a folyamatos működést. 4 Állítsa be az eszközt. 5 Főzzön rövidebb ideig (ügyelve rá, hogy az étel alaposan megfőjön). 6 Ügyeljen rá, hogy ezeket a területeket tisztán és szárazan tartsa.
Nem tartható fenn az étel konzisztenciája.	<ol style="list-style-type: none"> 1 A hőmérséklet túl magasra van kiválasztva. 2 A keverési funkció túl gyors. 3 Az alkotóelemek túl hosszú ideig vannak főzve. 4 Nem megfelelő eszközt használt. 	<ol style="list-style-type: none"> 1 Csökkentse a hőmérsékletet. 2 Csökkentse a keverési sebességet. 3 Csökkentse a főzési időt (ügyelve rá, hogy az étel alaposan megfőjön). 4 Ellenőrizze, hogy a legmegfelelőbb eszközt használja-e.
Nem egyenletes keverési sebesség.	1 Az alkotóelemek túl nagyok, kemények vagy túl szilárdak.	<ol style="list-style-type: none"> 1 Vágja az ételt kisebb darabokra, távolítsa el a magot a gyümölcsökből, lassan olvassa fel az alkotóelemeket a helyére tett eszköz nélkül (de ügyelve rá, hogy kiválassza a sebességet). 2 A fej leeresztése után adagolja be az alkotóelemeket. 3 Ellenőrizze, hogy a legmegfelelőbb eszközt használja-e.
Hideg alkotóelemeket adott forró keverékhez, de a hőmérséklet kijelző nem reagál gyorsan.	Ha a tál tartalma nincs alaposan elkeverve, akkor a tálban az ételek hőmérséklete eltérő.	<ol style="list-style-type: none"> 1 Hagyjon időt az alkotóelemeknek az alapos elkeveredéshez. 2 Növelje a keverési sebességet.
Nehéz lezárni a mixer fejet, amikor étel van a tálban.	A szilárd alkotóelemek, például csokoládé a tál alján, megakadályozza, hogy a mixer fej a helyére kerüljön.	Az után adagolja be az alkotóelemeket, hogy leeresztette a mixer fejet.
A mixer folyamatosan működik, amikor a keverés (2) vagy keverés (3) van kiválasztva.	Az aljzatok fedelei nem megfelelően vannak lezárva.	Ügyeljen rá, hogy a kimenetek fedelei a helyükön legyenek.
A motor sebessége korlátozott a toldatok használata közben.	Forró tálat helyezett be.	Távolítsa el a tálat, vagy hűtse le a tálat 60°C alá.

kapható opcionális toldatok

A csomagban nem mellékelt toldat megvásárlásához lásd a Szerviz és ügyfélszolgálat c. részt.

tartozék tartozék kódja

lapostészta-készítő ① AT970A

további tésztakészítő toldatok
(nem látható) együtt kerül
alkalmazásra AT970A-val

AT971A tagliatelle

AT972A tagliolini

AT973A trenette

AT974A spagetti

a tésztakészítő ② AT910 maccheroni rigati formához használható
(12 opcionális forma és biscuit tésztakészítő is csatlakoztatható)

roto ételvágó ③ AT643 5 dobbal használható

gyümölcsprés ④ AT644

többfunkciós daráló ⑤ AT950A-nak finom, közepes és durva szűrője, kis és nagy kolbásztöltője és kebbe készítője van

többfunkciós daráló ⑥ AT955-nak finom, közepes és durva szűrője, kis és nagy kolbásztöltője és kebbe készítője van

gabona daráló ⑦ AT941A

ételkészítő toldat ⑧ AT647 6 vágótárcsa és egy vágókés

szeletelő ⑨ AT340 7 vágótárcsa

citromfacsaró ⑩ AT312

**keverőeszköz ⑪ 1,5 l akril AT337, 1,6 literes hőálló üveg AT358,
1,5 l rozsdamentes acél AT339**

mini daráló ⑫ AT320A 4 üvegcorsóval és 4 tároló dobozzal

folytonos gyümölcsléfacsaró ⑬ AT641

fagylaltgép ⑭ AT957A

burgonyahámzó ⑮ AT445

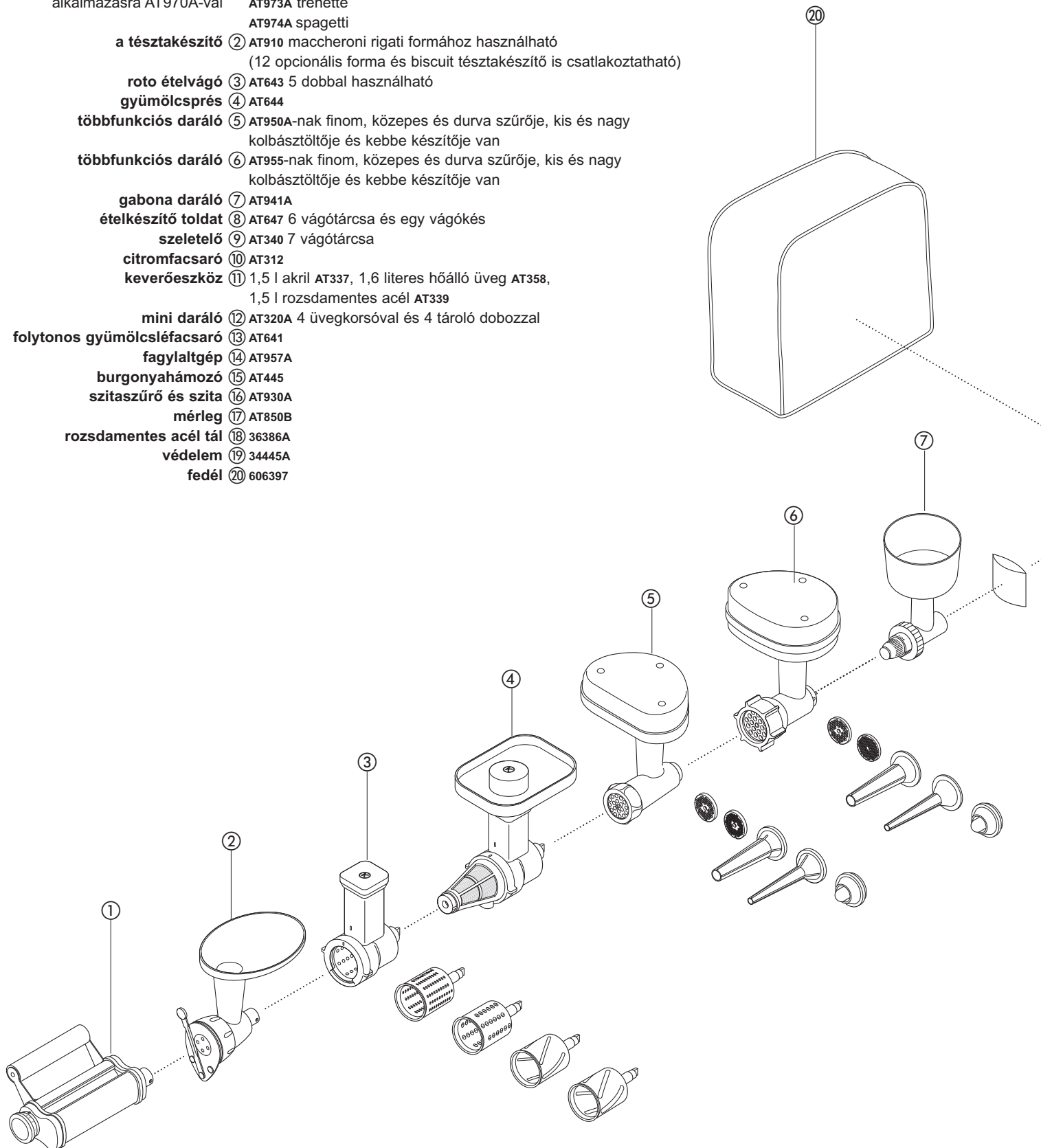
szitaszűrő és szita ⑯ AT930A

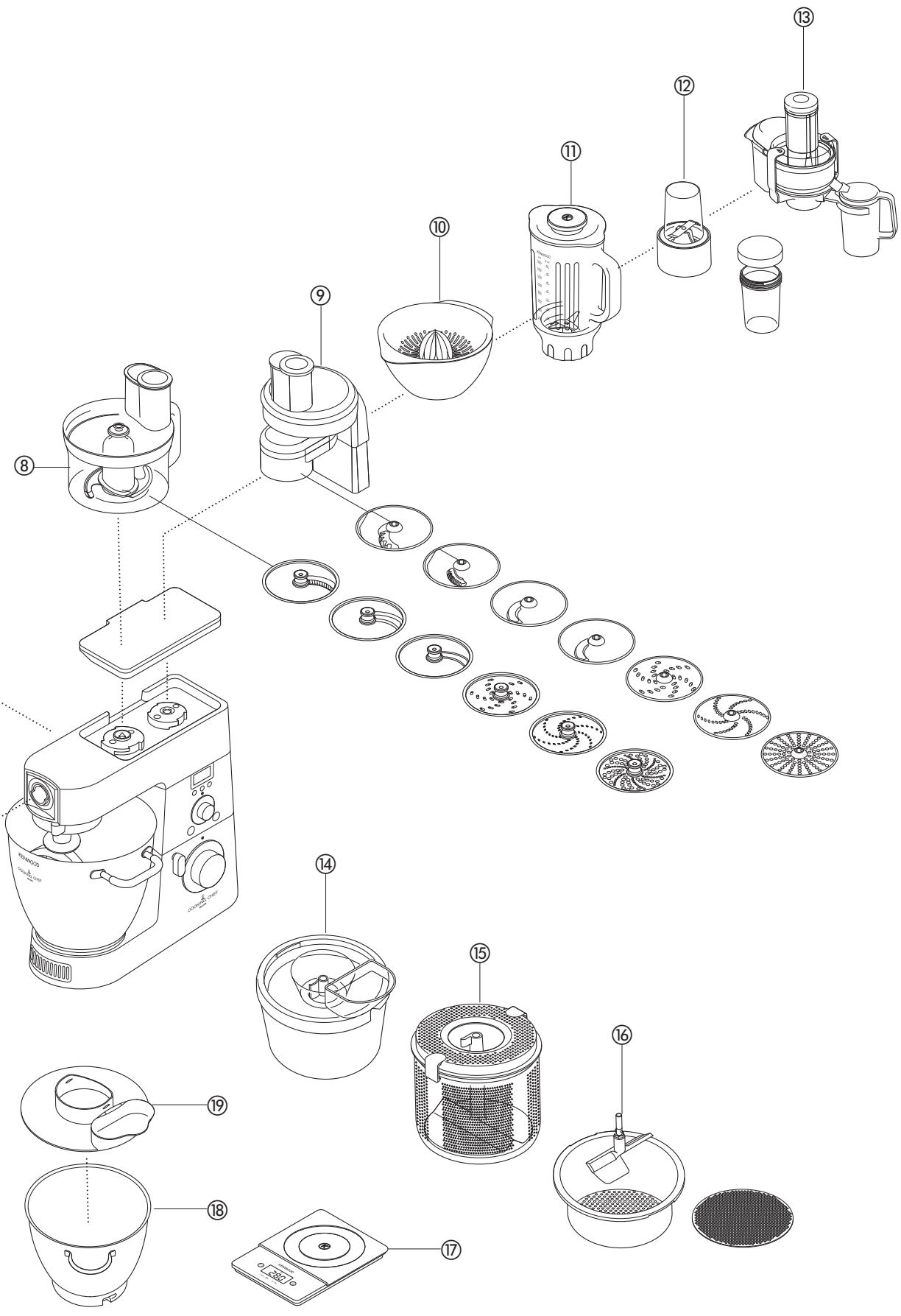
mérleg ⑰ AT850B

rozsdamentes acél tál ⑱ 36386A

védelem ⑲ 34445A

fedél ⑳ 606397

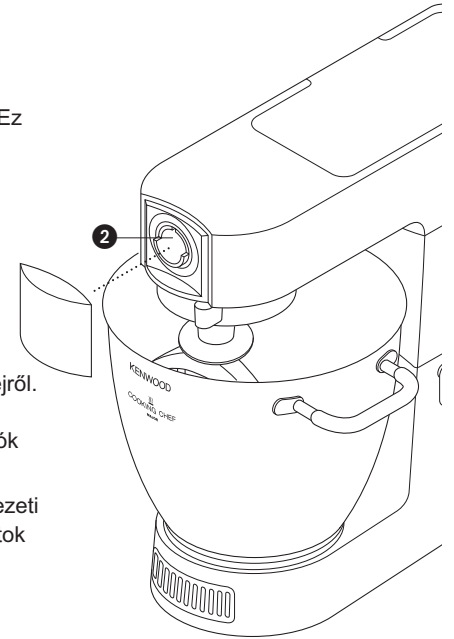




tisztítás és szerviz

Ápolás és karbantartás

- Mindig kapcsolja ki és húzza ki a csatlakozó dugót tisztítás előtt.
- A használatba vétel előtt egy kevés zsírt találhat az **aljzaton** ②. Ez normális, csak törölje le.
- A hőmérsékletérzékelők fémfelületei a kopás jeleit mutathatják a rendeltetésszerű használat során. Ez nem befolyásolja a termék teljesítményét.
- Használaton kívül ne hagyja a magas hőmérsékletű rugalmas habverőt a mixerre szerelve.



készülék, az aljzatok fedele nagy hőmérsékletű rugalmas habverő

- Törölje le nedves ruhával, majd szárassal.
- Soha ne használjon csiszoló anyagot, vagy ne merítse vízbe.
- Tisztítás előtt mindig távolítsa el a flexibilis törlőlapátot a keverőfejről.
- Forró mosószeres vízben mossa meg a flexibilis törlőlapátot és a keverőfejet, majd teljesen szárítsa meg. Az alkatrészek elmoshatók mosogatógépben is.

Megjegyzés: Használat előtt és után ellenőrizze az eszköz szerkezeti részének állapotát, valamint rendszeresen ellenőrizze a törlőlapátok állapotát, és cserélje ki azokat, ha a kopás jelei mutatkoznak.

tál, eszközök, kiömlés elleni védelem

- Mosogassa el kézzel, majd törölje szárazra, vagy mosogassa mosogatógépben.
- Soha ne használjon drótkefét, acélszivacsot vagy fehérítő szert a rozsdamentes acél tál tisztítására. Borecettel vagy megfelelő vízkőmentesítő szerrel távolítsa el a vízkövet.
- Ha az étel leragad vagy leég a tál belsejére, a mellékelt spatulával távolítsa el, amennyire lehet. Öntsön a tálba langyos mosogatószeres vizet, és hagyja ázni. Nylonkefével távolítson el minden makacs lerakódást.

űritő nyílás

- A tál bármilyen elszíneződése nem befolyásolja a teljesítményét.
- Ügyeljen rá, hogy ide ne kerüljön étel. Ha szükséges, csőtisztítóval vagy pamutronggyal tisztítsa meg.

hőmérséklet érzékelők

- Törölje le nedves ruhával, majd szárítsa meg alaposan. Soha ne használjon csiszoló anyagokat vagy éles szerszámokat a szenzorok tisztítására.

szerviz és vevőszolgálat

- Ha a hálózati vezeték sérült, azt biztonsági okokból ki kell cseréltetni a Kenwood vagy egy, a Kenwood által jóváhagyott szerviz szakemberével.

Ha segítségre van szüksége:

- a készülék használatával vagy
- a karbantartással és a javítással kapcsolatban, lépjen kapcsolatba azzal az elárusítóhellyel, ahol a készüléket vásárolta.

- Tervezte és kifejlesztette a Kenwood az Egyesült Királyságban.
- Készült Kínában.



**A TERMÉK MEGFELELŐ MÓDON TÖRTÉNŐ
HULLADÉKKEZELÉSÉRE VONATKOZÓ FONTOS TUDNIVALÓK A
2002/96/EC IRÁNYELV ÉRTELMÉBEN**

A hasznos élettartamának végére érkezett készüléket nem szabad a lakossági hulladékkal együtt kezelni.

A leselejtezett termék az önkormányzatok által kijelölt szelektív hulladékgyűjtőkben (hulladékgyűjtő udvar) vagy az elhasználódott készülékek visszavételét végző kereskedőknél adható le.

Az elektromos háztartási készülékek szelektív gyűjtése és kezelése lehetővé teszi a nem megfelelően végzett hulladékkezelésből adódó, a környezetet és az egészséget veszélyeztető negatív hatások megelőzését és a készülék alkotórészeinek újrahasznosítását, melynek révén jelentős energia-és erőforrás-megtakarítás érhető el.

Az elektromos háztartási készülékek szelektív gyűjtésére és kezelésére vonatkozó kötelezettséget a terméken feltüntetett áthúzott szemétkgyűjtő edény (kerek kuka) jelzés mutatja.

receptek

Lásd a fontos kenyérsütési szempontokat a 138. oldalon.

- fehér kenyér, sűrű kelttészta**
- alkotóelemek
- 1,36 kg erős sima liszt
 - 15 ml (3 teáskanál) só
 - 25 g friss élesztő; vagy 15 g/20 ml élesztőpor + 5 ml (1 teáskanál) cukor
 - 750 ml meleg víz: 43°C. Használjon hőmérőt, vagy adjon hozzá 250 ml forrásban lévő vizet 500 ml hideg vízhez
 - 25 g vegyes disznózsír
- módszer
- 1 **csomag élesztőpor** (helyreállítást igénylő típus): öntsön meleg vizet a tálba. Majd adja hozzá az élesztőt és a cukrot, és hagyja állni kb. 10 percig, amíg habos lesz.
friss élesztő: morzsolja bele a lisztbe.
más típusú élesztő: kövesse a gyártó utasításait.
 - 2 Öntse a folyadékot a tálba. Majd adja hozzá a lisztet (friss élesztővel, ha azt használ), a sóval és vegyes disznózsírral.
 - 3 Dagassza minimális sebességen 45–60 másodpercig. Majd növelje a sebességet 1-re, adjon hozzá még lisztet, ha szükséges, amíg megkel a tészta.
 - 4 Dagassza még 3–4 percig 1 sebességen, amíg a tészta sima, rugalmas lesz, és leválik a tál oldaláról.
 - 5 Tegye a tésztát kizsírozott műanyag zacskóba vagy tálba és fedje le konyharuhával. Majd hagyja meleg helyen, amíg a mérete a duplájára nő.
 - 6 Újra dagassza 2 percig 1 sebességen.
 - 7 Félig töltsön meg négy 450 g-os kizsírozott tepsit a tésztával, vagy formálja tekercsekre. Majd fedje le konyharuhával, és hagyja meleg helyen, amíg a mérete duplájára nő.
 - 8 Süssse ki 230°C-on/gázsütőben 8-as fokozaton 30–35 percig a *cipók*, vagy 10–15 percig a *tekercsek* esetében.
- Ha kész, a kenyér üreges érzetet kelt, ha az aljánál megtapintja.

- fehér kenyér, lágy kelttészta**
- alkotóelemek
- 2,6 kg szokásos sima liszt
 - 1,3 liter tej
 - 300 g cukor
 - 450 g margarin
 - 100 g friss élesztő vagy 50 g élesztőpor
 - 6 felvert tojás
 - 5 csipet só
- módszer
- 1 Olvassa ki a margarint tejben, s melegítse fel 43°C-ra.
 - 2 **csomag élesztőpor** (helyreállítást igénylő típus): adja hozzá az élesztőt és a cukrot a tejhez, és hagyja állni kb. 10 percig, amíg habos lesz.
friss élesztő: morzsolja bele a lisztbe és adja hozzá a cukrot.
egyéb típusú élesztő: kövesse a gyártó utasításait.
 - 3 Öntse a tejet a tálba. Adja hozzá a felvert tojásokat és 2 kg lisztet.
 - 4 Keverje minimális sebességen 1 percig, majd 1 sebességen még egy percig. Kaparja le.
 - 5 Adja hozzá a többi lisztet és keverje minimális sebességen 1 percig, majd 1 sebességen 2–3 percig, amíg sima lesz és egyenletesen elkeveredik.
 - 6 Félig töltsön meg 450 g-os kizsírozott tepsiket a tésztával, vagy formázza tekercsekre.
Majd fedje le konyharuhával, és hagyja meleg helyen, amíg a mérete a duplájára nő.
 - 7 Süssse 200°C-on/gázsütőben 6-os fokozaton 20–25 percig a *cipók* vagy 15 percig a *tekercsek* esetében.
 - 8 Ha kész, a kenyér üreges érzetet kelt, amikor az aljánál megtapintja.
- Kb. 10 cipóra elegendő.

receptek *folytatás*

Epres és sárgabarackos torta

- Alkotóelemek: piskóta
- 3 tojás
 - 75 g finom kristálycukor
 - 75 g sima liszt
- töltelék és dekoráció
- 150 ml dupla krém
 - cukor ízlés szerint
 - 225 g eper
 - 225 g sárgabarack
- módszer
- 1 Vágja félbe a sárgabarackokat és dobja ki a magját. Nagyon kevés vízben rövid ideig párolja, adjon hozzá cukrot ízlés szerint, amíg puha lesz.
 - 2 Mossa meg és felezze el az epreket.
 - 3 Piskóta készítéséhez verje fel a tojásokat és a cukrot maximális sebességen, amíg krémes és sűrű állagú lesz.
 - 4 Vegye ki a tálát és a habverőt. Keverje bele a lisztet kézzel nagy fémkanál segítségével – óvatosan, hogy a piskóta könnyű maradjon.
 - 5 Tegye bele a keveréket két 18 cm-es kizsírozott és kibélelt szendvics sütőbe.
 - 6 Süsse 180°C-on/a gázsütőben 4-es fokozaton kb. 20 percig, amíg a torta finom érintésre leválik a zsírpapírról.
 - 7 Borítsa ki megfelelő tartóra.
 - 8 Verje fel a krémet maximális sebességen, megfelelő keménységűre. Ízlés szerint adjon hozzá cukrot.
 - 9 Vágja durvára a sárgabarackot és az eper egyharmadát. Keverje bele a krém felébe.
 10. Kenje szét az egyik piskóta rétegen, majd tegye a másik piskóta réteget a tetejére.
 11. Kenje szét a megmaradt krémet a tetején és dekorálja a megmaradt eprekkel.

habcsók

- Alkotóelemek
- 4 tojásfehérje
 - 250 g átszitált cukor cukormázhoz.
 - Bélelje ki a tepsit nemtapadó sütőfoliával.
- módszer
- 1 Verje fel a tojásfehérjét és a cukrot maximális sebességen kb. 10 percig, keményre.
 - 2 Kanalazza bele a keveréket a sütőtepsibe (vagy használjon 2,5 cm-es csillagfűvókák nyomótasakot).
 - 3 Süsse 110°C-on/gázsütőben 1/4 fokozaton kb. 4-5 óráig, erős és ropogós lesz. Ha barnulni kezd, hagyja kissé nyitva a sütő ajtaját.
- A habcsókot légmentes dobozban tárolja.

csőben sült tészta

- alkotóelemek
- 450 g liszt szitálva, sós alkotóelemekkel
 - 5 ml só
 - 225 g zsír (vegyes disznózsír és margarin közvetlenül a hűtőből)
 - kb. 80 ml víz
- tippek
- Ne keverje túl
- módszer
- 1 Öntse a lisztet a tálba. Vágja nagy darabokra a zsírt, és adja hozzá a liszthez.
 - 2 Rozsdamentes acél K-habverővel keverje 1 sebességen, amíg felveszi a kenyérmorzszát.
Álljon le, mielőtt zsírosnak nézne ki.
 - 3 Adjon hozzá vizet és keverje minimális sebességen. Álljon le, amint felvette a vizet.
 - 4 Süsse kb. 200°C-on/gázsütőben 6-os fokozaton, a tölteléktől függően.

zöldpaprikás marinád

- alkotóelemek
- 200 g hideg tiszta méz (egy éjszakára hűtőbe téve)
 - 1 zöldpaprika (egész)
 - 5 ml ropogós mogyoróvaj
 - fűszerek
- elkészítési mód
- 1 Tegye az összes alkotóelemet a többfunkciós mini darálóba.
 - 2 Tegye a taldatot a mixerre, és hagyja, hogy az alkotóelemek elhelyezkedjenek a kés körül.
 - 3 Kapcsolja be 10 másodperces mixelésre.
 - 4 Fogyassza ízlés szerint.

Polski

przed użyciem urządzenia Kenwood

- **Przeczytaj uważnie poniższe instrukcje i zachowaj je na wypadek potrzeby skorzystania z nich przyszłości.**
- Wyjmij wszystkie materiały pakunkowe oraz wszelkie etykiety.

Mikser Kenwood Cooking Chef – podstawowe informacje

bezpieczeństwo obsługi

ważne informacje dla osób posiadających wszczepione implanty elektroniczne

- Jak wszystkie inne urządzenia podgrzewające na zasadzie indukcji, mikser wytwarza pola magnetyczne o krótkim zasięgu. Jeżeli użytkownik urządzenia lub osoby znajdujące się w pobliżu posiadają rozrusznik serca lub innego rodzaju czynny implant, przed użyciem powinny skonsultować się z lekarzem, by wyeliminować potencjalne zakłócenia pracy implantu i zagrożenia zdrowia.
- Przed zakładaniem i zdejmowaniem nasadek i przyborów, po zakończeniu pracy oraz przed czyszczeniem należy zawsze wyłączyć urządzenie i wyjąć wtyczkę z gniazda sieciowego.
- Do obracających się elementów i zamontowanych na urządzenie nasadek nie zbliżać części ciała, biżuterii i luźnych części garderoby.
- Do mechanizmu zawiasowego nie wkładać palców i innych części ciała.
- Włączonego urządzenia nie należy pozostawiać bez nadzoru.
- Nie używać uszkodzonego urządzenia. W razie uszkodzenia oddać do sprawdzenia lub naprawy (zob. ustęp pt. „serwis i punkty obsługi klienta” na str. 160).
- Nigdy nie stosować niekompatybilnych nasadek lub kilku nasadek jednocześnie.
- Nie przekraczać maksymalnej pojemności dla danego typu składników, podanej na str. 156, a używając grzałki indukcyjnej, nie przekraczać maksymalnego poziomu 3 l, oznaczonego wewnątrz miski.
- Korzystając z nasadek, należy przeczytać załączoną do danej nasadki instrukcję obsługi i bezpieczeństwa.
- Podczas podnoszenia urządzenia należy zachować ostrożność, ponieważ jest ciężkie. Przed podniesieniem sprawdzić, czy głowica jest zablokowana, a miska, przybory, osłony wyjść i przewód sieciowy nie są luźne.
- Nie dopuścić, by przewód sieciowy luźno zwisał w miejscach dostępnych dla dzieci.
- Nie wolno dopuszczać do zamoczenia korpusu z silnikiem, przewodu sieciowego ani wtyczki.
- Podczas obsługi bądź dotykania pracujących w trybie gotowania części urządzenia – **W SZCZEGÓLNOŚCI MISKI, OSŁONY PRZECIWPROMIENIOWEJ ORAZ KOŃCÓWEK DO MIESZANIA** – oraz po zakończeniu gotowania należy zachować ostrożność, ponieważ pozostaną **GORĄCE** długo po wyłączeniu urządzenia. Wyjmując i przenosząc miskę należy trzymać ją za uchwyty. Gorącą miskę i przybory mieszające można dotykać wyłącznie po założeniu rękawic kuchennych.
- Spód miski pozostaje gorący długo po wyłączeniu funkcji gotowania. Dotykając miski należy zachować ostrożność i używać podkładki ochronnej, by chronić nieodporne na ciepło powierzchnie i blaty.
- Należy uważać na wydostającą się z miski parę, szczególnie podczas podnoszenia pokrywy w osłonie przeciwpryskowej lub unoszenia głowicy miksera.
- Przekładając gorące składniki z miksera do blendera, przed umieszczeniem ich w blenderze należy zaczekać, aż ostygną do temperatury pokojowej.
- Używać wyłącznie miski i przyborów załączonych w zestawie. Nie wolno używać miski z innym źródłem ciepła.
- Nie ustawiać urządzenia na tryb gotowania, jeżeli miska jest pusta.
- Nie wkładać niczego do otworów wentylacyjnych.
- Używając urządzenia należy ustawić je na płaskiej powierzchni, z daleka od jej krawędzi. Urządzenie powinno znajdować się w odległości co najmniej 10 cm od ściany, a otwory wentylacyjne nie mogą być zasłonięte. Nie stawiać miksera pod wiszącymi szafkami.
- Aby zapewnić właściwe i bezpieczne działanie grzałki indukcyjnej, przed rozpoczęciem gotowania należy sprawdzić, czy spód miski i czujniki temperatury są czyste i suche.
- Jak w przypadku innych indukcyjnych urządzeń do podgrzewania, w pobliżu pracującego miksera nie wolno kłaść kart kredytowych, nośników magnetycznych ani reagujących na pole magnetyczne urządzeń elektronicznych.
- Nie używać do smażenia na głębokim tłuszczu.
- Przed spożyciem potrawy sprawdzić, czy jest dobrze ugotowana.
- Potrawy należy spożyć bezpośrednio po przygotowaniu bądź szybko ostudzić i natychmiast włożyć do lodówki.
- Niniejsze urządzenie nie powinno być używane przez osoby (w tym dzieci) o ograniczonych zdolnościach fizycznych, umysłowych lub o zaburzonych zmysłach, jak również przez osoby niedoświadczone i nie znające się na urządzeniu, dopóki nie zostaną one przeszkolone na temat zasad eksploatacji tego urządzenia lub nie będą nadzorowane przez osobę odpowiadającą za ich bezpieczeństwo.
- Należy sprawować kontrolę nad dziećmi, żeby nie bawiły się urządzeniem.
- Urządzenie jest przeznaczone wyłącznie do użytku domowego. Firma Kenwood nie ponosi żadnej odpowiedzialności w przypadku niewłaściwego korzystania z urządzenia lub nieprzestrzegania niniejszych instrukcji.

przed podłączeniem

- Sprawdzić, czy napięcie sieciowe odpowiada danym znamionowym podanym na spodzie obudowy urządzenia.
- Niniejsze urządzenie jest zgodne z dyrektywą 2004/108/WE dotyczącą kompatybilności elektromagnetycznej oraz z rozporządzeniem WE nr 1935/2004 z dnia 24 października 2004 r. dotyczącym materiałów przeznaczonych do kontaktu z żywnością.

przed pierwszym użyciem

Umyć części (zob. ustęp pt. „konserwacja i czyszczenie” na str. 160).

wprowadzenie

Dziękujemy za zakupienie miksera Kenwood Cooking Chef. Mamy nadzieję, że mikser będzie Państwu służył przez wiele lat.

Firma Kenwood posiada niemal 60-letnie doświadczenie i specjalistyczną wiedzę w zakresie projektowania robotów kuchennych i szerokiej gamy nasadek. Miksery z serii Kenwood Chef słyną z tego, że posiadają znacznie więcej funkcji od zwykłych mikserów.

Opracowując mikser Cooking Chef uwzględniliśmy powszechnie znaną wielofunkcyjność miksera Chef i poszliśmy o krok dalej, wprowadzając funkcję zintegrowanej grzałki indukcyjnej, umieszczonej bezpośrednio pod miską. Dzięki temu podczas przygotowywania ulubionych ciast i innych potraw mogą Państwo korzystać z wszystkich możliwości oferowanych przez mieszanie w zwykłej, niepodgrzewanej misce, a ponadto z zalet podgrzewania składników bezpośrednio w misce w połączeniu z automatycznym mieszaniem. Liczba możliwości jest nieograniczona!

Mikser Kenwood Cooking Chef z szeroką gamą dodatkowych nasadek to prawdziwie uniwersalny system do przygotowywania i przetwarzania żywności.

Silny, niezawodny, wielofunkcyjny. Kenwood.

Gotowanie indukcyjne – wprowadzenie

Gotowanie indukcyjne to zaawansowany technologicznie sposób gotowania, wykorzystujący zasady indukcji elektromagnetycznej. Prąd przepływający przez znajdującą się w płytce indukcyjnej miedzianą spiralę wytwarza pole elektromagnetyczne. Gdy miska Cooking Chef zostanie umieszczona w odpowiednim miejscu, obwód zamyka się dzięki specjalnej warstwie stali nierdzewnej, znajdującej się w dnie miski. To z kolei powoduje wytwarzanie dużej ilości energii termicznej, która przechodzi do znajdujących się w misce składników, w ten sposób je podgrzewając.

Gotowanie indukcyjne jest niezmiernie energooszczędne, ponieważ ciepło wytwarzane jest wyłącznie w podstawie miski. W przypadku innych metod gotowania, np. palnika gazowego, niemal 50% energii cieplnej marnuje się, wydostając się wokół boków garnka. Istotnie, płytka indukcyjna miksera Cooking Chef jest gorąca podczas i bezpośrednio po zakończeniu gotowania z powodu ciepła oddawanego z powrotem przez zawartość miski. Wszystko to oznacza, że gotowanie indukcyjne jest bardzo wydajne, bardzo bezpieczne i bardzo czyste.

Pod względem funkcjonalności, gotowanie za pomocą miksera Kenwood Cooking Chef przypomina gotowanie w garnku na kuchenie gazowej. Dodatkową zaletą jest to, że mikser automatycznie miesza potrawę i reguluje temperaturę, precyzyjnie dostosowując ją do wymagań, dzięki czemu można spokojnie i pewnie zająć się innymi pracami w kuchni.

W mikserze Cooking Chef wykorzystano technologię podgrzewania na zasadzie indukcji, która jest niezwykle wydajna. Porównując gotowanie indukcyjne z gotowaniem na kuchenie gazowej lub elektrycznej można zauważyć, że czas gotowania jest krótszy lub że można gotować w niższej temperaturze. Należy wziąć to pod uwagę podczas pierwszego użycia miksera oraz podczas wypróbowywania nowych przepisów. Gotowanie należy rozpocząć ustawivszy wysoką temperaturę, regularnie sprawdzać potrawę i w razie konieczności zmniejszać temperaturę, aby zapobiec przywieraniu i przypalaniu się jedzenia – czyli postępować tak samo, jak w przypadku gotowania w zwykłym garnku. Ogólnie rzecz biorąc, mikser Cooking Chef automatycznie podgrzewa potrawę do żądanej temperatury w możliwie najkrótszym czasie. Ustawianie temperatury wyższej niż wymagana celem skrócenia czasu gotowania nie jest więc konieczne. Na tym etapie należy także zwracać uwagę na częstotliwość mieszania. Podczas gotowania w wysokiej temperaturze konieczne może okazać się nieprzerwane mieszanie za pomocą funkcji mieszania (1). Funkcje (2) i (3) są pomocne w utrzymywaniu właściwej konsystencji potrawy podczas gotowania w niższej temperaturze przez dłuższy okres czasu.

Dobranie odpowiedniej końcówki jest również istotne na tym etapie. W dalszej części broszury znajdują się sugestie dotyczące najodpowiedniejszych dla danej końcówki zastosowań, a w miarę nabywania doświadczenia można szybko nauczyć się, która końcówka będzie się najlepiej nadawać do danej pracy. Nabierając doświadczenia można zauważyć, że elastyczny ubijak do wysokiej temperatury najlepiej nadaje się do uzyskiwania bardzo gładkiej konsystencji sosów i kremów, natomiast użycie mieszadła daje lepsze efekty podczas gotowania potraw wymagających zachowania gęstszej konsystencji, np. potraw duszonych, potrawek z mięsa i warzyw itp. W zamieszczonych w broszurce przepisach podano, które końcówki są najodpowiedniejsze do przygotowania danej potrawy. Zmiana końcówek podczas poszczególnych etapów przygotowywania potrawy daje lepsze rezultaty.

Podczas i bezpośrednio po zakończeniu gotowania miska, osłona przeciwrozpryskowa i użyta końcówka są gorące (tak samo, jak gorący byłby zwykły garnek). Dotykając któregośkolwiek z tych elementów należy zachować ostrożność. Ważne, by pamiętać również, że podczas gotowania ulatnia się para, która może się skraplać na elementach miksera, dlatego należy zachować ostrożność podczas zagładania do miski oraz podnoszenia pokrywy gardzieli zasypowej lub głowicy miksera, by zajrzeć lub uzyskać dostęp do miski. Należy również ostrzec inne osoby, by zachowały ostrożność w czasie, gdy urządzenie pracuje w trybie gotowania lub gdy jest gorące. Zaleca się, by podczas dotykania lub zdejmowania gorących elementów zakładać rękawice kuchenne, a miskę przenosić wyłącznie trzymając za przeznaczone do tego uchwyty. Załączona w zestawie podkładka ochronna może przydać się do ochrony nieodpornych na ciepło powierzchni i blatów.

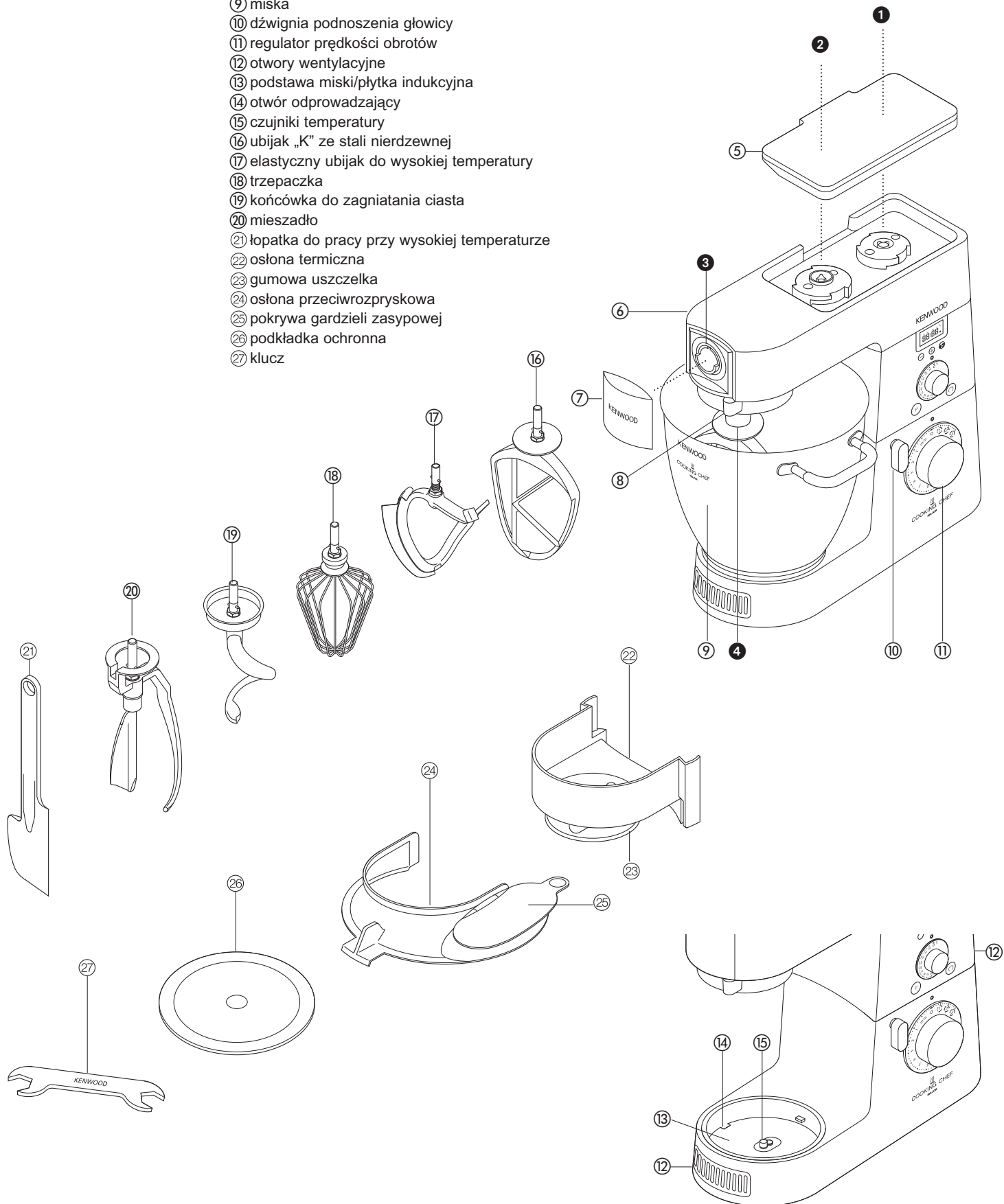
Podczas podgrzewania płynów lub potraw o wysokiej zawartości wody dokładność odczytu temperatury wynosi zazwyczaj +/- 5°C. Precyzyjność wyświetlacza i regulatora temperatury zależy od konsystencji oraz objętości znajdujących się w misce składników, częstotliwości mieszania oraz używanej końcówki. Podobnie dzieje się w przypadku gotowania na np. palniku gazowym, gdy w dużym garnku podgrzewana jest duża ilość jedzenia, która nie jest równomiernie mieszana. Na dnie garnka potrawa jest gorąca lub nawet przypalona, natomiast bliżej powierzchni znacznie chłodniejsza.

Poza wyświetlaczem temperatury, urządzenie posiada także mały, niebieski wyświetlacz LED. Wyświetlacz ten miga do momentu, gdy mikser osiągnie wybraną temperaturę. Po osiągnięciu żądanej temperatury podświetlenie przestaje migać. Należy jednak pamiętać, że po dodaniu do miski kolejnych składników, niebieski wyświetlacz LED ponownie zacznie migać, ponieważ dodane zimne składniki obniżą temperaturę zawartości miski. Można również zauważyć, że statyczne światelko zacznie migać po zwiększeniu częstotliwości mieszania.

Bardzo szybko przekonają się Państwo, że mikser Kenwood Cooking Chef jest prosty w użyciu i sprawia, że codzienne przygotowywanie potraw jest niezwykle łatwe.

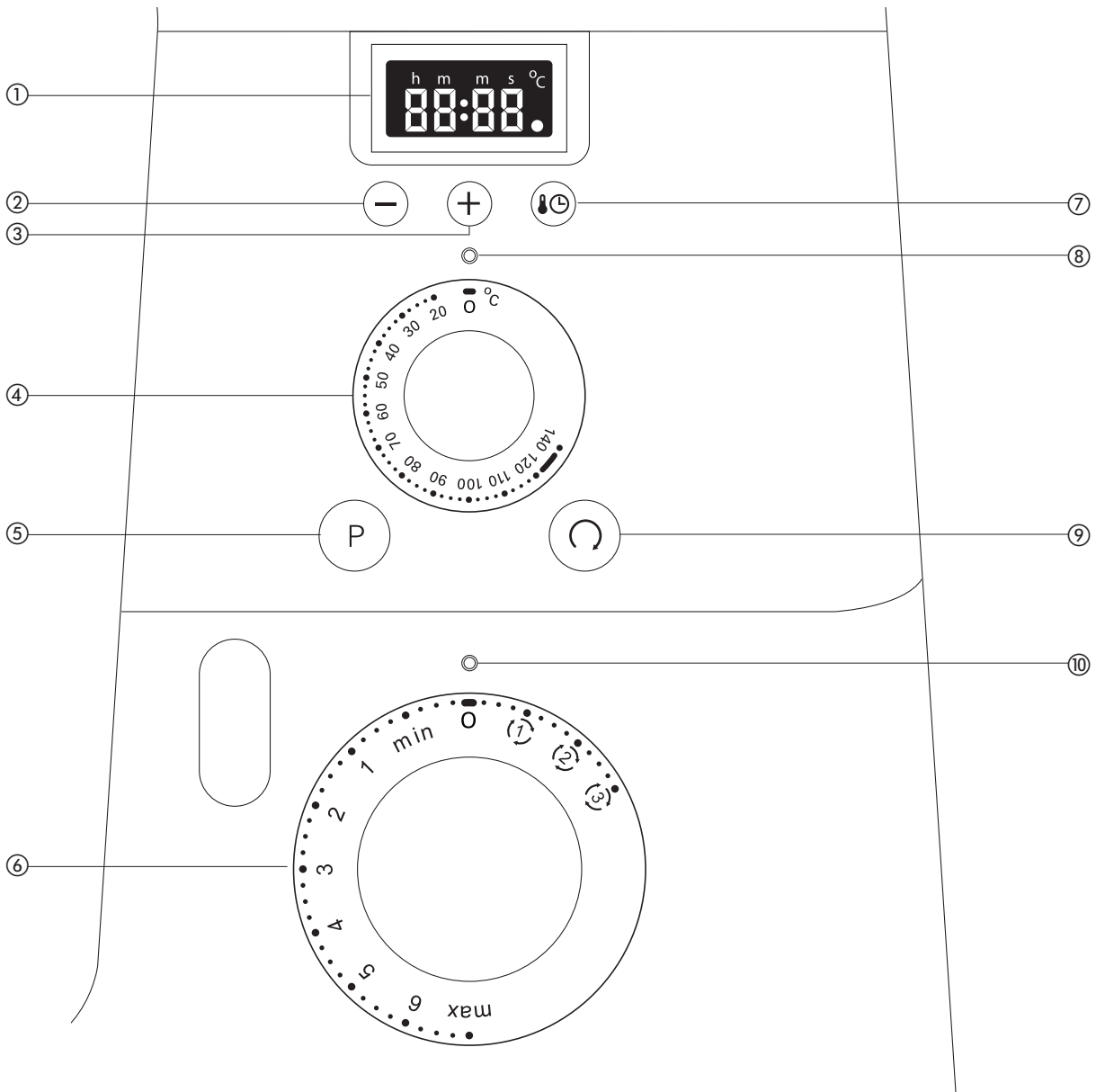
robot kuchenny Kenwood Cooking Chef – podstawowe informacje

- wyjścia nasadek ❶ wyjście obrotów wysokich
 ❷ wyjście obrotów średnich
 ❸ wyjście obrotów niskich
 ❹ gniazdo do osadzania przyborów
- robot ❺ osłona wyjść obrotów średnich/wysokich
 ❻ głowica miksera
 ❼ osłona wyjścia obrotów niskich
 ❽ dźwignia wyjścia obrotów niskich
 ❾ miska
 ❿ dźwignia podnoszenia głowicy
 ⓫ regulator prędkości obrotów
 ⓬ otwory wentylacyjne
 ⓭ podstawa miski/płytką indukcyjną
 ⓮ otwór odprowadzający
 ⓯ czujniki temperatury
 ⓰ ubijak „K” ze stali nierdzewnej
 ⓱ elastyczny ubijak do wysokiej temperaturze
 ⓲ trzepaczka
 ⓳ końcówka do zagniatania ciasta
 ⓴ mieszadło
 ⓵ łopatką do pracy przy wysokiej temperaturze
 ⓶ osłona termiczna
 ⓷ gumowa uszczelka
 ⓸ osłona przeciwrozpryskowa
 ⓹ pokrywa gardzieli zasypowej
 ⓺ podkładka ochronna
 ⓻ klucz



panel sterowania

- ① minutnik/wyświetlacz temperatury
- ② przycisk zmniejszania wartości minutnika
- ③ przycisk zwiększania wartości minutnika
- ④ regulator temperatury
- ⑤ przycisk trybu pracy przerywanej/przycisk ubijania na wysokich obrotach i w wysokiej temperaturze
- ⑥ regulator prędkości obrotów
- ⑦ przycisk minutnika/wyboru temperatury
- ⑧ lampka wskaźnika temperatury
- ⑨ przycisk zagniatania
- ⑩ lampka wskaźnika regulatora prędkości obrotów



regulowanie wysokości przyborów

Instrukcje dotyczące składania robota znajdują się na stronie 152.

trzepaczka, ubijak „K”, mieszadło

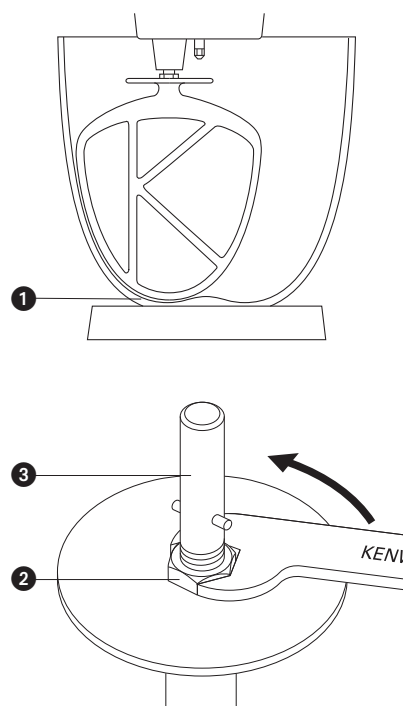
Najlepsze wyniki uzyskuje się, gdy trzepaczka, ubijak „K” i mieszadło **prawie** dotykają dna miski ❶. W razie konieczności należy wyregulować wysokość przyborów, używając załączonego w zestawie klucza.

Sposób regulowania wysokości:

- 1 Wyłączyć urządzenie z sieci.
- 2 Unieść głowicę miksera i wsunąć trzepaczkę, ubijak lub mieszadło do gniazda.
- 3 Opuścić głowicę. Jeżeli konieczne jest wyregulowanie wysokości, ponownie unieść głowicę i wyjąć końcówkę.
- 4 Za pomocą klucza załączonego w zestawie poluzować nakrętkę ❷ na tyle, by możliwa była zmiana długości trzonka ❸. Aby opuścić końcówkę niżej (by znalazła się bliżej dna miski), należy przekręcać trzonek w kierunku przeciwnym do ruchu wskazówek zegara. Aby podnieść końcówkę wyżej (dalej od dna miski), przekręcać w kierunku zgodnym z ruchem wskazówek zegara.
- 5 Zakręcić nakrętkę.
- 6 Zamocować końcówkę w mikserze, a następnie opuścić głowicę miksera. Sprawdzić pozycję końcówki (zob. punkty powyżej).
- 7 W razie konieczności czynność powtarzać do momentu, aż końcówka znajdzie się na odpowiedniej wysokości. Po wyregulowaniu wysokości końcówki mocno zakręcić nakrętkę.

elastyczny ubijak do wysokiej temperatury – ta końcówka powinna lekko dotykać dna miski.

końcówka do zagniatania ciasta – wysokość tej końcówki jest ustawiona fabrycznie i nie powinna wymagać regulacji.



montaż i korzystanie z osłony przeciwrozpryskowej

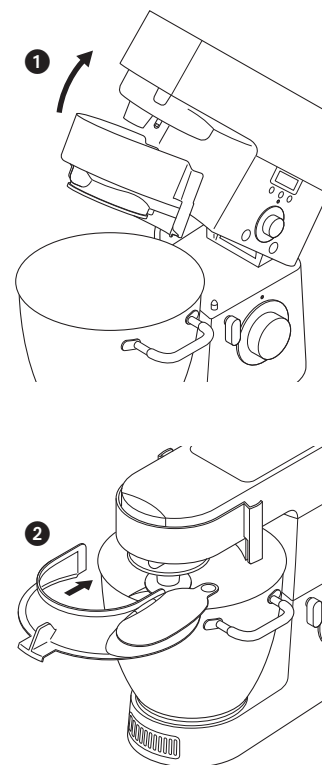
Zespół przeciwrozpryskowy składa się z dwóch elementów: osłony termicznej i osłony przeciwrozpryskowej.

Podczas gotowania musi być zamontowana osłona termiczna; w przeciwnym razie mikser nie będzie działał, a na wyświetlaczu pojawi się kod błędu „E:03”. Osłona termiczna chroni głowicę miksera przed tworzącą się podczas gotowania parą.

W razie konieczności możliwe jest zamontowanie obu osłon, by utrzymać składniki w misce np. podczas mieszania lekkich składników, (np. mąki czy cukru pudru) lub podczas przygotowywania potraw wymagających gotowania pod przykryciem, by wilgoć została zatrzymana w misce. Osłonę przeciwrozpryskową można montować do miski wyłącznie w połączeniu z osłoną termiczną.

- 1 Unieść głowicę miksera aż zaskoczy.
- 2 Wepchnąć osłonę termiczną w spodnią część głowicy miksera ❶, aż znajdzie się we właściwym położeniu. Osłony termicznej nie wolno używać bez poprawnie założonej gumowej uszczelki.
- 3 Umieścić miskę w podstawie.
- 4 Opuścić głowicę.
- 5 Ułożyć osłonę przeciwrozpryskową na wierzchu miski, a następnie wsunąć do przodu, aż w znajdzie się we właściwym położeniu ❷.
- Podczas mieszania składniki można wrzucać bezpośrednio do miski przez otwór w osłonie (gardziel zasypową).
- 6 Aby zdjąć osłonę przeciwrozpryskową, wystarczy ją wysunąć.
- 7 Aby zdjąć osłonę termiczną, unieść głowicę miksera, aż zaskoczy. Wyjąć końcówkę, a następnie pociągnąć osłonę termiczną w dół i wyjąć ją spod głowicy.

Uwaga: Osłonę przeciwrozpryskową należy zakładać i wyjmować wyłącznie, gdy głowica miksera znajduje się w pozycji zablokowanej.



mikser

przybory do miksowania – przykłady zastosowań

- ubijak „K” • Do przygotowywania różnego rodzaju ciast i ciastek, lukru, polew, mas, nadzienia, eklerów i ziemniaków purée.
- trzepaczka • Do ubijania jaj, śmietany, rzadkiego ciasta (np. naleśnikowego), beztłuszczowego ciasta biszkoptowego, bezów, serników, musu, sufletów. Nie używać trzepaczki do gęstych mieszanin (np. ucierania cukru z tłuszczem) – grozi to jej uszkodzeniem.
- końcówka do zagniatania ciasta • Wyłącznie do ciast drożdżowych.
- elastyczny ubijak do wysokiej temperatury • Do wielu zastosowań w trybie gotowania, w szczególności do budyniu, jajecznicy i sosów. Doskonale nadaje się do zgarniania zarówno zimnych, jak i gorących mieszanych składników z boków miski podczas mieszania. Nadaje się również do smażenia warzyw w niewielkiej ilości tłuszczu.
- mieszadło • Używane podczas gotowania pozwala utrzymać właściwą konsystencję potraw, np. kurczaka, ryb, warzyw i owoców.

obsługa miksera

Przed włączeniem miksera należy sprawdzić, czy regulatory prędkości i temperatury ustawione są w pozycji „O” (wyłączony).

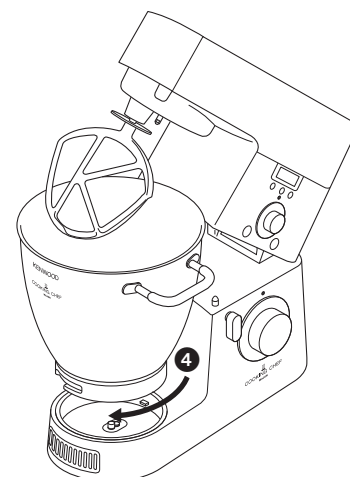
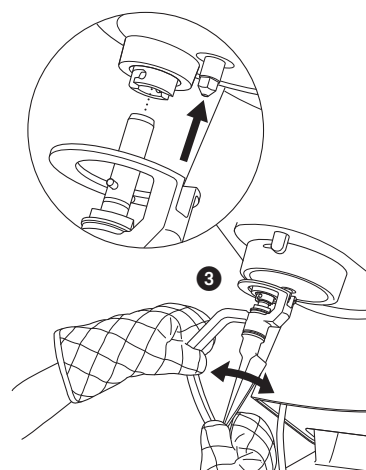
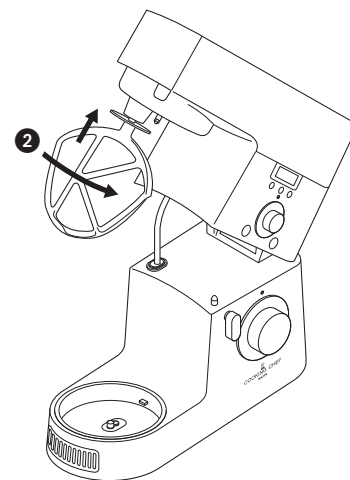
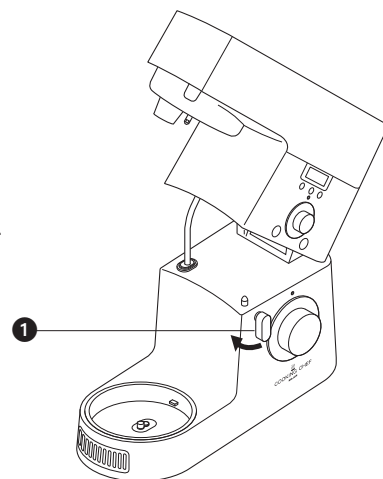
- 1 Dźwignię podnoszenia głowicy obrócić w kierunku zgodnym z ruchem wskazówek zegara **1** i unieść głowicę miksera, aż zaskoczy.
 - 2 Wsunąć końcówkę do gniazda, umieszczając wypustkę na trzonku w rowku, a następnie przekręcić, by zaskoczyła we właściwe miejsce **2**.
mieszadło – aby zamocować mieszadło, trzonek wsunąć do gniazda, a następnie umiejscowić rowek na przedłużeniu okalającym trzonek pod bolcem znajdującym się w spodzie głowicy miksera. Trzymając za mieszadło przekręcić końcówkę tak, by wypustka na trzonku znalazła się pod rowkiem, a następnie popchnąć do góry i przekręcić, by zaskoczyła na miejsce **3**.
 - 3 Umieścić miskę w podstawie – nacisnąć i przekręcić w kierunku zgodnym z ruchem wskazówek zegara **4**.
 - 4 Aby opuścić głowicę miksera, należy ją lekko unieść, a dźwignię do podnoszenia głowicy przekręcić w kierunku zgodnym z ruchem wskazówek zegara.
Opuścić głowicę.
- zdejmovanie końcówek • Czynności opisane w punkcie 2 powtórzyć w odwrotnej kolejności. (Wyjmując przybory po zakończeniu gotowania należy zawsze zakładać rękawice kuchenne.)
- 5 Podłączyć mikser do sieci. Lampki wskaźników prędkości i temperatury zapalą się na krótki okres czasu. Na wyświetlaczu ukaże się napis **88:88**, który następnie zniknie, a wskaźnik podłączenia do sieci będzie nadal się świecić **□**.
 - 6 Ustawić regulator, wybierając żądaną prędkość (zalecane prędkości znajdują się na str. 153). Mikser rozpocznie pracę, a lampka wskaźnika prędkości będzie migać. Minutnik nalicza czas w jednosekundowych odstępach. Szybkość obrotów można zmieniać w dowolnym momencie pracy miksera.
 - 7 Aby zatrzymać mikser, należy przesunąć regulator prędkości z powrotem do pozycji „O” (wyłączony).

Uwaga – Jeżeli w którymś momencie pracy głowica miksera uniesie się, urządzenie automatycznie przerwie pracę i wyda sygnał dźwiękowy. Po opuszczeniu głowicy mikser nie zacznie ponownie pracy. Aby ponownie uruchomić urządzenie, należy przesunąć regulator prędkości do pozycji „O”, a następnie ponownie wybrać prędkość obrotów.


przycisk pracy przerywanej

Przycisku pracy przerywanej można używać wyłącznie wtedy, gdy regulator prędkości znajduje się w pozycji „O” (wyłączony).

Aby włączyć tryb pracy przerywanej, należy wcisnąć przycisk **Ⓟ**. Mikser będzie pracował na największej prędkości obrotów tak długo, jak długo przytrzymany jest przycisk. Jeżeli temperatura zawartości miski przekroczy 60°C, prędkość będzie się zwiększać stopniowo i towarzyszyć będzie temu sygnał dźwiękowy, a lampki wskaźników prędkości i temperatury będą migać w krótkich odstępach czasu.



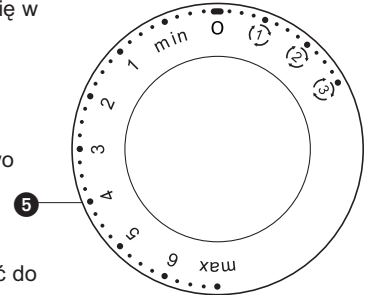
przycisk zagniatania

Po naciśnięciu i zwolnieniu przycisku zagniatania  mikser automatycznie zacznie pracować na najniższej prędkości przez dwa obroty, a następnie zatrzyma się. W zależności od potrzeby, podczas łączenia składników przycisk można przytrzymywać przez dłuższy czas lub wciskać wielokrotnie. Uwaga: Gdy przycisk zagniatania zostanie naciśnięty w czasie pracy miksera, urządzenie w zwykły sposób wykona funkcję zagniatania, a następnie powróci do prędkości, w której w danej chwili pracowało.

regulator prędkości 5

Poniższe prędkości obrotów służą wyłącznie jako wskazówki i różnią się w zależności od ilości i temperatury mieszanych składników itp.

Regulator prędkości należy przekręcać w kierunku zgodnym z ruchem wskazówek zegara, aby otrzymać wartości od najniższej („min”) do najwyższej („max”).



- **ubijak „K”** **ucieranie tłuszczu z cukrem** rozpocząć od prędkości „min” i stopniowo zwiększać prędkość do „max”.
- **łączenie jaj z utartymi składnikami** od 4 do „max”.
- **dodawanie mąki, owoców itp.** od „min” do 1
- **ciasta w proszku** rozpocząć od prędkości „min” i stopniowo zwiększać do „max”.

- **wcieranie tłuszczu do mąki** od „min” do 2.
- **ucieranie tłuszczu z cukrem** rozpocząć od prędkości „min” i stopniowo zwiększać do 3.

elastyczny ubijak do
wysokiej temperatury

- **zgniatanie gorących i zimnych mieszanych składników z boków miski** rozpocząć od prędkości „min” i stopniowo zwiększać do 3.
- **smażenie warzyw w małej ilości tłuszczu, mieszanie risotto, polenty itp.** użyć prędkości (1).
- stopniowo zwiększać prędkość do „max”.

trzepaczka

końcówka do zagniatania ciasta

mieszadło

- rozpocząć od prędkości „min”, stopniowo zwiększając do 1.
- używać wyłącznie z funkcjami mieszania (1), (2), (3).

funkcje mieszania

Aby wybrać jedną z funkcji mieszania, należy przekręcić regulator prędkości w kierunku przeciwnym do ruchu wskazówek zegara. Funkcje mieszania są najbardziej odpowiednie do pracy w trybie gotowania. Należy pamiętać, że by użyć funkcji mieszania, wszystkie osłony wyjść muszą być założone.

(1) – Nieprzerwane, wolne obroty – np. mieszanie sosów.

(2) – Gdy regulator ustawiony jest w tej pozycji, mikser będzie sporadycznie wykonywać ok. dwa wolne obroty co 5 sekund.

(3) – Gdy regulator ustawiony jest w tej pozycji, mikser będzie sporadycznie wykonywać wolne obroty co 30 sekund, dzięki czemu funkcja nadaje się do mieszania potraw duszonych na małym ogniu itp.

Aby zakończyć pracę w trybie mieszania, należy przekręcić regulator prędkości z powrotem do pozycji „0” (wyłączony).

Uwaga:

- Po wybraniu prędkości lampka wskaźnika prędkości zaczyna migać.
- Gdy urządzenie w tym czasie pracuje, może zabrznieć wysoki dźwięk. Jest to normalne.

używanie miksera do gotowania potraw

UWAGA:

- Płytkę indukcyjną, czujniki temperatury i zewnętrzną powierzchnię podstawy miski należy utrzymywać w czystości. Zabrudzenia tych powierzchni wpływają na pracę czujnika ciepła, w wyniku czego urządzenie nie funkcjonuje poprawnie.
- Sprawdzić, czy wszystkie osłony, łącznie z osłoną termiczną, są założone. Jeżeli osłony nie są poprawnie założone, funkcja podgrzewania nie włączy się.
- Wyjmując miskę i przybory po zakończeniu gotowania, należy zawsze zakładać rękawice kuchenne.

1 Złożyć mikser według wskazówek podanych na str. 152.

2 Regulator temperatury ustawić na żądanej wartości.

- **Podgrzewanie nie rozpocznie się, jeżeli nie została wybrana jedna z prędkości.**

- 3 Ustawić regulator prędkości obrotów na żądanej wartości. Spowoduje to uruchomienie silnika i grzałki. Lampki obu wskaźników zaczną migać.
- 4 Po osiągnięciu przez urządzenie wybranej temperatury lampka wskaźnika temperatury zacznie świecić nieprzerwanie. Podczas gotowania lampka zaczyna migać przy zmianach temperatury, co wskazuje na to, że mikser utrzymuje wybraną temperaturę (zob. ustęp pt. „wprowadzenie” na str. 147).
 - Jeżeli temperatura w misce przekroczy 60°C, ze względów bezpieczeństwa prędkość obrotów zostanie automatycznie zmniejszona, nawet jeśli ustawiono wyższe obroty. Prędkość obrotów nie zwiększa się automatycznie, gdy temperatura spadnie poniżej 60°C. Regulator należy wtedy najpierw przesunąć do pozycji „wyłączony”, a następnie ponownie ustawić żądaną prędkość.
 - Uwaga: Każde przyciśnięcie przycisku minutnika/wyboru temperatury powoduje zmianę pokazywanej na wyświetlaczu wartości z minutnika na temperaturę zawartości miski.
- 5 Aby zakończyć lub zatrzymać na chwilę proces mieszania i podgrzewania, należy przesunąć regulator prędkości z powrotem do pozycji „0” (wyłączony). Aby wznowić proces, należy ustawić prędkość.

wskazówki

- **Niektóre potrawy, szczególnie te o wysokiej zawartości wody, nie osiągną temperatury gotowania powyżej 100°C (jest to temperatura wrzenia wody).**
- Dodając składniki do miski podczas gotowania, zmniejszyć prędkość i dodawać je powoli i równomiernie.
- Aby szybko podgrzać sos, użyć trybu mieszania ciągłego (D).
- Użycie innej końcówki podczas różnych etapów przygotowywania potrawy może dawać lepsze efekty, np. użycie elastycznego ubijaka do wysokiej temperatury podczas smażenia warzyw, a mieszadła podczas gotowania kawałków mięsa wieprzowego czy drobiowego.
- Używając osłony przeciwrozpryskowej podczas gotowania, przed podniesieniem głowicy miksera należy zawsze najpierw zdjąć osłonę. Zachować ostrożność, ponieważ na osłonie przeciwrozpryskowej i osłonie termicznej skrapla się gorąca para.
- Podnosząc głowicę miksera należy robić to wolno, by woda spłynęła ze spodu osłony termicznej z powrotem do miski.
- Urządzenie posiada trzy funkcje mieszania, co umożliwi wybranie odpowiedniej dla danej potrawy częstotliwości mieszania. Niektóre potrawy wymagają ciągłego mieszania, by składniki nie przywierały do dna miski, natomiast inne lepiej mieszać sporadycznie, aby utrzymać żądaną konsystencję składników.
- Aby uzyskać optymalne efekty, należy wyregulować wysokość danej końcówki (zob. str. 151).
- Maksymalny czas gotowania wynosi 3 godziny. Po tym czasie mikser automatycznie się wyłączy.
- Możliwe jest podgrzewanie potraw bez używania końcówek do mieszania, konieczne jest jednak wybranie jednej z prędkości. Podgrzewanie bez mieszania może być pomocne podczas roztopiania składników, np. czekolady czy masła.
- Każde przyciśnięcie przycisku minutnika/wyboru temperatury powoduje zmianę pokazywanej na wyświetlaczu wartości z czasu gotowania na aktualną temperaturę zawartości miski.

Przycisk ubijania na wysokich obrotach i w wysokiej temperaturze

Aby ubić składniki trzepaczką na wysokich obrotach w temperaturze powyżej 60°C, należy przesunąć regulator prędkości obrotów do żądanej prędkości ubijania, a następnie nacisnąć i przytrzymać przycisk pracy przerywanej. Towarzyszyć temu będzie sygnał dźwiękowy, a lampki wskaźników prędkości i temperatury będą migać w krótkich odstępach czasu. Prędkość obrotów trzepaczki będzie stopniowo wzrastać do momentu osiągnięcia wybranej wartości. Aby jeszcze bardziej zwiększyć prędkość, powtórzyć procedurę. Urządzenie można wyłączyć lub zmniejszyć prędkość w zwykły sposób.

Powyższej funkcji można używać WYŁĄCZNIE przy zastosowaniu trzepaczki. Należy założyć osłonę przeciwrozpryskową i nie przekraczać maksymalnej pojemności (3 l). Pracującego urządzenia nie wolno pozostawiać bez nadzoru.

po zakończeniu gotowania

- Podczas obsługi bądź dotykania elementów miksera pracującego w trybie gotowania – W SZCZEGÓLNOŚCI MISKI, OSŁONY PRZECIWRZPRYSKOWEJ ORAZ KOŃCÓWEK DO MIESZANIA – oraz po zakończeniu gotowania należy zachować ostrożność, ponieważ elementy te będą GORĄCE jeszcze długo po wyłączeniu urządzenia. Wyjmując i przenosząc miskę należy trzymać ją za uchwyty. Gorącą miskę i przybory mieszające można dotykać wyłącznie po założeniu rękawic kuchennych.
- Spód miski pozostaje gorący długo po wyłączeniu funkcji gotowania. Przemieszczając miskę należy zachować ostrożność i używać załączonej w zestawie podkładki, aby nie zniszczyć nieodpornych na ciepło powierzchni i blatów.

wyświetlacz

Dla bezpieczeństwa użytkownika, mikser został wyposażony w pięć osobnych czujników bezpieczeństwa, które uaktywniają się, gdy urządzenie pracuje w trybie gotowania. Gdy mikser jest włączony i uaktywni się jeden z czujników bezpieczeństwa, wyświetlacz minutnika/temperatury pokaże komunikat o błędzie, np. „E:01”. Towarzyszy temu sygnał dźwiękowy, a urządzenie przerywa pracę. Poniżej opisano znaczenie poszczególnych komunikatów o błędach:

kod błędu	Opis	Rozwiązanie
E:01	Głowica urządzenia znajduje się w pozycji uniesionej. Gdy głowica zostanie uniesiona, czujnik bezpieczeństwa unieruchamia silnik i grzałkę. Jeżeli przy uniesionej głowicy regulator prędkości zostanie przesunięty do pozycji innej, niż pozycja „O” (wyłączony), wyświetlany jest niniejszy kod, a silnik nie włącza się.	Opuścić i zablokować głowicę. Przesunąć regulator prędkości do pozycji „O”, a następnie wybrać żądaną prędkość.
E:02	Nie założono miski Cooking Chef. Tryb podgrzewania włącza się jedynie przy założonej misce Cooking Chef. Miska ta musi być również poprawnie założona. Czujniki bezpieczeństwa wykrywają niewłaściwą miskę, a także niepoprawnie założoną miskę właściwą (Cooking Chef).	Założyć miskę Cooking Chef. Sprawdzić, czy miska jest poprawnie założona. Przesunąć regulator prędkości do pozycji „O”, a następnie wybrać żądaną prędkość.
E:03	Oslona termiczna nie jest założona. Funkcja podgrzewania zostanie zablokowana w przypadku, gdy osłona termiczna nie została poprawnie zamontowana.	Poprawnie założyć osłonę termiczną. Przesunąć regulator prędkości do pozycji „O”, a następnie wybrać żądaną prędkość.
E:04	Oslony wyjść obrotów niskich oraz obrotów średnich/wysokich nie zostały założone. Oslony te wyposażono w czujniki bezpieczeństwa. Jeżeli nie zostaną założone poprawnie, grzałka wyłączy się, a gdy ustawiono jedną z funkcji mieszania, silnik będzie pracować bez przerwy. Urządzenie będzie pracować nieprzerwanie na prędkościach miksowania od „min” do „max”.	Sprawdzić, czy wszystkie osłony wyjść są poprawnie założone. Przesunąć regulator prędkości do pozycji „O”, a następnie wybrać żądaną prędkość.
E:09	Problem z czujnikiem temperatury. Jeżeli system kontrolujący nagrzewnicę wyczuje wyższą niż oczekiwana podczas normalnej pracy temperaturę w misce, automatycznie wyłączy silnik i grzałkę.	Przesunąć regulator prędkości do pozycji „O”, wyjąć wtyczkę z gniazda sieciowego i poczekać, aż urządzenie ostygnie. Sprawdzić, czy podstawa miski i czujniki temperatury są czyste. Ponownie podłączyć urządzenie do sieci i w zwykły sposób uruchomić.
E:10	Problem z prędkością obrotów lub przegrzanie silnika. Gdy silnik zgaśnie lub przegrzeje się, system kontrolny automatycznie wyłączy silnik i grzałkę.	Przesunąć regulator prędkości do pozycji „O” i wyjąć wtyczkę z gniazda sieciowego. Usunąć wszelkie przeszkody mogące powodować gaśnięcie silnika. Sprawdzić, czy otwory wentylacyjne nie są zatkane. Włożyć wtyczkę do gniazda sieciowego i włączyć urządzenie.

Jeżeli powyższe lub inne kody błędów nie przestaną się pojawiać, należy skontaktować się z punktem obsługi klienta firmy Kenwood.

korzystanie z funkcji odliczania w dół

Z minutnika można korzystać zarówno w trybie gotowania, jak i podczas pracy w pozostałych trybach. Jeżeli nie została wybrana funkcja odliczania w dół, w czasie pracy miksera minutnik automatycznie nalicza czas w odstępach jednosekundowych. Maksymalny czas pracy wynosi 3 godziny.

- 1 Podłączyć mikser do sieci. Na wyświetlaczu na krótki czas ukaże się napis **88:88**, który następnie zniknie i pozostaje widoczny jedynie wskaźnik podłączenia do sieci .
- 2 Nacisnąć przycisk + lub -. Na wyświetlaczu pojawi się napis 0:00.
- 3 Nacisnąć przycisk + lub - do momentu, gdy wyświetlona zostanie żądana długość czasu. Minutnik będzie odliczać czas w pięciosekundowych odstępach. Przytrzymanie przycisku powoduje, że cyfry zmieniają się tym szybciej, im dłużej przytrzymywany jest przycisk. Minutnik można ustawić na maksymalnie 3 godziny. Uwaga: Gdy minutnik pokazuje „3:00” i zostanie wciśnięty przycisk +, wyświetlany czas zmieni się na „0:00”. Gdy minutnik pokazuje „0:00” i zostanie wciśnięty przycisk -, wyświetlany czas zmieni się na „3:00”.
- 4 Przesunąć regulator prędkości na wybraną prędkość. Mikser rozpocznie pracę, a minutnik będzie odmierzać czas w jednosekundowych odstępach.
 - Pracę miksera można w dowolnym momencie przerwać na chwilę, przesuwając regulator prędkości do pozycji „0” (wyłączony). Spowoduje to także zatrzymanie minutnika. Minutnik będzie kontynuował odliczanie po ponownym uruchomieniu miksera.
- 5 Proces mieszania zostanie automatycznie zakończony po upływie wybranego czasu. Urządzenie przez 3 sekundy będzie wydawać słyszalne sygnały. Wyświetlacz będzie migać przez 5 sekund, a następnie zgaśnie, pokazując jedynie wskaźnik podłączenia do sieci .

wyzerowywanie minutnika

- 1 Wyzerować minutnik naciskając jednocześnie przyciski + i - (regulator prędkości musi znajdować się w pozycji „0”).
 - Jeżeli urządzenie nie pracowało przez 10 minut, wyświetlacz LCD oraz podświetlenie przechodzą w stan uśpienia i wszystkie wyświetlacze wyłączają się. Przyciśnięcie jednego z przycisków lub przesunięcie jednego z regulatorów powoduje powrót wyświetlacza do poprzedniej funkcji wyświetlania.

maksymalne pojemności

krucho ciasto	• Waga mąki: 910 g
twarde ciasto drożdżowe	• Waga mąki: 1,5 kg
	• Waga całkowita: 2,4 kg
miękkie ciasto drożdżowe	• Waga mąki: 2,6 kg
	• Waga całkowita: 5 kg
mieszanka do keksa	• Waga całkowita: 4,55 kg
białka	• 16
tryb gotowania	• 3 litry

- porady ogólne
- Mieszanie należy regularnie przerywać i zgarniać łopatką składniki z boków miski.
 - Najlepiej ubija się jaja o temperaturze pokojowej.
 - Przed ubijaniem białek sprawdzić, czy w misce i na trzepaczkę nie ma pozostałości po tłuszczu bądź żółtkach.
 - Do ciasta francuskiego, kruchego, ptysiowego itp. używać zimnych składników, chyba że w przepisie podano inaczej.

wskazówki dotyczące pieczenia chleba

- uwaga
- Nie przekraczać maksymalnej podanej pojemności – spowoduje to przeciążenie miksera.
 - Jeżeli słychać, że silnik się przesila, wyłączyć urządzenie, wyjąć połowę ciasta i każdą połowę przygotować osobno.
 - Składniki mieszają się najlepiej, gdy najpierw wleje się składniki płynne.

rozwiązywanie problemów

Problem	Przyczyna	Rozwiązanie
Mikser nie pracuje w trybie podgrzewania, wyświetla komunikat o błędzie i wydaje sygnał ostrzegawczy.	Włączył się jeden z czujników bezpieczeństwa.	Zob. tabela dotycząca kodów błędów na str. 155. <ul style="list-style-type: none"> • Opuścić i zablokować głowicę. • Sprawdzić, czy wszystkie osłony wyjść są poprawnie założone. • Sprawdzić, czy osłona termiczna jest poprawnie założona. • Sprawdzić, czy miska została poprawnie założona.
Ustawiono temperaturę, ale zawartość miski nie jest podgrzewana (światelko wskaźnika temperatury nie świeci się).	Nie ustawiono prędkości.	Ustawić prędkość obrotów.
Mikser zmienia prędkość obrotów podczas gotowania.	Prędkość obrotów automatycznie zmniejsza się, gdy zawartość miski osiągnie temperaturę 60°C.	Jest to funkcja zapewniająca bezpieczeństwo.
Składniki przypalają się do dna miski.	<ol style="list-style-type: none"> 1 Wybrana temperatura może być za wysoka. 2 Używana jest niewłaściwa końcówka. 3 Wybrano zbyt wolny tryb mieszania. 4 Końcówka może nie być wystarczająco nisko opuszczona w misce. 5 Minutnik ustawiono na zbyt długi okres czasu. 6 Czujnik temperatury i/lub spód miski może być zabrudzony. 	<ol style="list-style-type: none"> 1 Zmniejszyć temperaturę za pomocą regulatora lub gotować w niższej temperaturze. 2 Sprawdzić, czy używana jest najodpowiedniejsza końcówka. 3 Zwiększyć częstotliwość obrotów trybu mieszania lub zmienić tryb na ciągły. 4 Wyregulować wysokość końcówki w misce. 5 Gotować przez krótszy okres czasu (pamiętając jednak, by składniki zostały całkowicie ugotowane). 6 Czujniki temperatury i spód miski muszą być suche i czyste.
Właściwa konsystencja składników nie jest utrzymywana.	<ol style="list-style-type: none"> 1 Wybrana temperatura jest zbyt wysoka. 2 Ustawiono zbyt szybki tryb mieszania. 3 Składniki gotowane są zbyt długo. 4 Używana jest niewłaściwa końcówka. 	<ol style="list-style-type: none"> 1 Zmniejszyć temperaturę. 2 Zmniejszyć prędkość mieszania. 3 Zmniejszyć czas gotowania (pamiętając jednak, by składniki całkowicie dobrze ugotowane). 4 Sprawdzić, czy używana jest najodpowiedniejsza końcówka.
Prędkość mieszania jest nierówna.	<ol style="list-style-type: none"> 1 Składniki są zbyt duże bądź zbyt twarde. 	<ol style="list-style-type: none"> 1 Pokroić składniki na mniejsze kawałki, z owoców usunąć pestki, powoli roztopić składniki bez założonej końcówki (ustawiając jedną z prędkości). 2 Składniki dodać po opuszczeniu głowicy. 3 Sprawdzić, czy używana jest najodpowiedniejsza końcówka.
Do gorącej mieszanki dodano zimne składniki, ale wyświetlacz temperatury nie reaguje natychmiast.	Jeżeli składniki nie zostaną dobrze wymieszane, temperatura w różnych miejscach miski będzie inna.	<ol style="list-style-type: none"> 1 Odczekać wystarczającą ilość czasu, by składniki zostały dobrze wymieszane. 2 Zwiększyć prędkość mieszania.
Problem z zablokowaniem głowicy miksera, gdy w misce znajdują się składniki.	Znajdujące się na dnie miski twarde składniki, np. czekolada, uniemożliwiają zablokowanie głowicy miksera.	Składniki dodać po opuszczeniu głowicy.
Ustawiony jest tryb mieszania (2) lub (3), a mikser pracuje nieprzerwanie.	Oslony wyjść są niepoprawnie założone.	Poprawnie założyć osłony wyjść.
Używanie nasadek ogranicza prędkość silnika.	Założono gorącą miskę.	Wyjąć miskę lub schłodzić ją do temperatury poniżej 60°C.

dostępne na rynku **dodatkowe nasadki**

Informacje dotyczące zakupu nasadek nie załączonych w niniejszym zestawie znajdują się w ustępie pt. „serwis i punkty obsługi klienta”.

nasadka kod nasadki

maszynka do makaronu

- płaskiego** ① AT970A
 dodatkowe nasadki AT971A tagliatelle
 do makaronu AT972A tagliolini
 (nie pokazane na AT973A trenette
 rysunku) używane AT974A spaghetti
 z modelem AT970A

- maszynka do makaronu** ② AT910 w zestawie z foremką do rurek maccheroni rigati (do maszyny pasuje 12 innych dodatkowych foremek oraz nasadka do ciastek)

obrotowa krajalnica

- do żywności** ③ AT643 w zestawie z 5 bębniami

- wyciskarka do owoców** ④ AT644

wielofunkcyjna maszynka

- do mielenia** ⑤ AT950A w zestawie z drobnym, średnim i grubym sitkiem, małą i dużą nakładką do kiełbas oraz nasadką do klopsików kebbe

wielofunkcyjna maszynka

- do mielenia** ⑥ AT955 w zestawie z drobnym, średnim i grubym sitkiem, małą i dużą nakładką do kiełbas oraz nasadką do klopsików kebbe

- młynek do ziaren** ⑦ AT941A

nasadka do przetwarzania

- żywności** ⑧ AT647 w zestawie znajduje się 6 tarcz tnących oraz nóż

- szatkownica pro slicer/grater** ⑨ AT340 w zestawie znajduje się 7 tarcz tnących

- wyciskarka do cytrusów** ⑩ AT312

- blender** ⑪ 1,5 l akrylowy AT337, 1,6 l szkło thermo resist – odporne na różne temperatury AT358, 1,5 l ze stali nierdzewnej AT339

- mini-rozdrabniacz/młynek** ⑫ AT320A w zestawie z 4 szklanymi dzbankami i 4 pokrywkami umożliwiającymi przechowywanie zmielonych składników

- sokowirówka do pracy ciągłej** ⑬ AT641

- maszynka do lodów** ⑭ AT957A

- obieraczka do ziemniaków** ⑮ AT445

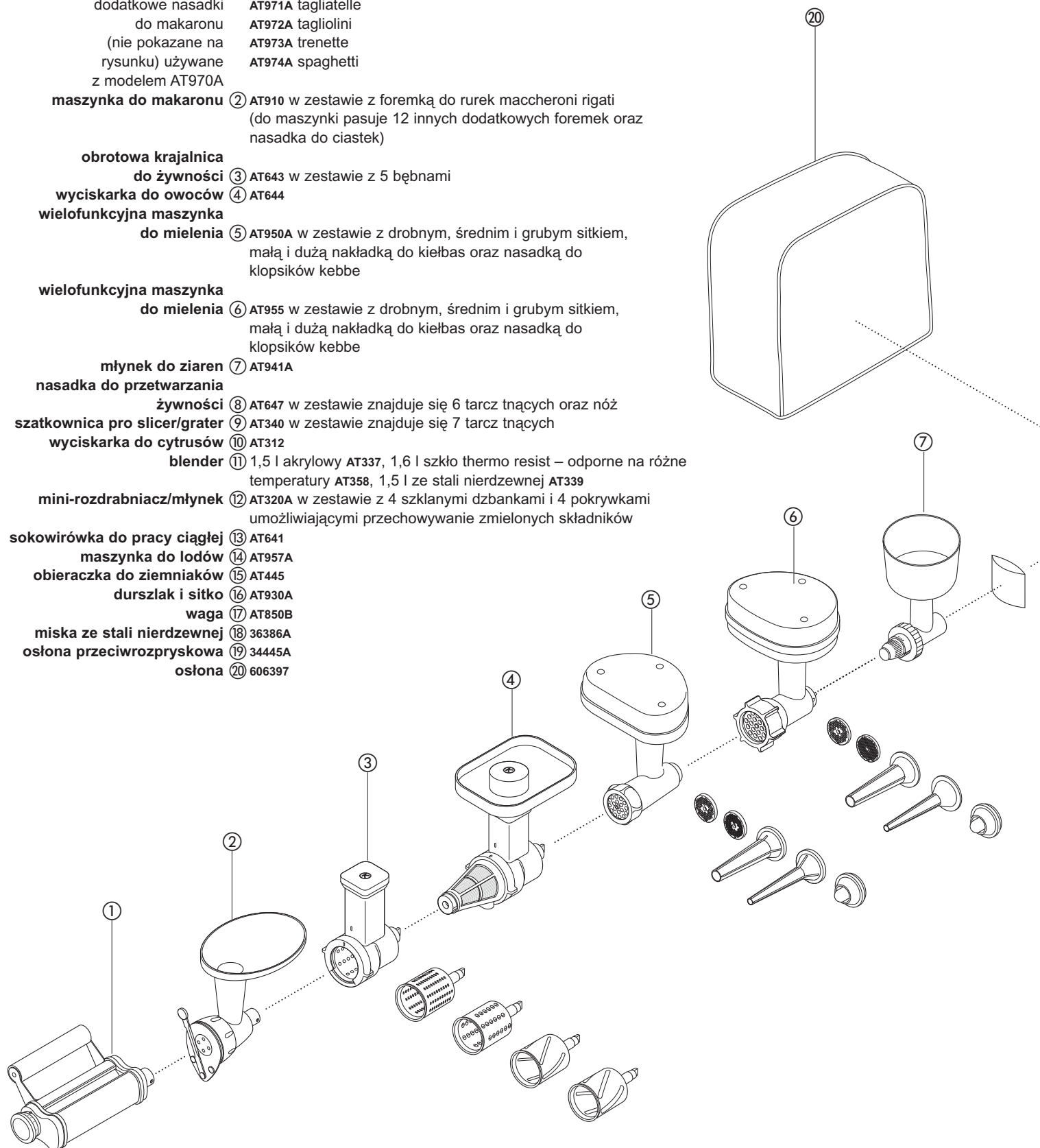
- durszlak i sitko** ⑯ AT930A

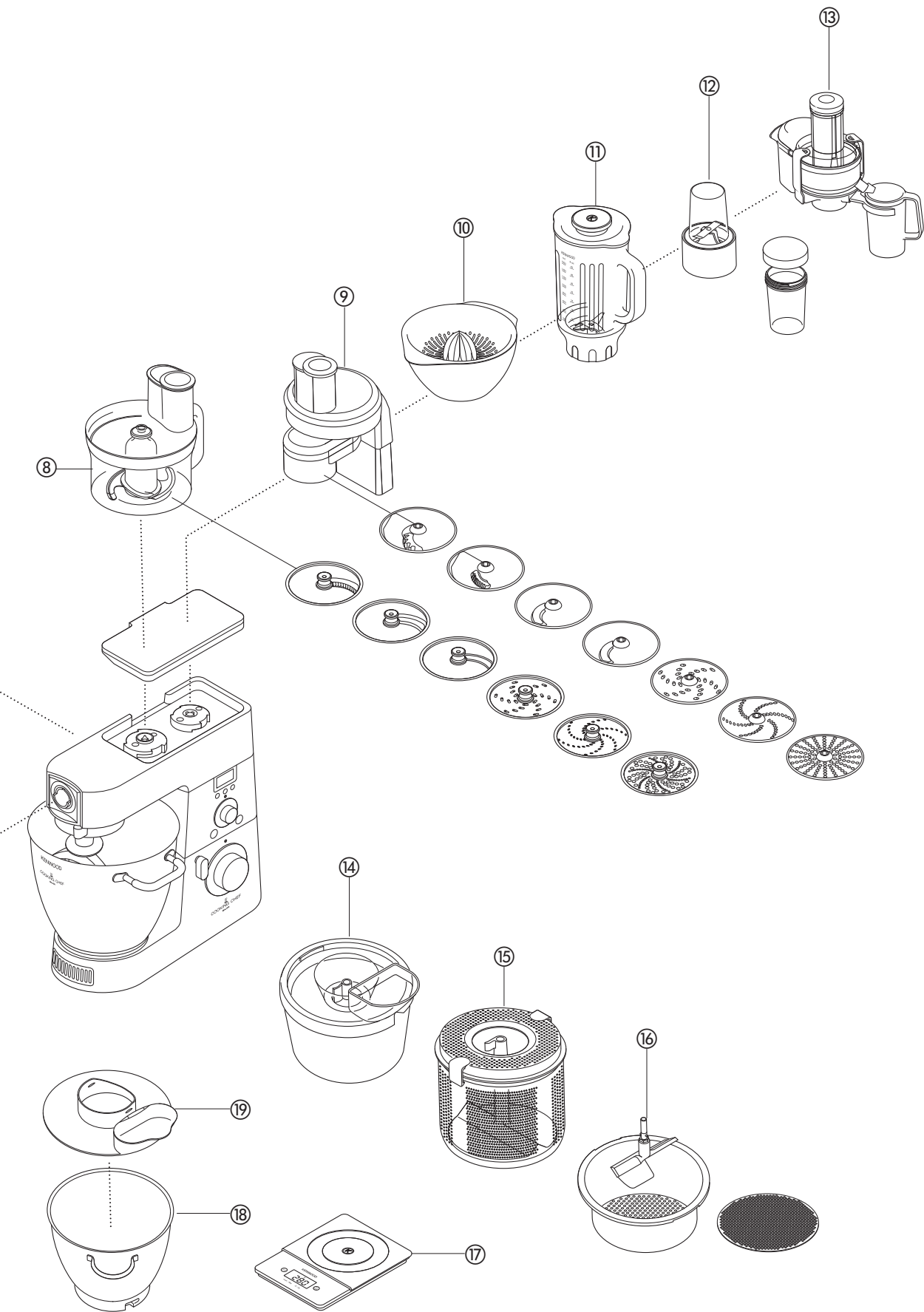
- waga** ⑰ AT850B

- miska ze stali nierdzewnej** ⑱ 36386A

- osłona przeciwrozpryskowa** ⑲ 34445A

- osłona** ⑳ 606397

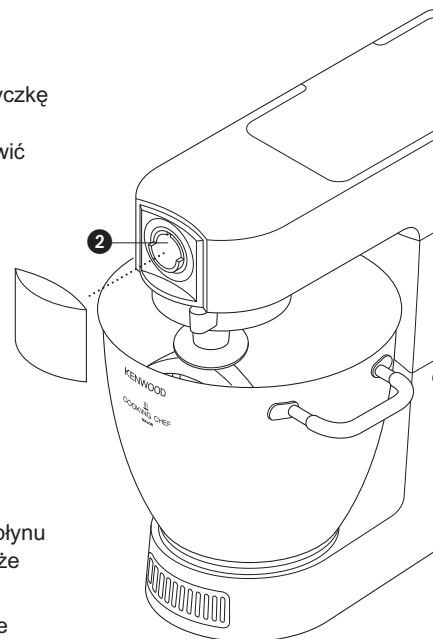




konserwacja i czyszczenie

konserwacja i czyszczenie

- Przed przystąpieniem do czyszczenia wyłączyć mikser i wyjąć wtyczkę z gniazda sieciowego.
- Podczas pierwszego użycia **wyjścia 2** wokół wyjścia może pojawić się niewielka ilość smaru. Jest to całkowicie normalne – smar wystarczy wytrzeć.
- W miarę użytkowania, na metalowych powierzchniach czujników temperatury mogą pojawić się ślady zużycia. Nie ma to wpływu to na poprawną pracę urządzenia.
- Nie należy zostawiać elastycznego ubijaka do wysokiej temperatury zamontowanego w mikserze, gdy urządzenie nie pracuje.



- urządzenie, osłony wyjść • Wytrzeć wilgotną szmatką, a następnie wysuszyć.
- Do czyszczenia nie używać środków ściernych ani nie zanurzać urządzenia w wodzie.
- elastyczny ubijak do • Przed czyszczeniem zdjąć elastyczne pióro z wycieraka.
- wysokiej temperatury • Końcówkę i elastyczne pióro umyć w ciepłej wodzie z dodatkiem płynu do naczyń, a następnie dobrze wysuszyć. Elementy te można także myć w zmywarce do naczyń.
- Uwaga: przed i po użyciu należy sprawdzić stan końcówki, a także regularnie sprawdzać stan elastycznego pióra i po zauważeniu wszelkich śladów zużycia wymienić je na nowe.
- miska, przybory, osłona • Umyć w zmywarce do naczyń bądź ręcznie, a następnie dobrze przeciwropryskowa wysuszyć.
- Do czyszczenia miski ze stali nierdzewnej nie używać szczoteczek drucianych, druciaków ani środków wybielająco-dezynfekujących. Aby usunąć kamienny osad, stosować ocet lub odpowiedni preparat do usuwania kamienia.
- Jeżeli do wnętrza miski przywarły bądź przypaliły się resztki jedzenia, należy je w możliwie największym stopniu usunąć za pomocą załączonej w zestawie łopatki. Następnie napełnić miskę ciepłą wodą z dodatkiem płynu na mycia naczyń i pozostawić do odmoczenia. Uporczywy osad usunąć szczotką z nylonowego włosa.
- Wszelkiego rodzaju plamy i przebarwienia miski nie wpływają na jej poprawne funkcjonowanie.
- otwór odprowadzający • Dbać, by w pobliżu otworu nie znajdowały się resztki jedzenia. W razie konieczności wyczyścić używając środka do czyszczenia rur bądź patyczka kosmetycznego.
- czujniki temperatury • Wytrzeć wilgotną szmatką, a następnie dobrze wysuszyć. Do czyszczenia czujników nie wolno używać środków ściernych ani ostrych przedmiotów.

obsługa i ochrona konsumenta

- Ze względu na bezpieczeństwo, jeśli uszkodzony został przewód, musi on zostać wymieniony przez specjalistę firmy Kenwood lub przez upoważnionego przez tę firmę specjalistę .

Jeśli potrzebujesz pomocy w związku z:

- eksploatacją swojego urządzenia albo
- obsługą lub naprawą skontaktuj się ze sklepem, w którym nabyłeś urządzenie.
- Zaprojektowała i opracowała firma Kenwood w Wielkiej Brytanii.
- Wyprodukowano w Chinach.



**UWAGI DOTYCZĄCE PRAWDŁOWEGO USUWANIA PRODUKTU
ZGODNIE Z DYREKTYWĄ EUROPEJSKĄ 2002/96/EC.**

W momencie zakończenia okresu użyteczności produktu nie należy wyrzucać go do odpadów miejskich.

Można dostarczyć go do odpowiednich ośrodków segregujących odpady przygotowanych przez władze miejskie lub do jednostek zapewniających takie usługi. Osobne usuwanie sprzętu AGD pozwala uniknąć negatywnych skutków dla środowiska naturalnego i zdrowia wynikających z jego nieodpowiedniego usuwania i umożliwia odzyskiwanie materiałów, z których jest złożony, oraz osiągnięcia w ten sposób znaczącej oszczędności energii i zasobów.

Na obowiązek osobnego usuwania sprzętu AGD wskazuje umieszczony na produkcie symbol przekreślonego pojemnika na śmieci.

przepisy

zob. ustęp pt. „ważne wskazówki dotyczące pieczenia chleba” na str. 156.

chleb jasny *twarde ciasto drożdżowe*

- składniki
- 1,36 kg zwykłej mąki wysokoglutenu
 - 15 ml (3 łyżeczki) soli
 - 25 g drożdży świeżych lub 15 g (20 ml) drożdży w proszku + 5 ml (1 łyżeczka) cukru
 - 750 ml ciepłej wody: 43°C. Temperaturę zmierzyć termometrem lub do 500 ml zimnej wody dodać 250 ml gotującej się wody
 - 25 g smalcu
- sposób przygotowania
- 1 **drożdże w proszku** (typ wymagający dodania wody): ciepłą wodę wlać do miski. Dodać drożdże i cukier i pozostawić na ok. 10 minut (do spienienia).
świeże drożdże: wkruszyć do mąki.
inne rodzaje drożdży: przygotować zgodnie z zaleceniami producenta.
 - 2 Wodę/wodę z drożdżami wlać do miski. Dodać mąkę (ze świeżymi drożdżami, jeżeli takie zostały użyte), sól i smalec.
 - 3 Zagniać na minimalnych obrotach przez 45-60 sekund. Następnie zwiększyć prędkość do 1 (w razie konieczności dodając więcej mąki), aż utworzy się ciasto.
 - 4 Zagniać kolejne 3-4 minuty na prędkości 1, aż ciasto stanie się gładkie, elastyczne i będzie odstawać od boków miski.
 - 5 Włożyć ciasto do posmarowanego tłuszczem foliowego woreczka lub miski – przykrywając ściereczką. Zostawić w ciepłym miejscu aż podwoi objętość.
 - 6 Ponownie zagniać przez 2 minuty na prędkości 1.
 - 7 Rozrobionym ciastem wypełnić do połowy cztery wysmarowane tłuszczem formy 450-gramowe lub uformować z niego bułki.
Przykryć ściereczką i zostawić w ciepłym miejscu aż podwoi objętość.
 - 8 Piec w temperaturze 230°C przez 30-35 minut (*bochenki w formach*) lub 10-15 minut (*bułki*).
- Postukany w spód gotowy chleb powinien wydawać pusty dźwięk.

chleb jasny *miękkie ciasto drożdżowe*

- składniki
- 2,6 kg zwykłej mąki
 - 1,3 l mleka
 - 300 g cukru
 - 450 g margaryny
 - 100 g drożdży świeżych lub 50 g drożdży w proszku
 - 6 ubitych jaj
 - 5 szczypt soli
- sposób przygotowania
- 1 Margarynę roztopić w mleku i podgrzać do temperatury 43°C.
 - 2 **drożdże w proszku** (typ wymagający dodania wody): dodać drożdże i cukier do mleka i pozostawić na ok. 10 minut (do spienienia).
świeże drożdże: wkruszyć do mąki, dodając cukier.
inne rodzaje drożdży: przygotować zgodnie z zaleceniami producenta.
 - 3 Mleko wlać do miski. Dodać ubite jaja i 2 kg mąki.
 - 4 Mieszać na minimalnych obrotach przez minutę, a potem kolejną minutę na prędkości 1.
Zgarnąć z boków miski.
 - 5 Dodać pozostałą część mąki i mieszać przez minutę na minimalnej prędkości, następnie na prędkości 1 przez 2-3 minuty, aż ciasto będzie gładkie i równomiernie wymieszane.
 - 6 Rozrobionym ciastem wypełnić do połowy kilka posmarowanych tłuszczem form 450-gramowych lub uformować z niego bułki.
Przykryć ściereczką i zostawić w ciepłym miejscu aż podwoi objętość.
 - 7 Piec w temperaturze 200°C przez 20-25 minut (*bochenki w formach*) lub 15 minut (*bułki*).
 - 8 Postukany w spód gotowy chleb powinien wydawać pusty dźwięk.
- Przepis na ok. 10 bochenków.

przepisy – ciąg dalszy

tort truskawkowo-morelowy

- składniki: biszkopt
- 3 jaja
 - 75 g cukru pudru
- masa i przybranie
- 75 g zwykłej mąki
 - 150 ml śmietany kremówki
 - cukier do smaku
 - 225 g truskawek
 - 225 g moreli
- sposób przygotowania
- 1 Morele pokroić na połówki i usunąć pestki. Gotować do miękkości na wolnym ogniu w niewielkiej ilości wody, dodając cukier do smaku.
 - 2 Truskawki umyć i pokroić na połówki.
 - 3 Przygotować biszkopt – ubijać jaja z cukrem na najwyższej prędkości, aż masa zgęstnieje i straci kolor.
 - 4 Wyjąć miskę i trzepaczkę. Za pomocą dużej metalowej łyżki dodać ręcznie mąkę, zachowując ostrożność, by ciasto pozostało lekkie.
 - 5 Ciasto wlać do dwóch okrągłych, 18-centymetrowych form, wysmarowanych tłuszczem i wyłożonych papierem.
 - 6 Piec w temperaturze 180°C przez ok. 20 minut, aż po lekkim naciśnięciu ciasto będzie odzyskiwać kształt.
 - 7 Wyłożyć na drucziany ruszt.
 - 8 Śmietanę ubić na sztywno na najwyższych obrotach. Dodać cukier do smaku.
 - 9 Morele i 1/3 truskawek grubo posiekać. Dodać do połowy ubitej śmietany.
 - 10 Jeden z biszkoptów posmarować masą ze śmietany i owoców i przykryć drugim.
 - 11 Pozostałą część śmietany rozsmarować na wierzchu tortu i przybrać resztą truskawek.

bezy

- składniki
- 4 białka
 - 250 g przesianego cukru pudru
 - Formę wyłożyć nieprzywierającym papierem pergaminowym.
- sposób przygotowania
- 1 Białka ubijać z cukrem na najwyższej prędkości przez około 10 minut, aż będą sztywne.
 - 2 Tak przygotowaną masę nakładać łyżką (lub za pomocą woreczka do dekorowania z 2,5-centymetrową końcówką w kształcie gwiazdki) na formę do pieczenia.
 - 3 Piec w temperaturze 110°C przez ok. 4-5 godzin, aż będą chrupkie i twarde. Jeżeli bezy zaczną brązowieć, lekko uchylić drzwiczki piekarnika.
 - Upieczone bezy przechowywać w szczelnym pojemniku.

kruche ciasto (do potraw w cieście)

- składniki
- 450 g mąki, przesianej z solą
 - 5 ml (1 łyżeczka) soli
 - 225 g tłuszczu (zmieszać wyjęte prosto z lodówki smalec i margarynę)
 - ok. 80 ml (4 łyżki) wody
- wskazówka
- Ciasta nie wolno przemieszać
- sposób przygotowania
- 1 Mąkę wsypać do miski. Tłuszcz grubo posiekać i dodać do mąki.
 - 2 Za pomocą ubijaka „K” składniki zmieszać na prędkości 1, aż ciasto będzie mieć konsystencję tartej bułki. Mieszanie należy zakończyć, zanim ciasto uzyska gładką („tustą”) konsystencję.
 - 3 Dodać wodę i mieszać na najwyższej prędkości. Mieszanie zakończyć, gdy tylko woda połączy się z resztą składników.
 - 4 W zależności od użytego nadzienia, piec w temperaturze ok. 200°C.

marynata chili

- składniki
- 200 g płynnego miodu, schłodzonego przez noc w lodówce
 - 1 zielona papryczka chili (cała)
 - 5 ml (1 łyżeczka) masła orzechowego
 - przyprawy
- sposób przygotowania
- 1 Wszystkie składniki umieścić w multi-młynku.
 - 2 Nasadkę zamocować w mikserze i poczekać, aż składniki osiadną wokół ostrzy.
 - 3 Miksować w trybie pracy przerywanej przez 10 sekund.
 - 4 Podawać w preferowany sposób.

Slovenčina

pred použitím zariadenia Kenwood

- Starostlivo si prečítajte tieto inštrukcie uschovajte ich pre budúcnosť.
- Odstráňte všetky obaly a štítky.

spoznajte svoj multifunkčný kuchynský robot Kenwood Cooking Chef

bezpečnosť

dôležitá poznámka – elektronické zdravotnícke implantáty

- V prípade, že používateľ alebo osoba nachádzajúca sa v blízkosti zariadenia má kardiostimulátor alebo iné aktívne implantáty, je potrebné sa pred použitím zariadenia poradiť s lekárom o ich možnej nekompatibilitate, aby nedošlo k ohrozeniu zdravia.
- Pred nasadením alebo vybratím nástrojov/príslušenstva, po použití a pred čistením zariadenie vypnite a odpojte zo siete.
- Časti tela, šperky a voľné oblečenie držte v bezpečnej vzdialenosti od pohyblivých častí a nasadeného príslušenstva.
- Nikdy nevkładajte prsty a pod. do závesného mechanizmu.
- Nikdy nenechávajte zapnuté zariadenie bez dozoru.
- Nikdy nepoužívajte poškodené zariadenie. Poškodené zariadenie dajte skontrolovať alebo opraviť: pozri časť „servis a starostlivosť o zákazníkov“ na strane 178.
- Nikdy nepoužívajte žiadne neschválené príslušenstvo alebo viac ako jeden doplnok naraz.
- Nikdy neprekračujte maximálne množstvá uvedené na strane 174 a pri použití indukčného ohrievača nikdy neprekračujte maximálnu úroveň naplnenia 3 litre, ktorá je vyznačená vnútri nádoby.
- Pri použití príslušenstva si prečítajte bezpečnostné pokyny a návod na použitie, ktoré sa ho týkajú.
- Zariadenie je ťažké, pri jeho dvíhaní buďte opatrní. Pred zdvihnutím sa ubezpečte, že hlava robota je zaistená a že nádoba, nástroje, kryty výstupov a prívodná elektrická šnúra sú zaistené na svojom mieste.
- Nikdy nenechávajte prívodnú elektrickú šnúru visieť tak, aby ju mohli uchopiť deti.
- Pohonnú jednotku, šnúru ani zástrčku nikdy nevystavujte vlhkosti.
- Pri manipulácii alebo dotyku s akoukoľvek časťou zariadenia, ktorá sa práve používa v režime varenia alebo po varení, buďte opatrní, NAJMÄ ČO SA TÝKA NÁDOBY, OCHRANNÉHO KRYTU PROTI VYŠPLECHNUTIU A NÁSTROJOV, pretože tie zostávajú HORÚCE ešte dlho po vypnutí zariadenia. Na vybratie a prenesenie nádoby používajte ruky. Pri manipulácii s horúcou nádobou a horúcimi nástrojmi na spracovanie používajte ochranné rukavice.
- Spodok nádoby ostane horúci ešte dlho po zastavení ohrevu. Pri manipulácii a kladení nádoby na povrchy citlivé na teplo buďte opatrní a používajte ochrannú podložku pracovnej plochy.
- Dávajte pozor na unikajúcu paru z nádoby robota, najmä pri otváraní veka ochranného krytu proti vyšplechnutiu alebo dvíhaní hlavy robota.
- Ak prekladáte horúce potraviny z robota do mixéra, vždy nechajte ingrediencie pred ich vložením do mixéra vychladnúť na izbovú teplotu.
- Používajte len nádobu a nástroje dodané k tomuto zariadeniu. Nikdy nepoužívajte nádobu s iným zdrojom tepla.
- Nikdy nespúšťajte zariadenie v režime varenia, ak je nádoba prázdna.
- Nevkladajte nič cez ventilačné otvory.
- Pri používaní tohto zariadenia sa ubezpečte, že je umiestnené na rovnom povrchu ďalej od okraja pracovnej plochy. Uistite sa, že zariadenie sa nachádza minimálne 10 cm od stien a že ventilačné otvory nie sú zablokované. Zariadenie neumiestňujte pod vyčnievajúce skrinky.
- Pre správne a bezpečné fungovanie indukčného variča zabezpečte, aby podstavec nádoby a teplotné snímače boli pred varením čisté a suché.
- Tak ako v prípade všetkých indukčných varných zariadení nekladte do blízkosti zariadenia, ktoré sa práve používa, kreditné karty, magnetické médiá alebo citlivé elektronické prístroje.
- Zariadenie nepoužívajte na smaženie potravín.
- Pred konzumáciou sa vždy ubezpečte, že potraviny sú dôkladne uvarené.
- Potraviny by ste mali skonzumovať krátko po dovarení alebo ich nechať rýchlo vychladnúť a potom čo najskôr zmraziť.
- Toto zariadenie nesmú používať žiadne osoby (vrátane detí), ktoré majú obmedzené fyzické, senzorické alebo mentálne schopnosti, alebo majú málo skúseností s podobnými zariadeniami, iba ak by tak robili pod kvalifikovaným dohľadom alebo ak vopred obdržia dostatočné inštrukcie o obsluhu tohto zariadenia od osoby, ktorá zodpovedá za ich bezpečnosť.
- Deti musia byť pod dohľadom, aby sa zaručilo, že sa nebudú s týmto zariadením hrať.
- Toto zariadenie používajte len v domácnosti na stanovený účel. Firma Kenwood nepreberie žiadnu zodpovednosť za následky nesprávneho použitia zariadenia, ani za následky nerešpektovania týchto inštrukcií.

pred zapojením do siete

- Overte, či má vaša elektrická sieť rovnaké parametre, aké sú uvedené na spodnej strane zariadenia.
- Toto zariadenie vyhovuje európskej smernici 2004/108/EC o elektromagnetickej znášateľnosti a predpisu č. 1935/2004 zo dňa 27/10/2004 o materiáloch, ktoré sú vhodné na kontakt s potravinami.

pred prvým použitím

Poumývajte jednotlivé časti: pozri časť „ošetrovanie a čistenie“ na strane 178.

úvod

Ďakujeme, že ste si kúpili tento multifunkčný kuchynský robot Kenwood Cooking Chef a dúfame, že ho budete mnoho rokov spokojne používať.

Spoločnosť Kenwood má takmer 60 rokov skúseností a znalostí s vývojom kuchynských zariadení a širokej škály ich príslušenstva. Kuchynské zariadenia Kenwood Chef sú známe tým, že predstavujú viac ako len obyčajný kuchynský robot.

Pri vývoji tohto kuchynského robota sme v známej multifunkčnosti zariadenia Cooking Chef opäť pokročili dopredu a priamo pod nádobu na spracovanie potravín sme zaviedli vstavané zariadenie na indukčné varenie. Teraz si môžete vychutnať všetky výhody každodenného „planétového“ miešania v „studenej nádobe“ pri príprave vašich obľúbených koláčov, pečiva a cesta spolu s ďalšími výhodami ohrevu a varenia priamo v nádobe skombinovanej s planétovým miešaním. Možnosti sú nekonečné.

Multifunkčný robot Kenwood Cooking Chef s celou škálou voliteľného príslušenstva je skutočne kompletným systémom na prípravu a spracovanie potravín.

Silný, spoľahlivý, všestranný, Kenwood.

Čo je indukčné varenie a ako to funguje?

Indukčné varenie je pokrokovou metódou varenia, ktorá využíva princípy elektromagnetickej indukcie. Pri prechode elektrického prúdu cez medenú cievku v oblasti indukčného varenia sa vytvára elektromagnetické pole. Keď sa nádoba multifunkčného robota Cooking Chef založí na svoje miesto, pomocou špeciálnej vrstvy z nehrdzavejúcej ocele v podstavci nádoby sa uzavrie obvod. Následne sa tak vytvorí veľké množstvo tepelnej energie, ktorá prechádza cez obsah nádoby, čím sa ohrievajú potraviny.

Indukčné varenie je nesmierne energeticky úsporné, pretože produkuje teplo len v podstavci nádoby. Pri iných metódach ohrevu, ako sú plynové horáky, sa stráca takmer 50 % tepelnej energie okolo stien hrnca. Indukčná varná plocha vášho multifunkčného robota Cooking Chef je vlastne horúca len počas a bezprostredne po dovarení, keďže teplo sa z obsahu nádoby prenesie späť. To všetko znamená, že indukčné varenie je veľmi hospodárne, veľmi bezpečné a veľmi čisté.

Funkčnosť varenia vášho multifunkčného robota Kenwood Cooking Chef je podobná používaniu hrnca na sporáku. Pridanou výhodou je, že robot Cooking Chef automaticky premieša potraviny a reguluje teplotu varenia podľa vašich presne stanovených požiadaviek, a nechá vás pokojne vykonávať iné úlohy v kuchyni.

Multifunkčný robot Cooking Chef využíva technológiu indukčného ohrevu, ktorá je nesmierne efektívna. Pri porovnaní s varením na plyne alebo elektrickej platni zistíte, že čas varenia sa skrátí alebo že vám na varenie vám stačí nižšia teplota. Pri prvom použití zariadenia alebo pri skúšaní nového receptu vezmite túto skutočnosť do úvahy. Keď začnete variť pri vysokej teplote, nezabudnite zariadenie sledovať a v prípade potreby znížte stupeň ohrevu, aby ste zabránili pripáleniu a prilepeniu potravín na nádobu, tak ako by ste postupovali pri varení v bežnom hrnci. Multifunkčný robot Cooking Chef vo všeobecnosti automaticky zohreje potraviny na vami požadovanú teplotu v najrýchlejšom možnom čase. Preto nie je nutné na skrátenie času varenia nastaviť vyššiu teplotu, ako požadujete. V tejto fáze by ste mali venovať pozornosť aj nastaveniu frekvencie premiešania. Pri varení pri vyšších teplotách môže byť potrebné nastaviť stále miešanie pomocou nastavenia funkcie premiešania (1). Nastavenia premiešania (2) a (3) sú užitočné pri udržiavaní konzistencie potravín počas dlhších cyklov varenia pri miernom varení.

V tejto fáze je tiež dôležitý výber správneho nástroja nádoby. Na ďalších stranách v tejto knihe navrhujeme najvhodnejšie použitie každého nástroja, no po nadobudnutí skúseností sami rýchlo zistíte, ktorý nástroj je pre danú úlohu najlepší. Pri varení napríklad zistíte, že ohybná metlička na použitie pri vysokej teplote je najvhodnejšia, ak chcete dosiahnuť veľmi jemnú konzistenciu pri omáčkach a krémoch, zatiaľ čo nástroj na premiešanie je vhodnejší pri varení jedál, ktoré si potrebujú uchovať tuhšiu konzistenciu, ako je guláš, dusené zeleninové zmesi, ragú a pod. V našej knihe receptov sa ku každému receptu odporúčajú najvhodnejšie nástroje, no môžete zistiť, že výmenou nástroja na iné procesy počas prípravy jedla dosiahnete lepšie výsledky.

Počas varenia a bezprostredne potom sú nádoba, ochranný kryt proti vyšplechnutiu a nástroj v nádobe horúce – tak ako by bol horúci aj bežný hrniec. Pri dotyku s nimi buďte opatrní. Zároveň je dôležité si pamätať, že v procese varenia sa vytvára para a dochádza ku kondenzácii, preto dávajte pozor pri nazeraní do nádoby, dvíhaní veka násadca na potraviny alebo hlavy robota Cooking Chef, ak sa chcete pozrieť alebo dostať do nádoby. Ak bude zariadenie variť alebo bude horúce, mali by ste upozorniť aj ostatných, aby boli opatrní. Pri dotyku alebo vyberaní horúcich súčastí sa odporúča používať ochranné rukavice a nádobu prenášať len pomocou dodaných rúčok. Na ochranu povrchov citlivých na teplo sa vám môže zísť ochranná podložka pracovnej plochy.

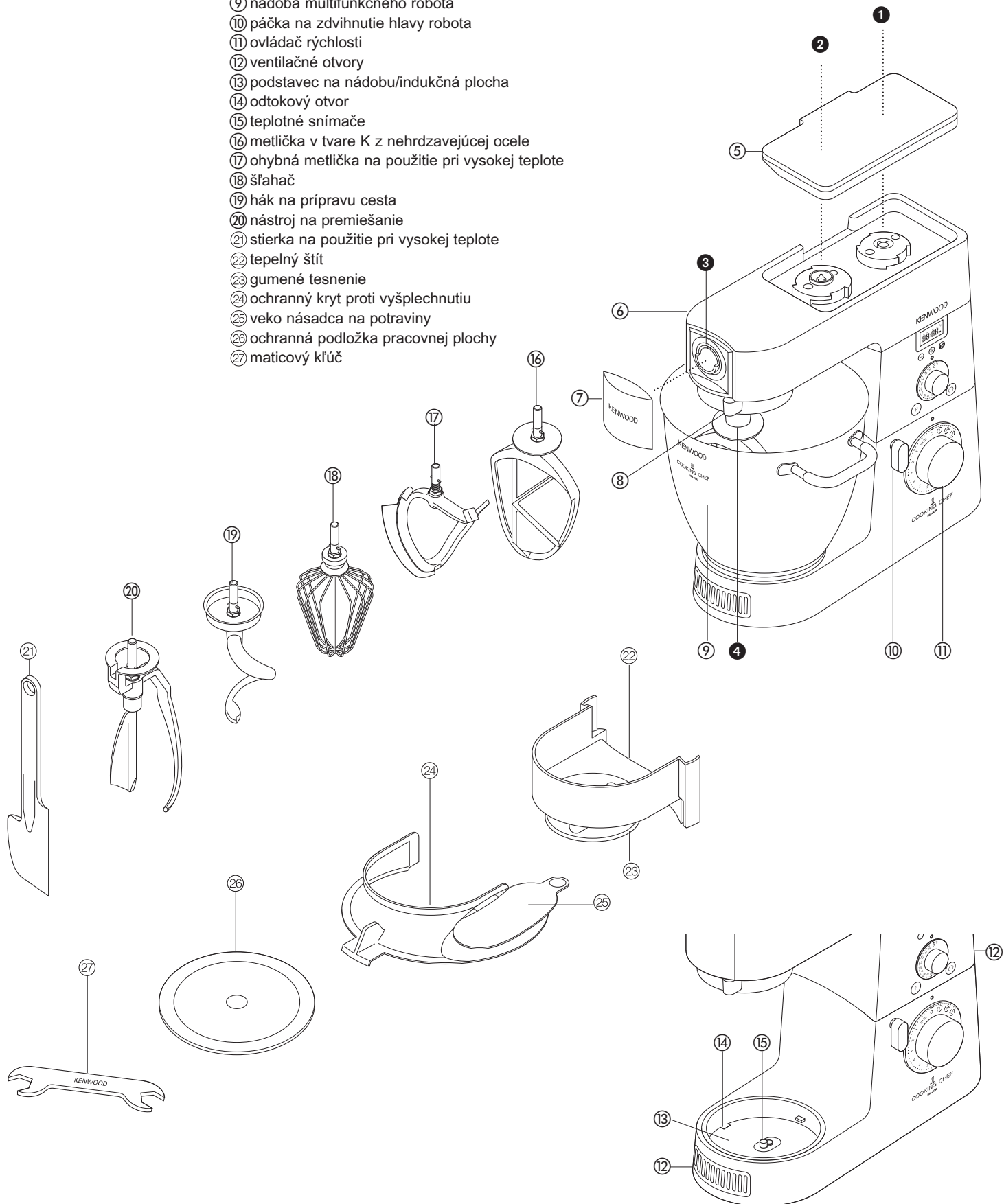
Pri ohrievaní tekutín alebo potravín s vysokým obsahom vody bude presnosť snímania teploty zvyčajne v rozmedzí +/- 5 °C. Presnosť teplotného displeja a ovládania sa bude líšiť v závislosti od konzistencie obsahu nádoby, objemu obsahu nádoby, frekvencie premiešania a použitého nástroja nádoby. Je to opäť podobné vareniu na sporáku, keď sa napríklad zohrieva veľké množstvo potravín vo veľkom hrnci, ale nepremiešajú sa dôkladne. Potraviny pri dne hrnca budú horúce alebo dokonca pripálené, zatiaľ čo potraviny navrchu budú oveľa chladnejšie.

Okrem teplotného displeja má zariadenie aj malú modrú LED diódu. Táto dióda bude blikať, kým zariadenie nedosiahne zvolenú teplotu. Po dosiahnutí požadovanej teploty svetlo prestane blikať. Keď však do nádoby pridáte ďalšie ingrediencie, môžete si všimnúť, že modrá LED dióda začne opäť blikať, keďže teplota obsahu nádoby sa chladnými ingredienciami zníži. Zároveň si môžete všimnúť, že keď sa zvýši frekvencia spracovania, rozsvieti sa stále svetlo.

Rýchlo zistíte, že váš multifunkčný robot Kenwood Cookong Chef sa jednoducho používa a uľahčí vám každodennú prípravu jedla.

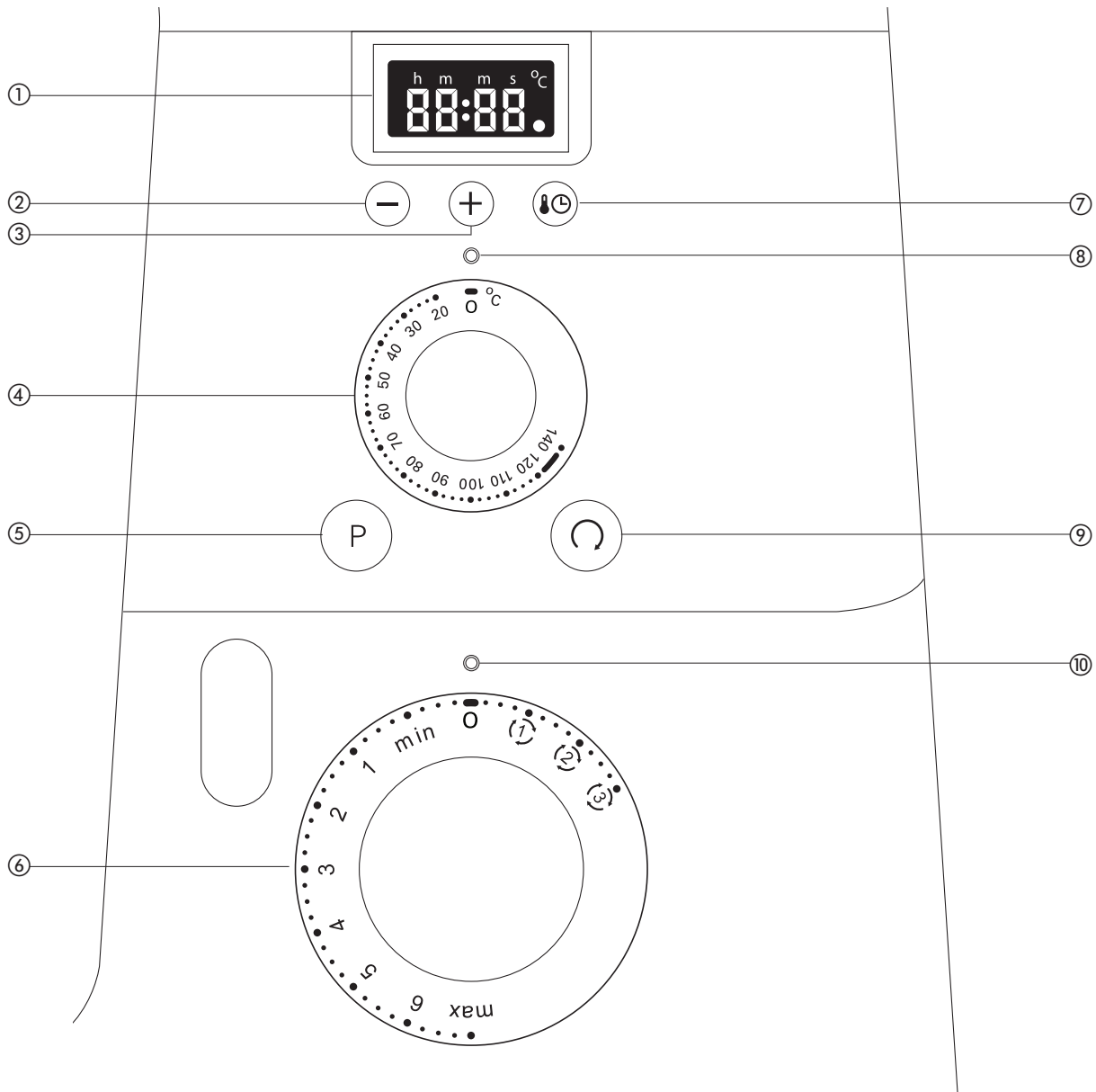
spoznajte svoj multifunkčný kuchynský robot Kenwood Cooking Chef

- výstupy pre príslušenstvo ❶ výstup pre vysokú rýchlosť
 ❷ výstup pre strednú rýchlosť
 ❸ výstup pre nízku rýchlosť
 ❹ zásuvka na nástroj
- multifunkčný robot ❺ kryt výstupu pre strednú/vysokú rýchlosť
 ❻ hlava robota
 ❼ kryt výstupu pre nízku rýchlosť
 ❽ páčka k výstupu pre nízku rýchlosť
 ❾ nádoba multifunkčného robota
 ❿ páčka na zdvihnutie hlavy robota
 ⓫ ovládač rýchlosti
 ⓬ ventilačné otvory
 ⓭ podstavec na nádobu/indukčná plocha
 ⓮ odtokový otvor
 ⓯ teplotné snímače
 ⓰ metlička v tvare K z nehrdzavejúcej ocele
 ⓱ ohybná metlička na použitie pri vysokej teplote
 ⓲ šľahač
 ⓳ hák na prípravu cesta
 ⓴ nástroj na premiešanie
 ⓵ stierka na použitie pri vysokej teplote
 ⓶ tepelný štít
 ⓷ gumené tesnenie
 ⓸ ochranný kryt proti vyšplechnutiu
 ⓹ veko násadca na potraviny
 ⓺ ochranná podložka pracovnej plochy
 ⓻ maticový kľúč



riadiaci panel

- ① časovač/teplotný displej
- ② tlačidlo na zníženie hodnoty na časovači
- ③ tlačidlo na zvýšenie hodnoty na časovači
- ④ ovládač teploty
- ⑤ tlačidlo impulzov/tlačidlo na šľahanie pri vysokej rýchlosti, vysokej teplote
- ⑥ ovládač rýchlosti
- ⑦ tlačidlo voliča časovača/teploty
- ⑧ svetelná kontrolka teploty
- ⑨ tlačidlo na primiešanie
- ⑩ svetelná kontrolka ovládača rýchlosti



nastavenie výšky nástrojov

Pozrite si postup na zostavenia robota na strane 170.

šľahač, metlička v tvare K z nehrdzavejúcej ocele, nástroj na premiešanie

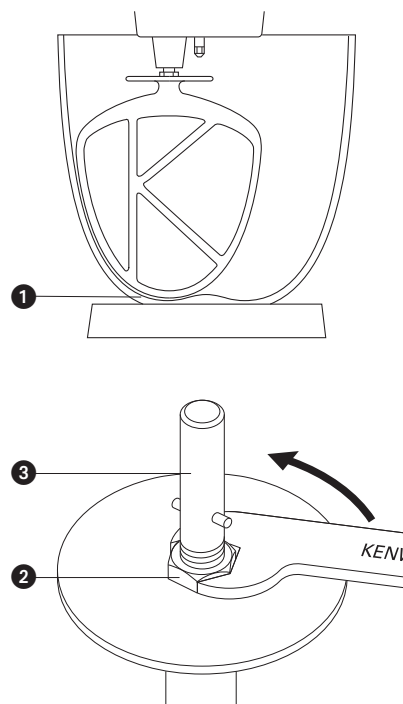
Najlepší výkon dosiahnete, ak sa šľahač, metlička v tvare K a nástroj na premiešanie budú **takmer** dotýkať dna nádoby ❶. V prípade potreby nastavte výšku pomocou dodaného maticového kľúča.

Postup:

- 1 Odpojte zariadenie zo siete.
- 2 Zdvihnite hlavu robota a vložte šľahač, metličku alebo nástroj na premiešanie.
- 3 Sklopte hlavu robota. Ak je potrebné nastaviť bezpečnú vzdialenosť nástroja, zdvihnite hlavu robota a vyberte nástroj.
- 4 Pomocou dodaného maticového kľúča povolte maticu ❷, aby ste mohli nastaviť pohonný hriadeľ ❸. Ak chcete dostať nástroj bližšie ku dnu nádoby, otočte hriadeľom proti smeru hodinových ručičiek. Ak chcete nástroj zdvihnúť ďalej od dna nádoby, otočte hriadeľom v smere hodinových ručičiek.
- 5 Znova utiahnite maticu.
- 6 Založte nástroj do robota a sklopte hlavu robota. (Skontrolujte polohu nástroja podľa hore uvedených bodov.)
- 7 V prípade potreby zopakujte predchádzajúce kroky, kým nebude nástroj umiestnený správne. Po správnom umiestnení nástroja pevne utiahnite maticu.

ohybná metlička na použitie pri vysokej teplote – tento nástroj by sa mal presne zľahka dotýkať dna nádoby.

hák na prípravu cesta – tento nástroj bol nastavený pri výrobe a nemalo by byť potrebné žiadne nastavovanie.

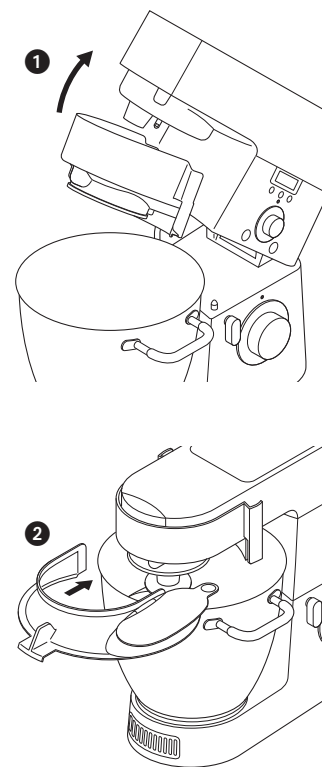


založenie a používanie ochranného krytu proti vyšplechnutiu montáž

Súprava ochranného krytu proti vyšplechnutiu sa skladá z dvoch dielov: tepelného štítu a ochranného krytu.

Počas varenia musí byť založený tepelný štít, inak nebude robot fungovať a zobrazí sa chybový kód E:03. Tepelný štít slúži na ochranu hlavy robota pred parou, ktorá sa tvorí počas procesu varenia. V prípade potreby sa môže založiť tepelný štít aj ochranný kryt na zadržanie ingrediencií v nádobe, napr. pri miešaní ľahkých ingrediencií, ako je múka a práškový cukor, alebo pri varení ingrediencií, kde je potrebné uchovať v nádobe vlhkosť. Ochranný kryt proti vyšplechnutiu by sa mal zakladať na nádobu len spoločne s tepelným štítom.

- 1 Dvihnite hlavu robota, až kým sa nezaistí.
 - 2 Tepelný štít zatlačte nahor na spodnú stranu hlavy robota ❶, kým úplne nezapadne na miesto. Tepelný štít sa nesmie nikdy používať bez správne nasadeného gumového tesnenia.
 - 3 Nasadte nádobu na podstavec.
 - 4 Sklopte hlavu robota.
 - 5 Ochranný kryt proti vyšplechnutiu položte na okraj nádoby a potom ho posuňte dopredu, kým úplne nezapadne na miesto ❷.
- Počas spracovania sa ingrediencie môžu pridávať priamo do nádoby cez násadec na potraviny.
- 6 Ak chcete ochranný kryt zložiť, jednoducho ho vysuňte zo zariadenia.
 - 7 Ak chcete zložiť tepelný štít, dvihnite hlavu robota, kým sa nezaistí. Vyberte nástroj a potom potiahnite tepelný štít nadol zo spodnej strany hlavy robota.
- Poznámka: Ochranný kryt zakladajte a skladajte len vtedy, keď je hlava robota v zaistenej polohe.



multifunkčný robot

nástroje na spracovanie a ich možné použitie

- metlička v tavre K • Na prípravu koláčov, trvanlivého a sladkého pečiva, polevy, plniek, plnených zákuskov a zemiakovkej kaše.
- šľahač • Na vajcia, prípravu krémov, liateho cesta, kysnutého cesta bez tuku, snehových pusiniiek, tvarohových koláčov, šľahanej peny a nákyrov. Šľahač nepoužívajte na rozšľahanie hustých zmesí (napr. tuku na pečenie alebo cukru) – mohli by ste ho poškodiť.
- hák na prípravu cesta • Len na kysnuté zmesi.
- ohybná metlička na použitie pri vysokej teplote • Vhodná na množstvo činností pri varení, najmä na prípravu pudingov, praženic a omáčok. Ideálna na zoškrabovanie horúcich i studených potravín z bočných stien nádoby počas miešania. Je tiež vhodná na opraženie zeleniny.
- nástroj na premiešanie • Vhodný na použitie počas varenia na zachovanie danej konzistencie potravín, napr. kuraťa, ryby, zeleniny a ovocia.

používanie multifunkčného robota

Pred použitím robota sa ubezpečte, či sú ovládače teploty a rýchlosti vypnuté v polohe „O“.

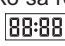

- 1 Otočte páčku na zdvihnutie hlavy robota v smere hodinových ručičiek ① a dvihnite hlavu robota, kým sa nezaistí.

- 2 Vložte nástroj do zásuvky, čap hriadeľa umiestnite do drážky a potom ho otočte, aby sa zaistil na svojom mieste ②.

nástroj na premiešanie – ak chcete nasadiť nástroj na premiešanie, vložte hriadeľ do zásuvky, potom vyrovnajte otvor na násadci tak, aby bol umiestnený pod kovovým čapom na spodnej strane hlavy robota. Chyťte ho za lopatku a otočte tak, aby bol čap hriadeľa pod drážkou a potom ho zatlačte nahor a otočte, kým nezapadne na miesto ③.

- 3 Nasadte nádobu na podstavec – zatlačte nadol a otáčajte v smere hodinových ručičiek ④.


- 4 Ak chcete sklopiť hlavu robota, najprv ju jemne nadvihnite a potom otočte páčkou na zdvihnutie hlavy v smere hodinových ručičiek. Sklopte ju do zaistenej polohy.

- 5 Postupujte v opačnom poradí, ako je popísané v kroku 2. (Pri vyberaní nástrojov po varení vždy používajte ochranné rukavice.)
- 6 Zapojte robot do elektrickej siete. Nakrátko sa rozsvietia svetelné kontrolky rýchlosti a teploty. Na displeji sa zobrazí  a potom sa rozsvieti ukazovateľ zapnutého prístroja .
- 7 Ovládač rýchlosti otočte na požadované nastavenie (pozri odporúčania na strane 171), robot sa spustí a svetelná kontrolka ovládača rýchlosti začne blikať. Časovač bude odpočítavať v sekundových intervaloch. Rýchlosť sa dá zmeniť kedykoľvek počas činnosti robota.
- 8 Robot zastavíte otočením ovládača rýchlosti do vypnutej polohy „O“.


Dôležité – Ak sa kedykoľvek počas činnosti robota zdvihne hlava robota, robot sa automaticky zastaví a ozve sa zvukový signál a keď sa hlava robota sklopí, robot sa už znova nespustí. Na opätovné spustenie robota otočte ovládač rýchlosti do vypnutej polohy „O“ a potom znova zvolte rýchlosť.

tlačidlo impulzov

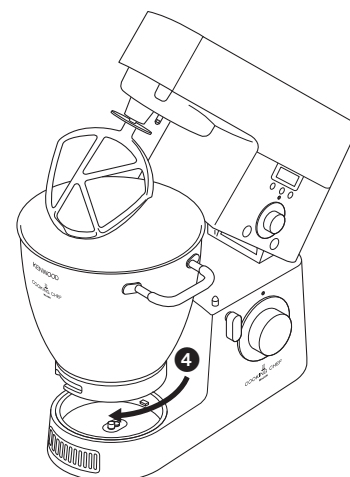
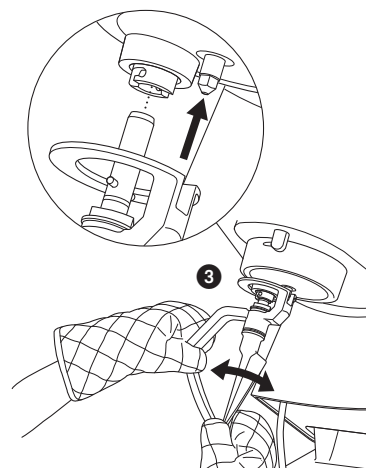
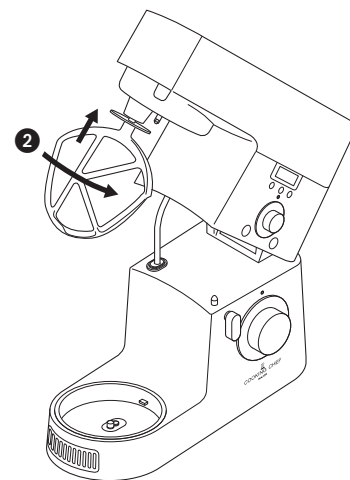
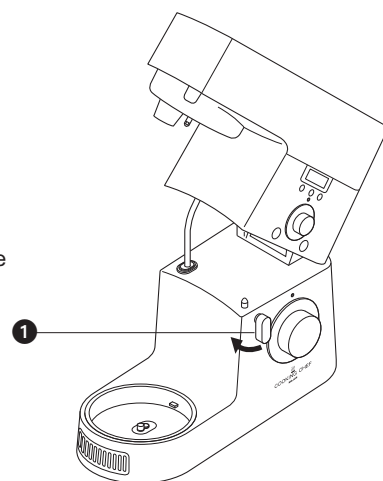
Tlačidlo impulzov sa dá použiť len vtedy, keď je ovládač rýchlosti vo vypnutej polohe „O“.

Ak chcete zvoliť impulzy, stlačte tlačidlo impulzov  a robot bude bežať na maximálnej rýchlosti tak dlho, ako budete držať tlačidlo v tejto polohe. Ak bude mať obsah nádoby teplotu nad 60 °C, rýchlosť sa bude zvyšovať postupne. Činnosť bude sprevádzať zvukový signál a svetelné kontrolky rýchlosti a teploty budú rýchlo blikať.

tlačidlo na primiešanie

Stlačte a pustite tlačidlo na primiešanie , mixér sa automaticky spustí na minimálnej rýchlosti na 2 otáčky a potom sa zastaví. Tlačidlo sa môže stlačiť aj na dlhšie alebo sa dá stláčať opakovane, podľa potreby na zmiešanie ingrediencií.

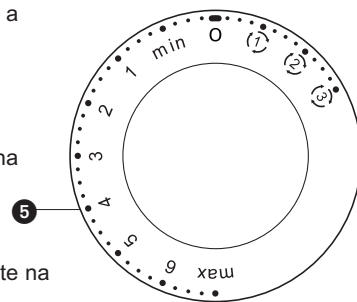
Poznámka: Ak stlačíte tlačidlo na primiešanie počas chodu motora, vykoná sa štandardná funkcia primiešania a potom sa motor opäť vráti na zvolenú rýchlosť.



ovládač rýchlosti 5

Nasledujúce rýchlosti sú len orientačné a budú sa líšiť podľa množstva a teploty ingrediencií, ktoré sa spracúvajú a pod.

Otáčaním ovládača rýchlosti v smere hodinových ručičiek dosiahnete rýchlosti od „min“ až po „max“.



- metlička v tvare K
- **tuk na pečenie a cukor** začnite pri rýchlosti „min“, postupne zvyšujte na „max“.
 - **šľahanie vajec do krémových zmesí** 4 – „max“.
 - **primiešanie do múky, ovocie atď.** „min“ – 1
 - **koláče „všetko v jednom“** začnite pri rýchlosti „min“, postupne zvyšujte na „max“.
 - **vtieranie tuku do múky** „min“ – 2.

- ohybná metlička na použitie pri vysokej teplote metlička
- **tuk na pečenie a cukor** začnite pri rýchlosti „min“, postupne zvyšujte po rýchlosť 3.
 - **zoškrabovanie horúcich i studených zmesí z bočných stien nádoby** začnite pri rýchlosti „min“, postupne zvyšujte po rýchlosť 3.
 - **opraženie zeleniny, miešanie rizota a polenty atď.**, použite (1).
- šľahač
- Postupne zvyšujte na „max“.
- hák na prípravu cesta nástroj na premiešanie
- Začnite pri rýchlosti „min“, postupne zvýšte na rýchlosť 1.
 - Použite len s nastaveniami premiešania (1), (2), (3).

nastavenia premiešania

Ak chcete zvoliť nastavenie premiešania, otočte ovládač rýchlosti proti smeru hodinových ručičiek. Tieto nastavenia sú najvhodnejšie, keď sa robot používa v režime varenia. Nezapomnite, že pri použití rýchlostí premiešania musia byť nasadené všetky kryty výstupov.

- (1) – Toto nastavenie použite vtedy, keď je potrebná stála pomalá rýchlosť, napr. pri miešaní omáčok.
 - (2) – Keď je ovládač rýchlosti nastavený do tejto polohy, robot sa spustí prerušovane pri nízkej rýchlosti každých 5 sekúnd na približne 2 otáčky.
 - (3) – Keď je ovládač rýchlosti nastavený do tejto polohy, robot sa spustí prerušovane pri nízkej rýchlosti každých 30 sekúnd, čo je vhodné pri miešaní dusených zmesí a pod.
- Činnosť robota zastavíte opätovným otočením ovládača rýchlosti do vypnutej polohy „0“.

Poznámka:

- Vždy keď sa zvolí nejaká rýchlosť, svetelná kontrolka rýchlosti začne blikať.
- Zariadenie v činnosti môže vydávať prenikavý zvuk. Tento jav je bežný.

používanie robota na varenie potravín

DÔLEŽITÉ UPOZORNENIE

- Ubezpečte sa, že indukčná plocha, teplotné snímače a vonkajší povrch podstavca nádoby sú čisté. Zanedbanie tejto podmienky ovplyvní tepelný snímač, čo bude mať za následok neuspokojivý výsledok varenia.
- Skontrolujte, či sú nasadené všetky kryty výstupov vrátane tepelného štítu. Ak nie sú správne založené, funkcia ohrevu nebude fungovať.
- Pri vyberaní nádoby a nástrojov po varení vždy používajte ochranné rukavice.

- 1 Zostavte robot podľa pokynov na strane 170.
- 2 Ovládač teploty otočte na požadovanú teplotu.
- **Ohrev sa nespustí, kým sa nezvolí nejaká rýchlosť.**
- 3 Otočte ovládač rýchlosti na požadovanú rýchlosť, čím zapnete motor i ohrev. Obe svetelné kontrolky začnú blikať.
- 4 Po dosiahnutí nastavenej teploty bude svetelná kontrolka teploty svietiť súvisle. Počas varenia však svetlo začne blikať, ak sa teplota zmení, čo indikuje, že robot sa pokúša udržať nastavenú teplotu (prečítajte si úvod na strane 165).
- Ak teplota nádoby presiahne 60 °C, rýchlosť sa z bezpečnostných dôvodov automaticky obmedzí, aj keď bola nastavená vyššia rýchlosť. Keď teplota klesne pod 60 °C, rýchlosť sa automaticky nezvýši. Najprv sa musí vypnúť ovládač rýchlosti a znova zvoliť požadovaná rýchlosť.

- Poznámka: Zakaždým, keď sa stlačí tlačidlo voliča časovača/teploty, na displeji sa bude striedať zobrazenie času a teplota obsahu nádoby.
- 5 Na zastavenie alebo prerušenie procesu spracovania alebo ohrevu otočte ovládač rýchlosti do vypnutej polohy „O“. Ak chcete pokračovať v činnosti, zvolte rýchlosť.

pokyny

- **Pri niektorých receptoch, najmä pri tých s vysokým obsahom vody, nie je možné dosiahnuť teplotu varu nad 100 °C (keďže to je bod varu vody).**
- Pri pridávaní ingrediencií do nádoby počas varenia znížte rýchlosť a ingrediencie pridávajte pomaly a rovnomerne.
- Na rýchle ohriatie omáčok použite nastavenie plynulého miešania (↻).
- Možno zistíte, že výmenou nástroja na iné procesy počas prípravy jedla dosiahnete lepšie výsledky, napr. použitím ohybnej metličky na smaženie zeleniny alebo nástroja na premiešanie pri varení kúskov mäsa alebo hydiny.
- Ak počas varenia použijete ochranný kryt proti výšplechnutiu, vždy ho zložte pred zdvihnutím hlavy robota. Dávajte pozor na kondenzáciu vytvorenú na ochrannom kryte a tepelnom štíte.
- Pri dvíhaní hlavy robota postupujte pomaly, aby tekutina na spodnej strane tepelného štítu mohla stiecť späť do nádoby.
- K dispozícii sú tri funkcie premiešania, čo vám umožní vybrať si frekvenciu premiešania vhodnú na jednotlivé recepty. Pri niektorých receptoch je potrebné stále miešanie, aby sa zabránilo prilepeniu ingrediencií na dno nádoby, zatiaľ čo pri iných je prospešné prerušované miešanie, aby sa zachovala konzistencia potravín.
- Aby ste dosiahli optimálny výkon, nastavte výšku nástroja podľa popisu na strane 169.
- Maximálna doba varenia sú 3 hodiny, po uplynutí tohto času sa robot automaticky vypne.
- Potraviny sa dajú ohrievať aj bez založeného nástroja, musí byť však zvolená rýchlosť. To sa dá využiť pri rozpúšťaní potravín, napr. masla, čokolády.
- Zakaždým, keď sa stlačí tlačidlo voliča časovača/teploty, na displeji sa bude striedať zobrazenie času varenia a teplota dosiahnutá v danom bode.

Ovládač šľahania pri vysokej rýchlosti a vysokej teplote

Ak chcete šľahať pri vysokej rýchlosti a teplotách nad 60 °C, otočte ovládač rýchlosti na požadovanú rýchlosť šľahania a potom stlačte a podržte tlačidlo impulzov. Činnosť bude sprevádzať zvukový signál a svetelné kontrolky rýchlosti a teploty budú rýchlo blikáť. Rýchlosť šľahania sa pomaly zvýši na zvolenú rýchlosť. Ak chcete rýchlosť ešte zvýšiť, zopakujte postup. Znížiť rýchlosť šľahania alebo vypnúť robot môžete tak ako zvyčajne.

Táto funkcia sa SMIE používať len so šľahačom. Neprekračujte maximálny objem 3 litre pre varenie a zabezpečte, aby bol nasadený ochranný kryt proti výšplechnutiu. Zariadenie nesmiete nechať bez dozoru.

po varení

- Pri manipulácii alebo dotyku s akoukoľvek časťou robota, ktorá sa práve používa v režime varenia alebo po varení, buďte opatrní, **NAJMÁ ČO SA TÝKA NÁDOBY, OCHRANNÉHO KRYTU PROTI VYŠPLECHNUTIU A NÁSTROJOV**, pretože tie zostávajú **HORÚCE** ešte dlho po vypnutí zariadenia. Na vybratie a prenesenie nádoby používajte ruky. Pri manipulácii s horúcou nádobou a horúcimi nástrojmi na spracovanie používajte ochranné rukavice.
- Spodok nádoby ostane horúci ešte dlho po zastavení ohrevu. Pri manipulácii s ňou buďte opatrní a používajte ochrannú podložku pracovnej plochy, ktorá slúži na ochranu povrchov citlivých na teplo.

displej

Pre vašu bezpečnosť je robot vybavený 5 samostatnými bezpečnostnými snímačmi, ktoré sú v činnosti pri používaní robota v režime varenia. Pri zapnutí robota a aktivovaní bezpečnostného snímača sa na časovači/teplotnom displeji zobrazí chybové hlásenie, napr. „E:01“. Hlásenie bude sprevádzať zvukový signál a robot nebude fungovať. Pozrite si nasledujúce chybové hlásenia:

Chybové hlásenie	Popis	Riešenie
E:01	Hlava zariadenia je v zdvihnutej polohe. Keď je zdvihnutá hlava, bezpečnostný snímač zablokuje motor a ohrev. Ak je pri zdvihnutej hlave zariadenia ovládač rýchlosti nastavený do inej polohy, ako je vypnutá poloha „O“, zobrazí sa hlásenie a motor sa nespustí.	Sklopte hlavu robota. Ovládač rýchlosti nastavte do polohy „O“ a potom zvolte požadovanú rýchlosť.
E:02	Nie je založená nádoba multifunkčného robota Cooking Chef. Funkcia ohrevu sa spúšťa len pri použití nádoby na varenie. Táto nádoba musí byť tiež správne založená. Bezpečnostné snímače zistia, ak je použitá nesprávna nádoba alebo je použitá správna nádoba, no je nesprávne založená.	Ubezpečte sa, či používate nádobu multifunkčného robota Cooking Chef. Skontrolujte, či je nádoba správne založená. Ovládač rýchlosti nastavte na „O“ a potom zvolte požadovanú rýchlosť.
E:03	Nie je založený tepelný štít. Funkcia ohrevu sa zablokuje, ak nie je správne založený tepelný štít.	Zabezpečte, aby bol tepelný štít správne založený. Ovládač rýchlosti nastavte na „O“ a potom zvolte požadovanú rýchlosť.
E:04	Nie je založený kryt výstupu pre pomalú rýchlosť, ani kryt výstupu pre vysokú/strednú rýchlosť. Tieto kryty sú vybavené bezpečnostnými snímačmi. Ak nie sú kryty založené správne, ohrev sa vypne a ak je zvolená niektorá funkcia premiešania, motor bude bežať súvisle. Rýchlosti miešania od min. po max. budú bežať súvisle.	Zabezpečte, aby boli všetky kryty správne založené. Ovládač rýchlosti nastavte na „O“ a potom zvolte požadovanú rýchlosť.
E:09	Problém s teplotným snímačom. Ak sa pri ohreve zistí, že teplota nádoby je vyššia, ako by mala byť pri bežnom použití, motor a ohrev sa automaticky vypnú.	Ovládač rýchlosti nastavte na „O“, zariadenie odpojte zo siete a nechajte vychladnúť. Skontrolujte, či je podstavec nádoby čistý a tiež teplotné snímače. Zariadenie znova zapojte do siete a zapnite ako zvyčajne.
E:10	Problém s rýchlosťou motora alebo s prehriatím. Ak motor zastane alebo sa príliš zahreje, riadiaci systém automaticky vypne motor i ohrev.	Ovládač rýchlosti nastavte na „O“ a zariadenie odpojte zo siete. Odstráňte všetky prekážky spôsobujúce zastavenie motora. Zabezpečte, aby vo ventilačných otvoroch neboli žiadne prekážky. Zariadenie zapojte do siete a zapnite.

Ak sa niektorý z týchto alebo iných chybových kódov bude naďalej objavovať na displeji, kontaktujte oddelenie starostlivosti o zákazníkov spoločnosti Kenwood.

používanie odpočítavacieho časovača

Časovač sa dá použiť v režime varenia aj v režime bez varenia. Ak sa nezvolí odpočítavanie, časovač bude automaticky odpočítavať v sekundových intervaloch, kým bude robot v činnosti. Maximálny čas prevádzky robota sú 3 hodiny.

- 1 Zapojte robot do elektrickej siete. Na displeji sa nakrátko zobrazí **88:88**, a potom sa rozsvieti ukazovateľ zapnutého prístroja .
- 2 Stlačte tlačidlo + alebo - a na displeji sa objaví údaj 0:00.
- 3 Stláčajte tlačidlo + alebo -, kým sa na displeji nezobrazí požadovaný čas. Časovač bude odpočítavať v päťsekundových intervaloch. Ak necháte tlačidlo nepretržite stlačené, čísla sa budú meniť rýchlejšie, podľa toho, ako dlho necháte tlačidlo stlačené. Maximálny čas, ktorý môžete nastaviť, sú 3 hodiny. Poznámka: Ak stlačíte tlačidlo +, keď bude časovač na hodnote 3:00, zobrazený čas sa zmení na 0:00. Ak stlačíte tlačidlo -, keď bude časovač na hodnote 0:00, zobrazený čas sa zmení na 3:00.
- 4 Otočením ovládača rýchlosti na požadovanú rýchlosť sa robot spustí a časovač začne odpočítavať v sekundových intervaloch.
 - Činnosť robota môžete kedykoľvek prerušiť otočením ovládača rýchlosti do vypnutej polohy „O“. Týmto sa zároveň zastaví aj časovač. Časovač bude pokračovať v odpočítavaní, keď sa robot znova spustí.
- 5 Po uplynutí celkového času sa proces spracovania automaticky zastaví a na 3 sekundy sa ozve zvukový signál. Displej bude 5 sekúnd blikať a potom sa na ňom zobrazí ukazovateľ zapnutého prístroja .

vynulovanie časovača

- 1 Vynulujte časovač tak, že súčasne stlačíte tlačidlá + a - (ovládač rýchlosti musí byť vo vypnutej polohe „O“).
- Ak je zariadenie nečinné po dobu 10 minút, LCD displej a podsvietenie prejdú do režimu „spánku“ a všetky displeje sa vypnú. Stlačením ktoréhokoľvek tlačidla alebo otočením ovládača sa displej vráti do predchádzajúceho formátu.

maximálne množstvá

- kreheké pečivo** • Hmotnosť múky: 910 g
- ťažké kysnuté cesto** • Hmotnosť múky: 1,5 kg
- Celková hmotnosť: 2,4 kg
- ľahké kysnuté cesto** • Hmotnosť múky: 2,6 kg
- Celková hmotnosť: 5 kg
- zmes na biskupský chlebíček** • Celková hmotnosť: 4,55 kg
- vaječné bielka** • 16
- režim varenia** • 3 litre

- všeobecné pokyny
- Zariadenie opakovane zastavte a stierkou oškrabte steny nádoby.
 - Na šľahanie sú najlepšie vajíčka izbovej teploty.
 - Pred šľahaním vaječných bielok sa ubezpečte, že na šľahači ani na nádobe nie je žiadny tuk ani žltok.
 - Na prípravu sladkého pečiva používajte studené ingrediencie, ak sa v recepte nepíše inak.

poznámky k príprave chleba

- dôležité upozornenie
- Nikdy neprekračujte stanovené maximálne množstvá – dôjde k preťaženiu zariadenia.
 - Ak počujete, že zariadenie spomaľuje, vypnite ho, odoberte polovicu cesta a spracujte každú polovicu samostatne.
 - Ingrediencie sa najlepšie zmiešajú vtedy, ak najprv vložíte tekutinu.

príručka na riešenie problémov pri varení

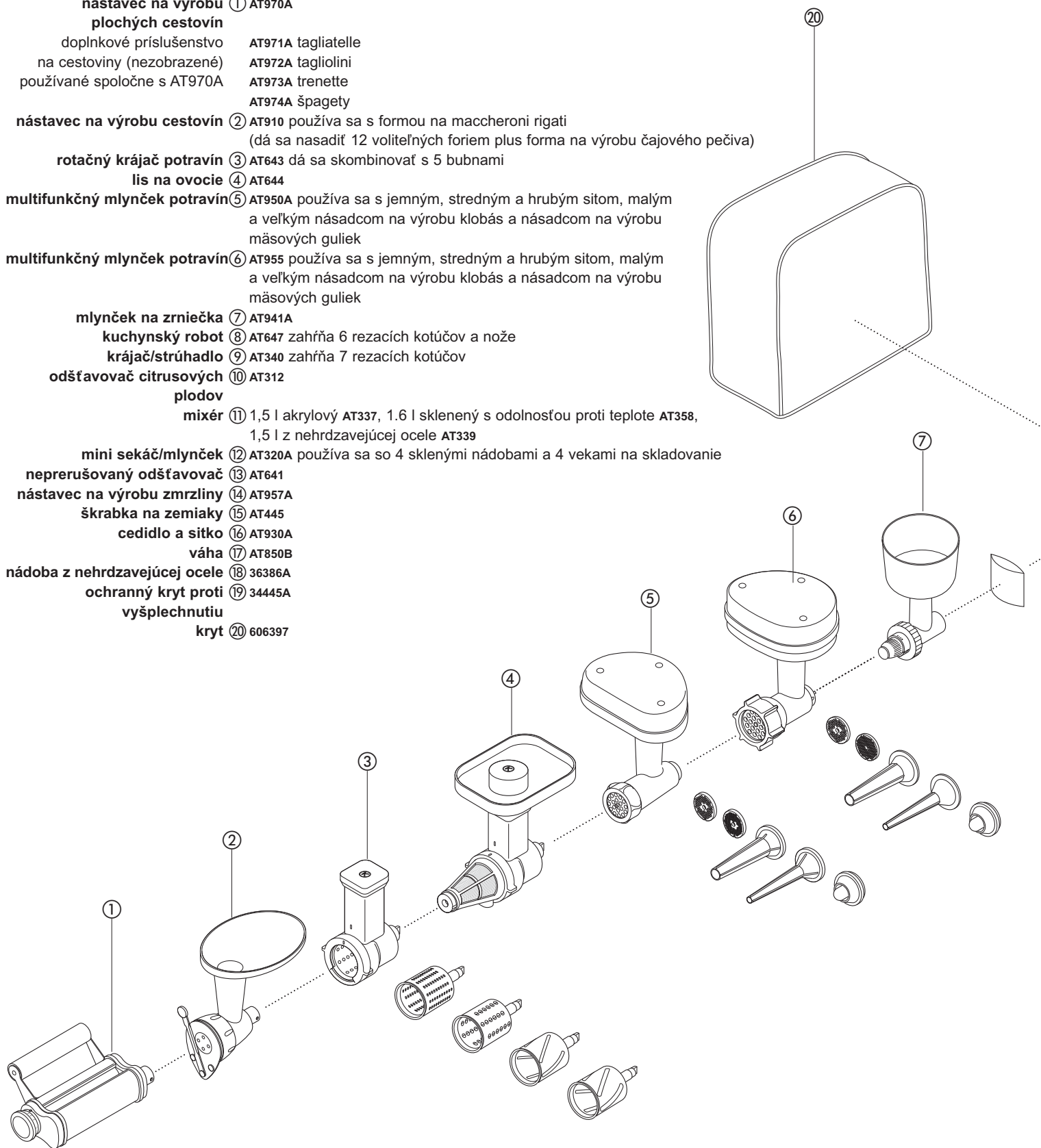
Problém	Príčina	Riešenie
Robot nefunguje v režime ohrevu, zobrazilo sa chybové hlásenie a ozval sa varovný zvukový signál.	Aktivoval sa jeden z bezpečnostných snímačov.	Pozri tabuľka s chybovými hláseniami na strane 173. <ul style="list-style-type: none"> • Zabezpečte, aby bola hlava robota sklopená a zaistená na svojom mieste. • Zabezpečte, aby boli všetky kryty výstupov správne založené. • Zabezpečte, aby bol tepelný štít správne založený. • Zabezpečte, aby bola nádoba multifunkčného robota správne založená.
Zvolila sa teplota, ale obsah nádoby sa nezohrieva (svetelná kontrolka teploty nesvieti).	Nebola zvolená rýchlosť.	Zvoľte rýchlosť.
Robot mení rýchlosť počas varenia.	Rýchlosť sa automaticky obmedzí, keď teplota obsahu nádoby dosiahne 60 °C.	Toto je bezpečnostná funkcia.
Potraviny sa pripaľujú na podstavec nádoby.	<ol style="list-style-type: none"> 1 Nastavená teplota môže byť príliš vysoká. 2 Používa sa nesprávny nástroj. 3 Funkcia premiešania je príliš pomalá. 4 Nástroj nie je zrejme v nádobe dostatočne nízko. 5 Časovač bol nastavený na príliš dlhú dobu. 6 Snímač a/alebo spodok nádoby zrejme nie je čistý. 	<ol style="list-style-type: none"> 1 Znížte teplotu na číselníku alebo varte na nižšej teplote. 2 Overte, či používate najvhodnejší nástroj. 3 Zvýšte frekvenciu funkcie premiešania alebo zmeňte chod na nepretržitý. 4 Nastavte polohu nástroja. 5 Varte kratší čas (ubezpečte sa, že potraviny sú dôkladne uvarené). 6 Zabezpečte, aby boli tieto plochy čisté a suché.
Nezachováva sa konzistencia potravín.	<ol style="list-style-type: none"> 1 Zvolená teplota je príliš vysoká. 2 Funkcia premiešania je príliš rýchla. 3 Ingrediencie sa varili príliš dlho. 4 Používa sa nesprávny nástroj. 	<ol style="list-style-type: none"> 1 Znížte teplotu. 2 Znížte rýchlosť premiešania. 3 Skráťte čas varenia (ubezpečte sa, že potraviny sú dôkladne uvarené). 4 Overte, či používate najvhodnejší nástroj.
Nestála rýchlosť spracovania.	<ol style="list-style-type: none"> 1 Ingrediencie sú príliš veľké, tvrdé alebo príliš tuhé. 	<ol style="list-style-type: none"> 1 Nakrájajte potraviny na menšie kúsky, odstráňte kôstky z ovocia, ingrediencie nechajte pomaly zmäknúť bez založeného nástroja (ale ubezpečte sa, že bola zvolená rýchlosť). 2 Ingrediencie pridajte po sklopení hlavy robota. 3 Overte, či používate najvhodnejší nástroj.
Do horúcej zmesi sa pridali studené ingrediencie, ale teplotný displej nereagoval dostatočne rýchlo.	Ak nie je dôkladne premiešaný obsah nádoby, teplota jedla v nádobe bude premenlivá.	<ol style="list-style-type: none"> 1 Doprajte ingredienciám čas, aby sa dôkladne rozmiešali. 2 Zvýšte rýchlosť premiešania.
Ťažké zatváranie hlavy robota s potravinami v nádobe.	Tvrdé ingrediencie, ako je napríklad čokoláda na dne nádoby bránia tomu, aby hlava robota mohla zapadnúť nadol.	Ingrediencie pridajte po sklopení hlavy robota.
Robot beží nepretržite, keď je zvolené premiešanie (2) alebo premiešanie (3).	Kryty výstupov nie sú správne založené.	Zabezpečte, aby boli kryty výstupov správne založené.
Pri použití príslušenstva je rýchlosť motora obmedzená.	Založila sa horúca nádoba.	Vyberte nádobu alebo ju ochladte pod 60 °C.

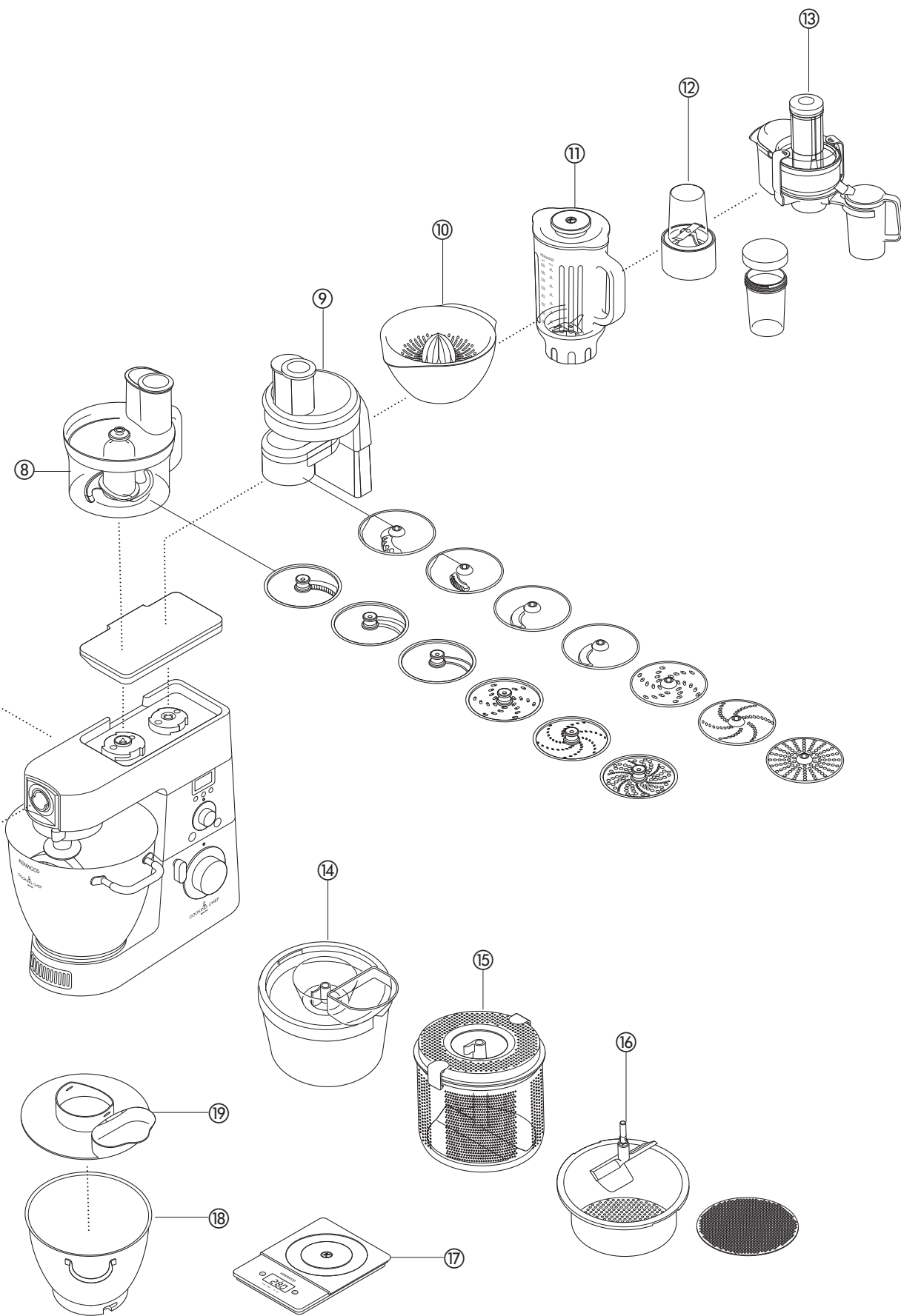
dostupné voliteľné príslušenstvo

Ak si chcete kúpiť príslušenstvo, ktoré nie je súčasťou vášho balenia, pozrite si časť servis a starostlivosť o zákazníkov.

príslušenstvo kód príslušenstva

- nástavec na výrobu plochých cestovín** ① AT970A
 doplnkové príslušenstvo na cestoviny (nezobrazené) používané spoločne s AT970A
- nástavec na výrobu cestovín** ② AT910 používa sa s formou na maccheroni rigati (dá sa nasadiť 12 voliteľných foriem plus forma na výrobu čajového pečiva)
- rotačný krájač potravín lis na ovocie** ③ AT643 dá sa skombinovať s 5 bubnami ④ AT644
- multifunkčný mlynček potravín** ⑤ AT950A používa sa s jemným, stredným a hrubým sitom, malým a veľkým násadcom na výrobu klobás a násadcom na výrobu mäsových guľiek
- multifunkčný mlynček potravín** ⑥ AT955 používa sa s jemným, stredným a hrubým sitom, malým a veľkým násadcom na výrobu klobás a násadcom na výrobu mäsových guľiek
- mlynček na zrníčka** ⑦ AT941A
- kuchynský robot** ⑧ AT647 zahŕňa 6 rezacích kotúčov a nože
- krájač/strúhadlo** ⑨ AT340 zahŕňa 7 rezacích kotúčov
- odšťavovač citrusových plodov** ⑩ AT312
- mixér** ⑪ 1,5 l akrylový AT337, 1,6 l sklenený s odolnosťou proti teplote AT358, 1,5 l z nehrdzavejúcej ocele AT339
- mini sekáč/mlynček** ⑫ AT320A používa sa so 4 sklenenými nádobami a 4 vekami na skladovanie
- neprerušovaný odšťavovač** ⑬ AT641
- nástavec na výrobu zmrzliny** ⑭ AT957A
- škrabka na zemiaky** ⑮ AT445
- cedidlo a sítko** ⑯ AT930A
- váha** ⑰ AT850B
- nádoba z nehrdzavejúcej ocele** ⑱ 36386A
- ochranný kryt proti vyšplechnutiu** ⑲ 34445A
- kryt** ⑳ 606397





čistenie a servis

ošetrovanie a čistenie

- Zariadenie pred čistením vždy vypnite a odpojte zo siete.
- Na **výstupe 2** sa môže pri prvom použití objaviť trochu mazu. Tento jav je bežný – maz stačí zotrieť.
- Kovové povrchy teplotných snímačov môžu pri bežnom používaní vykazovať známky opotrebovania. Výkon výrobku to však neovplyvňuje.
- Ohybnú metličku na použitie pri vysokej teplote nenechávajte nasadenú na robote pokiaľ zariadenie nepoužívate.

zariadenie, kryty výstupov

- Poutierajte vlhkou handričkou a vysušte.
- Nikdy nepoužívajte žiadne abrazívne čistiace prostriedky, ani ich neponárajte do vody.

ohybná metlička na použitie pri vysokej teplote

- Pred čistením vyberte z nástroja flexibilnú stieraciu čepeľ.
- Nástroj a flexibilnú stieraciu čepeľ umyte v horúcej mydlovej vode a potom dôkladne osušte. Eventuálne možno tieto súčasti umývať aj v umývačke riadu.

Poznámka: Pred použitím, ako aj po ňom, kontrolujte stav telesa nástroja a pravidelne kontrolujte aj stav stieracej čepele, a ak na nej uvidíte nejaké známky opotrebovania, vymeňte ju.

nádoba, nástroje, ochranný kryt proti výšplechnutiu

- Umyte v rukách a dôkladne vysušte alebo umyte v umývačke riadu.
- Na čistenie nádoby z nehrzdavejúcej ocele nikdy nepoužívajte drôtenú kefu, drôtenku ani bielidlo. Na odstránenie vodného kameňa použite ocot alebo nejaký vhodný prostriedok na odstraňovanie vodného kameňa.
- Ak sa potraviny pripália alebo prilepia na vnútro nádoby, odstráňte ich čo najskôr pomocou dodanej stierky. Nádobu naplňte teplou mydlovou vodou a nechajte odmočiť. Pomocou nylonovej kefy odstráňte všetky nepoddajné usadeniny.

odtokový otvor

- Zafarbenie nádoby nemá vplyv na jej výkon.
- Zabezpečte, aby sa v tejto oblasti nenachádzali žiadne potraviny. V prípade potreby použite na vyčistenie čistič na rúrky alebo vatovú tyčinku.

teplotné snímače

- Poutierajte vlhkou handričkou a dôkladne vysušte. Na čistenie snímačov nikdy nepoužívajte žiadne abrazívne čistiace prostriedky ani ostré nástroje.

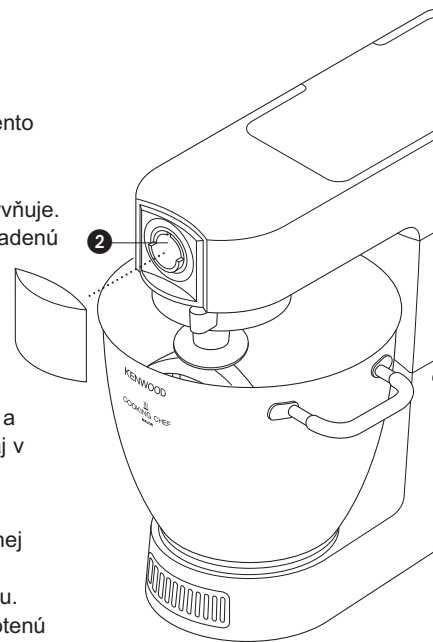
servis a starostlivosť o zákazníkov

- Keď sa poškodí prívodná elektrická šnúra, musí ju z bezpečnostných príčin vymeniť alebo opraviť firma KENWOOD alebo pracovníci oprávnení firmou KENWOOD.

Pokiaľ potrebujete pomoc pri nasledovných problémoch:

- používanie vášho zariadenia
 - servis alebo opravy
- Kontaktujte obchod, v ktorom ste si zariadenie zakúpili.

- Navrhnuté a vyvinuté spoločnosťou Kenwood v Spojenom kráľovstve.
- Vyrobené v Číne.





**DŮLEŽITÁ INFORMÁCIA NA SPRÁVNU LIKVIDÁCIU PRODUKTU
PODĽA EURÓPSKEJ SMERNICE 2002/96/EC.**

Po skončení životnosti produktu sa tento produkt nesmie jednoducho vyhodiť spolu s domovým odpadom.

Musí sa odovzdať na príslušné zberné miesto na roztriedenie odpadu alebo dilerovi, ktorý sa postará o takúto likvidáciu.

Separátnou likvidáciou domácich spotrebičov sa vyhneme negatívnym následkom na životné prostredie a zabránime ohrozeniu zdravia vzniknutého nevhodnou likvidáciou. Umožní sa tak aj recyklácia základných materiálov, čím sa dosiahne značná úspora energií a prírodných zdrojov. Na pripomenutie nutnosti separátnej likvidácie domácich spotrebičov je produkt označený preškrtnutým kontajnerom na zber domáceho odpadu.

recepty

Pozri dôležité upozornenia na postup pri výrobe chleba na strane 174.

ťažké kysnuté cesto na **biely chlieb**

- ingrediencie
- 1,36 kg hladkej múky špeciál
 - 15 ml (3 čaj. lyž.) soli
 - 25 g čerstvého droždia alebo 15 g/20 ml sušeného droždia + 5 ml (1 čaj. lyž.) cukru
 - 750 ml teplej vody: 43 °C. Použite teplomer alebo pridajte 250 ml vriacej vody do 500 ml studenej vody.
 - 25 g bravčovej masti
- postup
- 1 **sušené droždie** (ktoré sa rozpúšťa vo vode): nalejte teplú vodu do nádoby. Potom pridajte droždie a cukor a nechajte postáť približne 10 minút, kým sa nespění.
čerstvé droždie: rozdrobte do múky.
iné typy droždia: postupujte podľa pokynov výrobcu.
 - 2 Nalejte tekutinu do nádoby. Potom pridajte múku (s čerstvým droždím, ak sa použilo), soľ a masť.
 - 3 Mieste na minimálnej rýchlosti 45 – 60 sekúnd. Potom zvýšte rýchlosť na 1, v prípade potreby pridajte viac múky, kým sa nevytvorí cesto.
 - 4 Mieste ďalšie 3 – 4 minúty pri rýchlosti 1, kým nebude cesto hladké, poddajné a prestane sa lepiť na steny nádoby.
 - 5 Cesto vložte do vymasteného polyetylénového vrečka alebo do nádoby prikrytej utierkou. Potom ho nechajte niekde v teple, kým sa jeho veľkosť nezdvójnasobí.
 - 6 Znova ho 2 minúty mieste pri rýchlosti 1.
 - 7 Cestom naplňte do polovice štyri vymastené nádoby na pečenie s veľkosťou 450 g alebo ho vytvarujte do roliek.
Potom ich prikryte utierkou a nechajte niekde v teple, kým sa ich veľkosť nezdvójnasobí.
 - 8 Pečte pri teplote 230 °C/plynový stupeň 8 30 – 35 minút v prípade *bochníkov* alebo 10 – 15 minút v prípade *roliek*.
- Po dopečení by mal chlieb vydávať pri poklepaní na spodok dutý zvuk.

ľahké cesto na **biely chlieb**

- ingrediencie
- 2,6 kg obvyčajnej hladkej múky
 - 1,3 litra mlieka
 - 300 g cukru
 - 450 g margarínu
 - 100 g čerstvého droždia alebo 50 g sušeného droždia
 - 6 vyšľahaných vajec
 - 5 štipiek soli
- postup
- 1 Margarín rozpustite v mlieku a zohrejte na 43 °C.
 - 2 **sušené droždie** (ktoré sa rozpúšťa vo vode): do mlieka pridajte droždie a cukor a nechajte postáť približne 10 minút, kým sa nespění.
čerstvé droždie: rozdrobte do múky a pridajte cukor.
iné typy droždia: postupujte podľa pokynov výrobcu.
 - 3 Nalejte mlieko do nádoby. Pridajte vyšľahané vajcia a 2 kg múky.
 - 4 Miešajte minútu na minimálnej rýchlosti a potom ďalšiu minútu na rýchlosti 1.
Oškrabte steny nádoby.
 - 5 Pridajte zvyšok múky a miešajte minútu na minimálnej rýchlosti a potom 2 – 3 minúty na rýchlosti 1, kým zmes nebude hladká a rovnomerne rozmiešaná.
 - 6 Cestom naplňte do polovice niekoľko vymastených nádob na pečenie s veľkosťou 450 g alebo ho vytvarujte do roliek.
Potom ich prikryte utierkou a nechajte niekde v teple, kým sa ich veľkosť nezdvójnasobí.
 - 7 Pečte pri teplote 200 °C/plynový stupeň 6 20 – 25 minút v prípade *bochníkov* alebo 15 minút v prípade *roliek*.
 - 8 Po dopečení by mal chlieb pri poklepaní na spodok vydávať dutý zvuk.
- Z daného množstva pripravíte asi 10 bochníkov.

recepty pokračovanie

jahodovo-marhuľová torta

- ingrediencie: piškótové cesto
- 3 vajcia
 - 75 g krupicového cukru
 - 75 g čistej múky
- plnka a ozdobenie
- 150 ml smotany na šľahanie
 - cukor podľa chuti
 - 225 g jahôd
 - 225 g marhúľ
- postup
- 1 Marhule rozpoľte a odstráňte kôstky. Mierne povarte v troške vody, kým nezmäknú a podľa chuti pridajte cukor.
 - 2 Jahody umyte a rozpoľte.
 - 3 Piškótové cesto pripravíte tak, že vyšľaháte vajcia s cukrom na maximálnej rýchlosti, kým zmes celkom nezbledne a nezhusne.
 - 4 Vyberte nádobu aj šľahač. Ručne pomocou veľkej kovovej lyžice primiešajte múku – postupujte opatrne, aby piškótové cesto zostalo ľahké.
 - 5 Zmes vložte do dvoch vymastených a papierom vyložených nádob na pečenie s veľkosťou 18 cm.
 - 6 Pečte pri teplote 180 °C/plynový stupeň 4 asi 20 minút, kým sa koláč pri ľahkom dotyku nedokáže vrátiť do pôvodného stavu.
 - 7 Potom ho vyklopte na drôtený rošt.
 - 8 Šľahačkovú smotanu vyšľahajte pri maximálnej rýchlosti, kým nestuhne. Podľa chuti pridajte cukor.
 - 9 Nahrubo nakrájajte marhule a tretinu jahôd. Primiešajte ich do polovice šľahačky.
 - 10 Rozotrite ju na jedno piškótové cesto a potom naň položte druhý piškót.
 - 11 Zvyšok šľahačky rozotrite navrch a tortu ozdobte zvyšnými jahodami.

snehové pusinky

- ingrediencie
- 4 vaječné bielka
 - 250 g preosiateho práškového cukru
 - Plech na pečenie vysteľte nelepivým papierom na pečenie.
- postup
- 1 Vaječné bielka s cukrom nechajte vyšľahať na maximálnej rýchlosti asi 10 minút, kým zmes nestuhne.
 - 2 Lyžicou nakladte zmes na plech (alebo použite vrečko s trubičkou s hviezdovitým násadcom s rozmerom 2,5 cm).
 - 3 Pečte pri teplote 110 °C/plynový stupeň 1/4 približne 4 – 5 minút, kým nebudú tvrdé a chrumkavé. Ak začnú hnednúť, nechajte dvere na rúre mierne pootvorené.
 - Pusinky skladujte v nepriedušnej plechovej škatuli.

krehké pečivo

- ingrediencie
- 450 g preosiatej múky so soľou
 - 5 ml (1 čaj. lyž.) soli
 - 225 g tuku (zmes bravčovej masti a margarínu priamo z chladničky)
 - Približne 80 ml vody
- návod
- Nemiešajte zmes príliš dlho.
- postup
- 1 Vložte múku do nádoby. Nakrájajte tuk nahrubo a pridajte ho k múke.
 - 2 Pomocou metličky v tvare K z nehrdzavejúcej ocele miešajte pri rýchlosti 1, kým sa zmes nezačne podobať na strúhanku. Miešanie zastavte skôr než bude zmes mazľavá.
 - 3 Pridajte vodu a miešajte na minimálnej rýchlosti. Hneď ako sa voda zapracuje do zmesi, zastavte miešanie.
 - 4 Pečte pri teplote približne 200 °C/plynový stupeň 6, v závislosti od plnky.

čili marináda

- ingrediencie
- 200 g studeného číreho medu (schladeného cez noc v chladničke)
 - 1 zelená čili paprička (celá)
 - 5 ml (1 čaj. lyž.) jemného arašidového masla
 - korenie
- postup
- 1 Všetky ingrediencie vložte do mini sekáča/mlynčeka.
 - 2 Nasadte nástavec na mixér a nechajte ingrediencie usadiť sa okolo čepele.
 - 3 Prepnite zariadenie na 10 sekúnd na funkciu impulzov.
 - 4 Použite podľa potreby.

Українська

Перед першим використанням приладу Kenwood

- Уважно прочитайте інструкцію та збережіть її для подальшого використання.
- Зніміть упаковку та всі етикетки.

Знайомство з кухонним комбайном Kenwood Cooking Chef

Заходи безпеки

Важливе повідомлення для користувачів з електронними медичними імплантатами

- Як і інші пристрої, що працюють на принципі магнітної індукції, цей пристрій генерує магнітні поля короткого діапазону. Якщо особа, що працює з кухонним комбайном або перебуває в безпосередній близькості від нього, має у своєму тілі кардіостимулятор або будь-який інший активний імплантат, слід проконсультуватися з лікарем перед використанням, на предмет сумісності, щоб уникнути виникнення ризиків для здоров'я.
- Перед підняттям або зняттям інструментів/насадок, а також після використання й перед очищенням, обов'язково вимкніть кухонну машину й від'єднайте мережевий шнур від розетки.
- Не торкайтеся частинами тіла, ювелірними виробами й елементами одягу частин комбайна, що обертаються, та встановлених насадок.
- Не торкайтеся руками до внутрішніх частин шарнірного механізму.
- Не залишайте ввімкнений прилад без догляду.
- Не користуйтеся несправним приладом. Перевірте й відремонтуйте його: див. розділ "Обслуговування клієнтів" на стор.196.
- Використовуйте лише призначені для цього комбайна насадки. Забороняється одночасне використання декількох насадок.
- Не допускайте перевищення максимальних норм завантаження комбайна, зазначених на сторінці 192; при використанні індукційного підігріву не перевищуйте максимальну міру в три літри, позначену на внутрішній поверхні ємності.
- При використанні насадки ознайомтеся із вказівками по заходах безпеки, що поставляються в комплекті з насадками комбайна.
- Піднімаючи цей прилад, будьте обережні, оскільки він важкий. Перед тим, як підняти його, переконайтеся в тому, що головна частина електроприладу зафіксована, а ємність, насадки, кришки й мережевий шнур надійно закріплені.
- Не допускайте, щоб електричний шнур звисав зі столу там, де його можуть схопити діти.
- Стежте за тим, щоб вода не потрапила на блок приводу, електричний шнур або штепсельну вилку.
- Будьте обережні, торкаючись кожної із частин приладу під час роботи в режимі готування або відразу після нього. Особливо це стосується ЄМНОСТІ, ЗАХИСНОГО ПРИСТОСУВАННЯ Й ІНСТРУМЕНТІВ, тому що вони залишаються ГАРЯЧИМИ тривалий час після вимикання приладу. Для зняття й перенесення ємності використовуйте ручки. Торкаючись до гарячої ємності або насадок, надягайте кухонні рукавички.
- Дно ємності залишається гарячим тривалий час після припинення нагрівання. Будьте обережні й використовуйте захисні килимки, встановлюючи ємність на нетермостійку робочу поверхню.
- Будьте обережні - гаряча пара може виходити з ємності міксера, особливо під час відкривання кришки захисного пристосування або голівки міксера.
- Перш, ніж перекладати продукти з міксера в соковижималку, дайте їм охолонути до кімнатної температури.
- Використовуйте тільки ті інструменти й ємність, які поставлялися в комплекті з даним приладом. Забороняється використовувати ємність з іншими нагрівальними приладами.
- Забороняється вмикати прилад з порожньою ємністю в режимі приготування.
- Забороняється розміщувати сторонні предмети в отвори для вентиляції.
- При роботі із приладом встановлюйте його на рівну поверхню, якнайдалі від краю. Переконайтеся, що відстань від приладу до стін становить не менше 10 см., а вентиляційні отвори нічим не заблоковані. Не встановлюйте прилад під навісними шафами.
- Для правильної та безпечної роботи індукційного нагрівання переконайтеся, що основа ємності та давачі температури чисті й сухі.
- При використанні приладу, так само, як і при використанні будь-якого іншого приладу з індукційним нагріванням, не кладіть кредитні картки, магнітні носії або чутливе електронне обладнання біля працюючого приладу.
- Не використовуйте прилад для смаження продуктів у фритюрі.
- Перед вживанням їжі переконайтеся, що вона повністю готова.
- Продукти слід вживати невдовзі після приготування або швидко прохолоджувати і якомога швидше класти в холодильник.
- Не рекомендується користатись цим приладом особам (враховуючи дітей) із обмеженими фізичними або ментальними можливостями, або тим, хто має недостатньо досвіду в експлуатації цього приладу. Вищеназваним особам дозволяється користуватися приладом тільки після проходження інструктажу та під наглядом досвідченої людини, яка несе відповідальність за їх безпеку.
- Не залишайте дітей без нагляду і не дозволяйте їм гратися із приладом.
- Цей прилад призначений виключно для використання у побуті. Компанія Kenwood не несе відповідальності за невідповідне використання приладу або порушення правил експлуатації, викладених у цій інструкції.

перед увімкненням комбайна

- переконайтеся, що параметри електричної мережі збігаються з даними, зазначеними в таблиці на нижній поверхні машини.
- Цей прилад відповідає вимогам директиви ЄС 2004/108/ЄС «Електромагнітна сумісність» та положення ЄС № 1935/2004 від 27/10/2004 стосовно матеріалів, що безпосередньо пов'язані з їжею.

перед першим використанням

Вимийте всі частини: Див. розділ 'чищення та сервіс' на стор. 196.

ВСТУП

Дякуємо вам за придбання кухонної машини Kenwood Cooking Chef. Ми сподіваємося, що ви будете з радістю користуватися нею довгі роки.

Компанія Kenwood має майже 60-річний досвід розробки кухонних машин і різних насадок для них. Загальновізнано, що кухонні машини Kenwood Chef – це набагато більше, ніж просто прилад для змішування продуктів.

Створюючи модель Cooking Chef, ми взяли відому своєю універсальністю машину Chef і додали до неї вбудоване індукційне нагрівання прямо під чашею для змішування. Тепер ви можете не тільки насолодитися всіма перевагами повсякденного змішування продуктів, готуючи свої улюблені тістечка, печиво й тісто, але й нагрівати і готувати блюда прямо в чаші. Ваші можливості нічим не обмежені.

Завдяки безлічі своїх додаткових насадок, Kenwood Cooking Chef є дійсно повноцінною системою для готування їжі.

Сила. Надійність. Гнучкість. Kenwood.

Що таке індукційне приготування і як це працює?

Індукція - це нове слово в приготуванні їжі. Перевагою цього методу є те, що в ньому використовується принцип електромагнітної індукції. Електричний струм, що проходить крізь мідний провідник, що розташовано в нагрівальному відсіку, створює електромагнітне поле. Коли ємність машини Cooking Chef блокується в робочому положенні, ланцюг замикається за допомогою контакту з нержавіючої сталі в підставці ємності. В результаті утворюється велика кількість теплової енергії, що проходить вміст ємності й нагріває його.

Індукційний спосіб готування їжі є дуже ощадливим, оскільки тепло утворюється тільки в підставці ємності. Інші методи підігріву, наприклад, газові плити, витрачають майже 50% теплової енергії на розігрів стінок сковороди або каструлі. Насправді, область нагрівання пристрою Cooking Chef буде гарячою тільки під час і відразу після готування, оскільки на неї віддається тепло від нагрітого вмісту ємності. Все це говорить про ефективність, безпеку й чистоту цього методу готування їжі.

Готування їжі за допомогою машини Cooking Chef подібно готуванню за допомогою каструлі на звичайній варильній поверхні. Додатковою перевагою є те, що машина Chef автоматично перемішує їжу й регулює температуру готування відповідно до заданої програми, у той час як ви можете займатися іншими справами на кухні.

У машині Cooking Chef використовується технологія індукційного підігріву, що вкрай ефективна. У порівнянні з готуванням їжі на газовій або електричній плиті для індукційного методу характерний менший час або менша температура готування. Про це слід пам'ятати при першому використанні машини або при експериментах з новими рецептами. Якщо ви починаєте готувати при високій температурі, стежте за продуктами, щоб зменшити температуру, якщо їжа почне підгоряти й приставати до ємності, подібно як у випадку приготування у звичайній каструлі. Звичайно машина Cooking Chef буде автоматично готувати блюда на заданій температурі за оптимальний час. Тому немає необхідності встановлювати більш високу температуру, щоб прискорити процес готування. На цьому етапі також слід звернути увагу на частоту помішування. Якщо ви встановили високу температуру готування, може знадобитися встановити постійний режим помішування (1). Параметри помішування корисні для (2) додання (3) продуктам потрібної консистенції при тривалому готуванні на малому вогні.

На цьому етапі також важливо правильно вибрати ємність. Далі в цьому посібнику ви знайдете рекомендації з вибору насадок. Згодом ви навчитеся швидко вибирати правильні інструменти для різних завдань. Під час приготування ви побачите, що гнучка високотемпературна збивачка краще підходить для одержання рівномірної консистенції при готуванні соусів і кремів, у той час як насадка для помішування краще підходить для готування їжі, коли потрібна менша консистенція, як для рагу, запіканок і т.п. У нашій книзі рецептів ви знайдете рекомендації з вибору насадок не тільки для кожного блюда, але й для різних етапів приготування.

Під час приготування й відразу після нього ємність, захисні пристосування й інструмент будуть гарячими, як і звичайна сковорода. Поводьтеся обережно з цими частинами машини. Важливо також пам'ятати, що в процесі готування утворюється пара й конденсат. Будьте обережні, коли заглядаєте в ємність, піднімаєте кришку рукава або голівку машини Cooking Chef, щоб отримати доступ до ємності. Попередьте інших людей, що перебувають на кухні про те, що вони повинні бути обережні. Якщо вам необхідно зняти гарячу деталь або доторкнутися до неї, використовуйте кухонні рукавиці й тримайте ємність тільки за її ручки. Також для захисту робочих поверхонь, що нагріваються, можна використовувати захисні килимки.

Під час нагрівання рідин або продуктів з високим вмістом вологи, точність показань температури варіює в діапазоні +/- 5°C. Точність показань температури буде залежати від консистенції вмісту ємності, його обсягу, частоти помішування й використовуваної насадки. Це подібно до готування на звичайній плиті коли, наприклад, велика кількість продуктів у великій каструлі нагрівається, але не рівномірно перемішується. Біля дна каструлі вміст буде гарячим, або навіть може пригоріти, а вміст, що перебуває зверху, буде значно холодніше.

Крім температурного екрана машина забезпечена невеликим синім індикатором. Індикатор буде мигтати, доки машина не розігріється до обраної температури. Після того, як обрану температуру буде досягнуто, індикатор перестане мигтати. Втім ви побачите, що при додаванні інгредієнтів у ємність синій індикатор знову почне мигтати, оскільки холодні інгредієнти зменшують температуру вмісту ємності. Також ви помітите, що індикатор починає мигтати при збільшенні швидкості помішування.

Ви швидко навчитеся працювати з машиною Kenwood Cooking Chef і вона стане вашим незамінним помічником у приготуванні їжі.

Ознайомтеся з вашим кухонним комбайном Kenwood Cooking Chef

Гнізда для кріплення насадок 1 високошвидкісний привід

2 адаптер із середньою швидкістю обертання

3 низькошвидкісний привід

4 гніздо для встановлення насадок

Міксер 5 кришка адаптера середньої/високої швидкості обертання

6 голівка міксера

7 кришка низькошвидкісного приводу

8 важіль керування низькошвидкісним приводом

9 чаша cooking chef

10 важіль підйому голівки міксера

11 регулятор швидкості

12 вентиляційні отвори

13 підставка для чаші/нагрівальний відсік

14 випускний отвір

15 давачі температури

16 К-подібна насадка з нержавіючої сталі

17 жаростійка гнучка збивачка

18 віничок

19 гачкоподібна насадка для вимішування тіста

20 мішалка

21 жаростійка лопатка

22 теплозахисний фільтр

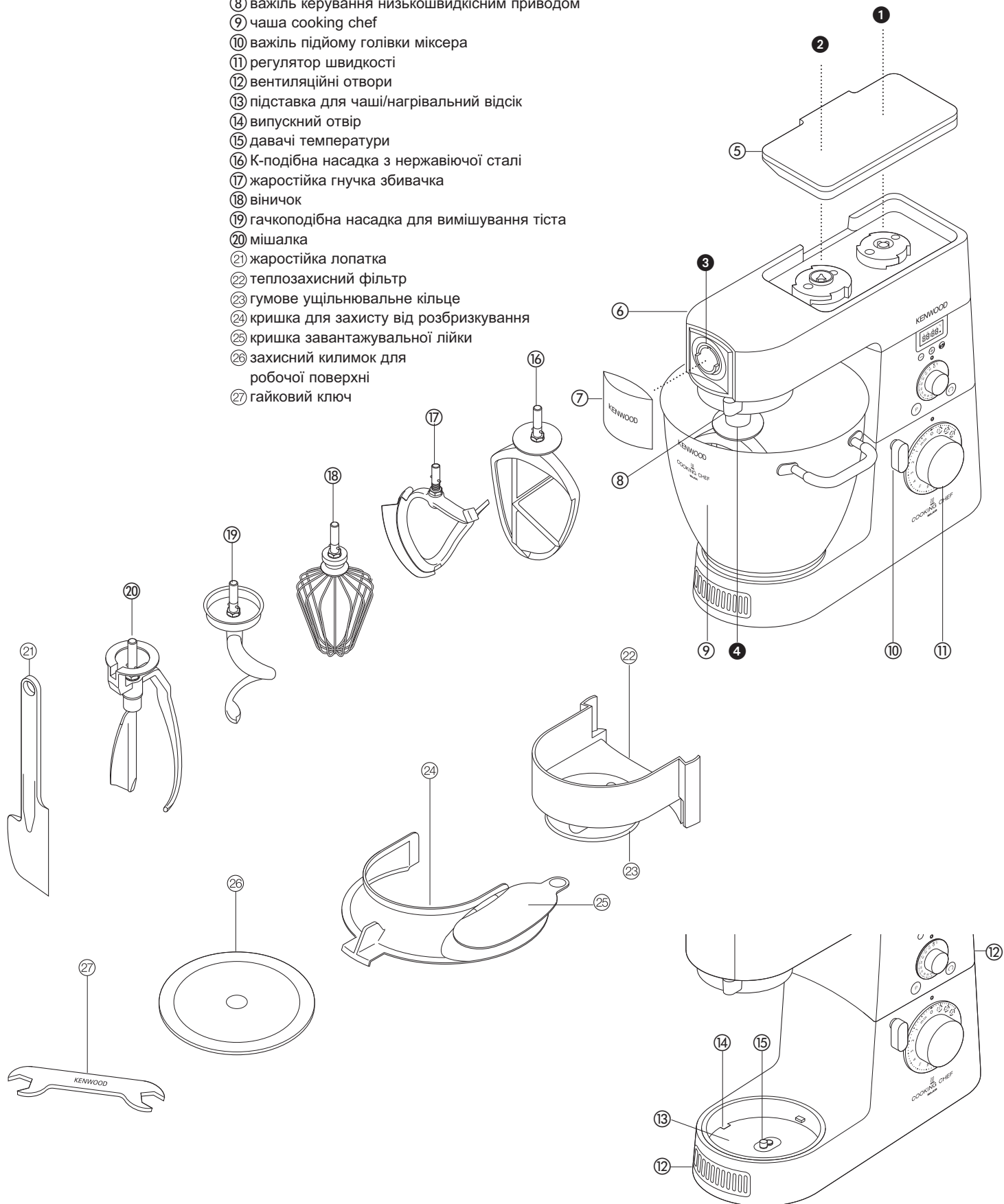
23 гумове ущільнювальне кільце

24 кришка для захисту від розбризкування

25 кришка завантажувальної лійки

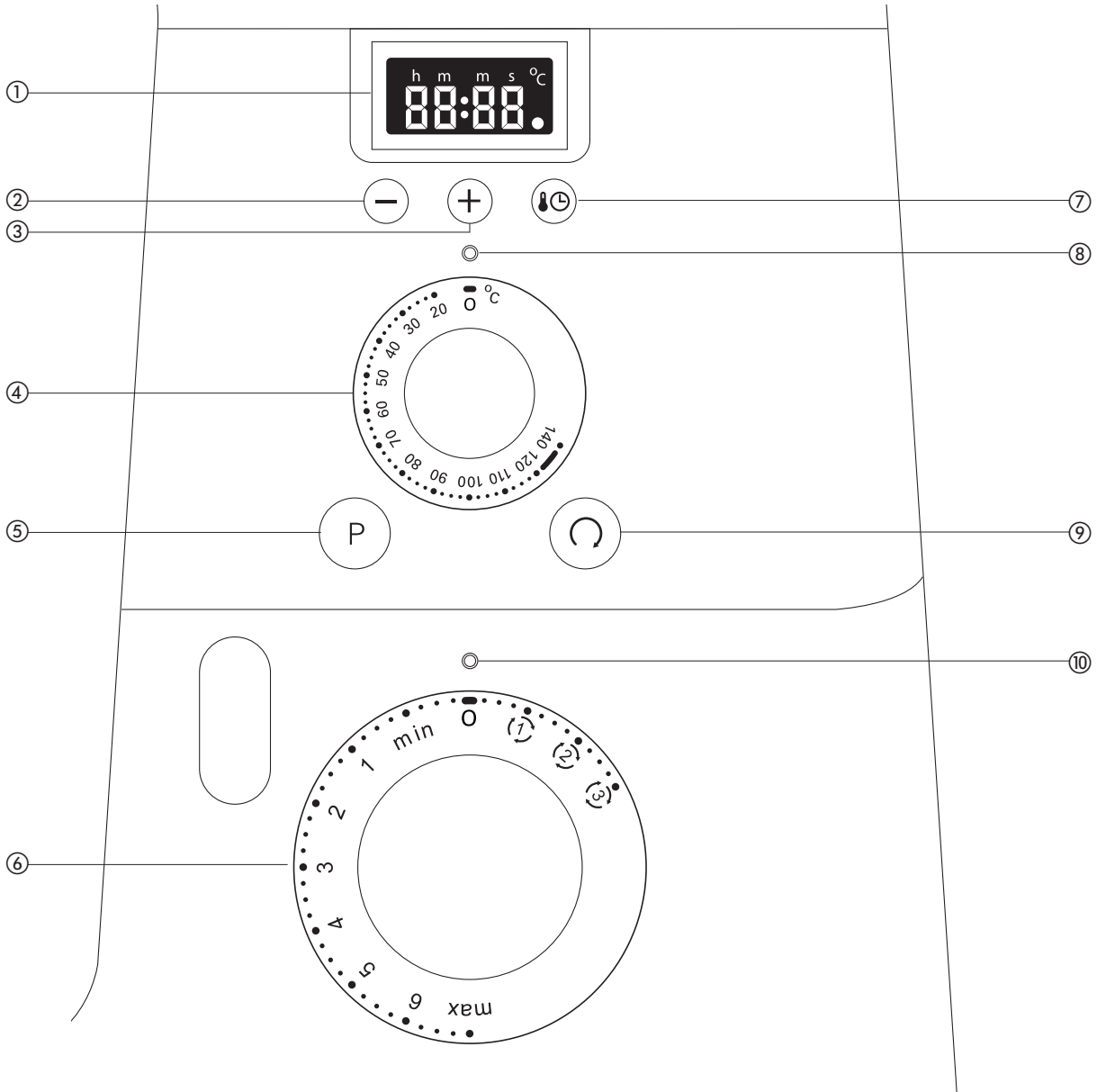
26 захисний килимок для
робочої поверхні

27 гайковий ключ



Панель управління приладом

- ① дисплей-індикатор таймера/температури
- ② кнопка зменшення часу на таймері
- ③ кнопка збільшення часу на таймері
- ④ регулятор температури
- ⑤ кнопка «Імпульсний режим»/висока швидкість, кнопка увімкнення жаростійкого віничка
- ⑥ регулятор швидкості
- ⑦ кнопка перемикавання таймера/температури
- ⑧ індикатор температури
- ⑨ кнопка «лагідне перемішування»
- ⑩ індикатор регулятора швидкості



Регулювання положення насадки

Стосовно питань складання міксера, див. стор. 188.

віничок, К-подібна насадка з нержавіючої сталі, мішалка

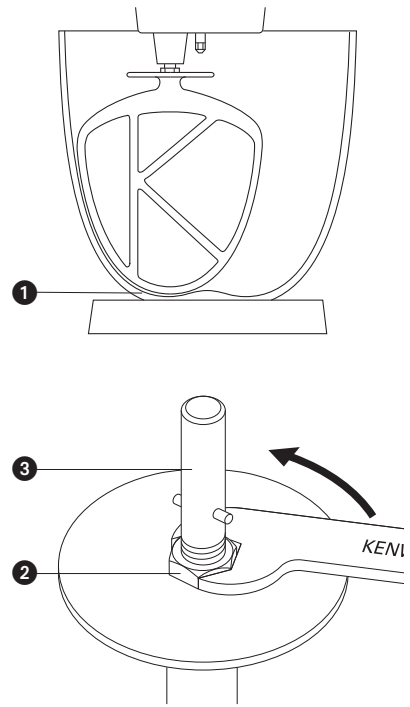
Для кращого перемішування, віничок, К-подібна насадка й мішалка повинні **майже** торкатися дна чаші ❶. При необхідності ви можете відрегулювати висоту за допомогою гайкового ключа, що входить до комплекту приладу.

Основні етапи:

- 1 Від'єднайте прилад від мережі.
- 2 Підніміть голівку міксера й вставте віничок, збивачку або мішалку.
- 3 Опустіть голівку міксера. Якщо необхідно відрегулювати зазор, підніміть голівку міксера й зніміть насадку.
- 4 За допомогою гайкового ключа відкрутіть гайку ❷, щоб можна було регулювати положення вала ❸. Щоб опустити насадку ближче до дна чаші, поверніть вал проти годинникової стрілки. Щоб підняти насадку, поверніть вал за годинниковою стрілкою.
- 5 Закрутіть гайку.
- 6 Установіть насадку на місце й опустіть голівку міксера. (Перевірте положення насадки, див. пункти вище).
- 7 Повторіть процедуру вище, доки насадку не буде встановлено правильно. Щойно насадка стане у необхідне положення, ретельно закрутіть гайку.

Жаростійка гнучка збивачка – ця насадка повинна ледь торкатися дна чаші.

Гачкоподібна насадка для вимішування тіста – положення цієї насадки встановлюється виробником і не потребує подальшого налаштування.

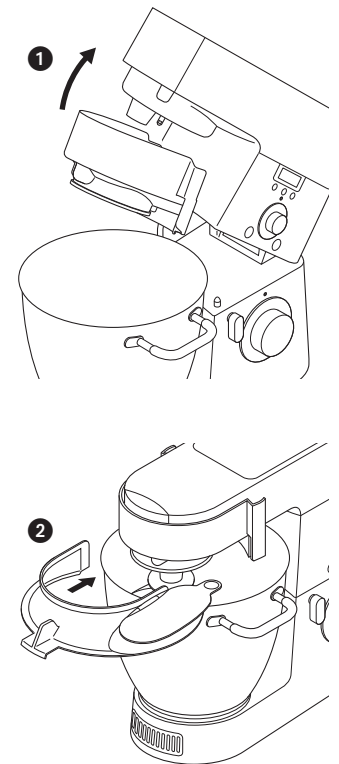


Як установити й користуватися пристроєм для захисту від розбризкування

Пристрій для захисту від розбризкування складається із двох частин: теплозахисного фільтра й кришки для захисту від розбризкування.

Теплозахисний фільтр повинен бути встановлений до початку роботи міксера, в іншому випадку прилад працювати не буде, а на екрані з'явиться код помилки E:03. Теплозахисний фільтр захищає голівку міксера від пари, що утворюється в процесі роботи. За необхідності теплозахисний фільтр і кришку для захисту від розбризкування встановлюють на міксер, щоб інгредієнти залишалися всередині чаші, наприклад, при перемішуванні легких продуктів таких, як борошно й цукрова пудра; також їх використовують для збереження вологи усередині чаші при вимішуванні певних інгредієнтів. Кришка для захисту від бризів встановлюється на міксер тільки в комплекті з теплозахисним фільтром.

- 1 Піднімайте голівку міксера, доки не почуєте клацання.
 - 2 Щільно прикріпіть теплозахисний фільтр на нижню частину голівки міксера ❶ і натисніть для фіксації. Перед використанням теплозахисного фільтра, переконайтеся, що гумове ущільнювальне кільце було встановлено правильно.
 - 3 Встановіть чашу на підставку.
 - 4 Опустіть голівку міксера.
 - 5 Покладіть кришку для захисту від розбризкування на край чаші й потім перемістіть вперед до упору ❷.
- У процесі перемішування інгредієнти додаються безпосередньо в чашу через завантажувальну лійку.
- 6 Щоб зняти кришку для захисту від розбризкування, потягніть її на себе.
 - 7 Щоб зняти теплозахисний фільтр, підніміть голівку міксера до упору. Витягніть насадку, потім потягніть фільтр вниз.
- Увага! Дозволяється встановлювати або знімати кришку для захисту від розбризкування тільки при зафіксованому положенні голівки міксера.



міксер

- Насадки та їх призначення**
- К-подібна збивачка • Призначена для приготування тортів, печива, кондитерських виробів, цукрової пудри, начинок, еклерів і картопляного пюре.
 - віничок • Призначений для взбивання яєць, рідких кремів, опарного тіста без додавання жирів, тіста для безе, сирних пирогів, мусів і суфле. Не використовуйте віничок для перемішування густих сумішей (наприклад, для приготування жирного крему або здрібнювання цукру). Ви можете пошкодити насадку.

- Гачкоподібна насадка для вимішування тіста жаростійка гнучка збивалка • Призначена виключно для вимішування дріжджового тіста. Використовується для виконання більшого числа операцій, у тому числі для готування заварного крему, збивання яєць і соусів. У процесі вимішування зчищає як гарячі, так і холодні суміші зі стінок чаші. Також підходить для перемішування тушкованих овочів.

- мішалка • Підходить для підтримки рівномірної консистенції їжі наприклад, м'яса курки, риби, овочів і фруктів.

Як користуватися міксером

Перед тим, як почати користуватися міксером переконайтеся в тім, що перемикачі температури й швидкості встановлені в положення 'O'.

- 1 Поверніть важіль підйому голівки за годинниковою стрілкою ❶ і підніміть голівку міксера до упору.
 - 2 Установіть насадку у відповідне гніздо, вставте вал у паз і поверніть для фіксації ❷.
 - 3 Установіть чашу на підставку, натисніть і поверніть за годинниковою стрілкою ❸.
 - 4 Щоб опустити голівку міксера, трохи підніміть її, а потім поверніть важіль підйому голівки за годинниковою стрілкою. Опустіть в зафіксоване положення.
- Як зняти насадку
- 5 Повторіть дії, описані в кроці 2, у зворотному порядку. (Для зняття насадок завжди використовуйте кухонні рукавички).
 - 6 Підключіть міксер до джерела живлення. Засвітяться й згаснуть індикатори швидкості й температури. На екрані з'являться цифри **88:88**, а потім згаснуть. Залишиться лише індикатор джерела живлення **□**.
 - 7 Переведіть регулятор швидкості в необхідне положення (див. рекомендації на стор. 189), міксер почне роботу, під час якої буде мигтати індикатор швидкості. При натисканні кнопок час буде змінюватися із кроком в 1 сек. Положення регулятора швидкості можна змінювати в будь-який час у процесі роботи міксера.
 - 7 Зупиніть міксер, перевівши регулятор швидкості в положення «вимкн.» 'O'.

Важливо – якщо раптом під час перемішування голівка міксера підніметься, міксер автоматично зупиниться й не буде працювати, доки голівка не опуститься знову. Щоб запустити знову міксер, поверніть регулятор швидкості в положення 'O' та повторно оберіть швидкість.

Імпульсний режим

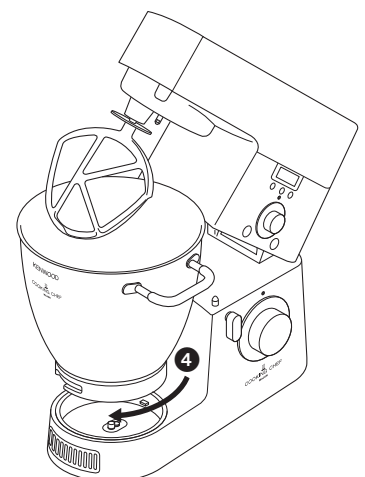
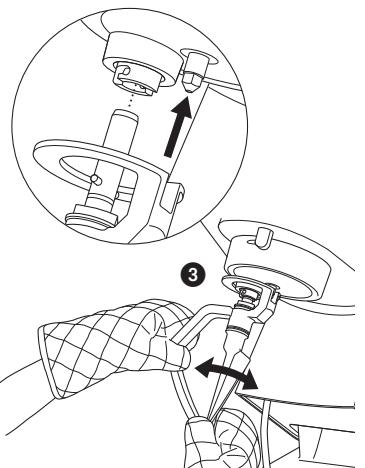
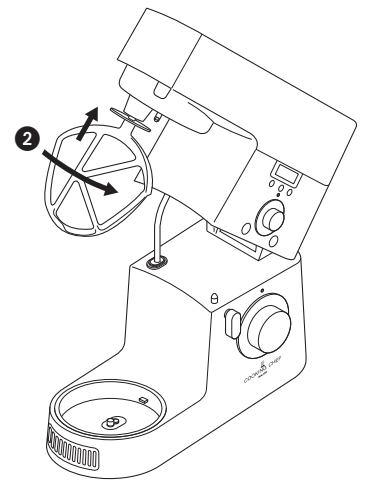
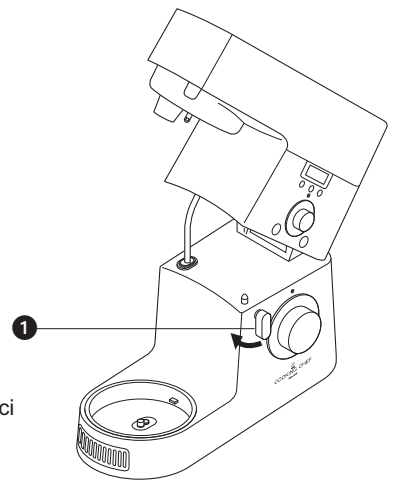
Імпульсний режим можна використовувати лише в тому випадку, якщо регулятор швидкості переведений у положення 'O'.

Щоб вибрати імпульсний режим, натисніть кнопку імпульсного режиму **P** і міксер буде працювати на максимальній швидкості, доки ви утримуєте кнопку натиснутою. Якщо температура вмісту ємності перевищує 60°C, швидкість буде збільшуватися поступово. Під час збільшення швидкості ви будете чути звуковий сигнал. Індикатори температури й швидкості будуть часто мигтати.

Кнопка «лагідне перемішування»

Натисніть і відпустіть кнопку «лагідне перемішування» **Ω**, міксер автоматично перемкнеться у режим роботи на мінімальній швидкості у два звороти, і зупиниться. Можна використовувати цю кнопку для більш тривалої операції або натискати декілька разів для перемішування певних інгредієнтів.

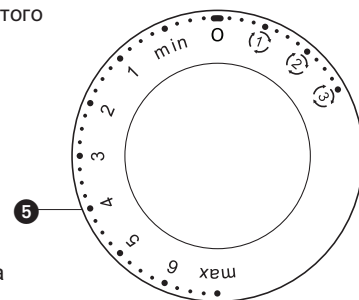
Увага! Якщо ви натиснете кнопку «лагідне перемішування» під час роботи двигуна, міксер виконає стандартне лагідне перемішування, а потім повернеться до обраного раніше швидкісного режиму.



регулятор швидкості ⑤

Нижче наведені зразкові показники швидкісних режимів, але вибір того або іншого режиму буде залежати від кількості й температури інгредієнтів, що перемішуються.

Повертайте регулятор швидкості за годинниковою стрілкою, перемикаючи режими від 'min' («мінімальна швидкість») до 'max' («максимальна швидкість»).



- | | |
|--|---|
| К-подібна збивачка | <ul style="list-style-type: none">● Жирний крем і цукрова пудра - починайте з min («мінімальної швидкості») поступово збільшуючи до 'max' (максимальної).● Збивання яєць до кремоподібної суміші 4 - 'max' («максимальна швидкість»).● Перемішування борошна, фруктів і т.п. min («мінімальна швидкість») - 1● Універсальне тісто для торта починайте з min («мінімальна швидкість») і поступово збільшуйте до max («максимальна швидкість»).● Перемішування жиру з борошном min («мінімальна швидкість») - 2. |
| Жаростійка гнучка збивачка | <ul style="list-style-type: none">● Жирний крем і цукрова пудра - починайте з min («мінімальної швидкості») поступово збільшуючи до 3.● Зняття гарячих і холодних сумішей зі стінок чаші починайте з min («мінімальна швидкість») і поступово збільшуйте до 3.● Тушковані овочі, перемішування інгредієнтів для ризотто й каші з кукурудзяної крупи, т.д., використовуйте ① . |
| віничок | <ul style="list-style-type: none">● Поступово збільшуйте до 'max' («максимальна швидкість»). |
| Гачкоподібна насадка для вимішування тіста | <ul style="list-style-type: none">● Починайте з 'min' («мінімальна швидкість») і поступово збільшуйте до 1. |
| мішалка | <ul style="list-style-type: none">● Використовувати тільки відповідно до налаштувань для вимішування ①, ②, ③. |

Налаштування для вимішування

Для того, щоб обрати необхідні налаштування для вимішування, поверніть регулятор швидкості проти годинникової стрілки. Частіше за все ці режими використовуються, якщо міксер працює в режимі приготування їжі. Важливо! Перш, ніж перейти до швидкості вимішування, встановіть усі кришки на місце.

① – Використовуйте цей режим, якщо необхідно встановити постійну повільну швидкість, наприклад для вимішування соусів.

② – Якщо регулятор швидкості переведений у це положення, міксер буде працювати із зупинками приблизно кожні 5 секунд на повільній швидкості у два звороти.

③ – Якщо регулятор швидкості переведений у це положення, міксер буде працювати із зупинками приблизно кожні 30 секунд на повільній швидкості, використовується для готування суміші для запіканки й т.п.

Щоб відключити цей режим, переведіть регулятор швидкості в положення «вимкн.» '0'.

Увага!

- При виборі того або іншого режиму швидкості, буде мигтяти індикатор швидкості.
- У процесі роботи прилад видає характерний високий звук. Це - нормальне явище.

використання міксера для приготування їжі

ВАЖЛИВО

- Переконайтеся в чистоті нагрівального відсіку, давачів температури й зовнішньої поверхні підставки ємності. У протилежному випадку бруд може вплинути на роботу давача температури й погіршити якість роботи машини.
- Переконайтеся в тім, що всі кришки, включаючи теплозахисний фільтр, установлені. У протилежному випадку, функція нагрівання не буде працювати.
- Для того щоб зняти ємність і інструменти після приготування їжі надягайте кухонні рукавички.

1 Зберіть міксер за інструкцією на стор.188.

2 Установіть регулятор температури у потрібне вам положення.

● **Нагрівання не почнеться, доки ви не оберете швидкість.**

3 Установіть регулятор швидкості у потрібне вам положення; ввімкнеться двигун і нагрівальний елемент. Обидва індикатори почнуть мигтати.

4 Коли встановлена температура буде досягнута, індикатор температури стане горіти безперестанно. Однак, якщо під час готування температура зміниться, індикатор знову почне мигтати, тим самим вказуючи на те, що міксер намагається підтримувати встановлену температуру (див. вступ на стор. 183).

- Якщо температура ємності перевищує 60°C, швидкість обмежується автоматично з метою безпеки, навіть якщо задано більш високе значення. Швидкість не буде підвищуватися автоматично, навіть коли температура опуститься нижче 60°C. У цьому випадку варто вимкнути регулятор швидкості, а потім заново обрати бажану швидкість.
 - Увага! З кожним натисканням кнопки вибору таймера/температури, на екрані буде по черзі відображатися таймер і температура ємності.
- 5 Для того щоб призупинити або перервати процес змішування й нагрівання, знову увімкніть регулятор швидкості, встановивши його в положення '0'. Щоб продовжити операцію, оберіть швидкість.

Поради

- Під час готування деяких страв, особливо тих, що містять багато води, ви не зможете досягти температури приготування вище за 100°C (тому що ця температура є точкою кипіння води).
- Додаючи в ємність інгредієнти під час готування, зменшуйте швидкість змішування й додавайте інгредієнти повільно й рівномірно.
- Для швидкого нагрівання соусів використовуйте режим з постійним помішуванням (1).
- Під час приготування страв дуже корисно іноді використовувати різні насадки для різних видів оброки, адже це дає кращі результати. Ви можете самі в цьому переконатися. Наприклад, можна використовувати жаростійку гнучку збивалку для підсмажених овочів, а для приготування шматочків м'яса або птиці - насадку для перемішування.
- Якщо ви використовуєте захисне пристосування, завжди знімайте його, перш ніж підняти голівку міксера. Не забувайте про те, що на захисному пристосуванні й теплозахисному фільтрі накопичується конденсат.
- Піднімаючи голівку міксера, робіть це повільно, щоб рідина, що могла скопитися на звороті теплозахисного фільтра, могла стекти назад у ємність.
- На ваш вибір представлені три функції змішування, що дозволяє вам обрати відповідний режим змішування для конкретного рецепта. Деякі рецепти вимагають постійного помішування, щоб уникнути прилипання інгредієнтів до дна ємності, у той час, як для інших рецептів краще підходить періодичне помішування для підтримки консистенції продуктів.
- Для оптимальної продуктивності відрегулюйте висоту інструментів, див. стор. 187.
- Максимальний час готування їжі дорівнює 3 годинам, після чого міксер вимкнеться автоматично.
- Ви можете нагрівати продукти, не встановлюючи інструмент, однак ви повинні обрати потрібну швидкість. Ця функція може бути корисною для розтоплювання продуктів, наприклад, масла або шоколаду.
- З кожним натисканням кнопки вибору таймера/температури, на екрані буде по черзі відображатися час приготування їжі й температура, яку було досягнуто на даний момент.

Висока швидкість, висока температура, керування віничком

Для того щоб збивати віничком при температурі вище 60°C, установіть регулятор швидкості у потрібне вам положення, а потім натисніть і тримайте кнопку імпульсного режиму. Під час збільшення швидкості ви будете чути звуковий сигнал. Індикатори температури й швидкості будуть часто мигтати. Швидкість збивання поступово підвищиться до встановленого вами значення. Повторіть процедуру, щоб підвищити швидкість ще більше. Ви також можете знизити швидкість збивання віничком або вимкнути міксер.

Цю функцію можна використовувати ЛИШЕ при збиванні віничком. Не перевищуйте максимальний припустимий обсяг продукції - 3 літри й не забувайте встановлювати захисне пристосування. Не залишайте увімкнену машину без догляду.

після приготування

- Будьте обережні, торкаючись кожної із частин міксера під час роботи в режимі готування або відразу після нього. Особливо це стосується ЄМНОСТІ, ЗАХИСНОГО ПРИСТОСУВАННЯ Й ІНСТРУМЕНТІВ, тому що вони залишаються ГАРЯЧИМИ тривалий час після вимкнення приладу. Для зняття й перенесення ємності використовуйте ручки. Торкаючись гарячої ємності або насадок, надягайте кухонні рукавички.
- Дно ємності залишається гарячим тривалий час після припинення нагрівання. Будьте обережні й використовуйте килимок, що додається, для захисту нетерmostійких робочих поверхонь.

дисплей




З метою вашої безпеки міксер обладнаний 5 окремими давачами безпеки, які вмикаються, коли міксер працює в режимі готування. Якщо при вмиканні міксера активується давач безпеки, на дисплеї для відображення часу/температури з'явиться повідомлення про помилку, наприклад 'E:01'. Це буде супроводжуватися звуковим сигналом і міксер не ввімкнеться. Перевірте машину на наявність наступних помилок:-

Повідомлення про помилку	Опис	Рішення
E:01	Голівка машини перебуває в піднятому положенні. Коли голівка піднята, давач безпеки відключає двигун і нагрівач. Якщо регулятор швидкості встановлений у будь-яке положення, крім 'O' при підйомі голівки, відображається це повідомлення й двигун не вмикається.	Закрийте голівку. Поверніть регулятор швидкості в положення 'O' а потім знову оберіть потрібну швидкість.
E:02	Ємність Cooking Chef не встановлена. Нагрівач буде працювати тільки в тому випадку, якщо ємність встановлена. Ємність також повинна бути правильно встановлена. Давач перевіряє, чи правильна ємність встановлена, і чи встановлена вона вірно.	Перевірте, чи встановили ви ємність із комплекту Cooking Chef. Перевірте правильність встановлення ємності. Поверніть регулятор швидкості в положення 'O' а потім знову оберіть потрібну швидкість.
E:03	Теплозахисний фільтр не встановлено. Функція нагрівання буде відключена, якщо теплозахисний фільтр встановлено невірно.	Правильно встановіть теплозахисний фільтр. Поверніть регулятор швидкості в положення 'O' а потім знову оберіть потрібну швидкість.
E:04	Низькошвидкісний привід і високошвидкісний привід/адаптер із середньою швидкістю обертання не накріті кришкою. Кришки постачані давачами безпеки. Якщо кришки встановлені невірно, нагрівач вимикається, а при ввімкненні функції помішування двигун буде обертатися без зупинок. Швидкість перемішування буде змінюватися.	Перевірте правильність установки всіх кришок. Поверніть регулятор швидкості в положення 'O' а потім знову оберіть потрібну швидкість.
E:09	Проблема з давачем температури. Якщо давач температури виявить, що температура ємності є вища, ніж очікується при нормальному використанні, нагрівач і двигун будуть автоматично вимкнені.	Поверніть регулятор швидкості в положення 'O', вийміть вилку шнура живлення машини з розетки й дайте машині охолонути. Перевірте чистоту підставки ємності й давача температури. Вставте вилку в розетку та ввімкніть машину.
E:10	Проблема із двигуном або перегрів. Якщо двигун зупиняється або перегрівається, система безпеки автоматично виключає двигун і нагрівач.	Поверніть регулятор швидкості в положення 'O' а потім вийміть вилку шнура живлення з розетки. Усуньте перешкоду, що блокує двигун. Перевірте, чи не забилися вентиляційні отвори. Вставте вилку в розетку та ввімкніть машину.

Якщо ці або інші коди помилок продовжують з'являтися на екрані, зверніться в службу підтримки Kenwood.

Використання таймера зворотного відліку

Таймер можна використовувати як у режимі приготування їжі, так і поза цим режимом. Якщо час не встановлений, то таймер буде відраховувати його з інтервалом в 1 секунду після ввімкнення міксера. Максимальний час роботи становить 3 години.

- 1 Підключіть міксер до джерела живлення. На екрані на короткий час з'явиться символ . Потім цей символ зникне й на екрані залишиться тільки символ підключення до мережі .
- 2 Натисніть кнопку «+» або «-». На екрані з'явиться індикація «0:00».
- 3 Натискайте кнопки «+» або «-» для вибору часу. З натисканням кнопок час буде змінюватися з кроком в 5 сек. Якщо ви натиснете й будете утримувати одну із цих кнопок, цифри будуть змінюватися швидше (із прискоренням). Максимальний час, який можна встановити, становить 3 години.
Увага! При натисканні кнопки «+», коли таймер показує час «3:00», таймер скинеться на 0. При натисканні кнопки «-», коли таймер показує час «0:00», на екрані з'явиться час «3:00».
- 4 Установіть потрібну швидкість, міксер почне працювати, а таймер буде відраховувати по 1 секунді.
- Призупинити роботу міксера можна в будь-який момент, перевівши регулятор швидкості в положення 'O'. Таймер також призупиниться. Після повторного запуску міксера таймер продовжить відлік.
- 5 Процес перемішування автоматично зупиниться, коли мине встановлений час. Протягом 3 секунд буде звучати сигнал. Екран буде мигтати протягом 5 секунд. Потім на ньому з'явиться індикатор живлення .

Скидання таймера

- 1 Скинути таймер можна шляхом одночасного натискання кнопок «+» і «-» (регулятор швидкості повинен перебувати в положенні '0').
- Якщо машина перебувала в режимі паузи протягом 10 хвилин, екран і підсвічування перейдуть в «режим сну» і екран вимкнеться. Щоб вивести екран і індикатори з режиму сну, поверніть будь-який регулятор.

Максимальна норма завантаження

- Піскове тісто** • Маса борошна: 910 г.
- Круте дріжджове тісто** • Маса борошна: 1,5 кг.
• Загальна вага: 2,4 кг.
- Слабке дріжджове тісто** • Маса борошна: 2,6 кг.
• Загальна вага: 5 кг.
- Суміш для фруктового пирога** • Загальна вага: 4,55 кг.
- Яєчний білок** • 16
- Режим готування** • 3 літри

- Загальні поради** • Часто робіть перерви в роботі міксера й відскрібайте тісто від дна ємності.
• Для збивання найкраще використовувати яйця, що мають кімнатну температуру.
• Перш, ніж збивати білки, переконайтеся, що на віничку й у ємності не має жиру або шкарлупи.
• Для приготування тіста використовуйте холодні інгредієнти, якщо в рецепті не зазначене інше.

Поради щодо приготування хліба

- важливо** • Ніколи не перевищуйте зазначені норми завантаження.
- Якщо ви відчуєте, що машина ледве справляється з перемішуванням, вимкніть її, витягніть половину тіста і вимішайте кожну половину окремо.
- Інгредієнти краще перемішуються, якщо спочатку додати рідину.

Усунення несправностей під час готування

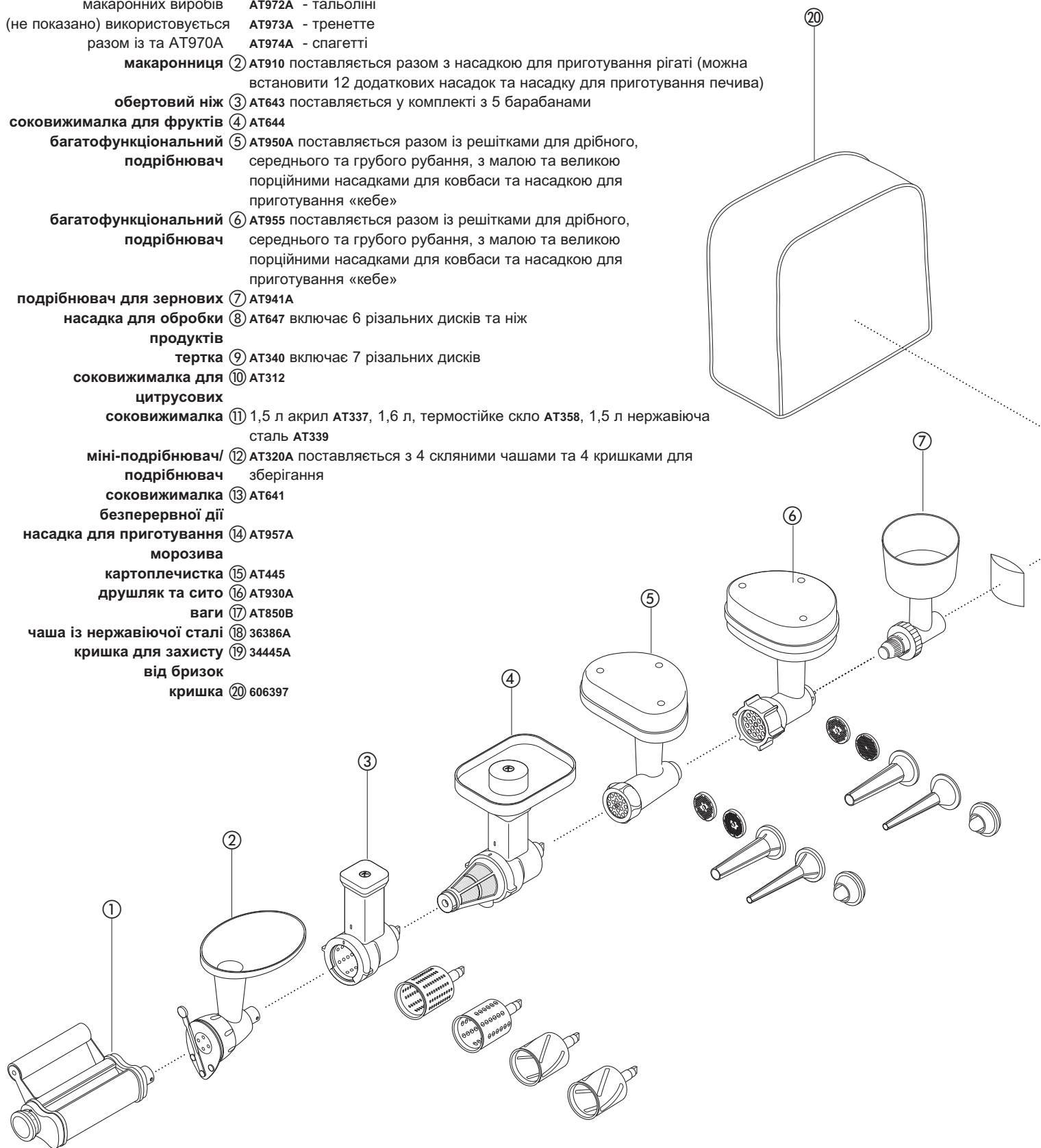
Проблема	Причина	Рішення
Міксер не працює в режимі нагрівання, відображається повідомлення про помилку й звучить попереджувальний сигнал.	Відключено один з датчиків безпеки	Див. таблицю з повідомленнями про помилки на стор. 191. <ul style="list-style-type: none"> • Опустіть й заблокуйте голівку. • Правильно встановіть кришки приводів. • Правильно встановіть теплозахисний фільтр. • Правильно встановіть ємність із комплекту.
Температура обрана, але вміст ємності не нагрівається (індикатор температури не світиться).	Швидкість не обрана.	Оберіть швидкість.
Міксер змінює швидкість перемішування в процесі готування.	Швидкість автоматично обмежується, коли температура досягає значення 60°C.	Це є функцією безпеки.
Їжа пригоряє до підставки ємності.	<ol style="list-style-type: none"> 1 Обрана занадто висока температура. 2 Використовується неправильний інструмент. 3 Занадто низька швидкість помішування. 4 Інструмент недостатньо опущений у ємність. 5 Установлено занадто тривалий період часу на таймері. 6 Забруднений датчик і/або підставка ємності. 	<ol style="list-style-type: none"> 1 Зменшіть температуру за допомогою регулятора. 2 Перевірте, чи використовується відповідна насадка. 3 Збільшіть швидкість помішування, або оберіть режим безперервного обертання. 4 Відрегулюйте насадку. 5 Зменшіть час готування (однак їжа повинна пройти достатню термообробку). 6 Почистіть й висушіть ці ділянки.
Консистенція не підтримується.	<ol style="list-style-type: none"> 1 Обрана занадто висока температура. 2 Занадто висока швидкість помішування. 3 Інгредієнти готуються занадто довго. 4 Використовується неправильний інструмент. 	<ol style="list-style-type: none"> 1 Зменшіть температуру. 2 Зменшіть швидкість помішування. 3 Зменшіть час готування (однак їжа повинна пройти достатню термообробку). 4 Перевірте, чи використовується відповідна насадка.
Нерівномірна швидкість перемішування.	<ol style="list-style-type: none"> 1 Занадто великі або тверді шматки. 	<ol style="list-style-type: none"> 1 Наріжте продукти на дрібні шматочки, вийміть кісточки із фруктів, дещо розтопіть інгредієнти, не опускаючи насадку в ємність (однак швидкість повинна бути обрана). 2 Додайте інгредієнт після опускання голівки. 3 Перевірте, чи використовується відповідна насадка.
Холодні інгредієнти додані до гарячої суміші, але температура на дисплеї не змінюється досить швидко.	Якщо вміст ємності погано перемішується, то інгредієнти будуть мати різну температуру.	<ol style="list-style-type: none"> 1 Дайте інгредієнтам добре перемішатися. 2 Збільшіть швидкість обертання.
Важко опустити голівку міксера в ємність із їжею.	Тверді інгредієнти, наприклад, шоколад на дні ємності, не дають голівці міксера заблокуватися.	Додайте інгредієнти після опускання голівки.
Міксер обертається без зупинок в режимі помішування (2) або (3).	Кришки приводів встановлені невірно.	Правильно встановіть кришки приводів.
Обмежена швидкість обертання двигуна при використанні насадок.	Встановлено гарячу ємність.	Зніміть ємність або охолодіть її до температури нижче 60°C.

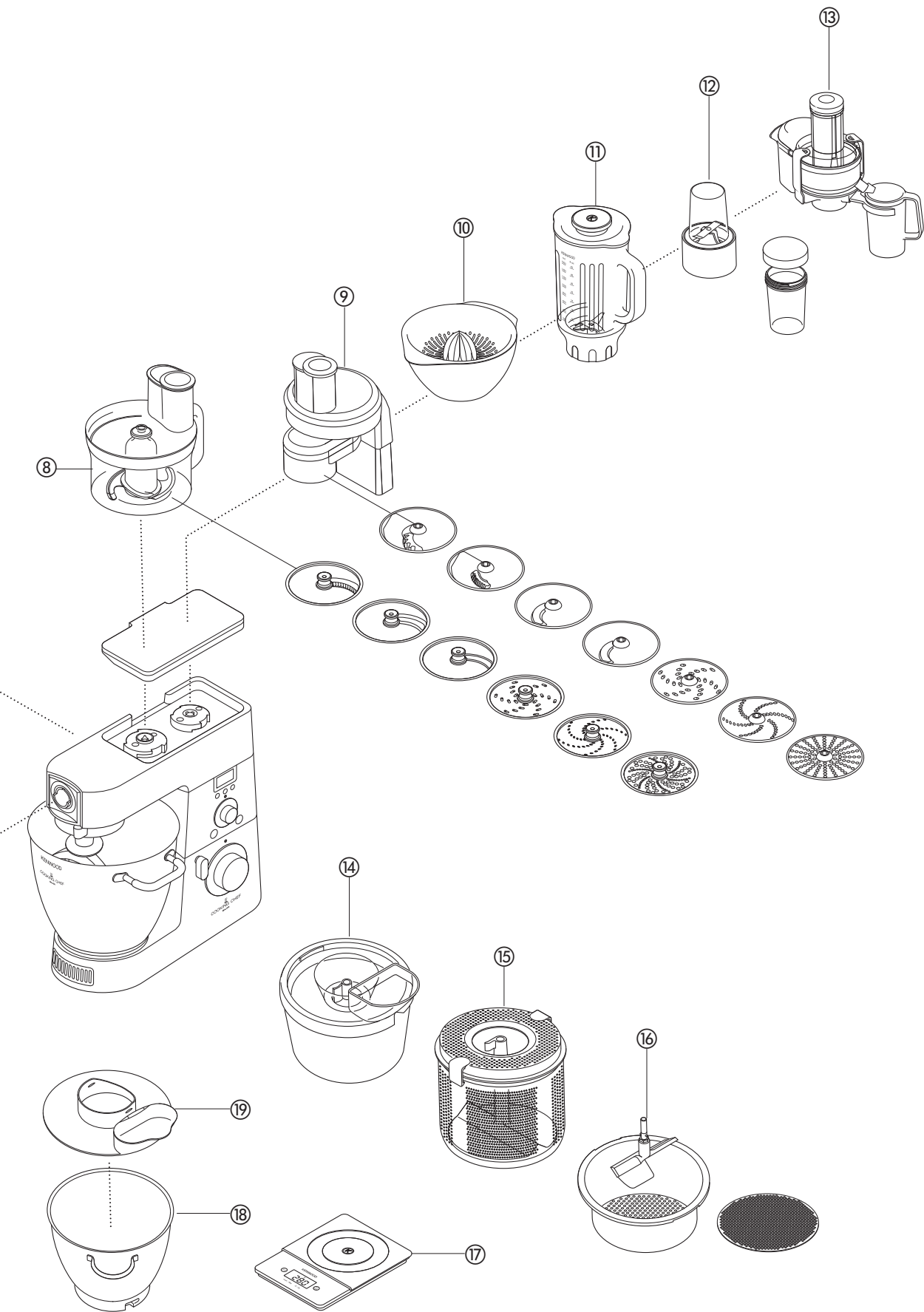
Насадки, які можна придбати окремо

Щоб придбати насадку, що не входить у комплект поставки, див. інформацію в розділі "Обслуговування покупців"

Насадка Код насадки

- плоска макаронниця** ① АТ970А
 додаткові насадки для макаронних виробів (не показано) використовується разом із та АТ970А
 АТ971А - тальятеллі
 АТ972А - тальоліні
 АТ973А - тренетте
 АТ974А - спагетті
- макаронниця** ② АТ910 поставляється разом з насадкою для приготування рігаті (можна встановити 12 додаткових насадок та насадку для приготування печива)
- обертний ніж** ③ АТ643 поставляється у комплекті з 5 барабанами
- соковижималка для фруктів** ④ АТ644
- багатофункціональний подрібнювач** ⑤ АТ950А поставляється разом із решітками для дрібного, середнього та грубого рубання, з малою та великою порційними насадками для ковбаси та насадкою для приготування «кебе»
- багатофункціональний подрібнювач** ⑥ АТ955 поставляється разом із решітками для дрібного, середнього та грубого рубання, з малою та великою порційними насадками для ковбаси та насадкою для приготування «кебе»
- подрібнювач для зернових** ⑦ АТ941А
- насадка для обробки продуктів** ⑧ АТ647 включає 6 різальних дисків та ніж
- тертка** ⑨ АТ340 включає 7 різальних дисків
- соковижималка для цитрусових** ⑩ АТ312
- соковижималка** ⑪ 1,5 л акрил АТ337, 1,6 л, термостійке скло АТ358, 1,5 л нержавіюча сталь АТ339
- міні-подрібнювач/подрібнювач** ⑫ АТ320А поставляється з 4 скляними чашами та 4 кришками для зберігання
- соковижималка безперервної дії** ⑬ АТ641
- насадка для приготування морозива** ⑭ АТ957А
- картоплическа** ⑮ АТ445
- друшляк та сито ваги** ⑯ АТ850В
- чаша із нержавіючої сталі** ⑰ 36386А
- кришка для захисту від бризок** ⑱ 34445А
- кришка** ⑳ 606397

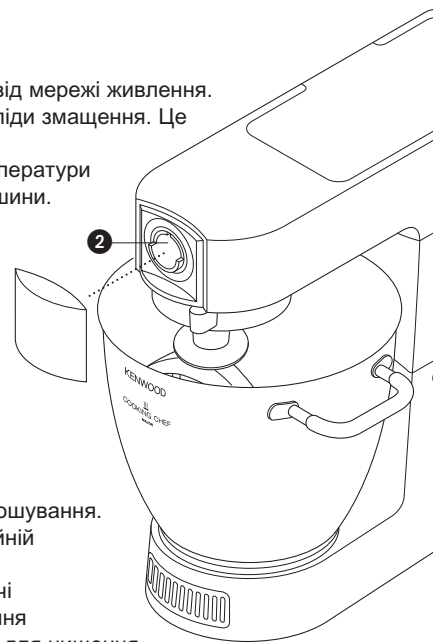




Чищення й обслуговування

Догляд і очищення

- Перед чищенням завжди вимикайте машину й відключайте її від мережі живлення.
- При першому використанні на **приводі 2** можуть з'явитися сліди змащення. Це нормально – просто витріть змащення.
- При нормальному використанні металеві поверхні давача температури можуть зношуватися. Це не впливає на нормальну роботу машини.
- Не залишайте жаростійку гнучку збивалку у міксері, якщо ви його не використовуєте.



Прилад, кришки приводів
жаростійка гнучка збивалка

- Протріть вологою ганчіркою, висушіть.
- Не використовуйте абразивні матеріали й не занурюйте машину у воду.
- Завжди знімайте гнучкий скребок з насадки перед чищенням.
- Помийте гнучкий скребок та насадку у гарячій мильній воді, а потім просушіть. Також дозволяється мити ці деталі у посудомийній машині.

Увага: до та після використання слід перевіряти стан корпуса приладу. Регулярно перевіряйте ножі збивалки на предмет зношування.

Ємність, насадки,
захисні пристосування

- слід мити руками, ретельно висушити або вимити в посудомийній машині.
- Не використовуйте дротову щітку, металеву мочалку або миючі засоби для чищення ємності з нержавіючої сталі. Для видалення вапняного нальоту використовуйте оцет або відповідний засіб для чищення.
- Якщо до внутрішньої частини ємності прилипла їжа, видаліть як найбільше пригару за допомогою лопатки, що входить у комплект поставки. Заповніть ємність теплою мильною водою та залиште на деякий час. За допомогою нейлонової щітки очистіть пригар.
- Знебарвлення поверхні ємності не вплине на продуктивність.

Випускний отвір

- Стежте, щоб в отворі не накопичувалась їжа. При необхідності почистіть отвір йоржем або ватним тампоном.

Температурний давач

- Протерти вологою ганчіркою, висушити. Не використовуйте абразивні або гострі інструменти для чищення давачів.

Обслуговування та ремонт

- Пошкоджений шнур живлення із метою безпеки підлягає заміні на підприємствах фірми KENWOOD або в авторизованому сервісному центрі KENWOOD.

Якщо вам необхідна консультація з приводу:

- використання приладу або
 - обслуговування, придбання запасних деталей або ремонту
- Зверніться до магазину, в якому ви придбали цей прилад.

- Спроектовано та розроблено компанією Kenwood, Об'єднане Королівство.
- Зроблено в Китаї.



ВАЖЛИВА ІНФОРМАЦІЯ СТОСОВНО НАЛЕЖНОЇ УТИЛІЗАЦІЇ ПРОДУКТУ ЗГІДНО ІЗ ДИРЕКТИВОЮ ЕС 2002/96/ЕС.

Після закінчення терміну експлуатації не викидайте цей прилад з іншими побутовими відходами.

Віднесіть прилад до місцевого спеціального авторизованого центру збирання відходів або до дилера, який може надати такі послуги.

Відокремлена утилізація побутових приладів дозволяє уникнути можливих негативних наслідків для навколишнього середовища та здоров'я людини, які виникають у разі неправильної утилізації, а також надає можливість переробити матеріали, з яких було виготовлено даний прилад, що, в свою чергу, зберігає енергію та інші важливі ресурси. Про необхідність відокремленої утилізації побутових приладів нагадує спеціальна позначка на продукті у вигляді перекресленого смітника на колесах.

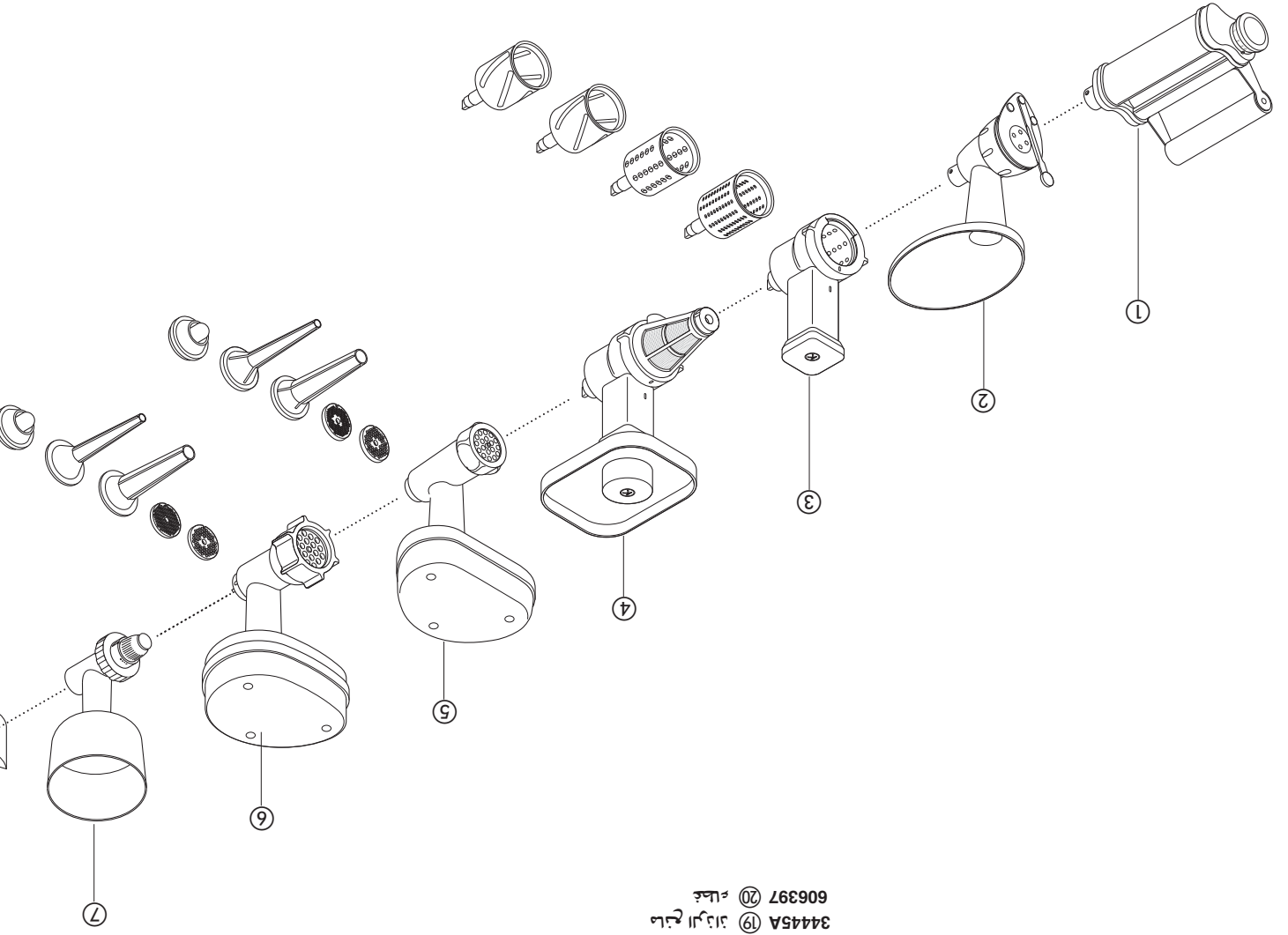
Рецепти

Важливі рекомендації стосовно випічки хліба знаходяться на стор.192.

- Білий хліб круте дріжджове тісто**
- інгредієнти
- 1,36 кг. (3 фунти) звичайного борошна із сильною клейковиною
 - 15 мл. (3 чайні ложки) солі
 - 25 г (1 унція) свіжих дріжджів; або 15 г/20 мл. (1 2 унції) сухих дріжджів + 5 мл (1 чайна ложка) цукру
 - 750 мл. (11/4 пінти) теплої води: 43°C (110°F). Використовуйте термометр або додайте 250 мл (9 рідких унцій) окропу в 500 мл. (18 рідких унцій) холодної води
 - 25 г. (1унція) сала (жиру)
- Спосіб готування
- 1 **сухі дріжджі** (тип дріжджів, які необхідно розбавити до потрібної консистенції): налийте теплу воду в чашу. Потім додайте дріжджі й цукор, і відставте приблизно на 10 хвилин до появи піни.
Свіжі дріжджі: покришіть в борошно.
інші типи дріжджів: виконуйте інструкції виробника.
- 2 Налийте рідину в чашу. Потім додайте борошно (перемішане із дріжджами, якщо вони застосовуються, сіль і сало (жир)).
- 3 Вимішуйте на мінімальній швидкості протягом 45 - 60 секунд. Потім переведіть регулятор швидкості в положення 1, додайте ще борошна при необхідності й перемішуйте до консистенції тіста.
- 4 Перемішуйте протягом ще 3 - 4 хвилин на швидкості 1, доки тісто не стане однорідним, еластичним і не буде прилипати до стінок чаші.
- 5 Покладіть тісто в змазаний жиром поліетиленовий пакет або в чашу, накриту рушником. Потім поставте в тепле місце, щоб тісто збільшилося в розмірах у два рази.
- 6 Снову перемішайте протягом 2 хвилин на швидкості 1.
- 7 Заповніть змазані жиром чотири 450-грамових (1 фунт) форми для випічки тістом до половини, або сформуйте булочки.
Потім накрийте кухонним рушником і покладіть в тепле місце, щоб об'єм тіста збільшився вдвічі.
- 8 Випікайте при 230°C/450°F/положення 8 регулятора протягом 30 - 35 хвилин, щоб спекти *батони* або 10 – 15 хвилин - *для булочок*.
- Готовий хліб має при постукуванні по нижній скоринці «порожній» звук.
- Білий хліб слабке дріжджове тісто**
- інгредієнти
- 2,6 кг (5 фунтів 12 унцій) звичайного борошна
 - 1,3 літри (21/4 пінти) молока
 - 300 г. (10 унцій) цукру
 - 450 г. (1 фунт) маргарину
 - 100 г. (4 унції) свіжих дріжджів або 50 г. (2 унції) сухих дріжджів
 - 6 збитих яєць
 - 5 щіпок солі
- Спосіб готування
- 1 Розтопіть маргарин у молоці й доведіть суміш до температури 43°C (110°F).
- 2 **сухі дріжджі** (тип дріжджів, які необхідно розбавити до потрібної консистенції): потім додайте дріжджі й цукор, і відставте приблизно на 10 хвилин до появи піни.
Свіжі дріжджі: покришіть в борошно й додайте цукор.
інші типи дріжджів: виконуйте інструкції виробника.
- 3 Налийте молоко в чашу (ємність). Додайте збиті яйця й 2 кг (4 фунтів 6 унцій) борошна.
- 4 Перемішуйте на мінімальній швидкості протягом 1 хвилини, потім ще хвилину на швидкості 1.
Зніміть тісто зі стінок чаші.
- 5 Додайте частину борошна, що залишилася, й перемішуйте на мінімальній швидкості протягом 1 хвилини, потім ще протягом 2-3 хвилин на швидкості 1, доки суміш не стане однорідною.
- 6 Заповніть змазані жиром чотири 450-грамових (1 фунт) форми для випічки наполовину тістом, або сформуйте булочки.
Потім накрийте кухонним рушником і покладіть в тепле місце, щоб об'єм тіста збільшився вдвічі.
- 7 Випікайте при температурі 200°C/400°F/положення 6 регулятора духовки протягом 20 - 25 хвилин, щоб спекти *батони* або 10 – 15 хвилин - *для булочок*.
- 8 Готовий хліб має при постукуванні по нижній скоринці «порожній» звук.
- Рецепт розрахований на 10 батонів.

Рецепти (продовження)

- Торт із полуницею й абрикосами**
- Інгредієнти: тісто
- 3 яйця
 - 75 г. (3 унції) цукрової пудри
 - 75 г. (3 унції) звичайного борошна
- Начинка й прикраса
- 150 мл. (1/4 пінти) подвійних вершків
 - Цукор за смаком
 - 225 г. (8 унцій) ягід полуниці
 - 225 г. (8 унцій) абрикосів
- Спосіб готування
- 1 Розділіть абрикоси навпіл і видаліть кісточку. Варіть на слабкому вогні з невеликою кількістю води, доки ягоди не стануть м'якими. Додайте цукор за смаком.
 - 2 Помийте й розріжте навпіл ягоди полуниці.
 - 3 Для приготування тіста збийте яйця й цукор на максимальній швидкості до отримання густої світлої маси.
 - 4 Витягніть чашу й віничок. Додайте борошно й ретельно перемішайте вручну за допомогою великої металевої ложки. Будьте обережні – надлишок борошна зробить опару занадто густою.
 - 5 Покладіть тісто в дві змазані жиром 18-сантиметрові форми для випічки.
 - 6 Випікайте при 180°C/350°F/регулятор духовки в положенні 4 протягом приблизно 20 хвилин, доки тісто не стане пружним при натисканні.
 - 7 Викладіть тісто на решітку.
 - 8 Збийте вершки на максимальній швидкості до густої піни. Додайте цукор за смаком.
 - 9 Крупно поріжте абрикоси й третину полуниці. Додайте фрукти до половини приготовленого крему.
 - 10 Розподіліть суміш на першому коржі, а потім покладіть зверху другий.
 - 11 Розподіліть крем, що залишився, на поверхні торта й прикрасьте ягодами полуниці.
- Безе**
- інгредієнти
- 4 яєчних білки
 - 250 г. (9 унцій) цукрової пудри, просіяти
 - Постеліть на лист харчовий пергамент, що не прилипає.
- Спосіб готування
- 1 Збивайте яєчні білки й цукор на максимальній швидкості протягом 10 хвилин до отримання стійкої піни.
 - 2 Викладіть ложкою суміш на лист (або використовуйте кулінарний мішочок розміром 2,5 см. (1") із зіркоподібним носиком).
 - 3 Випікайте при 110°C/225°F/регулятор духовки в положенні 1 4 протягом 4-5 хвилин. Тістечка безе повинні затвердіти й стати хрусткими. З появою коричневого відтінку, відкрийте дверцята духовки.
 - Зберігайте тістечка в герметичній тарі.
- Піскове тісто**
- інгредієнти
- 450 г. (1 фунт) борошна, просіяти сіллю
 - 5 мл. (1 чайна ложка) солі
 - 225 г. (8 унцій) жиру (змішайте охолоджене сало й маргарин)
 - Приблизно 80 мл. (4 столових ложки) води
- поради
- Не перемішуйте тісто занадто довго
- Спосіб готування
- 1 Насипте борошно в чашу. Наріжте жир великими кубиками й додайте в борошно.
 - 2 За допомогою К-образної насадки перемішуйте на швидкості 1 до отримання суміші, що нагадує хлібні м'якушка. Припиніть перемішування, як тільки тісто набуде «сального» вигляду.
 - 3 Додайте воду й перемішайте на мінімальній швидкості. Зупиніть процес, як тільки тісто вбере воду.
 - 4 Випікайте при 200°C/400°F/регулятор духовки в положенні 6, залежно від начинки.
- Маринад з перців чилі**
- інгредієнти
- 200 г (7 унцій) холодного рідкого меду (поставити на ніч до холодильнику)
 - 1 зелений перець чилі (цілий)
 - 5 мл (1 чайна ложка) арахісового масла з шматочками горіхів
 - присмаки
- Спосіб готування
- 1 Покладіть усі інгредієнти до міні-подрібнювача/подрібнювача.
 - 2 Установіть насадку на міксер та розподіліть інгредієнти навколо леза.
 - 3 Увімкніть імпульсний режим на 10 секунд.
 - 4 Продукт готовий до вживання.

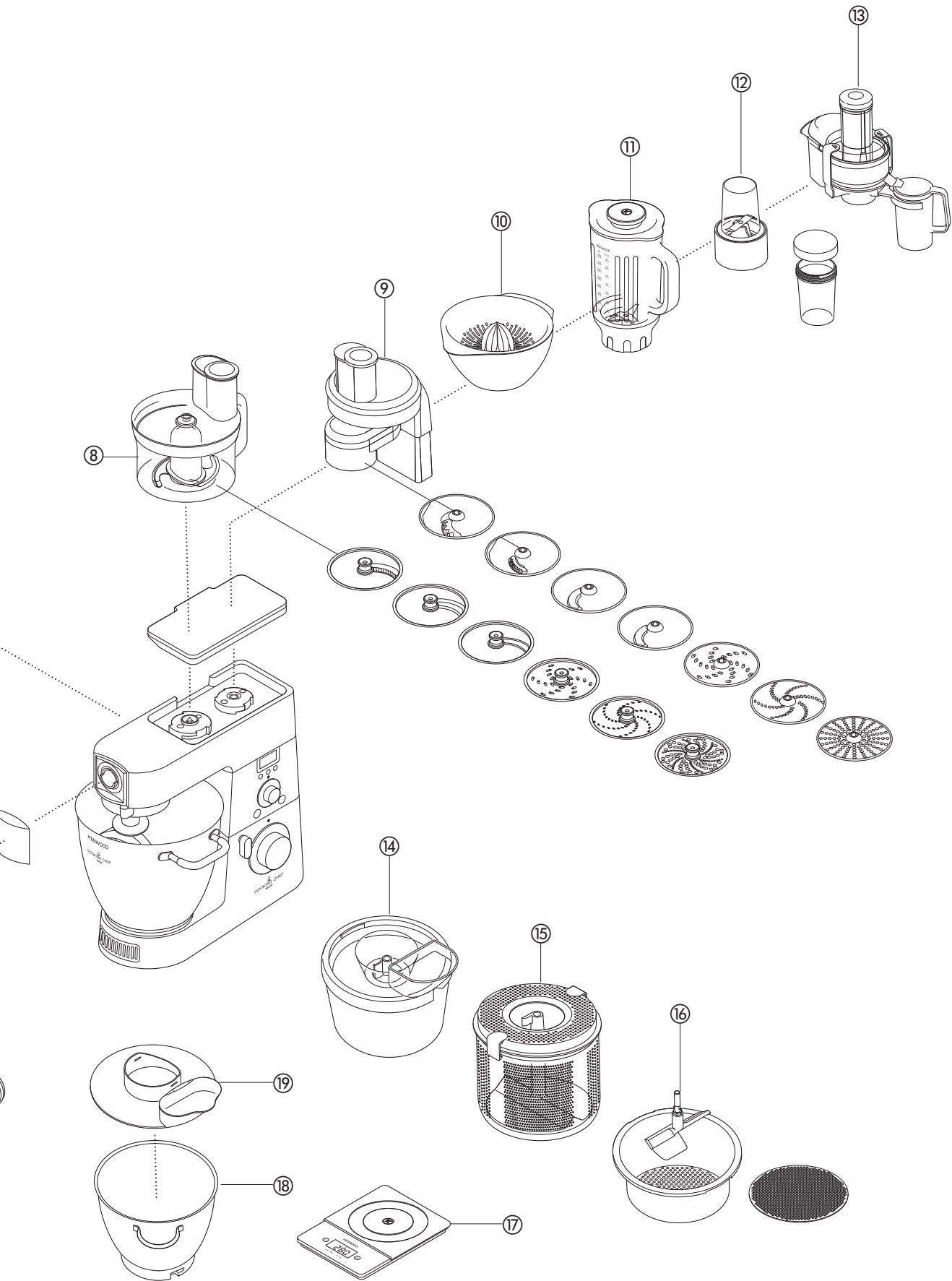


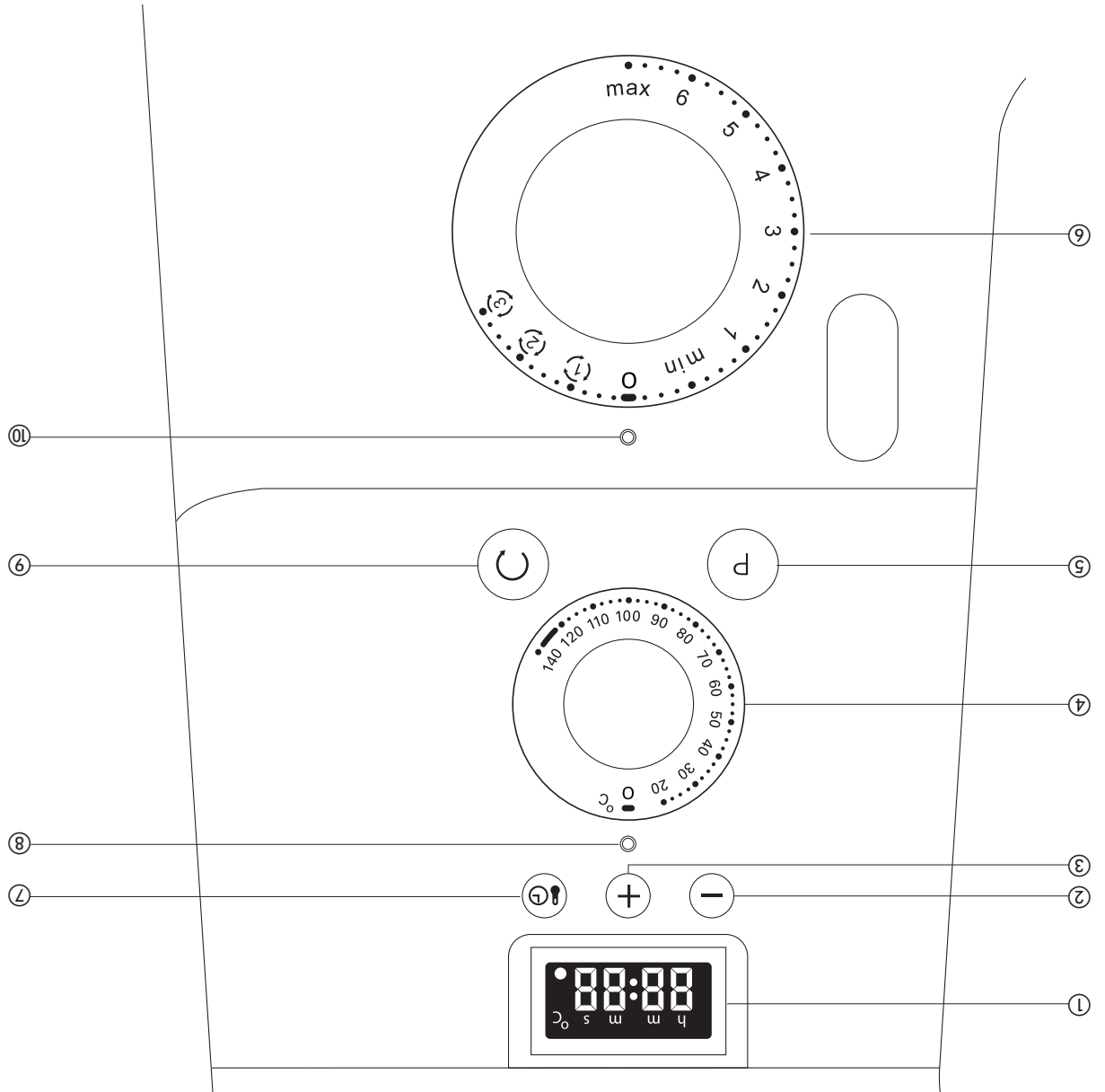
المحركات الإيجتية المبرقعة

النسبة مملوكة من قبل شركة Kenwood، تصاميمها مملوكة من قبل شركة Kenwood. يرجى الرجوع إلى دليل المستخدم للحصول على مزيد من المعلومات.

رمز المحرك الملحاق

- ① ملحاق المحرك المبرقعة المحركية AT970A
- ② ملحاق المحرك المبرقعة المحركية AT970A
- ③ ملحاق المحرك المبرقعة المحركية AT970A
- ④ ملحاق المحرك المبرقعة المحركية AT970A
- ⑤ ملحاق المحرك المبرقعة المحركية AT970A
- ⑥ ملحاق المحرك المبرقعة المحركية AT970A
- ⑦ ملحاق المحرك المبرقعة المحركية AT970A
- ⑧ ملحاق المحرك المبرقعة المحركية AT970A
- ⑨ ملحاق المحرك المبرقعة المحركية AT970A
- ⑩ ملحاق المحرك المبرقعة المحركية AT970A
- ⑪ ملحاق المحرك المبرقعة المحركية AT970A
- ⑫ ملحاق المحرك المبرقعة المحركية AT970A
- ⑬ ملحاق المحرك المبرقعة المحركية AT970A
- ⑭ ملحاق المحرك المبرقعة المحركية AT970A
- ⑮ ملحاق المحرك المبرقعة المحركية AT970A
- ⑯ ملحاق المحرك المبرقعة المحركية AT970A
- ⑰ ملحاق المحرك المبرقعة المحركية AT970A
- ⑱ ملحاق المحرك المبرقعة المحركية AT970A
- ⑳ ملحاق المحرك المبرقعة المحركية AT970A





- ١) شاشة عرض المؤقت/درجة الحرارة
- ٢) زر إيقاف المؤقت
- ٣) زر زيادة المؤقت
- ٤) مقفلة زر التحكم في درجة الحرارة
- ٥) زر التبديل السريع/التبديل البطيء، زر جاذبة المنتج المنتجة لدرجات الحرارة المنخفضة
- ٦) مقفلة زر التحكم في السرعات
- ٧) زر محدد المؤقت/درجة الحرارة
- ٨) ضوء مؤشر درجة الحرارة
- ٩) زر الطهي
- ١٠) ضوء مؤشر مقفلة التحكم في السرعات



HEAD OFFICE: Kenwood Limited, 1-3 Kenwood Business Park, New Lane, Havant, Hampshire PO9 2NH

kenwoodworld.com

KENWOOD

CREATE MORE

KW00800146/2

Free Manuals Download Website

<http://myh66.com>

<http://usermanuals.us>

<http://www.somanuals.com>

<http://www.4manuals.cc>

<http://www.manual-lib.com>

<http://www.404manual.com>

<http://www.luxmanual.com>

<http://aubethermostatmanual.com>

Golf course search by state

<http://golfingnear.com>

Email search by domain

<http://emailbydomain.com>

Auto manuals search

<http://auto.somanuals.com>

TV manuals search

<http://tv.somanuals.com>