

KMC-35**KMC-36****PARTS LIST****KMC-35 (Y58-3740-20), KMC-36 (Y58-3750-20)**

* : New parts

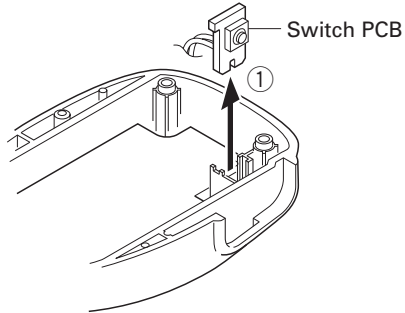
Ref. No.	New parts	Parts No.	Description	Destination
1	*	E30-7531-08	CURL CABLE	KMC-36
2		E58-0475-05	MODULAR JACK	
3	*	G01-4546-08	COIL SPRING (PTT)	
4	*	G53-1646-08	PACKING	
5	*	J19-5479-08	MIC HOLDER	
6	*	J19-5482-05	MIC HANGER (ACCESSORY)	
7	*	K29-9333-08	LEVER KNOB (PTT)	
8	*	K29-9334-08	KNOB (PTT)	
9	*	K29-9335-08	KEY TOP	
A		N52-3012-60	PAN HEAD TAPPING SCREW	
10	*	S70-0499-08	TACT SWITCH	
11		T91-0538-05	MIC ELEMENT	

KMC-35/36

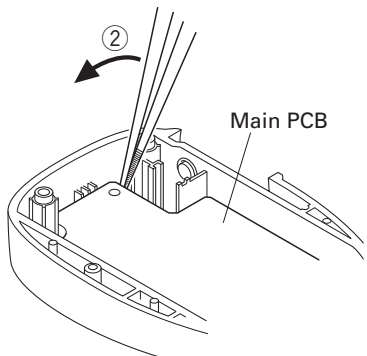
DISASSEMBLY FOR REPAIR

■ Main PCB removal

1. Remove the four screws, the rear case and all-round packing.
2. Lift the switch PCB and remove it from the front case. (①)

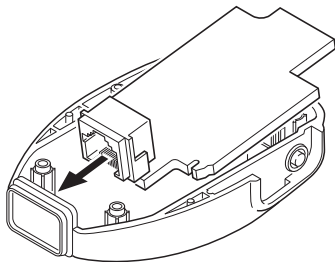


3. Lift the upper part of the Main PCB using a pair of tweezers (②) and remove the Main PCB.

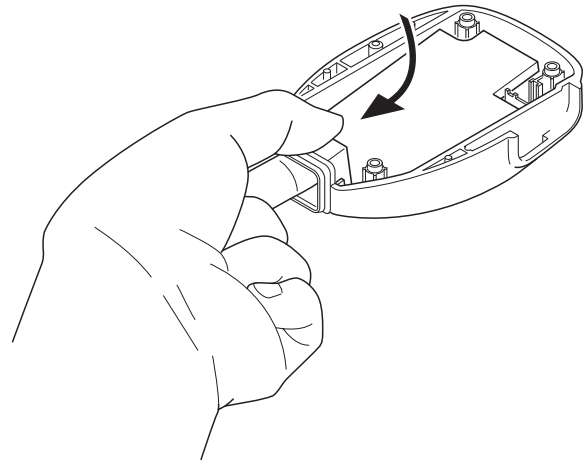


■ Main PCB installation procedure

1. Install the microphone holder, spacer and keytop (KMC-36 only) on the front case.
2. Tilt the Main PCB and fit the modular connector into the front case first.

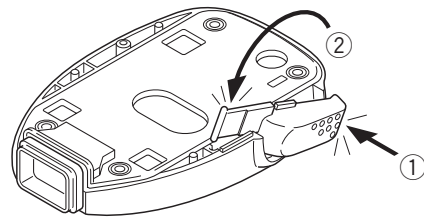


3. Hold the modular connector with your fingers and move it in the direction indicated by the arrow to install the Main PCB onto the front case.



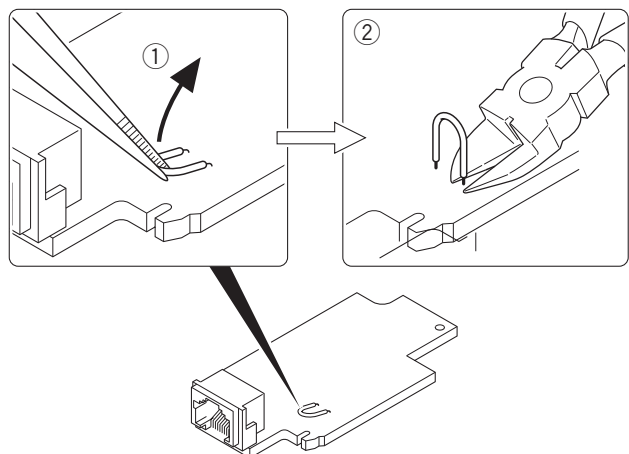
■ PTT knob installation procedure

1. Place the PTT knob in the front case diagonally as shown in the figure.
2. Hold down the upper part of the PTT knob (①) and push the PTT knob shaft down (②) to install the PTT knob onto the front case.



■ Hot microphone modification procedure

1. Lift the jumper with a pair of tweezers or similar tool. (①)
Note: The jumper is bonded to the board, but not strongly fixed, so it can be detached by applying light force.
2. Cut the base of the jumper into two parts with a pair of nippers or similar tool. (②)



CIRCUIT DESCRIPTION

Hot Microphone Function

In the Hot microphone state, only microphones whose PTT switch is pressed can send modulation signals in the environment in which several microphones are connected to the transceiver in parallel.

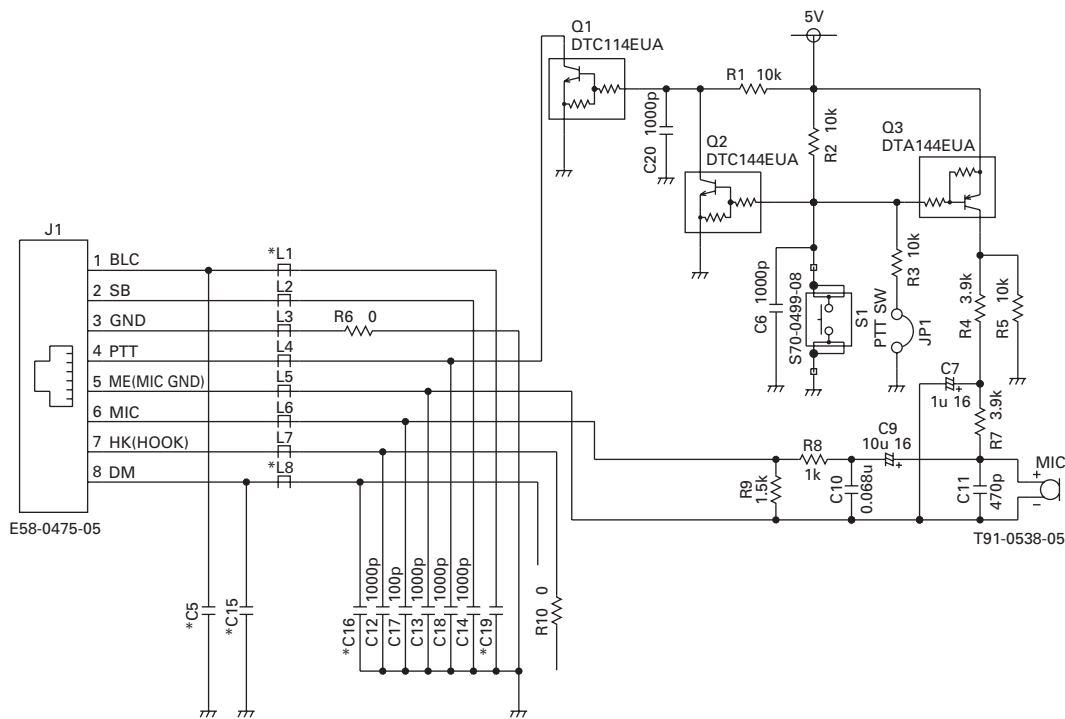
In the Normal microphone state, if the PTT switch on one of the microphones is pressed, modulation signals are sent from all microphones.

■ Circuit description

Hot microphone operation can be performed by cutting the jumper (JP1).

If the jumper is not cut (Normal microphone state), bias voltage is always applied to the microphone element (Q3 is always ON) and if the microphone mute of the transceiver to which the KMC-35/36 is connected is released, modulation signals can be sent even when the microphone PTT switch is not pressed.

If the jumper is cut (Hot microphone state), bias voltage is applied to the microphone element only when the PTT switch is pressed (Q3 turns ON only when the PTT SW is pressed), and modulation signals cannot be sent when the microphone PTT switch is not pressed.

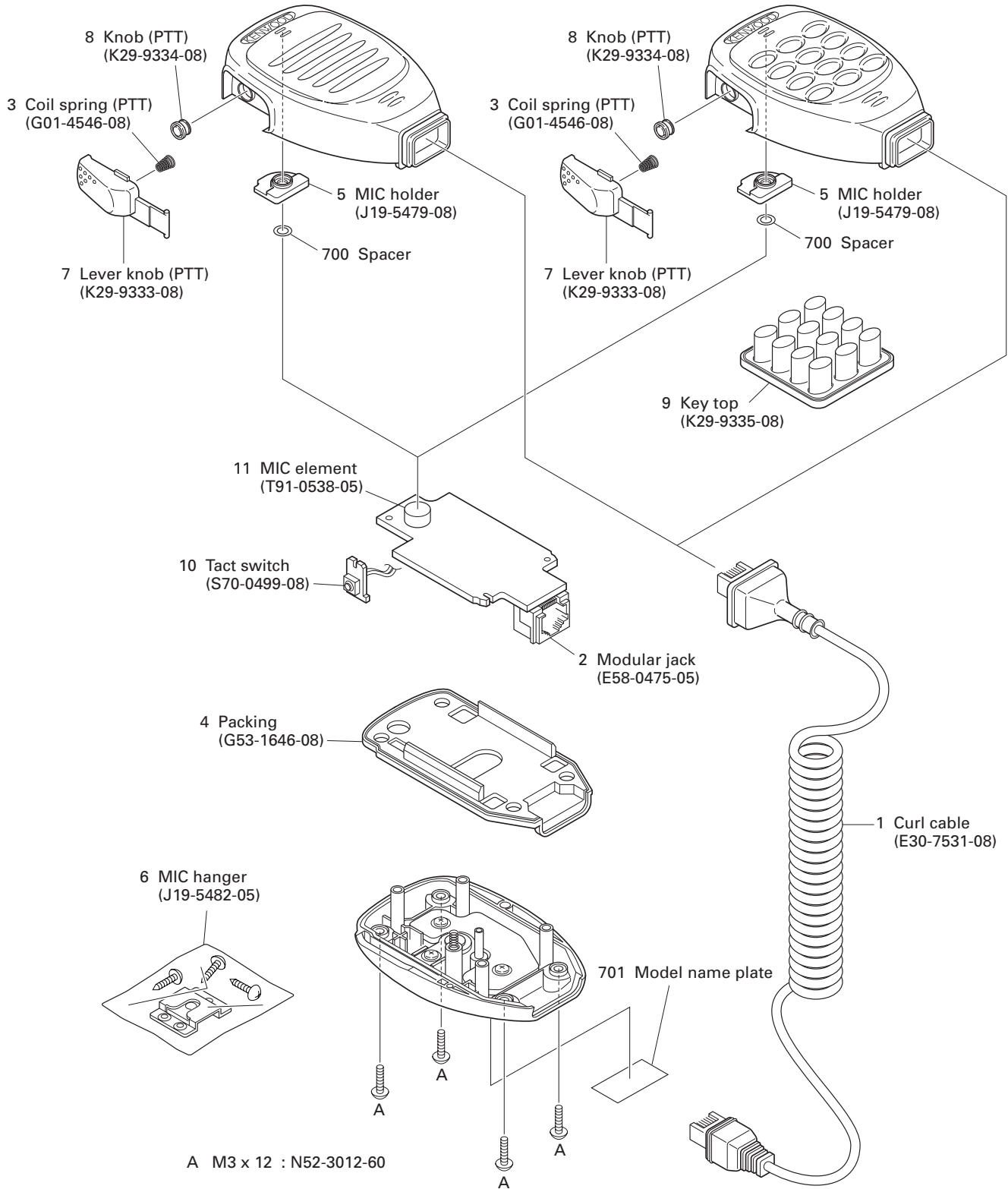


KMC-35/36

EXPLODED VIEW

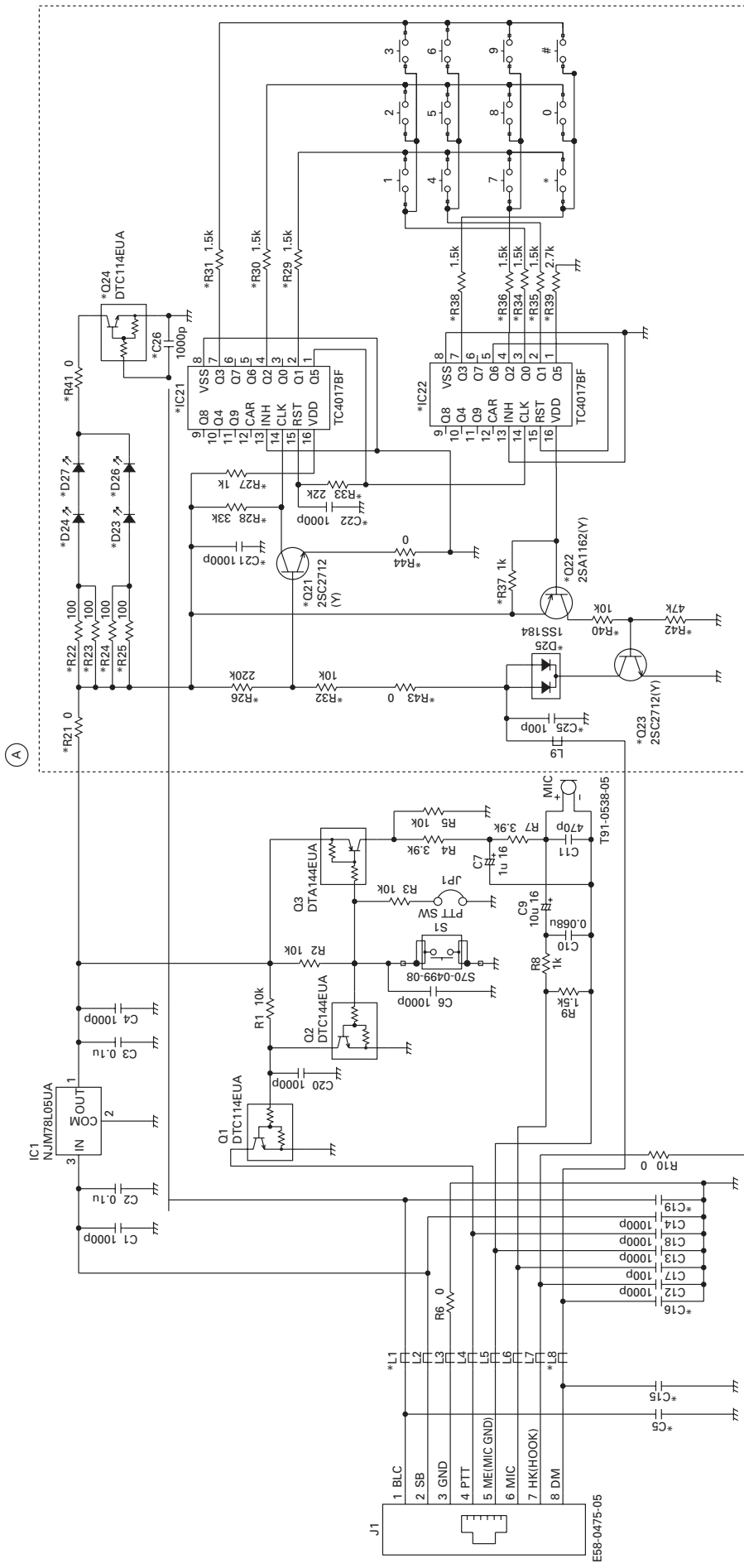
KMC-35

KMC-36

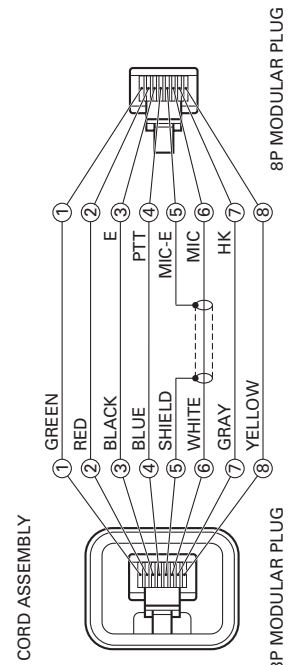


Parts with the exploded numbers larger than 700 are not supplied.

SCHEMATIC DIAGRAM KMC-35/36



KMC-35	L1	C5	C15	C16	C19	(A)
KMC-36	NO	NO	NO	NO	NO	NO
	L92-0444-05	L92-0444-05	1000p	100p	1000p	YES



KMC-35/36

SPECIFICATIONS

Voltage Required	13.6V±15%
Operating Temperature Range	-30°C~+60°C
Microphone Sensitivity	-46dB±6dB at 1kHz (0dB=1V/Pa)
Impedance	1kΩ±30% at 1kHz
Current Drain	Less than 20mA (KMC-35) Less than 100mA (KMC-36)

KENWOOD CORPORATION

2967-3, Ishikawa-machi, Hachioji-shi, Tokyo, 192-8525 Japan

KENWOOD U.S.A. CORPORATION

P.O. BOX 22745, 2201 East Dominguez Street, Long Beach, CA 90801-5745, U.S.A.

KENWOOD ELECTRONICS CANADA INC.

6070 Kestrel Road, Mississauga, Ontario, Canada L5T 1S8

KENWOOD ELECTRONICS DEUTSCHLAND GMBH

Rembrücker Str. 15, 63150 Heusenstamm, Germany

KENWOOD ELECTRONICS BELGIUM N.V.

Leuvensesteenweg 248 J, 1800 Vilvoorde, Belgium

KENWOOD ELECTRONICS FRANCE S.A.

13, Boulevard Ney, 75018 Paris, France

KENWOOD ELECTRONICS U.K. LIMITED

KENWOOD House, Dwight Road, Watford, Herts., WD18 9EB United Kingdom

KENWOOD ELECTRONICS EUROPE B.V.

Amsterdamseweg 37, 1422 AC Uithoorn, The Netherlands

KENWOOD ELECTRONICS ITALIA S.p.A.

Via G. Sirtori, 7/9 20129 Milano, Italy

KENWOOD IBERICA S.A.

Bolivia, 239-08020 Barcelona, Spain

KENWOOD ELECTRONICS AUSTRALIA PTY. LTD.

(A.C.N. 001 499 074)

16 Giffnock Avenue, Centrecourt Estate, North Ryde, N.S.W. 2113 Australia

KENWOOD ELECTRONICS (HONG KONG) LTD.

Unit 3712-3724, Level 37, Tower one Metroplaza, 223 Hing Fong Road, Kwai Fong, N.T., Hong Kong

KENWOOD ELECTRONICS SINGAPORE PTE LTD.

1 Genting Lane #07-00 Kenwood Building, Singapore 349544



Free Manuals Download Website

<http://myh66.com>

<http://usermanuals.us>

<http://www.somanuals.com>

<http://www.4manuals.cc>

<http://www.manual-lib.com>

<http://www.404manual.com>

<http://www.luxmanual.com>

<http://aubethermostatmanual.com>

Golf course search by state

<http://golfingnear.com>

Email search by domain

<http://emailbydomain.com>

Auto manuals search

<http://auto.somanuals.com>

TV manuals search

<http://tv.somanuals.com>