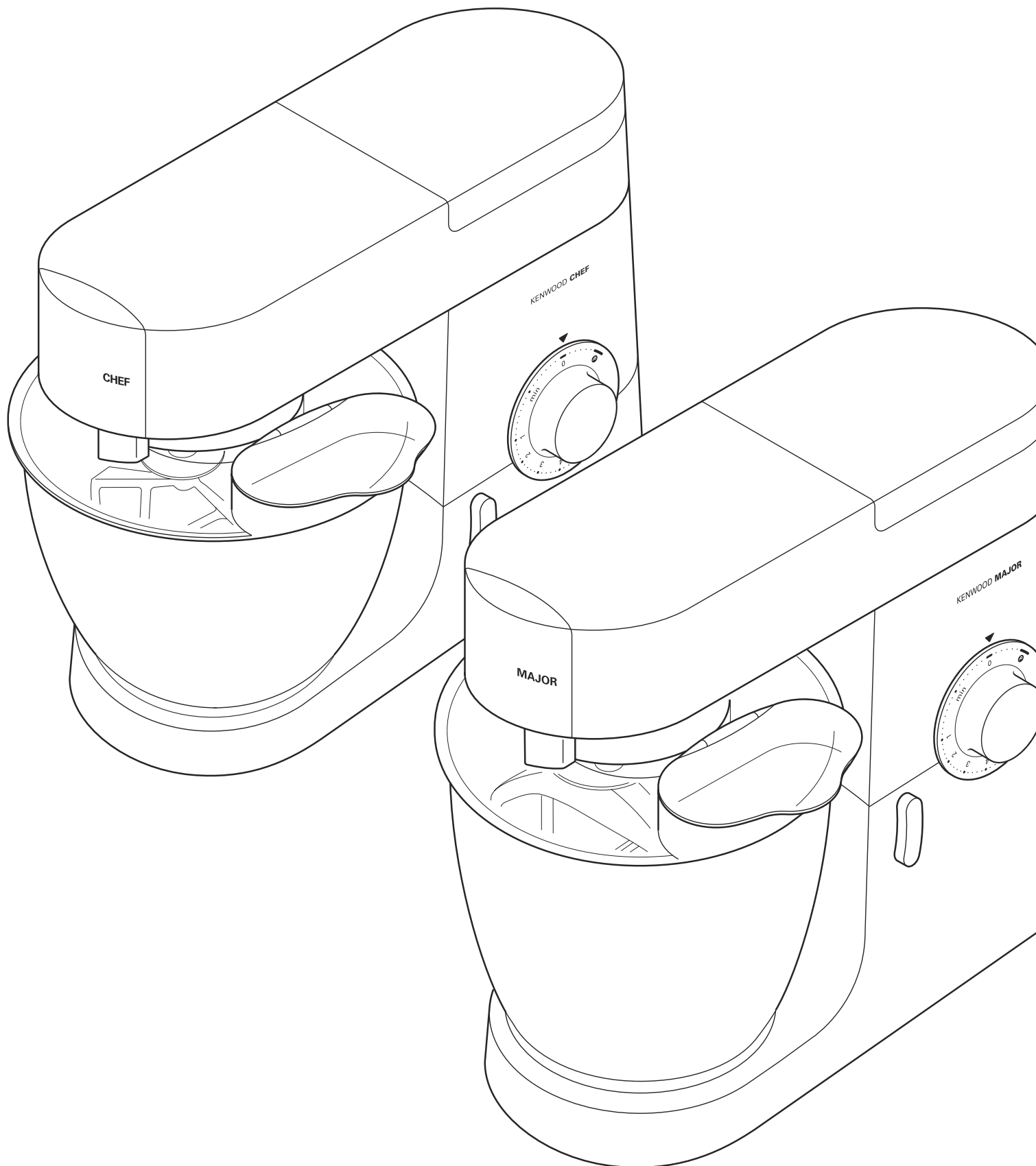


Chef and Major
KMC500 – KMM700 series



KENWOOD

Kenwood

English

- page 3 **instructions**
Congratulations on buying a Kenwood. With such a wide range of attachments available, it's more than just a mixer. It's a state-of-the-art kitchen machine. We hope you'll enjoy it. Robust. Reliable. Versatile. Kenwood.

Français

- page 11 **mode d'emploi**
Félicitations pour l'achat de votre robot Kenwood. Avec une gamme impressionnante d'accessoires adaptables, votre robot est plus qu'un simple batteur: c'est un robot de cuisine ultra-perfectionné qui vous donnera entière satisfaction. Nous espérons que vous l'apprécierez.
Solide. Sûr. sur-mesure. Kenwood.

Deutsch

- sieten 19 **bedienungsanleitung**
Wir beglückwünschen Sie zu Ihrer Entscheidung für Kenwood. Sie haben nicht nur eine Küchenmaschine zum Rühren und Kneten erworben, sondern können durch ein reichhaltiges Zubehörprogramm Ihre neue Maschine zu einem universellen Küchensystem ausbauen. Wir wünschen Ihnen viel Freude beim Kochen und Backen mit Kenwood.
Robust. Zuverlässig. Vielseitig. Kenwood.

Italiano

- pagg 28 **istruzioni**
Ci congratuliamo con Lei dell'acquisto di questo elettrodomestico Kenwood. Con una tale ampia gamma di accessori disponibili, questo apparecchio è molto più di un semplice mixer, è un modernissimo apparecchio da cucina. Ci auspichiamo che Le piacerà.
Robusto. Affidabile. Versatile. Kenwood.

Nederlands

- blz. 37 **instructies**
Gefeliciteerd met de aankoop van uw Kenwood keukenmachine. Er zijn zo veel accessoires verkrijgbaar dat je deze machine niet meer gewoon een mixer kunt noemen. Het is een echte keukenmachine en we hopen dan ook dat u er veel plezier van zult hebben.
Krachtig, betrouwbaar en veelzijdig, dat is Kenwood.

Español

- página 45 **instrucciones**
Felicidades por comprar un aparato Kenwood. Con el abanico de accesorios disponibles, Ud. ha comprado algo más que una mezcladora. Es una obra de arte para la cocina. Esperamos que lo disfrute.
Sólida. Fiable. Versátil. Kenwood.

Portugêus

- página 54 **instruções**
Parabéns pela compra da sua Kenwood. Com a grande variedade de acessórios para ela disponíveis, esta máquina é mais que uma batedeira. É uma máquina de cozinha super moderna. Esperamos que a sua Kenwood lhe dê muito prazer.
Robusta. Fiável. Versátil. Kenwood.

Dansk

- side 63 **brugsanvisning**
Tillykke med Deres nye Kenwood. Med så stort et udvalg af tilbehør, er det mere end blot en røremaskine - det er en suveræn, moderne køkkenmaskine. Vi håber, De vil få meget glæde af den.
Robust. Pålidelig. Alsidig. Kenwood.

Svenska

- sid 71 **bruksanvisning**
Grattis! Du har just blivit ägare till en Kenwood. Till Kenwood finns det så många tillbehör att köpa, så det är inte bara en vanlig matberedare du har - du har det allra senaste inom köksmaskiner. Vi hoppas du kommer att trivas med den.
Robust. Pålitlig. Mångsidig. Kenwood.

Kenwood

Norsk

side 79 **Bruksanvisning**

Gratulerer med kjøpet av Kenwood. Med et så stort utvalg av tilbehør, er den mer enn bare en mikser. Det er en kjøkkenkunstner-maskin. Vi håper du vil ha stor glede av den. Robust. Pålitelig. Allsidig. Kenwood.

Suomi

sivu 87 **käyttöohjeet**

Onnittelut Kenwood-ostoksen johdosta! Koneeseen kuuluu niin suuri määrä erilaisia laitteita, että se on todellakin paljon enemmän kuin pelkkä vatkain. Tämä yleiskone on alansa viimeisintä huutoa ja toivotamme teille miellyttäviä työhetkiä sen parissa. Vahva. Luotettava. Monipuolinen. Kenwood.

Türkçe

sayfada 95 **kullanım yönergeleri**

Kenwood karıştırıcıyı seçtiğiniz için tebrikler. Kenwood'un kapsamlı ek parça dizisi istediğiniz yiyeceği hazırlama olanağı verir. Kenwood yalnızca bir karıştırıcı aygıt değil, mutfak sanatı aracıdır. Zevkle kullanınız. Kenwood sağlam, güvenilir ve kullanışlıdır.

Česky

str. 103 **návod k použití**

Blahopřejeme Vám ke koupi spotřebiče značky Kenwood. Díky širokému sortimentu dodávaného příslušenství jste zakoupili víc, než jen kuchyňský strojek. Získali jste špičkový kuchyňský robot. Věříme, že Vám bude dobře sloužit. Robustní. Spolehlivý. Univerzální. Kenwood.

Magyar

oldal 111 **használati utasítás**

Köszöntjük a Kenwood vásárlói körében! Az Ön által kiválasztott robotgép a csatlakoztatható változatos tartozékok révén a legtöbb konyhai munkában segítőtársa lesz. Reméljük, örömmel használja majd. Ellenálló, megbízható, sokoldalú - Kenwood.

Polski

str. 119 **instrukcje**

Gratulujemy zakupu Kenwooda. Mając tak szeroki asortyment narzędzi jest on więcej, niż malakserem. Jest on dziełem bieżącej sztuki kuchennej. Mamy nadzieję, że się Państwu spodoba. Mocny. Niezawodny. Uniwersalny. Kenwood.

Русский

странице 127 **Указания по применению**

Мы рады, что вы приобрели кухонный комбайн нашей фирмы. Благодаря широкому ассортименту имеющихся насадок этот прибор является не просто миксером - это современный кухонный комбайн. Пользуясь им, вы получите истинное удовольствие. Прочный. Надежный. Универсальный. Изготовитель - фирма KENWOOD.

Ελληνικά

σελίδα 135 **οδηγίες χρήσεως**

Συγχαρητήρια για την αγορά μιας συσκευής Kenwood. Με την μεγάλη ποικιλία εξαρτημάτων που διατίθεται η συσκευή αυτή είναι κάτι παραπάνω από ένα απλό μίξερ, είναι η τελευταία λέξη της τεχνολογίας στις μηχανές κουζίνας. Ελπίζουμε ότι θα την απολαύσετε. Αντοχή. Αξιοπιστία. Ευκινησία. Kenwood.

عربي

تعليمات ٤٤١ صفحة

نهنتكم على شراء جهاز كينوود. ومع توفر تشكيلة واسعة كهذه من الملحقات، فهو ليس مجرد خلاطة. بل انه جهاز مطبخ غاية في الروعة والانتقان. اننا نأمل تمتعكم به. متين، موثوق، متعدد الاستعمالات، كينوود.

know your Kenwood kitchen machine

before using your Kenwood appliance

- Read these instructions carefully and retain for future reference.
- Remove all packaging and any labels.

safety

- Switch off and unplug before fitting or removing tools/attachments, after use and before cleaning.
- Keep your fingers away from moving parts and fitted attachments.
- Never leave the machine on unattended.
- Never use a damaged machine. Get it checked or repaired: see 'service', page 8.
- Never operate the mixer with the head in the raised position.
- Never let the cord hang down where a child could grab it.
- Never let the power unit, cord or plug get wet.
- Never use an unauthorised attachment or more than one attachment at once.
- Never exceed the maximum capacities on page 2.
- When using an attachment, read the safety instructions that come with it.
- Take care when lifting this appliance as it is heavy. Ensure the head is locked and that the bowl, tools, outlet covers and cord are secure before lifting.
- This appliance is not intended for use by persons (including children) with reduced physical, sensory or mental capabilities, or lack of experience and knowledge, unless they have been given supervision or instruction concerning use of the appliance by a person responsible for their safety.
- Children should be supervised to ensure that they do not play with the appliance.
- Only use the appliance for its intended domestic use. Kenwood will not accept any liability if the appliance is subject to improper use, or failure to comply with these instructions.

before plugging in

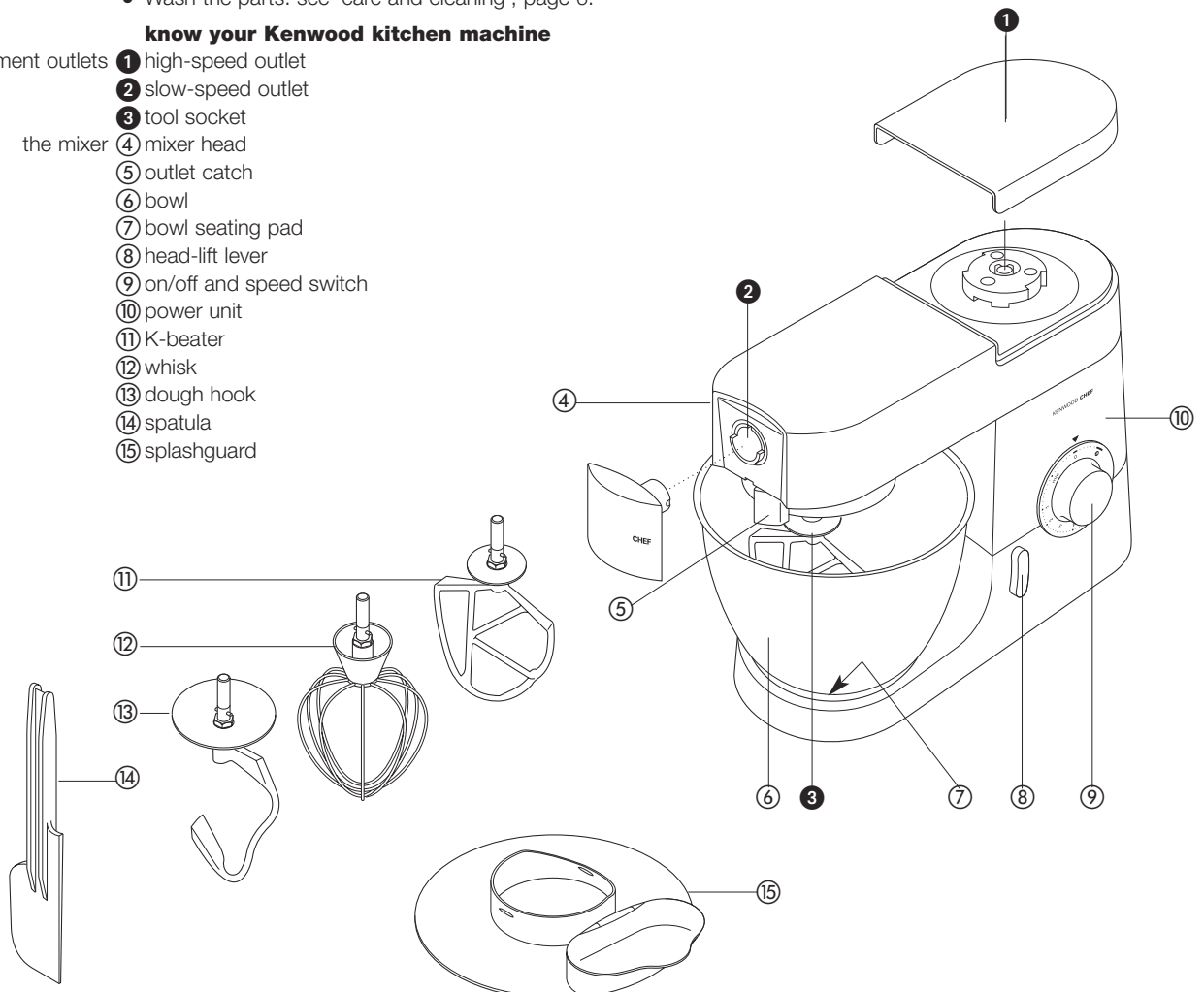
- Make sure your electricity supply is the same as the one shown on the underside of your machine.
- This machine complies with European Economic Community Directive 89/336/EEC.

before using for the first time

- Wash the parts: see 'care and cleaning', page 6.

know your Kenwood kitchen machine

- attachment outlets
- 1 high-speed outlet
 - 2 slow-speed outlet
 - 3 tool socket
- the mixer
- 4 mixer head
 - 5 outlet catch
 - 6 bowl
 - 7 bowl seating pad
 - 8 head-lift lever
 - 9 on/off and speed switch
 - 10 power unit
 - 11 K-beater
 - 12 whisk
 - 13 dough hook
 - 14 spatula
 - 15 splashguard



the mixer

the mixing tools and some of their uses

- K-beater • For making cakes, biscuits, pastry, icing, fillings, éclairs and mashed potato.
- whisk • For eggs, cream, batters, fatless sponges, meringues, cheesecakes, mousses, soufflés. Don't use the whisk for heavy mixtures (eg creaming fat and sugar) - you could damage it.
- dough hook • For yeast mixtures.

to use your mixer

- 1 Turn the head-lift lever anti-clockwise ❶ and raise the mixer head till it locks.
- 2 Push up till it stops ❷ then turn.
- 3 Fit the bowl onto the base - press down and turn clockwise ❸
- 4 Turn the head-lift lever anti-clockwise and lower the mixer head till it locks.
- 5 Switch on by turning the speed switch to the desired setting.
- Switch to pulse **P** for short bursts.
- to remove a tool 6 Unscrew.

- hints
- Switch off and scrape the bowl with the spatula frequently.
 - Eggs at room temperature are best for whisking.
 - Before whisking egg whites, make sure there's no grease or egg yolk on the whisk or bowl.
 - Use cold ingredients for pastry unless your recipe says otherwise.

points for bread making

- important
- Never exceed the maximum capacities below - you'll overload the machine.
 - If you hear the machine labouring, switch off, remove half the dough and do each half separately.
 - The ingredients mix best if you put the liquid in first.

maximum capacities

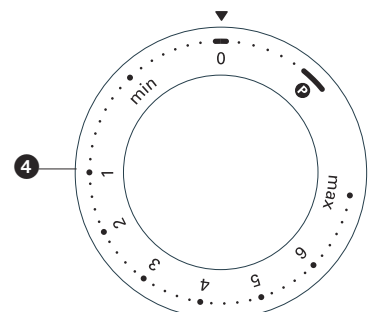
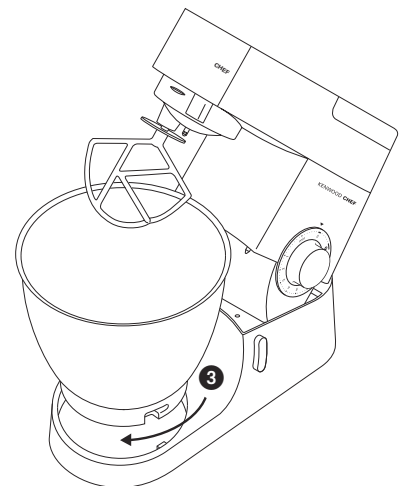
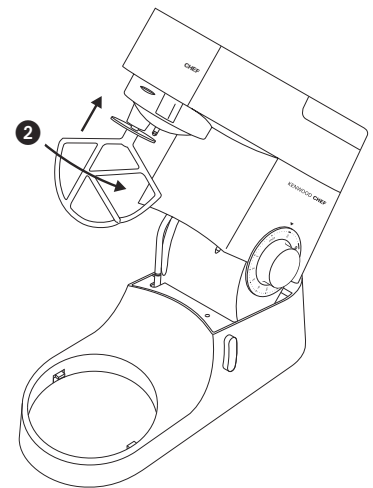
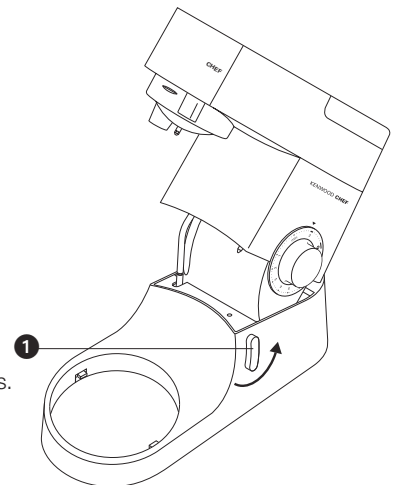
CHEF

MAJOR

- | | | |
|--------------------------|-----------------------------------|--------------------------------|
| shortcrust pastry | • Flour weight: 680g - 1lb 8oz | Flour weight: 910g - 2lb |
| stiff yeast dough | • Flour weight: 1.36kg - 3lb | Flour weight: 1.5kg - 3lb 5oz |
| | • Total weight: 2.18kg - 4lb 13oz | Total weight: 2.4kg - 5lb 5oz |
| soft yeast dough | • Flour weight: 1.3kg - 2lb 14oz | Flour weight: 2.6kg - 5lb 12oz |
| | • Total weight: 2.5kg - 5lb 8oz | Total weight: 5kg - 11lb |
| fruit cake mix | • Total weight: 2.72kg - 6lb | Total weight: 4.55kg - 10lb |
| egg whites | • 12 | 16 |

speed switch ❹

- K-beater • **creaming fat and sugar** start on min, gradually increasing to 'max'.
- **beating eggs into creamed mixtures** 4 - 'max'.
- **folding in flour, fruit etc** Min - 1
- **all in one cakes** start on min speed, gradually increase to max.
- **rubbing fat into flour** min - 2.
- whisk • Gradually increase to 'max'.
- dough hook • Start on 'min', gradually increasing to 1.



troubleshooting

problem

- The whisk or K-beater knocks against the bottom of the bowl or isn't reaching the ingredients in the bottom of the bowl.

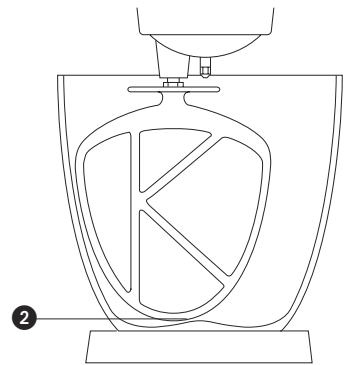
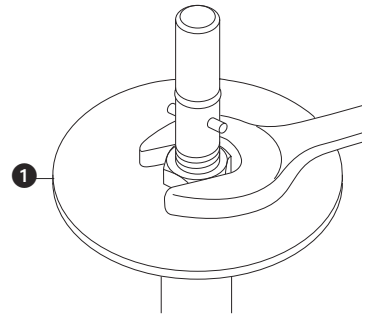
solution • Adjust the height. Here's how:

- 1 Unplug.
- 2 Raise the mixer head and insert the whisk or beater.
- 3 Hold it, then loosen the nut ❶
- 4 Lower the mixer head.
- 5 Adjust the height by turning the shaft. Ideally the whisk/K-beater should be **almost** touching the bottom of the bowl ❷
- 6 Raise the head, hold the whisk/K-beater and tighten the nut.

problem

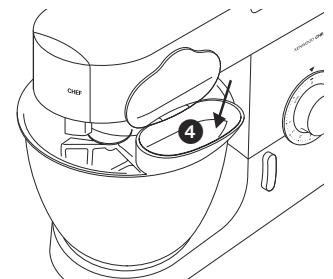
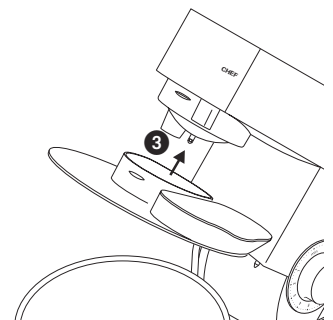
- The mixer stops during operation.

solution • Your mixer is fitted with an overload protection device and will stop if overloaded to protect the machine. If this happens, switch off and unplug the mixer. Remove some of the ingredients to reduce the load, and allow the mixer to stand for a few minutes. Plug in and reselect the speed. If the mixer does not restart immediately allow to stand for additional time.



to fit and use your splashguard

- 1 Raise the mixer head until it locks.
 - 2 Fit the bowl onto the base.
 - 3 Push the splashguard onto the underside of the mixer head ❸ until fully located. The hinged section should be positioned as shown.
 - 4 Insert required tool.
 - 5 Lower the mixer head.
 - 6 Remove the splashguard by raising the mixer head and sliding it down.
- During mixing, ingredients can be added directly to the bowl via the hinged section of the splashguard ❹.
 - You do not need to remove the splashguard to change tools.

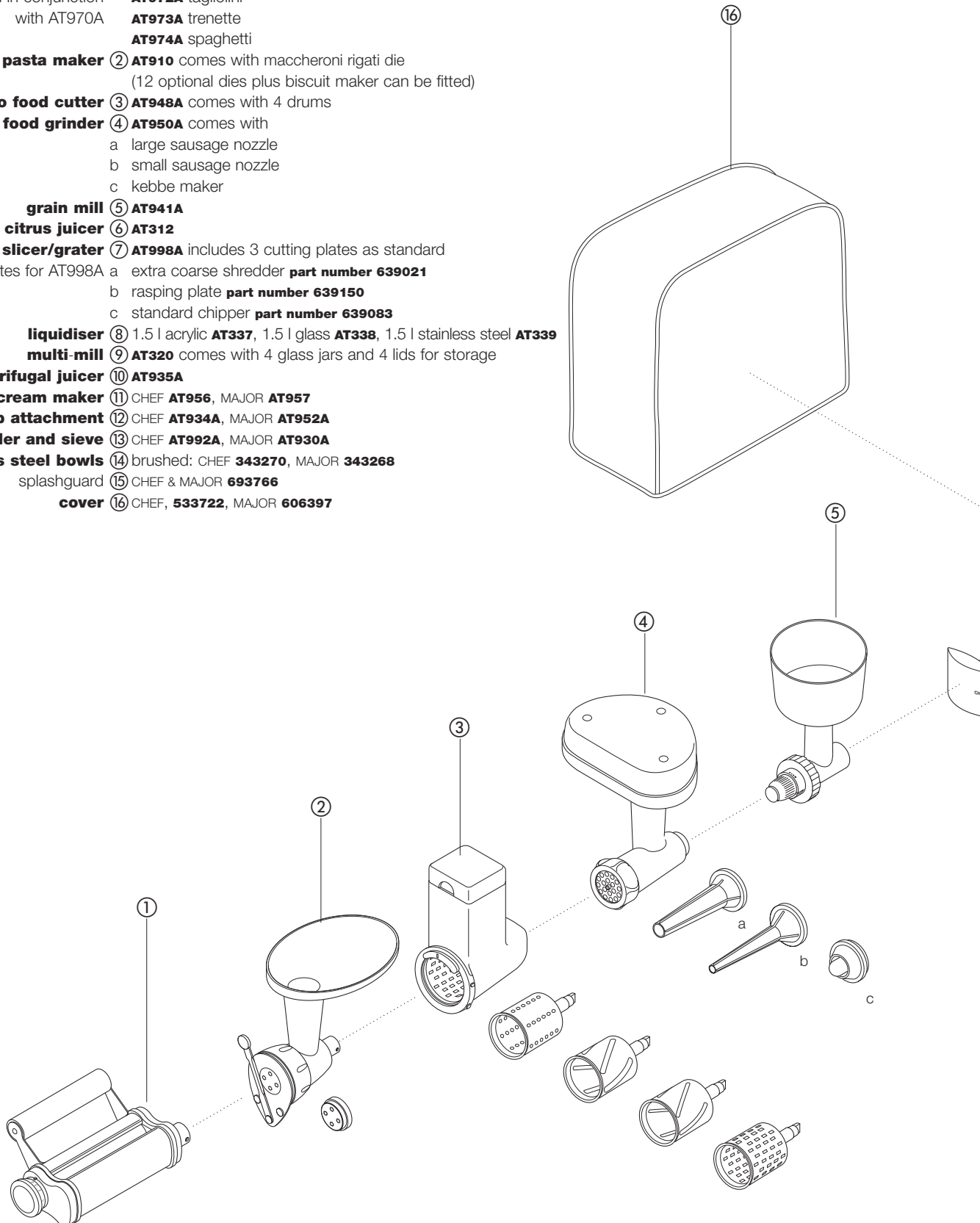


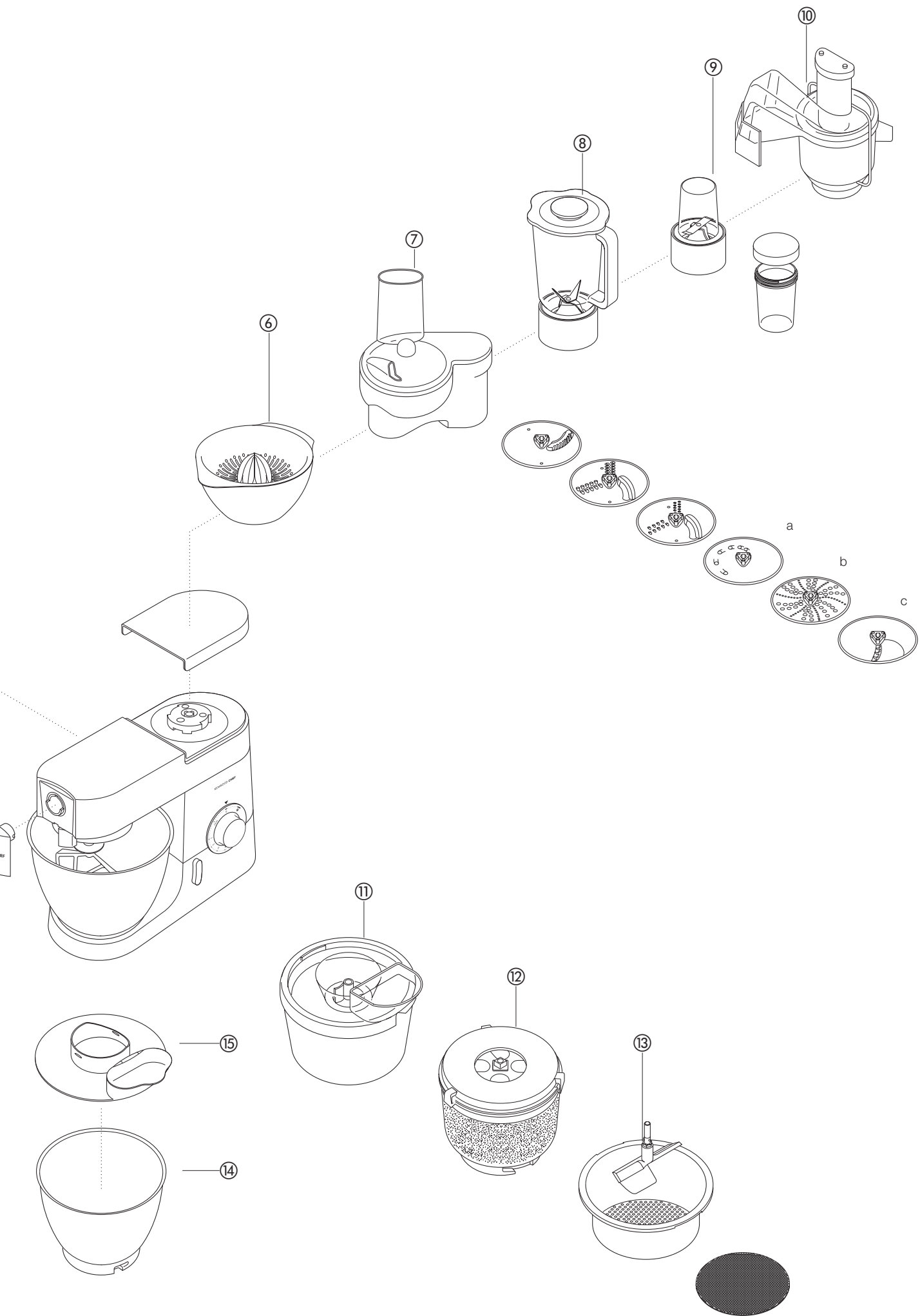
the **attachments** available

To buy an attachment not included in your pack, call your KENWOOD repairer.

attachment attachment code

- flat pasta maker** ① **AT970A**
- additional pasta attachments (not shown) used in conjunction with AT970A
 - AT971A** tagliatelle
 - AT972A** tagliolini
 - AT973A** trenette
 - AT974A** spaghetti
- pasta maker** ② **AT910** comes with maccheroni rigati die (12 optional dies plus biscuit maker can be fitted)
- roto food cutter** ③ **AT948A** comes with 4 drums
- multi food grinder** ④ **AT950A** comes with
 - a large sausage nozzle
 - b small sausage nozzle
 - c kebbe maker
- grain mill** ⑤ **AT941A**
- citrus juicer** ⑥ **AT312**
- pro slicer/grater** ⑦ **AT998A** includes 3 cutting plates as standard
 - a extra coarse shredder **part number 639021**
 - b rasping plate **part number 639150**
 - c standard chipper **part number 639083**
- liquidiser** ⑧ 1.5 l acrylic **AT337**, 1.5 l glass **AT338**, 1.5 l stainless steel **AT339**
- multi-mill** ⑨ **AT320** comes with 4 glass jars and 4 lids for storage
- non-stop centrifugal juicer** ⑩ **AT935A**
- ice-cream maker** ⑪ CHEF **AT956**, MAJOR **AT957**
- potato prep attachment** ⑫ CHEF **AT934A**, MAJOR **AT952A**
- colander and sieve** ⑬ CHEF **AT992A**, MAJOR **AT930A**
- stainless steel bowls** ⑭ brushed: CHEF **343270**, MAJOR **343268**
- splashguard ⑮ CHEF & MAJOR **693766**
- cover** ⑯ CHEF, **533722**, MAJOR **606397**





cleaning and service

care and cleaning

- Always switch off and unplug before cleaning.
- A little grease may appear at **outlet 2** when you first use it. This is normal - just wipe it off.

power unit, outlet covers

- Wipe with a damp cloth, then dry.
- Never use abrasives or immerse in water.

bowl

- Wash by hand, then dry thoroughly or wash in the dishwasher.
- Never use a wire brush, steel wool or bleach to clean your stainless steel bowl. Use vinegar to remove limescale.
- Keep away from heat (cooker tops, ovens, microwaves).

tools

- Wash by hand, then dry thoroughly or wash in the dishwasher.

splashguard

- Wash by hand, then dry thoroughly.

service and customer care

- If the cord is damaged it must, for safety reasons, be replaced by KENWOOD or an authorised KENWOOD repairer.

UK

If you need help with:

- using your machine
- servicing or repairs (in or out of guarantee)
- ☎ call Kenwood Customer Care on **023 92392333**.

Have your model number ready - it's on the underside of the mixer.

- **spares and attachments**

☎ call 0870 2413653.

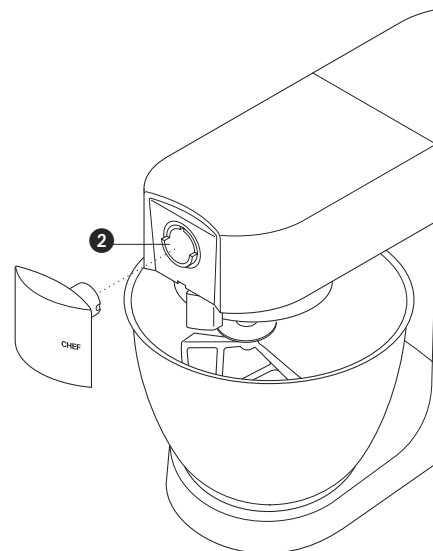
other countries

- Contact the shop where you bought your machine.

guarantee UK only

- If your machine goes wrong within one year from the date you bought it, we will repair or replace it free of charge provided:
 - you have not misused, neglected or damaged it;
 - it has not been modified;
 - it is not second-hand;
 - it has not been used commercially;
 - you have not fitted a plug incorrectly; and
- **you supply your receipt to show when you bought it.**

This guarantee does not affect your statutory rights.



recipes

See important points for bread making on page 2.

white bread *stiff yeast dough*

- ingredients
- 1.36kg (3lb) strong plain flour
 - 15ml (3tsp) salt
 - 25g (1oz) fresh yeast; or 15g/20ml (½oz) dried yeast + 5ml (1tsp) sugar
 - 750ml (1¼pts) warm water: 43°C (110°F). Use a thermometer or add 250ml (9fl oz) boiling water to 500ml (18fl oz) cold water
 - 25g (1oz) lard
- method
- 1 **dried yeast** (the type that needs reconstituting): pour the warm water into the bowl. Then add the yeast and the sugar and leave to stand for about 10 minutes until frothy.
fresh yeast: crumble into the flour.
other types of yeast: follow the manufacturer's instructions.
 - 2 Pour the liquid into the bowl. Then add the flour (with fresh yeast if used), salt and lard.
 - 3 Knead at minimum speed for 45 - 60 seconds. Then increase to speed 1, adding more flour if necessary, until a dough has formed.
 - 4 Knead for 3 - 4 more minutes at speed 1 until the dough is smooth, elastic and leaves the sides of the bowl clean.
 - 5 Put the dough into a greased polythene bag or a bowl covered with a tea towel. Then leave somewhere warm until doubled in size.
 - 6 Re-knead for 2 minutes at speed 1.
 - 7 Half fill four 450g (1lb) greased tins with the dough, or shape it into rolls. Then cover with a tea towel and leave somewhere warm until doubled in size.
 - 8 Bake at 230°C/450°F/Gas Mark 8 for 30 - 35 minutes *for loaves* or 10 - 15 minutes *for rolls*.
 - When ready, the bread should sound hollow when tapped on the base.

white bread *soft yeast dough*

- ingredients**
- 2.6kg (5lb 12oz) ordinary plain flour
 - 1.3 litre (2¼pts) milk
 - 300g (10oz) sugar
 - 450g (1lb) margarine
 - 100g (4oz) fresh yeast or 50g (2oz) dried yeast
 - 6 eggs, beaten
 - 5 pinches salt
- This quantity is for KMM700 series. For KMC500 series, halve the quantities and add all the flour in one go**
- method
- 1 Melt the margarine in the milk and bring to 43°C (110°F).
 - 2 **dried yeast** (the type that needs reconstituting): add the yeast and sugar to the milk and leave to stand for about 10 minutes until frothy.
fresh yeast: crumble into the flour and add the sugar.
other types of yeast: follow the manufacturer's instructions.
 - 3 Pour the milk into the bowl. Add the beaten eggs and 2kg (4lb 6oz) flour.
 - 4 Mix at minimum speed for 1 minute, then at speed 1 for a further minute. Scrape down.
 - 5 Add the remaining flour and mix at minimum speed for 1 minute, then at speed 1 for 2 - 3 minutes until smooth and evenly mixed.
 - 6 Half fill some 450g (1lb) greased tins with the dough, or shape it into rolls. Then cover with a tea towel and leave somewhere warm until doubled in size.
 - 7 Bake at 200°C/400°F/Gas Mark 6 for 20 - 25 minutes *for loaves* or 15 minutes *for rolls*.
 - 8 When ready, the bread should sound hollow when tapped on the base.
 - Makes about 10 loaves.

recipes *continued*

strawberry and apricot gâteau

- ingredients: sponge
- 3 eggs
 - 75g (3oz) caster sugar
 - 75g (3oz) plain flour
- filling and decoration
- 150ml (¼pt) double cream
 - Sugar to taste
 - 225g (8oz) strawberries
 - 225g (8oz) apricots
- method
- 1 Halve the apricots and remove the stones. Cook gently in very little water, adding sugar to taste, until soft.
 - 2 Wash and halve the strawberries.
 - 3 To make the sponge, whisk the eggs and sugar at maximum speed until very pale and thick.
 - 4 Remove the bowl and the whisk. Fold in the flour by hand using a large metal spoon - do this carefully to keep the sponge light.
 - 5 Put the mixture into two 18cm (7") greased and lined sandwich tins.
 - 6 Bake at 180°C/350°F/Gas Mark 4 for about 20 minutes until the cake springs back when lightly touched.
 - 7 Turn out onto a wire rack.
 - 8 Whisk the cream at maximum speed until stiff. Add sugar to taste.
 - 9 Roughly chop the apricots and a third of the strawberries. Fold them into half the cream.
 - 10 Spread this over one of the sponges, then put the other sponge on top.
 - 11 Spread the remaining cream on top and decorate with the remaining strawberries.

meringues

- 4 egg whites
- ingredients
- 250g (9oz) icing sugar, sieved
 - Line your baking tray with non-stick baking parchment.
- method
- 1 Whisk the egg whites and sugar at maximum speed for about 10 minutes until it stands in peaks.
 - 2 Spoon the mixture onto the baking tray (or use a piping bag with a 2.5cm (1") star nozzle).
 - 3 Bake at 110°C/225°F/Gas Mark ¼ for about 4 - 5 hours until firm and crisp. If they start to brown, leave the oven door slightly ajar.
- Store meringues in an airtight tin.

shortcrust pastry

- ingredients
- 450g (1lb) flour, sieved with the salt
 - 5ml (1tsp) salt
 - 225g (8oz) fat (mix lard and margarine straight from the fridge)
 - About 80ml (4tbsp) water
 - Don't overmix
- hint
- 1 Put the flour into the bowl. Chop the fat up roughly and add to the flour.
- method
- 2 Mix at speed 1 until it resembles breadcrumbs. Stop before it looks greasy.
 - 3 Add the water and mix at minimum speed. Stop as soon as the water is incorporated.
 - 4 Cook at around 200°C/400°F/Gas Mark 6, depending on the filling.

carrot and coriander soup

- ingredients
- 25g (1oz) butter
 - 1 onion chopped
 - 1 clove garlic crushed
 - 480g (1lb 1oz) carrot cut into 1.5cm cubes for a 1.2 l goblet
 - 600g (1lb 6oz) carrot cut into 1.5cm cubes for a 1.5 l goblet
 - cold chicken stock
 - 10-15ml (2-3tsp) ground coriander
 - salt and pepper
- method
- 1 Melt the butter in a pan, add the onion and garlic and fry until soft.
 - 2 Place the carrot into the liquidiser, add the onion and garlic. Add sufficient stock to reach the maximum 1.2 level or 1.5 level marked on the goblet. Fit the lid and filler cap.
 - 3 Blend on maximum speed for 5 seconds for a coarse soup or longer for a finer result.
 - 4 Transfer the mixture to a saucepan, add the coriander and seasoning and simmer the soup for 30 to 35 minutes or until cooked.
 - 5 Adjust the seasoning as necessary and add extra liquid if required.

faites connaissance avec votre robot de cuisine Kenwood

avant d'utiliser votre appareil Kenwood

- Lisez et conservez soigneusement ces instructions pour pouvoir vous y référer ultérieurement.
- Retirez tous les éléments d'emballage et les étiquettes.

sécurité

- Éteignez et débranchez l'appareil avant d'adapter ou de retirer tout élément/accessoire, après l'utilisation et avant le nettoyage.
- N'approchez jamais vos doigts des éléments en mouvement ou des accessoires fixés sur votre robot.
- Ne laissez jamais votre appareil sans surveillance lorsqu'il fonctionne et maintenez-le hors de portée des enfants.
- N'utilisez jamais un appareil endommagé ou en mauvais état. Faites-le vérifier et réparer. Pour cela reportez-vous à la rubrique 'service après-vente' en page 16.
- Ne faites jamais fonctionner le mixeur lorsque la tête est relevée.
- Ne laissez jamais le cordon pendre de telle façon qu'un enfant puisse s'en saisir.
- Ne mouillez jamais le bloc moteur, le cordon d'alimentation ou la prise.
- N'utilisez jamais un accessoire non adapté à cet appareil et n'utilisez pas plus d'un accessoire à la fois.
- Ne dépassez jamais les capacités maximales de charge de l'appareil telles qu'elles sont précisées en page 12.
- Lorsque vous utilisez un accessoire, lisez attentivement les instructions sur la sécurité concernant cet accessoire.
- Faites attention pour soulever le robot qui est lourd. Assurez-vous que la tête est verrouillée et que le bol, les accessoires, les couvercles des orifices et le cordon sont fixés avant de le soulever.
- Cet appareil n'est pas destiné à être utilisé par des personnes (y compris des enfants) dont les capacités physiques, sensorielles ou mentales sont diminuées, ou qui ne disposent pas des connaissances ou de l'expérience nécessaires, à moins qu'elles n'aient été formées et encadrées pour l'utilisation de cet appareil par une personne responsable de leur sécurité.
- Les enfants doivent être surveillés afin qu'ils ne puissent pas jouer avec cet appareil.
- N'employez l'appareil qu'à la fin domestique prévue. Kenwood décline toute responsabilité dans les cas où l'appareil est utilisé incorrectement ou que les présentes instructions ne sont pas respectées.

avant de brancher l'appareil

- Assurez-vous que le courant électrique que vous utilisez est le même que celui indiqué sous votre appareil.
- Cet appareil est conforme à la directive 89/336/CEE de la C. E.

avant d'utiliser votre appareil pour la première fois

- Lavez les différentes parties de l'appareil. Reportez-vous pour cela à la page 16: 'entretien et nettoyage de l'appareil'.

faites connaissance avec votre robot de cuisine Kenwood

orifices de branchement 1

2 sortie ultra-rapide

3 sortie lente

4 sortie planétaire

le batteur 4 tête du batteur

5 loquet de blocage

6 bol

7 socle d'encastrement du bol

8 manette pour soulever la tête du batteur

9 bouton marche/arrêt (on/off) et de réglage de la vitesse

10 bloc moteur

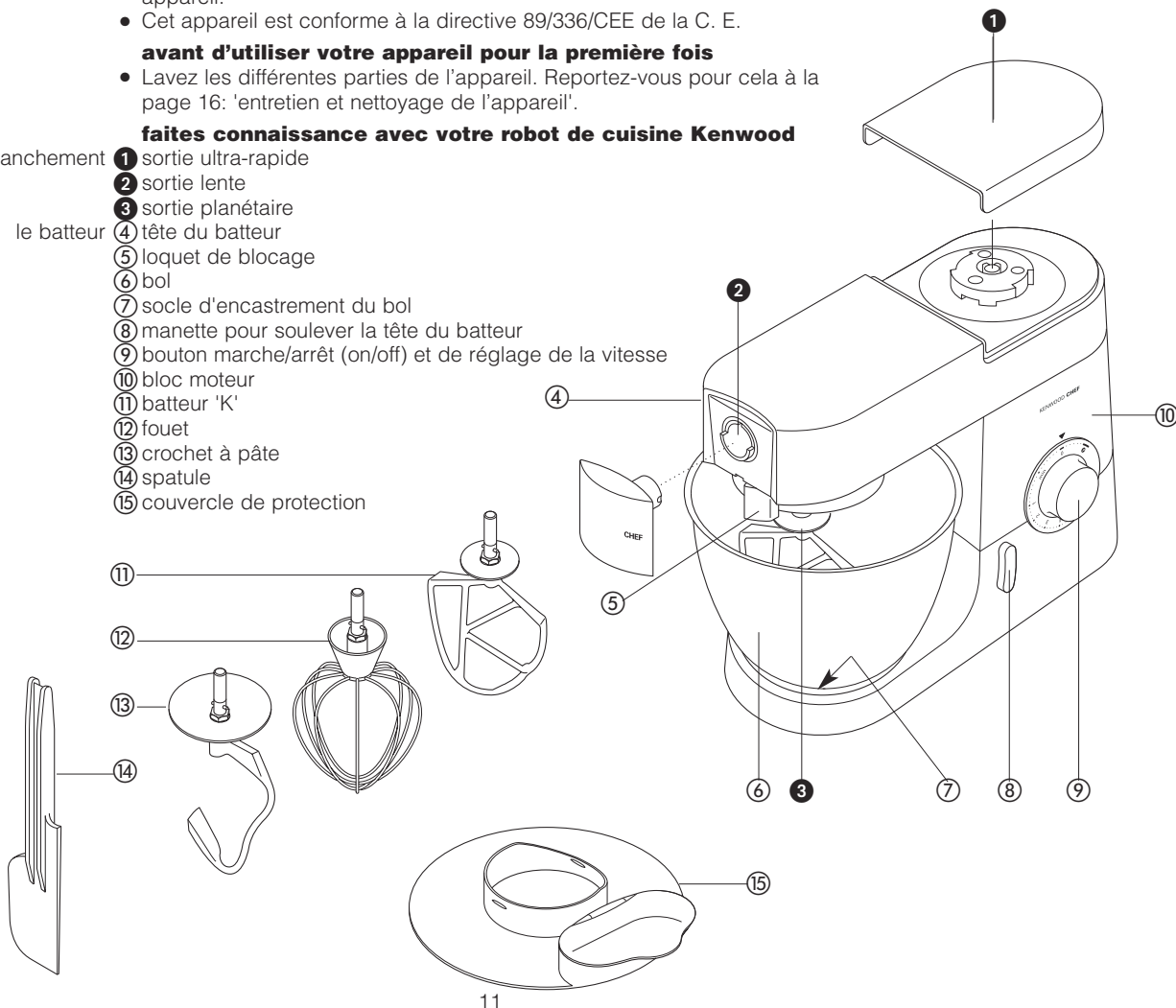
11 batteur 'K'

12 fouet

13 crochet à pâte

14 spatule

15 couvercle de protection



le batteur

les accessoires du batteur et quelques uns de leurs utilisations possibles

- batteur 'K' • Pour la confection de cakes, biscuits, pâtisseries, glaçages, garnitures, éclairs et purées de pommes de terre.
- fouet • Pour les oeufs, la crème, la pâte à frire, les gâteaux (type gâteau de Savoie) sans matière grasse, les meringues, les gâteaux au fromage, les mousses, les soufflés. N'utilisez pas le fouet pour les mélanges épais (comme par exemple pour travailler les matières grasses ou le sucre) car vous pourriez l'endommager.
- crochet à pâte • pour les mélanges à base de levure.

pour utiliser le batteur

- 1 Tournez la manette pour soulever la tête du batteur dans le sens contraire des aiguilles d'une montre **1** et soulevez la tête du batteur jusqu'à ce qu'elle s'enclenche en position.
- 2 Poussez vers le haut jusqu'à ce qu'il s'arrête **2** puis tournez.
- 3 Adaptez le bol sur la base - pressez vers le bas et tournez dans le sens des aiguilles d'une montre **3**
- 4 Tournez la manette pour soulever la tête du batteur dans le sens contraire des aiguilles d'une montre et abaissez la tête du batteur jusqu'à ce qu'il se verrouille en position.
- 5 Allumer en tournant le bouton de réglage de vitesse sur le réglage souhaité.
 - Passez en mode pulsateur **P** pour procéder par brèves impulsions.
- 6 Dévissez.

- astuces
- Eteignez l'appareil et raclez fréquemment le bol avec la spatule.
 - Pour battre les oeufs, il est conseillé d'utiliser des oeufs à température ambiante.
 - Avant de monter les blancs en neige, vérifiez qu'il n'y a pas de restes de graisse ou de jaune d'oeuf sur le fouet ou dans le bol.
 - Utilisez des ingrédients froids pour la pâte sauf indications contraires mentionnées sur votre recette.

points importants pour la fabrication du pain

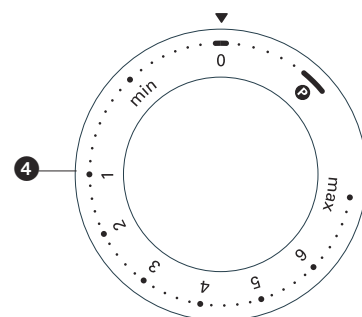
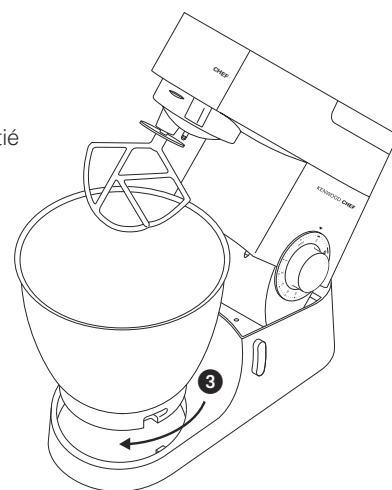
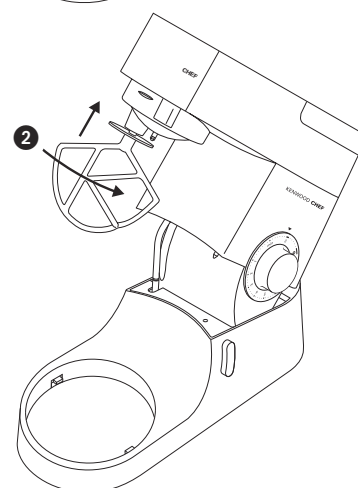
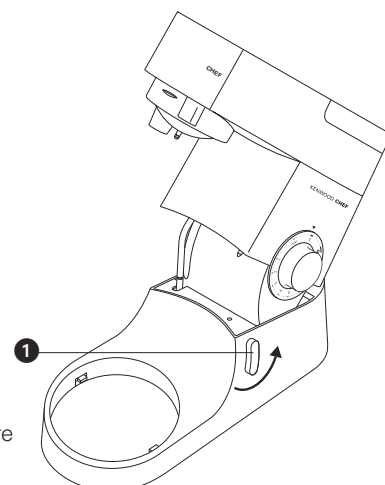
- important
- Ne dépassez jamais les capacités maximales signalées ci-dessous car vous risqueriez de surcharger votre appareil.
 - Si vous entendez votre appareil forcer, éteignez l'appareil, retirez la moitié de la pâte et travaillez chaque moitié séparément.
 - Les ingrédients se mélangeront mieux si vous mettez les liquides en premier dans l'appareil.

capacités maximales

	CHEF	MAJOR
pâte brisée	Quantité de farine : 680 g	Quantité de farine : 910 g
pâte levée sablée	Quantité de farine : 1,36 kg	Quantité de farine : 1,5 kg
	Poids total : 2,18 kg	Poids total : 2,4 kg
pâte levée sucrée	Quantité de farine : 1,3 kg	Quantité de farine : 2,6 kg
	Poids total : 2,5 kg	Poids total : 5 kg
mélange pour cake aux fruits	Poids total : 2,72 kg	Poids total : 4,55 kg
blancs d'oeuf	12	16

vitesses **4**

- batteur "K"
- **Travailler les corps gras en crème avec le sucre** commencez sur min, augmentez progressivement jusqu'au max.
 - **Incorporer les œufs à une crème** 4 - "max".
 - **Incorporer la farine, les fruits, etc.** Min - 1.
 - **Battre tous les ingrédients d'un gâteau** simultanément commencez à vitesse min, augmentez progressivement jusqu'au max.
 - **Incorporer les corps gras à la farine** min - 2.
- fouet
- Augmentez progressivement jusqu'à 'max'.
- crochet à pâte
- Commencez sur 'min', puis augmentez graduellement jusqu'à passer sur 1.



pour le **nettoyage** de l'appareil reportez-vous à la page 16.

solutionner les problèmes

problème

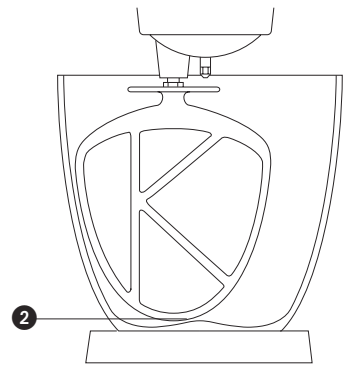
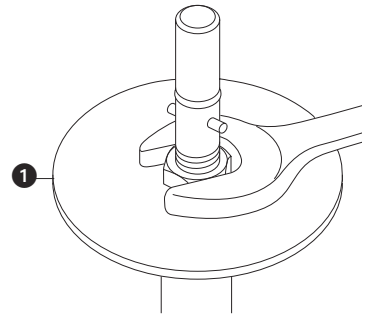
- Le fouet ou le batteur 'K' vient heurter le fond du bol ou ne peut pas atteindre les ingrédients situés au fond du bol.

solution • Ajuster la hauteur de la manière suivante :

- 1 Débranchez l'appareil.
- 2 Levez la tête du batteur et introduisez le fouet ou batteur.
- 3 Maintenez-le, puis desserrez l'écrou. ❶
- 4 Abaissez la tête du batteur.
- 5 Réglez la hauteur en tournant l'axe. Le fouet/batteur en K est en position idéale lorsqu'il touche **presque** le fond du bol. ❷
- 6 Levez à nouveau la tête, maintenez le fouet/batteur en K et resserrez l'écrou.

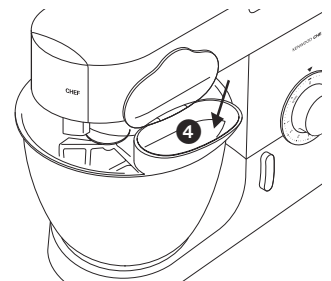
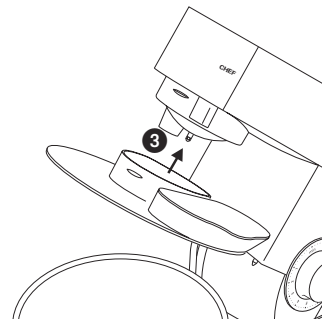
problème

- Le batteur s'arrête pendant l'utilisation.
- solution • Votre batteur est équipé d'un dispositif de protection contre les surcharges, il s'arrête en cas de surcharge. Si cela se produit, éteignez et débranchez le batteur. Retirez une partie des ingrédients pour réduire la charge et laissez le batteur reposer pendant quelques minutes. Rebranchez-le et sélectionnez une vitesse. Si le batteur ne redémarre pas immédiatement, laissez-le reposer un peu plus longtemps.



installation et utilisation du couvercle de protection

- 1 Levez la tête du batteur jusqu'en position verrouillée.
- 2 Installez le bol sur le socle.
- 3 Placer le couvercle anti-éclaboussures sur la partie inférieure de la tête du mélangeur ❸ jusqu'à insertion complète. La partie montée doit être positionnée tel qu'indiqué sur le schéma.
- 4 Insérez l'outil nécessaire.
- 5 Abaissez la tête du batteur.
- Durant le mélange, les ingrédients peuvent être ajoutés directement dans le bol par la section articulée du couvercle de protection ❹.
- Vous n'avez pas besoin d'enlever le couvercle de protection pour changer d'outil.
- 6 Retirez le couvercle de protection en le faisant glisser vers le bas après avoir soulevé la tête du batteur.

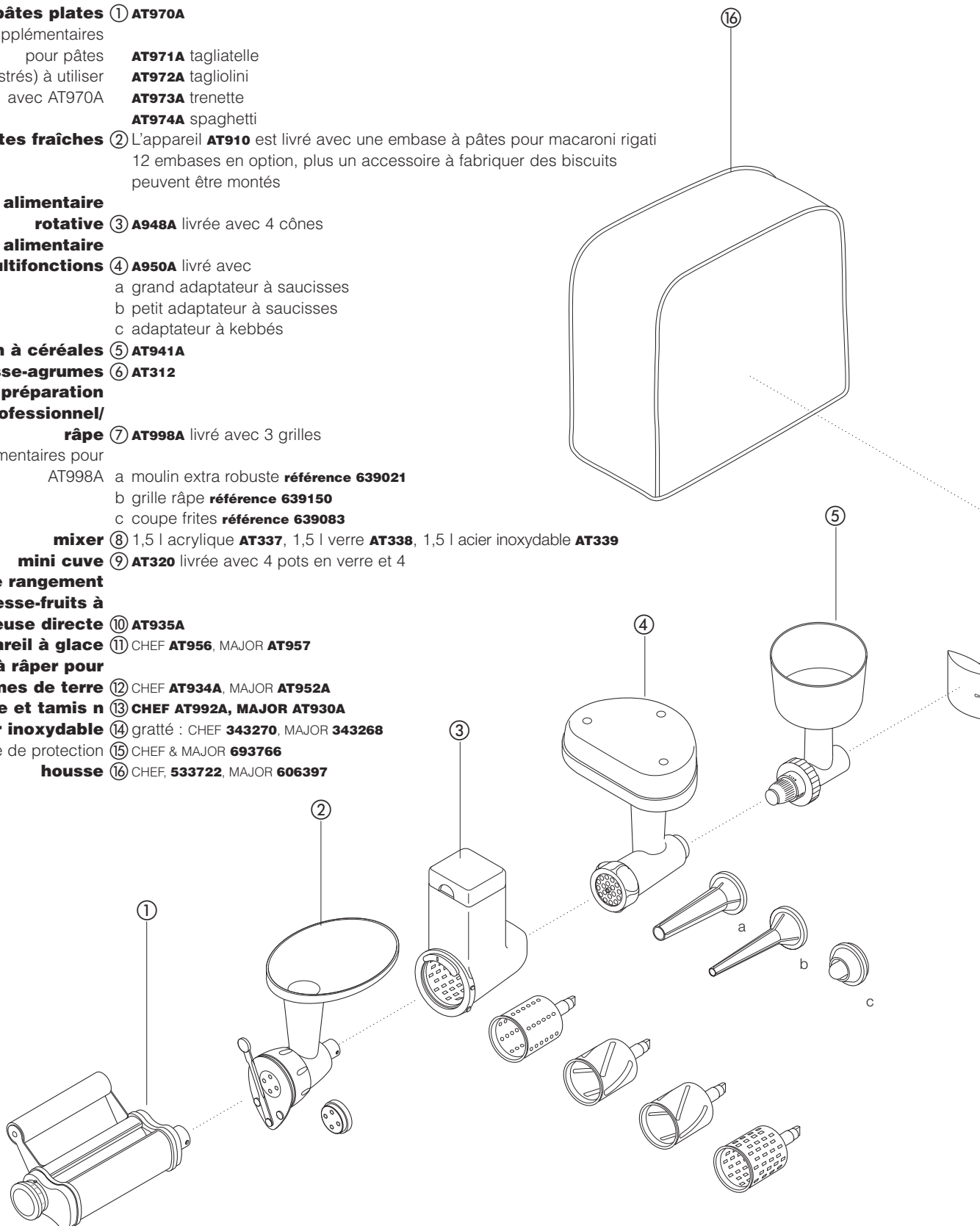


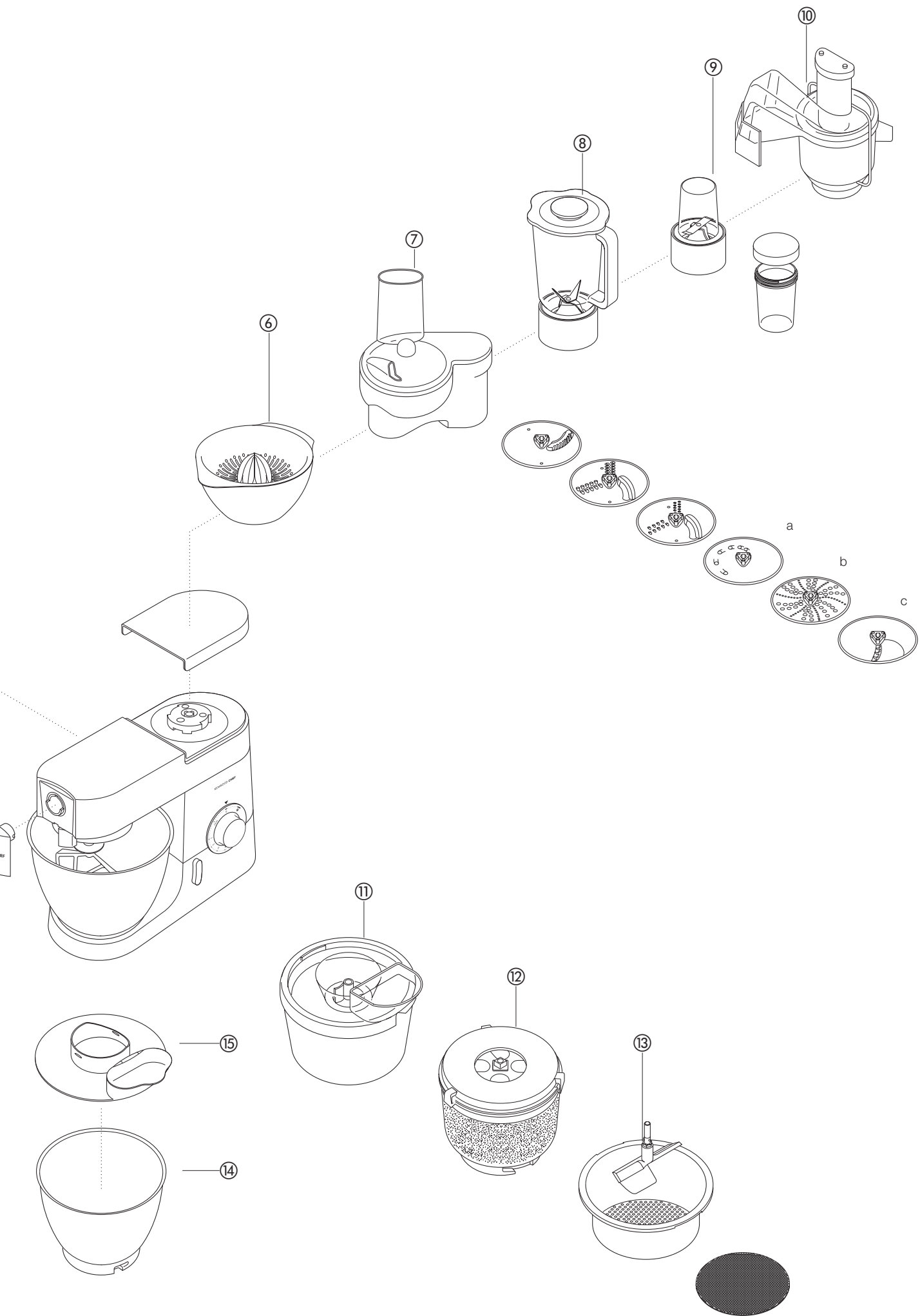
les **accessoires** disponibles

Si vous souhaitez acheter un accessoire qui n'a pas été livré avec votre appareil, contactez votre spécialiste conseil KENWOOD.

accessoire code accessoire

- appareil à pâtes plates** ① **AT970A**
 accessoires supplémentaires pour pâtes (non illustrés) à utiliser avec AT970A
AT971A tagliatelle
AT972A tagliolini
AT973A trenette
AT974A spaghetti
- appareil à pâtes fraîches** ② L'appareil **AT910** est livré avec une embase à pâtes pour macaroni rigati
 12 embases en option, plus un accessoire à fabriquer des biscuits peuvent être montés
- râpe-tambour alimentaire rotative** ③ **A948A** livrée avec 4 cônes
- hachoir alimentaire multifonctions** ④ **A950A** livré avec
 a grand adaptateur à saucisses
 b petit adaptateur à saucisses
 c adaptateur à kebbés
- moulin à céréales** ⑤ **AT941A**
- presse-agrumes** ⑥ **AT312**
- cuve de préparation épilucheur professionnel/**
- râpe** ⑦ **AT998A** livré avec 3 grilles
 grilles supplémentaires pour AT998A
 a moulin extra robuste **référence 639021**
 b grille râpe **référence 639150**
 c coupe frites **référence 639083**
- mixer** ⑧ 1,5 l acrylique **AT337**, 1,5 l verre **AT338**, 1,5 l acier inoxydable **AT339**
- mini cuve** ⑨ **AT320** livrée avec 4 pots en verre et 4 couvercles de rangement
- presse-fruits à centrifugeuse directe** ⑩ **AT935A**
- appareil à glace** ⑪ CHEF **AT956**, MAJOR **AT957**
- disque à râper pour pommes de terre** ⑫ CHEF **AT934A**, MAJOR **AT952A**
- passoire et tamis n** ⑬ CHEF **AT992A**, MAJOR **AT930A**
- bols en acier inoxydable** ⑭ gratté : CHEF **343270**, MAJOR **343268**
 couvercle de protection ⑮ CHEF & MAJOR **693766**
 housse ⑯ CHEF **533722**, MAJOR **606397**



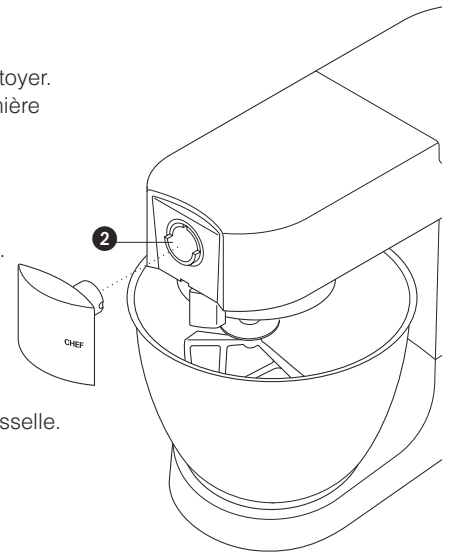


nettoyage de l'appareil et service après-vente

entretien et nettoyage

- Eteignez toujours votre appareil et débranchez-le avant de le nettoyer.
- Un peu de graisse peut apparaître à l'**orifice 2** lors de la première utilisation. C'est normal, il vous suffit de l'essuyer.

- | | |
|--------------------------------|---|
| robot, couvercles des orifices | <ul style="list-style-type: none">• Essuyez-les avec un chiffon humide, puis séchez-les.• N'utilisez jamais d'abrasifs et n'immergez jamais dans l'eau. |
| bol | <ul style="list-style-type: none">• Lavez-le à la main puis essuyez-le ou lavez le en lave-vaisselle.• N'utilisez jamais de brosse métallique, de paille de fer ou de chlore pour nettoyer votre bol en acier inoxydable. Utilisez du vinaigre pour enlever le calcaire.• Tenez le bol à l'écart de la chaleur (plaques de cuisson, fours conventionnels, fours à micro-ondes). |
| ustensiles | <ul style="list-style-type: none">• Laver à la main, puis sécher minutieusement ou laver au lave-vaisselle. |
| couvercle de protection | <ul style="list-style-type: none">• Lavez-le à la main, puis séchez-le entièrement. |



service après-vente et assistance clientèle

- Si le cordon souple de votre robot est endommagé, il faut impérativement, pour des raisons de sécurité, que celui-ci soit remplacé par un réparateur agréé KENWOOD ou par KENWOOD.

Si vous avez besoin d'assistance pour:

- utiliser votre appareil
- commander un autre accessoire
- faire réparer ou entretenir votre appareil:
Contactez le magasin où vous avez acheté votre appareil.

recettes

Pour connaître les points importants de la fabrication du pain, veuillez vous reporter à la page 12.

pain blanc *pâte levée sucrée*

ingrédients

Les quantités mentionnées correspondent aux robots de la série KMM700. Pour les robots de la série KMC500, diviser par deux les quantités et ajouter la farine en une seule fois.

- 2,6kg de farine ordinaire
- 1,3 litre de lait
- 300g de sucre
- 450g de margarine
- 100g de levure fraîche ou 50g de levure sèche
- 6 oeufs, préalablement battus
- 5 pincées de sel

méthode

- 1 Faites dissoudre la margarine dans le lait et portez la température à 43°C.
- 2 **levure sèche** (à reconstituer) : Ajoutez la levure et le sucre au lait et laissez reposer pendant environ 10 minutes jusqu'à ce que le mélange obtenu soit mousseux.
levure fraîche: incorporez à la farine en émiettant et ajoutez le sucre.
autres types de levure : reportez-vous aux instructions du fabricant.
- 3 Versez le lait dans le bol, ajoutez-y les oeufs battus et 2kg de farine.
- 4 Mélangez à la vitesse minimale pendant 1 minute puis à la vitesse 1 pendant une minute supplémentaire.
- 5 Ajoutez le reste de la farine et le sel et mélangez le tout à la vitesse minimale pendant une minute, puis à la vitesse 1 pendant 2 - 3 minutes jusqu'à ce le mélange soit homogène et bien mélangé.
- 6 Remplissez à moitié plusieurs moules de 450g avec la pâte. (Ces moules doivent être préalablement beurrés) ou bien réalisez des petits pains avec la pâte. Couvrez ensuite avec un torchon de cuisine et laissez reposer dans un endroit chaud jusqu'à ce que la pâte ait doublé de volume.
- 7 Faites cuire à 200°C/Thermostat 6 pendant 20 - 25 minutes pour les *miches de pain* et 15 minutes pour les *petits pains*.
- 8 Lorsque le pain est cuit, il doit sonner creux lorsqu'on le tapote sur la base.

- Permet de réaliser environ 10 miches de pain.

gâteau aux fraises et aux abricots

ingrédients: type gâteau de Savoie

- 3 oeufs
- 75g de sucre en poudre
- 75g de farine
- 150ml de crème fraîche épaisse
- Sucre à volonté
- 225g de fraises
- 225g d'abricots

garniture et décoration

méthode

- 1 Coupez les abricots en deux et retirez les noyaux. Faites cuire à petit feu dans très peu d'eau, en ajoutant du sucre selon votre goût, jusqu'à ce que le mélange devienne moelleux.
- 2 Lavez et coupez les fraises en deux.
- 3 Pour réaliser la génoise du gâteau, fouettez les oeufs et le sucre à la vitesse maximum jusqu'à ce que le mélange soit de couleur pâle et de consistance épaisse.
- 4 Retirez le bol et le fouet. Incorporez la farine à la main à l'aide d'une grande cuillère métallique – effectuez cette opération avec soin afin de préserver la légèreté de la génoise.
- 5 Mettez le mélange ainsi obtenu dans deux moules à manqué de 18cm préalablement beurrés.
- 6 Faites cuire à 180°C/Thermostat 4 pendant environ 20 minutes jusqu'à ce que le gâteau soit de consistance ferme et élastique lorsque vous le touchez légèrement.
- 7 Démoulez le gâteau et laissez-le refroidir sur une grille de cuisson.
- 8 Fouettez la crème à la vitesse maximale jusqu'à ce qu'elle prenne une consistance ferme. Ajoutez le sucre selon votre goût.
- 9 Hachez grossièrement les abricots et un tiers des fraises, puis incorporez-les lentement dans la moitié de la quantité de crème.
- 10 Étalez cette préparation entre les deux biscuits.
- 11 Recouvrez le dessus du gâteau avec la crème restante et décorez avec les fraises restantes.

recettes *suite*

meringues

- ingrédients
- 4 blancs d'oeufs
 - 250g de sucre glace, tamisé
- méthode
- 1 Recouvrez votre grille de cuisson avec du papier de cuisson non-collant.
 - 2 Battez les blancs d'oeufs et le sucre à la vitesse maximum pendant environ 10 minutes jusqu'à ce que le mélange fasse des petits pics à la surface lorsque vous en retirez le fouet.
 - 3 Déposez le mélange ainsi obtenu sur la plaque de cuisson (ou utilisez un sac à douille en étoile de 2,5cm).
 - 4 Faites cuire à 110°C/Thermostat ¼ pendant environ 4 - 5 heures jusqu'à ce que les meringues soient fermes et croustillantes.
Si les meringues commencent à brunir, laissez la porte du four légèrement entrouverte.
- Conservez les meringues dans une boîte hermétique.

pâte brisée

- ingrédients
- 450g de farine tamisée avec du sel
 - 5ml de sel
 - 225g de matière grasse (mélange de lard et de margarine directement sortis du réfrigérateur)
 - Environ 80ml d'eau (soit l'équivalent de 4 cuillères à soupe)
- astuce
- Ne mélangez pas pendant trop longtemps.
- méthode
- 1 Mettez la farine dans le bol. Découpez la matière grasse que vous utilisez en morceaux grossiers et ajoutez à la farine.
 - 2 Mélangez à vitesse 1 jusqu'à obtenir l'apparence de miettes de pain. Arrêtez avant d'obtenir une apparence grasse.
 - 3 Ajoutez l'eau et mélangez à la vitesse minimale. Arrêtez dès que l'eau est bien incorporée au mélange.
 - 4 Faites cuire à environ 200°C/Thermostat 6, selon la garniture.

soupe aux carottes et à la coriandre

- ingrédients
- 25 g de beurre
 - 1 oignon émincé
 - 1 gousse d'ail écrasée
 - 480 g de carottes coupées en dés de 1,5 cm pour un récipient d'une contenance de 1,2 l
 - 600 g de carottes coupées en dés de 1,5 cm pour un récipient d'une contenance de 1,5 l
 - bouillon de poulet froid
 - 10-15 ml (2 à 3 cuillères à café) de coriandre hachée
 - sel et poivre
- méthode
- 1 Faites fondre le beurre dans une poêle, ajoutez l'ail, l'oignon et faites fondre le tout.
 - 2 Mettre les carottes dans le bol mélangeur, ajouter l'oignon et l'ail. Ajouter une quantité de bouillon suffisante pour atteindre le repère maximum de 1,2 ou 1,5 indiqué sur le récipient. Mettre en place le couvercle et le bouchon de l'entonnoir.
 - 3 Mélangez à vitesse maximum pendant 5 secondes pour obtenir une soupe avec morceaux ou plus longtemps pour obtenir une soupe plus fine.
 - 4 Versez le mélange dans une casserole, ajoutez la coriandre et l'assaisonnement faites frémir pendant 30 à 35 minutes ou jusqu'à cuisson complète.
 - 5 Ajustez l'assaisonnement si nécessaire et ajoutez éventuellement du liquide.

Ihre Küchenmaschine von Kenwood

vor Gebrauch Ihres Kenwood-Gerätes

- Lesen Sie diese Anleitung sorgfältig durch und bewahren Sie diese zur späteren Benutzung auf.
- Entfernen Sie jegliches Verpackungsmaterial und alle Aufkleber.

Wichtige Sicherheitshinweise

- Vor dem Einsetzen oder Abnehmen von Rührgeräten oder Zubehörteilen, nach dem Gebrauch und vor dem Reinigen immer ausschalten und Netzstecker ziehen.
- Greifen Sie nicht in rotierende Teile und montierte Vor- und Aufsätze.
- Lassen Sie die Maschine nie unbeaufsichtigt eingeschaltet. Halten Sie Kinder von der Maschine fern.
- Benutzen Sie eine beschädigte Maschine nicht weiter, sondern lassen Sie sie vor Benutzung überprüfen und reparieren - siehe Seite 24, Abschnitt 'Kundendienst'.
- Der Mixer darf nie betrieben werden, wenn sich der Kopf in der hochgestellten Position befindet.
- Achten Sie darauf, dass kein Kabel in Reichweite eines Kindes ist.
- Achten Sie darauf, dass Motorblock, Kabel und Stecker niemals nass werden.
- Verwenden Sie nur das von Kenwood zugelassene Zubehör, und immer nur ein Zubehörteil auf einmal.
- Überschreiten Sie die auf Seite 20 angegebenen Höchstmengen nicht.
- Beachten Sie die mit jedem Zubehörteil mitgelieferten Sicherheitsanweisungen.
- Heben Sie das Gerät vorsichtig an, denn es ist schwer. Vergewissern Sie sich vor dem Anheben, dass der Kopf arretiert ist und dass die Schüssel, Werkzeuge, Abdeckungen und das Kabel fest sitzen.
- Dieses Gerät darf weder von physisch noch von geistig behinderten oder in ihrer Bewegung eingeschränkten Personen (einschließlich Kinder) benutzt werden. Auch dürfen Personen die weder Erfahrung noch Kenntnis im Umgang mit dem Gerät haben, dieses erst nach Anweisungen durch eine für ihre Sicherheit zuständige Person in Betrieb nehmen.
- Kinder müssen überwacht werden, damit sie mit dem Gerät nicht spielen.
- Verwenden Sie das Gerät nur für seinen vorgesehenen Zweck im Haushalt. Bei unsachgemäßer Benutzung oder Nichteinhaltung dieser Anweisungen übernimmt Kenwood keinerlei Haftung.

Vor dem Einschalten

- Überprüfen Sie, ob die Spannung Ihres Stromnetzes mit der auf dem Typenschild (auf der Unterseite der Maschine) angegebenen Spannung übereinstimmt.
- Diese Maschine erfüllt die Richtlinie 89/336/EEC der Europäischen Union.

Vor dem Gebrauch

- Waschen Sie alle Teile ab - siehe Seite 24, 'Reinigung und Pflege'.

Gerätebeschreibung

Anschlüsse ① Hochgeschwindigkeitsantrieb

② Langsamer Antrieb

③ Planetenantrieb

Die Maschine ④ Rührarm

⑤ Verschlusshebel

⑥ Rührschüssel

⑦ Auflagesitz für die Schüssel

⑧ Entriegelungshebel für Rührarm

⑨ Ein/Ausschalter und Geschwindigkeitsregler

⑩ Motoreinheit

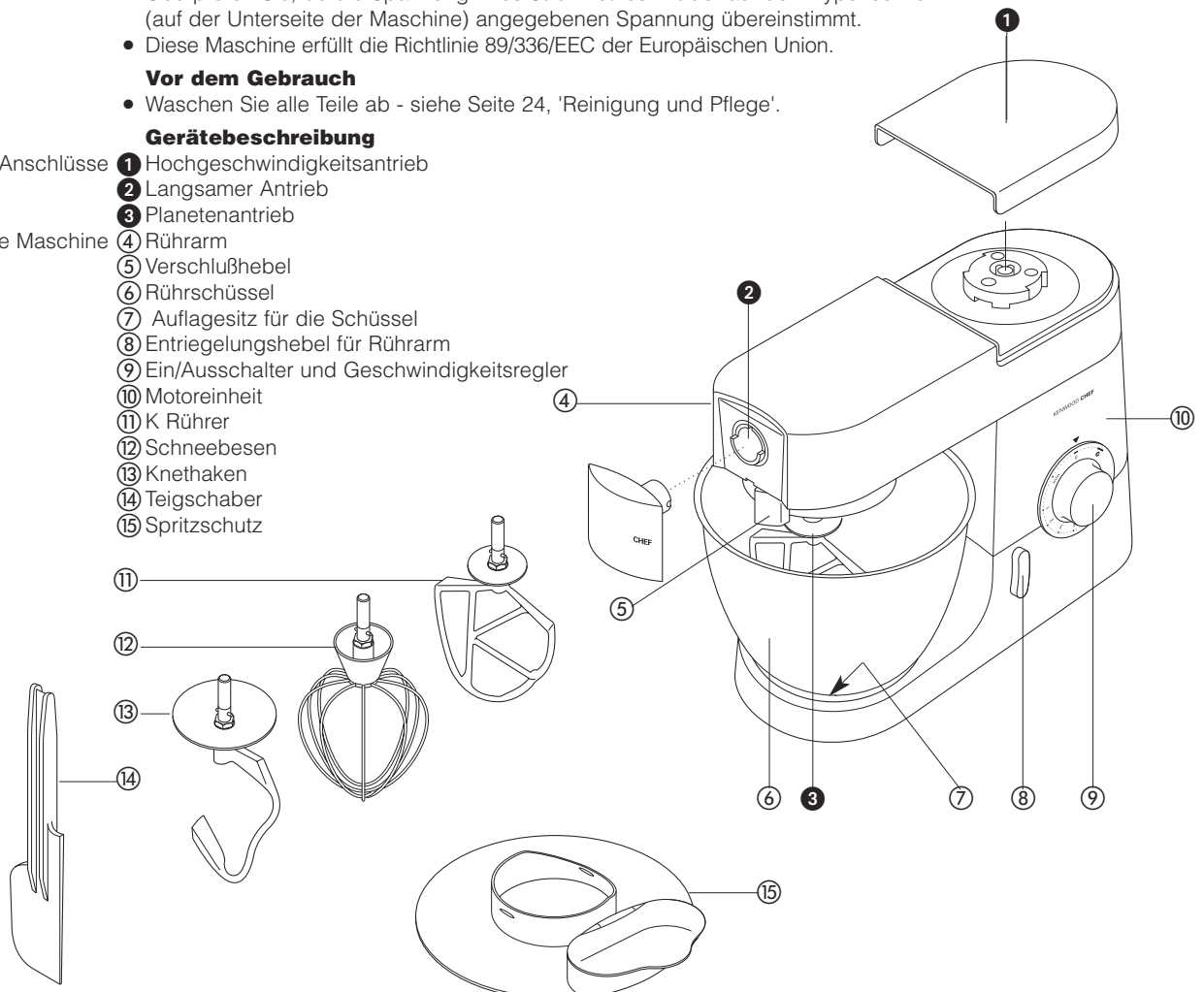
⑪ K Rührer

⑫ Schneebesens

⑬ Knethaken

⑭ Teigschaber

⑮ Spritzschutz



Die Maschine

Die Rührwerkzeuge und ihr Gebrauch

- K-Rührer • für Kuchen-, Mürbe-, Torten-, Blätter- und Nudelteig
- Schneebeesen • zum Aufschlagen von Eiern, Sahne, Waffel- und Brandteig, Bisquitteig, Mousses, Soufflés usw. Nicht verwenden für schwere Mischungen - der Schneebeesen kann dabei zerbrechen.
- Knethaken • für Hefeteig, Brotteig

Gebrauch der Maschine

- Rührwerkzeug einsetzen
- 1 Den Entriegelungshebel für den Rührarm gegen den Uhrzeigersinn drehen ① und den Rührarm hochschwenken, bis er einrastet.
 - 2 Bis zum Einrasten einschieben ② dann drehen.
 - 3 Die Rührschüssel auf den Fuß aufsetzen - nach unten drücken und im Uhrzeigersinn drehen ③
 - 4 Den Entriegelungshebel gegen den Uhrzeigersinn drehen und den Rührarm bis zum Einrasten nach unten schwenken..
 - 5 Zum Einschalten Geschwindigkeitsschalter auf die gewünschte Einstellung drehen.
 - Zum Intervall-Rühren den Regler auf Impulsbetrieb **P** stellen.
- Rührwerkzeug entfernen
- 6 Gegen den Uhrzeigersinn drehen und nach unten herausziehen.

- Tips
- Falls nötig die Maschine ausschalten und mit dem Teigschaber die Masse vom Schüsselrand lösen.
 - Eier lassen sich am leichtesten aufschlagen, wenn sie Zimmertemperatur haben.
 - Vor dem Schlagen von Eiweiß darauf achten, daß kein Fett oder Eigelb am Schneebeesen oder an der Schüssel haftet.
 - Bleibt Teig am Schüsselboden un bearbeitet, die Einstellung der Rührwerkzeuge überprüfen.

Brotteig

- Wichtig
- Die unten angegebenen Höchstmengen nicht überschreiten, damit die Maschine nicht überlastet wird.
 - Wenn die Maschine schwer läuft: Maschine abschalten, die Hälfte der Teigmenge herausnehmen und jede Hälfte gesondert kneten.
 - Zuerst die trockenen Zutaten mischen, dann bei laufender Maschine Flüssigkeiten zufügen.

Höchstfüllmengen

CHEF

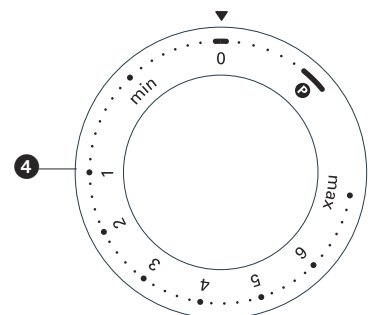
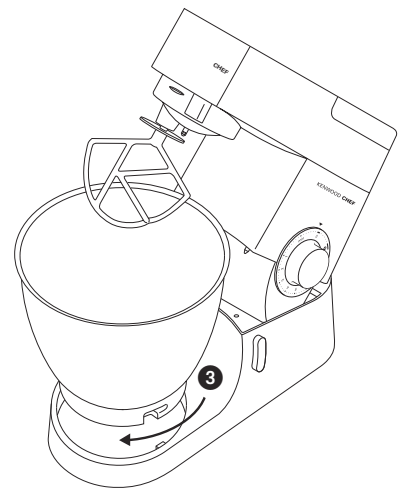
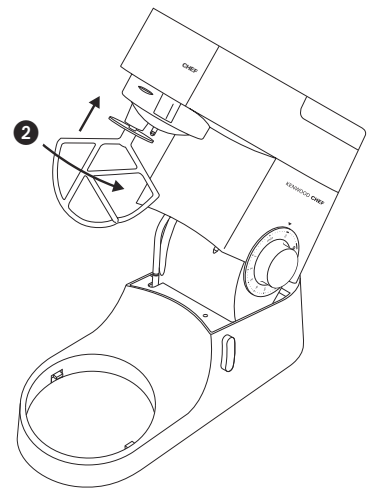
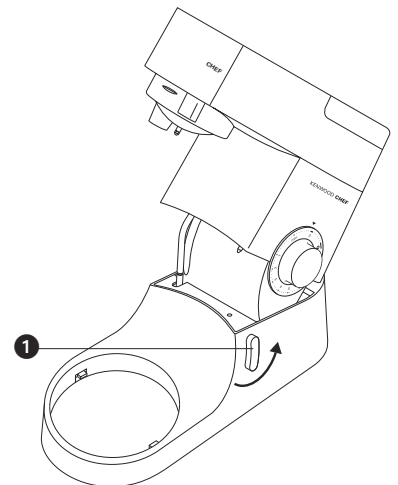
MAJOR

- Mürbeteig** • Mehlgewicht: 680 g
- Fester Hefeteig** • Mehlgewicht: 1.36kg
- Gesamtgewicht: 2.18kg
- Weicher Hefeteig** • Mehlgewicht: 1.3kg
- Gesamtgewicht: 2.5kg
- Früchtekuchen-Mischung** • Gesamtgewicht: 2.72kg
- Eiweiß** • 12

- Mehlgewicht: 910g
- Mehlgewicht: 1.5kg
- Gesamtgewicht: 2.4kg
- Mehlgewicht: 2.6kg
- Gesamtgewicht: 5kg
- Gesamtgewicht: 4.55kg
- 16

Geschwindigkeiten ④

- K-Rührer • **Verrühren von Fett und Zucker** Mit minimaler Geschwindigkeitsstufe beginnen, nach und nach bis auf Max erhöhen.
- **Eier cremig schlagen** 4-'Max'.
- **Mehl, Obst etc. unterrühren** Min-1.
- **Backmischungen** Mit minimaler Geschwindigkeitsstufe beginnen, nach und nach bis auf Max erhöhen.
- **Verrühren von Fett und Mehl** Min-2.
- Schneebeesen • Allmählich bis max steigern.
- Knethaken • mit 'min' beginnend, allmählich bis '1' steigern.



Reinigung siehe Seite 24

Fehlersuche

Problem

- Schneebesen oder K-Rührer schlagen gegen den Boden der Rührschüssel oder erreichen die Zutaten am Boden der Rührschüssel nicht.

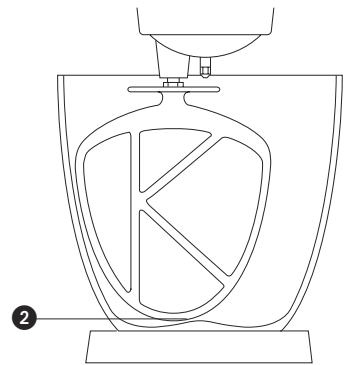
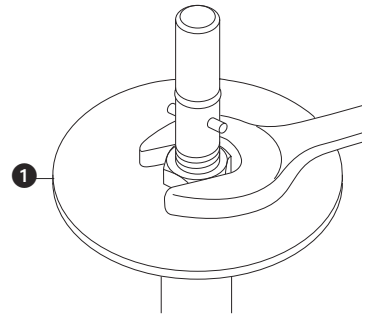
Lösung • Höheneinstellung folgendermaßen anpassen:

- 1 Den Netzstecker der Maschine ziehen.
- 2 Mixerkopf anheben und Schneebesen oder Teigrührer einsetzen.
- 3 Festhalten, dann Schraubenmutter ❶ lösen.
- 4 Mixerkopf senken.
- 5 Höhe durch Drehen des Schafts einstellen. Im Idealfall sollte der Schneebesen/K-Teigrührer **beinahe** den Schüsselboden ❷ berühren.
- 6 Kopf anheben, Schneebesen/K-Teigrührer festhalten und Schraubenmutter anziehen.

Problem

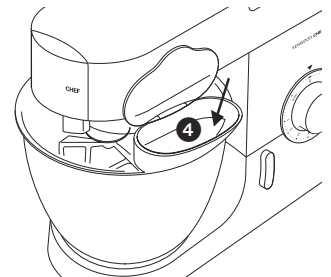
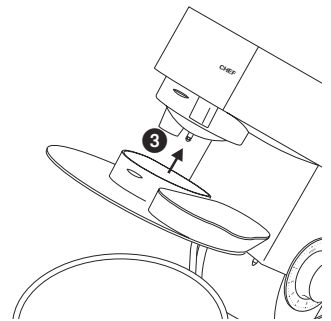
- Der Mixer stoppt im Betrieb.

Lösung • Ihr Mixer ist mit einem Überlastschutz ausgestattet und stoppt bei Überlastung, um die Maschine zu schützen. Wenn dies passiert, schalten Sie den Mixer ab und ziehen den Stecker aus der Steckdose. Entfernen Sie einen Teil der Zutaten, um die Belastung zu verringern und lassen Sie den Mixer einige Minuten ruhen. Stecken Sie den Stecker wieder in die Steckdose und wählen Sie erneut die gewünschte Geschwindigkeit. Wenn der Mixer nicht sofort wieder startet, lassen Sie ihn noch eine Weile ruhen.



Anbringen und Verwenden Ihres Spritzschutzes

- 1 Mixerkopf anheben, bis er einrastet.
- 2 Schüssel auf den Sockel aufsetzen.
- 3 Spritzschutz auf die Unterseite des Mixerkopfes ❸ drücken, bis er fest sitzt. Der Scharnierabschnitt sollte sich in der gezeigten Position befinden.
- 4 Das gewünschte Rührwerkzeug einsetzen.
- 5 Rührkopf absenken.
 - Während des Mixvorgangs können durch die Öffnung im Spritzschutz weitere Zutaten direkt zugegeben werden ❹.
 - Zum Auswechseln der Rührwerkzeuge ist es nicht erforderlich, den Spritzschutz zu entfernen.
- 6 Zum Abnehmen des Spritzschutzes den Rührarm anheben und den Spritzschutz abziehen.



Das erhaltliche **Zubehör**

Zubehöerteile, die nicht mit der Maschine mitgeliefert wurden, erhalten Sie bei Ihrem Kenwood-Händler.

Hinweis: nicht alle hier abgebildeten Zubehöerteile sind lieferbar.

vorsatz vorsatz-code

flacher Nudelvorsatz ① **AT970A**

weitere Nudelvorsätze
(nicht gezeigt) zur
Verwendung mit AT970A

AT971A Tagliatelle
AT972A Tagliolini
AT973A Trenette
AT974A Spaghetti

nudelvorsatz ② **AT910** wird mit einer Düse für Maccheroni rigati geliefert
12 Düsen plus Plätzchen-Aufsatz können wahlweise eingesetzt werden.

**langsamer Schlitz/
Rotierender Schneider** ③ **A948A** wird mit 4 Trommeln geliefert
Multi-Mahlwerk ④ **A950A** wird mit

a großer Wurstdüse
b kleiner Wurstdüse
c Kebbe-Vorsatz geliefert

getreidemühle ⑤ **AT941A**

Zitruspresse ⑥ **AT312**

Pro Schneide/Raspel ⑦ **AT998A** enthält 3 Schneidscheiben als Standard

Optionale Scheiben für AT998A
a Zusätzliche Grobreibe **Teilnummer 639021**
b Raspelscheibe **Teilnummer 639150**
c Standard-Schnitzelwerk **Teilnummer 639083**

Pürierer ⑧ 1,5 l Acryl **AT337**, 1,5 l Glas **AT338**, 1,5 l Edelstahl **AT339**

Multimühle ⑨ **A938A** mit 4 Glasgefäßen und 4 Deckeln zum Aufbewahren

Nonstop-Zentrifugalensafter ⑩ **AT935A**

Eismaschine ⑪ CHEF **AT956**, MAJOR **AT957**

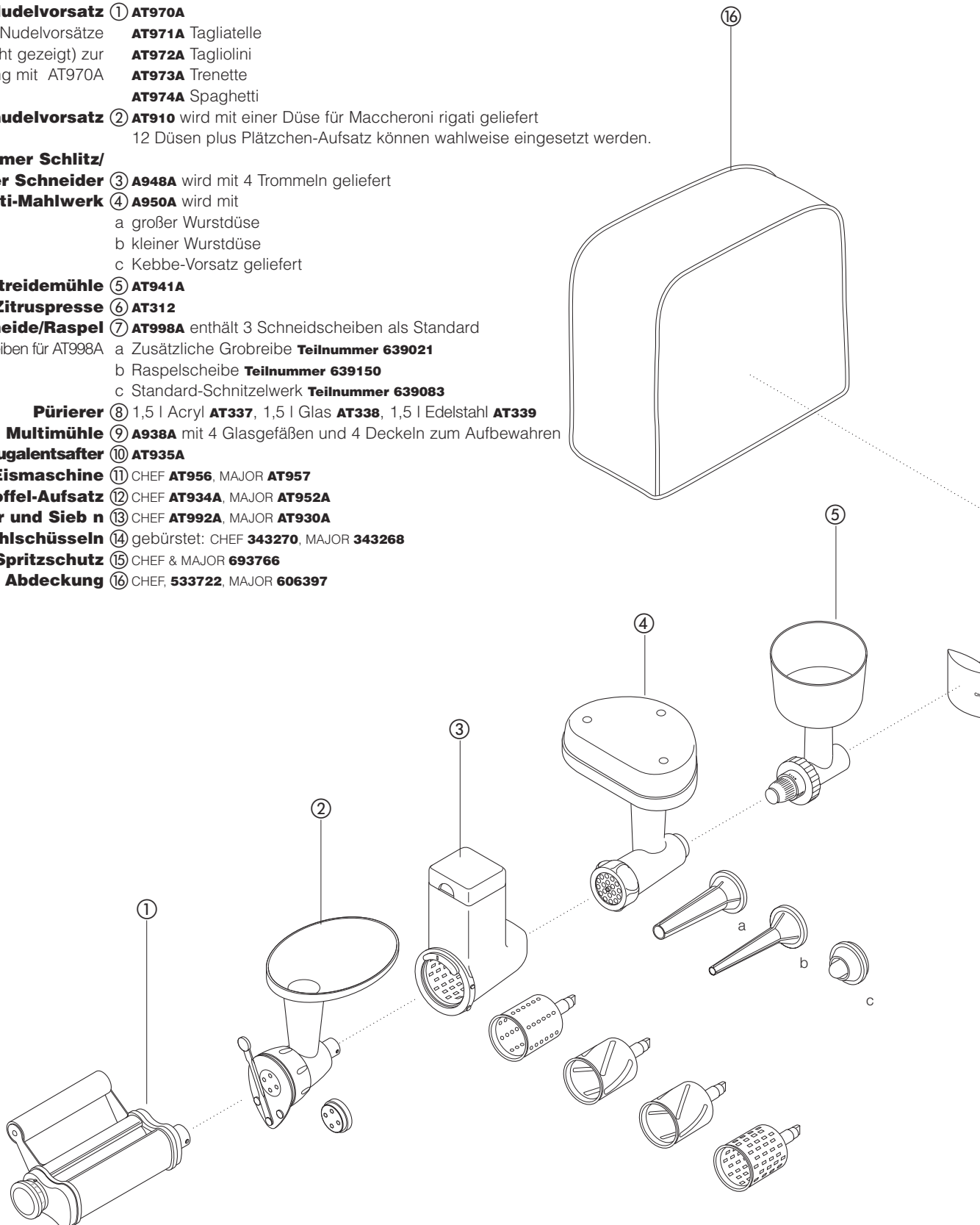
Kartoffel-Aufsatz ⑫ CHEF **AT934A**, MAJOR **AT952A**

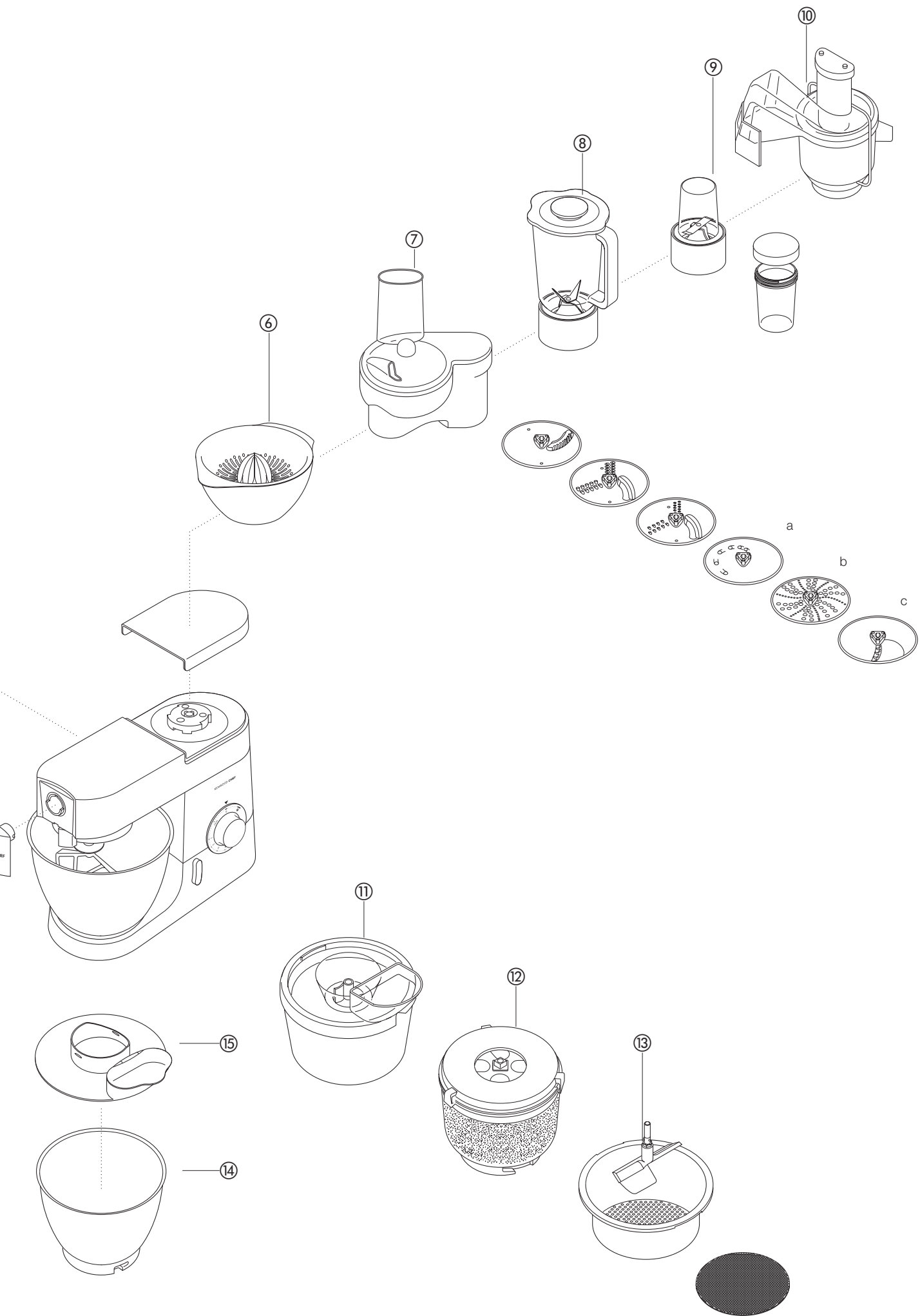
Kolander und Sieb n ⑬ CHEF **AT992A**, MAJOR **AT930A**

Edelstahlschüsseln ⑭ gebürstet: CHEF **343270**, MAJOR **343268**

Spritzschutz ⑮ CHEF & MAJOR **693766**

Abdeckung ⑯ CHEF **533722**, MAJOR **606397**



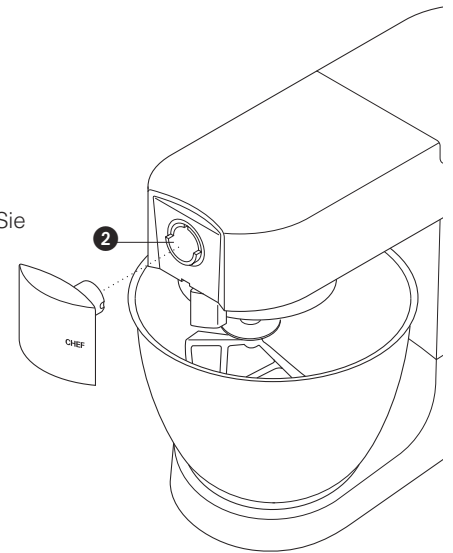


Reinigung und Kundendienst

Reinigung und Pflege

- Vor dem Reinigen die Maschine immer ausschalten und den Netzstecker ziehen.
- An der Öffnung ② kann beim erstmaligen Gebrauch etwas Fett erscheinen. Das ist normal – wischen Sie es einfach ab.

- Stromaggregat, Abdeckungen
- Wischen Sie die Teile mit einem feuchten Tuch ab und trocknen Sie sie ab.
 - Keine Scheuermittel verwenden, nicht in Wasser tauchen.
- Schüssel
- Von Hand waschen, dann gründlich abtrocknen, oder in der Geschirrspülmaschine reinigen.
 - Zum Reinigen Ihrer Edelstahlschüssel darf niemals eine Drahtbürste, Stahlwolle oder Bleiche verwendet werden. Zum Entfernen von Kalkflecken Essig verwenden.
 - Von Hitze fern halten (Herdscheiben, Öfen, Mikrowellen).
- Werkzeug
- Von Hand waschen und gründlich abtrocknen oder in der Geschirrspülmaschine reinigen.
- Spritzschutz
- Von Hand waschen und gründlich abtrocknen.



Kundendienst

- Ein beschädigtes Netzkabel darf aus Sicherheitsgründen nur von KENWOOD oder einer autorisierten KENWOOD-Fachwerkstatt repariert werden.

Wenn Sie Hilfe brauchen:

- beim Gebrauch Ihrer Maschine,
- bei der Bestellung weiteren Zubehörs,
- bei Reparaturen oder Wartungsdienst wenden Sie sich bitte an den Händler, bei dem Sie Ihre Maschine gekauft haben.

Rezepte

Siehe auch die wichtigen Hinweise für Brotteig auf Seite 20.

Weißbrot *weicher Hefeteig*

- zutaten
- 2,6kg Mehl
 - 1,3l Milch
 - 300g Zucker
 - 450g Margarine
 - 100g Frischhefe oder 50g Trockenhefe
 - 6 Eier, geschlagen
 - 5 Prisen Salz
- Diese Menge gilt für die Modelle der Serie KMM700. Für Modelle der Serie KMC500 müssen die Mengen halbiert und das gesamte Mehl auf einmal zugefügt werden.**
- zubereitung
- 1 Die Margarine in der Milch schmelzen und die Mischung auf 43°C erwärmen.
 - 2 **Trockenhefe:** Hefe und Zucker in die Milch geben und etwa 10 Minuten stehen lassen, bis die Hefe geht.
Frischhefe: in das Mehl krümeln und den Zucker zugeben.
sonstige Hefe: Herstellerangaben befolgen.
 - 3 Die Milch in die Rührschüssel gießen, die geschlagenen Eier und 2kg Mehl zugeben.
 - 4 1 Minute bei minimaler Geschwindigkeit mixen, dann eine weitere Minute auf Stufe 1.
Reste vom Rand abkratzen.
 - 5 Das Salz und das restliche Mehl zugeben und bei geringster Geschwindigkeit 1 Minute, dann bei Geschwindigkeit 1 weitere 2 - 3 Minuten kneten, bis ein glatter und gleichmäßiger Teig entstanden ist.
 - 6 Gefettete 450g - Formen zur Hälfte mit dem Teig füllen, oder den Teig zu Brötchen formen. Mit einem Tuch abgedeckt an einem warmen Ort gehen lassen, bis sich das Teigvolumen verdoppelt hat.
 - 7 Backen: *Brotlaibe* 20 - 25 Minuten, *Brötchen* 15 Minuten bei 200°C (Gas Stufe 6).
 - 8 Das Brot ist gar, wenn es bei Klopfen auf die Unterseite hohl klingt.

Erdbeer-Aprikosen-Torte

- zutaten: Bisquitteig
- 3 Eier
 - 75g Zucker
 - 75g Mehl
- Füllung und Dekoration
- 150ml Schlagsahne
 - Zucker nach Geschmack
 - 225g Erdbeeren
 - 225g Aprikosen
- zubereitung
- 1 Aprikosen halbieren und entsteinen. In etwas Wasser mit Zucker nach Geschmack weich kochen.
 - 2 Erdbeeren waschen und halbieren.
 - 3 Für den Teig Eier und Zucker mit dem Schneebesen auf höchster Geschwindigkeitsstufe zu einem weißlichen Schaum aufschlagen.
 - 4 Schüssel und Schneebesen vom Gerät nehmen. Mehl von Hand mit einem großen Metalllöffel untermischen – vorsichtig untermischen, damit der Biskuitboden leicht bleibt.
 - 5 Zwei flache Formen fetten und auslegen und mit der Mischung füllen.
 - 6 Backen: 20 Minuten lang bei 180°C (Gas Stufe 4), bis der Teig bei sanftem Druck zurückfedert.
 - 7 Den Teig auf ein Drahtgitter stürzen.
 - 8 Bei maximaler Geschwindigkeit die Sahne steif schlagen. Zucker nach Geschmack zugeben.
 - 9 Die Aprikosen und ein Drittel der Erdbeeren grob hacken und unter die Sahne heben.
 - 10 Die Sahne-Fruchtmischung auf dem einem Teigboden verteilen, den anderen Boden darauflegen.
 - 11 Die restliche Sahne auf dem oberen Boden verteilen und mit den restlichen Erdbeeren verzieren.

Rezepte (Fortsetzung)

Baiser

- zutaten
- 4 Eiweiß
 - 250g gesiebter Puderzucker
- zubereitung
- 1 Backblech mit Backpapier auslegen.
 - 2 Eiweiß mit Zucker bei maximaler Geschwindigkeit in etwa 10 Minuten steif schlagen.
 - 3 Mit einem Löffel (oder einem Spritzbeutel mit 2,5cm Sterntülle) die Mischung auf das Backblech geben.
 - 4 Bei 110°C (Gas Stufe ¼) 4 - 5 Stunden lang backen, bis die Baiser fest und knusprig sind. Wenn sie braun werden, die Backofentür etwas geöffnet lassen.
- Die Baiser luftdicht verschlossen aufbewahren.

Mürbeteig

- zutaten
- 450g Mehl, mit dem Salz durchgesiebt
 - 5ml Salz
 - 225g Fett (Schmalz und Margarine, gemischt, Kühlschranktemperatur)
 - etwa 80ml (4 El) Wasser
- Tip:
- Nicht überrühren.
- zubereitung
- 1 Das Mehl in die Rührschüssel geben. Das Fett in Flocken zum Mehl geben.
 - 2 Bei Geschwindigkeitsstufe 1 nur so lange mixen, bis Masse aussieht wie Paniermehl. Nicht schmierig werden lassen.
 - 3 Das Wasser zugeben und bei minimaler Geschwindigkeit rühren. Sobald das Wasser aufgenommen ist, das Rührwerk abschalten.
 - 4 Backen: bei etwa 200°C (Gas Stufe 6), Dauer je nach Belag.

Möhren-Koriander-Suppe

- Zutaten
- 25 g Butter
 - 1 gehackte Zwiebel
 - 1 zerdrückte Knoblauchzehe
 - 480 g Möhren, in 1,5 cm große Würfel geschnitten, für ein Gefäß mit einem Fassungsvermögen von 1,2 l
 - 600 g Möhren, in 1,5 cm große Würfel geschnitten, für ein Gefäß mit einem Fassungsvermögen von 1,5 l
 - kalte Hühnerbrühe
 - 10-15 ml (2-3 TL) gemahlener Koriander
 - Salz und Pfeffer
- Zubereitung
- 1 Butter in einer Pfanne schmelzen, Zwiebel und Knoblauch zufügen und glasig dünsten.
 - 2 Möhren in den Mixer geben, Zwiebel und Knoblauch zufügen. So viel Brühe zufügen, dass die Markierung für die Höchstmenge (1,2 bzw. 1,5) auf dem Gefäß erreicht wird. Deckel und Einfüllkappe aufsetzen.
 - 3 5 Sekunden auf Höchstgeschwindigkeit mixen, wenn Sie eine grob pürierte Suppe möchten oder länger für ein feineres Ergebnis.
 - 4 Suppe in einen Topf schütten, Koriander und Gewürze zufügen und Suppe 30 bis 35 Minuten lang köcheln lassen.
 - 5 Bei Bedarf nachwürzen und mehr Flüssigkeit zufügen.

Hinweise für Garantieleistungen

1. Für das an Sie gelieferte Gerät gemäss Rechnung gewährt der Hersteller ab Kaufdatum eine 24-monatige Garantie. Zum Nachweis der Garantie gilt nur der Kaufbeleg.
2. Alle innerhalb der Garantiezeit auftretenden Funktionsfehler, die nachweisbar trotz sachgemäsem Gebrauch entstanden sind, beheben wir bis 24 Monate nach Kaufdatum kostenlos.
Bei gewerblicher Nutzung reduziert sich die Garantieleistung auf 6 Monate.
3. Es bleibt unserer Wahl überlassen, ob wir die defekten Teile reparieren oder austauschen. Ausgetauschte Teile gehen in unser Eigentum über.
4. Durch die Erbringung von Garantieleistungen tritt keine Verlängerung der ab Kaufdatum eingeräumten Garantiezeit ein. Die Garantiezeit für Teile, die im Rahmen der Garantie ausgetauscht werden, läuft mit Ende der Garantiezeit ab.
5. Die Garantie erlischt bei Eingriffen von anderen als autorisierten KENWOOD-Kundendienststellen oder bei der Verwendung anderer als original KENWOOD-Ersatzteile.
6. Unsere autorisierten KENWOOD-Kundendienststellen werden die Instandsetzung so schnell wie möglich durchführen.
7. Von der Garantie ausgenommen sind:
 - Glas- und Kunststoffbruch,
 - Schäden, die auf Nichtbeachtung der Hinweise in der Betriebsanleitung zurückzuführen sind.
 - Schäden, die durch Anschluß an eine falsche Netzspannung oder sonstige unsachgemäße Behandlung des Gerätes oder seiner Teile entstehen, insbesondere Überlastung.
 - Schäden, die auf normale Abnutzung zurückzuführen sind.
 - Transportschäden jeglicher Art melden Sie bitte umgehend, jedoch spätestens 8 Tage nach Auslieferung bei Ihrem Händler, damit er diese reguliert.
8. Durch diese Herstellergarantie wird die gesetzliche Gewährleistungspflicht nicht eingeschränkt.

Im Garantiefall oder bei Reparaturbedarf wenden Sie sich bitte an dem Verkaeuffer (oder an eine autorisierte Kundendienststelle).

Deutschland: Info Line: 0180-2000-422 (0,12€/min)

Per conoscere il vostro apparecchio da cucina Kenwood

prima di utilizzare la vostra apparecchiatura Kenwood

- Leggere attentamente le presenti istruzioni e conservarle come futuro riferimento.
- Rimuovere la confezione e le etichette.

avvertenze

- Spegnerne l'apparecchio e togliere la spina dalla presa di corrente prima di inserire od estrarre utensili/accessori, dopo l'uso e prima della pulizia.
- Tenere le dita lontano dalle parti componenti e dagli accessori inseriti mentre sono in movimento.
- Non allontanarsi mentre l'apparecchio è in funzione e non lasciare che i bambini vi si avvicinino.
- Non usare l'apparecchio se appare danneggiato. Farlo controllare o riparare da personale apposito (vedere a pagina 33 per le informazioni sull'assistenza tecnica).
- Non azionare mai il mixer con la testa nella posizione sollevata.
- Non lasciare mai che il cavo penzoli da una superficie dove un bambino potrebbe afferrarlo.
- Non lasciare mai che il corpo motore, il cavo o la spina si bagnino.
- Non usare accessori diversi da quelli indicati e non inserire più di un accessorio alla volta.
- Non superare la capacità massima dell'apparecchio riguardo la quantità di cibo da inserire (indicazioni a pagina 29).
- Quando si desidera usare un accessorio, leggere le istruzioni di sicurezza che lo corredano.
- Fare attenzione nel sollevare questo apparecchio, che è molto pesante. Controllare che la testa del mixer sia bloccata e che vaschetta, utensili, coperchi e cavo siano ben saldi prima di sollevare l'apparecchio.
- Non consentire l'uso dell'apparecchio a persone (anche bambini) con ridotte capacità psico-fisico-sensoriali, o con esperienza e conoscenze insufficienti, a meno che non siano attentamente sorvegliate e istruite da un responsabile della loro incolumità.
- Sorvegliare i bambini, assicurandosi che non giochino con l'apparecchio.
- Utilizzare l'apparecchio solo per l'uso domestico per cui è stato realizzato. Kenwood non si assumerà alcuna responsabilità se l'apparecchio viene utilizzato in modo improprio o senza seguire le presenti istruzioni.

prima di collegare l'apparecchio alla rete elettrica

- Assicurarsi che la tensione della vostra rete elettrica sia la stessa di quella indicata sulla targhetta sotto l'apparecchio.
- Questo apparecchio è conforme alla Direttiva Comunitaria 89/336/EEC.

prima dell'uso

- Lavare i componenti secondo le istruzioni fornite a pagina 33.

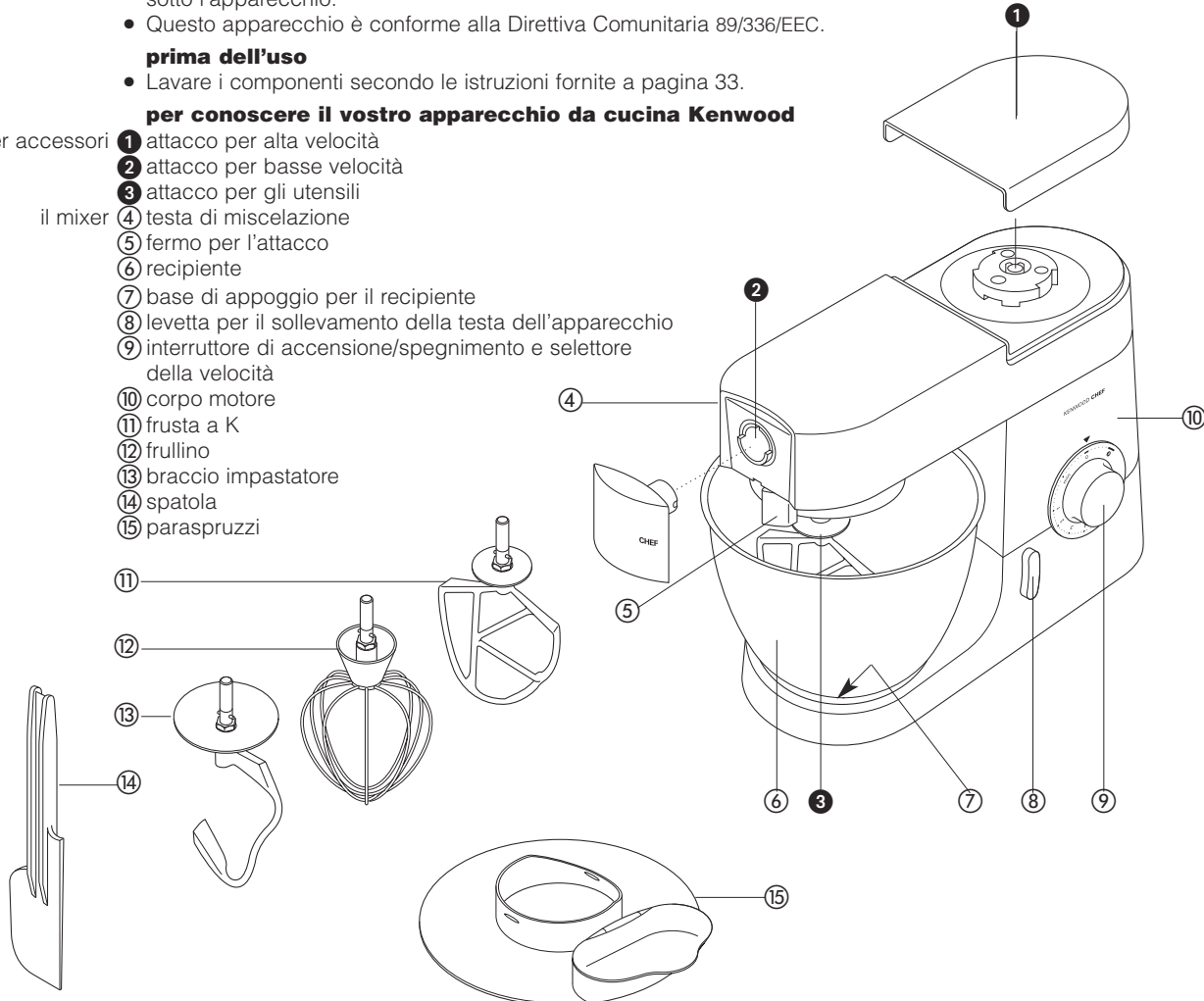
per conoscere il vostro apparecchio da cucina Kenwood

attacchi per accessori

- ① attacco per alta velocità
- ② attacco per basse velocità
- ③ attacco per gli utensili

il mixer

- ④ testa di miscelazione
- ⑤ fermo per l'attacco
- ⑥ recipiente
- ⑦ base di appoggio per il recipiente
- ⑧ levetta per il sollevamento della testa dell'apparecchio
- ⑨ interruttore di accensione/spegnimento e selettore della velocità
- ⑩ corpo motore
- ⑪ frusta a K
- ⑫ frullino
- ⑬ braccio impastatore
- ⑭ spatola
- ⑮ paraspruzzi



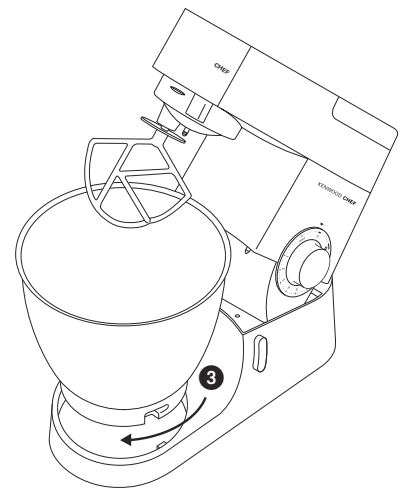
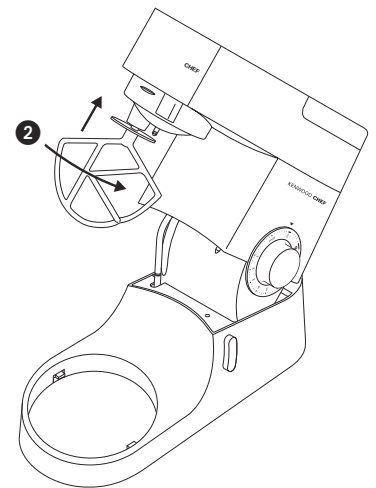
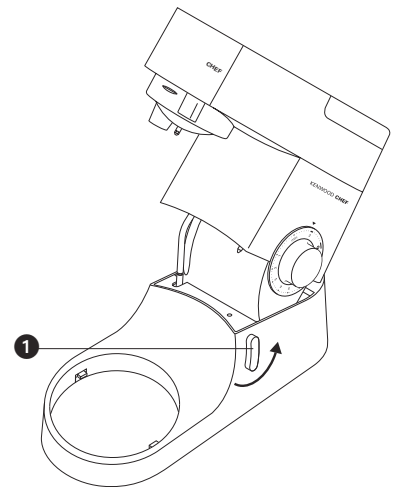
il mixer

utilizzo degli accessori per mescolare

- frusta • Per torte, biscotti, paste frolle, glasse, ripieni, cannoli e per fare il puree di patate.
- frullino • Per uova, panna, pastelle, torte senza grasso, meringhe, torte alla ricotta, mousse, soufflé. Non usare il frullino per miscele dense (per esempio per il grasso di scrematura e per lo zucchero), altrimenti si corre il rischio di danneggiarlo.
- braccio impastatore • Per tutte le miscele a lievitazione.

come usare il mixer

- 1 Girare in senso antiorario la levetta di sollevamento della testa dell'apparecchio **1** e sollevare la testa di miscelazione fino a quando essa non si blocca in posizione.
- 2 Spingere verso l'alto fino a quando si ferma **2** e poi ruotarlo.
- 3 Collocare il recipiente sulla base. Spingerlo verso il basso e ruotare in senso orario **3**.
- 4 Girare in senso antiorario la levetta di sollevamento della testa dell'apparecchio e abbassare la testa di miscelazione finché si chiude con uno scatto.
- 5 Accendere l'apparecchio ruotando il selettore della velocità all'impostazione desiderata.
 - Spostare il selettore sugli impulsi **P** per lavorare gli ingredienti in modo intermittente.
- 6 Svitare per estrarre.



- consigli
- Spegnerne e pulire di frequente la frusta, servendosi della spatola.
 - Per ottenere i migliori risultati, le uova devono essere a temperatura ambiente.
 - Prima di montare gli albumi, accertarsi che frusta e recipiente non presentino residui di grasso o tuorlo d'uovo.
 - Per la pasta frolla usare solo ingredienti freddi, a meno che la ricetta non specifichi diversamente.

promemoria per impastare il pane

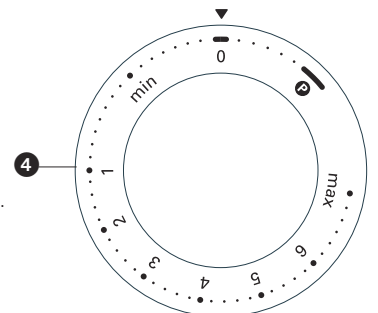
- importante
- Non superare mai le capacità sottoelencate, altrimenti si sovraccarica l'apparecchio.
 - Se l'apparecchio sembra lavorare l'impasto con fatica, spegnerlo, asportare metà dell'impasto e lavorarla separatamente.
 - Gli ingredienti si impastano meglio se si versa il liquido per primo nel recipiente.

capacità massime

CHEF	MAJOR
pasta frolla	Quantità di farina: 680 g
impasto lievitato per pane denso	Quantità di farina: 910 g
impasto lievitato per pane soffice	Quantità di farina: 1,36 kg
miscela per torta alla frutta	Quantità di farina: 1,5 kg
albumi	Quantità totale: 2,18 kg
	Quantità totale: 2,4 kg
	Quantità di farina: 2,6 kg
	Quantità totale: 5 kg
	Quantità totale: 4,55 kg
	16

velocità selezionabili **4**

- frusta • **grassi di scrematura e zucchero:** iniziare al min e portare gradualmente al max.
- **per sbattere le uova in miscele cremose:** 4 - 'max'.
- **per incorporare farina, frutta, ecc:** min - 1.
- **per miscele per torte:** iniziare al min e portare gradualmente al max.
- **per amalgamare il grasso alla farina:** min - 2.
- frullino • Portare gradualmente a 'max'.
- braccio impastatore • Iniziare da 'min' e portare gradualmente a 1.



per informazioni sulla **pulizia** vedere a pagina 33

guida alla ricerca dei guasti

problema

- Il frullino o la frusta battono contro il fondo del recipiente, oppure non riescono ad impastare gli ingredienti sul fondo del recipiente.

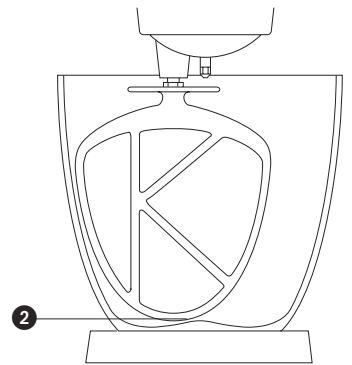
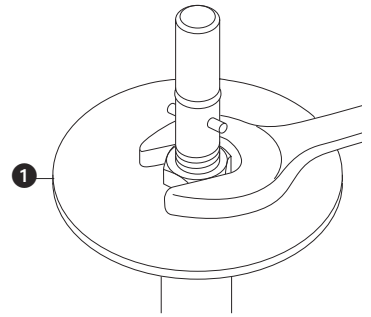
soluzione • Regolare l'altezza. Ecco come fare:

- 1 Staccare la spina dell'apparecchio.
- 2 Sollevare la testa del mixer e inserire la frusta o il frullino.
- 3 Tenere l'accessorio con una mano, quindi allentare il dado ①.
- 4 Abbassare la testa del mixer.
- 5 Regolare l'altezza dell'accessorio ruotandolo. Se possibile il frullino/la frusta a K deve **quasi** toccare il fondo del recipiente ②.
- 6 Sollevare la testa, tenere il frullino/la frusta a K con una mano e infine stringere il dado.

problema

- L'apparecchio si ferma durante il funzionamento.

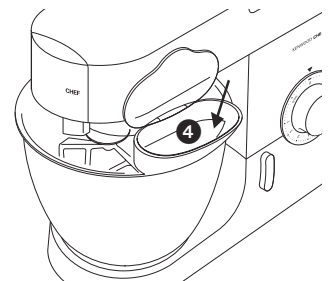
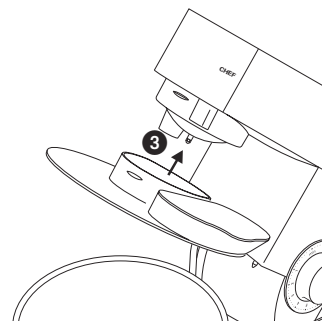
soluzione • L'apparecchio è provvisto di un dispositivo di protezione contro il sovraccarico, che lo ferma a prevenzione del danno. In questo caso, spegnere l'apparecchio e disinserire la spina dalla presa di corrente. Togliere parte degli ingredienti per ridurre il peso, poi lasciare spento l'apparecchio per qualche minuto. A questo punto rimettere la spina nella presa di corrente e riselectare la velocità desiderata. Se l'apparecchio non si riaccende subito, lasciarlo spento per più tempo.



come montare ed usare il paraspruzzi

- 1 Sollevare la testa del mixer finché non si blocca.
- 2 Montare il recipiente sulla base.
- 3 Spingere il paraspruzzi all'interno della parte inferiore della testa del mixer ③ in modo da inserirlo completamente. La sezione incernierata deve essere posizionata come indicato.
- 4 Inserire l'utensile desiderato.
- 5 Abbassare la testa del mixer.

- Mentre si miscela è possibile aggiungere gli ingredienti direttamente nel recipiente, dalla sezione incernierata del paraspruzzi ④.
 - Non occorre togliere il paraspruzzi per cambiare gli utensili.
- 6 Per togliere il paraspruzzi, sollevare la testa del mixer e spostarlo verso il basso.



gli **accessori** disponibili

Se si desidera acquistare un accessorio non incluso nella confezione di questo elettrodomestico, si prega di rivolgersi all'addetto KENWOOD per le riparazioni.

accessorio codice

accessorio per pasta piatta ① **AT970A**

accessori supplementari per pasta (Non illustrato) usati insieme a AT970A

- AT971A** tagliatelle
- AT972A** tagliolini
- AT973A** trenette
- AT974A** spaghetti

accessorio per la pasta ② Il modello **AT910** è dotato di filiera per maccheroni rigati. È possibile montare 12 trafile opzionali nonché la trafile per biscotti

sminuzzatutto ③ **A948A** con 4 elementi

tritattutto ④ **A950A** con

- a accessorio per salsicce grandi
- b accessorio per salsicce piccole
- c accessorio per salsicce kebbe

macinino ⑤ **A941A**

spremiagrumi ⑥ **AT312**

affettatutto/grattugia ⑦ **AT998A** con 3 dischi di taglio

- a sminuzzatutto extra grosso **art. n° 639021**
- b accessorio per raschiare **art. n° 639150**
- c accessorio standard per patatine **art. n° 639083**

frullatore ⑧ 1.5 l acrilico **AT337**, 1.5 l vetro **AT338**, 1.5 l acciaio inossidabile **AT339**

macinatutto spremifrutta a ⑨ **AT320** con 4 caraffe in vetro e 4 coperchio per conservazione

centrifuga non-stop ⑩ **AT935A**

gelatiera ⑪ chef **AT956**, MAJOR **AT957**

attacco per preparare

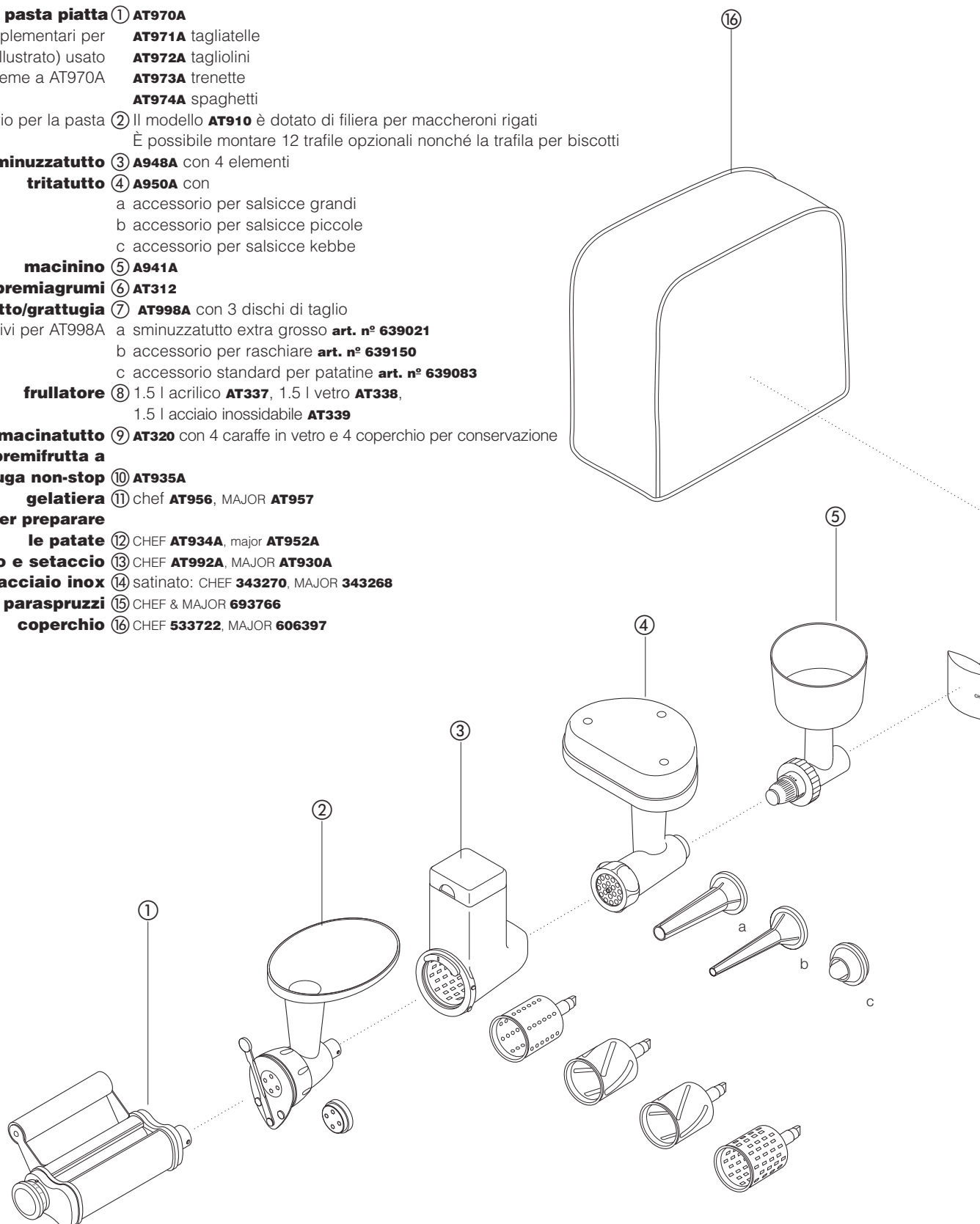
le patate ⑫ CHEF **AT934A**, major **AT952A**

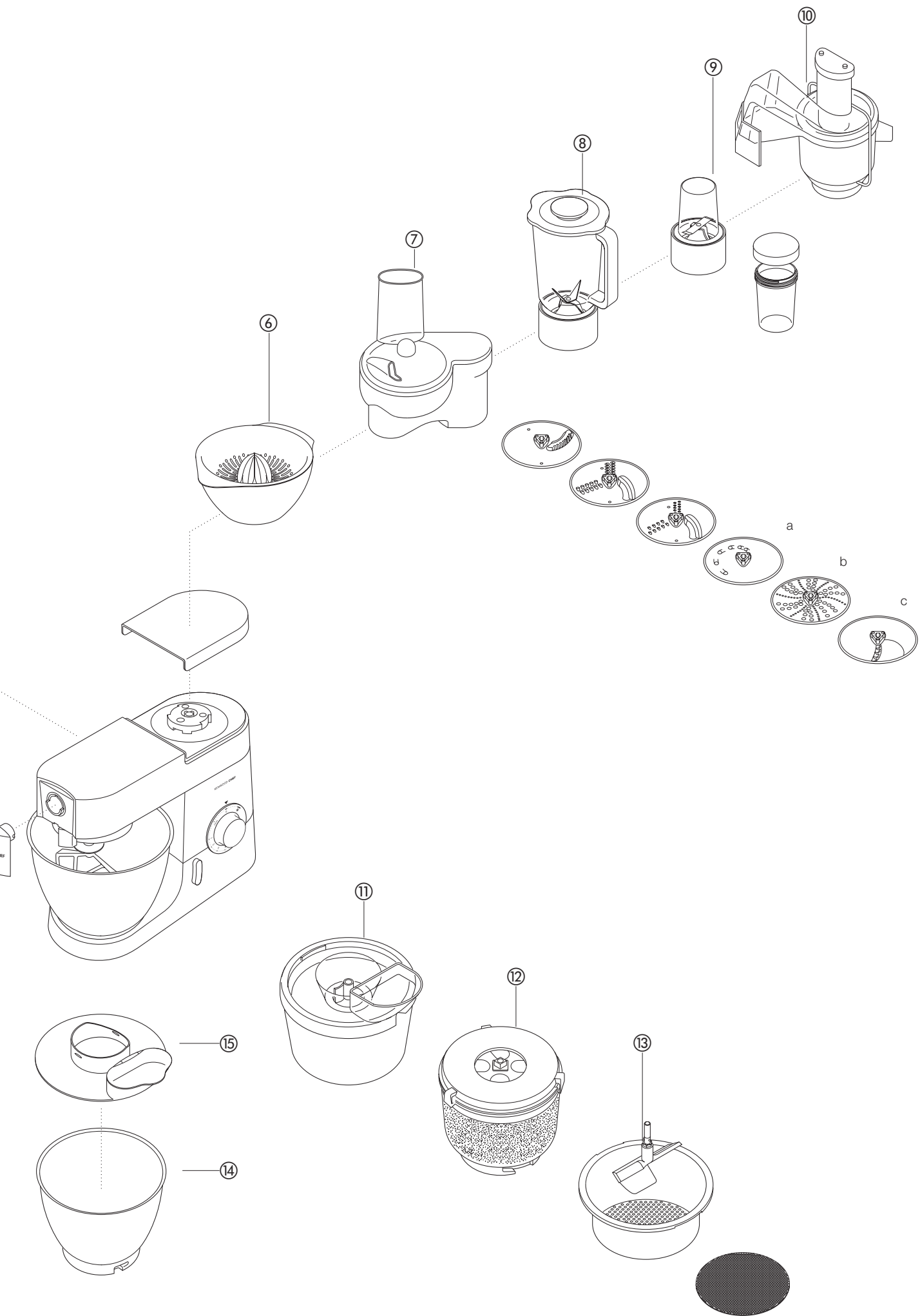
colino e setaccio ⑬ CHEF **AT992A**, MAJOR **AT930A**

vaschette acciaio inox ⑭ satinato: CHEF **343270**, MAJOR **343268**

paraspruzzi ⑮ CHEF & MAJOR **693766**

coperchio ⑯ CHEF **533722**, MAJOR **606397**





pulizia dell'apparecchio e assistenza tecnica

pulizia e cura dell'apparecchio

- Spegnerne sempre l'apparecchio e togliere la spina prima di pulirlo.
- Quando si usa l'uscita ② per la prima volta potrebbero esservi dei residui di grasso. Questo è perfettamente normale e basta pulire.

corpo motore, coperchi
delle uscite

- Passare con un panno umido e asciugare.
- Non pulire mai con sostanze abrasive e non immergere mai l'apparecchio nell'acqua.

vaschetta

- Lavare a mano e asciugare a fondo, oppure lavare in lavastoviglie.
- Non usare mai spazzolini o pagliette di metallo, e neppure candeggina, per pulire la vaschetta in acciaio inossidabile. Per eliminare le tracce di calcare usare dell'aceto.
- Tenere lontano da fonti di calore (fornelli, forni tradizionali e a microonde).

accessori

- Lavare a mano, quindi asciugare completamente oppure lavare nella lavastoviglie

paraspruzzi

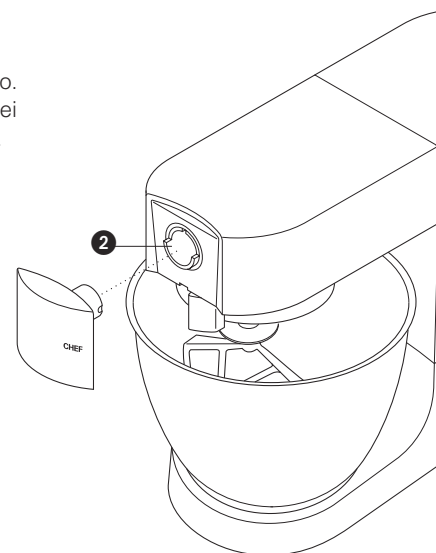
- Lavare a mano e asciugare a fondo.

manutenzione e assistenza tecnica

- In caso il cavo sia danneggiato, deve essere sostituito solo dal fabbricante oppure da un centro assistenza KENWOOD autorizzato. Ciò eviterà possibili situazioni di pericolo.

se si ha bisogno di assistenza riguardo:

- l'utilizzo dell'apparecchio
 - l'ordinazione di un altro accessorio
 - assistenza tecnica o riparazioni
- contattare il negozio dove si è acquistato l'apparecchio.



ricette

Per la preparazione del pane, si vedano le importanti note a pagina 29.

- pane bianco** *impasto lievitato soffice*
- ingredienti
- 2,6kg di farina bianca di tipo normale
- La quantità indicata si riferisce alla serie KMM700. Per la serie KMC500 dimezzare le quantità e aggiungere la farina tutta in una volta**
- procedimento
- 1 Fare sciogliere la margarina nel latte e portare a una temperatura di 43°C.
 - 2 Se si usa il **lievito di birra in polvere** (il tipo che deve essere ricostituito): versarlo nel recipiente insieme allo zucchero e al latte. Lasciar riposare per circa 10 minuti finché il composto appare schiumoso.
Se si usa il **lievito di birra fresco**: sbriciolatelo nella farina
Se si usano **altri tipi di lievito**: seguire le indicazioni del produttore.
 - 3 Versare il latte nel recipiente. Poi aggiungere le uova sbattute e 2kg di farina.
 - 4 Miscelare a velocità minima per 1 minuto, poi a velocità 1 per un altro minuto. Staccare l'impasto dal recipiente.
 - 5 Aggiungere il sale e la rimanente farina e miscelare a velocità minima per 1 minuto, poi a velocità 1 per 2 - 3 minuti, fino a quando l'impasto non appare morbido e ben amalgamato.
 - 6 Riempire a metà alcune teglie imburrate di 450gr, oppure formare panini. Ora coprire con un panno e lasciare l'impasto in ambiente caldo finché non raddoppia in volume.
 - 7 Cuocere in forno a 200°C per 20 - 25 minuti (*per le pagnotte*) o per 15 minuti (*per i panini*).
 - 8 A cottura ultimata il pane dovrebbe produrre un suono sordo se battuto sul fondo.
- Con questa miscela si ottengono circa 10 pagnotte.

- torta di fragole e albicocche**
- ingredienti: base
- 3 uova
 - 75gr di zucchero raffinato
- ripieno e decorazione
- 75gr di farina bianca
 - 150ml di panna da cucina
 - zucchero - secondo i gusti
 - 225gr di fragole
 - 225gr di albicocche
- procedimento
- 1 Tagliare a metà le albicocche ed asportare i noccioli. Cuocere a fuoco lento in poca acqua, aggiungendo zucchero secondo i gusti, fino a quando non si ammorbidiscono.
 - 2 Lavare e tagliare a metà le fragole.
 - 3 Per fare la torta di base, montare le uova e lo zucchero alla velocità massima, fino a quando la miscela non appare densa e di colore molto chiaro.
 - 4 Estrarre il recipiente e il frullino. Incorporare a mano la farina, servendosi di un grosso cucchiaino metallico – fare attenzione a mantenere leggero il pan di spagna.
 - 5 Versare la miscela in due teglie di 18cm imburrate e rivestite di carta oleata.
 - 6 Cuocere in forno a 180°C per 20 minuti circa, fino a quando la torta non risulta elastica al tocco.
 - 7 Capovolgere la torta su un piano a grata.
 - 8 Montare la panna a velocità massima, fino a quando non si indurisce. Aggiungere zucchero secondo i gusti.
 - 9 Tagliare a pezzetti le albicocche e un terzo delle fragole, quindi unirle a metà della panna.
 - 10 Spalmare questo impasto su una delle torte di base e poi ricoprire con la seconda torta.
 - 11 Spalmare il resto della panna sulla torta e decorare con le rimanenti fragole.

ricette (*continuazione*)

meringhe

- ingredienti
- 4 albumi
 - 250gr di zucchero a velo setacciato
- procedimento
- 1 Rivestire la teglia di carta antiaderente per cottura al forno.
 - 2 Montare gli albumi con lo zucchero a velocità massima, per circa 10 minuti, fino a quando la miscela non produce un effetto onda.
 - 3 Versare la miscela sulla teglia (oppure usare una siringa con bocchetta di 2,5cm a stella).
 - 4 Cuocere in forno a 110°C per circa 4 - 5 ore, fino a quando le meringhe non sono solide e croccanti. Se iniziano a dorarsi, lasciare accostato lo sportello del forno.
- Conservare le meringhe in un contenitore a tenuta stagna.

pasta frolla

- ingredienti
- 450gr di farina, setacciata insieme al sale
 - 5ml (1 cucchiaino) di sale
 - 225gr di strutto (miscelare strutto e margarina direttamente dal frigorifero)
 - Circa 80ml (4 cucchiaini) di acqua
- consiglio
- Non miscelare eccessivamente gli ingredienti.
- procedimento
- 1 Versare la farina nel recipiente. Tagliare a cubetti lo strutto e aggiungerlo alla farina.
 - 2 Miscelare a velocità 1 fino a quando l'impasto non assume la consistenza di briciole di pane. Fermarsi prima che l'impasto appaia unto.
 - 3 Aggiungere l'acqua e miscelare a velocità massima. Fermarsi non appena l'acqua è stata incorporata nell'impasto.
 - 4 Cuocere a circa 200°C, a seconda del ripieno desiderato.

minestra di carote e coriandolo

- ingredienti
- 25g di burro
 - 1 cipolla spezzettata
 - 1 spicchio d'aglio schiacciato
 - 480 g di carote tagliate a cubetti di 1,5 cm per una caraffa da 1,2 l
 - 600 g di carote tagliate a cubetti di 1,5 cm per una caraffa da 1,5 l
 - brodo freddo di pollo
 - 10-15ml (2-3 cucchiaini) di coriandolo tritato
 - sale e pepe
- preparazione
- 1 Sciogliere il burro in una pentola, quindi aggiungere la cipolla e l'aglio e soffriggere a fuoco lento.
 - 2 Versare le carote nel frullatore, aggiungere la cipolla e l'aglio. Aggiungere brodo a sufficienza per arrivare al livello massimo 1,2 o 1,5 indicato sulla caraffa. Inserire il coperchio e il tappo riempitore.
 - 3 Frullare alla velocità massima per 5 secondi (per ottenere una minestra densa), oppure più a lungo (per una minestra meno densa).
 - 4 Versare la miscela in una pentola, poi aggiungere il coriandolo, condire e sobbollire la minestra per 30 – 35 minuti, oppure fino a cottura ultimata.
 - 5 Aggiungere altro sale, pepe o brodo, secondo le preferenze.

GARANZIA E SERVIZI DI ASSISTENZA

1. KENWOOD garantisce ai propri clienti l'applicazione di tutti i diritti contenuti nella Direttiva Europea 1999/44/CE sulla vendita dei beni di consumo, nonché dei diritti previsti dalle norme nazionali in materia.
In particolare sono coperti da garanzia tutti i possibili difetti di conformità e di fabbricazione presenti nel prodotto al momento della vendita che si manifestino nei primi 2 anni dalla data di acquisto.
2. Per il primo anno il cliente KENWOOD goderà pienamente dei diritti sopra indicati senza dover dimostrare l'esistenza del difetto di conformità o di fabbricazione al momento della vendita.
3. La conformità del prodotto verrà ripristinata dalla KENWOOD senza alcun onere per il cliente per manodopera e materiale nonché per le spese di intervento del tecnico a domicilio, limitatamente ai prodotti per i quali tale servizio sia previsto.
4. Per esercitare i diritti di cui sopra il cliente dovrà rivolgersi alla rete dei Centri Assistenza Autorizzati KENWOOD (contattare il numero verde sottoindicato) ed esibire unitamente al presente "certificato" un documento valido ai fini fiscali e rilasciato dal rivenditore e comprovante la data di acquisto del prodotto.
5. I diritti di cui ai punti 1, 2, 3 non si applicano ai seguenti casi :
 - Difetti causati da utilizzi non previsti nel libretto di istruzione che costituisce parte integrante del contratto di vendita.
 - Difetti causati da rotture accidentali, incuria, manomissione da parte di terzi non autorizzati, utilizzo di ricambi non originali.
6. Non sono da intendersi come prestazioni in garanzia gli interventi inerenti l'installazione, l'allacciamento agli impianti di alimentazione e le manutenzioni citate nel libretto delle istruzioni. Altresì viene escluso dalla garanzia il ricambio dei materiali di consumo (es. filtri, spazzole ecc.).
7. La KENWOOD declina ogni responsabilità per eventuali danni che possono, direttamente o indirettamente derivare a persone, cose ed animali domestici in conseguenza della mancata osservanza di tutte le prescrizioni indicate nell'apposito libretto di istruzioni e concernenti specialmente le avvertenze in tema di installazione, uso e manutenzione dell'apparecchio.



KENWOOD

Via Lodovico Seitz, 47
31100 Treviso - Italia

wat u moet weten over uw Kenwood keukenmachine

voordat u uw Kenwood-apparaat gebruikt:

- Lees deze instructies zorgvuldig door en bewaar ze voor toekomstig gebruik.
- Verwijder alle verpakking en labels.

veiligheid

- Schakel het apparaat uit en haal de stekker uit het stopcontact voordat u instrumenten/hulpstukken aanbrengt of verwijdert, na ieder gebruik en alvorens het apparaat te reinigen.
- Houd uw vingers uit de buurt van bewegende onderdelen en vaste accessoires.
- Laat de machine nooit onbeheerd achter, wanneer deze ingeschakeld is, en houd hem buiten het bereik van kinderen.
- Gebruik de machine niet als hij beschadigd is. Laat hem nakijken of repareren: zie paragraaf 'service', blz. 42.
- Laat de mixer nooit werken wanneer de kop omhoog gericht is.
- Laat het snoer nooit naar beneden hangen waar een kind erbij kan.
- De motor, het snoer of de stekker nooit nat laten worden.
- Gebruik geen accessoires die niet voor de keukenmachine bestemd zijn en gebruik nooit meer dan één accessoire tegelijkertijd.
- Overschrijd nooit de maximale hoeveelheden (blz.38)
- Lees eerst de veiligheidsvoorschriften bij de accessoires, voordat u ze gebruikt.
- Pas op bij het optillen van dit toestel, want het is zwaar. Zorg bij het tillen dat de arm is vergrendeld en dat de kom, gereedschappen, deksels op aansluitpunten en het snoer veilig zijn aangebracht en opgeborgen.
- Dit apparaat is niet bedoeld voor gebruik door personen (inclusief kinderen) met verminderde lichamelijke, zintuiglijke of geestelijke vermogens of gebrek aan ervaring en kennis, tenzij ze toezicht of instructies over het gebruik van het apparaat hebben gekregen van de persoon die verantwoordelijk is voor hun veiligheid.
- Op kinderen moet toezicht gehouden worden om er zeker van te zijn dat ze niet met het apparaat spelen.
- Gebruik het apparaat alleen voor het huishoudelijke gebruik waarvoor het is bedoeld. Kenwood kan niet aansprakelijk worden gesteld in het geval dat het apparaat niet correct is gebruikt, of waar deze instructies niet worden opgevolgd.

voordat u de stekker in het stopcontact steekt.

- Controleer of de spanning van het stopcontact hetzelfde is als die op het typeplaatje.
- Dit apparaat voldoet aan EG-richtlijn 89/336/EEC.

voordat u de machine voor de eerste keer gebruikt.

- Was alle onderdelen goed af: zie paragraaf 'onderhoud en reiniging', blz 42.

uw Kenwood keukenmachine

accessoires openingen ① hoge snelheid aansluiting

② lage snelheid aansluiting

③ hulpstukkenopening

de mixer ④ mixerkop

⑤ afvalopvanger

⑥ kom

⑦ komonderstel

⑧ hendel voor het omhoog zetten van de mixerkop

⑨ aan/uit -en snelheidsschakelaar

⑩ motorgedeelte

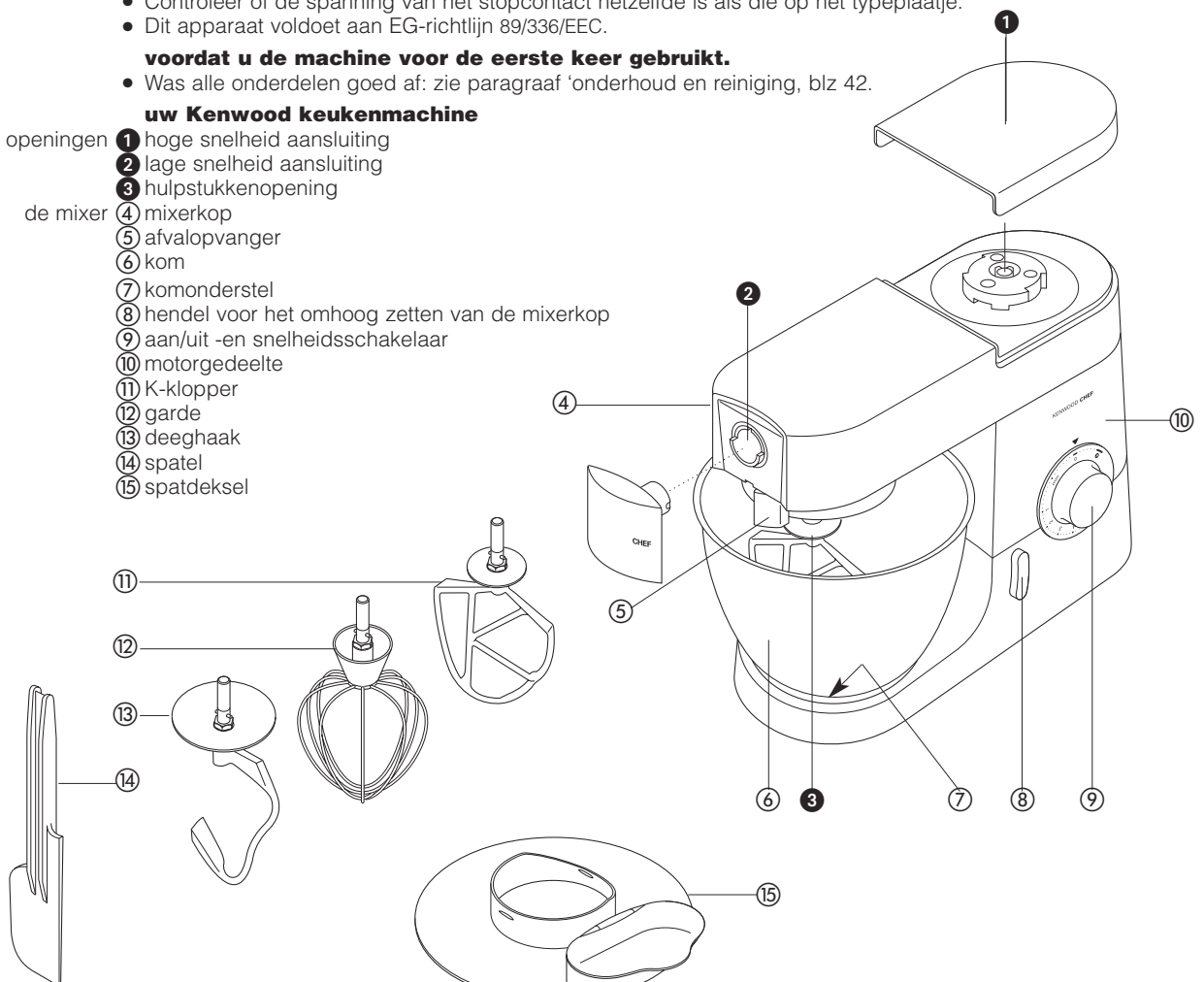
⑪ K-klopper

⑫ garde

⑬ deeghaak

⑭ spatel

⑮ spatdeksel



de mixer

gebruik van de mix-accessoires

- K-klopper** • Voor het maken van cakes, koekjes, pasteis, suikerglazuur, vullingen, roomsoezen en puree.
- garde** • Voor eieren, room, beslag, vetarm biscuitdeeg, schuimgebak, kwarktaart, mousses en soufflés. Gebruik de garde niet voor zware mengsels (ei, vet en suiker), aangezien deze hierdoor beschadigd kan raken.
- deeghaak** • Voor gistmengsels.

gebruik van uw mixer

- 1 Draai de hendel voor het omhoog zetten van de mixerkop tegen de klok in **1** en duw de mixerkop omhoog, totdat hij vastklikt.
- 2 Duw de accessoire omhoog tot hij stopt **2** en draai hem vervolgens.
- 3 Zet de kom op het onderstel, druk hem naar beneden en draai hem met de klok mee **3**.
- 4 Draai de hendel voor de mixerkop tegen de klok in en laat de mixerkop zakken, totdat hij vastklikt.
- 5 Zet de machine aan door de snelheidsschakelaar op de gewenste stand te zetten.
 - Schakel naar 'pulse' **P** bij korte schokken.
- 6 Losdraaien.

- tips**
- Haal de kom regelmatig van het onderstel af en schraap de binnenkant schoon met de spatel.
 - Voor het kloppen kunt u het beste eieren op kamertemperatuur gebruiken.
 - Controleer voordat u eiwitten gaat kloppen of er geen vet of eigeel op de garde of in de kom zit.
 - Gebruik koude ingrediënten voor het deeg, tenzij in uw recept iets anders staat.

belangrijk voor het maken van brood

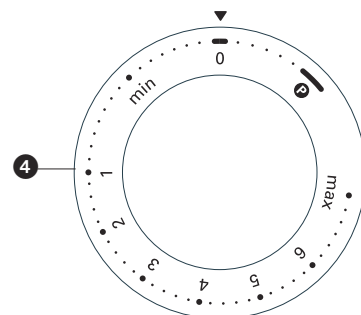
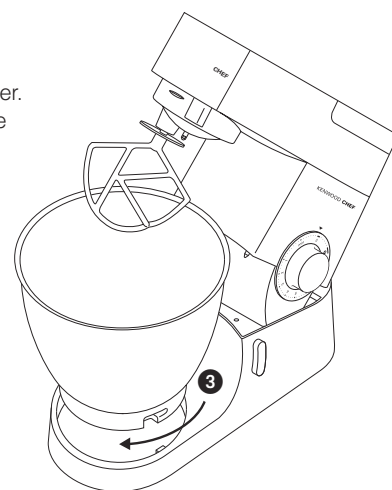
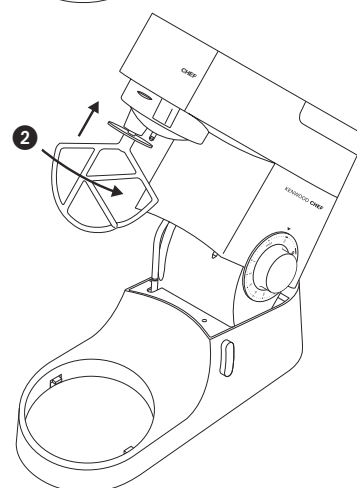
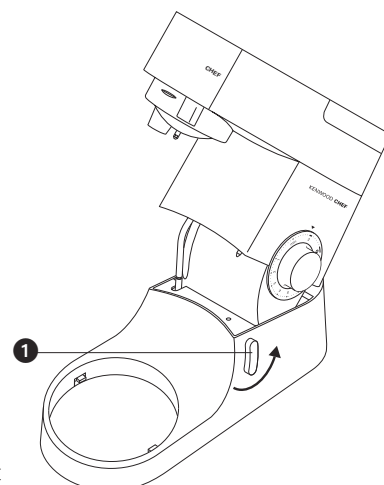
- important**
- Overschrijd nooit de hieronder aangegeven maximale hoeveelheden, omdat de machine hierdoor overbelast raakt.
 - Als u hoort dat de machine moeite heeft met mengen, schakel hem dan uit en haal de helft van het deeg eruit. Meng hierna het deeg in twee keer.
 - Het mixen gaat gemakkelijker als u eerst de vloeibare ingrediënten in de kom doet.

maximale hoeveelheden

	CHEF	MAJOR
kruimeldeeg	• Bloem: 680 g	Bloem: 910 gr
stevig gistdeeg	• Bloem: 1,36 kg	Bloem: 1,5 kg
	• Totaalgewicht: 2,18 kg	Totaalgewicht: 2,4 kg
zacht gistdeeg	• Bloem: 1,3 kg	Bloem: 2,6 kg
	• Totaalgewicht: 2,5 kg	Totaalgewicht: 5 kg
fruittaartmix	• Totaalgewicht: 2,72 kg	Totaalgewicht: 4,55 kg
eiwit	• 12	16

snelheden **4**

- K-klopper** • **Kloppen van boter en suiker** beginnen op min, geleidelijk opvoeren tot max.
- **Een egaal mengsel van eieren maken** 4 – 'max'.
- **Bloem, fruit, enz, ergens door scheppen** Min –1
- **Cakebeslag** beginnen op min. snelheid, geleidelijk opvoeren tot max.
- **Boter door bloem mengen** min – 2
- garde** • geleidelijk verhogen tot 'max'.
- deeghaak** • start op 'min', en verhoog geleidelijk tot stand 1.



zie pagina 42 voor **reiniging**

oplossen van problemen

probleem:

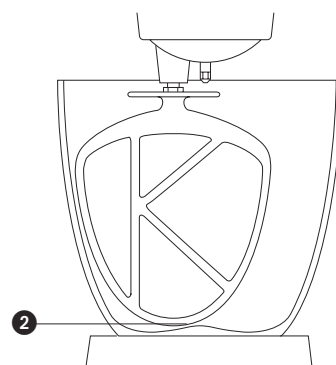
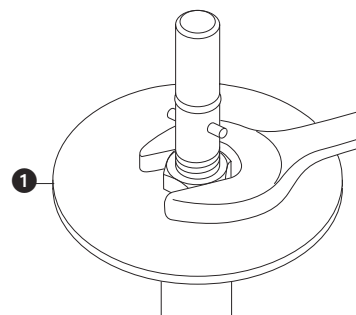
- De garde of de K-klopper slaat tegen de bodem van de kom of reikt niet tot aan de ingrediënten op de bodem van de kom.

oplossing • Pas de hoogte aan. Ga hierbij als volgt te werk:

- 1 Haal de stekker uit het stopcontact.
- 2 Breng de mixerkop omhoog en breng de garde of klopper aan.
- 3 Houd deze vast en draai vervolgens de moer los ①
- 4 Laat de mixerkop weer zakken.
- 5 Pas de hoogte aan door de schacht te verdraaien. Het is het beste als de garde / K-klopper **bijna** de bodem van de kom raakt ②.
- 6 Breng de kop weer omhoog, houd de garde / K-klopper vast en draai de moer vast.

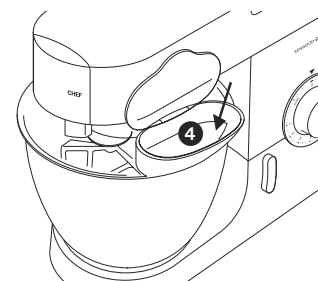
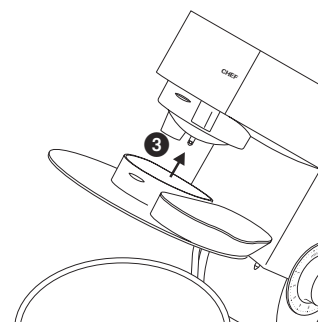
probleem

- De mixer stopt gedurende de bereiding.
- De mixer is voorzien van een overbelastingsbeveiliging en zal bij overbelasting stoppen om de machine te beschermen. Als dit gebeurt, schakel de machine dan uit en neem de stekker uit het stopcontact. Verwijder een hoeveelheid van de ingrediënten om de belasting te verminderen en laat de mixer een paar minuten staan. Steek de stekker weer in het stopcontact en kies opnieuw de snelheid. Als de mixer niet onmiddellijk opnieuw start, laat hem dan wat langer staan.



aanbrengen en gebruik van het spatdeksel

- 1 Breng de mixerkop omhoog totdat deze wordt vergrendeld.
- 2 Plaats de kom op het onderstel.
- 3 Monteer het spatdeksel onderaan de mixerkop ③, tot hij goed vast zit. Het scharnier bevindt zich zoals op de afbeelding staat aangegeven.
- 4 Monteer het gewenste hulpstuk.
- 5 Laat de mixerkop zakken.
- Tijdens het mixen kunt u ingrediënten rechtstreeks aan de kom toevoegen via het scharnierende deel van de spatbeschermer ④.
- U hoeft het spatdeksel niet te verwijderen om van hulpstuk te wisselen.
- 6 Verwijder het spatdeksel door de mixerkop omhoog te halen en het deksel ervanaf te trekken.

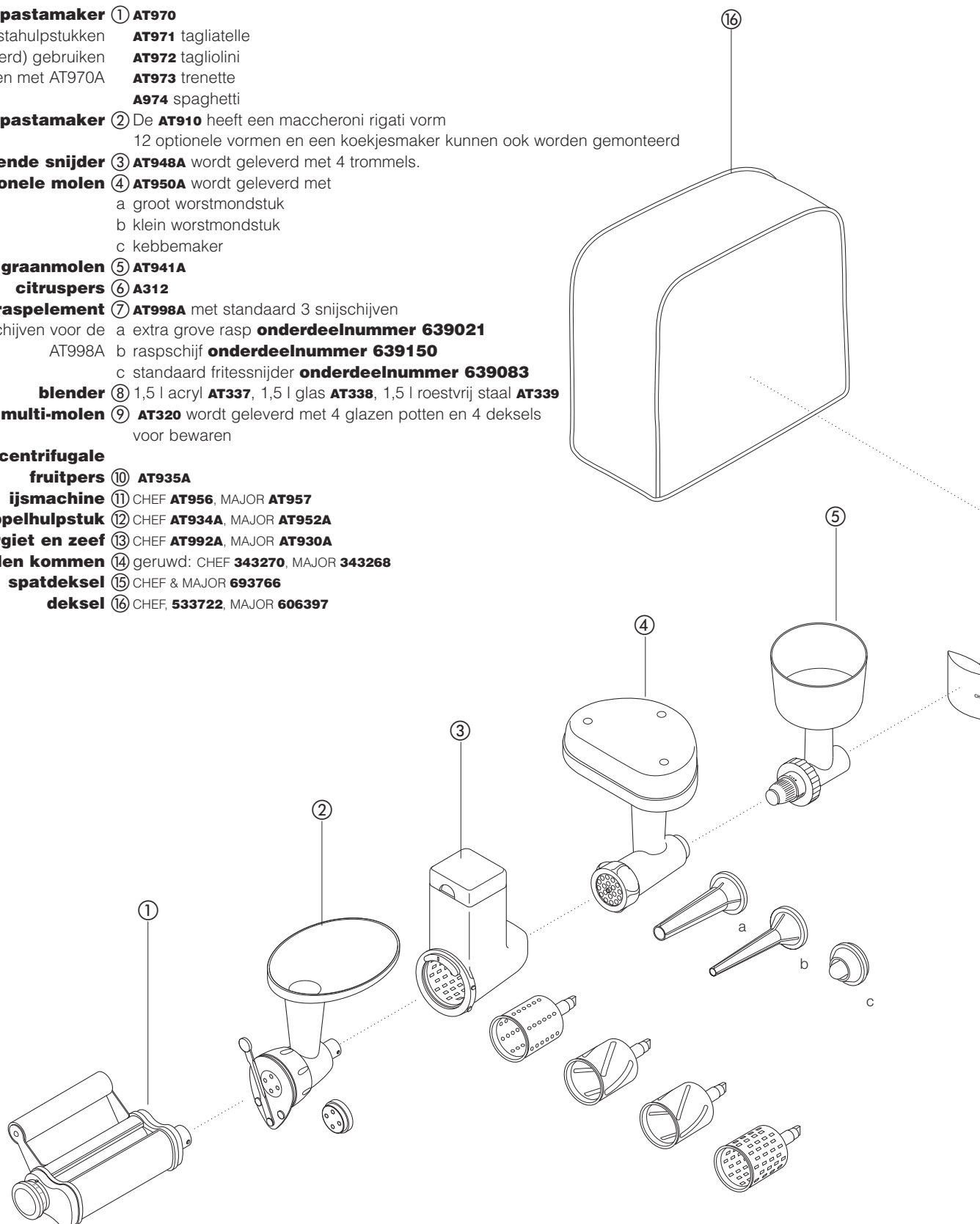


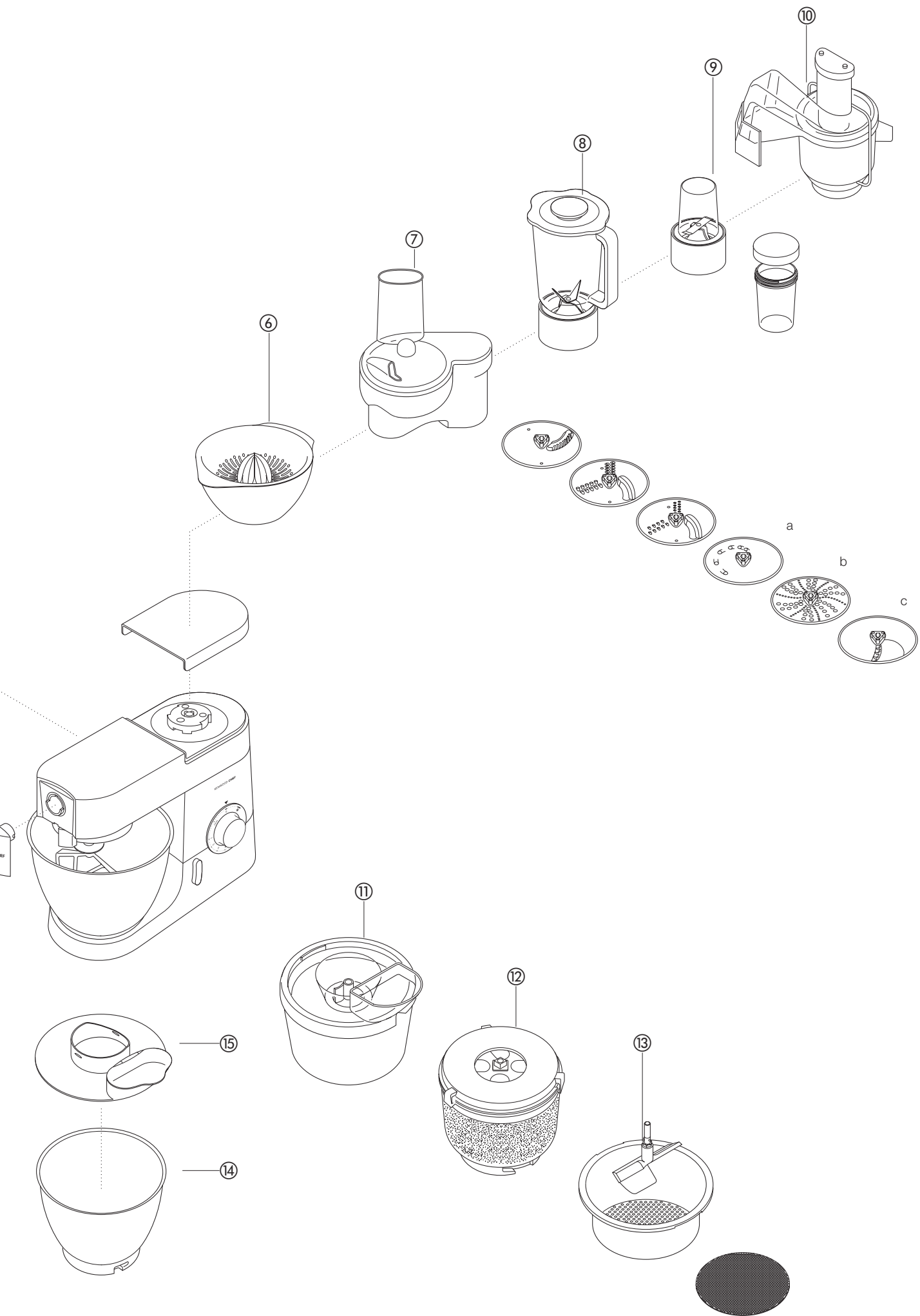
verkrijgbare **accessoires**

Als u accessoires wilt kopen die niet standaard bij uw keukenmachine geleverd worden, neem dan contact op met uw KENWOOD dealer.

hulpstuk hulpstukcode

- platte pastamaker** ① **AT970**
aanvullende pastahulpstukken (niet geïllustreerd) gebruiken samen met AT970A
AT971 tagliatelle
AT972 tagliolini
AT973 trenette
A974 spaghetti
- pastamaker** ② De **AT910** heeft een maccheroni rigati vorm
12 optionele vormen en een koekjesmaker kunnen ook worden gemonteerd
- roterende snijder** ③ **AT948A** wordt geleverd met 4 trommels.
- multifunctionele molen** ④ **AT950A** wordt geleverd met
a groot worstmondstuk
b klein worstmondstuk
c kebbemaker
- graanmolen** ⑤ **AT941A**
- citruspers** ⑥ **A312**
- snij- en raspelement** ⑦ **AT998A** met standaard 3 snijschijven
optionele schijven voor de AT998A
a extra grove rasp **onderdeelnummer 639021**
b raspschijf **onderdeelnummer 639150**
c standaard fritessnijder **onderdeelnummer 639083**
- blender** ⑧ 1,5 l acryl **AT337**, 1,5 l glas **AT338**, 1,5 l roestvrij staal **AT339**
- multi-molen** ⑨ **AT320** wordt geleverd met 4 glazen potten en 4 deksels voor bewaren
- non-stop centrifugale**
- fruitpers** ⑩ **AT935A**
- ijsmachine** ⑪ CHEF **AT956**, MAJOR **AT957**
- aardappelhulpstuk** ⑫ CHEF **AT934A**, MAJOR **AT952A**
- vergiet en zeef** ⑬ CHEF **AT992A**, MAJOR **AT930A**
- roestvrijstalen kommen** ⑭ geruwd: CHEF **343270**, MAJOR **343268**
- spatdeksel** ⑮ CHEF & MAJOR **693766**
- deksel** ⑯ CHEF, **533722**, MAJOR **606397**





reiniging en service

Onderhoud en reiniging:

- Schakel het apparaat altijd eerst uit en haal de stekker uit het stopcontact, voordat u met schoonmaken begint.
- Er kan wat vet vrijkomen bij het aansluitpunt ② wanneer u deze voor het eerst gebruikt. Dit is normaal - u kunt het gewoon wegvegen.

voedingseenheid, deksels
op aansluitpunten

- Schoonvegen met een vochtige doek, daarna afdrogen.
- Gebruik geen schuurmiddelen en dompel het motorgedeelte nooit onder in water.

mixerkom

- Met de hand afwassen en daarna grondig afdrogen, of in de vaatwasmachine reinigen.
- Gebruik nooit een staalborstel, staalwol of bleekwater om de roestvrijstalen kom schoon te maken. Gebruik azijn om kalkaanslag te verwijderen.
- Uit de buurt van warmtebronnen houden (kooktoestellen, ovens, magnetrons).

hulpmiddelen

- Met de hand wassen en goed afdrogen of in de vaatwasmachine wassen.

spatdeksel

- Met de hand afwassen en daarna grondig afdrogen.

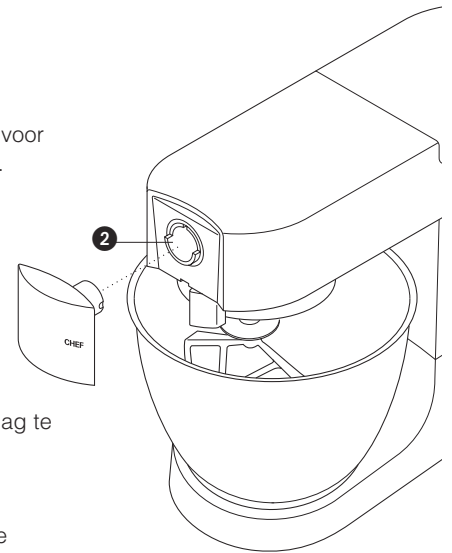
Service

- Wanneer het snoer beschadigd is, moet het om veiligheidsredenen vervangen worden door een erkende KENWOOD service-monteur.

Als u hulp nodig heeft bij:

- het gebruik van uw machine
- het bestellen van accessoires
- service of reparaties

Neem dan contact op met de dealer bij wie u het apparaat gekocht heeft.



recepten

Zie paragraaf 'belangrijk voor het maken van brood' (blz.38)

witbrood zacht gistdeeg

- ingrediënten
- 2,6kg normaal ongemengd deeg
 - 1,3 liter melk
 - 300g suiker
 - 450g margarine
 - 100g verse gist of 50g gedroogde gist
 - 6 geklopte eieren
 - 5 snuifjes zout
- Deze hoeveelheid geldt voor de KMM700 modellen. Voor de KMC500 modellen halveert u de hoeveelheden en voegt u alle bloem in één keer toe**

- bereiding
- 1 Laat de margarine smelten in de melk en verwarm het mengsel tot 43°C.
 - 2 **gedroogde gist** (moet nog opgelost worden): voeg de gist en de suiker aan de melk toe en laat het mengsel 10 minuten staan, totdat het schuimig wordt.
verse gist: kruimel de gist in het meel en voeg suiker toe.
andere soorten gist: volg de instructies van de fabrikant.
 - 3 Giet de melk in een kom. Voeg de geklopte eieren en 2kg meel toe.
 - 4 Mix gedurende 1 minuut op de minimumsnelheid, vervolgens nog een minuut op snelheid 1. Schraap opspattend deeg omlaag.
 - 5 Voeg het overgebleven meel toe en meng gedurende 1 minuut op de laagste stand. Meng vervolgens gedurende 2 - 3 minuten op stand 1, totdat het deeg soepel is en er geen klonten meer in zitten.
 - 6 Vul enkele ingevette bakblikken van 450g tot de helft met het deeg, of maak er broodjes van. Leg er een theedoek overheen en laat het deeg in een warme ruimte staan, totdat het volume verdubbeld is.
 - 7 Bak gedurende 20 - 25 minuten op 200°C, stand 6 voor gasovens, voor een brood, ofwel gedurende 15 minuten voor broodjes.
 - 8 Als het brood klaar is, moet het hol klinken wanneer u op de onderkant klopt.

- Goed voor ongeveer 10 broden.

aardbeien en abrikozen taart

- ingrediënten: deeg
- 3 eieren
 - 75g strooisuiker
 - 75g ongemengd meel
- vulling en versiering
- 150ml dikke room
 - Suiker naar smaak
 - 225g aardbeien
 - 225g abrikozen
- bereiding
- 1 Snijd de abrikozen in tweeën en haal de pitten eruit. Kook ze op een zacht pitje in een heel klein beetje water. Voeg suiker naar smaak toe, totdat ze zacht zijn.
 - 2 Was de aardbeien en snijd ze in tweeën.
 - 3 Voor het maken van het deeg: klop de eieren en de suiker op de hoogste snelheid, totdat een vast wit mengsel ontstaat.
 - 4 Verwijder de kom en de garde. Schep de bloem handmatig door het mengsel met een grote metalen lepel – doe dit voorzichtig om het deeg luchtig te houden.
 - 5 Doe het mengsel in 2 ingevette bakblikken van 18cm.
 - 6 Bak gedurende ongeveer 20 minuten op 180°C, stand 4 voor gasovens, totdat de cake terugveert als u er voorzichtig op drukt.
 - 7 Laat de cake afkoelen op een rooster.
 - 8 Klop de room op de hoogste snelheid, totdat deze stijf is. Voeg suiker naar smaak toe.
 - 9 Snijd de abrikozen en een derde van de aardbeien in grote stukken. Doe ze door de helft van de room.
 - 10 Verdeel het mengsel over een van de deeglagen en leg er een andere deeglaag overheen.
 - 11 Verdeel de overgebleven room over de bovenste laag en versier de taart met de resterende aardbeien.

recipes *continued*

schuimgebakjes

- ingrediënten
- wit van 4 eieren
 - 250g gezeefde strooisuiker
- bereiding
- 1 Smeer uw bakschaal in, zodat de gebakjes niet vastplakken.
 - 2 Klop het eiwit en de suiker stijf gedurende 10 minuten op de hoogste stand.
 - 3 Schep het mengsel op de bakplaat (of gebruik een spuitzak met een tuit van 2,5cm doorsnee).
 - 4 Bak gedurende ongeveer 4 - 5 minuten op 110°C, stand ¼ voor gasovens, totdat de gebakjes stevig en krokant zijn. Als ze bruin beginnen te worden, zet de ovendeur dan een beetje open.
- Bewaar de schuimgebakjes in een luchtdicht bakje.

Pastei van korstdeeg

- ingrediënten
- 450g meel, samen met het zout gezeefd.
 - 5ml (één theelepel) zout
 - 225g vet (meng varkensvet en koude margarine)
 - Ongeveer 80ml water
- Tip
- Mix het mengsel niet te lang.
- bereiding
- 1 Doe het meel in de kom. Snijd het vet in blokjes en voeg het toe aan het meel.
 - 2 Mix op snelheid 1 totdat het mengsel lijkt op broodkruimels. Stop voordat het er vet begint uit te zien.
 - 3 Voeg het water toe en meng op de laagste snelheid. Stop zo gauw als het water helemaal opgenomen is.
 - 4 Bak op ongeveer 200°C, stand 6 voor gasovens, afhankelijk van de vulling.

wortel/koriander-soep

- ingrediënten
- 25 g boter
 - 1 fijngesneden ui
 - 1 teentje verbrijzelde knoflook
 - 480 gr wortelen, in blokjes van 1,5 cm, voor een 1,2 l kom
 - 600 gr wortelen, in blokjes van 1,5 cm, voor een 1,5 l kom
 - koude kippenbouillon
 - 10-15 ml gemalen koriander
 - zout en peper
- methode
- 1 Smelt de boter in een pan, voeg de ui en knoflook toe en bak totdat ze zacht zijn.
 - 2 Doe de wortelen in de kom, voeg er de uit en de knoflook aan toe. Giet er de bouillon bij, maximaal 1,2 of 1,5 liter, zoals aangegeven op de kom. Plaats het deksel en de vuldop goed op de machine.
 - 3 Meng gedurende 5 seconden op maximumsnelheid voor een grove soep of langer voor een fijnere soep.
 - 4 Breng het mengsel over naar een pan, voeg de koriander en kruiden toe en laat de soep gedurende 30 tot 35 minuten sudderen of totdat de soep gaar is.
 - 5 Voeg naar wens meer kruiden en extra vloeistof toe.

conozca su aparato de cocina Kenwood

antes de utilizar su aparato Kenwood

- Lea estas instrucciones atentamente y guárdelas para poder utilizarlas en el futuro.
- Quite todo el embalaje y las etiquetas.

seguridad

- Apague y desenchufe el aparato antes de colocar o quitar piezas/accesorios, después de usarlo y antes de limpiarlo.
- Mantenga los dedos lejos de las partes móviles y de los accesorios fijos.
- Nunca deje el aparato desatendido mientras esté funcionando y mantenga a los niños fuera del alcance.
- Nunca utilice un aparato dañado. Que lo revisen o arreglen: vea 'servicio' en la página 50.
- Nunca ponga en marcha la mezcladora con el cabezal levantado.
- Nunca deje que el cable de alimentación eléctrica cuelgue de un lugar donde un niño pudiera cogerlo.
- Nunca permita que se mojen el bloque motor, el cable o el enchufe.
- Nunca utilice un accesorio no autorizado o más de un accesorio al mismo tiempo.
- Nunca exceda las capacidades máximas indicadas en la página 46.
- Cuando vaya a utilizar un accesorio, lea las instrucciones de seguridad adjuntas.
- Cuidado al levantar el aparato, pues es pesado. Antes de levantarlo, asegúrese de que la parte principal (la cabeza) esté trabada y que el cuenco, los útiles, las tapas de los accesos salida y el cable estén sujetos.
- Este aparato no está pensado para ser utilizado por personas (incluyendo niños) con capacidades físicas, sensoriales o mentales disminuidas, o con falta de experiencia o conocimientos, a menos que hayan recibido instrucciones o supervisión en relación con el uso del aparato por parte de una persona responsable de su seguridad.
- Los niños deben ser vigilados para asegurarse de que no juegan con el aparato.
- Utilice este aparato únicamente para el uso doméstico al que está destinado. Kenwood no se hará cargo de responsabilidad alguna si el aparato se somete a un uso inadecuado o si no se siguen estas instrucciones.

antes de enchufarlo

- Asegúrese de que la corriente eléctrica es la misma que se muestra en la parte inferior de su aparato.
- Este aparato cumple con la Directiva de la Comunidad Económica Europea 89/336/CEE.

antes de usarlo por primera vez

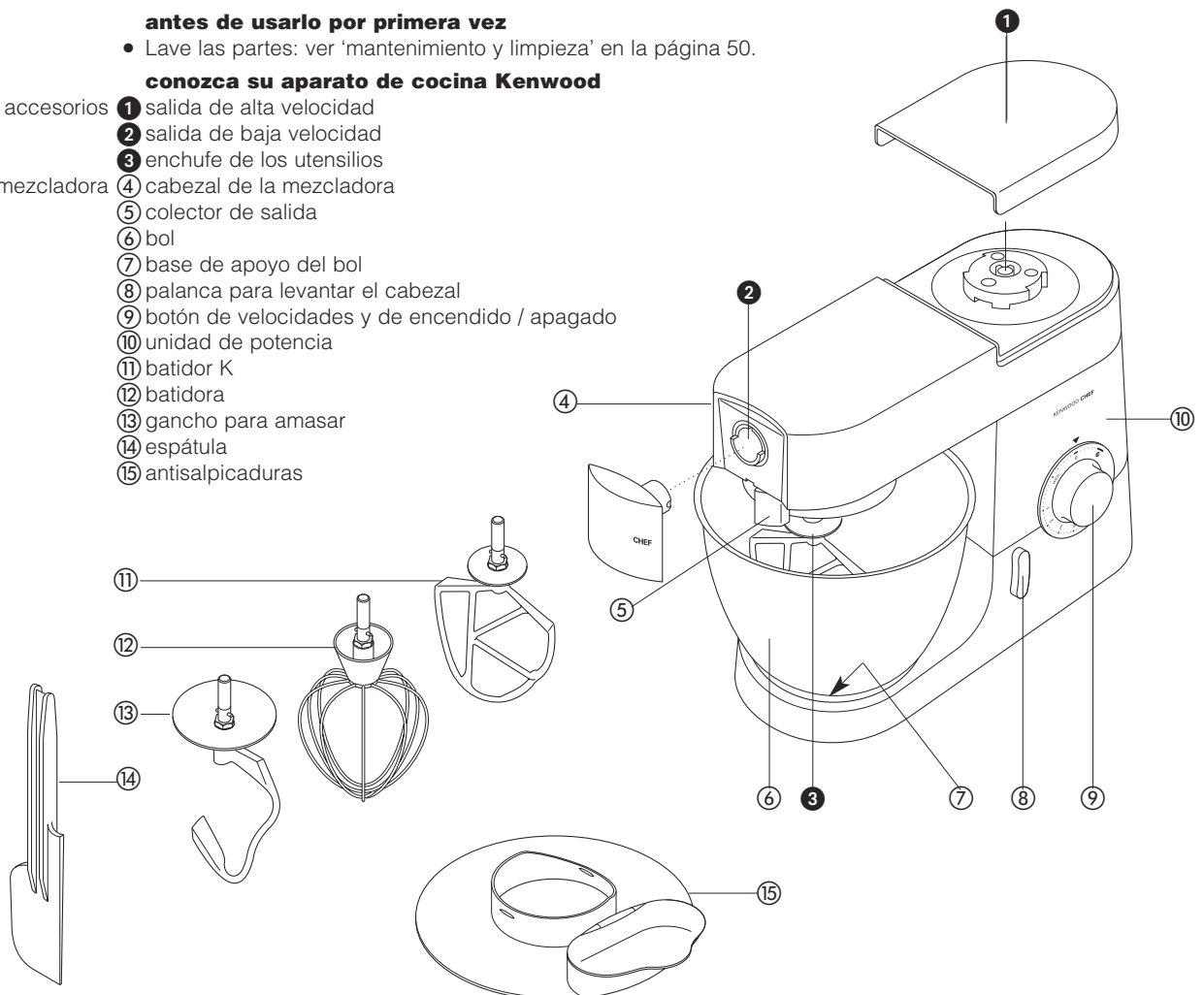
- Lave las partes: ver 'mantenimiento y limpieza' en la página 50.

conozca su aparato de cocina Kenwood

salidas de los accesorios

la mezcladora

- 1 salida de alta velocidad
- 2 salida de baja velocidad
- 3 enchufe de los utensilios
- 4 cabezal de la mezcladora
- 5 colector de salida
- 6 bol
- 7 base de apoyo del bol
- 8 palanca para levantar el cabezal
- 9 botón de velocidades y de encendido / apagado
- 10 unidad de potencia
- 11 batidor K
- 12 batidora
- 13 gancho para amasar
- 14 espátula
- 15 antisalpicaduras



la mezcladora

Los utensilios para mezclar y algunos de sus usos

- batidor K • Para hacer tartas, galletas, pastas, garapiñar, rellenos, relámpagos de chocolate y puré de patata.
- batidora • Para batir huevos, nata, batidos, bizcochos ligeros, merengues, tartas de queso, mousses, soufflés. No la utilice para batir masas pesadas (por ej. montar grasa y azúcar) - podría dañarla.
- gancho para amasar • Para las mezclas con levadura.

para usar la mezcladora

- 1 Gire la palanca para levantar el cabezal hacia la izquierda ❶ y levante el cabezal de la mezcladora hasta que se cierre.
- 2 Empuje hacia arriba hasta que pare ❷ luego gire.
- 3 Coloque el bol sobre la base - apriete y gírelo en el sentido de las agujas del reloj ❸
- 4 Gire la palanca para levantar el cabezal hacia la izquierda y baje el cabezal de la mezcladora hasta que se cierre.
- 5 Encienda el aparato girando el interruptor de velocidad hasta el ajuste deseado.
 - Cambie a impulso **P** para ráfagas cortas.
- 6 Desenrosque.

Para quitar un utensilio

- Consejos
- Apáguela y rasque el bol con la espátula con regularidad.
 - Se batan mejor los huevos a temperatura ambiente.
 - Antes de batir claras de huevo, asegúrese de que no haya grasa o yema de huevo en la batidora de varillas o en el bol.
 - Utilice ingredientes fríos para las pastas a no ser que su receta indique lo contrario.

puntos para hacer pan

- importante
- Nunca exceda la capacidad máxima que se indica abajo-sobrecargará el aparato.
 - Si le parece que el aparato funciona con dificultad, apáguelo, saque la mitad de la masa y trátelas por separado.
 - Los ingredientes se mezclan mejor si pone primero el líquido.

capacidad máxima

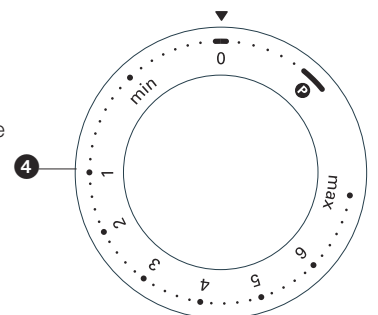
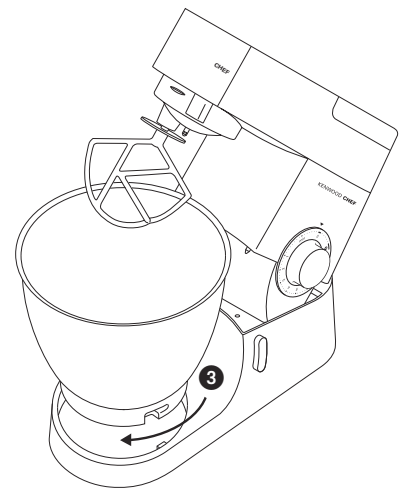
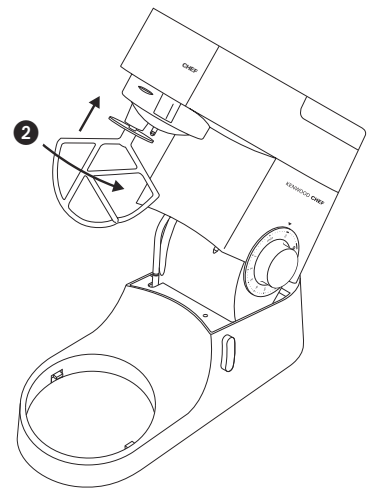
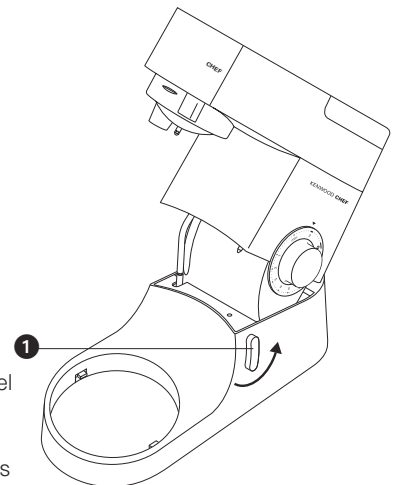
CHEF

MAJOR

pasta brisa	• Cantidad de harina: 680 g	Cantidad de harina: 910 g
masa de levadura dura	• Cantidad de harina: 1,36 kg	Cantidad de harina: 1,5 kg
	• Cantidad total: 2,18 kg	Cantidad total: 2,4 kg
masa de levadura blanda	• Cantidad de harina: 1,3k g	Cantidad de harina: 2,6 kg
	• Cantidad total: 2,5 kg	Cantidad total: 5 kg
preparado para tartas de frutas	• Cantidad total: 2,72 kg	Cantidad total: 4,55 kg
claras de huevo	• 12	16

velocidades ❹

- batidor K • **batir manteca y azúcar** empiece con min y aumente gradualmente hasta max.
- **batir huevos en mezclas cremosas** 4 – “max”.
- **mezclar harina, frutas, etc.** Min – 1.
- **mezclar a la vez todos los ingredientes de un pastel** empiece con velocidad min y aumente gradualmente hasta max.
- **ligar manteca y harina** min. – 2
- batidora • Aumentar gradualmente hasta ‘max’.
- gancho para amasar • Empezar en ‘min’ y aumentar gradualmente hasta 1.



para **limpieza** vea la página 50

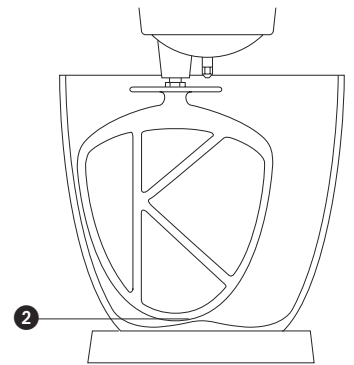
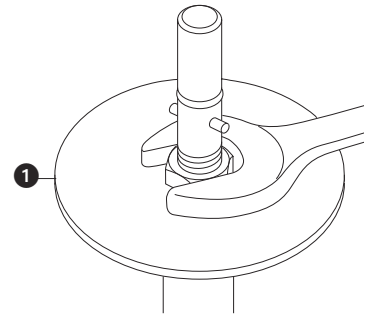
posibles problemas

problema

- La batidora o el batidor K golpean la parte inferior del bol o no llegan a los ingredientes del fondo del bol.

solución • Ajuste la altura del modo siguiente:

- 1 Desconéctela de la red.
- 2 Levante el cabezal de la mezcladora e introduzca el batidor de varillas o el batidor K.
- 3 Sujetando el batidor, afloje la tuerca ❶.
- 4 Baje el cabezal.
- 5 Ajuste la altura girando el eje. Para unos resultados óptimos, coloque el batidor de modo que **casi** toque el fondo del bol ❷.
- 6 Levante el cabezal, sujete el batidor y apriete la tuerca.



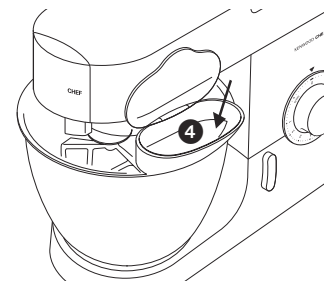
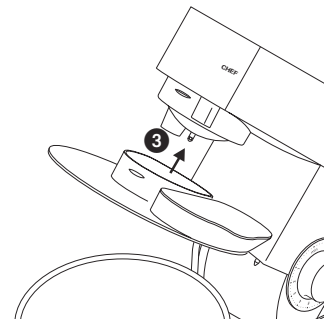
problema

- La batidora se para durante el funcionamiento.

solución • Su batidora tiene un dispositivo de protección de sobrecarga y se parará si está sobrecargada para proteger la máquina. Si así sucede, apague y desenchufe la batidora. Quite parte de los ingredientes para reducir la carga, y deje apagada la máquina unos minutos. Vuelva a enchufar y a elegir la velocidad. Si la batidora no se pone en marcha inmediatamente, déjela parada más tiempo.

para acoplar y usar la tapa antisalpicaduras

- 1 Levante el cabezal de la mezcladora hasta que quede bloqueado.
- 2 Coloque el bol en la base.
- 3 Ponga el protector contra salpicaduras en la parte inferior de la cabeza mezcladora ❸ hasta que esté totalmente colocado. La parte de la bisagra se debe colocar como se muestra.
- 4 Introduzca la herramienta que necesite.
- 5 Baje la mezcladora.
- Mientras se mezcla, se pueden añadir ingredientes directamente al bol por la parte articulada de la tapa antisalpicaduras ❹.
- No es necesario quitar la tapa anti salpicaduras para cambiar de herramienta.
- 6 Para quitar la tapa anti salpicaduras, levante la mezcladora y deslícela hacia abajo.



los **accesorios** disponibles

Para comprar un accesorio que no esté incluido en su paquete, llame al técnico de KENWOOD.

piezas extra código de la pieza extra

para elaborar pasta plana ① **AT970A**

otras piezas para elaborar pasta (sin ilustración) para uso con AT970A

- AT971A** tagliatelle
- AT972A** tagliolini
- AT973A** trenette
- AT974A** spaghetti

para elaborar ② **AT910** viene con un molde para macarrones "rigati"
12 moldes opcionales más accesorio para hacer galletas acoplables

cortador de alimentos

giratorio ③ **AT948A** con 4 tambores

moedor multi-alimentos ④ **AT950A** con una

- a boquilla ancha para salchichas
- b boquilla pequeña para salchichas
- c para hacer kebbe

molinillo de grano ⑤ **AT941A**

exprimidor ⑥ **AT960A**

pro laminador/gratinador ⑦ **AT998A** con 3 placas cortantes
placas optativas AT998A

- a troceador extra grueso, **número de pieza 639021**
- b placa de rallar, **número de pieza 639150**
- c para cortar patatas fritas, **número de pieza 639083**

licuador ⑧ 1.5 l acrílico **AT337**, 1.5 l vidrio **AT338**,
1.5 l acero inoxidable **AT338**

multimolinillo exprimidor centrífugo ⑨ **AT320** con 4 recipientes de vidrio y 4 tapas para guardar

continuo ⑩ **AT935A**

heladora ⑪ CHEF **AT956**, MAJOR **AT957**

accesorio para

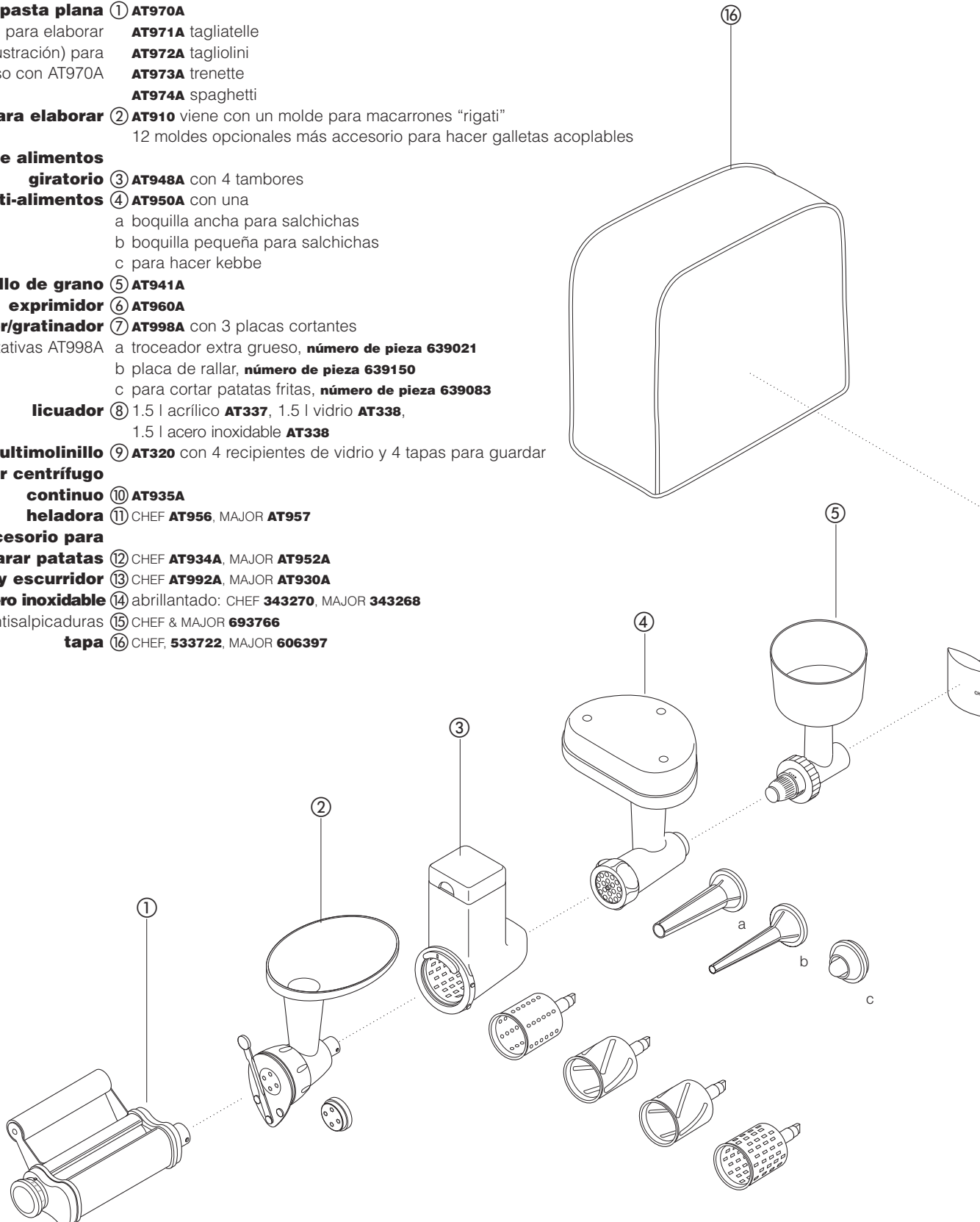
preparar patatas ⑫ CHEF **AT934A**, MAJOR **AT952A**

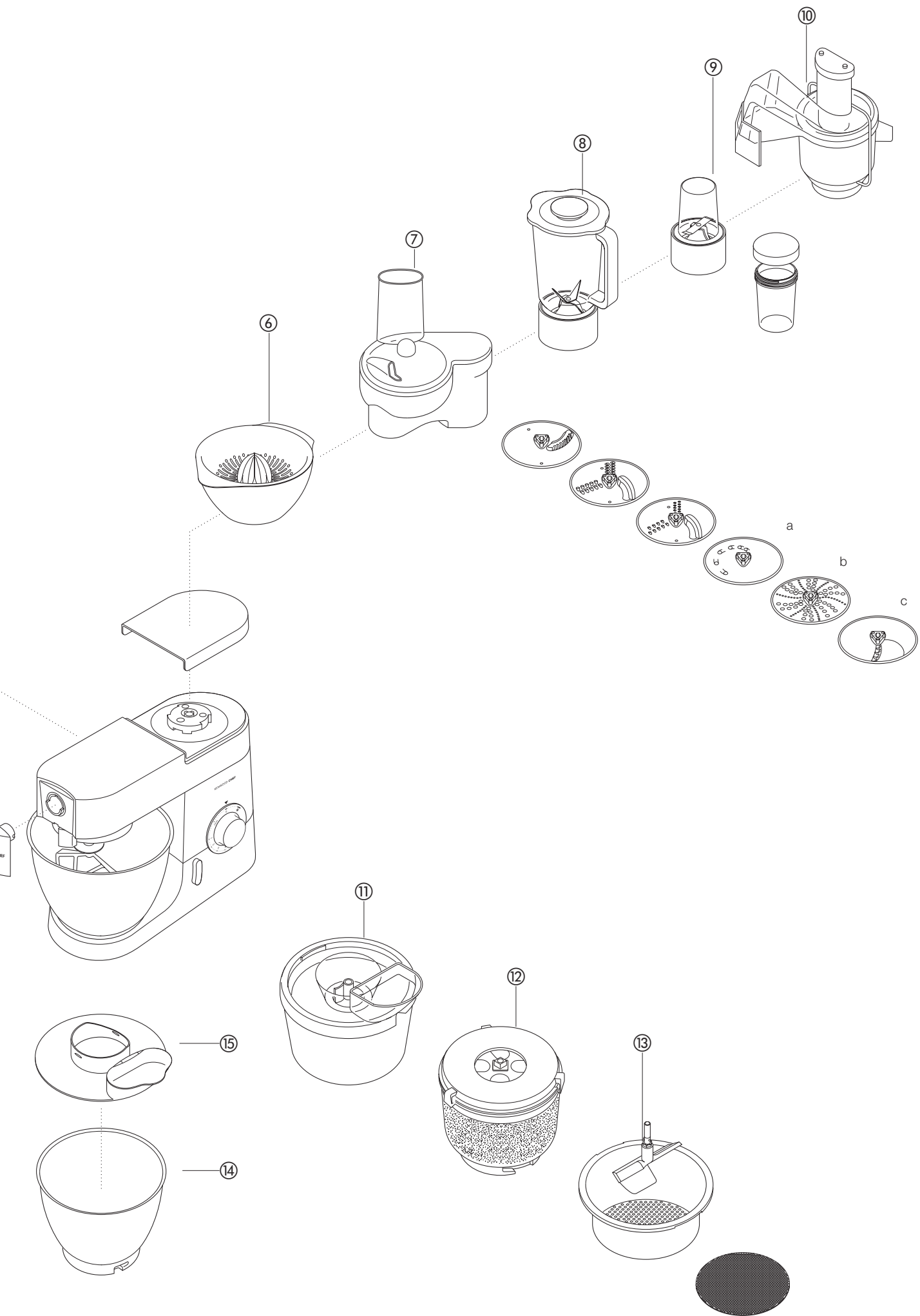
colador y escurridor ⑬ CHEF **AT992A**, MAJOR **AT930A**

cuencos de acero inoxidable ⑭ **abrillantado**: CHEF **343270**, MAJOR **343268**

antisalpicaduras ⑮ CHEF & MAJOR **693766**

tapa ⑯ CHEF, **533722**, MAJOR **606397**





limpieza y servicio

mantenimiento y limpieza

- Apague y desenchúfela siempre antes de limpiar.
- Quizá aparezca un poco de grasa en el acceso ② la primera vez que use la máquina. Esto es algo normal – límpiela sin más.

motor, tapas de los accesos

- Limpie con un paño húmedo, luego seque.

- Nunca utilice productos abrasivos o la sumerja en agua.

cuenco

- Lávelo a mano, luego séquelo bien o lávelo en lavavajillas.

- Para limpiar el cuenco de acero inoxidable no use nunca un cepillo de alambre o parecido ni use lejía. Use sólo vinagre para eliminar los depósitos de cal.

- Mantenga el aparato alejado del calor (chapas de cocina, hornos, microondas).

accesorios

- Lávelos a mano y luego séquelos bien o lávelos en el lavavajillas.

antisalpicaduras

- Lávelo a mano y séquelo muy bien.

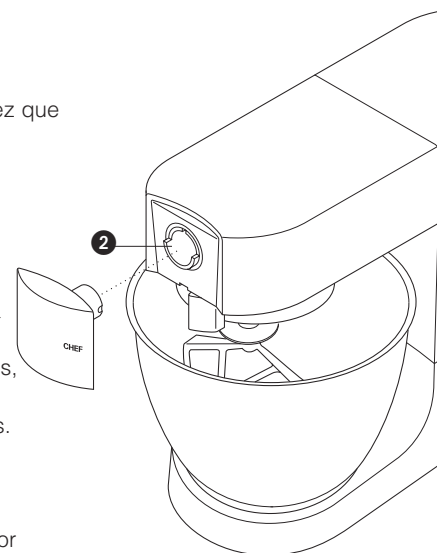
servicio y atención al cliente

- Si el cable de alimentación eléctrica del aparato está dañado, por razones de seguridad debe ser sustituido por el fabricante o un técnico autorizado de KENWOOD.

Si necesita ayuda sobre:

- el uso del aparato
- el pedido de otro accesorio
- servicio o asistencia técnica

Contacte con la tienda donde compró su aparato.



recetas

Vea los puntos importantes para hacer pan de la página 46

pan blanco *masa de levadura blanda*

- ingrediente
- 2,6kg de harina normal
 - 1,3 l de leche
 - 300g de azúcar
 - 450g de margarina
 - 100g de levadura fresca o 50g de levadura seca
 - 6 huevos batidos
 - 5 pellizcos de sal
- Esta cantidad es para la serie KMM700. Para la serie KMC500, reduzca las cantidades a la mitad y añada toda la harina de una vez**
- preparación
- 1 Derrita la margarina en la leche y caliéntelo hasta 43°C.
 - 2 **Levadura seca** (de la clase que necesita reconstitución): añada la levadura y el azúcar a la leche y déjelo durante unos 10 minutos hasta que se haga una espuma.
Levadura fresca: desmenúcela en la harina y añada el azúcar.
Otras clases de levaduras: siga las instrucciones del fabricante.
 - 3 Eche la leche al bol. Añada los huevos batidos y 2kg de harina.
 - 4 Mézclelo a velocidad mínima durante 1 minuto y después a velocidad 1 durante otro minuto más. Junte la masa.
 - 5 Añada la sal y el resto de la harina y mézclela a la velocidad mínima durante 1 minuto, luego use la velocidad 1 durante otros 2 - 3 minutos hasta que esté suave y uniforme.
 - 6 Llene por la mitad algunos moldes de 450g untados con grasa con la masa, o deles la forma de bollos. Luego cúbralos con un paño de cocina y déjelos en un sitio templado hasta que se doble la cantidad.
 - 7 Métalos en el horno a 200°C/Marca de gas 6 durante 20 - 25 minutos si son *hogazas* y 15 minutos si se trata de *bollos*.
 - 8 Una vez hechos, deben sonar a hueco cuando se golpeen en la base.
- Haga unas 10 hogazas.

tarta de fresas y albaricoques

- ingrediente: bizcocho
- 3 huevos
 - 75g de azúcar blanquilla
 - 75g de harina
- relleno y decoración
- 150ml de nata de montar
 - Azúcar a su gusto
 - 225g de fresas
 - 225g de albaricoques
- preparación
- 1 Corte los albaricoques por la mitad y quite los huesos. Cocínelos a fuego lento con muy poca agua, añadiendo azúcar a su gusto, hasta que estén blandos.
 - 2 Lave y corte las fresas por la mitad.
 - 3 Para hacer el bizcocho, bata los huevos y el azúcar a la velocidad máxima hasta que pierdan el color y se pongan espesos.
 - 4 Retire el bol y el batidor de varillas. Mezcle la harina a mano con una cuchara grande de metal (con cuidado para que el bizcocho quede ligero).
 - 5 Ponga la mezcla en dos moldes de 18cm con papel pastelero untados con grasa.
 - 6 Métalas al horno a 180°C/Marca de gas 4 durante 20 minutos hasta que la tarta se levante un poco por detrás con el contacto ligero.
 - 7 Páselos a una bandeja de rejilla para enfriar.
 - 8 Bata la nata a la velocidad máxima hasta que se monte. Añada el azúcar a su gusto.
 - 9 Trocee los albaricoques y $\frac{1}{2}$ de las fresas. Échelos en la mitad de la nata.
 - 10 Espárzalo en uno de los bizcochos, luego ponga el otro encima.
 - 11 Esparza el resto de la nata por encima y decórelo con el resto de las fresas.

recetas *continuación*

merengues

- ingrediente ● 4 claras de huevo
● 250g de azúcar glas, colada
- preparación 1 Ponga papel pastelero del que no se pega en la bandeja.
2 Bata las claras de los huevos y el azúcar a la velocidad máxima durante 10 minutos hasta que forme picos.
3 Ponga con una cuchara la mezcla en la bandeja (o utilice una manga pastelera con una boquilla de 2,5cm).
4 Métalo al horno a 110°C/Marca de gas ¼ durante 4 - 5 horas hasta que se solidifiquen y estén crujientes. Si se empiezan a dorar demasiado, deje la puerta del horno un poquito abierta.
● Conserve los merengues en latas de aire comprimido.

pastas quebradizas

- ingrediente ● 450g de harina, colada con sal
● 5ml (1 cucharada) de sal
● 225g de grasa (mezcle manteca de cerdo y margarina recién sacada del frigorífico)
● Unos 80ml (4 cucharas) de agua
- Consejo ● No lo mezcle demasiado
- preparación 1 Ponga la harina en el bol. Corte la grasa: en trozos y añádala a la harina.
2 Mézclelo a velocidad 1 hasta obtener una consistencia parecida a las migas de pan. Deje de mezclar antes de que quede untuoso.
3 Añada el agua y mézclelo a la velocidad mínima. Pare tan pronto como el agua se haya ligado.
4 Cocine a unos 200°C/Marca de gas 6, dependiendo del relleno.

sopa de zanahoria y culantro

- ingredientes ● 25 g de mantequilla
● 1 cebolla picada
● 1 diente de ajo aplastado
● 480 g de zanahoria cortada en dados de 1,5 cm para una copa de 1,2 l
● 600 g de zanahoria cortada en dados de 1,5 cm para una copa de 1,5 l
● 1 cubito de caldo de gallina
● 10-15 ml (2-3 cucharillas) de culantro en polvo
● sal y pimienta
- método 1 Funda la mantequilla en una sartén, añade la cebolla y el ajo, friéndolos hasta que estén blandos.
2 Introduzca la zanahoria en el licuador y añada la cebolla y el ajo. Agregue lo suficiente para llegar al nivel máximo de 1,2 o 1,5 marcado en la copa. Ponga la tapadera y el tapón de llenado.
3 Bata a la máxima velocidad durante 5 segundos para una sopa gruesa o más tiempo para un resultado más fino.
4 Transfiera la mezcla a un cazo, añada el culantro, añada sal y deje hervir la sopa a fuego lento durante 30 ó 35 minutos o hasta que este hecha.
5 Corrija el punto de sal y añada más líquido si es preciso.

GARANTIA

Este artículo está GARANTIZADO por UN AÑO desde su fecha de compra, para su uso normal de acuerdo con las instrucciones, contra defectos de fabricación o montaje.

ARTICULO

FECHA DE COMPRA

FIRMA Y SELLO DEL VENDEDOR

Solicite el servicio de Asistencia Técnica al Vendedor, o a la central de Servicios Técnicos: PRESAT, S.A. - Tel. 93-247 85 70, o a KENWOOD ESPAÑA - Av. Ports d'Europa, 100 3ª Pl. Zona ZAL, Edif. Service Center, 08040 BARCELONA, ESPAÑA - TEL.: 93-552 58 75 - FAX:93-552 58 59 . Presente al S.A.T. esta GARANTIA cumplimentada o la Factura de compra

conheça a sua máquina de cozinha Kenwood

antes de usar o seu aparelho Kenwood

- Leia atentamente estas instruções e guarde-as para consulta futura.
- Retire todas as embalagens e eventuais etiquetas.

segurança

- Desligue a máquina antes de instalar ou retirar acessórios, após a utilização ou antes de a limpar.
- Mantenha os dedos afastados das peças móveis e dos acessórios montados.
- Nunca deixe a máquina a funcionar sem supervisão e mantenha as crianças afastadas da mesma.
- Nunca utilize uma máquina danificada. Mande-a inspeccionar ou reparar; consulte a secção 'Assistência Técnica' na página 59.
- Nunca coloque a batedeira em funcionamento com a cabeça na posição levantada.
- Nunca deixe o cabo pendurado de forma a que uma criança o possa agarrar.
- Nunca deixe a unidade base, o cabo ou a ficha apanharem água.
- Nunca utilize um acessório não autorizado ou mais que um acessório de cada vez.
- Nunca exceda as capacidades máximas indicadas na página 55.
- Ao utilizar um acessório, leia as instruções de segurança que o acompanham.
- Tenha cuidado ao pegar neste aparelho pois é pesado. Certifique-se de que a cabeça está travada e que a taça, utensílios, tampas das tomadas de acessórios e cabo estão em posição segura antes de pegar na máquina.
- Este electrodoméstico não deverá ser utilizado por pessoas (incluindo crianças) com capacidades mentais, sensoriais ou físicas reduzidas ou com falta de experiência e conhecimento, a não ser que sejam supervisionadas ou instruídas sobre o uso do electrodoméstico por uma pessoa responsável pela sua segurança.
- As crianças devem ser vigiadas para garantir que não brincam com o electrodoméstico.
- Use o aparelho apenas para o fim doméstico a que se destina. A Kenwood não se responsabiliza caso o aparelho seja utilizado de forma inadequada, ou caso estas instruções não sejam respeitadas.

antes de ligar à corrente

- Certifique-se de que a tensão da corrente da sua rede corresponde à indicada na base da sua máquina.
- Esta máquina cumpre os requisitos da Directiva 89/336/CEE da Comunidade Económica Europeia.

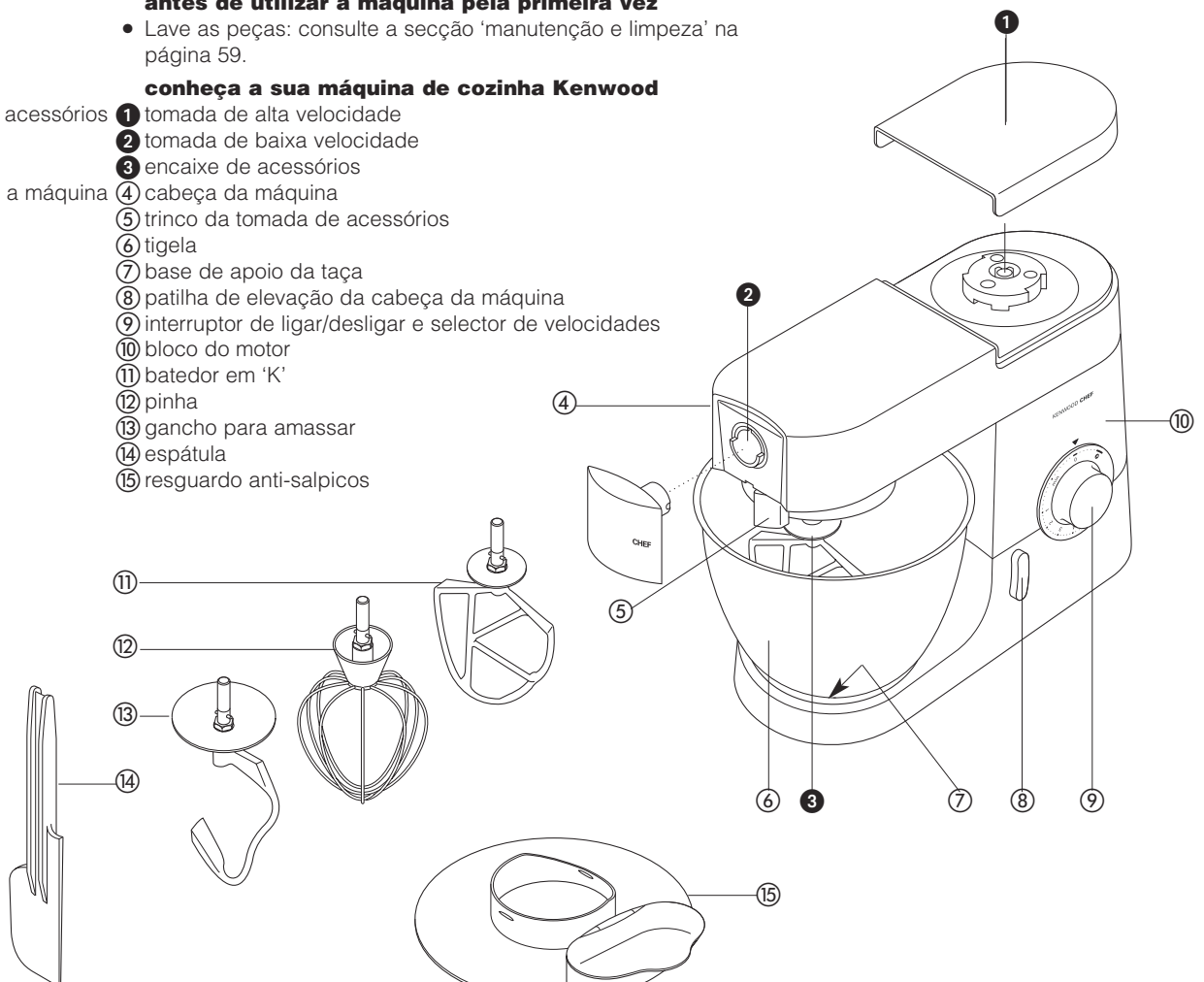
antes de utilizar a máquina pela primeira vez

- Lave as peças: consulte a secção 'manutenção e limpeza' na página 59.

conheça a sua máquina de cozinha Kenwood

tomadas dos acessórios

- 1 tomada de alta velocidade
- 2 tomada de baixa velocidade
- 3 encaixe de acessórios
- 4 cabeça da máquina
- 5 trinco da tomada de acessórios
- 6 tigela
- 7 base de apoio da taça
- 8 patilha de elevação da cabeça da máquina
- 9 interruptor de ligar/desligar e selector de velocidades
- 10 bloco do motor
- 11 batedor em 'K'
- 12 pinha
- 13 gancho para amassar
- 14 espátula
- 15 resguardo anti-salpicos



a máquina

- os acessórios de misturar e algumas das suas funções**
- batedor em 'K' • para fazer bolos, biscoitos, massas de pastelaria, coberturas para bolos, recheios, éclairs e puré de batata.
 - pinha • para ovos, natas, massas para fritos, pão-de-ló sem gordura, merengues, tartes de requeijão, mousses e soufflés. Não utilize a pinha para preparados pesados (por ex. para bater manteiga com açúcar) - caso contrário poderá danificá-la.
 - gancho para massas • para massas com fermento.

como utilizar a sua máquina

- 1 Rode a patilha de elevação da cabeça da máquina para a esquerda ① e eleve a cabeça da máquina até esta prender.
- 2 Empurre até parar ② depois vire.
- 3 Coloque a tigela na base - pressione-a rodando-a para a direita ③
- 4 Rode a patilha de elevação da cabeça da máquina para a esquerda e baixe a cabeça da máquina até esta prender.
- 5 Ligue rodando o selector de velocidades para a regulação pretendida.
 - Selecciona **P** para impulsos curtos.
- 6 Desenrosque-o.

- sugestões
- Desligue a máquina e raspe a tigela com a espátula frequentemente.
 - Os ovos à temperatura ambiente são melhores de bater.
 - Antes de bater claras em castelo, certifique-se de que não há gordura ou gema de ovo na pinha ou na tigela.
 - Utilize ingredientes frios para massas de pastelaria, a não ser que a receita indique que deve fazer algo diferente.

conselhos para fazer pão

- importante
- Nunca exceda as capacidades máximas abaixo ou sobrecarregará a máquina.
 - Se ouvir a máquina a trabalhar com dificuldade, desligue-a, retire metade da massa e bata cada metade separadamente.
 - Os ingredientes misturarão melhor se introduzir primeiro o líquido.

capacidades máximas

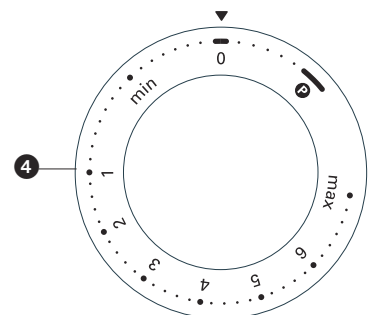
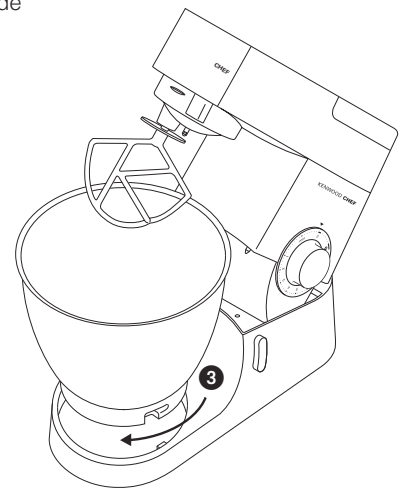
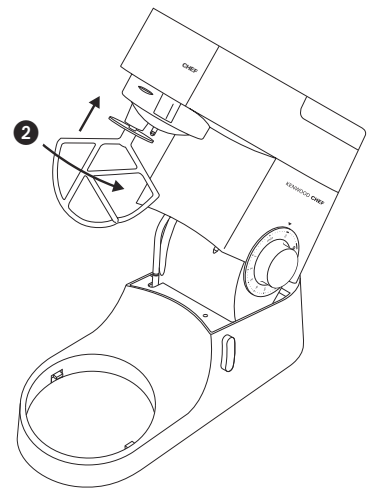
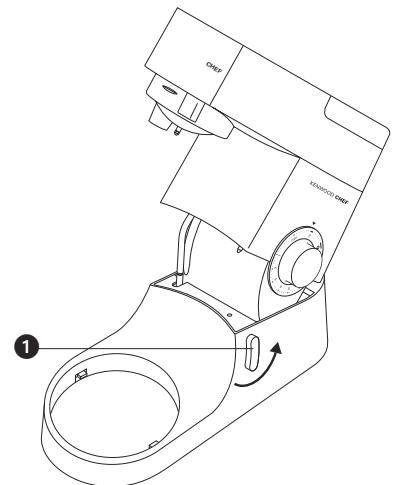
CHEF

MAJOR

massa para tartes	• Peso em farinha: 680g	Peso em farinha: 910g
massa com fermento rija	• Peso em farinha: 1,36kg	Peso em farinha: 1,5kg
	• Peso total: 2,18kg	Peso total: 2,4kg
massa com fermento mole	• Peso em farinha: 1,3kg	Peso em farinha: 2,6kg
	• Peso total: 2,5kg	Peso total: 5kg
massa para bolo de frutas claras de ovo	• Peso total: 2,72kg	Peso total: 4,55kg
	• 12	16

velocidades ④

- batedor em 'K'
- **bater manteiga e açúcar até estarem cremosos** comece no mínimo e aumente gradualmente para o 'máx.' (máximo).
 - **incorporar ovos nas misturas em creme** 4 - máximo.
 - **envolver farinha, fruta, etc.** mínimo - 1.
 - **bolos de pacote** comece no mínimo e aumente gradualmente até ao máximo.
 - **incorporar manteiga ou margarina em farinha** mínimo - 2.
- pinha
- Aumente gradualmente para a velocidade 'máx.' (máximo).
- gancho para massas
- Comece no 'min' (mínimo) e aumente gradualmente para 1.



para limpeza, veja a pág. 59

resolução de problemas

problema

- A pinha ou o batedor em 'K' bate contra o fundo da tigela ou não alcança os ingredientes que se encontram no fundo da tigela.

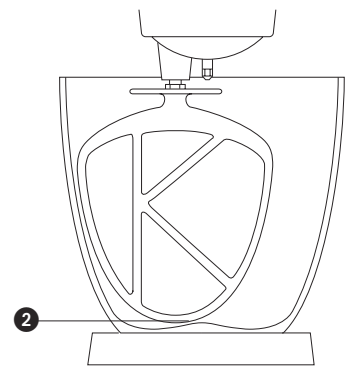
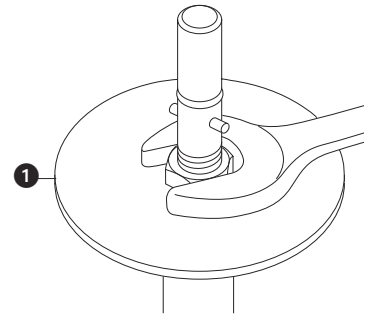
solução • ajuste a altura do acessório. Faça o seguinte:

- 1 Retire a ficha da tomada.
- 2 Eleve a cabeça da máquina e introduza o batedor de arames ou batedor em "K".
- 3 Segure no acessório e afrouxe a porca ❶.
- 4 Baixe a cabeça da máquina.
- 5 Ajuste a altura do acessório rodando o eixo. Idealmente, o batedor de arames/batedor em "K" deverá **quase** tocar o fundo da taça ❷.
- 6 Eleve a cabeça da máquina, segure o batedor de arames/batedor em "K" e aperte a porca.

problema

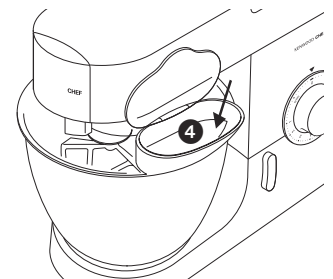
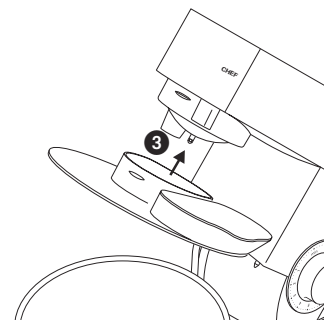
- A máquina pára durante o funcionamento.

solução • A sua máquina está equipada com um dispositivo de protecção contra a sobrecarga e parará se estiver sobrecarregada para proteger a máquina. Se isto acontecer, desligue no interruptor e desligue a ficha da tomada de corrente. Retire alguns dos ingredientes para reduzir a carga e deixe a máquina descansar por alguns minutos. Ligue a ficha à tomada de corrente e torne a seleccionar a velocidade. Se a máquina não recommençar a funcionar imediatamente, deixe-a parada por mais algum tempo.



como instalar e utilizar o resguardo anti-salpicos

- 1 Eleve a cabeça da máquina até esta prender.
- 2 Coloque a taça na base.
- 3 Instale o resguardo anti-salpicos, empurrando-o até estar bem encaixado na parte inferior da cabeça da máquina ❸. A secção articulada deve ser posicionada tal como ilustrado.
- 4 Introduza o acessório pretendido.
- 5 Baixe a cabeça da máquina.
- Durante a mistura, os ingredientes podem ser adicionados directamente à taça através da secção articulada do resguardo anti-salpicos ❹.
- Não é preciso retirar o resguardo anti-salpicos ao trocar os acessórios.
- 6 Retire o resguardo anti-salpicos elevando a cabeça da máquina e puxando-o levemente para baixo.

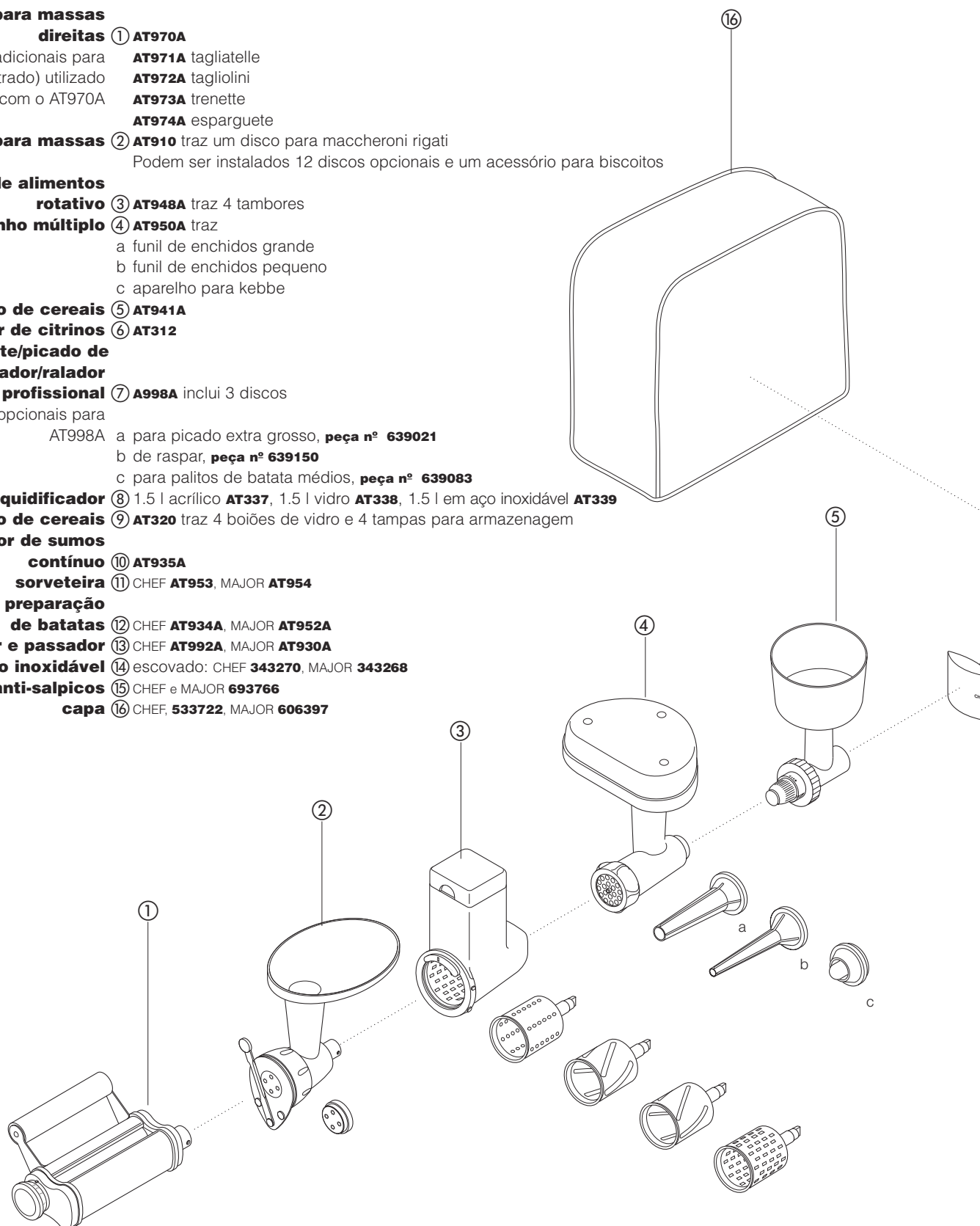


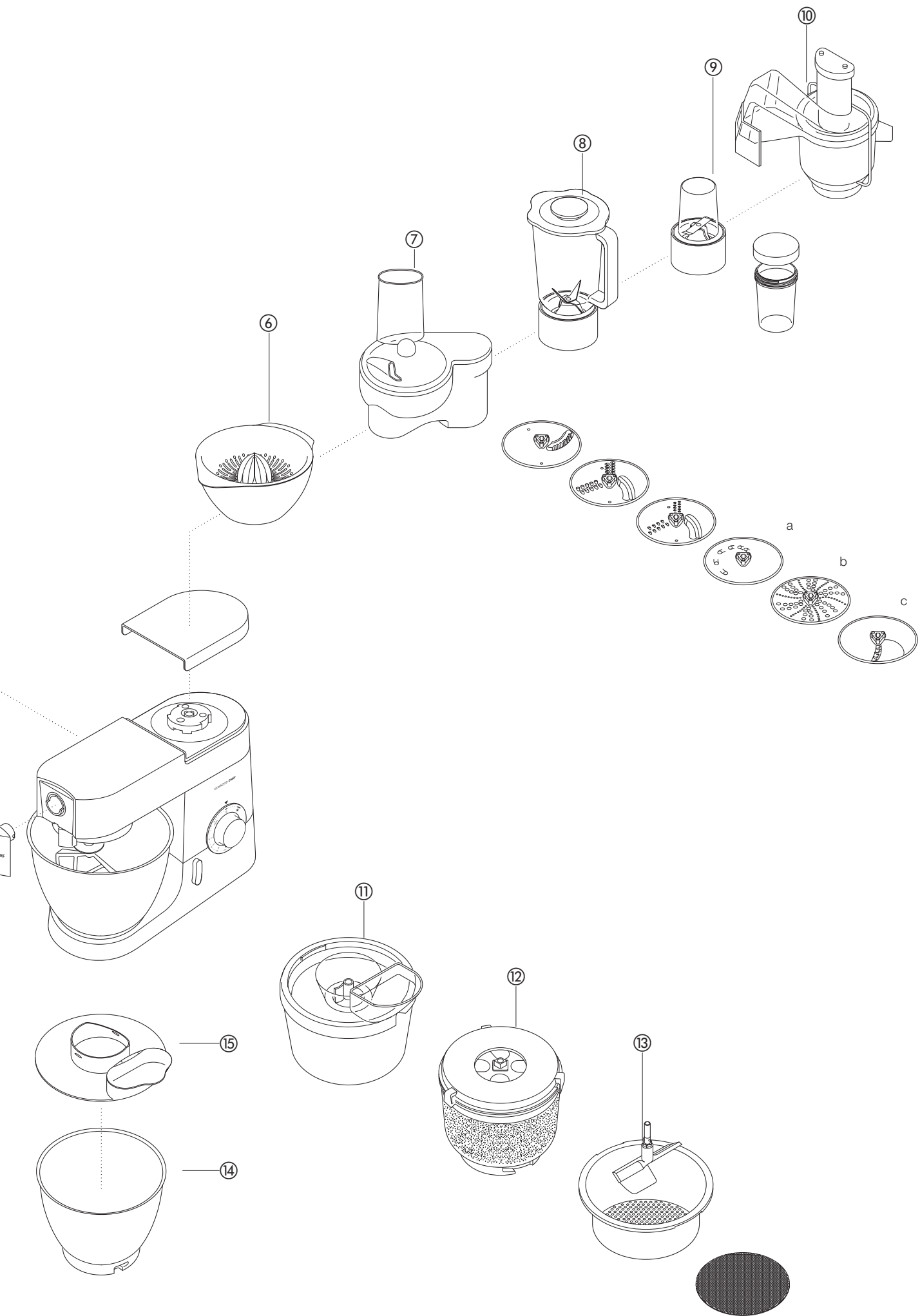
os acessórios disponíveis

Para comprar um acessório não incluído com o seu aparelho, contacte um técnico autorizado KENWOOD.

acessório código do acessório

- aparelho para massas direitas** ① **AT970A**
 acessórios adicionais para massas (não ilustrado) utilizado em conjunto com o AT970A
AT971A tagliatelle
AT972A tagliolini
AT973A trenette
AT974A esparguete
- aparelho para massas** ② **AT910** traz um disco para maccheroni rigati
 Podem ser instalados 12 discos opcionais e um acessório para biscoitos
- cortador de alimentos rotativo** ③ **AT948A** traz 4 tambores
- moinho múltiplo** ④ **AT950A** traz
 a funil de enchidos grande
 b funil de enchidos pequeno
 c aparelho para kebbe
- moinho de cereais** ⑤ **AT941A**
- espremedor de citrinos** ⑥ **AT312**
- disco para corte/picado de cortador/ralador profissional** ⑦ **A998A** inclui 3 discos
 discos opcionais para
 AT998A a para picado extra grosso, **peça nº 639021**
 b de raspar, **peça nº 639150**
 c para palitos de batata médios, **peça nº 639083**
- liquidificador** ⑧ 1.5 l acrílico **AT337**, 1.5 l vidro **AT338**, 1.5 l em aço inoxidável **AT339**
- moinho de cereais** ⑨ **AT320** traz 4 boiões de vidro e 4 tampas para armazenagem
- centrifugador de sumos contínuo** ⑩ **AT935A**
- sorveteira** ⑪ CHEF **AT953**, MAJOR **AT954**
- acessório de preparação de batatas** ⑫ CHEF **AT934A**, MAJOR **AT952A**
- coador e passador** ⑬ CHEF **AT992A**, MAJOR **AT930A**
- taças em aço inoxidável** ⑭ escovado: CHEF **343270**, MAJOR **343268**
- resguardo anti-salpicos** ⑮ CHEF e MAJOR **693766**
- capa** ⑯ CHEF, **533722**, MAJOR **606397**





limpeza e assistência técnica

manutenção e limpeza

- Desligue sempre a máquina no interruptor e retire a ficha da tomada de corrente antes de a limpar.
- Poderá aparecer um pouco de gordura na tomada de acessórios ② a primeira vez que a utilizar. Isto é normal e basta limpá-la.

bloco do motor e tampas das tomadas de acessórios

- Limpe-os com um pano humedecido e depois outro seco.
- Nunca utilize abrasivos nem mergulhe em água.

taça

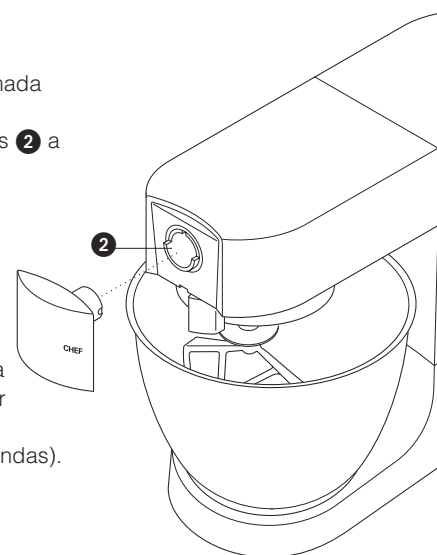
- Lave-a à mão e depois seque-a bem ou lave-a na máquina de lavar loiça.
- Nunca utilize uma escova de arame, palha de aço ou lixívia para limpar a sua taça de aço inoxidável. Utilize vinagre para remover calcário..

acessórios

- Mantenha-a afastada do calor (bicos de fogões, fornos e microondas).

resguardo anti-salpicos

- Lave à mão e seque bem ou lave na máquina de lavar loiça.
- Lave-o à mão e depois seque-o bem.



assistência técnica e atendimento ao cliente

- Se o fio estiver danificado, deverá, por razões de segurança, ser substituído pela KENWOOD ou por um técnico autorizado KENWOOD.

Se necessitar de ajuda em relação ao seguinte:

- utilização da sua máquina
- encomenda de outro acessório
- assistência técnica ou reparações

Contacte o estabelecimento onde adquiriu o seu aparelho.

receitas

Consulte os 'Conselhos para Fazer Pão' na página 55.

pão branco *massa com fermento mole*

ingredientes

Esta quantidade é apenas para a série KMM700. Para a série KMC500, reduza as quantidades para metade e adicione a farinha toda de uma só vez

- 2,6kg de farinha branca normal
- 1,3 litros de leite
- 300g de açúcar
- 450g de margarina
- 100g de fermento fresco ou 50g de fermento seco
- 6 ovos, batidos
- 5 pitadas de sal

método

- 1 Derreta a margarina no leite e eleve a temperatura aos 43°C.
- 2 **fermento seco** (do tipo que necessita de ser reconstituído): adicione o fermento e o açúcar ao leite e deixe repousar cerca de 10 minutos até criar espuma.
fermento fresco: desfaça-o e incorpore-o na farinha e adicione o açúcar.
outros tipos de fermento: siga as instruções do fabricante.
- 3 Deite o leite na tigela. Adicione os ovos batidos e 2kg de farinha.
- 4 Bata à velocidade mínima por 1 minuto e depois à velocidade 1 por mais um minuto. Raspe para baixo.
- 5 Adicione o sal e a farinha restante e misture à velocidade mínima por 1 minuto e depois à velocidade 1 por 2 - 3 minutos até a massa ficar suave e homogénea.
- 6 Unte e encha de massa, até metade, quatro formas de 450g ou prepare pãezinhos. Seguidamente cubra com um pano de loiça e deixe num local quente até duplicarem de volume.
- 7 Coza no forno, à temperatura de 200°C/400°F/Gás Marca 6, por 20 - 25 minutos para o pão de forma ou por 15 minutos para os pãezinhos.
- 8 Quando pronto, o pão deverá soar a oco quando se lhe bater levemente na base.

- Quantidade suficiente para cerca de 10 pães de forma.

pão-de-ló recheado com morangos e alperces

ingredientes: pão-de-ló

- 3 ovos
- 75g de açúcar branco
- 75g de farinha sem fermento
- 150ml de natas
- Açúcar a gosto
- 225g de morangos
- 225g de alperces

recheio e decoração

método

- 1 Parta os alperces ao meio e remova os caroços. Coza em fogo lento, em muito pouca água, adicionando açúcar a gosto, até estarem macios.
- 2 Lave e corte ao meio os morangos.
- 3 Para preparar o pão-de-ló, bata os ovos e açúcar à velocidade máxima até a massa ficar muito pálida e espessa.
- 4 Retire a taça e o batedor de arames. Incorpore manualmente a farinha, com uma colher metálica grande - faça isto cuidadosamente para manter o pão-de-ló leve.
- 5 Introduza a mistura em duas formas redondas de 18 cm de diâmetro, untadas e forradas.
- 6 Coza no forno, à temperatura de 180°C/350°F/Gás Marca 4, por cerca de 20 minutos, até o bolo estar fofo ao ser tocado ligeiramente.
- 7 Vire em cima de uma rede de arame.
- 8 Bata as natas à velocidade máxima até ficarem firmes. Adicione açúcar a gosto.
- 9 Corte grosseiramente os alperces e um terço dos morangos. Envolve-os em metade das natas.
- 10 Espalhe este recheio sobre uma das metades do pão-de-ló e depois coloque a outra metade sobre a primeira.
- 11 Espalhe as natas restantes por cima do bolo e decore-o com os morangos restantes.

receitas *continuação*

Merengues

- ingredientes
- 4 claras de ovo
 - 250g de açúcar em pó, peneirado
- método
- 1 Forre o seu tabuleiro de ir ao forno com papel vegetal antiaderente.
 - 2 Bata as claras de ovo e o açúcar à velocidade máxima por cerca de 10 minutos até formarem picos.
 - 3 Coloque colheradas de merengue no tabuleiro (ou utilize um saco de pasteleiro com um bico de 2,5cm em estrela).
 - 4 Coza no forno, à temperatura de 110°C/225°F/Gás Marca ¼, por cerca de 4 - 5 horas, até estarem firmes e estaladiços. Se começarem a dourar, deixe a porta do forno ligeiramente aberta.
- Guarde os merengues numa lata hermética.

massa para tartes

- ingredientes
- 450g de farinha, peneirada com o sal
 - 5ml (1 colher de chá) de sal
 - 225g de gordura (misture banha e margarina, directamente do frigorífico)
 - Cerca de 80ml de água
- sugestão
- Não bata excessivamente.
- método
- 1 Coloque a farinha na tigela. Corte grosseiramente a gordura e adicione-a à farinha.
 - 2 Misture à velocidade 1 até obter a consistência de pão ralado. Pare antes que a mistura adquira um aspecto gorduroso
 - 3 Adicione a água e misture à velocidade mínima. Pare assim que a água esteja incorporada.
 - 4 Coza no forno, à temperatura de cerca de 200°C/400°F/Gás Marca 6, dependendo do recheio.

sopa de cenouras e coentro

- ingredientes
- 25g de manteiga
 - 1 cebola picada
 - 1 dente de alho esmagado
 - 480g de cenouras cortadas em cubos de 1,5 cm para um copo de 1,2 l
 - 600g de cenouras cortadas em cubos de 1,5 cm para um copo de 1,5 l
 - caldo de galinha frio
 - 10-15ml (2-3 colheres de chá) de coentro em pó
 - sal e pimenta
- método
- 1 Derreta a manteiga numa caçarola, adicione a cebola e o alho e frite-os até ficarem macios.
 - 2 Introduza a cenoura no liquidificador e adicione a cebola e o alho. Adicione caldo suficiente para chegar à marca de nível máximo de 1,2 ou 1,5 do copo. Coloque a tampa e a tampa de enchimento.
 - 3 Misture à velocidade máxima por 5 segundos para uma sopa de consistência mais grossa ou por mais tempo para um resultado mais macio.
 - 4 Transfira a mistura para uma caçarola, adicione o coentro e temperos e deixe cozer a sopa em lume muito brando por 30 a 35 minutos ou até estar cozida.
 - 5 Rectifique o tempero, conforme for necessário e adicione mais líquido, se desejar.

KENWOOD

Garantia nº

Condições de Garantia Pequenos Electrodomésticos em Portugal

1. Todas as verificações necessárias foram feitas em cada fase de fabrico para assegurar um elevado nível de qualidade.
O aparelho é garantido contra todos os defeitos mecânicos ou eléctricos de fabrico ou má qualidade do material, durante o período de dois anos, a contar da data de compra.
2. Verificar a tensão de alimentação indicada no aparelho antes de ligar à rede.
3. Se o Aparelho não funcionar correctamente será reparado ou substituído, sem mais custos para o comprador, durante o período de Garantia, excepto se não forem seguidas as indicações do modo de emprego, negligência ou má utilização. Qualquer alteração introduzida no aparelho por terceiros também não está abrangida por esta Garantia.
4. Esta Garantia só pode ser utilizada nos Agentes de Serviço Autorizados Kenwood depois de devidamente preenchida, rubricada e acompanhada do respectivo documento de compra.

**ARIES LUSITANIA
RUA DA BOTICA 252, 1º sala 1,2,3
MORIERE DA MAIA
4470-575 MAIA, PORTUGAL**

**TEL: 029 407454
FAX: 029 419050**

Revendedor

Aparelho

Carimbo & Rubrica

Modelo:

Nº de Série:

Data compra:/...../.....

Cliente

Nome

Morada

Cod.Postal: Tel

lær Kenwood køkkenmaskinen at kende

før Kenwood-apparatet tages i brug

- Læs denne brugervejledning nøje og opbevar den i tilfælde af, at du får brug for at slå noget op i den.
- Fjern al emballage og mærkater.

sikkerhed

- Sluk for strømmen og tag stikket ud af stikkontakten før der monteres eller afmonteres tilbehør, efter brug og før rengøring.
- Hold fingrene væk fra bevægelige dele og monteret tilbehør.
- Gå aldrig fra maskinen, mens den arbejder, og hold børn væk fra den.
- Brug aldrig en beskadiget maskine. Få den eftersat eller repareret (se 'service', side 68).
- Lad aldrig røremaskinen køre med hovedet i rejst position.
- Lad aldrig ledningen hænge ned, således at et barn kan få fat i den.
- Lad aldrig motoren, ledning eller stikkontakt komme i kontakt med vand.
- Brug aldrig et uautoriseret tilbehør eller flere end et tilbehør ad gangen.
- De maksimale mængder på side 64 må aldrig overskrides.
- Når der bruges et tilbehør, skal de medfølgende sikkerhedsanvisninger læses.
- Vær forsigtig, når maskinen løftes, den er nemlig meget tung. Sørg for at hovedet er låst og at skålen, tilbehøret, kraftudtagsdækslerne og ledningen er sat godt fast, før maskinen løftes.
- Dette apparat er ikke tilsigtet brug af personer (inklusive børn) med reducerede fysiske, sansmæssige eller mentale evner, eller mangel på erfaring og kendskab, undtagen hvis de er blevet vejledt eller givet instrukser i brugen af apparatet af en person, der er ansvarlig for deres sikkerhed.
- Børn bør overvåges for at sikre, at de ikke leger med apparatet.
- Anvend kun apparatet til husholdningsbrug. Kenwood påtager sig ikke erstatningsansvar, hvis apparatet ikke anvendes korrekt eller disse instruktioner ikke følges.

inden stikket sættes i stikkontakten

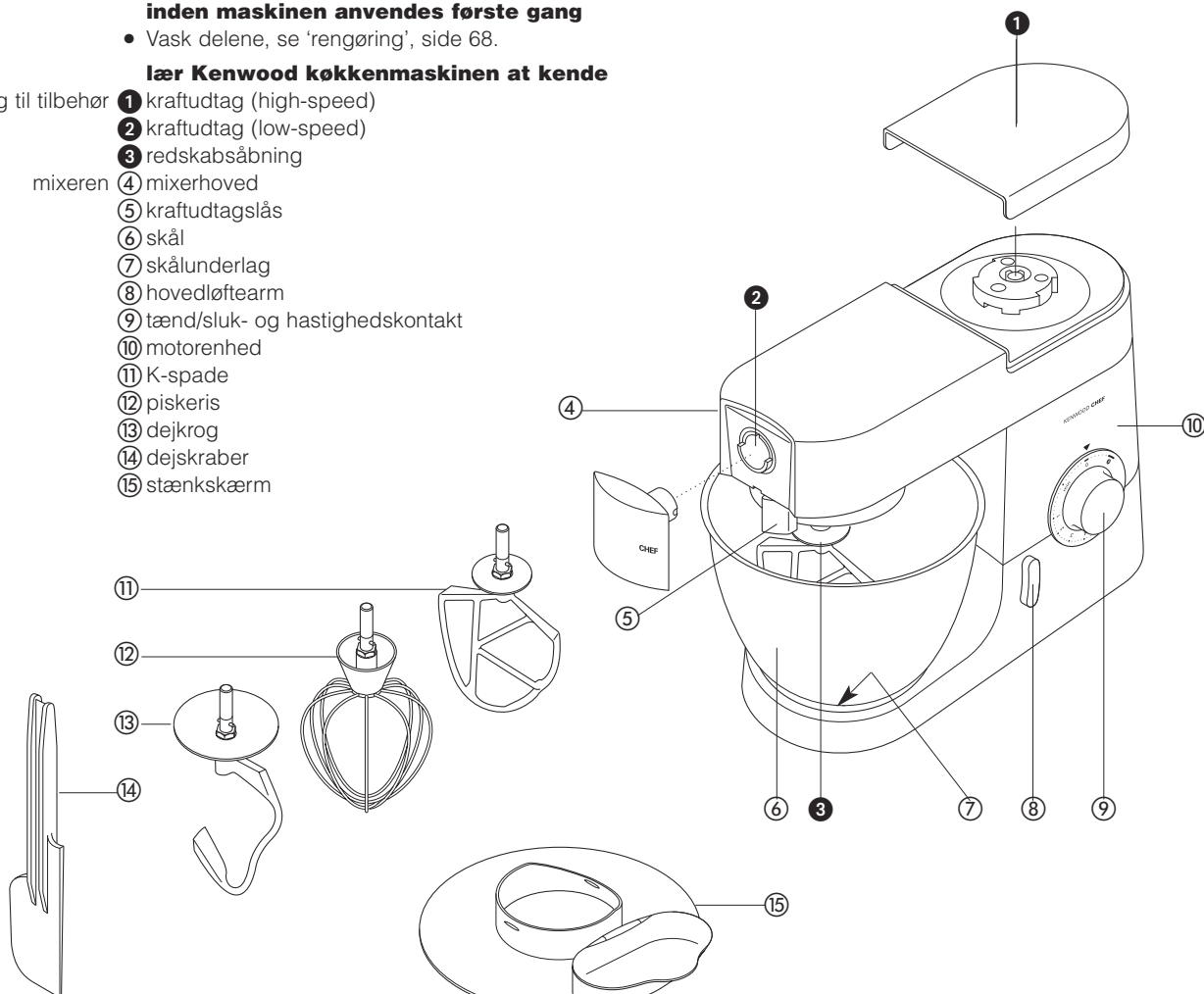
- Sørg for, at Deres el-forsynings spænding er den samme som den, der er vist på maskinens underside.
- Denne maskine opfylder bestemmelserne for radiostøjdæmpning i EU-direktiv 89/336/EØF.

inden maskinen anvendes første gang

- Vask delene, se 'rengøring', side 68.

lær Kenwood køkkenmaskinen at kende

- kraftudtag til tilbehør
- 1 kraftudtag (high-speed)
 - 2 kraftudtag (low-speed)
 - 3 redskabsåbning
- mixeren
- 4 mixerhoved
 - 5 kraftudtagslås
 - 6 skål
 - 7 skålunderlag
 - 8 hovedløftearm
 - 9 tænd/sluk- og hastighedskontakt
 - 10 motorenhed
 - 11 K-spade
 - 12 piskeris
 - 13 dejkrog
 - 14 dejskraber
 - 15 stænkskærm



mixeren

mixerredskaberne og nogle af deres anvendelser

- K-spade • Til at røre kagedej, småkager, butterdej, glasur, kagefyld, vandbakkelse og kartoffelmos m.v.
- piskeris • Til at piske æg, piskefløde, pandekagedej, lagkagedej, marengs, ostekage, mousse, soufflé. Piskeriset må ikke anvendes til tykkere deje (som f.eks. til at røre margarine og sukker) - da det kan beskadige det.
- dejkrog • Til gærdeje.

sådan anvendes mixeren

- 1 Drej hovedløftearmen mod uret **1** og løft mixerhovedet, til det låser.
- 2 Skub op til det stopper **2** herefter drejes det.
- 3 Sæt skålen i fordybningen. Tryk skålen ned og drej den med uret **3**.
- 4 Drej hovedløftearmen mod uret og sænk mixerhovedet, til det låser.
- 5 Tænd for maskinen ved at dreje hastighedskontakten til den ønskede stilling.
- 6 Skru det ud.

- Impulsknappen **P** bruges til at give ekstra kraft et øjeblik.

sådan fjernes et redskab

- tips • Sluk for maskinen og skrab hyppigt dejen ned i skålen med dejskraber.
- Det er bedst at piske æg, når de har stuetemperatur.
- Inden der piskes æggeghvider, skal De sørge for, at der ikke er noget fedt eller æggeblomme på piskeriset eller i skålen.
- Når De laver butterdej, er det bedst at bruge kolde ingredienser, medmindre opskriften angiver andet.

tips om æltning af brød

- vigtigt • Nedenstående maksimale mængder må aldrig overskrides, da maskinen ellers vil blive overbelastet.
- Hvis De hører, at maskinen sejtrækker, skal De slukke for den, fjerne halvdelen af dejen og så ælte hver halvdel for sig.
- Ingredienserne blandes bedst, hvis væsken kommer i først.

maksimale mængder

CHEF

MAJOR

butterdej almindelig gærdej

- Melvægt: 680g
- Melvægt: 1,36kg
- Samlet vægt: 2,18kg

blød gærdej

- Melvægt: 1,3kg
- Samlet vægt: 2,5kg

frugtkagedej

- Samlet vægt: 2,72kg

æggeghvider

- 12 stk.

Melvægt: 910g

Melvægt: 1,5kg

Samlet vægt: 2,4kg

Melvægt: 2,6kg

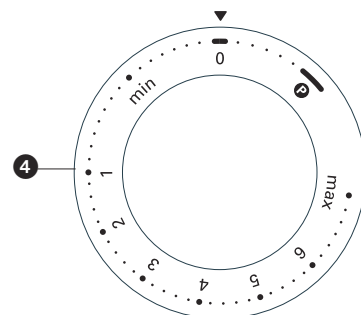
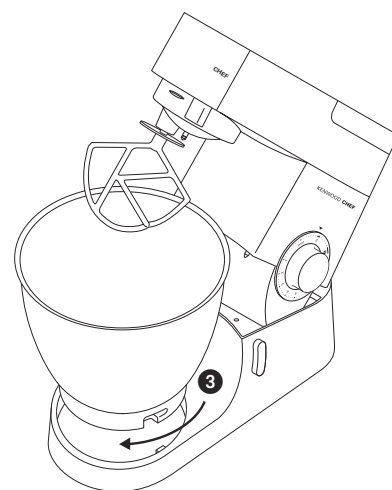
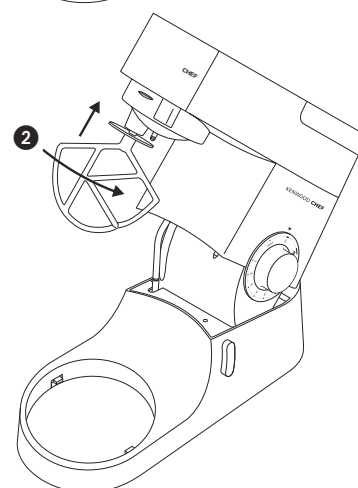
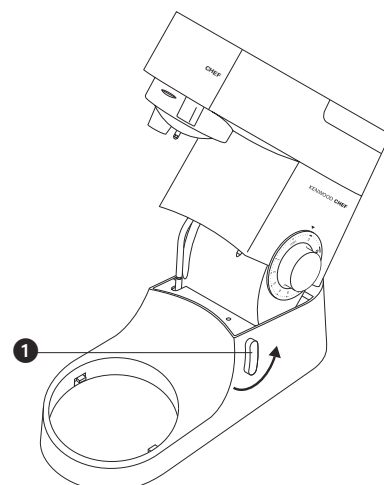
Samlet vægt: 5kg

Samlet vægt: 4,55kg

16 stk.

hastigheder **4**

- K-spade • **røring af fedtstof og sukker:** start på "min" og sæt gradvist hastigheden op til "maks".
- **piskning af æg i cremede blandinger:** 4 – "maks".
- **iblanding af mel, frugt mv.:** "min" – 1.
- **småkagedej:** start på "min" og sæt gradvist hastigheden op til "maks".
- **blanding af fedtstof i mel:** "min" – 2.
- piskeris • Sæt gradvist hastigheden op til 'maks.'
- dejkrog • Start på 'min' og sæt gradvist hastigheden op til 1.



oplysninger om **rengøring** findes på side 68

fejlfinding

problem:

- Piskeriset eller K-spaden rammer bunden af skålen eller når ikke ned til ingredienserne i bunden af skålen.

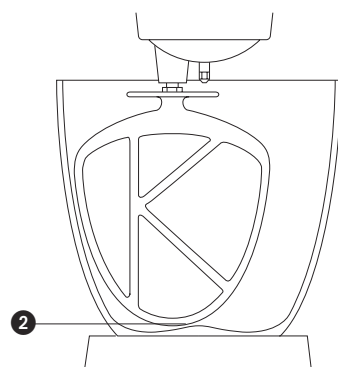
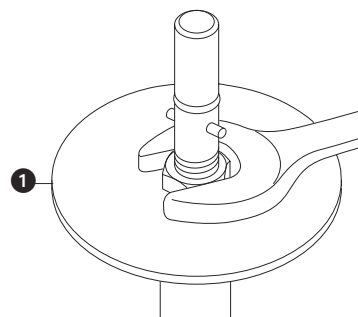
løsning • Tilbehørshøjden justeres på følgende måde:

- 1 Tag stikket ud af stikkontakten.
- 2 Løft mixerhovedet og sæt piskeriset eller K-spaden i.
- 3 Hold fast i tilbehøret og løs møtrikken ①.
- 4 Sænk mixerhovedet.
- 5 Justér tilbehørshøjden ved at dreje tilbehøret. Det er bedst, hvis piskeriset/K-spaden **næsten** rører ved bunden af skålen ②.
- 6 Løft mixerhovedet, og mens De holder på piskeriset/K-spaden, strammes møtrikken.

problem

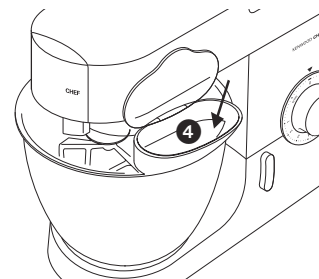
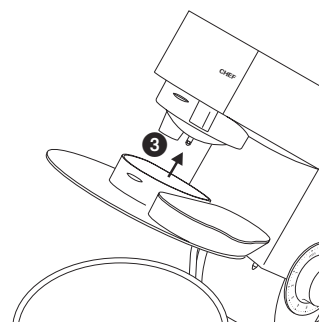
- Mixeren standser under brugen.

løsning • -Mixeren er udstyret med en sikkerhedsanordning, som standser maskinen for at beskytte den, hvis den bliver overbelastet. Hvis dette sker, sluk for mixeren og tag dens stik ud af stikkontakten. Fjern nogle af ingredienserne for at reducere belastningen og lad mixeren stå et par minutter. Sæt stikket i stikkontakten igen og vælg atter hastigheden. Hvis mixeren ikke starter omgående, skal den have lov til at stå et stykke tid endnu.



sådan monteres og anvendes stænkskærmen

- 1 Løft mixerhovedet til det låser.
 - 2 Sæt skålen i fordybningen.
 - 3 Skub stænkskærmen på undersiden af mixerhovedet ③, indtil den sidder godt fast. Den hængslede del skal være placeret som vist.
 - 4 Isæt det ønskede tilbehør.
 - 5 Sænk mixerhovedet.
- Under blandingen kan ingredienserne hældes direkte ned i skålen vha. den hængslede del af stænkskærmen ④.
 - Det er ikke nødvendigt at fjerne stænkskærmen for at skifte tilbehør.
 - 6 Afmonter stænkskærmen ved at hæve mixerhovedet og skub den ned.

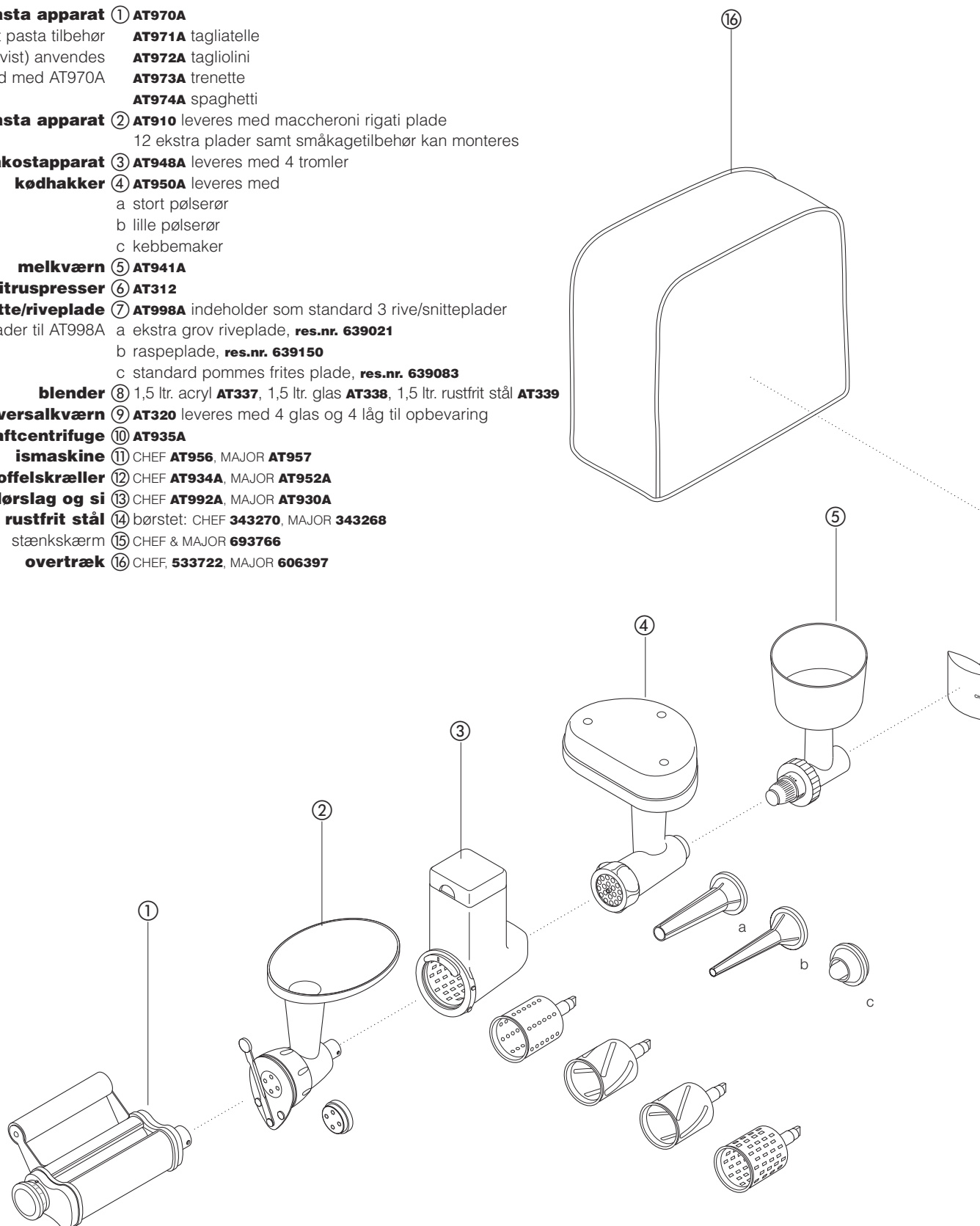


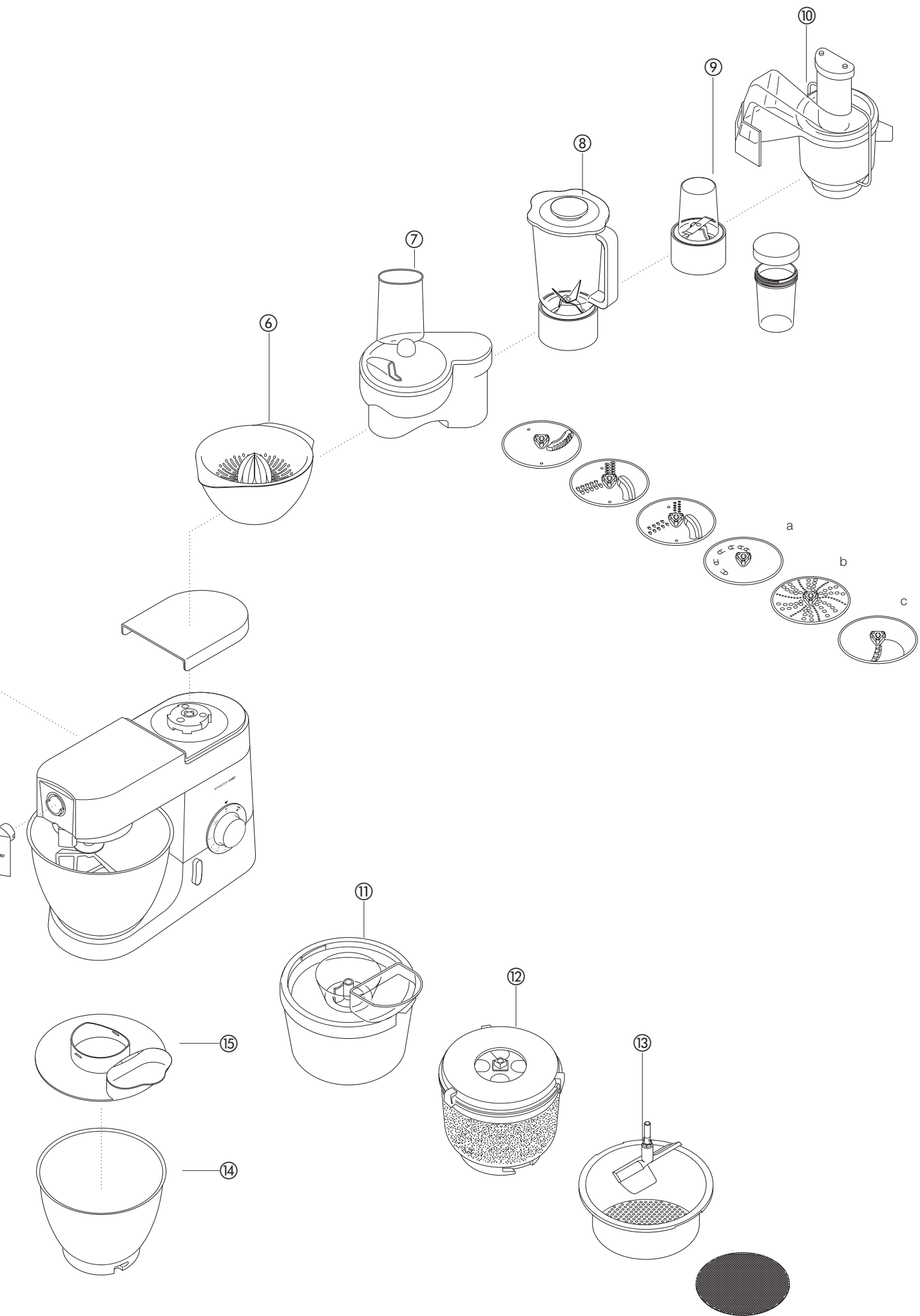
tilbehør som kan fås

Ønsker De at købe tilbehør, der ikke er medleveret i pakken, skal De henvende Dem til KENWOOD forhandleren.

tilbehør tilbehørskode

- fladt pasta apparat** ① **AT970A**
 andet pasta tilbehør **AT971A** tagliatelle
 (ikke vist) anvendes **AT972A** tagliolini
 sammen med med AT970A **AT973A** trenette
AT974A spaghetti
- pasta apparat** ② **AT910** leveres med maccheroni rigati plade
 12 ekstra plader samt småkagetilbehør kan monteres
- råkostapparat** ③ **AT948A** leveres med 4 tromler
- kødhakker** ④ **AT950A** leveres med
 a stort pølseør
 b lille pølseør
 c kebbemaker
- melkværn** ⑤ **AT941A**
- citruspresser** ⑥ **AT312**
- pro snitte/riveplade** ⑦ **AT998A** indeholder som standard 3 rive/snitteplader
 ekstra plader til AT998A a ekstra grov riveplade, **res.nr. 639021**
 b raspeplade, **res.nr. 639150**
 c standard pommes frites plade, **res.nr. 639083**
- blender** ⑧ 1,5 ltr. acryl **AT337**, 1,5 ltr. glas **AT338**, 1,5 ltr. rustfrit stål **AT339**
- universalkværn** ⑨ **AT320** leveres med 4 glas og 4 låg til opbevaring
- non-stop saftcentrifuge** ⑩ **AT935A**
- ismaskine** ⑪ CHEF **AT956**, MAJOR **AT957**
- kartoffelskræller** ⑫ CHEF **AT934A**, MAJOR **AT952A**
- dørslag og si** ⑬ CHEF **AT992A**, MAJOR **AT930A**
- skåle i rustfrit stål** ⑭ børstet: CHEF **343270**, MAJOR **343268**
- stænkskærm ⑮ CHEF & MAJOR **693766**
- overtræk ⑯ CHEF **533722**, MAJOR **606397**





rengøring og service

rengøring

- Inden rengøring skal der altid slukkes for strømmen til maskinen og stikket skal tages ud af stikkontakten.
- Lidt fedt kan komme til syne ved kraftudtag ②, når det først anvendes. Dette er normalt – tør det blot af.

motorenhed, kraftudtagsdæksler

- Aftørres med en fugtig klud, og der poleres efter med en tør.
- Brug aldrig skuremidler og kom aldrig maskinen i vand.

skål

- Vaskes i hånden og tørres grundigt eller vaskes i opvaskemaskine.
- Hvis De har en skål i rustfrit stål, må De aldrig bruge en stålborste, ståluld eller blegemidler på den. Kalkmærker kan fjernes med eddike.

- Kålene må ikke udsættes for direkte varme (komfurer, ovne, mikrobølgeovne).

tilbehør

- Vaskes i hånden og tørres grundigt eller vaskes i opvaskemaskine.

stænkskærm

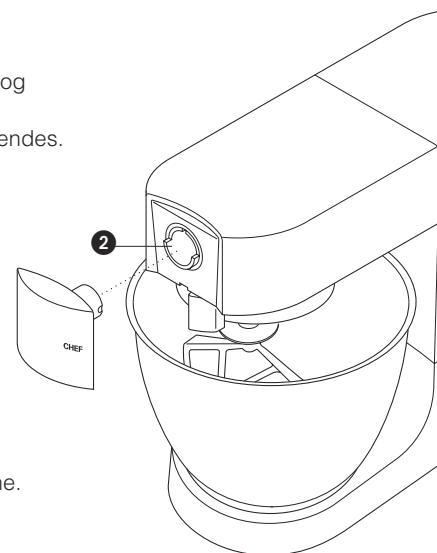
- Vaskes i hånden og tørres grundigt.

service og kundeservice

- Hvis ledningen bliver beskadiget, skal den af sikkerhedsgrunde udskiftes af KENWOOD eller en autoriseret KENWOOD forhandler.

Hvis De har brug for hjælp med:

- brug af maskinen
 - bestilling af andet udstyr
 - service eller reparationer
- så kontakt den forretning, hvor De har købt maskinen.



opskrifter

Se vigtige tips om æltning af brød på side 64.

franskbød *blød gærdej*

- ingredienser
- 2,6kg hvedemel
 - 1,3 liter mælk
 - 300g sukker
 - 450g margarine
 - 100g frisk gær eller 50g tørgær
 - 6 æg, piskede
 - 5 knsp salt
- Denne mængde er til KMM700 serien. Til KMC500 serien skal mængderne halveres og alt melet skal kommes i på én gang.**

- metode
- 1 Smelt margarinen i mælken og opvarm til 43°C.
 - 2 **tørgær** (den type gær, som skal opløses): tilsæt gær og sukker til mælken, og lad det stå i 10 minutter, indtil det skummer.
frisk gær: smuldres i melet og sukkeret tilsættes.
andre typer gær: følg producentens brugsanvisning.
 - 3 Hæld mælken op i skålen. Tilsæt de piskede æg og 2kg hvedemel.
 - 4 Bland ingredienserne ved minimumhastigheden i 1 minut og derefter endnu et minut ved hastighed 1. Skrab ingredienserne af skålens sider.
 - 5 Tilsæt salt og resten af melet og bland på minimal hastighed i 1 minut, så på hastighed 1 i 2 - 3 minutter, indtil dejen er glat og ensartet.
 - 6 Fyld nogle smurte forme, som kan rumme 450g, halvt med dejen eller form den til boller. Dejen dækkes til med et viskestykke og hæves på et lunt sted til dobbelt størrelse.
 - 7 Bages ved 200°C i 20 - 25 minutter *for brød* eller 15 minutter *for boller*.
 - 8 Når brødet er bagt, lyder det hult, når der bankes på undersiden.

- Til ca. 10 brød

jordbær- og abrikoslagkage

- ingredienser: lagkagebunde
- 3 æg
 - 75g sukker
 - 75g hvedemel
- fyld og pynt
- 150ml piskefløde
 - sukker efter smag
 - 225g jordbær
 - 225g abrikoser
- metode
- 1 Skær abrikoserne halvt over og fjern stenene. Kog abrikoserne i en lille smule vand med sukker efter smag, indtil de er møre.
 - 2 Vask jordbærerne og skær dem halvt over.
 - 3 Lagkagebundene tilberedes ved at piske æg og sukker på maksimal hastighed, indtil dejen er lysegul og tyk.
 - 4 Fjern skålen og piskeriset. Vend melet i blandingen vha. en stor metalske. Gør dette forsigtigt for at holde lagkagebundene lette.
 - 5 Fyld dejen i 2 smurte og forede 18cm lagkageforme.
 - 6 Bages ved 120°C i ca. 20 minutter, indtil kagen springer tilbage, når der røres let ved den.
 - 7 Vend bundene ud på en rist.
 - 8 Pisk piskefløden på maksimal hastighed, indtil den er stiv. Tilsæt sukker efter smag.
 - 9 Skær abrikoserne og en tredjedel af jordbærerne i små stykker. Bland dem i halvdelen af flødeskummet.
 - 10 Fordel dette over en af lagkagebundene og læg den anden bund ovenpå.
 - 11 Fordel resten af flødeskummet ovenpå og pynt med resten af jordbærerne.

opskrifter *fortsat*

marengs

- ingredienser
- 4 æggehvinder
 - 250g flormelis, sigtet
- metode
- 1 Læg bagepapir på en bageplade.
 - 2 Pisk æggehvinderne og sukkeret på maksimal hastighed i ca. 10 minutter, indtil de er stive.
 - 3 Sæt marengsdejen på bagepladen med en ske (eller brug en sprøjtepose med en 2,5cm stjernedyse).
 - 4 Bages ved 110°C i ca. 4 - 5 timer, indtil de er faste og sprøde. Hvis de begynder at blive brune, skal ovndøren sættes lidt på klem.
- De bagte marengs opbevares i en lufttæt kagedåse.

butterdej

- ingredienser
- 450g hvedemel, sigtet med salt
 - 5ml salt
 - 225g fedtstof (bland svinefedt med margarine lige fra køleskabet)
 - ca. 80ml vand
- tips
- Rør ikke dejen for meget
- metode
- 1 Kom melet i skålen. Det kolde fedtstof snittes groft og kommes i melet.
 - 2 Rør på hastighed 1 indtil blandingen minder om brødkrummer. Stop før blandingen bliver fedtet.
 - 3 Tilsæt vandet og rør på minimal hastighed. Stop, så snart vandet er iblandet.
 - 4 Bages ved ca. 200°C afhængig af fyldet.

gulerods- og koriandersuppe

- ingredienser
- 25 g smør
 - 1 løg, hakket
 - 1 fed hvidløg, knust
 - 480g gulerødder skåret i 1,5cm terninger til et 1,2 l blenderglas
 - 600g gulerødder skåret i 1,5cm terninger til et 1,5 l blenderglas
 - kold kyllingebouillon
 - 10-15 ml (2-3 tsk.) stødt koriander
 - salt og peber
- metode
- 1 Smelt smør i en gryde, tilsæt løg og hvidløg og steg, til de er møre.
 - 2 Kom gulerødderne i blenderen, tilsæt løg og hvidløg. Tilsæt tilstrækkelig suppe til at nå op til det maksimale 1,2 eller 1,5 mærke på blenderglasset. Sæt låget med midterproppen på.
 - 3 Blend på maksimal hastighed i 5 sekunder for en grov suppe og længere for et finere resultat.
 - 4 Overfør blandingen til en gryde, tilsæt koriander samt salt og peber og lad suppen snurre i 30 - 35 minutter eller indtil den er mør.
 - 5 Smag til med salt og peber og tilsæt ekstra væske, hvis det er nødvendigt.

lär känna din Kenwood köksmaskin

innan du använder din Kenwood-apparat

- Läs bruksanvisningen noggrant och spara den för framtida bruk.
- Avlägsna allt emballage och alla etiketter.

säkerheten

- Stäng av maskinen och dra ut sladden innan du monterar eller tar bort verktyg/tillbehör, efter användningen och före rengöring.
- Rör inte vid delar i rörelse eller monterade tillbehör.
- Lämna aldrig maskinen utan tillsyn, och håll barn på avstånd från den.
- Använd aldrig en skadad maskin. Lämna den för kontroll eller reparation: se 'service', sid 76.
- Kör aldrig mixern med huvudet i upplyft läge.
- Låt aldrig nätkabeln hänga ned så att ett barn kan ta tag i den.
- Låt aldrig motordelen, kabeln eller stickproppen bli våta.
- Använd aldrig tillbehör som inte hör till maskinen och aldrig mer än ett tillbehör i taget.
- Överskrid aldrig maskinens maxkapacitet, se sid 72.
- Innan du använder ett verktyg måste du läsa säkerhetsinstruktionerna som hör till.
- Var försiktig när du lyfter apparaten. Den är tung. Se till att blandarhuvudet är fastlåst och att skålen, verktygen, uttagslocken och sladden sitter stadigt innan du lyfter.
- Den här apparaten är inte avsedd för användning av personer (inklusive barn) med begränsad fysisk eller mental förmåga eller begränsad känsel. Den är inte heller avsedd för användning av personer med bristande erfarenhet eller kunskap, om de inte övervakas eller får instruktioner om hur apparaten ska användas av en person som ansvarar för deras säkerhet.
- Barn får inte lov att leka med apparaten. Lämna dem inte ensamma med den.
- Använd apparaten endast för avsett ändamål i hemmet. Kenwood tar inte på sig något ansvar om apparaten används på felaktigt sätt eller om dessa instruktioner inte följs.

innan du sätter i kontakten

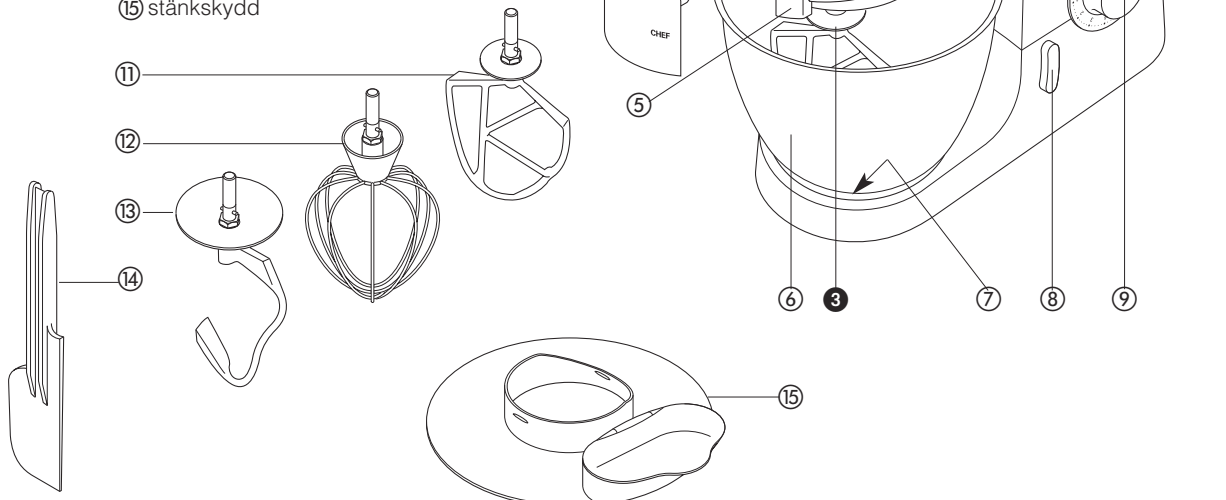
- Se till att nätströmmen är samma som anges på maskinens undersida.
- Denna maskin uppfyller kraven i direktivet 89/336/EEG.

innan du använder maskinen första gången

- Diska delarna: se 'underhåll och rengöring', sid 76.

lär känna din Kenwood köksmaskin

- uttag för tillbehör ① högväxeluttag
 ② lågväxeluttag
 ③ drivuttag för verktygen
 blandaren ④ blandarhuvud
 ⑤ låsspärr för drivuttag
 ⑥ blandningsskål
 ⑦ plattform för skålen
 ⑧ låsspak för uppfällning av överdelen
 ⑨ på/av och hastighetsreglage
 ⑩ kraftenhet
 ⑪ K-spade
 ⑫ visp
 ⑬ degkrok
 ⑭ spatel
 ⑮ stänkskydd



blandaren

blandarverktygen och några av deras användningsområden

- K-spaden • Används för att göra tyngre mjuka kakor, småkakor, pajdeg, glasyrer, fyllningar, petit-choux och potatismos.
- vispen • Används för att vispa ägg, grädde, pannkakssmet, lätta sockerkakor, maränger, ostkakor, mousse och suffléer. Använd inte vispen till tung kaksmet, t.ex. för att röra matfett med socker - vispen kan skadas.
- degkrok • Används för att knåda jäsdeg.

hur man använder blandaren

- 1 Vrid låsspaken moturs **1** och fäll upp överdelen tills den går i låsläge.
- 2 Tryck uppåt tills det tar emot **2** vrid sedan.
- 3 Sätt skålen på basen. Tryck ner den och vrid medurs **3**
- 4 Vrid låsspaken moturs och fäll ner överdelen tills den går i låsläge.
- 5 Koppla på maskinen genom att ställa hastighetsreglaget i önskat läge.
 - Vrid till momentanläge **P** för korta arbetsmoment.
- 6 Vrid loss verktyget.

Ta bort ett verktyg

- tips • Stäng då och då av maskinen och skrapa ur skålen med spateln.
- Ägg bör vara vid rumstemperatur när de skall vispas.
- Innan du vispar äggvitor måste du se till att det inte finns rester av fett eller äggula på vispen eller i skålen.
- Ingredienser till pajdeg skall vara kalla om inget annat anges i receptet.

vid brödbak

- viktigt • Överskrid aldrig maxkapaciteterna nedan - då överbelastas maskinen.
- Om du hör att maskinen arbetar ansträngt måste du stänga av den, ta upp halva degen och knåda varje hälft för sig.
- Degen blandas bäst om du håller i de flytande ingredienserna först.

maxkapaciteter

CHEF

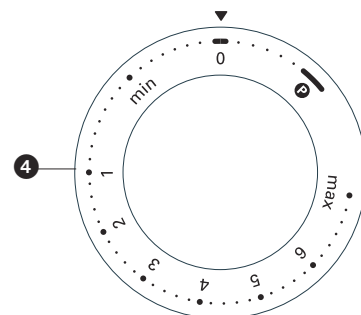
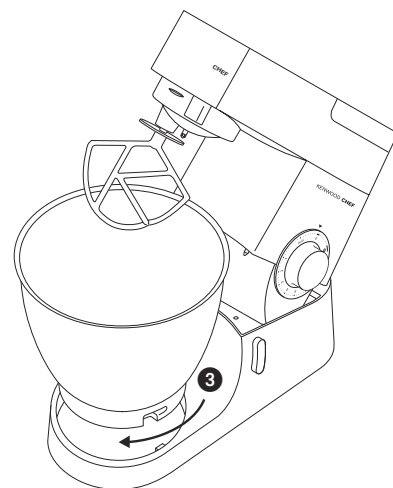
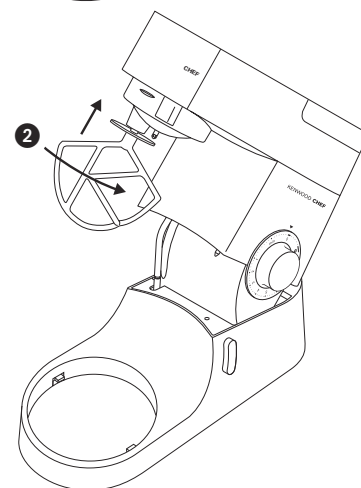
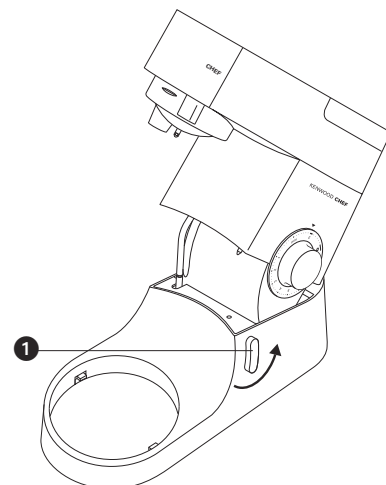
MAJOR

- mördeg** • Mjölets vikt: 680 g
- fast jäsdeg** • Mjölets vikt: 1,36 kg
- Total vikt: 2,18 kg
- lös jäsdeg** • Mjölets vikt: 1,3 kg
- Total vikt: 2,5 kg
- kakdeg med russin** • Total vikt: 2,72 kg
- äggvitor** • 12

- Mjölets vikt: 910 g
- Mjölets vikt: 1,5 kg
- Total vikt: 2,4 kg
- Mjölets vikt: 2,6 kg
- Total vikt: 5 kg
- Total vikt: 4,55 kg
- 16

hastigheter **4**

- K-spaden • **röra fett och socker** börja på min och öka gradvis till max.
- **vispa ner ägg i fettblandning** 4-"max"
- **röra ner mjöl, torkad frukt o.dyl.** min till 1.
- **allt-i-ettkaka** börja på min. och öka gradvis till max.
- **röra ihop fett och mjöl** min till 2.
- vispen • Öka gradvis till 'max'.
- degkroken • Börja på 'min' och öka gradvis till 1.



Rengöring se sid 76

felsökning

problem

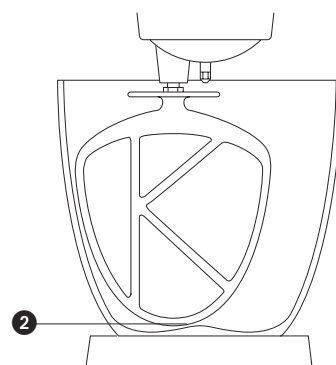
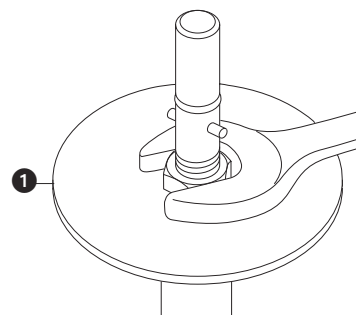
- Vispen eller K-spaden slår mot skålens botten eller når inte ner till ingredienserna på botten av skålen.

lösning • Justera höjden. Så här gör du:

- 1 Drag ur kontakten ur vägguttaget.
- 2 Fäll upp överdelen och sätt i vispen/spaden.
- 3 Håll fast vispen/spaden och lossa låsmuttern ❶.
- 4 Fäll ner överdelen.
- 5 Justera längden genom att vrida på skaftet. Vispen/spaden bör nästan vidröra botten på skålen ❷.
- 6 Fäll upp överdelen, håll fast vispen/spaden och dra åt låsmuttern.

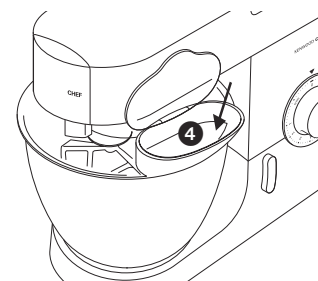
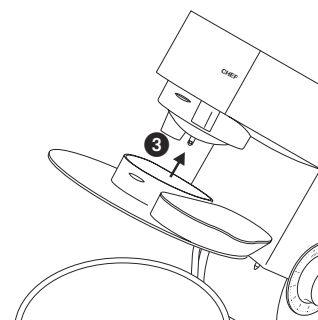
problem

- Maskinen stannar under användningen.
- lösning • Din köksmaskin är försedd med ett överbelastningskydd som stannar maskinen om den blir överbelastad. Om det händer ska du stänga av apparaten och dra ut sladden. Tag ut en del av det du blandar för att minska belastningen och låt maskinen stå i ett par minuter. Sätt i kontakten och ställ in hastigheten igen. Om de inte startar omedelbart måste du låta den stå i ytterligare någon stund.



montering och användning av stänkskyddet

- 1 Fäll upp överdelen tills den går i låsläge.
 - 2 Sätt skålen på basen.
 - 3 Tryck fast stänkskyddet på undersidan av blandarhuvudet ❸ så det kommer på plats ordentligt. Gångjärnsdelen ska sitta som visas på bilden.
 - 4 För in önskat verktyg.
 - 5 Sänk blandarhuvudet.
- Under bearbetningen kan ingredienser tillsättas genom den gångjärnsförsedda delen av stänkskyddet ❹.
 - Stänkskyddet behöver inte tas bort för byte av verktyg.
- 6 Ta bort stänkskyddet genom att höja blandarhuvudet och skjuta ner skyddet.

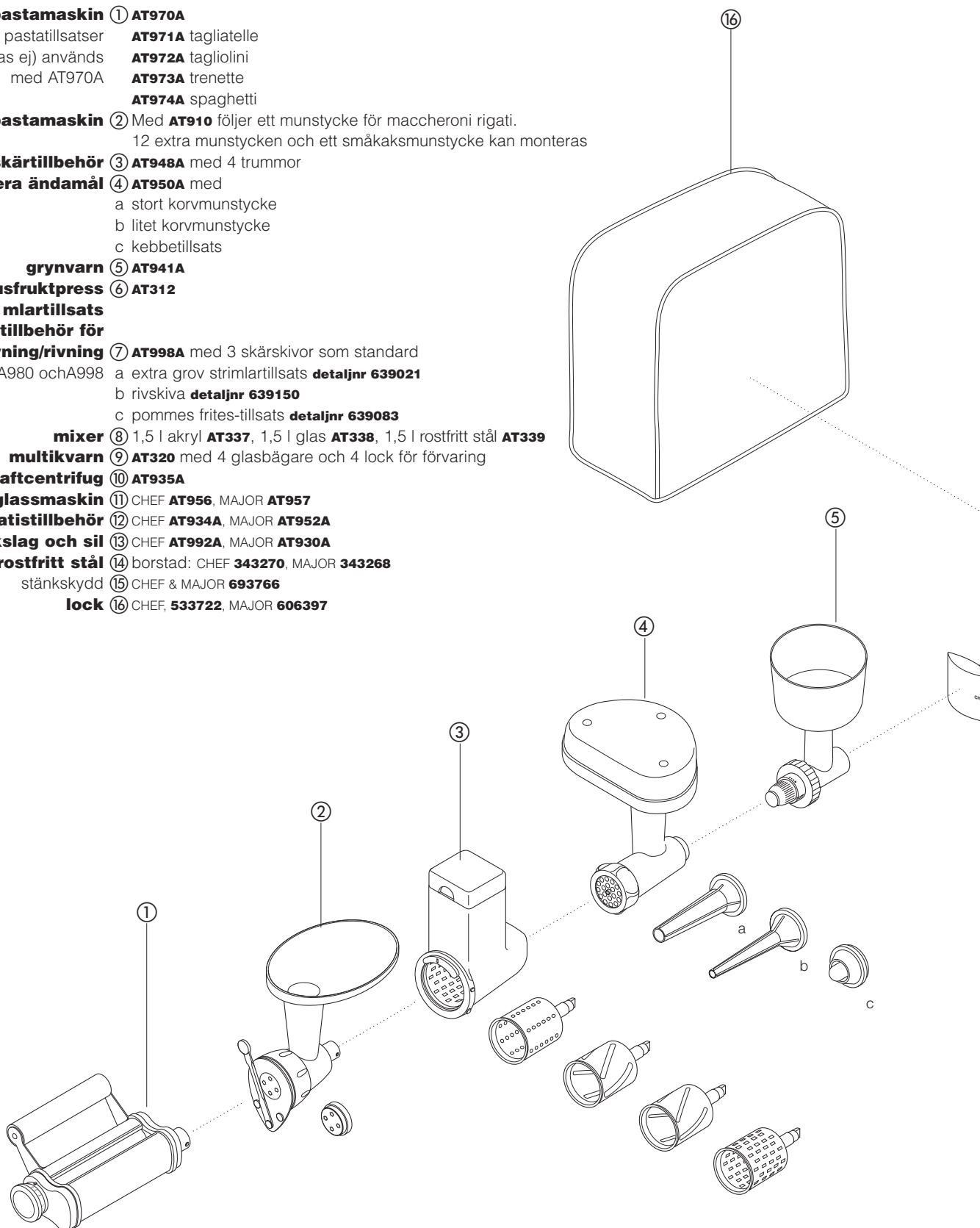


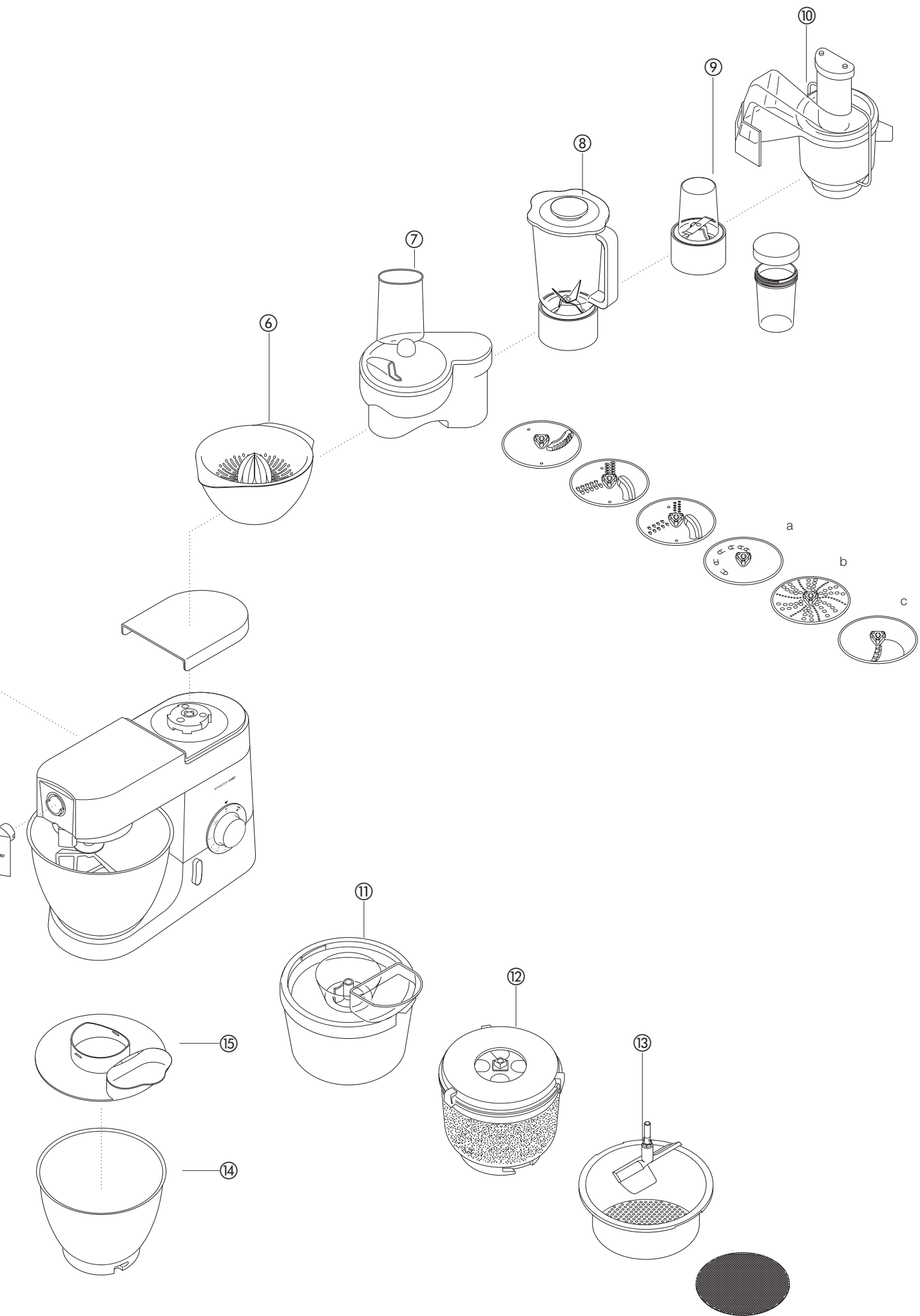
existerande tillsatser

Om du vill skaffa tillsatser som inte ingick i köpet, kan du kontakta din KENWOOD-reparatör.

tillsats tillsatskod

- pastamaskin** ① **AT970A**
 extra pastatillsatser **AT971A** tagliatelle
 (visas ej) används **AT972A** tagliolini
 med AT970A **AT973A** trenette
AT974A spaghetti
- pastamaskin** ② Med **AT910** följer ett munstycke för maccheroni rigati.
 12 extra munstycken och ett småkaksmunstycke kan monteras
- roterande skärtilbehör** ③ **AT948A** med 4 trummor
kvärv för flera ändamål ④ **AT950A** med
 a stort korvmunstycke
 b litet korvmunstycke
 c kebbetillsats
- grynkvärv** ⑤ **AT941A**
citrusfruktpress ⑥ **AT312**
- skiv- och stri mlartillsats**
tilbehör för
skivning/rivning ⑦ **AT998A** med 3 skärskivor som standard
 extra skivor för A980 och A998 a extra grov strimlartillsats **detaljn 639021**
 b rivskiva **detaljn 639150**
 c pommes frites-tillsats **detaljn 639083**
- mixer** ⑧ 1,5 l akryl **AT337**, 1,5 l glas **AT338**, 1,5 l rostfritt stål **AT339**
- multikvärv** ⑨ **AT320** med 4 glasbägare och 4 lock för förvaring
- nonstop råsaftcentrifug** ⑩ **AT935A**
glassmaskin ⑪ CHEF **AT956**, MAJOR **AT957**
potatistillbehör ⑫ CHEF **AT934A**, MAJOR **AT952A**
duskslag och sil ⑬ CHEF **AT992A**, MAJOR **AT930A**
skålar i rostfritt stål ⑭ borstad: CHEF **343270**, MAJOR **343268**
 stänkskydd ⑮ CHEF & MAJOR **693766**
lock ⑯ CHEF, **533722**, MAJOR **606397**





rengöring och service

underhåll och rengöring

- Stäng alltid av maskinen och dra ut kontakten innan du rengör den.
- Det kan hända att det kommer ut lite fett i uttag ② när du först använder det. Det är normalt – det kan du bara torka bort.

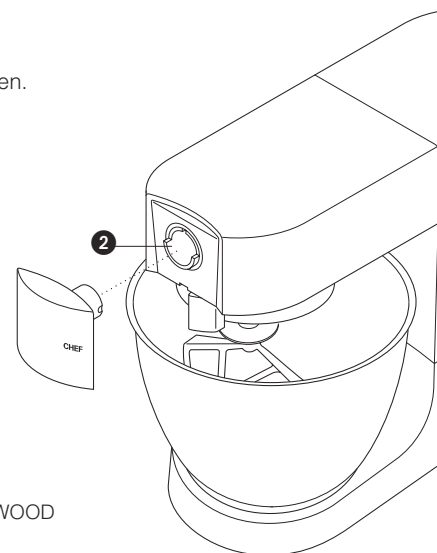
- kraftenheten, uttagslocken
- Torka med en fuktad trasa och torka efter med en torr.
 - Använd inte repande rengöringsmedel och doppa aldrig ner maskinen i vatten.
- skål
- Handdiska och torka noggrant eller maskindiska.
 - Använd inte stålborste, stålull eller blekmedel när du diskar rostfria skålar. Tag litet ättika för att få bort kalkbeläggningar.
 - Utsätt inte skålarna för värme (spisplattor, ugn, mikrougn)
- verktyg
- Diska för hand och torka noga, eller maskindiska.
- stänkskydd
- Handdiska och torka väl.

service och kundtjänst

- Om kabeln skadas måste den av säkerhetsskäl bytas ut av KENWOOD eller en av KENWOOD godkänd reparatör.

Om du behöver hjälp med:

- att använda maskinen
 - att beställa tillbehör
 - service eller reparationer
- kan du kontakta butiken där du köpte maskinen.



recept

se viktiga anvisningar för brödbak sid 72.

vitt bröd lös jädeg

- ingredienser
- 2,6kg vetemjöl
 - 1,3 l mjölk
 - 300g socker
 - 450g margarin
 - 100g färsk jäst (eller 50g torrjäst)
 - 6 uppvispade ägg
 - 5 nypor salt
- Mängderna avser KMM700-serien. För KMC500-serien halverar du mängderna och tillsätter allt mjölet med en gång**

- gör så här
- 1 Smält margarinet i mjölken och varm blandningen till 43°C.
 - 2 **med torrjäst:** (av den typ som blandas ut i vatten): Tillsätt jästen och sockret i mjölken och låt blandningen stå i c:a 10 minuter tills den är skummig.
med färsk jäst: smula ner i mjölet och tillsätt sockret.
andra typer av jäst: följ anvisningarna på förpackningen.
 - 3 Häll mjölken i skålen. Tillsätt de uppvispade äggen och 2kg mjöl.
 - 4 Kör på minimihastighet i en minut och därefter på hastighet 1 i ytterligare en minut. Skrapa ner.
 - 5 Tillsätt saltet och det resterande mjölet och kör på minimihastighet i en minut och därefter på hastighet 1 i ytterligare 2 - 3 minuter tills degen är slät och helt blandad.
 - 6 Fyll några smorda avlånga bakformar till hälften med degen eller rulla till små bullar. Bred över en handduk och ställ formarna att jäsa på ett varmt ställe till dubbel storlek.
 - 7 Grädda i 200°C i 20 - 25 minuter *för limpor* eller 15 minuter *för bullar*.
 - 8 Brödet är färdigt när det låter ihåligt om man knackar på botten.
- Ger c:a 10 limpor

jordgubbs- och aprikostårta

- ingredienser: sockerkaksbotten
- 3 ägg
 - 75g socker
 - 75g vetemjöl
- fillning och dekoration
- 1,5dl vispgrädde
 - socker efter smak
 - 225g jordgubbar
 - 225g aprikoser
- gör så här
- 1 Skär itu aprikoserna och tag ut kärnan. Sjud dem försiktigt i mycket litet vatten med sockret tillsatt, tills de är mjuka.
 - 2 Skölj och skär itu jordgubbarna.
 - 3 Börja sedan med sockerkaksbotten: Vispa äggen och sockret på maxhastighet tills det är vitt och pösigt.
 - 4 Tag bort skålen och vispen. Vänd ner mjölet för hand med en stor metallsked - försiktigt så att sockerkakan blir fluffig.
 - 5 Häll i smeten i två smorda låga kakformar (18cm), klädda med bakpapper.
 - 6 Grädda i 180°C i c:a 20 minuter. Om kakan återtar sin form igen efter ett lätt tryck, är den färdig.
 - 7 Stjälp upp den på galler.
 - 8 Vispa grädden hårt på maxhastighet. Tillsätt ev. litet socker.
 - 9 Grovhacka aprikoserna och en tredjedel av jordgubbarna. Vänd ner dem i hälften av grädden.
 - 10 Bred blandningen på en av sockerkaksbottnarna och lägg över den andra.
 - 11 Bred resten av grädden på tårtan och dekorera med resten av jordgubbarna.

recept *forts*

maränger

- ingredienser
- 4 äggvitor
 - 250g florsocker, siktat
- gör så här
- 1 Lägg bakpapper på en plåt.
 - 2 Vispa äggvitorna och sockret på maxhastighet i c:a 10 min tills smeten står upp i toppar.
 - 3 Klicka ut blandningen på bakpapperet (eller använd en spritspåse med 2,5cm stjärnmunstycke).
 - 4 Grädda i 110°C i c:a 4 - 5 timmar tills marängerna är hårda och spröda. Om de börjar ta färg kan du ställa luckan på glänt.
- Förvara marängerna i en lufttät burk.

pajdeg

- ingredienser
- 450g mjöl, siktat tillsammans med saltet
 - 1 tsk salt
 - 225g matfett (ister och margarin direkt från kylan)
 - 4 msk vatten
- tips
- Överarbeta inte degen
- gör så här
- 1 Häll mjölet i skålen. Hacka upp matfettet grovt och lägg det i mjölet.
 - 2 Kör på hastighet 1 tills det ser ut som brödsulor. Sluta innan det blir smetigt.
 - 3 Tillsätt vatten och kör på minimihastighet. Sluta meddetsamma när vattnet har blandats in.
 - 4 Grädda i omkring 200°C, beroende på fyllningen.

morots- och koriandersoppa

- ingredienser
- 25 g smör
 - 1 hackad lök
 - 1 krossad vitlöksklyfta
 - 480 g morot skuren i tärningar på 1,5 cm, för en kanna på 1,2 liter
 - 600 g morot skuren i tärningar på 1,5 cm, för en kanna på 1,5 liter
 - kall kycklingbuljong
 - 10-15 ml (2-3 msk) malen koriander
 - salt och peppar
- tillagning
- 1 Smält smöret i en kastrull, tillsätt löken och vitlöken och stek dem mjuka.
 - 2 Lägg morotstärningarna i mixern och tillsätt lök och vitlök. Tillsätt buljong upp till maxmärket på 1,2 eller 1,5 liter på kannan. Sätt på locket och påfyllningslocket.
 - 3 Kör på högsta hastighet i 5 sekunder, om du vill ha grövre soppa, och längre om du vill ha den jämnare.
 - 4 Överför blandningen till en kastrull, tillsätt koriandern, salta och peppra och låt soppan koka i 30-35 minuter eller tills den är färdiglagad.
 - 5 Smaka av igen med salt och peppar och tillsätt eventuellt mer vätska.

Kjenn din Kenwood kjøkkenmaskin

før du tar Kenwood-apparatet i bruk

- Les nøye gjennom denne bruksanvisningen og ta vare på den slik at du kan slå opp i den senere.
- Fjern all emballasje og eventuelle merkesedler.

Sikkerhetsregler

- Slå av strømmen og trekk støpselet ut av kontakten før du setter på eller tar av redskap/tilbehør, etter bruk og før rengjøring.
- Hold fingrene vekk fra bevegelige deler og montert tilbehør.
- Gå aldri fra maskinen mens den er igang, og hold barn vekk fra den.
- Bruk aldri en skadet maskin. Sørg for at den blir undersøkt og reparert, se 'Service' side 84.
- Du må aldri kjøre mikseren med mikserhodet i hevet posisjon.
- Ikke la ledningen henge ned slik at et barn kan få tak i den.
- Ikke la strømdelen, ledningen eller støpselet bli våte.
- Bruk aldri tilbehør som ikke er godkjent, eller mer enn en type tilbehør av gangen .
- Maksimum kapasitet som er nevnt på side 80 må aldri overstiges.
- Når du bruker tilbehør må du alltid først lese sikkerhetsreglene som følger med.
- Vær forsiktig når apparatet løftes, da det er tung. Pass på at hodet er låst og at bollen, redskapene, utgangsdekslene og ledningen er festet før det løftes.
- Apparatet er ikke ment brukt av personer (inkludert barn) med reduserte fysiske, sensoriske eller mentale evner, eller med manglende erfaring og kunnskap, med mindre vedkommende har fått tilsyn eller opplæring i hvordan apparatet skal betjenes av en person som er ansvarlig for vedkommendes sikkerhet.
- Barn må ha tilsyn for å sikre at de ikke leker med apparatet.
- Bruk bare apparatet til dets tiltenkte hjemlige bruk. Kenwood frasier seg ethvert ansvar ved feilaktig bruk eller dersom apparatet ikke er brukt i henhold til denne bruksanvisningen.

Før maskinen slås på

- Før du setter i støpselet og tar maskinen i bruk, bør du forvise deg om at nettspenningen er den samme som det som står på merkeplaten på undersiden av maskinen.
- Denne maskinen er i overensstemmelse med EU-direktiv 89/336/EEC.

Før maskinen tas i bruk

- Vask alle delene, se 'stell og rengjøring' side 84.

Bli kjent med din kjøkkenmaskin

Uttak for tilbehør ① Uttak for høy hastighet

② Uttak for lav hastighet

③ Redskapsholder

Mikseren ④ Mikserhode

⑤ Uttaksfeste

⑥ Bolle

⑦ bolleunderlag

⑧ Spak til å løfte hodet

⑨ Av/på og hastighetsbryter

⑩ Motorenhet

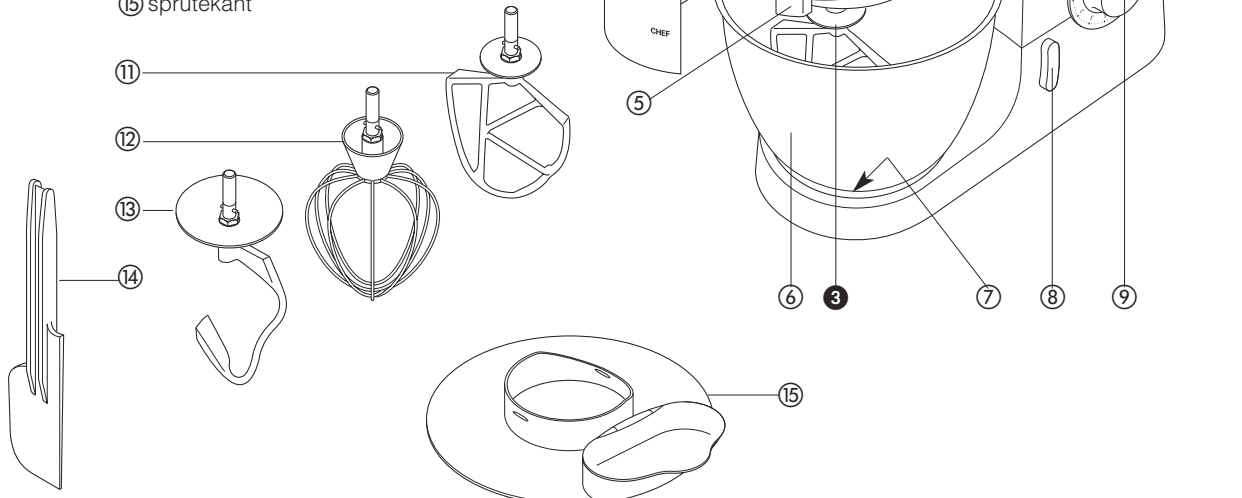
⑪ K-rører

⑫ Visp

⑬ Eltekrok

⑭ Slikkepott

⑮ sprutekant



Mikseren

Mikseredskapene og deres anvendelse

- K-rører** • Brukes til å lage kaker, kjeks, butterdeig, glasur, fyll, vannbakkels og potetmos.
- Visp** • Brukes til egg, krem, pannekake/vaffelrøre, sukkerbrød, marengs, ostekake, fromasj, soufflé. Bruk ikke vispen til tynge deiger (f.eks. vispe smør og sukker hvitt) - ellers kan den bli ødelagt.
- Eltekrok** • Brukes til gjærdeiger.

Bruk av mikseren

- Innsetting av redskap**
- 1 Drei spaken som brukes til å løfte hodet med, i retning mot urviserne **1**, og løft mikserhodet til det går i lås.
 - 2 Skyv opp til det stanser **2** og vri.
 - 3 Sett bollen på underdelen - trykk ned og dre i retning med urviserne **3**
 - 4 Drei spaken som løfter hodet i retning mot urviserne, og senk mikserhodet til det faller på plass med et klikk
 - 5 Slå på ved å dreie hastighetsbryteren til ønsket innstilling.
 - Vri bryteren til momenttrinn **P** for korte, kraftige omrøringer.
- Fjerning av redskap**
- 6 Skru den ut.

- Tips**
- Slå ofte av maskinen og skrap rundt sidene av bollen med slikkepotten.
 - Egg med romtemperatur er best til visping.
 - Før du visper eggehviter, bør du forsikre deg om at det ikke er noe fett eller eggeplomme på vispen eller bollen.
 - Bruk kalde ingredienser til pai med mindre oppskriften sier noe annet.

Huskeregler for brøddeig

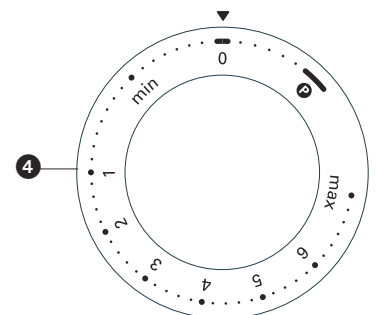
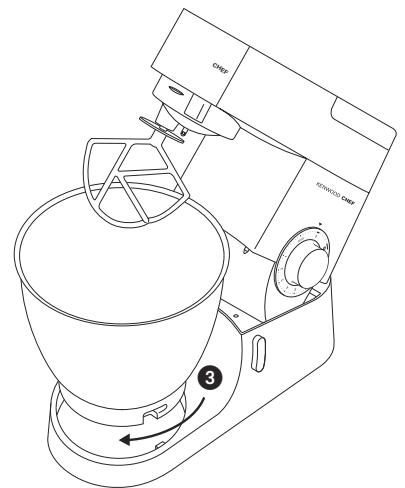
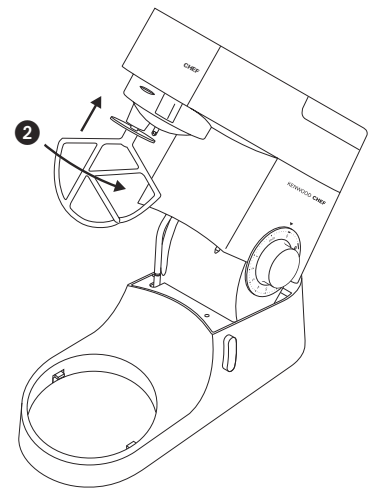
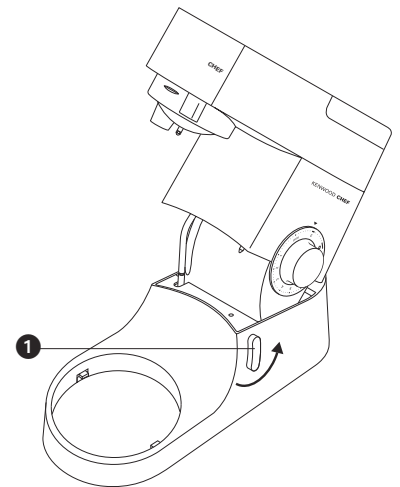
- Viktig**
- Overstig aldri maksimum kapasitet som er vist i tabellen nedenfor, ellers vil du overbelaste maskinen.
 - Hvis du hører at maskinen arbeider tungt, må du slå av, ta ut halvparten av deigen, og elte hver del for seg.
 - Ingrediensene blander seg best med hverandre hvis du har i væsken først.

Maksimum kapasitet

	CHEF	MAJOR
mørdeig	• Melets vekt: 680g	• Melets vekt: 910g
fast gjærdeig	• Melets vekt: 1,36kg	• Melets vekt: 1,5kg
	• Total vekt: 2,18kg	• Total vekt: 2,4kg
myk gjærdeig	• Melets vekt: 1,3kg	• Melets vekt: 2,6kg
	• Total vekt: 2,5kg	• Total vekt: 5kg
fruktkakemiks	• Total vekt: 2,72kg	• Total vekt: 4,55kg
eggehvite	• 12	• 16

Hastigheter **4**

- K-rører**
- **røre smør og sukker hvitt** start på min, øk gradvis til max.
 - **vispe egg i rører 4** - 'max'.
 - **blande inn mel, frukt etc.** min - 1.
 - **alt-i-ett kaker** begynn på min, øk gradvis til max.
 - **smuldre smør/fett i melet** min - 2.
- Visp**
- Øk gradvis til 'max'.
- Eltekrok**
- Start på 'min', øk gradvis til 1.



Løsning på problemer

Problem

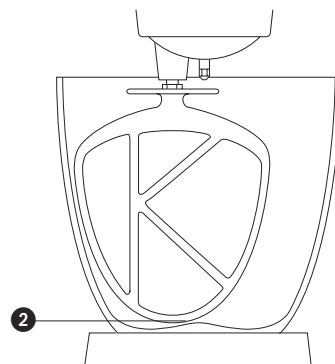
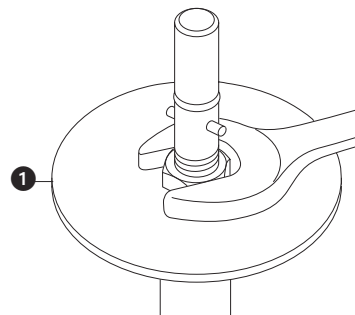
- Vispen eller K-røreren slår mot bunnen av bollen, eller når ikke de ingrediensene som er i bunnen av bollen.

Løsning • Juster høyden slik:

- 1 Trekk ut støpselet.
- 2 Løft mikserhodet og sett inn visp eller røreredskap.
- 3 Hold redskapen, og løsne så mutteren **1**.
- 4 Senk mikserhodet.
- 5 Justér høyden ved å dreie på akselen. Ideelt sett skal vispen/K-røreren **nesten** berøre bunnen av bollen **2**.
- 6 Løft hodet, hold i vispen/K-røreren og skru til mutteren.

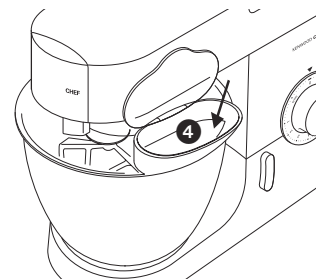
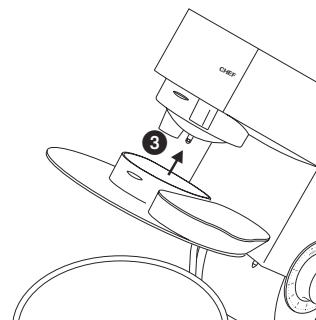
problem

- Blanderen stopper plutselig når det er i bruk.
- løsning • Blanderen er utstyrt med en overlastanordning og vil stoppe hvis den overlastes for å beskytte maskinen. Hvis dette skjer, slå av maskinen og trekk kontakten ut av blanderen. Ta ut noen av ingrediensene for å redusere lasten, og la blanderen stå i noen minutter. Sett i kontakten og still hastigheten på nytt. Hvis blanderen ikke starter igjen med en gang, la den stå litt til.



tilpasse og bruke sprutekanten

- 1 Løft mikserhodet til det låser seg.
 - 2 Sett bollen på plass.
 - 3 Skyv kantringen under mikserens hode **3** til den sitter godt. Den hengslede delen bør plasseres som vist.
 - 4 Sett i ønsket redskap.
 - 5 Senk mikserhodet.
- Under miksingen kan ingrediensene tilsettes direkte i bollen via den hengslede delen av sprutdekselet **4**.
 - Det er ikke nødvendig å ta av sprutdekselet for å bytte redskap.
- 6 Løft mikserhodet og ta av sprutdekselet ved å skyve det ned.



Ekstra **tilbehør**

Hvis du ønsker å kjøpe tilbehør som ikke følger med i pakken din, kan du ta kontakt med din Kenwood-forhandler eller -reparatør.

vedlegg vedleggskode

flat pastalager ① **AT970A**
ekstra pastatilbehør **AT971A** tagliatelle
(Ikke vist) brukes **AT972A** tagliolini
sammen med AT970A **AT973A** trenette
AT974A spaghetti

pastalager ② **AT910** leveres med maccheroni rigati stanser
Du kan sette på 12 ekstra skiver pluss kakesprut

vingematkutter ③ **AT948A** leveres med 4 valser

universalmatkvern ④ **AT950A** leveres med
a Åpning for store pølser
b Åpning for små pølser
c kebbelager

kornkvern ⑤ **AT941A**

sitronpresser ⑥ **AT312**

proskjærer/rasper ⑦ **AT998A** inkl. 3 skjæreplater som standard
valgfrie plater til AT998A a ekstra grov rasper, **delenummer 639021**
b riveplate **delenummer 639150**
c standardhakker, **delenummer 639083**

presser ⑧ 1,5 l akryl **AT337**, 1,5 l glass **AT338**, 1,5 l rustfritt stål **AT339**

flerbrukskvern ⑨ **AT320** leveres med 4 glass og 4 lokk til oppbevaring

non-stop

sentrifugalsaftpresse ⑩ **AT935A**

iskremmaskin ⑪ CHEF **AT956**, MAJOR **AT957**

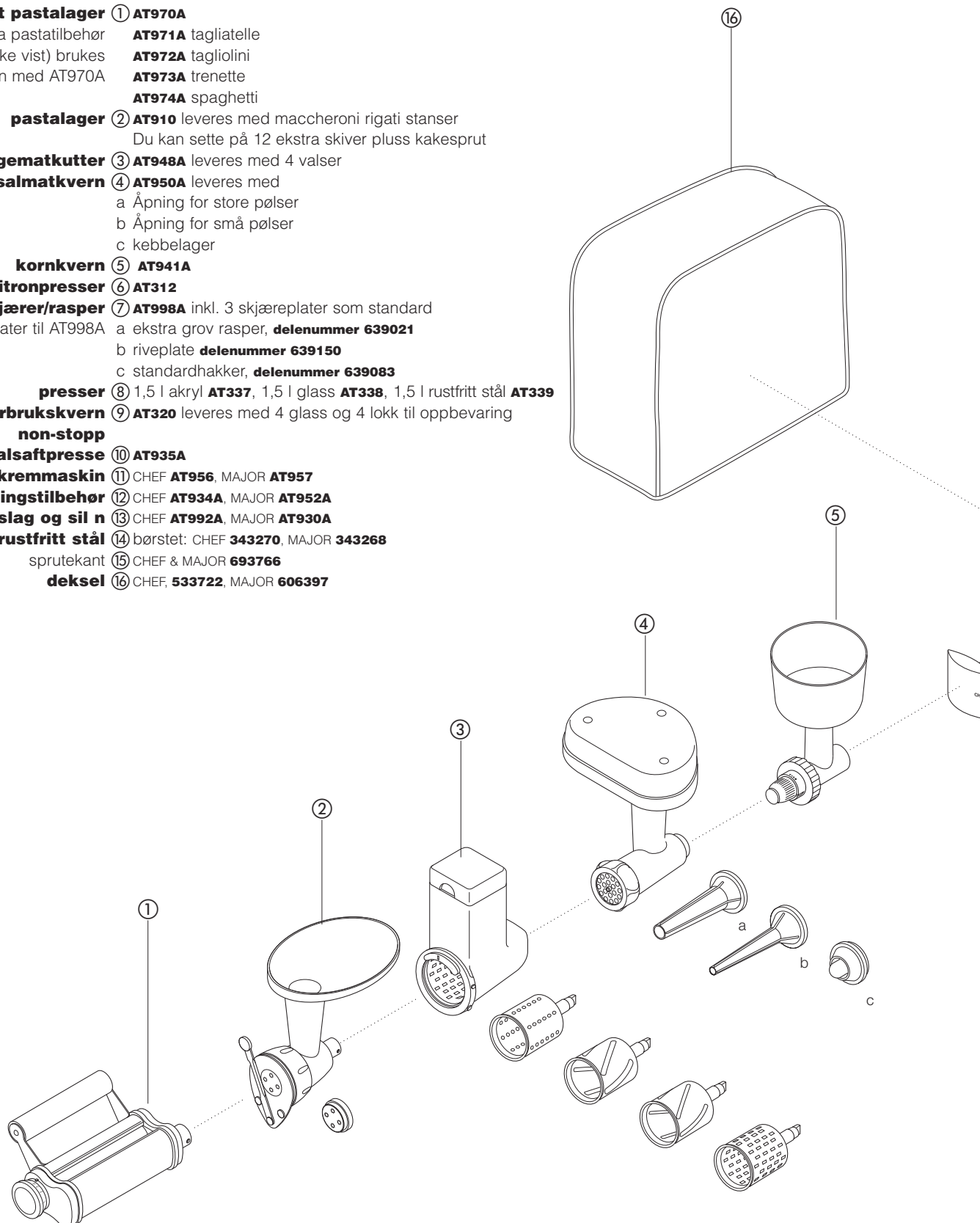
potettilberedningstilbehør ⑫ CHEF **AT934A**, MAJOR **AT952A**

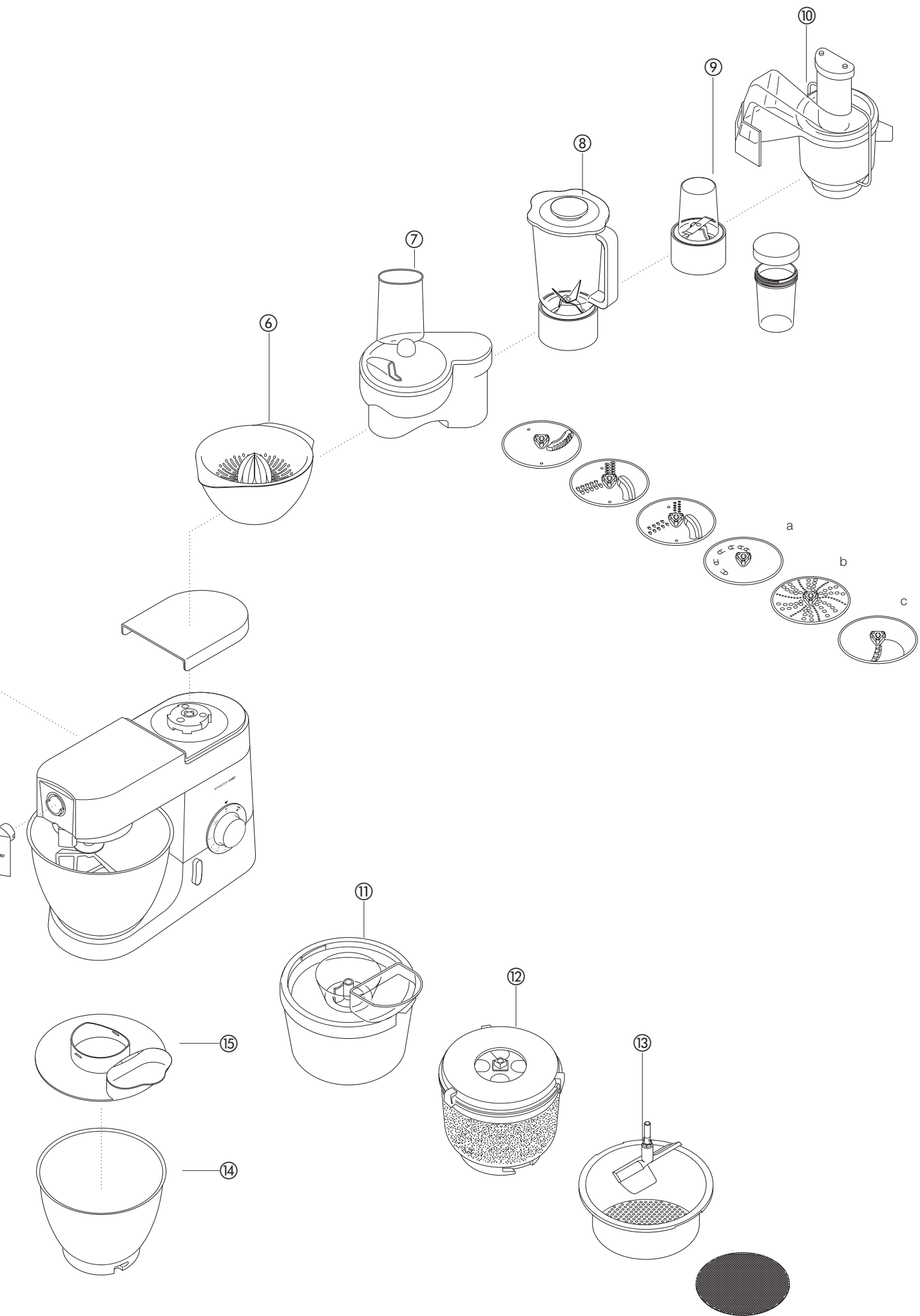
dørslag og sil n ⑬ CHEF **AT992A**, MAJOR **AT930A**

boller av rustfritt stål ⑭ børstet: CHEF **343270**, MAJOR **343268**

sprutekant ⑮ CHEF & MAJOR **693766**

deksel ⑯ CHEF **533722**, MAJOR **606397**





Rengjøring og service

Stell og rengjøring

- Slå alltid av maskinen og trekk ut støpselet før rengjøring.
- Litt fett kan oppstå ved utløp 2 ved førstegangsbruk. Dette er normalt – bare tørk det av.

Strømenhet, utløpsdeksler

- Tørk av med fuktig klut, la tørke.

- Bruk aldri skuremidler, og legg aldri maskinen i vann.

Bolle

- Vask for hånd, tørk deretter grundig eller vask i oppvaskmaskin.

- Bruk aldri stålull eller blekemiddel til å rengjøre bollen av rustfritt stål. Bruk eddik til å fjerne kalk.

- Hold borte fra varme (ovnsplater, komfyrer, mikrobølgeovner)

verktøy

- Vask for hånd, tørk grundig eller vask i oppvaskmaskin.

Sprutekant

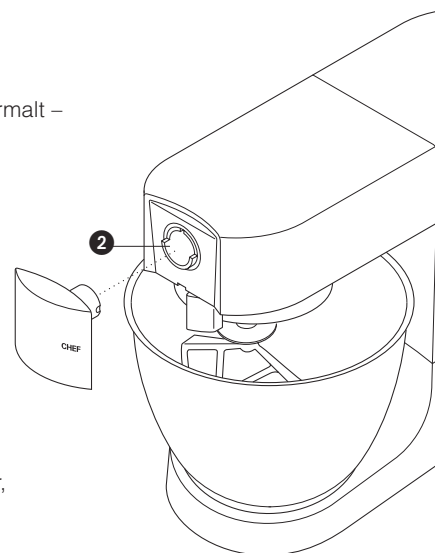
- Vaskes for hånd, tørkes grundig.

Service og kundetjeneste

- Hvis ledningen er skadet, må den, av sikkerhetsmessige grunner, erstattes av KENWOOD eller en autorisert KENWOOD-reparatør.

Hvis du trenger hjelp til å:

- bruke maskinen
- bestille annet tilbehør
- utføre vedlikehold eller reparasjon ta kontakt med din forhandler.



Oppskrifter

Se huskereglene for brøddeig på side 80.

hveteloff myk gjærdeig

- ingredienser
- 2,6kg hvetemel
 - 1,3 l melk
 - 300g sukker
 - 450g margarin
 - 100g fersk gjær eller 50g tørrgjær
 - 6 vispede egg
 - 5 klyper salt
- Denne mengden er for KMM700-serien. For KMC500-serien halveres mengdene og alt melet has i på én gang**

- fremgangsmåte
- 1 Smelt margarinen i melken og varm det opp til 43°C.
 - 2 **Tørrgjær** (den typen som må blandes med væske): Ha gjæren og sukkeret i melken, og la det stå i ca 10 minutter til blandingen skummer.
Pressgjær (fersk gjær): Smuldre gjæren inn i melet
Andre typer gjær: Følg bruksanvisningen på pakken
 - 3 Hell melken i bollen. Tilsett deretter de vispede eggene, 2kg mel (eventuelt tilsatt smuldret pressgjær), og salt.
 - 4 Elt deigen på minimumshastighet i 1 minutt, deretter på hastighet 1 i enda et minutt. Skrap ned sidene.
 - 5 Tilsett resten av melet og saltet og elt på minimumshastighet i 1 minutt, deretter på hastighet 1 i 2 - 3 minutter inntil deigen er glatt og jevn.
 - 6 Fyll fire smurte halvkilos-former halvfulle med deig, eller lag rundstykker. Dekk dem til med et koppehåndkle, og la dem heve på et lunt sted til de er dobbelt så store.
 - 7 Stekes ved 200°C i 20 - 25 minutter *for loffene* eller 15 minutter *for rundstykkene*.
 - 8 Loffene er ferdigstekt hvis du hører en hul lyd når du banker på undersiden.

- Det blir ca 10 loffer av denne oppskriften.

Jordbær- og aprikoskake

- ingredienser: Sukkerbrød
- 3 egg
 - 75g sukker
- Fyll og pynt
- 1,5dl kremfløte
 - sukker etter smak
 - 225g jordbær
 - 225g aprikoser

- fremgangsmåte
- 1 Del aprikosene og ta ut stenene. Kok dem forsiktig i veldig lite vann, tilsatt sukker etter smak, inntil de er myke.
 - 2 Vask og del jordbærene.
 - 3 For å lage sukkerbrødet, må du vispe eggene og sukkeret på maksimum hastighet, til eggedosisen er lys og tykk.
 - 4 Ta bort bollen og vispen. Ta en stor skje av metall, og bruk den til å skjære inn melet for hånd. Gjør dette forsiktig, slik at sukkerbrødet blir lett.
 - 5 Hell røren i to runde, smurte og strødde kakeformer som er 18cm i diameter.
 - 6 Stek kakene ved 180°C i ca 20 minutter til kaken løfter seg opp igjen straks du trykker lett på den.
 - 7 Avkjøl kakene på rist.
 - 8 Visp kremfløten på maksimum hastighet til den er stiv. Sukker tilsettes etter smak.
 - 9 Skjær aprikosene i biter, og en tredjedel av jordbærene. Bland dem forsiktig inn i halvparten av kremen.
 - 10 Fordel dette over ett av sukkerbrødene, og legg så det andre sukkerbrødet på toppen.
 - 11 Fordel resten av kremen på toppen, og pynt med resten av jordbærene.

Oppskrifter *forts.*

Marengs

- ingredienser
- 4 eggehviter
 - 250g siktet melis
- fremgangsmåte
- 1 Dekk bakeplaten med bakepapir
 - 2 Visp eggehvitene og melisen på maksimum hastighet i ca 10 minutter, til det topper seg.
 - 3 Sett blandingen på bakeplaten med skjeer (eller bruk en sprøytepose med en 2,5cm stjernespiss).
 - 4 Stek dem ved 110°C i 4 - 5 timer inntil de er faste og sprø. Hvis de begynner å bli brune, må du la stekeovnsdøren stå på gløtt.
- Oppbevar marengsene i en lufttett boks.

Mørdeig

- ingredienser
- 450g mel siktet sammen med saltet
 - 1ts salt
 - 225g fett (bland smult og margarin rett fra kjøleskapet)
 - Ca 4ss vann
- Tips
- Ikke rør for mye
- fremgangsmåte
- 1 Ha melet i en bolle, Hakk opp fett og ha det i melet.
 - 2 Rør på hastighet 1 til deigen ligner brødsmler. Stopp før den ser fet ut.
 - 3 Tilsett vann og rør på minimumshastighet. Stopp så snart vannet er blandet inn.
 - 4 Stek ved ca 200°C, avhengig av fyllet.

Gulrot- og koriandersuppe

- ingredienser
- 25 g smør
 - 1 hakket løk
 - 1 knust hvitløksbåt
 - 480g gulrot kuttes i terninger på 1,5cm for et 1,2 l beger
 - 600g gulrot kuttes i terninger på 1,5cm for et 1,5 l beger
 - kald sju fra kyllingen
 - 10-15 ml (2-3 ss) malt koriander
 - salt og pepper
- fremgangsmåte
- 1 Smelt smøret i en kjele, ha i løk og hvitløk og stek til det er mykt.
 - 2 Ha gulroten i blenderen, legg til løk og hvitløk. Ha i nok sju til opptil maks.nivå på 1,2 eller 1,5 som er merket på beholderen. Sett på lokket og påfyllingsdekslet.
 - 3 Visp ved maksimumshastighet i 5 sekunder for en grovere suppe eller lengre for en tynnere suppe.
 - 4 Hell blandingen over i en stekepanne, ha i koriander og krydder og småkok suppen i 30 til 35 minutter eller til det er kokt.
 - 5 Krydre etter smak og ha i ekstra væske om nødvendig.

tutustu Kenwood-yleiskoneeseen

ennen kuin ryhdyt käyttämään tätä Kenwood-kodinkonetta

- Lue nämä ohjeet huolella ja säilytä ne myöhempäa tarvetta varten.
- Poista pakkauksen osat ja mahdolliset tarrat.

turvallisuus

- Kytke kone pois päältä ja irrota pistoke pistorasiasta ennen kuin kiinnität tai irrotat työvälineet/lisälaitteet käytön jälkeen ja ennen puhdistusta.
- Pidä sormet kaukana liikkuvista osista ja paikalleen asetetuista lisälaitteista.
- Älä jätä konetta koskaan ilman valvontaa äläkä päästä lapsia koneen lähetyville.
- Älä käytä konetta jos siihen on tullut vikaa. Vie se tarkistettavaksi tai korjattavaksi; katso kohta 'huolto' sivulla 92.
- Älä koskaan käytä sekoitinta pään ollessa nostetussa asennossa.
- Älä anna virtajohdon roikkua siten, että lapsi voi tarttua siihen.
- Älä anna moottoriosan, virtajohdon tai pistokkeen kastua.
- Koneessa ei saa käyttää lisälaitteita joita ei ole tarkoitettu siinä käytettäväksi, eikä useampaa kuin yhtä laitetta saa käyttää samalla kertaa.
- Älä koskaan ylikuormita konetta suositeltua suuremmalla määrällä aineksia kerrallaan sivu 88.
- Muista lukea kunkin laitteen turvallista käyttöä koskevat ohjeet ennen kuin käytät kyseistä laitetta.
- Ole varovainen laitetta nosttaessasi, sillä se on painava. Varmista ennen nostamista, että kiinnitysvarsi on lukittuna ja että kulho, työvälineet, lisälaitteistukoiden suojalevyt ja virtajohto ovat kiinnitettyinä.
- Tätä laitetta ei ole tarkoitettu sellaisten henkilöiden käyttöön, joilla ei ole täysin normaalia vastaavat fyysiset tai henkiset ominaisuudet (mukaan lukien lapset), jos heidän turvallisuudestaan vastaava henkilö ei ole opastanut heitä käyttämään laitetta tai jos heitä ei valvota.
- Lapsia tulee pitää silmällä sen varmistamiseksi, että he eivät leiki laitteella.
- Käytä laitetta ainoastaan sille tarkoitettuun kotitalouskäyttöön. Kenwood-yhtiö ei ole korvausvelvollinen, jos laitetta on käytetty väärin tai näitä ohjeita ei ole noudatettu.

ennen liittämistä verkkovirtaan

- Varmista, että koneesi pohjasta ilmenevä jännite vastaa käytettävän verkkovirran jännitettä.
- Tämä kone täyttää Euroopan talousyhteisön direktiivin 89/336EEC vaatimukset.

ennen ensimmäistä käyttökertaa

- Pese osat: katso kohtaa 'huolto ja puhdistus', sivu 92.

tutustu Kenwood-yleiskoneeseen

laitteiden voimansiirtoistukat 1 suurta nopeutta vaativille lisälaitteille

2 hitaammille laitteille

3 kulhon käyttöosille

peruskone 4 vatkainpää

5 lukitusvipu

6 kulho

7 kulhon alusta

8 vatkainpään käyttövipu

9 käynnistyskytkin/nopeudenvaihtin

10 runko/moottori

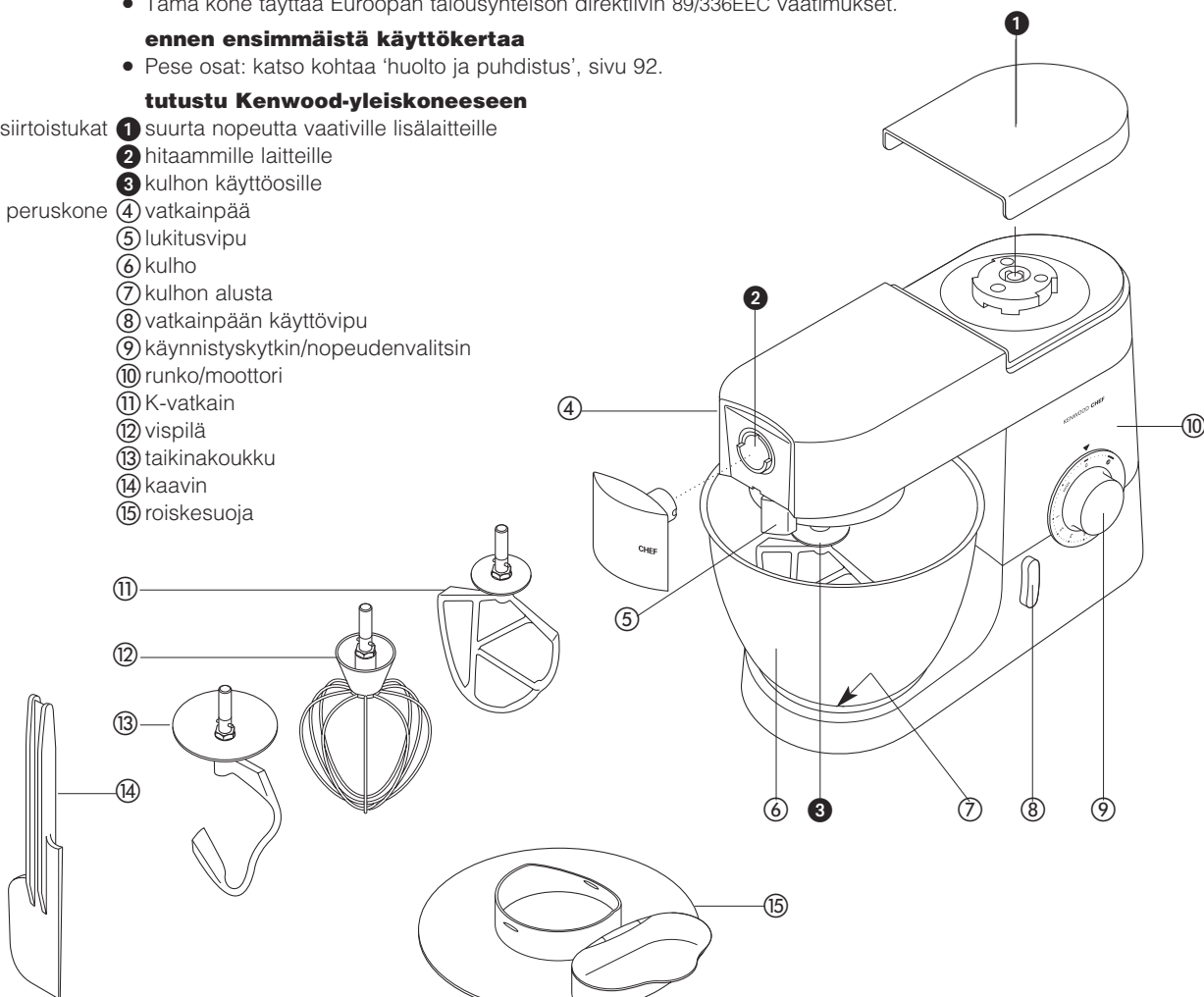
11 K-vatkain

12 vispilä

13 taikinakoukku

14 kaavin

15 roiskesuoja



yleiskone

yleiskoneen vakio-osat ja niiden erilaisia käyttömahdollisuuksia

- K-vatkain • Sopii kakkujen, pikkuleipien, voitaikinoiden, sokerikuorrutusten, tuulihattutaikinan ja perunasoseen valmistukseen.
- vispilä • Sopii kananmunien, kerman, ohukaistaikinan, sokerikakkutaikinan, marenkiseoksen, juustokakun, vaahtojalkiruokien ja kohokasseosten valmistukseen. Vispilää ei pidä käyttää raskaiden seosten, (esim. rasvan ja sokerin vaahtotus) valmistuksessa; se saattaisi vahingoittaa.
- taikinakoukku • Hiivataikinoiden valmistukseen.

yleiskoneen käyttö

- 1 Käännä vatkainpään kohotusvipua vastapäivään **1** ja nosta vatkaimen päätä kunnes se lukittuu.
- 2 Paina loppuun saakka **2** ja käännä.
- 3 Aseta kulho alustalle - paina alas ja käännä myötäpäivään **3**
- 4 Käännä vatkainpään käyttövipua vastapäivään **1** ja sitten käännä vatkainpää alas kunnes se lukkiutuu.
- 5 Laite kytketään päälle kääntämällä nopeudenvaihtin haluttuun asentoon.
 - Pidä kiekkoa **P** -asennossa jos haluat koneen toimivan suurimmalla nopeudella. Toimii vain pidettäessä ; ns. pitotoiminto.
- 6 Pyöritä vatkainta/koukkuja vastapäivään.

- vihteitä
- Kytke kone pois toiminnasta ja kaavi kulhoa kaapimella tihein väliajoin.
 - Huoneenlämpöiset kananmunat vaahdottuvat parhaiten.
 - Varmista ennen kananmunien vispaamista, että vispilään tai kulhoon ei ole jäänyt esim. rasvaa tai entistä kananmunaa.
 - Käytä kylmiä aineksia voitaikinan valmistukseen, ellei ohjeessa neuvota toisin. Käytä kaavinta tihein väliajoin.

huomioitavaa hiivataikinoita valmistettaessa

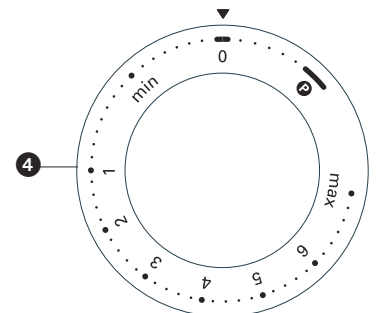
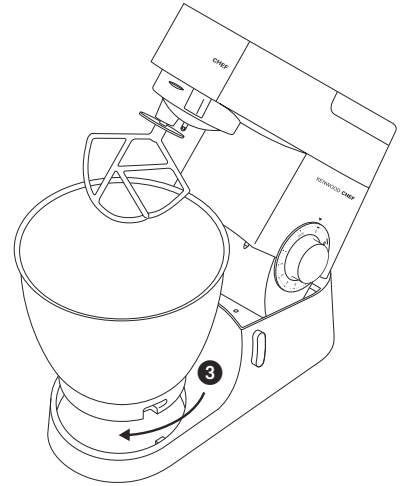
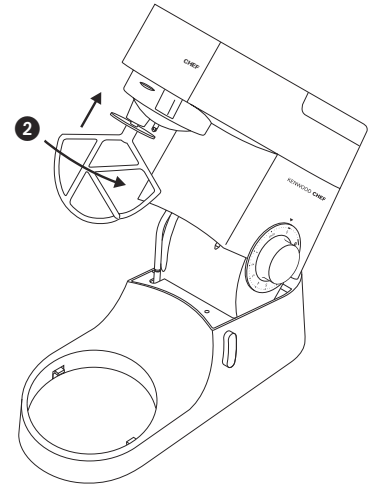
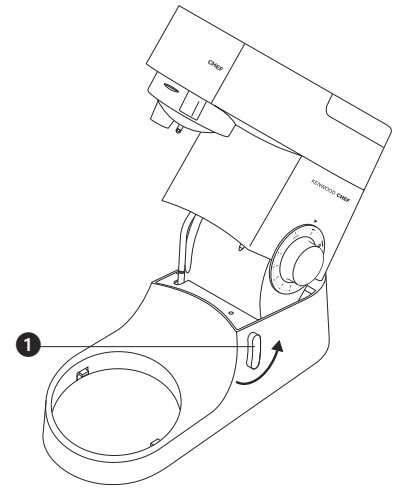
- tärkeää
- Älä koskaan ylikuormita konettasi. Allaolevan enimmäismäärän ylittäminen voi johtaa koneen vaurioitumiseen.
 - Jos kuulostaa siltä, että koneella on vaikeuksia taikinan vaivaamisessa, ota puolet sisällöstä ulos ja vaivaa kahtena erillisenä annoksena.
 - Sekoitusliikkeestä johtuen lisää jauhot 2-3:ssa erässä, ei vähitellen.

suurimmat sallitut käyttömäärät

CHEF	MAJOR	
murotaikina	Jauhojen paino: 680 g	Jauhojen paino: 910 g
kiinteä hiivataikina	Jauhojen paino: 1,36 kg	Jauhojen paino: 1,5 kg
	Kokonaispaino: 2,18 kg	Kokonaispaino: 2,4 kg
löysä hiivataikina	Jauhojen paino: 1,3 kg	Jauhojen paino: 2,6 kg
	Kokonaispaino: 2,5 kg	Kokonaispaino: 5 kg
hedelmäkakkutaikina	Kokonaispaino: 2,72 kg	Kokonaispaino: 4,55 kg
munanvalkuaisia	12	16

nopeudet **4**

- K-vatkain • **rasvan ja sokerin vaahtottaminen aloita nopeudella min, vähitellen** lisää nopeudelle max.
- **munien vatkaaminen vaahtotettuun seokseen 4 - 'max'.**
- **jauhojen, hedelmien jne. lisääminen seokseen Min - 1.**
- **kerralla lisättävät kakuaineokset** aloita nopeudella min, vähitellen lisää nopeudelle max.
- **rasvan sekoittaminen jauhoihin min - 2.**
- vispilä • nosta nopeutta pikkuhiljaa kunnes saavutetaan MAX.
- taikinakoukku • aluksi 'min', nosta nopeutta pikkuhiljaa kunnes saavutetaan 1.



ongelmia - miten toimia

ongelma

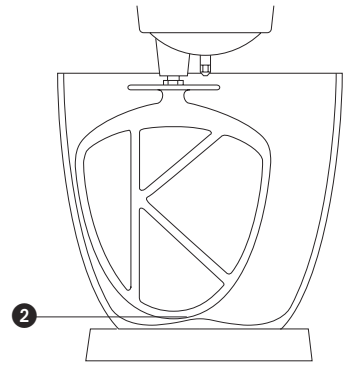
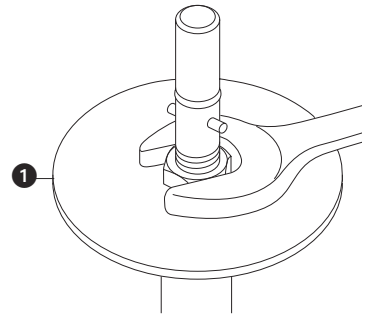
- Vispilä tai K-vatkain koskettaa kulhon pohjaa tai ei ylety kulhon pohjalla oleviin aineksiin.

vastaus • säädä korkeutta. Ohjeet alla:

- 1 Ota pistoke pois pistorasiasta.
- 2 Nosta kiinnitysvarsi ja työnnä vispilä tai vatkain paikalleen.
- 3 Pidä siitä kiinni ja löysää ruuvia **1**.
- 4 Laske kiinnitysvarsi alas.
- 5 Säädä korkeutta kääntämällä vartta. Vispilän/K-vatkaimen tulisi **melkein** koskettaa kulhon pohjaa **2**.
- 6 Nosta kiinnitysvarsi, pidä kiinni vispilästä/K-vatkaimesta ja kiristä ruuvi.

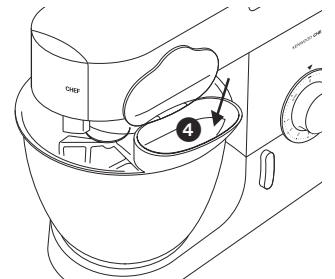
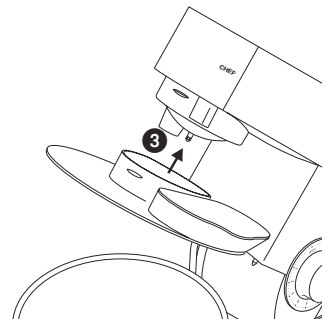
ongelma

- ratkaisu
- Sähkövatkain pysähtyy käytön aikana.
 - Sähkövatkaimessa on ylikuormitussuoja, joka suojaa konetta pysäyttämällä ylikuormitetun koneen. Jos näin käy, kytke sähkövatkain pois päältä ja irrota pistotulppa pistorasiasta. Poista osa aineksista sekoitusmäärän pienentämiseksi ja anna vatkaimen olla pysähtyneenä muutaman minuutin ajan. Kytke pistotulppa pistorasiaan ja valitse nopeus uudelleen. Jos sähkövatkain ei toimi välittömästi, anna sen olla pysähtyneenä vielä jonkin aikaa.



roiskesuojan asennus ja käyttö

- 1 Nosta kiinnitysvarrtta, kunnes se lukkiutuu.
- 2 Aseta kulho kiinnitysalustan päälle.
- 3 Työnnä roiskesuoja kiinnitysvarren **3** alapuolelle tukevasti paikalleen. Saranallinen osa tulee sijoittaa kuvan mukaisesti.
- 4 Työnnä tarvittava työväline paikalleen.
- 5 Laske kiinnitysvarsi alas.
- Sekoituksen aikana aineksia voidaan lisätä suoraan kulhoon roiskesuojan saranallisen osan kautta **4**.
- Roiskesuojaa ei tarvitse irrottaa työvälinettä vaihdettaessa.
- 6 Roiskesuoja irrotetaan nostamalla sekoitinvarsi ja työntämällä roiskesuoja alas.

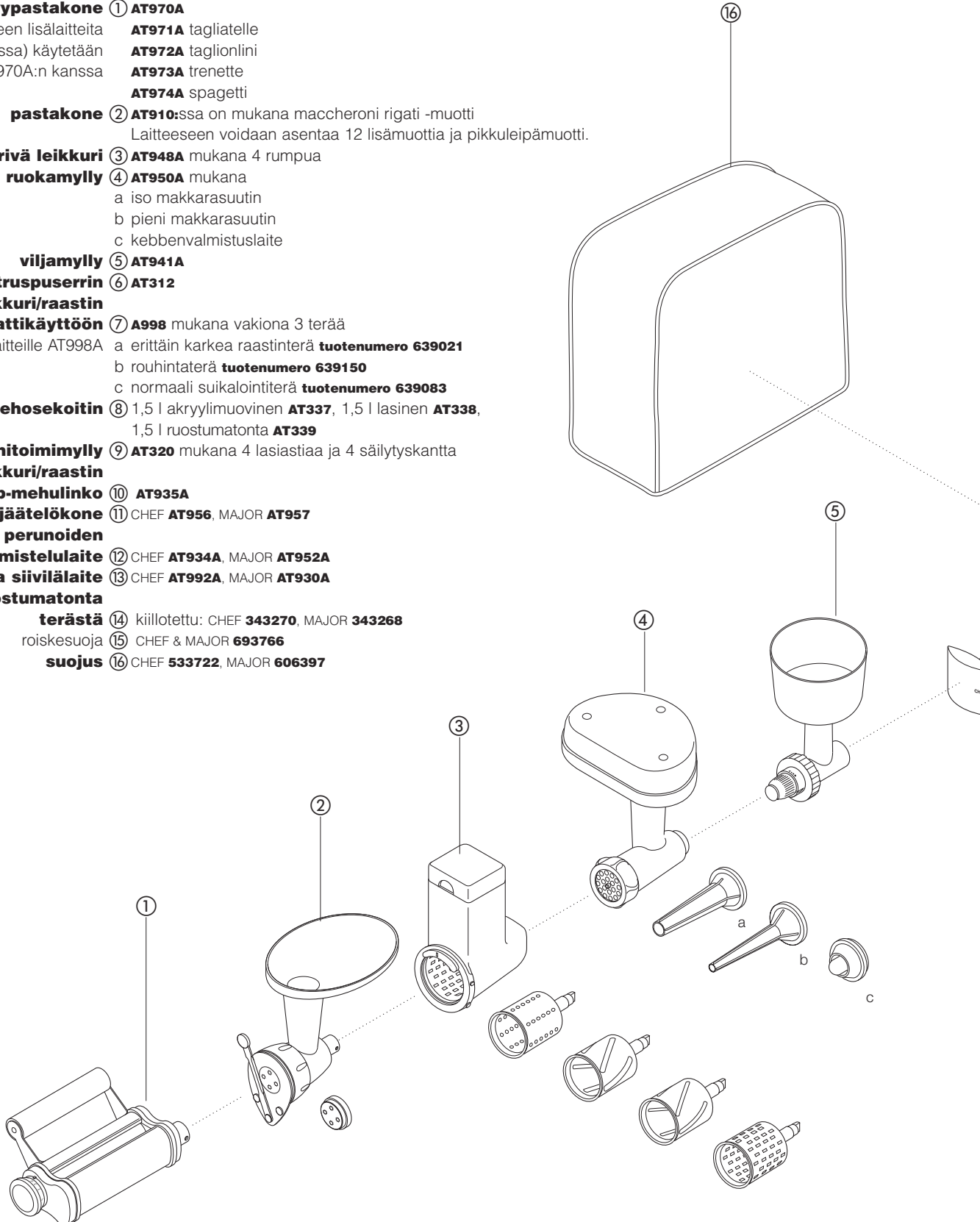


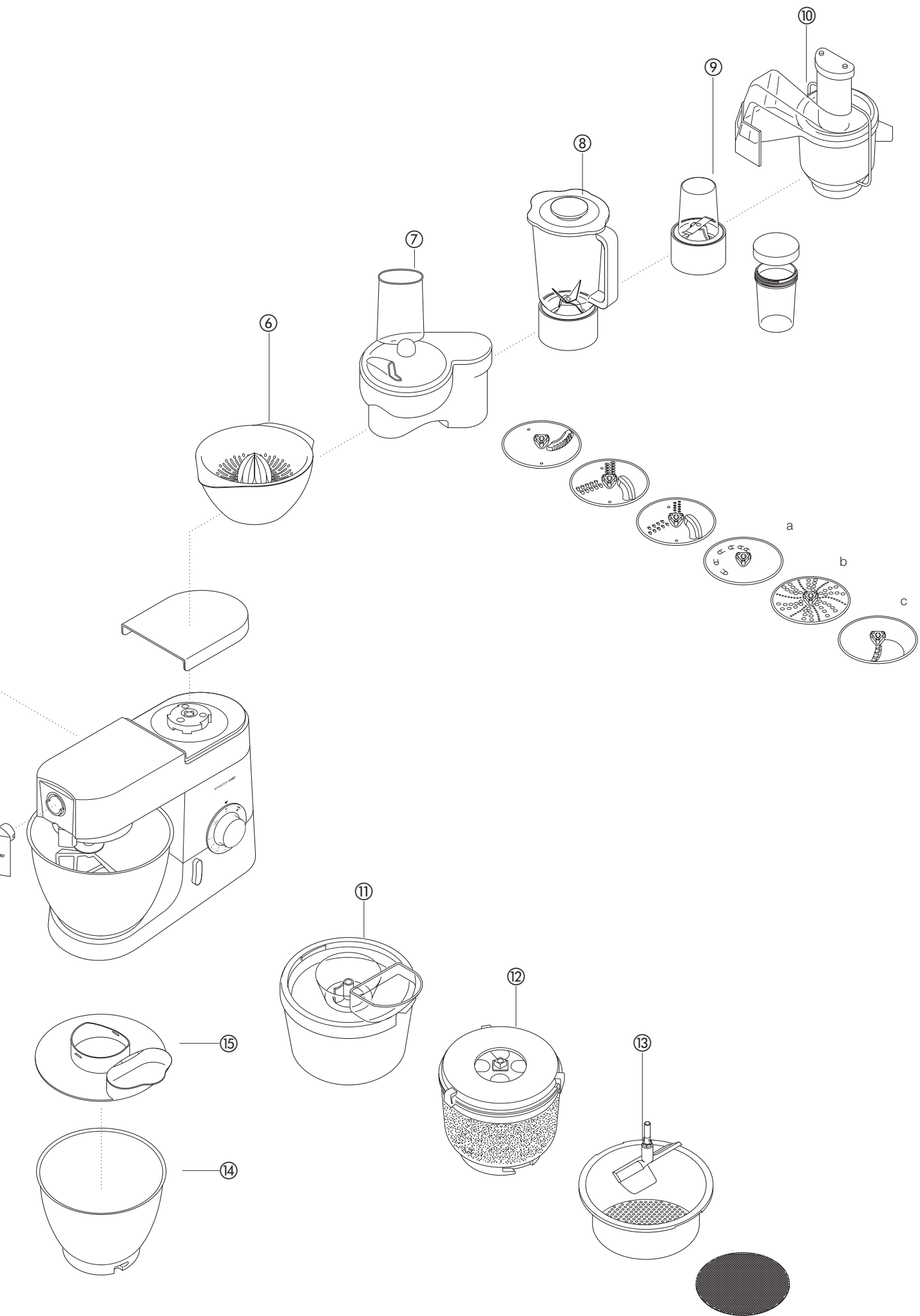
lisälaitteet

Ota yhteyttä Kenwood-kauppiaseen jos haluat hankkia lisälaitteita.
Seuraavassa olevien lisälaitteiden saatavuus Suomessa vaihtelee.

lisälaite lisälaitteen koodi

- levypastakone** ① **AT970A**
 muita pastakoneen lisälaitteita (ei kuvassa) käytetään yhdessä AT970A:n kanssa
AT971A tagliatelle
AT972A tagliolini
AT973A trenette
AT974A spagetti
- pastakone** ② **AT910**:ssa on mukana maccheroni rigati -muotti
 Laitteeseen voidaan asentaa 12 lisämuottia ja pikkuleipämuotti.
- pyörivä leikkuri ruokamyly** ③ **AT948A** mukana 4 rumpua
 ④ **AT950A** mukana
 a iso makkarasuutin
 b pieni makkarasuutin
 c kebbenvalmistuslaite
- viljamyly** ⑤ **AT941A**
sitruspuserrin ⑥ **AT312**
leikkuri/raastin ammattikäyttöön ⑦ **A998** mukana vakiona 3 terää
 lisäterät lisälaitteille AT998A
 a erittäin karkea raastinterä **tuotenumero 639021**
 b rouhintaterä **tuotenumero 639150**
 c normaali suikalointiterä **tuotenumero 639083**
- tehosekoitin** ⑧ 1,5 l akryylimuovinen **AT337**, 1,5 l lasinen **AT338**,
 1,5 l ruostumatonta **AT339**
- monitoimimyly leikkuri/raastin** ⑨ **AT320** mukana 4 lasiastiaa ja 4 säilytyskantta
- nonstop-mehulinko** ⑩ **AT935A**
jäätelökone ⑪ CHEF **AT956**, MAJOR **AT957**
perunoiden esivalmistelulaite ⑫ CHEF **AT934A**, MAJOR **AT952A**
puserrin- ja siivilälaite ⑬ CHEF **AT992A**, MAJOR **AT930A**
kulhot ruostumatonta terästä ⑭ kiillotettu: CHEF **343270**, MAJOR **343268**
 roiskesuoja ⑮ CHEF & MAJOR **693766**
suojus ⑯ CHEF **533722**, MAJOR **606397**





puhdistus ja huolto

tärkeää

- Muista aina kytkeä kone pois toiminnasta ja ota pistoke pistorasiasta ennen puhdistustoimenpiteitä.
- Lisälaitteistukseen ② saattaa ilmestyä vähän rasvaa, kun sitä käytetään ensimmäisen kerran. Tämä on normaalia – pyyhi se vain pois.

puhdistus

runko, lisälaitteistukoiden suojalevyt • Pyyhi kostealla pyyhkeellä ja kuivaa sitten.

- Älä käytä hankaavia aineita tai pesimiä. Äläkä upota konetta veteen.

kulho • Pese käsin ja kuivaa huolellisesti tai pese astianpesukoneessa.
• Älä koskaan puhdista ruostumattomasta teräksestä valmistettua kulhoa teräsharjalla- tai villalla tai valkaisuaineella. Poista kalkki etikalla.

- Älä laita konetta kuumaan paikkaan (sähkölevyt, uuni, mikroaaltouuni).

työvälineet • Pese käsin ja kuivaa huolellisesti tai pese astianpesukoneessa.

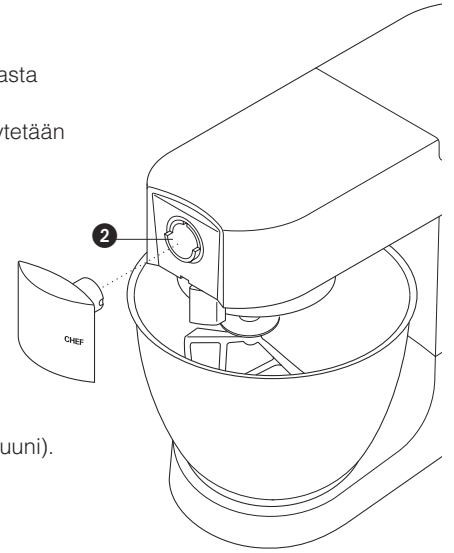
roiskesuoja • Pese käsin ja kuivaa sitten huolellisesti.

huolto

- Jos esim. yleiskoneen liitosjohtoon tulee vikaa vie kone valtuutettuun huoltoliikkeeseen.
- Huolto- ja lisälaittekysymyksissä voitte kääntyä Kenwood-jälleenmyyjän tai valtuutetun huoltoliikkeen puoleen.

takuu

- Yleiskoneella on takuu vain normaalissa kotitalouskäytössä.
- Suomessa noudatettavista takuehdoista saat tietoja Kenwood-jälleenmyyjältä tai maahantuojalta.
- Oikeus niihin laitemuutoksiin, jotka tämän käyttöohjeen painamisen jälkeen on tehty tai painovirheisiin pidätetään.



reseptejä

kts myös 'huomioitava leipää valmistettaessa', sivu 88

vaalea leipä löysä hiivataikina

ainekset

Tämä määrä on KMM700-mallille. KMC500-mallissa puolita määrät ja lisää jauhot yhdellä kertaa

- 2,6kg tavallista vehnäjauhoa
- 1,3l maitoa
- 300g sokeria
- 450g margariinia
- 100g tuoretta hiivaa
- 6 vatkattua munaa
- 5 ripausta suolaa

valmistusmenetelmä

- 1 Sulata margariini maidossa joka tulee lämmittää 43°C asteiseksi.
- 2 **tuore hiiva:** murena jauhoon ja lisää sokeri
- 3 Kaada maito koneen kulhoon. Lisää siihen vatkutut munat ja 2kg jauhoa.
- 4 Sekoita nopeudella 'min' minuutin ajan ja sitten nopeudella 1 vielä minuutin ajan. Kaavi reunaan tarttunut seos.
- 5 Lisää suola ja loput jauhoista ja sekoita minuutin ajan alimmalla nopeudella, sitten nopeudella 1 noin 2 - 3 minuuttia kunnes taikina on tasaista.
- 6 Täytä puoliksi taikinalla muutamia voideltuja puolen kilon suorakaiteenmuotoisia vuokia, tai muotoile taikina sämpylöiksi. Peitä sitten astiapyyhkeellä ja anna olla lämpimässä kunnes taikina on noussut kaksinkertaiseksi.
- 7 Paista 200°C lämmössä; vuokaleipänä 20 - 25 minuuttia, sämpylöinä 15 minuuttia.
- 8 Leipä on kypsää kun se kuullostaa ontolta pohjaan koputettaessa.

- Tästä määrästä aineksia tulee noin kymmenen leipää.

mansikka - ja aprikoositäytekakku

ainekset: kakkupohja

täyte ja koristelu

- 3 kananmunaa
- 75g sokeria
- 75g vehnäjauhoa
- 150ml paksua kermaa
- sokeria maun mukaan
- 225g mansikoita
- 225g tuoreita aprikooseja

valmistusmenetelmä

- 1 Halkaise aprikoosit ja poista kivet. Kiehauta aprikoosit pehmeiksi pienessä vesimäärässä jossa on hiukan sokeria.
- 2 Huuhtelee ja halkaise mansikat.
- 3 Aloita kakkupohjan valmistus vispaamalla munat ja sokeri vaaleaksi, paksuksi vaahdoksi suurimmalla nopeudella.
- 4 Irrota kulho ja vispilä. Sekoita jauhot varovasti joukkoon suurella metallilusikalla - tee tämä varoen, jotta kakusta tulisi kuohkea.
- 5 Kaada taikina kahteen samankokoisen matalaan (18cm halkaisija) voidellulla paperilla vuorattuun vuokaan.
- 6 Paista 180°C noin 20 minuuttia kunnes kakun pinta tuntuu sormella kokeillessa kimmoisalta.
- 7 Kumoa metalliritilälle jäähtymään.
- 8 Vispaa kerma vahdoksi suurimmalla nopeudella, lisäten sokeria maun mukaan.
- 9 Paloittele aprikoosit ja kolmannes mansikoista. Ota puolet kermavaahdosta erilleen ja sekoita ne siihen.
- 10 Levitä tämä kermaseos yhden kakun päälle ja aseta toinen kakku niiden päälle.
- 11 Levitä jäljelläoleva kermavaahto kakun päälle ja koristele lopuilla mansikoilla.

reseptejä jatkoa

marengit

- ainekset
- 4 kananmunanvalkuaista
 - 250g tomusokeria, sihdattuna
- valmistusmenetelmä
- 1 Peitä paistinpelti tarttumattomalla leivinpaperilla.
 - 2 Vispaa munia ja sokeria noin kymmenen minuutin ajan suurimmalla nopeudella, kunnes seoksesta muodostuu pystyssä seisovaa vaahtoa.
 - 3 Nostele vaahtoa pellille ruokalusikalla pikkulapsen nyrkin kokoiisiin kasoihin. Voit myös pursottaa marengit pellille pursottimella 2,5cm:n tähdenmuotoista suutinta käyttäen.
 - 4 Paista 110°C noin 4 - 5 tuntia kunnes marengit ovat kiinteitä ja rapeita. Jos marengit uhkaavat tulla ruskeiksi paiston aikana, pönkitä uunin luukku raolleen.
- Säilytä marengit ilmatiiviisti.

voitaikina (murea)

- ainekset
- 450g vehnäjauhoa, suolan kanssa sihdattuna
 - 5ml (1 tl) suolaa
 - 225g rasvaa (laardi tai margariini kovana, suoraan jääkaapista)
 - noin 80ml vettä (4rkl)
- vihje
- Älä sekoita liian kauan
- valmistusmenetelmä
- 1 Laita jauho koneen kulhoon. Paloittele rasva karkeasti veitsellä ja lisää jauhoon.
 - 2 Sekoita nopeudella 1, kunnes seos on murumaista. Pysäytä ennen kuin seos näyttää rasvaiselta.
 - 3 Lisää vesi ja sekoita taikinaa alhaisinta nopeutta käyttäen. Pysäytä kone heti kun vesi on sekoittunut taikinaan.
 - 4 Paista noin 200°C lämmössä, piirakan täytteestä riippuen.

porkkana-korianterikeitto

- ainekset
- 25 g voita
 - 1 sipuli, hienonnettuna
 - 1 valkosipulinkynsi, murskattuna
 - 480 g porkkanoita 1,5 cm:n kuutioina 1,2 l:n sekoitusastiaan
 - 600 g porkkanoita 1,5 cm:n kuutioina 1,5 l:n sekoitusastiaan
 - kylmää kanalientä
 - 2–3 rkl jauhettua korianteria
 - suolaa ja pippuria
- menetelmä
- 1 Sulata voi pannussa, lisää sipuli ja valkosipuli ja paista pehmeiksi.
 - 2 Laita porkkanat tehosekoittimeen, lisää sipuli ja valkosipuli. Lisää lientä sekoitusastiaan merkittyyn enimmäistasoon 1,2 tai 1,5 asti. Aseta kansi ja täyttöaukon korkki paikalleen.
 - 3 Sekoita maksiminopeudella 5 sekuntia, jos haluat karkearakenteista keittoa, tai kauemmin, jos haluat hienojakoisemman tuloksen.
 - 4 Siirrä seos kattilaan, lisää korianteri ja mausteet ja anna keiton kiehua hiljalleen 30–35 minuuttia tai kunnes se on kypsää.
 - 5 Lisää mausteita ja nestettä tarvittaessa.

Kenwood mutfak robotunun parçaları

Kenwood cihazınızı kullanmadan önce

- Bu talimatları dikkatle okuyun ve gelecekteki kullanımlar için saklayın.
- Tüm ambalajları ve etiketleri çıkartın güvenlik.

güvenlik önlemleri

- Aygıtın parçalarını takarken, çıkarırken, kullanımdan sonra ve temizlemeden önce, aygıtın fişini prizden çekiniz.
- Parmaklarınızı aygıtın hareketli parçalarından ve takılı donatılardan uzakta tutunuz. Parmaklarınızı ve mutfak gereçlerini aygıtın döner parçalarına sokmayınız.
- Aygıt çalışırken hiçbir biçimde aygıtın başından ayrılmayınız.
- Hasarlı aygıtları hiçbir biçimde kullanmayınız. Aygıtı denetimden geçirtiniz ya da onarıma gönderiniz. Bu konuda 100. sayfadaki 'bakım' bölümüne bakınız.
- Kafası yüksekeyken mikseri asla kullanmayın.
- Kabloyu çocukların erişebileceği bir yerde asla bırakmayın.
- Güç ünitesi, kordon veya fişi hiç bir zaman ıslatmayın.
- Onaylanmamış eklentileri kullanmayın, birden fazla eklenti aynı anda kullanılmamalıdır.
- 96. sayfada belirtilen azami kullanım miktarlarını aşmayınız.
- Eklenti kullanırken birlikte gelen güvenlik bilgisini okuyun.
- Cihazı kaldırırken dikkat edin. Kafanın kilitli olduğundan ve kasenin, araçların ve kablonun kaldırmadan önce güvenli olduğundan emin olun.
- Bu cihaz; sorumlu bir kişi tarafından gözetim altında olmayan fiziksel, duyuşsal veya zihinsel engelli kişiler (çocuklar dahil), cihazın kullanılışı hakkında açıklama almamış kişiler ve bilgi veya deneyimi eksik olan kişiler tarafından kullanılmak üzere tasarlanmamıştır.
- Çocuklar cihazla oynamamaları gerektiği konusunda bilgilendirilmelidir.
- Bu cihazı sadece iç mekânlarda kullanım alanının olduğu yerlerde kullanın. Kenwood, cihaz uygunsuz kullanımlara maruz kaldığı ya da bu talimatlara uyulmadığı takdirde hiç bir sorumluluk kabul etmez.

elektrik akımına bağlanması

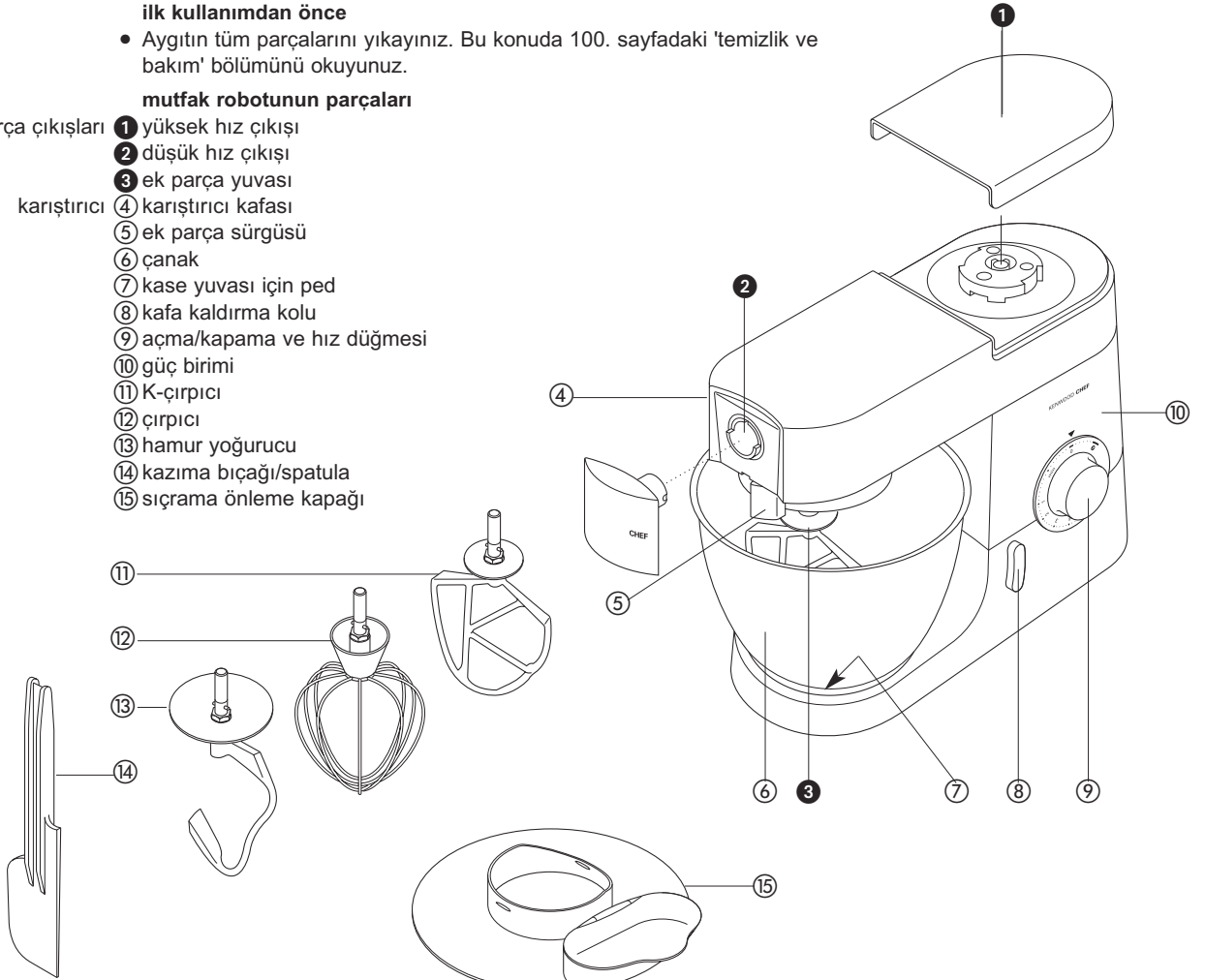
- Mutfak robotunu çalıştırmadan önce evinizdeki elektrik akımının aygıtta belirtilen akımla aynı olduğundan emin olunuz.
- Bu aygıt, 89/336/EEC sayılı Avrupa Ekonomik Topluluğu Yönergesi'ne uygun olarak üretilmiştir.

ilk kullanımdan önce

- Aygıtın tüm parçalarını yıkayınız. Bu konuda 100. sayfadaki 'temizlik ve bakım' bölümünü okuyunuz.

mutfak robotunun parçaları

- ek parça çıkışı 1 yüksek hız çıkışı
2 düşük hız çıkışı
3 ek parça yuvası
karıştırıcı 4 karıştırıcı kafası
5 ek parça sürgüsü
6 çanak
7 kase yuvası için ped
8 kafa kaldırma kolu
9 açma/kapama ve hız düğmesi
10 güç birimi
11 K-çırpıcı
12 çırpıcı
13 hamur yoğurucu
14 kazıma bıçağı/spatula
15 sıçrama önleme kapağı



karıştırıcı

karıştırıcının parçaları ve kullanımı

- K-çırpıcı • Pasta, bisküvi, hamur işi, şekerli krema, iç malzeme, ekler ve patates püre yapmak için kullanılır.
- çırpıcı • Yumurta, kaymak, sulu hamur, pandispanya, kaymaklı kurabiye, peynirli kek, dondurulmuş krema, sufle yapmak için kullanılır. Yağ ve şekeri kremalaştırmak gibi ağır karışımlar için çırpıcıyı kullanmayınız. Kullanıldığı takdirde çırpıcı hasar görebilir.
- hamur yoğurucu • Mayalı karışımlar için kullanılır.

karıştırıcının kullanımı

- 1 Kafa kaldırma kolunu sola çeviriniz ① ve karıştırıcının kafasını yerine oturuncaya kadar kaldırınız.
- 2 İçin durana kadar İtin sonra çevirin ②.
- 3 Çanağı taban birimine takınız. Aşağı doğru bastırınız ve sağa çeviriniz ③
- 4 Kafa kaldırma kolunu sola çeviriniz ve karıştırıcının kafasını yerine oturuncaya kadar aşağı indiriniz.
- 5 Hız anahtarını istediğiniz ayara getirerek açın.
 - Kısa süren karışım işlemleri için pals **P** düğmesine basınız.
- 6 Ek parçayı yerinden çıkarınız.

- aydalı bilgiler • Aygıtı durdurunuz ve çanağı kazıma bıçağı/spatula ile düzenli aralıklarla sıyırınız.
 - Yumurtaları oda sıcaklığında çırpınız.
 - Yumurta aklarını çırpmadan önce çanakta ya da çırpıcıda yağ birikintileri ya da yumurta sarısının olmadığından emin olunuz.
 - Yemek ve tatlı tarifinizde aksi belirtilmediyse hamur işleri için soğuk içerikler kullanınız.

ekmek yapma

- önemli notlar • Aşağıda belirtilen azami içerik miktarlarını aşmayınız. Aksi takdirde aygıt aşırı derecede yüklemiş olacaktır.
- Aygıtın çalışması zorlanıyorsa, aygıtı durdurunuz. Hamurun yarısını alınız ve ayrı ayrı yoğurunuz.
- Aygıtı önce sulu karışımları koyarsanız içeriklerin karışması daha kolay olur.

en çok kullanım miktarları

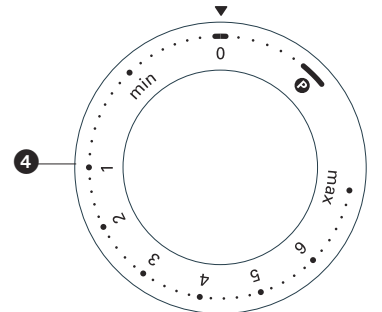
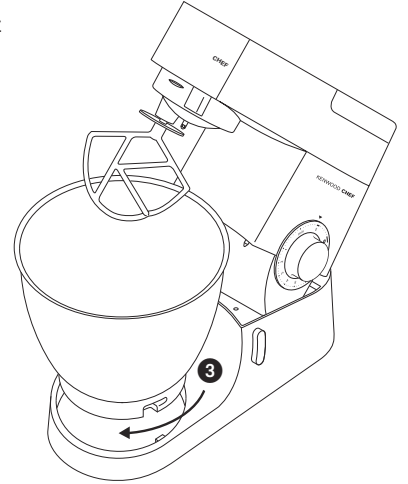
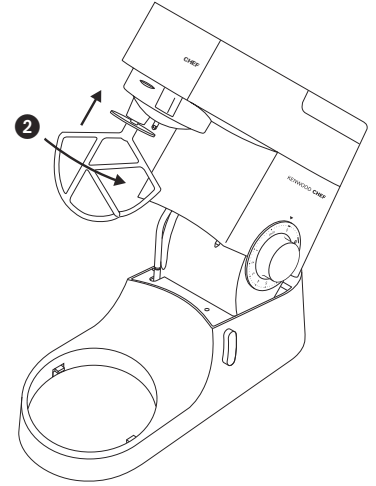
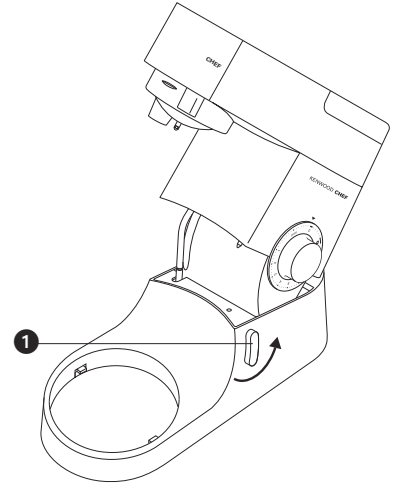
CHEF

MAJOR

Ekmek hamur	• Un ağırlığı: 680g	Un ağırlığı: 910g
Sert mayalı hamur	• Un ağırlığı: 1.36kg	Un ağırlığı: 1.5kg
	• Toplam ağırlık: 2.18kg	Toplam ağırlık: 2.4kg - 5lb 5oz
Yumuşak mayalı hamur	• Un ağırlığı: 1.3kg	Un ağırlığı: 2.6kg
	• Toplam ağırlık: 2.5kg	Toplam ağırlık: 5kg - 11lb
meyveli kek karışımı	• Toplam ağırlık: 2.72kg	Toplam ağırlık: 4.55kg
yumurta beyazı	• 12	16

hız seçimi ④

- K-çırpıcı • yağ ve şekeri kremalaştırmak için asgari hızdan başlayınız ve giderek azami hıza geçiniz.
- kremalı karışımlara yumurta çırpmak için 4. ve 'azami' hızı seçiniz.
- un, meyve vb içerikleri karıştırmak için asgari ve 1. hızı kullanınız.
- kek karışımları için asgari hızdan başlayınız ve giderek azami hıza geçiniz.
- yağı una yedirmek için asgari ve 2. hızı seçiniz.
- çırpıcı • En az hızdan başlayarak yavaş yavaş 'azami' hıza geçiniz.
- hamur yoğurucu • 'En az' hızdan başlayarak 1. hıza geçiniz.



temizlik için 100. sayfayı okuyunuz

sorun giderme

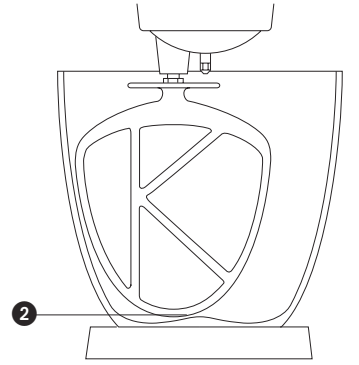
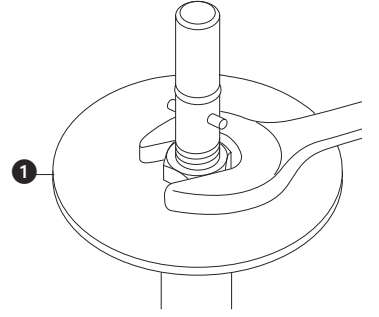
sorun

- Çırpıcı ya da K-çırpıcı çanağın dibine değiyorsa ya da çarpıyorsa ya da çanağın dibindeki içeriklere ulaşmıyorsa.
- çözüm
- Ek parçanın yüksekliğini aşağıda gösterildiği gibi ayarlayınız:

- 1 Aygıtın çalışmasını durdurunuz ve fişini prizden çekiniz.
- 2 Karıştırıcının kafasını kaldırarak çırpıcı ya da K-çırpıcıyı takınız.
- 3 Ek parçayı tutarak Şekil 1'de gösterildiği gibi somunu gevşetiniz.
- 4 Karıştırıcının kafasını aşağıya doğru itiniz.
- 5 Mili çevirerek yüksekliği ayarlayınız. Çırpıcının ya da K-çırpıcının çanağın dibine **değecek kadar** yakın olması, Şekil 2'de gösterildiği gibi en iyi yükseklik ayarıdır.
- 6 Karıştırıcının kafasını kaldırınız ve çırpıcı ya da K-çırpıcıyı tutarak somunu sıkıştırınız.

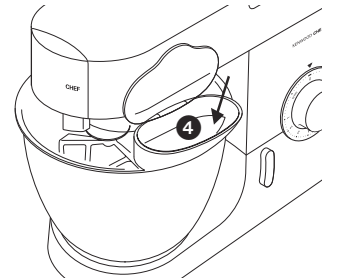
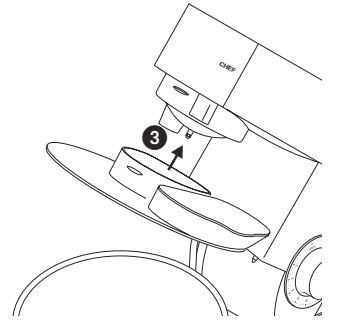
sorun

- Karıştırıcı çalıştırma sırasında duruyor.
- çözüm
- Karıştırıcınızda aşırı yüklemeyi önleyen bir donatı bulunmaktadır ve aygıt fazla içerik doldurulduğu zaman bu donatı aygıtın çalışmasını otomatik olarak durdurur. Bu yüzden içeriklerin bir kısmını karıştırıcıdan çıkarınız ve aygıtı birkaç dakika dinlendiriniz. Aygıtın fişini tekrar prize takınız ve istediğiniz hızı seçiniz. Karıştırıcı derhal çalışmaya başlamazsa, birkaç dakika daha dinlendiriniz.



sıçrama önleme kapağının takılması ve kullanımı

- 1 Karıştırıcının kafasını yerine oturuncaya kadar kaldırınız.
- 2 Çanağı tabana takınız.
- 3 Sıçrama koruyucusunu tam olarak oturuncaya kadar mikser kafasının 3 altına itin. Mandallanan bölüm şeklinde gösterildiği gibi yerleştirilmelidir.
- 4 İsteddiğiniz ek parçayı takınız.
- 5 Karıştırıcının kafasını aşağı doğru indiriniz.
- Karıştırırken sıçrama önleme kapağının kaldırma kanadını açarak diğer içerikleri çanağa atabilirsiniz 4.
- Ek parçaları değiştirmek için sıçrama önleme kapağını kaldırmaya gerek yoktur.
- 6 Sıçrama önleme kapağını çıkarmak için karıştırıcının kafasını kaldırınız ve aşağı doğru itiniz.



ek parçalar

Satın aldığınız pakette bulunmayan ek parçalar için KENWOOD satıcınıza başvurunuz.

Ek parçalar ek parça kodu

Yassı pasta yapıcı ① AT970A

Ek pasta yapıcı parçalar (resimde gösterilmemiştir) AT970A ek parçaları ile kullanılır

- AT971A talyatelle
- AT972A talyolini
- AT973A trenette
- AT974A spagetti

Pasta yapıcı ② AT910, maccheroni rigati die ile birlikte gönderilmiştir

12 isterseniz diğer kalıpları ve bisküvi yapıcı da takabilirsiniz

roto yiyecek kesicisi ③ AT948A 4 kesme diski içerir

Çoklu gıda öğütücü ④ AT950A şunları içerir:

- a büyük sosis yapıcı
- b küçük sosis yapıcı
- c kebbe yapıcı

Tahıl öğütücü ⑤ AT941A

sert meyve sıkacağı ⑥ AT312

Ön dilimleyici/rende ⑦ AT998A 3 kesme diski içerir

AT998A modelleri için seçimler diskler

- a çok kalın dilimleyici, parça no. 639021
- b soyma diski, parça no. 639150
- c standart parmak patates dilimleyici, parça no. 639083

sıvılaştırıcı ⑧ 1,5 lt akrilik AT337, 1,5 lt cam AT338, 1,5 lt paslanmaz çelik AT339

çoklu öğütücü ⑨ AT320 4 cam sürahi ve 4 koruma kapağı içerir

Kesintisiz merkezkaç

meyve sıkacağı ⑩ AT935A

dondurma yapıcı ⑪ CHEF AT9536, MAJOR AT957

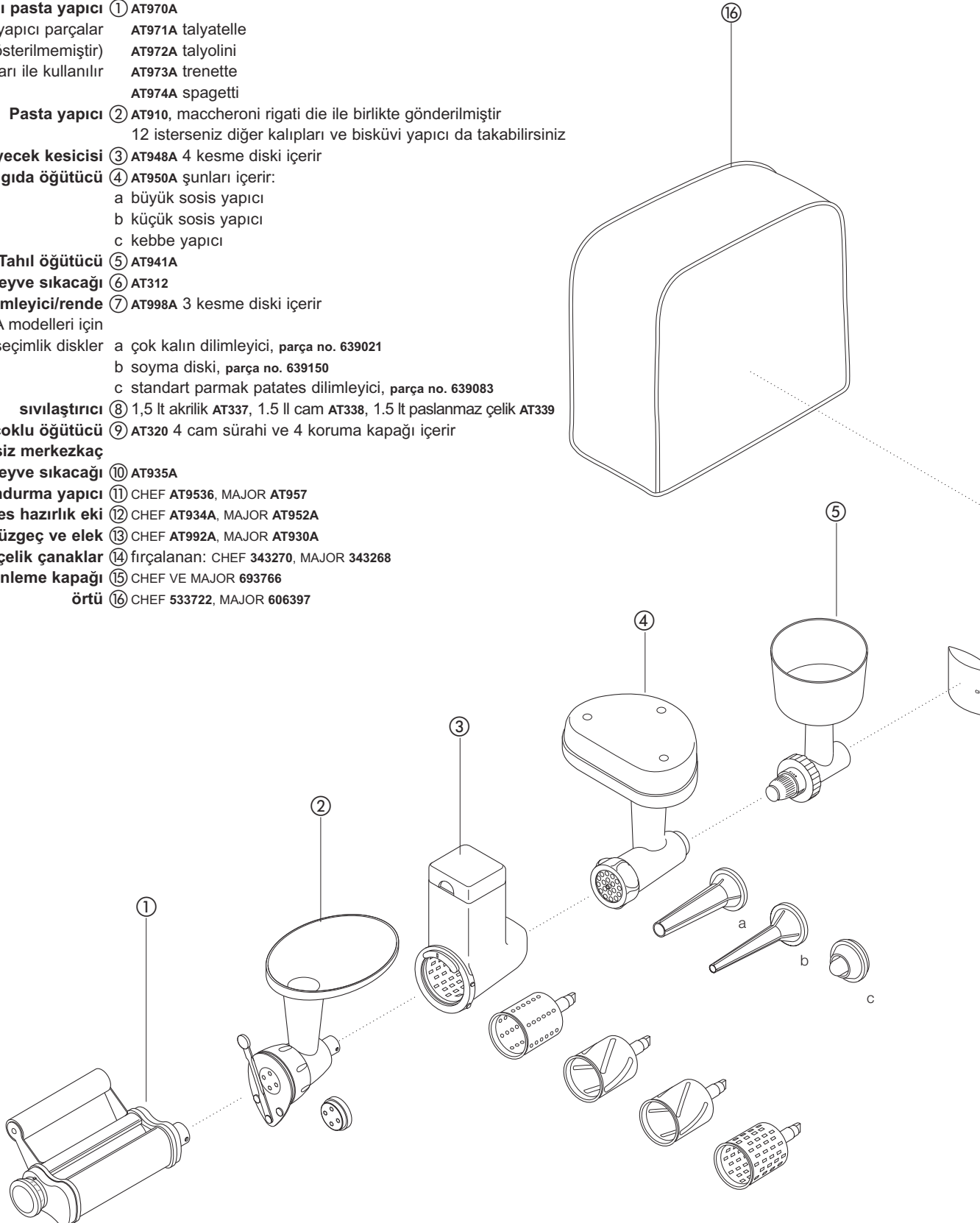
patates hazırlık eki ⑫ CHEF AT934A, MAJOR AT952A

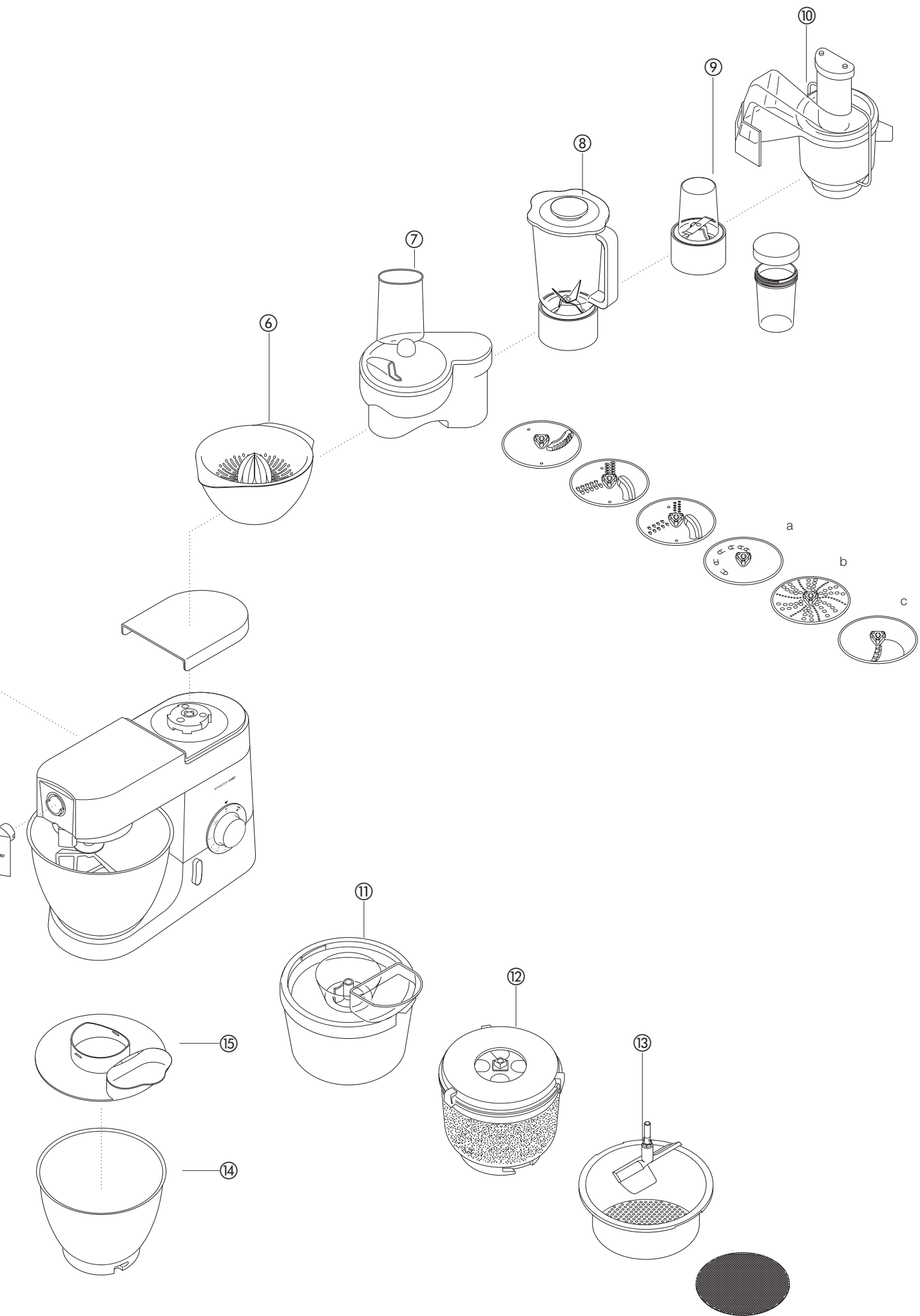
süzgeç ve elek ⑬ CHEF AT992A, MAJOR AT930A

paslanmaz çelik çanaklar ⑭ fırçalanan: CHEF 343270, MAJOR 343268

sıçrama önleme kapağı ⑮ CHEF VE MAJOR 693766

örtü ⑯ CHEF 533722, MAJOR 606397





temizlik ve bakım

temizlik ve bakım

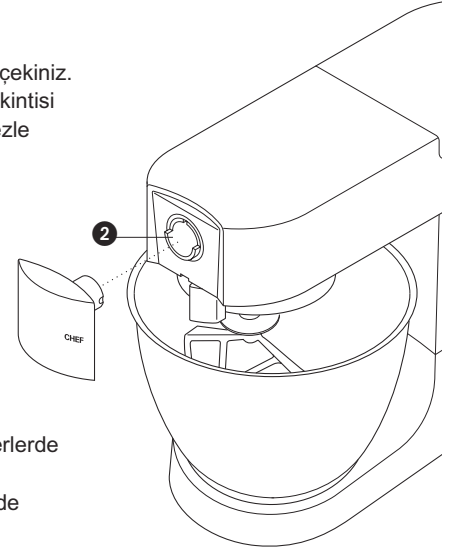
- Temizlemeye başlamadan önce aygıtı durdurunuz ve fişini prizden çekiniz.
- Aygıtı ilk kullandığınız zaman çıkış deliklerinde 2 çok az yağ birikintisi belirebilir. Bu durum normaldir. Dolayısıyla yağ birikintilerini bir bezle siliniz.

- güç birimi, çıkış kapakları
- Nemli bir bezle siliniz ve arkasından kurulayınız.
 - Aşındırıcı temizlik malzemeleri kullanmayınız ve aygıtı suya batırmayınız.
- çanak
- Çanağı elle yıkayınız ve arkasından tamamen kurulayınız ya da bulaşık makinesinde yıkayınız.
 - Paslanmaz çelik çanağı temizlemek için telli fırça, çelik ovma teli ya da ağartıcı kullanmayınız. Kireçlenmeyi gidermek için sirke kullanınız.
 - Aygıtı ocak, fırın ve mikrodalga fırın gibi ısı kaynaklarına yakın yerlerde kullanmayınız.
- aletler
- elinizde yıkayın, ardından iyice kurulayın veya bulaşık makinesinde yıkayın.
- Sıçrama önleme kapağı
- Elle yıkayınız ve arkasından tamamen kurulayınız.

bakım ve müşteri hizmetleri

- Elektrik kordonu hasar görürse, KENWOOD ya da yetkili KENWOOD onarımcısına başvurunuz.

Aygıtın kullanımı, ek parça siparişi, bakımı ve onarımı için aygıtı satın aldığınız satıcıya başvurunuz.



yemek tarifleri

Ekmek yapımıyla ilgili yönergeler için 96. sayfaya bakınız.

beyaz ekmek yumuşak mayalı hamur

- içerikler
- 2.6kg sade un
 - 1.3 litre süt
 - 300gr toz şeker
 - 450gr margarin
 - 100gr taze maya ya da 50gr kuru maya
 - 6 adet çırpılmış yumurta
 - 5 tutam tuz
- Bu miktar KMM700 serileri içindir. KMC500 serileri için, miktarı yarıya indirin ve tüm unu bir kerede ekleyin**

- pişirme yöntemi
- 1 Margarinı süt içerisinde eritiniz ve 43°C ısıya getiriniz.
 - 2 **Kuru maya** (su katılması gereken türde): süte maya ve şeker ilave ediniz ve 10 dakika süreyle karışım köpüklü bir hale gelene kadar bekletiniz.
taze maya: un ile birlikte çanak içerisinde ufalayınız.
diğer türdeki mayalar: üreticinin kullanım yönergelerini izleyiniz.
 - 3 Sütü çanağa dökünüz. çırpılmış yumurtaları ve 2kg unu ilave ediniz.
 - 4 Karışımı asgari hızda 1 dakika ve daha sonra 1. hızda 1 dakika daha karıştırınız. Arkasından çanağın yanına yapışan karışımları çanağa itiniz.
 - 5 Kalan unu ve tuzu ilave ediniz ve hamuru en az hızda 1 dakika karıştırınız. Arkasından hamur düzgün ve tutarlı yoğrulmuş hale gelene kadar 1. hızda 2 - 3 dakika daha karıştırınız.
 - 6 Hamuru 450 gramlık parçalara bölerek yağlanmış dört tepsiye yerleştiriniz ya da küçük ekmek parçaları haline getirerek yağlanmış tepsilere koyunuz. Üzerlerini bir bezle örtünüz ve büyüklükleri iki katına ulaşana kadar ılık bir yerde muhafaza ediniz.
 - 7 Isısı 230°C olan ya da ısı derecesi 8'e ayarlanmış fırında somun ekmek için 30 - 35 dakika ve küçük ekmekler için 10 - 15 dakika pişiriniz.
 - 8 Ekmek piştiğinde, atlarına vurulduğu zaman içi boş ses çıkarır.

- Bu işlemle yaklaşık 10 somun ekmek yapılabilir.

kaymaklı çilek ve kayısı keki

- içerikler: pandispanya
- 3 yumurta
 - 75gr toz şeker
 - 75gr sade un
- içeriği ve süslemesi
- 15 ml koyu kaymak
 - Damak tadına göre şeker
 - 225gr çilek
 - 225gr kayısı
- pişirme yöntemi
- 1 Kayısıları ikiye ayırınız ve çekirdeklerini çıkarınız. Arkasından tatlandırmak için şeker ilave ederek çok az suda hafifçe yumuşayınca kadar pişiriniz.
 - 2 Çilekleri yıkayınız ve ikiye bölünüz.
 - 3 Pandispanya yapmak için karışım koyulaşınca kadar yumurtaları ve şekeri çırpınız.
 - 4 Çanağı ve çırpıcı yerinden çıkarınız. Büyük bir metal kaşıkla un ilave ediniz ve pandispanyanın doğru kıvamda olması için hafifçe karıştırınız.
 - 5 Karışımı 18cm'lik yağlanmış iki tepsiye koyunuz.
 - 6 180°C ısıda ya da ısı derecesi 4'e ayarlanmış olarak yaklaşık 20 dakika pişiriniz. Hafifçe dokunduğunuzda esnek hale gelince pişmiş demektir.
 - 7 Daha sonra pandispanyayı tel bir rafa koyunuz.
 - 8 Kaymağı sertleşinceye kadar en yüksek hızda çırpınız. Tat vermek için şeker ilave ediniz.
 - 9 Kayısıları ve çileklerin üçte birini parça parça kesiniz. Arkasından bunları kaymağa batırınız.
 - 10 Bu karışımı pandispanyalardan birinin üzerine sürünüz ve ikinci pandispanyayı üstüne kapayınız.
 - 11 Artan kremayı pandispanyanın üstüne sürünüz ve kalan çileklerle süsleyiniz.

yemek ve tatlı tariflerinin *devamı*

kaymaklı kurabiye

- içerikler
- 4 yumurta akı
 - 250gr elenmiş pudra şekeri
- pişirme yöntemi
- 1 Pişirme tepsisini yapışmaz kağıtla kaplayınız.
 - 2 Yumurta aklarını ve şekeri koyulaşmaya kadar yaklaşık 10 dakika en yüksek hızda çırpınız.
 - 3 Elde ettiğiniz karışımı bir kaşıkla pişirme tepsinine koyunuz ya da 2.5cm yıldız ağızlı sıkma torbası kullanınız.
 - 4 110°C ısıda ya da ısı derecesi 1/4'e ayarlanmış fırında kurabiyeler kuru hale gelme kadar pişiriniz. Kurabiyeler kahverengimsi renk almaya başlayınca fırının kapağını biraz aralayınız.
- Kaymaklı kurabiyeleri hava geçirmez bir kutuda saklayınız.

gevrek kek

- içerikler
- 450gr tuzla birlikte elenmiş un
 - 5ml (1 çay kaşığı) tuz
 - 225gr yağ (buzdolabında tutulmuş margarin)
 - Yaklaşık 80ml (4 çorba kaşığı) su
- faydalı bilgi
- Gereğinden fazla karıştırmayınız.
- pişirme yöntemi
- 1 Unu çanağa dökünüz. Margarini parçalara keserek una katınız.
 - 2 Karışımı ekmek kırıntılı haline gelene kadar 1. hızda çalıştırınız. Yağlı bir görüntü vermeye başlamadan önce işlemi durdurunuz.
 - 3 Su ilave ederek en az hızda bir karıştırmınız. Karışım suyu emer emmez işlemi durdurunuz.
 - 4 Kullandığınız içerik miktarlarına bağlı olarak 200°C ısıda ya da ısı derecesi 6'ya ayarlanmış fırında pişiriniz.

havuç ve kişniş çorbası

- içerikleri
- 25gr tereyağı
 - 1 tane doğrama soğan
 - 1 tutam sarımsak ezmesi
 - 480g havucu 1.2 l kabı için 1.5cm'lik küplere bölün
 - 600g havucu 1.5 l kabı için 1.5cm'lik küplere bölün
 - soğuk tavuk suyu
 - 10-15ml (2-3 çay kaşığı) kişniş ezmesi
 - tuz ve biber
- yapım yöntemi
- 1 Tereyağını bir tavada eritiniz. Arkasından soğan ve sarımsak katarak yumuşayınca kadar kızartınız.
 - 2 Havucu sıkma bölümüne yerleştirin, soğanı ve sarımsağı ekleyin. Kaptaki işaretlenen 1.2 veya 1.5 düzeyine ulaşmak için yeterli malzeme ekleyin. Kapağı ve doldurma kapağını uygun hale getirin.
 - 3 Aygıtı azama hızda 5 saniye çalıştırınız. Çorbayı incelemek isterseniz aygıtı birkaç saniye daha fazla çalıştırınız.
 - 4 Karışımı bir tavaya dökünüz. Arkasından kişniş ve çeşni katarak hafif ateşte 30-35 dakika pişiriniz.
 - 5 İsterseniz daha fazla çeşni katabilirsiniz.

popis kuchyňského robota Kenwood

před použitím tohoto zařízení Kenwood

- Přečtěte si pečlivě pokyny v této příručce a uschovejte ji pro budoucí použití.
- Odstraňte veškerý obalový materiál a nálepky.

bezpečnost

- Před montáží či demontáží nástrojů/příslušenství a po použití a před čištěním spotřebič vypněte a zástrčku vytáhněte ze zásuvky.
- Nestrkejte prsty do blízkosti pohybujících se součástí a přídavných zařízení.
- Běžící spotřebič nenechávejte bez dohledu a nedovolte, aby v jeho blízkosti byly děti.
- Nepoužívejte, jeli spotřebič poškozen. Dejte ho přezkoušet či spravit: viz 'servis', str. 108.
- Příklad nikdy nespouštějte, je-li rameno zdvihnuté.
- Napájecí kabel nikdy nenechte viset z přístroje, aby za něj mohly zatáhnout děti.
- Pohonnou jednotku, napájecí a zástrčku nikdy nenamáčejte.
- Nepoužívejte příslušenství nedoporučené výrobcem; nikdy nepoužívejte více než jedno příslušenství najednou.
- Nepřekračujte maximální množství uvedené na str. 104.
- Před použitím příslušenství si přečtěte bezpečnostní pokyny uvedené v jeho návodu.
- Zvedejte jej opatrně, protože je těžký. Před zvednutím spotřebiče zajistěte, aby byla jeho hlava zablokovaná a mísa, nástroje, kryty výstupů a napájecí kabel řádně připevněné.
- Toto příslušenství by neměly používat osoby (včetně dětí) trpící fyzickými, smyslovými či psychickými poruchami ani osoby bez náležitých znalostí a zkušeností. Pokud jej chtějí používat, musí být pod dozorem osoby odpovědné za jejich bezpečnost nebo je tato osoba musí poučit o bezpečném používání příslušenství.
- Dohlédněte, aby si děti s přístrojem nehrály.
- Toto zařízení je určeno pouze pro domácí použití. Společnost Kenwood vylučuje veškerou odpovědnost v případě, že zařízení bylo nesprávně používáno nebo pokud nebyly dodrženy tyto pokyny.

před zapnutím do sítě

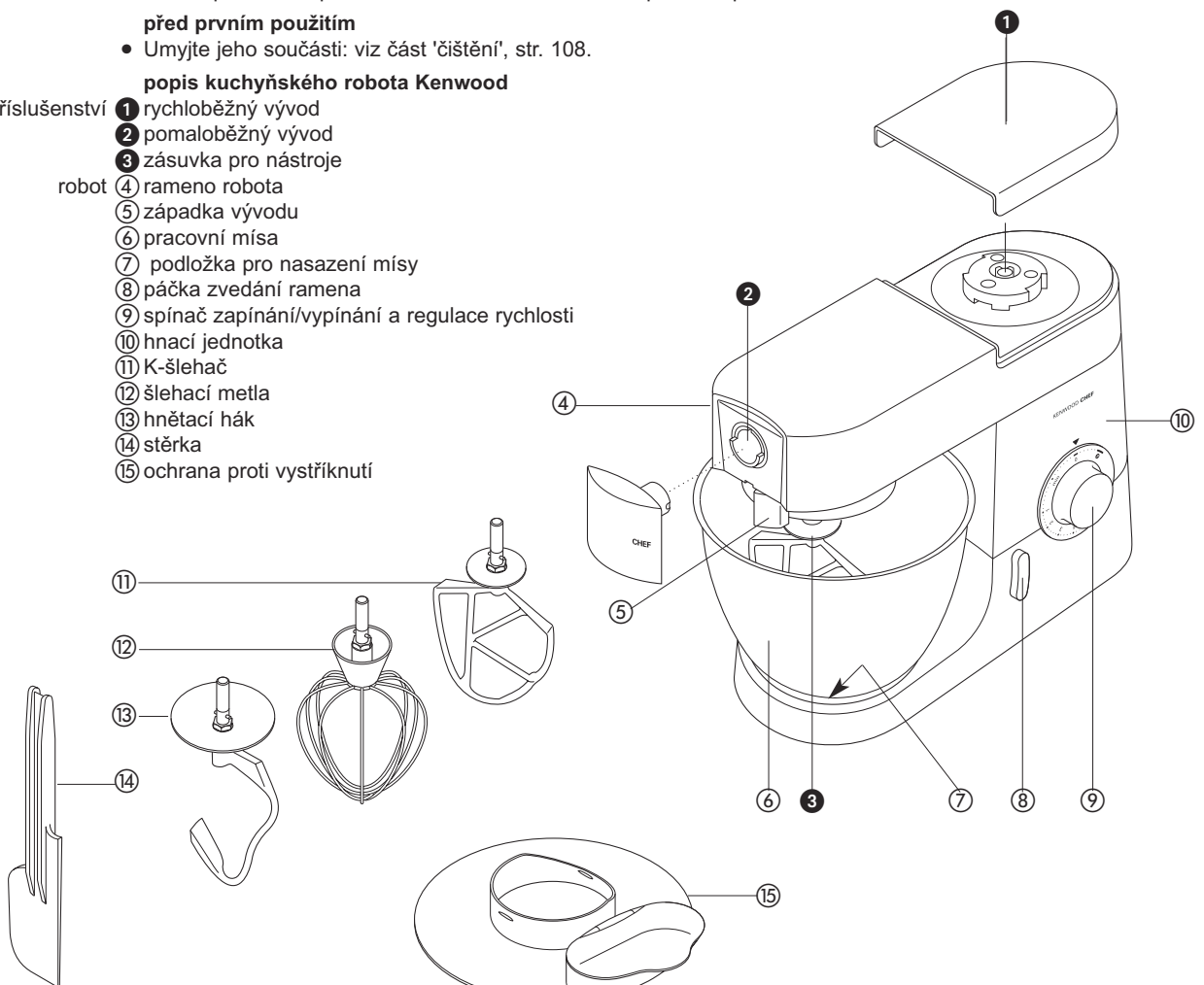
- Zkontrolujte, zda napětí v síti odpovídá jmenovitému napětí uvedenému na typovém štítku na spodku spotřebiče.
- Tento spotřebič odpovídá normě dané Směrnicí Evropského společenství 89/336/EEC o odrušení.

před prvním použitím

- Umyjte jeho součásti: viz část 'čištění', str. 108.

popis kuchyňského robota Kenwood

- vývody příslušenství
- 1 rychloběžný vývod
 - 2 pomaloběžný vývod
 - 3 zásuvka pro nástroje
- robot
- 4 rameno robota
 - 5 západka vývodu
 - 6 pracovní mísa
 - 7 podložka pro nasazení mísy
 - 8 páčka zvedání ramena
 - 9 spínač zapínání/vypínání a regulace rychlosti
 - 10 hnací jednotka
 - 11 K-šlehač
 - 12 šlehací metla
 - 13 hnětací hák
 - 14 stěrka
 - 15 ochrana proti vystříknutí



kuchyňský strojek

míchací přídatná zařízení a některé možnosti jejich použití

- K-šlehač • K přípravě dortových směsí, sušenek, různých těst na pečivo, polev, náplní, větrníků a bramborové kaše.
- šlehací metla • Na vejce, smetanu, těstíčka, netučné piškoty, sníh, tvarohové řezy, pěny a suflé. Metlu nepoužívejte na těžké směsi (např. roztírání tuku s cukrem na krém), mohli byste ji poškodit.
- hnětací hák • Na kynutá těsta.

postup použití robota

- 1 Páčku zvedání ramena stiskněte směrem doleva **1** a rameno zvedněte, až se zajistí v horní poloze.
- montáž nástroje 2 Vyklepte rameno do krajní polohy **2** a otočte.
- 3 Na spodek robota umístěte mísu-zatlačte ji dolů a pootočte s ní doprava **3**
- 4 Páčku zvedání ramena stiskněte doleva a rameno zatlačte, až se zajistí ve spodní poloze.
- 5 Zapnete otocím regulacního spínací rychlosti na požadované nastavení.
 - Přepnutím na pulzátor **P** můžete směs zpracovávat krátkými impulzy.
- demontáž nástroje 6 Vyšroubujte ho.

- rady • V pravidelných intervalech robot vypínejte a stěrkou směs ze stěn mísy stírejte.
- Nejlepší sníh našleháte z vajec o pokojové teplotě.
- Při šlehání bílků dbejte na to, aby na metle ani v míse nebyly stopy tuku či žloutků.
- K přípravě těst na pečivo používejte chladných příměsí, pokud to recept dovoluje.

základní body přípravy chlebového těsta

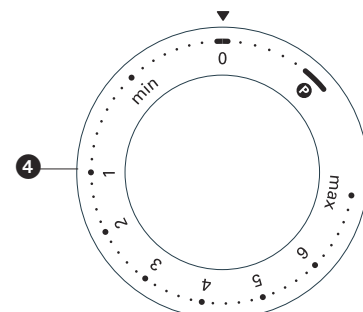
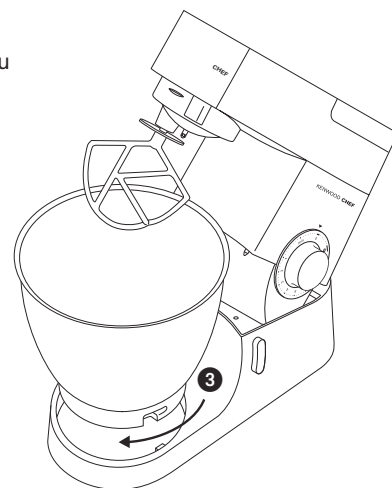
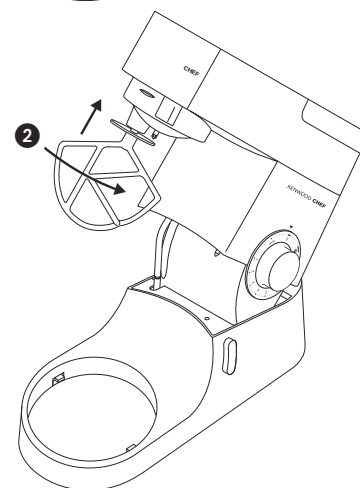
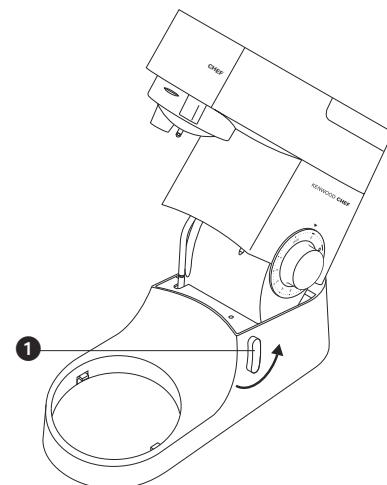
- důležité • Nikdy nepřekračujte maximální množství uvedená níže-hrozí přetížení motoru.
- Jakmile uslyšíte, že se motor příliš namáhá, vypněte ho, vyndejte polovinu těsta a dodělejte každou půlku zvlášť.
- Příměsí se promísí nejlépe, když do mísy dáte nejprve tekutinu.

maximální množství

	CHEF	MAJOR
testo na krehké pečivo	Hmotnost mouky: 680g	Hmotnost mouky: 910g
tuhé kynuté testo	Hmotnost mouky: 1,36kg	Hmotnost mouky: 1,5kg
	Celková hmotnost: 2,18kg	Celková hmotnost: 2,4kg
mekké kynuté testo	Hmotnost mouky: 1,3kg	Hmotnost mouky: 2,6kg
	Celková hmotnost: 2,5kg	Celková hmotnost: 5kg - 11lb
smes na ovocný koláč	Celková hmotnost: 2,72kg	Celková hmotnost: 4,55kg
vajecné bílky	12	16

rychlosti **4**

- K-šlehač • **tření tuku s cukrem** začněte na 'min', a postupně rychlost zvyšujte až na 'max'.
- **zašlehávání vajec do krémových směsí** 4 – 'max'.
- **vmíchávání mouky, ovoce apod.** 'min' – 1.
- **zpracovávání všech příměsí najednou** začněte rychlostí 'min', a postupně zvyšujte až na 'max'.
- **rozetření tuku s moukou** 'min' – 2.
- šlehací metla • postupně zvyšujte až na 'max'.
- hnětací hák • začněte na 'min' a postupně zvyšte rychlost na 1.



seřízení a drobné opravy

problém

- šlehací metla nebo K-šlehač narážejí na dno mísy nebo nedosahují na příměsí na dně mísy.

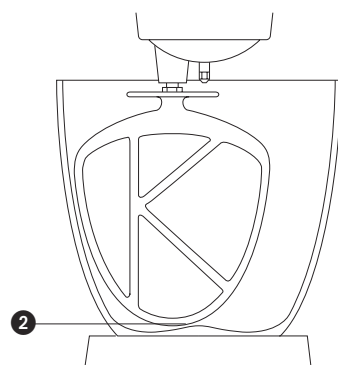
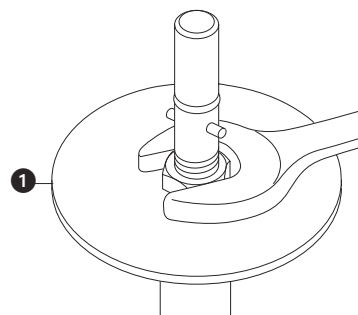
řešení • Seřídte výšku nástroje. Postupujte přitom následovně:

- 1 Robot vytáhněte ze zásuvky.
- 2 Zvedněte rameno robota a zasuňte do něj šlehač či hnětač.
- 3 Rukou ho držte, a přitom povolte matici ①.
- 4 Rameno robota sklopte.
- 5 Seřídte výšku otáčením hřídele. Šlehací metla/K-šlehač by se v ideálním případě měly **téměř** dotýkat dna mísy ②.
- 6 Zvedněte rameno robota, rukou podržte šlehací metlu/K-šlehač a matici utáhněte.

problém

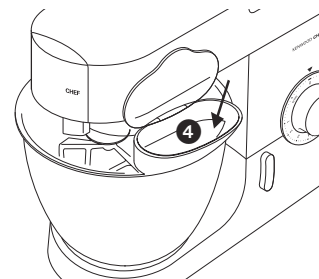
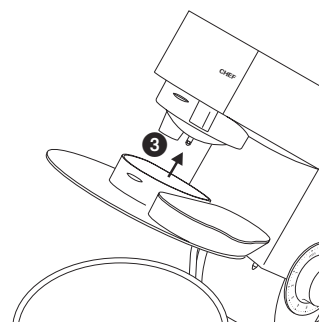
- Mixér se během provozu zastaví.

řešení • Mixér je vybaven ochranou proti přetížení, která jej při přetížení zastaví. Pokud k tomu dojde, vypněte mixér a odpojte jej od síťové zásuvky. Snižte zátěž odstraněním některých ingrediencí a několik minut nechejte mixér vypnutý. Potom jej připojte k zásuvce a zvolte požadovanou rychlost. Jestliže se mixér okamžitě znovu nespustí, nechejte jej ještě chvíli v klidu.



instalace a používání ochrany proti vystříknutí

- 1 Zvedněte rameno robota, až se zajistí v horní poloze.
 - 2 Do strojku umístěte pracovní mísu.
 - 3 Nasunte kryt proti rozstříkání na spodní stranu hlavičky mixéru ③ tak, aby zapadl na své místo. Otocnou část je třeba umístit tak, jak je znázorněno na obrázku.
 - 4 Nasadte požadovaný nástroj.
 - 5 Spusťte hlavu mixéru.
- Při spuštění strojku je možné příměsí přidávat do mísy přímo za běhu, a to otvácí částí krytu ④.
 - Chcete-li vyměnit nástroj, nemusíte snímat kryt bránící rozstříku.
- 6 Kryt bránící rozstříku se snímá zvednutím hlavy mixéru a stažením krytu.

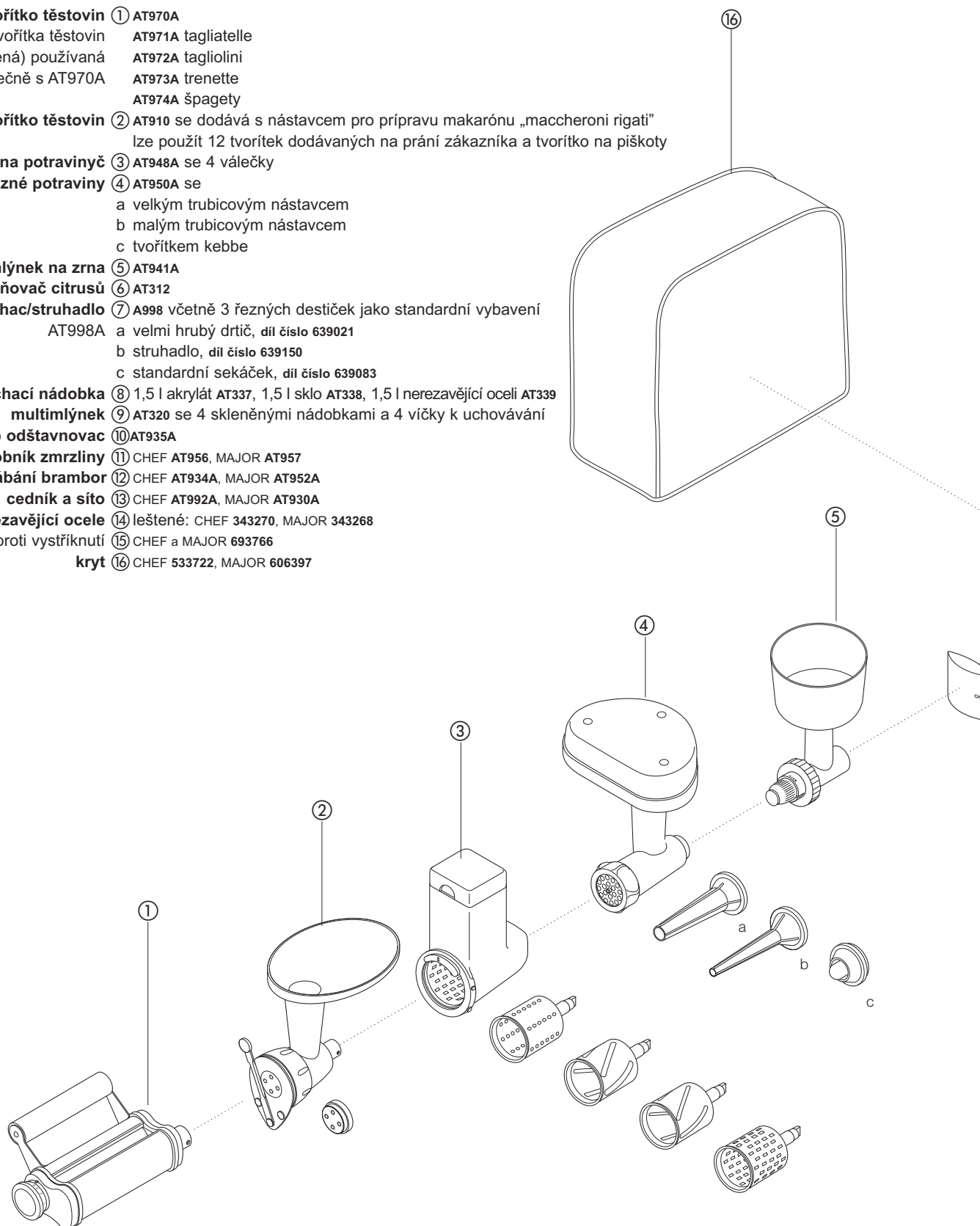


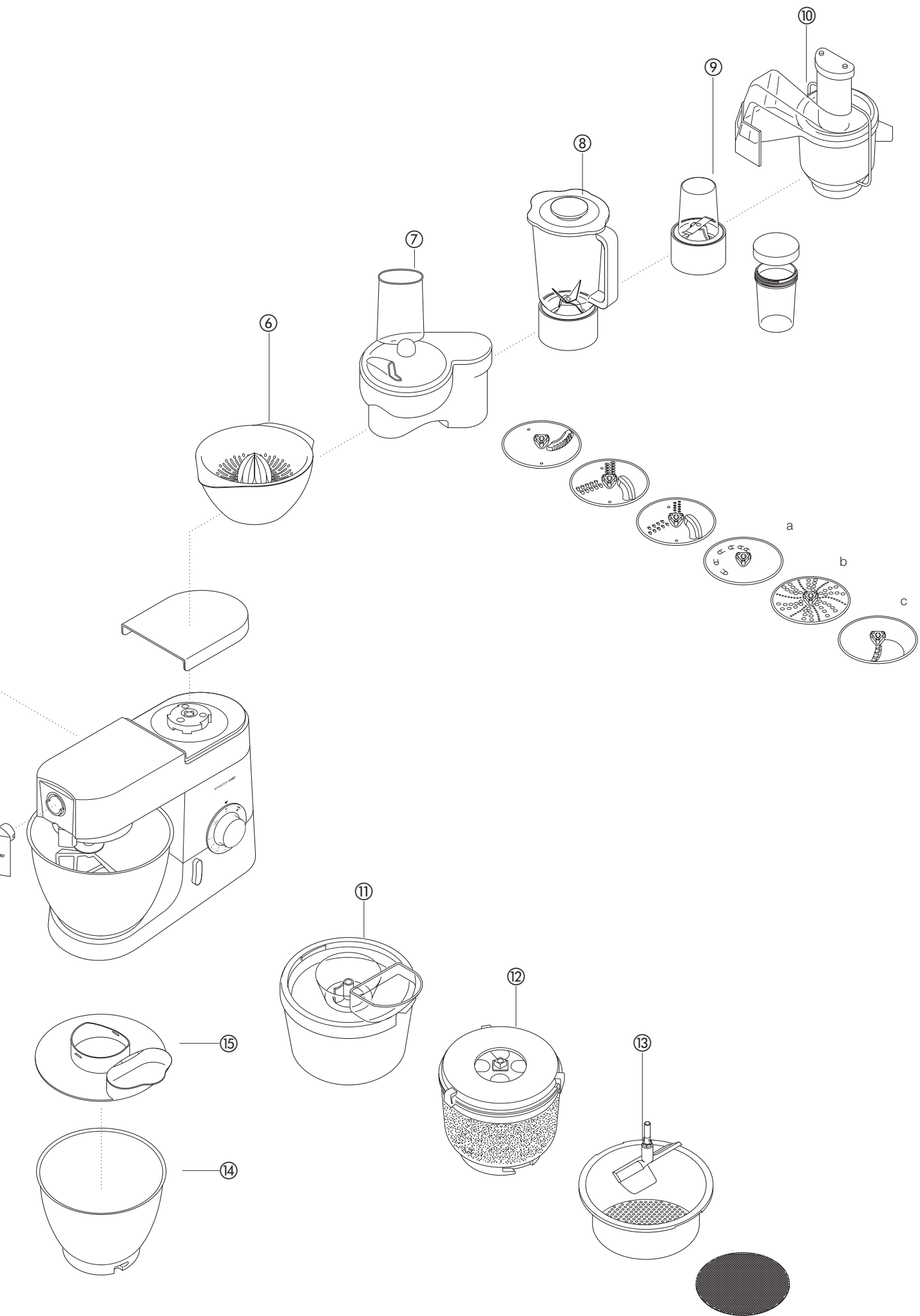
dodávané příslušenství

Chcete-li zakoupit příslušenství, které není součástí vybavení Vašeho robota, obraťte se na opravnu spotřebičů KENWOOD.

přídavné zařízení kódové označení přídavného zařízení

- ploché tvořítko těstovin** ① AT970A
 přídavná tvořítko těstovin AT971A tagliatelle
 (nezobrazená) používaná AT972A tagliolini
 společně s AT970A AT973A trenette
 AT974A špagety
- tvořítko těstovin** ② AT910 se dodává s nástavcem pro přípravu makarónu „maccheroni rigati“
 lze použít 12 tvorítek dodávaných na přání zákazníka a tvořítko na piškoty
- otocný nuž na potravinyč** ③ AT948A se 4 válečky
- mlýnek na různé potraviny** ④ AT950A se
 a velkým trubicovým nástavcem
 b malým trubicovým nástavcem
 c tvořítkem kebbe
- mlýnek na zrna** ⑤ AT941A
- odšťavňovač citrusů** ⑥ AT312
- krouhac/struhadlo** ⑦ A998 včetně 3 řezných destiček jako standardní vybavení
 AT998A a velmi hrubý drtič, díl číslo 639021
 b struhadlo, díl číslo 639150
 c standardní sekáček, díl číslo 639083
- míchací nádobka** ⑧ 1,5 l akrylát AT337, 1,5 l sklo AT338, 1,5 l nerezavějící oceli AT339
- multimlýnek** ⑨ AT320 se 4 skleněnými nádobkami a 4 víčky k uchování
- non-stop odšťavňovač** ⑩ AT935A
- výrobek zmrzliny** ⑪ CHEF AT956, MAJOR AT957
- nástavec na škrábání brambor** ⑫ CHEF AT934A, MAJOR AT952A
- cedník a síto** ⑬ CHEF AT992A, MAJOR AT930A
- mísy z nerezavějící ocele** ⑭ leštěné: CHEF 343270, MAJOR 343268
 ochrana proti vystříknutí ⑮ CHEF a MAJOR 693766
- kryt** ⑯ CHEF 533722, MAJOR 606397





čištění a servis

čištění a péče

- Před čištěním spotřebič vždy vypněte a zástrčku vytáhněte ze zásuvky.
- Při prvním použití se může na výstupu ② objevit trochu mastnoty. Je to normální – pouze ji setřete.

hnací jednotka • Otřete navlhčeným hadříkem, a pak vysušte.

- Nikdy nepoužívejte drsných čisticích prostředků a spotřebič neponořujte do vody.

pohonná jednotka, kryty výstupů • Otřete ji navlhčeným hadříkem a potom ji osušte.

mísa • Myjte ji ručně a potom ji osušte nebo ji myjte v myčce na nádobí.

- K čištění nikdy nepoužívejte drátěný kartáč, drátěnku nebo bělicí prostředek. K odstranění vodního kamene použijte ocet.
- Nedávejte ji do blízkosti zdrojů tepla (varné desky, trouby, mikrovlnné trouby).

nástavce • Myjte ručně, potom důkladně osušte nebo myjte v myčce na nádobí.

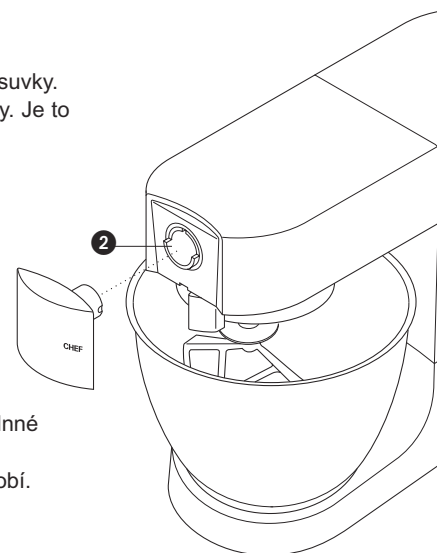
ochrana proti vystříknutí • Myjte ji ručně a dokonale osušte.

servis a služby zákazníkům

- V případě poškození přípojné šňůry může její výměnu z bezpečnostních důvodů provést pouze firma KENWOOD nebo firmou KENWOOD autorizovaná opravna.

pokud potřebujete pomoc s:

- použitím spotřebiče,
 - objednáním nového příslušenství,
 - servisem a opravami,
- volejte firmu, u níž jste spotřebič zakoupili.



recepty

Viz důležité body přípravy chlebového těsta na str. 104

bílý chléb mekké kynuté testo

- přísady
- 2,6kg hladké mouky
 - 1,3 l mléka
 - 300g cukru
 - 450g pokrmového tuku
 - 100g čerstvých kvasnic nebo 50g sušených kvasnic
 - 6 rozšlehaných vajec
 - sůl
- Toto množství je pro radu KMM700. Pro radu KMC500 použijte polovicní množství a přidejte všechnu mouku najednou**
- postup
- 1 Pokrmový tuk rozpustíme v mléce a ohřejeme na 43°C.
 - 2 **sušené kvasnice** (druh, který se musí rozpustit v tekutině): sušené kvasnice nasypeme do misky s mlékem, přidáme cukr a necháme stát asi 10 minut, až se na směsi objeví pěna.
čerstvé kvasnice: rozdrobíme do mouky a přidáme cukr.
jiné druhy kvasnic: řiďte se doporučením výrobce.
 - 3 Mléko nalejeme do mísy. Přidáme rozšlehaná vejce a 2kg mouky.
 - 4 Zpracováváme 1 minutu minimální rychlostí, pak další minutu rychlostí 1. Setřete směs ze stěn.
 - 5 Přidáme zbývající mouku a 1 minutu hněteme minimální rychlostí, a pak další 2 - 3 minuty rychlostí 1, až je směs hladká a řádně promíchaná.
 - 6 Vymaštěné formy na chleba (450g) naplníme do poloviny, nebo z těsta vypracujeme housky. Přikryjeme utěrkou a necháme v teple vykynout, až těsto zdvojnásobí svůj objem.
 - 7 Pečeme v troubě při teplotě 200°C bochníky chleba 20 - 25 minut, housky 15 minut.
 - 8 řádně upečený chléb musí při poklepu zespodu znít dutě.
- Z uvedeného množství upečeme asi 10 bochníků.

jahodový a meruňkový dort

- přísady: piškot
- 3 vejce
 - 75g jemného krystalového cukru
 - 75g hladké mouky
- náplň a ozdoba
- 150ml husté smetany
 - cukr podle chuti
 - 225g jahod
 - 225g meruňek
- postup
- 1 Meruňky rozpůlíme a odstraníme pecky. Lehce je povaříme v trošce vody s cukrem podle chuti, až změkknou.
 - 2 Jahody opláchneme a rozpůlíme.
 - 3 Piškotové těsto připravíme z vajec a cukru, které šleháme maximální rychlostí tak dlouho, až směs zesvětlí a zhoustne.
 - 4 Vyndejte mísu a odmontujte šlehací metlu. Do směsi vmíchejte mouku pomocí velké kovové lžice. L buďte přitom opatrní, aby piškot neztěžkl.
 - 5 Směs přelejeme do dvou sendvičových forem (5x18cm), které jsme před tím vymas tili a vyložili pergamenovým papírem.
 - 6 Pečeme asi 20 minut při teplotě 180°C. Hotový piškot musí při lehkém zatlačení vyskočit zpět.
 - 7 Upečený piškot vyndáme z formy a necháme vychladnout na drátěném roštu.
 - 8 Maximální rychlostí ušleháme ze smetany šlehačku, do níž podle chuti přidáme cukr.
 - 9 Meruňky a třetinu jahod nahrubo rozkrájíme a vmícháme do poloviny šlehačky.
 - 10 Tuto směs rozetřeme na jeden piškot a oba piškoty pak slepíme dohromady.
 - 11 Zbývající šlehačku rozetřeme na vrch dortu, který ozdobíme zbývajícimi jahodami.

recepty pokračování

sněhové pusinky

- přísady
- 4 bílky
 - 250g prosetého práškového cukru
- postup
- 1 Plechy na pečení vyložíme nelepivým pergamenovým papírem na pečení.
 - 2 Bílky a cukr šleháme maximální rychlostí asi 10 minut, až se vytvoří tuhý sníh, který stojí do špičky.
 - 3 Ze směsi tvoříme lžící přímo na plechu pusinky (nebo použijeme stříkací pytlík s hvězdicovou trubičkou o průměru 2,5cm).
 - 4 Pečeme 4 - 5 hodin ve vlažné troubě při teplotě 110°C, až jsou pusinky pevné a křehké. Pokud pusinky začnou při pečení hnědnout, dvířka trouby mírně pootevříme.
- Hotové pusinky skladujeme v plechové krabici s dobře těsnícím víkem.

linecké těsto (shortcrust)

- přísady
- 450g mouky proseté společně s
 - 1 lžičkou soli
 - 225g tuku (směs sádla a margarínu přímo z lednice)
 - asi 4 lžíce vody
- rada
- Dávejte pozor, abyste směs nepřemíchali.
- postup
- 1 Do mísy dáme mouku a přidáme tuk rozkrájený na kostky.
 - 2 Zpracováváme rychlostí 1, až směs začne připomínat drobení. Strojek vypněte před tím, než směs začne vypadat mastně.
 - 3 Přidáme vodu a mícháme minimální rychlostí, jen tak dlouho, až se směs spojí.
 - 4 Pečeme v troubě rozehřáté na 200°C. Teplota se ale mění podle náplně.

mrkvová polévka s koriandrem

- ingredience
- 25 g (1 unce) másla
 - 1 jemně nakrájená cibule
 - 1 rozetřený stroužek česneku
 - pro 1,2 l nádobu mixéru nakrájejte 480 g mrkve na kostky o velikosti 1,5 cm
 - pro 1,5 l nádobu mixéru nakrájejte 600 g mrkve na kostky o velikosti 1,5 cm
 - studený kuřecí vývar
 - 10-15 ml (2-3 čajové lžičky) drceného koriandru
 - sůl a pepř
- postup
- 1 Na pánvi rozpustíte máslo a do změknutí osmažte cibuli s česnekem.
 - 2 Vložte mrkev do mixéru, přidejte cibuli a cesnek. Přidejte dostatečné množství pro dosažení značky 1,2 nebo 1,5, vyznačené na nádobě mixéru. Nasadte víko a plnicí víčko.
 - 3 Při maximální rychlosti mixujte po dobu 5 sekund, chcete-li získat polévku s hrubšími kousky, nebo déle, aby byla polévka jemnější.
 - 4 Získanou směs přelijte do hrnce, přidejte koriandr a koření a vařte 30 až 35 minut.
 - 5 V případě potřeby dochuťte a přidejte tekutinu.

a Kenwood robotgép használata

a Kenwood-készülék használata előtt

- Alaposan olvassa át ezeket az utasításokat és őrizze meg későbbi felhasználásra!
- Távolítsa el minden csomagolóanyagot és címkét!

első a biztonság

- A keverőlapátok és a tartozékok cseréje, valamint a készülék tisztítása előtt mindig kapcsolja ki a robotgépet, és a hálózati vezetékét is húzza ki a konnektorból. Használat után is áramtalanítsa a készüléket.
- Soha ne nyúljon a robotgép vagy a tartozékok mozgó alkatrészeihez.
- Működés közben soha ne hagyja magára a robotgépet, és a kisgyermeket is tartsa távol a készüléktől.
- Ha a robotgép megsérül, ne használja tovább. Az újbóli bekapcsolás előtt szakemberrel ellenőriztesse a készüléket, és ha szükséges, javíttassa meg (l. 116. oldal, javíttatás).
- Ne működtesse a robotgépet felemelt helyzetben lévő fejrészsel.
- Ne hagyja a vezetékét olyan helyen leelőgni, ahol gyermek hozzáférhet.
- Ügyeljen arra, hogy a tápegység ne kerüljön vízbe, és a vezetékét és a dugót ne érje nedvesség.
- Csak a gyártó által jóváhagyott tartozékokat használjon. Egyszerre mindig csak egy tartozékot csatlakoztasson a készülékhez.
- Soha ne lépje túl az egyszerre feldolgozható maximális mennyiségeket (l. 112. oldal).
- Gondosan tanulmányozza át a tartozékokhoz külön mellékelte biztonsági előírásokat is.
- A robotgép nehéz, ezért mindig óvatosan emelje fel. A készülék elmozdítása előtt ellenőrizze, hogy a keverőgém a lehajtott állásban rögzítve legyen, illetve, hogy a keverőedény, a keverők, a meghajtó csomok fedelei és a hálózati vezeték se mozdulhasson el.
- A készüléket nem üzemeltethetik olyan személyek (a gyermekeket is beleértve), akik mozgásukban, érzékszerveik tekintetében vagy mentális téren korlátozottak, illetve amennyiben nem rendelkeznek kellő hozzáértéssel vagy tapasztalattal, kivéve ha egy, a biztonságukért felelősséget vállaló személy a készülék használatát felügyeli, vagy arra vonatkozóan utasításokkal látta el őket.
- A gyermekekre figyelni kell, nehogy a készülékkel játszanak.
- A készüléket csak a rendeltetésének megfelelő háztartási célra használja! A Kenwood nem vállal felelősséget, ha a készüléket nem rendeltetészerűen használták, illetve ha ezeket az utasításokat nem tartják be.

csatlakoztatás

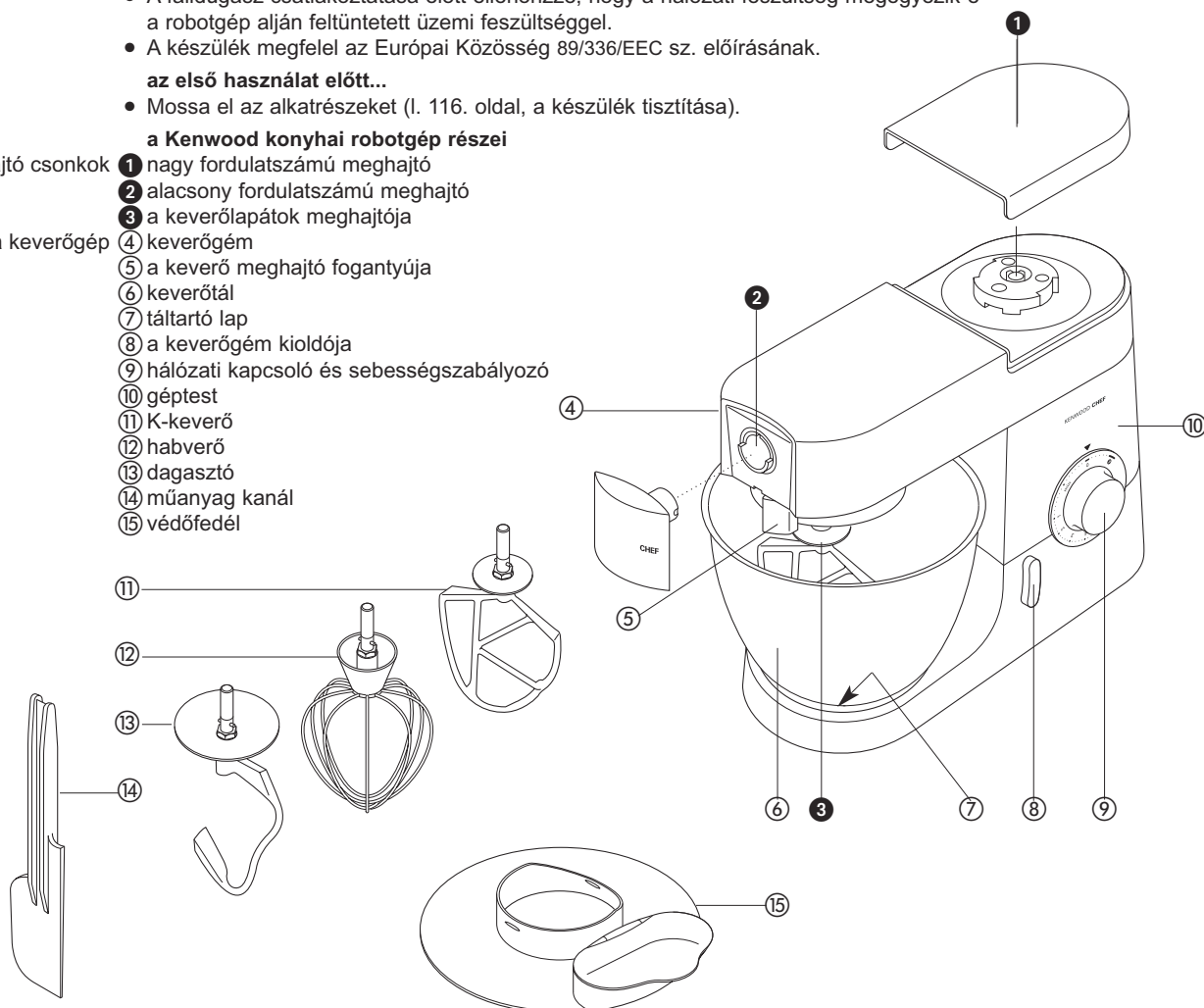
- A falidugasz csatlakoztatása előtt ellenőrizze, hogy a hálózati feszültség megegyezik-e a robotgép alján feltüntetett üzemi feszültséggel.
- A készülék megfelel az Európai Közösség 89/336/EEC sz. előírásának.

az első használat előtt...

- Mossa el az alkatrészeket (l. 116. oldal, a készülék tisztítása).

a Kenwood konyhai robotgép részei

- meghajtó csomkok
- 1 nagy fordulatszámú meghajtó
 - 2 alacsony fordulatszámú meghajtó
- a keverőgép
- 3 a keverőlapátok meghajtója
 - 4 keverőgém
 - 5 a keverő meghajtó fogantyúja
 - 6 keverőtál
 - 7 táltartó lap
 - 8 a keverőgém kioldója
 - 9 hálózati kapcsoló és sebességszabályozó
 - 10 géptest
 - 11 K-keverő
 - 12 habverő
 - 13 dagasztó
 - 14 műanyag kanál
 - 15 védőfedél



a keverőgép

a csatlakoztatható keverők

- K-keverő** • Tészták, mázak, krémek és töltelékek kikeveréséhez, illetve burgonyapüré készítéséhez.
- habverő** • Tojás, tejszín felveréséhez, illetve palacsintatészta, zsír nélküli piskótatészta, habcsók, túró torta valamint különböző habok és pudingok kikeveréséhez. Sűrű anyagokhoz (pl. zsír és cukor kikeveréséhez) ne használja a habverőt, mert deformálódhat.
- dagasztókar** • Keltészták keveréséhez.

a keverőgép használata

- 1 Fordítsa el a keverőgép kioldóját az óramutató járásával ellentétes irányban **1**, majd ütközésig hajtsa fel a keverőgémet: a gép rögzülését a zárszerkezet kattánása jelzi.
- 2 Ütközésig tolja fel **2**, majd fordítsa el.
- 3 A keverő-edényt is tegye a géptestre. Az edény alját nyomja be a géptesten kiképzett mélyedésbe, majd az egész edényt fordítsa el az óramutató járásának irányában **3**.
- 4 Fordítsa el ismét a keverőgép kioldóját az óramutató járásával ellentétes irányban, és hajtsa vissza a keverőgémet: a gép rögzülését a zárszerkezet kattánása jelzi.
- 5 Kapcsolja be a készüléket, a sebességválasztó gomb kívánt állásba történő forgatásával.
 - Rövid keverésekhez fordítsa a kapcsolót a 'rövid üzem' **P** állásra.
- 6 Csavarja ki a keverőt a meghajtó tengelyből.

- megjegyzések**
- Keverés közben időnként állítsa le a gépet, és a mellékelt műanyag kanállal kaparja le a keverőtál oldalára tapadt masszát.
 - A habveréshez lehetőleg szobahőmérsékletű tojásokat használjon.
 - Tojásfehérje felverésénél ügyeljen arra, hogy sem a keverőn, sem pedig a keverő-edényben ne maradjon tojássárgája vagy bármilyen zsiradék.
 - A különböző tésztákhoz ajánlatos hideg összetevőket használni (hacsak a recept mást nem ír elő).

kenyértészta készítés

- fontos megjegyzések**
- Ne lépje túl az egyszerre feldolgozható maximális mennyiségeket (l. lejjebb), mert túlterhelheti a készülék motorját.
 - Ha a gép motorja erőlködik, a tészta felét vegye ki a keverő-edényből, és dagassza két részletben.
 - Az összetevők akkor keverednek el legjobban, ha először a folyadékokat önti a keverő-edénybe.

maximális mennyiségek

CHEF

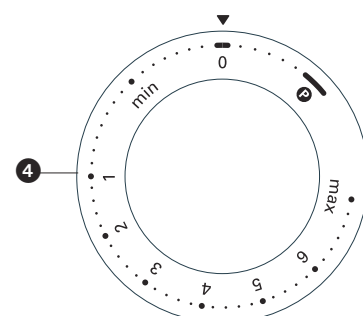
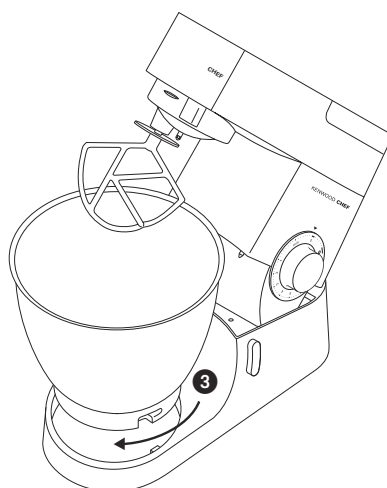
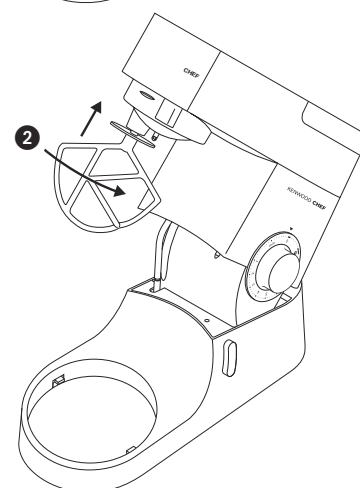
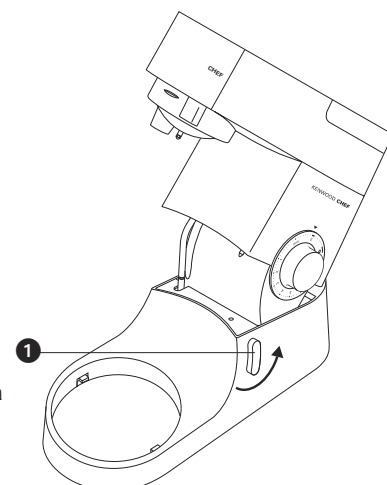
- hájás tészta** • Liszt súlya: 680 g
- kemény keltésztá** • Liszt súlya: 1,36 kg
- Összes súly: 2,18 kg
- lágú keltésztá** • Liszt súlya: 1,3 kg
- Összes súly: 2,5 kg
- püspökkenyér (gyümölcs torta)** • Összes súly: 2,72 kg
- tojásfehérje** • 12

MAJOR

- Liszt súlya: 910 g
- Liszt súlya: 1,5 kg
- Összes súly: 2,4 kg
- Liszt súlya: 2,6 kg
- Összes súly: 5 kg
- Összes súly: 4,55 kg
- 16

a helyes sebesség megválasztása **4**

- K keverő** • **vaj és cukor kikeverését** kezdje a legalacsonyabb sebességen, majd fokozatosan kapcsolja a készüléket a legnagyobb sebességre.
- **tojás tésztába keverése** a 4-es és a legmagasabb sebességfokozat között.
- **liszt, gyümölcs stb. bekeverése** a legalacsonyabb és az 1-es sebességfokozat között.
- **gyümölcskenyér jellegű sütemények kikeverése** kezdje a legalacsonyabb sebességfokozaton, majd fokozatosan kapcsoljon a legmagasabb fokozatra.
- **zsír és liszt keverése** a legalacsonyabb és a 2-es sebességfokozat között.
- habverő** • Fokozatosan kapcsoljon maximális fokozatra.
- dagasztókar** • Kezdje minimális sebességen, majd fokozatosan váltson 1 - es fokozatra.



a készülék **tisztítása** - 116. oldal

hibakeresés

a hiba

- A habverő vagy a K-keverő a keverőtál aljának ütközik vagy az edény alján nem kever tökéletesen.

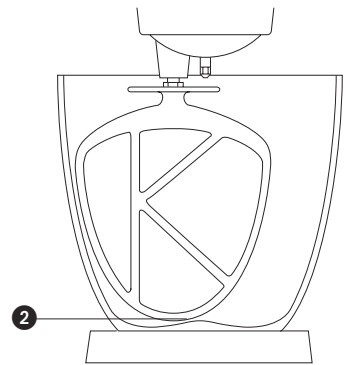
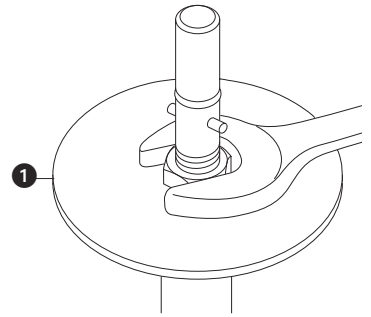
Megoldás • Az alábbiak szerint állítsa be a keverő magasságát.

- 1 A csatlakozó dugaszt húzza ki a hálózathoz.
- 2 Hajtsa fel a keverőgémet, és helyezze be a habverőt/K-keverőt.
- 3 Egyik kezével fogja meg a keverőt, és lazítsa meg az anyát **1**.
- 4 Hajtsa le a keverőgémet.
- 5 Forgassa el a keverő szárát addig, amíg a habverő/K-keverő **majdnem** az edény aljáig ér, de még nem érintkezik az edénnyel **2**.
- 6 Hajtsa fel ismét a keverőgémet. Egyik kezével fogja meg a keverőt, és húzza meg az anyát.

a hiba leírása

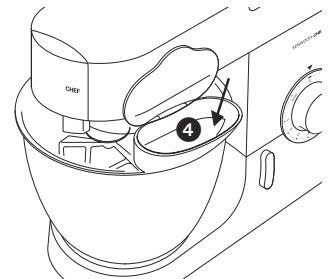
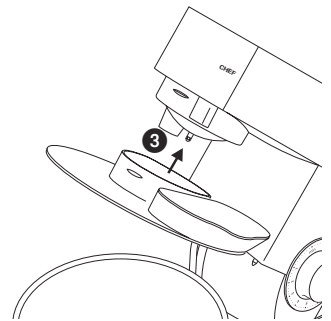
- Keverés közben a készülék leáll.

Megoldás • A robotgépbe épített biztonsági elektronika túlterhelés esetén automatikusan kikapcsolja a készüléket. Ilyenkor kapcsolja ki a kapcsolót, és a hálózati vezetékét is húzza ki a konnektorból. A terhelés csökkentéséhez vegye ki a feldolgozandó étel egy részét, és néhány percig pihentesse a készüléket. Csatlakoztassa a robotgépet a hálózatra, és a sebességválasztó kapcsolót fordítsa a kívánt állásba. Ha a készülék most sem indul el, pihentesse egy kicsit tovább.



a védőfedél felszerelése és használata

- 1 Hajtsa fel a keverőgémet úgy, hogy a felhajtott állásban rögzüljön.
- 2 Helyezze a keverő edényt a készülékre.
- 3 Nyomja a védőfedelelet a keverőgém **3** alsó részébe úgy, hogy az rögzüljön. A felemelhető résznek az ábrán látható módon kell elhelyezkednie.
- 4 Illessze a kívánt keverőt a készülékbe.
- 5 Hajtsa le a keverőgémet.
- A fedél felhajtható részét kinyitva keverés közben is az edénybe teheti a hozzávalókat **4**.
- A keverők cseréjéhez nem kell levennie a védőfedelelet.
- 6 A védőfedél levételéhez hajtsa fel a keverőgémet, és húzza ki a fedelet.

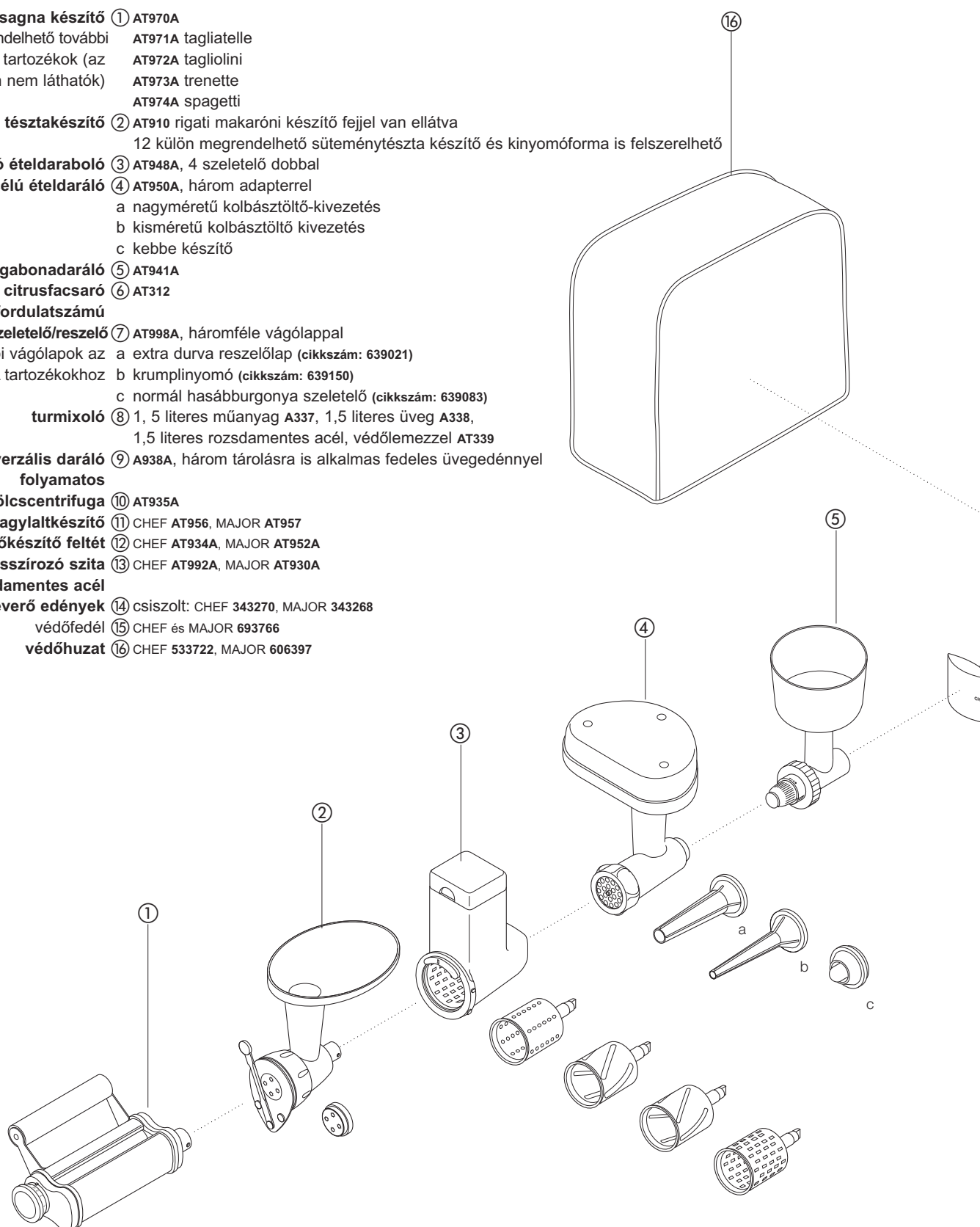


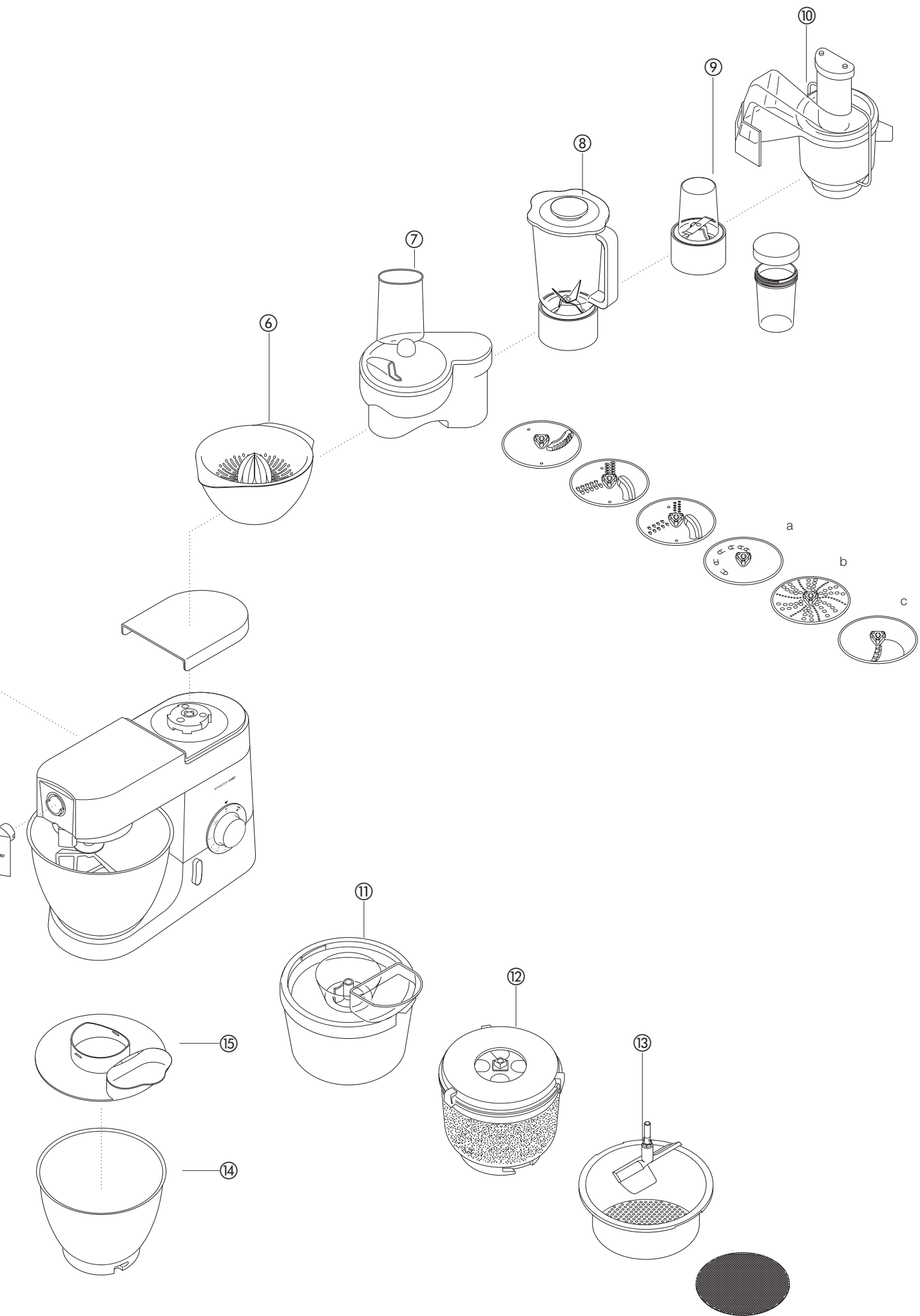
A csatlakoztatható tartozékok

Az alapsomagban nem mellékelt tartozékok külön is megvásárolhatók.
Forduljon a helyi KENWOOD javítóvállalathoz.

tartozék tartozék kódja

- lasagna készítő** ① AT970A
az AT970A-hez rendelhető további
tésztakészítő tartozékok (az
ábrán nem láthatók)
- tésztakészítő** ② AT910 rigati makaróni készítő fejjel van ellátva
12 külön megrendelhető süteménytészta készítő és kinyomóforma is felszerelhető
- forgó ételdaraboló** ③ AT948A, 4 szeletelő dobbal
- többcélú ételdaráló** ④ AT950A, három adapterrel
a nagyméretű kolbásztöltő-kivezetés
b kisméretű kolbásztöltő kivezetés
c kebbe készítő
- gabonadaráló** ⑤ AT941A
- citrusfacsaró** ⑥ AT312
- nagy fordulatszámú
professzionális szeletelő/reszelő** ⑦ AT998A, háromféle vágólappal
további vágólapok az
AT998A tartozékokhoz
- turmixoló** ⑧ 1, 5 literes műanyag A337, 1,5 literes üveg A338,
1,5 literes rozsdamentes acél, védőlemezzel AT339
- univerzális daráló
folyamatos** ⑨ A938A, három tárolásra is alkalmas fedeles üvegedénnyel
- gyümölcscentrifuga** ⑩ AT935A
- fagylalkészítő** ⑪ CHEF AT956, MAJOR AT957
- burgonya előkészítő feltét** ⑫ CHEF AT934A, MAJOR AT952A
- passzírozó szita** ⑬ CHEF AT992A, MAJOR AT930A
- rozsdamentes acél**
- keverő edények** ⑭ csiszolt: CHEF 343270, MAJOR 343268
védőfedél ⑮ CHEF és MAJOR 693766
- védőhuzat** ⑯ CHEF 533722, MAJOR 606397



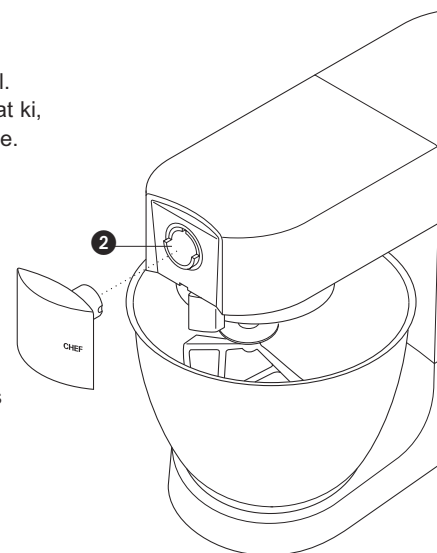


tisztítás és javítás

a készülék tisztítása

- Tisztítás előtt mindig húzza ki a hálózati vezetékét a konnektorból.
- Az első napokban a 2 meghajtó csomagtartó körül kenőzsír szivároghat ki, ez azonban normális jelenség. A kiszivárgott zsírt csupán törölje le.

- | | |
|-------------------------|--|
| géptest, külső burkolat | <ul style="list-style-type: none">• Először nedves, majd száraz ruhával törölje át.• Ne használjon súrolószert, és soha ne merítse vízbe. |
| keverő edény | <ul style="list-style-type: none">• Kézzel mosogassa el, majd alaposan szárítsa meg. A keverő edény mosogatógépben is tisztítható.• A rozsdamentes acél keverő edény tisztításánál soha ne használjon drótkéfét, fém dörzszivacsot vagy hypót. Az esetleges vízkőlerakódást ecetes ruhával távolíthatja el.• A keverő edényt óvja a közvetlen hőtől (pl. tűzhely, hagyományos vagy mikrohullámú sütő). |
| eszközök | <ul style="list-style-type: none">• Mossa el kézzel majd alaposan szárítsa meg, vagy mossa el mosogatógépben. |
| védőfedél | <ul style="list-style-type: none">• Kézzel mosogassa el, majd alaposan szárítsa meg. |



javítás és vevőszolgálat

- Ha a hálózati vezeték megsérül, azonnal ki kell cserélni. A javítást - biztonsági okokból - csak a KENWOOD által megbízott javítóvállalat szakembere végezheti el.

Ha további segítségre van szüksége:

- a készülék használatával
- külön tartozékok rendelésével
- a készülék karbantartásával vagy javításával kapcsolatban, forduljon ahhoz az üzlethez, ahol a készüléket vásárolta.

receptek

Kérjük, hogy a 112. oldalon is olvassa el a kenyérbénelítéssel kapcsolatos fontos megjegyzéseket.

fehér kenyér lágy kelttészta

- hozzávalók
- 2,6kg sima liszt
 - 1,3 liter tej
- Ez a mennyiség a KMM700 sorozatú berendezésekre vonatkozik. A KMC500 sorozatú berendezésekhez a mennyiségek fele szükséges, és az összes lisztet egyszerre kell hozzáadni**
- 300g cukor
 - 450g margarin
 - 100g friss élesztő vagy 50g szárított élesztő
 - 6 habosra kevert tojás
 - 5 csipetnyi só
- elkészítés
- 1 A tejben olvasszuk fel a margarint, és melegítsük 43°C hőmérsékletre.
 - 2 **szárított élesztővel:** adjuk az élesztőt és a cukrot a tejhez, és hagyjuk állni kb. 10 percig, amíg habos lesz.
friss élesztővel: a darabokra tört élesztőt keverjük a liszthez, majd keverjük bele a cukrot is.
egyéb élesztők: kövessük a csomagoláson levő utasítást.
 - 3 Öntsük a tejet a keverő-edénybe. Adjuk hozzá a habosra kevert tojást és 2kg lisztet.
 - 4 Keverje a legalacsonyabb sebességfokozaton egy percig, majd további egy percre kapcsoljon az 1-es fokozatra. A keverés után kaparja le az edény falára ragadt tésztát.
 - 5 Adjuk hozzá a maradék lisztet, és minimális sebességen keverjük újabb 1 percig. Ezután kapcsoljunk 1 - es sebességfokozatra, és keverjük további 2 - 3 percig, amíg a tészta egyenletesen sima lesz.
 - 6 A tésztából formázzunk buccikat vagy válasszuk szét kb. fél kg-os darabokra, és tegyük zsírral kikent tepsibe (ügyeljünk arra, hogy a tészta csak a tepsis oldalának feléig érjen). Takarjuk le, és hagyjuk tovább kelni, amíg a tészta újból kétszeresére dagad.
 - 7 Tegyük 200°C hőmérsékletű sütőbe. A buccikat 15 percig, a kalácsokat 20 - 25 percig süssük.
 - 8 A sütés vége felé kopogtassuk meg a buccik vagy kalácsok alját: ha üregesnek hangzanak, a tészta teljesen átsült, kivehetjük a sütőből.
- A recept kb. 10 kalács elkészítésére elegendő.

Epres-sárgabarackos habossütemény

- hozzávalók: piskótatészta
- 3 tojás
 - 75g finomított kristálycukor
 - 75g finom liszt
- töltelék és bevonat
- 150ml tejszín
 - cukor ízlés szerint
 - 225g eper
 - 225g sárgabarack
- elkészítés
- 1 A sárgabarackokat vágjuk felébe, és vegyük ki a magot. Nagyon kevés, ízlés szerint cukrozott vízben főzzük puhára.
 - 2 Az epret tisztítsuk meg, és vágjuk felébe.
 - 3 A gépet maximális sebességre állítva keverjük ki a tojást a cukorral, amíg kifehéredik és sűrűvé válik.
 - 4 Vegye ki a keverőedényt és a habverőt. Óvatosan kanalazza bele a lisztet (használjon nagyalakú fémkanalat). Ügyeljen arra, hogy a tészta könnyű maradjon.
 - 5 A tésztát tegyük két kb. 20cm átmérőjű, kizsírozott és kibélelt tortaformába.
 - 6 Süssük 180°C-on kb. 20 percig, amíg a tészta felülete rugalmas tapintásúvá válik.
 - 7 Fordítsuk ki a formából, és sütőrácsra hagyjuk kihűlni.
 - 8 Tegyük vissza a habverőt a gépbe, és maximális sebességre kapcsolva verjük fel az előzőleg ízlés szerint édesített tejszínt. Az elkészült habot válasszuk két egyenlő részre.
 - 9 A sárgabarackot és az eper egyharmadát vágjuk darabokra, és óvatosan keverjük az egyik adag tejszínhabhoz.
 - 10 Az így kapott krémmel ragasszuk össze a két piskóta lapot.
 - 11 A másik adag tejszínhabbal borítsuk be a tortát, és a maradék eperdarabokkal díszítsük.

receptek *folígtatás*

Habcsók

- hozzávalók
- 4 tojásfehérje
 - 250g átszitált porcukor
- elkészítés
- 1 Béveljük ki egy tepsit zsírpapírral.
 - 2 Tegyük a hozzávalókat a keverő-edénybe, és a gépet maximális sebességre kapcsolva verjük addig, amíg a habverő kiemelésekor a massa csúcsos alakban megáll (kb. 10 perc).
 - 3 Tegyük a masszát nagyméretű nyomózsákba, és kb. 2,5cm-es, csillag alakú nyomóformán keresztül nyomjunk kis formákat a tepsibe. Ha nincs nyomózsákunk, kanállal adagoljuk a tésztát.
 - 4 Lassú tűzön (110°C) süssük addig, amíg a tészta kemény és porhanyós lesz (kb. 4 - 5 óra). Ha sütés közben a habcsók barnulni kezdenek, a sütő ajtaját résnyire nyissuk ki.
- Az elkészült habcsókokat légmentesen záródó fémdobozban tároljuk.

Linzertészta

- hozzávalók
- 450g a sóval együtt átszitált liszt
 - 1 kávéskanál só
 - 225g zsiradék (hűtőszekrény-hideg zsír és margarin keveréke)
 - kb. 4 evőkanál víz
- jótanács
- Ügyeljünk arra, hogy ne keverjük túl a hozzávalókat.
- elkészítés
- 1 Öntsük a lisztet a keverő-edénybe, és adjuk hozzá a darabokra vágott zsiradékot.
 - 2 Keverje 1-es sebességfokozaton addig, amíg a keverék állaga zsemlemorzsaszerű lesz. Ügyeljen arra, hogy időben állítsa le a keverést, különben zsíros állagúvá válik.
 - 3 Adjuk hozzá a vizet, és keverjük a legalacsonyabb sebességen, de csak addig, amíg a tészta teljesen fel nem veszi a vizet.
 - 4 A tésztát általában 200°C-on kell sütni, de a helyes hőmérséklet a tölteléktől is függ.

répa és koriander leves

- hozzávalók
- 25 g vaj
 - egy apróra vágott hagyma
 - egy gerezd átnyomott fokhagyma
 - 480 g 1,5 cm-es kockákra vágott sárgarépa egy 1,2 l-es pohárhoz
 - 600 g 1,5 cm-es kockákra vágott sárgarépa egy 1,5 l-es pohárhoz
 - hideg csontlé
 - 10-15 ml (2-3 kávéskanál) őrölt koriander
 - só és bors ízlés szerint
- elkészítése
- 1 Serpenyőben olvasszuk fel a vaját, adjuk hozzá a hagymát és a fokhagymát, és pirítsuk, amíg megpuhul.
 - 2 Helyezze a sárgarépát a turmix feltétbe, és adja hozzá a hagymát, valamint a fokhagymát. Adjon hozzá annyi csontlevet, hogy a folyadék szintje elérje a turmixoló 1,2 illetve 1,5 literes jelzését. Illessze helyére a fedelet, valamint a töltőnyílás kupakját.
 - 3 Turmixoljuk maximális sebességen öt másodpercig. Kevésbé rostos leveshez turmixoljuk kissé tovább.
 - 4 Az összeturmixolt levet öntsük fazékba, adjuk hozzá a koriandert és a fűszereket, majd forraljuk 30-35 percig.
 - 5 Ízlés szerint adjunk hozzá további fűszereket vagy folyadékot.

poznaj swój malakser kuchenny Kenwood

przed użyciem urządzenia Kenwood

- Przeczytaj uważnie poniższe instrukcje i zachowaj je na wypadek potrzeby skorzystania z nich przyszłości.
- Wyjmij wszystkie materiały pakunkowe oraz wszelkie etykiety.

bezpieczeństwo

- Wyłącz i wyjmij wtyczkę z gniazdka sieciowego przed zakładaniem lub zdejmowaniem narzędzi, po użyciu i przed czyszczeniem.
- Trzymaj palce z daleka od części ruchomych i założonych narzędzi.
- Nigdy nie pozostawiaj włączonego malaksera bez opieki; trzymaj dzieci z dala od niego.
- Nigdy nie pracuj na uszkodzonym malakserze. Sprawdź go w punkcie obsługi lub oddaj do naprawy - patrz 'serwis' na str. 124.
- Nigdy nie korzystaj z malaksera, jeśli ramię jest podniesione.
- Unikaj zwisania przewodu elektrycznego tam, gdzie go może uchwycić dziecko.
- Unikaj namakania jednostki napędowej, przewodu lub wtyczki.
- Nigdy nie używaj narzędzi nie autoryzowanych, ani też więcej, niż jednego narzędzia na raz.
- Nigdy nie przekraczaj ilości maksymalnych, podanych na str. 120.
- Przed użyciem narzędzia przeczytaj dołączone do niego instrukcje bezpiecznej obsługi.
- Podczas podnoszenia urządzenia należy zachować ostrożność ze względu na jego ciężar. Przed podniesieniem urządzenia należy sprawdzić, czy głowica jest zablokowana oraz czy pojemnik, narzędzia, pokrywy wyjść i przewód są zabezpieczone.
- Niniejsze urządzenie nie powinno być używane przez osoby (w tym dzieci) o ograniczonych zdolnościach fizycznych, umysłowych lub o zaburzonych zmysłach, jak również przez osoby niedoświadczone i nie znające się na urządzeniu, dopóki nie zostaną one przeszkolone na temat zasad eksploatacji tego urządzenia lub nie będą nadzorowane przez osobę odpowiadającą za ich bezpieczeństwo.
- Należy sprawować kontrolę nad dziećmi, żeby nie bawiły się urządzeniem.
- Urządzenie jest przeznaczone wyłącznie do użytku domowego. Firma Kenwood nie ponosi żadnej odpowiedzialności w przypadku niewłaściwego korzystania z urządzenia lub nieprzestrzegania niniejszych instrukcji.

przed włożeniem wtyczki do gniazdka

- Upewnij się, że napięcie sieci jest takie same, jak podane na tabliczce znamionowej pod spodem malaksera.
- Urządzenie jest zgodne z Dyrektywą EWG Nr. 89/336/EEC.

przed użyciem po raz pierwszy

- Umyj części: patrz punkt 'pielęgnacja i czyszczenie' na str. 124.

poznaj swój malakser Kenwooda

końcówki dla przystawek

1 końcówka wysokoobrotowa

2 końcówka wolnoobrotowa

3 gniazdo dla narzędzi

mikser 4 głowica miksera

5 zatrzask końcówki napędzającej

6 miska

7 podstawa pod miskę

8 dźwignia podnoszenia głowicy

9 włącznik/wyłącznik i regulacja prędkości

10 podstawa z silnikiem

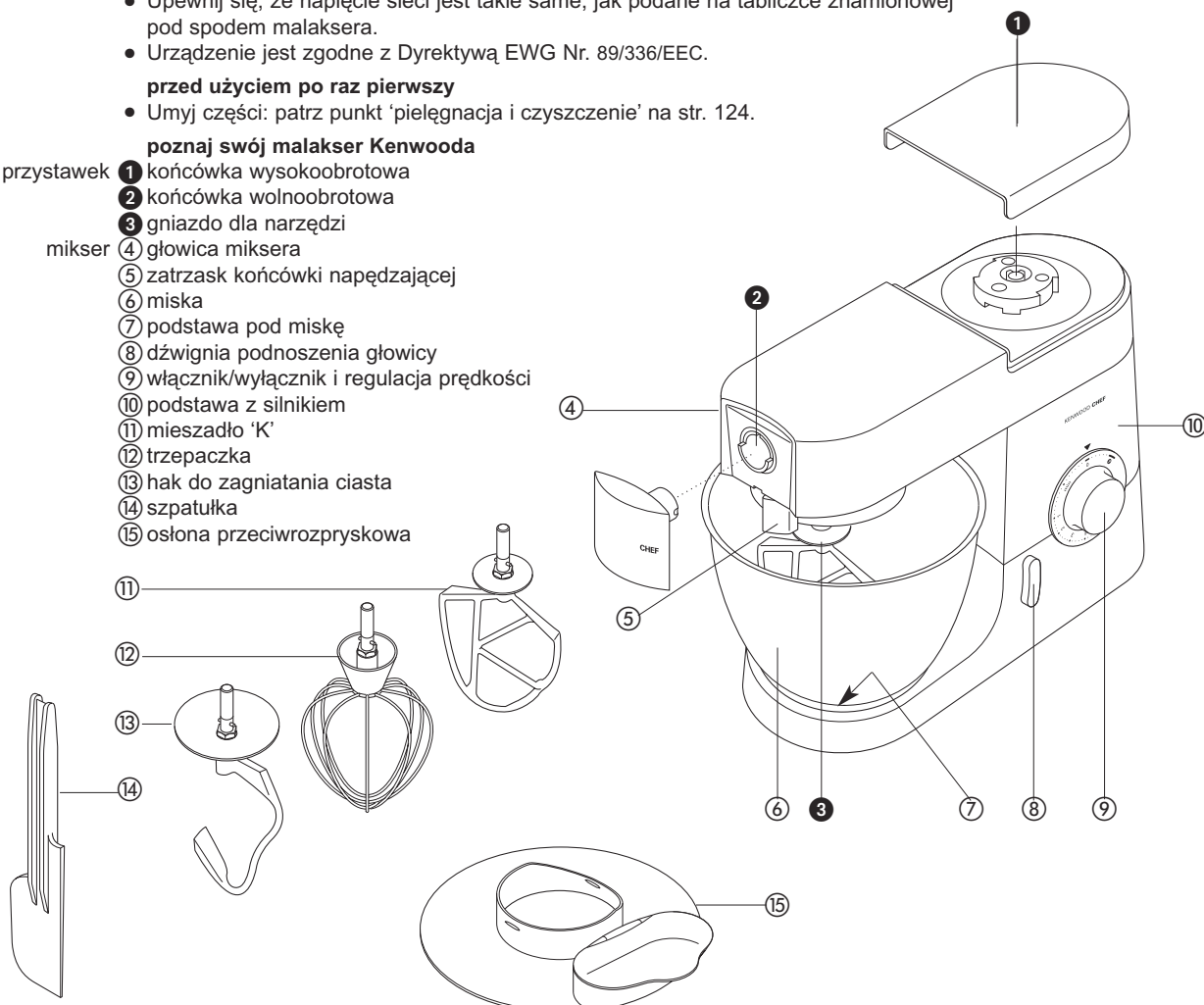
11 mieszątko 'K'

12 trzepaczka

13 hak do zagniatania ciasta

14 szpatułka

15 osłona przeciwrozpryskowa



ubijanie/zagniatanie

narzędzia do miksowania i niektóre ich zastosowania

- mieszadło 'K' • Do ciastek, biszkoptów, ciasta kruchego, lukrów, nadzienia, eklerów i tłuczonych ziemniaków
- trzepaczka • Do ubijania jaj, śmietanki, ciasta naleśnikowego, babek bez tłuszczu, bezów, serników, musów, sufletów. Nie używaj trzepaczki do mieszanin ciężkich (np. ucierania tłuszczu z cukrem) - może to ją uszkodzić.
- Hak do ciasta • Do ciast drożdżowych.

jak używać funkcji ubijania/zagniatania

- 1 Obróć dźwignię podnoszenia głowicy ❶ w lewo i podnieś głowicę miksera, aż się zatrzaśnie.
 - 2 Wsuwaj do oporu ❷ następnie przekręć.
 - 3 Załóż miskę na podstawie - pociśnij i obróć w prawo ❸
 - 4 Obróć dźwignię podnoszenia głowicy w lewo i opuść głowicę miksera, aż się zatrzaśnie.
 - 5 Włącz urządzenie, obracając przełącznik ustawienia prędkości na żądane ustawienie.
 - Przelączaj na **P** do pracy impulsami.
 - 6 Wykręć je.
- aby wyjąć narzędzie

- wskazówki
- Często wyłączaj i zeskrobuje miskę szpatułką.
 - Najlepiej się ubijają jajka w temperaturze pokojowej.
 - Przed ubijaniem piany z białek upewnij się, że na trzepaczce i w misce nie ma tłuszczu ani żółtka.
 - Na kruche ciasto używaj zimnych składników, chyba że przepis podaje inaczej.

zagniatanie chleba

- ważne
- Nigdy nie przekraczaj maksymalnych ilości podanych poniżej - przeciąży to malakser.
 - Jeśli słyhać wyężoną pracę silnika - wyłącz malakser, wyjmij połowę ciasta i zagniataj każdą połówkę oddzielnie.
 - Składniki mieszają się najlepiej, jeśli włączyć najpierw płynny.

pojemności maksymalne

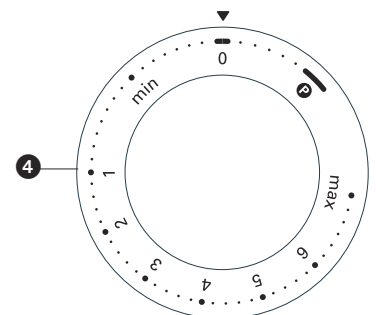
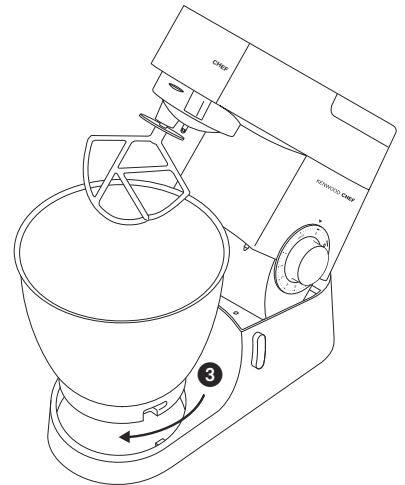
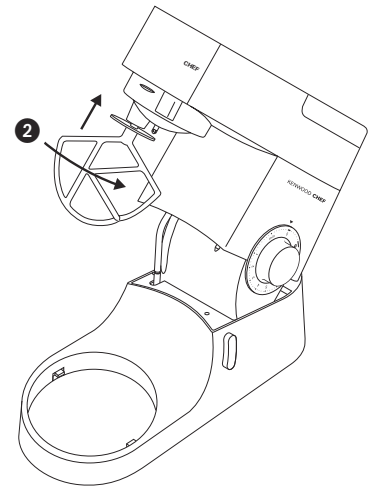
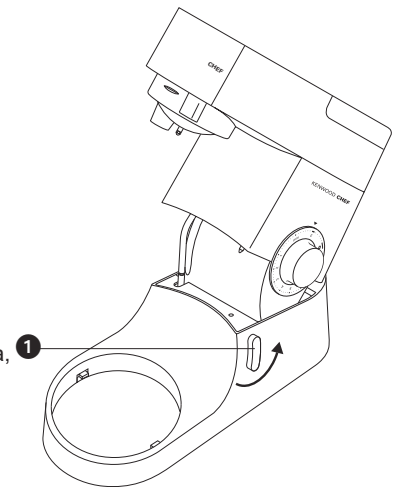
CHEF

MAJOR

- | | | |
|---------------------------------|----------------------------|--------------------------|
| ciasto kruche | • Ilość mąki: 680 g | Ilość mąki: 910 g |
| gęste ciasto drożdżowe | • Ilość mąki: 1,36 kg | Ilość mąki: 1,5 kg |
| | • Ilość całkowita: 2,18 kg | Ilość całkowita: 2,4 kg |
| miękkie ciasto drożdżowe | • Ilość mąki: 1,3 kg | Ilość mąki: 2,6 kg |
| | • Ilość całkowita: 2,5 kg | Ilość całkowita: 5 kg |
| mieszanina na keks | • Ilość całkowita: 2,72 kg | Ilość całkowita: 4,55 kg |
| białka jaj | • 12 | 16 |

prędkości ❸

- mieszadło 'K' • **ucieranie tłuszczu z cukrem** zacznij na prędkości "min", stopniowo zwiększając do "max".
- **łączenie jaj z utartą mieszaniną** od 4 do "max".
- **dodawanie mąki, owoców itp.** od "min" do 1
- **ciasta "wszystko od razu"** zacznij na prędkości "min" i stopniowo zwiększaj do "max".
- **ucieranie tłuszczu z mąką** od "min" do 2.
- bicie piany • Stopniowo zwiększaj do 'max'.
- hak do ciasta • Zacznij od 'min', stopniowo zwiększaj do 1.



czyszczenie jest opisane na str. 124

usuwanie niesprawności

problem

- Trzepaczka lub mieszadło 'K' uderza o dno miski lub nie dosięga składników na dnie miski.

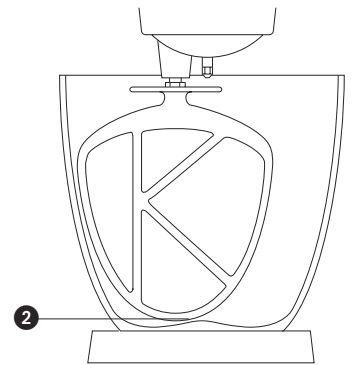
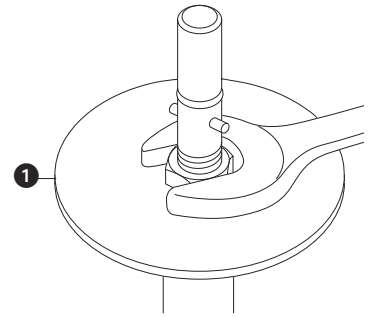
rozwiązanie • Wyreguluj wysokość. Postępuj jak niżej:

- 1 Wyjmij wtyczkę z gniazdka sieciowego.
- 2 Podnieś głowicę miksera i załóż trzepaczkę lub mieszadło.
- 3 Trzymaj za narzędzie, następnie zluźnij nakrętkę ❶.
- 4 Opuść głowicę miksera.
- 5 Wyreguluj wysokość przez obracanie wałka. Najlepiej jest, gdy trzepaczka lub mieszadło "K" **prawie** dotyka dna miski ❷.
- 6 Podnieś głowicę trzymając za trzepaczkę lub mieszadło "K" i dociągnij nakrętkę.

problem

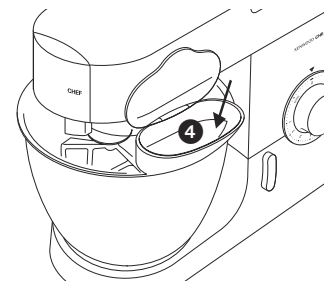
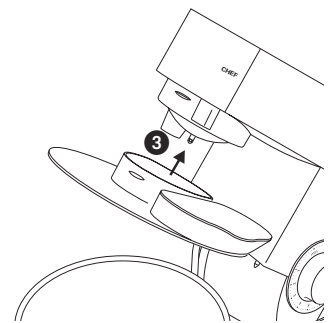
- Mikser zatrzymuje się podczas pracy.

rozwiązanie • Mikser wyposażony jest w zabezpieczenie przeciążeniowe, które wyłączy mikser w przypadku nadmiernego przeciążenia, aby nie dopuścić do jego uszkodzenia. Aby zmniejszyć obciążenie, należy wyjąć część składników i odstawić mikser na kilka minut. Podłączyć wtyczkę do gniazdka elektrycznego i ponownie wybrać ustawienie prędkości. Jeśli mikser nie uruchomi się natychmiast, odstawić mikser jeszcze na jakiś czas.



montaż i korzystanie z osłony przeciwrozpryskowej

- 1 Podnieś głowicę miksera, aż zaskoczy.
- 2 Załóż miskę w podstawie.
- 3 Popchnąć osłonę przeciwrozpryskową pod spód głowicy miksera ❸, aż znajdzie się we właściwym położeniu. Zespół odchylany należy ustawić w położeniu przedstawionym na rycinie.
- 4 Wsunąć żądane narzędzie.
- 5 Opuścić głowicę miksera.
- Podczas miksowania składniki można dodawać bezpośrednio do miski posługując się podnoszoną kłapką w osłonie ❹.
- Aby zmienić narzędzie, nie jest konieczne zdejmowanie osłony przeciwrozpryskowej.
- 6 Zdjąć osłonę przeciwrozpryskową, unosząc głowicę miksera i zsuwając ją do dołu.

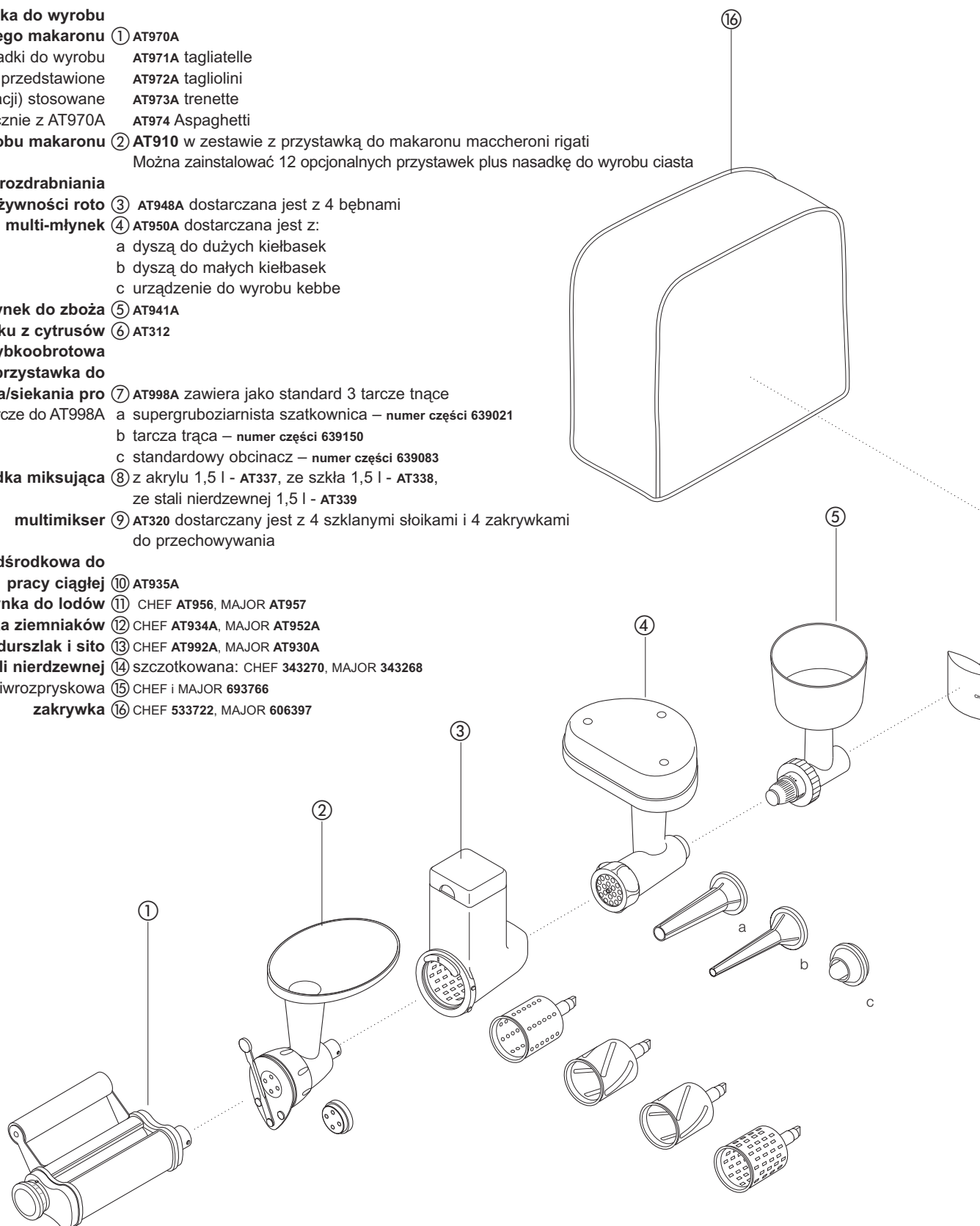


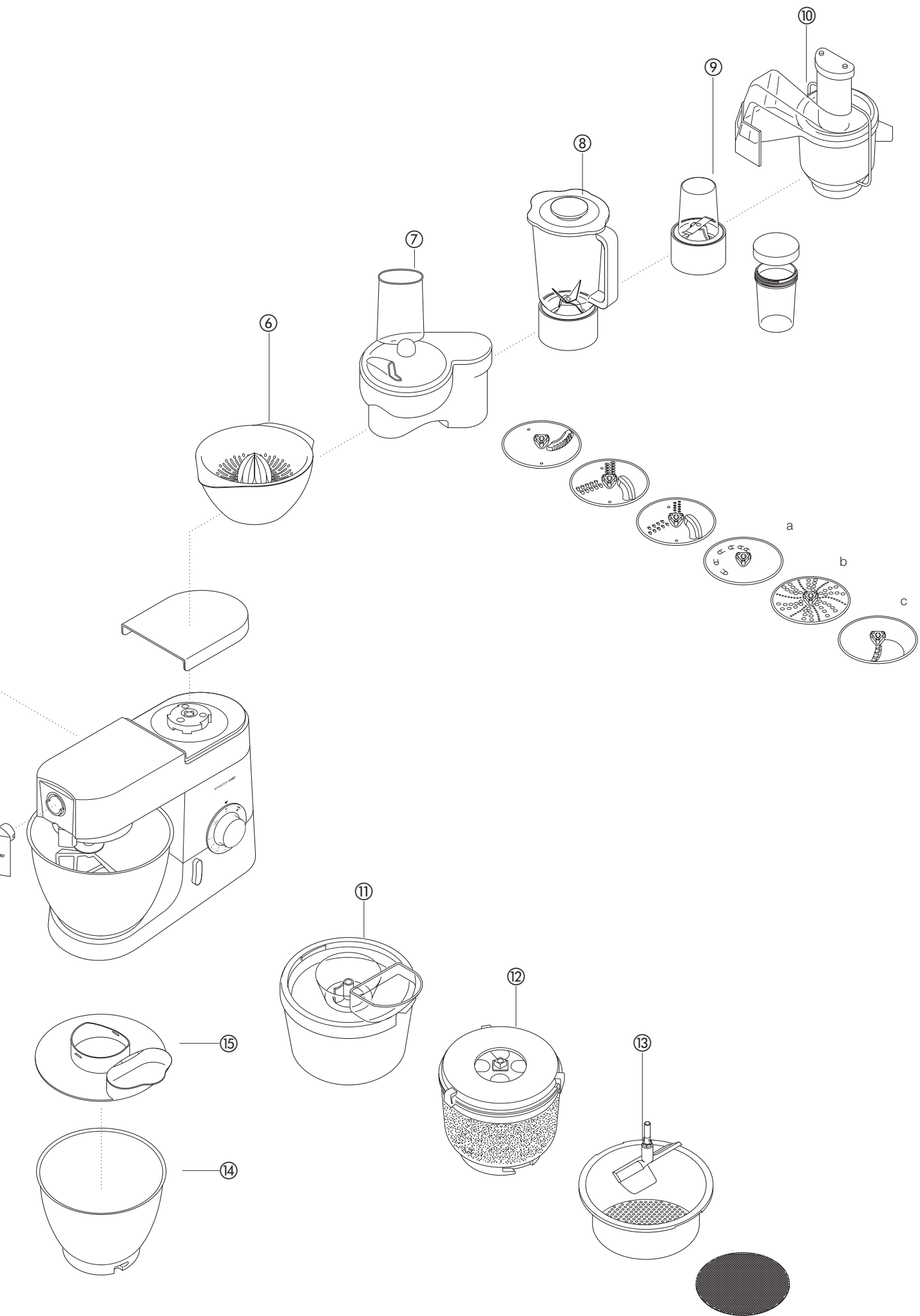
dostępne narzędzia i przystawki

Aby kupić narzędzie nie przewidziane w zestawie, prosimy się skontaktować z punktem usługowym KENWOODA.

Nasadka Kod nasadki

- nasadka do wyrobu płaskiego makaronu** ① AT970A
- dodatkowe nasadki do wyrobu makaronu (nie przedstawione na ilustracji) stosowane łącznie z AT970A
- AT971A tagliatelle
 - AT972A tagliolini
 - AT973A trenette
 - AT974 Aspaghetti
- nasadka do wyrobu makaronu** ② AT910 w zestawie z przystawką do makaronu maccheroni rigati
Można zainstalować 12 opcjonalnych przystawek plus nasadkę do wyrobu ciasta
- przystawka do rozdrabniania żywności roto** ③ AT948A dostarczana jest z 4 bębniami
- multi-młynek** ④ AT950A dostarczana jest z:
- a dyszą do dużych kielbasek
 - b dyszą do małych kielbasek
 - c urządzenie do wyrobu kebba
- młynek do zboża** ⑤ AT941A
- wyciskarka soku z cytrusów** ⑥ AT312
- szybkoobrotowa przystawka do krajania/siekania pro** ⑦ AT998A zawiera jako standard 3 tarcze tnące
- opcjonalne tarcze do AT998A
- a supergruboziarnista szatkownica – numer części 639021
 - b tarcza trąca – numer części 639150
 - c standardowy obcinacz – numer części 639083
- nasadka miksująca** ⑧ z akrylu 1,5 l - AT337, ze szkła 1,5 l - AT338, ze stali nierdzewnej 1,5 l - AT339
- multimikser** ⑨ AT320 dostarczany jest z 4 szklanymi słoikami i 4 zakrywkami do przechowywania
- sokownica odśrodkowa do pracy ciągłej** ⑩ AT935A
- maszynka do lodów** ⑪ CHEF AT956, MAJOR AT957
- obieraczka ziemniaków** ⑫ CHEF AT934A, MAJOR AT952A
- durszlak i sito** ⑬ CHEF AT992A, MAJOR AT930A
- pojemniki ze stali nierdzewnej** ⑭ szczotkowana: CHEF 343270, MAJOR 343268
- osłona przeciwozpryskowa ⑮ CHEF i MAJOR 693766
- zakrywka** ⑯ CHEF 533722, MAJOR 606397





czyszczenie i serwis

czyszczenie i pielęgnacja

- Zawsze wyłącz i wyjmij wtyczkę z gniazdka przed czyszczeniem.
- Przy pierwszym użyciu wyjścia ❶ może się na nim pojawić niewielka ilość smaru. Jest to normalne zjawisko – smar wystarczy wytrzeć.

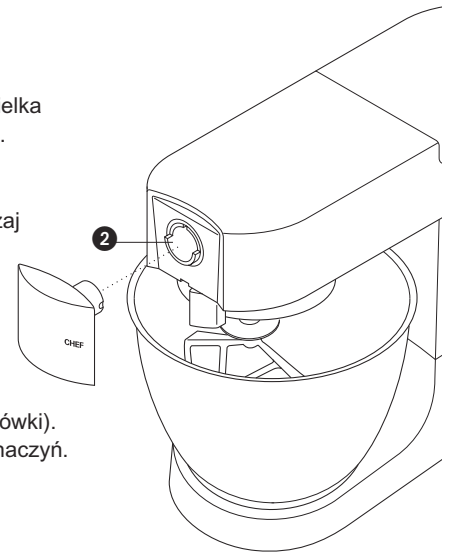
- zespół zasilający, pokrywy wyjść • Wytrzeć wilgotną szmatką, a następnie wysuszyć.
- pojemnik • Nigdy nie używaj abrazyjnych środków czyszczących i nie zanurzaj w wodzie.
- Wymyć ręcznie, a następnie dokładnie osuszyć lub umyć w zmywarce do naczyń.
- Do czyszczenia pojemnika ze stali nierdzewnej nigdy nie stosować szczoteczki drucianej, wełny stalowej ani wybielacza. Do usuwania kamienia należy używać octu.
- narzędzia • Trzymać z dala od źródeł ciepła (palniki kuchenki, piece, mikrofalówki).
- osłona przeciwropryskowa • Wymyć ręcznie, a następnie osuszyć, lub umyć w zmywarce do naczyń.
- Umyć ręcznie, a następnie dokładnie osuszyć.

serwis i łączność z klientami

- Jeśli sznur ulegnie uszkodzeniu, to z uwagi na bezpieczeństwo musi go wymienić wyłącznie KENWOOD, względnie autoryzowany punkt naprawy KENWOODA.

Gdy potrzebujesz pomocy:

- W posługiwaniu się malakserem
 - W zamówieniu innego narzędzia
 - W serwisie lub naprawie
- prosimy się skontaktować z miejscem zakupu swego malaksera.



przepisy

Ważne wskazówki do zagniatania ciasta na chleb są podane na str. 120.

biały chleb *miękkie ciasto drożdżowe*

składniki • 2,6kg zwykłej mąki

• 1,3 l mleka

Ta ilość dotyczy modeli serii KMM700. W przypadku modeli

• 30 dag cukru

• 45 dag margaryny

• 10 dag świeżych drożdży lub 5 dag drożdży suszonych

• 6 rozbełtanych jaj

• 5 szczypt soli

serii KMC500 zmniejszyć podane ilości o połowę i dodać całą mąkę od razu.

metoda 1 Stop margarynę w ciepłym mleku (43°C)

2 **drożdże suszone** (typ wymagający rozrobienia): wlej ciepłej wody do miski. Dodaj drożdże, cukier i odstaw na ok. 10 minut, aż się spienią.

drożdże świeże: rozkrusz do mąki i dodaj cukier.

Inne rodzaje drożdży: postępuj według wskazówek wytwórcy.

3 Wlej mleko do miski. Dodaj rozbełtane jaja i 2kg mąki.

4 Miksuj na prędkości minimum przez 1 minutę, następnie na prędkości 1 przez dalszą minutę. Zgarniaj w dół miski.

5 Dodaj sól i pozostałą mąkę i wyrabiaj na minimalnej prędkości przez 1 minutę, następnie na prędkości 1 przez 2 - 3 minuty, aż ciasto będzie gładkie i równomiernie wyrobione.

6 Napełnij ciastem do połowy półkilogramowe, nasmarowane foremki, względnie ukształtuj ciasto w bułeczki. Następnie przykryj ściereczką i pozostaw w ciepłym miejscu, aż ciasto podwoi swoją objętość.

7 Piecz *bochenki* w 200°C/Gaz 6 przez 20 - 25 minut lub *bułeczki* przez 15 minut.

8 Upieczony chleb powinien odzywać się pusto, gdy go postukać od spodu.

• Wychodzi ok. 10 bochenków.

tort truskawkowo-morelowy

składniki: biszkopt • 3 jajka

• 7,5 dag cukru-kryształu

• 7,5 dag mąki

nadzienie i garniowanie • 150ml śmietanki podwójnej

• Cukier do smaku

• 22 dag truskawek

• 22 dag moreli

metoda 1 Prze połowić morele i usunąć pestki. Gotować do miękkości w minimalnej ilości wody, dodając cukier do smaku.

2 Umyć truskawki i pokrajać na pół.

3 Na ciasto biszkoptowe ubić jajka z cukrem na maksymalnej prędkości, aż mieszanina będzie biała i gęsta.

4 Zdejmij miskę i trzepaczkę. Dodawaj mąkę dużą metalową łyżką mieszając ręcznie - ostrożnie, aby ciasto było lekkie.

5 Przełóżyc mieszaninę do dwóch 18cm foremek, nasmarowanych i wyłożonych papierem pergaminowym.

6 Piec w 180°C/Gaz 4 przez ok. 20 minut, aż ciasto będzie sprężynować pod dotknięciem.

7 Wyłożyć na drucziany ruszt.

8 Ubić śmietankę na maksymalnej prędkości, aż będzie sztywna. Dodać cukier do smaku.

9 Grubo posiekać morele i trzecią część truskawek. Połączyć z połową śmietanki.

10 Rozsmarować na jednym z biszkoptów, przykryć drugim.

11 Rozsmarować pozostałą śmietankę na wierzchu i ozdobić pozostałymi truskawkami.

przepisy *c.d.*

bezy

- składniki
- 4 białka
 - 25 dag przesianego cukru-pudru
- metoda
- 1 Wyłóż blachę nieprzylegającym papierem pergaminowym.
 - 2 Ubijaj białka z cukrem na maksymalnej prędkości przez ok. 10 minut, aż będą sztywne.
 - 3 Przelóż masę łyżką na blachę (lub użyj wyciskacza z końcówką gwiazdką 2,5cm).
 - 4 Piecz w 110°C/Gaz 1/4 przez ok. 4 - 5 godzin, aż bezy będą sztywne i twarde. Jeśli zaczną brązowieć, lekko uchyl drzwiczki piekarnika.
- Trzymaj bezy w szczelnie zamkniętym pojemniku.

krucho ciasto

- składniki
- 45 dag mąki, przesianej wraz z solą
 - 5ml (1 łyżeczka) soli
 - 22 dag tłuszczu (wymieszaj smalec i margarynę prosto z lodówki)
 - ok. 80ml (4 łyżki stołowe) wody
- uwaga
- Nie przemieszaj zanadto.
- metoda
- 1 Wsyp mąkę do miski. Z grubsza posiekaj tłuszcz i dodaj do mąki.
 - 2 Miksuj na prędkości 1, aż mieszanina będzie przypominała tartą bułkę. Wyłącz, zanim zaczną wyglądać tłusto.
 - 3 Dodaj wodę i miksuj na minimalnej prędkości. Wyłącz natychmiast, gdy woda zostanie zaabsorbowana.
 - 4 Piecz w temperaturze ok. 200°C/Gaz 6, odpowiednio do nadzienia.

zupa z marchewki i kolendry

- składniki
- 25 g masła
 - 1 pokrojona cebula
 - 1 rozgnieciony ząbek czosnku
 - 480 g marchewki pokrojonej w kostkę 1,5 cm na pojemnik 1,2 l
 - 600 g marchewki pokrojonej w kostkę 1,5 cm na pojemnik 1,5 l
 - zimny bulion z kurczaka
 - 10-15 ml (2-3 łyżeczki) zmielonej kolendry
 - sól, pieprz
- sposób przyrządzenia
- 1 Roztopić masło na rondlu, dodać cebulę i czosnek, a następnie podsmażyć aż staną się miękkie.
 - 2 Umieścić marchewkę w przystawce miksującej, a następnie dodać cebulę i czosnek. Dodać dostateczną ilość, aby osiągnąć maksymalny poziom 1,2 l lub 1,5 l zaznaczony na naczyniu. Założyć pokrywę i zakrywkę wlewu.
 - 3 Mieszać przy maksymalnej prędkości przez 5 sekund dla uzyskania mniej przetartej zupy lub dłużej, aby uzyskać bardziej rozdrobnione składniki.
 - 4 Przebrać mieszaninę do rondla, dodać kolendrę i przyprawy, a następnie gotować na wolnym ogniu przez 30-35 minut lub aż zupa się ugotuje.
 - 5 Doprawić do smaku i w razie potrzeby dodać więcej płynu.

ОЗНАКОМЬТЕСЬ С ВАШИМ КУХОННЫМ КОМБАЙНОМ ФИРМЫ KENWOOD

Перед использованием электроприбора Kenwood

- Внимательно прочтите и сохраните эту инструкцию.
- Распакуйте изделие и снимите все упаковочные ярлыки.

Меры предосторожности

- Перед поднятием или снятием инструментов/насадок, а также после использования и перед очисткой обязательно выключите кухонную машину и отсоедините сетевой шнур от розетки.
- Не касайтесь руками вращающихся частей комбайна и установленных насадок.
- Не оставляйте работающий комбайн без присмотра и не позволяйте детям пользоваться им.
- Не пользуйтесь неисправным комбайном. Проверьте и отремонтируйте его: смотрите раздел 'Уход' на странице 132.
- Никогда не включайте миксер, если головка находится в поднятом положении.
- Не допускайте, чтобы электрический шнур свисал вниз там, где его могут схватить дети.
- Следите за тем, чтобы вода не попала на блок привода, электрический шнур или штепсельный разъем.
- Используйте только предназначенные для этого комбайна насадки. Запрещается одновременное использование насадок различных типов.
- Не допускайте превышения максимальных норм загрузки комбайна, указанных на странице 128.
- При использовании насадки ознакомьтесь с указаниями по мерам безопасности, поставляемым в комплекте с насадками комбайна.
- Будьте осторожны, поднимая этот тяжелый электроприбор. Перед подъемом убедитесь в том, что головная часть электроприбора зафиксирована, а чаша, насадки, крышки на установочных адаптерах и сетевой шнур надежно закреплены.
- Людям (включая детей) с ограниченными физическими, сенсорными или психическими способностями, а также при недостатке опыта и знаний разрешается пользоваться данным бытовым прибором только под наблюдением лица, ответственного за их безопасность, и после инструктажа по использованию прибора.
- Дети должны быть под присмотром и не играть с прибором.
- Этот бытовой электроприбор разрешается использовать только по его прямому назначению. Компания Kenwood не несет ответственности, если прибор используется не по назначению или не в соответствии с данной инструкцией.

Перед включением комбайна

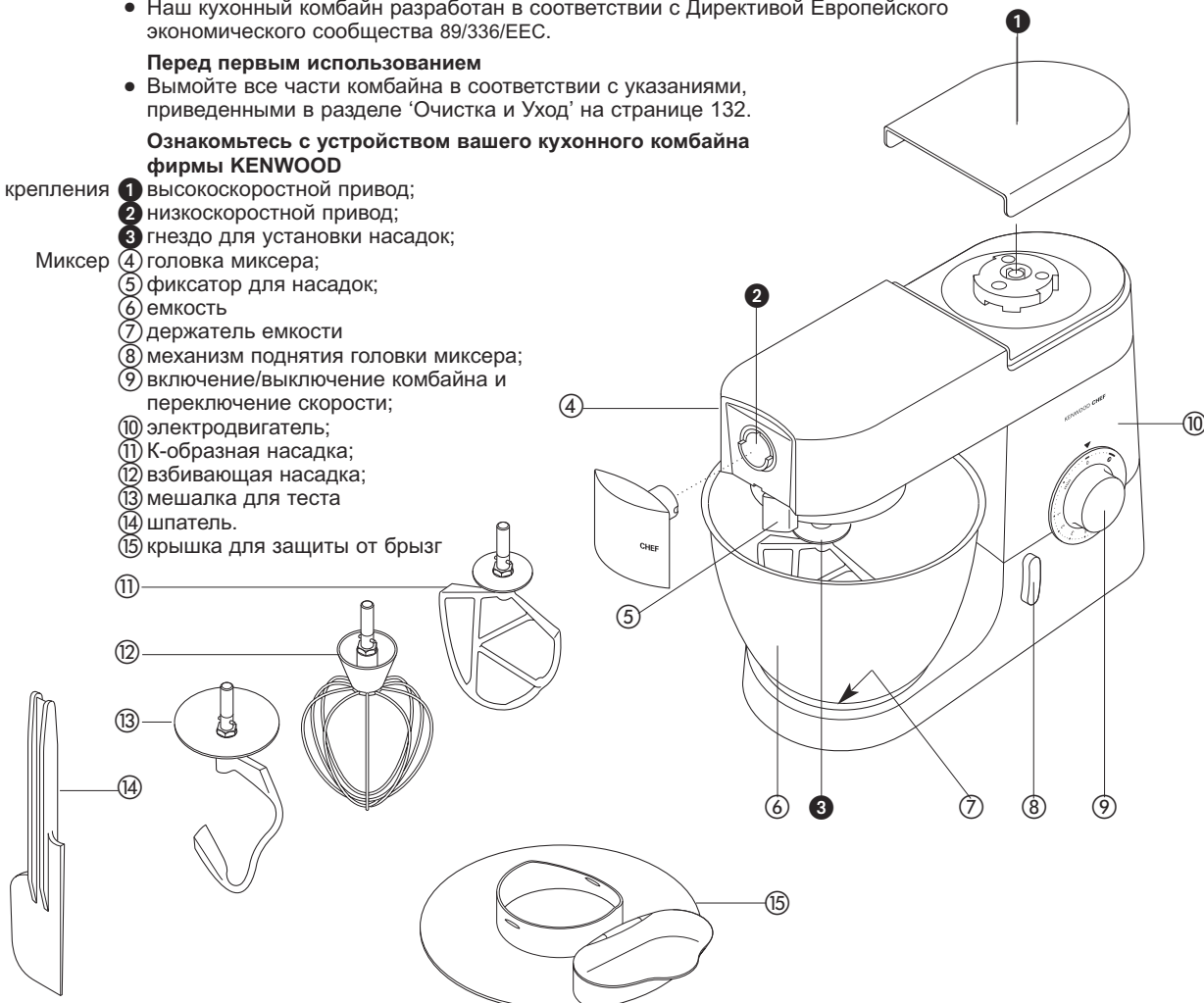
- Убедитесь, что параметры электрической сети совпадают с данными, указанными в табличке на нижней поверхности комбайна.
- Наш кухонный комбайн разработан в соответствии с Директивой Европейского экономического сообщества 89/336/ЕЕС.

Перед первым использованием

- Вымойте все части комбайна в соответствии с указаниями, приведенными в разделе 'Очистка и Уход' на странице 132.

Ознакомьтесь с устройством вашего кухонного комбайна фирмы KENWOOD

- Гнезда для крепления
- 1 высокоскоростной привод;
 - 2 низкоскоростной привод;
 - 3 гнездо для установки насадок;
- Миксер
- 4 головка миксера;
 - 5 фиксатор для насадок;
 - 6 емкость
 - 7 держатель емкости
 - 8 механизм поднятия головки миксера;
 - 9 включение/выключение комбайна и переключение скорости;
 - 10 электродвигатель;
 - 11 К-образная насадка;
 - 12 взбивающая насадка;
 - 13 мешалка для теста
 - 14 шпатель.
 - 15 крышка для защиты от брызг



МИКСЕР

Насадки для смешивания и их назначение

- К-образная насадка • Предназначена для приготовления тортов, бисквитов, мучных кондитерских изделий, сахарной глазури, начинок, эклеров и картофельного пюре.
- Взбивающая насадка • Предназначена для взбивания яиц, кремов, жидкого теста, опарного теста без добавления жиров, меренг, пирогов с сырной массой, муссов и суфле. Не используйте эту насадку для приготовления смесей плотной консистенции (например, для жирных кремов и сахаросодержащей смеси) - вы можете повредить насадку.
- Мешалка для теста • Предназначена для вымешивания дрожжевого теста.

Как пользоваться миксером

1 Поверните рычаг поднятия головки миксера **1** против часовой стрелки и поднимите головку миксера до ее фиксации.

Как установить насадку 2 Подать его вверх до упора **2**, затем повернуть.

3 Установите емкость на основание - нажмите и поверните по часовой стрелке **3**

4 Поверните рычаг освобождения головки миксера против часовой стрелки и опустите головку миксера до фиксации.

5 Включите, установив переключатель скорости в требуемое положение.

- Для работы в 'импульсном' режиме установите переключатель в положение **P**

Для удаления насадки 6 Открутите ее.

Полезные советы • Периодически выключайте миксер и снимайте шпателем остатки продуктов со стенок емкости.

- Для взбивания лучше всего использовать яйца, нагретые до комнатной температуры.

- Перед взбиванием яичных белков убедитесь, что на взбивающей насадке и в резервуаре нет следов жира или желтка.

- Для приготовления сдобного теста используйте холодные ингредиенты, если в рецептах не приведены иные указания относительно их температуры.

Указания по выпечке хлеба

- Важно • Никогда не превышайте максимальных норм загрузки, указанных ниже - вы перегрузите комбайн.
- Если вы слышите, что комбайн работает с перегрузкой, остановите его, удалите половину теста и приготовьте каждую часть отдельно.
- Ингредиенты смешиваются лучше, если сначала налить жидкость.

Максимальные нормы загрузки комбайна:

Модель CHEF

MAJOR

кондитерские изделия из

песочного теста

- Масса муки: 680 г

- Масса муки: 910 г

густое дрожжевое тесто

- Масса муки: 1,36 кг

- Масса муки: 1,5 кг

- Общая масса: 2,18 кг

- Общая масса: 2,4 кг

жидкое дрожжевое тесто

- Масса муки: 1,3 кг

- Масса муки: 2,6 кг

- Общая масса: 2,5 кг

- Общая масса: 5 кг

смесь для фруктового торта

- Общая масса: 2,72 кг

- Общая масса: 4,55 кг - 10 фунтов

яичные белки

- 12

- 16

Скорости **4**

К-образная насадка • **взбивание жиров с сахаром** - начинается на минимальной скорости ("min") с постепенным увеличением до "max".

- **сбивание яиц во взбитую смесь**: 4 - максимальная ("max").

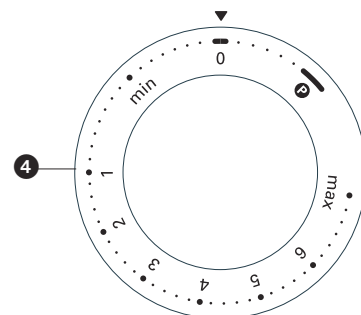
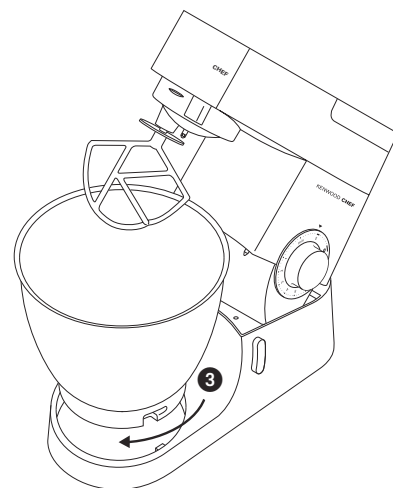
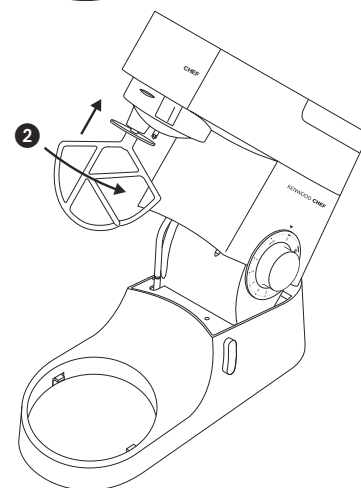
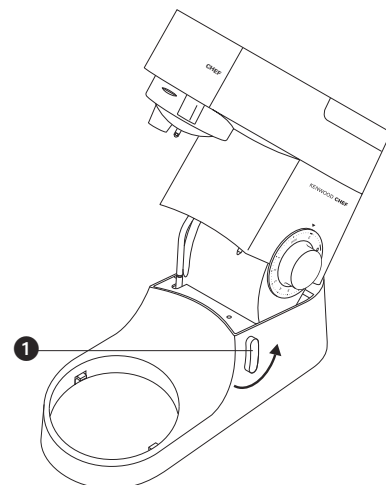
- **замешивание теста, перемешивание фруктов** и т. п. - "min" - 1.

- **смесь для приготовления кексов** - начинается на минимальной скорости ("min") с постепенным увеличением до "max".

- **растирание жиров с мукой** - "min" - 2.

Взбивающая насадка • Постепенно увеличивайте скорость до отметки 'max'.

Мешалка для теста: • Начинать на минимальной отметке 'min' и постепенно увеличивайте скорость до значения 1.



Операции по **очистке** см. на странице 132

ПОИСК И УСТРАНЕНИЕ НЕИСПРАВНОСТЕЙ

Неисправность

- Взбивающая насадка или К-образная насадка задевают за дно емкости или не промешивают ингредиенты, находящиеся на дне емкости.

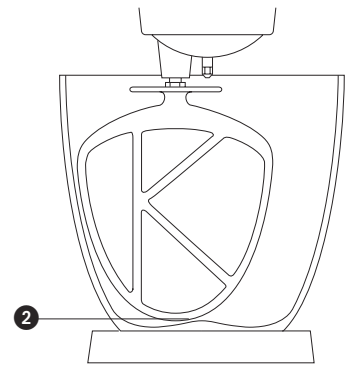
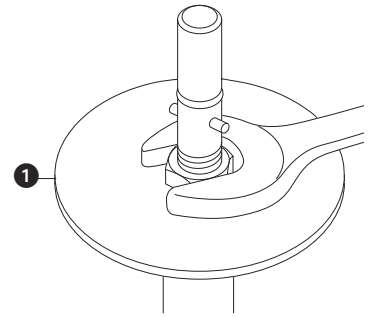
Устранение неисправности ● Отрегулируйте высоту. Ниже описано, как это нужно делать.

- 1 Отключите комбайн от сети.
- 2 Поднимите головку миксера и вставьте венчик или взбивалку.
- 3 Захватите насадку рукой, а затем ослабьте гайку **1**.
- 4 Опустите головку миксера.
- 5 Отрегулируйте высоту с помощью вращения вала, в идеальном случае венчик/ К-образная взбивалка должна **почти** касаться дна чаши **2**.
- 6 Поднимите головку, захватите венчик/К-образную взбивалку и затяните гайку.

неисправность

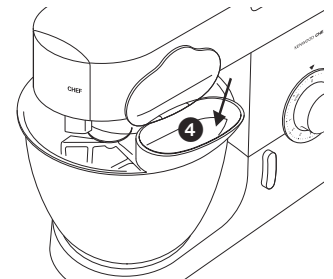
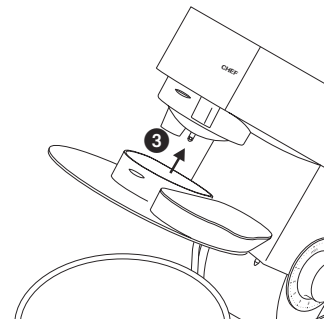
- Миксер во время работы останавливается.
- Приобретенный вами миксер комплектуется „устройством защиты от перегрузок“. В случае перегрузки миксер остановится во избежание повреждения кухонного комбайна. Если подобное случится, выключите миксер и отсоедините вилку шнура от сети. Удалите из него часть ингредиентов для уменьшения нагрузки. Через несколько минут вновь вставьте вилку сетевого шнура в розетку и снова выберите скорость вращения. Если миксер сразу не включится, подождите еще некоторое время.

устранение неисправности



Как устанавливать и пользоваться крышкой для защиты от брызг

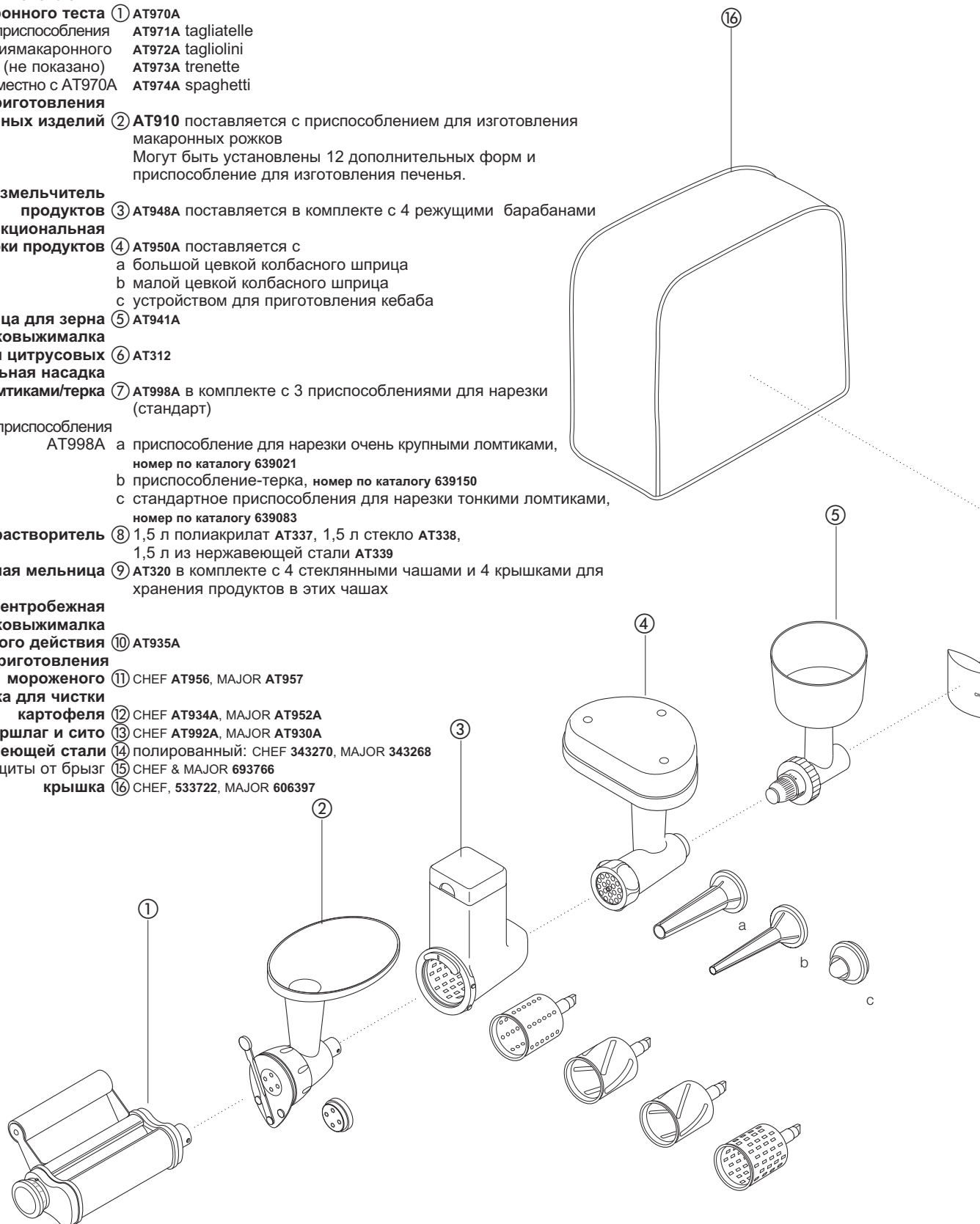
- 1 Поднимите головку миксера до ее фиксации.
- 2 Установите чашу на основание.
- 3 Надвиньте брызгозащитный щиток на нижнюю часть головки миксера **3**, добившись его полной посадки. Шарнирная секция должна быть расположена, как показано на рисунке.
- 4 Вставьте нужную насадку.
- 5 Опустите головку миксера.
- Во время перемешивания ингредиенты могут добавляться в чашу через подвешенную на петлях секцию антиразбрызгивателя **4**.
- Для выполнения смены насадок ограничитель разбрызгивания снимать не требуется.
- 6 Снимите ограничитель разбрызгивания. Для этого нужно поднять головку миксера и сдвинуть ее вниз.

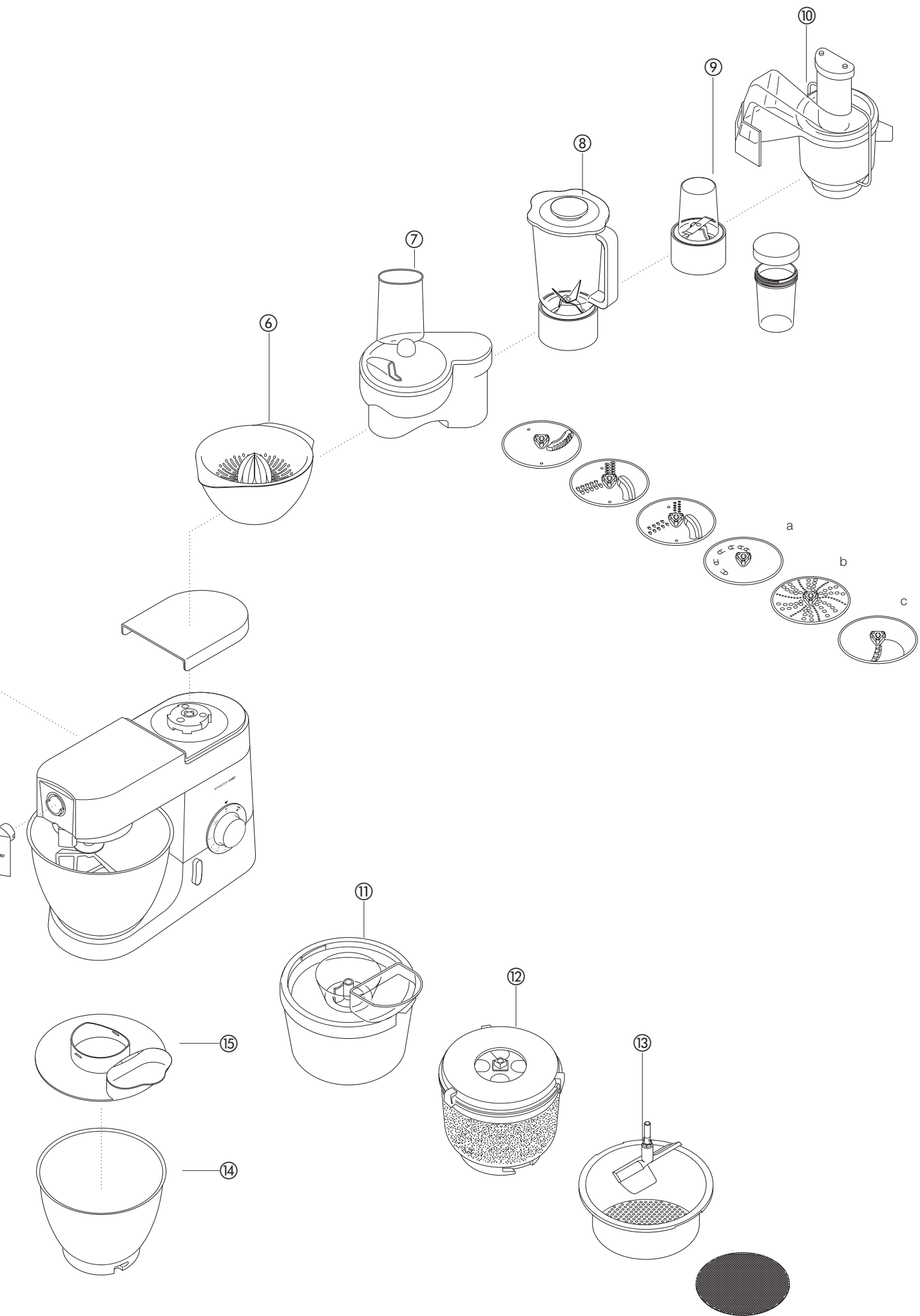


Насадки для кухонного комбайна

Для приобретения насадки, не входящей в комплект вашего кухонного комбайна, обратитесь в сервисный центр KENWOOD.

- | приспособления | код приспособления |
|---|---|
| насадка для приготовления макаронного теста | ① AT970A |
| дополнительные приспособления для приготовления макаронного теста (не показано) | AT971A tagliatelle
AT972A tagliolini
AT973A trenette
AT974A spaghetti |
| используется совместно с AT970A | |
| насадка для приготовления макаронных изделий | ② AT910 |
| | поставляется с приспособлением для изготовления макаронных рожков
Могут быть установлены 12 дополнительных форм и приспособление для изготовления печенья. |
| ротационный измельчитель продуктов | ③ AT948A |
| многофункциональная насадка для рубки продуктов | ④ AT950A |
| | поставляется с
a большой цевкой колбасного шприца
b малой цевкой колбасного шприца
c устройством для приготовления кебаба |
| мельница для зерна | ⑤ AT941A |
| соковыжималка для цитрусовых | ⑥ AT312 |
| профессиональная насадка для нарезки ломтиками/терка | ⑦ AT998A |
| | в комплекте с 3 приспособлениями для нарезки (стандарт) |
| дополнительные приспособления | AT998A |
| | a приспособление для нарезки очень крупными ломтиками, номер по каталогу 639021
b приспособление-терка, номер по каталогу 639150
c стандартное приспособления для нарезки тонкими ломтиками, номер по каталогу 639083 |
| чаша-растворитель | ⑧ 1,5 л полиакрилат AT337, 1,5 л стекло AT338, 1,5 л из нержавеющей стали AT339 |
| универсальная мельница | ⑨ AT320 |
| | в комплекте с 4 стеклянными чашами и 4 крышками для хранения продуктов в этих чашах |
| центробежная соковыжималка непрерывного действия | ⑩ AT935A |
| сбивалка для приготовления мороженого | ⑪ CHEF AT956, MAJOR AT957 |
| насадка для чистки картофеля | ⑫ CHEF AT934A, MAJOR AT952A |
| дуршлаг и сито | ⑬ CHEF AT992A, MAJOR AT930A |
| чаша из нержавеющей стали | ⑭ полированный: CHEF 343270, MAJOR 343268 |
| крышка для защиты от брызг | ⑮ CHEF & MAJOR 693766 |
| крышка | ⑯ CHEF, 533722, MAJOR 606397 |





ОЧИСТКА И УХОД

Уход и очистка

- Всегда отключайте комбайн от сети перед его очисткой.
- На установочном адаптере **2**, при первом использовании электроприбора может появиться немного густой смазки. Это нормальное явление – просто удалите смазку.

силовой блок, крышки на установочных адаптерах

- Протереть влажной салфеткой и просушить.
- Никогда не используйте абразивные моющие средства и не погружайте его в воду.

чаша

- Вымойте чашу руками и тщательно высушите или вымойте чашу в посудомоечной машине.
- Ни в коем случае не пользуйтесь проволочной щеткой, металлической мочалкой или отбеливающими средствами для чистки чаши из нержавеющей стали. Для удаления известкового налета используйте винный уксус.

насадки

- Держите кухонный комбайн в стороне от источников тепла (верхней панели электроплиты, электропечей, микроволновых печей).

- Вымыть вручную и затем тщательно высушить, или вымыть в посудомоечной машине.

крышка для защиты от брызг

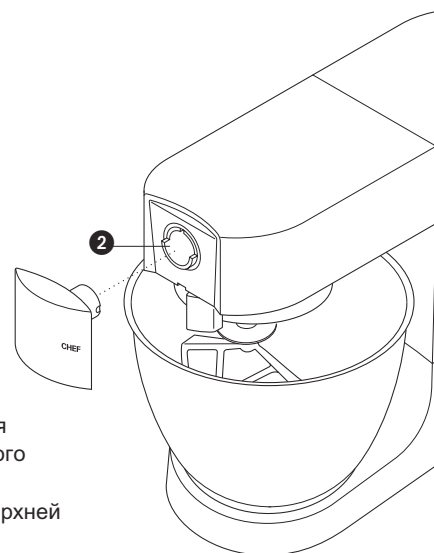
- Мойте только руками и тщательно просушивайте.

Уход

- Если поврежден шнур питания, то в целях безопасности его необходимо заменить, обратившись на фирму KENWOOD или в местный официальный сервисный центр.

Если вам требуется помощь

- при использовании комбайна
- при заказе другой насадки
- при обслуживании или ремонте, обратитесь в торговую организацию, где вы приобрели комбайн.



РЕЦЕПТЫ

Необходимые рекомендации по выпечке хлеба см. на странице 128.

белый хлеб жидкое дрожжевое тесто

- Ингредиенты
- Данное количество указано для серии КММ700. Для серии КМС500 уменьшите количества наполовину и добавляйте всю муку за один прием**
- Способ приготовления
- 2,6кг обычной муки
 - 1,3л молока
 - 300г сахара
 - 450г маргарина
 - 100г свежих дрожжей или 50г сухих дрожжей
 - 6 разбитых яиц
 - 5 щепоток соли
- 1 Расплавьте маргарин в молоке и доведите смесь до температуры 43°C.
 - 2 **Сухие дрожжи:** (тип дрожжей, для которого необходимо восстановление влагосодержания) добавьте дрожжи и сахар в молоко и оставьте на 10 минут до появления пены.
Свежие дрожжи: покрошите в муку и добавьте сахар.
Другие типы дрожжей: следуйте указаниям изготовителя.
 - 3 Вылейте молоко в емкость. Добавьте разбитые яйца и 2кг муки.
 - 4 Перемешивайте на минимальной скорости в течение 1 минуты, а затем на скорости 1 в течение еще 1 минуты. Соскоблите.
 - 5 Добавьте соль и оставшееся количество муки и перемешайте на минимальной скорости в течение 1 минуты, затем на скорости 1 еще 2 - 3 минуты до получения однородной смеси.
 - 6 Заполните тестом жестяные формы для выпечки на 450г, смазанные жиром, наполовину или сформируйте булочки. Затем накройте кухонным полотенцем и оставьте в теплом месте, пока тесто не увеличится в объеме вдвое.
 - 7 Выпекайте *батоны* при температуре 200°C при положении '6' регулятора духовки в течение 20 - 25 минут, а *булочки* - 15 минут.
 - 8 Готовый хлеб издает при постукивании по нижней корочке 'пустой' звук.
- Рецепты рассчитаны приблизительно на 10 батонов.

Торт с клубникой и абрикосами

- Ингредиенты: Бисквитное тесто
- Начинка и украшение
- Способ приготовления
- 3 яйца
 - 75г сахарная пудра
 - 75г обычной муки
 - 150мл двойные сливки
 - сахар по вкусу
 - 225г клубники
 - 225г абрикосов
- 1 Разрежьте абрикосы на половинки и удалите косточки. Варите на слабом огне с небольшим количеством воды до достижения мягкости, добавив по вкусу сахар.
 - 2 Вымойте и разрежьте на половинки ягоды клубники.
 - 3 Для приготовления теста взбейте яйца и сахар на максимальной скорости до получения густой светлой смеси.
 - 4 Снимите чашу и венчик. Добавьте муку и тщательно перемешайте вручную с помощью большой металлической ложки. Будьте осторожны – избыток муки сделает опару слишком густой.
 - 5 Поместите смесь в две смазанные жиром формы для выпечки диаметром 18см.
 - 6 Выпекайте при 180°C при положении '4' регулятора духовки в течение 20 минут, пока пирог не станет упругим при нажатии.
 - 7 Выложите пирог на металлическую решетку.
 - 8 Взбейте сливки на максимальной скорости до получения густой пены. Добавьте сахар по вкусу.
 - 9 Нарежьте абрикосы крупными кусочками и добавьте 1/3 часть клубники. Добавьте фрукты к половине приготовленного крема.
 - 10 Распределите смесь на первом корже пирога, затем положите сверху второй корж.
 - 11 Распределите оставшийся крем на поверхности пирога и украсьте его оставшейся клубникой.

РЕЦЕПТЫ (ПРОДОЛЖЕНИЕ)

Меренги

- Ингредиенты
- 4 яичных белка
 - 250г сахарной пудры, просеять
- Способ приготовления
- 1 Выстелите противень пищевым неприлипающим пергаментом.
 - 2 Взбейте белки и сахар на максимальной скорости в течение 10 минут до получения стойкой пены.
 - 3 Выложите ложкой смесь на противень (или используйте кулинарный мешочек со звездообразным носиком 2,5см).
 - 4 Выпекайте при температуре 110°С при положении '1/4' регулятора духовки в течение 4 - 5 часов до затвердевания и появления хруста. Если у меренг начнет проявляться коричневый оттенок, оставьте дверцу духовки слегка приоткрытой.
- храните меренги в герметичной таре.

Песочное тесто

- Ингредиенты
- 450г муки, просеять вместе с солью
 - 5мл (1 ч.л.) соли
 - 225г жира (смесь свиного жира и маргарина, охлажденная)
 - около 80мл воды
- Полезные советы
- не перемешивайте тесто излишне долго.
- Способ приготовления
- 1 Поместите муку в емкость. Нарежьте жир крупными кубиками и добавьте к муке.
 - 2 Замешивайте на скорости 1 до тех пор, пока тесто не станет густым. Остановите замешивание до того, как тесто приобретет «сальный» вид.
 - 3 Добавьте воду и перемешайте на минимальной скорости. Остановите перемешивание, как только вода будет поглощена тестом.
 - 4 Выпекайте при температуре 200°С при положении '6' регулятора духовки. Время выпечки зависит от начинки.

морковный суп с кориандром

- ингредиенты
- 25 г сливочного масла
 - 1 мелко нарезанная луковица
 - 1 зубчик мелко измельченного чеснока
 - 480 г моркови, порезанной кубиками размером 1,5 см, для колбы объемом 1,2 л
 - 600 г моркови, порезанной кубиками размером 1,5 см, для колбы объемом 1,5 л
 - холодный куриный бульон
 - 10-15 мл (2-3 чайных ложки) тертого кориандра
 - соль и перец
- способ приготовления
- 1 Растопить масло на сковороде, всыпать в него лук и чеснок и жарить до размягчения.
 - 2 Поместите морковь в блендер, добавьте лук и чеснок. Добавьте в количестве, достаточном для достижения максимальной отметки 1,2 или 1,5, указанной на колбе. Установите крышку и заглушку отверстия для заполнения.
 - 3 Перемешивать на максимальной скорости в течение 5 с для получения супа с крупными кусочками или дольше, если вы хотите получить суп, похожий на суп-пюре.
 - 4 Переложить смесь в кастрюлю для приготовления соусов, добавить кориандр и приправы, затем варить в течение 30-35 минут в режиме слабого кипения или до полной готовности.
 - 5 При необходимости добавить приправы и долить жидкость по вкусу.

γνωρίστε τη μηχανή κουζίνας της Kenwood

πριν χρησιμοποιήσετε τη συσκευή Kenwood

- Διαβάστε προσεκτικά αυτές τις οδηγίες και φυλάξτε τις για μελλοντική αναφορά.
- Αφαιρέστε τη συσκευασία και τις ετικέτες.

ασφάλεια

- Θέστε εκτός λειτουργίας και αποσυνδέστε τη συσκευή από το ρεύμα πριν προσαρμόσετε ή αφαιρέσετε εργαλεία/εξαρτήματα, μετά από τη χρήση και πριν από τον καθαρισμό.
- Κρατείστε τα δάχτυλά σας μακριά από τα κινούμενα μέρη και τα προσαρμοσμένα εξαρτήματα.
- Μην αφήνετε ποτέ τη συσκευή σε λειτουργία χωρίς να την επιβλέπετε και κρατήστε τα παιδιά μακριά από αυτήν.
- Μην χρησιμοποιείτε ποτέ συσκευές που παρουσιάζουν βλάβη. Πρώτα επισκευάστε ή ελέγξτε τις: Δείτε σχετικά το κεφάλαιο 'σέρβις' στη σελίδα 140.
- Μην χρησιμοποιείτε ποτέ το μίξερ όταν η κεφαλή του βρίσκεται σε όρθια θέση.
- Μην αφήνετε ποτέ το καλώδιο να κρέμεται ώστε να μπορεί να το πιάσει ένα παιδί.
- Μην αφήνετε ποτέ να βραχούν η μονάδα τροφοδοσίας, το καλώδιο ή το φις.
- Μην χρησιμοποιείτε ποτέ εξαρτήματα που δεν είναι εγκεκριμένα από την Kenwood ή περισσότερα από ένα εξαρτήματα ταυτόχρονα.
- Μην υπερβαίνετε ποτέ τις μέγιστες χωρητικότητες που αναγράφονται στη σελίδα 136.
- Όταν χρησιμοποιείτε ένα εξάρτημα διαβάστε τις οδηγίες ασφαλείας που το συνοδεύουν.
- Προσέχετε όταν σηκώνετε αυτή τη συσκευή καθώς είναι βαριά. Βεβαιωθείτε ότι η κεφαλή είναι ασφαλισμένη και ότι το μπωλ, τα εργαλεία, τα καλύμματα υποδοχών και το καλώδιο είναι στερεωμένα πριν να τη σηκώσετε.
- Η συσκευή αυτή δεν προορίζεται για χρήση από άτομα (συμπεριλαμβανομένων των παιδιών) με περιορισμένες φυσικές, αισθητήριες ή διανοητικές ικανότητες ή έλλειψη εμπειρίας και γνώσεων, παρά μόνον εάν βρίσκονται υπό την επίβλεψη ατόμου που είναι υπεύθυνο για την ασφάλειά τους ή ακολουθούν τις οδηγίες του σχετικά με τη λειτουργία της συσκευής.
- Τα παιδιά θα πρέπει να βρίσκονται υπό παρακολούθηση, έτσι ώστε να διασφαλίζεται ότι δεν παίζουν με τη συσκευή.
- χρησιμοποιείτε τη συσκευή μόνο για την οικιακή χρήση για την οποία προορίζεται. Η Kenwood δε φέρει οποιαδήποτε ευθύνη αν η συσκευή χρησιμοποιηθεί με λανθασμένο τρόπο ή σε περίπτωση μη συμμόρφωσης με αυτές τις οδηγίες.

πριν συνδέσετε τη συσκευή στο ρεύμα

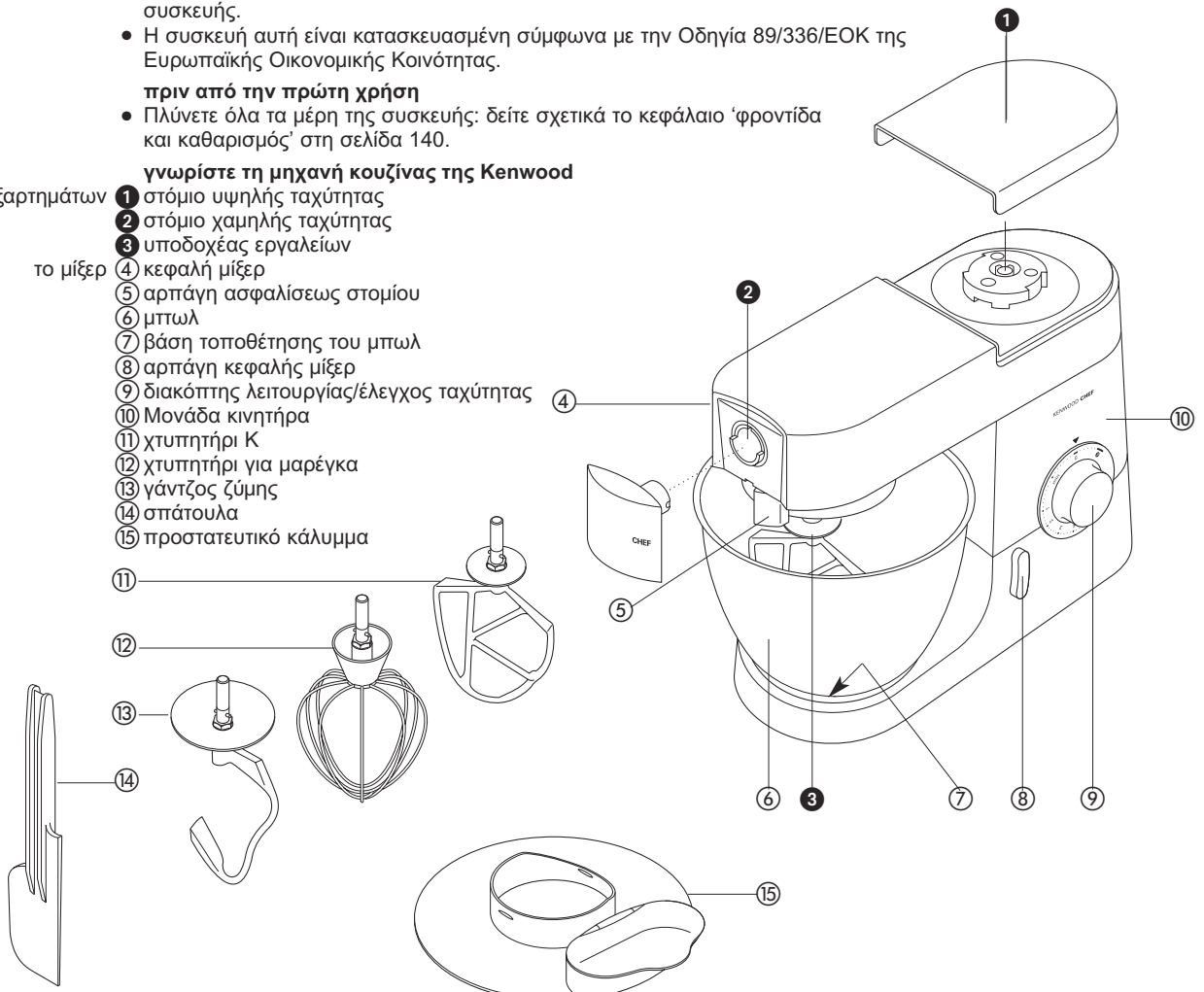
- Βεβαιωθείτε ότι η ηλεκτρική σας παροχή είναι ίδια με αυτήν που αναγράφεται στο κάτω μέρος της συσκευής.
- Η συσκευή αυτή είναι κατασκευασμένη σύμφωνα με την Οδηγία 89/336/ΕΟΚ της Ευρωπαϊκής Οικονομικής Κοινότητας.

πριν από την πρώτη χρήση

- Πλύνετε όλα τα μέρη της συσκευής: δείτε σχετικά το κεφάλαιο 'φροντίδα και καθαρισμός' στη σελίδα 140.

γνωρίστε τη μηχανή κουζίνας της Kenwood

- στόμια εξαρτημάτων
- 1 στόμιο υψηλής ταχύτητας
 - 2 στόμιο χαμηλής ταχύτητας
 - 3 υποδοχέας εργαλείων
- το μίξερ
- 4 κεφαλή μίξερ
 - 5 αρπάγη ασφάλισης στομίου
 - 6 μπωλ
 - 7 βάση τοποθέτησης του μπωλ
 - 8 αρπάγη κεφαλής μίξερ
 - 9 διακόπτης λειτουργίας/έλεγχος ταχύτητας
 - 10 Μονάδα κινητήρα
 - 11 χτυπητήρι K
 - 12 χτυπητήρι για μαρέγκα
 - 13 γάντζος ζύμης
 - 14 σπάτουλα
 - 15 προστατευτικό κάλυμμα



ΤΟ ΜΙΞΕΡ

- χτυπητήρι K • **τα εργαλεία ανάμιξης και μερικές από τις χρήσεις τους**
- χτυπητήρι για μαρέγκα • Για να παρασκευάσετε κέικ, μπισκότα, ζύμη σφολιάτας, ζάχαρη άχνη, γέμιση, εκκλέρ και πουρέ πατάτας.
- γάντζος ζύμης • Για αυγά, κρέμα γάλακτος, βούτυρο, σπογγώδη κέικ χωρίς λίπη, μαρέγκες, κέικ τυριού, μους, σουφλέ. Μη χρησιμοποιείτε το χτυπητήρι για πυκνά μίγματα (π.χ. για να παρασκευάσετε κρεμώδες μίγμα από βούτυρο και ζάχαρη) - διότι μπορεί να το καταστρέψετε.
- γάντζος ζύμης • Για μίγματα που περιέχουν μαγιά.

για να χρησιμοποιήσετε το μίξερ σας

- 1 Στρέψτε την αρπάγη της κεφαλής του μίξερ αντίθετα από τη φορά κίνησης των δεικτών του ρολογιού **1** και ανυψώστε την κεφαλή του μίξερ μέχρις ότου να ασφαλίσει.
 - 2 Πιέστε προς τα επάνω μέχρι να ακινητοποιηθεί **2** έπειτα στρέψτε.
 - 3 Προσαρμόστε το μπτωλ επάνω στη βάση - πιέστε προς τα κάτω και στρέψτε κατά τη φορά κίνησης των δεικτών του ρολογιού **3**
 - 4 Στρέψτε την αρπάγη της κεφαλής του μίξερ αντίθετα από τη φορά κίνησης των δεικτών του ρολογιού και κατεβάστε την κεφαλή του μίξερ μέχρις ότου να ασφαλίσει.
 - 5 Θέστε τη συσκευή σε λειτουργία στρέφοντας τον διακόπτη επιλογής ταχυτήτων στη ρύθμιση που επιθυμείτε.
 - Στρέψτε το διακόπτη στη θέση **P** για σύντομες παλλόμενες κινήσεις.
 - 6 Ξεβιδώστε το.
- για να αφαιρέσετε κάποιο εργαλείο

- χρήσιμες συμβουλές
- Σβήνετε τη συσκευή και ξύνετε το μπτωλ με τη σπάτουλα κατά τακτά χρονικά διαστήματα.
 - Τα αυγά που βρίσκονται σε θερμοκρασία δωματίου είναι τα καταλληλότερα για χτύπημα.
 - Πριν χτυπήσετε ασπράδια αυγού βεβαιωθείτε ότι δεν υπάρχουν υπολείμματα λίπους ή κρόκου στο χτυπητήρι ή στο μπτωλ.
 - Χρησιμοποιείτε κρύα υλικά για την παρασκευή ζύμης σφολιάτας εκτός και αν η συνταγή σας προτρέπει να κάνετε κάτι άλλο.

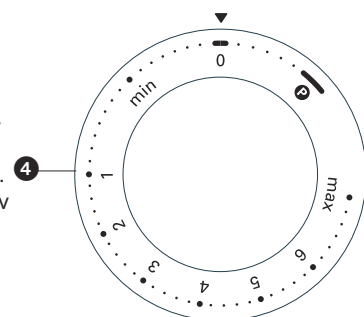
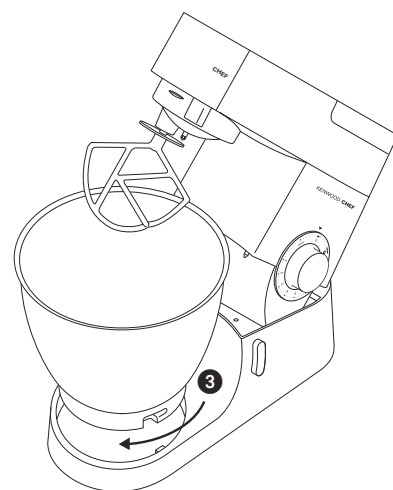
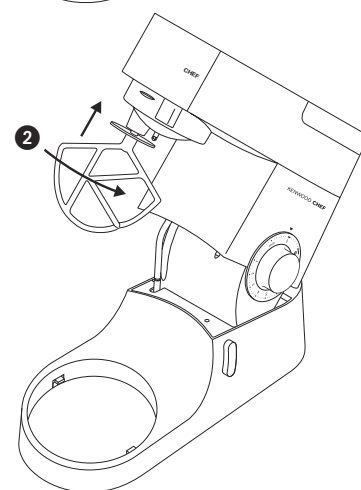
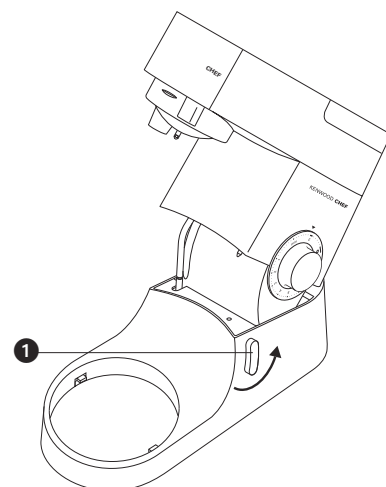
- σημαντική σημείωση
- σημεία προσοχής για την παρασκευή ψωμιού**
- Δεν πρέπει ποτέ να υπερβείτε τις μέγιστες χωρητικότητες που αναφέρονται παρακάτω, διότι θα υπερφορτώσετε τη συσκευή.
 - Εάν ακούσετε τον κινητήρα της συσκευής να καταπονείται, σβήστε τη συσκευή, αφαιρέστε τη μισή ζύμη και επεξεργαστείτε κάθε ένα από τα δύο μέρη της ζύμης ξεχωριστά.
 - Τα υλικά αναμιγνύονται καλύτερα εάν πρώτα τοποθετήσετε τα υγρά μέσα στο μπτωλ.

μέγιστες χωρητικότητες

	CHEF	MAJOR
απλό εύθρυπτο κέικ	Βάρος αλευριού: 680γρ	Βάρος αλευριού: 910γρ
σκληρή ζύμη με μαγιά	Βάρος αλευριού: 1,36κιλά	Βάρος αλευριού: 1,5κιλό
	Συνολικό βάρος: 2,18κιλά	Συνολικό βάρος: 2,4κιλά
μαλακή ζύμη με μαγιά	Βάρος αλευριού: 1,3κιλά	Βάρος αλευριού: 2,6κιλά
	Συνολικό βάρος: 2,5κιλά	Συνολικό βάρος: 5κιλά
μίγμα για κέικ φρούτων	Συνολικό βάρος: 2,72κιλά	Συνολικό βάρος: 4,55κιλά
ασπράδια αυγών	12	16

ταχύτητες **4**

- χτυπητήρι K
- **για να αναμίξετε λίπος και ζάχαρη μέχρι το μίγμα να αποκτήσει κρεμώδη υφή** ξεκινήστε στην πιο χαμηλή ταχύτητα 'min', αυξάνοντας σταδιακά μέχρι την ταχύτητα 'max'.
 - **για να χτυπήσετε αυγά μέχρι το μίγμα να αποκτήσει κρεμώδη υφή 4 - 'max'.**
 - **για να ανακατέψετε ελαφρά αλεύρι, φρούτα κλπ. με άλλα υλικά** Min - 1.
 - **για να αναμίξετε ταυτόχρονα όλα τα υλικά για μίγμα κέικ** ξεκινήστε στην πιο χαμηλή ταχύτητα 'min', αυξάνοντας σταδιακά μέχρι την πιο υψηλή ταχύτητα 'max'.
 - **για να προσθέσετε σταδιακά λίπος σε αλεύρι** min - 2.
 - Σταδιακά αυξήστε στη μέγιστη ταχύτητα 'max'.
 - Ξεκινήστε από την μικρότερη ταχύτητα 'min', αυξάνοντας σταδιακά έως το 1.
- χτυπητήρι για μαρέγκα
- γάντζος ζύμης



για τον καθαρισμό δείτε την σελίδα 140

προβλήματα κατά τη λειτουργία

πρόβλημα

- το χτυπητήρι για μαρέγκα ή το χτυπητήρι Κ χτυπούν επάνω στον πυθμένα της λεκάνης ή δεν φτάνουν στα υλικά που βρίσκονται στο κάτω μέρος της λεκάνης.

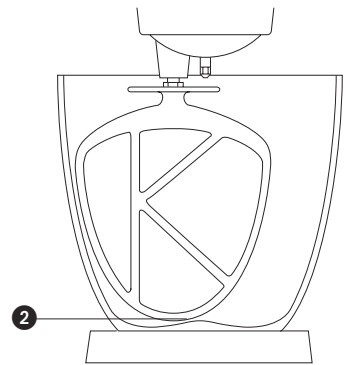
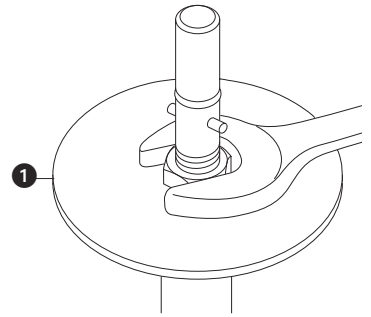
λύση • Ρυθμίστε το ύψος ως εξής:

- 1 Αποσυνδέστε τη συσκευή από το ρεύμα.
- 2 Σηκώστε την κεφαλή του μίξερ και εισάγετε τον αναδευτήρα.
- 3 Κρατήστε τη σταθερά, έπειτα χαλαρώστε το παξιμάδι ❶
- 4 Κατεβάστε την κεφαλή του μίξερ.
- 5 Ρυθμίστε το ύψος στρέφοντας τη λαβή του εργαλείου. Θα ήταν προτιμότερο ο αναδευτήρας να ακουμπά **σχεδόν** στο κάτω μέρος του μπωλ ❷
- 6 Σηκώστε την κεφαλή, κρατήστε σταθερά τον αναδευτήρα και σφίξτε το παξιμάδι.

πρόβλημα

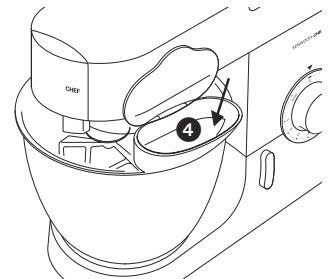
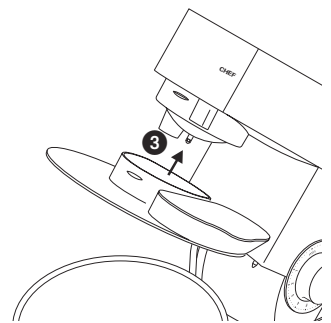
- Το μίξερ σταματά ενώ βρίσκεται σε λειτουργία.

λύση • Το μίξερ διαθέτει ενσωματωμένο μηχανισμό προστασίας από υπερφόρτωση και σταματά εάν έχει υπερφορτωθεί ώστε να προστατευτεί η συσκευή. Στην περίπτωση αυτή, θέστε τη συσκευή εκτός λειτουργίας και αποσυνδέστε το μίξερ από το ρεύμα. Αφαιρέστε κάποια από τα υλικά για να μειώσετε το βάρος και αφήστε το μίξερ εκτός λειτουργίας για λίγα λεπτά. Συνδέστε τη συσκευή στο ρεύμα και επανειληφέστε την ταχύτητα. Εάν το μίξερ δεν επαναιειτουργήσει αμέσως αφήστε το εκτός λειτουργίας για λίγη ακόμη ώρα.



για να προσαρμόσετε και να χρησιμοποιήσετε το προστατευτικό κάλυμμα

- 1 Σηκώστε την κεφαλή του μίξερ μέχρι να ασφαλίσει.
- 2 Προσαρμόστε το μπωλ ανάμιξης επάνω στη βάση.
- 3 Πιέστε το προστατευτικό κάλυμμα στο κάτω μέρος της κεφαλής του μίξερ ❸ μέχρι να εφαρμόσει στη θέση του. Το αρθρωτό κομμάτι πρέπει να βρίσκεται στη θέση που εικονίζεται.
- 4 Εισάγετε τον κατάλληλο αναδευτήρα.
- 5 Κατεβάστε την κεφαλή του μίξερ.
 - Όσο διαρκεί η ανάμιξη, μπορείτε να προσθέτετε υλικά απευθείας στο μπωλ ρίχνοντάς τα μέσα από το άνοιγμα που σχηματίζει το αρθρωτό κομμάτι του προστατευτικού καλύμματος ❹.
 - Δε χρειάζεται να αφαιρέσετε το προστατευτικό κάλυμμα για να αλλάξετε εξαρτήματα.
- 6 Αφαιρέστε το προστατευτικό κάλυμμα σηκώνοντας την κεφαλή του μίξερ και τραβώντας το προς τα κάτω.

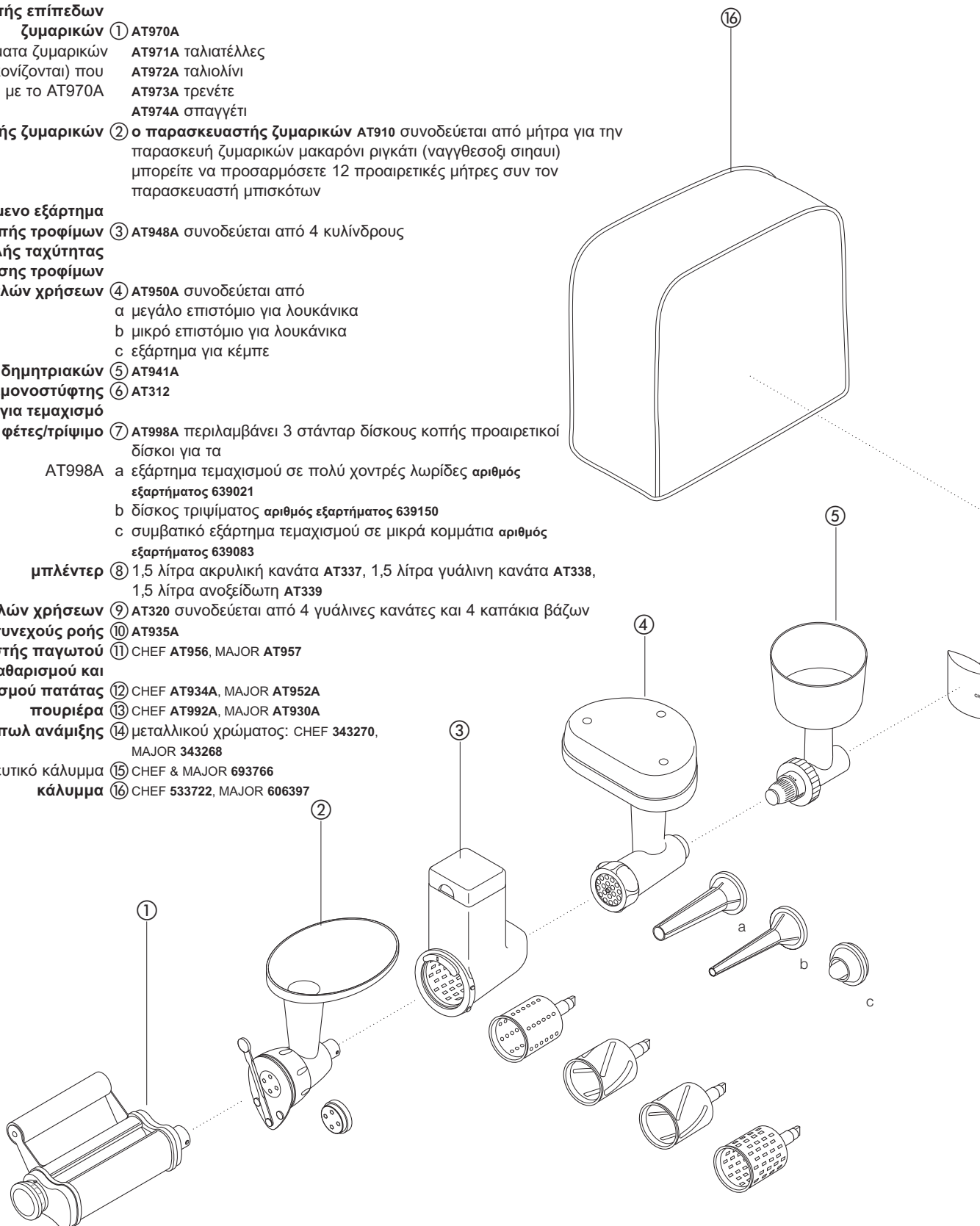


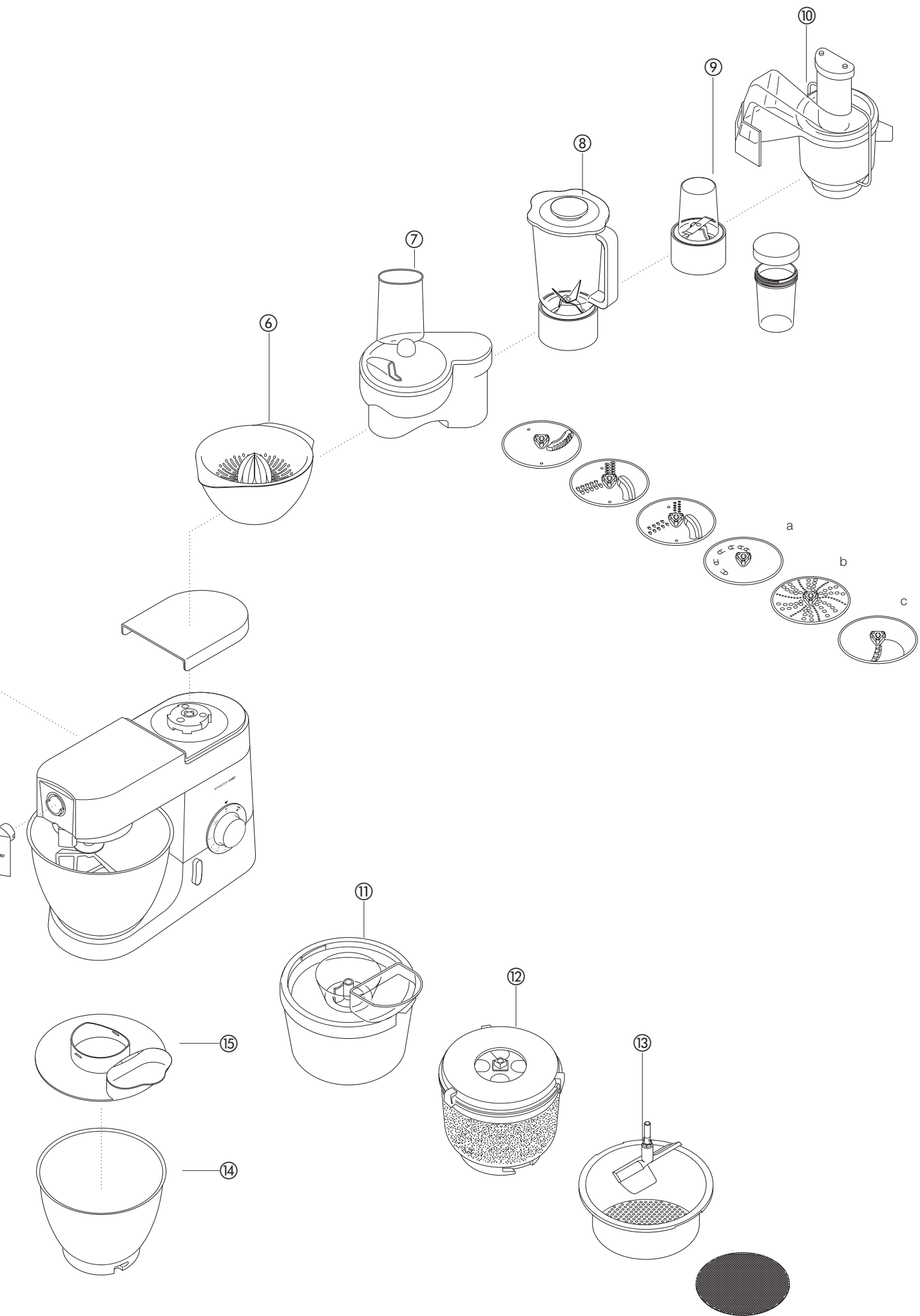
Τα διαθέσιμα εξαρτήματα

Για να προμηθευτείτε κάποιο εξάρτημα που δεν περιλαμβάνεται στη συσκευασία σας, επικοινωνήστε με το σέρβις της KENWOOD.

εξάρτημα κωδικός εξαρτήματος

- Παρασκευαστής επίπεδων ζυμαρικών** ① AT970A
 Πρόσθετα εξαρτήματα ζυμαρικών (δεν εικονίζονται) που χρησιμοποιούνται με το AT970A
 AT971A ταλιατέλλες
 AT972A ταλιολίни
 AT973A τρενέτε
 AT974A σπαγγέτι
- παρασκευαστής ζυμαρικών** ② ο παρασκευαστής ζυμαρικών AT910 συνοδεύεται από μήτρα για την παρασκευή ζυμαρικών μακαρόνι ριγκάτι (ναγγθεσοξι σιηαι) μπορείτε να προσαρμόσετε 12 προαιρετικές μήτρες συν τον παρασκευαστή μπισκότων
- περιστρεφόμενο εξάρτημα κοπής τροφίμων χαμηλής ταχύτητας εξάρτημα άλεσης τροφίμων πολλαπλών χρήσεων** ③ AT948A συνοδεύεται από 4 κυλίνδρους
 ④ AT950A συνοδεύεται από
 α μεγάλο επιστόμιο για λουκάνικα
 b μικρό επιστόμιο για λουκάνικα
 c εξάρτημα για κέμπτε
- μύλος αλέσεως δημητριακών λεμονοστύφης** ⑤ AT941A
 ⑥ AT312
- ειδικό εξάρτημα για τεμαχισμό σε φέτες/τρίψιμο** ⑦ AT998A περιλαμβάνει 3 στάνταρ δίσκους κοπής προαιρετικοί δίσκοι για τα
 AT998A a εξάρτημα τεμαχισμού σε πολύ χοντρές λωρίδες αριθμός εξαρτήματος 639021
 b δίσκος τριψίματος αριθμός εξαρτήματος 639150
 c συμβατικό εξάρτημα τεμαχισμού σε μικρά κομμάτια αριθμός εξαρτήματος 639083
- μπλέντερ** ⑧ 1,5 λίτρα ακρυλική κανάτα AT337, 1,5 λίτρα γυάλινη κανάτα AT338, 1,5 λίτρα ανοξείδωτη AT339
- μύλος πολλαπλών χρήσεων αποχυμωτής συνεχούς ροής παρασκευαστής παγωτού εξάρτημα καθαρισμού και τεμαχισμού πατάτας πουριέρα** ⑨ AT320 συνοδεύεται από 4 γυάλινες κανάτες και 4 καπάκια βάζων
 ⑩ AT935A
 ⑪ CHEF AT956, MAJOR AT957
 ⑫ CHEF AT934A, MAJOR AT952A
 ⑬ CHEF AT992A, MAJOR AT930A
 ⑭ μεταλλικού χρώματος: CHEF 343270, MAJOR 343268
- ανοξείδωτα μπωλ ανάμιξης** ⑮ CHEF & MAJOR 693766
 ⑯ CHEF 533722, MAJOR 606397

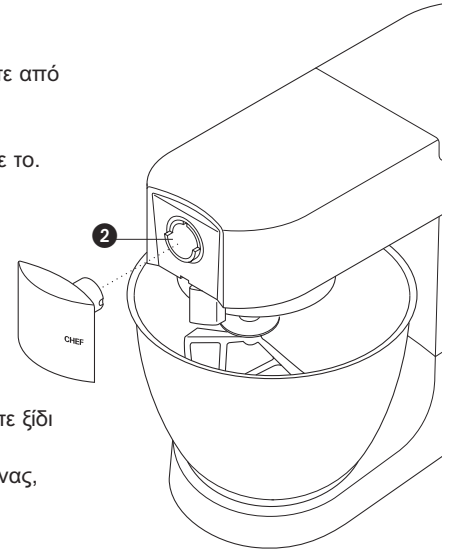




καθαρισμός και σέρβις

φροντίδα και καθαρισμός

- Θα πρέπει πάντοτε να σβήνετε τη συσκευή και να την αποσυνδέετε από το ρεύμα πριν από τον καθαρισμό.
- Μπορεί να εμφανιστεί λίγο λιπαντικό στην υποδοχή ② όταν τη χρησιμοποιήσετε για πρώτη φορά. Είναι φυσικό – απλά σκουπίστε το.



μονάδα κινητήρα, καλύμματα υποδοχών

- Περάστε με ένα υγρό πανί, έπειτα στεγνώστε.
- Μη χρησιμοποιείτε ποτέ σκληρά καθαριστικά και μη τη βυθίζετε σε νερό.

μπωλ

- Πλύνετε στο χέρι, έπειτα στεγνώστε πολύ καλά ή πλύνετε στο πλυντήριο πιάτων.
- Ποτέ μη χρησιμοποιείτε συρμάτινη βούρτσα, σύρμα καθαρισμού ή λευκαντικό για να καθαρίσετε το ανοξείδωτο μπωλ. Χρησιμοποιήστε ξίδι για να καθαρίσετε τα άλατα.
- Κρατήστε το μακριά από πηγές θερμότητας (άνω επιφάνειες κουζίνας, φούρνους, φούρνους μικροκυμάτων).

εργαλεία

- Πλύνετε στο χέρι, έπειτα στεγνώστε πολύ καλά ή πλύνετε στο πλυντήριο πιάτων.

προστατευτικό κάλυμμα

- Πλύνετε στο χέρι, έπειτα στεγνώστε πολύ καλά.

σέρβις και φροντίδα πελατών

- Για λόγους ασφαλείας, εάν το καλώδιο παροχής ρεύματος χαλάσει θα πρέπει να αντικατασταθεί από την KENWOOD ή από κάποιο εξουσιοδοτημένο συνεργείο της.

Εάν χρειαστείτε βοήθεια σχετικά με:

- τη χρήση της συσκευής
 - την παραγγελία κάποιων εξαρτημάτων
 - την συντήρηση και επισκευή
- Επικοινωνήστε με το κατάστημα που αγοράσατε τη συσκευή σας.

ΣΥΝΤΑΓΕΣ

Διαβάστε χρήσιμες συμβουλές για την παρασκευή ψωμιού στη σελίδα 136.

άσπρο ψωμί μαλακή ζύμη με μαγιά

υλικά • 2.6 κιλά κοινό λευκό αλεύρι

- Η ποσότητα αυτή είναι για τη σειρά KMM700. Για τη σειρά KMC500, χρησιμοποιείτε τις μισές ποσότητες και προσθέτετε όλο το αλεύρι
- 1.3 λίτρα γάλα
 - 300γρ ζάχαρη
 - 450γρ μαργαρίνη
 - 100γρ φρέσκια μαγιά ή 50γρ στεγνή μαγιά
 - 6 χτυπημένα αυγά
 - 5 πρέζες αλάτι

- μέθοδος
- 1 Λιώστε τη μαργαρίνη μέσα στο γάλα σε θερμοκρασία 43°C.
 - 2 **στεγνή μαγιά** (του τύπου που χρειάζεται εφύγρανση): προσθέστε τη μαγιά και τη ζάχαρη στο γάλα και αφήστε το μίγμα για περίπου 10 λεπτά μέχρις ότου να γίνει αφρώδες.
φρέσκια μαγιά: θρυμματίστε την μέσα στο αλεύρι και προσθέστε τη ζάχαρη.
άλλοι τύποι μαγιάς: ακολουθήστε τις οδηγίες του κατασκευαστή.
 - 3 Χύστε το γάλα μέσα στο ηττωλ. Προσθέστε τα αυγά χτυπημένα και 2 κιλά αλεύρι.
 - 4 Αναμίξτε στην πιο χαμηλή ταχύτητα για 1 λεπτό, έπειτα στην ταχύτητα 1 για ένα ακόμη λεπτό. Σπρώξτε προς τα κάτω το μίγμα που έχει κολλήσει στα τοιχώματα.
 - 5 Προσθέστε το αλάτι και το αλάτι και το υπόλοιπο αλεύρι και αναμίξτε στην πιο χαμηλή ταχύτητα για ένα λεπτό και στη συνέχεια στην ταχύτητα 1 για 2 - 3 λεπτά, μέχρις ότου το μίγμα να γίνει μαλακό και να ανακατευτεί ομοιογενώς.
 - 6 Βάλτε τη ζύμη σε λαδωμένες φόρμες για φρατζόλα των 450γρ ή πλάστε την σε μικρά ψωμάκια. Καλύψτε τη ζύμη με μια πετσέτα και αφήστε την μέχρις ότου διπλασιαστεί ο όγκος της.
 - 7 Ψήστε στους 200°C/400°F στο 6 για φούρνους υγραερίου, για 20 - 25 λεπτά εάν πρόκειται για φρατζόλες, ή για 15 λεπτά εάν πρόκειται για μικρά ψωμάκια.
 - 8 Όταν οι φρατζόλες ή τα ψωμάκια είναι ψημένα παράγουν ένα κούφιο ήχο όταν τα χτυπήσετε ελαφρά στη βάση.
- Η ποσότητα αυτή φτάνει για 10 περίπου φρατζόλες.

τούρτα με φράουλες και βερούκοκα

υλικά: κέικ • 3 αυγά

- γέμιση και διακόσμηση
- 75γρ ψιλή ζάχαρη
 - 75γρ κοινό αλεύρι
 - 150 χιλιοστόλιτρα διπλή κρέμα
 - Ζάχαρη σύμφωνα με τις προτιμήσεις σας
 - 225γρ φράουλες
 - 225γρ βερούκοκα

- μέθοδος
- 1 Κόβετε τα βερούκοκα στη μέση και αφαιρείτε τα κουκούτσια. Τα βράζετε ελαφρά σε πολύ λίγο νερό, προσθέτοντας ζάχαρη ανάλογα με τις προτιμήσεις σας, μέχρις ότου να μαλακώσουν.
 - 2 Πλένετε και κόβετε τις φράουλες στη μέση.
 - 3 Ετοιμάζετε το κέικ χτυπώντας τα αυγά και τη ζάχαρη στη μέγιστη ταχύτητα, μέχρις ότου το μίγμα να γίνει άσπρο και παχύ.
 - 4 Αφαιρέστε το μπωλ και τον αναδευτήρα. Ανακατέψτε ελαφρά μέσα στο μίγμα το αλεύρι με το χέρι χρησιμοποιώντας ένα μεγάλο μεταλλικό κουτάλι - προσέξτε ώστε να παραμείνει η ζύμη αφράτη.
 - 5 Μεταφέρετε το μίγμα σε δύο ταψιά 18 εκατοστών που έχετε προηγουμένως καλύψει με λαδόχαρτο.
 - 6 Ψήνετε το μίγμα για 20 περίπου λεπτά σε θερμοκρασία 180°C/350°F στο 4 για φούρνους υγραερίου, μέχρις ότου το κέικ να είναι ελαστικό στο άγγιγμα.
 - 7 Βγάζετε τα κέικ από τα ταψάκια και τα αφήνετε να κρυώσουν σε μια σχάρα.
 - 8 Χρησιμοποιείτε το χτυπητήρι στη μέγιστη ταχύτητα για να χτυπήσετε την κρέμα μέχρις ότου να γίνει σχεδόν στερεή, προσθέτοντας όση ζάχαρη θέλετε.
 - 9 Κόβετε τα βερούκοκα και το ένα τρίτο από τις φράουλες σε χονδρά κομμάτια και τα ανακατεύετε με τη μισή κρέμα.
 - 10 Απλώνετε το μίγμα σε ένα κέικ και προσθέτετε το δεύτερο από επάνω.
 - 11 Απλώνετε την υπόλοιπη κρέμα πάνω από το κέικ και χρησιμοποιείτε τις υπόλοιπες φράουλες για διακόσμηση.

ΣΥΝΤΑΓΕΣ ΣΥΝΕΧΕΙΑ

μαρέγκες

- υλικά
- 4 ασπράδια αυγών
 - 250γρ κοσκινισμένη ζάχαρη άχνη
- μέθοδος
- 1 Καλύψτε το ταψί σας με χονδρό αντικολλητικό λαδόχαρτο.
 - 2 Χτυπάτε τα ασπράδια και τη ζάχαρη με το χτυπητήρι για δέκα περίπου λεπτά στη μέγιστη ταχύτητα, μέχρις ότου το μίγμα να είναι στερεό.
 - 3 Απλώστε το μίγμα με ένα κουτάλι μέσα στο ταψί (εναλλακτικά χρησιμοποιείτε μια σακούλα για διακόσμηση με στόμιο διαμέτρου 2.5 εκατοστών και σχήματος αστεριού.)
 - 4 Ψήνετε στους 110°C/225°F στο 1/4 για φούρνους υγραερίου για 4 - 5 ώρες περίπου, μέχρις ότου να γίνουν σκληρές και τραγανές. Εάν αρχίσουν να μαυρίζουν, αφήστε την πόρτα του φούρνου ελαφρά ανοιχτή.
- Φυλάξτε τις μαρέγκες σε κάποιο αεροστεγές δοχείο.

ζύμη σφολιάτας

- υλικά
- 450γρ αλεύρι, κοσκινισμένο μαζί με το αλάτι
 - 5 χιλιοστόλιτρα αλάτι
 - 225γρ λίπος (μίγμα από λαρδί και μαργαρίνη κατευθείαν από το ψυγείο)
 - Περίπου 80 χιλιοστόλιτρα (4 κουταλάκια τσαγιού) νερό
- χρήσιμη συμβουλή
- Μην αναμίξετε τα υλικά υπερβολικά
- μέθοδος
- 1 Τοποθετήστε το αλεύρι μέσα στο μπωλ. Κόψτε το λίπος σε χονδρά κομμάτια και προσθέστε το μέσα στο αλεύρι.
 - 2 Αναμίξτε στην ταχύτητα 1 μέχρι το μίγμα να αποκτήσει την όψη τριμμένης φρυγανιάς. Σταματήστε να αναμιγνύετε πριν αποκτήσει λιπαρή όψη.
 - 3 Προσθέτετε το νερό και αναμιγνύετε και πάλι στη χαμηλότερη ταχύτητα για όσο χρόνο χρειάζεται να απορροφηθεί το νερό.
 - 4 Ψήστε τη ζύμη σε θερμοκρασία 200°C/400°F στο 6 για φούρνους υγραερίου, ανάλογα με τη γέμιση.

σούπα με καρότα και κόλιαντρο

- υλικά
- 25γρ βούτυρο
 - 1 τεμαχισμένο κρεμμύδι
 - 1 κοπανισμένη σκελίδα σκόρδο
 - 480γρ καρότο κομμένο σε κύβους του 1,5εκ για κύπελλο των 1,2 λίτρων
 - 600γρ καρότο κομμένο σε κύβους του 1,5εκ για κύπελλο του 1,5 λίτρου
 - κρύο ζωμό κοτόπουλο
 - 10-15ml (2-3 κουταλάκια του γλυκού) αλεσμένο κόλιαντρο
 - αλάτι και πιπέρι
- μέθοδος
- 1 Λιώστε το βούτυρο σε ένα κατσαρολάκι, προσθέστε το κρεμμύδι και το σκόρδο και τηγανίστε μέχρι να μαλακώσουν.
 - 2 Τοποθετήστε το καρότο στο μπλέντερ, προσθέστε το κρεμμύδι και το σκόρδο. Προσθέστε ζωμό αρκετό ώστε να φτάνει μέχρι τη μέγιστη ένδειξη 1.2 ή 1.5 επάνω στο κύπελλο. Προσαρμόστε το καπάκι και το κάλυμμα μεζούρα.
 - 3 Αναμίξτε στη μέγιστη ταχύτητα για 5 δευτερόλεπτα για σούπα με χοντροκομμένα υλικά ή για περισσότερη ώρα για σούπα με λεπτότερη υφή.
 - 4 Μεταφέρετε το μίγμα σε κατσαρόλα, προσθέστε το κόλιαντρο και μπαχαρικά και βράστε τη σούπα σε χαμηλή φωτιά για 30 έως 35 λεπτά ή όσο χρειάζεται μέχρι να μαγειρευτεί.
 - 5 Ελέγξτε εάν χρειάζονται και άλλα μπαχαρικά και προσθέστε κι άλλο ζωμό εάν είναι απαραίτητο.

Free Manuals Download Website

<http://myh66.com>

<http://usermanuals.us>

<http://www.somanuals.com>

<http://www.4manuals.cc>

<http://www.manual-lib.com>

<http://www.404manual.com>

<http://www.luxmanual.com>

<http://aubethermostatmanual.com>

Golf course search by state

<http://golfingnear.com>

Email search by domain

<http://emailbydomain.com>

Auto manuals search

<http://auto.somanuals.com>

TV manuals search

<http://tv.somanuals.com>