

KENWOOD

STEREO POWER AMPLIFIER

M-A300

M-A100

INSTRUCTION MANUAL

KENWOOD CORPORATION

This instruction manual is used for two models.
Model availability and features (functions) may differ depending on the country and sales area.

Before applying power

Caution : Read this section carefully to ensure safe operation.

Units are designed for operation as follows.

- U.K. AC 230 V only
- U.S.A. and Canada AC 120 V only
- Australia AC 240 V only
- China 220 V only
- *Other countries AC 110-120/220-240 V swichable

For the United Kingdom

Factory fitted moulded mains plug

1. The mains plug contains a fuse. For replacement, use only a 13-Amp ASTA-approved (BS1362) fuse.
2. The fuse cover must be refitted when replacing the fuse in the moulded plug.
3. Do not cut off the mains plug from this equipment. If the plug fitted is not suitable for the power points in your home or the cable is too short to reach a power point, then obtain an appropriate safety approved extension lead or adapter, or consult your dealer. If nonetheless the mains plug is cut off, remove the fuse and dispose of the plug immediately, to avoid a possible shock hazard by inadvertent connection to the mains supply.

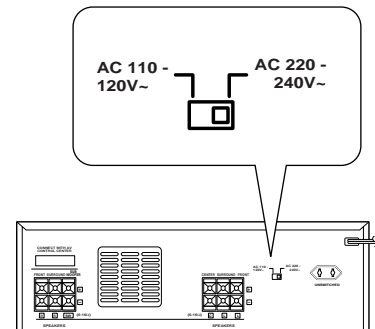
IMPORTANT: The wires in the mains lead are coloured in accordance with the following code:
 Blue: Neutral
 Brown: Live
 Do not connect those leads to the earth terminal of a three-pin plug.

*AC voltage selection

The AC voltage selector switch on the rear panel is set to the voltage that prevails in the area to which the unit is shipped. Before connecting the power cord to your AC outlet, make sure that the setting position of this switch matches your line voltage. If not, it must be set to your voltage in accordance with the following direction.

Note:
 Our warranty does not cover damage caused by excessive line voltage due to improper setting of the AC voltage selector switch.

AC voltage selector switch







Move switch lever to match your line voltage with a small screwdriver or other pointed tool.

Safety precautions

Caution : Read this section carefully to ensure safe operation.

WARNING : TO PREVENT FIRE OR ELECTRIC SHOCK, DO NOT EXPOSE THIS APPLIANCE TO RAIN OR MOISTURE.

 <div style="border: 1px solid black; padding: 2px; text-align: center;"> CAUTION RISK OF ELECTRIC SHOCK DO NOT OPEN </div> 	<p>CAUTION: TO REDUCE THE RISK OF ELECTRIC SHOCK, DO NOT REMOVE COVER (OR BACK). NO USER-SERVICEABLE PARTS INSIDE, REFER SERVICING TO QUALIFIED SERVICE PERSONNEL.</p>
	<p>THE LIGHTNING FLASH WITH ARROWHEAD SYMBOL, WITHIN AN EQUILATERAL TRIANGLE, IS INTENDED TO ALERT THE USER TO THE PRESENCE OF UNINSULATED "DANGEROUS VOLTAGE" WITHIN THE PRODUCT'S ENCLOSURE THAT MAY BE OF SUFFICIENT MAGNITUDE TO CONSTITUTE A RISK OF ELECTRIC SHOCK TO PERSONS.</p>
	<p>THE EXCLAMATION POINT WITHIN AN EQUILATERAL TRIANGLE IS INTENDED TO ALERT THE USER TO THE PRESENCE OF IMPORTANT OPERATING AND MAINTENANCE (SERVICING) INSTRUCTIONS IN THE LITERATURE ACCOMPANYING THE APPLIANCE.</p>

Unpacking

Unpack the unit carefully and make sure that all accessories are put aside so they will not be lost. Examine the unit for any possibility of shipping damage. If your unit is damaged or fails to operate, notify your dealer immediately. If your unit was shipped to you directly, notify the shipping company without delay. Only the consignee (the person or company receiving the unit) can file a claim against the carrier for shipping damage. We recommend that you retain the original carton and packing materials for use should you transport or ship the unit in the future.

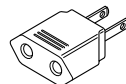
Keep this manual handy future reference.

Accessories

Parallel cord (1)



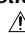


AC plug adaptor (1)*



* Use to adapt the plug on the power cord to the shape of the wall outlet. (Accessory only for regions where use is necessary.)

Contents

Caution : Read the pages marked  carefully to ensure safe operation.

Introduction	2	Operating instructions	7
 Before applying power	2	In case of difficulty	7
 Safety precautions	2	 Specifications	8
Special features	3		
Controls and indicators	3		
System connections	4		
Terminal connection	4		
Connection of M-A300	5		
Connection of M-A100	6		

Special features

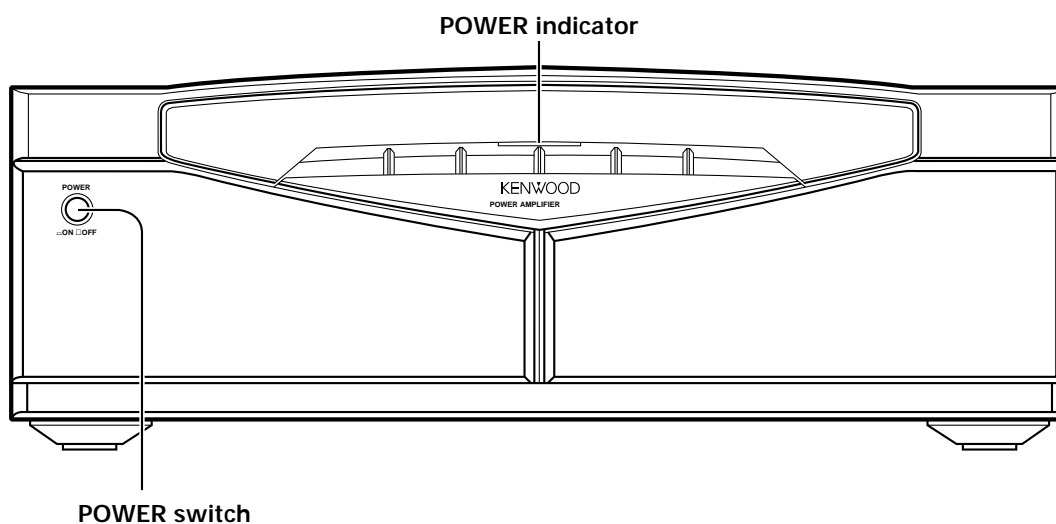
Power amplifier for surround play

This unit is the amplifier designed exclusively for use with the surround speaker, center speaker and subwoofer for the surround system of the SERIES 21. This unit allows you to enjoy the surround play more effectively.

New TRAITR transistor adopted in the final stage

A new TRAITR transistor which features superior temperature tracking characteristics has been adopted in the final stage of the power amplifier block. This new TRAITR transistor combines a temperature compensation resistor with an emitter resistor and final transistor to provide ideal temperature compensation characteristics and minimize distortion caused by temperature variations.

Controls and indicators



Terminal connection

Main unit

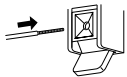
① Strip coating.



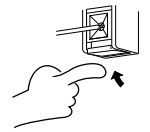
② Push lever.



③ Insert cord.



④ Return lever.



Speaker unit

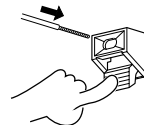
① Strip coating.



② Push lever.



③ Insert cord.

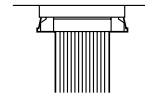
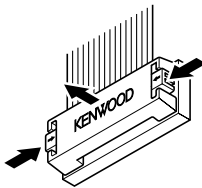


④ Return lever.



- Never short circuit the + and – speaker cords.
- If the left and right speakers are connected inversely or the speaker cords are connected with reversed polarity, the sound will be unnatural with ambiguous acoustic imaging. Be sure to connect the speakers correctly.

Connection of parallel cord



- When connecting the parallel cord, insert the plug straight into the connector until it clicks to lock them securely.
- When disconnecting the parallel cords, push in the two sides of the plug and pull it straight out.

Caution regarding placement (Except for U.S.A. and Canada)

To maintain proper ventilation, be sure to leave a space around the unit (from the largest outer dimensions, including projections) equal to, or greater than shown below:

Left and right panels: 10 cm, Rear panel: 10 cm

Ventilation fan

The ventilation fan runs during high-power reproduction. To allow for proper ventilation, do not block the ventilation fan.

AC outlet on the rear panel

UNSWITCHED AC outlet

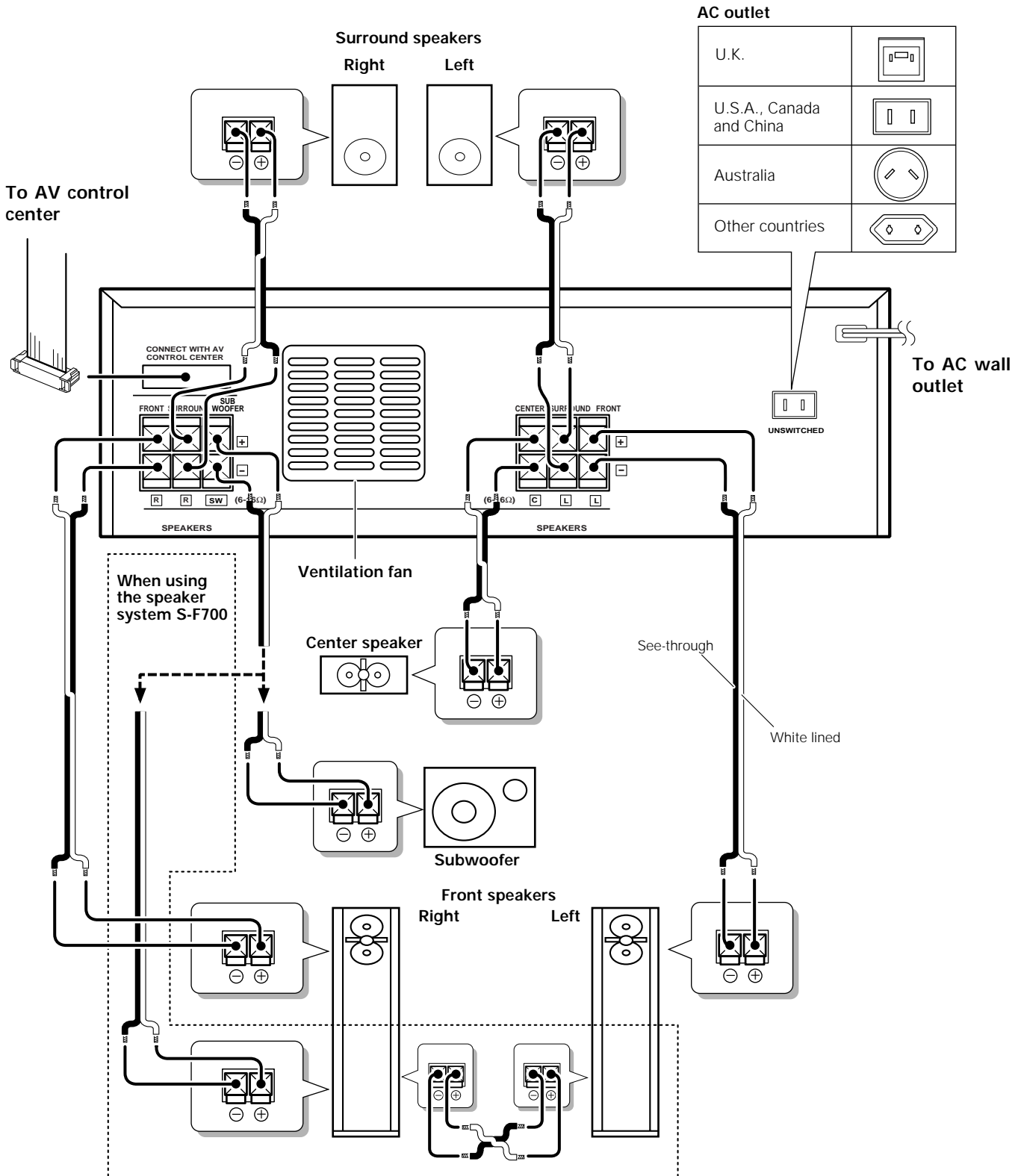
The power of the component connected to this kind of AC outlet can be switched ON/OFF regardless of the POWER switch on the main unit.



1. Connect all cords firmly. Loose connections may prevent proper sound transmission or produce noise.
2. Be sure to remove the power cord from the AC outlet before plugging or unplugging any connection cords. Plugging / unplugging connection cords without disconnecting the power cord can cause malfunctions and may damage the unit.
3. Do not connect power cords from components whose power consumption is larger than what is indicated on the AC outlet at the rear of this unit.

Connection of M-A300

Make connections as shown below. When connecting the related system components, refer also to the instruction manuals of the related components.
Do not plug in the power lead until all connections are completed.

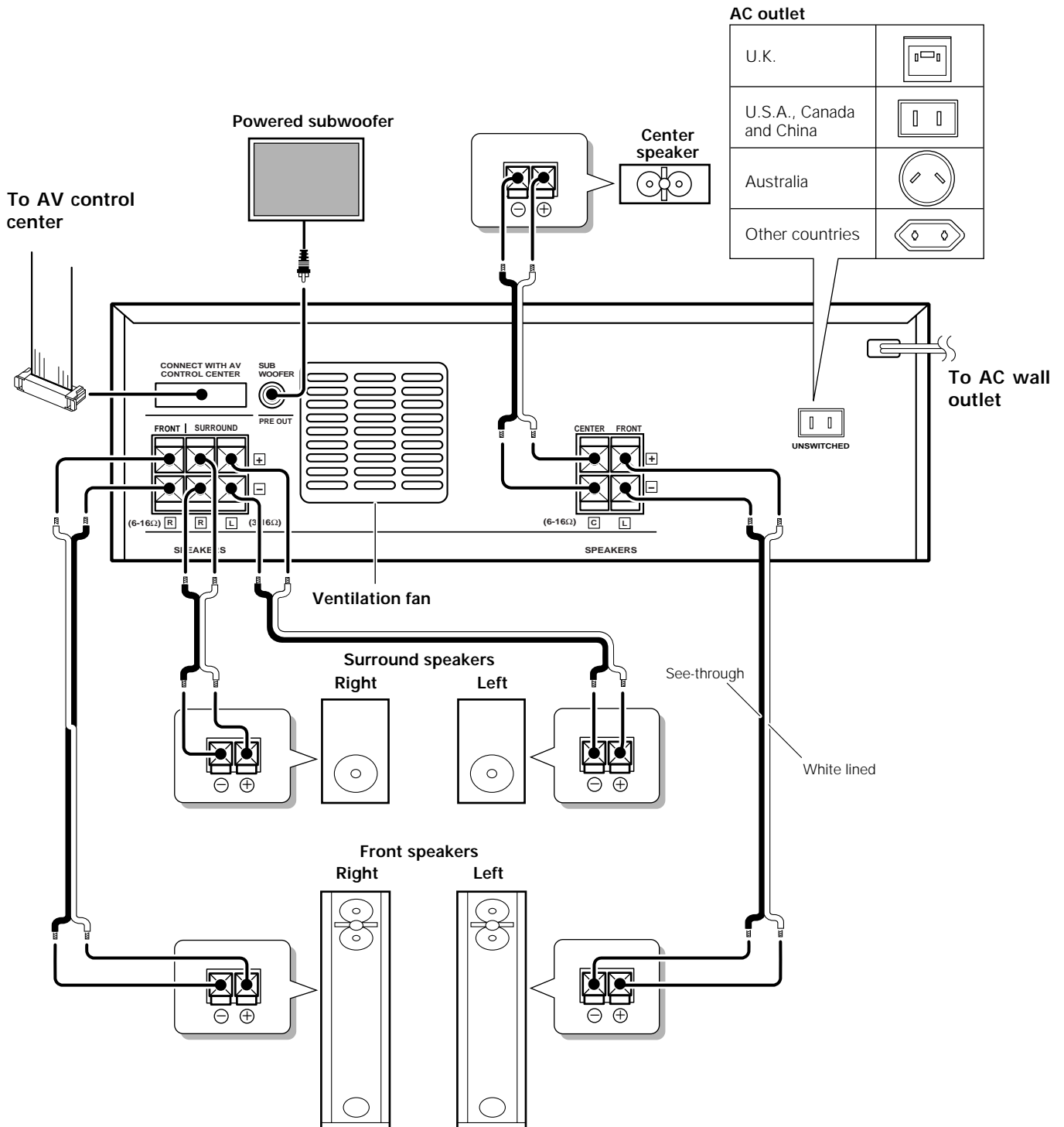


The shape of the speakers are variable depending on the system and marketing destination type.

6 Connection of M-A100

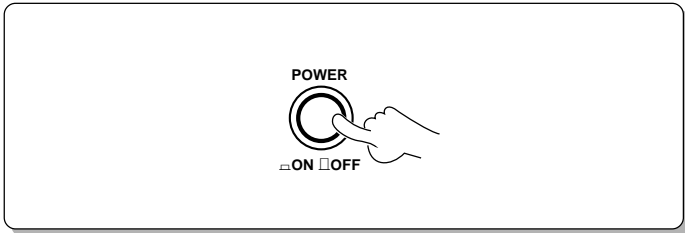
Make connections as shown below. When connecting the related system components, refer also to the instruction manuals of the related components.

Do not plug in the power lead until all connections are completed.

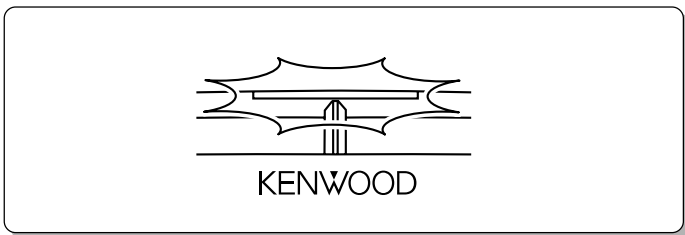


The shape of the speakers are variable depending on the system and marketing destination type.

1 Switch the **POWER** key to **ON** position.



2 Turn on the system by using the **AV control center**.



3 Play a music source.

- The power indicator on the panel lights up.

In case of difficulty

What appears to be a malfunction may not always be serious. If your unit should not perform as expected, consult the table below to see if the problem can be corrected before seeking help from your dealer or service representative.

Symptom	Cause	Remedy
Sound cannot be produced. (Indicator is off.)	<ul style="list-style-type: none"> • The parallel cord is not connected. • The speaker cords are short-circuited. • The protection circuitry is activated due to internal temperature rise. 	<ul style="list-style-type: none"> • Connect them properly referring to "System connections". • Turn the power OFF, remove the short-circuit, and turn the power ON again. • Switch the power OFF and wait for the internal temperature to drop. The unit can be turned ON and re-used when the temperature drops, but the fundamental solution of the problem is not possible unless the unit installation (heat radiation) condition is corrected. Improve the unit installation referring to page 4.
Sound cannot be produced. (Indicator lights.)	<ul style="list-style-type: none"> • The speaker cords are not connected. 	<ul style="list-style-type: none"> • Connect them properly referring to "System connections".
Sound is not produced from one of the speakers.	<ul style="list-style-type: none"> • One of the speaker cord is not connected. 	<ul style="list-style-type: none"> • Connect it properly referring to "System connections".
Sound from the surround speaker is not produced or very low.	<ul style="list-style-type: none"> • A speaker cord is not connected. 	<ul style="list-style-type: none"> • Connect it properly referring to "System connections".



Do not use contact cleaners because it could cause a malfunction. Be specially careful against contact cleaners containing oil, for they may deform the plastic components.

M-A300

AUDIO section

Effective output power during STEREO operation
 [Except for the U.S.A., Canada and the UK]
 1kHz, 10% T.H.D., at 6 Ω 100 W + 100 W
 Rated output power during STEREO operation
 [For the U.S.A. and Canada]

100 watts per channel minimum RMS, both channels driven, at 6 Ω from 20 Hz to 20 kHz with no more than 0.09 % total harmonic distortion.(FTC)

[For the UK]
 (DIN) 1 kHz, 0.7% at 6 Ω 100 W + 100 W
 (IEC) 63 Hz ~ 12.5 kHz, 0.7% at 6 Ω 100 W + 100 W
 [For other countries]
 1kHz, 1% T.H.D., at 6 Ω 80 W + 80 W
 Effective output power during SURROUND operation
 [For the U.S.A., Canada and the UK]
 FRONT (1kHz, 5% T.H.D. at 6 Ω) 100 W + 100 W
 CENTER (1kHz, 5% T.H.D. at 6 Ω) 100 W
 SURROUND (1kHz, 5% T.H.D. at 6 Ω) 100 W + 100 W
 [For other countries]
 FRONT (1kHz, 10% T.H.D. at 6 Ω) 100 W + 100 W
 CENTER (1kHz, 10% T.H.D. at 6 Ω) 100 W
 SURROUND (1kHz, 10% T.H.D. at 6 Ω) 100 W + 100 W
 Rated output power during SURROUND operation
 [For the U.S.A. and Canada]
 FRONT (1kHz, 1% T.H.D. at 6 Ω) 60 W + 60 W
 CENTER (1kHz, 1% T.H.D. at 6 Ω) 60 W
 SURROUND (1kHz, 1% T.H.D. at 6 Ω) 60 W + 60 W
 [For the UK]
 FRONT (1kHz, 1% T.H.D. at 6 Ω) 50 W + 50 W
 CENTER (1kHz, 1% T.H.D. at 6 Ω) 50 W
 SURROUND (1kHz, 1% T.H.D. at 6 Ω) 50 W + 50 W
 [For other countries]
 FRONT (1kHz, 1% T.H.D. at 6 Ω) 55 W + 55 W
 CENTER (1kHz, 1% T.H.D. at 6 Ω) 55 W
 SURROUND (1kHz, 1% T.H.D. at 6 Ω) 55 W + 55 W

Total harmonic distortion 0.007%(1 kHz, 50W, 6 Ω)
 Frequency response
 LINE (FRONT, CENTER, SURROUND)
 20 Hz ~ 70 kHz, +0 dB, -3 dB
 Signal to noise ratio (IHF'66)
 LINE 105 dB
 Input sensitivity / impedance
 LINE 1 V / 47 kΩ

GENERAL

Power consumption
 [For the U.S.A. and Canada] 4 A
 [Except for the U.S.A. and Canada] 330 W
 AC outlet
 [For the U.S.A. and Canada]
 UNSWITCHED 1 (total 200 W, 1.6 A max.)
 [Except for the U.S.A. and Canada]
 UNSWITCHED 1 (total 200 W max.)
 Dimensions W : 400 mm (15-3/4")
 H : 140 mm (5-1/2")
 D : 383 mm (15-1/16")
 Weight (Net) 10.6 kg (23.4 lb)

M-A100

AUDIO section

Effective output power during STEREO operation
 [Except for the U.S.A., Canada and the UK]
 1kHz, 10% T.H.D., at 6 Ω 100 W + 100 W
 Rated output power during STEREO operation
 [For the U.S.A. and Canada]

100 watts per channel minimum RMS, both channels driven, at 6 Ω from 40 Hz to 20 kHz with no more than 0.09 % total harmonic distortion.(FTC)

[For the UK]
 (DIN) 1 kHz, 0.7% at 6 Ω 80 W + 80 W
 (IEC) 63 Hz ~ 12.5 kHz, 0.7% at 6 Ω 80 W + 80 W
 [For other countries]
 1kHz, 1% T.H.D., at 6 Ω 80 W + 80 W
 Effective output power during SURROUND operation
 [For the U.S.A. and Canada]
 FRONT (1kHz, 5% T.H.D. at 6 Ω) 100 W + 100 W
 CENTER (1kHz, 5% T.H.D. at 6 Ω) 100 W
 SURROUND (1kHz, 5% T.H.D. at 6 Ω) 100 W
 [For the UK]
 FRONT (1kHz, 5% T.H.D. at 6 Ω) 75 W + 75 W
 CENTER (1kHz, 5% T.H.D. at 6 Ω) 75 W
 SURROUND (1kHz, 5% T.H.D. at 6 Ω) 75 W
 [For other countries]
 FRONT (1kHz, 10% T.H.D. at 6 Ω) 100 W + 100 W
 CENTER (1kHz, 10% T.H.D. at 6 Ω) 100 W
 SURROUND (1kHz, 10% T.H.D. at 6 Ω) 100 W
 Rated output power during SURROUND operation
 [For the U.S.A. and Canada]
 FRONT (1kHz, 1% T.H.D. at 6 Ω) 60 W + 60 W
 CENTER (1kHz, 1% T.H.D. at 6 Ω) 60 W
 SURROUND (1kHz, 1% T.H.D. at 3 Ω) 35 W + 35 W
 [For the UK]
 FRONT (1kHz, 1% T.H.D. at 6 Ω) 45 W + 45 W
 CENTER (1kHz, 1% T.H.D. at 6 Ω) 45 W
 SURROUND (1kHz, 1% T.H.D. at 3 Ω) 23 W + 23 W
 [For other countries]
 FRONT (1kHz, 1% T.H.D. at 6 Ω) 55 W + 55 W
 CENTER (1kHz, 1% T.H.D. at 6 Ω) 55 W
 SURROUND (1kHz, 1% T.H.D. at 3 Ω) 30 W + 30 W

Total harmonic distortion
 [For the UK] 0.007%(1 kHz, 40W, 6 Ω)
 [For other countries] 0.007%(1 kHz, 50W, 6 Ω)
 Frequency response
 LINE (FRONT, CENTER, SURROUND)
 20 Hz ~ 70 kHz, +0 dB, -3 dB
 Signal to noise ratio (IHF'66)
 LINE 105 dB
 Input sensitivity / impedance
 LINE 1 V / 47 kΩ
 Output level / impedance
 SUBWOOFER PREOUT 1.6 V / 2.2 kΩ

GENERAL

Power consumption
 [For the U.S.A. and Canada] 3 A
 [Except for the U.S.A. and Canada] 200 W
 AC outlet
 [For the U.S.A. and Canada]
 UNSWITCHED 1 (total 200 W, 1.6 A max.)
 [Except for the U.S.A. and Canada]
 UNSWITCHED 1 (total 200 W max.)
 Dimensions W : 400 mm (15-3/4")
 H : 140 mm (5-1/2")
 D : 383 mm (15-1/16")
 Weight (Net) 9.7 kg (21.4 lb)



1. KENWOOD follows a policy of continuous advancements in development. For this reason specifications may be changed without notice.
2. Sufficient performance may not be possible at very low temperatures.

KENWOOD

For your records

Record the serial number, found on the back of the unit, in the spaces designated on the warranty card, and in the space provided below. Refer to the model and serial numbers whenever you call upon your dealer for information or service on this product.

Model _____ Serial Number _____

Free Manuals Download Website

<http://myh66.com>

<http://usermanuals.us>

<http://www.somanuals.com>

<http://www.4manuals.cc>

<http://www.manual-lib.com>

<http://www.404manual.com>

<http://www.luxmanual.com>

<http://aubethermostatmanual.com>

Golf course search by state

<http://golfingnear.com>

Email search by domain

<http://emailbydomain.com>

Auto manuals search

<http://auto.somanuals.com>

TV manuals search

<http://tv.somanuals.com>