

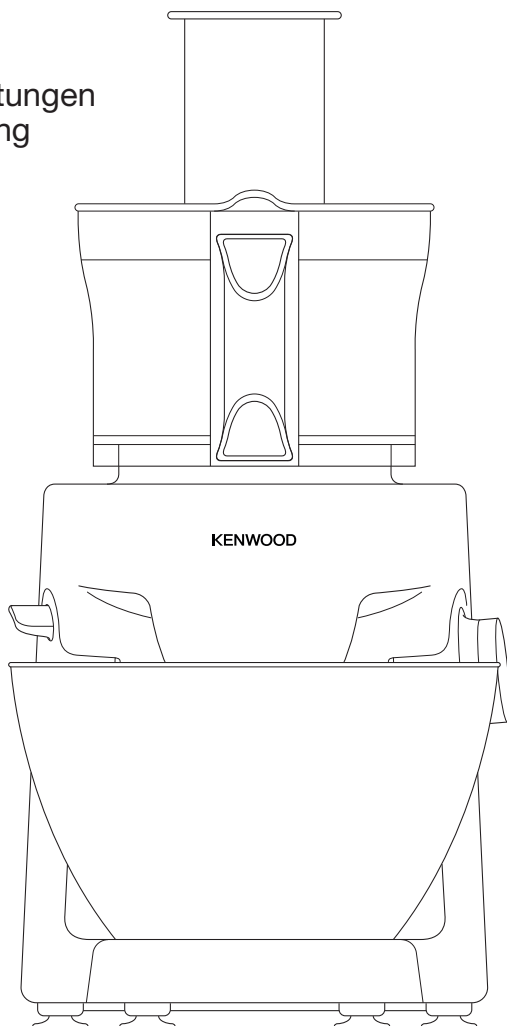
# KENWOOD

multione >

TYPE KHH30

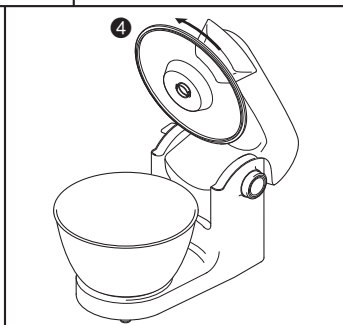
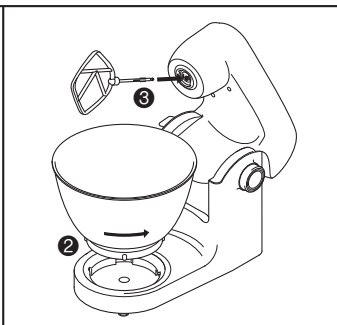
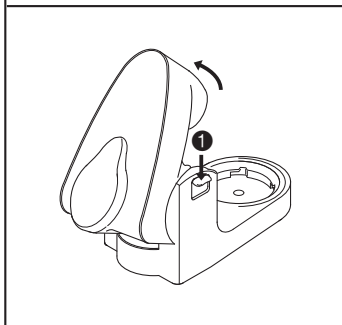
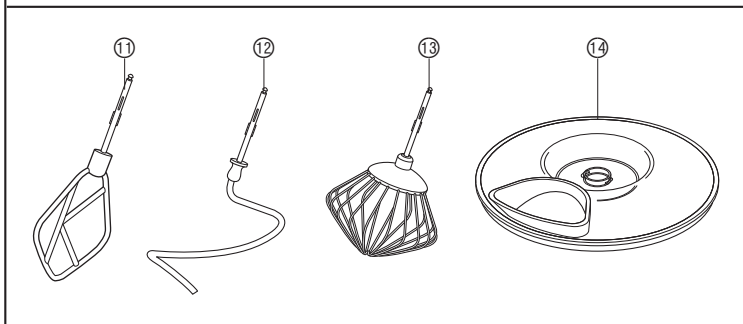
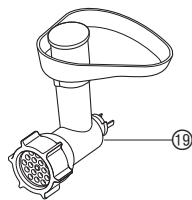
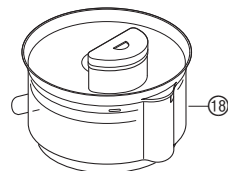
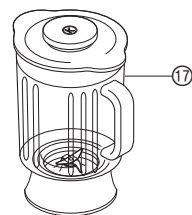
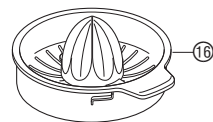
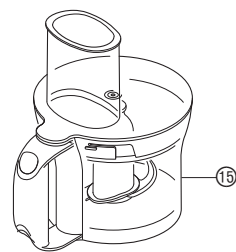
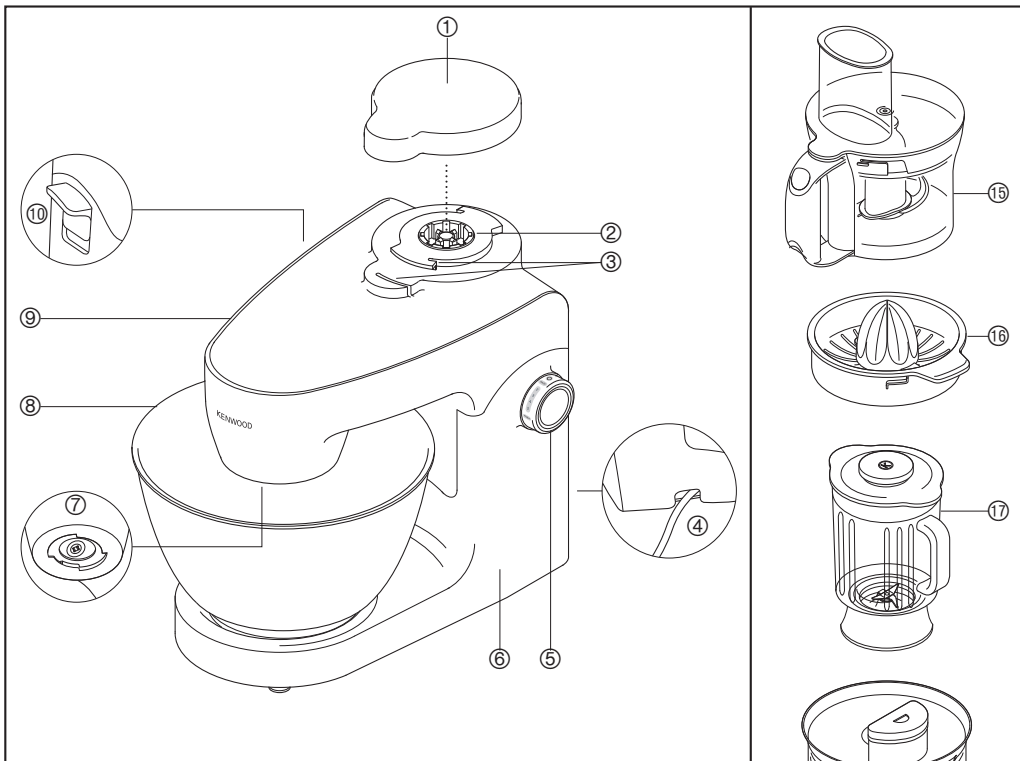
---

instructions  
istruzioni  
instrucciones  
Bedienungsanleitungen  
gebruiksaanwijzing

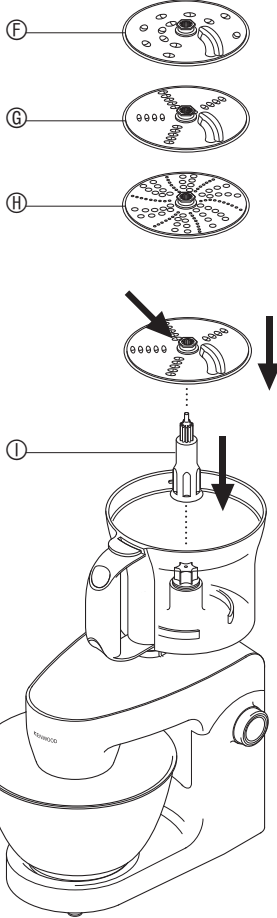
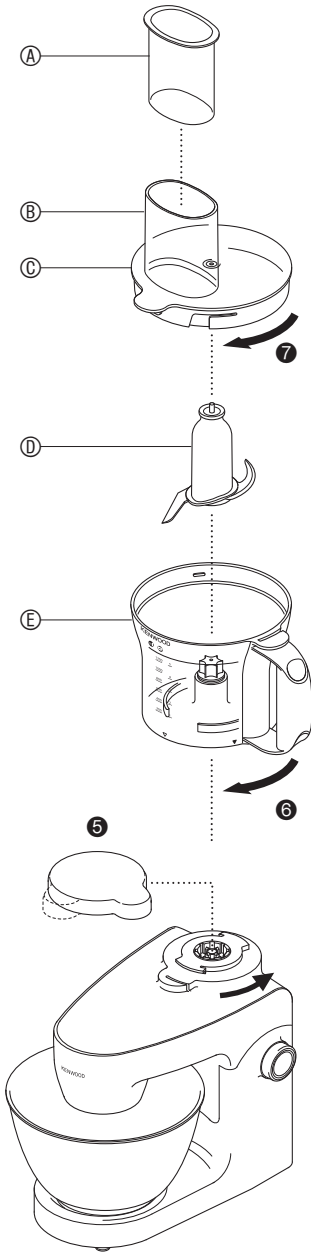


<b>English</b>	<b>2 - 14</b>
<b>Nederlands</b>	<b>15 - 28</b>
<b>Français</b>	<b>29 - 43</b>
<b>Deutsch</b>	<b>44 - 57</b>
<b>Italiano</b>	<b>58 - 71</b>
<b>Português</b>	<b>72 - 85</b>
<b>Español</b>	<b>86 - 99</b>
<b>Dansk</b>	<b>100 - 112</b>
<b>Svenska</b>	<b>113 - 125</b>
<b>Norsk</b>	<b>126 - 137</b>
<b>Suomi</b>	<b>138 - 149</b>
<b>Türkçe</b>	<b>150 - 162</b>
<b>Česky</b>	<b>163 - 175</b>
<b>Magyar</b>	<b>176 - 189</b>
<b>Polski</b>	<b>190 - 204</b>
<b>Ελληνικά</b>	<b>205 - 220</b>
<b>Slovenčina</b>	<b>221 - 235</b>
<b>Українська</b>	<b>236 - 251</b>
<b>عربي</b>	<b>٢٦٤ - ٢٥٢</b>

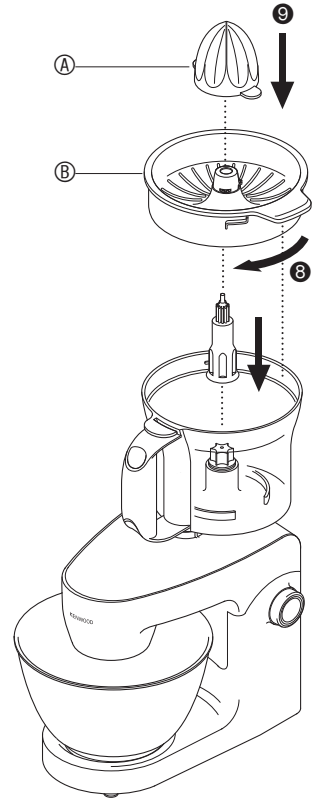




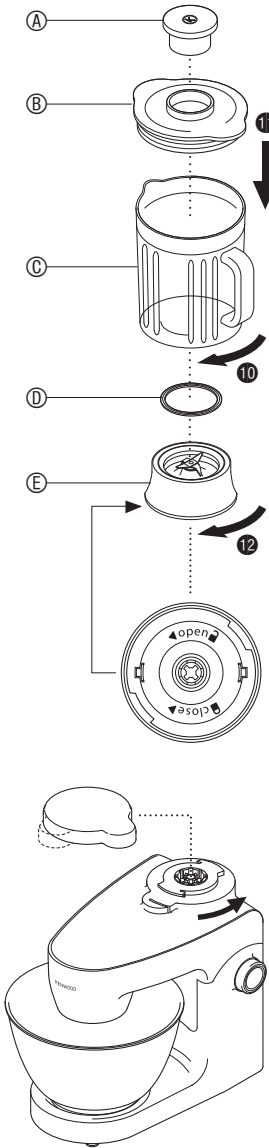
15



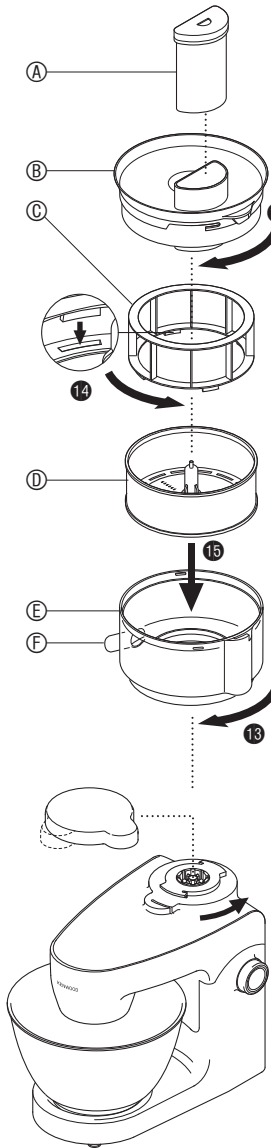
16



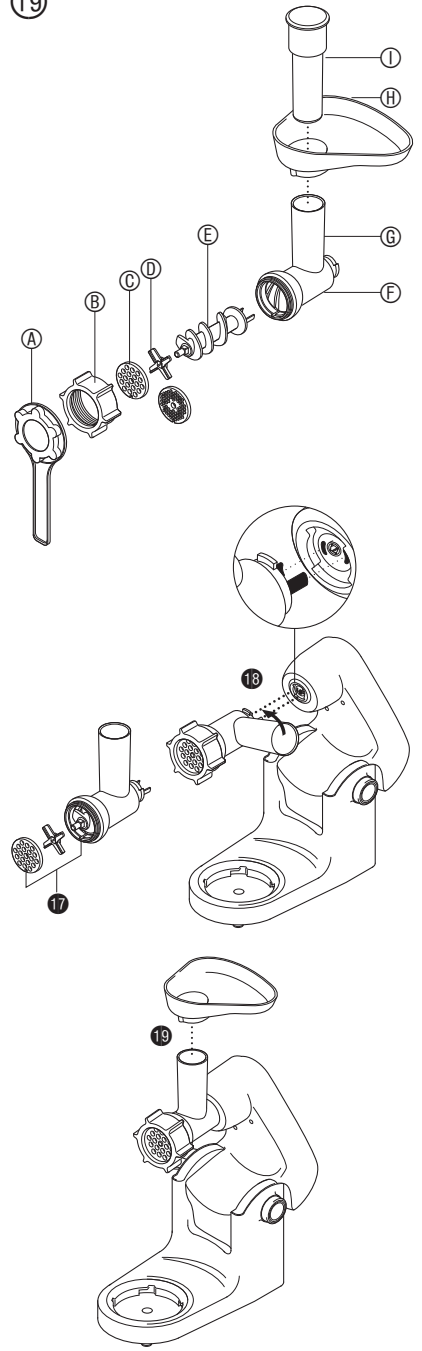
17



18



19



## safety

- Read these instructions carefully and retain for future reference.
- Remove all packaging and any labels.
- Switch off and unplug:
  - before fitting or removing parts;
  - when not in use;
  - before cleaning.
- Turn the speed control to 'O' (OFF) position and unplug before fitting or removing tools/attachments, after use and before cleaning.
- Keep your fingers away from moving parts and fitted attachments.
- Never leave the Kitchen Machine unattended when it is operating.
- Never use a damaged appliance. Get it checked or repaired: see 'service and customer care' section.
- Never let the cord hang down where a child could grab it.
- Never let the power unit, cord or plug get wet.
- **Ensure that no bowl tools are fitted or stored in the bowl when using the dual drive outlet.**
- Never use an unauthorised attachment or more than one attachment at once.
- Never exceed the quantities stated in the maximum capacity chart.
- Take care when lifting this appliance. Ensure the head is correctly latched in the down position and that the bowl, tools, outlet cover and cord are secure before lifting.
- Ensure the cord is fully unwound from the cord storage compartment ④ before using the Kitchen Machine.
- Children should be supervised to ensure that they do not play with the appliance.
- Do not move or raise the mixer head with an attachment fitted as the Kitchen Machine could become unstable.

- Do not operate your appliance near the edge of a work surface.
- Appliances can be used by persons with reduced physical, sensory or mental capabilities or lack of experience and knowledge if they have been given supervision or instruction concerning use of the appliance in a safe way and if they understand the hazards involved.
- Misuse of your appliance can result in injury.
- This appliance shall not be used by children. Keep the appliance and its cord out of reach of children.
- Only use the appliance for its intended domestic use. Kenwood will not accept any liability if the appliance is subject to improper use, or failure to comply with these instructions.
- The maximum rating is based on the attachment that draws the greatest load. Other attachments may draw less power.
- **Attachments will be damaged and may cause injury if the interlock mechanism is subjected to excessive force.**

### **Food Processor attachment**

- The food processor knife blade and discs are extremely sharp, handle with care. **Always hold by the finger grip at the top, away from the cutting edge, both when handling and cleaning.**
- Always remove the knife blade before pouring contents from the bowl.
- Keep hands and utensils out of the food processor bowl whilst connected to the power supply.
- Never use your fingers to push food down the feed tube. Always use the pusher supplied.
- Before removing the lid from the food processor bowl:
  - switch off;
  - wait until the attachment/blades have completely stopped.
- **Never remove the food processor lid until the knife blades/cutting discs have completely stopped.**

- **SCALD RISK:** Hot ingredients should be allowed to cool to room temperature before processing in the attachment.
- Do not use the lid to operate the food processor, always use the speed/pulse control.

### **Blender attachment**

- Keep hands and utensils out of the blender goblet whilst connected to the power supply.
- **Never fit the blade unit to the power unit without the blender goblet fitted.**
- **SCALD RISK:** Hot ingredients should be allowed to cool to room temperature before processing or blending in the attachment.
- Only operate the blender with the lid in place.
- Only use the goblet with the blade assembly supplied.
- Never run the blender empty.
- To ensure the long life of your blender, never run for longer than 60 seconds. Switch off as soon as you have achieved the right consistency.
- The processing of spices is not recommended as they may damage the plastic parts.
- Smoothie recipes – never blend frozen ingredients that have formed a solid mass during freezing; break it up before adding to the goblet.

### **Food Mincer attachment**

- Always ensure bones and rind etc. are removed from the meat before mincing.
- When mincing nuts only feed a few down at a time and allow the scroll to pick them up before adding any more.
- Always use the pusher supplied. Never put your fingers or utensils in the feed tube.
- Warning – the cutting blade is sharp, handle with care both in use and when cleaning.
- Ensure the attachment is secured in position before switching on.



## Juice Extractor attachment

- **Do not use the juicer if the filter is damaged.**
- The cutting blades on the base of the filter are very sharp, take care when handling and cleaning the filter.
- Do not use the lid to operate the juicer, always use the speed/pulse control.
- Should excessive vibration occur when using this attachment, either adjust the speed or stop the machine, unplug and clear any pulp from the drum (the juicer vibrates if the pulp becomes unevenly distributed).

### before plugging in

- Make sure your electricity supply is the same as the one shown on the underside of your appliance.
- This appliance conforms to EC directive 2004/108/EC on Electromagnetic Compatibility and EC regulation no. 1935/2004 of 27/10/2004 on materials intended for contact with food.

### before using for the first time

- Wash the parts: see 'care and cleaning'.

### key

- ① outlet cover
- ② dual drive outlet (medium and high speed)
- ③ interlocks
- ④ cord storage compartment
- ⑤ speed/pulse control
- ⑥ power unit
- ⑦ bowl tool socket
- ⑧ bowl
- ⑨ mixer head
- ⑩ head release lever
- ⑪ K-beater
- ⑫ spiral dough hook
- ⑬ whisk
- ⑭ splashguard

### attachments

- ⑮ food processor
- ⑯ citrus juicer
- ⑰ glass blender
- ⑱ juice extractor
- ⑲ food mincer

Refer to the recommended speed chart for each attachment.

## the mixing tools and some of their uses

### **K-beater**

- For making cakes, biscuits, pastry, icing, fillings, éclairs and mashed potato.

### **whisk**

- For eggs, cream, batters, fatless sponges, meringues, cheesecakes, mousses, soufflés. Do not use the whisk for heavy mixtures (eg creaming fat and sugar) - you could damage it.

### **spiral dough hook**

- For yeast mixtures.

## to use your bowl tools

- 1 Press the head release lever down ❶ and raise the mixer head until it locks into position.
- 2 Fit the bowl into the base and turn anti-clockwise to lock into position ❷.
- 3 Select a tool and push into the tool socket until it clicks ❸.
- 4 Press the head release lever down and lower the mixer head until it locks into position.
- 5 Plug into the power supply. To switch on, turn the speed switch to the desired setting. To switch off turn to 'O' (OFF) position.

**If the mixer head is in the raised position or the outlet cover is not fitted, the Power On light will flash and the machine will not operate.**

- Switch to pulse Ⓟ for short bursts.
- 6 Unplug from the power supply.
  - 7 Raise the mixer head and whilst holding it steady, pull the tool from the tool socket.

### **important**

- If the mixer head is raised during operation, the machine will stop working straight away. To re-start, lower the mixer head, turn the speed switch to the 'O' (OFF) position, wait a few seconds and then re-select the speed. The machine should resume operating straight away.
- If for any reason power is interrupted and the machine stops working, turn the speed switch to the 'O' (OFF) position, wait a few seconds and then re-select the speed. It should resume operating straight away.
- **The machine will not operate unless the outlet cover is correctly fitted.**
- If you hear the machine labouring either switch off and remove some of the mixture or increase the speed.

- Always remove attachments fitted to the dual drive outlet before raising the mixer head.
- **Ensure that no bowl tools are fitted or stored in the bowl when using the dual drive outlet.**

### **hints**

- Switch off and scrape the bowl with a spatula when necessary.
- Eggs at room temperature are best for whisking.
- Before whisking egg whites, make sure there is no grease or egg yolk on the whisk or bowl.
- Use cold ingredients for pastry unless your recipe states otherwise.
- When creaming fat and sugar for cake mixes, always use the fat at room temperature or soften it first.
- Your machine has been fitted with a 'soft start' feature to minimise spillage. However if the machine is switched on with a heavy mixture in the bowl such as bread dough, you may notice that it takes a few seconds to reach the selected speed.

## points for bread making

### **important**

- Never exceed the maximum capacities stated - you will overload the machine.
- **Some movement of the mixer head is normal when mixing heavy loads such as bread dough.**
- The ingredients mix best if you put the liquid in first.
- At intervals stop the machine and scrape the mixture off the dough hook.
- Different batches of flour vary considerably in the quantities of liquid required and the stickiness of the dough can have a marked effect on the load imposed on the machine. You are advised to keep the machine under observation whilst the dough is being mixed; the operation should take no longer than 6-8 minutes.

## to fit and use your splashguard

- 1 Fit the bowl into the base and add the ingredients.
  - 2 Fit the splashguard by aligning the tabs with the bowl tool socket ❷ and rotate anti-clockwise to lock into position ❹.
  - 3 Fit the tool then lower the mixer head.
  - 4 To remove the splashguard reverse the above procedure.
- During mixing, ingredients can be added directly to the bowl via the chute.

## electronic speed sensor control

Your mixer is fitted with an electronic speed sensor control that is designed to maintain the speed under different load conditions, such as when kneading bread dough or when eggs are added to a cake mix. You may therefore hear some variation in speed during the operation as the mixer adjusts to the load and speed selected - this is normal.

### 15 food processor

- A pusher
- B feed tube
- C lid
- D knife blade
- E bowl with drive shaft
- F thick slicing/grating disc
- G thin slicing/grating disc
- H extra fine grating disc
- I detachable drive shaft

## to use your food processor

- 1 Remove the outlet cover by turning it anti-clockwise and lifting off 5.
- 2 Fit the bowl E over the outlet with the handle to the right hand side and turn clockwise until it locks into position 6.
- 3 Add the knife blade or detachable drive shaft with the desired attachment.

**Note: The detachable drive shaft I should only be fitted when using the discs and citrus juicer.**

- Always fit the bowl and attachment onto the processor before adding ingredients.
- 4 Fit the lid 7 – ensuring the top of the knife blade/drive shaft locates into the centre of the lid.
- **Do not use the lid to operate the processor, always use the speed/pulse control.**
- 5 Plug in, switch on and select a speed (refer to the recommended speed chart).
- **The processor will not operate if the bowl or lid are not fitted correctly into the interlocks. Check that the feed tube and bowl handle are situated to the front.**
  - Use the pulse P for short bursts. The pulse will operate for as long as the control is held in position.
- 6 Reverse the above procedure to remove the lid, attachments and bowl.
- **Always switch off and unplug before removing the lid.**

### important

- Your processor is not suitable for crushing or grinding coffee beans, or converting granulated sugar to caster sugar.
- When adding almond essence or flavouring to mixtures, avoid contact with the plastic as this may result in permanent marking.
- **Do not process hot ingredients.**

### knife blade D

The knife blade is the most versatile of all the attachments. The length of the processing time will determine the texture achieved.

For coarser textures use the pulse control.

Use the knife blade for cake and pastry making, chopping raw and cooked meat, vegetables, nuts, pâté, dips, pureeing soups and to also make crumbs from biscuits and bread.

### hints

- Cut food such as meat, bread, vegetables into cubes approximately 2cm/ ¾in before processing.
- Biscuits should be broken into pieces and added down the feed tube whilst the machine is running.
- When making pastry, use fat straight from the fridge cut into 2cm/ ¾in cubes.
- Take care not to over-process.
- **Do not use the knife blade to mix heavy loads such as bread dough.**
- Do not use the knife blade to chop ice cubes or other hard foods, such as spices, they may damage the attachment.

## slicing/grating discs

to use the discs

### reversible slicing/grating discs – thick F, thin G

Use the grating side for cheese, carrots, potatoes and foods of a similar nature.

Use the slicing side for cheese, carrots, potatoes, cabbage, cucumber, beetroot and onions.

### extra fine grating disc H

Grates Parmesan cheese and potatoes for German potato dumplings.

## to use the cutting discs

- 1 Fit the bowl on the power unit, add the detachable drive shaft.
- 2 Hold by the centre grip, place the disc onto the drive shaft with the appropriate side uppermost.
- 3 Fit the lid.
- 4 Put the food in the feed tube.
- 5 Switch on, then push down evenly with the pusher – never put your fingers in the feed tube.

### hints

- Use fresh ingredients.
- Do not cut food too small. Fill the width of the feed tube fairly full. This prevents the food from slipping sideways during processing.
- Food placed upright comes out shorter than food placed horizontally.
- There will always be a small amount of waste on the disc or in the bowl after processing.

## 16 citrus juicer

Use the citrus juicer to squeeze the juice from citrus fruits (e.g. oranges, lemons, limes and grapefruits).

- (A) cone
- (B) sieve

## to use the citrus juicer

- 1 Fit the bowl onto the power unit, add the detachable drive shaft.
  - 2 Fit the sieve into the bowl – ensuring the sieve handle is locked into position directly over the bowl handle (B).
  - 3 Place the cone over the drive shaft turning until it drops all the way down (A).
  - 4 Cut the fruit in half. Then switch on and press the fruit onto the cone.
- **The citrus juicer will not operate if the sieve is not locked correctly.**
  - For best results store and juice the fruit at room temperature and hand roll on a worktop before juicing.
  - To help with juice extraction move the fruit from side to side when juicing.
  - When juicing large quantities, empty the strainer regularly to prevent the build up of pulp and seeds.

## 17 glass blender

- (A) filler cap
- (B) lid
- (C) goblet
- (D) sealing ring
- (E) blade unit

## to use your glass blender

- 1 Fit the sealing ring (D) into the blade unit (E) - ensuring the seal is located correctly in the grooved area.
- **Leaking will occur if the seal is damaged or incorrectly fitted.**
- 2 Screw the goblet onto the blade assembly (C). Refer to the graphics on the underside of the blade unit as follows:

 - unlocked position

 - locked position

**The blender will not operate if incorrectly assembled.**

- 3 Put your ingredients into the goblet.
  - 4 Fit the lid to the goblet and push down to secure (D). Fit the filler cap.
  - 5 Remove the dual drive outlet cover by turning it anti-clockwise and lifting off.
  - 6 Place the blender onto the power unit, and turn clockwise (12) until it clicks into position.
- **The appliance will not operate if the blender is incorrectly fitted to the interlock.**
- 7 Select a speed (refer to recommended speed chart) or use pulse (P) for short bursts.

### hints

- When making mayonnaise, put all the ingredients, except the oil, into the blender. Remove the filler cap. Then, with the appliance running, add the oil slowly through the hole in the lid.
- Thick mixtures, e.g. pâtés and dips, may need scraping down. If the mixture is difficult to process, add more liquid.
- Ice crushing – operate the pulse in short bursts until crushed to the desired consistency.
- The processing of spices is not recommended as they may damage the plastic parts.
- **The appliance will not work if the blender is incorrectly fitted.**

- To blend dry ingredients – cut into pieces, remove the filler cap, then with the appliance running, drop the pieces down one by one. Keep your hand over the opening. For best results empty regularly.
- Do not use the blender as a storage container. Keep it empty before and after use.
- Never blend more than 1.2 litres (42 fl oz) – less for frothy liquids like milkshakes.

## 18 juice extractor

Use the juice extractor for making juice from firm fruit and vegetables.

- (A) pusher
- (B) juicer lid
- (C) pulp remover
- (D) filter drum
- (E) juicer bowl
- (F) spout

### to use your juice extractor

- 1 Fit the juicer bowl (E) over the dual drive outlet with the spout (F) to the left hand side and turn clockwise until it locks (13).
- 2 Place the pulp remover (C) into the filter drum (D) – ensuring the tabs locate with the slots in the bottom of the drum (14).
- 3 Fit the filter drum (15).
- 4 Place the juicer lid (B) onto the bowl and turn until it locks (16). **Your juicer will not operate if the bowl or lid are not fitted correctly into the interlock.**
- 5 Place a suitable container under the juice outlet.
- 6 Cut the food to fit the feed tube.
- 7 Switch to maximum speed, then place the food into the feed tube. Push down evenly with the pusher - **never put your fingers in the feed tube.** Process fully before adding more.
- After adding the last piece, let the juicer run for a further 30 seconds to extract all the juice from the filter drum.

#### important

- If the juicer starts to vibrate, switch off and empty the pulp from the filter. (The juicer vibrates if the pulp becomes unevenly distributed).
- Maximum capacity that can be processed at one time is 800g (1lb 12oz) of fruit or vegetables.
- Some very hard foods may make your attachment slow down or stop. If this happens switch off and unblock the filter.

- Switch off and empty the pulp and juice containers regularly during use.

#### hints

- Insert soft food slowly to get the most juice.
- Vitamins disappear - the sooner you drink your juice, the more vitamins you will get.
- If you need to store the juice for a few hours put it in the fridge. It will keep better if you add a few drops of lemon juice.
- Do not drink more than three 230mls (8 fl.oz.) glasses of juice a day unless you are used to it.
- Dilute juice for children with an equal amount of water.
- Juice from dark green (broccoli, spinach etc) or dark red (beetroot, red cabbage etc) vegetables is extremely strong, so always dilute it.
- Fruit juice is high in Fructose (fruit sugar), so people with diabetes or low blood sugar should avoid drinking too much.

## 19 food mincer

Use the food mincer to process meat, poultry and fish.

- (A) spanner
- (B) ring nut
- (C) screens: medium and coarse
- (D) cutter
- (E) scroll
- (F) body
- (G) feed tube
- (H) tray
- (I) pusher

### to assemble

- 1 Fit the scroll (E) inside the food mincer body (F).
- 2 Fit the cutter (D) – cutting side outermost. Ensure it is seated properly, otherwise you could damage your food mincer.
- 3 Fit a screen (C). Put the notch over the locating tab (17).
- 4 Loosely fit the ring nut (B).

### to use your food mincer

- 1 Raise the mixer head.
- 2 With the food mincer in the position shown, align the drive tabs on the end of the scroll with the corresponding slots in the drive outlet (18).
- 3 Push the food mincer into the outlet and turn anti-clockwise until it locks into place.

- 4 Hold the feed tube in place and tighten the ring nut by hand.
  - 5 Fit the tray **10**.
  - 6 **Thaw frozen food thoroughly before mincing.** Cut meat into 2.5cm (1") –wide strips.
  - 7 Switch to maximum speed. Using the pusher, gently push the food through one piece at a time.  
**Do not push hard** – you could damage your food mincer.
- important**
- Never operate the food mincer attachment for longer than 10 minutes as this could damage your mixer.
  - **The food mincer attachment will not operate unless the dual speed outlet cover is fitted.**
- 8 Once all the food has been minced, switch off and unplug.
  - 9 Remove the food mincer. Use the spanner **A** to remove the ring nut if it is too tight.

## care and cleaning

- Always switch off and unplug before cleaning.
- Dismantle attachments fully before cleaning.

### power unit

- Wipe with a damp cloth, then dry.
- Never use abrasives or immerse in water.
- Store excess cord in the storage compartment **4** at the back of the machine.
- Ensure the feet on the base of the mixer are kept clean.

### bowl, tools, splashguard

- Wash by hand, then dry thoroughly.
- Never use a wire brush, steel wool or bleach to clean your stainless steel bowl. Use vinegar to remove limescale.
- Keep away from heat (cooker tops, ovens, microwaves).

### food processor

- **Handle the blades and discs with care – they are extremely sharp.**
- Some foods may discolour the plastic. This is perfectly normal and won't harm the plastic or affect the flavour of your food. Rub with a cloth dipped in vegetable oil to remove the discolouration.

### citrus juicer

- Wash by hand, then dry thoroughly.

### blender

- 1 Empty the goblet before unscrewing it from the blade unit.
- 2 Wash the goblet by hand.
- 3 Remove and wash the seal.
- 4 Do not touch the sharp blades – brush them clean using hot soapy water, then rinse thoroughly under the tap. **Do not immerse the blade unit in water.**
- 5 Leave to dry upside down.

### juice extractor

- For easier cleaning always wash the parts immediately after use.
- Some foods, e.g. carrot, will discolour the plastic. Rubbing with a cloth dipped in vegetable oil helps remove discolouring.
- Clean the filter using a soft brush.
- **Check the filter regularly for signs of damage. Do not use if the filter is damaged. Refer to “service and customer care”.**

### food mincer

- Wash all parts in hot soapy water, then dry thoroughly. Do not wash any part in the dishwasher. Never use a soda solution.
- Wipe the screens with vegetable oil, then wrap in greaseproof paper to prevent discolouring/rusting.

### all other parts

- Wash by hand, then dry.
- Alternatively, refer to dishwasher chart for parts that are dishwasher safe and can be washed on the top rack of your dishwasher. Avoid placing items on the bottom rack directly over the heating element. A short, low temperature (Maximum 50°C) programme is recommended.

item	suitable for dishwashing
<b>Mixer</b>	
Bowl	✓
Whisk, beater and dough hook	✓
Splashguard	✓
Outlet cover	x
<b>Food Processor</b>	
Main bowl, lid and pusher	✓
Knife blade	✓
Detachable drive shaft	✓
Discs	✓
<b>Citrus juicer</b>	
Cone, sieve	✓
<b>Blender</b>	
Goblet, lid and filler cap	✓
Blade unit and seal	x
<b>Juice extractor</b>	
Bowl, pusher, lid, filter drum and pulp remover	✓
<b>Food mincer</b>	
Ring nut, screens, cutter, scroll and body	x
Tray and pusher	✓

## service and customer care

- If the cord is damaged it must, for safety reasons, be replaced by KENWOOD or an authorised KENWOOD repairer.
- **If you experience any problems with the operation of the Kitchen Machine or attachments, before calling for assistance refer to the troubleshooting guide.**

If you need help with:

- using your appliance
- servicing or repairs
- Contact the shop where you bought your appliance.
- Designed and engineered by Kenwood in the UK.
- Made in China.



### **IMPORTANT INFORMATION FOR CORRECT DISPOSAL OF THE PRODUCT IN ACCORDANCE WITH EC DIRECTIVE 2002/96/EC.**

At the end of its working life, the product must not be disposed of as urban waste. It must be taken to a special local authority differentiated waste collection centre or to a dealer providing this service.

Disposing of a household appliance separately avoids possible negative consequences for the environment and health deriving from inappropriate disposal and enables the constituent materials to be recovered to obtain significant savings in energy and resources. As a reminder of the need to dispose of household appliances separately, the product is marked with a crossed-out wheeled dustbin.

## recommended speed chart and maximum capacities

These are a guide only and will vary depending upon the quantity of mix in the bowl and the ingredients being mixed.

<b>tool/ attachment</b>	<b>recipe type</b>	<b>speed</b>	<b>time</b>	<b>maximum capacities</b>
<b>Kitchen machine</b>				
Whisk	Egg whites	Min to Max	2 mins	2-8 (70g-280g/2oz-10oz)
	Cream	Min to Max	1½ mins	125ml/4½ fl oz 600ml/21 fl oz
Beater	All in one cake mixes	Min to Max	1½ mins	1.6kg /3lb 8oz total weight 8 egg mix
	Fruit cake - creaming fat and sugar Folding in flour, fruit, etc.	Min to Max Min	4 mins Up to 1 min	1.8kg/4lb total weight 6 egg mix
	Rubbing fat into flour	Min to Speed 2	5 mins	450g/1lb flour
	Adding water to combine pastry ingredients	Min	30 secs	
Dough hook	Bread dough (stiff yeasted)	Min to Speed 2	4 mins	500g/1lb 2oz flour weight 800g/1lb 12oz total weight
<b>Food processor</b>				
Knife blade	All in one cake mixes	Max	15 secs	600g/1lb 5oz total weight 3 egg mix
	Rubbing fat into flour Adding water to combine pastry ingredients	Max Max	Up to 1 min 10 secs	340g/12oz flour weight
	Chopping/pureeing/pâtés	Max	Up to 30 secs	400g/14oz chopping lean meat total weight
Discs – slicing/grating	Firm food items such as carrots, hard cheeses	Max	–	Do not exceed maximum capacity marked on the bowl.
	Softer items such as cucumbers, tomatoes	Speed 3	–	
Extra fine grating disc	Parmesan cheese, potato for German potato dumplings	Max	–	
<b>Citrus juicer</b>	Citrus fruits	Speed 2	–	–
<b>Blender</b>	All processing	Max	Up to 1 min	1.2 litres/42 fl oz
<b>Juice extractor</b>	Hard fruits and vegetables e.g. carrots and apples	Max	–	800g/1lb 12oz
	Soft fruits and vegetables e.g. tomatoes and grapes	Max	–	500g/1lb 2oz
<b>Food mincer</b>	Meat, poultry, fish cut into 2.5cm (1") –wide strips	Max	–	–

\*Egg sizes used = medium sized (Weight 53-63g)



## troubleshooting guide

<b>Problem</b>	<b>Cause</b>	<b>Solution</b>
The machine will not operate when using mixing tools.	<p>No power/indicator light not lit.</p> <p>Mixer head not locked down correctly.</p> <p>Outlet cover not fitted correctly.</p> <p>Mixer head has been lifted during operation and lowered again without resetting the speed control to 'O' (OFF) position.</p>	<p>Check machine is plugged in.</p> <p>Check that the mixer head is locked down correctly.</p> <p>Check that the outlet cover is located correctly.</p> <p><b>The machine will not work if the outlet cover is fitted incorrectly.</b></p> <p>Check that the speed control is reset to 'O' (OFF) position.</p>
Machine stops during operation.	<p>Machine overloaded/maximum capacities exceeded.</p> <p>Mixer head or outlet cover has unlocked.</p>	<p>Switch off, unplug and allow the machine to cool down for 30 minutes.</p> <p>Check maximum capacities in the recommended speed chart.</p> <p>Check that the mixer head and outlet cover are located correctly.</p>
Dual drive attachment will not operate.	<p>Dual drive attachment is not locked on correctly.</p> <p>Food processor/juice extractor lid or citrus juicer sieve located incorrectly.</p>	<p>Check the dual drive attachment is located correctly.</p> <p>Check that the attachment is fitted correctly.</p>
Food mincer attachment will not operate.	<p>Attachment is not locked on correctly.</p> <p>Outlet cover is not fitted correctly.</p>	<p>Check the attachment is located correctly.</p> <p>Check that the outlet cover is located correctly.</p>
Movement on the work surface.	<p>Feet on the underside of the machine are dirty or wet.</p>	<p>Regularly check the feet are clean and dry.</p>
Poor performance of tools/attachments.	<p>Refer to hints in relevant "using the attachment" section. Check attachments are assembled correctly.</p>	

## troubleshooting guide

<b>Problem</b>	<b>Cause</b>	<b>Solution</b>
Power On light flashing rapidly.	Normal operation. The light will flash if one or more of the interlocks are not engaged correctly.	If using an attachment, check that it is locked into place correctly. Check the mixer head is fully in the lowered position, unless using the meat grinder attachment. Check the speed control is in the 'O' (OFF) position.
Power On light flashing slowly.	Standby mode operating. If the kitchen machine is left plugged in for over 30 minutes without being used, it will go into Standby mode to reduce energy consumption. The light will change to being constantly lit when ready to use.	The kitchen machine will return to normal operation when the speed control is turned to a speed and then turned back to the 'O' (OFF) position.
If none of the above solve the problem see "service and customer care".		

# Nederlands

## Vouw voor het lezen a.u.b. de voorpagina met illustraties uit

### veiligheid

- Lees deze instructies zorgvuldig door en bewaar ze voor toekomstig gebruik.
- Verwijder alle verpakking en labels.
- De machine altijd uitzetten en de stekker uit het stopcontact halen:
  - voordat u hulpstukken bevestigt of loshaalt;
  - indien niet in gebruik;
  - voordat u de machine schoonmaakt.
- Zet de snelheidsregeling op 'O' (uit) en haal de stekker uit het stopcontact voordat u hulpstukken monteert of verwijdert, zowel na het gebruik als voor de reiniging.
- Houd uw vingers uit de buurt van bewegende onderdelen en aangebrachte hulpstukken.
- Laat de keukenmachine nooit onbeheerd aan staan.
- Gebruik nooit een machine die beschadigd is. Laat de machine controleren of repareren: raadpleeg het deel 'Klantenservice'.
- Laat het snoer nooit overhangen, zodat een kind erbij kan.
- Zorg ervoor dat het motorblok, het snoer en de stekker nooit nat worden.
- **Zorg ervoor dat er geen menghulpstukken zijn bevestigd of in de kom aanwezig zijn wanneer u het contact met dubbele aandrijving gebruikt.**
- Gebruik nooit een hulpstuk dat niet goedgekeurd is en gebruik nooit meer dan één hulpstuk per keer.
- Overschrijd nooit de hoeveelheden die staan vermeld op de tabel met de maximumcapaciteiten.
- Wees voorzichtig wanneer u de machine optilt. Hij is zwaar. Zorg ervoor dat de kop omlaag staat en vergrendeld is, en dat de kom, de hulpstukken, de contactdeksels en het snoer vast zitten, voordat u de machine optilt.

- Zorg ervoor dat u het hele snoer uit het opbergvak ④ hebt gehaald, voordat u de keukenmachine gebruikt.
- Kinderen mogen de machine alleen onder toezicht gebruiken, om te voorkomen dat ze ermee spelen.
- Verplaats de machine niet en haal de kop niet omhoog als een hulpstuk aangebracht is, omdat de keukenmachine dan instabiel kan worden.
- Gebruik de machine niet aan de rand van het werkoppervlak.
- Dit apparaat kan worden gebruikt door personen met verminderde lichamelijke, sensorische of geestelijke capaciteiten of gebrek aan ervaring en kennis mits ze onder toezicht staan of instructie hebben gekregen over het veilig gebruik van het apparaat en de betrokken risico's begrijpen.
- Misbruik van uw apparaat kan tot letsel leiden.
- Dit apparaat mag niet door kinderen worden gebruikt. Houd het apparaat en het snoer buiten het bereik van kinderen.
- Gebruik het apparaat alleen voor het huishoudelijke gebruik waarvoor het is bedoeld. Kenwood kan niet aansprakelijk worden gesteld in het geval dat het apparaat niet correct is gebruikt, of waar deze instructies niet worden opgevolgd.
- Het maximumvermogen hangt af van het hulpstuk met de grootste belasting. Andere hulpstukken kunnen minder energie vragen.
- **De hulpstukken raken beschadigd en kunnen letsel veroorzaken als er teveel druk op het vergrendelingsmechanisme wordt uitgeoefend.**

### **Hulpstuk van de keukenmachine**

- Het meselement en de schijven van de keukenmachine zijn erg scherp, wees dus voorzichtig. **Houd het meselement altijd aan de vingergreep aan de bovenkant vast, houd uw vingers uit de buurt van de snijrand, zowel tijdens de verplaatsing als tijdens de reiniging.**
- Verwijder altijd het meselement voordat u de inhoud van de kom uitschenkt.

- Steek geen handen of keukengerei in de keukenmachine wanneer de stekker in het stopcontact steekt.
- Gebruik nooit uw vingers om voedsel door de vultrechter te duwen. Gebruik altijd de meegeleverde stamper.
- Voordat u het deksel van de kom af haalt:
  - schakel de machine uit;
  - wacht totdat het hulpstuk/de messen volledig tot stilstand zijn gekomen.
- **Verwijder nooit het deksel van de keukenmachine voordat de messen of schijven volledig tot stilstand zijn gekomen.**
- **VERBRANDINGSGEVAAR:** Laat hete ingrediënten altijd tot kamertemperatuur afkoelen voordat u ze in het hulpstuk verwerkt.
- Gebruik nooit het deksel om de keukenmachine te bedienen. Gebruik hiervoor altijd de snelheidsregeling/pulseerknop.

### **Blenderhulpstuk**

- Steek geen handen of keukengerei in de blenderbeker wanneer de stekker in het stopcontact steekt.
- **Monteer de messeneenheid nooit op het motorblok als de blenderbeker niet is bevestigd.**
- **VERBRANDINGSGEVAAR:** Laat hete ingrediënten altijd tot kamertemperatuur afkoelen voordat u ze in het hulpstuk verwerkt of vermengt.
- Gebruik de blender altijd met het deksel gesloten.
- Gebruik de beker alleen met het meegeleverde meselement.
- Laat de blender nooit leeg draaien.
- Als u wilt dat uw blender lang mee gaat, zet hem dan nooit langer dan 60 seconden aan. Zet de blender uit zodra u de juiste dikte hebt verkregen.
- Het verwerken van specerijen wordt niet aangeraden, omdat de kunststofonderdelen beschadigd kunnen raken.
- Smoothies – meng nooit diepgevroren ingrediënten die tot een harde klomp zijn vastgevroren. Breek de klomp in stukjes, voordat u ze in de beker doet.

## Hulpstuk van de snijmachine

- Controleer altijd of alle botten, zwoerden, etc. van het vlees zijn verwijderd voordat u het gaat vermalen.
- Wanneer u noten gaat fijnhakken, moet u slechts enkele noten tegelijk toevoegen en wachten tot het schroefelement ze volledig heeft meegenomen voordat u meer noten toevoegt.
- Gebruik altijd de meegeleverde stamper. Steek nooit uw vingers of keukengerei in de vultrechter.
- Waarschuwing – het mes is scherp, wees dus voorzichtig zowel tijdens het gebruik als de reiniging.
- Controleer of het hulpstuk stevig op zijn plaats vastzit voordat u het apparaat inschakelt.

## Hulpstuk van de sapcentrifuge

- **Gebruik de fruitpers niet als het filter beschadigd is.**
- De snijmesses onder aan het filter zijn erg scherp. Wees voorzichtig wanneer u de trommel verplaatst en reinigt.
- Gebruik nooit het deksel om de fruitpers te bedienen. Gebruik hiervoor altijd de snelheidsregeling/pulseerknop.
- Als dit hulpstuk tijdens het gebruik te veel trilt, dient u de snelheid te verlagen of de machine te stoppen, de stekker uit het stopcontact te halen en al het vruchtvlees uit de trommel te verwijderen (de fruitpers gaat trillen als het vruchtvlees ongelijkmatig verdeeld is).

### **voordat u de stekker in het stopcontact steekt**

- Zorg dat de elektriciteitsvoorziening dezelfde spanning heeft als op de onderkant van het apparaat wordt aangegeven.

- Dit apparaat voldoet aan de EC-richtlijn 2004/108/EG betreffende de elektromagnetische compatibiliteit en EG-verordening 1935/2004 van 27/10/2004 betreffende materialen die bestemd zijn voor contact met voedsel.

### **voordat u de machine voor het eerst gebruikt**

- Lees het deel 'Verzorging en reiniging', voordat u de onderdelen gaat schoonmaken.

## legenda

- ① contactdeksel
- ② contact met dubbele aandrijving (medium en hoge snelheid)
- ③ vergrendelingen
- ④ opbergvak voor het snoer
- ⑤ snelheids- en pulseerregeling
- ⑥ motorblok
- ⑦ contact voor het komhulpstuk
- ⑧ kom
- ⑨ mixerkop
- ⑩ vrijzethendel voor de kop
- ⑪ K-klopper
- ⑫ spiraalvormige deeghaak
- ⑬ garde
- ⑭ spatscherm

### hulpstukken

- ⑮ keukenmachine
- ⑯ citrusfruitpers
- ⑰ glazen blender
- ⑱ sapcentrifuge
- ⑲ snijmachine

Raadpleeg de tabel met aanbevolen snelheden voor elk hulpstuk.

## de menghulpstukken en hoe ze gebruikt kunnen worden

### K-klopper

- Voor het bereiden van taarten, koekjes, gebakjes, suikerglazuur, vullingen, éclairs en aardappelpuree.

### garde

- Voor eieren, room, beslag, vetloos eiergebak, meringue, kaastaart, mousse, soufflés. Gebruik de garde niet voor zware mengsels (bijv. boter en suiker), omdat de garde daardoor beschadigd kan raken.

### spiraalvormige deeghaak

- Alleen voor gistmengsels.

## de menghulpstukken gebruiken

- 1 Duw de vrijzethendel ① naar beneden en zet de mengkop omhoog, totdat hij vast zit.
- 2 Plaats de kom op het onderstel en draai hem naar links vast ②.
- 3 Kies een hulpstuk en duw dit in het contact, totdat hij vastklikt ③.

- 4 Duw de vrijzethendel naar beneden en zet de mengkop omlaag, totdat hij vast zit.
- 5 Steek de stekker in het stopcontact. Schakel de machine in, draai de snelheidsregeling op de gewenste snelheid. U schakelt de machine uit door de regeling op 'O' (uit) te zetten.

### Als de mengkop omhoog staat of het contactdeksel niet aanwezig is, knippert het stroomlichtje en functioneert de machine niet.

- Zet de regeling op pulseren ④ voor korte stroomstoten.
- 6 Haal de stekker uit het stopcontact.
  - 7 Zet de mengkop omhoog, houd hem tegen en trek het hulpstuk uit het contact.

### belangrijk

- Als de mengkop tijdens de werking omhoog wordt gezet, stopt de machine onmiddellijk. Als u de machine weer wilt starten, zet u de mengkop weer omlaag, de snelheidsregeling op 'O' (uit), wacht u enkele seconden en draait u de regeling weer op de gewenste snelheid. De machine start onmiddellijk.
- Als de stroom om wat voor reden dan ook wordt onderbroken zodat de machine stopt, zet u de snelheidsregeling op 'O' (uit), wacht u enkele seconden en zet u de snelheidsregeling weer op de gewenste snelheid. De machine start onmiddellijk.
- **De machine functioneert niet tenzij het contactdeksel juist is aangebracht.**
- Als u hoort dat de machine moeite met het mengen heeft, schakelt u hem of uit en verwijdert u een deel van het mengsel, of u verhoogt de snelheid.
- Verwijder altijd de hulpstukken die op het contact met dubbele aandrijving zijn bevestigd, voordat u de mengkop omhoog zet.
- **Zorg ervoor dat er geen menghulpstukken zijn bevestigd of in de kom aanwezig zijn wanneer u het contact met dubbele aandrijving gebruikt.**

### tips

- Zet de machine uit en schraap de kom zo nodig met een spatel schoon.
- Het beste is om eieren eerst op kamertemperatuur te brengen, voordat u ze gaat kloppen.
- Zorg ervoor dat er geen boter of eigeel op de garde of in de kom aanwezig is, voordat u eiwit gaat opkloppen.
- Gebruik koude ingrediënten als u deeg gaat maken, tenzij het recept iets anders voorschrijft.

- Wanneer u boter en suiker voor een taart vermengt, zorg er dan altijd voor dat de boter op kamertemperatuur is gebracht of dat u de boter eerst zacht laat worden.
- Uw machine is uitgerust met een 'zachte start' functie, zodat zo min mogelijk gemorst wordt. Als de machine echter wordt aangezet terwijl er een zwaar mengsel in de kom zit, zoals brooddeeg, dan zult u merken dat de machine er enkele seconden over zal doen om de gewenste snelheid te bereiken.

## tips voor het bereiden van brood

### belangrijk

- Nooit de opgegeven maximumcapaciteit overschrijden – anders raakt de machine overbelast.
- **Enige beweging van de mengkop is normaal bij zware mengsels, zoals brooddeeg.**
- De ingrediënten zullen het beste mengen als u eerst de vloeistof in de kom giet.
- Stop de machine af en toe om het deeg van de deeghaak af te schrapen.
- Er bestaat een groot verschil tussen verschillende soorten bloem en de hoeveelheid vloeistof die ervoor nodig is. De kleverigheid van het deeg heeft een groot effect op de belasting van de machine. Aangeraden wordt de machine in de gaten te houden wanneer het deeg wordt geknead; deze bewerking mag niet langer dan 6 tot 8 minuten duren.

## het spatdeksel plaatsen en gebruiken

- 1 Plaats de kom op het onderstel en voeg de ingrediënten toe.
  - 2 Plaats het spatdeksel door de lipjes met het hulstukcontact van de kom uit te lijnen ⑦. Draai het deksel naar links vast ④.
  - 3 Plaats het hulpstuk en laat de mengkop zakken.
  - 4 U verwijdert het spatdeksel in omgekeerde volgorde.
- Tijdens het mengen kunnen de ingrediënten direct via de trechter aan de kom worden toegevoegd.

## elektronische snelheidsregeling

De machine is uitgerust met een elektronische snelheidsregeling die speciaal werd ontworpen om een constante snelheid bij verschillende belastingen te handhaven, zoals tijdens het kneden van brooddeeg of wanneer eieren aan een cakemix worden toegevoegd. Daarom is het mogelijk dat u tijdens de werking snelheidsvariaties hoort, aangezien de mixer de snelheid automatisch aan de belasting en aan de gekozen snelheid aanpast – dit is normaal.

## ⑮ keukenmachine

- Ⓐ stamper
- Ⓑ vultrechter
- Ⓒ deksel
- Ⓓ meselement
- Ⓔ kom met aandrijfas
- Ⓕ schijf voor dikke plakken/dik schaven
- Ⓖ schijf voor dunne plakken/dun schaven
- Ⓗ extra fijne schijf
- Ⓘ verwijderbare aandrijfas

## de keukenmachine gebruiken

- 1 Verwijder het contactdeksel door het naar links te draaien en te verwijderen ⑤.
- 2 Installeer de kom ⑮ over het contact met het handvat rechts. Draai de kom naar links, totdat hij vastklikt ⑥.
- 3 Voeg het meselement of de verwijderbare aandrijfas met het gewenste hulpstuk toe.

**Opmerking: De verwijderbare aandrijfas ① mag alleen worden gebruikt wanneer de schijven en de citrusfruitpers worden gebruikt.**

- Installeer de kom en het hulpstuk altijd op de keukenmachine voordat u de ingrediënten toevoegt.
- 4 Installeer het deksel ⑦ – en zorg ervoor dat de bovenkant van het meselement/de aandrijfas in het midden van het deksel past.
- **Gebruik nooit het deksel om de keukenmachine te bedienen. Gebruik hiervoor altijd de snelheidsregeling/pulseerknop.**
- 5 Steek de stekker in het stopcontact en kies een snelheid (raadpleeg de tabel met aanbevolen snelheden).



- **De machine functioneert niet als de kom of het deksel niet goed in de vergrendelingen zitten. Controleer of de vultrechter en het komhandvat zich aan de voorkant bevinden.**

- Gebruik de pulseerknop (P) voor korte stroomstoten. Als u de stroomstoot wilt stoppen, laat u de knop los.

6 Voer bovenstaande stappen in omgekeerde volgorde uit om het deksel, de hulpstukken en de kom te verwijderen.

- **Schakel de keukenmachine altijd uit en haal de stekker uit het stopcontact voordat u het deksel verwijdt. belangrijk**

- Deze keukenmachine is niet geschikt voor het pletten of vermalen van koffiebonen of om gewone suiker tot basterdsuiker te vermalen.

- Als u amandelextract of smaakstoffen aan uw mengsel toevoegt, dient u contact met de kunststofonderdelen te vermijden, omdat deze permanent kunnen verkleuren.

- **Verwerk geen hete ingrediënten.**

## meselement (D)

Van alle hulpstukken is het meselement het meest veelzijdige. De duur van de verwerkingstijd bepaalt de verkregen textuur.

Voor een grovere textuur gebruikt u de pulseerknop.

Gebruik het meselement voor het maken van taart en gebak, voor het fijnhakken van rauw of gekookt vlees, groenten, noten, paté, dips, voor het pureren van soep en voor het verkrumelen van koekjes en brood.

### tips

- Snij etenswaren zoals vlees, brood en groente in blokjes van 2 cm, voordat u ze gaat verwerken.
- Koekjes moeten in stukjes verbrokken worden en via de vultrechter worden toegevoegd, terwijl de machine draait.
- Als u boter direct uit de koelkast gebruikt, moet u de boter in blokjes van 2 cm snijden.
- Zorg ervoor dat u de machine niet te lang gebruikt.
- **Gebruik het meselement niet voor zware mengsels, zoals brooddeeg.**
- Gebruik het meselement niet om ijsklontjes of andere harde voedingsmiddelen, zoals kruiden, kleiner te maken, omdat het hulpstuk anders beschadigd raakt.

## schijven voor snijden/raspen

de schijven gebruiken

### omkeerbare snij- en rasp schijven - dik (F), dun (G)

Gebruik de raspzijde voor kaas, wortels, aardappelen en gelijksoortige voedingsmiddelen. Gebruik de snijzijde voor kaas, wortelen, aardappelen, kool, komkommer, bieten en uien.

### extra fijne rasp schijf (H)

Voor het raspen van Parmezaanse kaas en aardappelen voor knoedels.

## de snijschijven gebruiken

- 1 Plaats de kom op het motorblok en bevestig de verwijderbare aandrijfas.
- 2 Houd de schijf aan de middengreep vast en plaats hem op de aandrijfas, met de juiste zijde naar boven gekeerd.
- 3 Zet het deksel op zijn plaats.
- 4 Doe de ingrediënten in de vultrechter.
- 5 Zet de keukenmachine aan en duw de ingrediënten gelijkmatig met de stamper door de vultrechter. Steek nooit uw vingers in de vultrechter.

### tips

- Gebruik verse ingrediënten.
- Maak de voedingsmiddelen niet te klein. Vul de hele breedte van de vultrechter met de ingrediënten. Zodoende kunnen de ingrediënten tijdens de verwerking niet zijwaarts verschuiven.
- Ingrediënten die rechtop worden ingebracht worden korter dan ingrediënten die horizontaal worden ingebracht.
- Er blijven altijd restjes aan de schijf of in de kom hangen na de verwerking.

## 16 citrusfruitpers

Gebruik de citrusfruitpers om het sap uit citrusvruchten te persen (bijv. sinaasappels, citroenen, limoenen en grapefruits).

- A kegel
- B zeef

### de citrusfruitpers gebruiken

- 1 Plaats de kom op het onderstel en bevestig de verwijderbare aandrijfas.
- 2 Plaats de zeef in de kom. Zorg ervoor dat de hendel van de zeef vlak boven de hendel van de kom vergrendeld is 8.
- 3 Plaats de kegel over de aandrijfas. Draai de kegel totdat hij helemaal naar beneden valt 9.
- 4 Snijd het fruit door midden. Zet de machine aan en druk het fruit op de kegel.

#### • De citrusfruitpers functioneert niet als de zeef niet juist is vergrendeld.

- Voor het beste resultaat gebruikt u vruchten op kamertemperatuur en rolt u ze met de hand over een werktafel, voordat u ze gaat persen.
- Om zoveel mogelijk sap uit het fruit te halen kunt u de vrucht heen en weer bewegen.
- Wanneer u erg veel vruchten perst, dient u de zeef regelmatig te legen om ervoor te zorgen dat er niet teveel vruchtvlies en pitjes in vast blijven zitten.

## 17 glazen blender

- A vuldop
- B deksel
- C beker
- D afsluitring
- E messeneenheid

### de glazen blender gebruiken

- 1 Plaats de afdichtring ⑩ in de messeneenheid ⑥ - zorg ervoor dat de ring juist in de groef ligt.

#### • Als de afsluitring niet goed is geïnstalleerd, zal de machine lekken.

- 2 Schroef de beker op de messeneenheid ⑩.  
Raadpleeg de afbeeldingen aan de onderzijde van de messeneenheid, als volgt:

 - onvergrendelde stand

 - vergrendelde stand

**De blender functioneert niet als hij niet goed in elkaar is gezet.**

- 3 Doe de ingrediënten in de beker.
- 4 Plaats het deksel op de beker en duw hem goed vast 11. Installeer de vuldop.
- 5 Verwijder het deksel van het contact met dubbele aandrijving door hem naar rechts te draaien en te verwijderen.
- 6 Plaats de blender op het motorblok en draai hem naar rechts 12 totdat hij vastklikt.

#### • De keukenmachine functioneert niet als de blender onjuist op de vergrendeling is geplaatst.

- 7 Kies een snelheid (raadpleeg de tabel met aanbevolen snelheden) of gebruik de pulseerknop ⑮ voor korte stroomstoten.

#### tips

- Wanneer u mayonaise maakt, doet u alle ingrediënten behalve de olie in de blender. Verwijder de vuldop. Terwijl de keukenmachine draait, giet u de olie langzaam door het gat in het deksel.
- Dikke mengsels, zoals paté en dipsauzen moeten soms van de zijkant van de kom af geschrapt worden. Als de blender moeite heeft met mengen, voeg dan wat meer vloeistof toe.
- Ijs vermalen – gebruik de blender met korte stroomstoten totdat het ijs tot de juiste consistentie is vermalen.
- Het verwerken van specerijen wordt niet aangeraden, omdat de kunststofonderdelen beschadigd kunnen raken.
- **De keukenmachine functioneert niet als de blender onjuist is gemonteerd.**
- Droge ingrediënten vermengen: – snijd ze in stukjes, verwijder de vuldop en terwijl de keukenmachine draait, laat u de stukjes één voor één in de kom vallen. Houd uw hand over de opening. Voor het beste resultaat leegt u de kom regelmatig.
- Gebruik de blender niet voor opslag. Zorg ervoor dat de blender voor en na elk gebruik leeg is.
- Vermeng nooit meer dan 1,2 liter vloeistof – en minder voor opschuimende vloeistoffen, zoals milkshakes.

## 18 sapcentrifuge

Gebruik de sapcentrifuge om sap uit stevige vruchten en groenten te persen.

- A stamper
- B deksel
- C vruchtvleesschraper
- D filtertrommel
- E sapkom
- F tuit

### de sapcentrifuge gebruiken

- 1 Plaats de kom van de sapcentrifuge E over het contact met de dubbele aandrijving met de tuit F aan de linkerkant. Draai de kom naar rechts, totdat hij vastklikt 18.
  - 2 Plaats de vruchtvleesschraper C in de filtertrommel D – en zorg ervoor dat de lipjes in de gleuven aan de onderkant van de trommel passen 18.
  - 3 Monteer de filtertrommel 15.
  - 4 Plaats het deksel van de sapcentrifuge B op de kom en draai hem totdat hij vast zit 18. **De sapcentrifuge functioneert niet als de kom of het deksel niet goed op de vergrendeling zijn geplaatst.**
  - 5 Plaats een geschikte container onder de sapuitlaat.
  - 6 Snijd de etenswaren in stukjes die in de vultrechter passen.
  - 7 Zet de keukenmachine op de maximumsnelheid en plaats de ingrediënten in de vultrechter. Duw de ingrediënten met de stamper naar beneden - **steek nooit uw vingers in de vultrechter.** Verwerk eerst alle etenswaren in de vultrechter, voordat u er meer aan toevoegt.
- Wanneer u het laatste stukje hebt verwerkt, laat u de pers nog eens 30 seconden draaien om al het sap uit de filtertrommel te laten stromen.
- belangrijk**
- Als de sapcentrifuge begint te trillen, zet u de machine uit en verwijderd u al het vruchtvlees van het filter. (De sapcentrifuge trilt als het vruchtvlees ongelijkmatig verdeeld is).
  - De maximumcapaciteit die in één keer kan worden verwerkt is 800 g groente of fruit.
  - Bij sommige heel harde etenswaren zal de machine langzamer draaien of helemaal stoppen. Als dit gebeurt, zet u het apparaat uit en reinigt u het filter.
  - Schakel de sapcentrifuge regelmatig uit om de opvangbakken voor het vruchtvlees en het sap te legen.

### tips

- Duw zachte voedingsmiddelen langzaam door de vultrechter om het meeste sap te verkrijgen.
- Vitaminen verdwijnen - hoe sneller u het sap opdrinkt, des te meer vitamines krijgt u binnen.
- Als u het sap enkele uurtjes moet bewaren, zet u het in de koelkast. Het sap blijft beter bewaard als u er enkele druppels citroensap in doet.
- Drink niet meer dan drie 230 ml glazen sap per dag, tenzij u eraan gewend bent.
- Verdun het sap voor kinderen met evenveel water.
- Het sap van donkergroene (broccoli, spinazie, enz.) of donkerrode (bietten, rode kool, enz.) groenten is erg sterk. Daarom dient u het altijd te verdunnen.
- Vruchtensap bevat veel fructose (fruitsuiker). Mensen met diabetes of een laag bloedsuikergehalte mogen er niet te veel van drinken.

## 19 snijmachine

Gebruik de snijmachine voor het verwerken van vlees, gevogelte en vis.

- A moersleutel
- B ringmoer
- C zeven: medium en grof
- D mes
- E spiraal
- F element
- G vultrechter
- H bak
- I stamper

### installeren

- 1 Plaats de spiraal E in het element van de snijmachine F.
- 2 Monteer het mes D – met de snijkant naar buiten. Zorg ervoor dat het element goed is bevestigd, anders raakt uw snijmachine beschadigd.
- 3 Installeer een zeef C. Zorg ervoor dat de inkeping over het lipje past 17.
- 4 Breng de ringmoer losjes aan B.

### de snijmachine gebruiken

- 1 Zet de mengkop omhoog.
- 2 Terwijl de snijmachine op de aangegeven positie staat, steekt u de lipjes aan het uiteinde van de spiraal in de bijbehorende gleuven van het aandrijfcontact 18.

- 3 Duw de snijmachine in het contact en draai hem naar links totdat hij vergrendelt.
  - 4 Houd de vultrechter op zijn plaats en draai de ringmoer met de hand aan.
  - 5 Installeer de bak **10**.
  - 6 **Laat bevroren voedingsmiddelen helemaal ontdooien voordat u ze fijn gaat snijden.**  
Snij vlees in repen –van 2,5 cm.
  - 7 Zet de machine op de maximumsnelheid. Gebruik de stamper en duw de voedingsmiddelen stuk voor stuk door de vultrechter. **Duw niet hard**, anders raakt de machine beschadigd.
- belangrijk**
- Gebruik het hulpstuk van de snijmachine nooit langer dan 10 minuten, anders raakt de machine beschadigd.
  - **Het hulpstuk functioneert alleen als het deksel over de uitlaat met dubbele snelheid is aangebracht.**
- 8 Nadat alle voedingsmiddelen zijn fijngesneden, schakelt u de keukenmachine uit en haalt u de stekker uit het stopcontact.
  - 9 Verwijder de snijmachine. Gebruik de moersleutel **A** om de ringmoer te verwijderen, als hij te strak zit.

## verzorging en reiniging

- Zet de machine altijd uit en haal de stekker uit het stopcontact.
  - Demonteer de hulpstukken voorafgaand aan de reiniging.
- motorblok**
- Veeg ze met een vochtige doek schoon en droog ze af.
  - Gebruik nooit schuurmiddelen en dompel de onderdelen nooit onder in water.
  - Berg de rest van het snoer op in het opbergvak **4** aan de achterkant van de machine.
  - Zorg ervoor dat de poten aan de onderkant van de keukenmachine altijd schoon zijn.
- kom, hulpstukken, spatdeksel**
- Met de hand wassen en afdrogen.
  - Gebruik geen staalborstel, schuursponsje of bleekmiddel om uw roestvrijstalen kom te reinigen. Gebruik azijn om kalkaanslag te verwijderen.
  - Houd de kom uit de buurt van hittebronnen (gaspitten, ovens, magnetrons).

## keukenmachine

- **Wees voorzichtig met de messen en schijven – ze zijn heel erg scherp.**
- Het plastic kan verkleuren door sommige voedselproducten. Dit is normaal, levert geen schade op aan het plastic en beïnvloedt de smaak van uw voedsel niet. U kunt deze verkleuringen verwijderen met een doek die licht bevochtigd is met plantaardige olie.

## citrusfruitpers

- Met de hand wassen en afdrogen.

## blender

- 1 Zorg ervoor dat de beker leeg is, voordat u hem van de messeneenheid afschroeft.
- 2 Was de beker met de hand.
- 3 Verwijder en was de afdichtring.
- 4 Raak de scherpe messen niet aan - borstel ze schoon met een warm sopje, spoel ze vervolgens grondig af onder de kraan. **Dompel de messeneenheid niet onder in water.**
- 5 Laat ondersteboven drogen.

## sapcentrifuge

- Het is eenvoudiger om de onderdelen meteen na het gebruik te wassen.
- Sommige voedingsmiddelen, zoals wortelen, verkleuren de kunststofonderdelen. Met een in plantaardige olie gedoopte doek kunt u de verkleuring verwijderen.
- Reinig het filter met een zachte borstel.
- **Controleer het filter regelmatig op beschadigingen. Gebruik het filter niet als het beschadigd is. Lees het deel 'onderhoud en klantenservice'.**

## snijmachine

- Was alle onderdelen in warm zeepsop en droog ze goed af. De onderdelen zijn niet geschikt voor reiniging in een vaatwasmachine. Gebruik ook nooit een sodaoplossing.
- Veeg de zeven af met plantaardige olie en wikkel ze in vetvrij papier om verkleuring/roestvorming te voorkomen.

### alle overige onderdelen

- Met de hand wassen en afdrogen.
- U kunt ook op de vaatwastabel zien welke onderdelen geschikt zijn voor de vaatwasmachine. Leg ze op het bovenste rek. Plaats geen onderdelen op het onderste rek, vlak boven het verwarmingselement. Aanbevolen wordt een kort wasprogramma op lage temperatuur (maximaal 50°C) te gebruiken.

item	geschikt voor de vaatwasmachine
<b>Mixer</b>	
Kom	✓
Garde, klopper en deeghaak	✓
Spatdeksel	✓
Contactdeksel	x
<b>Keukenmachine</b>	
Kom, deksel, stamper	✓
Meselement	✓
Verwijderbare aandrijfjas	✓
Schijven	✓
<b>Citroenfruitpers</b>	
Kegel, zeef	✓
<b>Blender</b>	
Beker, deksel en vuldop	✓
Messeneenheid en afdichting	x
<b>Sapcentrifuge</b>	
Kom, stamper, deksel, filtertrommel en vruchtveleesschraper	✓
<b>Snijmachine</b>	
Ringmoer, zeven, mes, spiraal en element	x
Bak en stamper	✓

## onderhoud en klantenservice

- Als het snoer beschadigd is, moet het om veiligheidsredenen door Kenwood of een door Kenwood geautoriseerd reparatiebedrijf vervangen worden.
- **Als u problemen ondervindt met de werking van de keukenmachine of de hulpstukken, dient u de informatie onder 'problemen oplossen' te raadplegen, voordat u contact met de technische dienst opneemt.**

Als u hulp nodig hebt met:

- het gebruik van uw apparaat of
  - onderhoud en reparatie
  - kunt u contact opnemen met de winkel waar u het apparaat gekocht hebt.
- Ontworpen en ontwikkeld door Kenwood in het VK.
  - Vervaardigd in China.



### **BELANGRIJKE INFORMATIE VOOR DE CORRECTE VERWERKING VAN HET PRODUCT IN OVEREENSTEMMING MET DE EUROPESE RICHTLIJN 2002/96/EC**

Aan het einde van de levensduur van het product mag het niet samen met het gewone huishoudelijke afval worden verwerkt. Het moet naar een speciaal centrum voor gescheiden afvalinzameling van de gemeente worden gebracht, of naar een verkooppunt dat deze service verschaft. Het apart verwerken van een huishoudelijk apparaat voorkomt mogelijke gevolgen voor het milieu en de gezondheid die door een ongeschikte verwerking ontstaan en zorgt ervoor dat de materialen waaruit het apparaat bestaat, teruggewonnen kunnen worden om een aanmerkelijke besparing van energie en grondstoffen te verkrijgen. Om op de verplichting tot gescheiden verwerking van elektrische huishoudelijke apparatuur te wijzen, is op het product het symbool van een doorgekruiste vuilnisbak aangebracht.

## tabel met aanbevolen snelheden en maximumcapaciteit

Deze informatie dient alleen als richtlijn. Het resultaat hangt af van de hoeveelheid mengsel in de kom en de ingrediënten die worden gemengd.

<b>instrument/hulpstuk</b>	<b>soort recept</b>	<b>snelheid</b>	<b>tijd</b>	<b>maximumcapaciteit</b>
<b>Mixer</b>				
Garde	Eiwit	Min. naar Max.	2 m	2 - 8 (70 - 280 g)
	Room	Min. naar Max.	1½ m	125 ml 600 ml
Klopper	All-in-one cakemix	Min. naar Max.	1½ m	1,6 kg totaalgewicht 8 eieren
	Vruchtencake - mengen van boter en suiker Bloem, fruit, enz. in het mengsel vouwen	Min. naar Max.  Min.	4 m  Tot 1 m	1,8 kg totaalgewicht 6 eieren
	De boter en de bloem mengen  Water toevoegen om gebakingsrediënten te mengen	Min. naar snelheid 2 Min.	5 m  30 s	450 g bloem
Deeghaak	Brooddeeg (stijf gegist)	Min. naar snelheid 2	4 m	500 g bloemgewicht 800 g totaalgewicht
<b>Keukenmachine</b>				
Meselement	All-in-one cakemix	Max.	15 s	600 g totaalgewicht 3 eieren
	De boter en de bloem mengen Water toevoegen om gebakingsrediënten te mengen	Max. Max.	Tot 1 m 10 s	340 g bloemgewicht
	Hakken/pureren/paté	Max.	Tot 30 s	400 g vetarm vlees snijden totaalgewicht
Schijven – voor snijden/raspen	Harde etenswaren als wortelen, harde kaas	Max.	–	Overschrijd de maximumcapaciteit op de kom niet.
	Zachtere etenswaren als komkommer, tomaten	Snelheid 3	–	
Extra fijne raspschijf	Parmezaanse kaas, aardappelen voor knoedels	Max.	–	
<b>Citroenfruitpers</b>	Citrusvruchten	Snelheid 2	–	–
<b>Blender</b>	Alle functies	Max.	Tot 1 m	1,2 liter
<b>Sap centrifuge</b>	Harde vruchten en groente, bijv. wortelen en appels	Max.	–	800 g
	Zachte vruchten en groente, bijv. tomaten en druiven	Max.	–	500 g
<b>Snijmachine</b>	Snij vlees, gevogelte, vis in repen –van 2,5 cm	Max.	–	–

\*Gebruikte eieren = medium (gewicht 53 - 63 g)

## problemen oplossen

<b>Probleem</b>	<b>Oorzaak</b>	<b>Oplossing</b>
De machine functioneert niet met de menginstrumenten.	<p>Geen stroom/stroomlampje gaat niet aan.</p> <p>De mengkop is niet goed vergrendeld.</p> <p>De contactdeksel is niet goed aangebracht.</p> <p>De mengkop is tijdens de werking omhoog gezet en weer neergelaten zonder dat de snelheid op 'O' (uit) is gezet.</p>	<p>Controleer of de stekker in het stopcontact zit.</p> <p>Controleer of de mengkop goed omlaag vergrendeld is.</p> <p>Controleer of het contactdeksel goed is aangebracht.</p> <p><b>De machine functioneert niet als het contactdeksel onjuist is aangebracht.</b></p> <p>Controleer of de snelheidsregeling op 'O' (uit) is gereset.</p>
De machine stopt tijdens de werking.	<p>De keukenmachine is te vol / de maximumcapaciteit is overschreden.</p> <p>De mengkop of het contactdeksel is ontgrendeld.</p>	<p>Schakel de machine uit, haal de stekker uit het stopcontact en laat de machine 30 minuten afkoelen.</p> <p>Controleer de maximumcapaciteit op de tabel met aanbevolen snelheden.</p> <p>Zorg ervoor dat de mengkop en het contactdeksel goed zijn bevestigd.</p>
Het hulpstuk met dubbele aandrijving functioneert niet.	<p>Het hulpstuk met dubbele aandrijving is niet goed vergrendeld.</p> <p>Het deksel van de keukenmachine/ sapcentrifuge of de zeef van de citrusfruitpers zijn niet goed bevestigd.</p>	<p>Controleer of het hulpstuk met dubbele aandrijving goed is bevestigd.</p> <p>Controleer of het hulpstuk juist is bevestigd.</p>
Het hulpstuk van de snijmachine werkt niet.	<p>Het hulpstuk zit niet goed vast.</p> <p>Het contactdeksel is niet goed bevestigd.</p>	<p>Controleer of het hulpstuk goed is bevestigd.</p> <p>Controleer of het contactdeksel goed is aangebracht.</p>
Beweging van het werkoppervlak.	De poten van de keukenmachine . zijn vuil of nat	Controleer regelmatig of de poten schoon en droog zijn.
Slecht resultaat met instrumenten en hulpstukken.	Lees de tips in het deel 'hulpstuk gebruiken'. Controleer of de hulpstukken goed zijn aangebracht.	
Het stroomlichtje knippert snel.	<p>Normaal bedrijf.</p> <p>Het lampje knippert als één of meer vergrendelingen niet goed vast zitten.</p>	<p>Als u een hulpstuk gebruikt, dient het goed op zijn plaats vergrendeld te zijn.</p> <p>Controleer of de mengkop helemaal is neergelaten, tenzij u het snijhulpstuk voor vlees gebruikt.</p> <p>Controleer of de snelheidsregeling op 'O' (uit) staat.</p>

## problemen oplossen

<b>Probleem</b>	<b>Oorzaak</b>	<b>Oplossing</b>
Het stroomlichtje knippert langzaam.	De stand-bystand is geactiveerd. Als de keukenmachine langer dan 30 minuten niet wordt gebruikt terwijl de stekker in het stopcontact steekt, gaat hij op de stand-bystand staan om het energieverbruik te verminderen. Het lichtje gaat permanent branden als de keukenmachine gebruiksklaar is.	De keukenmachine functioneert weer normaal zodra de snelheidsregeling op een snelheid wordt gezet en weer terug wordt gedraaid naar de stand 'O' (uit).
Als bovenstaande acties het probleem niet verhelpen, raadpleegt u 'onderhoud en klantenservice'.		



# Français

Veillez déplier les illustrations de la première page

## sécurité

- Lisez et conservez soigneusement ces instructions pour pouvoir vous y référer ultérieurement.
- Retirez tous les éléments d'emballage et les étiquettes.
- Éteignez et débranchez l'appareil :
  - avant d'installer ou de retirer des pièces ;
  - lorsque vous ne l'utilisez pas ;
  - avant de le nettoyer.
- Mettez la commande de vitesse sur la position 'O' (Arrêt) et débranchez avant d'installer ou de retirer des ustensiles / accessoires, après utilisation et avant toute opération de nettoyage.
- N'approchez jamais vos doigts des éléments ou des accessoires installés en mouvement.
- Ne laissez jamais le robot pâtissier multifonction sans surveillance lorsqu'il fonctionne.
- N'utilisez jamais un appareil endommagé. Faites-le vérifier ou réparer : reportez-vous à la rubrique " service après-vente ".
- Ne laissez jamais le cordon pendre de telle façon qu'un enfant puisse s'en saisir.
- Veillez à ne jamais mouiller le bloc moteur, le cordon d'alimentation ou la prise.
- **Veillez à ce qu'aucun ustensile du bol ne soit installé ou remisé dans le bol lorsque vous utilisez la sortie à double entraînement.**
- N'utilisez jamais un accessoire non agréé ou plus d'un seul accessoire à la fois.
- Ne dépassez jamais les quantités stipulées dans le tableau indiquant les quantités maximales.
- Faites attention lorsque vous soulevez cet appareil. Assurez-vous que la tête est correctement disposée en position de fermeture vers le bas et que le bol, les ustensiles, le cache-sortie et le cordon sont sécurisés avant de soulever l'appareil.

- Veillez à ce que le cordon soit totalement déroulé et sorti du compartiment de rangement du cordon ④ avant d'utiliser votre robot pâtissier multifonction.
- Les enfants doivent être sous surveillance pour veiller à ce qu'ils ne jouent pas avec l'appareil.
- Ne bougez pas la tête du robot, et ne la soulevez pas lorsqu'un accessoire est installé car cela pourrait rendre le robot pâtissier multifonction instable.
- Ne faites pas fonctionner votre appareil près du bord d'un plan de travail.
- Les appareils peuvent être utilisés par des personnes dont les capacités physiques, sensorielles ou mentales sont diminuées, ou qui ne disposent pas des connaissances ou de l'expérience nécessaires, si elles ont été formées et encadrées pour l'utilisation des appareils, et si elles ont conscience des risques encourus.
- Toute mauvaise utilisation de votre appareil peut être source de blessures.
- Cet appareil ne doit pas être utilisé par des enfants. Veuillez garder l'appareil et le cordon hors de portée des enfants.
- N'employez l'appareil qu'à des fins domestiques. Kenwood décline toute responsabilité dans les cas où l'appareil est utilisé incorrectement ou que les présentes instructions ne sont pas respectées.
- La puissance maximale est basée sur l'accessoire qui supporte la plus grande charge. Les autres accessoires sont susceptibles de supporter une charge moindre.
- **Si le mécanisme de verrouillage est soumis à une force excessive, cela risque d'endommager les accessoires et de provoquer des blessures.**

### **Accessoire du robot**

- La lame couteau du robot et les disques sont extrêmement coupants, manipulez-les avec précaution. **Lorsque vous manipulez et nettoyez les accessoires, tenez-les toujours par le haut, par la partie anti-glisse, en veillant à ne pas toucher les bords tranchants.**

- Retirez toujours la lame couteau avant de verser le contenu du bol.
- Veillez à maintenir vos mains et tout ustensile de cuisine éloignés du bol du robot tant que l'appareil demeure branché.
- N'utilisez jamais vos doigts pour faire descendre les aliments dans le tube d'alimentation. Utilisez toujours le poussoir fourni à cet effet.
- Avant de retirer le couvercle du bol du robot :
  - éteignez l'appareil ;
  - attendez que les accessoires / les lames soient totalement à l'arrêt.
- **Ne retirez jamais le couvercle du robot tant que les lames / les disques de découpe ne sont pas totalement à l'arrêt.**
- **RISQUE DE BRÛLURE :** Laissez les ingrédients chauds refroidir à température ambiante avant de les mixer avec l'accessoire.
- N'utilisez pas le couvercle pour faire fonctionner le robot, utilisez toujours le variateur de vitesse / la commande pulse.

### **Accessoire du blender**

- Veillez à maintenir vos mains et les ustensiles en-dehors du gobelet du blender tant que l'appareil demeure branché.
- **Ne placez jamais le porte-lames sur le bloc moteur sans avoir au préalable installé le gobelet du blender.**
- **RISQUE DE BRÛLURE :** Laissez les ingrédients chauds refroidir à température ambiante avant de les mélanger ou de les mixer avec l'accessoire.
- Faites toujours fonctionner le blender avec le couvercle mis en place.
- Utilisez exclusivement le gobelet avec l'ensemble porte-lames fourni.
- Ne faites jamais fonctionner le blender à vide.
- Pour prolonger la durée de vie de votre blender, ne le faites jamais fonctionner plus de 60 secondes. Éteignez-le dès que vous avez obtenu la consistance souhaitée.

- Il n'est pas recommandé de mixer des épices car cela pourrait endommager les pièces en plastique.
- Recettes pour smoothies – ne mélangez jamais des ingrédients ayant formé un bloc solide lors de la congélation ; disloquez-le avant de l'insérer dans le gobelet.

### **Accessoires du hachoir**

- Veillez toujours à ce que la viande que vous êtes en passe de hacher ne comporte plus d'os ni de couenne.
- Lorsque vous hachez des noix, n'en insérez qu'une petite quantité à la fois et laissez la spirale les attraper avant d'en rajouter.
- Utilisez toujours le poussoir fourni à cet effet. N'insérez jamais vos doigts ou des ustensiles dans le tube d'alimentation.
- Mise en garde – La lame est très coupante, manipulez-la avec soin lorsque vous l'utilisez ou la nettoyez.
- Assurez-vous que l'accessoire est en position sécurisée avant d'allumer l'appareil.

### **Accessoires de la centrifugeuse**

- **N'utilisez pas la centrifugeuse si le filtre est endommagé.**
- Les lames de découpe sur la base du filtre sont très coupantes, faites attention lorsque vous manipulez ou nettoyez le filtre.
- N'utilisez pas le couvercle pour faire fonctionner la centrifugeuse, utilisez toujours le variateur de vitesse / la commande pulse.
- Si une vibration excessive se produit lorsque vous utilisez cet accessoire, vous devez soit régler la vitesse, soit arrêter l'appareil, le débrancher et retirer du tambour toute la pulpe présente (la centrifugeuse vibre si la pulpe n'est pas répartie uniformément).

#### **avant de brancher votre appareil**

- Assurez-vous que votre alimentation électrique correspond à celle qui est indiquée sur la partie inférieure de votre appareil.
- Cet appareil est conforme à la directive 2004/108/CE de la CE sur la compatibilité électromagnétique, et au règlement 1935/2004 de

la CE du 27/10/2004 sur les matériaux destinés au contact alimentaire.

#### **avant d'utiliser votre appareil pour la première fois**

- Lavez les pièces : reportez-vous à la section " entretien et nettoyage ".

## légende

- ① couvercle de la sortie
- ② sortie à double entraînement (vitesse moyenne et élevée)
- ③ verrouillages
- ④ compartiment de rangement du cordon
- ⑤ variateur de vitesse / pulse.
- ⑥ bloc d'alimentation
- ⑦ sortie du bol
- ⑧ bol
- ⑨ tête du robot
- ⑩ manette d'ouverture de la tête
- ⑪ batteur - K
- ⑫ pétrin à spirale
- ⑬ fouet
- ⑭ pétrin

### accessoires

- ⑮ robot
- ⑯ presse-agrumes
- ⑰ blender en verre
- ⑱ centrifugeuse
- ⑲ hachoir

Se reporter au tableau des vitesses recommandées pour chaque accessoire.

## les ustensiles de mixage et certaines de leurs utilisations

### batteur-K

- Pour réaliser des gâteaux, des biscuits, de la pâtisserie, des glaçages, des crèmes, des éclairs et des écrasés de pommes de terre.

### fouet

- Pour battre des œufs, confectionner des crèmes, des préparations, des génoises, des meringues, des cheesecakes, des mousses, des soufflés. N'utilisez pas le fouet pour les mélanges épais (par exemple, pour monter en crème du sucre et des matières grasses) - vous risqueriez d'endommager votre robot.

### pétrin à spirale

- Uniquement pour les mélanges à base de levure.

## pour utiliser les ustensiles de votre bol

- 1 Poussez la manette d'ouverture de la tête ⑩ vers le bas et levez la tête du robot jusqu'à ce qu'elle soit verrouillée en place.
- 2 Installez le bol sur la base et tournez-le dans le sens des aiguilles d'une montre pour le mettre en place ②.
- 3 Sélectionnez un ustensile et insérez-le dans son axe jusqu'à ce qu'il se clique en place ③.
- 4 Poussez la manette d'ouverture de la tête vers le bas et abaissez la tête du robot jusqu'à ce qu'elle soit verrouillée en place.
- 5 Branchez le cordon d'alimentation. Pour mettre en marche, tournez le variateur de vitesse sur le réglage souhaité. Pour éteindre, tournez sur la position 'O' (Arrêt).

**Si la tête du robot se trouve en position relevée ou si le cache-sortie n'est pas installé, le témoin lumineux Marche clignote et l'appareil ne fonctionne pas.**

- Passez sur la commande pulse (P) pour de courtes impulsions.
- 6 Débranchez le cordon d'alimentation.
- 7 Relevez la tête du robot et tout en la tenant immobile, retirez l'ustensile de l'axe.

### important

- Si la tête du robot est relevée en cours d'opération, l'appareil s'arrête de suite. Pour le remettre en marche, abaissez la tête du robot, mettez le variateur de vitesse sur la position 'O' (Arrêt), attendez quelques secondes et sélectionnez une nouvelle fois la vitesse. L'appareil doit redémarrer de suite.
- Si pour une quelconque raison l'alimentation électrique est interrompue et l'appareil cesse de fonctionner, tournez le variateur de vitesse sur la position 'O' (Arrêt), attendez quelques secondes et sélectionnez une nouvelle fois la vitesse. L'appareil devrait redémarrer de suite.
- **L'appareil ne fonctionnera pas tant que le cache-sortie n'est pas correctement installé.**
- Si vous entendez que votre robot peine à tourner, éteignez-le, puis retirez une partie du mélange ou augmentez la vitesse.
- Retirez toujours les accessoires installés sur la sortie à double entraînement avant de relever la tête du robot.

- **Veillez à ce qu'aucun ustensile du bol ne soit installé ou remisé dans le bol lorsque vous utilisez la sortie à double entraînement.**

#### conseils

- Éteignez et raclez les parois du bol avec une spatule lorsque cela s'avère nécessaire.
- Lorsque vous utilisez le fouet, il est préférable d'utiliser des œufs à température ambiante.
- Avant de travailler au fouet des blancs d'œuf, vérifiez qu'il n'y ait aucune trace de matière grasse ou de jaune d'œuf sur le fouet ou à l'intérieur du bol.
- Utilisez des ingrédients froids pour la pâtisserie, hormis si la recette que vous suivez mentionne qu'il faut faire autrement.
- Lorsque vous montez en crème du sucre et des matières grasses pour des pâtes à gâteau, utilisez toujours des matières grasses à température ambiante ou ramollissez-les d'abord.
- Votre appareil a été équipé d'une fonction 'démarrage lent' pour minimiser les éclaboussures. Toutefois, si l'appareil est allumé avec un mélange épais dans le bol comme de la pâte à pain, il se peut que cela prenne quelques secondes pour atteindre la vitesse sélectionnée.

## quelques éléments à prendre en compte pour faire du pain

### Important

- Ne dépassez jamais les capacités maximales mentionnées - vous pourriez surcharger votre robot.
- **Certains mouvements de la tête du robot sont normaux lorsque vous mélangez des mélanges épais comme de la pâte à pain.**
- Les ingrédients se mélangent mieux si vous insérez en premier les ingrédients liquides.
- Arrêtez plusieurs fois l'appareil et raclez le mélange sur le pétrin.
- La différence entre certaines farines fait que les quantités de liquide nécessaires et l'épaisseur de la pâte peuvent avoir des répercussions différentes sur la charge que subit l'appareil. Il est recommandé de surveiller votre robot lors du mélange de la pâte ; l'opération ne devrait pas prendre plus de 6 à 8 minutes.

## installation et utilisation de votre couvercle anti-éclaboussures

- 1 Installez le bol sur la base et ajoutez les ingrédients
  - 2 Installez le couvercle anti-éclaboussures en alignant les ergots sur l'axe de l'ustensile du bol ⑦ et tournez dans le sens contraire des aiguilles d'une montre pour verrouiller en place ④.
  - 3 Installez l'ustensile puis abaissez la tête du robot.
  - 4 Pour retirer le couvercle anti-éclaboussures, effectuez l'opération indiquée dans le sens inverse.
- Pendant le mixage, les ingrédients peuvent être ajoutés directement dans le bol via la chute.

## capteur du variateur de vitesse électronique

Votre robot est équipé d'un capteur de variateur de vitesse électronique conçu pour maintenir la vitesse dans différentes conditions de charge, comme lors du pétrissage de pâte à pain, l'ajout d'œufs à une préparation pour gâteau. Il se peut dès lors que vous entendiez certaines variations au niveau de la vitesse en cours de fonctionnement au fur et à mesure que le robot s'adapte à la charge et à la vitesse sélectionnées - ceci est normal.

## ⑮ robot

- Ⓐ poussoir
- Ⓑ tube d'alimentation
- Ⓒ couvercle
- Ⓓ lame couteau
- Ⓔ bol avec axe d'entraînement
- Ⓕ disque à découper / râper épais
- Ⓖ disque à découper / râper fin
- Ⓗ Disque à râper extra fin
- Ⓘ axe d'entraînement amovible

## pour utiliser votre robot

- 1 Retirez le cache-sortie en le tournant dans le sens inverse des aiguilles d'une montre et soulevez-le ⑤.
- 2 Installez le bol ⑥ sur la sortie avec la poignée vers la droite et tournez dans le sens des aiguilles d'une montre jusqu'à ce qu'il s'enclenche en bonne position ⑥.
- 3 Ajoutez la lame couteau ou l'axe d'entraînement amovible avec l'accessoire souhaité.

**Remarque : L'axe d'entraînement amovible ① ne doit être installé que lorsque vous utilisez les disques et le presse-agrumes.**

- Installez toujours le bol et l'accessoire sur le robot avant d'ajouter les ingrédients.
- 4 Installez le couvercle ⑦ – en veillant à ce que le haut de la lame couteau / l'axe d'entraînement soit positionné au centre du couvercle.
- **N'utilisez pas le couvercle pour faire fonctionner le robot, utilisez toujours le variateur de vitesse / la commande pulse.**
- 5 Branchez, allumez et choisissez une vitesse (reportez-vous au tableau des vitesses recommandées).
- **Le robot ne fonctionnera pas si le bol ou le couvercle n'est pas bien installé sur les systèmes de verrouillage. Vérifiez que le tube d'alimentation et la poignée du bol sont bien positionnés vers l'avant.**
- Utilisez la commande pulse ② pour de courtes impulsions. La commande " pulse " fonctionnera tant que vous tenez le variateur.
- 6 Effectuez en sens inverse la procédure indiquée ci-dessus pour retirer le couvercle, les accessoires et le bol.
- **Éteignez et débranchez toujours l'appareil avant de retirer le couvercle. .**

**important**

- Votre robot n'est pas adapté pour concasser ou mouliner des grains de café, ni pour transformer des morceaux de sucre en sucre en poudre.
- Lorsque vous ajoutez de l'essence d'amende ou des arômes aux mélanges, évitez tout contact avec le plastique car cela pour laisser des traces permanentes.
- **Ne mixez pas des ingrédients chauds.**

**lame couteau ①**

La lame couteau est l'élément le plus polyvalent de tous les accessoires. De la durée du mixage dépendra la texture obtenue.

Pour des textures plus épaisses, utilisez la commande pulse.

Utilisez la lame couteau pour réaliser des gâteaux et de la pâtisserie, hacher de la viande crue et cuite, des légumes, des noix, faire des pâtés, des sauces, des soupes épaisses, et faire également de la chapelure à partir de biscuits et de pain.

**conseils**

- Découpez les aliments comme la viande, le pain et les légumes en cubes d'environ 2 cm avant de les traiter.
- Les biscuits doivent être cassés en morceaux et ajoutés à travers le tube d'alimentation tandis que l'appareil fonctionne.
- Lorsque vous faites de la pâtisserie, utilisez la matière grasse sortie directement du réfrigérateur et découpez-la en cubes de 2 cm.
- Faites en sorte de ne pas mixer outre mesure.
- **N'utilisez pas la lame couteau pour mélanger des charges lourdes comme la pâte à pain.**
- N'utilisez pas la lame couteau pour concasser des cubes de glace ou d'autres aliments solides, comme des épices, car cela pourrait endommager l'accessoire.

**disques à émincer / à râper**

utilisation des disques

**disques à émincer / à râper réversibles - épais ③, fin ④**

Utilisez la partie râpe pour le fromage, les carottes, pommes de terre et autres aliments de nature similaire.

Utilisez la partie éminceur pour le fromage, les carottes, pommes de terre, chou, concombre, betterave et oignons.

**Disque à râper extra fin ⑤**

Râpe le parmesan et les pommes de terre pour boulettes de pommes de terre à l'allemande

**utilisation des disques de coupe**

- 1 Installez le bol sur le bloc moteur, ajoutez l'axe d'entraînement amovible.
- 2 En tenant la poignée centrale, installez le disque sur l'axe d'entraînement avec le côté approprié tourné vers le haut.
- 3 Installez le couvercle.
- 4 Insérez les aliments dans le tube d'alimentation.
- 5 Mettez en marche, puis poussez uniformément à l'aide du poussoir – ne mettez jamais vos doigts dans le tube d'alimentation.

### conseils

- Utilisez des ingrédients frais.
- Ne découpez pas les aliments en cubes trop petits. Remplissez la largeur du tube d'alimentation presque intégralement. Cela permet d'éviter aux aliments de glisser sur les bords pendant l'opération.
- Les aliments insérés de manière verticale ressortent plus courts que ceux insérés horizontalement.
- Il subsistera toujours une petite quantité d'aliments perdus sur le disque ou dans le bol après le traitement.

## 16 presse-agrumes

Utilisez le presse-agrumes pour presser le jus des agrumes (par ex. des oranges, citrons, limes et pamplemousses).

- A cône
- B tamis



### pour utiliser le presse-agrumes

- 1 Installez le bol sur le bloc moteur, ajoutez l'axe d'entraînement amovible.
  - 2 Installez le bol sur le bloc d'alimentation – veillez à ce que le tamis soit verrouillé en place directement sur la poignée du bol **8**.
  - 3 Installez le cône sur l'axe d'entraînement, en le tournant jusqu'à ce qu'il descende tout du long **9**.
  - 4 Coupez le fruit en deux. Puis allumez le presse-agrumes et pressez le fruit sur le cône.
- **Le presse-agrumes ne fonctionnera pas si le tamis est mal mis en place.**
  - Pour de meilleurs résultats, conservez les fruits et pressez-les à température ambiante ; roulez-les sur le plan de travail avant de les presser.
  - Pour mieux extraire le jus des fruits, bougez les fruits d'un côté puis de l'autre lorsque vous les pressez.
  - Lorsque vous pressez de grandes quantités, videz le filtre régulièrement pour éviter la formation d'un amas de pulpe et de pépins.

## 17 blender en verre

- A bouton de remplissage
- B couvercle
- C gobelet
- D bague d'étanchéité
- E unité porte-lame

### pour utiliser votre blender en verre

- 1 Installez bague d'étanchéité **D** sur l'unité porte-lame **E**- Veillez à ce que la bague soit correctement installée sur la partie rainurée.
- **Si la bague d'étanchéité est endommagée ou mal installée, des fuites se produiront.**
- 2 Vissez le gobelet sur le bloc lame **10**.  
Reportez aux dessins sur la partie inférieure de l'unité porte-lames comme suit :
    -  - position déverrouillée
    -  - position verrouillée
- **Le blender ne fonctionnera pas s'il n'est pas correctement assemblé.**
- 3 Insérez les ingrédients dans le gobelet.
  - 4 Introduisez le bouchon de remplissage dans le couvercle et appuyez dessus pour qu'il soit bien inséré **11**. Introduisez le bouchon de remplissage.
  - 5 Retirez le cache-sortie de l'entraînement double en le tournant dans le sens inverse des aiguilles d'une montre et soulevez-le.
  - 6 Placez le blender sur le bloc moteur et tournez dans le sens des aiguilles d'une montre **12** jusqu'à ce qu'il se clique en place.
- **L'appareil ne fonctionnera pas si le blender est mal enclenché dans le système de verrouillage.**
- 7 Sélectionnez une vitesse (reportez-vous au tableau des vitesses recommandées) ou utilisez la commande pulse **13** pour de courtes impulsions.

### conseils

- Lorsque vous faites de la mayonnaise, mettez tous les ingrédients, hormis l'huile, dans le blender. Retirez le bouchon du filtre. Puis, lorsque l'appareil fonctionne, ajoutez l'huile lentement à travers le trou prévu à cet effet dans le couvercle.
- Les mélanges épais, comme les pâtes et les sauces, peuvent nécessiter d'être raclés vers le bas. Si le mélange est trop difficile à mixer, ajoutez plus de liquide.



- Piler de la glace – faites fonctionner par courtes impulsions jusqu'à obtenir la consistance souhaitée.
- Il est déconseillé de mixer des épices car cela pourrait endommager les parties en plastique.
- **L'appareil ne fonctionnera pas si le blender est mal installé.**
- Pour mélanger des ingrédients secs – découpez-les en morceaux, retirez le capuchon de remplissage puis avec l'appareil en marche, faites descendre les morceaux un par un. Placez votre main sur l'ouverture. Pour de meilleurs résultats, videz régulièrement.
- N'utilisez pas le blender comme récipient de stockage. Conservez-le vide avant et après utilisation.
- Ne mélangez jamais plus d'1,2 litres – moins pour les liquides moussants comme les milkshakes.

## 18 centrifugeuse

Utilisez la centrifugeuse pour faire des jus à partir de fruits fermes et de légumes

- (A) poussoir
- (B) couvercle de la centrifugeuse
- (C) récupérateur de pulpe
- (D) tambour filtrant
- (E) bol de la centrifugeuse
- (F) bec verseur

### pour utiliser votre centrifugeuse

- 1 Installez le bol de la centrifugeuse (E) la sortie à double entraînement avec le bec verseur (F) dirigé vers la partie gauche et tournez dans le sens des aiguilles d'une montre jusqu'à ce qu'il soit verrouillé 15.
- 2 Placez le collecteur de pulpe (C) sur le tambour filtrant (D) – en veillant à ce que les onglets se positionnent sur les encoches sur le fond du tambour 14.
- 3 Installez le tambour filtrant 15.
- 4 Placez le couvercle de la centrifugeuse (B) sur le bol et tournez jusqu'à ce qu'il soit verrouillé 16.

**Votre centrifugeuse ne pourra pas fonctionner si le couvercle ou le bol est mal enclenché dans le système de verrouillage.**

- 5 Placez un récipient adapté sous la sortie de la centrifugeuse.
- 6 Coupez les aliments pour qu'ils puissent passer dans le tube d'alimentation.

- 7 Passez sur la vitesse maximum, puis insérez les aliments à travers le tube d'alimentation. Poussez uniformément vers le bas à l'aide du poussoir - **n'insérez jamais vos doigts dans le tube d'alimentations.** Veillez à ce que les aliments insérés soient totalement passés et traités avant d'en rajouter.
  - Une fois le dernier morceau inséré, laissez la centrifugeuse fonctionner pendant 30 secondes de plus pour extraire le jus du tambour filtrant.
- important**
- Si la centrifugeuse commence à vibrer, éteignez-la et videz la pulpe accumulée sur le filtre. (La centrifugeuse vibre si la pulpe n'est pas répartie de façon uniforme).
  - Vous pouvez traiter une quantité maximale à la fois de 800 g de fruit ou de légumes.
  - Certains aliments très durs peuvent ralentir, voire arrêter votre appareil. Si cela se produit, éteignez l'appareil et déverrouillez le filtre.
  - Éteignez et videz régulièrement la pulpe et le jus des récipients en cours d'utilisation

#### conseils

- Insérez les aliments lentement pour obtenir le plus de jus possible.
- Les vitamines disparaissent rapidement - plus tôt vous buvrez votre jus, plus vous profiterez des vitamines.
- Si vous devez conserver le jus quelques heures, mettez-le au réfrigérateur. Il se conservera mieux si vous y ajoutez quelques gouttes de citron.
- Ne buvez pas plus de trois verres de 230 ml de jus par jour, hormis si vous en avez l'habitude.
- Diluez le jus avec une quantité équivalente d'eau pour les enfants.
- Les jus à base de légumes verts (brocoli, épinard, etc.) ou de légumes rouges (betteraves, choux rouge) sont très forts, il est donc préférable de les diluer.
- Les jus de fruit comportent une teneur élevée en fructose (sucre des fruits) ; par conséquent, les personnes diabétiques ou hypoglycémiques doivent veiller à ne pas en boire trop.

## 19 hachoir

Utilisez le hachoir pour hacher de la viande, de la volaille et du poisson.

- Ⓐ clé
- Ⓑ écrou
- Ⓒ grilles : moyenne et épaisse
- Ⓓ lame
- Ⓔ spirale
- Ⓕ corps
- Ⓖ tube d'alimentation
- Ⓗ plateau
- Ⓘ poussoir

### pour assembler

- 1 Installez la spirale Ⓔ à l'intérieur du corps du hachoir Ⓕ.
- 2 Installez la lame Ⓓ – la partie coupante vers le haut. Veillez à ce qu'elle soit correctement installée, autrement vous pourriez endommager votre hachoir.
- 3 Installez une grille Ⓒ. Placez l'encoche sur l'onglet de localisation Ⓙ.
- 4 Installez l'écrou de serrage sans le resserrer Ⓑ.

### pour utiliser votre hachoir

- 1 Relevez la tête du robot.
- 2 Avec le hachoir en position vers le bas, alignez les ongles d'entraînement à l'extrémité de la spirale avec les encoches correspondantes dans la sortie d'entraînement ⓑ.
- 3 Poussez le hachoir dans la sortie et tournez dans le sens inverse des aiguilles d'une montre pour le verrouiller en place.
- 4 Maintenez le tube d'alimentation en place et resserrez manuellement l'écrou de serrage.
- 5 Installez le plateau Ⓗ.
- 6 **Faites décongeler les aliments congelés avant de les hacher.** Coupez la viande en larges bandes de 2,5 cm.
- 7 Enclenchez la vitesse maximale. À l'aide du poussoir, poussez délicatement les aliments à travers, morceau par morceau. **Ne poussez pas trop fort** – vous pourriez endommager votre hachoir.

#### important

- Ne faites jamais fonctionner votre hachoir plus de 10 minutes car cela pourrait endommager votre robot.

- **L'accessoire du hachoir ne pourra fonctionner que si le cache de la sortie à double entraînement est installé.**

- 8 Une fois tous les ingrédients hachés, éteignez l'appareil et débranchez-le.
- 9 Retirez le hachoir. Utilisez la clé Ⓐ pour desserrer l'écrou si ce dernier est trop serré.

### entretien et nettoyage

- Éteignez toujours l'appareil et débranchez-le avant de le nettoyer.
- Démontez totalement les accessoires avant le nettoyage.

#### bloc moteur

- Essuyez avec un chiffon humide, puis séchez.
- N'utilisez jamais de produits abrasifs ; n'immergez jamais dans l'eau.
- Rangez l'excédent de cordon dans le compartiment de stockage du cordon Ⓓ situé au dos de l'appareil.
- Veillez à ce que les pieds à la base du robot demeurent propres.

#### bol, ustensiles, anti-éclaboussures

- Lavez à la main, puis séchez intégralement.
- N'utilisez jamais une brosse métallique, de la laine d'acier ou de la javel pour nettoyer le bol en acier inoxydable. Utilisez du vinaigre pour retirer les traces de calcaire.
- Tenez éloignés de toute source de chaleur (tables de cuisson, fours, micro-ondes).

#### robot

- **Manipulez les lames et les disques avec soin – ils sont extrêmement coupants.**
- Certains aliments décolorent le plastique. Ce phénomène est parfaitement normal. Cela n'endommage pas le plastique et n'altère pas le goût des aliments. Frottez-le à l'aide d'un chiffon imbibé d'huile végétale pour faire disparaître la décoloration.

#### presse-agrumes

- Lavez à la main, puis séchez intégralement.

## blender

- 1 Videz le gobelet avant de le dévisser de l'unité porte-lame.
- 2 Lavez le gobelet à la main.
- 3 Retirez le joint et lavez-le.
- 4 Ne touchez pas les lames tranchantes : brossez-les à l'aide d'eau chaude savonneuse pour les nettoyer, puis rincez-les soigneusement sous l'eau du robinet. **N'immergez pas l'unité porte-lames dans l'eau.**
- 5 Laissez sécher à l'envers.

## centrifugeuse

- Pour un nettoyage plus facile, nettoyez toujours les pièces immédiatement après usage.
- Certains aliments, comme les carottes, provoquent une décoloration du plastique. Le fait de frotter les parties décolorées avec un chiffon imprégné d'huile végétale permet de supprimer les traces de coloration.
- Nettoyez le filtre à l'aide d'une brosse souple.
- **Vérifiez régulièrement si le filtre présente des traces d'endommagement. Ne l'utilisez pas si le filtre est abîmé. Reportez-vous à la section " service après-vente ".**

## hachoir

- Lavez toutes les pièces dans de l'eau chaude savonneuse chaude et séchez-les soigneusement intégralement. Ne lavez aucune pièce au lave-vaisselle. N'utilisez jamais un produit contenant de la soude.
- Essuyez les grilles avec de l'huile végétale, puis emballez-les dans du papier sulfurisé pour éviter qu'elles rouillent ou se décolorent.

## toutes les autres pièces

- Lavez-les à la main, puis séchez-les.
- Vous pouvez également vous reporter au tableau du lave-vaisselle pour connaître les pièces qui peuvent passer au lave-vaisselle dans le panier supérieur. Évitez de placer des articles directement dans le panier du bas, directement sur l'élément de chauffe. Il est recommandé d'utiliser un programme court, basse température (maximum 50°C).

pièce	lavables en machine
<b>Robot pâtissier</b>	
Bol	✓
Fouet, batteur et pétrin	✓
Anti-éclaboussures	✓
Cache sortie	x
<b>Robot de cuisine</b>	
Bol principal, couvercle et pousoir	✓
Lame couteau	✓
Axe d'entraînement amovible	✓
Disques	✓
<b>Presse-agrumes</b>	
Cône, tamis	✓
<b>Blender</b>	
Gobelet, couvercle et bouchon de remplissage	✓
Unité porte-lames et bague d'étanchéité	x
<b>Centrifugeuse</b>	
Bol, pousoir, couvercle, tambour de filtration et récolteur de pulpe	✓
<b>Hachoir</b>	
Écrou de serrage, grilles, lame, spirale et corps	x
Plateau et pousoir	✓

## service après-vente

- Si le cordon est endommagé, il doit être remplacé, pour des raisons de sécurité, par Kenwood ou par un réparateur agréé Kenwood.
- **Si vous avez des problèmes concernant le fonctionnement de votre robot pâtissier multifonction ou ses accessoires, veuillez consulter le guide de dépannage avant d'appeler le service après-vente.**

Si vous avez besoin d'aide concernant :

- l'utilisation de votre appareil
  - l'entretien ou les réparations
  - contactez le magasin où vous avez acheté votre appareil.
- 
- Conçu et développé par Kenwood au Royaume-Uni.
  - Fabriqué en Chine.



### **AVERTISSEMENTS POUR L'ÉLIMINATION CORRECTE DU PRODUIT CONFORMÉMENT AUX TERMES DE LA DIRECTIVE EUROPÉENNE 2002/96/CE.**

Au terme de son utilisation, le produit ne doit pas être éliminé avec les déchets urbains.

Le produit doit être remis à l'un des centres de collecte sélective prévus par l'administration communale ou auprès des revendeurs assurant ce service.

Éliminer séparément un appareil électroménager permet d'éviter les retombées négatives pour l'environnement et la santé dérivant d'une élimination incorrecte, et permet de récupérer les matériaux qui le composent dans le but d'une économie importante en termes d'énergie et de ressources. Pour rappeler l'obligation d'éliminer séparément les appareils électroménagers, le produit porte le symbole d'un caisson à ordures barré.

## tableau des vitesses recommandées et capacités maximales

Ces informations sont données à titre indicatif uniquement et varient en fonction de la quantité de mélange, du bol et des ingrédients en cours de mixage.

<b>ustensile / accessoire</b>	<b>Type de recette</b>	<b>vitesse</b>	<b>durée</b>	<b>capacités maximales</b>
<b>Robot pâtissier multifonction</b>				
Fouet	Blancs d'œuf	Min - Max	2 minutes	2-8 (70 g - 280 g)
	Crème	Min - Max	1½ minute	125 ml 600 ml
Batteur	Préparations pour gâteau tout en un	Min à Max	1½ minute	poids total de 1,6 kg mélange à base de 8 œufs
	Cake aux fruits - monter en crème de la matière grasse et du sucre Incorporer de la farine, des fruits, etc.	Min à Max  Min	4 minutes  Jusqu'à 1 minute	poids total de 1,8kg mélange à base de 6 œufs
	Intégrer de la matière grasse à de la farine Ajouter de l'eau pour lier la pâte ingrédients	Min à Vitesse 2 Min	5 minutes 30 secondes	450 g de farine
Pétrin	Pâte à pain (à la levure sèche)	Min à Vitesse 2	4 minutes	500 g de farine poids total de 800 g
<b>Robot</b>				
Lame couteau	Préparations pour gâteau tout en un	Max	15 secondes	poids total de 600 g mélange à base de 3 œufs maximum
	Intégrer de la matière grasse à de la farine Ajouter de l'eau pour lier la pâte ingrédients	Max Max	Jusqu'à 1 minute 10 secondes	340 g de farine
	Émincer / réduire en purée / faire des pâtés	Max	jusqu'à 30 secondes	émincer un poids total de 400 g de viande maigre
Disques – à émincer / à râper	Aliments fermes tels que carottes, fromages à pâte dure	Max	–	Ne dépassez pas la capacité maximale indiquée sur le bol.
	Aliments plus tendres tels que concombres, tomates	Vitesse 3	–	
Disque à râper extra fin	Parmesan, pommes de terre pour faire des boulettes de pommes de terre à l'allemande	Max	–	
<b>Presse-agrumes</b>	Agrumes	Vitesse 2	–	–
<b>Blender</b>	Tous les mélanges	Max	Jusqu'à 1 minute	1,2 litres
<b>Centrifugeuse</b>	Fruits et légumes durs, tels que carottes et pommes	Max	–	800 g
	Fruits et légumes tendres comme les tomates et le raisin	Max	–	500 g
<b>Hachoir</b>	Viande, volaille, poisson découpés en bandes larges de –2,5 cm (1")	Max	–	–

\*Tailles des œufs utilisés = taille moyenne (poids variant de 53 à – 63 g)

## Guide de dépannage

Problème	Cause	Solution
L'appareil ne fonctionne pas avec les ustensiles à mélanger.	<p>Le témoin lumineux marche ne s'allume pas.</p> <p>La tête du blender est mal verrouillée dans sa position.</p> <p>Le cache sortie est mal installé.</p> <p>La tête du robot a été relevée pendant l'opération et de nouveau abaissée sans repasser le variateur de vitesse sur la position 'O' (Arrêt).</p>	<p>Vérifiez si l'appareil est branché.</p> <p>Vérifiez que la tête du blender soit correctement abaissée et verrouillée.</p> <p>Vérifiez que le cache sortie soit correctement installé.</p> <p><b>L'appareil ne fonctionnera pas si le cache sortie n'est pas correctement installé.</b></p> <p>Vérifiez que le variateur de vitesse soit bien remis sur la position 'O' (Arrêt).</p>
L'appareil s'arrête en cours de fonctionnement.	<p>Les capacités maximales de chargement de l'appareil sont dépassées.</p> <p>La tête du blender et/ou le cache sortie se sont déverrouillés.</p>	<p>Éteignez l'appareil, débranchez-le et laissez le refroidir pendant 30 minutes.</p> <p>Vérifiez les capacités maximales indiquées dans le tableau des vitesses recommandées.</p> <p>Vérifiez que le cache sortie et la tête du blender soient bien installés.</p>
L'accessoire à double entraînement ne fonctionnera pas.	<p>L'accessoire à double entraînement est mal verrouillé.</p> <p>Le couvercle de la centrifugeuse / du robot ou le tamis du presse-agrumes est mal installé.</p>	<p>Vérifiez que l'accessoire à double entraînement soit bien installé.</p> <p>Vérifiez que l'accessoire soit bien installé.</p>
L'accessoire du hachoir ne fonctionnera pas.	<p>L'accessoire est mal verrouillé.</p> <p>Le cache sortie n'est pas correctement installé.</p>	<p>Vérifiez que l'accessoire soit bien installé.</p> <p>Vérifiez que le cache sortie soit bien installé.</p>
Mouvement au niveau de la surface de travail.	Les pieds sur la partie inférieure de l'appareil sont sales ou mouillés.	Vérifiez régulièrement la propreté des pieds et s'ils sont secs.
Faible performance des ustensiles / accessoires.	Reportez-vous aux conseils dans la section appropriée " utilisation des accessoires ". Vérifiez le bon assemblage des accessoires.	

## Guide de dépannage

<b>Problème</b>	<b>Cause</b>	<b>Solution</b>
Le témoin lumineux Marche clignote rapidement.	Fonctionnement normal. Le témoin lumineux clignote si un ou plusieurs des systèmes de verrouillage ne sont pas correctement engagés.	Si vous utilisez un accessoire, vérifiez qu'il soit bien verrouillé en place. Vérifiez que la tête du robot soit totalement en position abaissée, hormis si vous utilisez l'accessoire du hachoir. Vérifiez que le variateur de vitesse se trouve bien sur la position 'O' (Arrêt).
Le témoin lumineux Marche clignote lentement.	L'appareil est en mode Pause. Si le robot pâtissier multifonction demeure branché plus de 30 minutes sans fonctionner, il passe dès lors en mode Pause pour réduire la consommation d'énergie. Le témoin est constamment allumé dès lors que l'appareil est prêt à être utilisé.	Le robot pâtissier multifonction recommence à fonctionner normalement une fois le variateur de vitesse remis sur la position 'O' (Arrêt).
Si aucune des solutions susmentionnées ne permet de résoudre le problème, consultez alors la rubrique " service après-vente " .		

# Deutsch

**Bitte die Titelseite mit dem Abbildungen aufklappen.**

## Sicherheit

- Lesen Sie diese Anleitungen sorgfältig durch und bewahren Sie sie zur späteren Bezugnahme auf.
- Entfernen Sie sämtliche Verpackungen und Aufkleber.
- Gerät ausschalten und den Netzstecker ziehen:
  - vor dem Anbringen oder Abnehmen von Teilen,
  - wenn das Gerät nicht gebraucht wird,
  - vor dem Reinigen.
- Vor dem Anbringen oder Entfernen von Röhrelementen/Aufsätzen, nach Gebrauch und vor dem Reinigen den Geschwindigkeitsregler auf „O“ (AUS) stellen und den Netzstecker ziehen.
- Finger von beweglichen Teilen und angebrachten Aufsätzen fernhalten.
- Die Küchenmaschine im Betrieb niemals unbeaufsichtigt lassen.
- Niemals ein beschädigtes Gerät benutzen. Überprüfen oder reparieren lassen: Siehe Abschnitt „Kundendienst und Service“.
- Niemals das Kabel so herabhängen lassen, dass ein Kind danach greifen könnte.
- Antriebseinheit, Netzkabel und Netzstecker niemals nass werden lassen.
- **Bei Verwendung des Dualanschlusses immer sicherstellen, dass keine Röhrelemente angebracht oder in der Schüssel aufbewahrt sind.**
- Niemals einen unzulässigen Aufsatz oder mehr als einen Aufsatz gleichzeitig benutzen.
- Niemals die in der Empfehlungstabelle angegebenen Mengen überschreiten.
- Vorsicht beim Anheben dieses Geräts, es ist schwer. Vor dem Anheben sicherstellen, dass der Maschinenkopf nach unten geklappt sowie verriegelt ist und Schüssel, Röhrelemente, Anschlussdeckel und Kabel fest sitzen bzw. gut verstaut sind.



- Vor Gebrauch der Küchenmaschine sicherstellen, dass das Kabel komplett aus dem Kabelfach ④ gezogen ist.
- Kinder müssen überwacht werden, damit sie nicht mit dem Gerät spielen.
- Den Maschinenkopf nicht mit angebrachtem Aufsatz bewegen oder hochklappen, da die Küchenmaschine dadurch ihren sicheren Stand verlieren könnte.
- Das Gerät nicht nahe der Kante einer Arbeitsfläche betreiben.
- Geräte können von Personen mit körperlichen, sensorischen oder geistigen Behinderungen oder von Personen mit mangelnder Erfahrung oder Kenntnis verwendet werden, sofern diese beaufsichtigt oder in die sichere Verwendung des Geräts eingewiesen wurden und sofern sie die damit verbundenen Gefahren verstehen.
- Unsachgemäßer Gebrauch Ihres Geräts kann zu Verletzungen führen.
- Dieses Gerät darf nicht von Kindern verwendet werden. Gerät und Netzkabel müssen für Kinder unzugänglich sein.
- Das Gerät nur für seinen vorgesehenen Zweck im Haushalt verwenden. Kenwood übernimmt keine Haftung bei unsachgemäßer Benutzung des Geräts oder Nichteinhaltung dieser Anleitungen.
- Der maximale Leistungswert wird anhand des Aufsatzes mit der größten Leistungsaufnahme berechnet. Bei anderen Aufsätzen ist die Leistungsaufnahme u. U. geringer.
- **Aufsätze werden beschädigt und können Verletzungen verursachen, wenn der Verriegelungsmechanismus mit zu viel Kraftaufwand betätigt wird.**
- **Multi-Zerkleinerer**
- Vorsicht – die Messer und Scheiben des Multi-Zerkleinerers sind sehr scharf. **Bei Gebrauch und Reinigung immer oben am Fingergriff, weg von den Klingen, anfassen.**

- Vor Entleeren der Schüssel immer das Schlagmesser herausnehmen.
- Hände und Utensilien nicht in die Schüssel des Multi-Zerkleinerers halten, während das Gerät an den Netzstrom angeschlossen ist.
- Schnittgut niemals mit den Fingern durch den Füllschacht drücken. Stets den mitgelieferten Stopfer verwenden.
- Vor Abnehmen des Deckels von der Schüssel des Multi-Zerkleinerers:
  - Gerät ausschalten;
  - warten, bis das Zubehörteil/Messer völlig zum Stillstand gekommen ist.
- **Den Deckel des Multi-Zerkleinerers erst abnehmen, wenn Messer oder Scheibe völlig zum Stillstand gekommen sind.**
- **VERBRENNUNGSRISIKO:** Heiße Zutaten vor dem Verarbeiten auf Raumtemperatur abkühlen lassen.
- Zum Betreiben des Multi-Zerkleinerers niemals den Deckel verwenden, sondern stets den Geschwindigkeits-/Pulsregler.

### **Mixer-Aufsatz**

- Hände und Utensilien nicht in den Mixbecher halten, während Gerät an den Netzstrom angeschlossen ist.
- **Den Messereinsatz niemals ohne angebrachten Mixbecher auf die Antriebseinheit schrauben.**
- **VERBRENNUNGSRISIKO:** Heiße Zutaten vor dem Verarbeiten oder Mixen auf Raumtemperatur abkühlen lassen.
- Den Mixer nur mit aufgesetztem Deckel betreiben.
- Den Mixbecher nur mit der mitgelieferten Messereinheit verwenden.
- Den Mixer niemals leer laufen lassen.
- Um eine lange Lebensdauer des Mixers zu gewährleisten, sollte er nie länger als 60 Sekunden ununterbrochen laufen. Ausschalten, sobald die gewünschte Konsistenz erreicht ist.
- Es wird davon abgeraten, Gewürze zu verarbeiten, da diese die Kunststoffteile beschädigen können.

- Rezepte für Smoothies – niemals gefrorene Zutaten mixen, die beim Tiefkühlen zu einer festen Masse zusammengefroren sind. Die Masse vor dem Einfüllen zerkleinern.

## **Fleischwolf**

- Vor dem Zerkleinern Knochen und Schwarte etc. vom Fleisch entfernen.
- Beim Zerkleinern von Nüssen immer nur eine kleine Menge in den Fleischwolf geben. Erst dann nachfüllen, wenn die erste Ladung in der Förderschnecke ist.
- Immer den beiliegenden Stopfer verwenden. Niemals Finger oder Utensilien in den Füllschacht stecken.
- Achtung – der Messerkopf ist scharf, Vorsicht beim Verwenden und Reinigen.
- Vor dem Einschalten sicherstellen, dass der Aufsatz korrekt angebracht ist und fest sitzt.

## **Entsafter**

- **Entsafter nicht verwenden, wenn der Filter beschädigt ist.**
- Vorsicht beim Handhaben und Reinigen des Filters: Die Klingen am Filterboden sind sehr scharf.
- Zum Betreiben des Entsafters niemals den Deckel verwenden, sondern stets den Geschwindigkeits-/Pulsregler.
- Falls während der Benutzung des Entsafters starke Vibrationen auftreten, entweder die Geschwindigkeit reduzieren oder das Gerät stoppen, den Netzstecker ziehen und sämtlichen Trester aus der Trommel entfernen (der Entsafter vibriert, wenn sich Trester unregelmäßig ablagert).

### **Vor dem Netzanschluss**

- Sicherstellen, dass die Netzspannung mit den Angaben auf der Unterseite des Geräts übereinstimmt.
- Dieses Gerät entspricht der europäischen EMV-Richtlinie 2004/108/EG sowie der EG-Verordnung Nr. 1935/2004 vom 27.10.2004 über Materialien und Gegenstände, die dazu bestimmt sind, mit Lebensmitteln in Berührung zu kommen.

### **Vor erstmaligem Gebrauch**

- Die Teile waschen: siehe „Pflege und Reinigung“.

# Schlüssel

- ① Anschlussdeckel
- ② Dualanschluss (Mittel- und Hochgeschwindigkeit)
- ③ Verriegelungen
- ④ Kabelfach
- ⑤ Geschwindigkeits-/Pulsregler
- ⑥ Antriebseinheit
- ⑦ Rührelement-Anschluss
- ⑧ Schüssel
- ⑨ Maschinenkopf
- ⑩ Maschinenkopf-Hebel
- ⑪ K-Haken
- ⑫ Knethaken
- ⑬ Schneebesens
- ⑭ Spritzschutz

## Zubehör

- ⑮ Multi-Zerkleinerer
- ⑯ Zitruspresse
- ⑰ Glas-Mixaufsatz
- ⑱ Entsafter
- ⑲ Fleischwolf

Lesen Sie die Empfehlungstabelle für jedes Zubehörteil.

# Die Rührelemente und einige ihrer Einsatzmöglichkeiten

## K-Haken

- Zur Zubereitung von Kuchen, Plätzchen, Gebäck, Zuckerguss, Füllungen, Brandteig und Kartoffelpüree.

## Schneebesens

- Für Eier, Sahne, Rührteig, Biskuitteig ohne Fett, Baisers, Käsekuchen, Cremes und Soufflés. Den Schneebesens nicht für schwere Mischungen (z. B. zum Schaumigschlagen von Fett und Zucker) verwenden – er könnte dadurch beschädigt werden.

## Knethaken

- Für schwere Teige, wie Hefe- oder Brotteige.

# Verwendung Ihrer Rührelemente

- 1 Drücken Sie den Maschinenkopf-Hebel nach unten **①** und klappen Sie den Maschinenkopf hoch, bis er einrastet.
- 2 Setzen Sie die Schüssel auf den Sockel und drehen Sie sie gegen den Uhrzeigersinn, so dass sie fest sitzt **②**.

- 3 Führen Sie das gewünschte Rührelement in den Steckplatz ein, bis es einrastet **③**.
- 4 Drücken Sie den Maschinenkopf-Hebel nach unten und klappen Sie den Maschinenkopf herunter, bis er einrastet.
- 5 Schließen Sie das Gerät an den Netzstrom an. Starten Sie die Maschine, indem Sie den Geschwindigkeitsregler zur gewünschten Stufe drehen. Stellen Sie den Regler zum Ausschalten auf „O“ (AUS).

**Die Betriebsanzeige blinkt und das Gerät funktioniert nicht, wenn der Maschinenkopf hochgeklappt oder der Anschlussdeckel nicht aufgesetzt ist.**

- Verwenden Sie die Pulsfunktion **P** für kurze, stoßweise Mixvorgänge.
- 6 Ziehen Sie den Netzstecker.
- 7 Klappen Sie den Maschinenkopf hoch, halten Sie ihn fest und ziehen Sie das Rührelement aus dem Steckplatz.

## Wichtig

- Wird der Maschinenkopf während des Betriebs nach oben geklappt, stoppt die Küchenmaschine sofort. Zum erneuten Betrieb den Kopf nach unten klappen, den Geschwindigkeitsregler auf „O“ (AUS) stellen, einige Sekunden warten und dann wieder eine Geschwindigkeit einstellen. Die Küchenmaschine sollte sofort wieder starten.
- Wenn aus irgendeinem Grund die Stromzufuhr unterbrochen wird und die Küchenmaschine stoppt, den Geschwindigkeitsregler auf „O“ (AUS) stellen, einige Sekunden warten und dann wieder eine Geschwindigkeit einstellen. Die Küchenmaschine sollte sofort wieder starten.
- **Die Küchenmaschine funktioniert nur mit korrekt aufgesetztem Anschlussdeckel.**
- Wenn Sie hören, dass die Maschine überlastet ist, diese entweder ausschalten und einen Teil der Zutaten entnehmen oder die Geschwindigkeit erhöhen.
- Vor dem Hochklappen des Maschinenkopfes immer etwaige Aufsätze am Dualanschluss abnehmen.
- **Bei Verwendung des Dualanschlusses immer sicherstellen, dass keine Rührelemente angebracht oder in der Schüssel aufbewahrt sind.**

### Tipps

- Maschine bei Bedarf ausschalten und Mischgut mit dem Spatel von den Seiten der Schüssel nach unten schaben.
- Eier sollten zum Schlagen am besten Raumtemperatur haben.
- Vor dem Zubereiten von Eischnee sicherstellen, dass sich keine Spuren von Fett oder Eigelb an Schneebesens oder Schüssel befinden.
- Beim Zubereiten von Teig kalte Zutaten verwenden (wenn nicht im Rezept anders angegeben).
- Beim Schaumigschlagen von Fett und Zucker für Rührteig das Fett immer bei Raumtemperatur verwenden oder vorher weich werden lassen.
- Ihre Maschine besitzt eine „Soft Start“-Funktion, um Spritzer zu verhindern. Beim Verarbeiten von zähen Mischungen (wie z. B. Brotteig) kann es nach dem Einschalten allerdings einige Sekunden dauern, bis die gewünschte Geschwindigkeit erreicht ist.

## Hinweise zu Brotteigen

### Wichtig

- Niemals die angegebenen Höchstmengen überschreiten – Sie könnten die Maschine überlasten.
- **Der Maschinenkopf bewegt sich möglicherweise ein wenig, wenn Sie zähe Mischungen wie Brotteig verarbeiten – das ist normal.**
- Die Zutaten vermengen sich am besten, wenn Sie zuerst die Flüssigkeit eingeben.
- Die Maschine ab und zu stoppen und den Teig vom Knehtaken abstreifen.
- Je nach Mehlsorte kann die erforderliche Flüssigkeitsmenge stark variieren, und die Klebrigkeit des Teiges wirkt sich deutlich auf den Belastungsgrad der Maschine aus. Es empfiehlt sich, die Maschine beim Verarbeiten von Teig sorgfältig zu beobachten; der Vorgang sollte maximal 6-8 Minuten dauern.

## Anbringen und Verwendung des Spritzschutzes

- 1 Setzen Sie die Schüssel in den Sockel und geben Sie die Zutaten hinein.
- 2 Bringen Sie den Spritzschutz an, indem Sie die Vorsprünge am Röhrelemente-Steckplatz ⑦ ausrichten und den Spritzschutz zum Einrasten gegen den Uhrzeigersinn drehen ④.

- 3 Bringen Sie das Röhrelement an und senken Sie den Maschinenkopf.
  - 4 Führen Sie zum Abnehmen des Spritzschutzes die obigen Schritte in umgekehrter Reihenfolge aus.
- Während des Rührvorgangs können Zutaten direkt über den Füllschacht hinzugegeben werden.

## Elektronischer Sensor-Geschwindigkeitsregler

Ihre Küchenmaschine besitzt einen elektronischen Sensor-Geschwindigkeitsregler, der die Geschwindigkeit bei unterschiedlichen Belastungen konstant hält, wie z. B. beim Kneten von Brotteig oder Einrühren von Eiern in Kuchenteig. Wenn Sie also hören, dass sich im Betrieb die Geschwindigkeit ändert, ist das normal – der Mixer passt sich an die jeweilige Belastung und die gewählte Geschwindigkeit an.

## ⑮ Multi-Zerkleinerer

- Ⓐ Stopfer
- Ⓑ Einfüllschacht
- Ⓒ Deckel
- Ⓓ Schlagmesser
- Ⓔ Schüssel mit Antriebswelle
- Ⓕ Raspel-/Schneidescheibe, grob
- Ⓖ Raspel-/Schneidescheibe, fein
- Ⓗ Raspelscheibe, extrafein
- ① Abnehmbare Antriebswelle

## Verwendung Ihres Multi-Zerkleinerers

- 1 Entfernen Sie den Anschlussdeckel, indem Sie ihn gegen den Uhrzeigersinn drehen und abheben ⑤.
- 2 Setzen Sie die Schüssel ③ mit nach rechts weisendem Griff auf den Anschluss und drehen Sie sie im Uhrzeigersinn, bis sie einrastet ⑥.
- 3 Bringen Sie das Schlagmesser bzw. die abnehmbare Antriebswelle mit dem gewünschten Zubehörtel an.

### Hinweis: Die abnehmbare Antriebswelle

- ① sollte nur bei Verwendung der Scheiben oder der Zitruspresse angebracht werden.
- Setzen Sie immer die Schüssel und das Zubehörtel auf die Maschine, bevor Sie die Zutaten hinzugeben.

4 Setzen Sie den Deckel auf **7** – achten Sie darauf, dass die Spitze des Schlagmessers bzw. der Antriebswelle in die Mitte des Deckels greift.

● **Zum Betreiben des Multi-Zerkleinerers niemals den Deckel verwenden, sondern stets den Geschwindigkeits-/Pulsregler.**

5 Schließen Sie das Gerät an das Netz an, schalten Sie es ein und wählen Sie eine Geschwindigkeit (siehe Empfehlungstabelle).

● **Die Küchenmaschine funktioniert nur, wenn Schüssel und Deckel richtig eingerastet sind. Überprüfen Sie, dass sich Einfüllschacht und Schüsselgriff vorne befinden.**

● Verwenden Sie die Pulsfunktion **P** für kurze, stoßweise Mixvorgänge. Die Pulsfunktion läuft, solange der Schalter in der entsprechenden Position gehalten wird.

6 Führen Sie die obigen Schritte in umgekehrter Reihenfolge aus, um Schüssel, Zubehörteile und Deckel zu entfernen.

● **Das Gerät vor dem Abnehmen des Deckels immer ausschalten und den Netzstecker ziehen.**

#### **Wichtig**

- Ihre Küchenmaschine eignet sich nicht zum Zerkleinern oder Mahlen von Kaffeebohnen oder grobem Zucker.
- Beim Hinzufügen von Mandelaroma oder anderen Aromen möglichst vermeiden, dass diese auf den Kunststoff gelangen. Sie könnten zu permanenten Verfärbungen führen.
- **Keine heißen Zutaten verarbeiten.**

## Schlagmesser **Ⓢ**

Das Schlagmesser ist das vielseitigste aller Zubehörteile. Die letztendliche Konsistenz ist abhängig von der Verarbeitungsdauer. Für ein größeres Ergebnis empfiehlt sich die Pulsfunktion.

Verwenden Sie das Schlagmesser zum Zubereiten von Teig, zum Hacken von rohem und gekochtem Fleisch, Gemüse und Nüssen, zum Mixen von Pâtés und Dips, zum Pürieren von Suppen und Zubereiten von Keks- und Brotkrümeln.

#### **Tipps**

- Schneiden Sie Zutaten wie Fleisch, Brot oder Gemüse vor dem Verarbeiten in ca. 2 cm große Stücke.

- Kekse sollten in Stücke gebrochen und bei laufendem Gerät durch den Füllschacht zugegeben werden.

- Beim Zubereiten von Teig das Fett direkt aus dem Kühlschrank in ca. 2 cm großen Stücken zugeben.

- Ein zu langes Verarbeiten vermeiden.

- **Das Schlagmesser nicht zum Verarbeiten von zähen Mischungen wie Brotteig verwenden.**

- Das Schlagmesser nicht zum Zerkleinern von Eiswürfeln oder anderen harten Zutaten wie z. B. Gewürzen verwenden, da dies den Aufsatz beschädigen könnte.

## Raspel-/Schneidescheiben

Verwendung der Scheiben

**Doppelseitige Raspel-/Schneidescheiben - grob **Ⓕ**, fein **Ⓖ****

Verwenden Sie die Raspelseite für Käse, Karotten, Kartoffeln und Nahrungsmittel ähnlicher Art.

Verwenden Sie die Schneideseite für Käse, Karotten, Kartoffeln, Kohl, Gurken, Rote Beete und Zwiebeln.

**Extrafeine Raspelscheibe **Ⓖ****

Zum Reiben von Parmesan oder Kartoffeln für Knödel.

## Verwendung der Schneidescheiben

1 Setzen Sie die Schüssel auf die Antriebseinheit und bringen Sie die abnehmbare Antriebswelle an.

2 Halten Sie die Scheibe am Mittelgriff fest und setzen Sie sie mit der gewünschten Seite nach oben auf die Antriebswelle.

3 Setzen Sie den Deckel auf.

4 Geben Sie das Schnittgut in den Füllschacht.

5 Schalten Sie das Gerät ein und drücken Sie das Schnittgut gleichmäßig mit dem Stopfer nach unten. Stecken Sie niemals die Finger in den Füllschacht.

#### **Tipps**

- Verwenden Sie frische Zutaten.
- Schneiden Sie die Zutaten nicht zu klein. Füllen Sie die Breite des Füllschachts ziemlich aus. Dies verhindert, dass Zutaten beim Verarbeiten seitlich wegrutschen.
- Senkrecht eingeführtes Schnittgut wird kürzer geschnitten als horizontal liegende Stücke.
- Nach der Verarbeitung bleiben immer kleine Reste auf der Scheibe oder in der Schüssel zurück.

## 16 Zitruspresse

Verwenden Sie die Zitruspresse zum Entsaften von Zitrusfrüchten (z. B. Orangen, Zitronen, Limetten und Grapefruit).

- A Presskegel
- B Sieb

## Verwendung der Zitruspresse

- 1 Setzen Sie die Schüssel auf die Antriebseinheit und bringen Sie die abnehmbare Antriebswelle an.
- 2 Setzen Sie das Sieb in die Schüssel – vergewissern Sie sich, dass der Siebgriff direkt über dem Schüsselgriff einrastet **8**.
- 3 Setzen Sie den Presskegel auf die Antriebswelle und drehen Sie ihn, bis er ganz nach unten rutscht **9**.
- 4 Halbieren Sie die Früchte. Schalten Sie dann das Gerät ein und drücken Sie die Frucht auf den Presskegel.

- **Die Zitruspresse funktioniert nur, wenn das Sieb ordnungsgemäß eingerastet ist.**

- Die besten Ergebnisse erzielen Sie, wenn Sie die Früchte bei Zimmertemperatur aufbewahren und verarbeiten und sie vor dem Entsaften mit leichtem Druck auf der Arbeitsfläche rollen.
- Sie erhöhen die Saftausbeute, indem Sie die Frucht beim Entsaften leicht hin und her bewegen.
- Beim Entsaften großer Mengen sollten Sie das Sieb regelmäßig reinigen, damit sich nicht zu viel Fruchtfleisch und Kerne ansammeln.

## 17 Glas-Mixaufsatz

- A Einfüllkappe
- B Deckel
- C Mixbecher
- D Dichtungsring
- E Messereinsatz

## Verwendung Ihres Glas-Mixaufsatzes

- 1 Legen Sie den Dichtungsring **D** in den Messereinsatz **E** ein und achten Sie darauf, dass der Ring korrekt in der Rille sitzt.
- **Wenn die Dichtung beschädigt ist oder nicht richtig eingesetzt wurde, kann Flüssigkeit auslaufen.**

- 2 Schrauben Sie den Mixbecher auf die Messereinheit **D**. Richten Sie sich nach den Abbildungen auf der Unterseite des Messereinsatzes:

 - entriegelte Position

 - verriegelte Position

- **Der Mixer funktioniert nicht, wenn er falsch zusammengesetzt wurde.**

- 3 Füllen Sie Ihre Zutaten in den Mixbecher.
- 4 Setzen Sie den Deckel auf den Mixbecher und drücken Sie ihn fest **D**. Bringen Sie die Einfüllkappe an.
- 5 Entfernen Sie den Deckel des Dualanschlusses, indem Sie ihn gegen den Uhrzeigersinn drehen und dann abheben.
- 6 Setzen Sie den Mixaufsatz auf die Antriebseinheit und drehen Sie ihn im Uhrzeigersinn **E**, bis er einrastet.
- **Das Gerät funktioniert nur, wenn der Mixaufsatz korrekt eingerastet ist.**
- 7 Wählen Sie eine Geschwindigkeit (siehe Empfehlungstabelle) oder verwenden Sie die Pulsfunktion **C** für kurze, stoßweise Mixvorgänge.

### Tipps

- Für die Zubereitung von Mayonnaise alle Zutaten außer dem Öl in den Mixer geben. Die Einfüllkappe abnehmen. Dann bei laufendem Gerät das Öl langsam durch die Einfüllöffnung dazugießen.
- Dickflüssige Mischungen, z. B. Pâtés und Dips, müssen evtl. zwischendurch von den Seiten des Mixbechers nach unten geschabt werden. Lässt sich die Mischung zu schwer verarbeiten, mehr Flüssigkeit zugeben.
- Zerkleinern von Eis: Verwenden Sie die Pulsfunktion stoßweise, bis das Eis die gewünschte Konsistenz hat.
- Es wird davon abgeraten, Gewürze zu verarbeiten, da diese die Kunststoffteile beschädigen können.
- **Das Gerät funktioniert nicht, wenn der Mixaufsatz falsch aufgesetzt wurde.**
- Verarbeiten trockener Zutaten: Diese ggf. klein schneiden, Einfüllkappe abnehmen und Stücke nach und nach bei laufendem Gerät hinzugeben. Ihre Hand über die Öffnung halten. Für optimale Ergebnisse regelmäßig leeren.
- Mixer nicht als Aufbewahrungsbehälter verwenden. Er sollte vor und nach dem Gebrauch leer bleiben.
- Niemals mehr als 1,2 Liter verarbeiten – weniger für schaumige Flüssigkeiten wie Milchshakes.

## 18 Entsafter

Verwenden Sie den Entsafter zum Gewinnen von Saft aus festem Obst und Gemüse.

- (A) Stopfer
- (B) Entsafterdeckel
- (C) Tresterauswurf
- (D) Filtertrommel
- (E) Entsafterschüssel
- (F) Saftausguss

## Verwendung des Entsafters

- 1 Setzen Sie die Entsafterschüssel (E) mit dem Saftausguss (F) nach links auf den Dualanschluss und drehen Sie sie im Uhrzeigersinn, bis sie einrastet (18).
  - 2 Setzen Sie den Tresterauswurf (C) in die Filtertrommel (D). Stellen Sie dabei sicher, dass die Vorsprünge in die dafür vorgesehenen Schlitze am Boden der Trommel greifen (19).
  - 3 Setzen Sie die Filtertrommel ein (15).
  - 4 Setzen Sie den Entsafterdeckel (B) auf die Schüssel und drehen Sie ihn, bis er einrastet (16). **Ihr Entsafter funktioniert nur, wenn Schüssel und Deckel richtig eingerastet sind.**
  - 5 Stellen Sie ein geeignetes Gefäß unter den Saftausguss.
  - 6 Schneiden Sie das Obst/Gemüse in Stücke, so dass es in den Einfüllschacht passt.
  - 7 Stellen Sie die Höchstgeschwindigkeit ein und geben Sie die Stücke in den Füllschacht. Drücken Sie sie gleichmäßig mit dem Stopfer nach unten. **Stecken Sie niemals die Finger in den Füllschacht.** Verarbeiten Sie jede Portion vollständig, bevor Sie eine neue hinzufügen.
- Lassen Sie den Entsafter nach Hinzufügen des letzten Stücks weitere 30 Sekunden laufen, damit auch der letzte Saft aus der Filtertrommel austritt.

### Wichtig

- Falls der Entsafter zu vibrieren beginnt, das Gerät ausschalten und Trester aus dem Filter entfernen. (Vibration entsteht, wenn der Trester ungleich verteilt ist.)
- Sie können pro Arbeitsdurchgang maximal 800 g Obst oder Gemüse entsaften.
- Bei einigen sehr festen Stücken kann Ihr Entsafter langsamer arbeiten oder stoppen. In diesem Fall das Gerät ausschalten und den Filter freilegen.
- Während des Entsaftens in regelmäßigen Abständen das Gerät abschalten und den Saft- und Tresterbehälter leeren.

### Tipps

- Weiches Obst/Gemüse langsam verarbeiten, um die Saftausbeute zu maximieren.
- Vitamine bauen sich mit der Zeit ab – je eher Sie Ihren Saft trinken, desto mehr Vitamine nehmen Sie zu sich.
- Wenn Sie den Saft einige Stunden lang aufbewahren möchten, dann stellen Sie ihn in den Kühlschrank. Er hält sich länger, wenn Sie ein paar Tropfen Zitronensaft dazugeben.
- Trinken Sie nicht mehr als drei 230-ml-Gläser pro Tag, es sei denn, Sie sind daran gewöhnt.
- Verdünnen Sie Saft für Kinder mit einer gleichen Menge Wasser.
- Saft von dunkelgrünem Gemüse (Broccoli, Spinat usw.) und dunkelrotem Gemüse (rote Beete, Rotkohl usw.) ist sehr stark – Sie sollten ihn immer verdünnen.
- Fruchtsaft enthält viel Fruktose (Fruchtzucker). Diabetiker oder Personen mit niedrigem Blutzuckerspiegel sollten nicht zu viel davon trinken.

## 19 Fleischwolf

Der Fleischwolf eignet sich zum Zerkleinern von Fleisch, Geflügel und Fisch.

- (A) Schraubenschlüssel
- (B) Ringmutter
- (C) Lochscheiben: mittel und grob
- (D) Messerkopf
- (E) Förderschnecke
- (F) Gehäuse
- (G) Einfüllschacht
- (H) Vorratsschale
- (I) Stopfer

## Zusammenbau

- 1 Setzen Sie die Förderschnecke (E) in das Gehäuse (F).
- 2 Setzen Sie den Messerkopf (D) auf – mit der Schneidkante nach außen. Achten Sie darauf, dass der Messerkopf richtig sitzt – Sie könnten sonst den Fleischwolf beschädigen.
- 3 Bringen Sie eine der Lochscheiben (C) an. Die Nut muss auf dem Mitnehmer sitzen (17).
- 4 Schrauben Sie die Ringmutter (B) lose auf.



## Verwendung Ihres Fleischwolfs

- 1 Klappen Sie den Maschinenkopf nach oben.
- 2 Halten Sie den Fleischwolf in der abgebildeten Position und richten Sie die Antriebsvorsprünge am Ende der Förderschnecke mit den entsprechenden Schlitzern am Anschluss aus **18**.
- 3 Setzen Sie den Fleischwolf in den Anschluss ein und drehen Sie ihn gegen den Uhrzeigersinn, bis er einrastet.
- 4 Halten Sie den Einfüllschacht fest und ziehen Sie die Ringmutter von Hand fest.
- 5 Bringen Sie die Vorratsschale an **19**.
- 6 **Lassen Sie gefrorene Nahrungsmittel vor dem Zerkleinern vollständig auftauen.** Schneiden Sie Fleisch in 2,5 cm breite Streifen.
- 7 Stellen Sie die Höchstgeschwindigkeit ein. Drücken Sie das Hackgut mit dem Stopfer Stück für Stück sanft nach unten. **Nicht zu stark drücken** – Sie könnten damit Ihren Fleischwolf beschädigen.  
**Wichtig**
  - Betreiben Sie den Fleischwolf niemals länger als 10 Minuten – Sie könnten das Gerät beschädigen.
  - **Der Fleischwolf funktioniert nur, wenn der Deckel des Dualanschlusses aufgesetzt ist.**
- 8 Schalten Sie nach Verarbeiten aller Zutaten das Gerät aus und ziehen Sie den Stecker.
- 9 Nehmen Sie den Fleischwolf ab. Verwenden Sie den Schraubenschlüssel **A**, um die Ringmutter zu lösen, falls sie zu fest sitzt.

## Pflege und Reinigung

- Vor dem Reinigen das Gerät immer ausschalten und den Netzstecker ziehen.
- Aufsätze vor dem Reinigen komplett auseinandernehmen.  
**Antriebseinheit**
  - Mit einem feuchten Tuch abwischen und trocknen lassen.
  - Niemals Scheuermittel benutzen oder in Wasser tauchen.
  - Überhängendes Kabel im Kabelfach **4** hinten in der Antriebseinheit verstauen.
  - Sicherstellen, dass die Standfüße unten am Gerät immer sauber sind.

### **Schüssel, Rührelemente, Spritzschutz**

- Von Hand spülen und gründlich abtrocknen.
- Die Schüssel aus Edelstahl niemals mit einer Drahtbürste, Stahlwolle oder Bleichmittel reinigen. Kalkablagerungen mit Essig entfernen.
- Von Hitzequellen fernhalten (Herdplatten, Öfen, Mikrowellen).

### **Multi-Zerkleinerer**

- **Vorsicht beim Umgang mit den Klingen und Scheiben – sie sind sehr scharf.**
- Manche Zutaten können den Kunststoff verfärben. Dies ist völlig normal und hat keine Auswirkungen auf den Kunststoff oder den Geschmack Ihrer Zutaten. Mit einem in Pflanzenöl getauchten Tuch abreiben, um die Verfärbungen zu beseitigen.

### **Zitruspresse**

- Von Hand spülen und gründlich abtrocknen.

### **Mixaufsatz**

- 1 Den Mixbecher entleeren, bevor Sie ihn vom Messereinsatz abschrauben.
- 2 Den Mixbecher von Hand spülen.
- 3 Den Dichtungsring abnehmen und waschen.
- 4 Nicht die scharfen Messer berühren – in heißem Wasser und Spülmittel sauber bürsten und dann unter fließendem Wasser gründlich abspülen.

### **Messereinsatz nicht in Wasser tauchen.**

- 5 Das Teil umgedreht trocknen lassen.

### **Entsafter**

- Zur einfacheren Reinigung die Teile immer direkt nach Gebrauch abwaschen.
- Manche Zutaten wie z. B. Karotten können den Kunststoff verfärben. Mit einem in Pflanzenöl getauchten Tuch abreiben, um die Verfärbungen zu beseitigen.
- Den Filter mit einer weichen Bürste reinigen.
- **Den Filter regelmäßig auf Schäden prüfen. Einen beschädigten Filter nicht weiter verwenden. Siehe „Kundendienst und Service“.**

### **Fleischwolf**

- Alle Teile mit heißem Wasser und Spülmittel abwaschen und gründlich abtrocknen. Keine Teile in die Spülmaschine geben. Niemals mit einer Natronlösung reinigen.
- Die Lochscheiben mit Pflanzenöl abwischen und in fett dichtes Papier einwickeln, damit sie sich nicht verfärben oder rosten.

### Alle anderen Teile

- Von Hand spülen und abtrocknen.
- Andernfalls anhand der Spülmaschinen-Tabelle überprüfen, welche Teile spülmaschinenfest sind und im oberen Fach Ihrer Spülmaschine gereinigt werden können. Vermeiden Sie es, die Teile im unteren Gestell direkt über dem Heizelement zu platzieren. Wir empfehlen ein kurzes Programm bei niedriger Temperatur (maximal 50°C).

Teil	Spülmaschinenfest
<b>Küchenmaschine</b>	
Schüssel	✓
Schneebesen, K-Haken und Knethaken	✓
Spritzschutz	✓
Anschlussdeckel	x
<b>Multi-Zerkleinerer</b>	
Hauptschüssel, Deckel und Stopfer	✓
Schlagmesser	✓
Abnehmbare Antriebswelle	✓
Scheiben	✓
<b>Zitruspresse</b>	
Presskegel, Sieb	✓
<b>Mixaufsatz</b>	
Mixbecher, Deckel und Einfüllkappe	✓
Messereinsatz und Dichtungsring	x
<b>Entsafter</b>	
Schüssel, Stopfer, Deckel, Filtertrommel und Tresterauswurf	✓
<b>Fleischwolf</b>	
Ringmutter, Lochscheiben, Messerkopf, Förderschnecke und Gehäuse	x
Vorratsschale und Stopfer	✓

## Kundendienst und Service

- Ein beschädigtes Netzkabel muss aus Sicherheitsgründen von KENWOOD oder einer autorisierten KENWOOD-Kundendienststelle ausgetauscht werden.
- **Sollten Sie irgendwelche Probleme mit der Küchenmaschine oder den Aufsätzen haben, ziehen Sie die Fehlerbehebung zu Rate, bevor Sie um technische Hilfe bitten.**

Für Hilfe hinsichtlich:

- Verwendung Ihres Kenwood Gerätes
- Wartung oder Reparatur
- Setzen Sie sich bitte mit Ihrem Händler in Verbindung, bei dem Sie das Gerät gekauft haben.
- Gestaltet und entwickelt von Kenwood GB.
- Hergestellt in China.



### WICHTIGER HINWEIS FÜR DIE KORREKTE ENTSORGUNG DES PRODUKTS IN ÜBEREINSTIMMUNG MIT DER EG-RICHTLINIE 2002/96/EG

Am Ende seiner Nutzungszeit darf das Produkt NICHT mit dem Hausmüll entsorgt werden. Es muss zu einer örtlichen Sammelstelle für Sondermüll oder zu einem Fachhändler gebracht werden, der einen Rücknahmeservice anbietet. Die getrennte Entsorgung eines Haushaltsgeräts vermeidet mögliche negative Auswirkungen auf die Umwelt und die menschliche Gesundheit, die durch eine nicht vorschriftsmäßige Entsorgung bedingt sind. Zudem ermöglicht dies die Wiederverwertung der Materialien, aus denen das Gerät hergestellt wurde, was erhebliche Einsparungen an Energie und Rohstoffen mit sich bringt. Zur Erinnerung an die korrekte getrennte Entsorgung von Haushaltsgeräten ist das Gerät mit dem Symbol einer durchgestrichenen Mülltonne gekennzeichnet.

## Empfehlungstabelle für Geschwindigkeiten und Höchstmengen

Dies sind lediglich Richtwerte, die je nach verwendeten Zutaten und Menge des Mischguts in der Schüssel variieren können.

<b>Rührelement/ Aufsatz</b>	<b>Rezept/Verfahren</b>	<b>Geschwindigkeit</b>	<b>Zeit</b>	<b>Maximale Mengen</b>
<b>Küchenmaschine</b>				
Schneebeesen	Eiweiß	Min bis Max	2 Min.	2-8 (70-280 g)
	Sahne	Min bis Max	1½ Min.	125 ml 600 ml
K-Haken	Schneller Kuchenteig (alles in einem)	Min bis Max	1½ Min.	1,6 kg Gesamtgewicht Teig mit 8 Eiern
	Rührteig – Schaumigschlagen von Fett und Zucker Unterheben von Mehl, Rosinen usw.	Min bis Max Min	4 Min. Bis zu 1 Min.	1,8 kg Gesamtgewicht Teig mit 6 Eiern
	Einarbeiten von Fett in Mehl Hinzufügen von Wasser zum Verkneten der Backzutaten	Min bis Stufe 2 Min	5 Min. 30 Sek	450 g Mehl
Knethaken	Brotteig (fester Hefeteig)	Min bis Stufe 2	4 Min.	500 g Mehlgewicht 800 g Gesamtgewicht
<b>Multi-Zerkleinerer</b>				
Schlagmesser	Schneller Kuchenteig (alles in einem)	Max	15 Sek.	600 g Gesamtgewicht Teig mit 3 Eiern
	Einarbeiten von Fett in Mehl Hinzufügen von Wasser zum Verkneten der Backzutaten	Max Max	Bis zu 1 Min. 10 Sek.	340 g Mehlgewicht
	Hacken/Pürieren/Patés	Max	Bis zu 30 Sek.	400 g mageres Fleisch, Gesamtgewicht
Scheiben - Schneiden/ Raspeln	Feste Zutaten wie z. B. Karotten, Hartkäse	Max	–	Nicht die Höchstmenge überschreiten (siehe Markierung in Schüssel)
	Weichere Zutaten wie z. B. Gurken, Tomaten	Stufe 3	–	
Raspelscheibe, extrafein	Parmesankäse, Kartoffeln für Knödel	Max	–	
<b>Zitruspresse</b>	Zitrusfrüchte	Stufe 2	–	–
<b>Mixaufsatz</b>	Alle Arbeiten	Max	Bis zu 1 Min.	1,2 Liter
<b>Entsafter</b>	Hartes Obst und Gemüse wie z. B. Karotten, Äpfel	Max	–	800 g
	Weiches Obst und Gemüse wie z. B. Tomaten, Weintrauben	Max	–	500 g
<b>Fleischwolf</b>	Fleisch, Geflügel, Fisch, in 2,5 cm breite Streifen geschnitten.	Max	–	–

\*Eiergröße in der Tabelle = mittelgroß (53 - 63 g)

## Fehlerbehebung

<b>Problem</b>	<b>Ursache</b>	<b>Lösung</b>
Die Küchenmaschine funktioniert nicht mit Röhrelementen.	Kein Strom/Betriebsanzeige leuchtet nicht.  Maschinenkopf ist nicht korrekt heruntergeklappt und eingerastet.  Anschlussdeckel ist nicht korrekt angebracht.  Maschinenkopf wurde im Betrieb hoch- und wieder heruntergeklappt, ohne den Geschwindigkeitsregler auf „O“ (AUS) zurückzustellen.	Überprüfen, dass der Stecker der Küchenmaschine in der Steckdose steckt. Überprüfen, dass der Maschinenkopf heruntergeklappt und eingerastet ist. Überprüfen, dass der Anschlussdeckel korrekt sitzt.  <b>Die Maschine funktioniert nur mit korrekt aufgesetztem Anschlussdeckel.</b> Überprüfen, dass der Geschwindigkeitsregler auf „O“ (AUS) zurückgestellt wurde.
Küchenmaschine stoppt während des Betriebs.	Maschine ist überlastet / Höchstmengen überschritten.  Maschinenkopf oder Anschlussdeckel sind nicht korrekt eingerastet.	Ausschalten, Netzstecker ziehen und Maschine 30 Minuten abkühlen lassen. Höchstmengen in der Empfehlungstabelle prüfen. Überprüfen, dass Maschinenkopf und Anschlussdeckel korrekt sitzen.
Dualanschluss funktioniert nicht.	Aufsatz an Dualanschluss ist nicht korrekt eingerastet. Deckel von Multi-Zerkleinerer/Entsafter oder Sieb von Zitruspresse ist nicht korrekt angebracht.	Überprüfen, dass der Aufsatz korrekt im Dualanschluss sitzt. Sicherstellen, dass der Aufsatz korrekt zusammengesetzt wurde.
Fleischwolf-Aufsatz funktioniert nicht.	Aufsatz ist nicht richtig eingerastet.  Anschlussdeckel ist nicht korrekt angebracht.	Überprüfen, dass der Aufsatz korrekt sitzt. Überprüfen, dass der Anschlussdeckel korrekt sitzt.
Bewegung auf der Arbeitsfläche.	Standfüße der Maschine sind verschmutzt oder nass.	Regelmäßig überprüfen, dass Standfüße sauber und trocken sind.
Unzureichende Leistung von Röhrelementen/Aufsätzen.	Siehe Tipps im relevanten Abschnitt zur Verwendung des Teils. Überprüfen, dass Zubehörteile richtig angebracht sind.	

## Fehlerbehebung

<b>Problem</b>	<b>Ursache</b>	<b>Lösung</b>
Betriebsanzeige blinkt schnell.	Normaler Betrieb. Die Anzeige blinkt, wenn eine oder mehr der Verriegelungen nicht korrekt eingerastet sind.	Bei Verwendung eines Aufsatzes prüfen, dass es korrekt eingerastet ist. Überprüfen, dass der Maschinenkopf ganz herabgesenkt ist (außer bei Verwendung des Fleischwolfs). Überprüfen, dass der Geschwindigkeitsregler auf „O“ (AUS) steht.
Betriebsanzeige blinkt langsam.	Standby-Modus ist aktiv. Wenn die Küchenmaschine länger als 30 Minuten ans Netz angeschlossen ist, ohne verwendet zu werden, geht sie in den Standby-Modus über, um Energie zu sparen. Die Anzeige leuchtet wieder permanent auf, sobald das Gerät betriebsbereit ist.	Die Küchenmaschine geht wieder zum Normalbetrieb über, wenn der Geschwindigkeitsregler auf eine Geschwindigkeit und dann auf „O“ (AUS) zurückgestellt wird.
Wenn keiner dieser Fehler vorliegt: siehe Abschnitt „Kundendienst und Service“.		

# Italiano

Si prega di aprire la prima pagina, al cui interno troverete le illustrazioni

## sicurezza

- Leggere attentamente le presenti istruzioni e conservarle come futuro riferimento.
- Rimuovere la confezione e le etichette.
- Spegner e scollegare la spina dalla corrente elettrica:
  - prima di montare o smontare le parti;
  - quando l'apparecchio non è in uso;
  - prima di pulire.
- Ruotare il controllo della velocità sulla posizione 'O' (spento) e scollegare il cavo elettrico prima di montare o smontare gli utensili/gli accessori, dopo l'uso e prima di pulire il corpo motore.
- Tenere le dita lontane dalle parti in movimento e dagli accessori montati.
- Non lasciare mai la Kitchen Machine incustodita durante il suo funzionamento.
- Non utilizzare mai un apparecchio danneggiato. Sottoporlo a controllo o riparazione: fare riferimento alla sezione 'servizio e assistenza clienti'.
- Non lasciare mai srotolato il cavo elettrico, c'è il rischio che che possa essere tirato da un bambino.
- Non bagnare mai l'alimentatore, il cavo elettrico o la spina.
- **Quando si utilizza l'attacco doppia velocità, verificare che non ci siano accessori montati sulla ciotola o al suo interno.**
- Non utilizzare mai un accessorio non autorizzato o più di un accessorio allo stesso tempo.
- Non superare mai le quantità indicate nella tabella delle quantità massime.
- Sollevare con cura l'apparecchio, poiché è pesante. Assicurarsi che la testa sia correttamente bloccata nella posizione abbassata e che la ciotola, gli utensili, i coperchi degli attacchi e il cavo elettrico siano bloccati in posizione prima di sollevare l'apparecchio.

- Assicurarsi che il cavo elettrico sia completamente spiegato fuori dal vano raccoglicavo ④ prima di usare la Kitchen Machine.
- I bambini dovrebbero essere sorvegliati onde evitare che giochino con la macchina.
- Non spostare né sollevare la testa dell'impastatrice quando un accessorio è montato perché la Kitchen Machine potrebbe diventare instabile.
- Non utilizzare l'apparecchio sul bordo di una superficie di lavoro.
- Gli apparecchi possono essere utilizzati da persone con ridotte capacità psicofisico-sensoriali, o con esperienza e conoscenze insufficienti solo nel caso in cui siano state attentamente sorvegliate e istruite da un responsabile su come utilizzare un apparecchio in modo sicuro e siano consapevoli dei pericoli.
- Un utilizzo scorretto dell'apparecchio può provocare serie lesioni fisiche.
- Questo apparecchio non dev'essere utilizzato dai bambini. Tenere apparecchio e cavo lontano dalla portata dei bambini.
- Utilizzare l'apparecchio solo per l'uso domestico per cui è stato realizzato. Kenwood non si assumerà alcuna responsabilità se l'apparecchio viene utilizzato in modo improprio o senza seguire le presenti istruzioni.
- La velocità massima dipende dall'accessorio che lavora il carico più pesante. Altri accessori possono richiedere una quantità inferiore di corrente elettrica.
- **Gli accessori possono restare danneggiati e causare lesioni fisiche se il meccanismo di sicurezza viene sforzato eccessivamente.**

### **Accessorio robot da cucina**

- Fare attenzione nel maneggiare la lama e i dischi del robot da cucina, poiché sono estremamente affilati. **Tenere sempre lama e dischi dall'impugnatura sulla parte superiore, lontano dal lato affilato, durante la pulizia.**

- Rimuovere sempre la lama prima di versare il contenuto della ciotola.
- Non mettere le mani o gli accessori nella ciotola finché la spina è inserita nella presa di corrente.
- Mai usare le dita per spingere il cibo nel tubo di riempimento. Utilizzare sempre l'apposito spingitore.
- Prima di rimuovere il coperchio dalla ciotola:
  - spegnere;
  - attendere che gli accessori/le lame si siano completamente fermati.
- **Non rimuovere il coperchio del robot da cucina finché le lame/i dischi non si sono completamente fermati.**
- **RISCALDAMENTO:** Attendere che gli ingredienti caldi si siano raffreddati a temperatura ambiente prima di lavorarli.
- Non utilizzare il coperchio per accendere il robot da cucina. Utilizzare sempre il controllo della velocità/la funzione pulse.

### **Accessori del frullatore**

- Non mettere le mani o gli accessori nella caraffa quando la spina è inserita nella presa di corrente.
- **Prima di montare il gruppo delle lame sul corpo motore, rimuovere la caraffa.**
- **RISCALDAMENTO:** Attendere che gli ingredienti caldi si siano raffreddati a temperatura ambiente prima di lavorarli con l'accessorio desiderato.
- Utilizzare il frullatore solo con il coperchio montato.
- Utilizzare la caraffa solo con il gruppo lame in dotazione.
- Mai utilizzare il frullatore a vuoto.
- Per garantire la lunga durata del frullatore, non farlo funzionare per più di 60 secondi alla volta. Spegnerlo una volta raggiunta la consistenza desiderata.
- Evitare di lavorare le spezie, poiché potrebbero danneggiare le parti in plastica.
- Smoothie – mai utilizzare alimenti surgelati che si sono solidificati in un unico pezzo. Spezzettare gli ingredienti prima di inserirli nella caraffa.



## **Accessorio tritatutto**

- Prima di tritare la carne, controllare sempre di aver asportato ossa, cotenna, ecc.
- Quando si trita la frutta secca, aggiungerla in piccole quantità e lasciare che la chiocciola inizi a lavorarla prima di aggiungerne ancora.
- Utilizzare sempre l'apposito spingitore. Mai inserire le dita o degli accessori nel tubo di riempimento.
- Avvertenza: la lama è molto affilata, maneggiare con attenzione durante l'uso e la pulizia.
- Verificare che l'accessorio sia bloccato in posizione prima di accendere l'apparecchio.

## **Accessorio centrifuga**

- **Non utilizzare la centrifuga se il filtro è danneggiato.**
- Le lame alla base del filtro sono molto affilate, maneggiare con attenzione durante l'uso e la pulizia del filtro.
- Non utilizzare il coperchio per accendere e spegnere la centrifuga, usare sempre il controllo della velocità/la funzione pulse.
- In caso di vibrazioni eccessive durante l'uso, regolare la velocità oppure spegnere l'apparecchio, staccare la spina dalla corrente ed eliminare la polpa dal tamburo (la centrifuga inizia a vibrare se la polpa si concentra in alcune parti).

### **prima di collegare il cavo elettrico**

- Accertarsi che la tensione della vostra rete sia la stessa di quella indicata sulla base dell'apparecchio.
- Questo apparecchio è conforme alla direttiva 2004/108/CE sulla Compatibilità Elettromagnetica, ed al regolamento (EC) No. 1935/2004 del 27/10/2004 sui materiali in contatto con alimenti.

### **prima di utilizzare l'apparecchio per la prima volta**

- Lavare i componenti: fare riferimento alla sezione 'cura e pulizia'.

## legenda

- ① coperchio dell'attacco
- ② attacco doppia velocità (velocità media e alta)
- ③ meccanismi di sicurezza
- ④ vano raccoglicavo
- ⑤ controllo della velocità/funzione pulse
- ⑥ corpo motore
- ⑦ attacco per movimento planetario
- ⑧ ciotola
- ⑨ testa dell'impastatrice
- ⑩ leva di rilascio della testa
- ⑪ frusta K
- ⑫ gancio impastatore a spirale
- ⑬ frusta a filo
- ⑭ paraschizzi

### accessori

- ⑮ robot da cucina
- ⑯ spremifrutta
- ⑰ frullatore in vetro
- ⑱ centrifuga
- ⑲ tritattuto

Consultare la tabella delle velocità consigliate per i vari accessori.

## accessori per la lavorazione e alcuni dei loro utilizzi

### frusta K

- Per preparare torte, biscotti, dolci, glassa, ripieni, bigné e altri impasti semi-duri.

### frusta a filo

- Per sbattere uova, panna, pastelle, pan di spagna, meringhe, cheesecake, mousse, soufflé. Non usare la frusta a filo per miscele dense (ad es. per amalgamare burro e zucchero), che potrebbero danneggiarla.

### gancio impastatore a spirale

- Per impastare pane, pizza, focacce, pasta ed altri composti elastici e compatti.

## come usare gli accessori della ciotola

- 1 Spingere verso il basso la leva di rilascio ① e sollevare la testa dell'impastatrice sino a quando si blocca in posizione.
- 2 Montare la ciotola sulla base e girare in senso antiorario per bloccare in posizione ②.

- 3 Scegliere un accessorio e spingerlo nell'attacco finché non scatta ③.
- 4 Spingere verso il basso la leva di rilascio e abbassare la testa dell'impastatrice sino a quando si blocca in posizione.
- 5 Inserire la spina nella presa. Per accendere l'apparecchio, posizionare il controllo della velocità sull'impostazione desiderata. Per spegnere, portare il controllo della velocità in posizione 'O' (spento).  
**Se la testa dell'impastatrice è in posizione sollevata o il coperchio dell'attacco non è stato montato, la spia di accensione lampeggia e l'apparecchio non funziona.**
- Passare alla funzione pulse ⑤ per un funzionamento intermittente.
- 6 Scollegare la spina dalla corrente elettrica.
- 7 Sollevare la testa dell'impastatrice e tenendola ferma, rimuovere l'accessorio dall'attacco.

### importante

- Sollevando la testa dell'impastatrice durante il funzionamento, l'apparecchio cessa di funzionare immediatamente. Per riprendere la lavorazione, abbassare la testa dell'impastatrice, girare il controllo della velocità in posizione 'O' (spento), attendere qualche secondo e poi selezionare nuovamente la velocità desiderata. L'apparecchio dovrebbe riprendere a funzionare immediatamente.
- Se per qualsiasi motivo si verifica un'interruzione di corrente e l'apparecchio si ferma, girare il controllo della velocità in posizione 'O' (spento), attendere qualche secondo e poi selezionare nuovamente la velocità desiderata. L'apparecchio dovrebbe riprendere a funzionare immediatamente.
- **L'apparecchio non funziona se il coperchio dell'attacco non è stato montato correttamente.**
- Se l'apparecchio sembra faticare, spegnere e rimuovere parte degli ingredienti oppure aumentare la velocità.
- Rimuovere sempre gli accessori dall'attacco doppia velocità prima di sollevare la testa dell'impastatrice.
- **Quando si utilizza l'attacco doppia velocità, verificare che non ci siano accessori montati sulla ciotola o al suo interno.**

### consigli

- Spegnere l'apparecchio e amalgamare il composto presente sul fondo della ciotola con una spatola quando necessario.
- Per ottenere risultati ottimali durante la sbattitura, le uova devono essere a temperatura ambiente.

- Prima di sbattere gli albumi, accertarsi che non vi siano tracce di burro o di tuorlo sulla frusta a filo o nella ciotola.
- A meno che la ricetta indichi diversamente, per la preparazione di dolci usare ingredienti a freddo.
- Per amalgamare burro e zucchero per miscele per torta, utilizzare burro a temperatura ambiente oppure lasciarlo ammorbidire.
- L'apparecchio è dotato di funzione 'soft start', per ridurre al minimo le fuoriuscite. Tuttavia, se la ciotola viene riempita di miscela densa, come ad esempio l'impasto per il pane, potrebbero volerci alcuni secondi per raggiungere la velocità selezionata.

## suggerimenti per preparare bene il pane

### Importante

- Non superare mai le capacità massime indicate, per non rischiare di sovraccaricare l'apparecchio.
- **È normale che la testa dell'impastatrice si muova leggermente durante la lavorazione di miscele dense, come ad esempio l'impasto per il pane.**
- Gli ingredienti vengono miscelati meglio se nella ciotola si versano prima gli ingredienti liquidi e poi quelli solidi.
- Interrompere frequentemente la lavorazione e amalgamare il composto presente sul gancio impastatore.
- Diversi tipi di farina richiedono quantità diverse di liquidi e la consistenza collosa dell'impasto può caricare eccessivamente l'apparecchio. È consigliabile tenere sotto controllo l'apparecchio durante la fase di miscelazione dell'impasto; questa fase non dovrebbe richiedere più di 6-8 minuti.

## montare e usare il paraschizzi

- 1 Montare la ciotola sulla base e aggiungere gli ingredienti.
  - 2 Montare il paraschizzi allineando le linguette con l'attacco per movimento planetario ⑦, poi ruotare in senso antiorario per bloccare in posizione ④.
  - 3 Montare l'accessorio e abbassare la testa dell'impastatrice.
  - 4 Per rimuovere il paraschizzi, ripetere la stessa procedura in ordine inverso.
- Durante la lavorazione, è possibile aggiungere ingredienti direttamente nella ciotola attraverso l'apposita apertura.

## senore elettronico della velocità

L'impastatrice è dotata di un sensore elettronico della velocità che mantiene la velocità selezionata indipendentemente dal tipo di impasto, ad esempio durante la lavorazione di impasto per pane, o dopo l'aggiunta di uova a un impasto per torte. Pertanto è possibile che l'apparecchio faccia rumore quando cambia velocità durante la lavorazione, quando l'impastatrice si adatta al carico e alla velocità selezionata. Questo è assolutamente normale.

## ⑮ robot da cucina

- Ⓐ spingitore
- Ⓑ tubo di riempimento
- Ⓒ coperchio
- Ⓓ lama
- Ⓔ ciotola con alberino motore
- Ⓕ disco per affettare/grattugiare grossolanamente
- Ⓖ disco per affettare/grattugiare fine
- Ⓗ disco per grattugiare extra-fine
- Ⓘ alberino motore rimovibile

## come utilizzare il robot da cucina

- 1 Rimuovere il coperchio dell'attacco girando in senso antiorario e sollevando ⑤.
- 2 Montare la ciotola ⑮ sull'attacco con il manico sulla destra, poi girare in senso orario fino a che si blocca in posizione ⑥.
- 3 Montare la lama o l'alberino motore rimovibile con l'accessorio desiderato.

**NB: L'alberino motore rimovibile ① va montato solo per utilizzare i dischi o lo spremifrutta.**

- Montare la ciotola e l'accessorio desiderato sul robot da cucina prima di aggiungere gli ingredienti.
- 4 Montare il coperchio ⑦, verificando che la lama/l'alberino motore si incastrino al centro del coperchio.
- **Non utilizzare il coperchio per accendere il robot da cucina. Utilizzare sempre il controllo della velocità/la funzione pulse.**
- 5 Inserire la spina nella presa di corrente, accendere l'apparecchio e selezionare una velocità (consultare la tabella delle velocità consigliate).
- **L'apparecchio non funziona se la ciotola o il coperchio non sono stati correttamente bloccati. Verificare che il tubo di riempimento e il manico della ciotola siano posizionati sulla parte anteriore.**

- Utilizzare la funzione pulse **P** per una lavorazione intermittente. Per utilizzare questa funzione, tenere premuto il comando pulse.
- 6 Ripetere la procedura in ordine inverso per rimuovere coperchio, accessori e ciotola.
- **Spegnere l'apparecchio e scollegare dalla corrente elettrica prima di rimuovere il coperchio.**
- **avvertenza**
- Non utilizzare il robot da cucina per macinare caffè in grani o tritare zucchero granulato.
- Quando si aggiungono essenza di mandorle o altri aromi all'impasto, evitare il contatto diretto con le componenti in plastica, poiché potrebbero rimanere macchiate.
- **Non lavorare ingredienti caldi.**

## lama **D**

La lama è l'accessorio più versatile in assoluto. La consistenza ottenuta dipende dalla durata della lavorazione.

Per impasti grossolani, usare la funzione pulse. Utilizzare la lama per preparare torte e pastafrolla, tagliare carne cruda e cotta, verdure, frutta secca, per lavorare paté, salse, minestre e tritare pane e biscotti.

### suggerimenti

- Tagliare ingredienti come carne, pane e verdure a cubetti dello spessore di circa 2 cm prima di lavorarli.
- Spezzettare i biscotti e introdurli nel tubo di riempimento mentre l'apparecchio è in funzione.
- Per lavorare la pastafrolla, utilizzare burro preso direttamente dal frigo e tagliato a cubetti di 2 cm.
- Non lavorare gli ingredienti più del necessario.
- **Non usare la lama per lavorare miscele dense come l'impasto per pane.**
- Non usare la lama per tritare cubetti di ghiaccio o altri ingredienti duri come ad esempio le spezie, poiché potrebbero danneggiare l'accessorio.

## dischi per affettare/grattugiare

per utilizzare i dischi

### **dischi per affettare/grattugiare a due lati - grossolano **F**, fine **G****

Utilizzare il lato per grattugiare per formaggio, carote, patate e alimenti di simile consistenza. Utilizzare il lato per affettare per formaggio, carote, patate, cavoli, cetrioli, barbabietole e cipolle.

### **disco per grattugiare extra fine **H****

Per grattugiare parmigiano e patate per gnocchi di patate alla tedesca.

## come usare i dischi

- 1 Montare la ciotola sul corpo motore, poi montare l'alberino motore rimovibile.
- 2 Posizionare il disco sull'alberino motore tenendolo dal centro, con il lato affilato verso l'alto.
- 3 Montare il coperchio.
- 4 Inserire gli ingredienti nel tubo di riempimento.
- 5 Accendere l'apparecchio e spingere gli ingredienti nel tubo di riempimento utilizzando lo spingitore. Mai mettere le dita nel tubo di riempimento.

### suggerimenti

- Utilizzare ingredienti freschi.
- Non tagliare gli ingredienti in pezzi troppo piccoli. Inserire gli ingredienti in modo da riempire il tubo di riempimento, per evitare che rimangano attaccati ai lati durante la lavorazione.
- Se gli ingredienti vengono inseriti verticalmente, saranno tagliati in pezzetti più corti rispetto agli ingredienti inseriti orizzontalmente.
- È normale che rimangano piccole quantità di ingredienti attaccate al disco o nella ciotola al termine della lavorazione.

## **16** spremifrutta

Utilizzare lo spremifrutta per spremere il succo di agrumi come arance, limoni, lime e pompelmi.

- A** cono
- B** colino

## come utilizzare lo spremifrutta

- 1 Montare la ciotola sul corpo motore, poi montare l'alberino motore rimovibile.
- 2 Montare il colino nella ciotola, verificando che il manico del colino sia bloccato in posizione e coincida con il manico della ciotola **B**.

- 3 Collocare il cono sopra all'alberino motore e girare fino a che non scende del tutto ⑨.
  - 4 Tagliare la frutta a metà, poi accendere e premere la frutta sul cono per iniziare a spremere.
- **Lo spremifrutta non funziona se il colino non è stato bloccato in posizione.**
  - Per risultati ottimali, usare frutta a temperatura ambiente e ammorbidirla con le mani su una superficie dura prima di spremere.
  - Durante la fase di spremitura, muovere la frutta da entrambi i lati.
  - Se si spremono grandi quantità di frutta, svuotare regolarmente il colino per evitare l'accumulo di polpa e semi.

## 17 frullatore in vetro

- Ⓐ tappo di riempimento
- Ⓑ coperchio
- Ⓒ caraffa
- Ⓓ anello di tenuta
- Ⓔ gruppo lame

### come utilizzare il frullatore in vetro

- 1 Montare l'anello di tenuta ① sul gruppo lame ② in modo che si incastrino correttamente nella scanalatura.

- **Se l'anello di tenuta è danneggiato o non è stato montato correttamente, si rischiano fuoriuscite di liquido.**

- 2 Montare la caraffa sul gruppo lame ③. Fare riferimento ai simboli sulla base del gruppo lame:

 - sbloccato

 - bloccato

- **Il frullatore non funziona a meno che non sia montato correttamente.**

- 3 Inserire gli ingredienti nella caraffa.
  - 4 Montare il coperchio sulla caraffa e spingere per bloccare ④. Montare il tappo di riempimento.
  - 5 Rimuovere il coperchio dell'attacco doppia velocità girandolo in senso antiorario e sollevandolo.
  - 6 Collocare il frullatore sul corpo motore e girare in senso orario ⑤ finché non si blocca in posizione.
- **L'apparecchio non funziona se il frullatore non è stato montato correttamente sul meccanismo di sicurezza.**
- 7 Selezionare la velocità desiderata (si rimanda alla tabella delle velocità consigliate) o utilizzare la funzione pulse ⑥ per un funzionamento intermittente.

### suggerimenti

- Per preparare la maionese, inserire tutti gli ingredienti tranne l'olio nel frullatore. Rimuovere il tappo di riempimento. Mentre l'apparecchio è in funzione, aggiungere l'olio lentamente versandolo nell'apertura sul coperchio.
- Durante la lavorazione di miscele dense, come paté e salse, di tanto in tanto è consigliabile raschiare la miscela dai lati della caraffa. Se la miscela è troppo densa, aggiungere liquidi.
- Per tritare il ghiaccio, utilizzare la funzione pulse per brevi intervalli di tempo fino ad ottenere la consistenza desiderata.
- Non è consigliabile tritare spezie, poiché potrebbero danneggiare le parti in plastica.
- **L'apparecchio non funziona se il frullatore non è stato montato correttamente.**
- Per lavorare ingredienti secchi, tagliarli a pezzetti, rimuovere il tappo di riempimento, poi mentre l'apparecchio è in funzione, inserire i pezzetti uno alla volta. Tenere chiusa l'apertura con le mani. Per risultati ottimali, svuotare regolarmente.
- Non conservare altri accessori all'interno del frullatore. Tenere il frullatore vuoto prima e dopo l'uso.
- Non lavorare più di 1,2 litri alla volta, meno se si tratta di liquidi che producono schiuma come ad esempio frullati.

## 18 centrifuga

Utilizzare la centrifuga per preparare succhi di frutta e verdura

- Ⓐ spingitore
- Ⓑ coperchio
- Ⓒ raccogli-polpa
- Ⓓ filtro a tamburo
- Ⓔ ciotola
- Ⓕ beccuccio

### come utilizzare la centrifuga

- 1 Montare la ciotola ① sull'attacco doppia velocità con il beccuccio ② a sinistra, poi girare in senso orario fino a che non si blocca ③.
- 2 Montare il raccogli-polpa ④ sul filtro a tamburo ⑤, verificando che le linguette siano allineate con le scanalature nel tamburo ⑥.
- 3 Montare il filtro a tamburo ⑦.
- 4 Collocare il coperchio ⑧ sulla ciotola e girare fino a che non si blocca ⑨. **La centrifuga non funziona se la ciotola o il coperchio non**

### sono stati correttamente bloccati.

- 5 Collocare un contenitore sotto l'apertura della centrifuga.
- 6 Tagliare gli ingredienti in pezzetti delle stesse dimensioni del tubo di riempimento.
- 7 Selezionare la velocità massima, poi inserire gli ingredienti nel tubo di riempimento. Spingere gli ingredienti nel tubo utilizzando l'apposito spingitore.

### Mai inserire le dita nel tubo di

**riempimento.** Finire di lavorare tutti gli ingredienti prima di aggiungerne ancora.

- Dopo aver finito di inserire gli ingredienti, lasciare funzionare la centrifuga per altri 30 secondi per far uscire tutto il succo dal filtro a tamburo.

### avvertenza

- Se la centrifuga inizia a vibrare, spegnere e svuotare la polpa rimasta nel filtro. (La centrifuga vibra se sono presenti accumuli di polpa nel filtro).
- La quantità massima di ingredienti da centrifugare alla volta è di 800 g di frutta o verdura.
- Alcuni alimenti particolarmente duri possono far rallentare o arrestare l'apparecchio. Se dovesse verificarsi, spegnere l'apparecchio e sbloccare il filtro.
- Spegnere l'apparecchio e svuotare il raccogliopolpa e i contenitori regolarmente durante l'utilizzo.

### suggerimenti

- Inserire lentamente gli alimenti morbidi per ottenere la massima quantità di succo.
- Le vitamine si dissolvono in fretta. Si consiglia di bere il succo appena spremuto per assumere la massima quantità di vitamine.
- Se non è possibile bere il succo appena spremuto, si consiglia di conservarlo in frigorifero e aggiungere qualche goccia di succo di limone.
- Evitare di bere più di tre bicchieri di succo da 230 ml l'uno al giorno, se non si è abituati.
- Per i bambini, diluire il succo con una quantità equivalente di acqua.
- Il succo di verdure verde e rosso scuro (broccoli, spinaci, barbabietole e cavolo rosso) ha un sapore è molto intenso, si consiglia sempre di diluirlo.
- Il succo di frutta ha un alto contenuto di fruttosio (lo zucchero della frutta), si sconsiglia a chi è affetto da diabete o ha un basso contenuto di glucosio nel sangue di berne quantità eccessive.

## 19 tritatutto

Utilizzare il tritatutto per lavorare carne di manzo, pollame e pesce.

- Ⓐ chiave
- Ⓑ ghiera filettata
- Ⓒ crivelli: medio e grossolano
- Ⓓ lama
- Ⓔ chiocciola
- Ⓕ corpo motore
- Ⓖ tubo di riempimento
- Ⓗ vassoio
- Ⓘ spingitore

## montaggio

- 1 Montare la chiocciola Ⓔ nel corpo motore del tritatutto Ⓕ.
- 2 Montare la lama Ⓓ, con la parte affilata all'esterno. Controllare che sia posizionata correttamente, altrimenti si rischia di danneggiare il tritatutto.
- 3 Montare un crivello Ⓒ, facendo passare l'intaglio Ⓙ sulla linguetta.
- 4 Montare, non troppo strettamente, la ghiera filettata Ⓑ.

## come usare il tritatutto

- 1 Sollevare la testa dell'impastatrice.
- 2 Con il tritatutto nella posizione indicata, verificare che le linguette sulla chiocciola siano allineate con le corrispondenti scanalature sull'attacco Ⓘ.
- 3 Spingere il tritatutto nell'attacco e ruotare in senso antiorario fino a che si blocca in posizione.
- 4 Tenere fermo il tubo di riempimento e stringere la ghiera filettata a mano.
- 5 Montare il vassoio Ⓗ.
- 6 **Scongela completamente gli alimenti surgelati prima di tritarli.** Tagliare la carne a listelli di 2,5 cm.
- 7 Selezionare la velocità massima. Usando lo spingitore, inserire delicatamente gli ingredienti un pezzetto alla volta. **Non spingere troppo forte,** altrimenti si rischia di danneggiare il tritatutto.

### avvertenza

- Mai utilizzare il tritatutto per più di 10 minuti, poiché potrebbe danneggiare il robot da cucina.
- **Il tritatutto non funziona se il coperchio dell'attacco doppia velocità non è stato montato.**

- 8 Dopo aver tritato tutti gli ingredienti, spegnere l'apparecchio e staccare la spina dalla corrente elettrica.
- 9 Rimuovere l'accessorio. Usare la chiave **A** per svitare la ghiera filettata se è troppo stretta.

## manutenzione e pulizia

- Spegnere sempre l'apparecchio e scollegare la spina del cavo elettrico dalla presa di corrente elettrica prima di pulire il corpo motore.
  - Smontare tutti gli accessori prima di pulire.
- corpo motore**
- Pulire con un panno umido e asciugare.
  - Non usare mai prodotti abrasivi né immergere queste parti in acqua.
  - Riporre il cavo elettrico nel vano raccogli cavo **④** sul retro dell'apparecchio.
  - Controllare che i piedini sulla base dell'impastatrice siano puliti.

### **ciotola, utensili, paraschizzi**

- Lavare a mano e asciugare completamente.
- Non usare mai una spazzola metallica, lana d'acciaio o candeggina per pulire la ciotola in acciaio inossidabile. Per rimuovere il calcare, usare aceto.
- Tenere lontano da fonti di calore (fuochi, forni, microonde).

### **robot da cucina**

- **Maneggiare con cura lame e dischi, poiché sono estremamente affilati.**
- Alcuni alimenti possono scolorire la plastica. Ciò rientra nella norma e non danneggia la plastica né pregiudica il gusto degli alimenti. Sfregare con un panno imbevuto di olio vegetale per eliminare la macchia.

### **spremitrutta**

- Lavare a mano e asciugare completamente.

### **frullatore**

- 1 Svuotare la caraffa prima di smontarla dal gruppo lame.
- 2 Lavare la caraffa a mano.
- 3 Rimuovere e lavare la guarnizione.
- 4 Non toccare le lame affilate - spazzolarle usando acqua calda saponata fino a quando non sono pulite, poi sciacquarle a fondo sotto il getto dell'acqua del rubinetto. **Non immergere mai il gruppo lame in acqua.**
- 5 Lasciare asciugare in posizione capovolta.

### **centrifuga**

- Per risultati ottimali, lavare le varie parti subito dopo l'uso.
  - Alcuni alimenti, come le carote, possono macchiare la plastica. Per pulire le parti in plastica, usare uno strofinaccio imbevuto di olio vegetale.
  - Pulire il filtro con una spazzola morbida.
  - **Controllare regolarmente che il filtro non sia danneggiato. Non utilizzare un filtro danneggiato, si rimanda alla sezione "manutenzione e assistenza tecnica".**
- tritattutto**
- Lavare tutte le parti in acqua calda saponata e asciugare completamente. Non lavare in lavastoviglie. Mai utilizzare soluzioni di soda.
  - Pulire i crivelli utilizzando olio vegetale, poi avvolgerli in carta da forno per evitare che si scoloriscano o arrugginiscono.

### tutte le altre parti

- Lavare a mano e asciugare.
- In alternativa, consultare la guida relativa al lavaggio in lavastoviglie per le parti che possono essere lavate sul ripiano superiore della lavastoviglie. Non collocare le parti sul ripiano inferiore, direttamente sopra all'elemento riscaldante. È consigliabile usare un programma rapido a basse temperature (massimo 50°C).

pezzo	Lavabile in lavastoviglie
<b>Impastatrice</b>	
Ciotola	✓
Frusta, frusta a filo e gancio impastatore	✓
Paraschizzi	✓
Coperchio dell'attacco	✗
<b>Robot da cucina</b>	
Ciotola, coperchio e spingitore	✓
Lama	✓
Alberino motore rimovibile	✓
Dischi	✓
<b>Spremifrutta</b>	
Cono, colino	✓
<b>Frullatore</b>	
Caraffa, coperchio e tappo di riempimento	✓
Gruppo lame e guarnizione	✗
<b>Centrifuga</b>	
Ciotola, spingitore, coperchio, filtro a tamburo e raccogli-polpa	✓
<b>Tritatutto</b>	
Ghiera filettata, crivelli, lama, chiocciola e corpo motore	✗
Vassoio e spingitore	✓

## manutenzione e assistenza tecnica

- In caso il cavo sia danneggiato, per ragioni di sicurezza deve essere sostituito solo dal fabbricante oppure da un Centro Assistenza KENWOOD autorizzato alle riparazioni.
- **In caso di qualsiasi problema relativo all'utilizzo della Kitchen Machine o degli accessori, consultare la guida alla risoluzione problemi prima di contattare il centro assistenza.**

Se si ha bisogno di assistenza riguardo:

- uso dell'apparecchio o
- manutenzione o riparazioni
- Contattare il negozio dove si è acquistato l'apparecchio.
- Disegnato e progettato da Kenwood nel Regno Unito.
- Prodotto in Cina.



### IMPORTANTI AVVERTENZE PER IL CORRETTO SMALTIMENTO DEL PRODOTTO AI SENSI DELLA DIRETTIVA EUROPEA 2002/96/EC.

Alla fine della sua vita utile il prodotto non deve essere smaltito insieme ai rifiuti urbani.

Deve essere consegnato presso gli appositi centri di raccolta differenziata predisposti dalle amministrazioni comunali, oppure presso i rivenditori che offrono questo servizio.

Smaltire separatamente un elettrodomestico consente di evitare possibili conseguenze negative per l'ambiente e per la salute derivanti da un suo smaltimento inadeguato e permette di recuperare i materiali di cui è composto al fine di ottenere notevoli risparmi in termini di energia e di risorse.

Per rimarcare l'obbligo di smaltire separatamente gli elettrodomestici, sul prodotto è riportato il simbolo del bidone a rotelle barrato.



## tabella delle velocità consigliate e delle capacità massime

La tabella è da considerarsi solo una guida, velocità e capacità dipendono dalla quantità dell'impasto nella ciotola e dagli ingredienti utilizzati.

<b>utensile/ accessorio</b>	<b>ricetta</b>	<b>velocità</b>	<b>tempo</b>	<b>capacità massima</b>
<b>Kitchen machine</b>				
Frusta a filo	Albumi	Da minima a massima	2 min	2-8 (70-280 g)
	Panna	Da minima a massima	1½ min	125 ml 600 ml
Frusta	Impasti pronti per torte	Da minima a massima	1½ min	1,6 kg peso complessivo Impasto con 8 uova
	Crostata di frutta – lavorare burro e zucchero Impastare farina, frutta, ecc	Da minima a massima Minima	4 min Fino a 1 min	1,8 kg peso complessivo Impasto con 6 uova
	Amalgamare burro e farina	Da minima a 2	5 min	450 g di farina
	Aggiungere acqua per legare gli ingredienti dell'impasto	Minima	30 sec	
Gancio impastatore	Impasto per pane (a pasta dura)	Da minima a 2	4 min	500 g di farina 800 g peso complessivo
<b>Robot da cucina</b>				
Lama	Impasti pronti per torte	Massima	15 sec	600 g peso complessivo Impasto con 3 uova
	Amalgamare burro e farina. Aggiungere acqua per legare gli ingredienti dell'impasto.	Massima Massima	Fino a 1 min 10 sec	340 g di farina
	Tritare/preparare puree e paté	Massima	Fino a 30 sec	400 g di carne magra
Dischi – Per affettare/ grattugiare	Ingredienti duri come carote e formaggi maturi	Massima	–	Non superare la capacità massima indicata sulla ciotola.
	Ingredienti più morbidi come cetrioli e pomodori	Velocità 3	–	
Disco per grattugiare extra fine	Parmigiano per gli gnocchi di patate alla tedesca	Massima	–	
<b>Spremitrutta</b>	Agrumi	Velocità 2	–	
<b>Frullatore</b>	Ogni tipo di lavorazione	Massima	Fino a 1 min	1,2 litri
<b>Centrifuga</b>	Frutta e verdura dura, come carote e mele	Massima	–	800 g
	Frutta e verdura morbida, come pomodori e uva	Massima	–	500 g
<b>Tritatutto</b>	Carne di manzo, pollame e pesce tagliati a listelli di 2,5 cm	Massima	–	

\*Uova = di dimensioni medie (Peso 53-63 g)

## Guida alla risoluzione dei problemi

<b>Problema</b>	<b>Causa</b>	<b>Soluzione</b>
L'apparecchio non funziona quando si utilizzano gli utensili.	<p>Non c'è corrente/la spia non è accesa.</p> <p>La testa dell'impastatrice non è stata bloccata in posizione.</p> <p>Il coperchio dell'attacco non è stato montato correttamente.</p> <p>La testa dell'impastatrice è stata sollevata e poi abbassata durante la lavorazione, senza resettare il controllo della velocità in posizione 'O' (spento).</p>	<p>Controllare che la spina sia inserita nella presa di corrente.</p> <p>Controllare che la testa dell'impastatrice sia stata bloccata in posizione.</p> <p>Controllare che il coperchio dell'attacco sia montato correttamente.</p> <p><b>L'apparecchio non funziona se il coperchio dell'attacco non è stato montato correttamente.</b></p> <p>Controllare che il controllo della velocità sia stato resettato in posizione 'O' (spento).</p>
L'apparecchio si ferma durante la lavorazione.	<p>L'apparecchio è stato sovraccaricato/ si sono superate le capacità massime consigliate.</p> <p>La testa dell'impastatrice o il coperchio dell'attacco si sono sbloccati.</p>	<p>Spegnere, staccare la spina dalla presa e lasciare raffreddare l'apparecchio per 30 minuti.</p> <p>Controllare le capacità massime indicate nella tabella delle velocità massime consigliate.</p> <p>Controllare che la testa dell'impastatrice e il coperchio dell'attacco siano montati correttamente.</p>
L'accessorio doppia velocità non funziona.	<p>L'accessorio doppia velocità non è stato bloccato in posizione.</p> <p>Il coperchio del robot da cucina/della centrifuga o il colino dello spremifrutta non sono stati montati correttamente.</p>	<p>Controllare che l'accessorio sia stato montato correttamente.</p> <p>Controllare che l'accessorio doppia velocità sia stato montato correttamente.</p>
Il tritatutto non funziona.	<p>L'accessorio non è stato bloccato in posizione.</p> <p>Il coperchio dell'attacco non è stato montato correttamente.</p>	<p>Controllare che l'accessorio sia stato montato correttamente.</p> <p>Controllare che il coperchio dell'attacco sia stato montato correttamente.</p>
L'apparecchio si muove sulla superficie di lavoro.	<p>I piedini sotto la base dell'apparecchio sono sporchi o bagnati.</p>	<p>Controllare regolarmente che i piedini siano puliti e asciutti.</p>
Gli utensili/accessori producono risultati deludenti.	<p>Leggere i consigli nella sezione "come usare l'accessorio" pertinente.</p> <p>Controllare che gli accessori siano stati montati correttamente.</p>	

## Guida alla risoluzione dei problemi

<b>Problema</b>	<b>Causa</b>	<b>Soluzione</b>
La spia Acceso lampeggia rapidamente.	Modalità normale. La spia lampeggia se uno o più meccanismi di sicurezza non sono stati bloccati correttamente.	Se si sta usando un accessorio, controllare che sia stato bloccato in posizione. Controllare che la testa dell'impastatrice sia abbassata, a meno che non si stia usando il tritatutto. Controllare che il controllo della velocità sia in posizione 'O' (spento).
La spia Acceso lampeggia lentamente.	Modalità standby. Se l'apparecchio è stato lasciato con la spina inserita per oltre 30 minuti senza essere utilizzato, va in modalità standby per ridurre il consumo di elettricità. La spia torna ad accendersi quando l'apparecchio è di nuovo pronto all'uso.	L'apparecchio torna in modalità normale quando il controllo della velocità viene riportato in posizione 'O' (spento).
Se nessuna delle soluzioni indicate risolve il problema, fare riferimento alla sezione "manutenzione e assistenza tecnica".		

# Português

Por favor desdobre as ilustrações da primeira página.

## segurança

- Leia atentamente estas instruções e guarde-as para consulta futura.
- Retire todas as embalagens e eventuais etiquetas.
- Desligue e retire da corrente eléctrica:
  - antes de levantar ou remover peças;
  - quando não estiver em utilização;
  - antes de limpar.
- Rode o controlo de velocidade para a posição “O” (desligado) de desligado e retire o cabo da tomada eléctrica antes de levantar ou retirar qualquer utensílio/acessório, depois de utilizar e antes de limpar.
- Mantenha os seus dedos afastados de peças que se movam e dos acessórios colocados no aparelho.
- Nunca deixe o aparelho a funcionar sem vigilância.
- Nunca utilize o aparelho danificado. Mandê-o examinar ou reparar: ver a secção “assistência técnica e serviços ao cliente”.
- Nunca deixe o cabo eléctrico pendurado de forma a que uma criança o possa puxar.
- Nunca deixe a unidade motriz, o cabo eléctrico ou a ficha eléctrica apanharem humidade.
- **Assegure-se de que os utensílios da taça NÃO estão colocados ou guardados dentro dela quando utiliza a entrada de velocidade dupla.**
- Nunca utilize um acessório não autorizado ou mais do que um acessório ao mesmo tempo.
- Não exceda as quantidades mencionadas no quadro de quantidades máximas recomendadas.
- Tenha cuidado quando levantar este aparelho. Confirme que a cabeça do aparelho está correctamente fechada na posição baixa e que a taça, utensílios, tampa da entrada e cabo eléctrico estão também seguros antes de levantar o aparelho.

- Confirme que o cabo eléctrico está completamente desenrolado do compartimento de armazenamento do cabo ④ antes de utilizar a Máquina de Cozinha.
- As crianças devem ser vigiadas para garantir que não brincam com o aparelho.
- Não mexa ou levante a cabeça da batedeira com um acessório colocado uma vez a sua Máquina de Cozinha pode ficar instável.
- Não opere a sua máquina perto da beira da bancada de trabalho.
- Os electrodomésticos podem ser utilizados por pessoas com capacidades mentais, sensoriais ou físicas reduzidas, ou com falta de experiência ou conhecimento, se forem supervisionadas ou instruídas sobre o uso do electrodoméstico de forma segura e se compreenderem os riscos envolvidos.
- O uso inapropriado do seu electrodoméstico pode resultar em ferimentos.
- Este electrodoméstico não pode ser usado por crianças. Mantenha o electrodoméstico e o respectivo fio eléctrico fora do alcance de crianças.
- Use o aparelho apenas para o fim doméstico a que se destina. A Kenwood não se responsabiliza caso o aparelho seja utilizado de forma inadequada, ou caso estas instruções não sejam respeitadas.
- A capacidade máxima está baseada no acessório que leva a maior quantidade. Outros acessórios podem levar menos quantidade.
- **Os acessórios ficarão danificados e poderão provocar ferimentos se o mecanismo de engate for submetido a uma força excessiva.**

### **Acessório – Processador de alimentos**

- A unidade de lâmina e os discos do processador de alimentos estão extremamente afiados, manipule com cuidado. **Segure sempre pela pega afastando-se do gume, quando manusear e quando limpar.**

- Retire sempre a unidade de lâmina antes de retirar os alimentos da taça.
- Mantenha as mãos e utensílios longe do processador de alimentos enquanto estiver ligado à corrente eléctrica.
- Nunca use os seus dedos para empurrar os alimentos pelo tubo de alimentação. Utilize sempre o empurrador fornecido.
- Antes de remover a tampa da taça do processador de alimentos:
  - desligue o aparelho;
  - espere até que o acessório/lâminas estejam completamente parados.
- **Nunca retire a tampa do processador de alimentos enquanto a unidade de lâmina/discos de corte não estiverem completamente parados.**
- **RISCO DE QUEIMADURAS:** Deve deixar os ingredientes quentes arrefecerem até à temperatura ambiente antes de os processar no acessório.
- Não utilize a tampa para operar o processador de alimentos, utilize sempre os botões de controlo de velocidade/impulso.

### **Acessório - Liquidificador**

- Mantenha as mãos e os utensílios longe do copo liquidificador enquanto a batedeira estiver ligada à corrente eléctrica.
- **Nunca coloque a unidade de lâmina na unidade motriz sem o copo liquidificador colocado.**
- **RISCO DE QUEIMADURAS:** Os ingredientes quentes devem arrefecer até à temperatura ambiente antes de os processar ou misturar no acessório.
- Utilize sempre o liquidificador com a tampa.
- Utilize apenas o copo com o dispositivo de lâmina fornecido.
- Nunca ponha a funcionar o liquidificador vazio.
- Para assegurar uma longa vida ao seu liquidificador, nunca o faça funcionar mais de 60 segundos seguidos. Desligue-o assim que atingir a consistência desejada.
- O processamento de especiarias não é recomendado uma vez que podem danificar as partes plásticas.

- Receitas de batidos (Smoothies) – nunca misture ingredientes congelados que tenham formado uma massa sólida durante o congelamento, deve parti-los aos bocados antes de os colocar no copo.

### **Acessório - Picador de Alimentos**

- Assegure-se de que tira sempre os ossos, pele dura, etc. da carne antes de a picar.
- Quando picar nozes processe poucas quantidades de cada vez e deixe a espiral trituradora apanhá-las todas antes de adicionar mais.
- Utilize sempre o empurrador fornecido. Nunca introduza os seus dedos no tubo de alimentação.
- AVISO – as lâminas estão muito afiadas, manuseie com cuidado quando utilizar e quando limpar.
- Certifique-se de que o acessório está seguro na posição correcta antes de ligar.

### **Acessório - Extractor de Sumo**

- **Não utilize a centrifugadora de sumos se o filtro estiver danificado.**
- As lâminas de corte na base do filtro estão muito afiadas, tenha cuidado quando manipular ou limpar o filtro.
- Não utilize a tampa para operar a centrifugadora de sumos, utilize sempre os botões de controlo de velocidade/impulso.
- Se durante o funcionamento este acessório vibrar demasiado, ajuste a velocidade ou pare a máquina, desligue da corrente, limpe a polpa do tambor do filtro (a centrifugadora vibra se a polpa dentro do tambor do filtro estiver mal distribuída).

#### **antes de ligar à corrente eléctrica**

- Certifique-se de que a fonte de alimentação eléctrica é a mesma que a indicada na parte inferior do equipamento.
- Este aparelho está em conformidade com a directiva 2004/108/EC da CEE sobre Compatibilidade Electromagnética e o regulamento da CEE nº. 1935/2004 de 27/10/2004 sobre materiais concebidos para estarem em contacto com alimentos.

#### **antes de utilizar pela primeira vez**

- Lave todos os componentes: ver a secção “cuidados e limpeza”.

## legenda

- ① tampa da entrada
- ② entrada de velocidade dupla (média e alta)
- ③ fixadores
- ④ compartimento de armazenamento do cabo eléctrico
- ⑤ controlo de velocidade/impulso
- ⑥ unidade motriz
- ⑦ encaixe para os utensílios da taça
- ⑧ taça
- ⑨ cabeça da bateadeira
- ⑩ alavanca de desengate da cabeça
- ⑪ varinha K
- ⑫ batedor de gancho em espiral
- ⑬ batedor de varetas
- ⑭ resguardo contra salpicos

### acessórios

- ⑮ processador de alimentos
- ⑯ espremedor de citrinos
- ⑰ liquidificador em vidro
- ⑱ extractor de sumo
- ⑲ picador de alimentos

Consulte o quadro de velocidades recomendadas para cada acessório.

## os acessórios de bater ou misturar e algumas das suas utilizações:

### varinha K

- Para fazer bolos, biscoitos, massa, glacê, recheios, éclairs e puré de batata.

### batedor de varetas

- Para bater ovos, natas, massa para crepes, pão-de-ló sem gordura, suspiros, cheesecakes, mousses, soufflés. Não utilize o batedor de varetas para misturas pesadas (ex. bater natas gordas e açúcar) – pode danificá-la.

### batedor de gancho em espiral

- Apenas para misturas com fermento de padeiro.

## para usar os seus utensílios da taça

- 1 Puxe para baixo a alavanca de desengate da cabeça ① e levante a cabeça da bateadeira até prender.
- 2 Coloque a taça na base e gire na direcção contrária dos ponteiros do relógio, para a prender ②.
- 3 Escolha um utensílio e empurre-o dentro do encaixe até ouvir um clique ③.
- 4 Puxe para baixo a alavanca de desengate da cabeça e baixe a cabeça da bateadeira até prender.
- 5 Ligue à corrente eléctrica. Para a pôr a funcionar, rode o botão de velocidade. Para parar rode o botão até à posição "O" (desligado).

**Se a cabeça da bateadeira estiver levantada ou se a tampa da entrada não estiver colocada, a luz indicadora de Ligação pisca e a máquina não funciona.**

- Utilize o botão de impulso P para pequenos accionamentos.
- 6 Desligue da corrente eléctrica.
  - 7 Levante a cabeça da bateadeira e segurando-a firmemente, puxe o utensílio do encaixe.

### importante

- Se levantar a cabeça da bateadeira enquanto a máquina está a trabalhar, esta pára imediatamente. Para recomeçar a funcionar, baixe a cabeça da bateadeira, rode o botão de velocidade para a posição "O" (desligado), espere alguns segundos e depois volte a seleccionar uma velocidade. A máquina deve recomeçar a trabalhar imediatamente.
- Se por qualquer razão a corrente for cortada e a máquina parar de trabalhar, rode o botão de velocidade para a posição "O" (desligado), espere alguns segundos e depois volte a seleccionar uma velocidade. Deve recomeçar a trabalhar imediatamente.
- **A máquina não funcionará se a tampa da entrada não estiver correctamente colocada.**
- Se sentir que a máquina está a funcionar com dificuldade, desligue-a, remova parte dos alimentos ou então aumente a velocidade.
- Remova sempre os acessórios colocados na entrada de velocidade dupla antes de levantar a cabeça da bateadeira.



● **Assegure-se de que os utensílios da taça NÃO estão colocados ou guardados dentro dela quando utiliza a entrada de velocidade dupla.**

**dicas**

- Desligue e rape a taça para dentro desta com a espátula sempre que necessário.
- Os ovos mexem-se melhor se estiverem à temperatura ambiente.
- Antes de bater as claras de ovo, certifique-se de que não existe gordura ou gema de ovo no batedor de varetas ou na taça.
- Use ingredientes frios para a massa a não ser que a receita diga o contrário.
- Quando bater gordura (manteiga ou margarina) e açúcar para bolos, utilize-a à temperatura ambiente ou amoleça-a primeiro.
- A sua máquina foi idealizada com um "início suave" de funcionamento para minimizar os salpicos. Contudo, se foi iniciada com um preparado pesado, como por exemplo massa de pão, ela levará alguns segundos até atingir a velocidade seleccionada.

## indicações para fazer pão

**importante**

- Nunca exceda as capacidades máximas mencionadas – pode sobrecarregar a máquina.
- **Com misturas pesadas, por exemplo massa para pão, é normal que a cabeça da batedeira se movimente um pouco.**
- Os ingredientes misturam-se melhor se colocar em primeiro lugar o líquido.
- Periodicamente pare a máquina, rape para dentro da taça o preparado do batedor de gancho.
- Lotes diferentes de farinha necessitam de quantidades de líquido consideravelmente diferentes e a consistência da massa tem efeito sobre o funcionamento da máquina. Por isso aconselhamos que mantenha a máquina sob vigilância sempre que preparar massa de pão e não a deixe funcionar mais de 6 a 8 minutos.

## para inserir e utilizar o resguardo contra salpicos

- 1 Coloque a taça na base e adicione os ingredientes.
- 2 Coloque o resguardo alinhando as saliências com o encaixe para os utensílios da taça ⑦ e gire na direcção contrária dos ponteiros do relógio, para o prender ④.

- 3 Insira o utensílio na batedeira e baixe a cabeça desta.
  - 4 Para retirar o resguardo realize o inverso do processo acima descrito.
- Durante a mistura, pode adicionar ingredientes directamente à taça através da tampa de alimentação.

## sensor electrónico do controlo de velocidade

A sua batedeira está equipada com um sensor electrónico do controlo de velocidade que permite à máquina manter a velocidade com diferentes tipos de cargas, como quando bate massa para pão ou adiciona ovos a misturas para bolos. Por isso é natural ouvir algumas variações na velocidade uma vez que a batedeira se ajusta de acordo com a carga que tem e a velocidade seleccionada.

## ⑮ processador de alimentos

- Ⓐ empurrador
- Ⓑ tubo de alimentação
- Ⓒ tampa
- Ⓓ unidade de lâmina
- Ⓔ taça com eixo accionador
- Ⓕ disco de fatiar/ralar grosso
- Ⓖ disco de fatiar/ralar fino
- Ⓗ disco de ralar extra fino
- Ⓘ eixo accionador amovível

## para usar o seu processador de alimentos

- 1 Remova a tampa da entrada rodando-a na direcção contrária dos ponteiros do relógio e levantando-a ⑤.
- 2 Encaixe a taça ⑺ na entrada com a pega do lado direito e gire na direcção dos ponteiros do relógio até prender ⑥.
- 3 Coloque a unidade de lâmina ou o eixo accionador amovível com o acessório desejado.

**Nota: O eixo accionador amovível ① só deve ser colocado quando utilizar os discos e o espremedor de citrinos.**

- Coloque sempre a taça e acessório no processador antes de colocar os ingredientes.
- 4 Coloque a tampa ⑦, assegurando-se de que a unidade de lâmina/eixo está localizado no centro da tampa.

- **Não utilize a tampa para operar o processador de alimentos, utilize sempre os botões de controlo de velocidade/impulso.**

5 Ligue o aparelho à tomada eléctrica, depois ligue-o e seleccione uma velocidade (consulte o quadro de velocidades recomendadas).

- **O processador não funcionará se a taça ou a tampa não estiverem bem colocadas nos mecanismos de engate. Confirme que o tubo de alimentação e a pega da taça estão situados na parte da frente da máquina.**

- Use o Impulso (Ⓜ) para pequenos accionamentos. O motor trabalhará enquanto o botão de impulso estiver nessa posição.

6 Efectue o inverso do procedimento acima descrito para retirar a tampa, os acessórios e a taça.

- **Desligue sempre e retire o cabo eléctrico da tomada antes de retirar a tampa.**

#### **importante**

- O seu processador não é apropriado para esmagar ou moer grãos de café, ou transformar açúcar granulado em açúcar em pó.
- Quando adicionar essência de amêndoas ou aromatizantes à mistura evite o contacto destes com o plástico pois pode deixar marcas permanentes.
- **Não processe ingredientes quentes.**

## unidade de lâmina (D)

A unidade de lâmina é o mais versátil de todos os acessórios. O tempo de processamento determinará a textura desejada.

Para texturas grossas utilize o controlo de impulso. Utilize a unidade de lâmina para confeccionar bolos e massa para bolos, picar carne crua e cozida, vegetais, nozes, massas, patês, passar sopa e também para ralar pão ou biscoitos.

#### **dicas**

- Corte os alimentos como a carne, pão, vegetais em cubos de 2 cm antes de processar.
- Os biscoitos devem ser partidos em pedaços e adicionados através do tubo de alimentação enquanto a máquina estiver a funcionar.
- Quando confeccionar massa para bolos utilize a gordura (margarina, manteiga ou outra) directamente do frigorífico e cortada em cubos de 2 cm.
- Tenha cuidado para não misturar demasiado.

- **Não utilize o dispositivo de lâmina para misturar ingredientes pesados como massa para pão.**

- Não utilize a unidade de lâmina para picar cubos de gelo ou outros alimentos duros como especiarias, pois poderá danificar a lâmina.

## discos de fatiar/ralar

para usar os discos

- **discos de fatiar/ralar reversível - grosso (E), fino (G)**

Utilize o lado de ralar para queijo, cenouras, batatas e alimentos parecidos.

Utilize o lado de fatiar para queijo, cenouras, batatas couves, pepinos, curgetes, beterraba e cebolas.

- **disco de ralar extra fino (H)**

Raspa queijo Parmesão e batatas para pratos alemães de batatas (tipo gnocchi).

## para usar os discos

- 1 Coloque a taça na unidade motriz e introduza o eixo accionador amovível.
- 2 Segure pelo suporte central, coloque o disco de corte no eixo accionador com o lado apropriado virado para cima.
- 3 Coloque a tampa.
- 4 Coloque os alimentos no tubo de alimentação.
- 5 Ligue e empurre uniformemente os alimentos com o empurrador - nunca introduza os seus dedos no tubo de alimentação.

#### **dicas**

- Utilize ingredientes frescos.
- Não corte os alimentos muito pequenos. Encha o tubo de alimentação largo de forma razoável. Isto impede que os alimentos deslizem para os lados durante o processo.
- Os alimentos colocados verticalmente, saem mais pequenos que os alimentos colocados na horizontal.
- Existirá sempre uma pequena perda de alimentos que ficarão no disco ou na taça depois de processados.

## 16) espremedor de citrinos

Utilize o espremedor de citrinos para retirar o sumo de citrinos (laranjas, limões, limas e toranjas).

- A) cone espremedor
- B) coador

### para usar o espremedor de citrinos

- 1 Coloque a taça na unidade motriz e introduza o eixo accionador amovível.
- 2 Instale o coador na taça, assegurando-se de que a pega está encaixada na pega da taça 8.
- 3 Coloque o cone espremedor por cima do eixo accionador girando até que caia totalmente em baixo 9.
- 4 Corte o fruto ao meio. Ligue e pressione a metade do fruto no cone espremedor.

#### ● O espremedor de citrinos não funcionará se o coador não estiver correctamente colocado.



- Para obter melhores resultados esprema e guarde o sumo à temperatura ambiente e faça rodar o fruto com a mão numa superfície plana antes de o cortar e espremer.
- Para ajudar a extrair o sumo, mova o fruto para os lados.
- Quando espremer grandes quantidades, esvazie regularmente o coador para evitar demasiada acumulação de polpa e sementes.

## 17) liquidificador em vidro

- A) tampa de enchimento
- B) tampa de vidro
- C) copo
- D) anel vedante
- E) unidade de lâmina

### para usar o seu liquidificador em vidro

- 1 Coloque o anel vedante 10 na unidade de lâminas 11, assegurando-se de que o anel vedante está correctamente colocado no sítio apropriado.
- **Se o anel vedante estiver danificado ou mal colocado, vai ocorrer vazamento.**
- 2 Aparafuse o copo no dispositivo de lâminas 10. Consulte as imagens que se encontram por baixo da unidade de lâminas, da seguinte forma:

-  - posição aberta
-  - posição fechada

#### **O liquidificador não funcionará se não estiver correctamente montado.**

- 3 Coloque os seus ingredientes no copo.
- 4 Coloque a tampa no copo e puxe para baixo para prender 11. Coloque a tampa de enchimento.
- 5 Remova a tampa da entrada de velocidade dupla girando-o para o lado contrário dos ponteiros do relógio e levantando-a.
- 6 Coloque o liquidificador na unidade motriz e gire na direcção dos ponteiros do relógio 12 até ouvir um clique.
- **O aparelho não funcionará se não estiver correctamente colocado e preso no mecanismo de engate.**
- 7 Seleccione uma velocidade (consulte o quadro de velocidades recomendadas) ou utilize o botão de impulse 13 para pequenos accionamentos.

#### **dicas**

- Quando confeccionar maionese, coloque todos os ingredientes no liquidificador, excepto o azeite. Remova a tampa de enchimento. Em seguida, com o aparelho em funcionamento, deite muito devagar o azeite através do buraco da tampa.
- Misturas grossas, por exemplo com patês e mousses pode haver necessidade de rapar para baixo as paredes do copo. Se a mistura for difícil de processar, adicione mais líquido.
- Esmagar gelo – ligue o botão de impulso em pequenos accionamentos até que o gelo esteja esmagado a seu gosto.
- O processamento de especiarias não é recomendado uma vez que podem danificar as partes plásticas.
- **O aparelho não funcionará se não estiver correctamente colocado.**
- Para misturar ingredientes secos – corte-os em pedaços, remova a tampa de enchimento, e com o aparelho em funcionamento junte os pedaços um a um. Mantenha as mãos longe da abertura. Para obter melhores resultados esvazie com regularidade.
- Não utilize o liquidificador como recipiente de armazenamento. Mantenha-o vazio depois de utilizar.
- Nunca misture mais de 1,2 litros – menos para líquidos espumosos como os batidos de leite.

## 18 extractor de sumo

Utilize o extractor de sumo para retirar o sumo de frutos e vegetais.

- (A) empurrador
- (B) tampa do extractor
- (C) removedor da polpa
- (D) tambor do filtro
- (E) taça do extractor
- (F) bico

### para usar o seu extractor de sumo

- 1 Encaixe a taça do centrifugador (E) com o bico (F) virado para o lado esquerdo, na entrada de velocidade dupla e gire no sentido dos ponteiros do relógio até prender (16).
  - 2 Coloque o removedor da polpa (C) no tambor do filtro (D), certificando-se de que as patilhas encaixam nas ranhuras existentes na parte inferior do tambor (14).
  - 3 Coloque o tambor do filtro (15).
  - 4 Coloque a tampa do centrifugador (B) na taça e rode até prender (16). **O seu centrifugador não funcionará se a taça ou a tampa não estiverem colocadas correctamente no mecanismo de engate.**
  - 5 Coloque um recipiente apropriado para o efeito por baixo do bico para recolher o sumo.
  - 6 Corte os alimentos para caberem no tubo de alimentação.
  - 7 Ligue na velocidade máxima e depois coloque os alimentos no tubo de alimentação. Empurre uniformemente os alimentos com o empurrador - **nunca introduza os seus dedos no tubo de alimentação.** Processe completamente antes de adicionar mais.
- Após adicionar o último pedaço, deixe o centrifugador trabalhar mais 30 segundos para extrair todo o sumo do tambor do filtro.

#### importante

- Se o centrifugador começar a vibrar, desligue-o e esvazie o conteúdo do filtro. (O centrifugador vibra se a polpa dentro do tambor do filtro estiver desproporcionadamente distribuída).
- A capacidade máxima que pode ser processada de cada vez é de 800g de frutos ou vegetais.
- Alguns alimentos muito duros podem tornar o funcionamento do acessório muito lento ou fazê-lo parar. Se isso acontecer, desligue e desentupa o filtro.

- Durante a utilização, deve desligar e esvaziar o recipiente da polpa e o do sumo com frequência.

#### dicas

- Insira lentamente os alimentos macios para retirar maior quantidade de sumo.
- As vitaminas desaparecem – quanto mais depressa consumir o sumo mais vitaminas serão aproveitadas.
- Se precisa de armazenar o sumo durante poucas horas, deve colocá-lo no frigorífico. Será melhor conservado se lhe juntar umas gotas de limão.
- Não beba, por dia mais de 230 ml de sumo, a não ser que esteja habituado.
- Para as crianças, deve diluir o sumo em quantidade igual de água.
- Sumo a partir de cereais e vegetais verdes escuro (brócolos, espinafres, etc.) ou vermelhos escuros (raiz de beterraba, couve roxa, etc.) são extremamente fortes, por isso devem ser diluídos.
- Os sumos naturais de fruta têm alto teor em Frutose (açúcar de frutos). Pessoas com diabetes ou hipoglicémia (baixo nível de glicose no sangue) devem evitar beber demasiado.

## 19 picador de alimentos

Use o picador de alimentos para picar os vários tipos de carne (vaca, aves, etc.) e peixe.

- (A) chave de aperto
- (B) anel roscado
- (C) filtros do picador: médio e grosso
- (D) borboleta de corte
- (E) espiral
- (F) corpo
- (G) tubo de alimentação
- (H) tabuleiro
- (I) empurrador

### para montar

- 1 Introduza a espiral (E) no corpo do picador (F).
- 2 Insira a borboleta de corte (D) – o lado que corta virado para fora. Assegure-se de que está bem encaixada – caso contrário pode danificar o seu picador de alimentos.
- 3 Insira um filtro (C). Alinhe o entalhe sobre a saliência (17).
- 4 Aperte ligeiramente o anel roscado (B).

## para usar o picador de alimentos

- 1 Levante a cabeça da batedeira.
  - 2 Com o picador na posição mostrada alinhe as saliências do eixo que se encontram na extremidade da espiral com os encaixes correspondentes do mecanismo de saída 18.
  - 3 Empurre o picador contra a saída e rode na direcção dos ponteiros do relógio ate pender.
  - 4 Segure o tubo de alimentação no sítio e aperte o anel à mão.
  - 5 Coloque o tabuleiro 19.
  - 6 **Descongele bem os alimentos antes de os picar.** Corte a carne em fatias de 2,5 cm de largura.
  - 7 Ligue na velocidade máxima. Utilizando o empurrador, empurre suavemente os alimentos através do tubo, um pedaço de cada vez. **Não empurre com força** – pode estragar o seu picador de alimentos.
- importante**
- Nunca opere o picador de alimentos por mais de 10 minutos seguidos pois pode danificar o motor da batedeira.
  - **O picador de alimentos não funcionará se a tampa da entrada não estiver correctamente colocada.**
- 8 Quando os alimentos estiverem picados, desligue e retire da corrente eléctrica.
  - 9 Retire o picador de alimentos. Se necessário, retire a porca de prender, utilizando a chave de aperto A para desapertar a porca.

## cuidados e limpeza

- Desligue sempre e retire o cabo eléctrico da tomada antes de limpar.
- Desmonte totalmente os acessórios antes de lavar.

### unidade motriz

- Limpe com um pano húmido e seque em seguida.
- Nunca submerja em água ou use abrasivos.
- Guarde o fio em excesso no compartimento de armazenagem 4 na traseira da máquina.
- Assegure-se de que que o pé na base da batedeira está sempre limpo.

### taça, utensílios, resguardo contra salpicos

- Lave à mão e seque em seguida.
- Nunca use uma escova metálica, esfregão de aço ou lixívia para limpar a sua taça de aço inoxidável. Utilize vinagre para remover o calcário.
- Mantenha-a afastada de fontes de calor (discos do fogão, forno, microondas).

### processador de alimentos

- **Manuseie as lâminas e os discos com cuidado – estão extremamente afiados.**
- Alguns alimentos podem retirar a cor do plástico. Isto é perfeitamente normal e não danifica o plástico nem altera o sabor dos alimentos. Limpe com o pano humedecido com óleo vegetal para recuperar a cor original.

### espremedor de citrinos

- Lave à mão e seque em seguida.

### liquidificador

- 1 Esvazie o copo antes de o desapertar da unidade de lâmina.
- 2 Lave o copo à mão.
- 3 Remova e lave o anel vedante.
- 4 Não toque nas lâminas afiadas – lave-as usando uma escova e água quente com detergente, depois passe bem por água corrente. **Não insira a unidade de lâminas dentro de água.**
- 5 Deixe secar voltado para baixo.

### extractor de sumo

- Para limpar mais facilmente, quando acabar de usar lave imediatamente todas as peças.
- Alguns alimentos, por exemplo as cenouras podem colorir o plástico. Esfregar com um pano embebido em óleo vegetal ajuda a retirar a coloração.
- Limpe o filtro utilizando uma escova suave.
- **Examine o filtro com regularidade e veja se não está danificado. Não utilize se o filtro estiver danificado. Consulte a secção “assistência técnica e serviços ao cliente”.**

### picador de alimentos

- Lave todas as partes em água com sabão e seque cuidadosamente. Não lave peça nenhuma do aparelho na máquina de lavar louça. Nunca utilize produtos com soda.
- Limpe os filtros do picador com óleo vegetal, depois embrulhe-os em papel resistente à gordura para evitar a descoloração/ferrugem.

### todas as outras peças

- Lave à mão e seque em seguida.
- Em alternativa, consulte o quadro da máquina de lavar loiça para as peças que vão à máquina e que podem ser colocadas na prateleira de cima da sua máquina de lavar loiça. Evite colocar as peças directamente por cima dos elementos de aquecimento da prateleira superior. É recomendado que utilize um programa de temperatura baixa (máximo 50°C).

componente	adequado para ir à máquina da loiça
<b>Batedeira</b>	
Taça	✓
Batedor de varetas, varinha e batedor de gancho	✓
Resguardo contra Salpicos	✓
Tampa da entrada	x
<b>Processador de alimentos</b>	
Taça principal, tampa e empurrador	✓
Unidade de lâmina	✓
Eixo accionador amovível	✓
Discos	✓
<b>Espremedor de citrinos</b>	
Cone, coador	✓
<b>Liquidificador</b>	
Copo, tampa e tampa de enchimento	✓
Unidade de lâmina e anel vedante	x
<b>Extractor de sumo</b>	
Taça, empurrador, tampa, tambor do filtro e removedor da polpa	✓
<b>Picador de alimentos</b>	
Anel roscado, filtros, borboleta, espiral e corpo	x
Tabuleiro e empurrador	✓

### assistência e cuidados do cliente

- Caso o fio se encontre danificado, deverá, por motivos de segurança, ser substituído pela KENWOOD ou por um reparador KENWOOD autorizado.
- **Se tiver qualquer problema em utilizar a sua Máquina de Cozinha ou acessórios, antes de telefonar para a Assistência, consulte a secção Guia de Avarias.**

Caso necessite de assistência para:

- utilizar o seu electrodoméstico ou
- assistência ou reparações
- Contacte o estabelecimento onde adquiriu o electrodoméstico.
- Concebido e projectado no Reino Unido pela Kenwood.
- Fabricado na China.



### ADVERTÊNCIAS PARA A ELIMINAÇÃO CORRECTA DO PRODUTO NOS TERMOS DA DIRECTIVA EUROPEIA 2002/96/EC.

No final da sua vida útil, o produto não deve ser eliminado conjuntamente com os resíduos urbanos. Pode ser depositado nos centros especializados de recolha diferenciada das autoridades locais, ou junto dos revendedores que prestem esse serviço. Eliminar separadamente um electrodomésticos permite evitar as possíveis consequências negativas para o ambiente e para a saúde pública resultantes da sua eliminação inadequada, além de permitir reciclar os materiais componentes, para, assim se obter uma importante economia de energia e de recursos. Para assinalar a obrigação de eliminar os electrodomésticos separadamente, o produto apresenta a marca de um contentor de lixo com uma cruz por cima.

## quadro de velocidades e quantidades recomendadas

Estes valores são apenas indicativos e variarão de acordo com a quantidade da mistura na taça e dos ingredientes.

<b>utensílio/ acessório</b>	<b>tipo de receita</b>	<b>velocidade</b>	<b>tempo</b>	<b>quantidades máximas</b>
<b>Máquina de cozinha</b>				
Batedor de varetas	Claras de ovos	Min a Max	2 min.	2 a 8 (70 g-280 g)
	Bater natas	Min a Max	1½ min.	125 ml 600 ml
Varinha	Preparados completos para bolos	Min a Max	1½ min.	1,6 kg de peso total Mistura com 8 ovos
	Bolo de Frutos - bater gordura com açúcar Incorporar a farinha, frutos, etc.	Min a Max Min.	4 min. Até 1 min.	1,8 kg de peso total Mistura com 6 ovos
	Envolver gordura em farinha Adicionar água para misturar ingredientes de pastelaria	Min a Velocidade 2 Min.	5 min. 30 seg.	450 g de farinha
Batedor de gancho	Massa para pão (levedura dura (seca))	Min. a velocidade 2	4 min.	500 g de farinha 800 g de peso total
<b>Processador de alimentos</b>				
Unidade de lâmina	Preparados completos para bolos	Max	15 seg.	600 g de peso total Mistura com 3 ovos
	Envolver gordura em farinha Adicionar água para misturar ingredientes de pastelaria	Max Max	Até 1 min. 10 seg.	340 g de farinha
	Cortar/esmagar/patês	Max	Até 30 seg.	400 g de peso total de picado de carne magra
Discos - fatiar / ralar	Alimentos sólidos como cenouras, queijos duros	Max	-	Nunca exceder a capacidade máxima marcada na taça.
	Alimentos tenros como pepino ou tomate	Velocidade 3	-	
Disco de ralar extra fino	Queijo parmesão, batatas para bolinhos de massa alemães.	Max	-	
<b>Espremedor de citrinos</b>	Citrinos	Velocidade 2	-	
<b>Liquidificador</b>	Todos os processamentos	Max	Até 1 min.	1,2 litros
<b>Extractor de sumo</b>	Frutos duros e vegetais ex. cenouras e maçãs	Max	-	800 g
	Frutos duros e vegetais ex. tomates e uvas	Max	-	500 g
<b>Picador de alimentos</b>	Carne, aves, peixe corte em fatias de 2,5 cm de largura.	Max	-	-

\* Tamanho dos ovos usados = Classe M (Peso 53 g – 63 g)

## guia de avarias

<b>Problema</b>	<b>Causa</b>	<b>Solução</b>
A máquina não funciona quando se usam os utensílios de mistura.	<p>Não tem corrente/não se acende a luz indicadora de energia.</p> <p>Verifique se a cabeça da batedeira está correctamente presa em baixo.</p> <p>A tampa da entrada não está bem colocada.</p> <p>A cabeça da batedeira foi levantada durante o funcionamento e baixa novamente sem ter colocado o controlo de velocidade na posição "O" (desligado).</p>	<p>Confirme que a máquina está ligada à tomada eléctrica.</p> <p>Verifique se a cabeça da batedeira está correctamente presa em baixo.</p> <p>Verifique que a tampa da entrada está correctamente colocada.</p> <p><b>O aparelho não funcionará se a tampa da entrada não estiver correctamente colocada.</b></p> <p>Confirme que o controlo de velocidade foi colocado na posição "O" (desligado).</p>
A máquina pára durante o funcionamento.	<p>Máquina demasiado cheia/excedida a capacidade máxima.</p> <p>A cabeça da batedeira ou a tampa da entrada não está presa.</p>	<p>Desligue e retire o cabo eléctrico da tomada e deixe arrefecer durante 30 minutos.</p> <p>Consulte as capacidades máximas no quadro de velocidades recomendadas.</p> <p>Verifique que a cabeça da batedeira 1 e a tampa da entrada estão correctamente presas.</p>
O acessório de velocidade dupla não funciona.	<p>O acessório de velocidade dupla está mal colocado.</p> <p>O processador de alimentos / a tampa do extractor de sumo ou o coador do espremedor de citrinos estão mal colocados.</p>	<p>Verifique que o acessório de velocidade dupla está bem preso na entrada de velocidade dupla.</p> <p>Verifique que o acessório está correctamente colocado.</p>
O Picador de alimentos não funciona.	<p>O acessório não está correctamente preso.</p> <p>A tampa da entrada não está bem colocada.</p>	<p>Verifique que o acessório está correctamente colocado.</p> <p>Verifique que a tampa da entrada está correctamente colocada.</p>
A máquina mexe em cima da bancada de trabalho.	Os pés da máquina estão sujos ou molhados.	Limpe e seque com regularidade os pés da máquina.
Fracο desempenho dos utensílios/acessórios.	Consulte as dicas nas respectivas secções "para usar o acessório...". Verifique se o acessório está correctamente montado.	



## guia de avarias

<b>Problema</b>	<b>Causa</b>	<b>Solução</b>
A Luz Indicadora de Ligação pisca rapidamente.	Funcionamento normal. A luz indicadora pisca se um ou mais engates de segurança não estiverem bem accionados.	Quando usar um acessório, verifique se está correctamente colocado. Confirme que a cabeça da batedeira está totalmente em baixo excepto se estiver a usar a máquina de picar carne. Confirme que o controlo de velocidade está na posição "O" (desligado).
A Luz Indicadora de Ligação pisca devagar.	A máquina está em Standby (modo de espera). Se a máquina de cozinha ficar ligada mais de 30 minutos sem funcionar, passa automaticamente para o modo "standby" para reduzir o consumo de energia. A luz acende-se então permanentemente quando estiver pronta a ser utilizada.	A máquina de cozinha volta a funcionar normalmente quando o controlo de velocidade é rodado para uma velocidade e em seguida colocado na posição "O" (desligado).
Se o acima mencionado não resolver o seu problema, ver "assistência técnica e serviços ao cliente".		

# Español

**Por favor, despliegue la cubierta que contiene las ilustraciones**

## seguridad

- Lea estas instrucciones atentamente y guárdelas para poder utilizarlas en el futuro.
- Quite todo el embalaje y las etiquetas.
- Desconecte y desenchufe el aparato:
  - antes de colocar o quitar piezas;
  - cuando no lo utilice;
  - antes de limpiarlo.
- Gire el control de velocidad a la posición de apagado “O” y desenchufe el aparato antes de acoplar o quitar utensilios/accesorios, después de su uso y antes de limpiarlo.
- No acerque los dedos a las partes móviles ni a los accesorios acoplados.
- Nunca deje el robot de cocina desatendido cuando esté en funcionamiento.
- Nunca utilice un aparato dañado. Para solicitar que lo revisen o lo reparen, consulte la sección “servicio técnico y atención al cliente”.
- Nunca deje que el cable de alimentación eléctrica cuelgue de un lugar donde un niño pueda cogerlo.
- No permita que la unidad de potencia, el cable o el enchufe se mojen.
- **Compruebe que no haya utensilios del bol acoplados o guardados en el bol al utilizar la salida de transmisión dual.**
- Nunca utilice un accesorio no autorizado o más de un accesorio a la vez.
- Nunca sobrepase las cantidades indicadas en la tabla de capacidades máximas.
- Tenga cuidado al levantar este aparato. Asegúrese de que el cabezal esté correctamente fijado y en posición bajada, y de que el bol, los utensilios, la tapa de la salida y el cable estén bien sujetos antes de levantarlo.

- Asegúrese de que el cable esté completamente desenrollado del compartimento del cable ④ antes de utilizar el robot de cocina.
- Los niños deben ser vigilados para asegurarse de que no jueguen con el aparato.
- No mueva ni levante el cabezal de la mezcladora con un accesorio acoplado ya que ello podría afectar a la estabilidad del robot de cocina.
- No ponga el aparato en funcionamiento cerca del borde de una encimera.
- Este aparato puede ser utilizado por personas con capacidades físicas, sensoriales o mentales disminuidas o con falta de experiencia o conocimientos si han recibido instrucciones o supervisión en relación con el uso del aparato de forma segura y si entienden los peligros que ello implica.
- El uso incorrecto de su aparato puede producir lesiones.
- Este aparato no debe ser utilizado por niños. Mantenga el aparato y su cable fuera del alcance de los niños.
- Utilice este aparato únicamente para el uso doméstico al que está destinado. Kenwood no se hará cargo de responsabilidad alguna si el aparato se somete a un uso inadecuado o si no se siguen estas instrucciones.
- La potencia máxima se establece según el accesorio que requiera la mayor fuerza. Es posible que otros accesorios requieran menos potencia.
- **Los accesorios se estropearán y pueden producir lesiones si el mecanismo de enclavamiento se ve sometido a una fuerza excesiva.**

### **Accesorio procesador de alimentos**

- La cuchilla y los discos del procesador de alimentos están muy afilados; manéjelos con cuidado. **Sosténgalos siempre por el asa en la parte superior, lejos del borde cortante, tanto al manipularlos como en las operaciones de limpieza.**
- Quite siempre la cuchilla antes de vaciar el contenido del bol.

- Mantenga las manos y los utensilios alejados del bol del procesador de alimentos mientras el aparato esté conectado a la toma de corriente.
- Nunca utilice los dedos para empujar los alimentos en el tubo de entrada. Utilice siempre el empujador que se suministra.
- Antes de quitar la tapa del bol del procesador de alimentos:
  - apague el aparato;
  - espere hasta que el accesorio/cuchillas se hayan parado totalmente.
- **No quite nunca la tapa del procesador de alimentos hasta que las cuchillas/discos de corte se hayan parado completamente.**
- **RIESGO DE ESCALDARSE:** deje que los ingredientes calientes se enfríen hasta que alcancen la temperatura ambiente antes de procesarlos en el accesorio.
- No utilice la tapa para hacer funcionar el procesador de alimentos, utilice siempre el control de velocidad/acción intermitente.

### **Accesorios de la licuadora**

- Mantenga las manos y los utensilios alejados del vaso de la licuadora mientras el aparato esté conectado a la toma de corriente.
- **Nunca acople la unidad de cuchillas a la unidad de potencia sin que el vaso de la licuadora esté colocado.**
- **RIESGO DE ESCALDARSE:** deje que los ingredientes calientes se enfríen hasta que alcancen la temperatura ambiente antes de procesarlos o mezclarlos en el accesorio.
- Haga funcionar la licuadora únicamente con la tapa colocada en su sitio.
- Utilice el vaso únicamente con el conjunto de cuchillas suministrado.
- Nunca ponga la licuadora en marcha vacía.
- Para garantizar una larga vida útil a su licuadora, nunca la haga funcionar durante más de 60 segundos seguidos. Apáguela tan pronto como haya conseguido la consistencia

adecuada.

- No se recomienda procesar especias ya que pueden dañar las partes de plástico.
- Elaboración de smoothies: nunca bata ingredientes congelados que hayan formado una masa sólida durante la congelación; trocéelos antes de añadirlos al vaso.

### **Accesorio picadora de alimentos**

- Asegúrese siempre de que la carne no contenga huesos, piel, etc., antes de picarla.
- Al picar frutos secos, ponga solo unos pocos cada vez y deje que el eje espiral los recoja antes de añadir más.
- Utilice siempre el empujador que se suministra. Nunca introduzca los dedos ni ningún otro utensilio en el tubo de entrada de alimentos.
- Aviso: la cuchilla está afilada, manéjela con cuidado tanto durante el uso como al limpiarla.
- Asegúrese de que el accesorio haya quedado bien sujeto en su posición antes de encender el aparato.

### **Accesorio extractor de zumo**

- **No utilice el exprimidor si el filtro está dañado.**
- Las cuchillas en la base del filtro están muy afiladas, tenga cuidado al manejar y limpiar el filtro.
- No utilice la tapa para hacer funcionar el exprimidor, utilice siempre el control de velocidad/acción intermitente.
- Si al utilizar este accesorio, el aparato vibra en exceso, ajuste la velocidad o detenga el aparato, desenchúfelo y quite cualquier resto de pulpa del tambor (el exprimidor vibra si la pulpa no está distribuida uniformemente).

#### **antes de enchufar el aparato**

- Asegúrese de que el suministro de energía eléctrica sea la mismo que el que figura en la parte inferior del aparato
- Este dispositivo cumple con la Directiva 2004/108/CE sobre Compatibilidad Electromagnética, y con el reglamento (CE) n° 1935/2004, de 27 de octubre de 2004, sobre los materiales y objetos destinados a entrar en contacto con alimentos.

#### **antes de utilizar el aparato por primera vez**

- Lave las piezas: consulte la sección "cuidado y limpieza".

## descripción del aparato

- ① tapa de la salida
- ② salida de transmisión dual (velocidad media y alta)
- ③ enclavamientos
- ④ compartimento del cable
- ⑤ control de velocidad/acción intermitente
- ⑥ unidad de potencia
- ⑦ toma de los utensilios del bol
- ⑧ bol
- ⑨ cabezal de la mezcladora
- ⑩ palanca para soltar el cabezal
- ⑪ batidor K
- ⑫ gancho de amasar en espiral
- ⑬ batidor de varillas
- ⑭ antisalpicaduras

### accesorios

- ⑮ procesador de alimentos
- ⑯ exprimidor de cítricos
- ⑰ licuadora de cristal
- ⑱ extractor de zumo
- ⑲ picadora de alimentos

Consulte la tabla de velocidades recomendadas para cada accesorio.

## los utensilios de mezclado y algunos de sus usos

### batidor K

Para hacer tartas, galletas, pastelitos, glaseado, rellenos, pastelitos rellenos de crema y puré de patata.

### batidor de varillas

- Para huevos, crema, pasta para rebozar, bizcochos sin grasa, merengues, tartas de queso, mousses, suflés. No utilice el batidor de varillas para mezclas pesadas (por ejemplo, batir manteca y azúcar), ya que podría dañarlo.

### gancho de amasar en espiral

- Solo para mezclas de levadura.

## para usar los utensilios del bol

- 1 Apriete la palanca para soltar el cabezal hacia abajo ① y levante el cabezal de la mezcladora hasta que quede bien sujeto en su posición.
- 2 Acople el bol dentro de la base y gire en sentido contrario a las agujas del reloj para fijarlo en su posición ②.

- 3 Seleccione un utensilio y presiónelo para que encaje en la toma de los utensilios hasta que haga clic ③.
- 4 Apriete la palanca para soltar el cabezal hacia abajo y baje el cabezal de la mezcladora hasta que quede bien sujeto en su posición.
- 5 Enchufe a la toma de corriente. Para encender la mezcladora, gire el botón de velocidad a la posición deseada. Para apagarla, gire hacia la posición de apagado "O".

**Si el cabezal de la mezcladora está levantado o la tapa de la salida no está colocada, la luz de encendido parpadeará y el aparato no funcionará.**

- Pulse el botón de acción intermitente (P) para generar impulsos breves.
- 6 Desenchufe de la toma de corriente.
  - 7 Levante el cabezal de la mezcladora y, mientras lo sujeta firmemente, saque el utensilio de la toma de los utensilios tirando de él.

### importante

- Si el cabezal de la mezcladora se levanta mientras está en funcionamiento, el aparato se parará inmediatamente. Para volver a poner la mezcladora en marcha, baje el cabezal, gire el botón de velocidad hacia la posición de apagado "O", espere unos pocos segundos y vuelva a seleccionar la velocidad. El aparato debería reanudar el funcionamiento inmediatamente.
- Si, por cualquier razón, se interrumpe el suministro de electricidad y el aparato deja de funcionar, gire el botón de velocidad hacia la posición de apagado "O", espere unos pocos segundos y vuelva a seleccionar la velocidad. La mezcladora debería reanudar el funcionamiento inmediatamente.
- **El aparato no funcionará a menos que la tapa de la salida esté correctamente acoplada.**
- Si oye que el aparato se ahoga, apáguelo y quite una parte de la mezcla o aumente la velocidad.
- Quite siempre los accesorios acoplados a la salida de transmisión dual antes de levantar el cabezal de la mezcladora.
- **Compruebe que no haya utensilios del bol acoplados o guardados en el bol al utilizar la salida de transmisión dual.**

### consejos

- Apague y raspe el bol con una espátula cuando sea necesario.
- Los huevos se baten mejor si están a temperatura ambiente.

- Antes de batir claras de huevo, compruebe que no haya grasa ni yema de huevo en el batidor de varillas o en el bol.
- Utilice ingredientes fríos para los pastelitos a menos que su receta indique lo contrario.
- Al batir manteca y azúcar para preparados para tartas, utilice siempre la manteca a temperatura ambiente o ablándela primero.
- Su aparato está equipado con una función de "arranque suave" para minimizar los derrames. Sin embargo, si el aparato se conecta con una mezcla pesada en el bol como, por ejemplo, masa de pan, es posible que note que le cuesta unos segundos alcanzar la velocidad seleccionada.

## puntos para hacer pan

### importante

- Nunca sobrepase las capacidades máximas establecidas, de lo contrario, puede sobrecargar el robot.
- **Es normal que el cabezal de la mezcladora se mueva un poco al mezclar cargas pesadas como masa de pan.**
- Los ingredientes se mezclan mejor si se pone primero el líquido.
- Detenga el aparato a intervalos y raspe la mezcla del gancho de amasar.
- Los lotes diferentes de harina varían considerablemente en cuanto a las cantidades de líquido necesario, y la pegajosidad de la masa puede tener un marcado efecto sobre la carga colocada en el aparato. Le aconsejamos que vigile el aparato mientras la masa se esté mezclando; el proceso no debería durar más de 6-8 minutos.

## acoplar y utilizar el antisalpicaduras

- 1 Acople el bol dentro de la base y añada los ingredientes.
- 2 Acople el antisalpicaduras alineando las lengüetas con la toma de los utensilios del bol (7) y gire en sentido contrario a las agujas del reloj para fijarlo en su posición (4).
- 3 Acople el utensilio y luego baje el cabezal de la mezcladora.
- 4 Para quitar el antisalpicaduras, invierta el proceso anterior.
- Durante el proceso de mezclado, los ingredientes se pueden añadir directamente al bol a través del tubo de alimentación.

## control del sensor de velocidad electrónico

Su mezcladora está equipada con un control del sensor de velocidad electrónico diseñado para mantener la velocidad bajo distintas condiciones de carga como, por ejemplo, al amasar masa de pan o cuando se añaden huevos a una mezcla para tarta. Por lo tanto, es posible que oiga alguna variación de la velocidad durante el proceso cuando la mezcladora se ajuste a la carga y velocidad seleccionadas; esto es normal.

## 15 procesador de alimentos

- (A) empujador
- (B) tubo de entrada de alimentos
- (C) tapa
- (D) cuchilla
- (E) bol con eje de transmisión
- (F) disco rebanador/rallador grueso
- (G) disco rebanador/rallador fino
- (H) disco rallador extrafino
- (I) eje de transmisión desmontable

## usar el procesador de alimentos

- 1 Para quitar la tapa de la salida, gírela en sentido contrario a las agujas del reloj y sáquela (5).
- 2 Coloque el bol (E) sobre la salida con el asa hacia el lado derecho y gírela en el sentido de las agujas de el reloj hasta que quede fijado en su posición (6).
- 3 Añada la cuchilla o el eje de transmisión desmontable con el accesorio deseado.

### **Nota: el eje de transmisión desmontable**

(I) **solo se debe colocar al utilizar los discos y el exprimidor de cítricos.**

- Acople siempre el bol y el accesorio en el procesador antes de añadir cualquier ingrediente.
- 4 Coloque la tapa (7), asegurándose de que la parte superior de la cuchilla/eje de transmisión quede situada en el centro de la tapa.
- **No utilice la tapa para hacer funcionar el procesador, utilice siempre el control de velocidad/acción intermitente.**
- 5 Enchufe, conecte y seleccione una velocidad (consulte la tabla de velocidades recomendadas).
- **El procesador no funcionará si el bol o la tapa no están correctamente ajustados en los enclavamientos. Compruebe que el tubo de entrada de alimentos y el asa del bol estén situados hacia la parte delantera.**

- Use el botón de acción intermitente **(P)** para generar impulsos breves. El botón de acción intermitente funcionará mientras se mantenga apretado.

6 Invierta el procedimiento anterior para quitar la tapa, los accesorios y el bol.

- **Desconecte y desenchufe siempre el aparato antes de quitar la tapa.**

#### **importante**

- El procesador no es apto para triturar o moler granos de café ni para convertir azúcar granulado en azúcar lustre.
- Si añade esencia de almendra o aromatizantes a las mezclas, evite el contacto con el plástico ya que podrían quedar manchas permanentes.
- **No procese ingredientes calientes.**

## cuchilla **(D)**

La cuchilla es el accesorio más versátil de todos. La textura obtenida depende del tiempo de procesamiento.

Para obtener texturas más gruesas, utilice el control de acción intermitente.

Utilice la cuchilla para elaborar masas para tartas y pasteles, picar carne cruda y cocida, verduras y hortalizas, frutos secos, paté, salsas, purés, sopas y también para rallar galletas y pan.

#### **consejos**

- Antes de procesar alimentos como carne, pan u hortalizas, córtelos en dados de 2 cm aproximadamente.
- Rompa las galletas en trozos e introdúzcalos por el tubo de entrada de alimentos con el aparato en marcha.
- Para hacer masa para pasteles, utilice manteca recién sacada de la nevera y cortada en dados de 2 cm.
- Tenga cuidado de no exceder el tiempo de proceso.
- **No utilice la cuchilla para mezclar cargas pesadas como masa de pan.**
- No utilice la cuchilla para picar cubitos de hielo u otros alimentos duros, como especias, ya que pueden dañar el accesorio.

## discos rebanadores/ralladores

usar los discos

### **discos rebanadores/ralladores reversibles - grueso **(E)**, fino **(G)****

Utilice el lado rallador para rallar queso, zanahorias, patatas y alimentos de una naturaleza similar.

Utilice el lado rebanador para el queso, zanahorias, patatas, col, pepino, remolacha y cebollas.

### **disco rallador extrafino **(H)****

Ralla queso parmesano y patatas para hacer bolitas de patata a la alemana.

## usar los discos de corte

- 1 Acople el bol sobre la unidad de potencia y luego añada el eje de transmisión desmontable.
- 2 Sujételo por la parte central, coloque el disco sobre el eje de transmisión con el lado apropiado hacia arriba.
- 3 Coloque la tapa.
- 4 Ponga los alimentos en el tubo de entrada.
- 5 Encienda el aparato y luego empuje de manera uniforme con el empujador; nunca meta los dedos en el tubo de entrada de alimentos.

#### **consejos**

- Utilice ingredientes frescos.
- No corte los alimentos en trozos demasiado pequeños. Llene el tubo de entrada de alimentos casi hasta arriba. Así evitará que la comida se deslice hacia los lados al procesarla.
- Los alimentos colocados en sentido vertical salen más cortos que los que se colocan en sentido horizontal.
- Después de procesar los alimentos, siempre quedarán pequeños restos de comida en el disco o en el bol.



## 16 exprimidor de cítricos

Utilice el exprimidor de cítricos para extraer el zumo de frutas cítricas, como naranjas, limones, limas y pomelos.

- A cono
- B colador

## usar el exprimidor de cítricos

- 1 Acople el bol sobre la unidad de potencia y luego añada el eje de transmisión desmontable.
- 2 Acople el colador dentro del bol; asegúrese de que el asa del colador coincida con el asa del bol y que quede bien sujeta en su posición 8.
- 3 Coloque el cono sobre el eje de transmisión y gírelo hasta que llegue abajo 9.
- 4 Corte la fruta en mitades. Luego encienda el aparato y presione la fruta sobre el cono.

### ● El exprimidor de cítricos no funcionará si el colador no está fijado correctamente.


- Para obtener los mejores resultados, guarde y exprima la fruta a temperatura ambiente y haga rodar la fruta sobre una superficie de trabajo antes de exprimirla.
- Para ayudar a extraer el zumo, mueva la fruta de un lado a otro al exprimirla.
- Cuando exprima grandes cantidades de fruta, vacíe el colador regularmente para impedir la acumulación de pulpa y semillas.

## 17 licuadora de cristal

- A tapón de llenado
- B tapa
- C vaso
- D anillo de cierre
- E unidad de cuchillas

## usar la licuadora de cristal

- 1 Acople el anillo de cierre D a la unidad de cuchillas E, asegurándose de que el anillo esté correctamente colocado en la zona ranurada.
- Si el anillo de cierre está dañado o no está correctamente acoplado, el contenido del vaso podría derramarse.
- 2 Enrosque el vaso sobre el conjunto de cuchillas 10. Consulte los siguientes gráficos que aparecen en la parte inferior de la unidad de cuchillas:

 - posición de desbloqueo

 - posición de bloqueo

### La licuadora no funcionará si no está ensamblada correctamente.

- 3 Ponga los ingredientes en el vaso.
- 4 Acople la tapa al vaso y empuje hacia abajo para que quede ajustada 11. Acople el tapón de llenado.
- 5 Para quitar la tapa de la salida de transmisión dual, gírela en sentido contrario a las agujas del reloj y sáquela.
- 6 Coloque la licuadora en la unidad de potencia y gírela en el sentido de las agujas del reloj 12 hasta que haga clic y quede fijada en su posición.
- El aparato no funcionará si la licuadora no está acoplada correctamente en el enclavamiento.
- 7 Seleccione una velocidad (consulte la tabla de velocidades recomendadas) o use el botón de acción intermitente P para generar impulsos breves.

### consejos

- Al hacer mayonesa, ponga todos los ingredientes, excepto el aceite, en la licuadora. Quite el tapón de llenado. Luego, con el aparato en marcha, añada el aceite lentamente a través del agujero de la tapa.
- Al trabajar con mezclas espesas, por ejemplo, patés y salsas, puede que sea necesario raspar los restos de comida de los lados. Si la mezcla resulta difícil de procesar, añada más líquido.
- Picar hielo - accione el botón de acción intermitente para generar impulsos breves hasta que el hielo picado alcance la consistencia deseada.
- No se recomienda procesar especias ya que pueden dañar las partes de plástico.
- El aparato no funcionará si la licuadora no está acoplada correctamente.
- Para picar ingredientes secos, trocéelos, quite el tapón de llenado y, con el aparato en marcha, introduzca los trozos uno a uno. Ponga la mano sobre la abertura. Para obtener mejores resultados, vacíe el vaso regularmente.
- No utilice la licuadora como recipiente de almacenamiento. Déjela vacía cuando no la utilice.
- Nunca mezcle cantidades superiores a 1,2 litros; la cantidad debe ser menor para líquidos espumosos, como los batidos.

## 18 extractor de zumo

Utilice el extractor de zumo para extraer el zumo de frutas duras y de hortalizas.

- (A) empujador
- (B) tapa del exprimidor
- (C) despulpador
- (D) tambor del filtro
- (E) bol del exprimidor
- (F) pico vertedor

## usar el extractor de zumo

- 1 Coloque el bol del exprimidor (E) sobre la salida de transmisión dual con el pico vertedor (F) hacia el lado izquierdo y gírelo en el sentido de las agujas del reloj hasta que quede bien sujeto (18).
- 2 Coloque el despulpador (C) dentro del tambor del filtro (D), asegurándose de que las lengüetas encajen en las ranuras en el fondo del tambor (19).
- 3 Coloque el tambor del filtro (16).
- 4 Coloque la tapa del exprimidor (B) sobre el bol y gíre hasta que quede bloqueada (16). **El exprimidor no funcionará si el bol o la tapa no están correctamente ajustados en el enclavamiento.**
- 5 Ponga un recipiente adecuado debajo de la boca de salida del zumo.
- 6 Corte la comida para que encaje bien en el tubo de entrada de alimentos.
- 7 Conecte a velocidad máxima, luego coloque la comida en el tubo de entrada de alimentos. Empuje de manera uniforme con el empujador - **nunca meta los dedos en el tubo de entrada de alimentos.** Procese bien los alimentos antes de añadir más.

- Después de añadir el último trozo, deje que el exprimidor funcione durante 30 segundos más para extraer todo el zumo del tambor del filtro.

### importante

- Si el exprimidor empieza a vibrar, desconecte el aparato y vacíe la pulpa del filtro, (el exprimidor vibra si la pulpa no está distribuida uniformemente).
- La capacidad máxima que se puede procesar de una sola vez es de 800 g de fruta u hortalizas.
- Algunos alimentos muy duros pueden hacer que su accesorio vaya más lento o que se pare. Si esto sucede, desconecte el aparato y limpie el filtro.
- Desconecte y vacíe los depósitos de la pulpa y del zumo regularmente durante el uso.

## consejos

- Introduzca los alimentos blandos lentamente para extraer el máximo zumo posible.
- Las vitaminas desaparecen; cuanto antes beba el zumo, más vitaminas obtendrá.
- Si tiene que guardar el zumo durante unas horas, póngalo en el frigorífico. Se conservará mejor si le añade unas gotas de zumo de limón.
- No beba más de 3 vasos de zumo de 230 ml al día, a no ser que esté acostumbrado.
- Diluya siempre los zumos para los niños con una cantidad equivalente de agua.
- El zumo de verduras verde oscuro (brócoli, espinacas, etc.) o de verduras rojo oscuro (remolacha, col roja, etc.) es muy fuerte, por lo tanto, dilúyalo siempre.
- Los zumos de frutas son ricos en fructosa (azúcar procedente de las frutas), por lo que las personas diabéticas o con niveles bajos de azúcar en sangre deben evitar beber demasiado zumo.

## 19 picadora de alimentos

Utilice la picadora de alimentos para procesar carne, carne de ave y pescado.

- (A) llave
- (B) tuerca de cierre
- (C) pantallas: mediana y gruesa
- (D) cuchilla
- (E) eje espiral
- (F) cuerpo
- (G) tubo de entrada de alimentos
- (H) bandeja
- (I) empujador

## montaje

- 1 Coloque el eje espiral (E) dentro del cuerpo de la picadora (F).
- 2 Acople la cuchilla (D), con la parte cortante hacia fuera. Asegúrese de que quede bien encajada, de lo contrario la picadora podría estropearse.
- 3 Coloque una pantalla (C), de modo que el agujero pase por la lengüeta de fijación (17).
- 4 Ajuste la tuerca de cierre sin apretar (B).

## usar la picadora de alimentos

- 1 Levante el cabezal de la mezcladora.
  - 2 Con la picadora de alimentos en la posición mostrada, alinee las lengüetas de posicionamiento al final del eje espiral con las ranuras correspondientes en la salida de transmisión **18**.
  - 3 Presione la picadora de alimentos dentro la salida y gire en sentido contrario a las agujas del reloj hasta que quede bien ajustada en su posición.
  - 4 Mantenga el tubo de entrada de alimentos en su posición y apriete la tuerca de cierre a mano.
  - 5 Coloque la bandeja **19**.
  - 6 **Descongele completamente la comida congelada antes de picarla.** Corte la carne en tiras de 2,5 cm de ancho.
  - 7 Conecte a máxima velocidad. Con el empujador, vaya introduciendo la comida despacio, trozo a trozo. **No empuje demasiado**, ya que la picadora de alimentos podría estropearse.
- importante**
- Nunca haga funcionar la picadora de alimentos durante más de 10 minutos seguidos ya que ello podría dañar la mezcladora.
  - **La picadora de alimentos no funcionará a menos que la tapa de la salida de velocidad dual esté colocada.**
- 8 Una vez que toda la comida haya sido picada, desconecte y desenchufe el aparato.
  - 9 Quite la picadora de alimentos. Use la llave **A** para quitar la tuerca de cierre si está demasiado apretada.

## cuidado y limpieza

- Apague y desenchufe siempre el aparato antes de proceder a su limpieza.
- Desmonte los accesorios completamente antes de limpiarlos.

### unidad de potencia

- Límpiela con un paño húmedo y luego séquela.
- Nunca la sumerja en agua ni utilice productos abrasivos.
- Recoja el exceso de cable en el compartimento del cable **4** situado en la parte posterior del aparato.
- Asegúrese de que los pies en la base de la mezcladora estén limpios.

### bol, utensilios, antisalpicaduras

- Lávelos a mano y, a continuación, séquelos bien.
- No utilice nunca un cepillo metálico, un estropajo de aluminio ni lejía para limpiar su bol de acero inoxidable. Use vinagre para eliminar las incrustaciones de cal.

- Manténgalos alejados del calor (parte superior de la cocina, hornos, microondas).

### procesador de alimentos

#### ● Maneje las cuchillas y los discos con cuidado ya que están muy afilados.

- Algunos alimentos pueden manchar el plástico. Esto es algo totalmente normal y no causa ningún daño en el plástico ni afecta al sabor de los alimentos. Para eliminar las manchas, frote el plástico con un paño suave mojado en aceite vegetal.

### exprimidor de cítricos

- Lávelo a mano y, a continuación, séquelo bien.

### licuadora

- 1 Vacíe el vaso antes de desenroscarlo de la unidad de cuchillas.
- 2 Lave el vaso a mano.
- 3 Quite el anillo de cierre y lávelo.
- 4 No toque las cuchillas afiladas. Lávelas utilizando un cepillo con agua caliente y detergente y aclárelas bien con agua del grifo. **No sumerja la unidad de cuchillas en agua.**
- 5 Deje secar con las cuchillas hacia abajo.

### extractor de zumo

- Para una limpieza más fácil, lave siempre las piezas inmediatamente después de su uso.
- Algunos alimentos, como las zanahorias, pueden manchar el plástico. Frotar el plástico con un paño empapado de aceite vegetal puede ayudar a eliminar las manchas.
- Limpie el filtro con un cepillo suave.
- **Examine el filtro regularmente para detectar la presencia de daños. No utilice el exprimidor si el filtro presenta cualquier daño. Consulte la sección "servicio técnico y atención al cliente".**

### picadora de alimentos

- Lave todas las piezas en agua caliente con jabón, y después séquelas bien. No lave ninguna pieza en el lavavajillas. Nunca utilice una solución de sosa.
- Limpie las pantallas con aceite vegetal y luego envuélvalas en papel parafinado para evitar que se descoloren/oxiden.

### otras piezas

- Lávelas a mano y luego séquelas completamente.
- Por otra parte, consulte la tabla de piezas aptas para lavavajillas para ver qué piezas se pueden lavar en la bandeja superior de su lavavajillas. Evite colocar los artículos en la bandeja inferior directamente por encima del elemento térmico. Se recomienda utilizar un programa corto y a baja temperatura (50 °C máximo).

artículo	apto para lavar en el lavavajillas
<b>Mezcladora</b>	
Bol	✓
Batidor de varillas, batidor K y gancho de amasar	✓
Antisalpicaduras	✓
Tapa de la salida	x
<b>Procesador de alimentos</b>	
Bol principal, tapa y empujador	✓
Cuchilla	✓
Eje de transmisión desmontable	✓
Discos	✓
<b>Exprimidor de cítricos</b>	
Cono, colador	✓
<b>Licuadaora</b>	
Vaso, tapa y tapón de llenado	✓
Unidad de cuchillas y anillo de cierre	x
<b>Extractor de zumo</b>	
Bol, empujador, tapa, tambor del filtro y despulpador	✓
<b>Picadora de alimentos</b>	
Tuerca de cierre, pantallas, cuchilla, eje espiral y cuerpo	x
Bandeja y empujador	✓

## servicio técnico y atención al cliente

- Si el cable está dañado, por razones de seguridad, debe ser sustituido por Kenwood o por un técnico autorizado por Kenwood.
- **Si tiene problemas con el funcionamiento del robot de cocina o los accesorios, antes de llamar para solicitar ayuda, consulte la guía de solución de problemas.**

Si necesita ayuda sobre:

- el uso del aparato o
- el servicio técnico o reparaciones
- Póngase en contacto con el establecimiento en el que compró el aparato.
- Diseñado y creado por Kenwood en el Reino Unido.
- Fabricado en China.



### ADVERTENCIAS PARA LA ELIMINACIÓN CORRECTA DEL PRODUCTO SEGÚN ESTABLECE LA DIRECTIVA EUROPEA 2002/96/CE.

Al final de su vida útil, el producto no debe eliminarse junto a los desechos urbanos.

Puede entregarse a centros específicos de recogida diferenciada dispuestos por las administraciones municipales, o a distribuidores que faciliten este servicio. Eliminar por separado un electrodoméstico significa evitar posibles consecuencias negativas para el medio ambiente y la salud derivadas de una eliminación inadecuada, y permite reciclar los materiales que lo componen, obteniendo así un ahorro importante de energía y recursos. Para subrayar la obligación de eliminar por separado los electrodomésticos, en el producto aparece un contenedor de basura móvil tachado.

## tabla de velocidades recomendadas y capacidades máximas

La siguiente información es solamente una guía y variará de acuerdo con la cantidad de mezcla en el bol y los ingredientes que se mezclen.

<b>herramienta/ accesorio</b>	<b>tipo de receta</b>	<b>velocidad</b>	<b>tiempo</b>	<b>capacidades máximas</b>
<b>Robot de cocina</b>				
Batidor de varillas	Claras de huevo	Min a Max	2 minutos	2-8 (70 g-280 g)
	Nata	Min a Max	1½ minutos	125 ml 600 ml
Batidor K	Preparados para tartas en un solo paso	Min a Max	1½ minutos	Peso total 1,6 kg Mezcla de 8 huevos
	Pastel de frutas - batir manteca y azúcar Añadir harina, fruta, etc.	Min a Max  Min	4 minutos  Hasta 1 minuto	Peso total 1,8 kg Mezcla de 6 huevos
	Mezclar manteca con harina  Añadir agua para combinar ingredientes para masa para pasteles	Min a velocidad 2 Min	5 minutos  30 segundos	450 g de harina
Gancho de amasar	Masa de pan (con levadura dura)	Min a velocidad 2	4 minutos	Peso de la harina 500 g Peso total 800 g
<b>Procesador de alimentos</b>				
Cuchilla	Preparados para tartas en un solo paso	Max	15 segundos	Peso total 600 g Mezcla de 3 huevos
	Mezclar manteca con harina	Max	Hasta 1 minuto	Peso de la harina 340 g
	Añadir agua para combinar ingredientes para masa para pasteles	Max	10 segundos	
	Picar/hacer puré/hacer patés	Max	Hasta 30 segundos	Peso total de la carne magra troceada 400 g
Discos – rebanador/ rallador	Alimentos consistentes como zanahorias y quesos duros	Max	–	No sobrepase la capacidad máxima marcada en el bol
	Alimentos más blandos como pepinos y tomates	Velocidad 3	–	
Disco rallador extrafino	Queso parmesano, patatas para bolas de patata a la alemana	Max	–	
<b>Exprimidor de cítricos</b>	Cítricos	Velocidad 2	–	–
<b>Licudora</b>	Procesa todo	Max	Hasta 1 minuto	1,2 litros
<b>Extractor de zumo</b>	Hortalizas y frutas duras, p. ej., zanahorias y manzanas	Max	–	800 g
	Hortalizas y frutas blandas, p. ej., tomates y uvas	Max	–	500 g
<b>Picadora de alimentos</b>	Carne, carne de ave y pescado cortada en tiras de 2,5 cm de ancho	Max	–	–

\*Tamaños de los huevos utilizados = tamaño mediano (peso 53-63 g)

## guía de solución de problemas

Problema	Causa	Solución
El aparato no funciona al utilizar utensilios de mezclado.	<p>No hay corriente eléctrica/la luz indicadora no está encendida.</p> <p>El cabezal de la mezcladora no está correctamente fijado.</p> <p>La tapa de la salida no está correctamente acoplada.</p> <p>El cabezal de la mezcladora ha sido levantado durante el funcionamiento y bajado otra vez sin volver a poner el control de velocidad a la posición de apagado "O".</p>	<p>Compruebe que el aparato esté enchufado.</p> <p>Compruebe que el cabezal de la mezcladora esté correctamente fijado.</p> <p>Compruebe que la tapa de la salida esté colocada correctamente.</p> <p><b>El aparato no funcionará si la tapa de la salida no está correctamente acoplada.</b></p> <p>Compruebe que el control de velocidad se vuelva a poner a la posición de apagado "O".</p>
El aparato se para durante el funcionamiento.	<p>El aparato está sobrecargado/se han sobrepasado las capacidades máximas.</p> <p>El cabezal de la mezcladora o la tapa de la salida se han desbloqueado.</p>	<p>Apague, desenchufe y deje que el aparato se enfríe durante 30 minutos.</p> <p>Revise las capacidades máximas en la tabla de velocidades recomendadas.</p> <p>Compruebe que el cabezal de la mezcladora y la tapa de la salida estén colocados correctamente.</p>
El accesorio de transmisión dual no funciona.	<p>El accesorio de transmisión dual no está correctamente fijado.</p> <p>El procesador de alimentos/la tapa del extractor de zumo o el colador del exprimidor de cítricos no están colocados correctamente.</p>	<p>Compruebe que el accesorio de transmisión dual esté colocado correctamente.</p> <p>Compruebe que el accesorio esté correctamente acoplado.</p>
El accesorio picadora de alimentos no funciona.	<p>El accesorio no está correctamente fijado.</p> <p>La tapa de la salida no está correctamente acoplada.</p>	<p>Compruebe que el accesorio esté colocado correctamente.</p> <p>Compruebe que la tapa de la salida esté colocada correctamente.</p>
Movimiento en la encimera.	<p>Los pies de la parte inferior del aparato están sucios o húmedos.</p>	<p>Compruebe regularmente que los pies estén limpios y secos.</p>
Bajo rendimiento de los utensilios/accesorios.	<p>Consulte los consejos de la sección "uso del accesorio" pertinente.</p> <p>Compruebe que los accesorios estén correctamente ensamblados.</p>	

## guía de solución de problemas

<b>Problema</b>	<b>Causa</b>	<b>Solución</b>
La luz de encendido parpadea rápidamente.	Funcionamiento normal. La luz parpadeará si uno o más de los enclavamientos no están correctamente acoplados.	Si utiliza un accesorio, compruebe que esté correctamente fijado en su posición. Compruebe que el cabezal de la mezcladora esté completamente bajado, a menos que utilice el accesorio picadora de carne. Compruebe que el control de velocidad esté en la posición de apagado "O".
La luz de encendido parpadea lentamente.	El modo espera está activado. Si el robot de cocina se deja enchufado durante más de 30 minutos sin que sea utilizado, entrará en modo espera para reducir el consumo de energía. La luz cambiará y permanecerá encendida de forma continua cuando el aparato esté listo para utilizarse.	El robot de cocina volverá a funcionar normalmente cuando el control de velocidad se gire hacia una velocidad y luego se vuelva a girar hacia la posición de apagado "O".
Si ninguna de las soluciones arriba mencionadas resuelve el problema, consulte la sección "servicio técnico y atención al cliente".		

# Dansk

Fold forsiden med illustrationerne ud.

## sikkerhed

- Læs denne brugervejledning nøje, og opbevar den i tilfælde af, at du får brug for at slå noget op i den.
- Fjern al emballage og mærkater.
- Sluk, og tag stikket ud:
  - før påsætning eller aftagning af dele;
  - når den ikke benyttes;
  - før rengøring.
- Drej hastighedsregulatoren til "O" (FRA)-positionen, og træk stikket ud, før redskaber/tilbehør påsættes eller aftages, efter brug og før rengøring.
- Hold dine fingre væk fra bevægelige dele og påsat tilbehør.
- Lad aldrig køkkenmaskinen være uden opsyn, når den er i drift.
- Brug aldrig en beskadiget maskine. Få det kontrolleret eller repareret: Se afsnittet "service og kundepleje".
- Lad aldrig ledningen hænge ned, så et barn kan gribe fat i den.
- Lad aldrig motorenheden, ledningen eller stikket blive våde.
- **Sørg for, at ingen skålredskaber er påsat eller opbevares i skålen under brugen af dobbelt-drevudtaget.**
- Brug aldrig uautoriseret tilbehør eller mere end et tilbehør ad gangen.
- Overskrid aldrig mængderne, der er angivet i oversigten over maksimal kapacitet.
- Vær forsigtig ved løft af denne maskine. Sørg for, at hovedet er korrekt låst i den nedadpegende position, og at skålen, redskaberne, udtagsdækslet og ledningen er fastgjort før løft.
- Sørg for, at ledningen er rullet helt ud af ledningsopbevaringsrummet ④ før brug af køkkenmaskinen.
- Børn skal overvåges for at sikre, at de ikke leger med maskinen.



- Flyt eller hæv ikke mixerhovedet med tilbehør påsat, da køkkenmaskinen kan blive ustabil.
- Betjen ikke din maskine nær en bordkant.
- Maskiner kan bruges af personer med reducerede fysiske, sansemæssige eller mentale evner, eller mangel på erfaring og kendskab, hvis de er blevet vejledt eller givet instrukser i brugen af maskinen på en sikker måde, og hvis de forstår de farer, der er involveret.
- Misbrug af maskinen kan føre til læsioner.
- Denne maskine må ikke anvendes af børn. Opbevar maskinen og ledningen utilgængeligt for børn.
- Anvend kun maskinen til husholdningsbrug. Kenwood påtager sig intet erstatningsansvar, hvis apparatet ikke anvendes korrekt eller disse instruktioner ikke følges.
- Maksimumklassificeringen er baseret på det tilbehør, der trækker den største belastning. Andet tilbehør kan bruge mindre strøm.
- **Tilbehør bliver beskadiget og kan forårsage personskade, hvis indgrebsmekanismen udsættes for overdreven kraft.**

### **Foodprocessor-tilbehør**

- Foodprocessorens knivsblad og skiver er særdeles skarpe og skal håndteres forsigtigt. **Hold altid på fingergrebet øverst, væk fra æggen, både ved håndtering og rengøring.**
- Aftag altid knivsbladet, før indholdet hældes ud af skålen.
- Hold hænder og redskaber væk fra foodprocessorens skål, når den er tilsluttet strømforsyningen.
- Brug aldrig fingrene til at presse mad ned i tilførselsrøret. Benyt altid den medfølgende skubber.
- Før aftagning af låget fra foodprocessorens skål:
  - sluk;
  - vent, til tilbehøret/knivene er stoppet helt.
- **Aftag aldrig foodprocessorens låg, før knivsbladene/skæreskiverne er stoppet helt.**

- **SKOLDNINGSRISIKO:** Varme ingredienser skal lades køle ned til rumtemperatur, før de tilberedes i tilbehøret.
- Brug ikke låget til at betjene foodprocessoren, brug altid hastigheds-/pulsregulatoren.

### **Blender-tilbehør**

- Hold hænder og redskaber væk fra blenderglasset, mens den er sluttet til strømforsyningen.
- **Sæt aldrig knivenheden på motorenheden, når blenderglasset ikke er påsat.**
- **SKOLDNINGSRISIKO:** Varme ingredienser skal lades køle ned til rumtemperatur, før de tilberedes eller blendes i tilbehøret.
- Betjen kun blenderen med låget korrekt påsat.
- Brug kun blenderglasset med den medfølgende knivenhed.
- Lad aldrig blenderen køre i tom tilstand.
- For at sikre lang levetid for din blender må du ikke lade den køre længere end 60 sekunder. Sluk, så snart du har opnået den rette konsistens.
- Det anbefales ikke at blende krydderier, da de kan beskadige plastdelene.
- Smoothie-opskrifter – blend aldrig frosne ingredienser, der er blevet helt solide under frysning. Slå det i stykker, før du kommer dem i blenderglasset.

### **Kødhakker-tilbehør**

- Sørg altid for, at ben, svær osv. er fjernet fra kødet før hakning.
- Ved hakning af nødder skal du kun tilføje få ad gangen og lade sneglen tage dem, før du tilføjer flere.
- Benyt altid den medfølgende skubber. Kom aldrig fingre eller redskaber ned i tilførselsrøret.
- Advarsel – skærebladet er skarpt og skal håndteres forsigtigt både under brug og rengøring.
- Sørg for, at tilbehøret er fastgjort i korrekt position, før der tændes.

## Saftpresser-tilbehør

- Brug ikke saftpresseren, hvis filteret er beskadiget.
- Skærebladene på filterets sokkel er meget skarpe, vær forsigtig ved håndtering og rengøring af filteret.
- Brug ikke låget til at betjene saftpresseren, brug altid hastigheds-/pulsregulatoren.
- Skulle der forekomme kraftig vibreren, når dette tilbehør bruges, skal enten hastigheden justeres, eller maskinen stoppes, stikket tages ud, og evt. frugtfibre fra tromlen fjernes (saftpresseren vibrerer, hvis fibrene fordeles ujævnt).

### før stikket sættes i

- Sørg for at elforsyningen svarer til den, der står på undersiden af motorenheden.
- Denne anordning er i overensstemmelse med EU-direktivet 2004/108/EF om elektromagnetisk forlidelighed og EU-regulativ nr.1935/2004 fra 27/10/2004 om materialer, der er beregnet til at komme i kontakt med fødevarer.

### før første brug

- Vask delene: Se "pleje og rengøring"-afsnittet.

## forklaring

- ① udtagsdæksel
- ② dobbelt-drevudtag (medium og høj hastighed)
- ③ indgreb
- ④ rum til ledningsopbevaring
- ⑤ hastigheds-/pulsregulator
- ⑥ motorenhed
- ⑦ holder til skålræds kabler
- ⑧ skål
- ⑨ mixerhoved
- ⑩ udløsningsgreb til mixerhoved
- ⑪ K-spade
- ⑫ spiraldejkrug
- ⑬ piskeris
- ⑭ stænkskærm

### tilbehør

- ⑮ foodprocessor
- ⑯ citrus-saftpresser
- ⑰ glasblender
- ⑱ saftpresser
- ⑲ kødhakker

Se det anbefalede hastighedsdiagram for hvert tilbehør.

mikserredskaberne og nogle af deres anvendelsesmuligheder

### K-spade

- Til kager, småkager, butterdej, glasur, fyld, vandbakkelser og kartoffelmos

### piskeris

- Til æg, fløde, pandekagedej, fedtfri formkager, marengs, cheesecakes, mousser, souffléer. Brug ikke piskeriset til tunge blandinger (f.eks. sammenpiskning af fedtstof og sukker) – du kan beskadige det.

### spiraldejkrug

- Kun til gærdej.

## brug af dine skålræds kabler

- 1 Tryk udløsningsgrebet til mikserhovedet ned ①, og hæv mikserhovedet, til det låses i position.
- 2 Sæt skålen ned i foden, og drej mod uret for at låse den i position ②.
- 3 Vælg et redskab, og tryk det ind i soklen, til der lyder et klik ③.
- 4 Tryk udløsningsgrebet til mikserhovedet ned, og sænk mikserhovedet, til det låses i position.
- 5 Sæt stikket i strømforsyningen. For at tænde skal du dreje hastighedskontakten til den ønskede indstilling. For at slukke skal du dreje til "O" (FRA)-positionen.

**Hvis mikserhovedet er i den hævede position, eller udtagsdækslet ikke er påsat, blinker tændt-lampen, og maskinen kører ikke.**

- Skift til puls ⑰ for at få korte stød.
- 6 Tag stikket ud af strømforsyningen.

7 Hæv mikserhovedet, og hold det i ro, mens redskabet trækkes ud af redskabssoklen.

### **vigtigt**

- Hvis mikserhovedet hæves under drift, stopper maskinen med at køre med det samme. For at genstarte skal mikserhovedet sænkes, drej hastigheds-kontakten til "O" (FRA)-positionen, vent nogle få sekunder, og vælg derpå igen hastighed. Maskinen begynder med det samme at køre igen.
- Hvis strømmen af en eller anden grund afbrydes, og maskinen stopper, skal hastighedskontakten drejes til "O" (FRA)-positionen. Vent nogle få sekunder, og vælg hastighed igen. Den bør begynde at køre igen med det samme.
- **Maskinen kører ikke, medmindre udtagsdækslet er korrekt påsat.**
- Hvis maskinen lyder anstrengt, skal du enten slukke og fjerne noget af blandingen eller øge hastigheden.
- Fjern altid det tilbehør, der sidder på dobbelt-drevs-udtaget, før du hæver mikserhovedet.
- **Sørg for, at ingen skålnredskaber er påsat eller opbevares i skålen under brugen af dobbelt-drevudtaget.**

### **tip**

- Sluk, og skrab skålen med en dejskraber efter behov.
- Æg, der har stuetemperatur, er bedst til piskning.
- Før du pisker æggeghvider, skal du sikre, at der ikke er fedtstof eller æggeblomme på piskeriset eller skålen.
- Brug kolde ingredienser til mørdej, medmindre opskriften angiver andet.
- Ved sammenpiskning af fedtstof og sukker til kageblandinger skal fedtstoffet altid have stuetemperatur, ellers skal det først blødgøres.
- Din maskine er udstyret med en "blød start"-funktion for at mindske, at der spildes. Hvis imidlertid maskinen tændes med en tung blanding i skålen såsom brøddej, vil du bemærke, at det tager nogle få sekunder at nå den valgte hastighed.

## vigtigt om brødfremstilling

### **vigtigt**

- Overskrid aldrig de maksimale mængder, der er opgivet – du kan overbelaste maskinen.
- **Et vist udsving for mikserhovedet er normalt ved miksning af tunge blandinger såsom brøddej.**
- Ingredienserne blandes bedst, hvis du hælder væsken i først.
- Stop med mellemrum maskinen, og skrab blandingen af dejkrogen.
- Mel fra forskellige leverancer har betydelig forskel på den påkrævede mængde væske, og dejens klæbrighed kan have en stor effekt på den belastning, der påføres maskinen. Det anbefales, at du holder øje med maskinen, mens dejen blandes. Det skulle ikke tage mere end 6-8 minutter.

## påsætning og brug af stænkskærmen

- 1 Sæt skålen ned i foden, og tilføj ingredienserne.
  - 2 Sæt stænkskærmen på ved at rette fligene ind med skålens redskabssokkel ⑦ og dreje mod uret for at låse den i position ④.
  - 3 Sæt redskabet på, og sænk mikserhovedet.
  - 4 For at aftage stænkskærmen foretages den omvendte procedure.
- Når der miksес, kan ingredienser tilføjes direkte i skålen med slisken.

## regulator med elektronisk hastighedssensor

Din mikser er udstyret med en elektronisk hastighedssensor-regulator, der er konstrueret til at holde hastigheden under forskellige belastningsforhold, såsom når der æltes brøddej, eller når der tilføjes æg til en kageblanding. Du kan derfor høre en vis variation i hastigheden under betjeningen, når mikseren tilpasser sig til belastningen og den valgte hastighed – dette er normalt.

## 15 foodprocessor

- A) skubber
- B) tilførselsrør
- C) låg
- D) knivsblad
- E) skål med drivaksel
- F) tyk skære-/riveskive
- G) tynd skære-/riveskive
- H) ekstrafin riveskive
- I) aftagelig drivaksel

### brug af din foodprocessor

- 1 Aftag udtagsdækslet ved at dreje det mod uret og løfte det af 5.
- 2 Sæt skålen 6 oven på udtaget med håndtaget på højre side, og drej mod uret, til den låses på plads 6.
- 3 Tilføj knivsbladet eller den aftagelige drivaksel med det ønskede tilbehør.

**Bemærk: Den aftagelige drivaksel 1 må kun påsættes ved brug af skiverne og citrus-saftpresseren.**

- Sæt altid skålen og tilbehøret på processoren, før du tilføjer ingredienser.
- 4 Sæt låget på 7 – sørg for, at toppen af knivsbladet/drivakslen er i midten af låget.
- **Brug ikke låget til at betjene processoren, brug altid hastigheds-/puls-regulatoren.**
- 5 Sæt stikket i, tænd, og vælg en hastighed (se det anbefalede hastighedsdiagram).
- **Processoren kører ikke, hvis skålen eller låget sidder forkert i indgrebene. Kontroller, at tilførselsrøret og skålhåndtaget vender fremad.**
- Brug puls P for at få korte stød. Pulsen kører, så længe, regulatoren holdes i position.
- 6 Gentag ovenstående procedure bagfra for at aftage låget, tilbehøret og skålen.
- **Sluk altid, og tag stikket ud, før låget aftages.**

#### vigtigt

- Din foodprocessor er ikke egnet til knusning eller maling af kaffebønner eller omdannelse af strø-sukker til flormelis.
- Ved tilføjelse af mandelessens eller smagsstof til blandinger skal kontakt med plast undgås, da dette kan resultere i permanent misfarvning.
- **Tilbered ikke varme ingredienser.**

## knivsblad D

Knivsbladet er det mest alsidige af alt tilbehøret. Tilberedningstidens længde bestemmer den opnåede konsistens.

For at opnå grov konsistens kan pulsregulatoren bruges.

Brug knivsbladet til kage- og mørdejsfremstilling, hakning af rått og kogt kød, grøntsager, nødder, paté, dip, purering af supper og også til at lave rasp af småkager og brød.

#### tip

- Skær mad såsom kød, brød og grøntsager i tern på ca. 2 cm, før det tilberedes.
- Småkager skal deles i stykker og tilføjes i tilførselsrøret, mens maskinen kører.
- Ved fremstilling af mørdej bruges fedt lige fra køleskabet, der er skåret i tern på 2 cm.
- Pas på ikke at ælte for meget.
- **Brug ikke knivsbladet til at mikse tunge blandinger såsom brøddej.**
- Brug ikke knivsbladet til at hakke isterninger eller andre hårde fødevarer som krydderier, de kan beskadige tilbehøret.

## skære-/riveskiver

brug af skiverne

**vendbare skære-/riveskiver - tyk F, tynd G**

- Brug rivesiden til ost, gulerødder, kartofler og fødevarer med lignende konsistens.
- Brug skæresiden til ost, gulerødder, kartofler, kål, agurk, rødbede og løg.
- **ekstrafin riveskive H**
- River parmesanost og kartofler til tyske kartoffelknødel.

## brug af skæreskiverne

- 1 Sæt skålen på motorenheden, og tilføj den aftagelige drivaksel.
- 2 Hold på midtergrebet, anbring skiven på drivakslen med den korrekte side opad.
- 3 Sæt låget på.
- 4 Kom maden i tilførselsrøret.
- 5 Tænd, og tryk jævnt ned med skubberen – kom aldrig fingrene i tilførselsrøret.

### tip

- Brug friske ingredienser.
- Skær ikke mad i for små stykker. Fyld den brede led af tilførsels-røret godt op. Derved hindres det, at maden glider sidelæns under tilberedning.
- Mad, der kommer i på højkant, skæres kortere end mad, der kommer i vandret.
- Der vil altid være en lille smule madspild på skiven eller i skålen efter tilberedning.

## 16 citrus-saftpresser

Brug citrus-saftpresseren til at presse saft af citrusfrugter (f.eks. appelsiner, citroner, limefrugter og grapefrugter).

- A kegle
- B si

### brug af citrus-saftpresseren

- 1 Påsæt skålen på motorenheden, og tilføj den aftagelige drivaksel.
  - 2 Sæt sien ned i skålen – sørg for, at siens håndtag er låst i position direkte over skålens håndtag **B**.
  - 3 Anbring keglen over drivakslen, og drej den, indtil den synker hele vejen ned **A**.
  - 4 Skær frugten i halve. Tænd derpå, og pres frugten mod keglen.
- **Citrus-saftpresseren kører ikke, hvis sien ikke er korrekt fastlåst.**
  - For at få de bedste resultater opbevares og presses frugt ved stue-temperatur og rulles med hånden på køkkenbordet før saftpresning.
  - For at hjælpe med saftudvindingen bevæges frugten fra side til side ved saftpresning.
  - Ved presning af store mængder frugt skal sien tømmes jævnlige for at hindre, at fibre og frø ophobes.

## 17 glasblender

- A påfyldningshætte
- B låg
- C blenderglas
- D tætningsring
- E knivenhed

### brug af din glasblender

- 1 Sæt tætningsringen **D** ind i knivenheden **E** – og sørg for, at tætningen er placeret korrekt i rilleområdet.

- **Lækage kan forekomme, hvis tætningen er beskadiget eller forkert monteret.**

- 2 Skru blenderglasset på knivenheden **D**. Se grafikken på undersiden af undersiden af knivenheden som følger:

 – oplåst position

 – låst position

- **Blenderen kører ikke, hvis den er forkert samlet.**

- 3 Kom dine ingredienser i blenderglasset.
  - 4 Sæt låget på blenderglasset, og tryk ned for at fastgøre det **D**. Påsæt påfyldningshætten.
  - 5 Aftag dobbeltrevudtagets dæksel ved at dreje det mod uret og løfte det af.
  - 6 Anbring blenderen på motorenheden, og drej med uret **D**, til den klikker på plads.
- **Maskinen kører ikke, hvis blenderen er forkert påsat i indgrebet.**
- 7 Vælg en hastighed (se det anbefalede hastighedsdiagram, eller brug puls **P**) for at få korte stød.

### tip

- Ved fremstilling af mayonnaise hældes alle ingredienserne, undtagen olien, i blenderen. Fjern påfyldningshætten. Tilføj derpå, mens maskinen kører, olien langsomt gennem hullet i låget.
  - Tykke blandinger, f.eks. pâté og dip kan skulle skræbes ned af kanten. Hvis blandingen er vanskelig at tilberede, kan du tilføje mere væske.
  - Knusning af is – kør blenderen i korte stød, indtil isen er knust til den ønskede konsistens.
  - Det anbefales ikke at blende krydderier, da de kan beskadige plastdelene.
- **Maskinen kører ikke, hvis blenderen er forkert påsat.**
  - For at blende tørre ingredienser – skæres de i stykker, og påfyldningshætten fjernes. Mens maskinen kører, lægges stykkerne ned et efter et. Hold dine hænder over åbningen. For det bedste resultat skal der regelmæssigt tømmes af.

- Brug ikke blenderen som opbevaringsemballage. Hold den tom før og efter brug.
- Blend aldrig mere end 1,2 liter – mindre ved skummende væsker som milkshakes.

## 18 saftpresser

Brug saftpresseren til at presse saft af fast frugt og grøntsager.

- (A) skubber
- (B) låg til saftpresser
- (C) fiberfjerner
- (D) filtertromle
- (E) saftpresserskål
- (F) tud

### brug af din saftpresser

- 1 Sæt saftpresserskålen (E) på dobbeltdrevudtaget dæksel med tuden (F) på venstre side, og drej med uret, til den låser (18).
- 2 Anbring fiberfjerner (C) i filtertromlen (D) – idet du sørger for, at fligene er rettet ind med rillerne i bunden af tromlen (14).
- 3 Monter filtertromlen (16).
- 4 Anbring saftpresserens låg (B) oven på skålen, og drej, til den låser (18). **Din saftpresser kører ikke, hvis skålen eller låget sidder forkert i indgrebet.**
- 5 Anbring en egnet beholder under saftudløbet.
- 6 Skær maden i stykker, der passer til tilførselsrøret.
- 7 Skift til maksimal hastighed, og kom maden ned i tilførselsrøret. Tryk jævnt ned med skubberen – **kom aldrig fingrene i tilførselsrøret.** Tilbered det hele, før du kommer mere i.
- Efter det sidste stykke er tilført, skal du lade saftpresseren køre i yderligere 30 sekunder for at sylge al saften ud af filtertromlen.

#### vigtigt

- Hvis saftpresseren begynder at vibrere, skal den slukkes og filteret tømmes af for fibre. (Saftpresseren vibrerer, hvis fibrene fordeles ujævnt).
- Maksimal kapacitet, der kan tilberedes ad gangen, er 800 g frugt eller grøntsager.
- Nogle meget hårde fødevarer kan få dit tilbehør til at sænke farten eller stoppe. Hvis dette sker, skal du slukke og tømme filteret.
- Sluk, og tøm fiber- og saftbeholderen regelmæssigt under brug.

#### tip

- Kom bløde fødevarer langsomt i for at få mest saft.
- Vitaminer forsvinder – jo tidligere, du drikker saften, des flere vitaminer får du.
- Hvis du har brug for at opbevare saften nogle få timer, så kom den i køleskabet. Den holder sig bedre, hvis du tilføjer nogle få dråber citronsaft.
- Drik ikke mere end tre 230 ml glas saft om dagen, medmindre du er vant til det.
- Fortynd saften til børn med samme mængde vand.
- Saft fra mørkegrønne (broccoli, spinat osv.) eller mørkerøde (rødbede, rødkål osv.) grøntsager er særdeles stærk og skal altid fortyndes.
- Frugtsaft er rig på fruktose (frugtsukker), så folk med diabetes eller lavt blodsukker skal undgå at drikke for meget.

## 19 kødhakker

Brug kødhakkeren til at tilberede kød, fjerkræ og fisk.

- (A) nøgle
- (B) ringmøtrik
- (C) sigter: medium og grov
- (D) kniv
- (E) snegl
- (F) hus
- (G) tilførselsrør
- (H) bakke
- (I) skubber

### samling

- 1 Anbring sneglen (E) inde i kødhakkerhuset (F).
- 2 Påsæt kniven (D) – skæresiden udad. Sørg for, at den sidder korrekt, ellers kan du beskadige din kødhakker.
- 3 Sæt en sigte på (C). Sæt rillen over styre-fligen (17).
- 4 Sæt ringmøtrikken løst på (B).

### brug af din kødhakker

- 1 Hæv mikserhovedet.
- 2 Med kødhakkeren i den viste position rettes drevfligene på enden af sneglen ind med de tilsvarende huller i drevudtaget (18).
- 3 Tryk kødhakkeren ind i udtaget, og drej mod uret, til den er låst på plads.
- 4 Hold tilførselsrøret på plads, og tilspænd ringmøtrikken med håndkraft.
- 5 Monter bakken (19).

## 6 Lad frosne fødevarer tø op, før de hakkes.

Skær kød i 2,5 cm brede strimler.

7 Skift til maksimal hastighed. Brug skubberen til forsigtigt at skubbe maden igennem, et stykke ad gangen. **Undlad at trykke hårdt** – du kan beskadige din kødhakker.

### **vigtigt**

● Brug aldrig kødhakker-tilbehøret i længere tid end 10 minutter, da dette kan beskadige din mikser.

● **Kødhakker-tilbehøret kan kun køre, hvis dobbelthastigheds-udtags-dækslet er påsat.**

8 Når al maden er blevet hakket, skal du slukke og trække stikket ud.

9 Aftag kødhakkeren. Brug nøglen (A) til at aftage ringmøtrikken, hvis den er for stram.

## **saftpresser**

- For at lette rengøringen skal delene altid vaskes straks efter brug.
- Nogle fødevarer, f.eks. gulerod, misfarver plast. Ved at gnubbe med en klud, der er vædet med vegetabilisk olie, kan misfarvning afhjælpes.
- Rengør filteret ved hjælp af en blød børste.

● **Kontroller filteret regelmæssigt for tegn på beskadigelse. Må ikke bruges, hvis filteret er beskadiget. Se ”service og kundepleje”.**

### **kødhakker**

- Vask alle dele i varmt sæbevand, og tør dem grundigt. Vask ikke nogen af delene i opvaskemaskinen. Brug aldrig sodaopløsning.
- Tør sigterne af med vegetabilisk olie, og pak dem ind i fedttæt papir for at hindre misfarvning/rust.

## pleje og rengøring

- Sluk altid, og tag stikket ud før rengøring.
- Adskil tilbehør helt før rengøring.

### **motorenhed**

- Aftørres med en fugtig klud og tørres
- Brug aldrig skuremidler, og kom dem aldrig i vand.
- Opbevar overskydende ledning i opbevaringsrummet (4) bag i maskinen.
- Sørg for, at fødderne på mikserens basis holdes rene.

### **skål, redskaber, stænkskærm**

- Vaskes i hånden, og tørres grundigt.
- Brug aldrig en stålborste, ståluld eller klor til at rengøre din rustfri stålskål med. Brug eddike til at fjerne kalk med.
- Hold den borte fra varme (komfurer, ovne og mikrobølgeovne).

### **foodprocessor**

- **Håndter knivene og skiverne forsigtigt – de er særdeles skarpe.**
- Visse fødevarer misfarver plastdelene. Det er ganske normalt og skader ikke plastikken eller giver afsmag i maden. Misfarvninger kan fjernes ved at gnide dem med en klud dyppet i spiseolie.

### **citrus-saftpresser**

- Vask i hånden, og tør den grundigt.

### **blender**

- 1 Tøm blenderglasset, før det skrues af knivenheden.
- 2 Vask blenderglasset i hånden.
- 3 Fjern og vask pakningen.
- 4 Rør ikke ved de skarpe knive – børst dem rene med varmt sæbevand, og skyl grundigt under vandhanen. **Kom ikke knivenheden i vand.**
- 5 Vendes på hovedet til tørring.



### alle andre dele

- Vaskes i hånden og tørres
- Se alternativt opvaskemaskinediagrammet angående dele, der kan tåle at gå i opvaskemaskinen og kan vaskes øverst i opvaskemaskinen. Undgå at anbringe genstande på nederste hylde, direkte over varmeelementet. Et kortvarigt lavtemperatur- (maksimalt 50° C) program anbefales.

genstand	egnet til maskinopvask
<b>Mikser</b>	
Skål	✓
Piskeris, spade og dejkrog	✓
Stærkskærm	✓
Udtagsdæksel	x
<b>Foodprocessor</b>	
Stor skål, låg og skubber	✓
Knivsblad	✓
Aftagelig drivaksel	✓
Skiver	✓
<b>Citrus-saftpresser</b>	
Kegle, si	✓
<b>Blender</b>	
Blenderglas, låg og påfyldningshætte	✓
Knivenhed og tætning	x
<b>Saftpresser</b>	
Skål, skubber, låg, filtertromle og fiberfjerner	✓
<b>Kødhakker</b>	
Ringmøtrik, sigter, kniv, snegl og hus	x
Bakke og skubber	✓

## Service og Kundepleje

- Hvis ledningen er beskadiget, skal den af sikkerhedsgrunde udskiftes af Kenwood eller en autoriseret Kenwood-reparatør.
- **Hvis du oplever nogen problemer med betjeningen af køkkenmaskinen eller tilbehør, bedes du, før du ringer efter hjælp, se fejlsøgningsguiden.**

Hvis du har brug for hjælp med:

- at bruge maskinen eller
- servicering eller reparation
- skal du henvende dig i den forretning, hvor maskinen er købt.
- Designet og udviklet af Kenwood i Storbritannien.
- Fremstillet i Kina.



### VIGTIG INFORMATION ANGÅENDE BORTSKAFFELSE AF PRODUKTET I OVERENSSTEMMELSE MED EU DIREKTIV 2002/96/EF.

Ved afslutningen af dets produktive liv må produktet ikke bortskaffes som almindeligt affald. Det bør afleveres på et specialiseret lokalt genbrugscenter eller til en forhandler, der yder denne service. At bortskaffe en elektrisk husholdningsmaskine separat gør det muligt at undgå eventuelle negative konsekvenser for miljø og helbred på grund af u hensigtsmæssig bortskaffelse, og det giver mulighed for at genbruge de materialer det består af, og dermed opnå en betydelig energi- og ressourcebesparelse. Som en påmindelse om nødvendigheden af at bortskaffe elektriske husholdningsmaskiner separat, er produktet mærket med en mobil affaldsbeholder med et kryds.

## anbefalet hastighedsdiagram og maksimal kapacitet

Dette er kun til vejledning, oplysningerne varierer afhængigt af mængden i skålen og de ingredienser, der blandes.

redskab/ tilbehør	opskriftstype	hastighed	tid	maksimal kapacitet
<b>Køkkenmaskine</b>				
Piskeris	Æggehvider	Øg gradvist til maks.	2 min.	2-8 (70-280 g)
	Creme	Øg gradvist til maks.	1½ min.	125 ml 600 ml
Spade	Alt-i-én-kageblandinger	Øg gradvist til maks.	1½ min.	1,6 kg vægt i alt Blanding med 8 æg
	Frugtkage – sammenpiskning af fedtstof og sukker Irrøring af mel, frugt osv.	Øg gradvist til maks. Min.	4 min. Op til 1 min.	1,8 kg vægt i alt Blanding med 6 æg
	Smuldring af fedtstof i mel Ihældning af vand for at samle mørdej ingredienser	Min. til hastighed 2 Min.	5 min. 30 sek.	450 g mel
Dejkrog	Brøddej (fast, med gær)	Min. til Hastighed 2	4 min.	500 g mel 800 g vægt i alt
<b>Foodprocessor</b>				
Knivsblad	Alt-i-én-kageblandinger	Maks.	15 sek.	600 g vægt i alt Blanding med 3 æg
	Smuldring af fedtstof i mel Ihældning af vand for at samle mørdejsingredienser	Maks. Maks.	Op til 1 min. 10 sek.	340 g mel
	Hakning/purering/pâté	Maks.	Op til 30 sek.	400 g skært kød, vægt i alt
Skiver – skære/rive	Faste fødevarer såsom gulerødder, hård ost	Maks.	–	Overskrid ikke maks. kapacitet angivet på skålen.
	Blødere madvarer som agurker og tomater	Hastighed 3	–	
Ekstrafin riveskive	Parmesanost, kartoffel til tyske kartoffelknödel	Maks.	–	
<b>Citrus-saftpresser</b>	Citrusfrugter	Hastighed 2	–	–
<b>Blender</b>	Al tilberedning	Maks.	Op til 1 min.	1,2 liter
<b>Saftpresser</b>	Hårde frugter og grøntsager, f.eks. gulerødder og æbler	Maks.	–	800 g
	Bløde frugter og grøntsager, f.eks. tomater og druer	Maks.	–	500 g
<b>Kødhakker</b>	Kød, fjerkræ og fisk i 2,5 cm brede strimler	Maks.	–	–

\* Anvendt æggestørrelse = medium (vægt 53-63 g)

## fejlsøgning

Problem	Årsag	Løsning
Maskinen vil ikke køre ved brug af mikserredskaber.	Ingen strøm/indikatorlampe ikke tændt. Mikserhoved ikke låst ned korrekt. Udtagsdæksel ikke korrekt påsat.  Mikserhoved er blevet løftet under betjening og sænket igen uden at stille hastighedsregulatoren på "O" (FRA)-position.	Kontroller, at maskinens stik er sat i. Kontroller, at mikserhovedet er låst nede korrekt. Kontroller, at udtagsdækslet er placeret korrekt. <b>Maskinen fungerer ikke, hvis udtagsdækslet er sat forkert på.</b> Kontroller, at hastighedsregulator er sat i "O" (FRA)-position.
Maskinen stopper under drift.	Maskinen er overbelastet/maksimal kapacitet overskredet.  Mikserhoved eller udtagsdæksel er oplåst.	Sluk, tag stikket ud, og lad maskinen køle ned i 30 minutter. Kontroller maksimal kapacitet i det anbefalede hastighedsdiagram. Kontroller, at mikserhovedet og udtagsdækslet er placeret korrekt.
Dobbelt-drevtilbehør fungerer ikke.	Dobbelt-drevtilbehøret er ikke låst korrekt fast.  Foodprocessoren/saftpresserens låg eller citrus-saftpresserens si placeret forkert.	Kontroller, at dobbelt-drevtilbehøret er placeret korrekt. Kontroller, at tilbehøret er korrekt påsat.
Kødhakker-tilbehøret vil ikke køre.	Tilbehøret er ikke korrekt fastlåst.  Udtagsdæksel er ikke korrekt påsat.	Kontroller, at tilbehøret er placeret korrekt. Kontroller, at udtagsdækslet er korrekt placeret.
Bevægelse på bordpladen.	Fødderne på maskinens underside er beskidte eller våde.	Kontroller regelmæssigt, at fødderne er rene og tørre.
Dårlig ydeevne for redskaber/tilbehør.	Se Tip i det relevante afsnit i "brug af tilbehøret". Kontroller, at tilbehøret er samlet korrekt.	

## fejlsøgning

<b>Problem</b>	<b>Årsag</b>	<b>Løsning</b>
Tændt-lampen blinker hurtigt.	Normal drift. Lampen blinker, hvis et eller flere af indgrebene ikke er korrekt tilkoblet.	Hvis der bruges tilbehør, skal du kontrollere, at det er låst korrekt på plads. Kontroller, at mikserhovedet er helt nede i den sænkede position, medmindre du bruger kødhakker-tilbehør. Kontroller, at hastighedsregulatoren står i "O" (FRA)-position.
Tændt-lampen blinker langsomt.	Standby-tilstand aktiveret. Hvis køkkenmaskinen efterlades med stikket i i over 30 minutter uden brug, går den i standby-tilstand for at mindske energiforbruget. Lyset skifter til konstant tændt, når den er klar til brug.	Køkkenmaskinen vender tilbage til normal drift, når regulatoren sættes tilbage i "O" (FRA)-positionen.
Hvis ingen af ovenstående løser problemet, bør du se "service og kundepleje"		

# Svenska

Vik ut främre omslaget med bilderna.

## säkerhet

- Läs bruksanvisningen noggrant och spara den för framtida bruk.
- Avlägsna allt emballage och alla etiketter.
- Stäng av och dra ut stickkontakten:
  - innan du monterar eller tar av delar
  - när apparaten inte används
  - innan rengöring.
- Vrid hastighetsreglaget till "O"(AV) och dra ur stickkontakten innan du monterar på eller tar av redskap/tillbehör, efter användning samt före rengöring.
- Håll fingrarna borta från rörliga delar och monterade tillbehör.
- Lämna aldrig köksmaskinen utan uppsikt när den används.
- Använd aldrig en skadad apparat. Lämna in den på kontroll eller för reparation: se "Service och kundtjänst".
- Lämna aldrig sladden så att ett barn kan nå den.
- Låt aldrig kraftenhet, sladd eller stickkontakt bli våt.
- **Kontrollera att inga redskap är monterade eller förvaras i skålen då det dubbla kraftuttaget används.**
- Använd aldrig tillbehör som inte är godkända. Använd bara ett tillbehör åt gången.
- Överskrid aldrig de kvantiteter som anges i tabellen för apparatens maxkapacitet.
- Var försiktig när du lyfter apparaten. Kontrollera att huvudet är låst i nedfälld position samt att skål, verktyg, uttagslock och sladd sitter fast innan du lyfter den.
- Kontrollera att sladden är helt uttagen från sladdfacket ④ innan du använder köksmaskinen.
- Barn ska hållas under uppsikt så att de inte leker med apparaten.
- Flytta inte apparaten och fäll inte upp huvudet när ett tillbehör är monterat eftersom köksmaskinen blir instabil.

- Använd inte apparaten nära kanten på arbetsbänken.
- Maskinen kan användas av personer med begränsad fysisk eller mental förmåga, begränsad känsel eller med bristande erfarenhet och kunskap, om de övervakas eller får instruktioner om hur den ska användas på säkert sätt och förstår riskerna.
- Fel användning av apparaten kan orsaka skador.
- Denna maskin ska inte användas av barn. Håll maskinen och sladden utom räckhåll för barn.
- Använd apparaten endast för avsett ändamål i hemmet. Kenwood tar inte på sig något ansvar om apparaten används på felaktigt sätt eller om dessa instruktioner inte följs.
- Maximal kapacitet baseras på det tillbehör som tar största belastning. Andra tillbehör kan dra mindre ström.
- **Tillbehören skadas och kan orsaka skada om spärrmekanismen hanteras ovarsamt.**

### **Matberedartillbehör**

- Matberedarens knivblad och skivor är mycket vassa. Hantera dem varsamt. **Håll dem alltid på toppen med eggen riktad bort, både vid hantering och vid rengöring.**
- Ta alltid av kniven innan du håller upp skålens innehåll.
- Stoppa aldrig ner händer och redskap i skålen när matberedaren är kopplad till ett eluttag.
- Använd aldrig fingrarna för att trycka ner livsmedel i matarröret. Använd alltid medföljande stöt.
- Innan du tar av locket från matberedarens skål:
  - stäng av
  - vänta tills tillbehöret/knivarna har stannat helt.
- **Ta aldrig av locket på matberedaren förrän knivarna/skivorna har stannat helt.**
- **RISK FÖR BRÄNSKADOR:** Låt varma ingredienser svalna till rumstemperatur innan de bearbetas med tillbehöret.
- Använd inte locket till att reglera matberedaren. Använd alltid hastighets-/pulsreglaget.

## **Mixertillbehör**

- Stoppa aldrig ner händer och redskap i bågaren när köksmaskinen är kopplad till ett eluttag.
- **Montera aldrig knivenheten på kraftenheten utan bågare.**
- **RISK FÖR BRÄNSKADOR:** Låt varma ingredienser svalna till rumstemperatur innan de bearbetas eller blandas med tillbehöret.
- Mixern får endast användas när locket är på plats.
- Använd endast bågaren med knivenheten som medföljer.
- Kör aldrig mixern tom.
- För att maximera mixerns livslängd bör den inte köras längre än 60 sekunder åt gången. Stäng av den så fort du har uppnått rätt konsistens.
- Bearbetning av kryddor bör undvikas eftersom plastdelarna kan skadas.
- Smoothierecept – mixa aldrig frysta ingredienser som har blivit en fast massa i frysen. Dela upp den innan du lägger det i bågaren.

## **Kvarntillbehör**

- Kontrollera alltid att ben, svål osv. är borta innan kött mals.
- Vid malning av nötter mata i några få åt gången så att matarskruven fångar upp dem innan du lägger i fler.
- Använd alltid medföljande stöt. Stoppa aldrig in fingrar eller redskap i matarröret.
- Varning – skärbladen är vassa. Hantera dem varsamt både vid användning och vid rengöring.
- Kontrollera att tillbehöret är låst i position innan strömmen slås på.

## Juicpresstillbehör

- **Använd inte juicpressen om filtret är skadat.**
- Skärbladen i juicpressens bas är mycket vassa. Var försiktig vid hantering och vid rengöring av filtret.
- Använd inte locket till att reglera juicpressen. Använd alltid hastighets-/pulsreglaget.
- Vibrerar köksmaskinen mycket när tillbehöret används justera hastigheten eller stäng av maskinen, dra ut stickkontakten och ta bort fruktkött från trumman (juicpressen vibrerar när fruktköttet är ojämnt fördelat).

### innan du sätter i stickkontakten

- Se till att nätspänningen hos dig motsvarar den som visas på apparatens undersida.
- Den här apparaten följer EU-direktiv 2004/108/EG om elektromagnetisk kompatibilitet och EU:s förordning nr 1935/2004 från 2004-10-27 om material som är avsedda för kontakt med livsmedel.

### innan du använder maskinen för första gången

- Diska alla delar: se "skötsel och rengöring".

### förklaring till bilder

- ① lock till kraftuttag
- ② dubbelt kraftuttag (medium och hög)
- ③ spärr
- ④ sladdfack
- ⑤ hastighets- och pulsreglage
- ⑥ kraftenhet
- ⑦ skålluttag
- ⑧ skål
- ⑨ blandarhuvud
- ⑩ låsspak för huvud
- ⑪ k-spade
- ⑫ degkrok
- ⑬ visp
- ⑭ stänkskydd

### tillbehör

- ⑮ matberedare
- ⑯ citruspress
- ⑰ mixer
- ⑱ juicpress
- ⑲ livsmedelskvarn

Se tabell med rekommenderade hastigheter för varje tillbehör.



## blandarverktygen och några användningsområden

### K-spade

- Använd till att göra mjuka kakor, småkakor, pajdeg, glasyr, petit-chou, fyllningar och potatismos.

### visp

- Använd till att vispa ägg, vispgrädde, kak- och pannkakssmet, lätta sockerkakor (utan margarin), marängar, ostkakor, mousse, suffléer. Använd inte vispen till tyngre smeter (t.ex. till att vispa margarin med socker) – då kan den skadas.

### degkrok

- Använd bara till jäsdagar.

## att använda skålverktyg

- 1 Frigör blandarhuvudet genom att trycka ner spaken ① och lyft blandarhuvudet tills det låser i position.
- 2 Montera skålen på basen och vrid moturs tills den låser i position ②.
- 3 Välj ett verktyg och tryck in i verktygsuttaget tills det klickar fast ③.
- 4 Trycka ner spaken och sänk blandarhuvudet tills det låser i position.
- 5 Sätt i stickkontakten. Starta köksmaskinen genom att vrida hastighetsreglaget till önskat läge. Stäng av genom att vrida till "O" (AV).

**Om blandarhuvudet är uppfällt eller om locket inte är monterat på kraftuttaget kommer strömindikatorn att blinka men maskinen startar inte.**

- Välj puls (P) för att köra med korta stötar.
- 6 Dra ut stickkontakten.
- 7 Lyft blandarhuvudet. Håll stadigt i det och dra ut verktyget från uttaget.

### viktigt

- Om blandarhuvudet fälls upp när köksmaskinen är igång stannar den omedelbart. För att starta den igen sänk blandarhuvudet och vrid hastighetsreglaget till "O" (AV). Vänta några sekunder. Ställ sedan in hastigheten igen. Köksmaskinen återtar bearbetningen genast.
- Om strömmen bryts och köksmaskinen slutar arbeta startar du maskinen igen genom att vrida hastighetsreglaget till "O" (AV), vänta några sekunder och ställ in hastigheten igen. Den startar omedelbart igen.
- **Köksmaskinen startar inte om locket på kraftuttaget inte är ordentligt monterat.**

- Om du hör köksmaskinen arbeta hårt. Stäng av den. Ta bort en del av smeten/degen eller öka hastigheten.
- Ta alltid av tillbehör som är monterade i det dubbla kraftuttaget innan du fäller upp blandarhuvudet.
- **Kontrollera att inga redskap är monterade eller förvaras i skålen då det dubbla kraftuttaget används.**

### tips

- Stanna och skrapa av skålen med en degskrapa vid behov.
- Ägg är lättare att vispa om de är rumstempererade.
- Innan du vispar äggvita kontrollera att det inte finns fett eller äggula på vispen eller i skålen.
- Använd kalla ingredienser för pajdeg om inte annat anges i receptet.
- När matfett och socker ska vispas poröst till kaksmet använd alltid rumstempererat matfett eller mjuka upp det först.
- Köksmaskinen är utrustad med en "mjukstartsfunktion" för att minimera spill. Startas maskinen med en tung deg i skålen exempelvis en bröddegg kan det ta några sekunder innan önskad hastighet uppnås.

## vid brödbak

### viktigt

- Överskrid aldrig angivna maxkapaciteter – då kan maskinen överbelastas.
- **Det är normalt att blandarhuvudet rör sig lite när en tung deg, till exempel en bröddegg, blandas.**
- Ingredienserna blandas bäst om du håller i vätskan först.
- Stanna köksmaskinen emellanåt och skrapa av deg från degkroken.
- Mängden vätska som krävs för olika mjölsorter varierar. Degens klibbighet kan ha en stor effekt på köksmaskinens belastning. Köksmaskinen bör hållas under uppsikt när degen blandas. Bearbetningen ska inte ta mer än 6–8 minuter.

## montering och användning av stänkskydd

- 1 Montera skålen på basen och tillsätt ingredienserna.
  - 2 Montera stänkskyddet genom att justera flikarna i position med skålverktygets uttag ⑦ och rotera moturs tills det låser i position ④.
  - 3 Montera verktyget och sänk blandarhuvudet.
  - 4 Ta av stänkskyddet genom att utföra ovanstående procedur i omvänd ordning.
- Ingredienser kan tillsättas direkt i skålen under blandning via tratten.

## elektronisk hastighetssensor

Hushållsassistenten är utrustad med en elektronisk hastighetssensor som är utformad att bibehålla hastigheten under olika belastningar, som när deg knådas eller när ägg vispas ner i en kaksmet. Du kan därför höra variationer i hastigheten under bearbetningen då mixern justeras enligt belastning och hastighet. Det är normalt.

## 15 matberedare

- Ⓐ stöt
- Ⓑ matarrör
- Ⓒ lock
- Ⓓ knivblad
- Ⓔ skål med drivaxel
- Ⓕ grov skiva för skivning/rivning
- Ⓖ fin skiva för skivning/rivning
- Ⓗ extra fin skiva för rivning
- Ⓘ avtagbar drivaxel

## att använda matberedaren

- 1 Ta av locket på kraftuttaget genom att vrida det moturs och lyfta av det ⑤.
- 2 Montera skålen ③ på uttaget med handtaget på höger sida och vrid medurs tills det låser i position ⑥.
- 3 Sätt på knivbladet eller den avtagbara axeln med önskat tillbehör.

**Obs: Den avtagbara axeln ① skall endast monteras när skivorna eller citruspressen används.**

- Montera alltid skålen och tillbehör på matberedaren innan ingredienserna tillsätts.
- 4 Sätt på locket ⑦ – kontrollera att toppen på knivbladen/drivaxeln placeras i mitten av locket.

- **Använd inte locket till att reglera matberedare. Använd alltid hastighets- eller pulsreglaget.**

- 5 Sätt i stickkontakten. Välj hastighet (se tabell med rekommenderade hastigheter).
- **Matberedaren startar inte om skålen eller locket inte är rätt monterat i låsmekanismen. Kontrollera att matarröret och skålens handtag är riktade framåt.**
- 6 Utför ovanstående procedur i omvänd ordning för att ta av lock, tillbehör och skål.
- **Stäng alltid av och dra ut stickkontakten innan locket tas av.**

### viktigt

- Matberedaren lämpar sig inte för att krossa eller mala kaffeböner eller för att omvandla strösocker till finare socker.
- När mandelessens eller smakämne tillsätts i smet undvik kontakt med plast eftersom dessa kan missfärgas permanent.
- **Bearbeta inte varma ingredienser.**

## knivblad ⑨

Knivbladen är det mest användbara av tillbehören. Längden på bearbetningen avgör vilken konsistens som uppnås.

För grövre konsistens använd pulsreglaget.

Använd knivbladen för att göra kakor och pajdeg, hacka rått och kokt kött, grönsaker, nötter, pastej, dipsåser samt till att purea soppor och för att göra ströbröd från kex och bröd.

### tips

- Skär livsmedel som kött, bröd, grönsaker i ungefär 2 cm stora kuber innan de bearbetas.
- Kex ska brytas i bitar och tillsättas genom matarröret när maskinen är igång.
- Använd matfett skuret i 2 cm stora kuber direkt från kylskåpet till pajdeg.
- Var försiktig så att degen inte bearbetas för länge.
- **Använd inte knivbladen till att bearbeta tunga livsmedel som exempelvis bröddeg.**
- Använd inte knivbladen till att hacka is eller andra hårda livsmedel som kryddor eftersom dessa kan skada tillbehöret.

## skivor för skivning och rivning

att använda skivorna

### **vändbara skivor för skivning och rivning - tjock (F), tunn (G)**

Använd rivningssidan för ost, morötter, potatis och likande råvaror.

Använd skivningssidan för ost, morötter, potatis, kål, gurka, rödbetor och lök.

### **extra fin skiva för rivning (H)**

River parmesanost och potatis till tyska potatisknödel.

## att använda skärskivor

- 1 Montera skålen på kraftenheten. Sätt på den avtagbara drivaxeln.
- 2 Håll skivan i greppet i mitten. Placera den på drivaxeln med lämplig sida upp.
- 3 Montera locket.
- 4 Tillsätt livsmedel genom matarröret.
- 5 Starta köksmaskinen och tryck ner med stöten – stoppa aldrig in fingrar i påfyllningsröret.

### **tips**

- Använd färska ingredienser.
- Skär inte råvaror i för små bitar. Fyll ut matarröret på bredden. Det hindrar att råvarorna glider åt sidan under bearbetningen.
- Råvaror som placeras rakt upp blir kortare än råvaror som placeras horisontellt.
- Det finns alltid lite rester på skivan eller i skålen efter bearbetning.

## (16) citruspress

Använd citruspressen för att pressa juice från citrusfrukter (t.ex. apelsin, citron, lime- och grapefrukt).

- (A) kon
- (B) sil

## att använda citruspressen

- 1 Montera skålen på kraftenheten. Sätt på den avtagbara drivaxeln.
- 2 Montera silen på skålen – säkerställ att silens handtag låser i position direkt över skålens handtag (8).
- 3 Placera konen på drivaxeln och vrid tills den faller hela vägen ned (9).
- 4 Skär frukten i halvor. Starta citruspressen och pressa frukthalvorna på konen.

### • **Citruspressen startar inte om silen inte är låst i position.**

- Bästa resultat får man om frukten bearbetas i rumstemperatur och rullas på en arbetsbänk innan den delas och pressas.
- Flytta frukten från sida till sida när den pressas.
- Om en stor kvantitet ska pressas töm filtret regelbundet för att förhindra att det blir för mycket fruktkött och kärnor.

## (17) mixer

- (A) påfyllningslock
- (B) lock
- (C) bågare
- (D) tättningsring
- (E) knivenhet

## att använda mixern

- 1 Montera tättningsringen (D) på knivenheten (E) – kontrollera att ringen sitter rätt i spåret.

### • **Läckage kan inträffa om tättningsringen är skadad eller felaktigt monterad.**

- 2 Skruva på bågaren på knivenheten (10).

Se bilderna på undersidan av knivenheten enligt följande:

-  - olåst
-  - låst

### • **Mixern startar inte om den är felaktigt monterad.**

- 3 Lägg ingredienserna i bågaren.
- 4 Sätt på locket på bågaren och tryck ner för att säkra (11). Sätt på påfyllningslocket.
- 5 Ta av locket på det dubbla kraftuttaget genom att vrida det moturs och lyfta av det.
- 6 Placera mixern på kraftenheten och vrid medurs (12) tills den låser i position.
- **Köksmaskinen startar inte om mixern är felaktigt monterad i låsmekanismen.**
- 7 Välj en hastighet (se tabell med rekommenderade hastigheter) eller använd (P) för köra med korta stötar.

### **tips**

- När du gör majonnäs lägg alla ingredienser utom oljan i mixern. Ta av påfyllningslocket. Sedan när köksmaskinen är igång tillsätt oljan sakta genom påfyllningshålet i locket.
- Tjocka blandningar t.ex. paté och dipsås kan behöva skrapas ner. Om blandningen är svår att bearbeta tillsätt mer vätska.

- Iskrossning – kör med korta stötar tills isen har krossats till önskad konsistens.
- Bearbetning av kryddor bör undvikas eftersom de kan skada plastdelar.
- **Köksmaskinen startar inte om mixern är felaktigt monterad.**
- Om torra ingredienser ska blandas – skär dem i bitar. Ta av påfyllningslocket. Släpp ner bitarna en och en när apparaten är igång. Håll handen över öppningen. För bästa resultat töm regelbundet.
- Använd inte mixern som ett förvaringskärl. Förvara den tom före och efter användning.
- Mixa aldrig mer än 1,2 liter – mindre om det är skummiga vätskor som milkshake.

## 18 juicepress

Använd juicepressen för att göra juice av fast frukt och grönsaker.

- (A) stöt
- (B) lock
- (C) fruktköttsrensare
- (D) filtertrumma
- (E) juiceskål
- (F) pip

### att använda juicepressen

- 1 Montera juiceskålen (E) på det dubbla kraftuttaget med pipen (F) åt vänster och vrid medurs tills det låser i position (18).
- 2 Placera fruktköttsrensaren (C) i filtertrumman (D) – se till att flikarna placeras i hålen i botten av trumman (19).
- 3 Montera filtertrumman (15).
- 4 Sätt på locket (B) på skålen och vrid tills det är låst (16). **Fruktpressen startar inte om skålen eller locket inte är rätt monterat i låsmekanismen.**
- 5 Placera en lämplig behållare under pipen.
- 6 Skär råvarorna så att de passar matarröret.
- 7 Ställ in på maximal hastighet. Tillsätt sedan råvarorna via matarröret. Tryck ner jämnt med stöten - **stoppa aldrig in fingrarna i matarröret**. Bearbeta klart innan du lägger i mer.
- När du har lagt i den sista biten låt juicepressen köra i ytterligare 30 sekunder så att all juice pressas ner genom filtertrumman.

#### viktigt

- Om juicepressen börjar vibrera stäng av och töm ut fruktköttet från filtret. (Juicepressen vibrerar när fruktköttet är ojämnt fördelat).

- Maximal mängd som kan bearbetas åt gången är 800 gram frukt eller grönsaker.
- En del hårda råvaror kan göra att tillbehöret saktar ner eller stannar. Om det händer stäng av och rensa filtret.
- Stäng av och håll ut fruktkött och töm juicebehållaren regelbundet under användning.

#### tips

- Tillsätt mjuka råvaror sakta för att få ut mer juice.
- Vitaminer försvinner – ju tidigare du dricker juicen, desto mer vitaminer får du.
- Om du behöver lagra juicen i några timmar ställ in den i kylskåpet. Den håller bättre om du tillsätter ett par droppar citronjuice.
- Drink inte mer än tre 230 ml glas juice om dagen såvida inte är van vid det.
- Späd ut juice till barn med lika mängd vatten.
- Juice från mörkt gröna (broccoli, spenat osv) eller mörkt röda (rödbeta, rödkål osv) grönsaker är mycket stark. Späd alltid ut den.
- Fruktjuice innehåller mycket fruktos (fruktsocker) därför bör personer med diabetes eller lågt blodsocker undvika att dricka för mycket.

## 19 livsmedelskvarn

Använd livsmedelskvarnen till att mala kött, fågel och fisk.

- (A) skruvnyckel
- (B) axelmutter
- (C) hålskivor: medium och grov
- (D) skärkors
- (E) matarskruv
- (F) kropp
- (G) matarrör
- (H) bricka
- (I) stöt

### montering

- 1 Montera matarskruven (E) inuti livsmedelskvarnens kropp (F).
- 2 Montera skärkors (D) – med eggen utåt. Kontrollera att den är rätt placerad annars kan livsmedelskvarnen skadas.
- 3 Montera en hålskiva (C). Placera skåran på motsvarande flik (17).
- 4 Skruva fast axelmuttern löst (B).

## att använda livsmedelskvarnen

- 1 Sänk blandarhuvudet.
- 2 Placera livsmedelskvarnen som visas på bilden. Rikta in filken på matarskruv så att den hamnar på motsvarande spår på kraftuttaget **18**.
- 3 Tryck in livsmedelskvarnen i uttaget och vrid moturs tills den låser på plats.
- 4 Håll matarröret på plats och spänn åt axelmuttern för hand.
- 5 Montera brickan **19**.
- 6 **Tina djupfrysta livsmedel helt innan de mals.** Skär kött i 2,5 cm breda strimlor.
- 7 Starta på högsta hastighet. Tryck försiktigt ner råvarorna med stöten i matarröret – en bit i taget. **Tryck inte för hårt** – då kan du skada livsmedelskvarnen.  
**viktigt**
  - Använd aldrig livsmedelskvarnen längre än 10 minuter åt gången eftersom längre användning kan skada hushållsassistenten.
  - **Livsmedelskvarnen startar bara om locket är ordentligt monterat på det dubbla kraftuttaget.**
- 8 När alla råvaror är färdigmalda. Stäng av och dra ut stickkontakten.
- 9 Ta av livsmedelskvarnen. Använd skruvnyckeln **A** för att lossa ringmuttern om den sitter för hårt.

## skötsel och rengöring

- Stäng alltid av och dra ur stickkontakten innan rengöring.
- Montera isär tillbehören innan rengöring.  
**kraftenhet**
  - Torka av med en fuktig trasa och handdukstorka torr.
  - Använd aldrig putsmedel och doppa aldrig i vatten.
  - Förvara sladden i sladdfacket **4** på baksidan av maskinen.
  - Se till att stödfötterna under köksmaskinen är rena.  
**skål, tillbehör, stänksydd**
    - Diska för hand. Handdukstorka noga.
    - Använd aldrig stålborste, stålull eller blekmedel vid rengöring av den rostfria skålen. Kalkavlagringar kan avlägsnas med ättika.
    - Håll borta från värme (spishäll, ugn, microvågsugn).

### matberedare

- **Hantera knivar och skivor försiktigt – de är mycket vassa.**
- Vissa livsmedel kan missfärga platen. Detta är helt normalt. Platen skadas inte, och mat som du lagar senare påverkas inte heller på något sätt. Om du gnuggar med en trasa doppad i vegetabilisk olja försvinner missfärgningen.

### citruspress

- Diska för hand. Handdukstorka noga.

### mixer

- 1 Töm bägaren innan du skruvar loss den från knivenheten.
- 2 Diska bägaren för hand.
- 3 Ta ut och diska tätningsringen.
- 4 Vidrör inte de vassa knivarna - borsta dem rena med varmt vatten och diskmedel och skölj sedan noga under kranen. **Doppa inte knivenheten i vatten.**
- 5 Låt torka upp och ned.

### juicepress

- Rengör alltid delarna direkt efter användning.
- En del råvaror t.ex. morot kan färga av sig på plast. Gnugga med en trasa doppad i vegetabilisk olja för att få bort fläckarna.
- Rengör filtret med en mjuk borste.
- **Kontrollera regelbundet filtret så att det inte är skadat. Använd inte om filtret är skadat. Se "service och kundtjänst".**

### livsmedelskvarn

- Diska alla delarna i varmt vatten med diskmedel. Torka noggrant. Inga delar får diskas i diskmaskin. Rengör aldrig med sodalösning.
- Torka hålskivorna med vegetabilisk olja. Slå in i smörpapper så att de inte missfärgas/rostar.

### alla andra delar

- Diska för hand och torka.
- Kontrollera i maskindisktabellen vilka delar som går att diska i maskin. Dessa kan diskas på översta korgen i diskmaskinen. Undvik att placera delarna i nedre korgen över värmeelementet. Välj ett kort program med låg temperatur (max 50 °C).

del	lämplig för maskindisk
<b>Hushållsassistent</b>	
Skål	✓
Visp, k-spade och degkrok	✓
Stänkskydd	✓
Lock till kraftuttag	x
<b>Matberedare</b>	
Skål, lock och stöt	✓
Knivblad	✓
Avtagbar drivaxel	✓
Skivor	✓
<b>Citruspress</b>	
Kon, sil	✓
<b>Mixer</b>	
Bägare, lock och påfyllningslock	✓
Knivenhet och tätningsring	x
<b>Juicepress</b>	
Skål, stöt, lock, filtertrumma och fruktköttrensare	✓
<b>Livsmedelskvarn</b>	
Axelmutter, hålskivor, skärkors, matarskruv och kropp	x
Bricka och stöt	✓

## service och kundtjänst

- Om sladden är skadad måste den av säkerhetsskäl bytas ut av Kenwood eller av en auktoriserad Kenwood-reparatör.
- **Har du problem att använda köksmaskinen läs sektionen med problemlösning innan du ringer kundtjänst.**

Om du behöver hjälp med:

- att använda apparaten eller
- service eller reparationer
- Kontakta återförsäljaren där du köpte apparaten.
- Konstruerad och utvecklad av Kenwood i Storbritannien.
- Tillverkad i Kina.



### VIKTIG INFORMATION FÖR KORREKT BORTSKAFFNING AV PRODUKTEN I ÖVERENSSTÄMMELSE MED EU-DIREKTIV 2002/96/EG.

När produkten är uttjänt får den inte slängas i hushållssoporna. Den kan överlämnas till lokala myndigheters avfallsorteringscentraler eller till en återförsäljare som ger denna service.

När du avfallshanterar en hushållsmaskin på rätt sätt undviker du de negativa konsekvenser för miljön och hälsan som kan uppkomma vid felaktig avfallshantering. Du möjliggör även återvinning av materialen vilket innebär en betydande besparing av energi och tillgångar.

## rekommenderade hastigheter och maxkapaciteter

Det här är endast en vägledning. Hastighet och kvantitet varierar beroende på mängd och vilka ingredienser som blandas.

verktyg/ tillbehör	recepttyp	hastighet	tid	maxkapaciteter
<b>Köksmaskin</b>				
Visp	Äggvitor	Min till max	2 min	2–8 (70–280 g)
	Vispgrädde	Min till max	1½ min	125 ml 600 ml
K-spade	Kaksmet där allt blandas samtidigt	Min till max	1½ min	Totalvikt 1,6 kg Smet med 8 ägg
	Fruktkaka – vispa smör och socker poröst Vänd in mjöl, frukt osv.	Min till max Min	4 min Upp till 1 min	Totalvikt 1,8 kg Smet med 6 ägg
	Knåda in matfett i mjöl	Min till hastighet 2	5 min	450 g mjöl
	Tillsätt vatten för att binda pajdegens ingredienser	Min	30 s	
Degkrok	Bröddeg (tung jäsdeg)	Min till Hastighet 2	4 min	500 g mjöl 800 g totalt
<b>Matberedare</b>				
Knivenhet	Kaksmet där allt blandas samtidigt	Max	15 s	600 g totalt Smet med 3 ägg
	Knåda in matfett i mjöl Tillsätt vatten för att binda pajdegens ingredienser	Max Max	Upp till 1 min 10 s	340 g mjöl
	Hackning/puré/pastej	Max	Upp till 30 s	400 g hackat magert kött total vikt
Skivor – skivning/rivning	Fasta råvaror som morötter, hårdost	Max	–	Överskrid inte maxkapaciteten markerad på skålen.
	Mjukare råvaror som gurka, tomater	Hastighet 3	–	
Extra fin skiva för rivning	Parmesanost, potatis till tysk postatisknödel.	Max	–	
<b>Citruspress</b>	Citrusfrukter	Hastighet 2	–	
<b>Mixer</b>	All bearbetning	Max	Upp till 1 min	1,2 liter
<b>Juicepress</b>	Hård frukt och hårda grönsaker t.ex. morötter och äpple	Max	–	800 g
	Mjuk frukt och mjuka grönsaker t.ex. tomater och vindruvor	Max	–	500 g
<b>Livsmedelskvarn</b>	Kött, fågel, fisk skär i 2,5 cm breda strimlor	Max	–	–

\* Ägg storlek = medium (vikt 53–63 g)

## problemsökning

Problem	Orsak	Lösning
Maskinen startar inte med blandverktyg.	Ingen ström/strömindikatore lyser inte.  Blandarhuvudet är inte ordentligt låst.  Locket på kraftuttaget är inte ordentligt monterat.  Blandarhuvudet har fällts upp under bearbetning och sänkts igen utan att hastighetsreglaget har återställts till "O" (AV).	Kontrollera att maskinens stickkontakt sitter i.  Kontrollera att blandarhuvudet är ordentligt nedfällt och låst i position.  Kontrollera att locket sitter ordentligt på kraftuttaget.  <b>Maskinen fungerar inte om locket inte är monterat på kraftuttaget.</b>  Kontrollera att hastigheten är återställd till "O" (AV).
Köksmaskinen stannar under användning.	Maskinen är överbelastad/ maxkapaciteten har överstigits.  Blandarhuvudet eller locket på kraftuttaget är inte låst.	Stäng av, dra ut stickkontakten och låt maskinen svalna i 30 minuter. Kontrollera maxkapacitet i tabellen. Kontrollera blandarhuvudet och locket på kraftuttaget sitter på plats.
Tillbehör till dubbla kraftuttaget fungerar inte.	Tillbehöret har inte låsts på plats.  Locket på matberedaren/ juicepressen/citruspressen sitter inte på ordentligt.	Kontrollera att tillbehöret sitter korrekt i det dubbla kraftuttaget. Kontrollera att tillbehöret är monterat korrekt.
Livsmedelskvarnen fungerar inte.	Tillbehöret har inte låsts på plats.  Locket på kraftuttaget är inte ordentligt monterat.	Kontrollera att locket är monterat på kraftuttaget. Kontrollera att tillbehöret sitter rätt monterat.
Rör sig på arbetsbänken.	Stödfötterna på maskinens undersida är smutsiga eller våta.	Kontrollera regelbundet att stödfötterna är rena och torra.
Verktyg/tillbehör presterar dåligt.	Se tips i relevant avsnitt "att använda tillbehör". Kontrollera att tillbehöret är korrekt monterat.	



## problemsökning

<b>Problem</b>	<b>Orsak</b>	<b>Lösning</b>
Strömindikatorn blinkar snabbt.	Normal funktion. Lampan blinkar om en eller flera låsmekanismer inte är ordentligt låsta.	Om du använder ett tillbehör kontrollera att det är ordentligt låst i position. Kontrollera att blandarhuvudet är helt nedfällt såvida du inte använder kvarntillbehöret. Kontrollera att hastigheten är på "O" (AV).
Strömindikatorn blinkar långsamt.	Standby-läge. Om maskinen lämnas med stickkontakten i utan att användas i över 30 minuter går den in i standby-läge för att minska energikonsumtionen. Lampan återgår till att var tänd när den är klar att använda.	Köksmaskinen återgår till normal funktion när hastigheten återställs till "O" (AV).
Om inget av ovan löser problemet se "service & kundtjänst".		

# Norsk

## Brett ut framsiden med illustrasjoner

### sikkerhet

- Les nøye gjennom denne bruksanvisningen og ta vare på den slik at du kan slå opp i den senere.
- Fjern all emballasje og eventuelle merkesedler.
- Slå av og trekk ut støpselet:
  - før du setter på eller tar av deler;
  - når maskinen ikke er i bruk;
  - før rengjøring.
- Vri hastighetskontrollen til «O» (av) og trekk ut støpselet før du setter på eller tar av redskaper/tilbehør, etter bruk og før rengjøring.
- Hold fingrene unna bevegelige deler og påsatt tilbehør.
- Du må aldri la kjøkkenmaskinen være uten oppsyn mens den er i drift.
- Du må aldri bruke en skadet maskin. Få den undersøkt eller reparert: se avsnittet «service og kundetjeneste».
- Du må aldri la ledningen henge ned slik at et barn kan ta tak i den.
- Du må aldri la motorenheten, ledningen eller støpselet bli vått.
- **Pass på at ingen bollerredskaper er satt på eller oppbevart i bollen mens du bruker todriftsuttaget.**
- Du må aldri bruke uautorisert tilbehør eller mer enn ett tilbehør av gangen.
- Du må aldri bruke mer enn mengdene som er oppgitt i tabellen over maksimalkapasitet.
- Vær forsiktig når du løfter dette apparatet. Pass på at hodet er satt korrekt på plass i nedfelt stilling og at bollen, redskapene, uttaksdekselet og ledningen er sikret før du løfter.
- Pass på at ledningen er snurret helt ut av oppbevaringsrommet for ledningen ④ før du bruker kjøkkenmaskinen.
- Barn må være under overoppsyn for å sikre at de ikke leker med maskinen.

- Ikke flytt eller hev mikserhodet mens tilbehør er satt på, dette kan gjøre kjøkkenmaskinen ustabil.
- Ikke bruk maskinen nær kanten av en benk.
- Apparatet kan brukes av personer med reduserte fysiske, sensoriske eller mentale evner, eller som mangler erfaring eller kunnskap, hvis de har fått tilsyn eller veiledning om trygg bruk av apparatet og de forstår farene det innebærer.
- Feil bruk av maskinen kan forårsake personskader.
- Dette apparatet må ikke brukes av barn. Hold apparatet og den tilhørende ledningen utenfor barns rekkevidde.
- Bruk bare apparatet til dets tiltenkte hjemlige bruk. Kenwood frasier seg ethvert ansvar ved feilaktig bruk eller dersom apparatet ikke er brukt i henhold til denne bruksanvisningen.
- Maksimalrangeringen er basert på tilbehøret som trekker størst belastning. Andre tilbehør kan kreve mindre kraft.
- **Tilbehør vil bli skadet og kan forårsake personskader hvis låsemekanismen blir utsatt for for mye kraft.**

### **Matmiksertilbehør**

- Knivbladene og skivene til matmikseren er veldig skarpe, håndter forsiktig. **Hold alltid i dem etter fingergrepet øverst, lengst bort fra skjærekanten, både ved håndtering og rengjøring.**
- Ta alltid av knivbladet før du heller ut innholdet fra bollen.
- Hold hender og redskap utenfor matmikserbollen mens mikseren er tilkoblet strømmettet.
- Du må aldri bruke fingrene til å skyve mat ned i materøret. Bruk alltid stapperen som følger med.
- Før du tar av lokket fra matmikserbollen, må du:
  - slå mikseren av;
  - vente til tilbehøret/knivbladene har stanset helt.
- **Du må aldri ta av matmikserlokket før knivbladene/skjæreskivene har stanset helt.**
- **SKÅLDEFARE:** Varme ingredienser må avkjøles til romtemperatur før du bruker tilbehøret til å behandle dem.

- Ikke bruk lokket til å kjøre matmikseren – du må alltid bruke hastighets-/puls kontrollen.

### **Hurtigmiksertilbehør**

- Hold hender og redskap utenfor mikserglasset mens mikseren er tilkoblet strømmenettet.
- **Du må aldri sette bladenheten på motordelen uten at mikserglasset er satt på.**
- **SKÅLDEFARE:** Varme ingredienser må avkjøles til romtemperatur før du bruker tilbehøret til å behandle eller mikse dem.
- Du må bare kjøre hurtigmikseren med lokket på.
- Du må bare bruke glasset sammen med knivmonteringen som følger med.
- Du må aldri kjøre hurtigmikseren mens den er tom.
- Du må aldri kjøre hurtigmikseren i mer enn 60 sekunder av gangen, ellers kan apparatet få kortere levetid. Slå av så snart du har oppnådd riktig konsistens.
- Vi anbefaler ikke behandling av krydder, da dette kan skade plastdelene.
- Smoothie-opskrifter: Du må aldri mikse frosne ingredienser som er frosset sammen i én stor klump – bryt den i biter før du legger den i glasset.

### **Matkverntilbehør**

- Fjern alltid ben, svor osv. fra kjøttet før du kverner det.
- Ved kverning av nøtter må du bare legge i noen få av gangen og la skruen få tak i dem før du legger til flere.
- Bruk alltid stapperen som følger med. Du må aldri putte fingrene eller redskaper i materøret.
- Advarsel: Skjærebladet er skarpt, håndter forsiktig både ved bruk og rengjøring.
- Pass på at tilbehøret sitter ordentlig på plass før du slår på apparatet.

## Softsentrifuge**tilbehør**

- **Ikke bruk softsentrifugen hvis filteret er skadet.**
- Skjærebladene nederst på filteret er veldig skarpe, vær forsiktig ved håndtering og rengjøring av filteret.
- Ikke bruk lokket til å kjøre softsentrifugen, du må alltid bruke hastighets-/puls kontrollen.
- Hvis det oppstår for mye vibrasjon når du bruker dette tilbehøret, må du justere hastigheten eller stanse apparatet, trekke ut støpselet og fjerne eventuelt fruktkjøtt fra trommelen (softsentrifugen vibrerer hvis fruktkjøttet blir ujevnt fordelt).

### **før du setter inn støpselet**

- Pass på at strømforsyningen stemmer overens med den som er oppgitt på undersiden av hurtigmikseren.
- Dette apparatet er i samsvar med EU-direktiv 2004/108/EU om elektromagnetisk kompatibilitet og EU-bestemmelse nr. 1935/2004 fra 27/10/2004 om materialer som skal brukes i kontakt med mat.

### **før førstegangs bruk**

- Vask delene: se avsnittet «stell og rengjøring».

## del**er**

- ① uttaksdeksel
- ② todriftsuttak (middels og høy hastighet)
- ③ låsemekanismer
- ④ oppbevaringsrom for ledning
- ⑤ hastighets-/puls kontroll
- ⑥ motorenhet
- ⑦ redskapskontakt til bolle
- ⑧ bolle
- ⑨ mikserhode
- ⑩ utløerspak for hode
- ⑪ K-spade
- ⑫ spiraldeigkrok
- ⑬ visp
- ⑭ skvett skjerm

### **tilbehør**

- ⑮ matmikser
- ⑯ sitrussaftpresse
- ⑰ glassmikser
- ⑱ softsentrifuge
- ⑲ matkvern

Se tabell for anbefalt hastighet for hvert tilbehør.

## mikseredskapene og noen bruksområder

### K-spade

- Til å lage kaker, småkaker, butter-/mørdeig, glasure, fyll, vannbakkels og potetmos.

### visp

- Til egg, krem, røre, fettfrie sukkerbrød, marengs, ostekaker, mousse, soufflé. Ikke bruk vispen til tunge blandinger (f.eks. sammenrøring av fett og sukker) – du kan skade den.

### spiraldeigkrok

- Bare til gjærblandinger.

## slik bruker du bolleredskapene

- 1 Trykk ned spaken som løser ut hodet ❶ og hev mikserhodet til det låses på plass.
- 2 Sett bollen på baseenheten og vri motsols til den låses på plass ❷.
- 3 Velg et redskap og skyv det inn i redskapsuttaket til det klikker ❸.
- 4 Trykk ned spaken som løser ut hodet og senk mikserhodet til det låses på plass.
- 5 Sett i støpselet. Slå på apparatet ved å vri hastighetsbryteren til ønsket innstilling. Du slår det av igjen ved å vri til «O» (AV).

**Hvis mikserhodet er i hevet stilling eller uttaksdekslet ikke er satt på, blinker Strøm på-lampen og apparatet kan ikke kjøres.**

- Vri til puls Ⓟ hvis du ønsker korte stot.
- 6 Trekk ut støpselet.
  - 7 Hev mikserhodet og hold det på plass mens du trekker redskapet ut av redskapsuttaket.

### viktig

- Hvis mikserhodet heves mens du kjører apparatet, vil apparatet slutte å fungere umiddelbart. Du kan starte det igjen ved å vri hastighetsbryteren til «O» (AV), vente noen sekunder og så velge hastigheten på nytt. Apparatet begynner da å kjøre igjen med én gang.
- Hvis strømmen blir brutt av noen grunn og apparatet slutter å kjøre, vrir du hastighetsbryteren til «O» (AV), venter noen sekunder og velger hastigheten på nytt. Apparatet begynner da å kjøre igjen med én gang.
- **Apparatet kan ikke kjøres hvis uttaksdekslet ikke er satt korrekt på.**
- Hvis du hører at apparatet sliter, må du enten slå det av og ta ut litt av blandingen, eller øke hastigheten.

- Ta alltid av tilbehør som er satt på todriftsuttaket før du hever mikserhodet.

- **Pass på at ingen bolleredskaper er satt på eller oppbevart i bollen mens du bruker todriftsuttaket.**

### tips

- Slå av apparatet og skrap bollen med en slikkepott når det er nødvendig.
- Egg bør ha romtemperatur når de piskes.
- Før du pisker eggehviter, må du sjekke at det ikke finnes fett eller eggeplomme på vispen eller bollen.
- Bruk kalde ingredienser til butterdeig, med mindre det står noe annet i oppskriften.
- Når du blander fett og sukker til det er hvitt til keakeppskrifter, må du alltid bruke fett med romtemperatur eller mykne det først.
- Apparatet har en «mykstart»-funksjon som reduserer søl. Men hvis apparatet slås på med en tung blanding, som brøddeig, kan det hende at det tar noen sekunder å oppnå valgt hastighet.

## om brødbaking

### viktig

- Du må aldri overskride maksimalkapasiteten som er oppgitt – du kan overbelaste maskinen.
- **Det er normalt at mikserhodet beveger seg litt ved miksing av tunge blandinger, som brøddeig.**
- Ingrediensene blandes best hvis du har i væsken først.
- Med jevne mellomrom bør du stanse apparatet og skrape blandingen av deigkroken.
- Mel kan variere mye når det gjelder hvor mye væske som må brukes, og hvor klebrig deigen er, kan ha betydelig virkning på hvor mye apparatet belastes. Vi anbefaler at du holder øye med apparatet mens deigen blandes – dette bør ikke ta mer enn 6–8 minutter.

## slik setter du på og bruker skvettskjermen

- 1 Sett bollen på baseenheten og legg til ingrediensene.
  - 2 Sett på skvettskjermen ved å sette flikene på linje med bolleredskapsuttaket ❷ og rotere motsols for å låse på plass ❹.
  - 3 Sett på redskapet og senk så mikserhodet.
  - 4 Du tar av skvettskjermen ved å bruke fremgangsmåten over i motsatt rekkefølge.
- Mens du mikser kan ingredienser legges direkte i bollen gjennom materøret.

## elektronisk hastighetssensorkontroll

Mikseren har en elektronisk hastighetssensorkontroll som har til hensikt å opprettholde jevn hastighet ved forskjellige belastninger, som når du knar brøddeig eller legger til egg i en kakerøre/-deig. Det kan derfor hende at du hører variasjoner i hastighet mens apparatet kjører, siden mikseren tilpasser seg belastningen og hastigheten som er valgt – dette er normalt.

### 15 matmikser

- A stapper
- B materør
- C lokk
- D knivblad
- E bolle med drivaksel
- F tykk skjære-/riveskive
- G tynn skjære-/riveskive
- H ekstra fin riveskive
- I avtakbar drivaksel

### slik bruker du matmikseren

- 1 Ta av uttaksdekselet ved å vri det motsols og løfte det av **5**.
- 2 Sett bollen **E** på over uttaket med håndtaket på høyre side, og vri medsols til den låses på plass **6**.
- 3 Sett på knivbladet eller den avtakbare drivakselen med tilbehøret du vil bruke.  
**Merk: Den avtakbare drivakselen 1 må bare settes på hvis du skal bruke skivene eller sitrussaftpressen.**
- Sett alltid bollen og tilbehøret på apparatet før du legger i ingredienser.
- 4 Sett på lokket **7** – pass på at toppen av knivbladet/drivakselen ender opp i midten av lokket.  
**• Ikke bruk lokket til å kjøre apparatet, du må alltid bruke hastighets-/puls kontrollen.**
- 5 Sett i støpselet, slå på apparatet og velg en hastighet (se tabellen over anbefalte hastigheter).  
**• Apparatet kjører ikke hvis bollen eller lokket ikke er satt riktig på plass i låsene. Sjekk at materøret og håndtaket på bollen er på forsiden.**
- Bruk puls **P** til korte stot. Pulsen kjører så lenge du holder kontrollen i denne stillingen.
- 6 Bruk fremgangsmåten over i motsatt rekkefølge til å ta av lokket, tilbehøret og bollen.

- **Slå alltid av apparatet og trekk ut støpselet før du tar av lokket.**

#### viktig

- Apparatet er ikke egnet til å knuse eller kverne kaffebonner, eller til å male grovkornet sukker til strosukker.
- Hvis du legger til mandelessens eller smakstilsetninger i blandinger, må du unngå at dette kommer i kontakt med plasten, da det kan lage flekker som ikke kan fjernes.
- **Ikke bruk apparatet til å behandle varme ingredienser.**

### knivblad **D**

Knivbladet er det mest allsidige redskapet.

Konsistensen avgjøres av hvor lenge du behandler ingrediensene.

Hvis du vil ha en grov konsistens, kan du bruke pulskontrollen.

Bruk knivbladet til kaker og butterdeig, oppskjæring av rått og kokt/stekt kjøtt, grønnsaker, nøtter, postei, dip, suppe og til å lage smuler av kjeks og brød.

#### tips

- Skjær matvarer som kjøtt, brød og grønnsaker i terninger på ca. 2 cm før behandling.
- Kjeks bør brytes i biter og legges ned i materøret mens apparatet kjører.
- Når du lager butterdeig, bør du bruke fett rett fra kjøleskapet, oppskåret i terninger på 2 cm.
- Pass på at du ikke behandler varene for lenge.
- **Ikke bruk knivbladet til å blande tunge blandinger, som brøddeig.**
- Ikke bruk knivbladet til å skjære opp isbiter eller andre harde matvarer, som krydder, dette kan skade tilbehøret.

### skjære-/riveskiver

slik bruker du skivene

#### dobbeltstående skjære-/riveskiver - tykk **F**, tynn **G**

Bruk rivesiden til ost, gulrøtter, poteter og lignende matvarer.

Bruk skjæresiden til ost, gulrøtter, poteter, kål, agurk, rødbeter og løk.

#### ekstra fin riveskive **H**

River parmesanost og poteter til tyske knödel.

## slik bruker du skjæreskivene

- 1 Sett bollen på motordelen og sett i den avtakbare drivakselen.
- 2 Hold skiven etter fingergrepet og plasser den på drivakselen med siden som skal brukes, opp.
- 3 Sett på lokket.
- 4 Legg maten i materøret.
- 5 Slå på og skyv så jevnt ned med stapperen – du må aldri putte fingrene i materøret.

### tips

- Bruk friske ingredienser.
- Ikke skjær opp maten i for små biter. Fyll bredden av materøret ganske full. Dette forhindrer at maten sklir sidelengs under behandlingen.
- Mat som plasseres loddrett blir kortere enn mat som plasseres vannrett.
- Det kommer alltid til å ende opp litt matrester på skiven eller i bollen etter behandling.

## 16 sitrussaftpresse

Bruk sitrussaftpressen til å presse saften fra sitrusfrukter (som appelsiner, sitroner, lime og grapefrukt).

- (A) kjegle
- (B) sil

## slik bruker du sitrussaftpressen

- 1 Sett bollen på motordelen og sett i den avtakbare drivakselen.
  - 2 Sett silen på plass i bollen – pass på at silhåndtaket er låst på plass rett over bollehåndtaket (A).
  - 3 Plasser kjeglen over drivakselen og vri til den faller helt ned (B).
  - 4 Skjær frukten i halvdeler. Slå så på og press frukthalvdelene ned på kjeglen.
- **Sitrussaftpressen fungerer ikke hvis silen ikke er låst korrekt på plass.**
  - Du får best resultat hvis du oppbevarer og presser frukten ved romtemperatur og ruller frukten på en benk med hendene før du presser den.
  - Beveg frukten fra side til side under pressingen for å hjelpe til med å få ut mest mulig saft.
  - Hvis du presser store mengder saft, må du tømme silen regelmessig for å forhindre opphopning av fruktkjøtt og frø.

## 17 glassmikser

- (A) fyllerdel
- (B) lokk
- (C) glass
- (D) forseglingsring
- (E) bladenhet

## slik bruker du glassmikseren

- 1 Sett forseglingsringen (D) inn i bladenheten (E) – pass på at seglet sitter riktig i fordypningen.

- **Hvis seglet er skadet eller ikke sitter riktig på plass, vil det oppstå lekkasjer.**

- 2 Skru glasset på bladmonteringen (B). Se illustrasjonene på undersiden av bladenheten som følger:

 – ulåst stilling

 – låst stilling

- **Hurtigmikseren fungerer ikke hvis den ikke er satt sammen korrekt.**

- 3 Legg ingrediensene i glasset.
  - 4 Sett lokket på glasset og skyv ned slik at det sitter trygt (D). Sett på fyllerdelen.
  - 5 Ta av dekelet på todriftsuttaget ved å vri det motsols og løfte det av.
  - 6 Sett mikseren på motordelen og vri medsols (C) til den klikker på plass.
- **Apparatet fungerer ikke hvis mikseren ikke er satt inn i låsemekanismen korrekt.**
- 7 Velg en hastighet (se tabellen over anbefalte hastigheter) eller bruk puls (E) hvis du vil bruke korte støt.

### tips

- Når du lager majones, legger du alle ingrediensene unntatt oljen i mikseren. Ta av fyllerdelen. Så legger du til oljen langsomt gjennom hullet i lokket mens apparatet kjører.
- Det kan hende at tykke blandinger, som postei og dips, må skrapes nedover. Hvis det er vanskelig å behandle blandingen, bør du legge til mer væske.
- Isknusing – bruk pulsfunksjonen i korte støt til du har oppnådd ønsket konsistens.
- Vi anbefaler ikke behandling av krydder, da dette kan skade plastdelene.
- **Apparatet fungerer ikke hvis mikseren ikke er satt korrekt på.**
- Hvis du skal mikse tørre ingredienser: Skjær i biter, ta av fyllerdelen og slipp delene ned i glasset én av gangen mens apparatet kjører. Hold hånden over åpningen. Du får best resultat hvis du tømmer glasset regelmessig.



- Ikke bruk mikseren som oppbevaringsbeholder. La den være tom før og etter bruk.
- Du må aldri mikse mer enn 1,2 liter – mindre for skummende væsker, som milkshake.

## 18 saftsentrifuge

Bruk saftsentrifugen til å lage saft av faste frukt og grønnsaker.

- (A) stapper
- (B) saftsentrifugeokk
- (C) fruktkjøttfjerner
- (D) filtertrommel
- (E) saftsentrifugebolle
- (F) tut

### slik bruker du saftsentrifugen

- 1 Sett saftsentrifugebolle (E) over todriftsutttaket med tuten (F) mot venstre og vri medsols til den låses på plass 19.
  - 2 Plasser fruktkjøttfjerner (C) i filtertrommelen (D) – pass på at flikene settes sammen med hakkene i bunnen av trommelen 19.
  - 3 Sett på filtertrommelen 19.
  - 4 Sett saftsentrifugeokket (B) på bollen og vri til det låses på plass 19. **Saftsentrifugen fungerer ikke hvis bollen eller lokket ikke er satt korrekt i låsemekanismen.**
  - 5 Sett en passende beholder under saftutslippet.
  - 6 Skjær opp matvarene så de passer i materøret.
  - 7 Slå på maksimal hastighet og plasser maten i materøret. Skyv jevnt nedover med stapperen – **du må aldri putte fingrene i materøret.** Ikke legg til mer før maten er fullstendig behandlet.
- Etter at du har lagt i den siste biten, lar du saftsentrifugen kjøre i 30 sekunder til for å trekke ut all saften fra filtertrommelen.
- viktig**
- Hvis saftsentrifugen begynner å vibrere, må du slå den av og tømme ut fruktkjøttet fra filteret (saftsentrifugen vibrerer hvis fruktkjøttet er ujevnt fordelt).
  - Maksimal mengde som kan behandles samtidig er 800 g frukt eller grønnsaker.
  - Enkelte veldig harde matvarer kan gjøre at tilbehøret kjører saktere eller stanser helt. Hvis dette skjer, må du slå av apparatet og fjerne blokkeringen i filteret.
  - Slå av apparatet og tøm fruktkjøtt- og saftbeholderen regelmessig under bruk.

### tips

- Legg i myke matvarer langsomt, så får du mest mulig saft.
- Vitaminer forsvinner – jo tidligere du drikker saften, desto flere vitaminer er det i den.
- Hvis du må oppbevare saften i noen timer, bør du sette den i kjøleskapet. Den holder seg bedre hvis du legger til noen dråper sitronsaft.
- Ikke drikk mer enn tre glass (230 ml hver) med saft om dagen med mindre du er vant til det.
- Vann ut saft til barn med like mengder vann.
- Saft fra mørkegrønne (brokkoli, spinat osv.) eller mørkerøde (rødbet, rødkål osv.) grønnsaker er svært sterk, så bør alltid vannes ut.
- Fruktosaft inneholder mye fruktose (fruktsukker), så personer med diabetes eller lavt blodsukker bør unngå å drikke for mye av det.

## 19 matkvern

Bruk matkvernen til å behandle kjøtt, fjærkre og fisk.

- (A) skiftenøkkel
- (B) ringmutter
- (C) hullskiver: middels og grov
- (D) kniv
- (E) kvernskruer
- (F) hoveddel
- (G) materør
- (H) brett
- (I) stapper

### slik setter du den sammen

- 1 Sett kvernskruen (E) inn i hoveddelen av matkvernen (F).
- 2 Sett inn kniven (D) – med skjæresiden ytterst. Pass på at den sitter ordentlig på plass, ellers kan du skade matkvernen.
- 3 Sett på en hullskive (C). Sett hakket over passeringsfliken 17.
- 4 Sett ringmutteren (B) løst på.

### slik bruker du matkvernen

- 1 Hev mikserhodet.
- 2 Med matkvernen i stillingen som vises, setter du drivtappene på enden av kvernskruen på linje med de tilsvarende hakkene i drivuttaket 18.
- 3 Skyv matkvernen inn i uttaket og vri motsols til den låses på plass.
- 4 Hold materøret på plass og stram til ringmutteren for hånd.

- 5 Sett på brettet ⑩.
  - 6 **Tin frose matvarer helt før du kverner dem.** Skjær kjøtt i strimler som er 2,5 cm brede.
  - 7 Slå på maksimal hastighet. Bruk stapperen til å skyve matvarene forsiktig gjennom, én bit av gangen. **Ikke skyv hardt** – du kan skade matkvernen.
- viktig**
- Du må aldri kjøre matkvernen i mer enn 10 minutter av gangen, ellers kan apparatet bli skadet
  - **Matkvernen fungerer ikke hvis dekselet på todriftsuttaget ikke er satt på.**
- 8 Når all maten er kvernet, slår du av apparatet og trekker ut støpselet.
  - 9 Ta av matkvernen. Bruk skiftenøkkelen ④ til å ta av ringmutteren hvis den er strammet for hardt til å bruke hendene.

## stell og rengjøring

- Slå alltid av og trekk ut støpselet før rengjøring.
  - Ta tilhører helt fra hverandre før du rengjør det.
- motordel**
- Tørk over med en fuktig klut og tørk.
  - Bruk aldri slipemidler eller legg i vann.
  - Oppbevar overflødig ledning i oppbevaringsrommet ④ på baksiden av apparatet.
  - Pass på å holde føttene på mikserbasen rene.

### **bolle, redskaper, skvettsskjerm**

- Vask for hånd og tørk grundig.
- Du må aldri bruke stålborste, stålull eller klorin til å rengjøre bollen i rustfritt stål. Bruk eddik til å fjerne kalkavleiringer.
- Hold unna sterk varme (komfyrer, ovner, mikrobølgeovner).

### **matmikser**

- **Vær forsiktig med knivene og skivene – de er ekstremt skarpe.**
- Enkelte ingredienser kan føre til misfarging av plastmaterialet. Dette er helt normalt og skader ikke plasten. Det påvirker heller ikke smaken på maten. Fjern misfarging med en klut fuktet i vegetabilsk olje.

### **sitrussaftpresse**

- Vask for hånd og tørk grundig.

## **hurtigmikser**

- 1 Tøm glasset før du skrur det løs fra bladenheten.
- 2 Vask glasset for hånd.
- 3 Ta ut og vask tetningsringen.
- 4 Ikke berør de skarpe bladene. Børst knivene rene med varmt såpevann. **Ikke legg knivenheten i vann.**
- 5 La den stå og tørke opp ned.

## **saftsentrifuge**

- Det er enklest å rengjøre hvis det gjøres rett etter bruk.
- Enkelte matvarer, f.eks. gulrøtter, misfarger plasten. Du kan fjerne misfarging ved å gni med en klut dyppet i vegetabilsk olje.
- Rengjør filteret med en my børste.
- **Sjekk regelmessig om filteret har tegn på skader. Ikke bruk hvis filteret er skadet. Se «service og kundetjeneste».**

## **matkvern**

- Vask alle deler i varmt såpevann og tørk grundig. Ikke vask noen av delene i oppvaskmaskin. Du må aldri bruke soda i vannet.
- Tørk over hullskivene med grønnsaksolje og pakk dem inn i mat-/bakepapir for å forhindre misfarging eller rust.

### alle andre deler

- Vask for hånd og tørk.
- Ellers kan du se oppvaskmaskintabellen, der du ser hvilke deler som kan vaskes i oppvaskmaskin (på øverste hylle). Ikke sett delene på den nederste hyllen rett over varmeelementet. Vi anbefaler et kort program med lav temperatur (maks. 50 °C).

del	kan vaskes i oppvaskmaskin
<b>Mikser</b>	
Bolle	✓
Visp, spade og deigkrok	✓
Skvettskjerm	✓
Uttaksdeksel	x
<b>Matmikser</b>	
Hovedbolle, lokk og stapper	✓
Knivblad	✓
Avtakbar drivaksel	✓
Skiver	✓
<b>Sitrussaftpresse</b>	
Kjegle, sil	✓
<b>Hurtigmikser</b>	
Glass, lokk og fyllerdel	✓
Knivenhet og segl	x
<b>Saftsentrifuge</b>	
Bolle, stapper, lokk, filtertrommel og fruktkjøttfjerner	✓
<b>Matkvern</b>	
Ringmutter, hullskiver, kniv, kvernskrue og hoveddel	x
Brett og stapper	✓

## service og kundetjeneste

- Dersom ledningen er skadet, må den av sikkerhetsmessige grunner erstattes av Kenwood eller en autorisert Kenwood-reparatør.
- **Hvis du har problemer med å bruke kjøkkenmaskinen eller tilbehøret, må du sjekke feilsøkningsveiledningen før du ringer etter hjelp.**

Hvis du trenger hjelp med:

- å bruke apparatet eller
- service eller reparasjoner
- kontakter du butikken du kjøpte apparatet i.
- Designet og utviklet av Kenwood i Storbritannia.
- Laget i Kina.



### VIKTIG INFORMASJON FOR KORREKT AVHENDING AV PRODUKTET I SAMSVAR MED EU-DIREKTIV 2002/96/EC.

På slutten av levetiden må ikke produktet kastes som vanlig avfall.

Det må tas med til et lokalt kildesorteringssted eller til en forhandler som tilbyr tjenesten. Ved å avhende husholdningsapparater separat unngås mulige negative konsekvenser for miljø og helse som oppstår som en følge av feil avhending, og gjør at de forskjellige materialene kan gjenvinnes. Dermed blir det betydelige besparelser på energi og ressurser. Som en påminnelse om behovet for å kaste husholdningsapparater separat, er produktet merket med en søppelkasse med kryss over.

## tabell for anbefalte hastigheter og maksimal kapasitet

Dette er bare en veiledning, det vil variere avhengig av hvor mye som er i bollen og ingrediensene som blandes.

redskap/ tilbehør	oppskriftstype	hastighet	tid	maksimal kapasitet
<b>Kjøkkenmaskin</b>				
Visp	Eggehviter	Min til Max	2 min	2–8 (70–280 g)
	Fløte	Min til Max	1½ min	125 ml 600 ml
Spade	Alt-i-ett-kakemiks	Min til Max	1½ min	1,6 kg totalvekt 8 egg
	Fruktkake – hvitblanding av fett og sukker	Min til Max	4 min	1,8 kg totalvekt 6 egg
	Vende inn mel, frukt osv.	Min	Opptil 1 min	
	Gni fett inn i mel	Min til hastighet 2	5 min	450 g mel
	Legge til vann for å kombinere butterdeigingredienser	Min	30 sek	
Deigkrok	Brøddeig (stiv med gjær)	Min til hastighet 2	4 min	500 g melvekt 800 g totalvekt
<b>Matmikser</b>				
Knivblad	Alt-i-ett-kakemiks	Max	15 sek	600 g totalvekt 3 egg
	Gni fett inn i mel	Max	Opptil 1 min	340 g melvekt
	Legge til vann for å kombinere butterdeigingredienser	Max	10 sek	
	Hakke/mose/postei	Max	Opptil 30 sek	400 g hakke magert kjøtt, totalvekt
Skiver – skjære/ rive	Harde matvarer, som gulrøtter, harde oster	Max	–	Ikke overskrid maksimumskapasiteten som er merket på bollen.
	Mykere varer, som agurk, tomat	Hastighet 3	–	
Ekstra fin riveskive	Parmesanost, poteter til tyske knödel	Max	–	
<b>Sitrussaft- presse</b>	Sitrusfrukter	Hastighet 2	–	–
<b>Hurtigmikser</b>	All behandling	Max	Opptil 1 min	1,2 liter
<b>Saftsentrifuge</b>	Hard frukt og harde grønnsaker, f.eks. gulrøtter og epler	Max	–	800 g
	Myk frukt og myke grønnsaker, f.eks. tomater og druer	Max	–	500 g
<b>Matkvern</b>	Kjøtt, fjærkre, fisk, skåret i strimler som er 2,5 cm brede	Max	–	–

\*Eggstørrelser som brukes = middels store (vekt 53–63 g)

## feilsøking

<b>Problem</b>	<b>Årsak</b>	<b>Løsning</b>
Maskinen kjører ikke ved bruk av mikseredskaper.	Ingen strøm/indikatorlampen lyser ikke. Mikserhodet er ikke låst på plass i senket stilling. Uttaksdekselet er ikke satt korrekt på.  Mikserhodet ble løftet mens maskinen kjørte og så senket igjen uten at hastighetskontrollen ble vridd tilbake til «O» (AV).	Sjekk at støpselet er satt inn.  Sjekk at mikserhodet er låst på plass i senket stilling. Sjekk at uttaksdekselet sitter korrekt på plass. <b>Maskinen fungerer ikke hvis uttaksdekselet ikke sitter korrekt på plass.</b> Sjekk at hastighetskontrollen er vridd tilbake til «O» (AV).
Maskinen stanser under bruk.	Maskinen er overbelastet/ maksimalkapasiteten er overskredet.  Mikserhodet eller uttaksdekselet har løsnet og er ikke lenger låst på plass.	Slå av, trekk ut støpselet og la maskinen avkjøle seg i 30 minutter. Sjekk maksimal kapasitet i tabellen over anbefalte hastigheter. Sjekk at mikserhodet og uttaksdekselet sitter korrekt på plass.
Todriftstilbehør fungerer ikke.	Todriftstilbehøret er ikke låst korrekt på plass. Matmikser-/saftsentrifugelokket eller silen til sitrussaftpressen sitter ikke korrekt på plass.	Sjekk at todriftstilbehøret sitter korrekt på plass. Sjekk at tilbehøret er korrekt satt på.
Matkvernen fungerer ikke.	Tilbehøret er ikke låst korrekt på plass.  Uttaksdekselet er ikke satt korrekt på.	Sjekk at tilbehøret er korrekt satt på. Sjekk at uttaksdekselet sitter korrekt på plass.
Maskinen beveger seg rundt på benken.	Føttene på undersiden av maskinen er skitne eller våte.	Sjekk at føttene er rene og tørre regelmessig.
Redskaper/tilbehør yter dårlig.	Se tipsene i «slik bruker du»-avsnittet for det aktuelle tilbehøret. Sjekk at tilbehøret er satt sammen på korrekt måte.	
Strøm på-lampen blinker fort.	Normal drift. Lampen blinker hvis én eller flere av låsemekanismene ikke er satt sammen helt.	Hvis du bruker et tilbehør, må du sjekke at det er låst korrekt på plass. Sjekk at mikserhodet er senket helt ned, med mindre du bruker matkvernen. Sjekk at hastighetskontrollen er på «O» (AV).
Strøm på-lampen blinker langsomt.	Maskinen er i standby-modus. Hvis kjøkkenmaskinen står i kontakten i mer enn 30 minutter uten bruk, går den i standby-modus for å redusere strømforbruk. Lampen begynner å lyse kontinuerlig når maskinen er klar til bruk.	Kjøkkenmaskinen går tilbake til driftsmodus når hastighetskontrollen vris til en hastighet og så tilbake til «O» (AV).
Hvis ingen av løsningene over løser problemet, se «service og kundetjeneste».		

# Suomi

## Taita auki etusivun kuvitukset

### turvallisuus

- Lue nämä ohjeet huolella ja säilytä ne myöhempää tarvetta varten.
- Poista pakkauksen osat ja mahdolliset tarrat.
- Sammuta virta ja irrota pistoke pistorasiasta aina:
  - ennen työkalun tai varusteen kiinnittämistä tai irrottamista;
  - kun laite ei ole käytössä;
  - ennen puhdistamista.
- Käännä nopeudensäädin 'O' (POIS) -asentoon ja irrota pistoke pistorasiasta ennen työkalun tai varusteen kiinnittämistä tai irrottamista, käytön jälkeen ja ennen puhdistamista.
- Pidä sormet loitolla liikkuvista osista ja paikalleen asetetuista varusteista.
- Älä jätä yleiskonetta toimimaan ilman valvontaa.
- Älä koskaan käytä viallista laitetta. Toimita se tarkistettavaksi tai korjattavaksi. Lisätietoja on huolto ja asiakaspalvelu -kohdassa.
- Älä anna johdon roikkua siten, että lapsi voi tarttua siihen.
- Älä koskaan anna moottoriosan, virtajohdon tai pistokkeen kastua.
- **Varmista ettei kulhotyökaluja ole käytössä tai säilytetä kulhossa kun käytät toista kiinnityspaikkaa.**
- Älä käytä muita kuin laitteen valmistajan suosittelemia varusteita ja tai useita varusteita samanaikaisesti.
- Älä ylitä määrätaulukossa mainittuja enimmäismääriä.
- Nosta tätä laitetta varovaisesti. Varmista ennen nostamista, että pää on lukittu kunnolla ala-asentoon ja että kulho, työvälit, aukkojen kannet ja johto on kiinnitetty kunnolla.
- Varmista ennen yleiskoneen käyttämistä, että johto on kääritty kokonaan auki säilytyspaikasta ④.

- Valvo lapsia sen varmistamiseksi, että he eivät leiki laitteella.
- Älä siirrä tai nosta sekoituspäätä, kun siihen on kiinnitetty varuste. Muuten yleiskone voi muuttua epävakaaksi.
- Älä käytä laitetta lähellä työtason reunaa.
- Fyysisesti, sensorisesti tai henkisesti rajoittuneet tai kokemattomat henkilöt voivat käyttää laitteita, jos heidät on koulutettu käyttämään niitä turvallisesti ja he ymmärtävät käyttämisen aiheuttamat vaarat.
- Laitteen väärinkäyttö voi aiheuttaa loukkaantumisen.
- Tätä laitetta ei saa antaa lasten käyttöön. Pidä laite ja sen virtajohto poissa lasten ulottuvilta.
- Käytä laitetta ainoastaan sille tarkoitettuun kotitalouskäyttöön. Kenwood-yhtiö ei ole korvausvelvollinen, jos laitetta on käytetty väärin tai näitä ohjeita ei ole noudatettu.
- Suurin kuormitus määräytyy eniten virtaa kuluttavan varusteen mukaan. Muut varusteet voivat kuluttaa vähemmän virtaa.
- **Varusteet vaurioituvat ja voivat aiheuttaa vahinkoa jos lukitusmekanismiin kohdistetaan liikaa voimaa.**

### **Yleiskone**

- Yleiskoneen hienonnusterä ja levyt ovat erittäin terävät, käsittele varovasti. **Kun käsittelet tai puhdistat, tartu aina yläosan kohtaan, joka on kaukana leikkuuterästä.**
- Irrota leikkuuterä aina ennen kuin kaadat kulhon sisällön astiaan.
- Pidä kädet ja keittiövälineet poissa yleiskoneen kulhosta, kun yleiskoneen pistoke on pistorasiassa.
- Älä koskaan paina ruokaa syöttöputkeen sormien avulla. Syötä ainekset laitteen mukana toimitetun painimen avulla.
- Ennen kannen poistamista kulhosta:
  - kytke virta pois;
  - odota, kunnes levy/terä on pysähtynyt kokonaan.
- **Älä koskaan poista yleiskoneen kantta ennen kuin terä/levy on pysähtynyt kokonaan.**

- **PALOVAMMAVAARA:** Kuumien aineosien on annettava jäähtyä huoneenlämpöiseksi ennen sekoittamista.
- Älä pyöritä yleiskonetta kannen avulla, vaan käytä aina nopeuskytkintä ja sykäyspainiketta.

### **Tehosekoitin**

- Pidä kädet ja keittiövälineet poissa tehosekoittimen astiasta, kun yleiskoneen pistoke on pistorasiassa.
- **Älä kiinnitä teräasetelmaa moottoriyksikköön, jos tehosekoitinosa ei ole paikallaan.**
- **PALOVAMMAVAARA:** Kuumien aineosien on annettava jäähtyä huoneenlämpöiseksi ennen sekoittamista.
- Käytä tehosekoitinta ainoastaan silloin, kun kansi on paikoillaan.
- Käytä kannua ainoastaan laitteen mukana toimitetun teräyksikön kanssa.
- Älä käynnistä tehosekoitinta sen ollessa tyhjä.
- Voit pidentää tehosekoittimen ikää käyttämällä sitä korkeintaan 60 sekuntia kerrallaan. Katkaise virta, kun haluamasi koostumus on saavutettu.
- Mausteiden käsittelemistä ei suositella, sillä ne voivat vaurioittaa muoviosia.
- Kun teet smoothieta – älä sekoita pakastettuja ainesosia jotka ovat jäätyneet yhteen pakastuksen aikana, vaan riko ne pienemmiksi palasiksi ennen kannuun lisäämistä.

### **Mylly**

- Varmista ennen jauhamista, että luut ja kamara jne. on irrotettu lihasta.
- Pähkinöitä jauhettaessa syötä vain muutama pähkinä kerrallaan. Älä syötä lisää, ennen kun edellä lisätyt pähkinät ovat syöttöruuvissa.
- Syötä ainekset laitteen mukana toimitetun painimen avulla. Älä työnnä sormia tai työvälineitä syöttöputkeen.
- Varoitus – myllyn terä on hyvin terävä. Käsittele varoen käytön aikana ja puhdistettaessa.



- Varmista, että lisälaitte on varmasti kiinni paikallaan, ennen kuin laite käynnistetään.

## **Mehulinko**

- **Mehulinkoa ei saa käyttää, jos suodatin on vaurioitunut.**
- Suodattimen alaosassa olevat leikkuuterät ovat erittäin terävät, ole varovainen käsitellessäsi ja puhdistaussasi suodatinta.
- Älä pyöritä yleiskonetta kannen avulla, vaan käytä aina nopeuskytkintä ja sykäyspainiketta.
- Jos puristin alkaa täristä käytön aikana, säädä nopeutta tai kytke virta pois päältä, irrota pistoke ja poista hedelmäliha rummulta (puristin tärisee, kun hedelmälihaa on epätasaisesti rummulla).

### **ennen yhdistämistä verkkovirtaan**

- Varmista, että sähkövirta vastaa laitteen pohjaan merkittyjä tietoja.
- Tämä laite täyttää sähkömagneettista yhteensopivuutta koskevan EU-direktiivin 2004/108/EU ja 27.10.2004 annetun elintarvikkeiden kanssa kosketuksiin joutuvia materiaaleja säätelevän EU-määräyksen 1935/2004 vaatimukset.

### **ennen ensimmäistä käyttökertaa**

- Pese osat. Lisätietoja on hoitaminen ja puhdistaminen -osassa.

### selite

- ① aukon kansi
- ② toinen kiinnityspaikka (keskinopeus ja suuri nopeus)
- ③ turvalukitus
- ④ johdon säilytyspaikka
- ⑤ nopeuskytkin/sykäyspainike
- ⑥ moottoriosia
- ⑦ työvälinelitöntä
- ⑧ kulho
- ⑨ sekoitinpää
- ⑩ päänavapautusvipu
- ⑪ K-vatkain
- ⑫ taikinakoukku
- ⑬ vispilä
- ⑭ roiskesuoja

### **varusteet**

- ⑮ yleiskone
- ⑯ sitruspuserrin
- ⑰ lasinen tehosekoitin
- ⑱ mehulinko
- ⑲ ruokamyly

Katso varusteiden käyttönopeus nopeussuosituksiaulukosta.

## sekoitusvälineet ja niiden käyttö

### K-vatkain

- Kakku-, keksi-, pikkuleipä- ja pastejaitaकिनoiden, kuorrutusten ja täytteiden sekoittamiseen sekä perunamuhennoksen tekemiseen.

### vispilä

- Kananmunien, kerman, taikinoiden, keveiden seosten, marenkitaikinain, juustokakkujen, moussejen ja kokohkaiden vatkaamiseen. Älä sekoita vispilän avulla raskaita aineksia. Älä esimerkiksi vaahdota sen avulla rasvaa ja sokeria. Muutoin vispilä voi vaurioitua.

### taikinakoukku

- Vain hiivataikinoiden vatkaamiseen.

## kulhotyökalujen käyttäminen

- 1 Paina päänvapautusvipua alaspäin ❶ ja nosta sekoituspäättä, kunnes se lukittuu.
  - 2 Aseta kulho jalustaan ja lukitse kääntämällä vastapäivään ❷.
  - 3 Valitse työväline ja työnnä se kiinnityspaikkaan kunnes se napsahtaa ❸.
  - 4 Paina päänvapautusvipua alaspäin ja paina sekoituspäättä alaspäin, kunnes se lukittuu.
  - 5 Aseta pistoke pistorasiaan. Käynnistä laite kääntämällä nopeuskytkin toivottuun asentoon. Sammuta virta kääntämällä nopeussäädin 'O' (POIS) -asentoon.
- Jos sekoituspää on yläasennossa tai aukon kansi ei ole paikoillaan merkkivalo vilkkuu ja yleiskone ei käynnisty.**
- Saat aikaan lyhyitä sykäkyksiä käyttämällä ❹ -toimintoa.
  - 6 Irrota pistoke pistorasiasta.
  - 7 Nosta sekoituspäättä ylöspäin ja pidä kiinni vakaalla otteella samalla kun vedät työvälineen irti kiinnityspaikasta.

### tärkeää

- Jos sekoituspäättä nostetaan käytön aikana yleiskone pysähtyy heti. Käynnistääksesi yleiskoneen uudelleen, käännä nopeuskytkin 'O' (POIS) -asentoon, odota muutama sekunti ja valitse sitten haluamasi nopeus uudelleen. Yleiskoneen pitäisi käynnistyä uudelleen heti.
- Jos virta katkaistaan jostain syystä ja yleiskone lakkaa toimimasta, käännä silloin nopeuskytkin 'O' (POIS) -asentoon, odota muutama sekunti ja valitse sitten haluamasi nopeus uudelleen. Yleiskoneen pitäisi käynnistyä uudelleen heti.

- **Yleiskone ei käynnisty jos aukon kansi ei ole paikoillaan.**
- Jos sekoittaminen muuttuu työlääksi voit joko katkaista virran ja poistaa osan seoksesta tai lisätä nopeutta.
- Irrota varuste toisesta kiinnityspaikasta ennen kuin nostat sekoituspään.
- **Varmista ettei kulhotyökaluja ole käytössä tai säilytetä kulhossa kun käytät toista kiinnityspaikkaa.**

### vihjeitä

- Katkaise virta ja kaavi aineosat kulhon reunoilta tarvittaessa.
- Huoneenlämpöiset kananmunat vatkaautuvat parhaiten.
- Varmista ennen munanvalkuaisten vatkaamista, että vispilässä tai kulhossa ei ole rasvaa eikä keltuaista.
- Voitaikinain ainesten tulee olla kylmiä, ellei valmistusohjeessa sanota muuta.
- Kun vaahdotat rasvaa ja sokeria kakkutaikinain varten, käytä aina huoneenlämpöistä rasvaa tai pehmennä ensin.
- Sekoittimessa on hidaskäynnistysoiminto roiskumisen vähentämiseksi. Jos kulhossa on paksua seosta, kuten leipätaikinain, valitun nopeuden saavuttaminen voi kestää hetken ajan.

## leivän leipomisvihjeitä

### tärkeää

- Älä koskaan ylitä mainittuja enimmäismääriä. Muutoin laite voi ylikuormittua.
- **Sekoituspää saattaa liikkua hieman kun kulhossa on paksua seosta, kuten leipätaikinain.**
- Aineosat sekoittuvat toisiinsa parhaalla mahdollisella tavalla, jos lisäät kulhoon ensin nesteen.
- Pysäytä kone välillä ja kaavi seos taikinakoukusta.
- Eri jauhoerien vaatima nestemäärä vaihtelee huomattavasti ja taikinain tahmeus voi vaikuttaa merkittävästi koneen kuormitukseen. Tarkkaile konetta taikinain vaivauksen aikana; toiminnon ei tulisi kestää 6-8 minuuttia kauempaa.

## roiskesuojan asettaminen paikalleen ja käyttäminen

- 1 Aseta kulho jalustaan ja lisää ainesosat.
  - 2 Aseta roiskesuoja työvälinielittäjän mukaisesti ⑦ ja lukitse paikalleen kääntämällä vastapäivään ④.
  - 3 Aseta työvälina paikoilleen ja laske sekoituspää alas.
  - 4 Poista roiskesuoja toistamalla yllä olevat toiminnot päinvastaisessa järjestyksessä.
- Sekoituksen aikana aineksia voidaan lisätä suoraan kulhoon syöttöputkea pitkin.

## elektroninen nopeudentunnistin

Vatkaimessa on elektroninen nopeudentunnistin, joka ylläpitää nopeutta erilaisissa kuormituksissa, kuten leipätaikinaa alustettaessa tai muniä lisättäessä kakkutaikinaan. Koneen nopeudessa voi kuulua vaihtelua toiminnan aikana, kun vatkain asetuu oikealle nopeudelle kuormituksen mukaan – tämä on normaalia.

### 15 yleiskone

- Ⓐ syöttöpainin
- Ⓑ syöttöputki
- Ⓒ kansi
- Ⓓ hienonnusterä
- Ⓔ kulho ja vetoakseli
- Ⓕ paksu viipalointilevy/raastamislevy
- Ⓖ ohut viipalointilevy/raastamislevy
- Ⓗ erittäin hieno raastamislevy
- Ⓘ irrotettava pyörityskappale

## yleiskoneen käyttäminen

- 1 Poista aukon kansi kääntämällä sitä vastapäivään ja nostamalla se irti ⑤.
- 2 Aseta kulho ⑥ aukon päälle niin, että kahva on oikealla puolella ja käännä kulhoa myötäpäivään kunnes se lukittuu paikoilleen ⑥.
- 3 Lisää hienonnusterä tai irrotettava pyörityskappale haluamallasi välineellä.

**Huomaa: Irrotettavan pyörityskappaleen ① saa kiinnittää vain käytettäessä levyjä ja sitruspuserrinta.**

- Aseta kulho ja varuste aina paikoilleen yleiskoneeseen ennen aineosien lisäämistä.
- 4 Aseta kansi ⑦ paikoilleen – varmista, että hienonnusterän/pyörityskappaleen yläosa tulee kannen keskelle.

- **Älä pyöritä yleiskonetta kannen avulla, vaan käytä aina nopeuskytkintä/sykäyspainiketta.**
- 5 Aseta pistoke pistorasiaan, käynnistä laite ja valitse nopeus (lisätietoja nopeussuosituskaaviossa).
- **Yleiskone ei toimi, jos kulho tai kansi ei ole kunnolla paikallaan. Tarkista, että syöttöputki ja kulhon kahva ovat etupuolella.**
  - Saat aikaan lyhyitä sykäyksiä käyttämällä ② -toimintoa. Sykäys toimii pitäessäsi säädintä paikoillaan.
  - 6 Kansi, työvälinae ja kulho irrotetaan päinvastaisessa järjestyksessä.
    - **Sammuta virta ja irrota pistoke pistorasiasta aina ennen kannen irrottamista.**

**tärkeää**

    - Monitoimikoneella ei voi rouhia tai jauhaa kahvinpajuja tai hienontaa kidesokerista hienosokeria.
    - Kun käytät mausteena manteliesanssia tai -aromia varo että aine ei kosketa muoviosiin, sillä siitä jää pysyviä jälkiä.
    - **Älä käsittele kuumia ainesosia.**

## hienonnusterä ①

Terä on monikäyttöisin varuste.

Saavutettu koostumus määräytyy ruoka-aineiden työstön keston mukaan.

Jos haluat karkeamman koostumuksen, käytä sykäyspainiketta.

Voit käsitellä terän avulla kakku- ja leivostaikinoita, hienontaa raakaa tai kypsää lihaa, vihanneksia tai pähkinöitä, soseuttaa keittoja sekä tehdä pateetaikinoita, dippikastikkeita tai korppujauhoja.

### vihjeitä

- Kuutioi lihan, leivän ja vihannesten kaltaiset ainesosat noin 2 cm:n kokoisiksi kuutioiksi ennen käsittelemistä.
- Keksit on murennettava ja lisättävä syöttöputkeen, kun laite on toiminnassa.
- Kun valmistat leivonnaisia, kuutioi kovettunut rasva ensin 2 cm:n kuutioiksi.
- Varo käsittelemästä ruoka-aineita liikaa.
- **Älä käytä hienonnusterää jääpalojen seosten kuten leipätaikinan sekoittamiseen.**
- Älä käytä hienonnusterää jääpalojen tai muiden kovien ruokien, kuten mausteiden pilkkomiseen, ne saattavat vahingoittaa välinettä.

## viipalointilevy/raastamislevy

levyjen käyttäminen

### **käännettävä viipalointilevy/raastamislevy - paksu ⑥, ohut ⑥**

Käytä raastamispuolta juustolle, porkkanoille, perunoille ja niiden kaltaisille ruoka-aineille.

Käytä viipalointipuolta juustolle, porkkanoille, perunalle, kaalille, kurkulle, punajuurelle ja sipulille.

### **erittäin hieno raastamislevy ①**

Raastaa parmesaania ja perunoita saksalaisia perunamykyjä varten.

## viipalointilevyjen käyttäminen

- 1 Kiinnitä kulho ja irrotettava pyörityskappale moottoriosaan.
- 2 Tartu levyn keskiosaan ja aseta se pyörityskappaleeseen oikea puoli ylöspäin.
- 3 Aseta kansi paikalleen.
- 4 Aseta ainekset syöttöputkeen.
- 5 Käynnistä ja paina painimella tasaisesti – älä työnnä sormiasi syöttöputkeen.

### **vihjeitä**

- Käytä tuoreita raaka-aineita.
- Älä paloittele ruokaa liian pieniksi paloiksi. Täytä syöttöputki lähes täyteen. Tämä estää aineksia liikkumasta sivusuunnassa.
- Pystysuunnassa asetetut ainekset tulevat ulos lyhyempinä kuin vaakasuunnassa asetetut.
- Levyyn tai kulhoon jää aina hieman tähteitä.

## ⑩ sitruspuserrin

Sitruspusertimen avulla voit pusertaa mehua sitruhedelmistä (kuten appelsiineista, sitruunoista, limeteistä ja greipeistä).

- ① kartio
- ② siivilä

## sitruspusertimen käyttäminen

- 1 Kiinnitä kulho ja irrotettava pyörityskappale moottoriosaan.
- 2 Kiinnitä siivilä kulhoon. Varmista, että siivilän kahva lukittuu paikalleen kulhon kahvan ③ päälle.
- 3 Aseta kartio akselin päälle ja käännä sitä, kunnes se painuu pohjaan saakka ④.
- 4 Puolita hedelmä. Käynnistä laite. Paina hedelmä kartiota vasten.

### • **Sitruspuserrin ei käynnisty, ellei siivilä ole kunnolla paikallaan.**

- Saat enemmän mehua säilyttämällä hedelmät huoneenlämmössä ja pyörittelemällä niitä pöytätasoa vasten ennen mehun pusertamista.
- Mehua tulee enemmän, kun siirtelet hedelmää sivusuunnassa pusertamisen aikana.
- Jos puserrat paljon mehua, tyhjennä siivilä välillä, jotta hedelmälaiha ja siemenet eivät tuki sitä.

## ⑰ lasinen tehosekoitin

- ① täyttökansi
- ② kansi
- ③ kannu
- ④ tiivisterengas
- ⑤ teräyskikkö

## tehosekoittimen käyttäminen

- 1 Sovita tiivisterengas ④ teräyskikköön ⑤. Varmista, että tiiviste on urassa oikein.

### • **Jos tiiviste on vaurioitunut tai huonosti paikoillaan, laite vuotaa.**

- 2 Kierrä kannu teräyskikön päälle ⑩. Lisätietoja on teräyskikön pohjassa seuraavasti:

 - avatussa asennossa

 - lukitussa asennossa

### **Tehosekoitin ei toimi, jos se on koottu väärin.**

- 3 Laita sekoitettavat ainekset kannuun.
- 4 Sovita kansi astiaan ja paina lukitaksesi se paikoilleen ⑪. Kiinnitä täyttökansi paikoilleen.
- 5 Poista toisen aukon kansi kääntämällä sitä vastapäivään ja nostamalla se irti.
- 6 Kiinnitä tehosekoitin moottoriosaan ja käännä myötäpäivään ⑫ kunnes se lukittuu paikoilleen.

### • **Laite ei toimi jos tehosekoitin ei ole kunnolla paikoillaan.**

- 7 Valitse nopeus (lisätietoja nopeussuosituskaaviossa) tai käytä sykäyspainiketta ⑬.

### **vihjeitä**

- Kun teet majoneesia, aseta kaikki aineosat öljyä lukuun ottamatta tehosekoittimeen. Irrota täyttökansi. Kun laite on toiminnassa, kaada öljy hitaasti kannen aukon läpi.
- Paksut seokset, kuten pateetaikinat ja dippikastikkeet, on ehkä kaavittava lastalla. Jos seos on liian paksua, lisää nestettä.
- Jään murskaaminen: käytä lyhyitä sykäyksiä, kunnes jäämurska on haluamasi kaltaista.

- Mausteiden käsittelemistä ei suositella, sillä ne voivat vaurioittaa muoviosia.
- **Laite ei toimi, jos tehosekoitin ei ole kunnolla paikoillaan.**
- Voit sekoittaa kuivat paloitetut ainekset poistamalla syöttökannen ja pudottamalla palaset yksi kerrallaan laitteen käydessä. Pidä kätesi aukon päällä. Tyhjennä säännöllisesti parhaan lopputuloksen saavuttamiseksi.
- Älä käytä tehosekoitinta säilytysastiana. Säilytä se tyhjiillään ennen käyttöä ja käytön jälkeen.
- Älä koskaan sekoita suurempaa määrää kuin 1,2 litraa – vaahtoavien nesteiden, esim. pirtelön, sallittu määrä on pienempi

## 18 mehulinko

Mehulingolla voit valmistaa mehua kiinteistä hedelmistä ja vihanneksista.

- A) syöttöpainin
- B) kansi
- C) hedelmälihan poistaja
- D) suodatinrumpu
- E) mehuastia
- F) nokka

## mehulingon käyttäminen

- 1 Aseta mehuastia E) toiseen kiinnityspaikkaan niin, että nokka F) osoittaa vasemmalle ja käännä myötäpäivään kunnes astia lukittuu paikoilleen 18).
- 2 Aseta hedelmälihan poistaja C) suodatinrumpuun D) – varmistaen, että lukituskielekkeet menevät rummun pohjassa oleviin uriin 14).
- 3 Aseta suodatinrumpu paikoilleen 15).
- 4 Aseta kansi paikoilleen B) ja käännä kunnes se lukittuu 16). **Mehulinko ei toimi, jos astia tai kansi ei ole kunnolla paikallaan.**
- 5 Aseta sopiva astia mehuaukon alapuolelle.
- 6 Leikkele ruoka-aineet niin, että ne sopivat syöttöputkeen.
- 7 Säädä nopeus suurimmaksi, ja lisää sitten ruoka-aineet syöttöputkeen. Paina alaspäin tasaisesti painimella - **älä työnnä sormiasi syöttöputkeen.** Käsittele pala kokonaan ennen seuraavan palan lisäämistä
- Lisättyäsi viimeisen palan, anna puristimen käydä vielä 30 sekuntia, jotta kaikki mehu tulee suodatinrummulta ulos.

## tärkeää

- Jos puristin alkaa täristä, kytkte virta pois päältä ja poista hedelmäliha rummulta. (Puristin tärisee, jos hedelmälihaa on epätasaisesti rummulla.)
- Maksimimäärä kerralla käsiteltäväksi on 800 g hedelmiä tai vihanneksia.
- Erittäin kovat ruoka-aineiden palaset saattavat hidastuttaa laitetta tai pysäyttää sen kokonaan. Kytke laite pois päältä ja tyhjennä suodatin.
- Kytke laite pois päältä ja tyhjennä hedelmäliha- ja mehuastia säännöllisesti käytön aikana.

## vihjeitä

- Työnnä pehmeät ruoka-aineet syöttöputkeen hitaasti, jotta kaikki mehu saadaan talteen.
- Mitä pikemmin mehu juodaan, sitä enemmän saadaan vitamiineja, sillä vitamiinit häviävät säilytettäessä
- Mehua voidaan säilyttää jääkaapissa muutamia tunteja. Se säilyy paremmin, jos siihen lisätään muutama tippa sitruunamehua.
- Älä juo mehua kolmea lasillista (230 ml/lasi) enempää päivässä, ellet ole tottunut juomaan sitä.
- Lapsille annettaessa lisää mehuun puolet vettä.
- Tumman vihreistä (parsakaali, pinaatti jne.) tai tumman punaisista (punajuuri, punakaali jne.) vihanneksista saatu mehu on erittäin vahvaa. Laimenna niistä saatu mehu aina vedellä.
- Hedelmämeuhussa on runsaasti fruktoosia (hedelmäsokeria). Henkilöiden, joilla on sokeritauti tai alhainen verensokeri tulisi juoda mehua kohtuudella.

## 19 ruokamylyllä

Voit jauhaa ruokamylyssä lihaa, siipikarjaa ja kalaa.

- A) kiinnitysrenkaan avain
- B) kiinnitysrengas
- C) reikälevyt: puolikarkea ja karkea
- D) terä
- E) syöttöruuvi
- F) runko
- G) syöttöputki
- H) syöttölautanen
- I) syöttöpainin

## kokoaminen

- 1 Aseta syöttöruuvi E) lihamyllyn rungon sisään F).
- 2 Aseta terä D) paikalleen niin, että leikkaava puoli on päällimmäisenä. Varmista, että terä on kunnolla paikallaan, sillä muuten laite saattaa vaurioitua.

- 3 Aseta reikälevy paikalleen ⑩. Reikälevyssä olevan kolon tulee olla rungossa olevan lukituskielekkeen kohdalla 17.
- 4 Aseta kiinnitysrenkas löyhästi paikalleen ⑧.

## ruokamylyn käyttäminen

- 1 Nosta sekoituspää ylös.
  - 2 Kun ruokamyly on kuvassa näkyvässä asennossa, aseta syöttöruuvin päässä olevat lukituskielekkeet linjakkain kiinnityspaikan vastaavien urien kanssa 18.
  - 3 Paina ruokamyly kiinnityspaikkaan ja käännä vastapäivään kunnes se lukittuu paikoilleen.
  - 4 Pidä syöttöputki paikoillaan ja kiristä kiinnitysrenkas käsin.
  - 5 Aseta syöttölautanen paikoilleen 19.
  - 6 **Sulata pakastettu ruoka perusteellisesti ennen jauhamista.** Leikkaa liha 2,5 cm paksuiksi paloiksi.
  - 7 Säädä nopeus suurimmaksi. Työnnä ruokaa putkeen painimen avulla varovaisesti yksi pala kerrallaan. **Älä työnnä kovaa** – muuten ruokamyly voi vaurioitua.
- tärkeää**
- Älä koskaan käytä ruokamylyä 10 minuuttia kauempaa, sillä tämä voi vahingoittaa konetta.
  - **Ruokamyly ei toimi jos toisen aukon kansi ei ole paikoillaan.**
- 8 Kun kaikki ruoka-aineet on jauhettu, katkaise laitteesta virta ja irrota pistoke pistorasiasta.
  - 9 Poista ruokamyly. Käytä kiinnitysrenkaan avainta ① poistaaksesi kiinnitysrenkaan jos se on liian tiukalla.

## hoitaminen ja puhdistaminen

- Ennen puhdistamista katkaise laitteesta virta ja irrota pistoke pistorasiasta.
- Irrota varusteet aina ennen puhdistamista.

### virtayksikkö

- Pyyhi kostealla kankaalla ja kuivaa.
- Älä upota veteen äläkä käytä hankaavia aineita.
- Säilytä ylimääräistä johtoa koneen takana olevassa säilytyspaikassa ④.
- Varmista, että yleiskoneen jalusta pysyy puhtaana.

### astia, työvälineet, roiskesuoja

- Pese käsin ja kuivaa huolellisesti.
- Älä puhdista ruostumattomasta teräksestä valmistettua kulhoa teräsharjan tai -villan avulla. Älä käytä valkaisuaineita. Poista kalkkikerrostumat etikalla.

- Pidä kaukana lämmönlähteistä (kuten liedestä, uunista, mikroaaltouunista).

### yleiskone

- **Käsittelle teriä ja leikkuulevyjä varoen – ne ovat erittäin teräviä.**
- Jotkut elintarvikkeet saattavat värjätä muovia. Tämä on täysin normaalia eikä vahingoita muovia tai vaikuta ruoan makuun. Poista väri hankaamalla kasviöljyyn kastetulla kankaalla.

### sitruspuserrin

- Pese käsin ja kuivaa huolellisesti.

### tehosekoitin

- 1 Tyhjennä kannu ja irrota teräsyksikkö.
- 2 Pese kannu käsin.
- 3 Irrota ja pese tiiviste.
- 4 Älä koske teräviä teriä. Harjaa ne puhtaaksi kuumassa saippuavedessä ja huuhtelee sitten juoksevan vesijohtoveden alla. **Älä upota teräosaa veteen.**
- 5 Jätä kuivumaan ylösalaisin.

### mehulinko

- Jotta puhdistaminen olisi helpompaa, pese osat aina heti käytön jälkeen.
- Jotkut ruoka-aineet, esim. porkkana, saattavat värjätä muoviosia. Värin poistamiseksi osia voidaan hangata kasviöljyyn kastetulla liinalla.
- Puhdista suodatin pehmeällä harjalla.
- **Tarkasta suodatin säännöllisesti vaurioiden varalta. Laitetta ei saa käyttää, jos suodatin on vaurioitunut. Katso kohta ”huolto ja asiakaspalvelu”.**

### ruokamyly

- Pese kaikki osat kuumalla saippuavedellä ja kuivaa huolellisesti. Älä pese mitään osia astianpesukoneessa. Älä koskaan käytä soodaliuosta.
- Pyyhi reikälevyt kasviöljyllä. Kääri ne sitten voipaperiin, jotta ne eivät värjäntyisi/ruostuisi.

## kaikki muut osat

- Pese käsin ja kuivaa pesun jälkeen.
- Voit myös tarkistaa astianpesukonetaulukosta, mitkä osat voidaan pestä astianpesukoneen ylätasolla. Älä aseta osia alatasolle suoraan kuumennusvastuksen päälle. On suositeltavaa käyttää lyhyttä ohjelmaa ja alhaista lämpötilaa (enintään 50 °C).

esine	voidaan pestä astianpesukoneessa
<b>Vatkain</b>	
Kulho	✓
Vispilä, vatkain ja taikinakoukku	✓
Roiskesuoja	✓
Aukon kansi	x
<b>Yleiskone</b>	
Kulho, kansi ja painin	✓
Hienonnusterä	✓
Irrotettava pyörityskappale	✓
Leikkuulevyt	✓
<b>Sitruspuserrin</b>	
Kartio, siivilä	✓
<b>Tehosekoitin</b>	
Kannu, kansi ja täyttökansi	✓
Teräsyksikkö ja tiiviste	x
<b>Mehulinko</b>	
Astia, painin, kansi, suodatinrumpu ja hedelmälihan poistaja	✓
<b>Ruokamyly</b>	
Kiinnitysrengas, reikälevyt, terä, syöttöruuvi ja runko	x
Syöttölautanen ja -painin	✓

## huolto ja asiakaspalvelu

- Jos virtajohto vaurioituu, se on turvallisuussyistä vaihdettava. Vaihdotyön saa tehdä KENWOOD tai KENWOODIN valtuuttama huoltoliike.
- **Jos laitteen tai varusteiden käytön kanssa ilmenee ongelmia, tarkista ongelma ongelmanratkaisuohteesta ennen kuin otat yhteyttä asiakaspalveluun.**

Jos tarvitset apua

- laitteen käyttämisessä tai
- laitteen huolto- tai korjaustöissä,
- ota yhteys laitteen ostopaikkaan.
- Kenwood on suunnitellut ja muotoillut Iso-Britanniassa.
- Valmistettu Kiinassa.



### TÄRKEITÄ OHJEITA TUOTTEEN HÄVITTÄMISEEN EUROOPAN UNIONIN DIREKTIIVIN 2002/96 MUKAISESTI.

Tuotetta ei saa hävittää yhdessä tavallisten kotitalousjätteiden kanssa sen lopullisen käytöstä poiston yhteydessä.

Vie se paikallisten viranomaisten hyväksymään kierrätyskeskukseen tai anna se jälleenmyyjän hävitettäväksi, mikäli kyseinen palvelu kuuluu jälleenmyyjän toimialaan. Suojelet luontoa ja vältyt virheellisen tai väärän romutuksen aiheuttamilta terveysriskeiltä, mikäli hävität kodinkoneen erillään muista jätteistä. Näin myös kodinkoneen sisältämät kierrätettävät materiaalit voidaan kerätä talteen, jolloin säästät energiaa ja luonnonvaroja.

Tuotteessa on ristillä peitetty roskasäiliön merkki, jonka tarkoituksena on muistuttaa että kodinkoneet on hävitettävä erikseen muista kotitalousjätteistä.

## nopeussuosittelustaulukko ja maksimikapasiteetit

Nämä ovat ainoastaan ohjeita ja voivat vaihdella riippuen astiassa olevan seoksen määrästä ja käytetyistä ainesosista.

<b>väline/osa</b>	<b>toiminto</b>	<b>nopeus</b>	<b>aika</b>	<b>maksimikapasiteetit</b>
<b>Yleiskone</b>				
Vispilä	Munanvalkuaiset	Min - Max	2 min	2-8 (70 g-280 g)
	Kerma	Min - Max	1½ min	125 ml 600 ml
Vatkain	Valmiit leivontaseokset	Min - Max	1½ min	1,6 kg kokonaispaino 8 munaa vatkattuna
	Hedelmäkakku - rasvan ja sokerin vaahdottaminen Esimerkiksi jauhojen ja hedelmien kääntelevinen sekaisin	Min - Max Min	4 min Enintään 1 min	1,8 kg kokonaispaino 6 munaa vatkattuna
	Rasvan hierominen jauhoihin Veden lisääminen taikin joukkoon	Min - 2 Min	5 min 30 sek	450 g jauhoja
Taikinakoukku	Leipätaikina (hiivataikina)	Min - 2	4 min	jauhojen paino 500 g kokonaispaino 800 g
<b>Monitoimikone</b>				
Hienonusterä	Valmiit leivontaseokset	Max	15 sek	kokonaispaino 600 g 3 munaa vatkattuna
	Rasvan hierominen jauhoihin	Max	Enintään 1 min	jauhojen paino 340 g
	Veden lisääminen taikin joukkoon	Max	10 sek	
	Hienontaminen/soseuttaminen/pateet	Max	Enintään 30 sek	Hienonnettavan vähärasvaisen lihan kokonaispaino 400 g
Levyt: viipalointi/raastaminen	Kiinteät ainesosat, esim. porkkanat, kovat juustot	Max	–	Älä ylitä kulhoon merkittyä maksimikapasiteettia.
	Pehmeät ainesosat, esim. kurkku, tomaatit	3	–	
Erittäin hieno raastamislevy	Parmesaani, peruna saksalaisia perunamykyjä varten	Max	–	
<b>Sitruspuserin</b>	Sitrushedelmät	2	–	–
<b>Tehosekoitin</b>	Kaikki käsittely	Max	Enintään 1 min	1,2 litraa
<b>Mehulinko</b>	Kovat hedelmät ja kasvikset, esim. porkkanat ja omenat	Max	–	800 g
	Pehmeät hedelmät ja kasvikset, esim. tomaatit ja viinirypäleet	Max	–	500 g
<b>Ruokamyly</b>	Liha, siipikarja, kala leikattuna 2,5 cm paksuiksi paloiksi	Max	–	–

\* Keskipokoisia kananmunia (paino 53–63 g)



## ongelmanratkaisuoehje

Ongelma	Syy	Ratkaisu
Laite ei toimi kun sekoitusvälineet ovat käytössä.	Ei virtaa/merkkivalo ei pala.  Sekoituspää ei ole lukittu paikoilleen.  Aukon kansi ei ole kunnolla paikoillaan.  Sekoituspää on nostettu ylös käytön aikana ja laskettu alas ilman, että nopeudensäädin on käännetty 'O' (POIS)-asentoon.	Tarkista, että virtajohto on seinän pistorasiassa.  Tarkista, että sekoituspää on lukittu paikoilleen.  Tarkista, että aukon kansi on paikoillaan.  <b>Laite ei toimi jos aukon kansi ei ole paikoillaan.</b>  Tarkista, että nopeudensäädin on käännetty 'O' (POIS)-asentoon.
Laite pysähtyy kesken käytön.	Laite on ylikuormitettu tai suurin kapasiteetti on ylitetty.  Sekoituspää tai aukon kansi on irronnut.	Sammuta laite, irrota pistoke pistorasiasta ja anna laitteen jäähtyä 30 minuutin ajan. Tarkista suurin kapasiteetti nopeussuosistustaulukosta. Tarkista, että sekoituspää ja aukon kansi on kunnolla paikoillaan.
Toiseen kiinnityspaikkaan liitetty varuste ei toimi.	Toiseen kiinnityspaikkaan liitetty varuste ei ole kunnolla paikoillaan.  Yleiskoneen/mehulingon kansi tai sitruspusertimen siivilä ei ole kunnolla paikoillaan.	Tarkista, että toiseen kiinnityspaikkaan liitetty varuste on lukittu paikoilleen. Tarkista, että toiseen kiinnityspaikkaan liitetty varuste on kunnolla paikoillaan.
Ruokamyly ei toimi.	Varuste ei ole kunnolla paikoillaan.  Aukon kansi ei ole kunnolla paikoillaan.	Tarkista, että varuste on kunnolla paikoillaan. Tarkista, että aukon kansi on paikoillaan.
Laite liikkuu työtasolla.	Laitteen jalusta on likainen tai märkä.	Tarkista säännöllisesti, että jalusta on puhdas ja kuiva.
Välineet/osat toimivat heikosti.	Lue vastaavissa käyttöohjeen kappaleissa olevat vinkit. Tarkista, että osat on asennettu oikein.	
Merkkivalo vilkkuu nopeasti.	Normaali käyttö. Valo vilkkuu jos yhtä tai useampaa turvalukitusta ei ole lukittu oikein.	Jos käytät välinettä, tarkista, että se on lukittu paikoilleen oikein. Tarkista, että sekoituspää on laskettu kokonaan, paitsi jos lihamyly on käytössä. Tarkista, että nopeudensäädin on 'O' (POIS)-asennossa.
Merkkivalo vilkkuu hitaasti.	Virransäästötila käytössä. Kun yleiskoneeseen on ollut virta kytkettynä yli 30 minuuttia ilman, että sitä on käytetty, se siirtyy virrnsäästötilaan. Kun laite on valmis käytettäväksi valo lakkaa vilkkumasta ja palaa koko ajan.	Laite palaa normaaliin käyttötilaan kun ensin valitaan nopeus nopeudensäätimellä ja sen jälkeen käännetään se takaisin 'O' (POIS)-asentoon.
Jos mikään yllämainituista ei ratkaise ongelmaa, tarkista huolto ja asiakaspalvelu -kohta.		

# Türkçe

Ön kapağı açın ve açıklayıcı resimlere bakın

## güvenlik

- Bu talimatları dikkatle okuyun ve gelecekteki kullanımlar için saklayın.
- Tüm ambalajları ve etiketleri çıkartın.
- Kapatın ve prizden çekin:
  - parçaları takmadan veya çıkarmadan önce;
  - kullanımda olmadığı zaman;
  - temizlemeden önce.
- Aletleri/eklentileri takmadan veya çıkartmadan önce, kullanımdan sonra ve temizlikten önce hız kontrolünü 'O' (KAPALI) konumuna getirin.
- Parmaklarınızı hareketli parçalardan ve takılı eklentilerden uzak tutun.
- Mutfak Robotu çalışırken asla başından ayrılmayın.
- Hiç bir zaman hasarlı cihazları kullanmayın. Kontrol ya da tamir ettirin: 'servis ve müşteri hizmetleri' bölümüne bakın.
- Kabloyu çocukların erişebileceği bir yerde asla bırakmayın.
- Güç ünitesi, kordon veya fişi hiç bir zaman ıslatmayın.
- **Çift tahrik çıkışı kullanırken, kâsede hiç bir kâse aletinin takılı veya yerleştirilmiş olmadığından emin olun.**
- Onaylanmamış eklentileri kullanmayın, birden fazla eklenti aynı anda kullanılmamalıdır.
- Maksimum kapasite tablosunda belirtilen değerleri asla aşmayın.
- Cihazı kaldırırken dikkat edin. Kafanın doğru olarak aşağı pozisyonda kilitli olduğundan ve kâsenin, araçların, dış kapağın ve kablonun kaldırmadan önce güvenli olduğundan emin olun.
- Mutfak Robotunu kullanmadan önce kablonun tümünün kablo saklama kısmından ④ çıkartıldığından emin olun.
- Çocuklar cihazla oynamamaları gerektiği konusunda bilgilendirilmelidir.

- Mikser kafasına bir eklenti takılıyken hareket ettirmeyin veya kaldırmayın, bunu yapmak Mutfak Robotunu dengesizleştirebilir.
- Cihazınızı bir çalışma yüzeyinin kenarında kullanmayın.
- Bu fiziki, algılama ya da zihinsel yetersizliği olan kişiler tarafından ya da yeterli deneyimi olmayan kişiler tarafından gözetim altında olmaları ve cihazın güvenli şekilde kullanımına ilişkin talimatları almaları ve olası tehlikeleri anlamaları şartıyla kullanılabilir.
- Cihazın hatalı kullanımı yaralanmaya neden olabilir.
- Bu cihaz çocuklar tarafından kullanılmamalıdır. Cihazı ve kordonunu çocukların erişemeyeceği yerde tutun.
- Bu cihazı sadece iç mekanlarda kullanım alanının olduğu yerlerde kullanın. Kenwood, cihaz uygunsuz kullanımlara maruz kaldığı ya da bu talimatlara uyulmadığı takdirde hiç bir sorumluluk kabul etmez.
- Maksimum değer en büyük yükü çeken eklentiye bağlıdır. Diğer eklentiler daha az güç çekebilir.
- **Kilitleme mekanizması aşırı yüke maruz kaldığında eklentiler hasar görecektir ve yaralanmaya neden olabilecektir.**

### **Mutfak Robotu eklentisi**

- Mutfak Robotu bıçağı ve diskleri çok keskindir, dikkatli tutun. **Tutarken ve temizlerken kesici kenardan uzak durarak tepesinden parmak uçlarınızla tutun.**
- Bıçağı her zaman malzemeleri kâseden dökmeden önce çıkarın.
- Güç kaynağına bağlıyken ellerinizi ve malzemeleri mutfak robotu kâsesinden uzak tutun.
- Yiyecekleri besleme tüpünden aşağı iterken asla parmaklarınızı kullanmayın. Her zaman sağlanan iticiyi kullanın.
- Kapağı mutfak robotu kâsesinden kaldırmadan önce:
  - kapatın;
  - eklentiler/bıçaklar tamamen durana kadar bekleyin.

- **Bıçaklar/kesme diskleri tamamen durmadan mutfak robotu kapağını asla kaldırmayın.**
- **HAŞLANMA RİSKİ:** Ekte işlenmesinden önce, sıcak malzemelerin oda sıcaklığına soğumasına izin verilmelidir.
- Mutfak Robotunu çalıştırmak için kapağı kullanmayın, daima hız/darbe kontrolünü kullanın.

### **Blender eklentisi**

- Güç kaynağına bağlıyken ellerinizi ve malzemeleri blender haznesinden uzak tutun.
- **Bıçak ünitesini, blender haznesi takılı değilken asla güç ünitesine takmayın.**
- **HAŞLANMA RİSKİ:** Eklentide işlenmesinden veya karıştırılmasından önce, sıcak malzemelerin oda sıcaklığına soğumasına izin verilmelidir.
- Blenderi sadece kapak yerine takılıyken çalıştırın.
- Hazneyi sadece verilen bıçak tertibatı ile birlikte kullanın.
- Blenderi asla boş çalıştırmayın.
- Blenderinizin uzun ömürlü olması için asla 60 saniyeden fazla çalıştırmayın. Doğru yoğunluğa ulaşır ulaşmaz aleti kapatın.
- Baharatların işlenmesi plastik parçalara zarar verebilecekleri için önerilmemektedir.
- Meyveli buzlu içecek tarifleri – dondurulurken katı hal almış malzemeleri asla karıştırmayın, hazneye koymadan önce kırın.

### **Kıyma Makinesi eklentisi**

- Her zaman kemiklerin ve kabukların vb. kıymadan önce malzemeden çıkartılmış olduğundan emin olun.
- Fındık kıyarken sadece bir seferde bir kaç adet besleme yapın ve daha fazla eklemeyen önce onları almak için kaydırmaya izin verin.
- Her zaman sağlanan iticiyi kullanın. Asla parmaklarınızı veya malzemeleri besleme tüpüne sokmayın.
- Uyarı – kesme bıçağı keskindir, hem kullanırken hem de temizlerken dikkatlice tutun.

- Açmadan önce eklentinin güvenilir pozisyonda olduğundan emin olun.

### **Meyve Suyu Sıkıcısı eklentisi**

- **Filtre hasarlıysa meyve suyu sıkıcısını kullanmayın.**
- Filtrenin tabanındaki kesici bıçaklar son derece keskindir, filtreyi kullanırken ve temizlerken son derece dikkatli olun.
- Meyve suyu sıkıcısını çalıştırmak için kapağı kullanmayın, daima hız/darbe kontrolünü kullanın.
- Bu eklenti kullanılırken aşırı titreşim olursa, ya hızı azaltın ya da makineyi durdurup fişini çekin ve tamburdan her türlü posayı temizleyin (posa dengesiz dağıtılmış hale gelirse meyve suyu sıkıcısı titreşir).

#### **fişe takmadan önce**

- Elektrik kaynağınızın cihazın alt tarafında gösterilenle aynı olduğundan emin olun.
- Bu cihaz Elektro Manyetik Uyumluluk ile ilgili AT direktifi 2004/108/AT ve gıda ile temas eden malzemeler hakkındaki AT yönetmeliği no. 1935/2004 - 27/10/2004 ile uyumludur.

#### **ilk kullanımdan önce**

- Parçaları yıkayın: 'bakım ve temizlik' bölümüne bakın.

#### **parçalar**

- ① çıkış kapağı
- ② çift tahrik çıkışı (orta ve yüksek hız)
- ③ kilitler
- ④ kablo depolama kısmı
- ⑤ hız/darbe kontrolü
- ⑥ güç ünitesi
- ⑦ kase alet soketi
- ⑧ kase
- ⑨ mikser kafası
- ⑩ kafa açma kolu
- ⑪ K çirpici
- ⑫ spiral hamur kancası
- ⑬ çirpici
- ⑭ sıçrama koruyucusu

#### **eklentiler**

- ⑮ mutfak robotu
- ⑯ narenciye meyve sıkıcısı
- ⑰ cam blender
- ⑱ meyve suyu sıkıcısı
- ⑲ kıyma makinesi

Her eklenti için önerilen hız tablosuna bakın.

## mikser aletleri ve bazı kullanım şekilleri

### K-çırpıcı

- Kek, bisküvi, pasta ürünleri, kaplama, dolgu, ekler ve patates püresi yapmak için.

### çırpma

- Yumurta, krema, pasta hamuru, yağsız sünger kek, beze, cheesecake, mousse ve sufler için. Çırpıcıyı yoğun karışımlarda kullanmayın (örn. yağ ve şeker kremalaştırma) -hasar verebilirsiniz.

### spiral hamur kancası

- Sadece mayalı karışımlar için.

## kâse aletlerini kullanmak için

- 1 Kafa açma kolunu ❶ aşağı bastırın ve mikser kafasını pozisyona kilitlemeye kadar yükseltin.
- 2 Kâseyi altlığa takın ve kilitlemek için ❷ saat yönünün tersine çevirin.
- 3 Bir alet seçin ve klik sesi duyulana kadar alet kutusuna itin ❸.
- 4 Kafa açma kolunu aşağı bastırın ve mikser kafasını pozisyona kilitlemeye kadar alçaltın.
- 5 Fişi prize takın. Açmak için, hız anahtarını istediğiniz ayara çevirin. Kapatmak için 'O' (KAPALI) pozisyonuna çevirin.  
**Mikser kafası yükseltilmiş pozisyonda ise veya çıkış kapağı takılı değilse, Güç Açık ışığı yanıp söner ve makine çalışmaz.**
- Kısa aralıklar için darbe Ⓟ pozisyonuna çevirin.
- 6 Fişi prizden çıkarın.
- 7 Mikser kafasını ve makineyi sabit tutarak kaldırın, aleti çıkıştan çekin.

### önemli

- Mikser kafası çalışma sırasında kaldırılırsa, makine hemen durur. Tekrar çalıştırmak için mikser kafasını alçaltın, hız anahtarını pozisyonuna getirin, birkaç saniye bekleyin ve sonra hızı tekrar seçin. Makine çalışmaya hemen kaldığı yerden başlamalıdır.
- Herhangi bir neden yüzünden güç kesildiyse ve makine durduysa hız anahtarını 'O' (KAPALI) pozisyonuna çevirin, birkaç saniye bekleyin ve sonra hızı tekrar seçin. Makine çalışmaya hemen kaldığı yerden başlamalıdır.
- **Çıkış kapağı doğru takılıncaya kadar makine çalışmayacaktır.**
- Makineden ses geldiğini duyarsanız, ya hemen kapatın ve karışımın bir kısmını boşaltın ya da hızı azaltın.

- Mikser kafasını kaldırmadan önce, daima çift tahrik çıkışına takılı eklenti parçalarını çıkartın.
- **Çift tahrik çıkışını kullanırken, kâsede hiç bir kâse aletinin takılı veya yerleştirilmiş olmadığından emin olun.**

### ipuçları

- Kapatın ve gerektiğinde bir spatula ile kâseyi kazıyın.
- Çırpmak için en uygun olanı oda sıcaklığındaki yumurtalardır.
- Yumurta beyazlarını çırpmadan önce kâsenin içinde yağ veya yumurta sarısı olmadığından emin olun.
- Tarifiniz aksini söylemediği sürece pasta ürünleri için soğuk malzemeler kullanın.
- Kek karışımları için yağ ve şeker kreması yaparken, her zaman oda sıcaklığında yağ kullanın veya önce onu yumuşatın.
- Makinenizde, dökülmeleri en aza indirmek için 'yumuşak başlama' özelliği vardır. Ancak, makine kâsenin içinde ekmek hamuru gibi ağır bir karışım varken çalıştırılırsa, seçilen hızı erişmesinin birkaç dakika alacağını aklınızda bulundurun.

## ekmek yapımı ile ilgili önemli noktalar

- Belirlenen maksimum kapasiteleri aşmayın – makineyi fazla yüklersiniz.
- **Ekmek hamuru gibi ağır yükleri karıştırırken mikser kafasının biraz hareket etmesi normaldir.**
- Malzemeler en iyi sıvıyı önceden koyarsanız karışır.
- Aralıklarda makineyi durdurun ve hamur kancasından karışımı kazıyın.
- Farklı un partileri için gereken sıvı miktarları önemli ölçüde değişebilir ve hamurun yapışkanlığı makineye uygulanan yük üzerinde belirgin bir etkiye sahip olabilir. Hamur karıştırılıyorken makineyi gözlem altında tutmanız tavsiye edilir; işlem 6-8 dakika daha uzun sürmemelidir.

## siçrama koruyucusunu takmak ve kullanmak için

- 1 Kâseyi altlığa takın ve malzemeleri ekleyin.
  - 2 Kâse aracı yuvası ⑦ ile tırnakları hizalayarak siçrama koruyucusunu takın ve pozisyonuna ④ oturtmak için saat yönünün tersine çevirin.
  - 3 Aleti takın sonra mikser kafasını alçaltın
  - 4 Siçrama koruyucusunu çıkarmak için yukardaki prosedürün aksini yapın.
- Karıştırma sırasında, malzemeler oluk aracılığıyla kâseye doğrudan ilave edilebilir.

## elektronik hız sensörü kontrolü

Mikseriniz, ekmek hamuru yoğururken veya bir kek karışımına yumurta eklenirken olduğu gibi farklı yük koşullarında hızı korumak için tasarlanmış bir elektronik hız sensörü kontrolü ile donatılmıştır. Bu nedenle, mikser seçilen yük ve hız uyum sağladıkça çalışma sırasında hızda bazı değişiklikler duyabilirsiniz - bu normaldir.

## ⑮ mutfak robotu

- Ⓐ itici
- Ⓑ besleme tüpü
- Ⓒ kapak
- Ⓓ bıçak
- Ⓔ tahrik mili ile birlikte kâse
- Ⓕ kalın dilimleme/rendeleme diski
- Ⓖ ince dilimleme/rendeleme diski
- Ⓗ ekstra ince rendeleme diski
- Ⓘ sökülebilir tahrik mili

## mutfak robotunuzu kullanmak için

- 1 Saat yönünün tersine çevirerek ve kaldırarak çıkış kapağını çıkarın ⑤.
  - 2 Tutamak sağ tarafa gelecek şekilde kâseyi ④ çıkışın üzerine takın ve yerine oturuncaya kadar saat yönünde çevirin ⑥.
  - 3 İsteddiğiniz eklenti ile bıçağı veya sökülebilir mili ekleyin.  
**Not: Sökülebilir tahrik mili ① sadece diskleri ve narenciye meyve sıkıcısını kullanırken takılmalıdır.**
- Her zaman kâseyi ve eklentiye robota malzemeleri eklemeyi önce takın.
- 4 Bıçağın/tahrik milinin kapağın ortasına takıldığından emin olarak kapağı takın ⑦.

- Robotu çalıştırmak için kapağı kullanmayın, daima hız/darbe kontrolünü kullanın.
- 5 Fişe takın, açın ve bir hız seçin (önerilen hız tablosuna başvurun).
- Kâse veya kapak düzgün olarak takılmadığında robot çalışmayacaktır. Besleme tüpünün ve kâse tutamağının ön tarafa yerleştirilip yerleştirilmediğini kontrol edin.
- Kısa aralıklarla darbe ② kullanın. Darbe, kontrol bu pozisyonda tutulduğu sürece çalışacaktır.
- 6 Kapağı, eklentileri ve kâseyi çıkarmak için yukardaki prosedürün aksini yapın.
- Kapağı çıkarmadan önce daima kapatın ve fişten çekin.

### önemi

- Robotunuz kahve çekirdeği öğütmek veya parçalamak ya da granül şekeri pudra şekerine dönüştürmek için uygun değildir.
- Karışımlara badem özü veya çeşni eklediğinizde plastikte temas etmesinden kaçının, bu kalıcı çizilmeye neden olacaktır.
- Sıcak malzemeler ile işlem yapmayın.

## bıçak ⑮

Bıçak tüm eklentiler içinde en çok yönlü olanıdır. İşleme süresinin uzunluğu elde edilecek dokuyu belirleyecektir.

Daha kalın doku için darbeli kontrolü kullanın. Bıçağı, kek ve hamur işi yapımında, çiğ ve pişmiş et, sebze, ceviz, patates doğramada, çorbaları püre yapmada ve ayrıca bisküvi ve ekmek ufalamada kullanın.

### ipuçları

- İşlemden geçirmeden önce et, ekmek, sebze gibi yiyecekleri yaklaşık 2 cm küpler halinde kesin.
- Bisküviler parçalara bölünmeli ve makine çalışırken besleme tüpünden aşağı ilave edilmelidir.
- Hamur işi yaparken, 2 cm küpler halinde kesilmiş doğrudan buzdolabından yağ kullanın.
- Fazla karıştırmamaya dikkat edin.
- **Ekmek hamuru gibi ağır yükleri karıştırmak için bıçağı kullanmayın.**
- Bıçağı buz küplerini veya baharatlar gibi sert yiyecekleri kıymak için kullanmak eklentiye zarar verebilir.

## dilimleme/rendeleme diskleri

disklerin kullanımı

### tersine çevrilebilir dilimleme/rendeleme diskleri - kalın (F), ince (G)

Rendeleme tarafını peynir, havuç, patates ve benzer nitelikteki gıdalar için kullanın. Dilimleme tarafını peynir, havuç, patates, kabak, salatalık, kırmızı pancar ve soğan dilimlemek için kullanın.

### ekstra ince rendeleme diski (H)

Parmesan peyniri ve Alman patates köfteleri için patates rendeler.

## kesme disklerinin kullanımı

- 1 Kâseyi güç ünitesi üzerine takın ve sökülebilir tahrik milini takın.
- 2 Orta tutamaklardan tutarak, diski uygun yan en üstü ile tahrik mili üzerine yerleştirin.
- 3 Kapağı takın.
- 4 Yiyecekleri besleme tüpüne koyun.
- 5 Açın ve iticiyle eşit olarak itin – parmaklarınızı asla besleme tüpünün içine sokmayın.

### ipuçları

- Taze malzemeler kullanın.
- Yiyecekleri çok küçük kesmeyin. Besleme tüpünün genişliğini oldukça dolu olarak doldurun. Bu, çalışırken yiyeceklerin yanlardan kaymasını engeller.
- Dik olarak yerleştirilen yiyecekler yatay olarak yerleştirilen yiyeceklerden daha kısa çıkar.
- İşlem yaptıktan sonra diskin üzerinde ya da kâsenin içinde her zaman küçük miktarda artık olacaktır.

## (16) narenciye meyve sıkıcısı

Narenciye meyve sıkıcısını portakal, limon, greyfurt gibi narenciye meyvelerini sıkmak için kullanın.

- (A) koni
- (B) süzgeç

## narenciye meyve sıkıcısının kullanımı

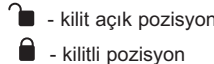
- 1 Kâseyi güç ünitesi üzerine takın ve sökülebilir tahrik milini takın.
- 2 Kâse tutamağı kolu üzerinde doğrudan pozisyona kilitlenmesini sağlayarak, kâseye süzgeci takın (B).

- 3 Koni tamamen aşağıya düşecek şekilde çevirerek tahrik milinin üzerine yerleştirin (A).
- 4 Meyveyi ortadan ikiye kesin. Sonra çalıştırın ve meyveyi koni üzerine bastırın.
- **Kapak yerine doğru takılmazsa narenciye meyve sıkıcınız çalışmayacaktır.**
- En iyi sonucu elde etmek için meyveleri oda sıcaklığında saklayın ve suyunu sıkmadan önce tezgâh üzerinde elinizle yuvarlayın.
- Meyve suyu sıkarken meyve suyu sıkmaya yardımcı olmak için meyveyi bir yandan diğerine hareket ettirin.
- Büyük miktarlarda meyve suyu sıkarken, posa ve çekirdek birikimini önlemek için süzgeci düzenli aralıklarla boşaltın.

## (17) cam blender

- (A) doldurma kapağı
- (B) kapak
- (C) hazne
- (D) conta halkası
- (E) bıçak ünitesi

## cam blenderinizin kullanımı

- 1 Contanın yivli alana doğru bir şekilde takılmasını sağlayarak, sızdırmazlık halkasını (D) bıçak ünitesine (E) takın.
- **Conta zarar görürse veya yanlış takılırsa, sızdırma meydana gelir.**
- 2 Hazneyi bıçak tertibatının (10) üzerine vidalayın. Bıçak ünitesinin altında bulunan grafiğe bakın:  

  - (A) - kilit açık pozisyon
  - (B) - kilitli pozisyon
- **Blender yanlış yerleştirilirse çalışmayacaktır.**
- 3 Malzemeleri hazneye koyun.
- 4 Kabın kapağını takın ve sabitlemek için bastırın (11). Doldurma kapağını takın.
- 5 Saat yönünün tersine çevirerek ve kaldırarak çift tahrik çıkış kapağını çıkarın.
- 6 Blenderi güç ünitesinin üzerine yerleştirin ve kilitlemek için klik sesi duyulana kadar saat yönünde çevirin (12).
- **Blender doğru takılmamışsa cihaz çalışmayacaktır.**
- 7 Bir hız seçin (önerilen hız tablosuna bakın) veya kısa aralıklarla darbe (P) kullanın.

### ipuçları

- Mayonez yaparken, yağ hariç bütün malzemeleri blenderin içine koyun. Doldurma kapağını çıkarın. Sonra, cihaz çalışırken yağı yavaşça kapaktaki delikten ekleyin.



- Yoğun karışımların, örneğin pateler ve dipler, kazanması gerekebilir. Karışımın işlenmesi zorsa, daha fazla sıvı ekleyin.
- Buz kırma – istediğiniz kıvamda kırılana kadar kısa aralıklarla darbe modunda çalıştırın.
- Baharatların işlenmesi plastik parçalara zarar verebilecekleri için önerilmemektedir.
- **Blender doğru takılmamışsa cihaz çalışmayacaktır.**
- Katı malzemelerin karıştırılması – parçalar halinde kesin, doldurma kapağını çıkarın sonra cihaz çalışırken parçaları teker teker atın. Ellerinizi açıklık üzerinde tutun. En iyi sonuçlar için düzenli boşaltın.
- Blenderi saklama kabı olarak kullanmayın. Kullanmadan önce ve kullandıktan sonra boş tutun.
- Asla 1,2 l'den fazla ılık veya soğuk malzeme karıştırmayın – milkshake gibi kıvamlı sıvılar için daha az.

## 18 meyve suyu sıkıcısı

Meyve suyu sıkıcısı ile katı meyve ve sebzelerin suyunu çıkartabilirsiniz.

- (A) itici
- (B) meyve suyu sıkıcısı kapağı
- (C) posa temizleyici
- (D) filtre tamburu
- (E) meyve suyu sıkıcısı kâsesi
- (F) ağız

## meyve suyu sıkıcısının kullanımı

- 1 Meyve suyu sıkıcısı kâsesini (E) ağız (F) sol tarafa bakacak şekilde tahrik çıkışının üzerine takın ve yerine oturana kadar saat yönünde çevirin (13).
- 2 Tırnakların tamburun altındaki yuvalara oturduğundan emin olarak posa temizleyiciyi (C) filtre tamburunun (D) içine takın (14).
- 3 Filtre tamburunu takın (15).
- 4 Meyve suyu sıkıcısı kapağını (B) kâsenin üzerine yerleştirin ve kilitleninceye kadar çevirin (16). **Kap veya kapak düzgün olarak takılmadığında meyve suyu sıkıcınız çalışmayacaktır.**
- 5 Meyve suyu çıkışının altına uygun bir kap yerleştirin.
- 6 Parçaları besleme tüpüne sığacak şekilde doğrayın.

7 Maksimum hıza geçirin, ardından besleme tüpü içine yiyecek yerleştirin. İticiyle eşit olarak itin – **parmaklarınızı asla besleme haznesinin içine sokmayın. Hepsi bitmeden başka malzeme eklemeyin.**

- Son parçayı ittirdikten sonra, meyve suyu sıkıcısının tamburda kalan tüm suyu çıkartması için 30 saniye daha çalıştırın.
- **önemli**
- Meyve suyu sıkıcısı titremeye başlarsa kapatın ve filtredeki posayı boşaltın. (Posa dengesi dağılırsa titreme başlar).
- Bir seferde işlenebilecek maksimum kapasite 800g meyve veya sebzedir.
- Bazı çok sert gıdalar yavaşlama veya durmaya sebep olabilir. Bu olursa kapatın ve filtreyi temizleyin.
- Kullanım sırasında düzenli olarak kapatıp posayı ve meyve suyu kaplarını boşaltın.

### ipuçları

- En fazla suyu elde etmek için yumuşak yiyecekleri yavaş yavaş yerleştirin.
- Vitaminler yok olur - suyu ne kadar erken içerseniz, o derecede fazla vitamin alırsınız.
- Birkaç saat için suyu saklamak gerekiyorsa, buzdolabına koyun. Birkaç damla limon suyu eklerseniz daha iyi korunacaktır.
- Buna alışkın değilseniz, bir günde üç 230ml (8 fl.oz.) bardaktan fazla suyu içmeyin.
- Suyu çocuklar için eşit miktarda su ile sulandırın.
- Koyu yeşil (brokoli, ıspanak vb) veya koyu kırmızı (kırmızı pancar, kırmızı lahana vb) sebzelerden su son derece güçlüdür, bu nedenle her zaman sulandırın.
- Meyve suyu yüksek Fruktoz (meyve şekeri) içerir, bu nedenle diyabet veya düşük kan şekeri olan insanlar çok fazla içmekten kaçınmalıdır.

## 19 kıyma makinesi

Kıyma makinesini et, tavuk ve balık işlemek için kullanın.

- (A) anahtar
- (B) halka somun
- (C) elekler: orta ve iri
- (D) kesici
- (E) kaydırma
- (F) gövde
- (G) besleme tüpü
- (H) tepsi
- (I) itici

## monte etme

- 1 Kaydırıcıyı (E) kıyma makinesinin gövdesinin (F) içine yerleştirin.
- 2 Kesme tarafı en dışta olarak kesiciyi (D) takın. Düzgün oturduğundan emin olun, aksi takdirde kıyma makinenize zarar verebilirsiniz.
- 3 Bir elek takın (C). Çentiği yerleştirme tırnağı üzerine koyun (I).
- 4 Halka somunu hafifçe vidalayın (B).

## kıyma makinenizin kullanımı

- 1 Mikser kafasını kaldırın.
- 2 Kıyma makinesi gösterilen pozisyonda olarak, kaydırma sonundaki tahrik uçlarını tahrik çıkışındaki ilgili yuvalarla hizaya getirin (B).
- 3 Kıyma makinesini çıkışın içine itin ve yerine kilitlenceye kadar saat yönünün tersine çevirin.
- 4 Besleme tüpünün yerinde tutup, elle halka somunu sıkın.
- 5 Tepsiyi takın (H).
- 6 **Kıymadan önce donmuş yiyecekleri iyice çözdürün.** Eti 2,5 cm (1")'lik geniş şeritler halinde kesin.
- 7 Maksimum hıza ayarlayın. İticiyi kullanarak bir seferde tek parça yiyeceği dikkatlice itin. **Sert itmeyin** – kıyma makinenize zarar verebilirsiniz. **Önemli**
  - Kıyma makinesi eklentinizi asla 10 dakikadan fazla çalıştırmayın, mikserinize zarar verebilir.
  - **Çift tahrik çıkış kapağı takılmadığı sürece kıyma makinesi eklentisi çalışmayacaktır.**
- 8 Bütün yiyecekler kıyıldıktan sonra, kapatın ve prizden çekin.
- 9 Kıyma makinesini çıkartın. Çok sıkı ise halka somunu çıkarmak için anahtarı (A) kullanın.

## bakım ve temizlik

- Temizlemeden önce daima kapatın ve fişi çekin.
- Eklentileri temizlemeden önce tümüyle parçalarına ayırın.

### güç ünitesi

- Nemli bir bezle silin, sonra kurulayın.
- Asla suya batırmayın veya çözücü temizleyiciler kullanmayın.
- Fazla kabloyu makinenin arkasındaki saklama bölümünde (4) saklayın.
- Mikserin tabanı üzerinde ayakların temiz tutulmasını sağlayın.

### kâse, aletler, sıçrama koruyucu

- Elde yıkayın, ardından iyice kurulayın.
- Paslanmaz çelik kâsenizi temizlemek için hiçbir zaman tel fırça, çelik tel yumağı veya çamaşır suyu kullanmayın. Kireç temizliği için sirke kullanın.
- Sıcaktan uzak tutun (ocak üstleri, fırınlar, mikro dalgalar).

### mutfak robotu

- **Bıçakları ve kesme disklerini dikkatli tutun – çok keskindirler.**
- Bazı gıdalar, plastiğin rengini değiştirecektir. Bu durum normaldir. Plastiğe zarar gelmez ve yiyeceklerinizin tadını etkilemez. Biraz sıvı bitkisel yağ sürülmüş bir bez ile ovarak bu durumu giderebilirsiniz.

### narenciye meyve sıkıcısı

- Elde yıkayın, ardından iyice kurulayın.

### blender

- 1 Hazneyi bıçak tertibatından sökmeden önce boşaltın.
- 2 Hazneyi elde yıkayın.
- 3 Contayı çıkarın ve yıkayın.
- 4 Aygıtın bıçakları çok keskindir. Bu yüzden elinizi bıçaklardan uzak tutunuz. Bıçakları sabunlu sıcak su ile fırçalayınız ve musluk suyunun altında durulayınız. **Bıçak birimini suya batırmayınız.**
- 5 Ters çevirerek kurumaya bırakın.

### meve suyu sıkıcısı

- En kolay temizlik için parçaları her zaman kullanımdan hemen sonra yıkayın.
- Örneğin havuç gibi bazı besinler plastiğin rengini bozabilir. Bitkisel yağda batırılmış bir bezle silmek renk değişimini önler.
- Yumuşak fırça kullanarak temizleyin.
- **Filtrede hasar olup olmadığını düzenli olarak kontrol edin. Filtre hasarlıysa kullanmayın. "Servis ve müşteri hizmetleri" bölümüne bakın.**

### Kıyma makinesi

- Tüm parçaları sıcak sabunlu suyla yıkayın ve ardından iyice kurulayın. Hiçbir parçayı bulaşık makinesinde yıkamayın. Asla soda çözeltisi kullanmayın.
- Elekleri bitkisel yağ ile silin, ardından rengini değiştirmesini/paslanmasını önlemek için yağ geçirmez kâğıda sarın.

### Diğer tüm parçalar

- Elde yıkayın, ardından kurulayın.
- Alternatif olarak, bulaşık makinesinde yıkanabilir ve bulaşık makinesinin üst rafında yıkanabilir parçalar için bulaşık makinesi tablosuna bakın. Doğrudan ısıtıcı bölüm üzerinde alt göze yerleştirmekten kaçının. Kısa ve düşük sıcaklıklı (Maksimum 50°C) program önerilir.

parça	bulaşık makinesi için uygun
<b>Mikser</b>	
Kâse	✓
Çırpma, karıştırıcı ve hamur kancası	✓
Sıçrama koruyucu	✓
Çıkış kapağı	x
<b>Mutfak Robotu</b>	
Ana kâse, kapak ve itici	✓
Bıçak	✓
Sökülebilir tahrik mili	✓
Diskler	✓
<b>Narenciye meyve sıkıcısı</b>	
Koni, süzgeç	✓
<b>Blender</b>	
Hazne, kapak ve doldurma kapağı	✓
Bıçak ünitesi ve conta	x
<b>Meyve suyu sıkıcısı</b>	
Kâse, itici, kapak, filtre tamburu ve posa temizleyici	✓
<b>Kıyma makinesi</b>	
Halka somun, elekler, kesici, kaydırıcı ve gövde	x
Tepsi ve itici	✓

### servis ve müşteri hizmetleri

- Kablo hasar görmüşse, güvenlik nedeniyle, KENWOOD ya da yetkili bir KENWOOD tamircisi tarafından değiştirilmelidir.
- **Mutfak Robotu veya eklentilerin kullanımı ile ilgili herhangi bir sorun yaşarsanız, yardım istemeden önce sorun giderme kılavuzuna bakın.**
  - Aşağıdakilerle ilgili yardıma ihtiyacınız olursa:
    - cihazınızın kullanımı veya
    - servis veya tamir
    - Cihazınızı satın aldığınız yerle bağlantı kurun.
  - Kenwood tarafından İngiltere'de dizayn edilmiş ve geliştirilmiştir.
  - Çin'de üretilmiştir.



### ÜRÜNÜN AT DİREKTİFİ 2002/96/AT İLE UYUMLU OLARAK DOĞRU ŞEKİLDE BERTARAF EDİLMESİ İÇİN ÖNEMLİ BİLGİ.

Kullanım ömrünün sonunda ürün evsel atıklarla birlikte atılmamalıdır. Ürün yerel yetkililerce belirlenmiş atık toplama merkezine veya bu hizmeti sağlayan bir satıcıya götürülmelidir. Ev aletlerinin ayrı bir şekilde atılması çevre üzerindeki olası negatif etkileri azaltır ve aynı zamanda mümkün olan malzemelerin geri dönüşümünü sağlayarak önemli enerji ve kaynak tasarrufu sağlar. Ev aletlerinin ayrı olarak atılması gerekliliğini hatırlatmak amacıyla üzeri çarpı ile işaretlenmiş çöp kutusu resmi kullanılmıştır.

## önerilen hız grafiği ve maksimum kapasiteler

Bunlar sadece rehberdir ve kâsedeki karışımın ve karışan maddelerin miktarına bağlı olarak farklılık gösterecektir.

alet/eklenti	yemek tarifi türü	hız	süre	maksimum kapasiteler
<b>Mutfak robotu</b>				
Çırpma	Yumurta beyazları	Min ila Maks	2 dk	2-8 (70g-280g)
	Krema	Min ila Maks	1½ dk	125ml 600ml
Çırpıcı	Hepsi bir arada kek karışımları	Min ila Maks	1½ dk	1,6kg toplam ağırlık 8 yumurta karışımı
	Meyveli kek - krema yapma yağı ve şeker Un, meyve vb şeyleri katlama	Min ila Maks Min	4 dk En fazla 1 dk	1,8kg toplam ağırlık 6 yumurta karışımı
	Yağ ile un yoğurma Hamur işleri malzemelerini birleştirmek için su ekleme	Min ila Hız 2 Min	5 dk 30 sn	450g un
Hamur kancası	Ekmek hamuru (sert mayalı)	Min ila Hız 2	4 dk	500g un ağırlığı 800g toplam ağırlık
<b>Mutfak robotu</b>				
Bıçak	Hepsi bir arada kek karışımları	Maks	15 sn	600g toplam ağırlık 3 yumurta karışımı
	Yağ ile un yoğurma	Maks	En fazla 1 dk	340g un ağırlığı
	Hamur işleri malzemelerini birleştirmek için su ekleme malzemeler	Maks	10 sn	
	Doğrama/püre yapma/pateler	Maks	En fazla 30 sn	400g doğrama yağsız et et toplam ağırlığı
Diskler – dilimleme/ rendeleme	Havuçlar, sert peynirler gibi sert gıda maddeleri	Maks	–	Kâse üzerinde işaretli maksimum kapasiteyi aşmayın.
	Salatalıklar, domatesler gibi daha yumuşak maddeler	Hız 3	–	
Ekstra ince rendeleme diski	Parmesan peyniri, Alman patate köfteleri için patates	Maks	–	
<b>Narenciye meyve sıkıcısı</b>	Narenciye meyveleri	Hız 2	–	–
<b>Blender</b>	Bütün işlemler	Maks	En fazla 1 dk	1,2 litre
<b>Meyve suyu sıkıcısı</b>	Sert meyve ve sebzeler, örneğin havuçlar ve elmalar	Maks	–	800g
	Yumuşak meyve ve sebzeler, örneğin domatesler ve üzümler	Maks	–	500g
<b>Kıyma makinesi</b>	Et, tavuk, balık 2.5cm (1") – geniş şeritler	Maks	–	–

\* Kullanılan yumurtaların büyüklüğü = orta boy (Ağırlığı 53-63g)

## sorun giderme kılavuzu

Problem	Nedeni	Çözüm
Karıştırma araçları kullanıldığı zaman makine çalışmıyor	Hiçbir güç/gösterge ışığı yanmıyor.  Mikser kafası düzgün bir şekilde kilitlenmemiş.  Çıkış kapağı doğru takılmamış.  Mikser kafası çalıştırma sırasında kaldırılmış ve hız kontrolünü 'O' (KAPALI) pozisyonuna sınırlamadan tekrar alçaltılmış.	Makine fişinin prize takılı olduğunu kontrol edin  Mikser kafası düzgün bir şekilde kilitleti olduğunu kontrol edin.  Çıkış kapağının düzgün yerleştirildiğini kontrol edin. <b>Çıkış kapağı doğru yerleştirilmemişse makine çalışmayacaktır.</b>  Hız kontrolünün 'O' (KAPALI) pozisyonuna sıfırlandığını kontrol edin.
Makine çalışma sırasında duruyor.	Makine aşırı yüklenmiştir/maksimum kapasitesini aşmıştır.  Mikser kafası veya çıkış kapağı kilidi açılmıştır.	Kapatın, fişten çekin ve makinenin yaklaşık 30 dakika soğumasını bekleyin. Önerilen hız tablosundaki maksimum kapasiteleri kontrol edin.  Mikser kafası veya çıkış kapağının düzgün yerleştirilmiş olduğunu kontrol edin.
Çift tahrik eklentisi çalışmıyor.	Çift tahrik eklentisi düzgün kilitlenmemiş.  Mutfak robotu/meyve suyu sıkıcısı kapağı veya narenciye meyve sıkıcısı süzgeci yanlış yerleştirilmiş.	Çift tahrik eklentisi düzgün yerleştirilmiş olduğunu kontrol edin.  Eklentinin düzgün takılmış olduğunu kontrol edin.
Kıyma makinesi eklentisi çalışmıyor.	Eklenti düzgün kilitlenmemiş.  Çıkış kapağı doğru takılmamış.	Eklentinin düzgün yerleştirilmiş olduğunu kontrol edin.  Çıkış kapağının düzgün yerleştirildiğini kontrol edin.
Çalışma yüzeyi üzerinde hareket.	Makinenin alt tarafındaki ayakları kirlili veya ıslak.	Düzenli olarak ayakların temiz ve kuru olup olmadığını kontrol edin.
Aletlerin/eklentilerin kötü performansı.	İlgili "eklenti kullanımı" bölümündeki ipuçlarına bakın. Eklentilerin doğru takılmış olup olmadığını kontrol edin.	

## sorun giderme kılavuzu

<b>Problem</b>	<b>Nedeni</b>	<b>Çözüm</b>
Güç ışığı hızlı olarak yanıp sönüyor.	Normal çalışma. Kilitlerin bir veya daha fazlası doğru olarak devreye girmediyse ışık yanıp söner.	Bir eklenti kullanıyorsanız, doğru olarak yerine kilitli olduğunu kontrol edin. Kıyma makinesi eklentisi kullanılmadığı sürece, karıştırıcı kafasının tam olarak alçaltılmış konumda olduğunu kontrol edin. Hız kontrolünün 'O' (KAPALI) pozisyonunda olduğunu kontrol edin.
Güç ışığı yavaş olarak yanıp sönüyor.	Bekleme modunda çalışma. Mutfak robotu kullanılmadan 30 dakika fişe takılı bırakılırsa, enerji tüketimini azaltmak için Bekleme moduna geçer. Kullanıma hazır olduğunda, ışık sürekli olarak yanan duruma geçecektir.	Mutfak robotu hız pozisyonuna alınıp, ardından 'O' (KAPALI) pozisyonuna geri döndürüldüğü zaman normal çalışmada normal çalışmasına dönecektir.
Yukarıdakilerin hiçbiri sorunu çözmezse, "servis ve müşteri hizmetleri" bölümüne bakın.		

## bezpečnost

- Přečtěte si pečlivě pokyny v této příručce a uschovejte ji pro budoucí použití.
- Odstraňte veškerý obalový materiál a nálepky.
- Vypněte a odpojte z elektrické zásuvky:
  - před připojením a odpojením částí;
  - pokud spotřebič nepoužíváte;
  - před čištěním.
- Před připojením nebo odpojením nástrojů/nástavců, po použití a před čištěním nastavte ovladač rychlosti do polohy ‚O‘ (VYPNUTO) a odpojte přístroj z elektrické zásuvky.
- Nepřibližujte prsty k pohyblivým částem a připojeným nástavcům.
- Spuštěný kuchyňský robot nenechávejte bez dozoru.
- Nepoužívejte poškozený přístroj. Nechte jej zkontrolovat nebo opravit: viz část ‚Servis a péče o zákazníky‘.
- Nenechávejte volně viset napájecí kabel tam, kde by na něj mohlo dosáhnout dítě.
- Zabraňte namočení hnací jednotky, kabelu nebo zástrčky.
- **Když používáte výstup dvojího pohonu, nesmí být nasazené ani v míse uskladněné žádné nástroje k míse.**
- Nepoužívejte neschválené nástavce nebo více než jeden nástavec najednou.
- Nepřekračujte množství uvedená v tabulce maximálních množství.
- Při zvedání spotřebiče buďte opatrní. Před zvednutím se ujistěte, že je hlavice správně zaklapnutá ve spodní poloze a že mísa, nástroje, kryt výstupu a kabel jsou zajištěné.
- Před použitím kuchyňského robotu zkontrolujte, zda je kabel zcela vytažený z úložného prostoru pro napájecí kabel ④.
- Děti musí být pod dozorem, aby si se spotřebičem nehrály.

- S hlavicí robotu, ke které je připojen nástavec, nehýbejte ani ji nezvedejte, protože byste ohrozili stabilitu kuchyňského robotu.
- Nepoužívejte spotřebič blízko hrany pracovní plochy.
- Osoby se sníženými fyzickými, smyslovými nebo mentálními schopnostmi nebo s nedostatkem zkušeností a znalostí mohou spotřebič používat v případě, že jsou pod dozorem nebo byly poučeny o bezpečném používání spotřebiče a chápou rizika, která jsou s používáním spojená.
- Nesprávné používání spotřebiče může způsobit zranění.
- Tento spotřebič nesmějí používat děti. Spotřebič a jeho kabel musí být mimo dosah dětí.
- Toto zařízení je určeno pouze pro domácí použití. Společnost Kenwood vylučuje veškerou odpovědnost v případě, že zařízení bylo nesprávně používáno nebo pokud nebyly dodrženy tyto pokyny.
- Maximální výkon závisí na nastavci, který má nejvyšší příkon. Ostatní nastavce mohou mít nižší příkon.
- **V případě použití příliš velké síly na zajišťovací mechanismus může dojít k poškození nastavců a zranění.**

### **Food processor**

- Nožová jednotka a kotouče food processoru jsou velmi ostré, proto s nimi zacházejte opatrně. **Při manipulaci a čištění držte kotouče za úchyt nahoře, mimo ostří.**
- Před vyprázdněním nádoby vždy vytáhněte nožovou jednotku.
- Když je food processor připojen k napájení, nestrkejte do jeho nádoby ruce ani kuchyňské náčiní.
- K protlačování potravin plnicí trubicí nepoužívejte prsty. Vždy používejte dodávanou tlačku.
- Před sejmutím víka z nádoby food processoru:
  - vypněte;
  - počkejte, až se nástavec / nožová jednotka zcela zastaví.



- **Nesundávejte víko food processoru, dokud se nožová jednotka / krájecí kotouče zcela nezastaví.**
- **NEBEZPEČÍ OPAŘENÍ:** Horké ingredience nechte před zpracováním v nastavci vychladnout na pokojovou teplotu.
- K ovládání food processoru nepoužívejte víko, vždy používejte ovladač rychlosti / pulzního režimu.

### **Mixér**

- Když je mixér připojen k napájení, nestrkejte do jeho nádoby ruce ani kuchyňské náčiní.
- **Nenasazujte nožovou jednotku na hnací jednotku, pokud není nasazena nádoba mixéru.**
- **NEBEZPEČÍ OPAŘENÍ:** Horké ingredience nechte před zpracováním v nastavci vychladnout na pokojovou teplotu.
- Mixér používejte jen s nasazeným víkem.
- Nádobu mixéru používejte pouze s dodávanou nožovou jednotku.
- Nespouštějte prázdný mixér.
- Abyste nezkracovali životnost mixéru, nespouštějte jej na déle než 60 sekund. Jakmile dosáhnete správné konzistence, vypněte jej.
- Nedoporučujeme zpracovávat koření, protože může poškodit plastové součásti.
- Recepty na ledové koktejly (smoothie) – nemixujte zmražené ingredience, které zmrzly ve velké hroudu. Před přidáním do nádoby je rozdrolte.

### **Mlýnek na maso**

- Před mletím odstraňte z masa kosti, kůži apod.
- Ořechy melte po malém množství a před přidáním dalších počkejte, až šnek zachytí předchozí várku.
- Vždy používejte dodávanou tlačku. Do plnicí trubice nestrkejte prsty ani kuchyňské náčiní.
- Varování – krájecí nůž je ostrý, proto s ním při manipulaci a čištění zacházejte opatrně.
- Před zapnutím zkontrolujte, zda je nástavec bezpečně připojený.

## Odšťavovač

- **Odšťavovač nepoužívejte, pokud má poškozený filtr.**
- Nože v základně filtru jsou velmi ostré, proto buďte při manipulaci s filtrem a jeho čištění opatrní.
- K ovládání odšťavovače nepoužívejte víko, vždy používejte ovladač rychlosti / pulzního režimu.
- Pokud při používání tohoto nástavce dochází k nadměrným vibracím, změňte rychlost nebo robot vypněte, odpojte od napájení a vyčistěte dužninu z bubnu (odšťavovač vibruje, pokud je v něm dužnina nerovnoměrně rozložena).

### před zapojením

- Ujistěte se, že jmenovité hodnoty napájecí sítě odpovídají údajům vyznačeným na spodní části přístroje.
- Tento spotřebič splňuje požadavky směrnice Evropského parlamentu a Rady 2004/108/ES o elektromagnetické kompatibilitě a požadavky nařízení Evropského parlamentu a Rady (ES) 1935/2004 ze dne 27.10.2004 o materiálech a předmětech určených pro styk s potravinami.

### před prvním použitím

- Omyjte jednotlivé části: viz část ‚péče a čištění‘.

### popis

- ① kryt výstupu
- ② výstup dvojího pohonu (střední a vysoká rychlost)
- ③ zajišťovací mechanismus
- ④ úložný prostor pro napájecí kabel
- ⑤ ovladač rychlosti / pulzního režimu
- ⑥ hnací jednotka
- ⑦ výstup pro nástroje k míse
- ⑧ mísa
- ⑨ hlavice robotu
- ⑩ páčka pro uvolnění hlavice
- ⑪ K-metla
- ⑫ spirálový hnětací hák
- ⑬ šlehací metla
- ⑭ kryt mísy

### nástavce

- ⑮ food processor
- ⑯ lis na citrusy
- ⑰ skleněný mixér
- ⑱ odšťavovač
- ⑲ mlýnek na maso

Informace k jednotlivým nástavcům najdete v tabulce doporučených rychlostí.

## míchací nástroje a příklady použití

### K-metla

- Pro přípravu dortů, sušenek, sladkého těsta, polev, náplní, odpalovaného těsta a bramborové kaše.

### šlehací metla

- Na vejce, smetanu, litá těsta, piškoty bez tuku, pusinky, cheesecaky, pěny, bublaniny. Šlehací metlu nepoužívejte na husté směsi (např. šlehání tuku s cukrem) – mohla by se poškodit.

### spirálový hnětací hák

- Pouze na kynutá těsta.

## používání nástrojů k míse

- 1 Zmáčkněte dolů páčku pro uvolnění hlavičky ❶ a zvedněte hlavičku, dokud nahoře nezaklapne v zajištěné poloze.
- 2 Na základnu nasadte mísu a otočením proti směru hodinových ručiček ji zajistěte ❷.
- 3 Vyberte nástroj a zasuňte jej do výstupu pro nástroj, dokud nezaklapne ❸.
- 4 Zmáčkněte dolů páčku pro uvolnění hlavičky a sklopte hlavičku dolů, dokud nezaklapne v zajištěné poloze.
- 5 Zapojte do elektrické zásuvky. Zapněte otočením ovladače rychlosti na požadované nastavení. Chcete-li vypnout, otočte do polohy ‚O‘ (VYPNUTO).

**Pokud je hlavička ve zvednuté poloze nebo není nasazen kryt výstupu, bude blikat kontrolka napájení a robot nepůjde spustit.**

- Pro krátké impulzy maximální rychlostí použijte pulzní režim Ⓟ.
- 6 Odpojte z elektrické zásuvky.
  - 7 Zvedněte hlavičku, pevně ji držte a vytáhněte nástroj z výstupu.

### důležité

- Pokud hlavičku během provozu zvednete, robot ihned přestane pracovat. Chcete-li jej znovu spustit, sklopte hlavičku, otočte ovladač rychlosti do polohy ‚O‘ (VYPNUTO), počkejte pár sekund a pak znovu zvolte rychlost. Robot by se měl ihned znovu spustit.
- Pokud dojde k přerušování napájení a robot přestane pracovat, otočte volič rychlosti do polohy ‚O‘ (VYPNUTO), pár sekund počkejte a pak znovu zvolte rychlost. Robot by se měl ihned znovu spustit.

- Pokud není správně nasazen kryt výstupu, nebude robot fungovat.
- Pokud slyšíte, že robot pracuje ztěžka, buď jej vypněte a odstraňte část směsi, nebo zvýšte rychlost.
- Před zvednutím hlavičky vždy sundejte nástavec připojený k výstupu dvojího pohonu.
- **Když používáte výstup dvojího pohonu, nesmí být nasazen ani v míse uskladněné žádné nástroje k míse.**

### tipy

- V případě potřeby vypněte a setřete stěny mísy stěrkou.
- Nejlépe se šlehaají vejce pokojové teploty.
- Před šleháním bílků se ujistěte, že na šlehací metle ani v míse není žádná mastnota nebo zbytky žloutků.
- Pokud není v receptu uvedeno jinak, na těsto používejte studené ingredience.
- Při šlehání tuku s moučnickové těsto používejte tuk s pokojovou teplotou nebo jej předem nechte změkčnout.
- Robot disponuje funkcí ‚pomalejšího spuštění‘, aby se minimalizovalo stříkání. Pokud robot zapnete, když je v míse hustá směs, například těsto na chleba, může dosažení zvolené rychlosti trvat pár sekund.

## Informace k přípravě chleba

### Důležité

- Nepřekračujte maximální uvedená množství – mohlo by dojít k přetížení robotu.
- **Při míchání hustého těsta, jako je těsto na chleba, se může hlavička robotu hýbat, což je normální.**
- Nejlépe se ingredience smísí, když nejprve nalijete tekutinu.
- Robot občas vypněte a setřete těsto z hnětacího háku.
- Různé várky mouky se výrazně liší v tom, kolik potřebují vody, a lepivost těsta může mít značný vliv na to, jaké zátěži je robot vystaven. Doporučujeme, abyste na robot během míchání těsta dohlíželi. Míchání by nemělo trvat déle než 6–8 minut.

## nasazení a používání krytu mísy

- 1 Nasadte mísu na základnu a přidejte ingredience.
  - 2 Nasadte kryt mísy tak, že jazýčky zasunete do výstupu pro nástroj k míse ⑦ a otočením proti směru hodinových ručiček zajistíte ④.
  - 3 Nasadte nástroj a pak sklopte hlavici.
  - 4 Kryt můžete sundat opačným postupem.
- Ingredience lze během míchání přidávat přímo do mísy skrze otvor v krytu.

## elektronický senzor rychlosti

Robot je vybaven elektronickým senzorem rychlosti, jehož úkolem je udržovat rychlost v různých podmínkách zátěže, například při hnětení těsta na chleba nebo přidání vajec do moučnickového těsta. Během provozu proto můžete slyšet, jak se rychlost mění, když se robot přizpůsobuje zátěži a zvolené rychlosti – to je normální.

## 15 food processor

- Ⓐ tlačka
- Ⓑ plnicí trubice
- Ⓒ víko
- Ⓓ nožová jednotka
- Ⓔ nádoba s hnací hřídelí
- Ⓕ kotouč na hrubé plátky/strouhání
- Ⓖ kotouč na jemné plátky/strouhání
- Ⓗ kotouč na velmi jemné strouhání
- Ⓘ odnímatelná hnací hřídel

## používání food processoru

- 1 Sundejte kryt výstupu tak, že jím otočíte proti směru hodinových ručiček a zvednete jej ⑤.
  - 2 Nasadte nádobu ③ na výstup tak, aby držadlo směřovalo doprava, a otočením ve směru hodinových ručiček zajistíte ⑥.
  - 3 Nasadte nožovou jednotku nebo odnímatelnou hnací hřídel s požadovaným nástavcem.  
**Poznámka: Odnímatelnou hnací hřídel ① nasadte jen v případě, že budete používat kotouče nebo lis na citrusy.**
- Před přidáním ingrediencí vždy nasadte nádobu a nástavec.
- 4 Nasadte víko ⑦ tak, aby vrchol nožové jednotky nebo hnací hřídele zapadl do středu víka.
- **K ovládání food processoru nepoužívejte víko, vždy používejte ovladač rychlosti / pulzního režimu.**

- 5 Zapojte do elektrické zásuvky, zapněte a zvolte rychlost (viz tabulka doporučených rychlostí).
- **Pokud není správně nasazena a zajištěna nádoba nebo víko, nebude food processor fungovat. Zkontrolujte, zda jsou plnicí trubice a držadlo nádoby umístěny vpředu.**
  - Pro krátké impulzy maximální rychlostí použijte pulzní režim ②. Pulzní režim zůstane zapnutý, dokud budete ovladač držet v příslušné poloze.
- 6 Chcete-li víko, nástavce a nádobu sundat, proveďte stejný postup v opačném pořadí.
- **Před sundáním víka vždy vypněte a odpojte z elektrické zásuvky.**

### důležité

- Food processor není vhodný pro mletí kávových zrn nebo krystalového cukru na krupicový cukr.
- Mandlovou esenci nebo aroma do směsí přidávejte tak, abyste nepotřísnili plastové části, protože by mohlo dojít k jejich trvalému zbarvení.
- **Nezpracovávejte horké ingredience.**

## nožová jednotka ①

Nožová jednotka je nejuniverzálnější nástavec. Dosažená konzistence závisí na délce zpracování.

Chcete-li dosáhnout hrubší konzistence, použijte pulzní režim.

Nožovou jednotku můžete použít na moučnicková a jiná těsta, sekání syrového a vařeného masa, zeleninu, ořechy, paštiky, dipy, mixování polévek a také na přípravu strouhanky z pečiva a drobení sušenek.

### tipy

- Potraviny jako maso, pečivo či zeleninu před zpracováním nakrájejte asi na 2 cm velké kostky.
- Sušenky nalamte na kousky a přidávejte plnicí trubici za chodu.
- Při přípravě těsta použijte tuk přímo z lednice nakrájený na 2 cm velké kostky.
- Nenechávejte směs zpracovávat příliš dlouho.
- **Nepoužívejte nožovou jednotku na míchání hustých směsí, jako je těsto na chleba.**
- Nepoužívejte nožovou jednotku na sekání ledových kostek nebo jiných tvrdých potravin, jako je koření, protože by mohly nástavec poškodit.

## kotouče na plátky/strouhání

používání kotoučů

### oboustranné kotouče na plátky/strouhání - hrubé (F), jemné (G)

Stranu pro strouhání používejte na sýry, mrkve, brambory a podobné potraviny.

Stranu pro krájení na plátky používejte na sýry, mrkve, brambory, zeli, okurky, červenou řepu a cibuli.

### kotouč na velmi jemné strouhání (H)

Slouží ke strouhání parmazánu a brambor a bramborové knedlíky.

## používání krájecích kotoučů

- 1 Nasadte nádobu na hnací jednotku a přidejte odnímatelnou hnací hřídel.
- 2 Uchopte kotouč za středový úchyt a umístěte jej na hnací hřídel příslušnou stranou nahoru.
- 3 Nasadte víko.
- 4 Do plnicí trubice vložte potravinu.
- 5 Zapněte a pak rovnoměrně tlačte dolů tlačkou – do plnicí trubice nikdy nestrkejte prsty.

### tipy

- Používejte čerstvé potraviny.
- Nekrájejte potraviny na příliš malé kousky. Měly by téměř vyplnit šířku plnicí trubice. Zabrání to prokluzování potravin při zpracování.
- Potraviny vložené kolmo vytvoří menší kousky než potraviny vložené vodorovně.
- Po zpracování na kotouči nebo v nádobě vždy zůstane trochu odpadu.

## (16) lis na citrusy

Pomocí lisu na citrusy můžete vymačkat šťávu z citrusových plodů (např. pomerančů, citronů, limetek nebo grepů).

- (A) kužel
- (B) sítko

## používání lisu na citrusy



- 1 Nasadte nádobu na hnací jednotku a přidejte odnímatelnou hnací hřídel.
- 2 Do nádoby vložte sítko tak, aby držátko sítka bylo zajištěné přímo nad držadlem nádoby (B).
- 3 Na hnací hřídel nasadte kužel a otáčejte, dokud nesjede až dolů (C).
- 4 Rozkrojte plod na poloviny. Pak zapněte a přitlačte plod na kužel.

- Pokud není sítko správně nasazené, nebude lis na citrusy fungovat.
- Nejlepších výsledků dosáhnete, když použijete ovoce s pokojovou teplotou a předem je poválíte po tvrdé ploše.
- Více šťávy získáte, když ovocem budete při lisování pohybovat ze strany na stranu.
- Při lisování většího množství pravidelně vyprazdňujte sítko, aby nedocházelo k hromadění dužniny a pecek.

## (17) skleněný mixér

- (A) víčko plnicího otvoru
- (B) víko
- (C) nádoba
- (D) těsnicí kroužek
- (E) nožová jednotka

## používání skleněného mixéru

- 1 Vložte těsnicí kroužek (D) do nožové jednotky (E) tak, aby správně zapadl do drážky.
- **V případě poškození nebo nesprávného vložení těsnicího kroužku bude obsah vytékat.**
- 2 Na nožovou jednotku našroubujte nádobu (C). Řiďte se vyobrazením na spodní straně nožové jednotky:
  -  – nezajištěná poloha
  -  – zajištěná poloha
- **V případě nesprávného sestavení nebude mixér fungovat.**
- 3 Do nádoby vložte potraviny.
- 4 Na nádobu nasadte víko a zatlačením zajistěte (B). Nasadte víčko plnicího otvoru.
- 5 Sundejte kryt výstupu dvojího pohonu tak, že jím otočíte prosti směru hodinových ručiček a zvednete jej.
- 6 Nasadte mixér na hnací jednotku a otočte ve směru hodinových ručiček (D), dokud nezaklapne.
- **Pokud není mixér správně nasazený a zajištěný, nebude fungovat.**
- 7 Zvolte rychlost (viz tabulka doporučených rychlostí) nebo použijte pulzní režim (P) pro krátké impulzy.

### tipy

- Při přípravě majonézy dejte do nádoby všechny ingredience kromě oleje. Sundejte víčko plnicího otvoru. Pak za chodu pomalu přilévejte olej otvorem ve víku.
- Husté směsi, například paštiky a dipy, mohou vyžadovat občasně setřetí ze stěny. Pokud se směs obtížně míchuje, přidejte více tekutiny.

- Drcení ledu – použijte pulzní režim v krátkých impulzech, dokud nedosáhnete požadované konzistence.
- Nedoporučujeme zpracovávat koření, protože může poškodit plastové součásti.
- **Pokud není mixér správně nasazený, nebude fungovat.**
- Mixování suchých potravin: nakrájejte na kousky, sundejte víčko plnicího otvoru a pak za chodu vhažujte kousek po kousku. Ruku držte nad otvorem. Abyste dosáhli nejlepších výsledků, pravidelně vyprazdňujte.
- Nepoužívejte mixér jako skladovací nádobu. Před a po použití jej nechávejte prázdný.
- Nemixujte více než 1,2 litru – v případě pěnivých tekutin, jako jsou mléčné koktejly, ještě méně.

## 18 odšťavovač

Pomocí odšťavovače můžete získat šťávu z tvrdého ovoce a zeleniny.

- (A) tlačka
- (B) víko odšťavovače
- (C) odstraňovač dužniny
- (D) buben filtru
- (E) nádoba odšťavovače
- (F) hubice

## používání odšťavovače

- 1 Nasadte nádobu odšťavovače (E) na výstup dvojího pohonu tak, aby hubice (F) směřovala doleva. Pak otočením ve směru hodinových ručiček zajistěte (18).
- 2 Nasadte odstraňovač dužniny (C) do bubnu filtru (D) tak, aby jazyčky zapadly do otvorů na dně bubnu (19).
- 3 Nasadte buben filtru (16).
- 4 Na nádobu nasadte víko odšťavovače (B) a otočením zajistěte (16). **Pokud nejsou nádoba nebo víko správně nasazený a zajištěný, nebude odšťavovač fungovat.**
- 5 Pod hubici postavte vhodnou nádobu.
- 6 Nakrájejte potraviny, aby se vešly do plnicí trubice.
- 7 Zapněte na maximální rychlost a pak vkládejte potraviny do plnicí trubice. Rovnoměrně tlačte dolů tlačkou – **do plnicí trubice nikdy nestrkejte prsty.** Před přidáním další várky zcela zpracujte předchozí várku.
- Po přidání posledního kousku nechte odšťavovač zapnutý dalších 30 sekund, aby se z bubnu filtru získala všechna šťáva.

## důležité

- Pokud odšťavovač začne vibrovat, vypněte jej a odstraňte dužninu z filtru. (Odšťavovač vibruje, pokud je v něm dužnina nerovnoměrně rozložena.)
  - Maximální množství, které lze najednou zpracovat, je 800 g ovoce nebo zeleniny.
  - Některé velmi tvrdé potraviny mohou způsobit zpomalení nebo zastavení nástavce. V takovém případě jej vypněte a vyčistěte filtr.
  - Během používání pravidelně vypínejte a vyprazdňujte nádoby na dužninu a šťávu.
- ### tipy
- Nejvíce šťávy z měkkých potravin získáte, když je budete vkládat pomalu.
  - Vitamíny mizí – čím dříve šťávu vypijete, tím více vitamínů získáte.
  - Pokud šťávu potřebujete na pár hodin uskladnit, dejte ji do lednice. Lépe se uchová, pokud přidáte pár kapek citronové šťávy.
  - Pokud nejste zvyklí, nepijte více než 3 sklenice o objemu 230 ml šťávy denně.
  - Dětem šťávu ředte stejným množstvím vody.
  - Šťáva z tmavě zelené (brokolice, špenát apod.) nebo tmavě červené (červená řepa, červené zelí apod.) zeleniny je velmi silná, proto ji vždy ředte.
  - Ovocná šťáva má velký obsah fruktózy (ovocného cukru), proto by jí lidé s cukrovkou nebo nízkou hladinou cukru v krvi neměli pít příliš mnoho.

## 19 mlýnek na maso

Mlýnek na maso můžete používat k mletí masa (včetně drůbeže a ryb).

- (A) klíč
- (B) kruhová matice
- (C) mlecí vložky: střední a hrubá
- (D) nůž
- (E) šnek
- (F) tělo
- (G) plnicí trubice
- (H) násypka
- (I) tlačka

## sestavení

- 1 Do těla mlýnku (F) zasuňte šnek (E).
- 2 Nasadte nůž (D) řeznou stranou ven. Zajistěte, aby řádně dosedl, jinak by mohlo dojít k poškození mlýnku.
- 3 Nasadte mlecí vložku (C). Nasadte ji výřezem na výčnělek (17).
- 4 Volně nasadte kruhovou matici (B).

## používání mlýnku na maso

- 1 Zvedněte hlavici robotu.
- 2 Mlýnek na maso natočte jako na obrázku tak, aby jazyčky pohonu na konci šneku zapadly do příslušných drážek ve výstupu pohonu 18.
- 3 Zasuňte mlýnek na maso do výstupu a otočením proti směru hodinových ručiček zajistěte.
- 4 Podržte plnicí trubici na místě a rukou utáhněte kruhovou matici.
- 5 Nasadte násypku 19.
- 6 **Zmražené potraviny před mletím důkladně rozmrazte.** Maso nakrájejte na proužky o šířce 2,5 cm.
- 7 Zapněte na maximální rychlost. Pomocí tlačky jemně tlačte potraviny po jednotlivých kouscích. **Netlačte příliš silně** – mohli byste mlýnek poškodit.  
**Důležité**
  - Nepoužívejte mlýnek na maso déle než 10 minut, aby nedošlo k poškození robotu.
  - **Pokud není nasazen kryt výstupu dvojího pohonu, nebude mlýnek na maso fungovat.**
- 8 Po dokončení mletí robot vypněte a odpojte z elektrické zásuvky.
- 9 Odpojte mlýnek na maso. Pokud je kruhová matice příliš utažená, použijte klíč 20.

## péče a čištění

- Před čištěním spotřebič vždy vypněte a odpojte ze zásuvky.
- Nástavce před čištěním zcela rozeberte.

### hnací jednotka

- Otrete vlhkým hadříkem, pak osušte.
- Nepoužívejte brusné materiály a nenamáčejte do vody.
- Přebytečnou délku kabelu uložte v úložném prostoru 4 na zadní straně robotu.
- Nožičky na spodní straně robotu udržujte v čistotě.

### mísa, nástroje, kryt mísy

- Ručně umyjte a pak důkladně osušte.
- K čištění nerezové mísy nepoužívejte tvrdý kartáč, drátěnku ani bělicí prostředky. K odstranění vodního kamene použijte ocet.
- Nepřibližujte ke zdrojům tepla (sporáky, trouby, mikrovlnné trouby).

### food processor

- **S nožovou jednotou a kotouči zacházejte opatrně – jsou velmi ostré.**

- Některé potraviny způsobují změnu barevného odstínu plastických hmot. Jde o běžnou věc, plastický materiál se tím nepoškodí a chuť jídel zůstane stejná. Zbarvení je možné odstranit hadříkem navlhčeným v rostlinném oleji.

### lis na citrusy

- Ručně umyjte a pak důkladně osušte.

### mixér

- 1 Před odšroubováním nádoby z nožové jednotky ji vyprázdněte.
- 2 Nádobu ručně umyjte.
- 3 Sundejte a umyjte těsnění.
- 4 Nedotýkejte se ostrých nožů – umyjte je kartáčkem namočeným v horké mýdlové vodě a potom je dobře opláchněte pod tekoucí vodou.  
**Neponořujte je do vody.**
- 5 Nechejte uschnout v poloze dnem vzhůru.

### odšťavovač

- Aby bylo čištění jednodušší, umyjte části hned po použití.
- Některé potraviny, např. mrkev, obarvují plasty. Obarvení lze snadněji odstranit pomocí hadříku namočeného v rostlinném oleji.
- Filtr vyčistěte pomocí měkkého kartáče.
- **Filtr pravidelně kontrolujte, zda není poškozený. Pokud je filtr poškozený, nepoužívejte jej. Viz „servis a péče o zákazníky“.**

### mlýnek na maso

- Všechny části umyjte v teplé vodě se saponátem a pak důkladně osušte. Žádnou část nemyjte v myčce. Nepoužívejte sodný roztok.
- Mlecí vložky potřete rostlinným olejem a zabalte do papíru nepropouštějícího mastnotu, abyste zabránili nežádoucímu zbarvení a korozi.

### ostatní části

- Ručně umyjte a pak osušte.
- V tabulce pro mytí v myčce najdete části, které lze umývat na horní polici v myčce. Neumývejte je v myčce na spodní polici přímo nad ohřívacím tělesem. Doporučujeme používat krátký program s nízkou teplotou (maximálně 50 °C).

část	vhodné do myčky
<b>Robot</b>	
Mísa	✓
Šlehačí metla, K-metla a hnětací hák	✓
Kryt mísy	✓
Kryt výstupu	✗
<b>Food processor</b>	
Hlavní nádoba, víko a tlačka	✓
Nožová jednotka	✓
Odnímatelná hnací hřídel	✓
Kotouče	✓
<b>Lis na citrusy</b>	
Kužel, sítko	✓
<b>Mixér</b>	
Nádoba, víko a víčko plnicího otvoru	✓
Nožová jednotka a těsnění	✗
<b>Odšťavovač</b>	
Nádoba, tlačka, víko, buben filtru a odšťavovač dužniny	✓
<b>Mlýnek na maso</b>	
Kruhová matice, mlecí vložky, nůž, šnek a tělo	✗
Násepka a tlačka	✓

## servis a péče o zákazníky

- Pokud by došlo k poškození napájecího kabelu, tak je z bezpečnostních důvodů nutné nechat napájecí kabel vyměnit od firmy KENWOOD nebo od autorizovaného servisního technika firmy KENWOOD.
- Pokud se při používání kuchyňského robotu nebo nástavců vyskytnou jakékoli problémy, než požádáte o servis, nejprve zkuste problém vyřešit pomocí průvodce odstraňováním problémů.  
Pokud potřebujete pomoc:
  - se způsobem použití výrobku,
  - s jeho údržbou nebo s opravami,
  - obraťte se na tu prodejnu, kde jste výrobek koupili.
- Zkonstruováno a vyvinuto společností Kenwood ve Velké Británii.
- Vyrobeno v Číně.



### INFORMACE KE SPRÁVNÉMU ZPŮSOBU LIKVIDACE TOHOTO VÝROBKU PODLE SMĚRNICE EVROPSKÉHO PARLAMENTU A RADY 2002/96/ES

Po ukončení doby provozní životnosti se tento výrobek nesmí likvidovat společně s domácím odpadem.

Výrobek se musí odevzdat na specializovaném místě pro sběr tříděného odpadu, zřízeném městskou správou anebo prodejcem, kde se tato služba poskytuje.

Pomocí odděleného způsobu likvidace elektrospotřebičů se předchází vzniku negativních dopadů na životní prostředí a na zdraví, ke kterým by mohlo dojít v důsledku nevhodného nakládání s odpadem, a umožňuje se recyklace jednotlivých materiálů při dosažení významné úspory energií a surovin.

Pro zdůraznění povinnosti tříděného sběru odpadu elektrospotřebičů je výrobek označen symbolem přeškrtnutého odpadkového koše.



## tabulka doporučených rychlostí a maximálních množství

Jedná se pouze o přibližné hodnoty, které se mohou lišit v závislosti na množství směsi v míse/nádobě a použitých ingrediencích.

nástroj/nástavec	typ receptu	rychlost	doba	maximální množství
<b>Kuchyňský robot</b>				
Šlehací metla	Bílky	Min. až Max.	2 min	2–8 (70 g až 280 g)
	Smetana	Min. až Max.	1½ min	125 ml 600 ml
K-metla	Základní těsta na moučníky	Min. až Max.	1½ min	Celková hmotnost 1,6 kg směs z 8 vajec
	Biskupský chlebiček – šlehání tuku s cukrem Vmíchání mouky, ovoce apod.	Min. až Max. Min.	4 min Max. 1 min	Celková hmotnost 1,8 kg Směs ze 6 vajec
	Tření tuku s moukou	Min. až Rychlost 2	5 min	450 g mouky
	Přidání vody ke smíchání ingrediencí na těsto	Min.	30 s	
Hnětací hák	Těsto na chleba (tuhé kynuté)	Min. až Rychlost 2	4 min	500 g mouky Celková hmotnost 800 g
<b>Food processor</b>				
Nožová jednotka	Základní těsta na moučníky	Max.	15 s	Celková hmotnost 600 g Směs ze 3 vajec
	Tření tuku s moukou Přidání vody ke smíchání ingrediencí na těsto	Max. Max.	Max. 1 min 10 s	340 g mouky
	Sekání/pyré/paštiky	Max.	Max. 30 s	400 g libového masa k nasekání
Kotouče – plátky/strouhání	Tvrdé potraviny jako mrkev, tvrdé sýry	Max.	–	Nepřekračujte maximální množství vyznačené na nádobě.
	Měkčí potraviny jako okurky, rajčata	Rychlost 3	–	
Kotouč na velmi jemné strouhání	Parmazán, brambory na bramborové knedlíky	Max.	–	
<b>Lis na citrusy</b>	Citrusové plody	Rychlost 2	–	–
<b>Mixér</b>	Všechny	Max.	Max. 1 min	1,2 litru
<b>Odšťavovač</b>	Tvrdé ovoce a zelenina, např. mrkev a jablka	Max.	–	800 g
	Měkké ovoce a zelenina např. rajčata a hroznové víno	Max.	–	500 g
<b>Mlýnek na maso</b>	Maso (včetně drůbeže a ryb) nakrájené na 2,5 cm široké proužky	Max.	–	–

\*Velikost použitých vajec = střední (hmotnost 53–63 g)

## průvodce odstraňováním problémů

Problém	Příčina	Řešení
Při použití míchacích nástrojů robot nefunguje.	<p>Chybí napájení / nesvíí kontrolka napájení.</p> <p>Hlavice není správně zajištěná ve spodní poloze.</p> <p>Kryt výstupu není správně nasazený.</p> <p>Hlavice byla během provozu zvednuta a znovu sklopena bez nastavení ovladače rychlosti do polohy ‚O‘ (VYPNUTO).</p>	<p>Zkontrolujte zapojení do elektrické zásuvky.</p> <p>Zkontrolujte, zda je hlavice správně zajištěná ve spodní poloze.</p> <p>Zkontrolujte, zda je správně nasazený kryt výstupu.</p> <p><b>Pokud je kryt výstupu nesprávně nasazený, nebude robot fungovat.</b></p> <p>Zkontrolujte, zda je ovladač rychlosti nastavený do polohy ‚O‘ (VYPNUTO).</p>
Robot se během provozu vypne.	<p>Robot je přetížen / je překročeno maximální množství.</p> <p>Uvolnila se hlavice nebo kryt výstupu.</p>	<p>Vypněte, odpojte z elektrické zásuvky a nechte robot 30 minut zchladnout.</p> <p>Zkontrolujte maximální množství v tabulce doporučených rychlostí.</p> <p>Zkontrolujte, zda jsou hlavice a kryt výstupu správně umístěny.</p>
Nástavec připojený k výstupu dvojího pohonu nefunguje.	<p>Nástavec není na výstupu dvojího pohonu správně zajištěný.</p> <p>Víko food processoru / odšťavovače nebo sítko lisu na citrusy není správně nasazeno.</p>	<p>Zkontrolujte, zda je nástavec na výstupu dvojího pohonu správně zajištěný.</p> <p>Zkontrolujte, zda je nástavec správně nasazený.</p>
Mlýnek na maso nefunguje.	<p>Nástavec není správně zajištěný.</p> <p>Kryt výstupu není správně nasazený.</p>	<p>Zkontrolujte, zda je nástavec správně zajištěný.</p> <p>Zkontrolujte, zda je správně nasazený kryt výstupu.</p>
Pohybuje se po pracovní ploše.	Nožičky na spodní straně jsou znečištěné nebo mokré.	Pravidelně kontrolujte, zda jsou nožičky čisté a suché.
Nástroje/nástavce fungují špatně.	Přečtěte si rady v příslušné části „používání nástavce“. Zkontrolujte, zda jsou nástavce správně sestaveny.	
Kontrolka napájení rychle bliká.	<p>Normální provoz.</p> <p>Kontrolka bliká, když není některá část správně zajištěna.</p>	<p>Pokud používáte nástavec, zkontrolujte, zda je správně zajištěný.</p> <p>Zkontrolujte, zda je hlavice zcela ve sklopené poloze (pokud nepoužíváte mlýnek na maso).</p> <p>Zkontrolujte, zda je ovladač rychlosti v poloze ‚O‘ (VYPNUTO).</p>

## průvodce odstraňováním problémů

Problém	Příčina	Řešení
Kontrolka napájení pomalu bliká.	Je aktivován pohotovostní režim. Pokud kuchyňský robot necháte zapojený déle než 30 minut, aniž byste jej použili, přepne se do pohotovostního režimu, aby se snížila spotřeba energie. Až bude připraven k použití, začne kontrolka trvale svítit.	Kuchyňský robot se vrátí do normálního provozu, když ovladač rychlosti otočíte na nějakou rychlost a pak zpět do polohy ‚O‘ (VYPNUTO).
Pokud se problém pomocí výše uvedených rad nevyřeší, přečtěte si část „servis a péče o zákazníky“.		

# Magyar

A használati utasítás olvasása közben hajtsa ki az első oldalt, hogy az illusztrációk is láthatók legyenek.

## első a biztonság

- Alaposan olvassa át ezeket az utasításokat és őrizze meg későbbi felhasználásra!
- Távolítson el minden csomagolóanyagot és címkét!
- Kapcsolja ki a készüléket és a hálózati csatlakozót húzza ki a konnektorból:
  - a részegységek fel- és leszerelése előtt;
  - használaton kívül;
  - tisztítás előtt.
- A keverőfejek és tartozékok fel- és leszerelése előtt, használat után és tisztítás előtt állítsa a sebességszabályozót az „O” (ki) állásba és húzza ki a hálózati csatlakozót.
- Soha ne nyúljon a gép vagy a tartozékok mozgó alkatrészeihez.
- Működés közben soha ne hagyja a konyhagépet felügyelet nélkül.
- Sérült készüléket soha ne használjon! Ellenőriztesse és javíttassa meg: lásd a „szerviz és vevőszolgálat” részt.
- A hálózati vezetéket ne hagyja lelőgni olyan helyen, ahol gyermek elérheti.
- A meghajtóegységet, a hálózati vezetéket és a csatlakozódugót soha ne érje nedvesség.
- **Ügyeljen arra, hogy semmilyen keverőfej ne legyen felszerelve vagy tárolva az edényben, amikor a kettős meghajtó nyílását használja.**
- Csak a gyártó által jóváhagyott tartozékokat használjon. Egyszerre mindig csak egy tartozékot csatlakoztasson a készülékhez.
- Ne lépje túl a maximális kapacitás táblázatában megadott mennyiségeket.

- A készüléket mindig óvatosan emelje fel. A készülék elmozdítása előtt ellenőrizze, hogy a keverőgém a lehajtott állásban rögzítve legyen, illetve, hogy a keverőedény, a keverőfejek, a meghajtó nyílás fedele és a hálózati vezeték se mozdulhasson el.
- Ügyeljen rá, hogy a konyhagép használata előtt a vezetékot teljesen letekerje a vezetéktárolóról ④.
- A gyermekekre figyelni kell, nehogy játsszanak a készülékkel.
- Ne mozgassa vagy emelje meg a keverőgémet beszerelt tartozékkal, mert a konyhagép instabillá válhat.
- Ne üzemeltesse a készüléket a munkafelület széléhez közel.
- A készüléket üzemeltethetik olyanok is, akik mozgásukban, érzékelésükben vagy mentálisan korlátozottak, illetve nincs kellő hozzáértésük vagy tapasztalatuk, amennyiben a készüléket felügyelet mellett használják, vagy annak biztonságos használatára vonatkozóan utasításokkal látták el őket, és tisztában vannak a kapcsolódó veszélyekkel.
- A készülék nem megfelelő használata sérülést okozhat.
- Ezt a készüléket nem használhatják gyermekek. Ügyelni kell arra, hogy a készülékhez és zsinórjához gyermekek ne férjenek hozzá.
- A készüléket csak a rendeltetésének megfelelő háztartási célra használja! A Kenwood nem vállal felelősséget, ha a készüléket nem rendeltetésszerűen használták, illetve ha ezeket az utasításokat nem tartják be.
- A maximális terhelhetőséget a legnagyobb terheléssel működő tartozék határozza meg. A többi tartozék kisebb teljesítménnyel működhet.
- **A tartozékok megsérülhetnek és sérülést okozhatnak, ha a rögzítőmechanizmust túlzott erőnek teszik ki.**

## **Élelmiszer-aprító tartozék**

- Legyen óvatos, mert az élelmiszer-aprító kése és a tárcsák is rendkívül élesek. **A készülék tisztításakor vagy szét- és összeszerelésakor mindig a tetején levő fogórésznél, a vágóélektől távol fogja meg.**
- A késpengét mindig vegye ki, mielőtt kiönti az edény tartalmát.
- Se a keze, se konyhai eszközök ne legyenek az élelmiszer-aprító edényében, amíg a gép feszültség alatt van.
- Az élelmiszert soha ne az ujjával nyomja le az adagolócsőben. Mindig használja a tartozék tömőrudat.
- Mielőtt eltávolítaná a fedelet az élelmiszer-aprító edényéről:
  - kapcsolja ki;
  - várja meg, amíg a tartozék/késpenge teljesen leáll.
- **Soha ne vegye le az élelmiszer-aprító fedelét, amíg a késpengék/vágótárcsák teljesen le nem álltak.**
- **ÉGÉSI SÉRÜLÉS KOCKÁZATA:** Forró hozzávalóknak a tartozékban való feldolgozása előtt várja meg, hogy lehűljenek szobahőmérsékletre.
- Az élelmiszer-aprítót ne a fedéllel működtesse, erre a célra mindig a sebesség- és rövid üzem szabályozót használja.

## **Mixer tartozék**

- Se a keze, se konyhai eszközök ne legyenek a mixer keverőpoharában, amíg a gép feszültség alatt van.
- **Soha ne szerelje a késpengét a meghajtóegységre a keverőpohár nélkül.**
- **ÉGÉSI SÉRÜLÉS KOCKÁZATA:** Forró hozzávalóknak a tartozékban való aprítása vagy keverése előtt várja meg, hogy lehűljenek szobahőmérsékletre.
- A mixert csak akkor működtesse, ha a fedél a helyén van.
- A keverőpoharat kizárólag a hozzá tartozó késegyiséggel használja.
- Soha ne járassa a mixert üresen.

- A mixer hosszú élettartamának megőrzése érdekében soha ne működtesse 60 másodpercnél tovább. Kapcsolja ki, amint elérte a megfelelő konzisztenciát.
- Fűszerek feldolgozására nem javasoljuk, mivel ezek károsíthatják a műanyag alkatrészeket.
- Smoothie receptek – ne turmixoljon összefagyott élelmiszereket, törje darabokra, mielőtt a keverőpohárba tenné őket.

### **Húsdaráló tartozék**

- A darálás előtt mindig távolítsa el a csontokat, bőrt stb. a húsról.
- Dió darálásakor egyszerre csak néhány darabot helyezzen be, várja meg, amíg a csiga elkapja, és utána adagolja a többit.
- Mindig használja a tartozék tömőrudat. Soha ne dugja az ujját vagy bármilyen konyhai eszközt az adagolócsőbe.
- Figyelem! A vágóél éles, ezért körültekintően bánjon vele mind a használat, mind a tisztítás közben.
- A bekapcsolás előtt ellenőrizze, hogy a tartozék megfelelően rögzítve van-e a helyén.

### **Gyümölcscentrifuga tartozék**

- Ne használja a gyümölcscentrifugát, ha a szűrője sérült.
- A szűrő alján levő vágóélek nagyon élesek, ezért mindig óvatosan fogja meg és tisztítsa a szűrőt.
- A gyümölcscentrifugát ne a fedéllel működtesse, erre a célra mindig a sebesség- és rövid üzem szabályozót használja.
- Ha a tartozék használatakor a készülék túlzottan rezeg, akkor vagy csökkentse a sebességet, vagy állítsa le a gépet, húzza ki a konnektorból, majd távolítsa el a gyümölcshúst a dobról (a centrifuga rezeg, ha a pép egyenlőtlenül oszlik el).

### csatlakoztatás előtt

- Ellenőrizze, hogy a háztartásában lévő hálózati feszültség paraméterei megegyeznek a készülék alján feltüntetettekkel.
- A készülék megfelel az elektromágneses összeférhetőségről szóló 2004/108/EK irányelv, valamint az élelmiszerekkel rendeltetésszerűen érintkezésbe kerülő anyagokról szóló 1935/2004/EK rendelet (2004. október 27.) követelményeinek.

### az első használat előtt

- Mossa el az alkatrészeket: lásd „a készülék tisztítása” fejezetet.

## a készülék részei

- 1 nyílásfedél
- 2 kettős meghajtó nyílása (közepes és nagy sebességű)
- 3 rögzítőszerkezet
- 4 vezetőtároló rekesz
- 5 sebesség- és rövid üzem szabályozó
- 6 meghajtóegység
- 7 edény keverőfejének csatlakozóaljzata
- 8 keverőedény
- 9 keverőgém
- 10 keverőgém kioldókarja
- 11 K-keverő
- 12 spirális dagasztókar
- 13 habverő
- 14 fröccsenésgátló idom

### tartozékok

- 15 élelmiszer-apritó
- 16 citrusfacsaró
- 17 üveg mixer
- 18 gyümölcscentrifuga
- 19 húsdaráló

Az egyes tartozékokra vonatkozóan az ajánlott sebességek táblázata ad útmutatást.

## a keverőeszközök és használatuk

### K-keverő

- Tészták, kekszek, sütemények, bevonatok, töltelékek, ekler fánk és burgonyapüré készítéséhez.

### habverő

- Tojás, tejszín felveréséhez, illetve palacsintatészta, zsír nélküli piskótatészta, habcsók, túrótorta valamint különböző habok és pudingok kikeveréséhez. Sűrű anyagokhoz (pl. zsír és cukor kikeveréséhez) ne használja a habverőt, mert deformálódhat.

### spirális dagasztókar

- Csak kelt tészták készítéséhez.

## a keverőfejek használata

- 1 Nyomja le a keverőgém kioldókarját **1**, és emelje fel a keverőgémet, amíg rögzül.
- 2 Helyezze az edényt az alapra, majd jobbra elfordítva rögzítse **2**.
- 3 Válasszon egy eszközt, és kattanásig tolja be a csatlakozóaljzatba **3**.
- 4 Nyomja le a keverőgém kioldókarját, és engedje le a keverőgémet, amíg rögzül.
- 5 Csatlakoztassa a készüléket a hálózathoz. Bekapcsoláshoz fordítsa a sebességszabályozót a kívánt állásba. Kikapcsolásához pedig fordítsa az „O” (ki) állásba.

**Ha a keverőgém felemelt állásban van, vagy a nyílásfedél nincs a helyén, a bekapcsolásjelző villog és a gép nem üzemel.**

- Rövid lökésekhez állítsa a rövid üzem **P** állásba.
- 6 A hálózati csatlakozót húzza ki a konnektorból.
- 7 Emelje fel a keverőgémet, és miközben stabilan tartja, húzza ki a keverőfejet a csatlakozóaljzataból.

### fontos

- Ha üzemelés közben felemeli a keverőgémet, a gép azonnal leáll. Az újraindításhoz engedje le a keverőgémet, a sebességszabályozót fordítsa az „O” (ki) állásba, várjon néhány másodpercig, majd újra válassza ki a kívánt sebességet. A gép azonnal működésbe lép.
- Ha bármilyen okból megszakad az áramellátás és a gép leáll, a sebességszabályozót fordítsa az „O” (ki) állásba, várjon néhány másodpercig, majd újra válassza ki a kívánt sebességet. A gép azonnal működésbe lép.



- **A gép csak akkor működik, ha a nyílásfedél a helyén van.**
- Ha azt hallja, hogy a gép erőlködik, akkor vagy kapcsolja ki a gépet és vegye ki a keverék egy részét, vagy növelje a sebességet.
- A keverőgém felemelése előtt mindig távolítsa el a kettős meghajtó nyílásába helyezett tartozékokat.
- **Ügyeljen arra, hogy semmilyen keverőfej ne legyen felszerelve vagy tárolva az edényben, amikor a kettős meghajtó nyílását használja.**

#### tanácsok

- Ha szükséges, kapcsolja ki a gépet, és a spatulával kaparja le az edény falát.
- A tojást szobahőmérsékleten a legcélszerűbb felverni.
- Tojásfehérje felverésénél ügyeljen arra, hogy se a habverőn, se a keverőedényen ne legyen tojássárgája- vagy zsírmaradék.
- A különböző tésztákhoz ajánlatos hideg összetevőket használni (hacsak a recept mást nem ír elő).
- Amikor tésztát készítéséhez összedolgozza a zsíradékot és a cukrot, a zsír lágy, szobahőmérsékletű legyen.
- A gép „lágú indítás” funkciója minimálisra csökkenti a kifröccsenés veszélyét. Ha a gép bekapcsolásakor az edényben sűrű keverék van, például kenyértészta, akkor a kiválasztott sebesség elérése igénybe vesz néhány másodpercet.

## kenyér készítése

#### fontos

- Soha ne lépje túl a megadott maximális mennyiségeket – a készülék túlterhelését okozhatja.
- **Sűrű keverékek (például kenyértészta) esetén a keverőgém némi elmozdulása normálisnak tekinthető.**
- A hozzávalók akkor keverednek el a legjobban, ha először a folyadékot önti a keverőedénybe.
- Időközönként állítsa le a gépet, és kaparja le a keveréket ki a dagasztókarról.
- A különféle lisztek jelentősen eltérnek abban, hogy mennyi folyadékot igényelnek, és a tészta ragacsosságának jelentős hatása van a gép terhelésére. Azt tanácsoljuk, hogy a tészta keverése közben tartsa szemmel a gépet. A műveletnek nem szabad 6-8 percnél tovább tartania.

## a fröccsenésgátló felszerelése és használata

- 1 Illesze az edényt az alapra, majd helyezze az edénybe a hozzávalókat.
- 2 Helyezze fel a fröccsenésgátlót úgy, hogy illeszkedjen az edény keverőfejének csatlakozójátán levő fülékhez ⑦, majd balra elfordítva rögzítse ④.
- 3 Helyezze be a keverőfejet, majd engedje le a keverőgémet.
- 4 A fröccsenésgátló eltávolításához fordított sorrendben hajtsa végre a fenti eljárást.
  - Keverés közben a hozzávalókat a garaton keresztül közvetlenül a keverőedénybe adagolhatja.

## elektronikus sebességvezérlés

A keverőgép elektronikus sebességvezérlése biztosítja, hogy a sebesség ugyanaz lesz különböző terhelési feltételek mellett is, akár kenyértésztát dagaszt, akár tojást ad a tésztakeverékhez. Előfordulhat, hogy működés közben a sebesség változását érzékeli. Ez normális jelenség, a keverőgép a terheléshez igazodva beállítja a kiválasztott sebességet.

### 15 élelmiszer-aprító

- Ⓐ tömörűd
- Ⓑ adagolócső
- Ⓒ fedél
- Ⓓ késpenge
- Ⓔ edény hajtótengellyel
- Ⓕ vastag szeletelő-/reszelőtárcsa
- Ⓖ vékony szeletelő-/reszelőtárcsa
- Ⓗ extra finom reszelőtárcsa
- Ⓘ levehető hajtótengely

## az élelmiszer-aprító használata

- 1 A nyílásfedelelet fordítsa el balra, és emelje le ⑤.
- 2 Helyezze az edényt ⑥ a nyílás fölé úgy, hogy a fogantyúja jobbra nézzen, majd fordítsa el jobbra, amíg rögzül ⑥.
- 3 Helyezze be a késpengét vagy a levehető hajtótengelyt a kívánt tartozékkal.

**Megjegyzés: A levehető hajtótengelyt ① csak a tárcsák és a citrusfacsaró használatakor kell felszerelni.**

- Mindig szerelje fel az edényt és a tartozékokat az aprítóra, mielőtt betölténé a hozzávalókat.

- 4 Helyezze fel a fedelet ⑦ – ügyeljen arra, hogy a késpenge/hajtótengely teteje a fedél közepén legyen.
- **Az élelmiszer-aprítót ne a fedéllel működtesse, erre a célra mindig a sebesség- és rövid üzem szabályozót használja.**
- 5 Csatlakoztassa a hálózathoz, kapcsolja be, majd válassza ki a sebességet (lásd az ajánlott sebességek táblázatát).
- **Az aprító nem működik, ha az edény vagy a fedél nincs megfelelően felszerelve a rögzítőszerkezetre. Ellenőrizze, hogy az adagolócső és az edény fogantyúja elől legyen.**
  - Rövid lökésekhez használja a rövid üzem ④ funkciót. A rövid üzem funkció addig működik, amíg a szabályozót ebben az állásban tartja.
- 6 A fedél, a tartozékok és az edény eltávolításához fordított sorrendben hajtsa végre a fenti eljárást.
- **A fedél eltávolítása előtt mindig kapcsolja ki a készüléket és a hálózati csatlakozót húzza ki a konnektorból.**

#### fontos

- Az aprító nem alkalmas kávé aprítására vagy őrlésére, vagy kristálycukor porcukorra alakítására.
- Ha mandulakivonatot vagy ízesítő ad a keverékhez, ügyeljen arra, hogy ne érintkezzen a műanyag részekkel, mert tartós elszíneződést okozhat.
- **Ne aprítson forró hozzávalókat.**

## késpenge ①

Az összes tartozék közül a késpenge használható a legtöbb célra. A feldolgozási idő hossza határozza meg a keverék állagát.

Durvább állag eléréséhez használja a rövid üzem funkciót.

A késpenge a következőkhöz használható: sütemény- és tésztakészítés, nyers és főtt hús, zöldségek, diófélék darabolása, pástétom, mártások készítése, levesek pépesítése, valamint pékáru és keksz őrlése.

#### tanácsok

- Az aprítás előtt vágja fel az élelmiszert (húst, kenyeret, zöldséget) kb. 2 cm-es kockákra.
- A kekszet darabokra kell törni, és az adagolócsövön keresztül kell adagolni a gép működése közben.
- Sütemény készítésekor a zsírt egyenesen a hűtőből vegye ki, és vágja 2 cm-es kockákra.

- Ügyeljen arra, hogy ne aprítsa túl az élelmiszert.
- **Ne használja a késpengét nagyon sűrű anyagok keverésére (pl. kenyértészta).**
- Ne használja a késpengét jégkocka vagy más kemény étel, például fűszerek aprítására, mert ezek károsíthatják a tartozékokat.

## szeletelő-/reszelőtárcsák

a tárcsák használata

### megfordítható szeletelő-/reszelőtárcsák - vastag ⑥, vékony ⑦

Sajt, sárgarépa, burgonya és hasonló jellegű élelmiszerek reszeléséhez a tárcsa reszelő oldalát használja.

Sajt, sárgarépa, burgonya, káposzta, uborka, cékla és hagyma szeleteléséhez a tárcsa szeletelő oldalát használja.

### extra finom reszelőtárcsa ⑧

Parmezán sajt és burgonyagombóchoz való burgonya reszeléséhez.

## a vágótárcsák használata

- 1 Illessze az edényt a meghajtógészegre, és helyezze be a levehető hajtótengelyt.
- 2 A középső fogórésznél tartva helyezze a tárcsát a hajtótengelyre úgy, hogy a megfelelő oldala felfelé nézzen.
- 3 Helyezze fel a fedelet.
- 4 Tegye a nyersanyagot az adagolócsőbe.
- 5 Kapcsolja be a készüléket, majd a nyersanyagot egyenletesen nyomja lefelé a tömörítéssel – soha ne dugja az ujját az adagolócsőbe.

#### tanácsok

- Friss hozzávalókat használjon.
- Ne vágja az élelmiszert túl kicsire. Az adagolócső teljes szélességét töltsse ki. Így megakadályozza, hogy a feldolgozás során a nyersanyag oldalirányban kicsússzon.
- A függőlegesen behelyezett darabok rövidebbre lesznek vágva, mint a vízszintesen behelyezett darabok.
- A feldolgozás után mindig marad kis mennyiségű élelmiszer a tárcsán vagy a tálban.

## 16 citrusfacsaró

A citrusfacsaró a citrusfélék (pl. narancs, citrom, lime és grapefruit) levének kinyerésére szolgál.

- A) facsarókúp
- B) szűrő

### a citrusfacsaró használata

- 1 Illessze az edényt a meghajtóegységre, és helyezze be a levehető hajtótengelyt.
  - 2 Illessze a szűrőt az edényre – ügyeljen arra, hogy a szűrő fogantyúja közvetlenül az edény fogantyúja felett rögzüljön B.
  - 3 Helyezze a facsarókúpot a hajtótengelyre, és forgassa el, amíg teljesen illeszkedik C.
  - 4 Vágja félbe a gyümölcsöt. Ezután kapcsolja be a készüléket, és nyomja rá a gyümölcsöt a facsarókúpra.
- **A citrusfacsaró nem működik, ha a szűrő nincs megfelelően rögzítve.**
  - A legkedvezőbb eredmény elérése érdekében szobahőmérsékleten tárolja és facsarja a gyümölcsöt, és a facsarás előtt kézzel lenyomva görgesse meg az asztalon.
  - A lé kinyerésének elősegítése érdekében facsarás közben mozgassa a gyümölcsöt oldalirányban ide-oda.
  - Nagy mennyiségű lé készítésekor rendszeresen ürítse a szűrőt, hogy ne halmozódjon fel benne a gyümölcschús és a mag.

## 17 üveg mixer

- A) a töltőnyílás kupakja
- B) fedél
- C) keverőpohár
- D) tömitőgyűrű
- E) késegség

### a üveg mixer használata

- 1 Helyezze a tömitőgyűrűt D a késegségre E – ügyeljen arra, hogy a tömités megfelelően a horonyban legyen.
- **Szívárgáshoz vezet, ha a tömités sérült vagy nem megfelelően van elhelyezve.**
- 2 Csavarja a keverőpoharat a késegségre D. Lásd a késegség alján látható ábrát:

 – nyitott állás

 – zárt állás

**A mixer nem működik, ha helytelenül van összeszerelve.**

- 3 Helyezze a hozzávalókat a keverőpohárba.
- 4 Helyezze a fedelet a keverőpohárra és lenyomva rögzítse D. Illessze a helyére a töltőnyílás kupakját.
- 5 A kettős meghajtó nyílásának fedelét fordítsa el balra, és emelje le.
- 6 Helyezze a mixert a meghajtóegységre, és forgassa el jobbra E, amíg a helyére nem kattan.
- **A készülék nem működik, ha a mixer nincs megfelelően felszerelve a rögzítőszerkezetre.**
- 7 Válasszon egy sebességet (lásd az ajánlott sebességek táblázatát) vagy rövid lökésekhez használja a rövid üzem P funkciót.

#### tanácsok

- Majonéz készítésekor az olaj kivételével tegye az összes hozzávalót a mixerbe. Vegye le a töltőnyílás kupakját. Ezután a készülék működése közben lassan adja hozzá az olajat a fedélen levő lyukon át.
- Sűrű keverékek, például pástétomok és öntetek készítésekor előfordulhat, hogy le kell kaparni az edény oldalára tapadt masszát. Ha az anyag nehezen keverhető, adjon hozzá folyadékot.
- Jégaprítás – működtesse többször kis ideig a rövid üzem funkcióval, amíg a jég el nem éri a kívánt állagot.
- Fűszerek feldolgozására nem javasoljuk, mivel ezek károsíthatják a műanyag alkatrészeket.
- **A készülék nem működik, ha a mixer nincs megfelelően felszerelve.**
- Száraz hozzávalók keverése – vágja darabokra, távolítsa el a töltőnyílás kupakját, majd a készülék működése közben a darabokat egyenként dobja be a nyíláson. Tartsa a kezét a nyílás felett. A legjobb eredmény elérése érdekében rendszeresen ürítse.
- A mixert soha ne használja étel tárolására. Használat után mindig ürítse ki.
- Soha ne keverjen benne 1,2 liternél több hozzávalót – illetve ennél is kevesebbet habzó folyadék, például tejturmix esetén.

## 18 gyümölcscentrifuga

A gyümölcscentrifuga tömör gyümölcsök és zöldségek levének kinyerésére használható.

- Ⓐ tömörűd
- Ⓑ gyümölcscentrifuga fedele
- Ⓒ pépeltávolító
- Ⓓ szűrődob
- Ⓔ légyűjtő edény
- Ⓕ kiömlőnyílás

### a gyümölcscentrifuga használata

1 Helyezze a légyűjtő edényt Ⓔ a kettős meghajtó nyílása fölé úgy, hogy a kiömlőnyílás Ⓕ a bal oldalon legyen, és fordítsa el jobbra, amíg rögzül 18.

2 Helyezze a pépeltávolítót Ⓒ a szűrődobba Ⓓ – ügyeljen arra, hogy a fülek a dob alján található aljzatokba kerüljenek 19.

3 Helyezze be a szűrődobot 15.

4 Tegye a gyümölcscentrifuga fedelét Ⓑ az edényre, és fordítsa el, amíg rögzül 18. **A gyümölcscentrifuga nem működik, ha az edény vagy a fedél nincs megfelelően felszerelve a rögzítőszervezetre.**

5 Helyezzen egy megfelelő edényt a gyümölcscentrifuga kiömlőnyílása alá.

6 Vágja a nyersanyagot akkora darabokra, hogy beférjen az adagolócsőbe.

7 Állítsa a készüléket maximális sebességre, majd tegye a nyersanyagot az adagolócsőbe. A nyersanyagot egyenletesen nyomja lefelé a tömörűddel – **soha ne dugja az ujját az adagolócsőbe.** Teljesen dolgozza fel, mielőtt újabb adagot hozzátenne.

• Az utolsó darab hozzáadása után még hagyja 30 másodpercig működni a gyümölcscentrifugát, hogy az összes lé kijusson a szűrődobból.

#### fontos

- Ha a gyümölcscentrifuga rázkódni kezd, kapcsolja ki, és őrítse ki a pépet a szűrőből. (A gyümölcscentrifuga akkor rázkódik, ha a pép egyenetlenül oszlik el a dobban.)
- Az egyszerre feldolgozható legnagyobb mennyiség 800 g gyümölcs vagy zöldség.
- Nagyon kemény nyersanyagok feldolgozása közben a tartozék lelassulhat vagy megállhat. Ilyenkor kapcsolja ki a készüléket, és tisztítsa meg a szűrőt.

- Használat közben rendszeresen kapcsolja ki a gépet és őrítse ki a pépet és a légyűjtő edényeket.

#### tanácsok

- A lágú nyersanyagot lassan helyezze be, hogy a legtöbb nyers nyerje ki.
- A vitaminok lebomlanak – minél hamarabb megissza a lét, annál több vitamin hasznosul.
- Ha néhány óráig tárolnia kell a lét, tegye hűtőbe. Jobban eláll, ha néhány csepp citromlevet tesz hozzá.
- Ha nincs hozzászokva, akkor naponta ne igyon három kétdecis pohárnál több levet.
- Gyermekeknek azonos mennyiségű víz hozzáadásával hígítsa a lét.
- A sötétzöld (pl. brokkoli, spenót) vagy sötétpiros (pl. cékla, vörös káposzta) zöldségek leve rendkívül erős, ezért mindig hígítsa.
- A gyümölcslé sok fruktózt (gyümölcscukrot) tartalmaz, ezért aki cukorbeteg vagy alacsony a vércukorszintje, az ne igyon belőle túl sokat.

## 19 húsdaráló

A húsdarálót húсок, baromfi és hal darálására használja.

- Ⓐ villáskulcs
- Ⓑ rögzítőgyűrű
- Ⓒ rostélyok: közepes és durva
- Ⓓ vágókés
- Ⓔ csiga
- Ⓕ darálófej
- Ⓖ adagolócső
- Ⓗ tálca
- Ⓘ tömörűd

### összeszerelés

- 1 Illessze a csigát Ⓔ a darálófejbe Ⓕ.
- 2 A vágókést Ⓓ tolja rá a csiga külső végén levő tengelycsonkra úgy, hogy az élei kifelé nézzenek. Ellenőrizze, hogy megfelelően a helyén legyen, különben károsíthatja a húsdarálót.
- 3 Helyezzen egy rostélyt Ⓒ a tengelycsonkra. A darálófej belső felületén található kiemelkedés illeszkedjen a rostélyon levő vájatba 17.
- 4 Lazán csavarja fel a rögzítőgyűrűt Ⓑ.

## a húsdaráló használata

- 1 Hajtsa fel a keverőgémet.
- 2 A húsdarálót az ábrán látható módon tartva illeszse a csiga végén található nyelveket a meghajtó kimenetének nyílásaiba **18**.
- 3 Tolja be a húsdarálót a nyílásba és fordítsa el balra, amíg a helyére kerülve rögzül.
- 4 Fogja meg az adagolócsőnél, és kézzel szorítsa meg a rögzítőgyűrűt.
- 5 Tegye be a tálcát **19**.
- 6 **A fagyasztott nyersanyagot a darálás előtt hagyja teljesen kiolvadni.** A húst vágja 2,5 cm-es csíkokra.
- 7 Állítsa a készüléket maximális sebességre. A tömőrúddal egyenként finoman nyomja le a nyersanyagot az adagolócsőben. **Ne nyomja erősen** – a húsdaráló megsérülhet.  
**fontos**
  - Soha ne működtesse a húsdaráló tartozékot 10 percnél hosszabban, mert ezzel károsíthatja a gépet.
  - **A húsdaráló tartozék csak akkor működik, ha a kettős meghajtó nyílásfedele a helyén van.**
- 8 A darálás befejezése után kapcsolja ki a készüléket és a hálózati csatlakozót húzza ki a konnektorból.
- 9 Vegye le a húsdarálót. Ha a rögzítőgyűrű túl szoros, akkor a kioldásához használja a villáskulcsot **20**.

## a készülék tisztítása

- Tisztítás előtt mindig kapcsolja ki a készüléket, és húzza ki a hálózati csatlakozóját.
- A tisztítás előtt teljesen szerelje szét a tartozékokat.

### meghajtóegység

- Törölje meg egy nedves ronggyal, majd szárítsa meg.
- Ne használjon súrolószert, és soha ne merítse vízbe.
- A felesleges vezetéket tárolja a gép hátulján levő tárolórekeszben **21**.
- Ügyeljen arra, hogy a gép lábai tiszták legyenek.

### edény, keverőfejek, fröccsenésgátló

- Kézzel mosogassa el, majd alaposan szárítsa meg.
- A rozsdamentes acél keverőedény tisztításánál soha ne használjon drótkéfé, fém dörzsszivacsot vagy fehérítő szert. A vízkő eltávolításához használjon ecetet.

- Óvja a közvetlen hőtől (tűzhely, hagyományos és mikrohullámú sütő).

### élelmiszer-aprító

- **A kések és a tárcsák rendkívül élesek, ezért ezekkel megfokú körültekintéssel kell bánni.**
- Bizonyos élelmiszerek hatására a műanyag elszíneződhet. Ez normális jelenség, ami nem károsítja a műanyagot, illetve nem befolyásolja az élelmiszerek ízét. Az ilyen elszíneződések növényi olajba mártott ruhadarabbal dörzsölve eltávolíthatók.

### citrusfacsaró

- Kézzel mosogassa el, majd alaposan szárítsa meg.

### mixer

- 1 Mindig ürítse ki a keverőpoharat, mielőtt lecsavarja a késegségről.
- 2 Mossa el kézzel a keverőpoharat.
- 3 A tömitést vegye le, és mossa el.
- 4 A késeket meleg, mosogatószeres vízbe mártott mosogatókefével tisztítsa meg, majd folyó víz alatt öblítse le. Soha ne érjen kézzel az éles vágókésekhez. **A késegséget soha ne merítse vízbe.**
- 5 Fejjel lefelé fordítva hagyja megszáradni.

### gyümölcscentrifuga

- A könnyebb tisztítás érdekében a használat után azonnal mossa le a részegységeket.
- Egyes élelmiszerek, például a sárgarépa elszínezhetik a műanyagot.
- Az elszíneződés növényi olajba mártott ronggyal dörzsölve eltávolítható. A szűrőt puha kefével tisztítsa meg.
- **Rendszeresen ellenőrizze a szűrőt, hogy nem sérült-e. Ne használja, ha a szűrő sérült.**  
**Bővebben lásd: „szerviz és vevőszolgálat”.**

### húsdaráló

- Az összes alkatrészt forró mosószeres vízben mossa el, majd alaposan szárítsa meg. A készülék egyetlen alkatrészét se tisztítsa mosogatógépben. Ne tisztítsa lúgos oldattal.
- A rostélyokat törölje meg növényi olajjal, majd csomagolja zsirpapírba, hogy megelőzze az elszíneződést/rozsdásodást.

### egyéb alkatrészek

- Kézzel mosogassa el, majd szárítsa meg.
- Az alábbi táblázatban mosogatógépben tisztíthatóként megjelölt alkatrészek mosogatógépben is biztonságosan elmosogathatók, a mosogatógép felső rekeszén. Lehetőleg ne helyezze az alkatrészeket az alsó rekeszre, közvetlenül a fűtőelem fölé. Alacsony hőmérsékletű (legfeljebb 50 °C), rövid program használata javasolt.

részegység	mosogatógépben tisztítható
<b>Keverőgép</b>	
Tál	✓
Habverő, keverő ás dagasztókar	✓
Fröccsenésgátló	✓
Nyílásfedél	✗
<b>Élelmiszer-aprító</b>	
Fő edény, fedél, tömőrúd	✓
Késpenge	✓
Levehető hajtótengely	✓
Tárcsák	✓
<b>Citrusfacsaró</b>	
Facsarókúp, szűrő	✓
<b>Mixer</b>	
Keverőpohár, fedél és töltőnyílás kupakja	✓
Késegység és tömités	✗
<b>Gyümölcscentrifuga</b>	
Edény, tömőrúd, fedél, szűrődob és pépeltávolító	✓
<b>Húsdaráló</b>	
Rögzítőgyűrű, rostélyok, vágókés, csiga és darálófej	✗
Tálca és tömőrúd	✓

## szerviz és vevőszolgálat

- Ha a hálózati vezeték sérült, azt biztonsági okokból ki kell cseréltetni a KENWOOD vagy egy, a KENWOOD által jóváhagyott szerviz szakemberével.
- **Ha a konyhagép vagy a tartozékok használata során bármilyen problémát tapasztal, először mindig olvassa el a hibaelhárítási útmutatót. Ha ez nem vezet eredményre, forduljon szakemberhez.**

Ha segítségre van szüksége:

- a készülék használatával vagy
- a karbantartással vagy a javítással kapcsolatban,
- forduljon az elárusítóhelyhez, ahol a készüléket vásárolta.
- Tervezte és kifejlesztette a Kenwood az Egyesült Királyságban.
- Készült Kínában.



A

### TERMÉK MEGFELELŐ HULLADÉKKEZELÉSÉRE VONATKOZÓ FONTOS TUDNIVALÓK A 2002/96/EK IRÁNYELV ÉRTELMÉBEN

A hasznos élettartamának végére érkezett készüléket nem szabad kommunális hulladékként kezelni.

A termék az önkormányzatok által fenntartott szelektív hulladékgyűjtő helyeken vagy az ilyen szolgáltatást biztosító kereskedőknél adható le. Az elektromos háztartási készülékek szelektív hulladékkezelése lehetővé teszi a nem megfelelő hulladékkezelésből adódó esetleges, a környezetet és az egészséget veszélyeztető negatív hatások megelőzését és a készülék alkotóanyagainak újrahasznosítását, melynek révén jelentős energia- és forrásmegtakarítás érhető el. A terméken áthúzott kerekes kuka szimbólum emlékeztet az elektromos háztartási készülékek szelektív hulladékkezelésének szükségességére.

## ajánlott sebességek maximális kapacitások táblázata

Ezek csak tájékoztató jellegű értékek, függnek az edényben levő keverék mennyiségétől és a feldolgozandó nyersanyagoktól.

keverőfej/ tartozék	recept	sebesség	idő	maximális kapacitás
<b>Konyhagép</b>				
Habverő	Tojásfehérje	Min. – Max.	2 perc	2–8 (70 g – 280 g)
	Tejszín	Min. – Max.	1,5 perc	125 ml 600 ml
Keverő	Tésztaporok	Min. – Max.	1,5 perc	1,6 kg teljes súly 8 tojás
	Gyümölcs torta – zsiradék és cukor összedolgozása Liszt, gyümölcs stb. bekeverése	Min. – Max.  Min.	4 perc  Maximum 1 perc	1,8 kg teljes súly 6 tojás
	Zsiradék bedolgozása lisztbe Víz hozzáadása tészta keverésénél	Min. – 2. seb. Min.	5 perc 30 s	450 g liszt
Dagasztókar	Kenyértészta (élesztővel készült, kemény)	Min. – 2. seb.	4 perc	500 g liszt 800 g teljes súly
<b>Élelmiszer-aprító</b>				
Késpenge	Tésztaporok	Max.	15 s	600 g teljes súly 3 tojás
	Zsiradék bedolgozása lisztbe	Max.	Maximum 1 perc	340 g liszt
	Víz hozzáadása tészta keverésénél	Max.	10 s	
	Aprítás/pürésítés/pástétomkészítés	Max.	Maximum 30 s	400 g aprítandó sovány hús teljes súly
Tárcsák – szeletelő/reszelő	Tömör alapanyagok, például sárgarépa, kemény sajtok	Max.	–	Ne töltse meg az edényt a jelzett maximális kapacitás fölé
	Puhább alapanyagok, például uborka, paradicsom	3. seb.	–	
Extra finom reszelőtárcsa	Parmezán sajt, burgonya burgonyagombóchoz	Max.	–	
<b>Citrusfacsaró</b>	Citrusfélék	2. seb.	–	–
<b>Mixer</b>	Összes feldolgozásnál	Max.	Maximum 1 perc	1,2 liter
<b>Gyümölcs-scentrifuga</b>	Kemény gyümölcsök és zöldségek, pl. sárgarépa és alma	Max.	–	800 g
	Puha gyümölcsök és zöldségek, pl. paradicsom és szőlő	Max.	–	500 g
<b>Húsdaráló</b>	Hús, baromfi, hal, 2,5 cm széles csíkokra vágva	Max.	–	–

\*Felhasznált tojás mérete = közepes (53–63 g)

## hibaelhárítási útmutató

Probléma	Ok	Megoldás
A gép nem működik, ha a keverőeszközökkel használja.	Nincs áram/a jelzőfény nem ég.  A keverőgém nem rögzült megfelelően az alsó állásban.  A nyílásfedél nincs megfelelően felhelyezve.  A keverőgémet működés közben felemelték és visszaengedték, de a sebességszabályozó nem lett visszaállítva az „O” (ki) állásba.	Dugja be a csatlakozót a konnektorbába.  A keverőgémet megfelelően rögzítse az alsó állásban.  Helyezze fel megfelelően a nyílásfedelet.  <b>A gép csak akkor működik, ha a nyílásfedél a helyén van.</b>  A sebességszabályozót állítsa vissza az „O” (ki) állásba.
A gép leáll működés közben.	A gép túlterhelt/túllépte a maximális kapacitást.  A keverőgém vagy a nyílásfedél kioldódott.	Kapcsolja ki, a hálózati csatlakozót húzza ki a konnektorból, és várjon 30 percet, hogy a készülék lehűljön.  Ne lépje túl az ajánlott sebességek táblázatában jelzett maximális kapacitást.  A keverőgém és a nyílásfedél legyen megfelelően a helyén.
A kettős meghajtós tartozék nem működik.	A kettős meghajtós tartozék nincs megfelelően rögzítve. Az élelmiszer-aprító/gyümölcscentrifuga fedele vagy a citrusfacsaró szűrője nincs megfelelő helyen.	Rögzítse megfelelően a kettős meghajtós tartozékot. Gondoskodjon a tartozék megfelelő felhelyezéséről.
A húsdaráló tartozék nem működik.	A tartozék nincs megfelelően rögzítve. A nyílásfedél nincs megfelelően felhelyezve.	Rögzítse megfelelően a tartozékot. Helyezze fel megfelelően a nyílásfedelet.
A gép elmozdul a munkafelületen.	A gép alján levő lábak piszkosak vagy nedvesek.	Rendszeresen tisztítsa meg és törölje szárazra a lábakat.
Az eszközök/tartozékok teljesítménye gyenge.	Lásd a tartozék használatára vonatkozó részben felsorolt tanácsokat. A tartozékok megfelelően legyenek összeszerelve.	



## hibaelhárítási útmutató

<b>Probléma</b>	<b>Ok</b>	<b>Megoldás</b>
Az áramellátás jelzőfénye gyorsan villog.	Normál működés. A lámpa villog, ha valamelyik rögzítőszerkezet nem zár megfelelően.	Ha használ tartozékot, ellenőrizze, hogy megfelelően rögzítve van-e a helyén. A keverőgém teljesen leengedett állásban legyen, kivéve, ha a húsdaráló tartozékot használja. A sebességszabályozó legyen az „O” (ki) állásban.
Az áramellátás jelzőfénye lassan villog.	A gép készenléti üzemmódban van. Ha a konyhagép 30 percnél tovább be van kapcsolva úgy, hogy nem használják, akkor az energiafogyasztás csökkentése érdekében készenléti üzemmódra vált át. A jelzőlámpa újra folyamatosan világít, amikor a készülék használatra kész.	A konyhagép ismét normálisan üzemel, ha a sebességszabályozót egy sebességre állítja, majd visszaállítja az „O” (ki) állásba.
Ha a fentiek nem segítenek, akkor lásd a „szerviz és vevőszolgálat” fejezetet.		

## bezpieczeństwo obsługi

- Przeczytać uważnie poniższą instrukcję i zachować na wypadek potrzeby skorzystania z niej w przyszłości.
- Usunąć wszelkie materiały pakunkowe i etykiety.
- Wyłączyć urządzenie i wyjąć wtyczkę z gniazda sieciowego:
  - przed przystępowaniem do montażu i demontażu części
  - gdy urządzenie nie jest w użyciu
  - przed przystępowaniem do czyszczenia.
- Przed zakładaniem i wyjmowaniem końcówek lub nasadek, po użyciu urządzenia oraz przed przystępowaniem do czyszczenia przesunąć regulator prędkości do pozycji „O”(wyłączony) i wyjąć wtyczkę z gniazda sieciowego.
- Nie zbliżać palców do poruszających się elementów urządzenia i zamocowanych na nim nasadek.
- Pracującego urządzenia nie wolno pozostawiać bez nadzoru.
- Nie używać uszkodzonego urządzenia. W razie awarii oddać je do sprawdzenia lub naprawy (zob. ustęp pt. „Serwis i punkty obsługi klienta”).
- Nie dopuszczać, by w miejscach dostępnych dla dzieci przewód sieciowy zwisał z biału, na którym stoi urządzenie.
- Nie dopuszczać do zamoczenia korpusu z silnikiem, przewodu sieciowego ani wtyczki.
- **Przed korzystaniem z gniazda napędu podwójnego należy sprawdzić, czy w misce nie jest zamocowana ani przechowywana żadna z końcówek lub przyborów do użytku w misce.**
- Nie stosować niekompatybilnych nasadek ani kilku nasadek jednocześnie.
- Nie przekraczać ilości podanych w tabeli maksymalnych dopuszczalnych ilości składników.

- Podczas podnoszenia urządzenia należy zachować ostrożność. Przed podniesieniem sprawdzić, czy głowica jest prawidłowo unieruchomiona w pozycji opuszczonej, a miska, przybory, osłony gniazd i przewód sieciowy nie są luźne.
- Przed rozpoczęciem użytkowania robota sprawdzić, czy przewód sieciowy jest całkowicie rozwinięty ze schowka na przewód ④.
- Dzieci należy nadzorować, aby nie dopuścić do tego, by bawiły się urządzeniem.
- Nie ruszać ani nie unosić głowicy miksera, gdy na robocie zamocowana jest jedna z nasadek, ponieważ może on utracić stabilność.
- Nie użytkować urządzenia stojącego przy krawędzi blatu.
- Urządzenia mogą być użytkowane przez osoby o obniżonej sprawności fizycznej, zmysłowej lub umysłowej lub osoby niemające doświadczenia ani wiedzy na temat zastosowania tych urządzeń, o ile korzystają z nich pod nadzorem odpowiedniej osoby lub otrzymały instrukcje dotyczące ich bezpiecznej obsługi i rozumieją zagrożenia związane z ich użytkowaniem.
- Stosowanie urządzenia w sposób niezgodny z przeznaczeniem może grozić wypadkiem.
- Urządzenia nie wolno obsługiwać dzieciom. Urządzenie i przewód sieciowy należy przechowywać w miejscu niedostępnym dla dzieci.
- Urządzenie jest przeznaczone wyłącznie do zgodnego z przeznaczeniem użytku domowego. Firma Kenwood nie ponosi odpowiedzialności za wypadki i uszkodzenia powstałe podczas niewłaściwej eksploatacji urządzenia lub w wyniku nieprzestrzegania niniejszej instrukcji.
- Wartość maksymalna mocy urządzenia odnosi się do nasadki pracującej pod największym obciążeniem i pobierającej największą ilość prądu. Pobór mocy innych nasadek może być mniejszy.

- **Używanie nadmiernej siły podczas obsługi mechanizmu blokującego spowoduje uszkodzenie nasadek, co w konsekwencji może spowodować wypadek i urazy ciała.**
- **Melakser**
- Noże i tarcze tnące melaksera są bardzo ostre – należy się z nimi obchodzić ostrożnie. **Podczas obsługi i czyszczenia trzymać wyłącznie za przeznaczony do tego uchwyt i nie dotykać krawędzi tnącej.**
- Przed wylewaniem zmiksowanych składników z miski należy zawsze najpierw wyjąć noże.
- Gdy urządzenie jest podłączone do prądu, do miski melaksera nie wolno wkładać rąk ani przyborów kuchennych.
- Żywności nie wolno popychać do podajnika palcami. Używać wyłącznie popychacza załączonego w zestawie.
- Przed zdjęciem pokrywy z miski melaksera:
  - wyłączyć urządzenie;
  - poczekać, aż nasadka/ostrza całkowicie się zatrzymają.
- **Pokrywę melaksera należy zdejmować wyłącznie po całkowitym zatrzymaniu się noży/tarcz.**
- **RYZIKO POPARZENIA:** przed miksowaniem w nasadce gorące składniki należy ostudzić do temperatury pokojowej.
- Nie używać pokrywy do obsługi urządzenia – służy do tego wyłącznie regulator prędkości/przycisk pracy przerywanej.

### **Blender**

- Gdy urządzenie jest podłączone do prądu, do dzbanka blendera nie wolno wkładać rąk ani przyborów kuchennych.
- **Nie zakładać zespołu ostrzy na korpusie z silnikiem, jeżeli nie został na niego założony dzbanek.**
- **RYZIKO POPARZENIA:** przed rozdrabnianiem lub miksowaniem w nasadce gorących składników należy je ostudzić do temperatury pokojowej.
- Blendera można używać wyłącznie z założoną pokrywą.
- Dzbanek używać wyłącznie z zespołem ostrzy załączonym w zestawie.

- Blender nie może pracować z pustym dzbankiem.
- Długi okres użytkowania blendera można zapewnić nie używając urządzenia przez czas dłuższy niż 60 sekund. Po uzyskaniu żądanej konsystencji natychmiast wyłączyć urządzenie.
- Nie zaleca się mielenia przypraw korzennych, ponieważ mogą one uszkodzić plastikowe elementy.
- Przepisy na napoje typu *smoothie* – nie mieszać składników, które zbrłyły się podczas zamrażania. Przed umieszczeniem ich w dzbanku należy je pokruszyć.

### **Maszynka do mielenia**

- Przed rozpoczęciem mielenia mięsa należy zawsze usunąć wszelkie kości, skórę itp.
- Podczas mielenia orzechów do podajnika wsypywać tylko po kilka na raz, a przed dodaniem następnych zaczekać, aż ślimak przesunie poprzednio wrzucone orzechy w głąb komory mielącej.
- Używać wyłącznie popychacza załączonego w zestawie. Do podajnika pod żadnym pozorem nie wolno wkładać palców ani przyborów kuchennych.
- Uwaga – nożyk jest ostry. Podczas obsługi urządzenia oraz przy czyszczeniu należy zachować ostrożność.
- Przed włączeniem urządzenia sprawdzić, czy nasadka jest prawidłowo zablokowana we właściwym położeniu.

### **Sokowirówka**

- **Nie używać sokowirówki, jeżeli filtr jest uszkodzony.**
- Ostrza w podstawie filtra są bardzo ostre – podczas obsługi i czyszczenia filtra należy zachować szczególną ostrożność.
- Nie używać pokrywy do obsługi sokowirówki – służy do tego wyłącznie regulator prędkości/przycisk pracy przerywanej.
- Jeżeli podczas pracy nasadka zacznie nadmiernie wibrować, zmienić prędkość obrotów albo zatrzymać urządzenie, wyjąć wtyczkę z gniazda sieciowego i opróżnić bęben z miąższu (drganie sokowirówki spowodowane jest przez nierównomiernie rozkładający się w bębnie miąższ).

### przed podłączeniem do sieci

- Sprawdzić, czy napięcie sieciowe odpowiada danym znamionowym podanym na spodzie obudowy urządzenia.
- Urządzenie spełnia wymogi dyrektywy Wspólnoty Europejskiej nr 2004/108/WE, dotyczącej kompatybilności elektromagnetycznej oraz rozporządzenia WE nr 1935/2004 z dnia 27 października 2004 r., dotyczącego materiałów i wyrobów przeznaczonych do kontaktu z żywnością.

### przed pierwszym użyciem

- Umyć części (zob. część pt. „Konserwacja i czyszczenie”).

## oznaczenia

- ① osłona gniazda
- ② gniazdo napędu podwójnego (obrotów średnich i szybkich)
- ③ blokady bezpieczeństwa
- ④ schowek na przewód
- ⑤ regulator prędkości/przycisk pracy przerywanej
- ⑥ korpus z silnikiem
- ⑦ gniazdo przyborów do użytku w misce
- ⑧ miska
- ⑨ głowica miksera
- ⑩ przycisk zwalniający głowicę
- ⑪ ubijak „K”
- ⑫ spiralna końcówka do zagniatania ciasta
- ⑬ trzepaczka
- ⑭ osłona przeciwirozpryskowa

### nasadki

- ⑮ melakser
- ⑯ wyciskarka do cytrusów
- ⑰ szklany blender
- ⑱ sokowirówka
- ⑲ maszynka do mielenia

Informacje na temat zalecanych sposobów użycia poszczególnych nasadek znajdują się w tabeli zalecanych prędkości.

## przybory do miksowania – przykłady zastosowań

### ubijak „K”

- Do przygotowywania różnego rodzaju ciast, ciastek, lukru, polew, mas, nadzienia, eklerów i ziemniaków purée.

### trzepaczka

- Do ubijania jaj, śmietany i przygotowywania rzadkiego ciasta (np. naleśnikowego), beztłuszczowego ciasta biszkoptowego, bez, serników, musu, sufletów. Nie używać trzepaczki do gęstych mieszanin (np. ucierania cukru z tłuszczem) – grozi to jej uszkodzeniem.

### spiralna końcówka do zagniatania ciasta

- Wyłącznie do ciast drożdżowych.

## korzystanie z przyborów do użytku w misce

- 1 Nacisnąć przycisk zwalniający głowicę ① i unieść głowicę miksera – tak, by zablokowała się na miejscu.
- 2 W podstawie zamocować miskę i przekręcić ją w kierunku przeciwnym do ruchu wskazówek zegara, aby zablokować ją na miejscu ②.
- 3 Wybrać końcówkę i wsunąć ją do gniazda końcówek do momentu, aż rozlegnie się kliknięcie ③.
- 4 Nacisnąć przycisk zwalniający głowicę i opuścić głowicę miksera – tak, by zablokowała się na miejscu.
- 5 Podłączyć urządzenie do sieci zasilającej. Aby włączyć urządzenie, przekręcić regulator prędkości do wybranego ustawienia. Aby je wyłączyć – przekręcić regulator do pozycji „O” (wyłączony).  
**Jeżeli głowica miksera będzie uniesiona lub jeżeli nie będzie zamocowana osłona gniazda, wskaźnik podłączenia do sieci będzie migać, a robot nie rozpocznie pracy.**
- Do trybu pracy przerywanej należy użyć ustawienia ⑤.
- 6 Wyjąć wtyczkę z gniazda sieciowego.
- 7 Unieść głowicę miksera i przytrzymując ją w stabilnej pozycji, wyciągnąć końcówkę z gniazda.

### uwaga

- Jeżeli podczas pracy urządzenia głowica zostanie uniesiona, urządzenie natychmiast przerywa pracę. Aby ponownie rozpocząć pracę, opuścić głowicę, przesunąć regulator do pozycji „O” (wyłączony), odczekać kilka sekund, a następnie ponownie wybrać używaną wcześniej prędkość. Urządzenie powinno natychmiast ponownie rozpocząć pracę.
- Jeżeli z jakiegoś względu dojdzie do przerwania dopływu zasilania i urządzenie przerwie pracę, przełączyć regulator do pozycji „O” (wyłączony), odczekać kilka sekund, a następnie ponownie wybrać używaną wcześniej prędkość. Urządzenie powinno natychmiast ponownie rozpocząć pracę.
- **Robot nie będzie działał, jeżeli osłona gniazda nie będzie prawidłowo zamocowana.**
- Jeżeli słychać, że silnik się przesila, wyłącz urządzenie i wyjąć część miksowanych składników albo zwiększyć prędkość.
- Przed uniesieniem głowicy miksera należy zawsze najpierw wyjąć nasadki zamocowane na gnieździe napędu podwójnego.
- **Przed korzystaniem z gniazda napędu podwójnego należy sprawdzić, czy w misce nie jest zamocowana ani przechowywana żadna z końcówek lub przyborów do użytku w misce.**

### wskazówki

- W razie potrzeby przerwać pracę, wyłączyć urządzenie i zgarnąć łopatką składniki z boków miski.
- Najlepiej ubijają się jaja o temperaturze pokojowej.
- Przed ubijaniem białek sprawdzić, czy w misce i na trzepaczkę nie ma pozostałości tłuszczu bądź żółtek.
- Do ciasta francuskiego, kruchego, ptysiowego itp. używać zimnych składników, chyba że w przepisie podano inaczej.
- Ucierając tłuszcz z cukrem na ciasta słodkie, używać tłuszczu w temperaturze pokojowej lub zmiękczyć go przed użyciem.
- Robot został wyposażony w funkcję płynnego rozruchu, co ma na celu w jak największym stopniu zmniejszyć rozpryskiwanie. Możliwe jednak, że jeżeli w misce będą znajdować się składniki gęste, np. ciasto chlebowe, po rozpoczęciu pracy urządzenie dopiero po kilku sekundach osiągnie wybraną prędkość.

## Wskazówki dotyczące pieczenia chleba

### uwaga

- Nie przekraczać podanej maksymalnej ilości składników – może to spowodować przeciążenie miksera.
- **Podczas mieszania gęstych składników, np. na ciasto chlebowe, głowica miksera może się nieco poruszać – jest to działanie normalne.**
- Składniki mieszają się najlepiej, gdy najpierw wlane zostaną składniki płynne.
- Co jakiś czas należy zatrzymywać urządzenie i zgarnąć składniki z końcówki do zagniatania.
- Różne partie mąki różnią się pod względem wymaganej ilości składników płynnych, a kleistość ciasta może mieć wyraźny wpływ na obciążenie robota. Zaleca się nadzorowanie pracującego urządzenia w czasie mieszania ciasta – proces ten nie powinien potrwać dłużej niż 6-8 minut.

## montaż i korzystanie z osłony przeciwrozpryskowej

- 1 W podstawie zamocować miskę i umieścić w niej składniki.
  - 2 Zamocować osłonę przeciwrozpryskową: wypustki wpasować w gniazdo przyborów do użytku w misce ⑦ i przekręcić osłonę w kierunku przeciwnym do ruchu wskazówek zegara, aby zablokować ją na miejscu ④.
  - 3 Zamocować wybraną końcówkę, a następnie opuścić głowicę miksera.
  - 4 Aby zdjąć osłonę przeciwrozpryskową, powyższe czynności wykonać w odwrotnej kolejności.
- Podczas mieszania składniki można wrzucać bezpośrednio do miski przez otwór wyspowy w osłonie.

## czujnik elektroniczny z regulatorem prędkości

Mikser został wyposażony w elektroniczny czujnik z regulatorem prędkości, który ma na celu utrzymywanie stałej prędkości przy różnym obciążeniu urządzenia, np. podczas ugniatania chleba lub po dodaniu jaj do składników na ciasto. Podczas pracy urządzenia można więc czasem zauważyć pewne wahania prędkości, gdy mikser dostosowuje pracę do ustawionej prędkości obrotów i rodzaju składników znajdujących się w misce – jest to działanie normalne.

## 15 melakser

- A popychacz
- B podajnik
- C pokrywa
- D noże
- E miska z wałem napędowym
- F tarcza do krojenia/tarcia na grubo
- G tarcza do krojenia/tarcia na drobno
- H tarcza do tarcia na bardzo drobne wiórka
- I wymowany wał napędowy

### użytkowanie melaksera

- 1 Zdjąć osłonę gniazda, przekręcając ją w kierunku przeciwnym do ruchu wskazówek zegara i zdejmując 5.
- 2 Na gnieździe zamocować miskę 6, uchwytem skierowanym w prawą stronę, i przekręcić zgodnie z ruchem wskazówek zegara do momentu, aż zablokuje się na miejscu 6.
- 3 Zamocować noże lub wymowany wał napędowy z wybraną nasadką.

**Uwaga: wymowany wał napędowy 1 należy mocować wyłącznie podczas korzystania z tarcz lub wyciskarki do cytrusów.**

- Miskę i nasadkę należy zamocować na melakserze przed włożeniem składników do miski.
- 4 Zamocować pokrywę 7 – sprawdzając, czy górna część noży/wału napędowego wpasowała się w środek pokrywy.
  - **Nie używać pokrywy do obsługi melaksera – służy do tego wyłącznie regulator prędkości/przycisk pracy przerywanej.**
  - 5 Włożyć wtyczkę do gniazda sieciowego, włączyć urządzenie i wybrać prędkość (zob. tabela zalecanych prędkości).
  - **Melakser nie będzie działał, jeżeli miska lub pokrywa nie zostaną prawidłowo osadzone w blokadach bezpieczeństwa. Podajnik i uchwyt miski muszą znajdować się z przodu.**
  - Do trybu pracy przerywanej użyć przycisku 8. W tym trybie urządzenie pracuje tak długo, jak długo wciśnięty jest przycisk.
  - 6 Aby zdjąć pokrywę, nasadki i miskę, wykonać wyżej opisane czynności w odwrotnej kolejności.
  - **Przed zdjęciem pokrywy urządzenie należy wyłączyć urządzenie i wyjąć wtyczkę z gniazda sieciowego.**

#### uwaga

- Melakser nie jest przeznaczony do rozdrabniania lub mielenia kawy ani do mielenia cukru na cukier puder.
- Dodając olejek migdałowy lub substancje smakowe do mieszanych składników, należy uważać, by nie zetknęły się z plastikowymi elementami, ponieważ może to spowodować trwałe plamy.
- **Nie rozdrabniać składników gorących.**

### noże 11

Noże to element o najbardziej wszechstronnym zastosowaniu z wszystkich nasadek. Długość czasu rozdrabniania wpływa na osiąganą konsystencję składników.

Aby uzyskać mniej rozdrobnioną konsystencję, użyć trybu pracy przerywanej.

Noży można używać do wyrabiania ciast, siekania surowego i gotowanego mięsa, warzyw, orzechów, robienia pasztetów, sosów typu dip, miksowania zup, a także do kruszenia ciastek i mielenia suchego chleba na bułkę tartą.

#### wskazówki

- Przed miksowaniem składniki takie, jak mięso, chleb czy warzywa należy pokroić w kostkę wielkości ok. 2 cm.
- Ciastka należy połamać na mniejsze kawałki i wsypywać przez podajnik podczas pracy urządzenia.
- Wyrabiając ciasto, używać tłuszczu schłodzonego w lodówce, pokrojonego w kostkę wielkości ok. 2 cm.
- Składników nie należy miksować zbyt mocno.
- **Nie używać noży do mieszania gęstych składników (np. ciasta na chleb).**
- Nie używać noży do kruszenia lodu w kostkach ani innych twardych składników, np. przypraw korzennych, ponieważ mogą one spowodować uszkodzenie nasadki.



## tarcze krojące/trące

użytkowanie tarcz

**dwustronne tarcze krojące/trące – do krojenia/tarcia na grubo (F), do krojenia/tarcia na drobno (C)**

Strony do tarcia można używać do tarcia sera, marchwi, ziemniaków i innych podobnych składników.

Strony do krojenia na plastry można używać do krojenia sera, marchwi, ziemniaków, kapusty, ogórków, buraków i cebuli.

**tarcza do tarcia na bardzo drobne wiórka (H)**

Do tarcia parmezanu i ziemniaków na placki lub pyzy ziemniaczane.

## użytkowanie tarcz tnących

- 1 Na korpusie z silnikiem zamocować miskę, dodać wyjmowany wał napędowy.
- 2 Trzymając tarczę za środkowy uchwyt, umieścić ją na wale napędowym, odpowiednią stroną skierowaną do góry.
- 3 Założyć pokrywę.
- 4 Włożyć składniki do podajnika.
- 5 Włączyć urządzenie i za pomocą popychacza równomiernie popychać składniki do otworu podajnika. Do otworu podajnika pod żadnym pozorem nie wkładać palców.

### wskazówki

- Używane składniki powinny być świeże.
- Nie kroić składników na zbyt małe kawałki. Podajnik w całości wypełnić składnikami. Zapobiega to przesuwaniu się składników na boki podczas rozdrabniania.
- Składniki umieszczane pionowo są po pokrojeniu lub rozdrobnieniu krótsze niż składniki umieszczane poziomo.
- Po skończonej pracy na tarczach i w misce zawsze pozostaje niewielka ilość odpadów.

## 16 wyciskarka do cytrusów

Wyciskarki do cytrusów można używać do wyciskania soku z cytrusów (np. pomarańczy, cytryn, limonek i grejpfrutów).

(A) stożek

(B) sitko

## użytkowanie wyciskarki do cytrusów

- 1 Na podstawie zasilającej zamocować miskę i wyjmowany wał napędowy.
  - 2 W misce zamocować sitko – pamiętając, by uchwyt sitka był zablokowany we właściwym położeniu, bezpośrednio nad uchwytem miski (B).
  - 3 Stożek umieścić na wale napędzającym, przekręcając go do momentu, aż całkowicie opadnie (A).
  - 4 Owoce pokroić na połowki. Włączyć urządzenie, ułożyć owoc na stożku i nacisnąć.
- **Wyciskarka do cytrusów nie będzie działać, jeżeli sitko nie zostanie prawidłowo zablokowane.**
  - Najlepszy rezultat daje wyciskanie soku w temperaturze pokojowej z owoców przechowywanych w temperaturze pokojowej i wałkowanie ich ręcznie po blacie przed wyciśnięciem soku.
  - Aby wyciskanie było skuteczniejsze, podczas wyciskania przesuwac owoc z boku na bok.
  - Jeżeli sok wyciskany jest z dużej ilości owoców, należy regularnie opróżniać sitko, aby zapobiec gromadzeniu się na nim miąższu i pestek.

## 17 szklany blender

- A zakrywka wlewu
- B pokrywa
- C dzbanek
- D pierścień uszczelniający
- E zespół ostrzy

### użytkowanie szklanego blendera

1 Pierścień uszczelniający D założyć na zespół ostrzy E zwracając uwagę na to, by pierścień był poprawnie włożony w rowki.

• **Jeżeli uszczelka zostanie niepoprawnie założona lub uszkodzona, składniki będą wyciekać z dzbanka.**

2 Przykręcić dzbanek na zespół ostrzy 10.

Rysunki na spodzie ostrzy wskazują pozycję:

 – pozycja „odblokowane”

 – pozycja „zablokowane”

**Blender nie będzie działać, jeżeli nie zostanie poprawnie zmontowany.**

3 W dzbanku umieścić składniki.

4 Umieścić pokrywkę na dzbanku i nacisnąć ją, aby zabezpieczyć przed poluzowaniem 11. W otworze pokrywki umieścić zakrywkę wlewu.

5 Zdjąć osłonę gniazda napędu podwójnego, przekręcając ją w kierunku przeciwnym do ruchu wskazówek zegara i zdejmując.

6 Umieścić blender na korpusie z silnikiem i przekręcić go zgodnie z ruchem wskazówek zegara 12 do momentu, aż rozlegnie się kliknięcie.

• **Urządzenie nie będzie działać, jeśli blender nie zostanie prawidłowo zamocowany w blokadzie bezpieczeństwa.**

7 Wybrać prędkość (zob. tabela zalecanych prędkości) lub użyć trybu pracy przerywanej P. **wskazówki**

- Przygotowując majonez, w blenderze należy umieścić wszystkie składniki oprócz oleju. Wyjąć zakrywkę wlewu. Następnie włączyć urządzenie i przez otwór w pokrywie powoli dodawać olej.
- Gęste mieszanki, np. pasztyety i sosy typu dip, mogą wymagać zgarniania składników ze ścianek dzbanka. Jeżeli składniki trudno jest rozdrobnić, dodać większą ilość składników płynnych.
- Kruszenie lodu – użyć funkcji pracy przerywanej, aż lód uzyska żądaną konsystencję.
- Nie zaleca się mielenia przypraw korzennych, ponieważ mogą one uszkodzić plastikowe elementy.

- **Urządzenie nie będzie działać, jeżeli blender nie zostanie poprawnie zamocowany.**
- Miksowanie suchych składników – składniki pokroić na kawałki, zdjąć zakrywkę wlewu, a następnie włączyć urządzenie i wrzucać składniki przez otwór po jednym kawałku na raz. Nad otworem należy trzymać dłoń. Najlepsze wyniki daje regularne opróżnianie dzbanka.
- Nie używać blendera jako pojemnika do przechowywania. Nieużywany blender powinien być pusty.
- Nie miksować więcej niż 1,2 l składników – mniej w przypadku napojów spienianych, takich koktajle mleczne.

## 18 sokowirówka

Sokowirówki można używać do robienia soku z twardych owoców i warzyw.

- A popychacz
- B pokrywa sokowirówki
- C oddzielacz miąższu
- D bęben filtra
- E miska sokowirówki
- F dzióbek

### użytkowanie sokowirówki

- 1 Zamocować miskę sokowirówki E na gnieździe napędu podwójnego, z dzióbkiem F skierowanym w lewą stronę, a następnie przekręcić ją zgodnie z ruchem wskazówek zegara do momentu, aż się zablokuje 13.
- 2 Oddzielacz miąższu C umieścić w bębnie filtra D, pamiętając, by wypustki wpasowały się w nacięcia w spodzie bębna 14.
- 3 Zamocować bęben filtra 15.
- 4 Na miskę założyć pokrywę sokowirówki B i przekręcić ją, aż się zablokuje 16. **Sokowirówka nie będzie działać, jeżeli miska lub pokrywa nie zostaną prawidłowo osadzone w blokadach bezpieczeństwa.**
- 5 Pod otwór wylotowy sokowirówki podstawić odpowiedniej wielkości pojemnik.
- 6 Składniki pokroić na kawałki takiej wielkości, by zmieściły się do podajnika.
- 7 Włączyć urządzenie na najwyższą prędkość, a następnie włożyć składniki do podajnika. Za pomocą popychacza równomiernie popychać składniki w głąb podajnika. **Do podajnika pod żadnym pozorem nie wkładać palców.** Przed dodaniem kolejnych, zaczekać, aż składniki w podajniku zostaną całkowicie rozdrobnione.

- Po dodaniu ostatniego kawałka pozostawić sokowirówkę włączoną przez kolejne 30 sekund, aby zebrać cały sok z bębna.

#### uwaga

- Jeżeli sokowirówka zacznie drgać podczas pracy, wyłączyć urządzenie i opróżnić filtr z miąższu. (Drganie sokowirówki spowodowane jest przez nierównomiernie rozkładający się miąższ).
- Za jednym razem w sokowirówce można przerabiać maksymalnie 800 g owoców lub warzyw.
- Niektóre bardzo twarde składniki mogą spowodować spowolnienie pracy lub całkowite zatrzymanie się nasadki. Należy wtedy wyłączyć urządzenie i odblokować filtr.
- Podczas pracy regularnie wyłączać urządzenie i opróżniać zbiorniki soku i miąższu.

#### wskazówki

- Aby wycisnąć możliwie największą ilość soku, składniki miękkie należy podawać wolno.
- Witaminy ulegają rozkładowi – najwięcej witamin zawiera świeżo wyciśnięty sok, dlatego najlepiej wypić go bezpośrednio po przygotowaniu.
- Jeżeli konieczne jest przechowanie soku przez kilka godzin, należy wstawić go do lodówki. Sok nie zepsuje się tak szybko, gdy dodamy do niego kilka kropli soku z cytryny.
- Osoby nieprzyzwyczajone nie powinny pić więcej niż trzy 230-mililitrowe szklanki soku dziennie.
- Podając sok dziecku, należy go rozcieńczyć pół na pół z wodą.
- Sok z warzyw ciemnozielonych (brokuły, szpinak itp.) lub ciemnoczerwonych (buraki, czerwona kapusta itp.) jest bardzo mocny, dlatego zawsze należy go rozcieńczyć.
- W soku z owoców znajduje się bardzo dużo fruktozy (cukru owocowego), dlatego osoby cierpiące na cukrzycę lub mające niski poziom cukru we krwi nie powinny go pić w zbyt dużych ilościach.

## 19 maszynka do mielenia

Maszynki do mielenia można używać do mielenia mięsa, drobiu i ryb.

- Ⓐ klucz
- Ⓑ nakrętka pierścieniowa
- Ⓒ sitko: średnie i grube
- Ⓓ nożyk
- Ⓔ ślimak
- Ⓕ komora mieląca
- Ⓖ podajnik
- Ⓗ taca
- Ⓘ popychacz

### montaż

- 1 Wewnątrz komory mielącej Ⓔ maszyny zamocować ślimak Ⓕ.
- 2 Założyć nożyk Ⓓ – powierchnią tnącą na zewnątrz. Sprawdzić, czy jest dobrze osadzony – w przeciwnym razie może dojść do uszkodzenia maszyny do mielenia.
- 3 Zamocować sitko Ⓒ: wycięcie w sitku umieścić na wypustce prowadzącej w dolnej części wylotu komory mielącej 17.
- 4 Luźno nakręcić nakrętkę pierścieniową Ⓑ.

### użytkowanie maszyny

- 1 Unieść głowicę miksera.
  - 2 Układając maszynkę w pozycji pokazanej na ilustracji, wypustki prowadzące na końcu ślimaka ułożyć równo z odpowiadającymi im wycięciami w gnieździe napędu 18.
  - 3 Wsunąć maszynkę do gniazda i przekręcić ją w kierunku przeciwnym do ruchu wskazówek zegara do momentu, aż zablokuje się na miejscu.
  - 4 Przytrzymując podajnik we właściwym położeniu, ręcznie dokręcić nakrętkę pierścieniową.
  - 5 Założyć tacę 19.
  - 6 **Przed mieleniem składniki mrożone należy całkowicie rozmrozić.** Mięso pokroić na paski o szerokości 2,5 cm.
  - 7 Ustawić maksymalną prędkość. Za pomocą popychacza delikatnie popychać składniki, po jednym kawałku na raz. **Nie używać zbyt dużej siły** – można w ten sposób uszkodzić maszynkę.
- uwaga**
- Nie użytkować maszyny do mielenia dłużej niż 10 minut, ponieważ może to spowodować uszkodzenie miksera.

- **Maszynka do mielenia nie będzie działać, jeżeli nie zostanie zamocowana osłona gniazda napędu podwójnego.**
- 8 Po zmieleniu wszystkich składników wyłączyć urządzenie i wyjąć wtyczkę z gniazda sieciowego.
- 9 Zdjąć maszynkę. Jeżeli nakrętka pierścieniowa jest zbyt mocno zakręcona, do jej odkręcenia użyć klucza ④.

## konserwacja i czyszczenie

- Przed przystąpieniem do czyszczenia wyłączyć urządzenie i wyjąć wtyczkę z gniazda sieciowego.
- Przed czyszczeniem całkowicie rozmontować nasadki.

### korpus z silnikiem

- Wyrzeć wilgotną szmatką, a następnie wysuszyć.
- Do czyszczenia nie używać środków ściernych ani nie zanurzać elementów w wodzie.
- Niepotrzebną część przewodu wsunąć do schowka na przewód ④ z tyłu urządzenia.
- Nóżki w podstawie miksera utrzymywać w czystości.

### miska, przybory, osłona przeciwrozpryskowa

- Umyć ręcznie, a następnie dobrze wysuszyć.
- Do czyszczenia miski ze stali nierdzewnej nie używać szczoteczki drucianych, druciaków ani środków wybielająco-dezynfekujących. Do usuwania kamienia używać octu.
- Przechowywać z dala od źródeł ciepła (kuchenki, piekarnika, mikrofalówki).

### melakser

- **Dotykając noży i tarcz należy zachować szczególną ostrożność – są bardzo ostre.**
- Niektóre składniki mogą spowodować przebarwienie plastikowych elementów urządzenia. Jest to całkowicie normalne zjawisko, które nie ma szkodliwego wpływu na tworzywo ani na smak potraw. Pocieranie plam szmatką umoczoną w oleju roślinnym może pomóc je usunąć.

### wyciskarka do cytrusów

- Umyć ręcznie, a następnie dobrze wysuszyć.

### blender

- 1 Przed odkręceniem i zdjęciem dzbanka z zespołu ostrzy należy go opróżnić.
- 2 Dzbanek umyć ręcznie.
- 3 Zdjąć i umyć uszczelkę.
- 4 Nie dotykać noży – są bardzo ostre. Oczyszczyć je szczoteczką i gorącą wodą z płynem do naczyń, a następnie dokładnie opłukać pod bieżącą wodą.  
**Nie zanurzać zespołu ostrzy w wodzie.**

- 5 Pozostawić do wyschnięcia, kładąc do góry nogami.

### sokowirówka

- Mycie części bezpośrednio po użyciu ułatwia utrzymywanie ich w czystości.
- Niektóre składniki (np. marchewka) powodują przebarwienie plastikowych elementów urządzenia. Pocieranie plam ściereczką umoczoną w oleju roślinnym pomaga je usunąć.
- Filtr wyczyścić przy użyciu miękkiej szczoteczki.
- **Filtr należy regularnie sprawdzać pod kątem oznak uszkodzenia. Jeżeli jest uszkodzony, nie używać. Zob. „serwis i punkty obsługi klienta”.**

### maszynka do mielenia

- Wszystkie części umyć w gorącej wodzie z dodatkiem płynu do naczyń, a następnie dokładnie wysuszyć. Żaden z elementów nie nadaje się do mycia w zmywarce. Do mycia nie wolno używać roztworu sody.
- Aby zapobiec przebarwianiu się/rdzewieniu sitek, przetrzeć je szmatką umoczoną w oleju roślinnym, a następnie owinąć pergaminem.

### pozostałe elementy

- Umyć ręcznie, a następnie wysuszyć.
- Niektóre elementy można myć w górnym koszu zmywarki – informacje na ten temat zawarte są w tabeli poniżej. Unikać umieszczania elementów w dolnym koszu zmywarki, bezpośrednio nad grzałką. Zaleca się krótki program o niskiej temperaturze (maksymalnie 50°C).

element	nadaje się do mycia w zmywarce
<b>Mikser</b>	
Miska	✓
Trzepaczka, ubijak i końcówka do zagniatania ciasta	✓
Ostona przeciwrozpryskowa	✓
Ostona gniazda	✗
<b>Melakser</b>	
Miska główna, pokrywa i popychacz	✓
Noże	✓
Wyjmowany wał napędowy	✓
Tarcze	✓
<b>Wyciskarka do cytrusów</b>	
Stożek, sitko	✓
<b>Blender</b>	
Dzbanek, pokrywa i zakrywka wlewu	✓
Zespół ostrzy i uszczelka	✗
<b>Sokowirówka</b>	
Miska, popychacz, pokrywa, bęben filtra i oddzielnik mięszu	✓
<b>Maszynka do mielenia</b>	
Nakrętka pierścieniowa, sitko, nożyk, ślimak i komora mieląca	✗
Taca i popychacz	✓

### serwis i punkty obsługi klienta

- Ze względów bezpieczeństwa uszkodzony przewód musi zostać wymieniony przez pracownika firmy KENWOOD lub upoważnionego przez firmę KENWOOD zakładu naprawczego.

- **W razie wszelkich problemów z obsługą robota kuchennego lub nasadek, przed zatelefonowaniem do działu obsługi klienta prosimy zapoznać się ze wskazówkami w części pt. „rozwiązywanie problemów.**

Pomocy w zakresie:

- użytkowania urządzenia lub
  - czynności serwisowych bądź naprawczych
  - udziela punkt sprzedaży, w którym zakupiono urządzenie.
- Zaprojektowała i opracowała firma Kenwood w Wielkiej Brytanii.
  - Wyprodukowano w Chinach.



### UWAGI DOTYCZĄCE PRAWIDŁOWEGO USUWANIA PRODUKTU, ZGODNIE Z WYMOGAMI DYREKTYWY WSPÓLNOTY EUROPEJSKIEJ 2002/96/WE.

Po zakończeniu okresu użytkowania produktu nie wolno wyrzucać razem z innymi odpadami komunalnymi.

Należy go dostarczyć do prowadzonego przez władze miejskie punktu zajmującego się segregacją odpadów lub zakładu oferującego tego rodzaju usługi.

Osobne usuwanie sprzętu AGD pozwala uniknąć szkodliwego wpływu na środowisko naturalne i zdrowie ludzkie, wynikającego z nieodpowiedniego usuwania tego rodzaju sprzętu, oraz umożliwia odzyskiwanie materiałów, z których sprzęt ten został wykonany, a w konsekwencji znaczną oszczędność energii i zasobów naturalnych. O konieczności osobnego usuwania sprzętu AGD przypomina umieszczony na produkcie symbol przekreślonego pojemnika na śmieci.

## tabela zalecanych prędkości i maksymalnych ilości składników

Podane wartości służą wyłącznie za wskazówkę i różnią się w zależności od ilości i rodzaju składników w misce.

końcówka/ nasadka	rodzaj czynności/ składników	prędkość	czas trwania	maksymalna ilość
<b>Robot kuchenny</b>				
Trzepaczka	Białka	„Min” do „Max”	2 minuty	2-8 (70-280 g)
	Śmietana	„Min” do „Max”	1½ minuty	125 ml 600 ml
Ubijak	Ciasta w proszku	„Min” do „Max”	1½ minuty	1,6 kg wagi całkowitej mieszanka z 8 jaj
	Ciasta z owocami – ucieranie tłuszczu z cukrem Dodawanie mąki, owoców itp. do ciasta	„Min” do „Max” „Min”	4 minuty do 1 minuty	1,8 kg wagi całkowitej mieszanka z 6 jaj
	Wcieranie tłuszczu do mąki Dodawanie wody, aby połączyć składniki na ciasto	„Min” do 2 „Min”	5 minut 30 sekund	450 g mąki
Końcówka do zagniatacia ciasta	Ciasto na chleb (twarde ciasto drożdżowe)	„Min” do 2	4 minuty	500 g wagi mąki 800 g wagi całkowitej
<b>Melakser</b>				
Noże	Ciasta w proszku	„Max”	15 sekund	600 g wagi całkowitej Mieszanka z 3 jajami
	Wcieranie tłuszczu do mąki Dodawanie wody, aby połączyć składniki na ciasto	„Max” „Max”	Do 1 minuty 10 sekund	340 g wagi mąki
	Siekanie/przecieranie/ przygotowywanie pasztetów	„Max”	Do 30 sekund	400 g – waga całkowita składników (przy siekanii chudego mięsa)
Tarcze – krojące/trące	Twarde składniki, np. marchew, twarde sery	„Max”	–	Nie przekraczać maksymalnej dozwolonej ilości składników (oznaczonej na misce)
	Składniki bardziej miękkie, np. ogórki, pomidory	Prędkość 3	–	
Tarcza do tarcia na bardzo drobne wiórka	Parmezan, ziemniaki na placki lub pyzy ziemniaczane	„Max”	–	
<b>Wyciskarka do cytrusów</b>	Owoce cytrusowe	Prędkość 2	–	–
<b>Blender</b>	Do wszystkich zastosowań	„Max”	Do 1 minuty	1,2 l
<b>Sokowirówka</b>	Twarde owoce i warzywa, np. marchewka, jabłko.	„Max”	–	800 g
	Miękkie owoce i warzywa, np. pomidory, winogrona.	„Max”	–	500 g
<b>Maszynka do mielenia</b>	Mięso, drób i ryby pokroić na paski o szerokości 2,5 cm.	„Max”	–	–

\* Wielkość jaj użytych w przepisie = średnie (waga: 53-63 g)

## rozwiązywanie problemów

Problem	Przyczyna	Rozwiązanie
Robot nie działa podczas korzystania z końcówek do mieszania.	<p>Brak prądu/wskaźnik podłączenia do sieci nie pali się.</p> <p>Głowica miksera nie została prawidłowo zablokowana w pozycji opuszczonej.</p> <p>Osłona gniazda nie została prawidłowo zamocowana.</p> <p>Głowica miksera została uniesiona podczas pracy urządzenia, a następnie ponownie opuszczona bez uprzedniego przestawienia regulatora prędkości do pozycji „O” (wyłączony).</p>	<p>Sprawdzić, czy robot jest podłączony do prądu.</p> <p>Sprawdzić, czy głowica miksera została prawidłowo zablokowana w pozycji opuszczonej.</p> <p>Sprawdzić, czy osłona gniazda jest prawidłowo zamocowana.</p> <p><b>Robot nie będzie działać, jeżeli osłona gniazda zostanie niepoprawnie zamocowana.</b></p> <p>Sprawdzić, czy regulator prędkości został przesunięty do pozycji „O” (wyłączony).</p>
Robot zatrzymuje się podczas pracy.	<p>Robot jest przeciążony/przekroczoneo maksymalną ilość składników.</p> <p>Odblokowała się głowica miksera lub osłona gniazda.</p>	<p>Wyłączyć urządzenie, wyjąć wtyczkę przewodu sieciowego z gniazda i odczekać 30 minut, aż urządzenie ostygnie.</p> <p>Sprawdzić w tabeli zalecanych prędkości, ile wynosi maksymalna dozwolona ilość dla danych składników.</p> <p>Sprawdzić, czy głowica miksera i osłona gniazda są prawidłowo zamocowane.</p>
Nasadka pracująca na napędzie podwójnym nie działa.	<p>Nasadka pracująca na napędzie podwójnym nie jest zamocowana prawidłowo.</p> <p>Melakser/pokrywa sokowirówki lub sitko wyciskarki do cytrusów zostały niewłaściwie zamocowane.</p>	<p>Sprawdzić, czy nasadka pracująca na napędzie podwójnym jest prawidłowo zamocowana.</p> <p>Sprawdzić, czy nasadka jest poprawnie założona.</p>
Maszynka do mielenia nie działa.	<p>Nasadka nie jest poprawnie zablokowana.</p> <p>Osłona gniazda nie została prawidłowo zamocowana.</p>	<p>Sprawdzić, czy nasadka jest prawidłowo zamocowana.</p> <p>Sprawdzić, czy osłona gniazda jest prawidłowo zamocowana.</p>
Urządzenie przesuwają się po blacie.	Nóżki w spodniej części robota są mokre albo brudne.	Sprawdzać regularnie, czy nóżki są suche i czyste.
Końcówki/nasadki nie funkcjonują prawidłowo.	Zob. wskazówki w części dotyczącej użytkowania danej końcówki/nasadki. Sprawdzić, czy nasadka została prawidłowo zmontowana.	

## rozwiązywanie problemów

Problem	Przyczyna	Rozwiązanie
Wskaźnik podłączenia do sieci miga bardzo szybko	Działanie normalne. Wskaźnik miga, jeśli jedna lub więcej blokad bezpieczeństwa nie zaskoczyła prawidłowo.	Korzystając z nasadki, sprawdzić, czy jest prawidłowo zablokowana na miejscu. Sprawdzić, czy głowica miksera jest całkowicie opuszczona, chyba że używana jest maszynka do mięsa. Sprawdzić, czy regulator prędkości znajduje się w pozycji „O” (wyłączony).
Wskaźnik podłączenia do sieci miga wolno.	Włączył się tryb czuwania. Jeżeli robot pozostanie podłączony do sieci przez ponad 30 minut, ale nie będzie używany, przejdzie w stan uśpienia, co ma na celu zmniejszenie zużycia energii. Gdy robot przejdzie w stan gotowości do użycia, wskaźnik podłączenia do sieci zacznie świecić światłem ciągłym.	Robot powróci do normalnej pracy, gdy regulator prędkości zostanie przesunięty na jedną z prędkości, a następnie ustawiony ponownie w pozycji „O” (wyłączony).
Jeżeli żadna z powyższych czynności nie rozwiązuje problemu, należy zastosować się do wskazówek podanych w części pt. „serwis i punkty obsługi klienta”.		



# Ελληνικά

Πριν από την ανάγνωση, παρακαλώ ξεδιπλώστε την μπροστινή σελίδα παρέχεται η εικονογράφηση

## ασφάλεια

- Διαβάστε προσεκτικά αυτές τις οδηγίες και φυλάξτε τις για μελλοντική αναφορά.
- Αφαιρέστε τη συσκευασία και τις ετικέτες.
- Να απενεργοποιείτε τη συσκευή και να την αποσυνδέετε από την πρίζα:
  - προτού προσαρμόσετε ή αφαιρέσετε εξαρτήματα,
  - όταν δεν τη χρησιμοποιείτε,
  - πριν από τον καθαρισμό.
- Γυρίστε το κουμπί ελέγχου ταχύτητας στη θέση απενεργοποίησης «Ο» (Απενεργοποίηση) και αποσυνδέστε τη συσκευή από την πρίζα πριν από την τοποθέτηση ή την αφαίρεση εργαλείων/εξαρτημάτων, μετά από τη χρήση και πριν από τον καθαρισμό.
- Κρατήστε τα δάχτυλά σας μακριά από τα μέρη της συσκευής που κινούνται και από τα προσαρτημένα εξαρτήματα.
- Ποτέ μην αφήνετε την Κουζίνομηχανή χωρίς επίβλεψη ενώ βρίσκεται σε λειτουργία.
- Μην χρησιμοποιείτε ποτέ συσκευή που έχει υποστεί βλάβη. Στείλτε την για έλεγχο ή επισκευή: βλ. ενότητα «σέρβις και εξυπηρέτηση πελατών».
- Μην αφήνετε ποτέ το καλώδιο να κρέμεται ώστε να μπορεί να το πιάσει ένα παιδί.
- Μην αφήνετε ποτέ να βραχούν η μονάδα του μοτέρ, το καλώδιο ή το φις.
- **Βεβαιωθείτε ότι κανένα εργαλείο του μπολ δεν έχει τοποθετηθεί ή δεν βρίσκεται μέσα στο μπολ, όταν χρησιμοποιείτε την υποδοχή διπλής λειτουργίας.**
- Μην χρησιμοποιείτε ποτέ μη εγκεκριμένα εξαρτήματα ή περισσότερα από ένα εξαρτήματα τη φορά.
- Μην υπερβαίνετε ποτέ τις ποσότητες που αναγράφονται στον πίνακα για τις μέγιστες χωρητικότητες.

- Να είστε προσεκτικοί όταν σηκώνετε αυτή τη συσκευή. Προτού σηκώσετε τη συσκευή, βεβαιωθείτε ότι η κεφαλή έχει ασφαλίσει σωστά στην κάτω θέση και ότι το μπολ, τα εργαλεία, το κάλυμμα υποδοχής και το καλώδιο είναι σε ασφαλή θέση.
- Πριν από τη χρήση της Κουζινομηχανής, βεβαιωθείτε ότι έχετε ξετυλίξει πλήρως το καλώδιο από τον χώρο αποθήκευσης καλωδίου ④.
- Τα παιδιά θα πρέπει να βρίσκονται υπό επίβλεψη, έτσι ώστε να διασφαλίζεται ότι δεν παίζουν με τη συσκευή.
- Μην μετακινείτε ή ανασηκώνετε την κεφαλή του μίξερ ενώ βρίσκεται προσαρτημένο εκεί ένα εξάρτημα, καθώς μπορεί να αποσταθεροποιηθεί η Κουζινομηχανή.
- Μην χρησιμοποιείτε τη συσκευή σας κοντά στην άκρη μιας επιφάνειας εργασίας.
- Οι συσκευές μπορούν να χρησιμοποιούνται από άτομα με μειωμένες σωματικές, αισθητηριακές ή νοητικές ικανότητες ή έλλειψη εμπειρίας και γνώσης, εφόσον βρίσκονται υπό επίβλεψη ή τους έχουν δοθεί οδηγίες για την ασφαλή χρήση της συσκευής και εφόσον κατανοούν τους σχετικούς κινδύνους.
- Η κακή χρήση της συσκευής σας μπορεί να προκαλέσει τραυματισμό.
- Αυτή η συσκευή δεν πρέπει να χρησιμοποιείται από παιδιά. Φυλάσσετε τη συσκευή και το καλώδιό της μακριά από παιδιά.
- Χρησιμοποιείτε τη συσκευή μόνο για την οικιακή χρήση για την οποία προορίζεται. Η Kenwood δε φέρει οποιαδήποτε ευθύνη αν η συσκευή χρησιμοποιηθεί με λανθασμένο τρόπο ή σε περίπτωση μη συμμόρφωσης με αυτές τις οδηγίες.
- Η μέγιστη τιμή βασίζεται στο εξάρτημα που δέχεται το μεγαλύτερο φορτίο. Τα υπόλοιπα εξαρτήματα ενδέχεται να καταναλώνουν λιγότερη ισχύ.

- Εάν ασκηθεί υπερβολική δύναμη στον μηχανισμό ενδοασφάλειας, τα εξαρτήματα θα υποστούν ζημιά και ενδέχεται να προκληθεί τραυματισμός.  
Εξάρτημα επεξεργαστή τροφίμων
- Οι λεπίδες μαχαιριού και οι δίσκοι του επεξεργαστή τροφίμων είναι εξαιρετικά κοφτερά, να τα χειρίζεστε με προσοχή. Κρατήστε πάντα από τη λαβή στο επάνω μέρος, μακριά από την κοφτερή πλευρά, τόσο κατά τη χρήση, όσο και κατά τον καθαρισμό.
- Αφαιρείτε πάντα τις λεπίδες μαχαιριού πριν αδειάσετε το περιεχόμενο του μπολ.
- Προσέξτε να μην βάζετε τα χέρια σας ή σύνεργα μέσα στο μπολ του επεξεργαστή τροφίμων, ενόσω η συσκευή είναι συνδεδεμένη στην παροχή ρεύματος.
- Μην χρησιμοποιείτε ποτέ τα δάχτυλά σας για να ωθήσετε τα τρόφιμα προς τα κάτω στον σωλήνα τροφοδοσίας. Χρησιμοποιείτε πάντα τον ωστήρα που παρέχεται.
- Προτού αφαιρέσετε το καπάκι από το μπολ του επεξεργαστή τροφίμων:
  - απενεργοποιήστε και,
  - περιμένετε έως ότου σταματήσουν εντελώς να περιστρέφονται τα εξαρτήματα/οι λεπίδες.
- Μην αφαιρείτε ποτέ το καπάκι του επεξεργαστή τροφίμων έως ότου οι λεπίδες μαχαιριού/δίσκοι κοπής σταματήσουν εντελώς να περιστρέφονται.
- **ΚΙΝΔΥΝΟΣ ΕΓΚΑΥΜΑΤΟΣ:** Θα πρέπει να αφήνετε τα καυτά υλικά να κρυώσουν έως ότου φθάσουν σε θερμοκρασία δωματίου, προτού τα επεξεργαστείτε με το εξάρτημα.
- Μην χρησιμοποιείτε το καπάκι για να θέσετε σε λειτουργία τον επεξεργαστή τροφίμων. Χρησιμοποιείτε πάντα το κουμπί ελέγχου ταχύτητας/παλμικής λειτουργίας.

## Εξάρτημα μπλέντερ

- Προσέξτε να μην βάζετε τα χέρια σας ή σύνεργα μέσα στην κανάτα του μπλέντερ, ενόσω η συσκευή είναι συνδεδεμένη στην παροχή ρεύματος.
- Ποτέ μην προσαρμόζετε τη μονάδα των λεπίδων στη μονάδα μοτέρ, χωρίς να έχετε τοποθετήσει την κανάτα του μπλέντερ.
- **ΚΙΝΔΥΝΟΣ ΕΓΚΑΥΜΑΤΟΣ:** Θα πρέπει να αφήνετε τα καυτά υλικά να κρυώσουν έως ότου φθάσουν σε θερμοκρασία δωματίου, προτού τα επεξεργαστείτε ή τα αναμείξετε με το εξάρτημα.
- Να χρησιμοποιείτε το μπλέντερ μόνον όταν το καπάκι είναι στη θέση του.
- Να χρησιμοποιείτε την κανάτα μόνο με τη διάταξη λεπίδων που παρέχεται.
- Μην θέτετε ποτέ το μπλέντερ σε λειτουργία όταν είναι άδειο.
- Για να εξασφαλίσετε μεγάλη διάρκεια ζωής για το μπλέντερ σας, μην το αφήνετε ποτέ να λειτουργεί για περισσότερο από 60 δευτερόλεπτα. Να θέτετε τη συσκευή εκτός λειτουργίας μόλις πετύχετε τη σωστή υφή.
- Η επεξεργασία των μπαχαρικών δεν συνιστάται, καθώς ενδέχεται να προκαλέσουν φθορά στα πλαστικά μέρη.
- Συνταγές για smoothie – μην αναμειγνύετε ποτέ παγωμένα υλικά που έχουν στερεοποιηθεί λόγω της ψύξης, σπάστε τα σε κομμάτια προτού τα προσθέσετε στην κανάτα.

## Εξάρτημα κρεατομηχανής

- Φροντίζετε πάντα να αφαιρείτε τα κόκκαλα, την πέτσα κ.λπ. από το κρέας πριν από τη κοπή του κιμά.
- Κατά τη διαδικασία κοπής ξηρών καρπών, ωθήστε προς τα κάτω μικρή ποσότητα κάθε φορά, ώστε ο έλικας να προλάβει να τους αλέσει προτού προσθέσετε άλλους.
- Χρησιμοποιείτε πάντα τον ωστήρα που παρέχεται. Μην βάζετε ποτέ τα δάχτυλά σας ή σύνεργα μέσα στον σωλήνα τροφοδοσίας.

- Προειδοποίηση – η λεπίδα κοπής είναι κοφτερή, να τη χειρίζεστε με προσοχή κατά τον χειρισμό και τον καθαρισμό.
- Βεβαιωθείτε ότι το εξάρτημα έχει ασφαλίσει στη θέση του προτού θέσετε σε λειτουργία τη συσκευή.

### **Εξάρτημα αποχυμωτή**

- **Μην χρησιμοποιείτε τον αποχυμωτή εάν έχει χαλάσει το φίλτρο.**
- Οι λεπίδες κοπής στη βάση του φίλτρου είναι πολύ αιχμηρές, να είστε προσεκτικοί κατά τον χειρισμό και τον καθαρισμό του φίλτρου.
- Μην χρησιμοποιείτε το καπάκι για να θέσετε σε λειτουργία τον αποχυμωτή. Χρησιμοποιείτε πάντα το κουμπί ελέγχου ταχύτητας/παλμικής λειτουργίας.
- Σε περίπτωση που παρατηρήσετε υπερβολική δόνηση όταν χρησιμοποιείτε αυτό το εξάρτημα, προσαρμόστε την ταχύτητα ή απενεργοποιήστε τη συσκευή, αποσυνδέστε τη από την πρίζα και καθαρίστε τυχόν πολτό από τον κύλινδρο (ο αποχυμωτής δονείται όταν ο πολτός είναι άνισα κατανεμημένος).

#### **προτού συνδέσετε τη συσκευή στην πρίζα**

- Βεβαιωθείτε ότι η παροχή του ηλεκτρικού ρεύματος συμπίπτει με εκείνη που αναγράφεται στο κάτω μέρος της συσκευής.
- Αυτή η συσκευή συμμορφώνεται με την οδηγία της ΕΚ 2004/108/ΕΚ σχετικά με την Ηλεκτρομαγνητική συμβατότητα και τον κανονισμό ΕΚ υπ' αριθμόν 1935/2004 της 27/10/2004 σχετικά με τα υλικά που προορίζονται να έρθουν σε επαφή με τρόφιμα.

#### **πριν από την πρώτη χρήση**

- Πλύνετε τα μέρη: βλ. ενότητα «φροντίδα και καθαρισμός».

## επεξήγηση συμβόλων

- ① κάλυμμα υποδοχής
- ② υποδοχή διπλής λειτουργίας (μεσαία και υψηλή ταχύτητα)
- ③ ενδοσφάλειες
- ④ χώρος αποθήκευσης καλωδίου
- ⑤ κουμπί ελέγχου ταχύτητας/παλμικής λειτουργίας
- ⑥ μονάδα μοτέρ
- ⑦ υποδοχή εργαλείου του μπολ
- ⑧ μπολ
- ⑨ κεφαλή του μίξερ
- ⑩ μοχλός απασφάλισης της κεφαλής
- ⑪ χτυπητήρι K
- ⑫ σπειροειδές εξάρτημα ζυμώματος
- ⑬ αναδευτήρι
- ⑭ καπάκι κατά του πισιλισματος

### Εξαρτήματα

- ⑮ επεξεργαστής τροφίμων
- ⑯ λεμονοσειφιτής
- ⑰ γυάλινο μπλέντερ
- ⑱ αποχυμωτής
- ⑲ κρεατομηχανή

Ανατρέξτε στον πίνακα συνιστώμενων ταχυτήτων για κάθε εξάρτημα.

## τα εργαλεία ανάμειξης και μερικές από τις χρήσεις τους

### χτυπητήρι K

- Για να παρασκευάζετε κέικ, μπισκότα, γλυκά, γλάσο, γέμιση γλυκών, εκλέρ και πουρέ.

### αναδευτήρι

- Για αβγά, κρέμα, κουρκούτι, παντεσπάνι με λίγα λιπαρά, μαρέγκες, τσιζκίκι, μους, σουφλέ. Μην χρησιμοποιείτε το αναδευτήρι για πυκνά μείγματα (π.χ. ανάμειξη βουτύρου και ζάχαρης) – μπορεί να προκληθεί βλάβη.

### εξάρτημα ζυμώματος

- Μόνο για μείγματα με μαγιά.

## πώς να χρησιμοποιείτε τα εργαλεία του μπολ σας

- 1 Πιέστε τον μοχλό απασφάλισης της κεφαλής προς τα κάτω ① και ανασηκώστε την κεφαλή του μίξερ μέχρις ότου ασφαλίσει στη θέση της.
- 2 Τοποθετήστε το μπολ στη βάση και στρέψτε το αριστερόστροφα για να ασφαλίσει στη θέση του ②.

- 3 Επιλέξτε ένα εργαλείο και ωθήστε το στην υποδοχή εργαλείου έως ότου ακουστεί ο χαρακτηριστικός ήχος «κλικ» ③.
- 4 Πιέστε τον μοχλό απασφάλισης της κεφαλής προς τα κάτω και ανασηκώστε την κεφαλή του μίξερ μέχρις ότου ασφαλίσει στη θέση της.
- 5 Συνδέστε στην παροχή ρεύματος. Για να θέσετε τη συσκευή σε λειτουργία, στρέψτε τον διακόπτη ταχύτητας στη ρύθμιση που επιθυμείτε. Για να την απενεργοποιήσετε, στρέψτε τον διακόπτη στη θέση «Ο» (Απενεργοποίηση).

**Εάν η κεφαλή του μίξερ βρίσκεται στην ανασηκωμένη θέση ή δεν έχει τοποθετηθεί το κάλυμμα υποδοχής, η ενδεικτική λυχνία λειτουργίας θα αναβοσβήνει και η συσκευή δεν θα λειτουργεί.**

- Επιλέξτε την παλμική λειτουργία (P) για σύντομα, διαδοχικά διαστήματα λειτουργίας.
- 6 Αποσυνδέστε από την παροχή ρεύματος.
- 7 Ανασηκώστε την κεφαλή του μίξερ και, ενόσω την κρατάτε σταθερή, τραβήξτε το εργαλείο από την υποδοχή.

### σημαντικό

- Εάν η κεφαλή του μίξερ ανασηκωθεί κατά τη διάρκεια της λειτουργίας, η συσκευή θα σταματήσει αμέσως να λειτουργεί. Για να θέσετε ξανά τη συσκευή σε λειτουργία, κατεβάστε την κεφαλή του μίξερ, στρέψτε τον διακόπτη ταχύτητας στη θέση «Ο» (Απενεργοποίηση), περιμένετε μερικά δευτερόλεπτα και επιλέξτε εκ νέου την επιθυμητή ταχύτητα. Η συσκευή θα πρέπει να ξεκινήσει να λειτουργεί αμέσως.
- Εάν για οποιονδήποτε λόγο διακοπεί η λειτουργία και η συσκευή σταματήσει, στρέψτε τον διακόπτη ταχύτητας στη θέση «Ο» (Απενεργοποίηση), περιμένετε μερικά δευτερόλεπτα και επιλέξτε εκ νέου την επιθυμητή ταχύτητα. Η συσκευή θα πρέπει να ξεκινήσει να λειτουργεί αμέσως.
- **Η συσκευή δεν θα λειτουργεί εάν δεν έχει τοποθετηθεί σωστά το κάλυμμα υποδοχής.**
- Εάν αντιληφθείτε ότι η συσκευή καταπονείται, θέστε την εκτός λειτουργίας, αφαιρέστε ένα μέρος από το μείγμα ή αυξήστε την ταχύτητα.
- Προτού ανασηκώσετε την κεφαλή του μίξερ, να αφαιρέτε πάντα τα εξαρτήματα που έχουν τοποθετηθεί στην υποδοχή διπλής λειτουργίας.
- **Βεβαιωθείτε ότι κανένα εργαλείο του μπολ δεν έχει τοποθετηθεί ή δεν βρίσκεται μέσα στο μπολ, όταν χρησιμοποιείτε την υποδοχή διπλής λειτουργίας.**

### συμβουλές

- Εάν είναι απαραίτητο, να απενεργοποιείτε τη συσκευή και να ξεκολλάτε τα υλικά από τα τοιχώματα του μπολ με μια σπάτουλα.
- Για καλύτερα αποτελέσματα στο χτύπημα χρησιμοποιείτε αβγά σε θερμοκρασία δωματίου.
- Προτού χτυπήσετε ασπράδια αβγών, βεβαιωθείτε ότι δεν υπάρχει λιπαρή ουσία ή κρόκος αβγού στο αναδευτήρι ή στο μπολ.
- Χρησιμοποιείτε κρύα υλικά για την παρασκευή γλυκών, εκτός εάν η συνταγή σας προτείνει κάτι άλλο.
- Κατά την παρασκευή μείγματος από βούτυρο και ζάχαρη για κέικ, χρησιμοποιείτε πάντα το βούτυρο σε θερμοκρασία δωματίου ή λιώστε το πρώτα.
- Η συσκευή σας διαθέτει λειτουργία «απαλής έναρξης» που ελαχιστοποιεί το πιτσιλισμα. Παρόλ' αυτά, εάν η συσκευή ενεργοποιηθεί ενώ το μπολ περιέχει βαρύ μείγμα, όπως ζύμη ψωμιού, ενδέχεται να παρατηρήσετε ότι χρειάζεται λίγα δευτερόλεπτα έως ότου φτάσει την επιλεγμένη ταχύτητα.

## σημειώσεις για την παρασκευή ψωμιού

### σημαντικό

- Μην υπερβαίνετε ποτέ τις αναγραφόμενες μέγιστες χωρητικότητες – ενδέχεται να υπερφορτώσετε το μηχάνημα.
- **Κατά την ανάμιξη μεγάλων ποσοτήτων, όπως ζύμη ψωμιού, είναι φυσιολογικό να παρατηρείται κίνηση στην κεφαλή του μίξερ.**
- Τα υλικά αναμειγνύονται καλύτερα εάν τοποθετείτε πρώτα τα υγρά.
- Ανά διαστήματα να απενεργοποιείτε τη συσκευή και να ξεκολλάτε το μείγμα από το εξάρτημα ζυμώματος.
- Οι διαφορετικές δόσεις αλευριού ποικίλλουν ανάλογα με την απαιτούμενη ποσότητα υγρού και το πόσο κολλώδης είναι η ζύμη, ενώ μπορεί να επηρεάζουν σημαντικά την ποσότητα που καλείται να επεξεργαστεί η συσκευή. Συνιστάται να επιβλέπετε τη συσκευή κατά την ανάμιξη της ζύμης. Η λειτουργία δεν θα διαρκέσει περισσότερο από 6-8 λεπτά.

## πώς να τοποθετείτε και να χρησιμοποιείτε το καπάκι κατά του πιτσιλίσματος

- 1 Τοποθετήστε το μπολ στη βάση και προσθέσετε τα υλικά.
  - 2 Τοποθετήστε το καπάκι κατά του πιτσιλίσματος, ευθυγραμμίζοντας τις γλωττίδες με την υποδοχή εργαλείου του μπολ ⑦, και στρέψτε αριστερόστροφα για να ασφαλίσει στη θέση του ④.
  - 3 Τοποθετήστε το εργαλείο κι έπειτα κατεβάστε την κεφαλή του μίξερ.
  - 4 Για να αφαιρέσετε το καπάκι κατά του πιτσιλίσματος αντιστρέψτε την παραπάνω διαδικασία.
- Κατά την ανάμιξη, τα υλικά μπορούν να προστίθενται απευθείας στο μπολ μέσω του ανοίγματος προσθήκης υλικών.

## ηλεκτρονικός αισθητήρας ελέγχου ταχυτήτων

Το μίξερ σας είναι εξοπλισμένο με ηλεκτρονικό αισθητήρα ελέγχου ταχυτήτων που είναι σχεδιασμένος να διατηρεί σταθερή ταχύτητα κάτω από διαφορετικές συνθήκες φορτίου, όπως όταν ανακατεύει ζύμη ψωμιού ή όταν προστίθενται τα αβγά σε μείγμα κέικ. Συνεπώς, ενδέχεται να ακούσετε μια διαφοροποίηση στην ταχύτητα κατά τη διάρκεια της λειτουργίας, καθώς το μίξερ προσαρμόζεται στην επιλογή φορτίου και ταχύτητας – αυτό είναι φυσιολογικό.

## 15 επεξεργαστής τροφίμων

- Ⓐ ωστήρας
- Ⓑ σωλήνας τροφοδοσίας
- Ⓒ καπάκι
- Ⓓ λεπίδες μαχαιριού
- Ⓔ μπολ με κινητήριο άξονα
- Ⓕ δίσκος κοψίματος/τριψίματος σε χοντρά κομμάτια
- Ⓖ δίσκος κοψίματος/τριψίματος σε λεπτά κομμάτια
- Ⓖ δίσκος για πολύ λεπτό τρίψιμο
- Ⓙ αποσπώμενος κινητήριος άξονας

## πώς να χρησιμοποιείτε τον επεξεργαστή τροφίμων σας

- 1 Αφαιρέστε το κάλυμμα υποδοχής στρέφοντάς το αριστερόστροφα και ανασηκώνοντάς το ⑤.
- 2 Τοποθετήστε το μπολ ⑥ πάνω στην υποδοχή με τη λαβή να βρίσκεται στη δεξιά πλευρά και στρέψτε το δεξιόστροφα έως ότου ασφαλίσει στη θέση του ⑥.

- 3 Προσθέστε τις λεπίδες μαχαιριού ή τον αποσπώμενο κινητήριο άξονα και το εξάρτημα που επιθυμείτε.

**Σημείωση:** Ο αποσπώμενος κινητήριος άξονας ① θα πρέπει να τοποθετείται μόνο όταν χρησιμοποιείτε τους δίσκους και τον λεμονοστειφτή.

- Προτού προσθέσετε τα υλικά, τοποθετείτε πάντα το μπολ και το εξάρτημα στον επεξεργαστή τροφίμων.
- 4 Τοποθετήστε το καπάκι ⑦ διασφαλίζοντας ότι το επάνω μέρος των λεπίδων μαχαιριού/του κινητήριου άξονα έχει ασφαλίσει στο κέντρο του καπακιού.
- **Μην χρησιμοποιείτε το καπάκι για να θέσετε σε λειτουργία τον επεξεργαστή τροφίμων. Χρησιμοποιείτε πάντα το κουμπί ελέγχου ταχύτητας/παλμικής λειτουργίας.**
- 5 Συνδέστε τη συσκευή στην πρίζα, θέστε τη σε λειτουργία και επιλέξτε ταχύτητα (ανατρέξτε στον πίνακα συνιστώμενων ταχυτήτων).
- **Ο επεξεργαστής τροφίμων δεν θα λειτουργήσει εάν το μπολ ή το καπάκι δεν έχουν ασφαλίσει σωστά στις ενδοασφάλειες. Ελέγξτε εάν ο σωλήνας τροφοδοσίας και η λαβή του μπολ είναι στραμμένα προς τα εμπρός.**
- Χρησιμοποιήστε την παλμική λειτουργία ⑨ για σύντομα, διαδοχικά διαστήματα λειτουργίας. Η παλμική λειτουργία θα λειτουργεί για όσο διάστημα ο επιλογέας παραμένει στη συγκεκριμένη θέση.

- 6 Αντιστρέψτε την παραπάνω διαδικασία για να αφαιρέσετε το καπάκι, τα εξαρτήματα και το μπολ.

- **Απενεργοποιείτε και αποσυνδέετε πάντα τη συσκευή προτού αφαιρέσετε το καπάκι.**

### σημαντικό

- Ο επεξεργαστής σας δεν είναι κατάλληλος για να θρυμματίζει ή να αλέθει κόκκους καφέ ή για να μετατρέπει κρυσταλλική ζάχαρη σε άχνη ζάχαρη.
- Όταν προσθέτετε άρωμα αμυγδάλου ή άλλες αρωματικές ύλες σε μείγματα, να αποφεύγετε την επαφή με το πλαστικό καθώς μπορεί να προκαλέσει ανεξίτηλα σημάδια.
- **Μην επεξεργάζεστε καυτά υλικά.**

## λεπίδες μαχαιριού ⑩

Οι λεπίδες μαχαιριού είναι το πλέον πολυχρηστικό εξάρτημα. Η διάρκεια του χρόνου επεξεργασίας καθορίζει την τελική υφή.

Για πιο χοντροκομμένες υφές, χρησιμοποιείτε το κουμπί ελέγχου παλμικής λειτουργίας.

Χρησιμοποιείτε τις λεπίδες μαχαιριού για να παρασκευάζετε κέικ και γλυκά, για να τεμαχίζετε ωμό και μαγειρεμένο κρέας, λαχανικά, ξηρούς καρπούς, πατέ, νπιπ, για να πολτοποιείτε σουπές και για να θρυμματίζετε μπισκότα και ψωμί.

### Συμβουλές

- Τεμαχίστε τα τρόφιμα, όπως κρέας, ψωμί, λαχανικά, σε κύβους περίπου 2 εκ. προτού τα επεξεργαστείτε.
- Τα μπισκότα θα πρέπει να κοπούν σε κομμάτια και προστεθούν μέσα από τον σωλήνα τροφοδοσίας ενόσω η συσκευή λειτουργεί.
- Κατά την παρασκευή γλυκών, χρησιμοποιείτε βούτυρο απευθείας από το ψυγείο και κομμένο σε κύβους 2 εκ.
- Προσέξτε να μην επεξεργάζεστε υπερβολικά τα υλικά.
- **Μην χρησιμοποιείτε τις λεπίδες μαχαιριού για να αναμειγείτε βαριά φορτία, όπως ζύμη ψωμιού.**
- Μην χρησιμοποιείτε τις λεπίδες μαχαιριού για να τεμαχίσετε παγάκια ή άλλα σκληρά τρόφιμα, όπως μπαχαρικά, καθώς ενδέχεται να προκαλέσουν βλάβη στο εξάρτημα.



## δίσκοι κοψίματος/τριψίματος

πώς να χρησιμοποιείτε τους δίσκους

**ανστρέψιμοι δίσκοι κοψίματος/τριψίματος - για κόψιμο σε χοντρά κομμάτια ⑥, για κόψιμο σε λεπτά κομμάτια ⑥**

Χρησιμοποιείτε την πλευρά τριψίματος για τυρί, καρότα, πατάτες και τρόφιμα με παρόμοια υφή. Χρησιμοποιείτε την πλευρά κοψίματος για τυρί, καρότα, πατάτες, λάχανο, αγγούρι, παντζάρια και κρεμμύδια.

**δίσκος για πολύ λεπτό τρίψιμο ⑥**

Τρίβει τυρί παρμεζάνα και πατάτες για γερμανικές πατατοκροκέτες.

## πώς να χρησιμοποιείτε τους δίσκους κοπής

- 1 Τοποθετήστε το μπολ στη μονάδα μοτέρ και προσθέστε τον αποσπώμενο κινητήριο άξονα.
- 2 Κρατήστε τον από την κεντρική λαβή και τοποθετήστε τον δίσκο πάνω στον κινητήριο άξονα με την κατάλληλη πλευρά προς τα πάνω.
- 3 Τοποθετήστε το καπάκι.
- 4 Τοποθετήστε τα τρόφιμα στον σωλήνα τροφοδοσίας.
- 5 Θέστε τη συσκευή σε λειτουργία και πιέστε με τον ωστήρα ομοιόμορφα προς τα κάτω – μην βάζετε ποτέ τα δάχτυλά σας στον σωλήνα τροφοδοσίας.

### συμβουλές

- Χρησιμοποιείτε φρέσκα υλικά.
- Μην κόβετε τα τρόφιμα σε πολύ μικρά κομμάτια. Γεμίζετε τον σωλήνα τροφοδοσίας σε όλο το πλάτος του. Έτσι τα τρόφιμα δεν θα γλιστρούν προς το πλάι κατά την επεξεργασία.
- Τα τρόφιμα που τοποθετούνται σε όρθια θέση βγαίνουν σε μικρότερο μήκος απ' ό τι τα τρόφιμα που τοποθετούνται σε οριζόντια θέση.
- Μετά την επεξεργασία, πάντα θα υπάρχουν λίγα υπολείμματα τροφής στον δίσκο ή στο μπολ.

## ⑩ λεμονοστείφτης

Χρησιμοποιείτε τον λεμονοστείφτη για να στείβετε τον χυμό από εσπεριδοειδή (π.χ. πορτοκάλια, λεμόνια, λάιμ και γκρέιπφρουτ).

- Ⓐ κώνος
- Ⓑ πουριέρα



## πώς να χρησιμοποιείτε τον λεμονοστείφτη

- 1 Τοποθετήστε το μπολ στη μονάδα μοτέρ και προσθέστε τον αποσπώμενο κινητήριο άξονα.
- 2 Τοποθετήστε την πουριέρα στο μπολ, διασφαλίζοντας ότι η λαβή της πουριέρας έχει ασφαλίσει στη θέση της ακριβώς πάνω από τη λαβή του μπολ ⑤.
- 3 Τοποθετήστε τον κώνο πάνω από τον κινητήριο άξονα στρέφοντάς τον, έως ότου κατέβει εντελώς ⑤.
- 4 Κόψτε τα φρούτα στη μέση. Στη συνέχεια, ενεργοποιήστε τη συσκευή και πιέστε το φρούτο στον κώνο.
  - **Ο λεμονοστείφτης δεν θα λειτουργεί εάν η πουριέρα δεν έχει ασφαλίσει σωστά.**
  - Για καλύτερα αποτελέσματα, αποθηκεύετε και στείβετε τα φρούτα σε θερμοκρασία δωματίου και κυλήστε με το χέρι σας το φρούτο πάνω στην επιφάνεια εργασίας προτού το στείψετε.
  - Για ευκολότερο στείψιμο, πιέζετε το φρούτο απ' όλες τις πλευρές όταν το στείβετε.
  - Όταν στείβετε μεγάλες ποσότητες, αδειάζετε τακτικά το σουρωτήρι για να αποφύγετε τη συσσώρευση πολτού και κουκουτσιών.

## 17 γυάλινο μπλέντερ

- Α πώμα μεζούρα
- Β καπάκι
- Γ κανάτα
- Δ δακτύλιος στεγανοποίησης
- Ε μονάδα λεπίδων

### πώς να χρησιμοποιείτε το γυάλινο μπλέντερ σας

- 1 Τοποθετήστε τον δακτύλιο στεγανοποίησης ④ στη μονάδα λεπίδων ⑤ και βεβαιωθείτε ότι ο δακτύλιος στεγανοποίησης έχει τοποθετηθεί σωστά στις αυλακώσεις.
- **Θα υπάρξουν διαρροές εάν ο δακτύλιος στεγανοποίησης έχει υποστεί ζημιά ή δεν έχει τοποθετηθεί σωστά.**
- 2 Βιδώστε την κανάτα επάνω στη διάταξη λεπίδων ⑩.  
Ανατρέξτε στα γραφικά στο κάτω μέρος της μονάδας λεπίδων:  
 – θέση «ξεκλειδωτή»  
 – θέση «κλειδωμένη»  
**Το μπλέντερ δεν θα λειτουργεί εάν δεν έχει συναρμολογηθεί σωστά.**
- 3 Τοποθετήστε τα υλικά σας στην κανάτα.
- 4 Τοποθετήστε το καπάκι στην κανάτα και σπρώξτε προς τα κάτω για να εφαρμόσει ⑪. Τοποθετήστε το πώμα μεζούρα.
- 5 Αφαιρέστε το κάλυμμα της υποδοχής διπλής λειτουργίας στρέφοντάς το αριστερόστροφα και ανασηκώνοντάς το.
- 6 Τοποθετήστε το μπλέντερ στη μονάδα μοτέρ και στρέψτε το δεξιόστροφα ⑫ έως ότου ασφαλίσει στη θέση του με τον χαρακτηριστικό ήχο «κλικ».
- **Η συσκευή δεν θα λειτουργεί εάν το μπλέντερ δεν έχει εφαρμόσει σωστά στην ενδοασφάλεια.**
- 7 Επιλέξτε ταχύτητα (ανατρέξτε στον πίνακα συνιστώμενων ταχυτήτων) ή χρησιμοποιήστε την παλμική λειτουργία ⑬ για σύντομα, διαδοχικά διαστήματα λειτουργίας.

#### συμβουλές

- Όταν φτιάχνετε μαγιονέζα, να βάζετε όλα τα υλικά μέσα στο μπλέντερ, εκτός από το λάδι. Αφαιρέστε το πώμα μεζούρα. Έπειτα, ενόσω η συσκευή βρίσκεται σε λειτουργία, προσθέστε σιγά-σιγά το λάδι μέσα από την οπή στο καπάκι.

- Όταν πρόκειται για παχύρρευστα μείγματα, π.χ. πατέ και ντιπ, ενδέχεται να χρειαστεί να ξεκολλάτε υλικά από τα τοιχώματα. Εάν η επεξεργασία του μείγματος γίνεται με δυσκολία, προσθέστε περισσότερα υγρά.
- Θρυμματισμός πάγου – επιλέξτε την παλμική λειτουργία για σύντομα, διαδοχικά διαστήματα λειτουργίας, έως ότου ο πάγος θρυμματιστεί στον επιθυμητό βαθμό.
- Η επεξεργασία των μπαχαρικών δεν συνιστάται, καθώς ενδέχεται να προκαλέσουν φθορά στα πλαστικά μέρη.
- **Η συσκευή δεν θα λειτουργήσει εάν το μπλέντερ δεν είναι σωστά τοποθετημένο.**
- Για να αναμειχτείτε στεγνά υλικά – κόψτε τα σε κομμάτια, αφαιρέστε το πώμα μεζούρα και, στη συνέχεια, ενώ η συσκευή λειτουργεί, ρίξτε ένα-ένα τα κομμάτια. Κρατήστε το χέρι σας πάνω από το άνοιγμα. Για καλύτερα αποτελέσματα, αδειάζετε τακτικά το μπλέντερ.
- Μην χρησιμοποιείτε το μπλέντερ ως αποθηκευτικό δοχείο. Κρατήστε το άδειο πριν και μετά τη χρήση.
- Μην αναμειγνύετε ποτέ ποσότητα μεγαλύτερη από 1,2 λίτρα. Η ποσότητα πρέπει να είναι μικρότερη για αφρώδη υγρά όπως μιλκσέικ.

## 18 αποχυμωτής

Χρησιμοποιείτε τον αποχυμωτή για να παρασκευάζετε χυμό από σκληρά φρούτα και λαχανικά.

- Α ωστήρας
- Β καπάκι αποχυμωτή
- Γ εξάρτημα αφαίρεσης πολτού
- Δ κύλινδρος φίλτρου
- Ε μπόλ αποχυμωτή
- Φ στόμιο εκροής

### πώς να χρησιμοποιείτε τον αποχυμωτή σας

- 1 Τοποθετήστε το μπόλ του αποχυμωτή ⑤ επάνω στην υποδοχή διπλής λειτουργίας με το στόμιο ⑥ προς την αριστερή πλευρά και στρέψτε δεξιόστροφα έως ότου ασφαλίσει στη θέση του ⑩.
- 2 Τοποθετήστε το εξάρτημα αφαίρεσης πολτού ③ στον κύλινδρο φίλτρου ④, διασφαλίζοντας ότι οι γλωπίδες εφαρμόζουν στις εγκοπές στο κάτω μέρος του κυλίνδρου ⑭.
- 3 Τοποθετήστε τον κύλινδρο φίλτρου ⑮.

- 4 Τοποθετήστε το καπάκι του αποχυμωτή ⑩ στο μπολ και στρέψτε το έως ότου ασφαλίσει στη θέση του ⑪. **Ο αποχυμωτής σας δεν θα λειτουργήσει εάν το μπολ ή το καπάκι δεν έχουν ασφαλίσει σωστά στην ενδοασφάλεια.**
- 5 Τοποθετήστε ένα κατάλληλο δοχείο κάτω από το στόμιο εξόδου χυμού.
- 6 Κόψτε τα τρόφιμα σε κομμάτια που χωρούν στον σωλήνα τροφοδοσίας.
- 7 Επιλέξτε τη μέγιστη ταχύτητα και τοποθετήστε τα τρόφιμα μέσα στον σωλήνα τροφοδοσίας. Πιέστε σταθερά με τον ωστήρα – **ποτέ μην βάζετε τα δάχτυλά σας μέσα στον σωλήνα τροφοδοσίας.** Επεξεργαστείτε πλήρως την ποσότητα προτού προσθέσετε επιπλέον υλικά.
- Αφού προσθέσετε και το τελευταίο κομμάτι, αφήστε τον αποχυμωτή σε λειτουργία για 30 δευτερόλεπτα ακόμα ώστε να αντλήσετε όλο τον χυμό από τον κύλινδρο φίλτρου.

#### σημαντικό

- Εάν ο αποχυμωτής αρχίσει να δονείται, απενεργοποιήστε τον και αδειάστε τον πολτό από το φίλτρο. (Ο αποχυμωτής δονείται όταν ο πολτός είναι άνωσα κατανεμημένος).
- Η μέγιστη ποσότητα επεξεργασίας κάθε φορά είναι 800 g φρούτα ή λαχανικά.
- Ορισμένα πολύ σκληρά τρόφιμα ενδέχεται να μειώνουν την ταχύτητα του εξαρτήματός σας ή να διακόπτουν τη λειτουργία του. Εάν συμβεί αυτό, θέστε τη συσκευή εκτός λειτουργίας και αποφράξτε το φίλτρο.
- Να θέτετε τη συσκευή εκτός λειτουργίας και να αδειάζετε τακτικά το δοχείο πολτού και χυμού κατά τη χρήση.

#### συμβουλές

- Προσθέτετε τα μαλακά τρόφιμα σιγά-σιγά για να πάρετε τη μέγιστη ποσότητα χυμού.
- Οι βιταμίνες χάνονται – όσο πιο σύντομα πίνετε τον χυμό σας, τόσο περισσότερες βιταμίνες προσλαμβάνετε.
- Εάν χρειαστεί να φυλάξετε το χυμό για λίγες ώρες, βάλτε τον στο ψυγείο. Θα διατηρηθεί καλύτερα εάν προσθέσετε λίγες σταγόνες χυμό λεμονιού.
- Μην πίνετε περισσότερο από τρία ποτήρια των 230 ml χυμό την ημέρα, εκτός εάν έχετε συνηθίσει σε αυτή την ποσότητα.
- Πριν δώσετε χυμό σε παιδιά, να τον αραιώνετε με ίση ποσότητα νερού.
- Οι χυμοί από σκούρα πράσινα (μπρόκολο, σπανάκι κ.λπ.) ή σκούρα κόκκινα (παντζάρια, κόκκινο λάχανο κ.λπ.) λαχανικά είναι εξαιρετικά δυνατοί, γι' αυτό να τους αραιώνετε πάντα.

- Οι χυμοί φρούτων έχουν υψηλή περιεκτικότητα σε φρουκτόζη (ζάχαρη των φρούτων), γι' αυτό τα άτομα που πάσχουν από διαβήτη ή έχουν χαμηλή τιμή σακχάρου στο αίμα πρέπει να αποφεύγουν να πίνουν μεγάλες ποσότητες.

## 19 κρεατομηχανή

Χρησιμοποιήστε την κρεατομηχανή για να επεξεργαστείτε κρέας, πουλερικά και ψάρια.

- Ⓐ γαλλικό κλειδί
- Ⓑ σφιγκτήρας
- Ⓒ πλέγματα τεμαχισμού: κανονικό και χονδρό κόψιμο
- Ⓓ κοπήρας
- Ⓔ έλικας
- Ⓕ κυρίως σώμα
- Ⓖ σωλήνας τροφοδοσίας
- Ⓗ δίσκος
- Ⓘ ωστήρας

## συναρμολόγηση

- 1 Προσαρμόστε τον έλικα ⑤ στο εσωτερικό του κυρίως σώματος της κρεατομηχανής ④.
- 2 Προσαρμόστε τον κοπήρα ⑩ – η κοφερή πλευρά να είναι προς τα έξω. Βεβαιωθείτε ότι έχει τοποθετηθεί σωστά, διαφορετικά μπορεί να προκαλέσετε βλάβη στην κρεατομηχανή σας.
- 3 Προσαρμόστε ένα πλέγμα τεμαχισμού ③. Τοποθετήστε την εγκοπή πάνω στη γλωπίδα στερέωσης ⑦.
- 4 Τοποθετήστε χαλαρά τον σφιγκτήρα ⑧.

## πώς να χρησιμοποιείτε την κρεατομηχανή σας

- 1 Ανασηκώστε την κεφαλή του μίξερ.
- 2 Με την κρεατομηχανή στη θέση που φαίνεται στην εικόνα, ευθυγραμμίστε τις γλωπίδες στην άκρη του έλικα με τις αντίστοιχες εγκοπές στην υποδοχή του μίξερ ⑩.
- 3 Πιέστε την κρεατομηχανή στην υποδοχή και στρέψτε προς τα αριστερά, έως ότου ασφαλίσει στη θέση της.
- 4 Κρατήστε σταθερό τον σωλήνα τροφοδοσίας και σφίξτε τον σφιγκτήρα με το χέρι.
- 5 Τοποθετήστε τον δίσκο ⑨.
- 6 **Ξεπαγώστε πολύ καλά τα κατεψυγμένα τρόφιμα πριν από τη διαδικασία κοπής.** Κόψτε το κρέας σε λωρίδες φάρδους 2,5 εκ.

7 Επιλέξτε τη μέγιστη ταχύτητα. Χρησιμοποιώντας τον ωστήρα, σπρώξτε απαλά τα τρόφιμα προς τα μέσα, ένα κομμάτι κάθε φορά. **Μην σπρώχνετε δυνατά** – μπορεί να προκαλέσετε βλάβη στην κρεατομηχανή σας.

#### σημαντικό

- Ποτέ μην λειτουργείτε το εξάρτημα κρεατομηχανής περισσότερο από 10 λεπτά, καθώς ενδέχεται να προκληθεί βλάβη στο μίξερ σας.
  - **Το εξάρτημα κρεατομηχανής δεν θα λειτουργήσει εάν δεν έχει τοποθετηθεί το κάλυμμα της υποδοχής διπλής ταχύτητας.**
- 8 Όταν κοπούν όλα τα τρόφιμα, απενεργοποιήστε τη συσκευή και αποσυνδέστε την από την πρίζα.
- 9 Αφαιρέστε την κρεατομηχανή. Χρησιμοποιήστε το γαλλικό κλειδί (A) για να αφαιρέσετε τον σφιγκτήρα, εάν έχει σφίξει πολύ.

## φροντίδα και καθαρισμός

- Απενεργοποιείτε και αποσυνδέετε πάντα τη συσκευή προτού την καθαρίσετε.
- Αποσυναρμολογήστε εντελώς τα εξαρτήματα πριν από τον καθαρισμό.

#### μονάδα μωτέρ

- Σκουπίστε με ένα υγρό πανί, έπειτα στεγνώστε.
- Μην χρησιμοποιείτε ποτέ αποξεστικά προϊόντα και μην τα βυθίζετε σε νερό.
- Τοποθετείτε το καλώδιο που περισσεύει στον χώρο αποθήκευσης καλωδίου (4) στο πίσω μέρος της συσκευής.
- Διατηρείτε καθαρά τα πόδια στη βάση του μίξερ.

#### μπολ, εργαλεία, καπάκι κατά του πιτσιλισματος

- Πλένετε στο χέρι και έπειτα στεγνώνετε πολύ καλά.
- Μην χρησιμοποιείτε ποτέ συρμάτινη βούρτσα, σύρμα κουζίνας ή λευκαντικό για να καθαρίσετε το ανοξείδωτο μπολ σας. Χρησιμοποιείτε ξύδι για να αφαιρέσετε τα στρώματα αλάτων.
- Κρατήστε τα μακριά από πηγές θερμότητας (μαγειρικές εστίες, φούρνους, φούρνους μικροκυμάτων).

#### επεξεργαστής τροφίμων

- **Να χειρίζεστε τις λεπίδες και τους δίσκους με προσοχή – είναι εξαιρετικά κοφτερά.**
- Μερικά τρόφιμα μπορεί να χρωματίσουν το πλαστικό. Αυτό είναι απόλυτα φυσιολογικό. Δεν θα επηρεάσει το πλαστικό ή τη γεύση του φαγητού σας. Το καθάρισμα με ένα πανί εμποτισμένο σε φυτικό λάδι βοηθάει στην αφαίρεση του χρώματος.

#### λεμονοστέιφτης

- Πλένετε στο χέρι και έπειτα στεγνώνετε πολύ καλά.

#### μπλέντερ

- 1 Αδειάστε την κανάτα προτού την ξεβιδώσετε από τη μονάδα λεπίδων.
- 2 Πλένετε την κανάτα με το χέρι.
- 3 Αφαιρέσετε και πλύνετε τον δακτύλιο σφραγίσματος.
- 4 Μην αγγίζετε τις κοφτερές λεπίδες - καθαρίστε τις με μία βούρτσα χρησιμοποιώντας ζεστό νερό και σαπούνι, έπειτα ξεβγάλτε πολύ καλά κάτω από τη βρύση. **Μη βυθίζετε τη μονάδα λεπίδας σε νερό.**
- 5 Αναποδογυρίστε τη και αφήστε τη να στεγνώσει.

#### αποχυμωτής

- Για ευκολότερο καθαρισμό, πλένετε πάντα τα μέρη του αποχυμωτή αμέσως μετά τη χρήση.
- Ορισμένα τρόφιμα, π.χ. καρότα, θα αποχρωματίσουν το πλαστικό. Για να αφαιρέσετε τον αποχρωματισμό, δοκιμάστε να τρίψετε με ένα πανί εμποτισμένο σε φυτικό λάδι.
- Καθαρίζετε το φίλτρο με μια μαλακή βούρτσα.
- **Να ελέγχετε τακτικά το φίλτρο για ενδείξεις φθοράς. Μην χρησιμοποιείτε τη συσκευή, εάν το φίλτρο έχει υποστεί φθορά. Ανατρέξτε στην ενότητα «σέρβις και εξυπηρέτηση πελατών».**

#### κρεατομηχανή

- Πλένετε όλα τα μέρη με ζεστή σαπουνάδα και έπειτα στεγνώνετε πολύ καλά. Μην πλένετε κανένα μέρος στο πλυντήριο πιάτων. Μην χρησιμοποιείτε ποτέ διάλυμα που περιέχει ανθρακικό νάτριο.
- Περάστε τα πλέγματα τεμαχισμού με φυτικό λάδι και τυλίξτε τα σε αντικολλητικό χαρτί για να αποτρέψετε τον αποχρωματισμό/τη σκουριά.

## όλα τα υπόλοιπα μέρη

- Πλένετε στο χέρι και έπειτα στεγνώνετε.
- Εναλλακτικά, ανατρέξτε στον πίνακα του πλυντηρίου πιάτων για μέρη που πλένονται στο πλυντήριο, εφόσον τα τοποθετήσετε στο επάνω συρτάρι του πλυντηρίου πιάτων σας. Αποφεύγετε να τοποθετείτε εξαρτήματα στο κάτω συρτάρι, απευθείας πάνω από το θερμαντικό στοιχείο. Συνιστάται ένα σύντομο πρόγραμμα με χαμηλή θερμοκρασία (Μέγιστη θερμοκρασία 50°C).

αντικείμενο	κατάλληλο για πλυντήριο πιάτων
<b>Μίξερ</b>	
Μπολ	✓
Αναδευτήρι, χτυπητήρι και εξάρτημα ζυμώματος	✓
Καπάκι κατά του πιτσιλίσματος	✓
Κάλυμμα υποδοχής	✗
<b>Επεξεργαστής τροφίμων</b>	
Κυρίως μπολ, καπάκι και ωστήρας	✓
Λεπίδες μαχαιριού	✓
Αποσπώμενος κινητήριος άξονας	✓
Δίσκοι	✓
<b>Λεμονοσείφτης</b>	
Κώνος, πουριέρα	✓
<b>Μπλέντερ</b>	
Κανάτα, καπάκι και πώμα μεζούρα	✓
Μονάδα λεπίδων και δακτύλιος στεγανοποίησης	✗
<b>Αποχυωτής</b>	
Μπολ, ωστήρας, καπάκι, κύλινδρος φίλτρου και εξάρτημα αφαίρεσης πολτού	✓
<b>Κρεατομηχανή</b>	
Σφιγκτήρας, πλέγματα τεμαχισμού, κοπτήρας, έλικας και κυρίως σώμα	✗
Δίσκος και ωστήρας	✓

## σέρβις και εξυπηρέτηση πελατών

- Εάν το καλώδιο έχει υποστεί ζημιά, πρέπει, για λόγους ασφαλείας, να αντικατασταθεί από την Kenwood ή από εξουσιοδοτημένο κέντρο επισκευών της Kenwood.
- Εάν αντιμετωπίσετε οποιοδήποτε πρόβλημα σχετικά με τη λειτουργία της Κουζίνομηχανής σας, προτού ζητήσετε βοήθεια, ανατρέξτε στον οδηγό αντιμετώπισης προβλημάτων.

Εάν χρειάζεστε βοήθεια σχετικά με:

- τη χρήση της συσκευής ή
- το σέρβις ή τις επισκευές
- επικοινωνήστε με το κατάστημα από το οποίο αγοράσατε τη συσκευή σας.
- Σχεδιάστηκε και αναπτύχθηκε από την Kenwood στο Ηνωμένο Βασίλειο.
- Κατασκευάστηκε στην Κίνα.



## Σημαντικές πληροφορίες για τη σωστή απόρριψη του προϊόντος σύμφωνα με την Ευρωπαϊκή Οδηγία 2002/96/EK

Στο τέλος της ωφέλιμης ζωής του, το προϊόν δεν πρέπει να απορρίπτεται με τα αστικά απορρίμματα. Πρέπει να απορριφθεί σε ειδικά κέντρα διαφοροποιημένης συλλογής απορριμμάτων που ορίζουν οι δημοτικές αρχές ή στους φορείς που παρέχουν αυτήν την υπηρεσία. Η χωριστή απόρριψη μιας οικιακής ηλεκτρικής συσκευής επιτρέπει την αποφυγή πιθανών αρνητικών συνεπειών για το περιβάλλον και την υγεία από την ακατάλληλη απόρριψη και επιτρέπει την ανακύκλωση των υλικών από τα οποία αποτελείται ώστε να επιτυγχάνεται σημαντική εξοικονόμηση ενέργειας και πόρων. Για την επισήμανση της υποχρεωτικής χωριστής απόρριψης οικιακών ηλεκτρικών συσκευών, το προϊόν φέρει το σήμα του διαγραμμένου τροχοφόρου κάδου απορριμμάτων.

## πίνακας συνιστώμενων ταχυτήτων και μέγιστων ποσοτήτων

Τα παρακάτω στοιχεία αποτελούν απλώς έναν γενικό οδηγό και ενδέχεται να ποικίλλουν, ανάλογα με την ποσότητα του μείγματος στο μπολ και τα υλικά που αναμειγνύονται.

εργαλείο/ εξάρτημα	τύπος συνταγής	ταχύτητα	χρόνος	μέγιστες ποσότητες
<b>Κουζίνομηχανή</b>				
Αναδευτήρι	Ασπράδια αβγών	Από Ελάχ. έως Μέγ.	2 λεπτά	2-8 (70 g-280 g)
	Κρέμα	Από Ελάχ. έως Μέγ.	1½ λεπτό	125 ml 600 ml
Χτυπητήρι	Μείγματα για κέικ με ανάμειξη όλων των υλικών μονομιάς	Από Ελάχ. έως Μέγ.	1½ λεπτό	Συνολικό βάρος 1,6 kg μείγμα με 8 αβγά
	Κέικ φρούτων – ανάμειξη βουτύρου και ζάχαρης Ανακάτεμα με αλεύρι, φρούτα κ.λπ.	Από Ελάχ. έως Μέγ. Ελάχ.	4 λεπτά Έως 1 λεπτό	Συνολικό βάρος 1,8 kg μείγμα με 6 αβγά
	Ανάμειξη βουτύρου με αλεύρι  Προσθήκη νερού για την ανάμειξη υλικών για γλυκά	Από Ελάχ. έως Ταχύτητα 2 Ελάχ.	5 λεπτά  30 δευτ.	450 g αλεύρι
Εξάρτημα ζυμώματος	Ζύμη ψωμιού (σφιχτή με μαγιά)	Από Ελάχ. έως Ταχύτητα 2	4 λεπτά	Βάρος αλευριού 500 g Συνολικό βάρος 800 g
<b>Επεξεργαστής τροφίμων</b>				
Λεπίδες μαχαιριού	Μείγματα για κέικ με ανάμειξη όλων των υλικών μονομιάς	Μέγ.	15 δευτ.	Συνολικό βάρος 600 g Μείγμα με 3 αβγά
	Ανάμειξη βουτύρου με αλεύρι Προσθήκη νερού για την ανάμειξη υλικών για γλυκά	Μέγ. Μέγ.	Έως 1 λεπτό 10 δευτ.	Βάρος αλευριού 340 g
	Τεμαχισμός/πολτοποίηση/πατέ	Μέγ.	Έως 30 δευτ.	Συνολικό βάρος για τεμαχισμό άπαχου κρέατος 400 g
Δίσκοι – κοπής σε φέτες/τριψίματος	Σκληρά τρόφιμα, όπως καρότα, σκληρά τυριά	Μέγ.	–	Μην υπερβαίνετε τη μέγιστη ποσότητα που αναγράφεται στο μπολ.
	Πιο μαλακά τρόφιμα, όπως αγγούρια, ντομάτες	Ταχύτητα 3	–	
Δίσκος για πολύ λεπτό τρίψιμο	Τυρί παρμεζάνα, πατάτες για γερμανικές πατατοκροκέτες	Μέγ.	–	
<b>Λεμονοστείφτης</b>	Εσπεριδοειδή	Ταχύτητα 2	–	–
<b>Μπλέντερ</b>	Επεξεργάζεται κάθε είδους τρόφιμα	Μέγ.	Έως 1 λεπτό	1,2 λίτρα
<b>Φυγοκεντρικός αποχυμωτής</b>	Σκληρά φρούτα και λαχανικά, π.χ. καρότα και μήλα	Μέγ.	–	800 g
	Μαλακά φρούτα και λαχανικά, π.χ. ντομάτες και σταφύλια	Μέγ.	–	500 g
<b>Κρεατομηχανή</b>	Κρέας, πουλερικά, ψάρι κομμένα σε λωρίδες φάρδους 2,5 εκ.	Μέγ.	–	–

\* Μέγεθος αβγών που χρησιμοποιούνται = μεσαίο (Βάρος 53-63 g)

## οδηγός αντιμετώπισης προβλημάτων

Πρόβλημα	Αιτία	Λύση
Η συσκευή δεν λειτουργεί κατά τη χρήση των εργαλείων ανάμειξης.	<p>Δεν υπάρχει ρεύμα/η ενδεικτική λυχνία δεν είναι αναμμένη.</p> <p>Η κεφαλή του μίξερ δεν έχει ασφαλίσει σωστά στην κάτω θέση.</p> <p>Το κάλυμμα υποδοχής δεν έχει τοποθετηθεί σωστά.</p> <p>Η κεφαλή του μίξερ ανασηκώθηκε κατά τη διάρκεια της λειτουργίας και μετά κατέβηκε πάλι χωρίς να ρυθμιστεί εκ νέου το κουμπί ελέγχου ταχύτητας στη θέση «Ο» (Απενεργοποίηση).</p>	<p>Ελέγξτε ότι η συσκευή είναι συνδεδεμένη στην πρίζα.</p> <p>Ελέγξτε ότι η κεφαλή του μίξερ έχει ασφαλίσει σωστά στην κάτω θέση.</p> <p>Ελέγξτε ότι το κάλυμμα υποδοχής έχει τοποθετηθεί σωστά.</p> <p><b>Η συσκευή δεν θα λειτουργήσει εάν το κάλυμμα υποδοχής δεν τοποθετηθεί σωστά.</b></p> <p>Ελέγξτε ότι το κουμπί ελέγχου ταχύτητας έχει ρυθμιστεί εκ νέου στη θέση «Ο» (Απενεργοποίηση).</p>
Η συσκευή σταματά ενώ λειτουργεί.	<p>Η συσκευή έχει υπερφορτωθεί/έχετε υπερβεί τις μέγιστες ποσότητες.</p> <p>Η κεφαλή του μίξερ ή το κάλυμμα υποδοχής έχουν απασφαλίσει.</p>	<p>Θέστε εκτός λειτουργίας τη συσκευή, αποσυνδέστε από το ρεύμα και αφήστε την να κρυώσει για 30 λεπτά.</p> <p>Ελέγξτε τις μέγιστες ποσότητες στον πίνακα συνιστώμενων ταχυτήτων.</p> <p>Ελέγξτε ότι η κεφαλή του μίξερ και το κάλυμμα υποδοχής έχουν τοποθετηθεί σωστά.</p>
Το εξάρτημα διπλής λειτουργίας δεν λειτουργεί.	<p>Το εξάρτημα διπλής λειτουργίας δεν έχει ασφαλίσει σωστά.</p> <p>Το καπάκι του επεξεργαστή τροφίμων/αποχυμωτή ή η πουριέρα του λεμονοσείφιτη δεν έχουν τοποθετηθεί σωστά.</p>	<p>Ελέγξτε εάν το εξάρτημα διπλής λειτουργίας έχει τοποθετηθεί σωστά.</p> <p>Ελέγξτε ότι το εξάρτημα έχει τοποθετηθεί σωστά.</p>
Το εξάρτημα της κρεατομηχανής δεν λειτουργεί.	<p>Το εξάρτημα δεν έχει ασφαλίσει σωστά.</p> <p>Η υποδοχή καλύμματος δεν έχει τοποθετηθεί σωστά.</p>	<p>Ελέγξτε εάν το εξάρτημα έχει τοποθετηθεί σωστά.</p> <p>Ελέγξτε ότι το κάλυμμα υποδοχής έχει τοποθετηθεί σωστά.</p>
Κίνηση στην επιφάνεια εργασίας.	<p>Τα πόδια στο κάτω μέρος της συσκευής είναι βρόμικα ή βρεγμένα.</p>	<p>Ελέγχετε τακτικά εάν τα πόδια είναι καθαρά και στεγνά.</p>
Χαμηλή απόδοση εργαλείων/ εξαρτημάτων.	<p>Ανατρέξτε στις συμβουλές στη σχετική ενότητα «πώς να χρησιμοποιείτε το εξάρτημα». Ελέγξτε εάν τα εξαρτήματα έχουν συναρμολογηθεί σωστά.</p>	

## οδηγός αντιμετώπισης προβλημάτων

Πρόβλημα	Αιτία	Λύση
Η ενδεικτική λυχνία λειτουργίας αναβοσβήνει γρήγορα.	Κανονική λειτουργία. Η λυχνία θα αναβοσβήνει, εάν μία ή περισσότερες από τις ενδοασφάλειες δεν έχουν κλειδώσει σωστά.	Όταν χρησιμοποιείτε ένα εξάρτημα, ελέγξτε ότι έχει ασφαλίσει σωστά στη θέση του. Ελέγξτε ότι η κεφαλή του μίξερ βρίσκεται στην κάτω θέση, εκτός εάν χρησιμοποιείτε το εξάρτημα κρεατομηχανής. Ελέγξτε ότι το κουμπί ελέγχου ταχύτητας βρίσκεται στη θέση «Ο» (Απενεργοποίηση).
Η ενδεικτική λυχνία λειτουργίας αναβοσβήνει αργά.	Είναι ενεργοποιημένη η λειτουργία αναμονής. Εάν η κουζίνομηχανή μείνει συνδεδεμένη στην πρίζα για περισσότερα από 30 λεπτά χωρίς να χρησιμοποιηθεί, θα μεταβεί στη λειτουργία αναμονής για μείωση της κατανάλωσης ενέργειας. Όταν είναι έτοιμη για χρήση, η λυχνία θα παραμένει συνεχώς αναμμένη.	Η κουζίνομηχανή θα επιστρέψει σε κανονική λειτουργία όταν ορίσετε μια ταχύτητα με το κουμπί ελέγχου ταχύτητας και στη συνέχεια το επαναφέρετε πάλι στη θέση «Ο» (Απενεργοποίηση).
Εάν κανένα από τα παραπάνω δεν λύνει το πρόβλημα, ανατρέξτε στην ενότητα «σέρβις και εξυπηρέτηση πελατών».		



# Slovenčina

Otvorte ilustrácie z titulnej strany.

## bezpečnosť

- Starostlivo si prečítajte tieto inštrukcie a uchovajte si ich pre budúcnosť.
- Odstráňte všetky obaly a štítky.
- V týchto prípadoch zariadenie vypínajte a odpájajte z elektrickej siete:
  - Pred zakladaním a vyberaním súčastí.
  - Keď nie je používané.
  - Pred čistením.
- Po použití tohto zariadenia, pred zakladaním alebo vyberaním nástrojov/príslušenstva a pred jeho čistením pretočte ovládač rýchlosti do pozície VYPNUTIA („O“) a zariadenie odpojte z elektrickej siete.
- Prsty držte v bezpečnej vzdialenosti od pohyblivých súčastí a založených nástrojov.
- Nikdy nenechávajte toto zariadenie bez dohľadu, keď je v chode.
- Nikdy nepoužívajte toto zariadenie, ak je poškodené. V takom prípade ho dajte skontrolovať alebo opraviť: prečítajte si časť „servis a starostlivosť o zákazníkov“.
- Elektrickú šnúru nikdy nenechávajte visieť smerom nadol tak, že by ju mohlo zdrapnúť dieťa.
- Pohonnú jednotku, elektrickú šnúru a zástrčku nikdy nenechajte zmoknúť.
- **Pri používaní výstupu dvojakého pohonu nesmú byť uložené v nádobe ani založené žiadne nástroje do nádoby.**
- Nikdy nepoužívajte nejaký neschválený nástroj alebo niekoľko nástrojov naraz.
- Nikdy neprekračujte množstvá uvedené v tabuľke maximálnych množstiev.

- Pri zdvíhaní tohto zariadenia postupujte opatrne. Pred jeho zdvihnutím zabezpečte, aby jeho hlava bola správne zaistená v dolnej pozícii a aby nádoba, nástroje, kryt výstupu a elektrická šnúra boli zaistené na svojom mieste.
- Pred použitím tohto kuchynského robota zabezpečte, aby jeho elektrická šnúra bola riadne vytažená z úložného priestoru pre elektrickú šnúru ④.
- Deti musia byť pod dohľadom, aby sa zabezpečilo to, že sa nebudú s týmto zariadením hrať.
- Nehýbte hlavou robota ani ju nedvíhajte, keď je do nej založený nejaký nástroj, lebo vtedy by toto zariadenie mohlo stratiť stabilitu.
- Neuvádzajte toto zariadenie do chodu blízko okraja pracovného povrchu.
- Osoby, ktoré majú znížené fyzické, senzorické alebo mentálne schopnosti, majú o takýchto zariadeniach málo vedomostí alebo majú s takýmito zariadeniami málo skúseností, môžu toto zariadenie používať len pod dohľadom alebo po poučení o jeho bezpečnej obsluhu, pričom musia rozumieť súvisiacim rizikám.
- Nesprávne používanie tohto zariadenia môže spôsobiť zranenie.
- Deti toto zariadenie nesmú používať. Toto zariadenie a jeho elektrickú šnúru držte mimo dosahu detí.
- Toto zariadenie používajte len v domácnosti na stanovený účel. Firma Kenwood nepreberie žiadnu zodpovednosť za následky nesprávneho používania zariadenia, ani za následky nerešpektovania týchto inštrukcií.
- Maximálny menovitý výkon je založený na príslušenstve, ktoré má najvyšší príkon. Iné príslušenstvo môže mať nižší príkon.
- **Zaisťovací mechanizmus nesmie byť vystavený nadmernej sile, lebo príslušenstvo by sa mohlo poškodiť, čo by mohlo spôsobiť zranenie.**

## **príslušenstvo na spracovávanie potravín**

- S nožovou jednotkou a kotúčmi manipulujte opatrne, lebo sú mimoriadne ostré. **Pri manipulácii s nimi a pri ich čistení ich vždy držte za vrchné držadlo, teda na opačnej strane, než je rezná hrana.**
- Pri vyprázdňovaní nádoby z nej vždy najprv vyberte nožovú jednotku.
- Ruky a kuchynské náradie nekladajte do nádoby tohto príslušenstva, keď je zariadenie zapojené do elektrickej siete.
- Nikdy netlačte potraviny nadol plniacou trubicou prstami. Vždy na to používajte len dodaný posúvač.
- Pred zložením veka z nádoby tohto príslušenstva urobte toto:
  - Zariadenie vypnite.
  - Počkajte, kým sa príslušenstvo/nožová jednotka úplne nezastaví.
- **Nikdy nevyberajte veko z tohto príslušenstva, kým sa nože/rezacie kotúče úplne nezastavia.**
- **RIZIKO OPARENIA:** Horúce zložky treba pred spracovávaním týmto príslušenstvom nechať vychladnúť na izbovú teplotu.
- Nepoužívajte veko na ovládanie tohto príslušenstva, ale vždy na to používajte ovládač rýchlosti a pulzného chodu.

## **príslušenstvo na mixovanie**

- Ruky a kuchynské náradie nekladajte do nádoby mixéra, keď je zariadenie zapojené do elektrickej siete.
- **Nikdy nezakladajte nožovú jednotku do pohonnej jednotky bez toho, aby bola založená nádoba mixéra.**
- **RIZIKO OPARENIA:** Horúce zložky treba pred spracovávaním alebo mixovaním týmto príslušenstvom nechať vychladnúť na izbovú teplotu.
- Mixér púšťajte len s vekom založeným na nádobe.
- Nádobu používajte len s dodanou nožovou zostavou.
- Mixér nikdy nepúšťajte naprázdno.

- Mixér nikdy nepúšťajte na dlhšie než 60 sekúnd bez zastavenia, aby ste neznižovali jeho životnosť. Po dosiahnutí správnej konzistencie obsahu ho hneď vypnite.
- Spracovávanie korenín sa neodporúča, lebo by mohli poškodiť plastové súčasti.
- Recepty ovocných štiav – nikdy nemixujte zložky zmrazené do pevného celku. Ten najprv porozbíjajte na menšie kúsky.

### **príslušenstvo na mletie potravín**

- Pred mletím mäsa z neho vždy odstráňte kosti, kožu a podobne.
- Pri mletí jadrových plodov ich vkladajte len po niekoľkých kusoch. Medzitým vždy počkajte, kým ich nezachytí špirála a až potom pridávajte ďalšie.
- Vždy používajte dodaný posúvač. Nikdy nevkladajte do plniacej trubice prsty ani kuchynské náradie.
- Upozornenie: Rezacia čepeľ je ostrá, takže s ňou pri jej používaní a čistení manipulujte opatrne.
- Pred zapnutím zariadenia sa uistite, či je toto príslušenstvo zaistené v potrebnej pozícii.

### **príslušenstvo na odšťavovanie**

- **Ak bude poškodený filter, tento odšťavovač nepoužívajte.**
- Rezacie čepele na základni filtra sú veľmi ostré, takže pri manipulácii s filtrom a jeho čistení postupujte opatrne.
- Nepoužívajte veko na ovládanie tohto odšťavovača, ale vždy na to používajte ovládač rýchlosti a pulzného chodu.
- Keby pri používaní tohto príslušenstva došlo k nadmernej vibrácii, upravte rýchlosť alebo zariadenie zastavte, odpojte z elektrickej siete a z bubna vyberte všetku dužinu. (Ak dužina nebude rozložená rovnomerne, odšťavovač začne vibrovať.)

### pred zapojením do elektrickej siete

- Overte si, či má elektrická sieť také isté parametre, aké sú uvedené na spodnej strane zariadenia.
- Toto zariadenie spĺňa požiadavky európskej smernice 2004/108/ES o elektromagnetickej kompatibilitate a nariadenia č. 1935/2004 zo dňa 27.10.2004 o materiáloch a predmetoch určených pre styk s potravinami.

### pred prvým použitím

- Umyte súčasti: prečítajte si časť „ošetrovanie a čistenie“.

## legenda

- ① kryt výstupu
- ② výstup dvojakého pohonu (pre strednú a vysokú rýchlosť)
- ③ zaisťovací mechanizmus
- ④ úložný priestor pre elektrickú šnúru
- ⑤ ovládač rýchlosti a pulzného chodu
- ⑥ pohonná jednotka
- ⑦ zásuvka pre nástroje do nádoby
- ⑧ nádoba
- ⑨ hlava robota
- ⑩ páčka na uvoľňovanie hlavy robota
- ⑪ metlička v tvare K
- ⑫ špirálový hák na hnetenie cesta
- ⑬ šľahacia metlička
- ⑭ kryt proti vyšplechovaniu

### príslušenstvo

- ⑮ nadstavec na spracovávanie potravín
- ⑯ lis na citrusové plody
- ⑰ sklenený mixér
- ⑱ odšťavovač
- ⑲ mlynček na potraviny

Riadte sa príslušnou tabuľkou odporúčaných rýchlostí.

## nástroje na mixovanie a príklady ich používania

### metlička v tvare K

- Je určená na prípravu koláčov, trvanlivého a sladkého pečiva, poliev, plniek, plnených zákuskov a zemiakovej kaše.

### šľahacia metlička

- Je určená na šľahanie vajec, na prípravu krémov, liateho cesta, kysnutého cesta bez tuku, snehových pusiniiek, tvarohových koláčov, šľahaných pien a bublanín. Nie je určená na šľahanie hustých zmesí (napríklad zmesí tuku s cukrom), lebo by sa pri tom mohla poškodiť.

### špirálový hák na hnetenie cesta

- Je určený len na prípravu kysnutých zmesí.

## používanie nástrojov do nádoby

- 1 Stlačte nadol páčku na uvoľňovanie hlavy robota ① a vyklápaajte hlavu robota nahor, kým sa nezaistí do potrebnej pozície.
  - 2 Založte nádobu na základňu a otáčajte ňou v protismere hodinových ručičiek, kým sa nezaistí do potrebnej pozície ②.
  - 3 Do zásuvky pre nástroje zatlačte daný nástroj – musí sa zacvaknúť do potrebnej pozície ③.
  - 4 Stlačte nadol páčku na uvoľňovanie hlavy robota a sklápajte hlavu robota nadol, kým sa nezaistí do potrebnej pozície.
  - 5 Zapojte do elektrickej siete. Pretočte ovládač rýchlosti na žiadúci stupeň, čím sa zariadenie zapne. Zariadenie sa vypína pretočením ovládača rýchlosti do pozície VYPNUTIA („O“).
- Ak bude hlava robota vyklopená nahor alebo ak nebude založený kryt výstupu, svetelná kontrolka napájania bude blikať a zariadenie nebude fungovať.**
- Pre krátke intervaly maximálnej rýchlosti používajte pulzný chod ④.
  - 6 Odpojte z elektrickej siete.
  - 7 Vyklopte hlavu robota nahor, podržte ju a zo zásuvky pre nástroje vytiahnite daný nástroj.

### dôležité upozornenia

- Ak hlavu robota vyklopite počas chodu nahor, zariadenie sa hneď zastaví. Opäť ho spustíte tým, že sklopíte hlavu robota nadol, ovládač rýchlosti pretočíte do pozície VYPNUTIA („O“), počkáte niekoľko sekúnd a potom opätovne zvolíte rýchlosť. Zariadenie by sa hneď na to malo opäť spustiť.

- Ak z nejakého dôvodu dôjde k prerušeniu napájania a chod zariadenia sa zastaví, pretože ovládač rýchlosti do pozície VYPNUTIA („O“), počkajte niekoľko sekúnd a potom opätovne zvolte rýchlosť. Zariadenie by sa hneď na to malo opäť spustiť.
- **Ak kryt výstupu nebude správne založený, zariadenie nebude fungovať.**
- Ak budete počuť, že sa zariadenie trápi, vypnite ho a vyberte z nádoby časť zmesi alebo zvýšte rýchlosť.
- Pred vyklopením hlavy robota nahor vždy vyberte príslušenstvo založené do výstupu dvojitého pohonu.
- **Pri používaní výstupu dvojitého pohonu nesmú byť uložené v nádobe ani založené žiadne nástroje do nádoby.**

#### rady

- V prípade potreby zariadenie vypnite a špachtľou oškrabte vnútorné steny nádoby.
- Na šľahanie sú najlepšie vajcia izbovej teploty.
- Pred šľahaním vaječných bielkov zabezpečte, aby na šľahacej metličke ani v nádobe nebola žiadna masť ani vaječné žĺtky.
- Na prípravu sladkého pečiva používajte studené zložky, ak sa v recepte neudáva inak.
- Pri miešaní tuku s cukrom pri príprave zmesi na koláče/tortových zmesi používajte vždy tuk izbovej teploty alebo ho najprv nechajte trochu zmäknúť.
- Toto zariadenie je vybavené funkciou „pomalého štartu“ s cieľom minimalizovať vyšplechovanie. No ak v nádobe bude nejaká hustá zmes, ako je napríklad cesto na chlieb, aj vtedy mu po jeho zapnutí potrvá niekoľko sekúnd, kým dosiahne zvolenú rýchlosť.

## poznámky k príprave chleba

### dôležité upozornenia

- Nikdy neprekračujte uvedené maximálne množstvá, aby ste zariadenie nepreťažili.
- **Určitý pohyb hlavy robota je pri mixovaní hustých zmesí, ako je napríklad cesto na chlieb, normálny.**
- Zložky sa najlepšie mixujú vtedy, keď do nádoby najprv vlejete tekuté zložky.
- Zariadenie priebežne zastavujte a z háku na hnetenie cesta zoškrabujte zmes.

- Rôzne várky múky sa môžu značne líšiť z hľadiska požadovaného množstva tekutiny a lepkavosť cesta môže mať zreteľný účinok na záťaž zariadenia. Preto vám radíme, aby ste zariadenie pri miešaní cesta pozorovali – tento úkon by nemal trvať dlhšie než 6 až 8 minút.

## zakladanie a používanie krytu proti vyšplechovaniu

- 1 Založte nádobu na základňu a pridajte do nej zložky.
  - 2 Založte kryt proti vyšplechovaniu tak, že vyčnelky zasuniete do zásuvky pre nástroje do nádoby ⑦ a budete ho otáčať v protismere hodinových ručičiek, kým sa nezaistí do potrebnej pozície ④.
  - 3 Založte daný nástroj a potom sklopte hlavu robota nadol.
  - 4 Pri vyberaní krytu proti vyšplechovaniu používajte vyššie uvedený postup, ale v opačnom poradí.
- Cez otvor krytu možno pridávať zložky priamo do nádoby počas mixovania.

## elektronický senzor na ovládanie rýchlosti

Robot je vybavený elektronickým senzorom na ovládanie rýchlosti, ktorý je navrhnutý tak, aby udržiaval rýchlosť pri rôznych podmienkach zaťaženia, ku ktorým dochádza napríklad pri hnetení cesta na chlieb alebo pri pridávaní vajec do zmesi na koláče/tortovej zmesi. Z tohto dôvodu možno vtedy spozorovať zmenu rýchlosti, lebo robot sa vtedy prispôbuje záťaži a zvolenej rýchlosti. Ide teda o normálny jav.

## 15 nadstavec na spracovávanie potravín

- A posúvač
- B plniaca trubica
- C veko
- D nožová jednotka
- E nádoba s pohonným hriadeľom
- F kotúč na hrubé krájanie/strúhanie
- G kotúč na tenké krájanie/strúhanie
- H kotúč na veľmi jemné strúhanie
- I odpojiteľný pohonný hriadeľ

### používanie nadstavca na spracovávanie potravín

- 1 Vyberte kryt výstupu jeho otočením v protismere hodinových ručičiek a vytiahnutím 5.
- 2 Založte nádobu 6 na výstup tak, aby jej rukoväť smerovala doprava, a otáčajte ňou v smere hodinových ručičiek, kým sa nezaistí do potrebnej pozície 6.

- 3 Založte nožovú jednotku alebo odpojiteľný pohonný hriadeľ so žiadúcim príslušenstvom.  
**Poznámka: Odpojiteľný pohonný hriadeľ 1 treba zakladať len pri používaní kotúčov a lisu na citrusové plody.**

- Nádobu a nástroje vždy zakladajte na zariadenie ešte pred pridaním zložiek.

- 4 Založte veko 7 tak, aby vrch nožovej jednotky/pohonného hriadeľa bol v jeho strede.

- **Nepoužívajte veko na ovládanie tohto zariadenia, ale vždy na to používajte ovládač rýchlosti a pulzného chodu.**

- 5 Zapojte do elektrickej siete, zapnite a zvolte rýchlosť (riadiť sa tabuľkou odporúčaných rýchlostí).

- **Ak nádoba alebo veko nebudú správne založené do zaisťovacieho mechanizmu, toto zariadenie nebude fungovať. Plniaca trubica a rukoväť nádoby sa musia nachádzať vpredu.**

- Pre krátke intervaly maximálnej rýchlosti používajte pulzný chod 8. Ten trvá len vtedy, keď je ovládač držaný v danej pozícii.

- 6 Pri vyberaní veka, nástrojov a nádoby používajte vyššie uvedený postup, ale v opačnom poradí.

- **Pred vybratím veka najprv vždy vypnite a odpojte z elektrickej siete.**

#### dôležité upozornenie

- Toto zariadenie nie je vhodné na mletie kávových zŕn ani kryštálového cukru na krupicový cukor.

- Pri pridávaní mandľovej esencie alebo príchute do zmesi sa snažte o to, aby neprišla do styku s plastom, lebo by na ňom mohla zanechať trvalé zafarbenie.
- **Nespracovávajte horúce zložky.**

### nožová jednotka 8

Nožová jednotka je najvšestrannejšia zo všetkých súčastí. Dosiahnutá štruktúra závisí od dĺžky času spracovávaní.

Na dosahovanie hrubšej štruktúry používajte pulzný chod.

Nožovú jednotku možno používať na prípravu koláčov a sladkého pečiva, na sekanie surového a vareného mäsa, zeleniny a jadrových plodov, na prípravu nátierok a dipov, na mixovanie polievok a na drvenie chleba a sladkého pečiva na omrvinky.

#### rady

- Potraviny, ako sú mäso, chlieb a zelenina, najprv narežte na kocky približnej veľkosti 2 cm.
- Sladké pečivo treba najskôr nalámať na kúsky a potom za chodu zariadenia vkladať do plniacej trubice.
- Pri príprave cesta používajte tuk priamo z chladničky, pričom ho narežte na kocky približnej veľkosti 2 cm.
- Dávajte si pozor na to, aby ste spracovanie potravín neprehnali.
- **Nožovú jednotku nepoužívajte na miešanie hustých zmesí, ako je napríklad cesto na chlieb.**
- Nožovú jednotku nepoužívajte na drvenie kociek ľadu ani na sekanie iných tvrdých potravín, ako sú koreňiny, lebo by to mohlo toto zariadenie poškodiť.

### kotúče na krájanie/strúhanie

používanie kotúčov

**obojsmerné kotúče na krájanie/strúhanie – hrubý 9, tenký 10**

Strúhaciu stranu možno používať na strúhanie syra, mrkvy, zemiakov a potravín podobnej štruktúry.

Krájaciu stranu možno používať na krájanie syra, mrkvy, zemiakov, kapusty, uhoriek, cvikly a cibule.

**kotúč na veľmi jemné strúhanie 11**

Služí na strúhanie parmezánu a zemiakov na nemecké zemiakové knedličky.

## používanie rezacích kotúčov

- 1 Na pohonnú jednotku založte nádobu a pridajte odpojiteľný pohonný hriadeľ.
- 2 Kotúč držte za jeho stredové držadlo a založte ho na pohonný hriadeľ príslušnou stranou nahor.
- 3 Založte veko.
- 4 Vložte potraviny do plniacej trubice.
- 5 Zariadenie zapnite a potraviny tlačte posúvačom rovnomerne nadol – nikdy nevkładajte do plniacej trubice prsty.

### rady

- Používajte čerstvé potraviny.
- Nerežte potraviny na príliš malé kúsky. Naplňte plniacu trubicu na celú šírku. To zabráni potravinám v tom, aby sa počas spracovávania kĺzali po stranách.
- Potraviny vkladané zvisle vychádzajú von kratšie než potraviny vkladané horizontálne.
- Na kotúči alebo v nádobe vždy zostanú po spracovaní nejaké zvyšky potravín.

## 16 lis na citrusové plody

Používa sa na vytlačenie šťavy z citrusových plodov (ako sú napríklad pomaranče, citróny, limety a grepy).

- Ⓐ výtlačný kužel
- Ⓑ sitko

## používanie lisu na citrusové plody

- 1 Na pohonnú jednotku založte nádobu a pridajte odpojiteľný pohonný hriadeľ.
- 2 Do nádoby založte sitko – pričom rukoväť sitka musí byť zaistená v potrebnej pozícii priamo nad rukoväťou nádoby Ⓒ.
- 3 Výtlačný kužel umiestnite na pohonný hriadeľ a otáčajte ním, kým nespadne celkom dolu Ⓓ.
- 4 Narežte ovocie na polovice. Potom zariadenie zapnite a ovocie pritlačajte na výtlačný kužel.
- **Ak sitko nebude správne zaistené v potrebnej pozícii, lis na citrusové plody nebude fungovať.**
- Ak budete chcieť dosiahnuť najlepšie výsledky odšťavovania, ovocie určené na odšťavovanie držte a odšťavujte v izbovej teplote a pred odšťavením ho rukou pogúľajte po pracovnom povrchu.
- Pri odšťavovaní ovocia ním hýbte zo strany na stranu, lebo to pomáha vytláčať z neho šťavu.

- Pri odšťavovaní väčšieho množstva ovocia sitko pravidelne vyprázdňujte, aby sa neupchávalo dužinou a jadierkami.

## 17 sklenený mixér

- Ⓐ plniaca zátka
- Ⓑ veko
- Ⓒ nádoba
- Ⓓ tesniaci krúžok
- Ⓔ nožová jednotka

## používanie skleneného mixéra

- 1 Na nožovú jednotku Ⓔ založte tesniaci krúžok Ⓓ tak, aby správne dosadol na jej obvodovú drážku.
- **Ak toto tesnenie nebude založené správne alebo bude poškodené, mixovaný obsah môže presakovať.**
- 2 Nádobu naskrutkujte na nožovú jednotku Ⓓ. Riadte sa touto grafikou nachádzajúcou sa na spodku nožovej jednotky:

 – pozícia odistenia

 – pozícia zaistenia

**Ak tento mixér nebude správne zmontovaný, nebude fungovať.**

- 3 Vložte zložky do nádoby.
- 4 Na nádobu založte veko a zatlačte ho nadol, aby ste ho zaistili Ⓓ. Založte plniacu zátku.
- 5 Vyberte kryt výstupu dvojakého pohonu jeho pootočením v protismere hodinových ručičiek a vytiahnutím.
- 6 Mixér založte na pohonnú jednotku a otáčajte ním v smere hodinových ručičiek Ⓔ, kým nezapadne do potrebnej pozície.
- **Ak mixér nebude správne založený do zašŕovacieho mechanizmu, zariadenie nebude fungovať.**
- 7 Zvoľte rýchlosť (riadte sa tabuľkou odporúčaných rýchlostí) alebo použite pulzný chod Ⓔ pre krátke intervaly maximálnej rýchlosti.

### rady

- Pri príprave majonézy vložte do mixéra všetky zložky okrem oleja. Vyberte plniacu zátku. Potom za chodu zariadenia pomaly pridávajte cez otvor vo veke olej.
- Husté zmesi, napríklad nátierky a dipy: V prípade potreby zoškrabujte z vnútornej steny. Ak je zmes príliš hustá a jej spracovanie je preto ťažké, pridajte do nej viac tekutiny.
- Drvenie ľadu: Používajte pulzný chod pre krátke intervaly maximálnej rýchlosti, kým nedosiahnete žiadúcu konzistenciu.



- Spracovávanie korenín sa neodporúča, lebo by mohli poškodiť plastové súčasti.
- **Ak mixér nebude založený správne, zariadenie nebude fungovať.**
- Pri mixovaní suchých zložiek ich porežte na kúsky, vyberte plniacu zátku a potom za chodu prístroja ich po jednom vhadzujte dnu. Rukou zakrývajte otvor. V záujme dosiahnutia najlepších výsledkov nádobu pravidelne vyprázdňujte.
- Mixér nepoužívajte ako odkladaciu nádobu. Držte ho prázdny pred používaním aj po ňom.
- Nikdy nemixujte viac než 1,2 litra a v prípade penivých tekutín, ako sú mliečne kokteily, ani toľko.
- Po pridaní posledného kúska nechajte odšťavovač v chode ďalších 30 sekúnd, aby z bubna filtra vyšla všetka šťava.

#### dôležité upozornenia

- Ak odšťavovač začne vibrovať, vypnite ho a odstráňte dužinu z filtra. (Ak dužina nebude rozložená rovnomerne, odšťavovač začne vibrovať.)
- Maximálna kapacita v rámci jedného spracovania je 800 g ovocia alebo zeleniny.
- Niektoré veľmi tvrdé potraviny môžu tento odšťavovač spomaliť alebo ho môžu zastaviť. Ak sa to stane, vypnite ho a odblokujte filter.
- Odšťavovač počas jeho používania pravidelne vypínajte a vyprázdňujte nádoby na dužinu a šťavu.

## 18 odšťavovač

Používa sa na odšťavovanie tvrdého ovocia a tvrdej zeleniny.

- Ⓐ posúvač
- Ⓑ veko
- Ⓒ odstraňovač dužiny
- Ⓓ bubon filtra
- Ⓔ nádoba
- Ⓕ výpustný otvor

#### rady

- Mäkké potraviny vkladajte pomaly, aby ste z nich získali čo najviac šťavy.
- Vitamíny sa postupne strácajú, takže čím skôr šťavu vypijete, tým viac vitamínov prijmete.
- Ak šťavu budete potrebovať odložiť na niekoľko hodín, dajte ju do chladničky. Ak do nej pridáte niekoľko kvapiek citrónovej šťavy, podrží lepšie.
- Nepite viac než 3 poháre s obsahom 230 ml šťavy na deň, ak nie ste na ňu zvyknutí.
- Šťavu pre deti riedte rovnakým množstvom vody.
- Šťavy z tmavozelenej zeleniny (brokolica, špenát a podobne) a tmavočervenej zeleniny (cvikla, červená kapusta a podobne) sú veľmi silné, takže ich vždy riedte.
- Ovocné šťavy majú vysoký obsah fruktózy (ovocného cukru), takže ľudia trpiaci na cukrovku alebo nízky obsah cukru v krvi by ich nemali piť vo veľkom množstve.

## používanie odšťavovača

- 1 Na výstup dvojakého pohonu založte nádobu Ⓔ tak, aby výpustný otvor Ⓕ smeroval doľava, a otáčajte ňou v smere hodinových ručičiek, kým sa nezaistí do potrebnej pozície 18.
- 2 Odstraňovač dužiny Ⓒ vložte do bubna filtra Ⓓ tak, aby jeho výstupky zapadli do otvorov v spodnej časti bubna 14.
- 3 Založte bubon filtra 15.
- 4 Založte veko Ⓑ na nádobu a otáčajte ním, kým sa nezaistí do potrebnej pozície 16. **Ak nádoba alebo veko nebudú správne založené do zaistovacieho mechanizmu, odšťavovač nebude fungovať.**
- 5 Pod výpusť šťavy postavte vhodný pohár alebo nádobu.
- 6 Potraviny narežte tak, aby sa zmestili do plniacej trubice.
- 7 Zapnite na maximálnu rýchlosť a potom vložte potraviny do plniacej trubice. Posúvačom ich rovnomerne tlačte nadol plniacou trubicou – **nikdy to nerobte prstami.** Najprv riadne spracujte všetky kúsky v plniacej trubici a až potom pridajte ďalšie.

## 19 mlynček na potraviny

Používa sa na spracovávanie mäsa vrátane hydinového a rybacieho.

- A maticový kľúč
- B kruhová matica
- C dierované kotúče: stredný a hrubý
- D krájač
- E špirála
- F telo
- G plniaca trubica
- H tácka
- I posúvač

### montáž

- 1 Do tela mlynčeka na potraviny F založte špirálu E.
- 2 Založte krájač D – reznou stranou smerom von. Krájač musí byť osadený správne, lebo inak by sa mlynček na potraviny mohol poškodiť.
- 3 Založte dierovaný kotúč C. Zárez na ňom musí dosadnúť na výstup 17.
- 4 Voľne založte kruhovú maticu B.

### používanie mlynčeka na potraviny

- 1 Vyklopte hlavu robota nahor.
- 2 Mlynček na potraviny držte v znázornenej pozícii, pričom jazýčky pohonu na konci špirály musia lícovať s korešpondujúcimi drážkami vo výstupe pohonu 18.
- 3 Mlynček na potraviny zatlačte do toho výstupu a otáčajte ním v protismere hodinových ručičiek, kým sa nezaistí do potrebnej pozície.
- 4 Plniacu trubicu držte na mieste a rukou dotiahnite kruhovú maticu.
- 5 Založte tácku 19.
- 6 **Mrazené potraviny nechajte pred mletím dobre rozmraziť.** Mäso nakrájajte na prúžky široké 2,5 cm.
- 7 Zariadenie zapnite na maximálnu rýchlosť. Potraviny po jednom kúsku tlačte zľahka posúvačom dovnútra. **Netlačte silno** – mlynček na potraviny by ste tým mohli poškodiť.

#### dôležité upozornenia

- Tento mlynček na potraviny nikdy nepúšťajte dlhšie než na 10 minút, lebo by to mohlo poškodiť robot.
- **Ak na výstupe dvojakého pohonu nebude založený kryt, tento mlynček na potraviny nebude fungovať.**

- 8 Zariadenie po domletí potravín vypnite a odpojte z elektrickej siete.
- 9 Mlynček na potraviny z neho vyberte. Odskrutkujte kruhovú maticu. Ak je dotiahnutá príliš silno, použite na to maticový kľúč A.

### ošetrovanie a čistenie

- Zariadenie pred čistením vždy vypnite a odpojte z elektrickej siete.
- Príslušenstvo pred čistením úplne rozmontujte.

#### pohonná jednotka

- Utierajte vlhkou handričkou a osušte.
- Nikdy nepoužívajte abrazívne čistiace prostriedky a neponárajte do vody.
- Prebytočnú časť elektrickej šnúry zatlačte do úložného priestoru pre elektrickú šnúru 4 nachádzajúceho sa v zadnej časti zariadenia.
- Zabezpečte, aby nohy pod základňou robota boli vždy čisté.

#### nádoba, nástroje, kryt proti vyšplechovaniu

- Umývajte ručne a potom vždy dôkladne osušte.
- Na čistenie nádoby z nehrdzavejúcej ocele nikdy nepoužívajte drôtenú kefu, drôtenku ani bieliadlo. Na odstraňovanie vodného kameňa používajte ocot.
- Držte v bezpečnej vzdialenosti od zdrojov tepla (ako je vrchná časť sporáka, rúra, mikrovlnná rúra a podobne).

#### nadstavec na spracovávanie potravín

- **S nožovou jednotkou a kotúčmi manipulujte opatrne, lebo sú mimoriadne ostré.**
- Niektoré potraviny môžu zapríčiniť odfarbenie plastov. Tento jav je normálny a nezhoršuje kvalitu plastov, ani neovplyvňuje chuť potravín. Odfarbené miesta pretrite handričkou, namočenou v rastlinnom oleji a odfarbenie by malo zmiznúť.

#### lis na citrusové plody

- Umývajte ručne a potom vždy dôkladne osušte.

#### mixer

- 1 Pred odskrutkovaním nádoby z nožovej jednotky ju najprv vyprázdňte.
- 2 Nádobu umývajte ručne.
- 3 Vyberte tesnenie a umyte ho.
- 4 Nedotýkajte sa rezných hrán nožov – vykefujte ich v mydlovej vode, potom ich opláchnite tečúcou vodou. **Nožovú jednotku neponárajte do vody.**
- 5 Nechajte vyschnúť hornou časťou nadol.

### odšťavovač

- Súčasti umývajte hneď po použití, aby sa ľahšie vyčistili.
- Niektoré potraviny, ako je napríklad mrkva, môžu zafarbiť plast. Toto zafarbenie možno odstrániť handričkou namočenou do rastlinného oleja.
- Filter čistíte jemnou kefkou.
- **Filter pravidelne kontrolujte, či nie je poškodený. Ak bude poškodený, zariadenie nepoužívajte. Prečítajte si časť „servis a starostlivosť o zákazníkov“.**

### mlynček na potraviny

- Všetky súčasti umývajte v horúcej vode s čistiacim prostriedkom a potom ich dôkladne osušte. Žiadne súčasti neumývajte v umývačke riadu. Nikdy nepoužívajte sodný roztok.
- Dierované kotúče pretrite rastlinným olejom a potom ich zabaľte do papiera neprepúšťajúceho masnotu, aby ste zabránili ich zafarbeniu/zhrdzaveniu.

### všetky ostatné súčasti

- Umývajte ručne a potom vždy dôkladne osušte.
- Eventuálne sa riaďte tabuľkou o umývaní súčastí v umývačke riadu, v ktorej je naznačené to, ktoré súčasti tak možno umývať a ktoré súčasti možno dávať do vrchnej priehradky umývačky riadu. Nedávajte súčasti do spodnej priehradky umývačky riadu priamo nad ohrevný prvok. Odporúčame používať krátky program s nízkou teplotou (maximálne 50 °C).

súčasť	vhodná na umývanie v umývačke riadu
<b>Robot</b>	
nádoba	✓
šľahacia metlička, metlička v tvare K a hák na hnetenie cesta	✓
kryt proti vyšplechovaniu	✓
kryt výstupu	✗
<b>Nadstavec na spracovávanie potravín</b>	
hlavná nádoba, veko a posúvač	✓
nožová jednotka	✓
odpojiteľný pohonný hriadeľ	✓
kotúče	✓
<b>Lis na citrusové plody</b>	
výtlačný kužeľ, sitko	✓
<b>Mixér</b>	
nádoba, veko a plniaca zátka	✓
nožová jednotka a tesnenie	✗
<b>Odšťavovač</b>	
nádoba, posúvač, veko, bubon filtra a odstraňovač dužiny	✓
<b>Mlynček na potraviny</b>	
kruhová matica, dierované kotúče, krájač, špirála a telo	✗
tácka a posúvač	✓

## servis a starostlivosť o zákazníkov

- Keď sa poškodí prívodná elektrická šnúra, musí ju z bezpečnostných príčin vymeniť alebo opraviť firma KENWOOD alebo pracovníci oprávnení firmou KENWOOD.
- **Ak pri používaní kuchynského robota alebo jeho príslušenstva narazíte na nejaké problémy, pred kontaktovaním výrobcu alebo servisu si najprv prečítajte časť o riešení problémov.**

Pokiaľ potrebujete pomoc pri nasledovných problémoch:

- používanie vášho zariadenia
  - servis alebo opravy
  - Kontaktujte obchod, v ktorom ste si zariadenie zakúpili.
- 
- Navrhnuté a vyvinuté spoločnosťou Kenwood v Spojenom kráľovstve.
  - Vyrobené v Číne.



### **DÔLEŽITÁ INFORMÁCIA NA SPRÁVNU LIKVIDÁCIU PRODUKTU PODĽA EURÓPSKEJ SMERNICE 2002/96/ES.**

Po skončení životnosti produktu sa tento produkt nesmie jednoducho vyhodiť spolu s domovým odpadom.

Musí sa odovzdať na príslušné zberné miesto na roztriedenie odpadu alebo dilerovi, ktorý sa postará o takúto likvidáciu.

Separátnou likvidáciou domácich spotrebičov sa vyhneme negatívnym následkom na životné prostredie a zabránime ohrozeniu zdravia vzniknutého nevhodnou likvidáciou. Umožní sa tak aj recyklácia základných materiálov, čím sa dosiahne značná úspora energií a prírodných zdrojov. Na pripomenutie nutnosti separátnej likvidácie domácich spotrebičov je produkt označený preškrtnutým kontajnerom na zber domáceho odpadu.

## tabuľka odporúčaných rýchlostí a maximálnych množstiev

Tieto informácie sú len orientačné a môžu sa líšiť v závislosti od množstva zmesi v nádobe a od mixovaných zložiek.

nástroj/ príslušenstvo	typ receptu	rýchlosť	dĺžka trvania	maximálne množstvá
<b>Kuchynský robot</b>				
Šľahacia metlička	Vaječné bielka	minimálna až maximálna	2 minúty	2 až 8 (70 g až 280 g)
	Smotana	minimálna až maximálna	1½ minúty	125 ml 600 ml
Metlička v tvare K	Zmesi na múčne koláče	minimálna až maximálna	1½ minúty	celková hmotnosť 1,6 kg zmes 8 vajec
	Ovocný koláč – zmes tuku s cukrom Vmiešavanie múky, ovocia a podobne	minimálna až maximálna minimálna	4 minúty maximálne 1 minúta	celková hmotnosť 1,8 kg zmes 6 vajec
	Vtieranie tuku do múky	minimálna až rýchlosť č. 2 minimálna	5 minút	hmotnosť múky 450 g
	Pridávanie vody na spojenie zložiek cesta		30 sekúnd	
Hák na hnetenie cesta	Cesto na chlieb (ťažké kysnuté)	minimálna až rýchlosť č. 2	4 minúty	hmotnosť múky 500 g celková hmotnosť 800 g
<b>Nadstavec na spracovávanie potravín</b>				
Nožová jednotka	Zmesi na múčne koláče	maximálna	15 sekúnd	celková hmotnosť 600 g zmes 3 vajec
	Vtieranie tuku do múky	maximálna	maximálne 1 minúta	hmotnosť múky 340 g
	Pridávanie vody na spojenie zložiek cesta	maximálna	10 sekúnd	
	Sekanie/mixovanie na pyré/ príprava nátierok	maximálna	maximálne 30 sekúnd	celková hmotnosť chudého mäsa určeného na sekanie 400 g
Kotúče – na krájanie/strúhanie	Pevné potraviny (ako je napríklad mrkva a tvrdý syr)	maximálna	–	Neprekračujte maximálne množstvo vyznačené na nádobe.
	Mäkkšie potraviny (ako sú napríklad uhorky a paradajky)	rýchlosť č. 3	–	
Kotúč na veľmi jemné strúhanie	Parmezán, zemiaky na nemecké zemiakové knedličky	maximálna	–	
<b>Lis na citrusové plody</b>	Citrusové ovocie	rýchlosť č. 2	–	–
<b>Mixér</b>	Akékolvek spracovávanie	maximálna	maximálne 1 minúta	1,2 litra
<b>Odšťavovač</b>	Tvrde ovocie a tvrdá zelenina (ako sú napríklad jablká a mrkva)	maximálna	–	800 g
	Mäkké ovocie a mäkká zelenina (ako sú napríklad paradajky a hrozno)	maximálna	–	500 g
<b>Mlynček na potraviny</b>	Mäso vrátane hydinového a rybacieho (pokrájané na pásiky široké 2,5 cm)	maximálna	–	–

\*Veľkosť použitých vajec = stredná (hmotnosť 53 až 63 g).

## riešenie problémov

Problém	Príčina	Riešenie
Pri používaní nástrojov na mixovanie zariadenie nefunguje.	<p>Chýba napájanie./Svetelná kontrolka nie je rozsvietená.</p> <p>Hlava robota nie je v dolnej pozícii správne zaistená.</p> <p>Kryt výstupu nie je správne založený.</p> <p>Hlava robota bola počas chodu vyklopená nahor a potom bola s klopená späť nadol, no ovládač rýchlosti nebol pretočený do pozície VYPNUTIA („O“).</p>	<p>Skontrolujte, či je zariadenie zapojené do elektrickej siete.</p> <p>Skontrolujte, či je hlava robota v dolnej pozícii správne zaistená.</p> <p>Skontrolujte, či je správne založený kryt výstupu.</p> <p><b>Ak kryt výstupu nebude správne založený, zariadenie nebude fungovať.</b></p> <p>Ovládač rýchlosti musí byť pretočený do pozície VYPNUTIA („O“).</p>
Zariadenie sa počas chodu zastavuje.	<p>Zariadenie je preťažené./Je prekročené maximálne množstvo.</p> <p>Odistila sa hlava robota alebo kryt výstupu.</p>	<p>Zariadenie vypnite, odpojte z elektrickej siete a nechajte na 30 minút vychladnúť.</p> <p>Overte si maximálne množstvá v tabuľke odporúčaných rýchlostí.</p> <p>Skontrolujte, či sú správne založené hlava robota a kryt výstupu.</p>
Príslušenstvo pripojené do výstupu dvojakého pohonu nefunguje.	<p>Dané príslušenstvo nie je správne zaistené v potrebnej pozícii.</p> <p>Veko nadstavca na spracovávanie potravín/odšťavovača alebo sitko lisu na citrusové plody nie je správne založené.</p>	<p>Skontrolujte, či je dané príslušenstvo založené v správnej pozícii.</p> <p>Skontrolujte, či je dané príslušenstvo správne založené.</p>
Mlynček na potraviny nefunguje.	<p>Dané príslušenstvo nie je správne zaistené v potrebnej pozícii.</p> <p>Kryt výstupu nie je správne založený.</p>	<p>Skontrolujte, či je dané príslušenstvo založené v správnej pozícii.</p> <p>Skontrolujte, či je kryt výstupu založený v správnej pozícii.</p>
Zariadenie sa na pracovnom povrchu hýbe.	Nohy na spodku zariadenia sú špinavé alebo mokré.	Pravidelne overujte to, či sú nohy zariadenia čisté a suché.
Slabý výkon nástrojov/ príslušenstva.	Prečítajte si rady v príslušnej časti o používaní daného príslušenstva. Skontrolujte, či je dané príslušenstvo správne zmontované.	

## riešenie problémov

Problém	Príčina	Riešenie
Svetelná kontrolka napájania rýchlo bliká.	Normálny chod. Svetelná kontrolka bliká, keď zaisťovací mechanizmus nie je na niektorej strane správne zaistený.	Pri používaní nejakého príslušenstva skontrolujte, či je správne zaistené v potrebnej pozícii. Skontrolujte, či je hlava robota úplne sklopená nadol, ak práve nepoužívate mlynček na potraviny. Skontrolujte, či je ovládač rýchlosti v pozícii VYPNUTIA („O“).
Svetelná kontrolka napájania pomaly bliká.	Aktivovaný je pohotovostný režim. Ak kuchynský robot necháte zapojený do elektrickej siete dlhšie než 30 minút bez jeho používania, prejde do pohotovostného režimu, aby sa znížila spotreba energie. Keď bude zariadenie pripravené na použitie, svetelná kontrolka začne neprerušovane svietiť.	Kuchynský robot sa vráti do normálnej prevádzky, keď ovládačom rýchlosti bude zvolená nejaká rýchlosť a potom opätovne pozícia VYPNUTIA („O“).
Ak žiadne z vyššie uvedených riešení problém nevyrieši, prečítajte si časť „servis a starostlivosť o zákazníkov“.		

# Українська

Будь ласка, розгорніть першу сторінку з малюнками

## заходи безпеки

- Уважно прочитайте інструкцію та збережіть її для подальшого використання.
- Зніміть упаковку та всі етикетки.
- Вимкніть прилад та відключіть від мережі електропостачання:
  - перед встановленням або зніманням деталей;
  - якщо прилад не використовується;
  - перед чищенням.
- Повертайте регулятор швидкості в положення '0' (ВИМК) та відключайте пристрій від мережі електропостачання перед установкою або зніманням деталей/насадок, після використання та перед чищенням.
- Не наближайте пальці до рухомих деталей та встановлених насадок.
- Не залишайте кухону машину, що працює, без нагляду.
- Не використовуйте пошкоджений прилад. Перевірка або ремонт здійснюються у спеціальних центрах: дивись розділ «Сервісне обслуговування».
- Не допускайте звисання шнура у місцях, де до нього може дотягнутися дитина.
- Не допускайте попадання вологи на блок електродвигуна, шнур або вилку.
- **Під час використання подвійного приводу, у чаші не можуть знаходитись інструменти.**
- Не використовуйте насадки, що не призначені для цього приладу. Забороняється одночасно використовувати декілька насадок.
- Не перевищуйте максимальних показників, зазначених у таблиці рекомендованих об'ємів.



- Будьте обережні, коли піднімаєте прилад. Перш, ніж піднімати прилад, переконайтеся, що головку міксера правильно зафіксовано в нижньому положенні, а чаша, насадки, кришка отвору та шнур надійно закріплені.
- Переконайтеся, що шнур повністю розгорнутий з відсіку для зберігання шнура ④ перед використанням кухонної машини.
- Не залишайте дітей без нагляду та не дозволяйте їм гратися із приладом.
- Не переміщуйте та не піднімайте головку міксера з встановленою насадкою, оскільки кухонна машина може втратити стійкість.
- Не встановлюйте прилад поблизу краю робочої поверхні.
- Не рекомендується користуватися цим приладом особам із обмеженими фізичними або ментальними можливостями або тим, хто має недостатньо досвіду в його експлуатації. Вищеназваним особам дозволяється користуватися приладом тільки після проходження інструктажу та під наглядом досвідченої людини, і якщо вони розуміють пов'язані з цим ризики.
- Невірне використання цього приладу може привести до травм.
- Цей прилад не призначений для використання дітьми. Тримайте прилад і шнур подалі від дітей.
- Цей прилад призначений виключно для використання у побуті. Компанія Kenwood не несе відповідальності за невідповідне використання приладу або порушення правил експлуатації, викладених у цій інструкції.
- Максимальне споживання електроенергії вказано для найбільш потужної насадки. Інші насадки можуть споживати менше енергії.
- **Надмірна дія на механізм блокування може пошкодити насадку і спричинити травму.**

## **Насадка для кухонного комбайна**

- Ножовий блок і диски кухонного комбайна дуже гострі — будьте обережні. **Під час роботи або чищення завжди тримайте ніж за ручку зверху, якомога далі від різального леза.**
- Перед виливанням вмісту чаші витягніть ножовий блок.
- Не опускайте руки або інші кухонні прилади у чашу під час роботи кухонного комбайну.
- Ніколи не проштовхуйте продукти пальцями крізь напрямну трубку. Використовуйте штовхач, що входить до комплекту.
- Перед зніманням кришки із чаші кухонного комбайна:
  - вимкніть його;
  - дочекайтесь повної зупинки насадки/ножового блоку.
- **Не знімайте кришку кухонного комбайна, доки ножовий блок не зупиниться повністю.**
- **РИЗИК ОПІКУ:** Гарячі інгредієнти повинні охолонути до кімнатної температури перед обробкою насадкою.
- Не керуйте комбайном за допомогою кришки. Завжди використовуйте для цього регулятор швидкості/кнопку імпульсного режиму.

## **Насадка блендер**

- Не опускайте руки та кухонні приладдя у чашу блендеру, якщо прилад підключено до мережі електропостачання.
- **Не встановлюйте ножовий блок на блок електродвигуна, якщо ви попередньо не накрутили чашу.**
- **РИЗИК ОПІКУ:** Гарячі інгредієнти повинні охолонути до кімнатної температури перед обробкою насадкою.
- Умикати блендер можна лише із закритою кришкою.
- Експлуатація дозволяється тільки із ножовим блоком, що входить до комплекту.
- Ніколи не вмикайте порожній блендер.

- Щоб продовжити термін експлуатації приладу, час безперервної роботи блндера не повинен перевищувати 60 секунд. Вимикайте прилад, як тільки отримуєте бажану консистенцію.
- Не рекомендується переробляти спеції, адже це може пошкодити пластикові деталі.
- Фруктові коктейлі – не перемішуйте заморожені інгредієнти, що перетворилися на тверду масу під час заморозки. Подрібніть цю масу на невеликі шматочки перш, а потім покладіть їх до чаші.

### **Насадка м'ясорубка**

- Перед подрібненням м'яса завжди видаляйте всі кістки, шкіру і т.ін.
- Подрібнюючи горіхи покладіть до машини лише декілька штук та зачекайте, доки шнек не забере їх, і тільки після цього додавайте другу порцію.
- Використовуйте штовхач, що входить до комплекту. Не опускайте пальці або кухонні інструменти до напрямної трубки.
- Увага, різальні пластини дуже гострі, тому під час використання і чищення будьте обережні.
- Перед увімкненням приладу переконайтеся, що насадка надійно закріплена на місці.

### **Насадка соковижималка**

- **Не користуйтеся соковижималкою, якщо фільтр пошкоджено.**
- Різальні ножі, розташовані в основі корзини фільтра, дуже гострі, тому під час роботи та чищення будьте обережні.
- Не керуйте соковижималкою за допомогою кришки. Завжди використовуйте для цього регулятор швидкості/кнопку імпульсного режиму.

- У разі виникнення дуже сильної вібрації під час використання насадки, відрегулюйте швидкість або зупиніть прилад, відключіть його від мережі електропостачання та почистіть барабан від кожури (соковижималка починає вібрувати, якщо кожура нерівноірно розподіляється по барабану).

#### перед підключенням до мережі електропостачання

- Переконайтеся, що напруга електромережі у вашому домі відповідає показникам, вказаним на зворотній частині приладу.
- Цей прилад відповідає вимогам директиви ЄС 2004/108/ЄС «Електромагнітна сумісність» та положення ЄС № 1935/2004 від 27/10/2004 стосовно матеріалів, що безпосередньо пов'язані з їжею.

#### перед першим використанням

- Вимийте всі деталі, дивіться розділ «Догляд та чищення».

### покажчик

- ① кришка отвору
- ② отвір подвійного приводу (середня і висока швидкість)
- ③ фіксатори
- ④ відсік для зберігання шнура
- ⑤ регулятор швидкості/імпульсний режим
- ⑥ блок електродвигуна
- ⑦ гніздо інструменту чаші
- ⑧ чаша
- ⑨ головка міксера
- ⑩ важіль розблокування головки
- ⑪ К-насадка
- ⑫ спіральна насадка для вимішування тіста
- ⑬ вінчик
- ⑭ захист від бризок

#### насадки

- ⑮ кухонний комбайн
- ⑯ соковижималка для цитрусових
- ⑰ скляний блендер
- ⑱ соковижималка
- ⑲ м'ясорубка

Дивись таблицю рекомендованих швидкостей для кожної насадки.

### насадки для вимішування та їх призначення

#### К-насадка

- Призначена для приготування тістечок, печива, кондитерських виробів із здобного тіста, цукрової глазури, наповнювачів, еклерів та картопляного пюре.

#### вінчик

- Призначений для збивання яєць, кремів, рідкого тіста, кислого тіста без додавання жирів, меренгів, сирних пирогів, мусів та суфле. Не використовуйте вінчик для вимішування густих сумішей (наприклад, збивання жиру з цукром), адже ви можете пошкодити насадку.

#### спіральна насадка для вимішування тіста

- Лише для дріжджових сумішей.

### використання інструментів чаші

- 1 Натисніть на важіль розблокування головки ①, піднімайте головку міксера до упору.
- 2 Установіть чашу на підставку та поверніть проти годинникової стрілки для фіксації ②.
- 3 Оберіть насадку та встановіть її у відповідне гніздо до клацання ③.
- 4 Натисніть на важіль розблокування головки та опустіть головку міксера до упору.
- 5 Підключіть до електромережі. Увімкніть прилад, пересуваючи регулятор швидкості у бажане положення. Для виключення поверніть в положення 'O' (ВИМК).
- Якщо головка міксера знаходиться в піднятому положенні або кришка отвору не встановлена, індикатор живлення буде блимати, а пристрій не буде працювати.
- Використовуйте імпульсний режим ④ для недовгих інтенсивних перемішувань.
- 6 Відключіть прилад від мережі електропостачання.

7 Підніміть головку міксеру, утримуючи її в такому положенні, витягніть насадку із отвору.

#### **увага**

- Якщо у будь-який час впродовж робіт приладу трапиться підйом головки, прилад негайно зупиниться. Для того, щоби поновити роботу, треба опустити головку міксеру, пересунути регулятор швидкості у положення 'O' (ВИМК), зачекати декілька секунд та знову обрати швидкість. Машина негайно розпочне роботу.
- Якщо з будь-яких причин припинилася подача живлення і міксер зупинився, пересуньте регулятор швидкості у положення 'O' (ВИМК), зачекайте декілька секунд та знову оберіть потрібну швидкість. Міксер негайно розпочне роботу.
- **Машина не працюватиме, якщо кришку отвору встановлено неправильно.**
- Якщо прилад пригальмовує, вимкніть його та вийміть частку суміші, або збільшіть швидкість.
- Звжди знімайте неасадку, встановлену на подвійний привід, перш ніж підняти головку міксеру.
- **Під час використання подвійного приводу, у чаші не можуть знаходитись інструменти.**

#### **Корисні поради**

- Час від часу вимикайте прилад та знімайте залишки інгредієнтів зі стінок чаші за допомогою лопатки.
- Для збивання краще використовувати яйця кімнатної температури.
- Перш ніж збивати яєчні білки, переконайтеся, що на віничку та всередині чаші не має залишків жиру та яєчного жовтка.
- Для приготування здобного тіста використовуйте холодні інгредієнти, якщо у рецептах не зазначено інакше.
- При збиванні жиру з цукром для приготування сумішей для тістечок, завжди використовуйте жир кімнатної температури або спочатку розм'якшіть його.
- Ваш пристрій обладнаний функцією «м'якого пуску», що дозволяє практично уникнути розбризування. Але, якщо ви увімкнете машину, коли у чаші знаходиться густа суміш, наприклад тісто для хліба, ви помітите, що для досягнення обраної швидкості знадобиться усього декілька секунд.

## **Поради стосовно випікання хліба**

#### **увага**

- Ніколи не перевищуйте максимальних показників, зазначених нижче; це може призвести до перевантаження машини.
- **Рух головки міксеру під час роботи є нормальним явищем, особливо, під час вимішування густих сумішей, як наприклад, тісто для хліба.**
- Інгредієнти перемішуються краще, якщо спочатку додати рідину.
- Час від часу вимикайте прилад та знімайте залишки з гакоподібної насадки для вимішування тіста.
- Різні ґатунки борошна потребують різної кількості рідини, а вимішування густішого тіста потребує додаткових зусиль. Під час замішування тіста рекомендується постійно наглядати за роботою приладу; час вимішування не повинен перевищувати 6-8 хвилин.

## **Як встановлювати та користуватися кришкою для захисту від бризок**

- 1 Установіть чашу на підставку та додайте інгредієнти.
  - 2 Встановіть захист від бризок, поєднавши язички на гнізді інструменту чаші ⑦ та поверніть проти годинникової стрілки, щоб зафіксувати в потрібному положенні ④.
  - 3 Установіть насадку та опустіть головку міксеру.
  - 4 Щоби зняти кришку для захисту від бризок, виконайте вище зазначену процедуру у зворотному порядку.
- Під час вимішування інгредієнти можна додавати безпосередньо до чаші крізь подовжувальну камеру.

## електронний датчик та регулятор швидкості

Ваш міксер обладнано електронним регулятором з датчиком швидкості, що контролює роботу міксера з обраною швидкістю при різних режимах навантаження, наприклад, при зміні навантаження під час вимішування тіста або під час додавання яєць до суміші для приготування тістечок та пирогів. Під час роботи приладу ви зможете помітити зміну швидкості, оскільки у міксері відбувається регулювання потужності згідно зі зміною навантаження та обраною швидкістю. Це нормальне явище.

### 15) кухонний комбайн

- A штовхач
- B напрямна трубка
- C кришка
- D ножовий блок
- E чаша з привідним валом
- F диск для товстого нарізання/натирання
- G диск для тонкого нарізання/натирання
- H диск для наддрібного натирання
- I зйомний привідний вал

## Як користуватися кухонним комбайном

- 1 Зніміть кришку з отвору, повернувши її проти годинникової стрілки і підніміть 5.
- 2 Встановіть чашу E на отвір ручкою в правий бік і поверніть за годинниковою стрілкою до клацання 6.
- 3 Встановіть ножовий блок або зйомний привідний вал з потрібною насадкою.  
**Примітка: зйомний привідний вал 1 має бути встановлений лише при використанні дисків і соковижималки для цитрусових.**
- Чаша та насадка мають бути встановлені на прилад перед тим, як додавати інгредієнти.
- 4 Установіть кришку 7 так, щоб верхня частина ножового блоку/привідного валу опинилась у центрі кришки.
- **Не керуйте кухонним комбайном за допомогою кришки. Завжди використовуйте для цього регулятор швидкості/кнопку імпульсного режиму.**
- 5 Підключіть до мережі, увімкніть, оберіть потрібну швидкість (дивись таблицю рекомендованих швидкостей).

- Якщо чаша або кришка були встановлені неправильно у відповідні механізми блокування, комбайн не працюватиме. **Переконайтеся, що напрямна трубка та держак чаші розташовані зпереду.**
- Використовуйте імпульсний режим F для недовгих інтенсивних перемішувань. Прилад буде працювати, доки важіль перемикача утримується у відповідному положенні.
- 6 Повторіть описану вище процедуру в зворотному порядку для того, щоб зняти кришку, насадки та чашу.
- **Завжди вимикайте прилад та відключайте його від мережі електропостачання перед тим, як зняти кришку.**

### увага

- Комбайн не може використовуватись для подрібнення чи помелу кавових зерен, або для перетворення цукру на цукрову пудру.
- Під час додавання мигдалевої есенції чи присмаки до сумішей, намагайтеся не торкатися пластикових деталей, оскільки це може призвести до стійкого пофарбування.
- **Не обробляти гарячі інгредієнти.**

## ножовий блок D

Найбільш універсальною насадкою є ніж. Консистенція, яку ви отримаєте, залежить від часу обробки.

Щоби переробити більш густі інгредієнти, використовуйте імпульсний режим. Ніж використовується для приготування кондитерських виробів зі здобного тіста, подрібнення сирого та готового м'яса, овочів, горіхів, для приготування паштетів, соусів, пюре, супів, а також тертих сухарів із печива та хліба.

### Корисні поради

- Перед обробкою таких продуктів, як м'ясо, хліб, овочі, поріжте їх на кубики розміром, приблизно, за 2 см.
- Сухе печиво розламайте на шматочки і додайте крізь напрямну трубку під час роботи приладу.
- Під час приготування пісочного тіста, використовуйте холодне масло (жир). Поріжте його кубиками розміром 2 см.
- Слідкуйте, щоби ніж не перегрівався.
- **Не використовуйте ніж для змішування важких продуктів, таких як хлібне тісто.**

- Не використовуйте ніж для подрібнення кубиків льоду або інших твердих продуктів, наприклад, спецій, адже вони можуть пошкодити насадку.

## диски для нарізання/натирання

Як користуватися дисками

### Двобічні диски для нарізання/натирання - товстий ⑥, тонкий ⑦

Використовуйте бік диску, призначений для натирання, для обробки сиру, моркви, картоплі та продуктів із схожою структурою.

Використовуйте різальний бік диску для обробки сиру, моркви, картоплі, капусти, огірків, буряків і цибулі.

### Диск для наддрібного натирання ⑧

Для натирання сиру «Пармезан» і картоплі для приготування картопляних галушок по-німецьки

## Як користуватися дисками

- 1 Установіть знімний привідний вал і чашу на блок електродвигуна.
- 2 Тримавши чашу за ручку в центрі, установіть диск на привідний вал потрібним боком догори.
- 3 Закрийте кришку.
- 4 Покладіть інгредієнти до напрямної трубки.
- 5 Увімкніть прилад і рівномірно натискайте на штовхач – не опускайте пальці до напрямної трубки.

### Корисні поради

- Використовуйте лише свіжі інгредієнти.
- Не кришіть продукти. Заповняйте напрямну трубку рівномірно по всій ширині. Це допоможе уникнути зміщення продуктів убік під час обробки.
- Інгредієнти, що додаються у вертикальному положенні, нарізуються на коротші шматочки, ніж ті, що додаються у горизонтальному положенні.
- У чаші чи на диску завжди залишається невелика кількість продуктів після закінчення обробки.

## 16 соковижималка для цитрусових

Використовуйте для вжимання соку із цитрусових (наприклад, із апельсинів, лимонів, лайму і грейпфрутів).

Ⓐ конус

Ⓑ сито


## Як користуватися соковижималкою для цитрусових

- 1 Установіть знімний привідний вал і чашу на блок електродвигуна.
  - 2 Установіть сито всередину чаші так, щоби ручка сита знаходилася прямо над ручкою чаші ③.
  - 3 Установіть конус над привідним валом, повертаючи його, доки він не опуститься до кінця вниз ④.
  - 4 Наріжте фрукти навпіл. Потім увімкніть прилад і натисніть розрізаною половинкою фрукта на конус.
- Якщо сито було встановлено неправильно, соковижималка не працюватиме.
  - Для кращого зберігання, обробляйте фрукти кімнатної температури та перед початком роботи покатайте їх по робочій поверхні.
  - Для отримання максимальної кількості соку повертайте фрукт у різних напрямках під час вжимання соку.
  - Під час обробки великої кількості фруктів, регулярно чистіть фільтр-проціджувач з метою запобігання накопичування м'якоті та кісточок.

## 17 скляний блендер

- А ковпачок заливального отвору
- В кришка
- С чаша
- Д ущільнювальне кільце
- Е ножовий блок

### Як користуватися скляним блендером

- 1 Установіть ущільнювальне кільце ① до ножового блоку ⑤ так, щоби воно правильно увійшло до пазів.
  - **Якщо ущільнювач має пошкодження або його було встановлено неправильно, це може призвести до протікання.**
- 2 Прикрутіть чашу до ножового блока ⑩.  
Дивіться малюнки на звороті ножового блоку:
  -  – розблоковано
  -  — заблоковано**Якщо блендер було зібрано неправильно, він не працюватиме.**

- 3 Покладіть інгредієнти до чаші.
- 4 Установіть кришку на чашу та натисніть, щоби зафіксувати на місці ⑪. Установіть ковпачок заливального отвору.
- 5 Зніміть кришку з подвійного отвору, повернувши її проти годинникової стрілки і підніміть.
- 6 Установіть блендер на блок електродвигуна та поверніть за годинниковою стрілкою ⑫ до клацання.
  - **Якщо пристрій було встановлено неправильно у механізмі блокування, прилад не працюватиме.**
- 7 Оберіть потрібну швидкість (дивись таблицю рекомендованих швидкостей) або скористайтеся імпульсним режимом ⑬.

#### Корисні поради

- Під час приготування майонезу, покладіть усі інгредієнти до чаші, за винятком олії. Витягніть ковпачок заливального отвору. Потім увімкніть прилад та повільно додайте олію кризь отвір у кришці.
- Під час приготування густих сумішей, наприклад, паштетів або соусів, знімайте залишки суміші зі стінок чаші. Якщо інгредієнти погано змішуються, додайте рідини.
- Подрібнення льоду – вмикайте та вимикайте імпульсний режим на короткий час, доки не отримаєте бажану консистенцію

- Не рекомендується переробляти спеції, адже це може пошкодити пластикові деталі.
- **Якщо блендер було встановлено неправильно, прилад не працюватиме.**
- Щоб змішати сухі інгредієнти, поріжте їх на шматочки, витягніть ковпачок заливального отвору, а потім увімкніть прилад та послідовно додавайте по одному шматочку до чаші. Руку тримайте над отвором. Для отримання найкращого результату, регулярно випорожняйте чашу.
- Не використовуйте блендер для зберігання продуктів. Він має залишатися порожнім до та після використання.
- Ніколи не перемішуйте більше 1,2 літрів рідини; під час змішування холодних сумішей на кшталт молочних коктейлів, рідини повинно бути ще менше.

## 18 соковоижималка

Використовуйте соковижималку для приготування соків із твердих фруктів та овочів.

- А штовхач
- В кришка соковижималки
- С пристрій для видалення м'якоті
- Д барабан фільтра
- Е чаша соковижималки
- Ф носик

### Використання соковижималки

- 1 Встановіть чашу соковижималки ⑤ на отвір подвійного приводу носиком ⑥ ліворуч та поверніть за годинниковою стрілкою, щоби зафіксувати ⑧.
- 2 Установіть пристрій для видалення м'якоті ③ до барабану фільтра ④. Переконайтеся, що скоби увійшли до гнізда, розташованого у нижній частині барабану ④.
- 3 Установіть барабан фільтра ⑤.
- 4 Установіть кришку соковижималки ⑨ на чашу та поверніть для фіксації ⑩. **Якщо чаша або кришка були встановлені неправильно у відповідні механізми блокування, соковижималка не працюватиме.**
- 5 Поставте відповідний контейнер для соку під отвором.
- 6 Поріжте продукти на невеличкі шматочки, щоби вони могли проходити кризь напрямну трубку.



7 Увімкніть максимальну швидкість та покладіть продукти у трубку. **Рівномірно натискайте на штовхач** – не опускайте пальці до напрямної трубки. Перед додаванням нової порції інгредієнтів спочатку повністю обробіть попередню.

- Після додавання останнього шматочка соковижималка повинна працювати протягом ще 30 секунд, щоби залишки соку вийшли із барабана фільтра.

#### увага

- Якщо соковижималка почне вібрувати, вимкніть прилад та випорожніть м'якоть з фільтра. (Соковижималка починає вібрувати, якщо м'якоть нерівномірно розподіляється).
- За один раз можна обробляти не більше 800 гр. фруктів чи овочів.
- Деякі продукти можуть уповільнити рух приладу або навіть припинити його роботу. Якщо це трапилось, вимкніть прилад та розблокуйте фільтр.
- Під час роботи регулярно вимикайте прилад та випорожняйте ємність для м'якоті та ємність соку.

#### Корисні поради

- Щоб отримати якомога більше соку, проштовхуйте шматочки м'якої текстури повільно.
- Сік містить вітаміни, але вони швидко розчиняються, і тому чим шорше ви вип'єте сік, тим більш вітамінів ви отримаєте.
- Якщо вам потрібно зберігати готовий сік протягом декілька годин, поставте його у холодильник. Він буде зберігатися краще, якщо ви додасте декілька крапель лимонного соку.
- Не рекомендується вживати більше трьох склянок соку по 230 мл за день, тільки-но якщо ви не маєте протипоказань і можете вживати більше.
- Дітям рекомендується розчиняти сік із рівною кількістю води.
- Сік із темно - зелених (проколі, шпинат і т.д.) та темно - червоних (буряк, червона капуста і т.д.) овочів є дуже концентрованим, тому рекомендується його розводити.
- Фруктовий сік містить багато фруктози (фруктового цукру), і тому хворі на діабет та люди із низьким рівнем цукру в крові повинні бути дуже обережними і не перевищувати максимально допустиму дозу.

## 19 м'ясорубка

Ви можете використовувати м'ясорубку для обробки м'яса, птиці та риби.

- Ⓐ гайковий ключ
- Ⓑ кільцева гайка
- Ⓒ решітки: середня та груба
- Ⓓ ніж
- Ⓔ шнек
- Ⓕ корпус
- Ⓖ напрямна трубка
- Ⓗ таця
- Ⓘ штовхач

### збирання

- 1 Установіть шнек Ⓔ всередину корпуса м'ясорубки Ⓕ.
- 2 Установіть ніж Ⓓ ріжучим боком назовні. Переконайтеся, що ніж було встановлено правильно, бо інакше він може пошкодити м'ясорубку.
- 3 Встановіть решітку Ⓒ. Ринвочка має потрапити до щербини Ⓙ.
- 4 Накрутіть кільцеву гайку (не затягуйте) Ⓑ.

### як користуватися м'ясорубкою

- 1 Підніміть головку міксера.
- 2 Встановіть м'ясорубку у положення, як показано, поєднайте виступи на кінці шнеку з пазами в отворі приводу Ⓙ.
- 3 Вставте м'ясорубку в отвір та поверніть проти годинникової стрілки, щоб заблокувати.
- 4 Тримайте напрямну трубку та затягніть гайку вручну.
- 5 Установіть тацю Ⓘ.
- 6 **Заморожені продукти слід ретельно розморозити перед рубанням.** Поріжте м'ясо на смужки завширшки 2,5 см.
- 7 Увімкніть максимальну швидкість. Поступово подавайте продукти до напрямної трубки за допомогою штовхача. **Один шматочок за раз.** Не докладайте зайвих зусиль, оскільки це може пошкодити м'ясорубку.

#### увага

- Не вмикайте м'ясорубку довше ніж на 10 хвилин, оскільки це може пошкодити її.
- М'ясорубка не працюватиме, якщо буде відкрита кришка отвору подвійного приводу.
- 8 Після подрібнення, вимкніть прилад та відключіть від мережі електропостачання.

- 9 Зніміть м'ясорубку. Використовуйте гайковий ключ **A**, щоб викрутити гайку, якщо вона надто туго затягнута.

## ДОГЛЯД ТА ЧИЩЕННЯ

- Завжди вимикайте прилад та відключайте його від електромережі перед чищенням.
- Перед чищенням повністю розберіть насадку.

### блок електродвигуна

- Протріть спочатку вологою, а потім сухою ганчіркою.
- Ніколи не використовуйте абразивні матеріали та не опускайте прилад у воду.
- Уложіть шнур у відсік для зберігання **4** в задній частині машини.
- Тримайте ніжки основання міксеру чистими.

### чаша, інструменти, захист від бризок

- Помийте руками, а потім ретельно просушіть.
- Ніколи не використовуйте дротяну щітку, металевий віхоть або відбілювальний засіб для чищення чаші із нержавіючої сталі. Для видалення нальоту використовуйте оцет.
- Не встановлюйте прилад поряд із джерелами тепла (конфорками плити, електродвигунами, мікрохвильовими печами).

### кухонний комбайн

- **Ножі та диски дуже гострі; тому будьте обережні.**
- Деякі продукти можуть знебарвлювати пластикові деталі. Це вважається нормальним явищем, не призводить до пошкоджень пластикових деталей та не впливає на смак їжі. Щоб вивести знебарвлювану пляму, потріть її ганчіркою, змоченою у рослинній олії.

### соковижималка для цитрусових

- Помийте руками, а потім ретельно просушіть.

### блендер

- 1 Спочатку випорожніть чашу, а потім відкрутіть її від ножового блоку.
- 2 Помийте чашу вручну.
- 3 Зніміть та помийте ущільнювачі.
- 4 Не торкаючись гострих лез, промийте їх гарячою мильною водою, а потім ретельно сполосніть під краном. **Не опускайте ножовий блок у воду.**
- 5 Переверніть ножі догори дном та залиште просихати.

### соковожималка

- Для легкого чищення завжди мийте деталі одразу після закінчення роботи.
  - Деякі продукти, наприклад морква, можуть знебарвлювати пластикові деталі. Щоб вивести пляму, потріть її ганчіркою, змоченою у рослинній олії.
  - Почистіть фільтр за допомогою м'якої щіточки.
  - **Регулярно перевіряйте чи не має фільтр пошкоджень. Не використовуйте соковижималку, якщо фільтр було пошкоджено. Дивіться розділ «Обслуговування та ремонт».**
- ### м'ясорубка
- Промийте всі деталі в мильній гарячій воді, потім ретельно просушіть. Не мийте деталі у посудомийній машині. Не використовуйте розчин соди.
  - Протріть решітки рослинною олією, а потім загорніть у жиростійкий папір для запобігання знебарвленню/іржавінню.

### Інші деталі

- Промийте вручну, потім просушіть.
- Дозволяється мити інші деталі на верхній полиці посудомийної машини. Див. таблицю миття в посудомийній машині. Не рекомендується розміщувати деталі на нижній полиці прямо над нагрівальним елементом. Рекомендується використовувати коротку програму (максимум 50°C)

деталь	миття в посудомийній машині
<b>Міксер</b>	
Чаша	✓
Вінчик, збивалка та гак для тіста	✓
Пристрій для захисту від бризок	✓
Кришка отвору	✗
<b>Кухонний комбайн</b>	
Основна чаша, кришка та штовхач	✓
Ножовий блок	✓
Зйомний привідний вал	✓
Диски	✓
<b>соковижималка для цитрусових</b>	
Конус, сито	✓
<b>Блендер</b>	
Чаша, крика та ковпачок заливального отвору	✓
Ножовий блок та прокладка	✗
<b>Соковижималка</b>	
Чаша, штовхач, кришка, барабан фільтра та пристрій для видалення м'якоті	✓
<b>М'ясорубка</b>	
Кільцева гайка, решітки, ніж, шнек та корпус	✗
Таця та штовхач	✓

## Обслуговування та ремонт

- Пошкоджений шнур живлення із метою безпеки підлягає заміні на підприємствах фірми KENWOOD або в авторизованому сервісному центрі KENWOOD.
- Якщо у вас виникли проблеми з роботою кухонної машини або насадки, перш ніж звернутися за допомогою, прочитайте керівництво з пошуку й усунення несправностей.

Якщо вам необхідна консультація з приводу:

- використання приладу або
- обслуговування, придбання запасних деталей або ремонту,
- зверніться до магазину, в якому ви придбали цей прилад.
- Спроектовано та розроблено компанією Kenwood, Сполучене Королівство.
- Зроблено в Китаї.



### ВАЖЛИВА ІНФОРМАЦІЯ СТОСОВНО НАЛЕЖНОЇ УТИЛІЗАЦІЇ ПРОДУКТУ ЗГІДНО ІЗ ДИРЕКТИВОЮ ЕС 2002/96/ЕС.

Після закінчення терміну експлуатації не викидайте цей прилад з іншими побутовими відходами.

Віднесіть прилад до місцевого спеціального авторизованого центру збирання відходів або до дилера, який може надати такі послуги.

Відокремлена утилізація побутових приладів дозволяє уникнути можливих негативних наслідків для навколишнього середовища та здоров'я людини, які виникають у разі неправильної утилізації, а також надає можливість переробити матеріали, з яких було виготовлено даний прилад, що, в свою чергу, зберігає енергію та інші важливі ресурси. Про необхідність відокремленої утилізації побутових приладів нагадує спеціальна позначка на продукті у вигляді перекресленого смітника на колесах.

## Таблиця рекомендованих швидкостей та максимального завантаження

Зазначену нижче інформацію треба розглядати тільки, як пораду. Вибір швидкості залежить від кількості суміші та інгредієнтів, що перемішуються.

Інструмент/ насадка	тип рецепту	швидкість	час	максимальні показники завантаження
<b>Кухонна машина</b>				
Віничок	Яєчні білки	Від мінімальної до максимальної	2 хвилини	2-8 (70 г - 280 г)
	Вершки	Від мінімальної до максимальної	1½ хвилини	125 мл 600 мл
Збивалка	Універсальні суміші для тортів	Від мінімальної до максимальної	1½ хвилини	1,6 кг загальної ваги 8 яєць
	Фруктовий торт - сбивання жиру і цукру Вимішування борошна, фруктів і т.д.	Від мінімальної до максимальної Мін	4 хвилини До 1 хвилини	1,6 кг загальної ваги 6 яєць
	Розтирання жиру з борошном  Додавання води для змішування інгредієнтів для виробів із борошна	Швидкість від мін. до 2 Мін.	5 хвилин  30 сек.	450 г борошна
Гачок для тіста	Хлібне тісто (сухі дріжджі)	Від мін до 2	4 хвилини	500 г борошна 800 г загальна вага
<b>Кухонний комбайн</b>				
Ножовий блок	Універсальні суміші для тортів	Макс.	15 сек.	600 г загальна вага 3 яйця
	Розтирання жиру з борошном Додавання води для змішування інгредієнтів для виробів із борошна	Макс. Макс.	До 1 хвилини 10 сек.	340 г борошна
	Кришення/приготування пюре/паштетів	Макс.	До 30 сек	400 гр порізаного нежирного м'яса загальна вага
Диски –для нарізання/ шаткування	Тверді продукти – морква, твердий сир	Макс.	–	Не перевищуйте максимальних показників на чаші.
	М'якіші продукти – огірки, томати	Швидкість 3	–	
Диск для наддрібного натирання	Сир «Пармезан», картопляні галушки по-німецьки	Макс.	–	
<b>Соковижималка для цитрусових</b>	Цитрусові	до 2	–	–
<b>Блендер</b>	Усі види обробки продуктів	Макс.	До 1 хвилини	1,2 літра

\* Розмір яйця = середній (вага 53–63 г)

## Таблиця рекомендованих швидкостей та максимального завантаження

Зазначену нижче інформацію треба розглядати тільки, як пораду. Вибір швидкості залежить від кількості суміші та інгредієнтів, що перемішуються.

Інструмент/ насадка	тип рецепту	швидкість	час	максимальні показники завантаження
Соковижималка	Тверді фрукти та овочі, на кшталт морква та яблука	Макс.	–	800 гр
	М'які фрукти та овочі, наприклад, помідори і виноград	Макс.	–	500 г
М'ясорубка	М'ясо, птицю, рибу нарізати по 2,5 см— широкі смуги	Макс.	–	–

\* Розмір яйця = середній (вага 53–63 г)

## Посібник із усунення несправностей

Проблема	Причина	Усунення
Машина не працює при використанні змішувальних інструментів.	<p>Не постачається живлення/ світловий індикатор не горить.</p> <p>Головка міксера не заблокована.</p> <p>Кришку отвору встановлено неправильно.</p> <p>Голову міксеру було піднято під час роботи та опущено без переведення регулятора швидкості в положення 'O' (ВИМК).</p>	<p>Перевірте, чи пристрій підключено.</p> <p>Переконайтесь в тому, що головка міксера правильно заблокована.</p> <p>Переконайтесь, що кришка отвору знаходиться в правильному положенні.</p> <p><b>Якщо кришку було встановлено неправильно, прилад не працюватиме.</b></p> <p>Переконайтесь, що регулятор швидкості встановлений в положення 'O' (ВИМК).</p>
Кухонна машина зупиняється під час роботи.	<p>Кухону машину перевантажено/ завантаження вище допустимої норми.</p> <p>Головка міксера або кришка отвору не заблоковані.</p>	<p>Вимкніть прилад, відключіть від мережі живлення та залиште охолонути протягом 30 хвилин.</p> <p>Перевірте максимальні показники завантаження, які зазначені в таблиці рекомендованих швидкостей.</p> <p>Переконайтесь, що головка міксеру та кришка отвору знаходиться в правильному положенні.</p>
Насадка на подвійному приводі не працює.	<p>Насадка на подвійному приводі не заблокована.</p> <p>Кришка кухонного комбайна або соковижималки, або сито соковижималки встановлені невірно.</p>	<p>Перевірте правильність встановлення насадки на подвійний привід.</p> <p>Перевірте правильність встановлення насадки.</p>
М'ясорубка не працює.	<p>М'ясорубка не заблокована.</p> <p>Кришку отвору встановлено неправильно.</p>	<p>Перевірте правильність встановлення насадки.</p> <p>Переконайтесь, що кришка отвору знаходиться в правильному положенні.</p>
Рух на робочій поверхні.	Ніжки пристрою забруднені або вологі.	Регулярно перевіряйте ніжки, чистіть та сушіть їх.
Низька продуктивність інструментів/насадок.	Дивіться поради у відповідному розділі «використання насадок».	Переконайтесь, що насадки були зібрані правильно.

## Посібник із усунення несправностей

Проблема	Причина	Усунення
Індикатор живлення швидко блимає	Нормальна робота. Індикатор блимає, якщо один або кілька фіксаторів не заблоковані.	При використанні насадки перевірте правильність розташування фіксаторів. Переконайтесь, що головка міксера повністю опущена (якщо ви не використовуєте м'ясорубку). Переконайтесь, що регулятор швидкості знаходиться в положенні 'О' (ВИМК).
Індикатор живлення блимає повільно	Задіяно режим очікування. Якщо залишити машину на 30 хвилин увімкнутим, але не користуватись ним, він перейде до режиму очікування для економії енергії. Індикатор почне світитись безперервно, коли машина буде готова до роботи.	Кухона машина повернеться до нормального режиму роботи після переведення регулятора в положення 'О' (ВИМК).
Якщо жоден з описаних варіантів не вирішив проблему, див. розділ "Технічне обслуговування".		

## دليل استكشاف المشكلات وحلها

المشكلة	السبب المحتمل	الحل
مؤشر تشغيل الطاقة يومض بشكل سريع.	تشغيل عادي. سيومض المؤشر في حالة عدم تعشيق أحد أفعال الإحكام بشكل صحيح.	في حالة استخدام أحد الملحقات، تأكدي من تعشيقه بشكل صحيح. تأكدي من خفض رأس الخلاط لأسفل تماماً وتعشيقها، ما لم تكوني تستعملين ملحق مفرمة اللحم. تأكدي أن مفتاح التحكم في السرعة على موضع الإيقاف "O" (إيقاف).
مؤشر تشغيل الطاقة يومض.	في حالة توصيل جهاز المطبخ المتكامل مع مصدر التيار الكهربائي لمدة تزيد عن ٣٠ دقيقة دون استخدامه، فسوف يدخل الجهاز في وضع الاستعداد لتوفير استهلاك الطاقة. يتحول ضوء المؤشر إلى الثبات في حالة الجاهزية للاستخدام.	يعود جهاز المطبخ المتكامل إلى التشغيل العادي عند إعادة مفتاح التحكم في السرعة إلى موضع الإيقاف "O" (إيقاف).
في حالة عدم حل المشكلة من خلال التلميحات السابقة، راجعي قسم "الصيانة وخدمة العملاء".		



## دليل استكشاف المشكلات وحلها

المشكلة	السبب المحتمل	الحل
الجهاز لا يعمل عند استخدام أدوات الخلط.	لا يوجد ضوء تشغيل/المؤشر غير مضاء. رأس الخلاط ليست في وضع التعشيق السفلي بشكل صحيح. غطاء المخرج غير مركب.	تأكد من توصيل الجهاز بمصدر التيار الكهربائي تأكد من إنزال رأس الخلاط لأسفل وتعشيقها في موضعها تأكد من تركيب غطاء المخرج بشكل صحيح <b>لن يعمل الجهاز في حالة تركيب الغطاء بشكل غير صحيح</b>
يتوقف الجهاز أثناء التشغيل.	تم رفع رأس الخلاط أثناء التشغيل وخفضها مرة أخرى بدون إعادة تعيين مفتاح التحكم في السرعة إلى موضع الإيقاف (إيقاف). تجاوز حد تحميل الجهاز/تجاوز السعات القصوى	تأكد من إعادة تعيين مفتاح التحكم في السرعة إلى موضع الإيقاف (إيقاف) أوقف تشغيل الجهاز وافصله عن مصدر التيار الكهربائي وأتركه ليبرد لمدة ٣٠ دقيقة تقريباً. تحقق من السعات القصوى الموصى بها والمحددة في جدول السرعات. تأكد من تعشيق رأس الخلاط وغطاء المخرج بشكل صحيح.
ملحق الدفع الثنائي لا يعمل بشكل	لم يتم تعشيق ملحق الدفع الثنائي بشكل صحيح. لم يتم تركيب غطاء جهاز تحضير الطعام/مستخلص العصير أو مصفاة عصاره الموالح بشكل صحيح.	تأكد من تعشيق ملحق الدفع الثنائي بشكل صحيح. تأكد من تركيب الملحق بشكل صحيح.
ملحق المفرمة لا يعمل.	الملحق غير مركب بشكل صحيح. غطاء المخرج غير مركب بشكل صحيح.	تأكد من تعشيق الملحق بشكل صحيح. تأكد من تركيب غطاء المخرج بشكل صحيح.
حركة على سطح العمل.	الأقدام الموجودة على الجانب السفلي للجهاز غير نظيفة أو مبتلة.	تأكد بانتظام من نظافة وجفاف الأقدام.
أداء سيئ للأدوات/الملحقات	راجع التلميحات المتعلقة بكل أداة أو ملحق في قسم "استخدام الملحق". تأكد من تركيب الملحقات بشكل صحيح.	تأكد من تركيب الملحقات بشكل صحيح.

## جدول السرعات الموصى بها والسعات القصوى

السرعات الموضحة مرجعية فقط وتختلف حسب كمية الخليط الموجود في السلطانية وحسب المكونات المراد خلطها.				
الأداة/الملحق	نوع وصفة التحضير	السرعة	الوقت	السعات القصوى
<b>جهاز المطبخ المتكامل</b>				
مضرب البيض	بياض البيض	السرعة المنخفضة إلى السرعة القصوى	٢ دقيقة	٢ إلى ٨ (٧٠ إلى ٢٨٠ غرام)
	القسدة	السرعة المنخفضة إلى السرعة القصوى	١٠٠ دقيقة	١٢٥ مل ٦٠٠ مل
الخفافة	خلطات الكعكات الجاهزة	السرعة المنخفضة إلى السرعة القصوى	١٠٠ دقيقة	الوزن الإجمالي ١٠٦ كيلوغرام خليط ٨ بيضات
	كعكة الفواكه - مزج السكر والسمن طي الدقيق والفاكهة. الخ	السرعة المنخفضة إلى السرعة القصوى	٤ دقائق حتى ١ دقيقة	الوزن الإجمالي ١٠٨ كيلوغرام خليط ٦ بيضات
	هرس السمن مع الدقيق	السرعة المنخفضة إلى السرعة ٢	٥ دقائق	٤٥٠ غرام دقيق
	إضافة الماء لدمج مكونات المعجنات	السرعة المنخفضة	٣٠ ثانية	
خطاف العجين	عجين الخبز (عجينة الخميرة السميكة)	السرعة المنخفضة إلى السرعة ٢	٤ دقائق	وزن الدقيق ٥٠٠ غرام الوزن الإجمالي ٨٠٠ غرام
<b>جهاز تحضير الطعام</b>				
سكين التقطيع	خلطات الكعكات الجاهزة	السرعة القصوى	١٥ ثانية	الوزن الإجمالي ٦٠٠ غرام خليط ٣ بيضات
	هرس السمن مع الدقيق	السرعة القصوى	حتى ١ دقيقة	وزن الدقيق ٣٤٠ غرام
	إضافة الماء لدمج مكونات المعجنات	السرعة القصوى	١٠ ثوان	
	الفرم/الهرس/الفظائر	السرعة القصوى	حتى ٣٠ ثانية	إجمالي الوزن لفرم اللحم اللين ٤٠٠ غرام
أسطح التقطيع - التقطيع/البشر	مكونات صلبة مثل الجزر والجبن صلب القوام	السرعة القصوى	-	لا تتجاوزي السعة القصوى الموضحة على السلطانية.
	مكونات لينة مثل الخيار، الطماطم	السرعة ٣	-	
	جبن بارميزان، البطاطس لفظائر البطاطس الألمانية	السرعة القصوى	-	
سطح البشر الناعم جداً	الموالج	السرعة ٢	-	
عصارة موالج	كل عمليات تحضير الطعام	السرعة القصوى	حتى ١ دقيقة	١٠٢ لتر
مستخلص العصير	الفواكه والخضروات الصلبة مثل الجزر والتفاح	السرعة القصوى	-	٨٠٠ غرام
	الفواكه اللينة مثل الطماطم والعنب	السرعة القصوى	-	٥٠٠ غرام
المفرمة	اللحم، الدواجن، الأسماك، قطعها بطول ٢,٥ سم - قطع عريضة	السرعة القصوى	-	-

\* حجم البيض المستخدم = الحجم المتوسط (بوزن بين ٥٣ إلى ٦٣ غرام)

## جميع الأجزاء الأخرى

غسيل يدوي تم التجفيف.

- أو بطريقة أخرى، راجعي جدول الأجزاء المسموح بغسلها في غسالة الأطباق والتي يمكن غسلها على الرف العلوي للغسالة. تجنبني وضع الأجزاء على الرف السفلي مباشرة فوق عنصر التسخين. يوصى باستخدام برنامج قصير مع درجة حرارة منخفضة (٥٠ درجة مئوية كحد أقصى).

## الخدمة ورعاية العملاء

- في حالة تلف السلك الكهربائي، يجب استبداله لأسباب متعلقة بالسلامة من قبل KENWOOD أو مركز صيانة معتمد من قبل KENWOOD.
- في حالة مواجهة مشكلات في تشغيل جهاز المطبخ المتكامل لديك أو الملحقات، قبل الاتصال لطلب الحصول على المساعدة راجعي دليل استكشاف المشكلات وحلها.

للحصول على مساعدة حول:

- استخدام الجهاز أو
- إجراء الصيانة أو استبدال الأجزاء
- اتصلي بالمتجر الذي قمت بشراء الجهاز منه.
- تصميم وتطوير Kenwood في المملكة المتحدة.
- صنع في الصين.



## معلومات هامة حول كيفية التخلص الصحيحة من المنتج وفقا لتوجيه الاتحاد الأوروبي 2002/96/EC.

- في نهاية العمر التشغيلي للجهاز، يجب عدم التخلص من الجهاز في نفايات المناطق الحضرية.
- بل يجب أخذه إلى مركز تجميع خاص بجهة محلية متخصصة في التخلص من هذه النفايات أو إلى تاجر يقدم هذه الخدمة.
- التخلص من الأجهزة المنزلية على نحو منفصل، يجنب الآثار السلبية المحتملة على البيئة والصحة والتي تنتج عن التخلص من هذه النفايات بطريقة غير مناسبة، كما أن هذه العملية تسمح باسترداد المواد المكونة الأمر الذي يتيح الحصول على وفورات كبيرة في مجال الطاقة والموارد. للتذكير بضرورة التخلص من الأجهزة المنزلية على نحو منفصل، يوجد على الجهاز صورة مشطوبة لسلة قمامة ذات عجلات.

العنصر	مناسب للغسل في غسالة الأطباق
<b>الخلط</b>	
السلطانية	✓
الخفاقة، مضرب البيض وخطاف العجين	✓
واقى الرذاذ	✓
غطاء المخرج	✗
<b>جهاز تحضير الطعام</b>	
السلطانية الأساسية، الغطاء العلوي وعصا دفع المكونات	✓
سكين التقطيع	✓
محور الدوران القابل لل فك والتركيب	✓
أسطح التقطيع	✓
<b>عصارة موالح</b>	
مخروط العصر، المصفاة	✓
<b>الخلط</b>	
الدورق، الغطاء العلوي وغطاء فتحة التعبئة	✓
وحدة الشفرات وحلقة الإحكام	✗
<b>مستخلص العصير</b>	
السلطانية، عصا دفع المكونات، الغطاء العلوي، اسطوانة المرشح، مزيل اللب	✓
<b>المفرمة</b>	
الصامولة الحلقيّة، شبكات الفرغ، القطاعة، اللولب وجسم المفرمة	✗
الصينية وعصا دفع المكونات	✓

## استخدام المفرمة

١ ارفع رأس المازج.

٢ عندما تكون المفرمة في الوضع الموضح، حاذي السنّة المحرك الموجودة على طرف اللولب مع التجاويف المقابلة الموجودة في مخرج الدفع ⑩.

٣ ادفعي المفرمة داخل المخرج ولغيبها في اتجاه عكس عقارب الساعة إلى أن تستقر في موضع التعشيق.

٤ امسكي أنبوب إدخال المكونات في موضعه واحكمي ربط الصامولة الحلقيّة بيدك.

٥ ركي الصينية ⑪.

٦ **يجب إذابة الثلج (فك تجميد) عن المكونات المجمدة تماماً قبل فرمها.** قطعي اللحم إلى قطع بطول ٢.٥ سم - قطع عريضة.

٧ شغلي الجهاز على السرعة القصوى. باستخدام عصا دفع المكونات، ادفعي المكونات برفق قطعة واحدة في المرة الواحدة. **لا تدفعي المكونات بقوة** - فقد تتسبب القوة في تلف المفرمة.

### هام

● يحذر تشغيل ملحق المفرمة لفترة زمنية مستمرة أطول من ١٠ دقائق حيث قد يتسبب ذلك في تلف المازج.

● **لا يعمل ملحق المفرمة في حالة عدم تركيب غطاء مخرج الدفع الثنائي.**

٨ بمجرد انتهائك من فرم جميع المكونات، أوقفي التشغيل وافصلي الجهاز عن مصدر التيار الكهربائي.

٩ أزيل المفرمة. استخدم مفتاح الربط (A) لفك الصامولة الحلقيّة في حالة إحكام ربطها بقوة.

## العناية والتنظيف

● أوقف دائماً تشغيل الجهاز وافصله عن مصدر التيار الكهربائي قبل التنظيف.

● فكي الملحقات تماماً قبل التنظيف.

### وحدة الطاقة (الموتور)

● مسح بقطعة قماش رطبة ثم التجفيف.

● يحذر استخدام المواد الكاشطة أو الغمر في الماء.

● ادفعي ما يزيد عن حاجتك من السلك الكهربائي إلى داخل مكان تخزين السلك (٤) الموجود في الجانب الخلفي للجهاز.

● تأكد من نظافة الأقدام الموجودة في قاعدة المازج.

### السلطانية والأدوات وواقى الرذاذ

● غسيل يدوي ثم التجفيف جيداً.

● يحذر استخدام فرشاة من السلك أو الصوف المعدني أو مواد التبييض عند تنظيف السلطانية المصنوعة من الصلب عديم الصدأ. استخدم الخل لإزالة الطبقة الجيرية.

● أبعد الأجزاء عن مصادر الحرارة (سطح الموقد، الأفران، المايكروويف).

### جهاز تحضير الطعام

● **تعاملي مع نصل سكين التقطيع وأسطح التقطيع بحذر شديد - حيث أنها حادة جداً.**

● قد تؤثر بعض الاغذية على لون البلاستيك. هذا امر طبيعي

تماماً ولا يضر بالبلاستيك او يؤثر على نكهة الطعام. امسحي البلاستيك بقماش مغموس في زيت نباتي لإزالة تغيير اللون.

### عصارة موالج

● غسيل يدوي ثم التجفيف جيداً.

### المازج

١ أفرغي محتويات الدورق قبل فكه من وحدة الشفرات.

٢ اغسلي الدورق يدوياً.

٣ أزيل حلقة الإحكام واغسلها.

٤ لا تلمسي الشفرات الحادة - قومي بتنظيف الشفرات بواسطة الفرشاة باستخدام ماء ساخن وصابون، ثم قومي بشطفها جيداً تحت الصنبور. لا تقومي بغمر وحد الشفرات في الماء.

٥ اتركها تجف في وضع مقلوب.

### مستخلص العصير

● لسهولة التنظيف، من الأفضل غسل الأجزاء فور الانتهاء من الاستخدام.

● قد تتسبب بعض المكونات مثل الجزر في تغير لون البلاستيك. امسحي البلاستيك بقماش مغموس في زيت نباتي لإزالة تغيير اللون.

● نظفي المرشح باستخدام فرشاة ناعمة.

● **افحصي المرشح بشكل منتظم للتأكد من عدم وجود أي علامات تدل على تلفه. لا تستخدم المرشح في حالة تلفه. راجعي قسم "الصيانة وخدمة العملاء".**

### المفرمة

● اغسلي كل الأجزاء في محلول ساخن من الماء والصابون ثم جففيها جيداً. لا تغسلي أي من الأجزاء في غسالة الأطباق.

● يحذر استخدام محلول صودا.

● امسحي شبكات الفرغ بزيت نباتي ثم غلفيها في ورق غير

ماص للزيت لتجنب صدئها أو تغير لونها.

- لا تستخدمى المازج كحاوية تخزين. حافظى عليه فارغاً قبل وبعد الاستخدام.
- يحذر خلط كمية أكثر من ١.٢ لتر - استخدمى سعة أقل مع السوائل الرغوية مثل الحليب المخفوق.

## 18) مستخلص العصير

استخدمى مستخلص العصير لتحضير العصير من الفاكهة والخضراوات الصلبة.

- Ⓐ عصا دفع المكونات
- Ⓑ غطاء العصاراة
- Ⓒ مزيل اللب
- Ⓓ اسطوانة المرشح
- Ⓔ سلطانية العصاراة
- Ⓕ مخرج تدفق العصير

## استخدام مستخلص العصير

- أوقفى تشغيل العصاراة وأفرغى اللب ومجمع العصير بشكل دورى أثناء الاستخدام.
- **تلميحات**
- ادخلى المكونات اللينة ببطة للحصول على أكبر كمية من العصير.
- اختفاء الفيتامينات - كلما تم تناول العصير فور عملية العصر كلما احتفظ العصير بكمية كبيرة من الفيتامينات.
- إذا أردتى تخزين العصير لبطعة ساعات ضعيه داخل الثلاجة. سيبقى العصير بحالة أفضل إذا أضفتى إليه بعض القطرات من عصير الليمون.
- لا تتناولى أكثر من ٢٣٠ مل من العصير يومياً إلا فى حالة اعتيادك على ذلك.
- بالنسبة للأطفال، خففى العصير بكمية مماثلة من الماء.
- العصير الناتج عن الأعشاب والخضراوات ذات اللون الأخضر الداكن (مثل البروكلى والسيبانج وغيرها من الخضراوات) أو الخضراوات ذات اللون الأحمر الداكن (مثل البنجر والكرنب الأحمر وغيرها من الخضراوات) يكون قوى النكهة لذلك يجب تخفيفه.
- عصير الفواكه غنى بسكر الفواكه (الفاكتورز) لذلك يجب على مرضى السكر ومن يعانون من انخفاض مستوى السكر فى الدم عدم تناول كميات كبيرة منه.

## 19) المفرمة

استخدمى المفرمة لإعداد اللحوم والدواجن والأسماك.

- Ⓐ مفتاح الربط
- Ⓑ صامولة حلقيّة
- Ⓒ شبكات الفرغ: المتوسط والخشن
- Ⓓ القطاعة
- Ⓔ اللولب
- Ⓕ جسم المفرمة
- Ⓖ أنبوب إدخال المكونات
- Ⓖ صينية
- Ⓘ عصا دفع المكونات

## التركيب

- ١ ركبى اللولب Ⓒ داخل جسم المفرمة Ⓔ.
- ٢ ركبى القطاعة Ⓓ بحيث يكون اتجاه جانب القطع للخارج. تأكدي من تركيب القطاعة بشكل صحيح، حيث أنه فى حالة عدم التركيب الصحيح قد يتسبب ذلك فى تلف المفرمة.
- ٣ ركبى شبكة الفرغ Ⓒ. ضعى الحز فوق سن التحديد Ⓙ.
- ٤ ركبى الصامولة الحلقيّة Ⓖ على نحو غير محكم.

- ١ ركبى سلطانية العصاراة Ⓔ فوق مخرج الدفع الثانى مع توجيه فتحة تدفق العصير Ⓕ إلى الجانب الأيسر ولفيها فى اتجاه عقارب الساعة حتى تستقر فى موضع التعشيق Ⓙ.
- ٢ ضعى مزيل اللب Ⓒ داخل اسطوانة المرشح Ⓓ - تأكدي من استقرار الأسنن فى الفتحات الموجودة فى أسفل الاسطوانة Ⓙ.
- ٣ ركبى اسطوانة المرشح Ⓓ.
- ٤ ضعى الغطاء العلوي الخاص بملحق مستخلص العصير Ⓔ على السلطانية ولفيها حتى يستقر فى موضع التعشيق Ⓙ. لن تعمل العصاراة فى حالة عدم تركيب السلطانية أو الغطاء العلوي فى بطريقة صحيحة وعدم صحة التعشيق.
- ٥ ضعى وعاء مناسباً تحت مخرج تدفق العصير.
- ٦ قطعي المكونات حتى يمكن إدخالها عبر أنبوب إدخال المكونات.
- ٧ شغلي الجهاز على السرعة القصوى وأضيفى المكونات عبر فتحة إدخال المكونات. ادفعي المكونات بالتساوي بواسطة عصا دفع المكونات - يحذر وضع أصابعك داخل فتحة إدخال المكونات. انتهى من تحضير الكمية الموضوعه بشكل تام قبل إضافة كمية أخرى.

- بعد إضافة آخر قطعة، اتركي العصاراة تعمل لمدة ٣٠ ثانية إضافية لاستخلاص كل العصير من اسطوانة المرشح.

## هام

- فى حالة بدء العصاراة فى الاهتزاز، أوقفى تشغيل الجهاز وأفرغى اللب من المرشح. (تهتز العصاراة فى حالة التوزيع غير المتساوي للب).
- السعة القصوى للتحضير فى المرة الواحدة هي ٨٠٠ غرام من الفاكهة أو الخضراوات.
- بعض أنواع الأطعمة الصلبة قد تسبب بطء أو توقف الملحق. إذا حدث ذلك، أوقفى التشغيل وأزيلي المرشح.

## استخدام أسطح التقطيع

- ١ ركبى السلطانية على وحدة الطاقة (الموتور) ثم ركبى محور الدوران القابل للفك والتركيب.
- ٢ امسكي سطح التقطيع من المقبض المركزي ثم ضعى السطح على محور الدوران مع توجيه السطح الملائم لأعلى.
- ٣ ركبى الغطاء العلوي.
- ٤ أدخلى الطعام من خلال أنبوب إدخال المكونات.
- ٥ شغلي الجهاز مع الدفع بشكل منتظم بواسطة مقبض دفع المكونات - يحذر وضع أصابعك داخل أنبوب إدخال المكونات.

### تلميحات

- استخدمى مكونات طازجة.
- لا تقطعي الطعام إلى قطع صغيرة جداً. - اجعلي عرض (مقطع) أنبوب إدخال المكونات ممتلئ بشكل متساو. يحول ذلك دون انزلاق الطعام على الجوانب أثناء تحضير الطعام.
- الطعام الموضوع بشكل رأسي يخرج قصيراً عن الطعام الموضوع بشكل أفقي.
- هناك دائماً كمية صغيرة من الفضلات على سطح التقطيع أو في السلطانية بعد تحضير الطعام.

## ١٦) عصارة الموالح

استخدمى العصارة لتحضير العصير من الموالح (مثل البرتقال والليمون والليمون الحمضي والجريب فروت).

- Ⓐ مخروط العصر  
Ⓑ المصفاة

## استخدام عصارة الموالح

- ١ ركبى السلطانية على وحدة الطاقة (الموتور) ثم ركبى محور الدوران القابل للفك والتركيب.
- ٢ ركبى المصفاة في السلطانية - تأكدي من استقرار مقبض المصفاة في موضعه مباشرة على مقبض السلطانية ⑧.
- ٣ ركبى مخروط العصر على محور الدوران وأديره حتى يستقر تماماً في القاع ⑨.
- ٤ قطعي شئراً الفواكه إلى نصفين. ثم شغلي الجهاز واضغطي الفاكهة على مخروط العصر.
- لن تعمل عصارة الموالح في حالة تركيب المصفاة بشكل غير صحيح.
- للحصول على أفضل النتائج، خزني الفاكهة واعصريها في درجة حرارة الغرفة. أيضاً لبني الفاكهة قبل عصرها عن طريق دحرجتها على سطح منضدة العمل مع الضغط عليها براحة كفك.
- للمساعدة في استخلاص العصير، حركي الفاكهة من جانب لآخر أثناء العصر.
- عند عصر كمية كبيرة من الفاكهة، أفرغي المصفاة بانتظام لتجنب تراكم لب وبيذور الفاكهة.

## ١٧) المازج الزجاجي

- Ⓐ غطاء فتحة التعبئة  
Ⓑ الغطاء العلوي  
Ⓒ الدورق  
Ⓓ حلقة الإحكام  
Ⓔ وحدة الشفرات

## استخدام المازج الزجاجي

١ ركبى حلقة الإحكام ⑩ على وحدة الشفرات ⑤ - مع التأكد من استقرار حلقة الإحكام في موضعها بشكل صحيح داخل التجويف.

● إذا كانت حلقة الإحكام تالفة أو غير محكمة بشكل صحيح فسوف يحدث تسريباً.

٢ اربطى الدورق على مجموعة وحدة الشفرات ⑩. راجعي الرسوم التوضيحية الموجودة على الجانب السفلي لمجموعة وحدة الشفرات وهي كالتالي:

- 🔑 - موضع الفتح  
🔒 - موضع القفل

لن يعمل المازج في حالة تركيبه بشكل غير صحيح.

- ٣ ضعى المكونات داخل الدورق.
- ٤ ركبى الغطاء العلوي على الدورق وادفعه لأسفل حتى يستقر في موضعه ⑪. ركبى غطاء فتحة التعبئة.
- ٥ أزيلى غطاء مخرج الدفع الثاني عن طريق لفه في اتجاه عكس عقارب الساعة ورفعها لأعلى.

٦ ضعى المازج على وحدة الطاقة (الموتور) ثم لفه في اتجاه عقارب الساعة ⑫ حتى يتم التعشيق ويصدر صوت طقطقة.

● لن يعمل الجهاز في حالة تركيب المازج بشكل غير صحيح مع تعشيق القفل.

- ٧ حددي سرعة التشغيل المطلوبة (راجعى جدول السرعات الموصى بها) أو استخدمى مفتاح وضع التشغيل النبضي ⑬ للتشغيل لفترات قصيرة.

### تلميحات

- عند تحضير المايونيز، ضعى كل المكونات في المازج عدا الزيت. أزيلى غطاء فتحة التعبئة. ثم صبي الزيت بطريقة بطيئة من خلال الفتحة الموجودة في الغطاء العلوي أثناء تشغيل الجهاز.
- قد تحتاج الخلطات السميكة مثل المعجنات الهشة، والمغفوسات إلى تقطيع. إذا وجدت صعوبة في تحضيرها، أضيفي المزيد من السوائل.
- جرش الثلج - شغلي الجهاز في وضع التشغيل النبضي لحين الحصول على القوام المطلوب.
- لا ينصح بمعالجة التوابل حيث قد تتسبب في تلف الأجزاء البلاستيكية.
- لن يعمل الجهاز في حالة تركيب المازج بشكل غير صحيح.
- لخلط مكونات جافة - قطّعيها إلى أجزاء صغيرة ثم أزيلى غطاء فتحة التعبئة وأسقطيها قطعة تلو الأخرى أثناء تشغيل الجهاز. أبق على يدك فوق الفتحة. للحصول على أفضل النتائج أفرغي المحتويات بشكل منتظم.

## مستشعر التحكم في السرعة الإلكتروني

المازج مجهز بمستشعر إلكتروني للتحكم في السرعة حيث تم تصميمه للحفاظ على سرعة المازج تحت مختلف ظروف التشغيل مثل عجن الخبز أو عند إضافة البيض لخلطات الكيك. لذلك قد تلاحظين بعض التغييرات في السرعة أثناء التشغيل حيث يقوم المستشعر بضبط سرعة المازج المحددة مع الحمل - وهذا أمر طبيعي.

## 15 جهاز تحضير الطعام

Ⓐ عصا دفع المكونات

Ⓑ أنبوب إدخال المكونات

Ⓒ الغطاء العلوي

Ⓓ سكين التقطيع

Ⓔ السلطانية مع محور الدفع

Ⓕ سطح التقطيع السميكة/البشر

Ⓖ سطح التقطيع الرفيع/البشر

Ⓗ سطح البشر الناعم جداً

Ⓘ محور الدفع القابل للفصل

## استخدام جهاز تحضير الطعام

١ أزيل غطاء المخرج عن طريق لفه في اتجاه عكس عقارب الساعة ثم الرفع ⑤.

٢ ركب السلطانية ⑥ فوق المخرج بحيث يكون المقبض ناحية اليمين ولغيفها في اتجاه عقارب الساعة حتى تستقر في موضع التعشيق ⑥.

٣ ركب سكين التقطيع أو محور الدفع القابل للفصل مع الملحق المطلوب استخدامه.

ملاحظة: يجب تركيب محور الدفع القابل للفصل ① فقط عند استخدام أقراص التقطيع أو عصارة الموالح.

٤ ركب دائماً السلطانية والملحق في جهاز تحضير الطعام قبل إضافة المكونات.

٥ ركب الغطاء العلوي ⑦ - مع التأكد من استقرار سكين التقطيع/محور الدفع في مركز الغطاء العلوي.

لا تستخدمى الغطاء العلوي لتشغيل جهاز تحضير الطعام، استخدمى دائماً زر التحكم في السرعة/التشغيل النبضي.

٥ وصلي الجهاز بمصدر التيار الكهربى وشغله وحددي السرعة المطلوبة (راجعى جدول السرعات الموصى بها).

• لن يعمل جهاز تحضير الطعام في حالة عدم تركيب السلطانية أو الغطاء العلوي في طريقة صحيحة في موضع التعشيق، تاكدي من توجيه أنبوب إدخال المكونات ومقبض السلطانية إلى الجانب الأمامى للجهاز.

• استخدمى مفتاح وضع التشغيل النبضي ⑧ للتشغيل

لفترات قصيرة، يعمل وضع التشغيل النبضي طوال فترة الضغط على مفتاح التحكم.

٦ اتبعى الخطوات السابقة بترتيب عكسى لإزالة الغطاء العلوي والملحقات والسلطانية.

• وقفى دائماً تشغيل الجهاز وافصله عن مصدر التيار الكهربى قبل إزالة الغطاء العلوي.

### هام

• جهاز تحضير الطعام غير ملائم لطحن حبوب القهوة أو

تحويل حببيبات السكر إلى سكر بودرة.

• عند إضافة روح أو نكهة اللوز للخلطات، تجنبى ملامسته مع البلاستيك حيث قد يؤدي ذلك إلى ترك علامات مستديمة على البلاستيك.

• لا تستخدمى مكونات ساخنة أثناء التحضير.

## سكين التقطيع ①

يعتبر سكين التقطيع أكثر الأجزاء استخداماً مع الملحقات من حيث تعددية الاستخدام، تحدد طول فترة التشغيل القوام الناتج.

للحصول على قوام خشن، استخدمى وضع التشغيل النبضي.

استخدمى سكين التقطيع لتحضير الكيك والمعجنات أو فرم اللحم النيئ أو المطهى، استخدمه أيضاً لتحضير الخضراوات والمكسرات والفطائر والمغموسات والحساء المهروس وأيضاً لتحضير كسر البسكويت والخبز.

### تلميحات

• قطعي الطعام مثل اللحم، الخبز، الخضراوات إلى مكعبات بطول ٢ سم قبل التحضير.

• يجب تكسير البسكويت إلى قطع صغيرة وإضافته عن طريق أنبوب إدخال المكونات أثناء تشغيل الجهاز.

• عند تحضير المعجنات استخدمى الدهون مباشرة من التآلة مع تقطيعها في صورة مكعبات بطول ٢ سم.

• توخى الحذر حتى لا تتجاوزى الفترة المطلوبة لتحضير الطعام.

• لا تستخدمى سكين التقطيع لتحضير خلطات ثخينة مثل عجينة الخبز.

• لا تستخدمى سكين التقطيع لجرش مكعبات الثلج أو الأطعمة الصلبة الأخرى، مثل التوابل فقد يتلف الملحق.

## أقراص التقطيع/البشر

استخدام أسطح التقطيع والبشر

سطح التقطيع/التقطيع الطولى القابل للعكس -

سطح التقطيع والبشر السميكة ④؛ سطح التقطيع

والبشر الرفيع ③

استخدمى جانب التقطيع الطولى مع الجبن والجزر

والبطاطس والأطعمة التي لها نفس ذلك القوام.

استخدمى جانب التقطيع مع الجبن والجزر والبطاطس

والكرنب والخيار والبنجر والبصل.

سطح البشر الناعم جداً ⑧

بشر جبن بارميزان والبطاطس لتحضير فطائر البطاطس الألمانية.

## أدوات الخلط وبعض من استخداماتها

- إذا سمعت صوت الجهاز مثقلاً، فأوقفي التشغيل وأزيلي جزء من الخليط أو قومي بزيادة السرعة.
- أزيلي دائماً الملحق المركب في مخرج الدفع الثاني قبل رفع رأس الخلاط.
- **تاكدي من عدم تركيب أو تخزين أي أداة أخرى خاصة بالسلطانية عند استخدام مخرج الدفع الثاني.**

### تلميحات

- أوقفي تشغيل الجهاز واكشطي جوانب السلطانية باستخدام ملعقة التقلب عند الحاجة.
- للحصول على أفضل النتائج اخفقي البيض عندما تكون حرارته هي نفس درجة حرارة الغرفة.
- قبل خفق بياض البيض، تأكدي من عدم وجود زيت أو صفار بيض على مضرب البيض أو السلطانية.
- استخدمي مكونات باردة للمعجنات ما لم يذكر خلاف ذلك في وصفة التحضير.
- استخدمي السمن في درجة حرارة الغرفة عند خلطه مع السكر لتحضير خلطات الكيك أو قومي بتلينه أولاً.
- الجهاز مجهز بخاصية 'البدء الهادئ' لتقليل تناثر المكونات بنفس الكيفية في حالة تشغيل الخلاط لخلط خلطات ذات قوام كثيف في السلطانية، ومثال على ذلك عجينة الخبز، فقد تلاحظين استغراق الخلاط لبضعة ثوان حتى الوصول إلى السرعة المطلوبة.

## نقاط هامة لتحضير الخبز

### هام

- يحذر تجاوز السعات القصوى المحددة - فقد تتسببي في حمل زائد على الجهاز.
- **حركة رأس الخلاط هي أمر عادي وخاصة عند خلط أحمال ثقيلة مثل عجينة الخبز.**
- للحصول على أفضل نتائج لخلط المكونات أضيفي السوائل أولاً في السلطانية.
- على فترات زمنية أوقفي تشغيل الجهاز واكشطي الخليط عن خطاف العجين.
- دفعات الدقيق المضافة إلى الخليط تختلف وفقاً لكميات السائل المطلوبة لتحضير العجين وأيضاً التصاق العجين له تأثير شديد على التحميل على الجهاز. نوصي بمراقبة الجهاز أثناء تحضير العجين، يجب ألا تتجاوز العملية فترة ٦ إلى ٨ دقائق.

## تركيب واستخدام مانع الرذاذ

- ١ ركب السلطانية على القاعدة وأضيفي المكونات.
  - ٢ ركب مانع الرذاذ عن طريق محاذاة الألسن مع فتحة الأداة الخاصة بالسلطانية ⑦ ثم لفي في اتجاه عكس عقارب الساعة ليستقر في موضع التعشيق ④.
  - ٣ ركب الأداة ثم اخفضي رأس الخلاط.
  - ٤ إزالة مانع الرذاذ، نفذي الخطوات السابقة بترتيب عكسي.
- أثناء عملية الخلط، يمكن إضافة المكونات مباشرة إلى السلطانية عن طريق أنبوب إدخال المكونات.

### مضرب العجين K

- لعمل الكيك والبسكويت والمعجنات والغطاء السكري للحلوى والحشوات وجاتوه الإكلير والبطاطس المهروسة.

### مضرب البيض

- لخفق البيض والزبد والقشدة والعجائن السائلة والكيك الإسفنجي خالي الدسم وأغطية الحلوى (المرنخ) وكيك الجبن والموس والسوفليه. لا تستخدم خفافة البيض مع الخلطات السمكية (مثل خلط السمن مع السكر) - فقد تتلفها.

### خطاف العجين اللولبي

- يستخدم مع خلطات خميرة فقط

## استخدام أدوات السلطانية

- ١ ادفعي مقبض تحرير رأس الخلاط ① لأسفل وارفعي رأس الخلاط حتى تستقر في موضع التعشيق.
  - ٢ ركب السلطانية على القاعدة ولفيها في اتجاه عكس عقارب الساعة لتستقر في موضع التعشيق ②.
  - ٣ اختاري الأداة المطلوب استخدامها وادفعيها في التجويف الخاص بها في الجهاز حتى تستقر في موضع التعشيق محدثة صوت طقطقة ③.
  - ٤ ادفعي مقبض تحرير رأس الخلاط لأسفل واخفضي رأس الخلاط حتى تستقر في موضع التعشيق.
  - ٥ وصلي الجهاز بمصدر التيار الكهربائي. لتشغيل الجهاز، لفي مفتاح السرعة إلى موضع السرعة المطلوبة. لإيقاف تشغيل الجهاز، أعيدي مفتاح التحكم في السرعة إلى موضع الإيقاف ⑤ (إيقاف).
- سوف يومض ضوء مؤشر تشغيل الطاقة ولن يعمل الخلاط، إذا كان رأس الخلاط في الوضع المرفوع لأعلى أو إذا كان غطاء المخرج غير مركب.**
- أديري المفتاح إلى وضع التشغيل النبضي ⑥ للتشغيل لفترات قصيرة.
  - ٦ افصلي الجهاز عن مصدر التيار الكهربائي.
  - ٧ ارفعي رأس الخلاط وأثناء الإمساك بها في نفس الأثناء اسحب الأداة من الفتحة المخصصة لها.

### هام

- في حالة رفع رأس الخلاط أثناء التشغيل، يتوقف الجهاز فوراً. لإعادة تشغيل الخلاط، اخفضي رأس الخلاط، أديري مفتاح التحكم في السرعة إلى موضع الإيقاف ⑤ (إيقاف)، انتظري ثوان ثم أعيدي تحديد السرعة المطلوبة. يتم معاودة تشغيل الخلاط مرة أخرى.
- لأي سبب من الأسباب في حالة مقاطعة مصدر التيار الكهربائي الخاص بالخلاط وتوقف الجهاز عن التشغيل، أديري مفتاح التحكم في السرعة إلى موضع الإيقاف ⑤ (إيقاف)، انتظري ثوان ثم أعيدي تحديد السرعة المطلوبة. يتم معاودة تشغيل الخلاط مرة أخرى.
- **لن يتم تشغيل الجهاز ما لم يتم تركيب غطاء المخرج بشكل صحيح.**



## ملحق مستخلص العصير

- لا تستخدم العصاره في حالة تلف المرشح.
- شفرات التقطيع الموجودة في قاعدة المرشح حادة جداً، توخي الحذر عند التعامل مع المرشح وتنظيفه.
- لا تستخدم الغطاء العلوي لتشغيل العصاره، استخدم دائماً زر التحكم في السرعة / التشغيل النبضي.
- في حالة حدوث اهتزاز مفرط أثناء استخدام هذا الملحق، خفضي السرعة أو قومي بإيقاف تشغيل الجهاز وافصليه عن مصدر التيار الكهربائي ونظفي أي لب موجود في الاسطوانة (تهتز العصاره في حالة التوزيع غير المتساوي لللب).

### مفتاح الرسم التوضيحي

- ① غطاء المخرج
- ② مخرج الدفع الثنائي (السرعة المتوسطة والعالية)
- ③ أليات التعشيق
- ④ تجويف تخزين السلك الكهربائي
- ⑤ زر التحكم في السرعة/التشغيل النبضي
- ⑥ وحدة الطاقة (الموتور)
- ⑦ مقبس إلحاق السلطانية
- ⑧ السلطانية
- ⑨ رأس الخلاط
- ⑩ ذراع تحرير رأس الخلاط
- ⑪ مضرب العجين K
- ⑫ خطاف العجين اللولبي
- ⑬ خفاقة البيض
- ⑭ مانع الرذاذ

### الملحقات

- ⑮ جهاز تحضير الطعام
- ⑯ عصاره الموالح
- ⑰ المارز الزجاجي
- ⑱ مستخلص العصير
- ⑲ المفرمة

راجعى جدول سرعات التشغيل الموصى بها لكل ملحق.

### قبل التوصيل بالكهرباء

- يجب التأكد من تماثل مواصفات المصدر الكهربائي مع المواصفات الموضحة على الجانب السفلي للجهاز.
- تحذير: يجب توصيل هذا الجهاز بالأرضي.
- يتوافق هذا الجهاز مع توجيهات الاتحاد الأوروبي 2004/108/EC بشأن التوافق الكهرومغناطيسي وتنظيمات الاتحاد الأوروبي رقم 1935/2004 الصادرة بتاريخ ٢٠٠٤/١٠/٢٧ والمتعلقة بالمواد المتلامسة مع الأطعمة.
- قبل استخدام الجهاز للمرة الأولى اغسلي الأجزاء المسموح بغسلها: راجعي قسم "العناية والتنظيف".

● **مخاطر التعرض لحروق:** يجب ترك المكونات الساخنة حتى تبرد وتصبح في درجة حرارة الغرفة قبل إضافتها إلى الملحق لإنجاز عملية تحضير الطعام.

● لا تستخدم الغطاء العلوي لتشغيل جهاز تحضير الطعام، استخدم دائماً زر التحكم في السرعة / التشغيل النبضي.

### ملحقات المازج

● أبق على يديك وأدوات المطبخ خارج دورق المازج أثناء توصيله مع مصدر التيار الكهربائي.

● **يحذر تركيب وحدة الشفرات على وحدة الطاقة (الموتور) بدون تركيب دورق المازج.**

● **مخاطر التعرض لحروق:** يجب ترك المكونات الساخنة حتى تبرد وتصبح في درجة حرارة الغرفة قبل إضافتها أو معالجتها في الملحق لإنجاز عملية تحضير الطعام.

● يجب تشغيل المازج فقط مع تركيب الغطاء العلوي في موضعه.

● استخدم الدورق فقط مع وحدة الشفرات المزودة.

● يحذر تشغيل المازج فارغاً.

● لضمان إطالة عمر المازج، لا تشغيله لفترة زمنية متواصلة أطول من ٦٠ ثانية. أوقف تشغيل المازج بمجرد حصولك على القوام المطلوب.

● لا ينصح بمعالجة التوابل حيث قد تتسبب في تلف الأجزاء البلاستيكية.

● بالنسبة لوصفات المشروبات المخفوقة ذات الرغوة - لا تخلطي المكونات المجمدة التي تحولت إلى كتلة صلبة أثناء التجميد، ولكن هشميها إلى أجزاء قبل إضافتها إلى الدورق.

### ملحق المفرمة

● تأكدي دائماً من إزالة العظام والقشرة الخارجية للحم وما شابه ذلك قبل عملية الفرمة.

● في حالة فرم المكسرات، ضعي كمية قليلة في كل مرة وانتظري حتى خروج مفروم الكمية المضافة قبل إضافة كمية أخرى.

● استخدم دائماً عصا دفع المكونات المزودة. يحذر إدخال أصابعك أو أدوات المائدة داخل أنبوب إدخال المكونات.

● تحذير - شفرات التقطيع حادة جداً، توخي الحذر أثناء التعامل معها سواء أثناء الاستخدام أو أثناء التنظيف على حد سواء.

● تأكدي من تركيب الملحق في موضعه الصحيح قبل تشغيل الجهاز.

- يمكن استخدام الأجهزة من قبل أشخاص ذوي قدرات جسدية أو حسية أو عقلية منخفضة وممن هم دون خبرة أو معرفة باستخدام الأجهزة في حالة منحهم التعليمات الخاصة بالاستخدام أو الإشراف عليهم بحيث يمكنهم استخدامه بطريقة آمنة مع إدراك المخاطر التي تنطوي على استخدام الجهاز.
- قد يؤدي سوء استخدام الجهاز إلى حدوث إصابات.
- لا يجوز استخدام هذا الجهاز من قبل الأطفال. احتفظي بالجهاز والسلك الكهربائي بعيداً عن متناول الأطفال.
- استخدمي الجهاز فقط في الاستخدامات المنزلية المخصص لها. لن تتحمل شركة Kenwood أية مسؤولية في حالة استخدام الجهاز بطريقة غير صحيحة أو عدم الامتثال للتعليمات المذكورة.
- تعتمد السعة القصوى على الملحق المستخدم والذي يستمد الحمل الأكبر. بعض من الملحقات الأخرى قد تستمد حمل أقل.
- ستتلف الملحقات وقد يتسبب ذلك في حدوث إصابات في حالة تعرض آلية التعشيق لقوة مفرطة.
- ملحق جهاز تحضير الطعام
- سكين التقطيع الخاص بجهاز تحضير الطعام وأيضاً أسطح التقطيع حادة جداً، لذلك توخي بالغ الحذر عند التعامل معها. امسكي دائماً سكين التقطيع بقبضة الإصبع من الجزء العلوي بعيداً عن حافة التقطيع، سواء عند الاستخدام أو التنظيف على حد سواء.
- أزيلي سكين التقطيع دائماً قبل صب المحتويات من السلطانية.
- أبقِي على يديك وأدوات المطبخ خارج سلطانية جهاز تحضير الطعام أثناء توصيل الجهاز مع مصدر التيار الكهربائي.
- يحذر استخدام الأصابع لدفع الطعام خلال أنبوب إدخال المكونات. استخدمي دائماً عصا دفع المكونات المزودة.
- قبل إزالة الغطاء العلوي عن سلطانية جهاز تحضير الطعام:
  - أوقف تشغيل الجهاز؛
  - انتظري حتى توقف الملحقات/الشفرات تماماً عن الحركة؛
- يحذر إزالة الغطاء العلوي الخاص بجهاز تحضير الطعام إلا بعد توقف سكين التقطيع / أسطح التقطيع عن الحركة تماماً.

## عربي

قبل قراءة التعليمات الرجاء فتح الصفحة الإمامية التي تحتوي على الرسومات التوضيحية

سلامتك

- أقرني التعليمات التالية واحتفظي بها في المتناول للاستخدامات المستقبلية المرجعية.
- أزيلتي مكونات التغليف وأية ملصقات.
- أوقفتي تشغيل الجهاز وافصليه عن مصدر التيار الكهربائي:
  - قبل تركيب وإزالة الأجزاء؛
  - في حالة عدم الاستخدام؛
  - قبل التنظيف.
- أدبرتي مفتاح التحكم في السرعات إلى موضع إيقاف التشغيل "O" (إيقاف) وافصلتي الجهاز عن مصدر التيار الكهربائي قبل تركيب أو إزالة أي من الأدوات أو الملحقات وأيضاً فور الانتهاء من الاستخدام وقبل التنظيف.
- أبعدتي أصابعك عن الأجزاء المتحركة والملحقات التي تم تركيبها.
- يحذر ترك جهاز المطبخ المتكامل دون ملاحظة أثناء تشغيله.
- يحذر استخدام الجهاز في حالة تلفه. في مثل هذه الحالة يجب فحص الجهاز أو إصلاحه: راجعي قسم "الصيانة ورعاية العملاء".
- يحذر ترك السلك الكهربائي متديلاً في حالة وجود طفل فقد ينتزعه.
- يحذر تعرض وحدة الطاقة "الموتور" أو سلك الكهرباء أو قابس التوصيل للماء.
- **تأكدي من عدم تركيب أو تخزين أي أداة أخرى خاصة بالسلطانية عند استخدام مخرج الدفع الثنائي.**
- يحذر استخدام ملحق غير معتمد أو أكثر من ملحق في المرة الواحدة.
- يحذر تجاوز السعات القصوى الموضحة في جدول السعات القصوى.
- توخي الحذر عن حمل هذا الجهاز. تأكدي من قفل رأس الخلاط في الوضع لأسفل وتأمين السلطانية والأدوات وغطاء المخرج والسلك الكهربائي قبل حمل الجهاز.
- تأكدي أن السلك الكهربائي مفرد بالكامل عن تجويف تخزين السلك ④ قبل استخدام جهاز المطبخ المتكامل.
- يجب الإشراف على الأطفال للتأكد من عدم عبثهم بالجهاز.
- لا تحاولي تحريك أو رفع رأس الخلاط أثناء تركيب أي من الملحقات حيث يصبح جهاز المطبخ المتكامل غير مستقر.
- يحذر تشغيل الجهاز بالقرب من حافة سطح التشغيل.





HEAD OFFICE: Kenwood Limited, 1-3 Kenwood Business Park, New Lane, Havant, Hampshire PO9 2NH

[kenwoodworld.com](http://kenwoodworld.com)

**KENWOOD**

CREATE MORE

125766/1

## Free Manuals Download Website

<http://myh66.com>

<http://usermanuals.us>

<http://www.somanuals.com>

<http://www.4manuals.cc>

<http://www.manual-lib.com>

<http://www.404manual.com>

<http://www.luxmanual.com>

<http://aubethermostatmanual.com>

Golf course search by state

<http://golfingnear.com>

Email search by domain

<http://emailbydomain.com>

Auto manuals search

<http://auto.somanuals.com>

TV manuals search

<http://tv.somanuals.com>