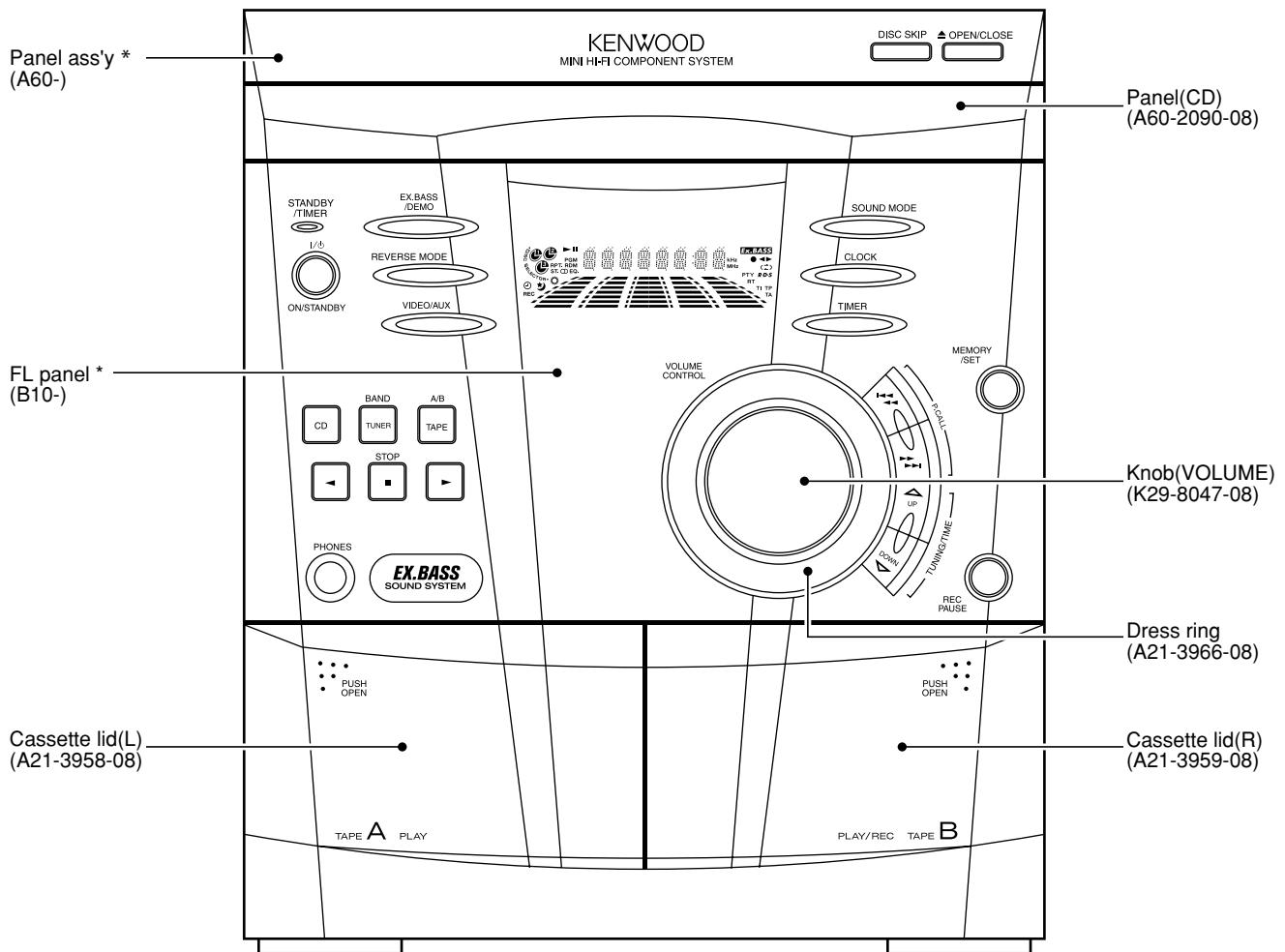


RXD-355/355-H/355E RXD-355E-H/355M/355M-H SERVICE MANUAL (XD-355)**

This manual is available for M, X and Y types.



**Refer to page 2 if you want to know system configuration.

* Refer to parts list on page 27.

In compliance with Federal Regulations, following are reproduction of labels on, or inside the product relating to laser product safety.

KENWOOD-Corp. certifies this equipment conforms to DHHS Regulations No.21 CFR 1040. 10, Chapter 1, subchapter J.

DANGER : Laser radiation when open and interlock defeated. AVOID DIRECT EXPOSURE TO BEAM.



RXD-355

CONTENTS / ACCESSORIES / CAUTIONS

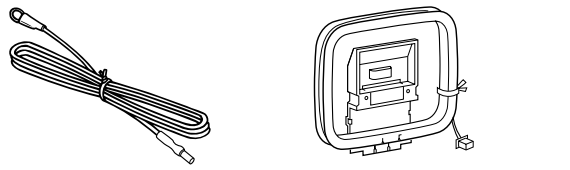
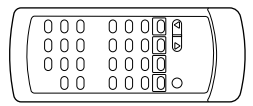
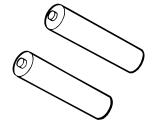
Contents

CONTENTS / ACCESSORIES / CAUTIONS.....	2	PC BOARD	13
EXTERNAL VIEW	3	SCHEMATIC DIAGRAM	17
DISASSEMBLY FOR REPAIR.....	4	EXPLODED VIEW	25
BLOCK DIAGRAM	8	PARTS LIST.....	27
CIRCUIT DESCRIPTION	9	SPECIFICATIONS	Back cover
ADJUSTMENT	12		

Attention

Please contact our KENWOOD Service Department in your side if you want the service information; Circuit Description. Full Described Parts list and so. Information is available to you by internet from us.

Accessories

<p>FM Antenna(1) (T90-0883-08)</p>	<p>AM Loop Antenna(1) (T90-0879-08)</p>	<p>Remote Control(1) (A70-1531-08): MM1XX1 (A70-1537-08): EE1E2E3T</p>	<p>"AA" size battery (UM/SUM-3, R6, HP-7 or similar)(2)</p>		
					
<table border="1"> <tr> <td data-bbox="235 1134 430 1186"> <p>AC Plug Adaptor (1) (E03-0115-05)</p> </td> <td data-bbox="422 1186 747 1312"> <p>Use to adapt the plug on the power cord to the shape of the wall outlet. (Accessory only for regions where use is necessary.)</p> </td> </tr> </table>				<p>AC Plug Adaptor (1) (E03-0115-05)</p>	<p>Use to adapt the plug on the power cord to the shape of the wall outlet. (Accessory only for regions where use is necessary.)</p>
<p>AC Plug Adaptor (1) (E03-0115-05)</p>	<p>Use to adapt the plug on the power cord to the shape of the wall outlet. (Accessory only for regions where use is necessary.)</p>				

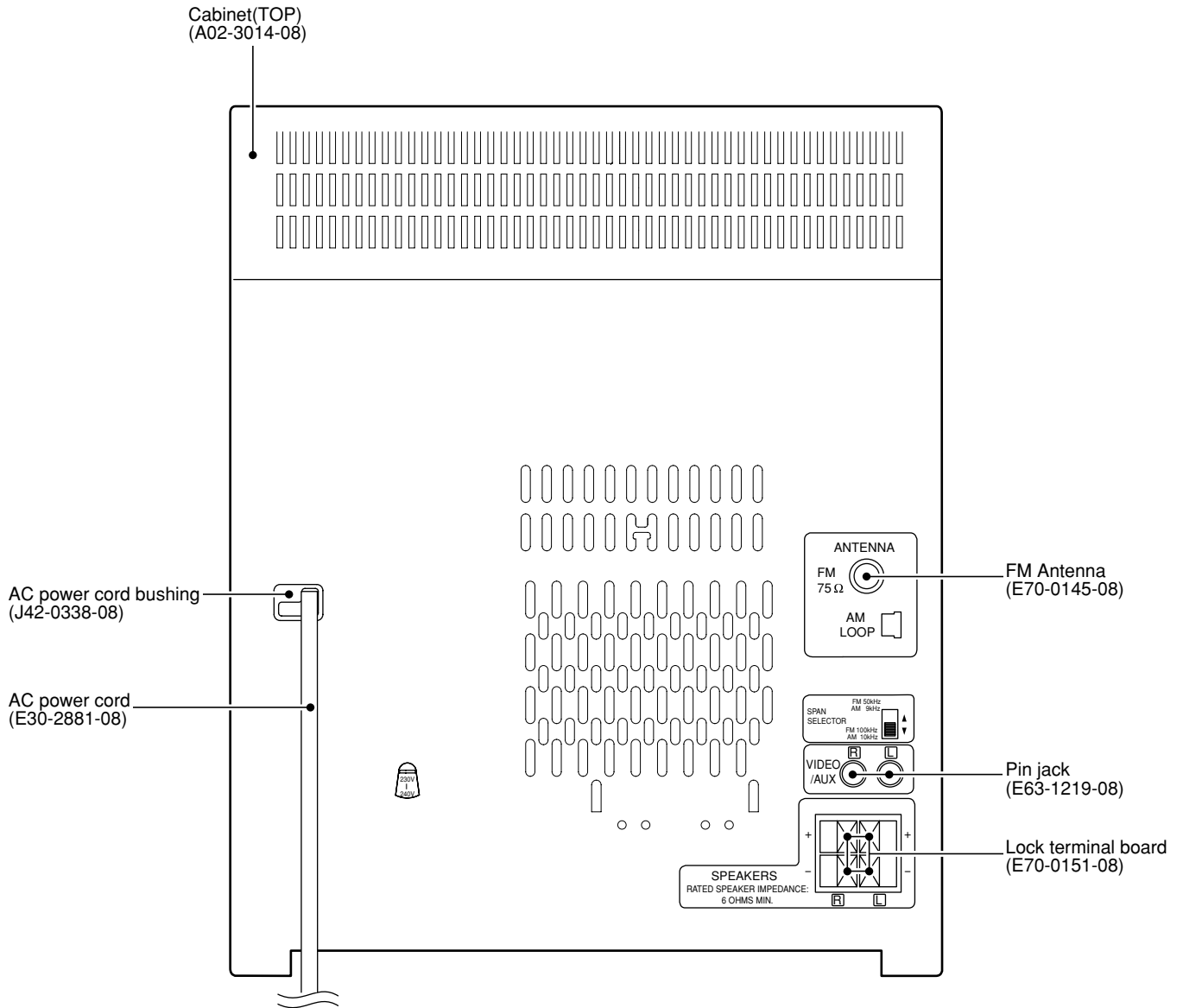
System Configuration

SYSTEM	MAIN UNIT	DESTINATIONS	SPEAKERS
XD-355	RXD-355	E,T	LS-N30S
XD-355	RXD-355M	M,X	LS-N30S
XD-355E	RXD-355E	E2	LS-N30S
XD-355E-H	RXD-355E-H	E3	LS-N30S-H
XD-355-H	RXD-355M-H	M1,X1,Y1	LS-N30S-H
XD-355-H	RXD-355-H	E1	LS-N30S-H

Cautions

<p style="text-align: center;">CLASS 1 LASER PRODUCT</p>
<p>The marking on this product has been classified as Class 1. It means that there is no danger of hazardous radiation from the product.</p>

EXTERNAL VIEW



DISASSEMBLY FOR REPAIR

Caution on Disassembly

Follow the below-mentioned notes when disassembling the unit and reassembling it, to keep it safe and ensure excellent performance:

1. Take cassette tape and compact disc out of the unit.
2. Be sure to remove the power supply plug from the wall outlet before starting to disassemble the unit.
3. Take off nylon bands or wire holders where they need be removed when disassembling the unit. After servicing the unit, be sure to rearrange the leads where they were before disassembling.
4. Take sufficient care on static electricity of integrated circuits and other circuits when servicing.

STEP	REMOVAL	PROCEDURE	FIGURE
1	Top Cabinet	1. Screw (A1) x4	7-1
2	Side Panel (Left/right)	1. Screw (B1) x8	7-1
3	CD Player Unit/ CD Tray Cover	1. Turn on the power supply, open the disc tray, take out the CD cover, and close. (Note 1) 2. Screw (C1) x1 3. Hook (C2) x3 4. Hook (C3) x2 5. Socket (C4) x2	7-2
4	Rear Panel	1. Screw (D1) x9	7-2
5	Main PWB	1. Screw (E1) x1 2. Socket (E2) x3 3. Flat Cable (E3) x1 4. Tip Wire (E4) x1	7-2
6	Power Supply PWB	1. Flat Wire (F3) x1	8-3
7	Display PWB	1. Screw (H1) x9 2. Socket (H2) x1	8-3
8	Tape Mechanism	1. Open the cassette holder. 2. Screw (J1) x5	8-3
9	Headphones PWB	1. Screw (K1) x1	8-3
10	Turntable	1. Hook (L1) x2 2. Cover (L2) x1	8-4
11	Disc Tray	1. Turn fully the lock lever in the arrow direction. 2. While holding the lock lever, rotate the cam gear until the cam gear rib engages with the clamp lever. 3. Push the slide holder backward to engage the claw with the groove and remove it in the direction of the arrow. (M1) x6	7-3
12	CD Servo PWB (Note 2)	1. Screw (N1) x1 2. Hook (N2) x2 3. Socket (N3) x4	8-6
13	CD Mechanism	1. Hook (P1) x2 2. Hook (P2) x3	9-1
14	Loading Motor PWB	1. Hook (Q1) x5	9-1

Note 1:

How to open the changer manually. (Fig. 7-3)

1. In this state, turn fully the lock lever in the arrow direction through the hole on the loading chassis bottom.
2. While holding the lock lever, rotate the cam gear anticlockwise until the cam gear rib engages with the clamp lever. (Fig. 8-1)
3. After that, push forward the CD slide holder.

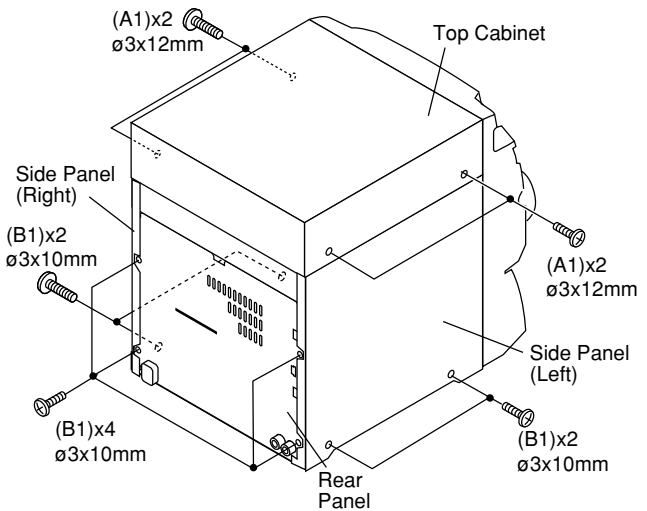


Figure 7-1

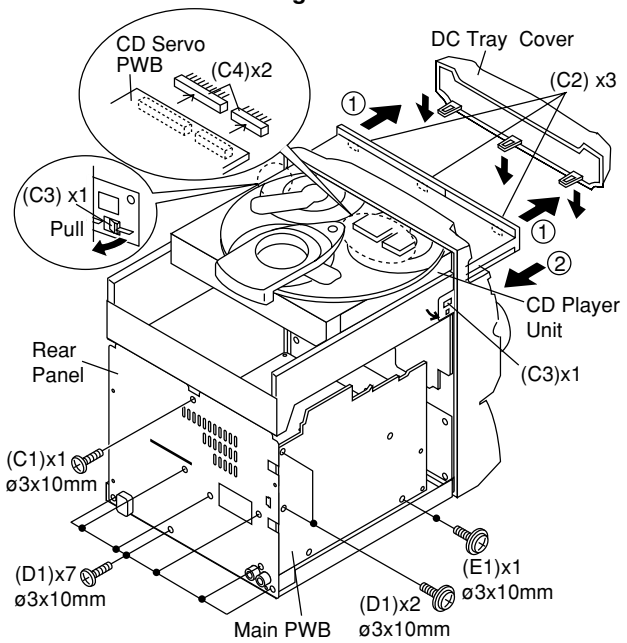


Figure 7-2

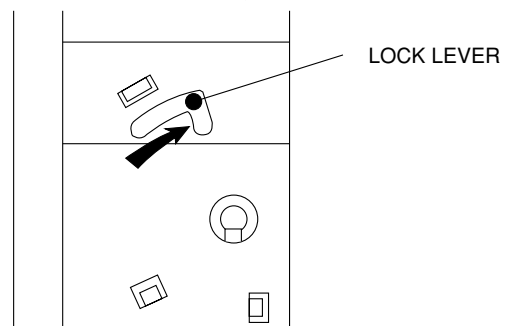


Figure 7-3

Note 2:

1. After removing the connector for the optical pickup from the connector, wrap the conductive aluminium foil around the front end of the connector so as to protect the optical pickup from electrostatic damage.

Note 3:

1. Be careful not to break the claw of the CD mechanism.
2. When fining back the cam gear assembly, let it lock by front movement.

DISASSEMBLY FOR REPAIR

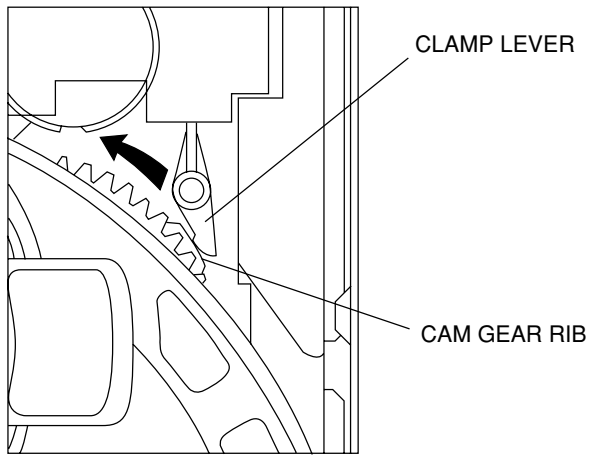


Figure 8-1

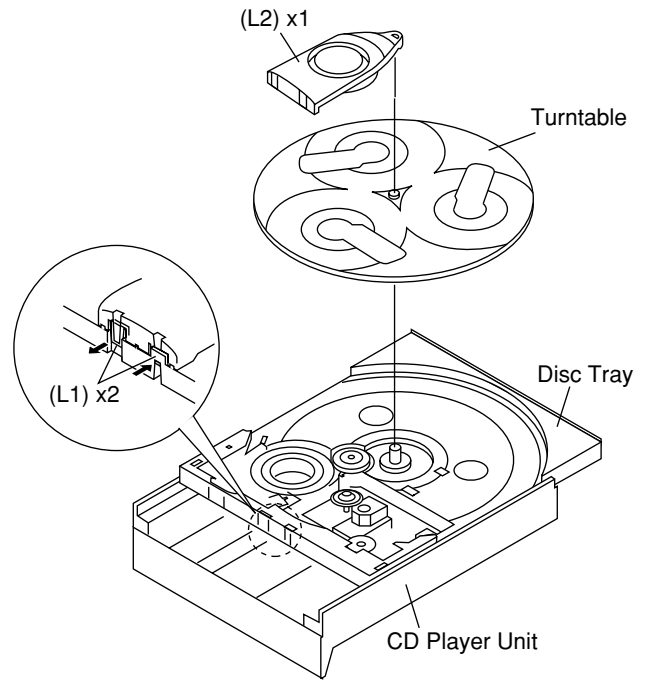


Figure 8-4

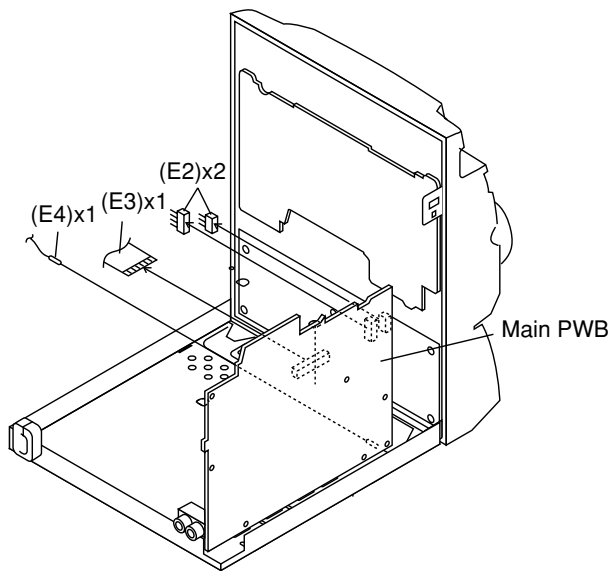


Figure 8-2

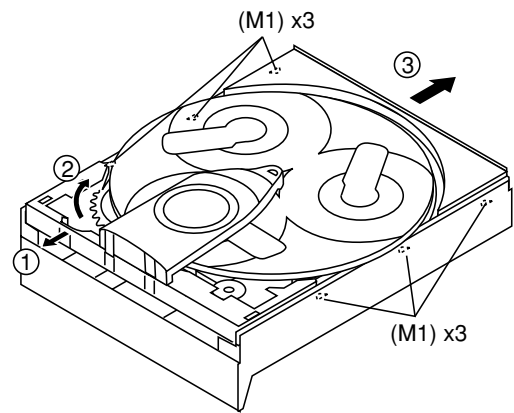


Figure 8-5

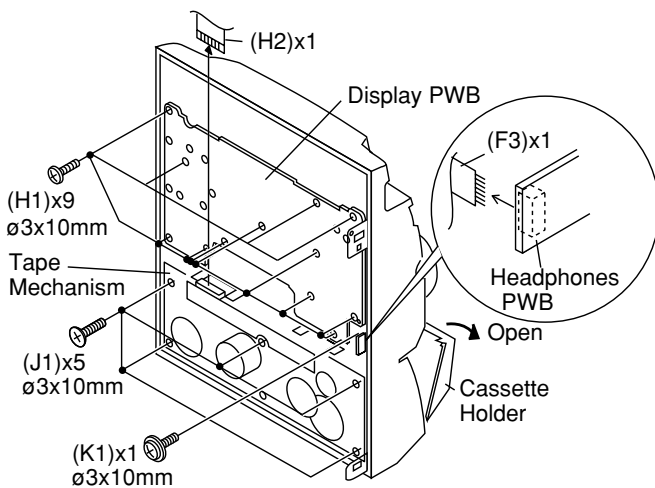


Figure 8-3

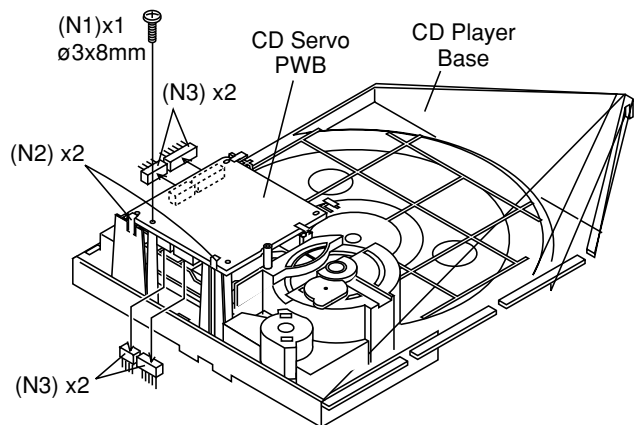


Figure 8-6

RXD-355

DISASSEMBLY FOR REPAIR

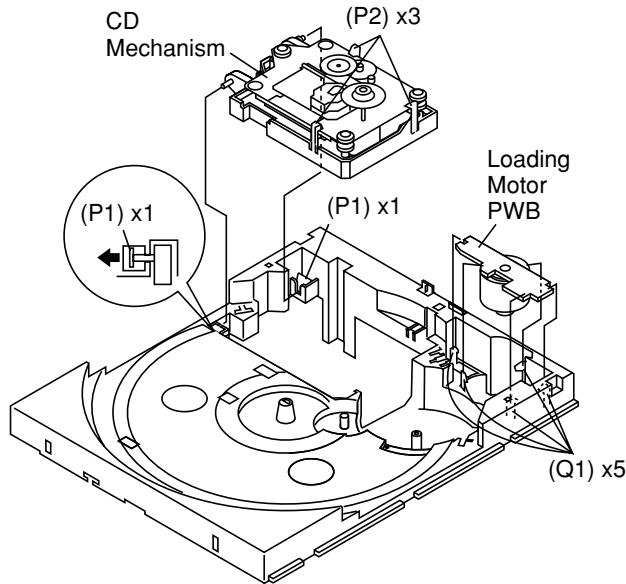


Figure 9-1

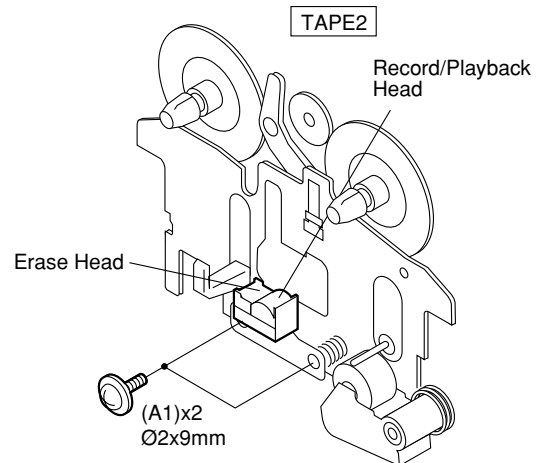


Figure 10-1

REMOVING AND REINSTALLING THE MAIN PARTS

TAPE MECHANISM SECTION

Perform steps 1 to 7 and 9 of the disassembly method to remove the tape mechanism.

How to remove the record/playback and erase heads (TAPE 2) (See Fig. 10-1)

1. When you remove the screw (A1) x 2 pcs., the recording/playback head and three-dimensional head of the erasing head can be removed.

How to remove the playback head (TAPE 1) (See Fig. 10-2)

1. When you remove the screw (B1) x 2 pcs., the playback head.

How to remove the pinch roller (TAPE 1/2) (See Fig. 10-3)

1. Carefully push the inside claw to remove it. The pinch roller pawl in the direction of the arrow <A>, and remove the pinch roller (C1) upwards.

Note:

When installing the pinch roller, pay attention to the spring mounting position.

How to remove the belt (TAPE 1) (See Fig. 10-4)

1. Remove the main belt (D1) x 1 pc., from the motor side.
2. Remove the FF/REW belt (D2) x 1 pc.

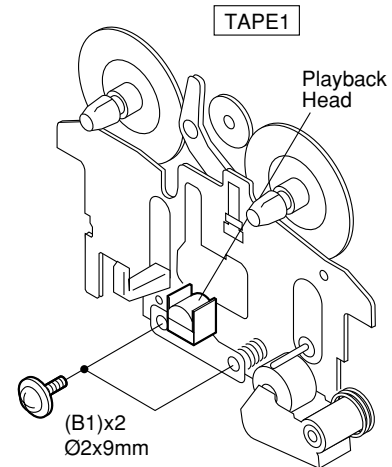


Figure 10-2

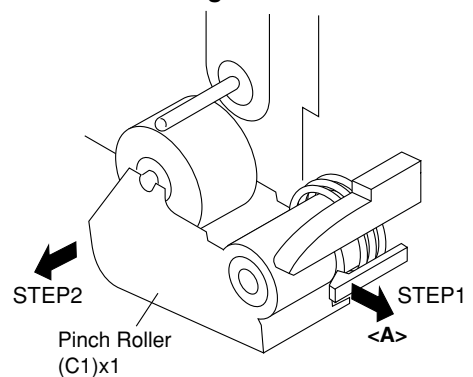


Figure 10-3

DISASSEMBLY FOR REPAIR

How to remove the belt (TAPE 2) (See Fig. 10-4)

1. Remove the main belt (E1) x 1 pc., from the motor side.
2. Remove the FF/REW belt (E2) x 1 pc.

How to remove the motor (See Fig. 10-5)

1. Remove the screws (F1) x 2 pcs., to remove the motor.

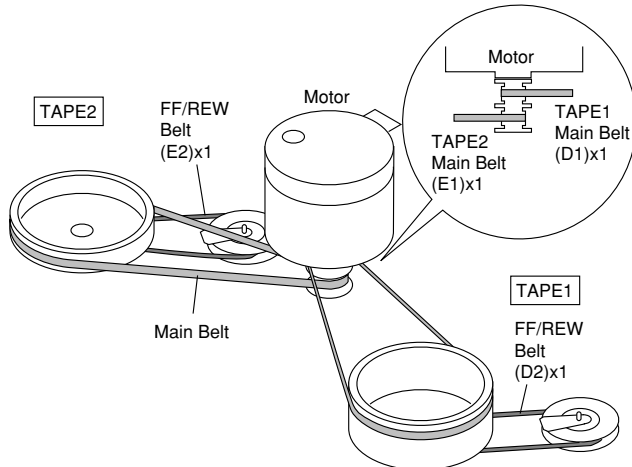


Figure 10-4

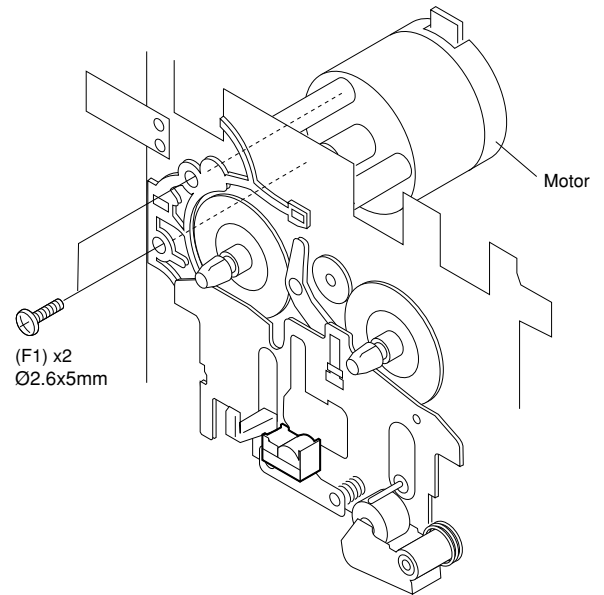


Figure 10-5

CD MECHANISM SECTION

Perform steps 1, 2, 3, 11 and 14 of the disassembly method to remove the CD mechanism.

How to remove the loading motor (See Fig. 11-1)

1. Bend the hooks (A1) x 5 pcs., to remove the loading motor.

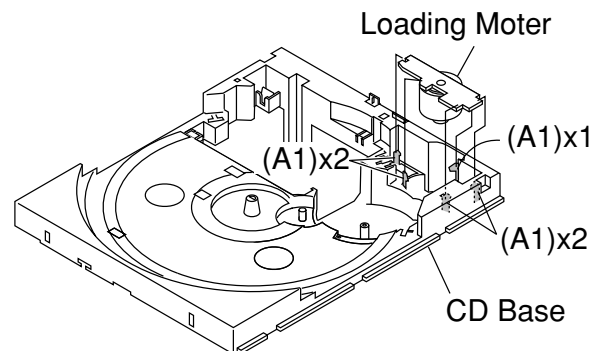


Figure 11-1

How to remove the pickup (See Fig. 11-2)

1. Remove the stop washer (B1) x 1 pc., to remove the gear (B2).
2. Remove the screws (B3) x 2 pcs., to remove the shaft (B4).
3. Remove the pickup.

Note

After removing the connector for the optical pickup from the connector wrap the conductive aluminium foil around the front end of connector so as to protect the optical pickup from electrostatic damage.

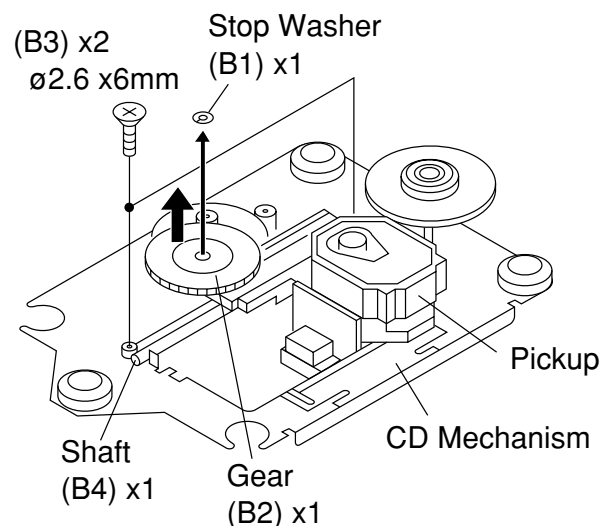
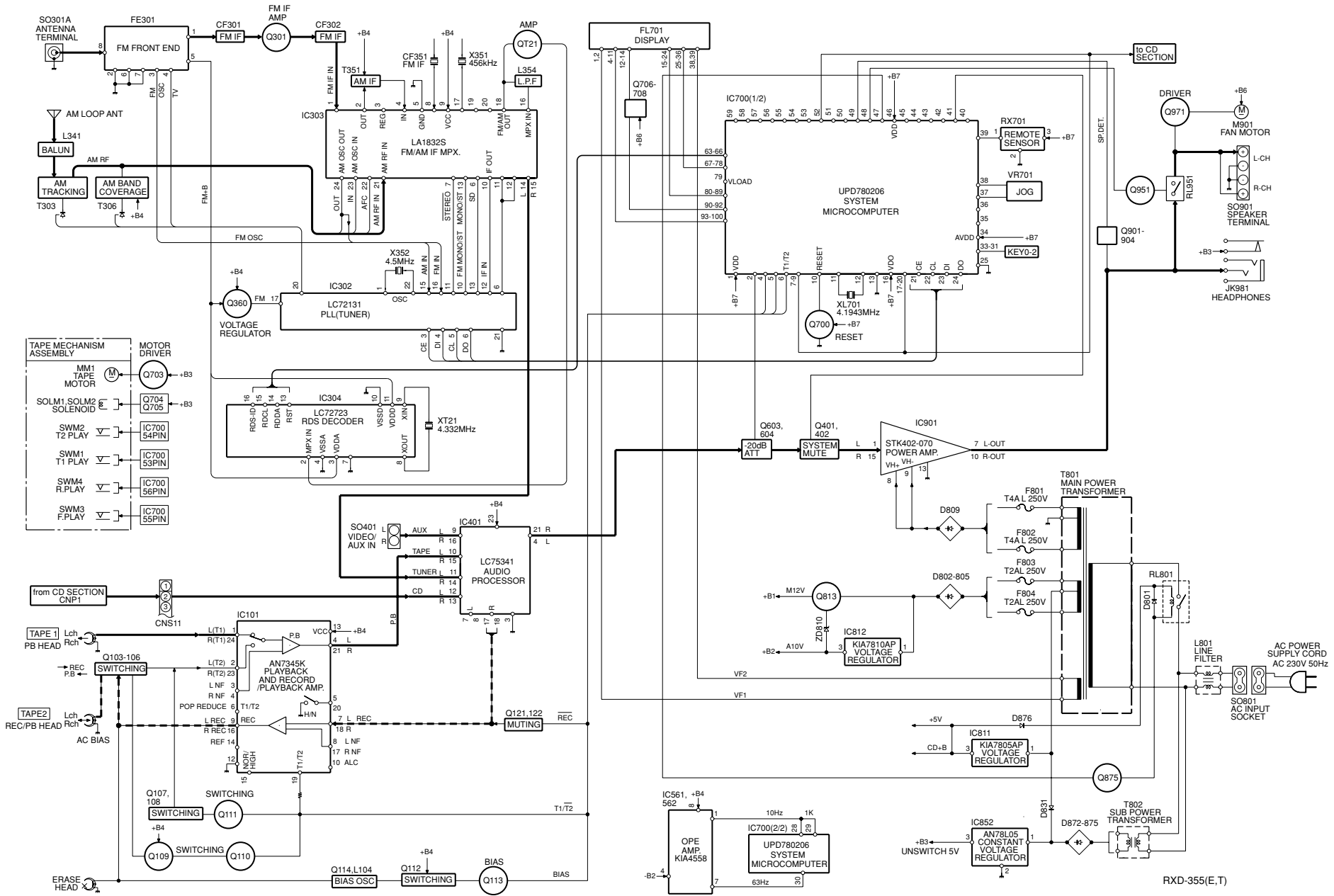


Figure 11-2



BLOCK DIAGRAM

RXD-355

RXD-355(E,T)

CIRCUIT DESCRIPTION

1. Test Mode

1-1 How to Set up the Test Mode

- During POWER OFF mode, push below each 2 keys and [POWER] key.
Then go to each TEST MODE.

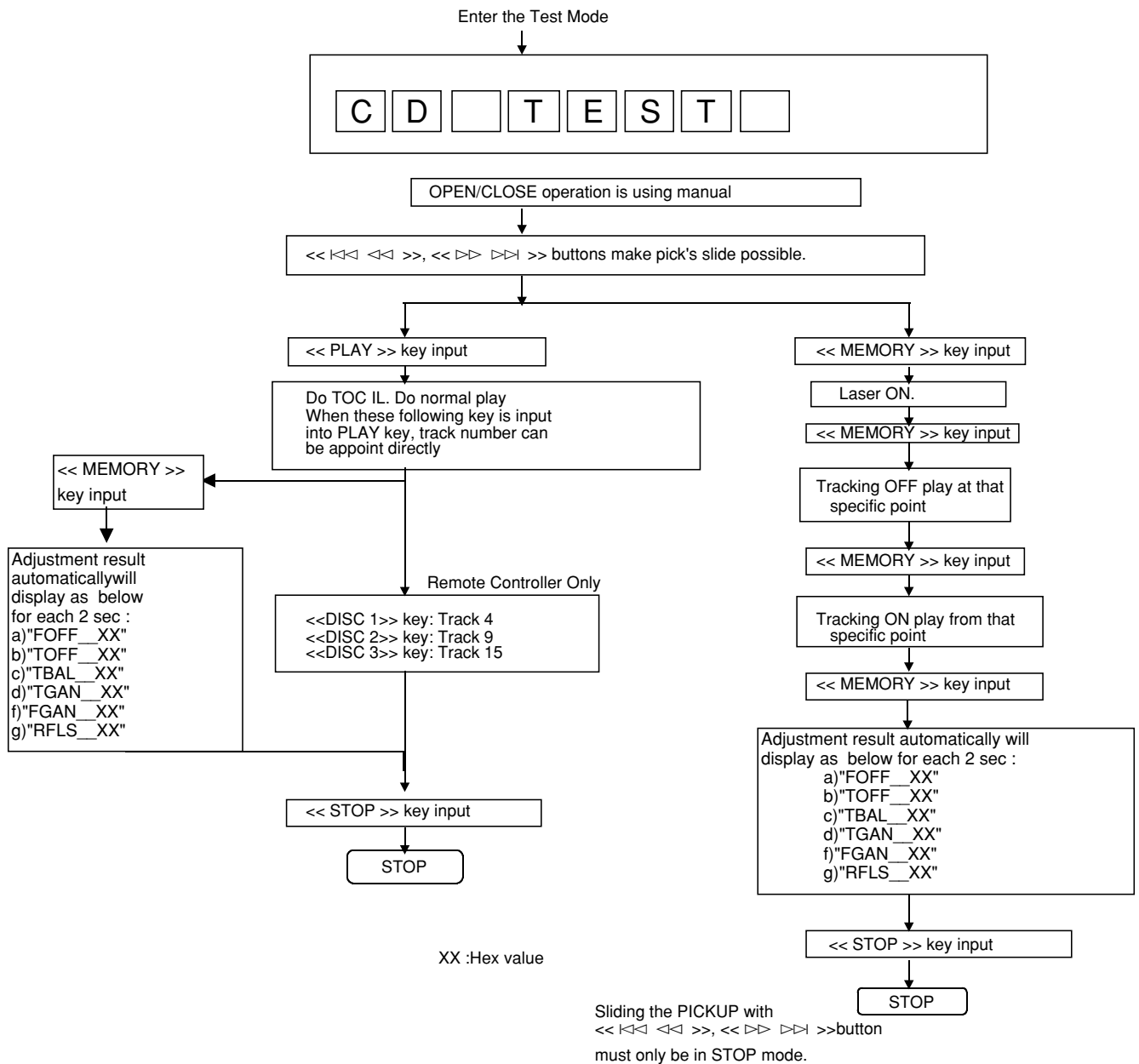
KEYS	TEST MODE
[POWER] [SOUND] + [CD]	CD TEST MODE
[POWER] [SOUND] + [STOP]	ALL CLEAR (RESET)
[POWER] [TUN DOWN] + [TUNER]	PRODUCTION INITIALIZE FOR CHANGER
[POWER] [REC] + [CD]	CD CHANGER TEST

1-2 Cancelling the Test Mode

- Turn the power off.

1-3 Contents of the Test Mode

1-3-1 CD Test Mode

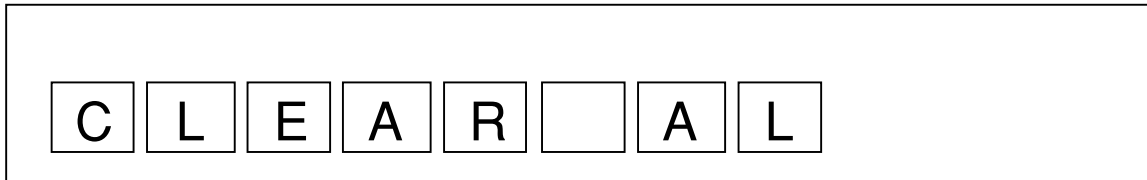


CIRCUIT DESCRIPTION

1-3-2 Software Reset

- Function:
- Software RESET.
 - All the function condition will be initialize.
 - It will jump to A operation in case of power ON.
 - After display "CLEAR ALL", power will off.
 - Forwarding condition set for CD changer.
 - Forwarding condition set for TAPE mecha.

"CLEAR_AL" display



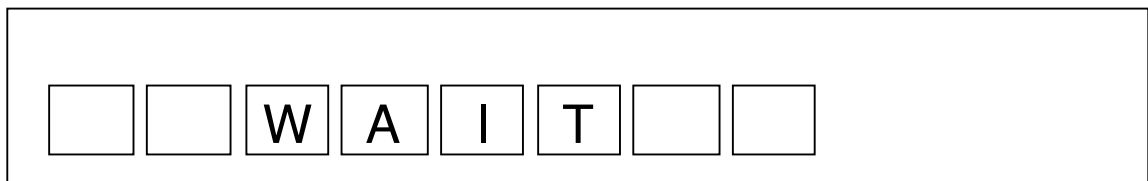
1-3-3 Initializing the CD changer

- Function:
- The SET will be set to "shipping"
 - All the function, condition are initialized.
 - CLEAR ALL TUNER PRESET MEMORY .
 - CLOCK INITIAL
 - CLEAR CD MEMORY
 - Initialize the CD changer mecha and compact cassette mecha.
 - For CD changer mecha, set the CD mecha in upward condition.

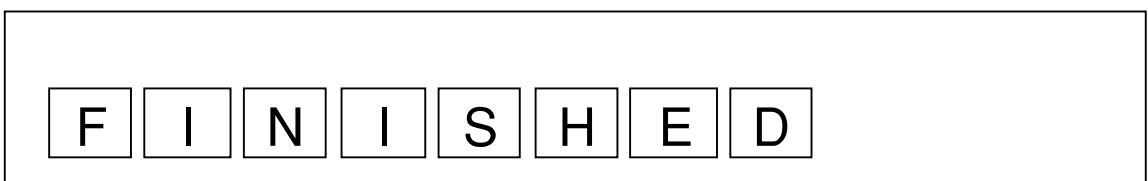
Display, key input

When initialize the mechanism, it will display "WAIT" and will not accept any changes in input
After "shipping condition" setting is ended, "FINISHED" is displayed and any key input will be prohibited.
If there are any troubles and "shipping condition" cannot be set, "ERR" will be displayed.

"WAIT" display

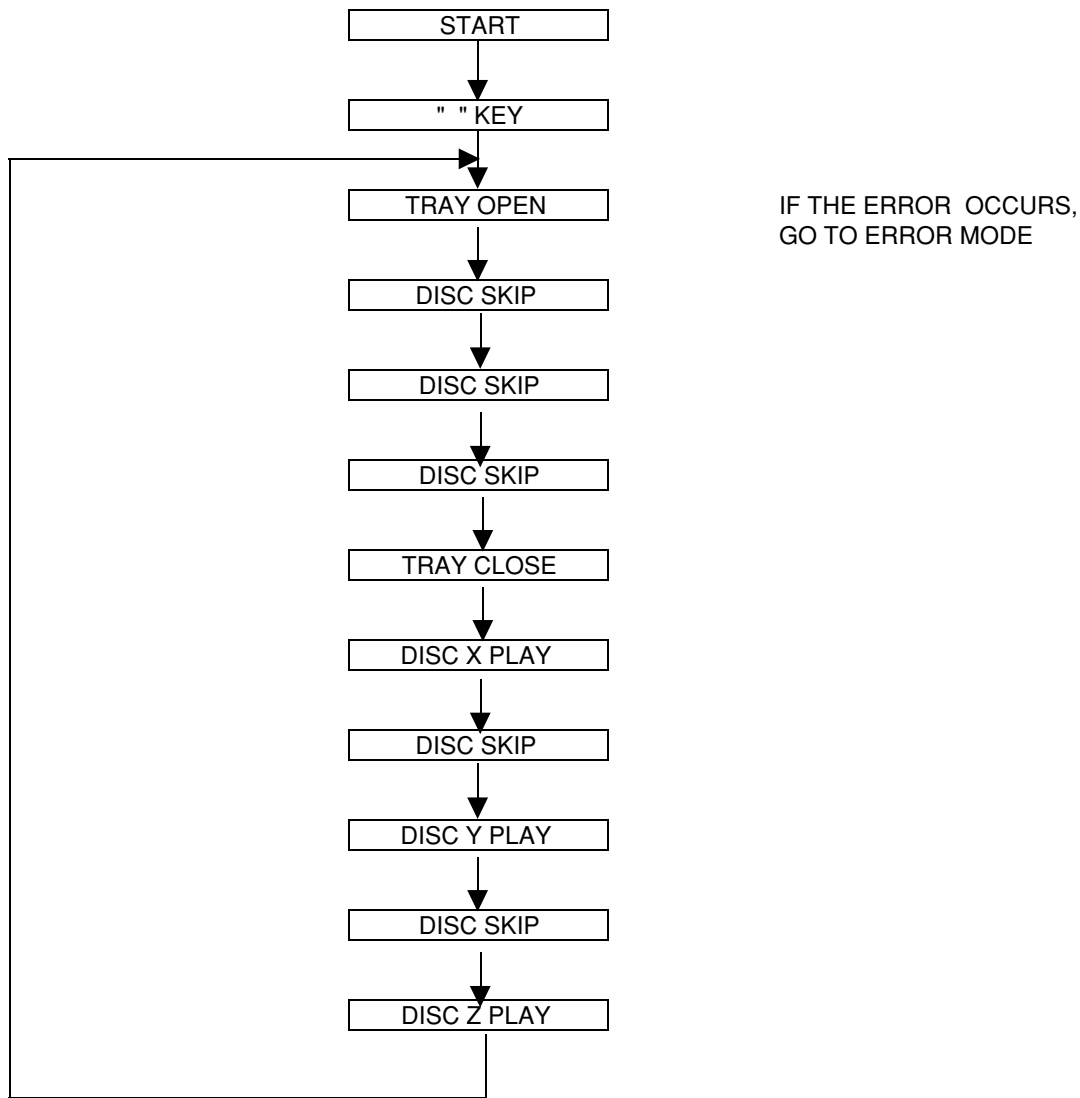


"FINISHED" display



CIRCUIT DESCRIPTION

1-3-4 CD Changer Aging Test Mode



2. Standard Specification of Stereo System Error Message Display Contents

Error Contents		Display	Notes
Output while Device Protection Operation		'PROTECT'	Due to over current detection or unit in protect circuit operation.
DSP Control Error		'ER-AP**'	10:DSP Control Error (general)
TAPE	Mechanism Error	'ER-TA**'	00:Tape Mechanism Error 01:Initial Error
CD/VCD	Pick-Up Mechanism Error	'ER-CD**'	00:Pick-up Mechanism Error 01:PU-IN SW Detection NG
	CD Changer Mechanism Error	'ER-CD**'	10:Changer Error 11:Initial Error
	Tray Error	'ER-CD**'	20:Tray Error
	Focus Not Match	'NO DISC'	
	Micon Communication Error	'ER-CD**'	30:System-VCD 31:System-CD Servo
TUNER	PLL UnLock	'ER-TU**'	00:TUN Error 01:PLL Unlock
	RDS Connection	WEAK SIG	Signal is too weak to receive.

ADJUSTMENT

TUNER SECTION

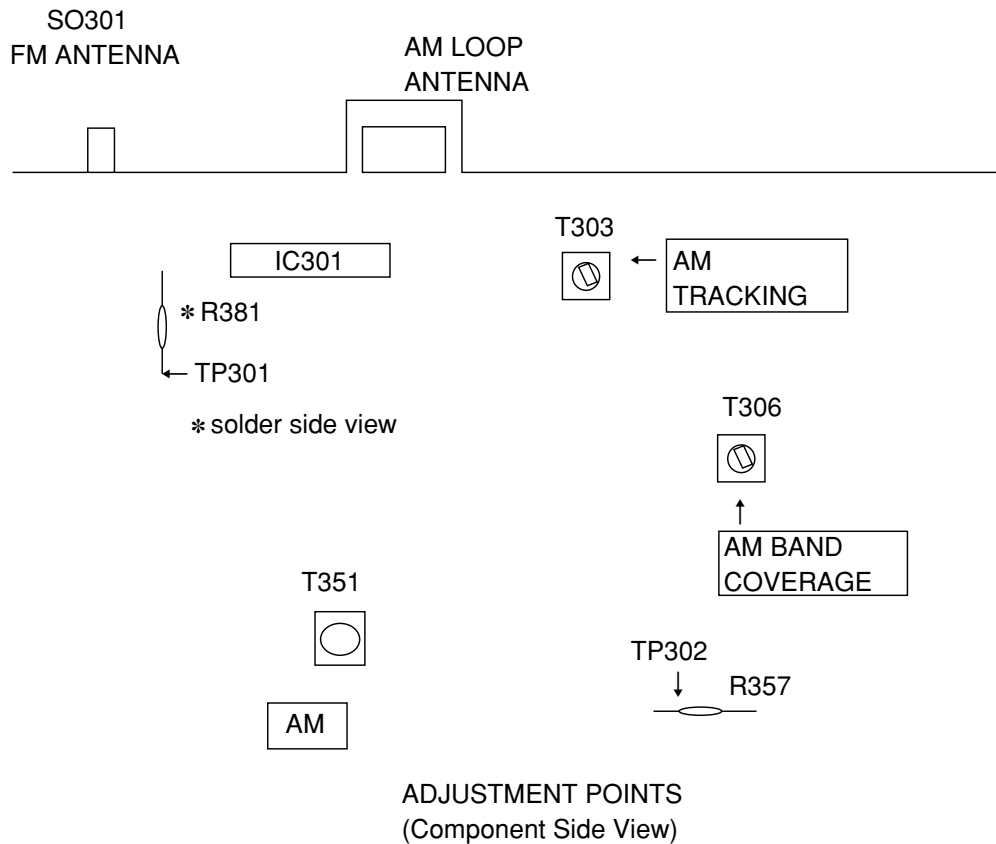
fL : Low-range frequency
fH : High-range frequency

• AM IF/RF

Signal generator : 400kHz, 30%, AM modulated

Test Stage	Frequency	Frequency Display	Setting/Adjusting	Parts Instrument Connection
AM IF	450kHz	1620kHz	T351	*1
AM Band Coverage	-	522kHz	(fL) : T306 1.1±0.1V	*2
AM Tracking	990kHz	990kHz	(fL) : T303	*1

- * 1. Input Antenna Output : TP302
- * 2. Input Antenna Output : TP301

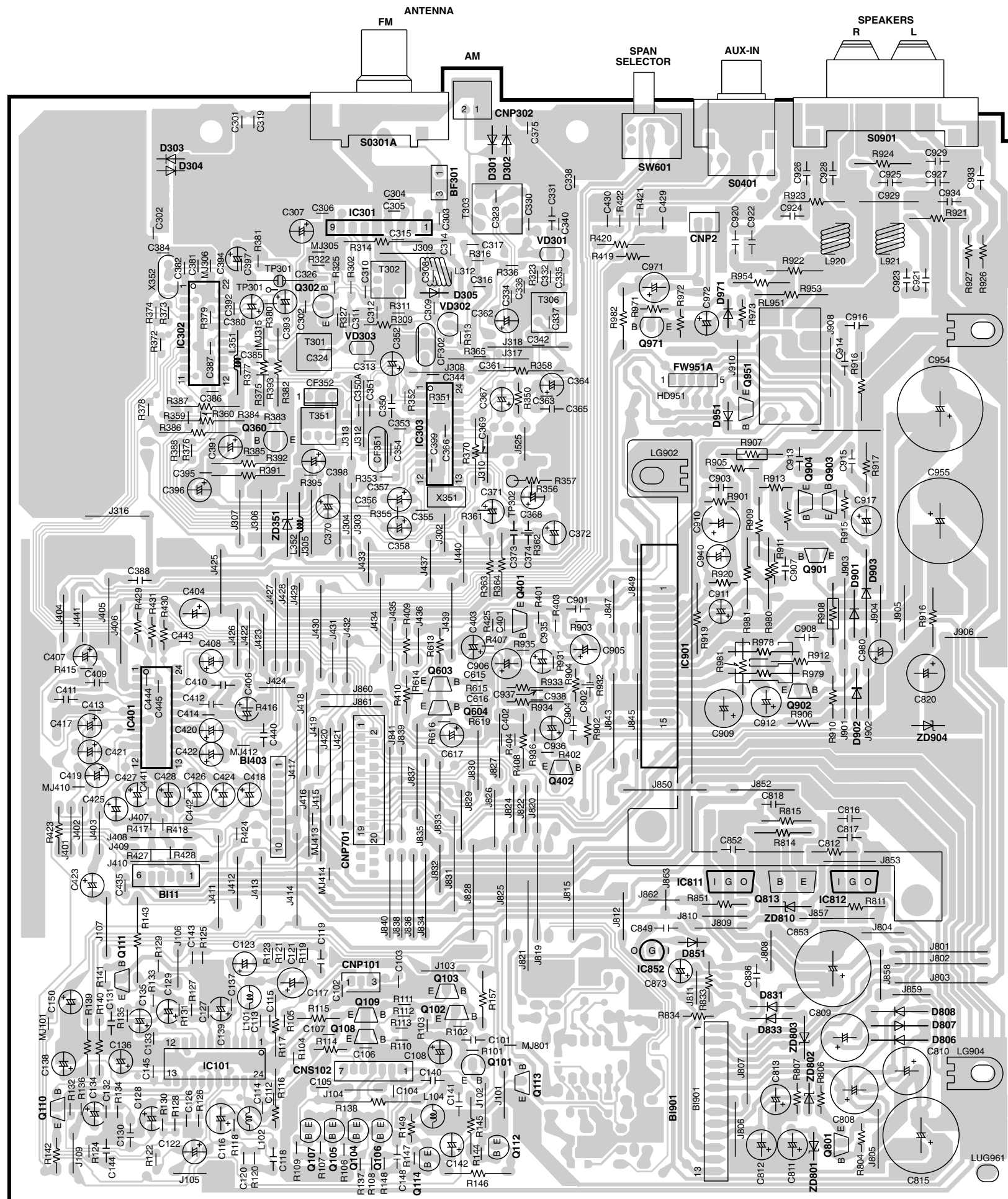
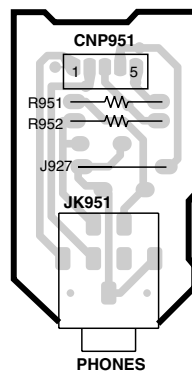
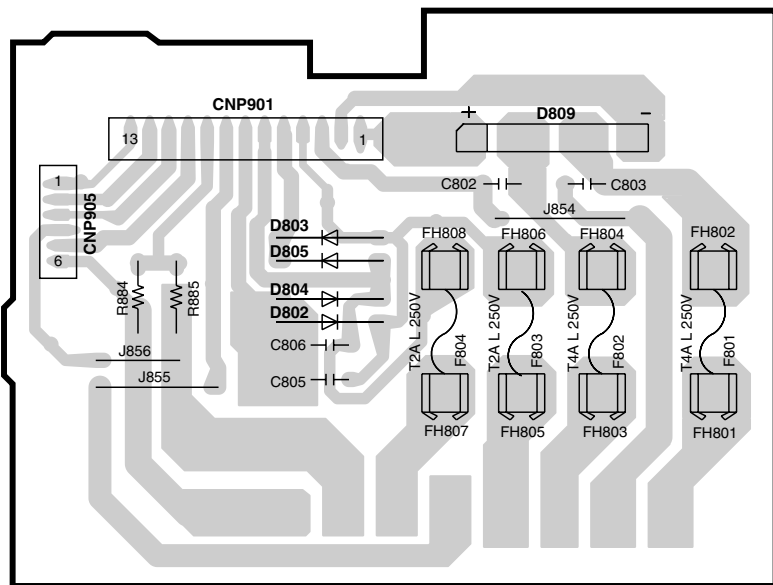
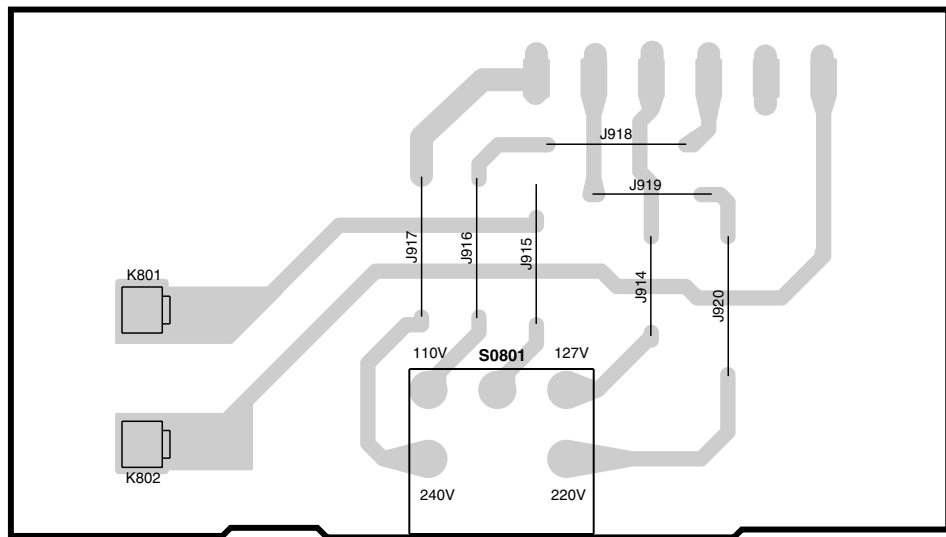


• FM

Notes

1. Description of the "FM IF Adjustment" is not carried on this manual.
It is because the IF coil in the FM front end section has been best adjusted in the factory so that its further adjustment is not needed at the field. When replacing the FM front end assembly, no adjustment is needed either.
2. The parts in the FM front end section are prepared in a complete unit, so you can't obtain each part individually.

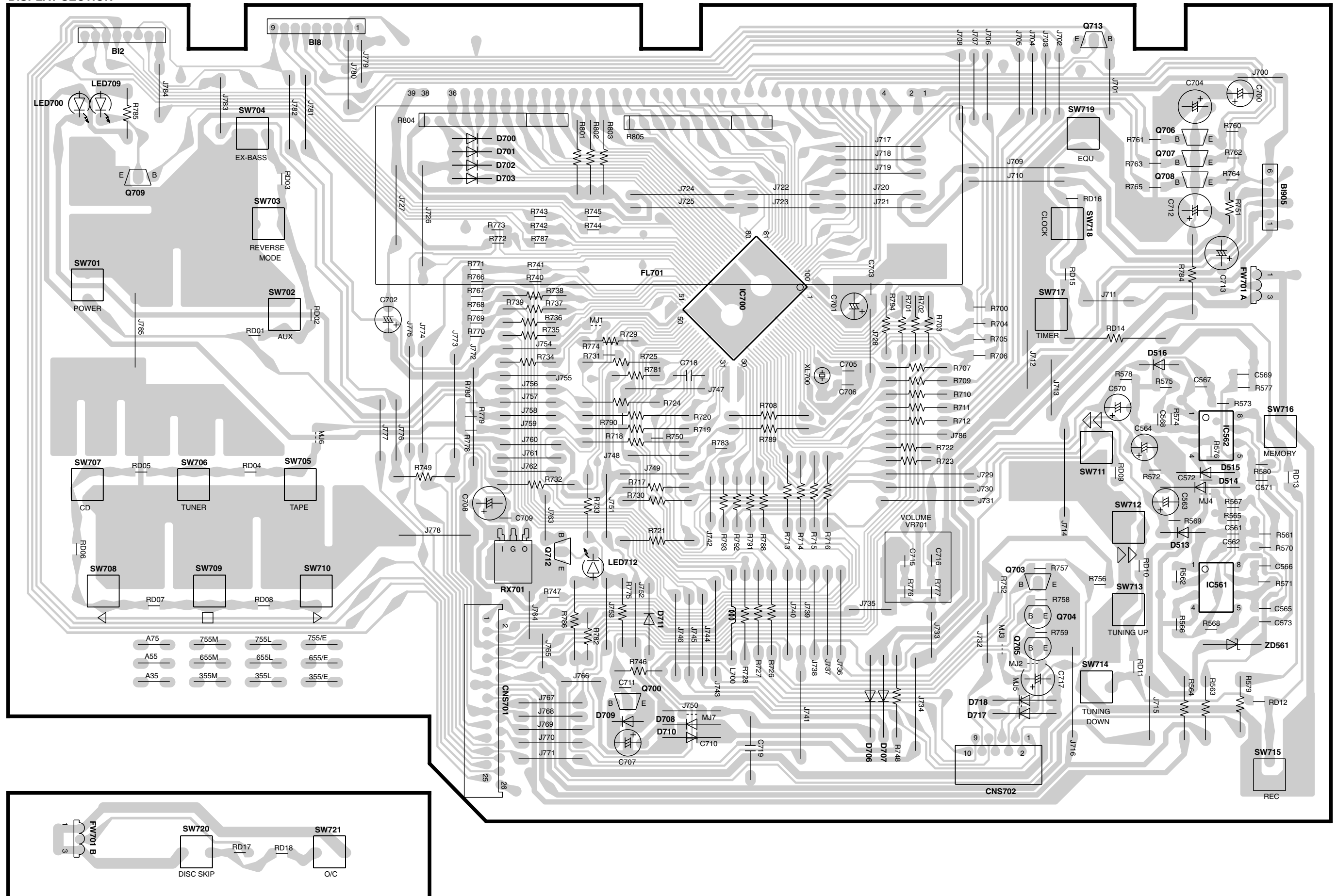
PC BOARD(Component side view)



Refer to the schematic diagram for the value of resistors and capacitors.

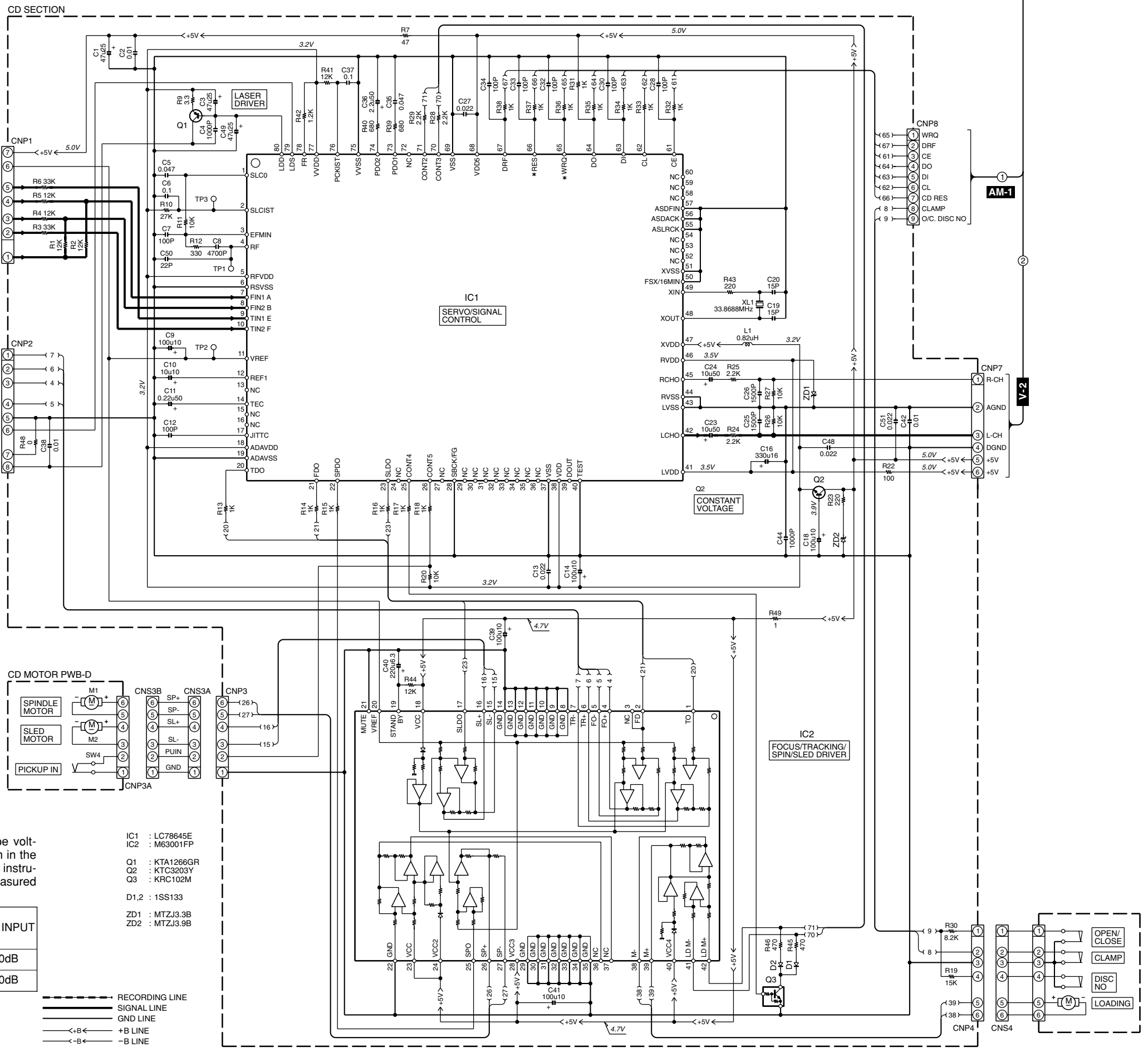
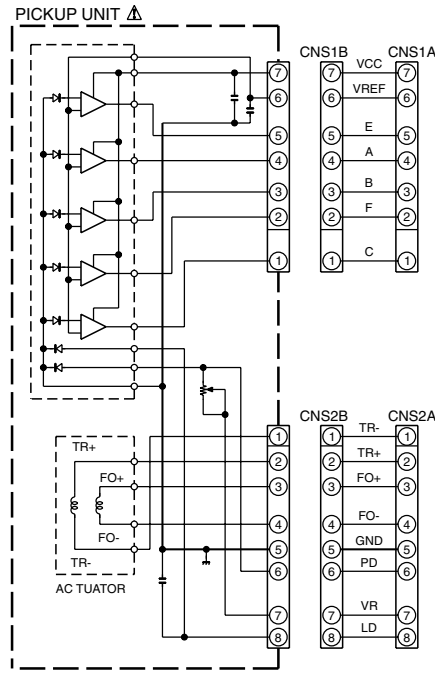
PC BOARD(Component side view)

DISPLAY SECTION



The DC voltage is an actual reading measured with a high impedance type voltmeter with a cassette loaded at playback mode. The measurement value may vary depending on the measuring instruments used or on the product. Bias circuit DC voltage is measured while in the record mode.

DOLBY and the double-D symbol are trademarks of Dolby Laboratories Licensing Corporation. Noise reduction circuit made under license from Dolby Laboratories Licensing Corporation.



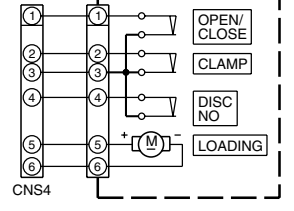
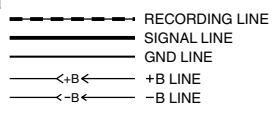
CAUTION: For continued safety, replace safety critical components only with manufacturer's recommended parts (refer to parts list). Δ indicates safety critical components. For continued protection against risk of fire, replace only with same type and rating fuse(s). To reduce the risk of electric shock, leakage-current or resistance measurements shall be carried out (exposed parts are acceptably insulated from the supply circuit) before the appliance is returned to the customer.

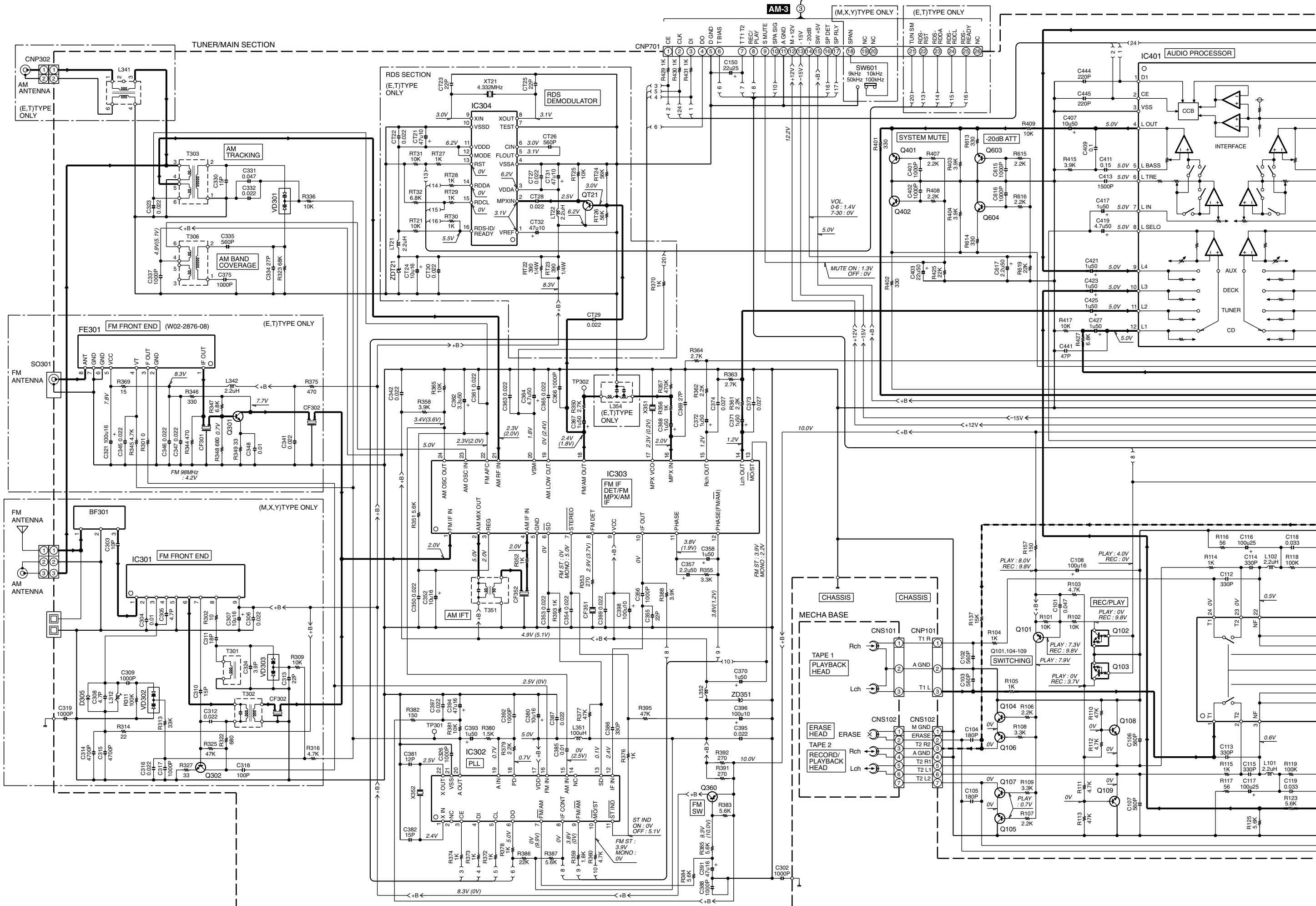
The DC voltage is an actual reading measured with a high impedance type voltmeter. The measurement value may vary depending on the measuring instruments used or on the product. Refer to the voltage during PLAY unless otherwise specified; The value shown in () is the voltage measured at the moment of STOP.

The DC voltage is an actual reading measured with a high impedance type voltmeter as the AM/FM signal generator is specified to the conditions as shown in the list below. The measurement value may vary depending on the measuring instruments used or on the product. The value shown in () is actual reading measured in the AM mode.

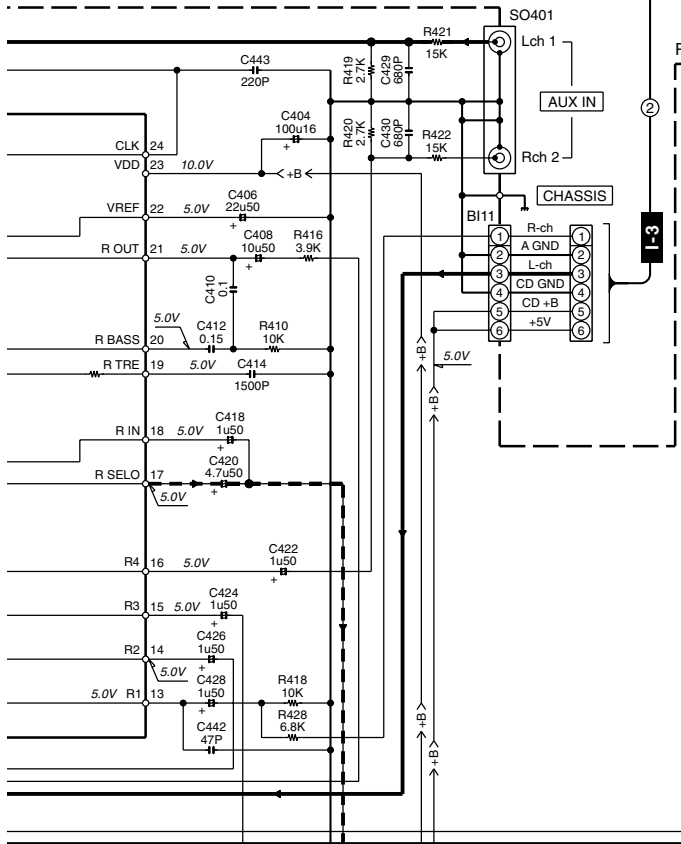
MODE	CARRIER	MODULATION		ANT INPUT
		FREQUENCY	DEVIATION	
FM	98MHz	1kHz	STEREO 67.5kHz 7.5kHz(Pilot)	60dB
AM	1000(999)kHz	400Hz	MONO 30% MOD	60dB

- IC1 : LC78645E
- IC2 : M63001FP
- Q1 : KTA1266GR
- Q2 : KTC3203Y
- Q3 : KRC102M
- D1,2 : 1SS133
- ZD1 : MTZJ3.3B
- ZD2 : MTZJ3.9B

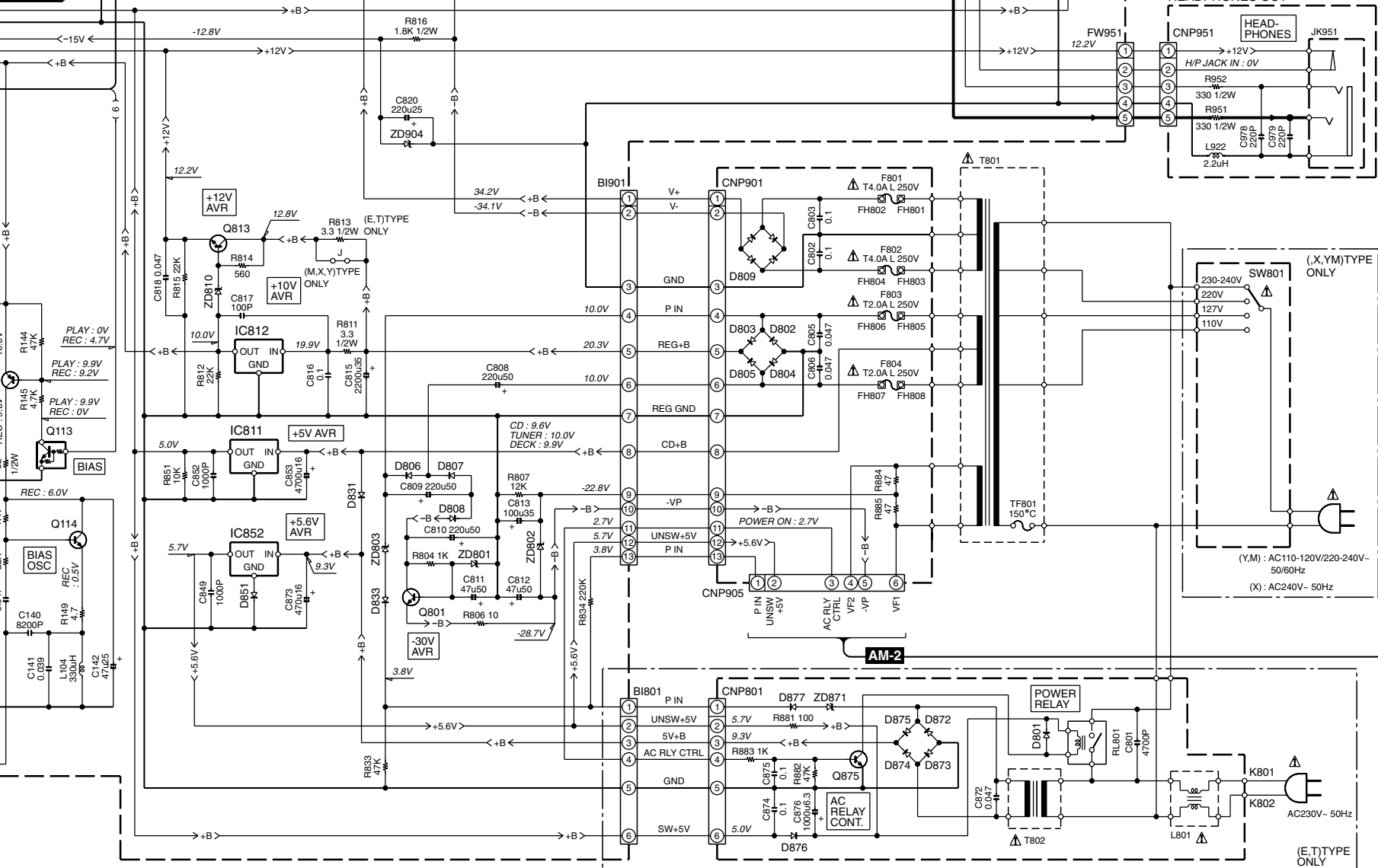
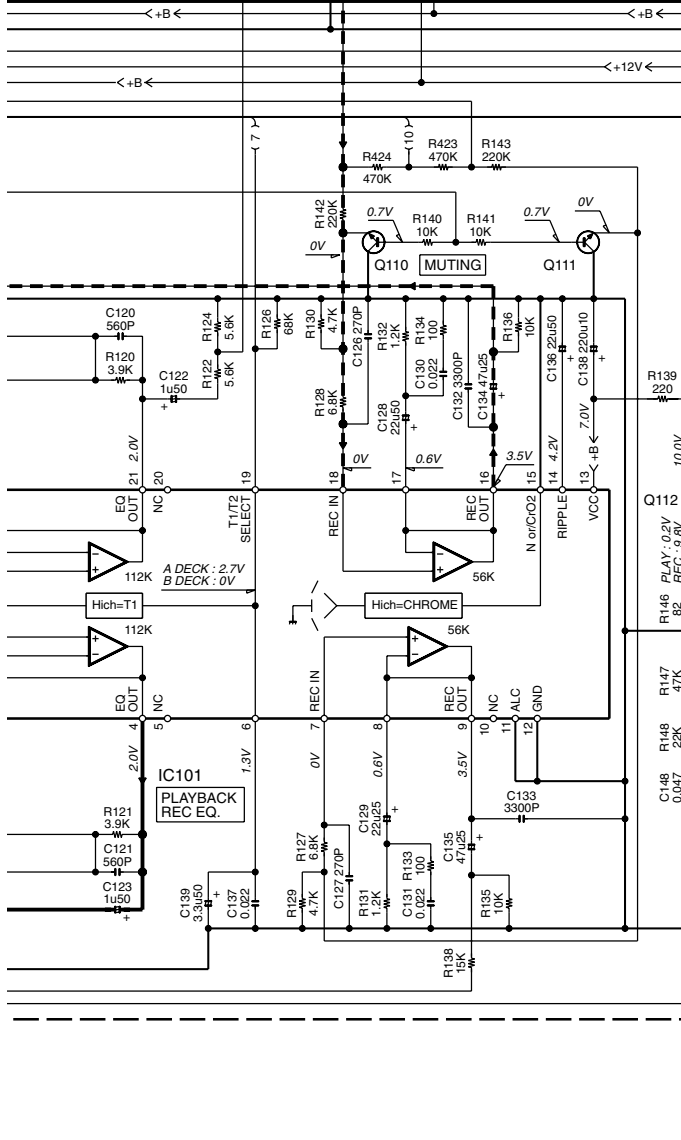
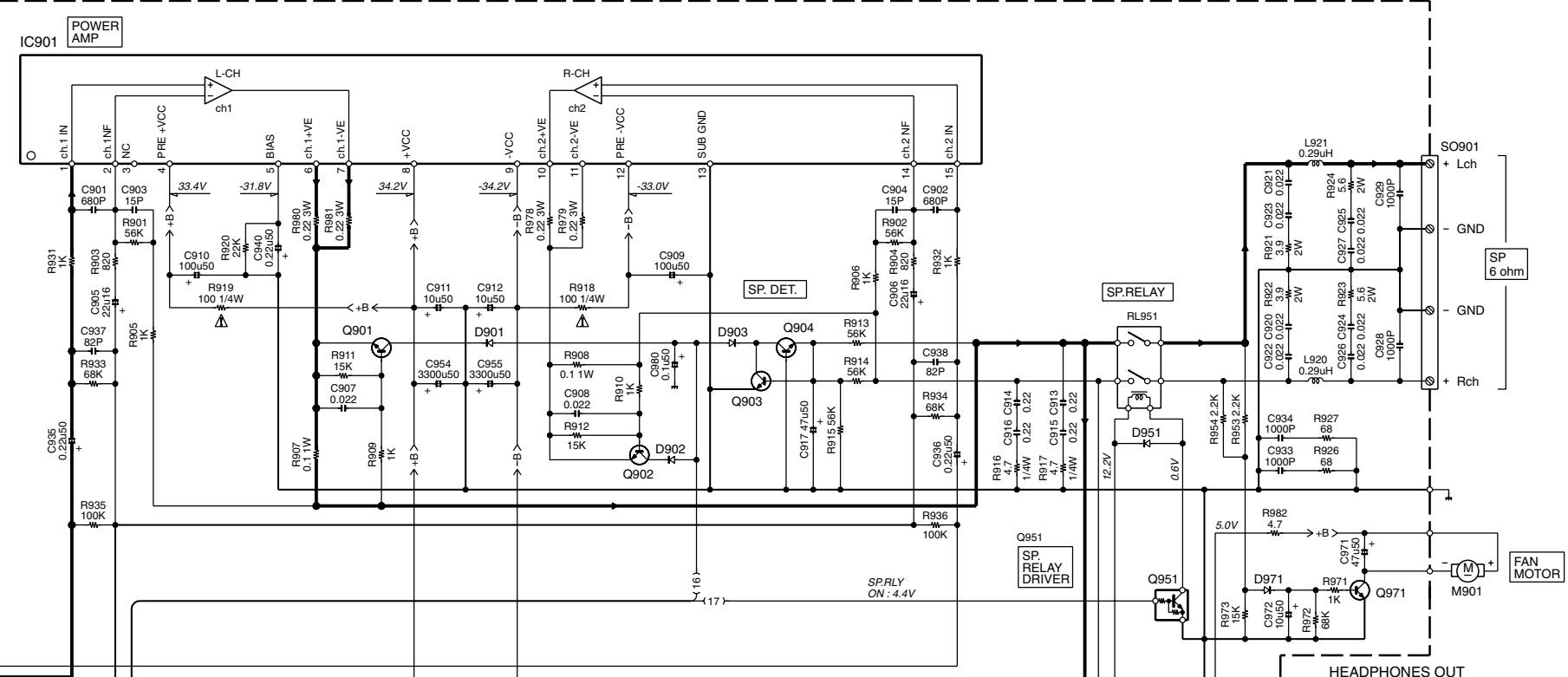




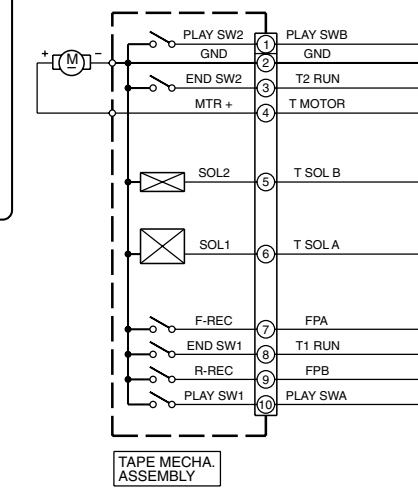
TUNER/MAIN SECTION



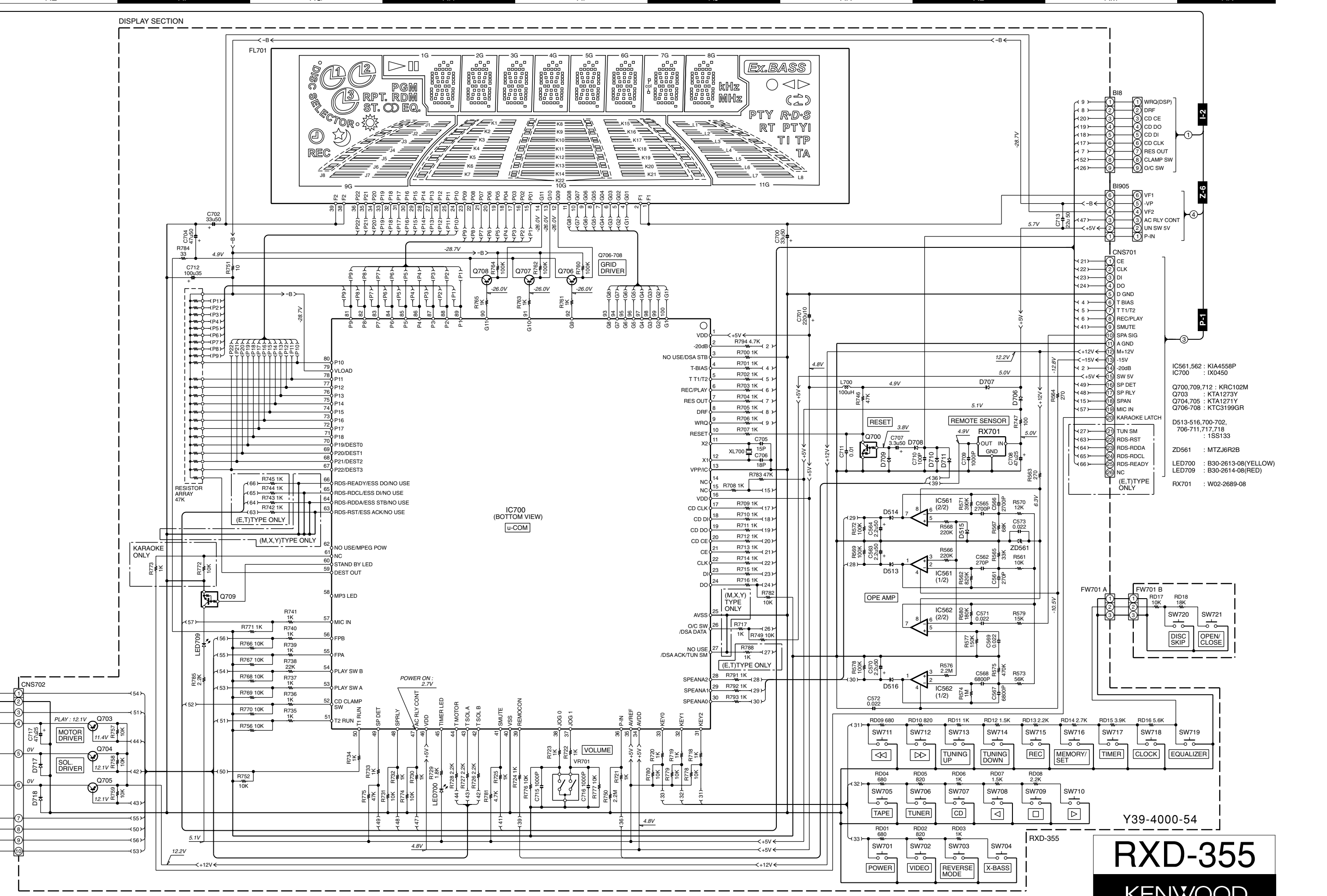
POWER SECTION



- IC101 : AN7345K
 - IC301 : TA7358AP
 - IC302 : LC72131
 - IC303 : LA1832S
 - IC304 : LC72723M
 - IC401 : LC75341
 - IC811 : KIA7805AP
 - IC812 : KIA7810AP
 - IC852 : AN78L05
 - IC901 : STK40270N
-
- Q101,360 : KTA1266GR
 - Q102,103,113 : KRC104M
 - Q104-107 : 2SC1845F
 - Q108-111,401,402,603,604,875,901-904 : KTC3199GR
 - Q112 : 2SA1015GR
 - Q114,971 : KTC3203Y
 - Q301 : 2SC380-0
 - Q302 : KTC3194Y
 - Q801 : KTA1274Y
 - Q813 : KTC2026
 - Q951 : KRC107M
-
- QT21 : KTC3199GR
-
- D801,831,833,851,876,877,901-903,951,971 : 1SS133
 - D802-808,872-875 : 1N404S
 - D809 : TS6B04GM
-
- ZD351 : MTZJ5.1B
 - ZD801 : MTZJ30B
 - ZD802 : MTZJ6R2B
 - ZD803 : MTZJ11B
 - ZD810 : MTZJ2.4B
 - ZD871 : MTZJ4.3B
 - ZD904 : MTZJ13B
 - ZDT21 : MTZJ13B
-
- VD301 : C02-0303-08
 - VD302,303 : C02-0000-08



DISPLAY SECTION

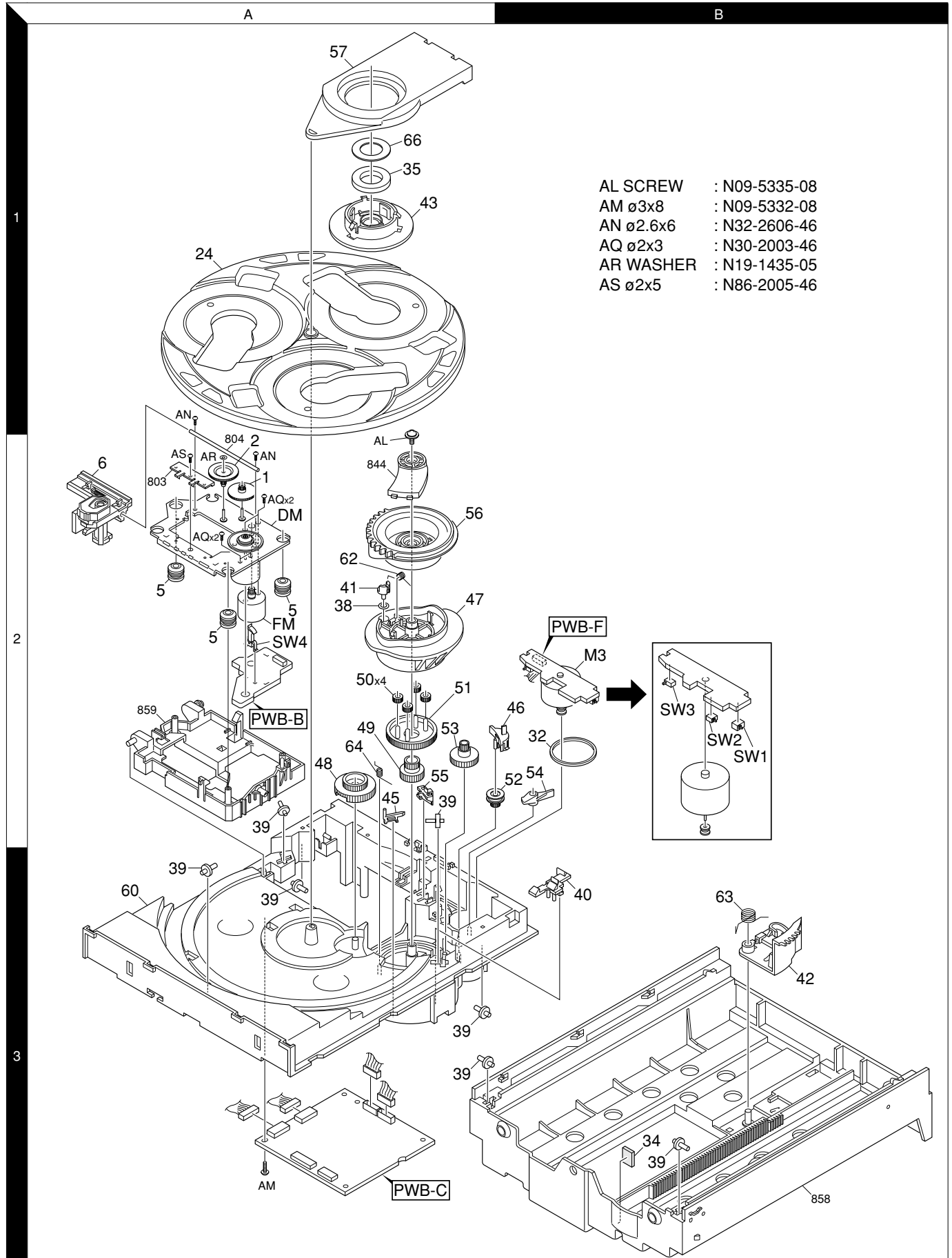


Y39-400-54

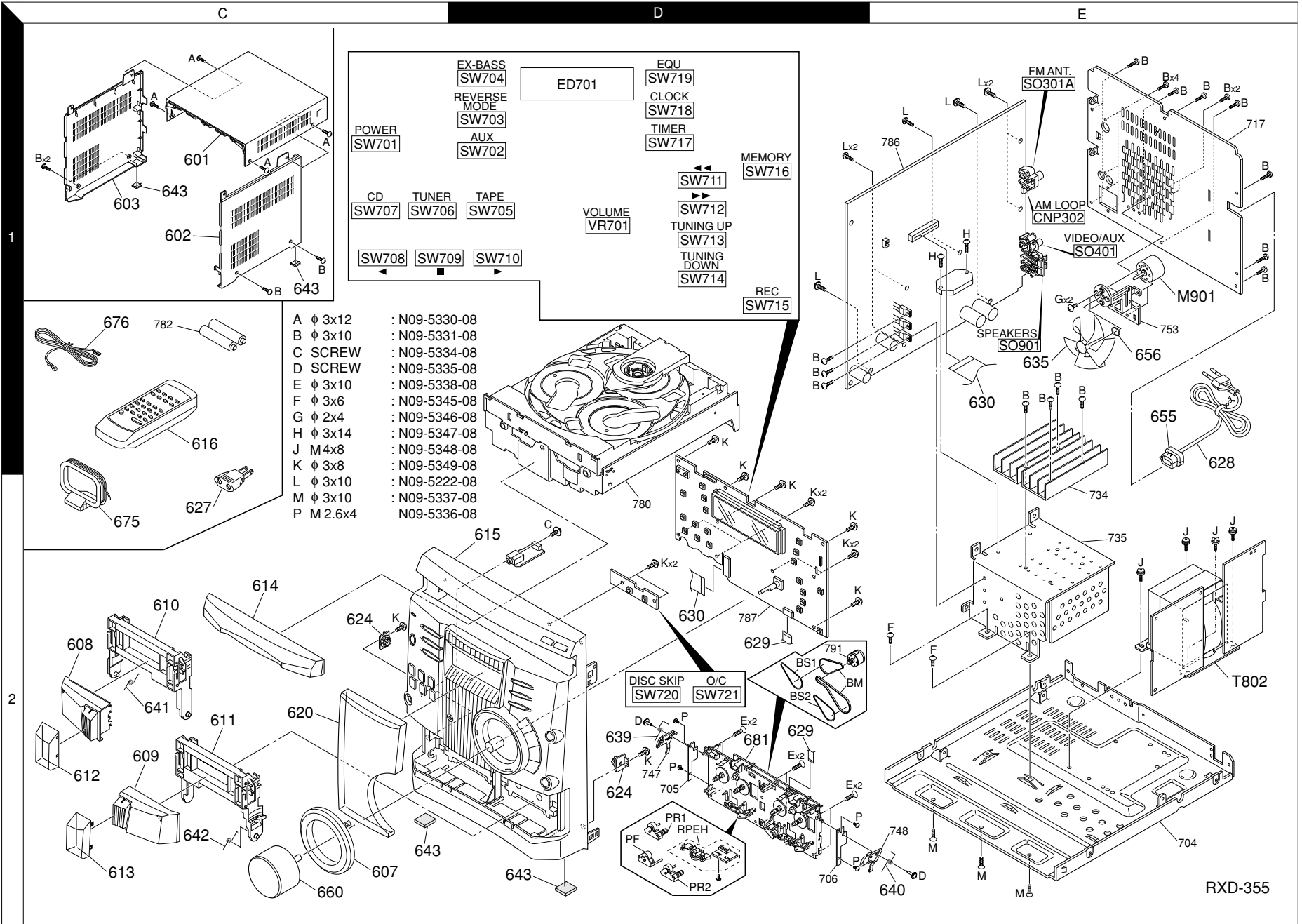
RXD-355

KENWOOD

EXPLODED VIEW (CD MECHANISM)



- | | |
|------------------------|---------------|
| AL SCREW | : N09-5335-08 |
| AM $\phi 3 \times 8$ | : N09-5332-08 |
| AN $\phi 2.6 \times 6$ | : N32-2606-46 |
| AQ $\phi 2 \times 3$ | : N30-2003-46 |
| AR WASHER | : N19-1435-05 |
| AS $\phi 2 \times 5$ | : N86-2005-46 |



* New Parts
Parts without **Parts No.** are not supplied.
Les articles non mentionnés dans le **Parts No.** ne sont pas fournis.
Teile ohne **Parts No.** werden nicht geliefert.

①

Ref. No	Add-ress	New Parts	Parts No.	Description	Desti-nation	Re-marks
RXD-355						
601	1C		A02-3014-08	CABINET(TOP)	GCAB-1195AWSA	
602	1C		A02-3015-08	CABINET(R)	GITAS0092AWSA	
603	1C		A02-3016-08	CABINET(L)	GITAS0075AWSA	
607	2C	*	A21-3966-08	DRESS RING(KNOB)	HDECQ0703AWSB	
608	2C		A21-3958-08	CASSETTE LID(L)	GCOVA1365AWSA	
609	2C		A21-3959-08	CASSETTE LID(R)	GCOVA1366AWSA	
610	2C		A53-2251-08	CASS HOLDER(L)	GDORF0104AWSA	
611	2C		A53-2252-08	CASS HOLDER(R)	GDORF0105AWSA	
612	2C		A53-2254-08	FG(CAS L)	HDECQ0700AWSA	EE2TMX
612	2C		A53-2282-08	FG(CAS L)	HDECQ0700AWSB	E1E3
612	2C		A53-2282-08	FG(CAS L)	HDECQ0700AWSB	M1X1Y1
613	2C		A53-2255-08	FG(CAS R)	HDECQ0701AWSA	EE2MXT
613	2C		A53-2283-08	FG(CAS R)	HDECQ0701AWSB	E1E3
613	2C		A53-2283-08	FG(CAS R)	HDECQ0701AWSB	M1X1Y1
614	2C		A60-2090-08	PANEL(CD)	GCOVA1376AWSA	
615	2D	*	A60-2124-08	PANEL ASSY	CAB3583AASY2	EE2T
615	2D	*	A60-2162-08	PANEL ASSY	CAB3584AASY2	MX
615	2D	*	A60-2164-08	PANEL ASSY	CAB3595AASY2	E1E3
615	2D	*	A60-2165-08	PANEL ASSY	CAB3596AASY2	M1X1Y1
616	1C		A70-1531-08	REMOTE CONTROL	RRMCG0273AWSA	MM1XX1
616	1C		A70-1537-08	REMOTE CONTROL	RRMCG0274AWSA	EE1E2
620	2C	*	B10-3750-08	FL PANEL	HDECQ0740AWSA	E3T
620	2C	*	B10-3754-08	FL PANEL	HDECQ0740AWSB	EE2T
620	2C	*	B10-3781-08	FL PANEL	HDECQ0764AWSA	E1E3
620	2C	*	B10-3782-08	FL PANEL	HDECQ0764AWSB	MX
-	-		B60-5009-00	INST MANUAL(5)	TINSZ0670AWZZ	EE3T
-	-		B60-5010-00	INST MANUAL(EN)	TINSE0370AWZZ	EE2E3T
-	-		B60-5011-00	INST MANUAL(4)	TINSZ0671AWZZ	E2E3
-	-	*	B60-5048-00	INST MANUAL(EN)	TINSE0372AWZZ	MM1XX1
-	-	*	B60-5048-00	INST MANUAL(EN)	TINSE0372AWZZ	
-	-	*	B60-5049-00	INST MANUAL(A/T)	INSZ0688AWZZ	MM1XX1
-	-	*	B60-5049-00	INST MANUAL(A/T)	INSZ0688AWZZ	Y1
624	2C,2D		D39-0355-08	DAMPER	MLIFP0008AWZZ	
BM	2D		D16-0780-08	MAIN BELT	FF19N-11	
BS1	2D		D16-0782-08	SUB BELT	FF19S-51	
BS2	2D		D16-0781-08	SUB BELT	FF19S-12	
PF	2D		D14-0821-08	PINCH ASSY	F514-134	
PR1	2D		D14-0822-08	PINCH ASSY	F514-135	
PR2	2D		D14-0820-08	PINCH ASSY	F514-133	
RPEH	2D		T39-0046-08	ROTATION HEAD	F513-853	
627	2C		E03-0115-05	AC PLUG	QPLGA0004AWZZ	
628	1E		E30-2881-08	AC POWER CORD	QACCE0008AW00	
629	2D		E35-2991-08	FFC WIRE10P	QCNNWN1913AWZZ	
630	1E,2D		E35-3070-08	FFC WIRE26P	QCNNWN1915AWZZ	
635	1E		F09-0163-08	FAN	NFANP0001AWZZ	
639	2D		G01-4280-08	SPRING	MSPRD0109AWFJ	
640	2E		G01-4281-08	SPRING	MSPRD0110AWFJ	
641	2C	*	G01-4293-08	SPRING	MSPRD0151AWFJ	
642	2C	*	G01-4294-08	SPRING	MSPRD0152AWFJ	
643	2C,2D		G13-2514-08	CUSHION(FOOT)	PCUSG0022AWZZ	

L: Scandinavia K: USA P: Canada R: Mexico C: China I: Malaysia
Y: PX(Far East,Hawaii) T: England E: Europe G: Germany V: China(Shanghai)
Y: AAFES(Europe) X: Australia Q: Russia H: Korea M: Other Areas ⚠ indicates safety critical components.

* New Parts
Parts without **Parts No.** are not supplied.
Les articles non mentionnés dans le **Parts No.** ne sont pas fournis.
Teile ohne **Parts No.** werden nicht geliefert.

②

Ref. No	Add-ress	New Parts	Parts No.	Description	Desti-nation	Re-marks
-	-		H10-7771-08	POLY FOAM FIXTU	SPAKA0307AWZZ	
-	-		H10-7772-08	P-ADD(TOP)	SPAKA0107AWZZ	
-	-		H10-7773-08	P-ADD(BTM)	SPAKA0108AWZZ	
-	-		H25-1706-08	BAG(UNIT)	SSAKH0061AWZZ	
-	-		H25-1707-08	BAG CAUTION	CAUT1513A	
-	-		H25-1708-08	BAG(ACCES))	SSAKA0007AWZZ	
-	-	*	H50-4218-08	ITEM CARTON	SPAKC0378AWZZ	ET
-	-	*	H50-4227-08	ITEM CARTON	SPAKC1200AWZZ	ET
-	-	*	H50-4228-08	ITEM CARTON	SPAKC1278AWZZ	E2
-	-	*	H50-4238-08	ITEM CARTON	SPAKC1201AWZZ	
-	-	*	H50-4239-08	ITEM CARTON	SPAKC1206AWZZ	E1
-	-	*	H50-4240-08	ITEM CARTON	SPAKC1207AWZZ	E3
-	-	*	H50-4293-08	ITEM CARTON	SPAKC1202AWZZ	MX
-	-	*	H50-4294-08	ITEM CARTON	SPAKC1208AWZZ	M1X1Y1
-	-	*	H50-4295-08	ITEM CARTON	SPAKC1231AWZZ	MX
-	-	*	H50-4296-08	ITEM CARTON	SPAKC1234AWZZ	M1X1Y1
655	2E		J42-0338-08	POWER CORD	BUSHLBSHC0002AWZZ	
656	1E		J69-0223-08	RING(FAN)	CSPR1431C	
660	2C	*	K29-8047-08	KNOB (VOLUME)	JKNBZ0794AWSB	
A			N09-5330-08	MACHINE SCREW	XEBSD30P12000	
B			N09-5331-08	MACHINE SCREW	XJBSD30P10000	
C			N09-5334-08	MACHINE SCREW	LX-BZ2222AXZZ	
D			N09-5335-08	MACHINE SCREW	LX-HZ0009AWFFD	
E			N09-5338-08	MACHINE SCREW	XESSD30P10000	
F			N09-5345-08	MACHINE SCREW	XBHBSD30P6000	
G			N09-5346-08	MACHINE SCREW	XBBSD20P04000	
H			N09-5347-08	MACHINE SCREW	XJBSD30P14000	
J			N09-5348-08	MACHINE SCREW	XHBSD40P08000	
K			N09-5349-08	MACHINE SCREW	XEBSD30P08000	
L			N09-5222-08	MACHINE SCREW	LX-JZ0010AFFD	
M			N09-5337-08	MACHINE SCREW	XJSSD30P10000	
P			N09-5336-08	MACHINE SCREW	XHBSD26P04000	
675	2C		T90-0879-08	LOOP ANTENNA	QANTL0008AWZZ	
676	1C		T90-0883-08	FM LEAD ANTENNA	FANT1535A	
M901	1E		T41-0142-08	MOTOR(FAN)	RMOTV0027AWZZ	
681	2D		W04-0019-08	MECHANISM(CAS)	KMECB0020AWZZ	
ELECTRICAL PARTS						
FL701			NA11MM36	FL TUBE	VVKN11MM36-1	
LED700			B30-2613-08	LED(YELLOW)	VHP3105UYT1-1T	
LED709			B30-2614-08	LED	VHP31URT21+-1+	
C1			CE04KW1E470M	ELECTRO	47UF	25WV
C2			CK73FB1C103K	CHIP C	0.010UF	K
C3			CE04KW1E470M	ELECTRO	47UF	25WV
C4			CK73EB1H102K	CHIP C	1000PF	K
C5			CQ93FMG1H473J	MYLAR	0.047UF	J
C6			CK45FB1C104K	CERAMIC	0.10UF	K
C7			CC45FSL1H101J	CERAMIC	100PF	J
C8			CK73EB1H472K	CHIP C	4700PF	K
C9			CE04KW1A101M	ELECTRO	100UF	10WV
C10			CE04KW1A100M	ELECTRO	10UF	10WV
C11			CE04KW1HR22M	ELECTRO	0.22UF	50WV

L: Scandinavia K: USA P: Canada R: Mexico C: China I: Malaysia
Y: PX(Far East,Hawaii) T: England E: Europe G: Germany V: China(Shanghai)
Y: AAFES(Europe) X: Australia Q: Russia H: Korea M: Other Areas ⚠ indicates safety critical components.

PARTS LIST

RXD-355

* New Parts
Parts without **Parts No.** are not supplied.
Les articles non mentionnés dans le **Parts No.** ne sont pas fournis.
Teile ohne **Parts No.** werden nicht geliefert.

③

Ref. No	Add-ress	New Parts	Parts No.	Description	Desti-nation	Re-marks
C12			CC45FSL1H101J	CERAMIC 100PF	J	
C13			CK73EB1E223K	CHIP C 0.022UF	K	
C14			CE04KW1A101M	ELECTRO 100UF	10WV	
C15			CC73ECH1H150J	CHIP C 15PF	J	
C16			CE04KW1C331M	ELECTRO 330UF	16WV	
C18			CE04KW1A101M	ELECTRO 100UF	10WV	
C19_20			CC73ECH1H150J	CHIP C 15PF	J	
C23_24			CE04KW1H100M	ELECTRO 10UF	50WV	
C25_26			CK73EB1H152K	CHIP C 1500PF	K	
C27			CK73EB1E223K	CHIP C 0.022UF	K	
C28			CC73ECH1H101J	CHIP C 100PF	J	
C30			CC73ECH1H101J	CHIP C 100PF	J	
C32_34			CC73ECH1H101J	CHIP C 100PF	J	
C35			CQ93FMG1H473J	MYLAR 0.047UF	J	
C36			CE04KW1H2R2M	ELECTRO 2.2UF	50WV	
C37			CK45FB1C104K	CERAMIC 0.10UF	K	
C38			CK73FB1C103K	CHIP C 0.010UF	K	
C39			CE04KW1A101M	ELECTRO 100UF	10WV	
C40			CE04KW0J221M	ELECTRO 220UF	6.3WV	
C41			CE04KW1A101M	ELECTRO 100UF	10WV	
C42			CK73FB1C103K	CHIP C 0.010UF	K	
C44			CK73EB1H102K	CHIP C 1000PF	K	
C48			CK45FF1H223Z	CERAMIC 0.022UF	Z	
C49			CE04KW1E470M	ELECTRO 47UF	25WV	
C50			CC45FSL1H220J	CERAMIC 22PF	J	
C51			CK73EB1E223K	CHIP C 0.022UF	K	
C101			CK45FB1H473Z	CERAMIC 0.047UF	Z	
C102_103			CK73EB1H561K	CHIP C 560PF	K	
C104_105			CK73EB1H181K	CHIP C 180PF	K	
C106_107			CK73EB1H561K	CHIP C 560PF	K	
C108			CE04KW1C101M	ELECTRO 100UF	16WV	
C112-115			CK73EB1H331K	CHIP C 330PF	K	
C116_117			CE04KW1E101M	ELECTRO 100UF	25WV	
C118_119			CK45FB1H333K	CERAMIC 0.033UF	K	
C120_121			CK73FB1H561K	CHIP C 560PF	K	
C122_123			CE04KW1H010M	ELECTRO 1.0UF	50WV	
C126_127			CC73ECH1H271J	CHIP C 270PF	J	
C128			CE04KW1H220M	ELECTRO 22UF	50WV	
C129			CE04KW1E220M	ELECTRO 22UF	25WV	
C130_131			CK45FB1H223K	CERAMIC 0.022UF	K	
C132_133			CK73EB1E332K	CHIP C 3300PF	K	
C134_135			CE04KW1E470M	ELECTRO 47UF	25WV	
C136			CE04KW1H220M	ELECTRO 22UF	50WV	
C137			CK73EB1E223K	CHIP C 0.022UF	K	
C138			CE04KW1A221M	ELECTRO 220UF	10WV	
C139			CE04KW1H3R3M	ELECTRO 3.3UF	50WV	
C140			C92-0248-08	MYLAR 8200PF	J	
C141			CQ93FMG1H393J	MYLAR 0.039UF	J	
C142			CE04KW1E470M	ELECTRO 47UF	25WV	
C148			CQ93FMG1H473J	MYLAR 0.047UF	J	
C150			CE04KW1E220M	ELECTRO 22UF	25WV	
C302			CK73EB1H102K	CHIP C 1000PF	K	
C303			CC45FCH1H100J	CERAMIC 10PF	J	
C304			CK73FB1C103K	CHIP C 0.010UF	K	MXV
C305			C91-0717-05	CERAMIC 4.7PF	K	MXV

L: Scandinavia K: USA P: Canada R: Mexico C: China I: Malaysia
Y: PX(Far East,Hawaii) T: England E: Europe G: Germany V: China(Shanghai)
Y: AAFES(Europe) X: Australia Q: Russia H: Korea M: Other Areas Δ indicates safety critical components.

* New Parts
Parts without **Parts No.** are not supplied.
Les articles non mentionnés dans le **Parts No.** ne sont pas fournis.
Teile ohne **Parts No.** werden nicht geliefert.

④

Ref. No	Add-ress	New Parts	Parts No.	Description	Desti-nation	Re-marks
C306			CK73EB1E223K	CHIP C 0.022UF	K	MXV
C307			CE04KW1C100M	ELECTRO 10UF	16WV	MXV
C308			C91-0717-05	CERAMIC 4.7PF	K	MXV
C309			CK73EB1H102K	CHIP C 1000PF	K	MXV
C310			CC73ECH1H150J	CHIP C 15PF	J	MXV
C311			CC45FCH1H180J	CERAMIC 18PF	J	MXV
C312			CK73EB1E223K	CHIP C 0.022UF	K	MXV
C313			CC73ECH1H220J	CHIP C 22PF	J	MXV
C314_315			CK73EB1H472K	CHIP C 4700PF	K	MXV
C316			CK73EB1E223K	CHIP C 0.022UF	K	MXV
C317			CK73EB1H102K	CHIP C 1000PF	K	MXV
C318			CK45FB1H101K	CERAMIC 100PF	K	MXV
C319			CK73EB1H102K	CHIP C 1000PF	K	MXV
C320			RK73EB2B000J	CHIP R 0	J	1/8W
C321			CE04KW1C101M	ELECTRO 100UF	16WV	ET
C323			CK73EB1E223K	CHIP C 0.022UF	K	
C324			C91-0716-05	CERAMIC 3.9PF	K	MXV
C326			CK45FB1H102K	CERAMIC 1000PF	K	
C330			CC73ECH1H150J	CHIP C 15PF	J	
C331			CK45FB1H473Z	CERAMIC 0.047UF	Z	
C332			CK73EB1E223K	CHIP C 0.022UF	K	
C334			CC73ECH1H270J	CHIP C 27PF	J	
C335			CK73EB1H561J	CHIP C 560PF	J	
C337			CC73ECH1H270J	CHIP C 27PF	J	
C341			CK73EB1E223K	CHIP C 0.022UF	K	ET
C342			CK73EB1E223K	CHIP C 0.022UF	K	
C345-347			CK73EB1E223K	CHIP C 0.022UF	K	ET
C348			CK73EB1H103K	CHIP C 0.010UF	K	
C350			CK73EB1E223K	CHIP C 0.022UF	K	
C352			CE04KW1C100M	ELECTRO 10UF	16WV	
C353_354			CK73EB1E223K	CHIP C 0.022UF	K	
C355			CC73ECH1H220J	CHIP C 22PF	J	
C356			CK73EB1H102K	CHIP C 1000PF	K	
C357			CE04KW1H2R2M	ELECTRO 2.2UF	50WV	
C358			CE04KW1H010M	ELECTRO 1.0UF	50WV	
C361			CK73EB1E223K	CHIP C 0.022UF	K	
C362			CE04KW1H3R3M	ELECTRO 3.3UF	50WV	
C363			CK73EB1E223K	CHIP C 0.022UF	K	
C364			CE04KW1H2R2M	ELECTRO 2.2UF	50WV	
C365			CK45FB1H223K	CERAMIC 0.022UF	K	
C366			CK73EB1H102K	CHIP C 1000PF	K	
C367_368			CE04KW1H010M	ELECTRO 1.0UF	50WV	
C369			CC73ECH1H270J	CHIP C 27PF	J	
C370-372			CE04KW1H010M	ELECTRO 1.0UF	50WV	
C373_374			CK45FB1H273K	CERAMIC 0.027UF	K	
C375			CK73EB1H102K	CHIP C 1000PF	K	
C380			CE04KW1C100M	ELECTRO 10UF	16WV	
C381			CC73ECH1H120J	CHIP C 12PF	J	
C382			CC73ECH1H150J	CHIP C 15PF	J	
C385			CK73FB1C103K	CHIP C 0.010UF	K	
C386			CK73EB1H331K	CHIP C 330PF	K	
C387			CK73EB1E223K	CHIP C 0.022UF	K	
C388			CK45FB1H102K	CERAMIC 1000PF	K	
C391			CE04KW1C470M	ELECTRO 47UF	16WV	
C392			CK73EB1H102K	CHIP C 1000PF	K	

L: Scandinavia K: USA P: Canada R: Mexico C: China I: Malaysia
Y: PX(Far East,Hawaii) T: England E: Europe G: Germany V: China(Shanghai)
Y: AAFES(Europe) X: Australia Q: Russia H: Korea M: Other Areas Δ indicates safety critical components.

* New Parts
Parts without **Parts No.** are not supplied.
Les articles non mentionnés dans le **Parts No.** ne sont pas fournis.
Teile ohne **Parts No.** werden nicht geliefert.

5

Ref. No	Add-ress	New Parts	Parts No.	Description	Desti-nation	Re-marks
C393			CE04KW1H010M	ELECTRO 1.0UF 50WV		
C394			CE04KW1C470M	ELECTRO 47UF 16WV		
C395			CK73EB1H223K	CHIP C 0.022UF K		
C396			CE04KW1A101M	ELECTRO 100UF 10WV		
C397			CK73EB1E223K	CHIP C 0.022UF K		
C398			CE04KW1A101M	ELECTRO 100UF 10WV		
C399			CK73EB1E223K	CHIP C 0.022UF K		
C401,402			CK73EB1H102K	CHIP C 1000PF K		
C403			CE04KW1H220M	ELECTRO 22UF 50WV		
C404			CE04KW1C101M	ELECTRO 100UF 16WV		
C406			CE04KW1H220M	ELECTRO 22UF 50WV		
C407,408			CE04KW1H100M	ELECTRO 10UF 50WV		
C409,410			CQ93FMG1H104K	MYLAR 0.10UF K		
C411,412			CQ93FMG1H154J	MYLAR 0.15UF J		
C413,414			CK73FB1H152K	CHIP C 1500PF K		
C417,418			CE04KW1H010M	ELECTRO 1.0UF 50WV		
C419,420			CE04KW1H4R7M	ELECTRO 4.7UF 50WV		
C421-428			CE04KW1H010M	ELECTRO 1.0UF 50WV		
C429,430			CK73FB1H681K	CHIP C 680PF K		
C435			CK73FB1C103K	CHIP C 0.010UF K		
C441,442			CC45FSL1H470J	CERAMIC 47PF J		
C443-445			CK73FB1H221K	CHIP C 220PF K		
C561,562			CC73ECH1H271J	CHIP C 270PF J		
C563,564			CE04KW1H2R2M	ELECTRO 2.2UF 50WV		
C565,566			CK73EB1H272K	CHIP C 2700PF K		
C567,568			CK73EB1H682K	CHIP C 6800PF K		
C569			CK73EB1E223K	CHIP C 0.022UF K		
C570			CE04KW1H2R2M	ELECTRO 2.2UF 50WV		
C571-573			CK73EB1E223K	CHIP C 0.022UF K		
C615,616			CK73EB1H102K	CHIP C 1000PF K		
C617			CE04KW1H2R2M	ELECTRO 2.2UF 50WV		
C700			CE04KW1H330M	ELECTRO 33UF 50WV		
C701			CE04KW1A221M	ELECTRO 220UF 10WV		
C702			CE04KW1H330M	ELECTRO 33UF 50WV		
C704			CE04KW1H470M	ELECTRO 47UF 50WV		
C705			CC73ECH1H150J	CHIP C 15PF J		
C706			CC73ECH1H180J	CHIP C 18PF J		
C707			CE04KW1H3R3M	ELECTRO 3.3UF 50WV		
C708			CE04KW1E470M	ELECTRO 47UF 25WV		
C709			CK73EB1H102K	CHIP C 1000PF K		
C710			CK73FB1H101K	CHIP C 100PF K		
C711			CK73FB1C103K	CHIP C 0.010UF K		
C712			CE04KW1V101M	ELECTRO 100UF 35WV		
C713			CE04KW1H220M	ELECTRO 22UF 50WV		
C715,716			CK73EB1H102K	CHIP C 1000PF K		
C717			CE04KW1E470M	ELECTRO 47UF 25WV		
C801			C92-0172-08	CHIP-C 10UF K		
C802,803			CQ93FMG1H104K	MYLAR 0.10UF K		
C805,806			CQ93FMG1H473J	MYLAR 0.047UF J		
C808-810			CE04KW1H221M	ELECTRO 220UF 50WV		
C811,812			CE04KW1H470M	ELECTRO 47UF 50WV		
C813			CE04KW1V101M	ELECTRO 100UF 35WV		
C815			CE04KW1V222M	ELECTRO 2200UF 35WV		
C816			CQ93FMG1H104K	MYLAR 0.10UF K		
C817			CK45FB1H101K	CERAMIC 100PF K		

L: Scandinavia K: USA P: Canada R: Mexico C: China I: Malaysia
Y: PX(Far East,Hawaii) T: England E: Europe G: Germany V: China(Shanghai)
Y: AAFES(Europe) X: Australia Q: Russia H: Korea M: Other Areas Δ indicates safety critical components.

* New Parts
Parts without **Parts No.** are not supplied.
Les articles non mentionnés dans le **Parts No.** ne sont pas fournis.
Teile ohne **Parts No.** werden nicht geliefert.

6

Ref. No	Add-ress	New Parts	Parts No.	Description	Desti-nation	Re-marks
C818			CQ93FMG1H473J	MYLAR 0.047UF J		
C820			CE04KW1E221M	ELECTRO 220UF 25WV		
C836			CQ93FMG1H222J	MYLAR 2200PF J		
C849			CQ93FMG1H102J	MYLAR 1000PF J		
C852			CQ93FMG1H102J	MYLAR 1000PF J		
C853			CE04KW1C472M	ELECTRO 4700UF 16WV		
C872			CK73EB1H473K	CHIP C 0.047UF K		ET
C873			CE04KW1C471M	ELECTRO 470UF 16WV		
C874,875			CK73EB1H104K	CHIP C 0.10UF K		ET
C876			CE04KW0J102M	ELECTRO 1000UF 6.3WV		ET
C901,902			CK45FB1H681K	CERAMIC 680PF K		
C903,904			CC45FCH1H150J	CERAMIC 15PF J		
C905,906			CE04KW1C220M	ELECTRO 22UF 16WV		
C907,908			CK45FB1H223Z	CERAMIC 0.022UF Z		
C909,910			CE04KW1H101M	ELECTRO 100UF 50WV		
C911,912			CE04KW1H100M	ELECTRO 10UF 50WV		
C913-916			CQ93FMG1H224J	MYLAR 0.22UF J		
C917			CE04KW1H470M	ELECTRO 47UF 50WV		
C920-927			CK45FB1H223Z	CERAMIC 0.022UF Z		
C928,929			CK45FB1H102K	CERAMIC 1000PF K		
C933,934			CK45FB1H102K	CERAMIC 1000PF K		
C935,936			CE04KW1HR22M	ELECTRO 0.22UF 50WV		
C937,938			CC73ECH1H820J	CHIP C 82PF J		
C940			CE04KW1HR22M	ELECTRO 0.22UF 50WV		
C954,955			CE04KW1H332M	ELECTRO 3300UF 50WV		
C971			CE04KW1H470M	ELECTRO 47UF 50WV		
C972			CE04KW1H100M	ELECTRO 10UF 50WV		
C978,979			CK45FB1H221K	CERAMIC 220PF K		ET
C980			CE04KW1HOR1M	ELECTRO 0.1UF 50WV		
CT1,2			CK45FB1H102K	CERAMIC 1000PF K		
CT21			CE04KW1A470M	ELECTRO 47UF 10WV		ET
CT22			CK73EB1E223K	CHIP C 0.022UF K		ET
CT23			CC73ECH1H220J	CHIP C 22PF J		ET
CT24			CE04KW1C100M	ELECTRO 10UF 16WV		ET
CT25			CC73ECH1H220J	CHIP C 22PF J		ET
CT26			CK73EB1H561K	CHIP C 560PF K		ET
CT27,28			CK73EB1E223K	CHIP C 0.022UF K		ET
CT29,30			CK73EB1E223K	CHIP C 0.022UF K		ET
CT31,32			CE04KW1A470M	ELECTRO 47UF 10WV		ET
VD301			C02-0303-08	VARICAP(AM) VHCSVC348S/-1T		
VD302,303			C02-0302-08	VARICAP(AM) VHCSVC211C/-1T		MXY
Bi8			E40-8932-08	FLAT CABLE CON QCNWN1923AWZZ		
CNP701			E40-8992-08	PIN ASSY(FFC) QCNCWXZ20AWZZ		MXY
CNP701		*	E41-0713-08	PIN ASSY(FFC) QCNCWZG26AWZZ		ET
CNS701		*	E40-8930-08	PIN ASSY(FFC) QCNCWZY20AWZZ		MXY
CNS701		*	E41-0714-08	PIN ASSY(FFC) QCNCWZF26AWZZ		ET
CNS702			E40-8929-08	PIN ASSY(FFC) QCNCWZY10AWZZ		
JK951			E11-0942-08	PHONE JACK QJAKM0004AWZZ		
SO301			E70-0145-08	FM ANT QTANCO105AWZZ		ET
SO401			E63-1219-08	PIN JACK QSOCJ0224AWZZ		
SO901		*	E70-0151-08	LOCK TERMINAL QTANA0417AWZZ		
Δ F801,802		*	F50-0199-08	FUSE(5X20)4A250 QFS-D402CAWNI		
Δ F803,804		*	F50-0200-08	FUSE(5X20)2A250 QFS-D202CAWNI		

L: Scandinavia K: USA P: Canada R: Mexico C: China I: Malaysia
Y: PX(Far East,Hawaii) T: England E: Europe G: Germany V: China(Shanghai)
Y: AAFES(Europe) X: Australia Q: Russia H: Korea M: Other Areas Δ indicates safety critical components.

PARTS LIST

RXD-355

* New Parts
Parts without **Parts No.** are not supplied.
Les articles non mentionnés dans le **Parts No.** ne sont pas fournis.
Teile ohne **Parts No.** werden nicht geliefert.

7

Ref. No	Add-ress	New Parts	Parts No.	Description	Desti-nation	Re-marks
BF301 CF301,302 CF302 CF351 CF352		*	L32-1040-08 L72-1290-08 L72-0645-08 L79-1287-08 L79-1286-08	FM BPF CERAMIC FILTER CERAMIC FILTER LINE FILTER LINE FILTER	RFILR0008AWZZ RFILF0072AFZZ RFILF0124AFZZ RFILF0003AWZZT RFILA0009AWZZ	MXY ET MXY
L1 L101,102 L104 L312 L341		*	L90-0387-08 L90-0390-08 L90-0389-08 L90-0391-08 L90-0394-08	COIL COIL COIL FM TRACKING BALUN	VP-XHR82K0000T VP-MK2R2K0000T VP-MK331K0000T RCILR0056AWZZ RBLN-0002AWZZ	MXY ET
L342 L351,352 L354 L700 L801		*	L90-0390-08 L90-0388-08 L79-1289-08 L90-0388-08 L33-1644-08	COIL COIL FILTER COIL COIL	VP-MK2R2K0000T VP-DH101K0000T RFILL0001AWZZ VP-DH101K0000T RCILZ0022AWZZ	ET ET ET
L920,921 L922 LT21,22 T301 T302		*	L39-1342-08 L90-0390-08 L90-0390-08 L33-1634-08 L31-0662-08	COIL COIL COIL FM COVERAGE COIL	RCILZ0137AFZZ VP-MK2R2K0000T RCILR0005AWZZ RCILI0017AWZZ	ET ET MXY MXY
T303 T306 T351 T801 T801		*	L31-0661-08 L32-1039-08 L30-0985-08 L07-3153-08 L07-3154-08	FM-RF COIL OSC COIL(AM) IFT COIL(AM) POWER TRANS POWER TRANS	RCILA0052AWZZ RCILB0067AWZZ RCILI0019AWZZ RTRNP0369AWZZ RTRNP0370AWZZ	ET MXY
T802 X351 X352 XL1 XL700		*	L07-3151-08 L77-2351-08 L77-2352-08 L78-0739-08 L77-2230-08	SUB TRANS CRYSTAL RESONA CRYSTAL RESONA RESONATOR CRYSTAL RESONA	RTRNP0313AWZZ CRSTL1425A RCRSP0019AWZZ RCRM-0041AWZZT RCRSP0003AWZZ	ET
XT21			L77-2374-08	CRYSTAL RESONA	RCRSP0018AWZZ	ET
J903 MJ1-7 MJ101 MJ304 MJ305			RK73EB2B332J RK73EB2B000J RK73EB2B000J RK73EB2B000J RK73EB2B000J	CHIP R CHIP R CHIP R CHIP R CHIP R	3.3K J 1/8W 0 J 1/8W 0 J 1/8W 0 J 1/8W 0 J 1/8W	ET MXY
MJ306 MJ308-310 MJ311-315 MJ318 MJ402			RK73EB2B000J RK73EB2B000J RK73EB2B000J RK73EB2B000J RK73EB2B000J	CHIP R CHIP R CHIP R CHIP R CHIP R	0 J 1/8W 0 J 1/8W 0 J 1/8W 0 J 1/8W 0 J 1/8W	MXY
MJ411 MJ412-414 R11 R12 R13-17			RK73EB2B000J RK73EB2B000J RK73EB2B103J RK73EB2B331J RK73EB2B102J	CHIP R CHIP R CHIP R CHIP R CHIP R	0 J 1/8W 0 J 1/8W 10K J 1/8W 330 J 1/8W 1.0K J 1/8W	MXY
R23 R24,25 R26,27 R39,40 R41			RK73EB2B221J RK73EB2B222J RK73EB2B103J RK73EB2B681J RK73EB2B123J	CHIP R CHIP R CHIP R CHIP R CHIP R	220 J 1/8W 2.2K J 1/8W 10K J 1/8W 680 J 1/8W 12K J 1/8W	
R42 R43 R45,46			RK73EB2B122J RK73EB2B221J RK73EB2B471J	CHIP R CHIP R CHIP R	1.2K J 1/8W 220 J 1/8W 470 J 1/8W	

L: Scandinavia K: USA P: Canada R: Mexico C: China I: Malaysia
Y: PX(Far East,Hawaii) T: England E: Europe G: Germany V: China(Shanghai)
Y: AAFES(Europe) X: Australia Q: Russia H: Korea M: Other Areas Δ indicates safety critical components.

* New Parts
Parts without **Parts No.** are not supplied.
Les articles non mentionnés dans le **Parts No.** ne sont pas fournis.
Teile ohne **Parts No.** werden nicht geliefert.

8

Ref. No	Add-ress	New Parts	Parts No.	Description	Desti-nation	Re-marks
R48 R101,102 R103 R104,105 R106,107			RK73EB2B000J RK73EB2B103J RK73EB2B472J RK73EB2B102J RK73EB2B222J	CHIP R CHIP R CHIP R CHIP R CHIP R	0 10K J 1/8W 4.7K J 1/8W 1.0K J 1/8W 2.2K J 1/8W	
R108,109 R110 R111,112 R113 R118,119			RK73EB2B332J RK73EB2B473J RK73EB2B472J RK73EB2B473J RK73EB2B104J	CHIP R CHIP R CHIP R CHIP R CHIP R	3.3K J 1/8W 47K J 1/8W 4.7K J 1/8W 47K J 1/8W 100K J 1/8W	
R120,121 R122-125 R126 R127,128 R129,130			RK73EB2B392J RK73EB2B562J RK73EB2B683J RK73EB2B682J RK73EB2B472J	CHIP R CHIP R CHIP R CHIP R CHIP R	3.9K J 1/8W 5.6K J 1/8W 68K J 1/8W 6.8K J 1/8W 4.7K J 1/8W	
R131,132 R133,134 R135,136 R137 R141			RK73EB2B122J RK73EB2B101J RK73EB2B103J RK73EB2B153J RK73EB2B103J	CHIP R CHIP R CHIP R CHIP R CHIP R	1.2K J 1/8W 100 J 1/8W 10K J 1/8W 15K J 1/8W 10K J 1/8W	
R144 R146 R147 R148 R301			RK73EB2B473J RN14BK2H82R0F RK73EB2B473J RK73EB2B223J RK73EB2B000J	CHIP R RN CHIP R CHIP R CHIP R	47K J 1/8W 82 F 1/2W 47K J 1/8W 22K J 1/8W 0 J 1/8W	ET
R302 R311 R313 R316 R322			RK73EB2B100J RK73EB2B104J RK73EB2B333J RK73EB2B472J RK73EB2B681J	CHIP R CHIP R CHIP R CHIP R CHIP R	10 J 1/8W 100K J 1/8W 33K J 1/8W 4.7K J 1/8W 680 J 1/8W	MXY MXY MXY MXY MXY
R323 R325 R327 R336 R344			RK73EB2B683J RK73EB2B473J RK73EB2B330J RK73EB2B103J RK73EB2B471J	CHIP R CHIP R CHIP R CHIP R CHIP R	68K J 1/8W 47K J 1/8W 33 J 1/8W 10K J 1/8W 470 J 1/8W	MXY MXY
R345 R346 R347 R348 R349			RK73EB2B472J RK73EB2B331J RK73EB2B682J RK73EB2B681J RK73EB2B330J	CHIP R CHIP R CHIP R CHIP R CHIP R	4.7K J 1/8W 330 J 1/8W 6.8K J 1/8W 680 J 1/8W 33 J 1/8W	ET ET ET ET ET
R351 R352 R353 R355 R356			RK73EB2B562J RK73EB2B102J RK73EB2B271J RK73EB2B332J RK73EB2B102J	CHIP R CHIP R CHIP R CHIP R CHIP R	5.6K J 1/8W 1.0K J 1/8W 270 J 1/8W 3.3K J 1/8W 1.0K J 1/8W	
R359 R360 R361,362 R365 R369			RK73EB2B182J RK73EB2B472J RK73EB2B222J RK73EB2B103J RK73EB2B150J	CHIP R CHIP R CHIP R CHIP R CHIP R	1.8K J 1/8W 4.7K J 1/8W 2.2K J 1/8W 10K J 1/8W 15 J 1/8W	ET
R372-374 R376 R377 R378 R379			RK73EB2B102J RK73EB2B102J RK73EB2B473J RK73EB2B102J RK73EB2B222J	CHIP R CHIP R CHIP R CHIP R CHIP R	1.0K J 1/8W 1.0K J 1/8W 47K J 1/8W 1.0K J 1/8W 2.2K J 1/8W	

L: Scandinavia K: USA P: Canada R: Mexico C: China I: Malaysia
Y: PX(Far East,Hawaii) T: England E: Europe G: Germany V: China(Shanghai)
Y: AAFES(Europe) X: Australia Q: Russia H: Korea M: Other Areas Δ indicates safety critical components.

* New Parts
Parts without **Parts No.** are not supplied.
Les articles non mentionnés dans le **Parts No.** ne sont pas fournis.
Teile ohne **Parts No.** werden nicht geliefert.

9

Ref. No	Add-ress	New Parts	Parts No.	Description	Desti-nation	Re-marks
R380			RK73EB2B152J	CHIP R 1.5K J 1/8W		
R381			RK73EB2B103J	CHIP R 10K J 1/8W		
R383			RK73EB2B562J	CHIP R 5.6K J 1/8W		
R385			RK73EB2B562J	CHIP R 5.6K J 1/8W		
R388			RK73EB2B392J	CHIP R 3.9K J 1/8W		
R393			RK73EB2B102J	CHIP R 1.0K J 1/8W		
R395			RK73EB2B473J	CHIP R 47K J 1/8W		
R399			RK73EB2B330J	CHIP R 33 J 1/8W		
R401,402			RK73EB2B331J	CHIP R 330 J 1/8W		
R403,404			RK73EB2B392J	CHIP R 3.9K J 1/8W		
R407,408			RK73EB2B222J	CHIP R 2.2K J 1/8W		
R415,416			RK73EB2B392J	CHIP R 3.9K J 1/8W		
R417,418			RK73EB2B103J	CHIP R 10K J 1/8W		
R421,422			RK73EB2B153J	CHIP R 15K J 1/8W		
R424			RK73EB2B474J	CHIP R 470K J 1/8W		
R425			RK73EB2B223J	CHIP R 22K J 1/8W		
R427,428			RK73EB2B682J	CHIP R 6.8K J 1/8W		
R429-431			RK73EB2B102J	CHIP R 1.0K J 1/8W		
R561			RK73EB2B103J	CHIP R 10K J 1/8W		
R562			RK73EB2B824J	CHIP R 820K J 1/8W		
R565			RK73EB2B333J	CHIP R 33K J 1/8W		
R566			RK73EB2B224J	CHIP R 220K J 1/8W		
R567			RK73EB2B683J	CHIP R 68K J 1/8W		
R568			RK73EB2B224J	CHIP R 220K J 1/8W		
R569			RK73EB2B104J	CHIP R 100K J 1/8W		
R570			RK73EB2B123J	CHIP R 12K J 1/8W		
R571			RK73EB2B394J	CHIP R 390K J 1/8W		
R572			RK73EB2B104J	CHIP R 100K J 1/8W		
R573			RK73EB2B563J	CHIP R 56K J 1/8W		
R574			RK73EB2B105J	CHIP R 1.0M J 1/8W		
R575			RK73EB2B474J	CHIP R 470K J 1/8W		
R576			RK73EB2B225J	CHIP R 2.2M J 1/8W		
R577			RK73EB2B154J	CHIP R 150K J 1/8W		
R578			RK73EB2B104J	CHIP R 100K J 1/8W		
R580			RK73EB2B184J	CHIP R 180K J 1/8W		
R613,614			RK73EB2B331J	CHIP R 330 J 1/8W		
R615,616			RK73EB2B222J	CHIP R 2.2K J 1/8W		
R619			RK73EB2B223J	CHIP R 22K J 1/8W		
R700			RK73EB2B102J	CHIP R 1.0K J 1/8W		
R704-706			RK73EB2B102J	CHIP R 1.0K J 1/8W		
R731			RK73EB2B103J	CHIP R 10K J 1/8W		
R739-745			RK73EB2B102J	CHIP R 1.0K J 1/8W		
R747			RK73EB2B101J	CHIP R 100 J 1/8W		
R750			RK73EB2B225J	CHIP R 2.2M J 1/8W		
R752			RK73EB2B103J	CHIP R 10K J 1/8W		
R756-759			RK73EB2B103J	CHIP R 10K J 1/8W		
R760			RK73EB2B104J	CHIP R 100K J 1/8W		
R761			RK73EB2B102J	CHIP R 1.0K J 1/8W		
R762			RK73EB2B104J	CHIP R 100K J 1/8W		
R763			RK73EB2B102J	CHIP R 1.0K J 1/8W		
R764			RK73EB2B104J	CHIP R 100K J 1/8W		
R765			RK73EB2B102J	CHIP R 1.0K J 1/8W		
R766-770			RK73EB2B103J	CHIP R 10K J 1/8W		
R771			RK73EB2B102J	CHIP R 1.0K J 1/8W		
R772			RK73EB2B103J	CHIP R 10K J 1/8W		

L: Scandinavia K: USA P: Canada R: Mexico C: China I: Malaysia
Y: PX(Far East,Hawaii) T: England E: Europe G: Germany V: China(Shanghai)
Y: AAFES(Europe) X: Australia Q: Russia H: Korea M: Other Areas Δ indicates safety critical components.

* New Parts
Parts without **Parts No.** are not supplied.
Les articles non mentionnés dans le **Parts No.** ne sont pas fournis.
Teile ohne **Parts No.** werden nicht geliefert.

10

Ref. No	Add-ress	New Parts	Parts No.	Description	Desti-nation	Re-marks
R773			RK73EB2B102J	CHIP R 1.0K J 1/8W		
R774			RK73EB2B103J	CHIP R 10K J 1/8W		
R776-780			RK73EB2B103J	CHIP R 10K J 1/8W		
R783			RK73EB2B473J	CHIP R 47K J 1/8W		
R787			RK73EB2B102J	CHIP R 1.0K J 1/8W		
R811			RD14BB2H3R3J	RD 3.3 J 1/2W	ET	
R813			RD14BB2H3R3J	RD 3.3 J 1/2W		
R816			RD14BB2H182J	RD 1.8K J 1/2W		
R903			RK73EB2B821J	CHIP R 820 J 1/8W		
R907,908			RS14AB3AR10J	FL-PROOF RS 0.1 J 1W		
R918,919		*	R92-4565-08	FUSE R 100 J 1/4W		
R921,922			RS14GB3D3R9J	FL-PROOF RS 3.9 J 2W		
R923,924			RS14GB3D5R6J	FL-PROOF RS 5.6 J 2W		
R931,932			RK73EB2B102J	CHIP R 1.0K J 1/8W		
R935,936			RK73EB2B104J	CHIP R 100K J 1/8W		
R951,952			RD14BB2H331J	RD 330 J 1/2W		
R978-981		*	R92-4566-08	FL-PROOF RS 0.22 J 3W		
RD01			RK73EB2B681J	CHIP R 680 J 1/8W		
RD02			RK73EB2B821J	CHIP R 820 J 1/8W		
RD03			RK73EB2B102J	CHIP R 1.0K J 1/8W		
RD04			RK73EB2B681J	CHIP R 680 J 1/8W		
RD05			RK73EB2B821J	CHIP R 820 J 1/8W		
RD06			RK73EB2B102J	CHIP R 1.0K J 1/8W		
RD07			RK73EB2B152J	CHIP R 1.5K J 1/8W		
RD08			RK73EB2B222J	CHIP R 2.2K J 1/8W		
RD09			RK73EB2B681J	CHIP R 680 J 1/8W		
RD10			RK73EB2B821J	CHIP R 820 J 1/8W		
RD11			RK73EB2B102J	CHIP R 1.0K J 1/8W		
RD12			RK73EB2B152J	CHIP R 1.5K J 1/8W		
RD13			RK73EB2B222J	CHIP R 2.2K J 1/8W		
RD15			RK73EB2B392J	CHIP R 3.9K J 1/8W		
RD16			RK73EB2B562J	CHIP R 5.6K J 1/8W		
RD17			RK73EB2B103J	CHIP R 10K J 1/8W		
RD18			RK73EB2B183J	CHIP R 18K J 1/8W		
RT21			RK73EB2B103J	CHIP R 10K J 1/8W	ET	
RT24			RK73EB2B563J	CHIP R 56K J 1/8W	ET	
RT25			RK73EB2B103J	CHIP R 10K J 1/8W	ET	
RT26			RK73EB2B563J	CHIP R 56K J 1/8W	ET	
RT27-30			RK73EB2B102J	CHIP R 1.0K J 1/8W	ET	
RT31			RK73EB2B103J	CHIP R 10K J 1/8W	ET	
RT32			RK73EB2B682J	CHIP R 6.8K J 1/8W	ET	
VR701			R32-0106-08	VR(JOG) QSW-Z0013AWZZ		
RL801		*	S76-0130-08	MAGNETIC RELAY RRLYD0011AWZZ	ET	
RL951			S76-0125-08	MAGNETIC RELAY RRLYD0014AWZZ		
SW601			S62-0086-08	SWITCH,CH-SPACE QSW-S0024AWZZ	MXY	
SW701-721			S70-0091-08	TACT SWITCH SWICH1401AT		
SW801		*	S62-0106-08	SLIDE SWITCH QSOCE0008AWZZ		
D1,D2			1SS133	DIODE VHDDS1SS133-1T		
D301-304			1SS133	DIODE		
D305			1SS133	DIODE	MXY	
D513-516			1SS133	DIODE VHDDS1SS133-1T		
D700,701			1SS133	DIODE VHDDS1SS133-1T	MXY	
D702			1SS133	DIODE VHDDS1SS133-1T	ET	
D706-711			1SS133	DIODE VHDDS1SS133-1T		

L: Scandinavia K: USA P: Canada R: Mexico C: China I: Malaysia
Y: PX(Far East,Hawaii) T: England E: Europe G: Germany V: China(Shanghai)
Y: AAFES(Europe) X: Australia Q: Russia H: Korea M: Other Areas Δ indicates safety critical components.

PARTS LIST

RXD-355

* New Parts
Parts without **Parts No.** are not supplied.
Les articles non mentionnés dans le **Parts No.** ne sont pas fournis.
Teile ohne **Parts No.** werden nicht geliefert.

11

Ref. No	Add-ress	New Parts	Parts No.	Description	Desti-nation	Re-marks
D717,718 D801 D802-808 D809 D831			1SS133 1SS133 DS1N404S TS6B04GM 1SS133	DIODE DIODE DIODE DIODE DIODE		
D833 D851 D872-875 D876,877 D901-903			1SS133 1SS133 DS1N404S 1SS133 1SS133	DIODE DIODE DIODE DIODE DIODE		
D951 D971 IC1 IC2 IC101			1SS133 1SS133 LC78645E M63001FP AN7345K	DIODE DIODE MI-COM IC MOS-IC MOS-IC		
IC301 IC302 IC303 IC304 IC401			TA7358AP LC72131 LA1832S LC72723M LC75341	IC(FM FRONT END) MOS-IC MOS-IC IC(RDS DEMODULATOR IC) MOS-IC		
IC561,562 IC700 IC811 IC812 IC852			KIA4558P IX0450 KIA7805AP KIA7810AP AN78L05	ANALOGUE IC MI-COM IC IC IC IC(VOLTAGE REGULATOR/ +5V)		
IC901 Q1 Q2 Q3 Q101		*	STK40270N KTA1266GR KTC3203Y KRC102M KTA1266GR	IC TRANSISTOT TRANSISTOR TRANSISTOR TRANSISTOT		
Q102,103 Q104-107 Q108-111 Q112 Q113			KRC104M 2SC1845F KTC3199GR 2SA1015GR KRC104M	TRANSISTOR TRANSISTOR TRANSISTOR TRANSISTOR TRANSISTOR		
Q114 Q301 Q302 Q360 Q401,402			KTC3203Y 2SC380-O KTC3194Y KTA1266GR KTC3199GR	TRANSISTOR TRANSISTOR TRANSISTOR TRANSISTOT TRANSISTOR		
Q603,604 Q700 Q703 Q704,705 Q706-708			KTC3199GR KRC102M KTA1273Y KTA1271Y KTC3199GR	TRANSISTOR TRANSISTOR TRANSISTOR TRANSISTOR TRANSISTOR		
Q709 Q801 Q813 Q875 Q901-904			KRC102M KTA1274Y KTC2026 KTC3199GR KTC3199GR	TRANSISTOR TRANSISTOR TRANSISTOR TRANSISTOR TRANSISTOR		
Q951 Q971 QT21 ZD1 ZD2			KRC107M KTC3203Y KTC3199GR MTZJ3.3B MTZJ3.9B	TRANSISTOR TRANSISTOR TRANSISTOR ZENER DIODE ZENER DIODE		

L : Scandinavia K : USA P : Canada R : Mexico C : China I : Malaysia
Y : PX(Far East,Hawaii) T : England E : Europe G : Germany V : China(Shanghai)
Y : AAFES(Europe) X : Australia Q : Russia H : Korea M : Other Areas Δ indicates safety critical components .

* New Parts
Parts without **Parts No.** are not supplied.
Les articles non mentionnés dans le **Parts No.** ne sont pas fournis.
Teile ohne **Parts No.** werden nicht geliefert.

12

Ref. No	Add-ress	New Parts	Parts No.	Description	Desti-nation	Re-marks
ZDT21 ZD351 ZD561 ZD801 ZD802			MTZJ13B MTZJ5.1B MTZJ6R2B MTZJ30B MTZJ6R2B	ZENER DIODE ZENER DIODE ZENER DIODE ZENER DIODE ZENER DIODE		
ZD803 ZD810 ZD871 ZD904			MTZJ11B MTZJ2.4B MTZJ4.3B MTZJ13B	ZENER DIODE ZENER DIODE ZENER DIODE ZENER DIODE		
FE301 RX701			W02-2876-08 W02-2689-08	FRONT END OPTICAL MODULE		
CD MECHANISM						
1 2 5 6 24	2A 2A 2A 2A 1A		D13-1869-08 D13-1870-08 G13-2515-08 T25-0115-08 D02-0145-08	GEAR GEAR GUSHION OPTICAL PICKUP TURNTABLE		
32 34 35 38 39	2B 3B 1A 2A 2A,3A		D16-0776-08 J39-1037-08 T99-0656-08 J39-1036-08 D14-0818-08	BELT SPACER MAGNET SPACER ROLLER		
40 41 42 43 45	3B 2A 3B 1A 2A		D10-5013-08 D32-0370-08 D10-5012-08 J19-6229-08 D19-0329-08	LEVER(STOP) STOPPER LEVER(LOCK) STABILIZER PIN(LOCK)		
46 47 48 49 50	2B 2A 2A 2A 2A		F09-0162-08 D13-2565-08 D13-2559-08 D13-2561-08 D13-2563-08	CAP GEAR GEAR GEAR GEAR		
51 52 53 54 55	2A 2B 2A 2B 2A		D13-2560-08 D15-0445-08 D13-2562-08 D10-5014-08 D10-5015-08	GEAR PULLEY(GEAR) GEAR LEVER(CLAMP) LEVER(DISC)		
56 57 60 62 63	2A 1A 3A 2A 3B		D13-2564-08 J19-6227-08 J99-0834-08 G01-4278-08 G01-4277-08	GEAR(CAM) HOLDER TRAY(SLIDE) SPRING(STOP) SPRING(LOCK)		
64 66 AL AM AR	2A 1A 2A 3A		G01-4279-08 D19-0330-08 N09-5335-08 N09-5332-08 N19-1526-08	SPRING METAL PLATE MACHINE SCREW MACHINE SCREW FLAT WASHER		
DM FM M3	2A 2A 2B	*	T42-1120-08 T42-1114-08 T41-0140-08	MOTOR ASSY MOTOR ASSY MOTOR ASS'Y		

L : Scandinavia K : USA P : Canada R : Mexico C : China I : Malaysia
Y : PX(Far East,Hawaii) T : England E : Europe G : Germany V : China(Shanghai)
Y : AAFES(Europe) X : Australia Q : Russia H : Korea M : Other Areas Δ indicates safety critical components .

PARTS LIST

HOW TO READ THE PARTS LIST

ABBREVIATION OF MODEL AND MASS PRODUCTION'S DESTINATIONS

MODEL	ABB.	Australia	Canada	China	England	Europe	Germany	Korea	Malaysia
		X	P	C	T	E	G	H	I
RXD-355	-	-	-	-	T	E	-	-	-
RXD-355-H	H	-	-	-	-	E1	-	-	-
RXD-355E	-	-	-	-	-	E2	-	-	-
RXD-355E-H	H	-	-	-	-	E3	-	-	-
RXD-355M	-	X	-	-	-	-	-	-	-
RXD-355M-H	H	X1	-	-	-	-	-	-	-
MODEL	ABB.	Mexico	PX/AAFES	Russia	Scandinavia	Shanghai	USA	Other area	
		R	Y	Q	L	V	K	M	
RXD-355	-	-	-	-	-	-	-	-	-
RXD-355-H	H	-	-	-	-	-	-	-	-
RXD-355E	-	-	-	-	-	-	-	-	-
RXD-355E-H	H	-	-	-	-	-	-	-	-
RXD-355M	-	-	-	-	-	-	-	M	-
RXD-355M-H	H	-	Y1	-	-	-	-	M1	-

RXD-355

SPECIFICATIONS

Main Unit

[Amplifier section]

Rated power output

1 kHz, 1% T.H.D., 6 Ω ... (RMS) 38.5 W + 38.5W

Effective output power during STEREO operation

1 kHz, 10% T.H.D., 6 Ω(RMS) 50W + 50W

Signal to noise ratio

VIDEO/AUX INPUT 88 dB (IHF' 66)

Input sensitivity / impedance

VIDEO/AUX INPUT 600 mV / 47 kΩ

[Tuner section]

FM tuner section

Tuning frequency range 87.5 MHz ~ 108 MHz

MW (AM) Tuner section

Tuning frequency range

9 kHz step 531kHz ~ 1,602kHz

10 kHz step 530kHz ~ 1,620kHz

[Cassette deck section]

Track 4-track, 2-channel stereo

Recording system AC bias system
(Frequency: 100 kHz)

Heads

A deck : Playback head 1

B deck : Playback / recording head 1

Erasing head 1

Fast winding time Approx. 100 seconds
(C-60 tape)

[CD player section]

Laser wave length 770 to 795 nm

Laser power class 1 (IEC)

Wow & Flutter Less than unmeasurable limit

[General]

Power consumption 100W

Dimensions W : 270 mm (10-5/8")

H : 330 mm (13")

D : 390 mm (15-3/8")

Weight (net) 7kg (15.4 lb)

Speakers (LS-N30S)

Enclosure Bass-reflex type

Speaker configuration

Woofer 160 mm, cone type

Tweeter 50 mm, cone type

Super-tweeter 20 mm, dome type

Impedance 6 Ω

Maximum input power 50W

Dimensions W : 226 mm (8-7/8")

H : 330 mm (13")

D : 225 mm (8-7/8")

Weight (net) 3.1kg (6.8 lb) (1 piece)

Note:

Component and circuit are subject to modification to insure best operation under differing local conditions. This manual is based on Europe (E) standard, and provides information on regional circuit modification through use of alternate schematic diagrams, and information on regional component variations through use of parts list.

KENWOOD CORPORATION

14-6,Dogenzaka 1-chome, Shibuya-ku, Tokyo, 150-8501 Japan

KENWOOD SERVICE CORPORATION

P.O BOX 22745, 2201 East Dominguez St., Long Beach, CA 90801-5745, U.S.A.

KENWOOD ELECTRONICS CANADA INC.

6070 Kestrel Road, Mississauga, Ontario, Canada L5T 1S8

KENWOOD ELECTRONICS LATIN AMERICA S.A.

P.O BOX 55-2791, Piso 6 plaza Chase, Cl. 47 y Aquilino de la Guardia Panama, Republic de Panama

KENWOOD ELECTRONICS BRASIL LTDA.

Alameda Ministro Rocha Azevedo No. 456, Edificio Jaú, 10o Andar, Cerqueira César, Cep 0140-001, São Paulo-SP-Brasil

KENWOOD ELECTRONICS U.K. LIMITED

KENWOOD House, Dwight Road, Watford, Herts., WD1 8EB., United Kingdom

KENWOOD ELECTRONICS BELGIUM N.V.

Leuvensesteenweg 248 J 1800 Vilvoorde, Belgium

KENWOOD ELECTRONICS DEUTSCHLAND GMBH

Rembrücker Str. 15, 63150 Heusenstamm, Germany

KENWOOD ELECTRONICS FRANCE S.A.

13 Boulevard Ney, 75018 Paris, France

KENWOOD ELECTRONICS ITALIA S.p.A.

Via G. Sirtori, 7/9 20129, Milano, Italy

KENWOOD IBÉRICA S.A.

Bolivia, 239-08020 Barcelona, Spain

KENWOOD ELECTRONICS AUSTRALIA PTY. LTD.

(A.C.N. 001 499 074)
16 Giffnock Avenue, North Ryde, N.S.W. 2113, Australia

KENWOOD ELECTRONICS (HONG KONG) LTD.

Unit 3712-3724, Level 37, Tower 1, Metroplaza, 223 Hing Fong Road, Kwai Fong N.T., Hong Kong

KENWOOD ELECTRONICS GULF FZE

P.O.Box 61318, Jebel Ali, Dubai, U.A.E.

KENWOOD ELECTRONICS SINGAPORE PTE LTD.

No. 1 Genting Lane #02-02, KENWOOD Building, Singapore, 349544

KENWOOD ELECTRONICS (MALAYSIA) SDN BHD.

#4.01 Level 4, Wisma Academy Lot 4A, Jalan 19/1 46300 Petaling Jaya Selangor Darul Ehsan Malaysia

KENWOOD ELECTRONICS (THAILAND) CO., LTD.

2019 New Pechburi Road, Bangkok, Huaykwang, Bangkok, 10320 Thailand

Free Manuals Download Website

<http://myh66.com>

<http://usermanuals.us>

<http://www.somanuals.com>

<http://www.4manuals.cc>

<http://www.manual-lib.com>

<http://www.404manual.com>

<http://www.luxmanual.com>

<http://aubethermostatmanual.com>

Golf course search by state

<http://golfingnear.com>

Email search by domain

<http://emailbydomain.com>

Auto manuals search

<http://auto.somanuals.com>

TV manuals search

<http://tv.somanuals.com>