

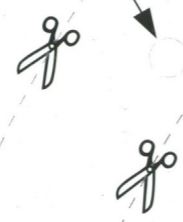
# KFC-6966S

**FLUSH MOUNT SPEAKER**  
**HAUT-PARLEUR ENCASTRABLE**  
**ALTAVOZ DE MONTAJE A NIVEL**

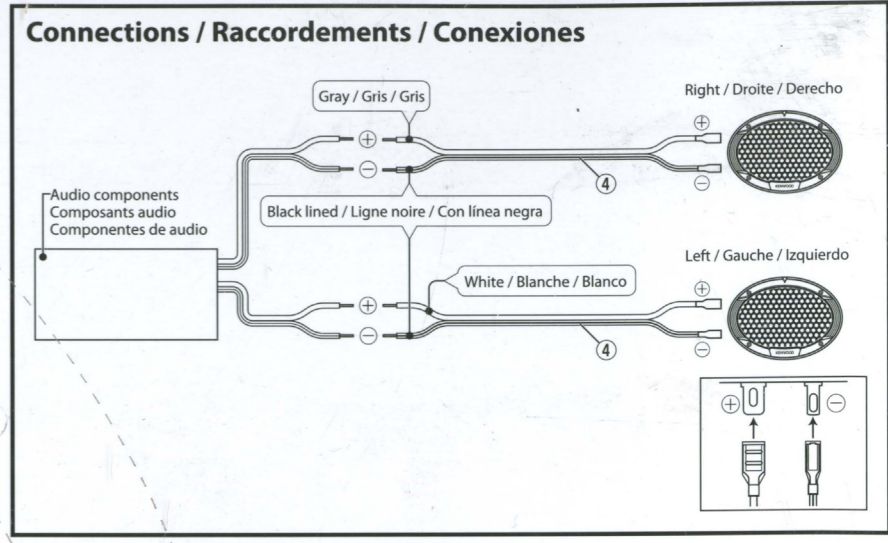
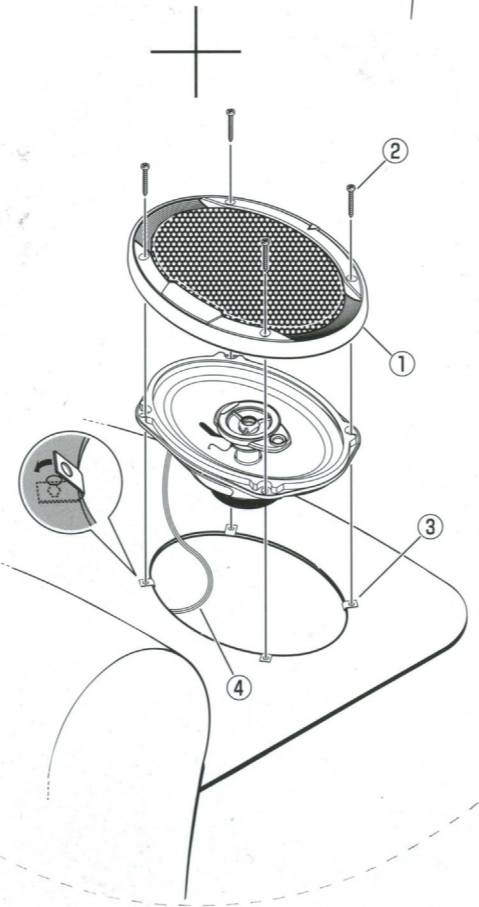
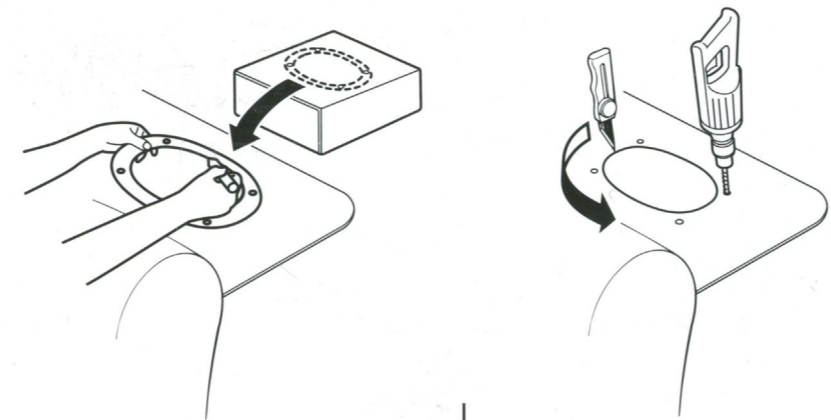
INSTRUCTIONS / INSTRUCTIONS / INSTRUCCIONES

TEMPLATE / GABARIT / PLANTILLA

4-Ø5 mm  
(3/16")



## Installation / Installation / Instalación



### Parts / Pièces / Piezas

- ① ..... x2
- ② Ø4 x 30 mm (1-3/16") ..... x8
- ③ ..... x8
- ④ 0.3 m (1 ft) ..... x2

### Dimensions / Dimensions / Dimensiones

Unit : mm (inch)  
 Unitè : mm (pouces)

### Specifications

Woofer : 15,3 x 22,9 cm (6 x 9") Cone  
 Tweeter : 5 cm (1-15/16") Cone  
 Super Tweeter : 1,2 cm (1/2") Ceramic  
 PEAK Power : 400 W / RMS Power : 45 W  
 Impedance : 4 Ω  
 Sensitivity : 91 dB / W at 1 m  
 Frequency Response : 35 ~ 20,000 Hz  
 Weight of Magnet : 220 g (7.8 oz)

### Spécifications

Graves : 15,3 x 22,9 cm (6 x 9") Cône  
 Aigus : 5 cm Cône  
 Extrêmes aigus : 1,2 cm En céramique  
 Puissance de crête : 400 W / RMS Puissance : 45 W  
 Impédance : 4 Ω  
 Sensibilité : 91 dB / W à 1 m  
 Réponse en fréquence : 35 ~ 20,000 Hz  
 Poids de l'aimant : 220 g

### Especificaciones

Altavoz de graves : 15,3 x 22,9 cm (6 x 9") Cono  
 Altavoz de agudos : 5 cm Cono  
 Super altavoz de agudos : 1,2 cm Cerámico  
 Potencia pico : 400 W / Potencia RMS : 45 W  
 Impedancia : 4 Ω  
 Sensibilidad : 91 dB / W a 1 m  
 Respuesta de frecuencia : 35 ~ 20,000 Hz  
 Peso del imán : 220 g

JVCKENWOOD Corporation Yokohama 221-0022 Japan  
 Designed and Engineered in Japan / Design et Conception au Japon  
 Made in China / Fabriqué en Chine


VOLUME 0.0144 m<sup>3</sup> / 0.51 ft<sup>3</sup> WEIGHT / POIDS 2.2 kg / 4.9 lb

# KENWOOD

**SPORT**  
SERIES

**PEAK  
POWER 400W**



 THIS UNIQUE  
SHAPE SUPPORT  
TO ENHANCE  
SOUND QUALITY.      CETTE FORME  
UNIQUE AIDE À  
AMÉLIORER  
LA QUALITÉ DU SON.



**6x9** inch

Flush Mount Speaker  
**KFC-6966S**

# KENWOOD

**SPORT**  
SERIES

**PEAK POWER 400W**



**6x9** inch

Flush Mount Speaker  
**KFC-6966S**



## IMPORTANT SAFETY INSTRUCTIONS

### ⚠ CAUTION

**To avoid the risk of human injury or property damage, be sure to read and observe the following safety precautions.**

**Consult a professional technician for installing and connecting the speaker.** — Incorrect installation may lead to traffic accidents or malfunctions.

**Avoid installation where the speaker is unstable.** — Make sure that the speaker is stationary and does not rattle. Displacement of the speaker may cause injury.

**Do not modify the speaker.** — Doing so may result in smoke or fire.

**Do not place hands on the speaker.** — The speaker becomes hot after extended operation. Touching it in such a condition may cause burns.

**Keep the volume of sound at an optimum level.** — Not being able to hear sounds from outside of your car can lead to traffic accidents.

**In case of abnormality, stop the use and disconnect the speaker.** — If operation is continued, smoke or fire may result. Disconnect the speaker and ask servicing.

## FOR PROPER INSTALLATION AND USE

**Please read the instructions carefully before using this speaker.**

- Be careful not to accidentally kick or apply any sort of strong impact to the speaker.
- To prevent damaging the speaker, turn off the power of the amplifier before connecting it to the speaker.
- Do not use the provided parts for other purposes (Ex. using a speaker cord instead of a power cord). Otherwise malfunction or fire hazard could result.

---

## IMPORTANTES CONSIGNES DE SÉCURITÉ

### ⚠ ATTENTION

**Pour éviter tout risque de blessure ou de dégâts matériels, assurez-vous d'avoir lu et de respecter les précautions suivantes.**

**Consultez un technicien professionnel pour l'installation et le raccordement du haut-parleur.** — Une mauvaise installation peut provoquer des accidents de la route ou des dysfonctionnements.

**Évitez d'installer le haut-parleur de manière instable.** — Assurez-vous que le haut-parleur est stable et ne produit pas de bruit de vibration. Le déplacement du haut-parleur peut provoquer des blessures.

**Ne modifiez pas le haut-parleur.** — Cela pourrait provoquer de la fumée ou un incendie.

**Ne posez pas vos mains sur le haut-parleur.** — Le haut-parleur devient chaud après un fonctionnement prolongé. Vous pourriez vous brûler en le touchant.

**Maintenez le son à un volume optimal.** — Vous risquez de provoquer des accidents de la route si vous ne pouvez pas entendre les sons provenant de l'extérieur de votre voiture.

**En cas d'anomalie, cesser d'utiliser le haut-parleur et le débrancher.** — Sinon de la fumée ou un incendie peut se produire. Débrancher le haut-parleur et le faire réparer.

## POUR UNE INSTALLATION ET UNE UTILISATION APPROPRIÉES

**Veillez lire attentivement les instructions avant d'utiliser ce haut-parleur.**

- Faites attention à ne pas cogner accidentellement le haut-parleur ou lui faire subir un choc violent.
- Pour éviter d'endommager le haut-parleur, coupez l'alimentation de l'amplificateur avant de le raccorder au haut-parleur.
- N'utilisez pas les pièces fournies à d'autres fins (par ex. un câble de haut-parleur à la place d'un cordon d'alimentation). Sinon, un dysfonctionnement ou un incendie pourrait se produire.





This warranty will be honored only in the U.S.A.

## KENWOOD LIMITED WARRANTY FOR CAR STEREO COMPONENTS

### HOW LONG IS THE WARRANTY

JVCKENWOOD USA Corporation ("KENWOOD") warrants this product for a period of one (1) year from the date of original purchase.

### WHAT IS COVERED AND WHAT IS NOT COVERED

Except as specified below, this warranty covers all defects in material and workmanship in KENWOOD car stereo components. The following are not covered by the warranty:

- Any product which is not distributed in the U.S.A. by KENWOOD or which is not purchased in the U.S.A. from an authorized KENWOOD car stereo dealer or an automobile dealer, unless the product is purchased through the U.S.A Military Exchange Service.
- Any product on which the serial number has been defaced, modified or removed.
- Damage, deterioration or malfunction resulting from:
  - Any shipment of the product (claims must be presented to the carrier).
  - Installation or removal of the product.
  - Accident, acts of nature, misuse, abuse, neglect, unauthorized product modification or failure to follow instructions supplied with the product.
  - Repair or attempted repair by anyone not authorized by KENWOOD.
  - Any other cause which does not relate to a product defect.

### WHO IS PROTECTED

This warranty is enforceable only by the original purchaser.

### WHAT WE WILL PAY FOR

We will pay for all labor and material expenses for covered items. Payment of shipping charges is discussed in the next section of this warranty.

### HOW TO OBTAIN WARRANTY SERVICE

If your KENWOOD product ever needs service:

- Take or ship it to any KENWOOD Authorized Service Center in the U.S.A. along with a complete description of the problem. (If you are uncertain as to whether a Service Center is authorized, please call 1-800-KENWOOD for the nearest Service Center. 1-800-536-9663).
- Although you must pay any shipping charges if it is necessary to ship the product for warranty service, we will pay the return shipping charges if the repairs are covered by the warranty within the United States.
- Whenever your units are taken or sent for warranty service, you must include a copy of the original dated sales receipt as proof of warranty coverage.

### LIMITATION OF IMPLIED WARRANTIES

ALL IMPLIED WARRANTIES, INCLUDING WARRANTIES OF MERCHANTABILITY AND FITNESS FOR A PARTICULAR PURPOSE, ARE LIMITED IN DURATION TO THE LENGTH OF THIS WARRANTY.

### EXCLUSION OF DAMAGES

KENWOOD'S LIABILITY FOR ANY DEFECTIVE PRODUCT IS LIMITED TO THE REPAIR OR REPLACEMENT OF THE PRODUCT AT OUR OPTION. KENWOOD SHALL NOT BE LIABLE FOR:

- INSTALLATION OR REMOVAL CHARGES, DAMAGE TO OTHER PROPERTY CAUSED BY ANY DEFECTS IN KENWOOD CAR STEREO COMPONENTS, DAMAGES BASED UPON INCONVENIENCE, LOSS OF USE OF THE PRODUCT; OR
  - ANY OTHER DAMAGES, WHETHER INCIDENTAL, CONSEQUENTIAL OR OTHERWISE.
- SOME STATES DO NOT ALLOW LIMITATIONS ON HOW LONG AN IMPLIED WARRANTY LASTS AND/OR DO NOT ALLOW THE EXCLUSION OR LIMITATION OF INCIDENTAL OR CONSEQUENTIAL DAMAGES, SO THE ABOVE LIMITATIONS AND EXCLUSIONS MAY NOT APPLY TO YOU.

This warranty gives you specific legal rights, and you may also have other rights which vary from state to state.

If a problem develops during or after the Limited Warranty Period, or if you have any questions regarding the operation of the product, you should contact your KENWOOD Authorized Dealer or Authorized Service Center. If the problem or your question is not handled to your satisfaction, please contact our Customer Relations Department at the address listed below:

JVCKENWOOD USA Corporation  
PO Box 22745, 2201 E. Dominguez St. Long Beach, CA 90810-5745  
Tel: (800) 536-9663  
www.us.jvckenwood.com

### ATTENTION

This card and receipt (or invoice) are necessary to purchase a new panel in case of theft or damage.

Units purchased through the U.S.A. military exchange service overseas may be serviced under warranty in the continental U.S.A., subject to the following conditions.

- The original warranty is in effect.
- Proof of purchase is provided to the servicer.

### WARRANTY FOR MILITARY MARKET

JVC KENWOOD corporation is proud of the quality and workmanship of its audio equipment. This unit has been properly designed, tested and inspected before it was shipped to you. If properly installed and operated in accordance with instructions furnished, it should give you an optimum reliable performance.

### WARRANTY PERIOD

This product is warranted for a period of (1) year from the date of the original purchase.

### SCOPE OF WARRANTY

Except as specified below, this warranty covers all defects in materials and workmanship of the KENWOOD brand products:

During the warranty period, any authorized KENWOOD Service Center in the military market listed in the back of this warranty card will provide you free-of-charge both parts and labor required to correct any defect in materials or workmanship.

The following are not covered by this warranty.

- Voltage conversions.
- Periodic check-ups which do not disclose any defect covered by the warranty.
- Cabinets, grilles, other exterior finishes, belts, tape heads, and other non-durable parts and accessories.
- Units on which the serial number has been effaced, modified or removed.
- Installation and/or removal charges.
- Damaged magnetic tapes.
- House call charges for any repairs.
- Shipping or delivery charges to or from an authorized KENWOOD Service Center.
- This warranty will not cover any failure that is due to any of the following conditions in accordance with the visual inspection of the authorized KENWOOD Service Center:
  - \* Improper maintenance or repair, including the installation of parts or accessories that do not conform to the quality and specifications of the original parts
  - \* Misuse, abuse, neglect, unauthorized product modification or failure to follow instructions contained in the Owner's Manual.
  - \* Accidental or intentional damages.
  - \* Repairs or attempted repairs by an unauthorized agency. (All repairs must be performed at an authorized KENWOOD Service Center.)
  - \* Damages or deteriorations caused during shipment (Claims must be presented to the carrier).
  - \* Damages or deteriorations resulting from removal and/or replacement.

### PURCHASER'S RESPONSIBILITIES

As the purchaser of a new KENWOOD brand product, you are requested to do the following in order to obtain KENWOOD warranty service:

- Retain your sales slip or other evidence of purchase for proving your eligibility for requesting KENWOOD warranty service.
- Make your unit available to an authorized KENWOOD Service Center in the military market for inspection and approved warranty service, or ship your unit in its original carton box or equivalent, fully insured and shipping charges prepaid, to the authorized KENWOOD Service Center.

### LIMITATION OF IMPLIED WARRANTIES

Any and all implied warranties, including warranties of merchantability and fitness for a particular purpose, shall be limited in duration to the length of this warranty.

### EXCLUSION OF CERTAIN DAMAGES

KENWOOD'S liability for any defective product is limited to the repair or replacement of said product, and shall not include damages of any kind, whether incidental, consequential or otherwise, except to the extent prohibited by applicable law.

### ATTENTION

This card and receipt (or invoice) are necessary to purchase a new panel in case of theft or damage.

### KENWOOD AUTHORIZED SERVICE CENTERS IN MILITARY MARKET

#### JAPAN:

**Yokota**  
KENWOOD Rep., c/o  
Yokota BX, JAAX AAFES-PAC,  
APO San Francisco 96328

**Zama**  
KENWOOD Rep., c/o  
Zama PX, JAAX AAFES-PAC,  
APO San Francisco 96343

**Misawa**  
KENWOOD Rep., c/o  
Misawa BX, JAAX AAFES-PAC,  
APO San Francisco 96519

**Yokosuka**  
KENWOOD Rep., c/o  
A-33, Yokosuka NEX No. 260-010  
FPO Seattle 98760

**Atsugi**  
KENWOOD Rep., c/o  
Atsugi NEX No. 260-020 FPO Seattle 98767

**Iwakuni**  
KENWOOD Rep., c/o  
Marine Corps Exchange, Marine Corps Air Station,  
FPO Seattle 98764

**Sasebo**  
Sasebo NEX;  
Navy Exchange 260-040  
F.A. Box 115 FPO Seattle 98766

**Okinawa**  
KENWOOD Rep., c/o  
OWAX, AAFES-PAC, APO San Francisco 96230

**KOREA:**  
KENWOOD Rep., c/o  
KOAX Repair Shop, AAFES-PAC  
DD-Camp Market, APO San Francisco 96488

**GUAM:**  
KENWOOD Rep., c/o  
Guam NEX No. 230-010,  
FPO San Francisco 96630  
KENWOOD Rep., c/o  
GUAX, AAFES-PAC, APO San Francisco 96334

#### U.S.A.:

**In The Continental U.S.A.**  
For Nearest Authorized Service Center:  
Tel: 1-800-536-9663  
www.us.jvckenwood.com

#### EUROPE:

Please inquire at the military resale outlets where you bought your KENWOOD products, or JVCKENWOOD DEUTSCHLAND GMBH: Konrad-Adenauer Allee 1-11, 61118 Bad Vilbel, Germany

## KENWOOD WARRANTY

JVCKENWOOD Canada Inc. (hereinafter called "KENWOOD"), gives the following written warranty to the original customer of each new KENWOOD product distributed in Canada by KENWOOD and purchased from a dealer authorized by KENWOOD.

KENWOOD warrants that each new KENWOOD product, under normal use, is free from any defects, subject to the terms and conditions set forth below. If a defect should occur within the warranty period, repairs will be made free of charge for parts and labour when such defects are determined by KENWOOD or its authorized service centres to be attributable to faulty materials or workmanship at time of manufacture. Please contact KENWOOD to confirm if a dealer or service centre is authorized by KENWOOD.

### WARRANTY PERIOD

This KENWOOD product is warranted for parts and labour for a period of one (1) year from the date of original purchase, lease or rental, except for products which are used in a professional or commercial application, which are warranted for a period of ninety (90) days for parts and labour and are subject to the terms and conditions of the warranty.

### WARRANTY EXCLUSIONS

This warranty excludes:

- Products purchased in a foreign country or purchased in Canada and taken to a foreign country.
- Products purchased from a dealer not authorized by KENWOOD.
- Products with the serial number defaced, altered or missing.
- Periodic check-ups which do not disclose any defects covered by this warranty.
- Defects resulting from disaster, accident, abuse, misuse, lightning, power surges, neglect or lack of periodic maintenance, unauthorized modification or failure to follow instructions in the owner's manual.
- Defects or damage as a result of repairs performed by a person or party not authorized by KENWOOD.
- Defects resulting from the use of parts or devices that do not conform to KENWOOD specifications.
- Damage or deterioration occurring from any exterior finishes, cosmetic parts, tape heads, adaptors, antennas, cables, tapes, discs or faults or damage caused by defective or leaking batteries.
- Defects or damage occurring during shipping (claims should be presented to the shipping company).
- Product voltage and/or line frequency conversions.
- Product installation or removal charges.

### TO OBTAIN WARRANTY SERVICE

Should your KENWOOD product require warranty service, deliver it to any authorized KENWOOD service centre and present the original copy of your bill of sale and this warranty card as proof of warranty, or send your product fully insured and freight prepaid to the nearest authorized KENWOOD service centre. To avoid possible shipping damage, make sure the product is properly packed. Include a copy of your original bill of sale and this warranty card as proof of warranty along with your name, home and/or work telephone number(s), a complete return address and a detailed description of the fault(s). Products repaired within warranty will be returned freight prepaid to destinations within Canada. The customer is responsible for all freight and related costs for the return of product(s) to destinations outside Canada.

### ENTIRE WARRANTY

This warranty constitutes the entire written warranty given by KENWOOD. No person, party, dealer or service centre or their agents or employees are authorized to extend or enlarge this warranty on behalf of KENWOOD by any written or verbal statement or advertisement or promotion, including any extended warranty program or plan that may be offered by the dealer or service centre, unless approved in writing by KENWOOD.

### DISCLAIMER

KENWOOD disclaims any responsibility for loss of time or use of the product or any other indirect, incidental or consequential damage to other products or goods, inconvenience or commercial loss.

### NOTICE TO CONSUMER

The provisions contained in this written warranty are not intended to limit, modify, take away, disclaim or exclude any warranties or rights you may have which are set forth in any applicable provincial or federal laws or legislation.

### IMPORTANT

This warranty card by itself is not considered by KENWOOD as a valid proof of purchase. When applying for warranty repairs, you must present the original copy of your bill of sale and this warranty card as proof of warranty, so we recommend that they be kept in a safe place, should they be required in the future.

JVCKENWOOD Canada Inc.  
6070 Kestrel Road, Mississauga, Ontario, Canada L5T 1S8  
Tel.: (905) 670-7211  
Fax: (905) 670-7248

### ATTENTION

This card and receipt (or invoice) are necessary to purchase a new panel in case of theft or damage.

## GARANTIE KENWOOD

JVCKENWOOD Canada Inc. (ci-après appelée "KENWOOD"), donne par écrit la garantie suivante à l'acheteur original de chaque nouveau produit KENWOOD distribué au Canada par KENWOOD et acheté à un concessionnaire autorisé par KENWOOD.

KENWOOD garantit, sous réserve des termes et des conditions énoncés ci-dessous, que chaque nouveau produit KENWOOD, dans des conditions d'emploi normales, est exempt de tous défauts. Si l'un d'eux se produit pendant la période de garantie, KENWOOD s'engage à assumer le coût des pièces défectueuses et de la main-d'œuvre nécessaires pour effectuer les réparations pourvu que de tels défauts sont attribuables à des pièces défectueuses employées lors de la fabrication du produit KENWOOD ou à la main-d'œuvre tel qu'établi par KENWOOD ou par l'un de ses centres de service autorisés. Appelez KENWOOD pour vérifier si un concessionnaire ou un centre de service est autorisé par KENWOOD.

### PÉRIODE DE GARANTIE

Les pièces et la main-d'œuvre nécessaires pour la réparation des produits KENWOOD sont garanties pendant la période d'un (1) an à compter de la date d'achat, de bail ou de location originale, sauf dans les cas où les produits KENWOOD sont employés dans un but professionnel ou commercial, où la garantie des pièces et de la main-d'œuvre demeure en vigueur pendant une période de quatre-vingt-dix (90) jours sous réserve des termes et des conditions de la garantie.

### EXCLUSIONS DE GARANTIE

Cette garantie ne couvre pas:

- les produits achetés à l'étranger ou achetés au Canada et transportés à l'étranger;
- les produits achetés à un concessionnaire non autorisé par KENWOOD;
- les produits dont le numéro de série manque, a été effacé ou modifié;
- les services d'entretien périodiques qui n'indiquent aucun défaut couvert par cette garantie;
- les défauts causés par les désastres, les accidents, les abus, les emplois incorrects, les éclairés, les surtensions de courant, les manques de soins ou d'entretiens périodiques, les modifications non autorisées ou les manques de respect du mode d'emploi;
- les défauts ou les dommages causés lors de réparations effectuées par une personne ou par une partie non autorisée par KENWOOD;
- les défauts causés par l'emploi de pièces ou de dispositifs qui ne se conforment pas aux exigences de KENWOOD;
- les finitions extérieures, les pièces cosmétiques, les têtes de bandes, les adaptateurs, les antennes, les câbles, les bandes, les disques endommagés ou déperis, ni les défauts ou dommages causés par des pièces défectueuses ou qui fuient;
- les défauts ou dommages qui se produisent pendant l'expédition des produits KENWOOD (On devrait déposer de telles réclamations auprès des compagnies de transport);
- les conversions de tension et/ou de fréquence du produit;
- les frais d'installation ou d'enlèvement du produit.

### COMMENT OBTENIR DU SERVICE SOUS GARANTIE

Au cas où un service sous garantie de votre produit KENWOOD s'avère nécessaire, veuillez livrer le produit à n'importe quel centre de service KENWOOD et présenter la copie originale du contrat de vente et cette carte de garantie en tant que preuve de garantie ou veuillez faire parvenir votre produit assuré et port payé au centre de service KENWOOD autorisé le plus proche. Pour éviter toutes possibilités de dommages pendant le transport, veuillez bien emballer le produit. Veuillez inclure une copie du contrat de vente original et cette carte de garantie en tant que preuve de garantie aussi bien que votre nom, numéros de téléphone au poste de travail et/ou au domicile, votre adresse et une description détaillée des défauts. Les produits sous garantie réparés seront retournés port payé aux destinations à l'intérieur du Canada. Le consommateur sera responsable de tous frais de transport et d'autres frais qui s'y rapportent pour faire expédier les produits à destinations à l'extérieur du Canada.

### L'ENTIERE GARANTIE

Cette garantie représente l'entière garantie donnée par écrit par KENWOOD. KENWOOD ne se tient aucunement responsable de toutes extensions ni de toutes augmentations de cette garantie faites ou entreprises par toutes personnes, parties, concessionnaires ou centres de service ou par leurs agents ou employés au nom de KENWOOD au moyen d'affirmations verbales ou écrites, d'annonces ou de promotions, y inclus tous programmes ou plans de garantie étendue que puissent offrir les concessionnaires ou les centres de service, à moins que KENWOOD n'y ait consenti par écrit d'avance.

### RENONCIATION

KENWOOD renonce à toutes responsabilités de perte de temps, d'emploi du produit, de tous dommages indirects ou accessoires causés à d'autres produits ou biens, de tous inconvénients ou de toutes pertes commerciales.

### AVIS AUX CONSOMMATEURS

Les stipulations contenues dans la présente garantie écrite n'ont pas pour but de limiter, de modifier, de diminuer, de rejeter ni d'exclure d'autres garanties ni droits énoncés dans n'importe quelles lois ou législations provinciales ou fédérales.

### IMPORTANT

KENWOOD ne considère pas cette garantie toute seule comme étant une preuve d'achat valide. Lorsqu'on demande du service sous garantie, il faudra présenter la copie originale du contrat de vente aussi bien que cette carte de garantie en tant que preuve de garantie. On recommande de les conserver dans un lieu sûr au cas où elles s'avèreraient nécessaires à l'avenir.

JVCKENWOOD Canada Inc.  
6070 Kestrel Road, Mississauga, Ontario, Canada L5T 1S8  
Téléphone: (905) 670-7211  
Télécopieur: (905) 670-7248

### ATTENTION

La carte de garantie et la preuve d'achat (ou la facture) sont nécessaires à l'achat d'une nouvelle façade détachable en cas de dommages ou de vol.

The warranty will only be honoured in the country in which the unit was originally purchased.

## EXPRESS WARRANTY STATEMENT FOR CAR STEREO AND PERSONAL AUDIO COMPONENTS

JVC KENWOOD MALAYSIA SDN. BHD. is proud of the quality and workmanship of its audio equipment. This unit has been properly designed, tested and inspected before it was shipped to you. If properly installed and operated in accordance with instructions furnished, it should give optimum reliable performance.

### SCOPE OF EXPRESS WARRANTY

Each of the KENWOOD brand products is expressly warranted under normal installation and use against defects in material and workmanship. During the express warranty period, JVC KENWOOD MALAYSIA SDN. BHD. will provide to any KENWOOD Authorised Service Centre in Malaysia free of charge both parts and labour necessary to correct any defect in material or workmanship. However, the exclusions noted under the heading "CONDITIONS OF THE EXPRESS WARRANTY" are not covered by this express warranty.

### EXPRESS WARRANTY PERIOD

The KENWOOD brand car stereo and personal audio components are expressly warranted for a period of **ONE YEAR** from the date of the original purchase.

### CONDITIONS OF THE EXPRESS WARRANTY

When requesting service under KENWOOD express warranty record, together with a valid purchase docket must be presented to an authorised KENWOOD Service Centre with your equipment.

The following are not covered by this express warranty:

1. Voltage conversions.
2. Cabinets, grilles, other exterior finishes, belts, tape heads, and other non-durable parts and accessories.
3. Any fault caused by faulty installation, water damage, the vehicle (including its electrical system) or connection to an incorrect power supply.
4. Periodic check-ups which do not disclose any defects covered by the warranty.
5. Units on which the serial number has been defaced, modified or removed.
6. Damage or deterioration:
  - a. Resulting from installation and/or removal of the product.
  - b. Resulting from accident, misuse, abuse, neglect, unauthorised product modification or failure to follow instructions contained in the Owner's Manual.
  - c. Resulting from repair by anyone not authorised by KENWOOD.
  - d. Resulting from installation of parts or accessories that do not conform to the quality or specifications of the original parts or accessories.
  - e. Occurring during shipment (claims must be presented to shipper).
7. Damaged magnetic tapes.
8. Installation and removal charges are not covered.
9. This express warranty excludes shipping or delivery charges to or from an authorised KENWOOD Service Centre.
10. The benefits conferred by this express warranty are in addition to all other rights and remedies in respect of the product which the consumer has under Sales of Goods Act 1957 (Revised 1989).

### EXCLUSION OF CERTAIN DAMAGES

KENWOOD's liability for any defective product is limited to the repair or replacement of said product at our option, and shall not include damages of any kind, whether incidental, consequential or otherwise.

### PROCEDURE WHEN REQUESTING SERVICE UNDER THE WARRANTY

1. Make your equipment available, with this warranty record and purchase docket attached, to the dealer from whom you made the purchase, or the nearest authorised KENWOOD Service Centre, or ship your equipment in its original packaging, or equivalent, fully insured and shipping charges pre-paid, to the authorised KENWOOD Service Centre.
2. Attach detailed description of the problem encountered, including details of any interconnections made to associated equipment.
3. Make sure you recover this card, your purchase docket and repair docket when accepting the equipment back after repair.

### IMPORTANT NOTICE

1. Proper maintenance and use are important to the performance level of all KENWOOD brand products. Therefore, you should read your instruction manual.
2. Retain your purchase docket together with this warranty record in a safe place, and present them both to prove your eligibility for warranty work.
3. We recommend that you keep all the original packaging as it provides the best protection you can have for transportation of your equipment in the future.
4. Location of nearest KENWOOD Service Centre will be sent upon request.
5. This warranty is in addition to and not in place of such rights at the owner may have at law.

JVC KENWOOD MALAYSIA SDN. BHD.

7F, Menara AmRST, No. 1, Jalan 19/3, 46300 Petaling Jaya,

Selangor, Malaysia

TEL. (03)-7957-3330

FAX. (03)-7956-3339

### ATTENTION

This card and receipt (or invoice) are necessary to purchase a new panel in case of theft or damage.

The warranty will only be honoured in the country in which the unit was originally purchased.

## EXPRESS WARRANTY STATEMENT FOR CAR STEREO AND PERSONAL AUDIO COMPONENTS

JVC KENWOOD AUSTRALIA PTY. LTD. ("JVC KENWOOD") is proud of the quality and workmanship of its audio equipment. This unit has been properly designed, tested and inspected before it was shipped to you. If properly installed and operated in accordance with instructions furnished, it should give optimum reliable performance.

### For Australian Customers

Our goods come with guarantees that cannot be excluded under the Australian Consumer Law. Under Australian Consumer Law, you are entitled to a replacement or refund for a major failure and for compensation for any other reasonably foreseeable loss or damage. You are also entitled to have the goods repaired or replaced if the goods fail to be of acceptable quality and the failure does not amount to a major failure.

The benefits of this warranty are in addition to any rights and remedies imposed by Australian State and Federal legislation that cannot be excluded. Nothing in this warranty is to be interpreted as excluding, restricting or modifying any State or Federal legislation applicable to the supply of goods and services which cannot be excluded, restricted or modified.

### For New Zealand Customers

The benefits of the express warranty described below are in addition to your statutory rights and remedies under the Consumer Guarantees Act 1993 that cannot be excluded. If you are acquiring Product for the purposes of a business, to the extent permitted by law, the Consumer Guarantees Act 1993 does not apply. Otherwise nothing in this warranty is to be interpreted as excluding, or restricting, the Consumer Guarantees Act 1993. To the extent permitted by law, all other warranties, guarantees or representations (whether implied by statute, common law or custom of the trade or otherwise) in respect of the Product, not expressly included in this warranty, are excluded.

### SCOPE OF EXPRESS WARRANTY

Subject to the "EXCLUSIONS", "PROCEDURE WHEN REQUESTING SERVICE UNDER THE EXPRESS WARRANTY" and "LIMITATIONS" below, each of the KENWOOD brand products ("Products") is expressly warranted under normal installation and use against defects in material and workmanship during the Warranty Period.

This warranty is not transferable to a subsequent customer if the Product is sold by the original purchaser during the Warranty Period. During the Warranty Period, JVC KENWOOD will cause the Product or the defective part of the Product to be repaired by providing to any JVC KENWOOD Authorized Service Centre in Australia or New Zealand (as applicable to country of purchase) free of charge parts necessary to correct any defect in material or workmanship. JVC KENWOOD reserves the right to replace defective parts of the Product with parts and components of similar quality, grade and composition implied by statute, common law or custom of the trade or otherwise) in respect of the Product, not expressly included in this warranty, are excluded. Refurbished parts may be used to repair the goods.

### WARRANTY PERIOD

The KENWOOD brand car stereo is expressly warranted for a period of **ONE YEAR** from the date of the original purchase.

### CONDITIONS OF THE EXPRESS WARRANTY

The following are not covered by this express warranty:

1. Voltage conversions;
2. Cabinets, grilles, other exterior finishes, belts, tape heads, and other non-durable parts and accessories;
3. Any fault caused by faulty installation, water damage, the vehicle (including its electronically system) or connection to an incorrect power supply;

4. Periodic check-ups which do not disclose any defects covered by this warranty;
5. Products on which the serial number has been defaced, modified or removed;
6. Products that have been subject to abnormal conditions, including environment, temperature, water, fire, humidity, pressure, stress or similar;
7. Alleged defects that are within acceptable industry variances;
8. Damage or deterioration:
  - a. Resulting from installation and/or removal of the product.
  - b. Resulting from accident, misuse, abuse, neglect, unauthorised product modification or failure to follow instructions contained in the Owner's Manual.
  - c. Resulting from installation of parts or accessories that do not conform to the quality or specifications of the original parts or accessories.
  - d. Occurring during shipment (claims must be presented to shipper); and
  9. Damaged magnetic tapes.

The warranty does not extend to:

1. Installation and removal charges; or
2. Shipping charges to or from an authorised JVC KENWOOD Service Centre.

### PROCEDURE WHEN REQUESTING SERVICE UNDER THE WARRANTY

1. When requesting service under JVC KENWOOD warranty, preferably make your Product available for inspection and testing to the dealer from whom you made the purchase, or to the nearest Authorised JVC KENWOOD Service Centre for KENWOOD products. Otherwise, contact JVC KENWOOD at the contact address listed below.
  - Attach the following to the Product:
    - the warranty record in the back of this page together;
    - a valid purchase docket attached; and
    - detailed description of the problem encountered, including details of any problems which relate to associated equipment.
2. If such inspection and testing find no defect in the Product, the purchaser, at JVC KENWOOD's discretion must pay JVC KENWOOD's cost of service work, evaluation and testing.
3. Make sure you recover this card, your purchase docket and repair docket when accepting the equipment back after repair or after your claim is rejected.

### IMPORTANT NOTICE

1. Proper maintenance and use are important to the performance level of all KENWOOD brand products. Therefore, you should read your instruction manual.
2. Retain your purchase docket together with this warranty record in a safe place, and present them both to prove your eligibility for warranty service.
3. We recommend that you keep all the original packaging as it provide the best protection you can have for transportation of your equipment in the future.
4. Location of nearest JVC KENWOOD Service Centre can be obtained from the dealer.

### LIMITATIONS

To the extent permitted by law, JVC KENWOOD makes no express warranties or representations other than set out in this warranty. The repair or replacement of the unit or part of the unit is the absolute limits of JVC KENWOOD's liability under this express warranty.

JVC KENWOOD AUSTRALIA PTY. LTD.

4 TALAVERA ROAD, NORTH RYDE

N.S.W. 2113, AUSTRALIA

TEL. (02) 8879-2211

FAX. (02) 8879-2255

svcddept@jvckenwood.com.au

### ATTENTION

This card and receipt (or invoice) are necessary to purchase a new panel in case of theft or damage.

### Уважаемый покупатель!

Благодарим Вас за покупку этого изделия марки KENWOOD и надеемся, что оно Вам понравится. В случае, если Ваше изделие будет нуждаться в гарантийном обслуживании, пожалуйста, обращайтесь в Авторизованные Сервисные Центры KENWOOD (далее АСЦ) или в магазин, где Вы приобрели изделие KENWOOD. Список сервисных центров можно получить у продавца или на сайте <http://www.kenwood-rus.ru/support/service/>

Данный гарантийный талон действителен только в той стране, где изначально был куплен аппарат. Настоящая гарантия будет предоставлена в дополнение к правам потребителя и не ущемляет никакие другие права, которые могут быть предоставлены покупателю законом о защите прав потребителей и другими соответствующими законами.

Без предъявления настоящего гарантийного талона мы не сможем обеспечить гарантийное обслуживание. Просим Вас сохранять Ваш сертификат вместе с чеком покупки на весь период гарантийного обслуживания.

На основании этой потребительской гарантии KENWOOD гарантирует отсутствие в изделии дефектов в материалах и работе сроком на (один) год, начиная с даты первоначальной покупки. Если в течение этого гарантийного срока в изделии обнаружатся дефекты в материалах или работе, АСЦ KENWOOD бесплатно отремонтирует это изделие и заменит его дефектные части на приведенных ниже условиях. Также мы оставляем за собой право замены изделия, если его ремонт экономически нецелесообразен.

### Гарантийные условия

A. Ремонт дефектного изделия осуществляется по предъявлению потребителем четко, правильно и полностью заполненного гарантийного талона, с внесенными в него следующие данные:

- (a) Фамилии и адреса покупателя;
- (b) Полного названия и адреса дилера у кого был приобретен аппарат;
- (c) Наименования модели и серийного номера аппарата;
- (r) А также кассового и товарного чека или любого другого документа, подтверждающим покупку изделия. Без предъявления данного талона, в случае отсутствия в нем полной информации или при наличии каких-либо изменений в талоне, претензии к качеству изделия не принимаются и гарантийный ремонт не производится.

B. Фирма KENWOOD уделяет большое внимание качеству выпускаемой продукции. При использовании ее для личных (бытовых) нужд с соблюдением правил эксплуатации срок ее службы может значительно превзойти официальный срок службы, установленный в соответствии с действующим законодательством о правах потребителей. Адаптация и изменения с обычной сферы применения изделия, указанной в инструкции по эксплуатации настоящей гарантии не покрываются.

C. Настоящая гарантия не распространяется на следующее:

- (a) ремонт предусмотрен Инструкцией по эксплуатации или является частью обычного технического обслуживания, включая периодические проверки, чистку аудио/видео головок;
- (b) ремонт, произведенный не уполномоченными на то сервисными центрами или другими лицами или организациями не имеющих юридических полномочий производить ремонт;
- (c) изделие вышло из строя в результате механического повреждения, воздействия на него домашних животных или насекомых, некачественной установки или неправильного использования;
- (r) повреждение изделия вызванное несчастным случаем, механическим повреждением, ударом молнии, затоплением, пожаром, неправильной вентиляцией, колебаниям напряжения и иных причин, находящихся вне контроля KENWOOD;
- (d) громкоговорители поврежденные колебанием напряжения не соответствующим спецификации, и повреждение или потеря программного обеспечения или съемных носителей, не являющихся частью изделия KENWOOD;
- (e) расходные материалы нуждающиеся в замене, такие как (но не ограничиваясь): аудио/видео головок, все виды батарей, шнуров, разъемов и прочих деталей, обладающих ограниченным сроком использования;
- (x) если серийный номер или номер модели на изделии изменен, удален, стерт или неразборчивый.

Настоящая гарантия распространяется только на официально поставляемые изделия.

Настоящая гарантия действительна только для изделий используемых для личных бытовых нужд, и не распространяется на изделия, которые используются для коммерческих, промышленных или профессиональных целей.

Производитель: ДжейВиСи Кенвуд Корпорейшн  
Импортер и Представитель Производителя в России:  
ООО «ДжейВиСи КЕНВУД РУС»

127018, Москва, ул. Суцескский Вал, дом 31, строение 1

Для получения подробной информации по продуктам KENWOOD, пожалуйста, посетите сайт [www.kenwood-rus.ru](http://www.kenwood-rus.ru)

### ВНИМАНИЕ

Гарантийный талон и чек (товарный или кассовый) необходимы для приобретения новой панели в случае ее потери/кражи или повреждения.

O fabricante garante o produto identificado na Nota Fiscal de venda ao consumidor contra qualquer defeito de fabricação ou de matéria-prima durante o período de garantia. Esta garantia é válida no território brasileiro desde que o produto tenha sido adquirido no Brasil e distribuído pela JVC KENWOOD do Brasil Comércio de Eletrônicos Ltda.

### PERÍODO DE GARANTIA

Este produto é garantido pelo prazo de 01 (um) ano, incluindo o período estabelecido por lei, a partir da data de aquisição, comprovada mediante a apresentação da respectiva Nota Fiscal de venda ao consumidor final. Eventuais reparos realizados no produto durante o período de garantia não implicam na dilatação do seu prazo.

### EXCLUSÃO DA GARANTIA

- (a) Produtos com o número de série ou certificado de garantia rasurados, adulterados ou ilegíveis;
- (b) Defeitos resultantes de acidentes (quedas, batidas e etc), uso em desacordo com o manual de instruções, má utilização, ligação à fonte de tensão diferente da especificada no Manual de Instruções, modificações não autorizadas;
- (c) Danos causados por agentes da natureza (Ex: chuvas, raios, maresia, enchentes e etc);
- (d) Defeitos ou danos em decorrência de consertos realizados por pessoas não autorizadas;
- (e) Defeitos ou danos resultantes do uso de peças ou dispositivos não conformes às especificações da JVC KENWOOD;
- (f) Danos ou deteriorações aos acabamentos externos, partes cosméticas, cabos, chicotes, parafusos de fixação, luvas, alças, bolsos, estojos, adaptadores, antenas, fitas, cabeças gravadoras, CDs ou danos causados por pilhas defeituosas ou com vazamento;
- (g) Defeitos ou danos devido ao transporte (reclamações devem ser feitas junto à empresa transportadora);
- (h) Qualquer outra causa que não esteja relacionada a defeitos de matéria-prima e de fabricação;
- (i) Danos causados por tentativa de roubo ou furto;
- (j) Danos causados por uso de CDs de má qualidade;
- (k) Danos decorrentes do desgaste natural do produto;
- (l) Danos causados por mau uso, (derramamento de líquidos e/ou alimentos, corrosão, oxidação, exposição à umidade ou situações climáticas extremas, riscos ou quedas).

### CONSERVO EM GARANTIA

É indispensável a apresentação deste Certificado de Garantia devidamente preenchido, acompanhado da respectiva Nota Fiscal de compra do produto, desde que não apresente rasuras ou modificações. O consumidor somente terá direito a estes benefícios, quando o produto for entregue diretamente no balcão de um Serviço Autorizado da JVC KENWOOD.

### O QUE NÃO É COBERTO PELA GARANTIA

Instalação e remoção do produto, despesas de frete, seguro e embalagem são de responsabilidade do proprietário. Este produto é destinado exclusivamente ao uso doméstico.

### IMPORTANTE:

Para qualquer informação sobre seu equipamento JVC KENWOOD, ou para obter o endereço do Serviço Autorizado mais próximo, acesse o site [www.kenwood.com.br](http://www.kenwood.com.br), ou ligue para a Central de Atendimento JVC KENWOOD - Tel.: +55 (11) 3777-6771 com oss dados abaixo preenchidos.

JVC KENWOOD DO BRASIL COMÉRCIO DE ELETRÔNICOS LTDA

Tel. (11) 3777-6771

[www.kenwood.com.br](http://www.kenwood.com.br)

Nome do consumidor: \_\_\_\_\_

Endereço: \_\_\_\_\_ CEP: \_\_\_\_\_

Cidade: \_\_\_\_\_ Estado: \_\_\_\_\_

Telefone: \_\_\_\_\_

Data da compra: \_\_\_\_ / \_\_\_\_ / \_\_\_\_ Nota Fiscal: \_\_\_\_\_

### ATENÇÃO

Em caso de dano ou perda do painel frontal, este Certificado de Garantia e a Nota Fiscal de compra serão requisitados para a aquisição de um novo painel.



## Free Manuals Download Website

<http://myh66.com>

<http://usermanuals.us>

<http://www.somanuals.com>

<http://www.4manuals.cc>

<http://www.manual-lib.com>

<http://www.404manual.com>

<http://www.luxmanual.com>

<http://aubethermostatmanual.com>

Golf course search by state

<http://golfingnear.com>

Email search by domain

<http://emailbydomain.com>

Auto manuals search

<http://auto.somanuals.com>

TV manuals search

<http://tv.somanuals.com>