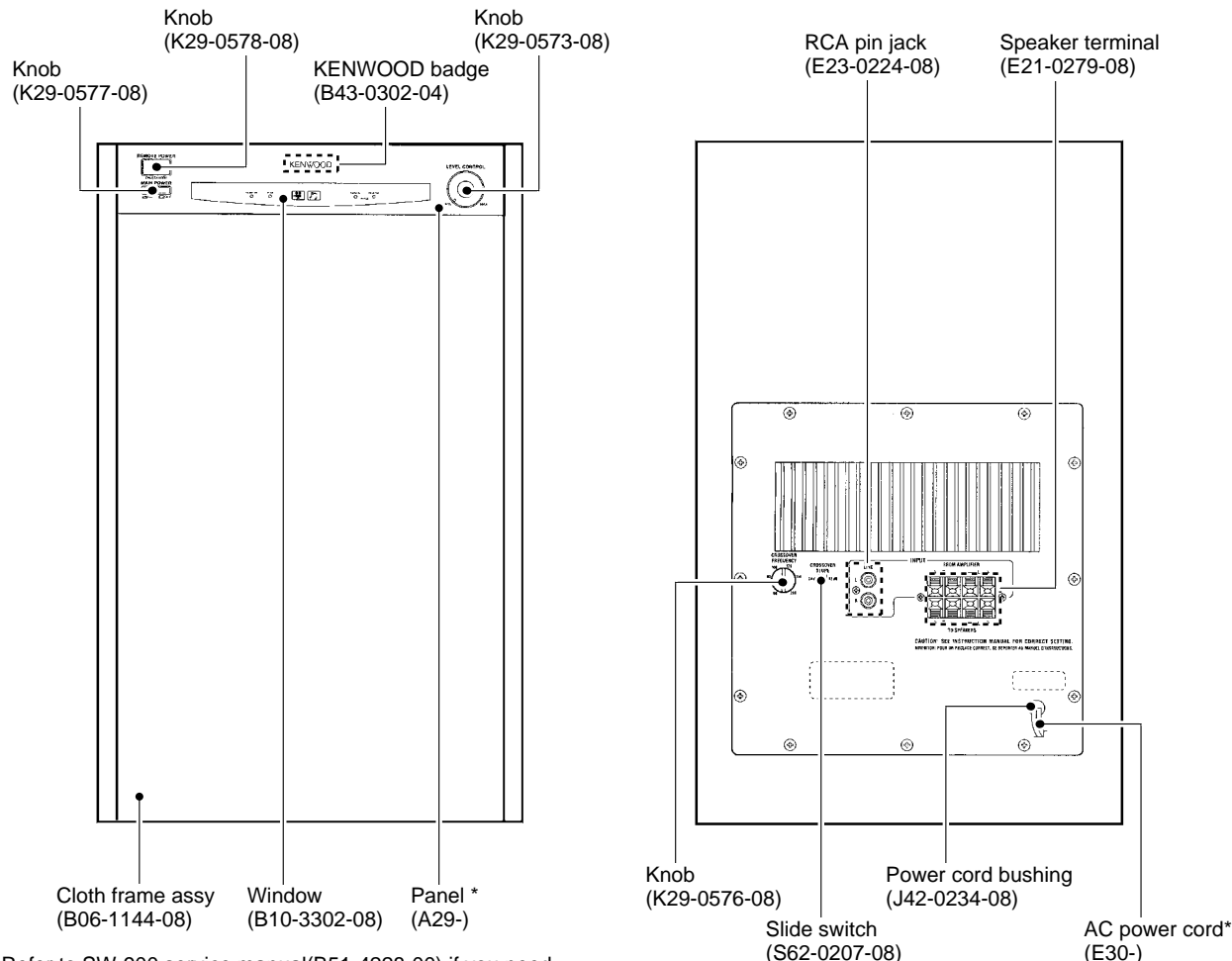


# 103SW/SW-301 1050SW/SW-501 SERVICE MANUAL



Note : Refer to SW-900 service manual(B51-4228-00) if you need the microprocessor information.

\* Refer to parts list on page 8.

## SPECIFICATIONS

### Amplifier

Power output

#### 1050SW(SW-501)

150 watts RMS into 4 ohms, from 20 Hz to 200 Hz, with no more than 0.09%total harmonic distortion

#### 103SW(SW-301)

100 watts RMS into 4 ohms, from 20 Hz to 200 Hz, with no more than 0.09%total harmonic distortion

Phase switching

Normal, Reverse

Normal, Reverse

Input sensitivity and input impedance

RCA-type jack  
Push-type terminals

70 mV (12 k-ohms)  
1.7 V(15 k-ohms)  
AC 110 V~120 V (1050SW)  
150 watts

70 mV (12 k-ohms)  
1.7 V(15 k-ohms)  
AC 110 V~120 V(103SW)  
110 watts

Supply voltage

Rated power consumption

### Speaker

Enclosure  
Speaker units

Ported  
12 in (300 mm) polypropylene cone  
4 ohms  
14.3 in (363 mm)  
21.7 in (550 mm)  
18.9 in (480 mm) with grille  
53 lb (24 kg)

Ported  
10 in (250 mm) polypropylene cone  
4 ohms  
11.8 in (300 mm)  
18.9 in (480 mm)  
15.6 in (395 mm)  
40 lb (18 kg)

Nominal impedance

Width

Height

Depth

Net weight

Since Kenwood follows a policy of continuous advancement in development, these specifications may change without notice.

# 103SW/SW-301/1050SW/SW-501

## CONTENTS/DISASSEMBLY FOR REPAIR/ADJUSTMENT

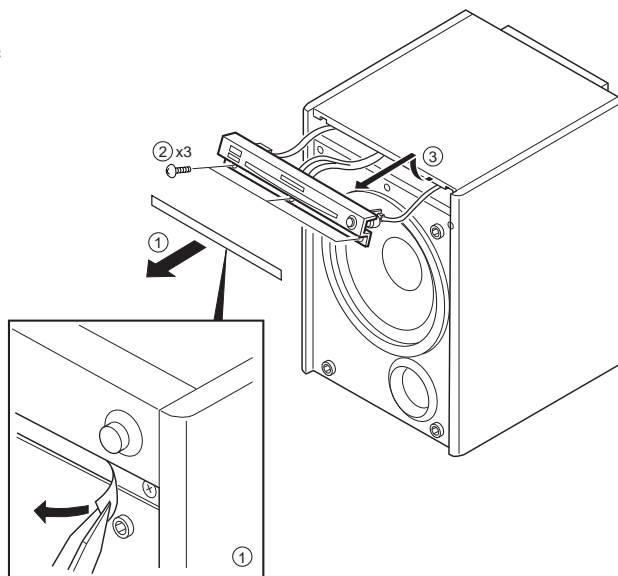
### Contents

|                              |           |                         |   |
|------------------------------|-----------|-------------------------|---|
| SPECIFICATIONS .....         | Top cover | PC BOARD .....          | 3 |
| CONTENTS .....               | 2         | SCHEMATIC DIAGRAM ..... | 5 |
| DISASSEMBLY FOR REPAIR ..... | 2         | EXPLODED VIEW .....     | 7 |
| ADJUSTMENT .....             | 2         | PARTS LIST .....        | 8 |

### DISASSEMBLY FOR REPAIR

#### < How to remove the front panel >

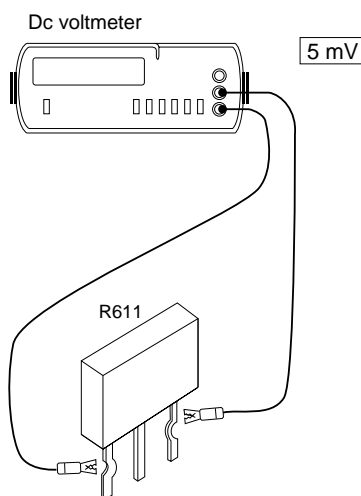
1. Remove the decoration plate (①) by a pincette to the bottom of the front panel, then remove the 3 screws (②).
2. 103SW/SW-301: Remove the front panel in the upper slanting direction of the arrow (③).
- 1050SW/SW-501 : Remove the front panel just the frontwards.



### ADJUSTMENT

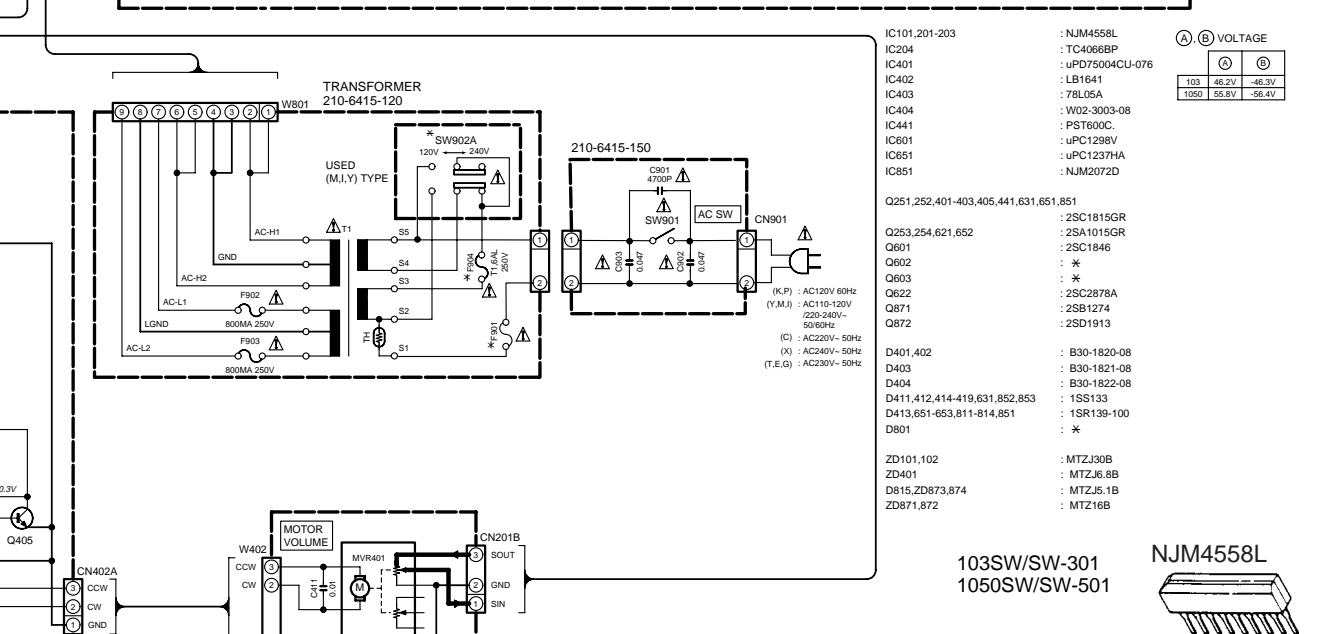
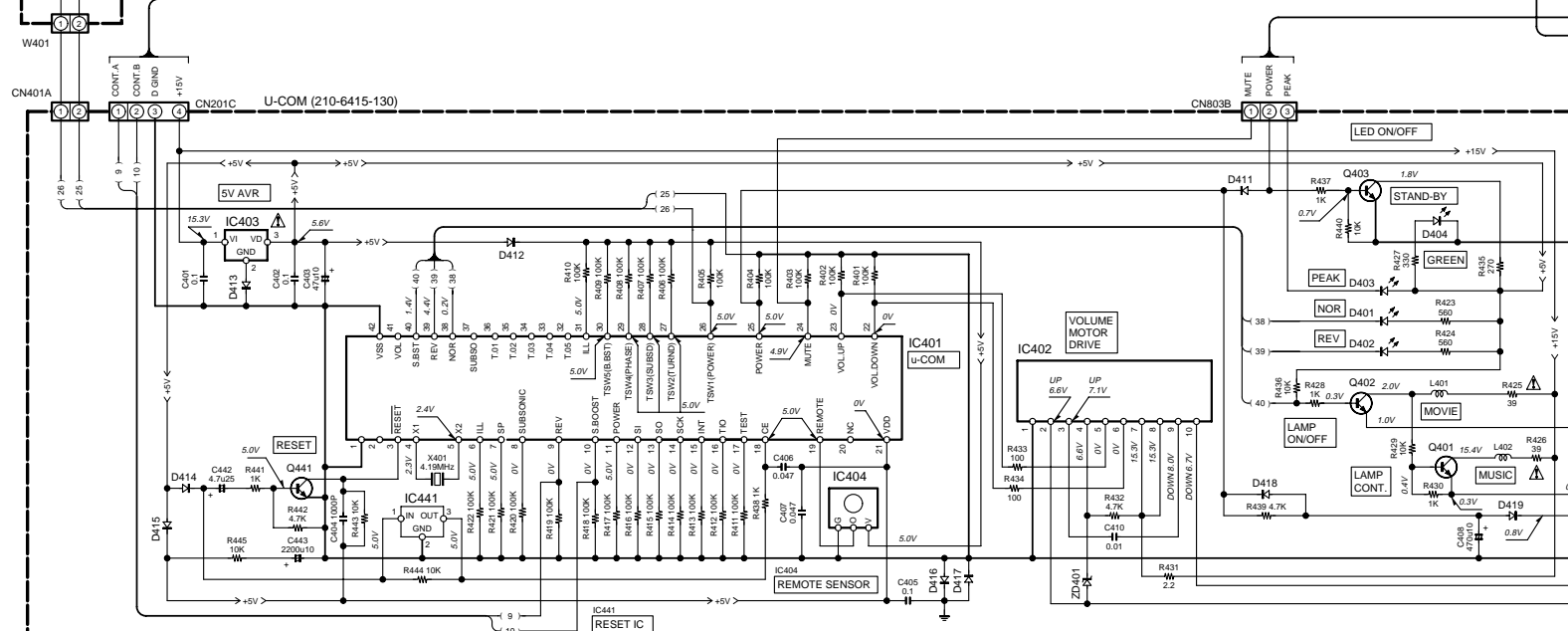
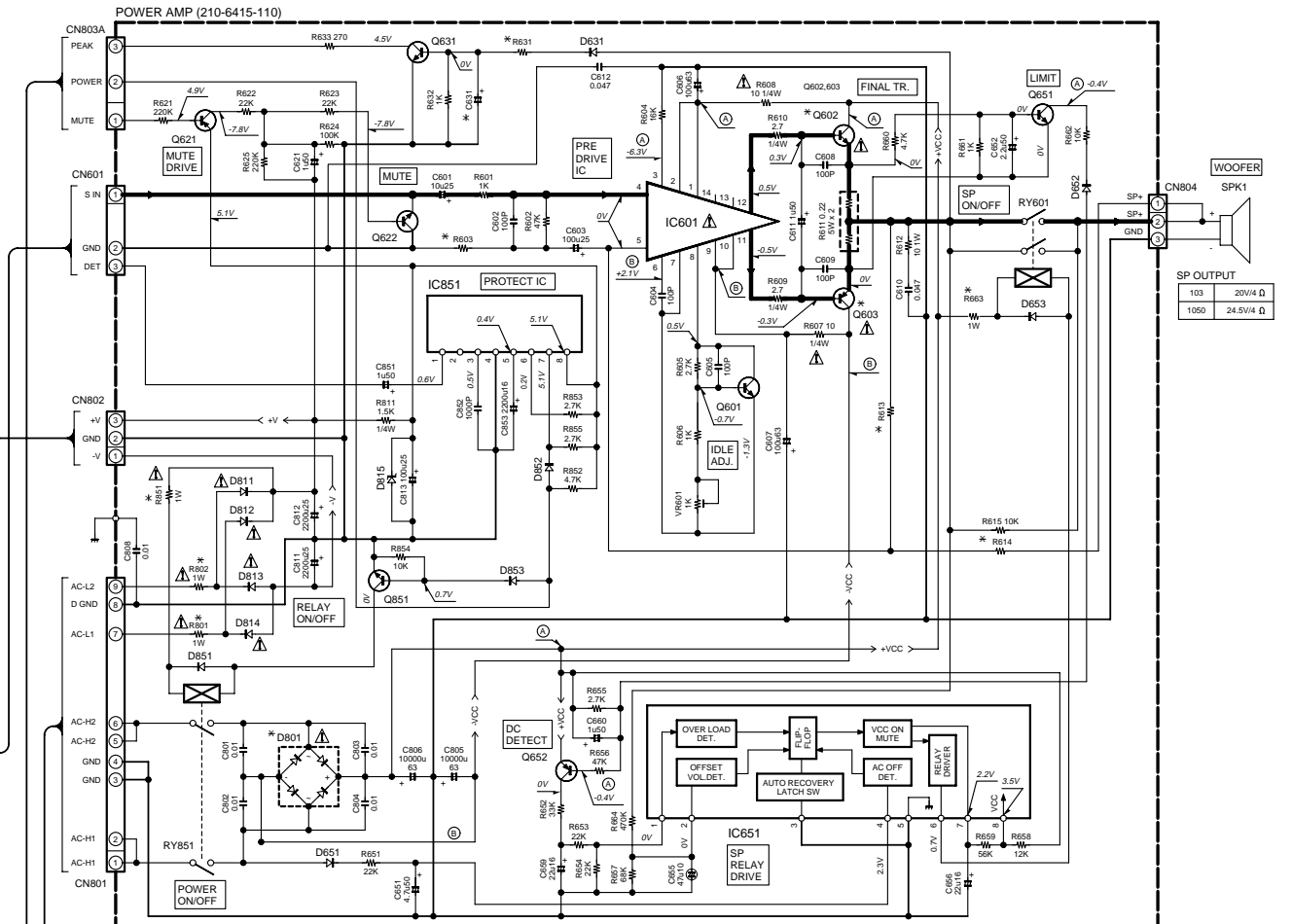
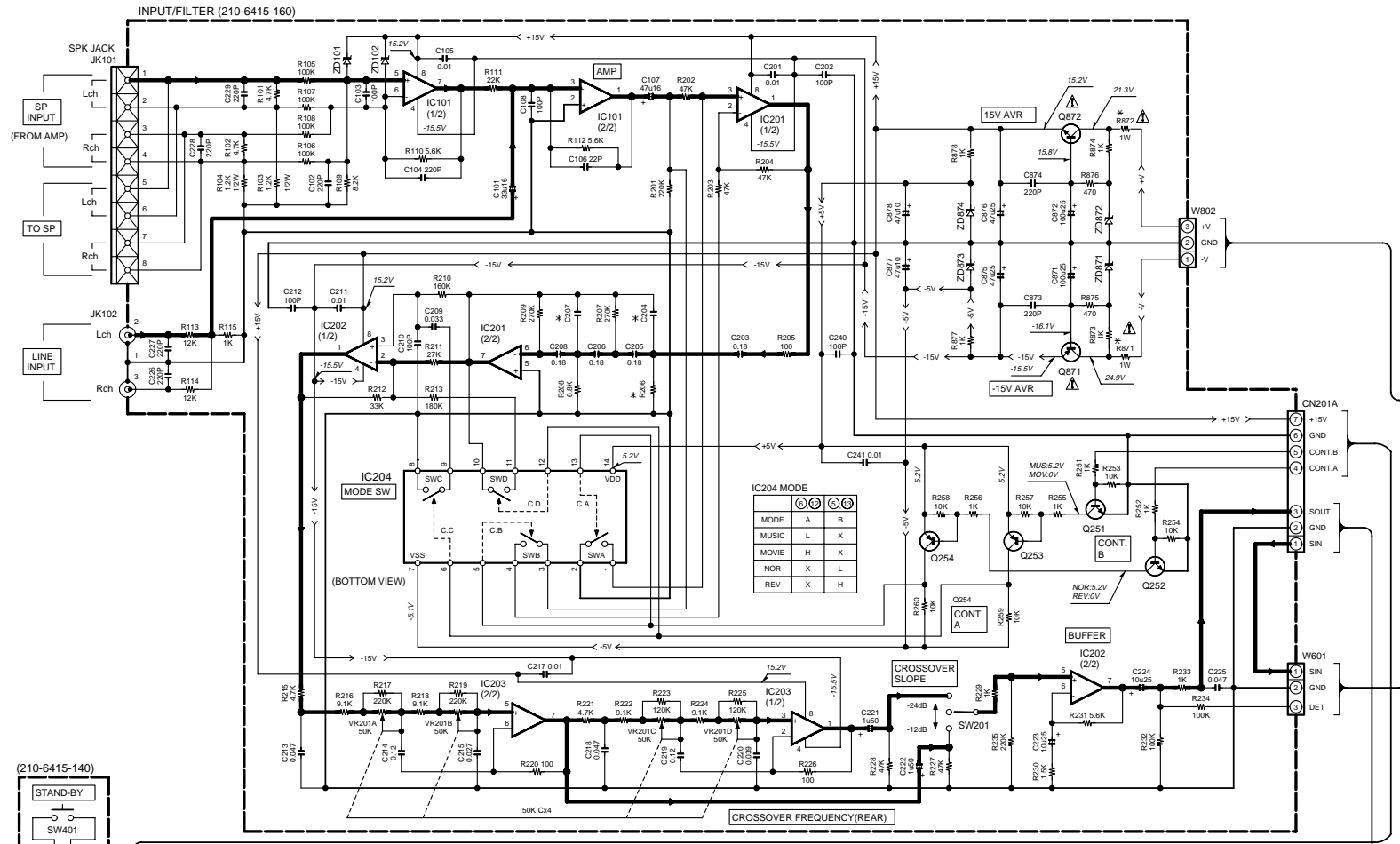
| No.  | ITEM         | INPUT SETTINGS | OUTPUT SETTINGS                | AMPLIFIER SETTINGS | ALIGNMENT POINTS | ALIGN FOR | FIG. |
|--|--------------|----------------|--------------------------------|--------------------|------------------|-----------|------|
| Unless otherwise specified, the individual switches should be set as following : |              |                |                                |                    |                  |           |      |
|  |              | POWER : ON     | NO SIGNAL INPUT                |                    |                  |           |      |
| 1  | IDLE CURRENT | -              | Connect a DC voltmeter to R611 | VOLUME : 0         | VR601            | 5 mV      | (a)  |

(a)









| DESTINATION    | C204            | C207            | C631          | F901     | F902.3    | R206    | R603    | R606 | R613      |
|----------------|-----------------|-----------------|---------------|----------|-----------|---------|---------|------|-----------|
| USA            | 0.047UF/0.056UF | 0.047UF/0.039UF | 100U/0.220U16 | 3.15A/4A | 0.8A/0.8A | 12K/27K | 1K/20   | -/1K | 220K/270K |
| CANADA         | 0.047UF/0.056UF | 0.047UF/0.039UF | 100U/0.220U16 | 3.15A/4A | 0.8A/0.8A | 12K/27K | 1K/20   | -/1K | 220K/270K |
| EUROPE         | 0.047UF/0.056UF | 0.047UF/0.039UF | 100U/0.220U16 | 1.6A/2A  | 0.8A/0.8A | 12K/27K | 1K/20   | -/1K | 220K/270K |
| ENGLAND        | 0.047UF/0.056UF | 0.047UF/0.039UF | 100U/0.220U16 | 1.6A/2A  | 0.8A/0.8A | 12K/27K | 1K/20   | -/1K | 220K/270K |
| GERMANY        | 0.047UF/0.056UF | 0.047UF/0.039UF | 100U/0.220U16 | 1.6A/2A  | 0.8A/0.8A | 12K/27K | 1K/20   | -/1K | 220K/270K |
| AUSTRALIA      | 0.047UF/0.056UF | 0.047UF/0.039UF | 100U/0.220U16 | 1.6A/2A  | 0.4A/0.4A | 12K/27K | 1K/20   | -/1K | 180K/180K |
| CHINA          | 0.047UF/0.056UF | 0.047UF/0.039UF | 100U/0.220U16 | 1.6A/2A  | 1.6A/2A   | 12K/27K | 1K/20   | -/1K | 180K/180K |
| GENERAL MARKET | 0.047UF/0.056UF | 0.047UF/0.039UF | 100U/0.220U16 | 1.6A/2A  | 0.4A/0.4A | 1.6A/2A | 12K/27K | -/1K | 180K/180K |
| MALAYSIA       | 0.047UF/0.056UF | 0.047UF/0.039UF | 100U/0.220U16 | 1.6A/2A  | 0.4A/0.4A | 1.6A/2A | 12K/27K | -/1K | 180K/180K |
| FX             | 0.047UF/0.056UF | 0.047UF/0.039UF | 100U/0.220U16 | 1.6A/2A  | 1.6A/2A   | 1.6A/2A | 12K/27K | -/1K | 220K/220K |
| JAPAN          | 0.047UF/0.056UF | 0.047UF/0.039UF | 100U/0.220U16 | 3.15A/4A | 0.4A/0.4A | 12K/27K | 1K/20   | -/1K | 15K/18K   |

| R614     | R631    | R663    | R801.2  | R851    | R871    | R872    | SW902A | D801            | Q602                | Q603                      |
|----------|---------|---------|---------|---------|---------|---------|--------|-----------------|---------------------|---------------------------|
| 82K/120K | 18K/22K | 8201.5K | 4.7/4.7 | 220     | 4.7     | 4.7     | X/X    | D3SBA20/D5SBA20 | 2SC5198/2SC3281 (R) | 2SA1941 (R) / 2SA1302 (R) |
| 82K/120K | 18K/22K | 8201.5K | 4.7/4.7 | 220     | 4.7     | 4.7     | X/X    | D3SBA20/D5SBA20 | 2SC5198/2SC3281 (R) | 2SA1941 (R) / 2SA1302 (R) |
| 82K/120K | 18K/22K | 8201.5K | 4.7/4.7 | 220     | 220     | 10      | X/X    | D3SBA20/D5SBA20 | 2SC5198/2SC3281 (R) | 2SA1941 (R) / 2SA1302 (R) |
| 82K/120K | 18K/22K | 8201.5K | 4.7/4.7 | 220     | 220     | 10      | X/X    | D3SBA20/D5SBA20 | 2SC5198/2SC3281 (R) | 2SA1941 (R) / 2SA1302 (R) |
| 82K/120K | 18K/22K | 8201.5K | 4.7/4.7 | 220     | 220     | 10      | X/X    | D3SBA20/D5SBA20 | 2SC5198/2SC3281 (R) | 2SA1941 (R) / 2SA1302 (R) |
| 82K/120K | 15K/18K | 560     | -       | 180     | 4.7     | 4.7     | X/X    | D3SBA20/D5SBA20 | 2SC5198/2SC3281 (R) | 2SA1941 (R) / 2SA1302 (R) |
| 56K/15K  | 15K/18K | 560     | -       | 180     | 4.7     | 4.7     | X/X    | D3SBA20-        | 2SC5198-            | 2SA1941 (R) / -           |
| 56K/75K  | 15K/18K | 560     | -       | 180     | 4.7     | 4.7     | OD     | D3SBA20/D5SBA20 | 2SC5198/2SC3281 (R) | 2SA1941 (R) / 2SA1302 (R) |
| 56K/75K  | 15K/18K | 560     | -       | 180     | 4.7     | 4.7     | OD     | D3SBA20/D5SBA20 | 2SC5198/2SC3281 (R) | 2SA1941 (R) / 2SA1302 (R) |
| 82K/15K  | 18K/22K | 8201.5K | 4.7     | 220     | 220     | 10      | Q      | D3SBA20-        | 2SC5198-            | 2SA1941 (R) / -           |
| 56K/75K  | 15K/18K | 270/270 | -       | 180/180 | 4.7/4.7 | 4.7/4.7 | X/X    | D3SBA20/D5SBA20 | 2SC5198/2SC3281 (R) | 2SA1941 (R) / 2SA1302 (R) |

Note: 103SW(SW-301)/1050SW(SW-501)

CAUTION: For continued safety, replace safety critical components only with manufacturer's recommended parts (refer to parts list). Δ indicates safety critical components. For continued protection against risk of fire, replace only with same type and rating fuse(s). To reduce the risk of electric shock, leakage-current or resistance measurements shall be carried out (exposed parts are acceptably insulated from the supply circuit) before the appliance is returned to the customer.

The DC voltage is an actual reading measured with a high impedance type voltmeter. The measurement value may vary depending on the measuring instruments used or on the product.

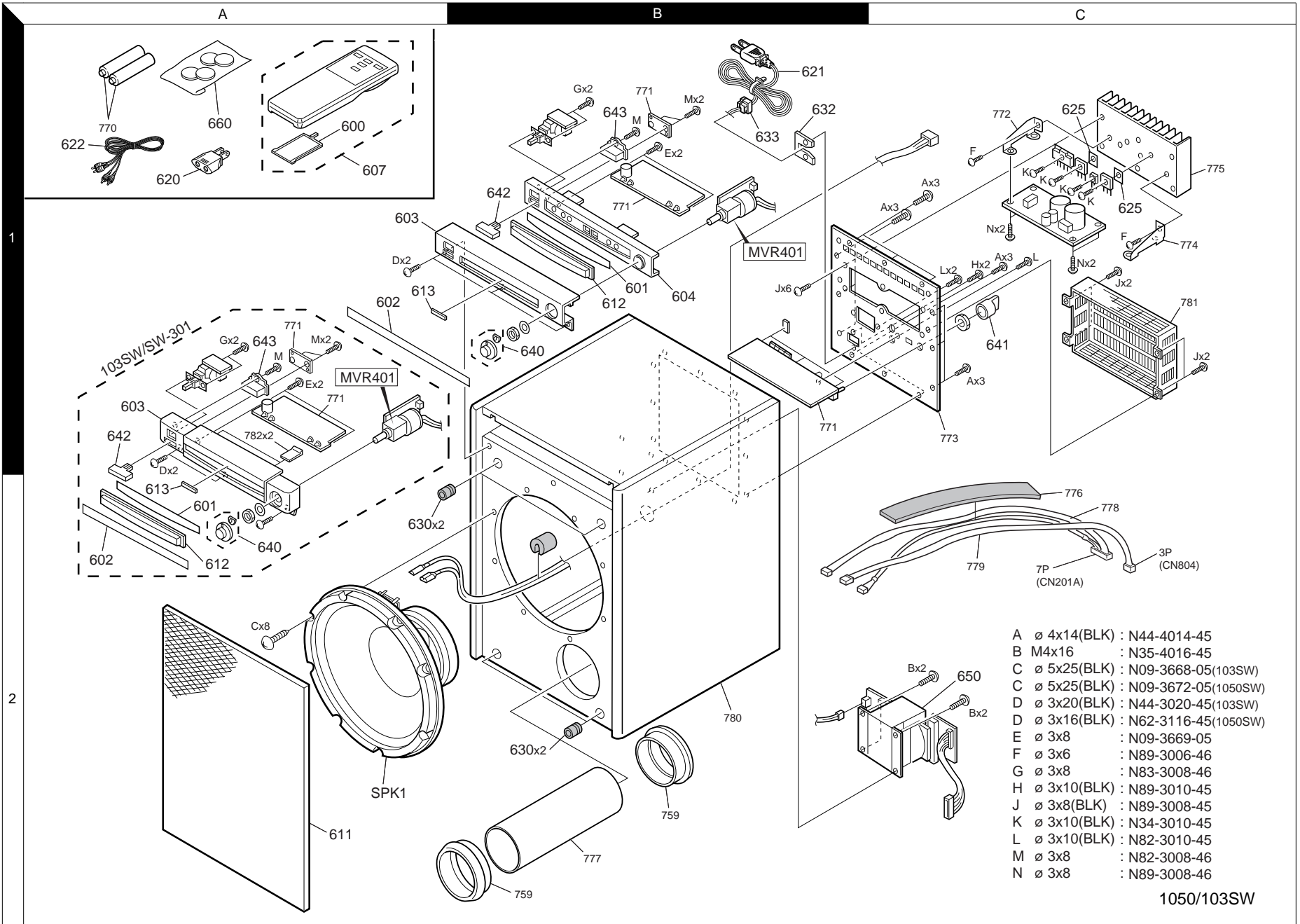
**PST600C**  
**TC4066BP**  
**2SA1015GR**  
**2SC2878A**  
**UPD75004CU-076**  
**UPC1237HA**  
**78L05A**  
**LB1641**  
**UPC1298V**  
**2SC1846**  
**2SB1274**  
**2SD1913**

103SW/SW-301/1050SW/SW-501

Y19-3900-10

KENWOOD

Parts with exploded numbers larger than 700 are not supplied.



EXPLODED VIEW (UNIT)

103SW/SW-301/1050SW/SW-501

\* New Parts  
Parts without **Parts No.** are not supplied.  
Les articles non mentionnés dans le **Parts No.** ne sont pas fournis.  
Teile ohne **Parts No.** werden nicht geliefert.

1

| Ref. No                                   | Add-ress | New Parts | Parts No.   | Description                   | Desti-nation | Re-marks |
|---|----------|-----------|-------------|-------------------------------|--------------|----------|
| <b>103SW/SW-301 (103SW: KP type only)</b> |          |           |             |                               |              |          |
| 600                                       | 1A       | *         | A09-0753-05 | BATTERY COVER                 |              |          |
| 601                                       | 2A       | *         | A29-0915-08 | PVC TRIM FOR WINDOW           |              |          |
| 602                                       | 2A       | *         | A29-0917-08 | PVC TRIM FOR PANEL TOP        |              |          |
| 603                                       | 1A       | *         | A29-0919-08 | PANEL TOP W/PAINTING & LOGO   | KP           |          |
| 603                                       | 1A       | *         | A29-0920-08 | PANEL TOP W/PAINTING & LOGO   | MICTEG       |          |
| 603                                       | 1A       | *         | A29-0920-08 | PANEL TOP W/PAINTING & LOGO   | XY           |          |
| 607                                       | 1A       | *         | A70-0404-05 | REMOTE CONTROL ASSY           |              |          |
| 611                                       | 2A       | *         | B06-1144-08 | CLOTH FRAME ASSY              |              |          |
| 612                                       | 2A       | *         | B10-3302-08 | WINDOW                        |              |          |
| 613                                       | 2A       | *         | B43-0302-04 | BADGE                         |              |          |
| Δ 620                                     | 1A       | *         | E03-0115-05 | AC PLUG ADAPTER               | MIY          |          |
| Δ 621                                     | 1B       | *         | E30-5432-08 | AC CORD,181-SA-W541           | KP           |          |
| Δ 621                                     | 1B       | *         | E30-5438-08 | AC CORD                       | MIEGY        |          |
| Δ 621                                     | 1B       | *         | E30-5439-08 | AC CORD                       | X            |          |
| Δ 621                                     | 1B       | *         | E30-5440-08 | AC CORD                       | T            |          |
| Δ 621                                     | 1B       | *         | E30-5442-08 | AC CORD                       | C            |          |
| 622                                       | 1C       | *         | E30-5466-08 | AUDIO CORD                    |              |          |
| 625                                       | 1C       | *         | F20-0702-08 | ISOLATION SHEET 19X24         |              |          |
| 630                                       | 2A,2B    | *         | J19-3988-08 | CATCH BLACK(75)               |              |          |
| 632                                       | 1B       | *         | J21-8750-08 | AC CORD HOLDER                |              |          |
| 633                                       | 1B       | *         | J42-0234-08 | CORD BUSHING,3-703-244-021    |              |          |
| 640                                       | 2A       | *         | K29-0573-08 | VOLUME KNOB W/PAINTING        |              |          |
| 641                                       | 1C       | *         | K29-0576-08 | LOW/PASS PUSH KNOB W/PAINTING |              |          |
| 642                                       | 1A       | *         | K29-0577-08 | POWER PUSH KNOB W/PAINTING    |              |          |
| 643                                       | 1A       | *         | K29-0578-08 | TACT PUSH KNOB W/PAINTING     |              |          |
| Δ 650                                     | 2C       | *         | L07-3010-05 | POWER TRANSFORMER             | KP           |          |
| Δ 650                                     | 2C       | *         | L07-3011-05 | POWER TRANSFORMER             | MIY          |          |
| Δ 650                                     | 2C       | *         | L07-3012-05 | POWER TRANSFORMER             | C            |          |
| Δ 650                                     | 2C       | *         | L07-3013-05 | POWER TRANSFORMER             | TEG          |          |
| Δ 650                                     | 2C       | *         | L07-3014-05 | POWER TRANSFORMER             | X            |          |
| 660                                       | 1A       | *         | J02-0622-08 | FOOT                          |              |          |
| -   |          |           | B46-0096-53 | WARRANTY CARD                 | X            |          |
| -   |          |           | B46-0310-03 | WARRANTY CARD                 | TEG          |          |
| -   |          |           | B46-0326-03 | WARRANTY CARD                 | C            |          |
| -   |          |           | B46-0330-03 | WARRANTY CARD                 | KY           |          |
| -   |          |           | B59-1104-00 | SERVICE STATIONS LIST         | Y            |          |
| -   |          | *         | B61-0886-00 | INSTRUCTION MANUAL            | KP           |          |
| -   |          | *         | B61-0887-00 | INSTRUCTION MANUAL            | MIXY         |          |
| -   |          | *         | B61-0888-00 | INSTRUCTION MANUAL            | TEG          |          |
| -   |          | *         | B61-0889-00 | INSTRUCTION MANUAL            | C            |          |
| -   |          | *         | B61-0940-00 | INSTRUCTION MANUAL            | Y            |          |
| -   |          | *         | H10-6447-08 | PLYFOAM 310G/SET(TOP)         |              |          |
| -   |          | *         | H10-6448-08 | PLYFOAM 310G/SET(BOTTOM)      |              |          |
| -   |          | *         | H21-1284-08 | MIRAMAT 1640X540X0.5T         |              |          |
| -   |          | *         | H25-2180-08 | PROTECTION BAG                | CY           |          |
| -   |          | *         | H51-0979-08 | CARTON                        | KP           |          |
| -   |          | *         | H51-0980-08 | CARTON                        | MIY          |          |
| -   |          | *         | H51-0981-08 | CARTON                        | C            |          |
| -   |          | *         | H51-0982-08 | CARTON                        | TEGX         |          |
| A   |          | *         | N44-4014-45 | WOOD SCREW                    |              |          |
| B   |          | *         | N35-4016-45 | MACHINE SCREW(M4X16)          |              |          |
| C   |          | *         | N09-3668-05 | WOOD SCREW                    |              |          |
| D   |          | *         | N44-3020-45 | WOOD SCREW                    |              |          |

L : Scandinavia    K : USA    P : Canada    R : Mexico  
Y : PX(Far East, Hawaii)    T : Europe    E : Europe    G : Germany  
Y : AAFES(Europe)    X : Australia    M : Other Areas

Δ indicates safety critical components.

2

\* New Parts  
Parts without **Parts No.** are not supplied.  
Les articles non mentionnés dans le **Parts No.** ne sont pas fournis.  
Teile ohne **Parts No.** werden nicht geliefert.

| Ref. No                                      | Add-ress | New Parts | Parts No.   | Description                   | Desti-nation | Re-marks |
|--|----------|-----------|-------------|-------------------------------|--------------|----------|
| E  |          | *         | N09-3669-05 | SCREW                         |              |          |
| F  |          | *         | N89-3006-46 | SCREW                         |              |          |
| G  |          | *         | N83-3008-46 | SCREW                         |              |          |
| H  |          | *         | N89-3010-45 | SCREW                         |              |          |
| J  |          | *         | N89-3008-45 | SCREW                         |              |          |
| K  |          | *         | N34-3010-45 | SCREW                         |              |          |
| L  |          | *         | N82-3010-45 | SCREW                         |              |          |
| M  |          | *         | N82-3008-46 | SCREW                         |              |          |
| N  |          | *         | N89-3008-46 | SCREW                         |              |          |
| SPK1   | 2A       | *         | T10-0782-15 | SPEAKER 10,A25GU25-51C-D      | KP           |          |
| SPK1   | 2A       | *         | T10-0788-05 | SPEAKER 10                    | MIXY         |          |
| SPK1   | 2A       | *         | T10-0814-05 | SPEAKER 10                    | C            |          |
| SPK1   | 2A       | *         | T10-0822-05 | SPEAKER 10                    | TEG          |          |
| <b>1050SW/SW-501 (1050 SW: KP type only)</b> |          |           |             |                               |              |          |
| 600  | 1A       | *         | A09-0753-05 | BATTERY COVER                 |              |          |
| 601  | 1B       | *         | A29-0915-08 | PVC TRIM FOR WINDOW           |              |          |
| 602  | 1A       | *         | A29-0916-08 | PVC TRIM FOR PANEL            |              |          |
| 603  | 1A       | *         | A29-0909-08 | PANEL                         | KP           |          |
| 603  | 1A       | *         | A29-0921-08 | PANEL                         | MIETGX       |          |
| 604  | 1B       | *         | A29-0922-08 | PANEL_FRONT                   |              |          |
| 607  | 1A       | *         | A70-0404-05 | REMOTE CONTROL ASSY           |              |          |
| 611  | 2A       | *         | B06-1146-08 | CLOTH FRAME ASSY              |              |          |
| 612  | 1B       | *         | B10-3302-08 | WINDOW                        |              |          |
| 613  | 1A       | *         | B43-0302-04 | BADGE                         |              |          |
| Δ 620  | 2A       | *         | E03-0115-05 | AC PLUG ADAPTER               | MI           |          |
| Δ 621  | 1B       | *         | E30-5432-08 | AC CORD,181-SA-W541           | KP           |          |
| Δ 621  | 1B       | *         | E30-5438-08 | AC CORD                       | MIEGY        |          |
| Δ 621  | 1B       | *         | E30-5440-08 | AC CORD                       | T            |          |
| 622  | 1C       | *         | E30-5466-08 | AUDIO CORD                    |              |          |
| 625  | 1C       | *         | F20-0702-08 | ISOLATION SHEET 19X24         |              |          |
| 630  | 2A,2B    | *         | J19-3988-08 | CATCH BLACK(75)               |              |          |
| 632  | 1B       | *         | J21-8750-08 | AC CORD HOLDER                |              |          |
| 633  | 1B       | *         | J42-0234-08 | CORD BUSHING,3-703-244-021    |              |          |
| 640  | 1B       | *         | K29-0573-08 | VOLUME KNOB W/PAINTING        |              |          |
| 641  | 1C       | *         | K29-0576-08 | LOW/PASS PUSH KNOB W/PAINTING |              |          |
| 642  | 1B       | *         | K29-0577-08 | POWER PUSH KNOB W/PAINTING    |              |          |
| 643  | 1B       | *         | K29-0578-08 | TACT PUSH KNOB W/PAINTING     |              |          |
| Δ 650  | 2C       | *         | L07-3015-05 | POWER TRANSFORMER             | KP           |          |
| Δ 650  | 2C       | *         | L07-3016-05 | POWER TRANSFORMER             | MI           |          |
| Δ 650  | 2C       | *         | L07-3017-05 | POWER TRANSFORMER             | TEG          |          |
| Δ 650  | 2C       | *         | L07-3018-05 | POWER TRANSFORMER             | X            |          |
| 660  | 1A       | *         | J02-0622-08 | FOOT                          |              |          |
| -  |          |           | B46-0096-53 | WARRANTY CARD                 | X            |          |
| -  |          |           | B46-0310-03 | WARRANTY CARD                 | TEG          |          |
| -  |          |           | B46-0330-03 | WARRANTY CARD                 | K            |          |
| -  |          |           | B46-0336-03 | WARRANTY CARD                 | P            |          |
| -  |          | *         | B61-0886-00 | INSTRUCTION MANUAL            | KP           |          |
| -  |          | *         | B61-0887-00 | INSTRUCTION MANUAL            | MIXY         |          |
| -  |          | *         | B61-0888-00 | INSTRUCTION MANUAL            | TEG          |          |
| -  |          | *         | H10-6449-08 | PLYFOAM 392G/SET(TOP)         |              |          |
| -  |          | *         | H10-6450-08 | PLYFOAM BOTTOM                |              |          |
| -  |          | *         | H21-1285-08 | MIRAMAT 1900X600X0.5T         |              |          |
| -  |          | *         | H51-0983-08 | CARTON                        | KP           |          |
| -  |          | *         | H51-0984-08 | CARTON                        | MI           |          |
| -  |          | *         | H51-0986-08 | CARTON                        | TEGX         |          |

L : Scandinavia    K : USA    P : Canada    R : Mexico  
Y : PX(Far East, Hawaii)    T : Europe    E : Europe    G : Germany  
Y : AAFES(Europe)    X : Australia    M : Other Areas

Δ indicates safety critical components.

\* New Parts

Parts without **Parts No.** are not supplied.  
Les articles non mentionnés dans le **Parts No.** ne sont pas fournis.  
Teile ohne **Parts No.** werden nicht geliefert.

3

| Ref. No               | Add-ress | New Parts | Parts No.     | Description          | Desti-nation | Re-marks |
|-----------------------|----------|-----------|---------------|----------------------|--------------|----------|
| A                     |          |           | N44-4014-45   | WOOD SCREW           |              |          |
| B                     |          |           | N35-4016-45   | MACHINE SCREW(M4X16) |              |          |
| C                     |          |           | N09-3672-05   | SCREW                |              |          |
| D                     |          |           | N62-3116-45   | SCREW                |              |          |
| E                     |          |           | N09-3669-05   | SCREW                |              |          |
| F                     |          |           | N89-3006-46   | SCREW                |              |          |
| G                     |          |           | N83-3008-46   | SCREW                |              |          |
| H                     |          |           | N89-3010-45   | SCREW                |              |          |
| J                     |          |           | N89-3008-45   | SCREW                |              |          |
| K                     |          |           | N34-3010-45   | SCREW                |              |          |
| L                     |          |           | N82-3010-45   | SCREW                |              |          |
| M                     |          |           | N82-3008-46   | SCREW                |              |          |
| N                     |          |           | N89-3008-46   | SCREW                |              |          |
| SPK1                  |          | *         | T10-0785-05   | SPEAKER 10           | KPTEG        |          |
| SPK1                  |          | *         | T10-0789-05   | SPEAKER 10           | MIX          |          |
| <b>ELECTRIC PARTS</b> |          |           |               |                      |              |          |
| D401,402              |          | *         | B30-1820-08   | LED                  |              |          |
| D403                  |          | *         | B30-1821-08   | LED                  |              |          |
| D404                  |          | *         | B30-1822-08   | LED                  |              |          |
| L401,402              |          | *         | B30-1819-08   | LAMP,12V/60MA        |              |          |
| C101                  |          |           | CE04KW1C330M  | ELECTRO 33UF 16WV    |              |          |
| C102                  |          |           | CC45FSL1H221K | CERAMIC 220PF K      |              |          |
| C103                  |          |           | CC45FSL1H101J | CERAMIC 100PF J      |              |          |
| C104                  |          |           | CC45FSL1H221K | CERAMIC 220PF K      |              |          |
| C105                  |          |           | CQ92FM1H103J  | MYLAR 0.010UF J      |              |          |
| C106                  |          |           | CC45FSL1H220J | CERAMIC 22PF J       |              |          |
| C107                  |          |           | CE04KW1C470M  | ELECTRO 47UF 16WV    |              |          |
| C108                  |          |           | CC45FSL1H101J | CERAMIC 100PF J      |              |          |
| C201                  |          |           | CQ92FM1H103J  | MYLAR 0.010UF J      |              |          |
| C202                  |          |           | CC45FSL1H101J | CERAMIC 100PF J      |              |          |
| C203                  |          |           | CQ92FM1H184J  | MYLAR 0.18UF J       |              |          |
| C204                  | 3        |           | CQ92FM1H473J  | MYLAR 0.047UF J      |              |          |
| C204                  | 5        |           | CQ92FM1H563J  | MYLAR 0.056UF J      |              |          |
| C205,206              |          |           | CQ92FM1H184J  | MYLAR 0.18UF J       |              |          |
| C207                  | 5        |           | CQ92FM1H393J  | MYLAR 0.039UF J      |              |          |
| C207                  | 3        |           | CQ92FM1H473J  | MYLAR 0.047UF J      |              |          |
| C208                  |          |           | CQ92FM1H184J  | MYLAR 0.18UF J       |              |          |
| C209                  |          |           | CQ92FM1H333J  | MYLAR 0.033UF J      |              |          |
| C210                  |          |           | CC45FSL1H101J | CERAMIC 100PF J      |              |          |
| C211                  |          |           | CQ92FM1H103J  | MYLAR 0.010UF J      |              |          |
| C212                  |          |           | CC45FSL1H101J | CERAMIC 100PF J      |              |          |
| C213                  |          |           | CQ92FM1H473J  | MYLAR 0.047UF J      |              |          |
| C214                  |          |           | CQ92FM1H124J  | MYLAR 0.12UF J       |              |          |
| C215                  |          |           | CQ92FM1H273J  | MYLAR 0.027UF J      |              |          |
| C217                  |          |           | CQ92FM1H103J  | MYLAR 0.010UF J      |              |          |
| C218                  |          |           | CQ92FM1H473J  | MYLAR 0.047UF J      |              |          |
| C219                  |          |           | CQ92FM1H124J  | MYLAR 0.12UF J       |              |          |
| C220                  |          |           | CQ92FM1H393J  | MYLAR 0.039UF J      |              |          |
| C221,222              |          |           | CE04KW1H010M  | ELECTRO 1.0UF 50WV   |              |          |
| C223,224              |          |           | CE04KW1E100M  | ELECTRO 10UF 25WV    |              |          |
| C225                  |          |           | CQ92FM1H473J  | MYLAR 0.047UF J      |              |          |
| C226-229              |          |           | CC45FSL1H221K | CERAMIC 220PF K      |              |          |
| C240                  |          |           | CC45FSL1H101J | CERAMIC 100PF J      |              |          |
| C241                  |          |           | CQ92FM1H103J  | MYLAR 0.010UF J      |              |          |
| C401,402              |          |           | CQ92FM1H104J  | MYLAR 0.10UF J       |              |          |

L : Scandinavia K : USA P : Canada R : Mexico  
Y : PX(Far East, Hawaii) T : Europe E : Europe G : Germany  
Y : AAFES(Europe) X : Australia M : Other Areas

△ indicates safety critical components.

\* New Parts

Parts without **Parts No.** are not supplied.  
Les articles non mentionnés dans le **Parts No.** ne sont pas fournis.  
Teile ohne **Parts No.** werden nicht geliefert.

4

| Ref. No    | Add-ress | New Parts | Parts No.     | Description          | Desti-nation | Re-marks |
|------------|----------|-----------|---------------|----------------------|--------------|----------|
| C403       |          |           | CE04KW1A470M  | ELECTRO 47UF 10WV    |              |          |
| C404       |          |           | CK45FB1H102K  | CERAMIC 1000PF K     |              |          |
| C405       |          |           | CQ92FM1H104J  | MYLAR 0.10UF J       |              |          |
| C406,407   |          |           | CQ92FM1H473J  | MYLAR 0.047UF J      |              |          |
| C408       |          |           | CE04KW1A471M  | ELECTRO 470UF 10WV   |              |          |
| C410,411   |          |           | CQ92FM1H103J  | MYLAR 0.010UF J      |              |          |
| C442       |          |           | CE04KW1H4R7M  | ELECTRO 4.7UF 50WV   |              |          |
| C443       |          |           | CE04KW1A222M  | ELECTRO 2200UF 10WV  |              |          |
| C601       |          |           | CE04KW1E100M  | ELECTRO 10UF 25WV    |              |          |
| C602       |          |           | CC45FSL1H101J | CERAMIC 100PF J      |              |          |
| C603       |          |           | CE04KW1E101M  | ELECTRO 100UF 25WV   |              |          |
| C604,605   |          |           | CC45FSL1H101J | CERAMIC 100PF J      |              |          |
| C606,607   |          |           | CE04KW1J101M  | ELECTRO 100UF 63WV   |              |          |
| C608,609   |          |           | CC45FSL1H101J | CERAMIC 100PF J      |              |          |
| C610       |          |           | CQ92FM1H473J  | MYLAR 0.047UF J      |              |          |
| C611       |          |           | CE04KW1H010M  | ELECTRO 1.0UF 50WV   |              |          |
| C621       |          |           | CE04KW1H010M  | ELECTRO 1.0UF 50WV   |              |          |
| C631       | 3        |           | CE04KW1A101M  | ELECTRO 100UF 10WV   |              |          |
| C631       | 5        |           | CE04KW1C221M  | ELECTRO 220UF 16WV   |              |          |
| C651       |          |           | CE04KW1H4R7M  | ELECTRO 4.7UF 50WV   |              |          |
| C652       |          |           | CE04KW1H2R2M  | ELECTRO 2.2UF 50WV   |              |          |
| C655       |          |           | CE04HW1A470M  | NP-ELEC 47UF 10WV    |              |          |
| C656       |          |           | CE04KW1C220M  | ELECTRO 22UF 16WV    |              |          |
| C659       |          |           | CE04KW1C220M  | ELECTRO 22UF 16WV    |              |          |
| C660       |          |           | CE04KW1H010M  | ELECTRO 1.0UF 50WV   |              |          |
| C801-804   |          |           | CQ92FM1H103J  | MYLAR 0.010UF J      |              |          |
| C805,806   |          | *         | C90-5024-08   | ELECTRO 10000UF 63WV |              |          |
| C807,808   |          |           | CK45FB1H103M  | CERAMIC 0.010UF M    |              |          |
| C811,812   |          |           | CE04KW1E222M  | ELECTRO 2200UF 25WV  |              |          |
| C813       |          |           | CE04KW1E101M  | ELECTRO 100UF 25WV   |              |          |
| C851       |          |           | CE04KW1H010M  | ELECTRO 1.0UF 50WV   |              |          |
| C852       |          |           | CK45FB1H102K  | CERAMIC 1000PF K     |              |          |
| C853       |          |           | CE04KW1C222M  | ELECTRO 2200UF 16WV  |              |          |
| C871,872   |          |           | CE04KW1E101M  | ELECTRO 100UF 25WV   |              |          |
| C873,874   |          |           | CC45FSL1H221K | CERAMIC 220PF K      |              |          |
| C875,876   |          |           | CE04KW1E470M  | ELECTRO 47UF 25WV    |              |          |
| C877,878   |          |           | CE04KW1A470M  | ELECTRO 47UF 10WV    |              |          |
| △ C901     |          |           | C91-1441-08   | CERAMIC 4700PF 250WV |              |          |
| △ C902,903 |          | *         | C91-0211-08   | FILM 4700PF 250WV    |              |          |
| JK101      |          | *         | E21-0279-08   | SPEAKER TERMINAL     |              |          |
| JK102      |          | *         | E23-0224-08   | RCA PIN JACK, LINE   |              |          |
| △ F901     | 3        |           | F05-1623-05   | FUSE,1.6A/250V       |              | ETGXCM   |
| △ F901     | 3        |           | F05-1623-05   | FUSE,1.6A/250V       |              | IY       |
| △ F901     | 5        |           | F06-2021-05   | FUSE,2A/250V         |              | ETGXMI   |
| △ F901     | 3        |           | F50-0072-05   | FUSE,3.15A/125V      |              | KP       |
| △ F901     | 5        |           | F50-0073-05   | FUSE,4A/125V         |              | KP       |
| △ F902,903 |          |           | F05-4016-05   | FUSE,400MA/250V      |              | XCMI     |
| △ F902,903 |          |           | F05-8013-05   | FUSE,800MA/250V      |              | ETGY     |
| △ F902,903 |          |           | F50-0062-05   | FUSE,800MA/250V      |              | KP       |
| △ F904     | 3        |           | F05-1623-05   | FUSE,1.6A/250V       |              | MIY      |
| △ F904     | 5        |           | F06-2021-05   | FUSE,2A/250V         |              | MI       |
| -          |          | *         | J13-0210-08   | FUSE HOLDER          |              |          |
| X401       |          | *         | L78-0902-08   | CRYSTAL              |              |          |

L : Scandinavia K : USA P : Canada R : Mexico  
Y : PX(Far East, Hawaii) T : Europe E : Europe G : Germany  
Y : AAFES(Europe) X : Australia M : Other Areas

△ indicates safety critical components.

PARTS LIST

103SW/SW-301/1050SW/SW-501

5

\* New Parts  
Parts without **Parts No.** are not supplied.  
Les articles non mentionnés dans le **Parts No.** ne sont pas fournis.  
Teile ohne **Parts No.** werden nicht geliefert.

| Ref. No   | Add-ress | New Parts | Parts No.      | Description              | Desti-nation | Re-marks |
|-----------|----------|-----------|----------------|--------------------------|--------------|----------|
| IC401     |          |           | UPD75004CU-076 | IC(4bit MICROPROCESSOR)  |              |          |
| IC402     |          |           | LB1641         | IC(MOTOR DRIVER)         |              |          |
| IC403     |          |           | 78L05A         | IC(VOLTAGE REGULATOR+5V) |              |          |
| IC404     |          |           | W02-3003-08    | REMOTE PREAMP            |              |          |
| IC441     |          |           | PST600C        | IC(SYSTEM RESET)         |              |          |
| IC601     |          |           | UPC1298V       | IC(POWER AMP DRIVER)     |              |          |
| IC651     |          |           | UPC1237HA      | IC(POWER AMP)            |              |          |
| IC851     |          |           | NJM2072D       | IC                       |              |          |
| Q251,252  |          |           | 2SC1815GR      | TRANSISTOR               |              |          |
| Q253,254  |          |           | 2SA1015GR      | TRANSISTOR               |              |          |
| Q401-403  |          |           | 2SC1815GR      | TRANSISTOR               |              |          |
| Q405      |          |           | 2SC1815GR      | TRANSISTOR               |              |          |
| Q441      |          |           | 2SC1815GR      | TRANSISTOR               |              |          |
| Q601      |          |           | 2SC1846        | TRANSISTOR               |              |          |
| Q602      | 5        |           | 2SC3281(R)     | TRANSISTOR               |              |          |
| Q602      | 3        | *         | 2SC5198        | TRANSISTOR               |              |          |
| Q603      | 5        |           | 2SA1302(R)     | TRANSISTOR               |              |          |
| Q603      | 3        |           | 2SA1941(R)     | TRANSISTOR               |              |          |
| Q621      |          |           | 2SA1015GR      | TRANSISTOR               |              |          |
| Q622      |          |           | 2SC2878A       | TRANSISTOR               |              |          |
| Q631      |          |           | 2SC1815GR      | TRANSISTOR               |              |          |
| Q651      |          |           | 2SC1815GR      | TRANSISTOR               |              |          |
| Q652      |          |           | 2SA1015GR      | TRANSISTOR               |              |          |
| Q851      |          |           | 2SC1815GR      | TRANSISTOR               |              |          |
| Q871      |          |           | 2SB1274        | TRANSISTOR               |              |          |
| Q872      |          |           | 2SD1913        | TRANSISTOR               |              |          |
| ZD101,102 |          |           | MTZJ30B        | ZENER DIODE              |              |          |
| ZD401     |          |           | MTZJ6.8B       | ZENER DIODE              |              |          |
| ZD871,872 |          |           | MTZJ16B        | ZENER DIODE              |              |          |
| ZD873,874 |          |           | MTZJ5.1B       | ZENER DIODE              |              |          |

L : Scandinavia  
Y : PX(Far East, Hawaii)  
Y : AAFES(Europe)

K : USA  
T : Europe  
X : Australia

P : Canada  
E : Europe  
M : Other Areas

R : Mexico  
G : Germany

Δ indicates safety critical components.

5

\* New Parts  
Parts without **Parts No.** are not supplied.  
Les articles non mentionnés dans le **Parts No.** ne sont pas fournis.  
Teile ohne **Parts No.** werden nicht geliefert.

| Ref. No   | Add-ress | New Parts | Parts No.    | Description                  | Desti-nation | Re-marks |
|-----------|----------|-----------|--------------|------------------------------|--------------|----------|
| R103,104  |          |           | RD14BB2H122J | RD 1.2K J 1/2W               |              |          |
| R425,426  |          |           | RD14BB2E390J | RD 39 J 1/4W                 |              |          |
| R603      | 3        |           | RD14BB2C102J | RD 1.0K J 1/6W               |              |          |
| R603      | 5        |           | RD14BB2C821J | RD 820 J 1/6W                |              |          |
| R606      | 5        |           | RD14BB2C102J | RD 1.0K J 1/6W               |              |          |
| R607,608  |          |           | RN14BK2E100J | RN 10 J 1/4W                 |              |          |
| R609,610  |          |           | RN14BK2E2R7J | RN 2.7 J 1/4W                |              |          |
| R611      |          |           | R90-0826-05  | MULTI-COMP 0.22X2 J 5W       |              |          |
| R612      |          |           | RS14GB3A100J | FL-PROOF RS 10 J 1W          |              |          |
| R613      | 3        |           | RD14BB2C184J | RD 180K J 1/6W               | XCMI         |          |
| R613      | 5        |           | RD14BB2C184J | RD 180K J 1/6W               | XMI          |          |
| R613      | 3        |           | RD14BB2C224J | RD 220K J 1/6W               | KPETGY       |          |
| R613      | 5        |           | RD14BB2C274J | RD 270K J 1/6W               | KPETGY       |          |
| R614      | 3        |           | RD14BB2C124J | RD 120K J 1/6W               | KPETGY       |          |
| R614      | 5        |           | RD14BB2C563J | RD 56K J 1/6W                | XCMI         |          |
| R614      | 5        |           | RD14BB2C753J | RD 75K J 1/6W                | XMI          |          |
| R614      | 3        |           | RD14BB2C823J | RD 82K J 1/6W                | KPETGY       |          |
| R631      | 3        |           | RD14BB2C153J | RD 15K J 1/6W                | XCMI         |          |
| R631      | 5        |           | RD14BB2C183J | RD 18K J 1/6W                | XMI          |          |
| R631      | 3        |           | RD14BB2C183J | RD 18K J 1/6W                | KPETGY       |          |
| R631      | 5        |           | RD14BB2C223J | RD 22K J 1/6W                | KPETGY       |          |
| R663      | 5        |           | RS14GB3A152J | FL-PROOF RS 1.5K J 1W        | KPETGY       |          |
| R663      | 3        |           | RS14GB3A561J | FL-PROOF RS 560 J 1W         | XCMI         |          |
| R663      | 3        |           | RS14GB3A821J | FL-PROOF RS 820 J 1W         | KPETGY       |          |
| R801,802  |          |           | RS14GB3A4R7J | FL-PROOF RS 4.7 J 1W         | KPETGY       |          |
| R811      |          |           | RN14BK2E151F | RN 150 F 1/4W                |              |          |
| R851      | 3        |           | RS14GB3A181J | FL-PROOF RS 180 J 1W         | XCMI         |          |
| R851      | 3        |           | RS14GB3A221J | FL-PROOF RS 220 J 1W         | KPETGY       |          |
| R871      | 3        |           | RS14GB3A221J | FL-PROOF RS 220 J 1W         | ETGY         |          |
| R871      | 3        |           | RS14GB3A4R7J | FL-PROOF RS 4.7 J 1W         | KPXCMI       |          |
| R872      | 3        |           | RD14GB2H100J | FL-PROOF RD 10 J 1/2W        | ETGY         |          |
| R872      | 3        |           | RS14GB3A4R7J | FL-PROOF RS 4.7 J 1W         | KPXCMI       |          |
| VR201     |          | *         | R31-0409-08  | POTENTIOMETER CROSSOVER FREQ |              |          |
| VR601     |          | *         | R31-0408-08  | TRIMMING POT BIAS            |              |          |
| RY601     |          |           | S51-2092-05  | RELAY SPEAKER                |              |          |
| RY851     |          |           | S51-2094-05  | RELAY POWER                  |              |          |
| SW201     |          | *         | S62-0207-08  | SLIDE SWITCH SLOPE           |              |          |
| SW401     |          | *         | S70-0203-08  | TACT SWITCH STANDBY          |              |          |
| SW901     |          | *         | S68-0202-08  | POWER SWITCH                 |              |          |
| SW902A    |          | *         | S31-2115-05  | SLIDE SWITCH VOLTAGE         | MICY         |          |
| D411,412  |          |           | 1SS133       | DIODE                        |              |          |
| D413      |          |           | 1SR139-100   | DIODE                        |              |          |
| D414-419  |          |           | 1SS133       | DIODE                        |              |          |
| D631      |          |           | 1SS133       | DIODE                        |              |          |
| D651-653  |          |           | 1SR139-100   | DIODE                        |              |          |
| D801      | 3        | *         | D3SBA20      | DIODE                        |              |          |
| D801      | 5        |           | D5SBA20      | DIODE                        |              |          |
| D811-814  |          |           | 1SR139-100   | DIODE                        |              |          |
| D815      |          |           | MTZJ5.1B     | ZENER DIODE                  |              |          |
| D851      |          |           | 1SR139-100   | DIODE                        |              |          |
| D852,853  |          |           | 1SS133       | DIODE                        |              |          |
| IC101     |          |           | NJM4558L     | IC(OP AMP X2)                |              |          |
| IC201-203 |          |           | NJM4558L     | IC(OP AMP X2)                |              |          |
| IC204     |          |           | TC4066BP     | IC(ANALOG/ DIGITAL SW)       |              |          |

L : Scandinavia  
Y : PX(Far East, Hawaii)  
Y : AAFES(Europe)

K : USA  
T : Europe  
X : Australia

P : Canada  
E : Europe  
M : Other Areas

R : Mexico  
G : Germany

Δ indicates safety critical components.

**Note:**  
Component and circuit are subject to modification to insure best operation under differ-  
ing local conditions. This manual is based on Europe (E) standard, and provides infor-  
mation on regional circuit modification through use of alternate schematic diagrams,  
and information on regional component variations through use of parts list.

**KENWOOD CORPORATION**  
1-6,Dogenzaka 1-chome, Shibuya-ku, Tokyo, 150 Japan  
**KENWOOD SERVICE CORPORATION**  
P.O. BOX 22745, 2201 East Dominguez St., Long Beach, CA 90801-5745, U.S.A.



## Free Manuals Download Website

<http://myh66.com>

<http://usermanuals.us>

<http://www.somanuals.com>

<http://www.4manuals.cc>

<http://www.manual-lib.com>

<http://www.404manual.com>

<http://www.luxmanual.com>

<http://aubethermostatmanual.com>

Golf course search by state

<http://golfingnear.com>

Email search by domain

<http://emailbydomain.com>

Auto manuals search

<http://auto.somanuals.com>

TV manuals search

<http://tv.somanuals.com>