



FS-1920

Page Printer



Installation Guide

Caution

No liability is assumed for any damage caused by improper installation.

Notice on Software

Software used with this printer must support the printer's emulation mode. The printer is factory-set to emulate the HP PCL 6. The emulation mode can be changed by following the procedures described in the *Operation Guide* contained as an electronic file in the CD-ROM supplied with the printer.

Notice

The information in this manual is subject to change without notification. Additional pages may be inserted in future editions. The user is asked to excuse any technical inaccuracies or typographical errors in the present edition.

No responsibility is assumed if accidents occur while the user is following the instructions in this manual. No responsibility is assumed for defects in the printer's firmware (contents of its read-only memory).

This manual, any copyrightable subject matter sold or provided with or in connection with the sale of the page printer, are protected by copyright. All rights are reserved. Copying or other reproduction of all or part of this manual, any copyrightable subject matter without the prior written consent of Kyocera Mita Corporation is prohibited. Any copies made of all or part of this manual, any copyrightable subject must contain the same copyright notice as the material from which the copying is done.

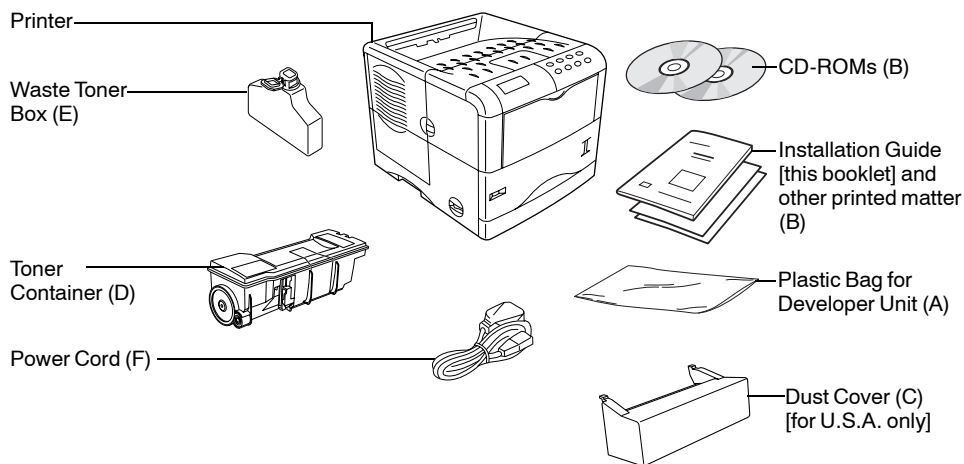
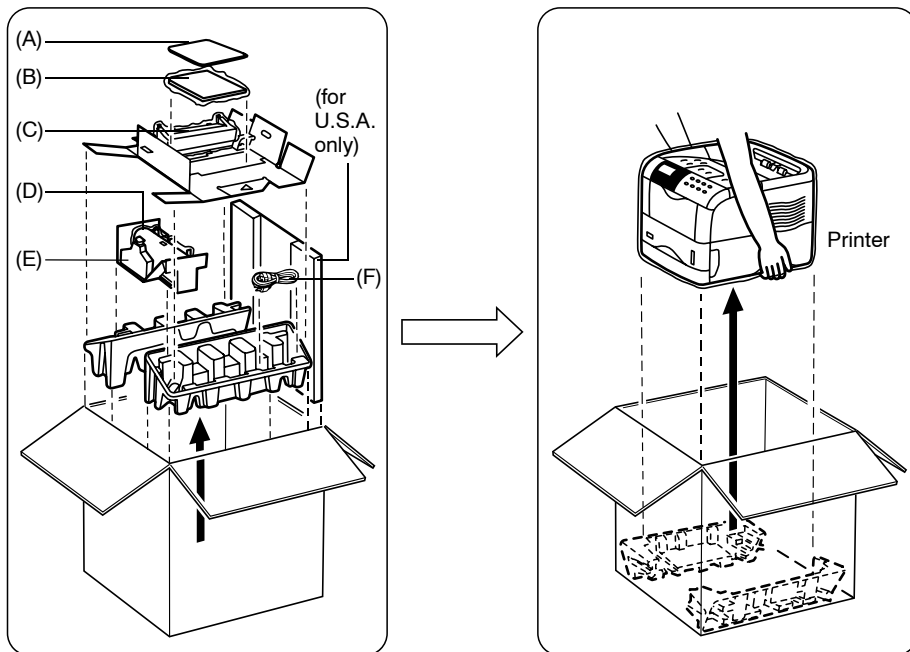
Table of Contents

STEP 1 Unpacking	1
STEP 2 Positioning the Printer	2
STEP 3 Installing the Toner Container	3
STEP 4 Installing the Waste Toner Box.....	5
STEP 5 Connecting the Printer to the Computer	7
STEP 6 Connecting the Power Cord	9
STEP 7 Adding Paper to the Paper Cassette and MP Tray.....	10
STEP 8 Turning the Power Switch On	18
STEP 9 Printing a Status Page.....	19

Unpacking

Carefully remove the printer and other items from the box. Check that nothing is missing against the list of shipped components below.

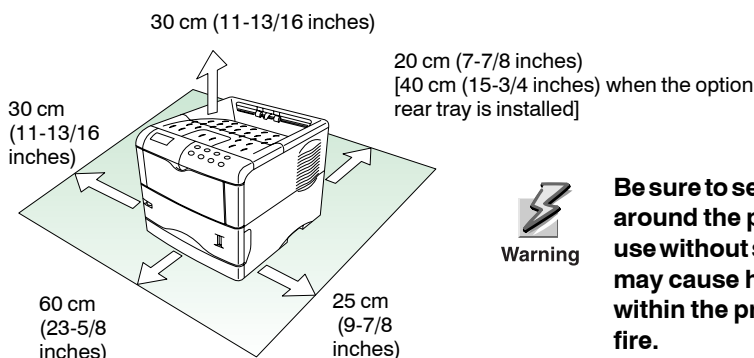
List of Shipped Components



Positioning the Printer

Make sure that the place of installation meets the following requirements:

Clearance



Environment

Temperature	10 to 32.5 °C (50 to 90.5 °F), ideally about 23 °C (73.4 °F)
Humidity	20 to 80 %, ideally 60 %



Note

Do not install the printer where temperature or humidity is outside the recommended range. Print quality may suffer and there will be an increased chance of paper jams.

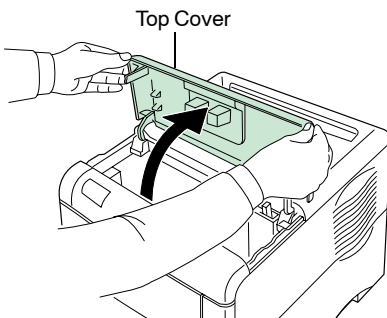
Places to Avoid

Avoid installing the printer in locations subject to:

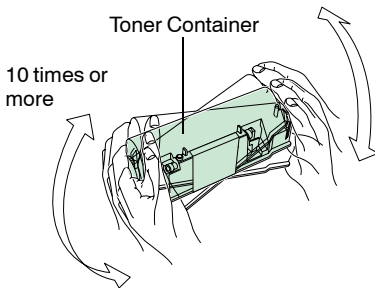
- Direct drafts of hot or cold air
- Direct drafts from outside (Avoid locations near building entrances.)
- Sudden temperature or humidity changes
- Sources of high temperature, for example, near stoves or radiators
- Excessive dust
- Vibration
- Unstable surfaces and surfaces that are not level
- Ammonia or other harmful fumes (If you are planning to fumigate the room, or make liberal use of insecticide, remove the printer first!)
- Excessive sunlight or humidity
- Lack of ventilation
- Low air pressure, e.g., elevations greater than 2000 meters (6500 feet) above sea level

Installing the Toner Container

Before you can use the printer for the first time, you must prepare it by installing the toner container, waste toner box, and set up the interfacing with the computer.

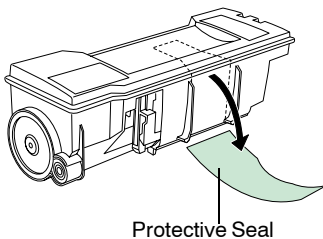


1 Open the printer top cover all the way.

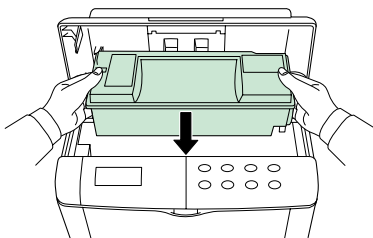


2 Take the toner container from the bag.

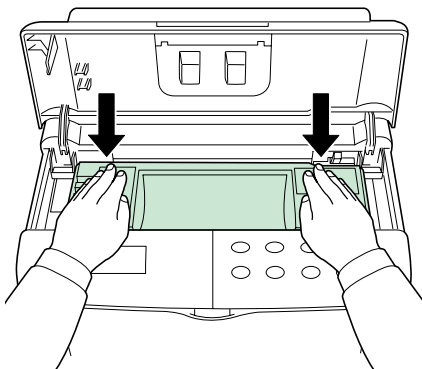
3 With the label side down, thoroughly shake the toner container (in the direction of the arrow) ten times or more to loosen and mix the toner inside.



4 Carefully remove the protective seal.

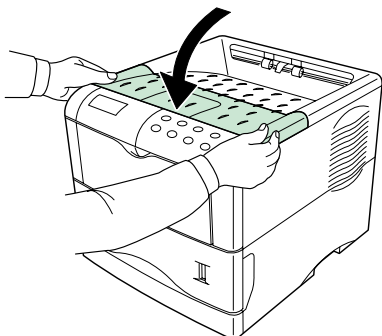


5 Install the toner container into the printer.



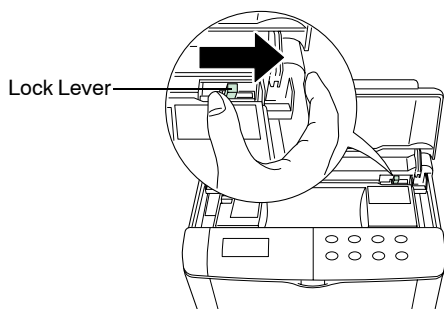
6 Push firmly on the top of the toner container at the positions marked **PUSH HERE**.

When the toner container fits into place, it will lock with a clicking sound.

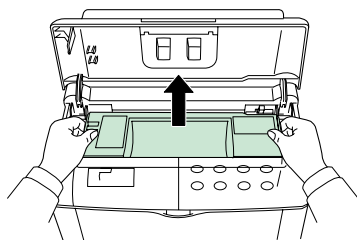


7 Close the top cover.

To remove the toner container

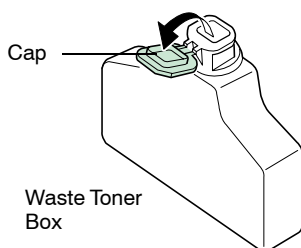


Pull the lock lever (blue colored) to the right and gently lift the toner container.

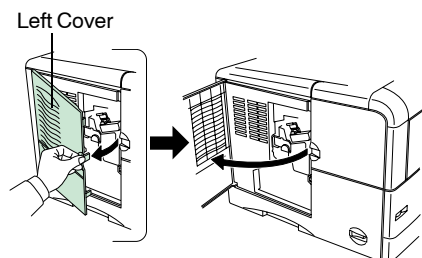


Installing the Waste Toner Box

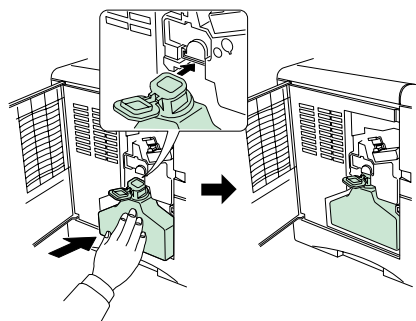
The waste toner box is supplied with the printer. The waste toner box must be installed in the printer.



- 1 Open the cap of the waste toner box.

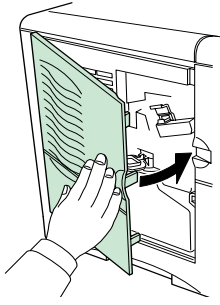


- 2 Open the left cover on the left side of the printer.

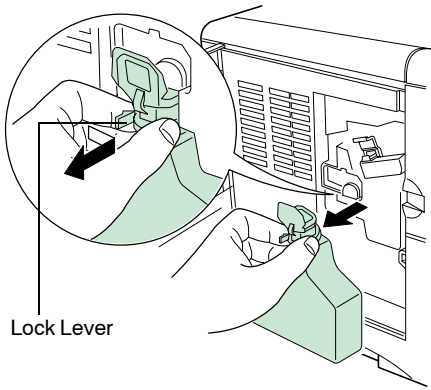


- 3 Insert the waste toner box as shown in the figure. The box will be locked when it fits into place.

- 4** Ensuring that it is correctly inserted, close the left cover.



To remove the Waste Toner Box

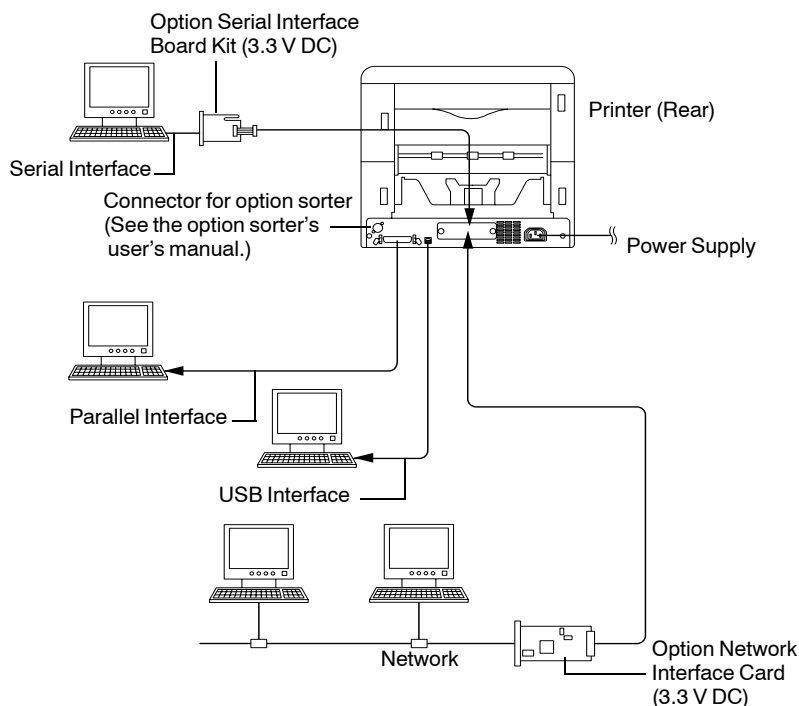


While holding the waste toner box, press the lock lever and then gently remove the waste toner box.

Connecting the Printer to the Computer



There are various ways of connecting the printer to the computer, such as through the parallel interface connector, through the USB (Universal Serial Bus) interface connector, through the option serial interface board kit (IB-11) or through the option network interface card.

Printer Connections

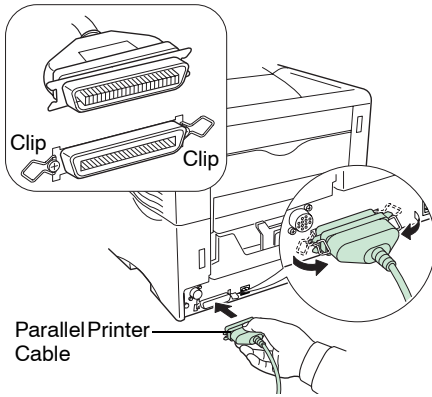


Caution

Before performing this step, be sure to turn off both the printer and the computer's power switches and unplug the printer's power plug from the power outlet. Failure to do so may result in electrical shock.

The standard Centronics parallel interface connector () and USB interface connector () are located on the rear of the printer.

Parallel Interface Connection



- 1 Plug one end of the printer cable (not included) into the parallel interface connector on the rear of the printer.



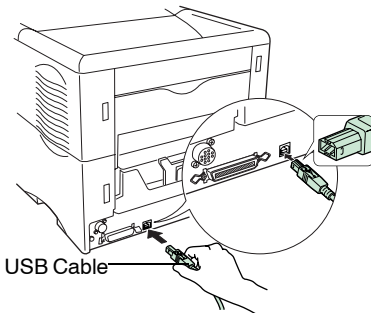
Note

- Use a parallel printer cable that complies with the IEEE1284 standards.
- The printer will work best if it is installed near the coputer. The connecting cable should be shielded and not be longer than 3 meters (10 feet).

- 2 Close the clips on both sides to fix the connector in place.

Plug the other end of the printer cable into the computer's parallel interface connector.

USB (Universal Serial Bus) Interface Connection



- 1 Plug one end of the USB cable on the rear of the printer.



Note

- Use a cable that complies with Revision 2.0 of USB standard.(a rectangular Type A plug and a square Type B plug).
- The connecting cable should be shielded and not be longer than 5 meters (16 feet).

- 2 Plug the other end of the USB cable into the computer's USB interface connector.

Connecting the Power Cord

This section describes the procedure for connecting the power cord and various cautions.

Notes on Power Supply

- Install the printer near an AC wall outlet, preferably one that can be used for the printer alone.
- Only use this printer with the supply voltage indicated on the serial number label attached to the printer's rear panel.
- If an extension cord is used, the total length of the power cord plus extension should be 5 meters (16 feet) or less.

Power Requirements

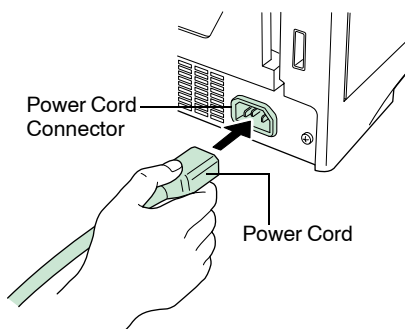
Voltage	120 V (U.S.A. and Canada), 220 to 240 V (European countries, and the Asia Pacific region), $\pm 10\%$ at each voltage
Frequency	60 Hz (120 V) $\pm 2\%$, 50/60 Hz (220 to 240V) $\pm 2\%$
Current capacity	8.0 A at 120 V, or 3.9 A at 220 to 240 V

To Connect the Power Cord



Caution

- Be sure the printer's power switch is turned off.
- Only use the power cord supplied with the printer.



- 1** Plug the power cord into the power cord connector on the rear of the printer.
- 2** Connect the other end of the power cord into a power outlet.



Warning

Be sure to connect to a 3-wire grounded power strip.

Adding Paper to the Paper Cassette and MP Tray

The paper cassette can accommodate A5 to A4/Letter and Legal (for U.S.A. only) size paper and can hold approximately 500 sheets. The MP (Multi Purpose) tray can accommodate the various paper sizes and can hold approximately 100 sheets of paper.

Paper sizes that are not standard sizes (other sizes) but within the size limitations can also be loaded into the cassette. When loading other sizes into the cassette, the size must be input into the printer on the operator panel (Refer to the *Operation Guide* [PDF file] provided on the CD-ROM). Standard size paper settings are indicated as fixed positions in the cassette.

The following paper weights can be used with the printer.

Paper source	Paper weight
Paper cassette	60 to 105 g/m ²
MP tray	60 to 200 g/m ²

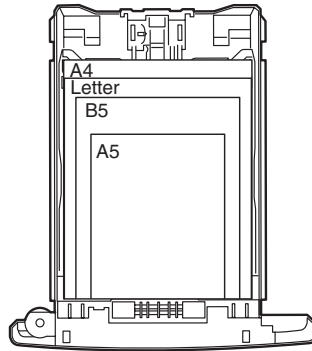


Caution

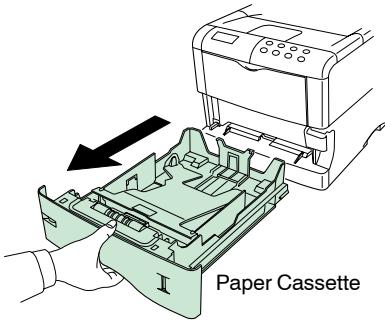
The edges of paper are sharp. When loading paper, be careful not to cut your hand on the paper.

Paper cassette

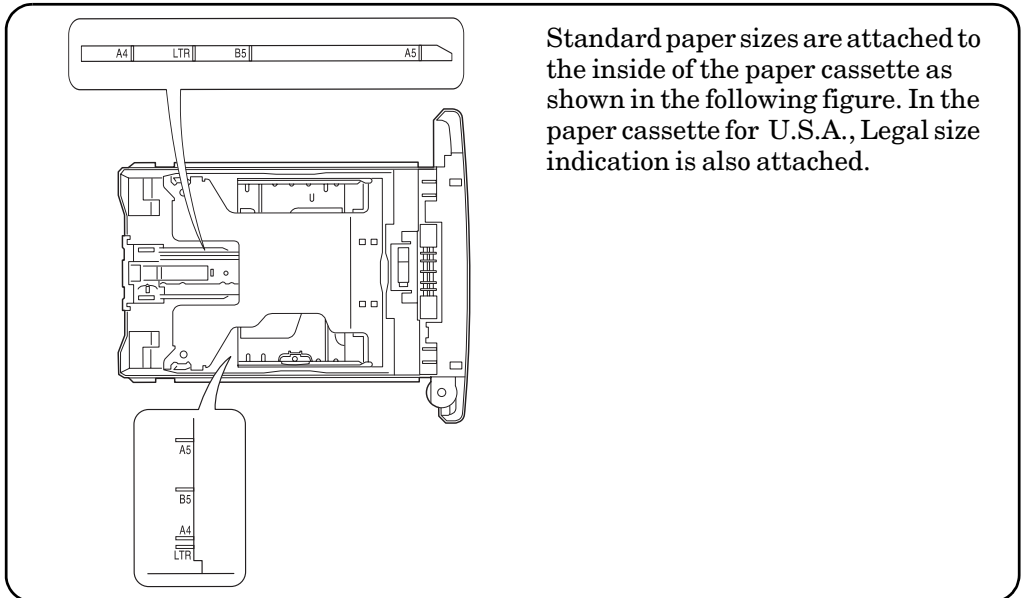
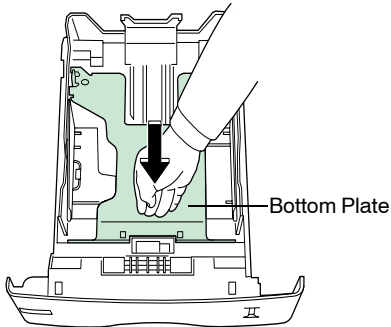
Standard paper sizes are attached to the inside of the paper cassette as shown in the following figure. Align the paper guides and paper stopper to the paper size you want to print on as described on the next page.

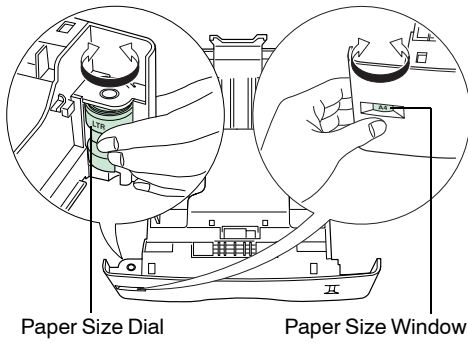


- 1** Pull the paper cassette all the way out of the printer.



- 2** Push the bottom plate down until it locks.

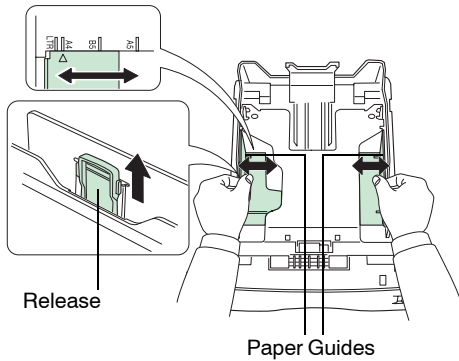




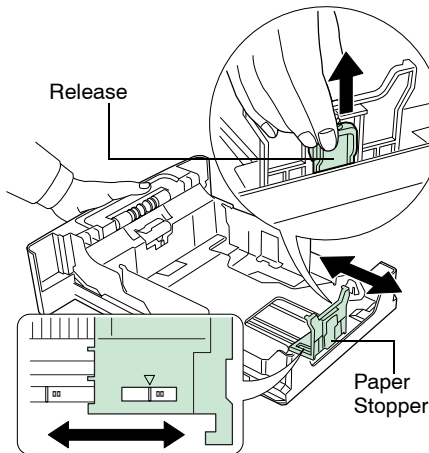
- 3** Turn the paper size dial so that the size of the paper you are going to use appears in the paper size window.



When the paper size dial is set to **OTHER** the paper size must be set into the printer on the operator panel. See the *Operation Guide* (PDF file) provided on the CD-ROM.

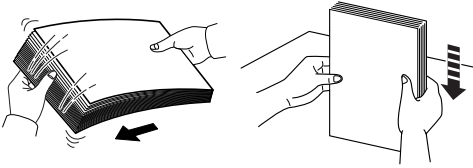


- 4** Adjust the position of the paper guides located on the left and right sides of the paper cassette. Pull the release lever on the left side guide and slide to the desired paper size.



- 5** Adjust the position of the paper stopper located at the rear of the paper cassette. Pull the release lever and slide the paper stopper to the desired paper size. When shipped from the factory, the paper cassette is set to A4 size.

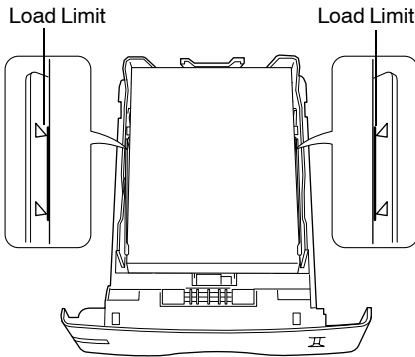
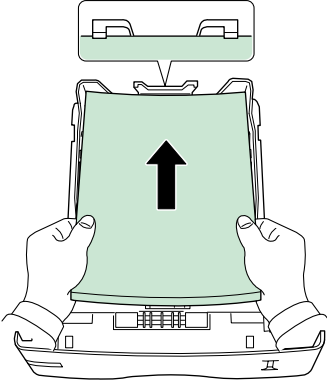
When using other size paper, move the paper guides and paper stopper all the way out, insert the paper, then adjust the paper guides and paper stopper to the size of the paper. Adjust them so that they are in light contact with the paper.



Caution

Fan the media (paper/transparencies), then tap it on a level surface to avoid media jams or skewed printing.

6 Slide the paper into the paper cassette.

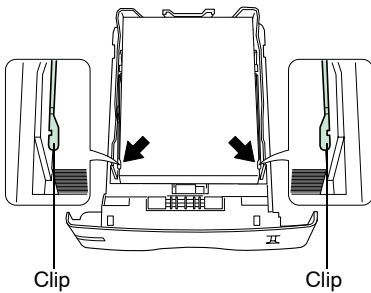


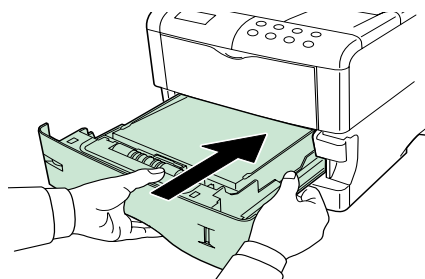
Note

- Do not load more paper than will fit under the load limits on the paper guides.

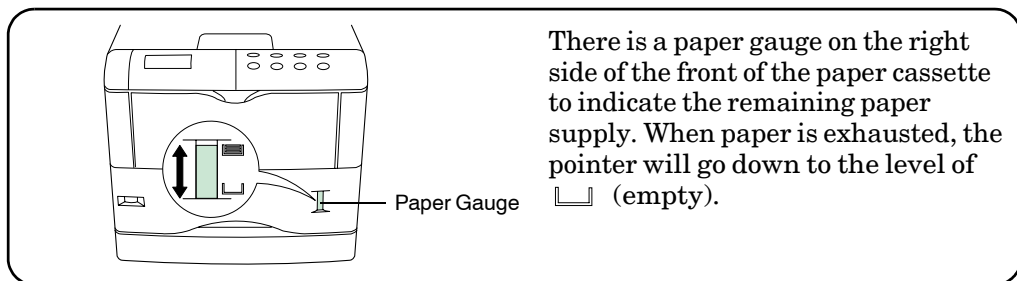
- The paper cassette will hold approximately 500 sheets of paper with a 80 g/m² (21 lb.) basis weight, or with a thickness of 0.11 mm.

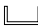
7 Set the stack of paper so that it is under the clips as shown.

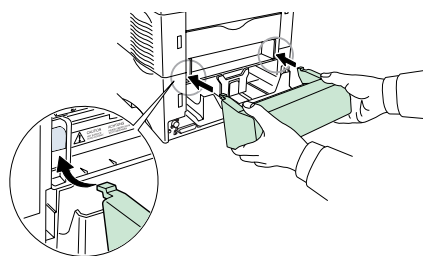




- 8** Insert the paper cassette into the slot in the printer. Push it straight in as far as it will go.

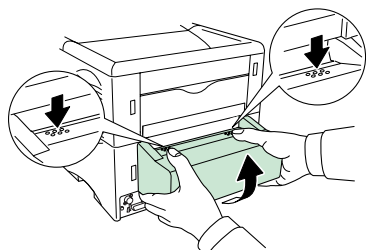


There is a paper gauge on the right side of the front of the paper cassette to indicate the remaining paper supply. When paper is exhausted, the pointer will go down to the level of  (empty).

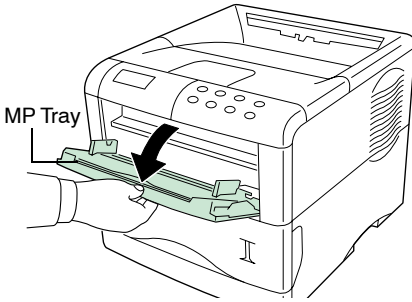


- 9** If you have installed a paper cassette that can hold the Legal size paper, install the dust cover at the back of the printer. (The Legal size cassette and the dust cover are supplied for U.S.A. only.)

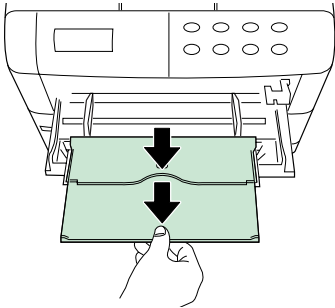
Removing the Dust Cover



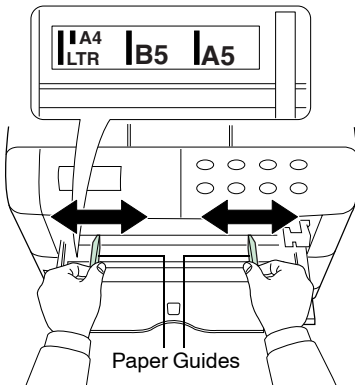
MP (Multi Purpose) tray



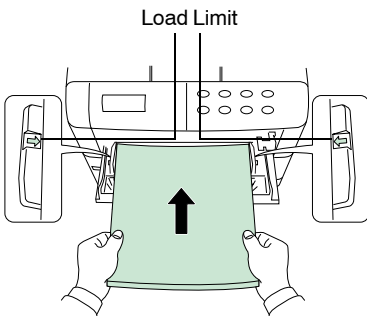
- 1** Pull the MP tray towards you until it stops.



- 2** Pull out the subtray.



- 3** Adjust the position of the paper guides on the MP tray. Standard paper sizes are attached to the MP tray. For standard paper sizes, slide the guides to the position marked correspondingly.



- 4** Align the paper with the paper guides and insert as far as it will go.




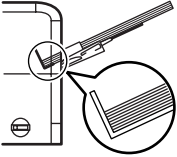
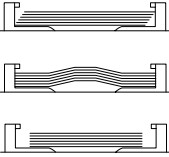
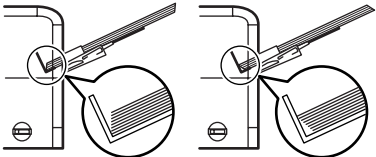
Note

Do not load more paper than will fit under the load limits on the inside of the MP tray.

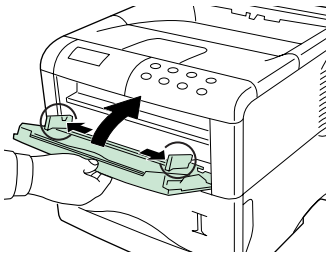


Note

If the paper is considerably curled in one direction, for example, if the paper is already printed on one side, try to roll the paper in the opposite direction to counteract the curl. Printed sheets will then come out flat.

Correct		
Incorrect		

To Close the MP Tray



Before closing the MP Tray, ensure the subtray is pushed back in, and the paper guides are opened as far as they will go.

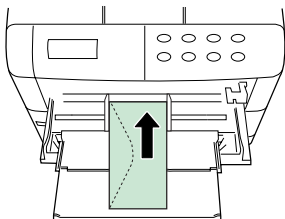
Envelopes

Envelopes should be fed in the face-up position, right edge first.



Note

- Test a sample envelope on the printer and check that printing quality is satisfactory before purchasing.
- To avoid trouble, we recommend that envelopes be delivered face-up using the option rear tray. Refer to *next page*.

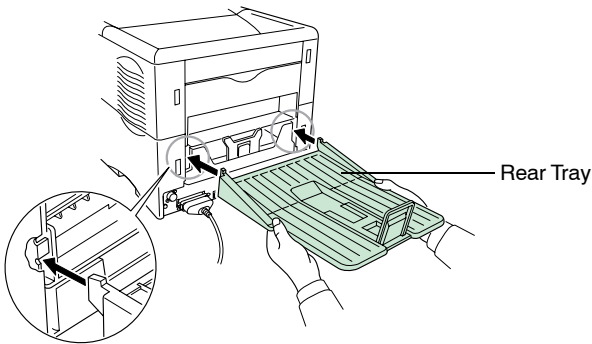
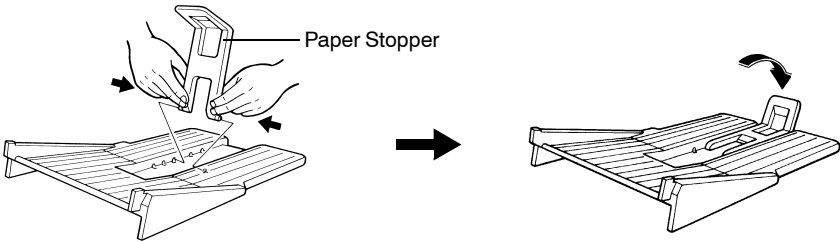
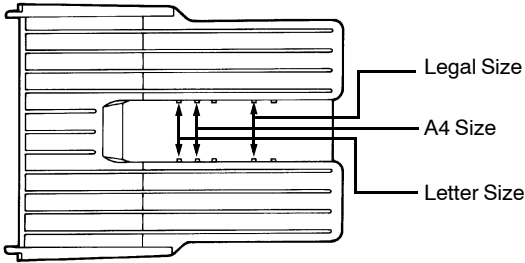


Some types of envelopes are not suitable for printing. For details on suitable types of envelopes, see the *Operation Guide* contained as a PDF file in the CD-ROM supplied with the printer.

Installing the Option Rear Tray

Use the rear tray when you wish paper to be stacked with the printed side facing up (reverse order), or when you are printing on envelopes, postcards, transparencies, or thick paper.

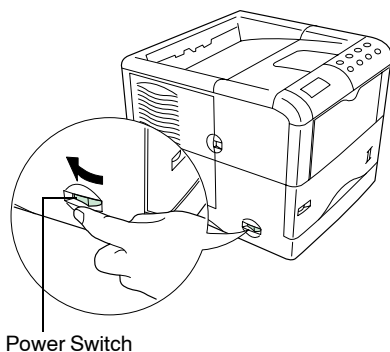
This rear tray is a separate option.



Turning the Power Switch On

This section describes the procedure for turning on the printer's power. During start-up, the language for the message display and status page of this printer can be selected from English, French, German, Italian, Dutch, Spanish, and Portuguese.

The default message language is English. For how to change the message language to another, refer to the *Selecting a Message Language* section.



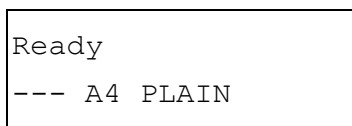
- 1 Switch on the printer's power. The message display should indicate *Self test*.




Note

If the indicator does not light, check that previous steps were performed properly.

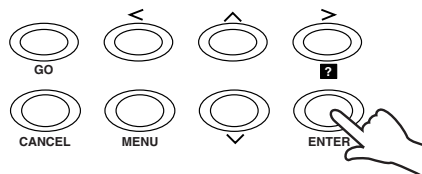
When the printer is first switched on after installation, there will be a delay of approximately 8 minutes before the printer gets ready to print as the developer unit needs to be filled with toner. During this period, the message display shows *Please wait (Adding toner)*.



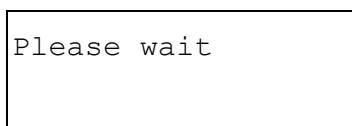
- 2 Wait until the READY () indicator is also lit and the message display indicates *Ready*. The printer is ready to print.

Selecting a Message Language

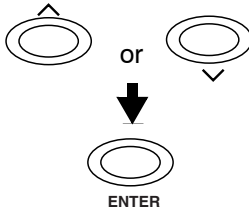
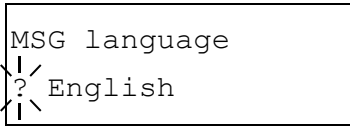
The default message language is English. To change the message language to another, follow the procedure described below. If required, your dealer can download major languages other than English, French, German, Italian, Dutch, Spanish, and Portuguese to your printer. Please contact your dealer.



- 1 While pressing the ENTER key, turn the power switch ON (1). Keep pressing the ENTER key until the message display indicates *Please wait* (approximately 1 minute). The message display should indicate *Self test*.



- 2 When the message display shows *Please wait*, release the ENTER key.

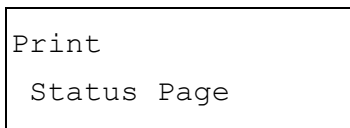
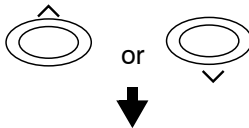


- 3** The message display indication changes to that shown on the left and ? flashes.
- 4** Press the ^ or v key repeatedly until the message display shows the desired language and then press the ENTER key.
If you do not wish to change the setting, press the CANCEL key.
- 5** The READY (O) indicator on the operator panel lights and the printer gets ready to print.

STEP
9

Printing a Status Page

To test the printer, print a status page indicating factory settings.



- 1** Press the MENU key on the operator panel.
- 2** Press the ^ or v key repeatedly until the message display shows `Print Status Page`.
- 3** Press the ENTER key twice. The message display indicates `Processing` during printing of the status page, then returns to `Ready`.

If the status page prints correctly, printer setup is complete. For details on using the printer, refer to the *Operation Guide* contained as a PDF file in the CD-ROM supplied with the printer.

Correcting a Paper Jam

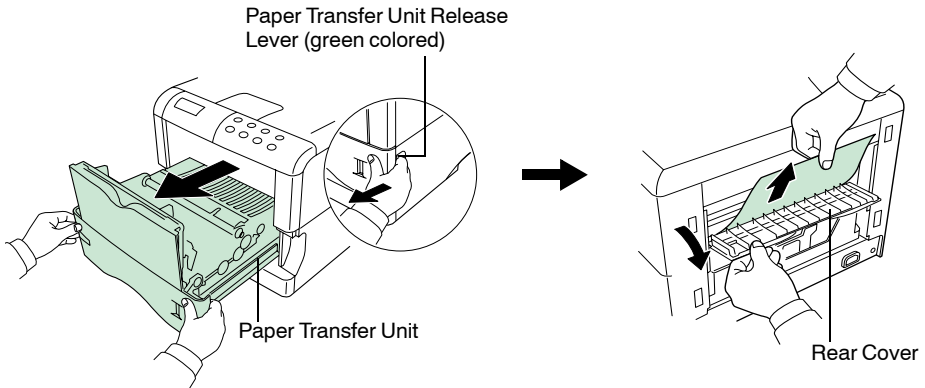
If a paper jam occurs while you are printing, remove the jammed paper as described below. After you have removed the jammed paper, open and close the top cover or the paper transfer unit.



When pulling the paper, pull it gently so as not to tear it. Torn pieces of paper are difficult to remove and may be easily overlooked, deterring the jam recovery.

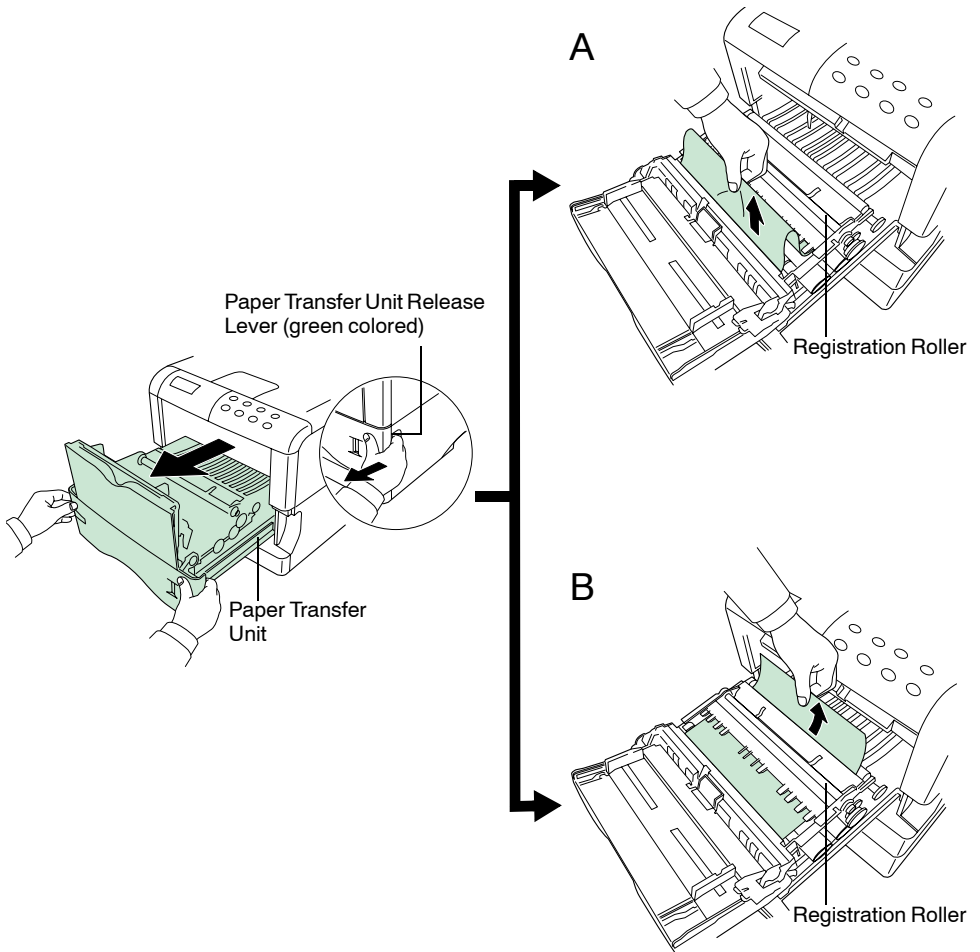
Jam at the Rear Cover

- 1** While pulling the paper transfer unit release lever (green colored), pull out the paper transfer unit.
- 2** Open the rear cover and remove the jammed paper as shown in the figure.



Jam Inside the Printer

- 1** While pulling the paper transfer unit release lever (green colored), pull out the paper transfer unit.
- 2** If paper is jammed before the registration roller, remove it as shown in *A*. If paper is jammed under the registration roller, remove it as shown in *B*.



FCC statement for users in the United States

This device complies with Part 15 of the FCC Rules. Operation is subject to the following two conditions: (1) This device may not cause harmful interference, and (2) this device must accept any interference received, including interference that may cause undesired operation.

■ Note

This equipment has been tested and found to comply with the limits for a Class B digital device, pursuant to Part 15 of the FCC Rules. These limits are designed to provide reasonable protection against harmful interference in a residential installation. This equipment generates, uses, and can radiate radio frequency energy and, if not installed and used in accordance with the instructions, may cause harmful interference to radio communications. However, there is no guarantee that interference will not occur in a particular installation. If this equipment does cause harmful interference to radio or television reception, which can be determined by turning the equipment off and on, the user is encouraged to try to correct the interference by one or more of the following measures:

- Reorient or relocate the receiving antenna.
- Increase the separation between the equipment and receiver.
- Connect the equipment into an outlet on a circuit different from that to which the receiver is connected.
- Consult the dealer or an experienced radio/TV technician for help.

Changes or modifications not expressly approved by the manufacturer for compliance could void the user's authority to operate the equipment. Shielded circular cable should be used for interfacing with the computer.

■ Caution to user

Any modification without prior permission may cause harmful interference.

If any modification/change is introduced to this equipment without prior permission, Kyocera Mita as the manufacturer cannot guarantee compliance with FCC rules. To use equipment which does not comply with FCC rules is prohibited. The printer may be optionally installed with the following units:

■ Options Conforming to the Class B limits

- DU-61 Duplexer
- SO-60 Sorter
- PF-60 Paper Feeder (500 sheets)

Warning: FCC Regulations state that any unauthorized changes or modifications to this equipment not expressly approved by the manufacturer could void the user's authority to operate the equipment.

■ Caution labels

The labels shown are affixed to the printer.

Label inside the printer (Laser radiation warning)

FS-1920 220-240V~
50/60Hz 3.9A

KYOCERA MITA Corporation
CLASS 1 LASER PRODUCT to IEC825
LASER KLASSE 1 NACH IEC825
KLASSE 1 LASER PRODUKT I.H.T. IEC825
LUOKAN 1 LASERLAITE

CAUTION REMOVE POWER CORD BEFORE SERVICE AND FUSE REPLACEMENT. ACN003852444

VORSICHT VOR WARTUNG UND SICHERUNGS-WECHSEL NETZSTECKER ZIEHEN.

ATTENTION POUR PREVENIR LES CHOCES ELECTRIQUES, COUPER L'ALIMENTATION AVANT DE REMPLACER LE FUSIBLE.

ATENCIÓN DESENCHUFE EL CORDÓN DE ALIMENTACIÓN ANTES DEL SERVICIO Y DEL REEMPLAZO DEL FUSIBLE.

PRECAUZIONE PRIMA DI CAMBIARE I FRESIBILI O DI ESEGUIRE RIPARAZIONI, STACCATTE IL CADO DI ALIMENTAZIONE.




>ABS< **MADE IN JAPAN**

(European/Pacific countries)

FS-1920 120V~
60Hz 8.0A

KYOCERA MITA Corporation
TAMAKI PLANT
704-19 NOJINO, TAMAKI-TOWN
WATARAI-COUNTY, MIE-PREF. JAPAN
MANUFACTURED.

THIS LASER PRODUCT CONFORMS TO THE APPLICABLE REQUIREMENTS OF FEDERAL REGULATIONS 21 CFR CHAPTER 1, SUBCHAPTER J.

FC Tested to Comply With FCC Standards

FOR HOME OR OFFICE USE
This device complies with Part 15 of the FCC Rules. Operation is subject to the following two conditions: (1) This device may not cause harmful interference, and (2) this device must accept any interference received, including interference that may cause undesired operation.

This Class B digital apparatus complies with Canadian ICES-003.
Cet appareil numérique de la classe B est conforme à la norme NMB-003 du Canada. YM

CAUTION REMOVE POWER CORD BEFORE SERVICE AND FUSE REPLACEMENT.

ATTENTION POUR PREVENIR LES CHOCES ELECTRIQUES, COUPER L'ALIMENTATION AVANT DE REMPLACER LE FUSIBLE.

PRECAUZIONE PRIMA DI CAMBIARE I FRESIBILI O DI ESEGUIRE RIPARAZIONI, STACCATTE IL CADO DI ALIMENTAZIONE.

>ABS< **MADE IN JAPAN**

(U.S.A./Canada)

Label on the printer's rear panel

DANGER • LASER RADIATION WHEN OPEN.
AVOID DIRECT EXPOSURE TO BEAM.

ATTENTION • RAYONNEMENT LASER EN CAS D'OUVERTURE.
EXPOSITION DANGEREUSE AU FAISCEAU.

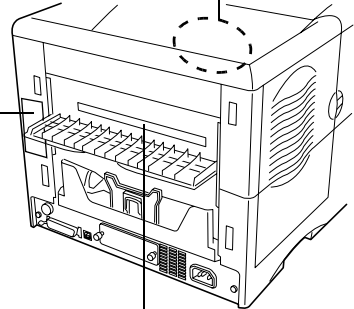
VORSICHT • LASERSTRAHLUNG, WENN ABDECKUNG GEÖFFNET.
NICHT DEM STRAHL AUSSETZEN.

ATTENZIONE • RADIAZIONE LASER IN CASO DI APERTURA.
EVITARE L'ESPOSIZIONE AL FASCIO.

PRECAUCION • RADIACION LASER CUANDO SE ABRE.
EVITAR EXPOSERSE AL RAYO.

VARO! • AVATTAESSA QIET ALTRINNA LASERSÄTELYLLE.
ÄLÄ KATSO SÄTEESÄN.

 警告 - このカバーの内面ではレーザー光が照射されています。
レーザー光にさらされるのを防ぐためにご注意ください。
警告 - 开盖时, 可能有激光外泄! 应避免激光直接照射。
警告 - 内部雷射放射中, 請勿隨意打開蓋子。



 **CAUTION** HOT SURFACE AVOID CONTACT

ACHTUNG HEISSE OBERFLÄCHE NICHT BERÜHREN

ATTENTION TEMPÉRATURE ÉLEVÉE NE PAS TOUCHER

ATENCIÓN EXTERIOR CALIENTE EVITE EL CONTACTO

ATTENZIONE SUPERFICIE CHE SCOTTA NON TOCCARE

고온주의 高温注意

Label inside the rear

Ozone concentration

The printers generate ozone gas (O₃) which may concentrate in the place of installation and cause an unpleasant smell. To minimize concentration of ozone gas to less than 0.1 ppm, we recommend you not to install the printer in a confined area where ventilation is blocked.

IMPORTANT SAFEGUARDS

1. Read all of these instructions and save these instructions for later use.
2. Unplug this product from the wall outlet before cleaning.
3. Do not use this product near water.
4. Do not place this product on an unstable cart, stand, or table. The product may fall, causing serious damage to the product.
5. Slots and openings in the cabinet and the back are provided for ventilation to ensure reliable operation of the product and to protect it from overheating, these openings must not be blocked or covered. The openings should never be blocked by placing the product on a bed, sofa, rug, or other similar surface. This product should never be placed near or over a radiator or heat register. This product should not be placed in a built-in installation unless proper ventilation is provided.
6. This product is equipped with a 3-wire grounding type plug, a plug having a third (grounding) pin. This plug will only fit into a grounding-type power outlet. This is a safety feature. If you are unable to insert the plug into the outlet, contact your electrician to replace your obsolete outlet. Do not defeat the purpose of the grounding-type plug.
7. Do not allow anything to rest on the power cord. Do not locate this product where persons will walk on the cord.
8. If an extension cord is used with this product, make sure that the total of the ampere ratings on the products plugged into the extension cord do not exceed the extension cord ampere rating.

9. Never push objects of any kind into this product through cabinet slots as they may touch dangerous voltage points or short out parts that could result in a risk of fire or electric shock. Never spill liquid of any kind on the product.
10. Except as explained elsewhere in User's Manual, do not attempt to service this product yourself. Removing covers may expose you to dangerous voltage points or other risks. Refer all servicing in those compartments to service personnel.
11. Unplug this product from the wall outlet and refer servicing to qualified service personnel under the following conditions:
 - A- When the power cord or plug is damaged or frayed.
 - B- If liquid has been spilled into the product.
 - C- If the product has been exposed to rain or water.
 - D- If the product does not operate normally when the operating instructions are followed. Adjust only those controls that are covered by the operating instructions since improper adjustment of other controls may result in damage and will often require extensive work by a qualified technician to restore the product to normal operation.
 - E- If the product has been dropped or the cabinet has been damaged.

Canadian Department of Communications compliance statement

This Class B digital apparatus complies with Canadian ICES-003.

Avis de conformité aux normes du ministère des Communications du Canada

Cet appareil numérique de la classe B est conforme à la norme NMB-003 du Canada.

ISO 7779

Maschinenlärminformationsverordnung 3. GSGV, 18.01.1991: Der höchste Schalldruckpegel beträgt 70 dB(A) oder weniger gemäß ISO 7779.

CE Marking Directive

According to *Council Directive 89/336/EEC and 73/23/EEC*

Manufacturer's name: Kyocera Mita Corporation, Tamaki Plant

Manufacturer's address: 704-19 Nojino, Tamaki-Cho, Watarai-Gun, Mie-Ken 519-0497, Japan

declares that the product

Product name: Page Printer

Model number: FS-1920 (as tested with the enhancement optional unit: PF-60, DU-61, and SO-60)

Conforms to the following product specifications.

EN 55 022:1998 Class B

EN 61 000-3-2:1995

EN 61 000-3-3:1995

EN 55 024:1998

EN 60 950:2000

EN 60 825-1:1994+A11+A2

The manufacturer and its merchandising companies retain the following technical documentation in anticipation of the inspection that may be conducted by the authorities concerned.

User's instruction that conforms to the applicable specifications

Technical drawings

Descriptions of the procedures that guarantee the conformity

Other technical information

Declaration of Conformity (Australia)

Manufacturer's name: Kyocera Mita Corporation, Tamaki Plant
Manufacturer's address: 704-19 Nojino, Tamaki-Cho, Watarai-Gun, Mie-Ken 519-0497, Japan

declares that the product

Product name: Page Printer
Model number: FS-1920 (as tested with the enhancement optional units: PF-60, DU-61, and SO-60)

Description of device: This Page Printer Model FS-1920 is the 28 ppm; A4 size and utilized plane paper; laser; dry toner etc. The printer can be equipped with several enhancement optional units as a paper feeder as PF-60, a duplexer as DU-61, a sorter as SO-60 etc.

Conforms to the following product specifications.
AS/NZS 3548: 1995 (EN 55 022:1994 Class B)
IEC60950 (EN 60 950:2000)
IEC60825-1 (EN 60 825-1:1994+A11+A2)

The manufacturer and its merchandising companies retain the following technical documentation in anticipation of the inspection that may be conducted by the authorities concerned.

User's instruction that conforms to the applicable specifications
Technical drawings
Descriptions of the procedures that guarantee the conformity
Other technical information

Kyocera Mita Australia Pty., Ltd.

6-10 Talavera Road, North Ryde, NSW, 2113, Australia
Phone: +61 2-9888-9999
Fax: +61 2-9888-9588

Declaration of Conformity (U.S.A.)

Model Number: Laser Printer FS-1920 (as tested with enhancement optional units: PF-60, DU-61, SO-60.)
Trade Name: Kyocera
Responsible Party: Kyocera Mita America Inc.
Address: 225 Sand Road PO Box 40008 Fairfield, New Jersey 07004-0008, U.S.A.
Telephone number: (973) 808-8444
Fax number: (973) 882-6000

Manufacturer's name: Kyocera Mita Corporation, Tamaki Plant
Manufacturer's address: 704-19 Nojino, Tamaki-Cho, Watarai-Gun, Mie-Ken 519-0497, Japan

This device complies with Part 15 of the FCC Rules, Operation is subject to the following two conditions: (1) This device may not cause harmful interference, and (2) this device must accept any interference received, including interference that may cause undesired operation.

The manufacturer and its merchandising companies retain the following technical documentation in anticipation of the inspection that may be conducted by the authorities concerned.

User's instruction that conforms to the applicable specifications.
Technical drawings.
Descriptions of the procedures that guarantee the conformity.
Other technical information.

Kyocera Mita America Inc.

Disclaimer

We shall have no liability or responsibility to customers or any other person or entity with respect to any liability, loss or damage caused or alleged to be caused directly or indirectly by equipment sold or furnished by us, including but not limited to, any interruption of service, loss of business or anticipatory profits, or consequential damages resulting from the use or operation of the equipment or software.

Prolonged Non-Use and Moving the Printer

■ Prolonged Non-use

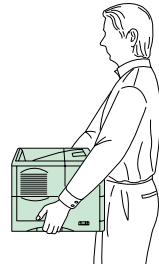
If you ever leave the printer unused for a long period of time, remove the power cord from the wall outlet.

We recommend you consult with your dealer about the additional actions you should take to avoid possible damages that may occur when the printer is used next time.

■ Moving the Printer

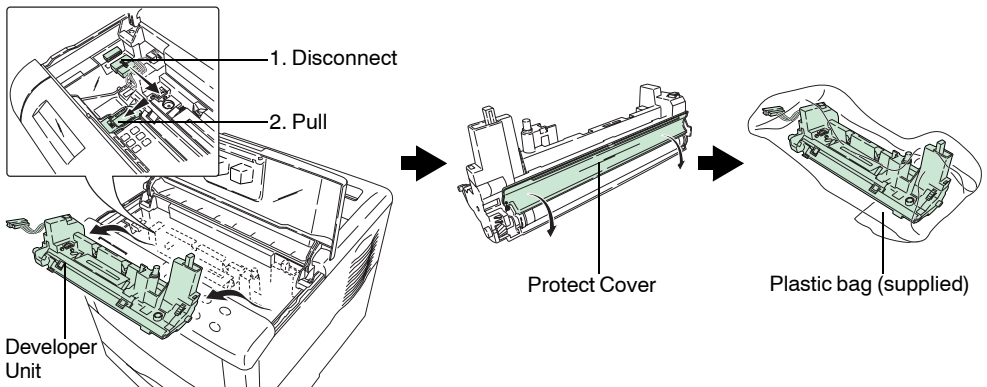
When you move the printer:

- Move it gently.
- Keep it as level as possible, to avoid spilling toner inside the printer as shown in the figure.
- The handhold on the right side of the printer doubles as the memory card slot. Be sure to remove the memory card first, if inserted, before lifting or moving the printer.
- Be sure to remove all the option units such as the sorter and duplexer before moving the printer.

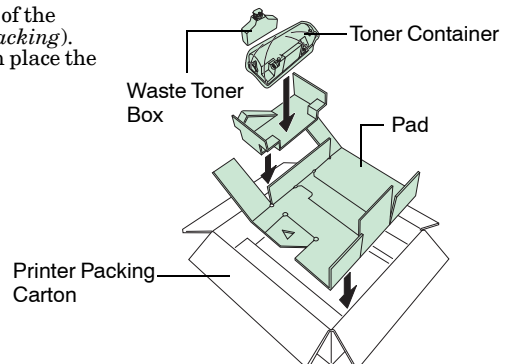


If you need to move the printer to another location, remove the toner container, waste toner box, and developer unit. The procedure for removing these is as follows:

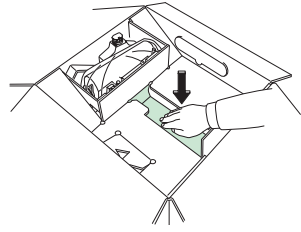
- 1** Remove the toner container and waste toner box from the printer. Put the toner container into the plastic bag in which it was supplied to prevent spilling of toner. Close the cap of the waste toner box tightly.
 - 2** Disconnect the connector of the developer unit from the printer and while pulling the developer unit release lever, remove the developer unit from the printer (1). Close the protect cover on the developer unit (2) and put the developer unit into the supplied plastic bag (3).
- (1)** Remove the developer unit. **(2)** Close the protect cover. **(3)** Put the developer unit.



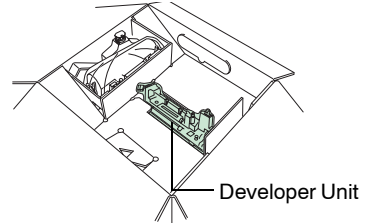
- 3** Put the printer into the box in reverse order of the unpacking procedure (Refer to *STEP 1 Unpacking*). Position the pad as shown in the figure, then place the toner container and waste toner box.



- 4 Push the center as shown in the figure to make space for the developer unit.



- 5 Put the developer unit into that space.



To reinstall the developer unit into the printer, use the reverse procedure of the above.

ENERGY STAR®



As an ENERGY STAR Partner, we have determined that this product meets the ENERGY STAR guidelines for energy efficiency.

The basic objective of the ENERGY STAR Program is to reduce environmental pollution by encouraging the manufacture and sale of equipment that uses energy more efficiently.

This printer is equipped with a sleep timer function that conforms with the standards of the ENERGY STAR Program. This function makes it possible to reduce the amount of electrical power consumed by the printer. For maximum power savings, turn off the printer's power supply when not using the printer for extended periods of time.

For details on the sleep timer function and printer power consumption, refer to the CD-ROM instruction manual provided with the printer.

Initial settings of the sleep timer function and power saved using the sleep timer function:

Initial sleep mode setting	Power consumption in sleep mode
15 minutes (30 minutes)	5.6 W (30 W) [U.S.A. / Canada] 5.3 W (30 W) [European countries]

(): ENERGY STAR program guideline

Group for Energy Efficient Appliances (GEEA)



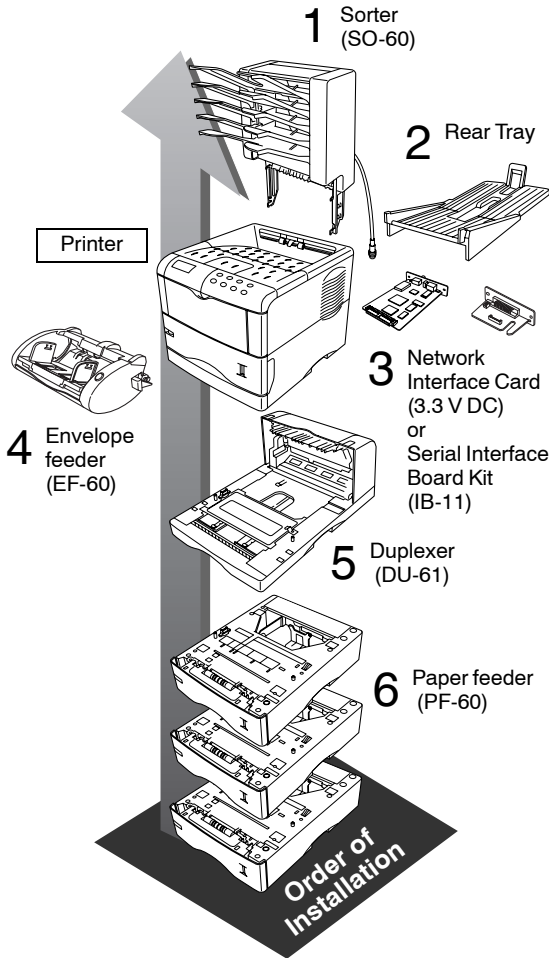
The goal of GEEA is efficient use of energy. This product has a high-efficiency profile and meets the criteria for receiving the GEEA-Label.

Initial sleep mode setting	Power Consumption	
	Power off	Sleep mode
15 minutes (30 minutes)	0 W (1 W)	5.6 W (30 W) [U.S.A. / Canada] 5.3 W (30 W) [European countries]

(): GEEA criteria

Options

The following options are available for the printer.



1 Sorter (SO-60)

Equipped with five trays each with 200 sheets capacity. Performs sorting, collating, and mailbox function. Attaches to the top of the printer.

2 Rear Tray

It attaches to the rear of the printer.

3 Network Interface Card

Enables printing from multiple computers via a network.

Serial Interface Board Kit (IB-11)

Connect to the computer's serial printer port with a serial cable.

4 Envelope Feeder (EF-60)

Holds more envelopes at a time than the MP tray. It can be attached to the front of the printer after the MP tray has been removed.

5 Duplexer (DU-61)

Performs duplex printing for short edge and long edge binding. Attaches to the bottom of the printer.

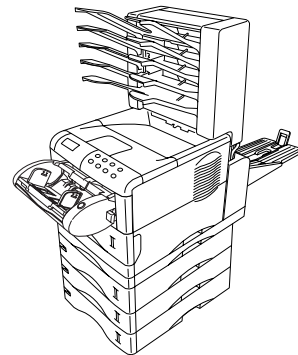
6 Paper Feeder (PF-60)

Holds approximately 500 sheets of A5 to A4/Letter and Legal size paper. Up to three paper feeders can be attached to the bottom of the printer unit.

Other Options

Memory DIMM, CompactFlash™ card, Microdrive™ (Hard Disk Unit)

See your dealer for purchasing information of these optional devices that are best suited for use with this printer.



Printer combined with options


Regarding Trademarks

PRESCRIBE is a registered trademark of Kyocera Corporation. KPDL and KIR (Kyocera Image Refinement) are trademarks of Kyocera Mita Corporation.

Hewlett-Packard, PCL, and PJI are registered trademarks of Hewlett-Packard Company. Centronics is a trademark of Centronics Data Computer Corp. PostScript is a registered trademark of Adobe Systems Incorporated. Adobe and Acrobat are trademarks of Adobe Systems Incorporated. ENERGY STAR is a U.S. registered mark.

This Kyocera Mita page printer uses PeerlessPrintXL to provide the HP LaserJet compatible PCL 6 language emulation. PeerlessPrintXL is a trademark of The Peerless Group, Redondo Beach, CA 90278, U.S.A.

This product was developed using the Tornado™ Real Time Operating System and Tools from Wind River Systems.

AGFA  This product contains UFST™ and MicroType® from Agfa Monotype Corporation.

IBM PROGRAM LICENSE AGREEMENT

The device you have purchased contains one or more software programs ("Programs") which belong to international business machines corporation ("IBM"). This document defines the terms and conditions under which the software is being licensed to you by IBM. If you do not agree with the terms and conditions of this license, then within 14 days after your acquisition of the device you may return the device for a full refund. If you do not so return the device within the 14 days, then you will be assumed to have agreed to these terms and conditions.

The Programs are licensed not sold. IBM, or the applicable IBM country organization, grants you a license for the Programs only in the country where you acquired the Programs. You obtain no rights other than those granted you under this license.

The term "Programs" means the original and all whole or partial copies of it, including modified copies or portions merged into other programs. IBM retains title to the Programs. IBM owns, or has licensed from the owner, copyrights in the Programs.

1. License

Under this license, you may use the Programs only with the device on which they are installed and transfer possession of the Programs and the device to another party.

If you transfer the Programs, you must transfer a copy of this license and any other documentation to the other party. Your license is then terminated. The other party agrees to these terms and conditions by its first use of the Program.

You may not:

- 1) use, copy, modify, merge, or transfer copies of the Program except as provided in this license;
- 2) reverse assemble or reverse compile the Program; or
- 3) sublicense, rent, lease, or assign the Program.

2. Limited Warranty

The Programs are provided "AS IS."

There are no other warranties covering the programs (or conditions), express or implied, including, but not limited to, the implied warranties of merchantability and fitness for a particular purpose.

Some jurisdictions do not allow the exclusion of implied warranties, so the above exclusion may not apply to you.

3. Limitation of Remedies

IBM's entire liability under this license is the following;

- 1) For any claim (including fundamental breach), in any form, related in any way to this license, IBM's liability will be for actual damages only and will be limited to the greater of:
 - a) the equivalent of U.S.\$25,000 in your local currency; or
 - b) IBM's then generally available license fee for the Program

This limitation will not apply to claims for bodily injury or damages to real or tangible personal property for which IBM is legally liable.

IBM will not be liable for any lost profits, lost savings, or any incidental damages or other economic consequential damages, even if IBM, or its authorized supplier, has been advised of the possibility of such damages. IBM will not be liable for any damages claimed by you based on any third party claim. This limitation of remedies also applies to any developer of Programs supplied to IBM. IBM's and the developer's limitations of remedies are not cumulative. Such developer is an intended beneficiary of this Section. Some jurisdictions do not allow these limitations or exclusions, so they may not apply to you.

4. General

You may terminate your license at any time. IBM may terminate your license if you fail to comply with the terms and conditions of this license. In either event, you must destroy all your copies of the Program. You are responsible for payment of any taxes, including personal property taxes, resulting from this license. Neither party may bring an action, regardless of form, more than two years after the cause of action arose. If you acquired the Program in the United States, this license is governed by the laws of the State of New York. If you acquired the Program in Canada, this license is governed by the laws of the Province of Ontario. Otherwise, this license is governed by the laws of the country in which you acquired the Program.

Important note on the interface connectors

Be sure to turn off printer power before connecting or disconnecting an interface cable to the printer. For protection against static discharge which may be applied to the printer's internal electronics through the interface connector(s), keep any interface connector which is not in use capped using the protective cap supplied.

Note: Use shielded interface cable.

Safety information

■ Laser safety

This printer is certified as a Class 1 laser product under the U.S. Department of Health and Human Services (DHHS) Radiation Performance Standard according to Radiation Control for Health and Safety Act of 1968. This means that the printer does not produce hazardous laser radiation. Since radiation emitted inside the printer is completely confined within protective housings and external covers, the laser beam cannot escape from the printer during any phase of user operation.

■ Laser notice

This printer is certified as a Class I laser product conforming to the requirements of IEC 825.

DANGER: LASER RADIATION WHEN OPEN. AVOID DIRECT EXPOSURE TO BEAM.

CAUTION: Use of controls or adjustments or performance of procedures other than those specified herein may result in hazardous radiation exposure.

This page intentionally left blank.

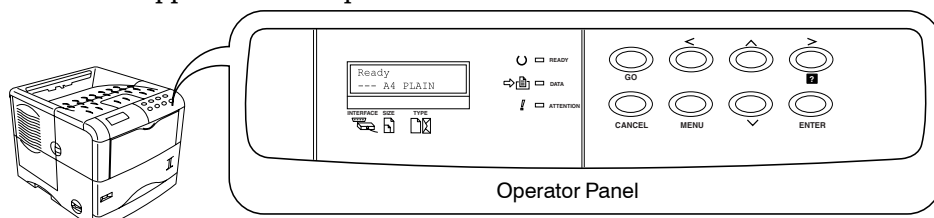
This page intentionally left blank.

**QUALITY
CERTIFICATE**

This machine has passed
all quality controls and
final inspection.

Operator Panel

For more details on operating procedures, see the *Operation Guide* contained as a PDF file in the CD-ROM supplied with the printer.



Indicator	Name	Description
READY	Ready indicator	Flashing: Indicates when an error occurs that you can clear by yourself. Lit: Indicates that the printer is on-line. Printing is possible. Off: Indicates that the printer is off-line. Data can be received but will not be printed. Also indicates when printing is automatically stopped due to occurrence of an error.
DATA	Data indicator	Flashing: Indicates data transfer is taking place. Lit: Indicates either that data is being processed, or that data is being written to the memory card.
ATTENTION	Attention indicator	Flashing: Indicates when the printer needs maintenance attention or the printer is warming up (Please wait). Lit: Indicates when a problem or an error occurs that you can clear by yourself. (For example, paper jam occurs.)

Message Display	Name	Description
	Interface indicator	The interface indicator shows which of the printer's interfaces is currently active. The default is no selection (---).
	Paper size indicator	Indicates the paper size of the current paper cassette. The default is A4 (A4) size.
	Paper type indicator	Indicates the paper type of the current paper cassette. The default is PLAIN.



If the number of pages to be printed is set to 2 or more, when printing starts, the lower line of the message display shows the *number of printed pages/set number of pages to be printed*.

Note

Key	Function
	<ul style="list-style-type: none"> Switches the printer on-line and off-line. Prints and feed out one page. Cancels specific errors. Wakes from sleep mode.
	<ul style="list-style-type: none"> Abandons a printing job, resets numeric values, or cancels a setting procedure. Used to stop the sounding of the alarm buzzer indicating the occurrence of an error.
	<ul style="list-style-type: none"> When pressed during mode selection, terminates the setting and returns to the Ready condition. Used to select the emulation, font, character code set; to read an memory card and others.
	Lets you access the desired item or enter numeric values. In some of the control procedures, the < and > keys are used to enter or exit the sub items.
	Enables access to the desired item or entering of numeric values. In some of the control procedures, the < and > keys are used to enter or exit the sub items.
	Used as the < key in the mode selection function.
	<ul style="list-style-type: none"> Used as the > key in the mode selection function. Displays online help messages on the message display when paper jam errors occur.
	Finalizes numeric values and other selections.

Free Manuals Download Website

<http://myh66.com>

<http://usermanuals.us>

<http://www.somanuals.com>

<http://www.4manuals.cc>

<http://www.manual-lib.com>

<http://www.404manual.com>

<http://www.luxmanual.com>

<http://aubethermostatmanual.com>

Golf course search by state

<http://golfingnear.com>

Email search by domain

<http://emailbydomain.com>

Auto manuals search

<http://auto.somanuals.com>

TV manuals search

<http://tv.somanuals.com>